

---

## 4 Parts and diagrams

- [Order parts by authorized service providers](#)
- [How to use the parts lists and diagrams](#)
- [Assembly locations](#)
- [External covers, panels, and doors](#)
- [Right door assembly](#)
- [Internal components \(1 of 6\)](#)
- [Internal components \(2 of 6\)](#)
- [Internal components \(3 of 6\)](#)
- [Internal components \(4 of 6\)](#)
- [Internal components \(5 of 6\)](#)
- [Internal components \(6 of 6\)](#)
- [Cassette](#)
- [Paper pickup assembly](#)
- [Paper delivery assembly](#)
- [Printed circuit assemblies](#)
- [Paper feeder external components](#)
- [Paper feeder internal components](#)
- [Paper feeder PCA](#)
- [Alphabetical parts list](#)
- [Numerical parts list](#)

# Order parts by authorized service providers

## Order parts, accessories, and supplies

**Table 4-1 Order parts, accessories, and supplies**

Order supplies and paper	<a href="http://www.hp.com/go/suresupply">www.hp.com/go/suresupply</a>
Order genuine HP parts or accessories	<a href="http://www.hp.com/buy/parts">www.hp.com/buy/parts</a>
Order through service or support providers	Contact an HP-authorized service or support provider.
Order using HP software	For information about using the HP software to order parts, accessories, and supplies, see the product user guide.

## Related documentation and software

**Table 4-2 Related documentation and software**

Item	Description	Part number
<i>HP Color LaserJet CP5220 Series Printer User Guide</i>	Product user guide	CE710-90921
<i>HP Color LaserJet CP5220 Series Printer Service Manual</i>	English service manual (this manual)	CE710-90910

## Supplies part numbers

**Table 4-3 Supplies part numbers**

Item	Description	Part number
HP LaserJet print cartridges with HP ColorSphere toner	Black print cartridge	CE740A (new)
		CE740-67901 (service)
	Cyan print cartridge	CE741A (new)
		CE741-67901 (service)
	Yellow print cartridge	CE742A (new)
		CE742-67901 (service)
	Magenta print cartridge	CE743A (new)
		CE743-67901 (service)

## Customer self repair parts

Each kit includes parts and installation instructions. The CSR level indicates the expected difficulty the customer will experience when replacing this part:

- A = Easy
- B = Difficult
- C = Very difficult

Item	Part number	CSR level
110V Fuser kit	CE710-69001	A
220V Fuser kit	CE710-69002	A
ITB kit	CE710-69003	A
<ul style="list-style-type: none"> <li>• ITB assembly</li> <li>• Secondary transfer roller assembly</li> </ul>		
Secondary transfer roller (T2) kit	CE710-69004	A
Toner collection unit kit	CE710-69005	A
Tray 1 paper pickup roller kit	CE710-69006	A
<ul style="list-style-type: none"> <li>• Paper pickup roller</li> <li>• Separation pad</li> </ul>		

Item	Part number	CSR level
Tray 2 paper pickup roller kit	CE710-69007	A
<ul style="list-style-type: none"><li>• Paper pickup roller assembly</li><li>• Separation roller assembly</li></ul>		
Tray 3 paper pickup roller kit	CE710-69008	A
<ul style="list-style-type: none"><li>• Paper pickup roller assembly</li><li>• Feed roller assembly</li></ul>		

## Accessories part numbers

**Table 4-4 Accessories part numbers**

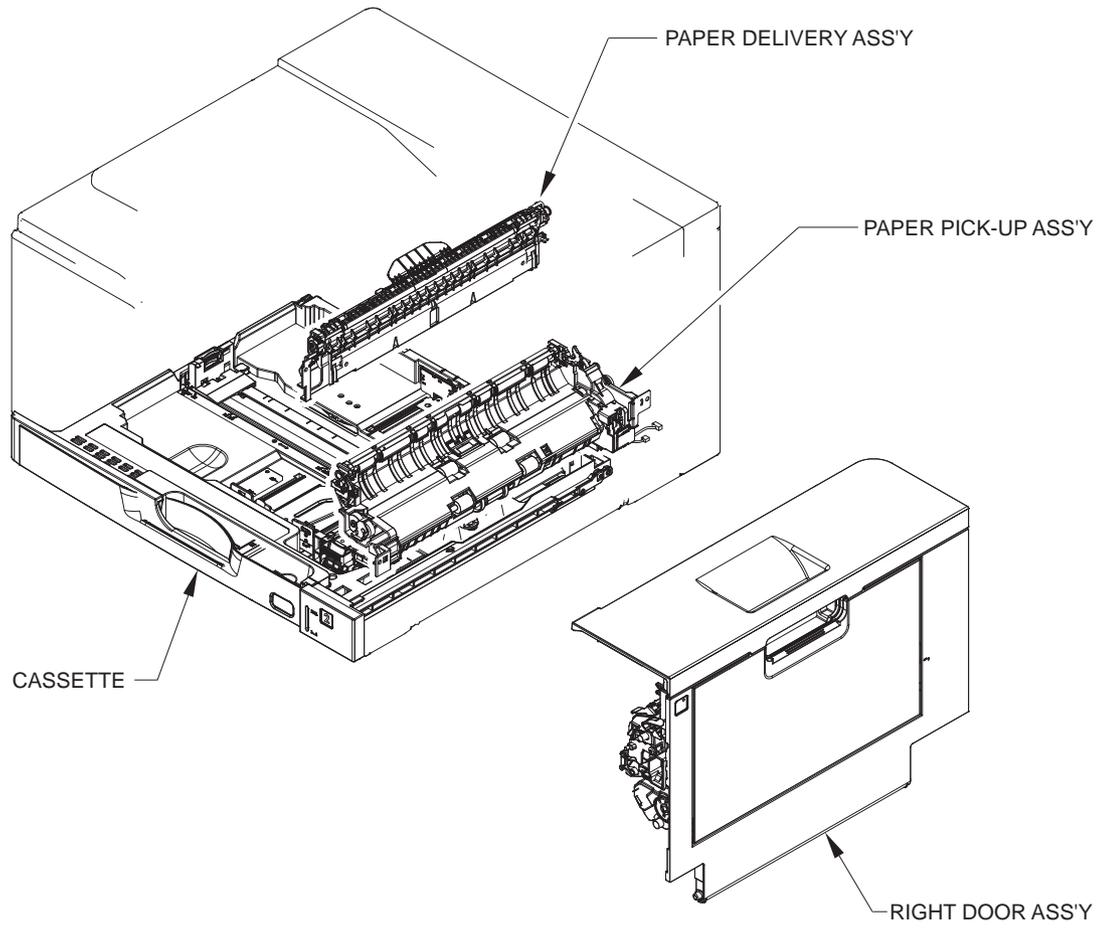
Item	Description	Part number
144-pin DDR2 memory DIMM (dual inline memory module)	64 MB	CB421AX
	128 MB	CB422AX
	256 MB	CB423AX
Optional 500-sheet tray and feeder unit	Optional tray to increase paper capacity.	CE860A (new)
		CE530-69001 (service)
USB cable	2-meter A-to-B cable	C6518A
Power cord	AC power cord	8121-0868

## How to use the parts lists and diagrams

The figures in this chapter show the major subassemblies in the product and their component parts. A parts list table follows each exploded view assembly diagram. Each table lists the item number, the associated part number, and the description of each part. If a part is not listed in the table, then it is not a field replacement unit (FRU).

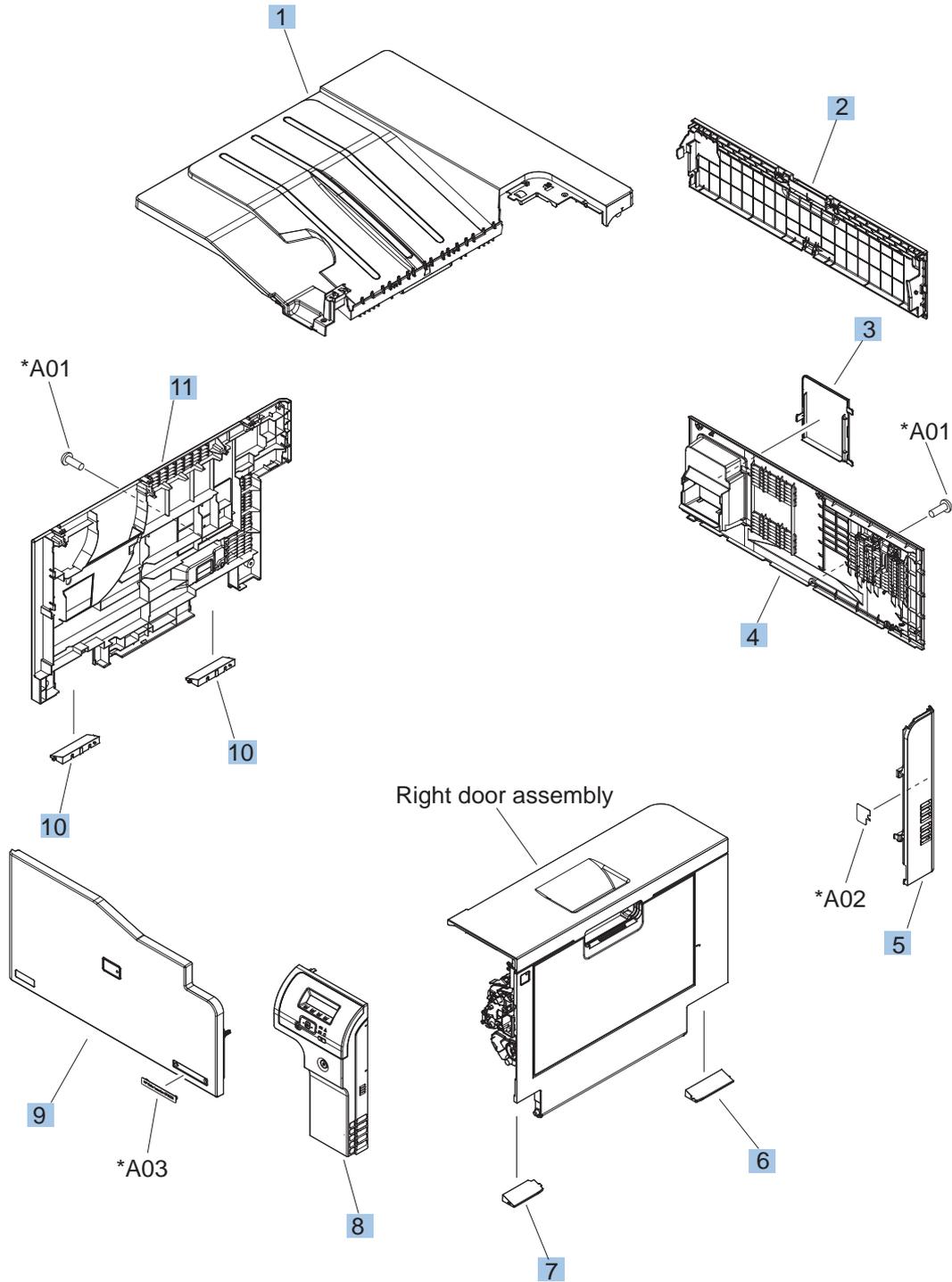
- 
- △ **CAUTION:** Be sure to order the correct part. When looking for part numbers for electrical components, pay careful attention to the voltage that is listed in the description column. Doing so will ensure that the part number selected is for the correct all-in-one model.
- 📄 **NOTE:** In this manual, the abbreviation “PCA” stands for “printed circuit-board assembly.” Components described as a PCA might consist of a single circuit board or a circuit board plus other parts, such as cables and sensors.
-

# Assembly locations



# External covers, panels, and doors

Figure 4-1 External covers, panels, and doors

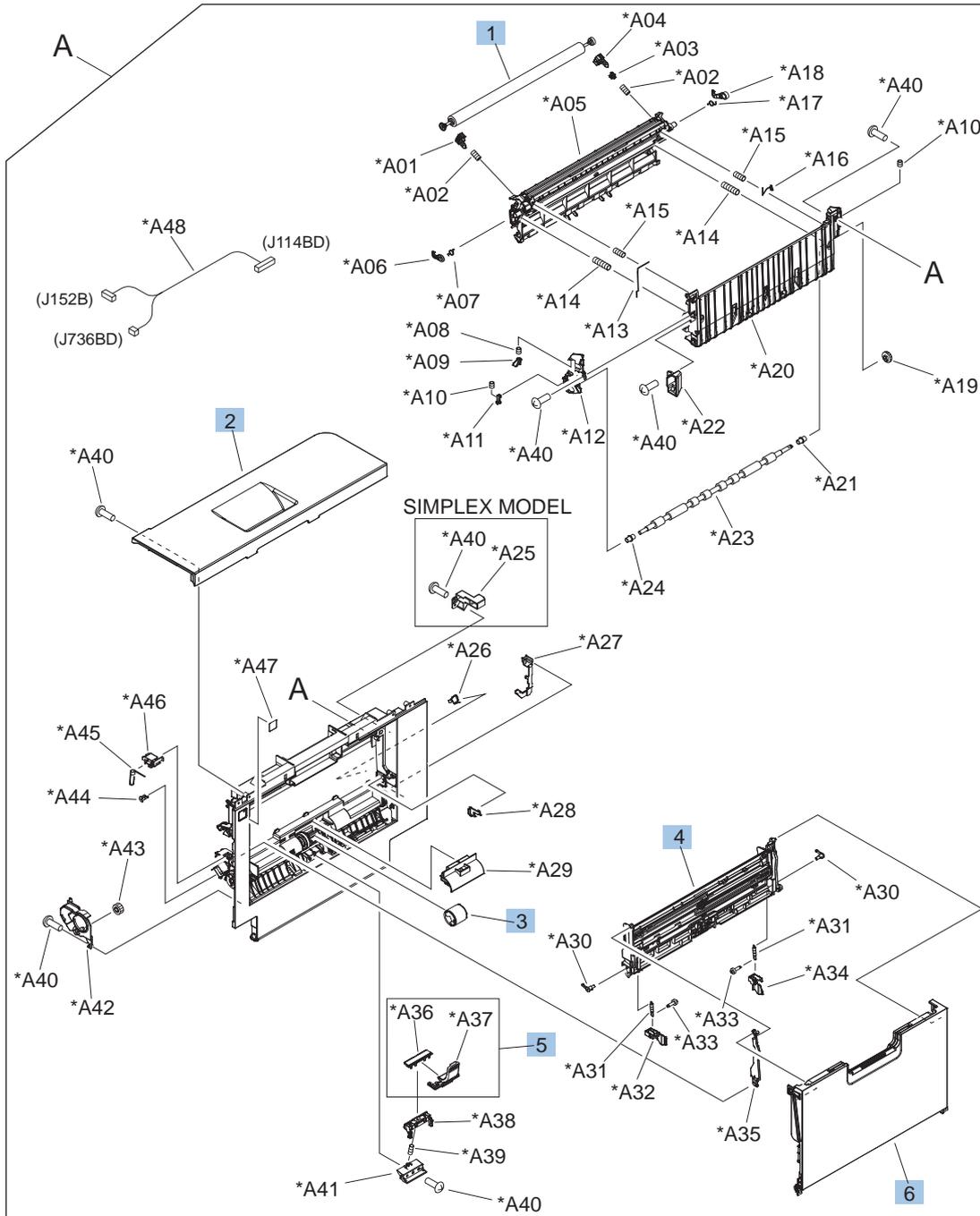


**Table 4-5 External covers, panels, and doors**

Ref	Description	Part number	Qty
1	Cover, top	RM1-7149-000CN	1
2	Door, toner collection unit access	RC2-7034-000CN	1
3	Cover, DIMM	RC2-9033-000CN	1
4	Cover, rear	RM1-7146-000CN	1
5	Cover, right rear	RM1-7142-000CN	1
6	Cover, handle, lower-right, rear	RC2-6626-000CN	1
7	Cover, handle, lower-right, front	RC2-6627-000CN	1
8	Cover, right front assembly	RM1-7145-000CN	1
9	Cover, front assembly	RM1-7133-000CN	1
10	Cover, handle, lower-left	RC2-6625-000CN	1
11	Cover, left assembly	RM1-7143-000CN	1

# Right door assembly

Figure 4-2 Right door assembly

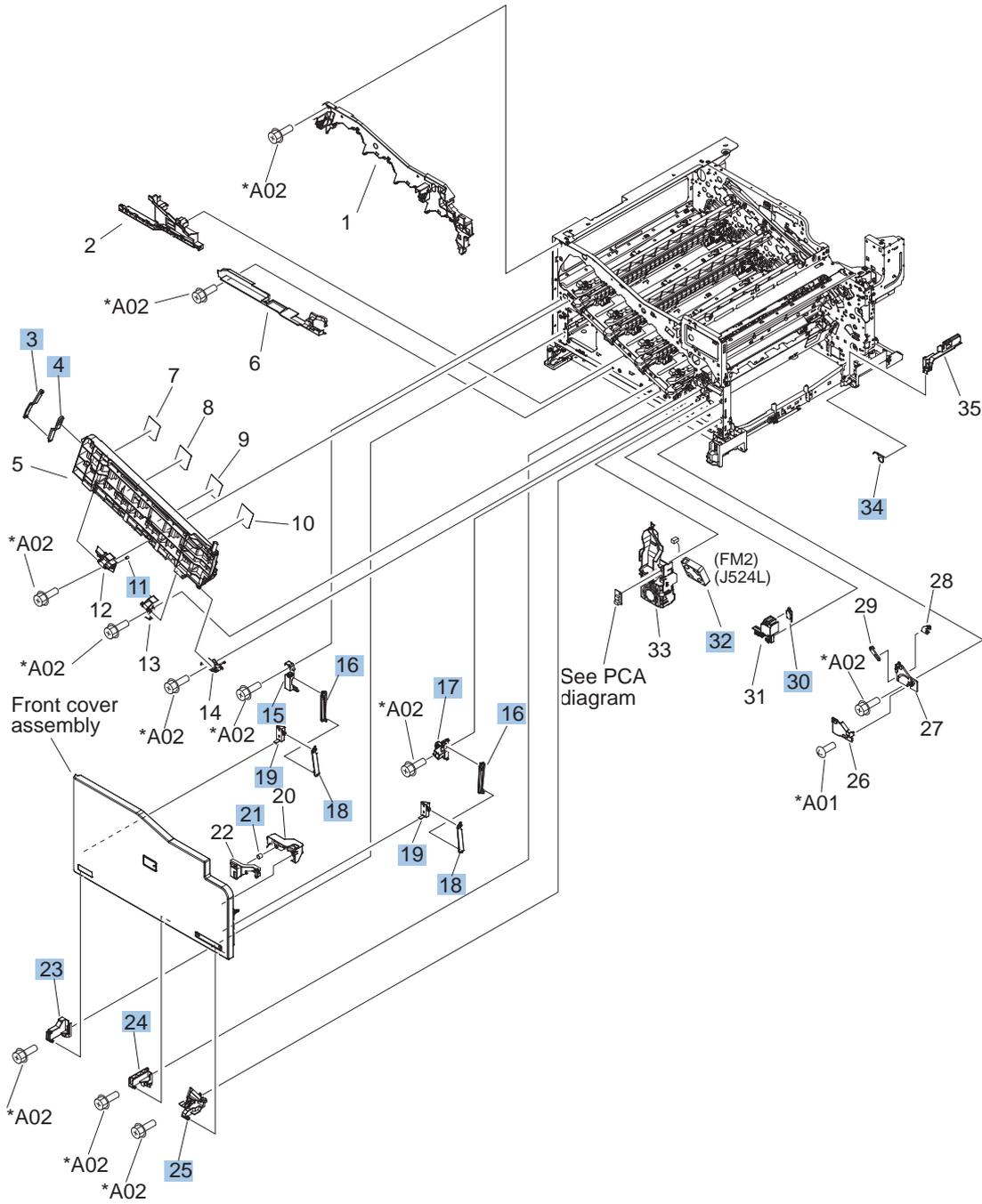


**Table 4-6 Right door assembly**

Ref	Description	Part number	Qty
A	Right door assembly, duplex model	RM1-6104-000CN	1
A	Right door assembly, simplex model	RM1-6139-000CN	1
1	Roller, secondary transfer, T2 (included in the service kit)	CE710-69004	1
2	Door, right upper	RC2-7091-000CN	1
3	Roller, paper pickup, Tray 1 (included in the service kit)	CE710-69006	1
4	Lifter plate assembly, Tray 1	RM1-6043-000CN	1
5	Separation pad, Tray 1 (included in the service kit)	CE710-69006	1
6	Tray 1 (MP tray) assembly	RM1-6045-000CN	1

# Internal components (1 of 6)

Figure 4-3 Internal components (1 of 6)

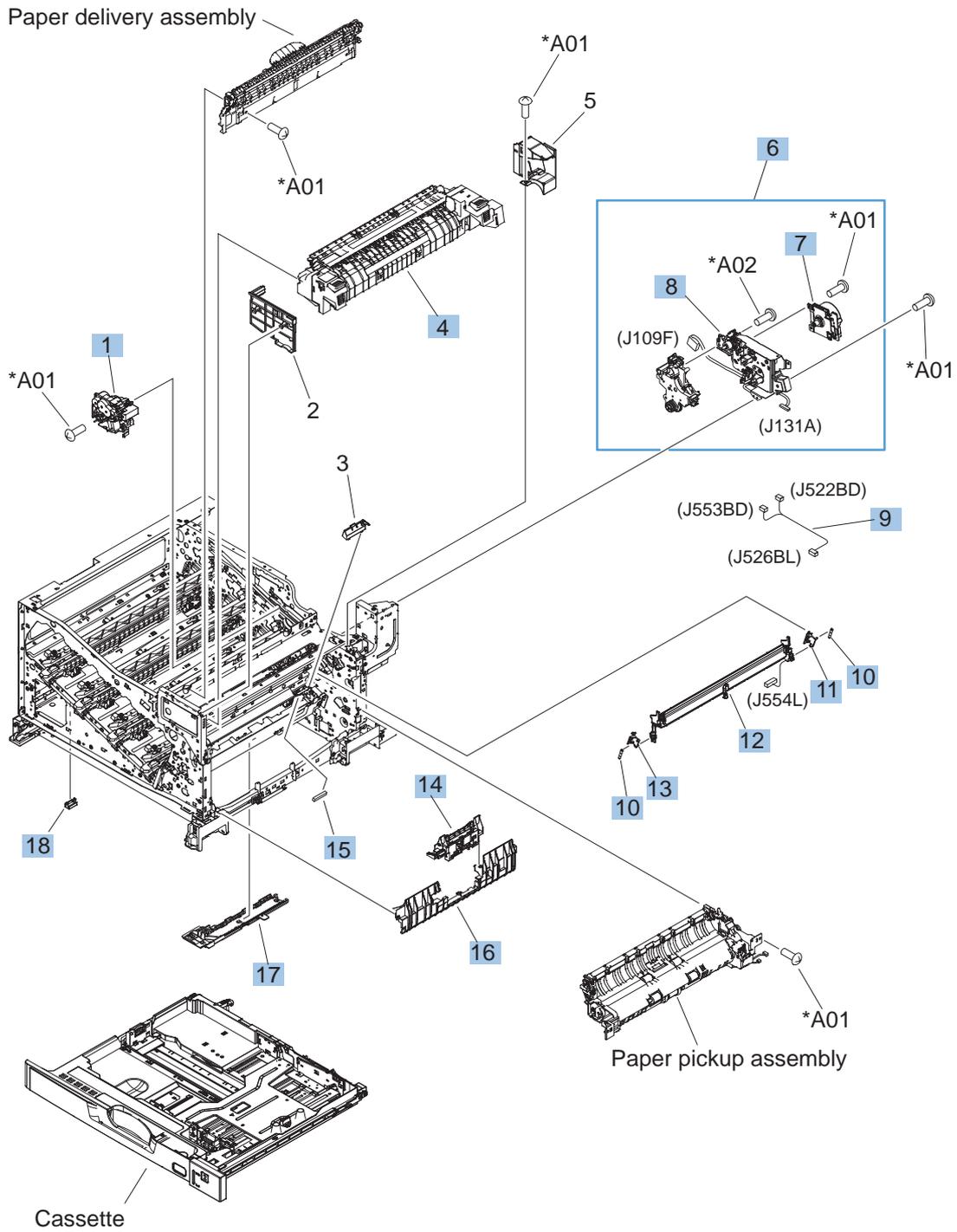


**Table 4-7 Internal components (1 of 6)**

Ref	Description	Part number	Qty
3	Stopper, inner door, 1	RC2-6719-000CN	1
4	Stopper, inner door, 2	RC2-6736-000CN	1
11	Spring, grounding	RC2-7209-000CN	1
15	Mount, cover arm, front	RC2-6735-000CN	1
16	Arm, front cover, 1	RC2-6732-000CN	2
17	Mount, inner door toggle	RC2-6717-000CN	1
18	Arm, front cover, 2	RC2-6733-000CN	2
19	Mount, stopper arm	RC2-6745-000CN	2
21	Spring, compression	RU6-2721-000CN	1
23	Hinge, front cover, left	RC2-6713-000CN	1
24	Hinge, front cover, center	RC2-6738-000CN	1
25	Hinge, front cover, right	RC2-6715-000CN	1
30	Microswitch	WC4-5251-000CN	1
32	Fan, fuser	RK2-2728-000CN	1
34	Spring, leaf, grounding	RC2-7092-000CN	1

# Internal components (2 of 6)

Figure 4-4 Internal components (2 of 6)

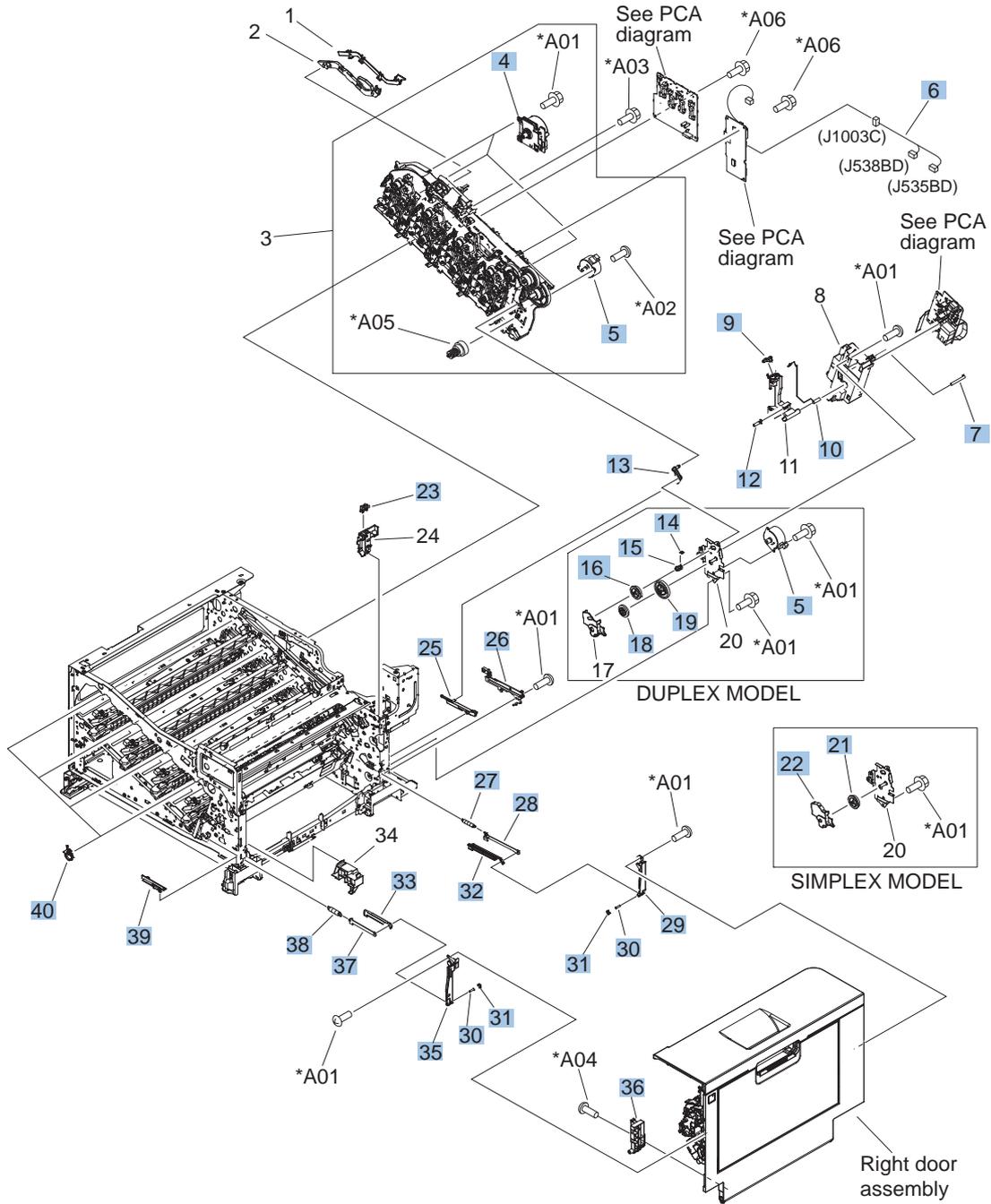


**Table 4-8 Internal components (2 of 6)**

Ref	Description	Part number	Qty
1	Drive assembly, duplex reverse (duplex model only)	RM1-6167-000CN	1
1	Drive assembly, simplex model	RM1-6121-000CN	1
4	Fuser assembly, 110V (included in service kit)	CE710-69001	1
4	Fuser assembly, 220V (included in service kit)	CD710-69002	1
6	Fuser drive assembly	RM1-6076-000CN	1
7	Fuser motor assembly	RM1-6075-000CN	1
8	Gear assembly, fuser	RM1-7914-000CN	1
9	Cable, SV joint, low-voltage power supply	RM1-6868-000CN	1
10	Spring, tension, registration sensor	RU6-2710-000CN	2
11	Support, frame, rear	RC2-7197-000CN	1
12	Registration sensor assembly	RM1-6002-000CN	1
13	Support, frame, front	RC2-7196-000CN	1
14	Separation roller assembly (included in service kit)	CE710-69007	1
15	Connector, snap tight, black	VS1-7207-019CN	1
16	Guide, paper feed	RC2-7297-000CN	1
17	Sensor, cassette last paper presence	RM1-6164-000CN	1
18	Cover, connector, lower	RC2-6642-000CN	1

# Internal components (3 of 6)

Figure 4-5 Internal components (3 of 6)

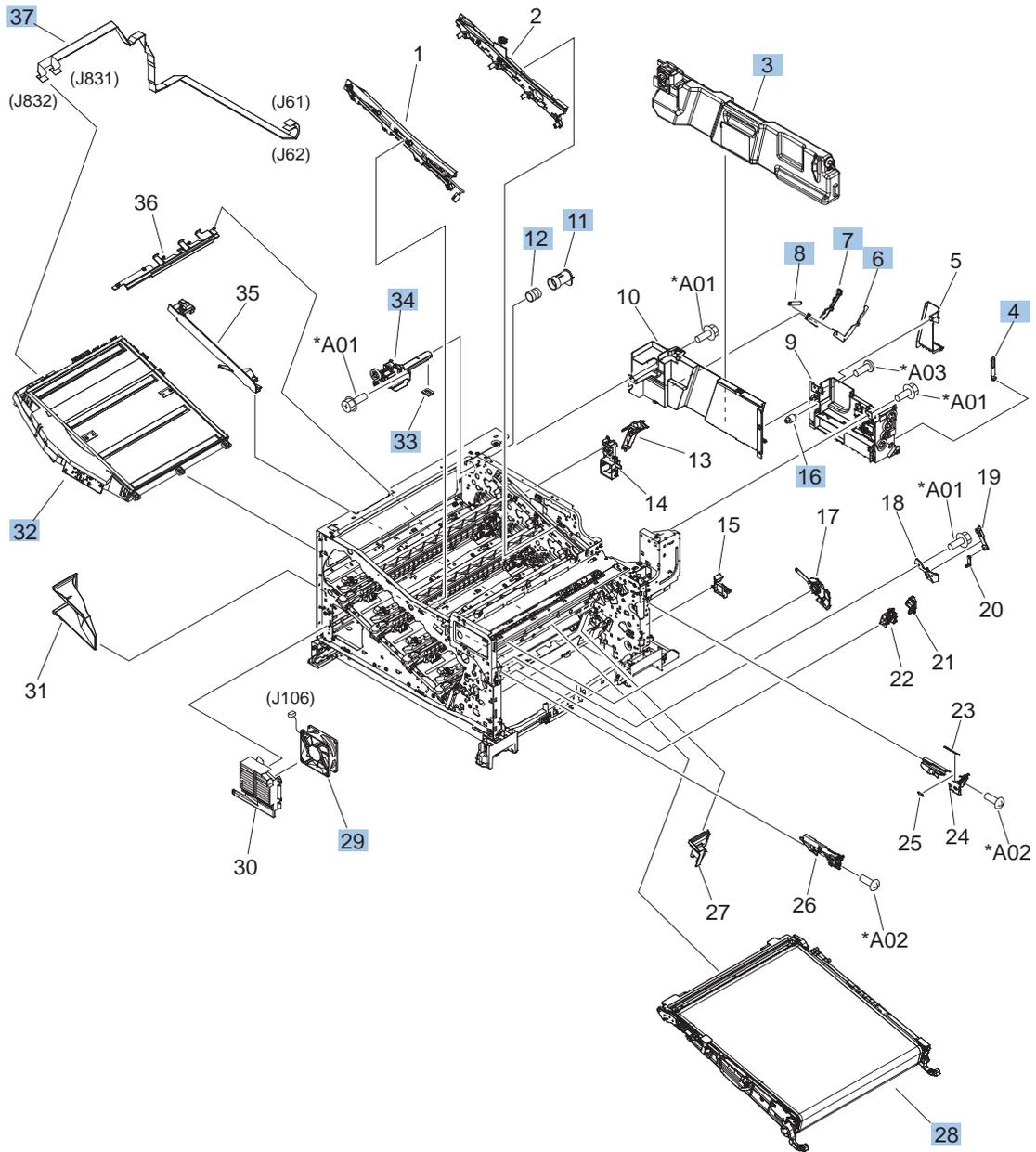


**Table 4-9 Internal components (3 of 6)**

Ref	Description	Part number	Qty
4	Motor, main drive assembly	RM1-6089-000CN	3
5	Motor, drive, simplex model	RK2-0997-000CN	1
5	Motor, duplex drive (duplex model only)	RK2-0997-000CN	2
6	Cable, feed joint, environment sensor	RM1-6847-000CN	1
7	Spring, grounding, second-transfer high-voltage PCA	RU6-2772-000CN	1
9	Cap, T2 contact, second-transfer high-voltage PCA	RC2-6691-000CN	1
10	Spring, contact, second-transfer high-voltage PCA	RU6-2771-000CN	1
12	Spring, grounding, second-transfer high-voltage PCA	RC2-6700-000CN	1
13	Link, ITB coupling release	RC2-6823-000CN	1
14	Spring, tension, duplex model	RU6-2671-000CN	1
15	Hook, duplexing spring (duplex model only)	RC2-6932-000CN	1
16	Gear, 25T, duplex model	RU6-0771-000CN	1
18	Gear, 25T, duplex model	RU6-0772-000CN	1
19	Gear, 74T, duplex model	RU6-0773-000CN	1
21	Gear, 18T/29T, simplex model	RU6-0775-000CN	1
22	Cover, gear, simplex model	RC3-0688-000CN	1
23	Sensor, right door	WG8-5696-000CN	1
25	Arm, ITB coupling release	RC2-6824-000CN	1
26	Rail, door link, rear lower	RC2-6635-000CN	1
27	Spring, tension, rear	RU6-2744-000CN	1
28	Plate, right door link, rear	RC2-7273-000CN	1
29	Plate, right door link, fixed, rear	RL1-2282-000CN	1
30	Shaft, right door link	RU5-4979-000CN	2
31	Lock, door link, right	RC2-7234-000CN	2
32	Link, right door, 2 rear	RC2-7236-000CN	1
33	Link, right door, 2 front	RC2-7233-000CN	1
35	Plate, right door link, fixed, front	RL1-2281-000CN	1
36	Hinge, right door, front	RC2-7094-000CN	1
37	Plate, right door link, front	RC2-7272-000CN	1
38	Spring, tension, front	RU6-2727-000CN	1
39	Rail, door link, front lower	RC2-6634-000CN	1
40	Support, developing coupling	RC2-6811-000CN	4

# Internal components (4 of 6)

Figure 4-6 Internal components (4 of 6)

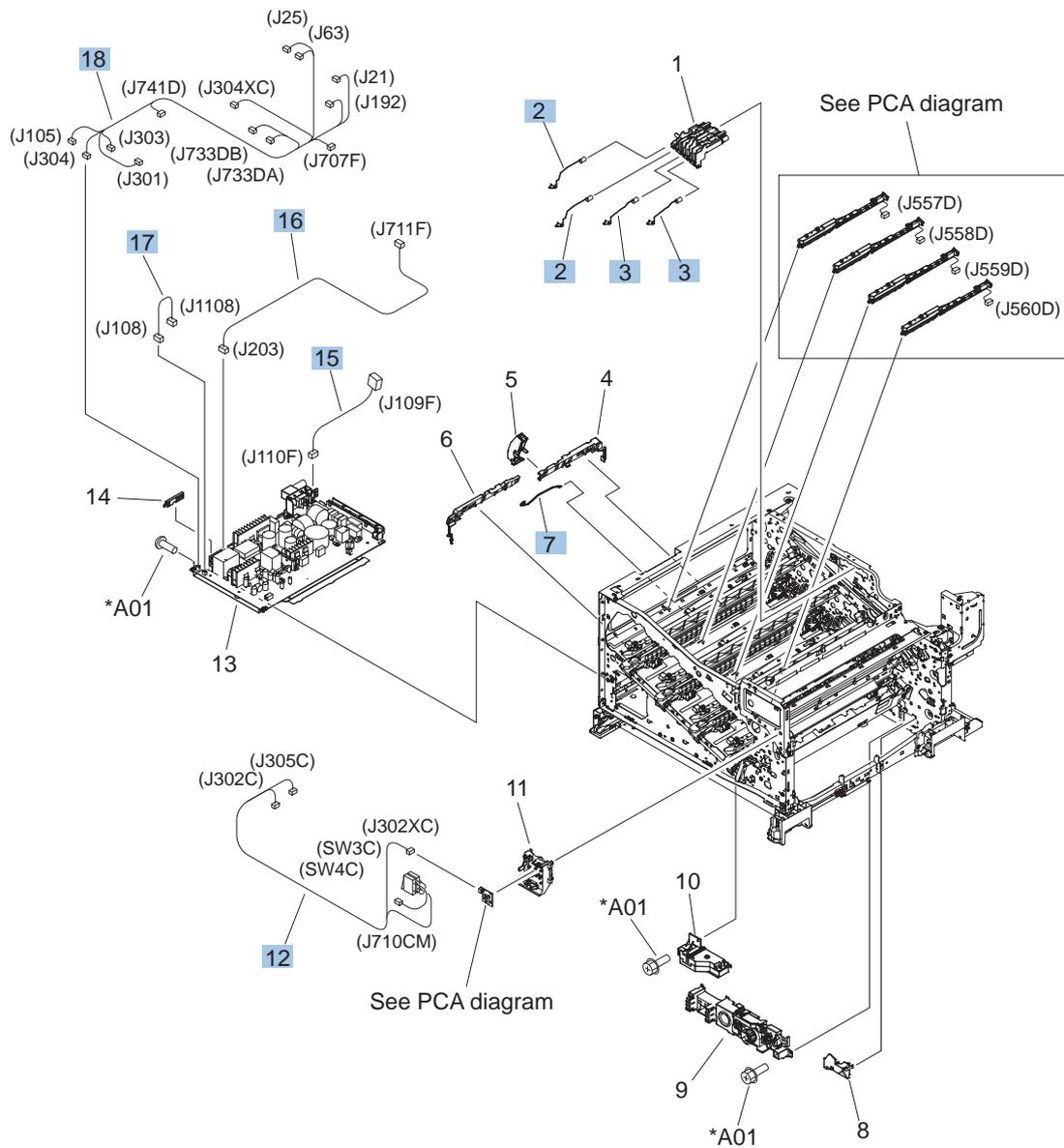


**Table 4-10 Internal components (4 of 6)**

Ref	Description	Part number	Qty
3	Toner collection unit (included in the service kit)	CE710-69005	1
4	Arm, waste toner, left	RC2-7035-000CN	1
6	Plate, arm reinforcement	RC2-9649-000CN	1
7	Arm, waste toner, right	RC2-7036-000CN	1
8	Spring, tension	RU6-2831-000CN	1
11	Shutter, exhaust	RC2-7010-000CN	1
12	Spring, compression	RU6-2683-000CN	1
16	Gear, link worm	RU6-0795-000CN	1
28	ITB assembly (included in the service kit)	CE710-69003	1
29	Fan, power supply	RK2-2276-000CN	1
32	Laser scanner assembly	RM1-6122-000CN	1
33	Seal, toner supporter guide 1	RC2-7018-000CN	1
34	Toner feed assembly	RM1-6040-000CN	1
37	Cable assembly, flat-flexible	RM1-6804-000CN	1

# Internal components (5 of 6)

Figure 4-7 Internal components (5 of 6)

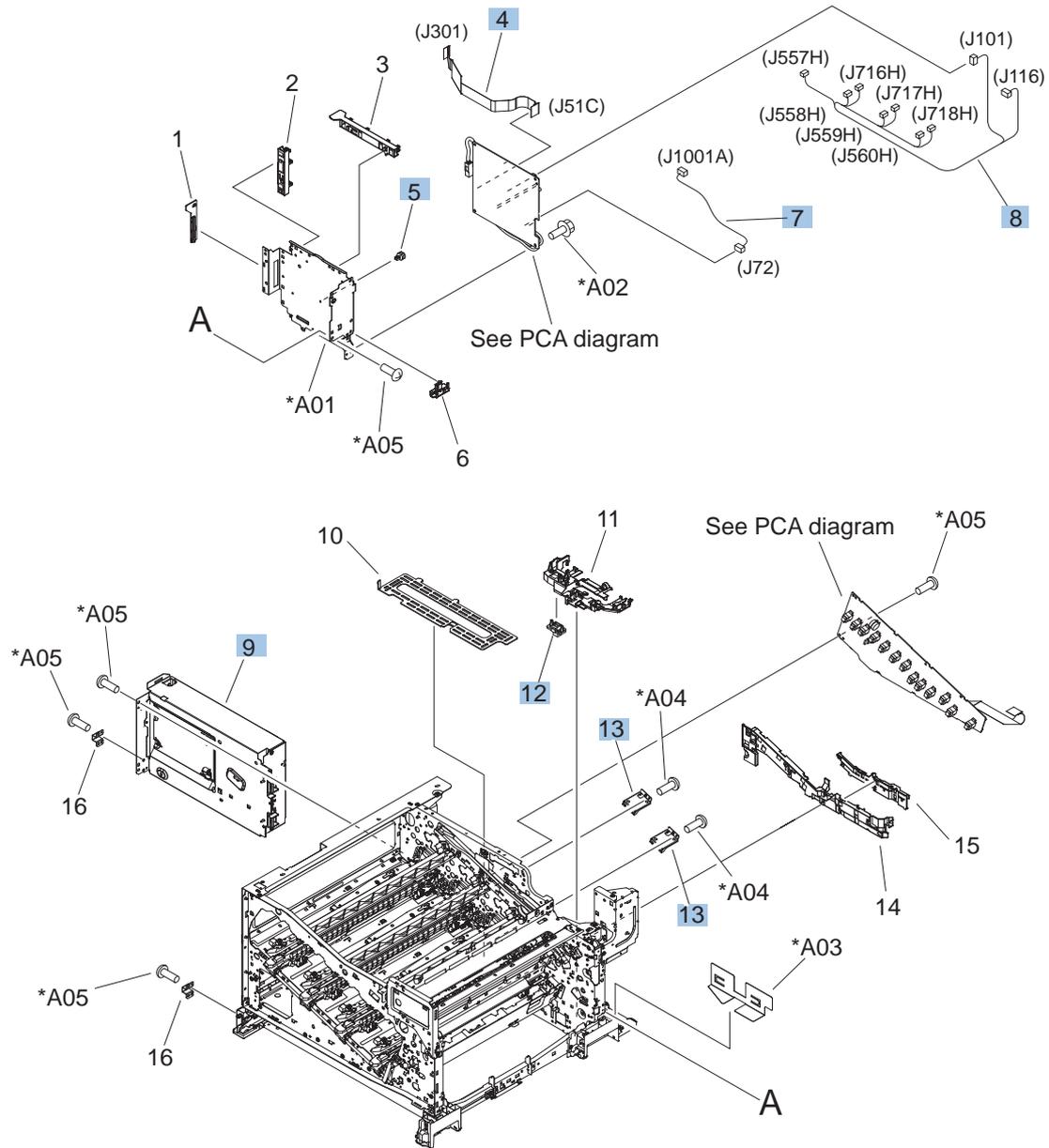


**Table 4-11 Internal components (5 of 6)**

Ref	Description	Part number	Qty
2	Spring, contact	RU6-2767-000CN	2
3	Spring, contact	RU6-2768-000CN	2
7	Spring, rod	RC2-6611-000CN	1
12	Cable, switch	RM1-6831-000CN	1
15	Cable, low-voltage AC joint	RM1-6811-000CN	1
16	Cable, low voltage power supply	RM1-6807-000CN	1
17	Cable, low-voltage power supply, test	RM1-6813-000CN	1
18	Cable, left, high-voltage power supply to low-voltage power supply	RM1-6835-000CN	1

# Internal components (6 of 6)

Figure 4-8 Internal components (6 of 6)

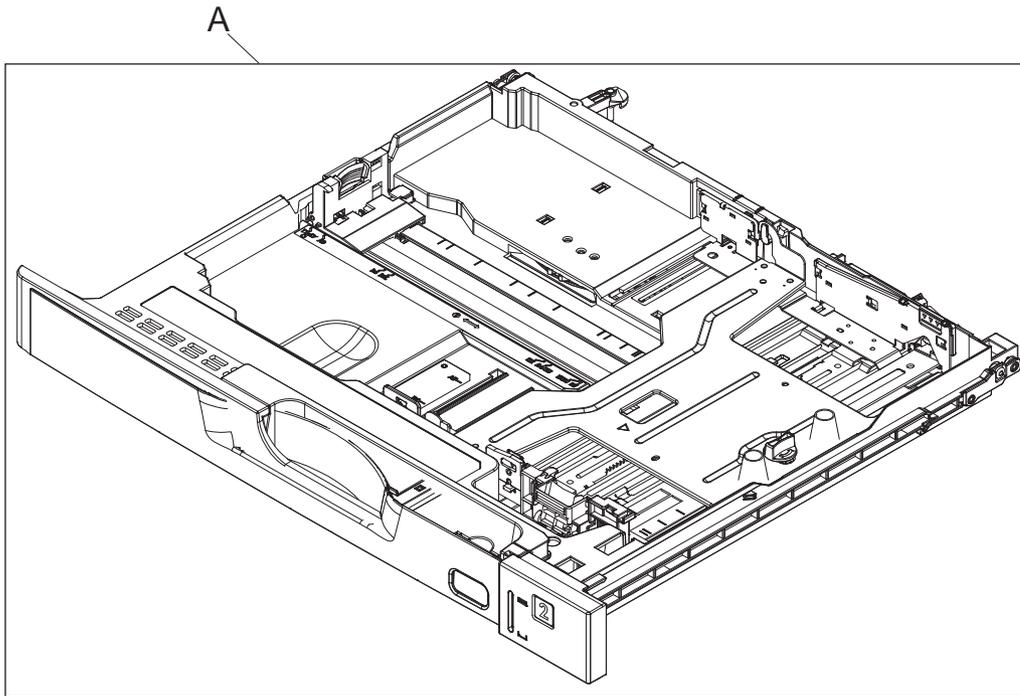


**Table 4-12 Internal components (6 of 6)**

Ref	Description	Part number	Qty
4	Cable, flat flexible, 3	RK2-2969-000CN	1
5	Spacer, DC controller PCA	VT2-5176-004CN	5
7	Cable, primary transfer	RM1-6822-000CN	1
8	Cable, rear	RM1-6863-000CN	1
9	Formatter case	RM1-6066-000CN	1
12	Connector, 8-pin, paper-pickup	VS1-7514-008CN	1
13	Plate, box pillar	RC2-6673-000CN	2

# Cassette

Figure 4-9 Cassette

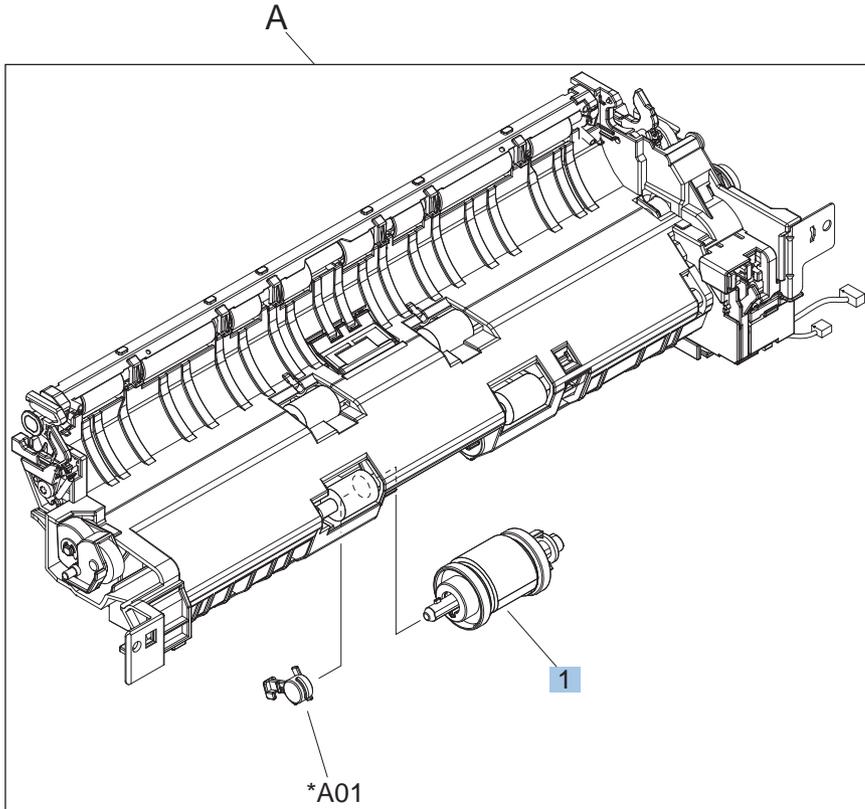


**Table 4-13 Cassette**

Ref	Description	Part number	Qty
A	Cassette	RM1-7138-000CN	1

# Paper pickup assembly

Figure 4-10 Paper pickup assembly

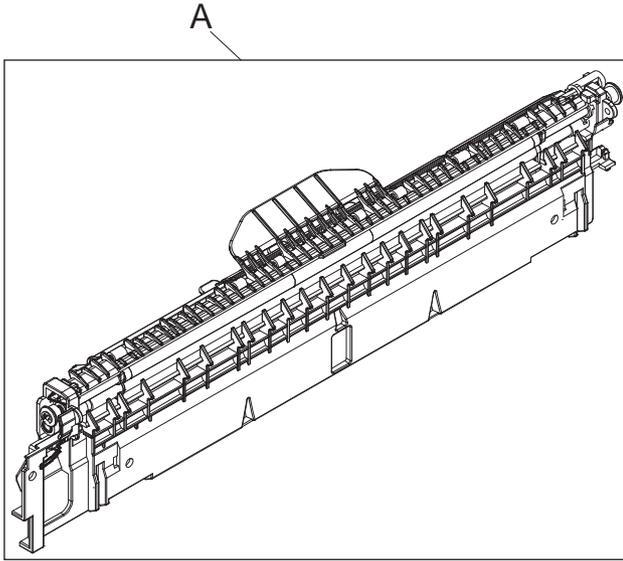


**Table 4-14 Paper pickup assembly**

Ref	Description	Part number	Qty
A	Paper pickup assembly (simplex model)	RM1-6106-000CN	1
A	Paper pickup assembly (duplex model)	RM1-6105-000CN	1
1	Paper pickup roller assembly (included in service kit)	CE710-69007	1

# Paper delivery assembly

Figure 4-11 Paper delivery assembly

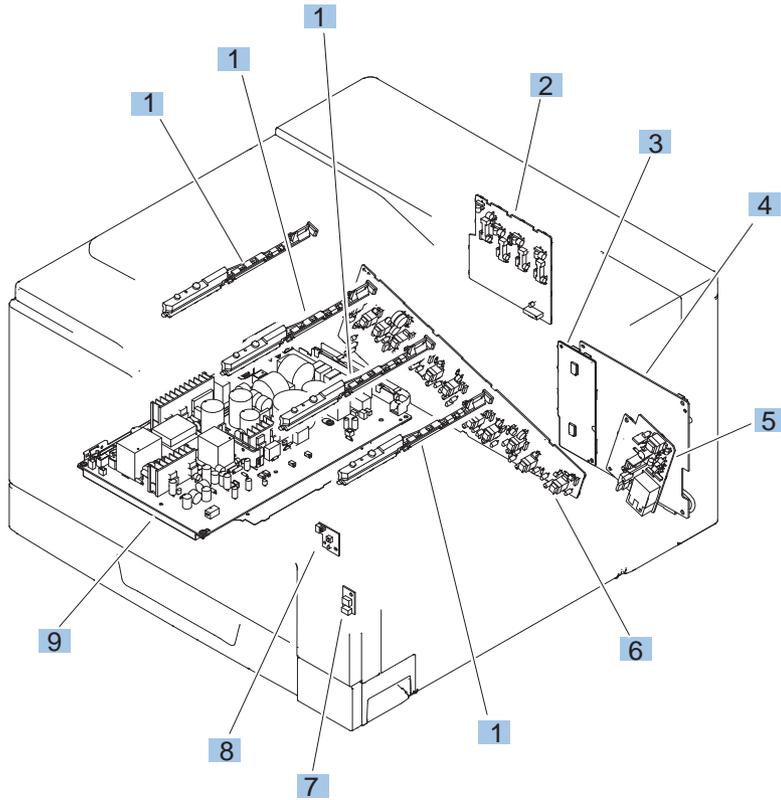


**Table 4-15 Paper delivery assembly**

Ref	Description	Part number	Qty
A	Paper delivery assembly	RM1-6165-000CN	1

# Printed circuit assemblies

Figure 4-12 PCAs

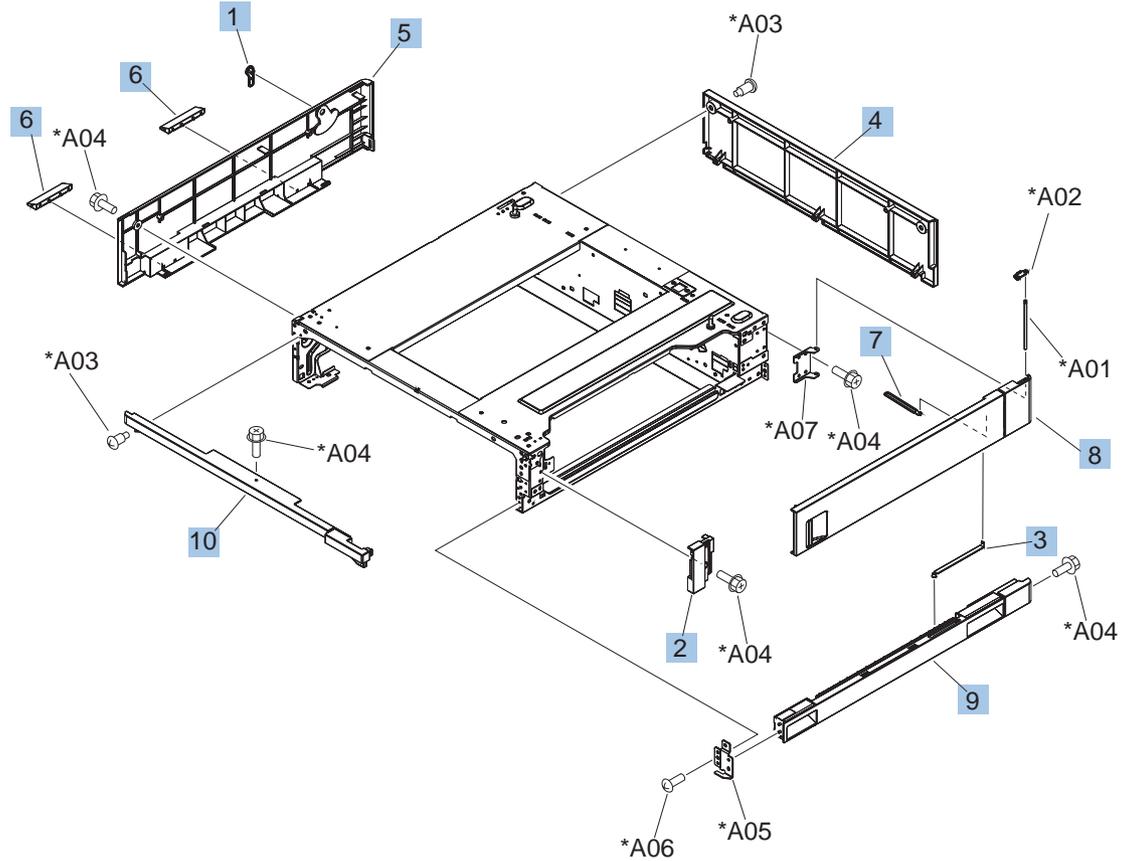


**Table 4-16 PCAs**

Ref	Description	Part number	Qty
1	Waste toner detection PCA	RM1-6779-000CN	4
2	Primary transfer high-voltage PCA	RM1-6801-000CN	1
3	Driver PCA (duplex model)	RM1-6743-000CN	1
3	Driver PCA (simplex model)	RM1-6783-000CN	1
4	DC Controller PCA (duplex model)	RM1-6639-000CN	1
4	DC Controller PCA (simplex model)	RM1-6796-000CN	1
5	Secondary transfer high-voltage PCA	RM1-6802-000CN	1
6	Imaging high-voltage PCA	RM1-6800-000CN	1
7	Environment sensor PCA	RK2-2884-000CN	1
8	Power switch PCA	RM1-6761-000CN	1
9	Low-voltage power supply PCA (110V)	RM1-6755-000CN	1
9	Low-voltage power supply PCA (220V)	RM1-6756-000CN	1
	Formatter PCA (not illustrated)	CE490-67901	1

# Paper feeder external components

Figure 4-13 Paper feeder external components

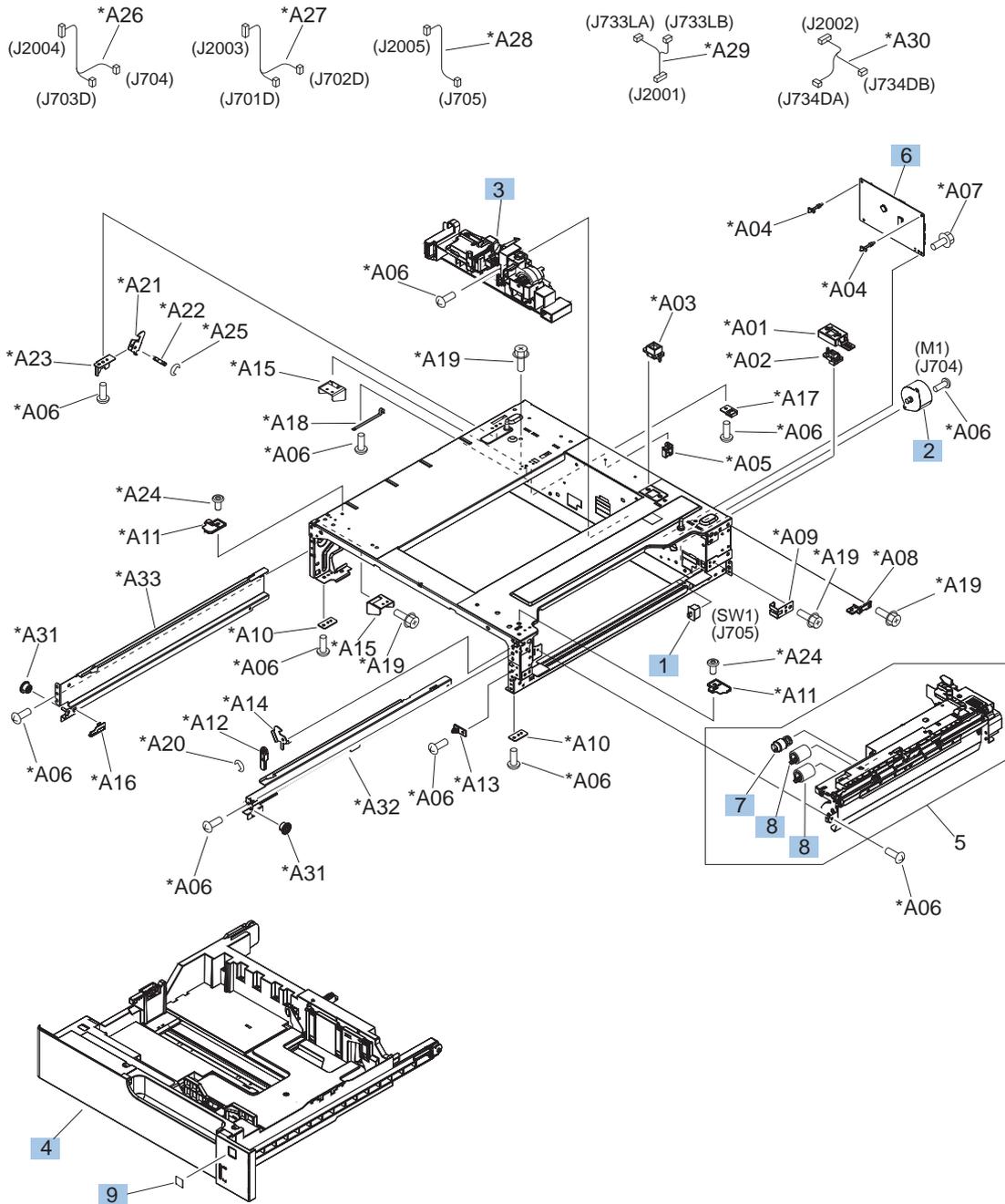


**Table 4-17 Paper feeder external components**

Ref	Description	Part number	Qty
1	Handle, lock, rear (paper feeder)	RC2-9303-000CN	1
2	Cover, right front (paper feeder)	RC2-9320-000CN	1
3	Link, right door, lower (paper feeder)	RC2-9327-000CN	1
4	Cover, rear (paper feeder)	RC2-9330-000CN	1
5	Cover, left (paper feeder)	RC2-9331-000CN	1
6	Cover, handle, lower (paper feeder)	RC2-9332-000CN	2
7	Link, right door, upper (paper feeder)	RC2-9335-000CN	1
8	Right door assembly (paper feeder)	RM1-6946-000CN	1
9	Cover, right lower assembly (paper feeder)	RM1-6948-000CN	1
10	Cover, upper front assembly (paper feeder)	RM1-6949-000CN	1

# Paper feeder internal components

Figure 4-14 Paper feeder internal components

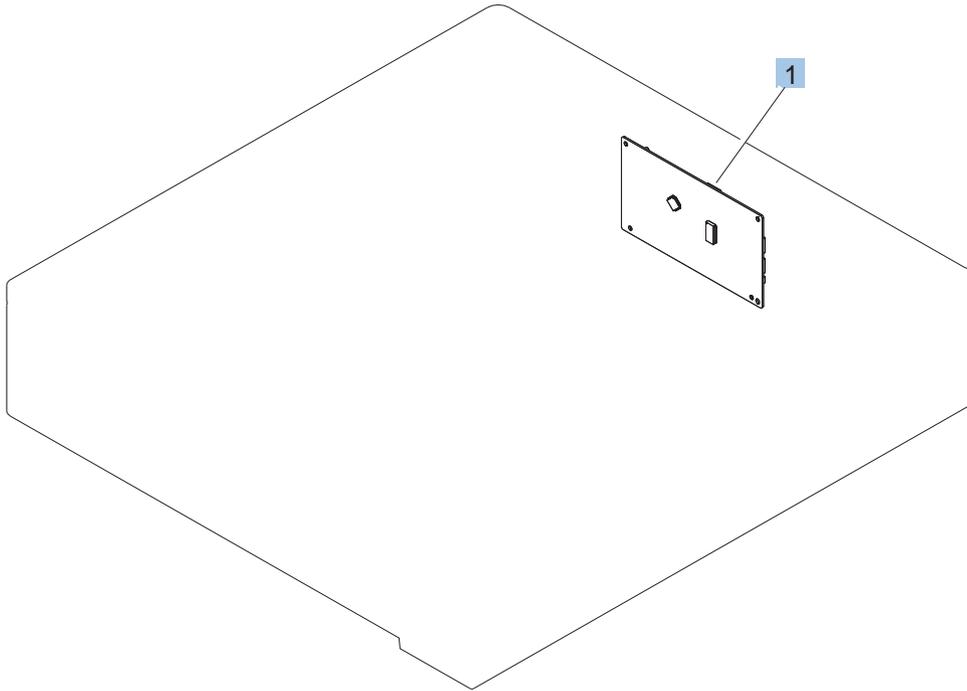


**Table 4-18 Paper feeder internal components**

Ref	Description	Part number	Qty
1	Switch, bottom (paper feeder)	WC2-5512-000CN	1
2	Motor, pickup (paper feeder)	RK2-1331-000CN	1
3	Lifter drive assembly (paper feeder)	RM1-3819-000CN	1
4	Cassette (paper feeder)	RM1-6942-000CN	1
5	Paper pickup assembly (paper feeder)	RM1-6944-000CN	1
6	Paper feeder driver PCA	RM1-6987-000CN	1
7	Roller, pickup, paper feeder (included in service kit)	CE710-69008	1
8	Roller, feed, paper feeder (included in service kit)	CE710-69008	2
9	Label, cassette number	RC2-9363-000CN	1

# Paper feeder PCA

Figure 4-15 Paper feeder PCA



**Table 4-19 Paper feeder PCA**

Ref	Description	Part number	Qty
1	Paper feeder driver PCA	RM1-6987-000CN	1

# Alphabetical parts list

**Table 4-20 Alphabetical parts list**

Description	Part number	Table and page
Arm, front cover, 1	RC2-6732-000CN	<a href="#">Internal components (1 of 6) on page 265</a>
Arm, front cover, 2	RC2-6733-000CN	<a href="#">Internal components (1 of 6) on page 265</a>
Arm, ITB coupling release	RC2-6824-000CN	<a href="#">Internal components (3 of 6) on page 269</a>
Arm, waste toner, left	RC2-7035-000CN	<a href="#">Internal components (4 of 6) on page 271</a>
Arm, waste toner, right	RC2-7036-000CN	<a href="#">Internal components (4 of 6) on page 271</a>
Cable assembly, flat-flexible	RM1-6804-000CN	<a href="#">Internal components (4 of 6) on page 271</a>
Cable, feed joint, environment sensor	RM1-6847-000CN	<a href="#">Internal components (3 of 6) on page 269</a>
Cable, flat flexible, 3	RK2-2969-000CN	<a href="#">Internal components (6 of 6) on page 275</a>
Cable, left, high-voltage power supply to low-voltage power supply	RM1-6835-000CN	<a href="#">Internal components (5 of 6) on page 273</a>
Cable, low voltage power supply	RM1-6807-000CN	<a href="#">Internal components (5 of 6) on page 273</a>
Cable, low-voltage AC joint	RM1-6811-000CN	<a href="#">Internal components (5 of 6) on page 273</a>
Cable, low-voltage power supply, test	RM1-6813-000CN	<a href="#">Internal components (5 of 6) on page 273</a>
Cable, primary transfer	RM1-6822-000CN	<a href="#">Internal components (6 of 6) on page 275</a>
Cable, rear	RM1-6863-000CN	<a href="#">Internal components (6 of 6) on page 275</a>
Cable, SV joint, low-voltage power supply	RM1-6868-000CN	<a href="#">Internal components (2 of 6) on page 267</a>
Cable, switch	RM1-6831-000CN	<a href="#">Internal components (5 of 6) on page 273</a>
Cap, T2 contact, second-transfer high-voltage PCA	RC2-6691-000CN	<a href="#">Internal components (3 of 6) on page 269</a>
Cassette	RM1-7138-000CN	<a href="#">Cassette on page 277</a>
Cassette (paper feeder)	RM1-6942-000CN	<a href="#">Paper feeder internal components on page 287</a>
Connector, 8-pin, paper-pickup	VS1-7514-008CN	<a href="#">Internal components (6 of 6) on page 275</a>
Connector, snap tight, black	VS1-7207-019CN	<a href="#">Internal components (2 of 6) on page 267</a>

**Table 4-20 Alphabetical parts list (continued)**

Description	Part number	Table and page
Cover, connector, lower	RC2-6642-000CN	<a href="#">Internal components (2 of 6) on page 267</a>
Cover, DIMM	RC2-9033-000CN	<a href="#">External covers, panels, and doors on page 261</a>
Cover, front assembly	RM1-7133-000CN	<a href="#">External covers, panels, and doors on page 261</a>
Cover, gear, simplex model	RC3-0688-000CN	<a href="#">Internal components (3 of 6) on page 269</a>
Cover, handle, lower (paper feeder)	RC2-9332-000CN	<a href="#">Paper feeder external components on page 285</a>
Cover, handle, lower-left	RC2-6625-000CN	<a href="#">External covers, panels, and doors on page 261</a>
Cover, handle, lower-right, front	RC2-6627-000CN	<a href="#">External covers, panels, and doors on page 261</a>
Cover, handle, lower-right, rear	RC2-6626-000CN	<a href="#">External covers, panels, and doors on page 261</a>
Cover, left (paper feeder)	RC2-9331-000CN	<a href="#">Paper feeder external components on page 285</a>
Cover, left assembly	RM1-7143-000CN	<a href="#">External covers, panels, and doors on page 261</a>
Cover, rear	RM1-7146-000CN	<a href="#">External covers, panels, and doors on page 261</a>
Cover, rear (paper feeder)	RC2-9330-000CN	<a href="#">Paper feeder external components on page 285</a>
Cover, right front (paper feeder)	RC2-9320-000CN	<a href="#">Paper feeder external components on page 285</a>
Cover, right front assembly	RM1-7145-000CN	<a href="#">External covers, panels, and doors on page 261</a>
Cover, right lower assembly (paper feeder)	RM1-6948-000CN	<a href="#">Paper feeder external components on page 285</a>
Cover, right rear	RM1-7142-000CN	<a href="#">External covers, panels, and doors on page 261</a>
Cover, top	RM1-7149-000CN	<a href="#">External covers, panels, and doors on page 261</a>
Cover, upper front assembly (paper feeder)	RM1-6949-000CN	<a href="#">Paper feeder external components on page 285</a>
DC Controller PCA (duplex model)	RM1-6639-000CN	<a href="#">PCAs on page 283</a>
DC Controller PCA (simplex model)	RM1-6796-000CN	<a href="#">PCAs on page 283</a>
Door, right upper	RC2-7091-000CN	<a href="#">Right door assembly on page 263</a>
Door, toner collection unit access	RC2-7034-000CN	<a href="#">External covers, panels, and doors on page 261</a>
Drive assembly, duplex reverse (duplex model only)	RM1-6167-000CN	<a href="#">Internal components (2 of 6) on page 267</a>

**Table 4-20 Alphabetical parts list (continued)**

Description	Part number	Table and page
Drive assembly, simplex model	RM1-6121-000CN	<a href="#">Internal components (2 of 6) on page 267</a>
Driver PCA (duplex model)	RM1-6743-000CN	<a href="#">PCAs on page 283</a>
Driver PCA (simplex model)	RM1-6783-000CN	<a href="#">PCAs on page 283</a>
Environment sensor PCA	RK2-2884-000CN	<a href="#">PCAs on page 283</a>
Fan, fuser	RK2-2728-000CN	<a href="#">Internal components (1 of 6) on page 265</a>
Fan, power supply	RK2-2276-000CN	<a href="#">Internal components (4 of 6) on page 271</a>
Formatter case	RM1-6066-000CN	<a href="#">Internal components (6 of 6) on page 275</a>
Formatter PCA (not illustrated)	CE490-67901	<a href="#">PCAs on page 283</a>
Fuser assembly, 110V (included in service kit)	CE710-69001	<a href="#">Internal components (2 of 6) on page 267</a>
Fuser assembly, 220V (included in service kit)	CD710-69002	<a href="#">Internal components (2 of 6) on page 267</a>
Fuser drive assembly	RM1-6076-000CN	<a href="#">Internal components (2 of 6) on page 267</a>
Fuser motor assembly	RM1-6075-000CN	<a href="#">Internal components (2 of 6) on page 267</a>
Gear assembly, fuser	RM1-7914-000CN	<a href="#">Internal components (2 of 6) on page 267</a>
Gear, 18T/29T, simplex model	RU6-0775-000CN	<a href="#">Internal components (3 of 6) on page 269</a>
Gear, 25T, duplex model	RU6-0771-000CN	<a href="#">Internal components (3 of 6) on page 269</a>
Gear, 25T, duplex model	RU6-0772-000CN	<a href="#">Internal components (3 of 6) on page 269</a>
Gear, 74T, duplex model	RU6-0773-000CN	<a href="#">Internal components (3 of 6) on page 269</a>
Gear, link worm	RU6-0795-000CN	<a href="#">Internal components (4 of 6) on page 271</a>
Guide, paper feed	RC2-7297-000CN	<a href="#">Internal components (2 of 6) on page 267</a>
Handle, lock, rear (paper feeder)	RC2-9303-000CN	<a href="#">Paper feeder external components on page 285</a>
Hinge, front cover, center	RC2-6738-000CN	<a href="#">Internal components (1 of 6) on page 265</a>
Hinge, front cover, left	RC2-6713-000CN	<a href="#">Internal components (1 of 6) on page 265</a>
Hinge, front cover, right	RC2-6715-000CN	<a href="#">Internal components (1 of 6) on page 265</a>

**Table 4-20 Alphabetical parts list (continued)**

Description	Part number	Table and page
Hinge, right door, front	RC2-7094-000CN	<a href="#">Internal components (3 of 6) on page 269</a>
Hook, duplexing spring (duplex model only)	RC2-6932-000CN	<a href="#">Internal components (3 of 6) on page 269</a>
Imaging high-voltage PCA	RM1-6800-000CN	<a href="#">PCAs on page 283</a>
ITB assembly (included in the service kit)	CE710-69003	<a href="#">Internal components (4 of 6) on page 271</a>
Label, cassette number	RC2-9363-000CN	<a href="#">Paper feeder internal components on page 287</a>
Laser scanner assembly	RM1-6122-000CN	<a href="#">Internal components (4 of 6) on page 271</a>
Lifter drive assembly (paper feeder)	RM1-3819-000CN	<a href="#">Paper feeder internal components on page 287</a>
Lifter plate assembly, Tray 1	RM1-6043-000CN	<a href="#">Right door assembly on page 263</a>
Link, ITB coupling release	RC2-6823-000CN	<a href="#">Internal components (3 of 6) on page 269</a>
Link, right door, 2 front	RC2-7233-000CN	<a href="#">Internal components (3 of 6) on page 269</a>
Link, right door, 2 rear	RC2-7236-000CN	<a href="#">Internal components (3 of 6) on page 269</a>
Link, right door, lower (paper feeder)	RC2-9327-000CN	<a href="#">Paper feeder external components on page 285</a>
Link, right door, upper (paper feeder)	RC2-9335-000CN	<a href="#">Paper feeder external components on page 285</a>
Lock, door link, right	RC2-7234-000CN	<a href="#">Internal components (3 of 6) on page 269</a>
Low-voltage power supply PCA (110V)	RM1-6755-000CN	<a href="#">PCAs on page 283</a>
Low-voltage power supply PCA (220V)	RM1-6756-000CN	<a href="#">PCAs on page 283</a>
Microswitch	WC4-5251-000CN	<a href="#">Internal components (1 of 6) on page 265</a>
Motor, drive, simplex model	RK2-0997-000CN	<a href="#">Internal components (3 of 6) on page 269</a>
Motor, duplex drive (duplex model only)	RK2-0997-000CN	<a href="#">Internal components (3 of 6) on page 269</a>
Motor, main drive assembly	RM1-6089-000CN	<a href="#">Internal components (3 of 6) on page 269</a>
Motor, pickup (paper feeder)	RK2-1331-000CN	<a href="#">Paper feeder internal components on page 287</a>
Mount, cover arm, front	RC2-6735-000CN	<a href="#">Internal components (1 of 6) on page 265</a>
Mount, inner door toggle	RC2-6717-000CN	<a href="#">Internal components (1 of 6) on page 265</a>

**Table 4-20 Alphabetical parts list (continued)**

Description	Part number	Table and page
Mount, stopper arm	RC2-6745-000CN	<a href="#">Internal components (1 of 6) on page 265</a>
Paper delivery assembly	RM1-6165-000CN	<a href="#">Paper delivery assembly on page 281</a>
Paper feeder driver PCA	RM1-6987-000CN	<a href="#">Paper feeder internal components on page 287</a>
Paper feeder driver PCA	RM1-6987-000CN	<a href="#">Paper feeder PCA on page 289</a>
Paper pickup assembly (duplex model)	RM1-6105-000CN	<a href="#">Paper pickup assembly on page 279</a>
Paper pickup assembly (paper feeder)	RM1-6944-000CN	<a href="#">Paper feeder internal components on page 287</a>
Paper pickup assembly (simplex model)	RM1-6106-000CN	<a href="#">Paper pickup assembly on page 279</a>
Paper pickup roller assembly (included in service kit)	CE710-69007	<a href="#">Paper pickup assembly on page 279</a>
Plate, arm reinforcement	RC2-9649-000CN	<a href="#">Internal components (4 of 6) on page 271</a>
Plate, box pillar	RC2-6673-000CN	<a href="#">Internal components (6 of 6) on page 275</a>
Plate, right door link, fixed, front	RL1-2281-000CN	<a href="#">Internal components (3 of 6) on page 269</a>
Plate, right door link, fixed, rear	RL1-2282-000CN	<a href="#">Internal components (3 of 6) on page 269</a>
Plate, right door link, front	RC2-7272-000CN	<a href="#">Internal components (3 of 6) on page 269</a>
Plate, right door link, rear	RC2-7273-000CN	<a href="#">Internal components (3 of 6) on page 269</a>
Power switch PCA	RM1-6761-000CN	<a href="#">PCAs on page 283</a>
Primary transfer high-voltage PCA	RM1-6801-000CN	<a href="#">PCAs on page 283</a>
Rail, door link, front lower	RC2-6634-000CN	<a href="#">Internal components (3 of 6) on page 269</a>
Rail, door link, rear lower	RC2-6635-000CN	<a href="#">Internal components (3 of 6) on page 269</a>
Registration sensor assembly	RM1-6002-000CN	<a href="#">Internal components (2 of 6) on page 267</a>
Right door assembly (paper feeder)	RM1-6946-000CN	<a href="#">Paper feeder external components on page 285</a>
Right door assembly, duplex model	RM1-6104-000CN	<a href="#">Right door assembly on page 263</a>
Right door assembly, simplex model	RM1-6139-000CN	<a href="#">Right door assembly on page 263</a>
Roller, feed, paper feeder (included in service kit)	CE710-69008	<a href="#">Paper feeder internal components on page 287</a>

**Table 4-20 Alphabetical parts list (continued)**

Description	Part number	Table and page
Roller, paper pickup, Tray 1 (included in the service kit)	CE710-69006	<a href="#">Right door assembly on page 263</a>
Roller, pickup, paper feeder (included in service kit)	CE710-69008	<a href="#">Paper feeder internal components on page 287</a>
Roller, secondary transfer, T2 (included in the service kit)	CE710-69004	<a href="#">Right door assembly on page 263</a>
Seal, toner supporter guide 1	RC2-7018-000CN	<a href="#">Internal components (4 of 6) on page 271</a>
Secondary transfer high-voltage PCA	RM1-6802-000CN	<a href="#">PCAs on page 283</a>
Sensor, cassette last paper presence	RM1-6164-000CN	<a href="#">Internal components (2 of 6) on page 267</a>
Sensor, right door	WG8-5696-000CN	<a href="#">Internal components (3 of 6) on page 269</a>
Separation pad, Tray 1 (included in the service kit)	CE710-69006	<a href="#">Right door assembly on page 263</a>
Separation roller assembly (included in service kit)	CE710-69007	<a href="#">Internal components (2 of 6) on page 267</a>
Shaft, right door link	RU5-4979-000CN	<a href="#">Internal components (3 of 6) on page 269</a>
Shutter, exhaust	RC2-7010-000CN	<a href="#">Internal components (4 of 6) on page 271</a>
Spacer, DC controller PCA	VT2-5176-004CN	<a href="#">Internal components (6 of 6) on page 275</a>
Spring, compression	RU6-2721-000CN	<a href="#">Internal components (1 of 6) on page 265</a>
Spring, compression	RU6-2683-000CN	<a href="#">Internal components (4 of 6) on page 271</a>
Spring, contact	RU6-2767-000CN	<a href="#">Internal components (5 of 6) on page 273</a>
Spring, contact	RU6-2768-000CN	<a href="#">Internal components (5 of 6) on page 273</a>
Spring, contact, second-transfer high-voltage PCA	RU6-2771-000CN	<a href="#">Internal components (3 of 6) on page 269</a>
Spring, grounding	RC2-7209-000CN	<a href="#">Internal components (1 of 6) on page 265</a>
Spring, grounding, second-transfer high-voltage PCA	RU6-2772-000CN	<a href="#">Internal components (3 of 6) on page 269</a>
Spring, grounding, second-transfer high-voltage PCA	RC2-6700-000CN	<a href="#">Internal components (3 of 6) on page 269</a>
Spring, leaf, grounding	RC2-7092-000CN	<a href="#">Internal components (1 of 6) on page 265</a>
Spring, rod	RC2-6611-000CN	<a href="#">Internal components (5 of 6) on page 273</a>

**Table 4-20 Alphabetical parts list (continued)**

Description	Part number	Table and page
Spring, tension	RU6-2831-000CN	<a href="#">Internal components (4 of 6) on page 271</a>
Spring, tension, duplex model	RU6-2671-000CN	<a href="#">Internal components (3 of 6) on page 269</a>
Spring, tension, front	RU6-2727-000CN	<a href="#">Internal components (3 of 6) on page 269</a>
Spring, tension, rear	RU6-2744-000CN	<a href="#">Internal components (3 of 6) on page 269</a>
Spring, tension, registration sensor	RU6-2710-000CN	<a href="#">Internal components (2 of 6) on page 267</a>
Stopper, inner door, 1	RC2-6719-000CN	<a href="#">Internal components (1 of 6) on page 265</a>
Stopper, inner door, 2	RC2-6736-000CN	<a href="#">Internal components (1 of 6) on page 265</a>
Support, developing coupling	RC2-6811-000CN	<a href="#">Internal components (3 of 6) on page 269</a>
Support, frame, front	RC2-7196-000CN	<a href="#">Internal components (2 of 6) on page 267</a>
Support, frame, rear	RC2-7197-000CN	<a href="#">Internal components (2 of 6) on page 267</a>
Switch, bottom (paper feeder)	WC2-5512-000CN	<a href="#">Paper feeder internal components on page 287</a>
Toner collection unit (included in the service kit)	CE710-69005	<a href="#">Internal components (4 of 6) on page 271</a>
Toner feed assembly	RM1-6040-000CN	<a href="#">Internal components (4 of 6) on page 271</a>
Tray 1 (MP tray) assembly	RM1-6045-000CN	<a href="#">Right door assembly on page 263</a>
Waste toner detection PCA	RM1-6779-000CN	<a href="#">PCAs on page 283</a>

# Numerical parts list

**Table 4-21 Numerical parts list**

Part number	Description	Table and page
CD710-69002	Fuser assembly, 220V (included in service kit)	<a href="#">Internal components (2 of 6) on page 267</a>
CE490-67901	Formatter PCA (not illustrated)	<a href="#">PCAs on page 283</a>
CE710-69001	Fuser assembly, 110V (included in service kit)	<a href="#">Internal components (2 of 6) on page 267</a>
CE710-69003	ITB assembly (included in the service kit)	<a href="#">Internal components (4 of 6) on page 271</a>
CE710-69004	Roller, secondary transfer, T2 (included in the service kit)	<a href="#">Right door assembly on page 263</a>
CE710-69005	Toner collection unit (included in the service kit)	<a href="#">Internal components (4 of 6) on page 271</a>
CE710-69006	Roller, paper pickup, Tray 1 (included in the service kit)	<a href="#">Right door assembly on page 263</a>
CE710-69006	Separation pad, Tray 1 (included in the service kit)	<a href="#">Right door assembly on page 263</a>
CE710-69007	Separation roller assembly (included in service kit)	<a href="#">Internal components (2 of 6) on page 267</a>
CE710-69007	Paper pickup roller assembly (included in service kit)	<a href="#">Paper pickup assembly on page 279</a>
CE710-69008	Roller, pickup, paper feeder (included in service kit)	<a href="#">Paper feeder internal components on page 287</a>
CE710-69008	Roller, feed, paper feeder (included in service kit)	<a href="#">Paper feeder internal components on page 287</a>
RC2-6611-000CN	Spring, rod	<a href="#">Internal components (5 of 6) on page 273</a>
RC2-6625-000CN	Cover, handle, lower-left	<a href="#">External covers, panels, and doors on page 261</a>
RC2-6626-000CN	Cover, handle, lower-right, rear	<a href="#">External covers, panels, and doors on page 261</a>
RC2-6627-000CN	Cover, handle, lower-right, front	<a href="#">External covers, panels, and doors on page 261</a>
RC2-6634-000CN	Rail, door link, front lower	<a href="#">Internal components (3 of 6) on page 269</a>
RC2-6635-000CN	Rail, door link, rear lower	<a href="#">Internal components (3 of 6) on page 269</a>
RC2-6642-000CN	Cover, connector, lower	<a href="#">Internal components (2 of 6) on page 267</a>
RC2-6673-000CN	Plate, box pillar	<a href="#">Internal components (6 of 6) on page 275</a>
RC2-6691-000CN	Cap, T2 contact, second-transfer high-voltage PCA	<a href="#">Internal components (3 of 6) on page 269</a>

**Table 4-21 Numerical parts list (continued)**

Part number	Description	Table and page
RC2-6700-000CN	Spring, grounding, second-transfer high-voltage PCA	<a href="#">Internal components (3 of 6) on page 269</a>
RC2-6713-000CN	Hinge, front cover, left	<a href="#">Internal components (1 of 6) on page 265</a>
RC2-6715-000CN	Hinge, front cover, right	<a href="#">Internal components (1 of 6) on page 265</a>
RC2-6717-000CN	Mount, inner door toggle	<a href="#">Internal components (1 of 6) on page 265</a>
RC2-6719-000CN	Stopper, inner door, 1	<a href="#">Internal components (1 of 6) on page 265</a>
RC2-6732-000CN	Arm, front cover, 1	<a href="#">Internal components (1 of 6) on page 265</a>
RC2-6733-000CN	Arm, front cover, 2	<a href="#">Internal components (1 of 6) on page 265</a>
RC2-6735-000CN	Mount, cover arm, front	<a href="#">Internal components (1 of 6) on page 265</a>
RC2-6736-000CN	Stopper, inner door, 2	<a href="#">Internal components (1 of 6) on page 265</a>
RC2-6738-000CN	Hinge, front cover, center	<a href="#">Internal components (1 of 6) on page 265</a>
RC2-6745-000CN	Mount, stopper arm	<a href="#">Internal components (1 of 6) on page 265</a>
RC2-6811-000CN	Support, developing coupling	<a href="#">Internal components (3 of 6) on page 269</a>
RC2-6823-000CN	Link, ITB coupling release	<a href="#">Internal components (3 of 6) on page 269</a>
RC2-6824-000CN	Arm, ITB coupling release	<a href="#">Internal components (3 of 6) on page 269</a>
RC2-6932-000CN	Hook, duplexing spring (duplex model only)	<a href="#">Internal components (3 of 6) on page 269</a>
RC2-7010-000CN	Shutter, exhaust	<a href="#">Internal components (4 of 6) on page 271</a>
RC2-7018-000CN	Seal, toner supporter guide 1	<a href="#">Internal components (4 of 6) on page 271</a>
RC2-7034-000CN	Door, toner collection unit access	<a href="#">External covers, panels, and doors on page 261</a>
RC2-7035-000CN	Arm, waste toner, left	<a href="#">Internal components (4 of 6) on page 271</a>
RC2-7036-000CN	Arm, waste toner, right	<a href="#">Internal components (4 of 6) on page 271</a>
RC2-7091-000CN	Door, right upper	<a href="#">Right door assembly on page 263</a>
RC2-7092-000CN	Spring, leaf, grounding	<a href="#">Internal components (1 of 6) on page 265</a>

**Table 4-21 Numerical parts list (continued)**

Part number	Description	Table and page
RC2-7094-000CN	Hinge, right door, front	<a href="#">Internal components (3 of 6) on page 269</a>
RC2-7196-000CN	Support, frame, front	<a href="#">Internal components (2 of 6) on page 267</a>
RC2-7197-000CN	Support, frame, rear	<a href="#">Internal components (2 of 6) on page 267</a>
RC2-7209-000CN	Spring, grounding	<a href="#">Internal components (1 of 6) on page 265</a>
RC2-7233-000CN	Link, right door, 2 front	<a href="#">Internal components (3 of 6) on page 269</a>
RC2-7234-000CN	Lock, door link, right	<a href="#">Internal components (3 of 6) on page 269</a>
RC2-7236-000CN	Link, right door, 2 rear	<a href="#">Internal components (3 of 6) on page 269</a>
RC2-7272-000CN	Plate, right door link, front	<a href="#">Internal components (3 of 6) on page 269</a>
RC2-7273-000CN	Plate, right door link, rear	<a href="#">Internal components (3 of 6) on page 269</a>
RC2-7297-000CN	Guide, paper feed	<a href="#">Internal components (2 of 6) on page 267</a>
RC2-9033-000CN	Cover, DIMM	<a href="#">External covers, panels, and doors on page 261</a>
RC2-9303-000CN	Handle, lock, rear (paper feeder)	<a href="#">Paper feeder external components on page 285</a>
RC2-9320-000CN	Cover, right front (paper feeder)	<a href="#">Paper feeder external components on page 285</a>
RC2-9327-000CN	Link, right door, lower (paper feeder)	<a href="#">Paper feeder external components on page 285</a>
RC2-9330-000CN	Cover, rear (paper feeder)	<a href="#">Paper feeder external components on page 285</a>
RC2-9331-000CN	Cover, left (paper feeder)	<a href="#">Paper feeder external components on page 285</a>
RC2-9332-000CN	Cover, handle, lower (paper feeder)	<a href="#">Paper feeder external components on page 285</a>
RC2-9335-000CN	Link, right door, upper (paper feeder)	<a href="#">Paper feeder external components on page 285</a>
RC2-9363-000CN	Label, cassette number	<a href="#">Paper feeder internal components on page 287</a>
RC2-9649-000CN	Plate, arm reinforcement	<a href="#">Internal components (4 of 6) on page 271</a>
RC3-0688-000CN	Cover, gear, simplex model	<a href="#">Internal components (3 of 6) on page 269</a>
RK2-0997-000CN	Motor, drive, simplex model	<a href="#">Internal components (3 of 6) on page 269</a>

**Table 4-21 Numerical parts list (continued)**

Part number	Description	Table and page
RK2-0997-000CN	Motor, duplex drive (duplex model only)	<a href="#">Internal components (3 of 6) on page 269</a>
RK2-1331-000CN	Motor, pickup (paper feeder)	<a href="#">Paper feeder internal components on page 287</a>
RK2-2276-000CN	Fan, power supply	<a href="#">Internal components (4 of 6) on page 271</a>
RK2-2728-000CN	Fan, fuser	<a href="#">Internal components (1 of 6) on page 265</a>
RK2-2884-000CN	Environment sensor PCA	<a href="#">PCAs on page 283</a>
RK2-2969-000CN	Cable, flat flexible, 3	<a href="#">Internal components (6 of 6) on page 275</a>
RL1-2281-000CN	Plate, right door link, fixed, front	<a href="#">Internal components (3 of 6) on page 269</a>
RL1-2282-000CN	Plate, right door link, fixed, rear	<a href="#">Internal components (3 of 6) on page 269</a>
RM1-3819-000CN	Lifter drive assembly (paper feeder)	<a href="#">Paper feeder internal components on page 287</a>
RM1-6002-000CN	Registration sensor assembly	<a href="#">Internal components (2 of 6) on page 267</a>
RM1-6040-000CN	Toner feed assembly	<a href="#">Internal components (4 of 6) on page 271</a>
RM1-6043-000CN	Lifter plate assembly, Tray 1	<a href="#">Right door assembly on page 263</a>
RM1-6045-000CN	Tray 1 (MP tray) assembly	<a href="#">Right door assembly on page 263</a>
RM1-6066-000CN	Formatter case	<a href="#">Internal components (6 of 6) on page 275</a>
RM1-6075-000CN	Fuser motor assembly	<a href="#">Internal components (2 of 6) on page 267</a>
RM1-6076-000CN	Fuser drive assembly	<a href="#">Internal components (2 of 6) on page 267</a>
RM1-6089-000CN	Motor, main drive assembly	<a href="#">Internal components (3 of 6) on page 269</a>
RM1-6104-000CN	Right door assembly, duplex model	<a href="#">Right door assembly on page 263</a>
RM1-6105-000CN	Paper pickup assembly (duplex model)	<a href="#">Paper pickup assembly on page 279</a>
RM1-6106-000CN	Paper pickup assembly (simplex model)	<a href="#">Paper pickup assembly on page 279</a>
RM1-6121-000CN	Drive assembly, simplex model	<a href="#">Internal components (2 of 6) on page 267</a>
RM1-6122-000CN	Laser scanner assembly	<a href="#">Internal components (4 of 6) on page 271</a>

**Table 4-21 Numerical parts list (continued)**

<b>Part number</b>	<b>Description</b>	<b>Table and page</b>
RM1-6139-000CN	Right door assembly, simplex model	<a href="#">Right door assembly on page 263</a>
RM1-6164-000CN	Sensor, cassette last paper presence	<a href="#">Internal components (2 of 6) on page 267</a>
RM1-6165-000CN	Paper delivery assembly	<a href="#">Paper delivery assembly on page 281</a>
RM1-6167-000CN	Drive assembly, duplex reverse (duplex model only)	<a href="#">Internal components (2 of 6) on page 267</a>
RM1-6639-000CN	DC Controller PCA (duplex model)	<a href="#">PCAs on page 283</a>
RM1-6743-000CN	Driver PCA (duplex model)	<a href="#">PCAs on page 283</a>
RM1-6755-000CN	Low-voltage power supply PCA (110V)	<a href="#">PCAs on page 283</a>
RM1-6756-000CN	Low-voltage power supply PCA (220V)	<a href="#">PCAs on page 283</a>
RM1-6761-000CN	Power switch PCA	<a href="#">PCAs on page 283</a>
RM1-6779-000CN	Waste toner detection PCA	<a href="#">PCAs on page 283</a>
RM1-6783-000CN	Driver PCA (simplex model)	<a href="#">PCAs on page 283</a>
RM1-6796-000CN	DC Controller PCA (simplex model)	<a href="#">PCAs on page 283</a>
RM1-6800-000CN	Imaging high-voltage PCA	<a href="#">PCAs on page 283</a>
RM1-6801-000CN	Primary transfer high-voltage PCA	<a href="#">PCAs on page 283</a>
RM1-6802-000CN	Secondary transfer high-voltage PCA	<a href="#">PCAs on page 283</a>
RM1-6804-000CN	Cable assembly, flat-flexible	<a href="#">Internal components (4 of 6) on page 271</a>
RM1-6807-000CN	Cable, low voltage power supply	<a href="#">Internal components (5 of 6) on page 273</a>
RM1-6811-000CN	Cable, low-voltage AC joint	<a href="#">Internal components (5 of 6) on page 273</a>
RM1-6813-000CN	Cable, low-voltage power supply, test	<a href="#">Internal components (5 of 6) on page 273</a>
RM1-6822-000CN	Cable, primary transfer	<a href="#">Internal components (6 of 6) on page 275</a>
RM1-6831-000CN	Cable, switch	<a href="#">Internal components (5 of 6) on page 273</a>
RM1-6835-000CN	Cable, left, high-voltage power supply to low-voltage power supply	<a href="#">Internal components (5 of 6) on page 273</a>
RM1-6847-000CN	Cable, feed joint, environment sensor	<a href="#">Internal components (3 of 6) on page 269</a>
RM1-6863-000CN	Cable, rear	<a href="#">Internal components (6 of 6) on page 275</a>
RM1-6868-000CN	Cable, SV joint, low-voltage power supply	<a href="#">Internal components (2 of 6) on page 267</a>
RM1-6942-000CN	Cassette (paper feeder)	<a href="#">Paper feeder internal components on page 287</a>

**Table 4-21 Numerical parts list (continued)**

Part number	Description	Table and page
RM1-6944-000CN	Paper pickup assembly (paper feeder)	<a href="#">Paper feeder internal components on page 287</a>
RM1-6946-000CN	Right door assembly (paper feeder)	<a href="#">Paper feeder external components on page 285</a>
RM1-6948-000CN	Cover, right lower assembly (paper feeder)	<a href="#">Paper feeder external components on page 285</a>
RM1-6949-000CN	Cover, upper front assembly (paper feeder)	<a href="#">Paper feeder external components on page 285</a>
RM1-6987-000CN	Paper feeder driver PCA	<a href="#">Paper feeder internal components on page 287</a>
RM1-6987-000CN	Paper feeder driver PCA	<a href="#">Paper feeder PCA on page 289</a>
RM1-7133-000CN	Cover, front assembly	<a href="#">External covers, panels, and doors on page 261</a>
RM1-7138-000CN	Cassette	<a href="#">Cassette on page 277</a>
RM1-7142-000CN	Cover, right rear	<a href="#">External covers, panels, and doors on page 261</a>
RM1-7143-000CN	Cover, left assembly	<a href="#">External covers, panels, and doors on page 261</a>
RM1-7145-000CN	Cover, right front assembly	<a href="#">External covers, panels, and doors on page 261</a>
RM1-7146-000CN	Cover, rear	<a href="#">External covers, panels, and doors on page 261</a>
RM1-7149-000CN	Cover, top	<a href="#">External covers, panels, and doors on page 261</a>
RM1-7914-000CN	Gear assembly, fuser	<a href="#">Internal components (2 of 6) on page 267</a>
RU5-4979-000CN	Shaft, right door link	<a href="#">Internal components (3 of 6) on page 269</a>
RU6-0771-000CN	Gear, 25T, duplex model	<a href="#">Internal components (3 of 6) on page 269</a>
RU6-0772-000CN	Gear, 25T, duplex model	<a href="#">Internal components (3 of 6) on page 269</a>
RU6-0773-000CN	Gear, 74T, duplex model	<a href="#">Internal components (3 of 6) on page 269</a>
RU6-0775-000CN	Gear, 18T/29T, simplex model	<a href="#">Internal components (3 of 6) on page 269</a>
RU6-0795-000CN	Gear, link worm	<a href="#">Internal components (4 of 6) on page 271</a>
RU6-2671-000CN	Spring, tension, duplex model	<a href="#">Internal components (3 of 6) on page 269</a>
RU6-2683-000CN	Spring, compression	<a href="#">Internal components (4 of 6) on page 271</a>

**Table 4-21 Numerical parts list (continued)**

<b>Part number</b>	<b>Description</b>	<b>Table and page</b>
RU6-2710-000CN	Spring, tension, registration sensor	<a href="#">Internal components (2 of 6) on page 267</a>
RU6-2721-000CN	Spring, compression	<a href="#">Internal components (1 of 6) on page 265</a>
RU6-2727-000CN	Spring, tension, front	<a href="#">Internal components (3 of 6) on page 269</a>
RU6-2744-000CN	Spring, tension, rear	<a href="#">Internal components (3 of 6) on page 269</a>
RU6-2767-000CN	Spring, contact	<a href="#">Internal components (5 of 6) on page 273</a>
RU6-2768-000CN	Spring, contact	<a href="#">Internal components (5 of 6) on page 273</a>
RU6-2771-000CN	Spring, contact, second-transfer high-voltage PCA	<a href="#">Internal components (3 of 6) on page 269</a>
RU6-2772-000CN	Spring, grounding, second-transfer high-voltage PCA	<a href="#">Internal components (3 of 6) on page 269</a>
RU6-2831-000CN	Spring, tension	<a href="#">Internal components (4 of 6) on page 271</a>
VS1-7207-019CN	Connector, snap tight, black	<a href="#">Internal components (2 of 6) on page 267</a>
VS1-7514-008CN	Connector, 8-pin, paper-pickup	<a href="#">Internal components (6 of 6) on page 275</a>
VT2-5176-004CN	Spacer, DC controller PCA	<a href="#">Internal components (6 of 6) on page 275</a>
WC2-5512-000CN	Switch, bottom (paper feeder)	<a href="#">Paper feeder internal components on page 287</a>
WC4-5251-000CN	Microswitch	<a href="#">Internal components (1 of 6) on page 265</a>
WG8-5696-000CN	Sensor, right door	<a href="#">Internal components (3 of 6) on page 269</a>

