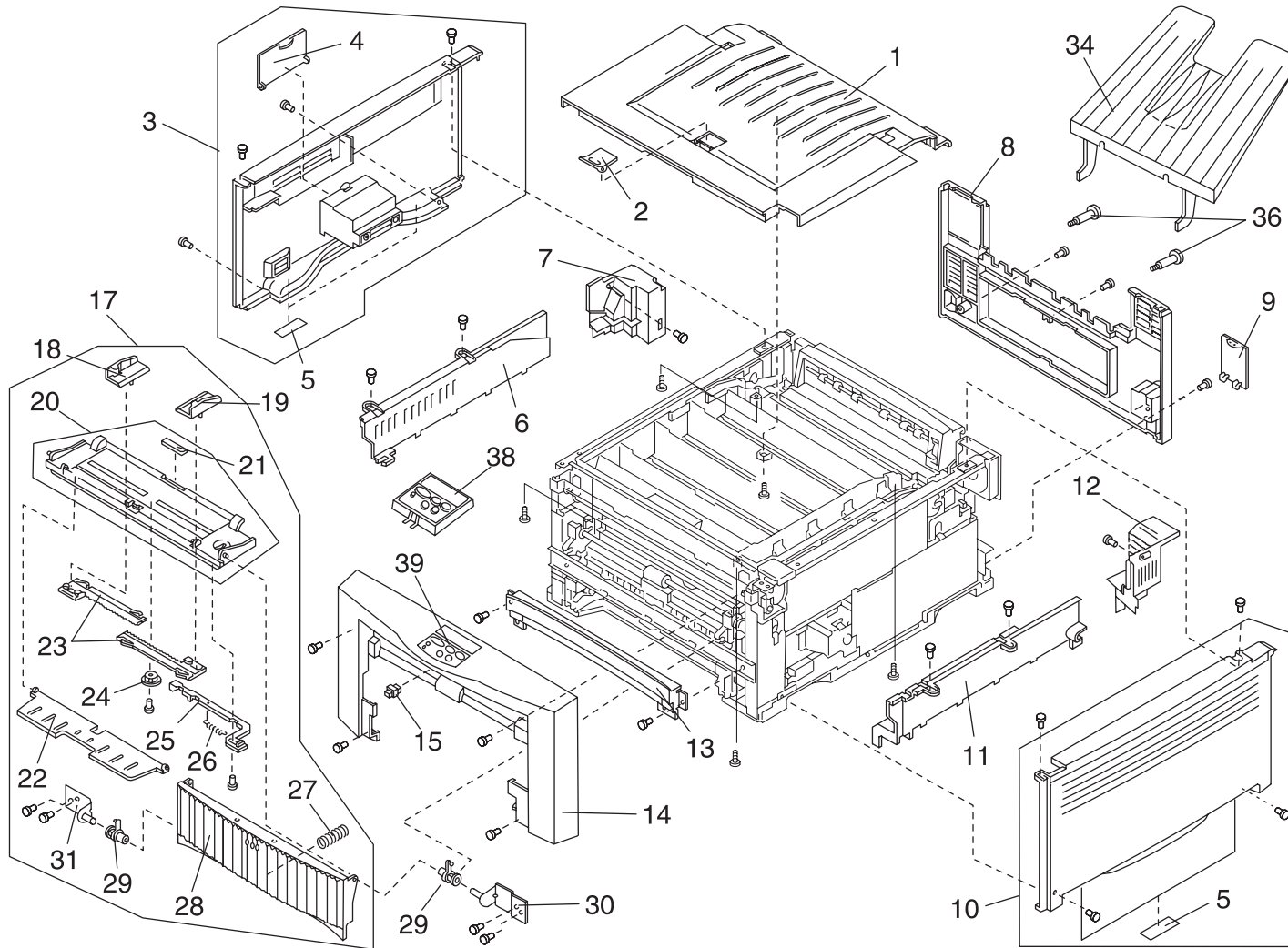


5050-001

Assembly 1: Covers

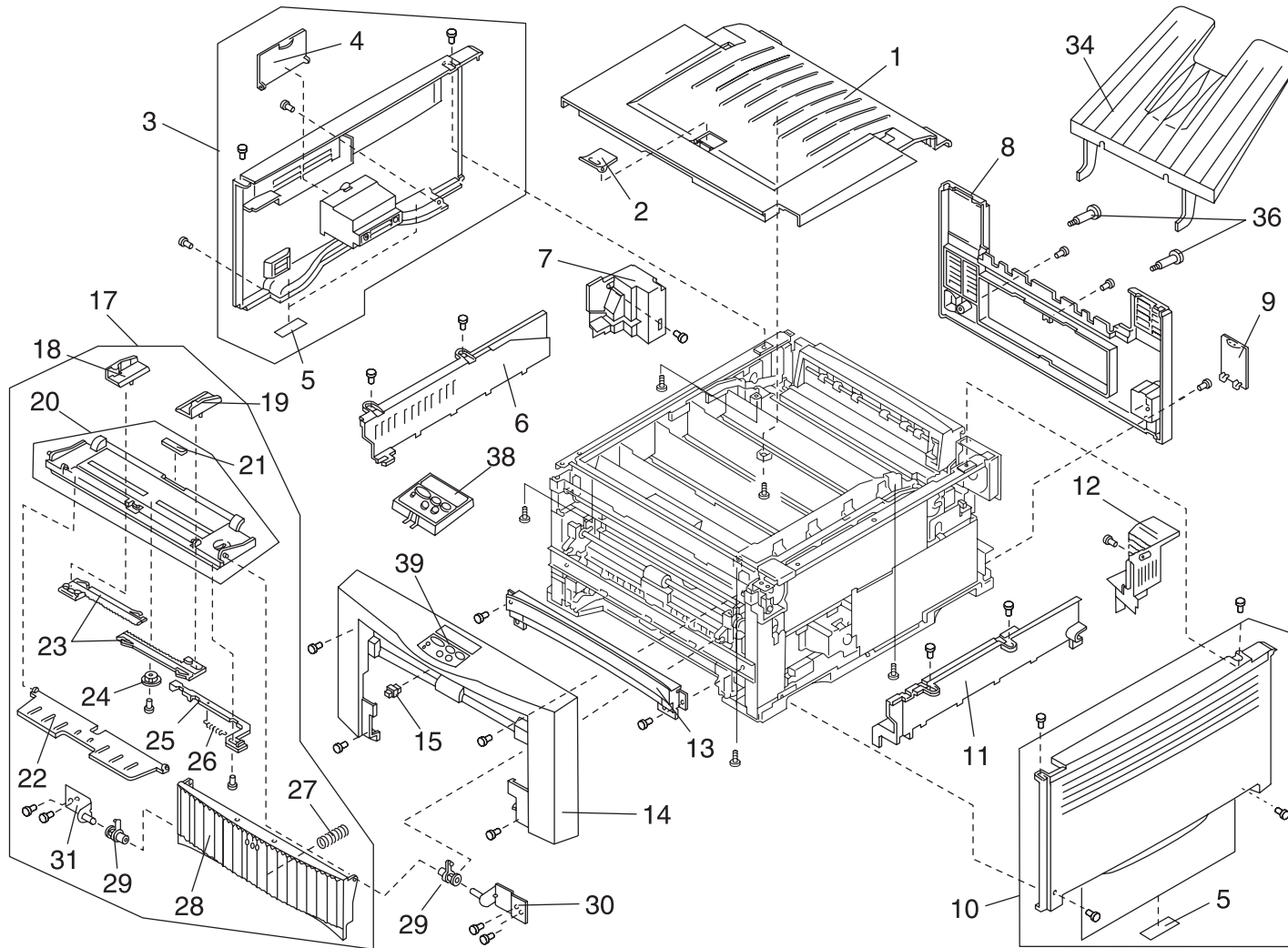


Assembly 1: Covers

Ref	Part Number	Units	Description
1-1	11G0101	1	Top Cover (115 V)
-1	11G0650	1	Top Cover (230 V)
-1	11G0716	1	Top Cover (100 V) - Japan
-2	11G0102	1	Paper Stopper
-3	11G0104	1	Side Cover Asm, L
-4	11G0103	1	FC Cover
-5	11G0129	4	Rubber Plate
-6	11G0105	1	Sub Cover, L F
-7	11G0546	1	Sub Cover, L R
-8	11G0547	1	Rear Cover L, (230volt)
-8	11G0106	1	Rear Cover L, (115volt)
-8	11G0717	1	Rear Cover L, (100volt) - Japan
-9	11G0107	1	Second CN Cover
-10	11G0108	1	Side Cover, R
-11	11G0109	1	Sub Cover, R
-12	11G0552	1	Sub Cover, R
-13	11G0110	1	Front Sub Cover
-14	11G0111	1	Front Cover Asm
-15	11G0112	1	Latch
-17	11G0128	1	Mpf Asm
-18	11G0113	1	Mpf Side Location L
-19	11G0114	1	Mpf Side Location R
-20	11G0115	1	Mpf Tray (L)
-21	11G0623	1	Label, Paper Size, Mpf
-22	11G0116	1	Sub Tray
-23	11G0117	2	Mpf Rack
-24	11G0118	1	Mpf Pinion
-25	11G0119	1	Mpf Lock Lever
-26	11G0120	1	Tray Lock Spring
-27	11G0122	1	Mpf Spring
-28	11G0123	1	Mpf Cover

5050-001

Assembly 1 (cont.): Covers



Assembly 1 (cont.): Covers

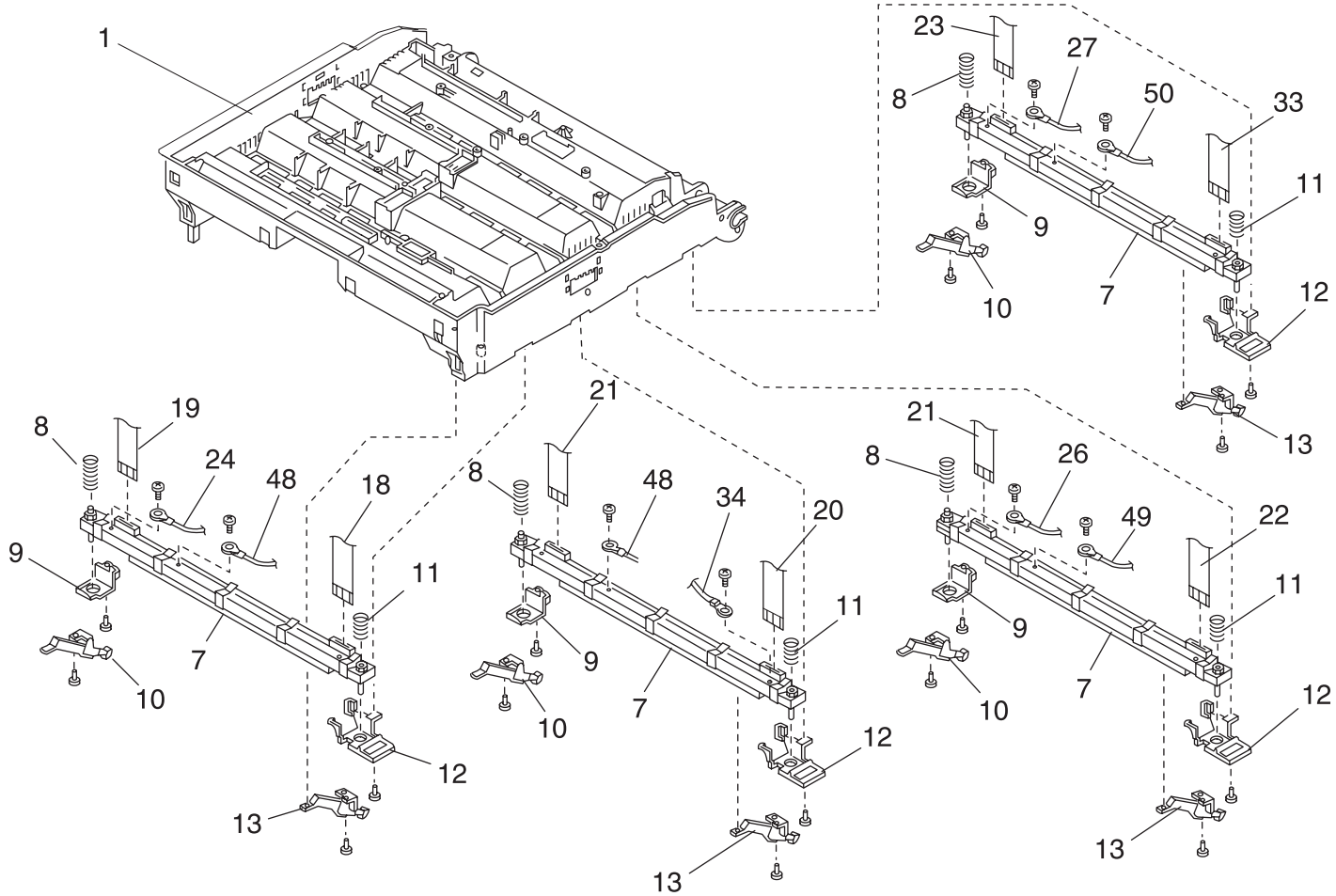
Ref	Part Number	Units	Description
1-29	11G0121	2	Mpf Holder
-30	11G0524	1	Bracket Rh Mpf Tray
-31	11G0525	1	Bracket Lh Mpf Tray
-34	11G0631	1	Rear Paper Exit Tray Asm
-36	11G0651	2	Screw, Mtg, Rear Paper Exit Tray
-38	99A0001	1	Operator Panel Asm
-39	99A0630	1	Bezel, Operator Panel
-39	99A0541	1	Bezel, Operator Panel - Japan
-NS	11G0567	1	Rating Plate, Low, (115 Volts)
-NS	11G0568	1	Rating Plate, High, (230 Volts)
-NS	11G0718	1	Rating Label, (100 Volts) - Japan
-NS	11G0623	2	Cushion, Exit Tray
-NS	11G0569	1	Screw Parts Packet #1
-NS	11G0622	1	Label, Instruction Mpt
-NS	11G0732	1	MPF Wire Extension

Assembly 2: Paper Exit

Ref	Part Number	Units	Description
2-1	11G0149	1	Paper Exit Cover H
-2	11G0151	1	Paper Exit Unit
-3	11G0131	1	Paper Exit Cover
-4	11G0150	1	Discharge Brush
-5	11G0134	6	Roller Fitting Plate, Upper
-6	11G0135	8	Paper Exit Roller
-7	11G0132	1	Feed Guide
-8	11G0133	1	Paper Delivery Flap
-9	11G0137	1	Paper Exit Shaft, Upper
-10	11G0140	2	Bushing
-11	11G0138	1	Bushing C
-12	11G0139	1	Lock Spring
-13	11G0141	1	Paper Exit Frame
-14	11G0143	1	Ground Plate, Paper Exit
-15	11G0144	2	Pulley
-16	11G0145	1	Belt
-17	11G0147	6	Lower Roller Fitting Plate
-19	11G0561	1	Clutch Lever, Paper Delivery Flap
-20	11G0507	1	Clutch Lever, Spring
-21	11G0508	1	Paper Delivery Flap Plate Shaft
-22	11G0146	1	One Way Clutch Gear, 20
-23	11G0511	1	Screw, stopper
-24	11G0136	1	Harness Cover
-25	11G0515	1	Paper Exit Feeder Base 1
-26	11G0518	1	Paper Exit Feeder Base 2
-27	11G0142	1	Switch Spring
-28	11G0563	1	Photo Interrupter, Remove Paper
-29	11G0521	1	Paper Exit Feeder Rod
-30	11G0523	1	Paper Exit Feeder Spring
-31	11G0527	1	Paper Exit Feeder Lever
-32	11G0528	1	Sensor Cable, Remove Paper
-NS	11G0566	1	Screw Parts Packet #2

5050-001

Assembly 3: Upper Unit

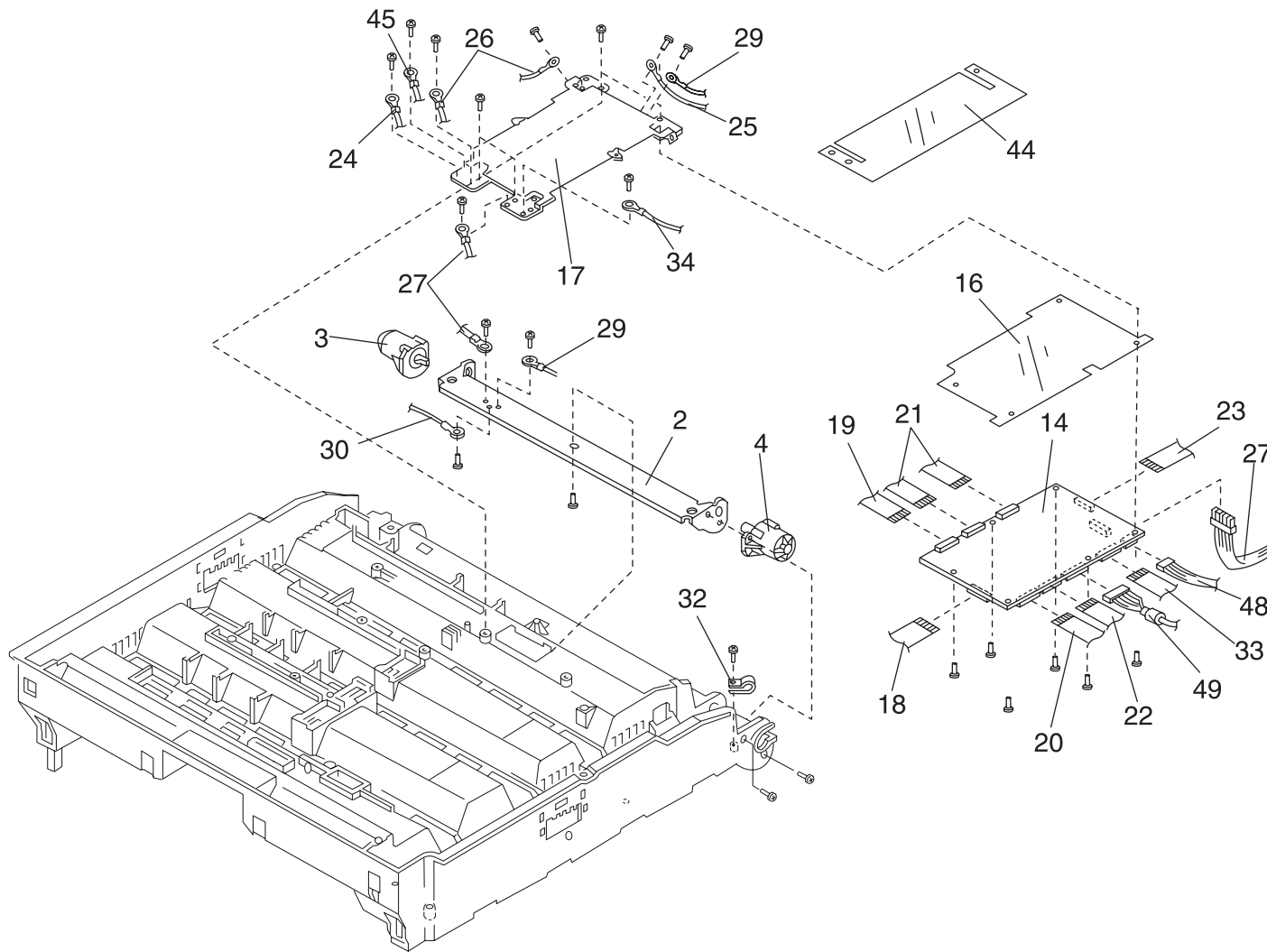


Assembly 3: Upper Unit

Ref	Part Number	Units	Description
3-1	11G0152	1	Head Frame
-7	11G0159	4	LED Head Asm, LED Head EEPROM
-7	11G0719	4	LED Head Asm, LED Head EEPROM Level 2
-8	11G0160	4	Head Spring L
-9	11G0161	4	Head Cover L
-10	11G0162	4	Pressure Base, L
-11	11G0502	4	Head Spring R
-12	11G0163	4	Head Cover R
-13	11G0164	4	Pressure Base, R
-18	11G0503	1	Head/cable (M) 115 V
-18	11G0720	1	Head Cable (M) 100 V - Japan
-19	11G0504	1	Head/cable (M) 115 V
-19	11G0652	1	Head Cable (M) 230 V
-20	11G0506	1	Head/cable (C) 115 V
-20	11G0653	1	Head Cable (C) 230 V
-21	11G0509	2	Head/cable (C) 115 V
-21	11G0654	1	Head Cable (C) 230 V
-22	11G0510	2	Head/cable (Y) 115 V
-22	11G0655	1	Head Cable (Y) 230 V
-22	11G0721	1	Head Cable (Y) 100 V - Japan
-23	11G0512	1	Head/cable (K) 115 V
-23	11G0656	1	Head Cable (K) 230 V
-24	11G0670	1	MLFG Harness
-25	11G0671	1	HDFG Harness
-26	11G0672	1	YLFG Harness
-27	11G0673	1	DLFG Harness
-32	11G0620	1	Nylon Clip
-33	11G0657	1	KRCFFC Cable, 115 V
-33	11G0658	1	KRCFFC Cable, 230 V
-34	11G0677	1	CRFG Harness
-48	11G0688	1	MCT Harness
-49	11G0689	1	YTFG Harness
-50	11G0690	1	KTFG Harness

5050-001

Assembly 3 (cont.):

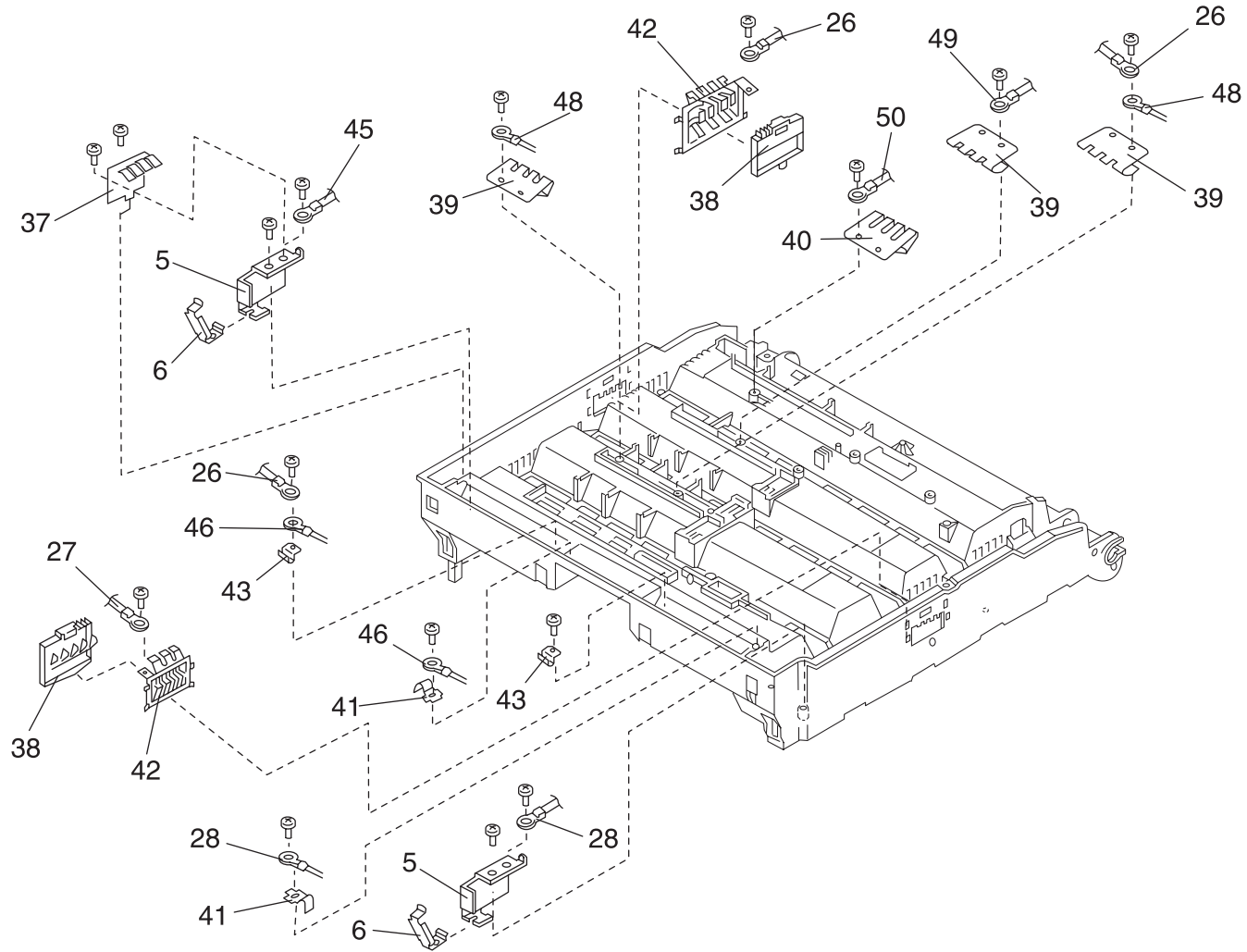


Assembly 3 (cont.): Upper Unit

Ref	Part Number	Units	Description
3-2	11G0153	1	Hinge Stay 2
-3	11G0154	1	Damper Right
-4	11G0155	1	Damper Left
-14	11G0555	1	LED Printhead Controller Board (P614-Hdcont)
-16	11G0167	1	Insulator Shield, sheet
-17	11G0168	1	Sealed Plate
-18	11G0665	1	Head Cable (M) 230 V
-18	11G0720	1	Head Cable (M) 100 V - Japan
-19	11G0504	1	Head/cable (M) 115 V
-19	11G0652	1	Head Cable (M) 230 V
-20	11G0506	1	Head/cable (C) 115 V
-20	11G0653	1	Head Cable (C) 230 V
-21	11G0509	2	Head/cable (C) 115 V
-21	11G0654	1	Head Cable (C) 230 V
-22	11G0510	2	Head/cable (Y) 115 V
-22	11G0655	1	Head Cable (Y) 230 V
-23	11G0512	1	Head/cable (K) 115 V
-23	11G0656	1	Head Cable (K) 230 V
-24	11G0670	1	MLFG Harness
-25	11G0671	1	HDFG Harness
-26	11G0672	1	YLFG Harness
-27	11G0673	1	DLFG Harness
-29	11G0675	1	STFG Harness
-30	11G0676	1	DFG Harness
-32	11G0620	3	Nylon Clip
-33	11G0657	1	KRCFFC Cable 115 V
-34	11G0677	1	CRFG Harness
-44	11G0684	1	Sheet, Selected
-45	11G0685	1	FLFG Harness
-48	11G0688	1	MCT Harness
-49	11G0689	1	YTFG Harness

5050-001

Assembly 3 (cont.):

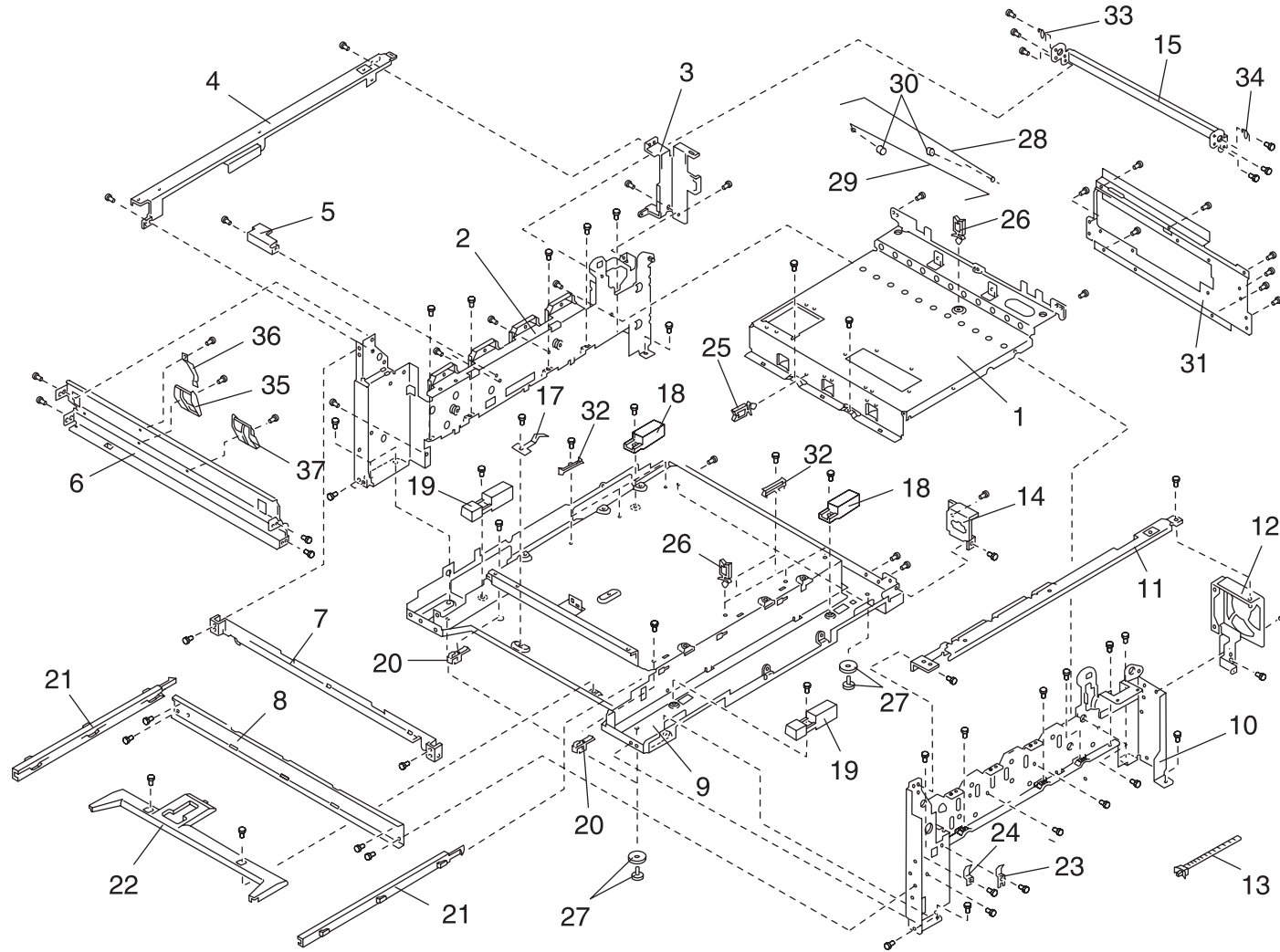


Assembly 3 (cont.):

Ref	Part Number	Units	Description
3-5	11G0501	2	Bracket Ground Plate
-6	11G0157	2	Ground Plate, Head Frame
-26	11G0672	1	YLFG Harness
-27	11G0673	1	KLFG Harness
-28	11G0674	1	FRFG Harness
-37	11G0678	1	Top Cover Spring
-38	11G0679	2	Cover
-39	11G0680	3	FFC Spring A
-40	11G0681	1	FFC Spring B
-41	11G0339	1	Ground Plate
-42	11G0682	2	Side Ground Plate
-43	11G0683	2	Ground Plate
-45	11G0685	1	FLFG Harness
-46	11G0686	1	FTFG Harness
-48	11G0688	1	MCT Harness
-49	11G0689	1	YTFG Harness
-50	11G0690	1	KTFG Harness
-NS	11G0565	1	Screw Parts Packet #3

5050-001

Assembly 4: Base 1

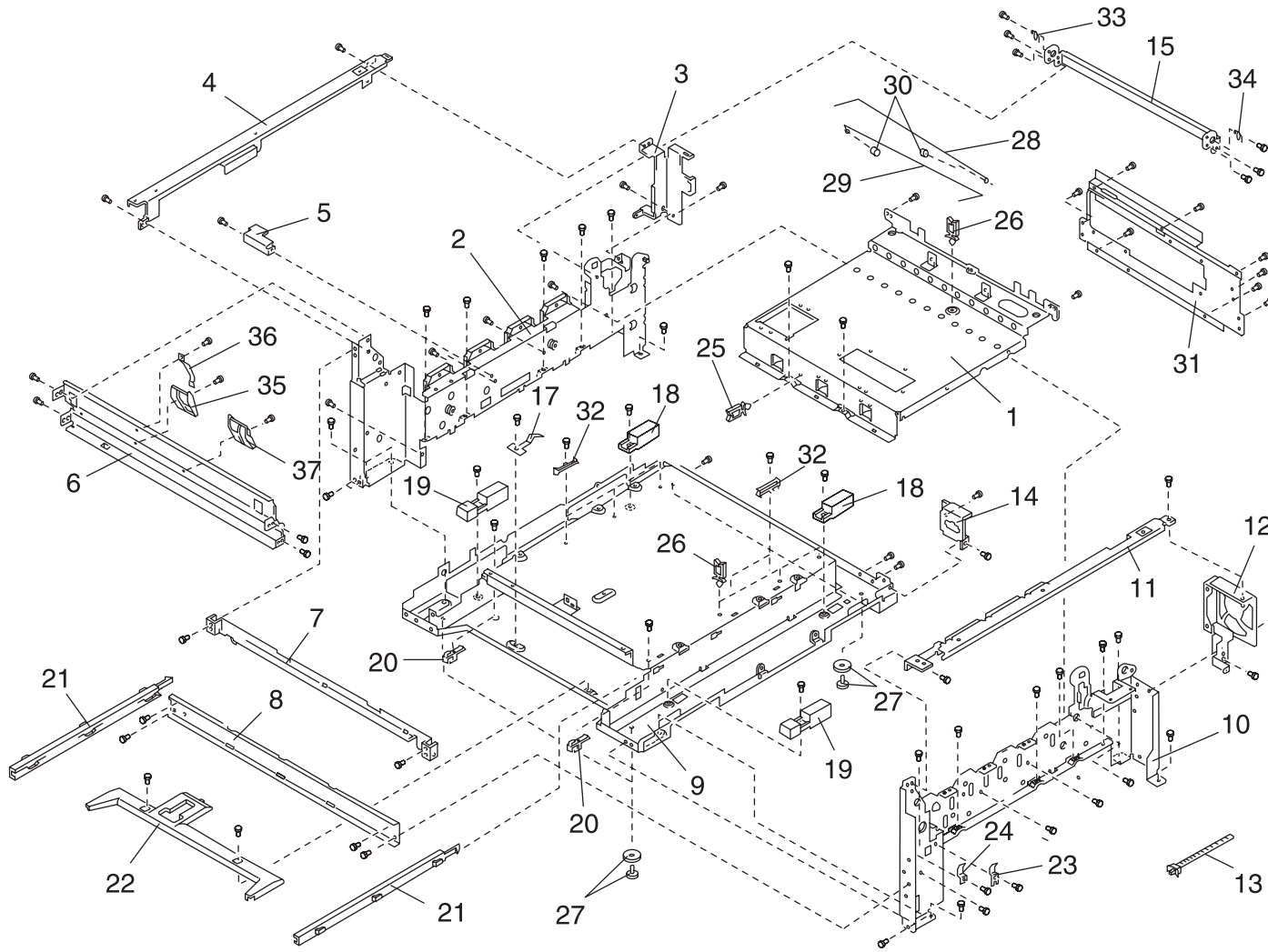


Assembly 4: Base 1

Ref	Part Number	Units	Description
4-1	11G0176	1	Top Frame
-2	11G0177	1	Side Frame; L
-3	11G0178	1	Power Supply Bracket A
-4	11G0179	1	Power Supply Stay
-5	11G0180	1	Power Supply Bracket B
-6	11G0181	1	Front Stay USA
-6	11G0691	1	Front Stay Non-USA
-7	11G0182	1	Front Frame, B
-8	11G0183	1	Front Frame
-9	11G0184	1	Bottom Frame
-10	11G0185	1	Side Frame, R
-11	11G0186	1	HVU1 Mounting Stay
-12	11G0187	1	Fan Stay
-13	11G0618	1	Cable Tie
-14	11G0188	1	Second Connector Bracket
-15	11G0189	1	Hinge Frame
-17	11G0191	1	Cassette Ground Plate
-18	11G0192	2	Lock Cover, B
-19	11G0193	2	Lock Cover, A
-20	11G0194	2	Release Lower Plate
-21	11G0195	2	Cassette Rail
-22	11G0196	1	Bottom Frame Cover
-23	11G0197	1	Registration Roller Ground Plate
-24	11G0198	1	Mpf Ground Plate
-25	11G0517	1	Locking Saddle
-26	11G0199	3	Locking Wire Saddle
-27	11G0201	4	Foot
-28	11G0519	1	Torsion Bearing R
-29	11G0520	1	Torsion Bearing L
-30	11G0522	2	Torsion Bearing Nut
-31	11G0526	1	Controller Card Mounting Plate
-NS	11G0617	1	Screw Parts Packet #4

5050-001

Assembly 4 (cont.):



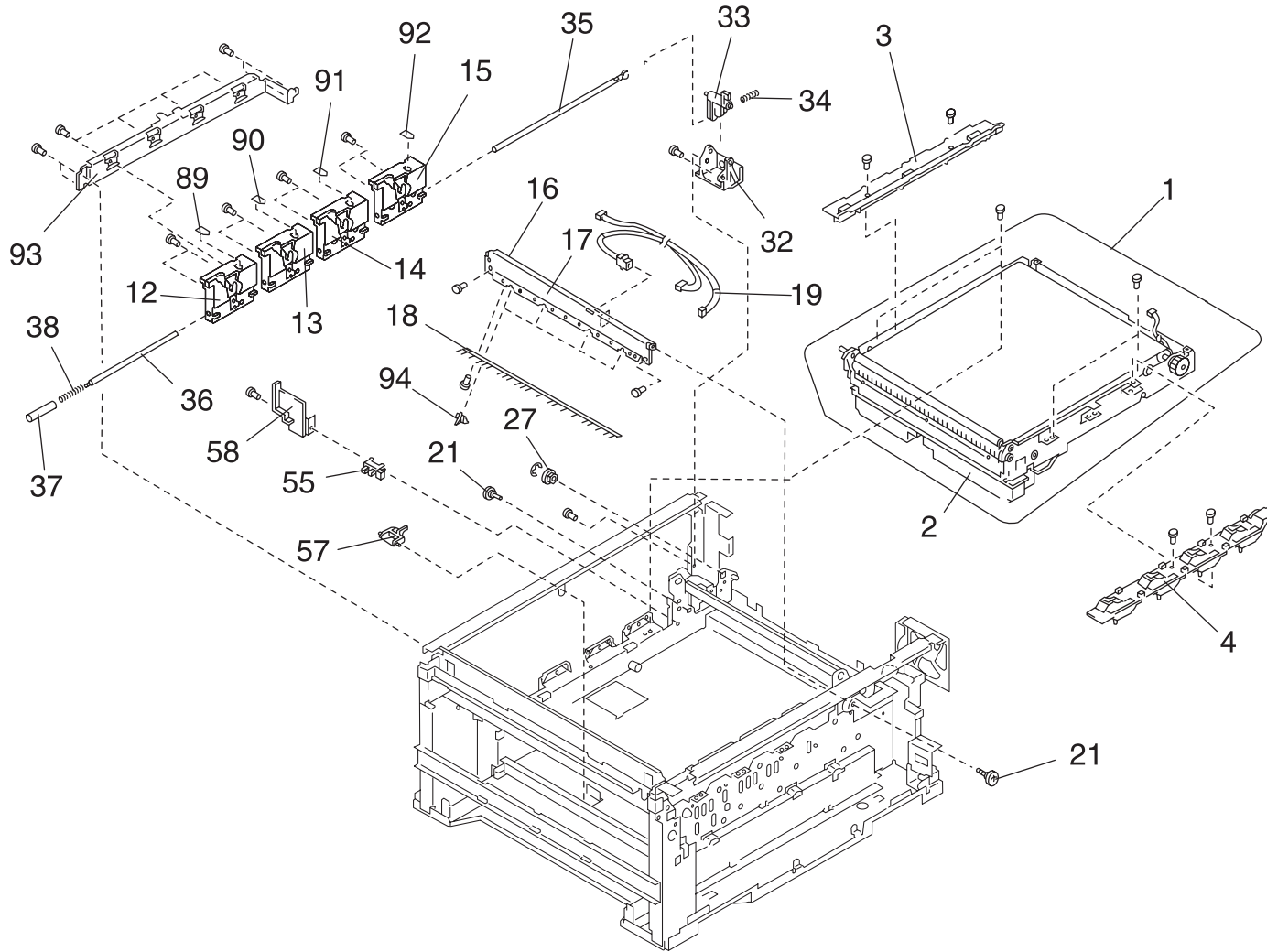
5050-001

Assembly 4 (cont.):

Ref	Part Number	Units	Description
4-32	11G0692	5	PCB Guide
-33	11G0693	1	Ground Spring, LV
-34	11G0694	1	Ground Spring, RV
-35	11G0695	1	Cover Spring
-36	11G0696	1	Spring
-37	11G0697	1	Cover Bracket Spring R

5050-001

Assembly 5: Base 2

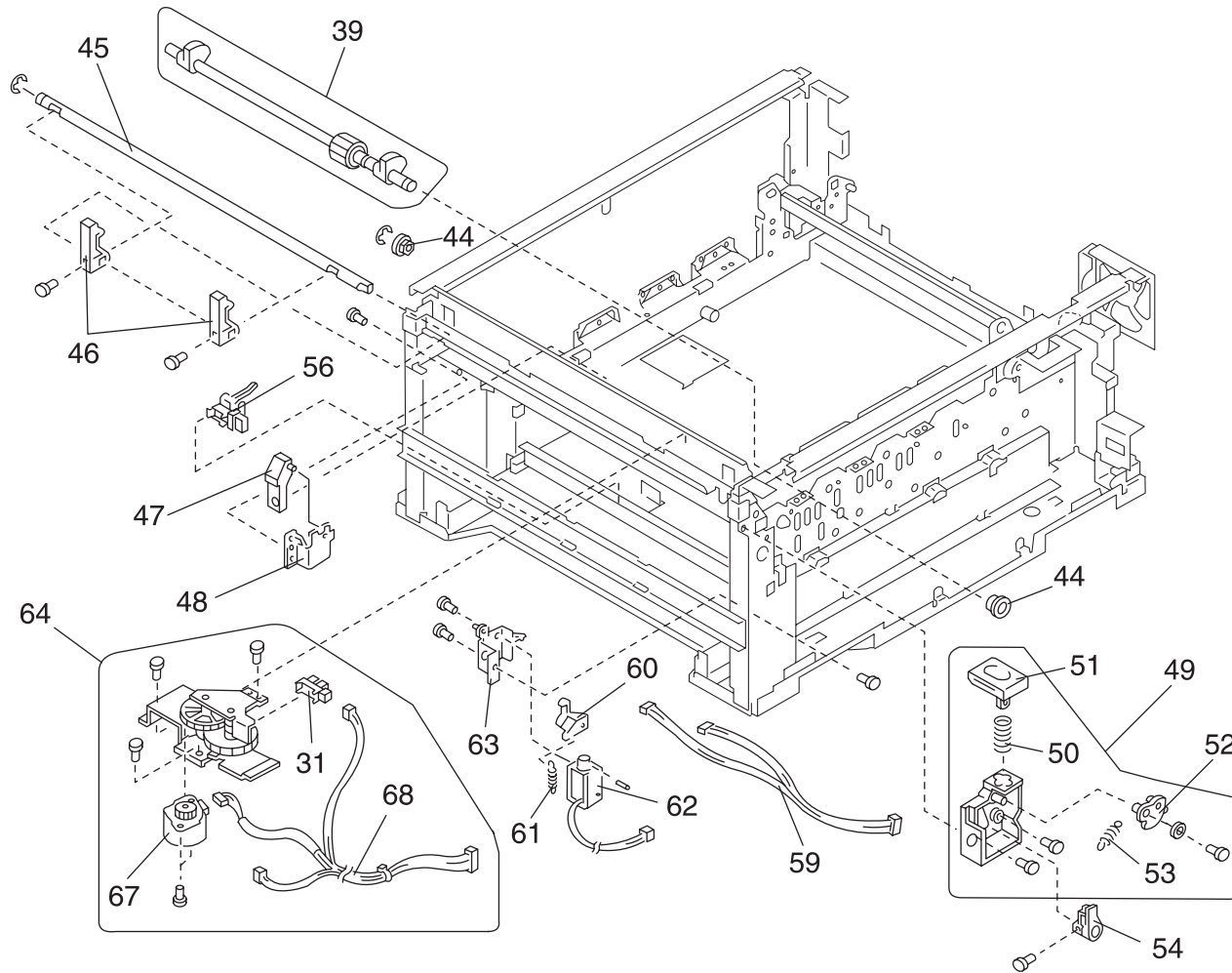


Assembly 5: Base 2

Ref	Part Number	Units	Description
5-1	11G0202	1	Transfer Belt Unit
-2	11G0203	1	Belt toner Waste Bottle
-3	11G0204	1	Transfer Cover
-4	11G0205	1	Gear Cover
-12	11G0208	4	Sub Frame Asm, Lm
-13	11G0554	4	Sub Frame Asm, Lc
-14	11G0557	4	Sub Frame Asm, Ly
-15	11G0560	4	Sub Frame Asm, Lk
-16	11G0209	1	Paper Carrying Guide
-17	11G0210	1	Paper Carrying Guide Film
-18	11G0211	1	Paper Discharge Brush
-19	11G0212	1	Belt Thermistor Harness
-21	11G0214	2	Stopper Screw
-27	11G0140	2	Bushing
-32	11G0221	1	Link Holder
-33	11G0222	1	Link Arm
-34	11G0223	1	Link Spring
-35	11G0224	1	Interlock Rod, Front
-36	11G0225	1	Interlock Rod, Rear
-37	11G0226	1	Spring Cover
-38	11G0227	1	Interlock Lever Spring, Rear
-55	11G0243	2	Photo Interrupter, Paper Detect
-57	11G0245	1	Paper Detect Lever
-58	11G0244	1	Power Supply Cover
-89	11G0266	2	Setting Label, MI
-90	11G0265	2	Setting Label, CI
-91	11G0264	2	Setting Label, YI
-92	11G0263	2	Setting Label, Bkl
-93	11G0539	1	Stay, Sub Frame L
-94	11G0698	4	Separation Pawl

5050-001

Assembly 5 (cont.): Base 2

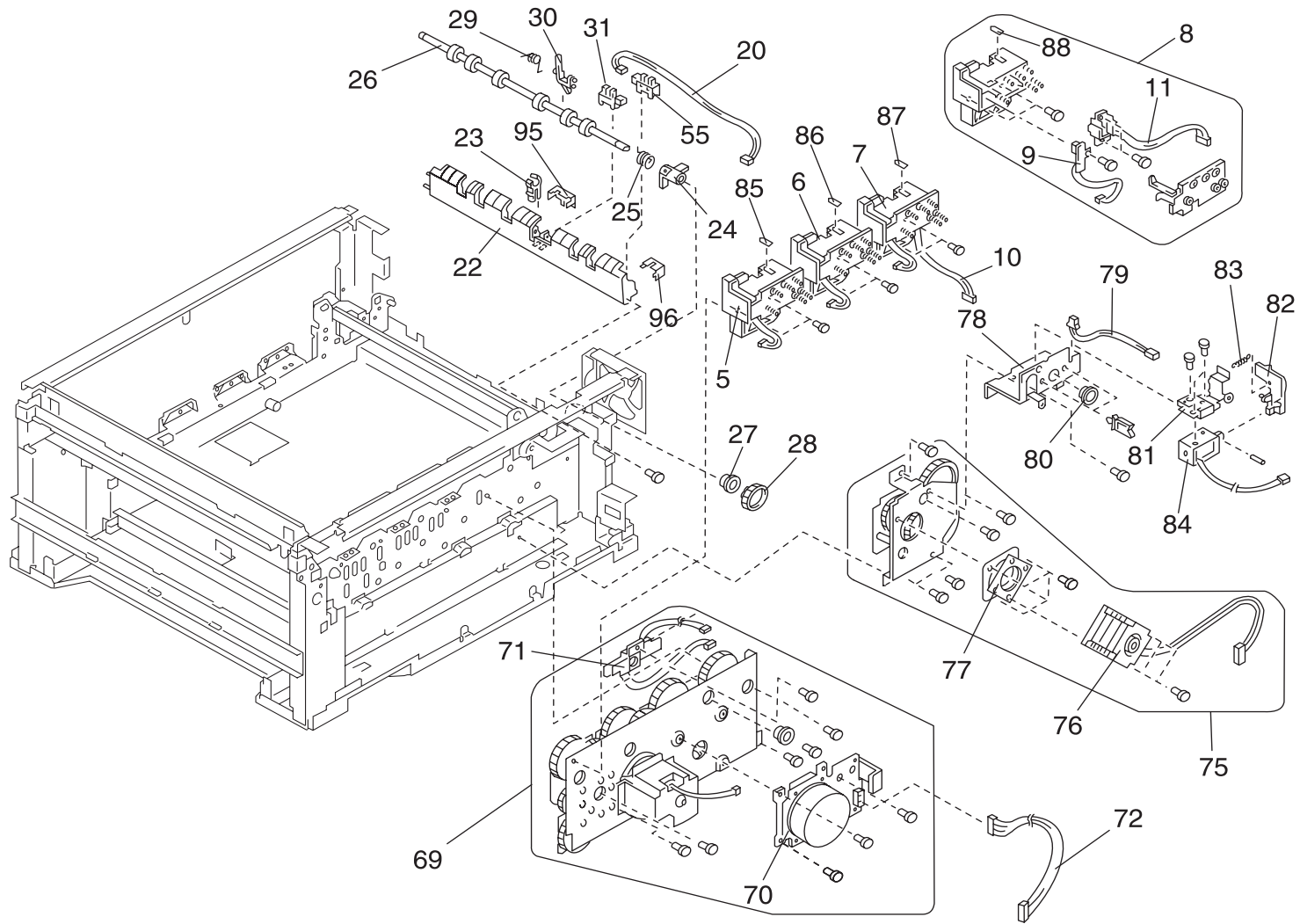


Assembly 5 (cont.): Base 2

Ref	Part Number	Units	Description
5-31	11G0219	2	Photo Interrupter, Belt Up/Down (BUD) Sensor
-39	11G0267	1	Changing Shaft
-44	11G0232	2	Bushing
-45	11G0233	1	Hook Shaft
-46	11G0234	2	Hook
-47	11G0235	1	Interlock Lever, Rear
-48	11G0236	1	Interlock Lever Bracket
-49	11G0239	1	Link Base
-50	11G0238	1	Open Spring
-51	11G0237	1	Open Button
-52	11G0242	1	Link
-53	11G0241	1	Hook Spring
-54	11G0240	1	Release Hook Lever
-56	11G0558	1	Photo Interrupter, Paper Detect
-59	11G0246	1	Paper Detect Sensor Harness Asm
-60	11G0247	1	Mpf Clutch Lever
-61	11G0248	1	Mpf Clutch Spring
-62	11G0249	1	Solenoid 2, Paper Feed
-63	11G0250	1	Solenoid Bracket
-64	11G0251	1	Belt Up/Down (BUD) Frame Unit
-67	11G0254	1	Belt Up/Down (BUD) Motor
-68	11G0255	1	Belt Up/Down (BUD) Harness Asm

5050-001

Assembly 5 (cont.):

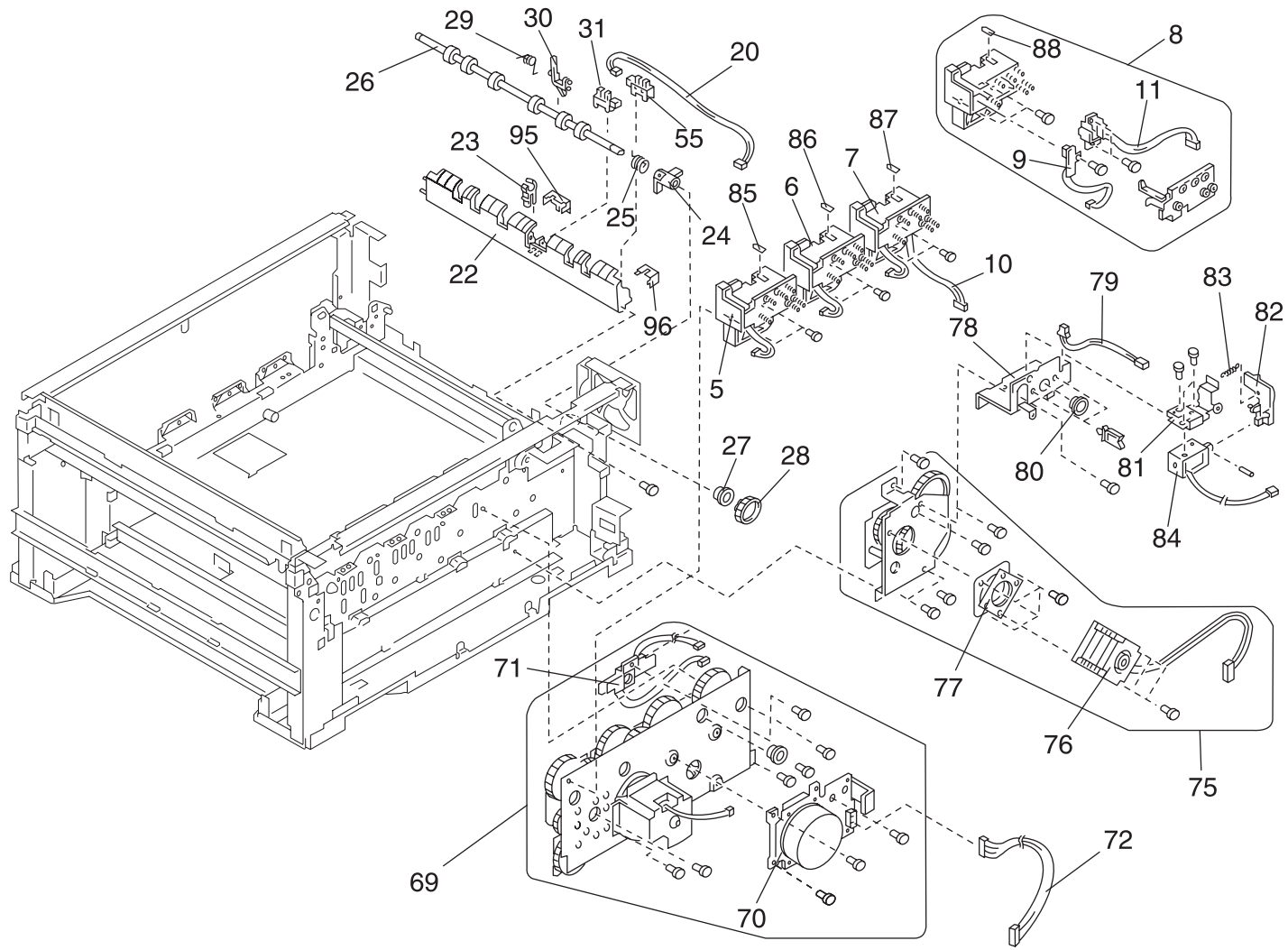


Assembly 5 (cont.): Base 2

Ref	Part Number	Units	Description
5-5	11G0543	1	Sub Frame Asm, Rm
-6	11G0544	1	Sub Frame Asm, Rc
-7	11G0545	1	Sub Frame Asm, Ry
-8	11G0206	4	Sub Frame Asm, Rk
-9	11G0207	4	Toner Sensor (A) Asm (611-Tn)
-10	11G0548	1	Drum Sensor, Color, (A) Asm (614-dss)
-11	11G0550	1	Drum Sensor, Black (A) Asm (614-dss)
-20	11G0505	1	Paper Face Up/Face Down Sensor Cable
-22	11G0215	1	Paper Exit Guide
-23	11G0138	1	Bushing
-24	11G0513	1	Paper Face Up/Face Down Sensor Lever
-25	11G0516	1	Torsion Spring
-26	11G0216	1	Paper Exit Shaft, Lower
-27	11G0140	2	Bushing
-28	11G0220	1	Gear
-29	11G0217	1	Sensor Spring
-30	11G0218	1	Sensor Lever
-31	11G0219	2	Photo Interrupter, Belt Up/Down (BUD) Sensor
-55	11G0243	2	Photo Interrupter, Paper Detect
-69	11G0257	1	Drive Unit 1
-70	11G0256	1	Dc Motor, Drive 1
-71	11G0581	1	Drum/Drive Gear Sensor
-72	11G0259	1	Dc Motor Cable Asm
-75	11G0258	1	Drive Unit 2
-76	11G0260	1	Stepper Motor, Drive 2
-77	11G0262	1	Rubber Mount
-78	11G0261	1	Solenoid Bracket
-79	11G0534	1	Thermistor Cable
-80	11G0340	1	Bushing
-81	11G0535	1	Face Up/Face Down (FUD) Solenoid Bracket
-82	11G0536	1	Face Up/Face Down (FUD) Solenoid Actuator
-83	11G0537	1	Face Up/Face Down (FUD) Solenoid Spring
-84	11G0538	1	Face Up/Face Down (FUD) Solenoid

5050-001

Assembly 5 (cont.):



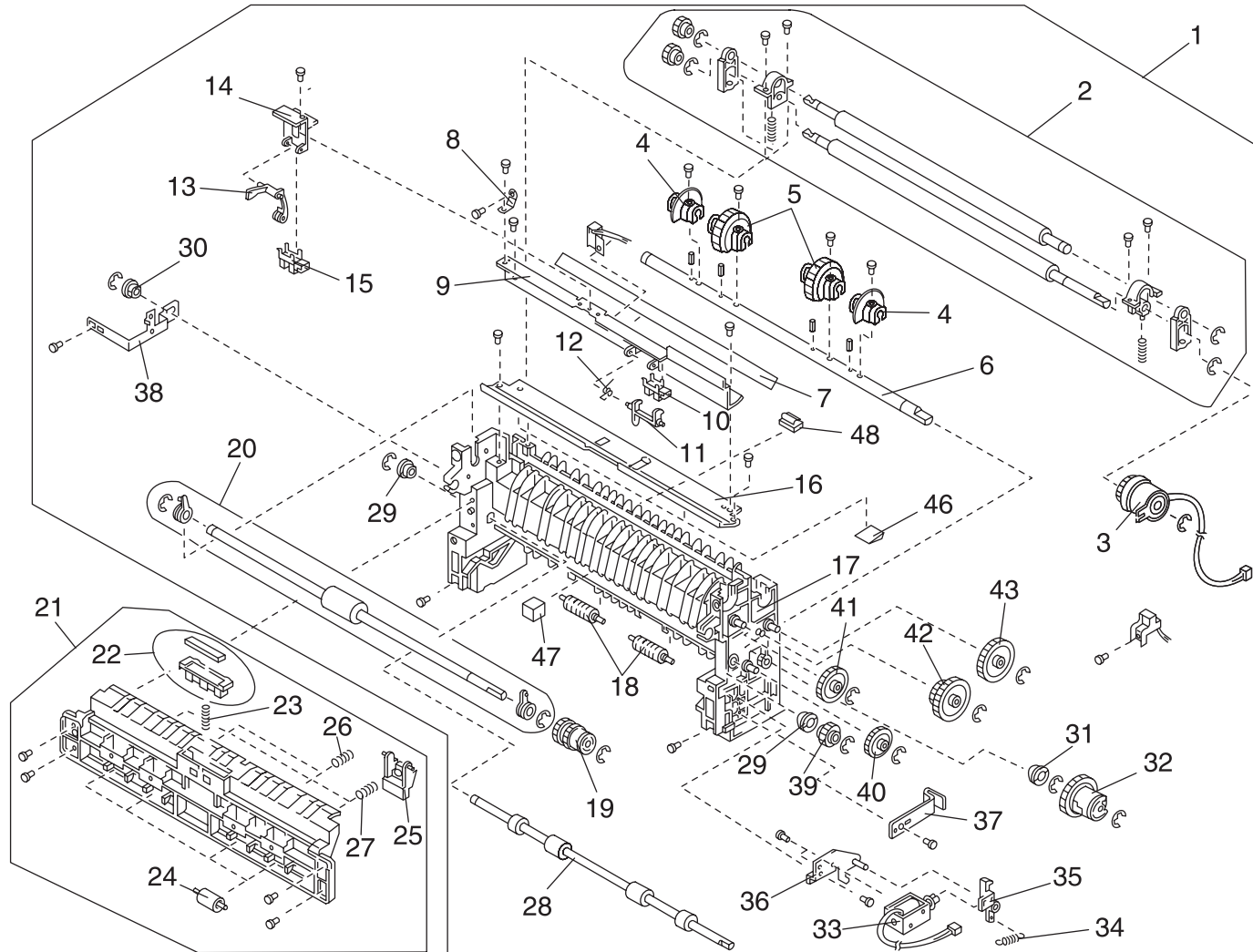
5050-001

Assembly 5 (cont.):

Ref	Part Number	Units	Description
5-85	11G0626	2	Setting Label, M R
-86	11G0627	2	Setting Label, Cr
-87	11G0628	2	Setting Label, Yr
-88	11G0629	2	Setting Label, Bkr
-95	11G0699	1	Exit Sensor Cover
-96	11G0700	1	Face Up/Down Sensor Cover
-NS	11G0725	1	Exit Sensor Grid
-NS	11G0540	1	Screw Parts Packet #5

5050-001

Assembly 6: Feeder

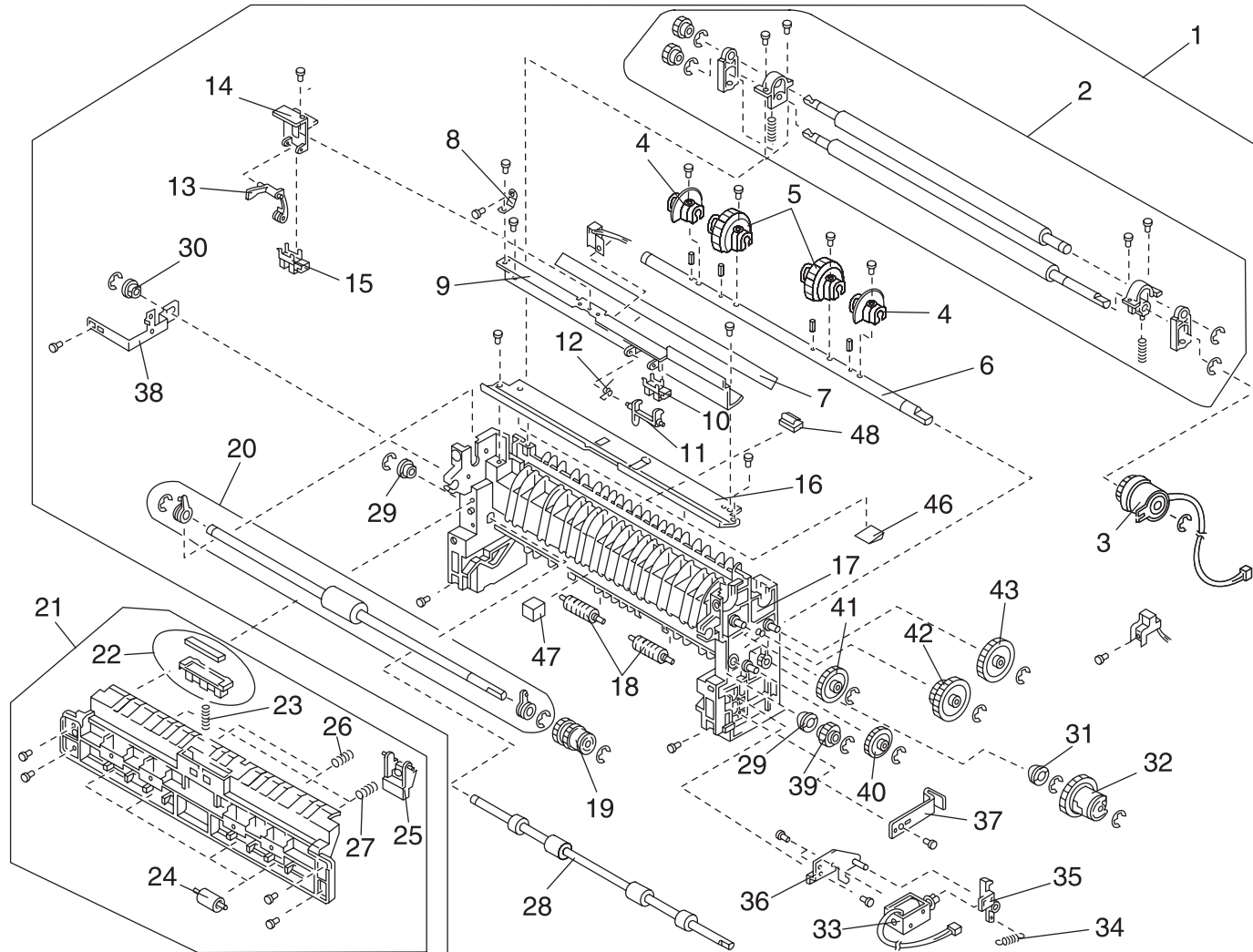


Assembly 6: Feeder

Ref	Part Number	Units	Description
6-1	11G0304	1	Paper Feed Unit
-2	11G0268	1	Registration Roller Asm
-3	11G0269	1	Registration Clutch
-4	11G0270	2	Auxiliary Roller
-5	11G0271	2	Paper Feed Roll Asm
-6	11G0272	1	Paper Feed Shaft
-7	11G0273	1	Guide Stay Sheet
-8	11G0274	1	Ground Plate Guide
-9	11G0275	1	Sensor Stay
-10	11G0219	1	Photo Interrupter, Registration Sensor
-11	11G0276	1	Registration Sensor Lever
-12	11G0277	1	Registration Sensor Spring
-13	11G0553	1	MPF Sensor Lever
-14	11G0556	1	Bracket, Sensor MPT
-15	11G0243	1	Photo Interrupter, MPF Paper Detect Sensor
-16	11G0278	1	Upper Guide Stay
-17	11G0279	1	Paper Feed Base
-18	11G0280	2	Noise-cut Roller
-19	11G0281	1	MPF Clutch
-20	11G0282	1	MPF Roller
-21	11G0285	1	Turn Guide
-22	11G0283	1	MPF Friction Pad
-23	11G0284	1	Friction Pad Spring
-24	11G0286	4	Idler Roller
-25	11G0287	4	Roller Guide
-26	11G0288	2	Roller Spring
-27	11G0302	2	Roller Spring
-28	11G0289	1	Carrying Roller
-29	11G0303	2	Metal Bushing
-30	11G0290	1	Bushing
-31	11G0140	1	Bushing
-32	11G0291	1	Paper Feed Clutch
-33	11G0292	1	Paper Feed Solenoid 1

5050-001

Assembly 6 (cont.): Feeder

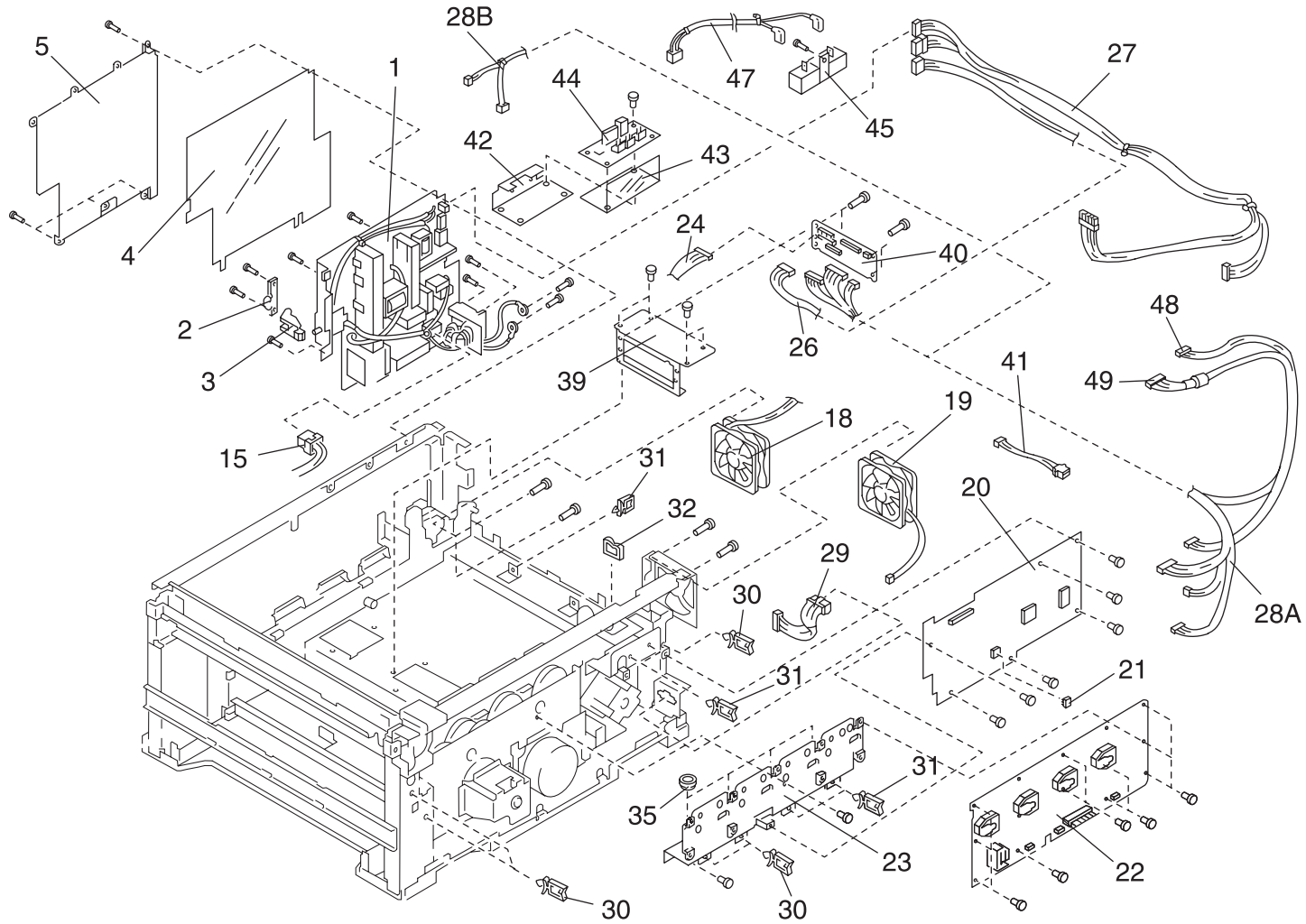


Assembly 6 (cont.): Feeder

Ref	Part Number	Units	Description
6-34	11G0435	1	Solenoid Spring
-35	11G0293	1	Clutch Lever
-36	11G0294	1	Solenoid Bracket
-37	11G0295	1	Cassette Support Plate
-38	11G0296	1	Paper Feed Ground Plate
-39	11G0297	1	Carrying Gear
-40	11G0298	1	Idler Gear
-41	11G0299	1	Idler Gear 35
-42	11G0300	1	W Gear 21 x 39
-43	11G0301	1	Idler Gear 38
-46	11G0701	2	MPF Guide
-47	11G0702	1	Pad
-48	11G0703	1	Clamp
-NS	11G0575	1	OHP Sheet Detect Sensor, Also order 11G0576
-NS	11G0576	1	OHP Sheet Detect Sensor, Also order 11G0575
-NS	11G0577	1	Screw Parts Packet #6

5050-001

Assembly 7: Electrical

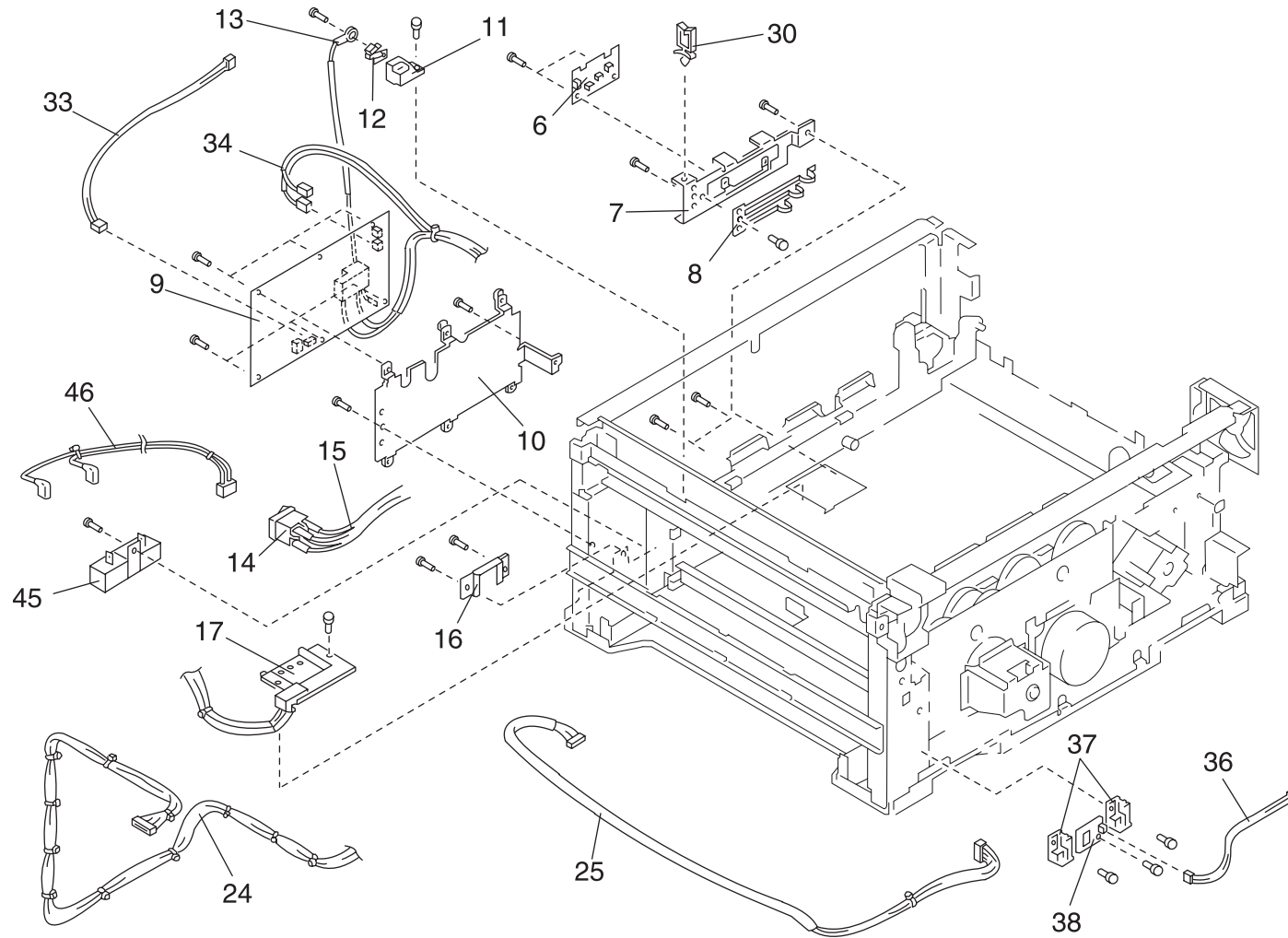


Assembly 7: Electrical

Ref	Part Number	Units	Description
7-1	11G0305	1	MPS, Power Supply (P611-MPS) (115 Volt)
-1	11G0541	1	MPS, Power Supply (P611-MPS-E) (230 Volt)
-2	11G0306	1	Interlock Rod Lever Bracket
-3	11G0307	1	Interlock Rod Lever
-4	11G0308	1	Insulation Sheet, MPS
-5	11G0309	1	Sealed Plate, MPS
-15	11G0319	1	Power Switch Cable
-18	11G0322	1	Fan, Power Supply
-19	11G0323	1	Fan, Main
-20	11G0324	1	Printer Controller Board (P614-PRCONT)
-21	11G0325	1	EEPROM, Printer Controller Board
-22	11G0326	1	High Voltage Unit 1 (P614-HVU1)
-23	11G0327	1	HVU Bracket
-26	11G0330	1	IF Power Cable Asm
-27	11G0331	1	Power Cable Asm
-28A	11G0332	1	VDOL Wire Harness (115 Volt)
-28B	11G0704	1	PBVDOF Wire Harness (230 Volt)
-29	11G0334	1	Second Harness
-30	11G0199	4	Locking Wire Saddle
-31	11G0420	7	Locking Wire Saddle
-32	11G0336	3	Edging Saddle
-35	11G0340	6	Mini Bushing
-39	11G0531	1	Interface Card Connector Mounting Bracket
-40	11G0573	1	Interface Connector Bracket
-41	11G0532	1	Option Junction Cable
-42	11G0705	1	Bracket
-43	11G0706	1	Installation Sheet
-44	11G0659	1	Heater Drive Board, (230 Volt)
-45	11G0660	1	Resistor, Heater Drive Board, (230 Volt)
-47	11G0708	1	AC Cable Rear
-48	11G0709	1	HPVDO Harness
-49	11G0710	1	HBVDO Harness

5050-001

Assembly 7 (cont.):

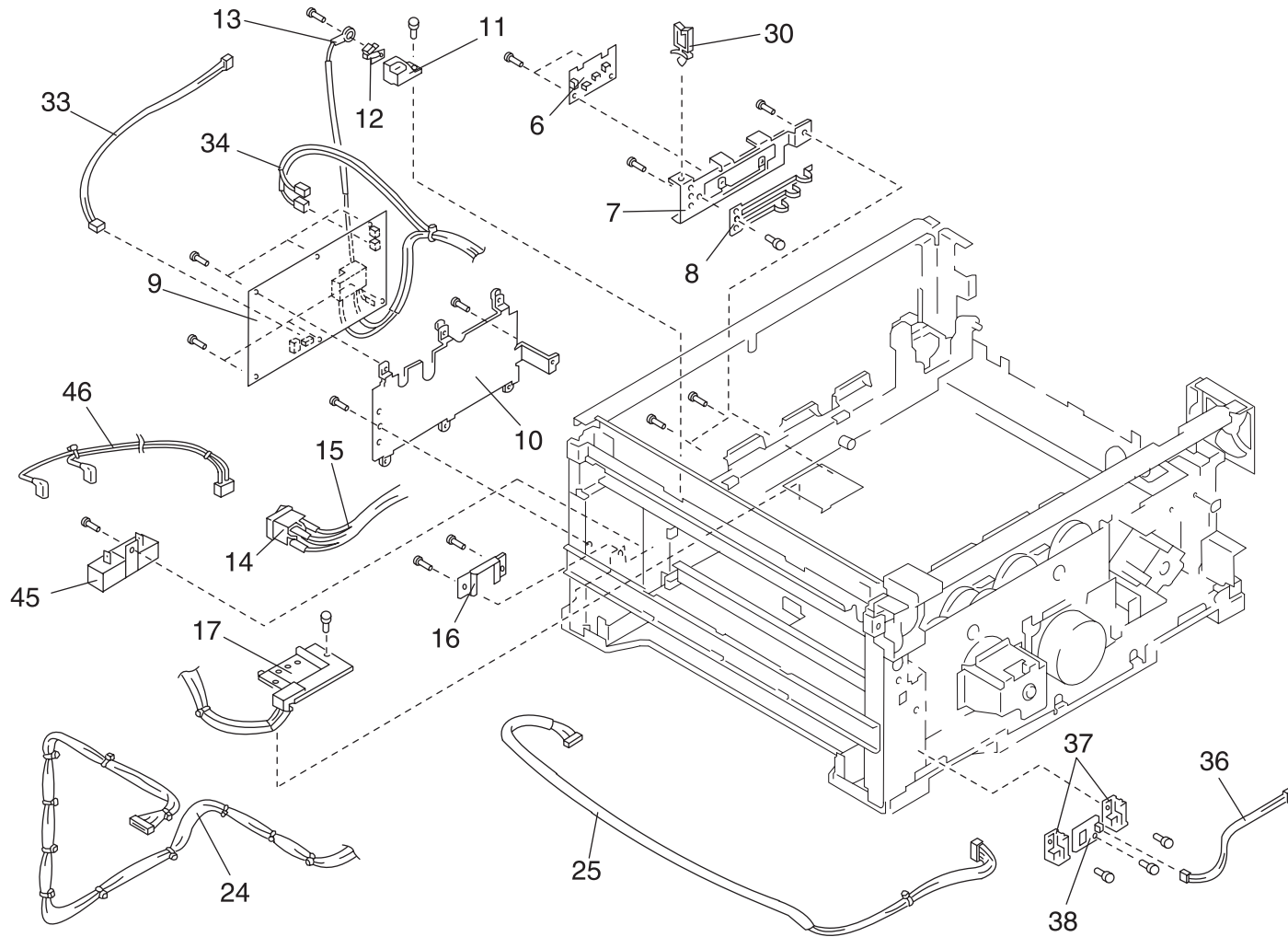


Assembly 7 (cont.): Electrical

Ref	Part Number	Units	Description
7-6	11G0310	1	Paper Size Board A (P611-PSZ)
-7	11G0311	1	Paper Size Bracket
-8	11G0312	1	Size Sensor Plate
-9	11G0313	1	High Voltage Unit 2 (P614-HVU2)
-10	11G0314	1	Hvt Bracket
-11	11G0315	1	Plate Holder
-12	11G0316	1	Plate, Feeder
-13	11G0317	1	Hv Cable
-14	11G0318	1	Power Switch
-15	11G0319	1	Power Switch Cable
-16	11G0320	1	Switch Holder
-17	11G0321	1	Transfer Belt Power Connector Holder
-24	11G0328	1	OPEL Cable
-25	11G0329	1	HVU2 Harness (P614-HVU2)
-30	11G0199	4	Locking Wire Saddle
-33	11G0338	1	Paper Size Harness Asm (614-PSZ)
-34	11G0339	1	HV Cable Asm
-36	11G0529	1	Rh Cable
-37	11G0530	1	Humidity Sensor Housing
-38	11G0571	1	Sensor, Humidity
-45	11G0660	1	Resistor, Heater Drive Board, (230 Volt)
-46	11G0707	1	AC Cable Front

5050-001

Assembly 7 (cont.):

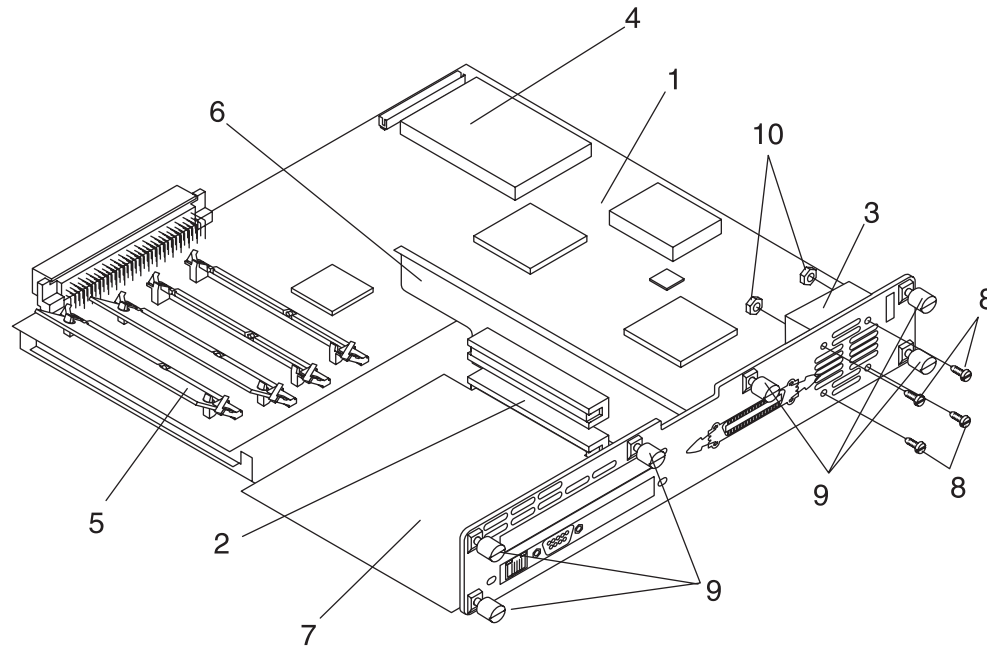


Assembly 7 (cont.):

Ref	Part Number	Units	Description
7-NS	11G0562	1	Screw Parts Packet #7
-NS	11G0726	1	Insulator Sheet (HVT)
-NS	11D0328	1	Power Cord, U.S, Canada, APG (LV), LAD (LV)
-NS	11D0333	1	Power Cord, Denmark
-NS	11D0334	1	Power Cord, Europe, England
-NS	11D0334	1	Power Cord, France
-NS	11D0334	1	Power Cord, Germany
-NS	11D0335	1	Power Cord, Italy
-NS	11D0334	1	Power Cord, Spain
-NS	11D0336	1	Power Cord, Swiss/French
-NS	11D0336	1	Power Cord, Swiss/German
-NS	11D0336	1	Power Cord, Swiss/Italian
-NS	11D0337	1	Power Cord, U.K.
-NS	11D0338	1	Power Cord, Israel
-NS	11D0339	1	Power Cord, South Africa
-NS	11D0334	1	Power Cord, Belgium
-NS	11D0330	1	Power Cord, Argentina
-NS	11D0331	1	Power Cord, Brazil
-NS	11D0332	1	Power Cord, Chile
-NS	11D0329	1	Power Cord, Peru

5050-001

Assembly 8: I/F Controller

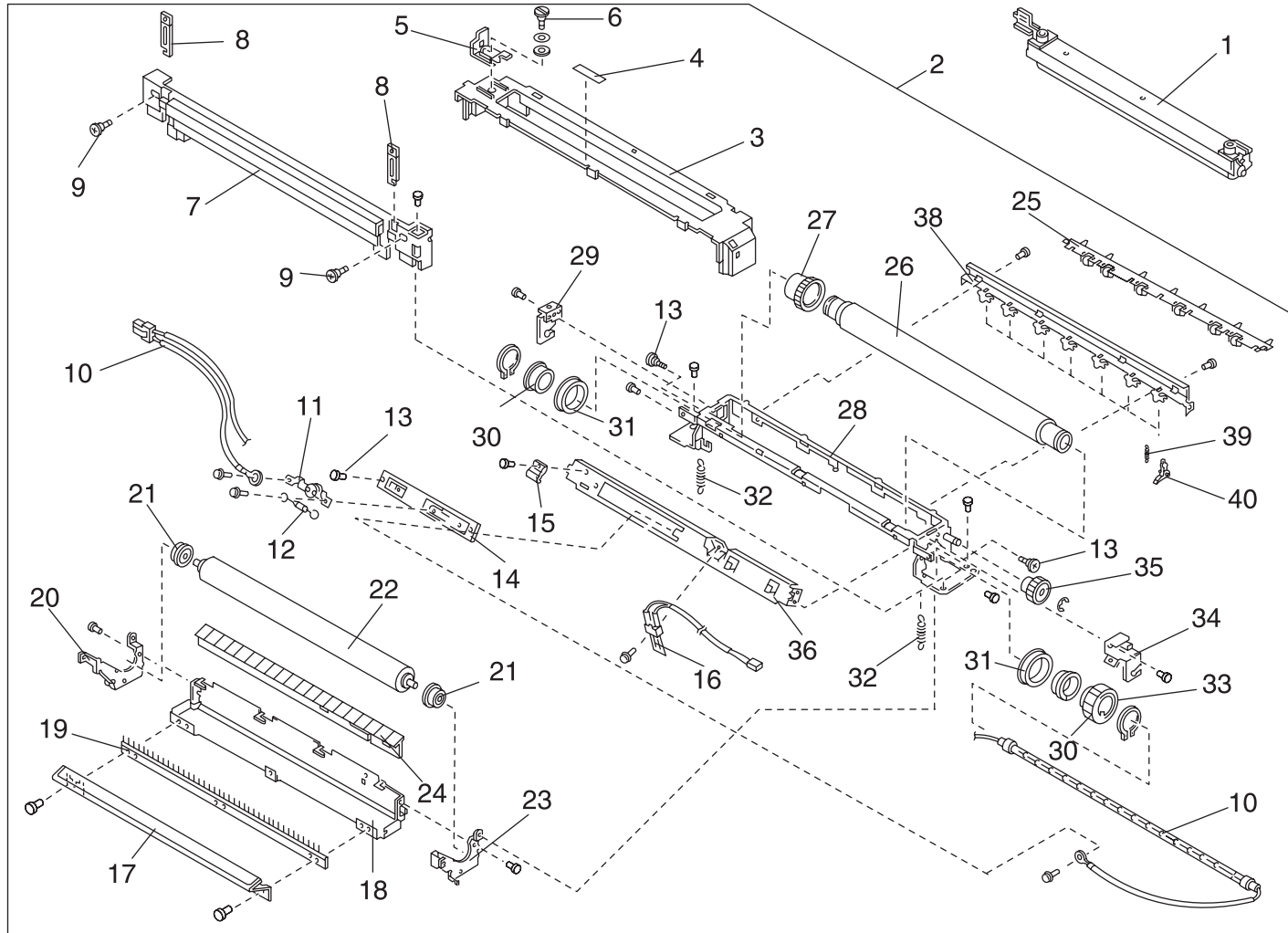


Assembly 8: I/F Controller

Ref	Part Number	Units	Description
8-1	11G0604	1	RIP Controller Card
-2	11G0605	1	Riser Card
-3	11G0606	1	Fan
-4	11G0607	1	16MB Solid State Drive
-4	11G0714	1	20MB Solid State Drive - Japan
-5	11G0608	2	16MB SIMM EDO, 50ns
-5	11G0609	2	32MB SIMM EDO, 50ns
-6	11G0611	1	Bracket, Riser Card
-7	11G0612	1	Tray, Controller Card
-8	11G0613	2	Screw, Fan
-9	11G0614	6	Screw, Thumb
-10	11G0615	2	Nut, Fan

5050-001

Assembly 9: Fuser

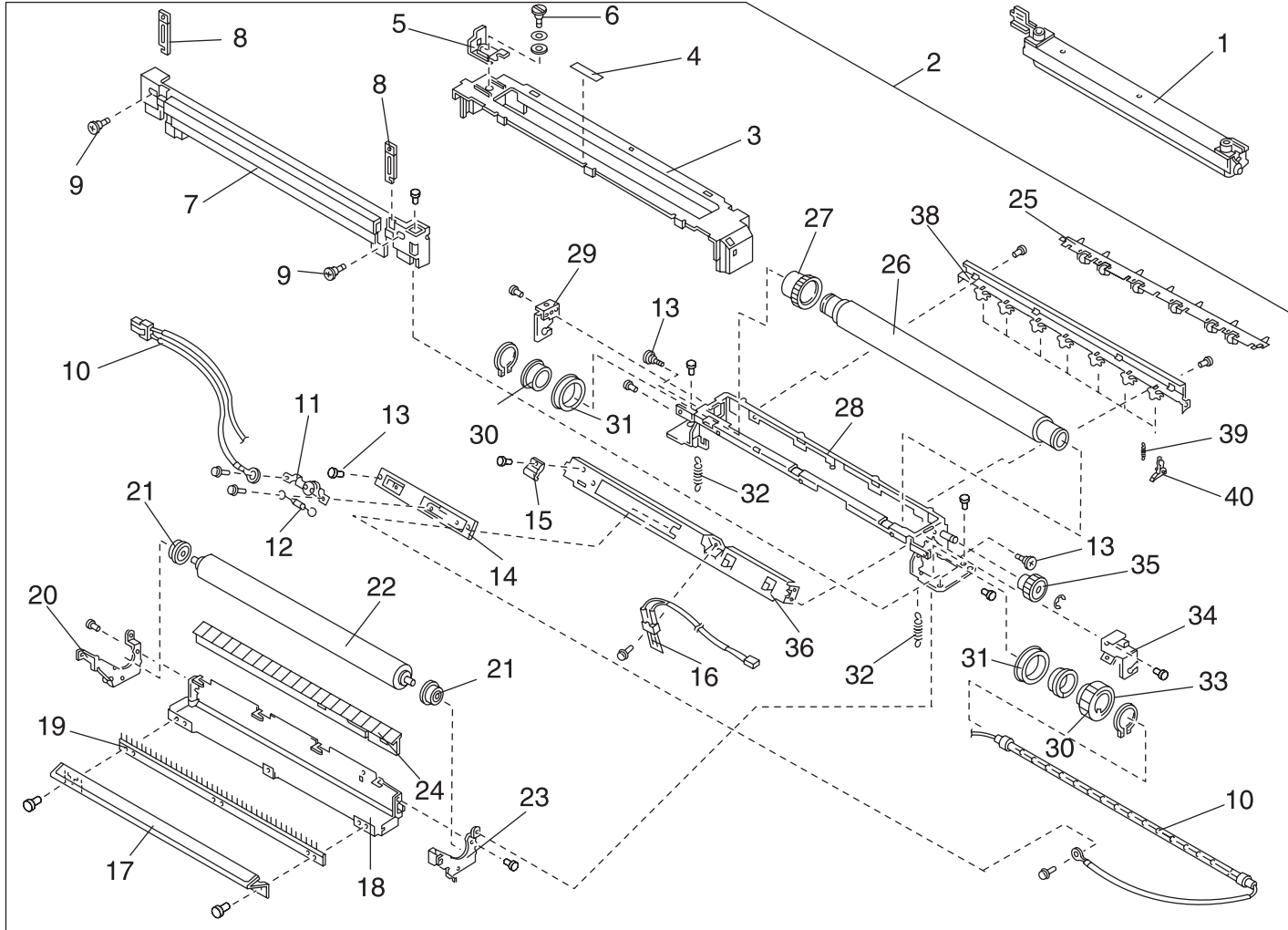


Assembly 9: Fuser

Ref	Part Number	Units	Description
9-1	11G0603	1	Fuser Oil Roll
-2	11G0542	1	Fuser (230 Volt)
-2	11G0375	1	Fuser (115 Volt)
-2	11G0722	1	Fuser (100 Volt) - Japan
-3	11G0342	1	Fuser Cover
-4	11G0619	1	Caution Label, Fuser Cover
-5	11G0343	1	Lock
-6	11G0344	1	Lock Screw
-7	11G0345	1	Fuser Guide
-8	11G0346	2	Release Lever
-9	11G0347	2	Screw
-10	11G0549	1	614 Heater (230 Volt)
-10	11G0348	1	614 Heater (115 Volt)
-10	11G0723	1	614 Heater (100 Volt) - Japan
-11	11G0349	1	611 Thermostat Asm
-11	11G0724	1	611 Thermostat Asm (Level 2)
-12	11G0551	1	611 Fuse Asm
-13	11G0214	4	Stopper Screw
-14	11G0351	1	Terminal
-15	11G0352	1	Cord Retainer
-16	11G0353	1	614 Thermistor Asm
-17	11G0354	1	Paper Feed Guide
-18	11G0355	1	Fuser Lower Cover
-19	11G0356	1	Discharge Brush
-20	11G0357	1	Arm, L
-21	11G0358	2	Bushing, P
-22	11G0359	1	Press Roller
-23	11G0360	1	Arm, R
-24	11G0514	1	Press Roller Guide
-25	11G0661	1	Guide Roller Asm
-26	11G0365	1	Heat Roller
-27	11G0366	1	Gear 30

5050-001

Assembly 9 (cont.): Fuser

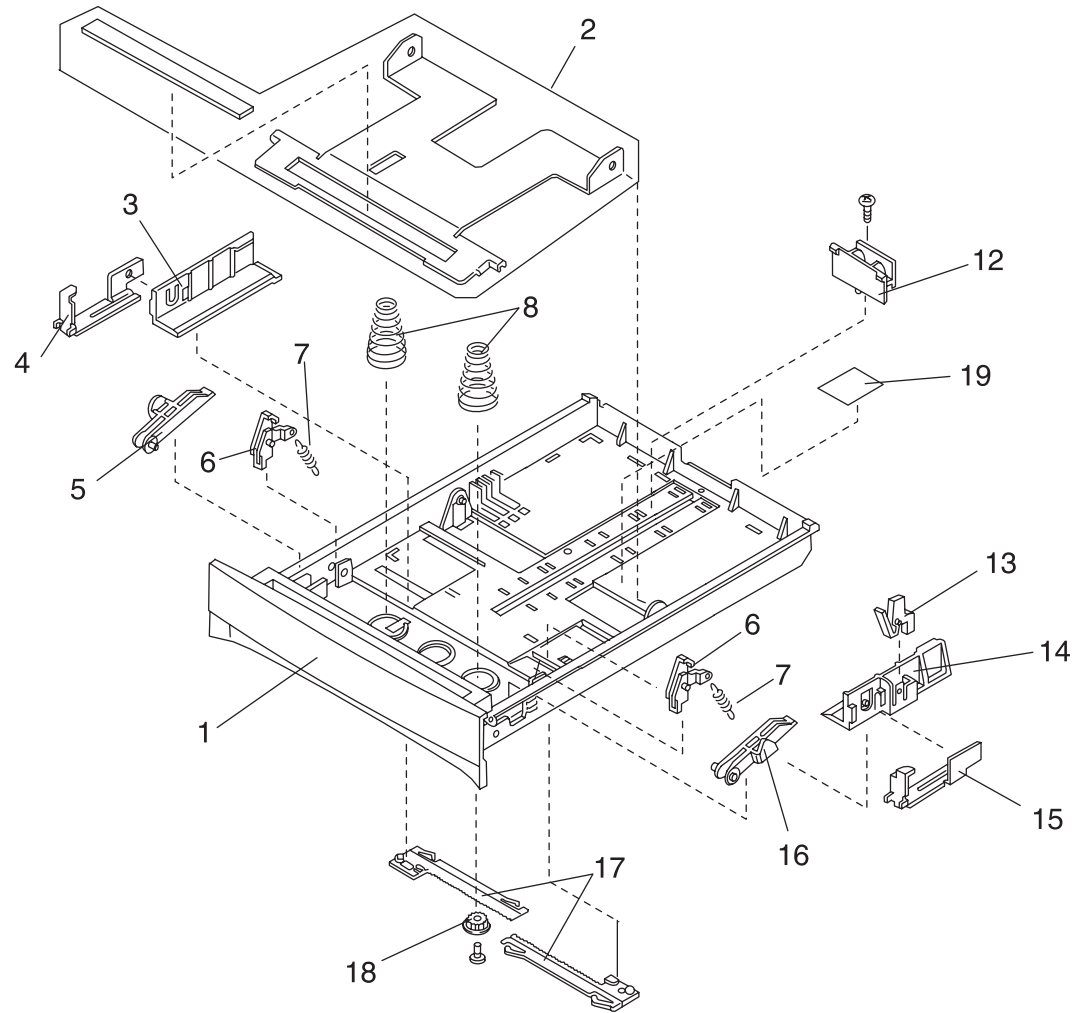


Assembly 9 (cont.): Fuser

Ref	Part Number	Units	Description
9-28	11G0367	1	Fuser Frame
-29	11G0368	1	Heater Plate, L
-30	11G0369	2	Bushing Holder
-31	11G0564	2	Bearing Holder
-32	11G0370	2	Compression Spring
-33	11G0371	1	Gear Holder
-34	11G0372	1	Heater Plate, R
-35	11G0373	1	Idler Gear, 18
-36	11G0374	1	Stay, Bracket
-38	11G0711	1	Paw Bracket
-39	11G0662	1	Pawl Spring
-40	11G0663	1	Separation Pawl
-NS	11G0570	1	Heat Resist Cable Tie
-NS	11G0572	1	Screw Parts Packet #9

5050-001

Assembly 10: Cassette

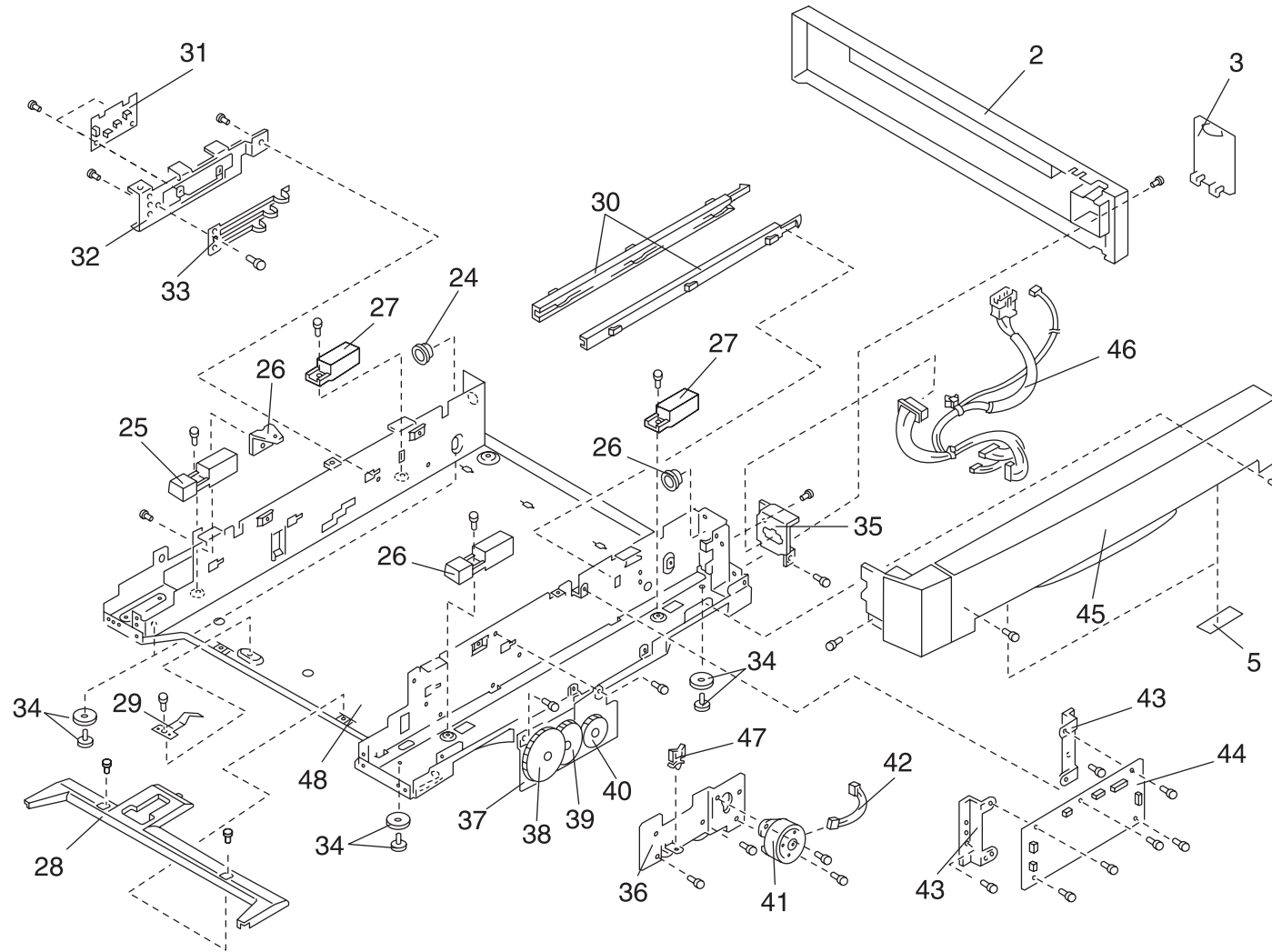


Assembly 10: Cassette

Ref	Part Number	Units	Description
10-1	11G0376	1	Lower Base
-2	11G0377	1	Lower Plate
-3	11G0378	1	Side Location, R
-4	11G0379	1	Click, R
-5	11G0380	1	Lower Plate Push Lever, R
-6	11G0381	2	Lever Lock
-7	11G0382	2	Lock Spring
-8	11G0383	2	Push Up Spring
-12	11G0387	1	Rear Location Plate
-13	11G0388	1	Side Lock
-14	11G0389	1	Side Location, L
-15	11G0390	1	Click, L
-16	11G0391	1	Lower Plate Push Lever, L
-17	11G0392	2	Rack
-18	11G0118	1	Pinion
-19	11G0393	1	Instruction Label
-NS	11G0616	1	Screw Parts Packet #10

5050-001

Assembly 11: Optional Feeder Base

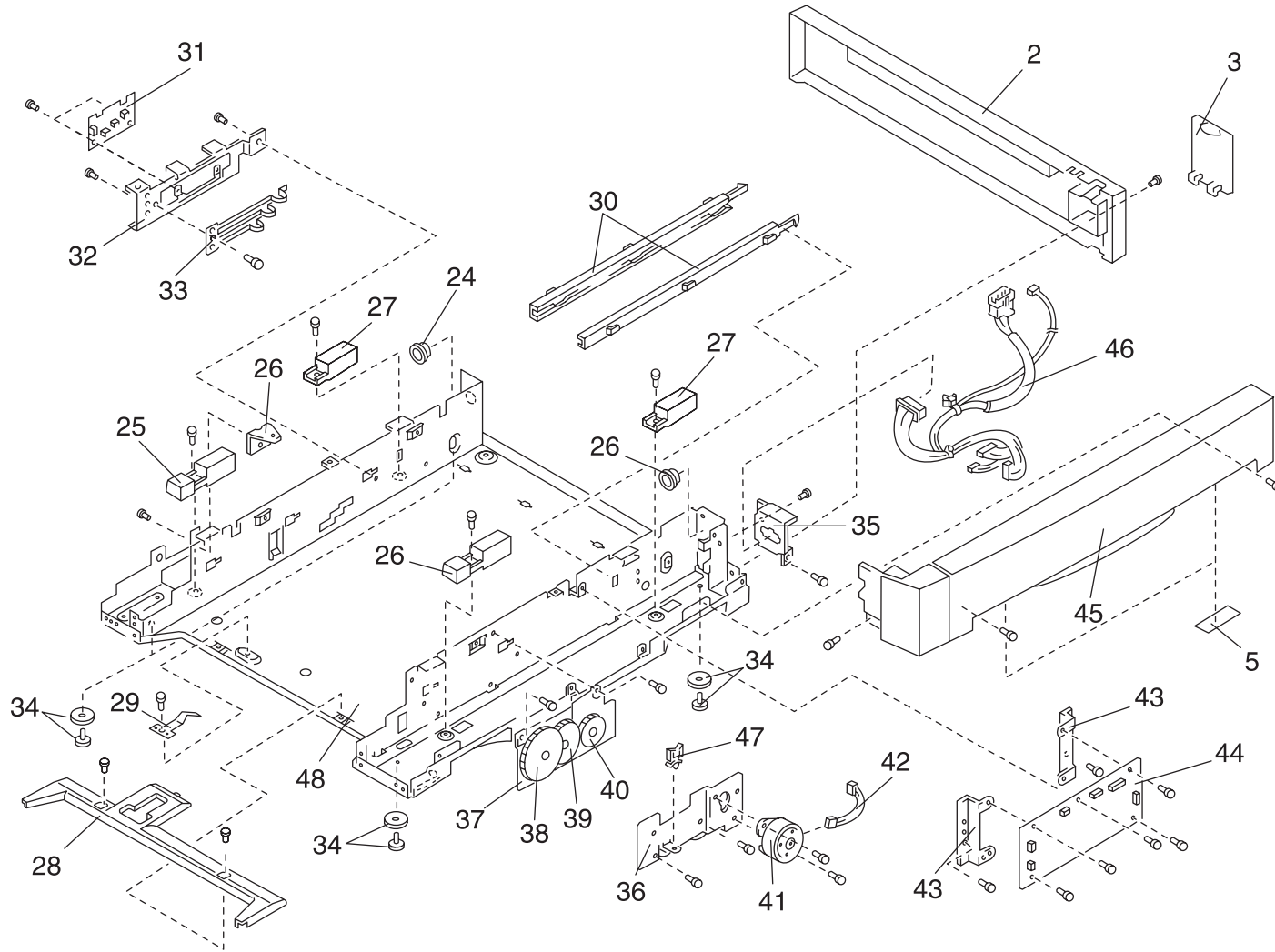


Assembly 11: Optional Feeder Base

Ref	Part Number	Units	Description
11-2	11G0397	1	Rear Cover, 2
-3	11G0107	1	Second. Connector Cover
-5	11G0129	1	Rubber Plate
-24	11G0411	2	Mini Bushing, B
-25	11G0412	1	Spring Hook
-26	11G0193	2	Lock Cover, A
-27	11G0192	2	Lock Cover, B
-28	11G0196	1	Bottom Frame Cover
-29	11G0191	1	Cassette Ground Plate
-30	11G0195	2	Cassette Rail
-31	11G0310	1	Paper Size Board (P611-PSZ)
-32	11G0311	1	Paper Size Board Bracket
-33	11G0312	1	Paper Size Sensor Plate
-34	11G0201	4	Foot
-35	11G0188	1	Second Connector Bracket
-36	11G0413	1	Drive Frame Out, 2
-42	11G0415	1	Motor Harness

5050-001

Assembly 11 (cont.):



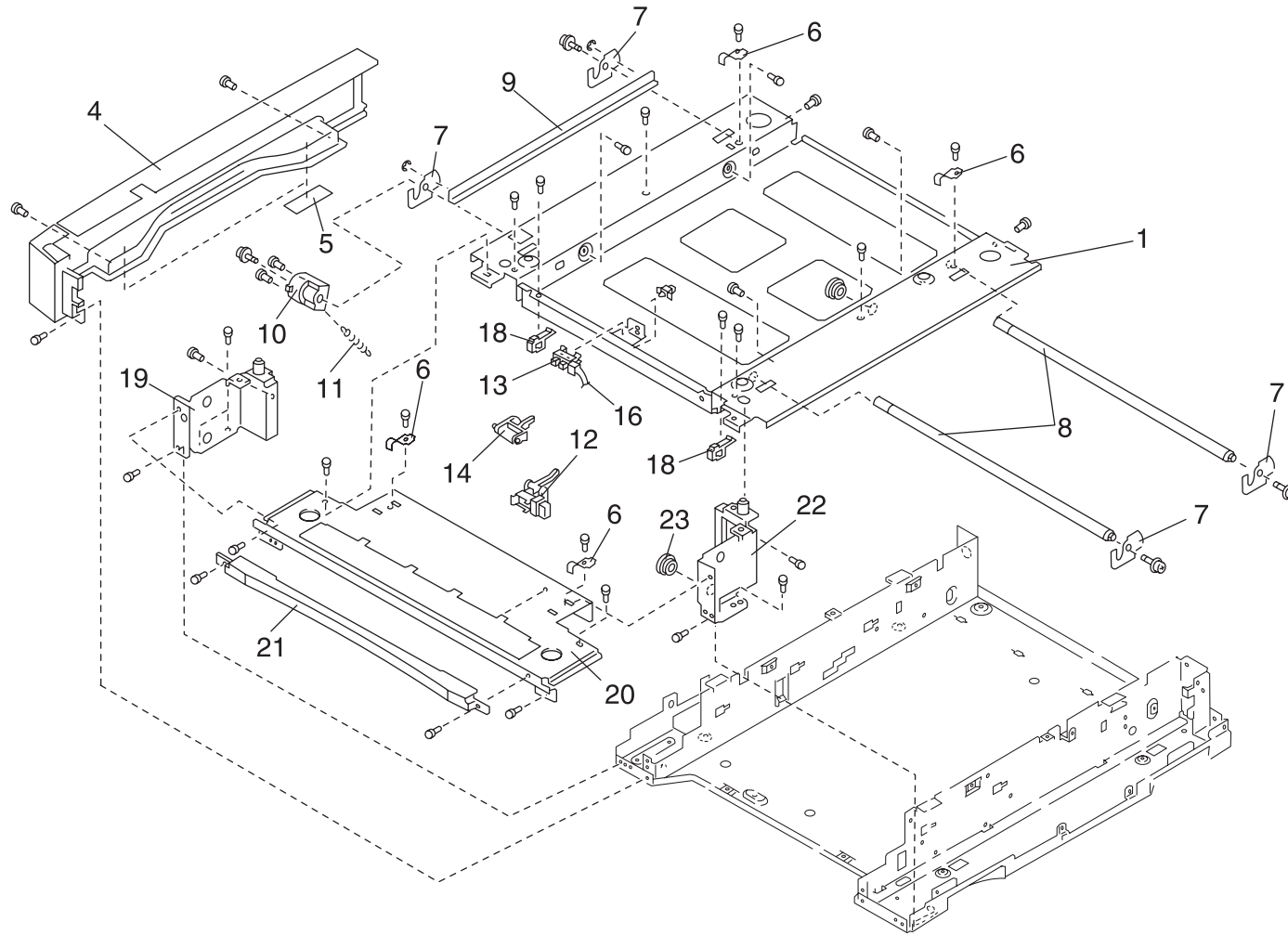
5050-001

Assembly 11 (cont.):

Ref	Part Number	Units	Description
11-37	11G0421	1	Drive Frame In, 2
-38	11G0422	1	Gear, Idler 62
-39	11G0423	1	Gear, S37xs24
-40	11G0424	1	Gear, H97xs34
-41	11G0414	1	Paper Feed Motor (Pm42) Optional Feeder
-42	11G0415	1	Motor Harness
-43	11G0416	2	Pcb Bracket
-44	11G0417	1	Paper Feeder Driver Board (P614-2/3 DRIV)
-45	11G0418	1	Side Cover, R 2
-46	11G0419	1	Second Harness Asm
-47	11G0420	1	Locking Wire Saddle
-48	11G0425	1	Bottom Frame, 2

5050-001

Assembly 11 (cont.): Optional Feeder Base

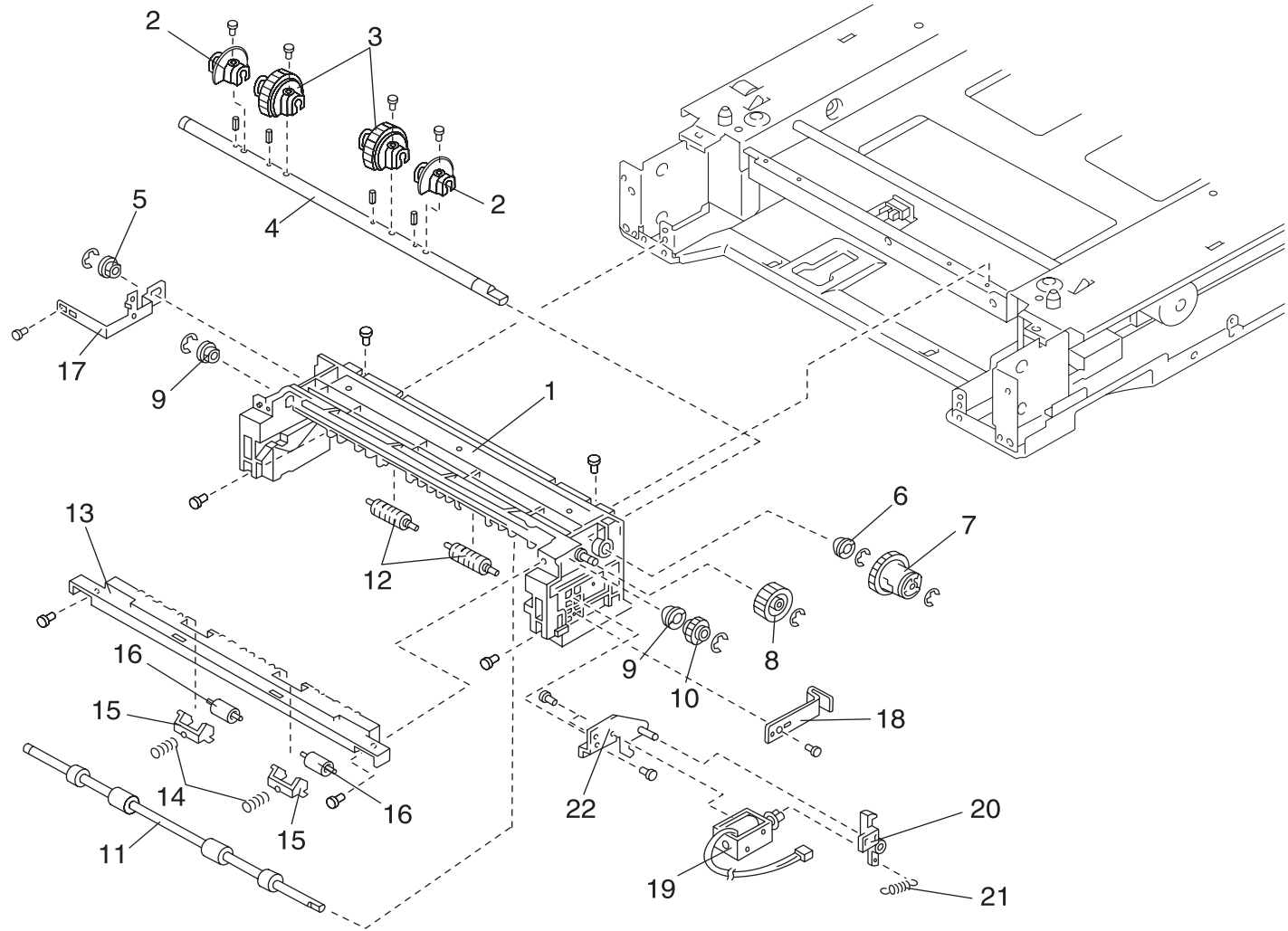


Assembly 11 (cont.): Optional Feeder Base

Ref	Part Number	Units	Description
11-1	11G0396	1	Top Frame, 2
-4	11G0398	1	Side Cover, L 2
-5	11G0129	1	Rubber Plate
-6	11G0399	4	Ground Plate, Second
-7	11G0400	4	Lock, 2
-8	11G0401	2	Lock Shaft, 2
-9	11G0402	1	Lock Link
-10	11G0403	1	Lock Lever
-11	11G0404	1	Lock Spring, 2
-12	11G0245	1	Paper Detect Lever
-13	11G0243	1	Photo Interrupter, Paper Detect Sensor
-14	11G0558	1	Photo Interrupter, Paper Detect Sensor
-16	11G0405	1	Second Photo Interrupter Harness
-18	11G0194	2	Release Lower Plate
-19	11G0407	1	Sub Frame, L 2
-20	11G0408	1	Front Stay, 2
-21	11G0409	1	Front Cover, 2
-22	11G0410	1	Sub Frame, R 2
-23	11G0340	2	Mini Bushing, A
-NS	11G0578	1	Rating Plate
-NS	11G0618	1	Cable Tie
-NS	11G0579	1	Screw Parts Packet #11
-NS	11G0625	1	Lever Stopper

5050-001

Assembly 12: Optional Feeder Paper Feed



Assembly 12: Optional Feeder Paper Feed

Ref	Part Number	Units	Description
12-1	11G0426	1	Paper Feed Base, 2
-2	11G0270	2	Auxiliary Roller
-3	11G0271	2	Paper Feed Roller
-4	11G0272	1	Paper Feed Shaft
-5	11G0290	1	Bushing, B
-6	11G0140	1	Bushing, 8a
-7	11G0291	1	Paper Feed Clutch
-8	11G0430	1	Idle Gear 27
-9	11G0303	2	Metal Bushing 8
-10	11G0297	1	Carrying Gear
-11	11G0431	1	Carrying Roller, 2
-12	11G0280	2	Noise-cut Roller
-13	11G0432	1	Paper Feed Guide, 2
-14	11G0433	2	Roller Spring
-15	11G0434	2	Roller Guide, 2
-16	11G0286	2	Idle Roller
-17	11G0296	1	Paper Feed Ground Plate
-18	11G0295	1	Cassette Plate
-19	11G0249	1	Solenoid 2, Paper Feed
-20	11G0293	1	Clutch Lever
-21	11G0435	1	Solenoid Spring
-22	11G0294	1	Solenoid Bracket
-NS	11G0562	1	Screw Parts Packet #12

Assembly 13: Optional Features

Ref	Part Number	Units	Description
	11G0601	1	Maintenance Kit Low Voltage
	11G0602	1	Maintenance Kit High Voltage
	11G0727	1	Maintenance Kit - Japan
	11G0632	1	Machine Return Packaging Material
	11G0733	1	Hard Disk
	11G0610	1	Cable, Hard Disk
	99A0422	1	Ethernet 10BaseT and 10Base2
	99A0421	1	Ethernet 10/100BaseT
	99A0420	1	Token-Ring, (Connects via DB9 or RJ45)
	99A0560	1	Tri-port Adapter
	99A0467	1	Parallel Port Adapter
	99A0424	1	Infrared Adapter
	99A0545	1	Serial Interface Adapter
	99A0702	2	Printer Stand Caster, Non Locking
	99A0703	2	Printer Stand Caster, Locking
	99A0704	1	Printer Stand Grommet, Wire
	99A0705	2	Printer Stand Lock, Cam
	99A0706	1	Printer Stand Storage Shelf
	99A0707	1	Printer Stand Door Assembly, Cabinet
	99A0710	1	Printer Stand Filler, Rear Top Piece
	99A0711	1	Printer Stand Table Assembly, Large
	99A0712	1	Printer Stand Table Assembly, Small