



Parts Catalog - **CLX-3185 series** **3185/3185N/3185W/ 3185FN/3185FW**



1. Speed
 - Mono : Up to 16 ppm in A4 (17 ppm in Letter)
 - Color : Up to 4 ppm in A4 (4 ppm in Letter)
2. Printing Resolution
 - Max. 2400x600 dpi effective output
3. Processor
 - CHORUS3 (360Mhz), Proprietary SOC
- 4 Printer language emulation : SPL-Color (3185)/
SPL,PCL-Color(3185N/W/FN/FW)
5. Memory : 128MB(3185)/
256MB(3185N/W/FN/FW)
6. One 10/100 base Tx Network connector
(3185N/W/FN/FW)
Wireless LAN: 802.11b/g/n (3185W/FW)
7. Toner cartridge
 - Black : 1K (initial) / 1.5K (sales)
 - Color : 0.7K (initial) / 1K (sales)
8. Cassette 150 sheets
ADF 15 sheets (3185FN/FW)
9. Color : Black

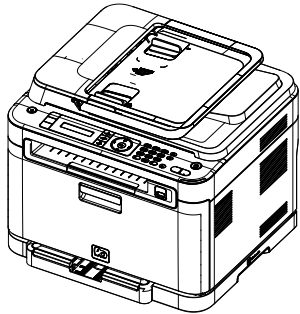
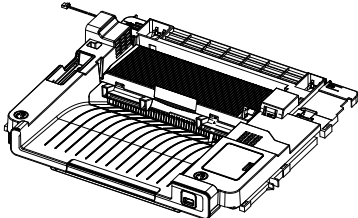
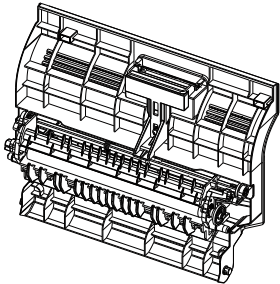
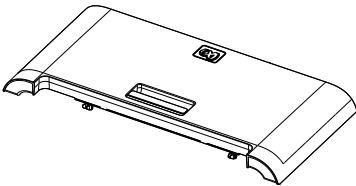
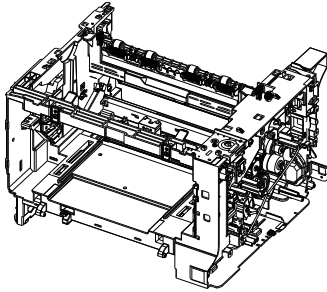
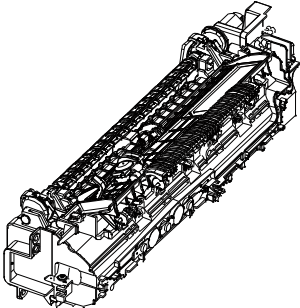
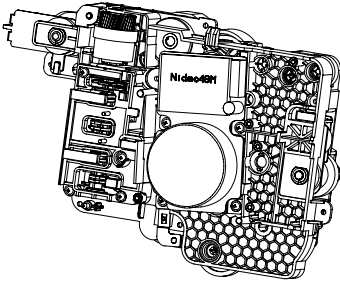
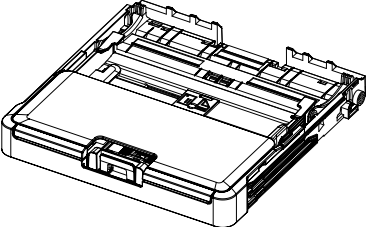
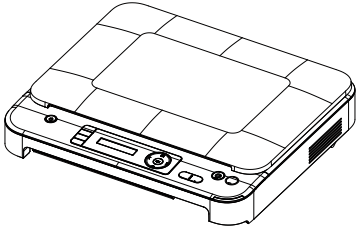
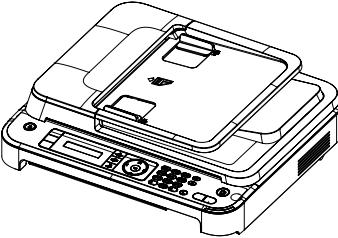
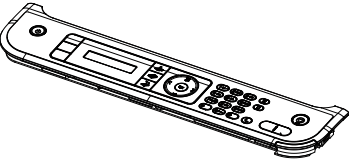
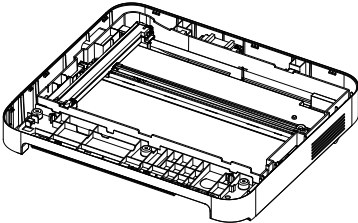
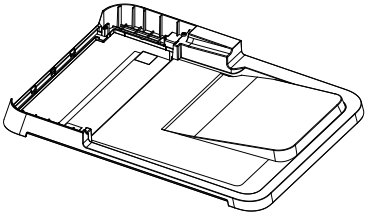
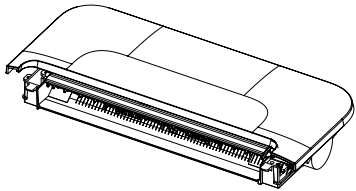
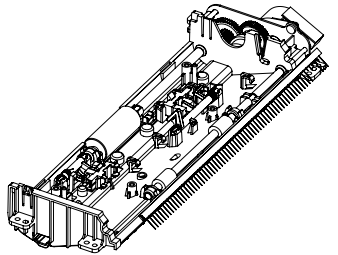
**This Parts Catalog is a property of Samsung Electronics Co.,Ltd.
Any unauthorized use of this manual can be punished under
applicable International and/or domestic law.**

Exploded View and Parts List

Contents

Thumbnail	4
1. MAIN	5
2. COVER-MIDDLE	7
3. COVER-REAR	9
4. COVER FRONT	11
5. FRAME	13
6. FUSER	16
7. DRIVE	18
8. CASSETTE	20
9. SCANNER (3 in 1)	22
10. SCANNER (4 in 1)	24
10A. OPE (4 in 1)	26
10B. PLATEN LOWER	28
10C. PLATEN-COVER (4 in 1)	30
10D. ADF-MAIN (4 in 1)	32
10E. ELA UNIT-PATH LOWER (4 in 1).....	34

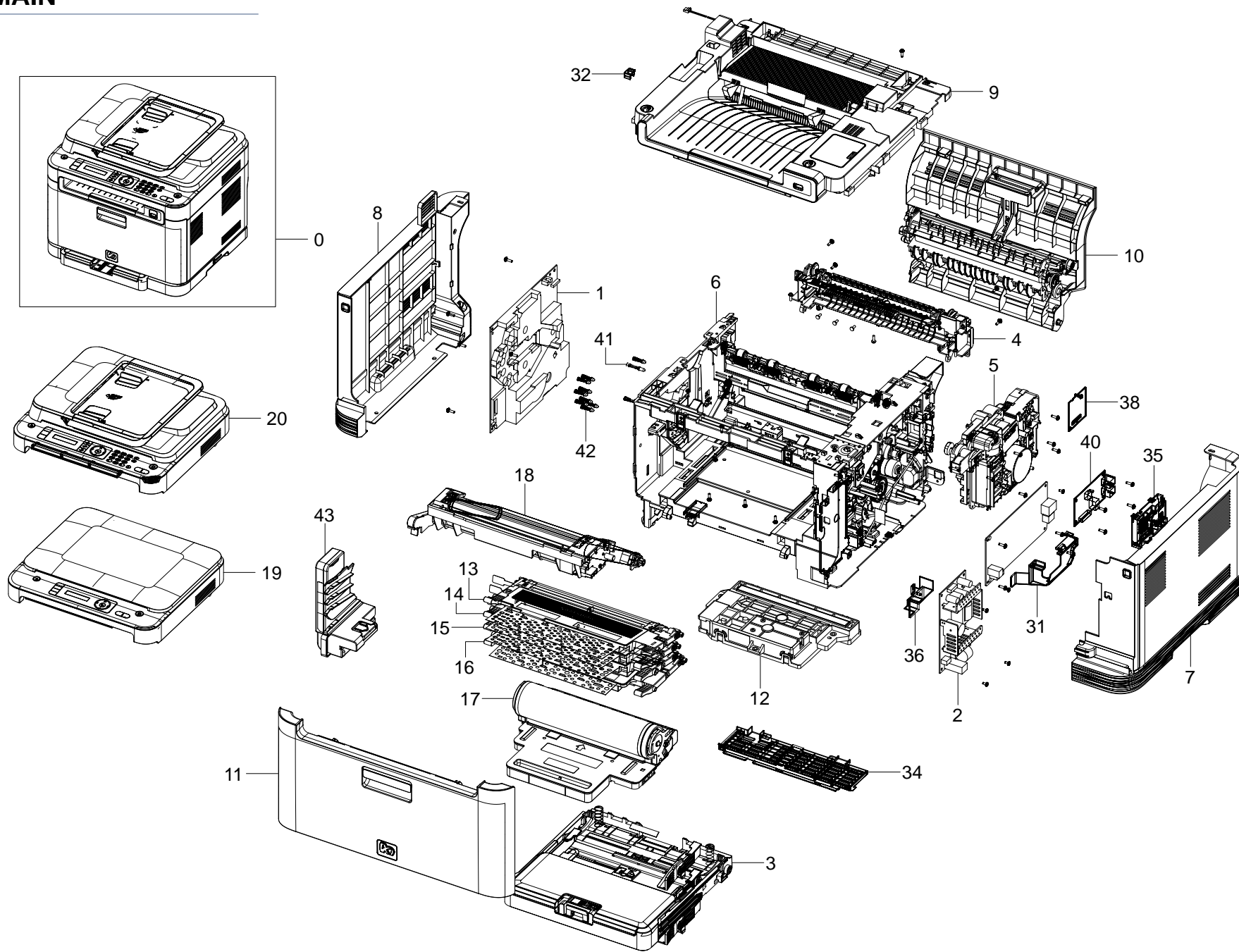
Thumbnail

				
1. MAIN	2. COVER-MIDDLE	3. COVER-REAR	4. COVER FRONT	5. FRAME
				
6. FUSER	7. DRIVE	8. CASSETTE	9. SCANNER (3 in 1)	10. SCANNER (4 in 1)
				
10A. OPE (4 in 1)	10B. PLATEN LOWER	10C. PLATEN-COVER (4 in 1)	10D. ADF-MAIN (4 in 1)	10E. ELA UN IT-PATH LOWER (4 in 1)

※ REFERENCE PARTS_CODE

DESCRIPTION	PARTS_CODE	MODEL TOP_CODE	DESCRIPTION	PARTS_CODE	MODEL TOP_CODE
COVER-OPE 3IN1	JC63-02728A	CLX-3185/XAA	SCANNER;CLX-3185	JC97-03788A	CLX-3186/XAA
	JC63-02728B	CLX-3186/XIP		JC97-03788B	CLX-3186/XIP
	JC63-02728C	CLX-3185/XBG		JC97-03788C	CLX-3185/XBG
	JC63-02728D	CLX-3185/XEV		JC97-03788D	CLX-3185/XEV
	JC63-02728E	CLX-3186/XIL		JC97-03788E	CLX-3186/XIL
	JC63-02728F	CLX-3185/STS		JC97-03788F	CLX-3185/STS
	JC63-02728G	CLX-3185/TED		JC97-03788G	CLX-3185/TED
	JC63-02728J	CLX-3185N/XAA		JC97-03788J	CLX-3185N/XAA
	JC63-02728K	CLX-3185N/XAZ		JC97-03788K	CLX-3185N/XAZ
	JC63-02728L	CLX-3185N/XBH		JC97-03788L	CLX-3185N/XBH
	JC63-02728M	CLX-3185N/XEG		JC97-03788M	CLX-3185N/XEG
	JC63-02728N	CLX-3185N/XEV		JC97-03788N	CLX-3185N/XEV
	JC63-02728P	CLX-3185N/TED		JC97-03788P	CLX-3185N/TED
	JC63-02728Q	CLX-3186N/XIL		JC97-03788Q	CLX-3186N/XIL
OPE;CLX-3185	JC97-03785A	CLX-3185/XAA	PLATEN;CLX-3185	JC97-03789A	CLX-3187/XAA
	JC97-03785B	CLX-3186/XIP		JC97-03789B	CLX-3186/XIP
	JC97-03785C	CLX-3185/XBG		JC97-03789C	CLX-3185/XBG
	JC97-03785D	CLX-3185/XEV		JC97-03789D	CLX-3185/XEV
	JC97-03785E	CLX-3186/XIL		JC97-03789E	CLX-3186/XIL
	JC97-03785F	CLX-3185/STS		JC97-03789F	CLX-3185/STS
	JC97-03785G	CLX-3185/TED		JC97-03789G	CLX-3185/TED
	JC97-03785J	CLX-3185N/XAA		JC97-03789J	CLX-3185N/XAA
	JC97-03785K	CLX-3185N/XAZ		JC97-03789K	CLX-3185N/XAZ
	JC97-03785L	CLX-3185N/XBH		JC97-03789L	CLX-3185N/XBH
	JC97-03785M	CLX-3185N/XEG		JC97-03789M	CLX-3185N/XEG
	JC97-03785N	CLX-3185N/XEV		JC97-03789N	CLX-3185N/XEV
	JC97-03785P	CLX-3185N/TED		JC97-03789P	CLX-3185N/TED
	JC97-03785Q	CLX-3186N/XIL		JC97-03789Q	CLX-3186N/XIL

1. MAIN



MAIN Parts List

SA : SERVICE AVAILABLE, SNA : SERVICE not AVAILABLE

Drawer#	SEC-Code	Description	Qty	Service	Remark
0	CLX-3185FN/FW CLX-3186FN	4 in 1 model	1		
0	CLX-3185/N/W CLX-3186/N	3 in 1 model	1		
1	JC44-00190A	HVPS	1	SA	
2	JC44-00095C	SMPS	1	SA	110V
2	JC44-00096C	SMPS	1	SA	220V
3	JC90-00997A	CASSETTE	1	SA	
4	JC91-00977A	FUSER	1	SA	110V
4	JC91-00978A	FUSER	1	SA	220V
5	JC93-00183A	DRIVE	1	SA	
6	JC93-00207E	FRAME	1	SNA	
7	JC63-02712A	COVER-RIGHT	1	SA	3185/3186
7	JC63-02712B	COVER-RIGHT	1	SA	3185FN/FW 3186FN
7	JC63-02712C	COVER-RIGHT	1	SA	3185N/3186N
8	JC95-01193A	COVER-LEFT	1	SA	
9	JC95-01194A	COVER-MIDDLE	1	SA	3185/3186
9	JC95-01194B	COVER-MIDDLE	1	SA	3185FN/ 3186FN
9	JC95-01194C	COVER-MIDDLE	1	SA	3185FW
9	JC95-01194D	COVER-MIDDLE	1	SA	3185N/ 3186N
10	JC95-01195A	COVER-REAR	1	SA	
11	JC95-01196A	COVER-FRONT	1	SA	
12	JC96-04826B	ELA UNIT-LSU	1	SA	
13	JC96-05823A	CARTRIDGE-TONER Y	1	SNA	Sales
14	JC96-05824A	CARTRIDGE-TONER M	1	SNA	Sales
15	JC96-05825A	CARTRIDGE-TONER C	1	SNA	Sales
16	JC96-05826A	CARTRIDGE-TONER K	1	SNA	Sales

Drawer#	SEC-Code	Description	Qty	Service	Remark
17	JC96-05827A	CARTRIDGE-DRUM	1	SNA	Sales
18	JC96-05874B	CARTRIDGE-TRANSFER	1	SA	
19	JC97-03788A~S	SCANNER	1	SNA	3 in 1 / Refer to 9.
20	JC97-03798A~P	SCANNER	1	SNA	4 in 1 / Refer to 10.
22	6003-000196	SCREW-TAPTYPE	40	SA	
23	6003-000269	SCREW-TAPTYPE	4	SA	
25	JC39-00515A	CBF SIGNAL-LIU FFC	1	SNA	3185FN/FW 3186FN
26	JC39-01404A	HARNESS-BLDC	1	SA	
28	JC39-01363A	HARNESS-SMPS_SIGNAL	1	SNA	
29	JC39-01364A	HARNESS-SMPS_POWER	1	SNA	
31	JC61-02368A	HOUSING-HARNESS	1	SNA	
32	JC61-02549A	HOLDER-LINK	1	SNA	
33	JC63-01574A	COVER-CABLE	1	SA	
34	JC63-01575A	COVER-HARNESS	1	SNA	
35	JC63-01793A	COVER-HARNESS	1	SNA	
36	JC63-02718A	COVER-SWITCH	1	SNA	
38	JC92-02020A	PBA SUB-ADF	1	SA	3185FN/FW 3186FN
39	JC92-02279A	PBA-MAIN	1	SA	3185/3186
39	JC92-02277B	PBA-MAIN	1	SA	3185FN/3186FN
39	JC92-02277C	PBA-MAIN	1	SA	3185FW/others
39	JC92-02277G	PBA-MAIN	1	SA	3185FW/TEG/XEC
40	JC92-02303A	PBA-FAX CARD	1	SA	3185FN/FW 3186FN
41	JC96-01673A	ELA UNIT-TERMINAL TR S	2	SA	
42	JC97-01771A	MEA UNIT-TERMINAL S	9	SA	
43	JC97-03021A	MEA UNIT-TANK WASTE	1	SA	

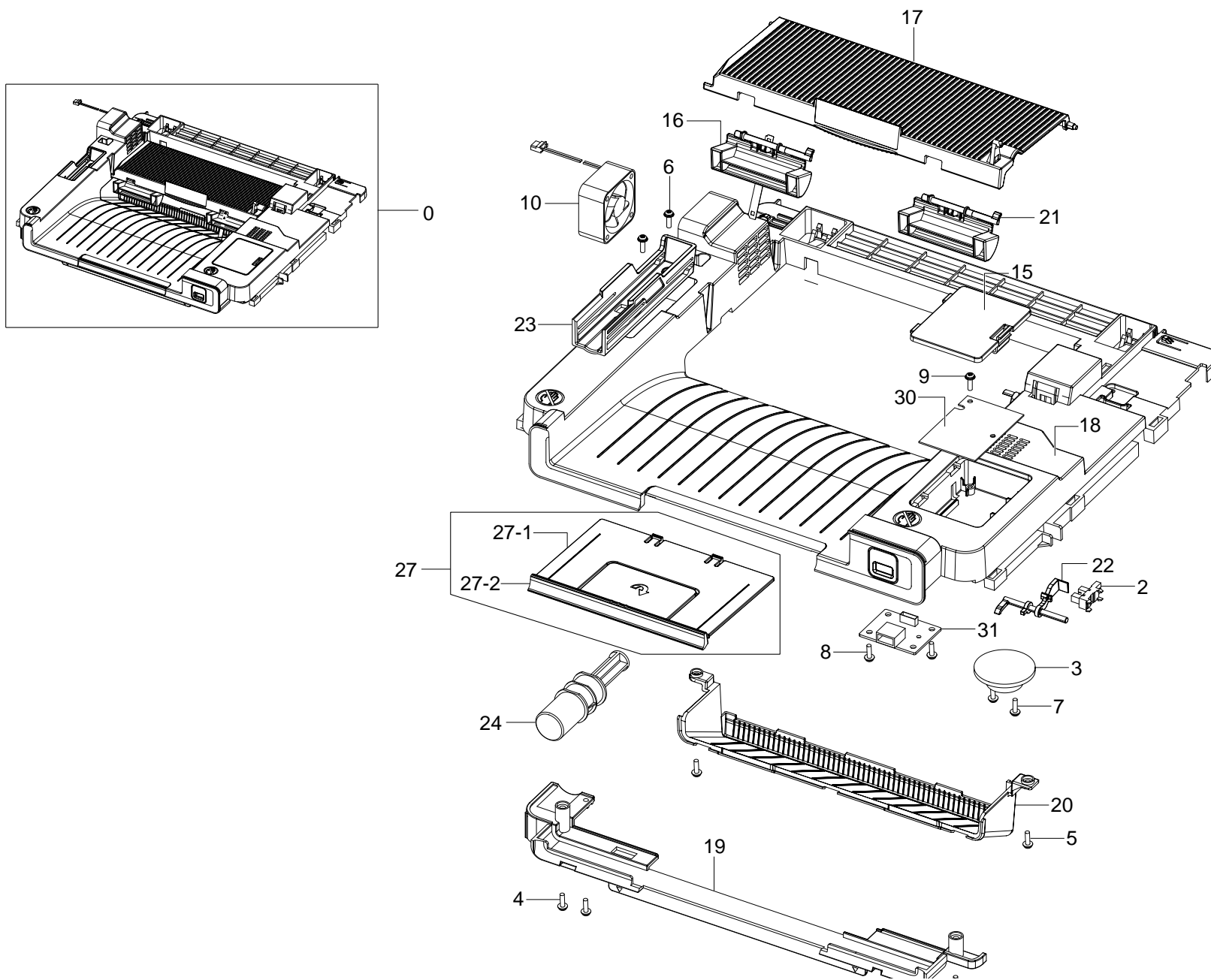
※ national different, parts code add. :

ROLLER-HEAT : JC66-02722B (CLX-3185/XEC)

FUSER : JC91-00978B (CLX-3185/XEC)

PBA-MAIN : JC92-02279B (CLX-3185/XEC), JC92-02277A (CLX-3185N/SEE,XAA), JC92-02277E (CLX-3185N/XEC)

2. COVER-MIDDLE



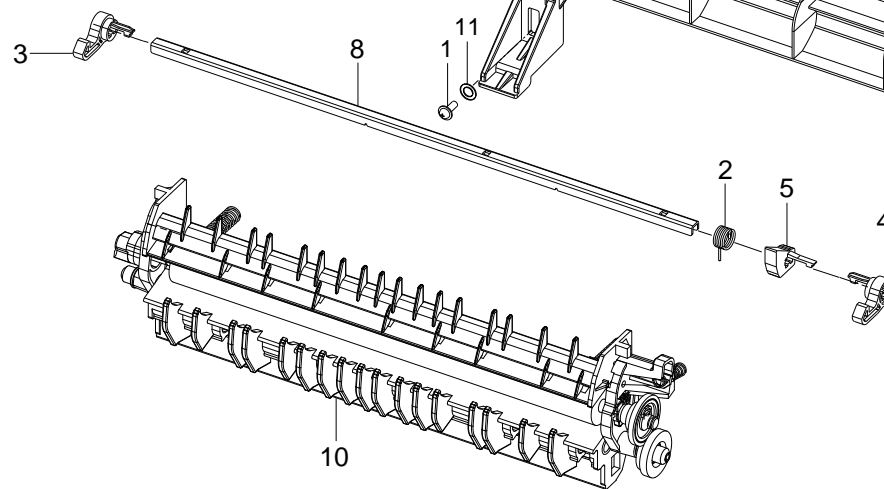
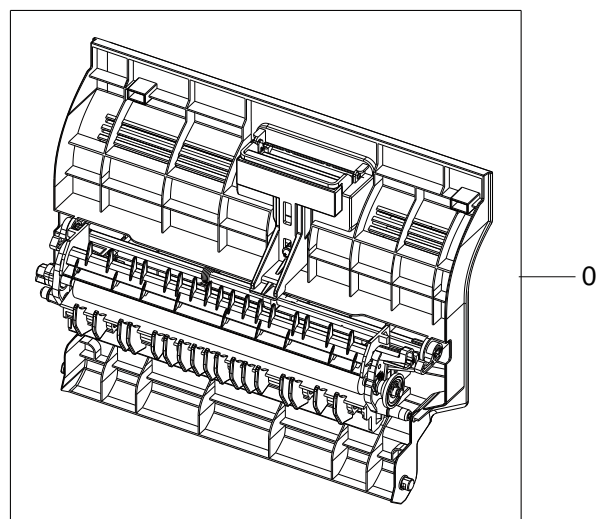
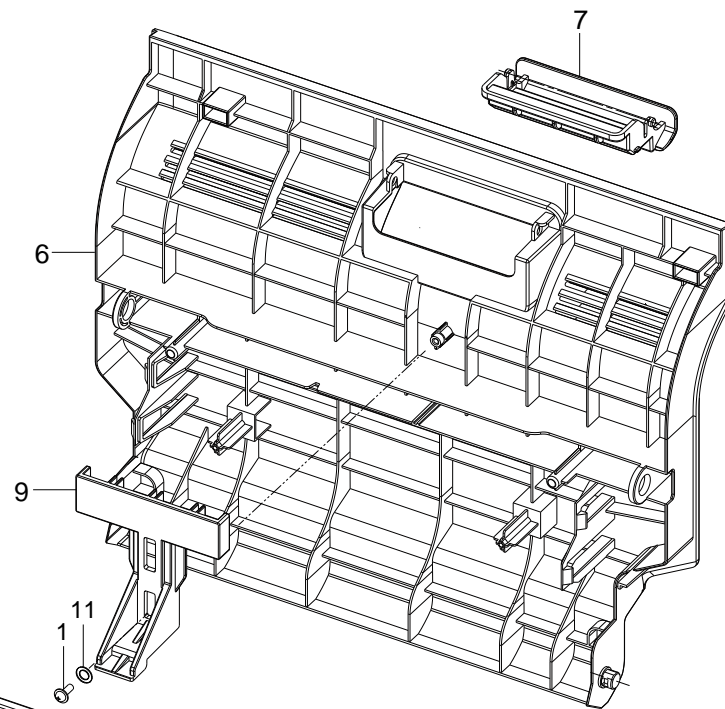
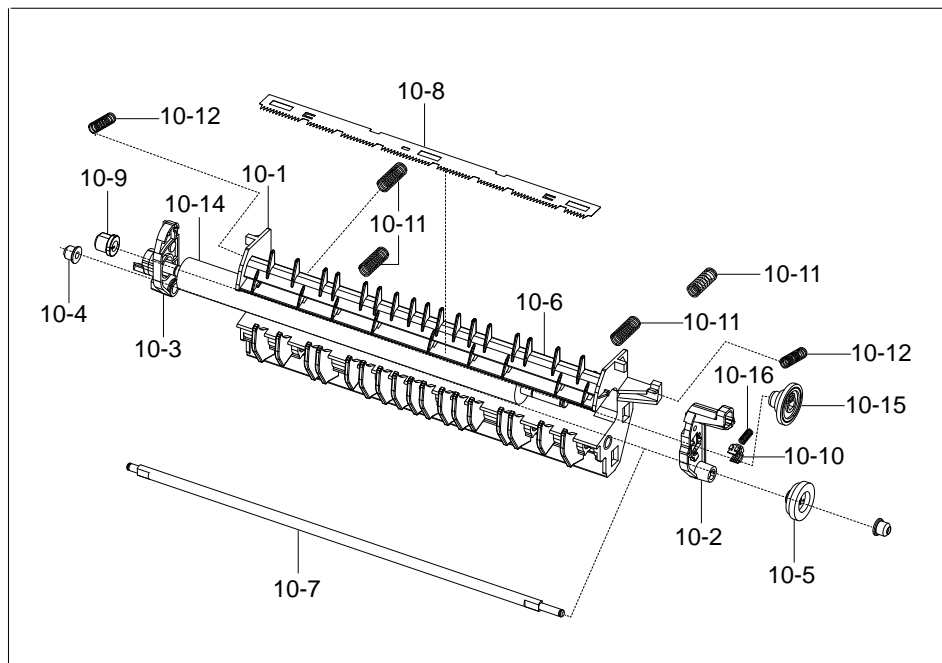
COVER-MIDDLE Parts List

SA : SERVICE AVAILABLE, SNA : SERVICE not AVAILABLE

Drawer#	SEC_Code	Description	QT'y	Service	Remark
0	JC95-01194A	COVER-MIDDLE	1	SA	3185/3186
0	JC95-01194B	COVER-MIDDLE	1	SA	3185FN/3186FN
0	JC95-01194C	COVER-MIDDLE	1	SA	3185FW
0	JC95-01194D	COVER-MIDDLE	1	SA	3185N/3186N
0	JC95-01194E	COVER-MIDDLE	1	SA	3185W
2	0604-001415	PHOTO-INTERRUPTER	1	SA	
3	3001-002262	SPEAKER	1	SA	3185FN/FW 3186FN
4	6003-000196	SCREW-TAPTYPE	3	SA	COVER-DUMMY TOP
5	6003-000196	SCREW-TAPTYPE	2	SA	COVER-EXIT
6	6003-000196	SCREW-TAPTYPE	2	SA	LINK-LOWER
7	6003-000196	SCREW-TAPTYPE	2	SA	SPEAKER (3185FN/FW)
8	6003-000196	SCREW-TAPTYPE	2	SA	PBA-USB HOST (3185N/W/FN/FW)
9	6003-000196	SCREW-TAPTYPE	1	SA	PBA-WLAN (3185W/FW)
10	JC31-00111A	FAN	1	SA	
11	JC39-00912A	HARNESS-DADF_P_SIZE	1	SA	
12	JC39-00964A	HARNESS-USB-HOST	1	SA	3185N/W/FN/FW
13	JC39-01405A	HARNESS-SPEAKER JOINT	1	SA	3185FN/FW
14	JC39-00965A	HARNESS-WLAN	1	SA	3185W/FW

Drawer#	SEC_Code	Description	QT'y	Service	Remark
15	JC63-01667C	COVER-WLAN	1	SNA	
16	JC63-02063A	SHEET-SACKER	1	SNA	
17	JC63-02713A	COVER-JAM	1	SNA	
18	JC63-02714A	COVER-MIDDLE	1	SNA	3185/3186
18	JC63-02714B	COVER-MIDDLE	1	SNA	3185N/W/FN/FW 3186N/FN
19	JC63-02715A	COVER-DUMMY TOP	1	SNA	
20	JC63-02740A	COVER-EXIT	1	SNA	
21	JC66-02748A	ACTUATOR-SUB STACKER	2	SA	
22	JC66-01427A	ACTUATOR-OUTFULL	1	SA	
23	JC66-01926B	LINK-LOWER	1	SA	
24	JC66-01932A	DAMPER-OPEN	1	SNA	3185FN/FW
24	JC66-01932B	DAMPER-OPEN	1	SNA	3185N/W
25	JC68-01581A	LABEL(P)-CAUTION HOT	1	SNA	
26	JC68-01760A	LABEL-INFORMATION	1	SNA	
27	JC90-00992A	EXIT GUIDE-MIDDLE	1	SNA	
27-1	JC61-03944A	GUIDE-EXTENSION LARGE	1	SNA	
27-2	JC63-02724A	TRAY-ASF FOLDER	1	SNA	
30	JC92-02308A	PBA-SUB WLAN	1	SA	3185W/FW
31	JC92-02048A	PBA-USB HOST	1	SA	3185N/W/FN/FW

3. COVER-REAR



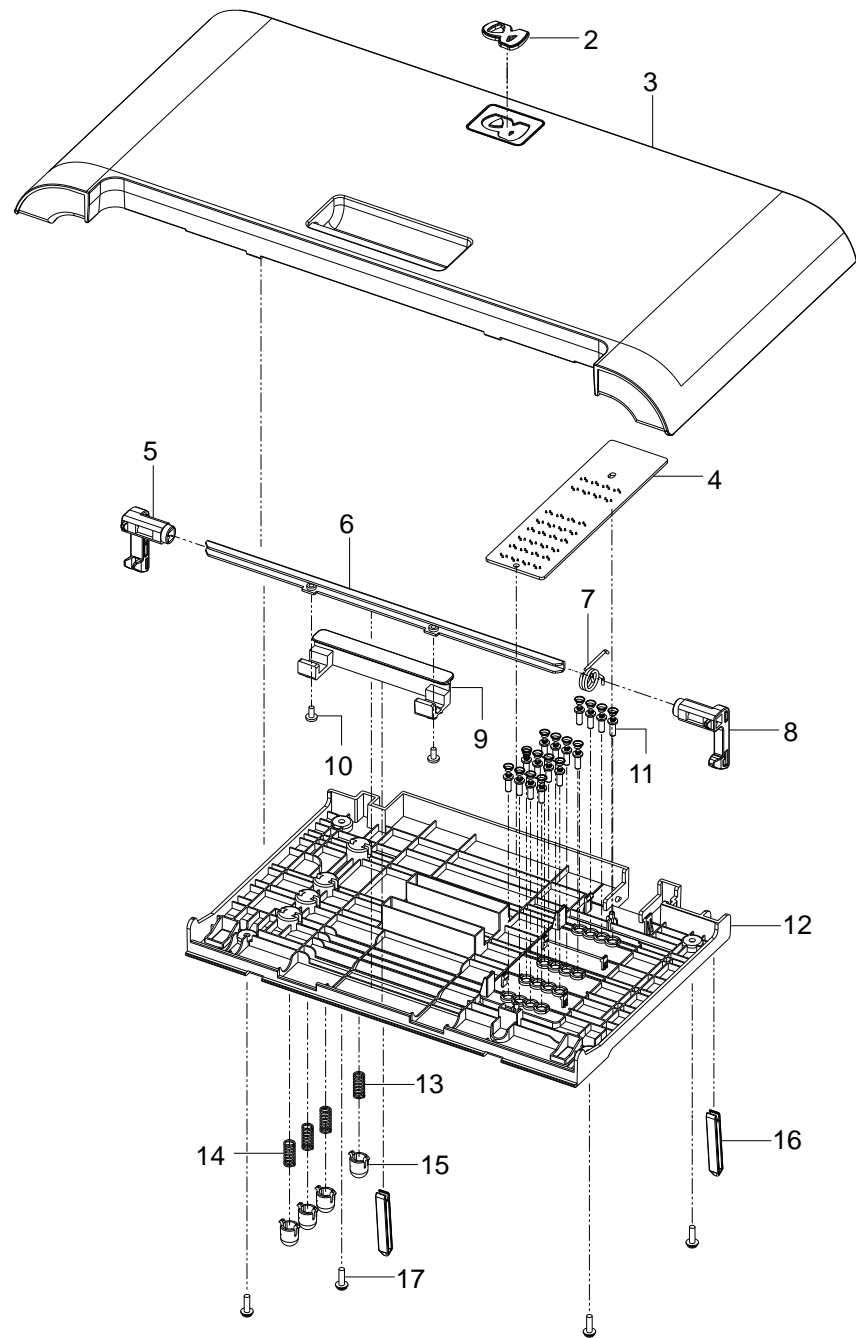
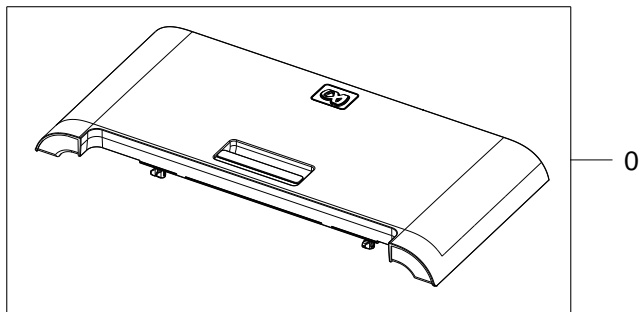
COVER-REAR Parts List

SA : SERVICE AVAILABLE, SNA : SERVICE not AVAILABLE

Drawer#	SEC_Code	Description	QT'y	Service	Remark
0	JC95-01195A	COVER-REAR	1	SA	
1	6002-000440	SCREW-TAPPING	1	SNA	
2	6107-001268	SPRING-TS	1	SA	
3	JC61-01456B	HOLDER-HOOK REAR L	1	SNA	
4	JC61-01461B	HOLDER-HOOK REAR R	1	SNA	
5	JC61-02254A	HOLDER-HOOK REAR C	1	SNA	
6	JC63-02719A	COVER-REAR	1	SNA	
7	JC64-00560A	BUTTON-OPEN REAR	1	SNA	
8	JC66-01089A	SHAFT-P-LOCKBAR REAR	1	SNA	
9	JC66-02688A	LEVER-REAR LOCK	1	SNA	
10	JC95-01197A	COVER-REAR TRANSFER	1	SA	
10-1	JC61-03960A	FRAME-TRANSFER_T	1	SNA	
10-2	JC66-01747A	LEVER-T2 R	1	SNA	

Drawer#	SEC_Code	Description	QT'y	Service	Remark
10-3	JC66-01746A	LEVER-T2 L	1	SNA	
10-4	JC61-01469A	HOLDER-M-LOCATE SHAFT	1	SNA	
10-5	JC66-01745A	GEAR-T2 DRIVE	1	SA	
10-6	JC61-03794A	PLATE-GND	1	SNA	
10-7	JC66-02740A	SHAFT-LOCATE	1	SNA	
10-8	JC70-10232A	IPR-PLATE SAW	1	SA	
10-9	JC61-01543A	BUSH-CHARGE LEFT	1	SNA	
10-10	JC72-40332A	PMO-BUSHING_CHARGE	1	SNA	
10-11	6107-001278	SPRING-CS	4	SA	
10-12	6107-001387	SPRING-CS	2	SA	
10-14	JC66-02717A	ROLLER-TRANSFER	1	SNA	
10-15	JC66-01743A	GEAR-T2 ROLLER	1	SA	
10-16	6107-000103	SPRING-CS	1	SNA	

4. COVER FRONT



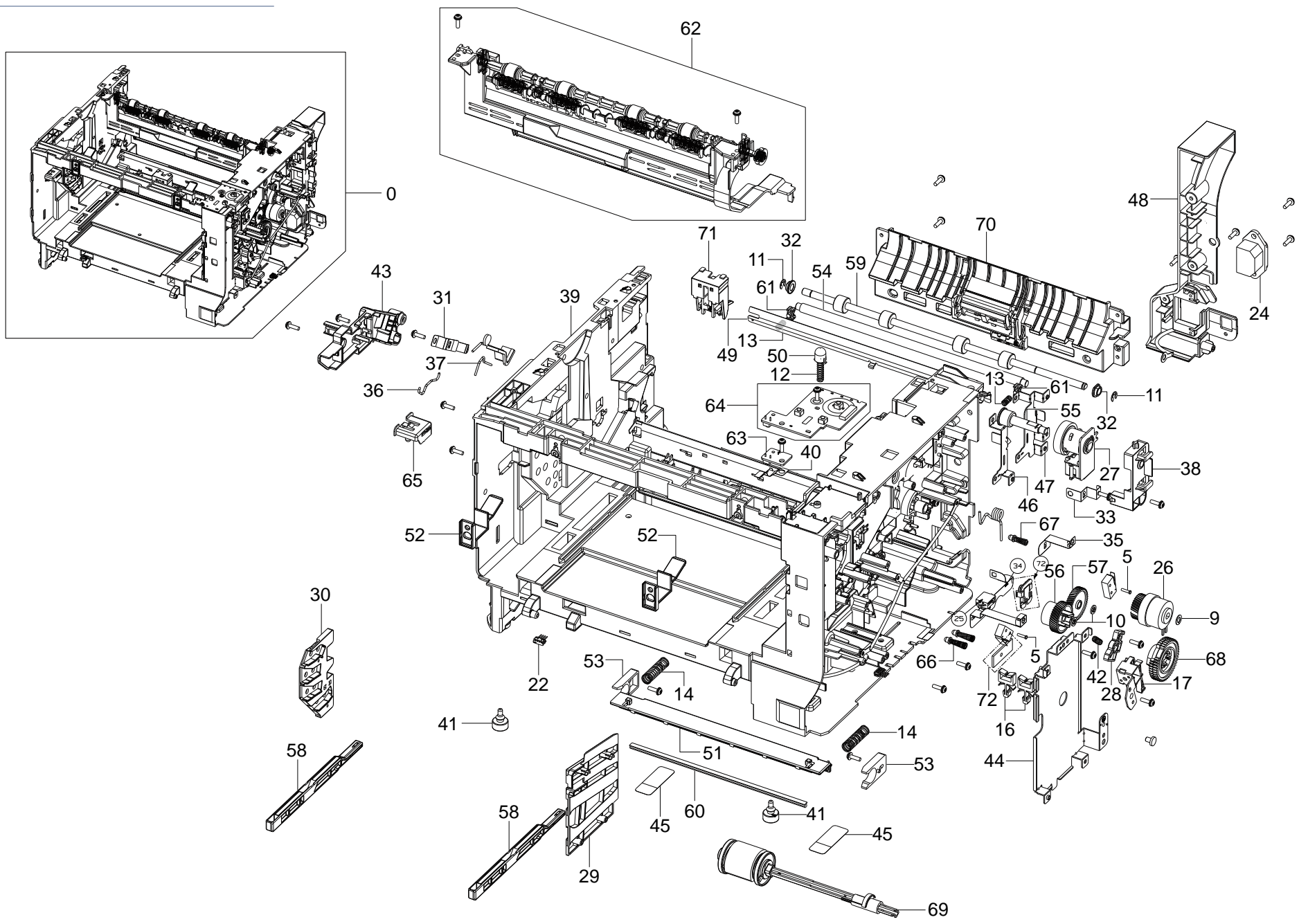
COVER FRONT Parts List

SA : SERVICE AVAILABLE, SNA : SERVICE not AVAILABLE

Drawer#	SEC_Code	Description	QT'y	Service	Remark
0	JC95-01196A	COVER-FRONT	1	SA	
2	JC64-00429A	BADGE-COLOR SMALL	1	SNA	
3	JC63-02721A	COVER-FRONT	1	SNA	
4	JC92-01989A	PBA SUB-CRUMJOINT	1	SA	
5	JC64-00383B	LOCKER-FRONT R	1	SA	
6	JC66-01921A	SHAFT-LOCK BAR	1	SNA	
7	6107-001392	SPRING-TS	1	SA	
8	JC64-00384B	LOCKER-FRONT L	1	SA	
9	JC63-02722A	COVER-HANDLE	1	SNA	

Drawer#	SEC_Code	Description	QT'y	Service	Remark
10	6003-000269	SCREW-TAPTYPE	2	SA	
11	JC97-03039A	MEA-CRUM TERMINAL	16	SA	
12	JC63-02720A	COVER-FRONT INNER	1	SNA	
13	6107-001403	SPRING-CS	1	SNA	
14	6107-001404	SPRING-CS	3	SNA	
15	JC64-00349A	BUTTON-SUPPORT	4	SNA	
16	JC66-01748A	LEVER-LSU	2	SA	
17	6003-000196	SCREW-TAPTYPE	4	SA	

5. FRAME



FRAME Parts List

SA : SERVICE AVAILABLE, SNA : SERVICE not AVAILABLE

Drawer#	SEC_Code	Description	QT'y	Service	Remark
0	JC93-00207E	FRAME MAIN	1	SNA	
5	6003-000152	SCREW-TAPTYPE	2	SA	
6	6003-000196	SCREW-TAPTYPE	25	SA	
7	6003-000269	SCREW-TAPTYPE	1	SA	
8	6003-000301	SCREW-TAPTYPE	1	SA	
9	6031-001255	WASHER-PLAIN	1	SA	
10	6044-000001	RING-CS	2	SA	
11	6044-000125	RING-E	2	SA	
12	6107-001120	SPRING-CS	1	SNA	
13	6107-001309	SPRING-CS	2	SA	
14	6107-001409	SPRING-CS	2	SA	
15	6107-002638	SPRING-TS	1	SA	
16	6502-000132	CABLE CLAMP	2	SNA	
17	JC33-00026A	SOLENOID-PICK UP	1	SA	
18	JC39-00866A	FLAT CABLE	1	SNA	
19	JC39-00867A	FLAT CABLE	1	SNA	
20	JC39-00900A	HARNESS-COVERSW	1	SNA	
21	JC39-01366A	HARNESS-GND	1	SNA	
22	JC39-00906A	HARNESS-CRUMJOINT	1	SNA	
24	JC39-01365A	HARNESS-INLET	1	SNA	
26	JC47-00019A	CLUTCH-DEVE CAM	1	SA	
27	JC47-00020A	CLUTCH-FUSER CAM	1	SA	
28	JC61-01548A	HOLDER-M-CAM	1	SNA	
29	JC61-02357A	GUIDE-RAIL R	1	SNA	
30	JC61-02359A	GUIDE-RAIL L	1	SNA	
31	JC61-02369A	PLATE-GROUND OPC L	1	SNA	
32	JC61-02372A	BUSH-D6/L4	2	SA	
33	JC61-02376A	PLATE-GROUND FUSER	1	SNA	
34	JC61-02377A	PLATE-GROUND REGI	1	SNA	
35	JC61-02379A	PLATE-GROUND T2	1	SNA	
36	JC61-02415A	SPRING ETC-OPC L	1	SA	

Drawer#	SEC_Code	Description	QT'y	Service	Remark
37	JC61-02417A	SPRING ETC-ITB L	1	SA	
38	JC61-02425A	HOLDER-CLUTCH	1	SA	
39	JC61-03795A	FRAME-BASE TISSOT	1	SNA	
40	JC61-02473A	PLATE-SWITCH	1	SNA	
41	JC61-40001A	FOOT-ML80	2	SA	
42	JC61-70940A	SPRING ETC-TR(12)	1	SA	
43	JC63-01592A	COVER-GROUND OPC	1	SNA	
44	JC63-01654A	SHIELD-SMPS	1	SNA	
45	JC63-01779A	SHEET-DEFLECTION	2	SNA	
47	JC63-02632A	GROUND-MAIN Z	1	SNA	
48	JC63-02739A	COVER-DUMMY FRAME	1	SNA	
49	JC63-02743A	GROUND-T2	1	SNA	
50	JC64-00349A	BUTTON-SUPPORT	1	SNA	
51	JC64-00350A	SHUTTER-LSU	1	SNA	
52	JC64-00365A	LOCKER-ITB	2	SA	
53	JC66-00050A	CAM-CATCH	2	SA	
54	JC66-01120A	SHAFT-FEED IDLE	1	SNA	
55	JC66-01207A	SHAFT-M-CLUTCH FUSER	1	SA	
56	JC66-01721A	GEAR-REGI DRIVE	1	SA	
57	JC66-01722A	GEAR-REGI RELAY	1	SA	
58	JC66-01740A	LINK-LSU	2	SNA	
59	JC66-02720A	ROLLER-REGI_T	1	SNA	
60	JC67-00168A	BRUSH-LSU	1	SNA	
61	JC72-00102A	PMO-BUSHING_TR(L)	2	SA	
62	JC90-00994A	EXIT	1	SA	
63	JC92-02003A	PBA SUB-5V_SWITCH	1	SA	
65	JC96-04756A	ELA UNIT-SENSOR WASTE	1	SA	
66	JC97-01771A	MEA UNIT-TERMINAL S	2	SA	
67	JC97-02638A	MEA UNIT-TERMINAL GND	1	SA	
68	JC97-03027A	MEA UNIT-PICK UP GEAR	1	SA	
69	JC93-00297A	FRAME BASE-PICK UP ROLL	1	SA	

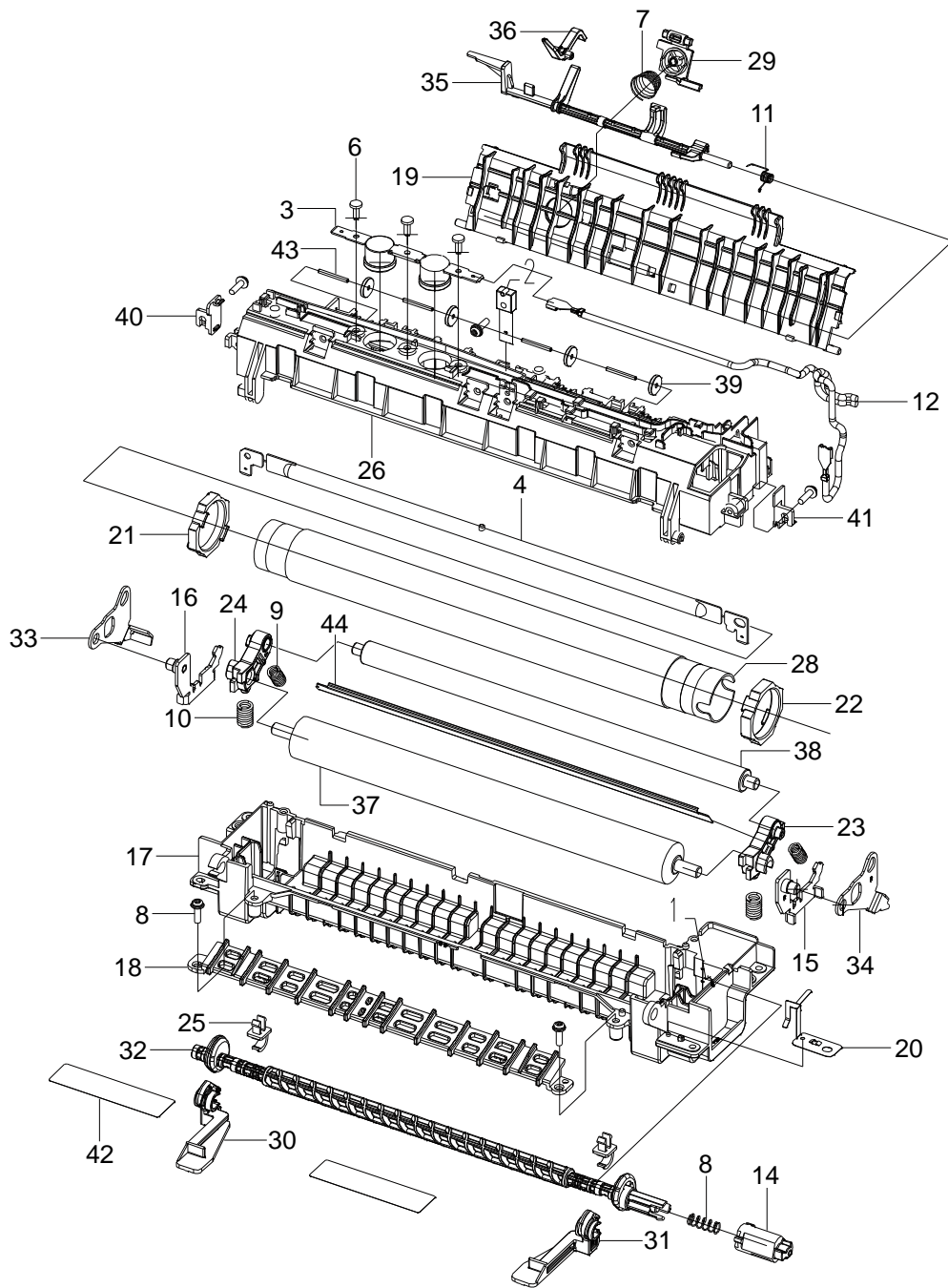
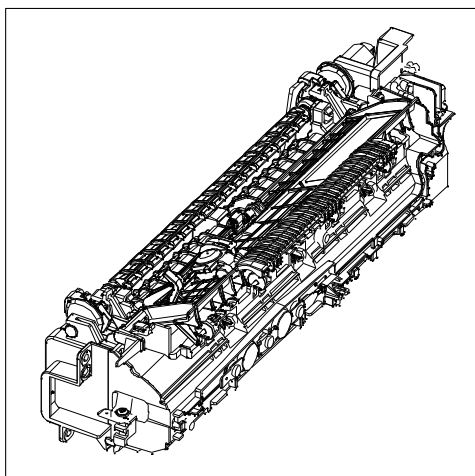
FRAME Parts List

SA : SERVICE AVAILABLE, SNA : SERVICE not AVAILABLE

Drawer#	SEC_Code	Description	QT'y	Service	Remark
70	JC93-00296A	FRAME BASE-GUIDE PICKUP	1	SA	
71	JC97-03030A	MEA UNIT-ACT REGI	1	SA	

Drawer#	SEC_Code	Description	QT'y	Service	Remark
72	JC98-01393A	BOARD-PTL	1	SNA	

6. FUSER



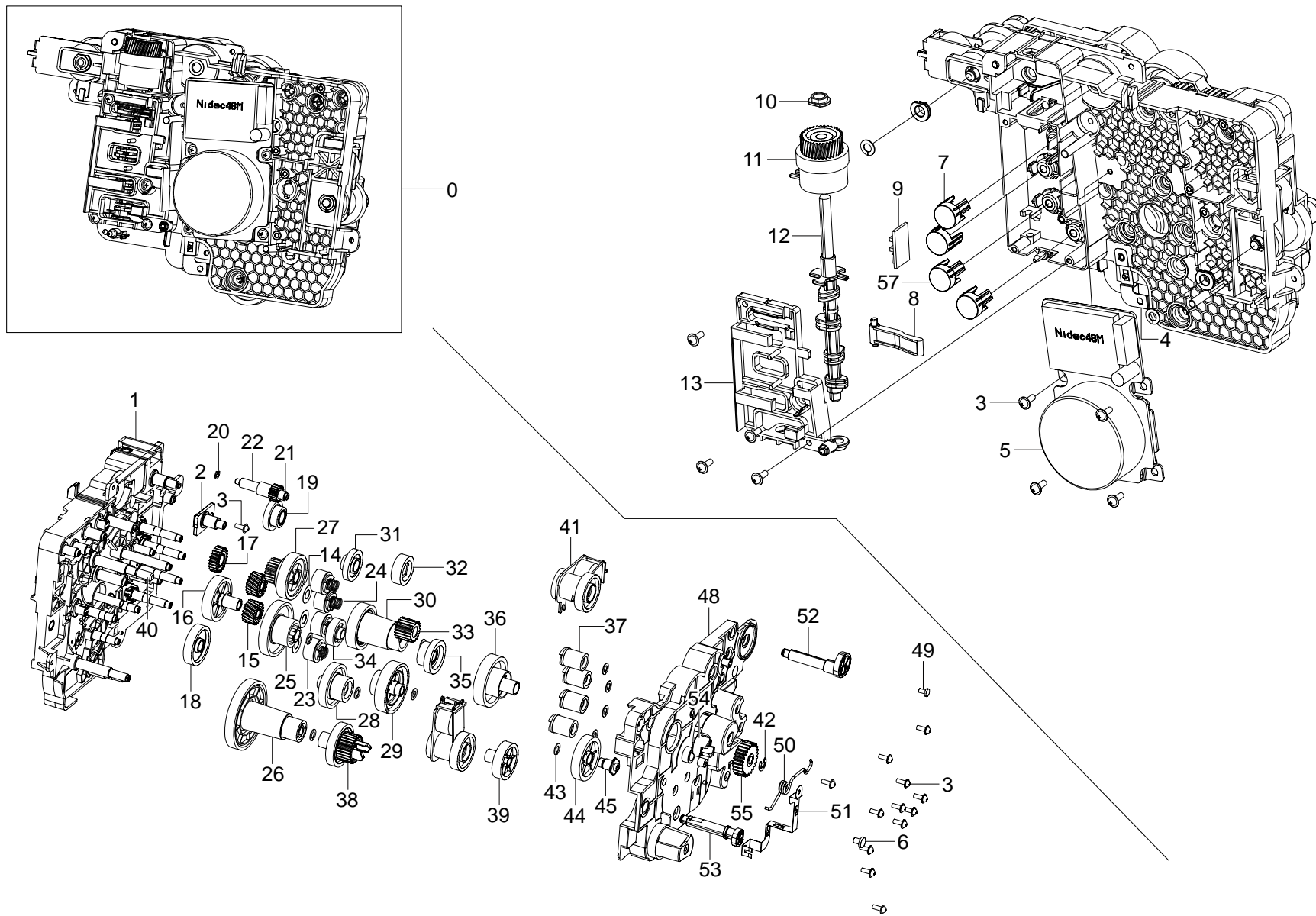
FUSER Parts List

SA : SERVICE AVAILABLE, SNA : SERVICE not AVAILABLE

Drawer#	SEC_Code	Description	QT'y	Service	Remark
0	JC91-00977A	FUSER	1	SA	110V
0	JC91-00978A	FUSER	1	SA	220V
2	1404-001447	THERMISTOR-NTC ASSY	1	SA	
3	4712-001031	THERMOSTAT	1	SA	
4	4713-001242	LAMP-HALOGEN	1	SA	110V
4	4713-001531	LAMP-HALOGEN	1	SA	220V
5	6003-000196	SCREW-TAPTYPE	7	SA	
6	6003-000282	SCREW-TAPTYPE	3	SA	
7	6107-001169	SPRING-CS	1	SA	
8	6107-001290	SPRING-CS	1	SA	
9	6107-001397	SPRING-CS	2	SA	
10	6107-002618	SPRING-CS	2	SA	
11	6107-001507	SPRING-TS	1	SA	
12	JC39-01368A	HARNESS-FUSER_LINK2	1	SNA	
13	JC39-01367A	HARNESS-FUSER_AC	1	SNA	
14	JC61-01647A	HOLDER-M-SHAFT FUSER	1	SA	
15	JC61-02287A	HOLDER-BUSH R	1	SNA	
16	JC61-02290A	HOLDER-BUSH L	1	SNA	
17	JC61-03732A	FRAME-LOWER FUSER	1	SNA	
18	JC61-03730A	GUIDE-INPUT FUSER	1	SNA	
19	JC61-03728A	GUIDE-OUTPUT FUSER	1	SA	
20	JC61-02371A	PLATE-GROUND FUSER	1	SNA	
21	JC61-02392A	BUSH-HR L	2	SNA	

Drawer#	SEC_Code	Description	QT'y	Service	Remark
22	JC61-02393A	BUSH-HR R	1	SNA	
23	JC61-03742A	BUSH-2PR R	1	SNA	
24	JC61-03743A	BUSH-2PR L	1	SNA	
25	JC61-02411A	BUSH-TX	2	SNA	
26	JC61-03208A	FRAME-UPPER FUSER	1	SNA	
27	JC66-02829A	GEAR-FUSER	1	SA	
28	JC66-02722A	ROLLER-HEAT	1	SNA	
29	JC66-01695A	LEVER-COVER OPEN	1	SNA	
30	JC66-01700A	LEVER-JAM L	1	SNA	
31	JC66-01701A	LEVER-JAM R	1	SNA	
32	JC66-01737A	SHAFT-CAM FUSER	1	SA	
33	JC66-01738A	LEVER-RELEASE L	1	SNA	
34	JC66-01742A	LEVER-RELEASE R	1	SNA	
35	JC66-02760A	ACTUATOR-EXIT FUSER	1	SNA	
36	JC66-02569A	ACTUATOR-EXIT SUB	1	SNA	
37	JC66-02567B	ROLLER-PRESSURE	1	SNA	
38	JC66-01804A	ROLLER-PRESSURE SHAFT	1	SNA	
39	JC66-02010A	ROLLER-IDLE	4	SNA	
40	JC67-00280A	CAP-FUSER L	1	SNA	
41	JC67-00281A	CAP-FUSER R	1	SNA	
42	JC68-01581C	LABEL-CAUTION	2	SNA	
43	JC70-20901A	IEX-SHAFT IDLE,F/UP	4	SA	
44	JC61-03729A	GUIDE PR	1	SNA	

7. DRIVE



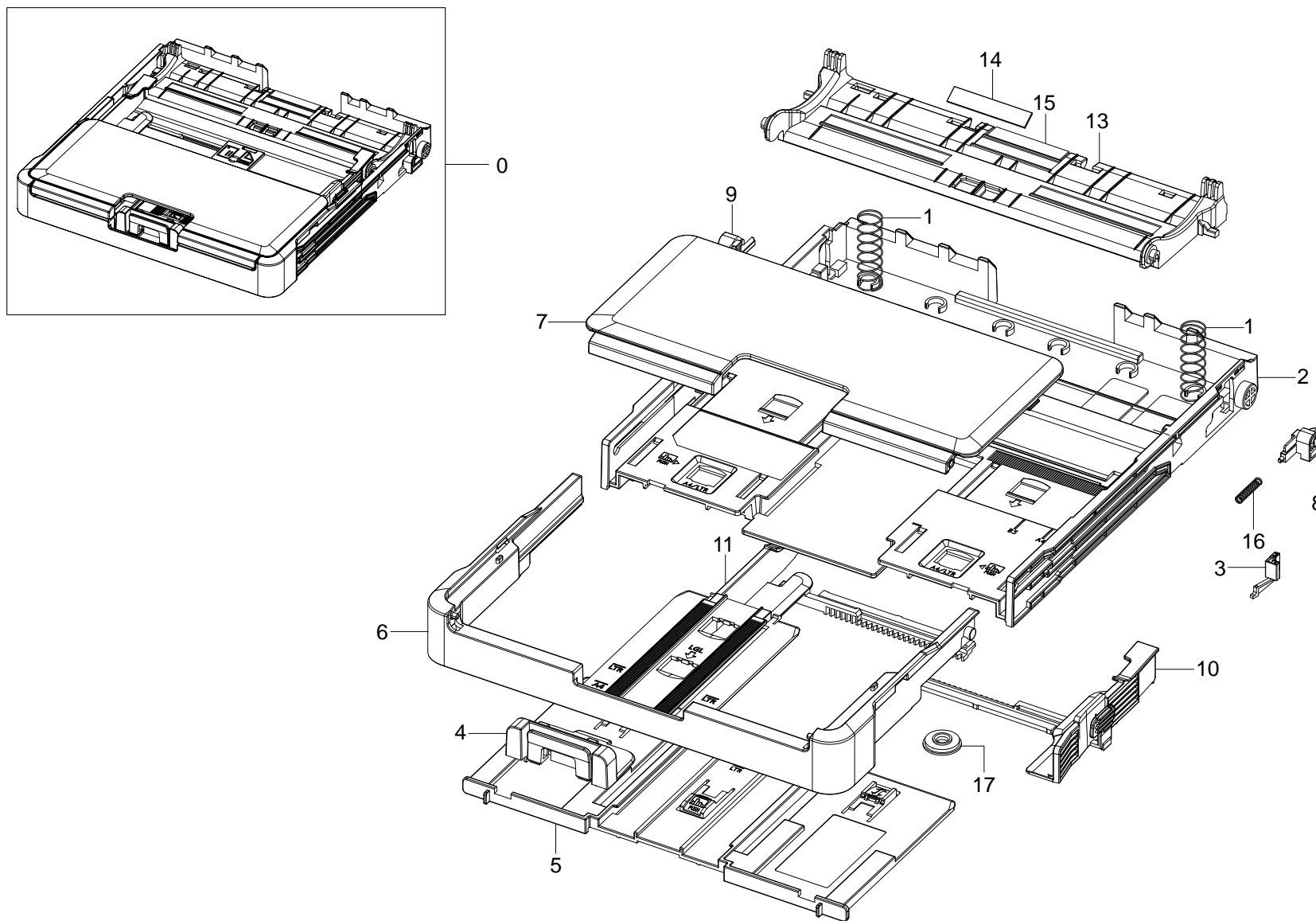
DRIVE Parts List

SA : SERVICE AVAILABLE, SNA : SERVICE not AVAILABLE

Drawer#	SEC_Code	Description	QT'y	Service	Remark
0	JC93-00183A	DRIVE	1	SA	
1	JC61-03880A	BRACKET-DRIVE MAIN/T	1	SNA	
2	JC61-02279A	BRACKET-STUD	1	SNA	
3	6002-000440	SCREW-TAPPING	25	SA	
4	JC61-02374A	PLATE-GROUND MOTOR	1	SNA	
5	JC31-00091B	MOTOR BLDC	1	SA	
6	6003-000301	SCREW-TAPTYPE	1	SA	
7	JC67-00278A	CAP-PUSH COUPLING	3	SNA	
8	JC66-02617A	LINK-PUSH BLACK CAP/T	1	SNA	
9	JC92-01986A	PBA SUB-DEVEHOME	1	SA	
10	JC61-02372A	BUSH-D6/L4	4	SA	
11	JC47-00019A	CLUTCH-DEVE CAM	1	SA	
12	JC66-02618A	SHAFT-DEVE CAM/T	1	SNA	
13	JC61-02292A	HOLDER-DEVE CAM	1	SNA	
14	6031-001490	WASHER-PLAIN	4	SNA	
15	JC66-02616A	GEAR-IDLE DEVE/T	2	SA	
16	JC66-02607A	GEAR-IDLE Z39 T	1	SA	
17	JC66-01707A	GEAR-EXIT IDLE	1	SA	
18	JC66-01714A	GEAR-IDLE ITB Z57	1	SA	
19	JC66-01697A	GEAR-RDCN DEVE CAM	1	SA	
20	6044-000159	RING-C	1	SNA	
21	JC66-01060A	SHAFT-WORM GEAR	1	SNA	
22	JC66-01057A	GEAR-WORM DEVE CAM	1	SA	
23	JC66-01705A	GEAR-DEVE COUPLING	4	SA	
24	6107-001362	SPRING-CS	4	SA	
25	JC66-02605A	GEAR-RDCN OPC	1	SA	
26	JC66-02701A	GEAR-ITB_DRIVE_HT	1	SA	
27	JC66-01728A	GEAR-RDCN EXIT	1	SA	

Drawer#	SEC_Code	Description	QT'y	Service	Remark
28	JC66-01727A	GEAR-RDCN P_PATH	1	SA	
29	JC66-02600A	GEAR-RDCN DEVE	1	SA	
30	JC66-02601A	GEAR-OPC DRIVE T	1	SA	
31	JC66-01704A	GEAR-DEVE CLUTCH Z27	1	SA	
32	JC66-01710A	GEAR-IDLE CLUTCH CAM	1	SA	
33	JC66-01708A	GEAR-EXIT RELAY	1	SA	
34	JC66-01711A	GEAR-IDLE FUSER CAM	1	SA	
35	JC66-01729A	GEAR-RDCN FUSER CAM	1	SA	
36	JC66-01709A	GEAR-FUSER DRIVE	1	SA	
37	JC66-01706A	GEAR-DEVE DRIVE	4	SA	
38	JC66-01718A	GEAR-PICK UP DRIVE	1	SA	
39	JC66-01715A	GEAR-IDLE Z32	1	SA	
40	JC66-01814A	SHAFT-DRIVE FUSER	1	SNA	
41	JC47-00007F	CLUTCH-ITB CAM	2	SA	
42	6044-000231	RING-E	1	SNA	
43	6031-001255	WASHER-PLAIN	12	SA	
44	JC66-01717A	GEAR-IDLE Z39 F	1	SA	
45	JC66-01061A	SHAFT-IDLE D8	1	SNA	
48	JC61-03881A	BRACKET-DRIVE FRONT/T	1	SNA	
49	6001-000130	SCREW-MACHINE	1	SA	
50	JC61-02419A	SPRING ETC-GROUND OPC	1	SNA	
51	JC61-02373A	PLATE-GROUND OPC	1	SNA	
52	JC66-01724A	SHAFT-ITB CLEAN CAM	1	SNA	
53	JC66-01723A	SHAFT-T2 CAM	1	SNA	
54	JC66-02702A	LATCH-M_HUB_CLUTCH_T	1	SNA	
55	JC66-01155B	GEAR-FUSER RDCN OUT V	1	SA	
56	JF68-10532B	LABEL(P)-BAR CODE	1	SNA	
57	JC67-00454A	CAP-PUSH COUPLING	1	SNA	

8. CASSETTE



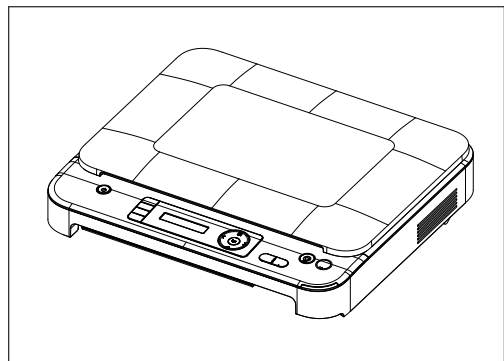
CASSETTE Parts List

SA : SERVICE AVAILABLE, SNA : SERVICE not AVAILABLE

Drawer#	SEC_Code	Description	QT'y	Service	Remark
0	JC90-00997A	CASSETTE	1	SA	
1	6107-002738	SPRING-CS	2	SA	
2	JC61-02327A	FRAME-SEMI CASSETTE	1	SNA	
3	JC61-02484A	STOPPER-ADJUSTER	1	SNA	
4	JC61-03971B	STOPPER-PAPER REAR_T	1	SNA	
5	JC63-00872A	TRAY-M-EXT CASSETTE	1	SNA	
6	JC63-02744A	TRAY-EXTENSION SMALL	1	SNA	
7	JC63-02757A	COVER-CASSETTE_T	1	SNA	
8	JC64-00222A	LOCKER-M-KNOCK UP R	1	SA	

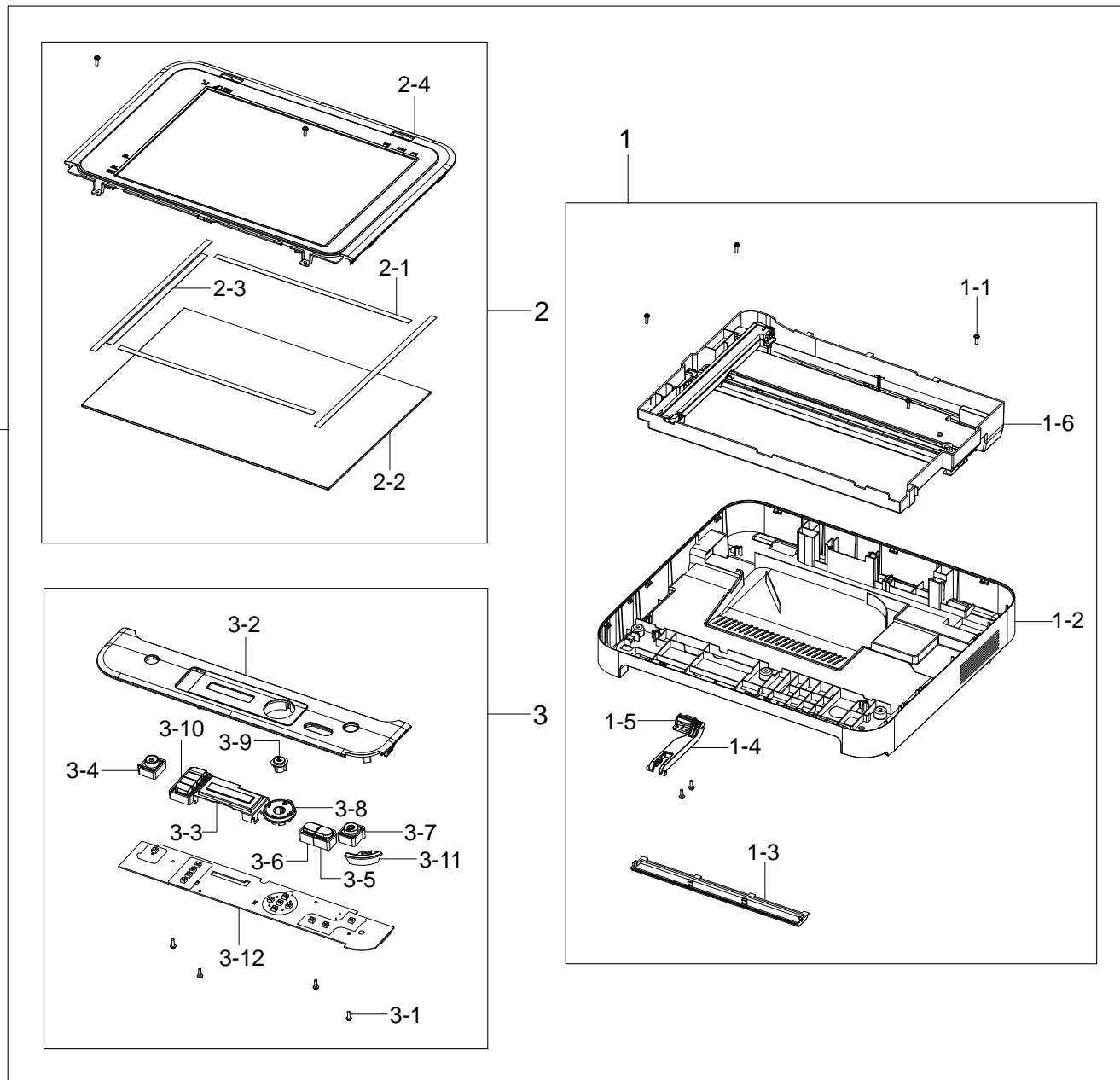
Drawer#	SEC_Code	Description	QT'y	Service	Remark
9	JC64-00223A	LOCKER-M-KNOCK UP L	1	SA	
10	JC70-00516D	ADJUST-M-CASSETTE R	1	SA	
11	JC70-00517D	ADJUST-M-CASSETTE L	1	SA	
12	JC97-03040A	MEA UNIT-PLATE K_UP	1	SA	
13	JC61-02378A	PLATE-KNOCKUP	1	SNA	
14	JC73-00140A	RPR-FRICTION PAD	1	SA	
15	JC73-00141A	RPR-PAD CASSETTE	1	SA	
16	JG61-70531A	SPRING ETC-LOCKER,PLATE	2	SA	
17	JG66-40003A	GEAR-PINION	1	SA	

9. SCANNER (3 in 1)



0

A



1

2

3

1-1

1-6

1-2

1-5

1-4

1-3

2-4

2-1

2-3

2-2

3-2

3-10

3-9

3-4

3-3

3-8

3-7

3-6

3-5

3-11

3-12

3-1

SCANNER (3 in 1) Parts List

SA : SERVICE AVAILABLE, SNA : SERVICE not AVAILABLE

Drawer#	SEC_Code	Description	QT'y	Service	Remark
0	JC97-03788A~S	SCANNER_3 in 1	1	SNA	3185/3185N 3186/3186N
A	JC97-03789A~S	PLATEN	1	SA	
1	JC97-03791A	PLATEN-LOWER	1	SA	
1-1	6003-000196	SCREW-TAPTYPE	6	SA	
1-2	JC63-02725A	COVER-SCAN LOWER	1	SNA	
1-3	JC63-02729A	COVER-OPE DECO	1	SNA	
1-4	JC66-01901A	LINK-SCAN	1	SNA	
1-5	JC97-03207A	MEA HOU-LINK	1	SA	
1-6	JC97-03793A	PLATEN-LOW END	1	SA	Refer to 10B-2
2	JC97-03792A	PLATEN-UPPER	1	SA	
2-1	0203-001267	TAPE-DOUBLE FACE	4	SNA	
2-2	JC01-00002A	GLASS-SCAN MONTBLANC	1	SNA	
2-3	JC63-01906A	SHEET-SHADING	1	SNA	
2-4	JC63-02726A	COVER-SCAN UPPER 3IN1	1	SNA	
3	JC97-03785A~S	OPE	1	SA	

Drawer#	SEC_Code	Description	QT'y	Service	Remark
3-1	6003-000196	SCREW-TAPTYPE	4	SA	
3-2	JC63-02728A~S	COVER-OPE 3IN1	1	SNA	
3-3	JC63-01802A	COVER-LCD	1	SNA	
3-4	JC64-00561A	KEY-POWER	1	SNA	
3-5	JC64-00562A	KEY-START_COLOR	1	SNA	
3-6	JC64-00563A	KEY-START_MONO	1	SNA	
3-7	JC64-00564A	KEY-STOP	1	SNA	
3-8	JC64-00565A	KEY-MENU	1	SNA	
3-9	JC64-00566A	KEY-OK	1	SNA	
3-10	JC64-00567A	KEY-FUNCTION 3IN1	1	SNA	
3-11	JC64-00568A	KEY-STATUS	1	SNA	
3-12	JC92-02292A	PBA-OPE	1	SA	
B	JC97-03790A	PLATEN-COVER	1	SA	
B-1	JC61-00929B	HINGE-PIVOT	2	SNA	
B-2	JC63-00209A	SHEET-WHITE SPONGE	1	SNA	
B-3	JC63-02727A	COVER-PLATEN 3IN1	1	SNA	

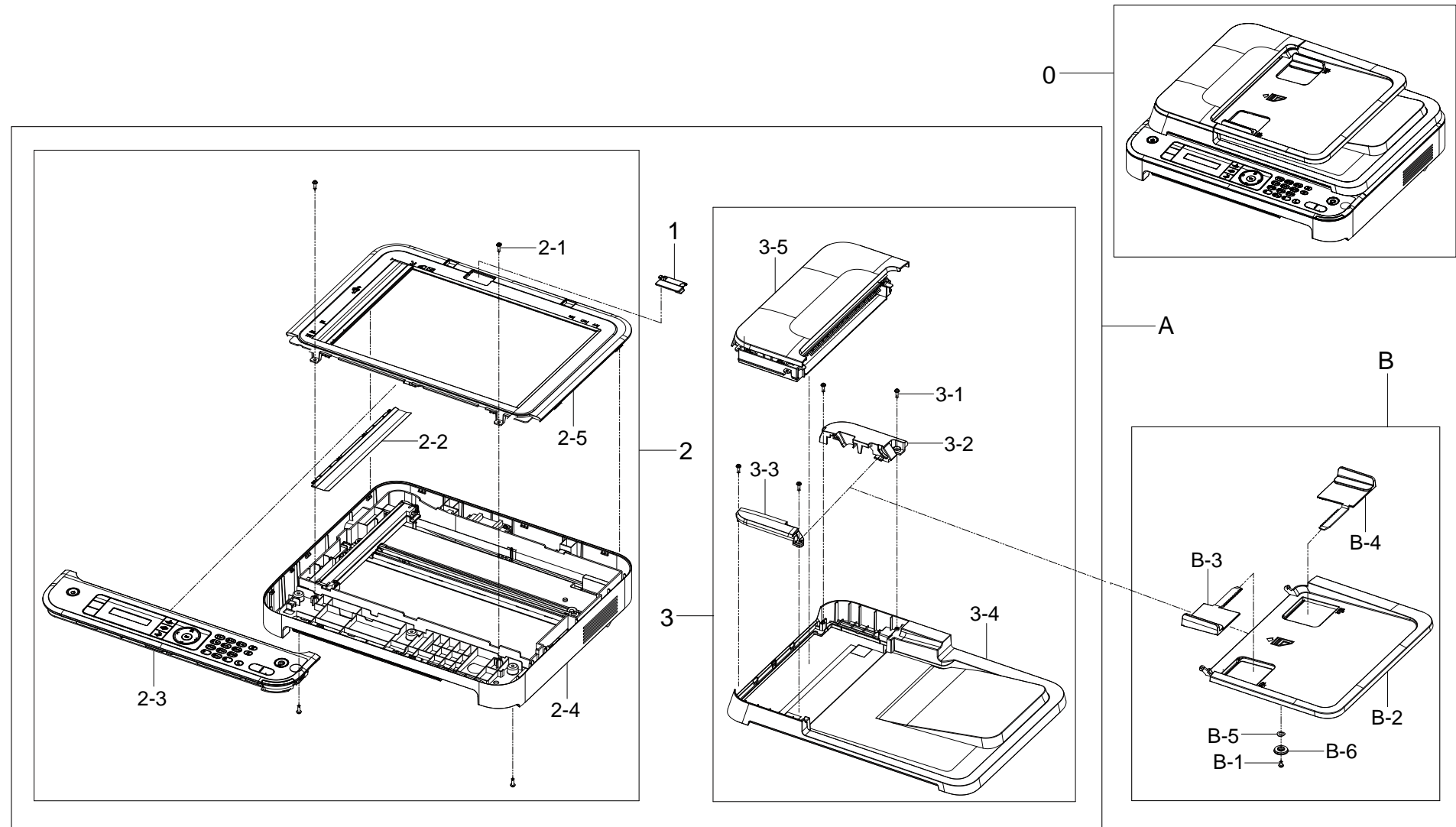
※ national different, parts code add. :

PBA-OPE : JC92-02292B (CLX-3186/X1L)

SCANNER : JC97-03788E (CLX-3186/X1L), JC97-03788B (CLX-3186/X1P)

PLATEN : JC97-03789E (CLX-3186/X1L), JC97-03789B (CLX-3186/X1P)

10. SCANNER (4 in 1)



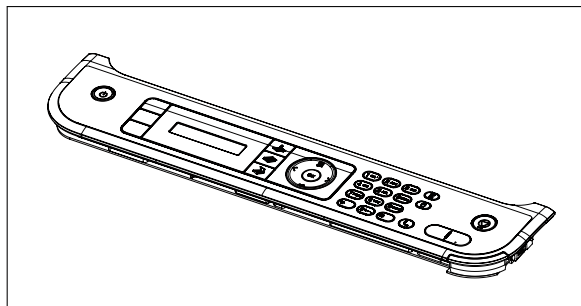
SCANNER (4 in 1) Parts List

SA : SERVICE AVAILABLE, SNA : SERVICE not AVAILABLE

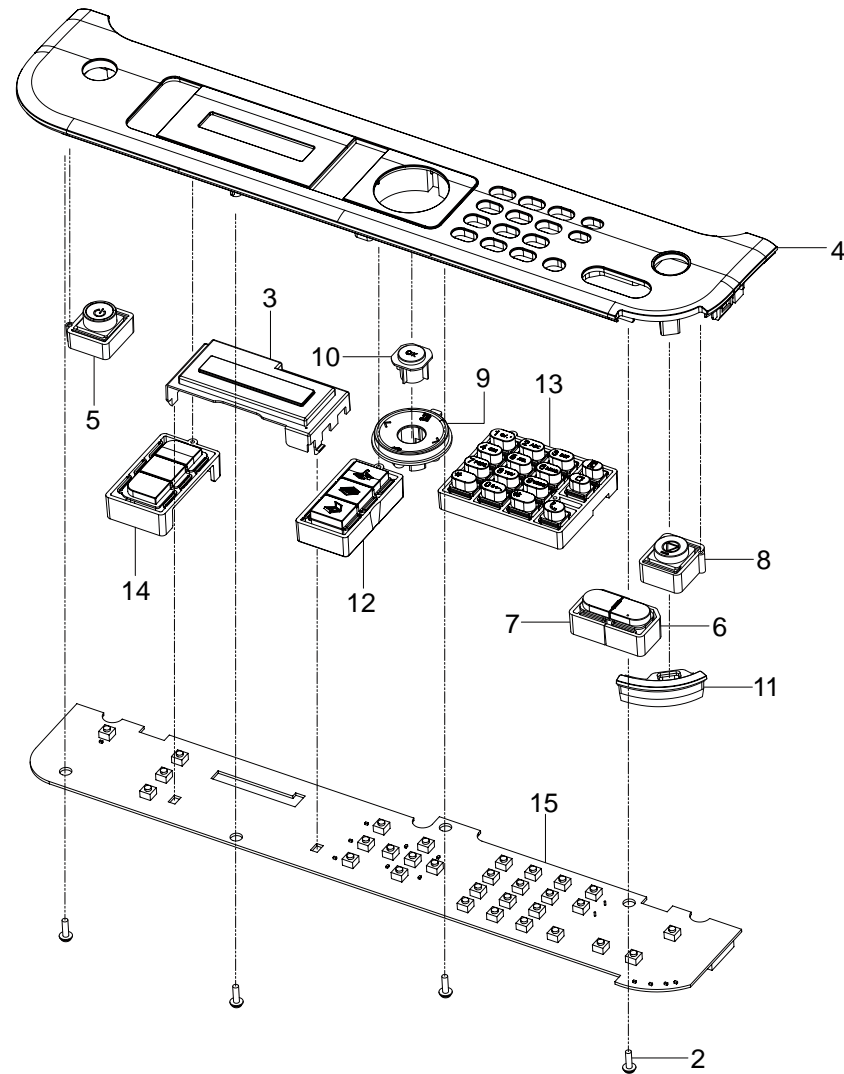
Drawer#	SEC_Code	Description	QT'y	Service	Remark
A	JC97-03798A~P	SCANNER_4 in 1	1	SNA	3185FN/FW
1	JC63-02735A	COVER-CONNECTOR	1	SNA	
2	JC97-03794A	PLATEN	1	SA	
2-1	6003-000196	SCREW-TAPTYPE	4	SA	
2-2	JC97-03195B	MEA HOU-ADF SHEET	1	SNA	
2-3	JC97-03786A~P	OPE	1	SA	Refer to 10A
2-4	JC97-03795A	PLATEN-LOWER	1	SA	Refer to 10B
2-5	JC97-03796A	PLATEN-UPPER	1	SA	
3	JC97-03799A	ADF	1	SA	
3-1	6003-000196	SCREW-TAPTYPE	4	SA	
3-2	JC63-02732A	COVER-UPPER R	1	SA	

Drawer#	SEC_Code	Description	QT'y	Service	Remark
3-3	JC63-02733A	COVER-UPPER F	1	SA	
3-4	JC97-03797A	PLATEN-COVER	1	SA	Refer to 10C
3-5	JC97-03800A	ADF-MAIN	1	SA	Refer to 10D
B	JC97-03784A	ADF STACKER	1	SA	
B-1	6003-000264	SCREW-TAPTYPE	1	SNA	
B-2	JC61-03947A	GUIDE-STACKER TX	1	SNA	
B-3	JC61-03948A	GUIDE-STACKER TX	1	SNA	
B-4	JC61-03949A	GUIDE-DOC R	1	SNA	
B-5	JF70-10616A	IPR-WASHER SPRING CU	1	SNA	
B-6	JG66-40003A	GEAR-PINION	1	SNA	

10A. OPE (4 in 1)



0



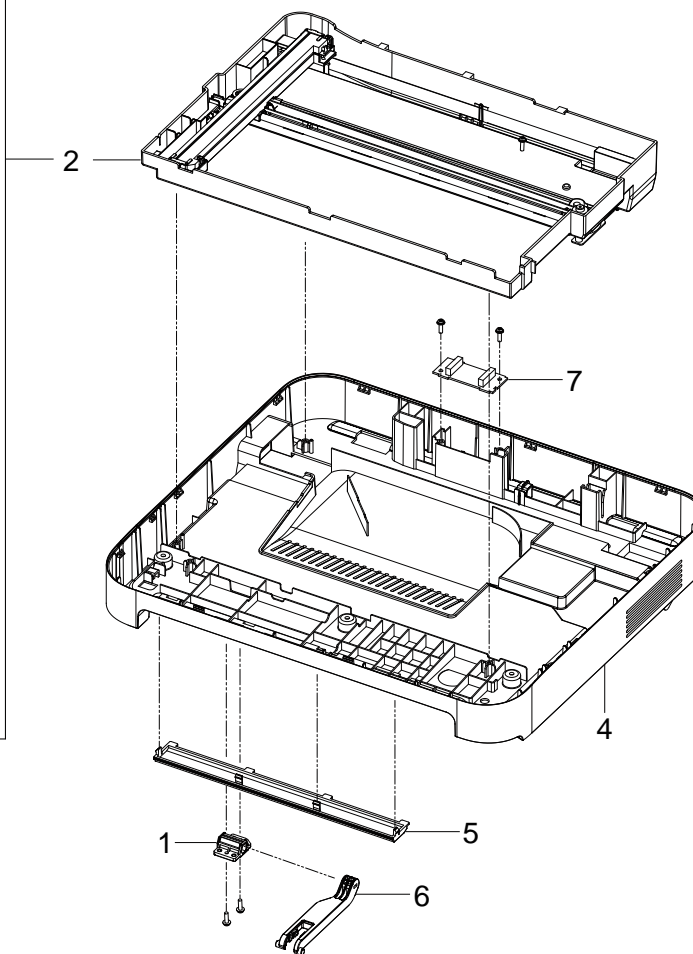
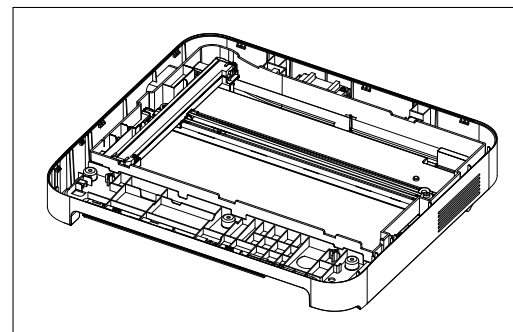
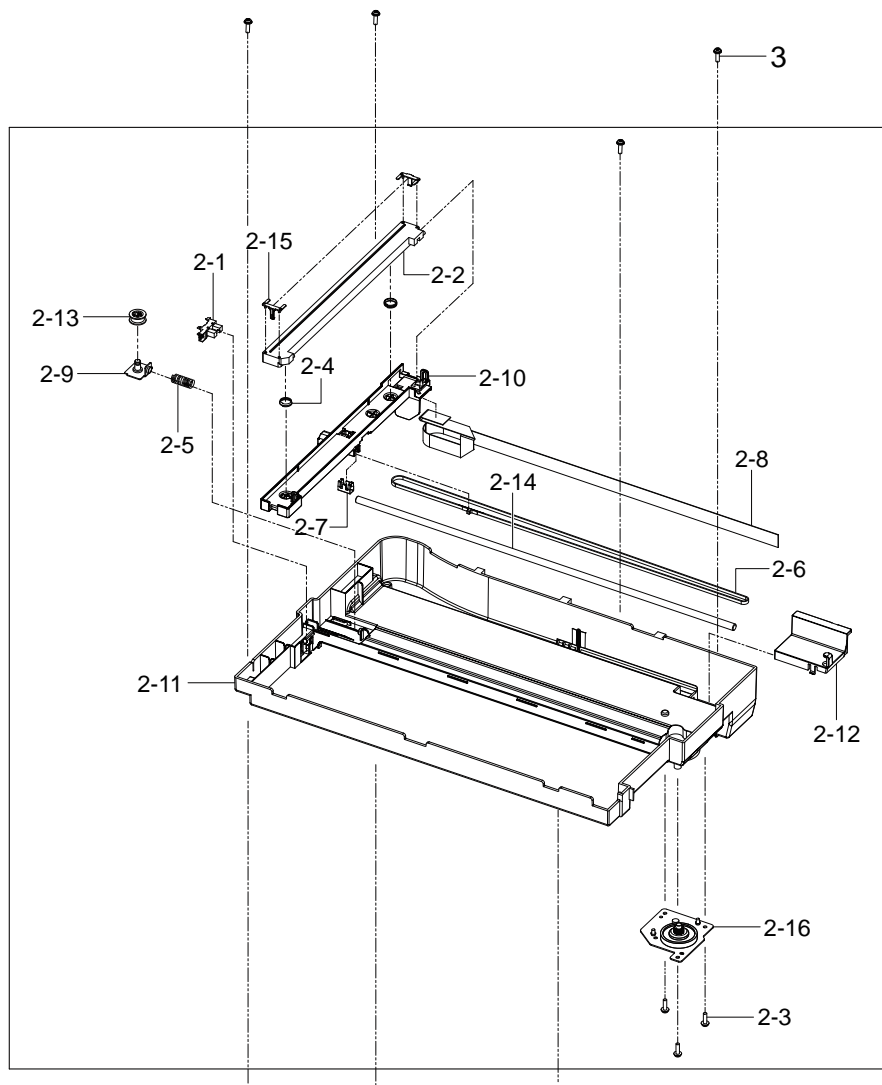
OPE (4 in 1) Parts List

SA : SERVICE AVAILABLE, SNA : SERVICE not AVAILABLE

Drawer#	SEC_Code	Description	QT'y	Service	Remark
0	JC97-03786A~P	OPE	1	SA	4 in 1
2	6003-000196	SCREW-TAPTYPE	4	SA	
3	JC63-01802A	COVER-LCD	1	SNA	
4	JC63-02734A	COVER-OPE 4IN1	1	SNA	
5	JC64-00561A	KEY-POWER	1	SNA	
6	JC64-00562A	KEY-START_COLOR	1	SNA	
7	JC64-00563A	KEY-START_MONO	1	SNA	
8	JC64-00563A	KEY-STOP	1	SNA	

Drawer#	SEC_Code	Description	QT'y	Service	Remark
9	JC64-00563A	KEY-MENU	1	SNA	
10	JC64-00566A	KEY-OK	1	SNA	
11	JC64-00568A	KEY-STATUS	1	SNA	
12	JC64-00569A	KEY-FAX	1	SNA	
13	JC64-00570A	KEY-TEL	1	SNA	
14	JC64-00571A	KEY-EXTRA 4IN1	1	SNA	
15	JC92-02289A	PBA-OPE	1	SA	

10B. PLATEN LOWER



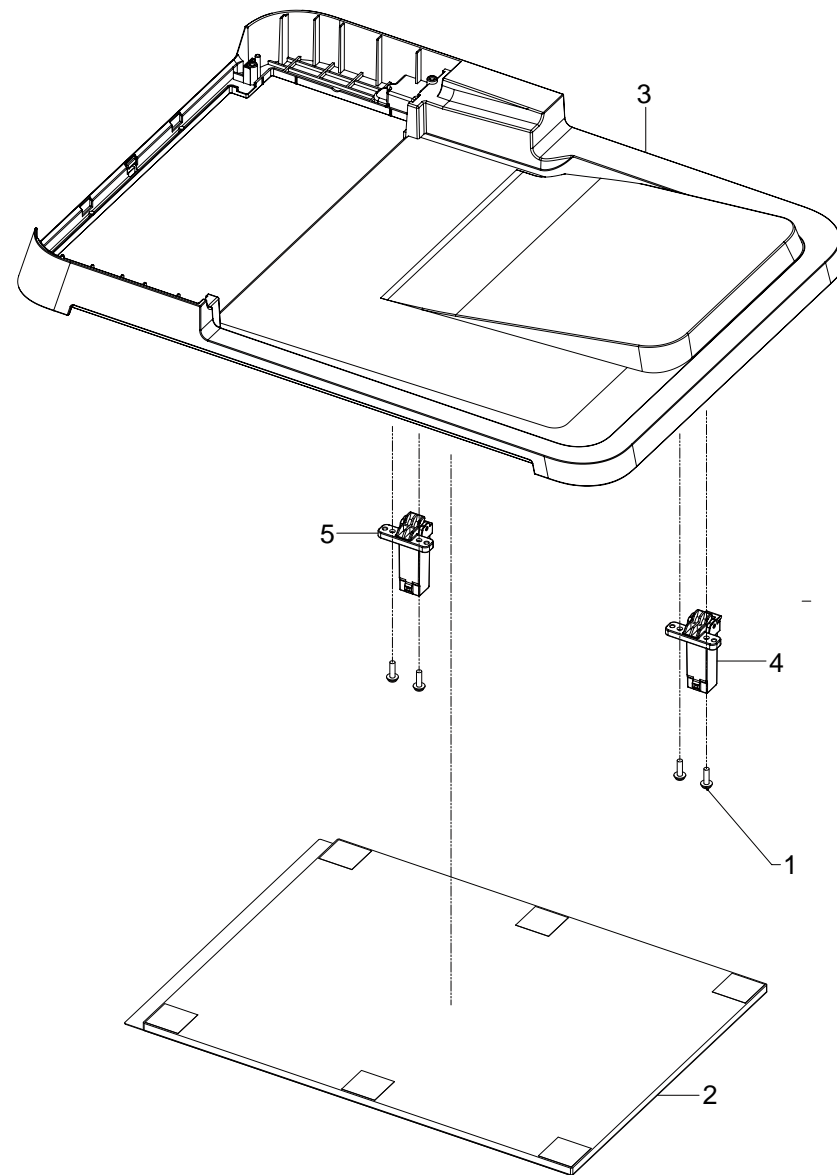
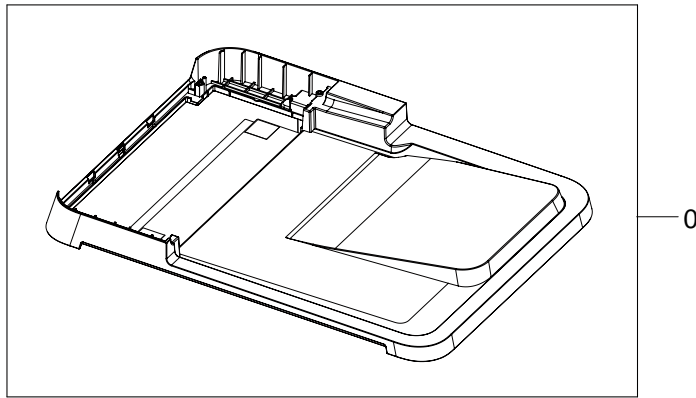
PLATEN LOWER Parts List

SA : SERVICE AVAILABLE, SNA : SERVICE not AVAILABLE

Drawer#	SEC_Code	Description	QT'y	Service	Remark
0	JC97-03795A	PLATEN-LOWER	1	SA	
1	JC97-03207A	MEA HOU-LINK	1	SA	
2	JC97-03793A	PLATEN-LOW END	1	SA	
2-1	0604-001415	PHOTO-INTERRUPTER	1	SA	
2-2	0609-001359	CONTACT IMAGE SENSOR	1	SA	
2-3	6003-000196	SCREW-TAPTYPE	3	SA	
2-4	6107-001137	SPRING-CS	2	SNA	
2-5	6107-001194	SPRING-CS	1	SNA	
2-6	6602-001637	BELT-TIMING GEAR	1	SA	
2-7	JB61-00232A	CLIP-P-BELT	1	SNA	
2-8	JC39-00925A	FLAT CABLE	1	SA	
2-9	JC61-00931A	BRACKET-P-PULLEY	1	SNA	

Drawer#	SEC_Code	Description	QT'y	Service	Remark
2-10	JC61-02506A	BRACKET-CIS	1	SNA	
2-11	JC61-02517B	FRAME-SCAN LOWER	1	SNA	
2-12	JC63-01803B	COVER-FFC	1	SNA	
2-13	JC66-00713A	PULLEY-M_IDLE	1	SNA	
2-14	JC66-01448A	SHAFT-CIS	1	SA	
2-15	JC66-01580A	SLIDER-CIS	2	SA	
2-16	JC96-05013A	ELA UNIT-SCAN DRIVE	1	SA	
3	6003-000196	SCREW-TAPTYPE	8	SA	
4	JC63-02725A	COVER-SCAN LOWER	1	SA	
5	JC63-02729A	COVER-OPE DECO	1	SA	
6	JC66-01901A	LINK-SCAN	1	SA	
7	JC92-02021A	PBA SUB-CONNECTOR	1	SA	

10C. PLATEN-COVER (4 in 1)



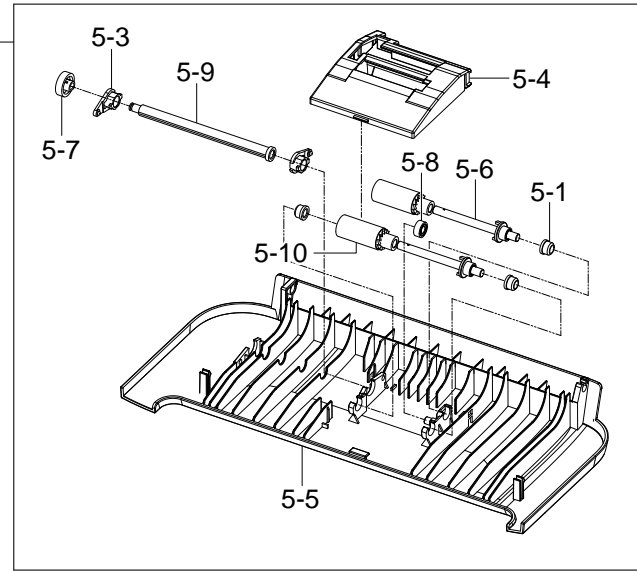
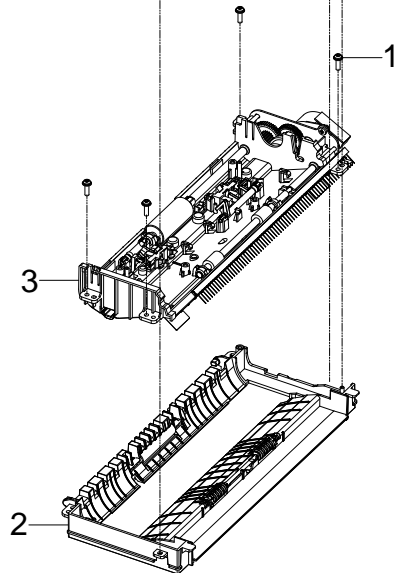
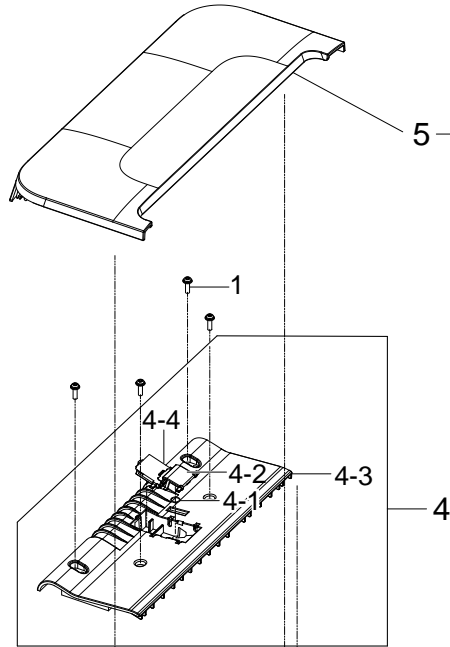
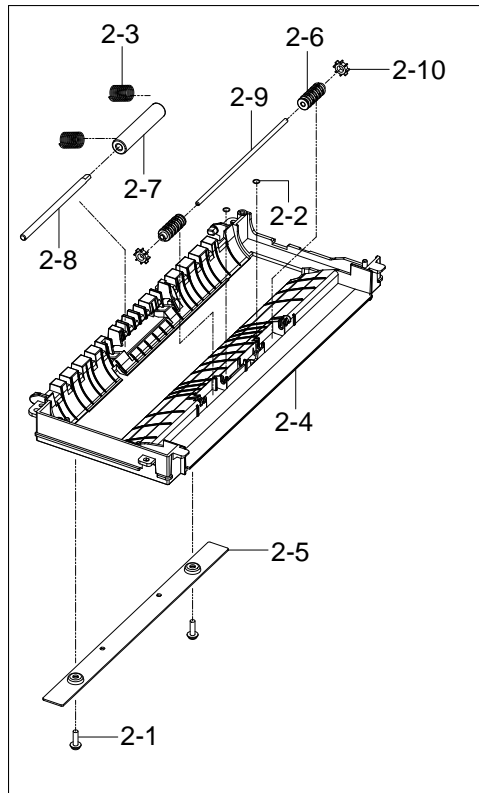
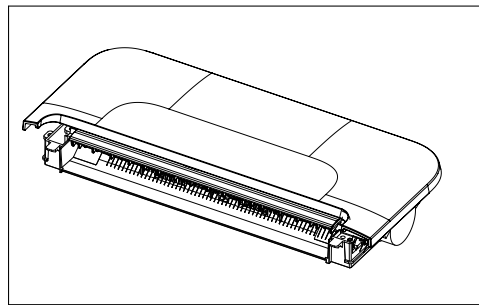
PLATEN-COVER (4 in 1) Parts List

SA : SERVICE AVAILABLE, SNA : SERVICE not AVAILABLE

Drawer#	SEC_Code	Description	QT'y	Service	Remark
0	JC97-03797A	PLATEN-COVER	1	SA	
1	6003-000196	SCREW-TAPTYPE	4	SA	
2	JC63-01786A	SHEET-WHITE SPONGE	1	SNA	

Drawer#	SEC_Code	Description	QT'y	Service	Remark
3	JC63-02731A	COVER-PLATEN 4IN1	1	SNA	
4	JC97-03190A	MEA UNIT-HINGE R	1	SA	
5	JC97-03191A	MEA UNIT-HINGE L	1	SA	

10D. ADF-MAIN (4 in 1)



ADF-MAIN (4 in 1) Parts List

SA : SERVICE AVAILABLE, SNA : SERVICE not AVAILABLE

Drawer#	SEC_Code	Description	QT'y	Service	Remark
0	JC97-03800A	ADF-MAIN	1	SA	
1	6003-000196	SCREW-TAPTYPE	8	SA	
2	JC97-03205B	MEA UNIT-PATH PLATEN	1	SA	
2-1	6003-000196	SCREW-TAPTYPE	2	SA	
2-2	6107-001405	SPRING-CS	2	SNA	
2-3	JC61-00011A	SPRING ETC-FEED	2	SA	
2-4	JC61-02516B	FRAME-GUIDE PATH	1	SNA	
2-5	JC61-02519A	BRACKET-PATH LOWER	1	SNA	
2-6	JC66-01902A	ROLLER-IDLE EXIT	2	SA	
2-7	JC66-01903A	ROLLER-IDLE SCAN	1	SA	
2-8	JC66-01930A	SHAFT-IDEL SCAN	1	SNA	
2-9	JC66-01931A	SHAFT-IDEL EXIT	1	SNA	
2-10	JC73-00273A	RUBBER-IDLE EXIT	2	SA	
3	JC96-05006B	ELA UNIT-PATH LOWER	1	SA	Refer to 10E
4	JC97-03189B	MEA UNIT-UPPER	1	SA	

Drawer#	SEC_Code	Description	QT'y	Service	Remark
4-1	6107-001398	SPRING-CS	1	SA	
4-2	JC61-02504B	SUPPORT-PICK UP	1	SNA	
4-3	JC63-01774B	COVER-UPPER	1	SNA	
4-4	JC97-03188B	MEA UNIT-PAD	1	SA	
5	JC97-03801A	ADF OPEN	1	SA	
5-1	JB72-00819A	PMO-BUSH	3	SNA	
5-3	JC61-02260A	HOLDER-SHAFT	2	SNA	
5-4	JC63-01766A	COVER-PICK-UP	1	SNA	
5-5	JC63-02730A	COVER-OPEN	1	SNA	
5-6	JC66-01910A	ROLLER-SHAFT ADFDRIVE	1	SNA	
5-7	JC66-01917A	GEAR-PICK UP DRV	1	SA	
5-8	JC66-01918A	GEAR-IDLE PICK UP	1	SA	
5-9	JC66-01919A	SHAFT-ADF	1	SNA	
5-10	JC97-03186A	MEA UNIT-PICK UP ROLLER	2	SA	

ELA UNIT-PATH LOWER (4 in 1) Parts List

SA : SERVICE AVAILABLE, SNA : SERVICE not AVAILABLE

Drawer#	SEC_Code	Description	QT'y	Service	Remark
0	JC96-05006B	ELA UNIT-PATH LOWER	1	SA	
2	6003-000196	SCREW-TAPTITE	2	SA	
3	JC61-02471B	GUIDE-PATH LOWER	1	SNA	
4	JC66-01904A	ROLLER-SCAN	1	SNA	
5	JC66-01909A	ROLLER-EXIT	1	SNA	
6	JB72-00819A	PMO-BUSH	5	SA	
7	JC61-02524A	GUIDE-WHITEBAR	1	SNA	
8	6107-001135	SPRING-CS	2	SA	
9	JC75-00095A	MEC-BRUSH ANTISTATIC	1	SA	
10	JC66-01891A	ACTUATOR-SCAN	1	SNA	
11	JB61-00076A	SPRING ETC-TORSION DOC (CC2-F)	2	SA	

Drawer#	SEC_Code	Description	QT'y	Service	Remark
12	JC66-01890A	ACTUATOR-PICK UP	1	SNA	
13	JC61-02507A	BUSH-SCAN	1	SNA	
14	JC66-01911A	GEAR-53_20	1	SA	
15	JC66-01912A	GEAR-49_20	1	SA	
16	JC66-01913A	GEAR-47_25	1	SA	
17	JC66-01914A	GEAR-DRV SCAN	1	SA	
18	JC66-01915A	GEAR-DRV EXIT	1	SA	
19	JC66-01916A	GEAR-IDLE EXIT	1	SA	
20	JC96-05005A	ELA HOU-ADF MOTOR	1	SA	
21	0604-001095	PHOTO-INTERRUPTER	2	SA	
25	JC63-02022A	SHEET-ADF STACKER	2	SNA	