

PARTS CATALOG

**Cassette Feeding Unit-
AB1/AC1**

Canon

Sep 8 2008

PREFACE

This Parts Catalog contains listings of parts used

Diagrams are provided with the listings to aid the service technician in identifying clearly, the item to be ordered.

Whenever ordering parts, consult this Parts Catalog for all of the information pertaining to each item. Be sure to include, in the Parts Request, the full item description, the item part number, and the quantity.

COPYRIGHT (C) 1999 CANON INC.

Use of this manual should be strictly supervised to avoid disclosure of confidential information.

Contents

NUMERICAL INDEX

Cassette Feeding Unit- AB1/AC1(Numerical Index) 1-1

Cassette Feeding Unit- AB1/AC1(Parts Catalog)

RA	ASSEMBLY LOCATION DIAGRAM	2-1
R11	INTERNAL COMPONENTS	2-2
R30	CASSETTE	2-5
R40	PAPER PICK-UP FRAME ASS'Y	2-7

NUMERICAL INDEX

Cassette Feeding Unit- AB1/AC1(Numerical Index)

PARTS NUMBER	FIGURE & KEY NO.	PARTS NUMBER	FIGURE & KEY NO.	PARTS NUMBER	FIGURE & KEY NO
FC7-7069-000	R11 - 36	RC1-6925-000	R40 - 8		
FC7-7070-000	R11 - 30	RC1-6926-000	R40 - 9		
FC7-7077-000	R30 - 26	RC1-6928-000	R40 - 10		
FC7-7079-000	R11 - 21	RC1-6932-000	R11 - 17		
FC7-7080-000	R11 - 39	RC1-6933-000	R11 - 37		
FC7-7081-000	R11 - 22	RC1-6936-000	R11 - 31		
FC7-7082-000	R11 - 41	RC1-6937-000	R11 - 32		
FC7-7083-000	R11 - 23	RC1-6938-000	R11 - 18		
FC7-7084-000	R30 - 27	RC1-6938-000	R40 - 11		
FC7-7087-000	R11 - 43	RC1-6940-000	R11 - 19		
FC7-7088-000	R11 - 44	RC1-6943-000	R30 - 10		
FC7-7089-000	R11 - 45	RC1-6950-000	R40 - 12		
FC7-7124-000	R30 - 28	RC1-6951-000	R40 - 13		
FC7-7135-000	R30 - 29	RC1-6952-000	R40 - 14		
FC7-7136-000	R30 - 30	RC1-6953-000	R40 - 15		
FM3-1657-000	R30 -	RC1-6954-000	R40 - 16		
FM3-3829-000	R40 -	RC1-6955-000	R40 - 17		
FM3-3830-000	R40 - 23	RC1-6956-000	R11 - 33		
NPN	R11 -	RC1-6957-000	R11 - 38		
RC1-2182-000	R40 - 1	RC1-6960-000	R11 - 34		
RC1-2192-000	R40 - 2	RC1-6962-000	R11 - 25		
RC1-3507-000	R30 - 1	RC1-6964-000	R11 - 26		
RC1-3508-000	R30 - 2	RC1-6972-000	R40 - 18		
RC1-4216-000	R30 - 3	RC1-6973-000	R40 - 19		
RC1-4273-000	R30 - 4	RC2-1708-000	R30 - 15		
RC1-4274-000	R30 - 5	RK2-0946-000	R11 - 1		
RC1-4275-000	R30 - 6	RM1-2583-000	R11 - 3		
RC1-4276-000	R30 - 7	RM1-2622-000	R11 - 4		
RC1-4278-000	R30 - 8	RM1-2625-000	R40 - 21		
RC1-4285-000	R30 - 9	RM1-2727-000	R40 - 22		
RC1-6701-000	R11 - 28	RM1-2730-000	R11 - 40		
RC1-6880-000	R30 - 11	RM1-2731-000	R11 - 35		
RC1-6881-000	R30 - 12	RM1-2733-000	R30 - 23		
RC1-6891-000	R30 - 13	RM1-2734-000	R30 - 24		
RC1-6892-000	R11 - 29	RM1-2735-020	R30 - 25		
RC1-6898-020	R11 - 5	RM1-2736-000	R30 - 16		
RC1-6899-000	R11 - 6	RM1-2737-000	R30 - 14		
RC1-6900-000	R11 - 7	RU5-0426-010	R30 - 17		
RC1-6904-000	R11 - 8	RU5-2327-000	R30 - 18		
RC1-6905-000	R11 - 9	RU5-2431-000	R30 - 19		
RC1-6906-000	R11 - 10	RU5-2432-000	R30 - 20		
RC1-6908-000	R11 - 11	RU5-2433-000	R30 - 21		
RC1-6910-000	R11 - 12	RU5-2436-000	R30 - 22		
RC1-6912-000	R11 - 13	VS1-7257-007	R11 - 20		
RC1-6913-000	R11 - 14	WG8-5696-000	R40 - 20		
RC1-6915-000	R11 - 15	XA9-1449-000	R11 - 2		
RC1-6919-000	R11 - 16	XA9-1671-000	R11 - 27		
RC1-6920-000	R40 - 3	XD3-2200-162	R11 - 24		
RC1-6921-000	R40 - 4	XZ9-0624-000	R11 - 42		
RC1-6922-020	R40 - 5				
RC1-6923-000	R40 - 6				
RC1-6924-000	R40 - 7				

Cassette Feeding Unit- AB1/AC1(Parts Catalog)

Cassette Feeding Unit-AB1

F27-3901-000 DCS

Cassette Feeding Unit-AC1

F27-3901-000 DEN

E

Contents

RA	ASSEMBLY LOCATION DIAGRAM	2-1
R11	INTERNAL COMPONENTS	2-2
R30	CASSETTE	2-5
R40	PAPER PICK-UP FRAME ASS'Y	2-7

FIGURE RA ASSEMBLY LOCATION DIAGRAM

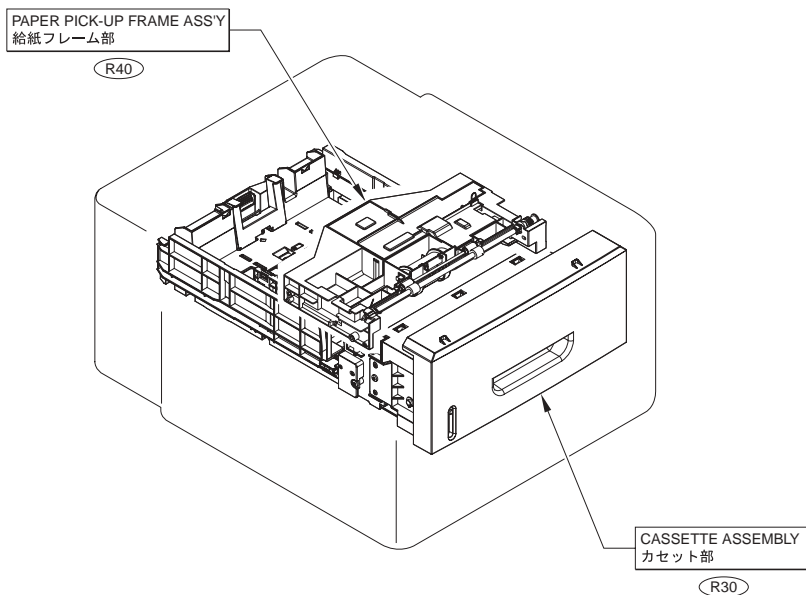


FIGURE R11 INTERNAL COMPONENTS

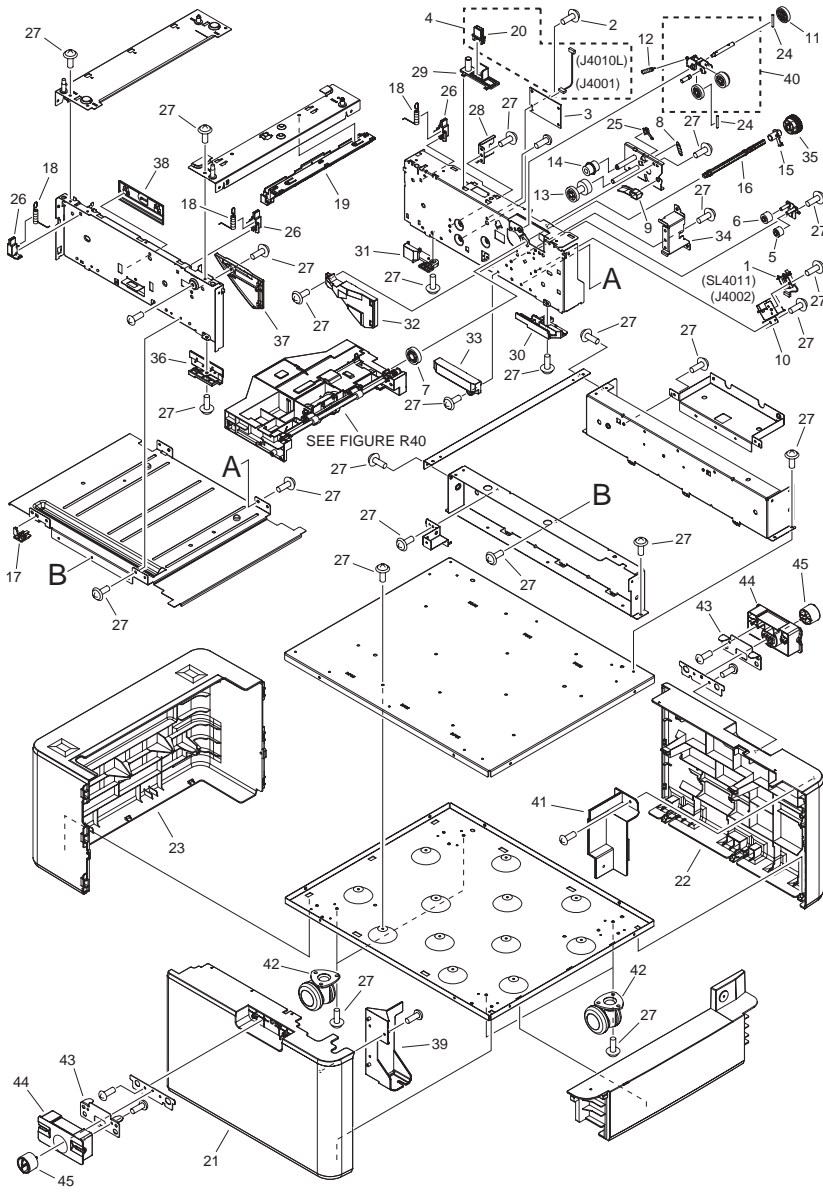


FIGURE & KEY NO.	PARTS NUMBER	RANK	Q'TY	DESCRIPTION	SERIAL NUMBER/REMARKS	SVC
Fig.R11	NPN		RF	INTERNAL COMPONENTS		
1	RK2-0946-000		1	SOLENOID	SL4011	
2	XA9-1449-000		2	SCREW, RS, M3X8		
3	RM1-2583-000		1	OPTION CASSETTE PCB ASSY		
4	RM1-2622-000		1	CABLE, OPTION		
5	RC1-6898-020		1	GEAR, 17T		
6	RC1-6899-000		1	GEAR, 19T		
7	RC1-6900-000		1	GEAR, 34T		
8	RC1-6904-000		1	SPRING, TENSION		
9	RC1-6905-000		1	ARM, PICK-UP GEAR STOPPER		
10	RC1-6906-000		1	MOUNT, SOLENOID		
11	RC1-6908-000		1	GEAR, 49T		
12	RC1-6910-000		1	SPRING, TENSION		
13	RC1-6912-000		1	GEAR, 23T/31T		
14	RC1-6913-000		1	GEAR, 15T/31T		
15	RC1-6915-000		1	BUSHING		
16	RC1-6919-000		1	SHAFT, PAPER PICK-UP DRIVE		
17	RC1-6932-000		1	GUIDE, CASSETTE, LEFT REAR		
18	RC1-6938-000		3	SPRING, GROUNDING		
19	RC1-6940-000		1	GUIDE, PAPER		
20	VS1-7257-007		1	CONNECTOR, DRAWER		
21	FC7-7079-000		1	COVER, LEFT		
22	FC7-7081-000		1	COVER, RIGHT		
23	FC7-7083-000		1	COVER, REAR		
24	XD3-2200-162		2	PIN ,PARALLEL		
25	RC1-6962-000		1	BUSHING		
26	RC1-6964-000		3	GUIDE, GROUNDING SPRING		
27	XA9-1671-000		AR	SCREW, D, M3X8		
28	RC1-6701-000		1	SUPPORT, RIGHT LOWER, REAR		
29	RC1-6892-000		1	HOLDER, DRAWER CONNECTOR		
30	FC7-7070-000		1	GUIDE, CASSETTE FRONT, RIGHT		
31	RC1-6936-000		1	GUIDE, CASSETTE, RIGHT REAR		

FIGURE & KEY NO.	PARTS NUMBER	R A N K	Q'TY	DESCRIPTION	SERIAL NUMBER/ REMARKS	S V C
32	RC1-6937-000		1	GUIDE, LIFTER PLATE, RIGHT		
33	RC1-6956-000		1	GUIDE, CASSETTE, RIGHT CENTER		
34	RC1-6960-000		1	STAY, REINFORCEMENT, FRONT		
35	RM1-2731-000		1	PICK-UP GEAR ASS'Y		
36	FC7-7069-000		1	GUIDE, CASSETTE FRONT, LEFT		
37	RC1-6933-000		1	GUIDE, LIFTER PLATE, LEFT		
38	RC1-6957-000		1	GUIDE, CASSETTE, LEFT CENTER		
39	FC7-7080-000		1	COVER, LEFT FRONT		
40	RM1-2730-000		1	SWING GEAR ASS'Y		
41	FC7-7082-000		1	COVER, RIGHT FRONT		
42	XZ9-0624-000		4	CASTER		
43	FC7-7087-000		2	PLATE, FIXED		
44	FC7-7088-000		2	COVER, BLANKING		
45	FC7-7089-000		2	SCREW, FIXED, M3X20.6		

FIGURE R30 CASSETTE

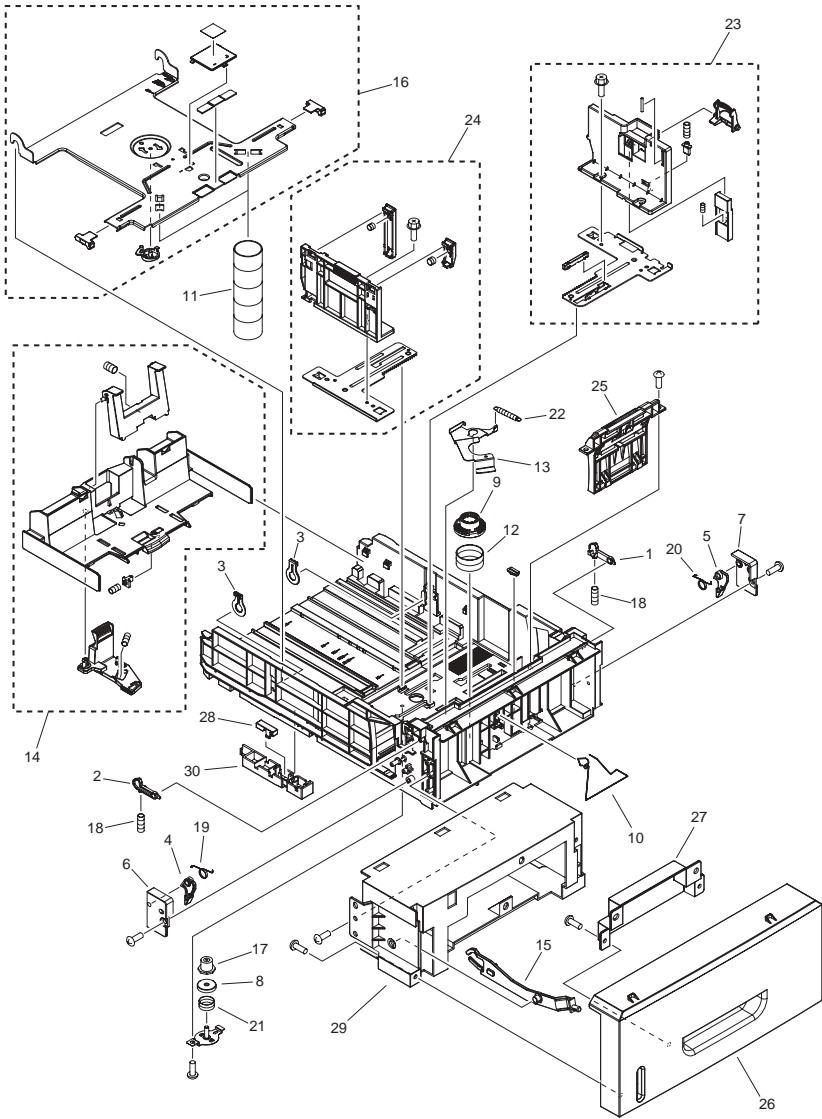


FIGURE & KEY NO.	PARTS NUMBER	R A N K	Q'TY	DESCRIPTION	SERIAL NUMBER/ REMARKS	S V C
Fig.R30	FM3-1657-000		RF	CASSETTE		
1	RC1-3507-000		1	STOPPER, CASSETTE, RIGHT		
2	RC1-3508-000		1	STOPPER, CASSETTE, LEFT		
3	RC1-4216-000		2	CAP, HINGE		
4	RC1-4273-000		1	STOPPER, LEFT		
5	RC1-4274-000		1	STOPPER, RIGHT		
6	RC1-4275-000		1	COVER, CAM, LEFT		
7	RC1-4276-000		1	COVER, CAM, RIGHT		
8	RC1-4278-000		1	FLANGE		
9	RC1-4285-000		1	BASE, CASSETTE LIFT SPRING		
10	RC1-6943-000		1	SPRING, GROUNDING		
11	RC1-6880-000		2	SPRING, COMPRESSION		
12	RC1-6881-000		1	SPRING, COMPRESSION		
13	RC1-6891-000		1	ARM, SPRING LOCK		
14	RM1-2737-000		1	BACK END LIMIT PLATE ASS'Y		
15	RC2-1708-000		1	ARM, REMNANT INDICATION		
16	RM1-2736-000		1	LIFTER PLATE ASS'Y		
17	RU5-0426-010		1	GEAR, 10T		
18	RU5-2327-000		2	SPRING, COMPRESSION		
19	RU5-2431-000		1	SPRING, TORSION		
20	RU5-2432-000		1	SPRING, TORSION		
21	RU5-2433-000		1	SPRING, COMPRESSION		
22	RU5-2436-000		1	SPRING, TENSION		
23	RM1-2733-000		1	PAPER SIDE END RIGHT ASS'Y		
24	RM1-2734-000		1	PAPER SIDE END LEFT ASS'Y		
25	RM1-2735-020		1	SEPARATION PAD HOLDER ASS'Y		
26	FC7-7077-000		1	COVER, CASSETTE, FRONT		
27	FC7-7084-000		1	COVER, CASSETTE FRONT, SMALL		
28	FC7-7124-000		1	STOPPER		
29	FC7-7135-000		1	FRAME, CASSETTE, FRONT		
30	FC7-7136-000		1	STOPPER, CASSETTE		

FIGURE R40 PAPER PICK-UP FRAME ASS'Y

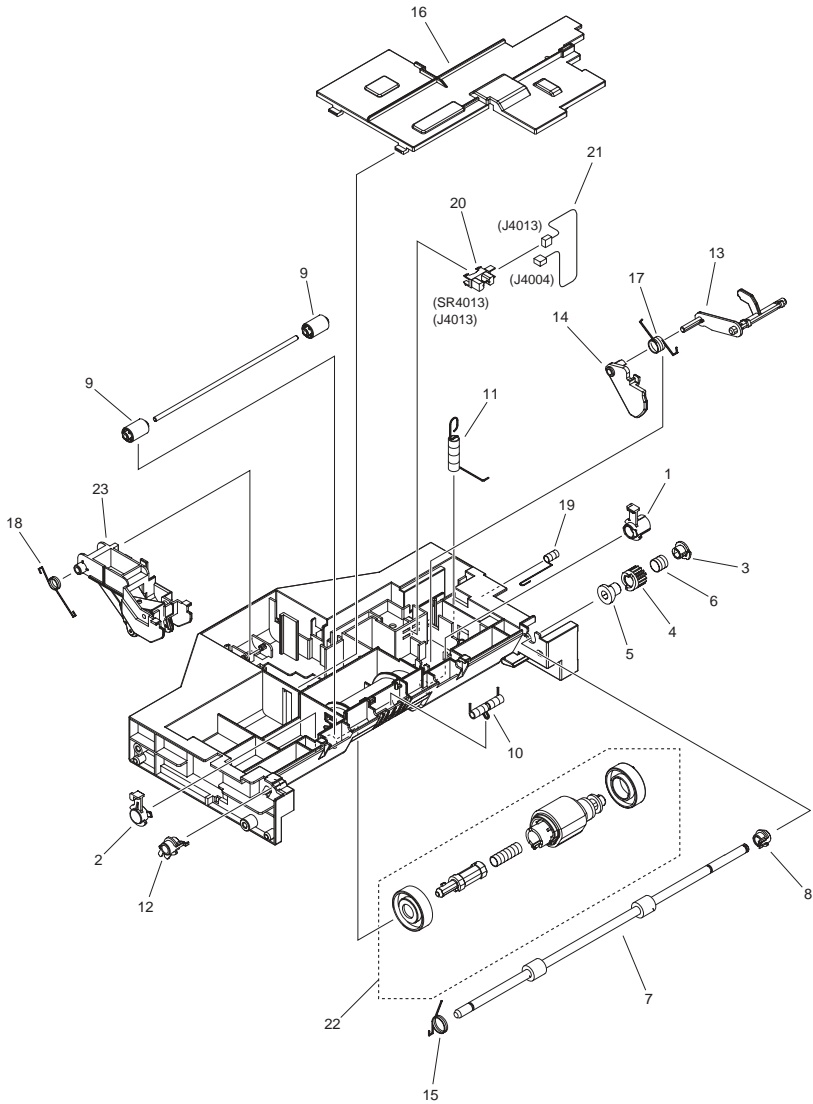


FIGURE & KEY NO.	PARTS NUMBER	R A N K	Q'TY	DESCRIPTION	SERIAL NUMBER/ REMARKS	S V C
Fig.R40	FM3-3829-000		RF	PAPER PICK-UP FRAME ASS'Y		
1	RC1-2182-000		1	BUSHING		
2	RC1-2192-000		1	BUSHING		
3	RC1-6920-000		1	COLLAR, ONE-WAY CLUTCH GEAR		
4	RC1-6921-000		1	GEAR, 15T		
5	RC1-6922-020		1	CLUTCH, ONE-WAY		
6	RC1-6923-000		1	SPRING, COMPRESSION		
7	RC1-6924-000		1	ROLLER, PAPER FEED		
8	RC1-6925-000		1	BUSHING		
9	RC1-6926-000		2	ROLLER, PAPER FEED		
10	RC1-6928-000		1	SPRING, TORSION		
11	RC1-6938-000		1	SPRING, GROUNDING		
12	RC1-6950-000		1	BUSHING		
13	RC1-6951-000		1	ARM, PAPER SENSOR, 1		
14	RC1-6952-000		1	ARM, PAPER SENSOR, 2		
15	RC1-6953-000		1	SPRING, TORSION		
16	RC1-6954-000		1	COVER, MEDIA SENSOR		
17	RC1-6955-000		1	SPRING, TORSION		
18	RC1-6972-000		1	SPRING, TORSION		
19	RC1-6973-000		1	SPRING, GROUNDING		
20	WG8-5696-000		1	PHOTO INTERRUPTER, TLP1243	SR4013	
21	RM1-2625-000		1	CABLE, OPTION SENSOR		
22	RM1-2727-000		1	PAPER PICK-UP ROLLER ASS'Y		
23	FM3-3830-000		1	MEDIA GUIDE ASSEMBLY		

Prepared by
OIP HFE Promotion Center
CANON INC.

Canon