

PARTS CATALOG

LBP5000

Canon

Jan 20 2006

PREFACE

This Parts Catalog contains listings of parts used

Diagrams are provided with the listings to aid the service technician in identifying clearly, the item to be ordered.

Whenever ordering parts, consult this Parts Catalog for all of the information pertaining to each item. Be sure to include, in the Parts Request, the full item description, the item part number, and the quantity.

COPYRIGHT (C) 1999 CANON INC.

Use of this manual should be strictly supervised to avoid disclosure of confidential information.

Contents

NUMERICAL INDEX

LBP50001-1

LBP5000

A	ASSEMBLY LOCATION DIAGRAM	2-1
001	PACKAGE COMPONENTS	2-2
100	EXTERNAL PANELS, COVER, ETC.	2-4
101	INTERNAL COMPONENTS 1	2-6
102	INTERNAL COMPONENTS 2	2-9
103	INTERNAL COMPONENTS 3	2-12
130	CONTROL PANEL ASS'Y	2-15
250	MAIN DRIVE ASS'Y	2-17
300	CASSETTE	2-19
310	PAPER PICK-UP FEEDER ASS'Y	2-21
810	FIXING ASS'Y	2-23

NUMERICAL INDEX

LBP5000

PARTS NUMBER	FIGURE & KEY NO.	PARTS NUMBER	FIGURE & KEY NO.	PARTS NUMBER	FIGURE & KEY NO.
FA9-2568-000	103 - 33	RC1-5192-000	100 - 6	RC1-5411-000	310 - 2
FH2-7082-000	103 - 30	RC1-5193-000	100 - 7	RC1-5412-000	310 - 3
FH2-7120-000	103 - 30	RC1-5194-000	100 - 8	RC1-5413-000	310 - 4
NPN	001 -	RC1-5195-000	102 - 8	RC1-5414-000	310 - 5
NPN	100 -	RC1-5197-000	102 - 9	RC1-5415-000	310 - 6
NPN	101 -	RC1-5200-000	100 - 9	RC1-5419-000	310 - 7
NPN	102 -	RC1-5203-000	103 - 14	RC1-5420-000	310 - 8
NPN	103 -	RC1-5229-000	100 - 12	RC1-5421-000	310 - 9
NPN	130 -	RC1-5231-000	101 - 35	RC1-5422-000	310 - 10
RA0-1068-000	102 - 1	RC1-5232-000	101 - 18	RC1-5423-000	310 - 11
RA0-1099-000	810 - 1	RC1-5233-000	101 - 32	RC1-5425-000	310 - 12
RB3-1026-000	810 - 2	RC1-5234-000	101 - 5	RC1-5426-000	310 - 13
RB3-1027-000	810 - 3	RC1-5235-000	102 - 12	RC1-5427-000	310 - 14
RC1-0092-000	300 - 1	RC1-5236-000	103 - 8	RC1-5428-000	310 - 15
RC1-5059-000	810 - 5	RC1-5237-000	103 - 9	RC1-5429-000	310 - 16
RC1-5060-000	810 - 6	RC1-5239-000	103 - 11	RC1-5439-000	102 - 23
RC1-5061-000	810 - 7	RC1-5247-000	101 - 37	RC1-5440-000	310 - 17
RC1-5062-000	102 - 6	RC1-5248-000	102 - 13	RC1-5441-000	310 - 18
RC1-5063-000	810 - 9	RC1-5249-000	102 - 14	RC1-5442-000	310 - 19
RC1-5064-000	810 - 10	RC1-5253-020	101 - 6	RC1-5443-000	310 - 20
RC1-5065-000	810 - 11	RC1-5273-000	101 - 7	RC1-5445-000	310 - 27
RC1-5067-000	810 - 12	RC1-5274-000	101 - 8	RC1-5468-000	102 - 24
RC1-5068-000	810 - 13	RC1-5275-000	101 - 9	RC1-5475-000	810 - 31
RC1-5070-000	810 - 14	RC1-5290-020	101 - 10	RC1-5485-000	810 - 20
RC1-5071-000	810 - 15	RC1-5311-000	102 - 17	RC1-5489-000	810 - 51
RC1-5072-000	810 - 16	RC1-5312-000	102 - 18	RC2-0065-000	100 - 14
RC1-5073-000	810 - 17	RC1-5327-000	250 - 5	RC2-0066-000	100 - 1
RC1-5074-000	810 - 18	RC1-5348-000	300 - 3	RC2-0067-000	100 - 2
RC1-5075-000	810 - 19	RC1-5349-000	300 - 4	RC2-0068-000	100 - 21
RC1-5086-000	810 - 22	RC1-5350-000	300 - 2	RC2-0069-000	130 - 4
RC1-5087-000	810 - 23	RC1-5352-000	300 - 5	RC2-0070-000	130 - 5
RC1-5089-000	810 - 24	RC1-5353-000	300 - 6	RC2-0071-000	130 - 6
RC1-5091-000	810 - 25	RC1-5355-000	300 - 8	RC2-0073-000	130 - 7
RC1-5092-000	810 - 26	RC1-5359-000	300 - 9	RC2-0074-000	100 - 20
RC1-5093-000	810 - 27	RC1-5360-000	300 - 10	RC2-0075-000	100 - 3
RC1-5094-000	810 - 28	RC1-5361-000	300 - 11	RC2-0076-000	100 - 4
RC1-5096-000	102 - 2	RC1-5362-000	300 - 12	RC2-0077-000	100 - 18
RC1-5097-000	102 - 3	RC1-5382-000	300 - 13	RC2-0078-000	100 - 13
RC1-5144-000	101 - 28	RC1-5383-000	300 - 14	RC2-0079-000	100 - 5
RC1-5145-000	101 - 16	RC1-5384-000	300 - 15	RC2-0081-000	100 - 16
RC1-5146-000	101 - 17	RC1-5385-000	300 - 16	RC2-0084-000	103 - 3
RC1-5147-000	101 - 20	RC1-5386-000	102 - 5	RC2-0085-000	103 - 4
RC1-5153-000	103 - 1	RC1-5390-000	300 - 28	RC2-0086-000	103 - 5
RC1-5155-000	101 - 30	RC1-5396-000	102 - 11	RC2-0087-000	100 - 10
RC1-5157-000	103 - 27	RC1-5397-000	101 - 19	RC2-0088-000	100 - 19
RC1-5158-000	101 - 31	RC1-5400-000	102 - 19	RC2-0089-000	100 - 15
RC1-5161-000	102 - 7	RC1-5401-000	102 - 20	RC2-0090-000	100 - 22
RC1-5165-000	103 - 13	RC1-5402-000	102 - 21	RC2-0091-000	103 - 10
RC1-5180-000	101 - 1	RC1-5402-000	102 - 21	RC2-0096-000	300 - 26
RC1-5181-000	101 - 2	RC1-5403-000	102 - 22	RC2-0097-000	300 - 7
RC1-5182-000	101 - 3	RC1-5403-000	102 - 22	RC2-0103-000	130 - 2
RC1-5189-000	101 - 4	RC1-5410-000	310 - 1	RC2-0104-000	130 - 3

NUMERICAL INDEX

LBP5000

PARTS NUMBER	FIGURE & KEY NO.	PARTS NUMBER	FIGURE & KEY NO.	PARTS NUMBER	FIGURE & KEY NO.
RC2-0105-000	100 - 21	RM1-1994-000	103 - 23	WP2-5187-000	103 - 38
RC2-0106-000	130 - 9	RM1-1995-000	103 - 24	WT2-5056-000	101 - 36
RC2-0107-000	130 - 10	RM1-1998-000	310 - 26	WT2-5694-000	102 - 15
RC2-0108-000	100 - 21	RM1-2009-000	103 - 21	WT2-5912-000	101 - 22
RC2-0109-000	100 - 21	RM1-3179-000	300 -	WT2-5913-000	103 - 6
RG5-7437-000	103 - 30	RM1-3180-000	300 - 27	XA9-1420-000	103 - 37
RH2-5116-000	103 - 30	RM1-3183-000	100 - 11	XA9-1449-000	810 - 50
RH2-5230-000	103 - 30	RM1-3185-000	810 -	XA9-1499-000	102 - 4
RH2-5610-000	103 - 30	RM1-3186-000	810 - 8	XA9-1500-010	100 - 17
RH9-1171-000	103 - 31	RM1-3190-000	102 - 34	XA9-1500-010	101 - 27
RK2-0667-000	250 - 2	RM1-3200-000	130 - 1	XA9-1500-010	102 - 27
RK2-0668-000	102 - 25	RM1-3201-000	250 - 1	XA9-1500-010	103 - 35
RK2-0668-000	810 - 33	RM1-3443-000	103 - 34	XA9-1500-010	130 - 8
RK2-0669-000	250 - 3	RM1-3515-000	103 - 34	XA9-1500-010	250 - 4
RK2-0670-000	102 - 26	RU5-0433-000	810 - 37	XA9-1500-010	810 - 36
RK2-0673-000	101 - 11	RU5-0434-000	810 - 38	XA9-1561-000	102 - 36
RK2-0677-000	103 - 19	RU5-0435-000	810 - 39	XA9-1561-000	810 - 34
RK2-0688-000	103 - 7	RU5-0436-000	810 - 40	XA9-1647-000	102 - 16
RK2-0690-000	103 - 26	RU5-0437-000	810 - 41	XA9-1672-000	103 - 2
RK2-0720-000	310 - 21	RU5-0438-000	810 - 42	XB4-7300-809	100 - 501
RK2-1302-000	103 - 32	RU5-0439-000	810 - 43	XB4-7400-809	300 - 501
RK2-1310-000	103 - 35	RU5-0440-000	810 - 44	XB4-7401-005	100 - 502
RK2-1386-000	001 - 1	RU5-0441-000	810 - 45	XB4-7401-005	102 - 501
RK2-1473-000	001 - 1	RU5-0455-020	101 - 12	XB4-7401-005	103 - 36
RL1-0659-000	810 - 35	RU5-0467-000	101 - 23	XB4-7401-005	310 - 501
RL1-0660-000	810 - 32	RU5-0471-000	101 - 24	XD9-0134-000	101 - 26
RL1-0664-000	810 - 4	RU5-0472-000	101 - 25	XD9-0232-010	810 - 30
RL1-0746-000	101 - 21	RU5-0481-000	102 - 28	XD9-0233-010	102 - 35
RL1-0747-000	102 - 10	RU5-0482-000	102 - 29	XD9-0233-010	810 - 29
RL1-0748-000	310 - 22	RU5-0483-000	102 - 30	XD9-0238-000	810 - 21
RL1-0749-030	102 - 27	RU5-0484-000	102 - 31		
RM1-1820-000	810 -	RU5-0487-000	102 - 32		
RM1-1821-000	810 -	RU5-2440-000	810 - 46		
RM1-1822-000	810 - 8	RU5-2442-000	810 - 47		
RM1-1823-000	810 - 8	RU5-2448-000	101 - 33		
RM1-1844-000	101 - 34	RU5-2450-000	101 - 13		
RM1-1845-000	101 - 15	RU5-2455-000	101 - 14		
RM1-1895-120	250 -	RU5-2465-000	300 - 17		
RM1-1918-000	300 - 23	RU5-2466-000	300 - 18		
RM1-1919-000	300 - 24	RU5-2467-000	300 - 19		
RM1-1920-000	300 - 29	RU5-2468-000	300 - 20		
RM1-1921-000	300 - 30	RU5-2473-000	300 - 21		
RM1-1922-000	300 - 25	RU5-2474-000	300 - 22		
RM1-1928-000	310 -	RU5-2477-000	310 - 23		
RM1-1929-020	310 - 25	RU5-2479-000	102 - 33		
RM1-1970-000	103 - 15	VR7-8850-206	810 - 48		
RM1-1975-050	103 - 16	VS1-7177-002	103 - 28		
RM1-1976-000	103 - 17	VS1-7177-003	103 - 29		
RM1-1977-000	103 - 17	VS1-7258-007	103 - 12		
RM1-1978-000	103 - 18	VS1-7584-011	101 - 29		
RM1-1991-000	103 - 20	WG8-5696-000	310 - 24		
RM1-1993-000	103 - 22	WG8-5696-000	810 - 49		

LBP5000

LBP5000

100V	R96-2184-000	LPQA000001
120V	R96-2194-000	LQAA000001
220V EUR	R96-2198-000	LPRA000001
220V UK	R96-2198-000	LPSA000001
220V AU	R96-2198-000	LPXA000001
220V ASIA	R96-2298-000	LPTA000001
220V CN	R96-2308-000	LPYA000001

Contents

A	ASSEMBLY LOCATION DIAGRAM	2-1
001	PACKAGE COMPONENTS	2-2
100	EXTERNAL PANELS, COVER, ETC.	2-4
101	INTERNAL COMPONENTS 1	2-6
102	INTERNAL COMPONENTS 2	2-9
103	INTERNAL COMPONENTS 3	2-12
130	CONTROL PANEL ASS'Y	2-15
250	MAIN DRIVE ASS'Y	2-17
300	CASSETTE	2-19
310	PAPER PICK-UP FEEDER ASS'Y	2-21
810	FIXING ASS'Y	2-23

FIGURE A ASSEMBLY LOCATION DIAGRAM

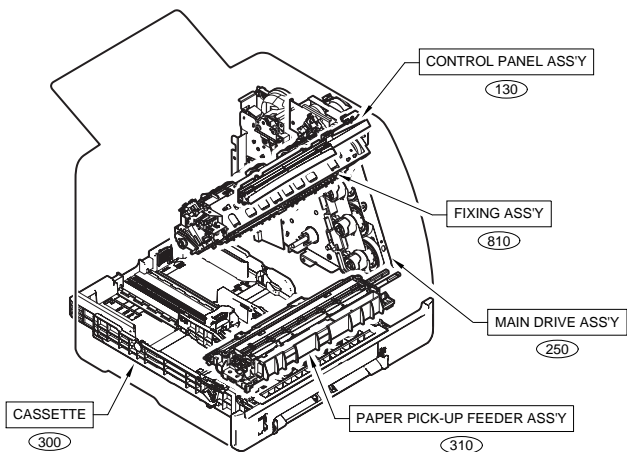


FIGURE 001
PACKAGE COMPONENTS

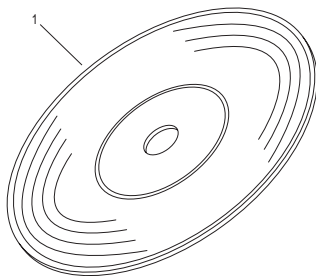


FIGURE & KEY NO.	PARTS NUMBER	RANK	Q'TY	DESCRIPTION	SERIAL NUMBER/REMARKS	SVC
Fig.001	NPN		RF	PACKAGE COMPONENTS		
1	RK2-1473-000		1	CD-ROM, DRIVER SOFTWARE	120V English,French,Italian,German,Spanish,Russian	
1	RK2-1386-000		1	CD-ROM, DRIVER SOFTWARE	Simplified Chinese,Traditional Chinese,Korean,English,Spanish,Portuguese	

FIGURE 100
EXTERNAL PANELS, COVER, ETC.

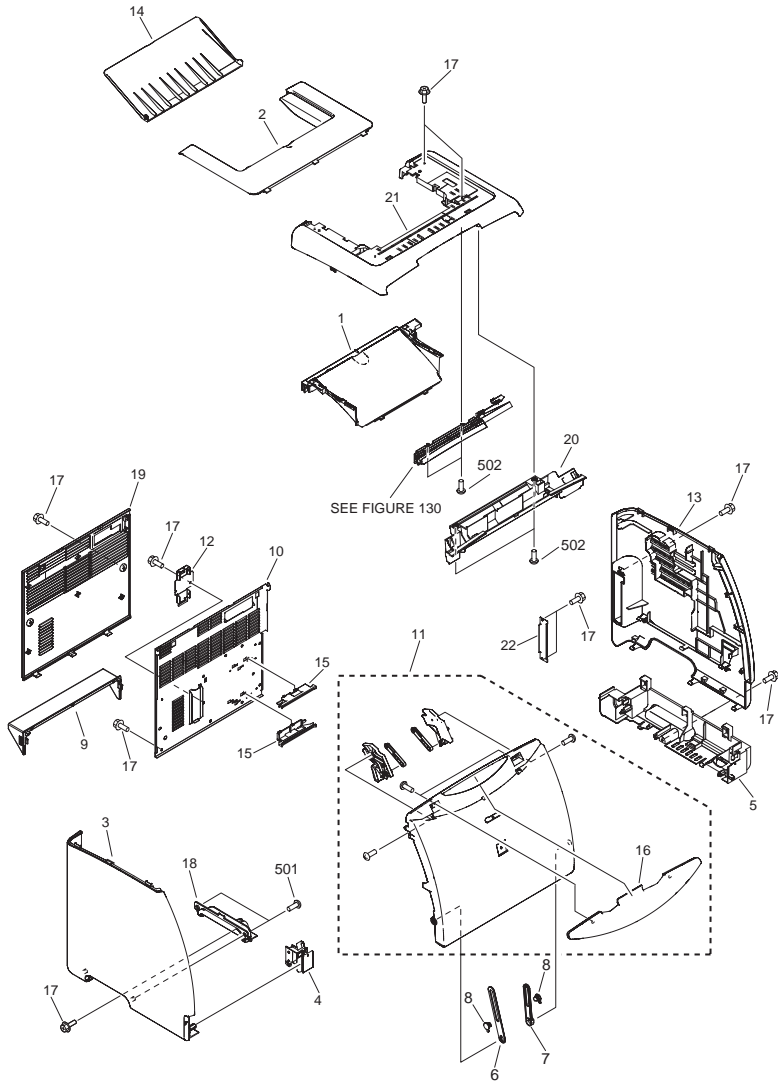


FIGURE & KEY NO.	PARTS NUMBER	R A N K	Q'TY	DESCRIPTION	SERIAL NUMBER/ REMARKS	S V C
Fig.100	NPN		RF	EXTERNAL PANELS, COVER, ETC.		
1	RC2-0066-000		1	COVER, FACE-DOWN		
2	RC2-0067-000		1	COVER, UPPER FACE, S		
3	RC2-0075-000		1	COVER, LEFT		
4	RC2-0076-000		1	COVER, CASSETTE, LEFT		
5	RC2-0079-000		1	COVER, CASSETTE, RIGHT		
6	RC1-5192-000		1	ARM, FRONT DOOR, LEFT		
7	RC1-5193-000		1	ARM, FRONT DOOR, RIGHT		
8	RC1-5194-000		2	SHAFT, FRONT DOOR ARM		
9	RC1-5200-000		1	COVER, CASSETTE DUST		
10	RC2-0087-000		1	PLATE, BACK		
11	RM1-3183-000		1	FRONT DOOR ASS'Y		
12	RC1-5229-000		1	LID, CONTROLLER		
13	RC2-0078-000		1	RIGHT COVER ASS'Y		
14	RC2-0065-000		1	TRAY, FACE-DOWN		
15	RC2-0089-000		2	RAIL, N IC		
16	RC2-0081-000		1	COVER, DOOR, FRONT		
17	XA9-1500-010		22	SCREW, S, M3X8		
18	RC2-0077-000		1	HANDLE, LEFT		
19	RC2-0088-000		1	PANEL, REAR		
20	RC2-0074-000		1	COVER, INSIDE, UPPER		
21	RC2-0068-000		1	COVER, UPPER	100V	
21	RC2-0105-000		1	COVER, UPPER	120V, EUR, GB, AU	
21	RC2-0108-000		1	COVER, UPPER	ASIA	
21	RC2-0109-000		1	COVER, UPPER	CN	
22	RC2-0090-000		1	PANEL, N IC		
501	XB4-7300-809		2	SCREW, TAP, BINDING HEAD, M3X8		
502	XB4-7401-005		4	SCREW, TAPPING, TRUSS HEAD, M4X10		

FIGURE 101 INTERNAL COMPONENTS 1

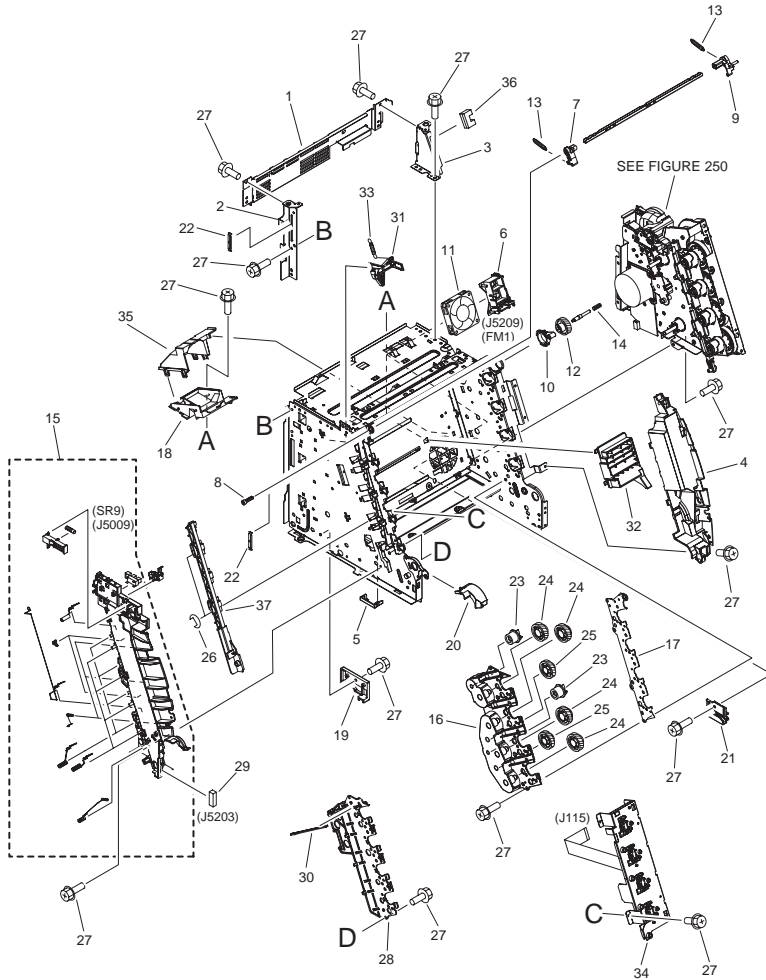


FIGURE & KEY NO.	PARTS NUMBER	RANK	Q'TY	DESCRIPTION	SERIAL NUMBER/REMARKS	SVC
Fig.101	NPN		RF	INTERNAL COMPONENTS 1		
1	RC1-5180-000	N	1	CROSSMEMBER, TOP COVER		
2	RC1-5181-000		1	BRACKET, LEFT REAR		
3	RC1-5182-000		1	BRACKET, RIGHT REAR		
4	RC1-5189-000		1	COVER, INSIDE, RIGHT		
5	RC1-5234-000		1	HOLDER, MEMORY CONTROLLER		
6	RC1-5253-020		1	HOLDER, FAN RETAINER		
7	RC1-5273-000		1	LATCH, LEFT		
8	RC1-5274-000		1	BUSHING		
9	RC1-5275-000		1	LATCH, RIGHT		
10	RC1-5290-020		1	LEVER, ETB RELEASE		
11	RK2-0673-000		1	FAN	FM1 J5209	
12	RU5-0455-020		1	GEAR, 54T		
13	RU5-2450-000		2	SPRING, TENSION		
14	RU5-2455-000		1	SPRING, COMPRESSION		
15	RM1-1845-000		1	LEFT INTERNAL COVER ASS'Y		
16	RC1-5145-000		1	GUIDE, CARTRIDGE, RIGHT		
17	RC1-5146-000		1	HOLDER, DRUM		
18	RC1-5232-000		1	DUCT, FAN, LOWER		
19	RC1-5397-000		1	GUIDE, CASSETTE, REAR LEFT		
20	RC1-5147-000		1	COVER, CABLE, UNIT		
21	RL1-0746-000		1	GUIDE, CASSETTE, REAR RIGHT		
22	WT2-5912-000		2	CLAMP, FFC		
23	RU5-0467-000		2	GEAR, 20T		
24	RU5-0471-000		4	GEAR, 36T		
25	RU5-0472-000		2	GEAR, 36T		
26	XD9-0134-000		2	RING, E		
27	XA9-1500-010		33	SCREW, S, M3X8		
28	RC1-5144-000		1	GUIDE, CARTRIDGE, LEFT		
29	VS1-7584-011		1	CONNECTOR, SNAP TIGHT, BK	J5203	
30	RC1-5155-000		1	LINK, SHUTTER		
31	RC1-5158-000		1	ARM, LASER SHUTTER		

FIGURE & KEY NO.	PARTS NUMBER	RANK	Q'TY	DESCRIPTION	SERIAL NUMBER/REMARKS	SVC
32	RC1-5233-000		1	DUCT, FAN	J115	
33	RU5-2448-000		1	SPRING, TENSION		
34	RM1-1844-000		1	MEMORY CONTROLLER PCB ASS'Y		
35	RC1-5231-000		1	DUCT, FAN, UPPER		
36	WT2-5056-000		1	CLIP, CORD		
37	RC1-5247-000		1	ROD, LEFT		

FIGURE 102 INTERNAL COMPONENTS 2

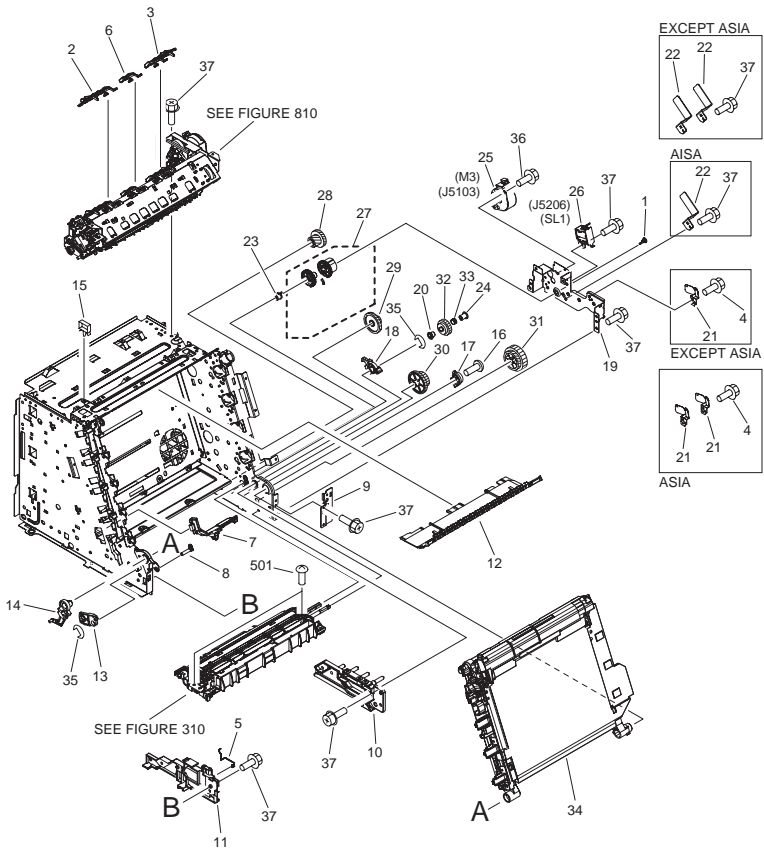


FIGURE & KEY NO.	PARTS NUMBER	R A N K	Q'TY	DESCRIPTION	SERIAL NUMBER/ REMARKS	S V C
Fig.102	NPN		RF	INTERNAL COMPONENTS 2		
1	RA0-1068-000		1	CAP, CONTINUITY		
2	RC1-5096-000		1	ARM, PAPER RETAINER, LEFT		
3	RC1-5097-000		1	ARM, PAPER RETAINER, RIGHT		
4	XA9-1499-000		1	SCREW, RS, M3X6		
5	RC1-5386-000		1	SPRING, GROUNDING		
6	RC1-5062-000		1	RETAINER, PAPER		
7	RC1-5161-000		1	COVER, PICK-UP FEED CABLE		
8	RC1-5195-000		1	SHAFT, FRONT DOOR		
9	RC1-5197-000		1	PLATE, PANEL FIX, RIGHT FRONT		
10	RL1-0747-000		1	GUIDE, CASSETTE, FRONT RIGHT		
11	RC1-5396-000		1	GUIDE, CASSETTE, FRONT LEFT		
12	RC1-5235-000		1	PLATE, HEAT INSULATING		
13	RC1-5248-000		1	LEVER, CONNECTING, LEFT		
14	RC1-5249-000		1	CAM, LEFT		
15	WT2-5694-000		1	CLIP CLAMP, WIRE		
16	XA9-1647-000		2	SCREW, WWASHER, M4X18		
17	RC1-5311-000		1	CAM, HINGE, RIGHT		
18	RC1-5312-000		1	LEVER, CONNECTING, RIGHT		
19	RC1-5400-000	N	1	BASE, MOTOR		
20	RC1-5401-000		1	CLUTCH, MECHANICAL		
21	RC1-5402-000		2	SPRING, LEAF	ASIA	
21	RC1-5402-000		1	SPRING, LEAF	EXCEPT ASIA	
22	RC1-5403-000		1	PLATE	ASIA	
22	RC1-5403-000		2	PLATE	EXCEPT ASIA	
23	RC1-5439-000		1	BUSHING		
24	RC1-5468-000		1	STOP, CLUTCH		
25	RK2-0668-000		1	MOTOR, STEPPING, DC	M3 J5103	
26	RK2-0670-000		1	SOLENOID	SL1 J5206	
27	RL1-0749-030		1	PICK-UP GEAR ASS'Y		
28	RU5-0481-000		1	GEAR, 57T/20T		
29	RU5-0482-000		1	GEAR, 43T/16T		

FIGURE & KEY NO.	PARTS NUMBER	RANK	Q'TY	DESCRIPTION	SERIAL NUMBER/REMARKS	SVC
30	RU5-0483-000		1	GEAR, 47T/26T		
31	RU5-0484-000		1	GEAR, 40T/43T		
32	RU5-0487-000		1	CAM/GEAR, 26T		
33	RU5-2479-000		1	SPRING, COMPRESSION		
34	RM1-3190-000		1	ELECT.TRANSPORT BELT ASS'Y		
35	XD9-0233-010		2	RING, E		
36	XA9-1561-000		2	SCREW, RS, M3X6		
37	XA9-1500-010		19	SCREW, S, M3X8		
501	XB4-7401-005		2	SCREW,TAPPING,TRUSS HEAD,M4X10		

FIGURE & KEY NO.	PARTS NUMBER	R A N K	Q'TY	DESCRIPTION	SERIAL NUMBER/ REMARKS	S V C
Fig.103	NPN		RF	INTERNAL COMPONENTS 3		
1	RC1-5153-000		1	GUIDE, CABLE, UPPER		
2	XA9-1672-000		3	SCREW, RS W/WASHER, M3X12		
3	RC2-0084-000		1	PLATE, SHIELD		
4	RC2-0085-000		1	PLATE, SHIELD, FRONT		
5	RC2-0086-000		1	PLATE, CONNECTOR		
6	WT2-5913-000		2	CLAMP, FFC		
7	RK2-0688-000		1	CABLE, FLAT		
8	RC1-5236-000		1	HOLDER, CABLE, LEFT		
9	RC1-5237-000		1	HOLDER, DC CABLE		
10	RC2-0091-000		1	HOLDER, CABLE, UPPER		
11	RC1-5239-000		1	HOLDER, DRAWER		
12	VS1-7258-007		1	CONNECTOR, DRAWER	J5202	
13	RC1-5165-000		1	SUPPORT, BOARD		
14	RC1-5203-000		1	SHEET, LEFT PANEL, UPPER		
15	RM1-1970-000		1	SCANNER ASS'Y		
16	RM1-1975-050		1	DC CONTROLLER PCB ASS'Y		
17	RM1-1976-000		1	POWER SUPPLY PCB ASS'Y	100V,120V J2,102,803	
17	RM1-1977-000		1	POWER SUPPLY PCB ASS'Y	220V J2,102,803	
18	RM1-1978-000		1	HIGH-VOLTAGE PCB ASS'Y		
19	RK2-0677-000		1	CABLE, FLAT		
20	RM1-1991-000		1	POWER CABLE	J101,202	
21	RM1-2009-000		1	CABLE, ENVIRONMENT	CW1 J119	
22	RM1-1993-000		1	FIXING SENSOR CABLE	J104,5004,5005,5009	
23	RM1-1994-000		1	DRIVE CABLE	J103,106,107,118,205,5102,5208,5207,5101,5202,5103,5209D,5206D	
24	RM1-1995-000		1	CABLE, CPR	J110,111,5203,5211	
25	XA9-1500-010		30	SCREW, S, M3X8		
26	RK2-0690-000		1	CABLE, FLAT	J114,801	
27	RC1-5157-000		1	ROD, BEARING SUPPORT		
28	VS1-7177-002		1	CONNECTOR, SNAP TIGHT, BK	J5206H	
29	VS1-7177-003		1	CONNECTOR, SNAP TIGHT, BK	J5209H	

FIGURE & KEY NO.	PARTS NUMBER	RANK	Q'TY	DESCRIPTION	SERIAL NUMBER/REMARKS	SVC
30	RG5-7437-000		1	POWER CORD, 100V	100V	
30	FH2-7120-000		1	CORD, POWER	120V	
30	FH2-7082-000		1	CORD, POWER	AU	
30	RH2-5610-000		1	CORD, POWER	CN	
30	RH2-5116-000		1	POWER CORD, 220V	EUR,ASIA	
30	RH2-5230-000		1	CORD, POWER	GB	
31	RH9-1171-000		1	WIRE, GROUNDING	100V ONLY	
32	RK2-1302-000		1	CABLE, USB HOST POWER SUPPLY	ASIA,CN	
33	FA9-2568-000		1	SCREW, MACH., TRUSS HEAD	100V ONLY	
34	RM1-3443-000		1	VIDEO CONTROLLER PCB ASS'Y	100V	
34	RM1-3515-000		1	VIDEO CONTROLLER PCB ASS'Y	120V,220V	
35	RK2-1310-000		1	CABLE, VIDEO FOR FLAT	J5,109	
36	XB4-7401-005		3	SCREW,TAPPING,TRUSS HEAD,M4X10		
37	XA9-1420-000		4	SCREW, WWASHER, M3X8		
38	WP2-5187-000		1	SENSOR UNIT, HUMIDITY		

FIGURE 130 CONTROL PANEL ASS'Y

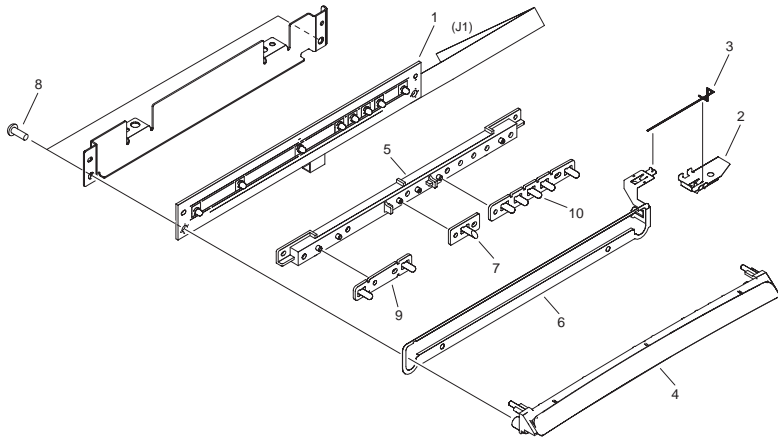


FIGURE & KEY NO.	PARTS NUMBER	RANK	Q'TY	DESCRIPTION	SERIAL NUMBER/REMARKS	SVC
Fig.130	NPN		RF	CONTROL PANEL ASS'Y		
1	RM1-3200-000		1	CONTROL PANEL ASS'Y	J1	
2	RC2-0103-000		1	PPLATE, GROUNDING		
3	RC2-0104-000		1	NEEDLE, GROUNDING		
4	RC2-0069-000		1	COVER, LED		
5	RC2-0070-000		1	PLATE, LED LIGHT-BLOCKING		
6	RC2-0071-000		1	PLATE, GROUNDING		
7	RC2-0073-000		1	GUIDE, LED LIGHT, 1		
8	XA9-1500-010		2	SCREW, S, M3X8		
9	RC2-0106-000		1	GUIDE, LED LIGHT, 2		
10	RC2-0107-000		1	GUIDE, LED LIGHT, 3		

FIGURE 250
MAIN DRIVE ASS'Y

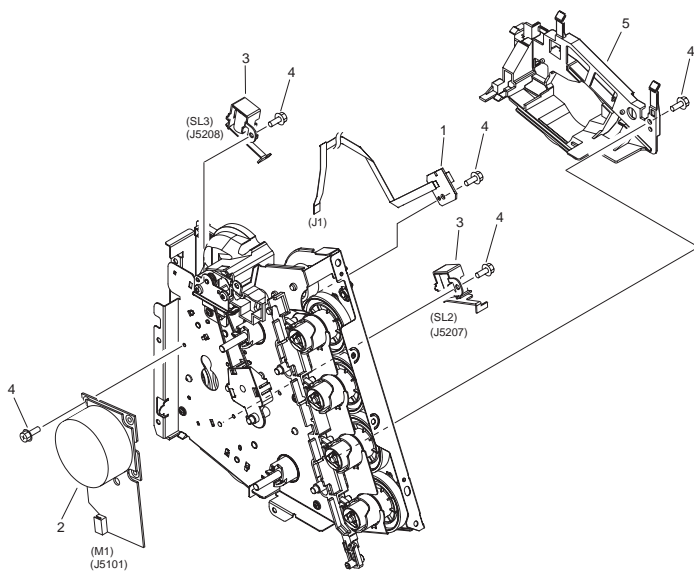


FIGURE & KEY NO.	PARTS NUMBER	RANK	Q'TY	DESCRIPTION	SERIAL NUMBER/REMARKS	SVC
Fig.250	RM1-1895-120		1	MAIN DRIVE ASSY		
1	RM1-3201-000		1	F.F.C. CONNECT PCB ASS'Y	J1	
2	RK2-0667-000		1	MOTOR, DC	M1 J5101	
3	RK2-0669-000		2	SOLENOID	SL2,3 J5207,5208	
4	XA9-1500-010		7	SCREW, S, M3X8		
5	RC1-5327-000		1	GUIDE, DRIVE CABLE		

FIGURE 300 CASSETTE

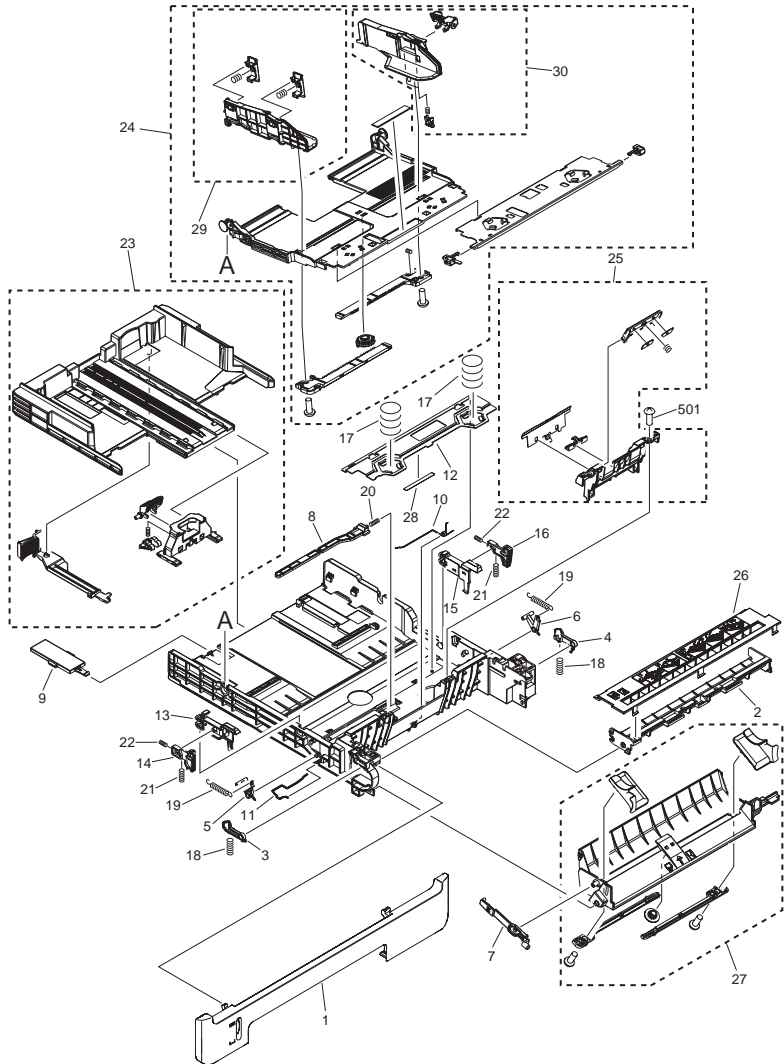


FIGURE & KEY NO.	PARTS NUMBER	R A N K	Q'TY	DESCRIPTION	SERIAL NUMBER/ REMARKS	S V C
Fig.300	RM1-3179-000		1	CASSETTE		
1	RC1-0092-000		1	PANEL, FRONT		
2	RC1-5350-000		1	GUIDE, CASSETTE DUPLEX, LOWER		
3	RC1-5348-000		1	STOPPER, CASSETTE, LEFT		
4	RC1-5349-000		1	STOPPER, CASSETTE, RIGHT		
5	RC1-5352-000		1	ARM, CLAW RELEASE, LEFT		
6	RC1-5353-000		1	ARM, CLAW RELEASE, RIGHT		
7	RC2-0097-000		1	ARM, REMNANT INDICAION		
8	RC1-5355-000		1	ARM, PLATE LOCK RELEASE, MD.		
9	RC1-5359-000		1	SIZE PLATE, PAPER		
10	RC1-5360-000		1	SPRING, GROUNDING		
11	RC1-5361-000		1	SPRING, GROUNDING		
12	RC1-5362-000		1	PLATE, CASSETTE REINFORCEMENT		
13	RC1-5382-000		1	ARM, MD. PLATE RELEASE, LEFT		
14	RC1-5383-000		1	CLAW, MD. PLATE RELEASE, LEFT		
15	RC1-5384-000		1	ARM, MD. PLATE RELEASE, RIGHT		
16	RC1-5385-000		1	CLAW, MD. PLATE RELEASE, RIGHT		
17	RU5-2465-000		2	SPRING, COMPRESSION		
18	RU5-2466-000		2	SPRING, COMPRESSION		
19	RU5-2467-000		2	SPRING, TENSION		
20	RU5-2468-000		1	SPRING, COMPRESSION		
21	RU5-2473-000		2	SPRING, COMPRESSION		
22	RU5-2474-000		2	SPRING, COMPRESSION		
23	RM1-1918-000		1	BACK END LIMIT PLATE ASS'Y		
24	RM1-1919-000		1	MIDDLE PLATE ASS'Y		
25	RM1-1922-000		1	SEPARATION ASS'Y		
26	RC2-0096-000		1	GUIDE, CASSETTE DUPLEX, UPPER		
27	RM1-3180-000		1	FEED ASS'Y		
28	RC1-5390-000		1	SHEET, RESISTOR		
29	RM1-1920-000		1	LEFT PAPER SIDE END ASS'Y		
30	RM1-1921-000		1	RIGHT PAPER SIDE END ASS'Y		
501	XB4-7400-809		2	SCREW,TAPPING,TRUISS HEAD,M4X8		

FIGURE 310 PAPER PICK-UP FEEDER ASS'Y

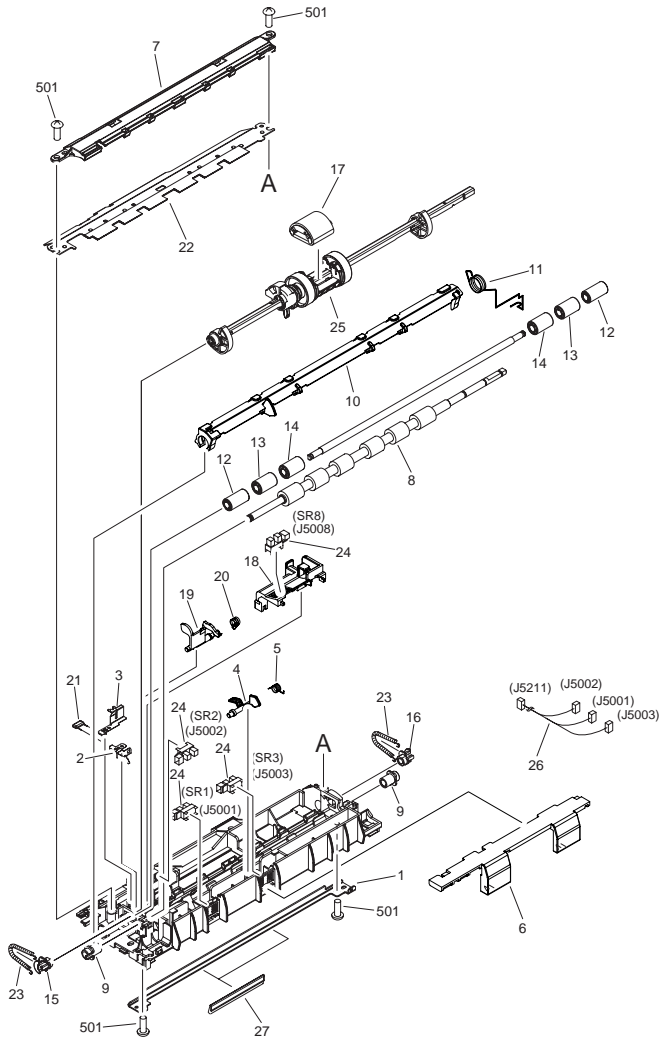


FIGURE & KEY NO.	PARTS NUMBER	R A N K	Q'TY	DESCRIPTION	SERIAL NUMBER/ REMARKS	S V C
Fig.310	RM1-1928-000		1	PAPER PICK-UP FEEDER ASS'Y		
1	RC1-5410-000		1	GUIDE, REGISTRATION		
2	RC1-5411-000		1	PLATE, REG. GROUNDING, 1		
3	RC1-5412-000		1	PLATE, REG. GROUNDING, 2		
4	RC1-5413-000		1	FLAG, SENSOR		
5	RC1-5414-000		1	SPRING, TORSION		
6	RC1-5415-000		1	COVER, SENSOR, TOP		
7	RC1-5419-000		1	GUIDE, PRE-TRANSFER		
8	RC1-5420-000		1	ROLLER, REGISTRATION DRIVE		
9	RC1-5421-000		2	BUSHING		
10	RC1-5422-000		1	SHUTTER, REGISTRATION		
11	RC1-5423-000		1	SPRING, TORSION		
12	RC1-5425-000		2	ROLLER, REGISTRATION, A		
13	RC1-5426-000		2	ROLLER, REGISTRATION, B		
14	RC1-5427-000		2	ROLLER, REGISTRATION, C		
15	RC1-5428-000		1	BUSHING		
16	RC1-5429-000		1	BUSHING		
17	RC1-5440-000		1	ROLLER, PAPER PICK-UP		
18	RC1-5441-000		1	HOLDER, PAPER WIDTH SENSOR		
19	RC1-5442-000		1	FLAG, PAPER WIDTH SENSOR		
20	RC1-5443-000		1	SPRING, TORSION		
21	RK2-0720-000	N	1	RESISTOR, FILM, 330MOHM		
22	RL1-0748-000		1	COVER, PICK-UP FEED FRAME		
23	RU5-2477-000		2	SPRING, TENSION		
24	WG8-5696-000		4	PHOTO INTERRUPTER, TLP1243	SR1,2,3,8 J5001,5002,5003,5008	
25	RM1-1929-020		1	PAPER PICK-UP DRIVE ASS'Y		
26	RM1-1998-000		1	FEEDER UNIT CABLE	J5001,5002,5003,5211	
27	RC1-5445-000		2	RIB, REG. GUIDE		
501	XB4-7401-005		4	SCREW,TAPPING,TRUSS HEAD.M4X10		

FIGURE 810
FIXING ASS'Y

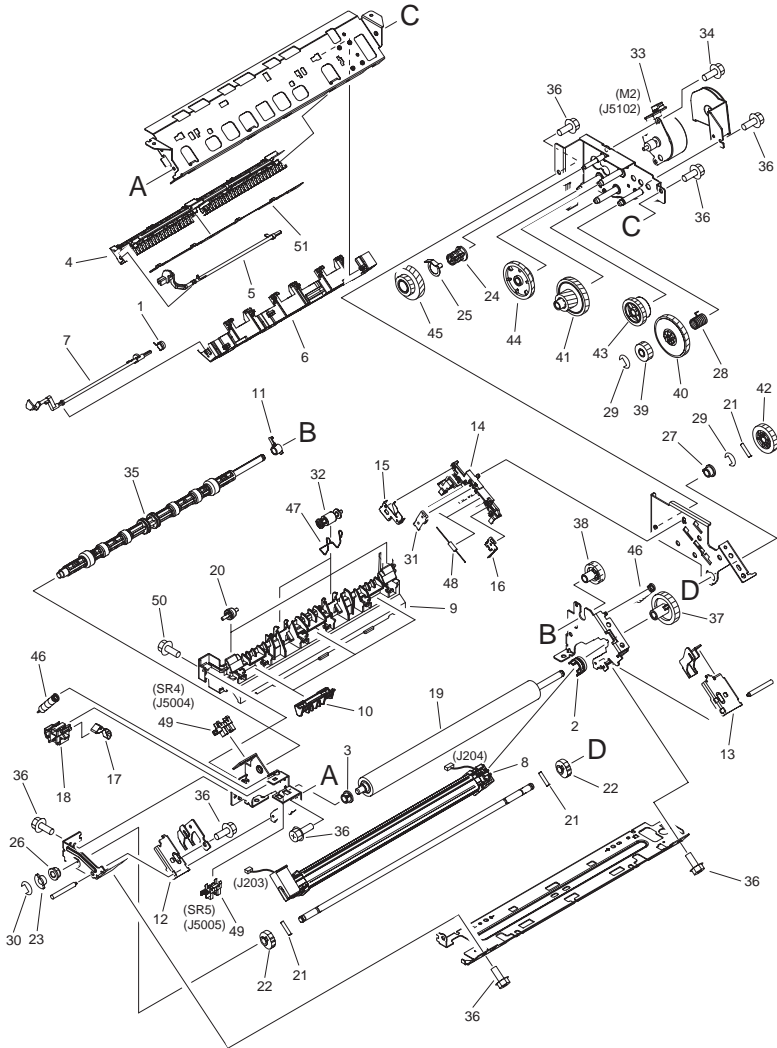


FIGURE & KEY NO.	PARTS NUMBER	R A N K	Q'TY	DESCRIPTION	SERIAL NUMBER/ REMARKS	S V C
Fig.810	RM1-3185-000		1	FIXING ASS'Y	100V	
Fig.810	RM1-1820-000		1	FIXING ASS'Y	120V	
Fig.810	RM1-1821-000		1	FIXING ASS'Y	220V	
1	RA0-1099-000		1	SPRING, TORSION		
2	RB3-1026-000		1	BUSHING		
3	RB3-1027-000		1	BUSHING		
4	RL1-0664-000		1	GUIDE, ENTRANCE		
5	RC1-5059-000		1	FLAG, INLET		
6	RC1-5060-000		1	GUIDE, PAPER DELIVERY UPPER		
7	RC1-5061-000		1	FLAG, PAPER DELIVERY		
8	RM1-3186-000		1	FILM GUIDE ASS'Y	100V J203,204	
8	RM1-1822-000		1	FILM GUIDE ASS'Y	120V J203,204	
8	RM1-1823-000		1	FILM GUIDE ASS'Y	220V J203,204	
9	RC1-5063-000		1	GUIDE, PAPER DELIVERY LOWER		
10	RC1-5064-000		3	FLAG, INTERTWINE PREVENTION		
11	RC1-5065-000		1	BUSHING		
12	RC1-5067-000		1	PLATE, PRESSURE, LEFT		
13	RC1-5068-000		1	PLATE, PRESSURE, RIGHT		
14	RC1-5070-000		1	HOLDER, RESISTOR		
15	RC1-5071-000		1	SPRING, GROUNDING		
16	RC1-5072-000		1	SPRING, GROUNDING		
17	RC1-5073-000		1	SPRING, GROUNDING		
18	RC1-5074-000		1	GUIDE, CONTACT/SENSOR SUPPORT		
19	RC1-5075-000		1	ROLLER, PRESSURE		
20	RC1-5485-000		2	ROLLER, FACE-DOWN BENDING		
21	XD9-0238-000		3	PIN,DOWEL		
22	RC1-5086-000		2	CAM, PRESSURE RELEASE		
23	RC1-5087-000		1	FLAG, PRESSURE RELEASE		
24	RC1-5089-000		1	HOLDER, PRESSURE RELEASE GEAR		
25	RC1-5091-000		1	SPRING, LEAF		
26	RC1-5092-000		1	BUSHING		
27	RC1-5093-000		1	BUSHING		

FIGURE & KEY NO.	PARTS NUMBER	R A N K	Q'TY	DESCRIPTION	SERIAL NUMBER/ REMARKS	S V C
28	RC1-5094-000		1	SPRING, COMPRESSION		
29	XD9-0233-010		2	RING, E		
30	XD9-0232-010		1	RING, E		
31	RC1-5475-000		1	SPRING, GROUNDING		
32	RL1-0660-000		2	ROLLER, DELIVERY		
33	RK2-0668-000		1	MOTOR, STEPPING, DC	M2 J5102	
34	XA9-1561-000		2	SCREW, RS, M3X6		
35	RL1-0659-000		1	SHAFT, FACE-DOWN ROLLER		
36	XA9-1500-010		17	SCREW, S, M3X8		
37	RU5-0433-000		1	GEAR, 30T		
38	RU5-0434-000		1	GEAR, 19T		
39	RU5-0435-000		1	GEAR, 16T		
40	RU5-0436-000		1	GEAR, 49T		
41	RU5-0437-000		1	GEAR, 19T/71T		
42	RU5-0438-000		1	GEAR, 27T		
43	RU5-0439-000		1	GEAR, 26T		
44	RU5-0440-000		1	GEAR, 20T/44T		
45	RU5-0441-000		1	GEAR, 22T/38T		
46	RU5-2440-000		2	SPRING, TENSION		
47	RU5-2442-000		2	SPRING, TORSION		
48	VR7-8850-206	N	2	SOLID RESISTOR, 20MOHM, 1/4W		
49	WG8-5696-000		2	PHOTO INTERRUPTER, TLP1243	SR4,5 J5004,5005	
50	XA9-1449-000		1	SCREW, RS, M3X8		
51	RC1-5489-000		1	PLATE, GROUNDING		

Prepared by
OIP HFE Promotion Center
CANON INC.

Canon