

7. Parts catalog

How to use this parts catalog

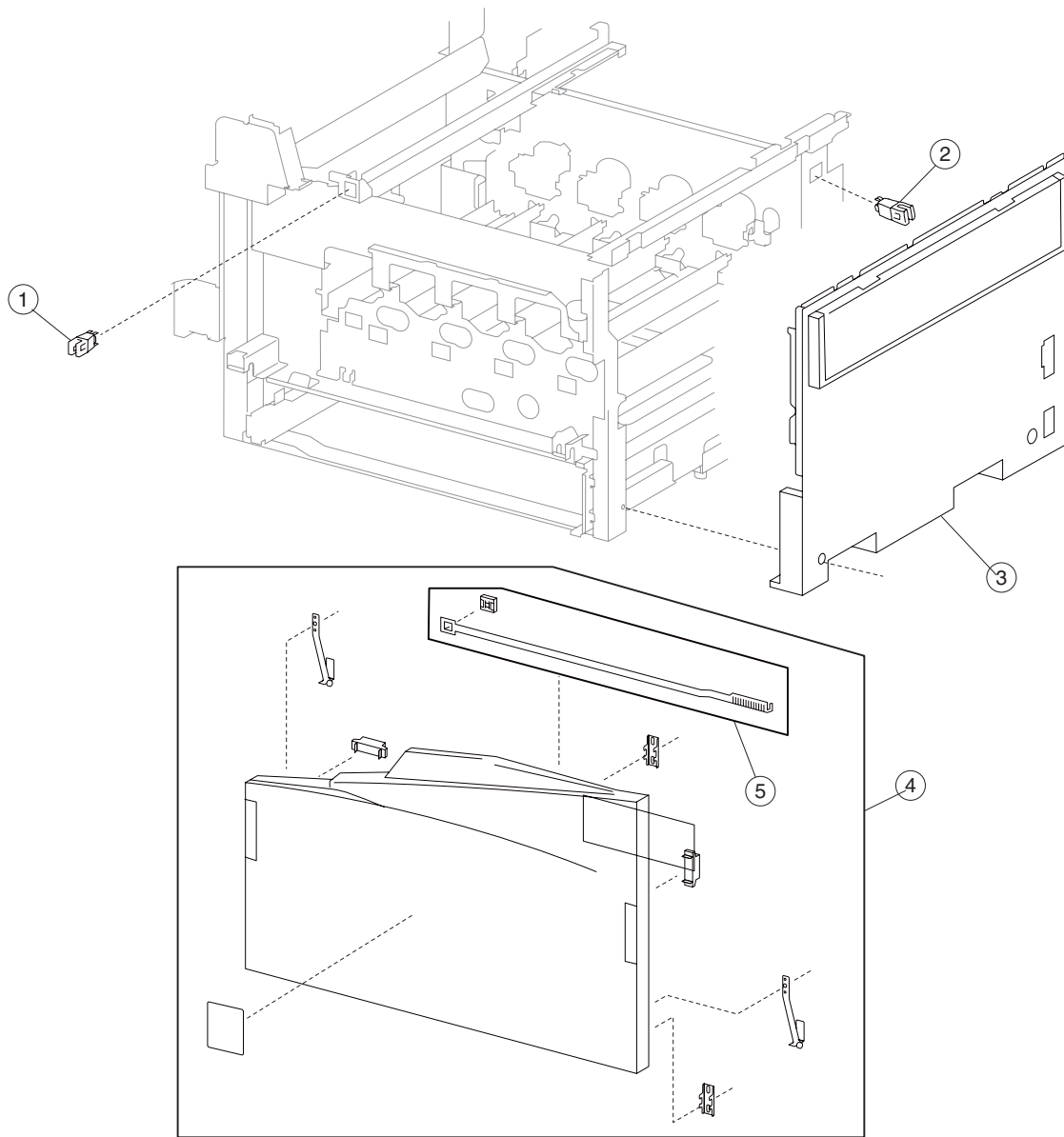
The following legend is used in the parts catalog:

Asm-index	Part number	FRUs/mach	Units/FRU	Description
-----------	-------------	-----------	-----------	-------------

- **Asm-index:** Identifies the assembly and the item in the diagram. For example, 3-1 indicates Assembly 3 and item number 1 in the table.
- **Part number:** Identifies the unique number that identifies this FRU.
- **FRUs/mach:** Refers to the number of FRUs used in the product.
- **Units/FRU:** Refers to the number of units packaged together and identified by the part number.
- **NS:** (Not shown) in the Asm-Index column indicates that the part is procurable but is not pictured in the illustration.
- **PP:** (Parts Packet) in the parts description column indicates the part is contained in a parts packet.

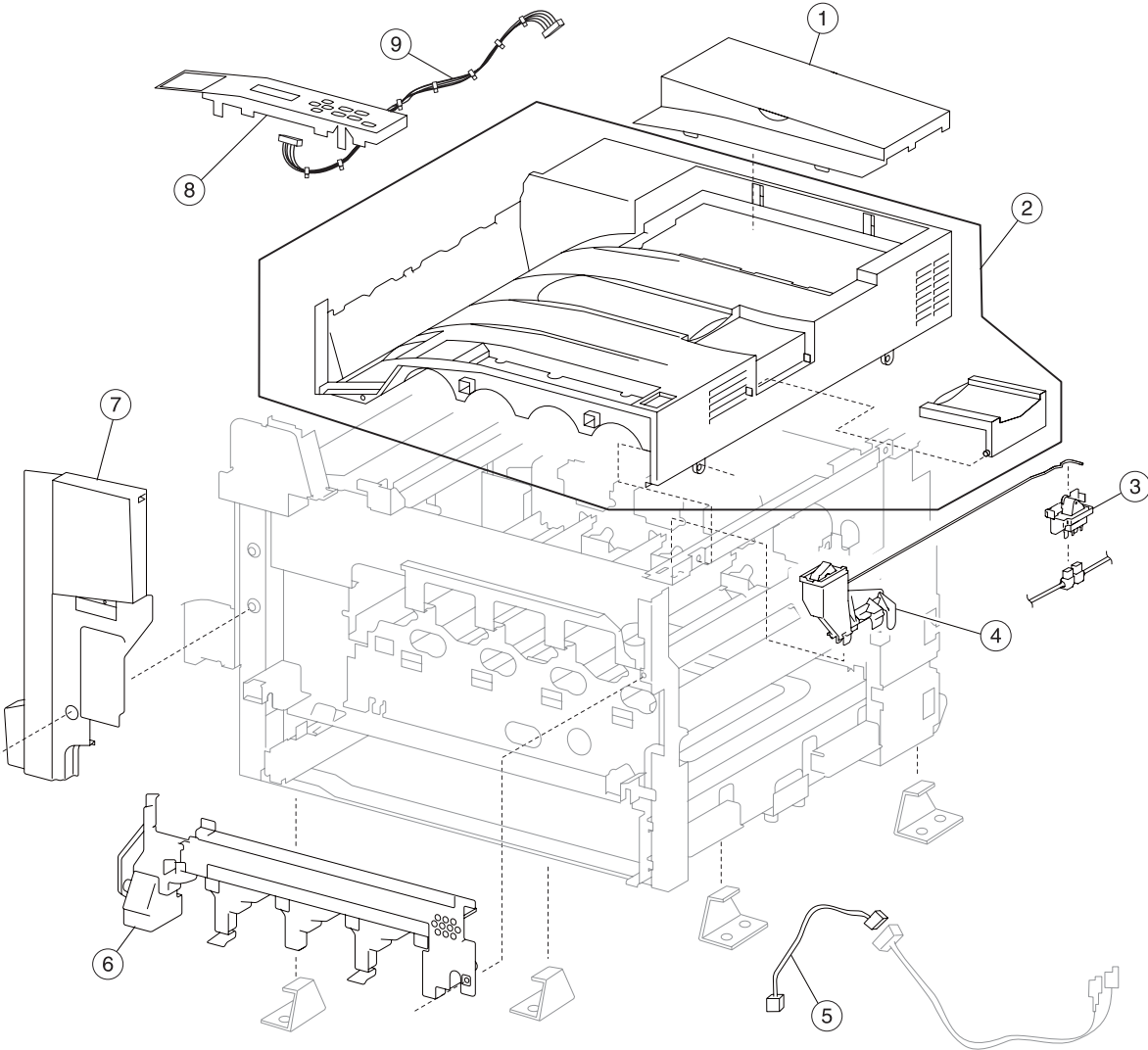
Model name	Configuration	Machine type	Maximum speed
Lexmark X940e	Network	7510-030	35 PPM
Lexmark X945e	Network	7510-230	45 PPM
Lexmark C930	Network	5057-030	35 PPM
Lexmark C935	Network	5057-230	45 PPM

Assembly 1: Covers 1



Asm-index	Part number	FRUs/mach	Units/FRU	Description
1	40X0553	3	1	Switch (printer front door interlock)
2	40X0553	3	1	Switch (transfer access door interlock)
3	40X3780	1	1	Right cover assembly
4	40X3778	1	1	Printer front door assembly (this comes assembled)
5	40X3779	1	1	Printhead slit glass cleaner assembly

Assembly 2: Covers 2



Assembly 2: Covers

Asm-index	Part number	FRUs/mach	Units/FRU	Description
1	40X3782	1	1	RIP card access cover
2	40X3781	1	1	Top cover assembly
3	40X3787	1	1	Switch (main power)
4	40X3786	1	1	Main power switch actuator
5	40X3783	1	1	Main switch cable assembly
6	40X3785	1	1	Inner cover
7	40X3784	1	1	Front left cover
8	40X4089	1	1	SFP operator panel assembly
9	??			SFP operator cable assembly

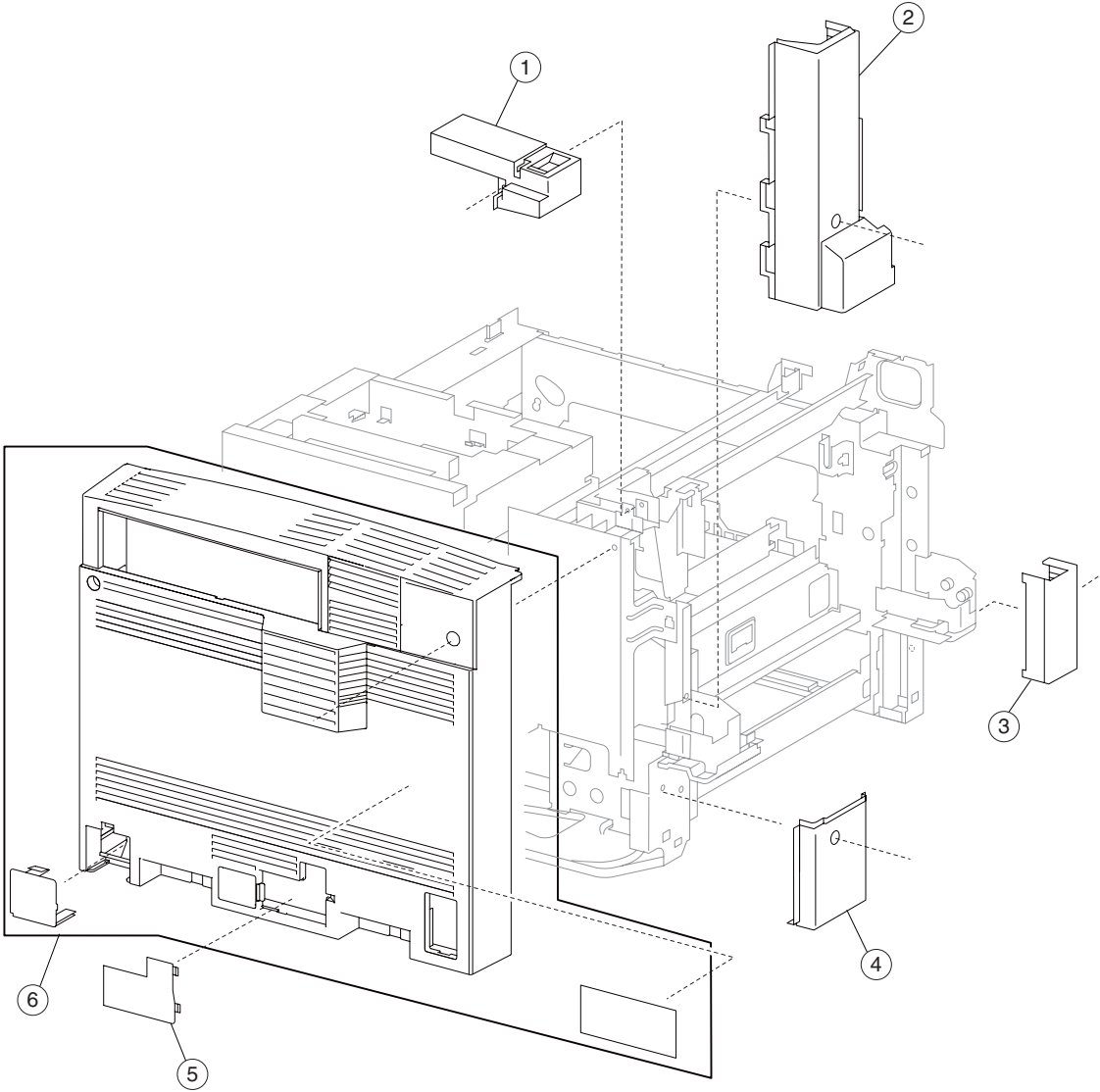
Warning: In the event of replacement of any one of the following components:

- Operator panel assembly (universal)
- Operator panel controller card assembly
- RIP card assembly
- Interconnect card assembly

Only replace one component at a time. Replace the required component, and perform a POR before replacing a second component listed above. If this procedure is not followed, the printer will be rendered inoperable. Never replace two or more of the components listed above without a POR after installing each one, or the printer will be rendered inoperable.

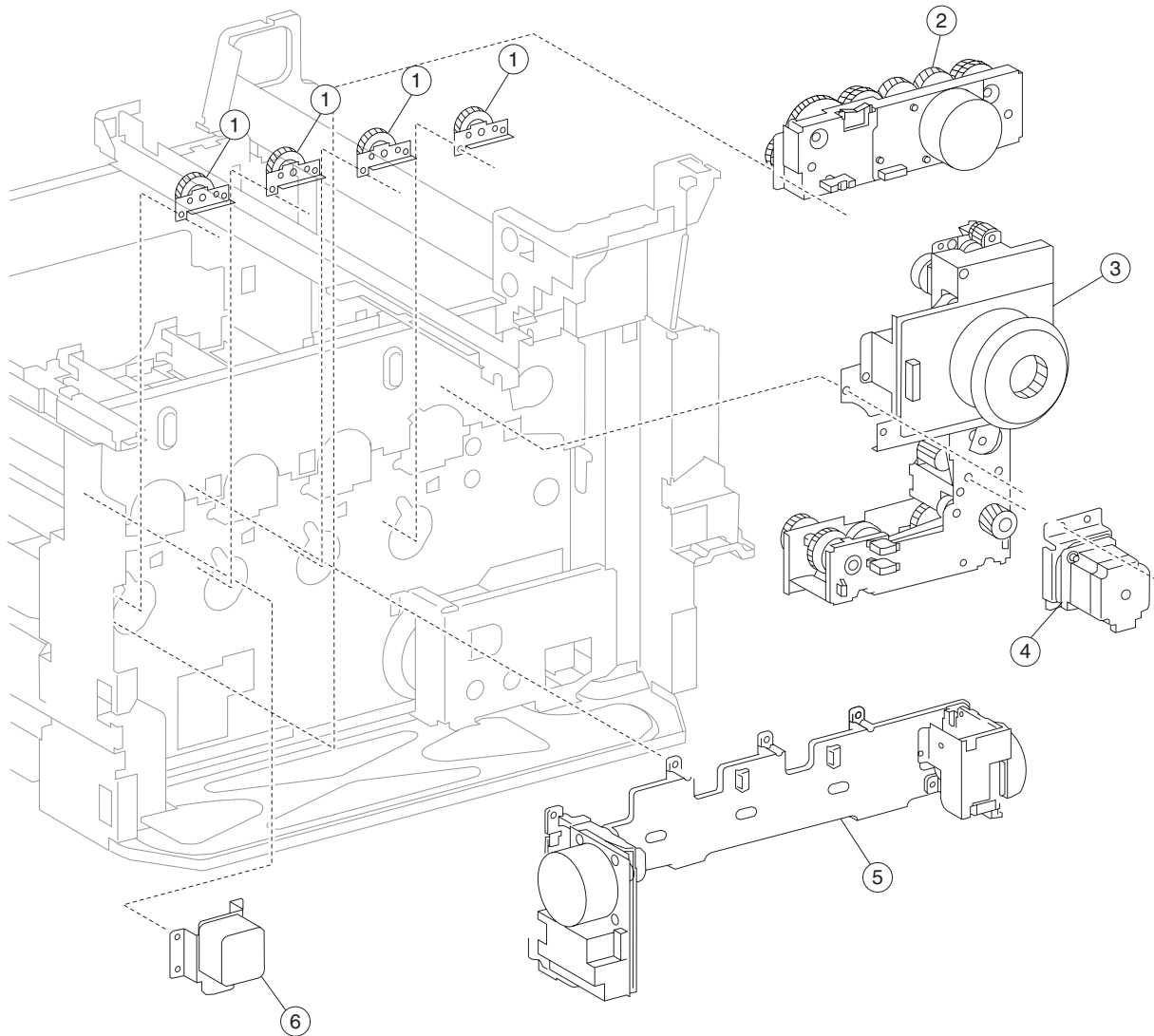
Warning: Never install and remove components listed above as a method of troubleshooting components. Once a component has been installed in a machine, it cannot be used in another machine. It must be returned to the manufacturer.

Assembly 3: Covers 3



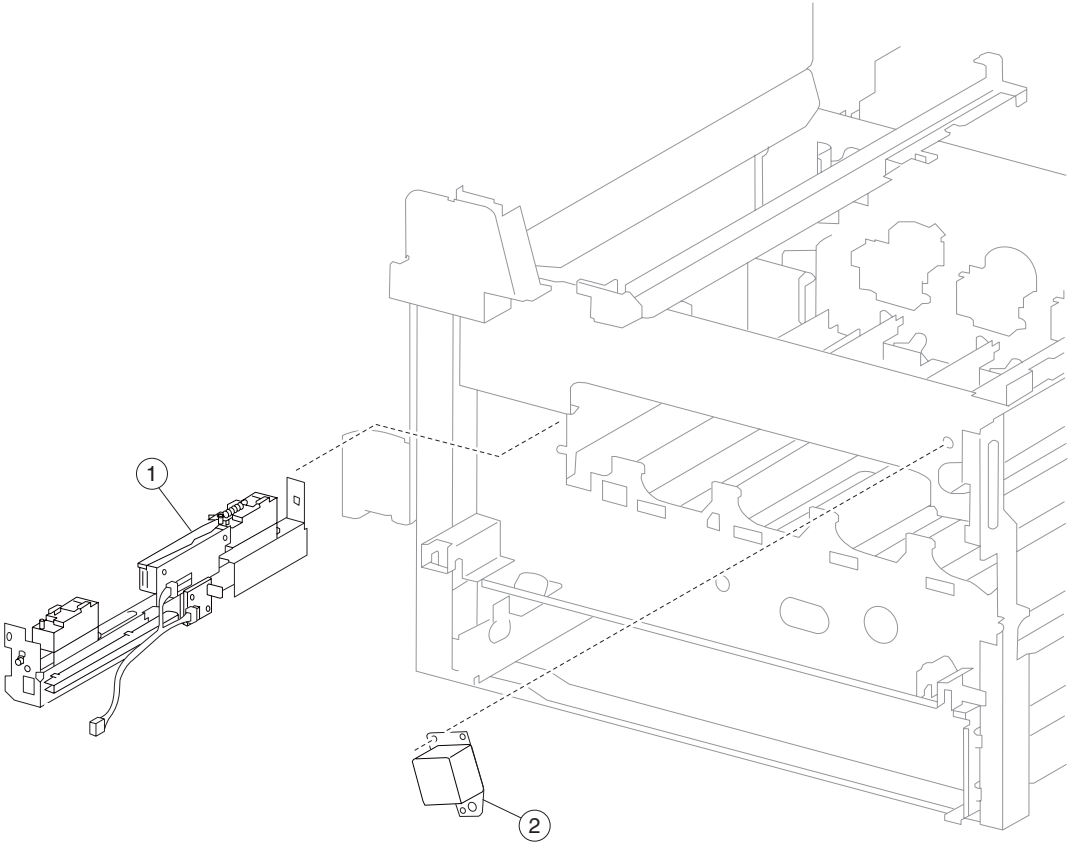
Asm-index	Part number	FRUs/mach	Units/FRU	Description
1	40X3796	1	1	Rear left upper cover
2	40X3793	1	1	Rear left middle cover
3	40X3795	1	1	Left front cover
4	40X3794	1	1	Rear left lower cover
5	40X3788	1	1	Rear blind cover
6	40X3791	1	1	Rear cover assembly 110 V
6	40X3792	1	1	Rear cover assembly 220 V

Assembly 4: PC cartridge and developer drive



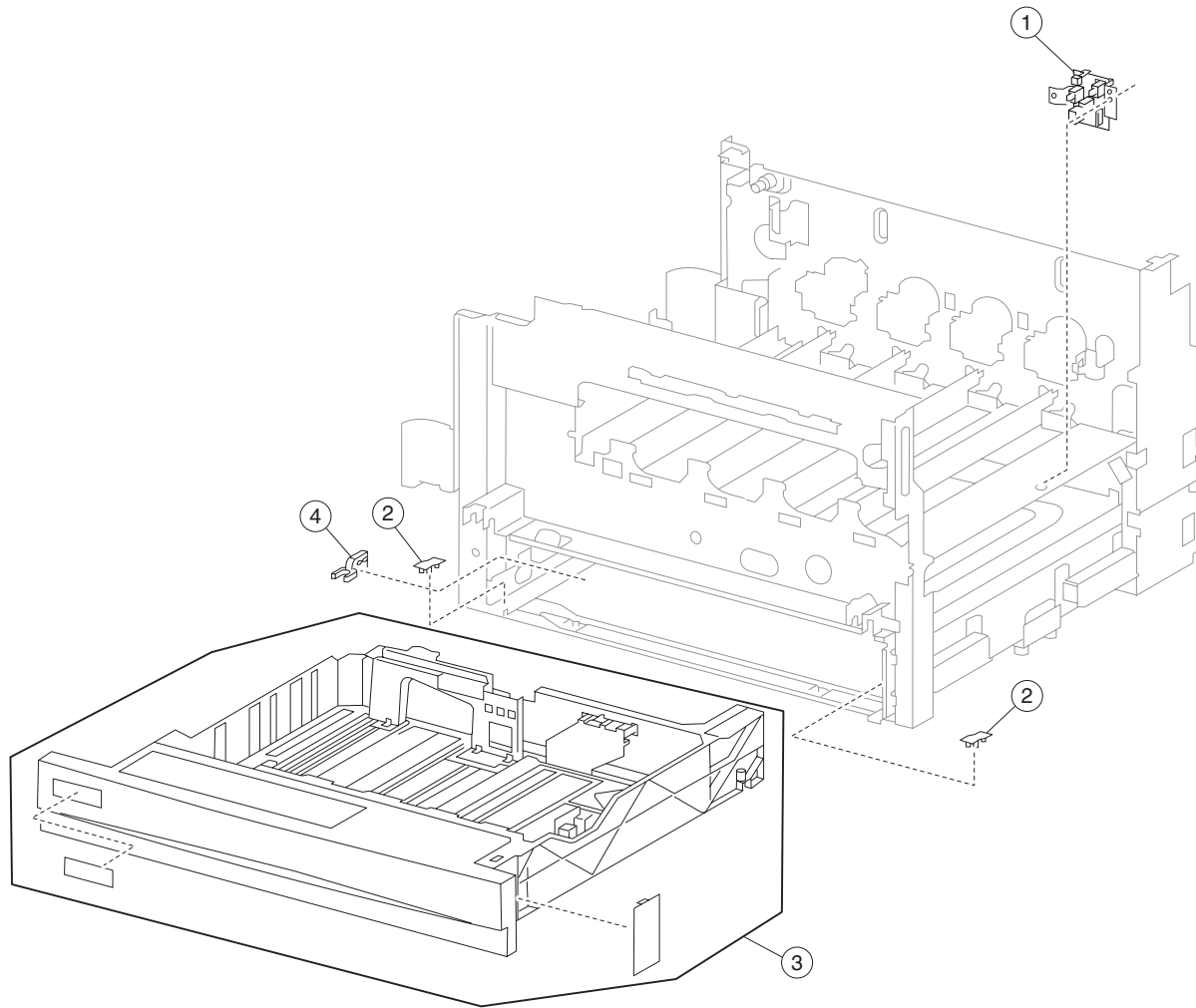
Asm-index	Part number	FRUs/ mach	Units/ FRU	Description
1	40X3671	4	1	Developer idler gear assembly
2	40X3669	1	1	CMY developer drive motor assembly
3	40X3670	1	1	Developer/transport drive motor assembly
4	40X3672	1	1	MPF/transport drive motor assembly
5	40X3667	1	1	CMYK PC cartridge drive motor assembly
6	40X3668	1	1	Transfer belt drive motor assembly

Assembly 5: ID sensor and transfer belt steering



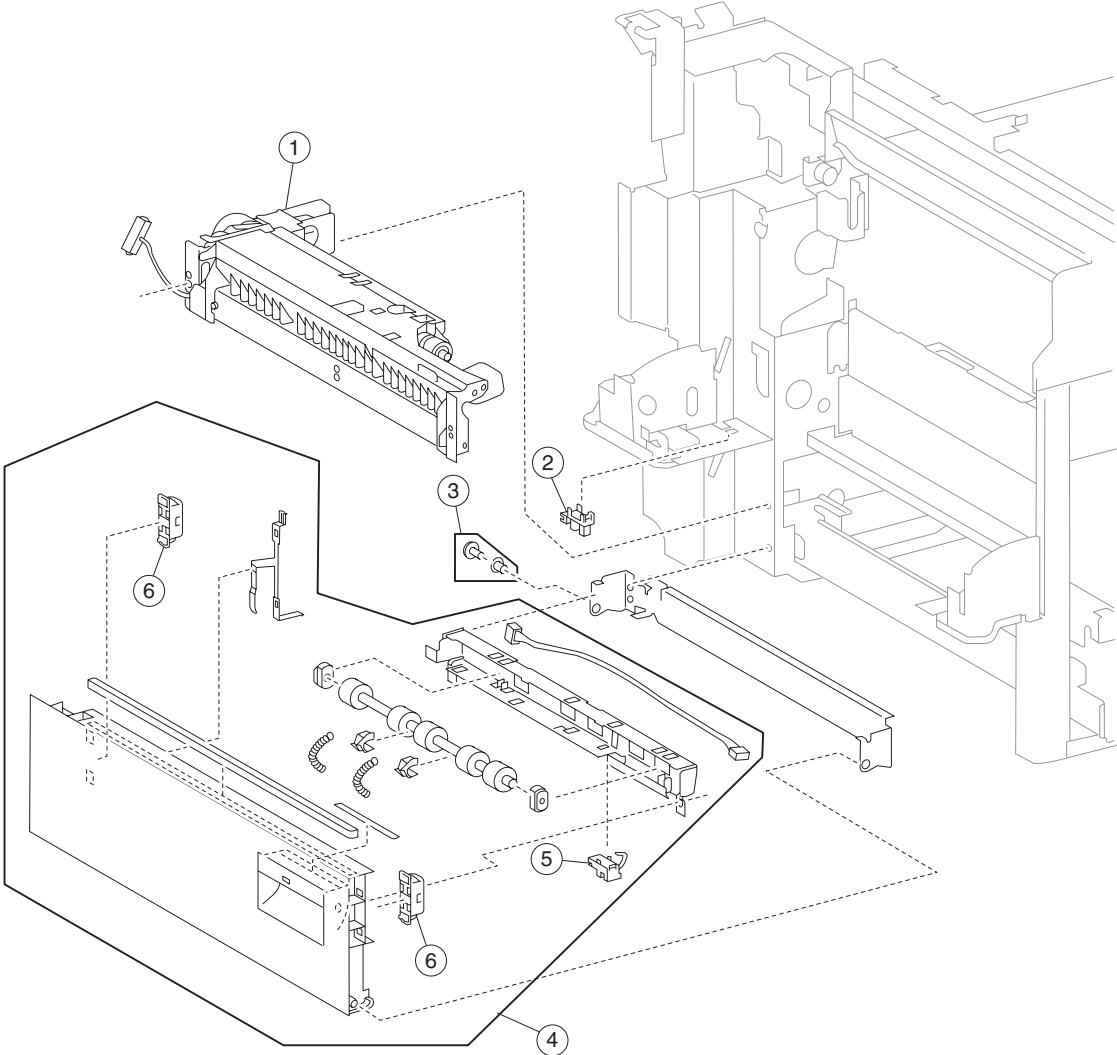
Asm-index	Part number	FRUs/mach	Units/FRU	Description
1	40X3674	1	1	Image density sensor assembly
2	40X3673	1	1	Transfer belt steering motor

Assembly 6: Media tray



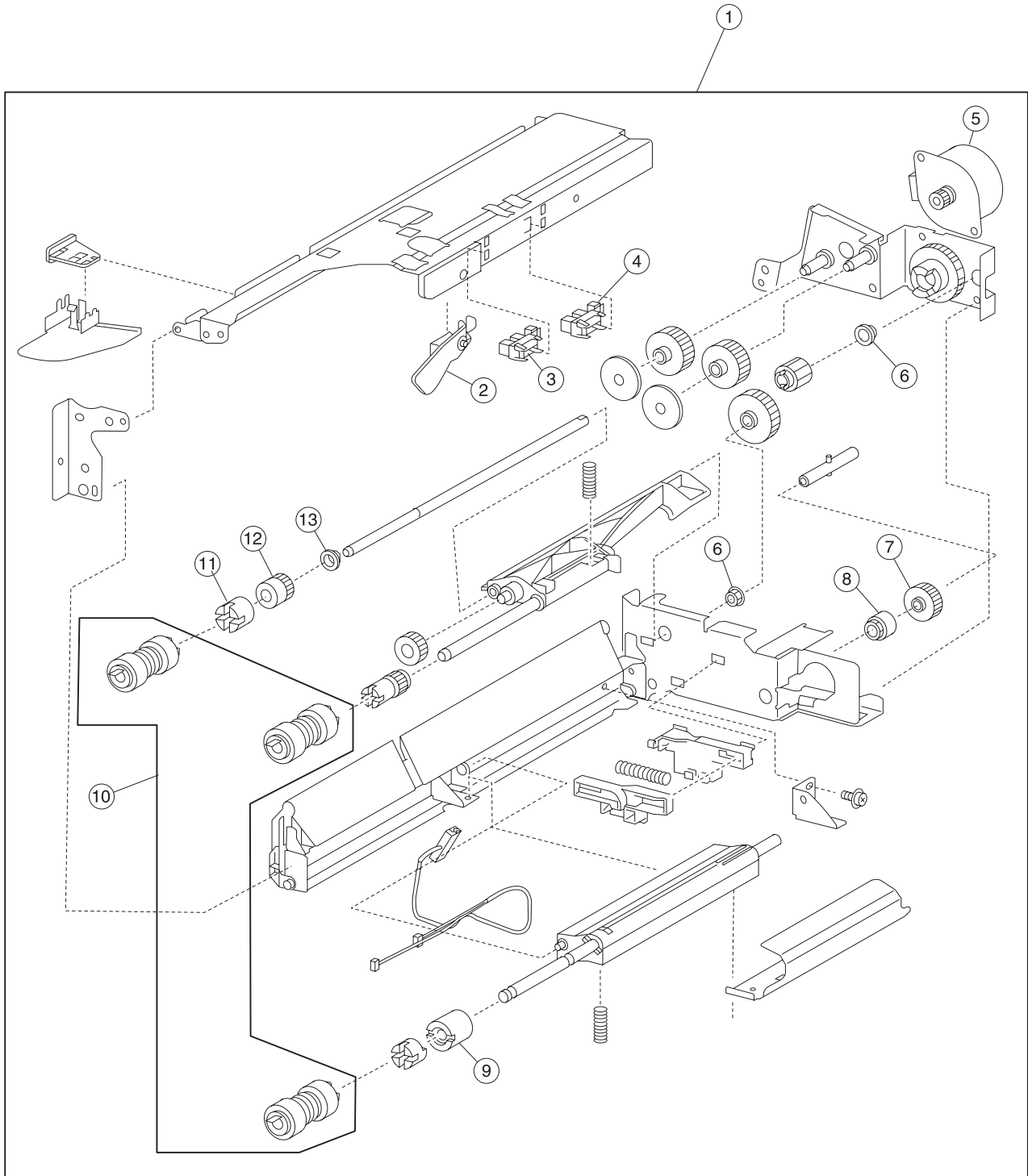
Asm-index	Part number	FRUs/ mach	Units/ FRU	Description
1	40X3677	2	1	Switch (media size)
2	40X3676	8	1	Media tray slide
3	40X3678	3	6	Media tray assembly kit <ul style="list-style-type: none"> • Media tray assembly • #1 label • #2 label • #3 label • #4 label • Instruction label
4	40X3675	2	1	Media tray catch

Assembly 7: Printer left lower door and media feed unit



Asm-index	Part number	FRUs/mach	Units/FRU	Description
1	40X3679	4	1	Media feed unit assembly
2	40X3688	30	1	Sensor (printer left lower door interlock)
3	40X0613	1	1	Hinge pin
4	40X3680	1	1	Printer left lower door assembly (this comes assembled)
5	40X3681	1	1	Sensor (tray 1 feed-out)
6	40X3682	2	1	Magnetic catch

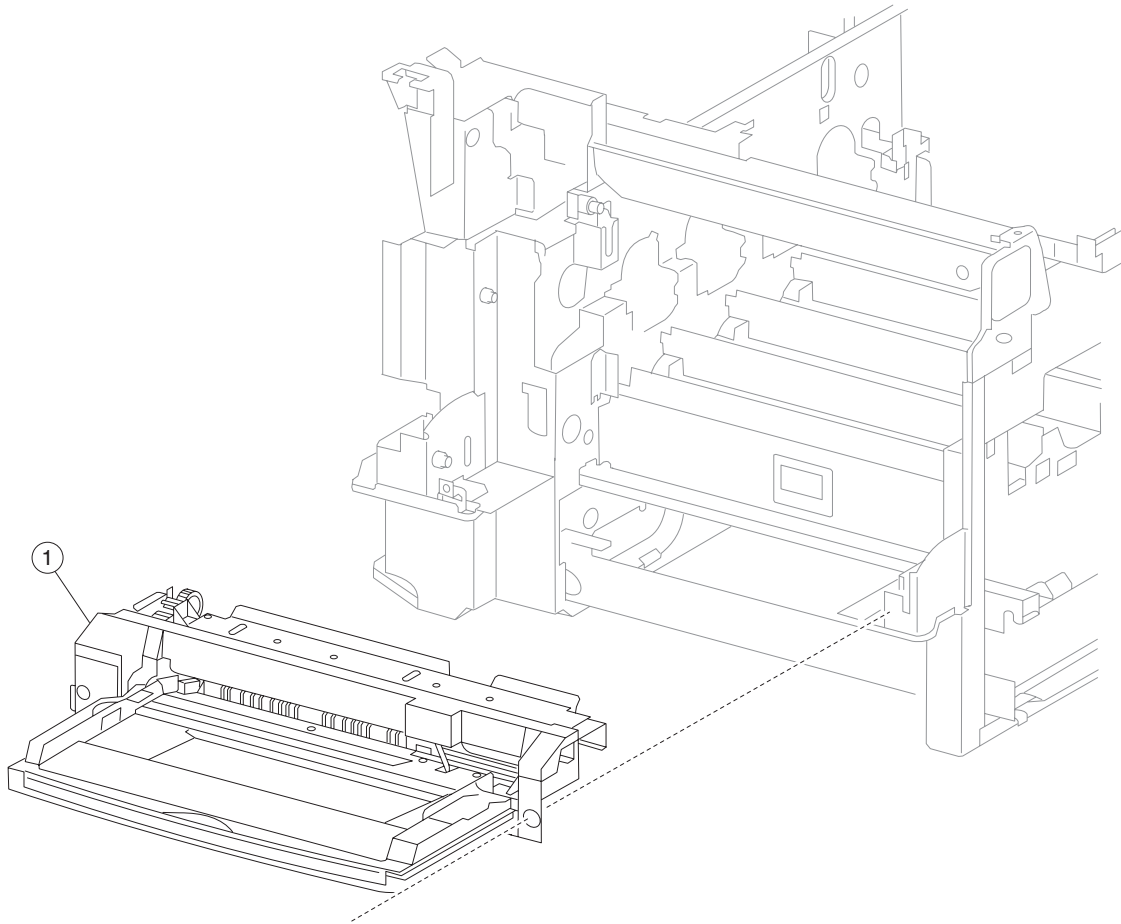
Assembly 8: Media feed unit



Assembly 8: Media feed unit

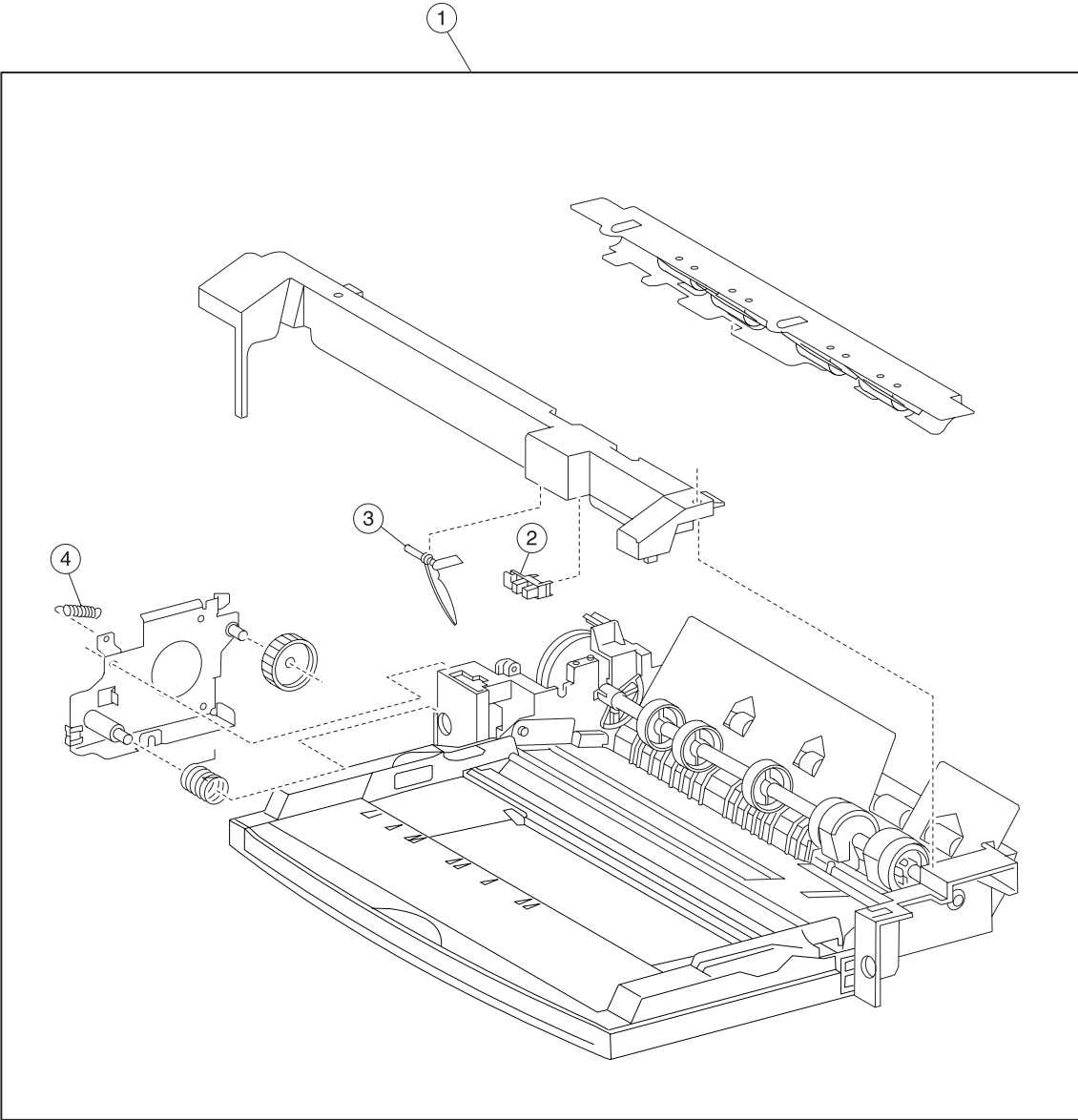
Asm-index	Part number	FRUs/ mach	Units/ FRU	Description
1	40X3679	4	1	Media feed unit assembly
2	40X3687	4	1	Media out actuator
3	40X3688	30	1	Sensor (tray media out)
4	40X3688	30	1	Sensor (tray media level)
5	40X3684	4	1	Media feed lift motor
6	40X0888	6	1	Bushing 6 mm
7	40X3686	4	1	Media tray lift one-way gear
8	40X3685	4	1	Media tray lift one-way clutch
9	40X4086	4	2	Separation roll friction clutch
10	40X3689	2	1	Feed unit roll kit <ul style="list-style-type: none"> • Feed roll (2) • Pick roll (2) • Separation roll (2)
11	40X3690	4	1	Feed roll one-way clutch
12	40X3691	4	1	Feed roll one-way gear 22T
13	40X0952	6	1	Bushing 6 mm

Assembly 9: MPF feed unit assembly 1



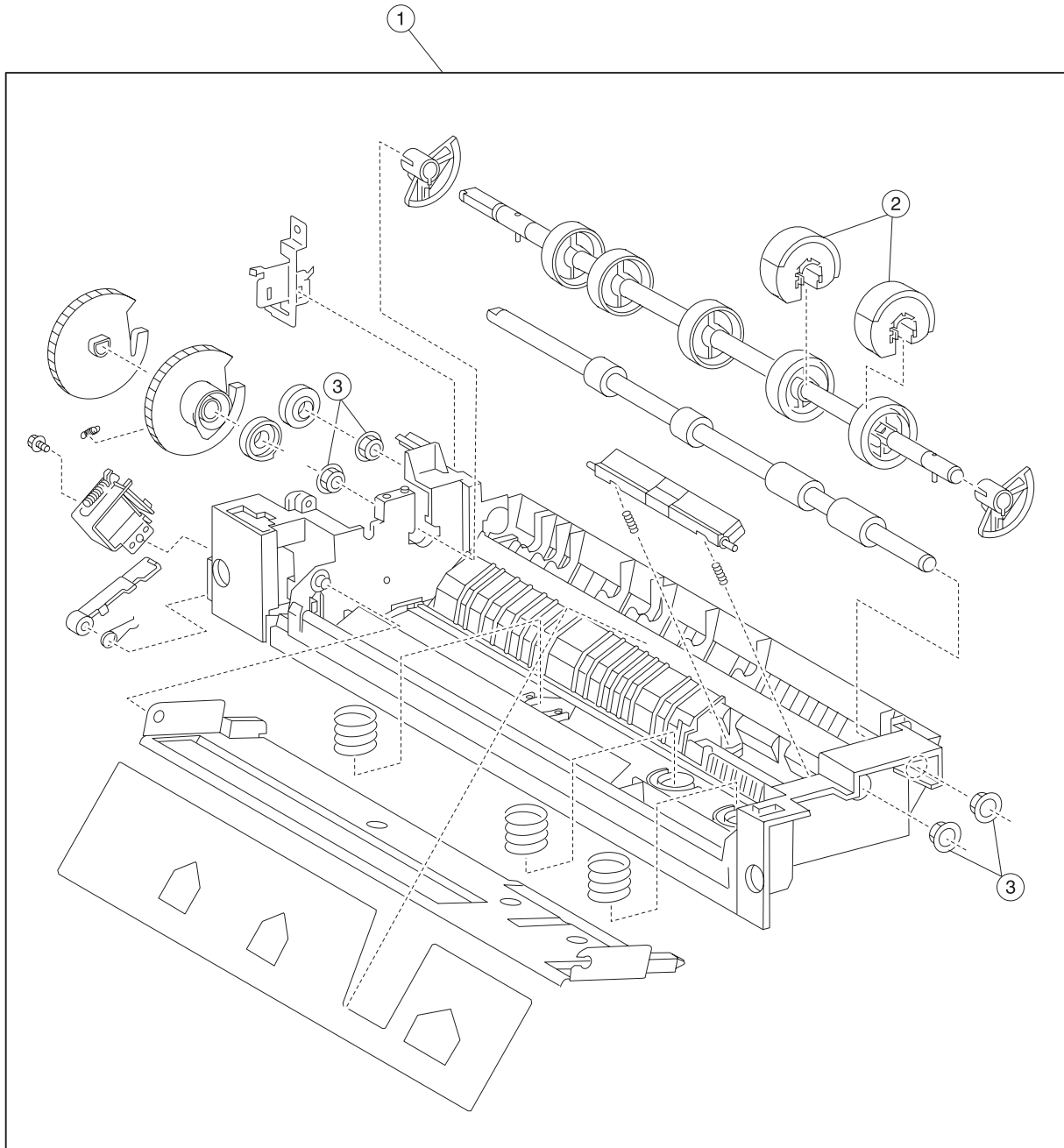
Asm-index	Part number	FRUs/ mach	Units/ FRU	Description
1	40X4079	1	1	MPF feed unit assembly (this comes assembled)

Assembly 10: MPF feed unit assembly 2



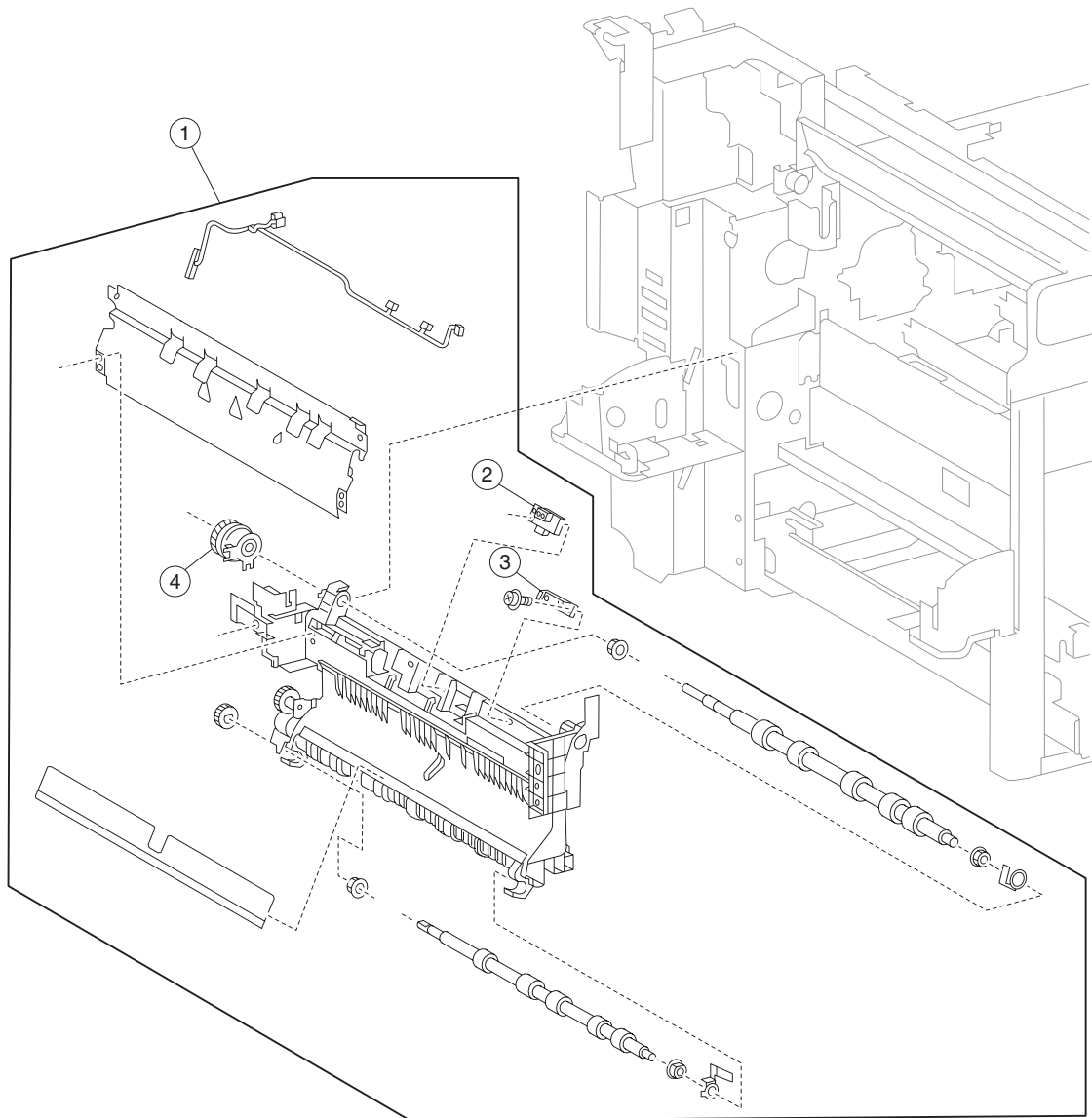
Asm-index	Part number	FRUs/mach	Units/FRU	Description
1	40X4079	1	1	MPF feed unit assembly (this comes assembled)
2	40X3688	30	1	Sensor (MPF media out)
3	40X3709	1	1	MPF media out actuator
4	40X0755	1	1	MPF pickup spring

Assembly 11: MPF feed unit assembly 3



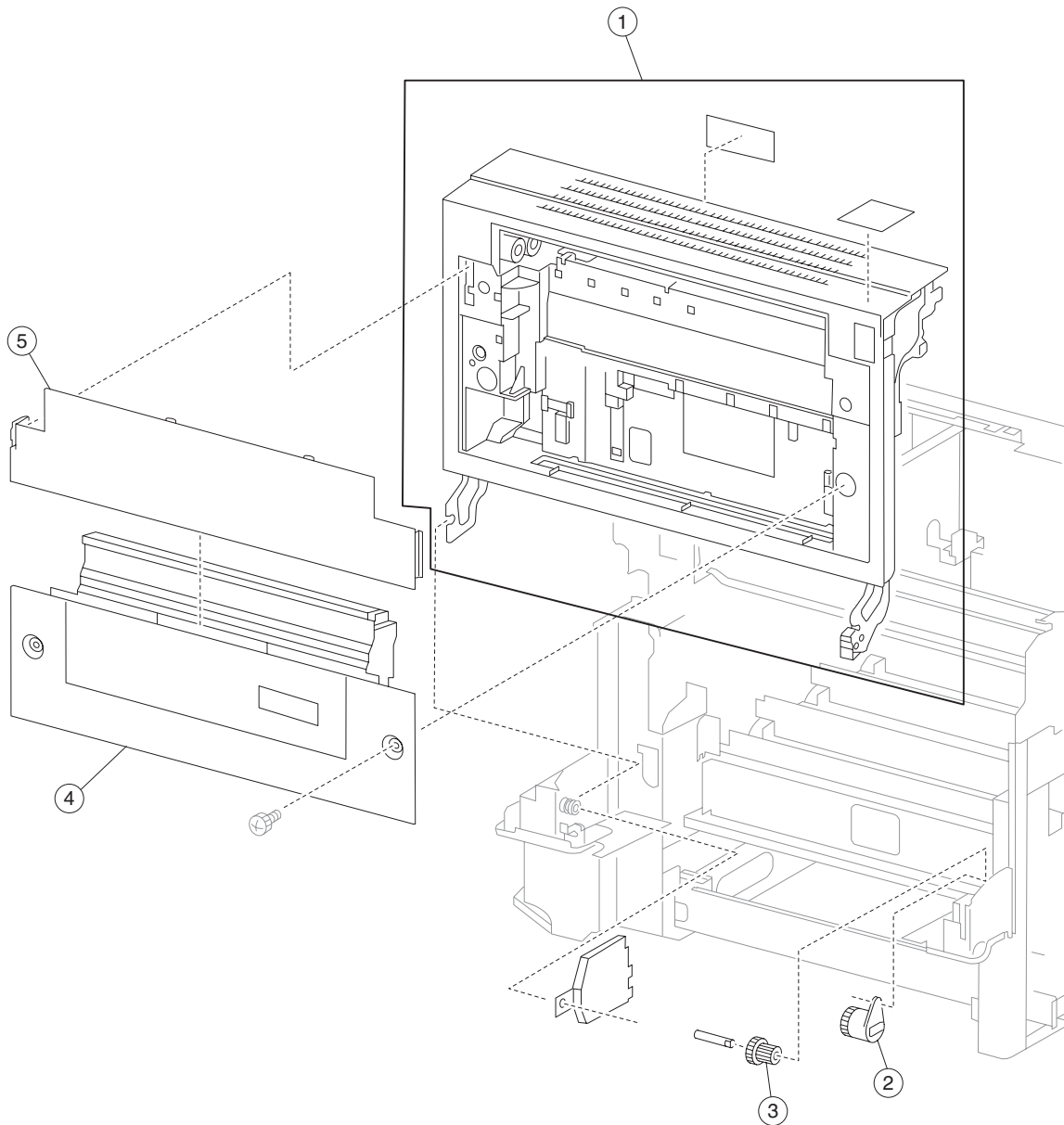
Asm-index	Part number	FRUs/mach	Units/FRU	Description
1	40X4079	1	1	MPF feed unit assembly (this comes assembled)
2	40X3711	1	2	MPF pick roll kit <ul style="list-style-type: none"> • MPF pick roll (2)
3	40X1381	4	1	Bushing 8 mm

Assembly 12: Registration / transport roll assembly



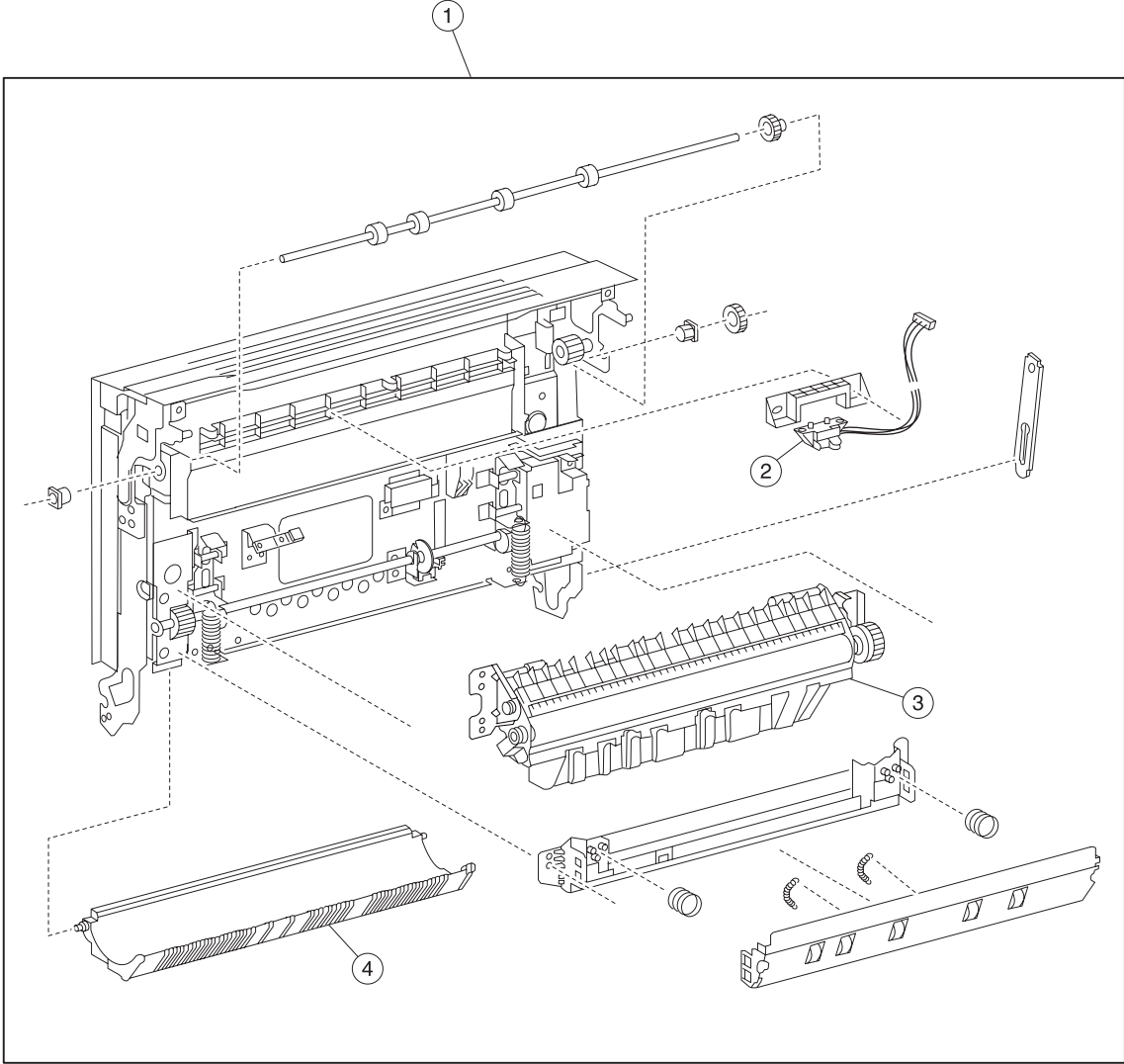
Asm-index	Part number	FRUs/ mach	Units/ FRU	Description
1	40X3692	1	1	Registration/transport roll assembly (this comes assembled)
2	40X3695	1	1	Sensor (transparency detect)
3	40X3694	2	1	Sensor (registration)
4	40X3693	1	1	Registration clutch

Assembly 13: Printer left door and duplex



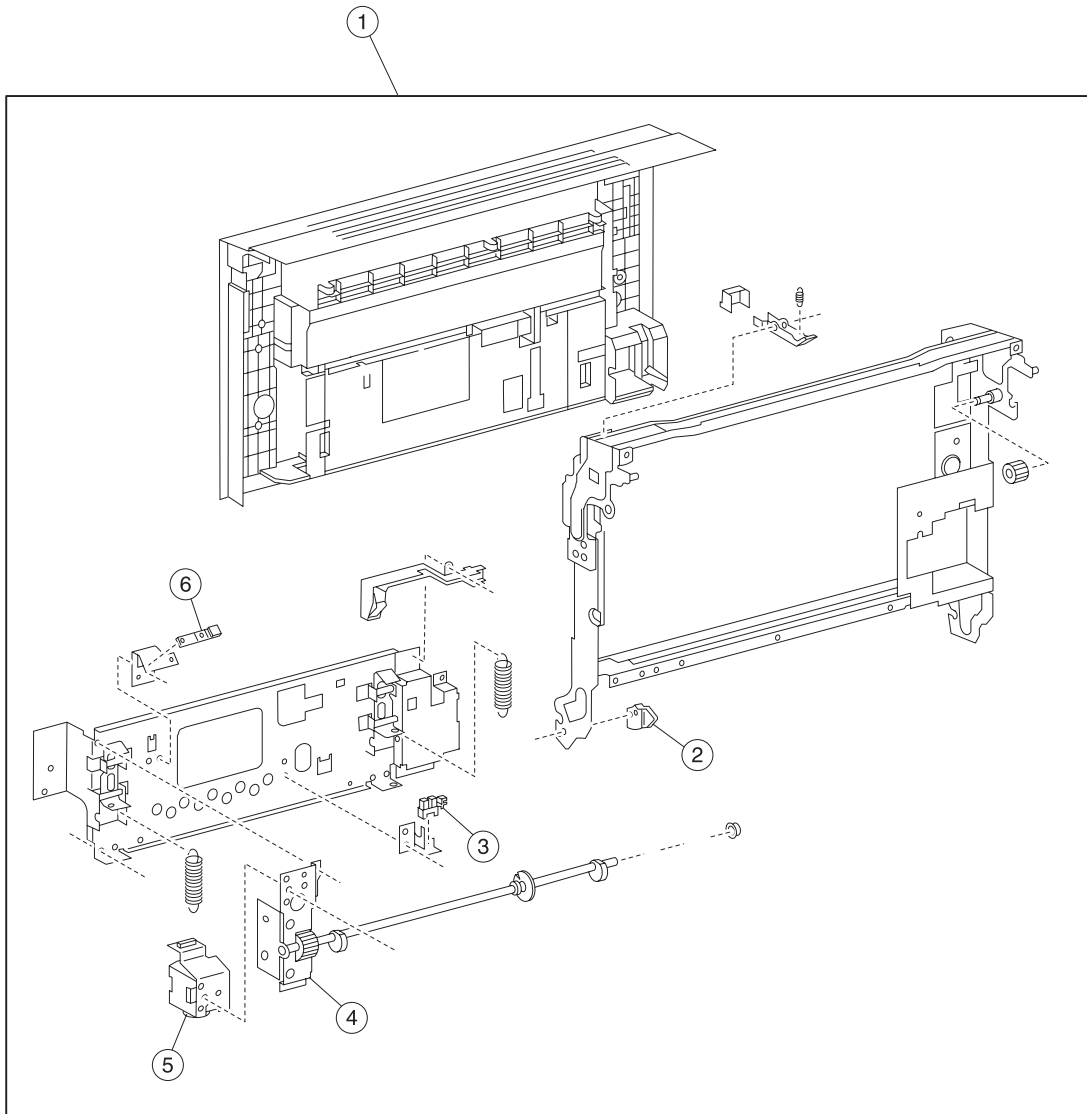
Asm-index	Part number	FRUs/ mach	Units/ FRU	Description
1	40X4078	1	1	Printer left door assembly (this comes assembled)
2	40X3697	1	1	Printer left door damper assembly
3	40X3696	1	1	Printer left door damper idler gear
4	40X3799	1	1	Duplex unit assembly (this comes assembled)
5	40X3798	1	1	Printer left door blind cover

Assembly 14: Printer left door assembly 1



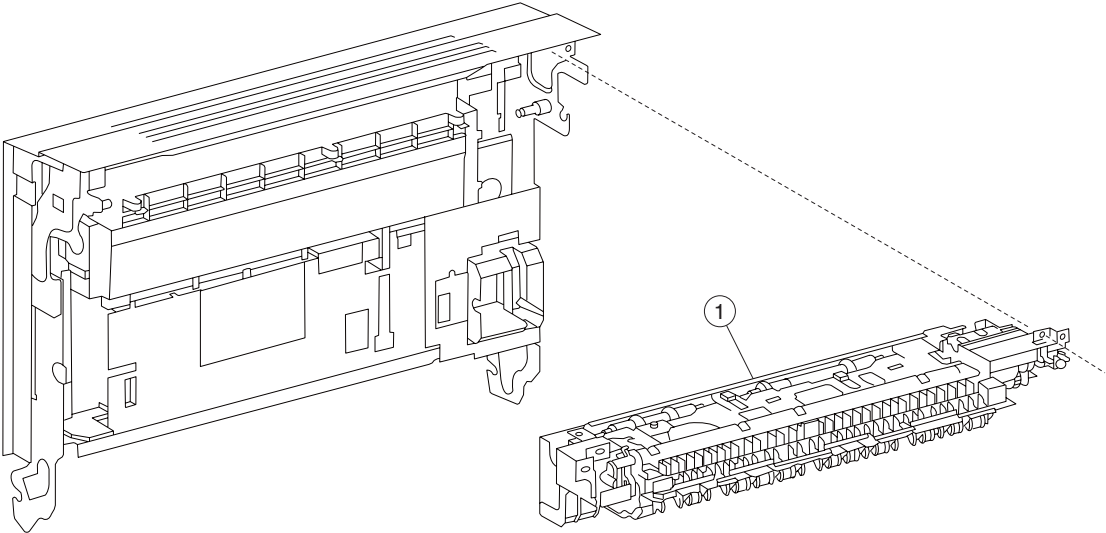
Asm-index	Part number	FRUs/mach	Units/FRU	Description
1	40X4078	1	1	Printer left door assembly (this comes assembled)
2	40X3699	1	1	Sensor (fuser exit)
3	40X3698	1	1	2nd transfer roll assembly
4	40X3700	1	1	Printer left door duplex exit guide

Assembly 15: Printer left door assembly 2



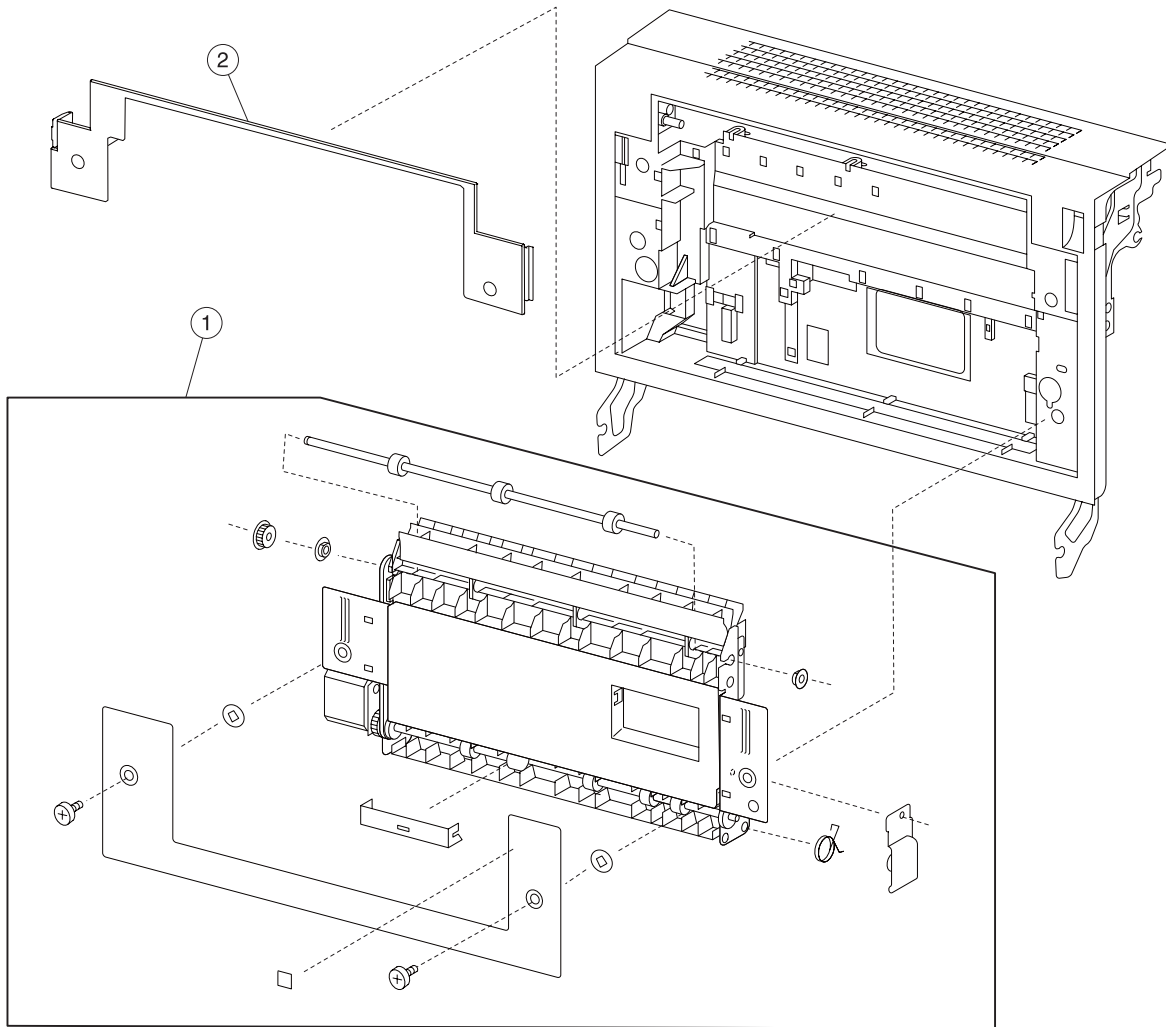
Asm-index	Part number	FRUs/ mach	Units/ FRU	Description
1	40X4078	1	1	Printer left door assembly (this comes assembled)
2	40X3704	1	1	Printer left door damper sector gear
3	40X3688	30	1	Sensor (2nd transfer roll retract HP)
4	40X3701	1	1	2nd transfer roll retract cam assembly
5	40X3702	1	1	2nd transfer retract motor assembly
6	40X3703	1	1	Sensor (media on belt)

Assembly 16: Duplex media inverter assembly



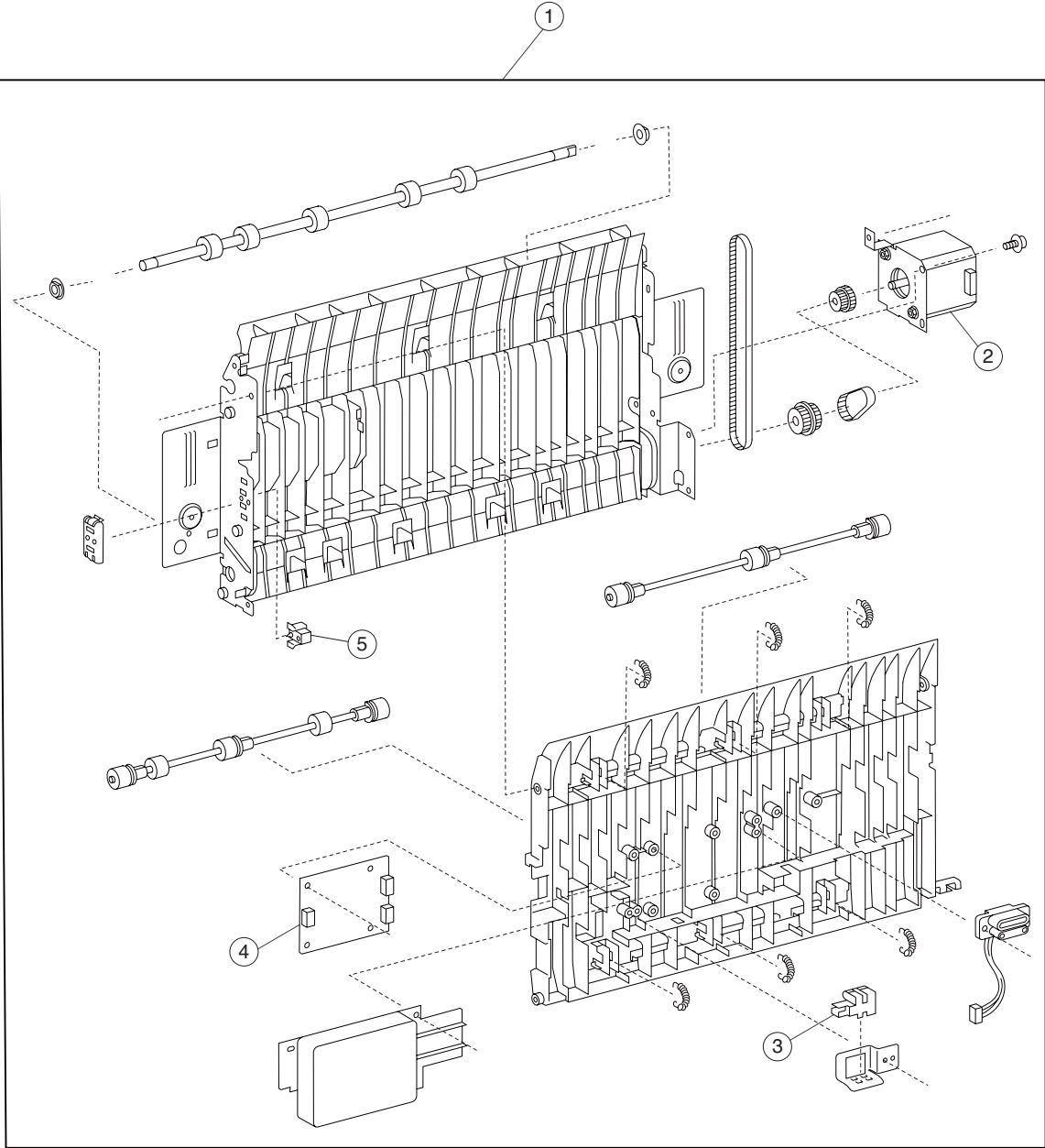
Asm-index	Part number	FRUs/mach	Units/FRU	Description
1	40X3797	1	1	Duplex media inverter assembly

Assembly 17: Duplex 1



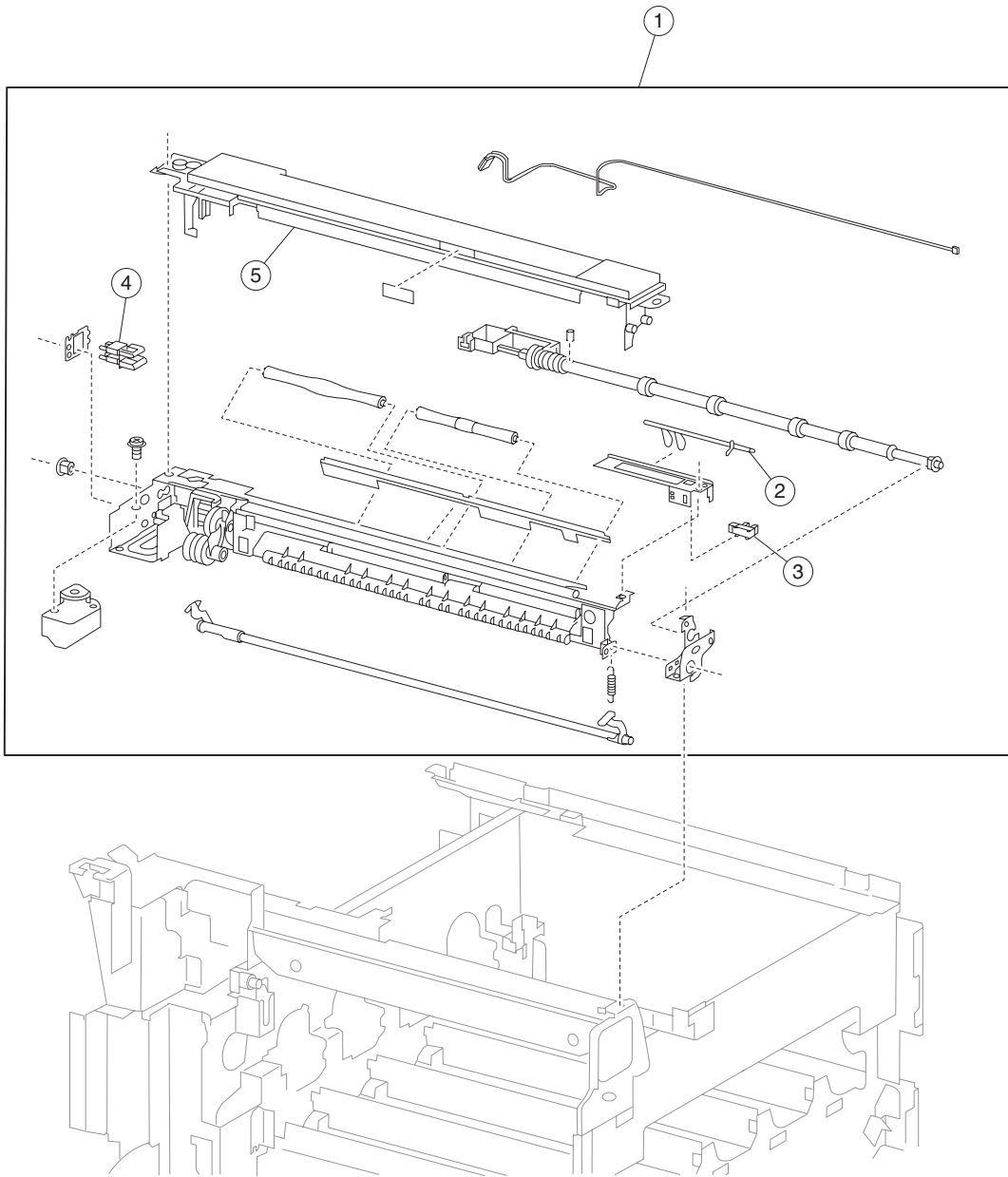
Asm-index	Part number	FRUs/mach	Units/FRU	Description
1	40X3799	1	1	Duplex unit assembly (this comes assembled)
2	40X3798	1	1	Printer left door blind cover

Assembly 18: Duplex 2



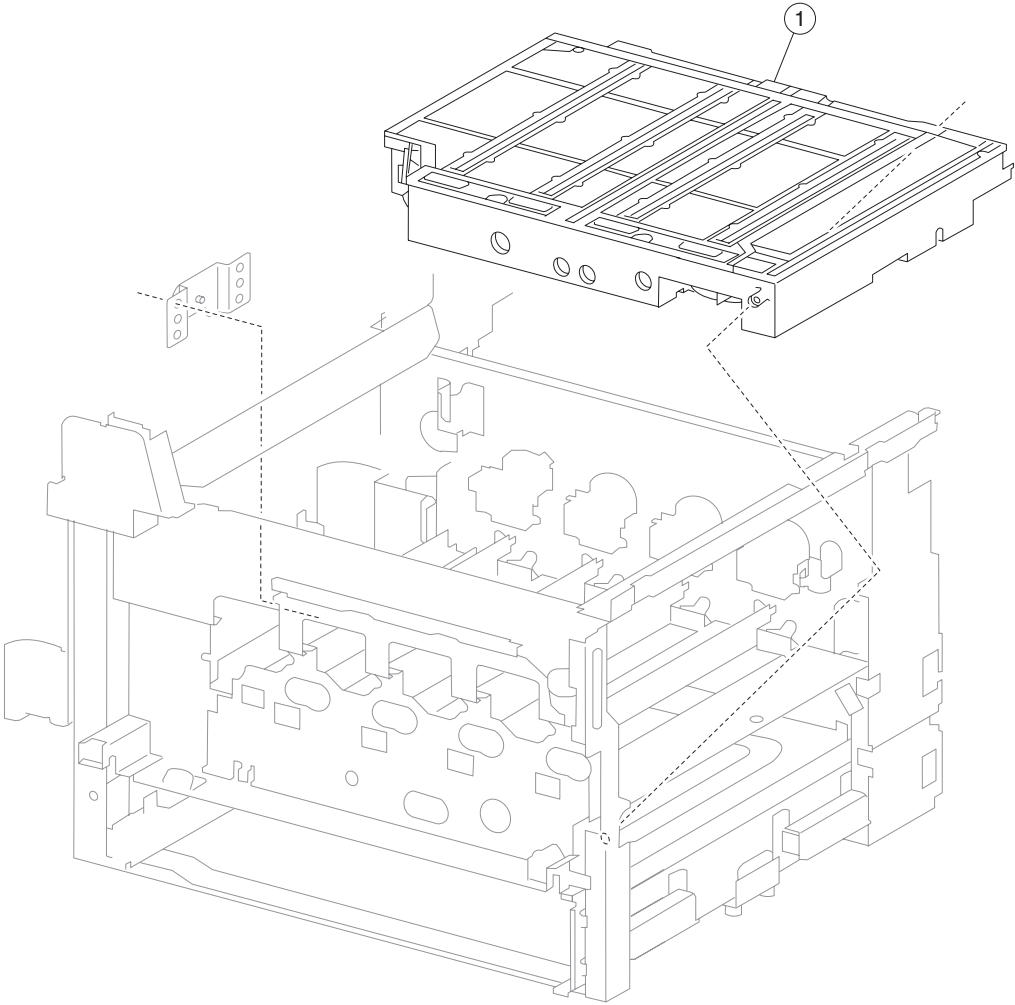
Asm-index	Part number	FRUs/mach	Units/FRU	Description
1	40X3799	1	1	Duplex unit assembly (this comes assembled)
2	40X3802	1	1	Duplex drive motor
3	40X3801	1	1	Sensor (duplex wait)
4	40X3800	1	1	Duplex controller card assembly
5	40X3803	1	1	Switch (duplex left door interlock)

Assembly 19: Standard media exit shift



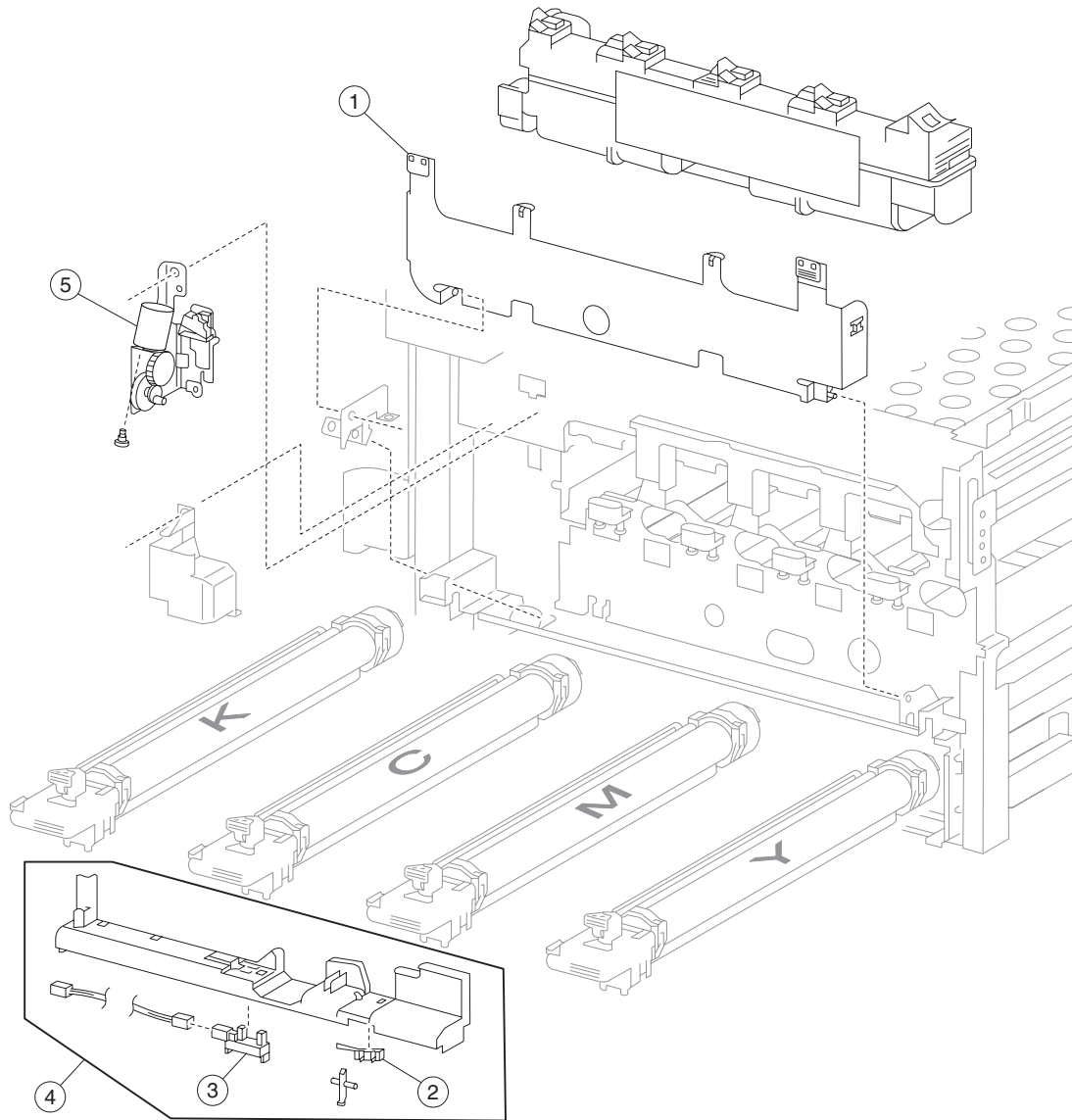
Asm-index	Part number	FRUs/mach	Units/FRU	Description
1	40X3705	1	1	Standard media exit shift assembly (this comes assembled)
2	40X3707	1	1	Standard bin full actuator
3	40X3688	30	1	Sensor (standard bin full)
4	40X0553	3	1	Switch (printer left door interlock)
5	40X3706	1	1	Standard exit top cover

Assembly 20: Printhead assembly



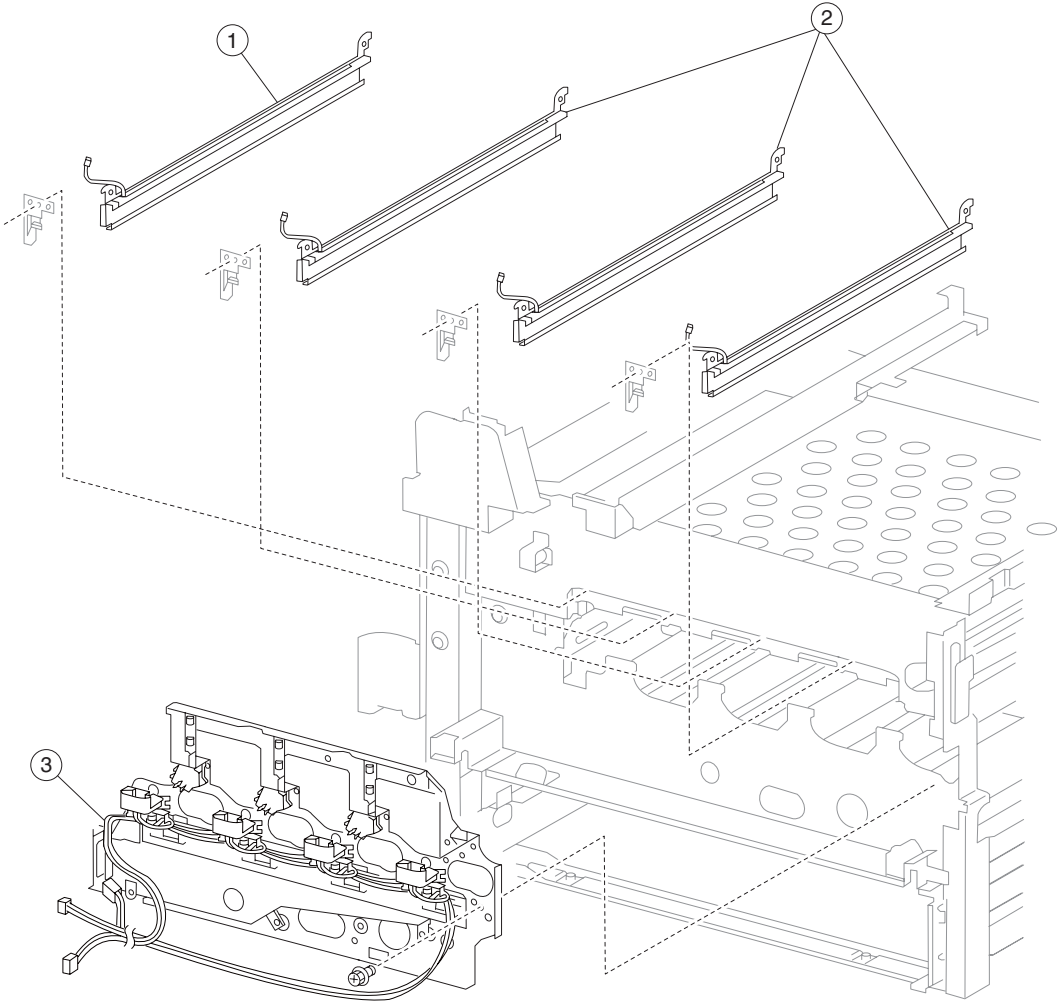
Asm-index	Part number	FRUs/mach	Units/FRU	Description
1	40X3712	1	1	Printhead assembly

Assembly 21: Xerographic and waste toner



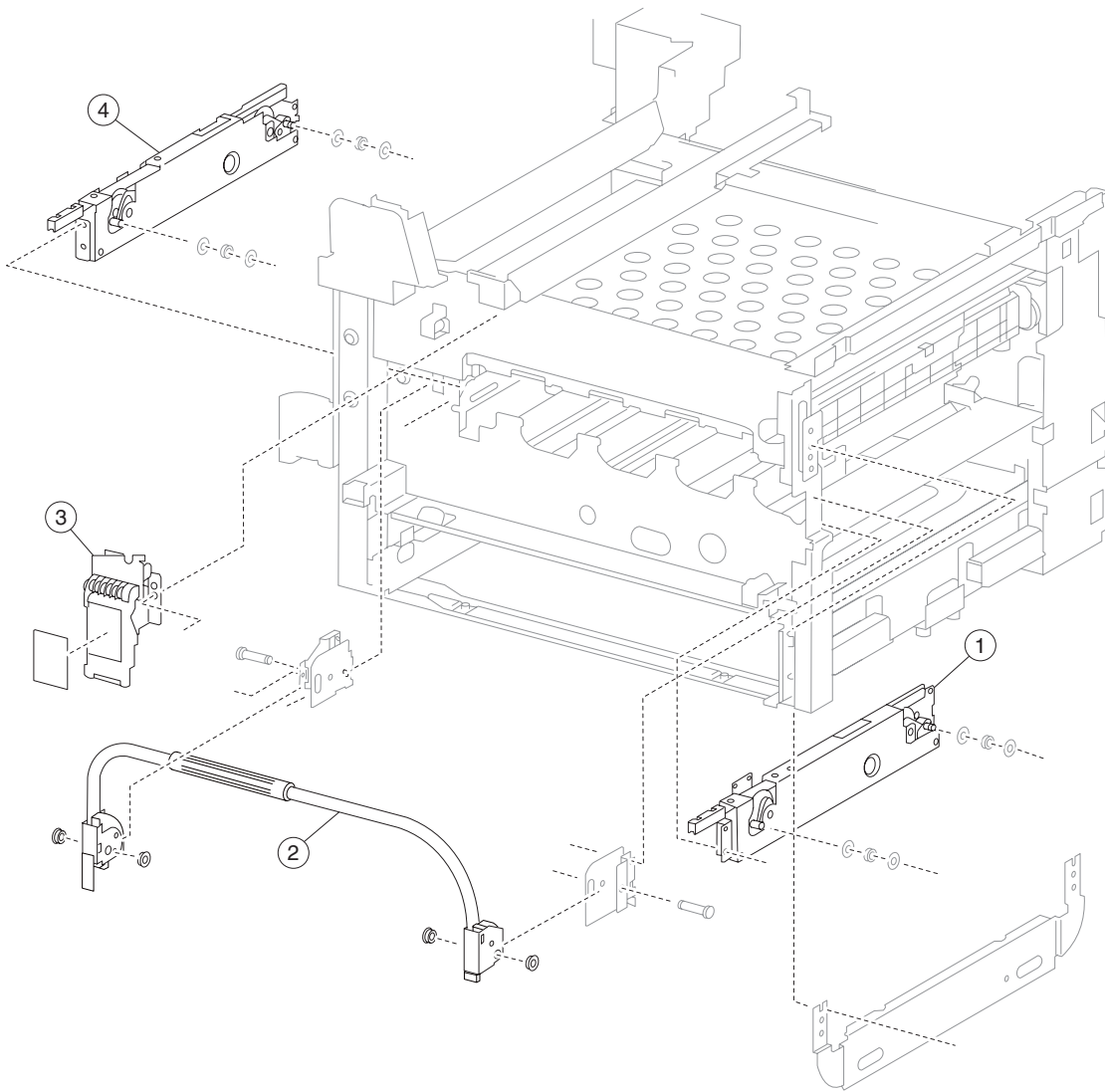
Asm-index	Part number	FRUs/ mach	Units/ FRU	Description
1	40X3713	1	1	Waste toner cartridge cover
2	40X3715	1	1	Switch (waste toner cartridge interlock)
3	40X3717	1	1	Sensor (waste toner cartridge full)
4	40X3714	1	1	Waste toner cartridge sensor assembly (this comes assembled)
5	40X3716	1	1	Waste toner agitator motor assembly

Assembly 22: Erase lamps and developer interlock plate



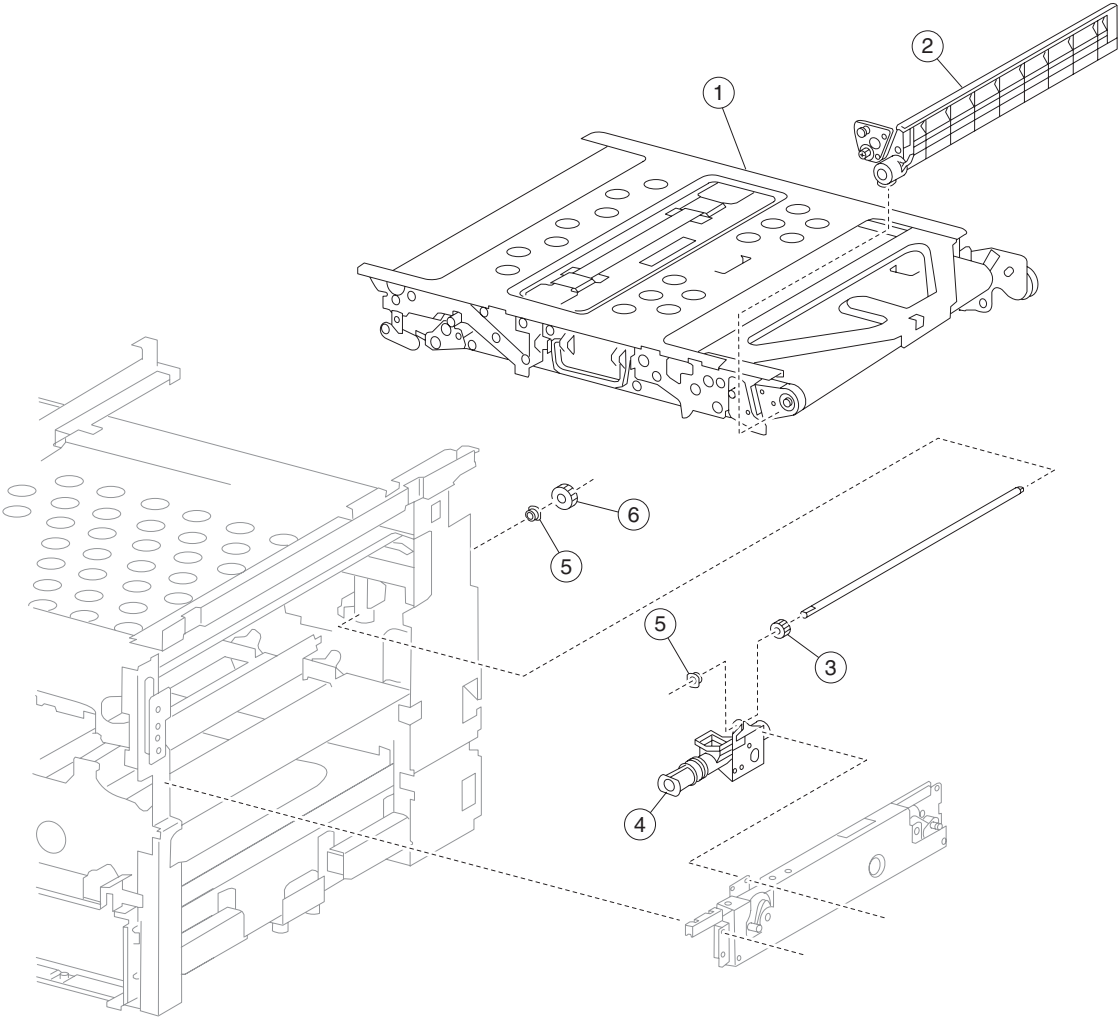
Asm-index	Part number	FRUs/mach	Units/FRU	Description
1	40X3720	1	1	K erase lamp assembly
2	40X3719	3	1	CMY erase lamp assembly
3	40X3718	1	1	Developer interlock plate assembly

Assembly 23: Transfer belt lift 1



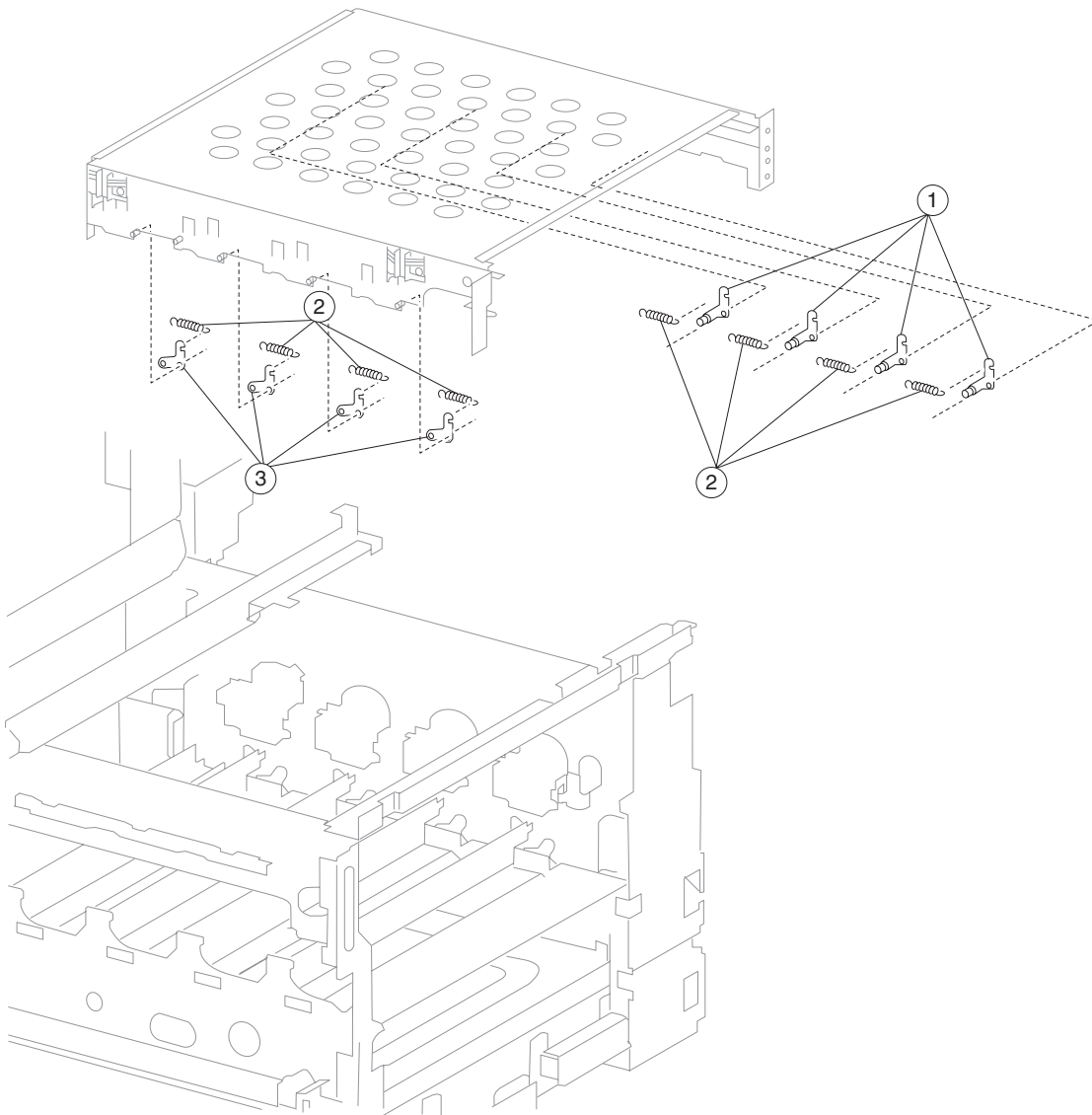
Asm-index	Part number	FRUs/ mach	Units/ FRU	Description
1	40X3722	1	1	Right transfer belt lift assembly
2	40X3727	1	1	Transfer belt lift handle assembly
3	40X3723	1	1	Transfer belt lift latch assembly with label
4	40X3721	3	1	Left transfer belt lift assembly

Assembly 24: Transfer belt



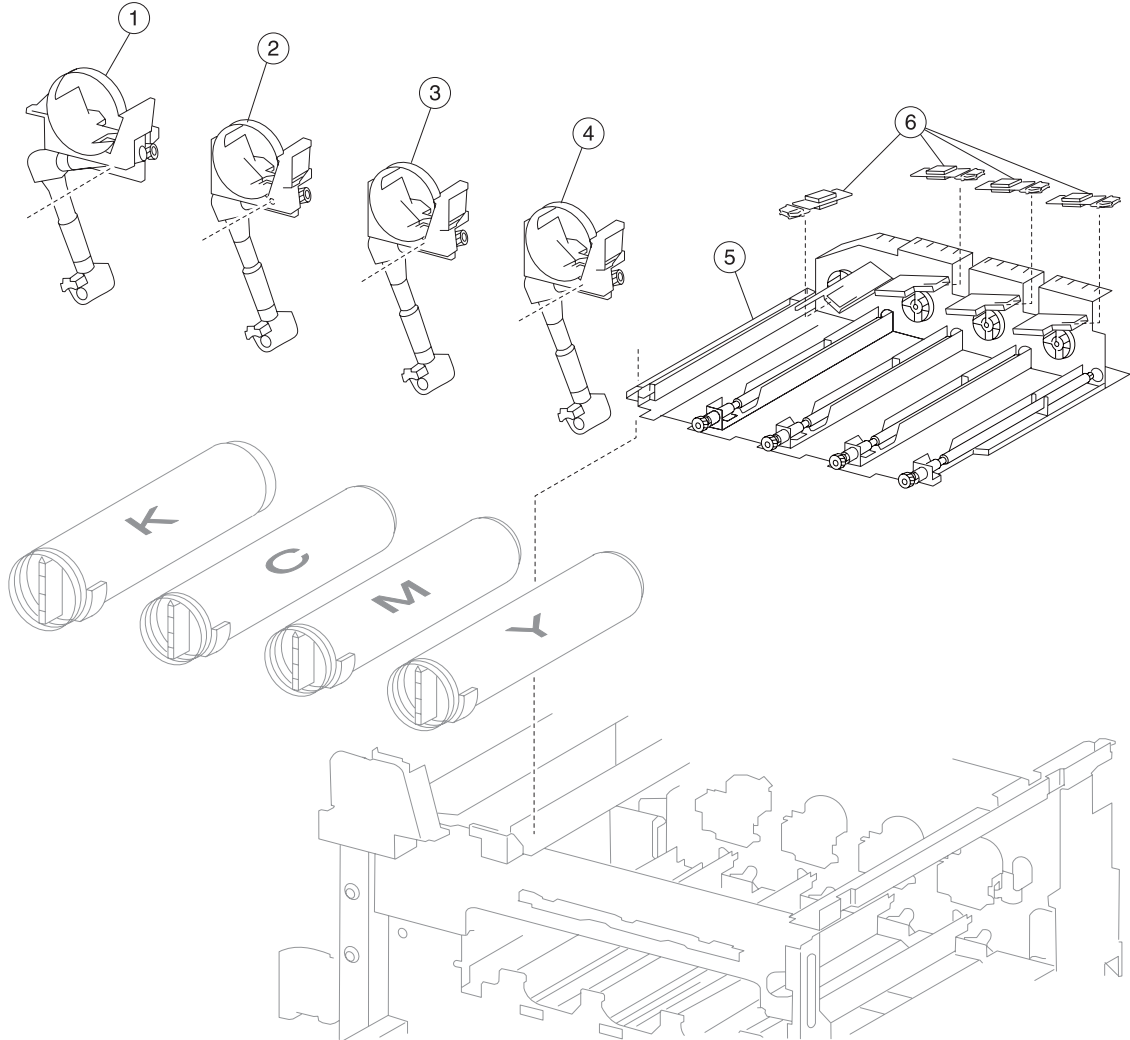
Asm-index	Part number	FRUs/mach	Units/FRU	Description
1	40X3732	1	1	Transfer belt unit assembly
2	40X3733	1	1	Transfer belt cleaner assembly
3	40X3729	1	1	Transfer belt auger front gear 14T
4	40X3731	1	1	Transfer belt auger assembly
5	40X0880	6	1	Bushing 6 mm
6	40X3730	1	1	Transfer belt auger rear gear 18T

Assembly 25: Transfer belt lift 2



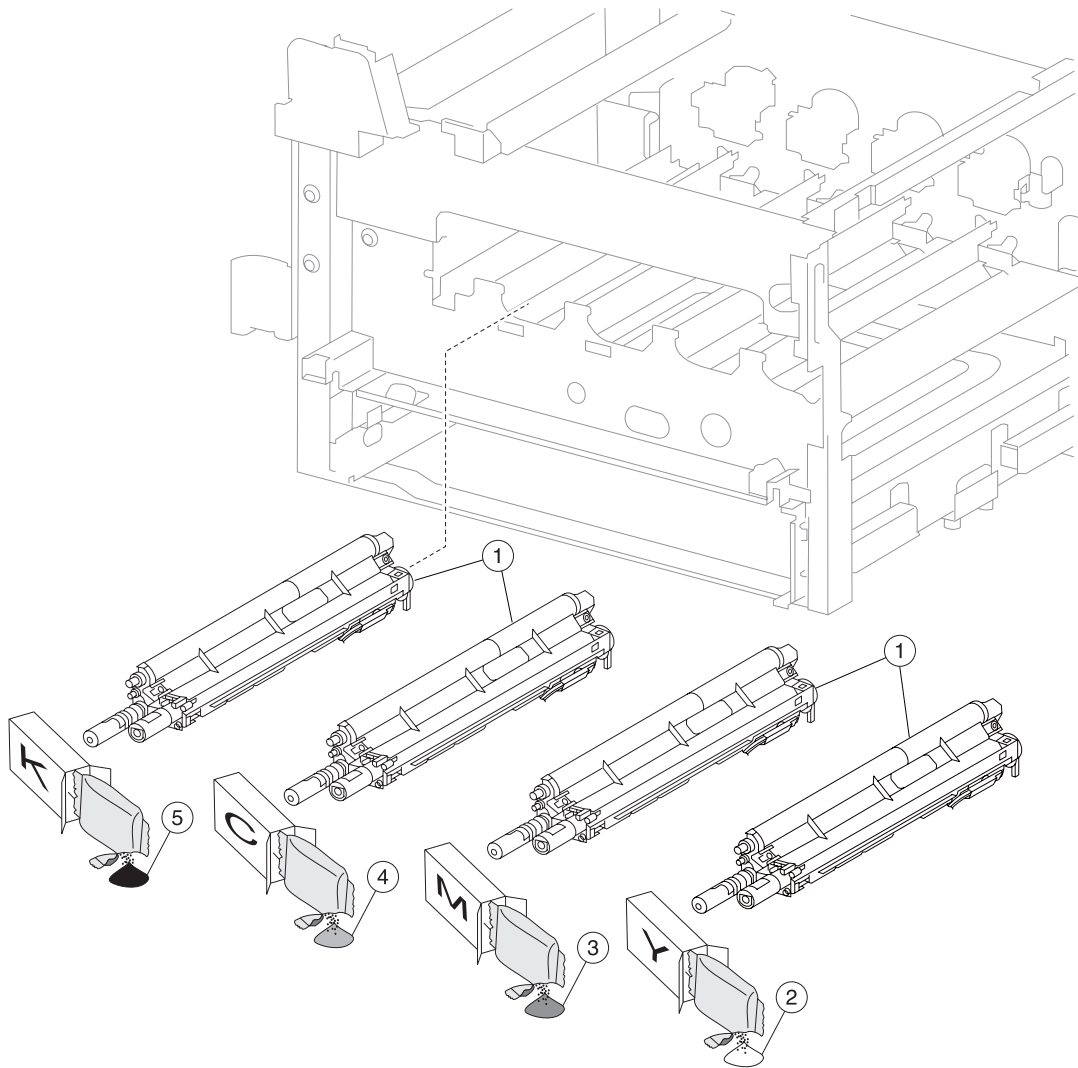
Asm-index	Part number	FRUs/ mach	Units/ FRU	Description
1	40X3735	4	1	Transfer belt lift rear plunger assembly
2	40X3734	8	1	Transfer belt lift recoil spring
3	40X3736	4	1	Transfer belt lift front plunger assembly

Assembly 26: Toner Dispense



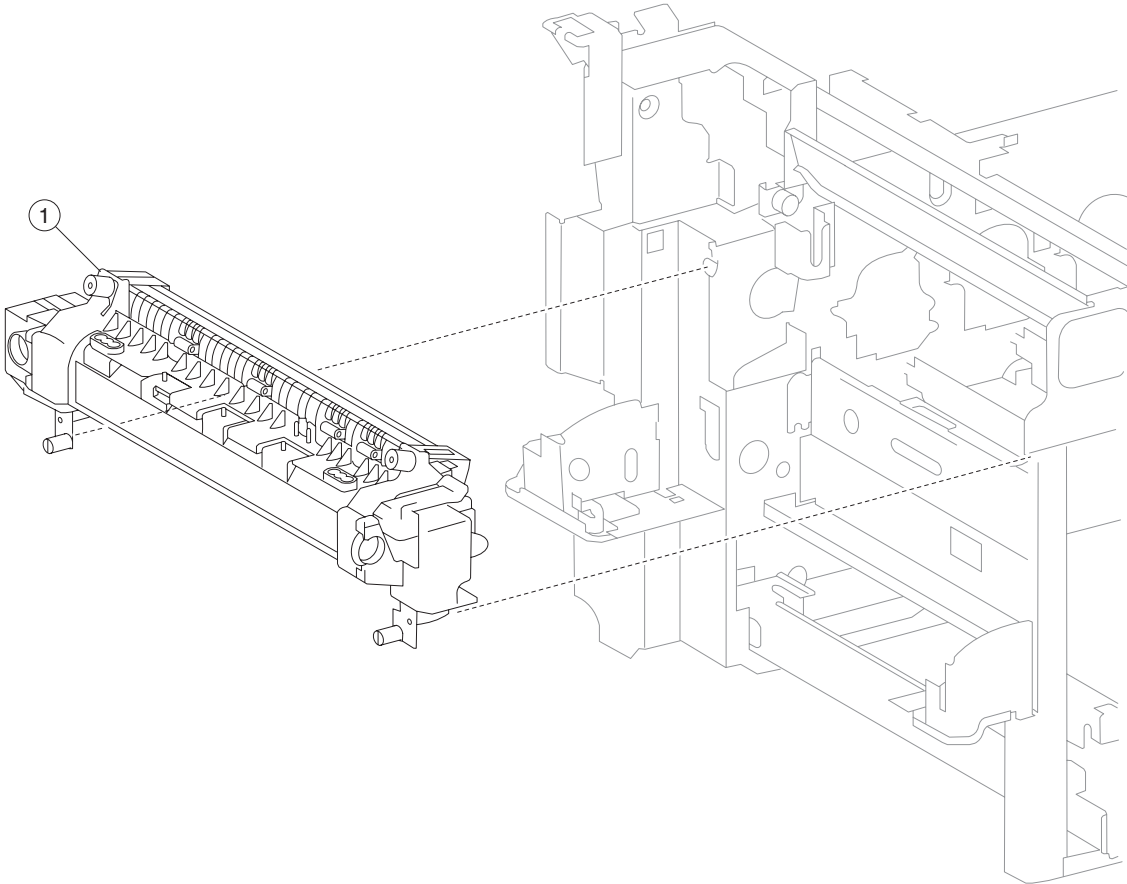
Asm-index	Part number	FRUs/mach	Units/FRU	Description
1	40X3740	1	1	K toner dispense assembly
2	40X3739	1	1	C toner dispense assembly
3	40X3738	1	1	M toner dispense assembly
4	40X3737	1	1	Y toner dispense assembly
5	40X3741	1	1	CMYK toner add motor assembly
6	40X0636	4	1	Sensor (RFID toner cartridge)

Assembly 27: Developer unit assemblies



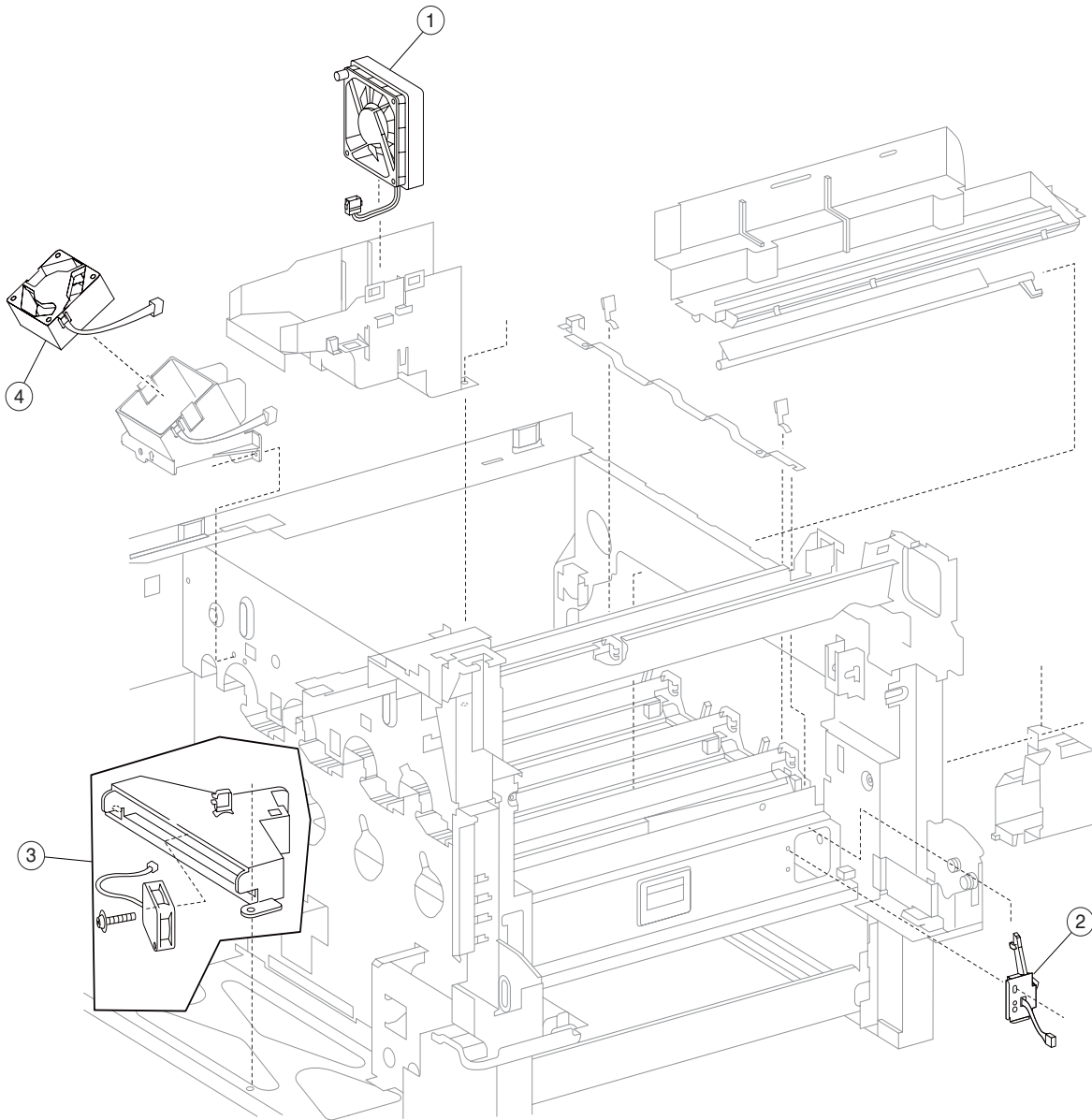
Asm-index	Part number	FRUs/mach	Units/FRU	Description
1	40X3742	4	1	Developer unit assembly
2	40X3744	1	1	Y developer carrier
3	40X3745	1	1	M developer carrier
4	40X3746	1	1	C developer carrier
5	40X3743	1	1	K developer carrier

Assembly 28: Fuser assembly



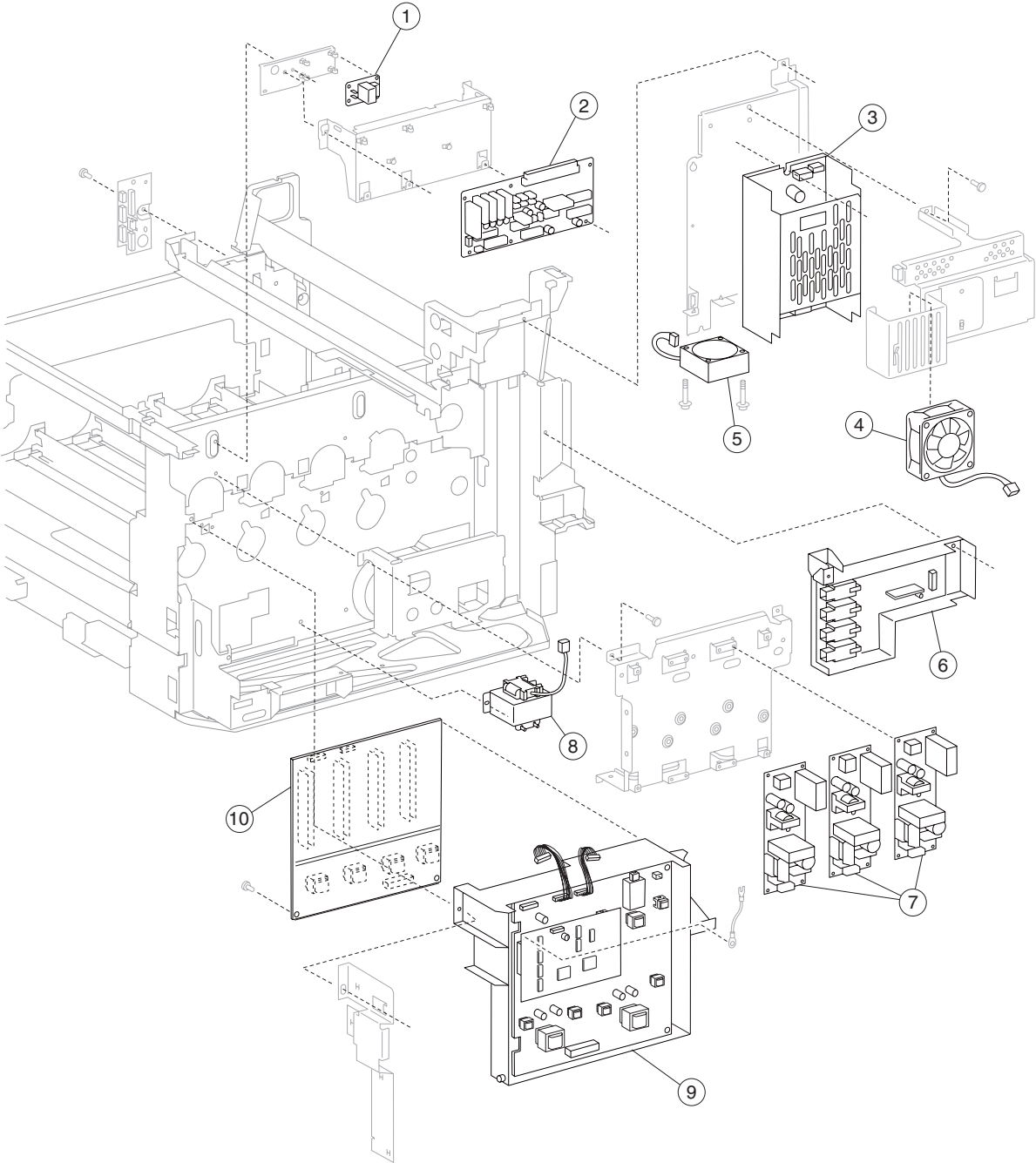
Asm-index	Part number	FRUs/mach	Units/FRU	Description
1	40X3747	1	1	Fuser assembly 110 V
1	40X3748	1	1	Fuser assembly 220 V

Assembly 29: Cooling fans



Asm-index	Part number	FRUs/ mach	Units/ FRU	Description
1	40X3750	1	1	Fuser cooling fan
2	40X3749	1	1	Printhead shutter motor assembly
3	40X3752	1	1	Rear lower cooling fan assembly (this comes assembled)
4	40X3751	1	1	Transfer belt drive motor cooling fan

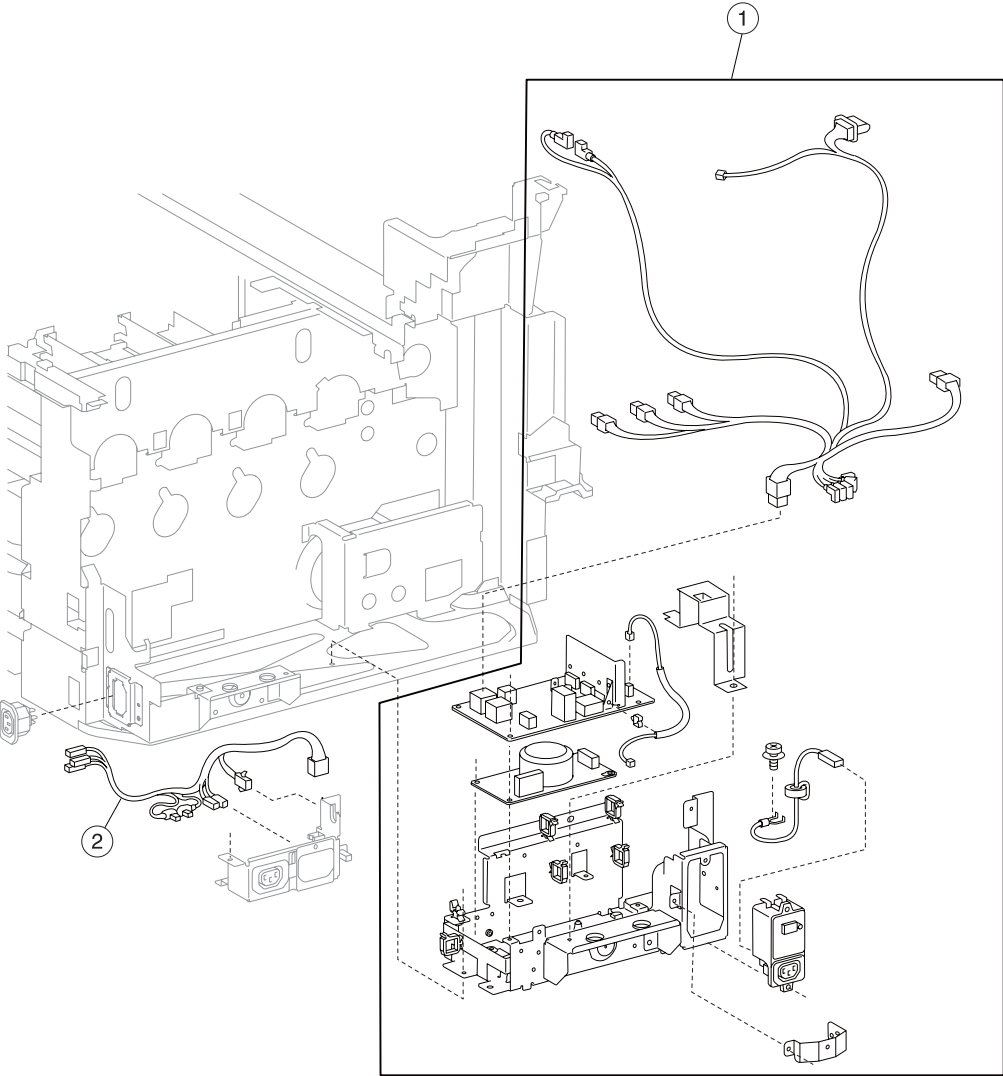
Assembly 30: Electrical 1



Assembly 30: Electrical 1

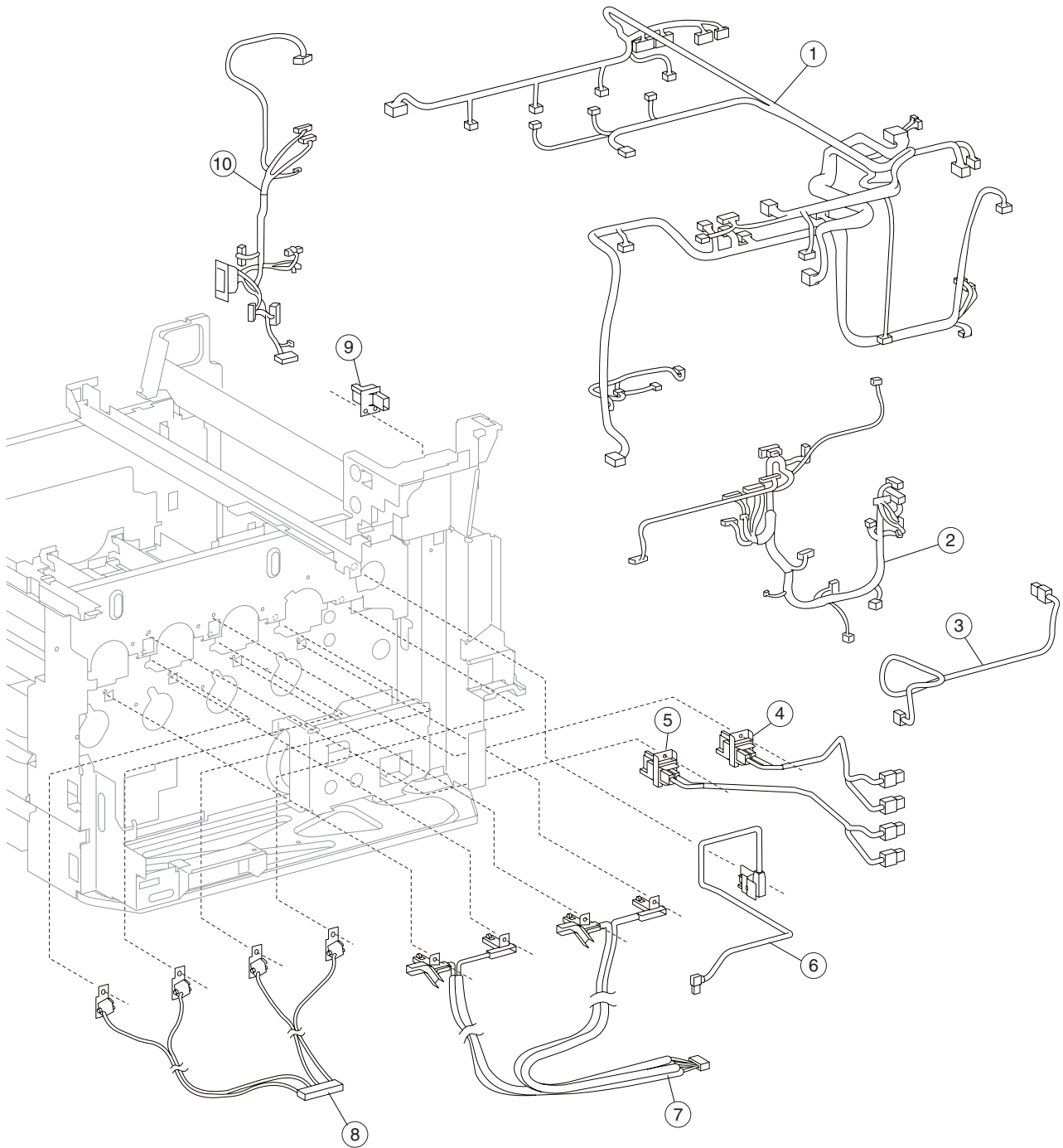
Asm-index	Part number	FRUs/mach	Units/FRU	Description
1	40X3762	1	1	Laser diode power card assembly
2	40X3757	1	1	Lower printer engine card assembly
3	40X3758	1	1	24 V LVPS card assembly
4	40X3763	1	1	Rear upper cooling fan
5	40X3759	1	1	24 V LVPS cooling fan
6	40X3760	1	1	CMYK transfer roll HVPS card assembly
7	40X3755	3	1	5 V LVPS card assembly 110 V
7	40X3756	3	1	5 V LVPS card assembly 220 V
8	40X3761	1	1	Noise filter assembly
9	40X3753	1	1	Developer/transfer roll HVPS card assembly
10	40X3754	1	1	Charge roll HVPS card assembly

Assembly 31: Electrical 2



Asm-index	Part number	FRUs/mach	Units/FRU	Description
1	40X3764	1	1	AC drive card bracket assembly 110 V (this comes assembled)
1	40X3765	1	1	AC drive card bracket assembly 220 V (this comes assembled)
2	40X3766	1	1	Outlet power panel cable assembly

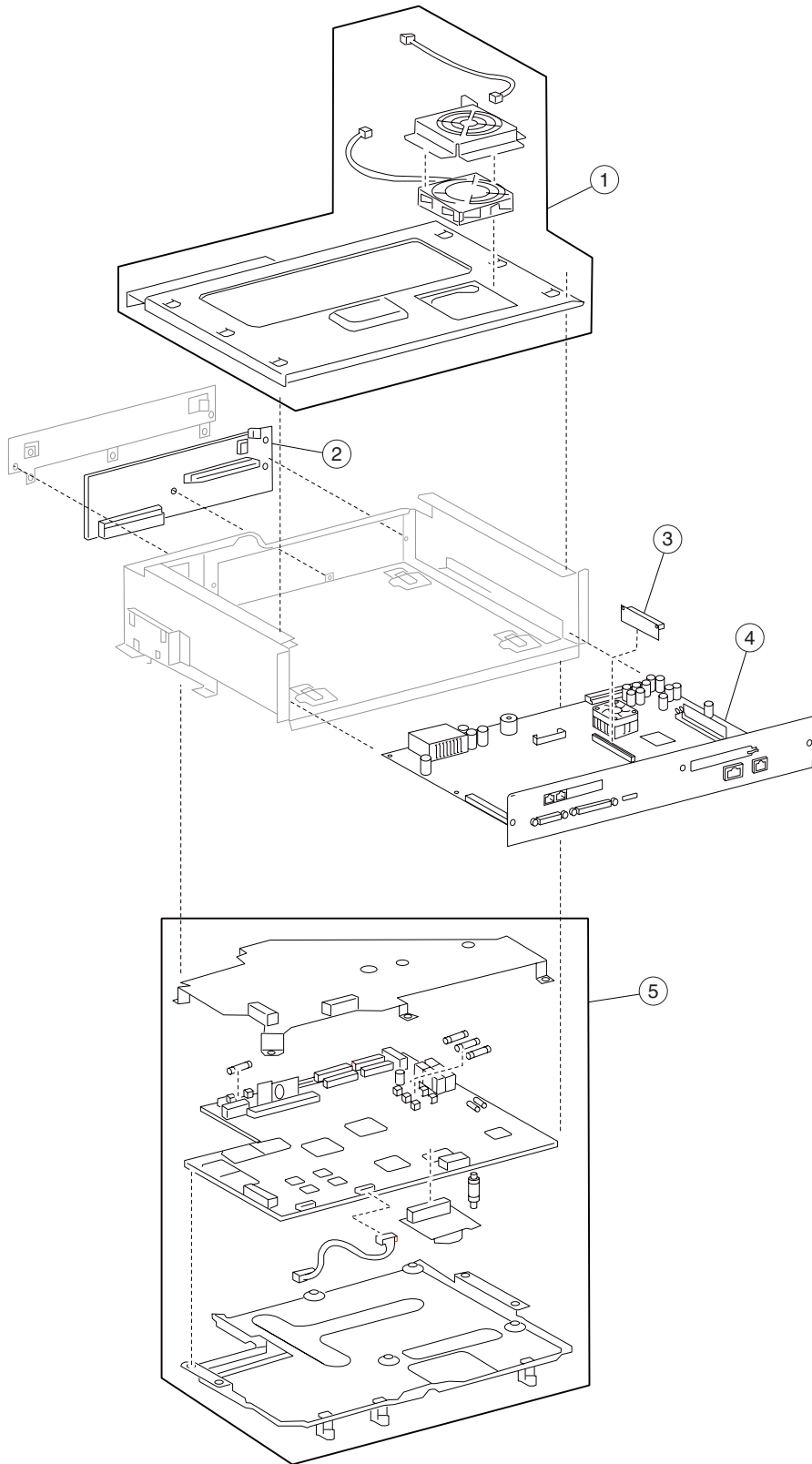
Assembly 32: Electrical 3



Assembly 32: Electrical 3

Asm-index	Part number	FRUs/ mach	Units/ FRU	Description
1	40X3775	1	1	DC main cable assembly
2	40X3776	1	1	DC rear right cable assembly
3	40X3774	1	1	2nd transfer charge roll cable
4	40X3771	1	1	CK transfer roll cable assembly
5	40X3770	1	1	YM transfer roll cable assembly
6	40X3772	1	1	Transfer belt charge cable
7	40X3769	1	1	Charge roll block cable assembly
8	40X3768	1	1	Developer block cable assembly
9	40X3773	1	1	2nd transfer roll charge connector
10	40X3777	1	1	DC rear left cable assembly

Assembly 33: Electrical 4



Assembly 33: Electrical 4

Asm-index	Part number	FRUs/mach	Units/FRU	Description
1	40X3804	1	1	RIP card cooling fan cover assembly (this comes assembled)
2	40X3807	1	1	RIP bridge card assembly
3	40X2359	1	1	Interconnect card assembly
4	40X4092	1	1	SFP RIP card assembly
5	40X3808	1	1	Upper printer engine card chassis assembly

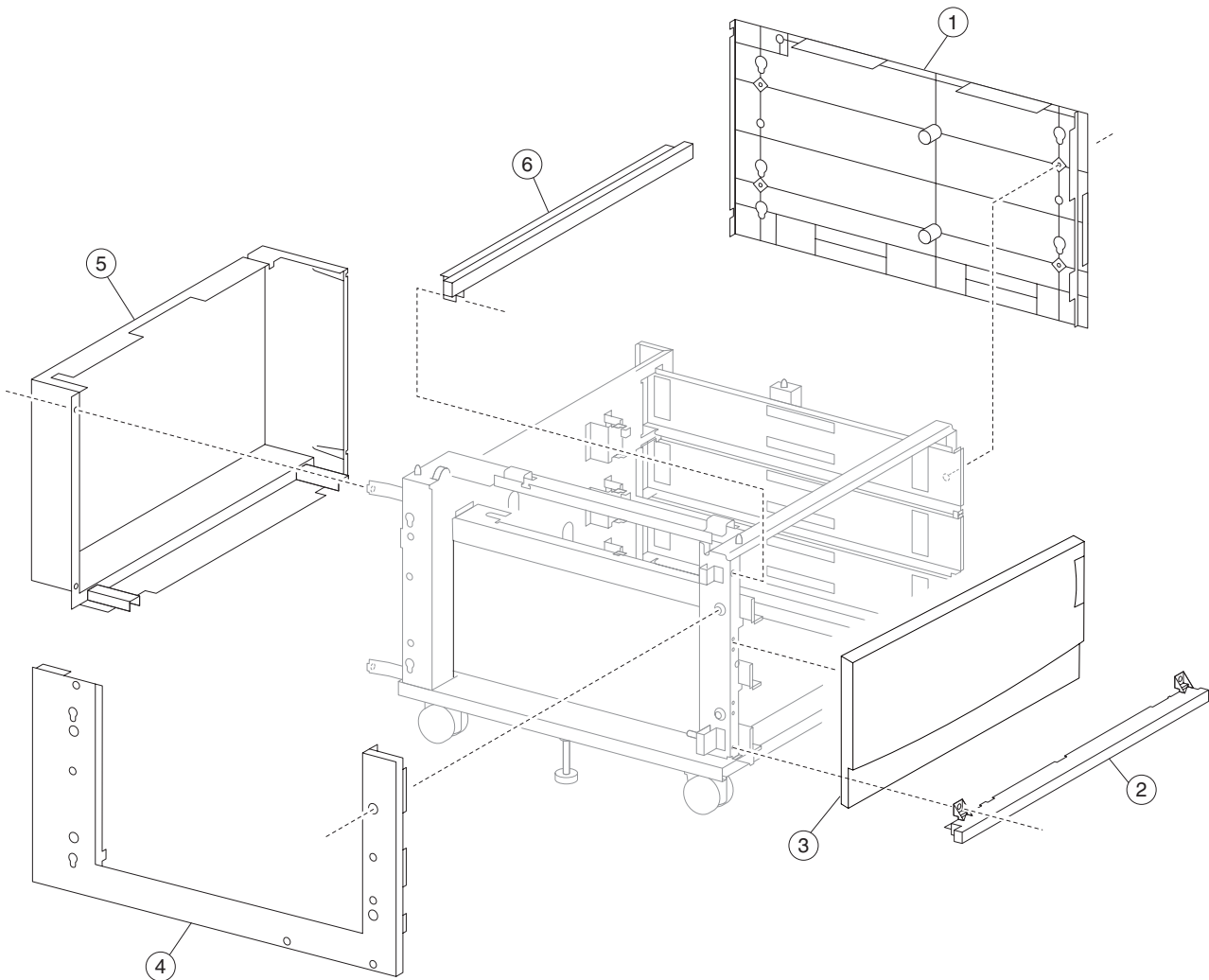
WARNING: In the event of replacement of any one of the following components:

- Operator panel assembly
- Operator panel controller card assembly
- RIP card assembly
- Interconnect card assembly

Only replace one component at a time. Replace the required component, and perform a POR before replacing a second component listed above. If this procedure is not followed, the printer will be rendered inoperable. Never replace two or more of the components listed above without a POR after installing each one, or the printer will be rendered inoperable.

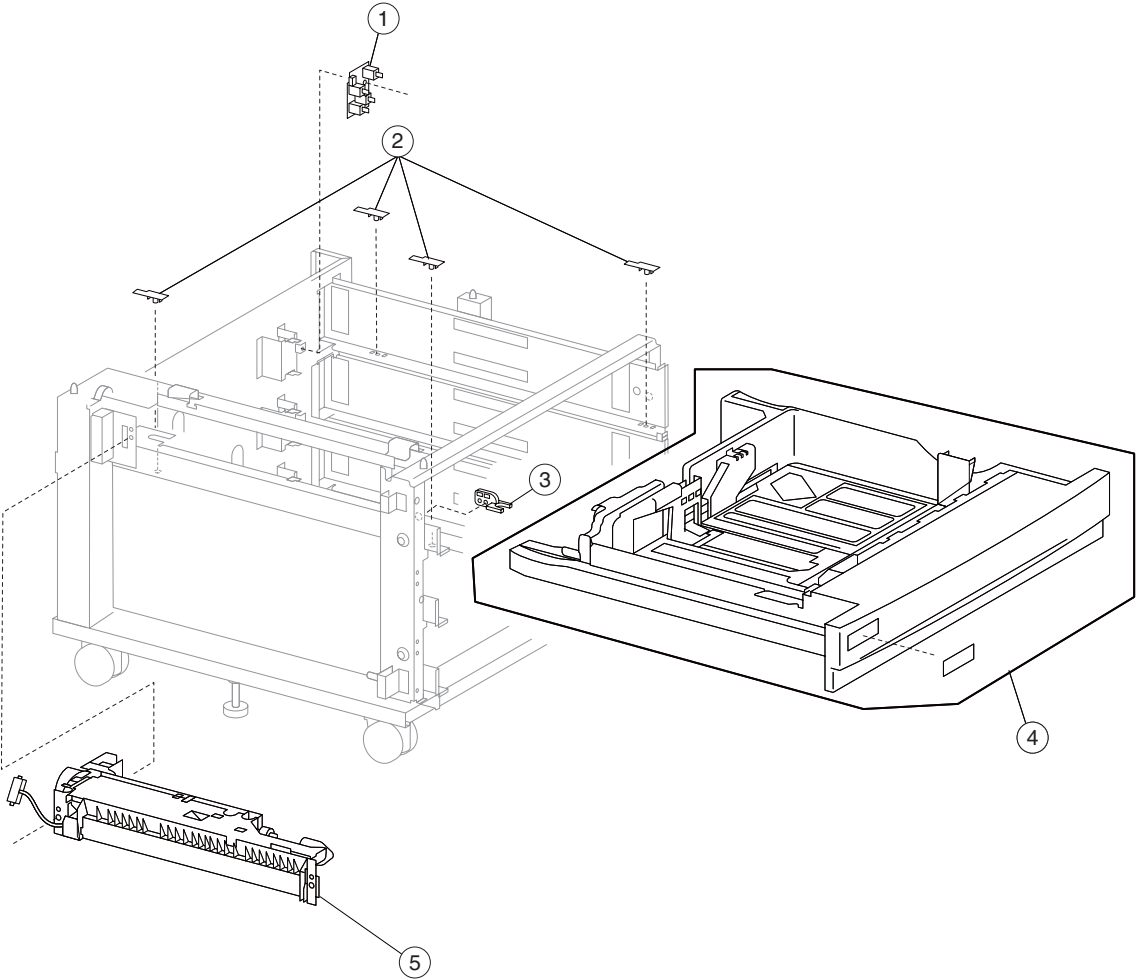
WARNING: Never install and remove components listed above as a method of troubleshooting components. Once a component has been installed in a machine, it cannot be used in another machine. It must be returned to the manufacturer.

Assembly 34: 1TM covers



Asm-index	Part number	FRUs/ mach	Units/ FRU	Description
1	40X3825	1	1	Tray module right cover
2	40X3824	1	1	Tray module foot cover
3	40X4142	1	1	1TM front door assembly
4	40X3826	2	1	Tray module left cover
5	40X3827	1	1	Tray module rear cover
6	40X3823	1	1	Tray module top cover

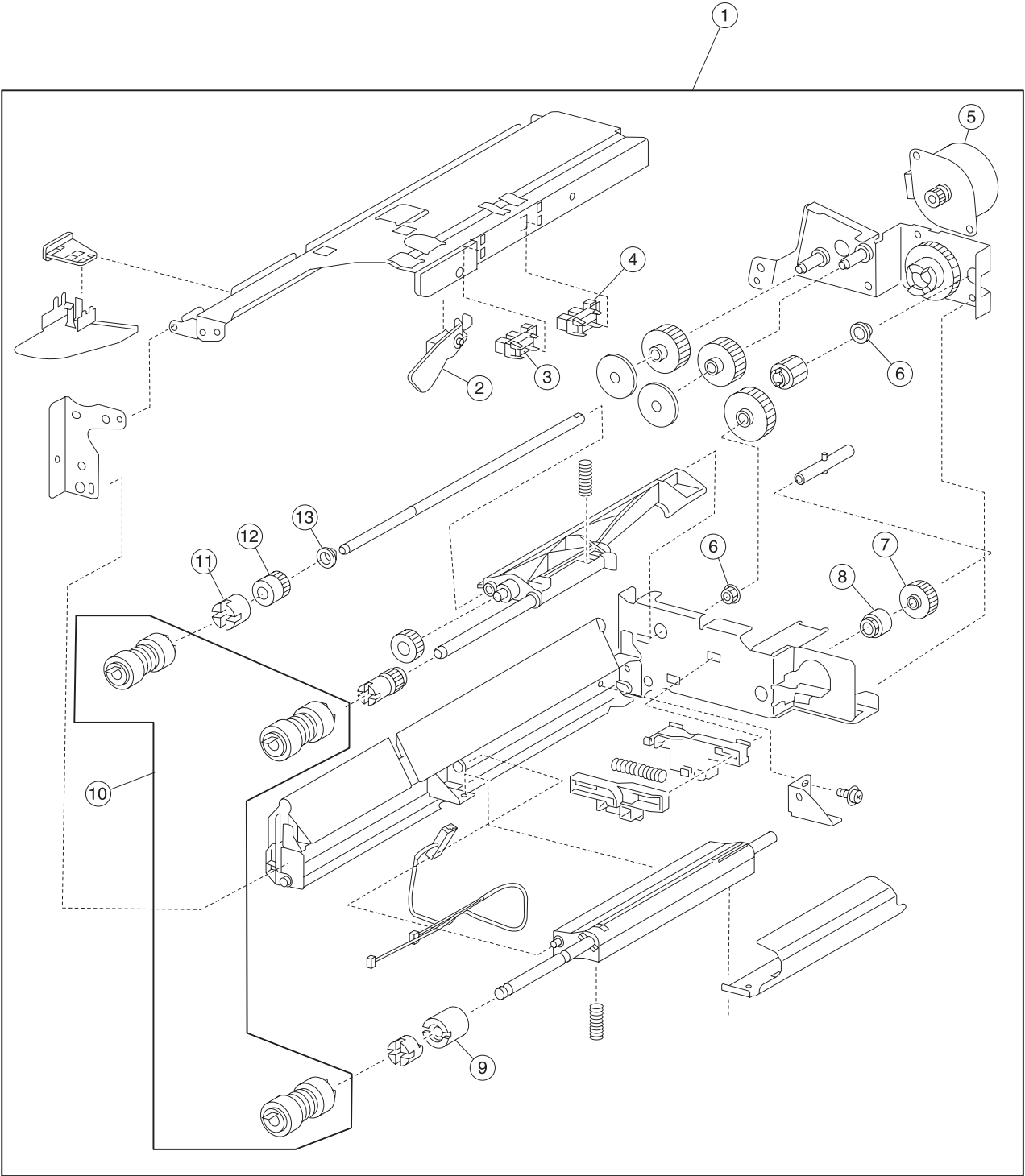
Assembly 35: 1TM feed unit assembly



Assembly 35: 1TM feed unit assembly

Asm-index	Part number	FRUs/mach	Units/FRU	Description
1	40X3677	3	1	Switch (media size)
2	40X3676	6	1	Media tray slide
3	40X3675	3	1	Media tray catch
4	40X3678	3	6	Media tray assembly kit <ul style="list-style-type: none"> • Media tray assembly • #1 label • #2 label • #3 label • #4 label • Instruction label
5	40X3679	1	1	Media feed unit assembly

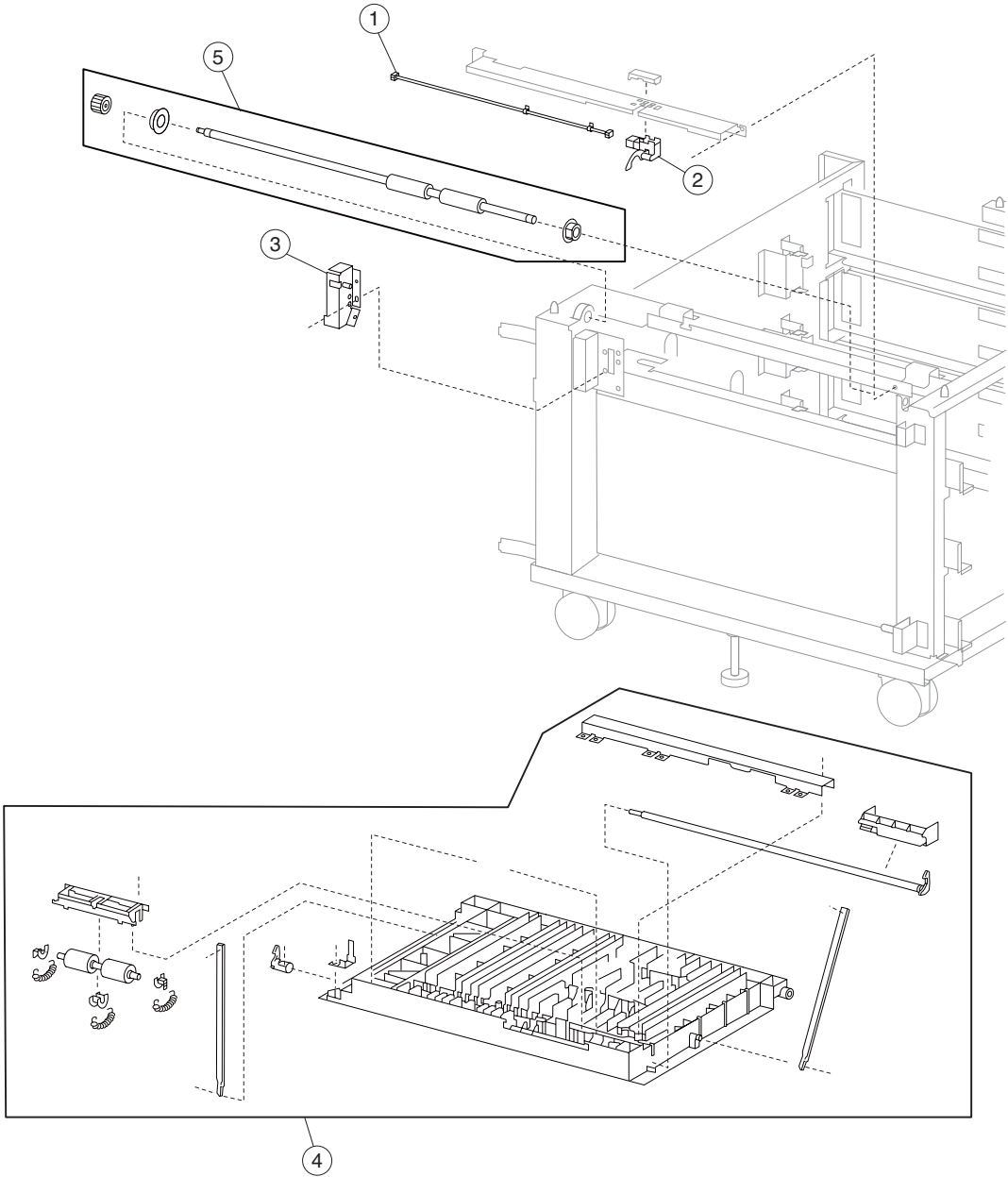
Assembly 36: 1TM media feed unit



Assembly 36: 1TM media feed unit

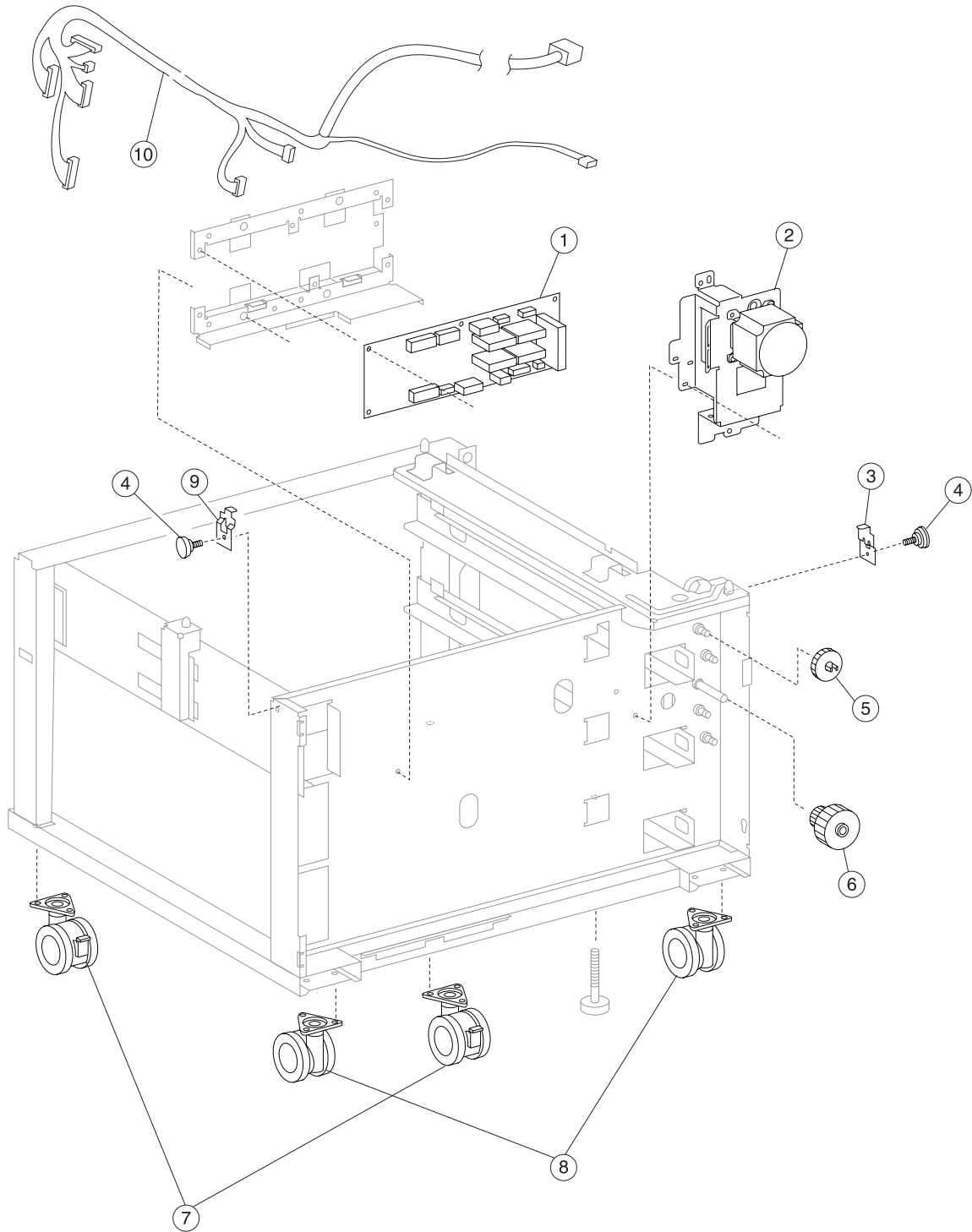
Asm-index	Part number	FRUs/ mach	Units/ FRU	Description
1	40X3679	4	1	Media feed unit assembly
2	40X3687	4	1	Media out actuator
3	40X3688	30	1	Sensor (tray media out)
4	40X3688	30	1	Sensor (tray media level)
5	40X3684	4	1	Media feed lift motor
6	40X0888	6	1	Bushing 6 mm
7	40X3686	4	1	Media tray lift one-way gear
8	40X3685	4	1	Media tray lift one-way clutch
9	40X4086	4	2	Separation roll friction clutch
10	40X3689	2	1	Feed unit roll kit <ul style="list-style-type: none"> • Feed roll (2) • Pick roll (2) • Separation roll (2)
11	40X3690	4	1	Feed roll one-way clutch
12	40X3691	4	1	Feed roll one-way gear 22T
13	40X0952	6	1	Bushing 6 mm

Assembly 37: 1TM left door



Asm-index	Part number	FRUs/mach	Units/FRU	Description
1	40X3818	1	1	Tray 2 feed-out sensor cable assembly
2	40X3817	1	1	Sensor (tray 2 feed-out)
3	40X3821	1	1	Switch (tray module left door interlock)
4	40X4141	1	1	1TM left door assembly (this comes assembled)
5	40X4119	1	1	Tray module media transport roll assembly

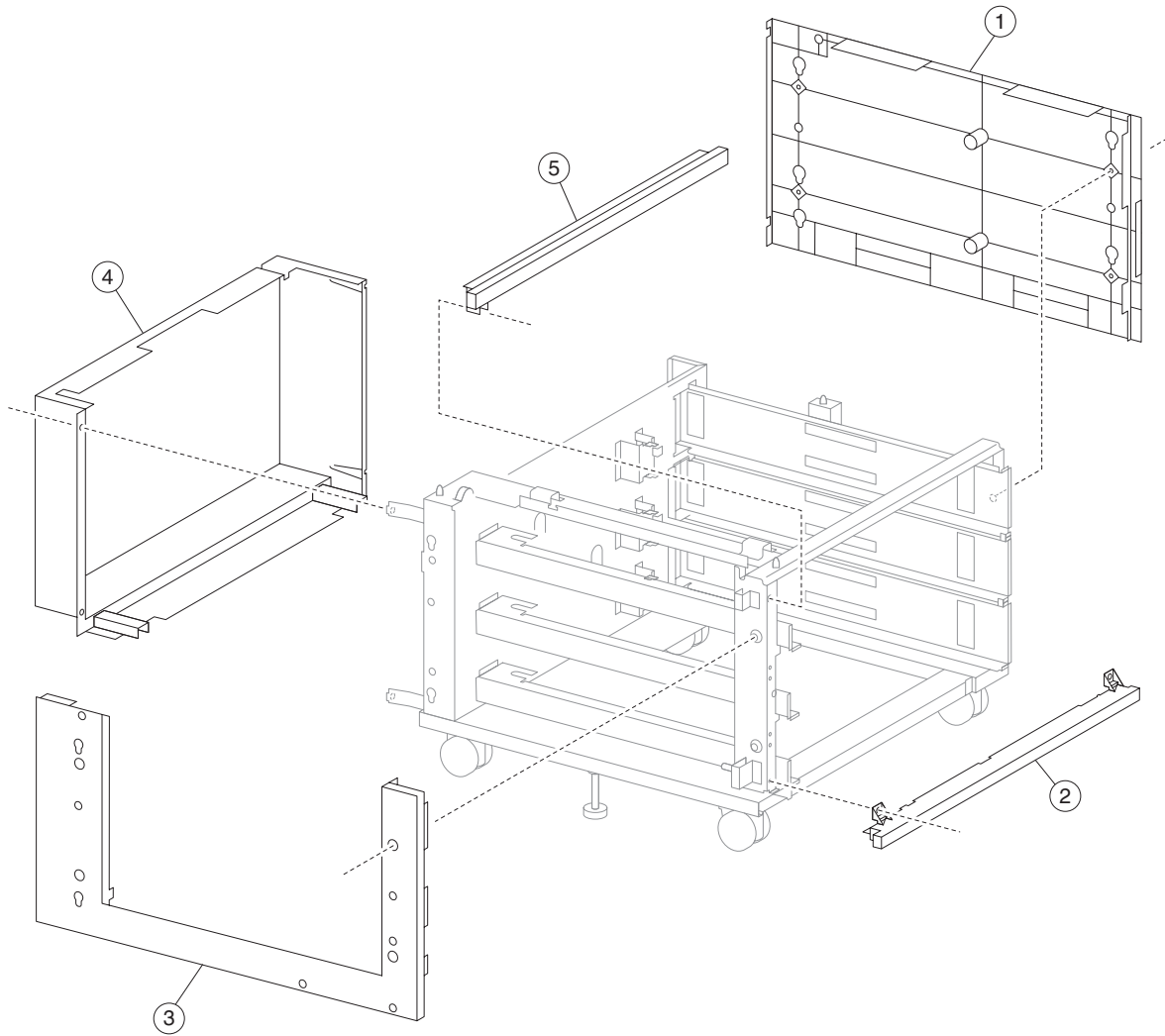
Assembly 38: 1TM drive and electrical



Assembly 38: 1TM drive and electrical

Asm-index	Part number	FRUs/ mach	Units/ FRU	Description
1	TBD ??	1	1	1TM controller card assembly
2	40X3812	1	1	Tray module drive motor assembly
3	40X4068	1	1	Tray module left retaining bracket
4	40X4034	2	1	Tray module retainer screw
5	40X3815	3	1	Media transport gear 33T
6	40X3813	1	1	Media transport gear 23/46T
7	40X4117	4	1	Front locking caster
8	40X4143	4	1	Rear non-locking caster
9	40X4069	2	1	Tray module right retaining bracket
10	40X4109	1	1	1TM main cable assembly

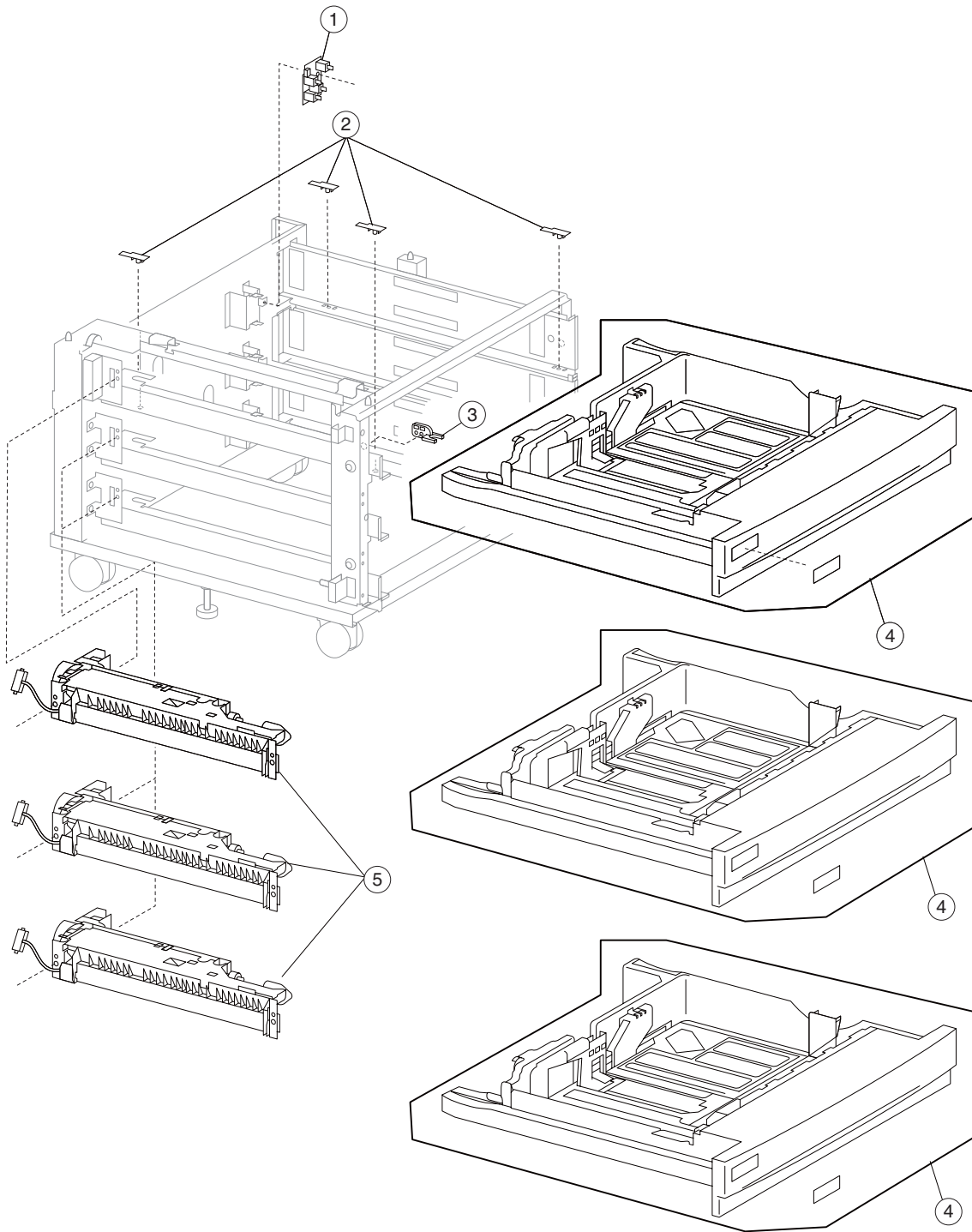
Assembly 39: 3TM covers



Assembly 39: 3TM covers

Asm-index	Part number	FRUs/ mach	Units/ FRU	Description
1	40X3825	1	1	Tray module right cover
2	40X3824	1	1	Tray module foot cover
3	40X3826	2	1	Tray module left cover
4	40X3827	1	1	Tray module rear cover
5	40X3823	1	1	Tray module top cover

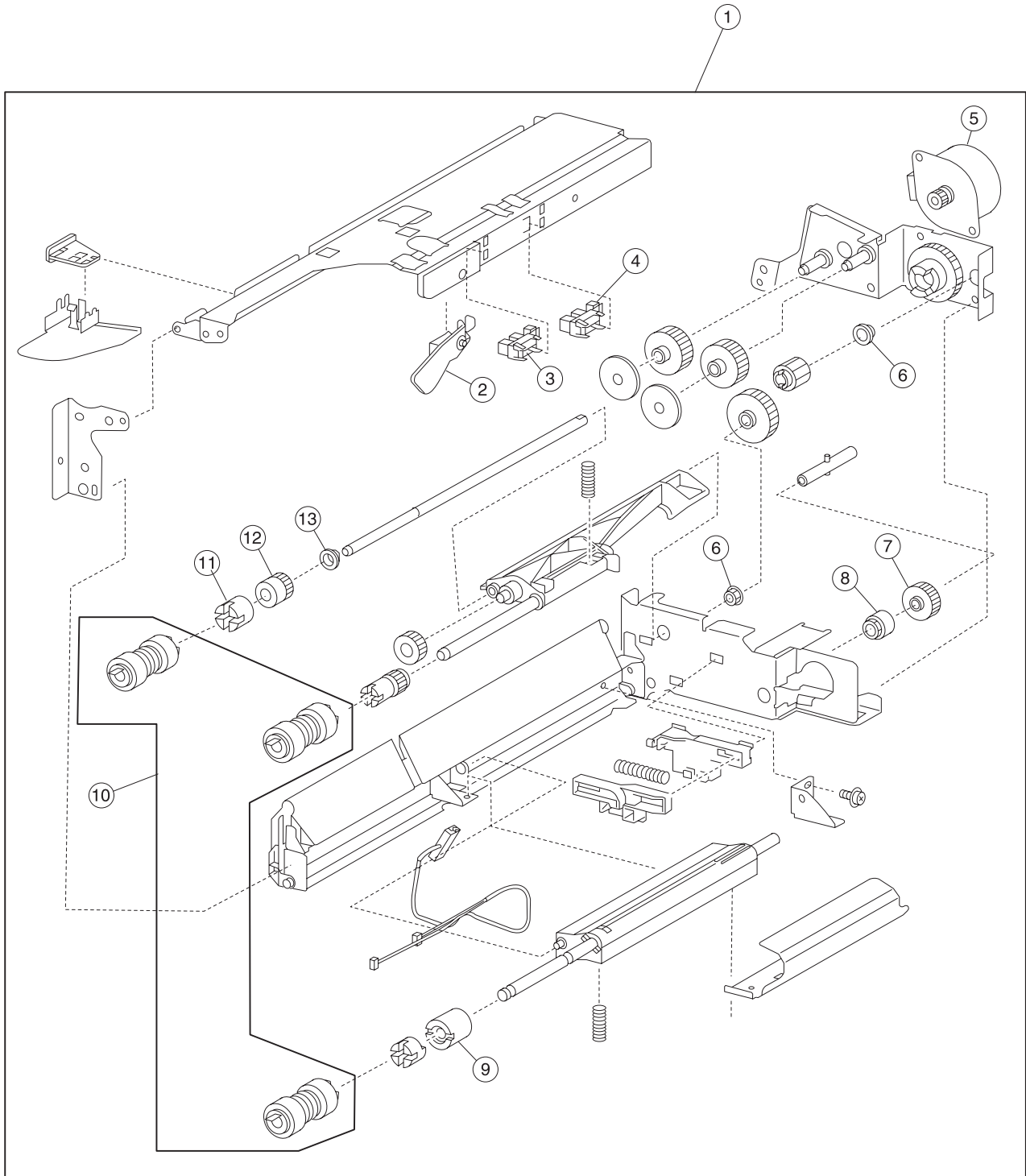
Assembly 40: 3TM feed unit assembly



Assembly 40: 3TM feed unit assembly

Asm-index	Part number	FRUs/mach	Units/FRU	Description
1	40X3677	3	1	Switch (media size)
2	40X3676	6	1	Media tray slide
3	40X3675	3	1	Media tray catch
4	40X3678	3	6	Media tray assembly kit <ul style="list-style-type: none">• Media tray assembly• #1 label• #2 label• #3 label• #4 label• Instruction label
5	40X3679	1	1	Media feed unit assembly

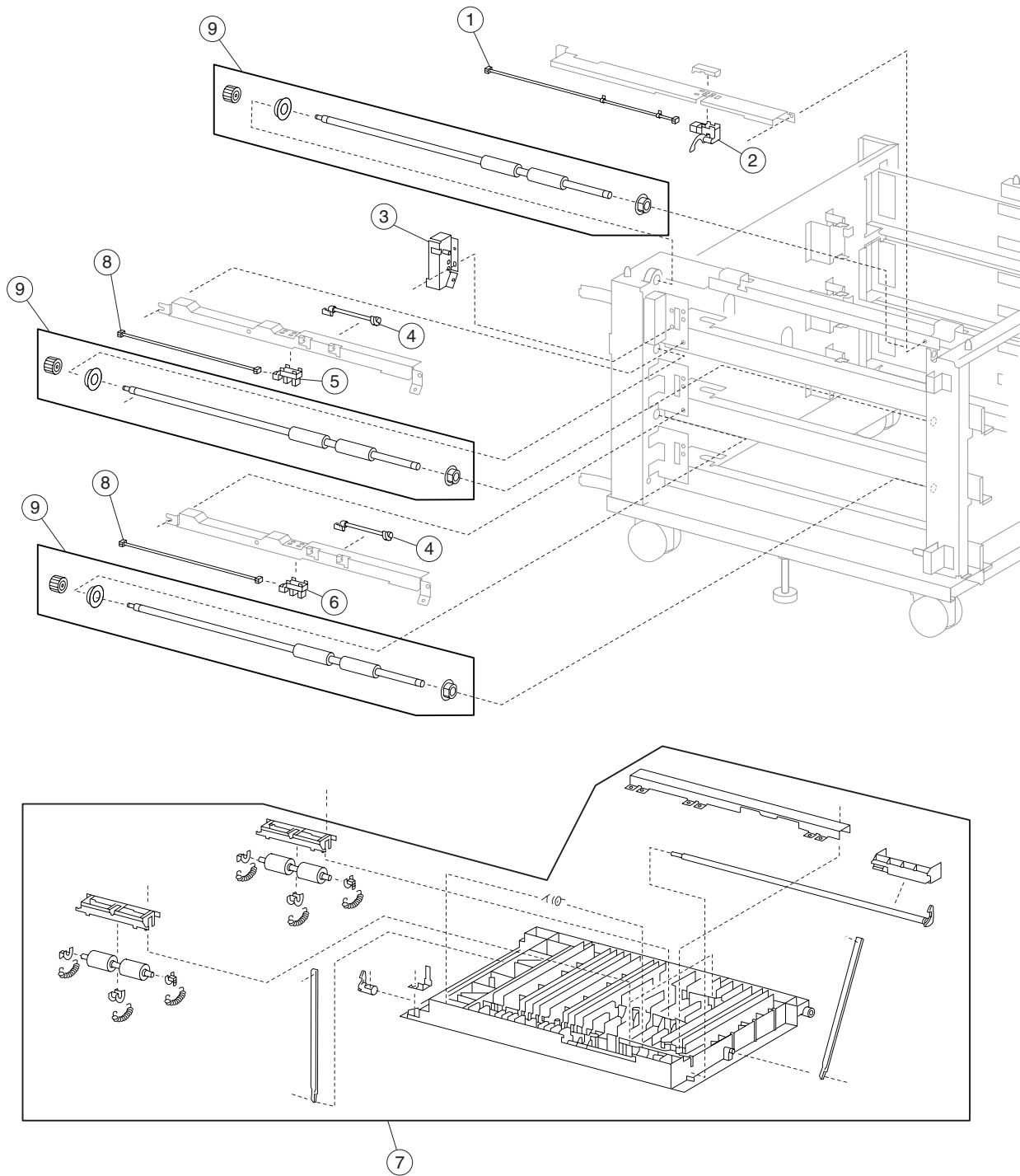
Assembly 41: 3TM media feed unit



Assembly 41: 3TM Media feed unit

Asm-index	Part number	FRUs/ mach	Units/ FRU	Description
1	40X3679	4	1	Media feed unit assembly
2	40X3687	4	1	Media out actuator
3	40X3688	30	1	Sensor (tray media out)
4	40X3688	30	1	Sensor (tray media level)
5	40X3684	4	1	Media feed lift motor
6	40X0888	6	1	Bushing 6 mm
7	40X3686	4	1	Media tray lift one-way gear
8	40X3685	4	1	Media tray lift one-way clutch
9	40X4086	4	2	Separation roll friction clutch
10	40X3689	2	1	Feed unit roll kit <ul style="list-style-type: none"> • Feed roll (2) • Pick roll (2) • Separation roll (2)
11	40X3690	4	1	Feed roll one-way clutch
12	40X3691	4	1	Feed roll one-way gear 22T
13	40X0952	6	1	Bushing 6 mm

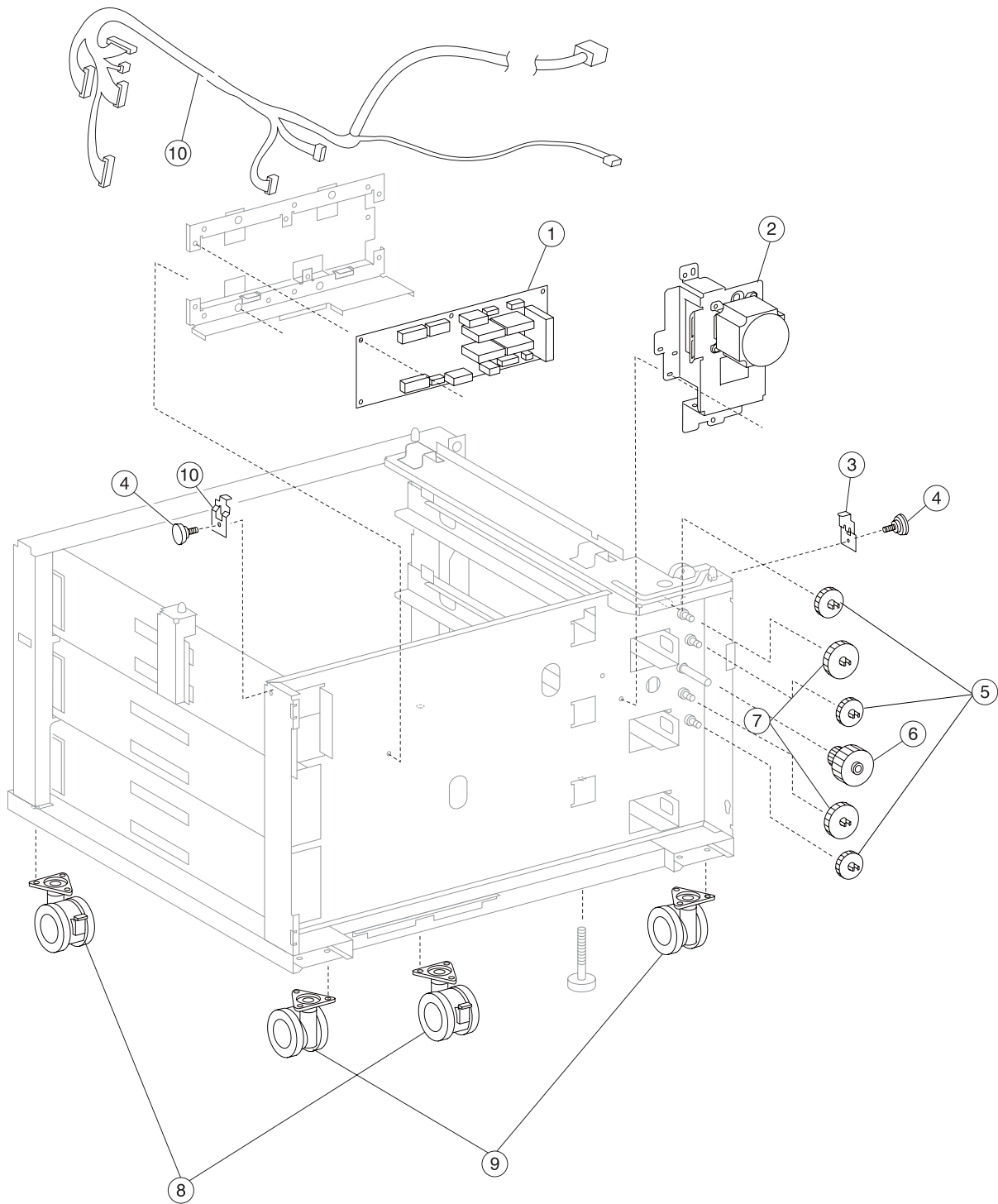
Assembly 42: 3TM left door



Assembly 42: 3TM left door

Asm-index	Part number	FRUs/ mach	Units/ FRU	Description
1	40X3818	1	1	Tray 2 feed-out sensor cable assembly
2	40X3817	1	1	Sensor (tray 2 feed-out)
3	40X3821	1	1	Switch (tray module left door interlock)
4	40X3819	1	1	Tray 3/4 feed-out sensor actuator
5	40X3820	2	1	Sensor (tray 3 feed-out)
6	40X3820	2	1	Sensor (tray 4 feed-out)
7	40X3816	1	1	3TM left door assembly (this comes assembled)
8	40X4035	2	1	Tray 3/4 feed-out sensor cable assembly
9	40X4119	3	1	Tray module media transport roll assembly

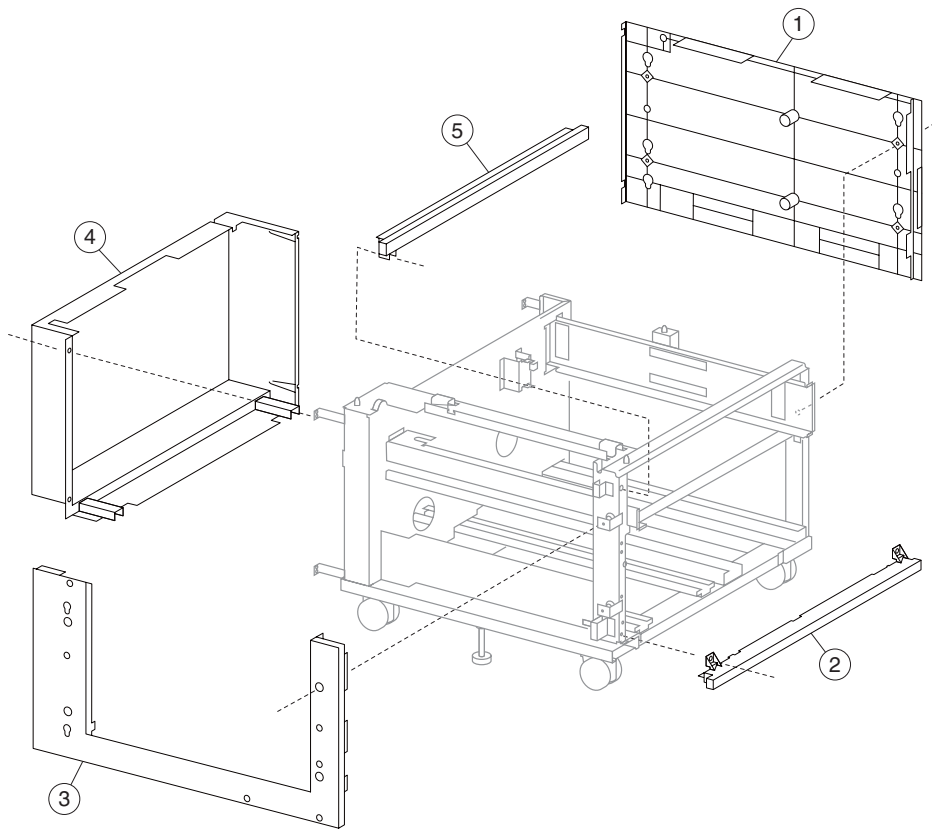
Assembly 43: 3TM drive and electrical



Assembly 43: 3TM drive and electrical

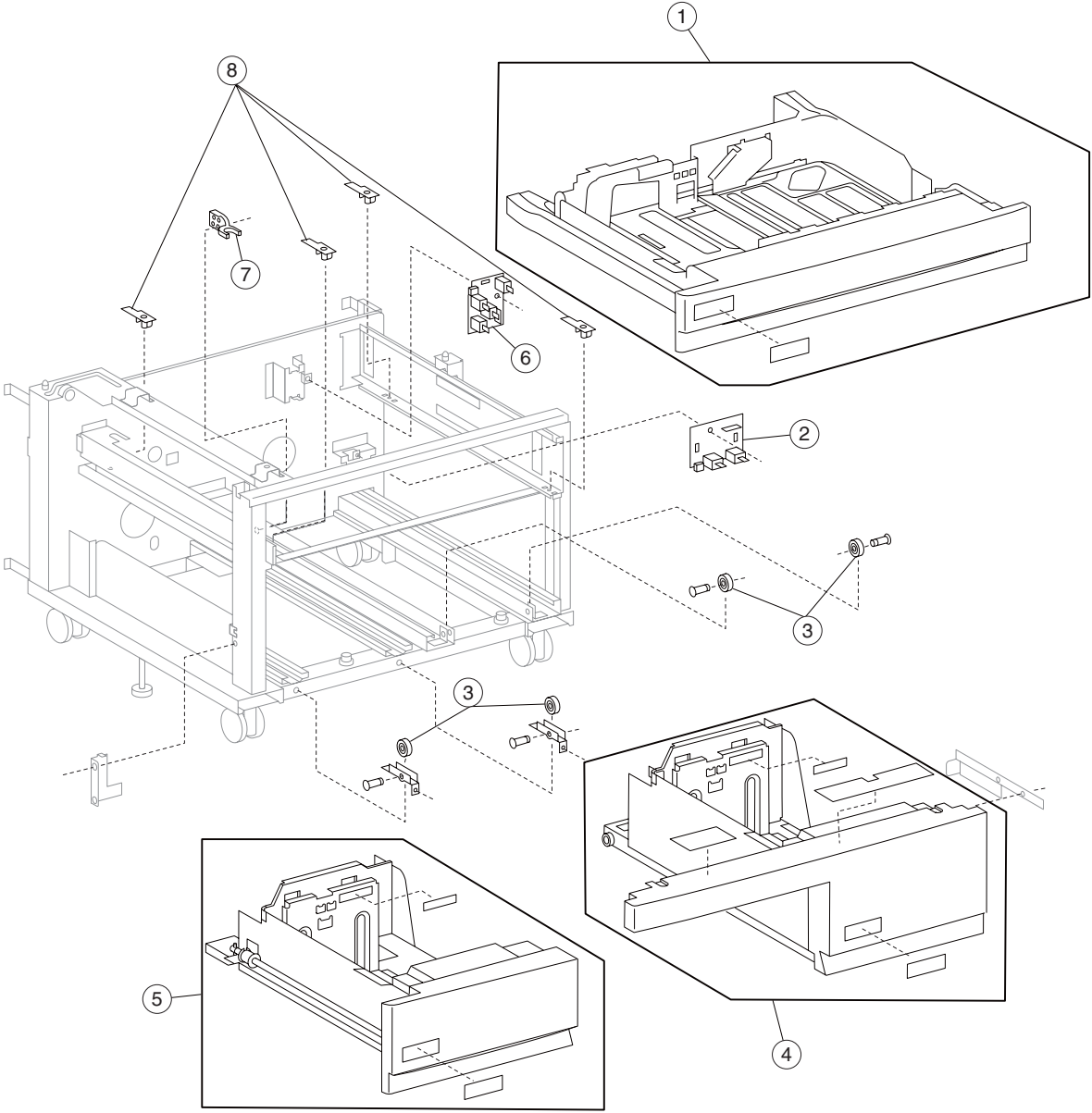
Asm-index	Part number	FRUs/ mach	Units/ FRU	Description
1	40X3811	1	1	3TM controller card assembly
2	40X3812	1	1	Tray module drive motor assembly
3	40X4068	1	1	Tray module left retaining bracket
4	40X4034	2	1	Tray module retainer screw
5	40X3815	3	2	Media transport gear 33T
6	40X3814	2	2	Media transport gear 46T
7	40X3813	1	1	Media transport gear 23/46T
8	40X4117	4	4	Front locking caster
9	40X4143	4	4	Rear non-locking caster
10	40X4069	2	1	Tray module right retaining bracket
11	40X4108	1	1	3TM main cable assembly

Assembly 44: TTM covers



Asm-index	Part number	FRUs/ mach	Units/ FRU	Description
1	40X3825	1	1	Tray module right cover
2	40X3824	1	1	Tray module foot cover
3	40X3826	2	1	Tray module left cover
4	40X3827	1	1	Tray module rear cover
5	40X3823	1	1	Tray module top cover

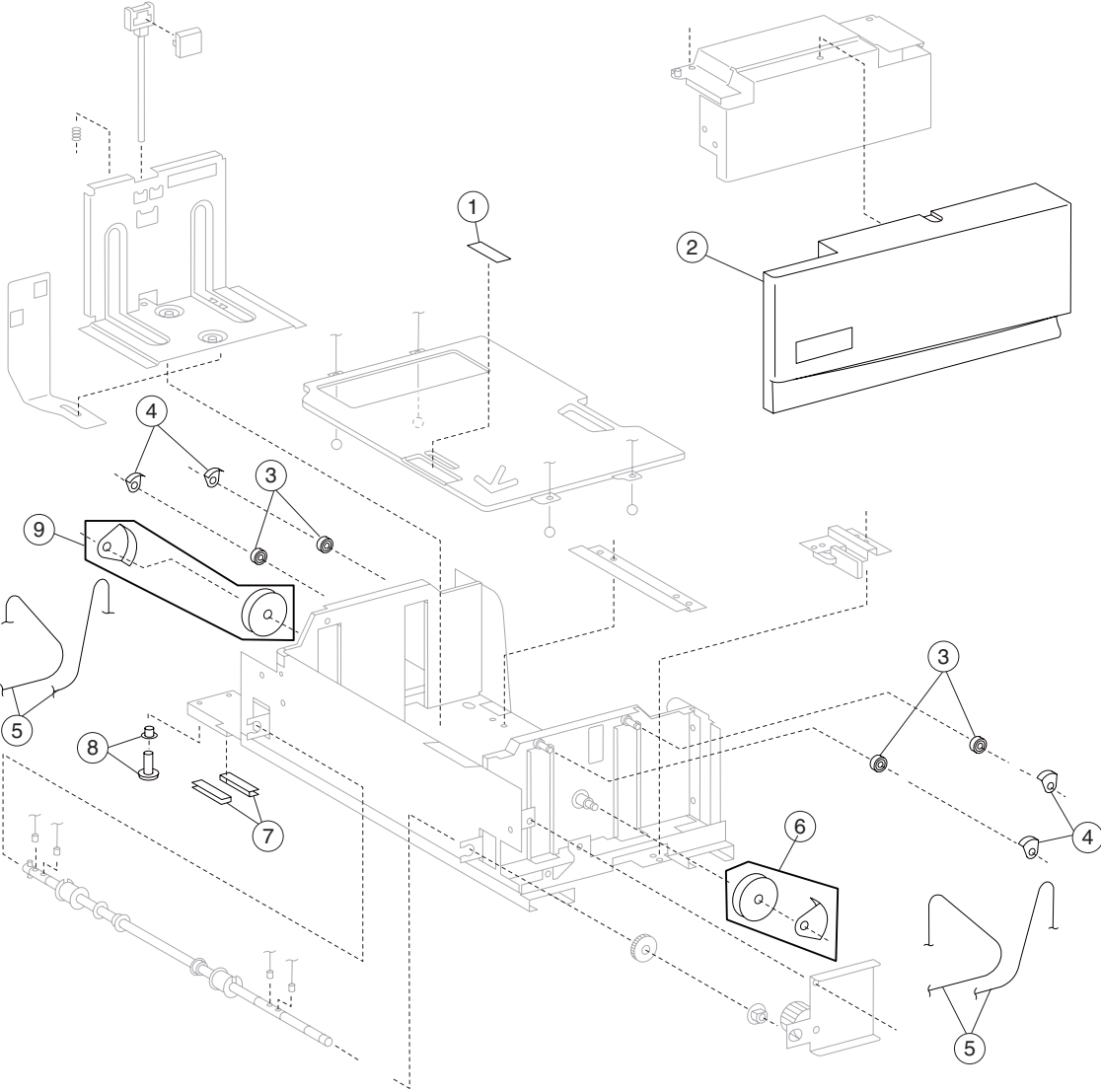
Assembly 45: TTM media trays



Assembly 45: TTM media trays

Asm-index	Part number	FRUs/mach	Units/FRU	Description
1	40X3678	3	6	Media tray assembly kit <ul style="list-style-type: none"> • Media tray assembly • #1 label • #2 label • #3 label • #4 label • Instruction label
2	40X3830	2	1	Switch (TTM media size)
3	40X3831	4	1	TTM tray support roll
4	40X3829	1	3	TTM media tray 4 assembly kit <ul style="list-style-type: none"> • TTM media tray 4 • #4 label • Instruction label
5	40X3828	1	2	TTM media tray 3 assembly kit <ul style="list-style-type: none"> • TTM media tray 3 • #3 label • Instruction label
6	40X3677	3	1	Switch (media size)
7	40X3675	3	1	Media tray catch
8	40X3676	2	1	Media tray slide

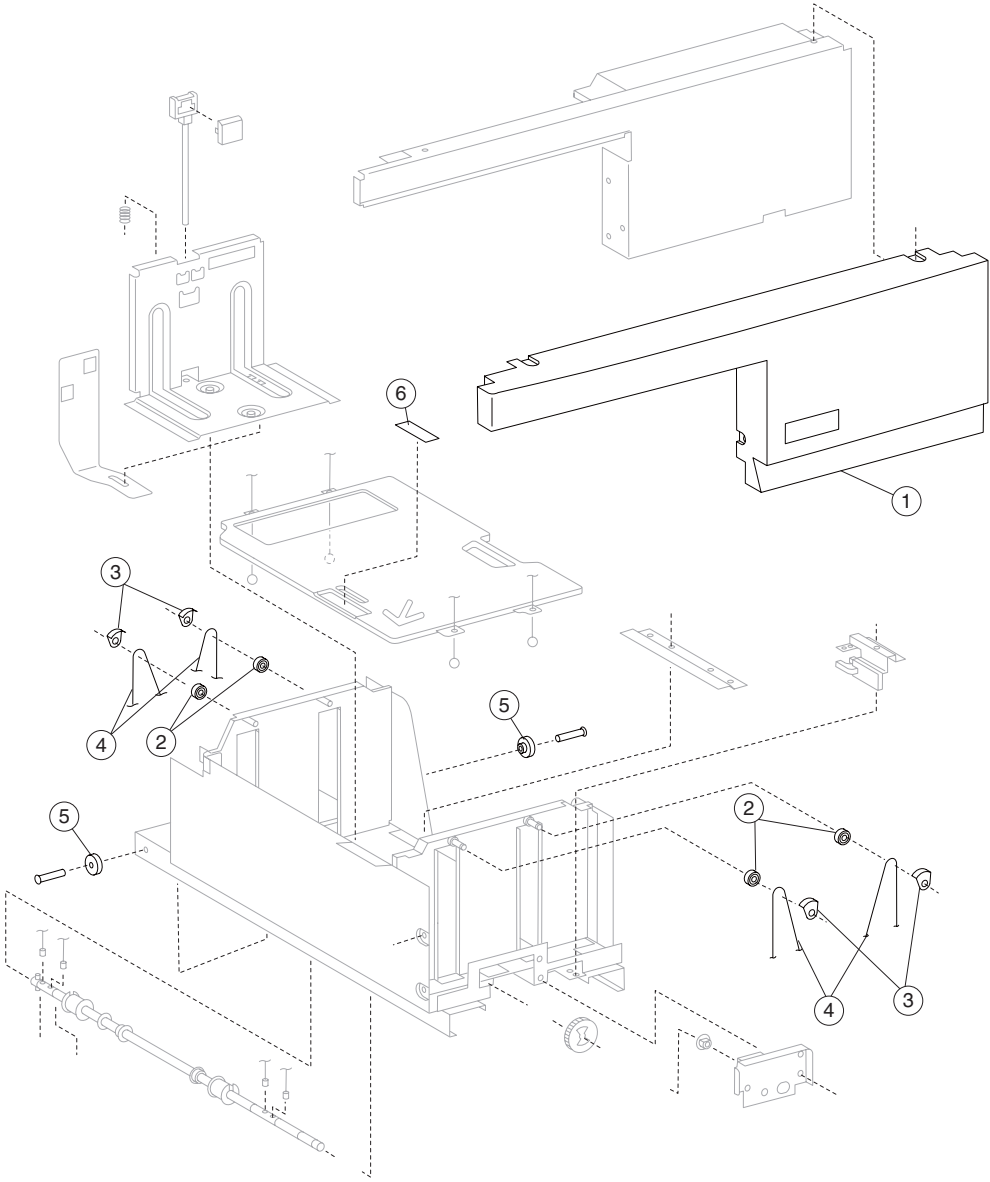
Assembly 46: TTM media tray 3



Assembly 46: TTM tray 3

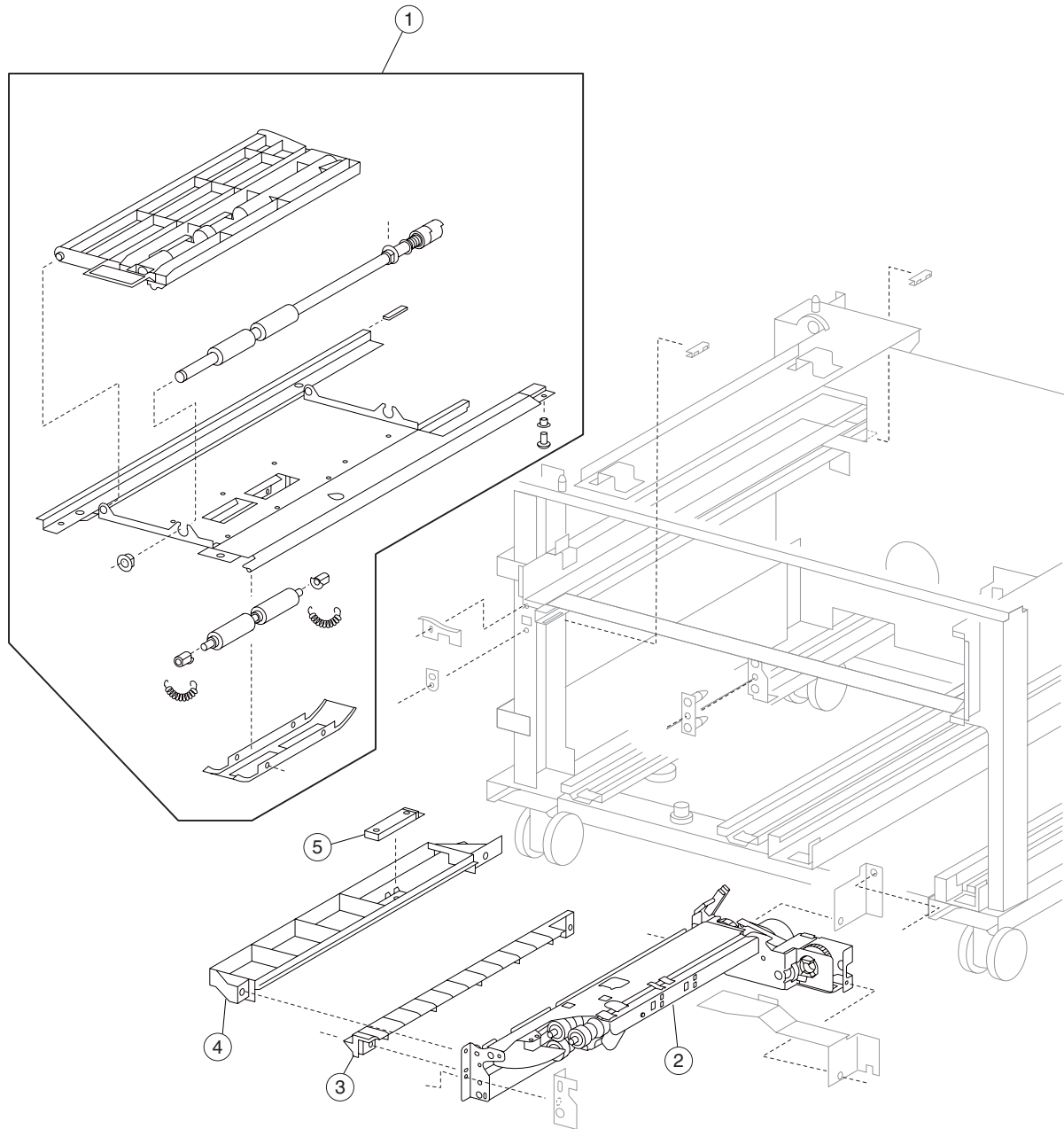
Asm-index	Part number	FRUs/mach	Units/FRU	Description
1	40X0711	2	1	TTM tray separation pad
2	40X3832	1	1	TTM tray 3 front cover
3	40X4126	4	1	TTM tray lift idler pulley
4	40X4127	4	1	TTM tray lift idler pulley guide
5	40X4084	4	1	TTM tray 3 lift cable
6	40X0708	2	1	TTM large idler pulley kit <ul style="list-style-type: none"> • TTM large idler pulley • TTM large idler pulley guide
7	40X3834	2	1	TTM tray 3 slide strip
8	40X3835	2	1	TTM tray 3 slide button

Assembly 47: TTM media tray 4



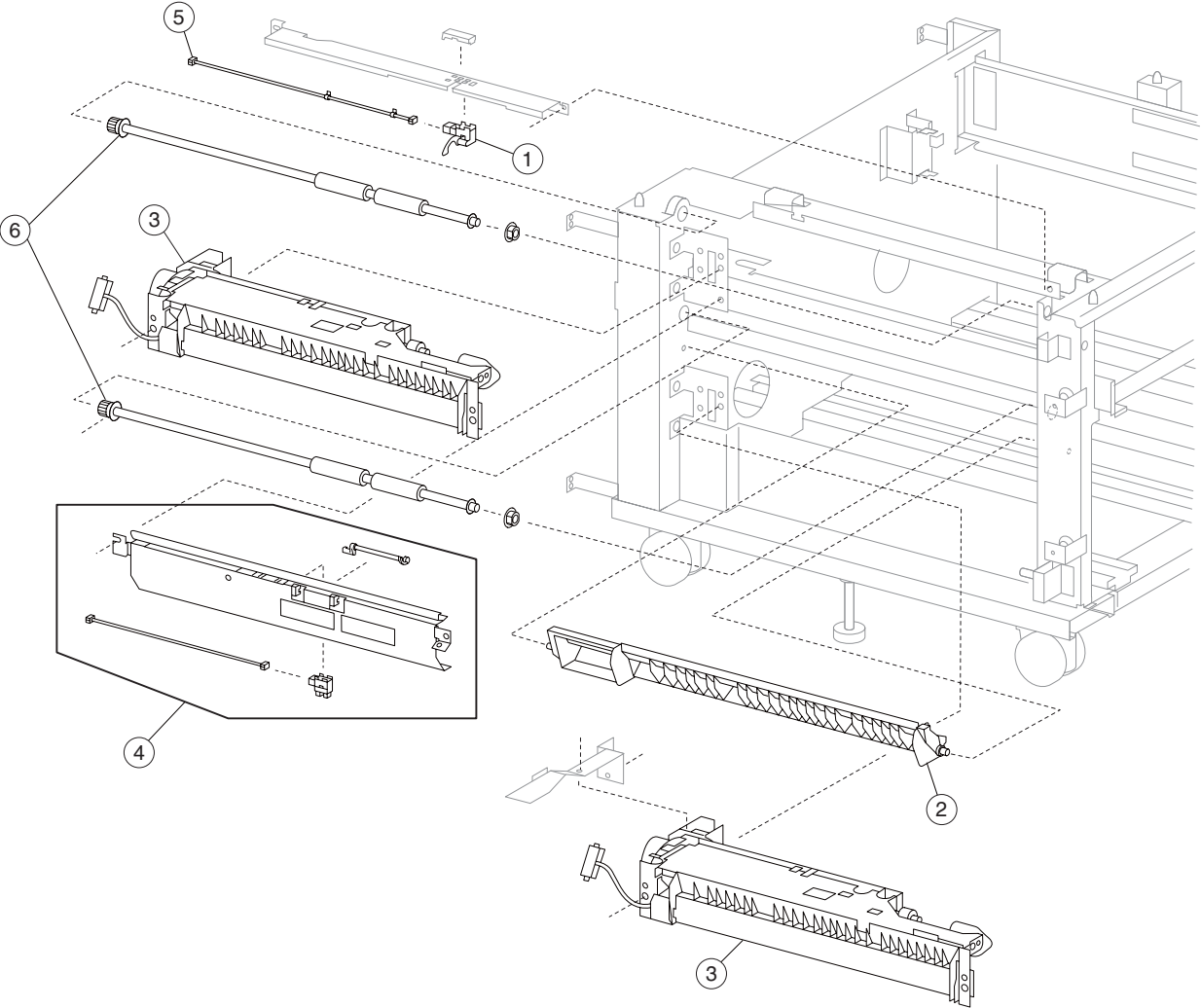
Asm-index	Part number	FRUs/mach	Units/FRU	Description
1	40X3836	1	1	TTM tray 4 front cover
2	40X4126	4	1	TTM tray lift idler pulley
3	40X4127	4	1	TTM tray lift idler pulley guide
4	40X4085	4	1	TTM tray 4 lift cable
5	40X0723	1	2	TTM tray 4 rear support roll (2)
6	40X0711	2	1	TTM tray separation pad

Assembly 48: TTM media tray 4 transport



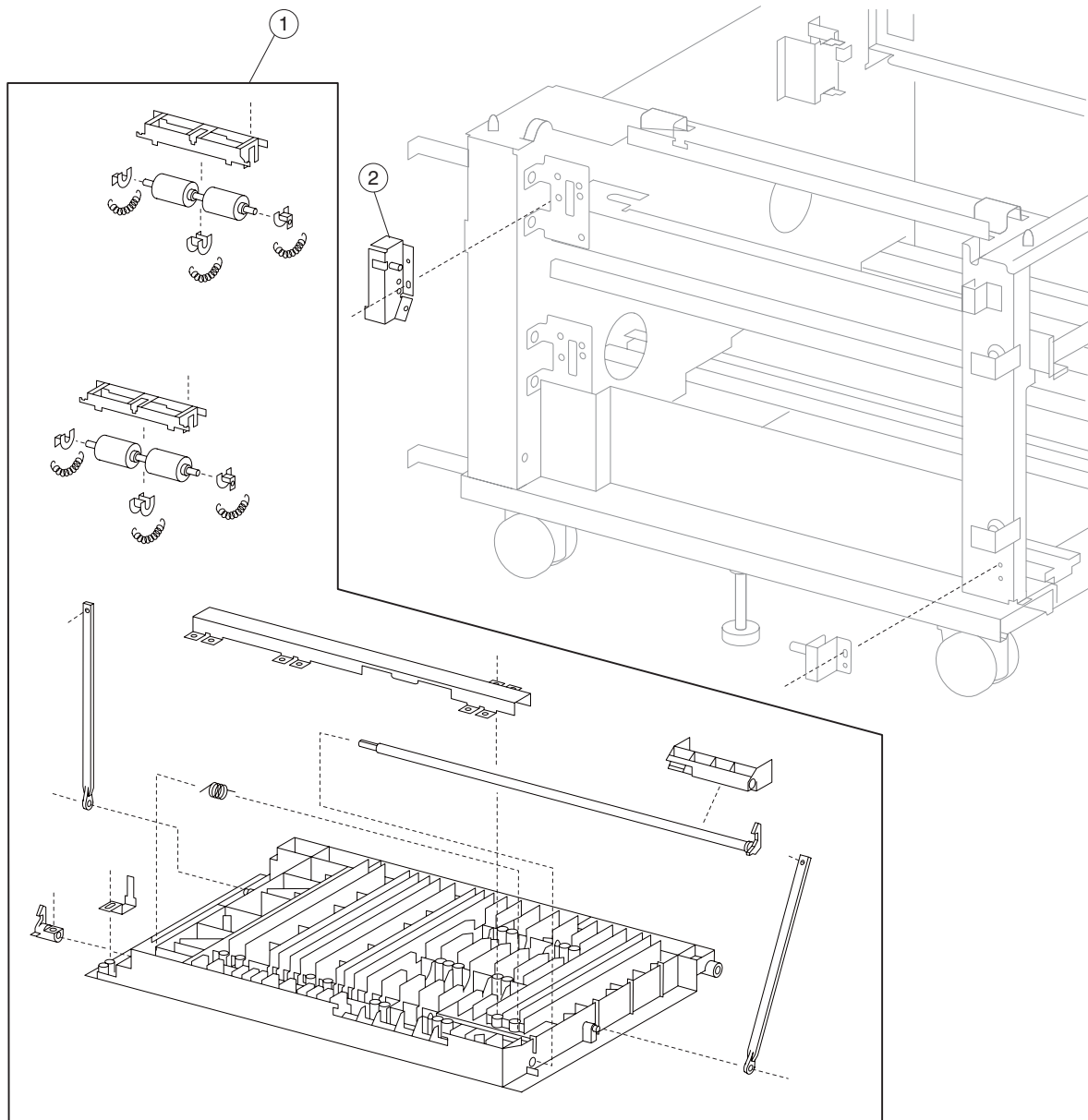
Asm-index	Part number	FRUs/mach	Units/FRU	Description
1	40X3838	1	1	TTM tray 4 media transport assembly
2	40X3679	1	1	Media feed unit assembly
3	40X3841	1	1	TTM tray 4 lower media guide
4	40X3840	1	1	TTM tray 4 upper media guide
5	40X3694	2	1	Sensor (tray 4 feed-out)

Assembly 49: TTM media transport



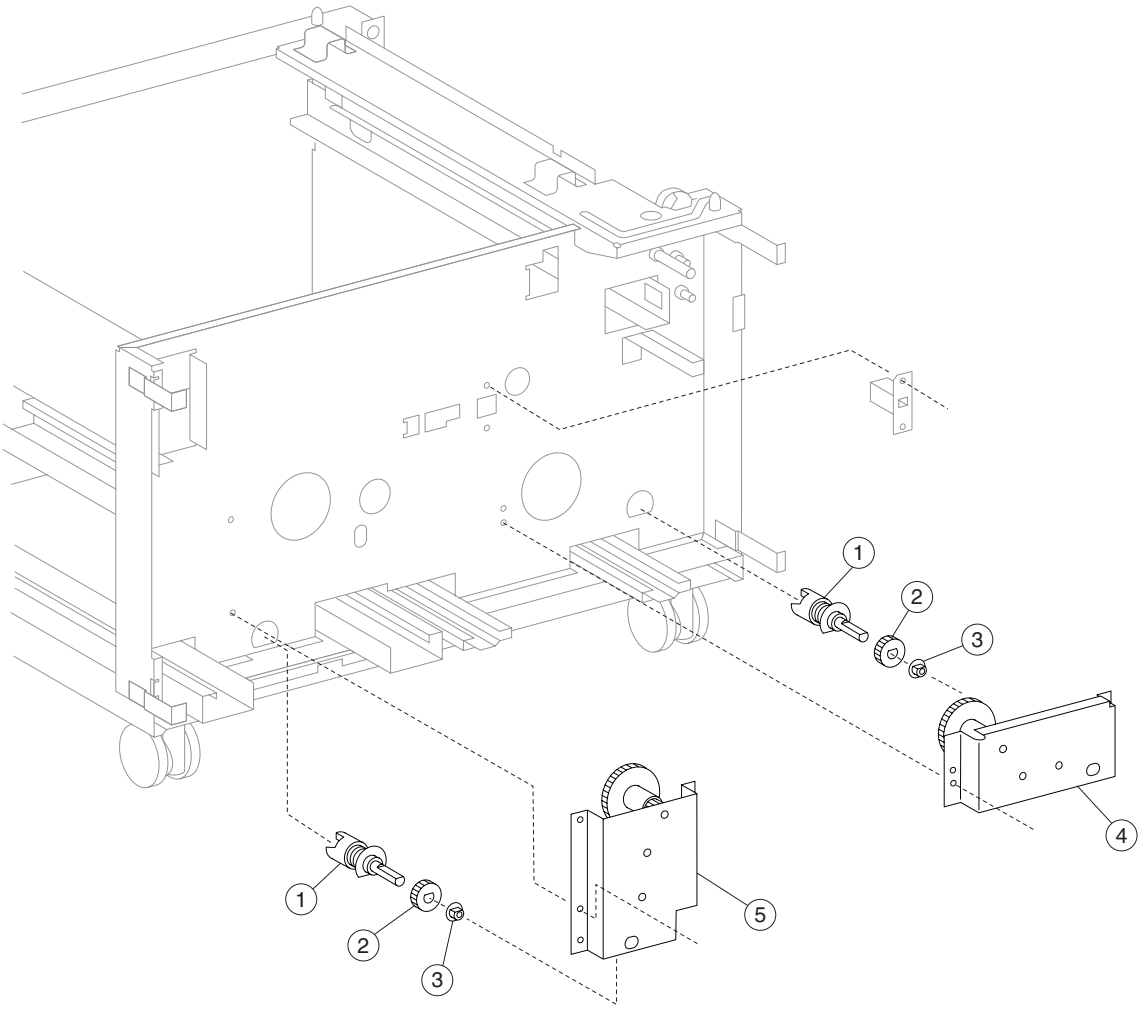
Asm-index	Part number	FRUs/mach	Units/FRU	Description
1	40X3817	2	1	Sensor (tray 2 feed-out)
2	40X3843	1	1	TTM vertical turn guide
3	40X3679	1	1	Media feed unit assembly
4	40X3842	1	1	Tray 3 feed-out sensor assembly (this comes assembled)
5	40X3818	2	1	Tray 2 feed-out sensor cable assembly
6	40X4119	2	1	Tray module media transport roll assembly

Assembly 50: TTM left door



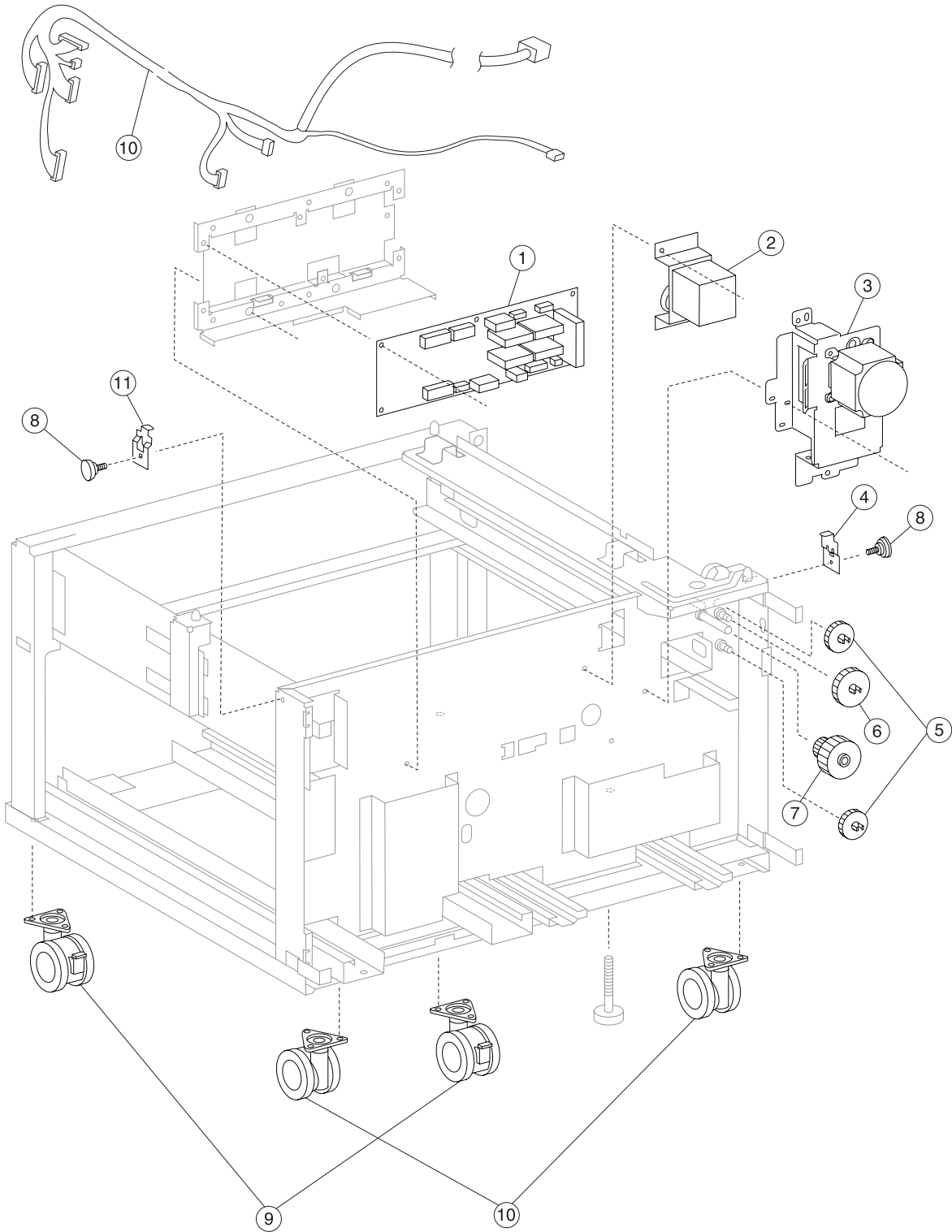
Asm-index	Part number	FRUs/mach	Units/FRU	Description
1	40X3844	1	1	TTM left door assembly (this comes assembled)
2	40X3821	1	1	Switch (tray module left door interlock)

Assembly 51: TTM tray lift drive



Asm-index	Part number	FRUs/mach	Units/FRU	Description
1	40X3848	2	1	TTM tray lift coupling assembly
2	40X3847	2	1	TTM tray lift gear 17T
3	40X0880	2	1	Bushing 6 mm
4	40X3845	1	1	TTM tray 3 lift gear assembly
5	40X3846	1	1	TTM tray 4 lift gear assembly

Assembly 52: TTM drive and electrical



Assembly 52: TTM drive and electrical

Asm-index	Part number	FRUs/ mach	Units/ FRU	Description
1	40X3850	1	1	TTM controller card assembly
2	40X3849	1	1	TTM tray 4 transport drive motor assembly
3	40X3812	2	1	Tray module drive motor assembly
4	40X4068	1	1	Tray module left retaining bracket
5	40X3815	2	1	Media transport gear 33T
6	40X3814	1	1	Media transport gear 46T
7	40X3813	1	1	Media transport gear 23/46T
8	40X4034	1	1	Tray module retainer screw
9	40X4117	4	4	Front locking caster
10	40X4143	4	4	Rear non-locking caster
11	40X4069	1	1	Tray module right retaining bracket
12	40X4103	1	1	TTM main cable assembly

Assembly 53: Miscellaneous

Asm-Index	Part number	Units/mach	Units/kit or pkg	Description
NS	40X4031	1	15	100K printer maintenance kit (110V) includes: <ul style="list-style-type: none"> • 110V fuser unit assembly • Transfer belt cleaner assembly • 2nd transfer roll assembly • Feed rolls (4 each) • Pick rolls (4 each) • Separation rolls (4 each)
NS	40X4093	1	15	100K printer maintenance kit (220V) includes: <ul style="list-style-type: none"> • 220V fuser unit assembly • Transfer belt cleaner assembly • 2nd transfer roll assembly • Feed rolls (4 each) • Pick rolls (4 each) • Separation rolls (4 each)
NS	40X4032	1	9	600K printer maintenance kit includes: <ul style="list-style-type: none"> • (4) developer unit assemblies (empty) • C developer carrier • Y developer carrier • M developer carrier • K developer carrier • Transfer belt unit assembly
NS	40X4088	1	1	Banner media tray assembly
NS	40X0948	1	1	Assorted E-clip packet
NS	40X0949	1	1	Assorted screw packet
NS	40X4102	1	1	SFP relocation kit
NS	40X4112			SFP relocation kit with options
NS	40X0269	1	1	Power cord—USA, Canada, Latin America, Asia Pacific LV 8ft right angle
NS	40X0270	1	1	Power cord—Japan 15A LV 8ft straight
NS	40X0271	1	1	Power cord—United Kingdom 8ft straight
NS	40X0273	1	1	Power cord—Chile, Italy, Uruguay HV 8ft straight
NS	40X0275	1	1	Power cord—Israel HV 8ft straight
NS	40X0277	1	1	Power cord—Brazil high amp LV 6ft straight
NS	40X0280	1	1	Power cord—Korea 10A HV 6ft straight
NS	40X0281	1	1	Power cord—Taiwan 13A LV 6ft straight
NS	40X0288	1	1	Power cord—Argentina HV 8ft straight
NS	40X0301	1	1	Power cord—Australia, New Zealand HV 8ft straight
NS	40X0303	1	1	Power cord—China HV 2.44 m straight
NS	40X1767	1	1	Power cord—Austria, Belgium, Brazil, France, Germany, Greece, Italy, Luxembourg, Netherlands, Nordic countries, Paraguay, Poland, Portugal, Russia, Senegal, Spain HV 8ft straight
NS	40X0275	1	1	Power cord—Israel HV 8ft straight
NS	40X1772	1	1	Power cord—Liechtenstein, Switzerland HV 8ft straight
NS	40X1773	1	1	Power cord—South Africa, Hong Kong, Singapore, Thailand, Malaysia HV 8ft straight
NS	40X1774	1	1	Power cord—Denmark HV 8ft straight
NS	40X1508	1	1	128MB memory option
NS	40X1509	1	1	256MB memory option
NS	40X1510	1	1	512MB memory option

Asm-Index	Part number	Units/mach	Units/kit or pkg	Description
NS	40X1454	1	1	32MB flash card
NS	40X1455	1	1	64MB flash card
NS	40X2771	1	1	Bar code card assembly
NS	40X2773	1	1	PRESCRIBE card assembly
NS	40X2774	1	1	Printcrypton card assembly
NS	40X2772	1	1	IPDS card assembly
NS	40X1512	1	1	Japanese font card
NS	40X1513	1	1	Simplified Chinese font card
NS	40X1514	1	1	Traditional Chinese font card
NS	40X1515	1	1	Korean font card
NS	40X1475	1	1	Marknet 8000 fast ethernet
NS	40X1476	1	1	Marknet 8020 fast gigabit ethernet
NS	40X1377	1	1	Marknet 8030 fiber ethernet
NS	40X1378	1	1	Marknet 8050 wireless, US
NS	40X1562	1	1	Marknet 8050 wireless, International
NS	40X1593	1	1	Lexmark marknet N7000e (1 USB port) 10/1000 ethernet
NS	40X1594	1	1	Lexmark marknet N7000e (1 parallel port) 10/1000 ethernet
NS	40X1592	1	1	Lexmark marknet N7000e (4 USB ports) 10/1000/1000 ethernet