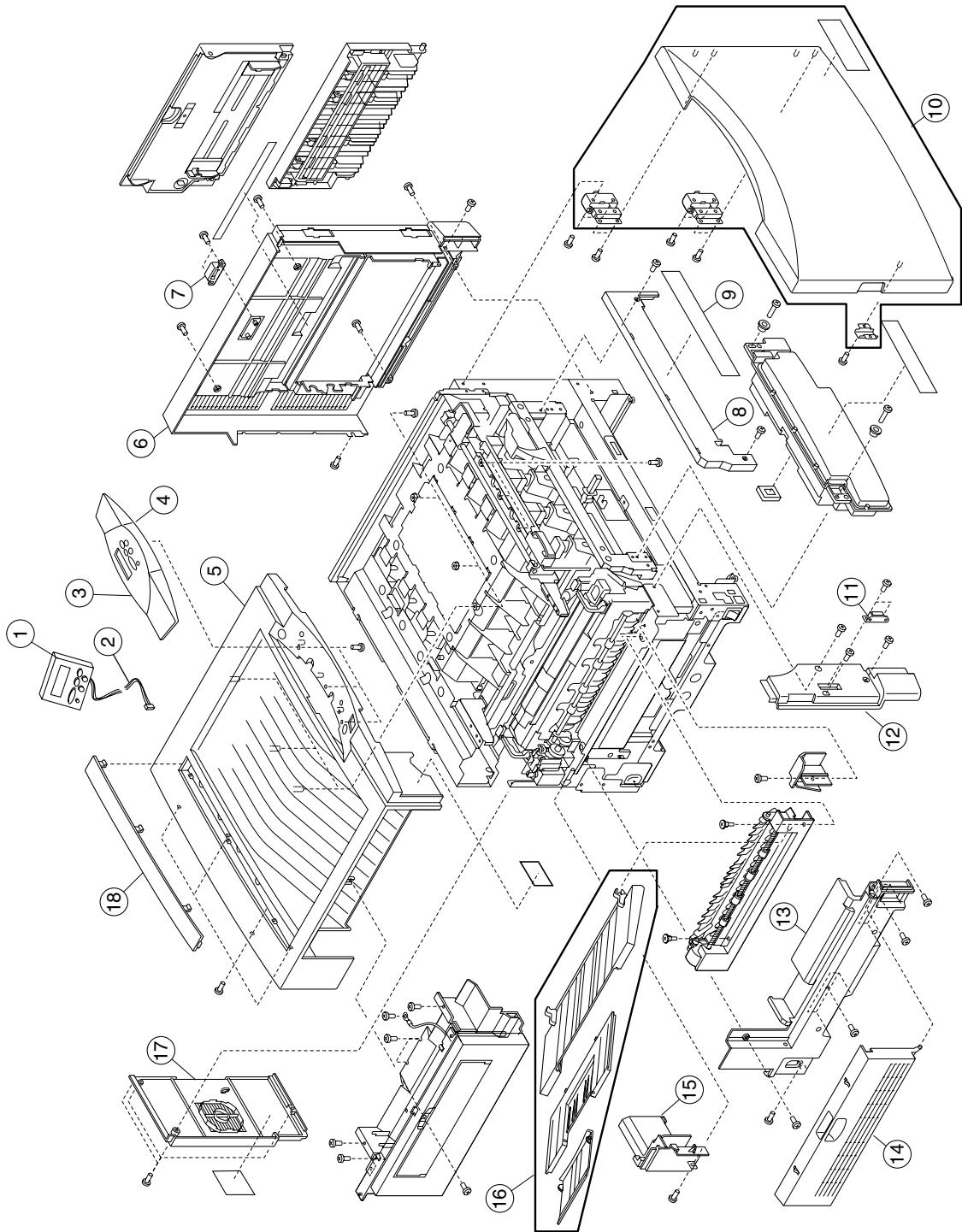


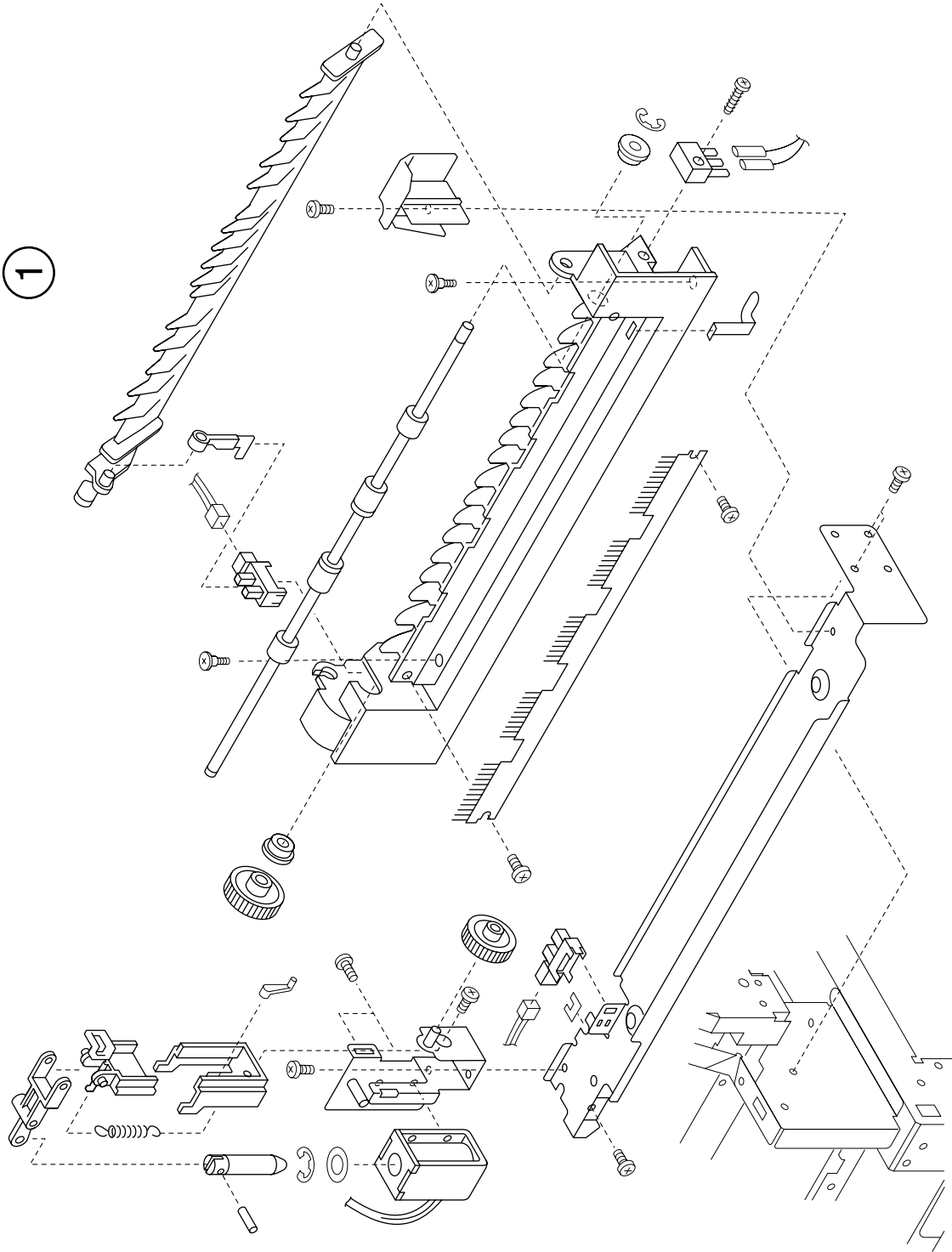
# Assembly 1: Covers 1



## Assembly 1: Covers 1

Index	P/N	Units	Description
1 – 1	12G7360	1	Board, operator panel
1	99A1501	1	Board operator panel (Japan)
2	56P9736	1	Cable, operator panel
3	56P9555	1	Housing, upper operator panel
4	56P9556	1	Housing, lower operator panel
5	56P9539	1	Cover, top
6	56P9533	1	Cover assembly, right side
7	56P9534	1	Magnet, right side latch
8	56P9540	1	Cover, waste toner bottle
9	56P9545	1	Label, operator guide
10	56P9532	1	Cover assembly, front (C910)
10	56P9970	1	Cover assembly, front (C912)
11	56P9543	1	Magnet, front cover latch
12	56P9542	1	Cover, left front
13	56P9536	1	Cover, left side
14	56P9537	1	Cover, paper feed
15	56P9535	1	Cover, solenoid
16	56P9531	1	Tray assembly, exit
17	56P9538	1	Cover, rear
18	56P9551	1	Cover, adjustment
NS	56P9544	1	Label, MPT
NS	56P9554	3	Core, ferrite
NS	56P9905	1	Kit, operator panel overlay
NS	56P9945	1	Parts packet

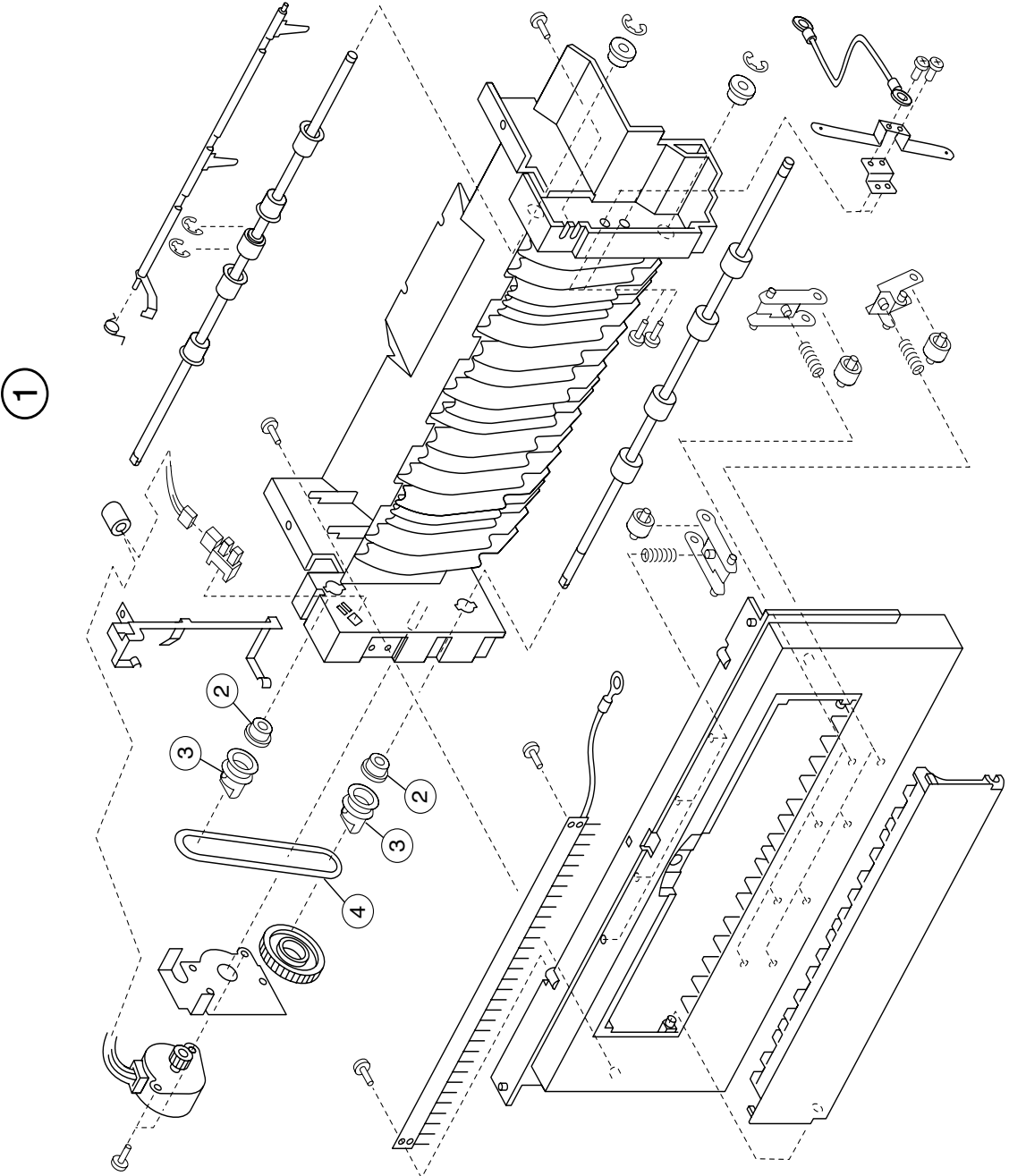
# Assembly 2: Covers 2



## Assembly 2: Covers 2

Index	P/N	Units	Description
2-1	56P9557	1	Exit assembly, face up

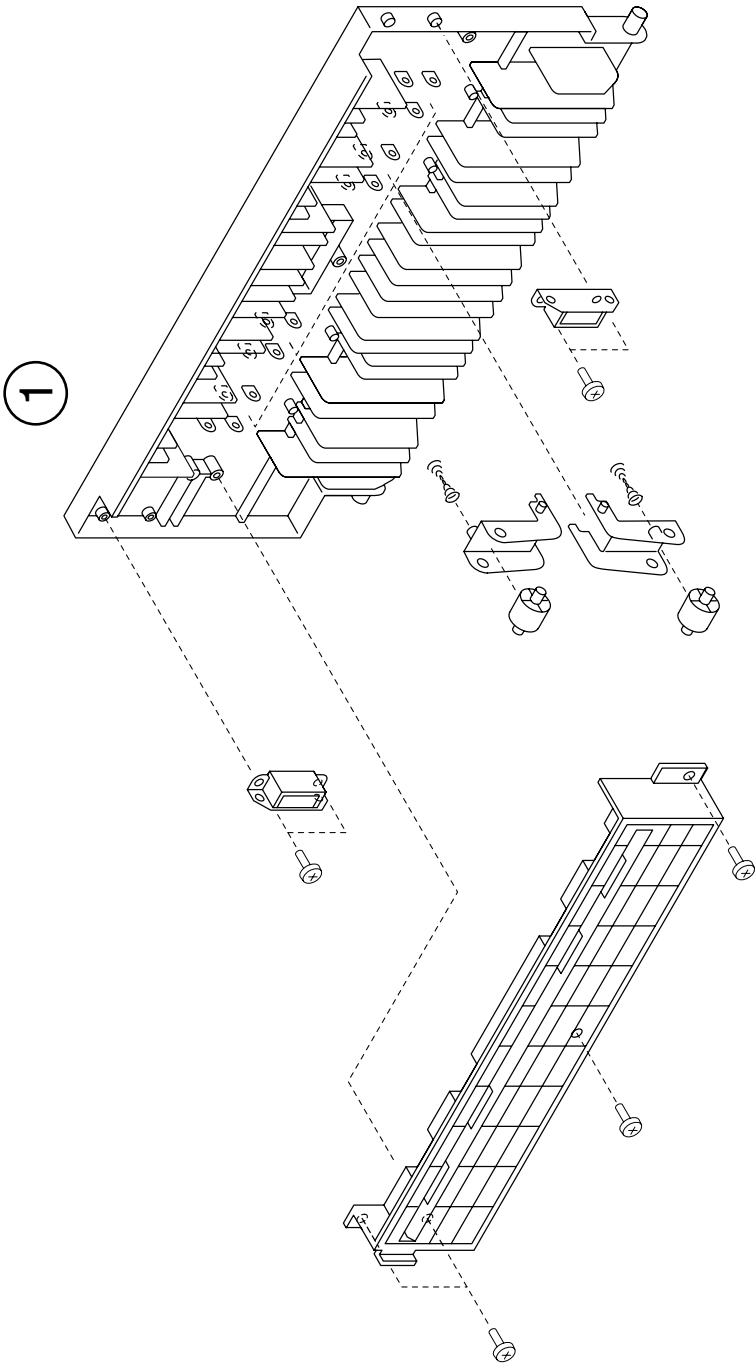
# Assembly 3: Covers 3



## Assembly 3: Covers 3

Index	P/N	Units	Description
3-1	56P9566	1	Guide assembly, face-down
2	56P9575	4	Bushing, face down pinch roller
3	56P9576	2	Pulley, face down feed roller
4	56P9578	1	Belt, face down roller

# Assembly 4: Covers 4

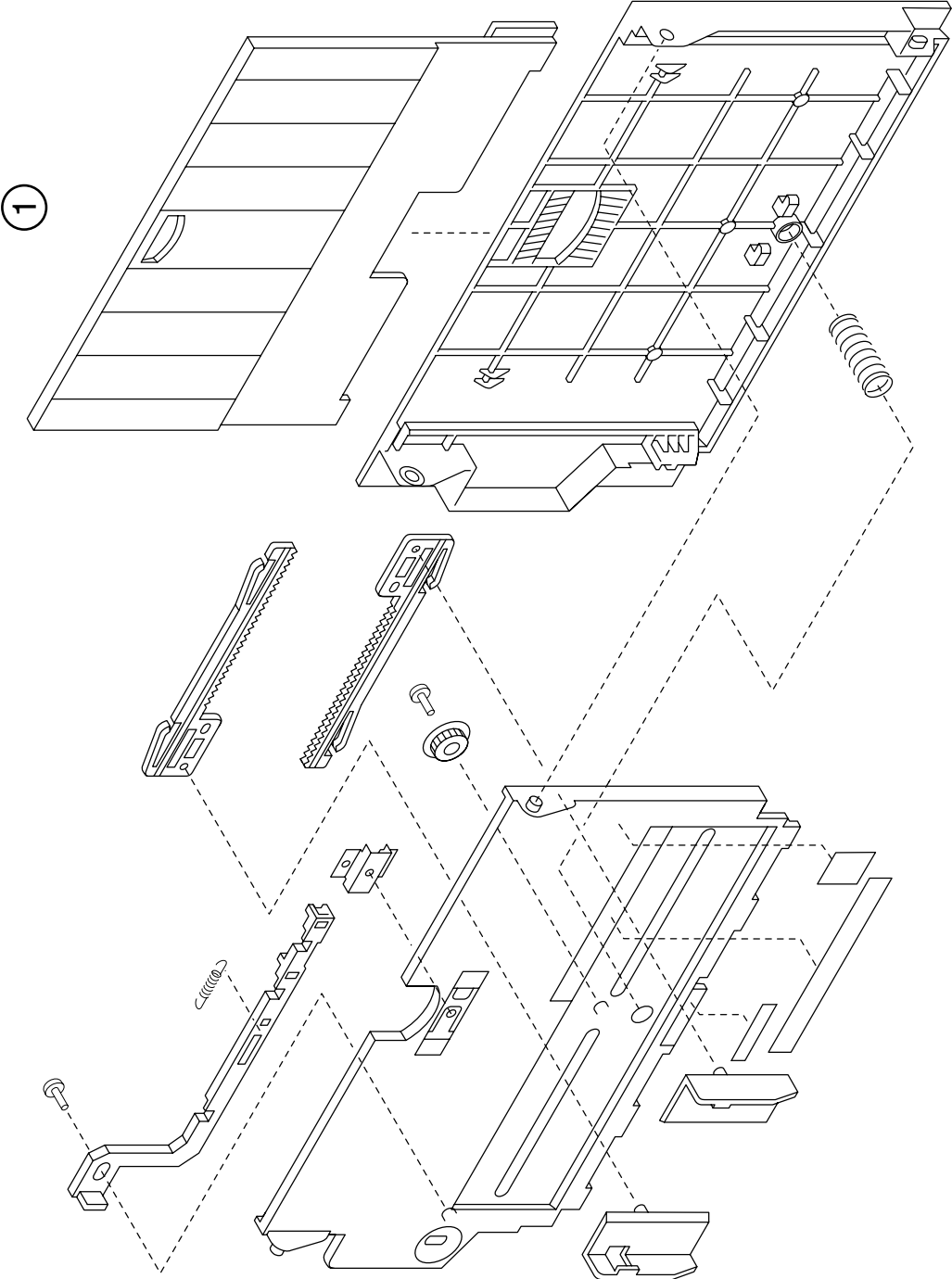


## Assembly 4: Covers 4

Index	P/N	Units	Description
4-1	56P9584	1	Guide assembly, turn



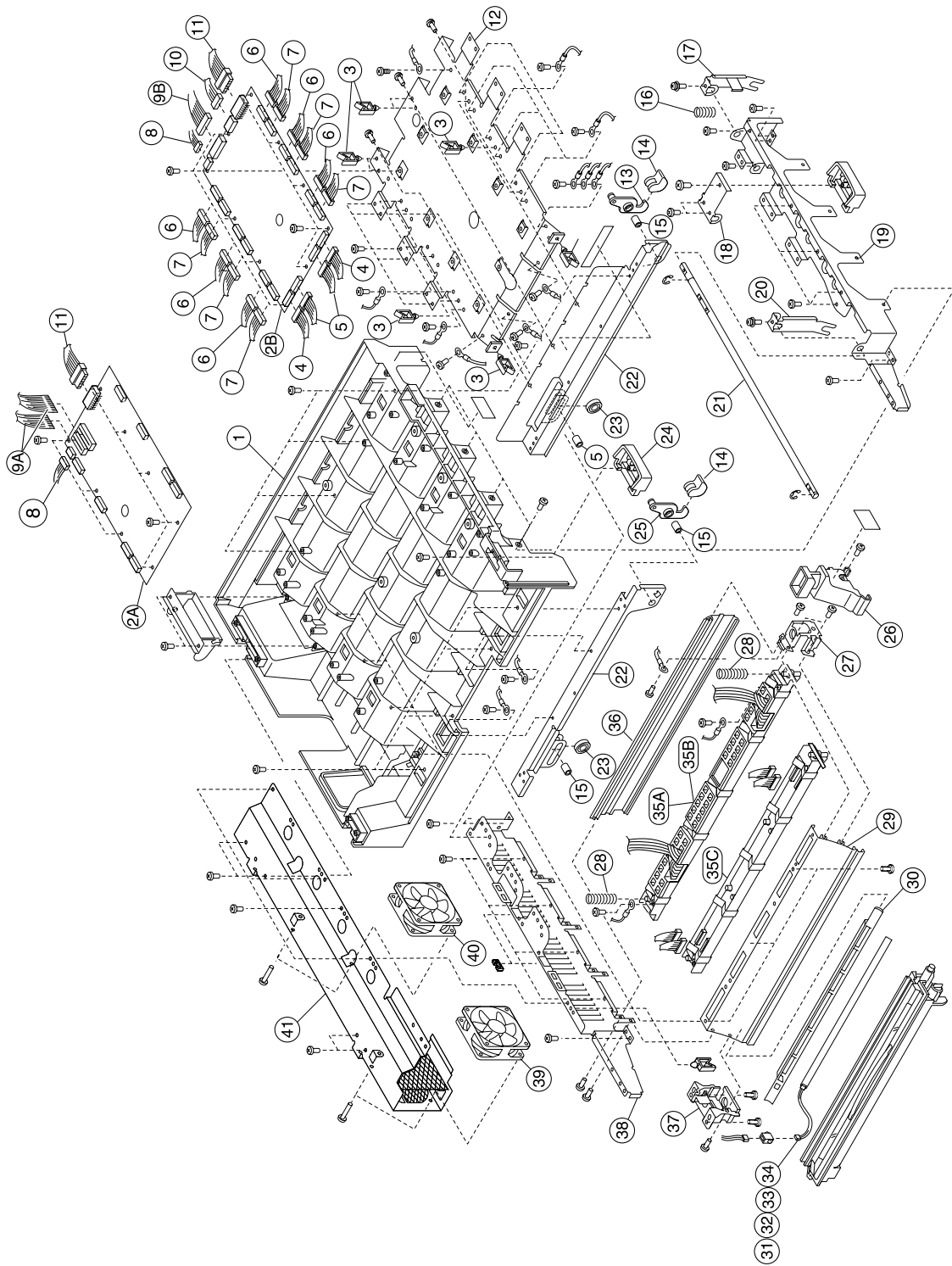
# Assembly 5: Covers 5



## Assembly 5: Covers 5

Index	P/N	Units	Description
5-1	56P9972	1	Feeder assembly, multipurpose

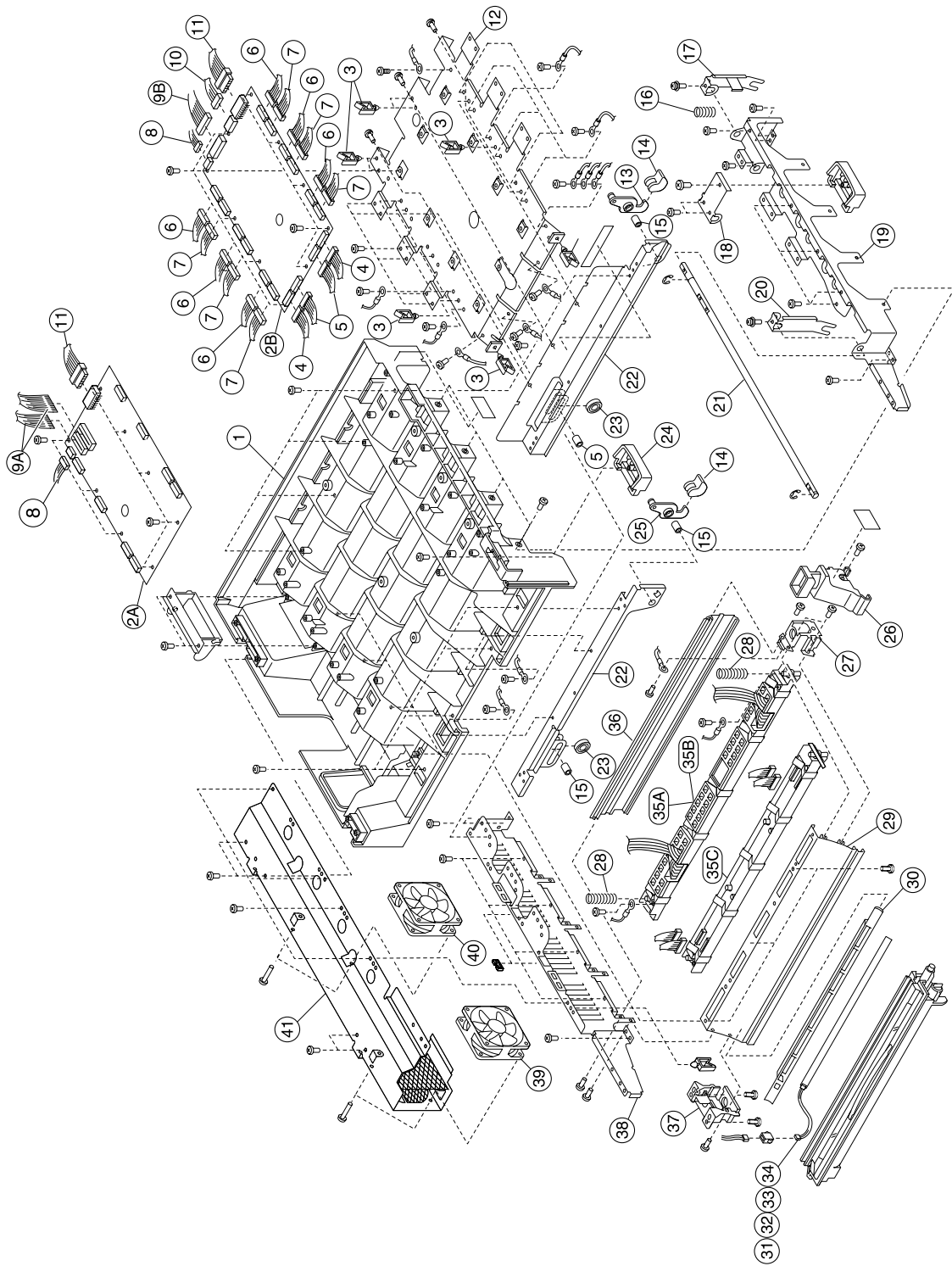
# Assembly 6: Upper unit



## Assembly 6: Upper unit

Index	P/N	Units	Description
6-1	56P9591	1	Frame, upper
2A	56P9987	1	Board, printhead controller-S/N XX-1XXXX
2B	56P9620	1	Board, printhead controller-S/N XX-0XXXX
3	56P9638	6	Holder, cable
4	56P9600	2	Cable assembly, K13
5	56P9601	2	Cable assembly, K24
6	56P9602	6	Cable assembly, CL13
7	56P9603	6	Cable assembly, CL24
8	56P9716	1	Cable assembly, 8-pin PH controller
9A	56P9991	1	Cable assembly 48-pin PH controller-S/N XX-1XXXX
9B	56P9718	1	Cable assembly, 30-pin PH controller-S/N XX-0XXXX
10	56P9717	1	Cable assembly, 18-pin PH controller-S/N XX-0XXXX
11	56P9720	1	Cable assembly, PH controller power
12	56P9637	1	Frame, printhead controller
13	56P9625	1	Hook, right link
14	56P9626	2	Cover, hook
15	56P9628	4	Pivot, color link
16	56P9614	1	Spring, return
17	56P9618	1	Hook, right
18	56P9615	1	Hook, middle
19	56P9612	1	Bracket, front upper
20	56P9617	1	Hook, left
21	56P9613	1	Rod, interlocking
22	56P9624	1	Link, frame
23	56P9627	2	Bearing, roller
24	56P9616	2	Handle, upper opening
25	56P9630	1	Hook, left link
26	56P9611	4	Holder, front printhead
27	56P9608	4	Holder, front HSP
28	56P9609	8	Spring, printhead
29	56P9592	4	Rail, left side

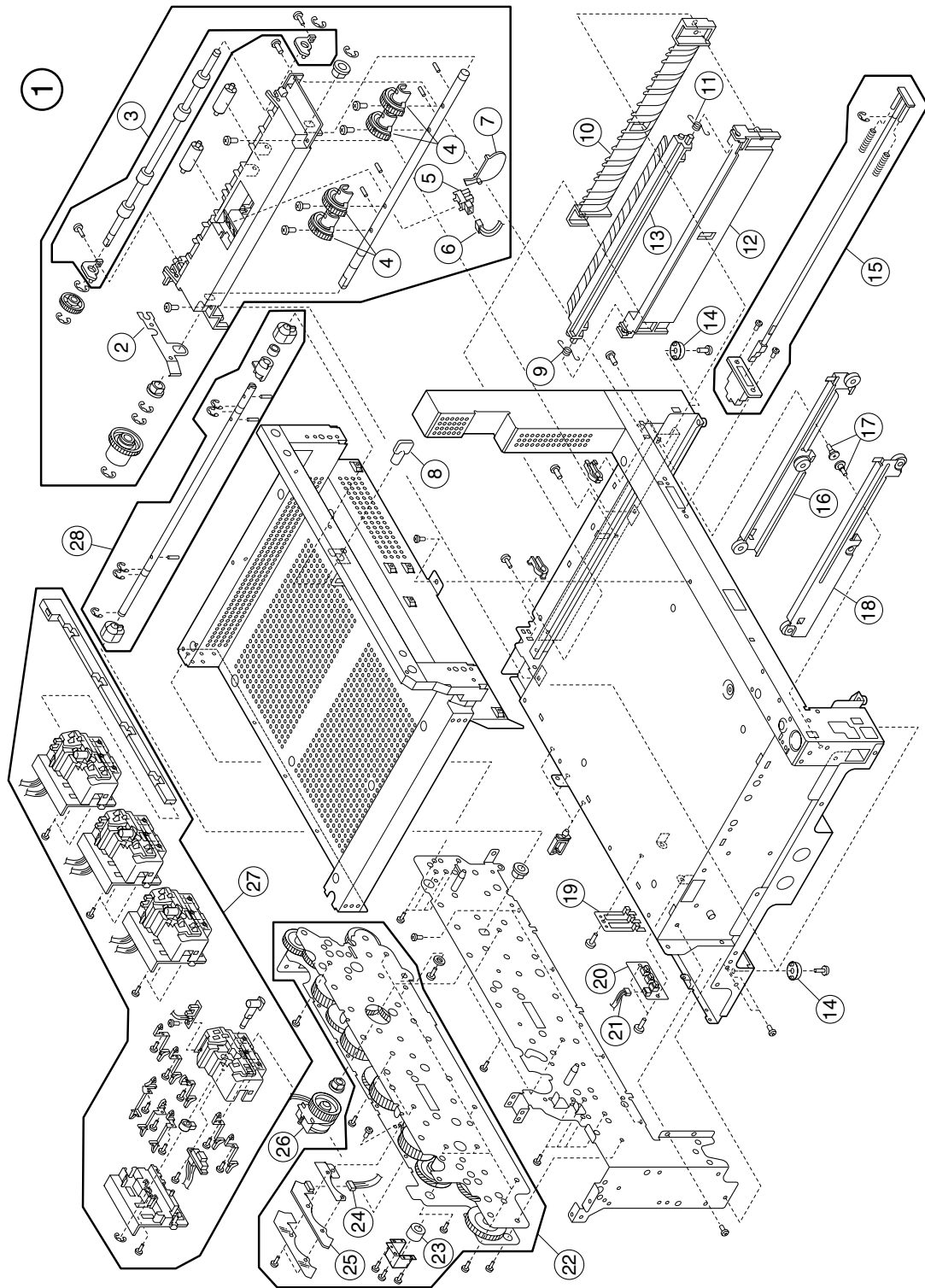
# Assembly 6 (continued): Upper unit



**Assembly 6 (continued): Upper unit**

Index	P/N	Units	Description
30	56P9594	4	Cover, eraser
31	56P9595	1	Lamp, M erase
32	56P9596	1	Lamp, C erase
33	56P9597	1	Lamp, Y erase
34	56P9598	1	Lamp, K erase
35A	56P9985	1	Printhead, LED K (black)—S/N XX-1XXXX
35B	56P9986	3	Printhead, LED Y/M/C (color)—S/N XX-1XXXX
35C	56P9599	4	Printhead, LED—S/NXX-0XXXX
36	56P9610	4	Rail, right side
37	56P9593	4	Holder, rear printhead
38	56P9619	1	Bracket, rear upper
39	56P9622	1	Fan, upper right
40	56P9623	1	Fan, upper left
41	56P9621	1	Bracket, fan holder
NS	56P9629	1	Frame, link
NS	56P9639	4	Connector, upper
NS	56P9604	8	Core, ferrite
NS	56P9605	8	Cable assembly, HDFG
NS	56P9606	4	Cable assembly, RSPFG
NS	56P9607	2	Cable assembly, LFG
NS	56P9993	4	Shield, light—used on P/N 56P9594 for S/N XX-1XXXX
NS	56P9947	1	Parts packet
NS	56P9988	1	Post, mini—S/N XX-1XXXX
NS	56P9989	1	Core, Ferrite—S/N XX-1XXXX
NS	56P9990	1	Tape, Core—S/N XX-1XXXX

# Assembly 7: Base 1

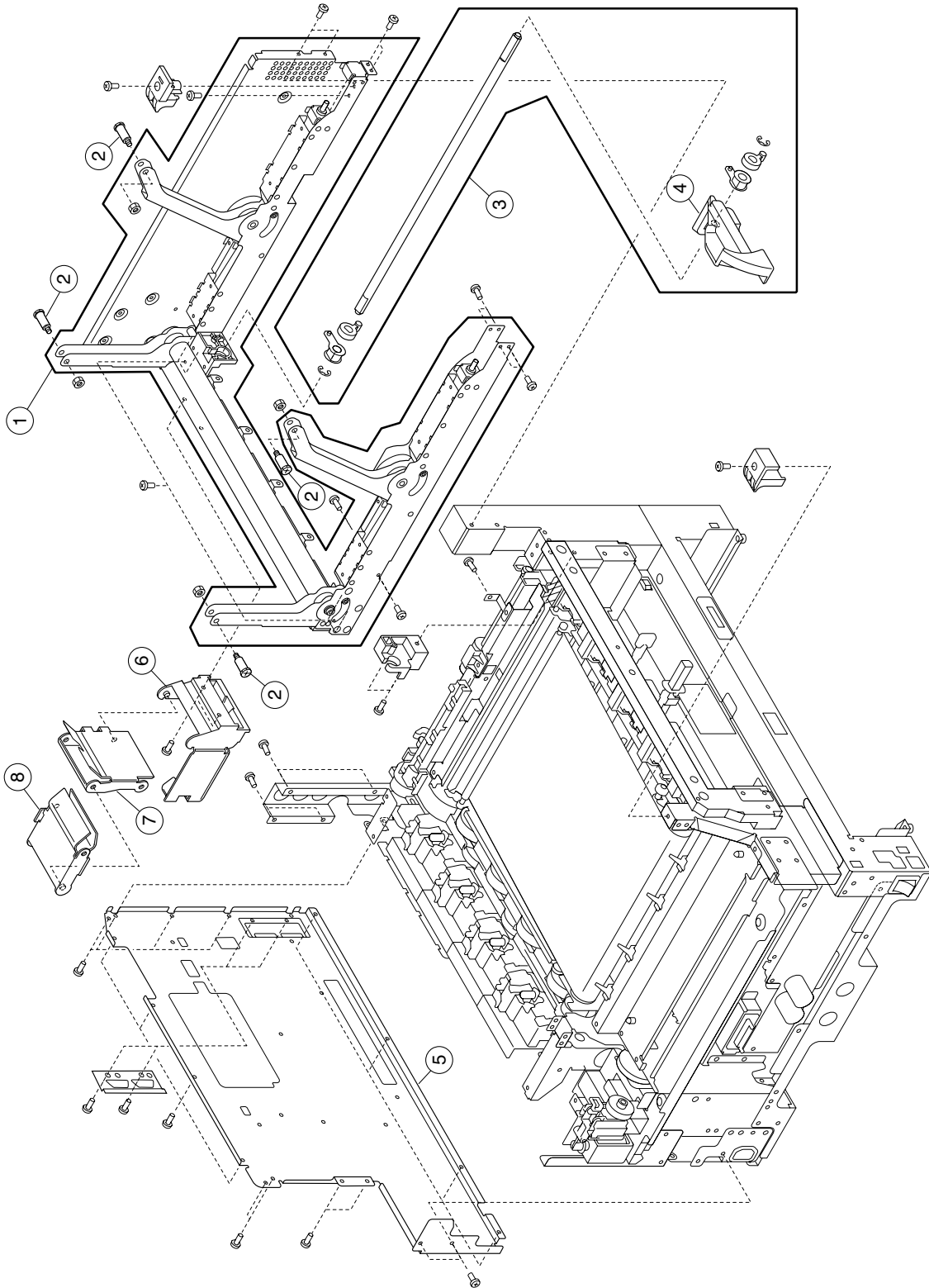


## Assembly 7: Base 1

Index	P/N	Units	Description
7-1	56P9664	1	Frame, paper feed
2	56P9508	1	Bracket, ground
3	56P9512	1	Roller assembly, paper carrying
4	56P9511	4	Roller assembly, paper feed
5	11G0243	1	Interrupter, photo
6	56P9665	1	Sensor, paper feed
7	56P9507	1	Actuator, paper feed sensor
8	56P9520	1	Handle, waste bottle cam
9	56P9517	1	Spring, right cassette guide
10	56P9519	1	Guide, lower right cassette
11	56P9516	1	Spring, left cassette guide
12	56P9518	1	Guide, lower left cassette
13	56P9515	1	Guide, upper cassette
14	56P9503	4	Foot, rubber
15	56P9641	1	Actuator, front cover open switch
16	56P9505	1	Rail, base left side
17	56P9524	2	Screw, slide rail
18	56P9504	1	Rail, base right side
19	56P9521	1	Lever, size sensor
20	56P9522	1	Board, size sensor
21	56P9523	1	Cable assembly, size sensor
22	56P9642	1	Unit, drive
23	56P9643	1	Clutch, drive unit
24	56P9644	1	Cable assembly, drive unit sensor
25	56P9645	1	Sensor, drive unit gear
26	56P9663	1	Clutch, belt up/down
27	56P9646	1	Frame, sub
28	56P9662	1	Shaft, changing
NS	56P9948	1	Parts packet



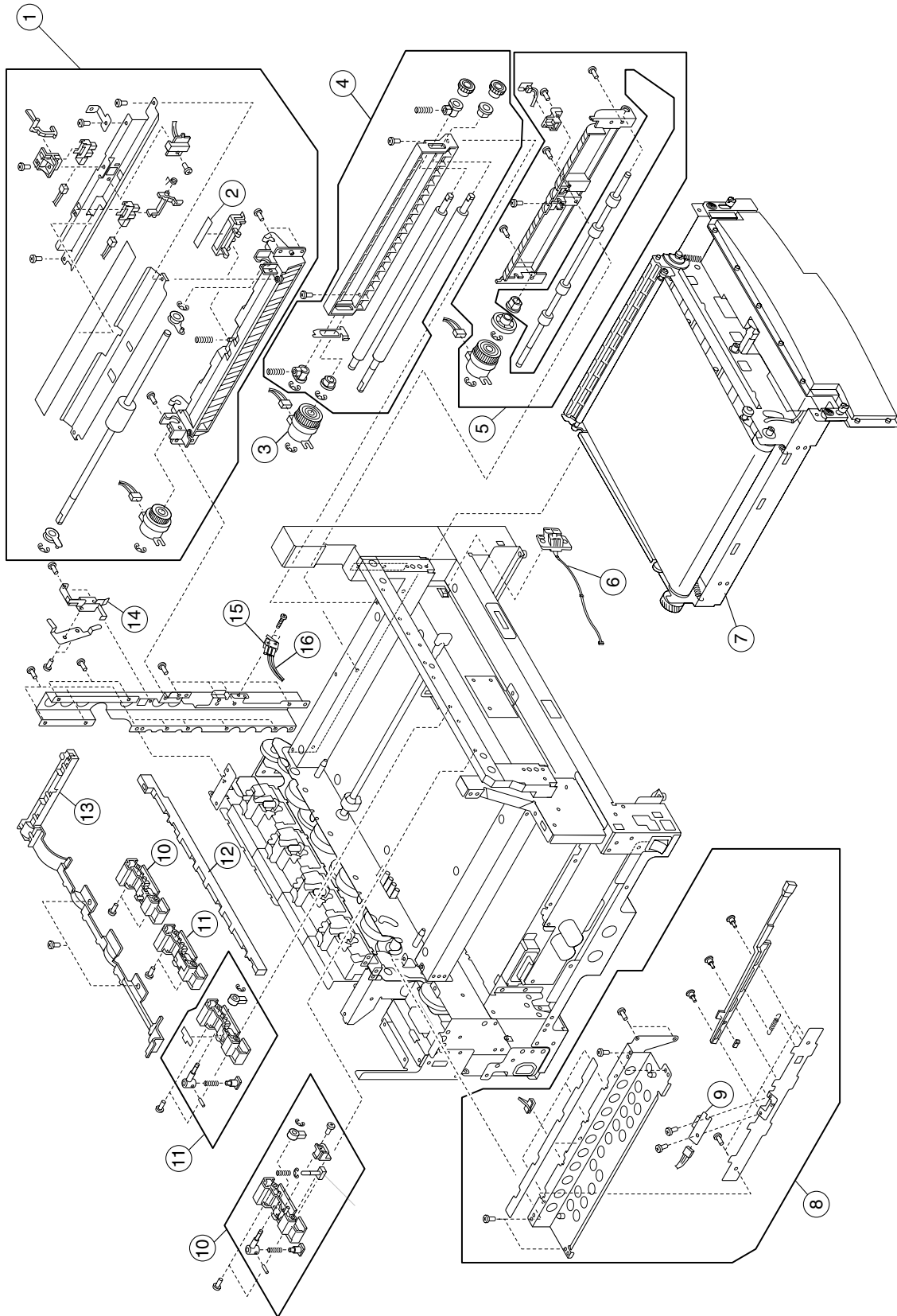
# Assembly 8: Base 2



## Assembly 8: Base 2

Index	P/N	Units	Description
8-1	56P9666	1	Support assembly, upper unit
2	56P9667	4	Pin, upper unit support
3	56P9668	1	Handle assembly, lock
4	56P9669	1	Handle, lock
5	56P9673	1	Cover, electronic
6	56P9670	1	Shroud, cable
7	56P9672	1	Guide, cable
8	56P9671	1	Guide, cable
NS	56P9949	1	Parts packet

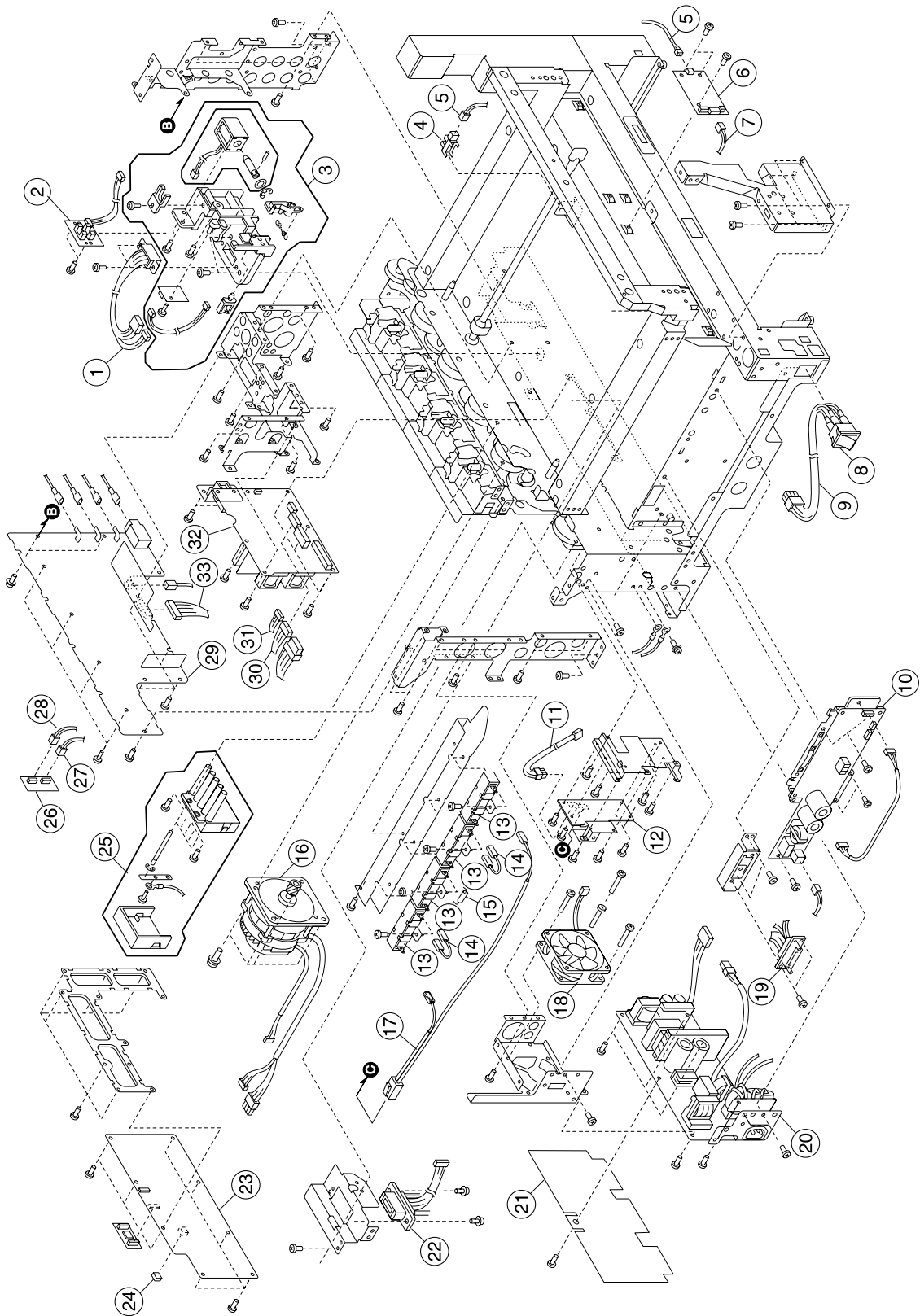
# Assembly 9: Base 3



## Assembly 9: Base 3

Index	P/N	Units	Description
9-1	56P9971	1	Frame assembly, MPF
2	11G0293	1	Pad, fanning
3	56P9681	1	Clutch, registration
4	56P9680	1	Frame assembly, registration
5	56P9682	1	Frame assembly, carrying
6	56P9696	1	Cable assembly, belt thermistor
7	56P9694	1	Unit, transfer belt
8	56P9674	1	Guide assembly, fuser entrance
9	56P9676	1	Sensor, density
10	56P9684	2	Frame assembly, F1 sub
11	56P9685	2	Frame assembly, F2 sub
12	56P9686	1	Rod, lock
13	56P9687	1	Cover, gear
14	56P9693	1	Stopper, clutch
15	56P9502	1	Sensor, turn guide door
16	56P9695	1	Cable, turn guide door sensor
NS	56P9697	1	Bushing
NS	56P9692	1	Cable assembly, reg MPF sensor
NS	56P9950	1	Parts packet

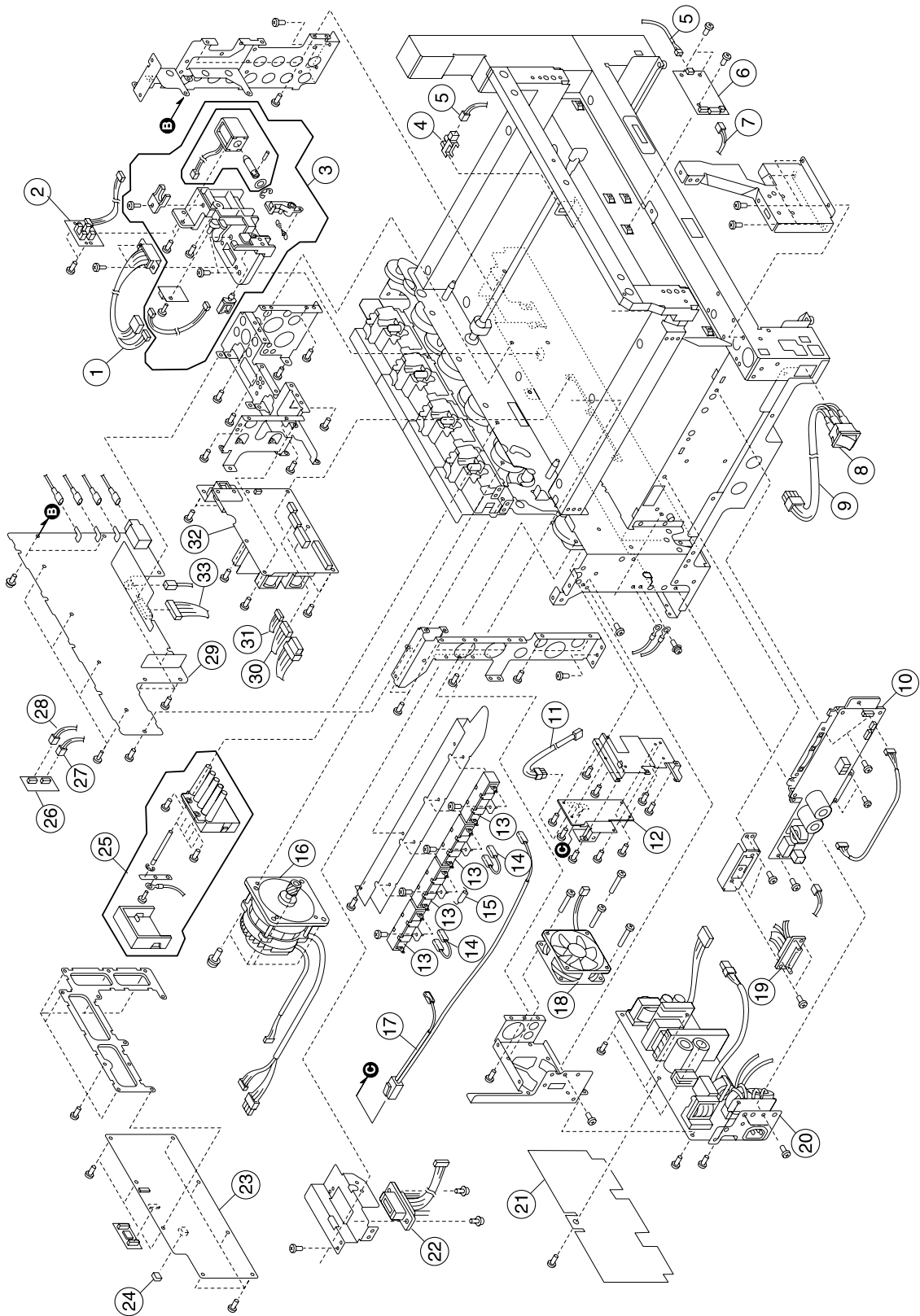
# Assembly 10: Electrical



## Assembly 10: Electrical

Index	P/N	Units	Description
10-1	56P9705	1	Cable assembly, feeder
2	56P9704	1	Cable assembly, paper remaining sensor
3	56P9700	1	Solenoid assembly, paper feed (temperature/humidity sensor and paper remaining sensor included)
4	11G0243	1	Interrupter, photo
5	56P9702	1	Cable, belt up/down sensor
6	56P9701	1	Board, sensor
7	56P9703	1	Cable assembly, sensor board
8	56P9707	1	Switch, power
9	56P9706	1	Cable, power switch
10	56P9709	1	Board, 120 V motor driver
10	56P9710	1	Board, 230 V motor driver
11	56P9739	1	Cable asm., conditioning printer controller
12	56P9742	1	Board, heater drive
13	56P9741	4	Resistor, conditioning (230 V only)
14	56P9738	3	Cable assembly, conditioning joint (230 V only)
15	56P9943	1	Fuse, thermal (230 V only)
16	56P9698	1	Motor assembly, 120 V
16	56P9699	1	Motor assembly, 230 V
17	56P9740	1	Cable, conditioning resistor
18	56P9713	1	Fan, power supply
19	56P9708	1	Cable assembly, duplex connector
20	56P9722	1	Power supply, 120 V (1)
20	56P9723	1	Power supply, 230 V (1)
21	56P9737	1	Insulator, sheet
22	56P9711	1	Cable, THB drawer
22	56P9712	1	Cable, THB drawer (EMEA)
23	56P9981	1	Board, printer controller (C910, C912)– S/N XX-0XXXX
23	56P9992	1	Board, printer controller (C912)– S/N XX-1XXXX
24	56P9729	1	EPROM, printer controller
25	56P9732	1	Belt, power supply

# Assembly 10 (continued): Electrical

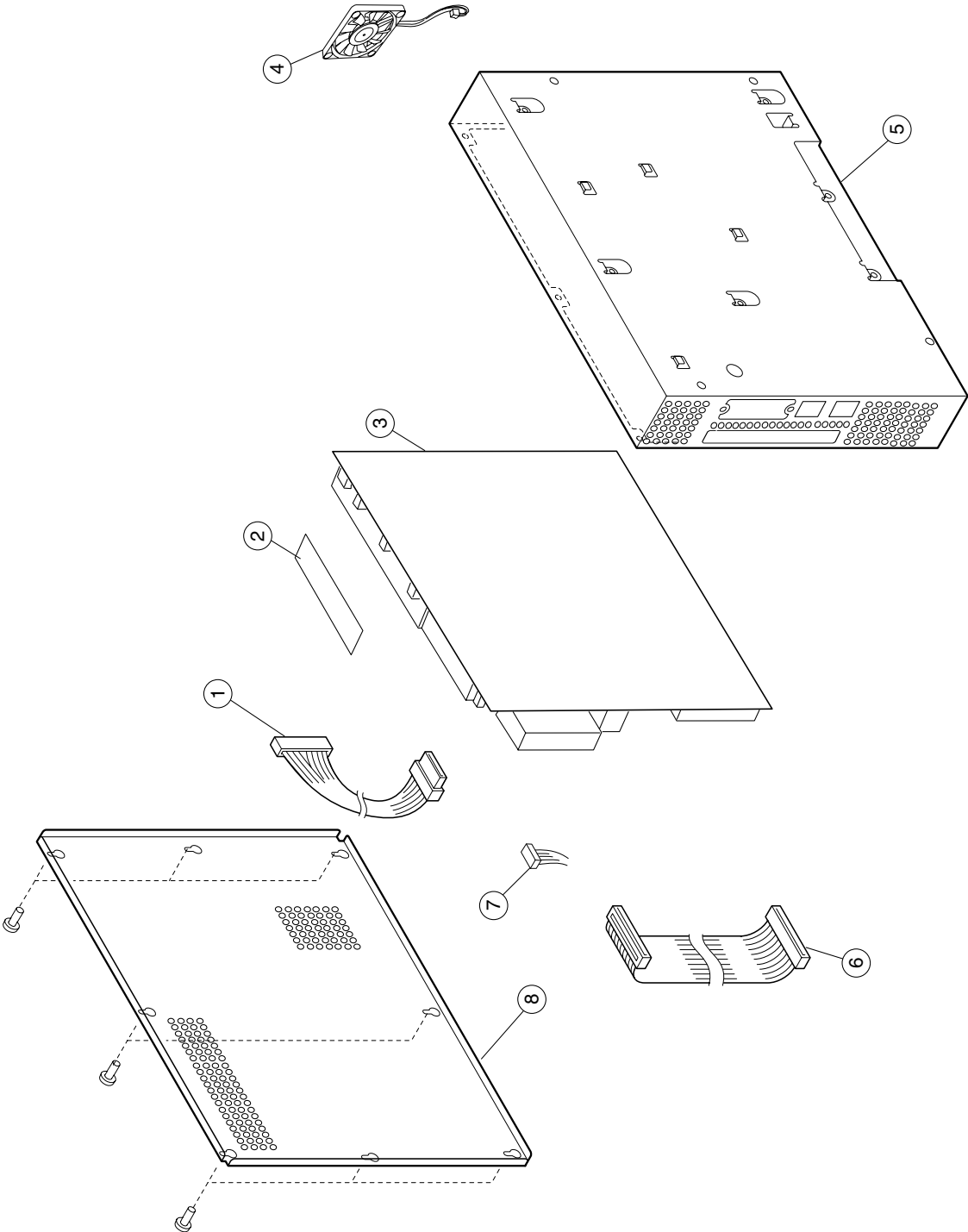


**Assembly 10 (continued): Electrical**

Index	P/N	Units	Description
10–26	56P9734	1	HCF/finisher D-sub assembly
27	56P9731	1	Cable assembly, finisher
28	56P9730	1	Cable assembly, HCF
29	56P9714	1	Board, high voltage power supply
30	56P9727	1	Cable assembly, printer controller power 2
31	56P9726	1	Cable assembly, printer controller power 1
32	56P9724	1	Power supply, 120 V (2)
32	56P9725	1	Power supply, 230 V (2)
33	56P9715	1	Cable high voltage power supply board
NS	11D0328	1	Power cord—USA, Canada, APG, LAD
NS	11D0329	1	Power cord—Peru
NS	11D0330	1	Power cord—Argentina
NS	11D0331	1	Power cord—Brazil
NS	11D0332	1	Power cord—Chile
NS	11D0333	1	Power cord—Denmark
NS	11D0334	1	Power cord—Belgium, Europe, England, France, Germany, Spain
NS	11D0335	1	Power cord—Italy
NS	11D0336	1	Power cord—Swiss/French, German, Italian
NS	11D0337	1	Power cord—UK, Israel, South Africa
NS	56P9951	1	Parts packet
NS	56P9733	1	Cable assembly, HCPF interface
NS	56P9721	1	Cable assembly, drum eraser
NS	56P9964	1	Transformer, power (Japan only)



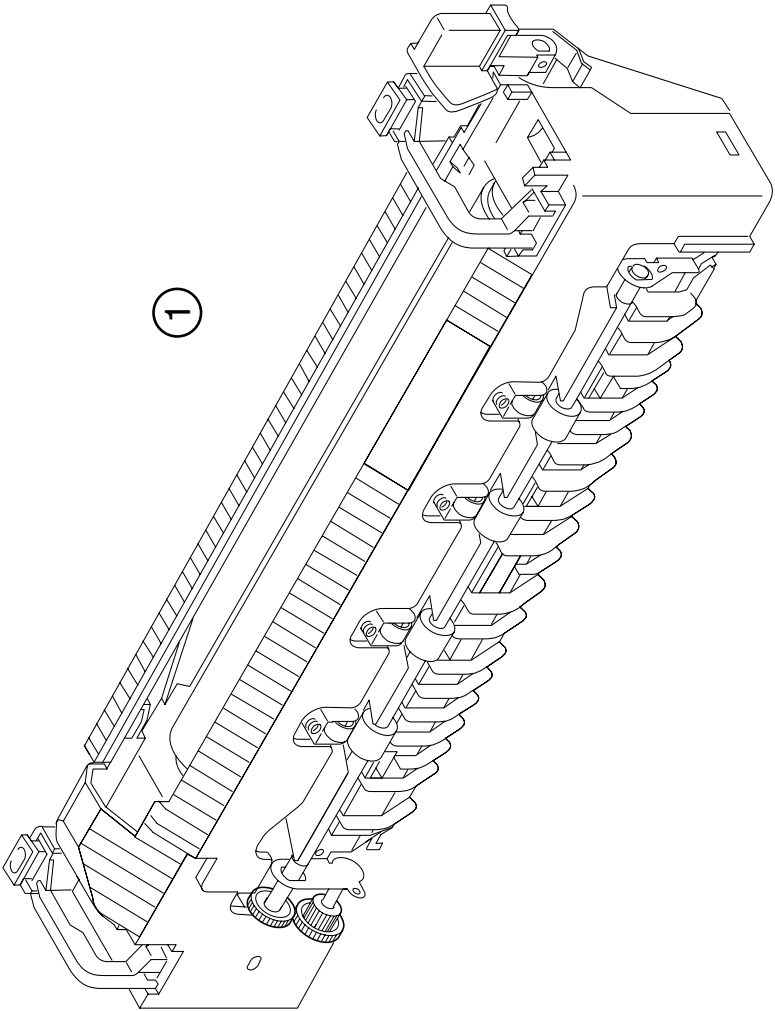
# Assembly 11: Rip board



## Assembly 11: RIP board

Index	P/N	Units	Description
11-1	56P9749	1	Cable assembly, power RIP
2	56P9916	1	Card, riser
3	56P9976	1	Board, RIP controller (C910)
3	56P9977	1	Board, RIP controller, network (C910)
3	56P9973	1	Board, RIP controller (C912)
3	56P9974	1	Board, RIP controller, network (C912)
4	56P9750	1	Fan, RIP
5	56P9745	1	Box, RIP
6	56P9719	1	Cable assembly, 80 pin RIP printer controller
7	56P9736	1	Cable, operator panel
8	56P9746	1	Cover, RIP box
NS	56P9747	1	Cable assembly, power MAC
NS	56P9748	1	Cable assembly, MIF
NS	56P9952	1	Parts packet

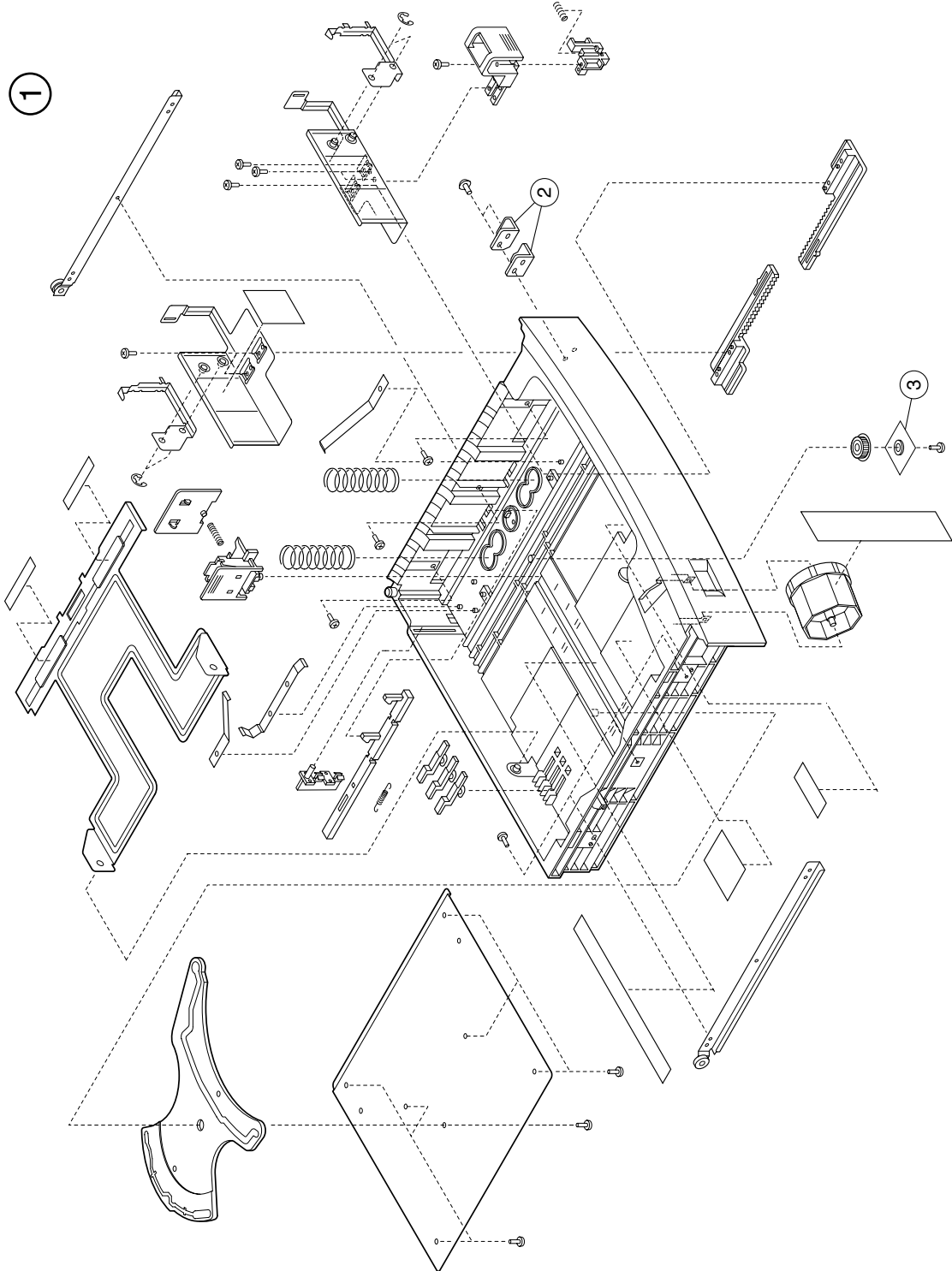
# Assembly 12: Fuser unit



## Assembly 12: Fuser unit

Index	P/N	Units	Description
12-1	56P9751	1	Fuser, 120 V
1	56P9752	1	Fuser, 230 V
NS	56P9953	1	Parts packet

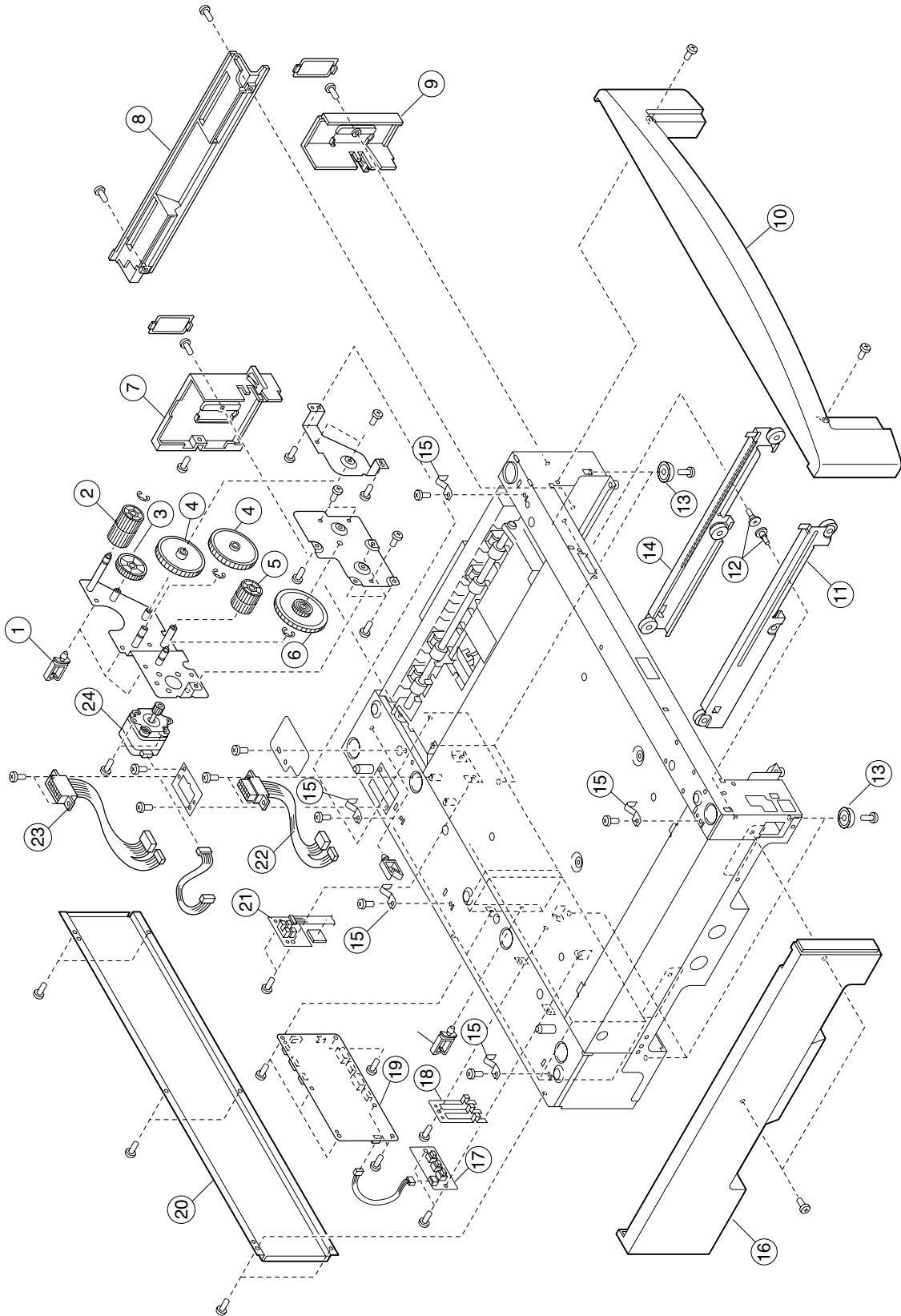
# Assembly 13: Cassette



## Assembly 13: Cassette

Index	P/N	Units	Description
13-1	56P9500	1	Cassette, paper feed
NS	56P9902	1	Cassette, heavy media
2	56P9979	1	Guide, stop
3	56P9980	1	Guard, rack

# Assembly 14: Expansion feeder 1

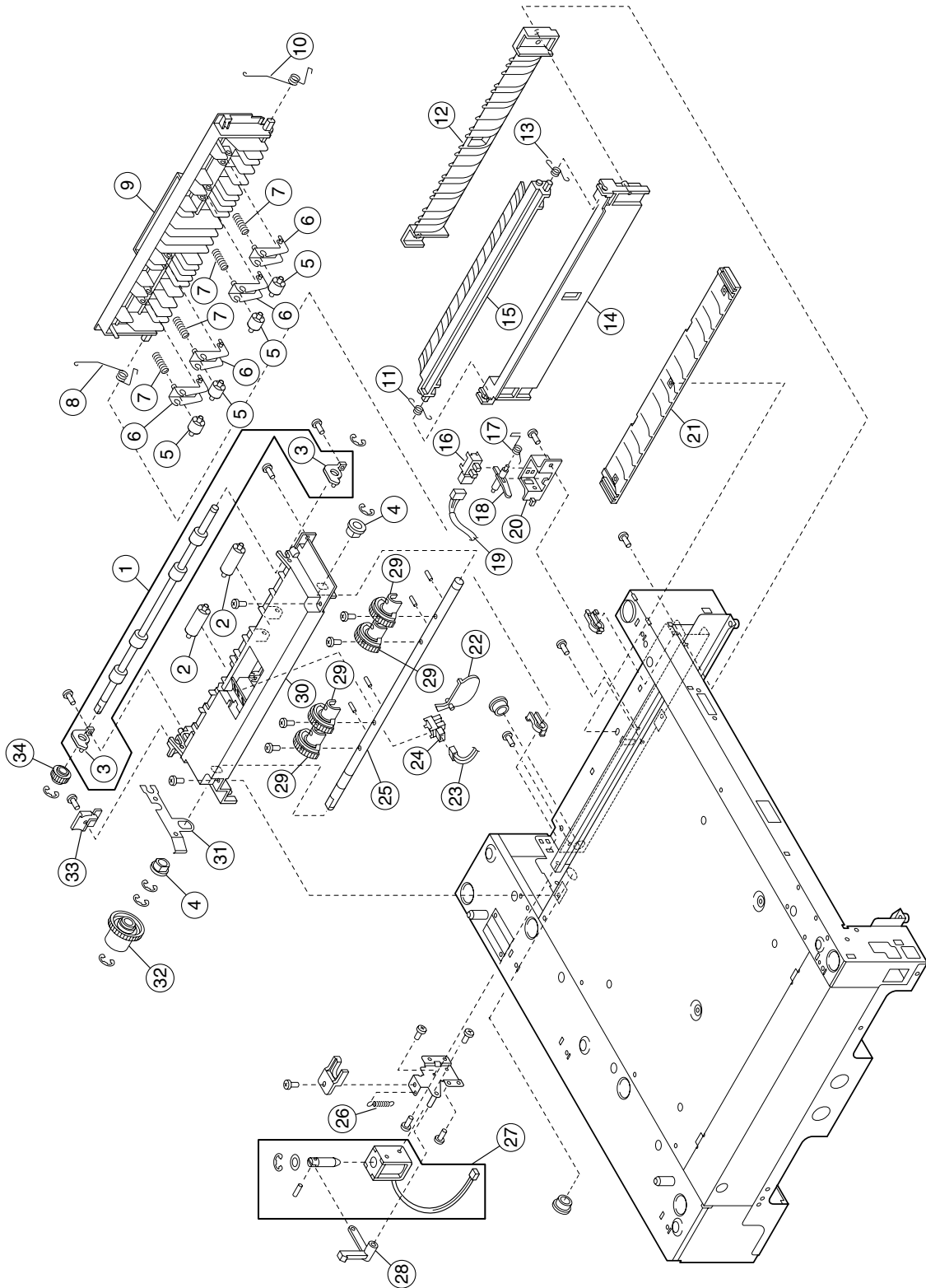


## Assembly 14: Expansion feeder 1

Index	P/N	Units	Description
14-1	11G0199	4	Guide, wire
2	56P9773	1	Gear, feeder E
3	56P9771	1	Gear, feeder C
4	11G0422	2	Gear, feeder B
5	56P9772	1	Gear, feeder D
6	11G0423	1	Gear, feeder A
7	56P9770	1	Cover, right side C
8	56P9769	1	Cover, right side B
9	56P9767	1	Cover, right side A
10	56P9765	1	Cover, front feeder
11	56P9504	1	Rail, left side
12	56P9524	2	Screw, slide rail
13	56P9503	6	Foot, rubber
14	56P9505	1	Rail, right side
15	11G0399	5	Plate, ground
16	56P9766	1	Cover, left side
17	56P9522	1	Board, size sensor
18	56P9521	1	Lever, size sensor
19	56P9779	1	Board, expansion feeder control
20	56P9768	1	Cover, rear
21	56P9776	1	Board, paper remaining sensor
22	56P9778	1	Cable assembly, lower optional drawer
23	56P9777	1	Cable assembly, upper optional drawer
24	56P9774	1	Motor, feeder drive
NS	56P9775	1	Cable assembly, size sensor
NS	56P9955	1	Parts packet



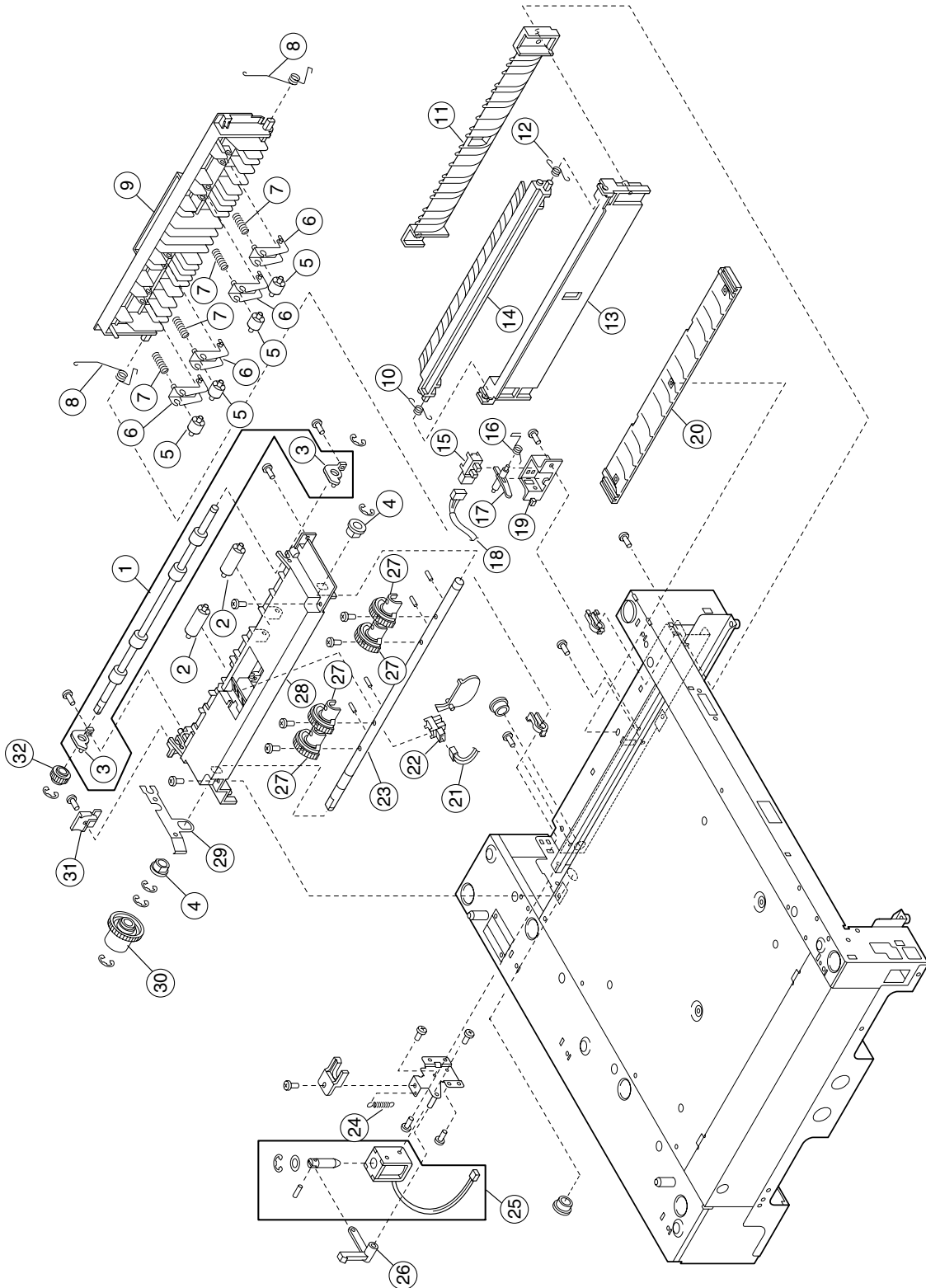
# Assembly 15: Expansion feeder 2



## Assembly 15: Expansion feeder 2

Index	P/N	Units	Description
15-1	56P9796	1	Roller assembly, carrying
2	56P9514	2	Roller, noise reduction
3	56P9513	2	Bushing, carrying
4	56P9509	2	Bushing, metal
5	56P9790	4	Roller, paper carrying
6	56P9792	4	Holder, roller
7	56P9791	4	Spring, paper carrying
8	56P9794	1	Spring, right turn guide
9	56P9789	1	Guide, turn
10	56P9793	1	Spring, left turn guide
11	56P9517	1	Spring, right cassette guide
12	56P9519	1	Guide, lower right cassette
13	56P9516	1	Spring, left cassette guide
14	56P9518	1	Guide, lower left cassette
15	56P9515	1	Guide, upper cassette
16	11G0563	1	Interrupter, photo
17	56P9786	1	Spring, paper detection sensor
18	56P9784	1	Actuator, paper detection
19	56P9787	1	Cable, paper present sensor
20	56P9785	1	Cover, paper present sensor
21	56P9788	1	Guide, HCF
22	56P9507	1	Actuator, paper feed sensor
23	56P9795	1	Cable, paper present sensor
24	11G0219	1	Interrupter, photo
25	56P9510	1	Shaft, paper feed
26	56P9782	1	Spring, solenoid
27	56P9783	1	Solenoid, feeder
28	56P9781	1	Lever, clutch
29	56P9511	4	Roller assembly, paper feed
30	56P9506	1	Frame, paper feed
31	56P9508	1	Bracket, ground
32	11G0291	1	Clutch, paper feed
33	56P9797	1	Cover, gear
34	11G0297	1	Gear, paper carrying

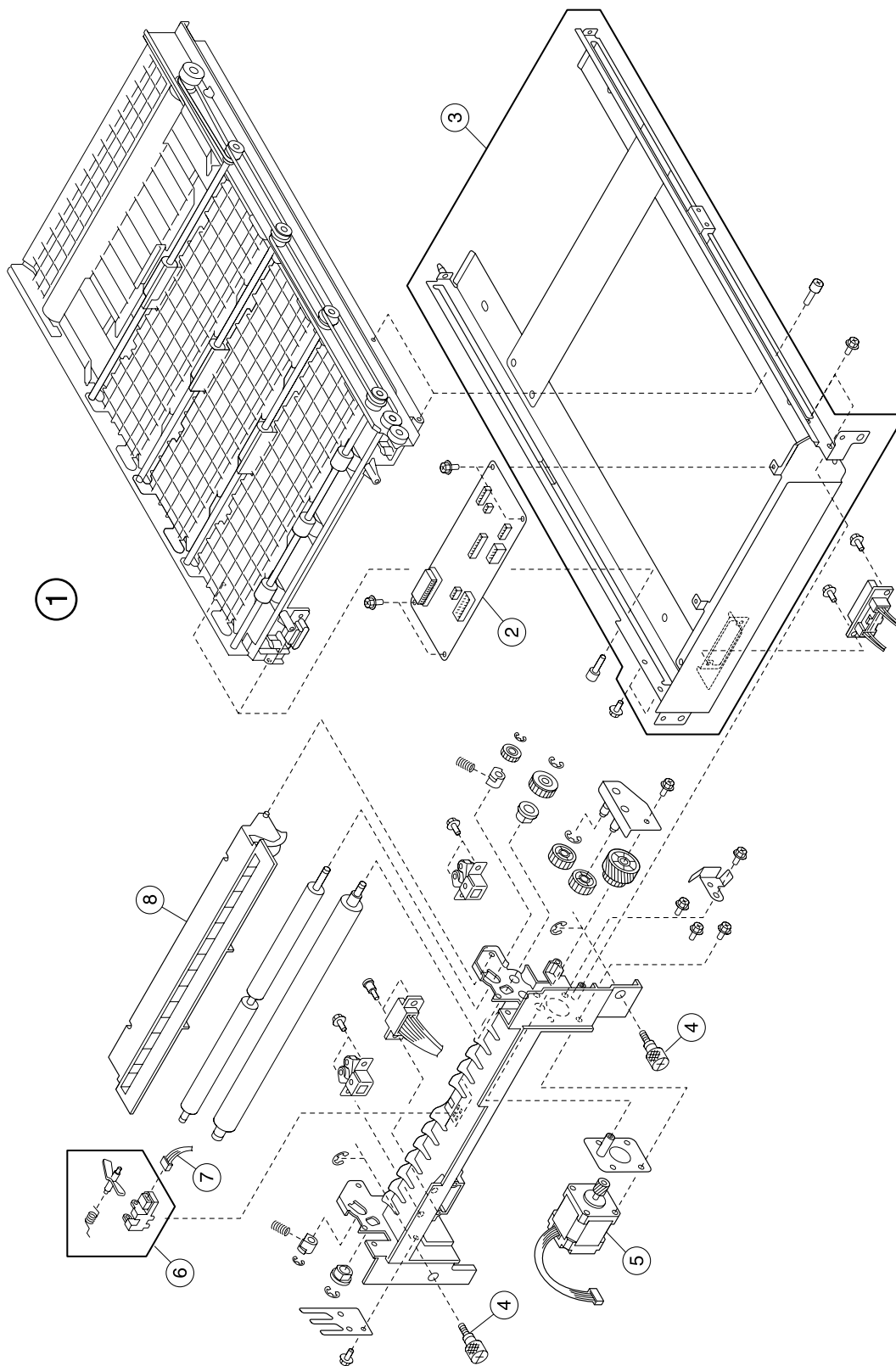
# Assembly 15 (continued): Expansion feeder 2



**Assembly 15 (continued): Expansion feeder 2**

<b>Index</b>	<b>P/N</b>	<b>Units</b>	<b>Description</b>
NS	56P9956	1	Parts packet

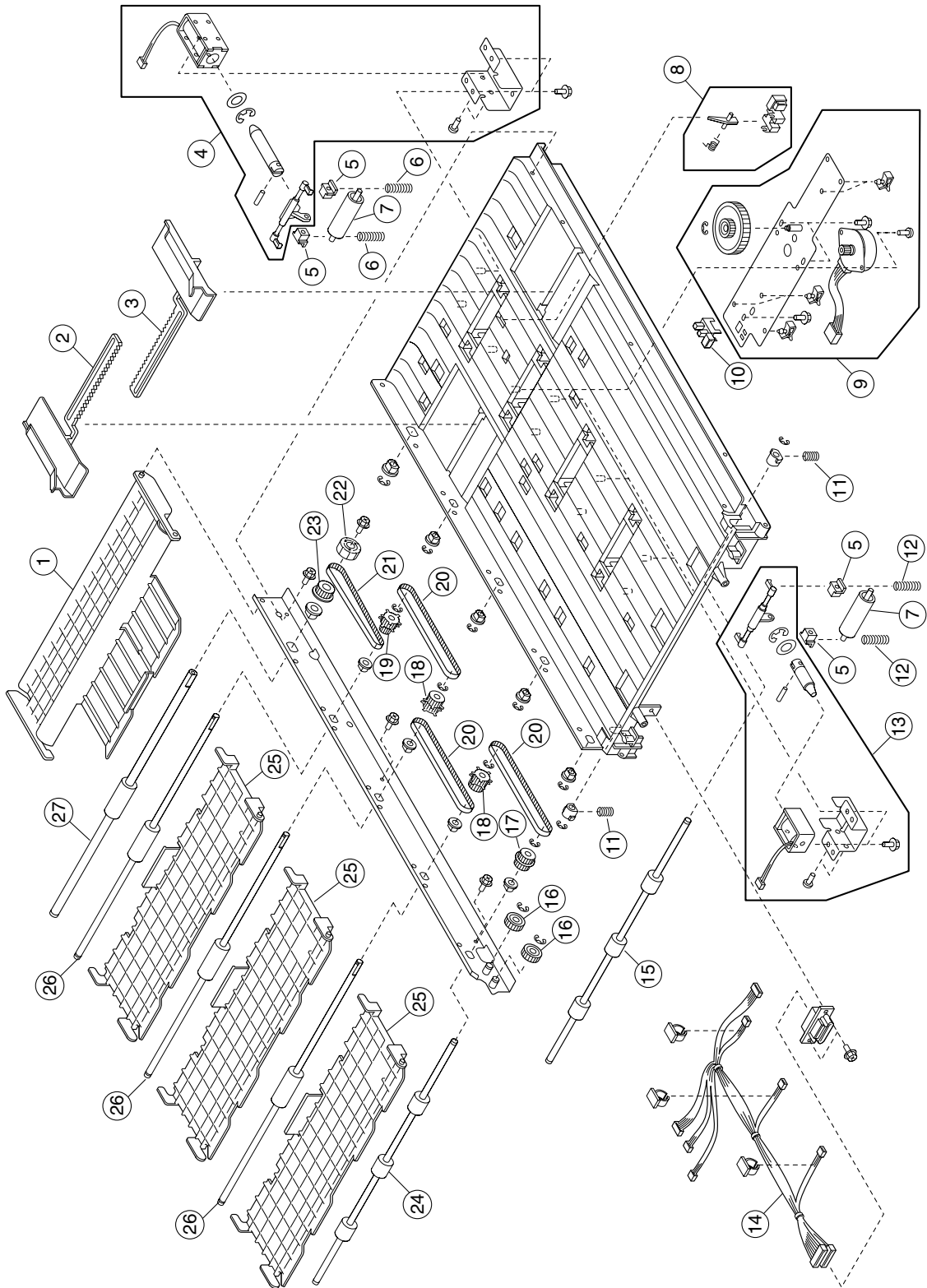
# Assembly 16: Duplex unit 1



## Assembly 16: Duplex unit 1

Index	P/N	Units	Description
16-1	56P9798	1	Duplex assembly
2	56P9804	1	Board, duplex interface
3	56P9799	1	Frame, duplex
4	56P9800	2	Screw, duplex mounting
5	56P9803	1	Motor, duplex stepping
6	56P9525	1	Interrupter, photo
7	56P9806	1	Cable assembly, paper detection
8	56P9994	1	Plate, duplex guide
NS	56P9807	1	Cable assembly, duplex interface
NS	56P9805	1	Cable assembly, duplex connection

# Assembly 17: Duplex unit 2

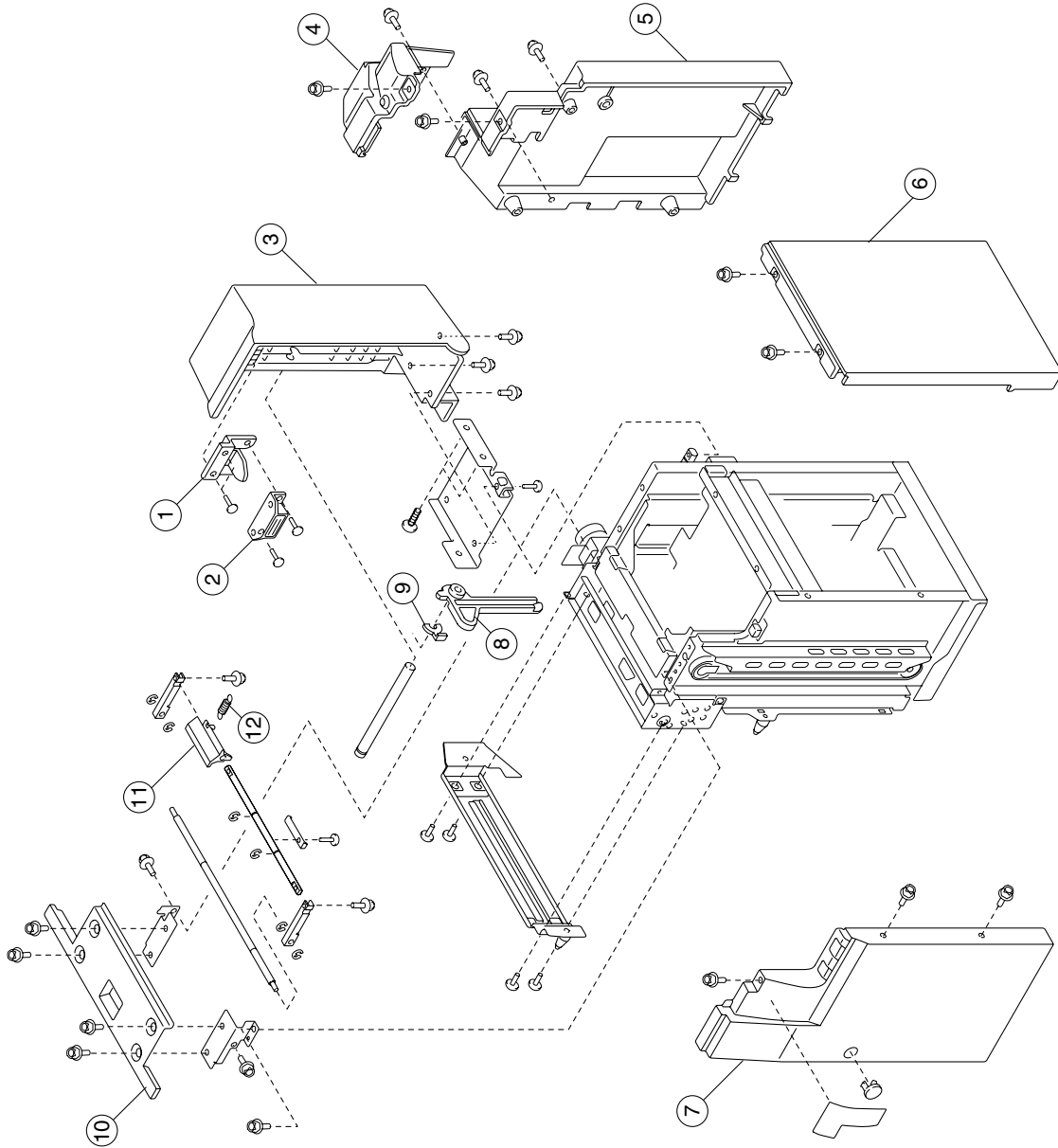


## Assembly 17: Duplex unit 2

Index	P/N	Units	Description
17-1	56P9825	1	Plate, paper re-feed drawer
2	56P9827	1	Guide, rear side
3	56P9826	1	Guide, front side
4	56P9830	1	Solenoid assembly, paper re-feed
5	56P9814	8	Bearing, release
6	56P9816	2	Spring, re-feed roller
7	56P9813	4	Roll, release
8	56P9525	1	Interrupter assembly, photo
9	56P9828	1	Motor assembly, paper guide
10	56P9808	1	Interrupter, photo
11	56P9526	2	Spring, feed roller
12	56P9815	6	Spring, reed roller
13	56P9829	3	Solenoid assembly, feed roller
14	56P9831	1	Cable assembly, duplex drawer
15	56P9810	1	Roller, follow-up feed
16	56P9527	2	Gear, idler
17	56P9817	1	Gear, carrying roller
18	56P9818	2	Pulley, carrying roller timing
19	56P9819	1	Pulley, feed roller
20	56P9822	3	Belt, timing
21	56P9823	1	Belt, timing
22	56P9821	1	Knob, paper re-feed
23	56P9820	1	Pulley, re-feed roller
24	56P9809	1	Roller, drive feed
25	56P9824	3	Plate, paper carrying drawer
26	56P9811	3	Roller, middle feed
27	56P9812	1	Roller, re-feed
NS	56P9957	1	Parts packet



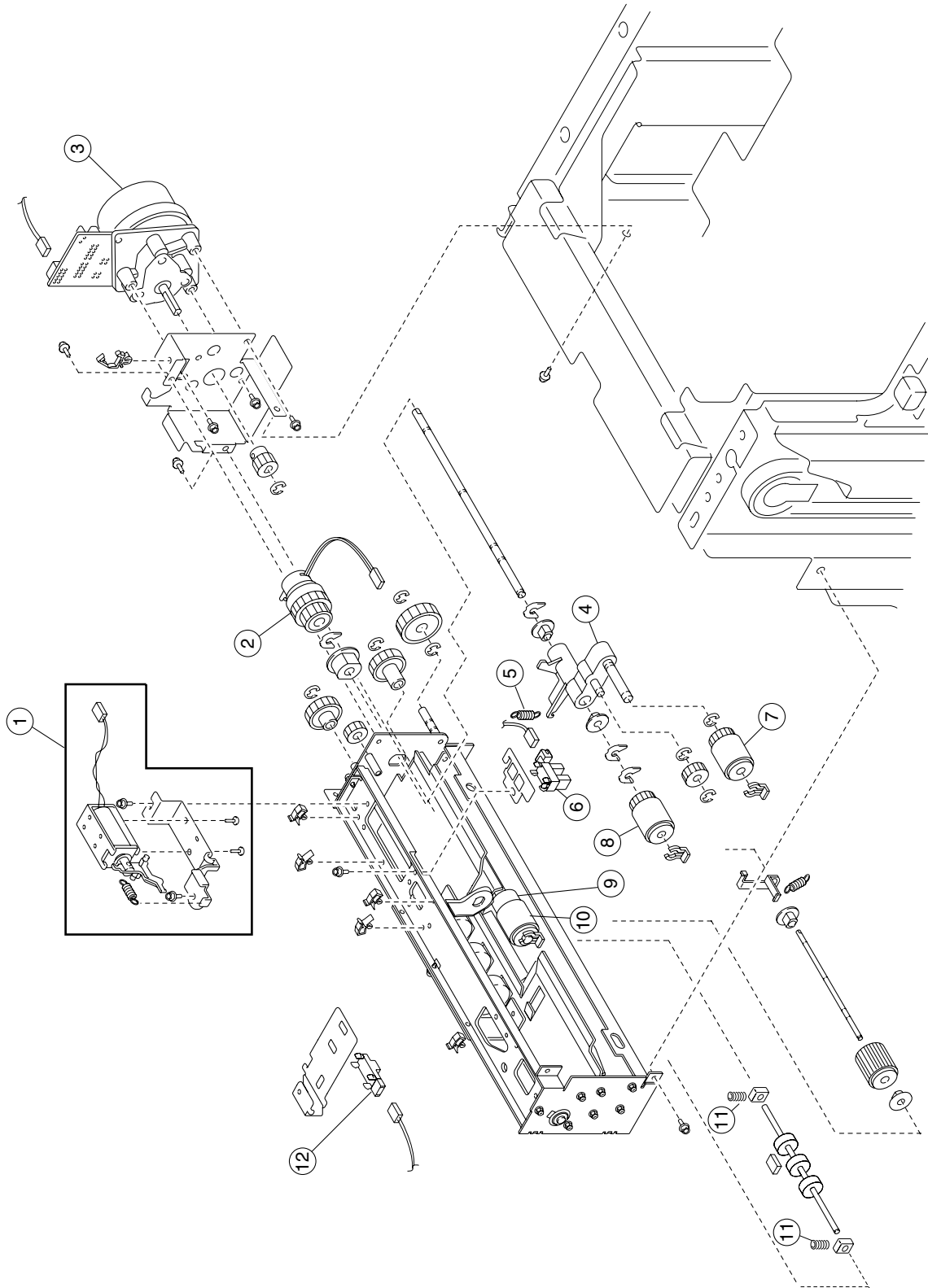
# Assembly 18: High-capacity feeder 1



## Assembly 18: High-capacity feeder 1

Index	P/N	Units	Description
18-1	56P9838	1	Catch, door
2	56P9835	1	Magnet, latch
3	56P9837	1	Cover, upper
4	56P9834	1	Cover, upper rear
5	56P9843	1	Cover, lower rear
6	56P9839	1	Cover, right
7	56P9833	1	Cover, front
8	56P9836	1	Fence, end
9	56P9940	1	Ring, snap
10	56P9841	1	Cover assembly, upper
11	56P9840	1	Lever, vertical transport
12	56P9842	1	Spring, tension
NS	56P9958	1	Parts packet

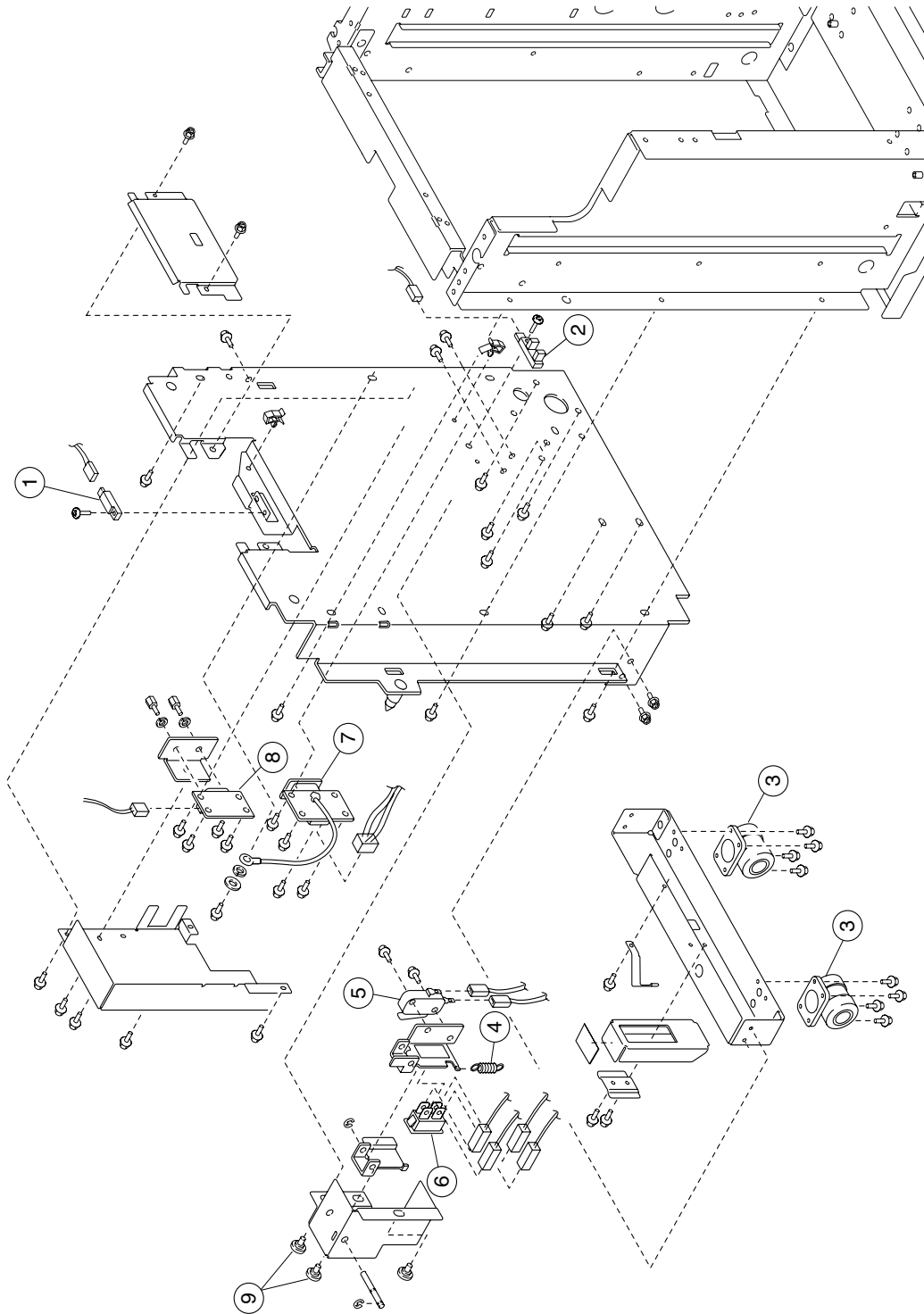
# Assembly 19: High-capacity feeder 2



## Assembly 19: High-capacity feeder 2

Index	P/N	Units	Description
19-1	56P9846	1	Solenoid assembly, paper pickup
2	56P9848	1	Clutch, paper feed
3	56P9844	1	Motor assembly, transport
4	56P9941	1	Arm, pick-up
5	56P9501	1	Spring, pressure
6	56P9528	1	Interrupter, photo
7	56P9849	1	Roller, manual feed pickup
8	56P9850	1	Roller, manual feed
9	56P9852	1	Limiter, torque
10	56P9851	1	Roller, manual feed separate
11	56P9847	2	Spring, compression
12	56P9845	1	Sensor assembly, paper feed
NS	56P9959	1	Parts packet

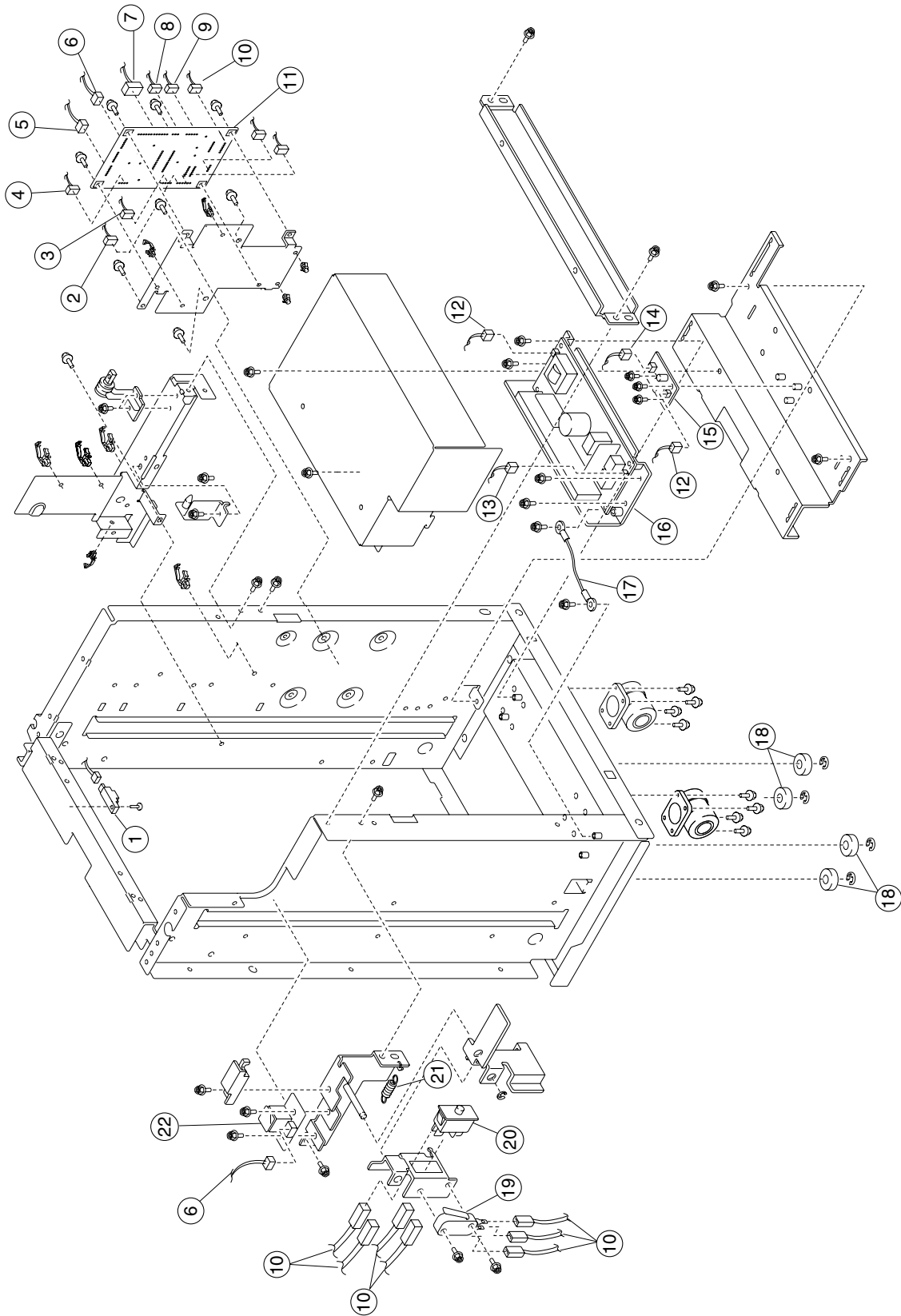
# Assembly 20: High-capacity feeder 3



## Assembly 20: High-capacity feeder 3

Index	P/N	Units	Description
20-1	56P9854	1	Sensor assembly, photo
2	56P9855	1	Interrupter, photo
3	56P9529	4	Caster, HCF
4	56P9856	1	Spring, tension
5	56P9857	1	Switch, micro
6	56P9530	1	Switch, push
7	56P9859	1	Connector, inlet
8	56P9858	1	Connector, I/F
9	56P9853	3	Screw, shoulder
NS	56P9960	1	Parts packet

# Assembly 21: High-capacity feeder 4

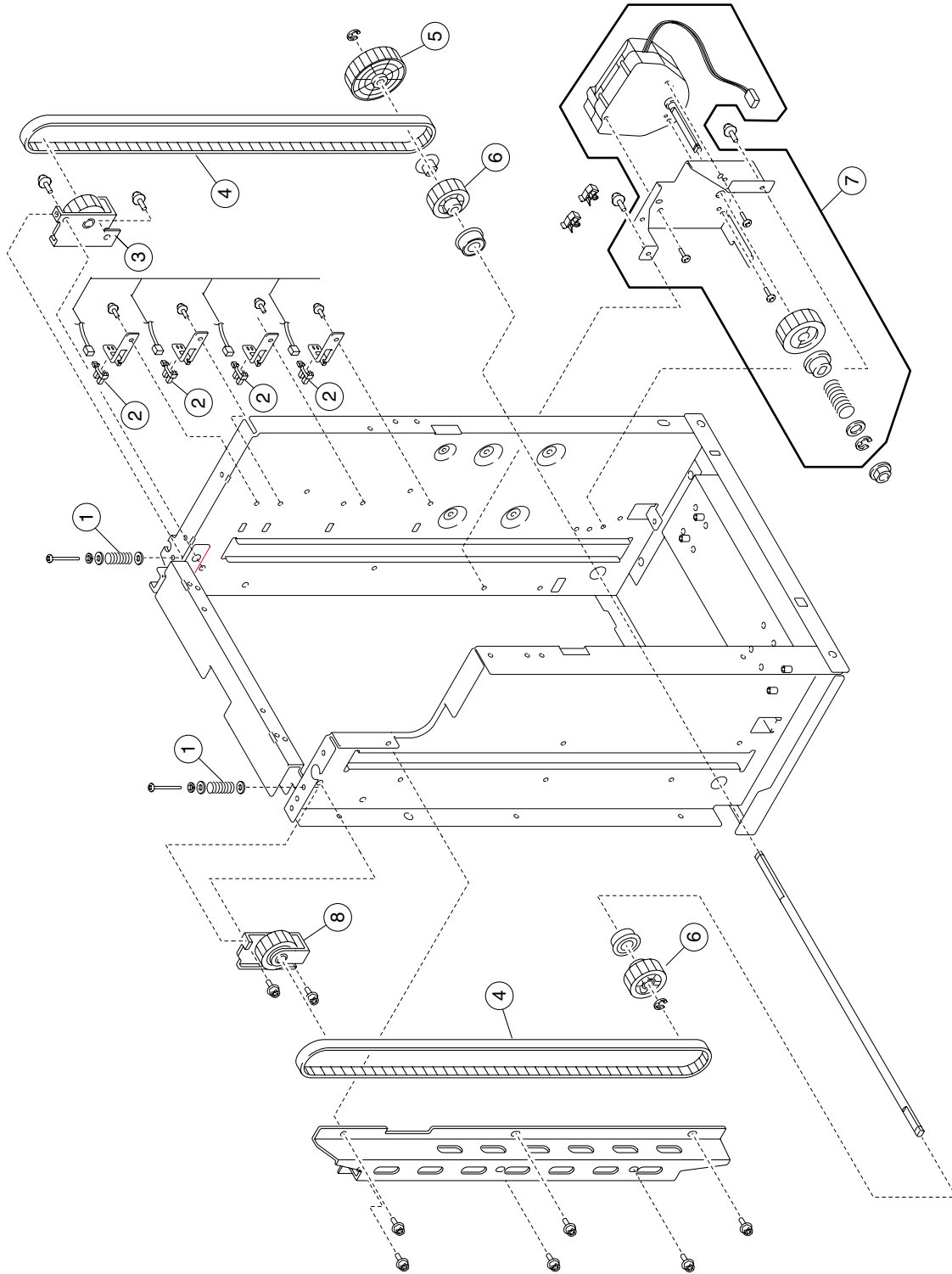


## Assembly 21: High-capacity feeder 4

Index	P/N	Units	Description
21-1	56P9541	1	Sensor, resistor
2	56P9875	1	Cable assembly, safety switch
3	56P9865	1	Cable assembly, HCF motor
4	56P9871	1	Cable assembly, I/F
5	56P9866	1	Cable assembly, paper feed sensor
6	56P9880	1	Cable, up/down switch
7	56P9879	1	Cable, paper volume
8	56P9878	1	Cable assembly, sensor
9	56P9877	1	Cable assembly, paper size sensor
10	56P9876	1	Cable assembly, lift motor
11	56P9868	1	Board, high-capacity feed
12	56P9873	1	Cable assembly, power supply out
13	56P9872	1	Cable assembly, power supply in
14	56P9874	1	Cable assembly, power supply
15	56P9870	1	Converter, DC/DC
16	56P9869	1	Power supply, HCF
17	56P9867	1	Cable assembly, drawer ground
18	56P9861	4	Roller, track
19	56P9864	1	Switch, micro
20	56P9530	1	Switch, push
21	56P9501	1	Spring, pressure pickup
22	56P9863	1	Switch, HCF push
NS	56P9961	1	Parts packet



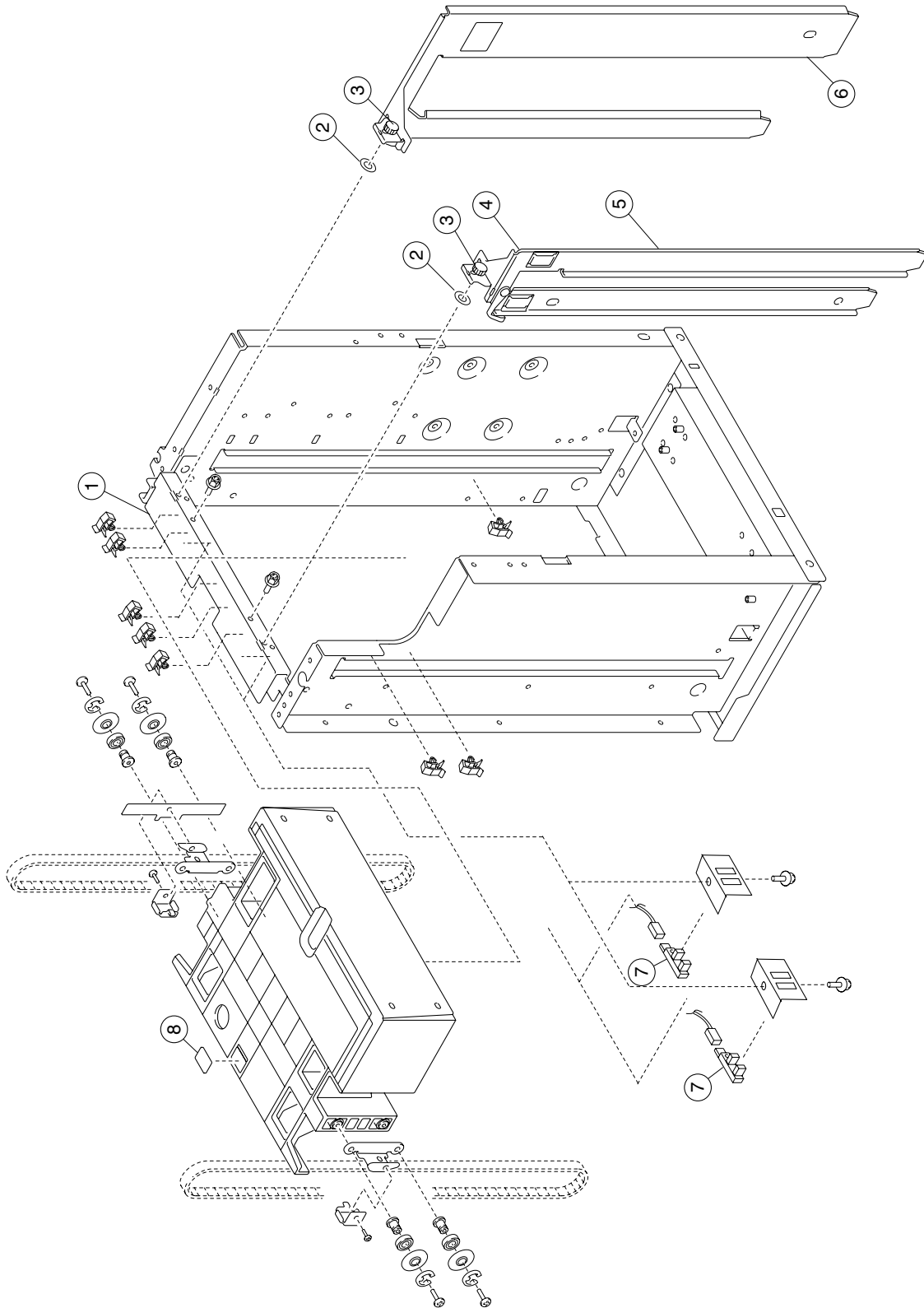
# Assembly 22: High-capacity feeder 5



## Assembly 22: High-capacity feeder 5

Index	P/N	Units	Description
22-1	56P9883	2	Spring, pressure
2	56P9528	4	Interrupter, photo
3	56P9888	1	Bracket, rear idler
4	56P9884	2	Belt, timing
5	56P9886	1	Gear, drive
6	56P9885	2	Pulley, timing
7	56P9882	1	Motor, HCF DC
8	56P9887	1	Bracket, front idler
NS	56P9962	1	Parts packet

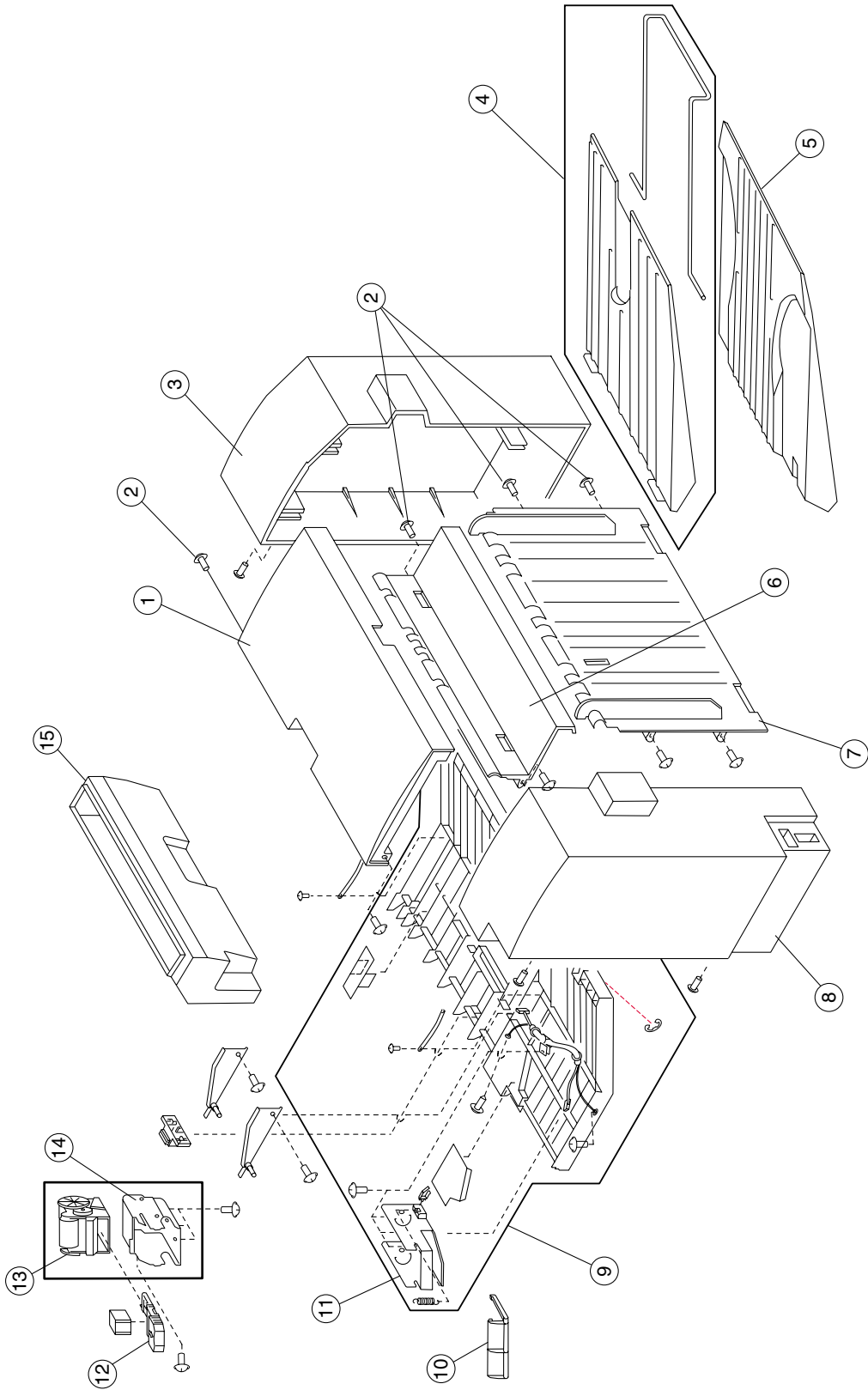
# Assembly 23: High-capacity feeder 6



## Assembly 23: High-capacity feeder 6

Index	P/N	Units	Description
23-1	56P9892	1	Plate, upper side fence
2	56P9893	2	Knob, stopper
3	56P9891	2	Knob, tray
4	56P9890	2	Plate, paper adhesion
5	56P9915	1	Fence assembly, front side
6	56P9894	1	Fence assembly, rear side
7	56P9528	2	Interrupter, photo
8	56P9889	1	Pad, friction
NS	56P9963	1	Parts packet

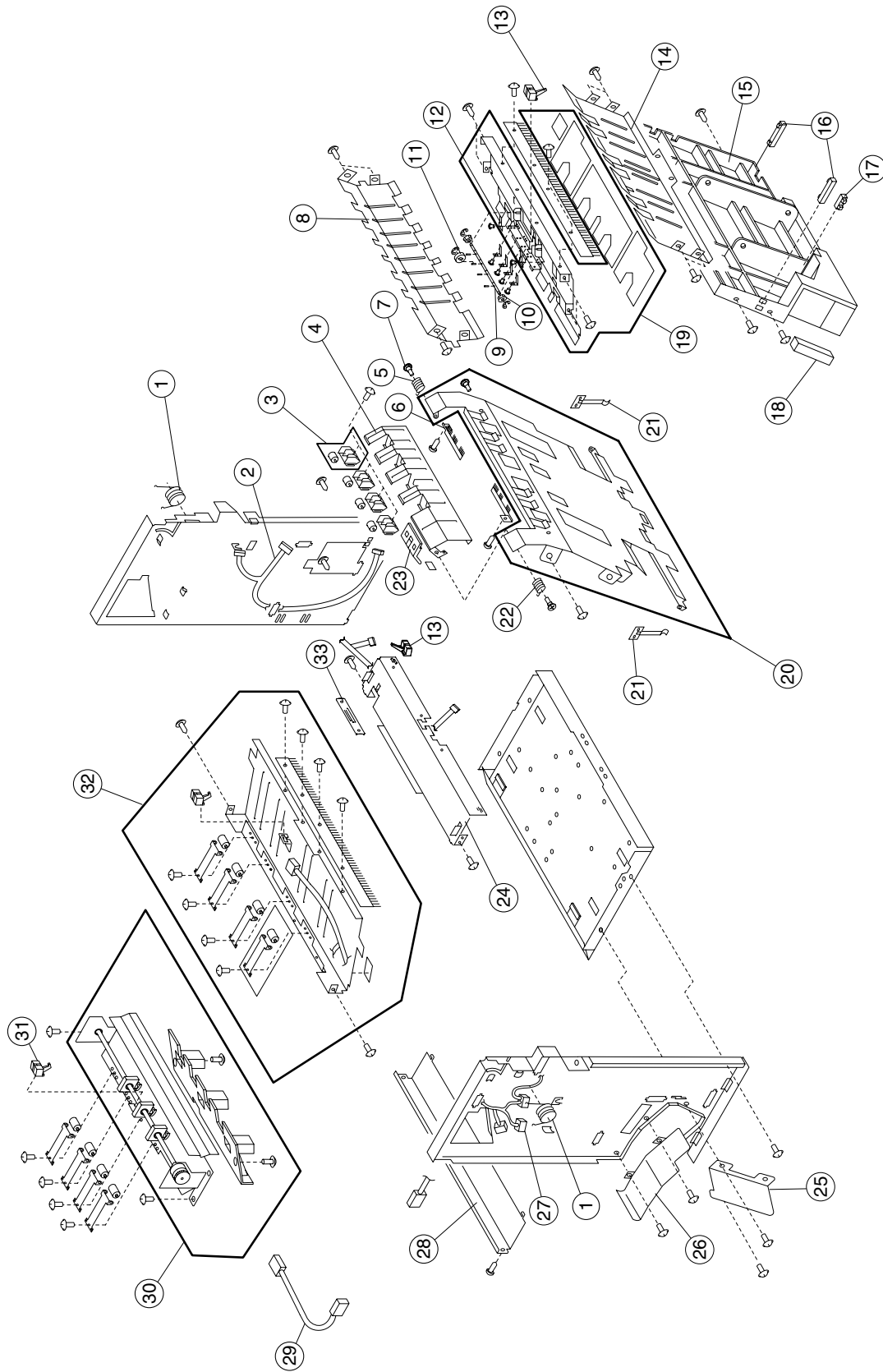
# Assembly 24: Finisher covers



## Assembly 24: Finisher covers

Index	P/N	Units	Description
24-1	56P9353	1	Cover, top
2	56P9348	5	Screw, A
3	56P9355	1	Cover, front
4	56P9359	1	Tray, upper
5	56P9360	1	Tray, lower
6	56P9347	1	Panel, left upper
7	56P9352	1	Assembly, lower left panel
8	56P9356	1	Cover, rear
9	56P9350	1	Assembly, staple cover
10	56P9366	1	Lever, B
11	56P9365	1	Cover, staple A
12	56P9367	1	Cartridge, staple
13	56P9363	1	Stapler
14	56P9364	1	Cover, staple B
15	56P9354	1	Assembly, dust box

# Assembly 25: Finisher frame

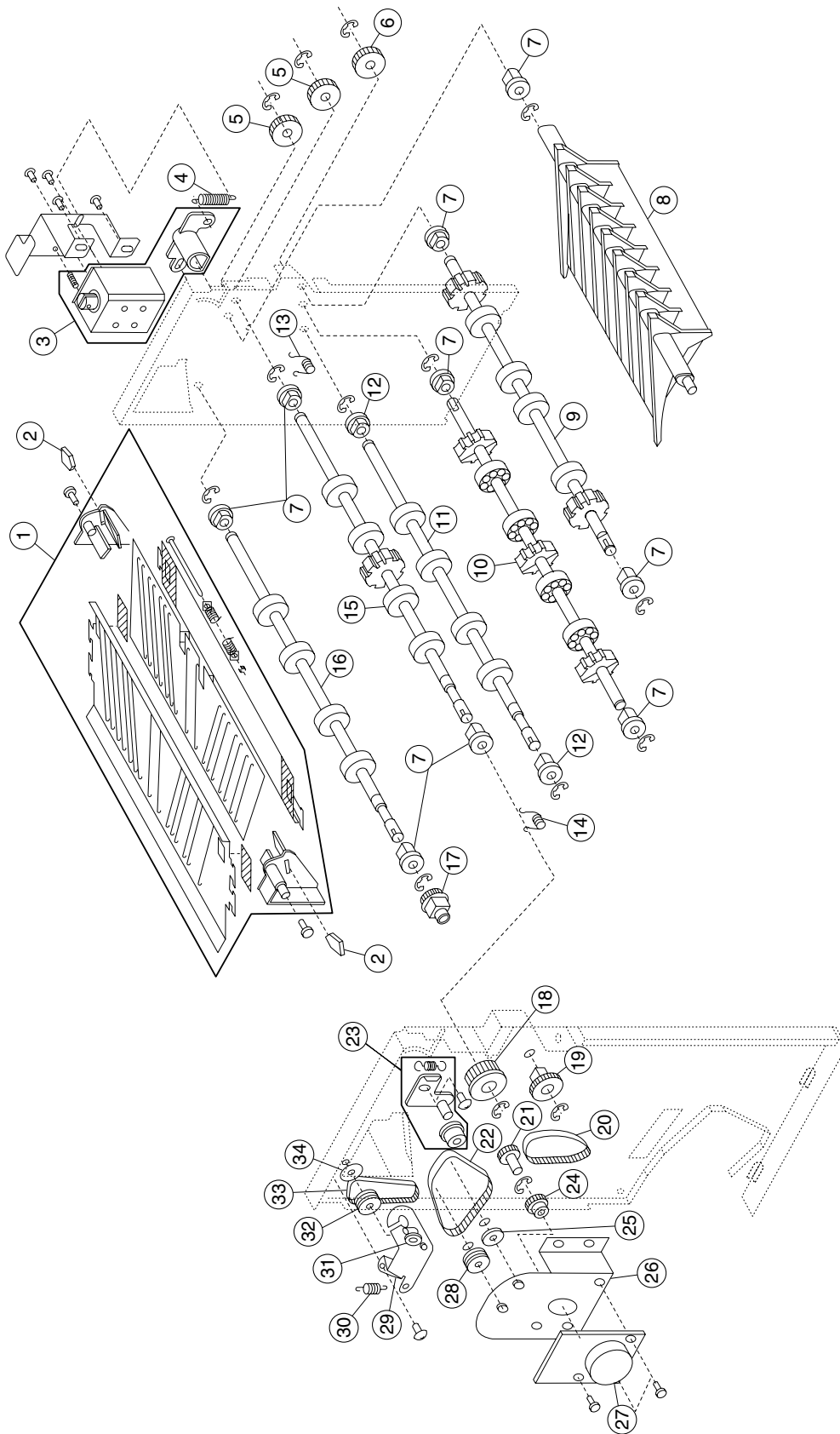


## Assembly 25: Finisher frame

Index	P/N	Units	Description
25-1	56P9321	2	Spring, I
2	56P9324	1	Cable, sensor relay
3	56P9369	12	Assembly, spring plate C
4	56P9370	1	Frame, guide
5	56P9371	1	Spring
6	56P9372	1	Brush, static discharge
7	56P9373	2	Screw, M4
8	56P9374	2	Frame, C guide
9	56P9375	1	Shaft, D
10	56P9376	1	Bushing
11	56P9377	1	Roller, D
12	56P9378	1	Plate, E spring
13	56P9380	2	Sensor, photo
14	56P9381	1	Frame, B guide
15	56P9418	1	Guide, stack
16	56P9399	2	Sensor, photo
17	56P9382	1	Sensor, photo
18	56P9383	1	Cushion
19	56P9309	1	Assembly, exit guide inverter
20	56P9302	1	Assembly, center guide
21	56P9384	2	Plate, B spring
22	56P9386	1	Spring
23	56P9387	1	Handle, jam
24	56P9389	1	Bracket
25	56P9345	1	Cover, staple inner B
26	56P9344	1	Cover, staple inner A
27	56P9327	1	Cable, upper side panel
28	56P9390	1	Plate, cover
29	56P9436	1	Cable
30	56P9313	1	Unit, 3 hole punch (U.S. only)
30	56P9314	1	Unit, 4 hole punch (non U.S.)
31	56P9388	1	Sensor, 1 photo
32	56P9319	1	Assembly, exit guide straight
33	56P9394	1	Handle



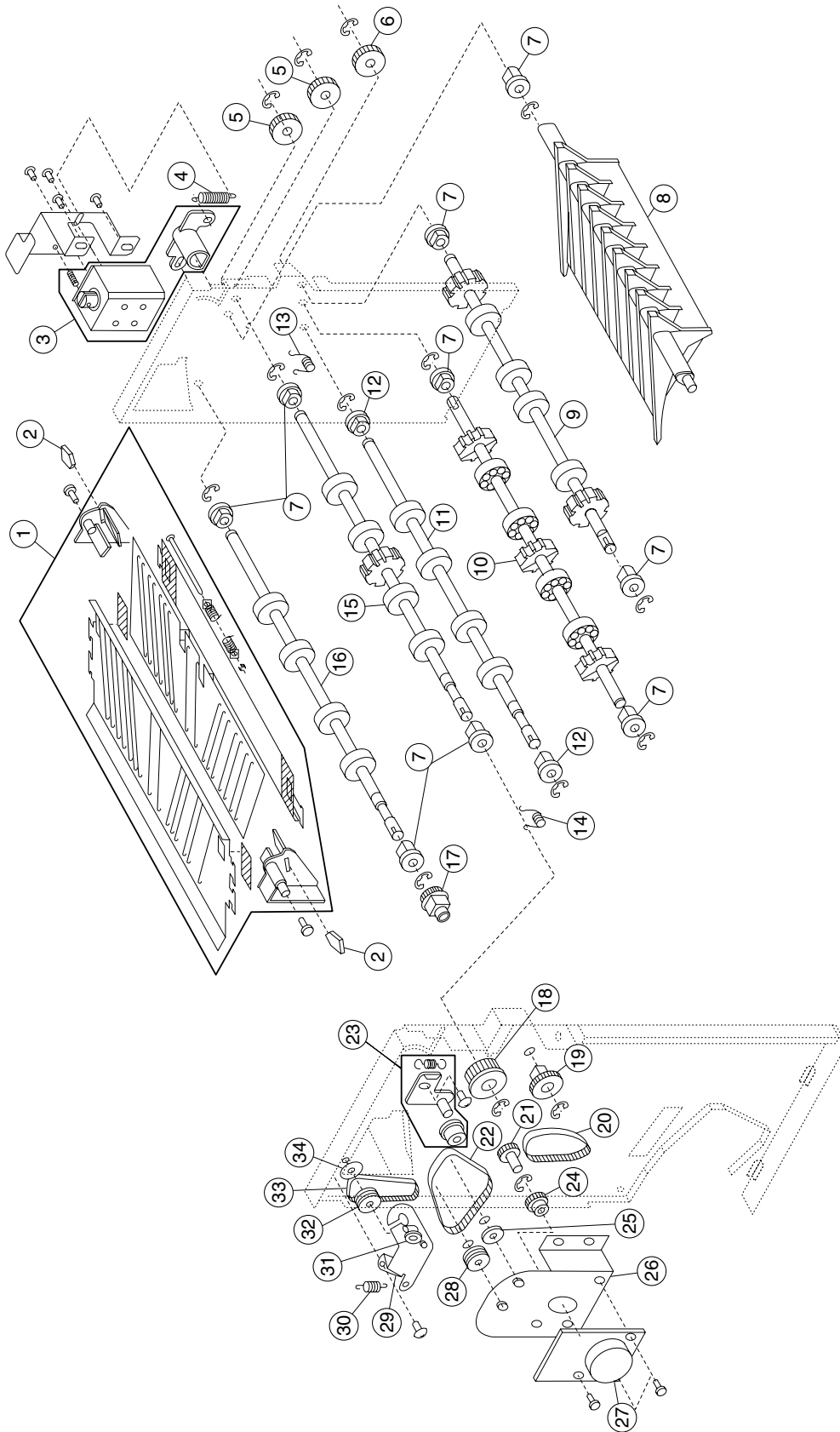
# Assembly 26: Finisher feed 1



## Assembly 26: Finisher feed 1

Index	P/N	Units	Description
26-1	56P9395	1	Assembly, guide plate
2	56P9393	2	Plate, guide holder
3	56P9334	1	Assembly, solenoid
4	56P9396	1	Spring, H
5	56P9397	2	Gear, Z20
6	56P9398	1	Gear, Z19
7	56P9311	9	Bushing
8	56P9310	1	Gate
9	56P9400	1	Roller
10	56P9361	1	Roller, patting
11	56P9401	1	Roller, I
12	56P9402	2	Bushing
13	56P9403	1	Spring, A
14	56P9404	1	Spring, F
15	56P9312	1	Roller, F
16	56P9405	1	Roller, G
17	56P9335	1	Clutch, registration
18	56P9338	1	Pulley, T56
19	56P9406	1	Pulley, Z24/T42 gear
20	56P9407	1	Belt, timing 60S2M184
21	56P9408	1	Knob
22	56P9339	1	Belt, timing 60S2M334
23	56P9305	1	Assembly, tension D
24	56P9411	1	Pulley
25	56P9412	1	Spacer
26	56P9413	1	Assembly, motor bracket
27	56P9341	1	Assembly, feed motor
28	56P9414	1	Pulley
29	56P9315	1	Assembly, punch drive
30	56P9318	1	Spring, B

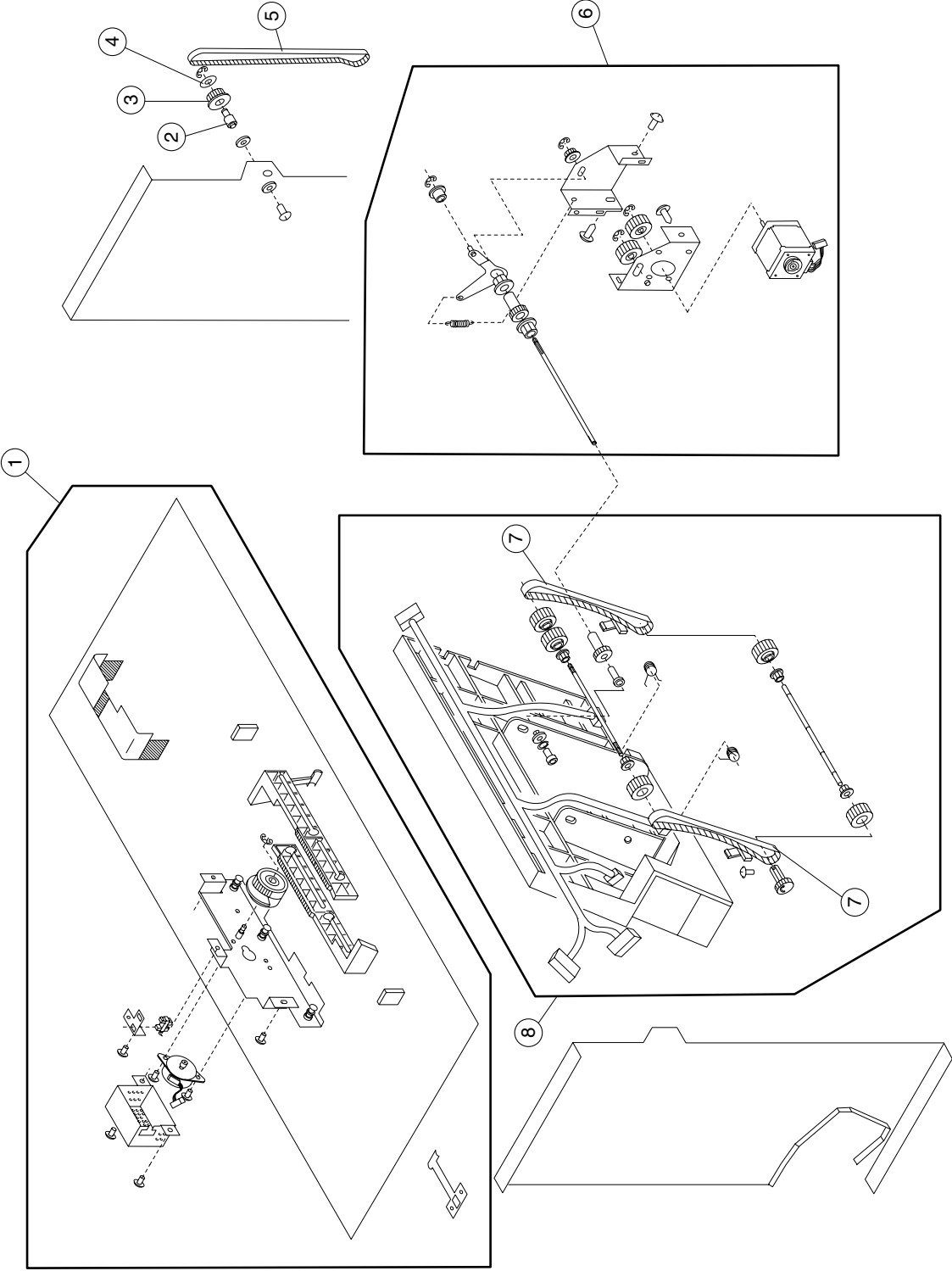
# Assembly 26 (continued): Finisher feed 1



**Assembly 26 (continued): Finisher feed 1**

<b>Index</b>	<b>P/N</b>	<b>Units</b>	<b>Description</b>
26-31	56P9316	1	Bushing
32	56P9415	1	Pulley, gear Z36/T24
33	56P9317	1	Belt
34	56P9417	1	Flange

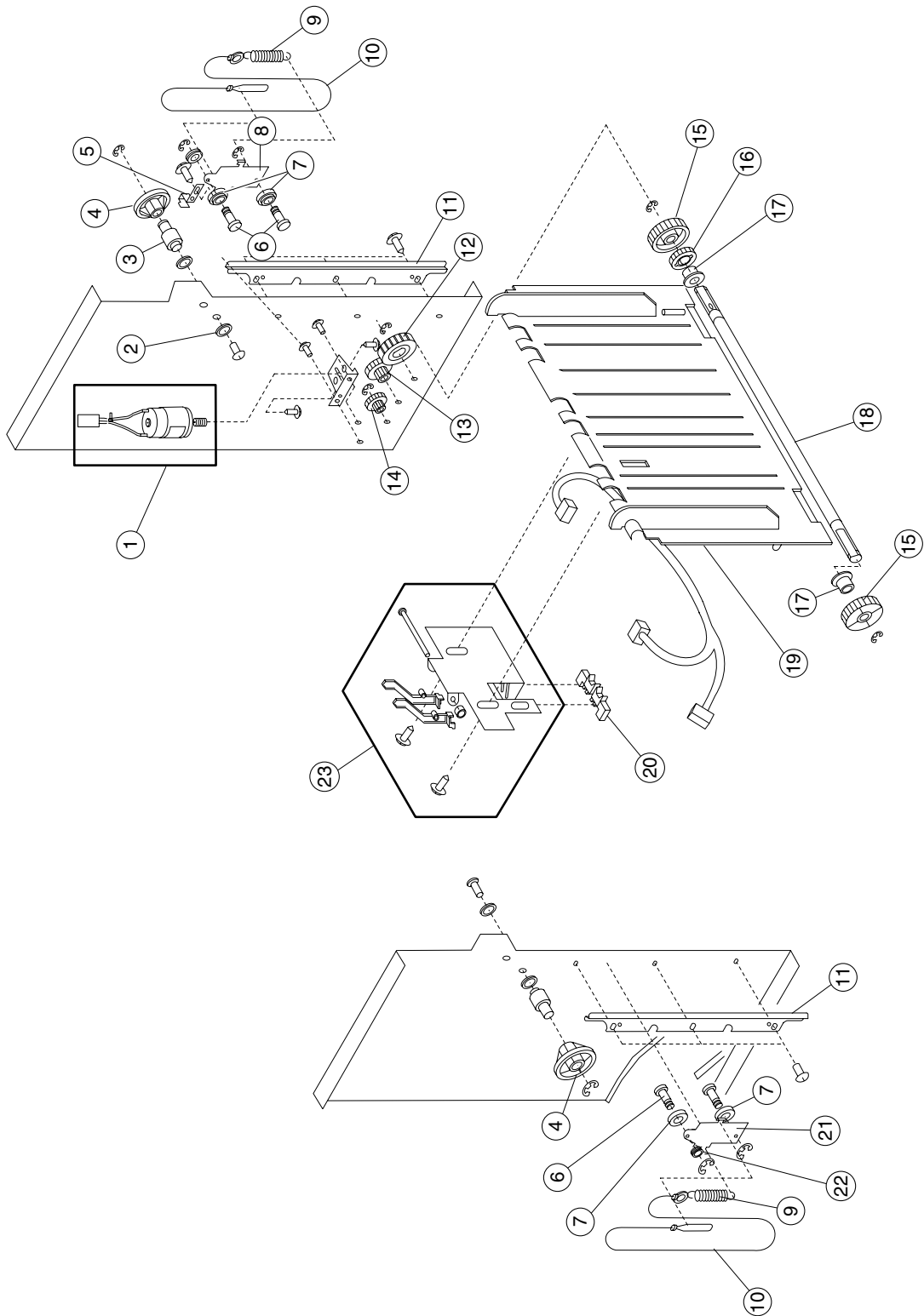
# Assembly 27: Finisher feed 2



## Assembly 27: Finisher feed 2

Index	P/N	Units	Description
27-1	56P9300	1	Assembly, jogging unit
2	56P9422	1	Pin, N
3	56P9423	1	Pulley, Z19/Z20
4	56P9417	1	Flange
5	56P9333	1	Belt, timing (60S3M408)
6	56P9329	1	Assembly, tractor motor
7	56P9437	2	Belt, timing
8	56P9301	1	Assembly, guide stack

# Assembly 28: Finisher elevator

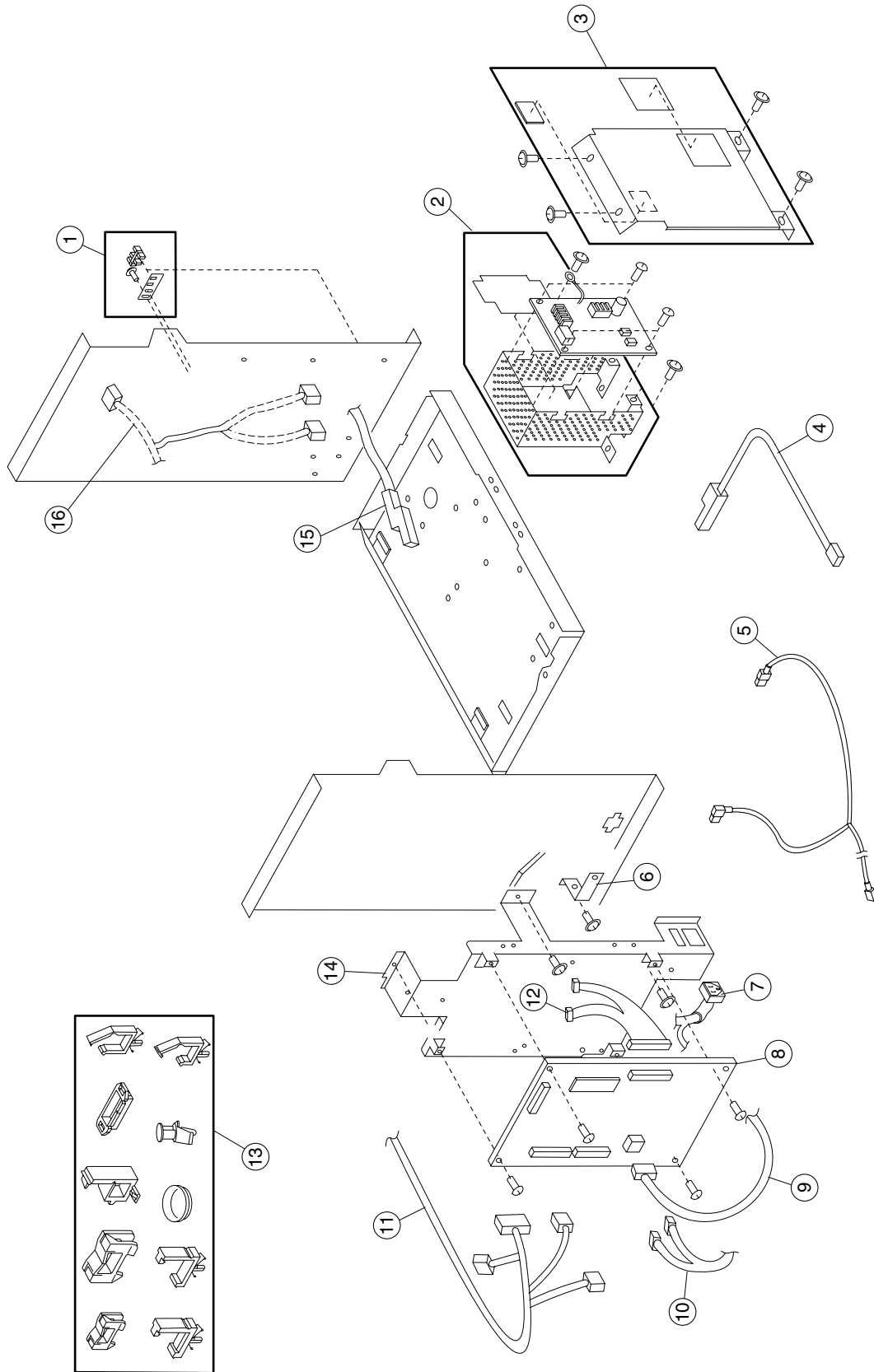


## Assembly 28: Finisher elevator

Index	P/N	Units	Description
28-1	56P9308	1	Assembly, elevator motor
2	56P9448	1	Washer
3	56P9449	1	Pin
4	56P9450	2	Pulley, wire A
5	56P9451	1	Shutter
6	56P9452	1	Pin, O
7	56P9453	4	Roller, C
8	56P9304	1	Assembly, hook front
9	56P9332	2	Spring, C
10	56P9331	2	Wire
11	56P9455	2	Bracket
12	56P9456	1	Gear, Z46/Z33
13	56P9457	1	Gear, Z90/Z14
14	56P9458	1	Gear, Z25/Z20
15	56P9459	2	Drum, wire
16	56P9460	1	Gear, Z30
17	56P9311	2	Bushing
18	56P9482	1	Shaft, A
19	56P9352	1	Panel, lower left
20	56P9382	1	Sensor
21	56P9307	1	Assembly, hook rear
22	56P9463	2	Pulley, wire B
23	56P9465	1	Assembly, sensor



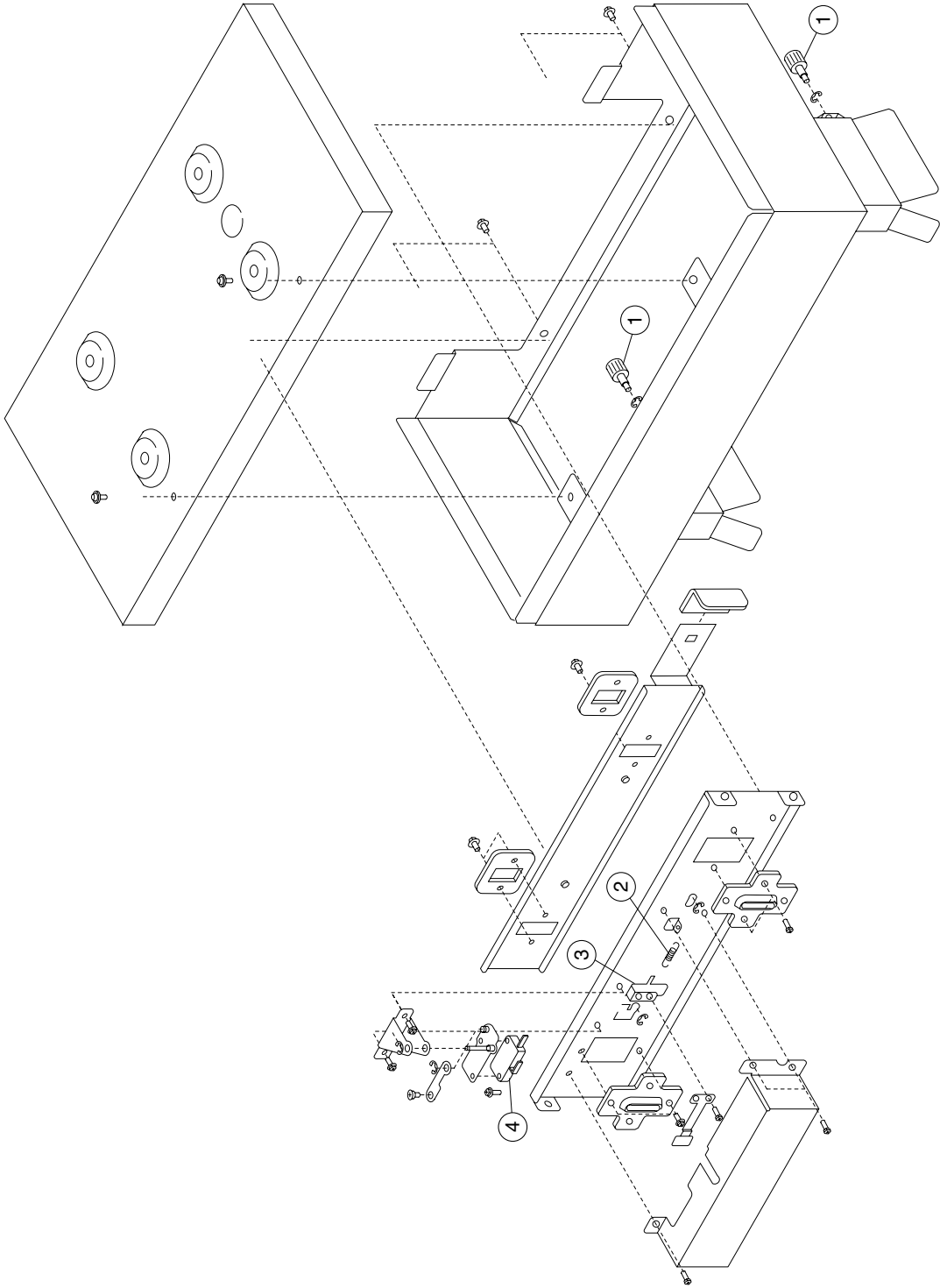
# Assembly 29: Finisher electronics



## Assembly 29: Finisher electronics

Index	P/N	Units	Description
29-1	56P9306	1	Assembly, upper limit sensor
2	56P9303	1	Supply, power
3	56P9351	1	Assembly, power supply plate
4	56P9435	1	Cable, set switch
5	56P9358	1	Cord, Y power
5	56P9368	1	Cord, Y power (230 V only)
6	56P9342	1	Assembly, bridge
7	56P9326	1	Cable, DC power supply
8	56P9349	1	Board, finisher control
9	56P9428	1	Cable
10	56P9410	1	Cable
11	56P9325	1	Cable, front side panel
12	56P9343	1	Assembly, sensor cable
13	56P9340	1	Packet, parts
14	56P9420	1	Bracket, finisher control board
15	56P9409	1	Cable
16	56P9324	1	Cable, sensor relay
NS	56P9357	1	Cable, interface

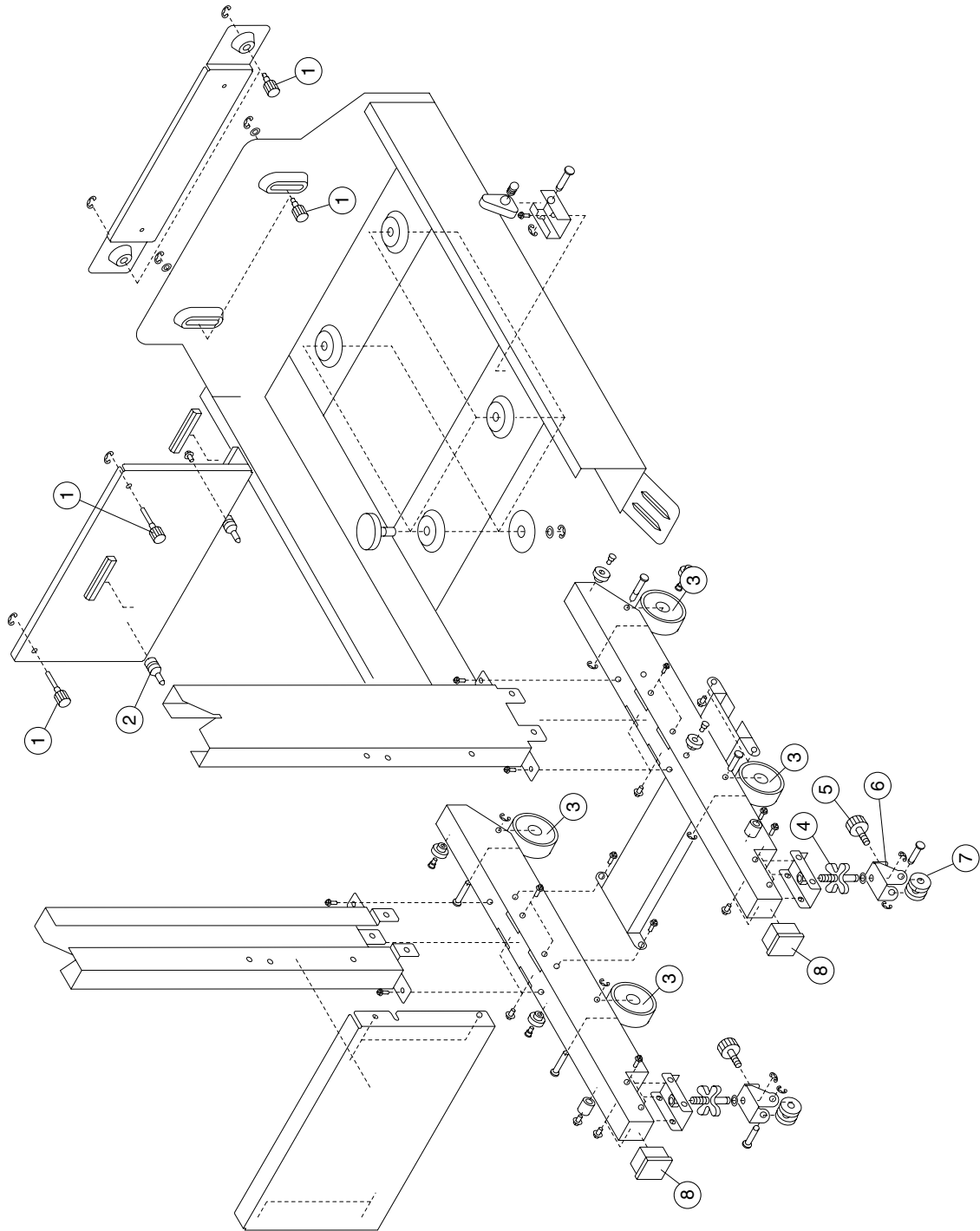
# Assembly 30: Finisher docking 1



## Assembly 30: Finisher docking 1

Index	P/N	Units	Description
30-1	56P9467	2	Screw, thumb
2	56P9468	1	Spring
3	56P9469	1	Bracket
4	56P9470	1	Switch, set

# Assembly 31: Finisher docking 2



## Assembly 31: Finisher docking 2

Index	P/N	Units	Description
31-1	56P9472	2	Screw, lock
2	56P9473	1	Stud, lock
3	56P9474	4	Roller
4	56P9475	2	Knob, caster
5	56P9476	2	Stop, caster
6	56P9477	2	Housing, caster
7	56P9478	4	Caster
8	56P9479	2	Cap

## Assembly 32: Miscellaneous/options

Index	P/N	Units	Description
NS	12G6509	1	Card, SDRAM DIMM
NS	56P9910	1	Card assembly, 128MB SDRAM memory
NS	56P9911	1	Card assembly, 256MB SDRAM memory
NS	56P9912	1	Card assembly, 4MB Flash DIMM memory
NS	56P9913	1	Card assembly, 8MB Flash DIMM memory
NS	56P9914	1	Card assembly, 16MB Flash DIMM memory
NS	56P9982	1	Hard Disk, 5+ GB w/Mounting Kit (formatted)
NS	56P9934	1	Card, Token-Ring
NS	12G1695	1	Card, Ethernet 10/100Base-TX
NS	12G1696	1	Card, Ethernet 10BaseT/2
NS	56P0161	1	Card, RS-232C serial/parallel 1284 A-C interface
NS	99A0560	1	Card, Tri-Port adapter
NS	99A0424	1	Card, infrared adapter
NS	99A0545	1	Card, external serial adapter
NS	56P0159	1	Card, Coax/Twinax adapter for SCS
NS	56P0162	1	Adapter, parallel 1284 C-B
NS	13A0296	1	Cable, Twinax
NS	13A0297	1	Cable, Coax
NS	56P0598	1	Card, CGM
NS	56P1204	1	IPDS/SCS/TNe (C910)
NS	56P1762	1	IPDS/SCS/TNe (C912)
NS	56P9923	1	Card, ImageQuick™ (C910)
NS	56P9442	1	Card, ImageQuick (C912)
NS	56P1121	1	Card, bar code (C910)
NS	56P9440	1	Card, bar code (C912)
NS	56P9441	1	Card, PrintCryption™ (C912)
NS	56P9925	1	Card, PRESCRIBE
NS	56P9926	1	Software, Optra Forms™
NS	56P9927	1	Software, Optra Forms Director
NS	56P9928	1	DIMM, Lexmark Forms 4MB Flash
NS	56P9929	1	DIMM, Lexmark Forms 8MB Flash
NS	56P9930	1	DIMM, Lexmark Forms 16MB Flash

## Assembly 32: Miscellaneous/options

Index	P/N	Units	Description
NS	56P9932	1	Hard Disk, Lexmark Forms
NS	56P9942	1	Mounting Kit, hard drive
NS	56P9936	1	Simplified Chinese font kit
NS	56P9935	1	Traditional Chinese font kit
NS	56P9975	1	Japanese font kit
NS	7370516	1	Kit, printer relocation
NS	7370567	1	Kit, duplex relocation
NS	7370569	1	Kit, 500-sheet tray relocation



## Assembly 32: Parts packets

Index	P/N	Units	Description
NS	56P9945	1	Parts packet, containing: <ul style="list-style-type: none"> <li>• 50 Bind S-tight screws, 3x6, Zn-3R</li> <li>• 50 Bind S-tight screws, 3x15, Zn-3K</li> <li>• 50 Bind P-tight screws, 3x8, Zn-3K</li> <li>• 50 Bind P-tight screws, 3x10, Zn-3K</li> <li>• 50 Bind P-tight screws, 3x6, Zn-3K</li> <li>• 50 Bind P-tight screws, 3x8, Ni-3</li> <li>• 50 Bind screws, M3x6, Ni-3</li> </ul>
NS	56P9946	1	Parts packet, containing: <ul style="list-style-type: none"> <li>• 50 Bind S-tight screws, 3x6, Zn-3R</li> <li>• 50 Bind P-tight screws, 2x10, Zn-3K</li> <li>• 50 Bind P-tight screws, 3x4, Zn-3K</li> <li>• 50 Bind P-tight screws, 3x6, Zn-3K</li> <li>• 50 Bind P-tight screws, 3x8, Zn-3K</li> <li>• 50 Bind P-tight screws, 3x8, Ni-3</li> <li>• 50 Bind screws, M3x4, Zn-3K</li> <li>• 50 E-rings, ES-5, ACP</li> <li>• 50 Spring pins, 3x12, ACP</li> <li>• 50 Parallel pins, 2.5x18</li> </ul>
NS	56P9947	1	Parts packet, including: <ul style="list-style-type: none"> <li>• 50 Bind S-tight screws, 3x6, Zn-3R</li> <li>• 50 Bind P-tight screws, 3x8, Zn-3K</li> <li>• 50 Bind P-tight screws, 3x10, Zn-3K</li> <li>• 50 Bind screws, M3x4, Zn-3K</li> <li>• 50 Bind screws, M3x8, Zn-3K</li> <li>• 50 Bind screws, M3x6, Ni-3</li> <li>• 50 Screws with washers, M3x30, Zn-3K</li> <li>• 50 E-rings, ES-6, ACP</li> </ul>

## Assembly 32: Parts packets (continued)

Index	P/N	Units	Description
NS	56P9948	1	Parts packet, including: <ul style="list-style-type: none"> <li>• 50 Bind S-tight screws, 3x6, Zn-3R</li> <li>• 50 Bind P-tight screws, 3x6, Zn-3K</li> <li>• 50 Bind screws, M3x4, Zn-3K</li> <li>• 50 Bind screws, M3x6, Zn-3K</li> <li>• 50 Bind screws, M3x8, Zn-3K</li> <li>• 50 Pans with flange P-tight screws, 3x8, Zn-3K</li> <li>• 50 E-rings, ES-5, ACP</li> <li>• 50 E-rings, ES-6, ACP</li> <li>• 50 Spring pins, 2x10, ACP</li> </ul>
NS	56P9949	1	Parts packet, including <ul style="list-style-type: none"> <li>• 50 Bind S-tight screws, 3x6, Zn-3R</li> <li>• 50 Bind P-tight screws, 3x6, Zn-3K</li> <li>• 50 Bind P-tight screws, 3x8, Zn-3K</li> <li>• 50 Bind screws, M3x4, Zn-3K</li> <li>• 50 Bind screws, M3x6, Zn-3K</li> <li>• 50 Bind screws, M3x8, Zn-3K</li> <li>• 50 Pans with fiange P-tight screw, 3x8, Zn-3K</li> <li>• 50 E-rings, ES-5, ACP</li> <li>• 50 E-rings, ES-6, ACP</li> <li>• 50 Spring pins, 2x10, ACP</li> </ul>
NS	56P9950	1	Parts packet, including: <ul style="list-style-type: none"> <li>• 50 Bind S-tight screws, 3x6, Zn-3R</li> <li>• 50 Bind P-tight screws, 3x8, Zn-3K</li> <li>• 50 E-rings, ES-5, ACP</li> <li>• 50 E-rings, ES-6, ACP</li> <li>• 50 Spring pins, 2x10, ACP</li> </ul>

**Assembly 32: Parts packets (continued)**

Index	P/N	Units	Description
NS	56P9951	1	Parts packet, including: <ul style="list-style-type: none"> <li>• 50 Bind S-tight screws, 3x6, Zn-3R</li> <li>• 50 Bind S-tight screws, 3x8, Zn-3R</li> <li>• 50 Bind S-tight screws, 3x12, Zn-3R</li> <li>• 50 Bind P-tight screws, 3x8, Zn-3K</li> <li>• 50 Bind screws, M3x4, Zn-3K</li> <li>• 50 Bind screws, M3x6, Zn-3K</li> <li>• 50 Bind screws, M3x12, Zn-3K</li> <li>• 50 Pans with flange P-tight screws, 3x10, Zn-3K</li> <li>• 50 Screws with washers, M3x30, Zn-3K</li> <li>• 50 Screws with washers, M4x8, Zn-3K</li> <li>• 50 Screws with washers, M4x12, Zn-3K</li> <li>• 50 Screws with washers, M3x6, Ni-3(BS)</li> <li>• 50 Screws with washers, M4x8, Ni-3(BS)</li> <li>• 50 Screws with spring-washers, M3x8, Ni-3(BS)</li> <li>• 50 Screws with spring-washers, M4x8, Ni-3(BS)</li> <li>• 50 Natt with flange sereit, M3, Ni-3</li> <li>• 50 E-rings, ES-2.5, ACP</li> <li>• 50 Spring pins, 3x10, ACP</li> </ul>
NS	56P9952	1	Parts packet, including: <ul style="list-style-type: none"> <li>• 50 Bind S-tight screws, 3x6, Zn-3R</li> <li>• 50 Bind screws, M3x6, Zn-3K</li> <li>• 50 Bind screws, M3x10, Zn-3K</li> <li>• 50 Bind screws, M3x6, Ni-3</li> </ul>

## Assembly 32: Parts packets (continued)

Index	P/N	Units	Description
NS	56P9953	1	Parts packet, including: <ul style="list-style-type: none"> <li>• 50 Bind S-tight screws, 3x6, Zn-3R</li> <li>• 50 Bind P-tight screws, 3x6, Ni-3</li> <li>• 50 Bind screws, M3x4, Zn-3K</li> <li>• 50 Bind screws, M3x4, Zn-3K</li> <li>• 50 Bind screws, M3x5, Zn-3K</li> <li>• 50 Screws with washers, M3x10, Zn-3R</li> <li>• 50 Screws with washers, M3x8, Zn-3K</li> <li>• 50 Screws with washers, M3x6, Ni-3(BS)</li> <li>• 50 E-rings, ES-4, ACP</li> <li>• 50 E-rings, ES-5, ACP</li> <li>• 50 C-rings, C-21, ACP</li> </ul>
NS	56P9954	1	Parts packet, including: <ul style="list-style-type: none"> <li>• 50 Bind P-tight screws, 3x6, Zn-3K</li> <li>• 50 Bind P-tight screws, 3x8, Zn-3K</li> <li>• 50 Bind screws, M4x8, Zn-3K</li> <li>• 50 Pans with flange P-tight screws, 3x10, Zn-3K</li> <li>• 50 E-rings, ES-5, ACP</li> </ul>
NS	56P9955	1	Parts packet, including: <ul style="list-style-type: none"> <li>• 50 Bind S-tight screws, 3x6, Zn-3R</li> <li>• 50 Bind screws, M3x6, Zn-3K</li> <li>• 50 Bind screws, M3x8, Ni-3</li> <li>• 50 E-rings, ES-5, ACP</li> </ul>

**Assembly 32: Parts packets (continued)**

Index	P/N	Units	Description
NS	56P9956	1	Parts packet, including: <ul style="list-style-type: none"> <li>• 50 Bind S-tight screws, 3x6, Zn-3R</li> <li>• 50 Bind S-tight screws, 3x8, Zn-3R</li> <li>• 50 Bind P-tight screws, 3x6, Zn-3K</li> <li>• 50 Bind P-tight screws, 3x8, Zn-3K</li> <li>• 50 Bind screws, M3x4, Zn-3K</li> <li>• 50 Bind screws, M3x6, Zn-3K</li> <li>• 50 E-rings, ES-5, ACP</li> <li>• 50 E-rings, ES-6, ACP</li> <li>• 50 Spring pins, 2x10, ACP</li> <li>• 50 Spring pins, 3x10, ACP</li> </ul>
NS	56P9957	1	Parts packet, including: <ul style="list-style-type: none"> <li>• 50 E-rings, ES-3, ACP</li> <li>• 50 E-rings, ES-4, ACP</li> <li>• 50 E-rings, ES-6, ACP</li> <li>• 50 R-screws, M3x6</li> <li>• 50 R-screws, M3x8</li> <li>• 50 R-screws, M4x6</li> <li>• 50 Pans S-tight screws, M3x6</li> <li>• 50 RP-tight screws, M3x8,</li> </ul>
NS	56P9958	1	Parts packet, including: <ul style="list-style-type: none"> <li>• 50 Bind S-tight screws, 3x6, Zn-3R</li> <li>• 50 Bind P-tight screws, 4x8, Zn-3R</li> <li>• 50 Pan screws, M4x6 Zn-3R</li> <li>• 50 Pan screws, M4x12, Zn-3R</li> <li>• 50 E-rings, ES-6, ACP</li> <li>• 50 RP-tight screws, M4x12</li> <li>• 50 RS-tight screws, M4x6</li> <li>• 50 RS-tight screws, M4x8</li> <li>• 50 RS-tight screws, M4x12</li> </ul>

## Assembly 32: Parts packets (continued)

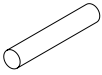

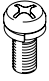
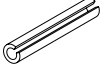
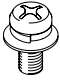
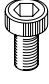










Index	P/N	Units	Description
NS	56P9958	1	Parts packet, including: <ul style="list-style-type: none"> <li>• 50 E-rings, ES-3, ACP</li> <li>• 50 E-rings, ES-4, ACP</li> <li>• 50 E-rings, ES-6, ACP</li> <li>• 50 RS-set screw cp, M3x3, Zn-3K</li> <li>• 50 RS-tight screws, M4x6,</li> <li>• 50 RS-tight screws, M4x8,</li> </ul>
NS	56P9959	1	Parts packet, including: <ul style="list-style-type: none"> <li>• 50 E-rings, ES-3, ACP</li> <li>• 50 E-rings, ES-4, ACP</li> <li>• 50 E-rings, ES-6, ACP</li> <li>• 50 RS-set screw cp, M3x3, Zn-3K</li> <li>• 50 RS-tight screws, M4x6</li> <li>• 50 RS-tight screws, M4x8</li> </ul>
NS	56P9960	1	Parts packet, including: <ul style="list-style-type: none"> <li>• 50 Bind S-tight screws, 3x10, Zn-3R</li> <li>• 50 E-rings, ES-4, ACP</li> <li>• 50 RS-tight screws, M3x24</li> <li>• 50 RS-tight screws, M4x6</li> <li>• 50 RS-tight screws, M4x8</li> <li>• 50 RS-tight round top screws, M3x6</li> </ul>
NS	56P9961	1	Parts packet, including: <ul style="list-style-type: none"> <li>• 50 E-rings, ES-4, ACP</li> <li>• 50 RS-tight screws, M3x8</li> <li>• 50 RS-tight screws, M3x24</li> <li>• 50 RS-tight screws, M4x6</li> <li>• 50 RS-tight screws, M4x8</li> </ul>

**Assembly 32: Parts packets (continued)**

Index	P/N	Units	Description
NS	56P9962	1	Parts packet, including: <ul style="list-style-type: none"> <li>• 50 Screws with spring-washers, M4x30, Zn-3R</li> <li>• 50 E-rings, ES-5, ACP</li> <li>• 50 Plain washers, M4, Zn-3R</li> <li>• 50 RS-tight screws, M4x6</li> </ul>
NS	56P9963	1	Parts packet, including: <ul style="list-style-type: none"> <li>• 50 Bind S-tight screws, 3x8, Zn-3R</li> <li>• 50 Bind S-tight screws, 4x6, Zn-3R</li> <li>• 50 Pan screws, M4x20, Zn-3R</li> <li>• 50 E-rings, ES-6, ACP</li> <li>• 50 RS-tight screws, M4x6</li> <li>• 50 RS-tight round top screws, M4x6</li> </ul>


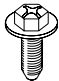
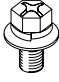
## Assembly 33: Finisher parts packet

### P/N 56P9480

Pin		Retaining Ring -E Type	
Screw		Spring Pin	
Screw		Screw	
Tapping Screw		Spring Lock Washer	
Tapping Screw		Toothed Lock Washer	
Tapping Screw		Resin Ring	
Tapping Screw		Nut	
Set Screw		Tapping Screw	



**5055-xxx**

Plain Washer		Tapping Screw	
		Screw	

## Part number index

P/N	Description	Page
11D0328	Power cord - USA, Canada, APG, LAD	7-25
11D0329	Power cord - Peru	7-25
11D0330	Power cord - Argentina	7-25
11D0331	Power cord - Brazil	7-25
11D0332	Power cord - Chile	7-25
11D0333	Power cord - Denmark	7-25
11D0334	Power cord - Belgium, Europe, England, France, Germany, Spain	7-25
11D0335	Power cord - Italy	7-25
11D0336	Power cord - Swiss/French, German, Italian	7-25
11D0337	Power cord - UK, Israel, South Africa	7-25
11G0199	Guide, wire	7-33
11G0219	Interrupter, photo	7-35
11G0243	Interrupter, photo	7-17, 7-23
11G0291	Clutch, paper feed	7-35
11G0293	Pad, fanning	7-21
11G0297	Gear, paper carrying	7-35
11G0399	Plate, ground	7-33
11G0422	Gear, feeder B	7-33
11G0423	Gear, feeder A	7-33
11G0563	Interrupter, photo	7-35
12G1695	Card, Ethernet 10/100Base-TX	7-72
12G1696	Card, Ethernet 10BaseT/2	7-72
12G6509	Card, SDRAM DIMM	7-72
12G7360	Board, operator panel	7-3
13A0296	Cable, Twinax	7-72
13A0297	Cable, Coax	7-72
56P0159	Card, Coax/Twinax adapter for SCS	7-72
56P0161	Card, RS-232C serial/parallel 1284 A-C interface	7-72
56P0162	Adapter, parallel 1284 C-B	7-72
56P0598	Card, CGM	7-72
56P1121	Card, bar code (C910)	7-72
56P1204	IPDS/SCS/TNe (C910)	7-72

## 5055-xxx

56P1762 IPDS/SCS/TNe (C912) .....	7-72
56P9300 Assembly, jogging unit .....	7-63
56P9301 Assembly, guide stack .....	7-63
56P9302 Assembly, center guide .....	7-57
56P9303 Supply, power .....	7-67
56P9304 Assembly, hook front .....	7-65
56P9305 Assembly, tension D .....	7-59
56P9306 Assembly, upper limit sensor .....	7-67
56P9307 Assembly, hook rear .....	7-65
56P9308 Assembly, elevator motor .....	7-65
56P9309 Assembly, exit guide inverter .....	7-57
56P9310 Gate .....	7-59
56P9311 Bushing .....	7-59, 7-65
56P9312 Roller, F .....	7-59
56P9313 Unit, 3 hole punch (U.S. only) .....	7-57
56P9314 Unit, 4 hole punch (non U.S.) .....	7-57
56P9315 Assembly, punch drive .....	7-59
56P9316 Bushing .....	7-61
56P9317 Belt .....	7-61
56P9318 Spring, B .....	7-59
56P9319 Assembly, exit guide straight .....	7-57
56P9321 Spring, I .....	7-57
56P9324 Cable, sensor relay .....	7-57, 7-67
56P9325 Cable, front side panel .....	7-67
56P9326 Cable, DC power supply .....	7-67
56P9327 Cable, upper side panel .....	7-57
56P9329 Assembly, tractor motor .....	7-63
56P9331 Wire .....	7-65
56P9332 Spring, C .....	7-65
56P9333 Belt, timing (60S3M408) .....	7-63
56P9334 Assembly, solenoid .....	7-59
56P9335 Clutch, registration .....	7-59
56P9338 Pulley, T56 .....	7-59
56P9339 Belt, timing 60S2M334 .....	7-59
56P9340 Packet, parts .....	7-67
56P9341 Assembly, feed motor .....	7-59
56P9342 Assembly, bridge .....	7-67
56P9343 Assembly, sensor cable .....	7-67
56P9344 Cover, staple inner A .....	7-57
56P9345 Cover, staple inner B .....	7-57
56P9347 Panel, left upper .....	7-55
56P9348 Screw, A .....	7-55

56P9349 Board, finisher control . . . . .	7-67
56P9350 Assembly, staple cover . . . . .	7-55
56P9351 Assembly, power supply plate . . . . .	7-67
56P9352 Assembly, lower left panel . . . . .	7-55
56P9352 Panel, lower left . . . . .	7-65
56P9353 Cover, top . . . . .	7-55
56P9354 Assembly, dust box . . . . .	7-55
56P9355 Cover, front . . . . .	7-55
56P9356 Cover, rear . . . . .	7-55
56P9357 Cable, interface . . . . .	7-67
56P9358 Cord, Y power . . . . .	7-67
56P9359 Tray, upper . . . . .	7-55
56P9360 Tray, lower . . . . .	7-55
56P9361 Roller, patting . . . . .	7-59
56P9363 Stapler . . . . .	7-55
56P9364 Cover, staple B . . . . .	7-55
56P9365 Cover, staple A . . . . .	7-55
56P9366 Lever, B . . . . .	7-55
56P9367 Cartridge, staple . . . . .	7-55
56P9368 Cord, Y power (230 V only) . . . . .	7-67
56P9369 Assembly, spring plate C . . . . .	7-57
56P9370 Frame, guide . . . . .	7-57
56P9371 Spring . . . . .	7-57
56P9372 Brush, static discharge . . . . .	7-57
56P9373 Screw, M4 . . . . .	7-57
56P9374 Frame, C guide . . . . .	7-57
56P9375 Shaft, D . . . . .	7-57
56P9376 Bushing . . . . .	7-57
56P9377 Roller, D . . . . .	7-57
56P9378 Plate, E spring . . . . .	7-57
56P9380 Sensor, photo . . . . .	7-57
56P9381 Frame, B guide . . . . .	7-57
56P9382 Sensor . . . . .	7-65
56P9382 Sensor, photo . . . . .	7-57
56P9383 Cushion . . . . .	7-57
56P9384 Plate, B spring . . . . .	7-57
56P9386 Spring . . . . .	7-57
56P9387 Handle, jam . . . . .	7-57
56P9388 Sensor, 1 photo . . . . .	7-57
56P9389 Bracket . . . . .	7-57
56P9390 Plate, cover . . . . .	7-57
56P9393 Plate, guide holder . . . . .	7-59
56P9394 Handle . . . . .	7-57

## 5055-xxx

56P9395 Assembly, guide plate	7-59
56P9396 Spring, H	7-59
56P9397 Gear, Z20	7-59
56P9398 Gear, Z19	7-59
56P9399 Sensor, photo	7-57
56P9400 Roller	7-59
56P9401 Roller, I	7-59
56P9402 Bushing	7-59
56P9403 Spring, A	7-59
56P9404 Spring, F	7-59
56P9405 Roller, G	7-59
56P9406 Pulley, Z24/T42 gear	7-59
56P9407 Belt, timing 60S2M184	7-59
56P9408 Knob	7-59
56P9409 Cable	7-67
56P9410 Cable	7-67
56P9411 Pulley	7-59
56P9412 Spacer	7-59
56P9413 Assembly, motor bracket	7-59
56P9414 Pulley	7-59
56P9415 Pulley, gear Z36/T24	7-61
56P9417 Flange	7-61, 7-63
56P9418 Guide, stack	7-57
56P9420 Bracket, finisher control board	7-67
56P9422 Pin, N	7-63
56P9423 Pulley, Z19/Z20	7-63
56P9428 Cable	7-67
56P9435 Cable, set switch	7-67
56P9436 Cable	7-57
56P9437 Belt, timing	7-63
56P9440 Card, bar code (C912)	7-72
56P9441 Card, PrintCryption (C912)	7-72
56P9442 Card, ImageQuick (C912)	7-72
56P9448 Washer	7-65
56P9449 Pin	7-65
56P9450 Pulley, wire A	7-65
56P9451 Shutter	7-65
56P9452 Pin, O	7-65
56P9453 Roller, C	7-65
56P9455 Bracket	7-65
56P9456 Gear, Z46/Z33	7-65
56P9457 Gear, Z90/Z14	7-65

56P9458 Gear, Z25/Z20	7-65
56P9459 Drum, wire	7-65
56P9460 Gear, Z30	7-65
56P9463 Pulley, wire B	7-65
56P9465 Assembly, sensor	7-65
56P9467 Screw, thumb	7-69
56P9468 Spring	7-69
56P9469 Bracket	7-69
56P9470 Switch, set	7-69
56P9472 Screw, lock	7-71
56P9473 Stud, lock	7-71
56P9474 Roller	7-71
56P9475 Knob, caster	7-71
56P9476 Stop, caster	7-71
56P9477 Housing, caster	7-71
56P9478 Caster	7-71
56P9479 Cap	7-71
56P9480 Parts packet, finisher	7-81
56P9482 Shaft, A	7-65
56P9500 Cassette, paper feed	7-31
56P9501 Spring, pressure	7-45
56P9501 Spring, pressure pickup	7-49
56P9502 Sensor, turn guide door	7-21
56P9503 Foot, rubber	7-17, 7-33
56P9504 Rail, base right side	7-17
56P9504 Rail, left side	7-33
56P9505 Rail, base left side	7-17
56P9505 Rail, right side	7-33
56P9506 Frame, paper feed	7-35
56P9507 Actuator, paper feed sensor	7-17, 7-35
56P9508 Bracket, ground	7-17, 7-35
56P9509 Bushing, metal	7-35
56P9510 Shaft, paper feed	7-35
56P9511 Roller assembly, paper feed	7-17, 7-35
56P9512 Roller assembly, paper carrying	7-17
56P9513 Bushing, carrying	7-35
56P9514 Roller, noise reduction	7-35
56P9515 Guide, upper cassette	7-17, 7-35
56P9516 Spring, left cassette guide	7-17, 7-35
56P9517 Spring, right cassette guide	7-17, 7-35
56P9518 Guide, lower left cassette	7-17, 7-35
56P9519 Guide, lower right cassette	7-17, 7-35

## 5055-xxx

56P9520 Handle, waste bottle cam	7-17
56P9521 Lever, size sensor	7-17, 7-33
56P9522 Board, size sensor	7-17, 7-33
56P9523 Cable assembly, size sensor	7-17
56P9524 Screw, slide rail	7-17, 7-33
56P9525 Interrupter assembly, photo	7-41
56P9525 Interrupter, photo	7-39
56P9526 Spring, feed roller	7-41
56P9527 Gear, idler	7-41
56P9528 Interrupter, photo	7-45, 7-51, 7-53
56P9529 Caster, HCF	7-47
56P9530 Switch, push	7-47, 7-49
56P9531 Tray assembly, exit	7-3
56P9532 Cover assembly, front (C910)	7-3
56P9533 Cover assembly, right side	7-3
56P9534 Magnet, right side latch	7-3
56P9535 Cover, solenoid	7-3
56P9536 Cover, left side	7-3
56P9537 Cover, paper feed	7-3
56P9538 Cover, rear	7-3
56P9539 Cover, top	7-3
56P9540 Cover, waste toner bottle	7-3
56P9541 Sensor, resistor	7-49
56P9542 Cover, left front	7-3
56P9543 Magnet, front cover latch	7-3
56P9544 Label, MPT	7-3
56P9545 Label, operator guide	7-3
56P9551 Cover, adjustment	7-3
56P9554 Core, ferrite	7-3
56P9555 Housing, upper operator panel	7-3
56P9556 Housing, lower operator panel	7-3
56P9557 Exit assembly, face up	7-5
56P9566 Guide assembly, face-down	7-7
56P9575 Bushing, face down pinch roller	7-7
56P9576 Pulley, face down feed roller	7-7
56P9578 Belt, face down roller	7-7
56P9584 Guide assembly, turn	7-9
56P9591 Frame, upper	7-13
56P9592 Rail, left side	7-13
56P9593 Holder, rear printhead	7-15
56P9594 Cover, eraser	7-15
56P9595 Lamp, M erase	7-15
56P9596 Lamp, C erase	7-15

56P9597 Lamp, Y erase	7-15
56P9598 Lamp, K erase	7-15
56P9599 Printhead, LED S/N XX-0XXXX	7-15
56P9600 Cable assembly, K13	7-13
56P9601 Cable assembly, K24	7-13
56P9602 Cable assembly, CL13	7-13
56P9603 Cable assembly, CL24	7-13
56P9604 Core, ferrite	7-15
56P9605 Cable assembly, HDFG	7-15
56P9606 Cable assembly, RSPFG	7-15
56P9607 Cable assembly, LFG	7-15
56P9608 Holder, front HSP	7-13
56P9609 Spring, printhead	7-13
56P9610 Rail, right side	7-15
56P9611 Holder, front printhead	7-13
56P9612 Bracket, front upper	7-13
56P9613 Rod, interlocking	7-13
56P9614 Spring, return	7-13
56P9615 Hook, middle	7-13
56P9616 Handle, upper opening	7-13
56P9617 Hook, left	7-13
56P9618 Hook, right	7-13
56P9619 Bracket, rear upper	7-15
56P9620 Board, printhead controller—S/N XX-0XXXX	7-13
56P9621 Bracket, fan holder	7-15
56P9622 Fan, upper right	7-15
56P9623 Fan, upper left	7-15
56P9624 Link, frame	7-13
56P9625 Hook, right link	7-13
56P9626 Cover, hook	7-13
56P9627 Bearing, roller	7-13
56P9628 Pivot, color link	7-13
56P9629 Frame, link	7-15
56P9630 Hook, left link	7-13
56P9637 Frame, printhead controller	7-13
56P9638 Holder, cable	7-13
56P9639 Connector, upper	7-15
56P9641 Actuator, front cover open switch	7-17
56P9642 Unit, drive	7-17
56P9643 Clutch, drive unit	7-17
56P9644 Cable assembly, drive unit sensor	7-17
56P9645 Sensor, drive unit gear	7-17



## 5055-xxx

56P9646 Frame, sub . . . . .	7-17
56P9662 Shaft, changing . . . . .	7-17
56P9663 Clutch, belt up/down . . . . .	7-17
56P9664 Frame, paper feed . . . . .	7-17
56P9665 Sensor, paper feed . . . . .	7-17
56P9666 Support assembly, upper unit . . . . .	7-19
56P9667 Pin, upper unit support . . . . .	7-19
56P9668 Handle assembly, lock . . . . .	7-19
56P9669 Handle, lock . . . . .	7-19
56P9670 Shroud, cable . . . . .	7-19
56P9671 Guide, cable . . . . .	7-19
56P9672 Guide, cable . . . . .	7-19
56P9673 Cover, electronic . . . . .	7-19
56P9674 Guide assembly, fuser entrance . . . . .	7-21
56P9676 Sensor, density . . . . .	7-21
56P9680 Frame assembly, registration . . . . .	7-21
56P9681 Clutch, registration . . . . .	7-21
56P9682 Frame assembly, carrying . . . . .	7-21
56P9684 Frame assembly, F1 sub . . . . .	7-21
56P9685 Frame assembly, F2 sub . . . . .	7-21
56P9686 Rod, lock . . . . .	7-21
56P9687 Cover, gear . . . . .	7-21
56P9692 Cable assembly, reg MPF sensor . . . . .	7-21
56P9693 Stopper, clutch . . . . .	7-21
56P9694 Unit, transfer belt . . . . .	7-21
56P9695 Cable, turn guide door sensor . . . . .	7-21
56P9696 Cable assembly, belt thermistor . . . . .	7-21
56P9697 Bushing . . . . .	7-21
56P9698 Motor assembly, 120 V . . . . .	7-23
56P9699 Motor assembly, 230 V . . . . .	7-23
56P9700 Solenoid assembly, paper feed . . . . .	7-23
56P9701 Board, sensor . . . . .	7-23
56P9702 Cable, belt up/down sensor . . . . .	7-23
56P9703 Cable assembly, sensor board . . . . .	7-23
56P9704 Cable assembly, paper remaining sensor . . . . .	7-23
56P9705 Cable assembly, feeder . . . . .	7-23
56P9706 Cable, power switch . . . . .	7-23
56P9707 Switch, power . . . . .	7-23
56P9708 Cable assembly, duplex connector . . . . .	7-23
56P9709 Board, 120 V motor driver . . . . .	7-23
56P9710 Board, 230 V motor driver . . . . .	7-23
56P9711 Cable, THB drawer . . . . .	7-23

56P9712 Cable, THB drawer (EMEA)	7-23
56P9713 Fan, power supply	7-23
56P9714 Board, high voltage power supply	7-25
56P9715 Cable high voltage power supply board	7-25
56P9716 Cable assembly, 8 Pin PH controller	7-13
56P9717 Cable assembly, 18 Pin PH controller—S/N XX-0XXXX	7-13
56P9718 Cable assembly, 30 Pin PH controller—S/N XX-0XXXX	7-13
56P9719 Cable assembly, 80 pin RIP printer controller	7-27
56P9720 Cable assembly, PH controller power	7-13
56P9721 Cable assembly, drum eraser	7-25
56P9722 Power supply, 120 V (1)	7-23
56P9723 Power supply, 230 V (1)	7-23
56P9724 Power supply, 120 V (2)	7-25
56P9725 Power supply, 230 V (2)	7-25
56P9726 Cable assembly, printer controller power 1	7-25
56P9727 Cable assembly, printer controller power 2	7-25
56P9729 EPROM, printer controller	7-23
56P9730 Cable assembly, HCF	7-25
56P9731 Cable assembly, finisher	7-25
56P9732 Belt, power supply	7-23
56P9733 Cable assembly, HCPF interface	7-25
56P9734 HCF/finisher D-sub assembly	7-25
56P9736 Cable, operator panel	7-3, 7-27
56P9737 Insulator, sheet	7-23
56P9738 Cable assembly, conditioning joint (230 V only)	7-23
56P9739 Cable asm., conditioning printer controller	7-23
56P9740 Cable, conditioning resistor	7-23
56P9741 Resistor, conditioning (230 V only)	7-23
56P9742 Board, heater drive	7-23
56P9745 Box, RIP	7-27
56P9746 Cover, RIP box	7-27
56P9747 Cable assembly, power MAC	7-27
56P9748 Cable assembly, MIF	7-27
56P9749 Cable assembly, power RIP	7-27
56P9750 Fan, RIP	7-27
56P9751 Fuser, 120 V	7-29
56P9752 Fuser, 230 V	7-29
56P9765 Cover, front feeder	7-33
56P9766 Cover, left side	7-33
56P9767 Cover, right side A	7-33
56P9768 Cover, rear	7-33
56P9769 Cover, right side B	7-33
56P9770 Cover, right side C	7-33

## 5055-xxx

56P9771 Gear, feeder C	7-33
56P9772 Gear, feeder D	7-33
56P9773 Gear, feeder E	7-33
56P9774 Motor, feeder drive	7-33
56P9775 Cable assembly, size sensor	7-33
56P9776 Board, paper remaining sensor	7-33
56P9777 Cable assembly, upper optional drawer	7-33
56P9778 Cable assembly, lower optional drawer	7-33
56P9779 Board, expansion feeder control	7-33
56P9781 Lever, clutch	7-35
56P9782 Spring, solenoid	7-35
56P9783 Solenoid, feeder	7-35
56P9784 Actuator, paper detection	7-35
56P9785 Cover, paper present sensor	7-35
56P9786 Spring, paper detection sensor	7-35
56P9787 Cable, paper present sensor	7-35
56P9788 Guide, HCF	7-35
56P9789 Guide, turn	7-35
56P9790 Roller, paper carrying	7-35
56P9791 Spring, paper carrying	7-35
56P9792 Holder, roller	7-35
56P9793 Spring, left turn guide	7-35
56P9794 Spring, right turn guide	7-35
56P9795 Cable, paper present sensor	7-35
56P9796 Roller assembly, carrying	7-35
56P9797 Cover, gear	7-35
56P9798 Duplex assembly	7-39
56P9799 Frame, duplex	7-39
56P9800 Screw, duplex mounting	7-39
56P9803 Motor, duplex stepping	7-39
56P9804 Board, duplex interface	7-39
56P9805 Cable assembly, duplex connection	7-39
56P9806 Cable assembly, paper detection	7-39
56P9807 Cable assembly, duplex interface	7-39
56P9808 Interrupter, photo	7-41
56P9809 Roller, drive feed	7-41
56P9810 Roller, follow-up feed	7-41
56P9811 Roller, middle feed	7-41
56P9812 Roller, re-feed	7-41
56P9813 Roll, release	7-41
56P9814 Bearing, release	7-41
56P9815 Spring, reed roller	7-41

56P9816 Spring, re-feed roller . . . . .	7-41
56P9817 Gear, carrying roller . . . . .	7-41
56P9818 Pulley, carrying roller timing . . . . .	7-41
56P9819 Pulley, feed roller . . . . .	7-41
56P9820 Pulley, re-feed roller . . . . .	7-41
56P9821 Knob, paper re-feed . . . . .	7-41
56P9822 Belt, timing . . . . .	7-41
56P9823 Belt, timing . . . . .	7-41
56P9824 Plate, paper carrying drawer . . . . .	7-41
56P9825 Plate, paper re-feed drawer . . . . .	7-41
56P9826 Guide, front side . . . . .	7-41
56P9827 Guide, rear side . . . . .	7-41
56P9828 Motor assembly, paper guide . . . . .	7-41
56P9829 Solenoid assembly, feed roller . . . . .	7-41
56P9830 Solenoid assembly, paper re-feed . . . . .	7-41
56P9831 Cable assembly, duplex drawer . . . . .	7-41
56P9833 Cover, front . . . . .	7-43
56P9834 Cover, upper rear . . . . .	7-43
56P9835 Magnet, latch . . . . .	7-43
56P9836 Fence, end . . . . .	7-43
56P9837 Cover, upper . . . . .	7-43
56P9838 Catch, door . . . . .	7-43
56P9839 Cover, right . . . . .	7-43
56P9840 Lever, vertical transport . . . . .	7-43
56P9841 Cover assembly, upper . . . . .	7-43
56P9842 Spring, tension . . . . .	7-43
56P9843 Cover, lower rear . . . . .	7-43
56P9844 Motor assembly, transport . . . . .	7-45
56P9845 Sensor assembly, paper feed . . . . .	7-45
56P9846 Solenoid assembly, paper pickup . . . . .	7-45
56P9847 Spring, compression . . . . .	7-45
56P9848 Clutch, paper feed . . . . .	7-45
56P9849 Roller, manual feed pickup . . . . .	7-45
56P9850 Roller, manual feed . . . . .	7-45
56P9851 Roller, manual feed separate . . . . .	7-45
56P9852 Limiter, torque . . . . .	7-45
56P9853 Screw, shoulder . . . . .	7-47
56P9854 Sensor assembly, photo . . . . .	7-47
56P9855 Interrupter, photo . . . . .	7-47
56P9856 Spring, tension . . . . .	7-47
56P9857 Switch, micro . . . . .	7-47
56P9858 Connector, I/F . . . . .	7-47
56P9859 Connector, inlet . . . . .	7-47

## 5055-xxx

56P9861 Roller, track	7-49
56P9863 Switch, HCF push	7-49
56P9864 Switch, micro	7-49
56P9865 Cable assembly, HCF motor	7-49
56P9866 Cable assembly, paper feed sensor	7-49
56P9867 Cable assembly, drawer ground	7-49
56P9868 Board, high capacity feed	7-49
56P9869 Power supply, HCF	7-49
56P9870 Converter, DC/DC	7-49
56P9871 Cable assembly, I/F	7-49
56P9872 Cable assembly, power supply in	7-49
56P9873 Cable assembly, power supply out	7-49
56P9874 Cable assembly, power supply	7-49
56P9875 Cable assembly, safety switch	7-49
56P9876 Cable assembly, lift motor	7-49
56P9877 Cable assembly, paper size sensor	7-49
56P9878 Cable assembly, sensor	7-49
56P9879 Cable, paper volume	7-49
56P9880 Cable, up/down switch	7-49
56P9882 Motor, HCF DC	7-51
56P9883 Spring, pressure	7-51
56P9884 Belt, timing	7-51
56P9885 Pulley, timing	7-51
56P9886 Gear, drive	7-51
56P9887 Bracket, front idler	7-51
56P9888 Bracket, rear idler	7-51
56P9889 Pad, friction	7-53
56P9890 Plate, paper adhesion	7-53
56P9891 Knob, tray	7-53
56P9892 Plate, upper side fence	7-53
56P9893 Knob, stopper	7-53
56P9894 Fence assembly, rear side	7-53
56P9902 Cassette, heavy media	7-31
56P9905 Kit, operator panel overlay	7-3
56P9910 Card assembly, 128MB SDRAM memory	7-72
56P9911 Card assembly, 256MB SDRAM memory	7-72
56P9912 Card assembly, 4MB Flash DIMM memory	7-72
56P9913 Card assembly, 8MB Flash DIMM memory	7-72
56P9914 Card assembly, 16MB Flash DIMM memory	7-72
56P9915 Fence assembly, front side	7-53
56P9916 Card, riser	7-27
56P9923 Card, ImageQuick (C910)	7-72

56P9925 Card, PRESCRIBE	7-72
56P9926 Software, Optra Forms	7-72
56P9927 Software, Optra Forms Director	7-72
56P9928 DIMM, Lexmark Forms 4MB Flash	7-72
56P9929 DIMM, Lexmark Forms 8MB Flash	7-72
56P9930 DIMM, Lexmark Forms 16MB Flash	7-72
56P9932 Hard Disk, Lexmark Forms	7-73
56P9934 Card, Token-Ring	7-72
56P9935 Traditional Chinese font kit	7-73
56P9936 Simplified Chinese font kit	7-73
56P9940 Ring, snap	7-43
56P9941 Arm, pick-up	7-45
56P9942 Mounting Kit, hard drive	7-73
56P9943 Fuse, thermal (230 V only)	7-23
56P9945 Parts packet	7-3, 7-74
56P9946 Parts packet	7-74
56P9947 Parts packet	7-15, 7-74
56P9948 Parts packet	7-17, 7-75
56P9949 Parts packet	7-19, 7-75
56P9950 Parts packet	7-21, 7-75
56P9951 Parts packet	7-25, 7-76
56P9952 Parts packet	7-27, 7-76
56P9953 Parts packet	7-29, 7-77
56P9954 Parts packet	7-77
56P9955 Parts packet	7-33, 7-77
56P9956 Parts packet	7-37, 7-78
56P9957 Parts packet	7-41, 7-78
56P9958 Parts packet	7-43, 7-78, 7-79
56P9959 Parts packet	7-45, 7-79
56P9960 Parts packet	7-47, 7-79
56P9961 Parts packet	7-49, 7-79
56P9962 Parts packet	7-51, 7-80
56P9963 Parts packet	7-53, 7-80
56P9964 Transformer, power (Japan only)	7-25
56P9970 Cover assembly, front (C912)	7-3
56P9971 Frame assembly, MPF	7-21
56P9972 Feeder assembly, multipurpose	7-11
56P9973 Board, RIP controller (C912)	7-27
56P9974 Board, RIP controller, network (C912)	7-27
56P9975 Japanese font kit	7-73
56P9976 Board, RIP controller (C910)	7-27
56P9977 Board, RIP controller, network (C910)	7-27
56P9979 Guide, stop	7-31

## 5055-xxx

56P9980 Guard, rack	7-31
56P9981 Board, printer controller (912)—S/N XX-0XXXX	7-23
56P9982 Hard Disk, 5+ GB w/Mounting Kit (formatted)	7-72
56P9985 Printhead, LED K (black)—S/N XX-1XXXX	7-15
56P9986 Printhead, LED Y/M/C (color)—S/N XX-1XXXX	7-15
56P9987 Board, printhead controller—S/N XX-1XXXX	7-13
56P9988 Post, mini—S/N XX-1XXXX	7-15
56P9989 Core, Ferrite—S/N XX-1XXXX	7-15
56P9990 Tape, Core—S/N XX-1XXXX	7-15
56P9991 Cable assembly 48-pin PH controller—S/N XX-1XXXX	7-13
56P9992 Board, printer controller (912)—S/N XX-1XXXX	7-23
56P9993 Shield, light—used on P/N 56P9594 for S/N XX-1XXXX	7-15
56P9994 Plate, duplex guide	7-39
7370516 Kit, printer relocation	7-73
7370567 Kit, duplex relocation	7-73
7370569 Kit, 500-sheet tray relocation	7-73
99A0424 Card, infrared adapter	7-72
99A0545 Card, external serial adapter	7-72
99A0560 Card, Tri-Port adapter	7-72
99A1501 Board operator panel (Japan)	7-3