

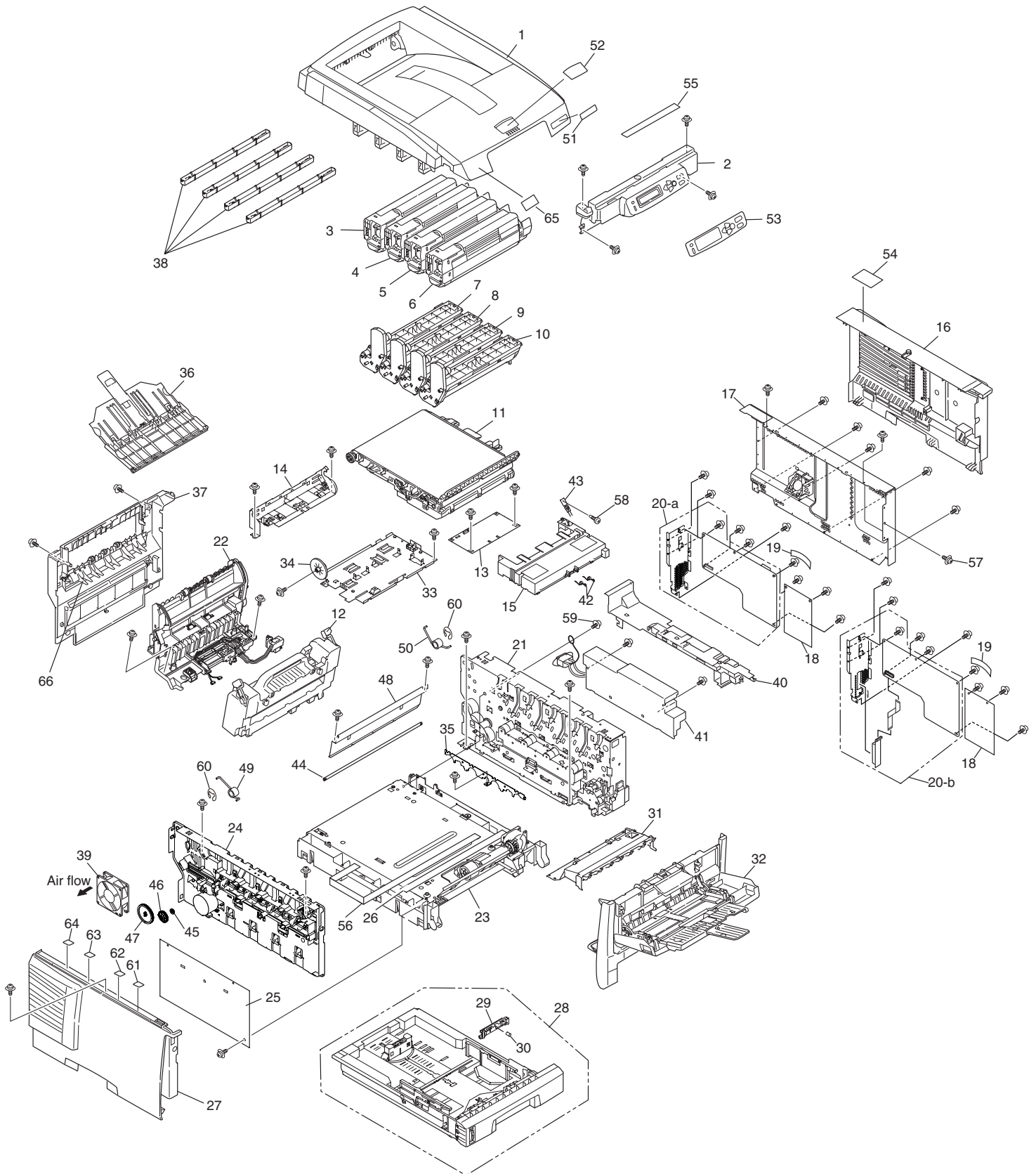
OEL Spare Parts Drawing

C5600/C5700/C5800/C5900/
ES2032/ES2632

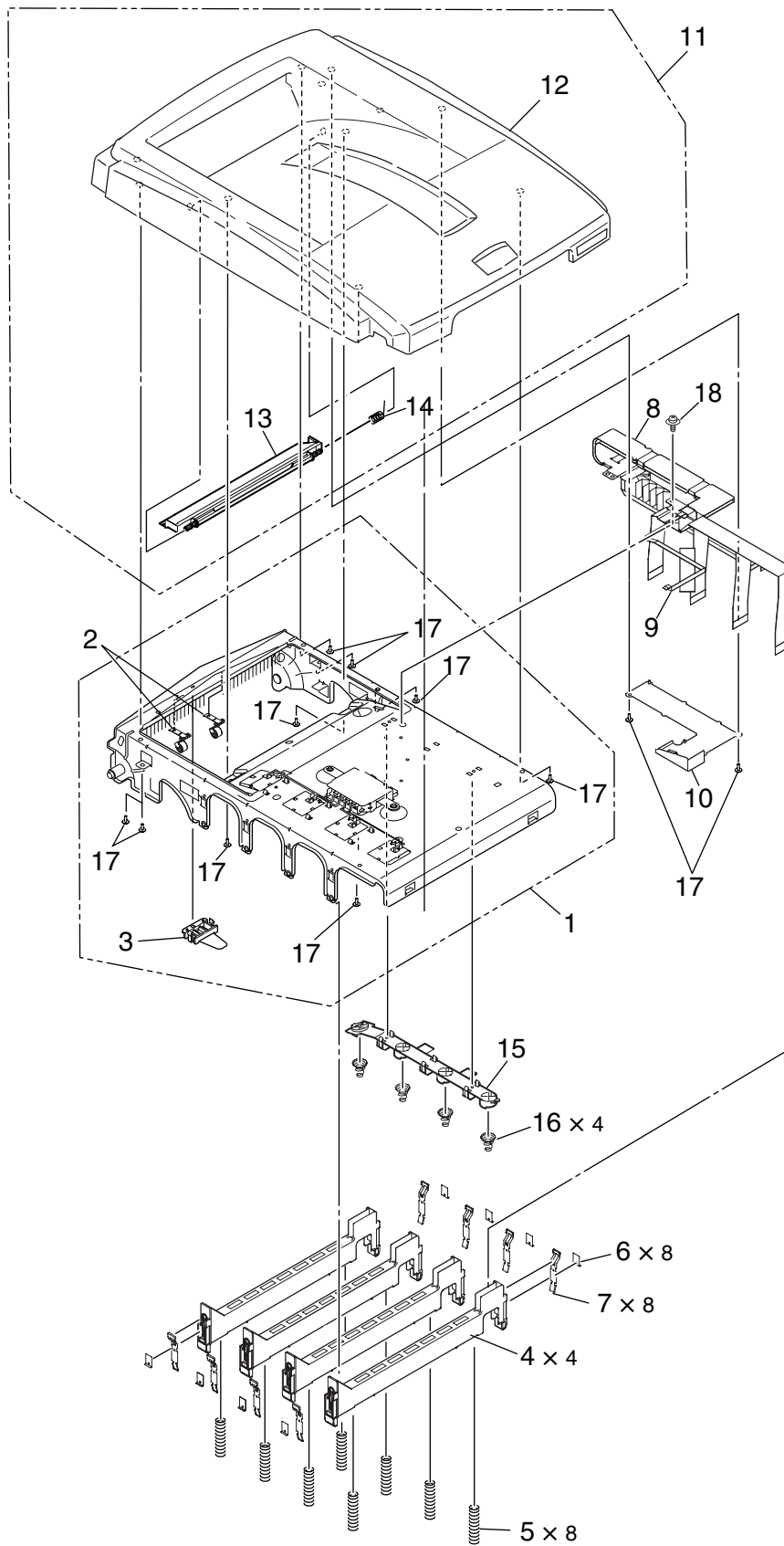


Revision 7

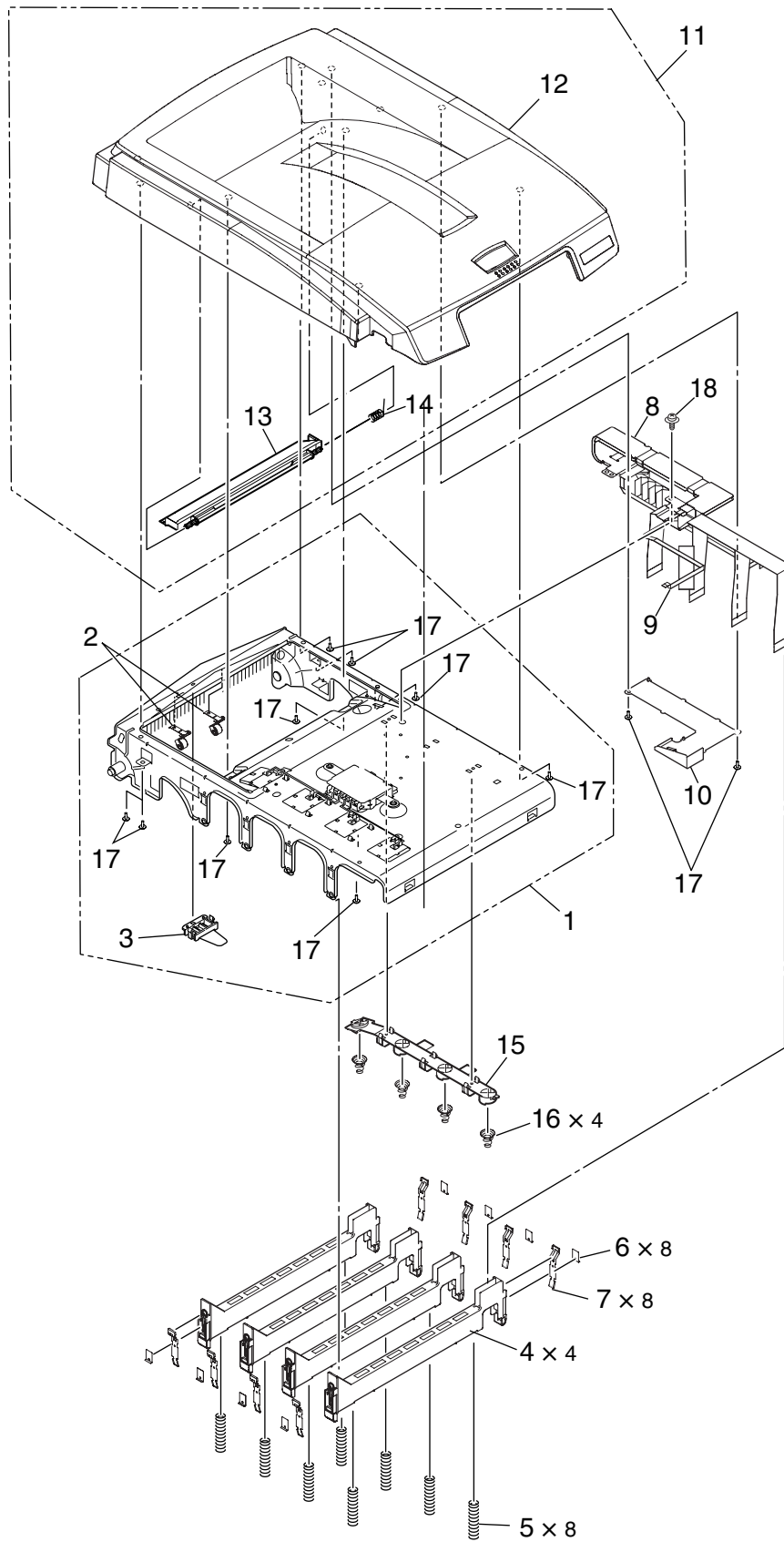
Parts Layout (C6100dn/C5900/C5800dn(Except Japan)/C5700n/C5600n)



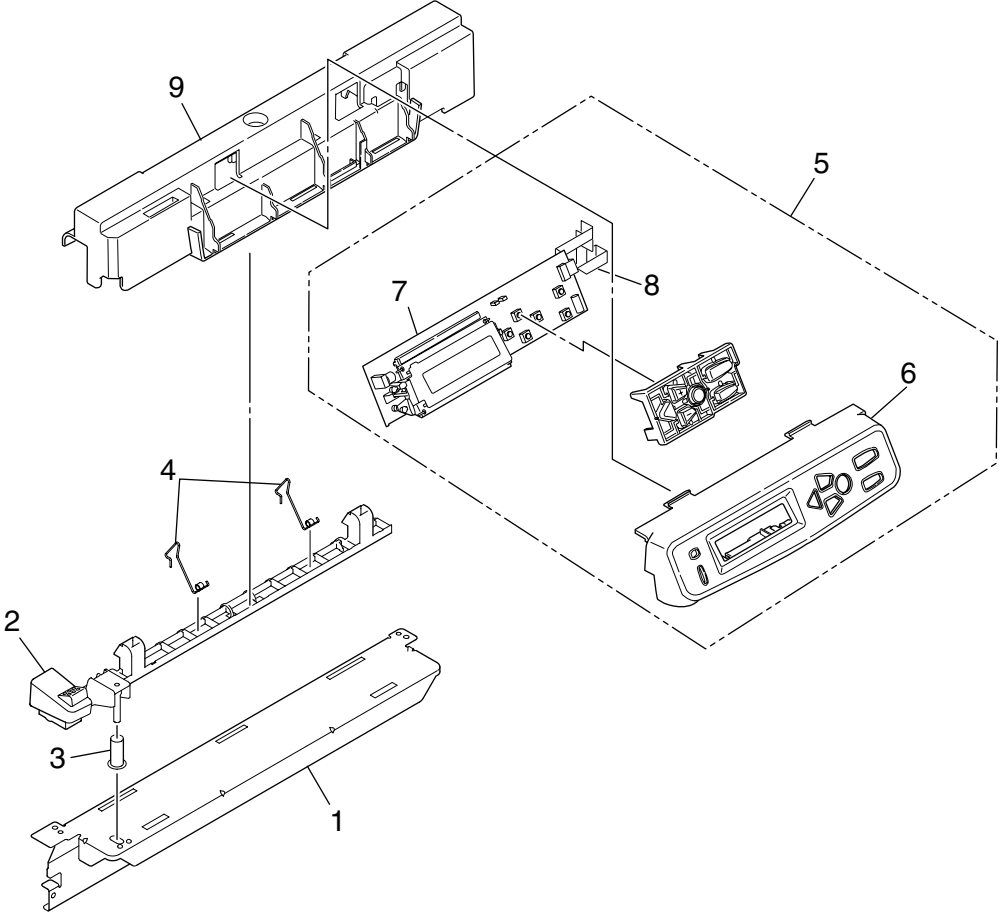
Top_Cover_Assy (B)



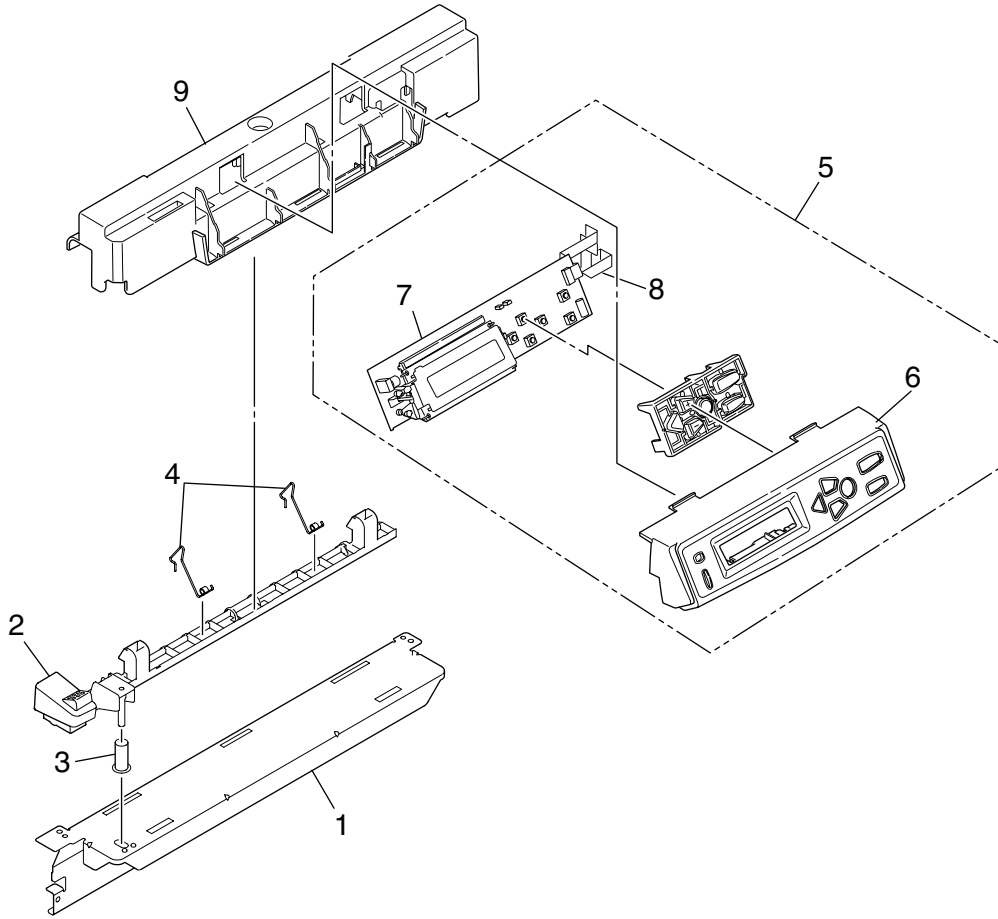
Top_Cover_Assy (C)



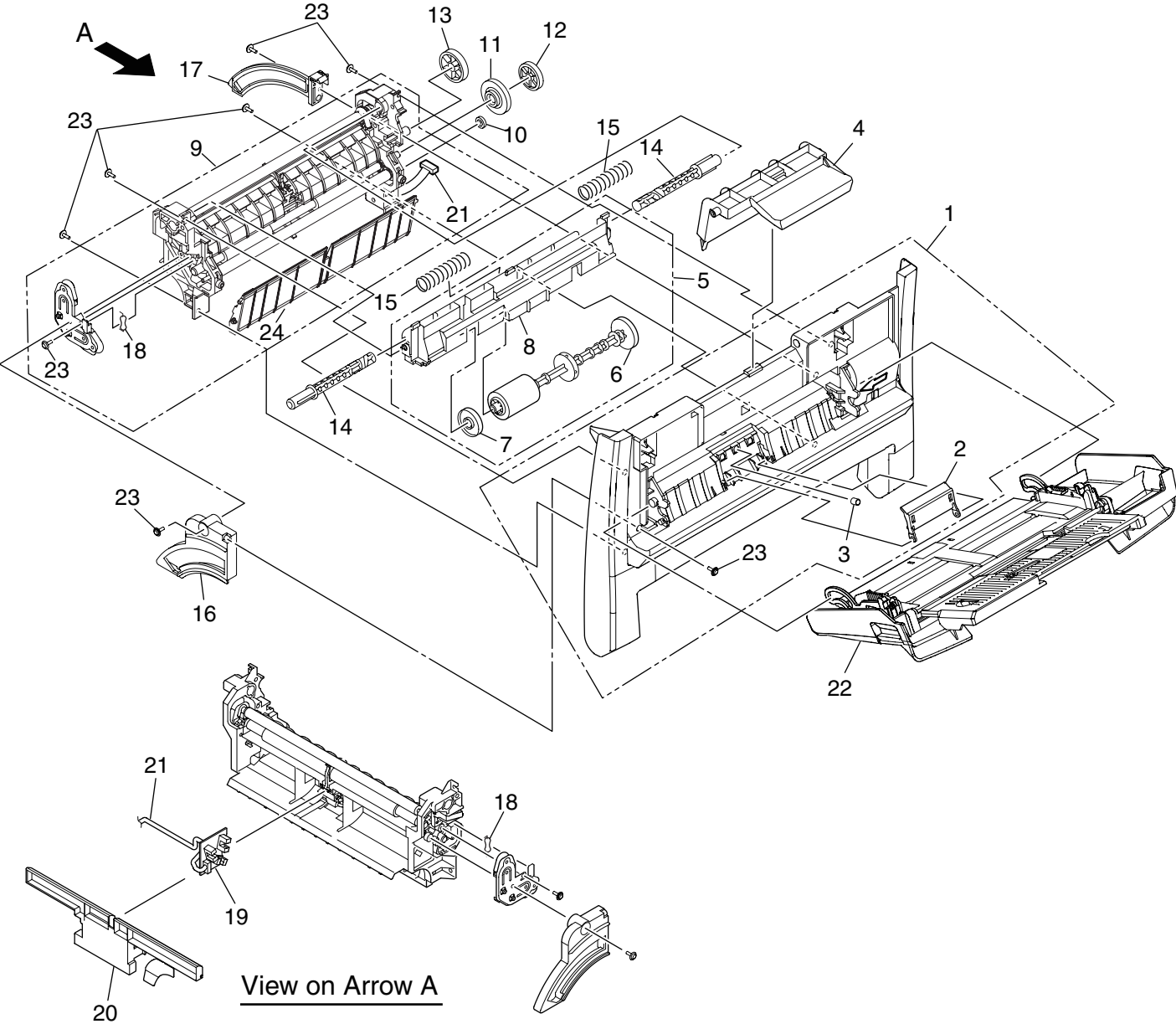
Control_Panel_Assy (B)



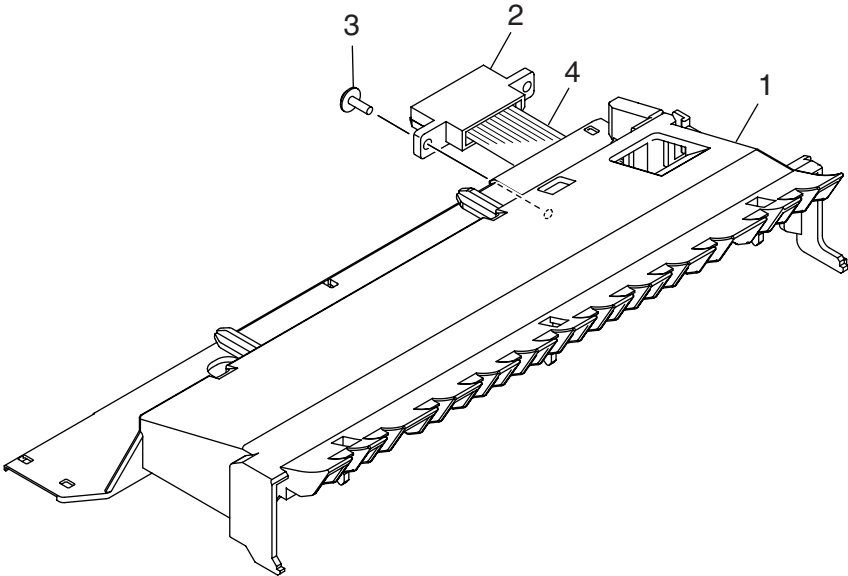
Control_Panel_Assy (C)



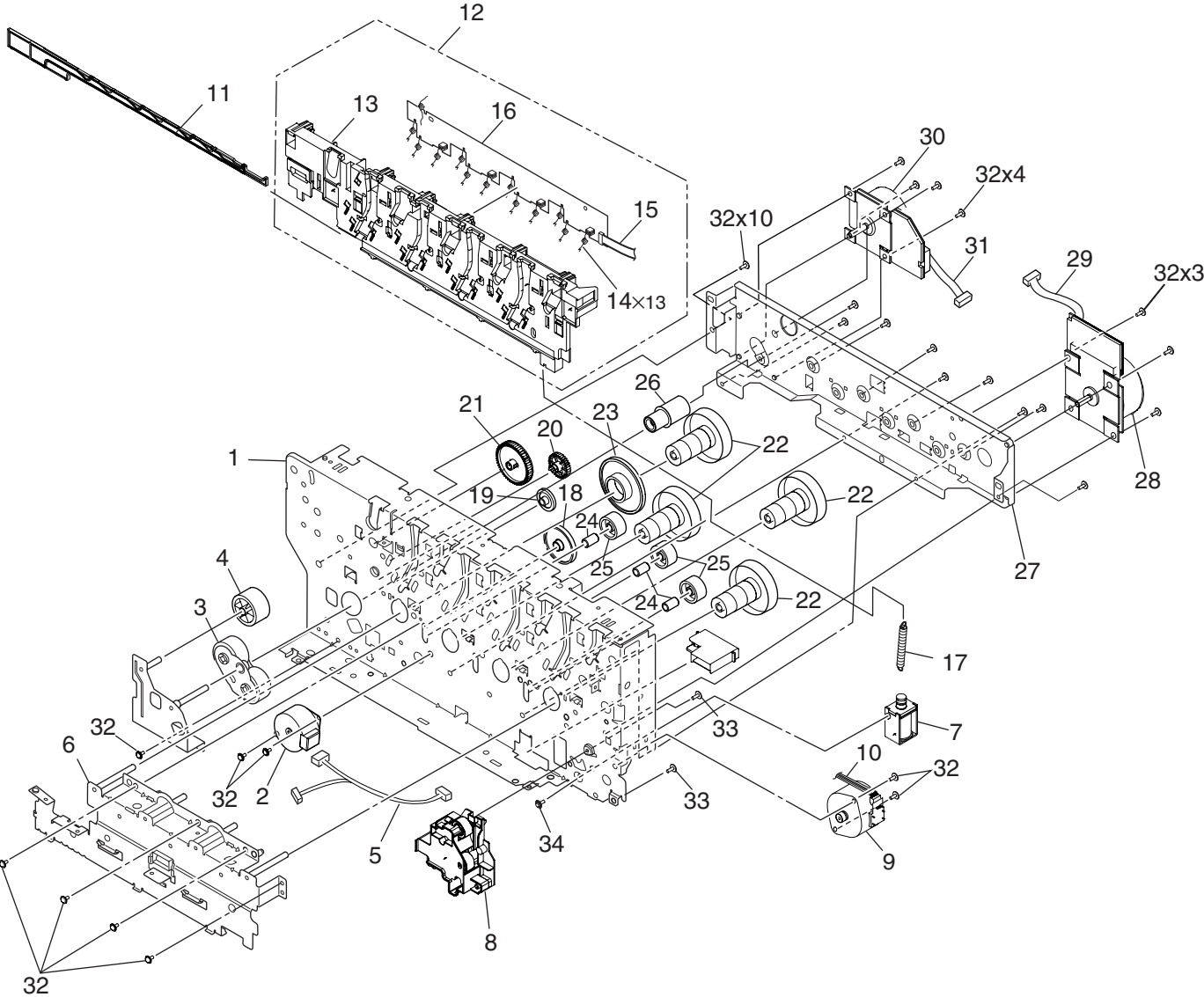
Feeder_Unit



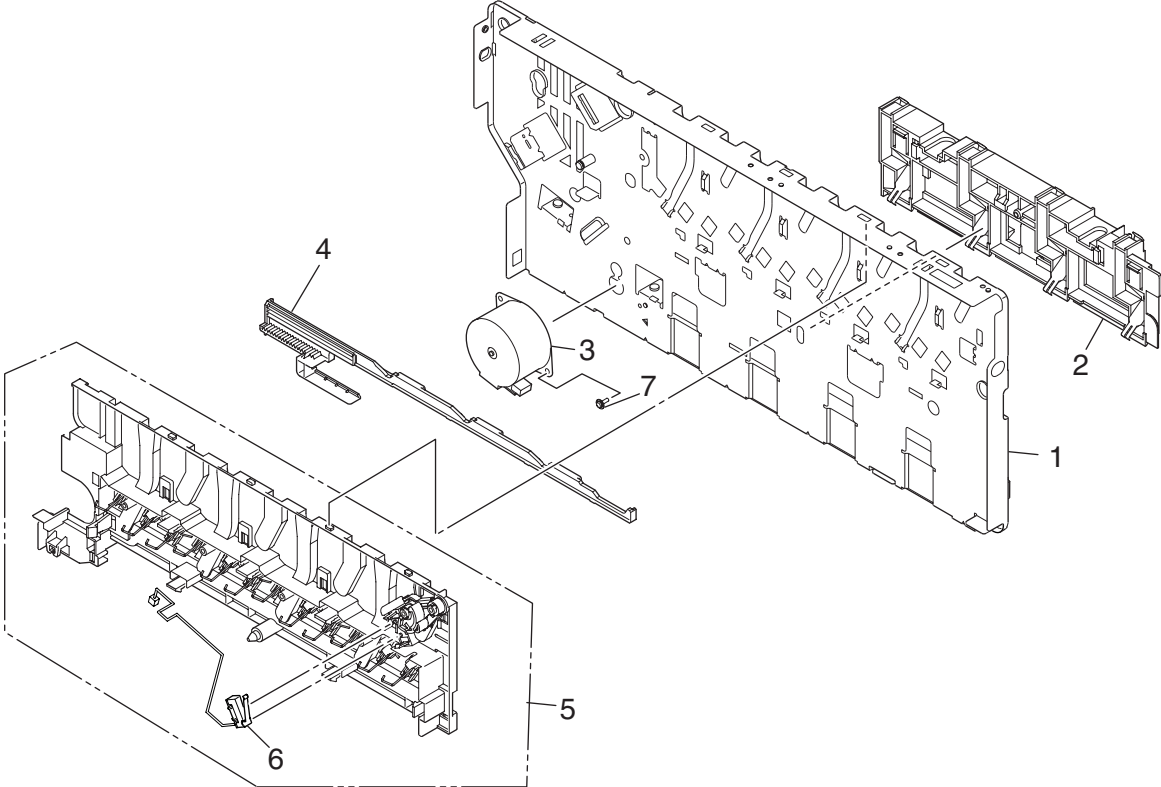
Cover_Assy-Hopping



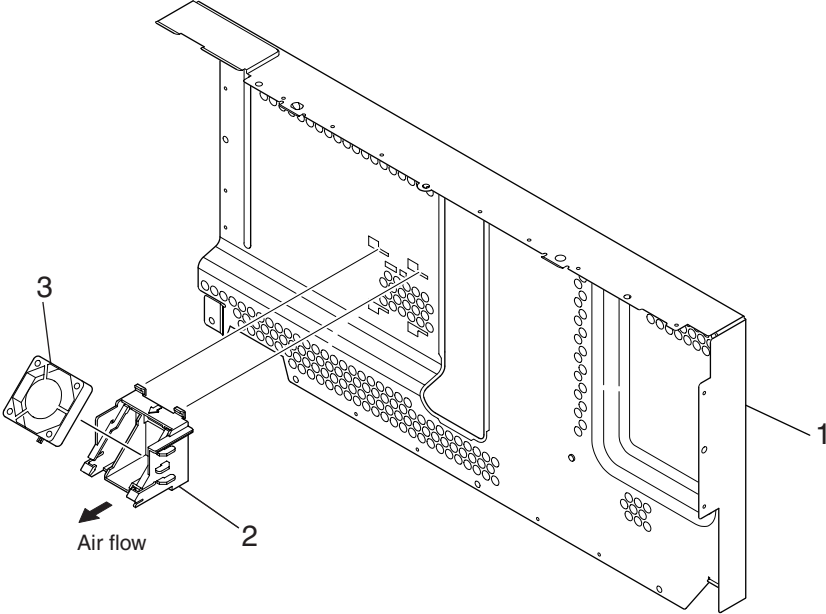
Plate_Assy-Side_R



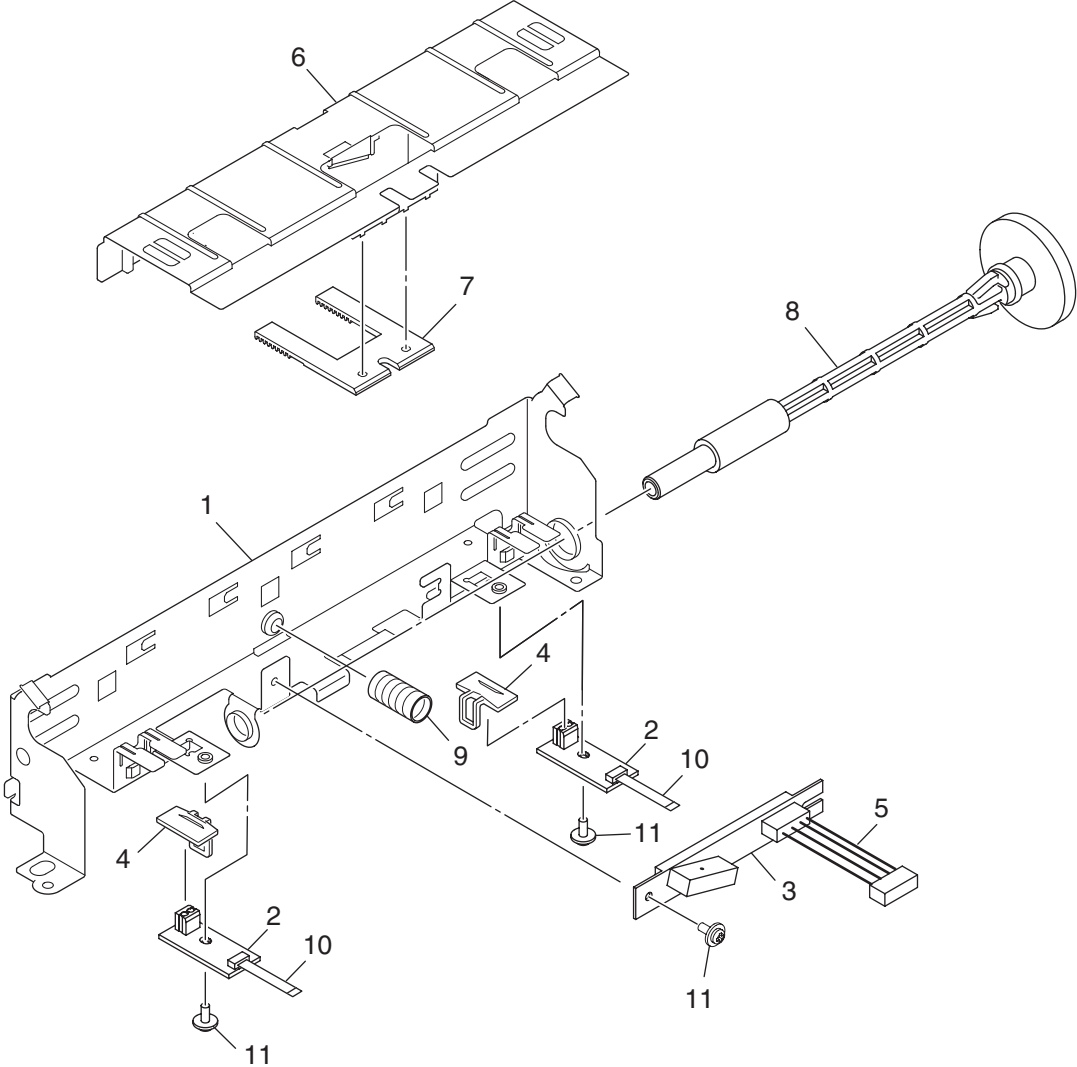
Plate_Assy-Side_L



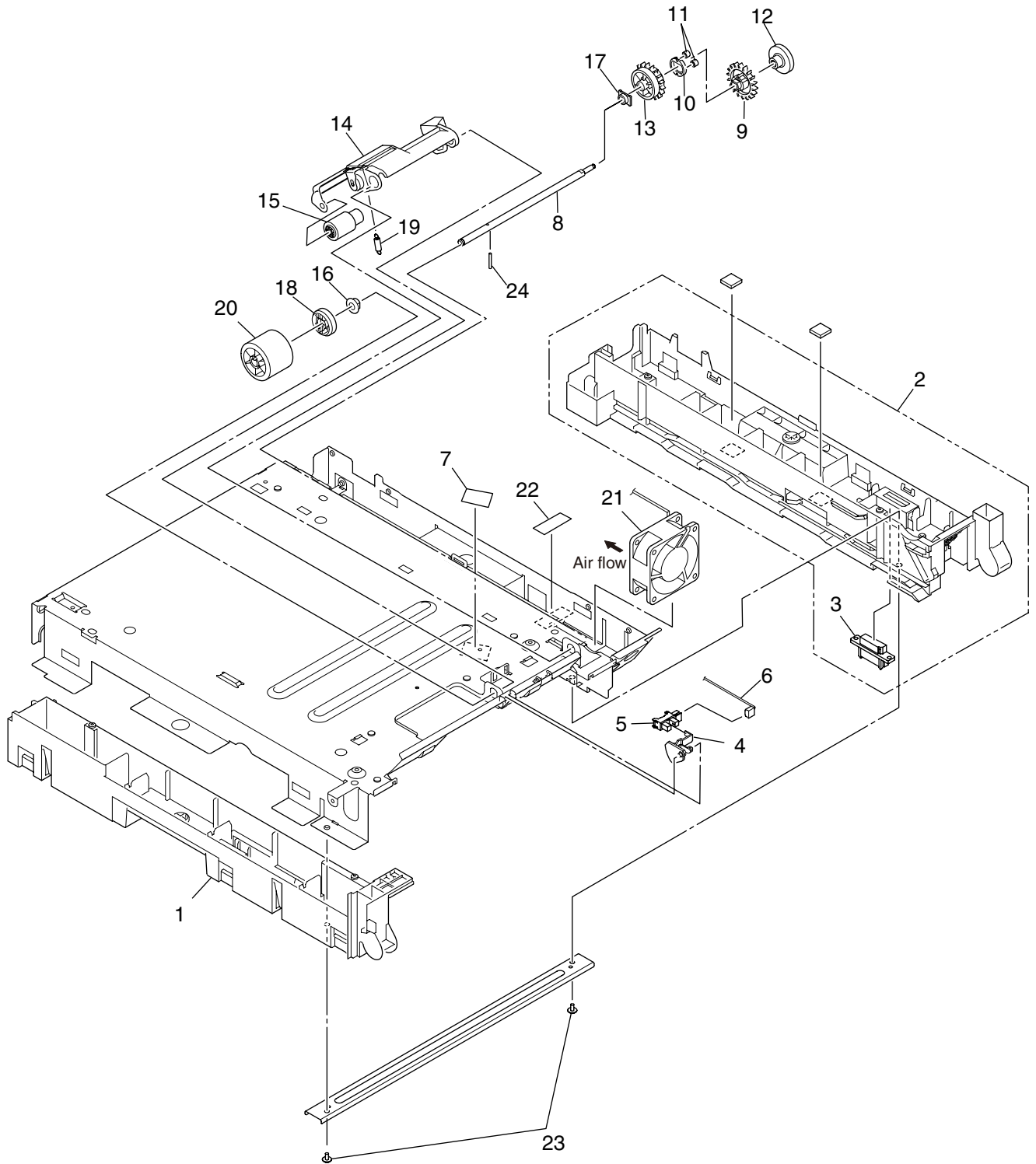
Plate_Assy-Shield



Sensor_Assy-Regist



Plate_Assy-Base



Eject_Assy

