

7. Parts catalog

How to use this parts catalog

The following legend is used in the parts catalog:

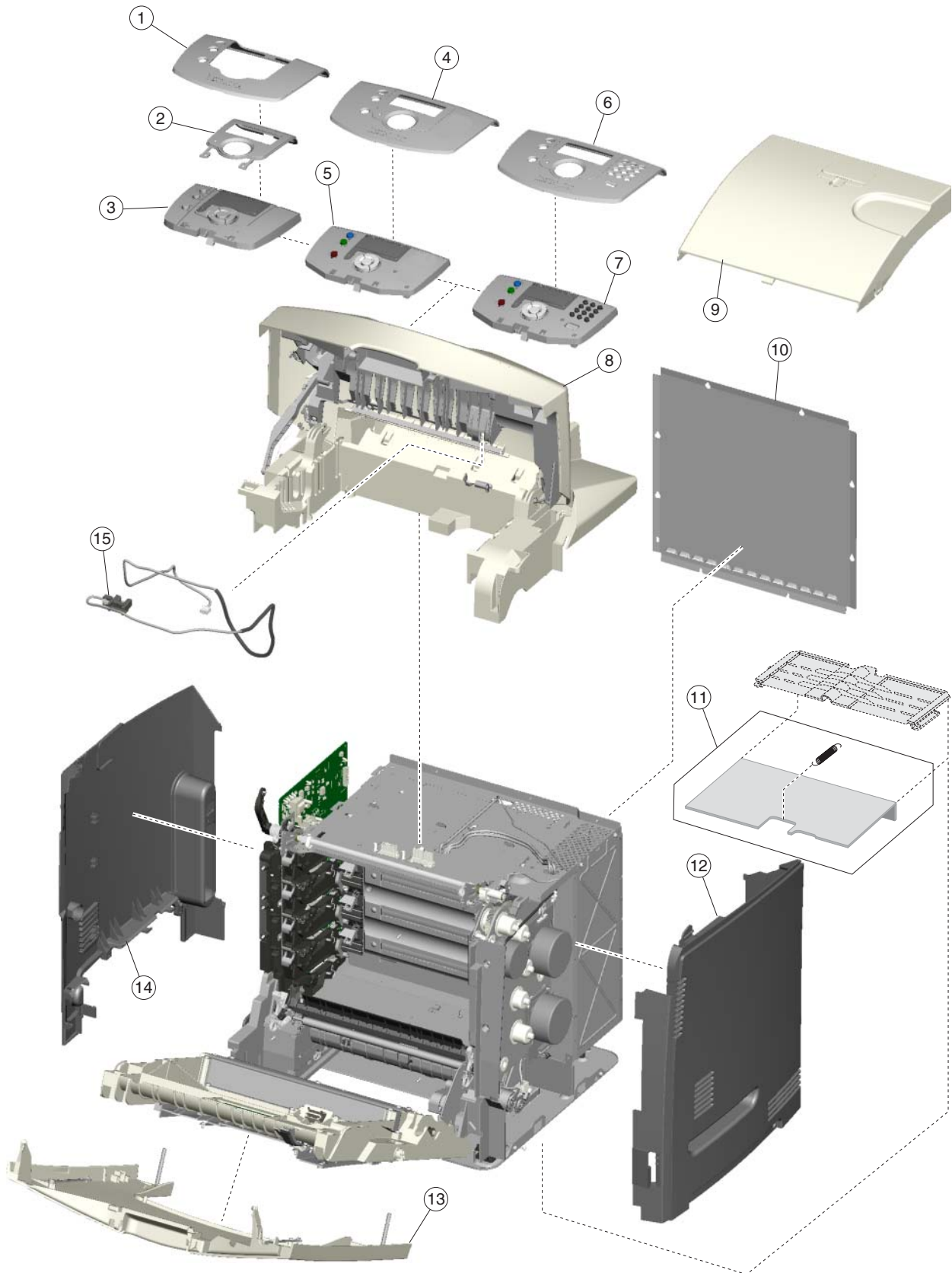
| Asm-Index | Part number | Units/mach | Units/FRU | Description |
|-----------|-------------|------------|-----------|-------------|
|-----------|-------------|------------|-----------|-------------|

- **Asm-index:** identifies the assembly and the item in the diagram. For example, 3-1 indicates Assembly 3 and the item number 1.
- **Part number:** identifies the unique number that identifies this FRU.
- **Units/mach:** refers to the number of units actually used in the base printer or product.
- **Units/FRU:** refers to the number of units packaged together and identified by the part number.
- **NS:** (Not shown) in the Asm-Index column indicates that the part is procurable but is not pictured in the illustration.

Model information used in the parts catalog.

| Model name | Configuration | Machine type |
|--------------------|----------------------------------|--------------|
| Lexmark C520n | Network | 5022-010 |
| Lexmark C522n | Network | 5022-210 |
| Lexmark C524 | Non-network | 5022-400 |
| Lexmark C524n | Network | 5022-410 |
| Lexmark C524dn | Network | 5022-430 |
| Lexmark C530dn | Duplex, network | 5022-130 |
| Lexmark C532n | Network | 5022-310 |
| Lexmark C532dn | Duplex, network | 5022-330 |
| Lexmark C534n | Network | 5022-510 |
| Lexmark C534dn/dtn | Duplex, network (550-sheet tray) | 5022-530 |

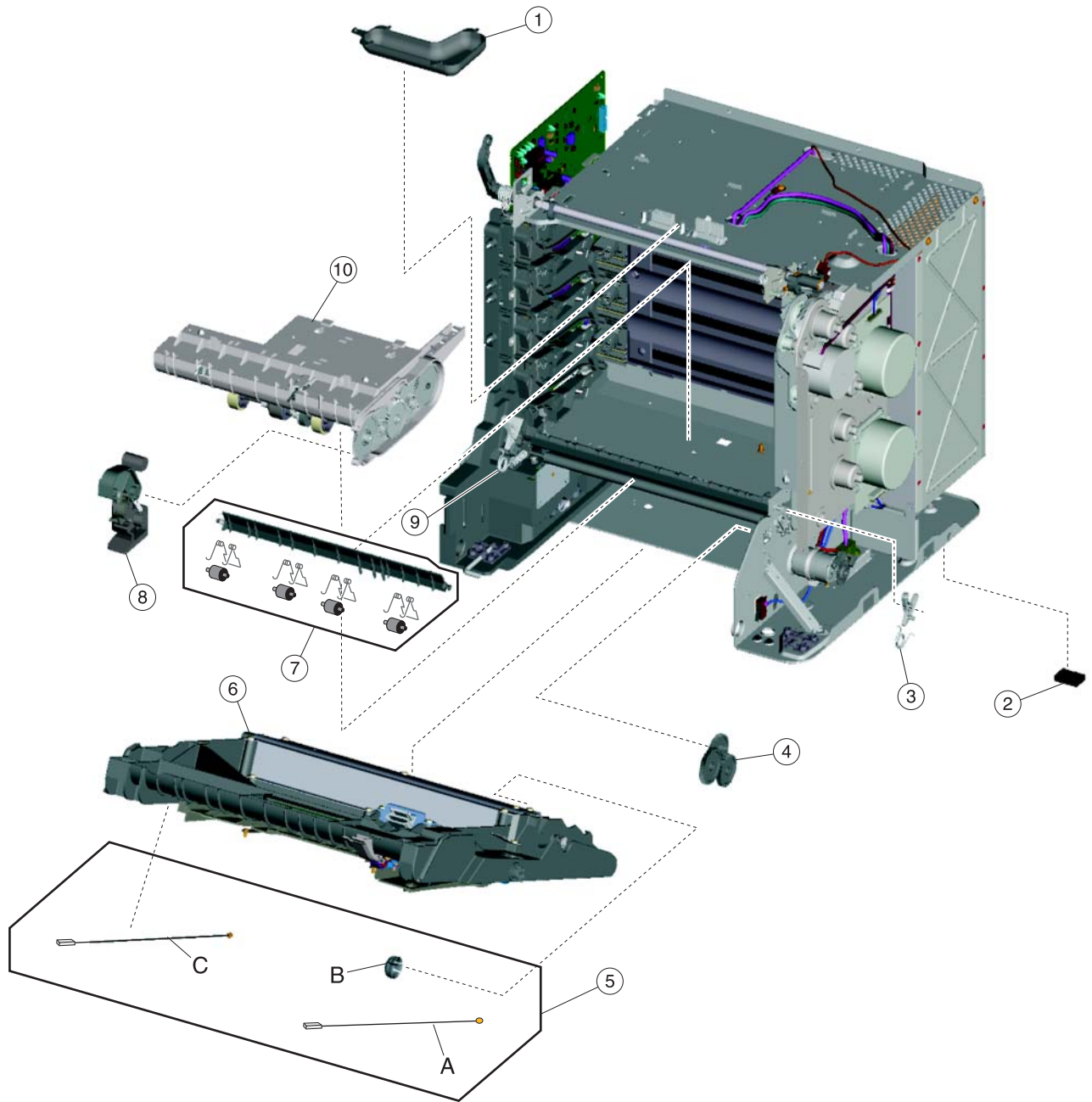
Assembly 1: Covers



Assembly 1: Covers

| Index | P/N | Units/ mach | Units/ FRU | Description |
|-------|---------|----------------|---------------|---|
| 1-1 | 40X1415 | 1 | 1 | Outer bezel, C52x |
| 2 | 40X1448 | 1 | 1 | Inner bezel, C524/C524n/C524dn |
| 2 | 40X1449 | 1 | 1 | Inner bezel, C522n |
| 2 | 40X1450 | 1 | 1 | Inner bezel, C520n |
| 3 | 40X1414 | 1 | 1 | Operator panel assembly, C52x |
| 4 | 40X3608 | 1 | 1 | Bezel, C530dn |
| 4 | 40X3585 | 1 | 1 | Bezel, C532n |
| 4 | 40X3586 | 1 | 1 | Bezel, C532dn |
| 5 | 40X3582 | 1 | 1 | Operator panel assembly, C530dn/C532n/C532dn |
| 6 | 40X3587 | 1 | 1 | Bezel, C534n |
| 6 | 40X3588 | 1 | 1 | Bezel, C534dn |
| 7 | 40X3583 | 1 | 1 | Operator panel assembly, C534n/C534dn |
| 8 | 40X1451 | 1 | 1 | Top access cover assembly (network), C520n/C522n/C524n/C524dn |
| 8 | 40X1412 | 1 | 1 | Top access cover assembly (non-network), C524 |
| 8 | 40X3604 | 1 | 1 | Top access cover assembly (network), C532n/C534n |
| 8 | 40X3605 | 1 | 1 | Duplex top access assembly (network), C530dn/C532dn/C534dn |
| 9 | 40X1422 | 1 | 1 | Exit tray cover, C52x |
| 9 | 40X3594 | 1 | 1 | Exit tray cover, C53x |
| 10 | 40X1427 | 1 | 1 | Rear cover |
| 11 | 40X3612 | 1 | | Paper tray dust cover with dust cover spring, C53x |
| 12 | 40X1425 | 1 | 1 | Right cover |
| 13 | 40X1443 | 1 | 1 | Front access door cover assembly (duplex), C524dn only |
| 13 | 40X1413 | 1 | 1 | Front access door cover assembly (non-duplex), C520n/C522n/C524/ C524n |
| 13 | 40X3602 | 1 | 1 | Front access door cover assembly (duplex), C530dn/C532dn/C534dn |
| 13 | 40X3581 | 1 | 1 | Front access door cover assembly (non-duplex), C532n/C534n |
| 14 | 40X1426 | 1 | 1 | Left cover |
| 15 | 40X1440 | 1 | 1 | Bin full sensor with cable, C520n/C522n/C524n/C524dn |
| 15 | 40X3601 | 1 | 1 | Bin full sensor with cable, C53x |

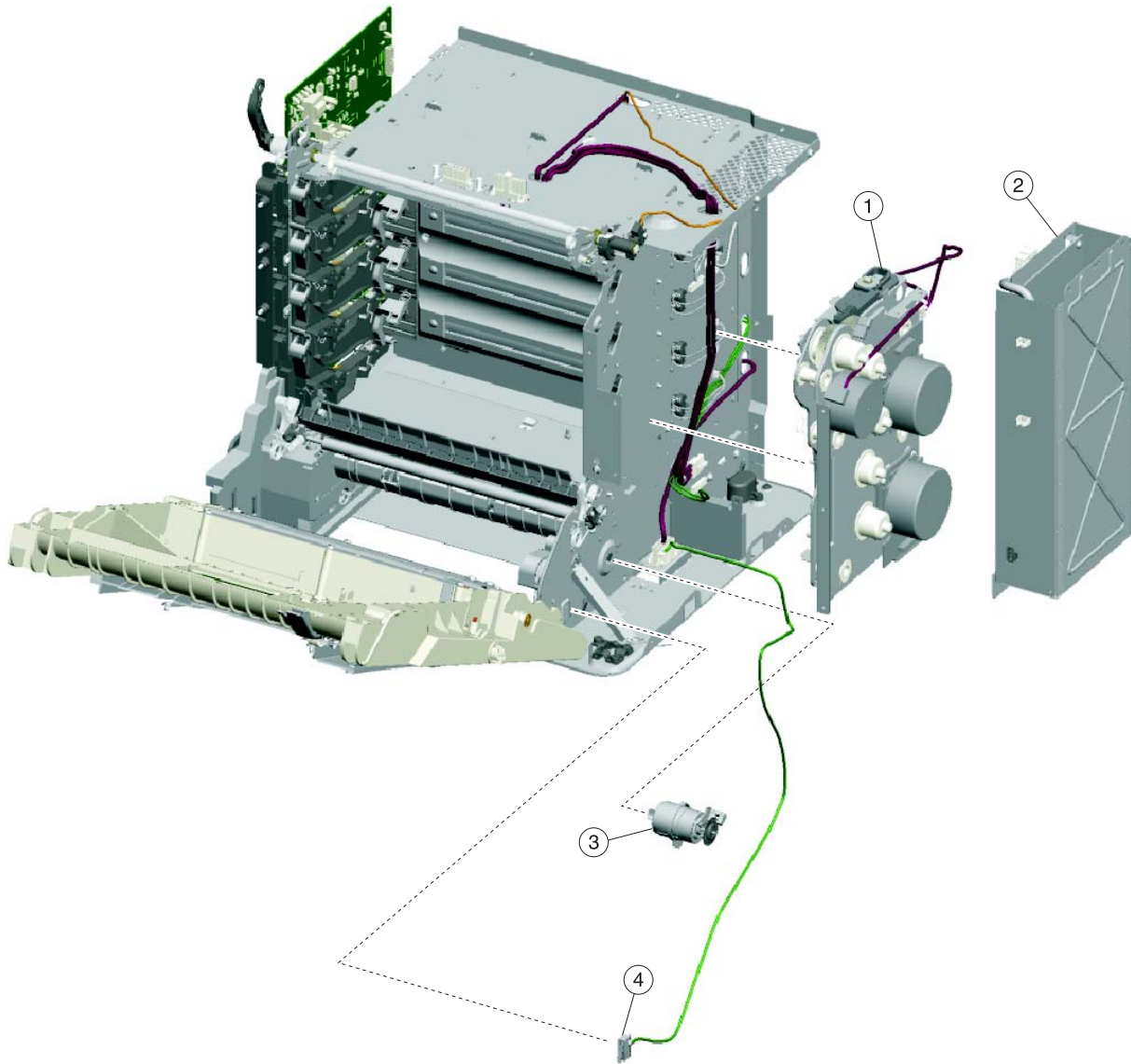
Assembly 2: Front



Assembly 2: Front

| Index | P/N | Units/ mach | Units/ FRU | Description |
|-------|---------|----------------|---------------|---|
| 2-1 | | 1 | 1 | Fuser cable cover, included in parts packet (P/N 40X1430), C52x |
| 1 | | 1 | 1 | Fuser cable cover, included in parts packet (P/N 40X3598), C53x |
| 2 | | 4 | 1 | Printer pad, included in parts packet, screws (P/N 40X1431) |
| 3 | 40X1446 | 1 | 1 | Right bellcrank assembly |
| 4 | 40X1432 | 1 | 1 | Bump aligner gear kit, including: <ul style="list-style-type: none"> • Align idler gear (1) • First reduction gear (1) • Second reduction gear (1) • Grease packet (1) • Washers (3) |
| 5 | 40X1420 | 1 | 1 | Front door parts packet, C52x, including <ul style="list-style-type: none"> • A—Right cable assembly (1) • B—Front door cap (1) • C—Left cable assembly (1) |
| 5 | 40X3593 | 1 | 1 | Front door parts packet, C53x, including <ul style="list-style-type: none"> • A—Right cable assembly (1) • B—Front door cap (1) • C—Left cable assembly (1) |
| 6 | 40X1419 | 1 | 1 | Duplex front door assembly, C524dn |
| 6 | 40X1418 | 1 | 1 | Front door assembly, C520n/C522n/C524n |
| 6 | 40X3592 | 1 | 1 | Duplex front door assembly, C530dn/C532dn/C534dn |
| 6 | 40X3590 | 1 | 1 | Front door assembly, C532n/C534n |
| 7 | 40X3615 | 1 | 1 | Deflector assembly, C53x |
| 8 | 40X1435 | 1 | 1 | MPF swing arm assembly, C52x |
| 9 | 40X1447 | 1 | 1 | Left bellcrank assembly |
| 10 | 40X1405 | 1 | 1 | Paper pick mechanism assembly, C52x |
| 10 | 40X3573 | 1 | 1 | Paper pick mechanism assembly, C53x |

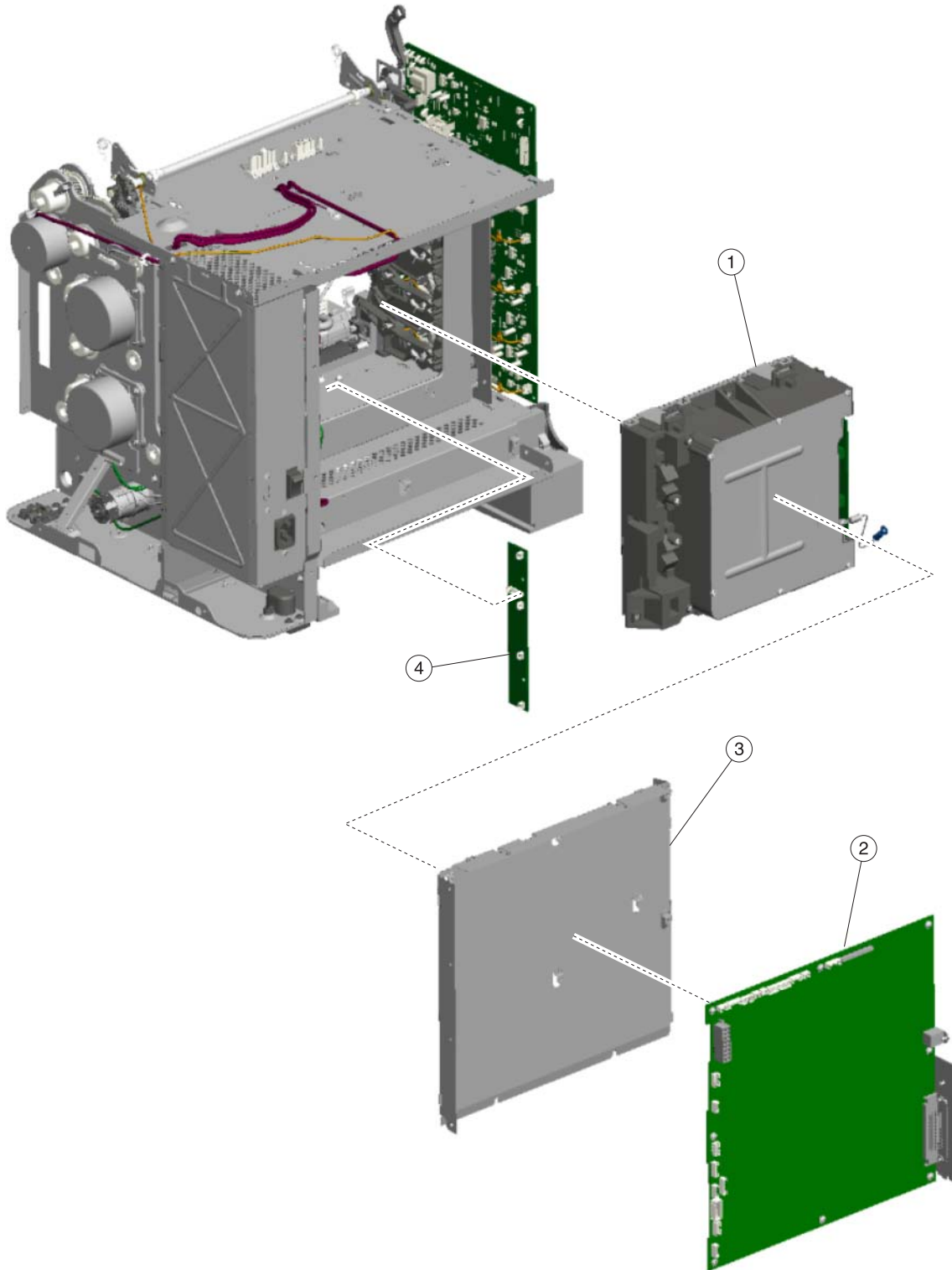
Assembly 3: Right



Assembly 3: Right

| Index | P/N | Units/ mach | Units/ FRU | Description |
|-------|---------|----------------|---------------|-------------------------------------|
| 3-1 | 40X1409 | 1 | 1 | EP drive assembly, C52x |
| 1 | 40X3578 | 1 | 1 | EP drive assembly, C53x |
| 2 | 40X3574 | 1 | 1 | Low voltage power supply, 115/230 V |
| 3 | 40X1433 | 1 | 1 | Bump aligner motor |
| 4 | 40X1436 | 1 | 1 | Front door 5 V interlock switch |
| NS | 40X1445 | 1 | 1 | Ground contact plate, C52x only |

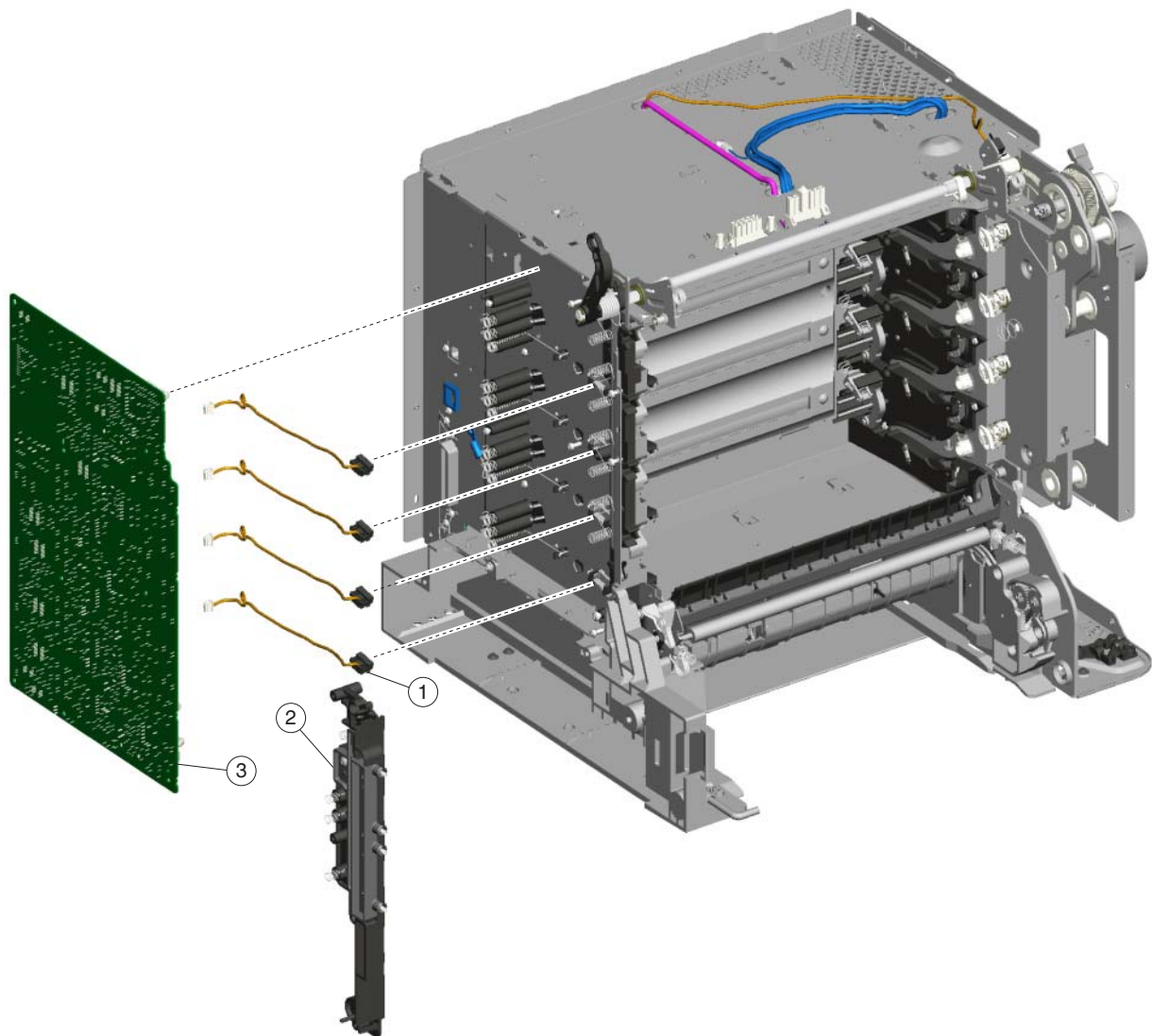
Assembly 4: Rear



Assembly 4: Rear

| Index | P/N | Units/ mach | Units/ FRU | Description |
|-------|---------|----------------|---------------|--|
| 4-1 | 40X2167 | 1 | 1 | Printhead assembly, C52x |
| 1 | 40X2168 | 1 | 1 | Printhead assembly, C53x |
| 2 | 40X4218 | 1 | 1 | System card (network), C524n/C524dn |
| 2 | 40X4219 | 1 | 1 | System card (network), C520n/C522n |
| 2 | 40X4217 | 1 | 1 | System card, C524 |
| 2 | 40X3616 | 1 | 1 | System card (network), C530dn/C532n/C532dn |
| 2 | 40X3617 | 1 | 1 | System card (network), C534n |
| 2 | 40X3618 | 1 | 1 | System card (network), C534dn |
| 3 | 40X1429 | 1 | 1 | System card support shield, C52x |
| 3 | 40X3597 | 1 | 1 | System card support shield, C53x |
| 4 | 40X1410 | 1 | 1 | Smart chip card, C52x only |

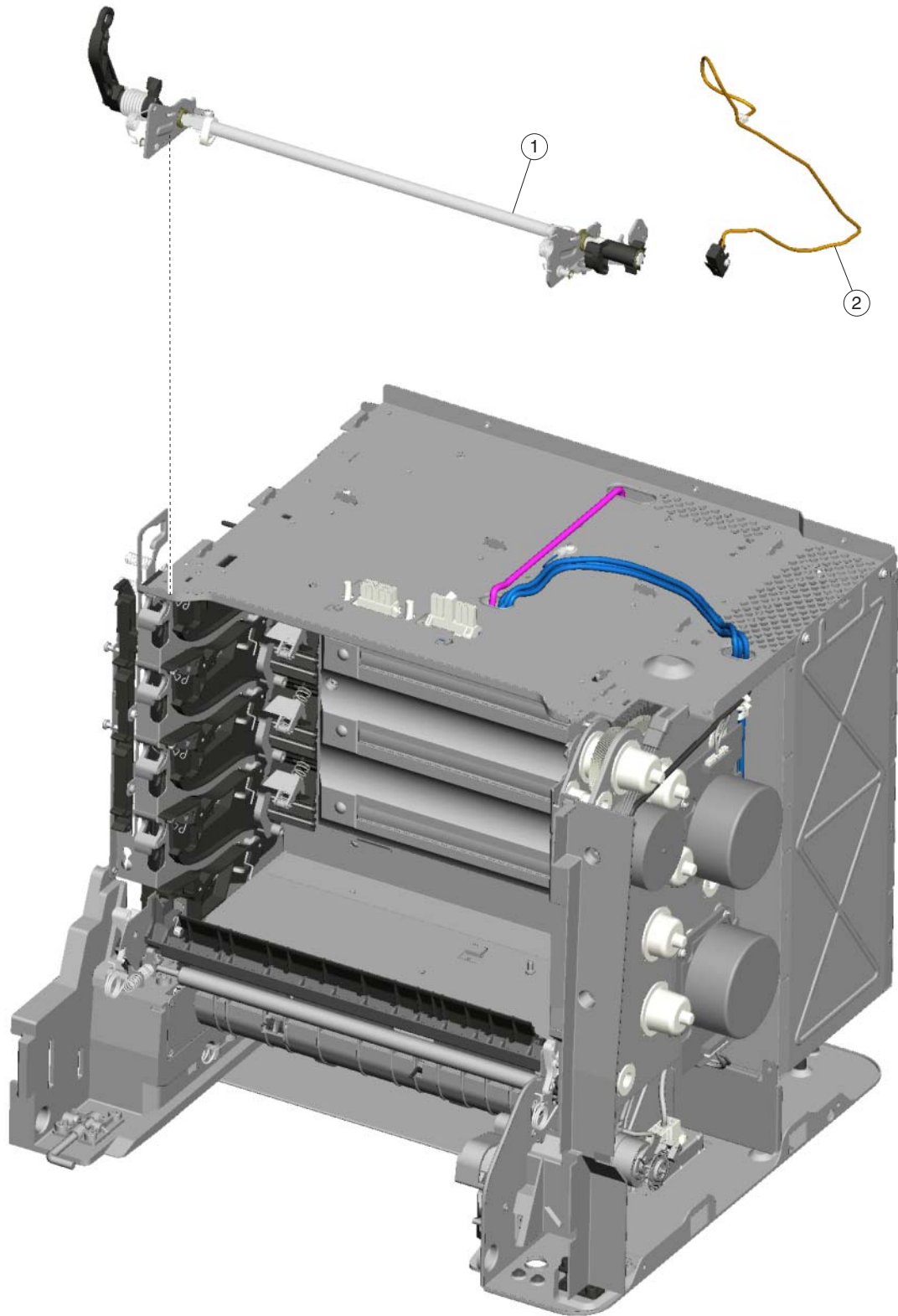
Assembly 5: Left



Assembly 5: Left

| Index | P/N | Units/ mach | Units/ FRU | Description |
|--------------|------------|------------------------|-----------------------|---------------------------------|
| 5-1 | 40X1416 | 4 | 1 | Toner level sensor |
| 2 | 40X1428 | 1 | 1 | Transfer contact assembly |
| 3 | 40X1411 | 1 | 1 | High voltage power supply, C52x |
| 3 | 40X3579 | 1 | 1 | High voltage power supply, C53x |

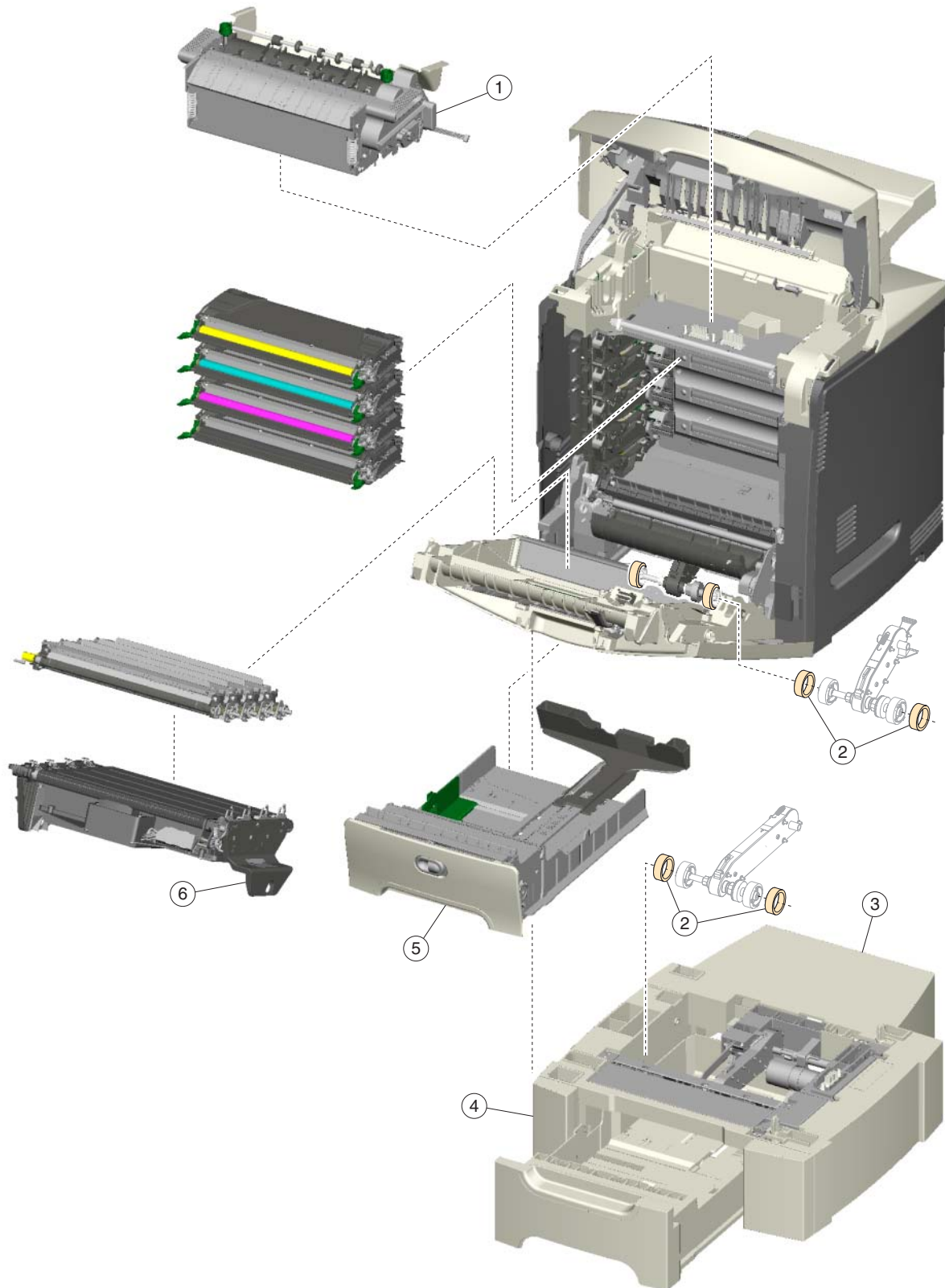
Assembly 6: Top



Assembly 6: Top

| Index | P/N | Units/ mach | Units/ FRU | Description |
|--------------|------------|------------------------|-----------------------|---------------------------------------|
| 6-1 | 40X3613 | 1 | 1 | Top cover camshaft assembly |
| 2 | 40X1437 | 1 | 1 | Top access door 24 V interlock switch |

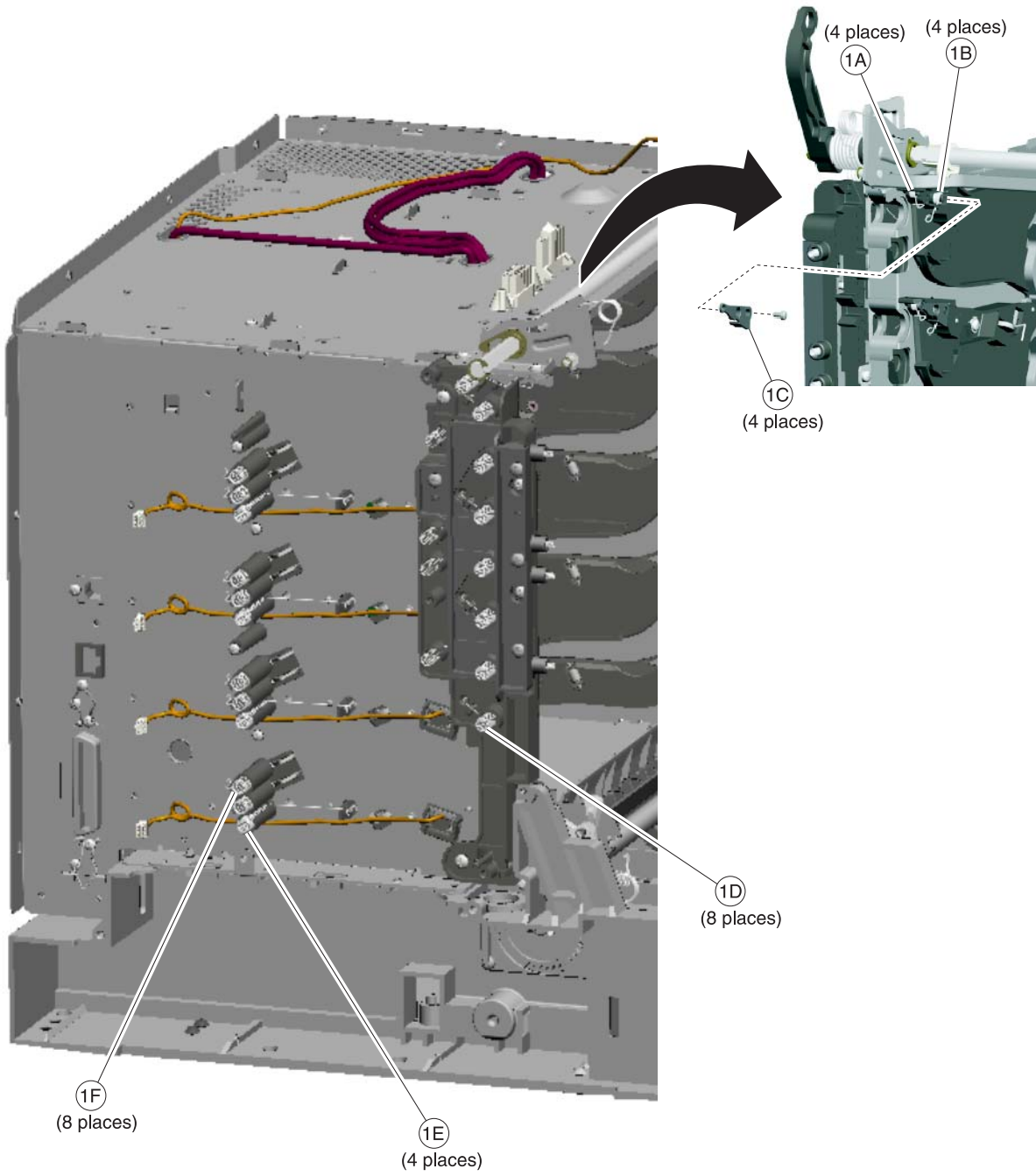
Assembly 7: Customer replaceable units (CRUs)



Assembly 7: CRUs

| Index | P/N | Units/ mach | Units/ FRU | Description |
|-------|---------|----------------|---------------|---|
| 7-1 | 40X1400 | 1 | 1 | Fuser assembly, 115 V, C52x |
| 1 | 40X1402 | 1 | 1 | Fuser assembly, 230 V, C52x |
| 1 | 40X1403 | 1 | 1 | Fuser assembly, 100 V, C52x |
| 1 | 40X3569 | 1 | 1 | Fuser assembly, 115 V, C53x (also can be used in C52x) |
| 1 | 40X3570 | 1 | 1 | Fuser assembly, 230 V, C53x (also can be used in C52x) |
| 1 | 40X3571 | 1 | 1 | Fuser assembly, 100 V, C53x (also can be used in C52x) |
| 2 | 40X3607 | 4 | 2 | Pick arm roll |
| 3 | 40X1439 | 1 | 1 | Option tray assembly, 500-sheet option (includes tray), C522n/C524/ C524n/C524dn |
| 3 | 40X3600 | 1 | 1 | Option tray assembly, 550-sheet option (includes tray), C532n/C532dn/ C534n/C534dn |
| 4 | 40X1423 | 1 | 1 | Tray assembly, 500-sheet, C522n/C524/C524n/C524dn |
| 4 | 40X3595 | 1 | 1 | Tray assembly, 550-sheet, C532n/C532dn/C534n/C534dn |
| 5 | 40X1404 | 1 | 1 | MPF paper tray assembly, 250-sheet, C524/C524n/C524dn |
| 5 | 40X1424 | 1 | 1 | Paper tray assembly, single feeder, C520n/C522n |
| 5 | 40X3599 | 1 | 1 | MPF paper tray assembly, 250-sheet, C530dn/C532dn/C534dn |
| 5 | 40X3596 | 1 | 1 | Paper tray assembly, single feeder, C532n, C534n |
| 6 | 40X1401 | 1 | 1 | Transfer belt assembly, C52x |
| 6 | 40X3572 | 1 | 1 | Transfer belt assembly, C53x |
| NS | 40X0297 | 1 | 1 | Power cord—USA, Canada, Bolivia, Peru |
| NS | 40X0288 | 1 | 1 | Power cord—Argentina |
| NS | 40X0296 | 1 | 1 | Power cord—Australia, New Zealand |
| NS | 40X0278 | 1 | 1 | Power cord—Austria, Belgium, Catalan, Czechoslovakia, Finland, France, Germany, Greece, Hungary, Ireland, Italy, Netherlands, Norway, Paraguay, Poland, Portugal, Russia, Spain, Sweden, Turkey, United Kingdom |
| NS | 40X0286 | 1 | 1 | Power cord—Hong Kong, Ireland, United Kingdom |
| NS | 40X3611 | 1 | 1 | Power cord—Brazil |
| NS | 40X0287 | 1 | 1 | Power cord—Chile, Uruguay |
| NS | 40X0282 | 1 | 1 | Power cord—China |
| NS | 40X0279 | 1 | 1 | Power cord—Denmark, Finland, Norway, Sweden |
| NS | 40X0275 | 1 | 1 | Power cord—Israel |
| NS | 40X3609 | 1 | 1 | Power cord—Japan |
| NS | 40X0280 | 1 | 1 | Power cord—Korea |
| NS | 40X0276 | 1 | 1 | Power cord—South Africa |
| NS | 40X0274 | 1 | 1 | Power cord—Switzerland |
| NS | 40X3610 | 1 | 1 | Power cord—Taiwan |

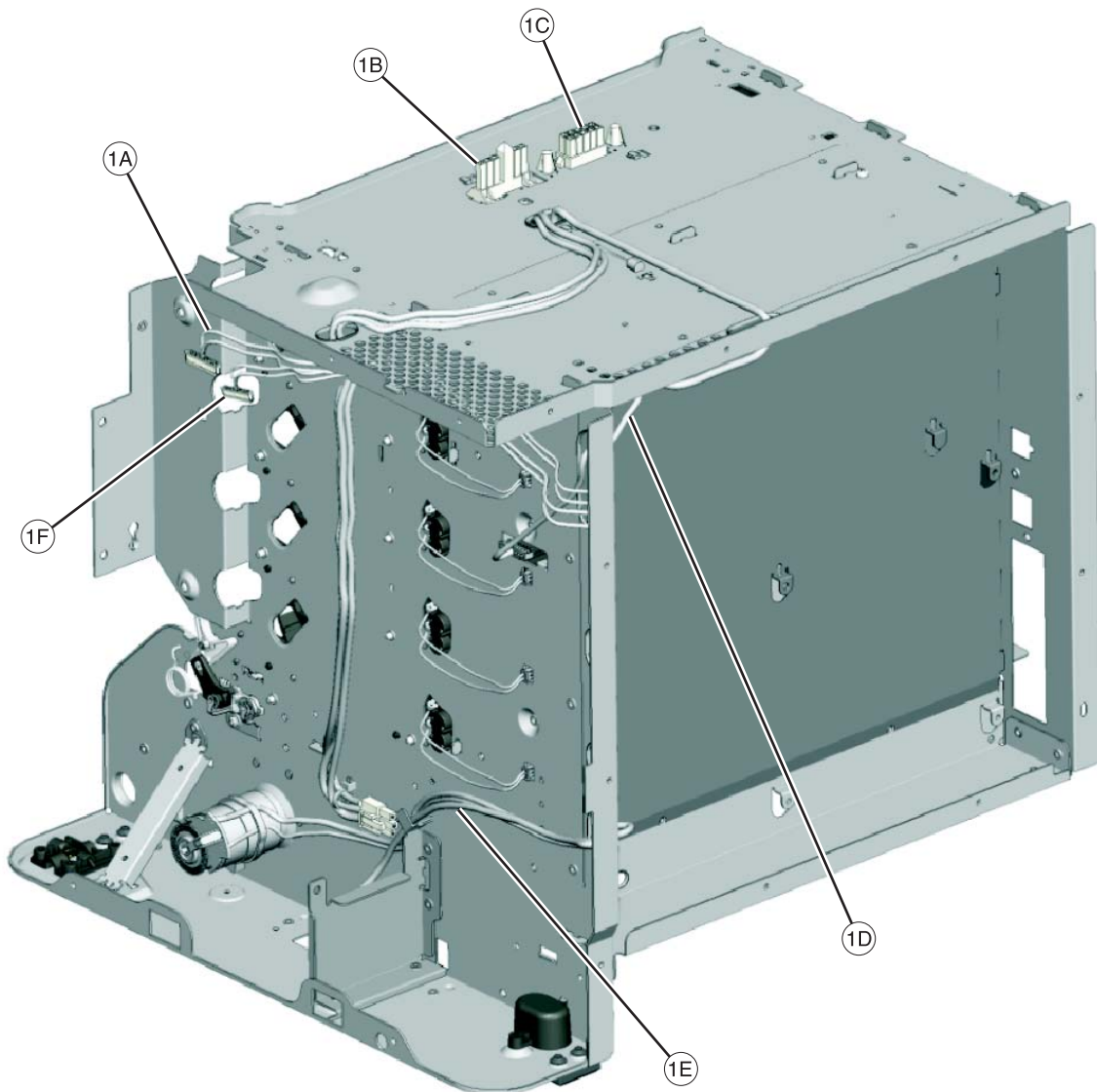
Assembly 8: Contact springs



Assembly 8: Contact springs

| Index | P/N | Units/ mach | Units/ FRU | Description |
|-------|---------|----------------|---------------|---|
| 8-1 | 40X1434 | 1 | 1 | Contact springs kit, including: <ul style="list-style-type: none">• A—Torsion PCD contact spring (4)• B—Torsion CR contact spring (4)• C—Contact spring cap (4)• D—Charge roll contact spring (8)• E—HVPS TAR contact spring (4)• F—HVPS doctor/developer contact spring (8) |

Assembly 9: Cable parts packet



Assembly 9: Cable parts packet

| Index | P/N | Units/ mach | Units/ FRU | Description |
|-------|---------|----------------|---------------|---|
| 9-1 | 40X1430 | 1 | 1 | Cables, C52x, including <ul style="list-style-type: none"> • A—Cartridge motor cable (1) • B—Fuser AC cable (1) • C—Fuser DC cable (1) • D—Smart chip cable (1) • E—Option cable (1) • Fuser cable cover (1) (see “Front” on page 7-4 for part identification and location) • Duplex cable (1) |
| 2 | 40X3598 | 1 | 1 | Cables, C53x, including <ul style="list-style-type: none"> • A—Cartridge motor cable (1) • B—Fuser AC cable (1) • C—Fuser DC cable (1) • E—Option cable (1) • F—Transport motor cable (1) • Fuser cable cover (1) (see “Front” on page 7-4 for part identification and location) • Duplex cable (1) |

Assembly 10: Miscellaneous

| Index | P/N | Units/ mach | Units/ FRU | Description |
|-------|---------|----------------|---------------|--|
| NS | 40X1431 | 1 | 1 | Parts packet, screw (contains one of each screw used in the printer, with the exception of the parts specifically called out.) |
| NS | 40X1508 | 1 | 1 | 128 MB SDRAM, 100-pin |
| NS | 40X1509 | 1 | 1 | 256 MB SDRAM, 100-pin |
| NS | 40X1510 | 1 | 1 | 512 MB SDRAM, 100-pin |
| NS | 40X1454 | 1 | 1 | 32 MB flash card |
| NS | 40X1455 | 1 | 1 | 64 MB flash card |
| NS | 40X1515 | 1 | 1 | Korean font card |
| NS | 40X1514 | 1 | 1 | Traditional Chinese font card |
| NS | 40X1513 | 1 | 1 | Simplified Chinese font card |
| NS | 40X1512 | 1 | 1 | Japanese font card |
| NS | 40X2664 | 1 | 1 | Bar code card, C524/C524n/C524dn |
| NS | 40X4653 | 1 | 1 | Bar code card, C534n/C534dn |
| NS | 40X4225 | 1 | 1 | PrintCryption card, C524/C524n/C524dn |
| NS | 40X4655 | 1 | 1 | PrintCryption card, C534n/C534dn |
| NS | 40X2663 | 1 | 1 | Forms card, C524/C524n/C524dn |
| NS | 40X4654 | 1 | 1 | Forms card, C534n/C534dn |
| NS | 40X1375 | 1 | 1 | MarkNet N8000 fast ethernet print server, C524/C524dn |
| NS | 40X1376 | 1 | 1 | MarkNet N8020 gigabit ethernet print server, C524/C524dn/C534n/C534dn |
| NS | 40X1377 | 1 | 1 | MarkNet N8030 fiber ethernet print server, C524/C524dn/C534/C534dn |
| NS | 40X1378 | 1 | 1 | MarkNet N8050 802.11g wireless print server (US/Americas), C524/C524dn/C534n/C534dn |
| NS | 40X1562 | 1 | 1 | MarkNet N8050 802.11g wireless print server (rest of world), C524/C524n/C524dn/C534n/C534dn |
| NS | 40X0291 | 1 | 1 | Parallel 1284-B interface card adapter, C524/C524n/C524dn, C534n/C534dn |
| NS | 40X0290 | 1 | 1 | Serial interface card adapter, C524/C524n/C524dn./C534n/C534dn |
| NS | 40X2610 | 1 | 1 | 40.0 GB hard disk assembly, C524n/C524dn/C534n/C534dn/C534dtn |
| NS | 7377018 | 1 | 1 | Printer relocation kit |
| NS | 7377200 | 1 | 1 | Options tray relocation kit |