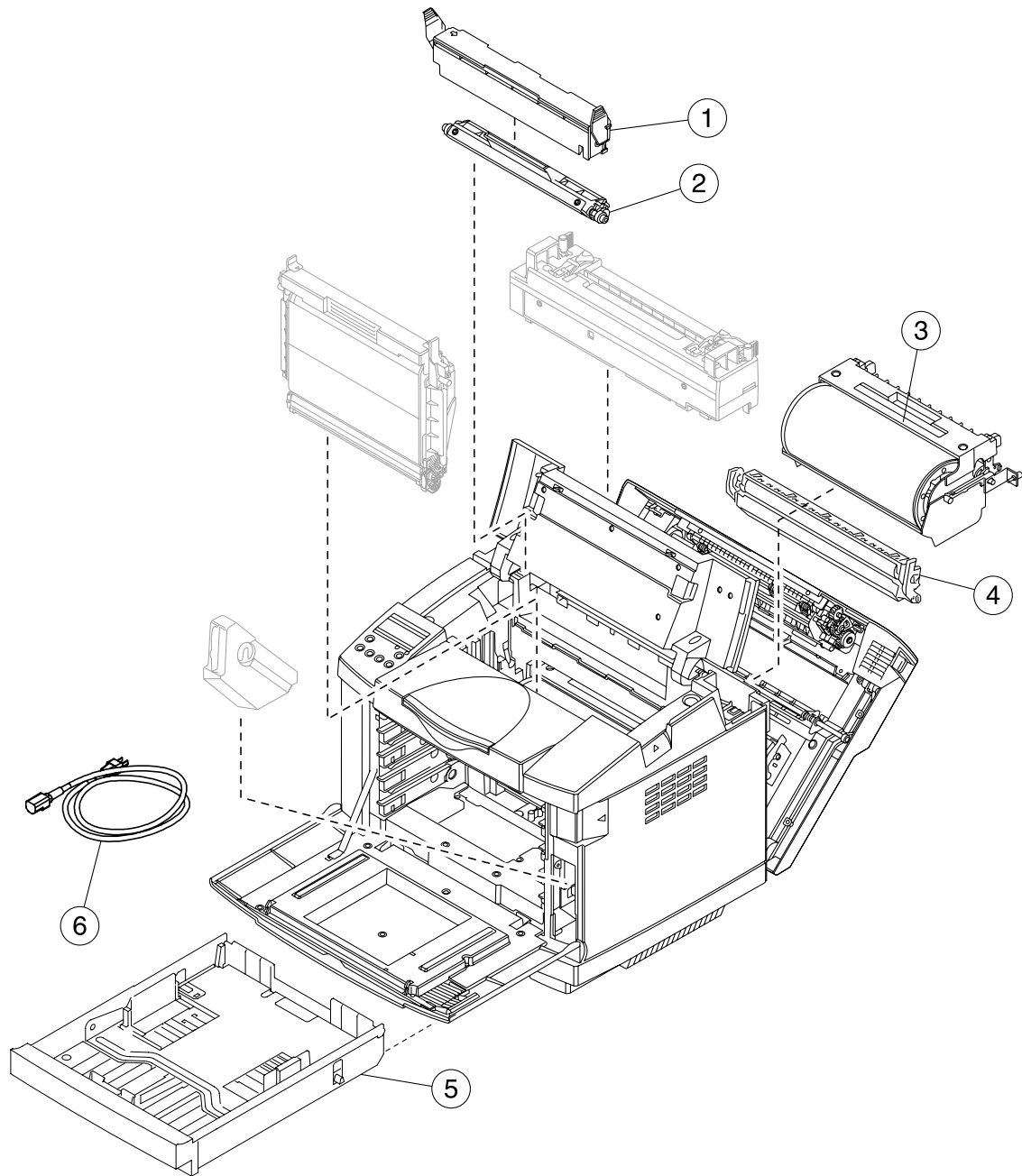


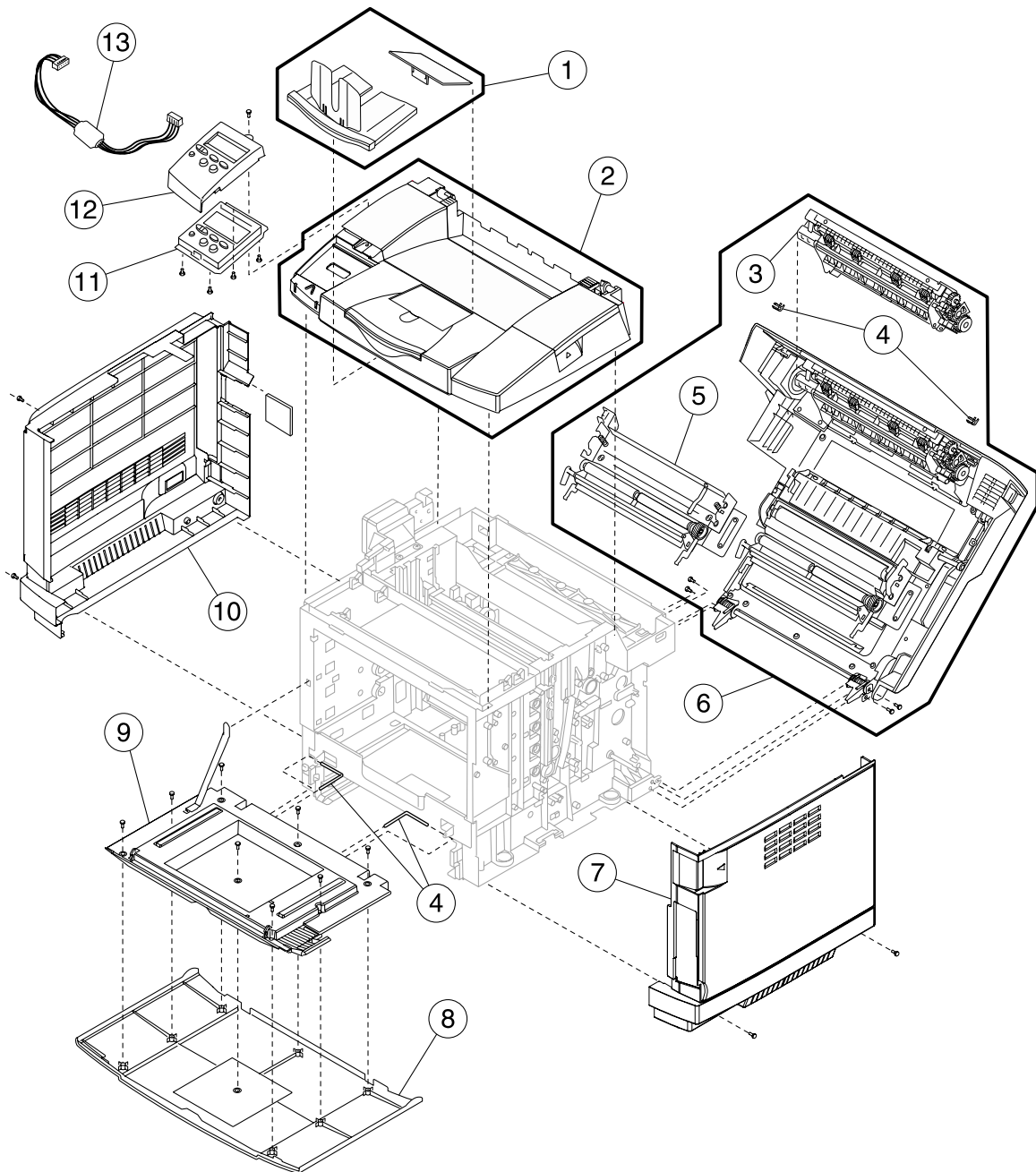
Assembly 1: Base printer



Assembly 1: Base printer

| Index | P/N | Units | Description |
|--------------|------------|--------------|--|
| 1-1 | 56P1611 | 1 | Cover, cleaning roller |
| 2 | 56P1607 | 1 | Roller, cleaning |
| 3 | 56P1651 | 1 | Transfer unit |
| 4 | 56P1660 | 1 | Transfer roller assembly |
| 5 | 56P1669 | 1 | Paper tray, standard |
| 6 | 12G7008 | 1 | Power cord, USA |
| 6 | 1339517 | 1 | Power cord, LV, USA, APG, Bolivia, Canada, Columbia, Costa Rica, Ecuador, El Salvador, Guatemala, Honduras, Mexico, Nicaragua, Panama, Peru, Venezuela |
| 6 | 1339518 | 1 | Power cord, HV, Argentina |
| 6 | 1339520 | 1 | Power cord, HV, Brazil |
| 6 | 1339524 | 1 | Power cord, HV, Chile |
| 6 | 1339528 | 1 | Power cord, HV, UK, Ireland |
| 6 | 1339529 | 1 | Power cord, HV, Austria, Belgium, Euro English, Finland, France, Germany, Greece, Netherlands, Norway, Poland, Portugal, Russia, Slovakia/Czech/Hungary, Spain, Sweden, Turkey |
| 6 | 1339530 | 1 | Power cord, HV, Israel |
| 6 | 1339531 | 1 | Power cord, HV, Switzerland French, Switzerland German, Switzerland Italian |
| 6 | 1339532 | 1 | Power cord, HV, South Africa |
| 6 | 1339533 | 1 | Power cord, HV, Italy |
| 6 | 1339534 | 1 | Power cord, HV, Denmark |

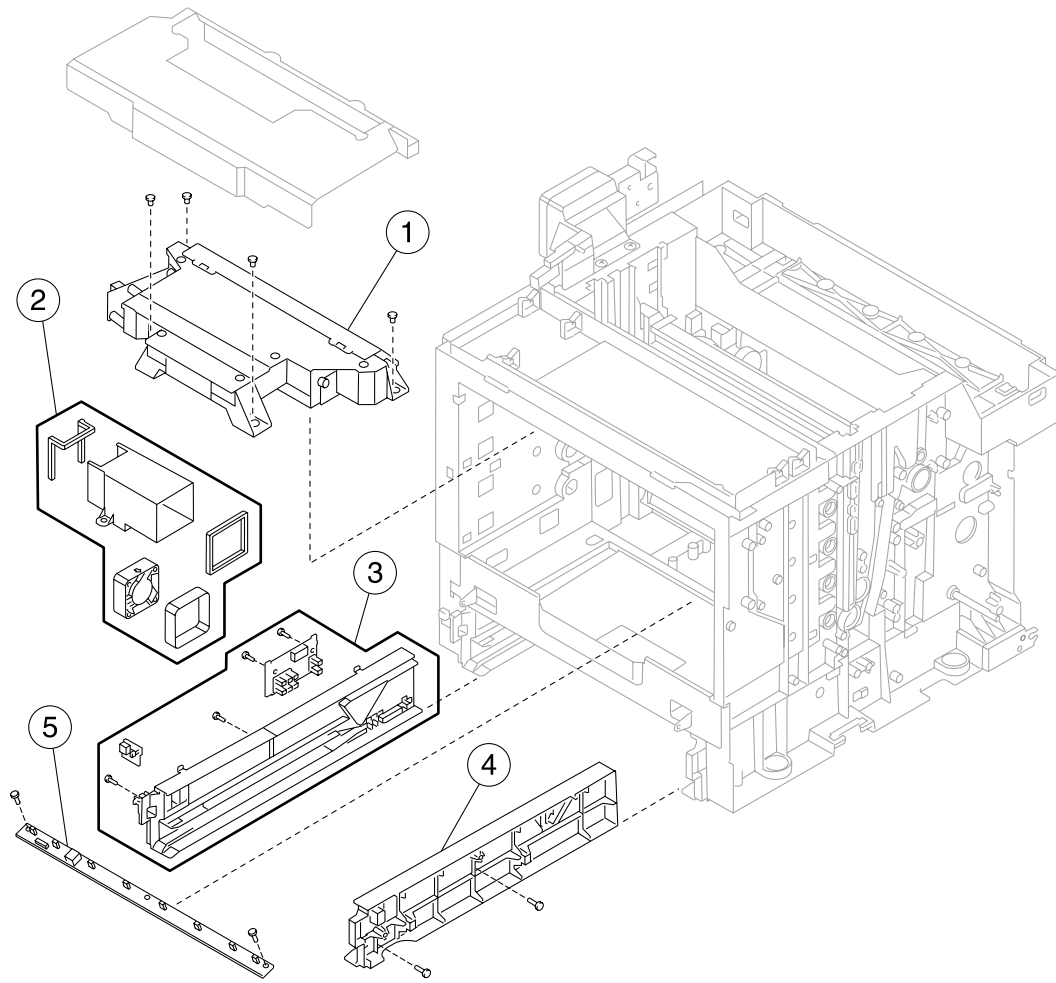
Assembly 2: Covers



Assembly 2: Covers

| Index | P/N | Units | Description |
|--------------|------------|--------------|--|
| 2-1 | 56P1676 | 1 | Assembly, paper ramp and stop |
| 2 | 56P1612 | 1 | Cover assembly, top |
| 3 | 56P1677 | 1 | Assembly, paper exit (contains output tray full sensor and flag, fuser exit sensor and flag) |
| 4 | | 1 | Packet, parts P/N 56P1662 |
| 5 | 56P1679 | 1 | Assembly, registration |
| 6 | 56P1659 | 1 | Rear cover assembly |
| 7 | 56P1613 | 1 | Cover, right |
| 8 | 56P1616 | 1 | Cover, front |
| 9 | 56P1615 | 1 | Cover, inner front |
| 10 | 56P1614 | 1 | Cover, left |
| 11 | 56P1668 | 1 | Operator panel |
| 12 | 56P1666 | 1 | Cover, operator panel |
| 13 | 56P1604 | 1 | Cable, operator panel |

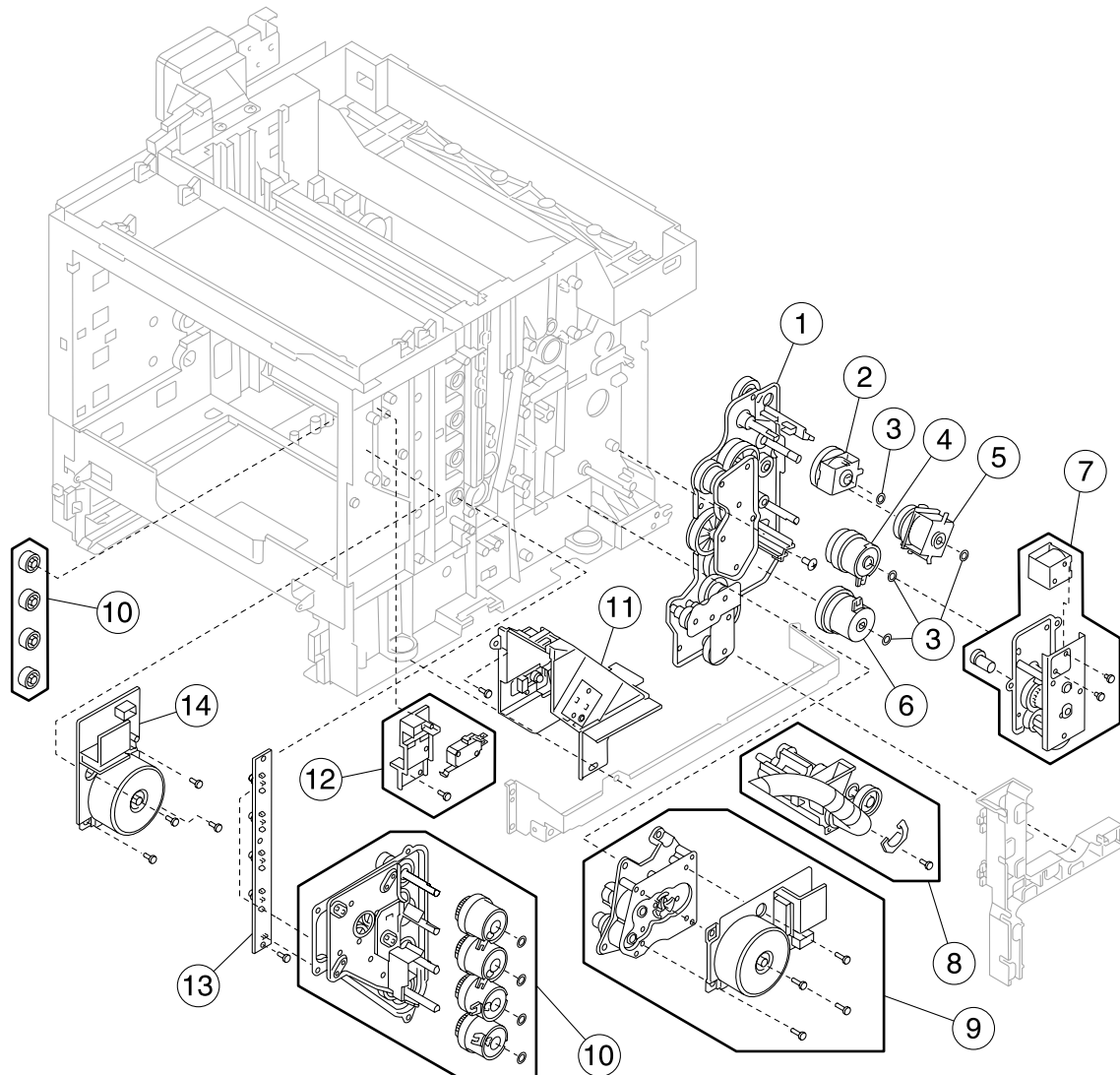
Assembly 3: Front



Assembly 3: Front

| Index | P/N | Units | Description |
|--------------|------------|--------------|--|
| 3-1 | 56P1632 | 1 | Laser unit assembly (printhead) |
| 2 | 56P1671 | 1 | Fan assembly, laser unit |
| 3 | 56P1680 | 1 | Left tray guide assembly (includes paper size sensor and temperature thermistor) |
| 4 | 56P1633 | 1 | Right tray guide |
| 5 | 56P1657 | 1 | Lamp, erase |

Assembly 4: Right

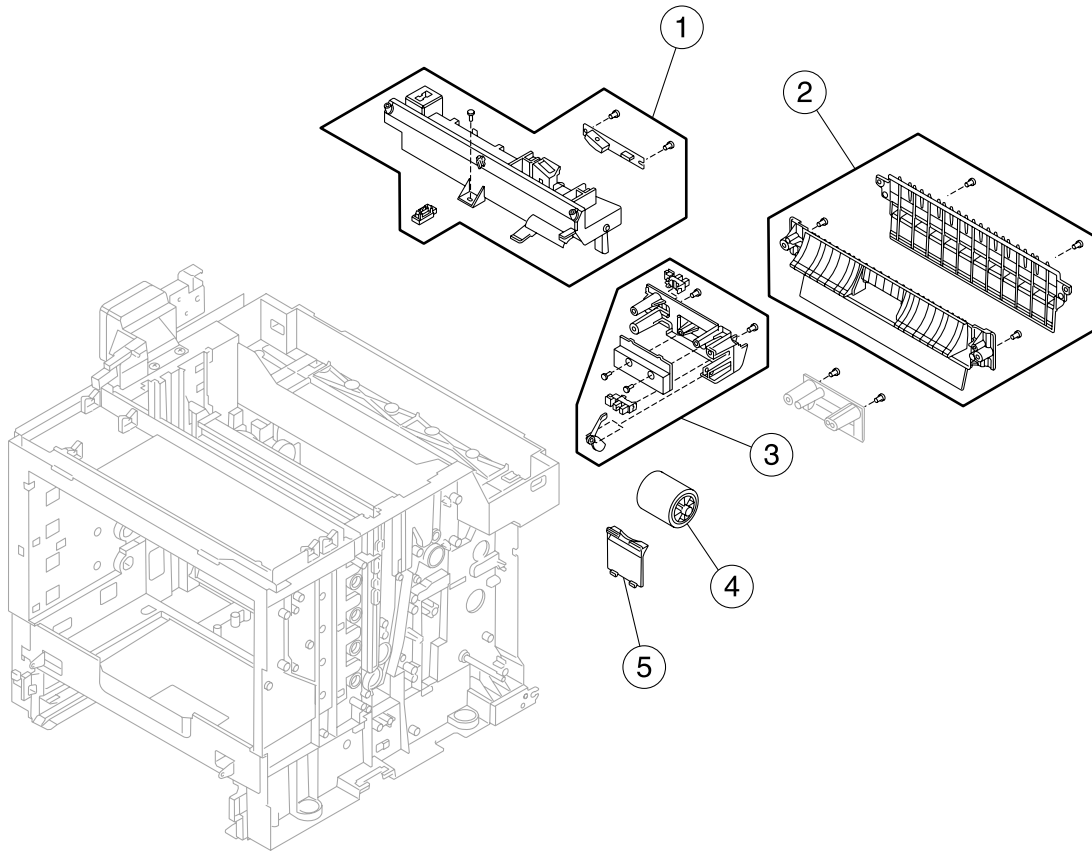


Assembly 4: Right

| Index | P/N | Units | Description |
|--------------|------------|--------------|--|
| 4-1 | 56P1625 | 1 | Gear assembly, main drive |
| 2 | 56P1622 | 1 | Clutch, fuser |
| 3 | | 1 | Packet, parts P/N 56P1662 |
| 4 | 56P1621 | 1 | Clutch, registration |
| 5 | 56P1623 | 1 | Clutch, transfer roller |
| 6 | 56P1620 | 1 | Clutch, paper feed |
| 7 | 56P1624 | 1 | Clutch, cleaning roller |
| 8 | 56P1626 | 1 | Waste toner feeder |
| 9 | 56P1619 | 1 | Motor assembly, main |
| 10 | 56P1628 | 1 | Drive assembly, developer |
| 11 | 56P1629 | 1 | Assembly, waste toner holder |
| 12 | 56P1681 | 1 | Assembly, interlock switch |
| 13 | 56P1631 | 1 | Sensor, toner, sender TPD (This is a two-piece sensor system. Ordering of this part number includes both the right and left side.) |
| 14 | 56P1627 | 1 | Motor, developer |

5021-0XX

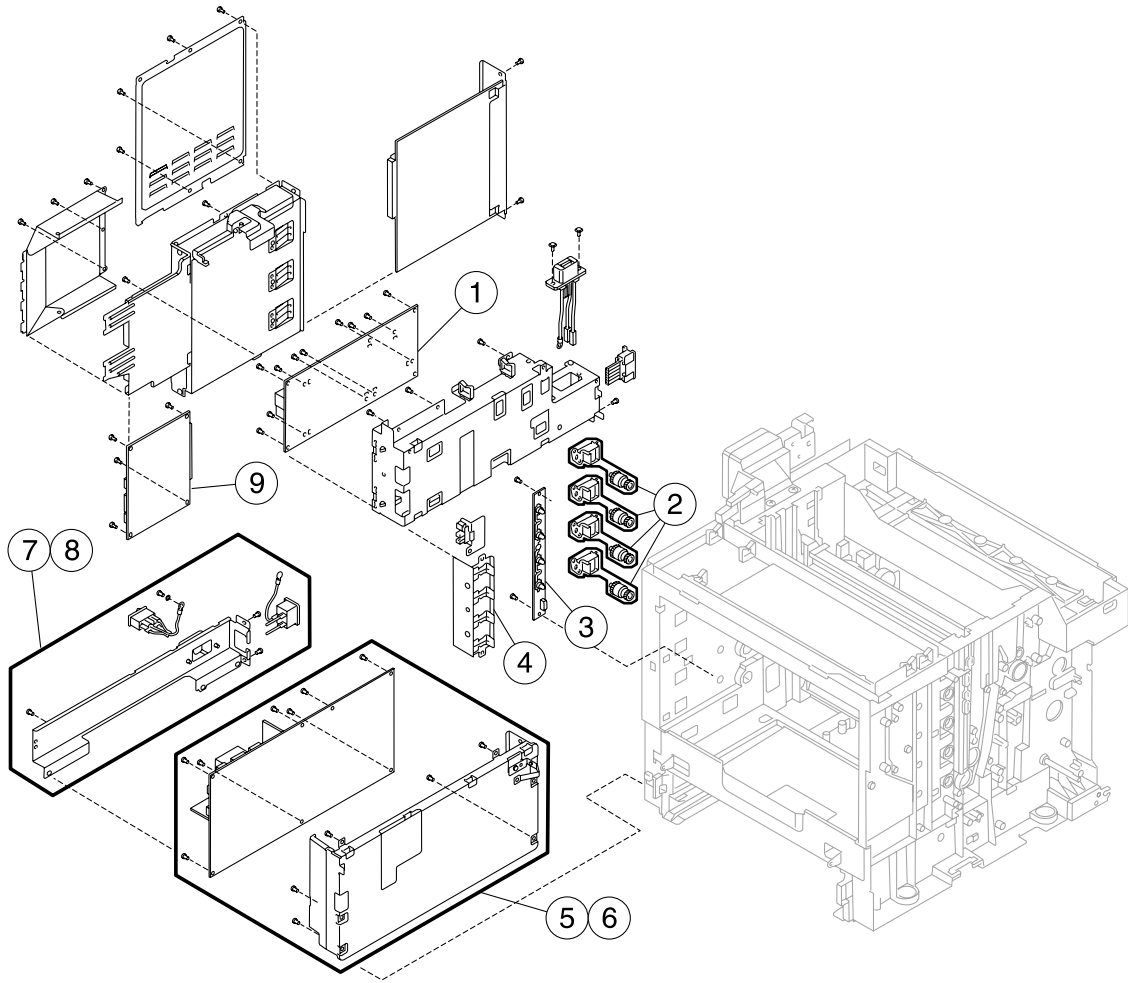
Assembly 5: Rear



Assembly 5: Rear

| Index | P/N | Units | Description |
|--------------|------------|--------------|--|
| 5-1 | 56P1678 | 1 | Assembly, bracket (includes marker sensor (transfer belt unit), toner density sensor) |
| 2 | 56P1682 | 1 | Paper guide assembly |
| 3 | 56P1654 | 1 | Paper guide (C) assembly (includes registration sensor, OHP sensor, tray empty sensor) |
| 4 | 56P1655 | 1 | Roller, paper feed |
| 5 | 56P1656 | 1 | Pad, separator |

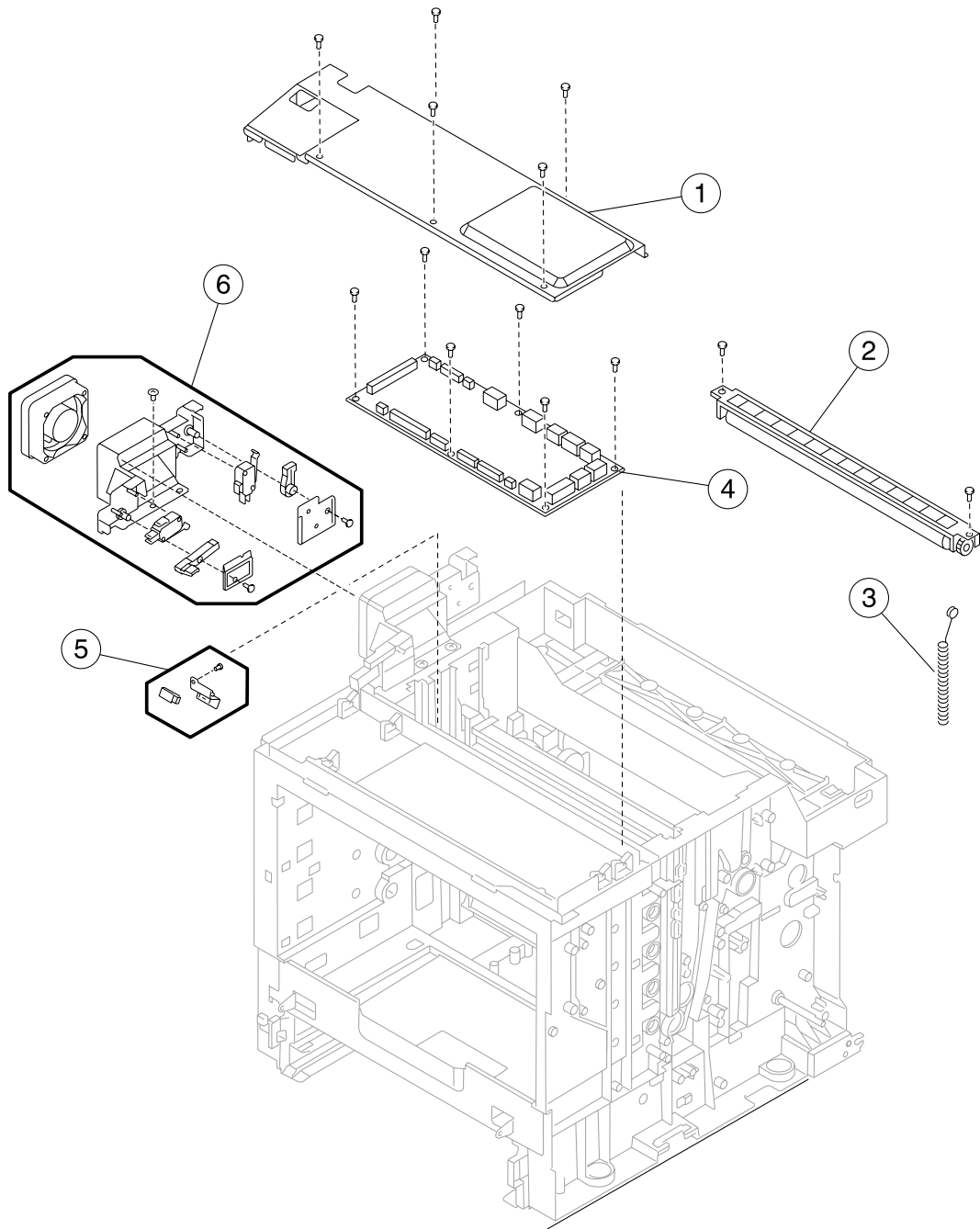
Assembly 6: Left



Assembly 6: Left

| Index | P/N | Units | Description |
|--------------|------------|--------------|--|
| 6-1 | 56P1640 | 1 | Power supply, high voltage |
| 2 | 56P1683 | 1 | Assembly, toner retract |
| 3 | 56P1631 | 1 | Sensor, toner, receiver TTR (This is a two-piece sensor system. Ordering of this part number includes both the right and left side.) |
| 4 | 56P1648 | 1 | Sensor, toner present |
| 5 | 56P1641 | 1 | Power supply, 110 V low voltage |
| 6 | 56P1642 | 1 | Power supply, 220 V low voltage |
| 7 | 56P1643 | 1 | Bracket, 110 V power supply |
| 8 | 56P1650 | 1 | Bracket, 220 V power supply |
| 9 | 56P1639 | 1 | Board, engine controller |

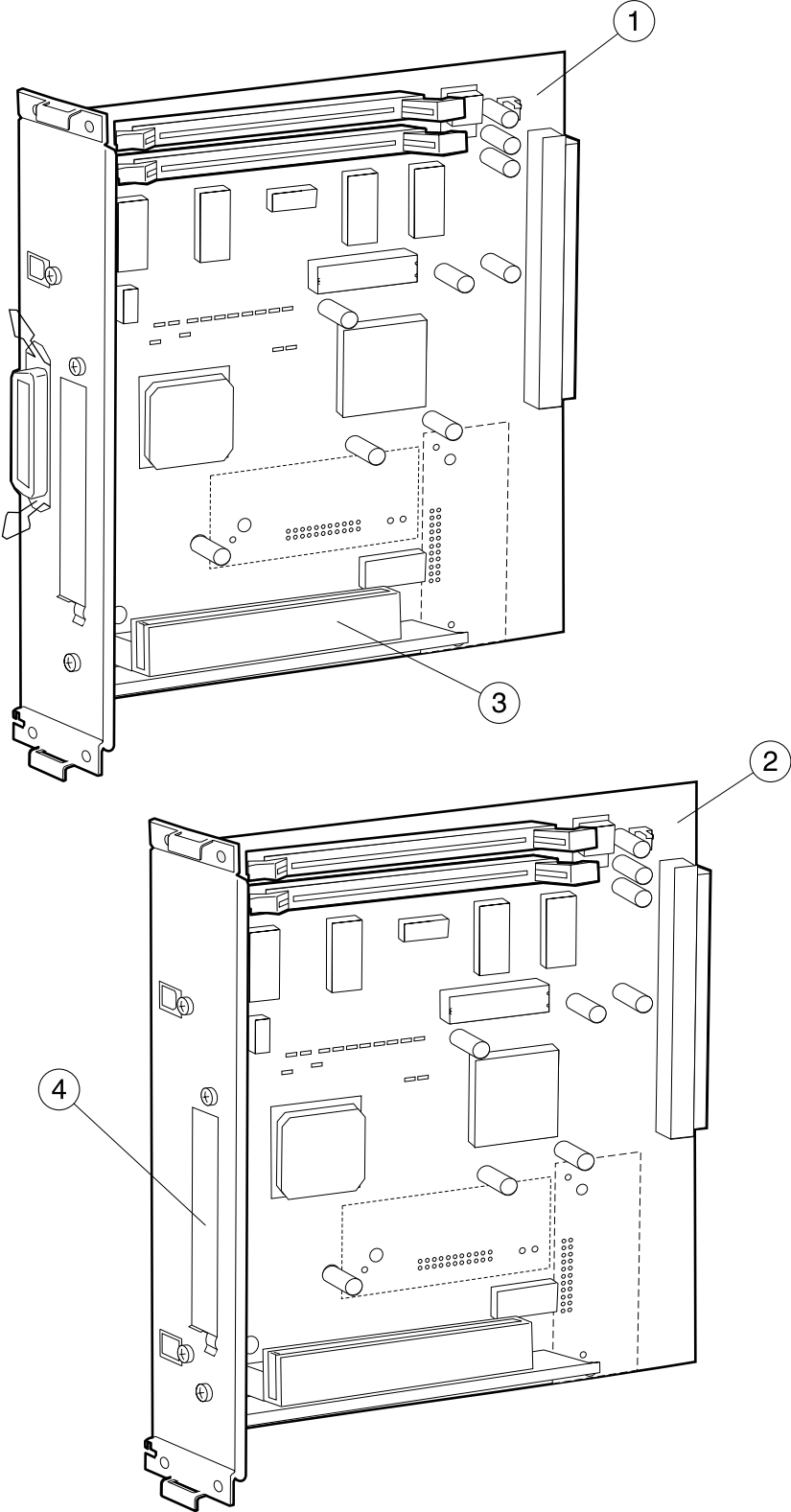
Assembly 7: Top



Assembly 7: Top

| Index | P/N | Units | Description |
|--------------|------------|--------------|---|
| 7-1 | 56P1618 | 1 | Cover, I/O board |
| 2 | 56P1637 | 1 | Auger, waste toner |
| 3 | 56P1638 | 1 | Agitator, waste toner |
| 4 | 56P1617 | 1 | Board, I/O |
| 5 | 56P1684 | 1 | Assembly, marker sensor (OPC) (includes bracket) |
| 6 | 56P1644 | 1 | Fan, power supply (includes top cover and rear cover assembly interlock switches) |

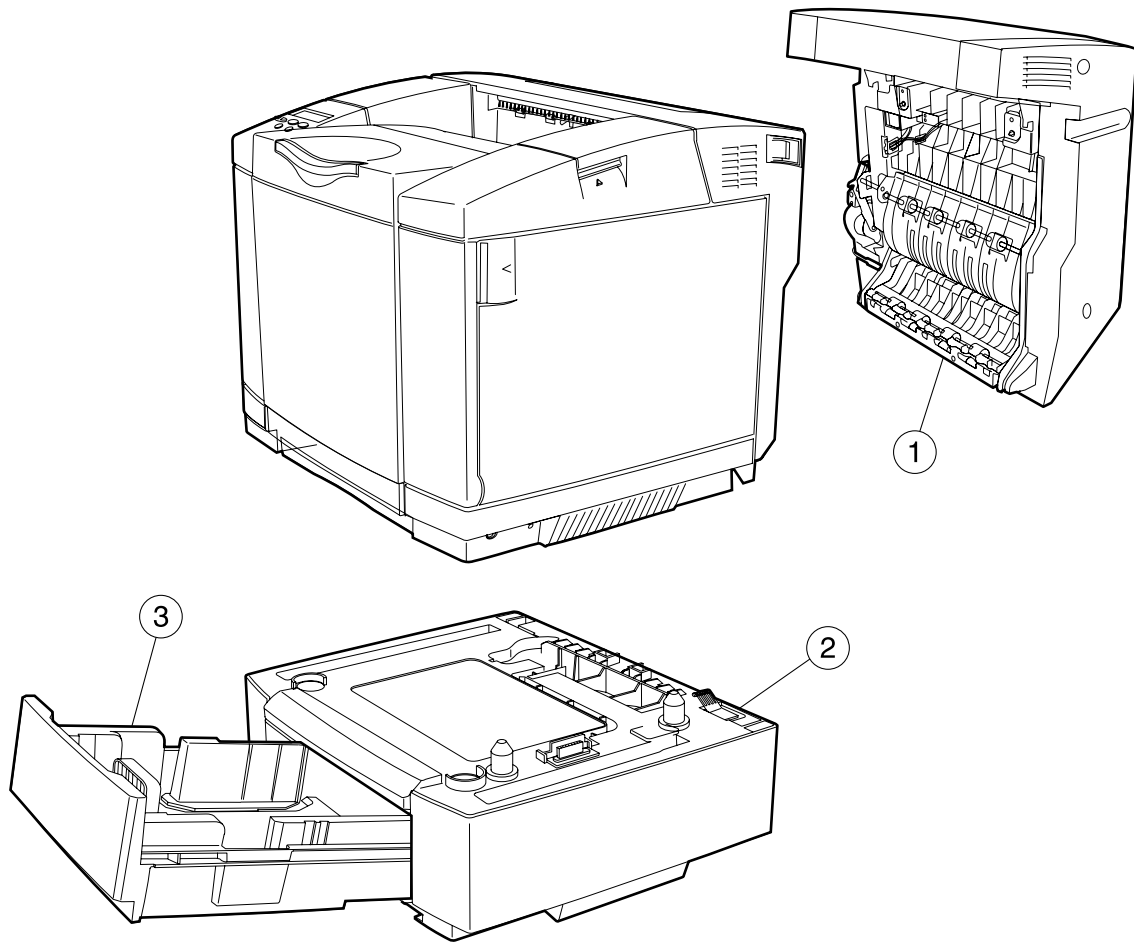
Assembly 8: RIP board



Assembly 8: RIP board

| Index | P/N | Units | Description |
|--------------|------------|--------------|----------------------|
| 8-1 | 56P1602 | 1 | Board, Base RIP |
| 2 | 56P1603 | 1 | Board, Network RIP |
| 3 | 12G7229 | 1 | Card assembly, riser |
| 4 | 56P1667 | 1 | Shield, INA |
| NS | 99A1611 | 1 | Shield, Ethernet |
| NS | 99A2432 | 1 | Shield, parallel |

Assembly 9: Miscellaneous/Options



Assembly 9: Miscellaneous/Options

| Index | P/N | Units | Description |
|-------|---------|-------|--|
| 9-1 | 56P1663 | 1 | Assembly, duplex unit |
| 2 | 56P1664 | 1 | Assembly, secondary paper feed |
| 3 | 56P1665 | 1 | Tray, secondary paper feed |
| NS | 56P1670 | 1 | Paper tray, legal |
| NS | 56P1419 | 1 | Drive assembly, 20+GB hard disk with adapter |
| NS | 56P1661 | 1 | Parts packet, harness |
| NS | 56P1662 | 1 | Parts packet, screw |
| NS | 7372640 | 1 | Field relocation kit |
| NS | 56P0698 | 1 | DIMM, 64MB SDRAM |
| NS | 56P0699 | 1 | DIMM, 128MB SDRAM |
| NS | 56P1417 | 1 | DIMM, 16MB Flash |
| NS | 56P1418 | 1 | DIMM, 32MB Flash |
| NS | 56P1428 | 1 | DIMM, Optra Forms™ 16MB |
| NS | 56P1427 | 1 | DIMM, Optra Forms 32MB |
| NS | 56P1424 | 1 | Drive assembly, Optra Forms 20+GB |
| NS | 56P1429 | 1 | DIMM, Simplified Chinese font |
| NS | 56P1430 | 1 | DIMM, Traditional Chinese font |
| NS | 56P1438 | 1 | DIMM, Japanese font |
| NS | 56P1673 | 1 | Card, ImageQuick™ |
| NS | 56P1674 | 1 | Card, Bar Code |
| NS | 56P1675 | 1 | Card, PrintCrytion™ |
| NS | 56P1431 | 1 | Card, 10/100BaseTX |
| NS | 56P1432 | 1 | Card, 10/100BaseTX/10Base2 |
| NS | 56P1433 | 1 | Card, 10/100BaseTX |
| NS | 56P1434 | 1 | Card, Token Ring 3 port |
| NS | 56P1435 | 1 | Adapter, external serial |
| NS | 12G9832 | 1 | Cable, parallel, 10-foot bidirectional |
| NS | 1427498 | 1 | Cable, parallel, 20-foot bidirectional |
| NS | 14D0403 | 1 | Cable, USB, 2-meter |
| NS | 11A6199 | 1 | Cable, 50-foot serial |
| NS | 13A0298 | 1 | Adapter, coax/twinax |
| NS | 56P1437 | 1 | Card, parallel 1284B |

Assembly 9: Miscellaneous/Options

| Index | P/N | Units | Description |
|-------|---------|-------|-------------------------|
| NS | 56P1436 | 1 | Card, RS-232C serial |
| NS | 56P1741 | 1 | Card, N2100t Token Ring |
| NS | 56P1742 | 1 | Card, N2101e 10/100TX |

Part number index

| P/N | Description | page |
|---------|--|------|
| 11A6199 | Cable, 50-foot serial | 7-19 |
| 12G7008 | Power cord, USA | 7-3 |
| 12G7229 | Card assembly, riser | 7-17 |
| 12G9832 | Cable, parallel, 10-foot bi-directional | 7-19 |
| 1339517 | Power cord, LV, USA, APG, Bolivia, Canada, Columbia, Costa Rica, Ecuador, El Salvador, Guatemala, Honduras, Mexico, Nicaragua, Panama, Peru, Venezuela | 7-3 |
| 1339518 | Power cord, HV, Argentina | 7-3 |
| 1339520 | Power cord, HV, Brazil | 7-3 |
| 1339524 | Power Cord, HV, Chile | 7-3 |
| 1339528 | Power cord, HV, UK, Ireland | 7-3 |
| 1339529 | Power cord, HV, Austria, Belgium, Euro English, Finland, France, Germany, Greece, Netherlands, Norway, Poland, Portugal, Russia, Slovakia/Czech/Hungary, Spain, Sweden, Turkey | 7-3 |
| 1339530 | Power cord, HV, Isreal | 7-3 |
| 1339531 | Power cord, HV, Switzerland French, Switzerland German, Switzerland Italian | 7-3 |
| 1339532 | Power cord, HV, South Africa | 7-3 |
| 1339533 | Power cord, HV, Italy | 7-3 |
| 1339534 | Power cord, HV, Denmark | 7-3 |
| 13A0298 | Adapter, coax/twinax | 7-19 |
| 1427498 | Cable, parallel, 20-foot bidirectional | 7-19 |
| 14D0403 | Cable, USB, 2-meter | 7-19 |
| 56P0698 | DIMM, 64MB SDRAM | 7-19 |
| 56P0699 | DIMM, 128MB SDRAM | 7-19 |
| 56P1417 | DIMM, 16MB FLASH | 7-19 |
| 56P1418 | DIMM, 32MB FLASH | 7-19 |
| 56P1419 | Drive assembly, 20+GB hard disk with adapter | 7-19 |
| 56P1424 | Drive assembly, Optra Forms 20+GB | 7-19 |
| 56P1427 | DIMM, Optra Forms 32MB | 7-19 |
| 56P1428 | DIMM, Optra Forms 16MB | 7-19 |
| 56P1429 | DIMM, Simplified Chinese font | 7-19 |
| 56P1430 | DIMM, Traditional Chinese font | 7-19 |
| 56P1431 | Card, 10/100BaseTX | 7-19 |
| 56P1432 | Card, 10/100BaseTX/10Base2 | 7-19 |
| 56P1433 | Card, 10/100basetx | 7-19 |
| 56P1434 | Card, Token Ring 3 port | 7-19 |
| 56P1435 | Adapter, external serial | 7-19 |
| 56P1436 | Card, RS-232C serial | 7-20 |
| 56P1437 | Card, parallel 128MB | 7-19 |
| 56P1438 | DIMM, Japanese font | 7-19 |

5021-0XX

| | |
|--|-----------|
| 56P1602 Board, base RIP | 7-17 |
| 56P1603 Board, network RIP | 7-17 |
| 56P1604 Cable, operator panel | 7-5 |
| 56P1607 Cover, cleaning roller | 7-3 |
| 56P1611 Cover, cleaning roller | 7-3 |
| 56P1612 Cover assembly, top | 7-5 |
| 56P1613 Cover, right | 7-5 |
| 56P1614 Cover, left | 7-5 |
| 56P1615 Cover, inner front | 7-5 |
| 56P1616 Cover, front | 7-5 |
| 56P1617 Board, I/O | 7-15 |
| 56P1618 Cover, I/O board | 7-15 |
| 56P1619 Motor assembly, main | 7-9 |
| 56P1620 Clutch, paper feed | 7-9 |
| 56P1621 Clutch, registration | 7-9 |
| 56P1622 Clutch, fuser | 7-9 |
| 56P1623 Clutch, transfer roller | 7-9 |
| 56P1624 Clutch, cleaning roller | 7-9 |
| 56P1625 Gear assembly, main drive | 7-9 |
| 56P1626 Waste toner feeder | 7-9 |
| 56P1627 Motor, developer | 7-9 |
| 56P1628 Drive assembly, developer | 7-9 |
| 56P1629 Assembly, waste toner holder | 7-9 |
| 56P1631 Toner sensor | 7-9, 7-13 |
| 56P1632 Laser unit assembly (printhead) | 7-7 |
| 56P1633 Left tray guide assembly (includes paper size sensor and temperature thermistor) | 7-7 |
| 56P1633 Right tray guide | 7-7 |
| 56P1637 Auger, waste toner | 7-15 |
| 56P1638 Agitator, waste toner | 7-15 |
| 56P1639 Board, engine controller | 7-13 |
| 56P1640 Power supply, high voltage | 7-13 |
| 56P1641 Power supply, 110 V low voltage | 7-13 |
| 56P1642 Power supply, 220 V low voltage | 7-13 |
| 56P1643 Bracket, 110 V power supply | 7-13 |
| 56P1644 Fan, power supply | 7-15 |
| 56P1648 Sensor, toner present | 7-13 |
| 56P1650 Bracket, 220 V power supply | 7-13 |
| 56P1651 Transfer unit | 7-3 |
| 56P1654 Paper guide (C) assembly (includes registration sensor, OHP sensor, tray empty sensor) | 7-11 |
| 56P1655 Roller, paper feed | 7-11 |
| 56P1656 Pad, separator | 7-11 |
| 56P1657 Lamp, erase | 7-7 |
| 56P1659 Rear cover assembly | 7-5 |
| 56P1660 Transfer roller assembly | 7-3 |
| 56P1661 Parts packet, harness | 7-19 |

| | |
|---|------|
| 56P1662 Parts packet, screw | 7-19 |
| 56P1663 Assembly, duplex unit | 7-19 |
| 56P1664 Assembly, secondary paper feed | 7-19 |
| 56P1665 Cassette, secondary paper feed | 7-19 |
| 56P1666 Cover, operator panel | 7-5 |
| 56P1667 Shield, INA | 7-17 |
| 56P1668 Operator panel | 7-5 |
| 56P1669 Paper cassette, A4 | 7-3 |
| 56P1670 Paper cassette, legal | 7-19 |
| 56P1671 Fan assembly, laser unit | 7-7 |
| 56P1673 Card, ImageQuick | 7-19 |
| 56P1674 Card, Bar Code | 7-19 |
| 56P1675 Card, PrintCrytion | 7-19 |
| 56P1676 Assembly, paper ramp and stop | 7-5 |
| 56P1677 Assembly, paper exit | 7-5 |
| 56P1678 Assembly, bracket (includes marker sensor (transfer belt unit), toner density sensor) | 7-11 |
| 56P1679 Assembly, registration | 7-5 |
| 56P1681 Assembly, interlock switch | 7-9 |
| 56P1682 Paper guide assembly | 7-11 |
| 56P1683 Assembly, toner retract | 7-13 |
| 56P1684 Assembly, marker sensor (OPC) | 7-15 |
| 56P1741 Card, N2100T Token Ring | 7-20 |
| 56P1742 Card, N2101E 10/100TX | 7-20 |
| 7372640 Field relocation kit | 7-19 |
| 99A1611 Shield, Ethernet | 7-17 |
| 99A2432 Shield, parallel | 7-17 |