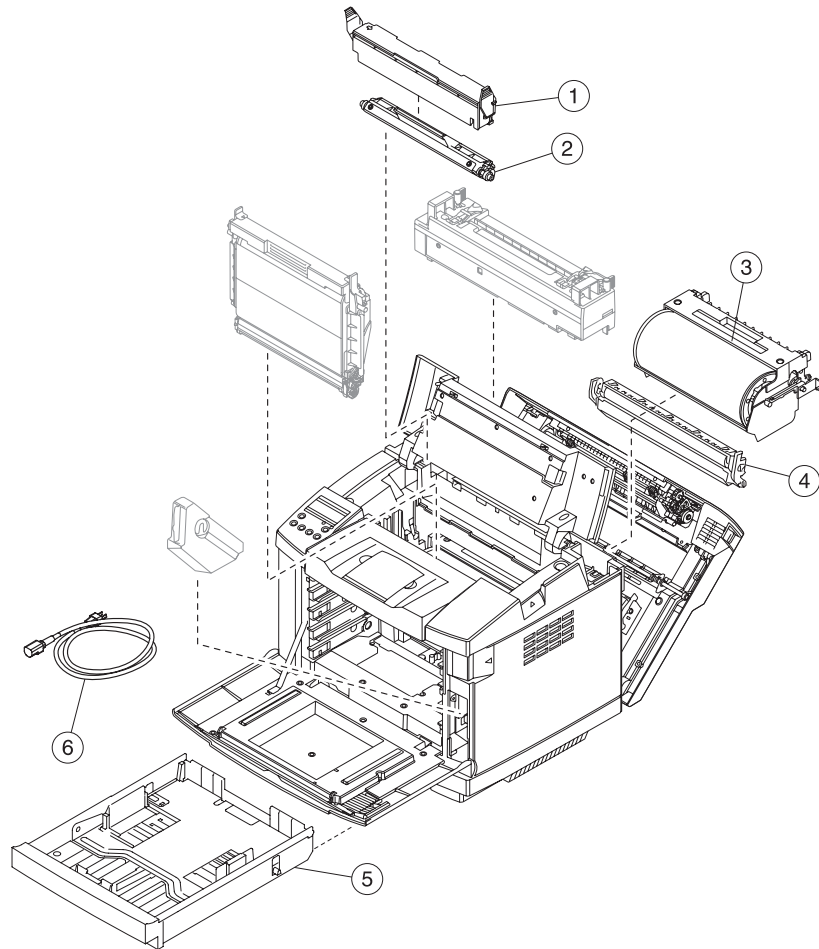

7. Parts catalog

How to use this parts catalog

- **SIMILAR ASSEMBLIES:** If two assemblies contain a majority of identical parts, they are shown on the same list. Common parts are shown by one index number. Parts peculiar to one or the other of the assemblies are listed separately and identified by description.
- **NS: (Not Shown)** in the Asm-Index column indicates that the part is procurable but is not pictured in the illustration.

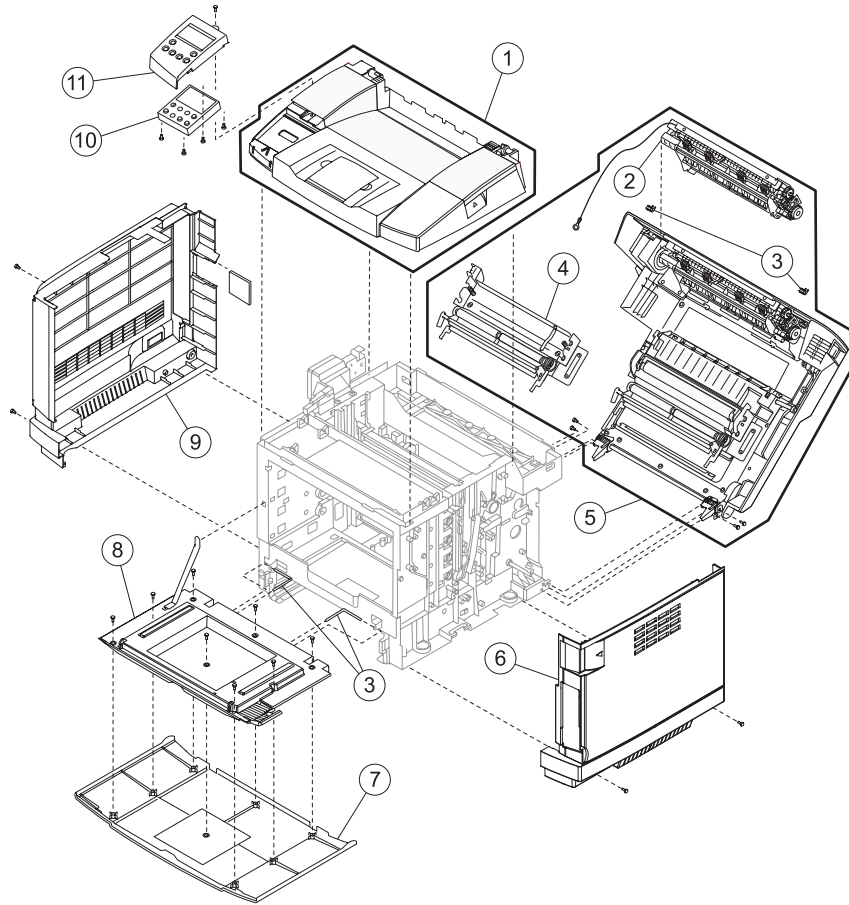
Assembly 1: Base printer



Assembly 1: Base printer

Index	P/N	Units	Description
1-1	40X3383	1	Cover, cleaning roller
2	40X3382	1	Roller, cleaning
3	40X3412	1	Transfer unit
4	40X3418	1	Transfer roller assembly
5	40X3425	1	Paper tray, standard
6	40X0297	1	Power cord, USA
6	40X1766	1	Power cord, LV, USA, APG, Bolivia, Canada, Columbia, Costa Rica, Ecuador, El Salvador, Guatemala, Honduras, Mexico, Nicaragua, Panama, Peru, Venezuela
6	40X0301	1	Power cord, HV, Argentina
6	40X1767	1	Power cord, HV, Brazil
6	40X0273	1	Power cord, HV, Chile
6	40X0286	1	Power cord, HV, UK, Ireland
6	40X0278	1	Power cord, HV, Austria, Belgium, Euro English, Finland, France, Germany, Greece, Netherlands, Norway, Poland, Portugal, Russia, Slovakia/Czech/Hungary, Spain, Sweden, Turkey
6	40X0275	1	Power cord, HV, Israel
6	40X0274	1	Power cord, HV, Switzerland French, Switzerland German, Switzerland Italian
6	40X0276	1	Power cord, HV, South Africa
6	40X0287	1	Power cord, HV, Italy
6	40X0279	1	Power cord, HV, Denmark

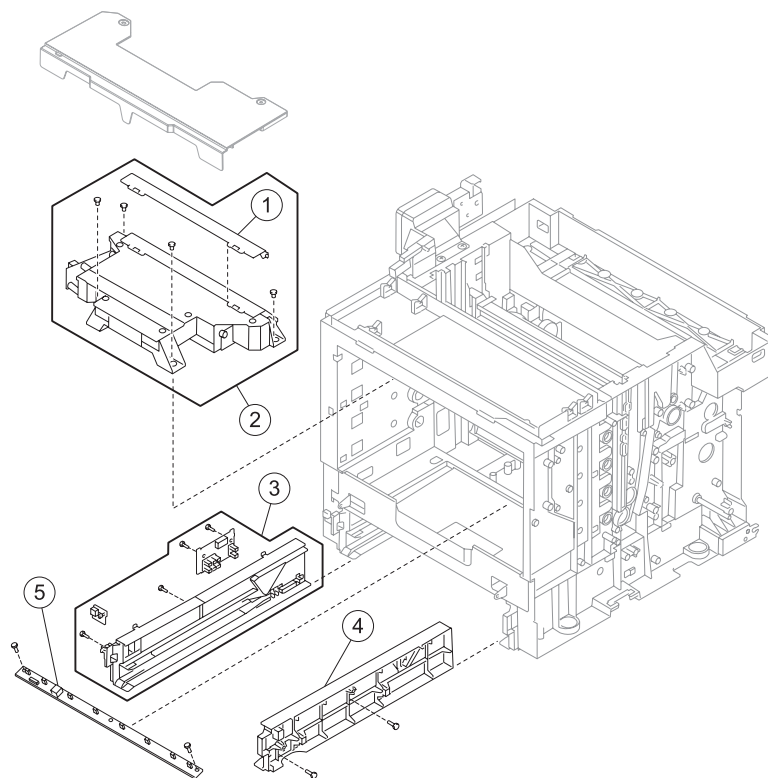
Assembly 2: Covers



Assembly 2: Covers

Index	P/N	Units	Description
2-1	40X3384	1	Cover assembly, top
2	40X3428	1	Assembly, paper exit (contains fuser exit sensor and flag)
3		1	Packet, parts P/N 40X3420
4	40X3430	1	Assembly, registration
5	40X3417	1	Rear cover assembly
6	40X3385	1	Cover, right
7	40X3388	1	Cover, front
8	40X3387	1	Cover, inner front
9	40X3386	1	Cover, left
10	40X3424	1	Operator panel
11	40X3423	1	Cover, operator panel

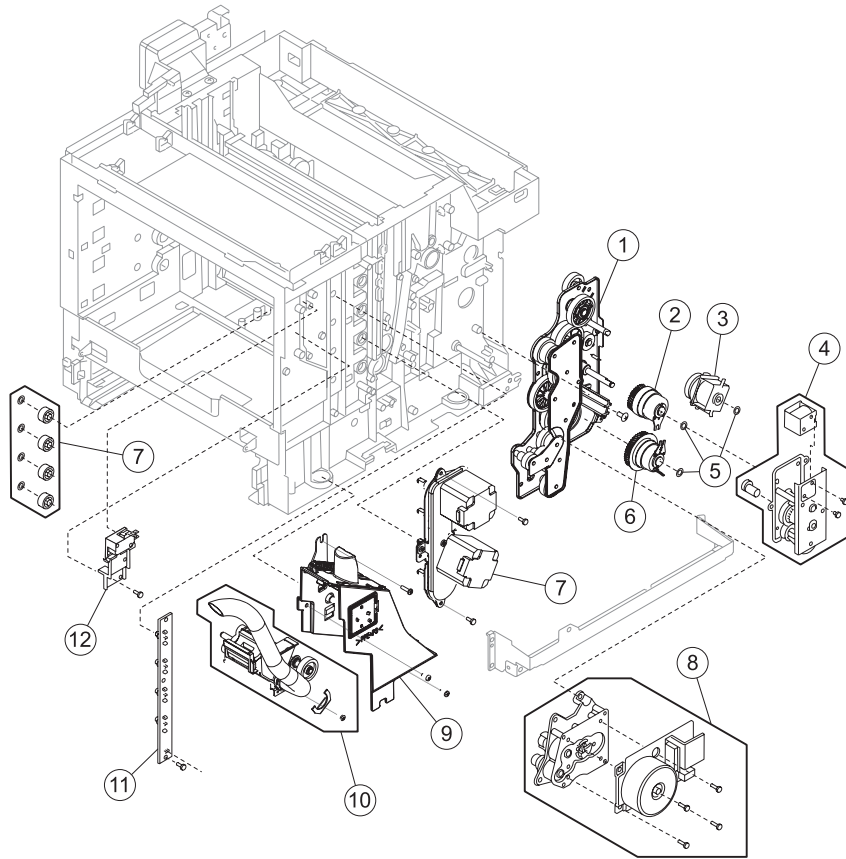
Assembly 3: Front



Assembly 3: Front

Index	P/N	Units	Description
3-1	40X3441	1	Cover, laser unit assembly lens
2	40X3400	1	Laser unit assembly (printhead)
3	40X3431	1	Left tray guide assembly with cable (includes paper size sensor and temperature thermistor)
4	40X3401	1	Right tray guide
5	40X3416	1	Lamp, erase

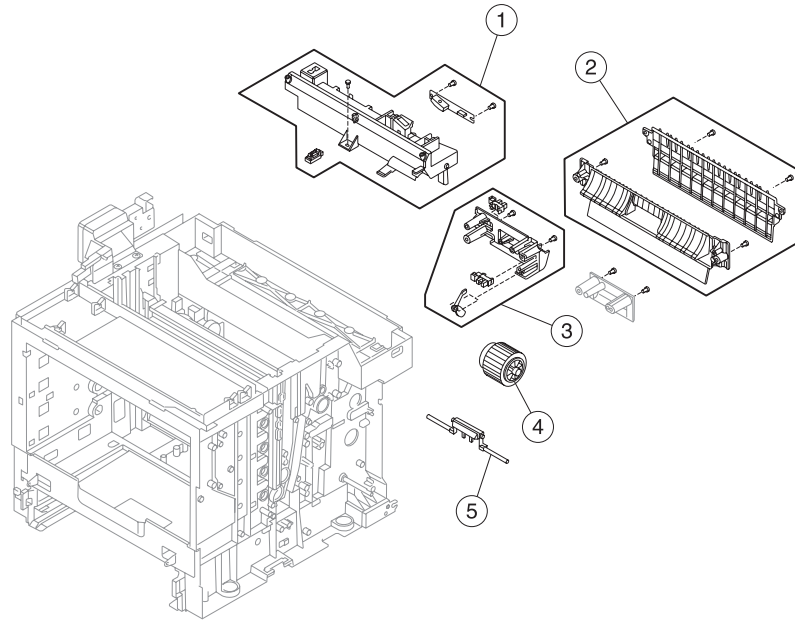
Assembly 4: Right



Assembly 4: Right

Index	P/N	Units	Description
4-1	40X3395	1	Gear assembly, main drive
2	40X3391	1	Clutch, registration
3	40X3393	1	Clutch, transfer roller
4	40X3394	1	Clutch, cleaning roller
5		1	Packet, parts P/N 40X3420
6	40X3390	1	Clutch, paper feed
7	40X3397	1	Drive assembly, developer
8	40X3389	1	Motor assembly, main
9	40X3398	1	Assembly, waste toner holder
10	40X3396	1	Waste toner feeder
11	40X3399	1	Sensor, toner, sender TPD (This is a two-piece sensor system. Ordering of this part number includes both the right and left side.)
12	40X3432	1	Assembly, interlock switch

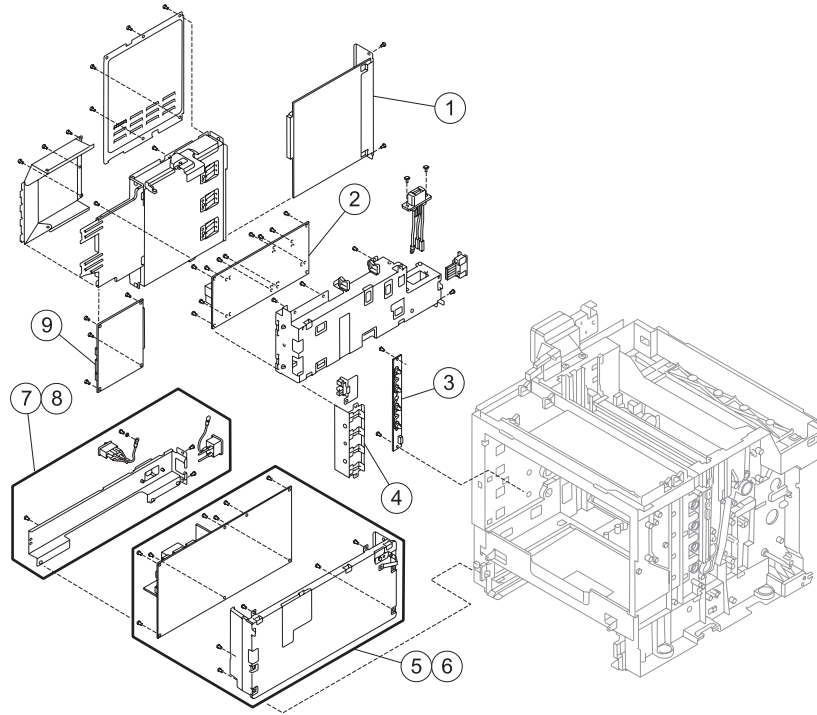
Assembly 5: Rear



Assembly 5: Rear

Index	P/N	Units	Description
5-1	40X3429	1	Assembly, bracket (includes marker sensor (transfer belt unit), toner density sensor)
2	40X3433	1	Paper guide assembly
3	40X3413	1	Paper guide (C) assembly with cable (includes registration sensor, tray empty sensor)
4	40X3414	1	Roller, paper feed
5	40X3415	1	Pad, separator

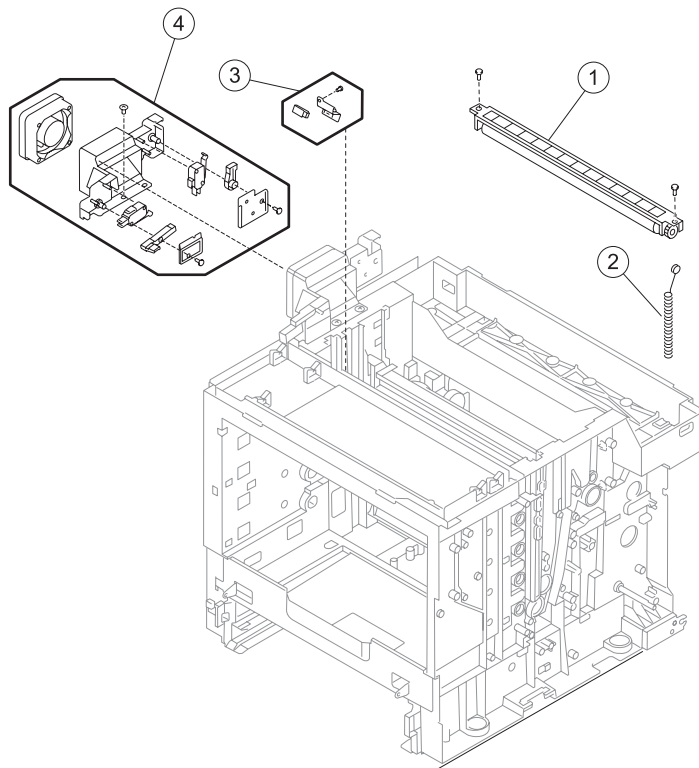
Assembly 6: Left



Assembly 6: Left

Index	P/N	Units	Description
6-1	40X3436	1	Board, Network RIP (US)
1	40X3440	1	Board, Network RIP (EC)
2	40X3405	1	Power supply, high voltage
3	40X3399	1	Sensor, toner, receiver TTR (This is a two-piece sensor system. Ordering of this part number includes both the right and left side.)
4	40X3410	1	Sensor, toner present
5	40X3406	1	Power supply, 110 V low voltage
6	40X3407	1	Power supply, 220 V low voltage
7	40X3408	1	Bracket, 110 V power supply
8	40X3411	1	Bracket, 220 V power supply
9	40X3404	1	Board, engine controller

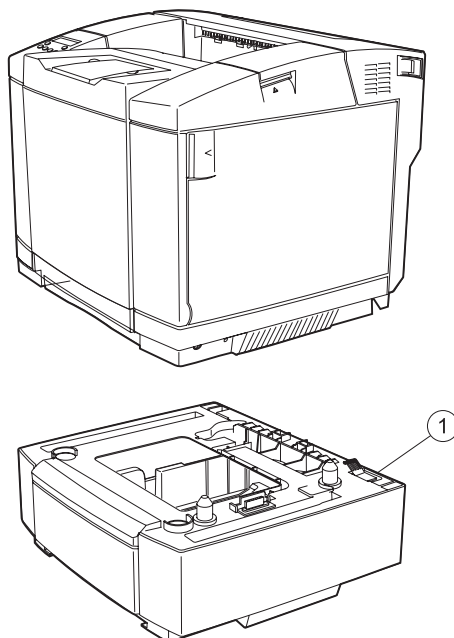
Assembly 7: Top



Assembly 7: Top

Index	P/N	Units	Description
7-1	40X3402	1	Auger, waste toner
2	40X3403	1	Agitator, waste toner
3	40X3434	1	Assembly, marker sensor (OPC) (includes bracket)
4	40X3409	1	Fan, power supply (includes top cover and rear cover assembly interlock switches)

Assembly 8: Miscellaneous/Options



Assembly 8: Miscellaneous/Options

Index	P/N	Units	Description
8-1	40X3421	1	Assembly, secondary paper feed
NS	40X3426	1	Paper tray, legal
NS	40X3419	1	Parts packet, harness
NS	40X3442	1	Cable, 120V fuser
NS	40X3443	1	Cable, 240V fuser
NS	40X3420	1	Parts packet, screw
NS	7372640	1	Field relocation kit
NS	14D0403	1	Cable, USB, 2-meter