

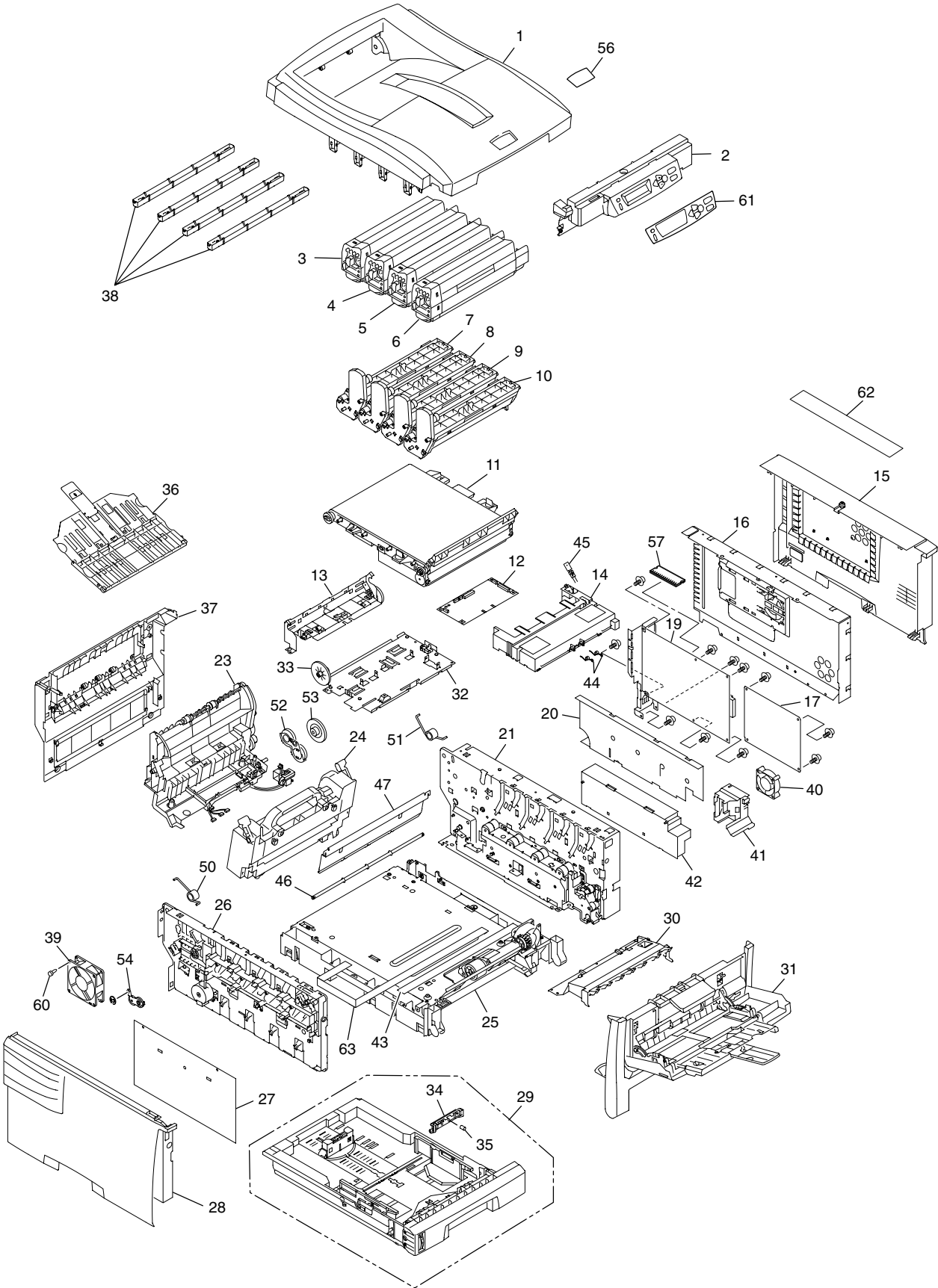
# OEL Disassembly Drawing

C3100/C3200/C3200n/  
C5200/C5250/C5400/C5450/C5540MFP

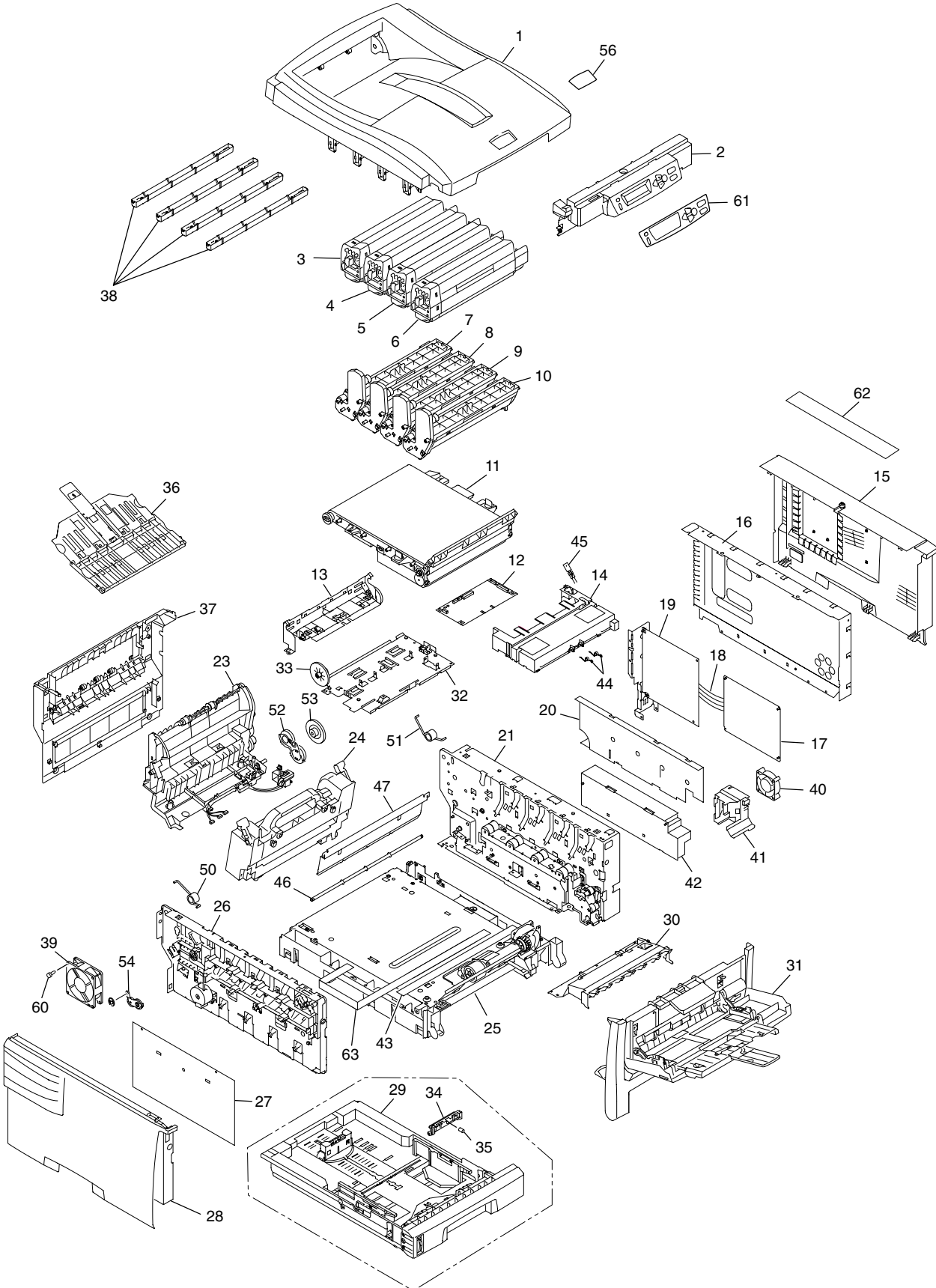


Revision 4

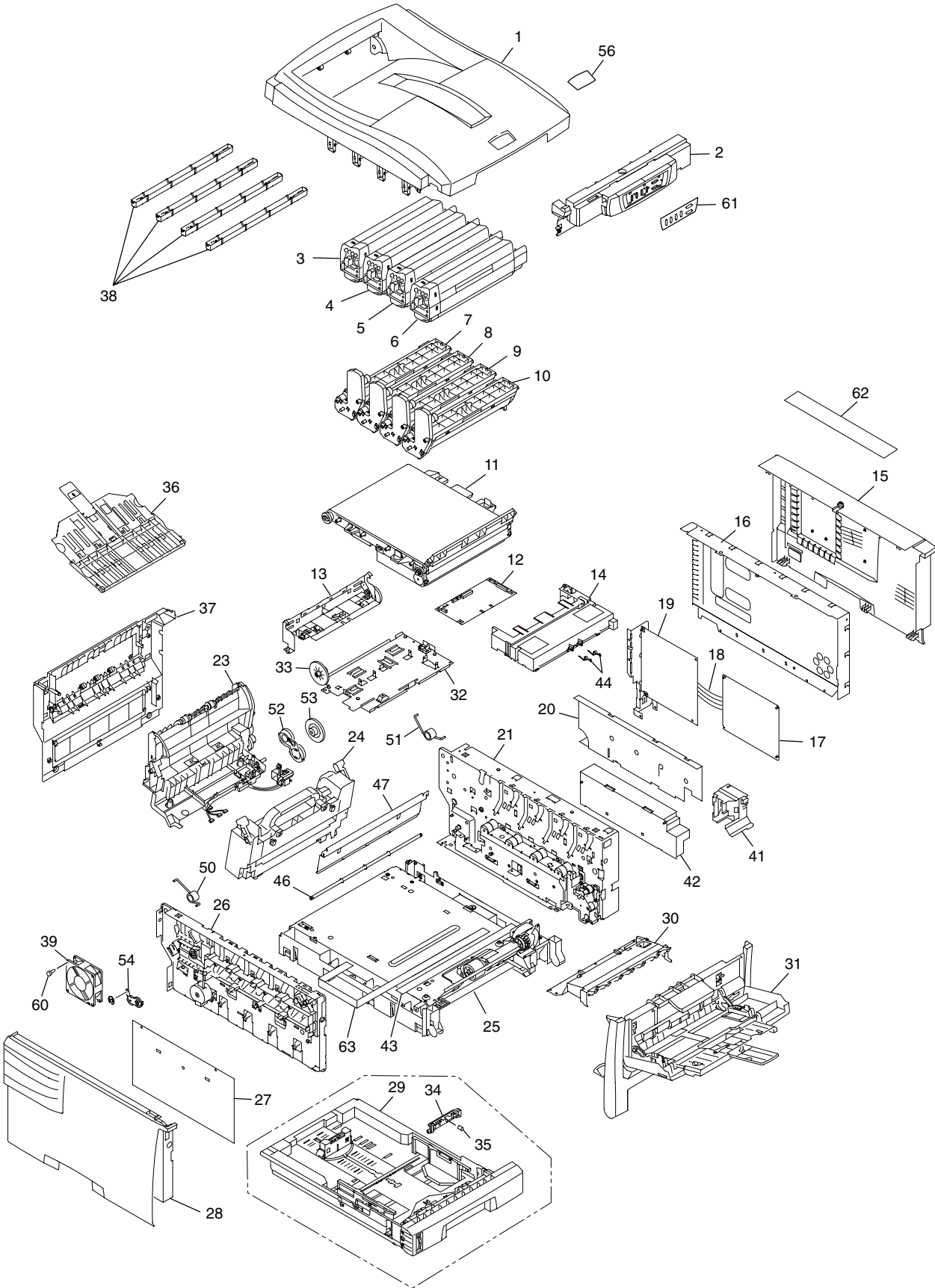
# Parts Layout (C5450/C5400/ML5400)



# Parts Layout (C5250/C5200n/C5200/C5150/C3200n/ML5200)

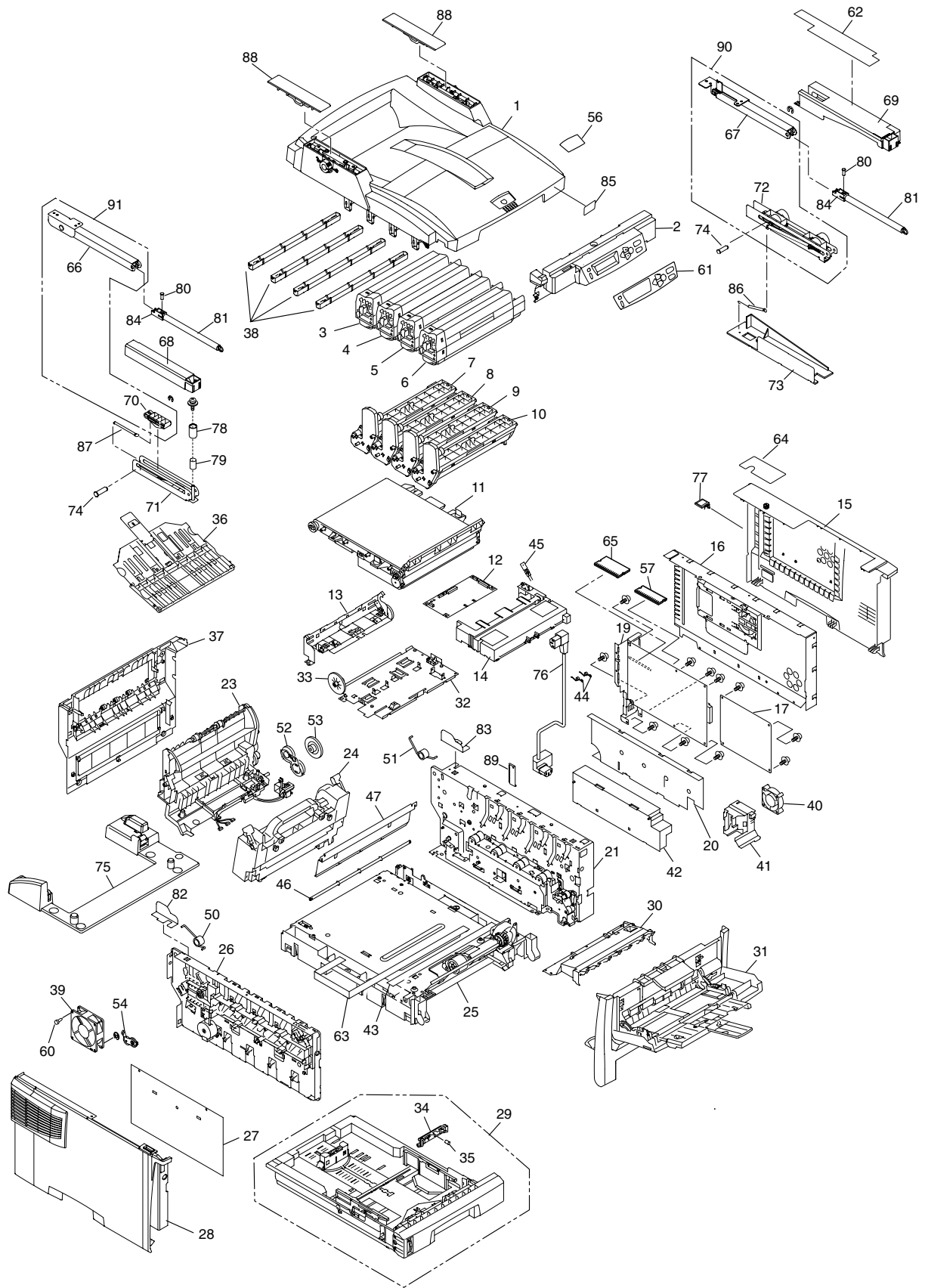


# Parts Layout (C3200/C3100/ML3100)

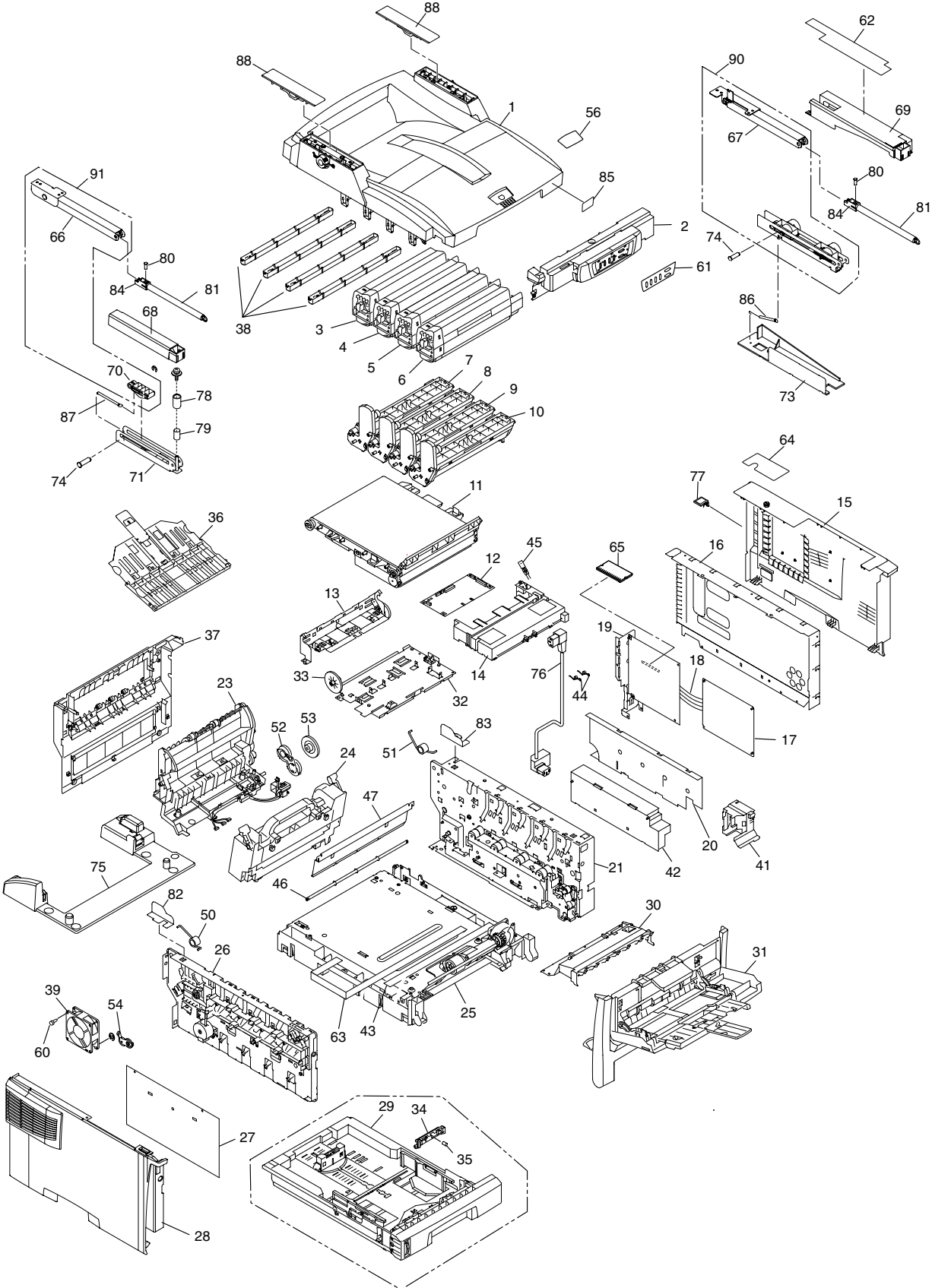




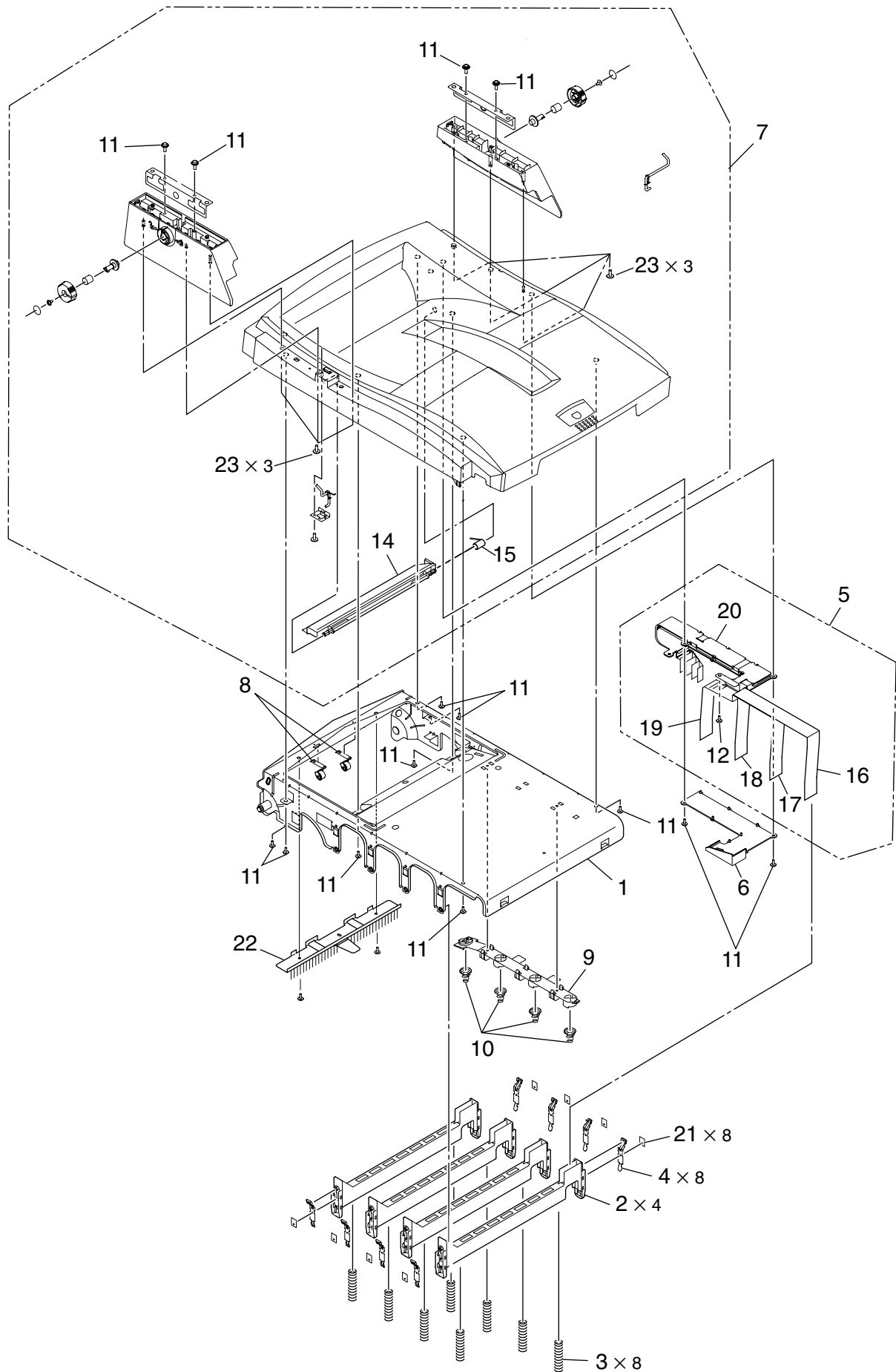
# Parts Layout (C5540)



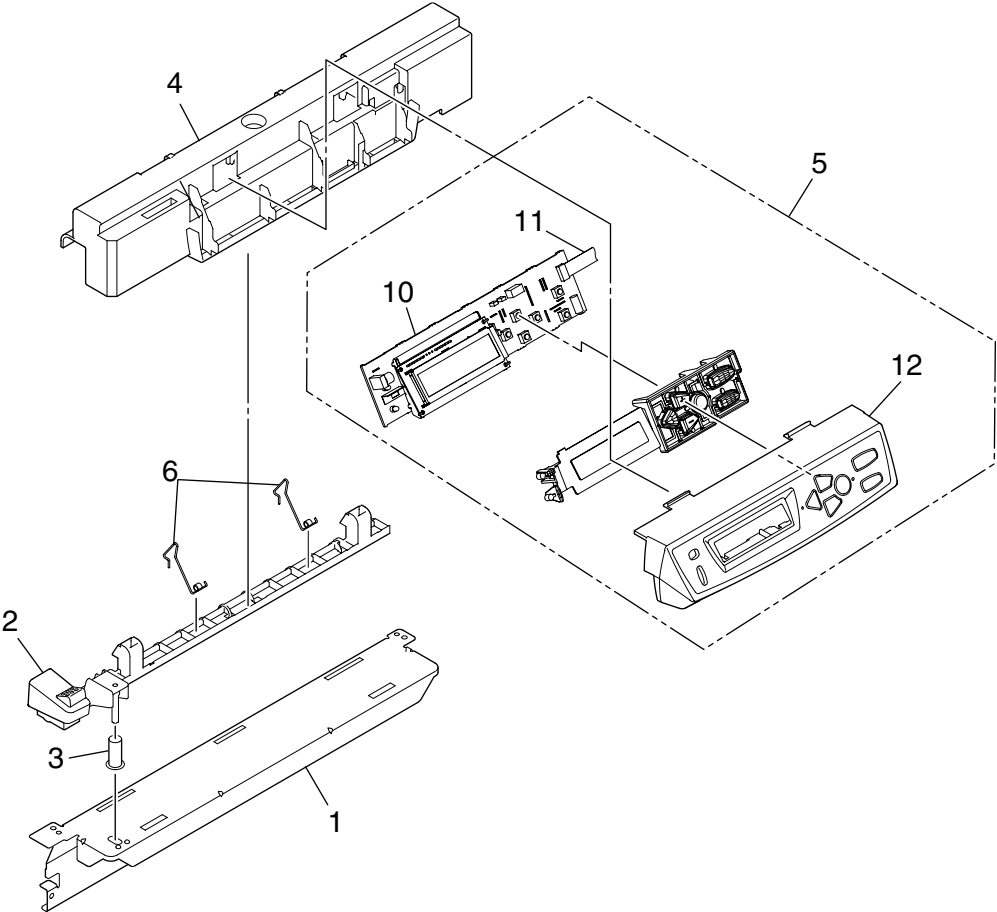
# Parts Layout (C5510)



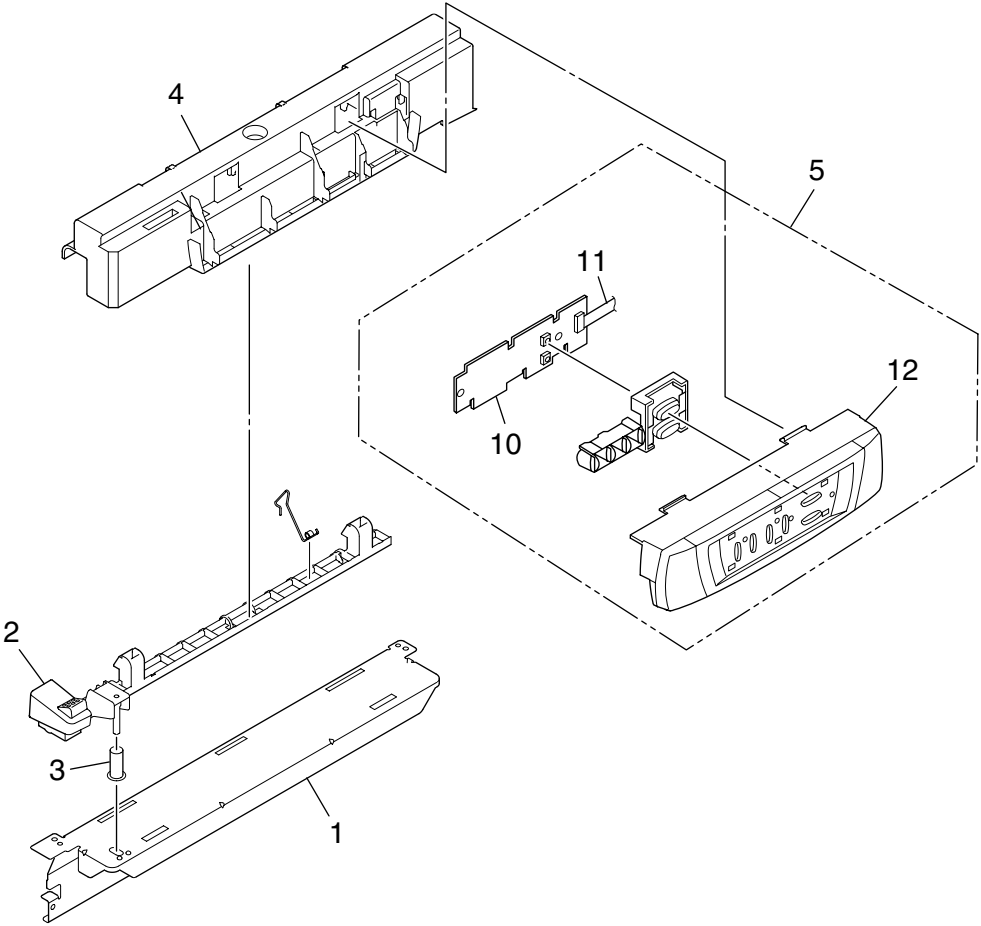
# Top\_Cover\_Assy(C5510/C5540)



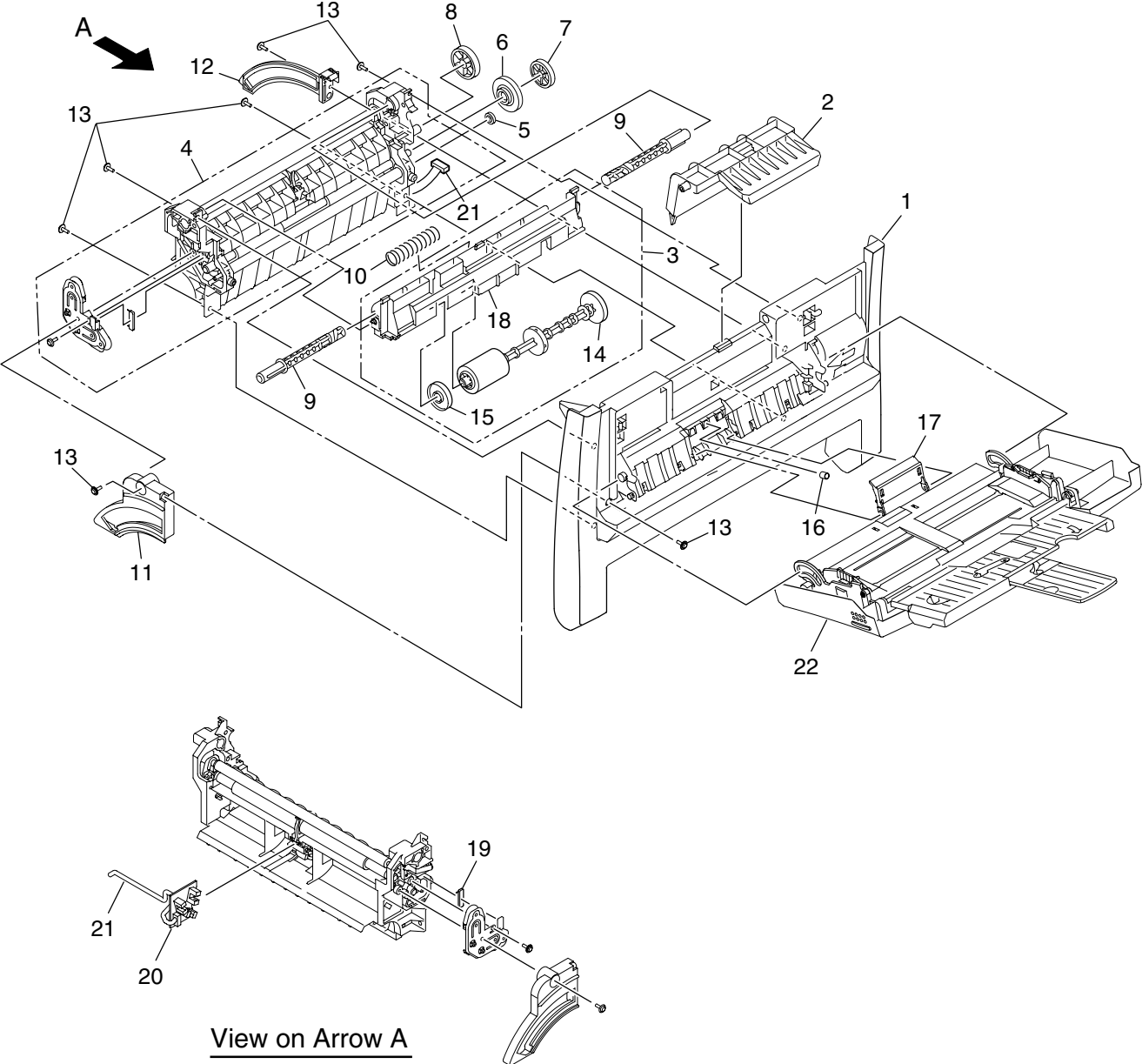
**Control\_Panel\_Assy (C5450/C5400/C5250/C5200n/C5200/C5150/C3200n/C5540/ML5400/ML5200)**



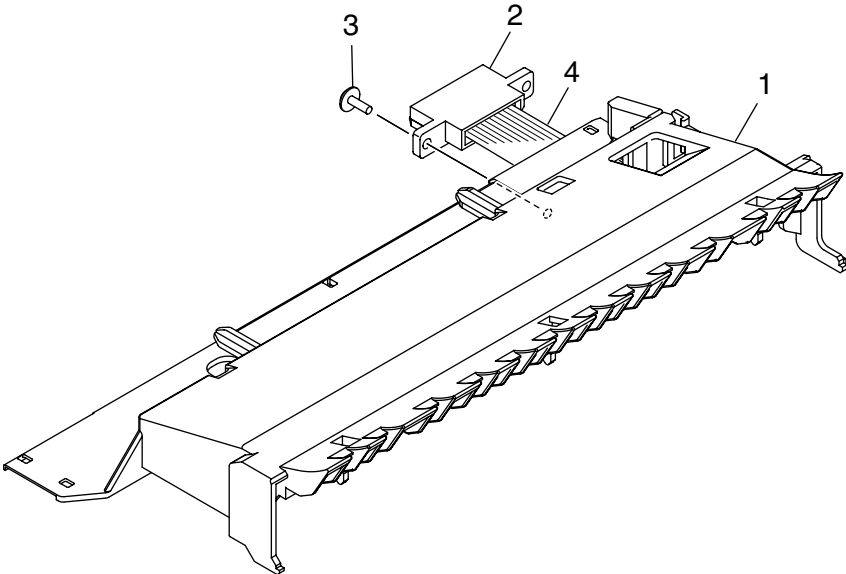
**Control\_Panel\_Assy (C3200/C3100/ML3100/C5510)**



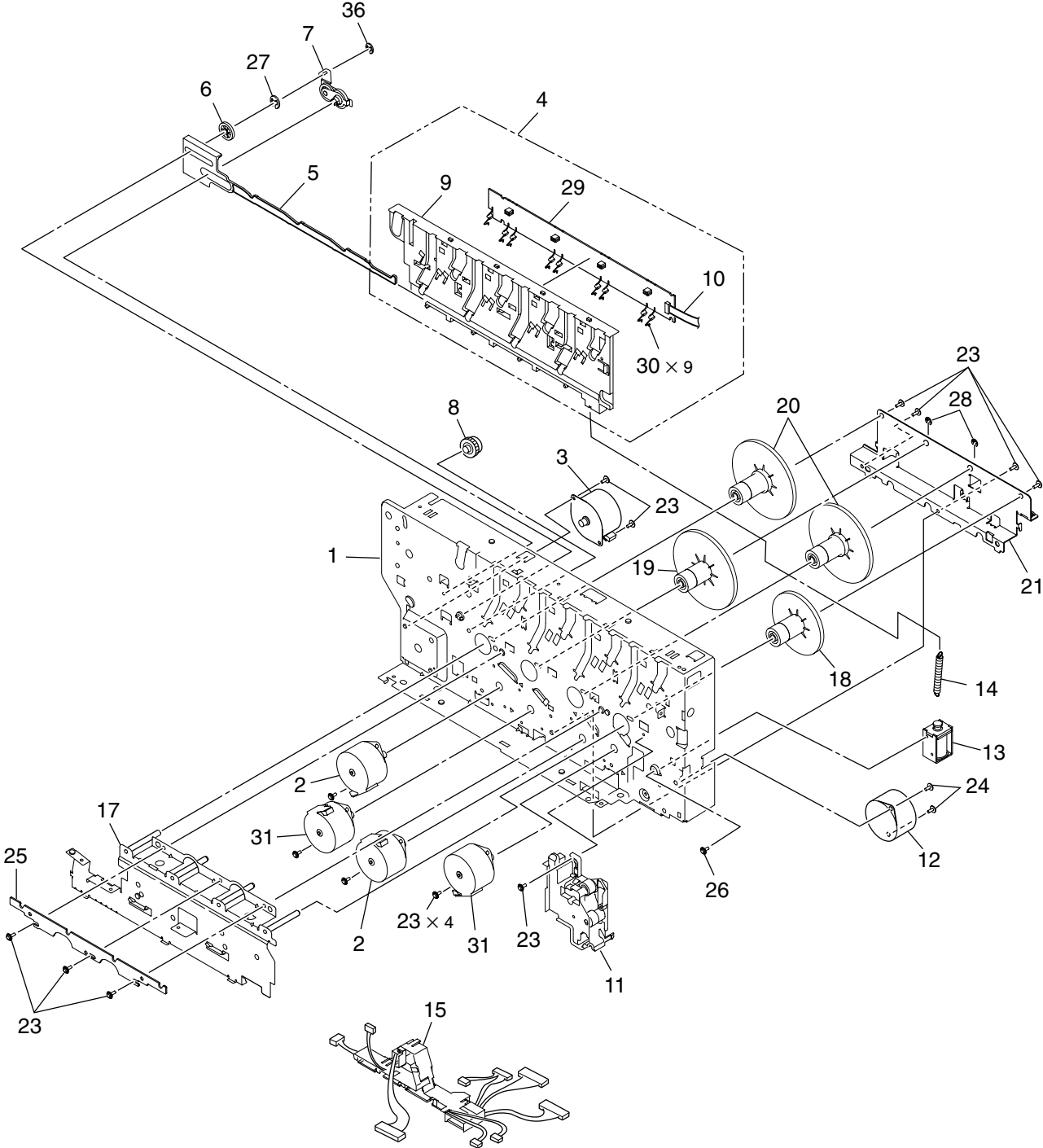
Feeder\_Unit



**Cover\_Assy-Hopping**

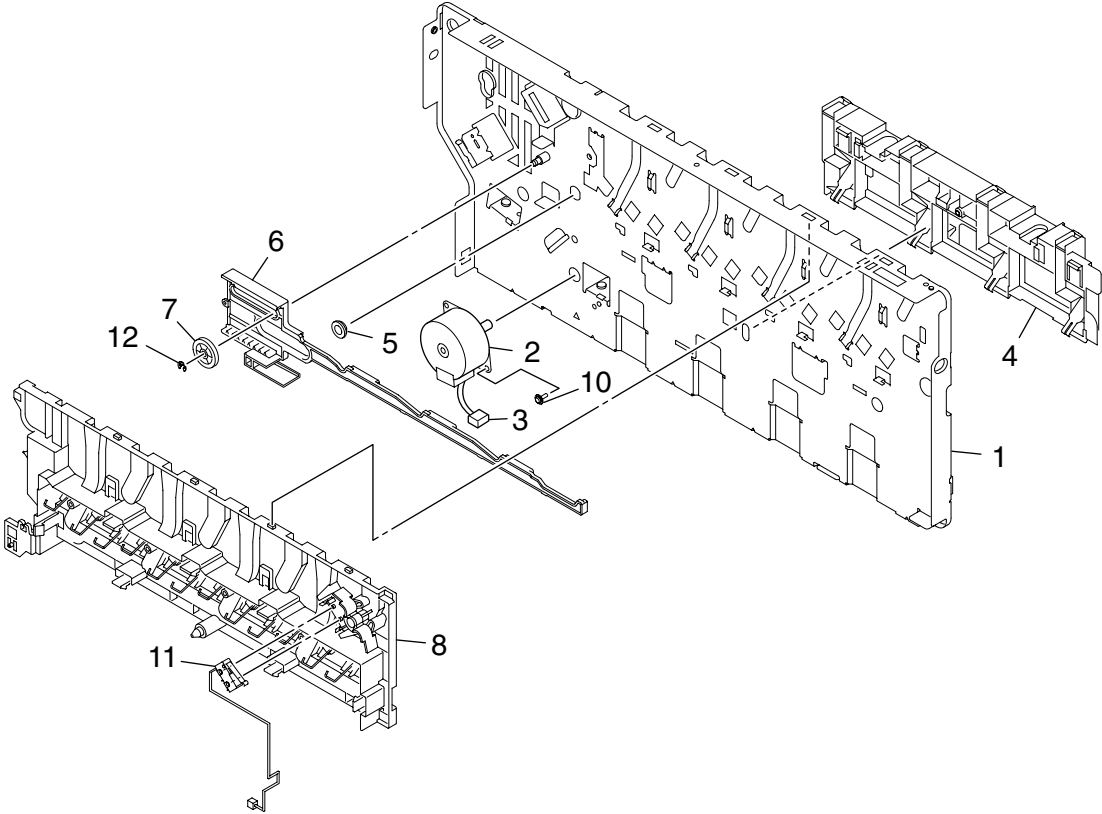


Plate\_Assy-Side\_R

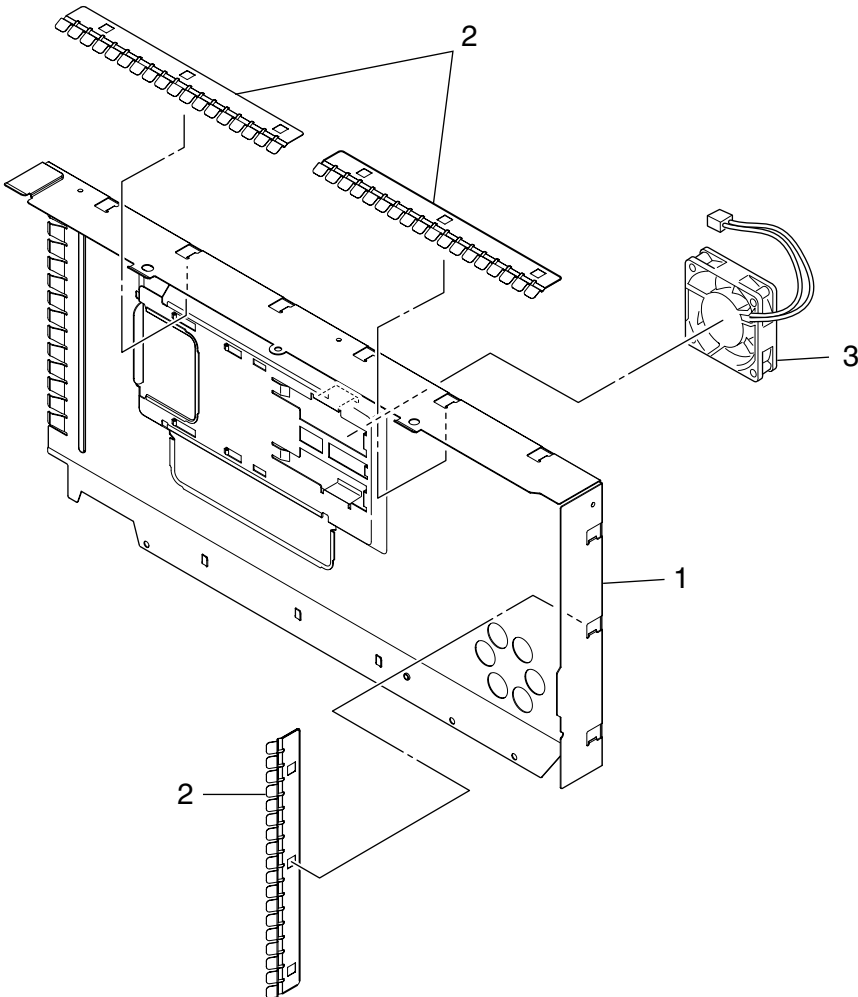




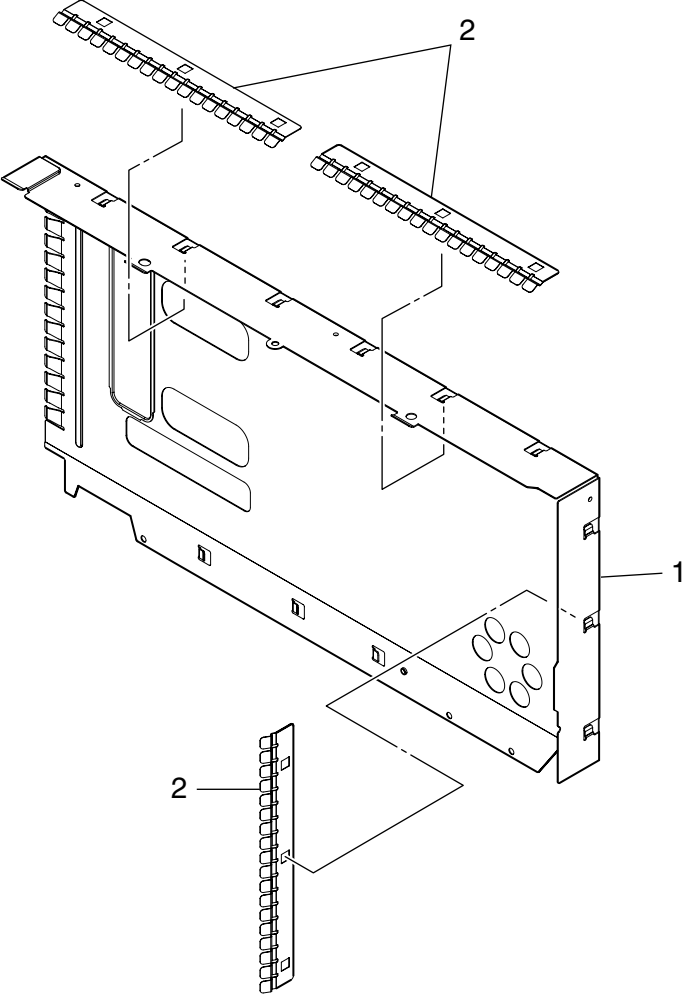
Plate\_Assy-Side\_L



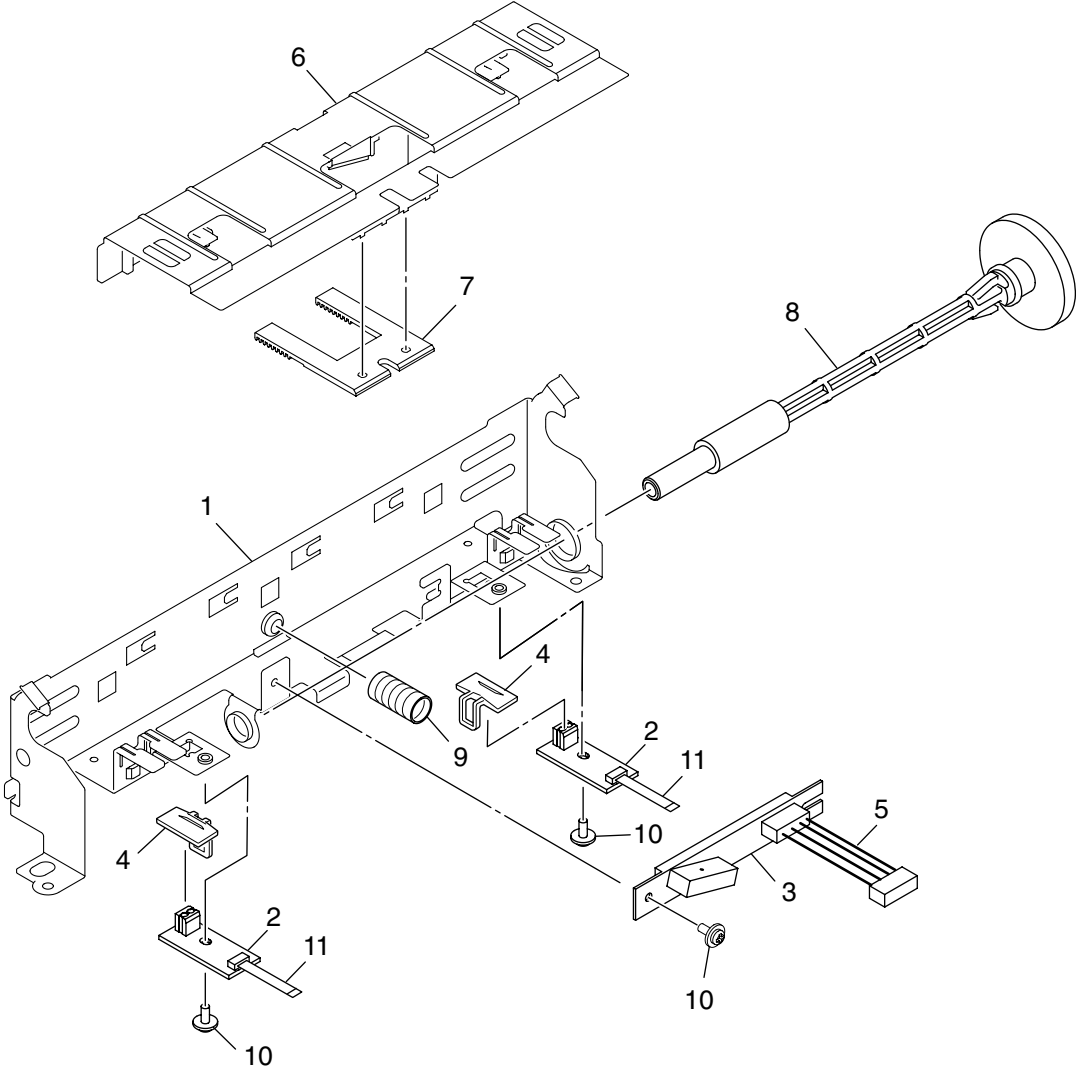
**Plate\_Assy-Shield (C5450/C5400/ML5400/C5540)**



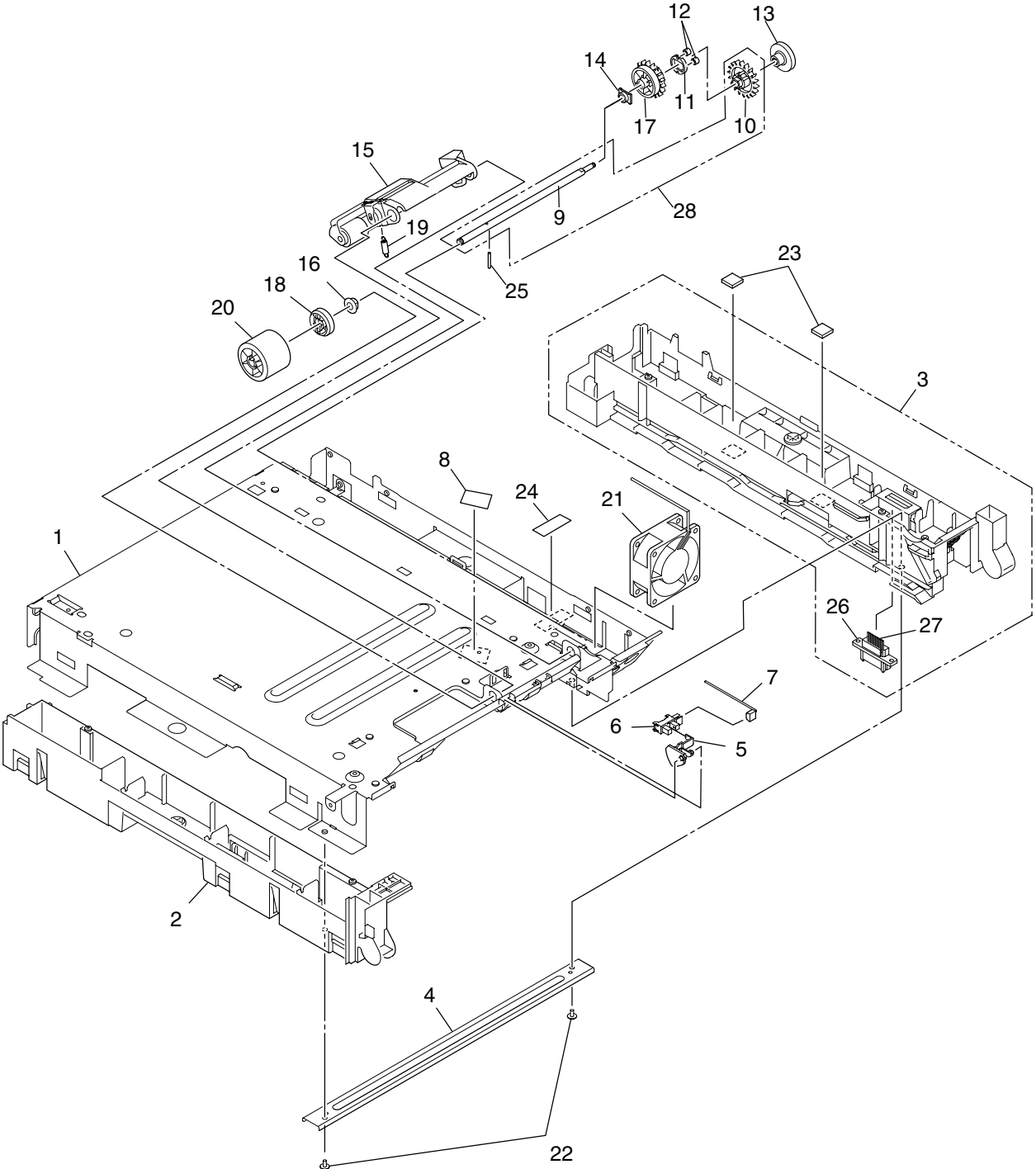
Plate\_Assy-Shield (C5250/C5200n/C5200/C5150/C3200n/C3200/C3100/C5510ML5200/ML3100)



Sensor\_Assy-Regist



# Plate\_Assy-Base



Eject\_Assy

