



FAX/MFC PARTS REFERENCE LIST

MODEL:

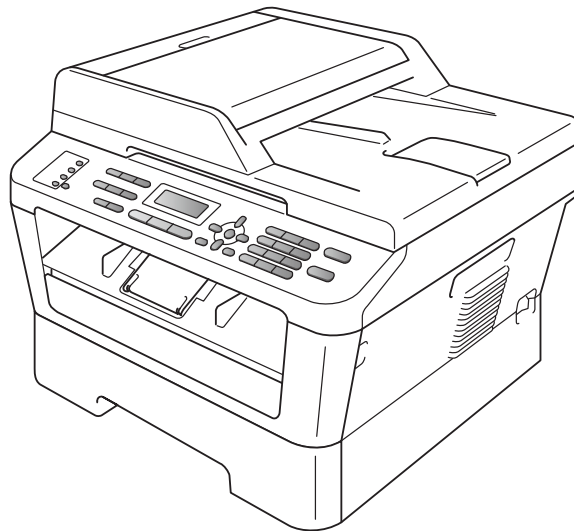
DCP-7055/7055W

DCP-7057/7057E/7057WR/7060D

DCP-7065DN/7070DW/HL-2280DW

MFC-7360/7360N/7362N/7365DN

MFC-7460DN/7470D/7860DN/7860DW



Read this list thoroughly before maintenance work.

Keep this list in a convenient place for quick and easy reference at all times.

NOTE FOR USING THIS PARTS REFERENCE LIST

1. In the case of ordering parts, it is necessary to mention the following items;

- (1) Code
- (2) Q'ty
- (3) Description
- (4) Symbol (PCB No. etc)

Note: Orders without Parts Code or Tool No. can not be accepted.

< Example >

	(1)	(2)	(3)	(4)	
REF.NO.	CODE	Q'TY	DESCRIPTION	SYMBOL	REMARKS

2. Design-changed parts :

If any of the parts is changed, one of the following symbols is indicated in the REMARKS column.

CHG(chg) : The parts is changed to a new parts.

ADD(add) : The parts is newly added.

DEL(del) : The parts is deleted.

Symbol in capital letters indicates the latest parts change information in the page.

3. Parts change will be informed by the Parts change information.

4. Parts are subject to change in design without prior notice.

COUNTRIES

U.S.A. ---- US

CANADA ---- CAN

GERMANY ---- GER

UNITED KINGDOM ---- U.K.

FRANCE ---- FRA

BELGIUM ---- BEL

NETHERLANDS ---- NLD

SWITZERLAND ---- CHE

SPAIN ---- SPA

ITALY ---- ITA

PORTUGAL ---- POR

CHINA ---- CHN

PHILIPPINES ---- PHL

TAIWAN ---- TWN

INDONESIA ---- IDN

ARGENTINA ---- ARG

IRAN ---- IRN

CHILE ---- CHL

POLAND ---- POL

ASIA ---- ASA

GULF ---- GUL

BRAZIL ---- BRA

KOREA ---- KOR

INDIA ---- IND

MEXICO ---- MEX

RUSSIA ---- RUS

AUSTRALIA ---- ARL

NEW ZEALAND ---- NZ

PAN-NORDIC ---- PND

(NORWAY/FINLAND/DENMARK/SWEDEN)

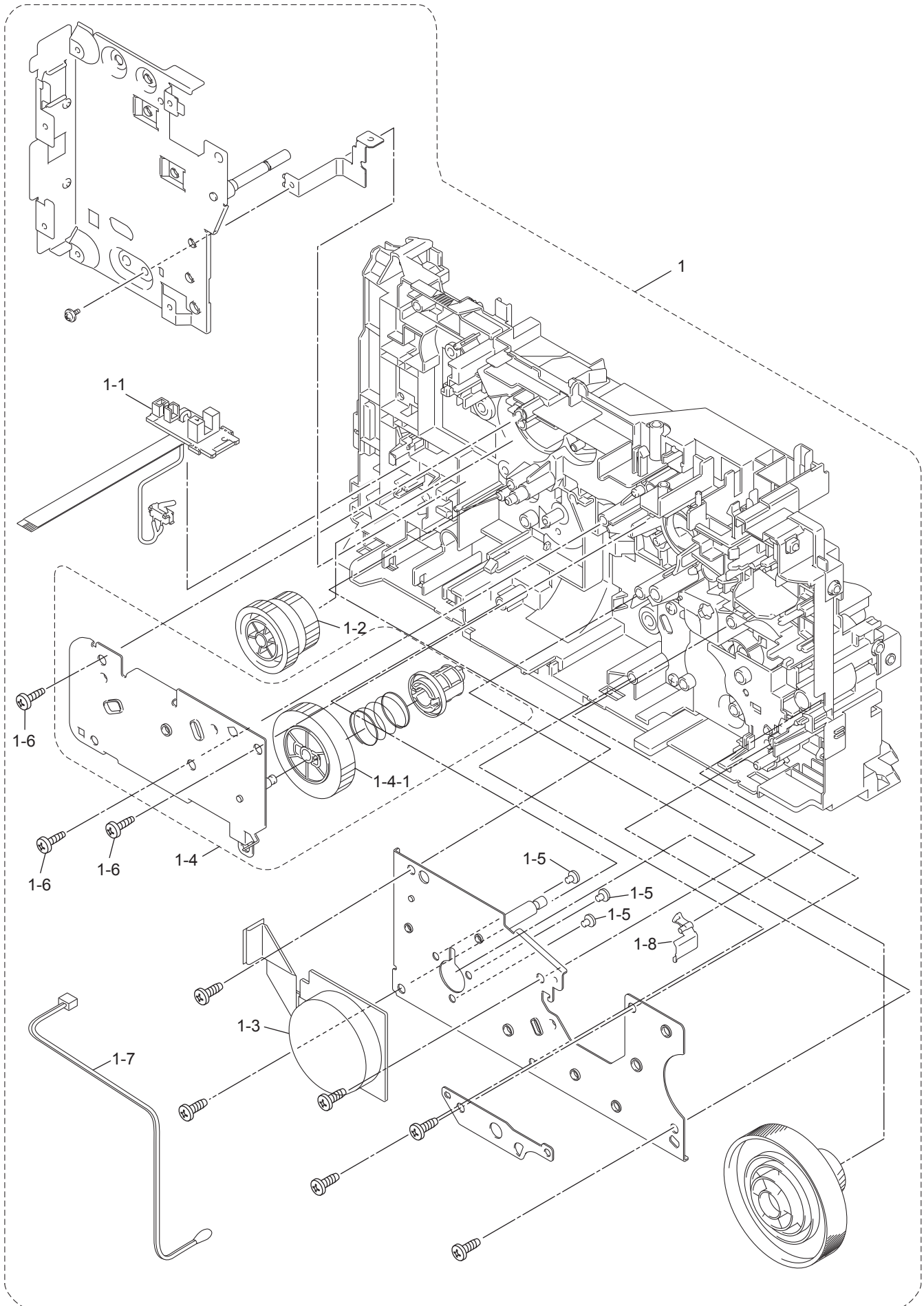
IBERIA ---- IBR (SPAIN/PORTUGAL)

CEE GENERAL --- CEE

CONTENTS

1.	<u>FRAME L & DRIVE UNIT</u>	1
2.	<u>PAPER FEEDER</u>	3
3.	<u>FRAME</u>	5
4.	<u>LASER UNIT</u>	7
5.	<u>DX</u>	9
6.	<u>PAPER CASSETTE</u>	11
7.	<u>FUSER UNIT</u>	13
8.	<u>COVERS & LABELS</u>	15
9.	<u>SCANNER UNIT</u>	18
10.	<u>ADF & DOCUMENT COVER ASSY</u>	20
11.	<u>PANEL</u>	23
12.	<u>PCB</u>	27
13.	<u>ACCESSORIES</u>	29
14.	<u>PRINTED MATERIALS</u>	32
15.	<u>PACKING MATERIALS</u>	34
16.	<u>PERIODICAL MAINTENANCE PARTS</u>	39

1. FRAME L & DRIVE UNIT



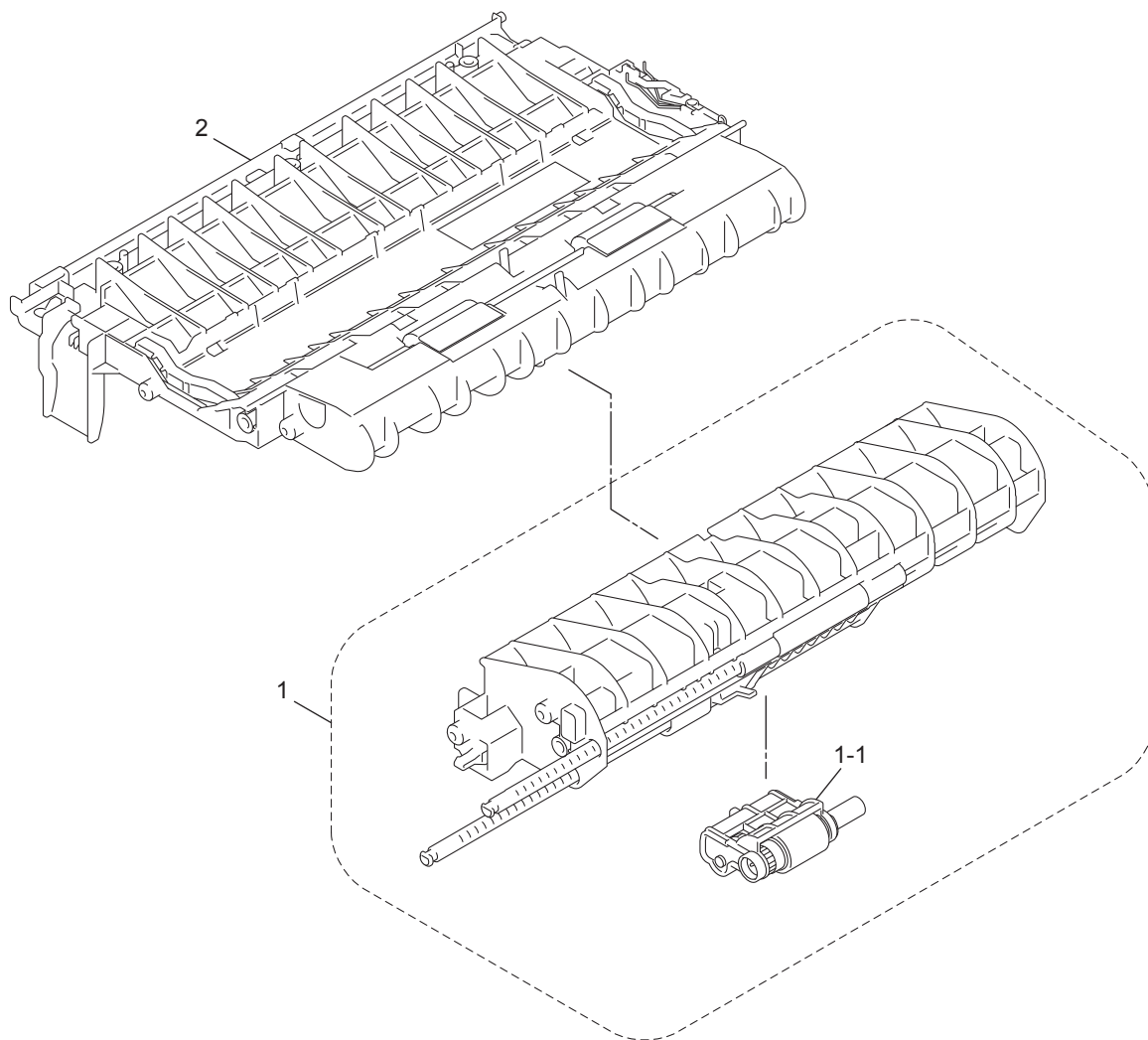
1. FRAME L & DRIVE UNIT

REF No.	CODE	Q'TY	DESCRIPTION	REMARKS
1	LX5095001	1	MAIN FRAME L ASSY, DCP7055 EXCEPT FOR CHN/RUS, DCP7055W/DCP7057/DCP7057E/DCP7057WR/MFC7360	
1	LX5827001	1	MAIN FRAME L ASSY, DCP7055/DCP7055WR FOR CHN/RUS	
1	LX5175001	1	MAIN FRAME L ASSY, DCP7060D/MFC7470D	
1	LX5001001	1	MAIN FRAME L ASSY, DCP7065DN/DCP7070DW/HL2280DW/MFC7365DN/MFC7460DN/MFC7860DN/ MFC7860DW	
1	LX5278001	1	MAIN FRAME L ASSY, MFC7360N/MFC7362N	
1-1	LV0579001	1	PAPER EJECT SENSOR PCB ASSY	
1-2	LY2010001	1	FUSER GEAR 28/34	
1-3	LY2054001	1	MAIN MOTOR	
1-4	LY2067001	1	DEVELOP DRIVE SUB ASSY	
1-4-1	LY2070001	1	DEVELOP GEAR JOINT/52	
1-5	000300416	3	SCREW BIND M3X4	
1-6	LU5693001	3	TAPTITE BIND B M4X12	
1-7	LT1130001	1	INTERNAL TEMPERATURE SENSOR	
1-8	LY2579001	1	FEEDER CAM LEVER	ADD

8C5E01/8C5E02/8C5E03/8C5E05
8C5E06/8C5E08/8C5E17/8C5E07
8C5E31/8C5E33/8C5E35/8C5E36
8C5E44/8C5E45/8C5E55/8C5E67

DCP7055/7055W/7055WR/7057/7057E/7057WR
7060D/7065DN/7070DW/HL2280DW
MFC7360/7360N/7362N/7365DN/7460DN
7470D/7860DN/7860DW

2. PAPER FEEDER



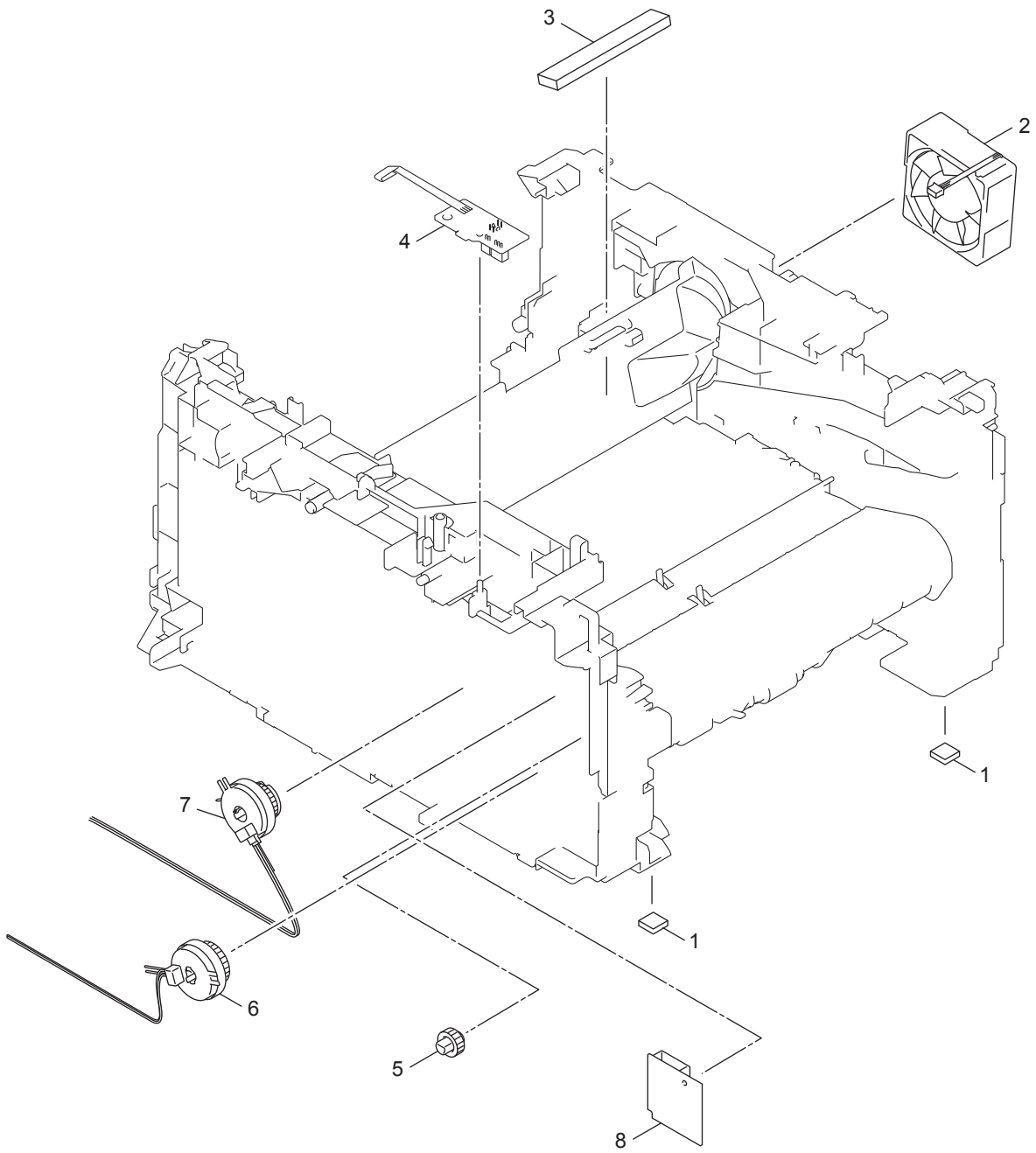
2. PAPER FEEDER

REF No.	CODE	Q'TY	DESCRIPTION	REMARKS
1	LY2087001	1	PF FRAME ASSY, DCP7055/DCP7055W/DCP7055WR/DCP7057/DCP7057E/DCP7057WR/DCP7060D/ MFC7360/MFC7360N/MFC7362N	
1	LY2312001	1	PF FRAME ASSY, DCP7065DN/DCP7070DW/ HL2280DW/MFC7365DN/MFC7460DN/MFC7470D/MFC7860DN/MFC7860DW	
1-1	LY2093001	1	PICK-UP ROLLER HOLDER ASSY	
2	LY2482001	1	REGIST FRAME ASSY, DCP7055/DCP7055W/DCP7055WR/DCP7057/DCP7057E/DCP7057WR/ MFC7360/MFC7360N/MFC7362N	
2	LY2101001	1	REGIST FRAME ASSY, DCP7060D/DCP7065DN/DCP7070DW/ HL2280DW/MFC7365DN/MFC7460DN/MFC7470D/MFC7860DN/MFC7860DW	

8C5E01/8C5E02/8C5E03/8C5E05
8C5E06/8C5E08/8C5E17/8C5E07
8C5E31/8C5E33/8C5E35/8C5E36
8C5E44/8C5E45/8C5E55/8C5E67

DCP7055/7055W/7055WR/7057/7057E/7057WR
7060D/7065DN/7070DW/HL2280DW
MFC7360/7360N/7362N/7365DN/7460DN
7470D/7860DN/7860DW

3. FRAME



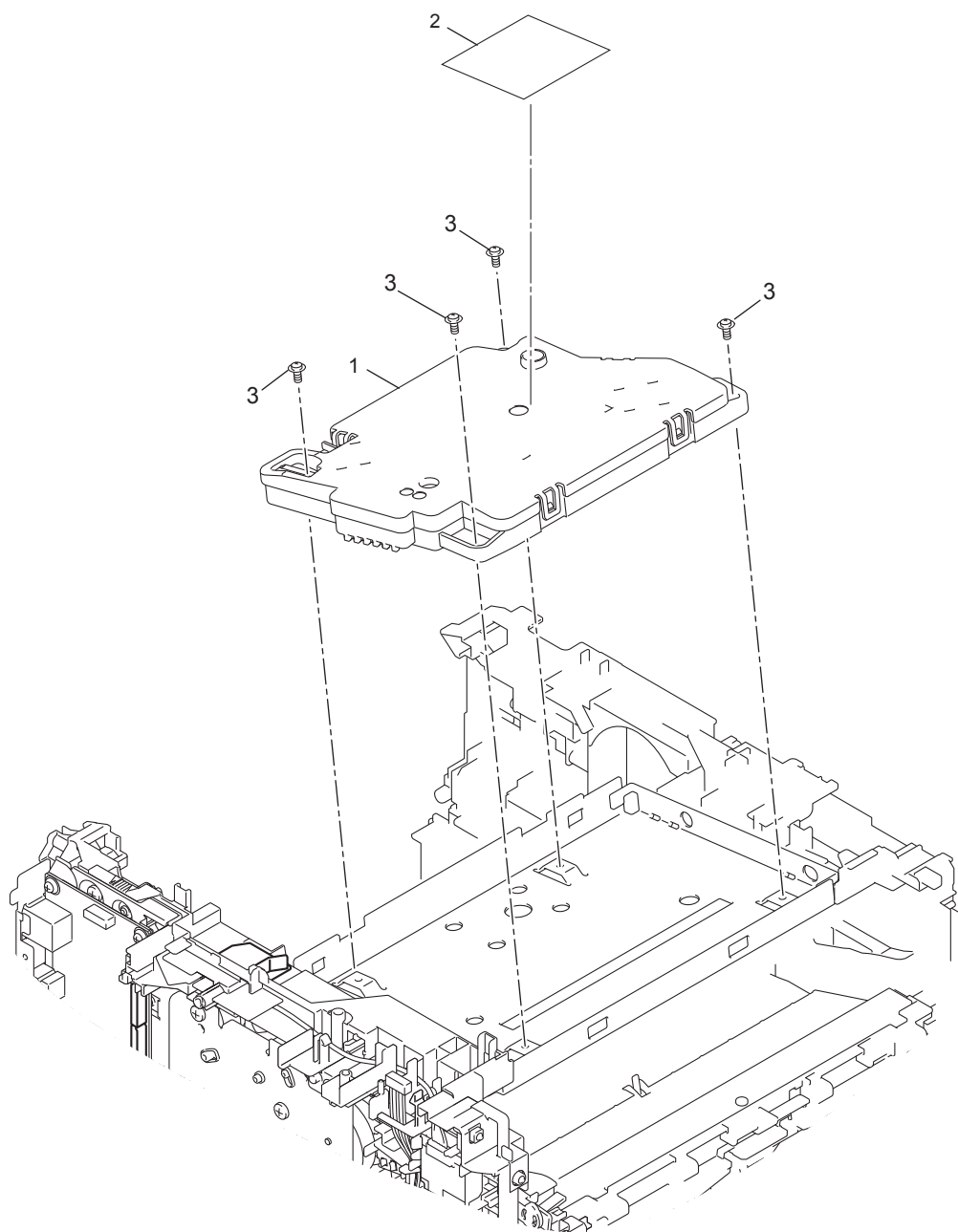
3. FRAME

REF No.	CODE	Q'TY	DESCRIPTION	REMARKS
1	LJ7403001	2	RUBBER FOOT	
2	LY2136001	1	FUSER FAN	
3	LY2141001	1	FILTER	
4	LT1475001	1	NEW TONER SENSOR PCB ASSY, DCP7055/DCP7055W/DCP7055WR/DCP7057/DCP7057E/DCP7057WR/DCP7060D/ MFC7360/MFC7360N/MFC7362N	
4	LT1268001	1	NEW TONER SENSOR PCB ASSY, DCP7065DN/DCP7070DW/HL2280DW/MFC7365DN/MFC7460DN/MFC7470D/MFC7860DN/ MFC7860DW	
5	LY2584001	1	FEEDER GEAR 17	
6	LY2144001	1	T1 CLUTCH ASSY	
7	LY2150001	1	REG CLUTCH ASSY	
8	LT2155001	1	WIRELESS LAN PCB ASSY, DCP7055W/DCP7055WR/DCP7057WR/DCP7070DW/ HL2280DW/MFC7860DW	CHG

8C5E01/8C5E02/8C5E03/8C5E05
8C5E06/8C5E08/8C5E17/8C5E07
8C5E31/8C5E33/8C5E35/8C5E36
8C5E44/8C5E45/8C5E55/8C5E67

DCP7055/7055W/7055WR/7057/7057E/7057WR
7060D/7065DN/7070DW/HL2280DW
MFC7360/7360N/7362N/7365DN/7460DN
7470D/7860DN/7860DW

4. LASER UNIT



4. LASER UNIT

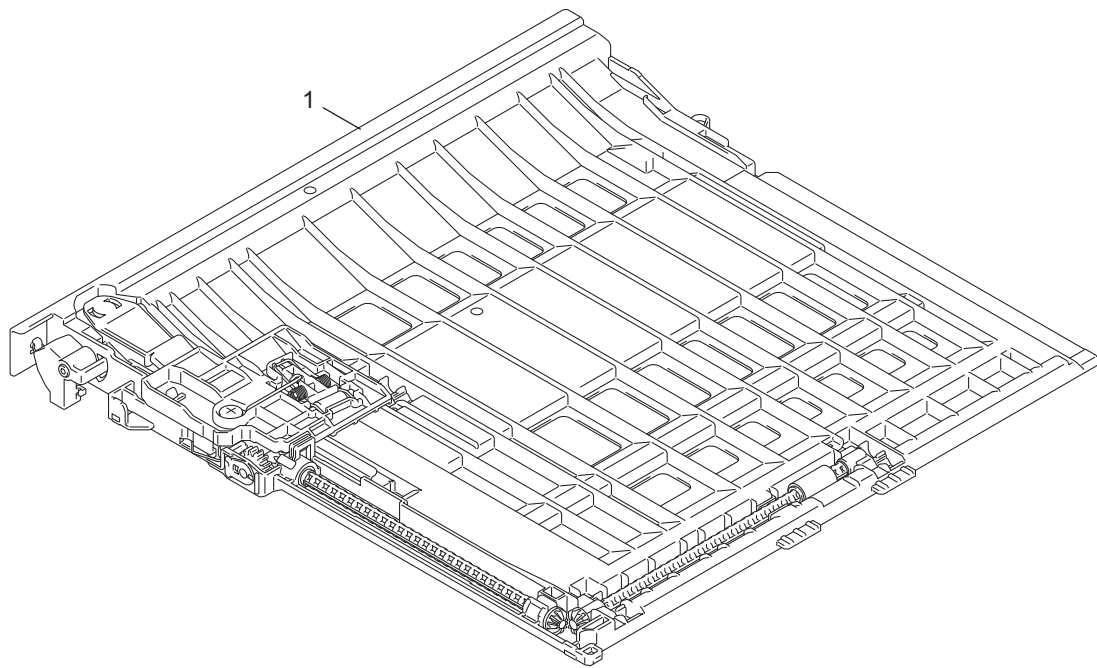
REF No.	CODE	Q.TY	DESCRIPTION	REMARKS
1	LY2566001	1	LASER UNIT (SP)(SH type), DCP7055/DCP7055W/DCP7055WR/DCP7057/DCP7057E/DCP7057WR	
1	LX5198001	1	LASER UNIT (SP)(SG type)(SJ type) ^{*2} , DCP7060D/DCP7065DN/DCP7070DW/HL2280DW/MFC7360 ^{*1} /MFC7360N/MFC7362N/ MFC7365DN/MFC7460DN/MFC7470D/MFC7860DN/MFC7860DW	
1	LY2514001	1	LASER UNIT (SP)(SF type), MFC7360 FOR CHN ^{*1}	ADD
2	LU1259001	1	LABEL LASER CAUTION 75X100	
3	LP2378001	4	TAPTITE CUP S M3X8 SR	chg

*1 When replacing the Laser unit, open the front cover of the machine, check the first two characters of the Laser serial label attached on the Laser plate and order the same type of the Laser unit that was attached to the machine.

*2 SG type Laser unit is compatible with SJ type Laser unit.
Please refer to Parts Change Information: 1000027432 and 1000031679 for detail.

8C5E01/8C5E02/8C5E03/8C5E05
8C5E06/8C5E08/8C5E17/8C5E07
8C5E31/8C5E33/8C5E35/8C5E36
8C5E44/8C5E45/8C5E55/8C5E67

DCP7055/7055W/7055WR/7057/7057E/7057WR
7060D/7065DN/7070DW/HL2280DW
MFC7360/7360N/7362N/7365DN/7460DN
7470D/7860DN/7860DW



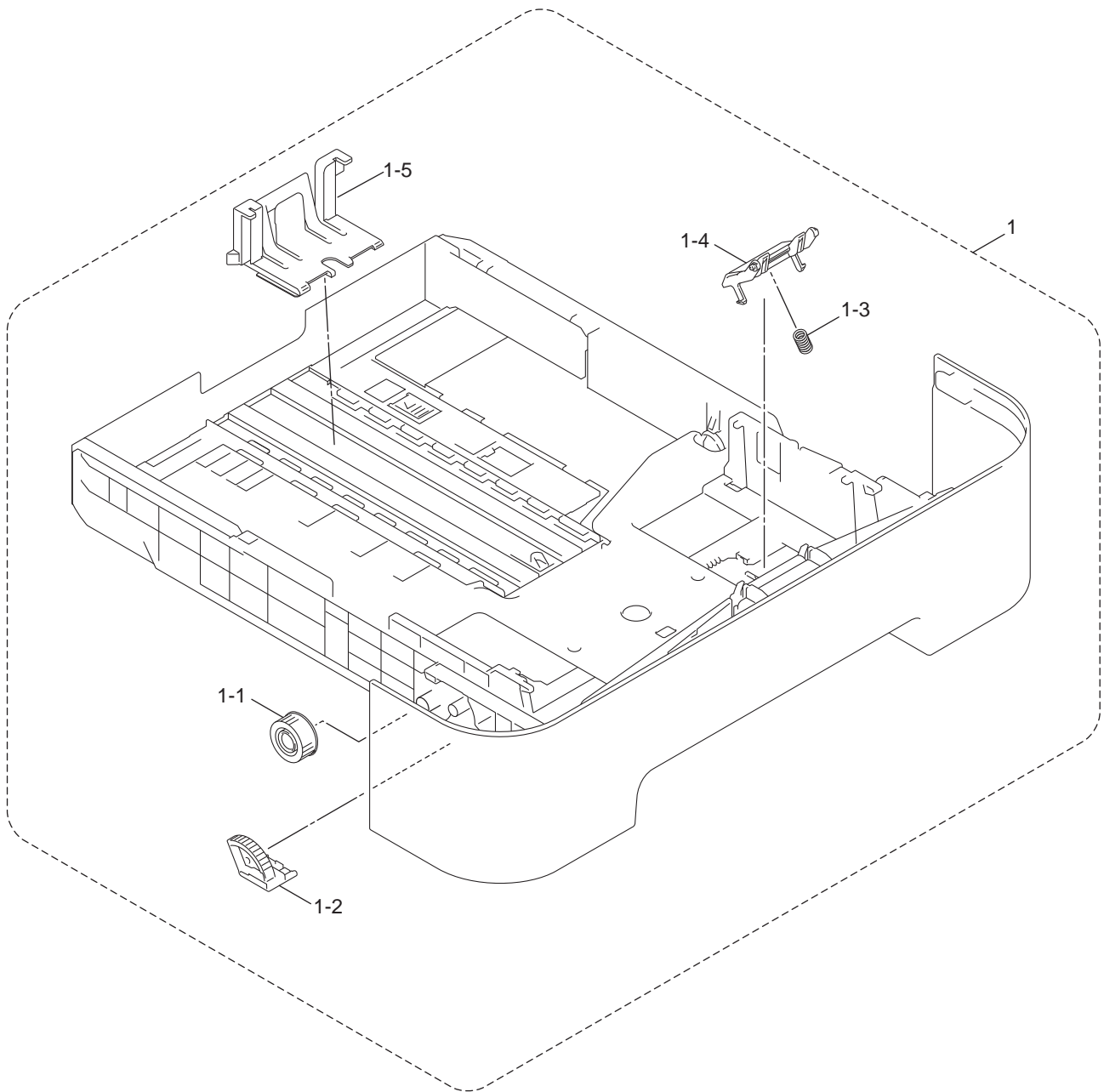
5.DX

REF No.	CODE	Q'TY	DESCRIPTION	REMARKS
1	LY2166001	1	DUPLEX TRAY, DCP7060D/DCP7065DN/HL2280DW/MFC7460DN/MFC7470D/MFC7860DW FOR US/CAN/PHL/ARG/CHL/BRA	
1	LY2452001	1	DUPLEX TRAY, DCP7060D/DCP7065DN/DCP7070DW/MFC7460DN/MFC7470D/MFC7860DN/ MFC7860DW EXCEPT FOR US/CAN/PHL/ARG/CHL/BRA	
1	LY2166003	1	DUPLEX TRAY, MFC7365DN	

8C5E01/8C5E02/8C5E03/8C5E05
8C5E06/8C5E08/8C5E17/8C5E07
8C5E31/8C5E33/8C5E35/8C5E36
8C5E44/8C5E45/8C5E55/8C5E67

DCP7055/7055W/7055WR/7057/7057E/7057WR
7060D/7065DN/7070DW/HL2280DW
MFC7360/7360N/7362N/7365DN/7460DN
7470D/7860DN/7860DW

6. PAPER CASSETTE



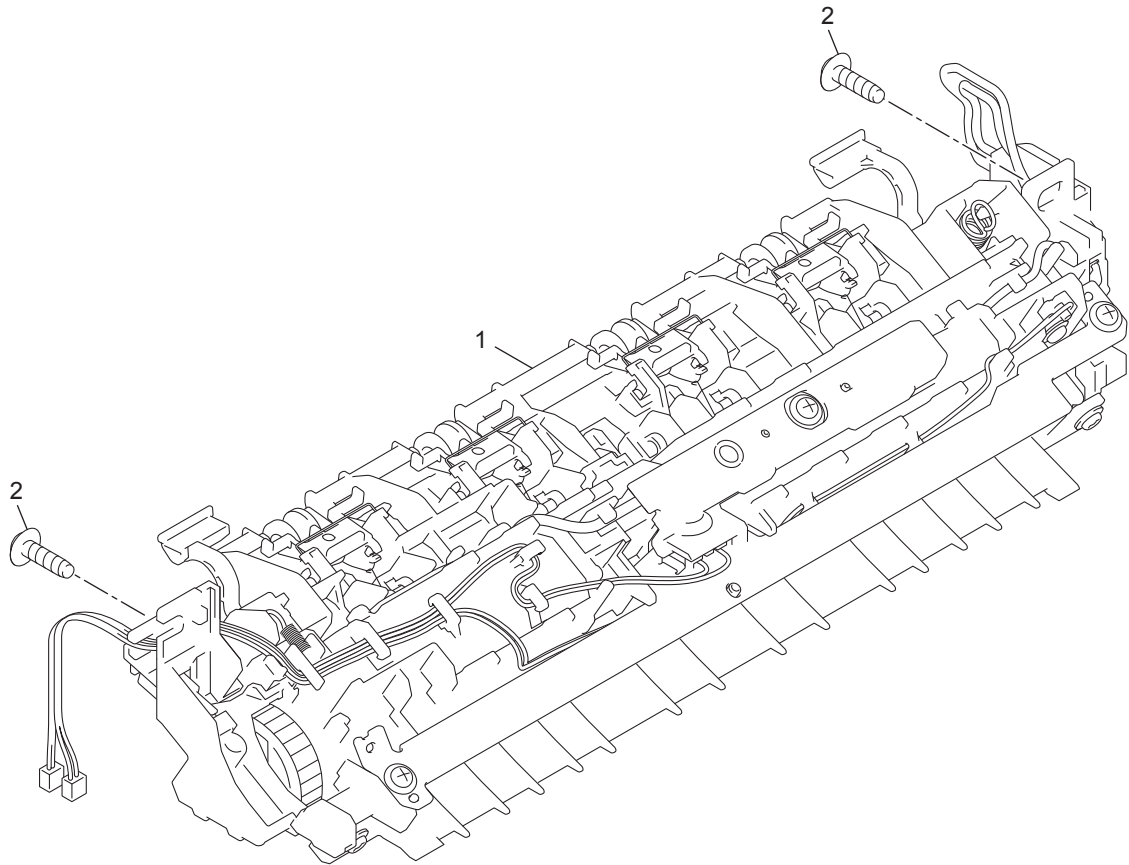
6. PAPER CASSETTE

REF No.	CODE	Q'TY	DESCRIPTION	REMARKS
1	LX5007003	1	PAPER TRAY, DCP7055/DCP7055W/MFC7360/MFC7360N/MFC7365DN FOR US/CAN/IDN/ARG/CHL/TWN/ASA/BRA/IND/MEX	
1	LX5007001	1	PAPER TRAY, DCP7060D/DCP7065DN/HL2280DW/MFC7460DN/MFC7470D/MFC7860DW FOR US/CAN/PHL/TWN/ARG/CHL/ASA/BRA/IND	
1	LX5199001	1	PAPER TRAY, DCP7060D/DCP7065DN/DCP7070DW/MFC7460DN/MFC7470D/MFC7860DN/ MFC7860DW EXCEPT FOR US/CAN/PHL/TWN/ASA/ARG/CHL/BRA/IND	
1	LX5199003	1	PAPER TRAY, DCP7055/DCP7055W/DCP7055WR/DCP7057/DCP7057E/DCP7057WR/MFC7360/ MFC7360N EXCEPT FOR US/CAN/IDN/ARG/CHL/TWN/ASA/BRA/IND/MEX	
1	LX5199004	1	PAPER TRAY, MFC7362N	
1-1	LR0252001	1	GEAR Z19M10	
1-2	LY2202001	1	LIFT GEAR 46	
1-3	LY2207001	1	SEPARATION PAD SPRING 2	
1-4	LY2208001	1	SEPARATION PAD ASSY	
1-5	LY2204001	1	PAPER REAR GUIDE	ADD

8C5E01/8C5E02/8C5E03/8C5E05
 8C5E06/8C5E08/8C5E17/8C5E07
 8C5E31/8C5E33/8C5E35/8C5E36
 8C5E44/8C5E45/8C5E55/8C5E67

DCP7055/7055W/7055WR/7057/7057E/7057WR
 7060D/7065DN/7070DW/HL2280DW
 MFC7360/7360N/7362N/7365DN/7460DN
 7470D/7860DN/7860DW

7. FUSER UNIT



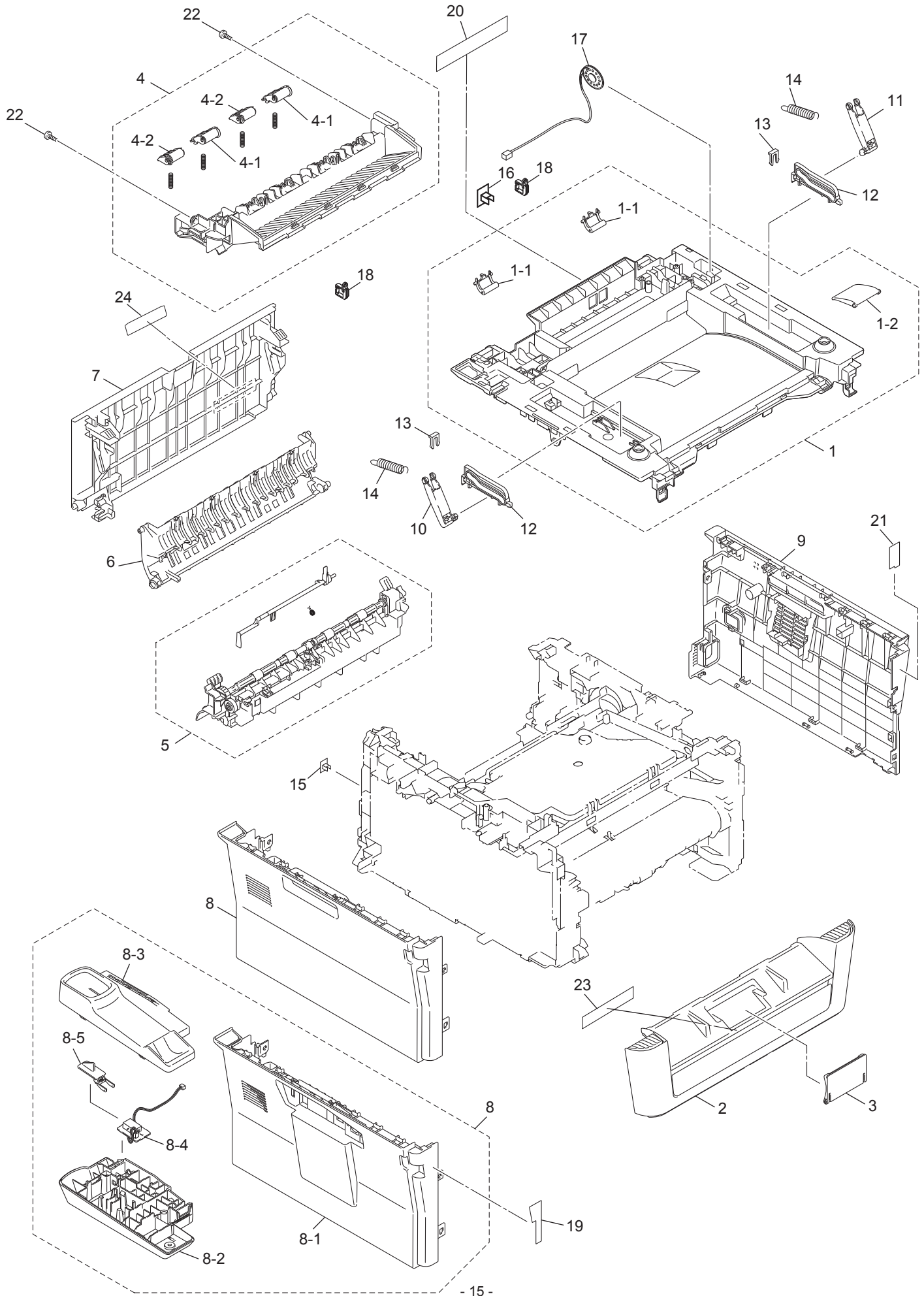
7. FUSER UNIT

REF No.	CODE	Q'TY	DESCRIPTION	REMARKS
1	LY2487001	1	FUSER UNIT 115V (SP)	
1	LY3454001	1	FUSER UNIT 230V (SP) FOR CHN	
1	LY3704001	1	FUSER UNIT 230V (SP) EXCEPT FOR CHN	CHG
2	LJ0395001	2	TAPTITE PAN B M4X14	

8C5E01/8C5E02/8C5E03/8C5E05
 8C5E06/8C5E08/8C5E17/8C5E07
 8C5E31/8C5E33/8C5E35/8C5E36
 8C5E44/8C5E45/8C5E55/8C5E67

DCP7055/7055W/7055WR/7057/7057E/7057WR
 7060D/7065DN/7070DW/HL2280DW
 MFC7360/7360N/7362N/7365DN/7460DN
 7470D/7860DN/7860DW

8. COVERS & LABELS



8. COVERS & LABELS

REF No.	CODE	Q'TY	DESCRIPTION	REMARKS
1	LX5081003	1	JOINT COVER ASSY, DCP7055/DCP7055W/DCP7055WR	
1	LX5081004	1	JOINT COVER ASSY, DCP7057/DCP7057E/DCP7057WR	
1	LX5081001	1	JOINT COVER ASSY, DCP7060D	
1	LX5081002	1	JOINT COVER ASSY, DCP7065DN/DCP7070DW/HL2280DW	
1	LX5368003	1	JOINT COVER ASSY, MFC7360 FOR CHN	
1	LX5043003	1	JOINT COVER ASSY, MFC7360N/MFC7360N/MFC7365DN EXCEPT FOR CHN	
1	LX5043004	1	JOINT COVER ASSY, MFC7362N	
1	LX5043001	1	JOINT COVER ASSY, MFC7460DN	
1	LX5368001	1	JOINT COVER ASSY, MFC7470D	
1	LX5368002	1	JOINT COVER ASSY, MFC7860DN FOR CHN	
1	LX5043002	1	JOINT COVER ASSY, MFC7860DN/MFC7860DW EXCEPT FOR CHN	
1-1	LY3026001	2	PAPER STACK LEVER	
1-2	LY2266003	1	SUPPORT FLAP 2, DCP7055/DCP7055W/DCP7055WR	
1-2	LY2266001	1	SUPPORT FLAP 2, DCP7057/DCP7057E/DCP7057WR/DCP7060D/MFC7460DN/MFC7470D	
1-2	LY2266002	1	SUPPORT FLAP 2, DCP7065DN/DCP7070DW/HL2280DW/MFC7362N/MFC7860DN/ MFC7860DW	
1-2	LY2266004	1	SUPPORT FLAP 2, MFC7360/MFC7360N/MFC7365DN	
2	LX5050004	1	FRONT COVER ASSY, MFC7362N	
2	LX5828001	1	FRONT COVER ASSY, DCP7055 FOR CHN	
2	LX5830005	1	FRONT COVER ASSY, DCP7057 FOR CHN	
2	LX5830001	1	FRONT COVER ASSY, DCP7060D/MFC7470D FOR CHN	
2	LX5830003	1	FRONT COVER ASSY, MFC7360 FOR CHN	
2	LX5832001	1	FRONT COVER ASSY, MFC7860DN FOR CHN	
2	LX5904002	1	FRONT COVER ASSY, DCP7065DN FOR PHL/GUL/IND	
2	LX5955001	1	FRONT COVER ASSY, DCP7055 FOR IDN/IRN/ASA/GUL/IND	
2	LX5904001	1	FRONT COVER ASSY, DCP7060D/MFC7470D FOR PHL/ASA/GUL/KOR/IND	
2	LX5904003	1	FRONT COVER ASSY, MFC7360 FOR IDN/IRN/ASA/GUL/KOR/IND	
2	LEA029001	1	FRONT COVER ASSY, MFC7860DN FOR KOR, MFC7860DW FOR PHL/ASA/GUL/IND	
2	LX5906001	1	FRONT COVER ASSY, DCP7055/DCP7055WR FOR RUS	
2	LX5908001	1	FRONT COVER ASSY, DCP7057/DCP7057WR FOR RUS	
2	LX5910001	1	FRONT COVER ASSY, DCP7060D FOR RUS	
2	LX5910002	1	FRONT COVER ASSY, DCP7065DN FOR RUS	
2	LX5910003	1	FRONT COVER ASSY, MFC7360N FOR RUS	
2	LX5912001	1	FRONT COVER ASSY, DCP7070DW/MFC7860DW FOR RUS	
2	LX5078001	1	FRONT COVER ASSY, DCP7070DW/HL2280DW/MFC7860DW EXCEPT FOR PHL/ASA/GUL/RUS	
2	LX5083001	1	FRONT COVER ASSY, DCP7055/DCP7055W EXCEPT FOR CHN/ASA/RUS	
2	LX5824001	1	FRONT COVER ASSY, DCP7057/DCP7057E EXCEPT FOR CHN/RUS	
2	LX5050001	1	FRONT COVER ASSY, DCP7060D/MFC7460DN EXCEPT FOR CHN/ASA/IND/RUS	
2	LX5050002	1	FRONT COVER ASSY, DCP7065DN EXCEPT FOR PHL/GUL/IND/RUS	
2	LX5050003	1	FRONT COVER ASSY, MFC7360 FOR TWN, MFC7360N/MFC7365DN EXCEPT FOR RUS	
3	LX5055003	1	SUPPORT FLAP 1, DCP7055/DCP7055W/DCP7055WR	
3	LX5055001	1	SUPPORT FLAP 1, DCP7057/DCP7057E/DCP7057WR/DCP7060D/MFC7460DN/MFC7470D	
3	LX5055002	1	SUPPORT FLAP 1, DCP7065DN/DCP7070DW/HL2280DW/MFC7362N/MFC7860DN/MFC7860DW	
3	LX5055004	1	SUPPORT FLAP 1, MFC7360/MFC7360N/MFC7365DN	
4	LY2275003	1	INNER CHUTE ASSY, DCP7055/DCP7055W/DCP7055WR	
4	LY2275001	1	INNER CHUTE ASSY, DCP7057/DCP7057E/DCP7057WR/DCP7060D/MFC7460DN/MFC7470D	
4	LY2275002	1	INNER CHUTE ASSY, DCP7065DN/DCP7070DW/HL2280DW/MFC7360/MFC7360N/MFC7362N/ MFC7365DN/MFC7860DN/MFC7860DW	
4-1	LU2234001	2	EJECT PICH ROLLER R ASSY	
4-2	LU2237001	2	EJECT PICH ROLLER L ASSY	
5	LY2317001	1	FUSER COVER	
6	LY2285001	1	OUTER CHUTE ASSY	
7	LX5318003	1	BACK COVER, DCP7055/DCP7055W/DCP7055WR/DCP7057/DCP7057E/DCP7057WR/MFC7360/MFC7360N	
7	LX5163001	1	BACK COVER, DCP7060D/DCP7065DN/DCP7070DW/HL2280DW/MFC7460DN/MFC7470D/MFC7860DN/ MFC7860DW	
7	LX5318004	1	BACK COVER, MFC7362N	
7	LX5163003	1	BACK COVER, MFC7365DN	
8	LX5058003	1	SIDE COVER L, DCP7055/DCP7055WR FOR CHN/ASA/GUL/RUS, DCP7057 FOR CHN, MFC7360/MFC7360N FOR US/TWN/IDN/ASA/GUL/KOR	
8	LEJ414003	1	SIDE COVER L, DCP7055 EXCEPT FOR CHN/ASA/GUL/RUS, DCP7057 EXCEPT FOR CHN, DCP7055W/DCP7057E/DCP7057WR/MFC7365DN FOR ALL COUNTRIES, MFC7360 FOR IRN/IND, MFC7360N EXCEPT FOR US	ADD
8	LX5058001	1	SIDE COVER L, DCP7060D/DCP7065DN/MFC7460DN FOR CHN/TWN/ASA/GUL, MFC7860DN/MFC7860DW FOR US/TWN/ASA/GUL/KOR	
8	LEJ414001	1	SIDE COVER L, DCP7060D/DCP7065DN/MFC7460DN EXCEPT FOR CHN/TWN/ASA/GUL, DCP7070DW/HL2280DW FOR ALL COUNTRIES, MFC7860DW EXCEPT FOR US/TWN/ASA/GUL DCP7055/7055W/7055WR/7057/7057E/7057WR 7060D/7065DN/7070DW/HL2280DW MFC7360/7360N/7362N/7365DN/7460DN 7470D/7860DN/7860DW	ADD

8C5E01/8C5E02/8C5E03/8C5E05
8C5E06/8C5E08/8C5E17/8C5E07
8C5E31/8C5E33/8C5E35/8C5E36
8C5E44/8C5E45/8C5E55/8C5E67

7060D/7065DN/7070DW/HL2280DW
MFC7360/7360N/7362N/7365DN/7460DN
7470D/7860DN/7860DW

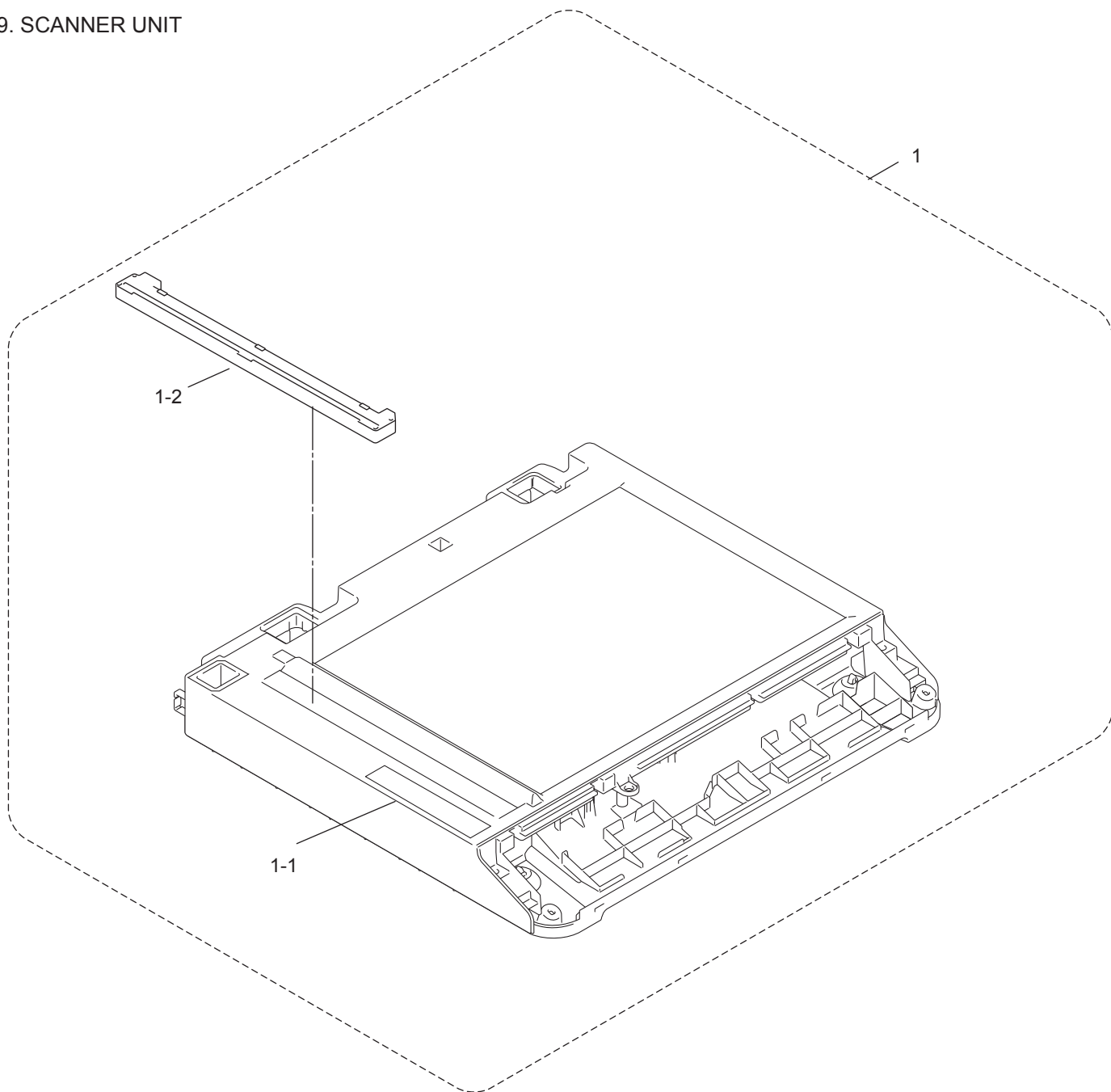
8. COVERS & LABELS

REF No.	CODE	Q'TY	DESCRIPTION	REMARKS
8	LEJ414004	1	SIDE COVER L, MFC7362N	CHG
8	LX5294003	1	SIDE COVER L ASSY, MFC7360 FOR CHN	
8	LX5294001	1	SIDE COVER L ASSY, MFC7470D FOR ALL COUNTRIES, MFC7860DN FOR CHN	
8-1	LX5295003	1	SIDE COVER L, MFC7360 FOR CHN	
8-1	LX5295001	1	SIDE COVER L, MFC7470D FOR ALL COUNTRIES, MFC7860DN FOR CHN	
8-2	LX5296003	1	LOWER HANDSET COVER, MFC7360 FOR CHN	
8-2	LX5296001	1	LOWER HANDSET COVER, MFC7470D FOR ALL COUNTRIES, MFC7860DN FOR CHN	
8-3	LX5297003	1	UPPER HANDSET COVER, MFC7360 FOR CHN	
8-3	LX5297001	1	UPPER HANDSET COVER, MFC7470D FOR ALL COUNTRIES, MFC7860DN FOR CHN	
8-4	LT1764001	1	HOOK SWITCH PCB ASSY, MFC7360/MFC7860DN FOR CHN, MFC7470D FOR ALL COUNTRIES	
8-5	LS0018008	1	ACTUATOR HOOK PL, MFC7360/MFC7860DN FOR CHN, MFC7470D FOR ALL COUNTRIES	
9	LX5059003	1	SIDE COVER R, DCP7055/DCP7055W/DCP7055WR/DCP7057/DCP7057E/DCP7057WR/ MFC7360/MFC7360N/MFC7365DN	
9	LX5059001	1	SIDE COVER R, DCP7060D/DCP7065DN/DCP7070DW/HL2280DW/MFC7460DN/MFC7470D/ MFC7860DN/MFC7860DW	
9	LX5059004	1	SIDE COVER R, MFC7362N	
10	LF6145001	1	PULL ARM L	
11	LF6146001	1	PULL ARM R	
12	LS0340001	2	PULL ARM GUIDE	
13	LF6148001	2	LOCK CLAW	
14	LX4020001	2	PULL ARM SPRING	
15	LY0872001	1	LAN PORT CAP, DCP7065DN/DCP7070DW/HL2280DW/ MFC7360N/MFC7362N/MFC7365DN/MFC7460DN/MFC7860DN/MFC7860DW	
16	LE8842001	1	EXT CAP, MFC7360 FOR CHN/TWN/IDN/IRN/ASA/GUL/KOR/IND MFC7360N/MFC7362N/MFC7365DN/MFC7460DN FOR US/CAN/NLD/CHE/CHN/TWN/ARG/CHL/POL/BRA/RUS/ARL/NZ/PND/IBR/CEE, MFC7470D FOR PHL/ASA/GULF/KOR, MFC7860DN FOR CHN/KOR, MFC7860DW FOR US/CAN/CHE/PHL/TWN/CHL/POL/ASA/GUL/BRA/IND/RUS/ARL/NZ/PND/IBR	
16	UF5745000	1	MJ COVER EXT, MFC7360 FOR CHN, MFC7360N/MFC7460DN FOR GER/UK/FRA/BEL/ITA, MFC7470D FOR CHN, MFC7860DN FOR CHN, MFC7860DW FOR GER/UK/FRA/BEL/NLD/ITA	
17	LT1535001	1	SPEAKER UNIT, MFC7360/MFC7360N/MFC7362N/MFC7365DN/MFC7460DN/MFC7470D/MFC7860DN/ MFC7860DW	
18	LF6745001	2	CORD HOOK, MFC7360/MFC7360N/MFC7362N/MFC7365DN	
18	LF6745002	2	CORD HOOK, MFC7460DN/MFC7470D/MFC7860DN/MFC7860DW	
19	LX5098001	1	PROCESS UNIT OP LABEL	
20	LY2439001	1	LABEL H CAUTION REAR 13x95	
21	LX5958001	1	JAM REMOVE LABEL FOR CHN	
21	LX5260001	1	JAM REMOVE LABEL EXCEPT FOR CHN	
22	LU5693001	2	TAPTITE BIND B M4x12	
23	LX5412001	1	DR/TN MODEL LABEL, DCP7060D/DCP7065DN/HL2280DW/MFC7360/MFC7360N/MFC7365DN/MFC7460DN/ MFC7860DW FOR US/CAN/ARG/CHL/BRA	add
23	LX5957001	1	DR/TN MODEL LABEL, DCP7055/DCP7055W FOR ARG/CHL/BRA/MEX	
24	LU9003001	1	LABEL AC CORD CAUTION FOR CHN	add

8C5E01/8C5E02/8C5E03/8C5E05
8C5E06/8C5E08/8C5E17/8C5E07
8C5E31/8C5E33/8C5E35/8C5E36
8C5E44/8C5E45/8C5E55/8C5E67

DCP7055/7055W/7055WR/7057/7057E/7057WR
7060D/7065DN/7070DW/HL2280DW
MFC7360/7360N/7362N/7365DN/7460DN
7470D/7860DN/7860DW

9. SCANNER UNIT



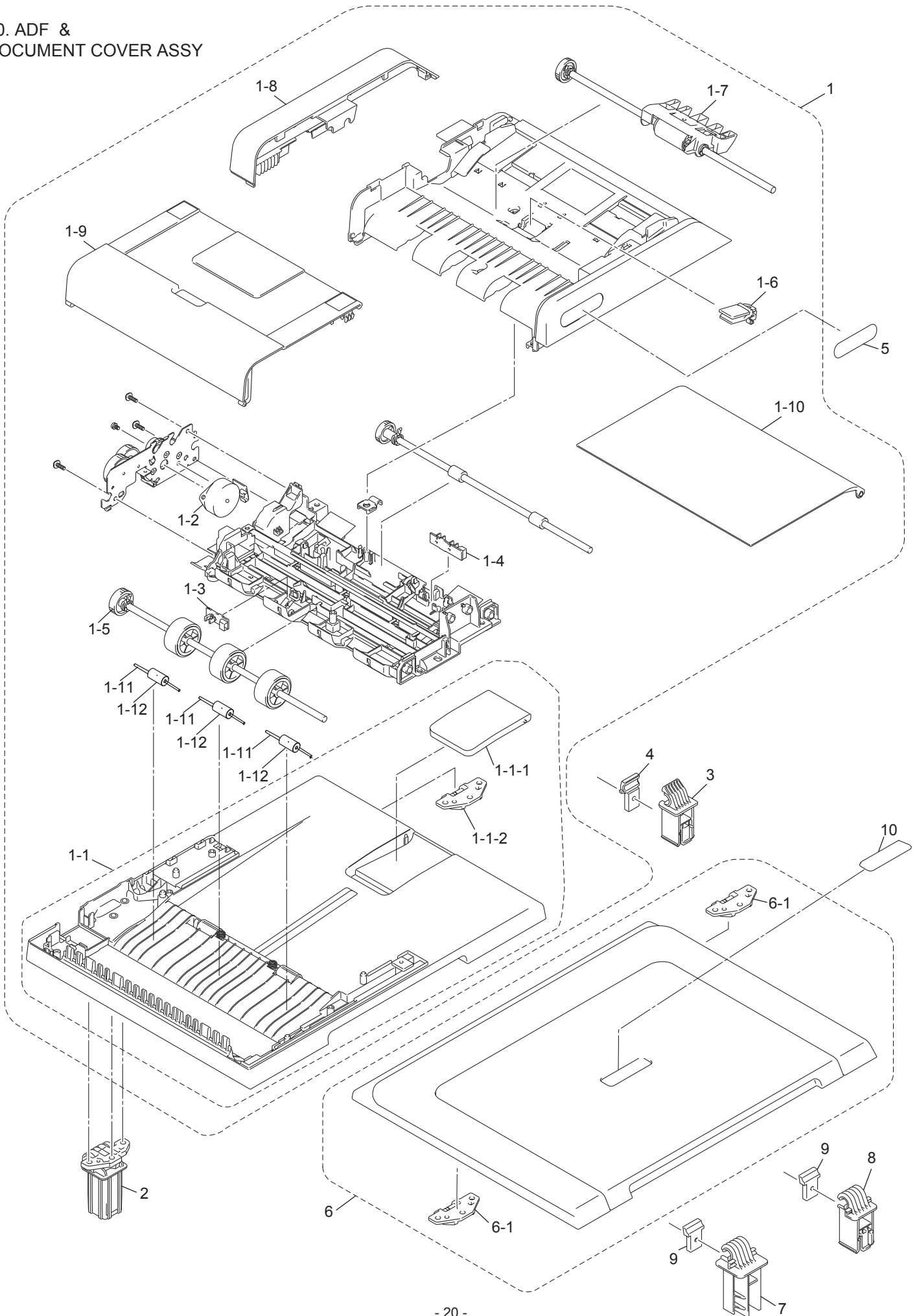
9. SCANNER UNIT

REF No.	CODE	Q'TY	DESCRIPTION	REMARKS
1	LEA214001	1	DOCUMENT SCANNER UNIT (SP), DCP7060D/DCP7070DW/HL2280DW EXCEPT FOR CHN	add
1	LX5893004	1	DOCUMENT SCANNER UNIT (SP), MFC7362N	
1	LEA301003	1	DOCUMENT SCANNER UNIT (SP), DCP7055/DCP7057 FOR CHN	
1	LEA301001	1	DOCUMENT SCANNER UNIT (SP), DCP7060D FOR CHN	
1	LEA287003	1	DOCUMENT SCANNER UNIT (SP), MFC7360 FOR CHN	
1	LEA287001	1	DOCUMENT SCANNER UNIT (SP), MFC7470D/MFC7860DN FOR CHN	
1	LEA214003	1	DOCUMENT SCANNER UNIT (SP), DCP7055/DCP7055W/DCP7055WR/DCP7057/DCP7057E/DCP7057WR EXCEPT FOR CHN	add
1	LX5893001	1	DOCUMENT SCANNER UNIT (SP), DCP7060D /DCP7065DN/MFC7460DN/MFC7470D/MFC7860DN/MFC7860DW EXCEPT FOR CHN	
1	LX5893003	1	DOCUMENT SCANNER UNIT (SP), DCP7055 /MFC7360/MFC7360N/MFC7365DN EXCEPT FOR CHN	
1-1	LX5186001	1	ADF CLEAN UP LABEL, DCP7065DN/MFC7360/MFC7360N/MFC7362N/MFC7365DN/ MFC7460DN/MFC7470D/MFC7860DN/MFC7860DW	
1-2	LT1353001	1	CIS UNIT	ADD

8C5E01/8C5E02/8C5E03/8C5E05
8C5E06/8C5E08/8C5E17/8C5E07
8C5E31/8C5E33/8C5E35/8C5E36
8C5E44/8C5E45/8C5E55/8C5E67

DCP7055/7055W/7055WR/7057/7057E/7057WR
7060D/7065DN/7070DW/HL2280DW
MFC7360/7360N/7362N/7365DN/7460DN
7470D/7860DN/7860DW

10. ADF &
DOCUMENT COVER ASSY



10. ADF & DOCUMENT COVER ASSY

REF No.	CODE	Q'TY	DESCRIPTION	REMARKS
1	LX5888002	1	ADF UNIT (SP), DCP7065DN/MFC7860DN/MFC7860DW	
1	LX5888003	1	ADF UNIT (SP), MFC7360/MFC7360N/MFC7365DN	
1	LX5888004	1	ADF UNIT (SP), MFC7362N	
1	LX5888001	1	ADF UNIT (SP), MFC7460DN/MFC7470D	
1-1	LX5039001	1	DOCUMENT COVER ASSY, DCP7065DN/MFC7460DN/MFC7470D/MFC7860DN/MFC7860DW	
1-1	LX5039003	1	DOCUMENT COVER ASSY, MFC7360/MFC7360N/MFC7365DN	
1-1	LX5039004	1	DOCUMENT COVER ASSY, MFC7362N	
1-1-1	LX4184002	1	DOCUMENT STOPPER, DCP7065DN/MFC7460DN/MFC7470D/MFC7860DN/MFC7860DW	
1-1-1	LX4184003	1	DOCUMENT STOPPER, MFC7360/MFC7360N/MFC7365DN	
1-1-1	LX4184004	1	DOCUMENT STOPPER, MFC7362N	
1-1-2	LS8141002	1	HINGE ARM R, DCP7065DN/MFC7460DN/MFC7470D/MFC7860DN/MFC7860DW	
1-1-2	LS8141003	1	HINGE ARM R, MFC7360/MFC7360N/MFC7365DN	
1-1-2	LS8141004	1	HINGE ARM R, MFC7362N	
1-2	LX5307001	1	ADF MOTOR, DCP7065DN/MFC7360/MFC7360N/MFC7362N/MFC7365DN/ MFC7460DN/MFC7470D/MFC7860DN/MFC7860DW	
1-3	LG6753001	1	DOCUMENT SCANNING POSITION DETECTION SENSOR PCB ASSY, DCP7065DN/MFC7360/MFC7360N/MFC7362N/MFC7365DN/ MFC7460DN/MFC7470D/MFC7860DN/MFC7860DW	
1-4	LT1120001	1	DOCUMENT DETECTION / ADF COVER OPEN SENSOR PCB ASSY, DCP7065DN/MFC7360/MFC7360N/MFC7362N/MFC7365DN/ MFC7460DN/MFC7470D/MFC7860DN/MFC7860DW	
1-5	LX5479001	1	DOCUMENT FEED ROLLER ASSY, DCP7065DN/MFC7360/MFC7360N/MFC7362N/MFC7365DN/ MFC7460DN/MFC7470D/MFC7860DN/MFC7860DW	
1-6	LX5962001	1	SEPARATION RUBBER HOLDER ASSY, DCP7065DN/MFC7360/MFC7360N/MFC7362N/MFC7365DN/ MFC7460DN/MFC7470D/MFC7860DN/MFC7860DW	
1-7	LX5256001	1	SEPARATION ROLLER ASSY, DCP7065DN/MFC7360/MFC7362N/ MFC7365DN/MFC7460DN/MFC7470D/MFC7860DN/MFC7860DW	
1-8	LX5041001	1	GEAR COVER, DCP7065DN/MFC7460DN/MFC7470D/MFC7860DN/MFC7860DW	
1-8	LX5041003	1	GEAR COVER, MFC7360/MFC7360N/MFC7365DN	
1-8	LX5041004	1	GEAR COVER, MFC7362N	
1-9	LX5042001	1	ADF COVER ASSY, DCP7065DN/MFC7460DN/MFC7470D/MFC7860DN/MFC7860DW	
1-9	LX5042003	1	ADF COVER ASSY, MFC7360/MFC7360N/MFC7365DN	
1-9	LX5042004	1	ADF COVER ASSY, MFC7362N	
1-10	LX5371005	1	DOCUMENT SUB TRAY, DCP7065DN/MFC7860DN/MFC7860DW	
1-10	LX5371003	1	DOCUMENT SUB TRAY, MFC7360/MFC7360N/MFC7365DN	
1-10	LX5371004	1	DOCUMENT SUB TRAY, MFC7362N	
1-10	LX5371002	1	DOCUMENT SUB TRAY, MFC7460DN/MFC7470D	
1-11	LX4127001	3	LF2 SPRING SHAFT, DCP7065DN/MFC7360/MFC7360N/MFC7362N/MFC7365DN/ MFC7460DN/MFC7470D/MFC7860DN/MFC7860DW	ADD
1-12	LS4567002	3	LF2 PINCH ROLLER, DCP7065DN/MFC7360/MFC7360N/MFC7362N/MFC7365DN/ MFC7460DN/MFC7470D/MFC7860DN/MFC7860DW	ADD
2	LX5255001	1	HINGE ASSY L, DCP7065DN/MFC7460DN/MFC7470D/MFC7860DN/MFC7860DW	
2	LX5255003	1	HINGE ASSY L, MFC7360/MFC7360N/MFC7362N/MFC7365DN	
3	LX5180001	1	HINGE R, DCP7065DN/MFC7460DN/MFC7470D/MFC7860DN/MFC7860DW	
3	LX5180003	1	HINGE R, MFC7360/MFC7360N/MFC7365DN	
3	LX5180004	1	HINGE R, MFC7362N	
4	LS8155002	1	HINGE R SUPPORT, DCP7065DN/MFC7460DN/MFC7470D/MFC7860DN/MFC7860DW	
4	LS8155003	1	HINGE R SUPPORT, MFC7360/MFC7360N/MFC7365DN	
4	LS8155004	1	HINGE R SUPPORT, MFC7362N	
5	LX5211001	1	ADF EMBLEM, DCP7065DN FOR US/CAN/ARG/CHL/BRA	
5	LX4202003	1	ADF EMBLEM, MFC7360N/MFC7365DN FOR US/CAN/ARG/BRA	
5	LX4202002	1	ADF EMBLEM, MFC7460DN/MFC7860DW FOR US/CAN/ARG/CHL/BRA	
5	LX4197002	1	ADF EMBLEM, DCP7065DN EXCEPT FOR US/CAN/ARG/CHL/BRA	
5	LX4196003	1	ADF EMBLEM, MFC7360/MFC7360N EXCEPT FOR US/CAN/ARG	
5	LX4196002	1	ADF EMBLEM, MFC7460DN/MFC7470D/MFC7860DN/MFC7860DW EXCEPT FOR US/CAN/ARG/CHL/BRA	
5	LX4196004	1	ADF EMBLEM, MFC7362N	
6	LX5938003	1	DOCUMENT COVER ASSY (SP), DCP7055/DCP7055W/DCP7055WR/DCP7057/ DCP7057E/DCP7057WR	
6	LX5938001	1	DOCUMENT COVER ASSY (SP), DCP7060D	
6	LEA215001	1	DOCUMENT COVER ASSY (SP), DCP7070DW	
6	LX5939001	1	DOCUMENT COVER ASSY (SP), HL2280DW	

8C5E01/8C5E02/8C5E03/8C5E05
8C5E06/8C5E08/8C5E17/8C5E07
8C5E31/8C5E33/8C5E35/8C5E36
8C5E44/8C5E45/8C5E55/8C5E67

DCP7055/7055W/7055WR/7057/7057E/7057WR
7060D/7065DN/7070DW/HL2280DW
MFC7360/7360N/7362N/7365DN/7460DN
7470D/7860DN/7860DW

10. ADF & DOCUMENT COVER ASSY

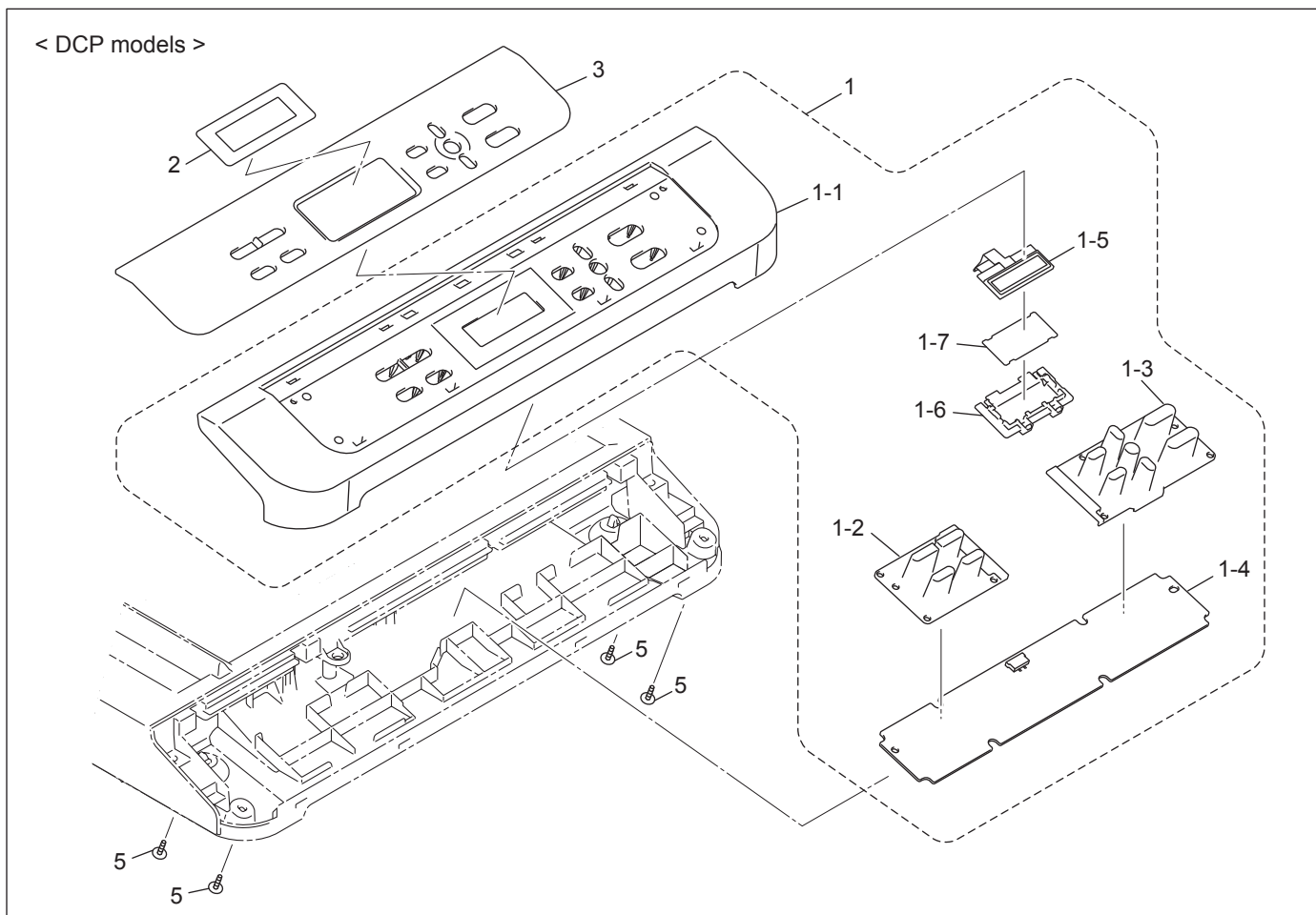
REF No.	CODE	Q'TY	DESCRIPTION	REMARKS
6-1	LX5183003	2	HINGE ARM, DCP7055/DCP7055W/DCP7055WR/DCP7057/DCP7057E/DCP7057WR	
6-1	LX5183001	2	HINGE ARM, DCP7060D/DCP7070DW/HL2280DW	
7	LX5089003	1	HINGE L, DCP7055/DCP7055W/DCP7055WR/DCP7057/DCP7057E/DCP7057WR	
7	LX5089001	1	HINGE L, DCP7060D/DCP7070DW/HL2280DW	
8	LX5182003	1	HINGE R, DCP7055/DCP7055W/DCP7055WR/DCP7057/DCP7057E/DCP7057WR	
8	LX5182001	1	HINGE R, DCP7060D/DCP7070DW/HL2280DW	
9	LS1690003	2	HINGE L SUPPORT, DCP7055/DCP7055W/DCP7055WR/DCP7057/DCP7057E/DCP7057WR	
9	LS1690002	2	HINGE L SUPPORT, DCP7060D/DCP7070DW/HL2280DW	
10	LX5259003	1	FB EMBLEM, DCP7055/DCP7055W FOR ARG/CHL/BRA/MEX	
10	LX5135003	1	FB EMBLEM, DCP7055/DCP7055W EXCEPT FOR ARG/CHL/BRA/MEX, DCP7055WR/DCP7057/DCP7057E/DCP7057WR	add
10	LX5259001	1	FB EMBLEM, DCP7060D FOR US/CAN	add
10	LX5135001	1	FB EMBLEM, DCP7060D EXCEPT FOR US/CAN	add

8C5E01/8C5E02/8C5E03/8C5E05
 8C5E06/8C5E08/8C5E17/8C5E07
 8C5E31/8C5E33/8C5E35/8C5E36
 8C5E44/8C5E45/8C5E55/8C5E67

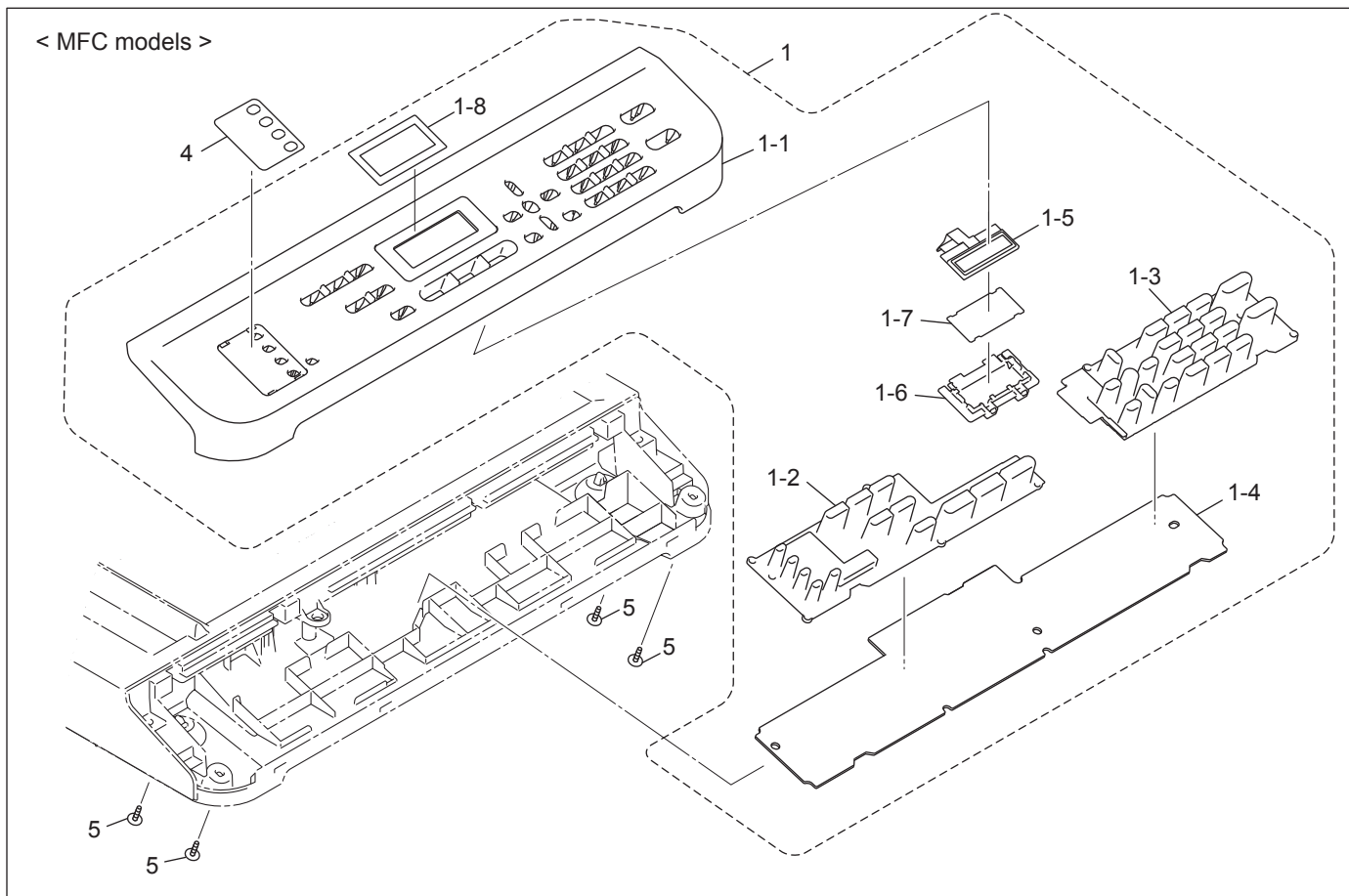
DCP7055/7055W/7055WR/7057/7057E/7057WR
 7060D/7065DN/7070DW/HL2280DW
 MFC7360/7360N/7362N/7365DN/7460DN
 7470D/7860DN/7860DW

11. PANEL

< DCP models >



< MFC models >



11.PANEL

REF No.	CODE	Q'TY	DESCRIPTION	REMARKS
1	LX5261005	1	PANEL UNIT, DCP7057 FOR CHN	
1	LX5137002	1	PANEL UNIT, DCP7057/DCP7057E/DCP7057WR EXCEPT FOR CHN	
1	LX5149001	1	PANEL UNIT, DCP7065DN	
1	LX5149002	1	PANEL UNIT, DCP7070DW/HL2280DW	
1	LX5864005	1	PANEL UNIT, MFC7362N	CHG
1	LX5313003	1	PANEL UNIT, MFC7360N FOR US/CAN/ARL/NZ	
1	LEJ377001	1	PANEL UNIT, MFC7365DN	
1	LX5155001	1	PANEL UNIT, MFC7460DN FOR US/CAN/ARL/NZ	
1	LX5165001	1	PANEL UNIT, MFC7860DW FOR US/CAN/PHL/ASA/IND/ARL/NZ	
1	LX5494001	1	PANEL UNIT, MFC7360N FOR GER	
1	LX5503001	1	PANEL UNIT, MFC7460DN FOR GER	
1	LX5689001	1	PANEL UNIT, MFC7860DW FOR GER	
1	LX5365001	1	PANEL UNIT, MFC7360N FOR UK/BEL/CHE/CEE	
1	LX5201001	1	PANEL UNIT, MFC7460DN FOR UK/BEL/CHE/CEE	
1	LX5203001	1	PANEL UNIT, MFC7860DW FOR UK/BEL/NLD/CHE/GUL	
1	LX5508001	1	PANEL UNIT, MFC7360N FOR FRA	
1	LX5517001	1	PANEL UNIT, MFC7460DN FOR FRA	
1	LX5696001	1	PANEL UNIT, MFC7860DW FOR FRA	
1	LX5522001	1	PANEL UNIT, MFC7360N FOR NLD	
1	LX5528001	1	PANEL UNIT, MFC7460DN FOR NLD	
1	LX5469001	1	PANEL UNIT, MFC7360N FOR ITA	
1	LX5472001	1	PANEL UNIT, MFC7460DN FOR ITA	
1	LX5701001	1	PANEL UNIT, MFC7860DW FOR ITA	
1	LX5261003	1	PANEL UNIT, DCP7055 FOR CHN	
1	LX5261001	1	PANEL UNIT, DCP7060D FOR CHN	
1	LX5270001	1	PANEL UNIT, MFC7360 FOR CHN	
1	LX5273001	1	PANEL UNIT, MFC7470D FOR CHN	
1	LX5283001	1	PANEL UNIT, MFC7860DN FOR CHN	
1	LEA223003	1	PANEL UNIT, MFC7360 FOR TWN	
1	LEA227001	1	PANEL UNIT, MFC7460DN FOR TWN	
1	LEA230001	1	PANEL UNIT, MFC7860DW FOR TWN	
1	LX5972003	1	PANEL UNIT, MFC7360N FOR ARG	
1	LX5995001	1	PANEL UNIT, MFC7460DN FOR ARG/CHL	
1	LEA157001	1	PANEL UNIT, MFC7860DW FOR CHL	
1	LX5977001	1	PANEL UNIT, MFC7360N FOR POL	
1	LEA005001	1	PANEL UNIT, MFC7460DN FOR POL	
1	LEA158001	1	PANEL UNIT, MFC7860DW FOR POL	
1	LX5100003	1	PANEL UNIT, MFC7360 FOR IDN/ASA/IND	
1	LX5277001	1	PANEL UNIT, MFC7470D FOR PHL/ASA	
1	LEA252001	1	PANEL UNIT, MFC7470D FOR GUL	
1	LEA128003	1	PANEL UNIT, MFC7360 FOR KOR	
1	LEA312001	1	PANEL UNIT, MFC7470D FOR KOR	
1	LX5285001	1	PANEL UNIT, MFC7860DN FOR KOR	
1	LX5267003	1	PANEL UNIT, MFC7360 FOR IRN/GUL	
1	LEA148003	1	PANEL UNIT, MFC7360N FOR BRA	
1	LEA153001	1	PANEL UNIT, MFC7460DN FOR BRA	
1	LEA231001	1	PANEL UNIT, MFC7860DW FOR BRA	
1	LX5982001	1	PANEL UNIT, MFC7360N FOR RUS	
1	LEA164001	1	PANEL UNIT, MFC7860DW FOR RUS	
1	LX5722001	1	PANEL UNIT, MFC7360N FOR PND	
1	LX5711001	1	PANEL UNIT, MFC7460DN FOR PND	
1	LX5881001	1	PANEL UNIT, MFC7860DW FOR PND	
1	LX5482001	1	PANEL UNIT, MFC7360N FOR IBR	
1	LX5489001	1	PANEL UNIT, MFC7460DN FOR IBR	
1	LX5704001	1	PANEL UNIT, MFC7860DW FOR IBR	
1	LX5137003	1	PANEL UNIT, DCP7055/DCP7055W/DCP7055WR EXCEPT FOR CHN	
1	LX5137001	1	PANEL UNIT, DCP7060D EXCEPT FOR CHN	
1-1	LX5204003		PANEL COVER SUB ASSY, DCP7055/DCP7055W/DCP7055WR/DCP7057/DCP7057E/DCP7057WR	
1-1	LX5204001	1	PANEL COVER SUB ASSY, DCP7060D/DCP7065DN/DCP7070DW/HL2280DW	
1-1	LX5205001	1	PANEL COVER SUB ASSY, MFC7362N	
1-1	LX5205003	1	PANEL COVER SUB ASSY, MFC7360 FOR IDN/ASA/IND, MFC7360N FOR US/CAN/ARL/NZ	
1-1	LX5207003	1	PANEL COVER SUB ASSY, MFC7365DN	
1-1	LX5207001	1	PANEL COVER SUB ASSY, MFC7460DN/MFC7860DW FOR US/CAN/PHL/ASA/IND/ARL/NZ	
1-1	LX5495003	1	PANEL COVER SUB ASSY, MFC7360N FOR GER	
1-1	LX5504001	1	PANEL COVER SUB ASSY, MFC7460DN/MFC7860DW FOR GER	
1-1	LX5268003	1	PANEL COVER SUB ASSY, MFC7360 FOR IRN/GUL, MFC7360N FOR UK/BEL/CHE/CEE (ENGLISH)	
1-1	LX5206001	1	PANEL COVER SUB ASSY, MFC7460DN/MFC7860DW FOR UK/BEL/CHE/GUL/CEE (ENGLISH)	
1-1	LX5509003	1	PANEL COVER SUB ASSY, MFC7360N FOR FRA	
1-1	LX5518001	1	PANEL COVER SUB ASSY, MFC7460DN/MFC7860DW FOR FRA	
1-1	LX5523003	1	PANEL COVER SUB ASSY, MFC7360N FOR NLD	
1-1	LX5529001	1	PANEL COVER SUB ASSY, MFC7460DN FOR NLD	
1-1	LX5470003	1	PANEL COVER SUB ASSY, MFC7360N FOR ITA	

DCP7055/7055W/7055WR/7057/7057E/7057WR
7060D/7065DN/7070DW/HL2280DW
MFC7360/7360N/7362N/7365DN/7460DN
7470D/7860DN/7860DW

8C5E01/8C5E02/8C5E03/8C5E05
8C5E06/8C5E08/8C5E17/8C5E07
8C5E31/8C5E33/8C5E35/8C5E36
8C5E44/8C5E45/8C5E55/8C5E67

11.PANEL

REF No.	CODE	QTY	DESCRIPTION	REMARKS
1-1	LX5473001	1	PANEL COVER SUB ASSY, MFC7460DN/MFC7860DW FOR ITA	
1-1	LX5271001	1	PANEL COVER SUB ASSY, MFC7360 FOR CHN	
1-1	LX5274001	1	PANEL COVER SUB ASSY, MFC7860DN/MFC7470D FOR CHN	
1-1	LEA224003	1	PANEL COVER SUB ASSY, MFC7360 FOR TWN	
1-1	LEA228001	1	PANEL COVER SUB ASSY, MFC7460DN/MFC7860DW FOR TWN	
1-1	LX5973003	1	PANEL COVER SUB ASSY, MFC7360N FOR ARG	
1-1	LX5996001	1	PANEL COVER SUB ASSY, MFC7460DN/MFC7860DW FOR ARG/CHL	
1-1	LX5978003	1	PANEL COVER SUB ASSY, MFC7360N FOR POL	
1-1	LEA006001	1	PANEL COVER SUB ASSY, MFC7460DN/MFC7860DW FOR POL	
1-1	LEA310001	1	PANEL COVER SUB ASSY, MFC7470D FOR PHL/ASA	
1-1	LEA311001	1	PANEL COVER SUB ASSY, MFC7470D FOR GUL	
1-1	LEA149003	1	PANEL COVER SUB ASSY, MFC7360N FOR BRA	
1-1	LEA154001	1	PANEL COVER SUB ASSY, MFC7460DN/MFC7860DW FOR BRA	
1-1	LEA129003	1	PANEL COVER SUB ASSY, MFC7360 FOR KOR	
1-1	LX5286001	1	PANEL COVER SUB ASSY, MFC7470D/MFC7860DN FOR KOR	
1-1	LX5983003	1	PANEL COVER SUB ASSY, MFC7360N FOR RUS	
1-1	LEA165001	1	PANEL COVER SUB ASSY, MFC7860DW FOR RUS	
1-1	LX5723003	1	PANEL COVER SUB ASSY, MFC7360N FOR PND	
1-1	LX5712001	1	PANEL COVER SUB ASSY, MFC7460DN/MFC7860DW FOR PND	
1-1	LX5483003	1	PANEL COVER SUB ASSY, MFC7360N FOR IBR	
1-1	LX5490001	1	PANEL COVER SUB ASSY, MFC7460DN/MFC7860DW FOR IBR	
1-2	LX5139003	1	RUBBER KEY L, DCP7055/DCP7055W/DCP7055WR	
1-2	LX5139002	1	RUBBER KEY L, DCP7057/DCP7057E/DCP7057WR	
1-2	LX5139001	1	RUBBER KEY L, DCP7060D/DCP7065DN	
1-2	LX5139005	1	RUBBER KEY L, DCP7070DW/HL2280DW	
1-2	LX5102003	1	RUBBER KEY L, MFC7360/MFC7360N	
1-2	LX5102001	1	RUBBER KEY L, MFC7362N	
1-2	LX5071003	1	RUBBER KEY L, MFC7365DN	
1-2	LX5071001	1	RUBBER KEY L, MFC7460DN/MFC7470D/MFC7860DN/MFC7860DW	
1-3	LX5141002	1	RUBBER KEY R, DCP7057/DCP7057E/DCP7057WR	
1-3	LX5141001	1	RUBBER KEY R, DCP7060D/DCP7065DN	
1-3	LX5141005	1	RUBBER KEY R, DCP7070DW/HL2280DW	
1-3	LX5073003	1	RUBBER KEY R, MFC7360/MFC7360N/MFC7365DN	
1-3	LX5073004	1	RUBBER KEY R, MFC7362N	
1-3	LX5073001	1	RUBBER KEY R, MFC7460DN/MFC7470D/MFC7860DN/MFC7860DW	
1-4	LT1196001	1	PANEL PCB ASSY, DCP7065DN/DCP7070DW/HL2280DW	
1-4	LT1136001	1	PANEL PCB ASSY, MFC7860DN/MFC7860DW	
1-4	LT1396001	1	PANEL PCB ASSY, DCP7055/DCP7057/DCP7060D FOR CHN	
1-4	LT1395001	1	PANEL PCB ASSY, MFC7360/MFC7470D/MFC7860DN FOR CHN	
1-4	LT1196002	1	PANEL PCB ASSY, DCP7055/DCP7055W/DCP7055WR/DCP7057/DCP7057E/ DCP7057WR/DCP7060D EXCEPT FOR CHN	
1-4	LT1136002	1	PANEL PCB ASSY, MFC7360/MFC7360N/MFC7362N/MFC7365DN/ MFC7460DN/MFC7470D EXCEPT FOR CHN	
1-5	LT0533001	1	LCD, DCP7065DN/DCP7070DW/HL2280DW/MFC7860DN/MFC7860DW EXCEPT FOR CHN	
1-5	LT0502001	1	LCD, DCP7055/DCP7057/DCP7060D/MFC7360/MFC7470DN/MFC7860DN FOR CHN	
1-5	LT0149001	1	LCD, DCP7055/DCP7055W/DCP7055WR/DCP7057/DCP7057E/DCP7057WR/DCP7060D/ MFC7360/MFC7360N/MFC7362N/MFC7365DN/MFC7460DN/MFC7470D EXCEPT FOR CHN	
1-6	LX5262001	1	BACK LIGHT GUIDE FOR CHN	
1-6	LX5161001	1	BACK LIGHT GUIDE EXCEPT FOR CHN	
1-7	LS7210001	1	DIFFUSION FILM, DCP7055/DCP7057/DCP7060D/MFC7360/MFC7470D FOR CHN, DCP7065DN/DCP7070DW/HL2280DW/MFC7860DN/MFC7860DW FOR ALL COUNTRIES	
1-8	LX5103001	1	LCD SHEET PRINTED, MFC7360	
1-8	LX5985001	1	LCD SHEET PRINTED, MFC7360N FOR RUS	
1-8	LX5279001	1	LCD SHEET PRINTED, MFC7360N EXCEPT FOR RUS	
1-8	LX5865001	1	LCD SHEET PRINTED, MFC7362N	
1-8	LEJ367001	1	LCD SHEET PRINTED, MFC7365DN	
1-8	LX5065001	1	LCD SHEET PRINTED, MFC7460DN	
1-8	LX5276001	1	LCD SHEET PRINTED, MFC7470D	
1-8	LX5284001	1	LCD SHEET PRINTED, MFC7860DN	
1-8	LEA167001	1	LCD SHEET PRINTED, MFC7860DW FOR RUS	
1-8	LX5187001	1	LCD SHEET PRINTED, MFC7860DW EXCEPT FOR RUS	
2	LX5292001	1	LCD SHEET PRINTED, HL2280DW	
2	LEA751001	1	LCD SHEET PRINTED, DCP7055W	
2	LEA971001	1	LCD SHEET PRINTED, DCP7055WR	
2	LEA991001	1	LCD SHEET PRINTED, DCP7057WR	
2	LEA182001	1	LCD SHEET PRINTED, DCP7070DW FOR RUS	
2	LEA077001	1	LCD SHEET PRINTED, DCP7055 FOR RUS	
2	LEA084001	1	LCD SHEET PRINTED, DCP7057 FOR RUS	
2	LEA096001	1	LCD SHEET PRINTED, DCP7060D FOR RUS	
2	LEA116001	1	LCD SHEET PRINTED, DCP7065DN FOR RUS	
2	LX5143001	1	LCD SHEET PRINTED, DCP7055 EXCEPT FOR RUS	
2	LX5826001	1	LCD SHEET PRINTED, DCP7057/DCP7057E EXCEPT FOR RUS	
2	LX5197001	1	LCD SHEET PRINTED, DCP7060D EXCEPT FOR RUS	
2	LX5150001	1	LCD SHEET PRINTED, DCP7065DN EXCEPT FOR RUS	
2	LX5293001	1	LCD SHEET PRINTED, DCP7070DW EXCEPT FOR RUS	

DCP7055/7055W/7055WR/7057/7057E/7057WR
7060D/7065DN/7070DW/HL2280DW
MFC7360/7360N/7362N/7365DN/7460DN
7470D/7860DN/7860DW

8C5E01/8C5E02/8C5E03/8C5E05
8C5E06/8C5E08/8C5E17/8C5E07
8C5E31/8C5E33/8C5E35/8C5E36
8C5E44/8C5E45/8C5E55/8C5E67

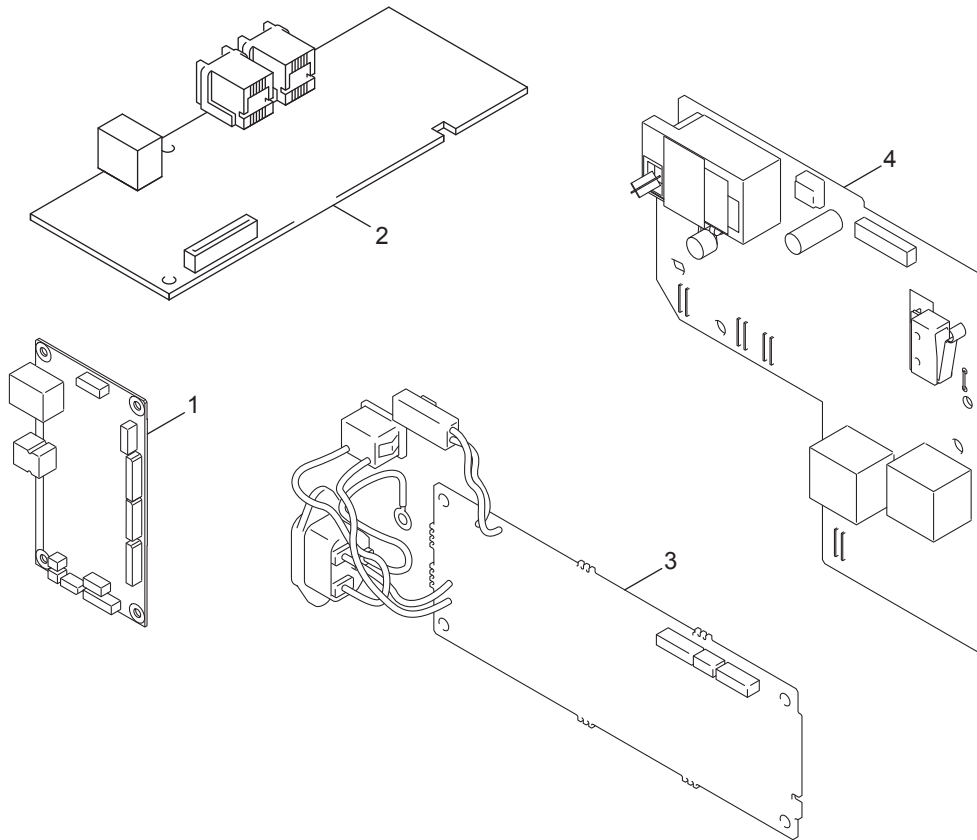
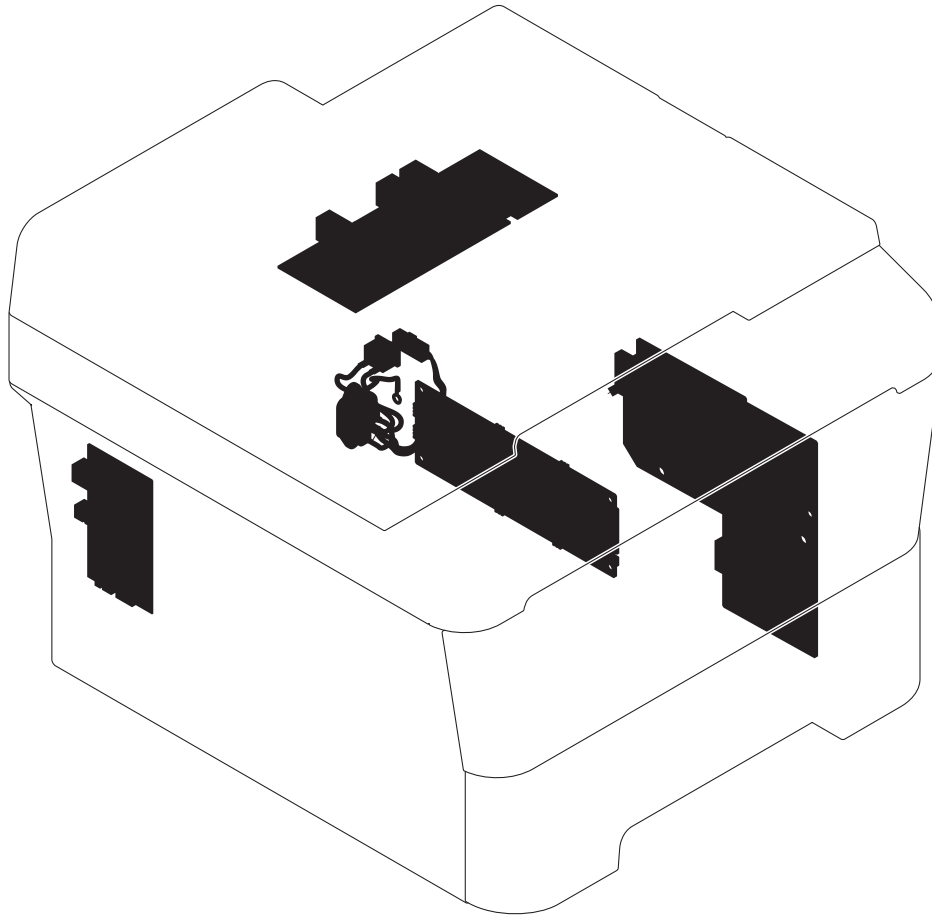
11.PANEL

REF No.	CODE	Q'TY	DESCRIPTION	REMARKS
3	LX5611001	1	PRINTED PANEL COVER, DCP7060D/DCP7065DN FOR US/CAN/UK/FRA/BEL/NLD/PHL/ASA/GUL/IND/ARL/NZ/PND/CEE (ENGLISH)	
3	LEA122001	1	PRINTED PANEL COVER, DCP7070DW/HL2280DW FOR US/CAN/UK/FRA/BEL/NLD/PND/CEE (ENGLISH)	
3	LX5806001	1	PRINTED PANEL COVER, DCP7055/DCP7055W FOR GER/CHE (GERMAN)	
3	LX5817001	1	PRINTED PANEL COVER, DCP7060D/DCP7065DN FOR GER/CHE (GERMAN)	
3	LX5599005	1	PRINTED PANEL COVER, DCP7070DW FOR GER	
3	LX5602001	1	PRINTED PANEL COVER, DCP7055/DCP7055W FOR UK/FRA/BEL/NLD/IDN/IRN/ASA/GUL/IND/ARL/NZ/PND/CEE, DCP7057E (ENGLISH)	
3	LX5603001	1	PRINTED PANEL COVER, DCP7055/DCP7055W FOR CHE/FRA/BEL/NLD (FRENCH)	
3	LEA123001	1	PRINTED PANEL COVER, DCP7070DW FOR FRA/BEL/NLD (FRENCH)	
3	LX5612001	1	PRINTED PANEL COVER, DCP7060D/DCP7065DN FOR CHE/FRA/BEL/NLD (FRENCH)	
3	LX5614001	1	PRINTED PANEL COVER, DCP7060D/DCP7065DN FOR FRA/BEL/NLD (DUTCH)	
3	LX5605001	1	PRINTED PANEL COVER, DCP7055/DCP7055W FOR FRA/BEL/NLD (DUTCH)	
3	LEA124001	1	PRINTED PANEL COVER, DCP7070DW FOR FRA/BEL/NLD (DUTCH)	
3	LX5576003	1	PRINTED PANEL COVER, DCP7055/DCP7055W/DCP7057 FOR ITA	
3	LX5566001	1	PRINTED PANEL COVER, DCP7060D/DCP7065DN FOR ITA/SPA/POR (ITALIAN)	
3	LX5264003	1	PRINTED PANEL COVER, DCP7055/DCP7057 FOR CHN	
3	LX5264001	1	PRINTED PANEL COVER, DCP7060D FOR CHN	
3	LEA212001	1	PRINTED PANEL COVER, DCP7060D FOR TWN	
3	LX5587003	1	PRINTED PANEL COVER, DCP7055/DCP7055W FOR ARG/CHL/MEX	
3	LX5569001	1	PRINTED PANEL COVER, DCP7065DN FOR ARG/CHL	
3	LEA067001	1	PRINTED PANEL COVER, DCP7055 FOR GUL (TURKISH)	
3	LEA109001	1	PRINTED PANEL COVER, DCP7065DN FOR GUL (TURKISH)	
3	LEA069001	1	PRINTED PANEL COVER, DCP7055 FOR GUL (ARABIC)	
3	LEA111001	1	PRINTED PANEL COVER, DCP7065DN FOR GUL (ARABIC)	
3	LX5926003	1	PRINTED PANEL COVER, DCP7055 FOR BRA	
3	LEA113001	1	PRINTED PANEL COVER, DCP7065DN FOR BRA	
3	LX5153001	1	PRINTED PANEL COVER, DCP7060D FOR IND	
3	LEA076003	1	PRINTED PANEL COVER, DCP7055/DCP7055WR/DCP7057/DCP7057WR FOR RUS	
3	LEA097001	1	PRINTED PANEL COVER, DCP7060D/DCP7065DN FOR RUS	
3	LEA097005	1	PRINTED PANEL COVER, DCP7070DW FOR RUS	
3	LX5855001	1	PRINTED PANEL COVER, DCP7055/DCP7055W FOR IBR	
3	LX5857001	1	PRINTED PANEL COVER, DCP7060D FOR IBR, DCP7065DN FOR ITA/SPA/POR	
3	LEA080001	1	PRINTED PANEL COVER, DCP7055/DCP7055W/DCP7057E FOR CEE (POLISH)	
3	LEA106001	1	PRINTED PANEL COVER, DCP7060D/DCP7065DN FOR CEE (POLISH)	
3	LEA220001	1	PRINTED PANEL COVER, DCP7070DW FOR CEE (POLISH)	
4	LX5067001	1	ADDRESS LABEL, MFC7360/MFC7360N/MFC7362N/MFC7365DN/MFC7460DN/MFC7470D MFC7860DN/MFC7860DW	
5	087311016	4	TAPTITE CUP B M3X10	

8C5E01/8C5E02/8C5E03/8C5E05
8C5E06/8C5E08/8C5E17/8C5E07
8C5E31/8C5E33/8C5E35/8C5E36
8C5E44/8C5E45/8C5E55/8C5E67

DCP7055/7055W/7055WR/7057/7057E/7057WR
7060D/7065DN/7070DW/HL2280DW
MFC7360/7360N/7362N/7365DN/7460DN
7470D/7860DN/7860DW

12. PCB



12. PCB

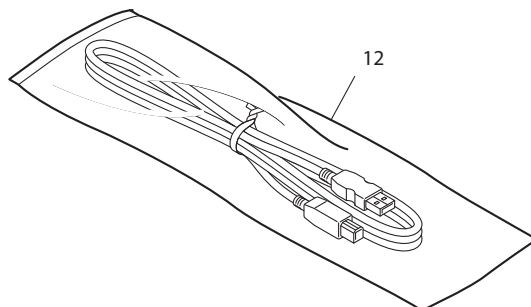
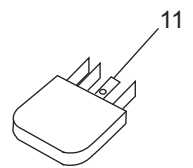
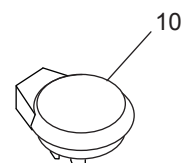
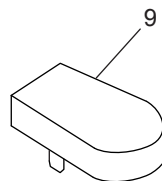
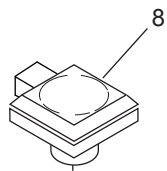
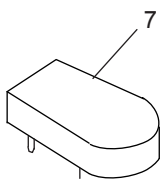
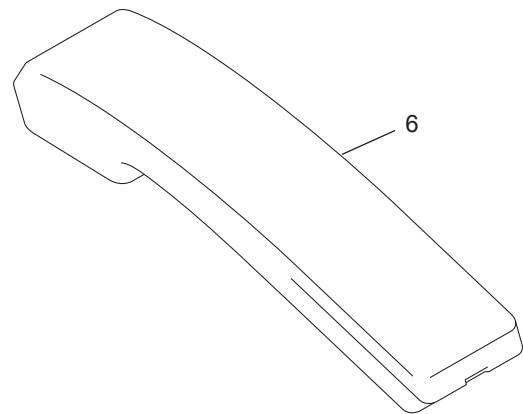
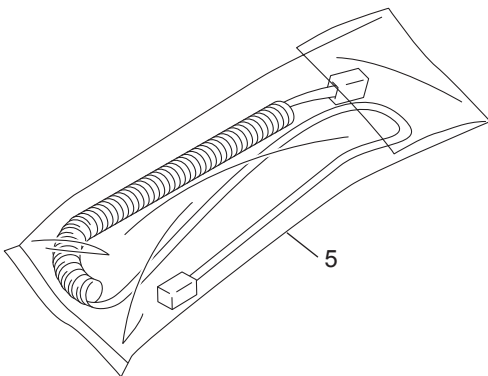
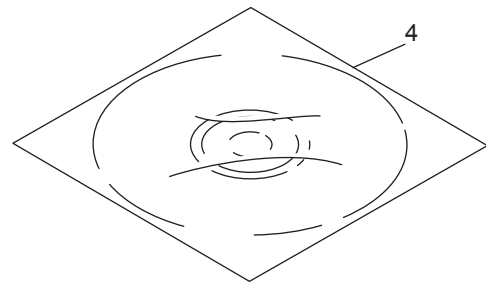
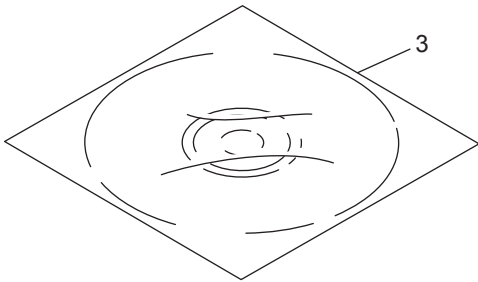
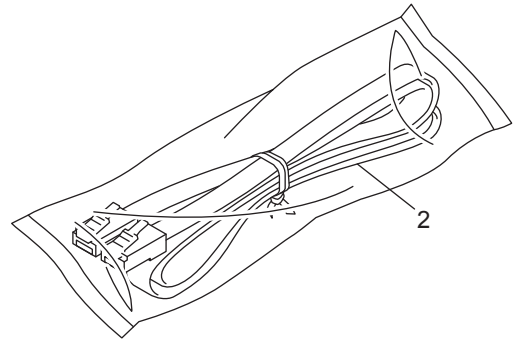
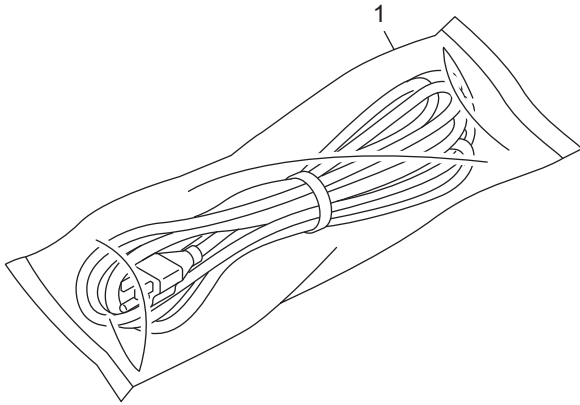
REF No.	CODE	QTY	DESCRIPTION	SYMBOL	REMARKS
1	LT2330001	1	MAIN PCB ASSY, DCP7055W/DCP7055WR/DCP7057W	B57T052	
1	LT1143051	1	MAIN PCB ASSY, DCP7060D (*)	B57T019	
1	LT1144001	1	MAIN PCB ASSY, DCP7065DN	B57T052	
1	LT1354001	1	MAIN PCB ASSY, DCP7070DW/HL2280DW	B57T052	
1	LT1386051	1	MAIN PCB ASSY, MFC7360N FOR US (*)	B57T052	
1	LT1123051	1	MAIN PCB ASSY, MFC7460DN FOR US (*)	B57T052	
1	LT1386001	1	MAIN PCB ASSY, MFC7360N FOR US/CAN	B57T052	
1	LT1123001	1	MAIN PCB ASSY, MFC7365DN/MFC7460DN FOR US/CAN	B57T052	
1	LT1146001	1	MAIN PCB ASSY, MFC7860DW FOR US/CAN	B57T052	
1	LT1142020	1	MAIN PCB ASSY, DCP7055/DCP7057 FOR CHN	B57T019	
1	LT1143020	1	MAIN PCB ASSY, DCP7060D FOR CHN	B57T019	
1	LT1145020	1	MAIN PCB ASSY, MFC7360 FOR CHN	B57T019	
1	LT1397020	1	MAIN PCB ASSY, MFC7470D FOR CHN	B57T019	
1	LT1398020	1	MAIN PCB ASSY, MFC7860DN FOR CHN	B57T019	
1	LT2795023	1	MAIN PCB ASSY, MFC7360 FOR TWN	B57T052	CHG
1	LT1123023	1	MAIN PCB ASSY, MFC7460DN FOR TWN	B57T052	
1	LT1146023	1	MAIN PCB ASSY, MFC7860DW FOR TWN	B57T052	
1	LT2795040	1	MAIN PCB ASSY, MFC7360 FOR IDN/IRN/ASA/GUL/KOR/IND	B57T052	CHG
1	LT1123005	1	MAIN PCB ASSY, MFC7460DN FOR ARG/CHL/BRA/PND/CEE	B57T052	
1	LT2796040	1	MAIN PCB ASSY, MFC7860DN FOR KOR	B57T052	CHG
1	LT1386004	1	MAIN PCB ASSY, MFC7360N/MFC7362N EXCEPT FOR US/CAN	B57T052	
1	LT1386054	1	MAIN PCB ASSY, MFC7360N EXCEPT FOR US (*)	B57T052	
1	LT1123004	1	MAIN PCB ASSY, MFC7460DN EXCEPT FOR US/CAN/ARG/CHL/PND/CEE	B57T052	
1	LT1123054	1	MAIN PCB ASSY, MFC7460DN EXCEPT FOR US (*)	B57T052	
1	LT1146040	1	MAIN PCB ASSY, MFC7860DW EXCEPT FOR US/CAN/TWN	B57T052	
1	LT2793001	1	MAIN PCB ASSY, DCP7055/DCP7057 EXCEPT FOR CHN, DCP7057E	B57T052	CHG
1	LT2794001	1	MAIN PCB ASSY, DCP7060D EXCEPT FOR CHN	B57T052	CHG
1	LT2797040	1	MAIN PCB ASSY, MFC7470D EXCEPT FOR CHN	B57T052	CHG
2	LT0866001	1	NCU ASSY, MFC7360N/MFC7365DN/MFC7460DN FOR US	B57T013	
2	LT0866003	1	NCU ASSY, MFC7360N/MFC7460DN FOR CAN	B57T013	
2	LT1328002	1	NCU ASSY, MFC7360/MFC7360N/MFC7460DN FOR IDN/ARG/CHL/ASA/BRA/KOR/IND	B57T037	
2	LT0867001	1	NCU ASSY, MFC7860DW FOR US	B57T013	
2	LT0867003	1	NCU ASSY, MFC7860DW FOR CAN	B57T013	
2	LT1168012	1	NCU ASSY, MFC7360N/MFC7460DN FOR GER/UK/FRA/BEL/NLD/CHE/ITA/POL/RUS/IBR/PND/CEE	B57T027	
2	LT1168002	1	NCU ASSY, MFC7860DW FOR GER/UK/FRA/BEL/CHE/NLD/POL/RUS/PND/ITA/IBR	B57T027	
2	LT1325002	1	NCU ASSY, MFC7360 FOR CHN	B57T037	
2	LT1325001	1	NCU ASSY, MFC7470D/MFC7860DN FOR CHN	B57T037	
2	LT1839001	1	NCU ASSY, MFC7360/MFC7460DN/MFC7860DW FOR TWN	B57T013	
2	LT1326002	1	NCU ASSY, MFC7360 FOR IRN/GUL	B57T037	
2	LT1329001	1	NCU ASSY, MFC7470D FOR PHL/ASA/KOR	B57T037	
2	LT1327001	1	NCU ASSY, MFC7470D FOR GUL	B57T037	
2	LT1326001	1	NCU ASSY, MFC7860DW FOR GUL	B57T037	
2	LT1328001	1	NCU ASSY, MFC7860DN FOR KOR, MFC7860DW FOR PHL/CHL/ASA/BRA/IND	B57T037	
2	LT1169002	1	NCU ASSY, MFC7360N/MFC7362N/MFC7460DN FOR ARL/NZ	B57T027	
2	LT1169001	1	NCU ASSY, MFC7860DW FOR ARL/NZ	B57T027	
3	LT1275001	1	LOW VOLTAGE POWER SUPPLY PCB ASSY 115V FOR US/CAN/TWN/BRA/MEX		
3	LT1269001	1	LOW VOLTAGE POWER SUPPLY PCB ASSY 230V EXCEPT FOR US/CAN/BRA/IND/MEX/RUS FOR ARG/IRN/CHL/PHL/ASA/GUL/KOR		
3	LT1812001	1	LOW VOLTAGE POWER SUPPLY PCB ASSY 230V FOR GER/UK/FRA/BEL/NLD/CHE/SPA/ITA/POR/IDN/POL/ARL/NZ/PND/IBR/CEE		add
3	LT1281001	1	LOW VOLTAGE POWER SUPPLY PCB ASSY 230V FOR CHN/IND/RUS		
4	LV0564001	1	HIGH VOLTAGE POWER SUPPLY PCB ASSY		

(*) First 3-months production only

8C5E01/8C5E02/8C5E03/8C5E05
8C5E06/8C5E08/8C5E17/8C5E07
8C5E31/8C5E33/8C5E35/8C5E36
8C5E44/8C5E45/8C5E55/8C5E67

DCP7055/7055W/7055WR/7057/7057E/7057WR
7060D/7065DN/7070DW/HL2280DW
MFC7360/7360N/7362N/7365DN/7460DN
7470D/7860DN/7860DW

13. ACCESSORIES



13. ACCESSORIES

REF No.	CODE	Q'TY	DESCRIPTION	REMARKS
1	LG4400001	1	AC CORD BAG ASSY LF UL/CSA	
1	LT2259001	1	AC CORD BAG ASSY LF SEV	chg
4	LG4720004	4	AC CORD BAG ASSY LF DEMKO	DEL
1	LV0364001	1	AC CORD BAG ASSY LF VDE S	
1	LV0368001	1	AC CORD BAG ASSY LF BS/PSB S	
1	LV0366001	1	AC CORD BAG ASSY LF SAA S	
1	LG6207001	1	AC CORD BAG ASSY LF CHILE	
1	LT2346001	1	AC CORD BAG ASSY LF BRZ N	chg
1	LT0925001	1	AC CORD BAG ASSY LF IRAM	
1	LT0613001	1	AC CORD BAG ASSY LF IND	
1	LG6404001	1	AC CORD BAG ASSY LF SAF	
1	LT0935001	1	AC CORD BAG ASSY LF KOR S	
1	LT1833001	1	AC CORD BAG ASSY LF TWN	
1	LV1093001	1	AC CORD BAG ASSY LF CHN S	chg
2	LG3077001	1	TELEPHONE LINE CORD CSA, MFC7360/MFC7360N/MFC7362N/MFC7365DN/ MFC7460DN/MFC7470D/MFC7860DN/MFC7860DW FOR US/CAN/UK/NLD/CHN/ PHL/TWN/IDN/ASA/ARG/IRN/CHL/POL/GUL/IND/ BRA/KOR/RUS/ARL/NZ/IBR/CEE	
2	UG3625001	1	TELEPHONE LINE CORD GER, MFC7360N/MFC7460DN/MFC7860DW FOR GER	
2	UG3626001	1	TELEPHONE LINE CORD UK6P, MFC7360N/MFC7460DN/MFC7860DW FOR UK	
2	UG3627001	1	TELEPHONE LINE CORD FRA, MFC7360N/MFC7460DN/MFC7860DW FOR FRA	
2	UG1575001	1	TELEPHONE LINE CORD BEL, MFC7360N/MFC7460DN/MFC7860DW FOR BEL	
2	LG7202001	1	TELEPHONE LINE CORD SWI, MFC7360N/MFC7460DN/MFC7860DW FOR CHE	
2	UG3634001	1	TELEPHONE LINE CORD ITA, MFC7360N/MFC7460DN/MFC7860DW FOR ITA	
2	UG3290001	1	TELEPHONE LINE CORD NZ, MFC7360N/MFC7860DW FOR ARL/NZ	
2	LG5827001	1	TELEPHONE LINE CORD RJ45, MFC7360N/MFC7460DN/MFC7860DW FOR PND	
3	LEJ198001	1	CDROM ASSY, DCP7055W EXCEPT FOR CEE	chg
3	LEJ220001	1	CDROM ASSY, DCP7055W FOR CEE	chg
3	LEJ219001	1	CDROM ASSY, DCP7055WR	chg
3	LEJ222001	1	CDROM ASSY, DCP7057WR	chg
3	LEJ196001	1	CDROM ASSY, MFC7362N	chg
3	LEJ170001	1	CDROM ASSY, DCP7060D FOR US/CAN	chg
3	LEJ172001	1	CDROM ASSY, DCP7065DN FOR US/CAN/ARG/CHL/BRA	chg
3	LEJ174001	1	CDROM ASSY, HL2280DW FOR US/CAN	chg
3	LEJ162001	1	CDROM ASSY, MFC7360N FOR US/CAN/ARG/BRA	chg
3	LEJ365001	1	CDROM ASSY, MFC7365DN	
3	LEJ164001	1	CDROM ASSY, MFC7460DN FOR US/CAN/ARG/CHL/BRA	chg
3	LEJ166001	1	CDROM ASSY, MFC7860DW FOR US/CAN/CHL/BRA	chg
3	LX5334001	1	CDROM ASSY, DCP7055 FOR GER/UK/CHE/ITA/ASA/FRA/BEL/NLD/IDN/ARL/NZ/IND/PND/IBR	
3	LEJ186001	1	CDROM ASSY, DCP7055 FOR GER/UK/CHE/ITA/ASA/FRA/BEL/NLD/ARL/NZ/PND/IBR	add
3	LEJ192001	1	CDROM ASSY, DCP7070DW FOR GER/UK/FRA/BEL/NLD/PND	chg
3	LX5250001	1	CDROM ASSY, DCP7055 FOR CHN	
3	LEJ245001	1	CDROM ASSY, DCP7057 FOR CHN	chg
3	LEJ239001	1	CDROM ASSY, DCP7060D FOR CHN	chg
3	LEJ231001	1	CDROM ASSY, MFC7360 FOR CHN	chg
3	LEJ233001	1	CDROM ASSY, MFC7470D FOR CHN	chg
3	LEJ235001	1	CDROM ASSY, MFC7860DN FOR CHN	chg
3	LEJ240001	1	CDROM ASSY, DCP7060D FOR TWN	chg
3	LEJ232001	1	CDROM ASSY, MFC7360 FOR TWN	chg
3	LEJ242001	1	CDROM ASSY, MFC7460DN FOR TWN	chg
3	LEJ244001	1	CDROM ASSY, MFC7860DW FOR TWN	chg
3	LX5325001	1	CDROM ASSY, DCP7055 FOR ARG/CHL/BRA/MEX	
3	LX5836001	1	CDROM ASSY, DCP7055 FOR IRN	
3	LEJ254001	1	CDROM ASSY, MFC7360 FOR IRN	chg
3	LEJ202001	1	CDROM ASSY, MFC7360N FOR POL/RUS/CEE	chg
3	LEJ204001	1	CDROM ASSY, MFC7460DN FOR POL/CEE	chg
3	LEJ206001	1	CDROM ASSY, MFC7860DW FOR POL/GUL/RUS	chg
3	LEJ176001	1	CDROM ASSY, MFC7360 FOR IDN/ASA/IND	chg
3	LEJ183001	1	CDROM ASSY, MFC7470D FOR PHL/ASA	chg
3	LEJ214001	1	CDROM ASSY, DCP7065DN FOR GUL/RUS/CEE	chg
3	LX5345001	1	CDROM ASSY, DCP7055 FOR GUL/GEE	
3	LEJ210001	1	CDROM ASSY, DCP7055 FOR CEE	add
3	LEJ200001	1	CDROM ASSY, MFC7360 FOR GUL	chg
3	LEJ207001	1	CDROM ASSY, MFC7470D FOR GUL	chg
3	LEJ248001	1	CDROM ASSY, MFC7360 FOR KOR	chg
3	LEJ249001	1	CDROM ASSY, MFC7470D FOR KOR	chg
3	LEJ252001	1	CDROM ASSY, MFC7860DN FOR KOR	chg
3	LEJ209001	1	CDROM ASSY, DCP7055 FOR RUS	chg
3	LEJ218001	1	CDROM ASSY, DCP7057/DCP7057E FOR RUS/CEE	chg
3	LEJ212001	1	CDROM ASSY, DCP7060D FOR RUS/CEE	chg
3	LEJ216001	1	CDROM ASSY, DCP7070DW FOR RUS/CEE	chg
3	LEJ194001	1	CDROM ASSY, DCP7057/DCP7057E FOR ITA/PND	chg
3	LEJ188001	1	CDROM ASSY, DCP7060D EXCEPT FOR US/CAN/CHN/TWN/RUS/CEE	chg
3	LEJ190001	1	CDROM ASSY, DCP7065DN EXCEPT FOR US/CAN/ARG/CHL/GUL/BRA/RUS/CEE	chg
3	LEJ178001	1	CDROM ASSY, MFC7360N EXCEPT FOR US/CAN/ARG/POL/BRA/RUS/CEE	chg
3	LEJ180001	1	CDROM ASSY, MFC7460DN EXCEPT FOR US/CAN/TWN/ARG/CHL/POL/BRA/CEE	chg

DCP7055/7055W/7055WR/7057/7057E/7057WR

8C5E01/8C5E02/8C5E03/8C5E05

7060D/7065DN/7070DW/HL2280DW

8C5E06/8C5E08/8C5E17/8C5E07

MFC7360/7360N/7362N/7365DN/7460DN

8C5E31/8C5E33/8C5E35/8C5E36

7470D/7860DN/7860DW

8C5E44/8C5E45/8C5E55/8C5E67

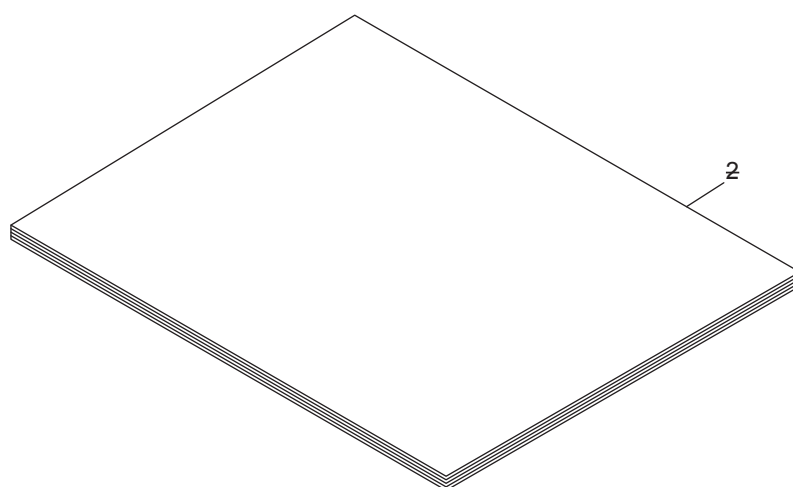
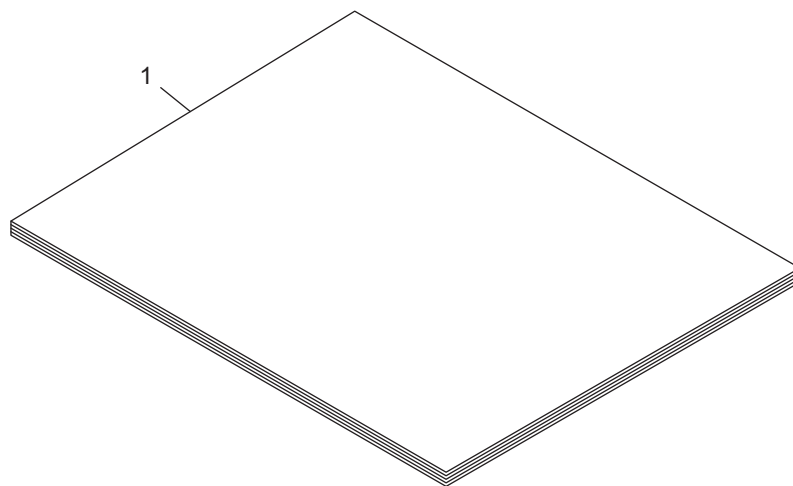
13. ACCESSORIES

REF No.	CODE	Q'TY	DESCRIPTION	REMARKS
3	LEJ182001	1	CDROM ASSY, MFC7860DW EXCEPT FOR US/CAN/TWN/CHL/POL/GUL/BRA/RUS	chg
4	LEA780001	1	CD USER'S GUIDE, DCP7055W/DCP7057WR	
4	LEJ076001	1	CD USER'S GUIDE, DCP7055WR	
4	LX5415001	4	CD-USER'S GUIDE, MFC7360N/MFC7460DN FOR US	del
4	LX5537001	4	CD-USER'S GUIDE, MFC7360N/MFC7460DN FOR CAN/CHE/PND/IBR, MFC7860DW EXCEPT FOR PHL/CHL/POL/GUL/RUS	del
4	LEA046001	1	CD USER'S GUIDE, DCP7055/DCP7060D FOR CHN	
4	LEA706001	1	CD USER'S GUIDE, DCP7057 FOR CHN	
4	LEA044001	1	CD USER'S GUIDE, MFC7360/MFC7470D/MFC7860DN FOR CHN	del
4	LX5547001	4	CD-USER'S GUIDE, DCP7055/DCP7060D/DCP7065DN FOR PHL/IDN/ARG/CHL/ASA/BRA/IND/MEX/ARL/NZ	del
4	LX5542001	4	CD-USER'S GUIDE, MFC7460DN/MFC7860DW FOR TWN	del
4	LEA318001	4	CD-USER'S GUIDE, MFC7360 FOR TWN/IDN/IRN/ASA/GUL/KOR/IND	del
4	LEA263001	4	CD-USER'S GUIDE, DCP7055/DCP7065DN FOR IRN/GUL	del
4	LEA319001	4	CD-USER'S GUIDE, MFC7470D FOR KOR	del
4	LEA289001	1	CD USER'S GUIDE, DCP7055 FOR RUS	chg
4	LX5538001	4	CD-USER'S GUIDE, MFC7360/MFC7360N/MFC7362N/MFC7460DN/MFC7860DW FOR ASA/ARL/NZ	del
4	LX5545001	4	CD-USER'S GUIDE, MFC7470D FOR PHL/ASA/GUL	del
4	LEA445001	1	CD USER'S GUIDE, MFC7470D EXCEPT FOR CHN	add
4	LX5544001	4	CD-USER'S GUIDE, MFC7360/MFC7860DW FOR GUL	del
4	LX5549001	4	CD-USER'S GUIDE, DCP7055 EXCEPT FOR RUS, DCP7057/DCP7057E/DCP7060D/DCP7065DN/DCP7070DW/HL2280DW EXCEPT FOR CHN/PHL/ARG/CHL/ASA/BRA/GUL/IND/MEX/ARL/NZ	del
4	LEA288001	1	CD USER'S GUIDE, DCP7055 EXCEPT FOR CNH/RUS, DCP7057/DCP7060D EXCEPT FOR CHN, DCP7057E/DCP7065DN/DCP7070DW/HL2280DW FOR ALL COUNTRIES	add
4	LX5540001	4	CD-USER'S GUIDE, MFC7360 FOR KOR/IND, MFC7360N/MFC7460DN EXCEPT FOR US/CAN/CHE/TWN/ASA/ARL/NZ/PND/IBR, MFC7860DN FOR KOR, MFC7860DW FOR PHL/CHL/POL/BRA/IND/RUS	del
4	LEA210001	1	CD USER'S GUIDE, MFC7360N EXCEPT FOR CHN, MFC7362N/MFC7460DN/MFC7860DW FOR ALL COUNTRIES, MFC7860DN FOR KOR	add
4	LEJ370001	1	CD USER'S GUIDE, MFC7365DN	
5	LT1405003	1	HANDSET CURLED CORD ASSY, MFC7360 FOR CHN	
5	LT1405001	1	HANDSET CURLED CORD ASSY, MFC7470D FOR ALL COUNTRIES, MFC7860DN FOR CHN	
6	UF6857013	1	HANDSET WEIGHT ASSY, MFC7360 FOR CHN	
6	UF6857012	1	HANDSET WEIGHT ASSY, MFC7470D FOR ALL COUNTRIES, MFC7860DN FOR CHN	
7	LG3622001	1	TELEPHONE PLUG DUT, MFC7360N/MFC7460DN/MFC7860DW FOR NLD	
8	LG5829001	1	TELEPHONE PLUG FIN, MFC7360N/MFC7460DN/MFC7860DW FOR PND	
9	LG5828001	1	TELEPHONE PLUG DEN, MFC7360N/MFC7460DN/MFC7860DW FOR PND	
10	LG5830001	1	TELEPHONE PLUG SWE, MFC7360N/MFC7460DN/MFC7860DW FOR PND	
11	LG6573001	1	TELEPHONE PLUG ARL, MFC7360N/MFC7362N/MFC7460DN/MFC7860DW FOR ARL/NZ	
12	LJ9803001	1	USB CABLE 2.0	

DCP7055/7055W/7055WR/7057/7057E/7057WR
7060D/7065DN/7070DW/HL2280DW
MFC7360/7360N/7362N/7365DN/7460DN
7470D/7860DN/7860DW

8C5E01/8C5E02/8C5E03/8C5E05
8C5E06/8C5E08/8C5E17/8C5E07
8C5E31/8C5E33/8C5E35/8C5E36
8C5E44/8C5E45/8C5E55/8C5E67

14. PRINTED MATERIALS



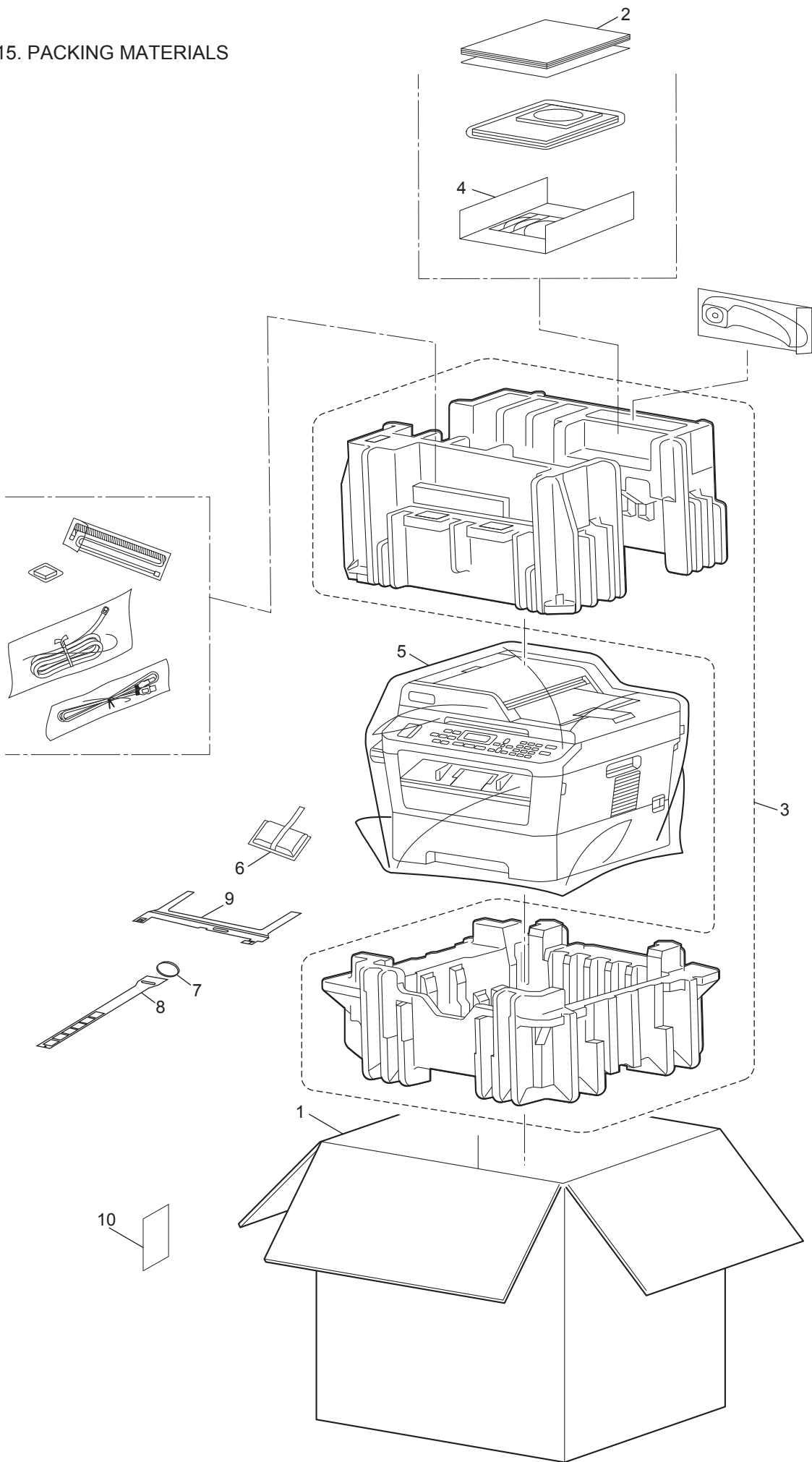
14. PRINTED MATERIALS

REF No.	CODE	Q'TY	DESCRIPTION	REMARKS
1	LX5406001	1	USER'S GUIDE, DCP7060D/DCP7065DN/HL2280DW FOR US/CAN (ENGLISH)	
1	LEJ369001	1	USER'S GUIDE, MFC7360N/MFC7365DN/MFC7460DN/MFC7860DW FOR US/CAN (ENGLISH)	CHG
1	LX5406002	1	USER'S GUIDE, DCP7060D/DCP7065DN/HL2280DW FOR CAN (FRENCH)	
1	LX5016002	1	USER'S GUIDE, MFC7360N/MFC7460DN/MFC7860DW FOR CAN (FRENCH)	
1	LX5435003	1	USER'S GUIDE, MFC7360N/MFC7460DN/MFC7860DW FOR GER	
1	LX5435004	1	USER'S GUIDE, MFC7360N/MFC7460DN/MFC7860DW FOR UK	
1	LX5435005	1	USER'S GUIDE, MFC7360N/MFC7460DN/MFC7860DW FOR FRA	
1	LX5435008	1	USER'S GUIDE, MFC7360N/MFC7460DN FOR BEL/CHE, MFC7860DW FOR BEL/NLD/CHE (FRENCH)	
1	LX5435009	1	USER'S GUIDE, MFC7360N/MFC7460DN/MFC7860DW FOR BEL/NLD (DUTCH)	
1	LX5435010	1	USER'S GUIDE, MFC7360N/MFC7460DN/MFC7860DW FOR CHE (GERMAN)	
1	LX5435016	1	USER'S GUIDE, MFC7360N/MFC7460DN/MFC7860DW FOR ITA	
4	LEA134020	4	USER'S GUIDE, DCP7055/DCP7060D FOR CHN	del
1	LEA705020	1	USER'S GUIDE, DCP7055/DCP7057/DCP7060D FOR CHN	
1	LEA133020	1	USER'S GUIDE, MFC7360/MFC7470D/MFC7860DN FOR CHN	
1	LEA144023	1	USER'S GUIDE, DCP7060D FOR TWN	
1	LEA146023	1	USER'S GUIDE, MFC7360/MFC7460DN/MFC7860DW FOR TWN	
4	LX5406034	4	USER'S GUIDE, DCP7055/DCP7065DN FOR ARG/CHL/MEX	del
1	LEJ002031	1	USER'S GUIDE, DCP7055/DCP7055W/DCP7065DN FOR ARG/CHL/MEX	
1	LX5016031	1	USER'S GUIDE, MFC7360N/MFC7460DN/MFC7860DW FOR ARG/CHL	
1	LX5406042	1	USER'S GUIDE, DCP7055/DCP7065DN FOR BRA	
1	LX5016042	1	USER'S GUIDE, MFC7360N/MFC7460DN/MFC7860DW FOR BRA	
1	LX5920040	p	USER'S GUIDE, DCP7055/DCP7060D/DCP7065DN FOR PHL/IDN/IRN/ASA/GUL/IND/ARL/NZ (ENGLISH)	
4	LX5435044	4	USER'S GUIDE, MFC7360/MFC7860DW FOR IRN/GUL (ENGLISH)	del
1	LX5920025	1	USER'S GUIDE, DCP7055/DCP7065DN FOR GUL (TURKISH)	
1	LX5435025	1	USER'S GUIDE, MFC7360/MFC7860DW FOR GUL (TURKISH)	
1	LX5920032	1	USER'S GUIDE, DCP7055/DCP7065DN FOR IRN/GUL (ARABIC)	
1	LX5435032	1	USER'S GUIDE, MFC7360/MFC7470D/MFC7860DW FOR IRN/GUL (ARABIC)	
4	LX5435040	4	USER'S GUIDE, MFC7360/MFC7360N/MFC7362N/MFC7460DN/MFC7860DW FOR PHL/IDN/ASA/IND/ARL/NZ	del
1	LEA146044	1	USER'S GUIDE, MFC7360/MFC7470D/MFC7860DN FOR KOR	
1	LEA235040	1	USER'S GUIDE, MFC7360/MFC7360N/MFC7362N/MFC7460DN/MFC7470D/MFC7860DW FOR PHL/IDN/ASA/IND/ARL/NZ	
1	LEA235041	1	USER'S GUIDE, MFC7360/MFC7470D/MFC7860DW FOR IRN/GUL (ENGLISH)	
1	LX5435048	1	USER'S GUIDE, MFC7360N/MFC7860DW FOR RUS	
1	LX5715007	1	USER'S GUIDE, MFC7360N/MFC7460DN/MFC7860DW FOR PND (NORWEGIAN/SWEDISH)	
1	LX5715013	1	USER'S GUIDE, MFC7360N/MFC7460DN/MFC7860DW FOR PND (FINNISH/DANISH)	
1	LX5435015	1	USER'S GUIDE, MFC7360N/MFC7460DN/MFC7860DW FOR IBR (SPANISH)	
1	LX5435018	1	USER'S GUIDE, MFC7360N/MFC7460DN/MFC7860DW FOR IBR (PORTUGUESE)	
2	LY3326004	4	SAFETY/LEGAL BOOKLET FOR US/CAN (ENGLISH)	del
2	LY3323004	4	SAFETY/LEGAL BOOKLET FOR CAN (FRENCH)	del
2	LY3318004	4	SAFETY/LEGAL BOOKLET FOR GER/CHE (GERMAN)	del
2	LY3319004	4	SAFETY/LEGAL BOOKLET FOR UK	del
2	LY3322004	4	SAFETY/LEGAL BOOKLET FOR ITA/SPA/POR (ITALIAN)	del
2	LY3325004	4	SAFETY/LEGAL BOOKLET FOR ITA/SPA/POR/IBR (SPANISH)	del
2	LY3336004	4	SAFETY/LEGAL BOOKLET FOR ITA/SPA/POR/IBR (PORTUGUESE)	del
2	LY3321004	4	SAFETY/LEGAL BOOKLET FOR FRA/BEL/NLD/CHE (FRENCH)	del
2	LY3335004	4	SAFETY/LEGAL BOOKLET FOR FRA/BEL/NLD (DUTCH)	del
2	LY3324004	4	SAFETY/LEGAL BOOKLET FOR PND	del

DCP7055/7055W/7055WR/7057/7057E/7057WR
 7060D/7065DN/7070DW/HL2280DW
 MFC7360/7360N/7362N/7365DN/7460DN
 7470D/7860DN/7860DW

8C5E01/8C5E02/8C5E03/8C5E05
 8C5E06/8C5E08/8C5E17/8C5E07
 8C5E31/8C5E33/8C5E35/8C5E36
 8C5E44/8C5E45/8C5E55/8C5E67

15. PACKING MATERIALS



15. PACKING MATERIALS

REF No.	CODE	QTY	DESCRIPTION	REMARKS
1	LX5117001	1	CARTON BROTHER, DCP7060D FOR US	
1	LX5131001	1	CARTON BROTHER, DCP7065DN FOR US	
1	LX5635001	1	CARTON BROTHER, HL2280DW FOR US	
1	LX5111001	1	CARTON BROTHER VN, MFC7360N FOR US	
1	LEA462001	1	CARTON BROTHER CN, MFC7360N FOR US	add
1	LEJ372001	1	CARTON BROTHER, MFC7365DN	
1	LX5018001	1	CARTON BROTHER, MFC7460DN FOR US	
1	LX5107001	1	CARTON BROTHER VN, MFC7860DW FOR US	
1	LEA464001	1	CARTON BROTHER CN, MFC7860DW FOR US	add
1	LX5644001	1	CARTON BROTHER, DCP7060D FOR CAN	
1	LX5646001	1	CARTON BROTHER, DCP7065DN FOR CAN	
1	LX5667001	1	CARTON BROTHER, HL2280DW FOR CAN	
1	LX5651001	1	CARTON BROTHER, MFC7360N FOR CAN	
1	LX5655001	1	CARTON BROTHER, MFC7460DN FOR CAN	
1	LX5661001	1	CARTON BROTHER, MFC7860DW FOR CAN	
1	LX5595001	1	CARTON BROTHER, DCP7055 FOR GER/CHE	
1	LEA774001	1	CARTON BROTHER, DCP7055W FOR GER/CHE	
1	LX5598001	1	CARTON BROTHER, DCP7060D FOR GER/CHE	
1	LX5734001	1	CARTON BROTHER, DCP7070DW FOR GER	
1	LX5499001	1	CARTON BROTHER, MFC7360N FOR GER/CHE	
1	LEA777001	1	CARTON BROTHER, DCP7055W FOR UK/PND/CEE	
1	LX5426001	1	CARTON BROTHER, DCP7055 FOR UK/PND/CEE	
1	LX5557001	1	CARTON BROTHER, DCP7060D FOR UK/PND/CEE	
1	LX5731001	1	CARTON BROTHER, DCP7070DW FOR UK/PND/CEE	
1	LX5436001	1	CARTON BROTHER, MFC7360N FOR UK/POL/PND/CEE	
1	LX5608001	1	CARTON BROTHER, DCP7055 FOR FRA/BEL/NLD	
1	LEA753001	1	CARTON BROTHER, DCP7055W FOR FRA/BEL/NLD	
1	LX5616001	1	CARTON BROTHER, DCP7060D FOR FRA/BEL/NLD	
1	LX5737001	1	CARTON BROTHER, DCP7070DW FOR FRA/BEL/NLD	
1	LX5513001	1	CARTON BROTHER, MFC7360N FOR FRA/BEL/NLD	
1	LX5578001	1	CARTON BROTHER, DCP7055 FOR ITA/IBR	
1	LEA756001	1	CARTON BROTHER, DCP7055W FOR ITA/IBR	
1	LX5795001	1	CARTON BROTHER, DCP7057 FOR ITA	
1	LX5582001	1	CARTON BROTHER, DCP7060D FOR ITA/IBR	
1	LX5465001	1	CARTON BROTHER, MFC7360N FOR ITA/IBR	
1	LX5842001	1	CARTON BROTHER, DCP7055 FOR CHN	
1	LEJ336001	1	CARTON BROTHER, DCP7057 FOR CHN	chg
1	LEJ328001	1	CARTON BROTHER, DCP7060D FOR CHN	chg
1	LEJ329001	1	CARTON BROTHER CN, MFC7360 FOR CHN	chg
1	LEA457001	1	CARTON BROTHER VN, MFC7360 FOR CHN	add
1	LEJ332001	1	CARTON BROTHER, MFC7470DN FOR CHN	chg
1	LEJ335001	1	CARTON BROTHER, MFC7860DN FOR CHN	chg
1	LEA191001	1	CARTON BROTHER, DCP7060D FOR TWN	
1	LEA939001	1	CARTON BROTHER, MFC7360 FOR TWN	chg
1	LEA193001	1	CARTON BROTHER, MFC7460DN FOR TWN	
1	LEA194001	1	CARTON BROTHER, MFC7860DW FOR TWN	
1	LEA918001	1	CARTON BROTHER, DCP7065DN FOR PHLIND	chg
1	LEA948001	1	CARTON BROTHER, MFC7860DW FOR PHL/ASA/IND	chg
1	LX5643001	1	CARTON BROTHER, DCP7055 FOR ARG/CHL	
1	LEJ285001	1	CARTON BROTHER, DCP7055 FOR ARG	add
1	LX5650001	1	CARTON BROTHER, DCP7065DN FOR ARG/CHL	
1	LX5657001	1	CARTON BROTHER, MFC7360N FOR ARG	
1	LX5660001	1	CARTON BROTHER, MFC7460DN FOR ARG/CHL	
1	LEA906001	1	CARTON BROTHER, DCP7055 FOR IRN	chg
1	LEA936001	1	CARTON BROTHER, MFC7360 FOR IRN	chg
1	LX5665001	1	CARTON BROTHER, MFC7860DW FOR CHL	
1	LEA897001	1	CARTON BROTHER, DCP7055 FOR IDN/ASA/IND	chg
1	LEA909001	1	CARTON BROTHER, DCP7060D FOR ASA/IND	chg
1	LEA927001	1	CARTON BROTHER, MFC7360 FOR IDN/ASA/IND	chg
1	LEA942001	1	CARTON BROTHER, MFC7470D FOR PHL/ASA	chg
1	LEA903001	1	CARTON BROTHER, DCP7055 FOR GUL	chg
1	LEA924001	1	CARTON BROTHER, DCP7065DN FOR GUL	chg
1	LEA933001	1	CARTON BROTHER, MFC7360 FOR GUL	chg
1	LEA945001	1	CARTON BROTHER, MFC7470D FOR GUL	chg
1	LEA954001	1	CARTON BROTHER, MFC7860DW FOR GUL	chg
1	LX5642001	1	CARTON BROTHER, DCP7055 FOR BRA	
1	LX5648001	1	CARTON BROTHER, DCP7065DN FOR BRA	
1	LX5653001	1	CARTON BROTHER, MFC7360N FOR BRA	
1	LX5658001	1	CARTON BROTHER, MFC7460DN FOR BRA	
1	LX5663001	1	CARTON BROTHER, MFC7860DW FOR BRA	
1	LEA169001	1	CARTON BROTHER, MFC7360 FOR KOR	
1	LEA315001	1	CARTON BROTHER, MFC7470D FOR KOR	
1	LEA172001	1	CARTON BROTHER, MFC7860DN FOR KOR	
4	LEA185001	4	CARTON BROTHER, DCP7055 FOR IND	del
4	LEA704001	4	CARTON BROTHER, DCP7060D FOR IND	del

DCP7055/7055W/7055WR/7057/7057E/7057WR

8C5E01/8C5E02/8C5E03/8C5E05

7060D/7065DN/7070DW/HL2280DW

8C5E06/8C5E08/8C5E17/8C5E07

MFC7360/7360N/7362N/7365DN/7460DN

8C5E31/8C5E33/8C5E35/8C5E36

7470D/7860DN/7860DW

8C5E44/8C5E45/8C5E55/8C5E67

15. PACKING MATERIALS

REF No.	CODE	QTY	DESCRIPTION	REMARKS
4	LEA186001	4	CARTON BROTHER, DCP7065DN FOR IND	del
4	LEA187001	4	CARTON BROTHER, MFC7360 FOR IND	del
4	LEA188001	4	CARTON BROTHER, MFC7860DW FOR IND	del
1	LX5641001	1	CARTON BROTHER, DCP7055 FOR MEX	
1	LEA752001	1	CARTON BROTHER, DCP7055W FOR MEX	
1	LX5744001	1	CARTON BROTHER, DCP7055 FOR RUS	
1	LEA764001	1	CARTON BROTHER, DCP7055WR	
1	LX5747001	1	CARTON BROTHER, DCP7057 FOR RUS	
1	LEA759001	1	CARTON BROTHER, DCP7057WR	
1	LX5750001	1	CARTON BROTHER, DCP7060D FOR RUS	
1	LX5753001	1	CARTON BROTHER, DCP7065DN FOR RUS	
1	LX5754001	1	CARTON BROTHER, DCP7070DW FOR RUS	
1	LX5740001	1	CARTON BROTHER, MFC7360N FOR RUS	
1	LX5743001	1	CARTON BROTHER, MFC7860DW FOR RUS	
1	LX5930001	1	CARTON BROTHER, DCP7055 FOR ARL/NZ	
1	LX5943001	1	CARTON BROTHER, DCP7060D FOR ARL/NZ	
1	LEA915001	1	CARTON BROTHER, DCP7065DN FOR ARL/NZ	chg
1	LX5869001	1	CARTON BROTHER, MFC7360N FOR ARL/NZ	
1	LX5885001	1	CARTON BROTHER, MFC7362N FOR ARL/NZ	
1	LX5875001	1	CARTON BROTHER, MFC7460DN FOR ARL/NZ	
1	LEA022001	1	CARTON BROTHER, MFC7860DW FOR ARL/NZ	
1	LX5728001	1	CARTON BROTHER, DCP7057E FOR PND	
1	LEA696001	1	CARTON BROTHER, DCP7057E FOR CEE	
1	LX5562001	1	CARTON BROTHER, DCP7065DN EXCEPT FOR US/CAN/PHL/ARG/CHL/BRA/RUS	
1	LX5455001	1	CARTON BROTHER, MFC7460DN EXCEPT FOR US/CAN/ARG/CHL/BRA/ARL/NZ	
1	LX5690001	1	CARTON BROTHER, MFC7860DW EXCEPT FOR US/CAN/PHL/CHL/ASA/RUS/ARL/NZ	
2	LEA997003	1	QUICK SETUP GUIDE, DCP7055W/DCP7070DW FOR GER/CHE (GERMAN)	
2	LX5120001	1	QUICK SETUP GUIDE, DCP7060D/DCP7065DN FOR US/CAN (ENGLISH)	
2	LX5120002	1	QUICK SETUP GUIDE, DCP7060D/DCP7065DN FOR CAN (FRENCH)	
2	LX5805001	1	QUICK SETUP GUIDE, HL2280DW FOR US/CAN (ENGLISH)	
2	LX5805002	1	QUICK SETUP GUIDE, HL2280DW FOR CAN (FRENCH)	
2	LEJ375001	1	QUICK SETUP GUIDE, MFC7360N/MFC7365DN/MFC7460DN FOR US/CAN (ENGLISH)	CHG
2	LX5112002	1	QUICK SETUP GUIDE, MFC7360N/MFC7460DN FOR CAN (FRENCH)	
2	LX5688001	1	QUICK SETUP GUIDE, MFC7860DW FOR US/CAN (ENGLISH)	
2	LX5688002	1	QUICK SETUP GUIDE, MFC7860DW FOR CAN (FRENCH)	
2	LX5425003	1	QUICK SETUP GUIDE, DCP7055/DCP7060D/DCP7065DN FOR GER/CHE (GERMAN)	
2	LX5840003	4	QUICK SETUP GUIDE, DCP7070DW FOR GER	del
2	LX5433003	1	QUICK SETUP GUIDE, MFC7360N/MFC7460DN FOR GER	
2	LX5692003	1	QUICK SETUP GUIDE, MFC7860DW FOR GER	
2	LX5425004	1	QUICK SETUP GUIDE, DCP7055/DCP7060D/DCP7065DN FOR UK	
2	LEA997004	1	QUICK SETUP GUIDE, DCP7055W/DCP7070DW FOR UK	
2	LX5840004	4	QUICK SETUP GUIDE, DCP7070DW FOR UK	del
2	LX5433004	1	QUICK SETUP GUIDE, MFC7360N/MFC7460DN FOR UK	
2	LX5692004	1	QUICK SETUP GUIDE, MFC7860DW FOR UK	
2	LX5433005	1	QUICK SETUP GUIDE, MFC7360N/MFC7460DN FOR FRA	
2	LX5692005	1	QUICK SETUP GUIDE, MFC7860DW FOR FRA	
2	LX5425016	1	QUICK SETUP GUIDE, DCP7055/DCP7057/DCP7060D FOR CHE/ITA, DCP7065DN FOR CHE/ITA/SPA/POR (ITALIAN)	
2	LX5425005	1	QUICK SETUP GUIDE, DCP7055/DCP7060D/DCP7065DN FOR FRA/BEL/NLD/CHE (FRENCH)	
2	LX5840005	4	QUICK SETUP GUIDE, DCP7070DW FOR FRA/BEL/NLD (FRENCH)	del
2	LX5433008	1	QUICK SETUP GUIDE, MFC7360N/MFC7460DN FOR BEL/CHE (FRENCH)	
2	LX5425009	1	QUICK SETUP GUIDE, DCP7055/DCP7060D/DCP7065DN FOR FRA/BEL/NLD (DUTCH)	
2	LX5840009	4	QUICK SETUP GUIDE, DCP7070DW FOR FRA/BEL/NLD (DUTCH)	del
2	LX5433009	1	QUICK SETUP GUIDE, MFC7360N/MFC7460DN FOR BEL/NLD (DUTCH)	
2	LX5692008	1	QUICK SETUP GUIDE, MFC7860DW FOR BEL/NLD/CHE (FRENCH)	
2	LX5692009	1	QUICK SETUP GUIDE, MFC7860DW FOR BEL/NLD (DUTCH)	
2	LEA997005	1	QUICK SETUP GUIDE, DCP7055W/DCP7070DW FOR FRA/BEL/NLD/CHE (FRENCH)	
2	LEA997009	1	QUICK SETUP GUIDE, DCP7055W/DCP7070DW FOR FRA/BEL/NLD (DUTCH)	
2	LX5433010	1	QUICK SETUP GUIDE, MFC7360N/MFC7460DN FOR CHE (GERMAN)	
2	LX5692010	1	QUICK SETUP GUIDE, MFC7860DW FOR CHE (GERMAN)	
2	LEA997016	1	QUICK SETUP GUIDE, DCP7055W FOR CHE/ITA (ITALY)	
2	LX5433016	1	QUICK SETUP GUIDE, MFC7360N/MFC7460DN FOR CHE/ITA (ITALIAN)	
2	LX5692016	1	QUICK SETUP GUIDE, MFC7860DW FOR CHE/ITA (ITALIAN)	
2	LEA145020	4	QUICK SETUP GUIDE, DCP7055/DCP7060D FOR CHN	del
2	LEA707020	1	QUICK SETUP GUIDE, DCP7055/DCP7060D/DCP7057 FOR CHN	
2	LEA135020	1	QUICK SETUP GUIDE, MFC7360/MFC7470D/MFC7860DN FOR CHN	
2	LX5425040	1	QUICK SETUP GUIDE, DCP7055/DCP7060D/DCP7065DN FOR PHL/IDN/IRN/ASA/GUL/IND/ARL/NZ (ENGLISH)	
2	LEA145023	1	QUICK SETUP GUIDE, DCP7060D FOR TWN	
2	LEA135023	1	QUICK SETUP GUIDE, MFC7360/MFC7460DN FOR TWN	
2	LEA147023	1	QUICK SETUP GUIDE, MFC7860DW FOR TWN	
2	LX5120031	1	QUICK SETUP GUIDE, DCP7055/DCP7065DN FOR ARG/CHL/MEX	
2	LX5112031	1	QUICK SETUP GUIDE, MFC7360N/MFC7460DN FOR ARG/CHL	
2	LX5688031	1	QUICK SETUP GUIDE, MFC7860DW FOR CHL	

DCP7055/7055W/7055WR/7057/7057E/7057WR

8C5E01/8C5E02/8C5E03/8C5E05

7060D/7065DN/7070DW/HL2280DW

8C5E06/8C5E08/8C5E17/8C5E07

MFC7360/7360N/7362N/7365DN/7460DN

8C5E31/8C5E33/8C5E35/8C5E36

7470D/7860DN/7860DW

8C5E44/8C5E45/8C5E55/8C5E67

15. PACKING MATERIALS

REF No.	CODE	QTY	DESCRIPTION	REMARKS
2	LX5433039	1	QUICK SETUP GUIDE, MFC7360N/MFC7460DN FOR POL	
2	LX5692039	1	QUICK SETUP GUIDE, MFC7860DW FOR POL	
2	LX5433040	1	QUICK SETUP GUIDE, MFC7360/MFC7360N/MFC7362N/MFC7460DN FOR IDN/IRN/ASA/GUL/IND/ARL/NZ (ENGLISH)	
2	LX5425025	1	QUICK SETUP GUIDE, DCP7055/DCP7065DN FOR GUL (TURKISH)	
2	LX5433025	1	QUICK SETUP GUIDE, MFC7360 FOR GUL (TURKISH)	
2	LX5692025	1	QUICK SETUP GUIDE, MFC7860DW FOR GUL (TURKISH)	
2	LX5425032	1	QUICK SETUP GUIDE, DCP7055/DCP7065DN FOR IRN/GUL (ARABIC)	
2	LX5433032	1	QUICK SETUP GUIDE, MFC7360/MFC7470D FOR IRN/GUL (ARABIC)	
2	LEA236040	1	QUICK SETUP GUIDE, MFC7470D FOR PHL/ASA/GUL (ENGLISH)	
2	LX5692032	1	QUICK SETUP GUIDE, MFC7860DW FOR GUL (ARABIC)	
2	LX5120042	1	QUICK SETUP GUIDE, DCP7055/DCP7065DN FOR BRA	
2	LX5112042	1	QUICK SETUP GUIDE, MFC7360N/MFC7460DN FOR BRA	
2	LX5688042	1	QUICK SETUP GUIDE, MFC7860DW FOR BRA	
2	LEA135044	1	QUICK SETUP GUIDE, MFC7360/MFC7470D/MFC7860DN FOR KOR	
2	LEJ001031	1	QUICK SETUP GUIDE, DCP7055W FOR MEX	
2	LX5425048	1	QUICK SETUP GUIDE, DCP7055/DCP7057/DCP7060D/DCP7065DN FOR RUS	
2	LEA997048	1	QUICK SETUP GUIDE, DCP7055WR/DCP7057WR/DCP7070DWR	
2	LX5840048	4	QUICK SETUP GUIDE, DCP7070DW FOR RUS	del
2	LX5433048	1	QUICK SETUP GUIDE, MFC7360N FOR RUS	
2	LX5692048	1	QUICK SETUP GUIDE, MFC7860DW FOR RUS	
2	LX5692040	1	QUICK SETUP GUIDE, MFC7860DW FOR PHL/ASA/GUL/IND/ARL/NZ (ENGLISH)	
2	LX5425007	1	QUICK SETUP GUIDE, DCP7055/DCP7057E/DCP7060D/DCP7065DN FOR PND (NORWEGIAN)	
2	LX5840007	4	QUICK SETUP GUIDE, DCP7070DW FOR PND (NORWEGIAN)	del
2	LX5433007	1	QUICK SETUP GUIDE, MFC7360N/MFC7460DN FOR PND (NORWEGIAN)	
2	LX5692007	1	QUICK SETUP GUIDE, MFC7860DW FOR PND (NORWEGIAN)	
2	LX5425026	1	QUICK SETUP GUIDE, DCP7055/DCP7057E/DCP7060D/DCP7065DN FOR PND (SWEDISH)	
2	LEA997007	1	QUICK SETUP GUIDE, DCP7055W/DCP7070DW FOR PND (NORWEGIAN)	
2	LEA997012	1	QUICK SETUP GUIDE, DCP7055W/DCP7070DW FOR PND (FINNISH)	
2	LEA997013	1	QUICK SETUP GUIDE, DCP7055W/DCP7070DW FOR PND (DANISH)	
2	LEA997026	1	QUICK SETUP GUIDE, DCP7055W/DCP7070DW FOR PND (SWEDISH)	
2	LX5840026	4	QUICK SETUP GUIDE, DCP7070DW FOR PND (SWEDISH)	del
2	LX5433026	1	QUICK SETUP GUIDE, MFC7360N/MFC7460DN FOR PND (SWEDISH)	
2	LX5692026	1	QUICK SETUP GUIDE, MFC7860DW FOR PND (SWEDISH)	
2	LX5425012	1	QUICK SETUP GUIDE, DCP7055/DCP7057E/DCP7060D/DCP7065DN FOR PND (FINNISH)	
2	LX5840012	4	QUICK SETUP GUIDE, DCP7070DW FOR PND (FINNISH)	del
2	LX5433012	1	QUICK SETUP GUIDE, MFC7360N/MFC7460DN FOR PND (FINNISH)	
2	LX5692012	1	QUICK SETUP GUIDE, MFC7860DW FOR PND (FINNISH)	
2	LX5425013	1	QUICK SETUP GUIDE, DCP7055/DCP7057E/DCP7060D/DCP7065DN FOR PND (DANISH)	
2	LX5840013	4	QUICK SETUP GUIDE, DCP7070DW FOR PND (DANISH)	del
2	LX5433013	1	QUICK SETUP GUIDE, MFC7360N/MFC7460DN FOR PND (DANISH)	
2	LX5692013	1	QUICK SETUP GUIDE, MFC7860DW FOR PND (DANISH)	
2	LX5425015	1	QUICK SETUP GUIDE, DCP7055/DCP7060D FOR IBR, DCP7065DN FOR ITA/SPA/POR (SPANISH)	
2	LX5425018	1	QUICK SETUP GUIDE, DCP7055/DCP7060D FOR IBR, DCP7065DN FOR ITA/SPA/POR (PORTUGUESE)	
2	LEA997015	1	QUICK SETUP GUIDE, DCP7055W FOR IBR (SPANISH)	
2	LEA997018	1	QUICK SETUP GUIDE, DCP7055W FOR IBR (PORTUGUESE)	
2	LX5433015	1	QUICK SETUP GUIDE, MFC7360N/MFC7460DN FOR IBR (SPANISH)	
2	LX5433018	1	QUICK SETUP GUIDE, MFC7360N/MFC7460DN FOR IBR (PORTUGUESE)	
2	LX5692015	1	QUICK SETUP GUIDE, MFC7860DW FOR IBR (SPANISH)	
2	LX5692018	1	QUICK SETUP GUIDE, MFC7860DW FOR IBR (PORTUGUESE)	
2	LX5425037	1	QUICK SETUP GUIDE, DCP7055/DCP7057E/DCP7060D/DCP7065DN FOR CEE(CZECH/HUNGARIAN/POLISH/ENGLISH)	
2	LEA997037	1	QUICK SETUP GUIDE, DCP7055W/DCP7070DW FOR CEE (CZECH/HUNGARIAN/POLISH/ENGLISH)	
2	LEA997059	1	QUICK SETUP GUIDE, DCP7055WDCP7070DW FOR CEE (BULGARIAN/ROMANIAN/SLOVAK)	
2	LX5840037	4	QUICK SETUP GUIDE, DCP7070DW FOR CEE (CZECH/HUNGARIAN/POLISH/ENGLISH)	del
2	LX5433037	1	QUICK SETUP GUIDE, MFC7360N/MFC7460DN FOR CEE (CZECH/HUNGARIAN/POLISH/ENGLISH)	
2	LX5425059	1	QUICK SETUP GUIDE, DCP7055/DCP7057E/DCP7060D/DCP7065DN FOR CEE(BULGARIAN/ROMANIAN/SLOVAK)	
2	LX5840059	4	QUICK SETUP GUIDE, DCP7070DW FOR CEE (BULGARIAN/ROMANIAN/SLOVAK)	del
2	LX5433059	1	QUICK SETUP GUIDE, MFC7360N/MFC7460DN FOR CEE (BULGARIAN/ROMANIAN/SLOVAK)	
3	LX5090001	1	POLYSTYRENE PAD ASSY, DCP7055/DCP7055W/DCP7055WR/DCP7057/DCP7057E/DCP7057WR/DCP7060D/ DCP7070DW/HL2280DW	

DCP7055/7055W/7055WR/7057/7057E/7057WR
7060D/7065DN/7070DW/HL2280DW
MFC7360/7360N/7362N/7365DN/7460DN
7470D/7860DN/7860DW

8C5E01/8C5E02/8C5E03/8C5E05
8C5E06/8C5E08/8C5E17/8C5E07
8C5E31/8C5E33/8C5E35/8C5E36
8C5E44/8C5E45/8C5E55/8C5E67

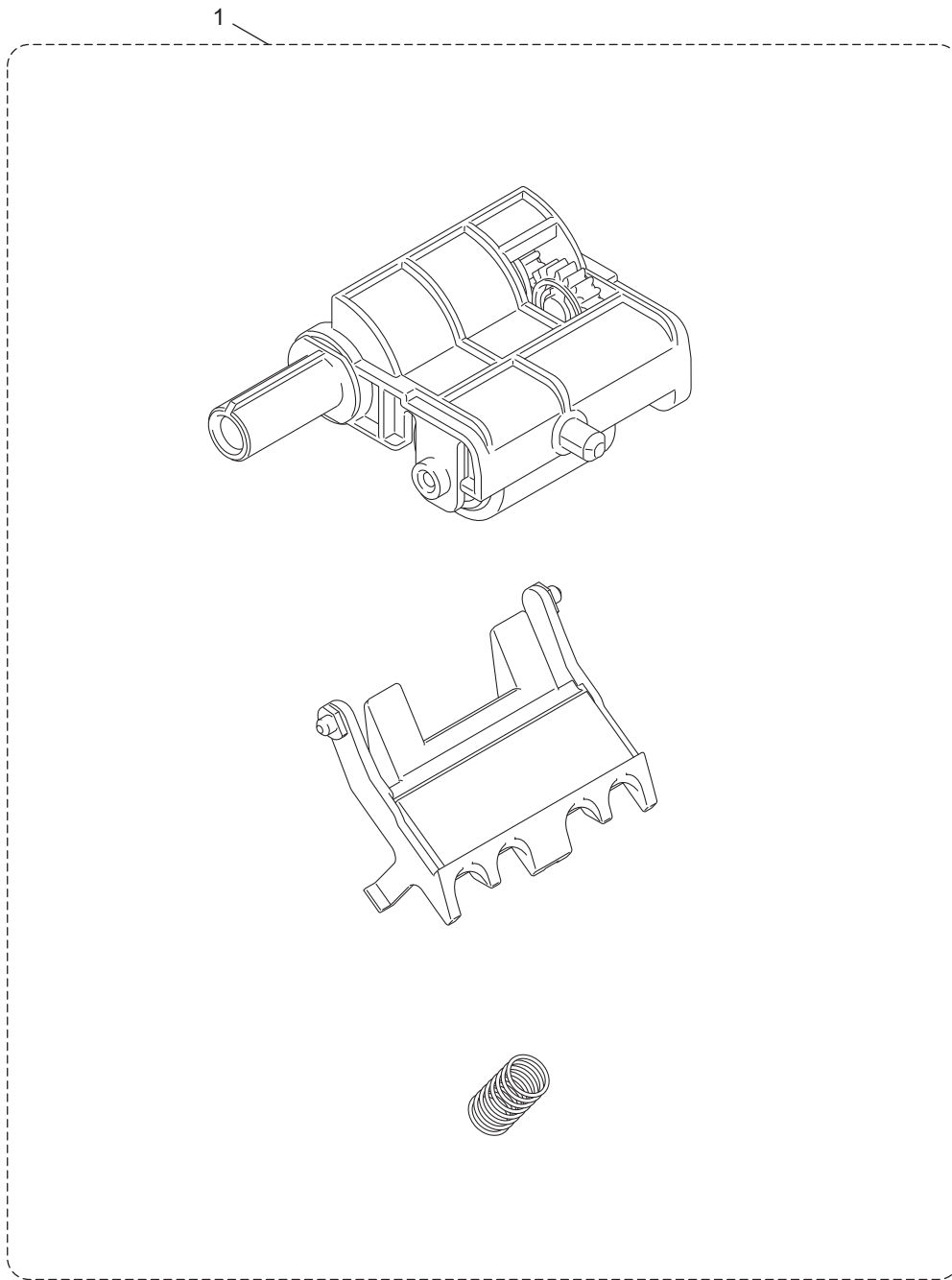
15. PACKING MATERIALS

REF No.	CODE	Q'TY	DESCRIPTION	REMARKS
3	LX5022001	1	POLYSTYRENE PAD ASSY, DCP7065DN/MFC7360N/MFC7362N/MFC7365DN/MFC7460DN/MFC7860DW FOR ALL COUNTRIES, MFC7360/MFC7860DN EXCEPT FOR CHN	
3	LX5299001	1	POLYSTYRENE PAD ASSY, MFC7360/MFC7860DN FOR CHN, MFC7470D FOR ALL COUNTRIES	
4	LX5026001	1	OPTION CARTON	
5	LY5987001	1	PE BAG 800X900, DCP7055/DCP7055W/DCP7055WR/DCP7057/DCP7057E/DCP7057WR/DCP7060D/ DCP7065DN/DCP7070DW/HL2280DW/MFC7360N/MFC7362N/MFC7365DN/MFC7460DN/ MFC7860DW FOR ALL COUNTRIES, MFC7360/MFC7860DN EXCEPT FOR CHN	chg
5	LEA183001	1	PE BAG 900X900, MFC7360/MFC7860DN FOR CHN, MFC7470D FOR ALL COUNTRIES	
6	LY0645001	4	SILICA GEL PACK EXCEPT FOR CAN	del
6	LY3886001	1	SILICA GEL PACK FOR US/CAN/ARG/CHL/BRA/MEX	chg
6	LY3887001	1	SILICA GEL PACK EXCEPT FOR US/CAN/ARG/CHL/BRA/MEX	add
7	LY3797001	1	ELASTIC BAND	chg
8	LX5364001	1	PAPER STRIP	
9	LY3057001	1	PROTECTIVE MATERIAL	
10	LEJ133001	1	CHINA ENERGY LABEL, DCP7055 FOR CHN	add
10	LEJ157001	1	CHINA ENERGY LABEL, DCP7057 FOR CHN	add
10	LEJ144001	1	CHINA ENERGY LABEL, DCP7060D FOR CHN	add
10	LEA486001	1	CHINA ENERGY LABEL, MFC7360 FOR CHN	add
10	LEA487001	1	CHINA ENERGY LABEL, MFC7470D FOR CHN	add
10	LEA488001	1	CHINA ENERGY LABEL, MFC7860DN FOR CHN	add

8C5E01/8C5E02/8C5E03/8C5E05
8C5E06/8C5E08/8C5E17/8C5E07
8C5E31/8C5E33/8C5E35/8C5E36
8C5E44/8C5E45/8C5E55/8C5E67

DCP7055/7055W/7055WR/7057/7057E/7057WR
7060D/7065DN/7070DW/HL2280DW
MFC7360/7360N/7362N/7365DN/7460DN
7470D/7860DN/7860DW

16. PERIODICAL MAINTENANCE PARTS



16. PERIODICL MAINTENANCE PARTS

REF No.	CODE	Q'TY	DESCRIPTION	REMARKS
1	LY3058001	1	PAPER FEEDING KIT (SP)	

8C5E01/8C5E02/8C5E03/8C5E05
 8C5E06/8C5E08/8C5E17/8C5E07
 8C5E31/8C5E33/8C5E35/8C5E36
 8C5E44/8C5E45/8C5E55/8C5E67

DCP7055/7055W/7055WR/7057/7057E/7057WR
 7060D/7065DN/7070DW/HL2280DW
 MFC7360/7360N/7362N/7365DN/7460DN
 7470D/7860DN/7860DW