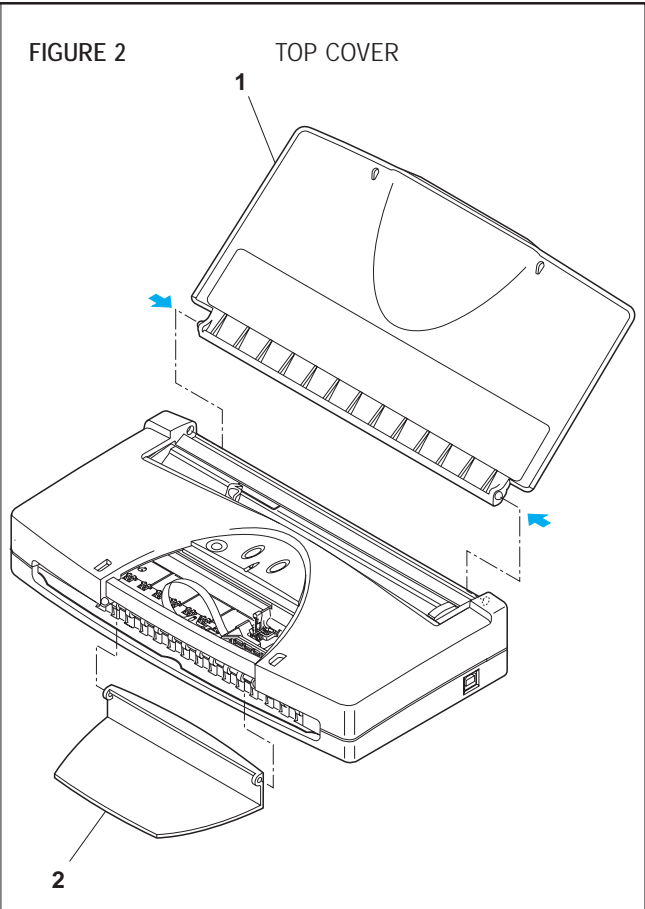
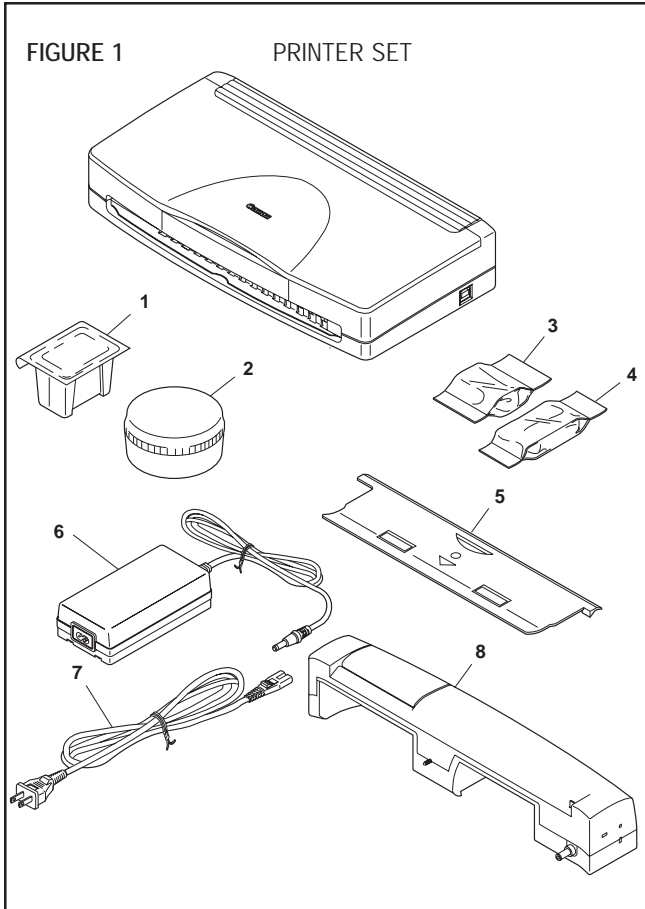
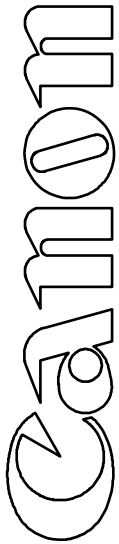


BJC-85

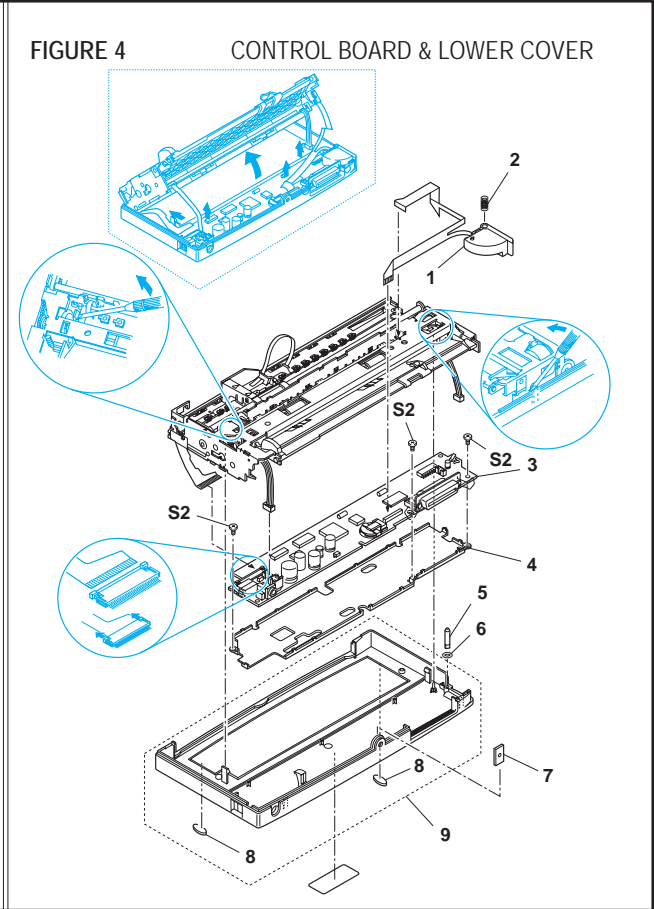
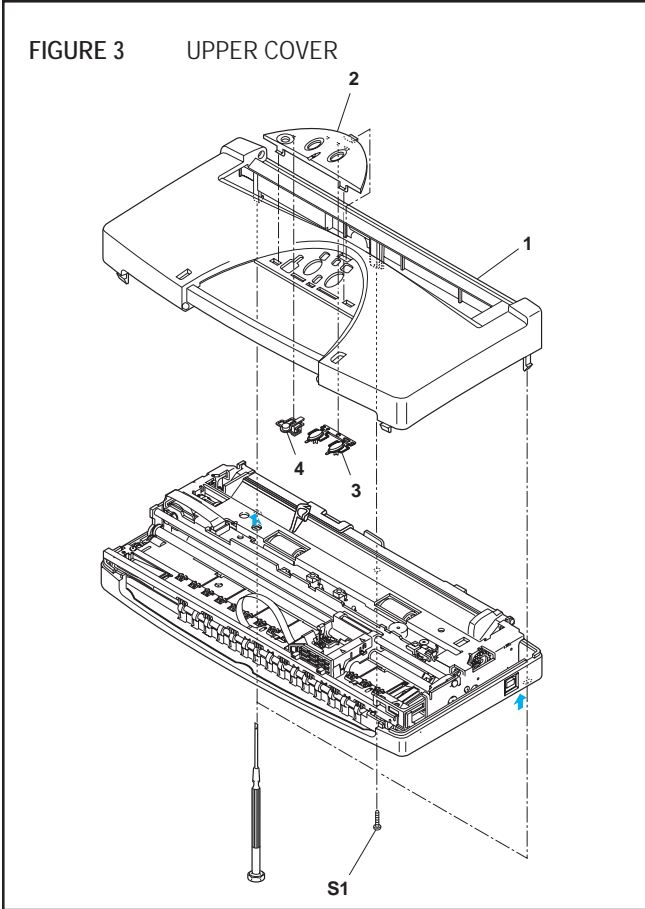
PARTS CATALOG

Canon



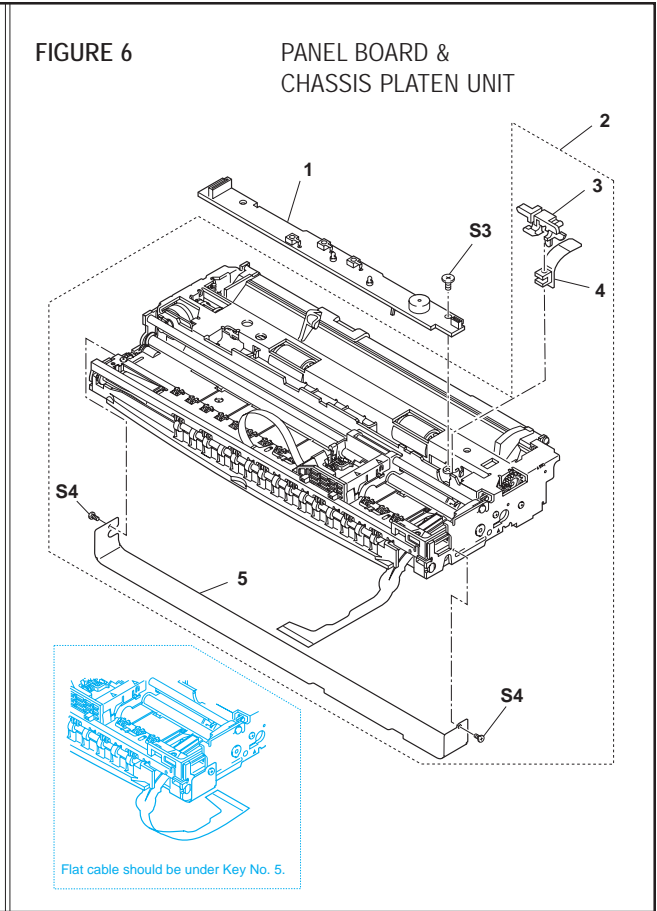
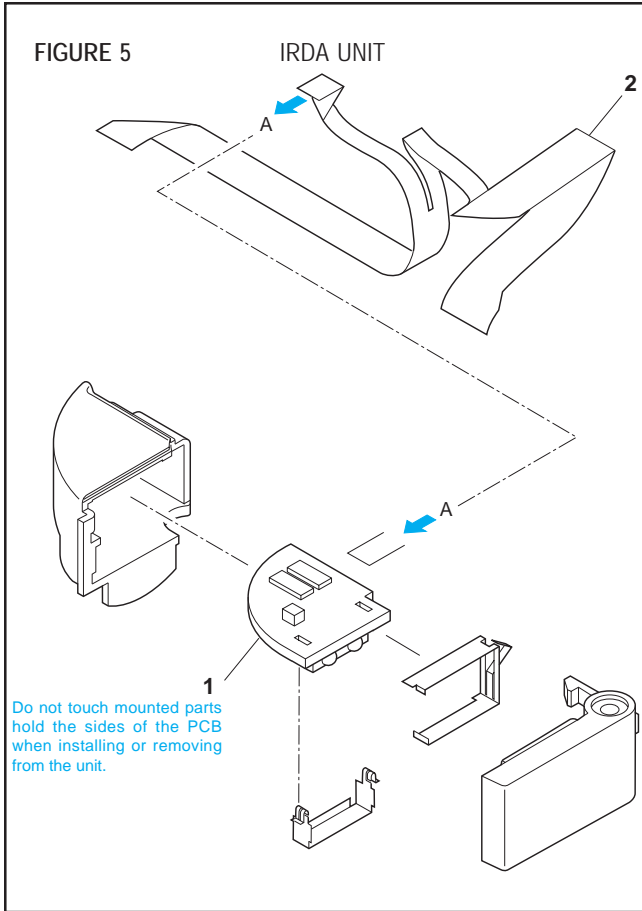
NUM.	PART #	DESCRIPTION
1 - 1	NPN	BLACK BJ CARTRIDGE PACK
	NPN	COLOR BJ CARTRIDGE PACK
	NPN	PHOTO BJ CARTRIDGE PACK
2	Q70-2470-412	CARTRIDGE CONTAINER(SB-10)
3	NPN	COLOR INK CARTRIDGE FOR COLOR BJ CARTRIDGE
	NPN	COLOR INK CARTRIDGE FOR PHOTO BJ CARTRIDGE
4	NPN	BLACK INK CARTRIDGE FOR BLACK BJ CARTRIDGE
	NPN	BLACK INK CARTRIDGE FOR COLOR BJ CARTRIDGE
	NPN	BLACK INK CARTRIDGE FOR PHOTO BJ CARTRIDGE
5	QF5-0256-000	PICK-UP SUPPORT ASS'Y
6	QH3-3788-000	AC ADAPTER: 100V-240V 50/60HZ OUTPUT 13VDC, 1.8A
	WT3-5079-000	CORD, POWER 220V-240V
	WT3-5093-000	CORD, POWER 100V-120V
8	Q70-2450-414	PORTABLE KIT (W/O BATTERY)
9	Q70-2450-412	BATTERY

NUM.	PART #	DESCRIPTION
2 - 1	QB1-4453-000	COVER, TOP
2	QB1-4449-000	COVER, INNER FOR BJC-85



NUM.	PART #	DESCRIPTION
3 - 1	QB1-4454-000	COVER, UPPER
2	QB1-4451-000	COVER, PANEL
3	QB1-3001-000	SWITCH, PANEL
4	QB1-4456-000	SWITCH, CARTRIDGE

NUM.	PART #	DESCRIPTION
4 - 1	QG5-0989-000	IRDA UNIT
2	QB1-3006-000	SPRING, IR
3	QG2-3096-000	CONTROL PCB ASS'Y
4	QB1-3008-020	PLATE, SHIELD
5	QB1-3005-000	SHAFT, IR
6	QB1-3013-000	O RING
7	QB1-1136-000	PLATE, ROCK
8	QB1-1135-000	FOOT, RUBBER (B) (2)
9	QF5-0550-000	LOWER COVER UNIT



NUM.	PART #	DESCRIPTION
5 - 1	QH7-8864-000	IR MODULE UNIT
2	QH1-1487-040	CABLE, FLAT

NUM.	PART #	DESCRIPTION
6 - 1	QG2-2923-000	PANEL BOARD UNIT
2	QG5-1476-000	CHASSIS PLATEN UNIT
3	QB1-1055-000	HOLDER, SENSOR
4	QH8-8794-000	PHOTO MICRO SENSOR (WITH CABLE)
5	QB1-4460-000	SHEILD

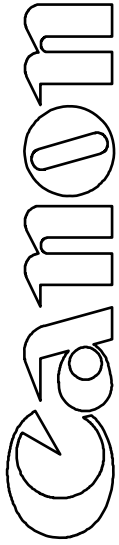


FIGURE 7 PURGE & WASTE INK ABSORBER

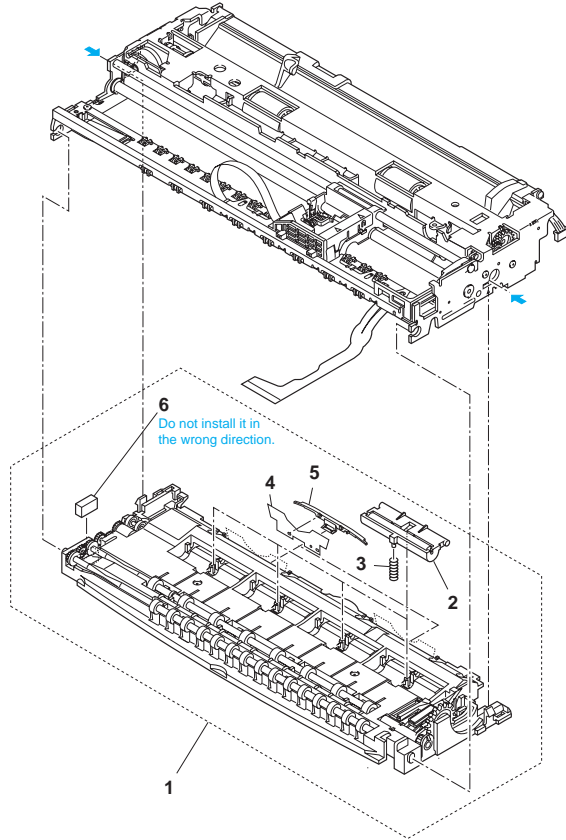
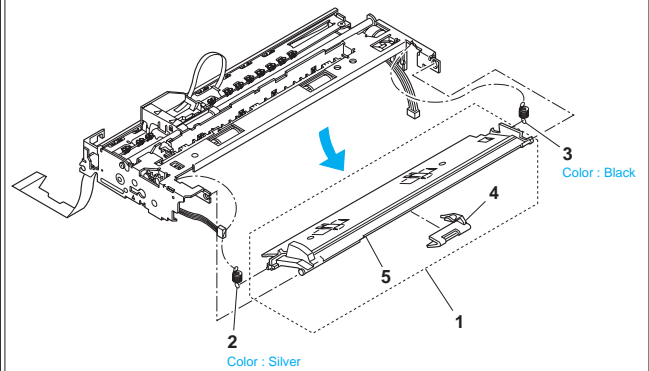


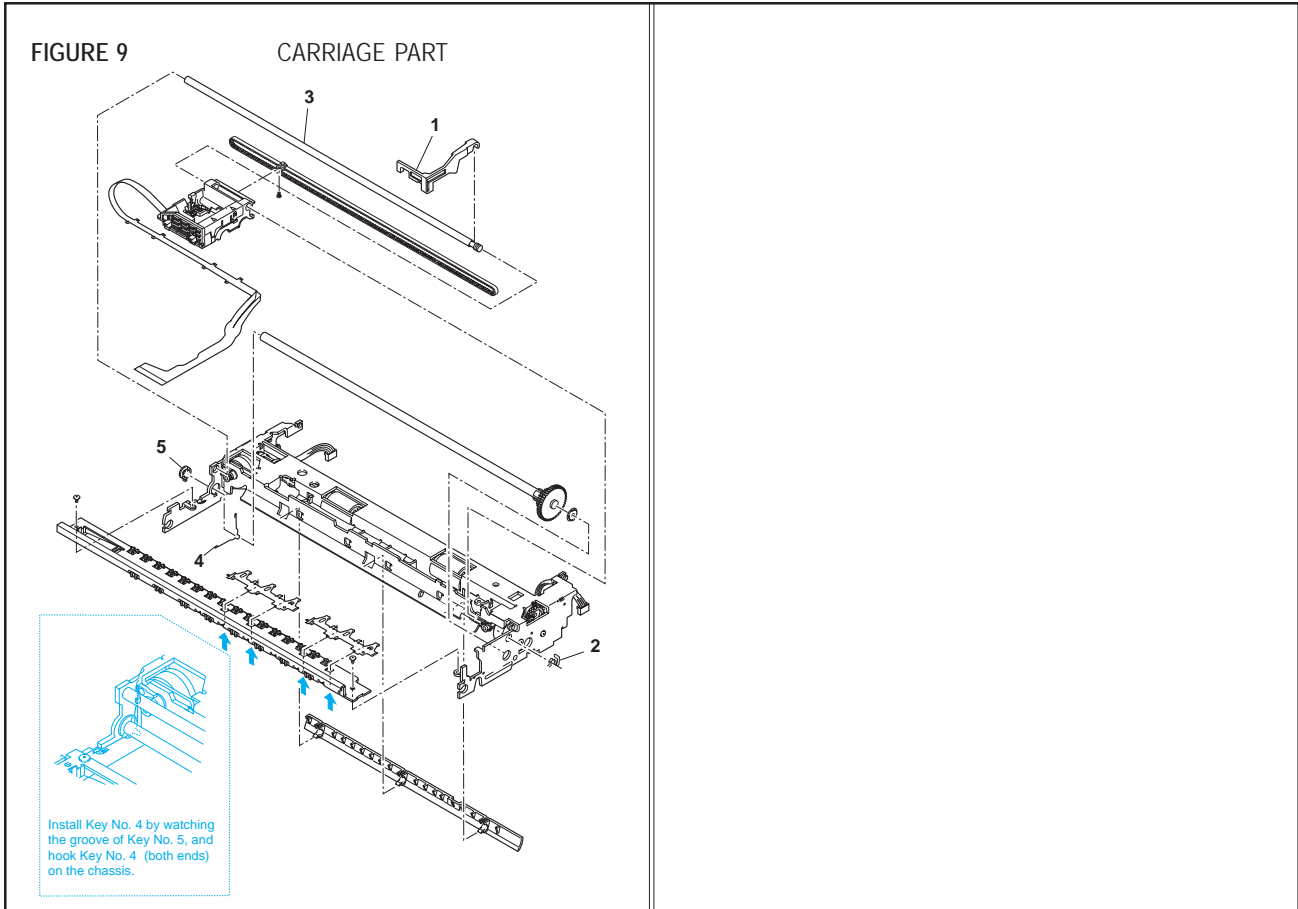
FIGURE 8 ASF UNIT



NUM.	PART #	DESCRIPTION
7 - 1	ELIMINATED	PRINTER BASE UNIT
2	QG5-0796-020	PINCH ROLLER UNIT (4)
3	QB1-2349-000	SPRING, COIL (4)
4	QB1-2350-000	SEPARATION SHEET (2)
5	QB1-2124-000	RETAINER (2)
6	QB1-2122-000	PAD
7	QY5-0121-010	INK ABSORBER KIT*

* ABSORBER KIT INCLUDES:
 - WASTE INK ABSORBER SHEETS A, B & C
 - CYLINDER ABSORBER
 - ABSORBER SEAL (WITH TAPE)
 - SEE PAGE 6 OF THIS PARTS CATALOG FOR A DIAGRAM OF THE INK ABSORBER KIT

NUM.	PART #	DESCRIPTION
8 - 1	QG5-0716-000	PAPER LIFTING PLATE UNIT
2	QB1-1064-000	SPRING, COIL
3	QB1-1083-000	SPRING, COIL
4	QB1-1084-000	GUIDE, PAPER
5	QF5-0253-000	PAPER LIFTING PLATE ASS'Y



NUM.	PART #	DESCRIPTION	NUM.	PART #	DESCRIPTION
9 - 1	QB1-1106-000	ARM, ROCK			
2	QB1-3238-000	STOPPER			
3	QB1-1050-000	SHAFT, CARRIAGE GUIDE			
4	QB1-1058-000	BUSHING, HOLDER(LEFT)			
5	QB1-4458-000	BUSHING, LEFT			

When a waste ink full error occurs, order the Ink Absorber Kit (QY5-0121-010) instead of the Printer Base Unit. The Printer Base Unit is no longer available.

The Ink Absorber Kit includes the following items:

- Waste Ink Absorber Sheets A, B & C
- Cylinder Absorber
- Absorber Seal (with Tape)

