

KONICA MINOLTA

# *PARTS GUIDE MANUAL*

---

*MARCH 2007*

*bizhub C451  
A00K*

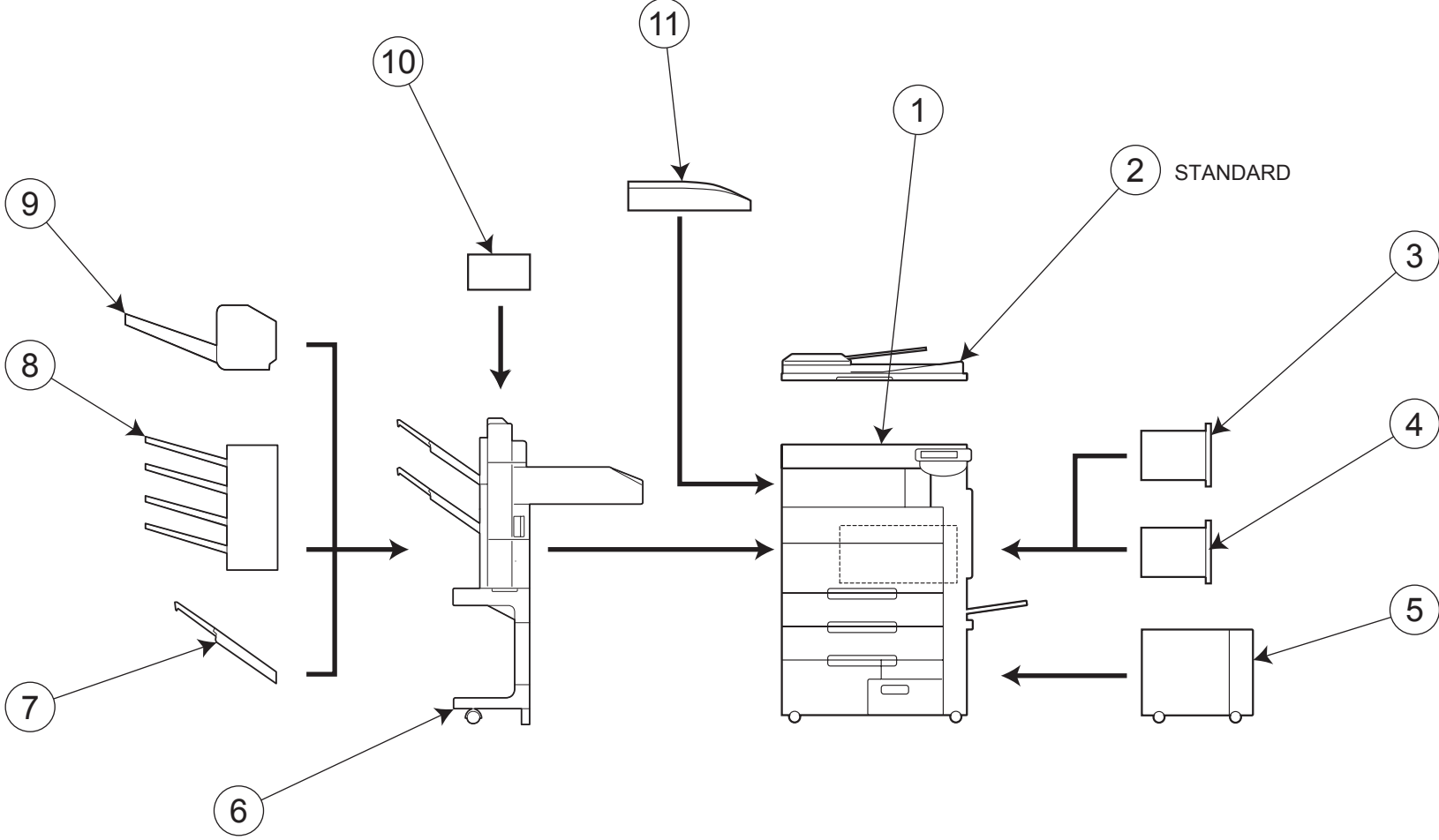
## INFORMATION FOR PARTS GUIDE MANUAL

To find correct Parts No., refer to the "HOW TO MAKE THE BEST USE OF THIS MANUAL" in the following page.

### HOW TO MAKE THE BEST USE OF THIS MANUAL

- 1 When you order, please check the proper figures beforehand that are on Our Parts Guide Manual, and order with the appropriate figures.
- 2 For screws, Nuts, Washers, retaining rings and Pins which are used in this model, one letter is shown on the Standard parts column of Parts list and exploded diagrams.
- 3 In order to maintain safety of the product, some specific parts composed of this product are set up as "essential safety parts".
- 4 The assigned parts number for the "essential safety parts" is indicated as "SP00-\*\*\*\*".  
When replacing these parts, follow precautions for disassembling and installing which are listed in the Service Manual.  
Do not use any parts that are not set up as
- 5 ♣ means that there are exclusive parts for each destination.  
Please check the appropriate destination when you order.
- 6 Revision Mark  
Marked as ▲ on the illustration shows that the revision has been made.
- 7 All rights reserved. (any reprints or quotations are prohibited.)  
Use of this parts guide manual should be strictly supervised to avoid disclosure of confidential information.

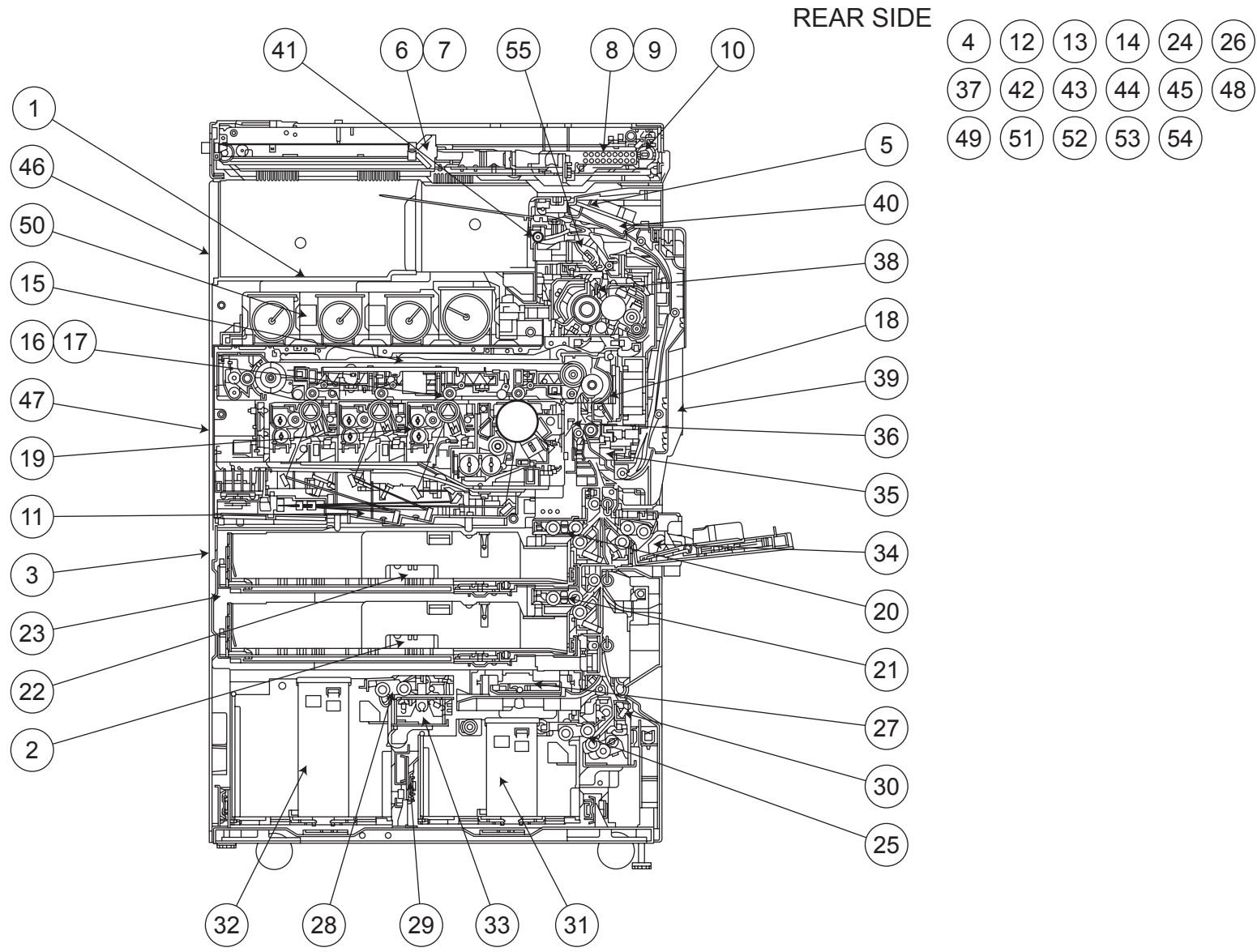
# SYSTEM OUTLINE



# GENERAL CONTENTS

No.	Description	Model
1	DIGITAL MFP COLOR	bizhub C451
2	DOCUMENT FEEDER	DF-611
3	FAX CONTROLLER	FK-502
4	OTHER OPTION	EK-602
5	PAPER FEEDER	LU-301
6	SORTER/FINISHER	FS-519
7	OTHER OPTION	OT-602
8	SORTER/FINISHER	MT-502
9	SORTER/FINISHER	SD-505
10	PUNCH UNIT	PK-510
11	OTHER OPTION	OT-503

# DIAGRAM OF MAIN PARTS SECTION



# CONTENTS

No.	DESCRIPTION	PAGE No.
1	EXTERNAL PARTS	P1
2	EXTERNAL PARTS	P2
3	EXTERNAL PARTS	P3
4	EXTERNAL PARTS	P4
5	CONTROL PANEL	P5 P6
6	IR COVER	P7
7	IR FRAME	P8 P9
8	SCANNER SECTION	P10
9	CCD UNIT/SCANNER DRIVE	P11
10	IR BOARD SECTION	P12
11	PH UNIT	P13
12	CONTACT SECTION	P14
13	I/U LOCK LEVER	P15
14	OZONE DUCT	P16
15	TONER SUPPLY SECTION	P17
16	TRANSFER UNIT	P18
17	TRANSFER RAIL SECTION	P19
18	ERASE LAMP	P20
19	TONER COLLECT SECTION	P21
20	1ST PAPER FEED	P22 P23
21	2ND PAPER FEED	P24 P25
22	CASSETTE ASSY	P26 P27
23	CASSETTE RAIL	P28
24	SIZE DETECTING SECTION	P29
25	1000-SHEET PAPER FEED SECTION	P30 P31
26	LCC DRIVE	P32
27	LEVEL CONVEYANCE SECTION	P33 P34
28	1500-SHEET PAPER FEED SECTION	P35 P36
29	LCC CASSETTE RAIL	P37
30	LCC LENGTH CONVEYANCE SECTION	P38
31	1000-SHEET TRAY	P39
32	1500-SHEET TRAY	P40
33	CASSETTE TRAY	P41
34	MANUAL FEED TRAY UNIT	P42 P43 P44 P45
35	PAPER EXIT CONVEYANCE SECTION	P46 P47 P48
36	REGISTRATION SENSOR	P49
37	ROTATION DETECTING SENSOR	P50
38	FUSING SECTION	P51

No.	DESCRIPTION	PAGE No.
39	ADU	P52 P53
40	PAPER EXIT SECTION	P54
41	REVERSAL UNIT	P55 P56
42	MAIN DRIVE UNIT	P57
43	FUSING DRIVE UNIT	P58
44	BOTTLE DRIVE SECTION	P59
45	EJECT DRIVE SECTION	P60
46	MAIN FRAME	P61
47	I/U FRAME SECTION	P62
48	REAR FAN SECTION	P63
49	REAR FAN SECTION	P64
50	DOOR SAFE SWITCH	P65
51	HIGH VOLTAGE UNIT	P66
52	MAIN POWER SUPPLY UNIT	P67
53	SHIELD BOX	P68 P69
54	REAR ELECTRICAL SECTION	P70
55	IH POWER SUPPLY	P71
56	WIRING	P72 P73 P74
57	WIRING ACCESSORIES AND JIGS	P75
58	ACCESSORY PARTS	P76

# INDEX

Parts No.	Page No.	Parts No.	Page No.	Parts No.	Page No.	Parts No.	Page No.	Parts No.	Page No.
08AA 7601 0	30-11	26NA 4082 0	30-22	4025 3676 01	49-6	4030 3125 01	23-12	4036 4730 01	47-23
08AA 7601 0	31-8	26NA 4082 0	33-10	4025 4709 02	47-13	4030 3125 01	25-10	4036 4911 01	47-12
08AA 7601 0	35-11	26NA 4082 0	35-24	4025 4719 02	47-24	4030 3125 01	45-26	4036 5325 02	1-25
08AA 7601 0	36-6	26NA 4544 0	39-20	4025 4720 01	47-26	4030 3206 01	26-28	4036 5347 02	17-9
08AA 7601 0	39-8	26NA 4544 0	40-19	4025 4725 01	47-16	4030 3207 01	26-24	4036 5348 01	17-8
08AA 7601 0	40-8	4002 1458 01	11-4	4025 4906 01	47-3	4030 3208 02	29-3	4036 5349 03	17-7
0910 3620 01	52-13	4002 1480 01	10-12	4025 4907 01	47-4	4030 3214 02	26-1	4036 5785 01	42-26
0990 6304 02	61-11	4002 1481 01	10-11	4025 4908 01	47-9	4030 3215 01	26-2	4036 5913 01	54-36
0992 3014 01	26-13	4002 3110 01	29-18	4025 4909 01	47-11	4030 3223 03	27-22	4036 5966 01	34-11
1038 4006 01	75-32	4002 3131 01	29-17	4025 4910 01	47-5	4030 3224 02	29-6	4036 5966 01	38-3
1050 4805 01	75-33	4002 5042 02	49-27	4025 5939 01	56-19	4030 3226 01	26-25	4036 5966 01	53-12
1052 4301 01	75-34	4002 7306 01	26-30	4025 5984 01	55-25	4030 3228 12	27-16	4036 5966 01	54-3
1053 4812 01	75-27	4004 1829 02	15-1	4025 5984 01	56-14	4030 3823 01	55-14	4036 5966 01	55-26
1065 3086 01	22-24	4004 2248 02	58-37	4030 1040 02	1-11	4036 1353 04	12-22	4036 5966 01	62-21
1065 3086 01	24-23	4004 2317 01	14-18	4030 3003 01	44-7	4036 1410 01	10-32	4036 5966 01	68-12
1065 3086 01	44-17	4004 2540 01	57-7	4030 3008 01	22-20	4036 1410 01	45-8	4036 6870 01	68-18
1065 5872 02	75-28	4004 2547 01	32-23	4030 3008 01	24-20	4036 1720 01	11-14	4037 0104 01	29-11
1067 2501 01	30-18	4004 2571 12	58-2	4030 3011 03	22-18	4036 2241 01	58-38	4037 0775 01	70-36
1067 2501 01	44-8	4004 2582 01	57-15	4030 3011 03	24-28	4036 2258 01	58-36	4037 0901 01	2-29
1067 2501 01	52-29	4004 2582 01	58-6	4030 3016 12	22-14	4036 2311 01	14-20	4037 0902 01	23-2
1079 2219 01	62-13	4004 3512 02	50-11	4030 3016 12	24-14	4036 2311 01	19-10	4037 0902 01	25-2
1134 3041 01	20-3	4004 4710 02	47-18	4030 3039 01	23-20	4036 2485 01	16-18	4037 0902 01	38-2
1134 3041 01	35-2	4004 4722 02	47-7	4030 3039 01	25-13	4036 2485 01	64-8	4037 0903 01	11-12
1134 3041 01	42-11	4004 4723 01	47-14	4030 3039 01	45-17	4036 2487 01	68-5	4037 0903 01	12-10
1134 3042 02	35-5	4004 5339 01	60-21	4030 3047 02	29-20	4036 2524 01	58-22	4037 0906 01	20-1
1134 3042 02	42-3	4004 5903 01	55-24	4030 3048 02	29-2	4036 2549 01	58-19	4037 0906 01	22-13
1144 5200 01	47-19	4004 5903 01	56-6	4030 3049 01	29-8	4036 2583 01	58-13	4037 0906 01	24-13
1151 3300 01	28-4	4004 5974 02	54-21	4030 3078 01	23-21	4036 3517 01	57-8	4037 0906 01	25-34
1164 3065 01	57-12	4004 5987 01	54-37	4030 3078 01	25-20	4036 3557 01	49-26	4037 0906 01	29-5
1164 3504 03	46-42	4004 6854 01	68-25	4030 3081 01	29-4	4036 3590 02	48-12	4037 0906 01	34-6
1164 3509 01	46-30	4011 3012 01	29-16	4030 3083 01	29-7	4036 3597 02	48-2	4037 0906 01	38-17
1164 3527 02	46-6	4011 5852 02	56-8	4030 3091 01	29-10	4036 3659 01	42-34	4037 0906 01	39-17
1200 1646 03	52-10	4025 2283 01	69-20	4030 3093 01	52-6	4036 3659 01	48-4	4037 0906 01	40-18
1200 1646 03	56-20	4025 2285 02	7-17	4030 3093 01	53-17	4036 3673 01	49-9	4037 0906 01	42-7
1200 1646 03	60-7	4025 2294 01	68-6	4030 3093 01	54-15	4036 3675 02	46-12	4037 0906 01	43-25
1200 3121 09	10-26	4025 3534 01	48-6	4030 3093 01	55-7	4036 4712 01	47-15	4037 0906 01	50-16
1200 3121 09	58-41	4025 3556 01	49-21	4030 3093 01	56-9	4036 4713 01	54-32	4037 2219 02	69-17
1200 3221 04	60-17	4025 3568 01	46-26	4030 3122 01	22-40	4036 4713 01	57-24	4037 2220 02	69-18
1274 3603 01	26-23	4025 3572 01	46-16	4030 3122 01	24-5	4036 4713 01	58-10	4037 2239 02	70-20
15AG 5028 0	30-38	4025 3674 02	49-11	4030 3122 01	34-14	4036 4713 01	60-4	4037 2244 01	69-1



Parts No.	Page No.	Parts No.	Page No.	Parts No.	Page No.	Parts No.	Page No.	Parts No.	Page No.
4037 2247 01	69-19	4154 3804 01	44-23	55VA 4212 0	35-26	56AA 8003 1	38-12	57AA 9787 0	41-12
4037 3204 01	26-8	4154 3804 01	45-12	55VA 4792 0	27-23	56AA 8201 2	30-23	65AA 3250 1	17-4
4037 6061 01	16-5	4163 5293 01	26-4	55VA 4792 0	39-19	56AA 8201 2	35-27	65AA 3250 1	21-13
4037 6776 01	69-14	4163 5293 01	31-2	55VA 4792 0	40-17	56AA 8306 1D	37-2	9313 1000 72	48-21
4037 6777 01	69-16	4348 2010 01	61-23	56AA 1708 0	38-14	56AA 8452 0	70-29	9313 1000 72	63-2
4037 6778 02	69-15	4348 3049 01	23-3	56AA 1733 0	38-13	56AE 8452 0	70-29	9313 1000 72	64-3
4037 R709 00	47-1	4348 3049 01	25-4	56AA 4038 0	30-31	56AF 8452 1	70-29	9313 1400 31	68-13
4037 R710 00	45-2	4425 3013 01	22-17	56AA 4038 0	35-32	56QA 1123 0	27-14	9313 1400 41	16-17
4037 R710 00	62-6	4425 3013 01	24-16	56AA 4043 0	31-5	56QA 1123 0	37-12	9313 1400 41	63-7
4038 1014 01	1-26	4425 3013 01	44-13	56AA 4043 0	36-5	56QA 1519 0	32-28	9313 1500 21	12-14
4038 1051 01	1-5	4425 3016 01	24-25	56AA 4044 0	36-7	56QA 4024 0D	31-24	9314 1001 04	53-23
4038 1051 01	2-2	4425 3016 01	44-9	56AA 4045 0	31-27	56QA 4024 0D	36-29	9314 1300 21	59-12
4038 2281 04	1-32	4425 3366 01	1-6	56AA 4045 0	36-31	56QA 5711 0	34-18	9314 1300 31	46-40
4038 2282 03	1-30	4425 3366 01	2-3	56AA 4049 0	1-9	56QA 5717 0	34-8	9314 1400 71	57-2
4038 2312 01	68-7	4497 3106 03	52-2	56AA 4049 0	22-10	56QA 5721 0	34-33	9321 2200 32	55-23
4038 5407 01	59-9	4498 3825 01	26-10	56AA 4049 0	23-17	56QA 5724 0	34-7	9326 1200 21	11-28
4038 5411 01	59-6	4498 3826 01	26-11	56AA 4049 0	24-12	56QA 5804 1D	39-14	9326 1810 51	5-2
4038 5412 02	59-10	4498 3834 01	26-15	56AA 4049 0	25-16	56QA 5804 1D	40-14	9326 1910 21	12-24
4038 5413 01	59-8	4537 3317 01	26-5	56AA 4049 0	30-10	56QA 5805 0D	41-9	9326 2820 11	1-12
4038 M601 00	70-11	4556 M100 00	61-17	56AA 4049 0	31-15	56QA 5806 0D	41-5	9334 2610 12	8-6
4040 3097 01	22-22	4556 M100 00	62-20	56AA 4049 0	32-6	56QA 5807 0D	41-13	9334 2610 12	65-3
4040 3097 01	24-24	4556 M100 00	67-3	56AA 4049 0	34-5	56QA 5811 0	39-4	9335 1300 61	15-11
4040 3097 01	44-15	4581 1625 01	8-4	56AA 4049 0	35-10	56QA 5812 0	39-27	9335 1300 61	29-22
40AA 8803 1	17-32	4643 4605 01	49-18	56AA 4049 0	36-17	56QA 5815 0	41-15	9335 1300 61	30-3
4106 2063 01	65-2	4657 3713 01	52-16	56AA 4049 0	44-6	56QA 5828 1E	39-18	9335 1300 61	35-8
4120 1014 02	1-3	4657 3734 01	53-4	56AA 4049 0	45-16	56QA 5828 1E	40-16	9335 1300 61	43-30
4120 1014 02	2-5	4657 3735 01	52-27	56AA 4051 0	31-26	56QA 5829 0	39-5	9335 1300 61	46-43
4128 3823 01	26-9	4657 3735 01	53-8	56AA 4051 0	36-30	56QA 5829 0	40-5	9335 1300 61	47-22
4131 2537 01	21-20	4657 3743 01	53-30	56AA 4054 0	31-20	56QA 5840 0D	39-12	9335 1300 61	53-15
4131 3003 01	22-11	4658 3012 01	26-3	56AA 4054 0	36-23	56QA 5840 0D	40-12	9335 1300 61	54-14
4131 3003 01	24-11	4683 2137 01	26-21	56AA 4171 1	27-11	56QA 5842 0	41-1	9335 1300 61	58-31
4131 3003 01	44-2	50GA 6271 01	29-9	56AA 4171 1	34-28	56QA 5845 0	41-8	9335 1300 61	62-5
4131 3003 01	45-15	5400 1516 2	32-26	56AA 4171 1	37-13	56QA 5847 0D	39-15	9335 1400 61	8-9
4131 3532 02	25-6	5400 4720 0	41-7	56AA 4176 0	27-9	56QA 5849 0D	41-14	9335 1400 81	11-17
4131 4623 04	42-36	55VA 1554 1	33-13	56AA 4176 0	34-27	56QA 5906 0D	41-17	9335 1400 81	11-18
4136 6751 01	1-31	55VA 4061 0	41-6	56AA 4176 0	37-14	56QA 5911 0	40-4	9346 0200 11	70-24
4138 5866 01	48-14	55VA 4093 0	39-2	56AA 7505 0	31-28	56QA 5912 0	40-26	9372 5400 31	49-13
4154 3804 01	6-4	55VA 4093 0	40-1	56AA 7505 0	36-27	56QA 5915 0D	41-18	9373 2200 11	9-3
4154 3804 01	20-22	55VA 4212 0	30-24	56AA 7799 0	39-11	56QE 8826 1	70-35	9381 4300 31	76-6
4154 3804 01	43-24	55VA 4212 0	32-13	56AA 7799 0	40-11	57AA 1701 0	41-4	9381 4300 41	76-6

Parts No.	Page No.	Parts No.	Page No.	Parts No.	Page No.	Parts No.	Page No.	Parts No.	Page No.
9384 1521 51	75-35	A00J 1044 00	61-25	A00J 1134 00	16-8	A00J 1194 00	14-11	A00J 1333 01	69-5
9384 1600 11	75-26	A00J 1046 00	61-14	A00J 1135 00	16-24	A00J 1195 00	16-7	A00J 1334 00	68-24
9384 2200 31	76-3	A00J 1047 00	20-9	A00J 1136 00	16-2	A00J 1196 00	16-6	A00J 1335 00	68-22
9454 4076 02	48-25	A00J 1050 03	61-33	A00J 1138 00	16-10	A00J 1197 00	16-16	A00J 1336 01	68-31
9454 4076 02	49-25	A00J 1051 01	61-8	A00J 1143 00	16-4	A00J 1198 02	16-19	A00J 1337 01	70-10
9J03 M100 00	68-11	A00J 1052 01	61-34	A00J 1144 00	16-3	A00J 1201 00	15-18	A00J 1338 01	70-9
9J06 1589 00	10-37	A00J 1054 00	61-26	A00J 1145 00	16-25	A00J 1202 00	15-5	A00J 1340 00	66-11
9J06 1620 01	10-40	A00J 1055 00	61-19	A00J 1146 00	16-1	A00J 1203 00	15-6	A00J 1343 02	50-6
9J06 1635 00	8-14	A00J 1056 01	13-2	A00J 1147 00	16-9	A00J 1204 00	15-9	A00J 1345 00	61-15
9J06 2101 00	58-3	A00J 1057 00	13-3	A00J 1148 00	16-23	A00J 1205 00	15-16	A00J 1346 00	65-6
9J06 7301 01	70-23	A00J 1058 00	61-35	A00J 1149 00	16-26	A00J 1206 00	15-17	A00J 1347 02	70-13
9J06 M100 00	54-4	A00J 1059 00	65-9	A00J 1150 00	16-13	A00J 1207 00	15-12	A00J 1351 00	66-9
9J06 M103 00	29-19	A00J 1060 00	65-8	A00J 1154 00	14-31	A00J 1208 00	15-10	A00J 1352 00	65-10
9J06 M601 00	58-39	A00J 1062 02	76-15	A00J 1155 00	14-17	A00J 1209 00	15-4	A00J 1354 00	61-10
9J06 M601 00	65-5	A00J 1064 00	61-24	A00J 1156 00	14-19	A00J 1210 00	15-2	A00J 1355 00	66-7
9J06 PJG0 00	75-38	A00J 1065 00	61-22	A00J 1157 00	62-8	A00J 1211 00	15-8	A00J 1357 03	71-10
9J06 PJG1 00	75-39	A00J 1070 01	20-15	A00J 1159 00	14-4	A00J 1212 00	15-13	A00J 1358 00	65-4
9J07 0104 02	12-18	A00J 1071 00	20-27	A00J 1161 00	16-12	A00J 1213 00	15-15	A00J 1359 00	13-9
9J07 8900 00	20-2	A00J 1073 00	20-8	A00J 1162 00	16-11	A00J 1214 00	15-3	A00J 1363 02	70-2
A00H 7033 00	46-37	A00J 1074 01	20-20	A00J 1163 01	16-15	A00J 1215 00	15-7	A00J 1364 00	70-14
A00H 7096 00	46-38	A00J 1075 00	20-7	A00J 1164 00	16-14	A00J 1216 00	62-15	A00J 1365 00	65-7
A00H 7097 00	46-39	A00J 1098 00	76-11	A00J 1165 00	16-20	A00J 1217 00	62-14	A00J 1366 01	69-3
A00J 1012 01	13-1	A00J 1103 00	62-11	A00J 1168 00	14-26	A00J 1232 00	62-4	A00J 1367 00	69-10
A00J 1013 01	61-12	A00J 1105 01	62-7	A00J 1170 00	16-22	A00J 1233 00	62-3	A00J 1368 00	69-22
A00J 1014 00	61-13	A00J 1106 01	62-10	A00J 1171 00	14-30	A00J 1234 00	62-2	A00J 1369 00	67-2
A00J 1015 03	61-29	A00J 1107 01	62-12	A00J 1172 00	14-29	A00J 1304 01	68-16	A00J 1371 03	20-24
A00J 1016 03	61-28	A00J 1108 00	14-8	A00J 1173 00	14-28	A00J 1313 01	71-8	A00J 1372 01	61-9
A00J 1023 01	13-5	A00J 1109 00	14-7	A00J 1174 00	14-27	A00J 1315 02	71-4	A00J 1374 00	13-13
A00J 1024 00	61-3	A00J 1113 00	14-2	A00J 1180 00	14-36	A00J 1321 00	66-1	A00J 1375 00	13-12
A00J 1025 00	20-16	A00J 1114 00	14-10	A00J 1181 00	14-35	A00J 1322 01	64-10	A00J 1376 00	32-35
A00J 1026 00	20-28	A00J 1116 00	14-3	A00J 1182 00	14-37	A00J 1323 01	66-6	A00J 1377 01	61-16
A00J 1027 00	61-2	A00J 1117 00	14-12	A00J 1183 00	14-34	A00J 1324 03	67-1	A00J 1378 00	66-5
A00J 1028 01	20-14	A00J 1120 00	14-22	A00J 1184 00	14-38	A00J 1325 00	71-6	A00J 1379 00	70-4
A00J 1029 01	20-29	A00J 1121 00	14-21	A00J 1185 00	14-39	A00J 1326 00	66-3	A00J 1380 00	58-40
A00J 1034 01	20-5	A00J 1122 00	14-6	A00J 1187 00	14-24	A00J 1327 00	66-10	A00J 1381 01	70-34
A00J 1036 00	13-4	A00J 1123 00	14-5	A00J 1188 00	14-23	A00J 1328 01	69-2	A00J 1382 00	61-18
A00J 1037 00	13-8	A00J 1124 00	14-13	A00J 1189 00	14-40	A00J 1329 01	68-1	A00J 1383 01	61-21
A00J 1039 02	20-4	A00J 1128 00	14-44	A00J 1190 00	14-43	A00J 1330 01	69-11	A00J 1384 01	50-8
A00J 1040 02	20-6	A00J 1129 00	14-1	A00J 1192 00	14-42	A00J 1331 01	68-26	A00J 1385 00	51-2
A00J 1043 01	61-20	A00J 1130 00	14-9	A00J 1193 00	14-41	A00J 1332 00	29-13	A00J 1386 00	29-14

Parts No.	Page No.
A00J 1387 00	69-21
A00J 1388 00	68-28
A00J 1389 00	70-21
A00J 1390 00	70-17
A00J 1391 00	70-18
A00J 1394 00	68-21
A00J 1395 02	70-26
A00J 1396 00	12-4
A00J 1396 00	69-12
A00J 1397 01	61-31
A00J 1404 01	70-12
A00J 1405 01	70-27
A00J 1406 00	68-27
A00J 1407 00	71-9
A00J 1408 00	70-30
A00J 1409 00	66-4
A00J 1410 00	68-17
A00J 1411 00	68-29
A00J 1412 00	67-5
A00J 1413 01	71-1
A00J 1415 01	71-3
A00J 1416 01	70-28
A00J 1417 00	70-31
A00J 1418 00	70-7
A00J 1419 00	61-30
A00J 1420 01	68-32
A00J 1421 00	61-27
A00J 1422 00	67-4
A00J 1423 00	68-33
A00J 1424 00	68-3
A00J 1425 00	70-25
A00J 1426 00	68-20
A00J 1427 00	68-30
A00J 1428 00	65-11
A00J 1429 00	59-17
A00J 1431 00	68-19
A00J 1432 00	70-32
A00J 1450 00	20-10
A00J 1451 01	20-11
A00J 1452 00	20-13

Parts No.	Page No.
A00J 1501 01	63-4
A00J 1502 01	63-10
A00J 1503 00	63-21
A00J 1504 00	63-9
A00J 1505 02	63-3
A00J 1506 00	63-11
A00J 1508 00	63-6
A00J 1509 00	63-5
A00J 1510 01	63-1
A00J 1511 00	63-8
A00J 1521 00	64-11
A00J 1526 00	64-9
A00J 1527 00	64-12
A00J 1528 00	64-6
A00J 1530 00	64-7
A00J 1531 01	64-18
A00J 1532 00	64-16
A00J 1533 00	64-5
A00J 1535 00	64-15
A00J 1536 01	64-14
A00J 1545 01	64-1
A00J 1546 00	64-4
A00J 1547 00	64-17
A00J 1551 00	62-18
A00J 1552 00	62-19
A00J 1553 00	62-17
A00J 1554 00	64-19
A00J 1555 00	64-2
A00J 1557 00	64-13
A00J 1561 01	68-10
A00J 1562 01	68-14
A00J 1571 00	63-14
A00J 1572 00	63-12
A00J 1573 01	63-15
A00J 1574 01	63-16
A00J 1575 01	63-17
A00J 1576 00	63-20
A00J 1577 00	63-18
A00J 1578 00	63-13
A00J 1579 01	63-19

Parts No.	Page No.
A00J 1601 00	1-35
A00J 1602 01	1-8
A00J 1603 01	2-1
A00J 1604 02	1-2
A00J 1605 00	3-10
A00J 1606 03	3-8
A00J 1607 01	27-4
A00J 1608 01	2-15
A00J 1609 00	2-23
A00J 1610 00	2-21
A00J 1611 02	2-19
A00J 1613 01	3-7
A00J 1614 00	3-9
A00J 1616 04	4-1
A00J 1618 01	4-9
A00J 1619 03	4-2
A00J 1620 02	4-5
A00J 1621 00	2-6
A00J 1622 00	2-25
A00J 1623 00	2-7
A00J 1624 00	2-8
A00J 1625 00	2-30
A00J 1626 00	2-4
A00J 1627 02	3-2
A00J 1628 02	3-3
A00J 1629 01	3-6
A00J 1630 02	7-7
A00J 1631 02	7-16
A00J 1632 03	7-13
A00J 1633 02	7-3
A00J 1634 01	1-36
A00J 1635 02	1-1
A00J 1636 01	1-4
A00J 1638 00	61-5
A00J 1639 00	76-4
A00J 1640 01	2-28
A00J 1641 00	2-27
A00J 1642 00	3-4
A00J 1643 00	3-5
A00J 1644 00	4-12

Parts No.	Page No.
A00J 1645 00	2-20
A00J 1646 00	61-7
A00J 1647 00	1-17
A00J 1648 00	2-31
A00J 1649 02	2-24
A00J 1650 00	2-22
A00J 1651 03	1-28
A00J 1654 00	3-1
A00J 1656 02	4-3
A00J 1657 00	4-4
A00J 1660 01	1-7
A00J 1661 00	76-2
A00J 1662 00	76-1
A00J 1663 00	1-38
A00J 1664 00	1-37
A00J 1665 00	6-2
A00J 1666 00	9-12
A00J 1667 00	8-23
A00J 1668 00	9-11
A00J 1669 00	61-1
A00J 1670 00	2-32
A00J 1671 02	7-6
A00J 1672 02	7-1
A00J 1673 00	76-7
A00J 1674 02	6-3
A00J 1675 01	6-30
A00J 1676 01	6-1
A00J 1677 00	6-8
A00J 1678 00	7-15
A00J 1679 00	6-15
A00J 1680 00	6-19
A00J 1681 02	2-13
A00J 1682 02	7-10
A00J 1683 00	2-12
A00J 1684 00	2-18
A00J 1685 02	7-11
A00J 1686 00	2-17
A00J 1687 00	2-16
A00J 1688 01	2-14
A00J 1689 02	7-9

Parts No.	Page No.
A00J 1690 01	6-5
A00J 1691 00	7-4
A00J 1691 00	76-8
A00J 1692 00	7-2
A00J 1693 00	7-14
A00J 1694 03	5-1
A00J 1695 02	6-9
A00J 1699 01	76-5
A00J 1911 00	6-7
A00J 1912 00	6-10
A00J 1913 00	6-18
A00J 1914 00	6-14
A00J 1915 01	6-23
A00J 1916 00	6-21
A00J 1917 00	6-11
A00J 1918 00	6-13
A00J 1919 00	6-12
A00J 1920 00	6-6
A00J 1921 01	6-29
A00J 1922 01	6-25
A00J 1923 01	6-27
A00J 1924 00	6-24
A00J 1925 00	6-28
A00J 1926 00	6-26
A00J 1927 00	6-17
A00J 1928 00	6-20
A00J 1929 00	6-16
A00J 1930 01	6-22
A00J 2113 00	68-15
A00J 2200 01	57-5
A00J 2201 02	57-13
A00J 2203 00	57-10
A00J 2204 00	57-3
A00J 2206 00	57-9
A00J 2250 00	57-25
A00J 2251 00	57-23
A00J 2281 00	57-14
A00J 2282 00	57-18
A00J 2283 00	57-17
A00J 2284 01	57-16

Parts No.	Page No.	Parts No.	Page No.	Parts No.	Page No.	Parts No.	Page No.	Parts No.	Page No.
A00J 2287 00	57-19	A00J 2638 02	9-4	A00J 2762 00	11-7	A00J 3620 00	21-23	A00J 4038 00	59-13
A00J 2300 00	58-9	A00J 2639 01	9-2	A00J 2763 00	11-21	A00J 3624 00	21-25	A00J 4040 00	59-5
A00J 2301 00	58-14	A00J 2640 01	9-8	A00J 2766 00	11-3	A00J 3625 00	21-21	A00J 4041 01	59-7
A00J 2302 00	58-27	A00J 2641 00	8-21	A00J 2767 00	11-2	A00J 3626 00	21-27	A00J 4046 01	1-33
A00J 2303 00	58-8	A00J 2642 01	8-17	A00J 2768 00	11-24	A00J 3627 00	21-17	A00J 4047 00	1-34
A00J 2304 00	58-24	A00J 2644 00	8-5	A00J 2785 01	11-29	A00J 3628 00	21-26	A00J 4049 01	20-17
A00J 2305 00	58-18	A00J 2645 00	9-5	A00J 2801 00	11-11	A00J 3629 00	21-10	A00J 4050 01	20-18
A00J 2306 00	58-7	A00J 2646 00	8-18	A00J 2802 00	11-13	A00J 3630 00	21-18	A00J 4051 01	20-19
A00J 2307 00	58-11	A00J 2647 00	8-11	A00J 2812 00	12-9	A00J 3648 00	21-1	A00J 4052 00	17-2
A00J 2308 00	58-17	A00J 2648 00	8-16	A00J 2813 00	12-15	A00J 3649 00	21-12	A00J 4054 00	17-10
A00J 2310 00	58-23	A00J 2651 00	10-16	A00J 2813 00	12-15	A00J 3650 00	21-2	A00J 4055 00	17-31
A00J 2312 00	58-16	A00J 2652 00	10-39	A00J 2814 00	12-5	A00J 3654 01	21-14	A00J 4056 00	17-28
A00J 2315 00	58-20	A00J 2653 00	10-19	A00J 2815 00	12-17	A00J 3660 00	21-3	A00J 4060 01	20-17
A00J 2318 01	58-12	A00J 2654 00	10-42	A00J 2818 02	12-12	A00J 3661 00	21-11	A00J 4061 01	20-18
A00J 2320 00	58-25	A00J 2655 00	10-41	A00J 2819 00	12-8	A00J 4001 01	17-6	A00J 4062 01	20-19
A00J 2321 00	58-15	A00J 2658 00	10-38	A00J 2820 00	12-2	A00J 4003 00	17-23	A00J 4063 01	20-17
A00J 2322 00	58-26	A00J 2731 01	10-14	A00J 2821 00	12-7	A00J 4004 01	17-25	A00J 4064 01	20-18
A00J 2350 03	58-34	A00J 2732 01	10-3	A00J 2882 03	10-33	A00J 4005 00	17-20	A00J 4065 01	20-19
A00J 2352 00	58-33	A00J 2733 01	10-8	A00J 2884 00	10-27	A00J 4006 00	17-33	A00J 4066 00	17-1
A00J 2353 00	58-30	A00J 2734 01	10-4	A00J 2886 00	10-25	A00J 4009 00	17-29	A00J 4068 01	17-26
A00J 2354 00	58-28	A00J 2735 01	10-7	A00J 2887 00	10-29	A00J 4012 00	17-24	A00J 4069 01	17-27
A00J 2355 00	58-32	A00J 2736 01	10-2	A00J 2888 00	10-23	A00J 4014 01	17-22	A00J 4073 00	17-21
A00J 2356 00	58-29	A00J 2737 01	10-13	A00J 2889 00	12-11	A00J 4016 00	17-19	A00J 4074 00	1-20
A00J 2358 00	58-21	A00J 2738 01	10-15	A00J 2892 00	10-35	A00J 4017 00	17-12	A00J 4075 00	1-27
A00J 2619 01	8-20	A00J 2739 00	10-10	A00J 2897 01	10-30	A00J 4018 00	17-13	A00J 5201 02	19-18
A00J 2620 00	8-1	A00J 2740 00	10-17	A00J 2903 00	10-20	A00J 4019 00	17-17	A00J 5202 03	19-28
A00J 2621 03	8-22	A00J 2741 00	10-18	A00J 2905 00	11-25	A00J 4022 00	17-18	A00J 5203 00	19-11
A00J 2622 00	8-10	A00J 2742 01	10-9	A00J 2906 00	10-24	A00J 4023 00	17-5	A00J 5204 00	19-26
A00J 2623 00	8-12	A00J 2743 00	10-5	A00J 2907 00	10-34	A00J 4025 00	17-30	A00J 5205 00	19-34
A00J 2624 00	8-15	A00J 2744 01	10-6	A00J 2908 00	10-21	A00J 4026 00	59-3	A00J 5206 00	19-27
A00J 2625 00	8-3	A00J 2751 00	11-19	A00J 2909 00	10-22	A00J 4027 00	59-15	A00J 5208 00	19-29
A00J 2626 00	8-2	A00J 2752 00	11-26	A00J 3607 00	21-15	A00J 4028 01	59-11	A00J 5209 00	19-30
A00J 2628 00	8-7	A00J 2753 00	11-8	A00J 3608 00	21-8	A00J 4029 00	59-4	A00J 5216 01	19-19
A00J 2629 01	8-13	A00J 2754 00	11-9	A00J 3609 00	21-22	A00J 4030 00	59-2	A00J 5217 01	19-25
A00J 2630 01	8-19	A00J 2755 00	11-6	A00J 3610 00	21-16	A00J 4031 00	59-1	A00J 5222 00	19-17
A00J 2632 04	9-7	A00J 2756 00	11-5	A00J 3611 00	21-5	A00J 4032 00	65-14	A00J 5223 00	19-14
A00J 2633 01	9-9	A00J 2758 00	11-23	A00J 3612 00	21-6	A00J 4033 00	65-16	A00J 5224 00	19-16
A00J 2634 00	9-10	A00J 2759 01	11-22	A00J 3617 00	21-7	A00J 4034 02	65-1	A00J 5225 00	19-15
A00J 2636 00	9-6	A00J 2760 00	11-20	A00J 3618 00	21-28	A00J 4035 00	65-15	A00J 5226 00	19-13
A00J 2637 00	9-1	A00J 2761 00	11-15	A00J 3619 00	21-19	A00J 4037 00	59-14	A00J 5227 00	19-12

Parts No.	Page No.	Parts No.	Page No.	Parts No.	Page No.	Parts No.	Page No.	Parts No.	Page No.
A00J 5232 00	19-5	A00J 5636 00	31-16	A00J 5718 00	24-37	A00J 5862 01	44-5	A00J 5926 00	44-25
A00J 5233 01	19-1	A00J 5636 00	35-16	A00J 5719 00	24-8	A00J 5863 00	45-38	A00J 5928 00	44-28
A00J 5239 00	19-23	A00J 5636 00	36-18	A00J 5720 01	24-10	A00J 5864 00	43-2	A00J 5930 00	44-29
A00J 5240 01	19-21	A00J 5636 00	44-11	A00J 5722 00	25-5	A00J 5866 00	43-26	A00J 5931 01	45-28
A00J 5241 01	19-39	A00J 5640 00	22-19	A00J 5722 00	38-5	A00J 5867 00	43-19	A00J 5933 00	45-29
A00J 5242 01	19-35	A00J 5640 00	24-19	A00J 5723 00	24-34	A00J 5868 00	61-4	A00J 5934 00	45-3
A00J 5243 00	19-33	A00J 5643 00	22-37	A00J 5726 00	25-28	A00J 5869 00	42-23	A00J 5935 00	43-3
A00J 5244 02	19-9	A00J 5643 00	24-31	A00J 5727 00	25-1	A00J 5870 00	22-26	A00J 5936 00	42-19
A00J 5601 00	22-21	A00J 5646 00	23-16	A00J 5731 01	25-25	A00J 5870 00	24-27	A00J 5937 00	42-20
A00J 5601 00	24-21	A00J 5646 00	25-15	A00J 5736 01	24-35	A00J 5870 00	44-19	A00J 5938 00	42-21
A00J 5602 00	22-25	A00J 5647 00	23-18	A00J 5737 01	24-4	A00J 5871 00	45-11	A00J 5939 00	43-4
A00J 5602 00	24-26	A00J 5647 00	25-17	A00J 5738 00	24-15	A00J 5872 00	42-38	A00J 5940 01	42-22
A00J 5603 02	22-23	A00J 5648 00	25-36	A00J 5739 00	24-38	A00J 5873 00	45-14	A00J 5941 01	42-35
A00J 5603 02	24-22	A00J 5653 00	23-24	A00J 5740 01	24-36	A00J 5875 00	44-4	A00J 5942 00	42-1
A00J 5604 00	22-12	A00J 5653 00	25-29	A00J 5741 00	24-7	A00J 5876 00	45-7	A00J 5943 00	42-12
A00J 5604 00	24-32	A00J 5654 00	23-23	A00J 5742 01	24-9	A00J 5877 01	45-39	A00J 5944 01	42-39
A00J 5605 02	23-7	A00J 5655 00	23-29	A00J 5742 01	25-35	A00J 5879 01	45-30	A00J 5945 01	42-37
A00J 5605 02	25-7	A00J 5655 00	25-31	A00J 5743 01	23-11	A00J 5881 00	45-32	A00J 5946 01	42-30
A00J 5610 00	25-8	A00J 5656 00	25-30	A00J 5743 01	25-9	A00J 5882 00	43-17	A00J 5947 01	43-18
A00J 5612 00	23-14	A00J 5660 00	22-1	A00J 5744 00	23-30	A00J 5883 00	43-16	A00J 5948 00	43-8
A00J 5612 00	25-12	A00J 5661 00	22-3	A00J 5744 00	25-33	A00J 5886 01	43-29	A00J 5949 00	43-11
A00J 5613 00	23-13	A00J 5662 00	22-2	A00J 5745 00	24-6	A00J 5887 01	45-34	A00J 5950 00	44-1
A00J 5613 00	25-11	A00J 5663 00	22-33	A00J 5746 00	24-2	A00J 5888 00	43-7	A00J 5951 00	42-32
A00J 5617 00	23-15	A00J 5665 00	22-38	A00J 5748 00	23-19	A00J 5891 00	45-23	A00J 5952 00	61-6
A00J 5617 00	25-14	A00J 5665 00	24-30	A00J 5748 00	25-18	A00J 5901 00	44-12	A00J 5956 00	44-10
A00J 5619 00	23-1	A00J 5666 00	24-3	A00J 5751 02	29-1	A00J 5902 01	43-27	A00J 5957 02	45-35
A00J 5622 00	22-32	A00J 5667 00	22-5	A00J 5753 02	29-12	A00J 5903 00	44-14	A00J 5958 00	44-24
A00J 5623 00	22-29	A00J 5668 00	22-39	A00J 5755 00	25-27	A00J 5904 00	44-16	A00J 5960 00	44-31
A00J 5624 00	22-27	A00J 5668 00	24-29	A00J 5756 00	25-26	A00J 5905 00	44-3	A00J 5963 00	45-37
A00J 5625 01	22-34	A00J 5669 00	22-41	A00J 5757 01	22-6	A00J 5907 00	44-18	A00J 5965 01	45-9
A00J 5628 00	22-28	A00J 5670 00	23-9	A00J 5758 00	29-21	A00J 5909 01	45-21	A00J 5966 02	43-15
A00J 5633 00	23-28	A00J 5671 00	23-8	A00J 5851 00	43-31	A00J 5910 02	45-19	A00J 5967 00	44-30
A00J 5634 00	23-31	A00J 5672 00	23-10	A00J 5853 00	42-5	A00J 5911 00	45-20	A00J 5969 00	42-16
A00J 5635 00	22-16	A00J 5701 12	22-9	A00J 5854 01	43-13	A00J 5912 01	45-13	A00J 5970 00	42-33
A00J 5635 00	24-17	A00J 5704 00	23-25	A00J 5855 00	43-12	A00J 5913 00	45-25	A00J 5971 00	42-15
A00J 5635 00	30-14	A00J 5704 00	25-21	A00J 5856 01	43-14	A00J 5917 00	44-27	A00J 5972 01	42-14
A00J 5635 00	35-15	A00J 5706 11	22-7	A00J 5857 00	43-21	A00J 5918 00	45-5	A00J 5973 00	42-27
A00J 5636 00	22-15	A00J 5707 11	23-4	A00J 5858 00	45-27	A00J 5920 01	45-18	A00J 5974 00	45-10
A00J 5636 00	24-18	A00J 5712 03	22-4	A00J 5860 00	44-21	A00J 5922 01	44-26	A00J 5975 11	45-22
A00J 5636 00	30-13	A00J 5717 01	24-1	A00J 5861 00	44-20	A00J 5925 00	42-28	A00J 5976 00	42-25

Parts No.	Page No.	Parts No.	Page No.	Parts No.	Page No.	Parts No.	Page No.	Parts No.	Page No.
A00J 5977 00	42-8	A00J 6015 01	36-25	A00J 6050 00	30-9	A00J 6092 01	38-22	A00J 6142 00	34-10
A00J 5978 00	42-9	A00J 6016 00	31-21	A00J 6051 00	31-3	A00J 6093 00	38-19	A00J 6143 00	34-4
A00J 5979 00	42-6	A00J 6016 00	36-24	A00J 6051 00	36-10	A00J 6094 00	38-1	A00J 6144 00	34-35
A00J 5980 01	45-1	A00J 6017 00	31-11	A00J 6052 00	31-4	A00J 6095 01	38-4	A00J 6145 01	34-2
A00J 5981 01	43-1	A00J 6017 00	36-13	A00J 6052 00	36-12	A00J 6098 00	38-20	A00J 6146 00	34-34
A00J 5982 00	43-6	A00J 6021 00	36-22	A00J 6053 00	30-25	A00J 6102 00	32-15	A00J 6147 00	34-3
A00J 5983 00	45-6	A00J 6024 01	35-19	A00J 6054 00	30-26	A00J 6103 00	32-21	A00J 6148 00	34-9
A00J 5984 01	43-10	A00J 6025 00	35-34	A00J 6055 00	30-4	A00J 6106 00	32-17	A00J 6150 00	39-21
A00J 5986 00	45-33	A00J 6026 00	30-35	A00J 6056 00	31-31	A00J 6108 01	32-20	A00J 6150 00	40-20
A00J 5987 00	23-32	A00J 6027 00	30-19	A00J 6057 00	36-2	A00J 6110 00	32-33	A00J 6151 01	39-6
A00J 5988 00	43-23	A00J 6027 00	35-22	A00J 6060 01	33-8	A00J 6111 00	32-34	A00J 6152 00	40-6
A00J 5990 00	42-10	A00J 6028 00	30-17	A00J 6061 00	34-17	A00J 6112 00	32-30	A00J 6155 00	39-26
A00J 5991 00	42-4	A00J 6028 00	35-21	A00J 6062 01	34-16	A00J 6113 00	32-2	A00J 6155 00	40-25
A00J 5992 00	43-9	A00J 6029 00	30-16	A00J 6064 00	34-12	A00J 6115 00	32-18	A00J 6156 00	39-25
A00J 5993 00	42-31	A00J 6029 00	31-12	A00J 6065 00	34-13	A00J 6116 00	32-16	A00J 6157 00	40-24
A00J 5994 00	42-17	A00J 6029 00	35-20	A00J 6066 00	34-15	A00J 6117 00	32-24	A00J 6158 00	35-7
A00J 5995 00	43-22	A00J 6029 00	36-14	A00J 6067 00	34-21	A00J 6118 00	32-32	A00J 6159 01	30-40
A00J 5996 00	42-29	A00J 6030 00	30-21	A00J 6068 00	34-19	A00J 6119 00	32-43	A00J 6162 00	32-10
A00J 5997 00	43-28	A00J 6030 00	35-18	A00J 6069 00	34-20	A00J 6120 00	32-42	A00J 6163 00	32-11
A00J 5998 00	43-20	A00J 6031 01	30-28	A00J 6070 01	33-7	A00J 6121 00	32-5	A00J 6164 00	32-37
A00J 6001 03	35-23	A00J 6031 01	35-30	A00J 6071 00	33-3	A00J 6122 00	32-22	A00J 6165 00	32-38
A00J 6002 03	30-20	A00J 6032 00	30-8	A00J 6072 00	33-9	A00J 6125 00	32-14	A00J 6166 00	32-39
A00J 6003 00	30-6	A00J 6033 00	30-7	A00J 6073 01	34-23	A00J 6126 00	32-19	A00J 6168 00	32-40
A00J 6004 00	30-33	A00J 6034 00	31-29	A00J 6074 01	33-5	A00J 6128 00	32-25	A00J 6169 00	32-3
A00J 6004 00	35-33	A00J 6034 00	36-26	A00J 6075 00	33-6	A00J 6130 00	32-41	A00J 6170 00	38-23
A00J 6005 00	30-36	A00J 6035 00	35-25	A00J 6076 00	34-30	A00J 6131 01	41-11	A00J 6176 00	37-11
A00J 6005 00	35-35	A00J 6036 00	31-25	A00J 6077 00	34-31	A00J 6132 00	39-22	A00J 6177 00	32-7
A00J 6006 00	30-12	A00J 6037 00	35-13	A00J 6078 00	33-4	A00J 6132 00	40-22	A00J 6178 00	30-5
A00J 6006 00	35-14	A00J 6038 00	35-1	A00J 6080 00	37-8	A00J 6133 00	39-16	A00J 6178 00	35-12
A00J 6007 01	30-39	A00J 6039 00	35-9	A00J 6081 00	37-7	A00J 6133 00	40-15	A00J 6179 00	30-27
A00J 6008 00	30-37	A00J 6040 01	35-6	A00J 6082 00	37-10	A00J 6134 01	37-4	A00J 6179 00	35-28
A00J 6009 00	31-30	A00J 6041 01	36-28	A00J 6083 00	37-16	A00J 6135 00	39-1	A00J 6179 00	38-7
A00J 6009 00	36-32	A00J 6042 00	30-34	A00J 6084 00	37-5	A00J 6135 00	40-2	A00J 6180 00	35-36
A00J 6010 00	36-3	A00J 6042 00	35-17	A00J 6085 00	37-9	A00J 6137 00	39-9	A00J 6181 01	30-1
A00J 6011 00	35-4	A00J 6043 01	30-15	A00J 6086 00	37-6	A00J 6137 00	40-9	A00J 6183 00	30-29
A00J 6012 01	30-2	A00J 6044 01	30-41	A00J 6087 00	38-8	A00J 6138 00	39-7	A00J 6183 00	35-29
A00J 6013 00	31-7	A00J 6047 01	31-22	A00J 6088 00	38-9	A00J 6138 00	40-7	A00J 6184 00	28-3
A00J 6014 02	31-23	A00J 6047 01	36-9	A00J 6089 00	38-15	A00J 6139 00	41-19	A00J 6184 00	33-2
A00J 6014 02	36-1	A00J 6048 00	31-6	A00J 6090 00	38-18	A00J 6140 02	34-1	A00J 6184 00	37-3
A00J 6015 01	31-9	A00J 6048 00	36-11	A00J 6091 00	38-6	A00J 6141 01	34-32	A00J 6185 00	31-14

Parts No.	Page No.	Parts No.	Page No.	Parts No.	Page No.	Parts No.	Page No.	Parts No.	Page No.
A00J 6185 00	36-16	A00J 6234 00	26-26	A00J 7021 01	49-8	A00J 7075 00	50-13	A00J 8102 01	53-1
A00J 6186 01	31-10	A00J 6234 00	39-3	A00J 7022 01	49-5	A00J 7076 00	50-9	A00J 8103 02	52-1
A00J 6187 00	31-1	A00J 6234 00	40-3	A00J 7024 00	46-5	A00J 7077 00	50-7	A00J 8104 00	52-4
A00J 6188 00	36-8	A00J 6235 00	26-20	A00J 7025 00	49-23	A00J 7078 01	46-21	A00J 8105 04	52-38
A00J 6189 00	39-10	A00J 6236 00	26-6	A00J 7026 00	49-12	A00J 7080 00	48-34	A00J 8106 00	53-25
A00J 6189 00	40-10	A00J 6301 02	28-6	A00J 7027 00	46-15	A00J 7081 00	48-26	A00J 8107 01	53-9
A00J 6190 00	39-13	A00J 6305 00	27-18	A00J 7028 00	49-22	A00J 7082 00	48-24	A00J 8108 00	52-28
A00J 6190 00	40-13	A00J 6308 00	28-8	A00J 7029 01	49-3	A00J 7083 00	48-28	A00J 8110 00	52-19
A00J 6191 01	35-3	A00J 6310 02	27-19	A00J 7030 00	46-34	A00J 7084 00	48-27	A00J 8111 00	53-21
A00J 6192 00	34-24	A00J 6311 00	27-17	A00J 7036 00	49-4	A00J 7086 00	48-31	A00J 8112 00	52-33
A00J 6193 00	39-24	A00J 6312 02	28-1	A00J 7037 00	49-20	A00J 7087 00	48-30	A00J 8116 00	52-35
A00J 6194 00	30-30	A00J 6312 02	33-1	A00J 7038 00	49-24	A00J 7088 00	48-23	A00J 8118 00	52-26
A00J 6194 00	35-31	A00J 6313 01	27-3	A00J 7041 00	49-1	A00J 7089 00	48-29	A00J 8119 00	53-7
A00J 6195 00	31-17	A00J 6314 02	27-1	A00J 7042 00	46-24	A00J 7090 00	50-14	A00J 8120 00	53-6
A00J 6195 00	36-19	A00J 6315 00	27-21	A00J 7044 00	49-19	A00J 7091 00	46-2	A00J 8121 00	52-32
A00J 6196 00	31-13	A00J 6316 00	28-2	A00J 7045 00	49-7	A00J 7092 00	46-8	A00J 8122 00	52-15
A00J 6196 00	36-15	A00J 6317 00	28-7	A00J 7046 00	46-23	A00J 7093 00	48-36	A00J 8123 00	52-14
A00J 6197 00	31-19	A00J 6318 00	28-5	A00J 7047 00	46-20	A00J 7094 00	48-13	A00J 8124 00	52-12
A00J 6197 00	36-21	A00J 6319 00	27-20	A00J 7051 03	48-1	A00J 7095 00	48-17	A00J 8126 00	53-31
A00J 6198 00	31-18	A00J 6601 00	33-12	A00J 7052 00	48-9	A00J 7102 00	47-2	A00J 8128 00	52-5
A00J 6198 00	36-20	A00J 6602 00	34-22	A00J 7053 01	48-18	A00J 7104 00	47-27	A00J 8129 01	52-8
A00J 6199 01	37-1	A00J 6603 00	39-28	A00J 7056 00	48-33	A00J 7105 00	47-25	A00J 8130 00	52-9
A00J 6211 02	26-7	A00J 6603 00	40-27	A00J 7057 00	48-7	A00J 7106 00	47-6	A00J 8132 00	53-3
A00J 6212 02	26-29	A00J 6605 00	40-21	A00J 7058 00	48-8	A00J 7107 00	47-21	A00J 8133 00	53-20
A00J 6213 01	27-2	A00J 7001 00	46-28	A00J 7059 00	48-38	A00J 7108 00	47-8	A00J 8135 00	53-32
A00J 6214 00	27-5	A00J 7002 00	46-29	A00J 7060 00	48-19	A00J 7109 00	47-20	A00J 8136 00	52-11
A00J 6215 00	26-19	A00J 7003 01	46-35	A00J 7061 00	49-17	A00J 7111 01	49-2	A00J 8138 00	53-18
A00J 6216 00	26-27	A00J 7005 01	46-32	A00J 7062 00	48-10	A00J 7113 01	46-9	A00J 8139 00	53-19
A00J 6219 01	26-16	A00J 7006 00	46-14	A00J 7063 00	48-16	A00J 7114 00	47-17	A00J 8140 00	53-5
A00J 6220 02	26-17	A00J 7009 00	32-12	A00J 7064 00	48-22	A00J 7115 00	46-10	A00J 8141 00	52-20
A00J 6222 00	26-22	A00J 7009 00	46-36	A00J 7065 00	48-11	A00J 7116 01	49-10	A00J 8141 00	53-10
A00J 6223 00	27-12	A00J 7010 00	46-17	A00J 7066 00	48-35	A00J 7117 00	46-11	A00J 8144 00	52-21
A00J 6226 00	27-13	A00J 7011 01	46-18	A00J 7067 00	48-20	A00J 7122 00	48-32	A00J 8144 00	53-11
A00J 6226 00	34-25	A00J 7012 00	46-27	A00J 7068 00	48-5	A00J 7316 01	50-1	A00J 8145 00	52-22
A00J 6229 00	27-15	A00J 7015 00	46-1	A00J 7069 00	46-33	A00J 7323 01	50-3	A00J 8145 00	53-13
A00J 6230 00	26-14	A00J 7016 00	46-25	A00J 7070 00	46-7	A00J 7324 00	50-5	A00J 8146 00	52-3
A00J 6232 00	26-18	A00J 7017 01	46-4	A00J 7071 02	50-12	A00J 7325 02	50-4	A00J 8147 00	52-37
A00J 6233 00	27-10	A00J 7018 00	46-3	A00J 7072 00	49-16	A00J 7326 00	50-2	A00J 8151 00	52-30
A00J 6233 00	34-26	A00J 7019 00	46-19	A00J 7073 00	48-37	A00J 7523 00	51-4	A00J 8152 00	52-34
A00J 6233 00	37-15	A00J 7020 00	46-41	A00J 7074 01	50-10	A00J 8101 02	52-23	A00J 8153 00	53-27

Parts No.	Page No.
A00J 8154 00	53-16
A00J 8155 00	53-24
A00J 8156 00	52-25
A00J 8157 00	52-24
A00J 8158 01	52-39
A00J 8159 00	53-33
A00J 8161 00	53-26
A00J 8162 00	53-14
A00J 8163 00	53-2
A00J 8164 00	52-36
A00J 8901 03	55-28
A00J 8902 00	55-27
A00J 8904 00	56-7
A00J 8905 00	55-13
A00J 8907 00	55-8
A00J 8910 00	55-4
A00J 8911 00	55-3
A00J 8912 00	55-18
A00J 8913 00	55-20
A00J 8918 01	54-1
A00J 8920 00	54-27
A00J 8921 01	54-6
A00J 8922 00	54-7
A00J 8923 00	54-9
A00J 8924 00	54-29
A00J 8926 00	54-26
A00J 8927 00	54-11
A00J 8929 03	54-35
A00J 8930 00	54-8
A00J 8931 00	54-10
A00J 8932 01	56-15
A00J 8933 00	56-17
A00J 8934 02	56-12
A00J 8935 01	56-1
A00J 8936 01	56-16
A00J 8938 00	55-15
A00J 8939 00	56-5
A00J 8940 00	54-17
A00J 8941 00	55-22
A00J 8942 00	54-24

Parts No.	Page No.
A00J 8943 00	60-6
A00J 8944 00	60-19
A00J 8945 00	60-20
A00J 8946 00	60-14
A00J 8948 00	60-18
A00J 8949 00	60-10
A00J 8950 00	60-2
A00J 8951 00	55-6
A00J 8952 00	60-5
A00J 8953 00	60-16
A00J 8957 00	60-9
A00J 8958 00	60-8
A00J 8960 00	60-3
A00J 8961 00	54-33
A00J 8963 00	54-31
A00J 8964 00	56-11
A00J 8965 00	55-17
A00J 8966 02	55-5
A00J 8968 01	55-9
A00J 8969 01	56-3
A00J 8970 00	54-23
A00J 8971 00	54-22
A00J 8972 00	60-15
A00J 8973 00	60-13
A00J 8974 00	56-2
A00J 8976 00	54-28
A00J 8977 00	60-11
A00J 8978 00	54-30
A00J 8979 00	54-25
A00J 8980 01	55-10
A00J 8981 01	55-11
A00J 8982 00	55-19
A00J 8983 02	54-18
A00J 8984 00	54-13
A00J 8985 00	56-18
A00J 8989 00	54-2
A00J 8991 01	55-12
A00J 8992 00	56-10
A00J 8993 01	56-13
A00J 8994 00	60-12

Parts No.	Page No.
A00J 8995 00	56-4
A00J 8996 00	54-12
A00J 8997 00	54-16
A00J 8998 00	54-20
A00J 8999 00	54-19
A00J 9401 00	7-5
A00J 9402 00	7-5
A00J 9403 03	1-16
A00J 9404 00	1-24
A00J 9405 00	1-23
A00J 9406 00	1-22
A00J 9407 00	1-21
A00J 9408 01	1-13
A00J 9409 01	1-14
A00J 9410 01	1-15
A00J 9411 01	1-18
A00J 9412 00	62-9
A00J 9413 00	15-14
A00J 9414 00	48-15
A00J 9416 00	41-16
A00J 9417 00	41-2
A00J 9418 00	33-11
A00J 9419 00	34-29
A00J 9421 02	27-6
A00J 9422 02	27-7
A00J 9423 02	27-8
A00J 9424 01	26-12
A00J 9425 00	42-2
A00J 9426 01	42-24
A00J 9427 00	42-41
A00J 9428 01	42-40
A00J 9429 01	42-40
A00J 9430 00	76-9
A00J 9431 00	76-9
A00J 9432 00	76-10
A00J 9440 03	2-26
A00J 9450 00	4-11
A00J 9452 01	4-7
A00J 9453 01	4-7
A00J 9454 00	4-6

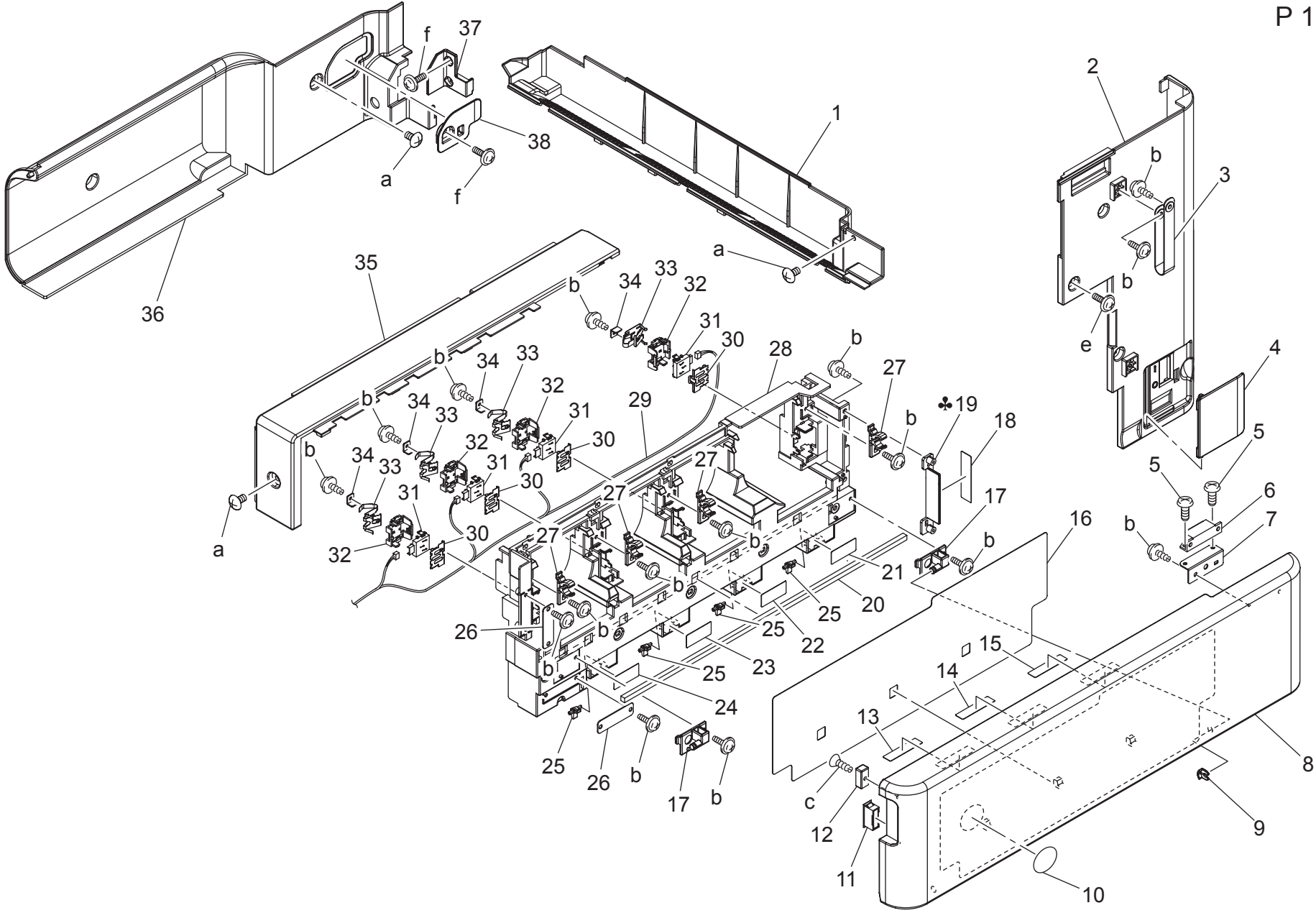
Parts No.	Page No.
A00J 9455 00	1-10
A00J 9457 00	4-10
A00J 9458 00	4-8
A00J 9550 01	76-14
A00J 9551 00	76-13
A00J A566 00	23-22
A00J A566 00	25-19
A00J A666 00	45-24
A00J H001 06	68-2
A00J H002 06	70-6
A00J H003 00	13-11
A00J H004 00	70-33
A00J H00A 02	12-21
A00J H00C 00	57-26
A00J H00D 00	2-11
A00J H00E 00	7-12
A00J H00H 02	68-23
A00J H011 00	12-1
A00J H020 07	69-9
A00J H024 01	68-9
A00J H025 00	69-8
A00J H026 01	69-4
A00J M113 00	57-1
A00J M114 01	57-22
A00J M115 01	58-1
A00J M120 00	22-31
A00J M120 00	23-27
A00J M120 00	25-23
A00J M120 00	32-1
A00J M120 00	45-36
A00J M120 00	55-1
A00J M120 00	60-1
A00J M121 00	17-15
A00J M121 00	21-24
A00J M12A 00	11-1
A00J M12B 01	10-31
A00J M141 00	71-7
A00J M200 00	22-35
A00J M200 00	24-33
A00J M200 00	32-4

Parts No.	Page No.
A00J M303 01	20-12
A00J M400 03	71-5
A00J M401 03	71-5
A00J M404 05	67-6
A00J M405 04	67-6
A00J M407 01	66-8
A00J M408 01	66-2
A00J M410 00	12-19
A00J M603 00	70-15
A00J M604 00	70-22
A00J M700 03	5-3
A00J M701 03	5-3
A00J M702 03	5-3
A00J M703 01	5-3
A00J M721 00	68-8
A00J M900 00	70-8
A00J M901 00	12-6
A00J N102 04	73-1
A00J N103 00	70-1
A00J N104 04	73-2
A00J N105 03	74-1
A00J N106 03	74-1
A00J N107 01	70-19
A00J N108 02	51-3
A00J N109 00	59-16
A00J N10B 02	65-13
A00J N10D 00	2-10
A00J N10E 01	19-38
A00J N10F 01	25-24
A00J N10G 01	1-29
A00J N10H 01	70-16
A00J N10M 00	19-37
A00J N10X 00	38-11
A00J N10Y 03	74-1
A00J N110 01	47-28
A00J N111 01	48-3
A00J N112 00	54-5
A00J N113 00	53-28
A00J N114 01	45-31
A00J N115 01	42-18



Parts No.	Page No.	Parts No.	Page No.	Parts No.	Page No.	Parts No.	Page No.	Parts No.	Page No.
A00J N116 01	29-15	A00J N144 01	11-16	A00J R734 00	14-49	A00J R7AP 00	43-5	V217 0300 01	76-12
A00J N117 01	29-15	A00J N146 00	12-23	A00J R735 00	14-48	A00J R7AQ 00	44-22	V500 0100 03	75-2
A00J N118 02	23-6	A00J N147 00	12-20	A00J R736 00	14-47	A00J R7AR 00	45-4	V500 0100 05	75-6
A00J N119 02	25-3	A00J N148 00	9-13	A00J R737 00	20-31	A00J R7AS 00	45-40	V500 0100 07	75-5
A00J N11A 00	40-23	A00J N150 03	69-13	A00J R738 00	14-51	A00J R7AT 00	46-31	V500 0100 08	75-7
A00J N11B 01	39-23	A00J N300 00	70-37	A00J R739 00	14-50	A00J R7AU 00	47-10	V500 0100 13	75-8
A00J N11C 01	38-21	A00J R700 00	64-20	A00J R740 00	14-52	A00J R7AV 00	52-7	V500 0100 15	75-1
A00J N11D 01	35-37	A00J R701 00	15-19	A00J R741 00	13-7	A00J R7AW 00	52-17	V500 0100 20	75-3
A00J N11E 01	30-32	A00J R702 00	15-20	A00J R742 00	40-28	A00J R7AX 00	52-18	V500 0100 21	75-9
A00J N11F 01	34-36	A00J R703 00	15-21	A00J R743 00	27-24	A00J R7AY 00	52-31	V500 0100 22	75-10
A00J N11G 01	38-16	A00J R704 00	57-21	A00J R744 00	17-34	A00J R7B0 00	53-22	V500 0100 23	75-4
A00J N11H 01	7-8	A00J R705 00	11-27	A00J R745 00	42-42	A00J R7B1 00	53-29	V500 0100 39	75-11
A00J N11J 00	65-12	A00J R706 00	10-43	A00J R746 00	39-29	A00J R7B2 00	54-34	V500 0100 46	75-12
A00J N11N 01	41-3	A00J R707 00	10-28	A00J R748 00	45-41	A00J R7B3 00	55-2	V500 0100 52	75-13
A00J N121 00	17-11	A00J R708 00	10-1	A00J R749 00	58-35	A00J R7B4 00	55-16	V500 0100 53	75-14
A00J N122 01	49-15	A00J R709 00	10-36	A00J R750 00	46-44	A00J R7B5 00	55-21	V500 0100 54	75-15
A00J N123 00	17-3	A00J R710 00	21-29	A00J R751 00	51-5	A00J R7B6 00	57-4	V500 0100 55	75-16
A00J N124 02	2-33	A00J R711 00	17-35	A00J R752 00	51-5	A00J R7B7 00	57-11	V500 0200 37	75-25
A00J N127 02	62-16	A00J R712 00	59-19	A00J R7A0 00	13-6	A00J R7B8 00	57-20	V500 0200 39	75-24
A00J N12E 01	70-3	A00J R713 00	59-18	A00J R7A1 00	17-16	A00J R7B9 00	58-5	V500 0200 66	75-29
A00J N12F 01	68-4	A00J R714 00	18-2	A00J R7A2 00	19-2	A00J R7BA 00	62-1	V501 0100 01	75-30
A00J N12G 02	13-10	A00J R715 00	18-1	A00J R7A3 00	19-4	A00J R900 00	19-36	V501 0100 15	75-31
A00J N12H 01	20-30	A00J R716 00	23-33	A00J R7A4 00	19-8	A00J R901 00	46-22	V502 0100 26	13-14
A00J N12J 00	50-15	A00J R716 00	25-37	A00J R7A5 00	19-20	A00K 1066 01	20-21	V502 0100 26	61-32
A00J N12K 01	17-14	A00J R718 00	39-29	A00J R7A6 00	19-22	A00K 1067 00	20-26	V502 0100 26	69-6
A00J N12M 03	19-3	A00J R719 00	40-28	A00J R7A7 00	19-24	A00K 1068 01	20-23	V502 0100 26	70-5
A00J N130 00	14-33	A00J R720 00	51-1	A00J R7A8 00	21-9	A00K 1069 01	20-25	V502 0100 26	71-2
A00J N131 00	14-32	A00J R721 00	51-1	A00J R7A9 00	22-8	A00K 4070 01	1-19	V502 0100 41	12-16
A00J N132 00	14-15	A00J R722 00	51-1	A00J R7AA 00	22-30	A00K 4071 01	1-19	V570 0100 21	75-17
A00J N133 00	14-25	A00J R723 00	49-29	A00J R7AB 00	22-36	A00K 4072 01	1-19	V570 0100 25	75-20
A00J N136 00	14-16	A00J R724 00	49-28	A00J R7AC 00	23-26	A00K 9433 00	2-9	V570 0100 26	75-18
A00J N137 00	14-14	A00J R725 00	55-29	A00J R7AC 00	25-22	A00K N100 02	72-1	V570 0100 28	75-19
A00J N13C 00	19-6	A00J R726 00	60-22	A00J R7AE 00	25-32	A00K R901 00	75-37	V570 0100 31	75-21
A00J N13D 00	19-7	A00J R727 00	2-34	A00J R7AF 00	32-9	A00V 2406 00	23-5	V570 0100 46	75-22
A00J N13E 00	19-31	A00J R728 00	76-16	A00J R7AG 00	32-27	A00V 2406 00	32-8	V570 0100 47	75-23
A00J N13F 00	19-32	A00J R729 00	76-17	A00J R7AH 00	32-29	A00V 2406 00	46-13	V801 3000 06	42-13
A00J N140 01	12-3	A00J R730 00	26-31	A00J R7AJ 00	32-36	A00V 2406 00	57-6	V818 6000 15	75-36
A00J N141 01	12-13	A00J R731 00	16-21	A00J R7AK 00	36-4	A00V 2406 00	58-4	V865 3000 12	69-7
A00J N142 01	11-10	A00J R732 00	14-46	A00J R7AM 00	38-10	A011 M103 00	32-31	V869 9000 45	49-14
A00J N143 00	8-8	A00J R733 00	14-45	A00J R7AN 00	41-10	A0AT WY0	21-4		

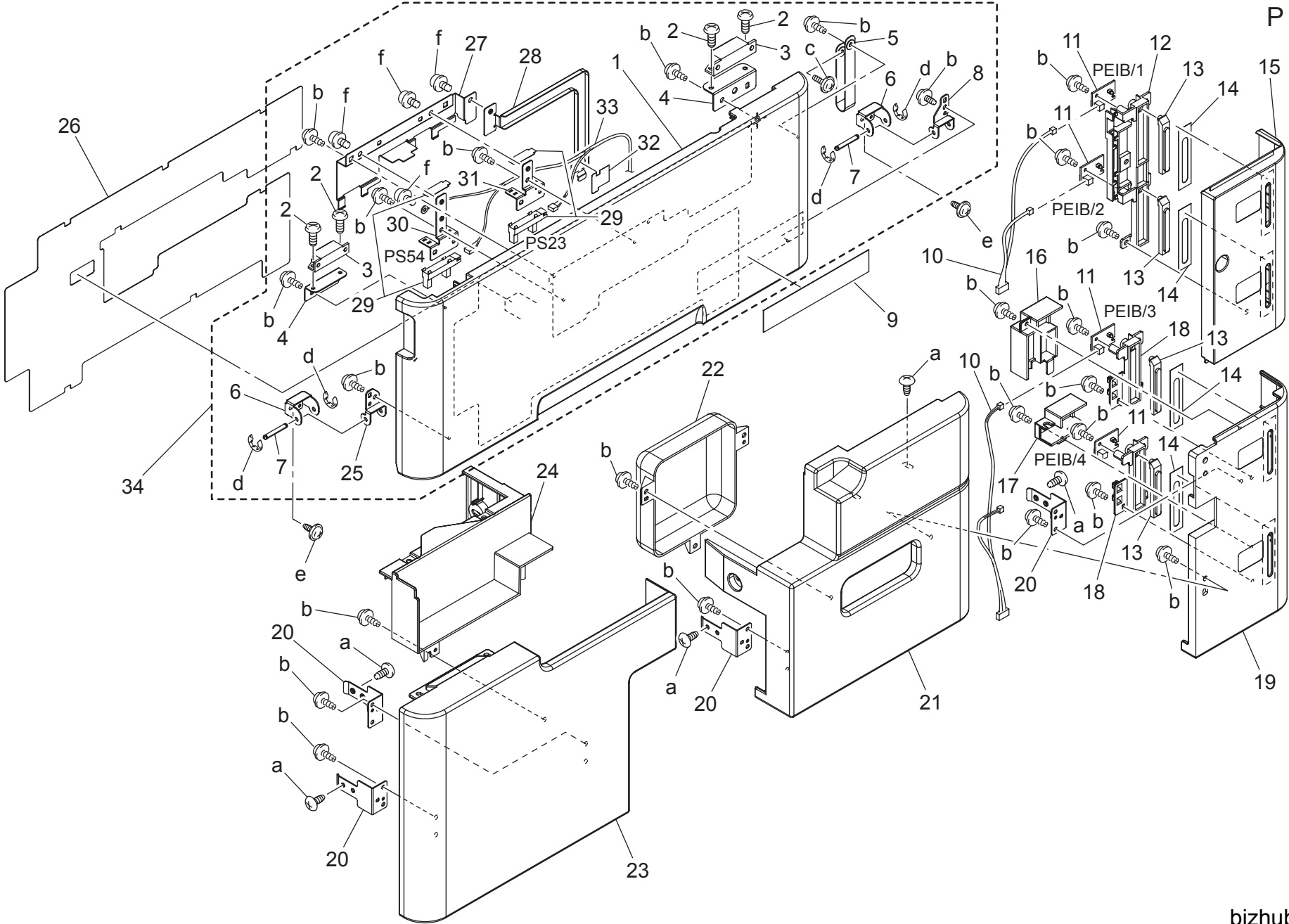
EXTERNAL PARTS



EXTERNAL PARTS

Key	Part No.	Description	Destinations	Class	QTY	Standard parts
1	A00J 1635 02	Paper exit Cover /Right		C	1	a-V114 0408 04 b-V153 0308 03 c-V147 0314 03 e-V153 0310 03 f-V121 0308 04
2	A00J 1604 02	Cover /Front		C	1	
3	4120 1014 02	BAND		C	1	
4	A00J 1636 01	Cover		C	1	
5	4038 1051 01	SCREW		C	2	
6	4425 3366 01	MAGNET CATCH		D	1	
7	A00J 1660 01	Mounting Plate /D		C	1	
8	A00J 1602 01	Open/close Cover		C	1	
9	56AA 4049 0	SHAFT STOPPER 4		C	1	
10	A00J 9455 00	Logo Mark		C	1	
11	4030 1040 02	CATCH		D	1	
12	9326 2820 11	MAGNET		D	1	
13	A00J 9408 01	Label Y		C	1	
14	A00J 9409 01	Label M		C	1	
15	A00J 9410 01	Label C		C	1	
16	A00J 9403 03	Label TC Change		C	1	
17	A00J 1647 00	Open/close Shaft		C	2	
18	A00J 9411 01	Label K		C	1	
19	A00K 4070 01	REGULATING BLOCK /BLACK	A,A1	C	1	
19	A00K 4071 01	REGULATING BLOCK /BLACK	B,G2	C	1	
19	A00K 4072 01	REGULATING BLOCK /BLACK	C,D1,D3,F1,F2,G1,I,J,K	C	1	
20	A00J 4074 00	SEAL		C	1	
21	A00J 9407 00	Label K		C	1	
22	A00J 9406 00	Label C		C	1	
23	A00J 9405 00	Label M		C	1	
24	A00J 9404 00	Label Y		C	1	
25	4036 5325 02	PAWL		D	4	
26	4038 1014 01	SUCTION PLATE		D	2	
27	A00J 4075 00	Holder		D	4	
28	A00J 1651 03	Cover /Inside		D	1	
29	A00J N10G 01	Toner Relay harness /2		D	1	
30	4038 2282 03	PLATE SPRING		D	4	
31	4136 6751 01	CONNECTOR PIN		D	4	
32	4038 2281 04	HOLDER		D	4	
33	A00J 4046 01	Plate spring		C	4	
34	A00J 4047 00	Spacer		C	4	
35	A00J 1601 00	Paper exit Cover /Front		C	1	
36	A00J 1634 01	Paper exit Cover /Rear		C	1	
37	A00J 1664 00	Paper exit Cover /Right		C	1	
38	A00J 1663 00	Paper exit Cover /Rear		C	1	

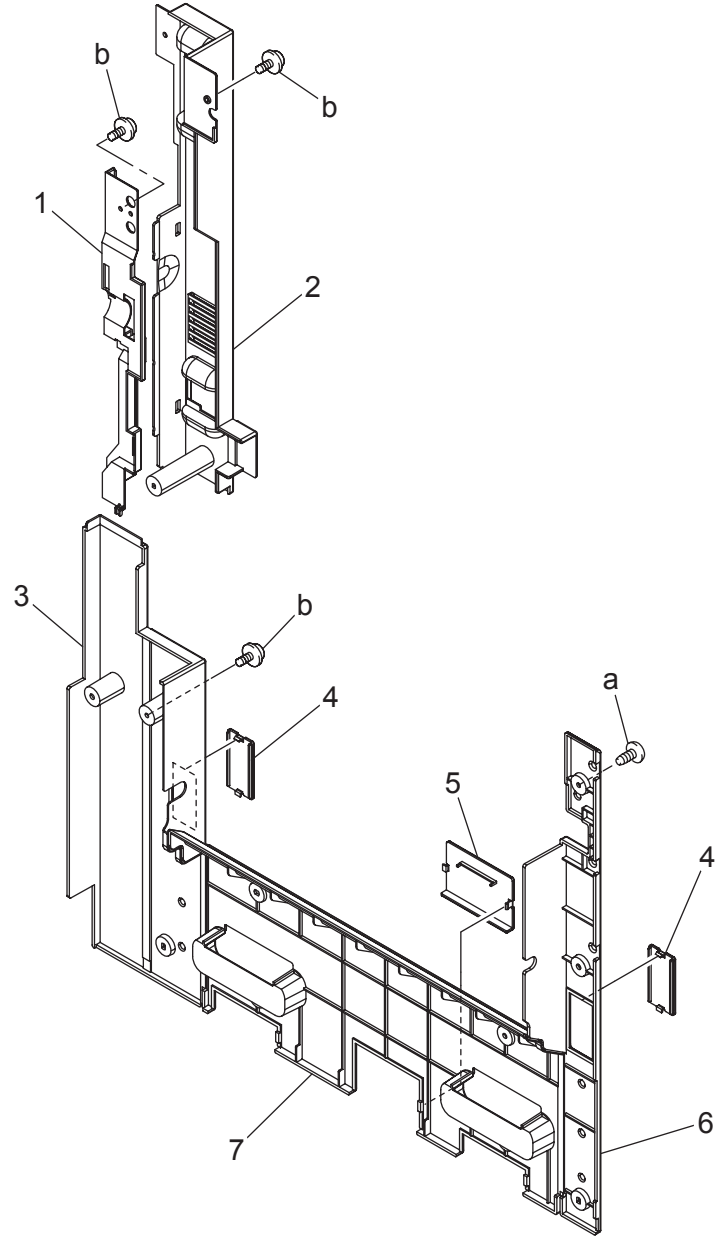
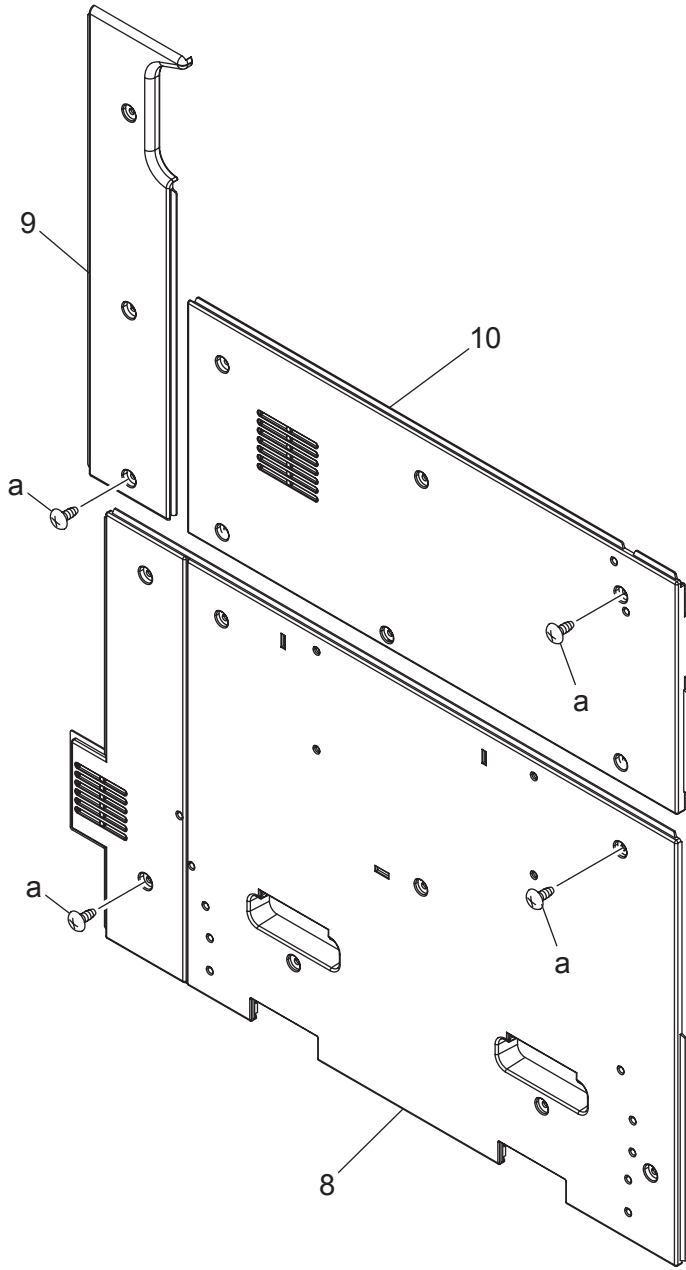
EXTERNAL PARTS



EXTERNAL PARTS

Key	Part No.	Description	Destinations	Class	QTY	Standard parts
1	A00J 1603 01	Open/close Cover /Front		C	1	a-V114 0408 04 b-V153 0308 03 c-V153 0310 03 d-V217 0300 01 e-V137 0408 03 f-V116 0306 03
2	4038 1051 01	SCREW		C	4	
3	4425 3366 01	MAGNET CATCH		D	2	
4	A00J 1626 00	Mounting Plate /B		D	2	
5	4120 1014 02	BAND		C	1	
6	A00J 1621 00	Hinge		C	2	
7	A00J 1623 00	Open/close Shaft		C	2	
8	A00J 1624 00	Hinge /Right		C	1	
9	A00K 9433 00	Label bizhub C451		C	1	
10	A00J N10D 00	INDICATING RELAY HARNESS/1		D	2	
11	A00J H00D 00	PWB Assembly LED1		C	4	
12	A00J 1683 00	Light blocking Cover		D	1	
13	A00J 1681 02	Lens /A		C	4	
14	A00J 1688 01	Light blocking Plate		C	4	
15	A00J 1608 01	Cover Cassette /Right		C	1	
16	A00J 1687 00	Cover		D	1	
17	A00J 1686 00	Cover		D	1	
18	A00J 1684 00	Light blocking Cover		C	2	
19	A00J 1611 02	Cover LCC Info		C	1	
20	A00J 1645 00	Mounting Plate		D	4	
21	A00J 1610 00	Cover LCC Right		C	1	
22	A00J 1650 00	Cover LCC Right		C	1	
23	A00J 1609 00	Cover LCC Left		C	1	
24	A00J 1649 02	Cover LCC Left		C	1	
25	A00J 1622 00	Hinge /Left		C	1	
26	A00J 9440 03	Label IU Change		C	1	
27	A00J 1641 00	Cover		D	1	
28	A00J 1640 01	Cover		D	1	
29	4037 0901 01	PHOTO INTERRUPTER		B	2	
30	A00J 1625 00	Mounting Plate /A		D	1	
31	A00J 1648 00	Mounting Plate /C		D	1	
32	A00J 1670 00	PROTECTION SEAL		C	1	
33	A00J N124 02	Toner Relay harness /5		D	1	
34	A00J R727 00	FRONT COVER ASSY		C	1	

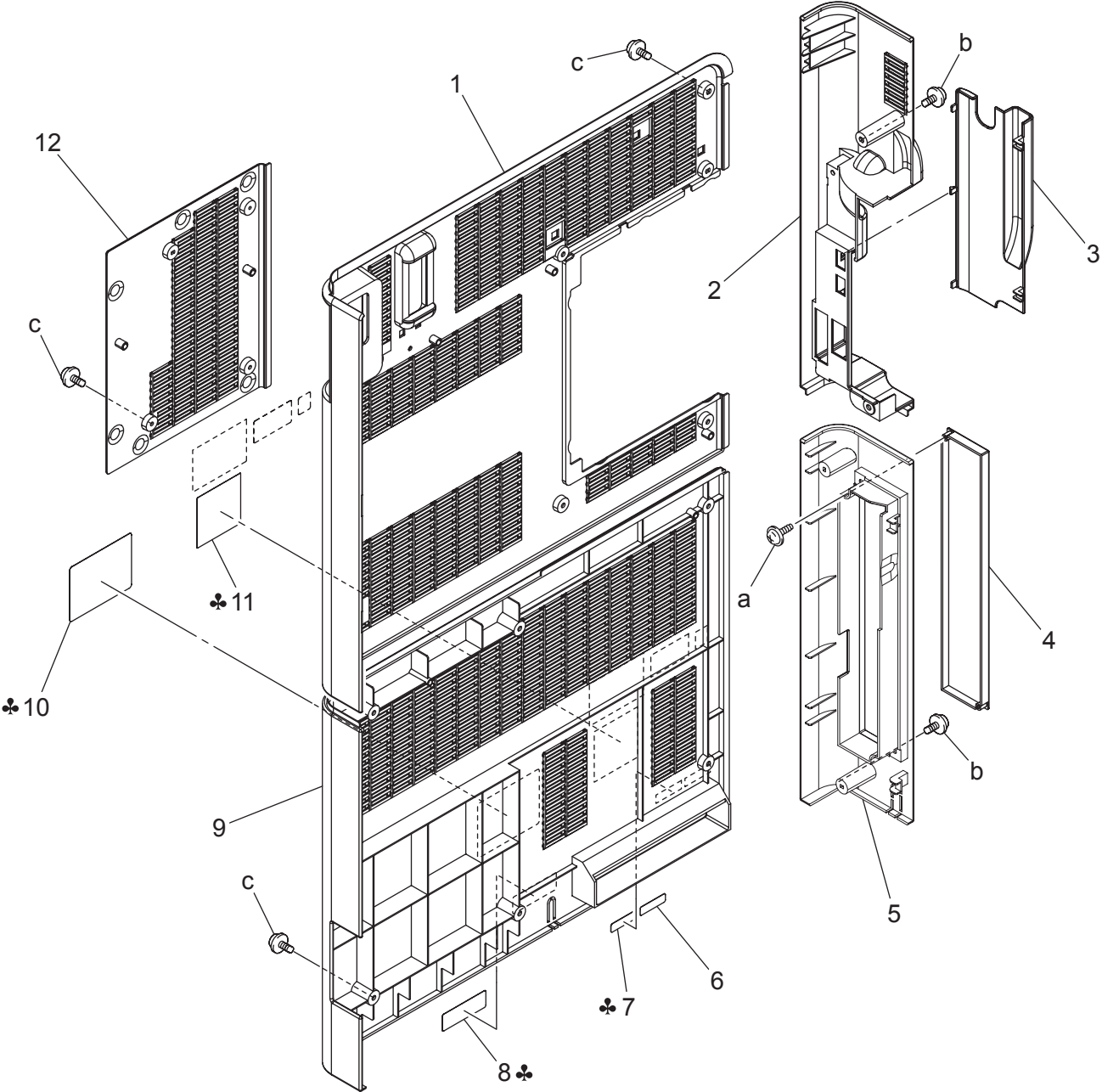
EXTERNAL PARTS



EXTERNAL PARTS

Key	Part No.	Description	Destinations	Class	QTY	Standard parts
1	A00J 1654 00	Cover /Inside		D	1	a-V114 0408 04 b-V121 0308 03
2	A00J 1627 02	Cover /Right rear		C	1	
3	A00J 1628 02	COVER /RIGHT REAR		C	1	
4	A00J 1642 00	Cover		C	2	
5	A00J 1643 00	Cover		C	1	
6	A00J 1629 01	Cover /Right front		C	1	
7	A00J 1613 01	Cover Handle /Right		C	1	
8	A00J 1606 03	Cover /Left		C	1	
9	A00J 1614 00	Cover /Left rear		C	1	
10	A00J 1605 00	Cover /Left front		C	1	

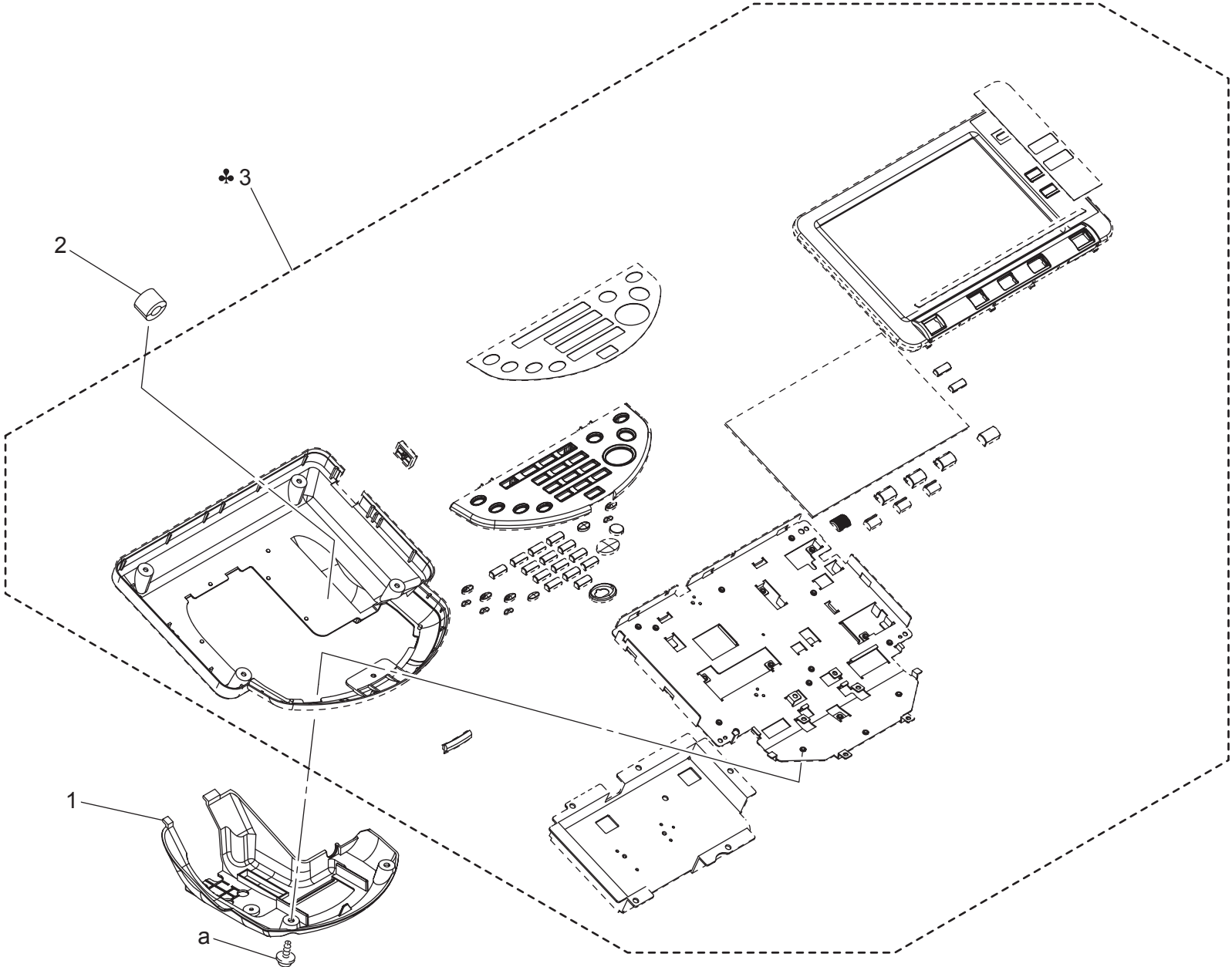
EXTERNAL PARTS







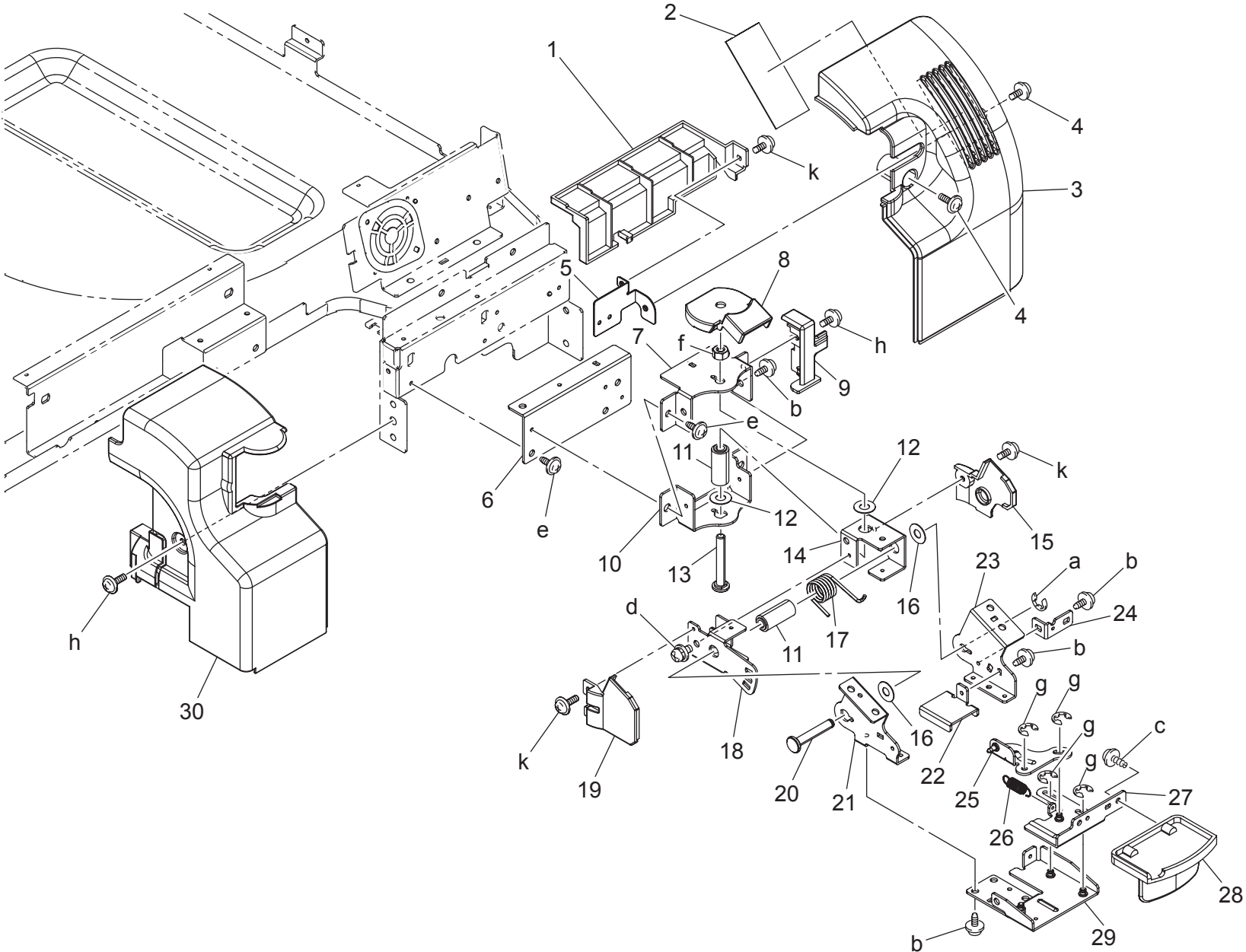
CONTROL PANEL



# CONTROL PANEL

Key	Part No.	Description	Destinations	Class	QTY	Standard parts
1	A00J 1694 03	Cover Panel Lower		C	1	a-V121 0308 03
2	9326 1810 51	FERRITE CORE		D	1	
3	A00J M700 03	Panel assembly	A,A1	I	1	
3	A00J M701 03	Panel assembly	B,D1,D3,F1,F2,G1,G2,I,K	I	1	
3	A00J M702 03	Panel assembly	C	I	1	
3	A00J M703 01	Panel assembly	J	I	1	

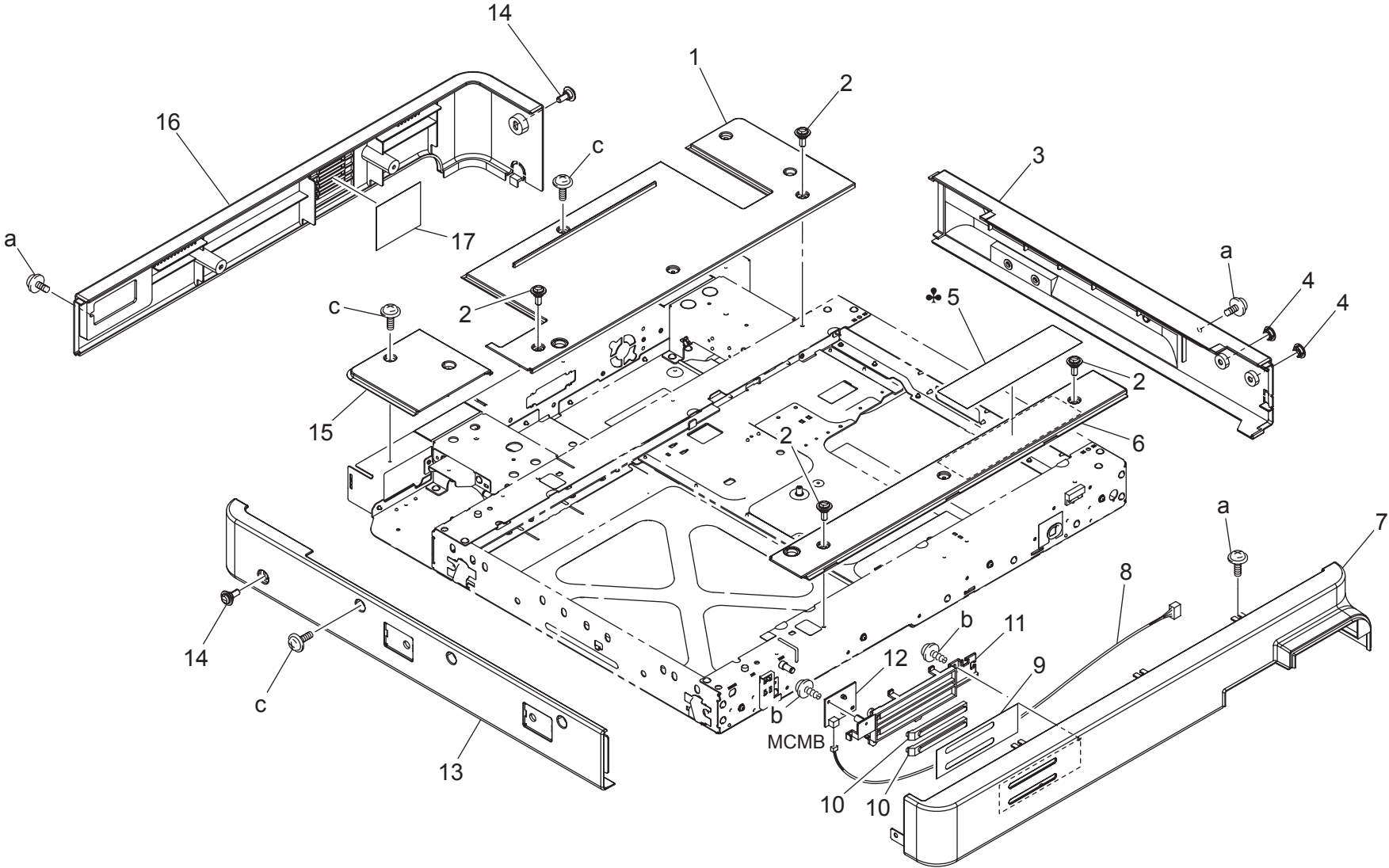
CONTROL PANEL



# CONTROL PANEL

Key	Part No.	Description	Destinations	Class	QTY	Standard parts
1	A00J 1676 01	Read Cover /Front		D	1	a-V217 0400 01 b-V137 0306 03 c-V153 0308 03 d-V116 0306 03 e-V137 0308 03 f-V195 0600 03 g-V217 0300 01 h-V121 0308 03 k-V121 0308 04
2	A00J 1665 00	Filter		C	1	
3	A00J 1674 02	Read Cover /Front		C	1	
4	4154 3804 01	SCREW		C	2	
5	A00J 1690 01	Mounting Plate		D	1	
6	A00J 1920 00	Mounting Plate		D	1	
7	A00J 1911 00	Mounting Plate		D	1	
8	A00J 1677 00	Cover		C	1	
9	A00J 1695 02	Cover		C	1	
10	A00J 1912 00	Mounting Plate		D	1	
11	A00J 1917 00	Collar		D	2	
12	A00J 1919 00	Washer		C	2	
13	A00J 1918 00	Support Screw		C	1	
14	A00J 1914 00	Arm		C	1	
15	A00J 1679 00	Cover		C	1	
16	A00J 1929 00	Washer		C	2	
17	A00J 1927 00	Torsion Spring		C	1	
18	A00J 1913 00	Arm		C	1	
19	A00J 1680 00	Cover		C	1	
20	A00J 1928 00	Support Shaft		D	1	
21	A00J 1916 00	Mounting Plate		D	1	
22	A00J 1930 01	REINFORCE PLATE		C	1	
23	A00J 1915 01	Mounting Plate		D	1	
24	A00J 1924 00	Mounting Plate		D	1	
25	A00J 1922 01	Lever		D	1	
26	A00J 1926 00	Pulling Spring		C	1	
27	A00J 1923 01	Lever		C	1	
28	A00J 1925 00	Handle		C	1	
29	A00J 1921 01	Mounting Plate		D	1	
30	A00J 1675 01	Read Cover /Front		C	1	

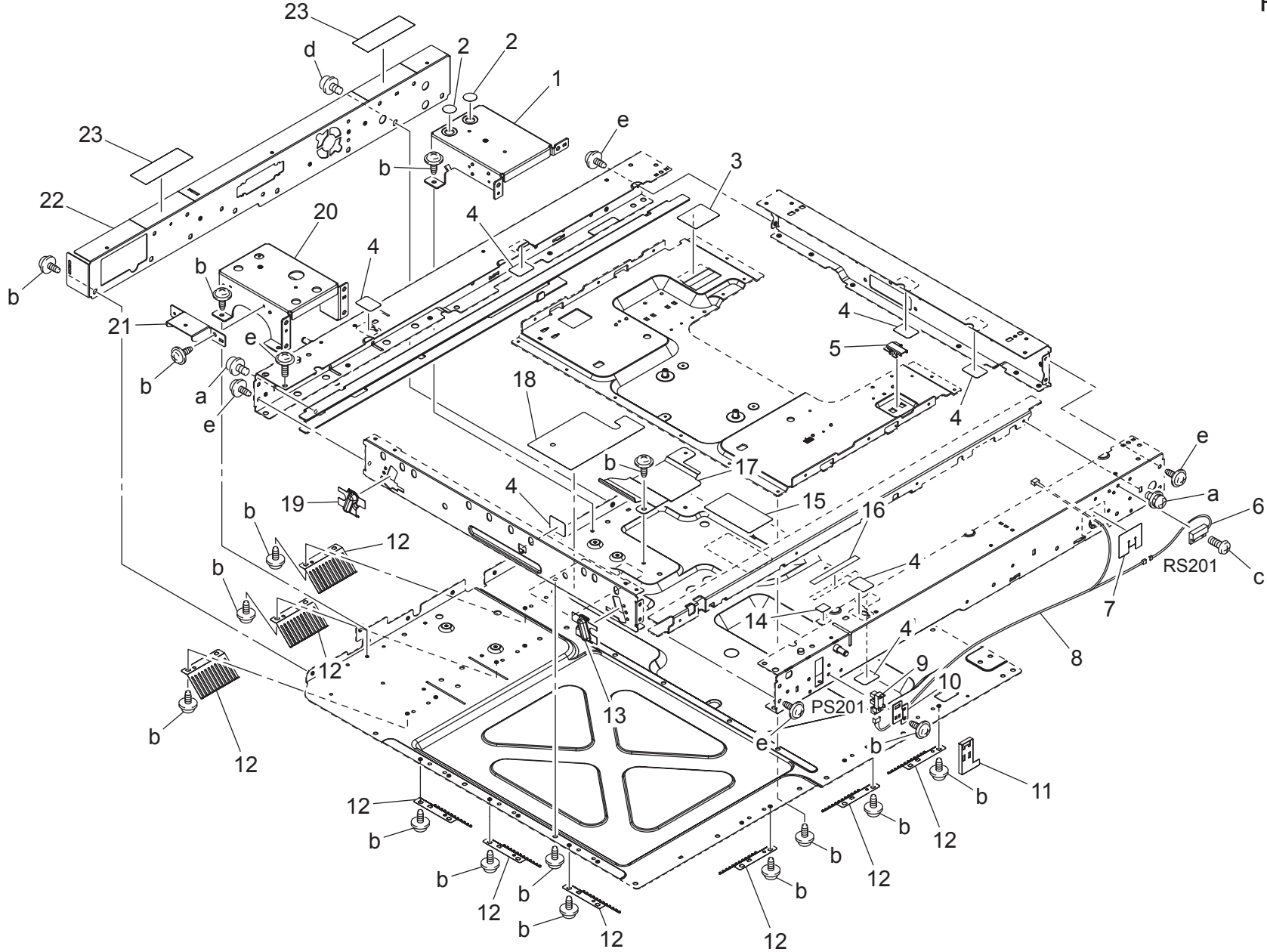
IR COVER



IR COVER

Key	Part No.	Description	Destinations	Class	QTY	Standard parts
1	A00J 1672 02	Read Cover /Upper		C	1	a-V121 0308 03 b-V153 0308 03 c-V121 0308 04
2	A00J 1692 00	Shoulder screw		C	4	
3	A00J 1633 02	Read Cover /Right		C	1	
4	A00J 1691 00	Cover		C	2	
5	A00J 9401 00	Label Legal Restriction	B,G2,F1,,C,D1,D3,F2,G1,I,J, K	C	1	
5	A00J 9402 00	Label	A,A1	C	1	
6	A00J 1671 02	Read Cover /Upper		C	1	
7	A00J 1630 02	Read Cover /Front		C	1	
8	A00J N11H 01	Indicating Relay Harness /3		D	1	
9	A00J 1689 02	Light blocking Plate		C	1	
10	A00J 1682 02	Lens /B		C	2	
11	A00J 1685 02	Light blocking Cover /C		D	1	
12	A00J H00E 00	PWB Assembly LED2		I	1	
13	A00J 1632 03	Read Cover /Left		C	1	
14	A00J 1693 00	Shoulder screw		C	2	
15	A00J 1678 00	Read Cover /Upper		C	1	
16	A00J 1631 02	Read Cover /Rear		C	1	
17	4025 2285 02	FILTER		C	1	

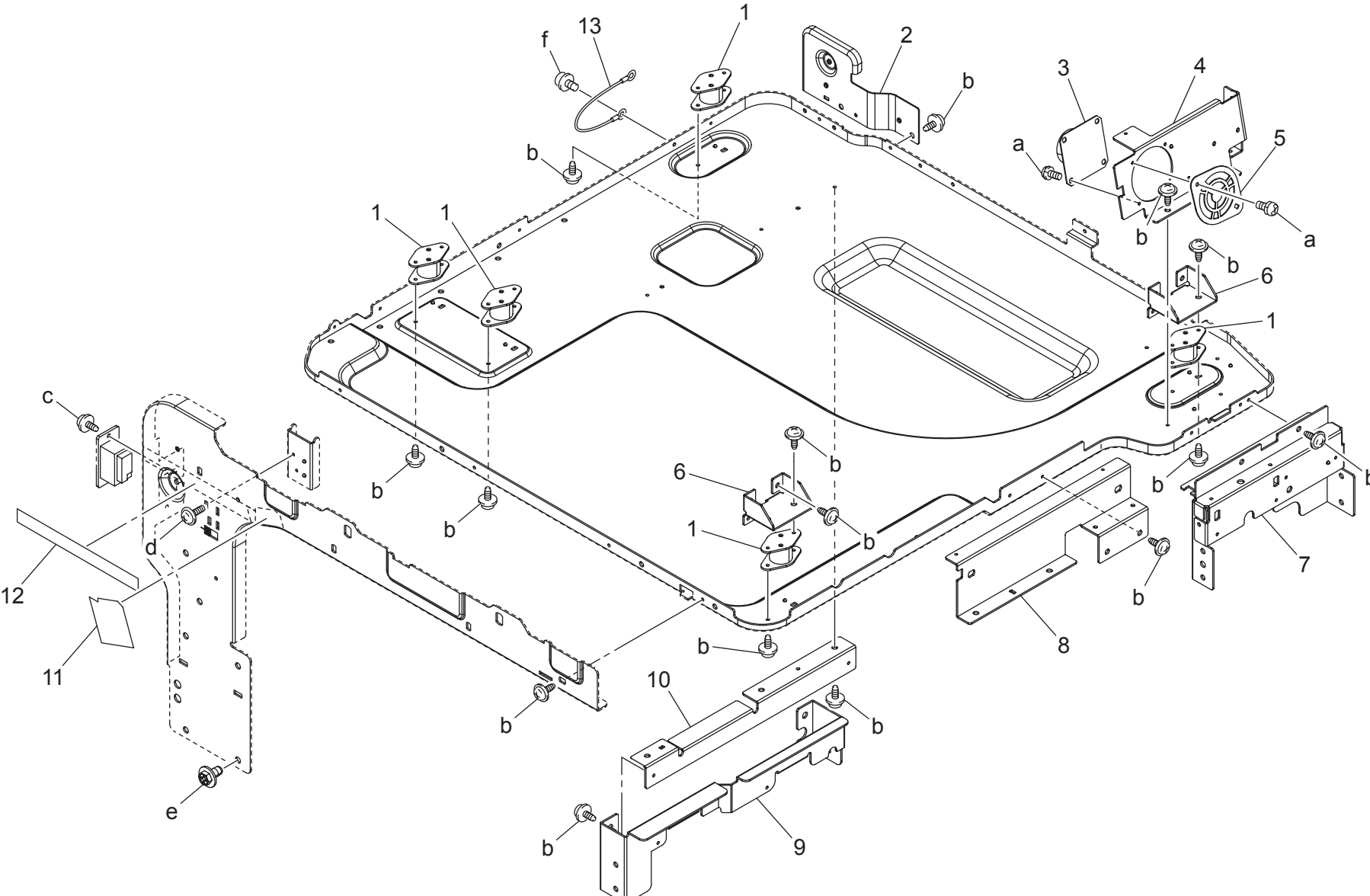
IR FRAME





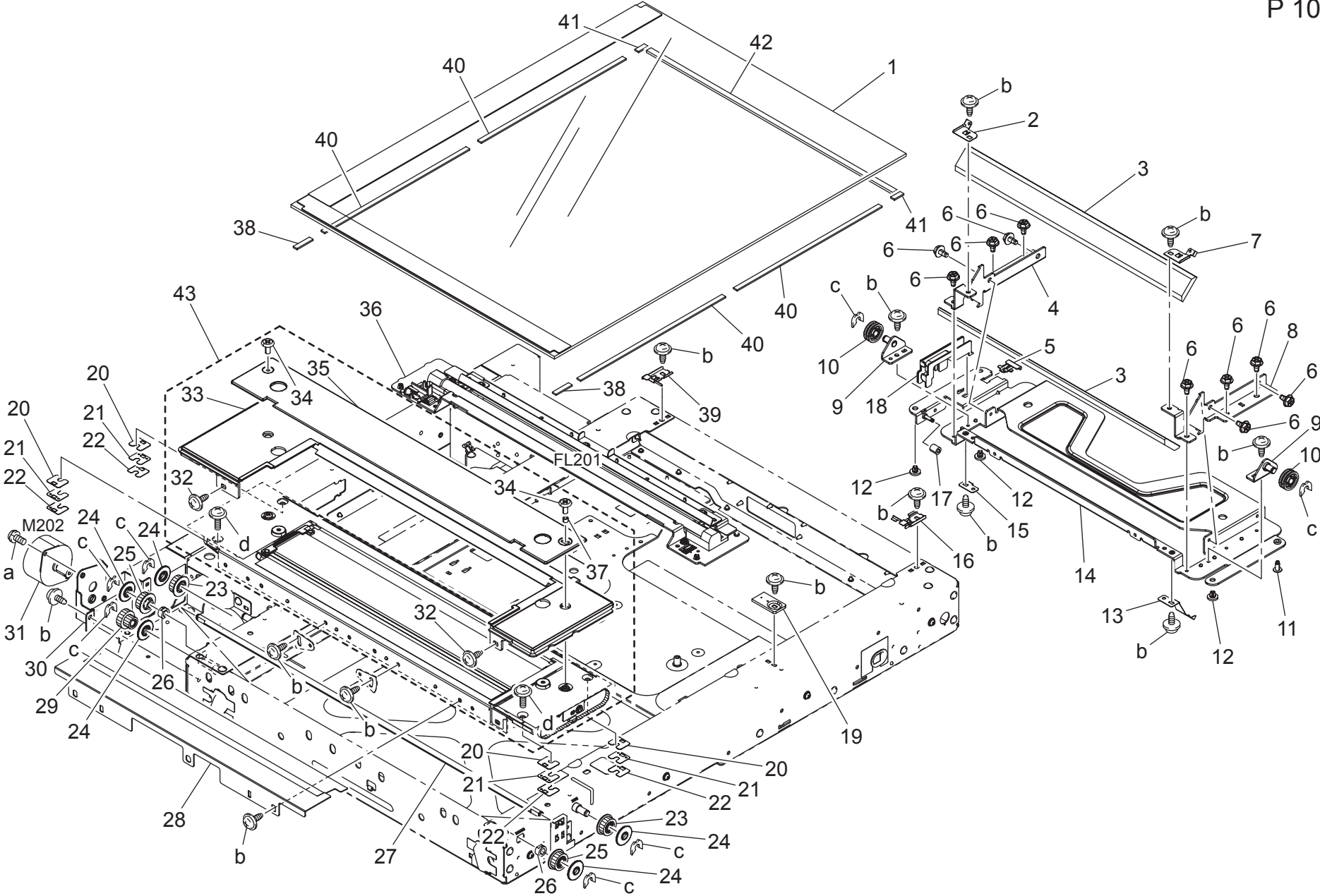
Key	Part No.	Description	Destinations	Class	QTY	Standard parts
1	A00J 2620 00	Frame		D	1	a-V115 0308 03 b-V137 0306 03 c-V111 0306 03 d-V116 0408 03 e-V121 0308 04
2	A00J 2626 00	Seal		C	2	
3	A00J 2625 00	Protection Seal		C	1	
4	4581 1625 01	SEAL		C	7	
5	A00J 2644 00	Holder		D	1	
6	9334 2610 12	REED SWITCH		C	1	
7	A00J 2628 00	Seal		C	1	
8	A00J N143 00	SCANNER WIRING/3		D	1	
9	9335 1400 61	SOLID STATE SWITCH		B	1	
10	A00J 2622 00	Mounting Plate		D	1	
11	A00J 2647 00	Seal		C	1	
12	A00J 2623 00	Plate spring		C	9	
13	A00J 2629 01	Seal		C	1	
14	9J06 1635 00	SEAL		C	1	
15	A00J 2624 00	Protection Seal		C	1	
16	A00J 2648 00	Tape		C	1	
17	A00J 2642 01	Mounting Plate		D	1	
18	A00J 2646 00	Seal		C	1	
19	A00J 2630 01	Seal		C	1	
20	A00J 2619 01	Frame		D	1	
21	A00J 2641 00	Mounting Plate		D	1	
22	A00J 2621 03	Frame		D	1	
23	A00J 1667 00	Seal		C	2	

IR FRAME





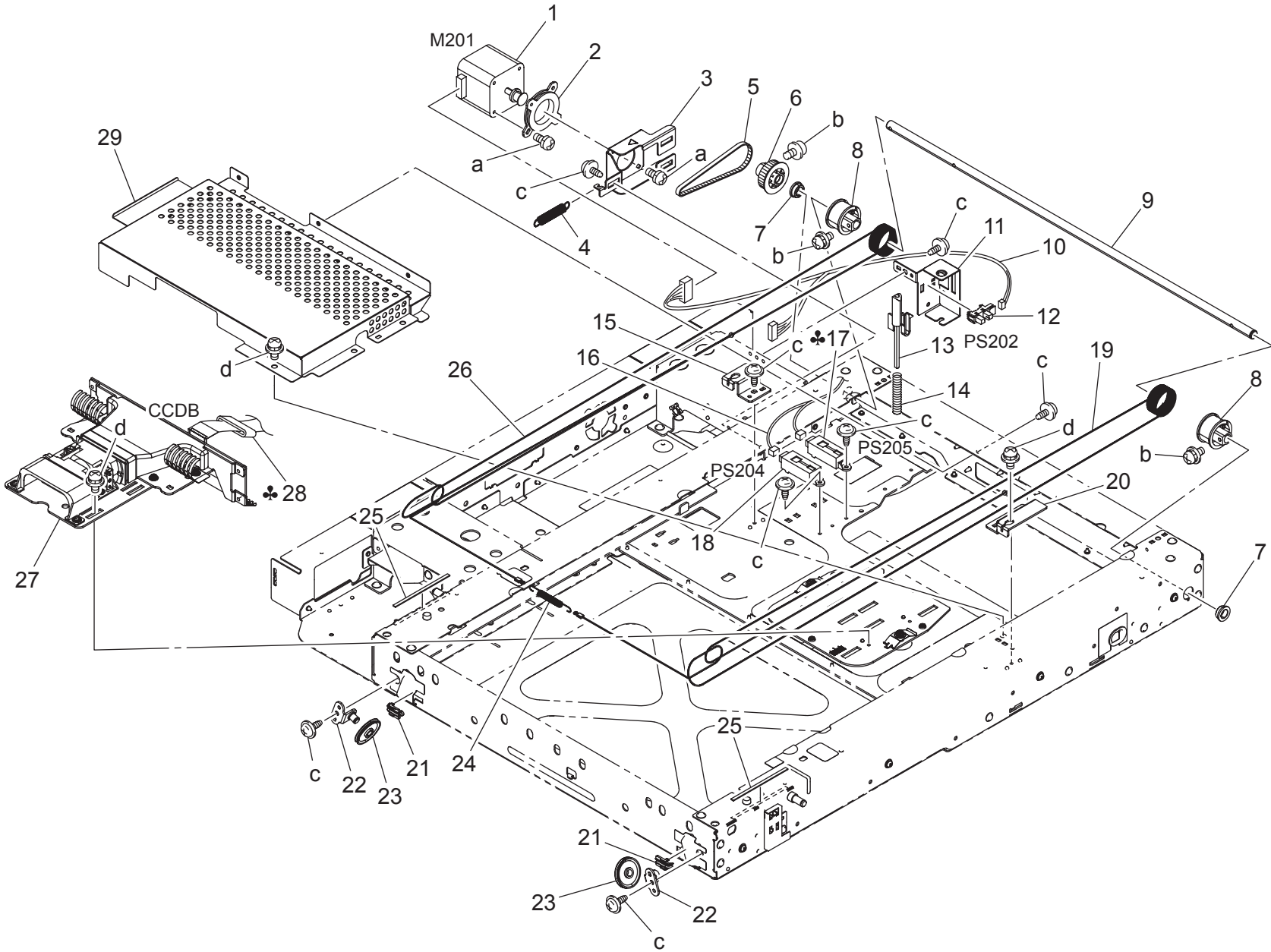
SCANNER SECTION



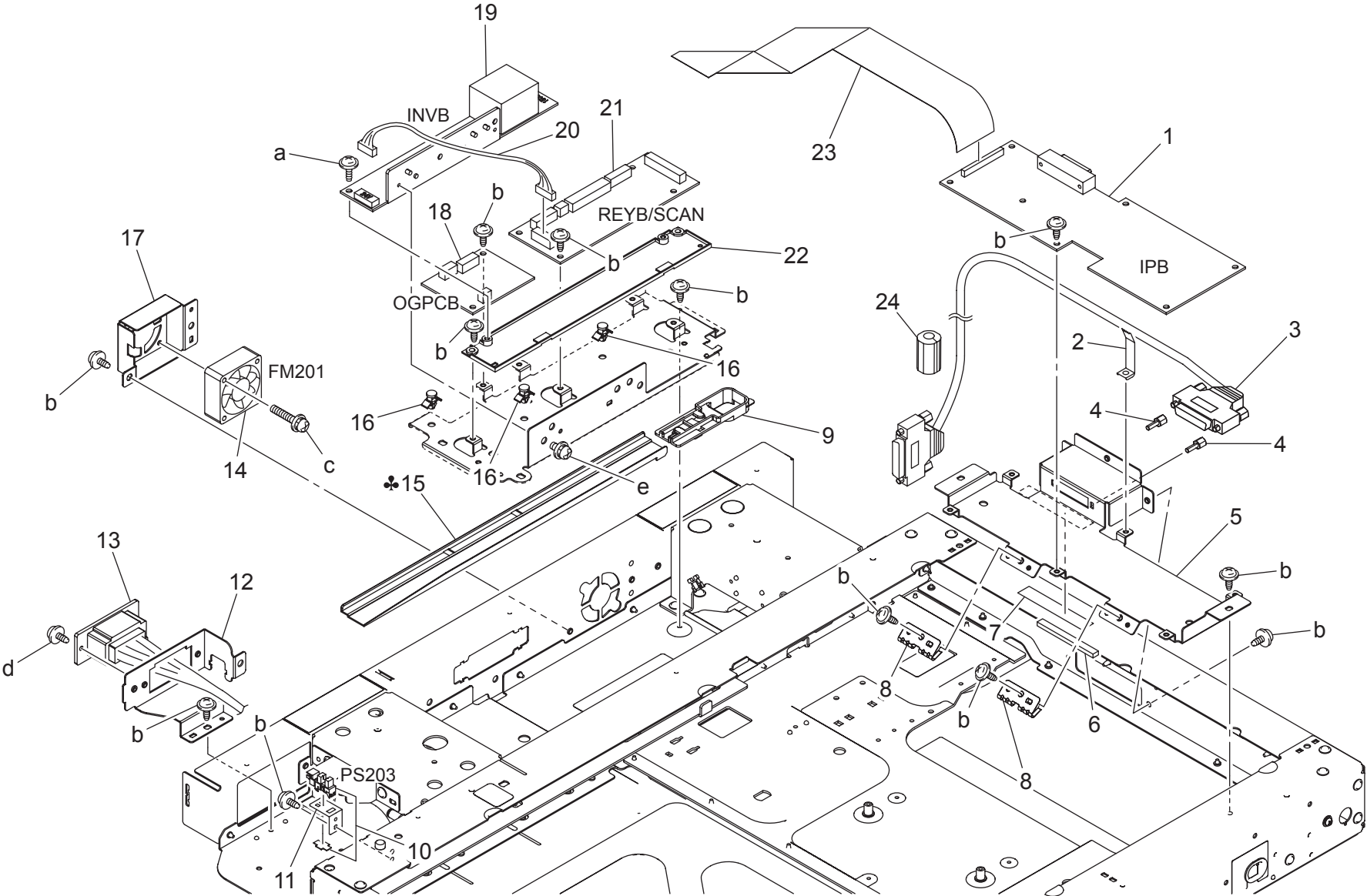
SCANNER SECTION

Key	Part No.	Description	Destinations	Class	QTY	Standard parts
1	A00J R708 00	ORIGINAL GLASS ASSY		C	1	a-V115 0306 03 b-V137 0306 03 c-V218 0400 86 d-V121 0308 04
2	A00J 2736 01	Holding Plate spring		C	1	
3	A00J 2732 01	Mirror		C	2	
4	A00J 2734 01	Mounting Plate		D	1	
5	A00J 2743 00	Cover		C	1	
6	A00J 2744 01	Screw		C	10	
7	A00J 2735 01	Plate spring		C	1	
8	A00J 2733 01	Mounting Plate		D	1	
9	A00J 2742 01	Mounting Plate		D	2	
10	A00J 2739 00	Pulley		C	2	
11	4002 1481 01	BUSHING		C	1	
12	4002 1480 01	BUSHING		C	3	
13	A00J 2737 01	Holding Plate spring		D	1	
14	A00J 2731 01	Frame		D	1	
15	A00J 2738 01	Holding Plate spring		D	1	
16	A00J 2651 00	Holding Plate		C	1	
17	A00J 2740 00	Pulley		C	1	
18	A00J 2741 00	Guide Part		C	1	
19	A00J 2653 00	Regulating Plate		C	1	
20	A00J 2903 00	Spacer		C	4	
21	A00J 2908 00	Spacer t0.2		C	4	
22	A00J 2909 00	Spacer t0.1		C	4	
23	A00J 2888 00	Pulley 37T		C	2	
24	A00J 2906 00	Flange		C	5	
25	A00J 2886 00	Pulley 37T		C	2	
26	1200 3121 09	BUSHING		C	2	
27	A00J 2884 00	Shaft		D	1	
28	A00J R707 00	SHEET ASSY		C	1	
29	A00J 2887 00	Pulley 26/34T		C	1	
30	A00J 2897 01	Mounting Plate		D	1	
31	A00J M12B 01	Stepping motor		C	1	
32	4036 1410 01	SHOULDER SCREW		C	2	
33	A00J 2882 03	Cover		C	1	
34	A00J 2907 00	Screw		D	2	
35	A00J 2892 00	Cover		C	1	
36	A00J R709 00	FIRST SLIDER ASSY		C	1	
37	9J06 1589 00	COLLAR		C	1	
38	A00J 2658 00	Seal		C	2	
39	A00J 2652 00	Holding Plate		C	1	
40	9J06 1620 01	SEAL		C	4	
41	A00J 2655 00	Seal		C	2	
42	A00J 2654 00	Seal		C	1	
43	A00J R706 00	GLASS MOVEMENT UNIT		C	1	

CCD UNIT/SCANNER DRIVE



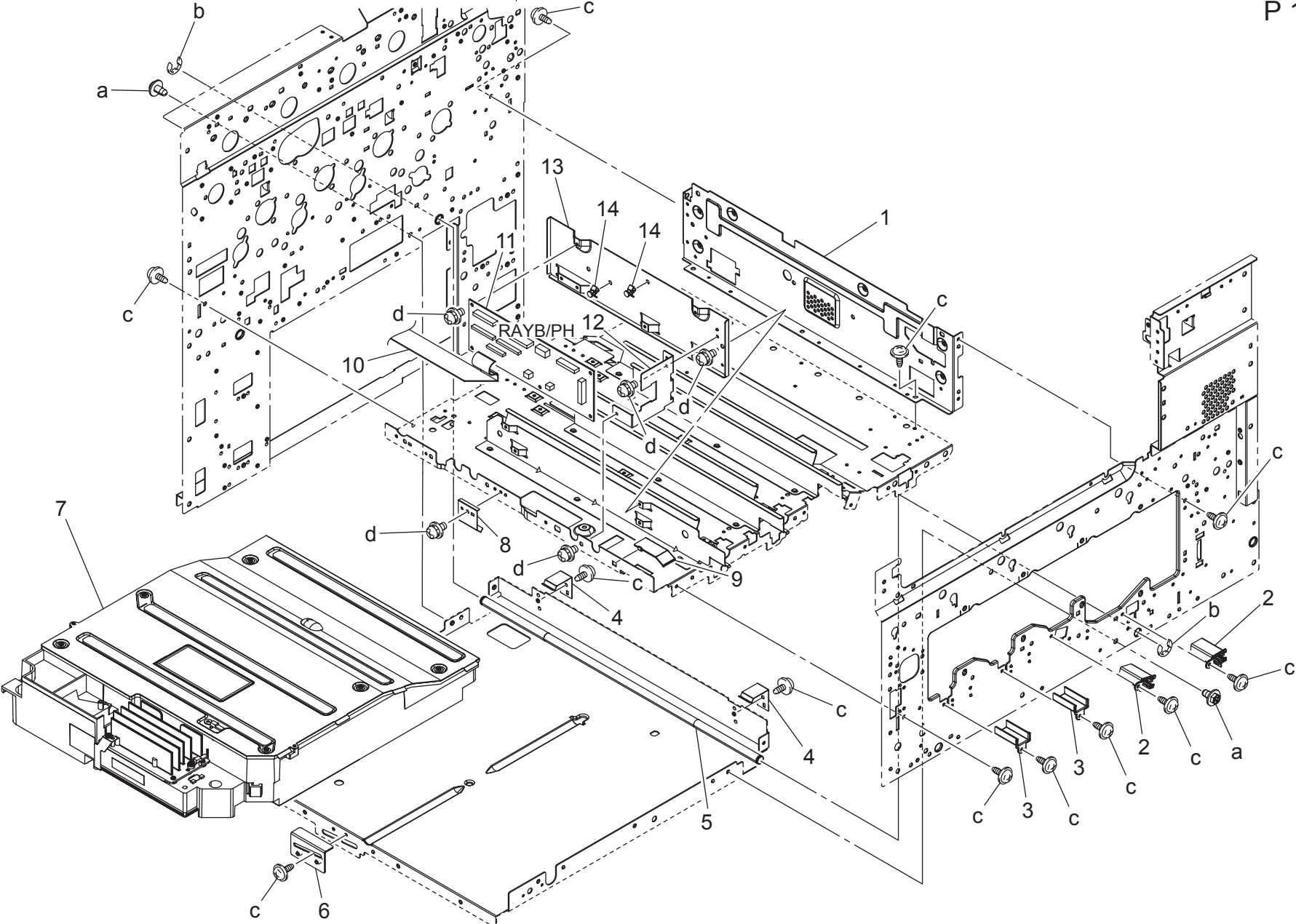
Key	Part No.	Description	Destinations	Class	QTY	Standard parts
1	A00J M12A 00	Stepping motor		C	1	a-V115 0306 03 b-V116 0308 03 c-V137 0306 03 d-V116 0306 03
2	A00J 2767 00	Vibrationproof Rubber		C	1	
3	A00J 2766 00	Mounting Plate		D	1	
4	4002 1458 01	TENSION SPRING		C	1	
5	A00J 2756 00	Belt 200L		C	1	
6	A00J 2755 00	Pulley 84T		C	1	
7	A00J 2762 00	Bearing		C	2	
8	A00J 2753 00	Pulley		C	2	
9	A00J 2754 00	Shaft		D	1	
10	A00J N142 01	Scanner Wiring /2		D	1	
11	A00J 2801 00	Mounting Plate		D	1	
12	4037 0903 01	PHOTO INTERRUPTER		B	1	
13	A00J 2802 00	Lever		C	1	
14	4036 1720 01	PRESSURE SPRING		C	1	
15	A00J 2761 00	Mounting Plate		D	1	
16	A00J N144 01	Scanner Wiring /4		D	1	
17	9335 1400 81	SOLID STATE SWITCH	B,G2,F1,,C,D1,D3,F2,G1,I,JK	C	1	
18	9335 1400 81	SOLID STATE SWITCH		C	1	
19	A00J 2751 00	Wire /Front		C	1	
20	A00J 2760 00	Mounting Plate		D	1	
21	A00J 2763 00	Guide Part		C	2	
22	A00J 2759 01	Mounting Plate		D	2	
23	A00J 2758 00	Pulley		C	2	
24	A00J 2768 00	Pulling Spring		C	1	
25	A00J 2905 00	Seal		C	2	
26	A00J 2752 00	Wire /Rear		C	1	
27	A00J R705 00	LENS CCD ASSY		I	1	
28	9326 1200 21	FERRITE CORE	B,G2,F1,,C,D1,D3,F2,G1,I,JK	D	1	
29	A00J 2785 01	Cover		D	1	





Key	Part No.	Description	Destinations	Class	QTY	Standard parts
1	A00J H011 00	PWB Assembly C		I	1	a-V153 0306 03 b-V137 0306 03 c-V116 0320 03 d-V137 0308 03 e-V116 0306 03
2	A00J 2820 00	Ground Plate		C	1	
3	A00J N140 01	INTERFACE CABLE		D	1	
4	A00J 1396 00	Screw		C	2	
5	A00J 2814 00	Mounting Plate		D	1	
6	A00J M901 00	Gasket		C	1	
7	A00J 2821 00	Tape		C	1	
8	A00J 2819 00	Ground Plate		C	2	
9	A00J 2812 00	Guide Part		C	1	
10	4037 0903 01	PHOTO INTERRUPTER		B	1	
11	A00J 2889 00	Mounting Plate		C	1	
12	A00J 2818 02	Mounting Plate		D	1	
13	A00J N141 01	Scanner Wiring /1		D	1	
14	9313 1500 21	FAN MOTOR		C	1	
15	A00J 2813 00	Guide Part	B,G2,F1,,C,D1,D3,F2,G1,I,JK	C	1	
15	A00J 2813 00	Guide Part	A,A1	C	1	
16	V502 0100 41	BUSHING		D	3	
17	A00J 2815 00	Mounting Plate		D	1	
18	9J07 0104 02	PWB-ID		C	1	
19	A00J M410 00	Inverter unit		I	1	
20	A00J N147 00	SCANNER WIRING/7		D	1	
21	A00J H00A 02	PWB Assembly IF		I	1	
22	4036 1353 04	INSULATING MEMBER		C	1	
23	A00J N146 00	SCANNER WIRING/6		D	1	
24	9326 1910 21	FERRITE CORE		D	1	

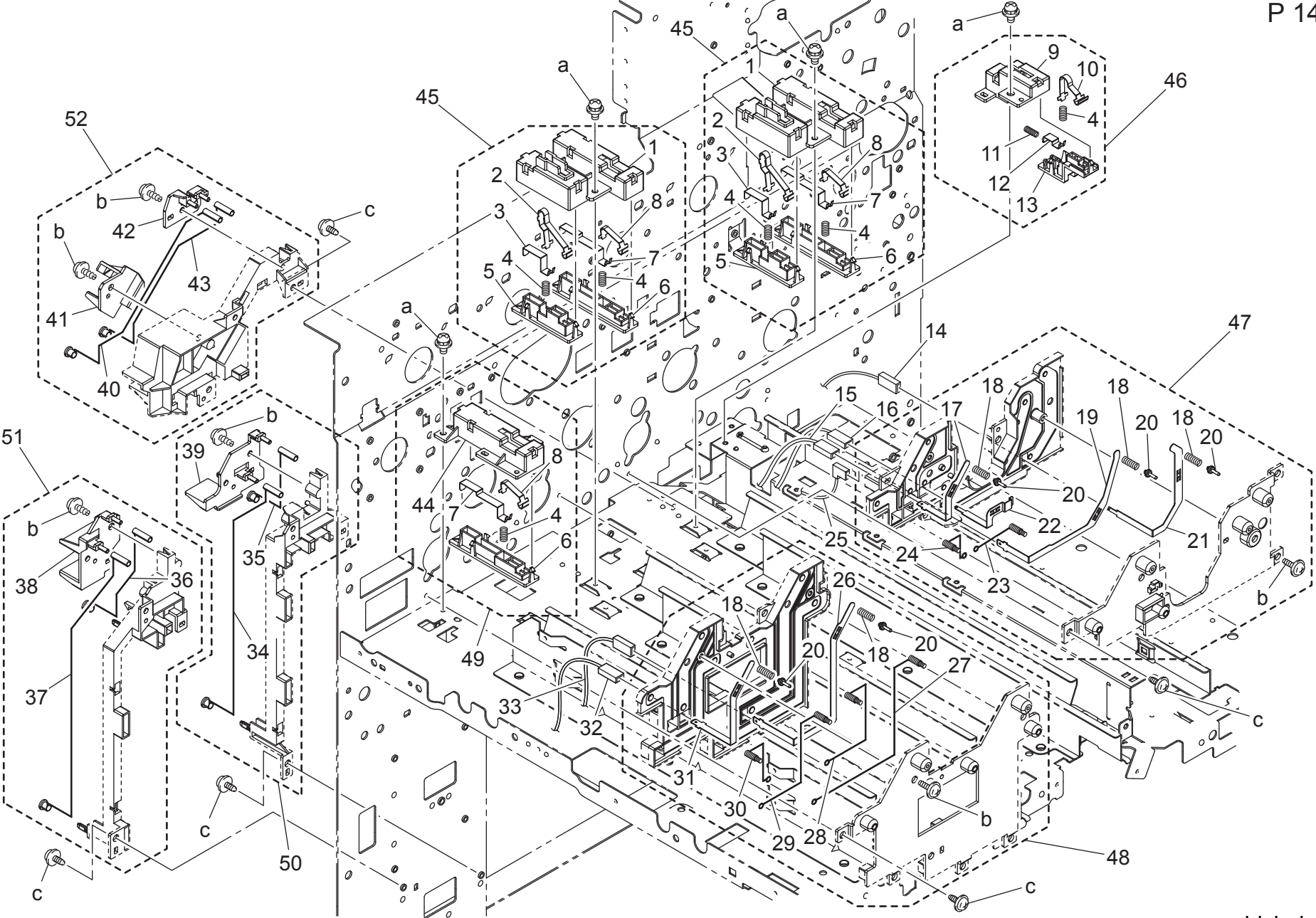
PH UNIT



PH UNIT

Key	Part No.	Description	Destinations	Class	QTY	Standard parts
1	A00J 1012 01	Support Plate		D	1	a-A00J 1099 00 b-V217 0800 01 c-V137 0308 03 d-V116 0306 03
2	A00J 1056 01	Guide Post		C	2	
3	A00J 1057 00	Guide Post		C	2	
4	A00J 1036 00	Plate spring /Right		D	2	
5	A00J 1023 01	Shaft		D	1	
6	A00J R7A0 00	POSITIONING PLATE / PH		D	1	
7	A00J R741 00	P/H ASSY		I	1	
8	A00J 1037 00	Plate spring /Left		D	1	
9	A00J 1359 00	Holder		C	1	
10	A00J N12G 02	Control Relay harness /2		D	1	
11	A00J H003 00	PWB Assembly J		I	1	
12	A00J 1375 00	Mounting Plate		D	1	
13	A00J 1374 00	Mounting Plate		D	1	
14	V502 0100 26	SUPPORT		D	2	

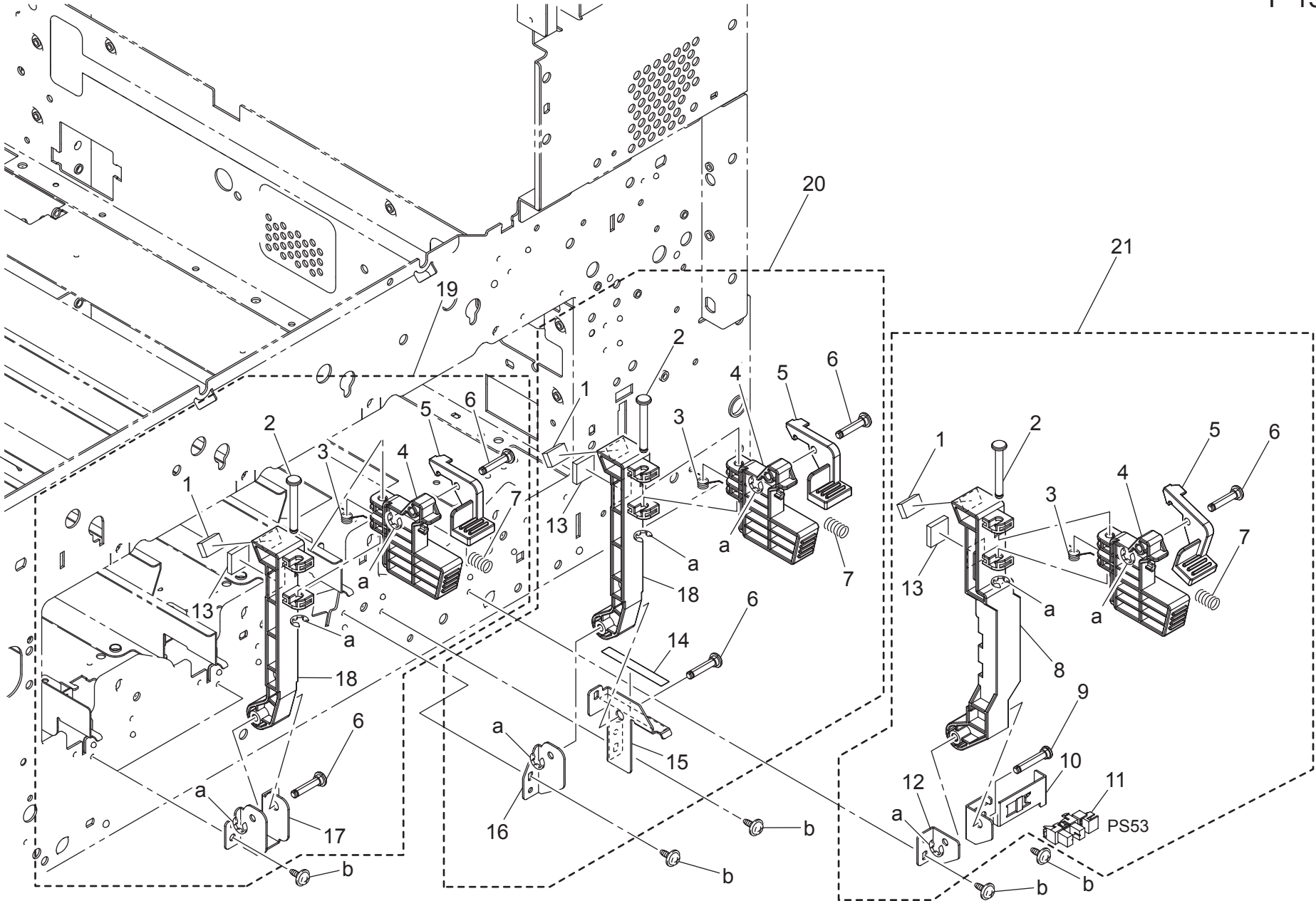
CONTACT SECTION



CONTACT SECTION

Key	Part No.	Description	Destinations	Class	QTY	Standard parts
1	A00J 1129 00	Cover		C	2	a-V116 0306 03 b-V153 0308 03 c-V137 0308 03
2	A00J 1113 00	Contact /Front		C	2	
3	A00J 1116 00	Contact /Middle		C	2	
4	A00J 1159 00	Compressing Spring		C	6	
5	A00J 1123 00	Holder		C	2	
6	A00J 1122 00	Holder /Color		C	3	
7	A00J 1109 00	Developing Contact /Middle		C	3	
8	A00J 1108 00	Developing Contact /Front		C	3	
9	A00J 1130 00	Cover /Cyan		C	1	
10	A00J 1114 00	Contact /Cyan		C	1	
11	A00J 1194 00	Compressing Spring /Cyan		C	1	
12	A00J 1117 00	Contact /Cyan		C	1	
13	A00J 1124 00	Holder /Cyan		C	1	
14	A00J N137 00	CHANGING WIRING/2		D	1	
15	A00J N132 00	Chaging Wiring /C		D	1	
16	A00J N136 00	CHANGING WIRING		D	1	
17	A00J 1155 00	Charging Contact /Cyan		C	1	
18	4004 2317 01	PRESSURE SPRING		C	5	
19	A00J 1156 00	Charging Contact /B		C	1	
20	4036 2311 01	PIN		D	5	
21	A00J 1121 00	Contact /B		C	1	
22	A00J 1120 00	Contact /Cyan		C	1	
23	A00J 1188 00	Developing Contact /B		C	1	
24	A00J 1187 00	Developing Contact /Cyan		C	1	
25	A00J N133 00	Chaging Wiring /K		D	1	
26	A00J 1168 00	Charging Contact /Magenta		C	1	
27	A00J 1174 00	Contact /Magenta		C	1	
28	A00J 1173 00	Developing Contact /Magenta		C	1	
29	A00J 1172 00	Contact /Yellow		C	1	
30	A00J 1171 00	Developing Contact /Yellow		C	1	
31	A00J 1154 00	Charging Contact /Yellow		C	1	
32	A00J N131 00	Chaging Wiring /M		D	1	
33	A00J N130 00	Chaging Wiring /Y		D	1	
34	A00J 1183 00	Contact /Magenta		C	1	
35	A00J 1181 00	Developing Contact /Magenta		C	1	
36	A00J 1180 00	Developing Contact /Yellow		C	1	
37	A00J 1182 00	Contact /Yellow		C	1	
38	A00J 1184 00	Cover /Yellow		C	1	
39	A00J 1185 00	Cover /Magenta		C	1	
40	A00J 1189 00	Developing Contact /Cyan		C	1	
41	A00J 1193 00	Guide Cover		C	1	
42	A00J 1192 00	Cover /B		C	1	
43	A00J 1190 00	Developing Contact /B		C	1	
44	A00J 1128 00	COVER /YELLOW		C	1	
45	A00J R733 00	TERMINAL 2 ASSY		C	2	
46	A00J R732 00	TERMINAL 1 ASSY		C	1	
47	A00J R736 00	TERMINAL 5 ASSY		C	1	
48	A00J R735 00	TERMINAL 4 ASSY		C	1	
49	A00J R734 00	TERMINAL 3 ASSY		C	1	
50	A00J R739 00	TERMINAL M ASSY		C	1	
51	A00J R738 00	TERMINAL Y ASSY		C	1	
52	A00J R740 00	TERMINAL CK ASSY		C	1	

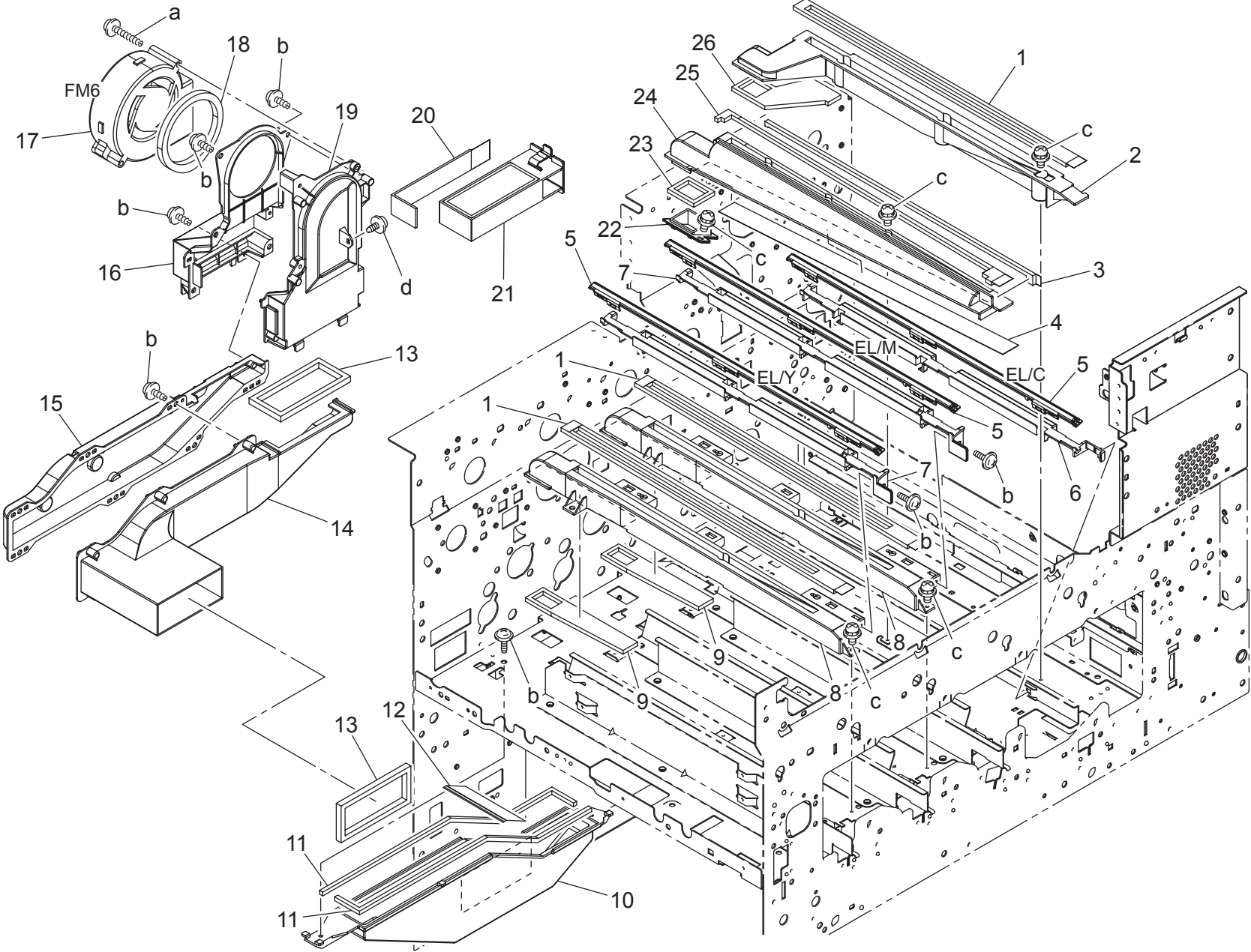
I/U LOCK LEVER



I/U LOCK LEVER

Key	Part No.	Description	Destinations	Class	QTY	Standard parts
1	4004 1829 02	CUSHION		C	4	a-V217 0300 01 b-V137 0306 03
2	A00J 1210 00	Swing Shaft		D	4	
3	A00J 1214 00	Torsion Spring		C	4	
4	A00J 1209 00	Knob		C	4	
5	A00J 1202 00	Claw		C	4	
6	A00J 1203 00	Support Shaft		D	7	
7	A00J 1215 00	Compressing Spring		C	4	
8	A00J 1211 00	Lever /Black		C	1	
9	A00J 1204 00	Support Shaft /Black		D	1	
10	A00J 1208 00	Mounting Plate /Black		D	1	
11	9335 1300 61	PHOTO INTERRUPTER		B	1	
12	A00J 1207 00	Mounting Plate /Black		D	1	
13	A00J 1212 00	Cushion /Lower		C	4	
14	A00J 9413 00	Label		C	1	
15	A00J 1213 00	Mounting Plate /Cyan		D	1	
16	A00J 1205 00	Mounting Plate /Left		D	1	
17	A00J 1206 00	Mounting Plate /Right		D	2	
18	A00J 1201 00	Lever /Color		C	3	
19	A00J R701 00	IU-YM LOCK LEVER		C	2	
20	A00J R702 00	IU-C LOCK LEVER		C	1	
21	A00J R703 00	IU-BK LOCK LEVER		C	1	

OZONE DUCT

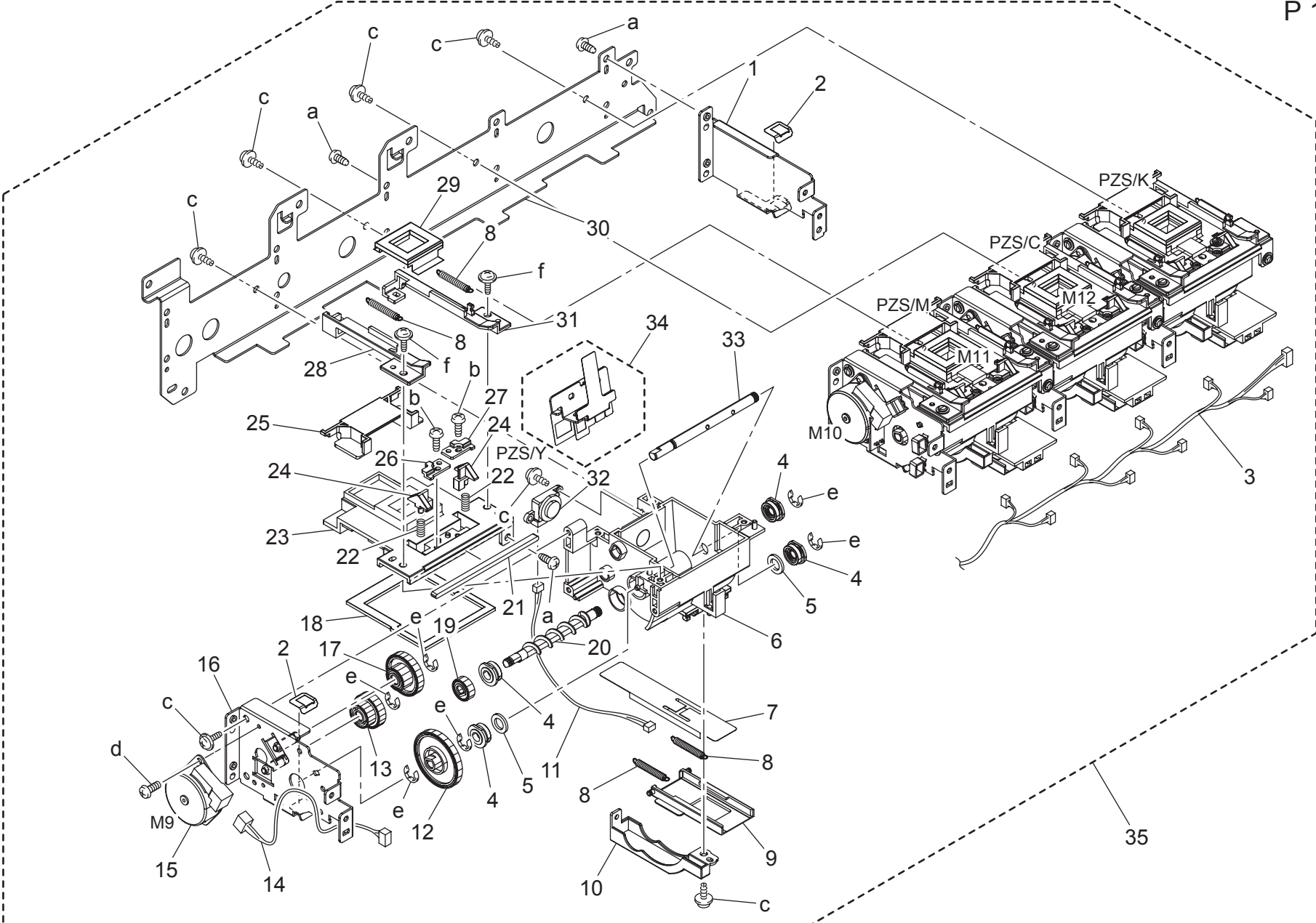




OZONE DUCT

Key	Part No.	Description	Destinations	Class	QTY	Standard parts
1	A00J 1146 00	Seal		C	3	a-V153 0445 03 b-V153 0308 03 c-V116 0306 03 d-V137 0308 03
2	A00J 1136 00	Ozone Duct /B		D	1	
3	A00J 1144 00	Seal /A		C	1	
4	A00J 1143 00	Seal /Cyan		C	1	
5	4037 6061 01	ERASE ASSY		C	3	
6	A00J 1196 00	Positioning Holder /Cyan		C	1	
7	A00J 1195 00	Positioning Holder /Yellow		C	2	
8	A00J 1134 00	Ozone Duct		D	2	
9	A00J 1147 00	Seal		C	2	
10	A00J 1138 00	Ozone Duct /Inside		D	1	
11	A00J 1162 00	Seal /Upper		C	2	
12	A00J 1161 00	Seal /Lower		C	1	
13	A00J 1150 00	Seal /Inside		C	2	
14	A00J 1164 00	Ozone Duct /Front		D	1	
15	A00J 1163 01	Ozone Duct /Rear		D	1	
16	A00J 1197 00	Ozone Duct /A		D	1	
17	9313 1400 41	FAN MOTOR		C	1	
18	4036 2485 01	SEAL		C	1	
19	A00J 1198 02	OZONE DUCT /B		D	1	
20	A00J 1165 00	Seal		C	1	
21	A00J R731 00	OZONE FILTER		C	1	
22	A00J 1170 00	Duct /Cyan		C	1	
23	A00J 1148 00	Seal /Cyan		C	1	
24	A00J 1135 00	Ozone Duct /Cyan		D	1	
25	A00J 1145 00	Seal /B		C	1	
26	A00J 1149 00	Seal /B		C	1	

TONER SUPPLY SECTION

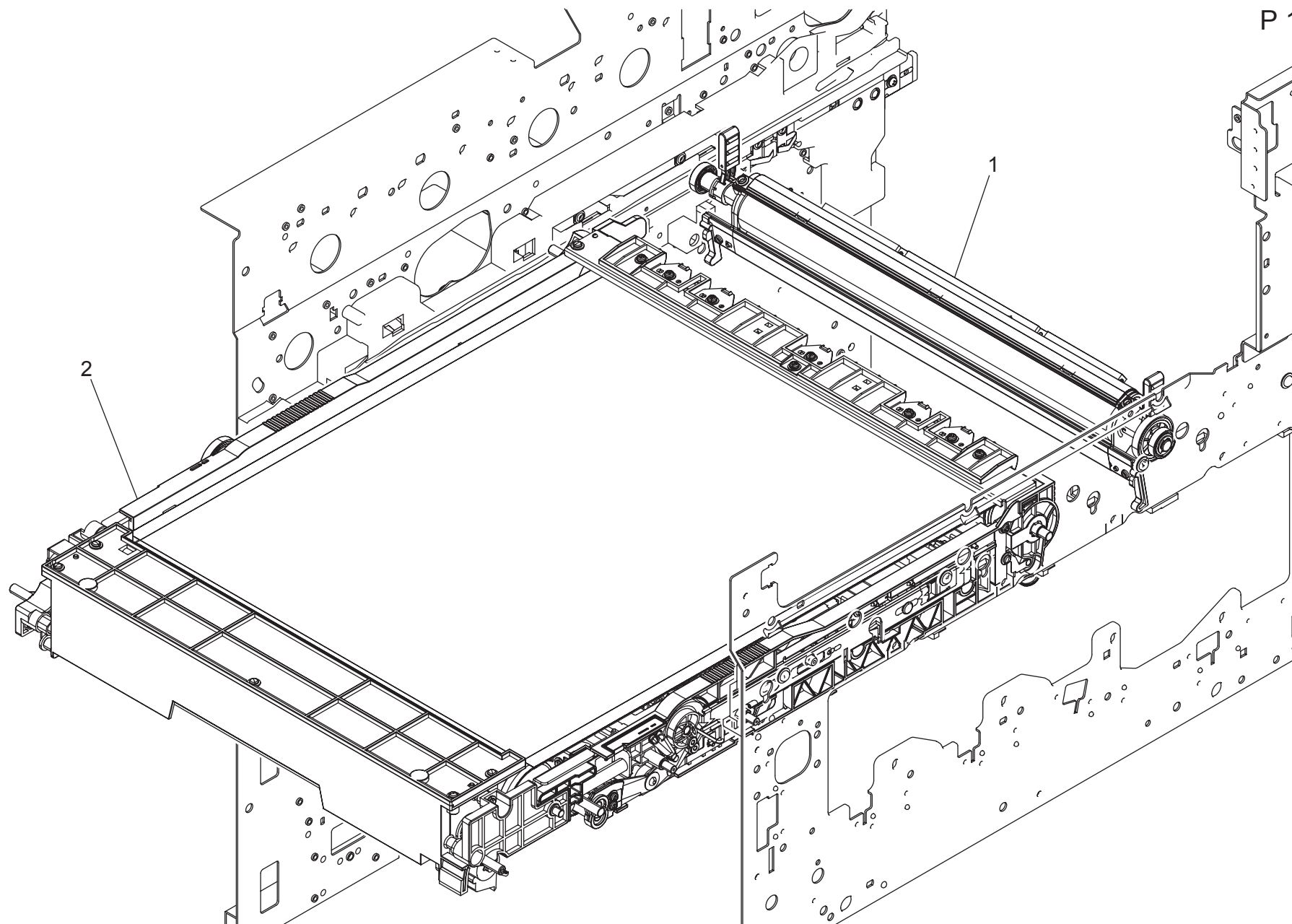


TONER SUPPLY SECTION

Key	Part No.	Description	Destinations	Class	QTY	Standard parts
1	A00J 4066 00	Panel /P		D	1	a-V118 0308 03 b-V145 0308 03 c-V153 0308 03 d-V115 0306 03 e-V217 0400 01 f-V153 0310 04
2	A00J 4052 00	Seal		C	5	
3	A00J N123 00	TONER RELAY HARNESS/4		D	1	
4	65AA 3250 1	SCREW BEARING B		C	16	
5	A00J 4023 00	Seal		C	8	
6	A00J 4001 01	Supply Casing		D	4	
7	4036 5349 03	SEAL		D	4	
8	4036 5348 01	TENSION SPRING		C	16	
9	4036 5347 02	SHUTTER		D	4	
10	A00J 4054 00	Cover /Lower		C	4	
11	A00J N121 00	TONER RELAY HARNESS/3		D	4	
12	A00J 4017 00	Gear 45T		C	4	
13	A00J 4018 00	Gear 38/35T		C	4	
14	A00J N12K 01	Toner Relay Harness /8		D	4	
15	A00J M121 00	Stepping motor		C	4	
16	A00J R7A1 00	DRIVEPANEL/H		D	4	
17	A00J 4019 00	Gear 17/44T		C	4	
18	A00J 4022 00	Seal /A		C	4	
19	A00J 4016 00	Gear 22T		C	4	
20	A00J 4005 00	Supply Roller		C	4	
21	A00J 4073 00	SEAL		C	4	
22	A00J 4014 01	Spring /A		C	8	
23	A00J 4003 00	Cover /Upper		D	4	
24	A00J 4012 00	Regulating Claw		C	8	
25	A00J 4004 01	Shutter /H		C	4	
26	A00J 4068 01	Receiving Block /Left		C	4	
27	A00J 4069 01	Receiving Block /Right		C	4	
28	A00J 4056 00	Guide Cover /Left		C	4	
29	A00J 4009 00	Seal /S		C	4	
30	A00J 4025 00	Mounting Plate /T		D	1	
31	A00J 4055 00	Guide Cover /Right		C	4	
32	40AA 8803 1	LEVEL DETECTION SENSOR		C	4	
33	A00J 4006 00	Agitating Shaft		D	4	
34	A00J R744 00	AGITAING PANEL		C	4	
35	A00J R711 00	HOPPER UNIT		C	1	

# TRANSFER UNIT

P 18

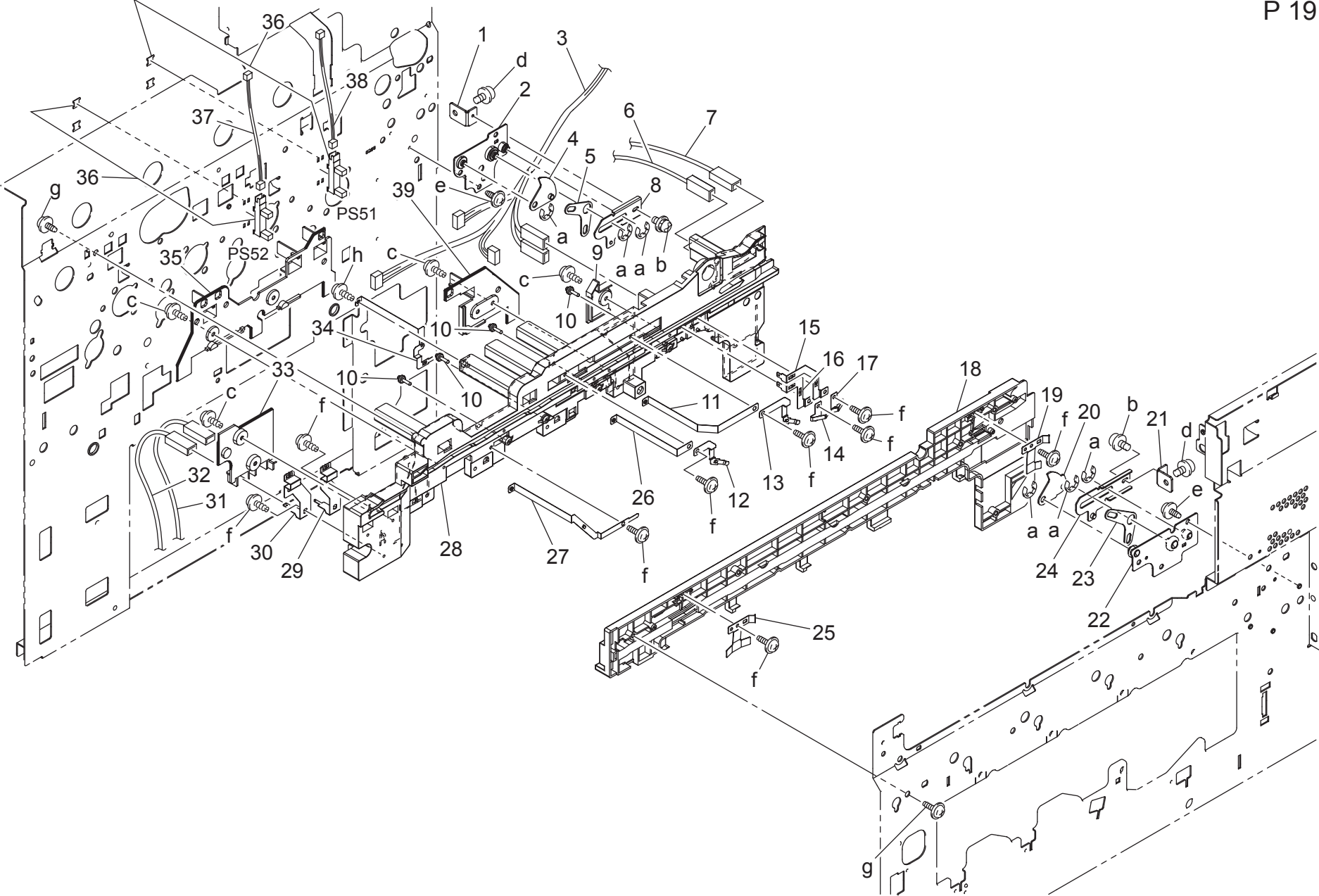


bizhub C451

TRANSFER UNIT

Key	Part No.	Description	Destinations	Class	QTY	Standard parts
1	A00J R715 00	TRANSFER ROLLER		A	1	
2	A00J R714 00	TRANSFER UNIT		A	1	

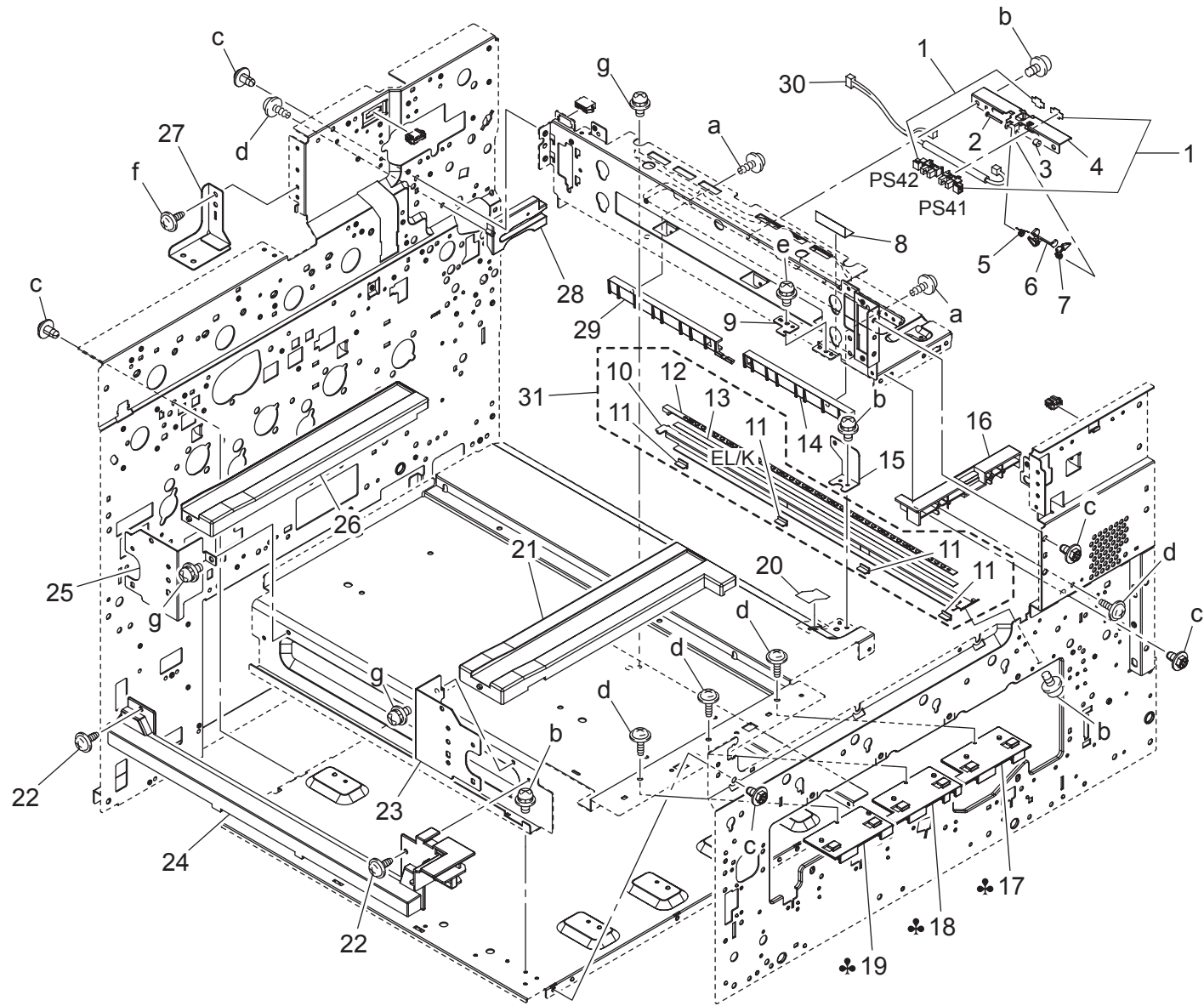
TRANSFER RAIL SECTION



TRANSFER RAIL SECTION

Key	Part No.	Description	Destinations	Class	QTY	Standard parts
1	A00J 5233 01	Holding Plate		C	1	a-V217 0400 01 b-V116 0306 03 c-V153 0308 03 d-V116 0408 03 e-V137 0306 03 f-V153 0306 03 g-V153 0408 03 h-V153 0310 03
2	A00J R7A2 00	PLATE / REAR		D	1	
3	A00J N12M 03	Sensor Relay harness /6		D	1	
4	A00J R7A3 00	LOCK PLATE / REAR		D	1	
5	A00J 5232 00	Connecting Plate		C	1	
6	A00J N13C 00	Transfer Wiring		D	1	
7	A00J N13D 00	Separating Wiring /E		D	1	
8	A00J R7A4 00	SLIDE PLATE / REAR		D	1	
9	A00J 5244 02	Cover /4		C	1	
10	4036 2311 01	PIN		D	4	
11	A00J 5203 00	Contact /Black		C	1	
12	A00J 5227 00	Contact /Cyan		C	1	
13	A00J 5226 00	Contact /Black		C	1	
14	A00J 5223 00	Contact		C	1	
15	A00J 5225 00	Contact		C	1	
16	A00J 5224 00	Contact		C	1	
17	A00J 5222 00	Contact		C	1	
18	A00J 5201 02	Transfer Rail /Front		D	1	
19	A00J 5216 01	Plate spring /1		D	1	
20	A00J R7A5 00	LOCK PLATE / FRONT		D	1	
21	A00J 5240 01	Holding Plate		C	1	
22	A00J R7A6 00	PLATE / FRONT		D	1	
23	A00J 5239 00	Connecting Plate		D	1	
24	A00J R7A7 00	SLIDE PLATE / FRONT		D	1	
25	A00J 5217 01	Plate spring /2		D	1	
26	A00J 5204 00	Contact /Cyan		C	1	
27	A00J 5206 00	Contact /Yellow		C	1	
28	A00J 5202 03	Transfer Rail /Rear		D	1	
29	A00J 5208 00	Contact		C	1	
30	A00J 5209 00	Contact		C	1	
31	A00J N13E 00	SEPARATING WIRING/1		D	1	
32	A00J N13F 00	SEPARATING WIRING/2		D	1	
33	A00J 5243 00	Cover /3		D	1	
34	A00J 5205 00	Contact /Magenta		C	1	
35	A00J 5242 01	Cover /2		D	1	
36	A00J R900 00	PHOTO INTERRUPTER		B	2	
37	A00J N10M 00	SENSOR RELAY HARNESS/8		D	1	
38	A00J N10E 01	Sensor Relay Harness /1		D	1	
39	A00J 5241 01	Cover /1		D	1	

# ERASE LAMP

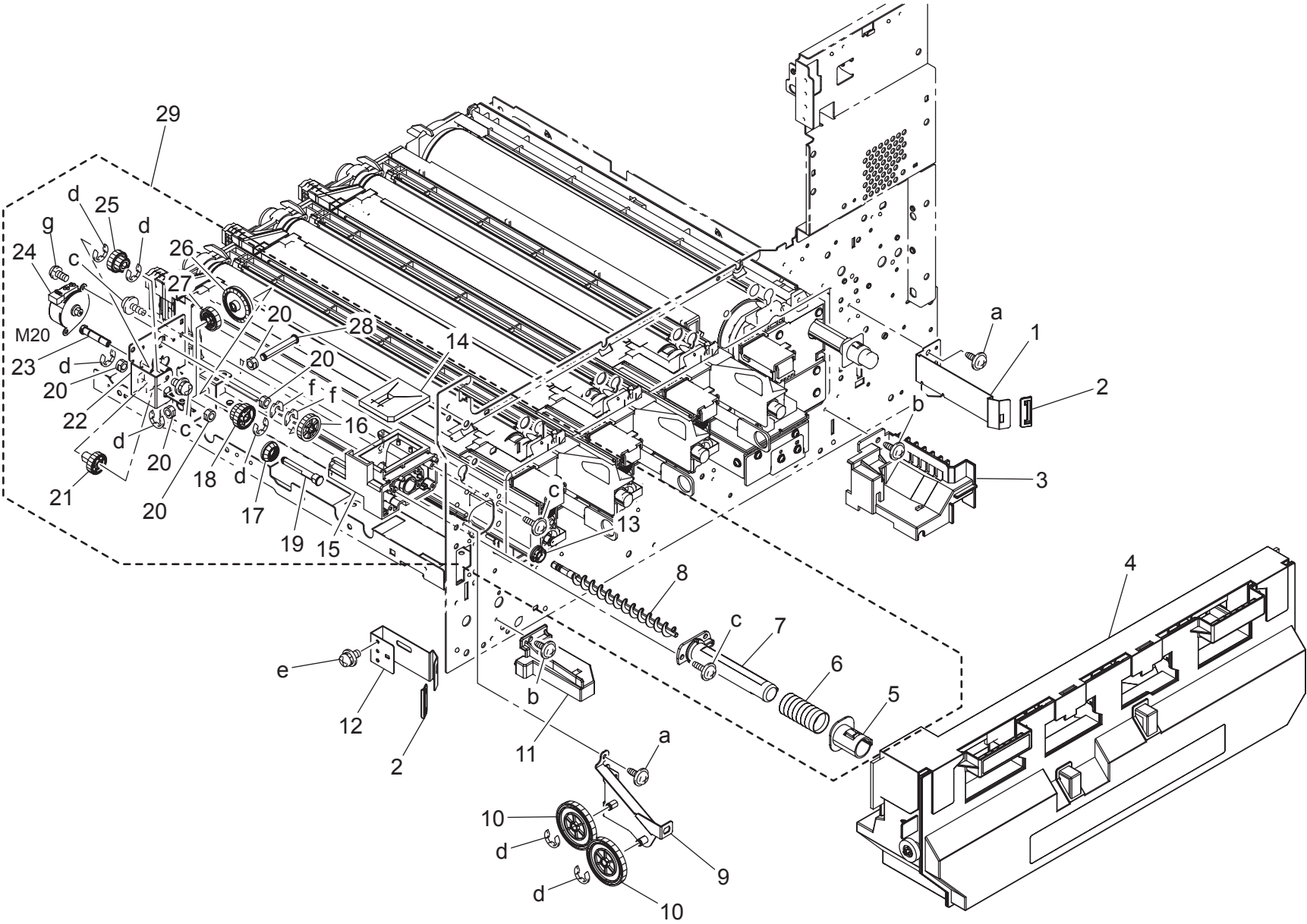




ERASE LAMP

Key	Part No.	Description	Destinations	Class	QTY	Standard parts
1	4037 0906 01	PHOTO INTERRUPTER		B	2	a-V153 0306 03
2	9J07 8900 00	SHAFT		D	1	b-V116 0306 03
3	1134 3041 01	COLLAR		D	1	c-A00J 1099 00
4	A00J 1039 02	Sensor Holder		D	1	d-V153 0308 03
5	A00J 1034 01	Torsion Spring		C	1	e-V116 0308 03
6	A00J 1040 02	Actuator		C	1	f-V137 0308 03
7	A00J 1075 00	Actuator		C	1	g-V116 0408 03
8	A00J 1073 00	Film		C	1	
9	A00J 1047 00	Mounting Plate		D	1	
10	A00J 1450 00	Mounting Plate		D	1	
11	A00J 1451 01	Mounting Plate		C	4	
12	A00J M303 01	LED array		I	1	
13	A00J 1452 00	Light blocking Part		C	1	
14	A00J 1028 01	Guide Plate /Front		C	1	
15	A00J 1070 01	Mounting Plate		D	1	
16	A00J 1025 00	Guide Plate /Front		D	1	
17	A00J 4049 01	Regulating Block /Cyan	A,A1	C	1	
17	A00J 4060 01	Regulating Block /Cyan	B,G2	C	1	
17	A00J 4063 01	Regulating Block /Cyan	C,D1,D3,F1,F2,G1,I,J,K	C	1	
18	A00J 4050 01	Regulating Block /Magenta	A,A1	C	1	
18	A00J 4061 01	Regulating Block /Magenta	B,G2	C	1	
18	A00J 4064 01	Regulating Block /Magenta	C,D1,D3,F1,F2,G1,I,J,K	C	1	
19	A00J 4051 01	Regulating Block /Yellow	A,A1	C	1	
19	A00J 4062 01	Regulating Block /Yellow	B,G2	C	1	
19	A00J 4065 01	Regulating Block /Yellow	C,D1,D3,F1,F2,G1,I,J,K	C	1	
20	A00J 1074 01	Sheet		C	1	
21	A00K 1066 01	RAIL /FRONT		C	1	
22	4154 3804 01	SCREW		C	2	
23	A00K 1068 01	Mounting Plate /Front		D	1	
24	A00J 1371 03	Cover		D	1	
25	A00K 1069 01	Mounting Plate /Rear		D	1	
26	A00K 1067 00	RAIL /REAR		C	1	
27	A00J 1071 00	Reinforce Plate		D	1	
28	A00J 1026 00	Guide Plate /Rear		D	1	
29	A00J 1029 01	Guide Plate /Rear		C	1	
30	A00J N12H 01	Sensor Relay harness /5		D	1	
31	A00J R737 00	ERASER LAMP ASSY		C	1	

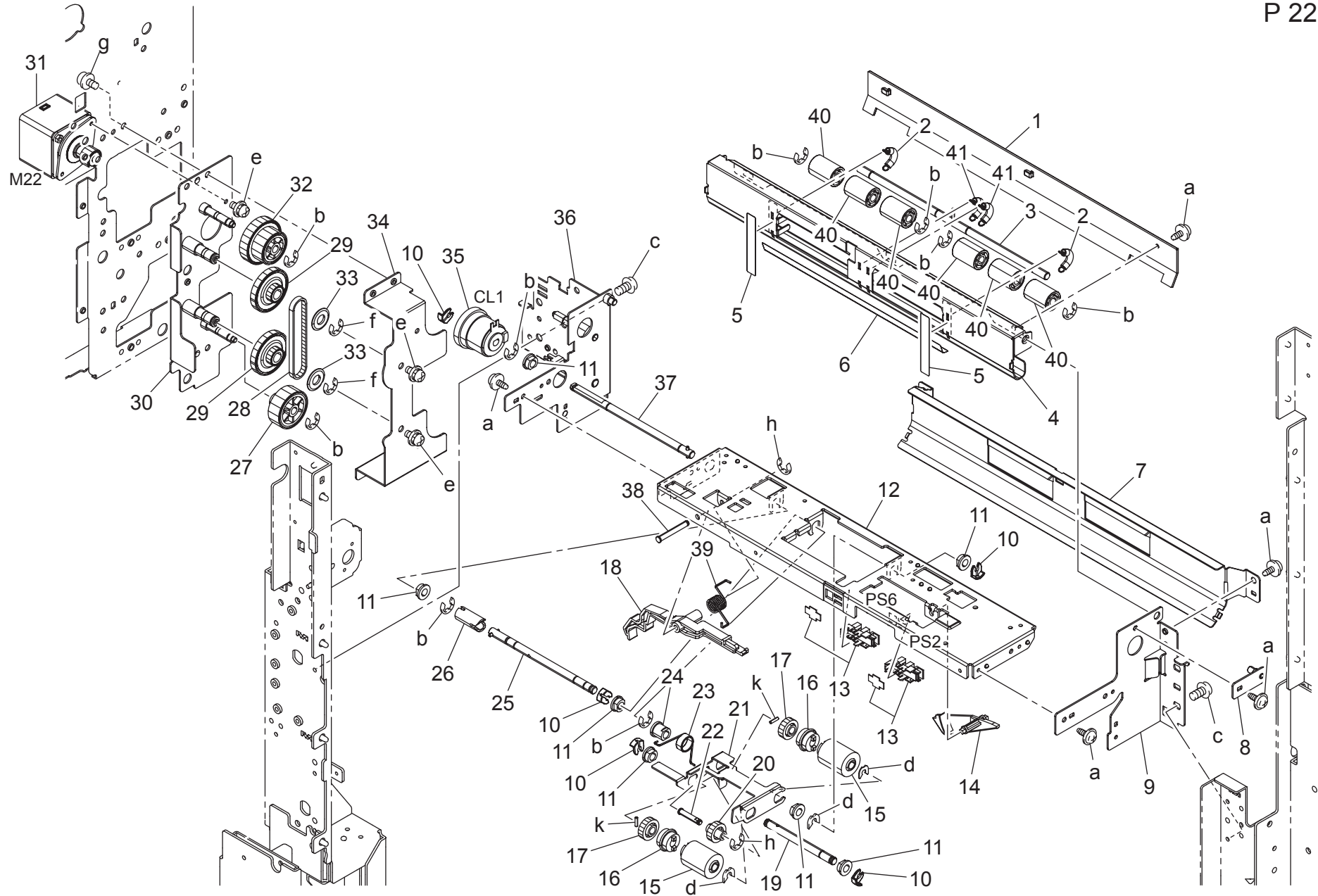
TONER COLLECT SECTION



TONER COLLECT SECTION

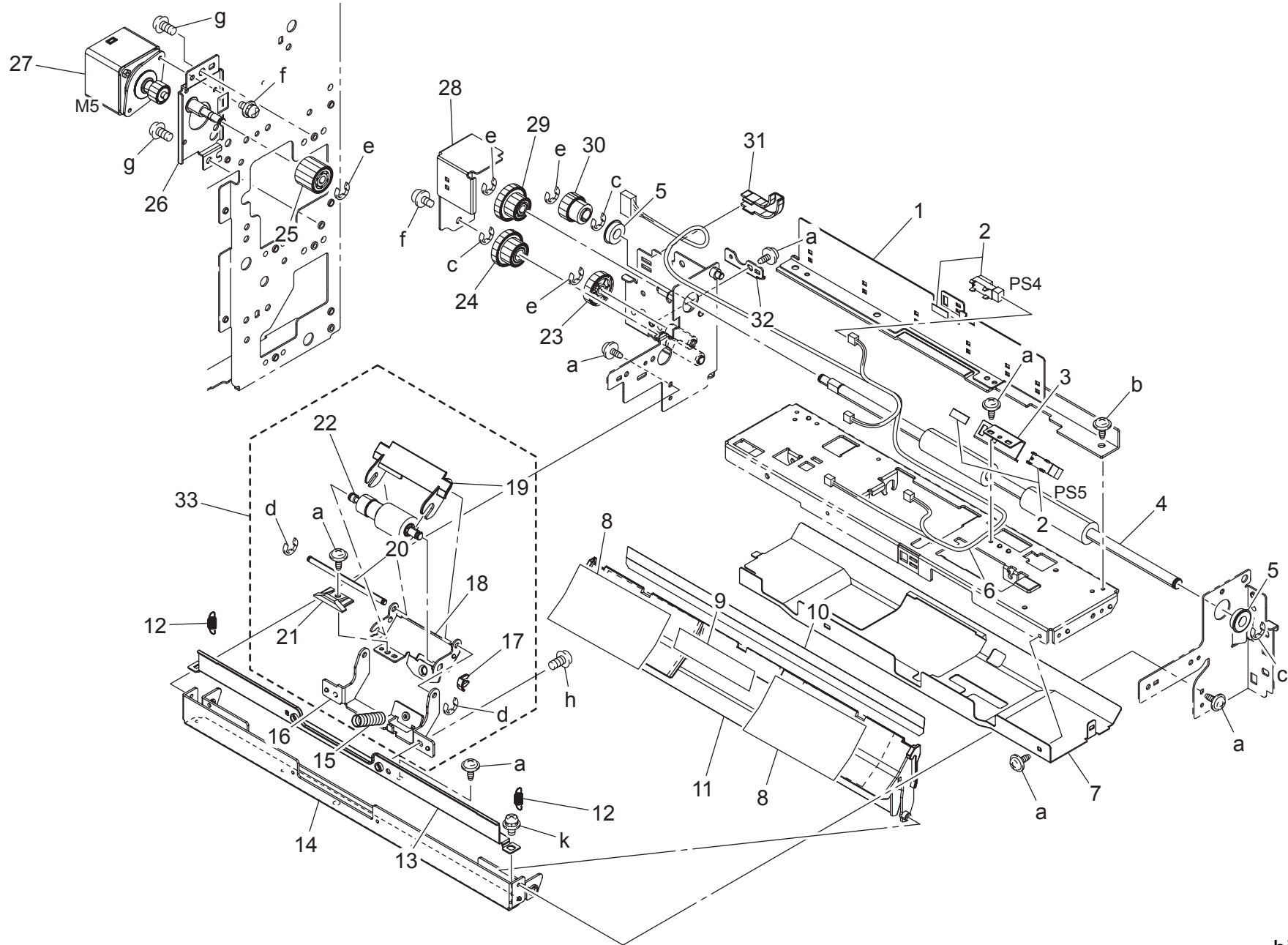
Key	Part No.	Description	Destinations	Class	QTY	Standard parts
1	A00J 3648 00	Fixing Plate /Right		D	1	a-V137 0306 03 b-V137 0308 03 c-V153 0308 03 d-V217 0400 01 e-V116 0306 03 f-V218 0400 86 g-V115 0306 03
2	A00J 3650 00	Knob		C	2	
3	A00J 3660 00	Guide Part /Right		D	1	
4	A0AT WY0	Waste Toner Box		A	1	
5	A00J 3611 00	Collection Shutter		C	1	
6	A00J 3612 00	Compressing Spring		C	1	
7	A00J 3617 00	Collection Pipe		C	1	
8	A00J 3608 00	Conveyance Screw		C	1	
9	A00J R7A8 00	FIXING PLATE		D	1	
10	A00J 3629 00	Gear 42T		C	2	
11	A00J 3661 00	Guide Part /Left		D	1	
12	A00J 3649 00	Fixing Plate /Left		D	1	
13	65AA 3250 1	SCREW BEARING B		C	1	
14	A00J 3654 01	Sealing Shutter		C	1	
15	A00J 3607 00	Collection Casing		C	1	
16	A00J 3610 00	Gear 38T		C	1	
17	A00J 3627 00	Gear 20T		C	1	
18	A00J 3630 00	Gear 38/35T		C	1	
19	A00J 3619 00	Drive Shaft /2		D	1	
20	4131 2537 01	BUSHING		C	5	
21	A00J 3625 00	Gear 30T		C	1	
22	A00J 3609 00	Mounting Plate /ASSY		D	1	
23	A00J 3620 00	Drive Shaft /3		D	1	
24	A00J M121 00	Stepping motor		C	1	
25	A00J 3624 00	Gear 30/20T		C	1	
26	A00J 3628 00	Gear 40T		C	1	
27	A00J 3626 00	Gear 18T		C	1	
28	A00J 3618 00	Drive Shaft /1		D	1	
29	A00J R710 00	TONER COLLECTION		C	1	

# 1ST PAPER FEED



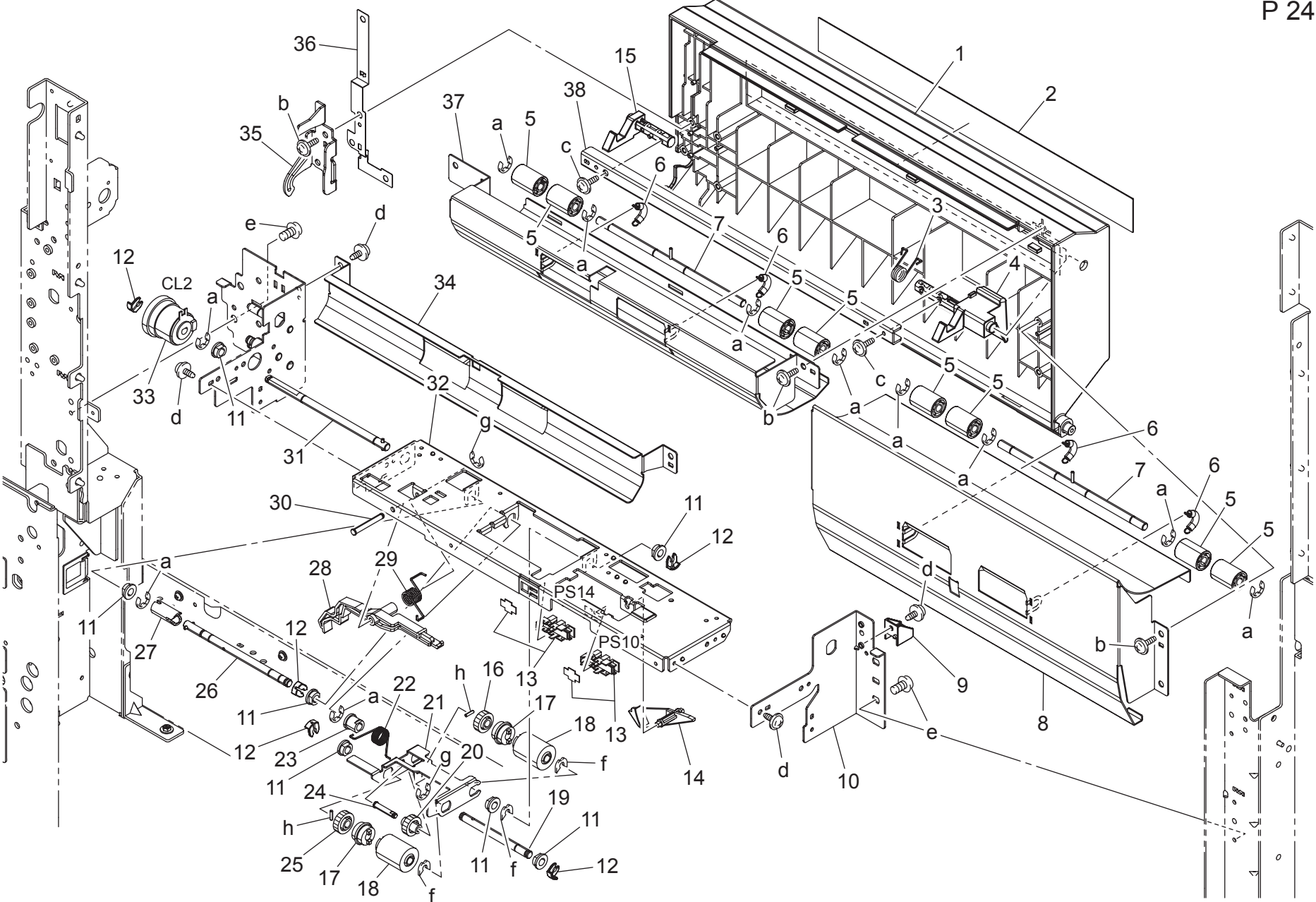
Key	Part No.	Description	Destinations	Class	QTY	Standard parts
1	A00J 5660 00	Holder		C	1	a-V137 0306 03
2	A00J 5662 00	Pulling Spring /Upper		C	2	b-V217 0400 01
3	A00J 5661 00	Idler Shaft /Upper		D	1	c-V118 0408 03
4	A00J 5712 03	Guide Plate		C	1	d-V218 0400 86
5	A00J 5667 00	Guide Sheet /2		C	2	e-V116 0306 03
6	A00J 5757 01	Guide Sheet		C	1	f-V217 0600 01
7	A00J 5706 11	Guide Plate		C	1	g-V116 0308 03
8	A00J R7A9 00	MOUNTING PLATE / SUPPORT		D	1	h-V217 0300 01
9	A00J 5701 12	Frame /Front		D	1	k-V237 2008 50
10	56AA 4049 0	SHAFT STOPPER 4		C	5	
11	4131 3003 01	BUSHING		C	7	
12	A00J 5604 00	Paper feed Frame		D	1	
13	4037 0906 01	PHOTO INTERRUPTER		B	2	
14	4030 3016 12	ACTUATOR		C	1	
15	A00J 5636 00	Roller		A	2	
16	A00J 5635 00	Clutch		C	2	
17	4425 3013 01	GEAR 30T		C	2	
18	4030 3011 03	LEVER		C	1	
19	A00J 5640 00	Shaft /P		D	1	
20	4030 3008 01	GEAR 29T		C	1	
21	A00J 5601 00	Paper feed Holder		D	1	
22	4040 3097 01	SHAFT		D	1	
23	A00J 5603 02	Torsion Spring		C	1	
24	1065 3086 01	BUSHING		C	1	
25	A00J 5602 00	Paper feed Shaft		D	1	
26	A00J 5870 00	Paper feed Coupling		C	1	
27	A00J 5624 00	Gear 28T		C	1	
28	A00J 5628 00	Timing belt 160L		C	1	
29	A00J 5623 00	Gear 22/32T		C	2	
30	A00J R7AA 00	MOUNTING PLATE / PAPER FEED DRIVE		D	1	
31	A00J M120 00	Stepping motor		C	1	
32	A00J 5622 00	Gear 24/42T		C	1	
33	A00J 5663 00	Washer		C	2	
34	A00J 5625 01	Mounting Plate /1		D	1	
35	A00J M200 00	Clutch		C	1	
36	A00J R7AB 00	FRAME / PAPER FEED 1		D	1	
37	A00J 5643 00	Paper feed Shaft /2		D	1	
38	A00J 5665 00	Shaft		D	1	
39	A00J 5668 00	Torsion Spring		C	1	
40	4030 3122 01	ROLL		C	6	
41	A00J 5669 00	Pulling Spring /Middle		C	2	

# 1ST PAPER FEED



Key	Part No.	Description	Destinations	Class	QTY	Standard parts
1	A00J 5619 00	Reinforce Plate /1		D	1	a-V137 0306 03
2	4037 0902 01	PHOTO INTERRUPTER		B	2	b-V137 0308 03
3	4348 3049 01	BRACKET		D	1	c-V217 0600 01
4	A00J 5707 11	Drive Roller		C	1	d-V217 0300 01
5	A00V 2406 00	BALL BEARING		C	2	e-V217 0400 01
6	A00J N118 02	Paperfeed Relay harness /3		D	1	f-V116 0306 03
7	A00J 5605 02	Guide Plate		D	1	g-V118 0408 03
8	A00J 5671 00	Guide Sheet /A		C	2	h-V118 0308 03
9	A00J 5670 00	Guide Sheet /B		C	1	k-V116 0308 03
10	A00J 5672 00	Guide Part		C	1	
11	A00J 5743 01	Guide Part		D	1	
12	4030 3125 01	TENSION SPRING		C	2	
13	A00J 5613 00	Reinforce Plate		D	1	
14	A00J 5612 00	Mounting Plate		D	1	
15	A00J 5617 00	Compressing Spring		C	1	
16	A00J 5646 00	Mounting Plate /S		D	1	
17	56AA 4049 0	SHAFT STOPPER 4		C	1	
18	A00J 5647 00	Holder /S		D	1	
19	A00J 5748 00	Guide Roller /Rear		C	1	
20	4030 3039 01	SHAFT		D	1	
21	4030 3078 01	LEVER		C	1	
22	A00J A566 00	Fieldroller / 1		A	1	
23	A00J 5654 00	Conveyance Gear /3 28T		C	1	
24	A00J 5653 00	Conveyance Gear /2 21/31T		C	1	
25	A00J 5704 00	Gear 24T		C	1	
26	A00J R7AC 00	FRAME/DRIVE MOTOR		D	1	
27	A00J M120 00	Stepping motor		C	1	
28	A00J 5633 00	Drive Holder /1		D	1	
29	A00J 5655 00	Conveyance Gear /4 20/31T		C	1	
30	A00J 5744 00	Gear 22T		C	1	
31	A00J 5634 00	Wiring Cover /1		D	1	
32	A00J 5987 00	Positioning Plate /Rear		D	1	
33	A00J R716 00	ROLLER UNIT		C	1	

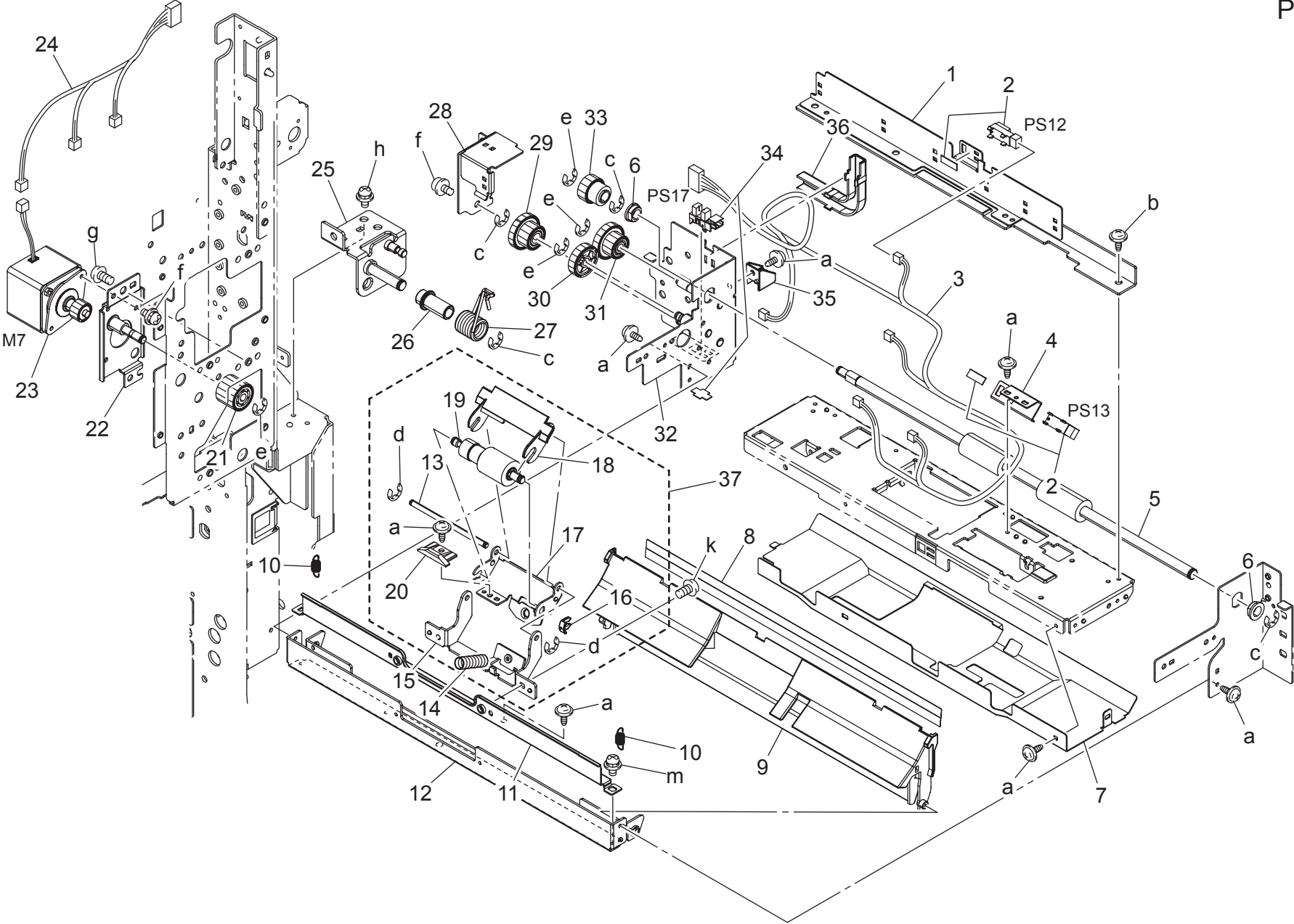
2ND PAPER FEED





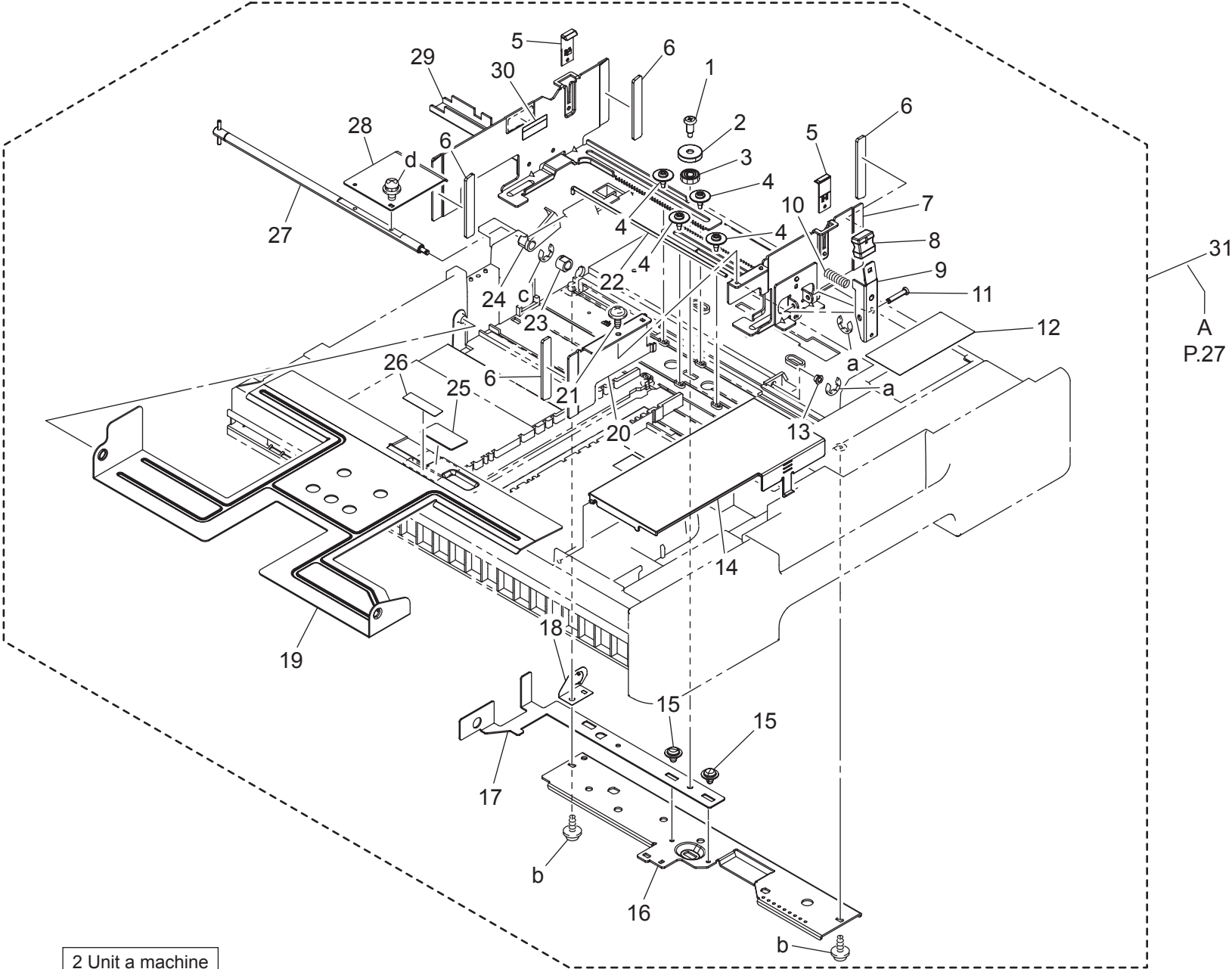
Key	Part No.	Description	Destinations	Class	QTY	Standard parts
1	A00J 5717 01	Paper feed Door /Lower		C	1	a-V217 0400 01
2	A00J 5746 00	Attaching Cover		C	1	b-V153 0408 03
3	A00J 5666 00	Torsion Spring		C	1	c-V153 0308 03
4	A00J 5737 01	Lock Claw /Front		C	1	d-V137 0306 03
5	4030 3122 01	ROLL		C	8	e-V118 0408 03
6	A00J 5745 00	PULLING SPRING /LOWER		C	4	f-V218 0400 86
7	A00J 5741 00	IDLER SHAFT		D	2	g-V217 0300 01
8	A00J 5719 00	GUIDE PLATE /LOWER		D	1	h-V237 2008 50
9	A00J 5742 01	Lock Catch		C	1	
10	A00J 5720 01	Frame /Front		D	1	
11	4131 3003 01	BUSHING		C	7	
12	56AA 4049 0	SHAFT STOPPER 4		C	5	
13	4037 0906 01	PHOTO INTERRUPTER		B	2	
14	4030 3016 12	ACTUATOR		C	1	
15	A00J 5738 00	LOCK CLAW /REAR		C	1	
16	4425 3013 01	GEAR 30T		C	1	
17	A00J 5635 00	Clutch		C	2	
18	A00J 5636 00	Roller		A	2	
19	A00J 5640 00	Shaft /P		D	1	
20	4030 3008 01	GEAR 29T		C	1	
21	A00J 5601 00	Paper feed Holder		D	1	
22	A00J 5603 02	Torsion Spring		C	1	
23	1065 3086 01	BUSHING		C	1	
24	4040 3097 01	SHAFT		D	1	
25	4425 3016 01	GEAR 32T		C	1	
26	A00J 5602 00	Paper feed Shaft		D	1	
27	A00J 5870 00	Paper feed Coupling		C	1	
28	4030 3011 03	LEVER		C	1	
29	A00J 5668 00	Torsion Spring		C	1	
30	A00J 5665 00	Shaft		D	1	
31	A00J 5643 00	Paper feed Shaft /2		D	1	
32	A00J 5604 00	Paper feed Frame		D	1	
33	A00J M200 00	Clutch		C	1	
34	A00J 5723 00	Guide Plate		C	1	
35	A00J 5736 01	Stopper Door		D	1	
36	A00J 5740 01	Ground Door		C	1	
37	A00J 5718 00	GUIDE PLATE /UPPER		D	1	
38	A00J 5739 00	MOUNTING PLATE		D	1	

2ND PAPER FEED



Key	Part No.	Description	Destinations	Class	QTY	Standard parts
1	A00J 5727 00	Reinforce Plate /2		D	1	a-V137 0306 03 b-V137 0308 03 c-V217 0600 01 d-V217 0300 01 e-V217 0400 01 f-V116 0306 03 g-V116 0408 03 h-V116 0408 03 k-V118 0308 03 m-V116 0308 03
2	4037 0902 01	PHOTO INTERRUPTER		B	2	
3	A00J N119 02	Paperfeed Relay harness /4		D	1	
4	4348 3049 01	BRACKET		D	1	
5	A00J 5722 00	Roller		C	1	
6	4131 3532 02	BUSHING		C	2	
7	A00J 5605 02	Guide Plate		D	1	
8	A00J 5610 00	Guide Part		C	1	
9	A00J 5743 01	Guide Part		D	1	
10	4030 3125 01	TENSION SPRING		C	2	
11	A00J 5613 00	Reinforce Plate		D	1	
12	A00J 5612 00	Mounting Plate		D	1	
13	4030 3039 01	SHAFT		D	1	
14	A00J 5617 00	Compressing Spring		C	1	
15	A00J 5646 00	Mounting Plate /S		D	1	
16	56AA 4049 0	SHAFT STOPPER 4		C	1	
17	A00J 5647 00	Holder /S		D	1	
18	A00J 5748 00	Guide Roller /Rear		C	1	
19	A00J A566 00	Fieldroller / 1		A	1	
20	4030 3078 01	LEVER		C	1	
21	A00J 5704 00	Gear 24T		C	1	
22	A00J R7AC 00	FRAME/DRIVE MOTOR		D	1	
23	A00J M120 00	Stepping motor		C	1	
24	A00J N10F 01	Paperfeed Drive harness		D	1	
25	A00J 5731 01	Mounting Plate		D	1	
26	A00J 5756 00	Collar		C	1	
27	A00J 5755 00	Torsion Spring		C	1	
28	A00J 5726 00	Drive Holder /2		D	1	
29	A00J 5653 00	Conveyance Gear /2 21/31T		C	1	
30	A00J 5656 00	Conveyance Gear /5 23T		C	1	
31	A00J 5655 00	Conveyance Gear /4 20/31T		C	1	
32	A00J R7AE 00	FRAME / PAPER FEED 2		D	1	
33	A00J 5744 00	Gear 22T		C	1	
34	4037 0906 01	PHOTO INTERRUPTER		B	1	
35	A00J 5742 01	Lock Catch		C	1	
36	A00J 5648 00	Wiring Cover /2		D	1	
37	A00J R716 00	ROLLER UNIT		C	1	

CASSETTE ASSY

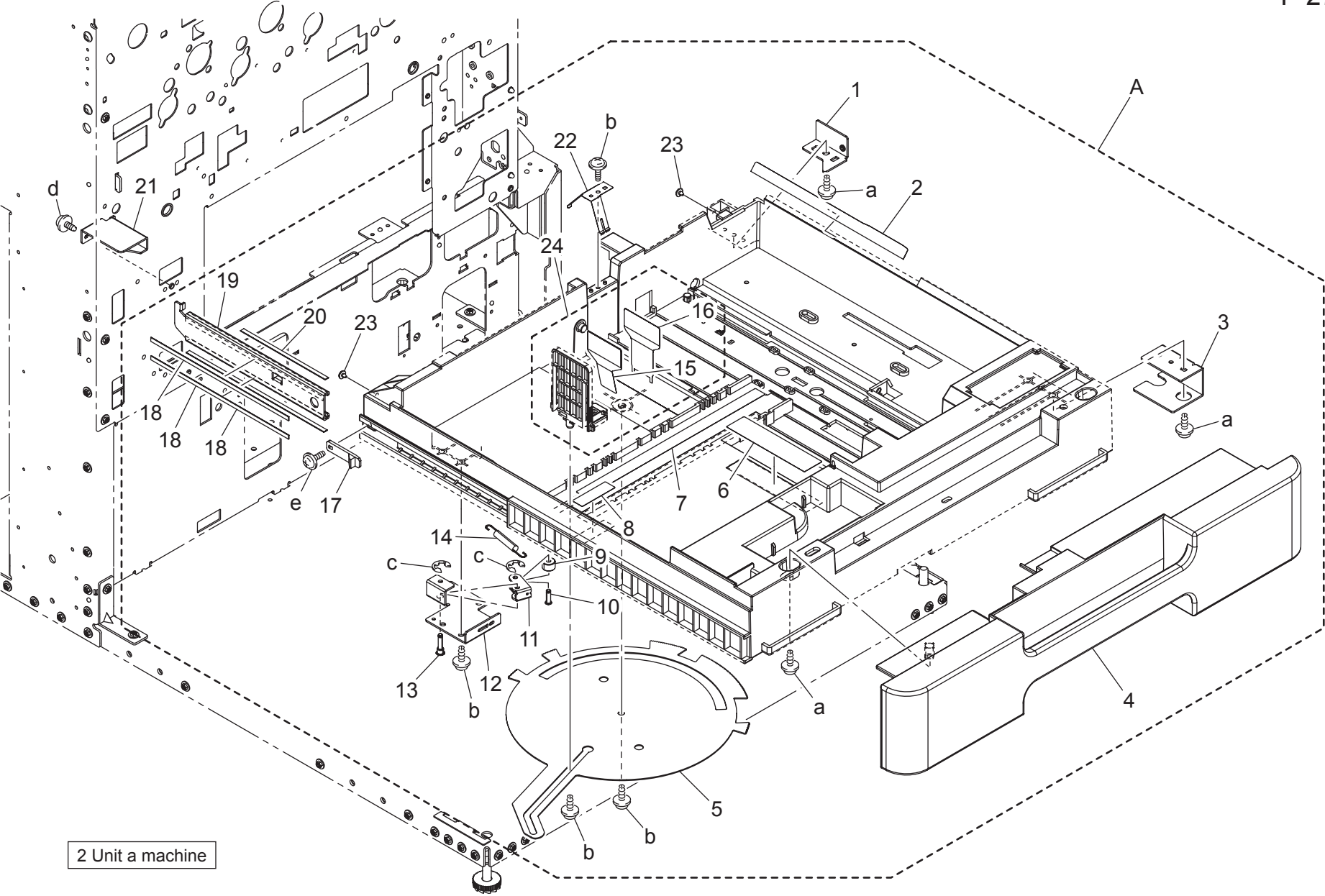


2 Unit a machine

CASSETTE ASSY

Key	Part No.	Description	Destinations	Class	QTY	Standard parts
1	4030 3214 02	SHOULDER SCREW		C	2	a-V217 0300 01 b-V153 0308 03 c-V217 0600 01 d-V116 0306 03
2	4030 3215 01	GUIDE		D	2	
3	4658 3012 01	GEAR 14T		C	2	
4	4163 5293 01	SCREW		C	8	
5	4537 3317 01	GUIDE		D	4	
6	A00J 6236 00	Guide Cushion		C	8	
7	A00J 6211 02	Regulating Plate /ASSY		C	2	
8	4037 3204 01	KNOB		C	2	
9	4128 3823 01	LEVER		C	2	
10	4498 3825 01	PRESSURE SPRING		C	2	
11	4498 3826 01	SHAFT		D	2	
12	A00J 9424 01	Label		D	2	
13	0992 3014 01	BUSHING		C	2	
14	A00J 6230 00	Cover		C	2	
15	4498 3834 01	SCREW		C	4	
16	A00J 6219 01	Mounting Plate		D	2	
17	A00J 6220 02	Mounting Plate		D	2	
18	A00J 6232 00	Ground Plate		C	2	
19	A00J 6215 00	Lifting Plate		C	2	
20	A00J 6235 00	Auxiliary Plate		D	2	
21	4683 2137 01	SCREW		C	2	
22	A00J 6222 00	Lock Shaft		C	2	
23	1274 3603 01	BUSHING		C	2	
24	4030 3207 01	ACTUATOR		C	2	
25	4030 3226 01	FRICITION SHEET		C	2	
26	A00J 6234 00	FRICITION PLATE		C	2	
27	A00J 6216 00	Lifting Shaft		D	2	
28	4030 3206 01	LEVER		D	2	
29	A00J 6212 02	Regulating Plate /ASSY		C	2	
30	4002 7306 01	LABEL CARRYING CAPACITY		C	2	
31	A00J R730 00	CASSETTE ASSY		C	2	

CASSETTE ASSY

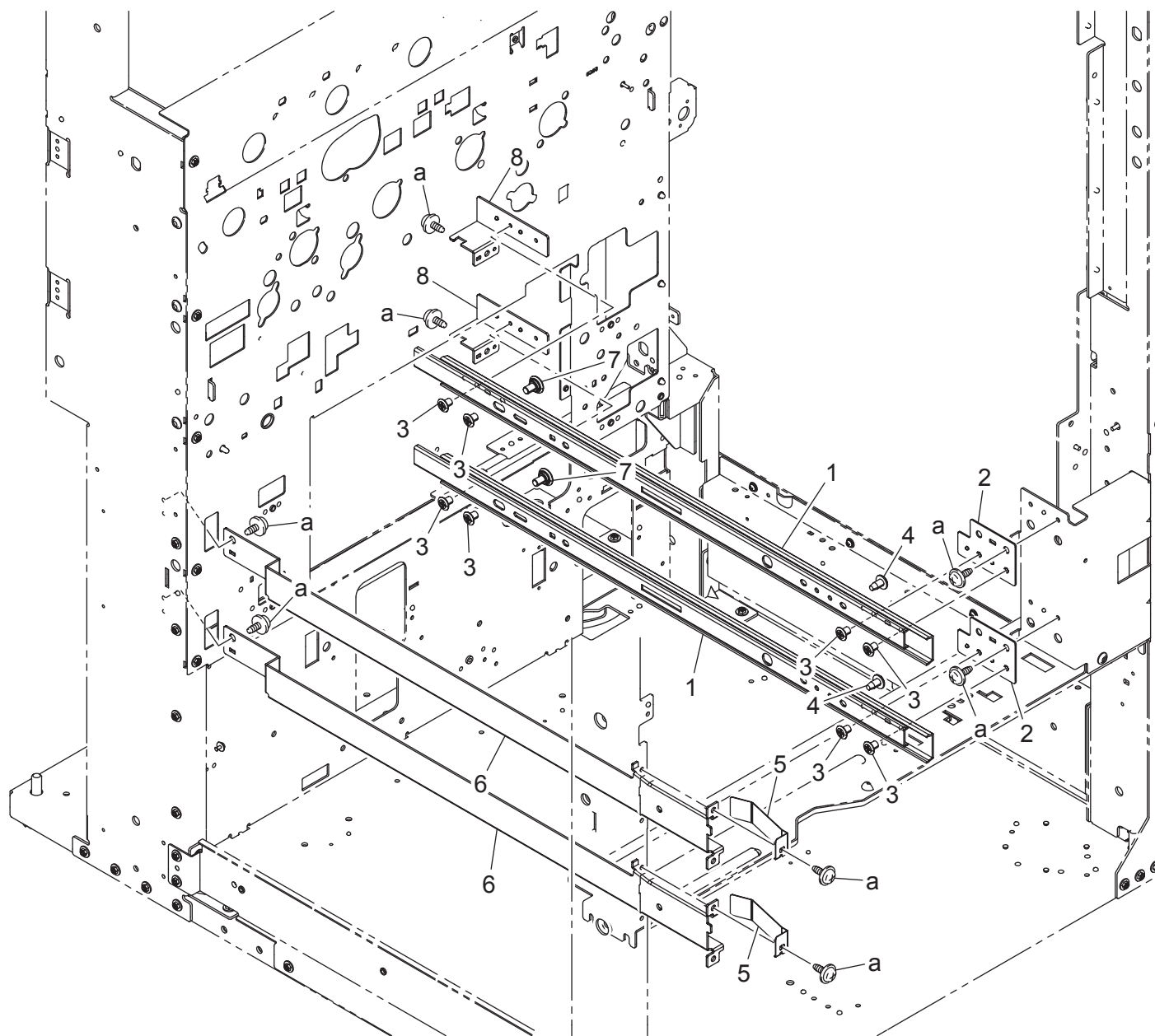


2 Unit a machine

CASSETTE ASSY

Key	Part No.	Description	Destinations	Class	QTY	Standard parts
1	A00J 6314 02	Mounting Plate /B		D	2	a-V153 0408 03 b-V153 0308 03 c-V217 0300 01 d-V137 0408 03 e-V153 0310 03
2	A00J 6213 01	Guide Film		C	2	
3	A00J 6313 01	Mounting Plate /A		D	2	
4	A00J 1607 01	Cover Cassette		C	2	
5	A00J 6214 00	Lever		C	2	
6	A00J 9421 02	Label CD		C	2	
7	A00J 9422 02	Label FD		C	2	
8	A00J 9423 02	Label FD		C	2	
9	56AA 4176 0	TRAY LOCKING ROLLER		D	2	
10	A00J 6233 00	Shaft		D	2	
11	56AA 4171 1	TRAY PRESSING PLATE		D	2	
12	A00J 6223 00	Mounting Plate /L		D	2	
13	A00J 6226 00	Shaft /L		D	2	
14	56QA 1123 0	TRAY POSITIONING SPRING		C	2	
15	A00J 6229 00	Guide Plate		C	2	
16	4030 3228 12	GUIDE		C	2	
17	A00J 6311 00	Stopper		C	2	
18	A00J 6305 00	Guide Sheet		C	6	
19	A00J 6310 02	Mounting Plate		D	2	
20	A00J 6319 00	GUIDE SHEET/2		C	2	
21	A00J 6315 00	Mounting Plate /L		D	2	
22	4030 3223 03	Earth ground		C	2	
23	55VA 4792 0	STOPPER RUBBER		C	4	
24	A00J R743 00	REGULATING PLATE R ASSY		C	2	

# CASSETTE RAIL

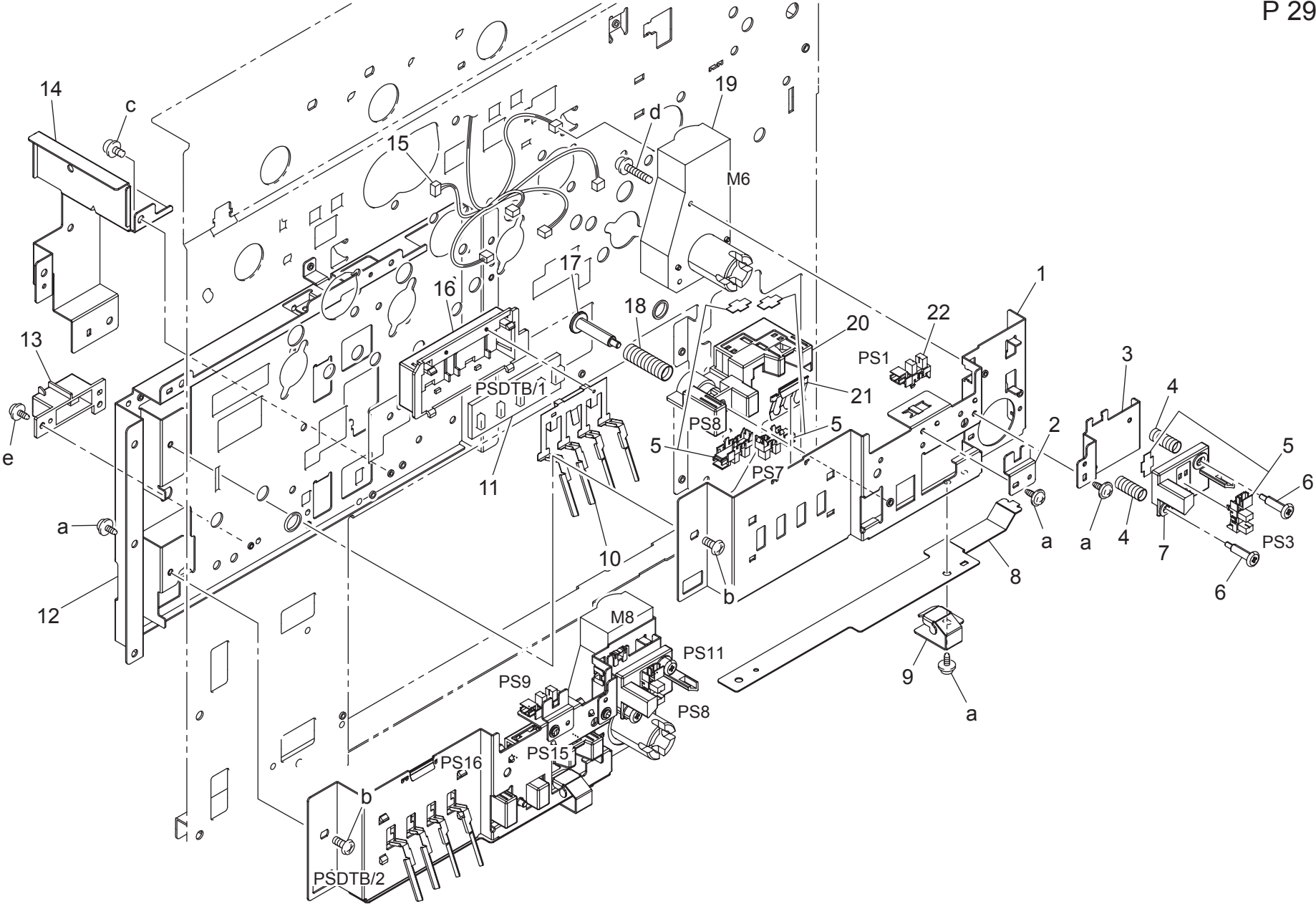




CASSETTE RAIL

Key	Part No.	Description	Destinations	Class	QTY	Standard parts
1	A00J 6312 02	Slide Rail /A		D	2	a-V137 0408 03
2	A00J 6316 00	Mounting Plate /Front		D	2	
3	A00J 6184 00	Screw		C	8	
4	1151 3300 01	SCREW		C	2	
5	A00J 6318 00	HOLDING PLATE		D	2	
6	A00J 6301 02	Mounting Plate		D	2	
7	A00J 6317 00	Screw		C	2	
8	A00J 6308 00	Mounting Plate		D	2	

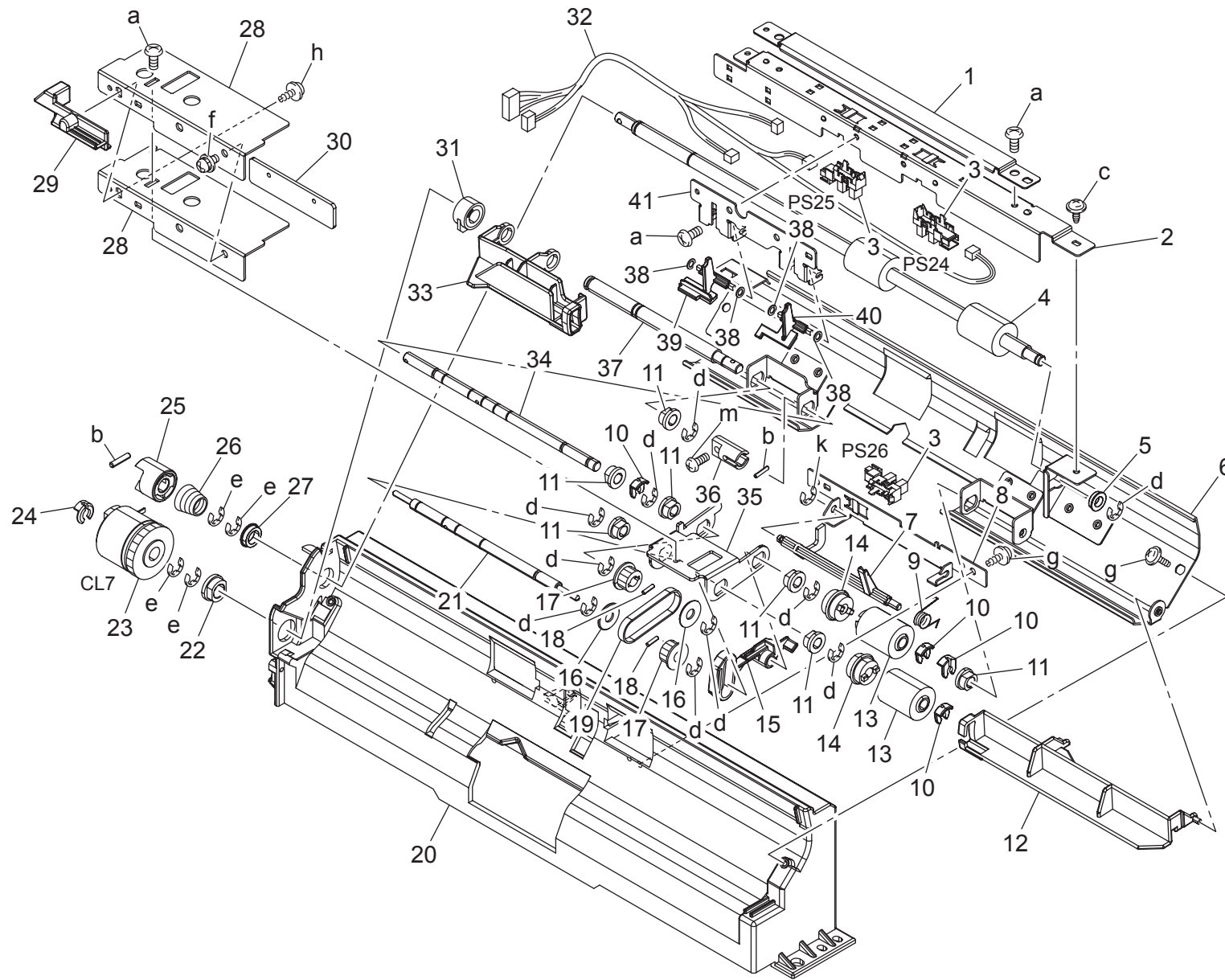
SIZE DETECTING SECTION



SIZE DETECTING SECTION

Key	Part No.	Description	Destinations	Class	QTY	Standard parts
1	A00J 5751 02	Mounting Plate		D	2	a-V137 0306 03 b-V118 0408 03 c-V116 0306 03 d-V116 0330 03 e-V137 0308 03
2	4030 3048 02	BRACKET		D	2	
3	4030 3208 02	BRACKET		D	2	
4	4030 3081 01	PRESSURE SPRING		C	4	
5	4037 0906 01	PHOTO INTERRUPTER		B	6	
6	4030 3224 02	SHOULDER SCREW		C	4	
7	4030 3083 01	HOLDER		D	2	
8	4030 3049 01	BRACKET		D	2	
9	50GA 6271 01	LIFTING STAY		D	2	
10	4030 3091 01	LEVER		C	2	
11	4037 0104 01	PWB ASSY		C	2	
12	A00J 5753 02	Mounting Plate		D	1	
13	A00J 1332 00	Rail /Left		C	1	
14	A00J 1386 00	Cover		D	1	
15	A00J N116 01	Paperfeed Relay Harness /1	(UPPER)	D	1	
15	A00J N117 01	Paperfeed Relay harness /2	(LOWER)	D	1	
16	4011 3012 01	HOLDER		D	2	
17	4002 3131 01	SHOULDER SCREW		C	2	
18	4002 3110 01	PRESSURE SPRING		C	2	
19	9J06 M103 00	MOTOR		B	2	
20	4030 3047 02	HOLDER		D	2	
21	A00J 5758 00	Ground Plate		C	2	
22	9335 1300 61	PHOTO INTERRUPTER		B	2	

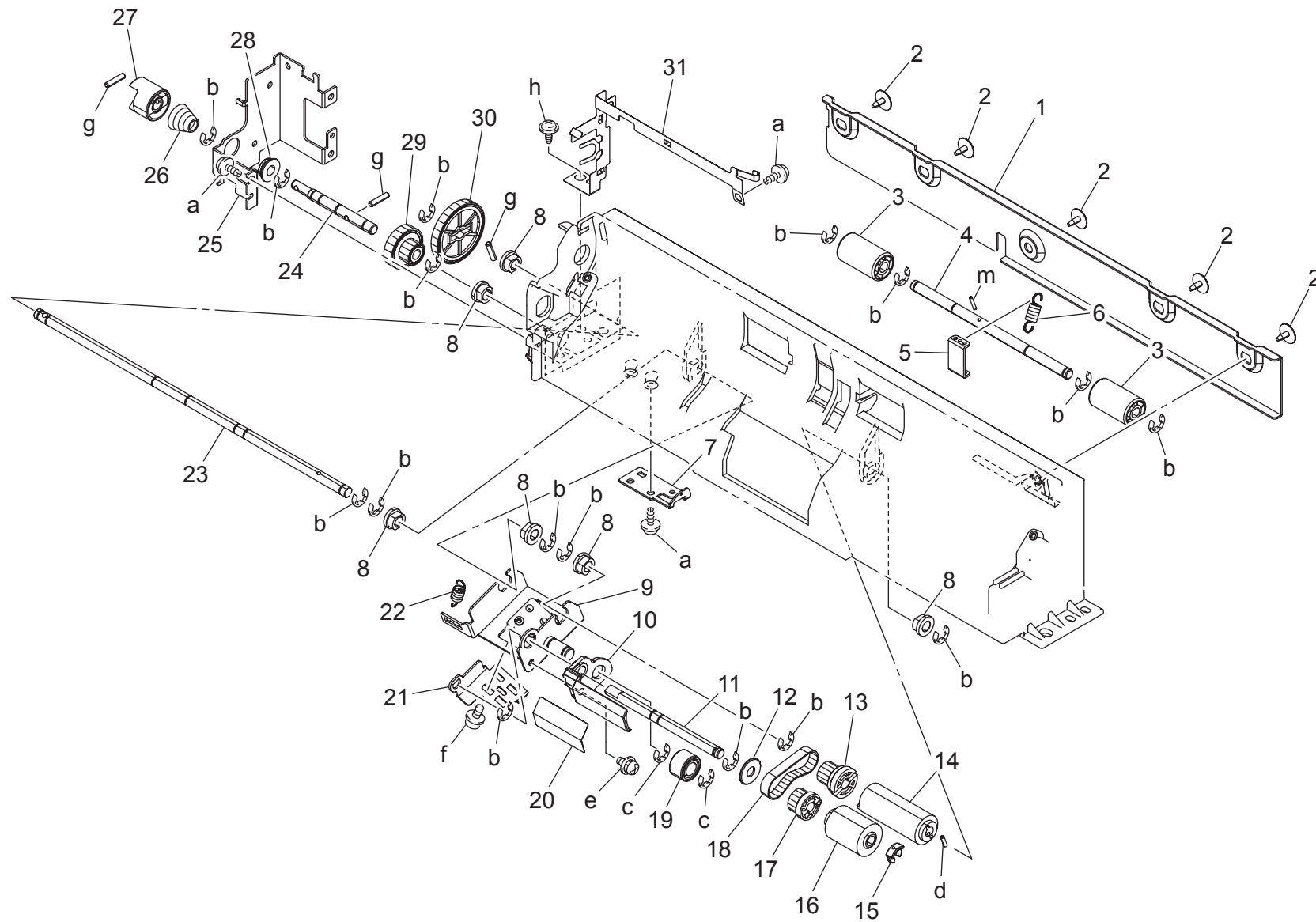
# 1000-SHEET PAPER FEED SECTION



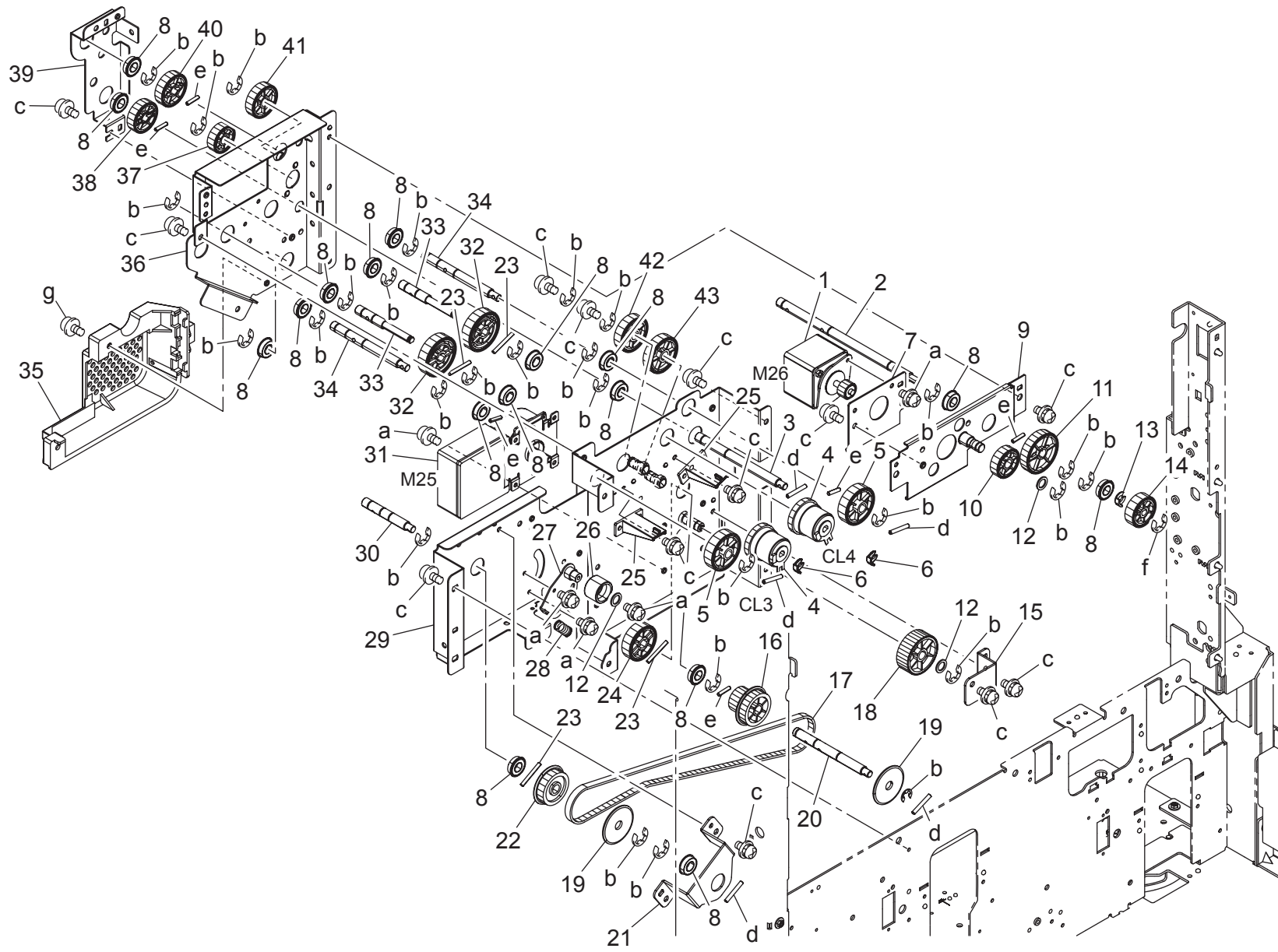
1000-SHEET PAPER FEED SECTION

Key	Part No.	Description	Destinations	Class	QTY	Standard parts
1	A00J 6181 01	Cover		D	1	a-V118 0306 03
2	A00J 6012 01	Paper feed Cover /1		D	1	b-V233 2010 50
3	9335 1300 61	PHOTO INTERRUPTER		B	3	c-V127 0306 03
4	A00J 6055 00	Conveyance Roller		C	1	d-V217 0400 01
5	A00J 6178 00	BALL BEARING		C	1	e-V217 0600 01
6	A00J 6003 00	Guide Assy draw /1		D	1	f-V116 0308 03
7	A00J 6033 00	Detection Actuator /2		C	1	g-V153 0308 03
8	A00J 6032 00	Mounting Plate		D	1	h-V153 0310 03
9	A00J 6050 00	Torsion Spring		C	1	k-V218 0300 86
10	56AA 4049 0	SHAFT STOPPER 4		C	4	m-V118 0304 03
11	08AA 7601 0	DRUM DRIVING SHAFT HOLDER		C	7	
12	A00J 6006 00	Regulating Plate /Front		C	1	
13	A00J 5636 00	Roller		A	2	
14	A00J 5635 00	Clutch		C	2	
15	A00J 6043 01	Actuator		C	1	
16	A00J 6029 00	Washer		C	2	
17	A00J 6028 00	Pulley 14T		C	2	
18	1067 2501 01	PIN		C	2	
19	A00J 6027 00	Timing belt 102L		C	1	
20	A00J 6002 03	Paper feed Base frame /2		D	1	
21	A00J 6030 00	Shaft		D	1	
22	26NA 4082 0	PAPER FEED SLIDE SHAFT HOLDER		C	1	
23	56AA 8201 2	PAPER FEED DRIVING CLUTCH		B	1	
24	55VA 4212 0	SHAFT STOPPER		C	1	
25	A00J 6053 00	Paper feed Coupling /2		C	1	
26	A00J 6054 00	Pressing Spring		C	1	
27	A00J 6179 00	Bushing		C	1	
28	A00J 6031 01	Auxiliary Part		D	2	
29	A00J 6183 00	Handle		C	1	
30	A00J 6194 00	Auxiliary Part /2		C	1	
31	56AA 4038 0	PAPER FEED REGULATING BLOCK		C	1	
32	A00J N11E 01	PFU Relay harness /5		D	1	
33	A00J 6004 00	Regulating Plate /Rear		C	1	
34	A00J 6042 00	Paper feed Shaft		D	1	
35	A00J 6026 00	Mounting Plate		C	1	
36	A00J 6005 00	Coupling		C	1	
37	A00J 6008 00	Paper feed Shaft /1		D	1	
38	15AG 5028 0	PUNCH SPACER		C	4	
39	A00J 6007 01	Detection Actuator /1		C	1	
40	A00J 6159 01	Detection Actuator /1		C	1	
41	A00J 6044 01	Mounting Plate		D	1	

# 1000-SHEET PAPER FEED SECTION



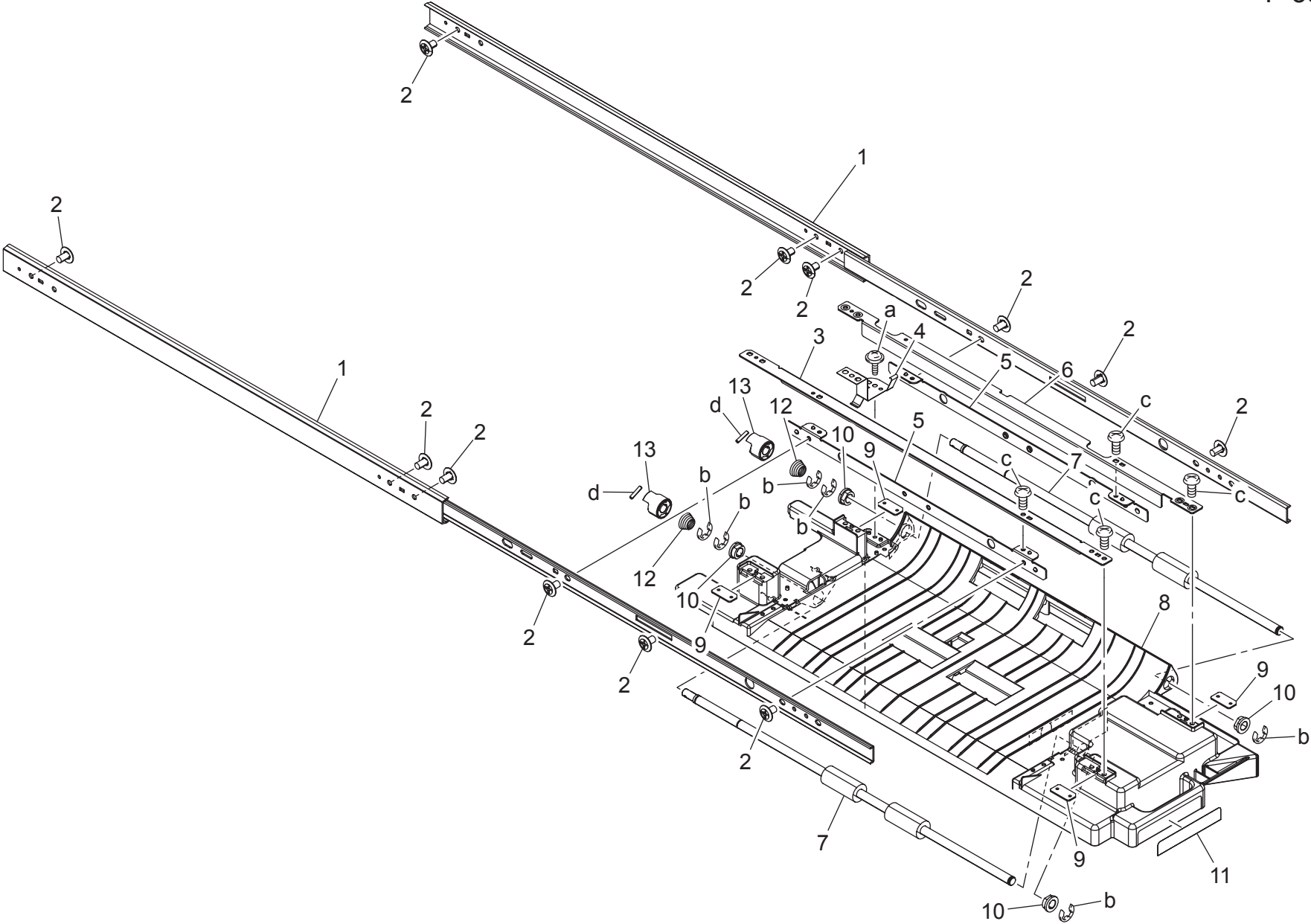
Key	Part No.	Description	Destinations	Class	QTY	Standard parts
1	A00J 6187 00	Conveyance Cover		D	1	a-V153 0308 03 b-V217 0400 01 c-V217 0600 01 d-V231 2008 50 e-V116 0308 03 f-V116 0306 03 g-V231 3014 50 h-V137 0308 03 m-V233 1610 50
2	4163 5293 01	SCREW		C	5	
3	A00J 6051 00	Idler Roll		C	2	
4	A00J 6052 00	Idler Shaft		D	1	
5	56AA 4043 0	SPRING MOUNTING PLATE 1		D	1	
6	A00J 6048 00	Pulling Spring		C	1	
7	A00J 6013 00	Mounting Plate		D	1	
8	08AA 7601 0	DRUM DRIVING SHAFT HOLDER		C	6	
9	A00J 6015 01	Mounting Plate /ASSY		D	1	
10	A00J 6186 01	Guide Plate /2		C	1	
11	A00J 6017 00	Shaft		D	1	
12	A00J 6029 00	Washer		C	1	
13	A00J 6196 00	Pulley 14T		C	1	
14	A00J 6185 00	Torque limiter		C	1	
15	56AA 4049 0	SHAFT STOPPER 4		C	1	
16	A00J 5636 00	Roller		A	1	
17	A00J 6195 00	Pulley 15T		C	1	
18	A00J 6198 00	Timing Belt 96L		C	1	
19	A00J 6197 00	ROLL /1		C	1	
20	56AA 4054 0	ENTRANCE GUIDE SHEET		D	1	
21	A00J 6016 00	Multi-feed Adjusting Plate		D	1	
22	A00J 6047 01	Pulling Spring		C	1	
23	A00J 6014 02	Input Shaft		D	1	
24	56QA 4024 0D	PAPER FEED INPUT SHAFT		D	1	
25	A00J 6036 00	Mounting Plate		D	1	
26	56AA 4051 0	PRESSING SPRING		C	1	
27	56AA 4045 0	PAPER FEED COUPLING PART		C	1	
28	56AA 7505 0	CLEANER SHAFT HOLDER		C	1	
29	A00J 6034 00	Gear 22/14T		C	1	
30	A00J 6009 00	Gear43T		C	1	
31	A00J 6056 00	Ground Plate /1		D	1	





Key	Part No.	Description	Destinations	Class	QTY	Standard parts
1	A00J M120 00	Stepping motor		C	1	a-V116 0306 03
2	A00J 6113 00	Drive Shaft /5		D	1	b-V217 0600 01
3	A00J 6169 00	Drive Shaft /1		D	1	c-V116 0408 03
4	A00J M200 00	Clutch		C	2	d-V232 3022 09
5	A00J 6121 00	Gear 32T		C	2	e-V231 3014 50
6	56AA 4049 0	SHAFT STOPPER 4		C	2	f-V217 0400 01
7	A00J 6177 00	Mounting Plate		D	1	g-V116 0308 03
8	A00V 2406 00	BALL BEARING		C	17	
9	A00J R7AF 00	MOUNTING PLATE / LCC LENGTH CONVEYANCE		D	1	
10	A00J 6162 00	Gear 31T		C	1	
11	A00J 6163 00	Gear 44T		C	1	
12	A00J 7009 00	Collar		C	3	
13	55VA 4212 0	SHAFT STOPPER		C	1	
14	A00J 6125 00	Gear 25T		C	1	
15	A00J 6102 00	Fixing Plate /1		D	1	
16	A00J 6116 00	Gear 40/33T		C	1	
17	A00J 6106 00	Timing belt 633L		C	1	
18	A00J 6115 00	Gear 67T		C	1	
19	A00J 6126 00	Holding Part /1		C	2	
20	A00J 6108 01	Drive Shaft /1		D	1	
21	A00J 6103 00	Fixing Plate		D	1	
22	A00J 6122 00	Pulley 33T		C	1	
23	4004 2547 01	PIN		D	4	
24	A00J 6117 00	Gear 29T		C	1	
25	A00J 6128 00	Regulating Part		C	2	
26	5400 1516 2	BELT TENSION ROLLER		B	1	
27	A00J R7AG 00	MOUNTING PLATE /BELT TENSION		D	1	
28	56QA 1519 0	BELT TENSION SPRING		C	1	
29	A00J R7AH 00	MOUNTING PLATE / LCC DRIVE 1		D	1	
30	A00J 6112 00	Drive Shaft /4		D	1	
31	A011 M103 00	BRUSHLESS MOTOR		C	1	
32	A00J 6118 00	Gear 33T		C	2	
33	A00J 6110 00	Drive Shaft /2		D	2	
34	A00J 6111 00	Drive Shaft /3		D	2	
35	A00J 1376 00	Cover		D	1	
36	A00J R7AJ 00	MOUNTING PLATE / LCC DRIVE 2		D	1	
37	A00J 6164 00	Gear 29T		C	1	
38	A00J 6165 00	Gear 33T		C	1	
39	A00J 6166 00	Mounting Plate		D	1	
40	A00J 6168 00	Gear 35T		C	1	
41	A00J 6130 00	Gear 35T		C	1	
42	A00J 6120 00	Gear 29T		C	1	
43	A00J 6119 00	Gear 30T		C	1	

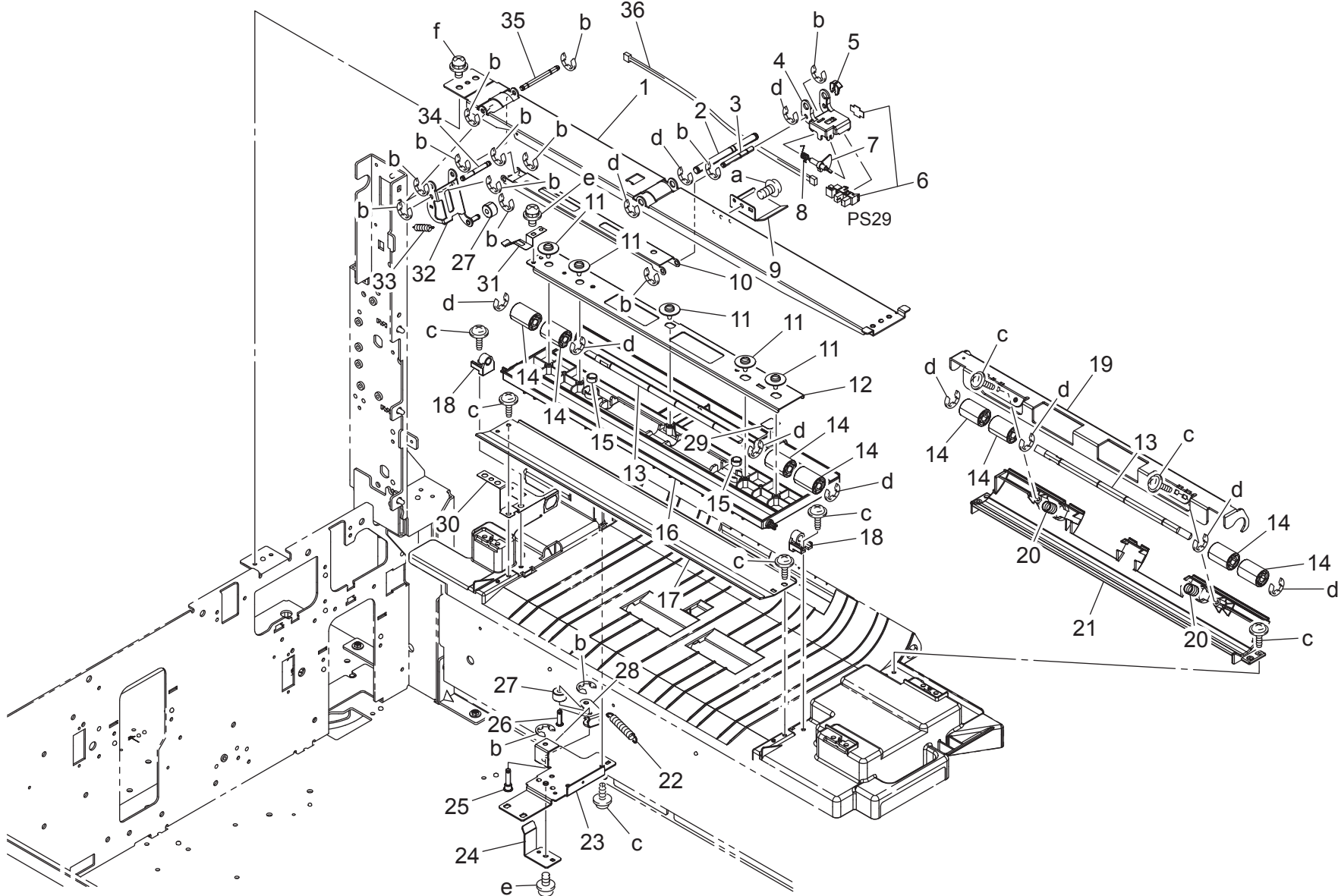
LEVEL CONVEYANCE SECTION



LEVEL CONVEYANCE SECTION

Key	Part No.	Description	Destinations	Class	QTY	Standard parts
1	A00J 6312 02	Slide Rail /A		D	2	a-V153 0308 03 b-V217 0600 01 c-V118 0308 03 d-V231 3014 50
2	A00J 6184 00	Screw		C	12	
3	A00J 6071 00	Mounting Plate		D	1	
4	A00J 6078 00	Ground Plate		C	1	
5	A00J 6074 01	Mounting Plate		D	2	
6	A00J 6075 00	Mounting Plate		D	1	
7	A00J 6070 01	Conveyance Roller /A		C	2	
8	A00J 6060 01	Conveyance Base frame		D	1	
9	A00J 6072 00	Mounting Plate		D	4	
10	26NA 4082 0	PAPER FEED SLIDE SHAFT HOLDER		C	4	
11	A00J 9418 00	Label LC1		C	1	
12	A00J 6601 00	COUPLING SPRING		C	2	
13	55VA 1554 1	CLEANER COUPLING PART		C	2	

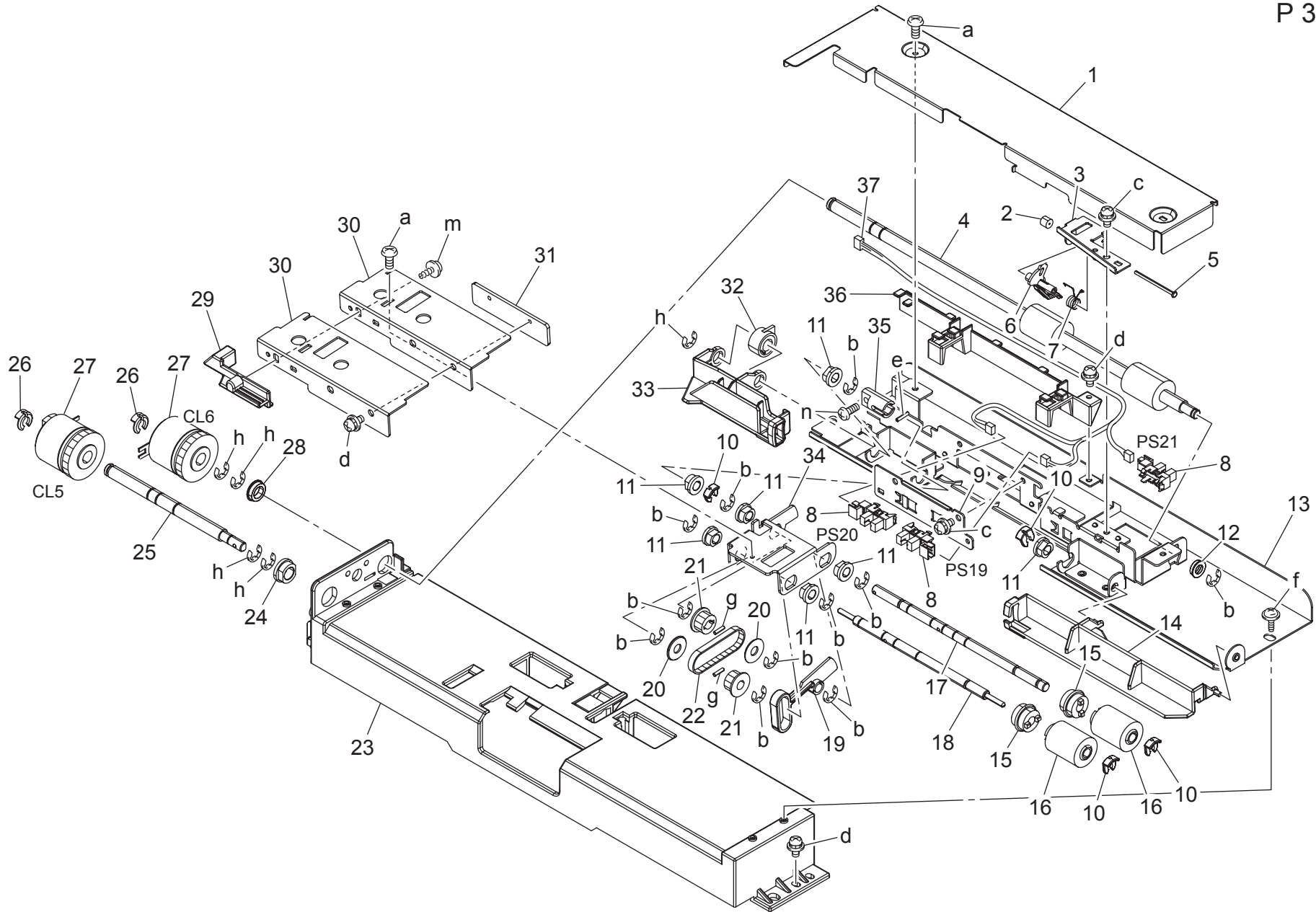
LEVEL CONVEYANCE SECTION



LEVEL CONVEYANCE SECTION

Key	Part No.	Description	Destinations	Class	QTY	Standard parts
1	A00J 6140 02	Mounting Plate /A		D	1	a-V118 0306 03 b-V217 0300 01 c-V153 0308 03 d-V217 0400 01 e-V116 0306 03 f-V118 0408 03
2	A00J 6145 01	Support Shaft /B		D	1	
3	A00J 6147 00	Swing Shaft /B		D	1	
4	A00J 6143 00	Sensor Block		D	1	
5	56AA 4049 0	SHAFT STOPPER 4		C	1	
6	4037 0906 01	PHOTO INTERRUPTER		B	1	
7	56QA 5724 0	PAPER DETECTION ACTUATOR		C	1	
8	56QA 5717 0	PRESSURE SPRING		C	1	
9	A00J 6148 00	Mounting Plate		D	1	
10	A00J 6142 00	Swing Panel /B		D	1	
11	4036 5966 01	SCREW		C	5	
12	A00J 6064 00	Mounting Plate		D	1	
13	A00J 6065 00	Idler Shaft		D	2	
14	4030 3122 01	ROLL		C	8	
15	A00J 6066 00	Compressing Spring		C	2	
16	A00J 6062 01	Conveyance Cover		C	1	
17	A00J 6061 00	Guide Plate		D	1	
18	56QA 5711 0	SUPPORT BLOCK		D	2	
19	A00J 6068 00	Mounting Plate		D	1	
20	A00J 6069 00	Compressing Spring		C	2	
21	A00J 6067 00	Guide Plate		D	1	
22	A00J 6602 00	LOCK SPRING		C	1	
23	A00J 6073 01	Mounting Plate /1		D	1	
24	A00J 6192 00	Mounting Plate /S		D	1	
25	A00J 6226 00	Shaft /L		D	1	
26	A00J 6233 00	Shaft		D	1	
27	56AA 4176 0	TRAY LOCKING ROLLER		D	2	
28	56AA 4171 1	TRAY PRESSING PLATE		D	1	
29	A00J 9419 00	Label LC2		C	1	
30	A00J 6076 00	Ground Plate		C	1	
31	A00J 6077 00	Ground Plate		C	1	
32	A00J 6141 01	Swing Panel /ASSY		D	1	
33	56QA 5721 0	SWING SPRING REAR		C	1	
34	A00J 6146 00	Swing Shaft /A		D	1	
35	A00J 6144 00	Support Shaft /A		D	1	
36	A00J N11F 01	PFU Relay harness /6		D	1	

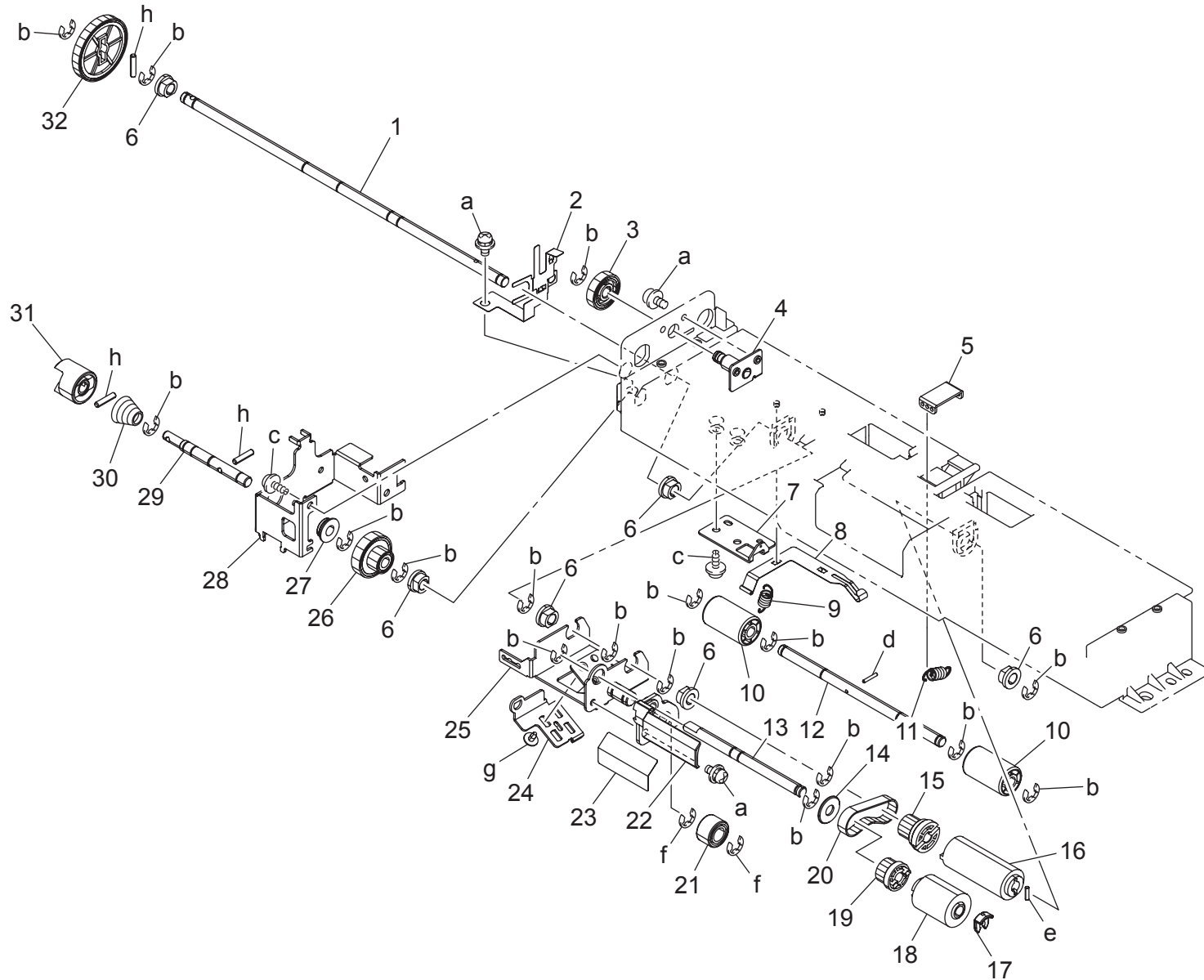
# 1500-SHEET PAPER FEED SECTION



1500-SHEET PAPER FEED SECTION

Key	Part No.	Description	Destinations	Class	QTY	Standard parts
1	A00J 6038 00	Paper feed Cover		D	1	a-V118 0306 03
2	1134 3041 01	COLLAR		D	1	b-V217 0400 01
3	A00J 6191 01	Mounting Plate		D	1	c-V116 0306 03
4	A00J 6011 00	Conveyance Roller		C	1	d-V116 0308 03
5	1134 3042 02	SHAFT		D	1	e-V233 2010 50
6	A00J 6040 01	Actuator		C	1	f-V153 0308 03
7	A00J 6158 00	Torsion Spring		C	1	g-V231 2008 50
8	9335 1300 61	PHOTO INTERRUPTER		B	3	h-V217 0600 01
9	A00J 6039 00	Mounting Plate		D	1	m-V153 0310 03
10	56AA 4049 0	SHAFT STOPPER 4		C	4	n-V118 0304 03
11	08AA 7601 0	DRUM DRIVING SHAFT HOLDER		C	7	
12	A00J 6178 00	BALL BEARING		C	1	
13	A00J 6037 00	Guide Assy draw /2		D	1	
14	A00J 6006 00	Regulating Plate /Front		C	1	
15	A00J 5635 00	Clutch		C	2	
16	A00J 5636 00	Roller		A	2	
17	A00J 6042 00	Paper feed Shaft		D	1	
18	A00J 6030 00	Shaft		D	1	
19	A00J 6024 01	Level Actuator /1		C	1	
20	A00J 6029 00	Washer		C	2	
21	A00J 6028 00	Pulley 14T		C	2	
22	A00J 6027 00	Timing belt 102L		C	1	
23	A00J 6001 03	Paper feed Base frame /1		D	1	
24	26NA 4082 0	PAPER FEED SLIDE SHAFT HOLDER		C	1	
25	A00J 6035 00	Paper feed Shaft /2		D	1	
26	55VA 4212 0	SHAFT STOPPER		C	2	
27	56AA 8201 2	PAPER FEED DRIVING CLUTCH		B	2	
28	A00J 6179 00	Bushing		C	1	
29	A00J 6183 00	Handle		C	1	
30	A00J 6031 01	Auxiliary Part		D	2	
31	A00J 6194 00	Auxiliary Part /2		C	1	
32	56AA 4038 0	PAPER FEED REGULATING BLOCK		C	1	
33	A00J 6004 00	Regulating Plate /Rear		C	1	
34	A00J 6025 00	Mounting Plate		C	1	
35	A00J 6005 00	Coupling		C	1	
36	A00J 6180 00	Wiring Cover		D	1	
37	A00J N11D 01	PFU Relay harness /4		D	1	

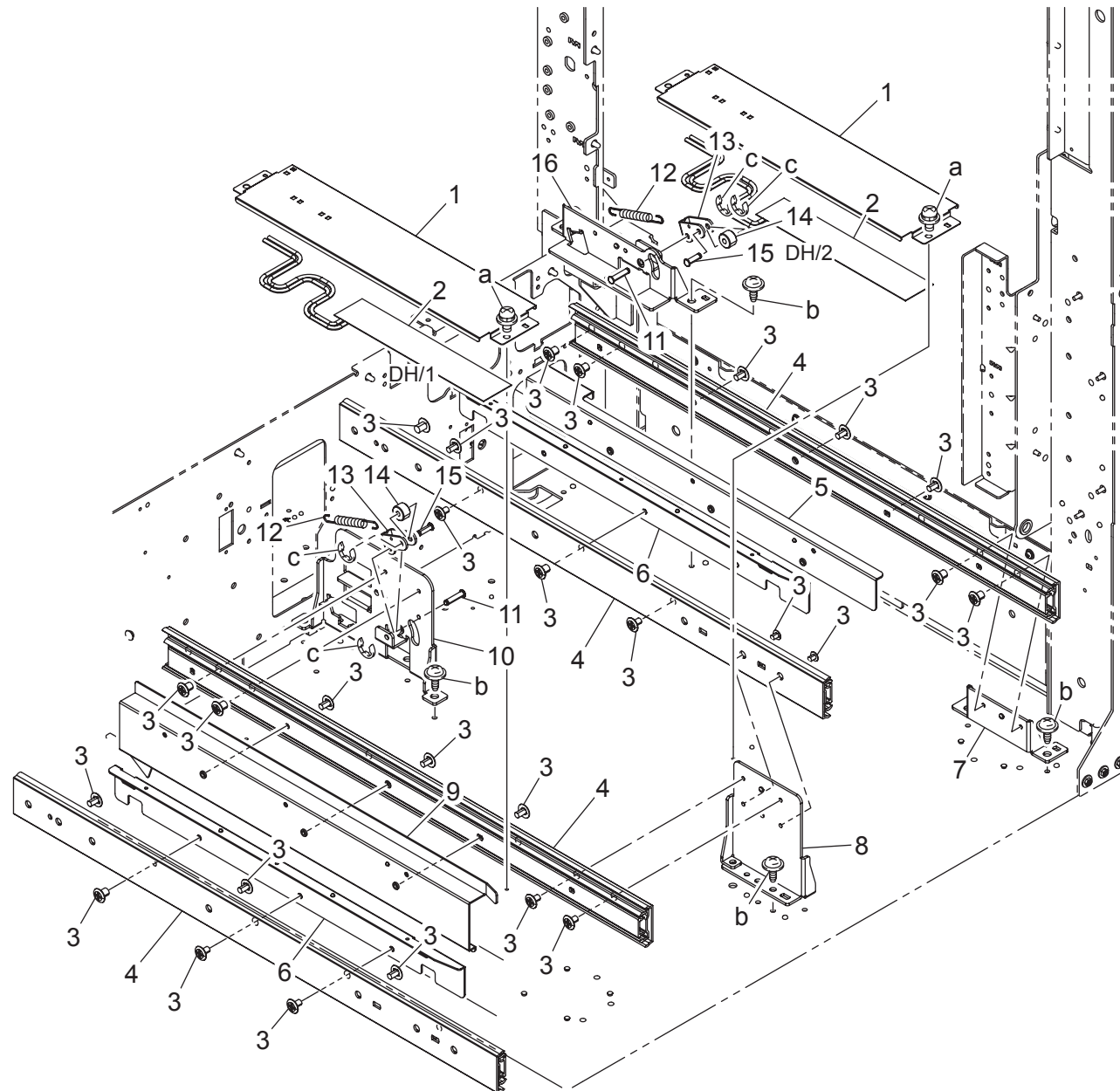
# 1500-SHEET PAPER FEED SECTION





1500-SHEET PAPER FEED SECTION

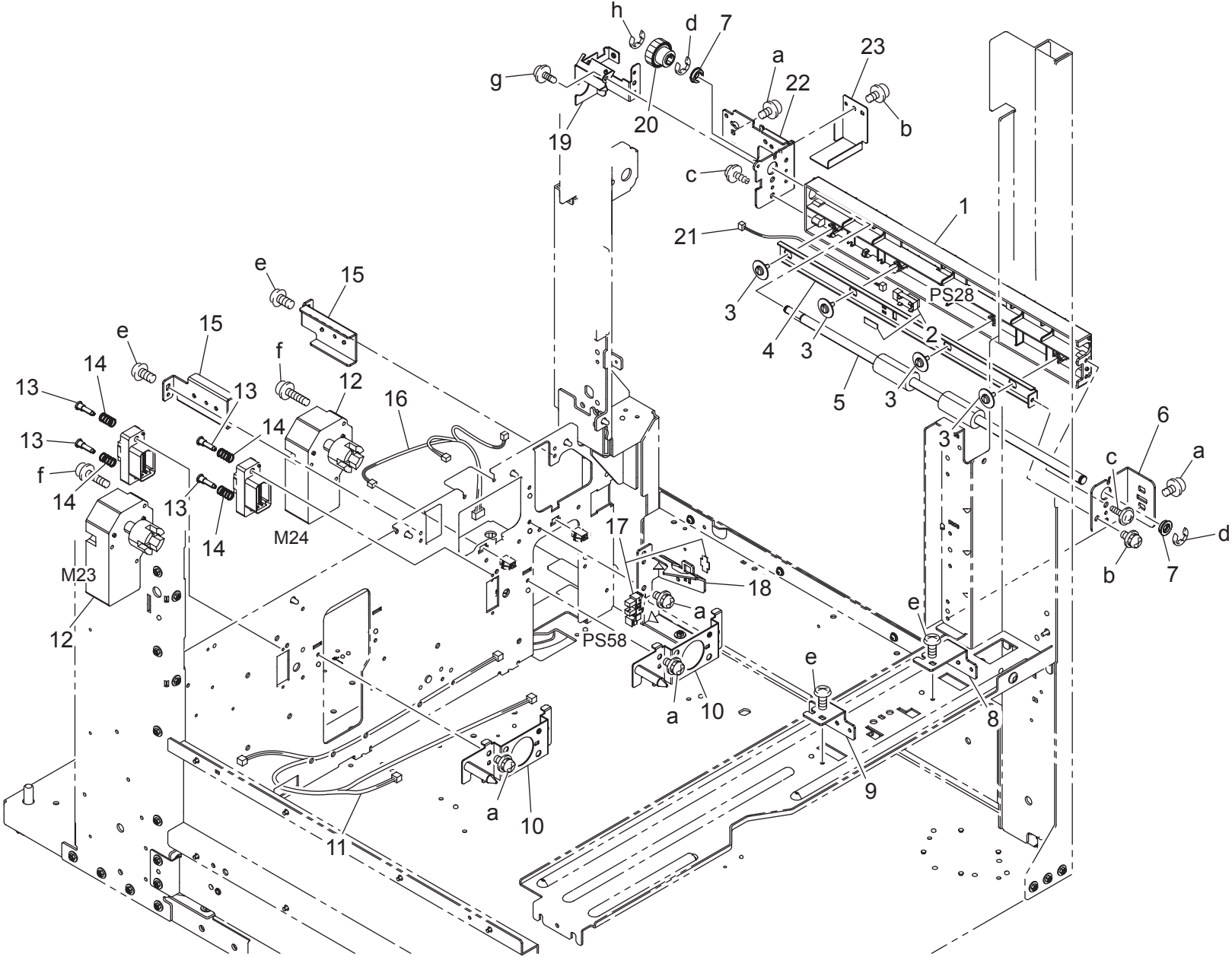
Key	Part No.	Description	Destinations	Class	QTY	Standard parts
1	A00J 6014 02	Input Shaft		D	1	a-V116 0308 03 b-V217 0400 01 c-V153 0308 03 d-V233 1610 50 e-V231 2008 50 f-V217 0600 01 g-V116 0306 03 h-V231 3014 50
2	A00J 6057 00	Ground Plate /2		D	1	
3	A00J 6010 00	Gear 18T		C	1	
4	A00J R7AK 00	MOUNTING PLATE / LCC FEED DRIVE		D	1	
5	56AA 4043 0	SPRING MOUNTING PLATE 1		D	1	
6	08AA 7601 0	DRUM DRIVING SHAFT HOLDER		C	6	
7	56AA 4044 0	SPRING MOUNTING PLATE 2		D	1	
8	A00J 6188 00	Ground Plate /Middle		C	1	
9	A00J 6047 01	Pulling Spring		C	1	
10	A00J 6051 00	Idler Roll		C	2	
11	A00J 6048 00	Pulling Spring		C	1	
12	A00J 6052 00	Idler Shaft		D	1	
13	A00J 6017 00	Shaft		D	1	
14	A00J 6029 00	Washer		C	1	
15	A00J 6196 00	Pulley 14T		C	1	
16	A00J 6185 00	Torque limiter		C	1	
17	56AA 4049 0	SHAFT STOPPER 4		C	1	
18	A00J 5636 00	Roller		A	1	
19	A00J 6195 00	Pulley 15T		C	1	
20	A00J 6198 00	Timing Belt 96L		C	1	
21	A00J 6197 00	ROLL /1		C	1	
22	A00J 6021 00	Guide Plate		C	1	
23	56AA 4054 0	ENTRANCE GUIDE SHEET		D	1	
24	A00J 6016 00	Multi-feed Adjusting Plate		D	1	
25	A00J 6015 01	Mounting Plate /ASSY		D	1	
26	A00J 6034 00	Gear 22/14T		C	1	
27	56AA 7505 0	CLEANER SHAFT HOLDER		C	1	
28	A00J 6041 01	Paper feed Plate		D	1	
29	56QA 4024 0D	PAPER FEED INPUT SHAFT		D	1	
30	56AA 4051 0	PRESSING SPRING		C	1	
31	56AA 4045 0	PAPER FEED COUPLING PART		C	1	
32	A00J 6009 00	Gear43T		C	1	



LCC CASSETTE RAIL

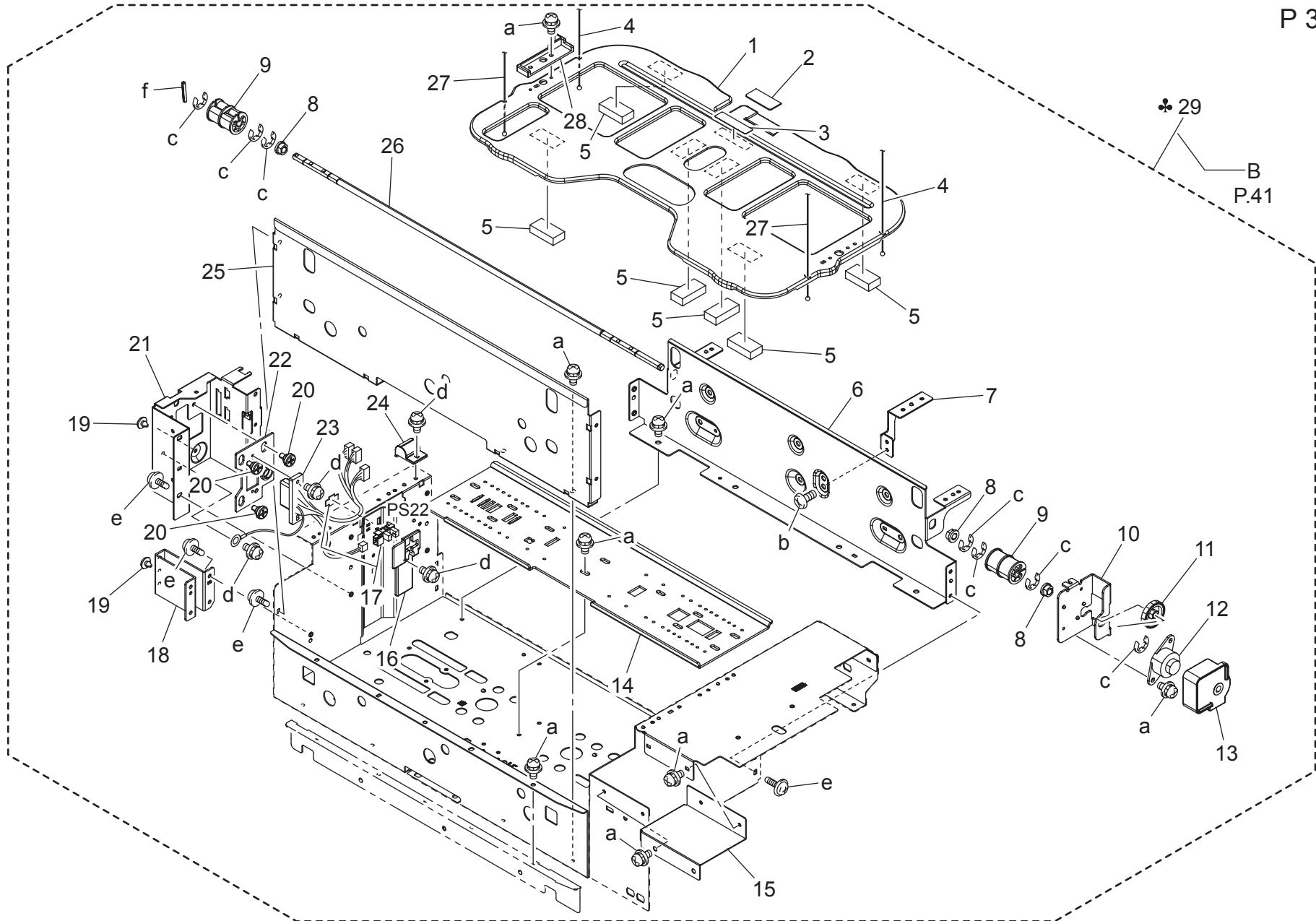
Key	Part No.	Description	Destinations	Class	QTY	Standard parts
1	A00J 6199 01	Mounting Plate		D	2	a-V116 0306 03 b-V137 0408 03 c-V217 0300 01
2	56AA 8306 1D	INTERNAL HEATER		D	2	
3	A00J 6184 00	Screw		C	27	
4	A00J 6134 01	Slide Rail /A		D	4	
5	A00J 6084 00	Mounting Plate		D	1	
6	A00J 6086 00	Mounting Plate		D	2	
7	A00J 6081 00	Mounting Plate		D	1	
8	A00J 6080 00	Mounting Plate /1		D	1	
9	A00J 6085 00	Mounting Plate		D	1	
10	A00J 6082 00	Mounting Plate		D	1	
11	A00J 6176 00	Shaft /L		D	2	
12	56QA 1123 0	TRAY POSITIONING SPRING		C	2	
13	56AA 4171 1	TRAY PRESSING PLATE		D	2	
14	56AA 4176 0	TRAY LOCKING ROLLER		D	2	
15	A00J 6233 00	Shaft		D	2	
16	A00J 6083 00	Mounting Plate		D	1	

LCC LENGTH CONVEYANCE SECTION



LCC LENGTH CONVEYANCE SECTION

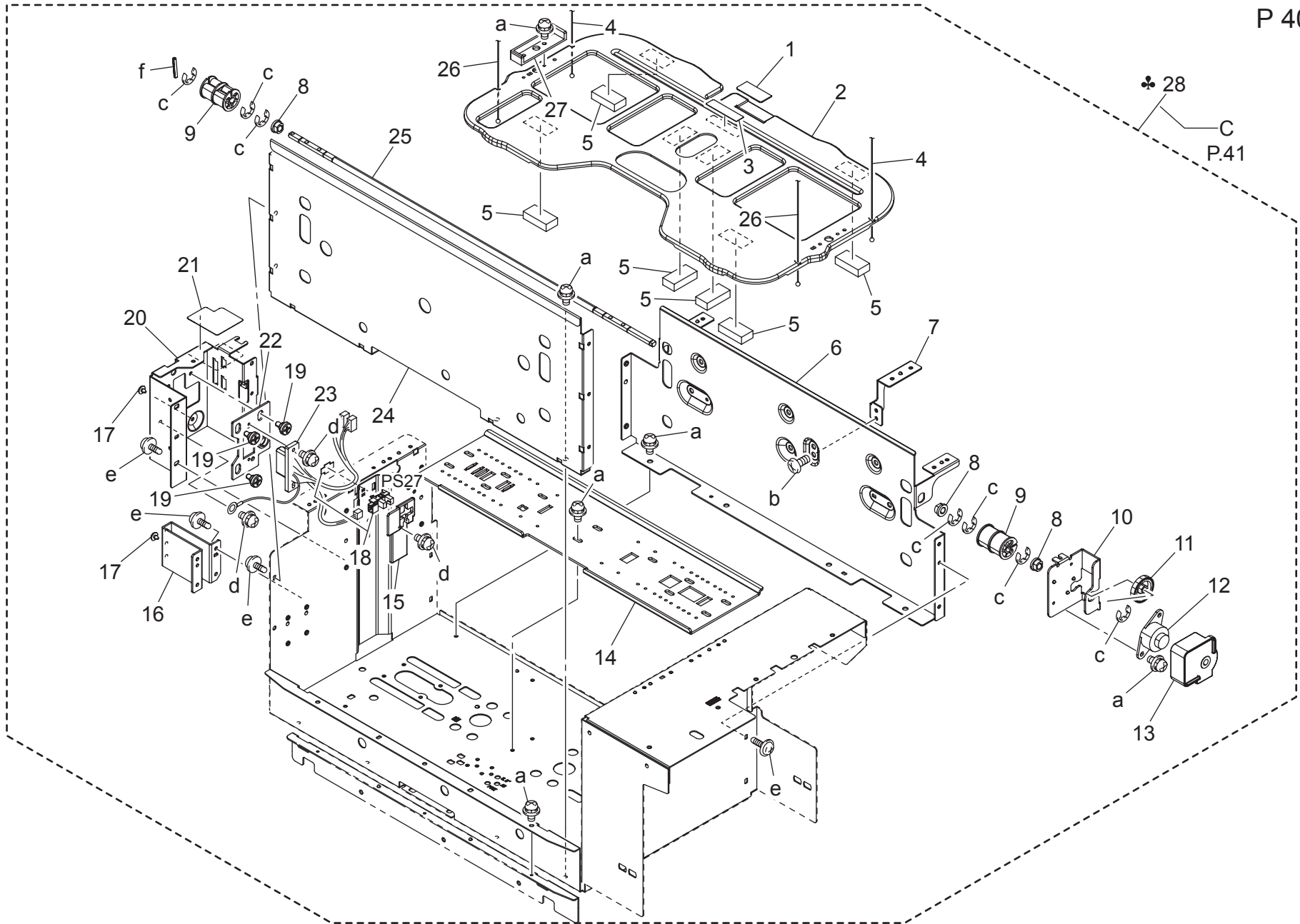
Key	Part No.	Description	Destinations	Class	QTY	Standard parts
1	A00J 6094 00	Guide Part		C	1	a-V116 0408 03
2	4037 0902 01	PHOTO INTERRUPTER		B	1	b-V116 0306 03
3	4036 5966 01	SCREW		C	4	c-V153 0308 03
4	A00J 6095 01	Mounting Plate /F		D	1	d-V217 0600 01
5	A00J 5722 00	Roller		C	1	e-V118 0408 03
6	A00J 6091 00	Mounting Plate		D	1	f-V116 0320 03
7	A00J 6179 00	Bushing		C	2	g-V126 0306 03
8	A00J 6087 00	Mounting Plate		D	1	h-V217 0400 01
9	A00J 6088 00	Mounting Plate		D	1	
10	A00J R7AM 00	MOUNTING PLATE / UP/DOWN MOTOR		D	2	
11	A00J N10X 00	Heater Relay harness		D	1	
12	56AA 8003 1	CASSETTE DRIVE MOTOR		B	2	
13	56AA 1733 0	SLIDE SHAFT		C	4	
14	56AA 1708 0	TERMINAL ROCKING SPRING		C	4	
15	A00J 6089 00	Mounting Plate /Rear		D	2	
16	A00J N11G 01	PFU Relay harness /7		D	1	
17	4037 0906 01	PHOTO INTERRUPTER		B	1	
18	A00J 6090 00	Mounting Plate		D	1	
19	A00J 6093 00	Mounting Plate		D	1	
20	A00J 6098 00	Clutch Assy		C	1	
21	A00J N11C 01	PFU Relay harness /3		D	1	
22	A00J 6092 01	Mounting Plate		D	1	
23	A00J 6170 00	Protection Cover /S		D	1	



Key	Part No.	Description	Destinations	Class	QTY	Standard parts
1	A00J 6135 00	Up/down Plate		C	1	a-V116 0306 03 b-V118 0306 03 c-V217 0400 01 d-V116 0308 03 e-V127 0306 03 f-V232 3025 09
2	55VA 4093 0	DOUBLE FEED PREVENTIVE PLATE		C	1	
3	A00J 6234 00	FRICITION PLATE		C	1	
4	56QA 5811 0	LCT UP DOWN WIRE RIGHT FRONT		C	2	
5	56QA 5829 0	BOTTOM PLATE POSITIONING PAD		D	6	
6	A00J 6151 01	Stopper Plate /1		D	1	
7	A00J 6138 00	Reinforce Plate /Front		D	1	
8	08AA 7601 0	DRUM DRIVING SHAFT HOLDER		C	3	
9	A00J 6137 00	Up/down Pulley		C	2	
10	A00J 6189 00	Regulating Plate		D	1	
11	56AA 7799 0	LCT REGULATING GEAR 24T		C	1	
12	56QA 5840 0D	LCT REGULATING LIMITER 3		C	1	
13	A00J 6190 00	Protection Cover		D	1	
14	56QA 5804 1D	LCT SLIDE BOARD		D	1	
15	56QA 5847 0D	EXTERNAL PROTECTION PLATE		D	1	
16	A00J 6133 00	Sensor Cover		C	1	
17	4037 0906 01	PHOTO INTERRUPTER		B	1	
18	56QA 5828 1E	LCT POSITIONING PLATE		D	1	
19	55VA 4792 0	STOPPER RUBBER		C	2	
20	26NA 4544 0	REGISTRATION UNIT FIXED SCREW		C	3	
21	A00J 6150 00	Connecting Plate		D	1	
22	A00J 6132 00	Guide Plate		D	1	
23	A00J N11B 01	PFU Relay harness /2		D	1	
24	A00J 6193 00	Receiving Block		C	1	
25	A00J 6156 00	Mounting Plate		D	1	
26	A00J 6155 00	Up/down Shaft		D	1	
27	56QA 5812 0	LCT UP DOWN WIRE RIGHT REAR		C	2	
28	A00J 6603 00	LIGHT BLOCKING PART		C	1	
29	A00J R718 00	TRAY ASSY 1000-M	A,A1,C,D1,D3,F1,F2,G1,I,J,K	C	1	
29	A00J R746 00	TRAY ASSY 1000-I	B,G2	C	1	

# 1500-SHEET TRAY

P 40

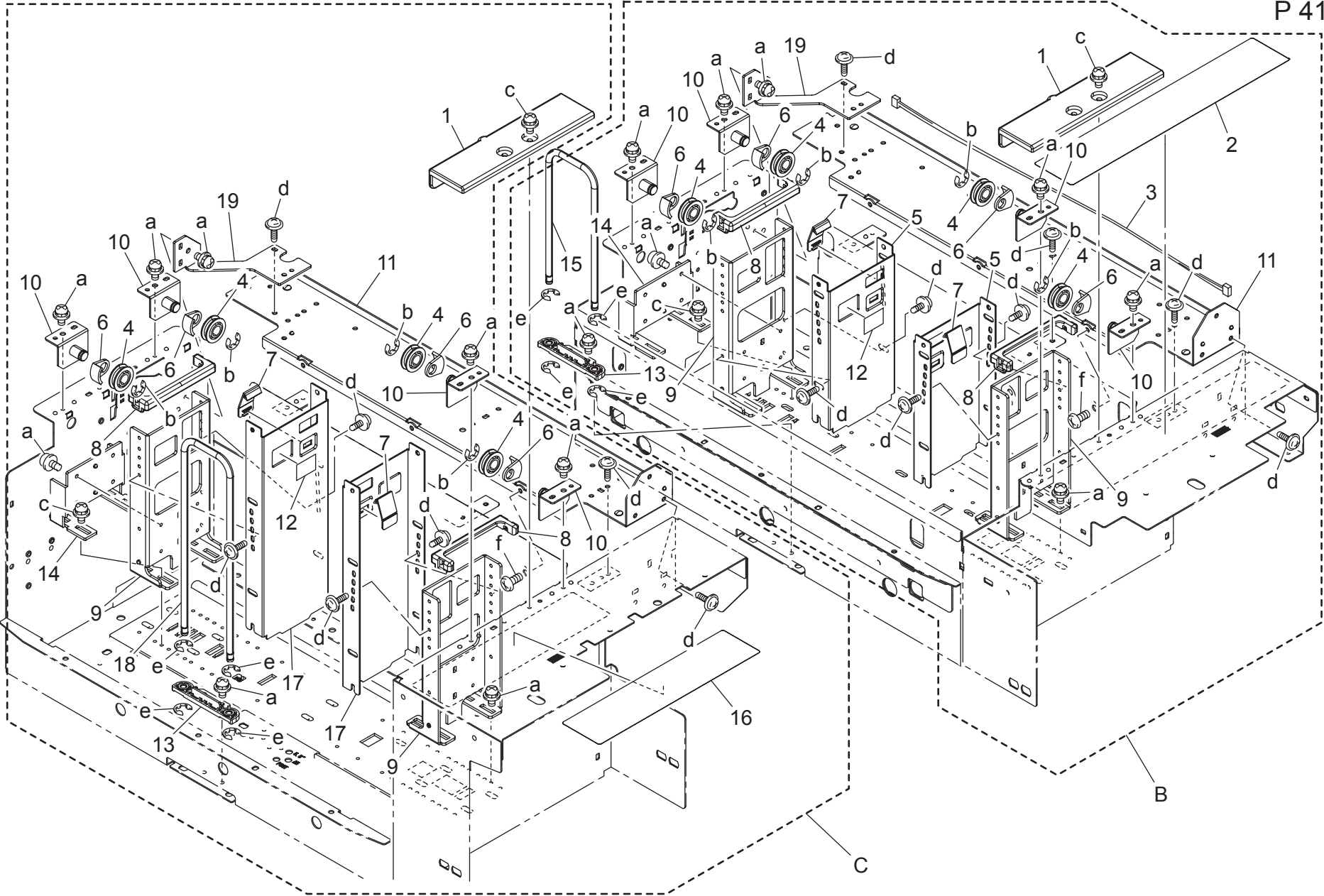


♣ 28  
C  
P.41



Key	Part No.	Description	Destinations	Class	QTY	Standard parts
1	55VA 4093 0	DOUBLE FEED PREVENTIVE PLATE		C	1	a-V116 0306 03 b-V118 0306 03 c-V217 0400 01 d-V116 0308 03 e-V127 0306 03 f-V232 3022 09
2	A00J 6135 00	Up/down Plate		C	1	
3	A00J 6234 00	FRICITION PLATE		C	1	
4	56QA 5911 0	LCT UP DOWN WIRE LEFT FRONT		C	2	
5	56QA 5829 0	BOTTOM PLATE POSITIONING PAD		D	6	
6	A00J 6152 00	Stopper Plate /2		D	1	
7	A00J 6138 00	Reinforce Plate /Front		D	1	
8	08AA 7601 0	DRUM DRIVING SHAFT HOLDER		C	3	
9	A00J 6137 00	Up/down Pulley		C	2	
10	A00J 6189 00	Regulating Plate		D	1	
11	56AA 7799 0	LCT REGULATING GEAR 24T		C	1	
12	56QA 5840 0D	LCT REGULATING LIMITER 3		C	1	
13	A00J 6190 00	Protection Cover		D	1	
14	56QA 5804 1D	LCT SLIDE BOARD		D	1	
15	A00J 6133 00	Sensor Cover		C	1	
16	56QA 5828 1E	LCT POSITIONING PLATE		D	1	
17	55VA 4792 0	STOPPER RUBBER		C	2	
18	4037 0906 01	PHOTO INTERRUPTER		B	1	
19	26NA 4544 0	REGISTRATION UNIT FIXED SCREW		C	3	
20	A00J 6150 00	Connecting Plate		D	1	
21	A00J 6605 00	Protection Sheet		C	1	
22	A00J 6132 00	Guide Plate		D	1	
23	A00J N11A 00	PFU RELAY HARNESS/1		D	1	
24	A00J 6157 00	Mounting Plate		D	1	
25	A00J 6155 00	Up/down Shaft		D	1	
26	56QA 5912 0	LCT UP DOWN WIRE LEFT REAR		C	2	
27	A00J 6603 00	LIGHT BLOCKING PART		C	1	
28	A00J R719 00	TRAY CASSETTE METRIC	A,A1,C,D1,D3,F1,F2,G1,I,J,K	C	1	
28	A00J R742 00	TRAY CASSETTE INCH	B,G2	C	1	

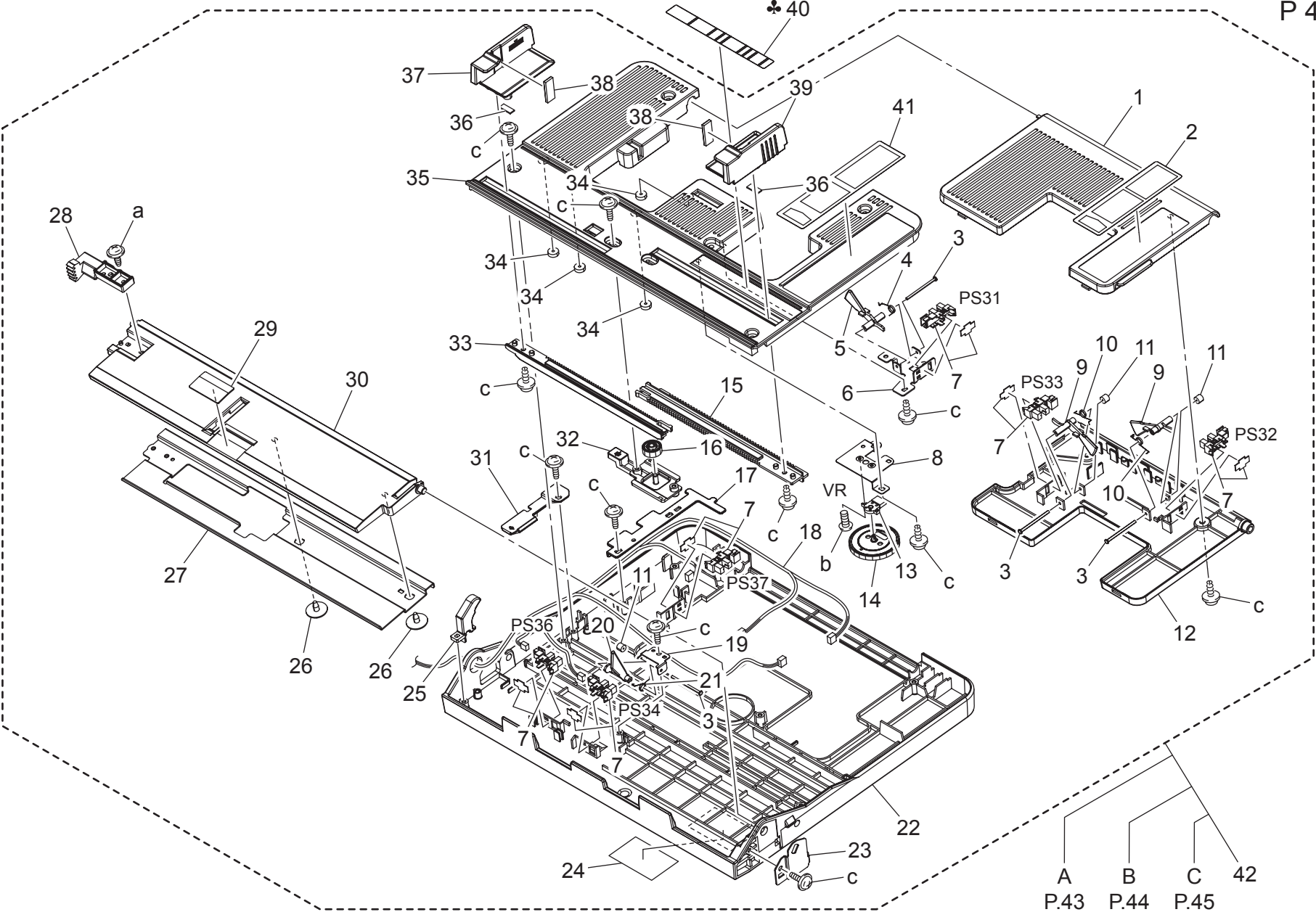
CASSETTE TRAY



CASSETTE TRAY

Key	Part No.	Description	Destinations	Class	QTY	Standard parts
1	56QA 5842 0	PULLEY GUIDE PART		D	2	a-V116 0306 03 b-V217 0600 01 c-V116 0308 03 d-V127 0306 03 e-V217 0400 01 f-V118 0306 03
2	A00J 9417 00	Label		C	1	
3	A00J N11N 01	PFU Relay harness /8		D	1	
4	57AA 1701 0	WIRE PULLEY		C	8	
5	56QA 5806 0D	LCT GUIDE PLATE RIGHT		D	2	
6	55VA 4061 0	WIRE HOLDER A		C	8	
7	5400 4720 0	PAPER REGULATING CLAW		C	4	
8	56QA 5845 0	PROTECTION COVER		D	4	
9	56QA 5805 0D	LCT ADJUSTMENT SIDE PLATE		D	4	
10	A00J R7AN 00	SUPPORT BOARD / WIRE PULLEY		D	8	
11	A00J 6131 01	Mounting Plate		D	2	
12	57AA 9787 0	PAPER GUIDE LABEL		C	2	
13	56QA 5807 0D	SHAFT HOLDING PART		D	2	
14	56QA 5849 0D	REAR REINFORCE PLATE		D	2	
15	56QA 5815 0	PAPER GUIDE SHAFT RIGHT		D	1	
16	A00J 9416 00	Label		C	1	
17	56QA 5906 0D	LCT GUIDE PLATE LEFT		D	2	
18	56QA 5915 0D	PAPER GUIDE SHAFT LEFT		C	1	
19	A00J 6139 00	Reinforce Plate /Rear		D	2	

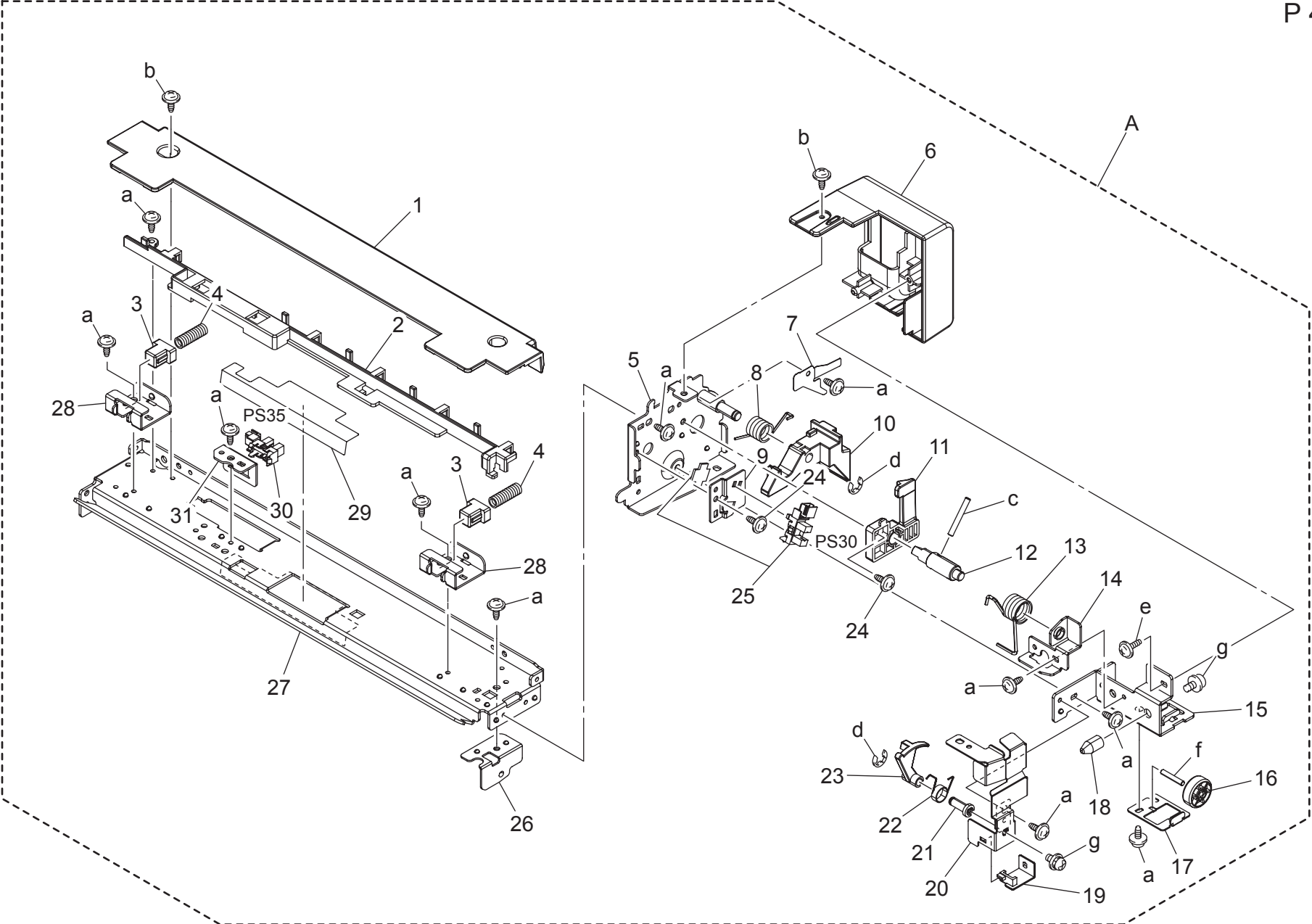
MANUAL FEED TRAY UNIT



MANUAL FEED TRAY UNIT

Key	Part No.	Description	Destinations	Class	QTY	Standard parts
1	A00J 5942 00	Bypass Tray /3		C	1	a-V137 0308 03 b-V111 1704 03 c-V153 0308 03
2	A00J 9425 00	Label		C	1	
3	1134 3042 02	SHAFT		D	4	
4	A00J 5991 00	Torsion Spring		C	1	
5	A00J 5853 00	Actuator		C	1	
6	A00J 5979 00	Mounting Plate		D	1	
7	4037 0906 01	PHOTO INTERRUPTER		B	6	
8	A00J 5977 00	Mounting Plate		D	1	
9	A00J 5978 00	Actuator		C	2	
10	A00J 5990 00	Torsion Spring		C	2	
11	1134 3041 01	COLLAR		D	3	
12	A00J 5943 00	Bypass Tray /4		C	1	
13	V801 3000 06	RESISTOR		D	1	
14	A00J 5972 01	Gear 40T		C	1	
15	A00J 5971 00	Rack /L		C	1	
16	A00J 5969 00	Gear 18T		C	1	
17	A00J 5994 00	Wiring Holder		D	1	
18	A00J N115 01	Paperfeed Relay Harness /6		D	1	
19	A00J 5936 00	Sensor Plate		D	1	
20	A00J 5937 00	Actuator /E		C	1	
21	A00J 5938 00	Torsion Spring /E		C	1	
22	A00J 5940 01	Bypass Tray /1		C	1	
23	A00J 5869 00	Mounting Plate		D	1	
24	A00J 9426 01	Label		C	1	
25	A00J 5976 00	Holder		D	1	
26	4036 5785 01	SCREW		D	2	
27	A00J 5973 00	Mounting Plate		D	1	
28	A00J 5925 00	Lifting Lever		C	1	
29	A00J 5996 00	Friction Plate		C	1	
30	A00J 5946 01	Lifting Plate		C	1	
31	A00J 5993 00	Holding Plate		D	1	
32	A00J 5951 00	Holder		C	1	
33	A00J 5970 00	Rack /R		C	1	
34	4036 3659 01	COLLAR		D	4	
35	A00J 5941 01	Bypass Tray /2		C	1	
36	4131 4623 04	CLEANING PAD		C	2	
37	A00J 5945 01	Regulating Plate /R		C	1	
38	A00J 5872 00	Brake Part		C	2	
39	A00J 5944 01	Regulating Plate /L		C	1	
40	A00J 9428 01	Scale Metric	A,A1,C,D1,D3,F1,F2,G1,I,J,K	C	1	
40	A00J 9429 01	Scale Inch	B,G2	C	1	
41	A00J 9427 00	Label		C	1	
42	A00J R745 00	MANUAL FEED TRAY UNIT		C	1	

MANUAL FEED TRAY UNIT



Key	Part No.	Description	Destinations	Class	QTY	Standard parts
1	A00J 5981 01	Cover /Middle		C	1	a-V137 0306 03 b-V137 0308 04 c-V232 3025 09 d-V217 0400 01 e-V153 0308 03 f-V237 3018 50 g-V116 0306 03
2	A00J 5864 00	Holder		D	1	
3	A00J 5935 00	Pressure Holder		C	2	
4	A00J 5939 00	Compressing Spring		C	2	
5	A00J R7AP 00	FRAME / BYPASS (FRONT)		D	1	
6	A00J 5982 00	Bypass Cover /Front		C	1	
7	A00J 5888 00	PLATE SPRING		C	1	
8	A00J 5948 00	Torsion Spring		C	1	
9	A00J 5992 00	Mounting Plate /F		D	1	
10	A00J 5984 01	Lock Lever		C	1	
11	A00J 5949 00	Holder		C	1	
12	A00J 5855 00	Shaft		D	1	
13	A00J 5854 01	Torsion Spring		C	1	
14	A00J 5856 01	Mounting Plate		D	1	
15	A00J 5966 02	Mounting Plate		D	1	
16	A00J 5883 00	Roll		C	1	
17	A00J 5882 00	Fixing Plate		D	1	
18	A00J 5947 01	Positioning Shaft		D	1	
19	A00J 5867 00	Hold Holder		C	1	
20	A00J 5998 00	Mounting Plate		D	1	
21	A00J 5857 00	Detecting Shaft		D	1	
22	A00J 5995 00	Torsion Spring		C	1	
23	A00J 5988 00	Set Actuator		C	1	
24	4154 3804 01	SCREW		C	2	
25	4037 0906 01	PHOTO INTERRUPTER		B	1	
26	A00J 5866 00	Mounting Plate		D	1	
27	A00J 5902 01	Frame		D	1	
28	A00J 5997 00	Mounting Plate		D	2	
29	A00J 5886 01	Seal		C	1	
30	9335 1300 61	PHOTO INTERRUPTER		B	1	
31	A00J 5851 00	Mounting Plate		D	1	

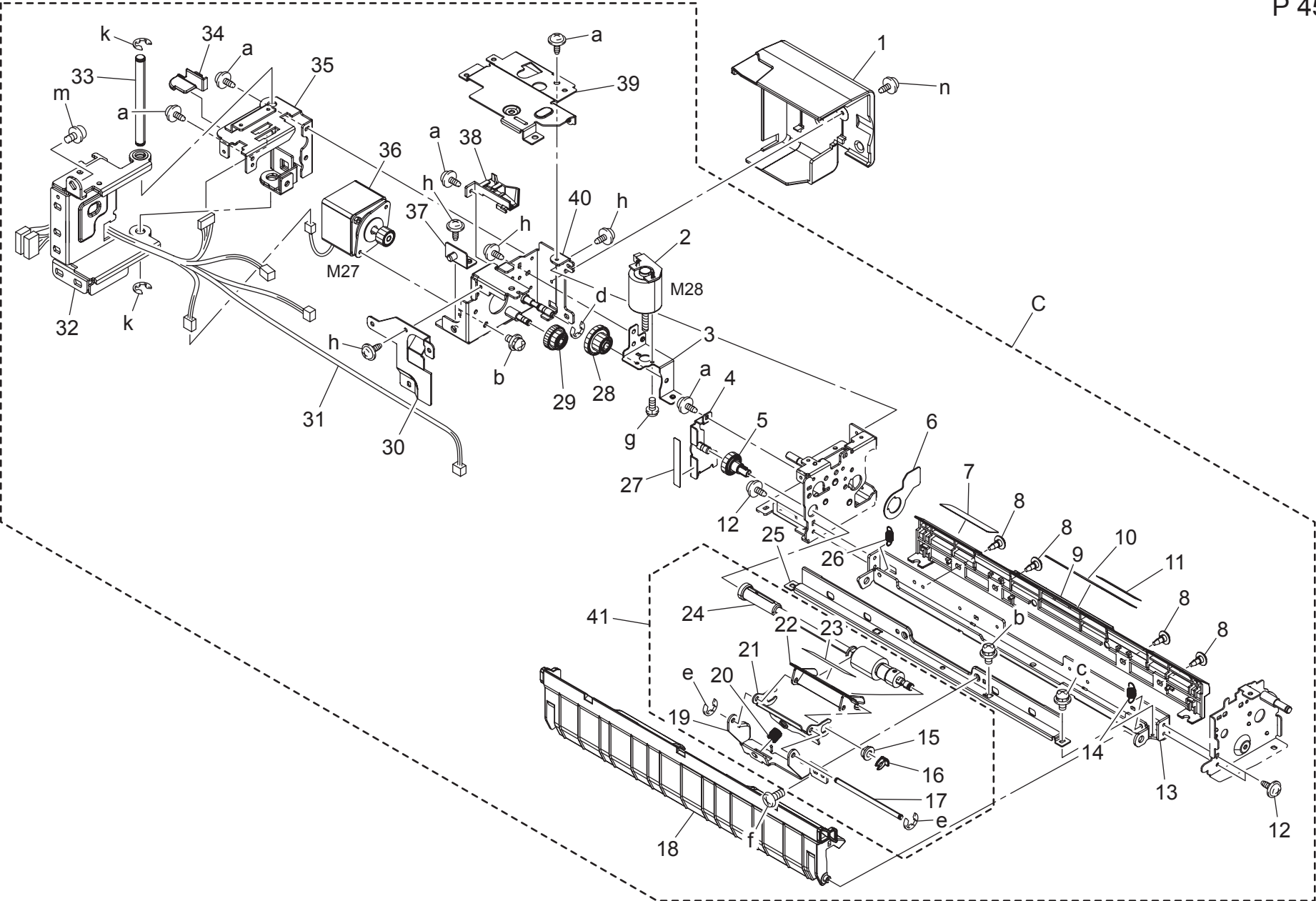




MANUAL FEED TRAY UNIT

Key	Part No.	Description	Destinations	Class	QTY	Standard parts
1	A00J 5950 00	Support Holder		C	1	a-V137 0306 03 b-V217 0400 01 c-V218 0400 86 d-V217 0300 01 e-V153 0306 03
2	4131 3003 01	BUSHING		C	7	
3	A00J 5905 00	Guide Plate		D	1	
4	A00J 5875 00	Guide Plate /Front		D	1	
5	A00J 5862 01	Guide Sheet		C	1	
6	56AA 4049 0	SHAFT STOPPER 4		C	2	
7	4030 3003 01	SHAFT		D	1	
8	1067 2501 01	PIN		C	2	
9	4425 3016 01	GEAR 32T		C	1	
10	A00J 5956 00	Clutch		C	2	
11	A00J 5636 00	Roller		A	2	
12	A00J 5901 00	Paper feed Holder		D	1	
13	4425 3013 01	GEAR 30T		C	1	
14	A00J 5903 00	Gear 20T		C	1	
15	4040 3097 01	SHAFT		D	1	
16	A00J 5904 00	Torsion Spring		C	1	
17	1065 3086 01	BUSHING		C	1	
18	A00J 5907 00	Paper feed Shaft		D	1	
19	A00J 5870 00	Paper feed Coupling		C	1	
20	A00J 5861 00	Mounting Plate		D	1	
21	A00J 5860 00	Paper feed Shaft		D	1	
22	A00J R7AQ 00	FRAME /BYPASS (REAR)		D	1	
23	4154 3804 01	SCREW		C	2	
24	A00J 5958 00	Gear 15/28T		C	1	
25	A00J 5926 00	Gear 14T		C	1	
26	A00J 5922 01	Gear 18/29T		C	1	
27	A00J 5917 00	Gear 18/35T		C	1	
28	A00J 5928 00	Gear 26T		C	1	
29	A00J 5930 00	Compressing Coil		C	1	
30	A00J 5967 00	Pressing Collar		C	1	
31	A00J 5960 00	Wiring Cover		D	1	

MANUAL FEED TRAY UNIT



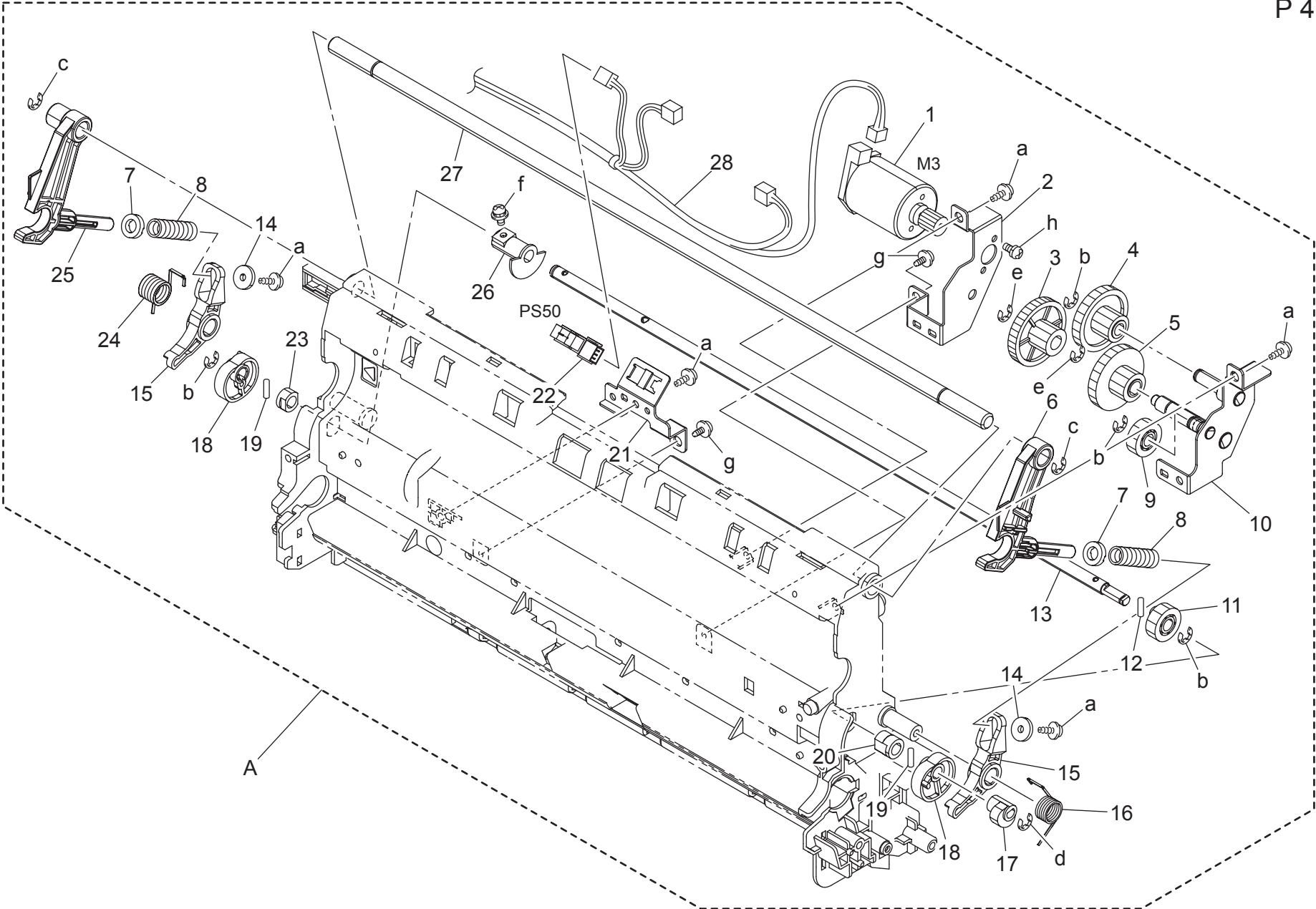
Key	Part No.	Description	Destinations	Class	QTY	Standard parts
1	A00J 5980 01	Bypass Cover /Rear		C	1	a-V137 0308 03
2	4037 R710 00	MOTOR ASSY		B	1	b-V116 0308 03
3	A00J 5934 00	Mounting Plate		D	1	c-V116 0306 03
4	A00J R7AR 00	Mounting Plate / BYPASS 1		D	1	d-V217 0400 01
5	A00J 5918 00	Gear 22T		C	1	e-V217 0300 01
6	A00J 5983 00	Shutter		D	1	f-V118 0308 03
7	A00J 5876 00	Guide Sheet		C	1	g-V118 0306 03
8	4036 1410 01	SHOULDER SCREW		C	4	h-V137 0306 03
9	A00J 5965 01	Bypass Holder /Front		C	1	k-V217 0600 01
10	A00J 5974 00	Guide Sheet		D	1	m-V116 0412 03
11	A00J 5871 00	Separating Sheet /Front		C	1	n-V121 0308 04
12	4154 3804 01	SCREW		C	4	
13	A00J 5912 01	Mounting Plate		D	1	
14	A00J 5873 00	Pulling Spring		C	1	
15	4131 3003 01	BUSHING		C	1	
16	56AA 4049 0	SHAFT STOPPER 4		C	1	
17	4030 3039 01	SHAFT		D	1	
18	A00J 5920 01	Guide Plate		C	1	
19	A00J 5910 02	Mounting Plate /S		D	1	
20	A00J 5911 00	Compressing Spring		C	1	
21	A00J 5909 01	Holder /S		C	1	
22	A00J 5975 11	Guide Part		C	1	
23	A00J 5891 00	Guide Sheet		C	1	
24	A00J A666 00	Bypass field roller		A	1	
25	A00J 5913 00	Reinforce Plate		D	1	
26	4030 3125 01	TENSION SPRING		C	1	
27	A00J 5858 00	Seal		C	1	
28	A00J 5931 01	Gear 14/24T		C	1	
29	A00J 5933 00	Gear 14/50T		C	1	
30	A00J 5879 01	Mounting Plate /Rear		D	1	
31	A00J N114 01	Paperfeed Relay harness /5		D	1	
32	A00J 5881 00	Mounting Plate /ASSY		D	1	
33	A00J 5986 00	Support Shaft		D	1	
34	A00J 5887 01	Cover		D	1	
35	A00J 5957 02	Mounting Plate /ASSY		D	1	
36	A00J M120 00	Stepping motor		C	1	
37	A00J 5963 00	Mounting Plate /ASSY		D	1	
38	A00J 5863 00	Wiring Holder		D	1	
39	A00J 5877 01	Reinforce Plate		D	1	
40	A00J R7AS 00	MUUNTINGPLATE/BYPASS2		D	1	
41	A00J R748 00	ROLLER UNIT		C	1	



PAPER EXIT CONVEYANCE SECTION

Key	Part No.	Description	Destinations	Class	QTY	Standard parts
1	A00J 7015 00	Conveyance Duct		D	1	a-V153 0308 03 b-V137 0306 03 c-V218 0300 86 d-V217 0600 01 e-V136 0308 03 f-V217 0400 01 g-V116 0306 03 h-V149 0308 03
2	A00J 7091 00	Seal		C	1	
3	A00J 7018 00	Suction Seal		C	1	
4	A00J 7017 01	Cover		D	1	
5	A00J 7024 00	Mounting Plate		D	1	
6	1164 3527 02	TORSION SPRING		C	1	
7	A00J 7070 00	Reinforce Plate		D	1	
8	A00J 7092 00	Seal		C	1	
9	A00J 7113 01	Lever /1		C	1	
10	A00J 7115 00	Hold Plate		D	1	
11	A00J 7117 00	Compressing Spring		C	1	
12	4036 3675 02	LEVER		C	1	
13	A00V 2406 00	BALL BEARING		C	2	
14	A00J 7006 00	Gear 20T		C	1	
15	A00J 7027 00	Gear 14T		C	1	
16	4025 3572 01	BUSHING		C	1	
17	A00J 7010 00	Pulling Spring		C	2	
18	A00J 7011 01	Conveyance Holder		D	1	
19	A00J 7019 00	Ground Contact		C	1	
20	A00J 7047 00	Guide Film		C	1	
21	A00J 7078 01	Compressing Spring		C	2	
22	A00J R901 00	PHOTO INTERRUPTER		C	1	
23	A00J 7046 00	Guide Film		C	1	
24	A00J 7042 00	Guide Film		C	1	
25	A00J 7016 00	Neutralizing Holder		D	1	
26	4025 3568 01	NETURALIZING MEMBER		C	1	
27	A00J 7012 00	Guide Plate		D	1	
28	A00J 7001 00	Roller		C	1	
29	A00J 7002 00	Roller		C	1	
30	1164 3509 01	BUSHING		C	1	
31	A00J R7AT 00	MOUNTING PLATE / PAPER EXIT CONVEYANCE		D	1	
32	A00J 7005 01	Gear 34/17T		C	1	
33	A00J 7069 00	Rotation Knob		C	1	
34	A00J 7030 00	Positioning Holder		D	1	
35	A00J 7003 01	Gear 26T		C	1	
36	A00J 7009 00	Collar		C	1	
37	A00H 7033 00	GUIDE PLATE		D	1	
38	A00H 7096 00	SEAL		C	12	
39	A00H 7097 00	SEAL		C	3	
40	9314 1300 31	MOTOR		B	1	
41	A00J 7020 00	Wiring Cover		D	1	
42	1164 3504 03	ACTUATOR		C	1	
43	9335 1300 61	PHOTO INTERRUPTER		B	1	
44	A00J R750 00	PAPER EXIT/TRANSFER ASSY		C	1	

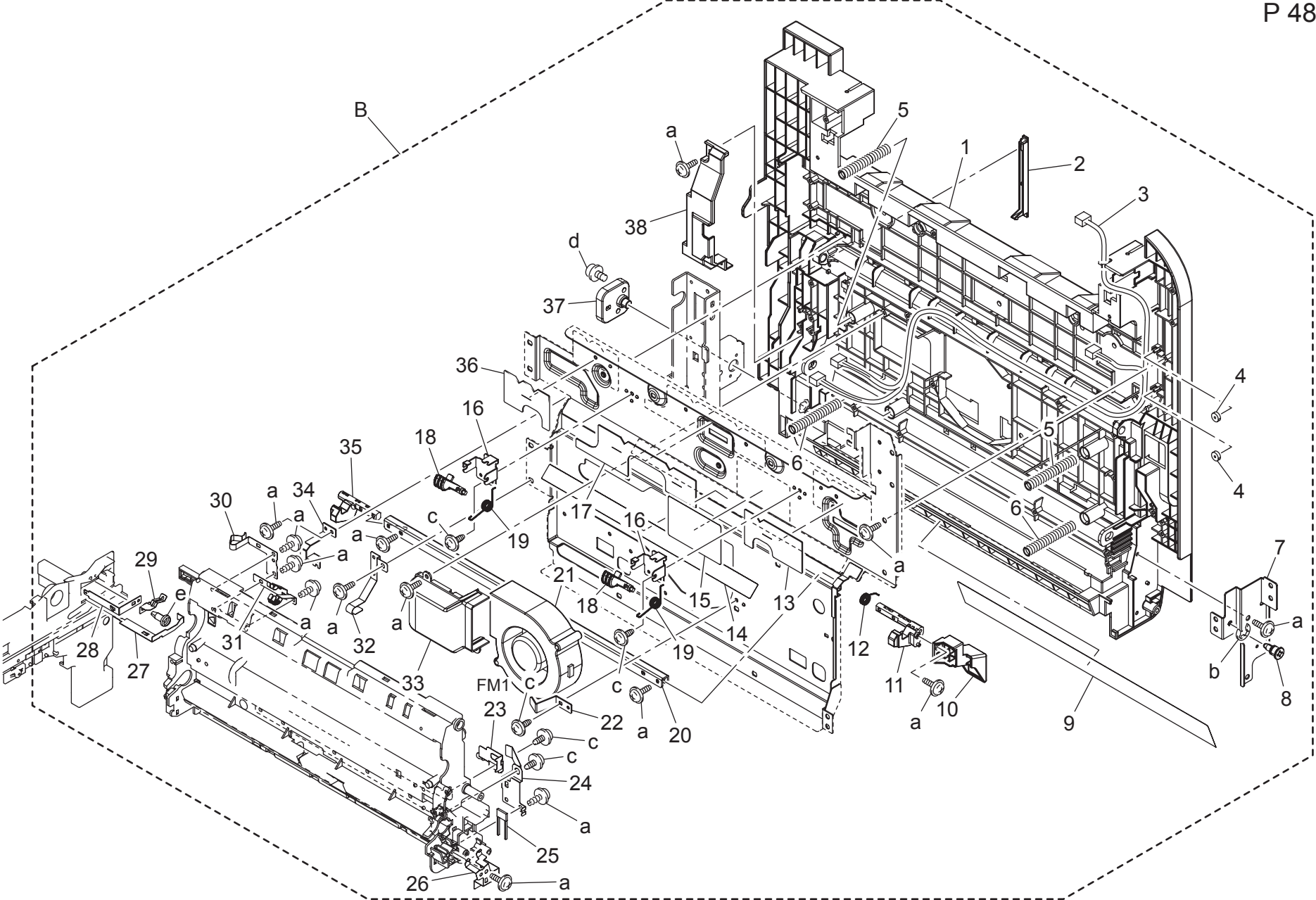
PAPER EXIT CONVEYANCE SECTION



PAPER EXIT CONVEYANCE SECTION

Key	Part No.	Description	Destinations	Class	QTY	Standard parts
1	4037 R709 00	MOTOR ASSY		C	1	a-V153 0308 03 b-V217 0400 01 c-V217 0600 01 d-V217 0300 01 e-V217 0500 01 f-V116 0306 03 g-V137 0306 03 h-V115 2605 03
2	A00J 7102 00	Mounting Plate		D	1	
3	4025 4906 01	GEAR 16/64T		C	1	
4	4025 4907 01	GEAR 16/40T		C	1	
5	4025 4910 01	GEAR 12/40T		C	1	
6	A00J 7106 00	Arm /Front		C	1	
7	4004 4722 02	WASHER		D	2	
8	A00J 7108 00	Compressing Spring		C	2	
9	4025 4908 01	GEAR 15T		C	1	
10	A00J R7AU 00	2ND TRANSFER RETRACTION DRIVE		D	1	
11	4025 4909 01	GEAR 15T		C	1	
12	4036 4911 01	PIN		D	1	
13	4025 4709 02	SHAFT		D	1	
14	4004 4723 01	WASHER		D	2	
15	4036 4712 01	ARM		C	2	
16	4025 4725 01	TORSION SPRING		D	1	
17	A00J 7114 00	Cam /1		C	1	
18	4004 4710 02	CAM		D	2	
19	1144 5200 01	PIN		D	2	
20	A00J 7109 00	Bearing		C	1	
21	A00J 7107 00	Mounting Plate		D	1	
22	9335 1300 61	PHOTO INTERRUPTER		B	1	
23	4036 4730 01	BUSHING		C	1	
24	4025 4719 02	TORSION SPRING		D	1	
25	A00J 7105 00	Arm /Rear		C	1	
26	4025 4720 01	DETECTING PLATE		D	1	
27	A00J 7104 00	Support Shaft		D	1	
28	A00J N110 01	Conveyance Wiring		D	1	

PAPER EXIT CONVEYANCE SECTION

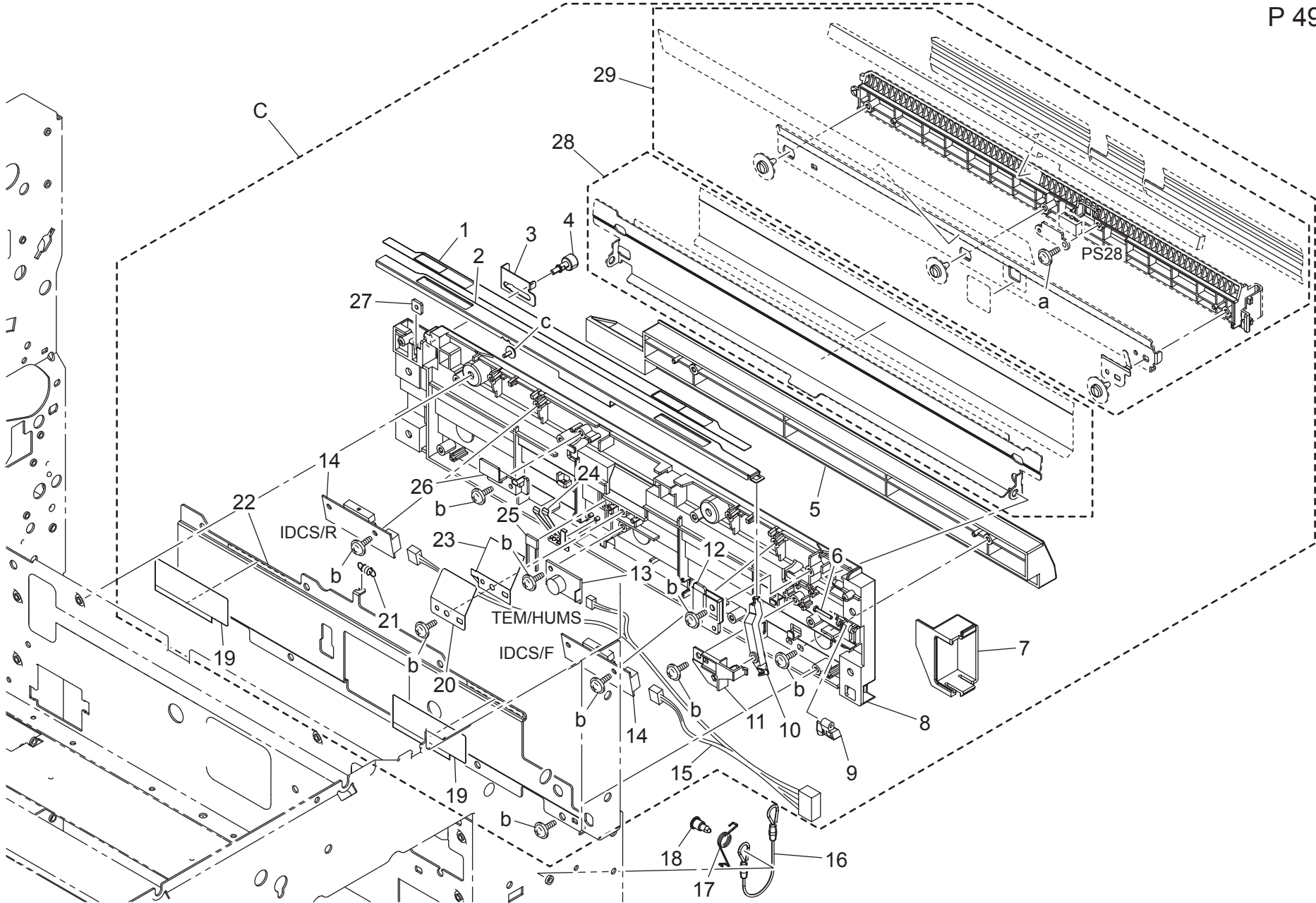




PAPER EXIT CONVEYANCE SECTION

Key	Part No.	Description	Destinations	Class	QTY	Standard parts
1	A00J 7051 03	Conveyance Cover /Right		C	1	a-V153 0308 03 b-V217 0400 01 c-V137 0306 03 d-V116 0308 03 e-V149 0308 03
2	4036 3597 02	Holder		D	1	
3	A00J N111 01	Conveyance Relay harness /1		D	1	
4	4036 3659 01	COLLAR		D	2	
5	A00J 7068 00	Compressing Spring		C	2	
6	4025 3534 01	PRESSURE SPRING		D	2	
7	A00J 7057 00	Reinforce Plate /Front		D	1	
8	A00J 7058 00	Shoulder screw		C	1	
9	A00J 7052 00	Guide Film		C	1	
10	A00J 7062 00	Open/close Lever /Right		C	1	
11	A00J 7065 00	Lock Lever /F		C	1	
12	4036 3590 02	TORSION SPRING		D	1	
13	A00J 7094 00	Protection Part		C	1	
14	4138 5866 01	LABEL HI-TEMP CAUTION		D	1	
15	A00J 9414 00	Label		C	1	
16	A00J 7063 00	Mounting Plate		D	2	
17	A00J 7095 00	Protection Part		C	1	
18	A00J 7053 01	Holding Lever		C	2	
19	A00J 7060 00	Torsion Spring		C	2	
20	A00J 7067 00	Support Plate		D	1	
21	9313 1000 72	FAN MOTOR		C	1	
22	A00J 7064 00	Mounting Plate		D	1	
23	A00J 7088 00	Ground Plate		C	1	
24	A00J 7082 00	Ground Plate		C	1	
25	9454 4076 02	RESISTOR		D	1	
26	A00J 7081 00	Ground Plate		C	1	
27	A00J 7084 00	Contact		C	1	
28	A00J 7083 00	Contact		C	1	
29	A00J 7089 00	Contact		C	1	
30	A00J 7087 00	Contact		C	1	
31	A00J 7086 00	Contact		C	1	
32	A00J 7122 00	Contact		C	1	
33	A00J 7056 00	Conveyance Duct		D	1	
34	A00J 7080 00	Reinforce Plate		D	1	
35	A00J 7066 00	Lock Lever /R		C	1	
36	A00J 7093 00	Protection Part		C	1	
37	A00J 7073 00	Support Shaft		C	1	
38	A00J 7059 00	Wiring Cover		D	1	

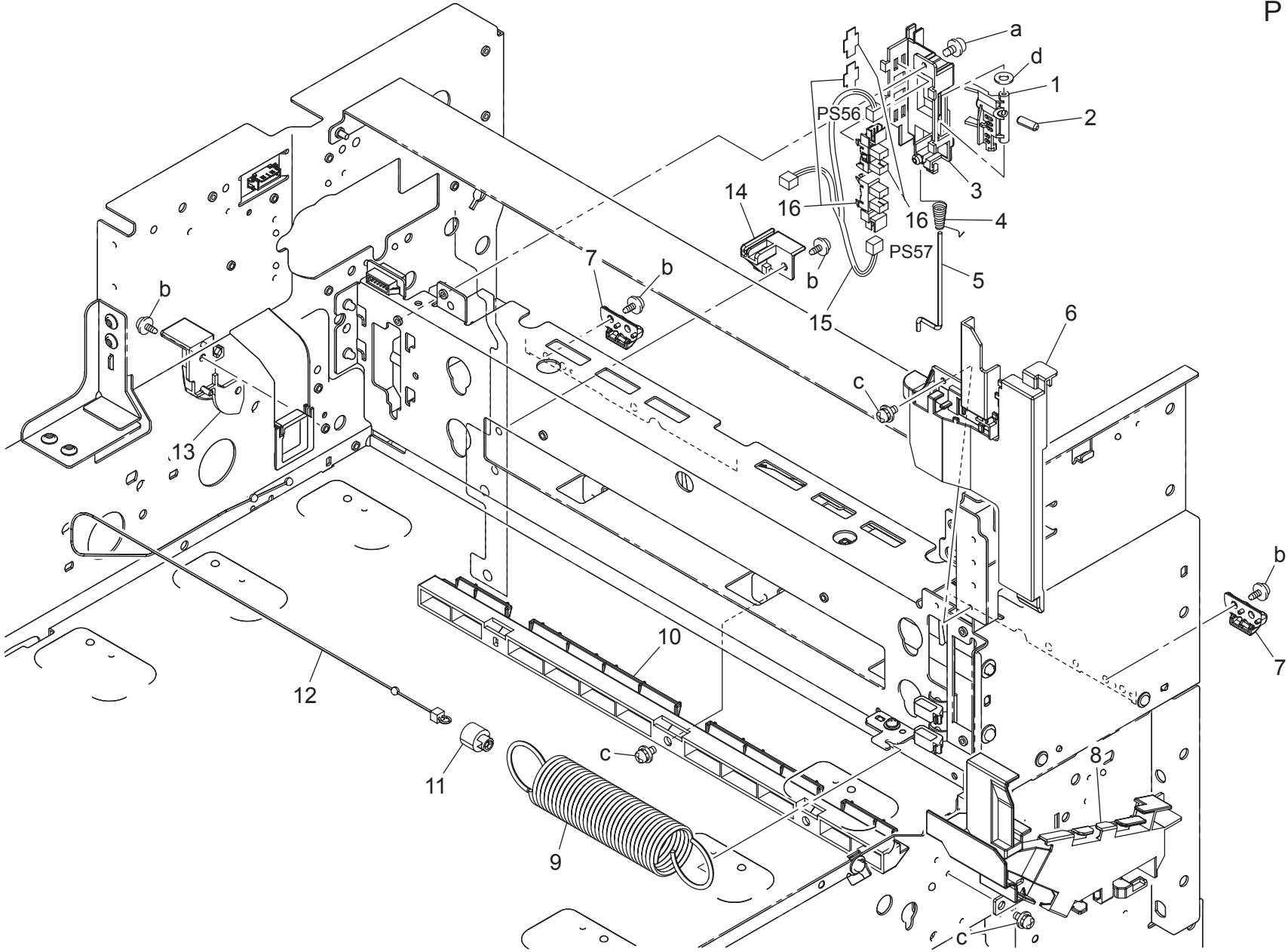
REGISTRATION SENSOR



REGISTRATION SENSOR

Key	Part No.	Description	Destinations	Class	QTY	Standard parts
1	A00J 7041 00	Sensor Cover		C	1	a-V153 0306 03 b-V153 0308 03 c-V137 0306 03
2	A00J 7111 01	Sensor Shutter		C	1	
3	A00J 7029 01	Guide Stopper		D	1	
4	A00J 7036 00	Shoulder screw		C	1	
5	A00J 7022 01	Guide Plate		C	1	
6	4025 3676 01	PIN		D	1	
7	A00J 7045 00	Wiring Cover		D	1	
8	A00J 7021 01	Guide Holder /Left		D	1	
9	4036 3673 01	LEVER		C	1	
10	A00J 7116 01	Lever		C	1	
11	4025 3674 02	HOLD PLATE		D	1	
12	A00J 7026 00	Guide Shutter		C	1	
13	9372 5400 31	HUMIDITY CONVERSION EL.		C	1	
14	V869 9000 45	PHOTO SENSING ELEMENT		C	2	
15	A00J N122 01	Sensor Relay harness /4		D	1	
16	A00J 7072 00	Hold Wire /Front		C	1	
17	A00J 7061 00	Torsion Spring		C	1	
18	4643 4605 01	SHOULDER SCREW		C	1	
19	A00J 7044 00	Sensor Cover /2		C	2	
20	A00J 7037 00	Plate spring /2		C	1	
21	4025 3556 01	TENSION SPRING		C	1	
22	A00J 7028 00	Reinforce Plate		D	1	
23	A00J 7025 00	Plate spring /1		C	1	
24	A00J 7038 00	Plate spring /3		C	1	
25	9454 4076 02	RESISTOR		D	1	
26	4036 3557 01	STOPPER		D	1	
27	4002 5042 02	PLATE NUT		D	1	
28	A00J R724 00	GUIDE ASSY		C	1	
29	A00J R723 00	PAPER DUST REMOVAL		C	1	

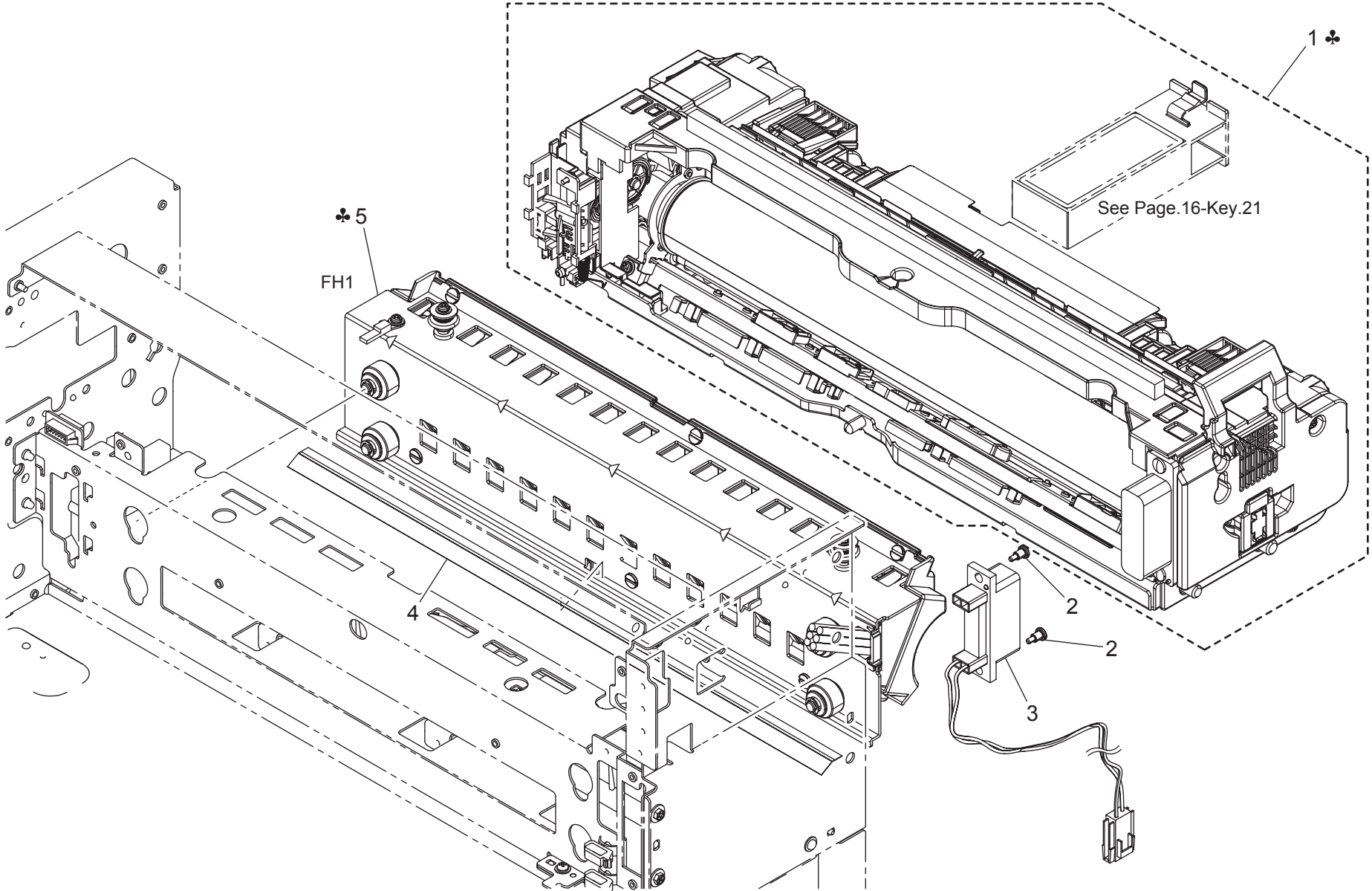
ROTATION DETECTING SENSOR



ROTATION DETECTING SENSOR

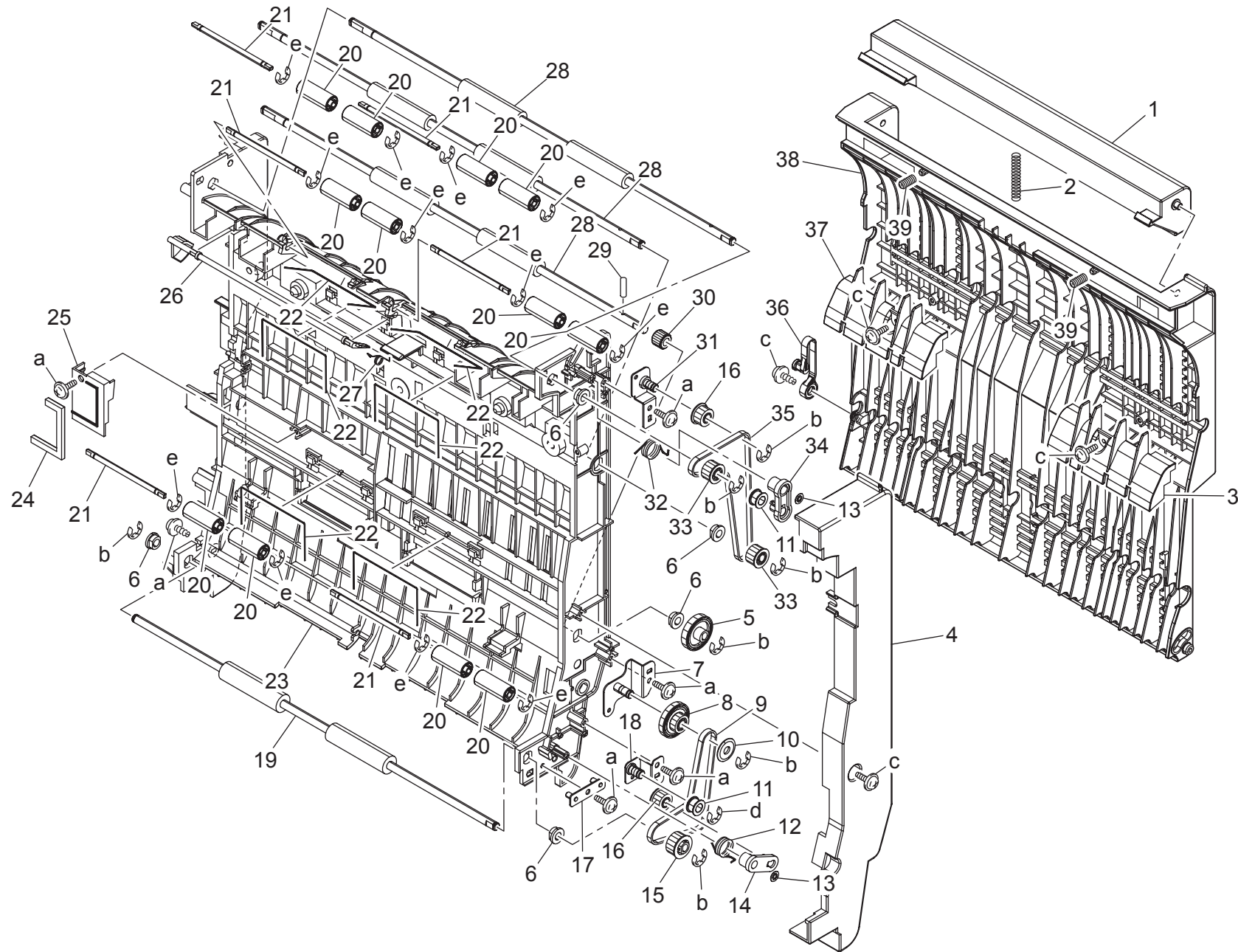
Key	Part No.	Description	Destinations	Class	QTY	Standard parts
1	A00J 7316 01	Actuator		C	1	a-V116 0306 03 b-V137 0308 03 c-V116 0308 03 d-V206 0200 01
2	A00J 7326 00	Pin		C	1	
3	A00J 7323 01	Holder		D	1	
4	A00J 7325 02	Torsion Spring		C	1	
5	A00J 7324 00	Shaft		C	1	
6	A00J 1343 02	Cover Holder		C	1	
7	A00J 7077 00	Lock Claw		C	2	
8	A00J 1384 01	Cover		D	1	
9	A00J 7076 00	Pulling Spring		C	1	
10	A00J 7074 01	Guide Plate		C	1	
11	4004 3512 02	FLANGE		D	1	
12	A00J 7071 02	Hold Wire /Rear		C	1	
13	A00J 7075 00	Guide Wire		C	1	
14	A00J 7090 00	Guide Plate		C	1	
15	A00J N12J 00	SENSOR RELAY HARNESS/7		D	1	
16	4037 0906 01	PHOTO INTERRUPTER		B	2	

FUSING SECTION



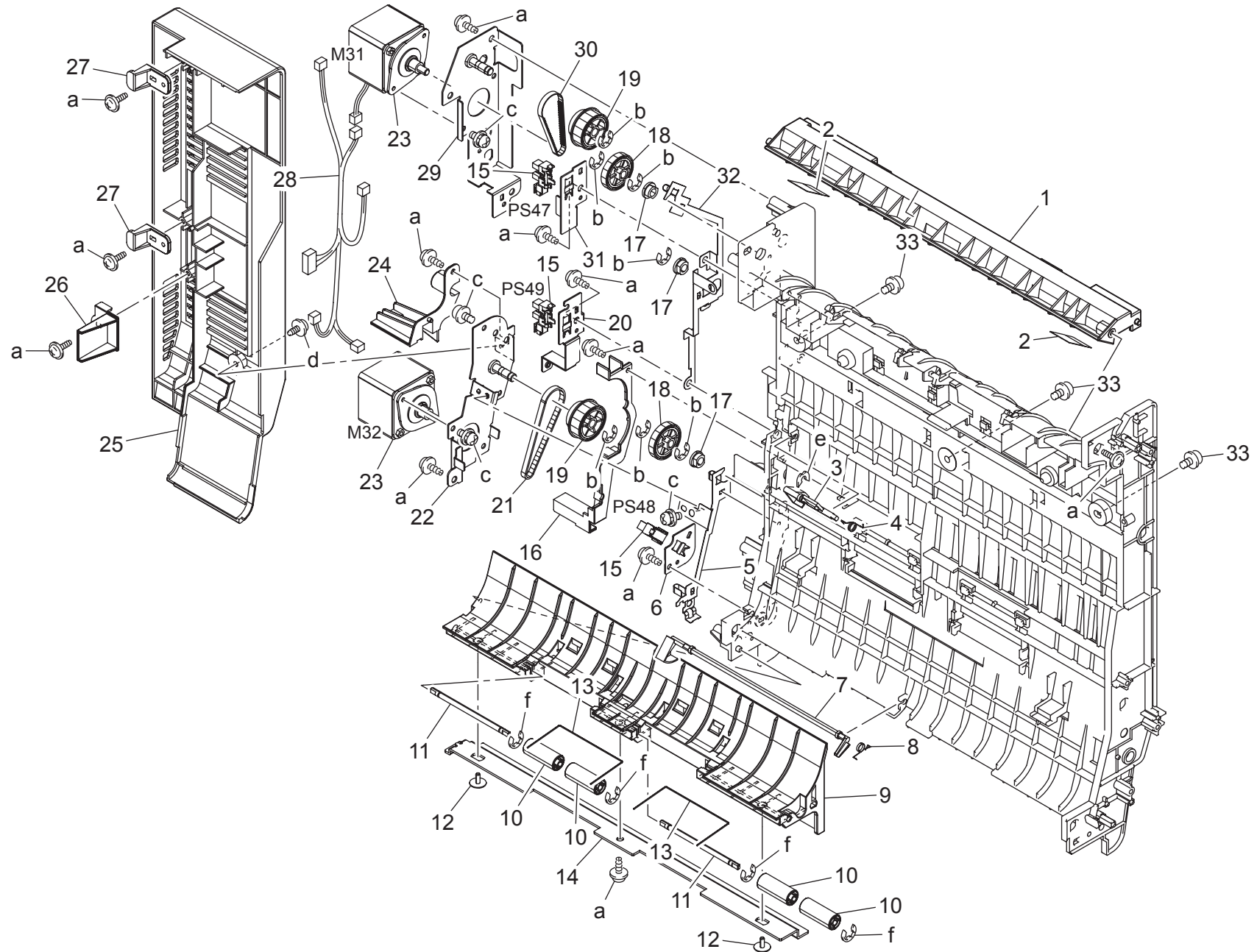
FUSING SECTION

Key	Part No.	Description	Destinations	Class	QTY	Standard parts
1	A00J R720 00	FUSING KIT 100V	A,A1	A	1	
1	A00J R721 00	FUSING KIT 120V	B,G2,F1	A	1	
1	A00J R722 00	FUSING KIT 230V	C,D1,D3,F2,G1,I,J,K	A	1	
2	A00J 1385 00	Shoulder screw		C	2	
3	A00J N108 02	AC Relay harness /2		D	1	
4	A00J 7523 00	Auxiliary Seal		C	1	
5	A00J R751 00	COIL UNIT 100V	A,A1,B,G2,F1	C	1	
5	A00J R752 00	COIL UNIT 200V	C,D1,D3,F2,G1,I,J,K	C	1	



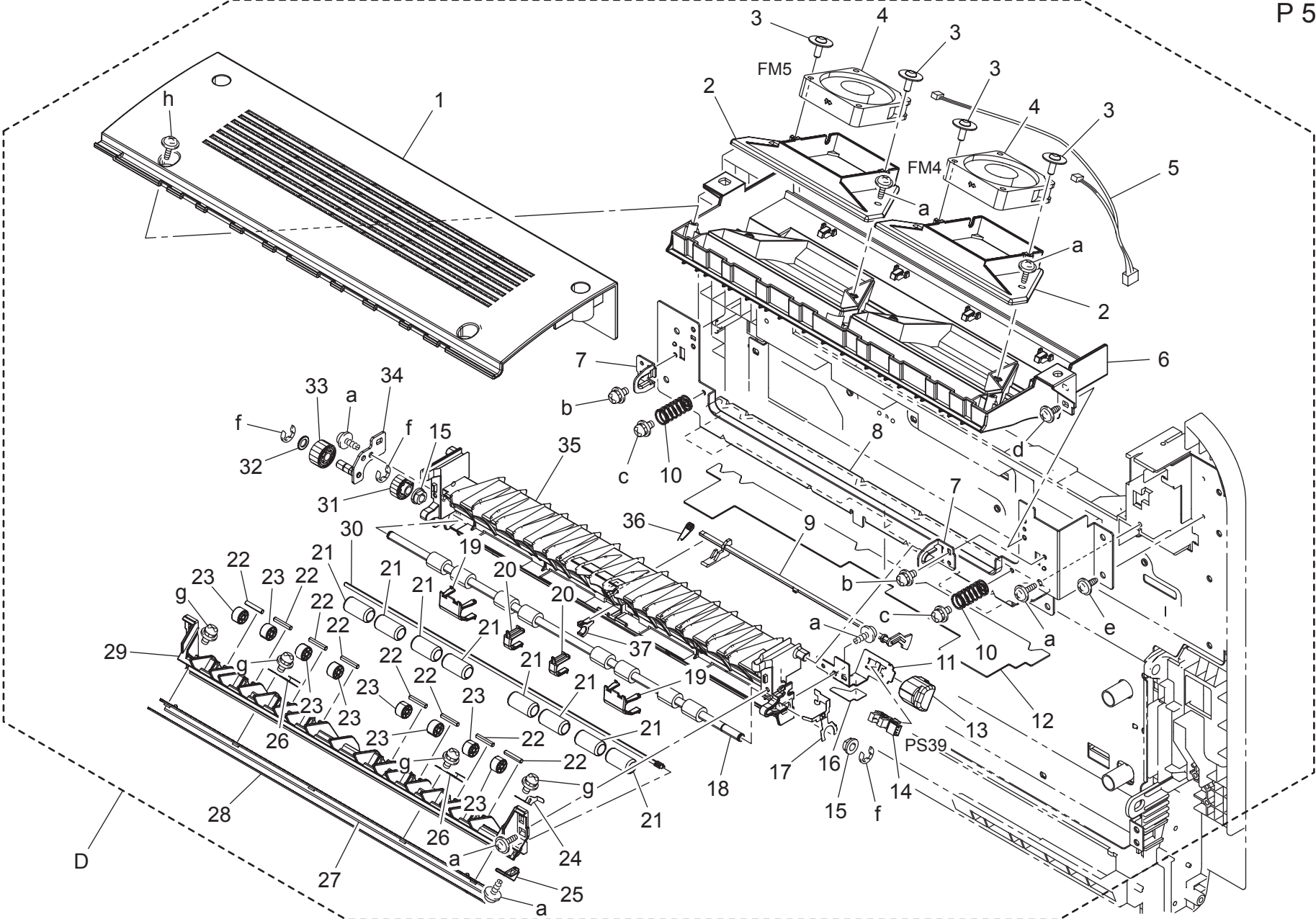


Key	Part No.	Description	Destinations	Class	QTY	Standard parts
1	A00J 8103 02	Handle		C	1	a-V153 0308 03 b-V217 0400 01 c-V153 0308 04 d-V217 0500 01 e-V217 0300 01
2	4497 3106 03	PRESSURE SPRING		C	1	
3	A00J 8146 00	Guide Part /Front		C	1	
4	A00J 8104 00	Cover /Front		C	1	
5	A00J 8128 00	Gear 24T		C	1	
6	4030 3093 01	BUSHING		C	5	
7	A00J R7AV 00	MOUNTING PLATE /B		D	1	
8	A00J 8129 01	Gear 22/24T		C	1	
9	A00J 8130 00	Belt 248L		C	1	
10	1200 1646 03	WASHER		D	1	
11	A00J 8136 00	Roll		C	2	
12	A00J 8124 00	Torsion Spring /Lower		C	1	
13	0910 3620 01	STOP RING		D	2	
14	A00J 8123 00	Lever		C	1	
15	A00J 8122 00	Pulley 26T		C	1	
16	4657 3713 01	PULLEY 22T		C	2	
17	A00J R7AW 00	MOUNTING PLATE /D		D	1	
18	A00J R7AX 00	MOUNTING PLATE /C		D	1	
19	A00J 8110 00	Roller /4		C	1	
20	A00J 8141 00	Roll		C	12	
21	A00J 8144 00	Shaft		C	6	
22	A00J 8145 00	Spring		C	6	
23	A00J 8101 02	Base frame		D	1	
24	A00J 8157 00	Cushion		C	1	
25	A00J 8156 00	Cover		C	1	
26	A00J 8118 00	Actuator /Upper		C	1	
27	4657 3735 01	TORSION SPRING		C	1	
28	A00J 8108 00	Roller /1		C	3	
29	1067 2501 01	PIN		C	1	
30	A00J 8151 00	Knob		C	1	
31	A00J R7AY 00	MOUNTING PLATE /A		D	1	
32	A00J 8121 00	Torsion Spring /Upper		D	1	
33	A00J 8112 00	Pulley 22T		C	2	
34	A00J 8152 00	Lever		C	1	
35	A00J 8116 00	Belt 306L		C	1	
36	A00J 8164 00	STOPPER		C	1	
37	A00J 8147 00	Guide Part /Rear		C	1	
38	A00J 8105 04	Open/close Cover		C	1	
39	A00J 8158 01	Compressing Spring		C	2	



Key	Part No.	Description	Destinations	Class	QTY	Standard parts
1	A00J 8102 01	Cover /Upper		C	1	a-V153 0308 03 b-V217 0400 01 c-V116 0306 03 d-V121 0308 04 e-V218 0300 86 f-V217 0300 01
2	A00J 8163 00	Guide Film		C	2	
3	A00J 8132 00	Actuator		C	1	
4	4657 3734 01	TORSION SPRING		C	1	
5	A00J 8140 00	Ground Plate /Lower		C	1	
6	A00J 8120 00	Sensor Plate /Lower		D	1	
7	A00J 8119 00	Actuator /Lower		C	1	
8	4657 3735 01	TORSION SPRING		C	1	
9	A00J 8107 01	Cover /Lower		C	1	
10	A00J 8141 00	Roll		C	4	
11	A00J 8144 00	Shaft		C	2	
12	4036 5966 01	SCREW		C	2	
13	A00J 8145 00	Spring		C	2	
14	A00J 8162 00	Reinforce Plate		D	1	
15	9335 1300 61	PHOTO INTERRUPTER		B	3	
16	A00J 8154 00	Wiring Cover		D	1	
17	4030 3093 01	BUSHING		C	3	
18	A00J 8138 00	Gear 25T		C	2	
19	A00J 8139 00	Pulley 33/25T		C	2	
20	A00J 8133 00	Sensor Plate /Middle		D	1	
21	A00J 8111 00	Belt 160L		C	1	
22	A00J R7B0 00	DRIVE FRAME / LOWER		D	1	
23	9314 1001 04	MOTOR		B	2	
24	A00J 8155 00	Wiring Cover /2		D	1	
25	A00J 8106 00	Cover /Rear		C	1	
26	A00J 8161 00	Lever		C	1	
27	A00J 8153 00	Hook		C	2	
28	A00J N113 00	ADU Wiring		D	1	
29	A00J R7B1 00	DRIVE FRAME / UPPER		D	1	
30	4657 3743 01	TIMING BELT 134L		C	1	
31	A00J 8126 00	Sensor Plate /Upper		D	1	
32	A00J 8135 00	Ground Plate /Upper		C	1	
33	A00J 8159 00	Screw		C	3	

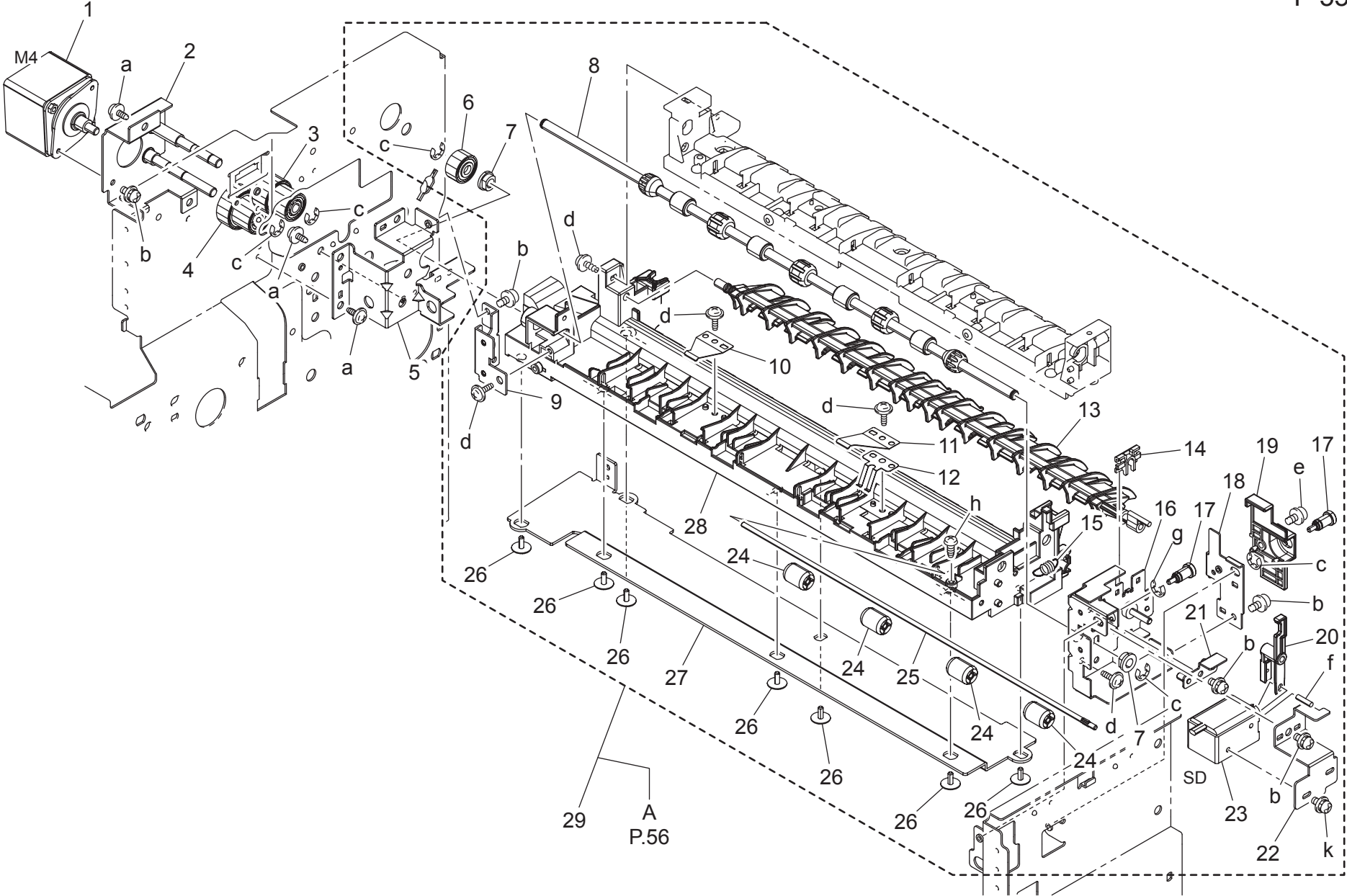
PAPER EXIT SECTION



PAPER EXIT SECTION

Key	Part No.	Description	Destinations	Class	QTY	Standard parts
1	A00J 8918 01	Paper exit Cover		C	1	a-V153 0308 03
2	A00J 8989 00	Cover		D	2	b-V116 0306 03
3	4036 5966 01	SCREW		C	4	c-V116 0308 03
4	9J06 M100 00	FAN MOTOR		C	2	d-V137 0308 03
5	A00J N112 00	CONVEYANCE RELAY HARNESS/2		D	1	e-V137 0306 03
6	A00J 8921 01	Guide Plate		D	1	f-V217 0400 01
7	A00J 8922 00	Mounting Plate		D	2	g-V116 0310 03
8	A00J 8930 00	Mounting Plate		D	1	h-V153 0308 04
9	A00J 8923 00	Paper exit Actuator		C	1	
10	A00J 8931 00	Compressing Spring		D	2	
11	A00J 8927 00	Sensor Plate		D	1	
12	A00J 8996 00	Protection Part		C	1	
13	A00J 8984 00	Cover		C	1	
14	9335 1300 61	PHOTO INTERRUPTER		B	1	
15	4030 3093 01	BUSHING		C	2	
16	A00J 8997 00	Protection Part		C	1	
17	A00J 8940 00	Contact		C	1	
18	A00J 8983 02	ROLLER		C	1	
19	A00J 8999 00	Guide Claw		D	2	
20	A00J 8998 00	GUIDE CLAW		D	2	
21	4004 5974 02	ROLL		C	8	
22	A00J 8971 00	Pin		C	8	
23	A00J 8970 00	Roll		C	8	
24	A00J 8942 00	Contact		C	1	
25	A00J 8979 00	Cover		C	1	
26	A00J 8926 00	Plate spring /1		C	2	
27	A00J 8920 00	Reinforce Plate		D	1	
28	A00J 8976 00	Protection Part		C	1	
29	A00J 8924 00	Guide Plate		D	1	
30	A00J 8978 00	Shaft		D	1	
31	A00J 8963 00	Gear 15T		C	1	
32	4036 4713 01	SPACER		D	1	
33	A00J 8961 00	Gear 16T		C	1	
34	A00J R7B2 00	MOUNTING PLATE / 1ST EXIT		D	1	
35	A00J 8929 03	Guide Plate		D	1	
36	4036 5913 01	TORSION SPRING		D	1	
37	4004 5987 01	BUSHING		C	1	

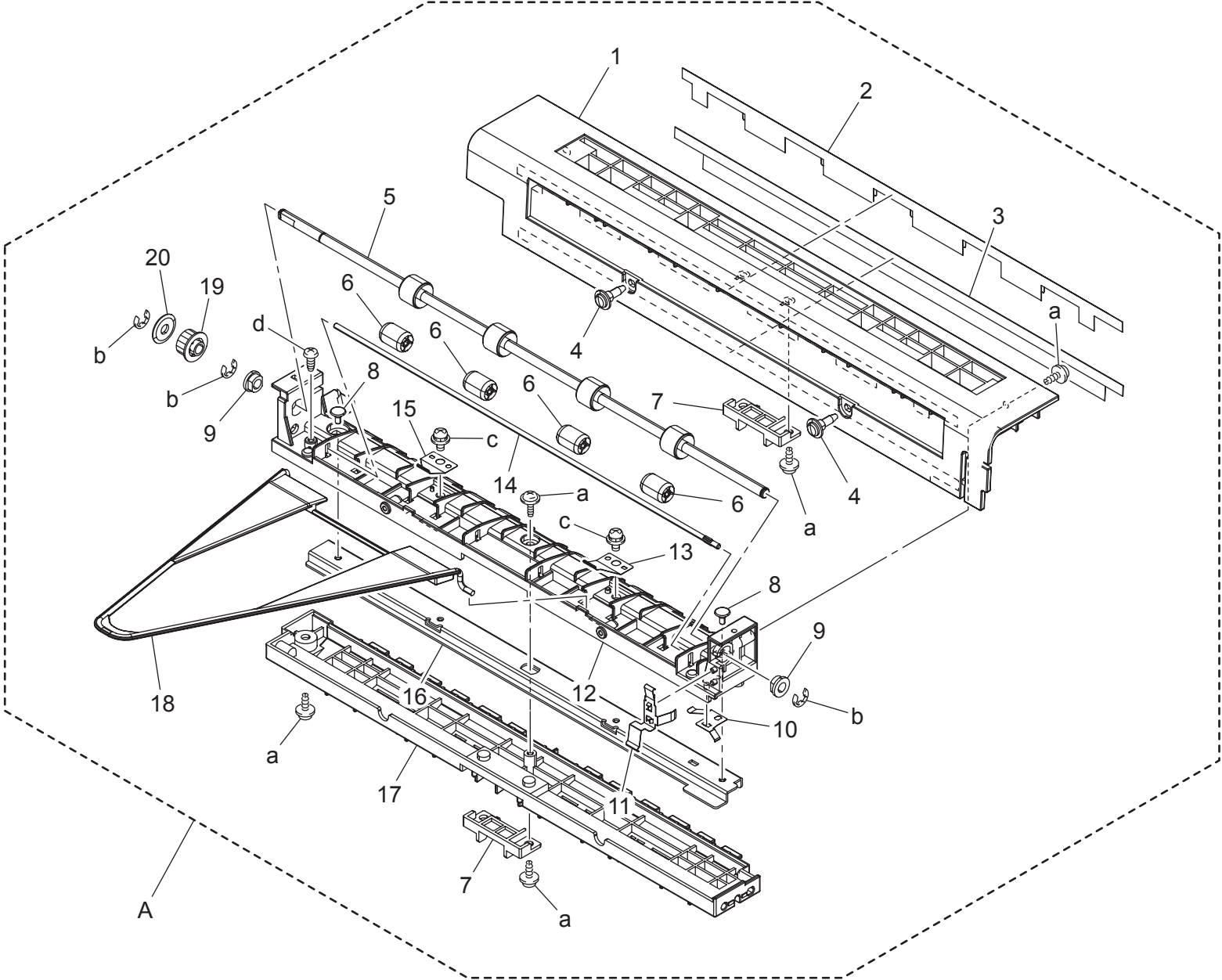
REVERSAL UNIT



REVERSAL UNIT

Key	Part No.	Description	Destinations	Class	QTY	Standard parts
1	A00J M120 00	Stepping motor		C	1	a-V137 0306 03
2	A00J R7B3 00	MOUNTING PLATE / PAPER EXIT MOTOR		D	1	b-V116 0306 03
3	A00J 8911 00	Gear 16/26T		C	1	c-V217 0400 01
4	A00J 8910 00	Gear 22/30T		C	1	d-V153 0308 03
5	A00J 8966 02	MOUNTING PLATE		D	1	e-V116 0308 03
6	A00J 8951 00	Gear 16T		C	1	f-V232 3012 09
7	4030 3093 01	BUSHING		C	2	g-V217 0500 01
8	A00J 8907 00	Paper exit Roller		C	1	h-V145 0308 03
9	A00J 8968 01	Mounting Plate		D	1	k-V116 0305 03
10	A00J 8980 01	Plate spring		D	1	
11	A00J 8981 01	Plate spring		D	1	
12	A00J 8991 01	Contact		C	1	
13	A00J 8905 00	Guide Lever		C	1	
14	4030 3823 01	BUSHING		D	1	
15	A00J 8938 00	Pulling Spring		D	1	
16	A00J R7B4 00	MOUNTING PLATE / PAPER EXIT (FRONT)		D	1	
17	A00J 8965 00	Shoulder screw		C	2	
18	A00J 8912 00	Mounting Plate		D	1	
19	A00J 8982 00	Cover		C	1	
20	A00J 8913 00	Lever		C	1	
21	A00J R7B5 00	REVERSAL UPPER STAKE		D	1	
22	A00J 8941 00	Mounting Plate		D	1	
23	9321 2200 32	SOLENOID		C	1	
24	4004 5903 01	ROLL		C	4	
25	4025 5984 01	SHAFT		D	1	
26	4036 5966 01	SCREW		C	7	
27	A00J 8902 00	Mounting Plate		D	1	
28	A00J 8901 03	GUIDE PLATE /LOWER		D	1	
29	A00J R725 00	REVERSAL UNIT		C	1	

REVERSAL UNIT

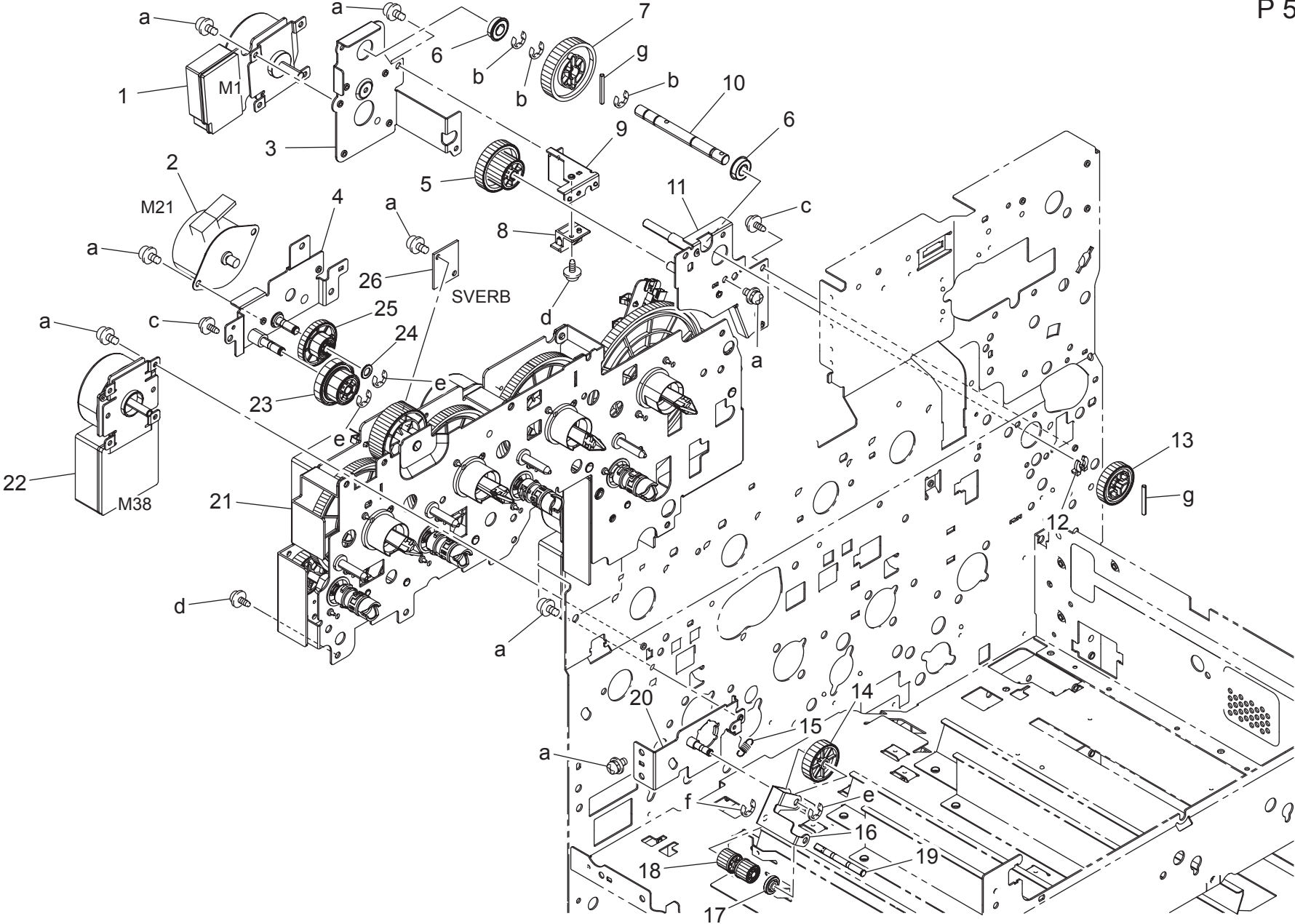




REVERSAL UNIT

Key	Part No.	Description	Destinations	Class	QTY	Standard parts
1	A00J 8935 01	Riverse/exit Cover		C	1	a-V153 0308 03 b-V217 0400 01 c-V116 0308 03 d-V149 0308 03
2	A00J 8974 00	Neutralizing Brush		C	1	
3	A00J 8969 01	Neutralizing Brush		C	1	
4	A00J 8995 00	Shoulder screw		C	2	
5	A00J 8939 00	Riverse/exit Roller		C	1	
6	4004 5903 01	ROLL		C	4	
7	A00J 8904 00	Bushing		C	2	
8	4011 5852 02	SHOULDER SCREW		C	2	
9	4030 3093 01	BUSHING		C	2	
10	A00J 8992 00	Contact		C	1	
11	A00J 8964 00	Contact		C	1	
12	A00J 8934 02	Guide Plate		D	1	
13	A00J 8993 01	Plate spring		C	1	
14	4025 5984 01	SHAFT		D	1	
15	A00J 8932 01	Plate spring		C	1	
16	A00J 8936 01	Mounting Plate		D	1	
17	A00J 8933 00	Guide Plate		D	1	
18	A00J 8985 00	Guide Part		C	1	
19	4025 5939 01	PULLEY 24T		C	1	
20	1200 1646 03	WASHER		D	1	

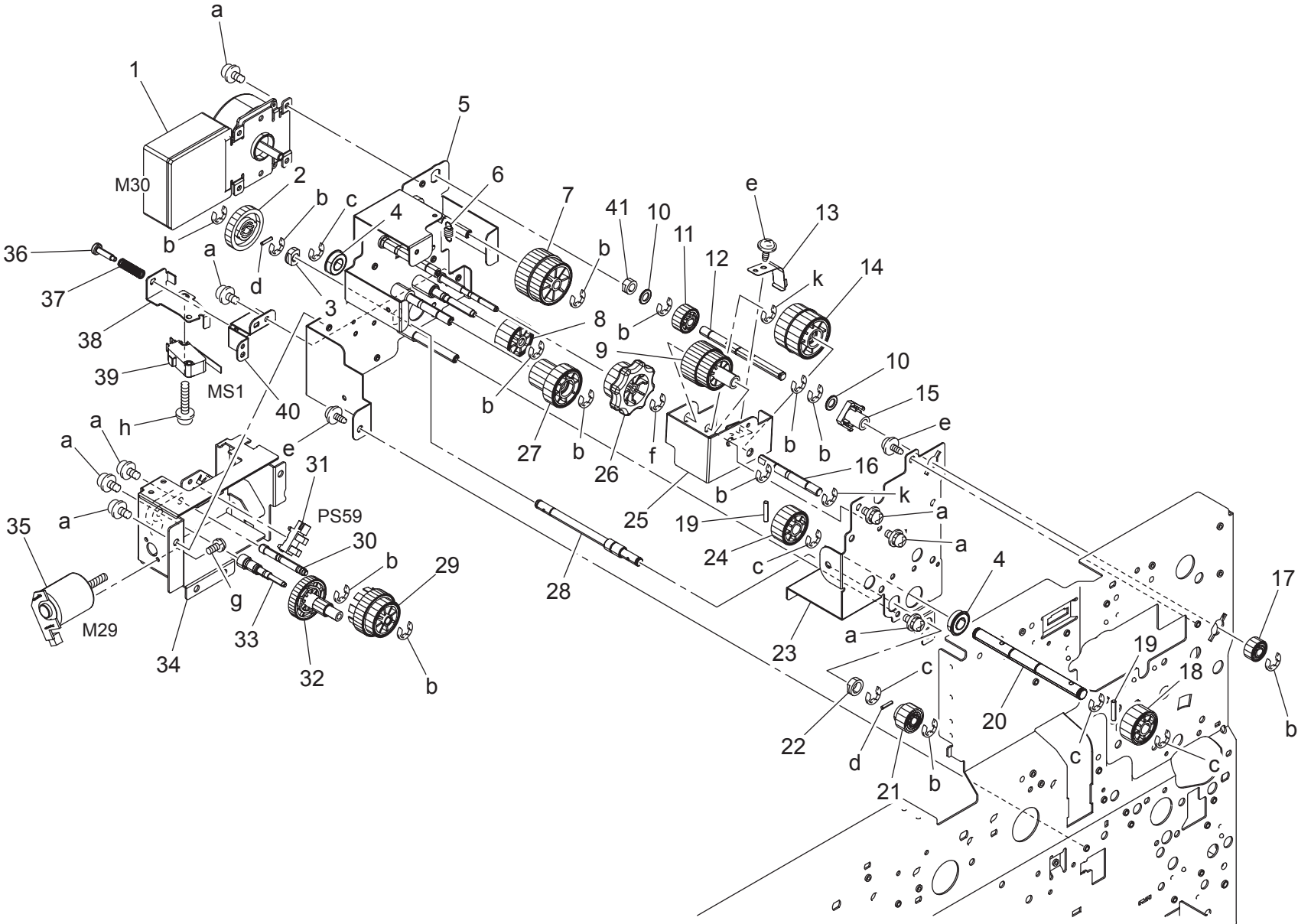
MAIN DRIVE UNIT



MAIN DRIVE UNIT

Key	Part No.	Description	Destinations	Class	QTY	Standard parts
1	A00J M113 00	Brushless motor /12		C	1	a-V116 0306 03 b-V217 0600 01 c-V137 0306 03 d-V137 0308 03 e-V217 0400 01 f-V217 0300 03 g-V237 3018 50
2	9314 1400 71	MOTOR		C	1	
3	A00J 2204 00	Transfer Frame /A		D	1	
4	A00J R7B6 00	TRANSFER FRAME / D		D	1	
5	A00J 2200 01	Gear 44/70T		C	1	
6	A00V 2406 00	BALL BEARING		C	2	
7	4004 2540 01	GEAR 88T		C	1	
8	4036 3517 01	GUIDE		D	1	
9	A00J 2206 00	Transfer Frame /C		D	1	
10	A00J 2203 00	Transfer Shaft /A		D	1	
11	A00J R7B7 00	TRANSFER FRAME / B		D	1	
12	1164 3065 01	STOPPER RING		D	1	
13	A00J 2201 02	Gear 59T		C	1	
14	A00J 2281 00	Gear 55T		C	1	
15	4004 2582 01	TENSION SPRING		C	1	
16	A00J 2284 01	Transfer Frame /E		D	1	
17	A00J 2283 00	Transfer Roll /1		C	1	
18	A00J 2282 00	Gear 25/25T		C	1	
19	A00J 2287 00	Transfer Shaft /B		D	1	
20	A00J R7B8 00	TRANSFER FREME / F		D	1	
21	A00J R704 00	MAIN DRIVE UNIT		C	1	
22	A00J M114 01	Brushless motor /20		C	1	
23	A00J 2251 00	Gear 22/33T		C	1	
24	4036 4713 01	SPACER		D	1	
25	A00J 2250 00	Gear 16/64T		C	1	
26	A00J H00C 00	PWB Assembly EE		I	1	

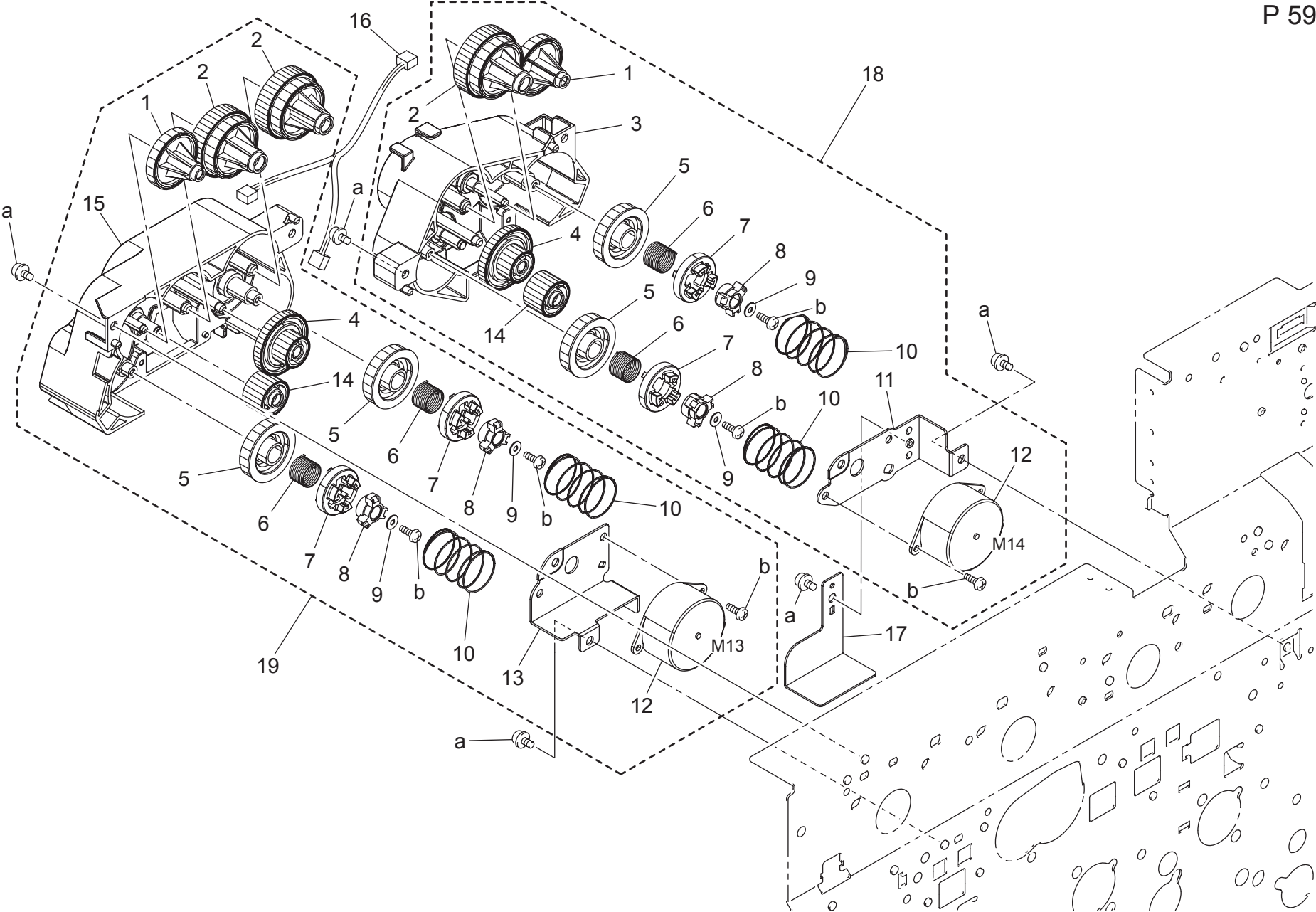
FUSING DRIVE UNIT



FUSING DRIVE UNIT

Key	Part No.	Description	Destinations	Class	QTY	Standard parts
1	A00J M115 01	Brushless motor /30		C	1	a-V116 0306 03
2	4004 2571 12	GEAR 40T		C	1	b-V217 0400 01
3	9J06 2101 00	BUSHING		C	1	c-V217 0600 01
4	A00V 2406 00	BALL BEARING		C	2	d-V231 2010 50
5	A00J R7B9 00	FUSING DRIVE FRAME		D	1	e-V137 0306 03
6	4004 2582 01	TENSION SPRING		C	1	f-V217 0300 01
7	A00J 2306 00	Gear 58/62T		C	1	g-V115 2605 03
8	A00J 2303 00	Gear 30T		C	1	h-V116 0316 03
9	A00J 2300 00	Gear 52/30T		C	1	k-V217 0400 03
10	4036 4713 01	SPACER		D	2	
11	A00J 2307 00	Gear 33T		C	1	
12	A00J 2318 01	Paper exit Shaft /1		D	1	
13	4036 2583 01	PLATE SPRING		D	1	
14	A00J 2301 00	Gear 38/38T		C	1	
15	A00J 2321 00	Paper exit Bearing /1		C	1	
16	A00J 2312 00	Fusing Shaft /1		D	1	
17	A00J 2308 00	Gear 18T		C	1	
18	A00J 2305 00	Gear 23T		C	1	
19	4036 2549 01	PIN		D	2	
20	A00J 2315 00	Fusing Shaft /2		D	1	
21	A00J 2358 00	Gear 13T		C	1	
22	4036 2524 01	BUSHING		C	1	
23	A00J 2310 00	Fusing Frame /2		D	1	
24	A00J 2304 00	Gear 30T		C	1	
25	A00J 2320 00	Fusing Frame /3		D	1	
26	A00J 2322 00	Fusing Knob /1		C	1	
27	A00J 2302 00	Gear 35/23T		C	1	
28	A00J 2354 00	Pressure Shaft /1		D	1	
29	A00J 2356 00	Gear 34/63T		C	1	
30	A00J 2353 00	PRESSURE STAKE /2		D	1	
31	9335 1300 61	PHOTO INTERRUPTER		B	1	
32	A00J 2355 00	Gear 18/75T		C	1	
33	A00J 2352 00	PRESSURE STAKE /1		D	1	
34	A00J 2350 03	Pressure Frame /1		D	1	
35	A00J R749 00	MOTOR ASSY		C	1	
36	4036 2258 01	SHOULDER SCREW		C	1	
37	4004 2248 02	PRESSURE SPRING		C	1	
38	4036 2241 01	BRACKET		D	1	
39	9J06 M601 00	MICRO SWITCH		C	1	
40	A00J 1380 00	Mounting Plate		D	1	
41	1200 3121 09	BUSHING		C	1	

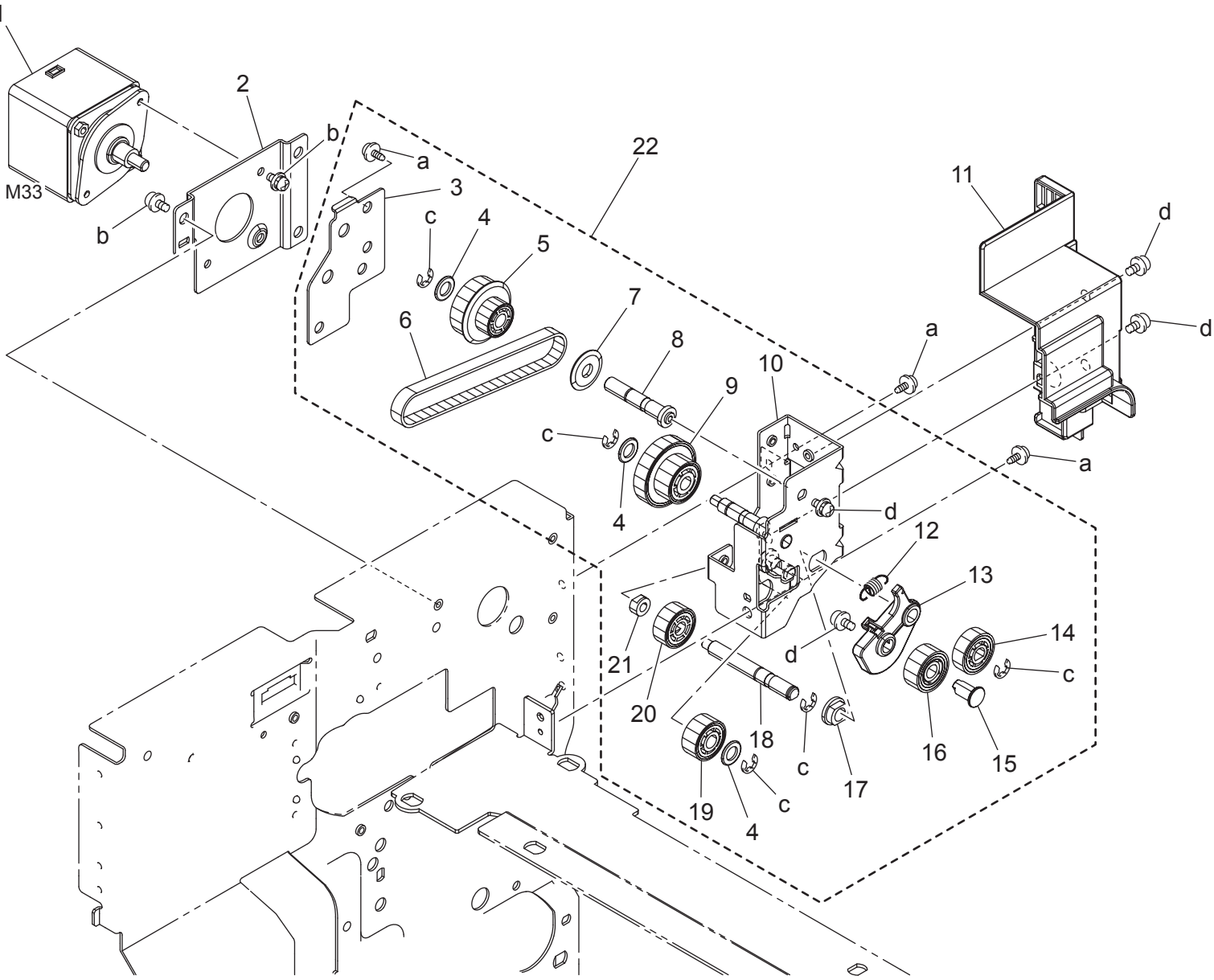
BOTTLE DRIVE SECTION



BOTTLE DRIVE SECTION

Key	Part No.	Description	Destinations	Class	QTY	Standard parts
1	A00J 4031 00	Drive Gear /3 40T		C	2	a-V116 0306 03 b-V145 0308 03
2	A00J 4030 00	Drive Gear /2 75/40T		C	3	
3	A00J 4026 00	Drive Holder /Right		D	1	
4	A00J 4029 00	Drive Gear /1 70/35T		C	2	
5	A00J 4040 00	Gear 40T		C	4	
6	4038 5411 01	SPRING		C	4	
7	A00J 4041 01	Coupling		C	4	
8	4038 5413 01	GUIDE		C	4	
9	4038 5407 01	COLLAR		C	4	
10	4038 5412 02	PRESSURE SPRING		C	4	
11	A00J 4028 01	Fixing Plate /Right		D	1	
12	9314 1300 21	MOTOR		B	2	
13	A00J 4038 00	Fixing Plate /Left		D	1	
14	A00J 4037 00	Gear 40T		C	2	
15	A00J 4027 00	Drive Holder /Left		D	1	
16	A00J N109 00	DRIVE WIRING/1		D	1	
17	A00J 1429 00	Protection Plate		D	1	
18	A00J R713 00	BOTTLE DRIVE-C BK		C	1	
19	A00J R712 00	BOTTLE DRIVE-YM		C	1	

EJECT DRIVE SECTION

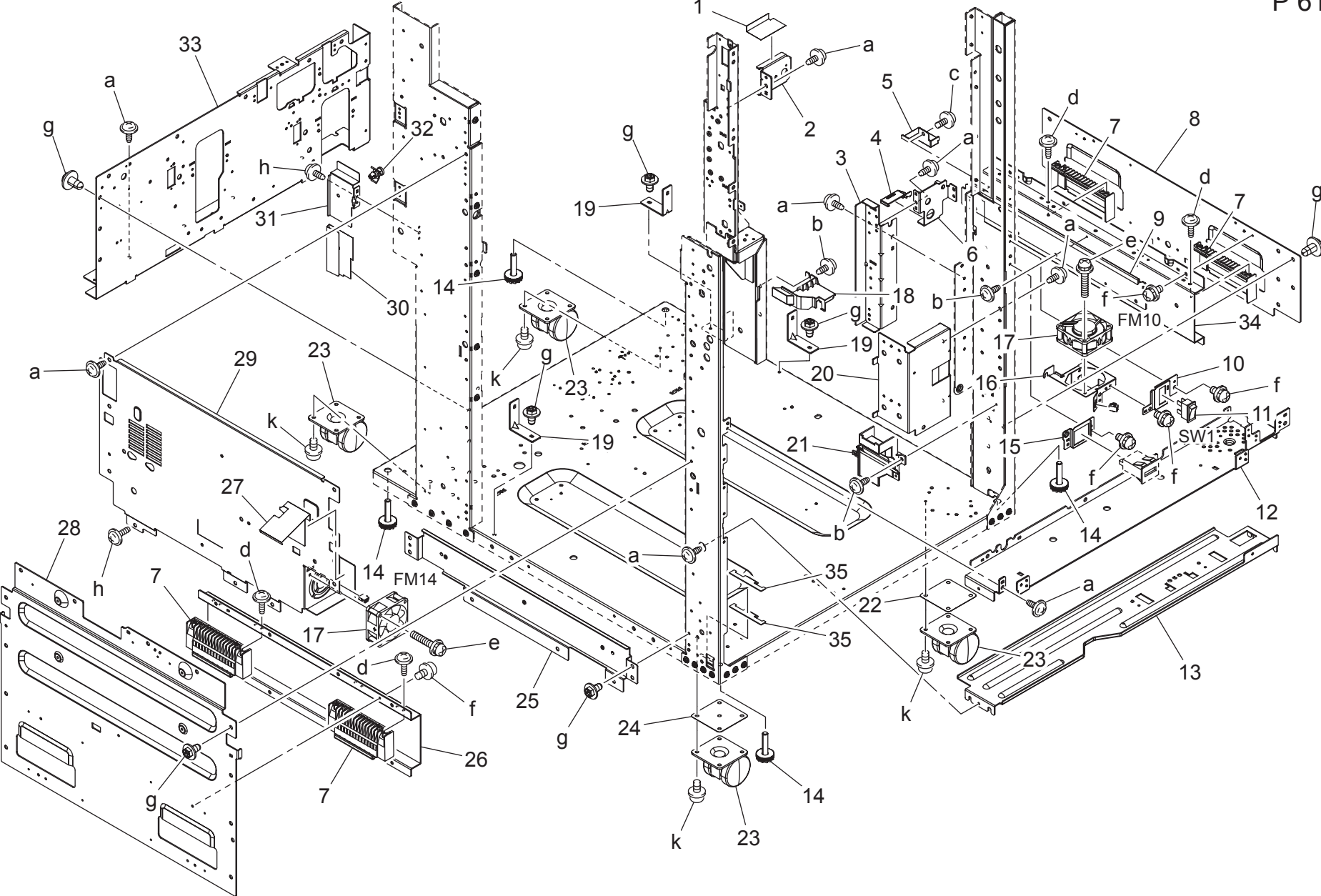




EJECT DRIVE SECTION

Key	Part No.	Description	Destinations	Class	QTY	Standard parts
1	A00J M120 00	Stepping motor		C	1	a-V137 0306 03 b-V116 0306 03 c-V217 0400 01 d-V116 0308 03
2	A00J 8950 00	Mounting Plate		D	1	
3	A00J 8960 00	Mounting Plate		D	1	
4	4036 4713 01	SPACER		D	3	
5	A00J 8952 00	Pulley 24/29T		C	1	
6	A00J 8943 00	Timing belt 210L		C	1	
7	1200 1646 03	WASHER		D	1	
8	A00J 8958 00	Shaft		D	1	
9	A00J 8957 00	Gear 21/34T		C	1	
10	A00J 8949 00	Mounting Plate /ASSY		D	1	
11	A00J 8977 00	Cover		C	1	
12	A00J 8994 00	Pulling Spring		C	1	
13	A00J 8973 00	Cam		C	1	
14	A00J 8946 00	Gear 16T		C	1	
15	A00J 8972 00	Shaft		D	1	
16	A00J 8953 00	Gear 16T		C	1	
17	1200 3221 04	BUSHING		C	1	
18	A00J 8948 00	Shaft		D	1	
19	A00J 8944 00	Gear 21T		C	1	
20	A00J 8945 00	Gear 21T		C	1	
21	4004 5339 01	BUSHING		C	1	
22	A00J R726 00	EJECT DRIVE UNIT		C	1	

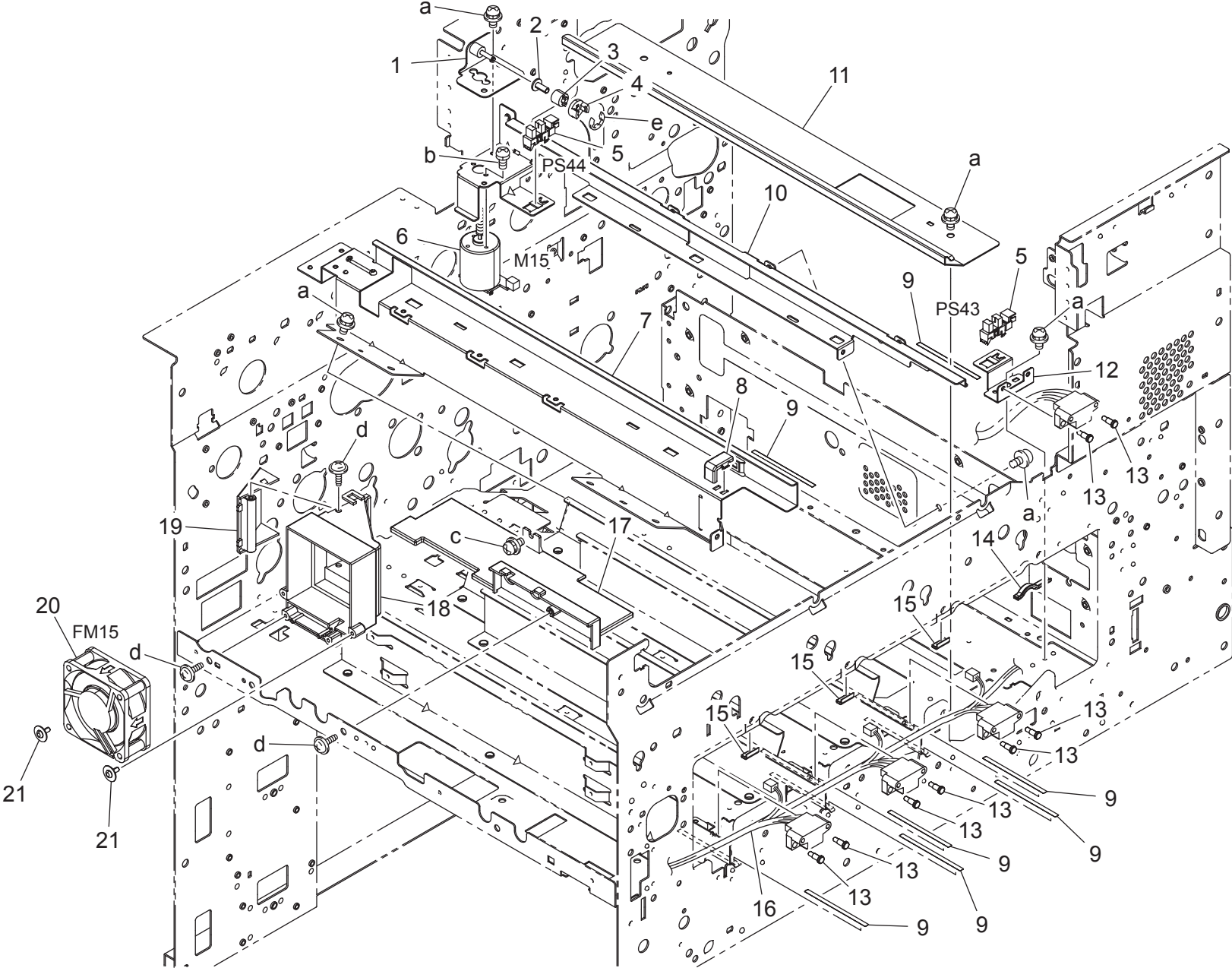
MAIN FRAME



MAIN FRAME

Key	Part No.	Description	Destinations	Class	QTY	Standard parts
1	A00J 1669 00	PROTECTION FILM /BLACK		C	1	a-V137 0408 03
2	A00J 1027 00	Mounting Plate		D	1	b-V137 0308 03
3	A00J 1024 00	Mounting Plate		D	1	c-V121 0308 03
4	A00J 5868 00	Guide Holder		C	1	d-V153 0308 03
5	A00J 1638 00	Cover		C	1	e-V116 0330 03
6	A00J 5952 00	Mounting Plate /ASSY		D	1	f-V116 0306 03
7	A00J 1646 00	Cover Handle		C	4	g-A00J 1099 00
8	A00J 1051 01	Mounting Plate		D	1	h-V137 0306 03
9	A00J 1372 01	Mounting Plate		D	1	k-V121 0308 04
10	A00J 1354 00	Mounting Plate		D	1	
11	0990 6304 02	SWITCH		C	1	
12	A00J 1013 01	Stay /Upper		D	1	
13	A00J 1014 00	Stay /Lower		D	1	
14	A00J 1046 00	Rubber foot		D	4	
15	A00J 1345 00	Mounting Plate		D	1	
16	A00J 1377 01	Mounting Plate		D	1	
17	4556 M100 00	FAN MOTOR		B	2	
18	A00J 1382 00	Cover		D	1	
19	A00J 1055 00	Reinforce Plate		D	3	
20	A00J 1043 01	Mounting Plate		D	1	
21	A00J 1383 01	Cover		C	1	
22	A00J 1065 00	Plate		D	1	
23	4348 2010 01	CASTOR		D	4	
24	A00J 1064 00	Plate		D	1	
25	A00J 1044 00	Mounting Plate		D	1	
26	A00J 1054 00	Mounting Plate		D	1	
27	A00J 1421 00	Protection Part		D	1	
28	A00J 1016 03	Side plate /Middle		D	1	
29	A00J 1015 03	Side plate /Upper		D	1	
30	A00J 1419 00	Protection Part		C	1	
31	A00J 1397 01	Cover		D	1	
32	V502 0100 26	SUPPORT		D	1	
33	A00J 1050 03	Side plate /Rear		D	1	
34	A00J 1052 01	Mounting Plate		D	1	
35	A00J 1058 00	Plate		D	2	

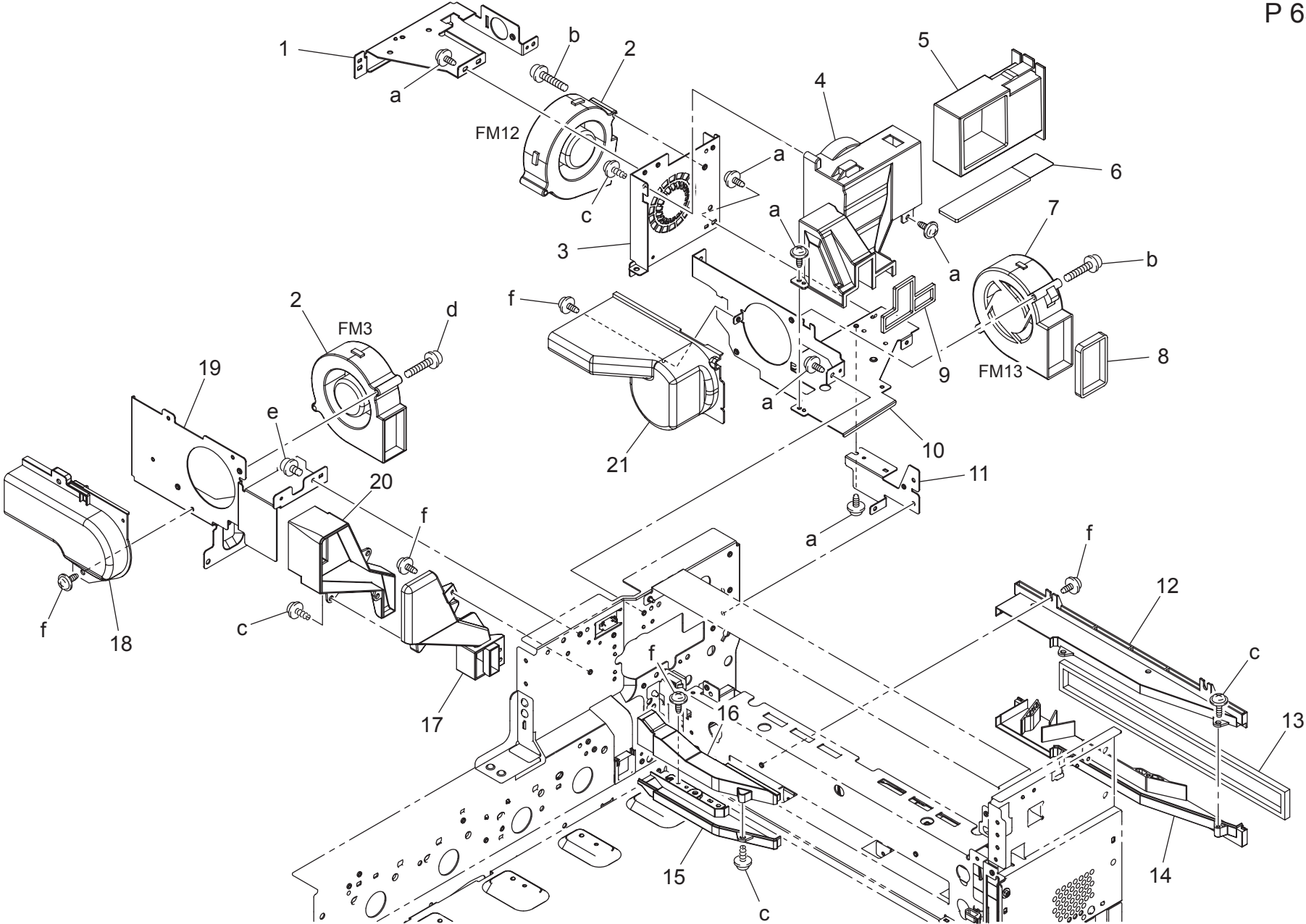
I/U FRAME SECTION



I/U FRAME SECTION

Key	Part No.	Description	Destinations	Class	QTY	Standard parts
1	A00J R7BA 00	MOUNTING PLATE / CLEANING MOTOR		D	1	a-V116 0306 03 b-V115 2605 03 c-V116 0308 03 d-V153 0308 03 e-V217 0200 01
2	A00J 1234 00	Collar		C	1	
3	A00J 1233 00	Gear 22T		C	1	
4	A00J 1232 00	Coupling		C	1	
5	9335 1300 61	PHOTO INTERRUPTER		B	2	
6	4037 R710 00	MOTOR ASSY		B	1	
7	A00J 1105 01	Rail /E		D	1	
8	A00J 1157 00	Holder		C	1	
9	A00J 9412 00	Label		C	7	
10	A00J 1106 01	Rail		D	1	
11	A00J 1103 00	Rail /F		D	1	
12	A00J 1107 01	Mounting Plate		D	1	
13	1079 2219 01	SHOULDER SCREW		C	8	
14	A00J 1217 00	Protection Sheet /Black		C	1	
15	A00J 1216 00	Protection Seal		C	3	
16	A00J N127 02	Developing Relay harness		D	1	
17	A00J 1553 00	Mounting Plate		D	1	
18	A00J 1551 00	Mounting Plate		D	1	
19	A00J 1552 00	Duct		D	1	
20	4556 M100 00	FAN MOTOR		B	1	
21	4036 5966 01	SCREW		C	2	

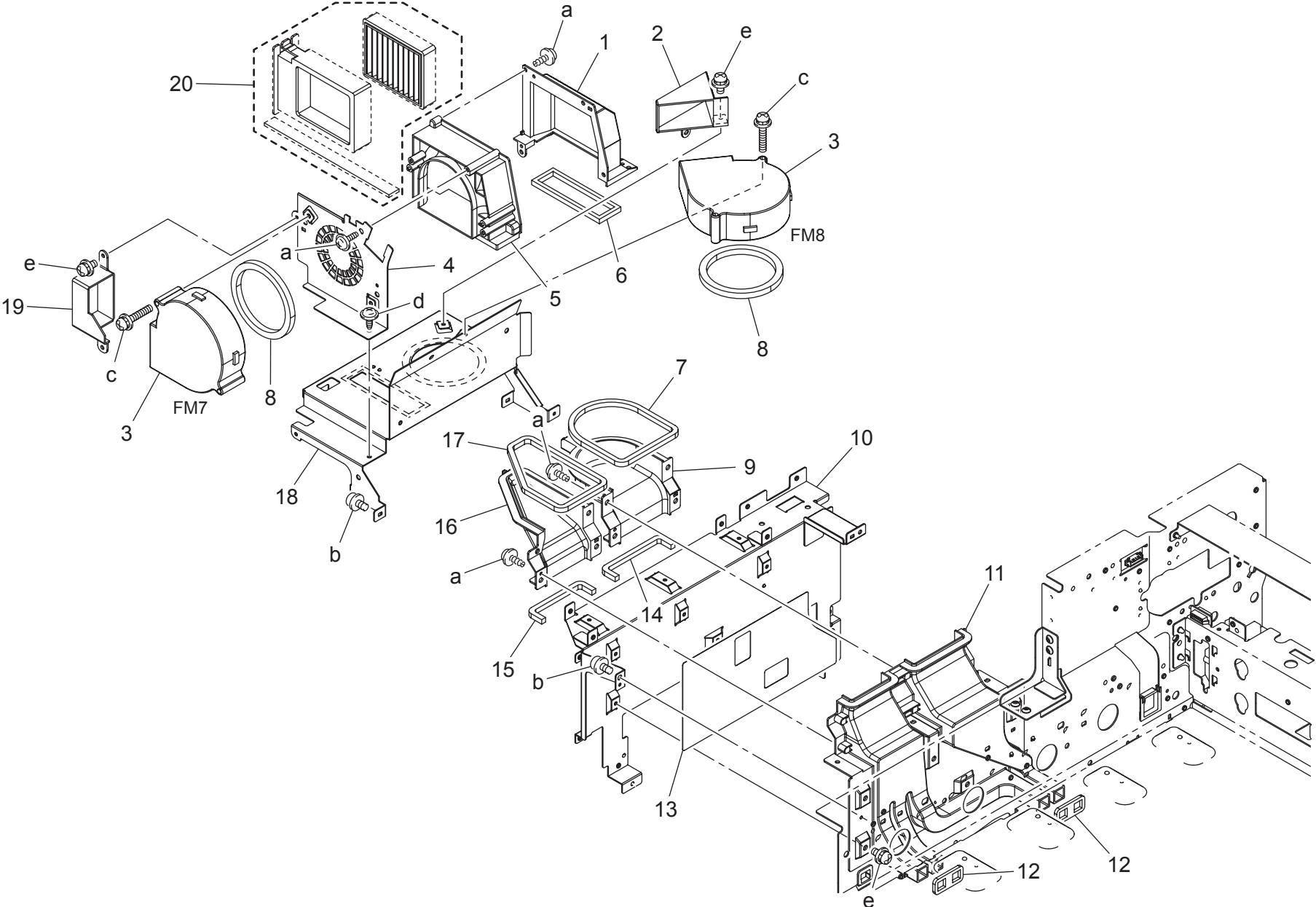
REAR FAN SECTION



REAR FAN SECTION

Key	Part No.	Description	Destinations	Class	QTY	Standard parts
1	A00J 1510 01	Mounting Plate		D	1	a-V137 0306 03 b-V116 0440 03 c-V153 0308 03 d-V116 0435 03 e-V116 0306 03 f-V137 0308 03
2	9313 1000 72	FAN MOTOR		C	2	
3	A00J 1505 02	Mounting Plate		D	1	
4	A00J 1501 01	Duct		D	1	
5	A00J 1509 00	Holder		C	1	
6	A00J 1508 00	Seal		C	1	
7	9313 1400 41	FAN MOTOR		C	1	
8	A00J 1511 00	Sealing Part		C	1	
9	A00J 1504 00	Seal		C	1	
10	A00J 1502 01	Mounting Plate		D	1	
11	A00J 1506 00	Mounting Plate		D	1	
12	A00J 1572 00	Duct /2		D	1	
13	A00J 1578 00	Seal		C	1	
14	A00J 1571 00	Duct /1		D	1	
15	A00J 1573 01	Duct /3		D	1	
16	A00J 1574 01	Duct /4		D	1	
17	A00J 1575 01	Duct /5		D	1	
18	A00J 1577 00	Duct		D	1	
19	A00J 1579 01	Mounting Plate		D	1	
20	A00J 1576 00	Duct /6		D	1	
21	A00J 1503 00	Duct		D	1	

REAR FAN SECTION

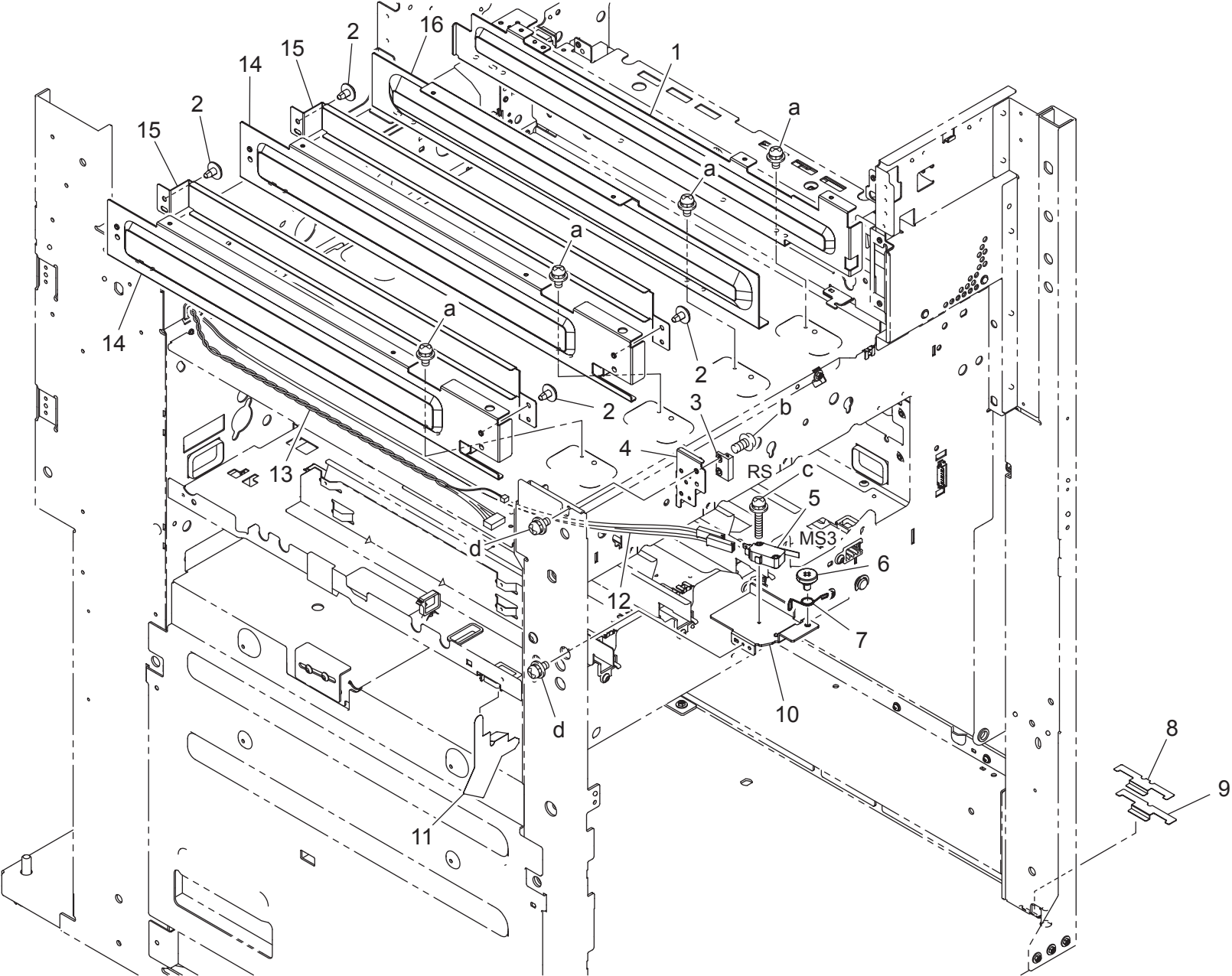




REAR FAN SECTION

Key	Part No.	Description	Destinations	Class	QTY	Standard parts
1	A00J 1545 01	Duct		D	1	a-V153 0308 03 b-V116 0306 03 c-V116 0435 03 d-V137 0306 03 e-V116 0308 03
2	A00J 1555 00	Sound shield Duct		D	1	
3	9313 1000 72	FAN MOTOR		C	2	
4	A00J 1546 00	Mounting Plate		D	1	
5	A00J 1533 00	Duct		D	1	
6	A00J 1528 00	Seal		C	1	
7	A00J 1530 00	Seal		C	1	
8	4036 2485 01	SEAL		C	2	
9	A00J 1526 00	Duct		D	1	
10	A00J 1322 01	Mounting Plate /ASSY		D	1	
11	A00J 1521 00	Duct		D	1	
12	A00J 1527 00	Seal		C	2	
13	A00J 1557 00	Dust-proof Seal /Yellow		C	1	
14	A00J 1536 01	Seal		C	1	
15	A00J 1535 00	Seal		C	1	
16	A00J 1532 00	Duct		D	1	
17	A00J 1547 00	Seal		C	1	
18	A00J 1531 01	Mounting Plate		D	1	
19	A00J 1554 00	Sound shield Duct		D	1	
20	A00J R700 00	FILTER		A	1	

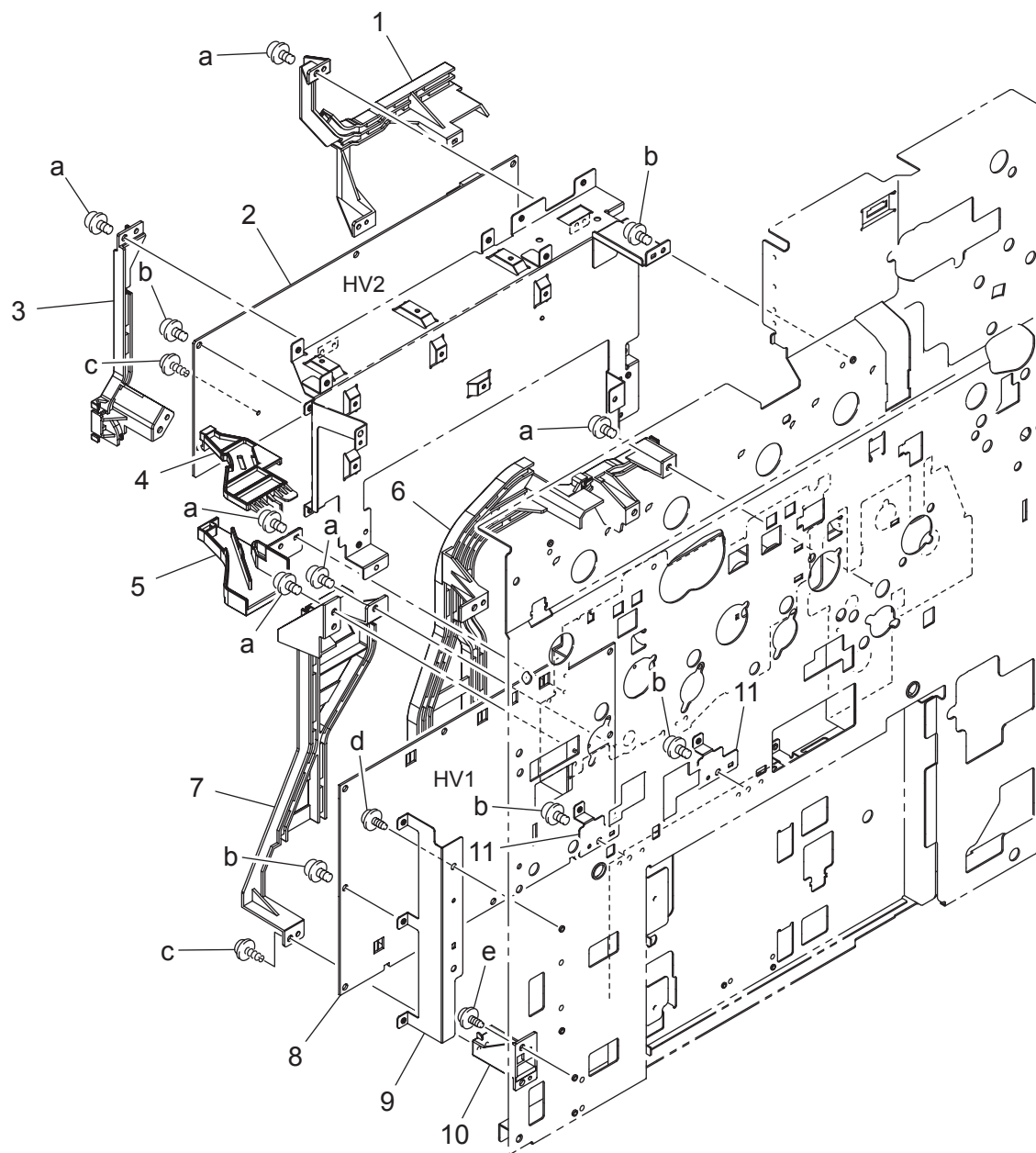
DOOR SAFE SWITCH



DOOR SAFE SWITCH

Key	Part No.	Description	Destinations	Class	QTY	Standard parts
1	A00J 4034 02	Guide Plate /C		D	1	a-V116 0306 03 b-V118 0306 03 c-V116 0316 03 d-V116 0308 03
2	4106 2063 01	SCREW		C	4	
3	9334 2610 12	REED SWITCH		C	1	
4	A00J 1358 00	Mounting Plate /B		D	1	
5	9J06 M601 00	MICRO SWITCH		C	1	
6	A00J 1346 00	Shoulder screw		C	1	
7	A00J 1365 00	Torsion Coil		C	1	
8	A00J 1060 00	Plate		D	1	
9	A00J 1059 00	Plate		D	1	
10	A00J 1352 00	Mounting Plate		D	1	
11	A00J 1428 00	Protection Part		C	1	
12	A00J N11J 00	Interlock Relay harness		D	1	
13	A00J N10B 02	Toner Relay Harness		D	1	
14	A00J 4032 00	Guide Plate /A		D	2	
15	A00J 4035 00	Guide Plate /D		D	2	
16	A00J 4033 00	Guide Plate /B		D	1	

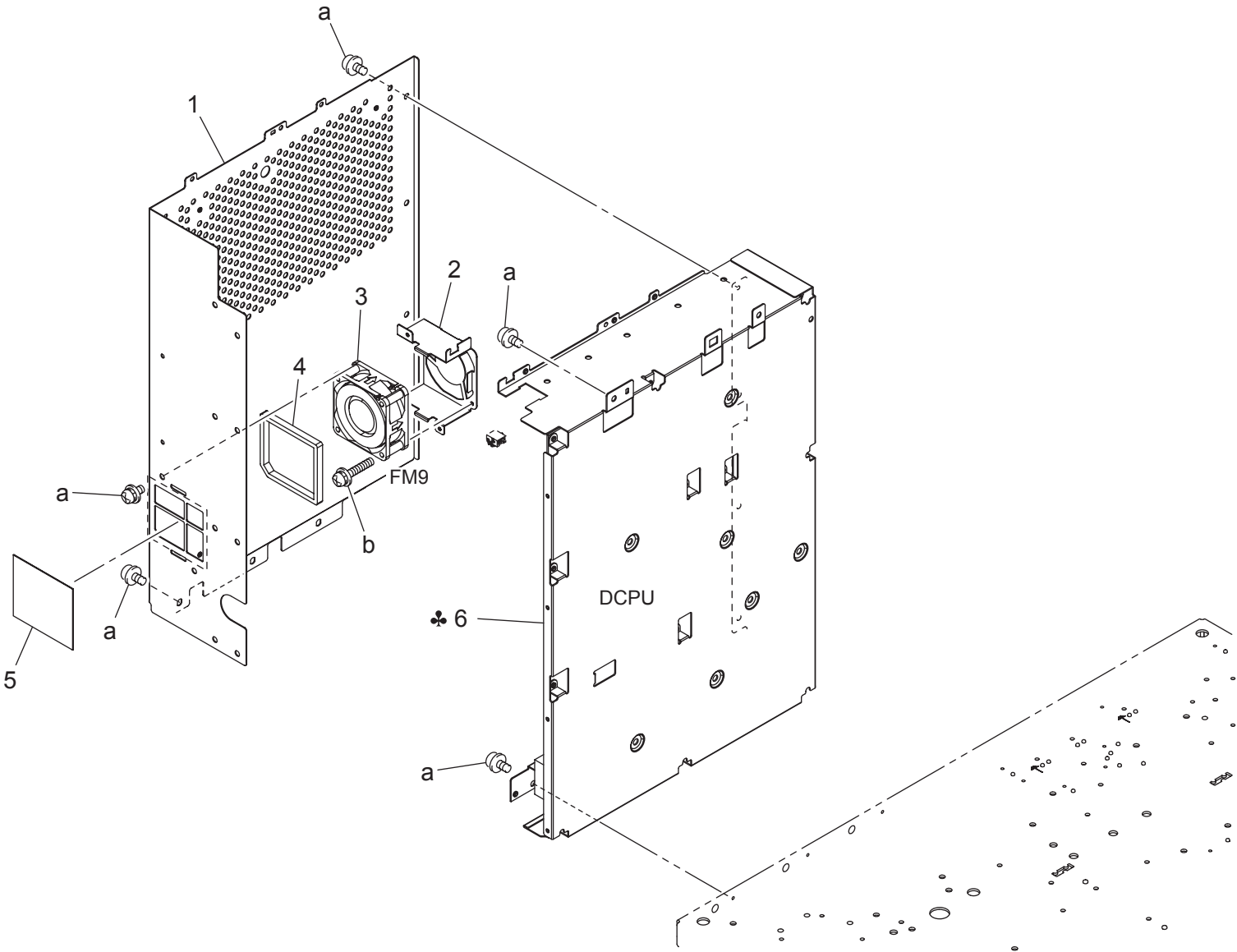
# HIGH VOLTAGE UNIT



# HIGH VOLTAGE UNIT

Key	Part No.	Description	Destinations	Class	QTY	Standard parts
1	A00J 1321 00	Guide Rail		D	1	a-V116 0308 03 b-V116 0306 03 c-V153 0308 03 d-V137 0306 03 e-V137 0308 03
2	A00J M408 01	High voltage unit /2		I	1	
3	A00J 1326 00	Guide Rail		D	1	
4	A00J 1409 00	Cover		C	1	
5	A00J 1378 00	Guide Holder		D	1	
6	A00J 1323 01	Guide Rail /Right		D	1	
7	A00J 1355 00	Guide Rail		D	1	
8	A00J M407 01	High voltage unit /1		I	1	
9	A00J 1351 00	Mounting Plate		D	1	
10	A00J 1327 00	Rail /Right		C	1	
11	A00J 1340 00	Mounting Plate		D	2	

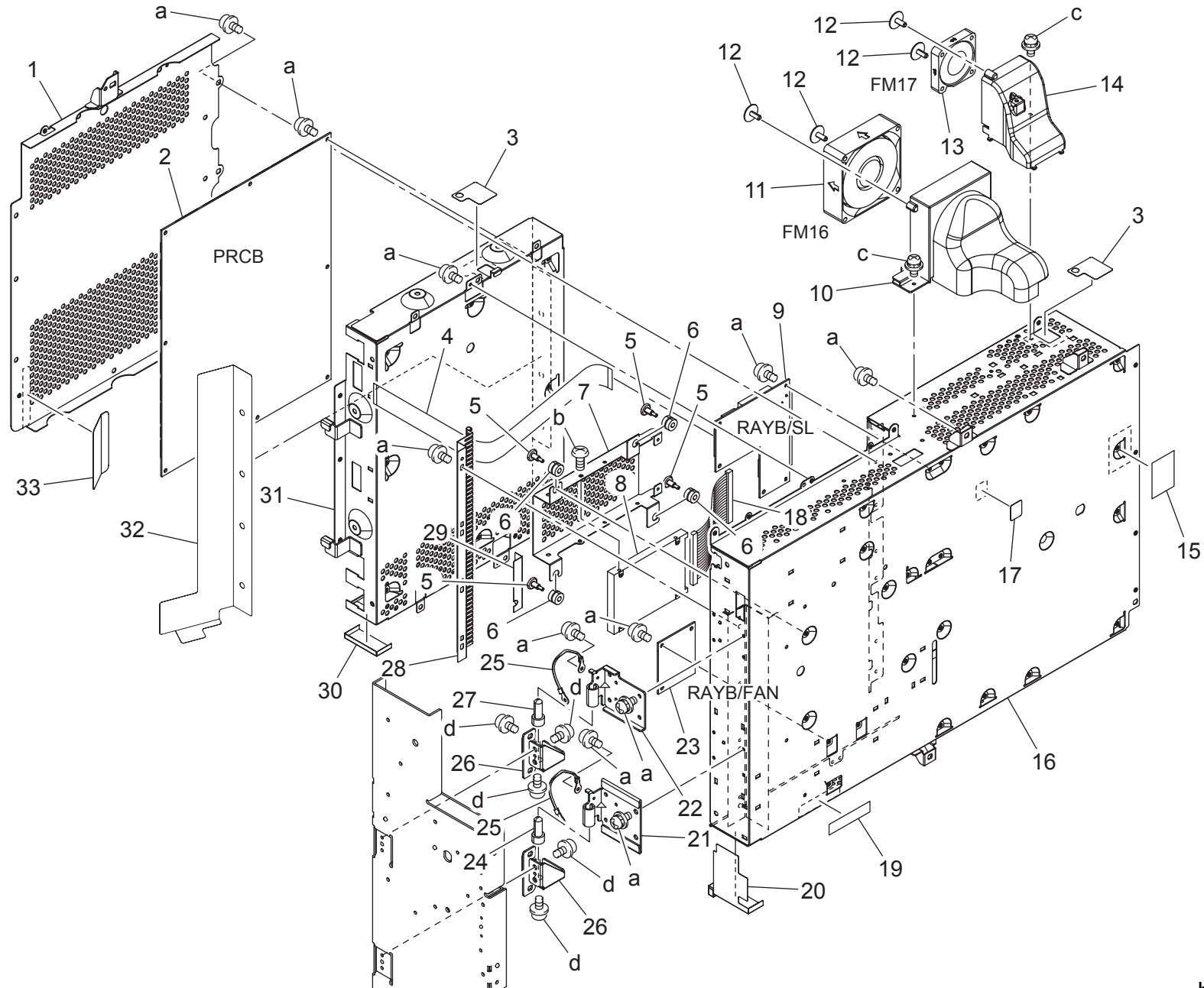
MAIN POWER SUPPLY UNIT



MAIN POWER SUPPLY UNIT

Key	Part No.	Description	Destinations	Class	QTY	Standard parts
1	A00J 1324 03	Cover		D	1	a-V116 0306 03 b-V116 0330 03
2	A00J 1369 00	Mounting Plate		D	1	
3	4556 M100 00	FAN MOTOR		B	1	
4	A00J 1422 00	SEAL		C	1	
5	A00J 1412 00	Dust-proof Filter		C	1	
6	A00J M404 05	Power supply /100V	A,A1,B,G2,F1	I	1	
6	A00J M405 04	Power supply /230V	C,D1,D3,F2,G1,I,J,K	I	1	

# SHIELD BOX

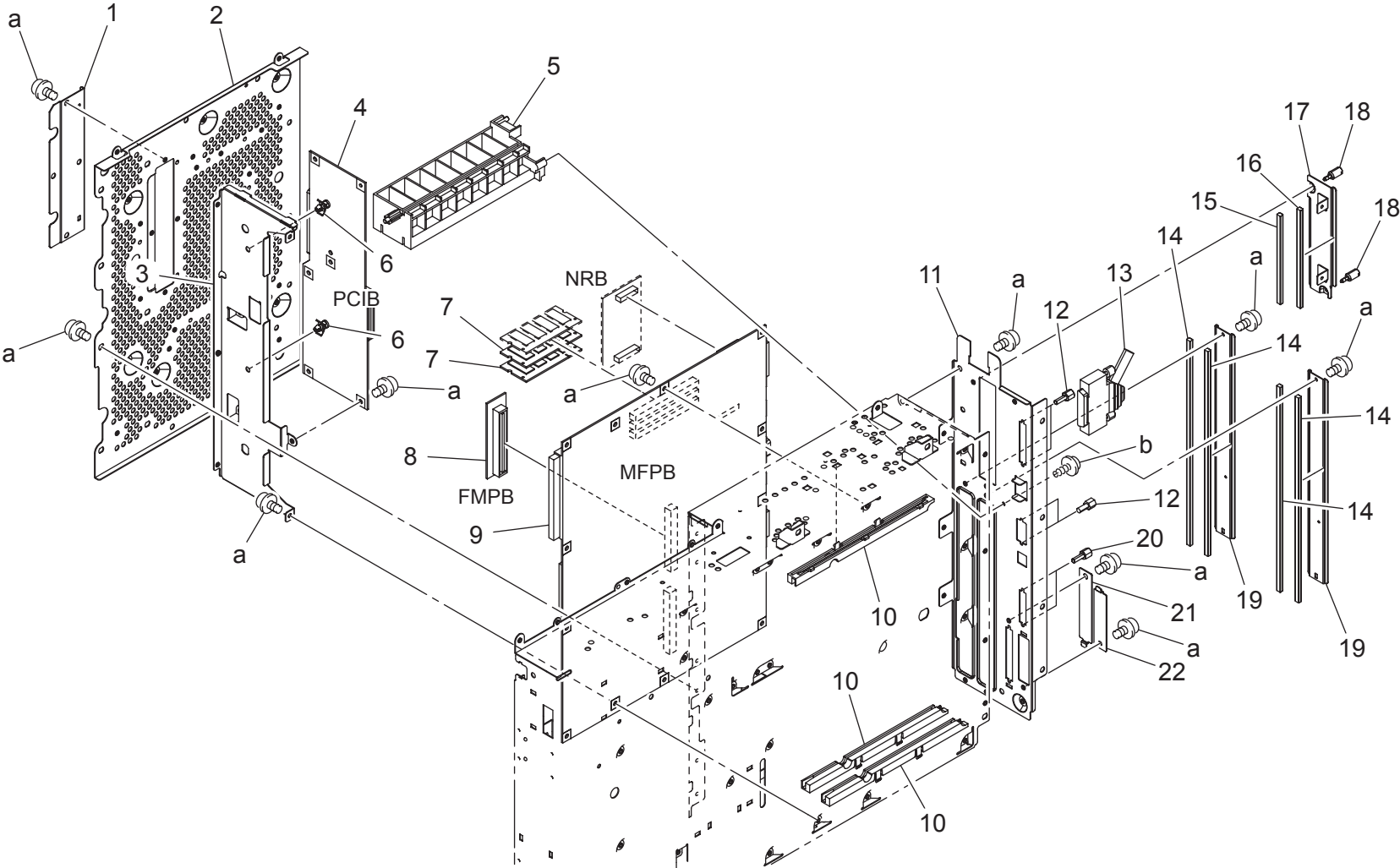




SHIELD BOX

Key	Part No.	Description	Destinations	Class	QTY	Standard parts
1	A00J 1329 01	Cover /ASSY		D	1	a-V116 0306 03 b-V118 0304 03 c-V116 0308 03 d-V116 0408 03
2	A00J H001 06	PWB Assembly MC		I	1	
3	A00J 1424 00	Protection Part		C	2	
4	A00J N12F 01	Control Relay harness /1		D	1	
5	4036 2487 01	SHOULDER SCREW		C	4	
6	4025 2294 01	BUSHING		C	4	
7	4038 2312 01	BRACKET		D	1	
8	A00J M721 00	HDD		I	1	
9	A00J H024 01	PWB Assembly SIF		I	1	
10	A00J 1561 01	Duct		D	1	
11	9J03 M100 00	FAN MOTOR		B	1	
12	4036 5966 01	SCREW		C	4	
13	9313 1400 31	FAN MOTOR		C	1	
14	A00J 1562 01	Cooling Duct		D	1	
15	A00J 2113 00	Insulating Sheet		C	1	
16	A00J 1304 01	Mounting Plate /ASSY		D	1	
17	A00J 1410 00	Protection Part		C	1	
18	4036 6870 01	WIRE HARNESS ASSY		D	1	
19	A00J 1431 00	Tape		C	1	
20	A00J 1426 00	Protection Part		C	1	
21	A00J 1394 00	Mounting Plate		C	1	
22	A00J 1335 00	Mounting Plate		C	1	
23	A00J H00H 02	PWB Assembly FAN		I	1	
24	A00J 1334 00	Shaft		C	1	
25	4004 6854 01	WIRE HARNESS ASSY		D	2	
26	A00J 1331 01	Mounting Plate		D	2	
27	A00J 1406 00	Shaft		D	1	
28	A00J 1388 00	Plate spring		C	1	
29	A00J 1411 00	Protection Part		C	1	
30	A00J 1427 00	Protection Part		C	1	
31	A00J 1336 01	Mounting Plate /ASSY		D	1	
32	A00J 1420 01	Protection Part		D	1	
33	A00J 1423 00	Protection Part		C	1	

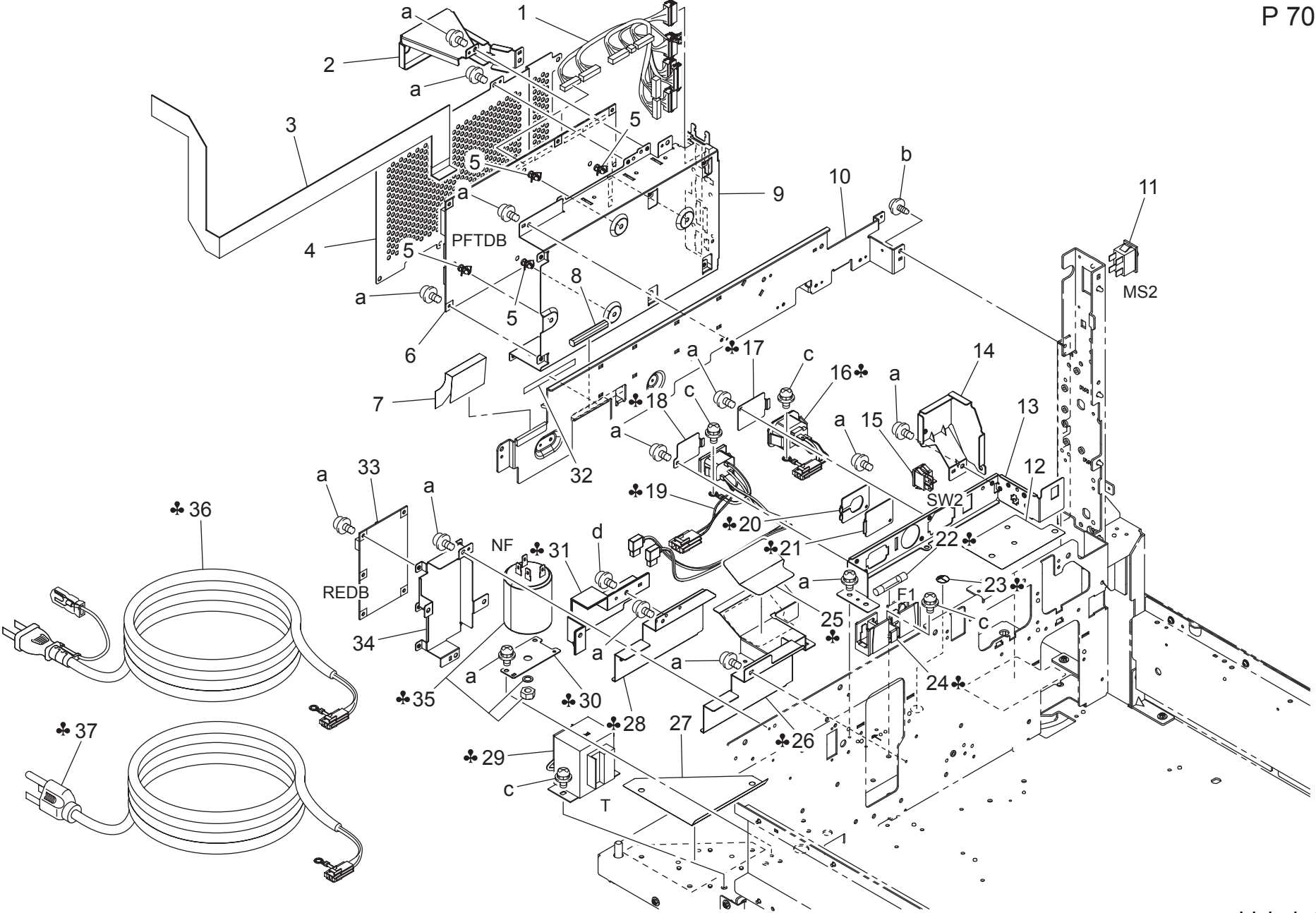
SHIELD BOX



SHIELD BOX

Key	Part No.	Description	Destinations	Class	QTY	Standard parts
1	4037 2244 01	COVER		D	1	a-V116 0306 03 b-V153 0308 03
2	A00J 1328 01	Cover		D	1	
3	A00J 1366 01	Mounting Plate		D	1	
4	A00J H026 01	PWB Assembly PCI		I	1	
5	A00J 1333 01	Rail		D	1	
6	V502 0100 26	SUPPORT		D	2	
7	V865 3000 12	MEMORY MODULES		C	2	
8	A00J H025 00	PWB AssemblyJMP		I	1	
9	A00J H020 07	PWB Assembly MFP		I	1	
10	A00J 1367 00	Guide Rail		C	3	
11	A00J 1330 01	Cover		D	1	
12	A00J 1396 00	Screw		C	4	
13	A00J N150 03	Ope.unit Cable		D	1	
14	4037 6776 01	ELECTRICALLY CONDUCTIVE MATERIAL		D	4	
15	4037 6778 02	ELECTRICALLY CONDUCTIVE MATERIAL		D	1	
16	4037 6777 01	ELECTRICALLY CONDUCTIVE MATERIAL		D	1	
17	4037 2219 02	BRACKET		D	1	
18	4037 2220 02	SHOULDER SCREW		C	2	
19	4037 2247 01	COVER		D	2	
20	4025 2283 01	SCREW		D	2	
21	A00J 1387 00	Cover		D	1	
22	A00J 1368 00	Cover		D	1	

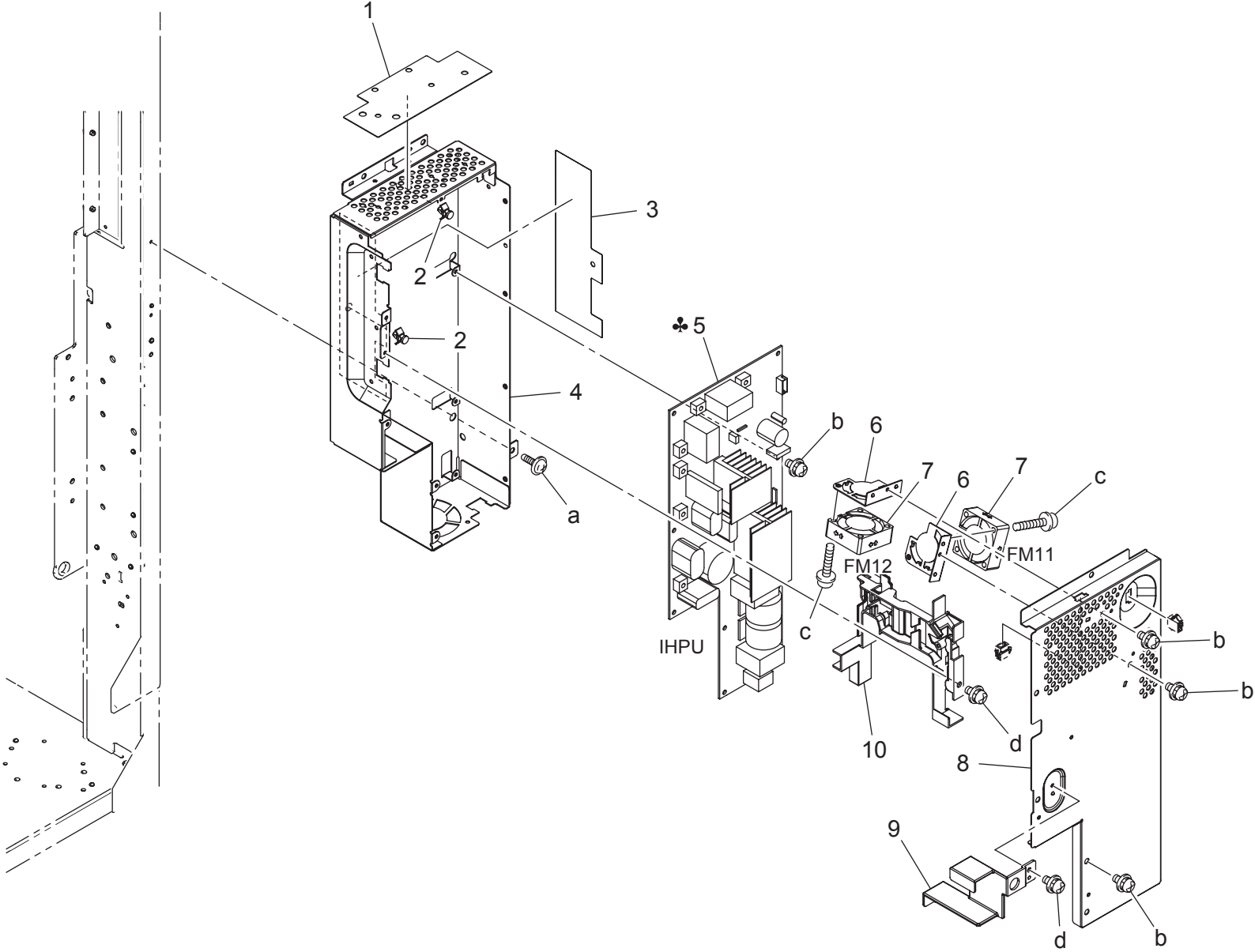
REAR ELECTRICAL SECTION



REAR ELECTRICAL SECTION

Key	Part No.	Description	Destinations	Class	QTY	Standard parts
1	A00J N103 00	Paperfeed Control harness		D	1	a-V116 0306 03 b-V137 0408 03 c-V116 0408 03 d-V116 0308 03
2	A00J 1363 02	Mounting Plate		D	1	
3	A00J N12E 01	Control Relay Harness /3		D	1	
4	A00J 1379 00	Cover		D	1	
5	V502 0100 26	SUPPORT		D	4	
6	A00J H002 06	PWB Assembly KH		I	1	
7	A00J 1418 00	Protection Part		C	1	
8	A00J M900 00	GASKET		C	1	
9	A00J 1338 01	Mounting Plate /ASSY		D	1	
10	A00J 1337 01	Stay		D	1	
11	4038 M601 00	SWITCH		C	1	
12	A00J 1404 01	Protection Part		C	1	
13	A00J 1347 02	Mounting Plate		D	1	
14	A00J 1364 00	Mounting Plate		D	1	
15	A00J M603 00	Rocker switch		C	1	
16	A00J N10H 01	AC Relay harness /3	B,G2,F1,,C,D1,D3,F2,G1,I,J, K	D	1	
17	A00J 1390 00	Cover	A,A1	D	1	
18	A00J 1391 00	Cover	A,A1,B,G2,F1	D	1	
19	A00J N107 01	AC Relay harness /1	C,D1,D3,F2,G1,I,J,K	D	1	
20	4037 2239 02	BRACKET	A,A1,B,G2,F1	D	1	
21	A00J 1389 00	Cover	C,D1,D3,F2,G1,I,J,K	D	1	
22	A00J M604 00	AC Fuse Littelfuse KLDR 6 600VAC 6A	B,G2,F1	I	1	
23	9J06 7301 01	LABEL	A,A1,B,G2,F1	D	1	
24	9346 0200 11	FUSE ACCESSORY	B,G2,F1	D	1	
25	A00J 1425 00	Protection Part	C,D1,D3,F2,G1,I,J,K	C	1	
26	A00J 1395 02	Wiring Cover	C,D1,D3,F2,G1,I,J,K	D	1	
27	A00J 1405 01	Protection Part		C	1	
28	A00J 1416 01	Mounting Plate	B,G2,F1	D	1	
29	56AA 8452 0	POWER SOURCE TRANSFORMER	A,A1	C	1	
29	56AE 8452 0	POWER SOURCE TRANSFORMER	B,G2,F1	C	1	
29	56AF 8452 1	POWER SOURCE TRANSFORMER	C,D1,D3,F2,G1,I,J,K	C	1	
30	A00J 1408 00	Mounting Plate	C,D1,D3,F2,G1,I,J,K	D	1	
31	A00J 1417 00	Cover	B,G2,F1	D	1	
32	A00J 1432 00	Tape		C	1	
33	A00J H004 00	PWB Assembly RL		I	1	
34	A00J 1381 01	Mounting Plate		D	1	
35	56QE 8826 1	NOISE FILTER	C,D1,D3,F2,G1,I,J,K	D	1	
36	4037 0775 01	POWER CORD	A,A1	D	1	
37	A00J N300 00	Power source Cord /120V	B,G2,F1	D	1	

IH POWER SUPPLY



IH POWER SUPPLY

Key	Part No.	Description	Destinations	Class	QTY	Standard parts
1	A00J 1413 01	Protection Cover		D	1	a-V126 0306 03 b-V116 0306 03 c-V116 0320 03 d-V116 0308 03
2	V502 0100 26	SUPPORT		D	2	
3	A00J 1415 01	Protection Part		C	1	
4	A00J 1315 02	Mounting Plate /ASSY		D	1	
5	A00J M400 03	Power Source 100	A,A1,B,G2,F1	I	1	
5	A00J M401 03	Power Source 200	C,D1,D3,F2,G1,I,J,K	I	1	
6	A00J 1325 00	Mounting Plate		D	2	
7	A00J M141 00	Fan motor		C	2	
8	A00J 1313 01	Cover		D	1	
9	A00J 1407 00	Cover		C	1	
10	A00J 1357 03	Guide Cover		C	1	



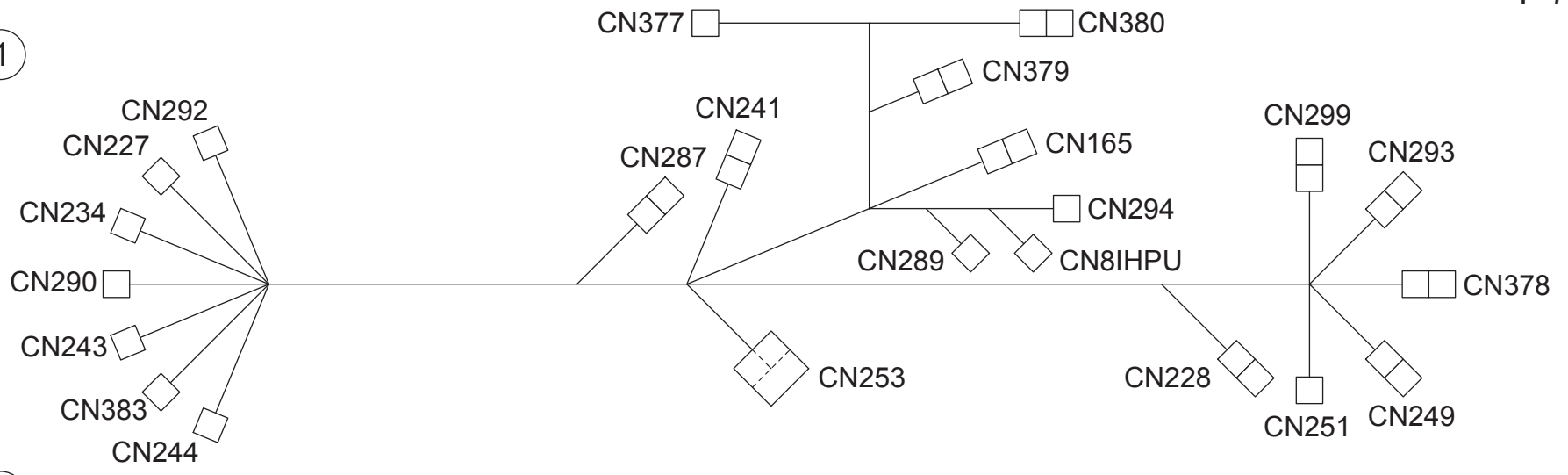


WIRING

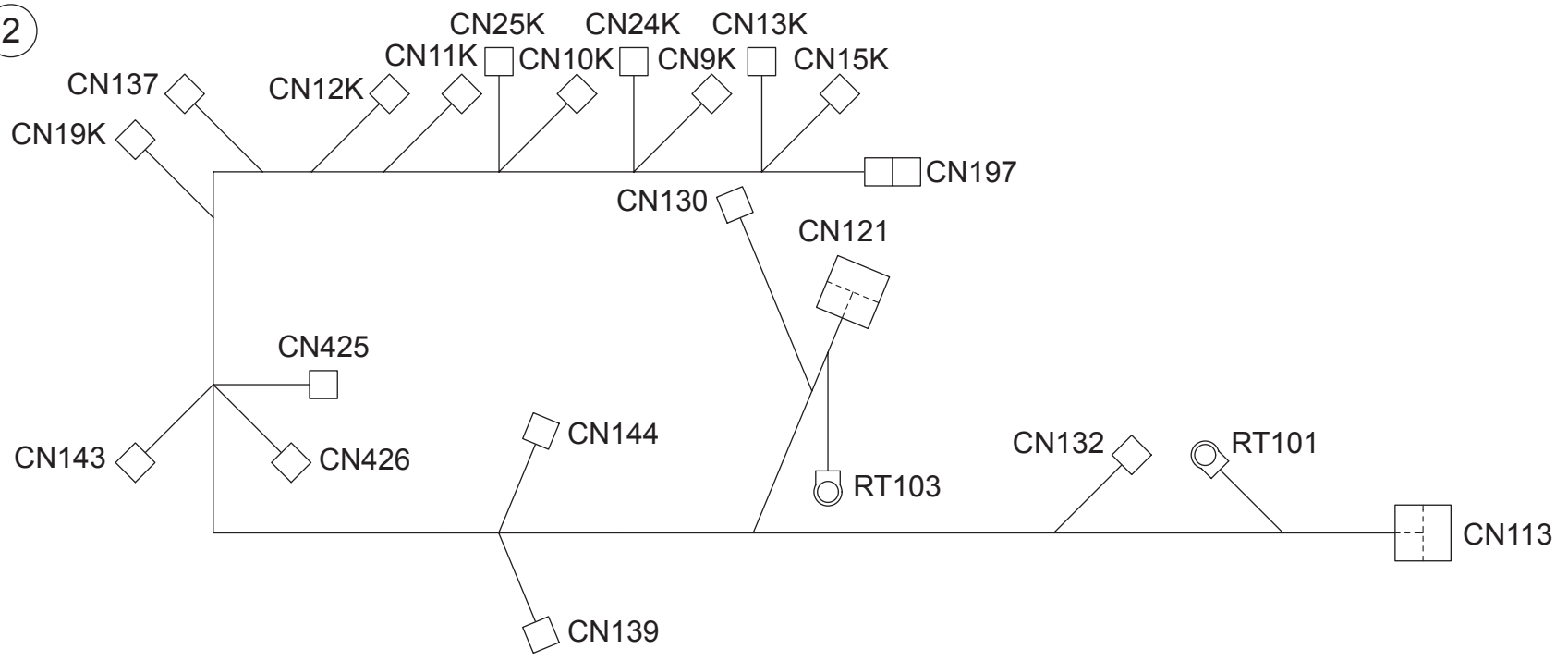
Key	Part No.	Description	Destinations	Class	QTY	Standard parts
1	A00K N100 02	Main body Wiring		D	1	

# WIRING

1



2

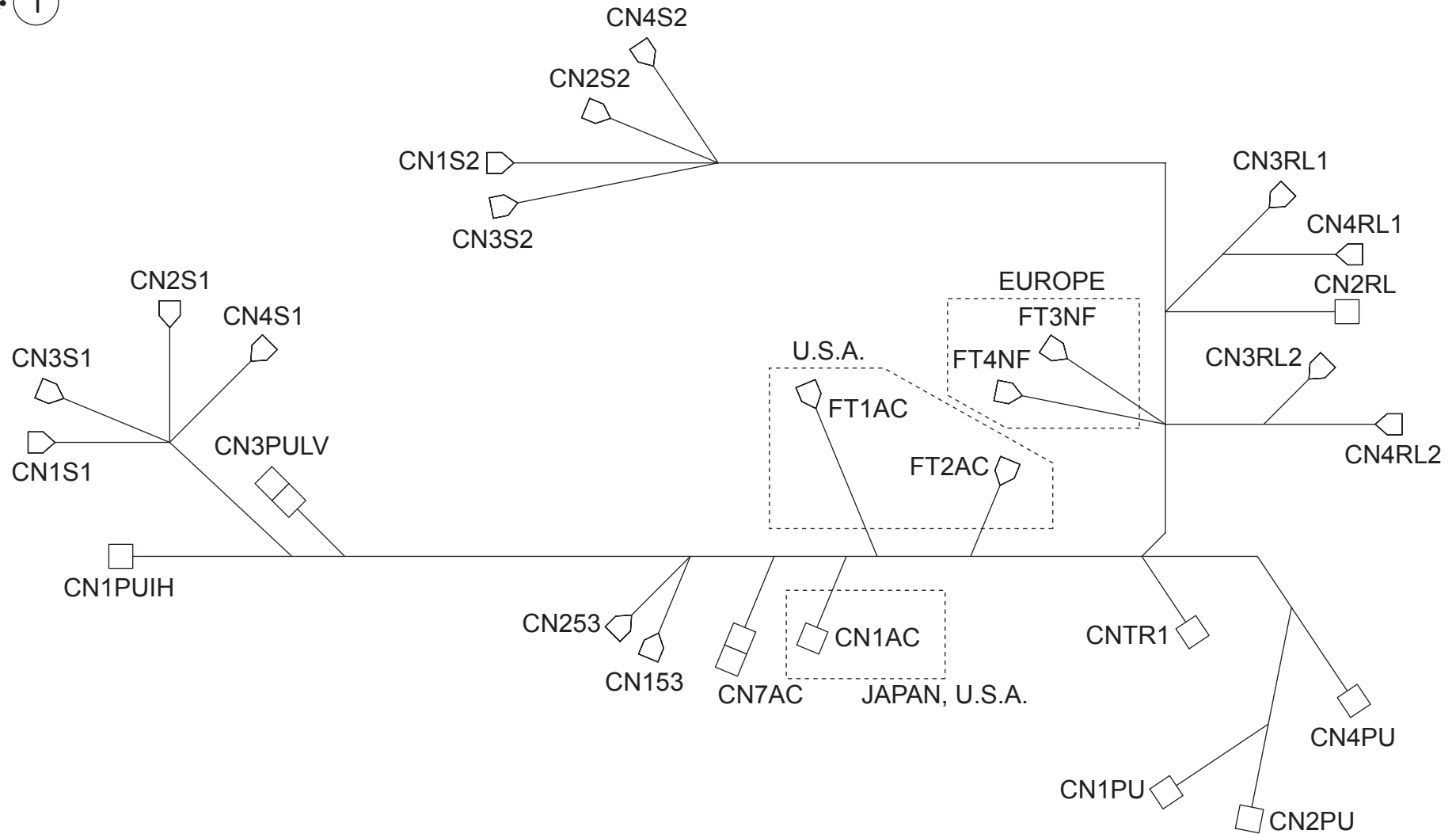


# WIRING

Key	Part No.	Description	Destinations	Class	QTY	Standard parts
1	A00J N102 04	Main body Relay harness /Upper		D	1	
2	A00J N104 04	PFU Wiring		D	1	

# WIRING

❖ ①

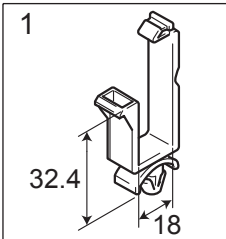
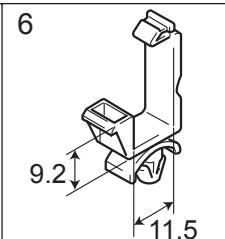
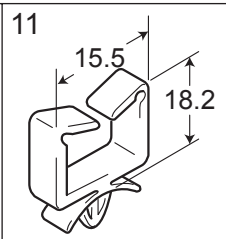
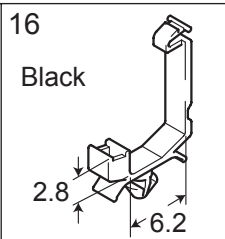
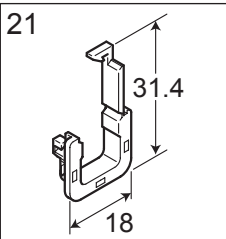
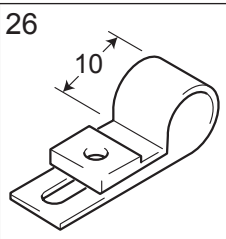
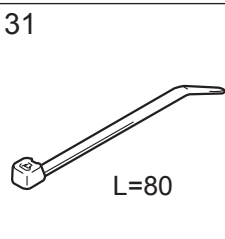
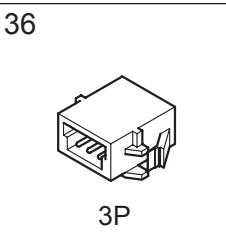
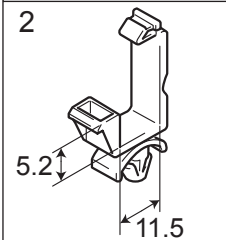
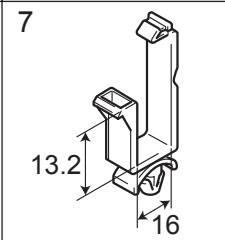
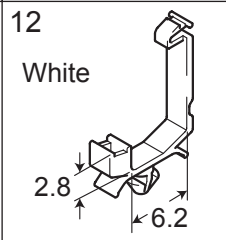
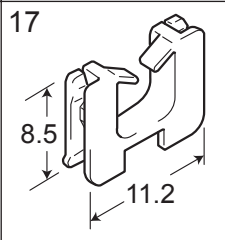
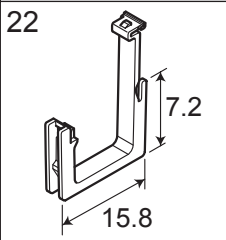
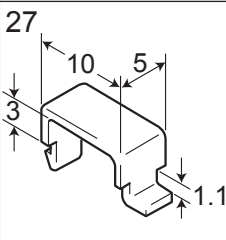
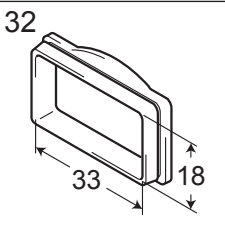
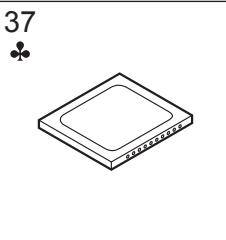
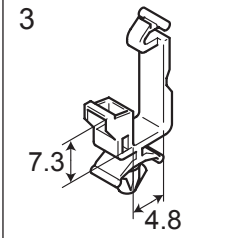
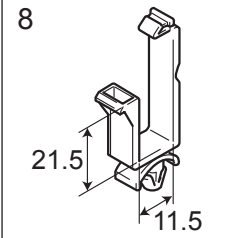
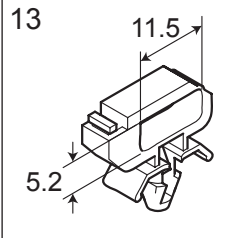
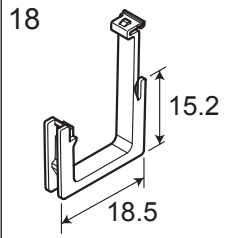
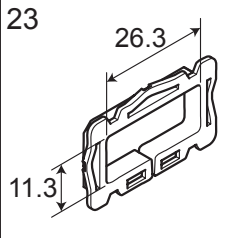
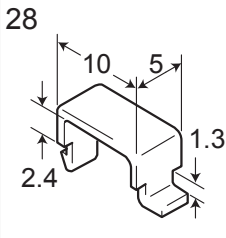
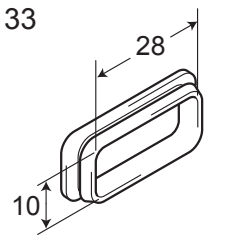
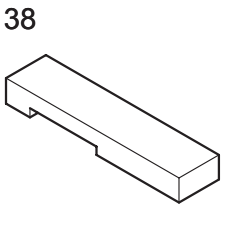
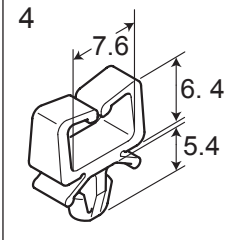
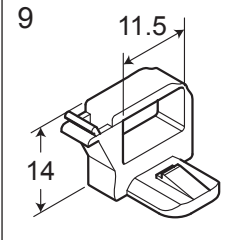
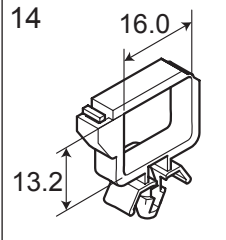
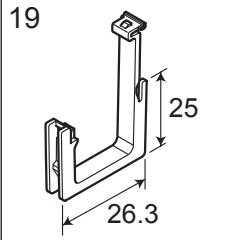
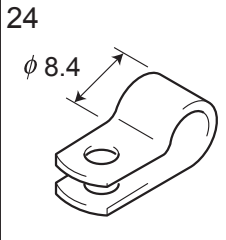
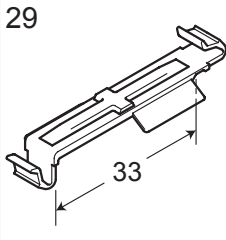
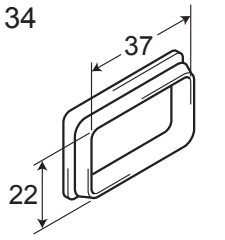
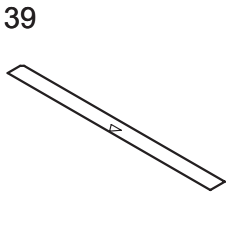
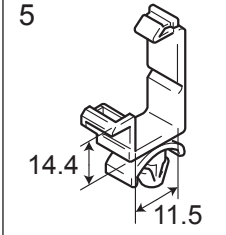
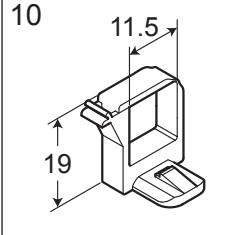
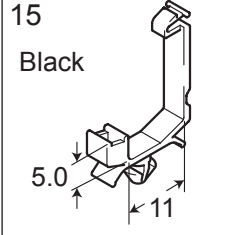
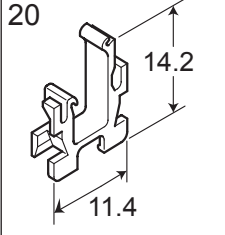
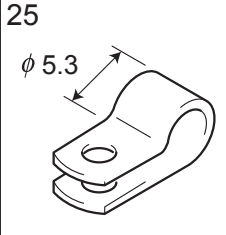
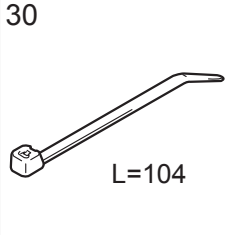
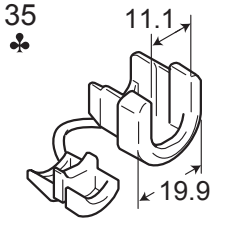
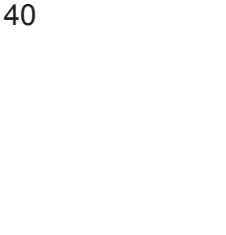


WIRING

Key	Part No.	Description	Destinations	Class	QTY	Standard parts
1	A00J N105 03	AC Wiring	A,A1	D	1	
1	A00J N106 03	AC Wiring	B,G2,F1	D	1	
1	A00J N10Y 03	AC Wiring	C,D1,D3,F2,G1,I,J,K	D	1	

# WIRING ACCESSORIES AND JIGS

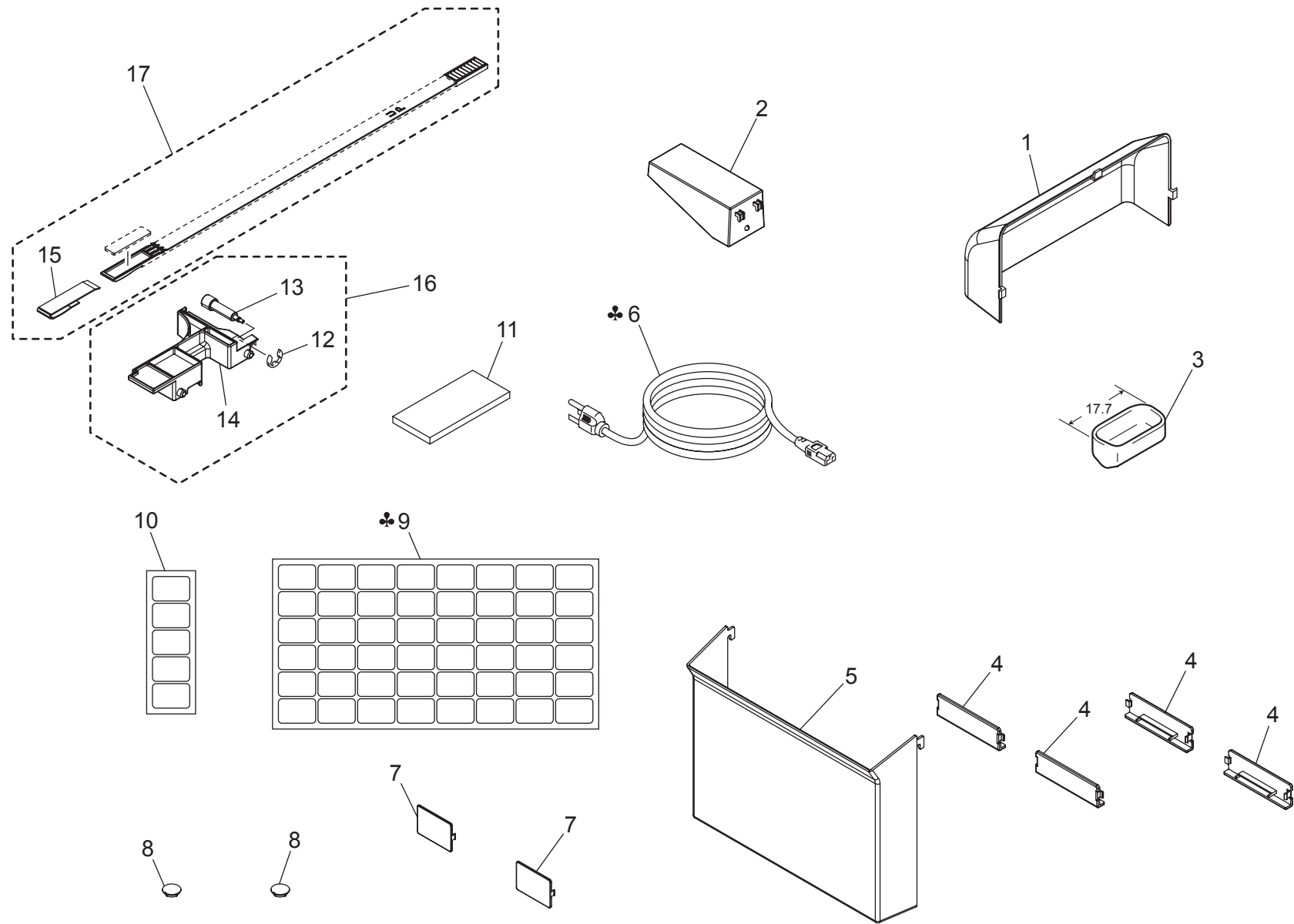
P 75

1  32.4 18	6  9.2 11.5	11  15.5 18.2	16 Black  2.8 6.2	21  31.4 18	26  10	31  L=80	36  3P
2  5.2 11.5	7  13.2 16	12 White  2.8 6.2	17  8.5 11.2	22  7.2 15.8	27  10 5 3 1.1	32  33 18	37  ♣
3  7.3 4.8	8  21.5 11.5	13  11.5 5.2	18  15.2 18.5	23  26.3 11.3	28  10 5 2.4 1.3	33  28 10	38 
4  7.6 6.4 5.4	9  11.5 14	14  16.0 13.2	19  25 26.3	24  φ 8.4	29  33	34  37 22	39 
5  14.4 11.5	10  11.5 19	15 Black  5.0 11	20  14.2 11.4	25  φ 5.3	30  L=104	35  ♣ 11.1 19.9	40 

WIRING ACCESSORIES AND JIGS

Key	Part No.	Description	Destinations	Class	QTY	Standard parts
1	V500 0100 15	saddle		D	21	
2	V500 0100 03	Saddle		D	31	
3	V500 0100 20	Saddle		D	190	
4	V500 0100 23	clip		D	4	
5	V500 0100 07	saddle		D	46	
6	V500 0100 05	saddle		D	18	
7	V500 0100 08	saddle		D	10	
8	V500 0100 13	saddle		D	2	
9	V500 0100 21	saddle		D	3	
10	V500 0100 22	saddle		D	5	
11	V500 0100 39	saddle		D	3	
12	V500 0100 46	saddle		D	5	
13	V500 0100 52	SADDLE		D	6	
14	V500 0100 53	SADDLE		D	6	
15	V500 0100 54	SADDLE		D	6	
16	V500 0100 55	SADDLE		D	10	
17	V570 0100 21	Saddle		D	63	
18	V570 0100 26	saddle		D	6	
19	V570 0100 28	saddle		D	13	
20	V570 0100 25	saddle		D	8	
21	V570 0100 31	holder		D	15	
22	V570 0100 46	SADDLE		D	13	
23	V570 0100 47	SQUARE CLAMP		D	1	
24	V500 0200 39	clamp		D	3	
25	V500 0200 37	clamp		D	1	
26	9384 1600 11	P-CLIP 10D		D	1	
27	1053 4812 01	CORD CLAMP		D	6	
28	1065 5872 02	CORD CLAMP		D	22	
29	V500 0200 66	CLAMP		D	20	
30	V501 0100 01	band		D	1	
31	V501 0100 15	band		D	3	
32	1038 4006 01	INSULATING MEMBER		D	1	
33	1050 4805 01	INSULATING MEMBER		D	7	
34	1052 4301 01	GROMMET		D	2	
35	9384 1521 51	CORD BUSHING	A,A1,B,G2,F1	D	1	
36	V818 6000 15	PLUG HOUSING		D	4	
37	A00K R901 00	Compact Flash	A,A1,B,G2,C	S	1	
38	9J06 PJG0 00	JIG		S	1	
39	9J06 PJG1 00	JIG		S	1	

# ACCESSORY PARTS





ACCESSORY PARTS

Key	Part No.	Description	Destinations	Class	QTY	Standard parts
1	A00J 1662 00	Installing Spacer /Right		C	1	
2	A00J 1661 00	Installing Spacer		C	1	
3	9384 2200 31	CN COVER		D	1	
4	A00J 1639 00	Cover		C	4	
5	A00J 1699 01	Holder		C	1	
6	9381 4300 31	POWER CORD	J	D	1	
6	9381 4300 41	POWER CORD	D1,D3,F2,G1,I,K	C	1	
7	A00J 1673 00	Read Cover		C	2	
8	A00J 1691 00	Cover		C	2	
9	A00J 9430 00	Label Metric	A,A1,C,D1,D3,F2,G1,I,J,K	C	1	
9	A00J 9431 00	Label Inch	B,G2,F1	C	1	
10	A00J 9432 00	Label 1 2 3 4 L		C	1	
11	A00J 1098 00	Cleaning Pad		C	1	
12	V217 0300 01	E Ring		D	1	
13	A00J 9551 00	Shoulder screw		C	1	
14	A00J 9550 01	Auxiliary Rail		C	1	
15	A00J 1062 02	Cleaning Pad		C	1	
16	A00J R728 00	RAIL ASSY		C	1	
17	A00J R729 00	CLEANING PART ASSY		C	1	

# MAINTENANCE LIST

● The items with no Page/Key numbers are not handled as spare parts.

No.	Section	PM Parts Description	Maintenance Cycle (K=1,000)		Parts No.	Destinations	Page/Key	Note
			QTY	Replace				
1	Tray 1	Feed roller	1	300K	A00J563600		P22-15	
2		Separation roller assy	1	300K	A00JA56600		P23-22	*2
3		Pick-up roller	1	300K	A00J563600		P22-15	
4	Tray 2	Feed roller	1	300K	A00J563600		P24-18	
5		Separation roller assy	1	300K	A00JA56600		P25-19	*2
6		Pick-up roller	1	300K	A00J563600		P24-18	
7	Tray 3	Feed roller	1	300K	A00J563600		P35-16	
8		Separation roller assy	1	300K	A00J563600		P36-18	*2
9		Pick-up roller	1	300K	A00J563600		P35-16	
10	Tray 4	Feed roller	1	300K	A00J563600		P30-13	
11		Separation roller assy	1	300K	A00J563600		P31-16	*2
12		Pick-up roller	1	300K	A00J563600		P30-13	
13	Manual bypass tray	Feed roller	1	300K	A00J563600		P44-11	
14		Separation roller assy	1	300K	A00JA66600		P45-24	*2
15		Pick-up roller	1	300K	A00J563600		P44-11	
16	Conveyance section	Transfer roller unit	1	450K	A00JR71500		P18-1	
17	Fusing section	Fusing unit	1	300K	A00JR72000	100V	P51-1	*4
18		Fusing unit	1	300K	A00JR72100	120V	P51-1	*4
19		Fusing unit	1	300K	A00JR72200	200V	P51-1	*4
20	Processing section	Imaging unit Y/M/C	1	100K	-			
21		Imaging unit K	1	300K	-			
22		Ozone filter	1	300K	A00JR73100		P16-21	
23		Toner cartridge Y/M/C	1	27K	-			
24		Toner cartridge K	1	45K	-			
25	Color toner filter	1	150K	A00JR70000		P64-20		
26	Image transfer section	Transfer belt unit	1	450K	A00JR71400		P18-2	
27		Waste toner box	1	57K	A0ATWY0		P21-4	*3

\*1: Replace cycle is the life counter value.

\*2: Replace those three parts at the same time.

\*3: A waste toner full condition is detection the actual waste toner emissions.

\*4: This Part No. include the Ozone filter.

## DESTINATION

Destination No.		Destinations		V	Hz	Model No.
A	A1	JAPAN		100	50/60	A00K-001
	A2	JAPAN		200	50/60	
B		USA, CANADA		120	60	A00K-010
C		EUROPEAN TYPE		220-240	50/60	A00K-020
D	D1	S.E ASIA TYPE	THAILAND, SRI LANKA, SINGAPORE, MALAYSIA, HONG KONG, PAKISTAN, INDIA, BANGLADESH, INDONESIA	220-240	50/60	A00K-040
	D3	OCEANIA TYPE	AUSTRALIA, NEW ZEALAND	220-240	50/60	A00K-040
E		PHILIPPINES		220-240	50/60	
F	F1	SAUDI ARABIA		127	60	A00K-0M0
	F2	SAUDI ARABIA		220-240	50/60	A00K-040
G	G1	C.S AMERICA		220-240	50/60	A00K-040
	G2	C.S AMERICA		120	60	A00K-010
H		TAIWAN		110	60	
I		JORDAN, LEBANON, SYRIA, SOUTH AFRICA, IRAQ, IRAN, N.YEMEN, CAMEROON, UAE, BAHRAIN, OMAN, QATAR, KUWAIT, KENYA, TUNISIA, IVORY COAST, MOROCCO		220-240	50/60	A00K-040
J		CHINA		220-240	50/60	A00K-080
K		KOREA		220-240	50/60	A00K-040