

KONICA MINOLTA

PARTS GUIDE MANUAL

MARCH 2012

*bizhub 223/bizhub 283/
bizhub 363/bizhub 423/
bizhub 7828
A1UD001*

INFORMATION FOR PARTS GUIDE MANUAL

To find correct Parts No., refer to the "HOW TO MAKE THE BEST USE OF THIS MANUAL" in the following page.

HOW TO MAKE THE BEST USE OF THIS MANUAL

- 1 When you order, please check the proper figures beforehand that are on Our Parts Guide Manual, and order with the appropriate figures.
- 2 For screws, Nuts, Washers, retaining rings and Pins which are used in this model, one letter is shown on the Standard parts column of Parts list and exploded diagrams.
- 3 In order to maintain safety of the product, some specific parts composed of this product are set up as "essential safety parts".
- 4 The assigned parts number for the "essential safety parts" is indicated as "SP00-****".
When replacing these parts, follow precautions for disassembling and installing which are listed in the Service Manual.
Do not use any parts that are not set up as
- 5 ♣ means that there are exclusive parts for each destination.
Please check the appropriate destination when you order.
- 6 Revision Mark
Marked as ▲ on the illustration shows that the revision has been made.
- 7 All rights reserved. (any reprints or quotations are prohibited.)
Use of this parts guide manual should be strictly supervised to avoid disclosure of confidential information.

パーツガイドマニュアルのご案内

サービス部品をご発注の際には、下記に示す“パーツガイドマニュアルの活用にあたって”をご参照の上、正しい部品番号にてお願い致します。

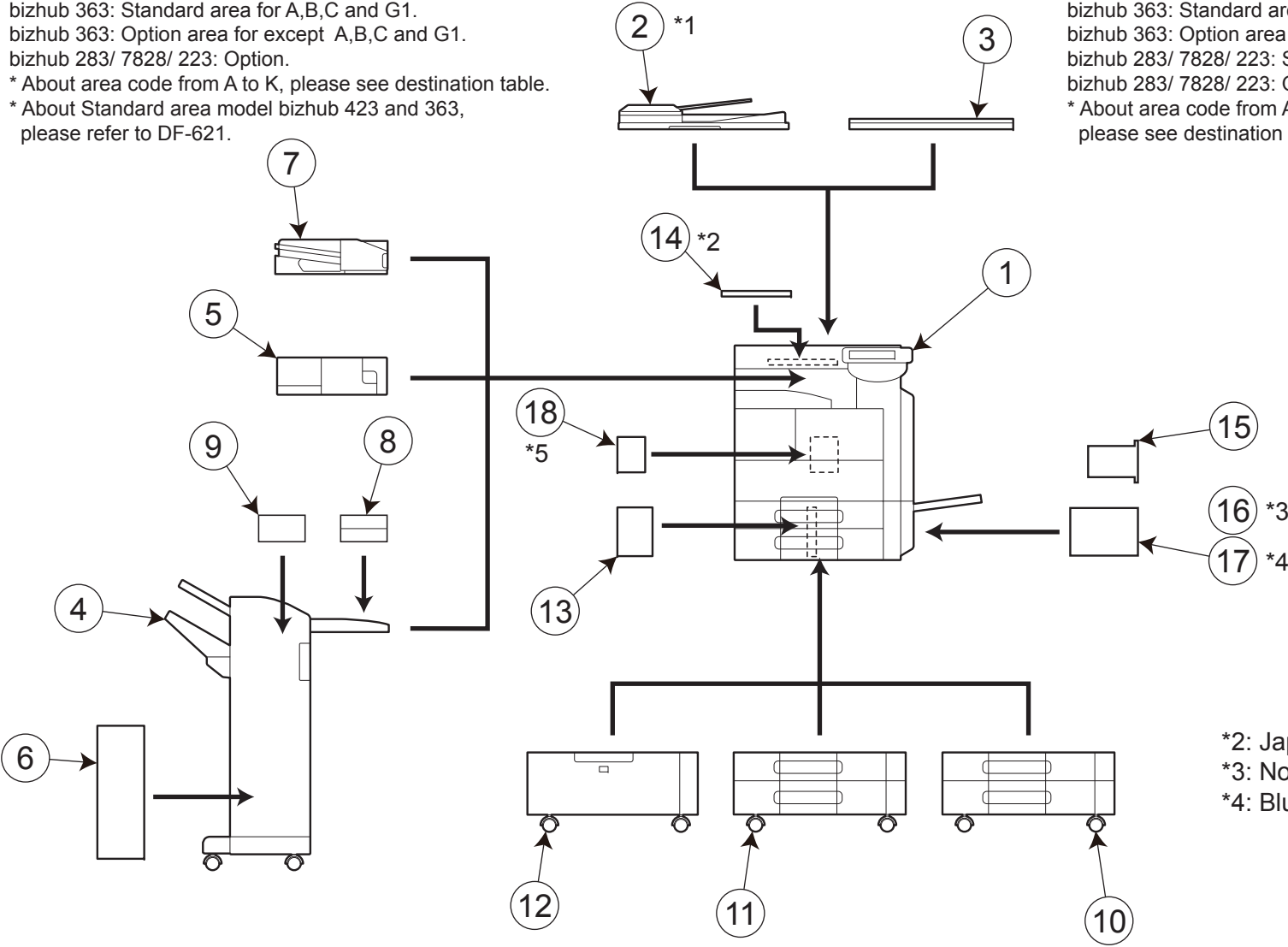
パーツガイドマニュアルの活用にあたって

- 1 部品発注の際には、掲載されている部品番号の桁数を確認し、掲載されている桁数で発注願います。
- 2 この製品に使用されているネジ、ナット、ワッシャー、止め輪、ピンなどは、リストの右側の Standard parts 欄に a,b,c,……で表示し、イラストにも a,b,c,……表示してあります。
- 3 製品の安全性を維持する為に、製品に使用される特定の部品を「重要保安部品」として設定しています。
- 4 重要保安部品の部品番号は、“SP00-****”と記載されていますので、部品交換時は、サービスマニュアル記載の分解・組み立ての注意事項に従って作業をして下さい。
また、指定以外の部品は一切使用しないで下さい。
- 5 本文に ♣ が表示されている部品は、仕向け地毎に専用部品がある事を意味しています。
オーダーされる時は、仕向け地を確認して下さい。
- 6 改訂記号について
イラスト上に ▲ 印が表示されている部分は、改訂された事を表します。
- 7 著作権所有（無断転載及び無断引用の禁止）
本パーツガイドマニュアルについては、機密保持等その扱いには十分注意して下さい。万一取り扱いを誤った場合には、法律で処罰されることがあります。

SYSTEM OUTLINE

*1: bizhub 423: Standard.
 bizhub 363: Standard area for A,B,C and G1.
 bizhub 363: Option area for except A,B,C and G1.
 bizhub 283/ 7828/ 223: Option.
 * About area code from A to K, please see destination table.
 * About Standard area model bizhub 423 and 363,
 please refer to DF-621.

*5: bizhub 423: Standard.
 bizhub 363: Standard area for A,B,C and G1.
 bizhub 363: Option area for except A,B,C and G1.
 bizhub 283/ 7828/ 223: Standard area for A.
 bizhub 283/ 7828/ 223: Option area for except A.
 * About area code from A to K,
 please see destination table.



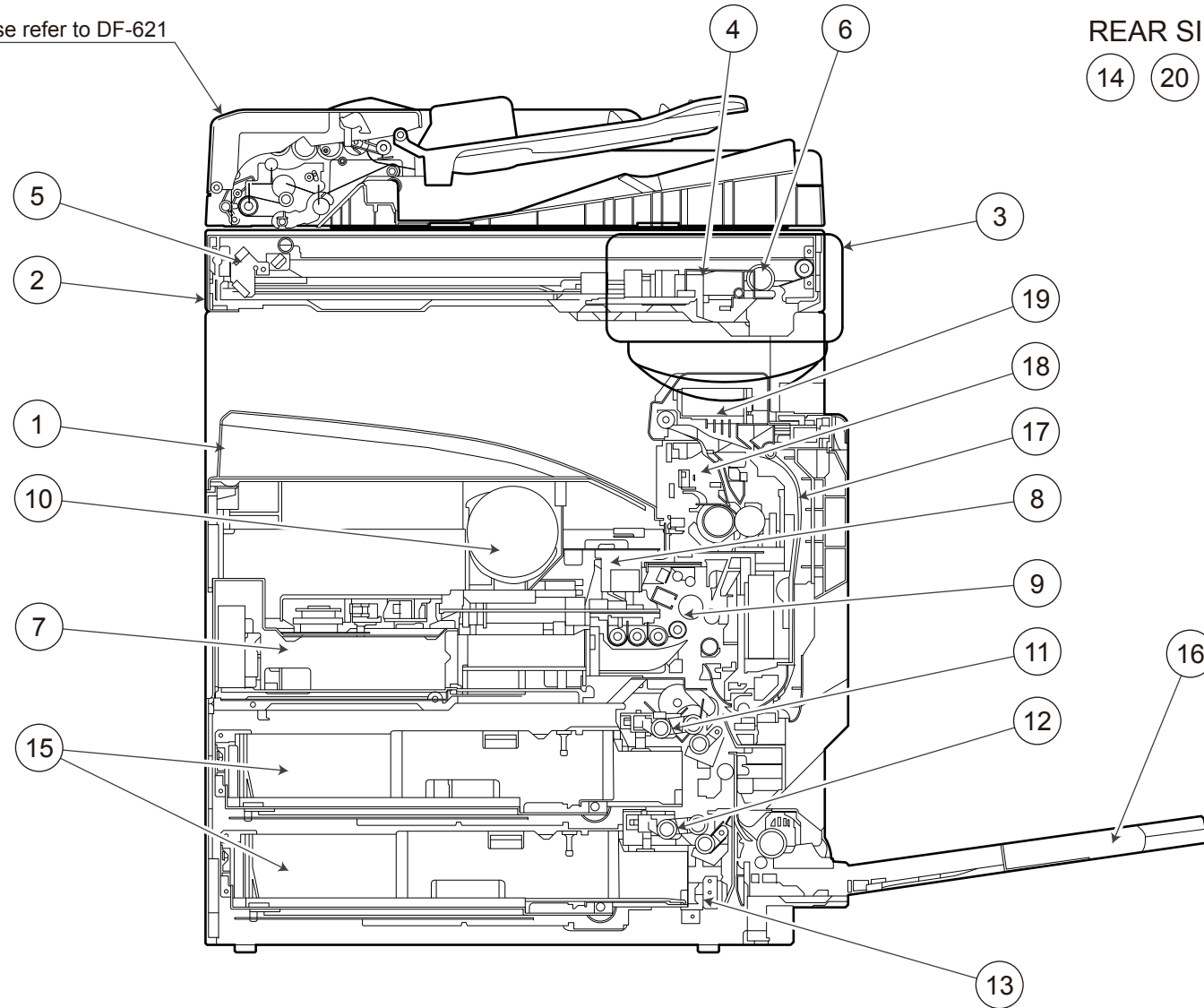
*2: Japan Only
 *3: Non Bluetooth Type
 *4: Bluetooth Type

GENERAL CONTENTS

No.	Description	Model
1	DIGITAL MFP B/W	bizhub 223/bizhub 283/bizhub 363/bizhub 423/bizhub 7828
2	DOCUMENT FEEDER	DF-621
3	OTHER OPTION	OC-509
4	SORTER/FINISHER	FS-527
5	SORTER/FINISHER	FS-529
6	SORTER/FINISHER	SD-509
7	STACKER	JS-505
8	STACKER	JS-603
9	PUNCH UNIT	PK-517
10	PAPER FEEDER	PC-109
11	PAPER FEEDER	PC-208
12	PAPER FEEDER	PC-409
13	OTHER OPTION	MK-726
14	OTHER OPTION	HT-507
15	OTHER OPTION	FK-508
16	OTHER OPTION	EK-604
17	OTHER OPTION	EK-605
18	OTHER OPTION	HD-516

DIAGRAMS OF MAIN PARTS SECTION

Please refer to DF-621



REAR SIDE

- 14
- 20
- 21
- 22
- 23

CONTENTS

No.	DESCRIPTION	名称	PAGE No.
1	EXTERNAL PARTS	外装部	P1 P2
2	IR COVER	I R カバー	P3
3	OPERATION PANEL SECTION	オペレーションパネル部	P4
4	CCD SECTION	C C D 部	P5
5	SCANNER SECTION	スキャナ部	P6
6	SCANNER DRIVE SECTION	スキャナ駆動部	P7
7	PRINT HEAD/ POWER SUPPLY SECTION	P H / 電源部	P8
8	OZONE DUCT/ FAN MOTOR SECTION	オゾンダクト/ファンモーター部	P9
9	IU SECTION	I U 部	P10
10	HOPPER SECTION	ホッパー部	P11 P12
11	1ST PAPER FEED SECTION	1 段目給紙部	P13 P14
12	2ND PAPER FEED SECTION	2 段目給紙部	P15 P16 P17
13	IU/ CASSETTE RAIL SECTION	I U / カセットレール部	P18
14	CASSETTE SIZE SECTION	カセットサイズ検出部	P19
15	CASSETTE SECTION	カセット部	P20 P21 P22
16	MANUAL PAPER FEED SECTION	手差し給紙部	P23 P24 P25 P26
17	PAPER TRANSPORT SECTION	搬送部	P27 P28 P29 P30 P31
18	FUSING SECTION	定着部	P32
19	PAPER EXIT SECTION	排紙部	P33 P34
20	HOPPER/ PAPER FEED DRIVE SECTION	ホッパー/給紙駆動部	P35
21	MAIN DRIVE SECTION	メイン駆動部	P36
22	REAR FRAME SECTION	後フレーム部	P37
23	ELECTRICAL COMPONENTS	電装部	P38 P39
24	WIRING	束線	P40 P41 P42
25	WIRING ACCESSORIES AND JIGS	配線部品・治具	P43
26	ACCESSORY PARTS	同梱部品	P44

INDEX

Parts No.	Page No.
0990559601	43-1
1033440203	1-19
1065308601	13-22
1065308601	16-20
1065587202	43-2
1129730301	18-10
1134304101	15-18
1134304202	24-5
1139524901	10-2
1139525001	10-3
1151502301	11-2
1164202102	18-13
1164205101	37-6
1164215501	18-17
1164350801	29-22
1164351302	29-25
1164351402	29-24
1164351501	29-23
1164352702	29-15
1164352901	29-13
1164354901	29-21
1164420204	29-29
1164420602	29-17
1164420902	29-18
1164421801	29-20
1165214201	18-14
1165215301	18-8
1165530801	12-3
1165530902	12-4
1165532501	11-7
1165532703	11-8
1200521204	15-13
26NA20300	14-15
26NA20300	17-10
4002310801	21-16
4002311002	19-4
4002313101	19-3
4002730601	22-4
4011204701	18-12
4011213401	18-6

Parts No.	Page No.
4011301201	19-2
4011302001	29-31
4011302101	22-10
4011350901	29-34
4011351201	29-30
4011351501	29-12
4011533901	12-6
4011534701	11-30
4012352412	28-15
4021522501	10-10
4025228301	39-6
4025598401	34-9
4030103301	27-7
4030201903	18-11
4030204001	8-7
4030205301	43-27
4030205401	43-28
4030208001	37-8
4030208101	18-28
4030210201	18-2
4030211201	18-5
4030211301	18-4
4030211401	18-29
4030211501	18-3
4030250501	36-10
4030250601	36-11
4030251001	36-16
4030251101	36-15
4030251201	36-12
4030251501	36-8
4030251601	36-7
4030251701	36-5
4030251801	36-4
4030252303	36-3
4030252401	36-2
4030252501	36-6
4030252601	36-17
4030253002	36-9
4030253104	36-13
4030253501	36-19

Parts No.	Page No.
4030300801	13-18
4030300801	16-13
4030301612	13-30
4030301612	16-8
4030301703	14-17
4030301703	17-13
4030302505	14-12
4030302505	17-11
4030302702	14-20
4030302702	17-14
4030303101	15-14
4030303203	15-23
4030303701	14-16
4030303701	17-12
4030303901	14-1
4030303901	17-1
4030307701	14-4
4030307701	17-4
4030307801	14-19
4030307801	17-16
4030307901	14-2
4030307901	17-2
4030308001	14-3
4030308001	17-3
4030308104	19-9
4030308301	19-8
4030309101	19-13
4030310801	15-22
4030311202	15-6
4030312101	31-18
4030312201	31-16
4030312501	15-10
4030320601	21-3
4030322402	19-10
4030322601	21-2
4030322812	21-19
4030340201	26-35
4030340301	26-36
4030344601	24-3
4030347501	26-27

Parts No.	Page No.
4030348901	26-34
4030350109	29-36
4030350401	29-14
4030350501	29-26
4030374001	30-7
4030374103	30-8
4030374201	30-6
4030420701	29-16
4030421304	29-27
4030422001	29-38
4030537901	12-7
4030538001	11-6
4030538302	11-26
4030538401	11-28
4030538502	12-2
4030538601	11-27
4030538702	11-4
4030538802	11-5
4030539301	11-15
4030539601	11-22
4030539801	11-25
4030R71200	36-20
4034015101	26-31
4036172001	7-15
4036307501	5-4
4037010401	19-14
4037090301	7-11
4037223902	37-17
4037320401	22-7
4038323402	24-13
4038323701	25-7
4038351102	27-9
4038585601	33-11
4038M60000	11-21
4040016301	9-9
4040077800	29-35
4040209401	9-8
4040209501	9-15
4040254501	36-18
4040255201	36-23

Parts No.	Page No.
4040309601	13-3
4040309601	16-28
4040309701	13-24
4040309701	16-22
4040521101	10-29
4040522201	10-23
4040522301	10-24
4040526001	10-1
4040532201	11-29
4040M40100	18-15
4066370501	28-3
4128197801	8-8
4128197901	8-9
4131300301	13-2
4131300301	16-2
4131300301	25-9
4131353202	15-2
4131353202	25-25
4138586601	28-25
4163520501	10-7
4163520701	10-13
4163520801	10-6
4163520901	10-15
4163521002	10-4
4163522101	10-12
4163522401	10-22
4163522601	10-9
4163523102	10-21
4163523701	10-14
4163523801	10-5
4163523901	10-17
4163524001	10-16
4163529301	11-18
4163529301	21-11
4163529301	22-5
4163529301	28-19
4163529301	29-2
4163529301	33-3
4163529301	34-12
4163529301	36-14

Parts No.	Page No.	Parts No.	Page No.	Parts No.	Page No.	Parts No.	Page No.	Parts No.	Page No.
4425301301	13-26	A00J168902	3-14	A02E270800	6-5	A02E815200	34-11	A0ED268700	3-22
4425301301	16-24	A00J169100	3-9	A02E561100	13-12	A02E940800	23-2	A0ED268800	3-19
4425301601	13-19	A00J169100	44-3	A02E561100	16-16	A02E940901	23-2	A0ED270400	6-10
4425301601	16-17	A00J169200	3-2	A02E591100	24-16	A02E941300	20-2	A0ED270500	6-6
4497311601	29-5	A00J191700	4-25	A02E591200	25-15	A02E941500	20-3	A0ED270600	6-3
4497311601	30-2	A00J191800	4-27	A02E591801	24-7	A02E941700	1-3	A0ED270700	6-1
4537331701	22-8	A00J191900	4-24	A02E592100	26-17	A02E941800	1-26	A0ED270800	6-8
4556M10000	33-4	A00J265300	5-15	A02E592300	26-5	A02E941900	1-27	A0ED270900	6-2
4556M90100	7-1	A00J276300	7-23	A02E592400	26-3	A02E942000	44-10	A0ED271200	6-9
4581162501	7-18	A00J280200	7-14	A02E592501	26-25	A02E942100	44-10	A0ED271300	6-7
4661315501	28-8	A00J560100	13-25	A02E592600	26-26	A02EG62100	26-15	A0ED273300	6-24
4687328101	26-6	A00J560100	16-23	A02E593200	26-4	A02EM10400	12-9	A0ED273400	6-20
56AA40490	13-15	A00J560302	13-23	A02E593300	26-2	A02EM10A00	7-9	A0ED273600	6-13
56AA40490	14-8	A00J560302	16-21	A02E593400	26-1	A02EM70F00	37-24	A0ED273700	6-14
56AA40490	16-12	A00J563600	13-13	A02E593500	26-20	A02ER73400	21-18	A0ED273900	6-19
56AA40490	17-6	A00J563600	14-6	A02E593700	26-10	A0ED131900	39-10	A0ED274000	6-18
57GA61560	14-13	A00J563600	16-11	A02E594500	25-18	A0ED137300	39-5	A0ED274200	6-22
57GA61560	39-16	A00J563600	17-17	A02E594600	25-19	A0ED161002	1-1	A0ED274300	6-23
9326120061	5-12	A00J564000	13-20	A02E595100	25-8	A0ED162600	1-8	A0ED274400	6-21
9326181021	7-7	A00J564000	16-18	A02E595201	25-3	A0ED162700	1-9	A0ED275100	6-12
9335140061	7-25	A00J564600	14-10	A02E595302	25-12	A0ED166100	44-2	A0ED275200	6-25
9335140081	5-2	A00J564600	17-8	A02E595400	25-10	A0ED166200	44-1	A0ED275302	7-13
9335140081	5-3	A00J564700	14-7	A02E595600	25-1	A0ED170100	3-12	A0ED275400	7-16
9372271022	29-28	A00J564700	17-5	A02E596002	25-11	A0ED170600	3-29	A0ED275501	7-31
9381410131	44-9	A00J566801	13-29	A02E596100	25-26	A0ED192600	4-16	A0ED275600	7-10
9381430031	44-9	A00J566801	16-27	A02E597200	26-28	A0ED262200	7-26	A0ED275700	7-28
9J03M10000	9-17	A00J940100	3-3	A02E597301	26-33	A0ED262300	5-21	A0ED276200	6-16
9J03M10000	28-20	A00J940100	44-11	A02E597600	26-30	A0ED262400	5-20	A0ED276301	6-17
9J03N30000	44-9	A00J940200	3-3	A02E598100	26-19	A0ED262500	5-9	A0ED281200	6-15
9J06323501	1-11	A00J942202	20-1	A02E598200	24-12	A0ED262600	5-23	A0ED281600	7-21
9J06323501	24-9	A00J945000	2-3	A02E598300	26-16	A0ED262700	5-22	A0ED281700	5-8
9J06M10300	19-5	A00J945500	1-20	A02E598400	24-2	A0ED263200	5-19	A0ED563900	14-5
9J06M20000	25-4	A00JH00D00	1-6	A02E622300	21-20	A0ED263300	7-24	A0ED563900	17-18
9J06M60100	37-3	A00JH00E00	3-17	A02E622400	22-14	A0ED267300	5-10	A0ED590500	26-23
A00F623200	25-17	A011946200	1-15	A02E622700	22-3	A0ED267500	3-23	A0ED590800	24-8
A00FM20000	13-1	A02E148400	2-4	A02E810800	30-17	A0ED268100	3-20	A0ED590900	24-1
A00FM20000	16-1	A02E148400	9-12	A02E811300	31-19	A0ED268200	3-28	A0ED591000	24-15
A00J168202	3-15	A02E161600	44-8	A02E811900	31-10	A0ED268300	3-4	A0ED591700	26-37
A00J168301	1-7	A02E167700	3-7	A02E813100	28-32	A0ED268400	5-14	A0ED591900	26-24
A00J168503	3-16	A02E167700	44-4	A02E815200	30-13	A0ED268500	5-13	A0ED592201	26-7

Parts No.	Page No.	Parts No.	Page No.	Parts No.	Page No.	Parts No.	Page No.	Parts No.	Page No.
A0ED593100	26-38	A0EDM41000	7-5	A108M50100	13-6	A1UD105200	27-12	A1UD134101	37-19
A0ED593600	26-22	A0EDM50100	13-8	A108M50100	15-16	A1UD105302	18-18	A1UD135100	9-6
A0ED593900	26-39	A0EDM50100	15-19	A108M50100	16-5	A1UD106001	18-26	A1UD135301	9-7
A0ED597100	26-29	A0EDM50100	16-7	A108M50100	19-7	A1UD106100	1-13	A1UD135312	9-7
A0ED598700	24-6	A0EDM50100	26-12	A108M50100	24-4	A1UD106201	37-27	A1UD135701	9-1
A0ED599000	26-13	A0EDM72000	38-1	A108M50100	25-2	A1UD120601	8-16	A1UD136100	9-3
A0ED599100	26-11	A0EDM72000	38-1	A108M50100	30-16	A1UD120700	27-14	A1UD136400	9-5
A0ED599300	26-32	A0EDM72000	38-1	A108M50100	31-5	A1UD121000	27-11	A1UD140002	38-20
A0ED620113	21-15	A0EDN14500	3-18	A108M50100	35-2	A1UD121100	37-25	A1UD140002	38-20
A0ED620200	21-9	A0EDN30002	37-22	A108M50100	39-1	A1UD121200	37-26	A1UD140002	38-20
A0ED620500	21-1	A0EDN30201	44-9	A108R90000	19-11	A1UD130102	39-18	A1UD140102	38-19
A0ED620601	22-13	A0EDR72700	3-5	A108R90000	24-11	A1UD130203	39-13	A1UD140102	38-19
A0ED620701	21-5	A0EDR72800	6-11	A108R90000	29-8	A1UD130301	2-6	A1UD140102	38-19
A0ED620901	22-1	A0P0144300	38-4	A108R90000	30-5	A1UD130600	38-18	A1UD160102	1-18
A0ED621000	22-2	A0P0144300	38-4	A11U815000	28-9	A1UD130700	9-11	A1UD160202	1-23
A0ED621101	22-6	A0P0144300	38-4	A1UD100601	8-14	A1UD130800	38-11	A1UD160300	1-21
A0ED621300	22-11	A0P0144400	38-5	A1UD100701	18-22	A1UD130900	9-16	A1UD160501	1-22
A0ED621400	22-12	A0P0144400	38-5	A1UD100802	18-27	A1UD131000	8-4	A1UD160601	2-15
A0ED621901	22-15	A0P0144400	38-5	A1UD101001	37-12	A1UD131101	37-18	A1UD160701	2-14
A0ED622100	21-6	A0P0144701	38-12	A1UD101300	27-5	A1UD131200	37-16	A1UD160901	1-14
A0ED623200	21-17	A0P0147300	38-7	A1UD101500	27-1	A1UD131300	9-14	A1UD161001	2-17
A0ED623400	21-7	A0P0147401	39-9	A1UD101600	18-25	A1UD131400	18-19	A1UD161101	2-16
A0ED625000	20-9	A0P0561600	14-21	A1UD101801	13-11	A1UD131600	39-7	A1UD161201	2-12
A0ED625201	20-8	A0P0561600	17-19	A1UD102300	37-2	A1UD131700	39-12	A1UD161301	2-7
A0ED625301	20-11	A0P0H02500	5-16	A1UD102401	12-14	A1UD131801	39-8	A1UD161500	1-5
A0ED625400	20-5	A0P0M50400	37-11	A1UD102501	18-23	A1UD132100	18-21	A1UD161800	1-4
A0ED625500	21-10	A0P0M70503	4-4	A1UD102600	8-13	A1UD132400	27-13	A1UD162001	1-2
A0ED625700	21-13	A0P0M70603	4-4	A1UD102802	11-20	A1UD132700	37-9	A1UD162202	2-13
A0ED627500	19-6	A0P0M70703	4-4	A1UD103300	16-10	A1UD132800	39-15	A1UD162502	2-11
A0ED631600	21-4	A0P0M70802	4-4	A1UD103401	11-24	A1UD133000	37-23	A1UD162600	2-9
A0ED633100	21-8	A0P0M70902	4-4	A1UD103700	27-4	A1UD133100	37-10	A1UD162800	2-10
A0ED635801	21-14	A0P0N15100	38-3	A1UD103800	27-3	A1UD133200	38-6	A1UD163002	1-10
A0ED940100	20-6	A0P0N15100	38-3	A1UD103900	27-2	A1UD133300	38-14	A1UD164001	2-2
A0ED940200	23-3	A0P0N15100	38-3	A1UD104001	8-1	A1UD133400	2-5	A1UD164101	2-1
A0ED940300	3-1	A0P0N15200	38-2	A1UD104101	8-2	A1UD133500	39-17	A1UD167900	4-6
A0ED946500	1-16	A0P0N15200	38-2	A1UD104201	8-3	A1UD133600	39-4	A1UD168000	4-20
A0EDF62100	22-9	A0P0N15200	38-2	A1UD104400	13-9	A1UD133700	37-4	A1UD169400	4-18
A0EDF62303	21-21	A0PD160200	44-5	A1UD104500	8-11	A1UD133800	37-5	A1UD170200	3-26
A0EDM10500	9-13	A0TKH00200	10-26	A1UD104500	39-19	A1UD133900	37-7	A1UD170302	3-24
A0EDM31000	6-4	A108M50100	1-12	A1UD105001	18-24	A1UD134000	39-11	A1UD170400	3-8

Parts No.	Page No.	Parts No.	Page No.	Parts No.	Page No.	Parts No.	Page No.	Parts No.	Page No.
A1UD170500	3-6	A1UD218400	35-10	A1UD560500	13-16	A1UD590700	23-1	A1UD712600	31-14
A1UD170700	3-27	A1UD218500	35-9	A1UD560500	16-14	A1UD591300	25-16	A1UD712700	28-14
A1UD171000	4-22	A1UD218601	35-3	A1UD560600	13-4	A1UD591500	25-22	A1UD712800	28-27
A1UD171101	3-10	A1UD218700	35-7	A1UD560600	16-3	A1UD592800	26-21	A1UD713000	29-19
A1UD171202	4-2	A1UD218900	35-1	A1UD560701	13-14	A1UD594101	25-14	A1UD810100	28-5
A1UD171301	2-8	A1UD219000	35-11	A1UD560701	16-29	A1UD594200	25-24	A1UD810201	28-6
A1UD171400	4-3	A1UD220600	36-22	A1UD561101	13-28	A1UD595500	25-6	A1UD810300	28-4
A1UD171500	3-11	A1UD261600	7-22	A1UD561101	16-26	A1UD595700	25-13	A1UD810400	27-6
A1UD171600	4-1	A1UD261902	7-32	A1UD561200	15-7	A1UD595900	25-20	A1UD810500	30-1
A1UD171700	3-25	A1UD262001	7-33	A1UD561400	15-5	A1UD598100	26-14	A1UD810900	29-6
A1UD171800	44-6	A1UD262200	7-19	A1UD561500	15-24	A1UD598600	24-10	A1UD811000	28-1
A1UD191100	4-26	A1UD262800	7-12	A1UD561600	15-15	A1UD599200	26-9	A1UD811100	30-10
A1UD191200	4-23	A1UD263000	7-30	A1UD561801	15-12	A1UD625101	20-7	A1UD811300	31-9
A1UD191300	4-17	A1UD265400	7-20	A1UD561900	15-20	A1UD625300	20-4	A1UD811600	30-14
A1UD191400	4-13	A1UD276000	7-29	A1UD562100	15-4	A1UD634600	19-12	A1UD811700	31-6
A1UD191500	4-10	A1UD276500	7-17	A1UD562600	14-11	A1UD635101	20-10	A1UD812200	28-12
A1UD191600	4-19	A1UD279000	5-6	A1UD562600	17-9	A1UD700200	29-33	A1UD812300	30-3
A1UD192000	4-9	A1UD281800	5-17	A1UD562611	14-11	A1UD700300	29-9	A1UD812600	30-15
A1UD192200	4-7	A1UD370500	10-28	A1UD562611	17-9	A1UD710101	28-10	A1UD812700	29-1
A1UD192300	4-15	A1UD370601	10-27	A1UD563100	14-9	A1UD710200	28-29	A1UD812800	30-12
A1UD192400	4-11	A1UD370700	10-25	A1UD563100	17-7	A1UD710302	28-17	A1UD812900	28-31
A1UD192500	4-14	A1UD370900	10-20	A1UD563200	14-18	A1UD710400	28-22	A1UD813200	31-11
A1UD192700	4-8	A1UD371000	10-18	A1UD563200	17-15	A1UD710500	28-21	A1UD813400	30-9
A1UD192800	4-21	A1UD400700	12-11	A1UD564101	13-10	A1UD710700	29-10	A1UD813600	31-12
A1UD192900	4-12	A1UD400801	12-8	A1UD564200	16-9	A1UD710800	28-26	A1UD813700	30-18
A1UD193000	4-28	A1UD400900	12-10	A1UD564300	15-11	A1UD710900	28-30	A1UD813800	31-8
A1UD210001	35-18	A1UD410101	11-14	A1UD564401	15-3	A1UD711000	28-23	A1UD813900	31-7
A1UD210201	35-16	A1UD410200	11-19	A1UD564600	14-14	A1UD711101	28-28	A1UD814000	28-2
A1UD210300	35-14	A1UD410300	11-12	A1UD564901	13-7	A1UD711200	27-8	A1UD814100	29-4
A1UD210401	35-15	A1UD410400	11-16	A1UD564901	16-6	A1UD711300	28-18	A1UD814100	30-11
A1UD210500	35-22	A1UD410601	11-17	A1UD565101	16-4	A1UD711500	31-13	A1UD814201	30-19
A1UD210601	35-17	A1UD410700	11-3	A1UD565500	13-31	A1UD711600	31-17	A1UD814300	31-20
A1UD210900	35-19	A1UD410800	11-10	A1UD565500	16-30	A1UD711700	31-15	A1UD890100	33-2
A1UD211300	35-20	A1UD410900	11-11	A1UD570300	15-25	A1UD711800	29-3	A1UD890201	34-14
A1UD211401	35-13	A1UD411000	11-9	A1UD570400	15-26	A1UD711900	28-11	A1UD890401	33-9
A1UD211600	36-21	A1UD560102	13-5	A1UD570500	15-9	A1UD712000	29-11	A1UD890500	33-8
A1UD212000	35-21	A1UD560200	13-17	A1UD572400	15-8	A1UD712100	28-16	A1UD890600	34-10
A1UD218100	35-5	A1UD560200	16-15	A1UD590100	25-21	A1UD712200	28-24	A1UD890700	33-5
A1UD218200	35-6	A1UD560401	13-21	A1UD590200	25-23	A1UD712300	28-13	A1UD890800	33-6
A1UD218301	35-8	A1UD560401	16-19	A1UD590600	23-4	A1UD712500	28-7	A1UD891000	34-8

Parts No.	Page No.
A1UD891100	34-5
A1UD891500	34-6
A1UD891600	34-4
A1UD891800	34-3
A1UD892100	33-7
A1UD892200	34-13
A1UD892600	34-15
A1UD892700	34-16
A1UD892800	34-2
A1UD892900	34-7
A1UD940600	11-13
A1UD941300	1-17
A1UD941400	33-1
A1UD942200	1-25
A1UD947400	44-13
A1UDH00100	7-3
A1UDH02002	38-13
A1UDH02102	38-13
A1UDM10000	36-1
A1UDM10100	31-4
A1UDM10100	34-1
A1UDM10500	9-10
A1UDM20000	29-32
A1UDM20100	15-1
A1UDM20100	25-5
A1UDM40002	8-12
A1UDM40102	8-12
A1UDM40202	8-12
A1UDM40301	8-5
A1UDM50100	26-18
A1UDM50200	3-13
A1UDM50200	12-5
A1UDM90200	5-5
A1UDM90300	39-3
A1UDM90400	2-18
A1UDN10000	5-11
A1UDN10100	7-8
A1UDN10200	7-27
A1UDN10301	42-2
A1UDN10400	5-1

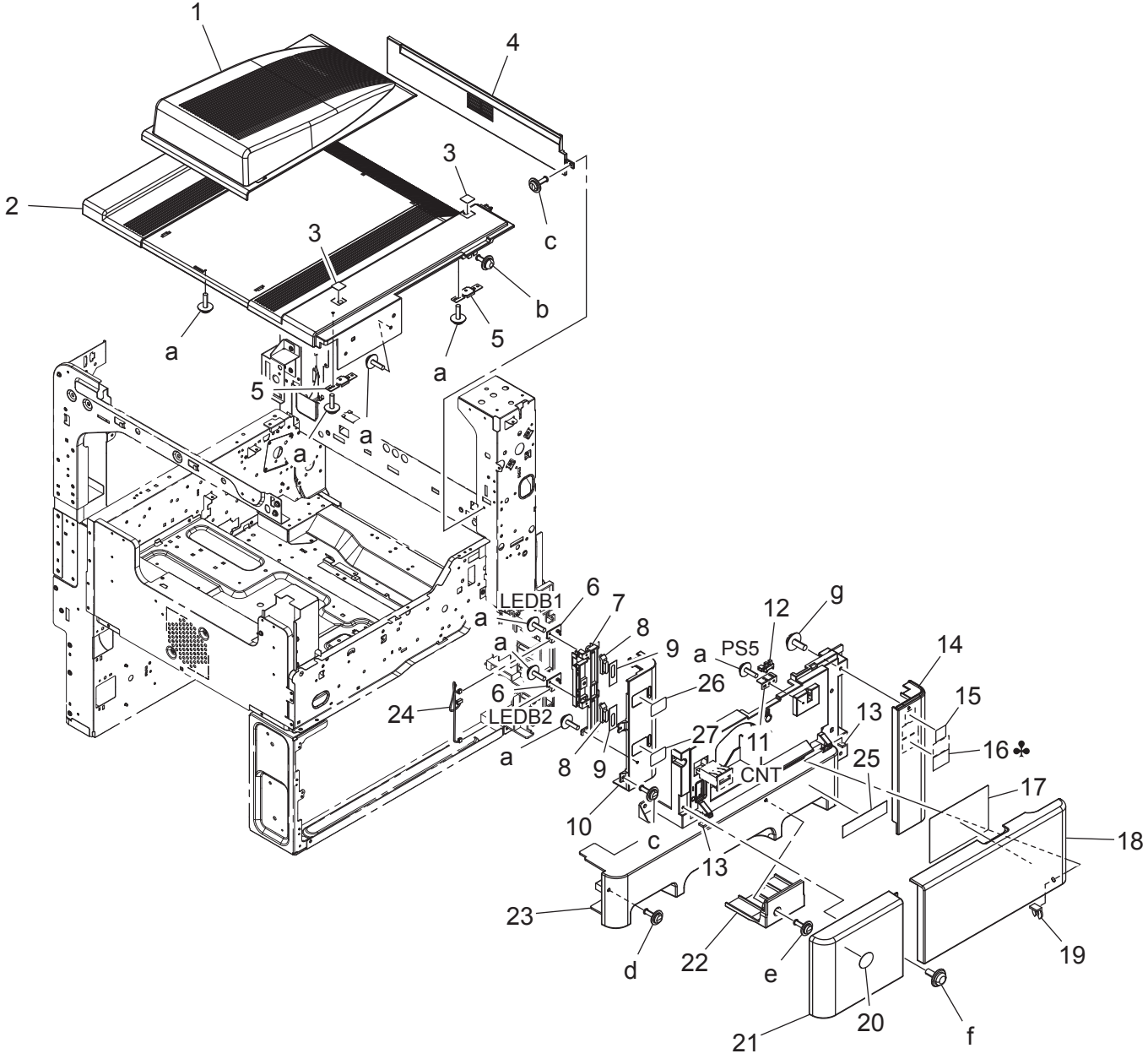
Parts No.	Page No.
A1UDN10600	7-4
A1UDN10701	42-2
A1UDN10800	7-2
A1UDN10902	5-1
A1UDN11000	37-21
A1UDN11011	37-21
A1UDN11100	37-14
A1UDN11200	37-20
A1UDN11211	37-20
A1UDN11300	11-23
A1UDN11400	18-20
A1UDN11500	18-20
A1UDN11600	8-6
A1UDN12001	40-1
A1UDN12101	41-1
A1UDN12400	15-21
A1UDN12500	12-13
A1UDN12601	1-24
A1UDN12700	13-27
A1UDN12800	16-25
A1UDN12A00	9-2
A1UDN12B00	24-14
A1UDN12C02	26-8
A1UDN12D00	4-5
A1UDN12E00	33-10
A1UDN12F00	18-16
A1UDN12G00	18-9
A1UDN12H00	18-1
A1UDN12J00	18-7
A1UDN12K01	19-1
A1UDN12M01	19-15
A1UDN12N01	31-1
A1UDN12P01	30-4
A1UDN12R00	38-16
A1UDN12S01	42-1
A1UDN12W00	38-17
A1UDN12X01	41-1
A1UDN12Y00	38-15
A1UDN13100	37-13
A1UDN13200	29-7

Parts No.	Page No.
A1UDN13300	39-2
A1UDN13400	42-1
A1UDN14001	5-18
A1UDN14101	5-18
A1UDN30001	37-22
A1UDP00004	39-21
A1UDP00100	28-34
A1UDP16000	44-12
A1UDR70000	36-24
A1UDR70100	35-12
A1UDR70200	35-4
A1UDR70311	3-21
A1UDR70411	12-12
A1UDR70500	29-39
A1UDR70600	24-17
A1UDR70711	28-33
A1UDR70811	32-1
A1UDR70911	32-1
A1UDR71011	32-1
A1UDR71111	10-30
A1UDR71300	8-10
A1UDR71400	11-1
A1UDR71500	11-1
A1UDR71600	11-1
A1UDR71700	5-7
A1UDR71811	9-4
A1UDR72011	32-1
A1UDR72100	32-2
A1UDR7A000	27-10
A1UDR7A100	31-2
A1UDR90000	10-19
A1UDR90100	10-35
A1UDR90200	21-22
A1UE210101	35-26
A1UE210700	35-23
A1UE210800	35-24
A1UE211000	35-25
A1UE942200	1-25
A1UEN12001	40-1
A1UEN12101	41-1

Parts No.	Page No.
A1UEN12400	15-17
A1UEN12700	13-27
A1UEN12800	16-25
A1UEN12X01	41-1
A1UF940600	11-13
A1UF942200	1-25
A1UF942500	1-25
A1UFN12001	40-1
A1UFR70000	11-1
A1UFR70100	11-1
A1UFR70200	11-1
A1UFR70300	8-10
A1UG942200	1-25
A1UGN12001	40-1
A3EW562700	14-20
A3EW562700	17-14
A3EWF62200	21-12
V116030803	44-7
V500010003	43-3
V500010005	43-4
V500010007	43-5
V500010008	43-6
V500010013	43-7
V500010015	43-29
V500010020	43-8
V500010046	43-9
V500010054	43-10
V500010055	43-11
V500010061	43-12
V500020019	43-13
V500020020	43-14
V500020039	43-15
V500020042	43-16
V500020052	43-26
V500020082	43-17
V500020084	43-18
V502010033	7-6
V502010041	39-20
V570010021	43-19
V570010023	43-20

Parts No.	Page No.
V570010026	43-21
V570010027	43-22
V570010028	43-23
V570010031	43-24
V570010046	43-25
V651010001	12-1
V651010002	8-15
V800500300	29-37
V865300026	38-8

EXTERNAL PARTS

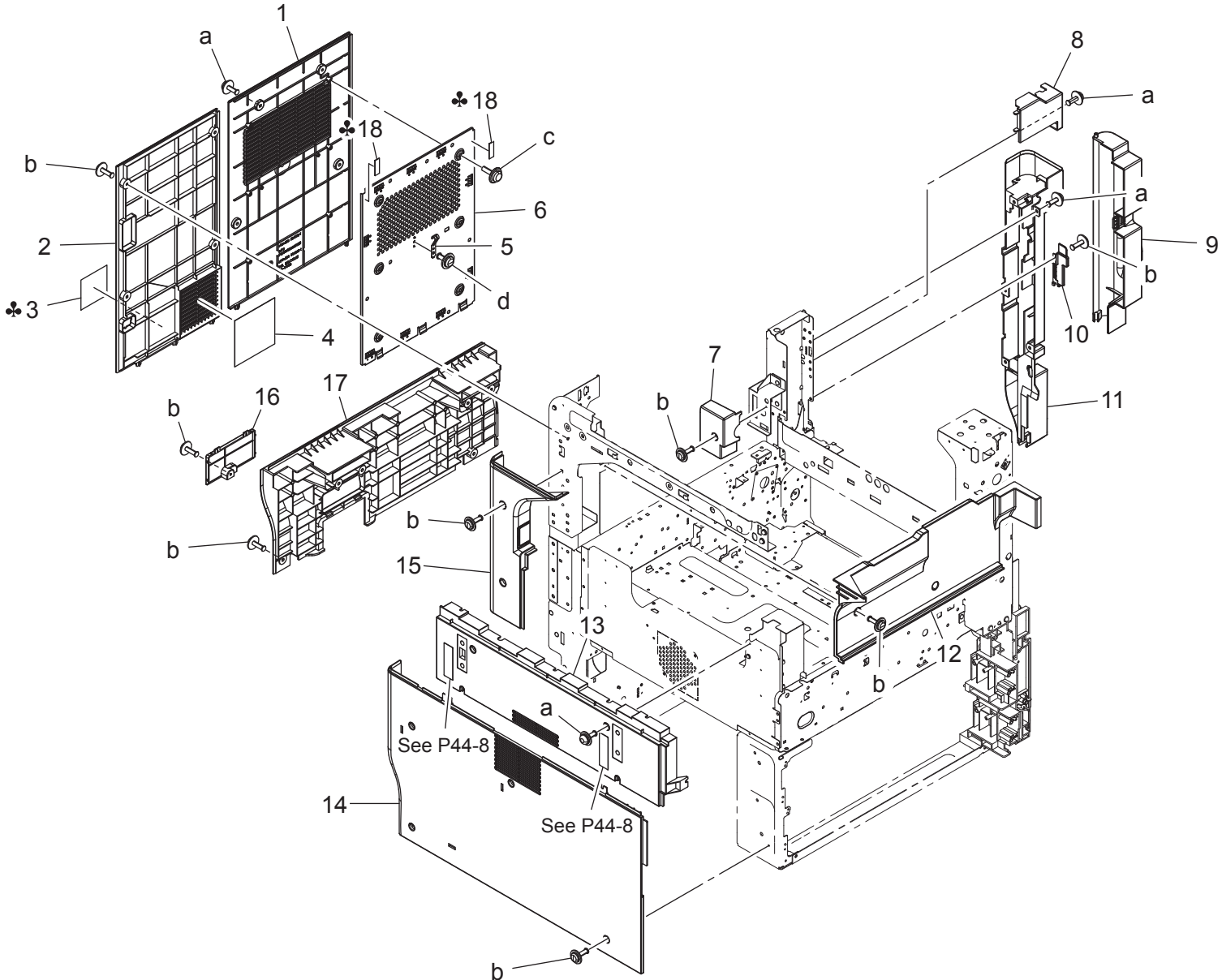


bizhub 223/bizhub 283/bizhub 363/bizhub 423/bizhub 7828

EXTERNAL PARTS

Key	Part No.	Description	Destinations	Class	QTY	Standard parts
1	A0ED161002	Tray		C	1	a-V153030803 b-V116030804 c-V137030803 d-V137030804 e-V137031004 f-V153040804 g-V153041003
2	A1UD162001	Cover /Upper		D	1	
3	A02E941700	Label Jam/Adu		C	2	
4	A1UD161800	Cover		D	1	
5	A1UD161500	Mounting Plate		D	2	
6	A00JH00D00	PWB Assembly LED1		C	2	
7	A00J168301	Light blocking Cover		D	1	
8	A0ED162600	Lens		C	2	
9	A0ED162700	Light blocking Plate		C	2	
10	A1UD163002	Cover		D	1	
11	9J06323501	BRACKET		D	1	
12	A108M50100	Photointerrupter		B	1	
13	A1UD106100	Cushion		D	2	
14	A1UD160901	Cover		D	1	
15	A011946200	Label Emperon		D	1	
16	A0ED946500	Label	A,A1	D	1	
17	A1UD941300	Label		D	1	
18	A1UD160102	Cover /Front		C	1	
19	1033440203	STOPPER RING		C	1	
20	A00J945500	Logo Mark		C	1	
21	A1UD160300	Cover /Left front		C	1	
22	A1UD160501	Cover /Front		D	1	
23	A1UD160202	Cover /Front		D	1	
24	A1UDN12601	Indicating Wiring		D	1	
25	A1UG942200	Label	{bizhub 223}	D	1	
25	A1UF942200	Label	{bizhub 283}	D	1	
25	A1UE942200	Label	{bizhub 363}	D	1	
25	A1UD942200	Label	{bizhub 423}	D	1	
25	A1UF942500	Label	{bizhub 7828}	D	1	
26	A02E941800	Label Number 1		C	1	
27	A02E941900	Label Number 2		C	1	

EXTERNAL PARTS

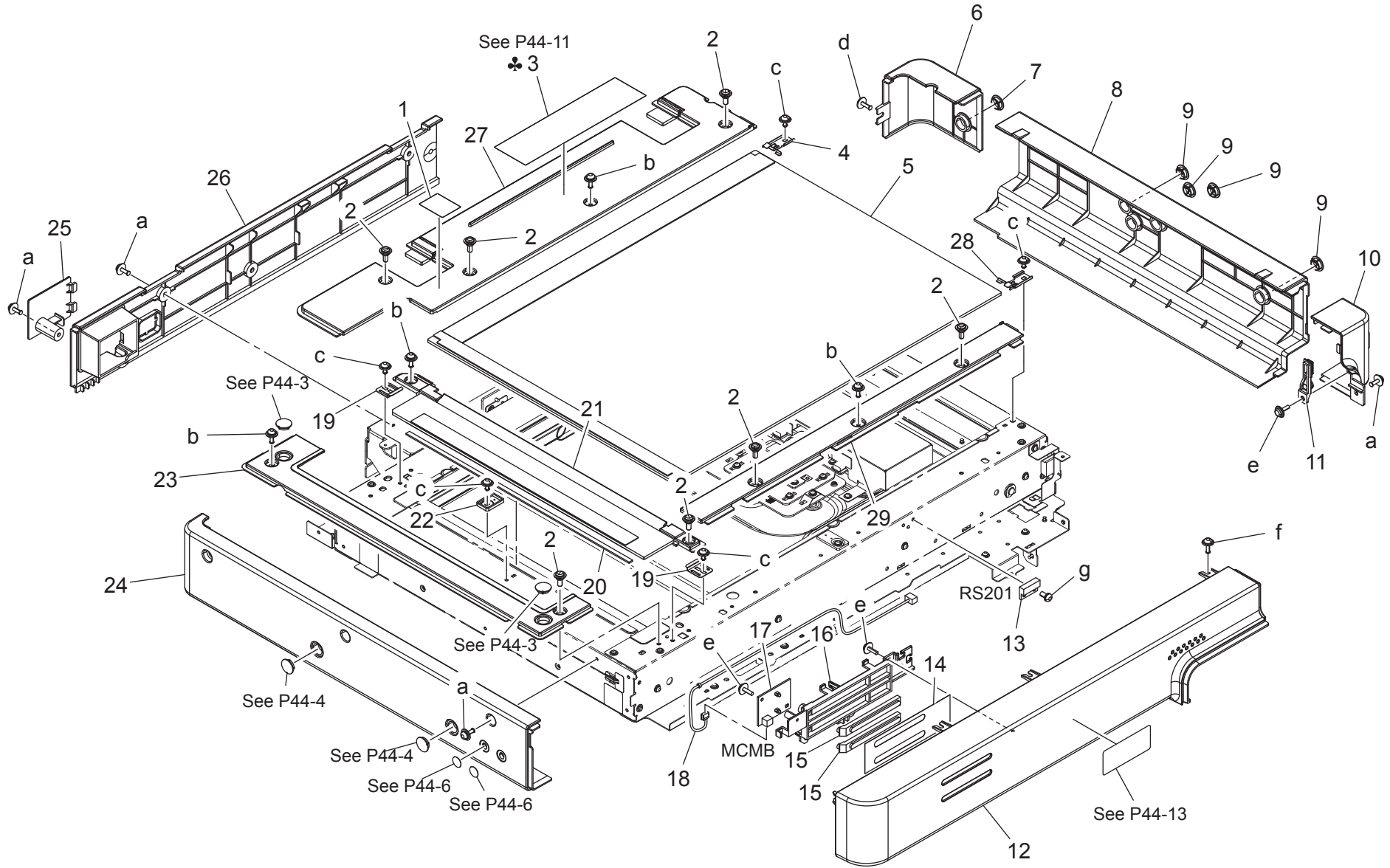


EXTERNAL PARTS

Key	Part No.	Description	Destinations	Class	QTY	Standard parts
1	A1UD164101	Cover		D	1	a-V116030804 b-V137030804 c-V153030803 d-V137030603
2	A1UD164001	Cover		D	1	
3	A00J945000	Label Only connect	C,D1,D3,F2,G1,I,K	C	1	
4	A02E148400	Filter		C	1	
5	A1UD133400	Plate spring		D	1	
6	A1UD130301	Shield Cover		D	1	
7	A1UD161301	Read Cover /Rear		D	1	
8	A1UD171301	Read Cover		D	1	
9	A1UD162600	Cover /Right rear		C	1	
10	A1UD162800	Cover		D	1	
11	A1UD162502	Cover		D	1	
12	A1UD161201	Read Cover /Rear		D	1	
13	A1UD162202	Tray /Left		D	1	
14	A1UD160701	Cover /Left		D	1	
15	A1UD160601	Cover /Left		D	1	
16	A1UD161101	Cover /Rear		C	1	
17	A1UD161001	Cover /Rear		D	1	
18	A1UDM90400	Gasket	C,D1,D3,F2,G1,H,I,J,K	D	2	

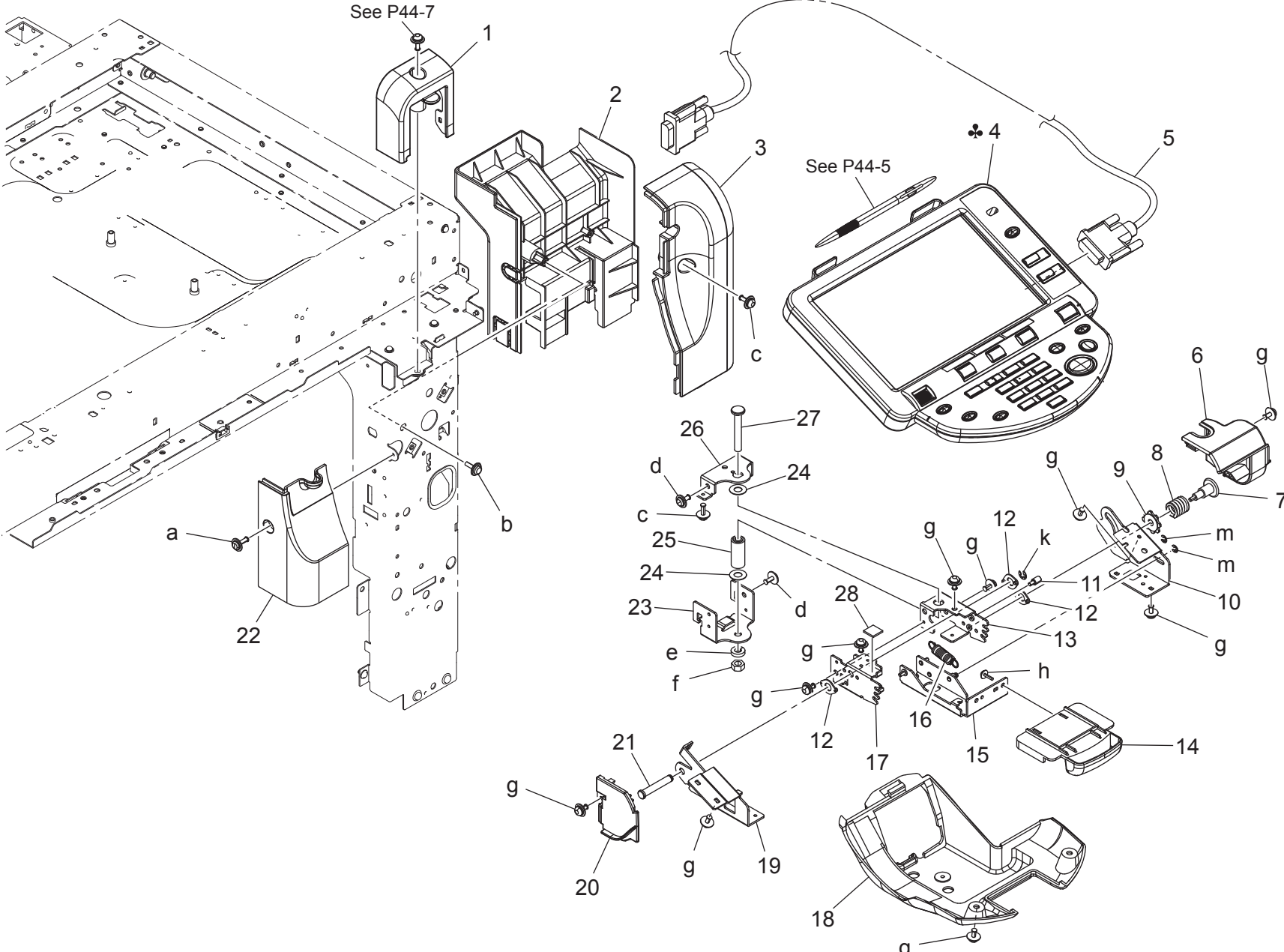
IR COVER

P 3



Key	Part No.	Description	Destinations	Class	QTY	Standard parts
1	A0ED940300	Label Print Side		C	1	a-V116030803
2	A00J169200	Shoulder screw		C	7	b-V116030804
3	A00J940200	Label	A,A1	C	1	c-V127030604
3	A00J940100	Label Legal Restriction	B,G2	C	1	d-V137030803
4	A0ED268300	Holding Plate		C	1	e-V153030803
5	A0EDR72700	Original Glass Assy		D	1	f-V121030804
6	A1UD170500	Read Cover /Right rear		D	1	g-V115030603
7	A02E167700	Cover		C	1	
8	A1UD170400	Read Cover /Right		D	1	
9	A00J169100	Cover		C	4	
10	A1UD171101	Read Cover		D	1	
11	A1UD171500	Read Cover		D	1	
12	A0ED170100	Read Cover /Front		C	1	
13	A1UDM50200	Lead Switch		C	1	
14	A00J168902	Light blocking Plate		C	1	
15	A00J168202	Lens /B		C	2	
16	A00J168503	Light blocking Cover /C		D	1	
17	A00JH00E00	PWB Assembly LED2		I	1	
18	A0EDN14500	Scanner Wiring /5		D	1	
19	A0ED268800	Holding Plate		D	2	
20	A0ED268100	Cushion		D	1	
21	A1UDR70311	Slit Glass Assy		C	1	
22	A0ED268700	Regulating Plate		D	1	
23	A0ED267500	Cover		C	1	
24	A1UD170302	Read Cover /Left		D	1	
25	A1UD171700	Cover /Rear		D	1	
26	A1UD170200	Read Cover /Rear		D	1	
27	A1UD170700	Read Cover		D	1	
28	A0ED268200	Holding Plate		D	1	
29	A0ED170600	Read Cover Upper F		C	1	

OPERATION PANEL SECTION

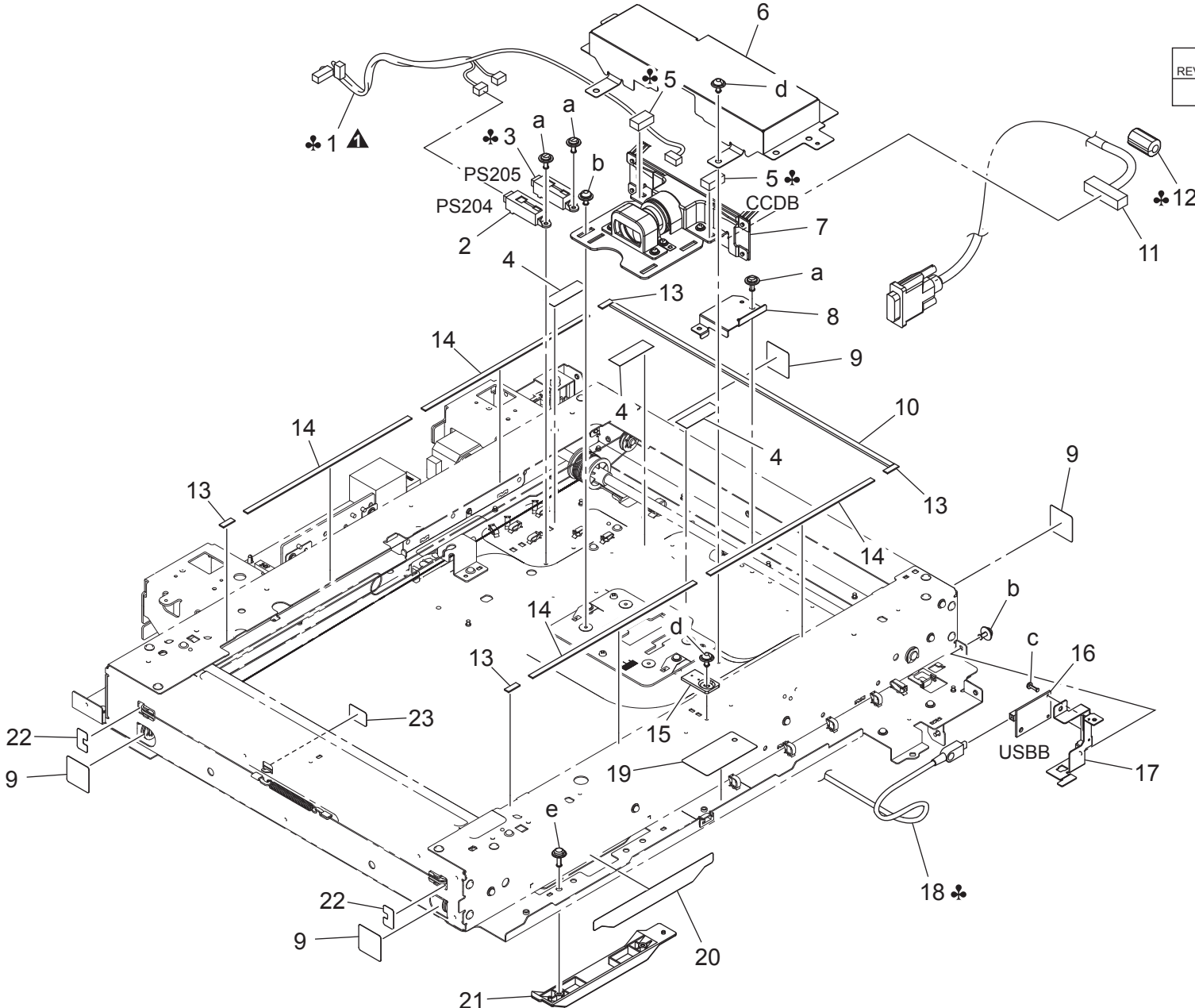


bizhub 223/bizhub 283/bizhub 363/bizhub 423/bizhub 7828

OPERATION PANEL SECTION

Key	Part No.	Description	Destinations	Class	QTY	Standard parts
1	A1UD171600	Read Cover		D	1	a-V137030803
2	A1UD171202	Read Cover /Inside		D	1	b-V153030803
3	A1UD171400	Read Cover		D	1	c-V116030803
4	A0P0M70503	Panel assembly	A,A1	I	1	d-V137030603
4	A0P0M70603	Panel assembly	B,D1,D3,F1,F2,G1,G2 ,I,K	I	1	e-V205060003 f-V195060003 g-V116030603
4	A0P0M70703	Panel assembly	C	I	1	h-V153031003
4	A0P0M70802	Panel assembly	J	I	1	k-V217040001
4	A0P0M70902	Panel assembly	H	I	1	m-V217030001
5	A1UDN12D00	Ope.unit Cable		D	1	
6	A1UD167900	Cover		D	1	
7	A1UD192200	Shoulder screw /1		C	1	
8	A1UD192700	Compressing Coil spring		C	1	
9	A1UD192000	Washer		C	1	
10	A1UD191500	Mounting Plate		D	1	
11	A1UD192400	Shoulder screw /2		C	1	
12	A1UD192900	Washer		C	3	
13	A1UD191400	Arm		D	1	
14	A1UD192500	Handle		D	1	
15	A1UD192300	Lever		D	1	
16	A0ED192600	Pulling Spring		D	1	
17	A1UD191300	Arm		D	1	
18	A1UD169400	Cover		D	1	
19	A1UD191600	Mounting Plate		D	1	
20	A1UD168000	Cover		D	1	
21	A1UD192800	Support Shaft		D	1	
22	A1UD171000	Read Cover /Right front		D	1	
23	A1UD191200	Mounting Plate		D	1	
24	A00J191900	Washer		C	2	
25	A00J191700	Collar		D	1	
26	A1UD191100	Mounting Plate		D	1	
27	A00J191800	Support Screw		C	1	
28	A1UD193000	Stopper		C	1	

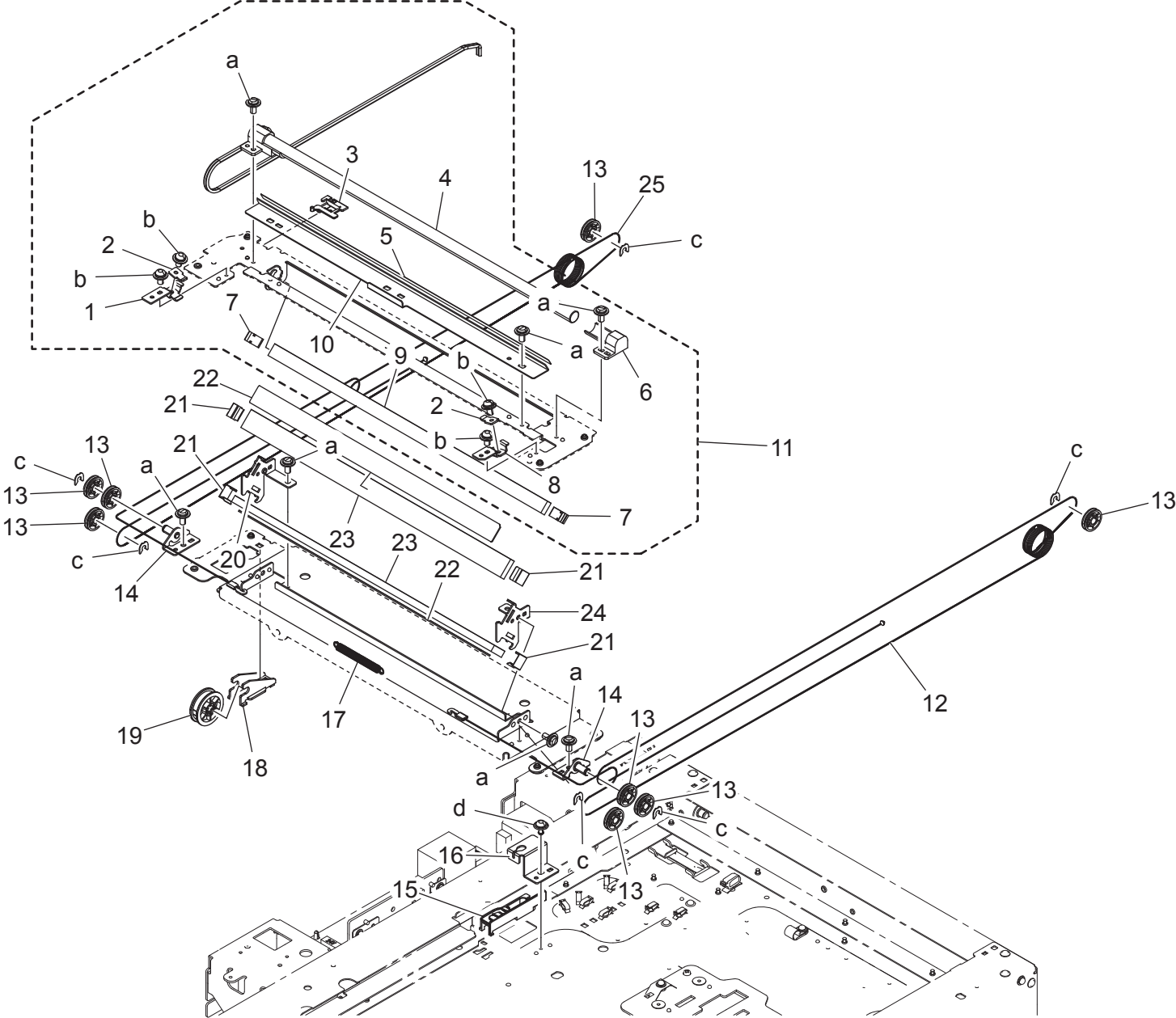
CCD SECTION



改訂版 REVISED EDITION	日付 DATE
▲	DECEMBER 2010

Key	Part No.	Description	Destinations	Class	QTY	Standard parts	
1	A1UDN10400	Scanner Wiring /4	スキャナー束線 / 4 (CCD 電源部)	A,A1,B,G2	D	1	a-V137030603 b-V116030603 c-V111020603 d-V127030604 e-V153030803
1	A1UDN10902	Scanner Wiring /9	スキャナー束線 / 9 (CCD シールド 電源)	C,D1,D3,F1,F2,G1,H, I,J,K	D	1	
2	9335140081	SOLID STATE SWITCH	反射型フォトスイッチ		C	1	
3	9335140081	SOLID STATE SWITCH	反射型フォトスイッチ		C	1	
4	4036307501	TAPE	テープ	D1,D3,F1,F2,G1,I,K	D	3	
5	A1UDM90200	Gasket	ガスケット	C,D1,D3,F1,F2,G1,H, I,J,K	D	2	
6	A1UD279000	Mounting Plate /ASSY	取付板 / ASSY (CCD)		D	1	
7	A1UDR71700	CCD ASSY	CCD ASSY		I	1	
8	A0ED281700	Mounting Plate	取付板 (CCD ハーネス)		D	1	
9	A0ED262500	Seal	シール (ワイヤ)		D	4	
10	A0ED267300	Cushion	クッション (右フレーム)		D	1	
11	A1UDN10000	Interface Cable	インターフェースケーブル (CCD 部)		C	1	
12	9326120061	FERRITE CORE	フェライトコア	C,D1,D3,F1,F2,G1,H, I,J,K	D	1	
13	A0ED268500	Seal	シール (ガラス・FD 小)		C	4	
14	A0ED268400	Seal	シール (ガラス・FD 大)		D	4	
15	A00J265300	Regulating Plate	規制板		C	1	
16	A0P0H02500	PWB assembly(PWB-UCN ASSY)	基板 ASSY (PWB-UCN ASSY)		D	1	
17	A1UD281800	Mounting Plate	取付板 (USB)		D	1	
18	A1UDN14001	Interface Cable	インターフェースケーブル	A,A1,B,G2	C	1	
18	A1UDN14101	Interface Cable	インターフェースケーブル	C,D1,D3,F1,F2,G1,H, I,J,K	C	1	
19	A0ED263200	Seal	シール ((ハーネス・LED))		D	1	
20	A0ED262400	Seal	シール (ヒータ))		D	1	
21	A0ED262300	Cover	カバー (ヒータ)		D	1	
22	A0ED262700	Seal	シール (ワイヤ・左)		D	2	
23	A0ED262600	Seal	シール (ワイヤ・左)		D	1	

SCANNER SECTION



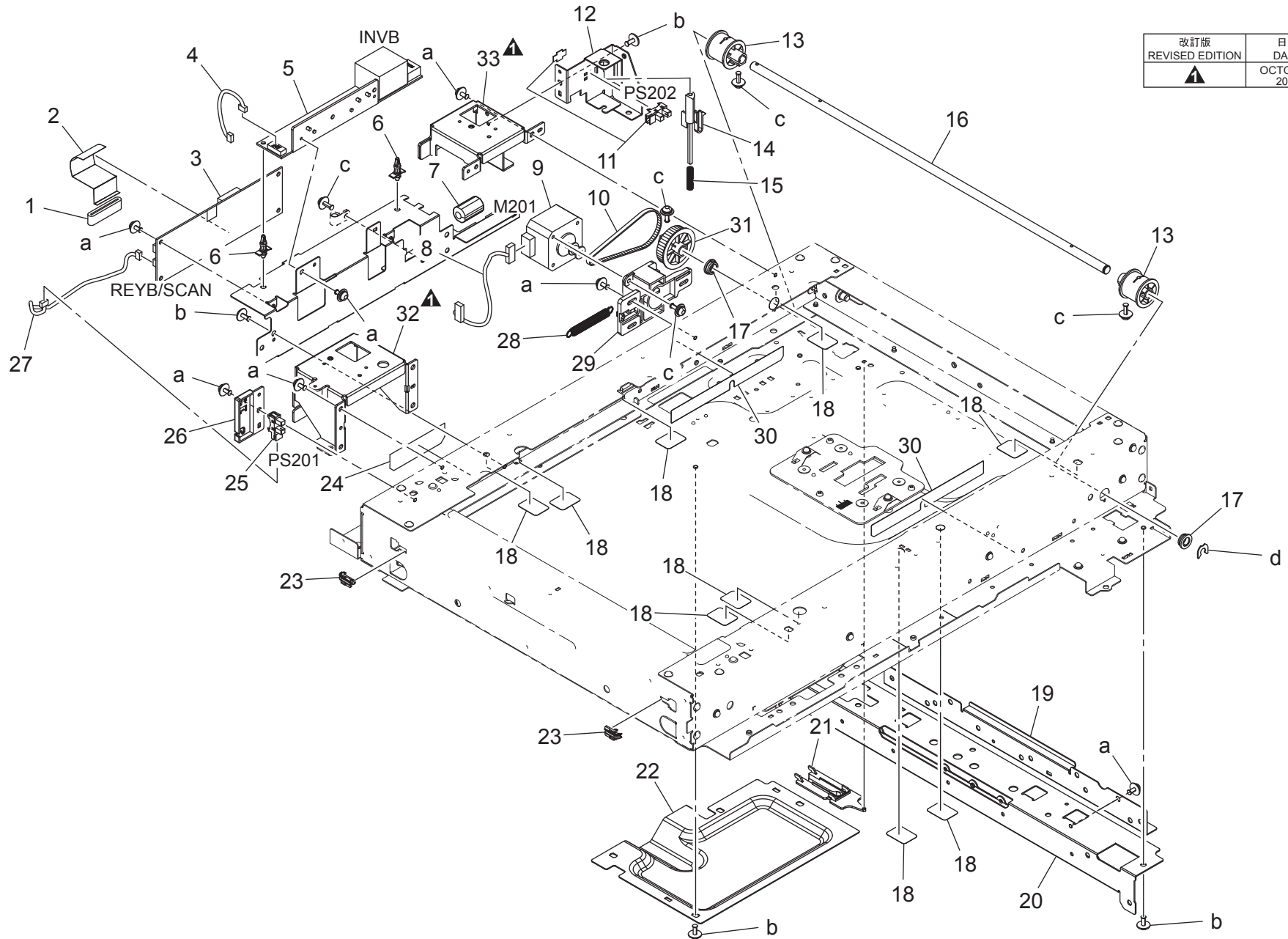
SCANNER SECTION

Key	Part No.	Description	Destinations	Class	QTY	Standard parts
1	A0ED270700	Mounting Plate		D	1	a-V137030603 b-V116030603 c-V218040086 d-V127030604
2	A0ED270900	Pressing Plate		D	2	
3	A0ED270600	Guide		D	1	
4	A0EDM31000	Lamp		C	1	
5	A02E270800	Seal		D	1	
6	A0ED270500	Holder		D	1	
7	A0ED271300	Plate spring		D	2	
8	A0ED270800	Mounting Plate		D	1	
9	A0ED271200	Mirror		D	1	
10	A0ED270400	Mounting Plate		D	1	
11	A0EDR72800	1st Slider Assy		I	1	
12	A0ED275100	Wire		D	1	
13	A0ED273600	Pulley		C	8	
14	A0ED273700	Mounting Plate		D	2	
15	A0ED281200	Guide		D	1	
16	A0ED276200	Mounting Plate		D	1	
17	A0ED276301	Pulling Spring		D	1	
18	A0ED274000	Guide Part		D	1	
19	A0ED273900	Pulley		D	1	
20	A0ED273400	Mounting Plate		D	1	
21	A0ED274400	Plate spring		D	4	
22	A0ED274200	Vibrationproof Plate		D	2	
23	A0ED274300	Mirror		D	2	
24	A0ED273300	Mounting Plate		D	1	
25	A0ED275200	Wire		D	1	

SCANNER DRIVE SECTION

P 7

改訂版 REVISED EDITION	日付 DATE
	OCTOBER 2011



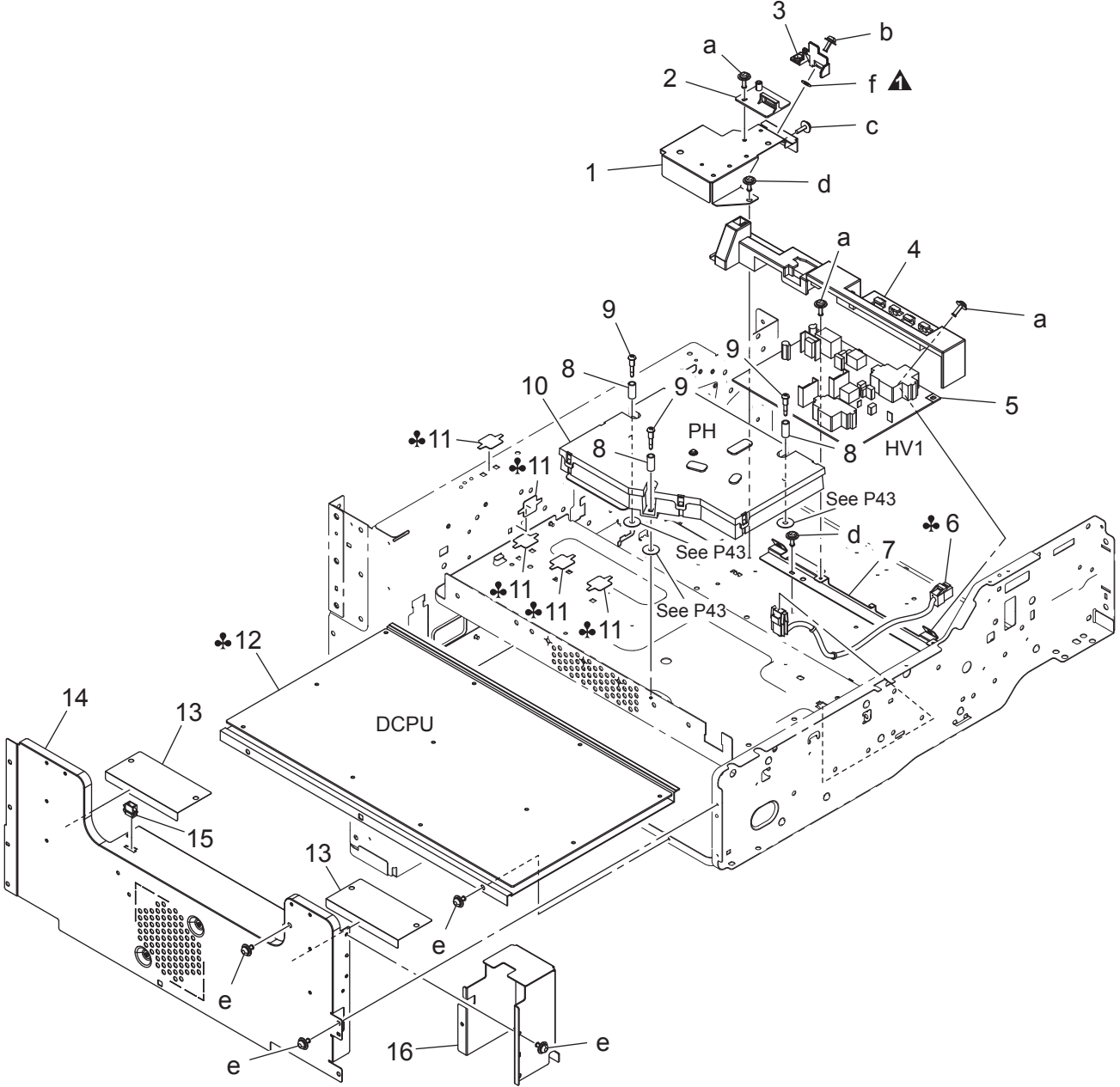
bizhub 223/bizhub 283/bizhub 363/bizhub 423/bizhub 7828

SCANNER DRIVE SECTION

Key	Part No.	Description	Destinations	Class	QTY	Standard parts
1	4556M90100	FERRITE CORE フェライトコア	C,D1,D3,F2,G1,H,I,J,K	D	1	a-V116030603 b-V137030603 c-V116030803 d-V218060086
2	A1UDN10800	Scanner Wiring /8 スキャナー束線/8 (スキャナ制御部 F F		D	1	
3	A1UDH00100	PWB Assembly(PWB-IF ASSY) 基板 ASSY (PWB- I F ASSY)		I	1	
4	A1UDN10600	Scanner Wiring /6 スキャナー束線/6 (ランプ部)		D	1	
5	A0EDM41000	Inverter unit インバータユニット		I	1	
6	V502010033	spacer サーキットボードスペーサー		D	2	
7	9326181021	FERRITE CORE フェライトコア	C,D1,D3,F1,F2,G1,H,I,J,K	D	1	
8	A1UDN10100	Scanner Wiring /1 スキャナー束線/1 (スキャンモータ部)		D	1	
9	A02EM10A00	Stepping motor ステッピングモータ		C	1	
10	A0ED275600	Belt 210L ベルト (タイミングベルト) 210 L		C	1	
11	4037090301	PHOTO INTERRUPTER フォトインタラプター		B	1	
12	A1UD262800	Mounting Plate 取付板 (20 deg)		D	1	
13	A0ED275302	Pulley プーリ (駆動)		D	2	
14	A00J280200	Lever レバー		C	1	
15	4036172001	PRESSURE SPRING 圧縮コイルばね		C	1	
16	A0ED275400	Shaft 軸 (駆動)		D	1	
17	A1UD276500	Bushing すべり軸受 (駆動)		D	2	
18	4581162501	SEAL シール		C	9	
19	A1UD262200	Mounting Plate 取付板 (ハーネス/2)		D	1	
20	A1UD265400	Mounting Plate 取付板 (ハーネス)		D	1	
21	A0ED281600	Guide ガイド (CCD ハーネス)		D	1	
22	A1UD261600	Mounting Plate 取付板 (下)		D	1	
23	A00J276300	Guide Part ガイド部材		C	2	
24	A0ED263300	Seal シール (ヒータ・後)		C	1	
25	9335140061	SOLID STATE SWITCH 透過型フォトスイッチ		B	1	
26	A0ED262200	Cover カバー (HS)		D	1	
27	A1UDN10200	Scanner Wiring /2 スキャナー束線/2 (Home センサ部)		D	1	
28	A0ED275700	Pulling Spring 引張りばね (モーター)		D	1	
29	A1UD276000	Mounting Plate 取付板 (モータ)		D	1	
30	A1UD263000	Seal シール (防塵)		D	2	
31	A0ED275501	Pulley 117T プーリ (ベルト) 117 T		D	1	
32	A1UD261902	Frame フレーム (ADF・左)		D	1	
33	A1UD262001	Frame フレーム (ADF・右)		D	1	

PRINT HEAD/ POWER SUPPLY SECTION

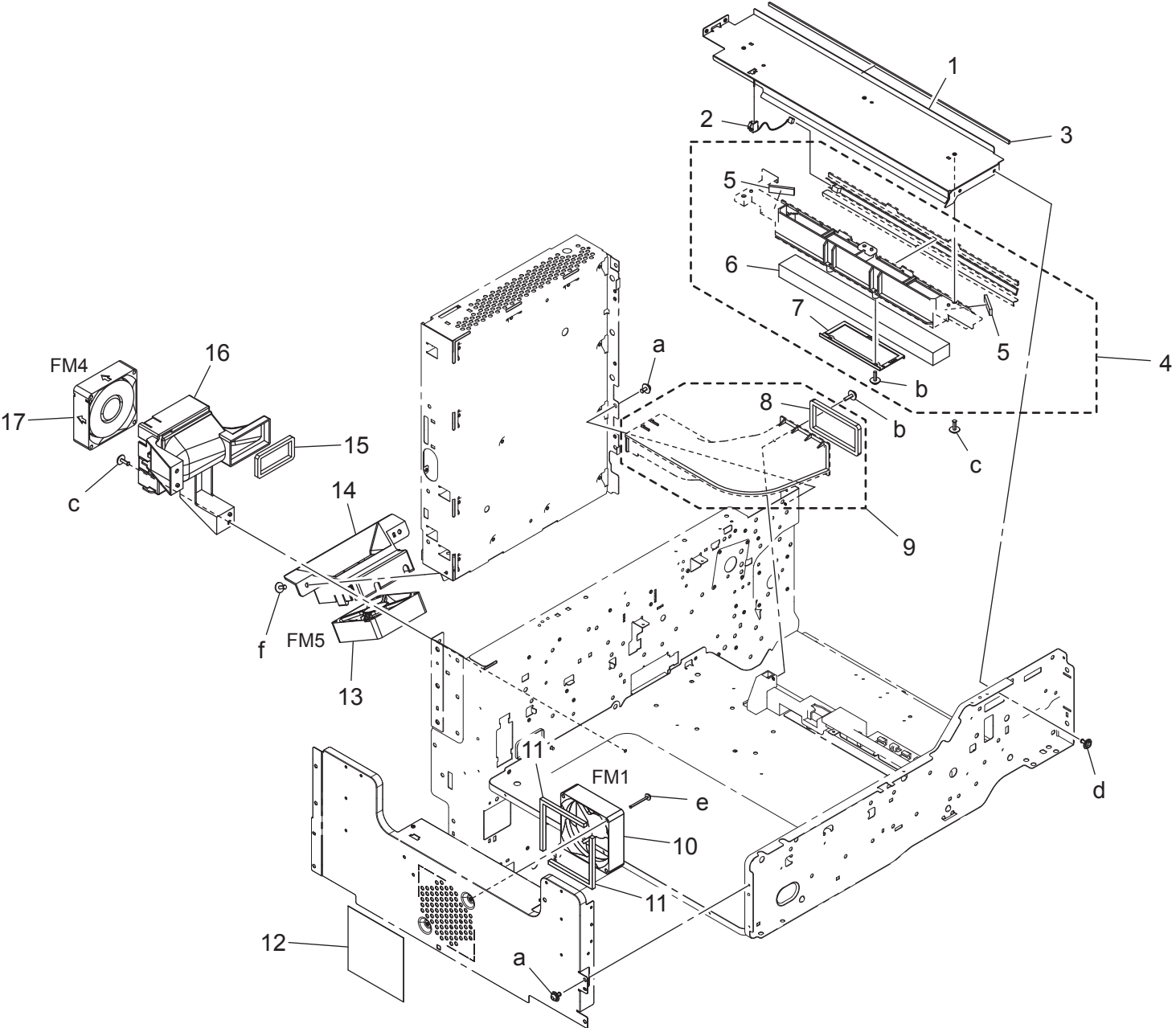
改訂版 REVISED EDITION	日付 DATE
▲	SEPTEMBER 2010



PRINT HEAD/ POWER SUPPLY SECTION

Key	Part No.	Description	Destinations	Class	QTY	Standard parts
1	A1UD104001	Mounting Plate		D	1	a-V137030803 b-V116030803 c-V153030803 d-V144030803 e-V116030603 f-V211030080
2	A1UD104101	Holder		D	1	
3	A1UD104201	Cover		D	1	
4	A1UD131000	Cover		D	1	
5	A1UDM40301	High voltage unit		I	1	
6	A1UDN11600	Heater Relay harness /1	A,A1	D	1	
7	4030204001	BRACKET		D	1	
8	4128197801	PRESSURE SPRING		C	3	
9	4128197901	SHOULDER SCREW		C	3	
10	A1UFR70300	PRINT HEAD ASSY	PH A s s y	I	1	
10	A1UDR71300	PRINT HEAD ASSY	PH A s s y	I	1	
11	A1UD104500	Seal	{bizhub 363/423}	D	5	
12	A1UDM40002	Power supply	A,A1,B,F1,G2	I	1	
12	A1UDM40102	Power supply	A,A1	I	1	
12	A1UDM40202	Power supply	B,F1,G2,H	I	1	
13	A1UD102600	Seal	C,D1,D3,F2,G1,I,J,K	I	1	
14	A1UD100601	Reinforce Plate		D	2	
15	V651010002	connector		D	1	
16	A1UD120601	Reinforce Plate		D	1	

OZONE DUCT/ FAN MOTOR SECTION

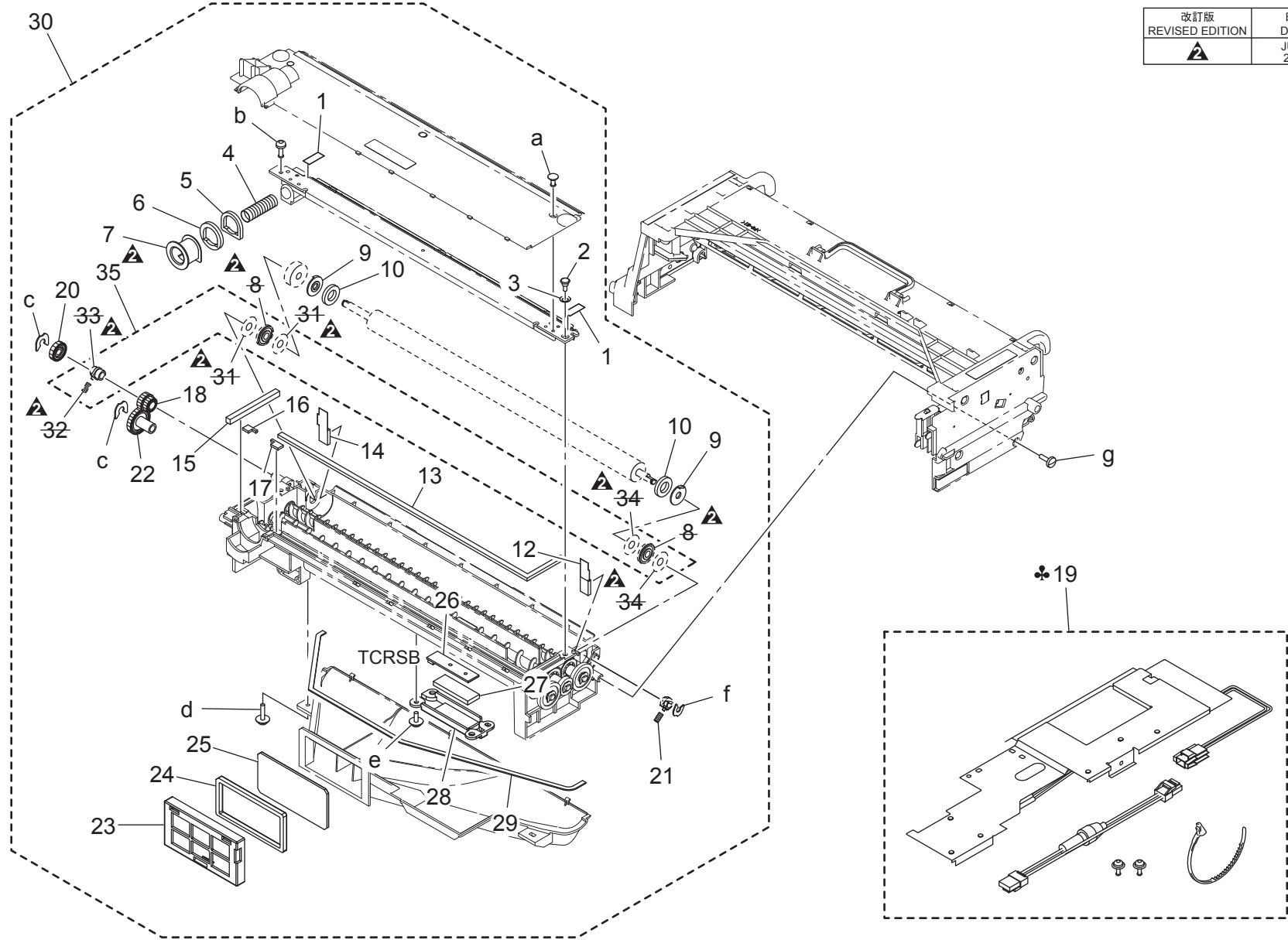


OZONE DUCT/ FAN MOTOR SECTION

Key	Part No.	Description	Destinations	Class	QTY	Standard parts
1	A1UD135701	Top plate		D	1	a-V116030603
2	A1UDN12A00	Neutralizing Wiring		D	1	b-V153030803
3	A1UD136100	Seal		C	1	c-V137030803
4	A1UDR71811	Ozone Duct Assy		C	1	d-V137030603
5	A1UD136400	Seal		C	2	e-V116033003
6	A1UD135100	Filter		A	1	f-V116030803
7	A1UD135301Old	Holding Plate		C	1	
7	A1UD135312	Holding Plate		C	1	
8	4040209401	SEAL		C	1	
9	4040016301	DUCT		D	1	
10	A1UDM10500	Fan motor		C	1	
11	A1UD130700	Seal		D	2	
12	A02E148400	Filter		C	1	
13	A0EDM10500	Fan motor		C	1	
14	A1UD131300	Duct		D	1	
15	4040209501	SEAL		C	1	
16	A1UD130900	Duct		D	1	
17	9J03M10000	FAN MOTOR		B	1	


IU SECTION

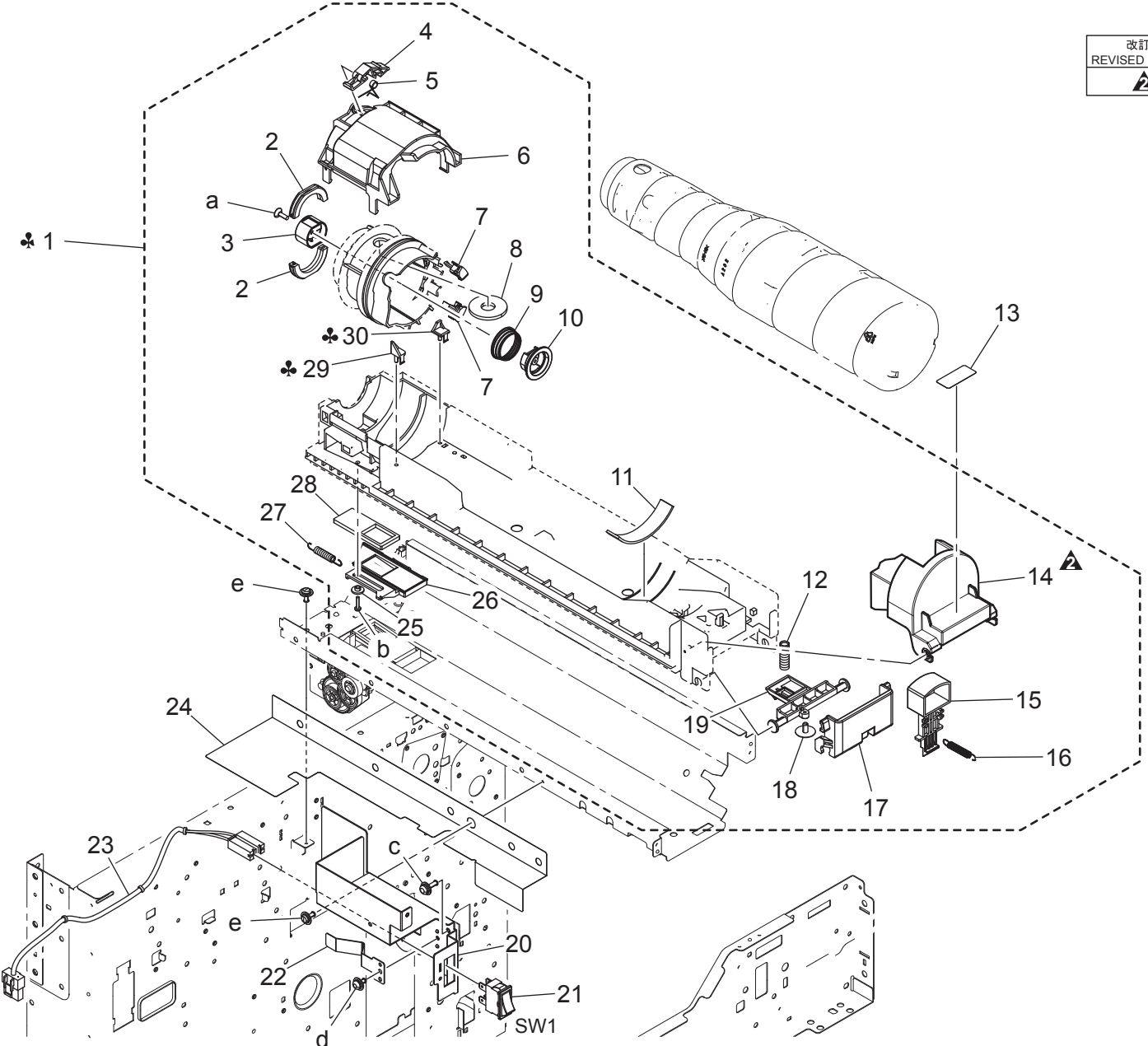
改訂版 REVISED EDITION	日付 DATE
	JUNE 2011



Key	Part No.	Description	Destinations	Class	QTY	Standard parts
1	4040526001	SEAL		C	2	a-V112030621 b-V115030803 c-V218040086 d-V153031003 e-V153030803 f-V218030086 g-V149030803
2	1139524901	SHOULDER SCREW		C	1	
3	1139525001	PLATE SPRING		C	1	
4	4163521002	PRESSURE SPRING		C	1	
5	4163523801	SEAL		C	1	
6	4163520801	SEAL		C	1	
7	4163520501	SHUTTER		D	1	
9	4163522601	HOLDER		D	2	
10	4021522501	SEAL		C	2	
12	4163522101	SEAL		C	1	
13	4163520701	SEAL		C	1	
14	4163523701	SEAL		C	1	
15	4163520901	SEAL		C	1	
16	4163524001	SEAL		C	1	
17	4163523901	SEAL		C	1	
18	A1UD371000	Gear		C	1	
19	A1UDR90000	Panel heater Kit	A,A1	S	1	
20	A1UD370900	Gear		C	1	
21	4163523102	PRESSURE SPRING		C	1	
22	4163522401	GEAR 20T		C	1	
23	4040522201	COVER		C	1	
24	4040522301	SEAL		C	1	
25	A1UD370700	Filter		A	1	
26	A0TKH00200	PWB Assembly(PWB-TCR ASSY)		I	1	
27	A1UD370601	Seal		C	1	
28	A1UD370500	Holder		D	1	
29	4040521101	SEAL		C	1	
30	A1UDR71111	Developing UNIT		B	1	
35	A1UDR90100	Ds Roll Kit		C	1	

HOPPER SECTION


改訂版 REVISED EDITION	日付 DATE
	SEPTEMBER 2011

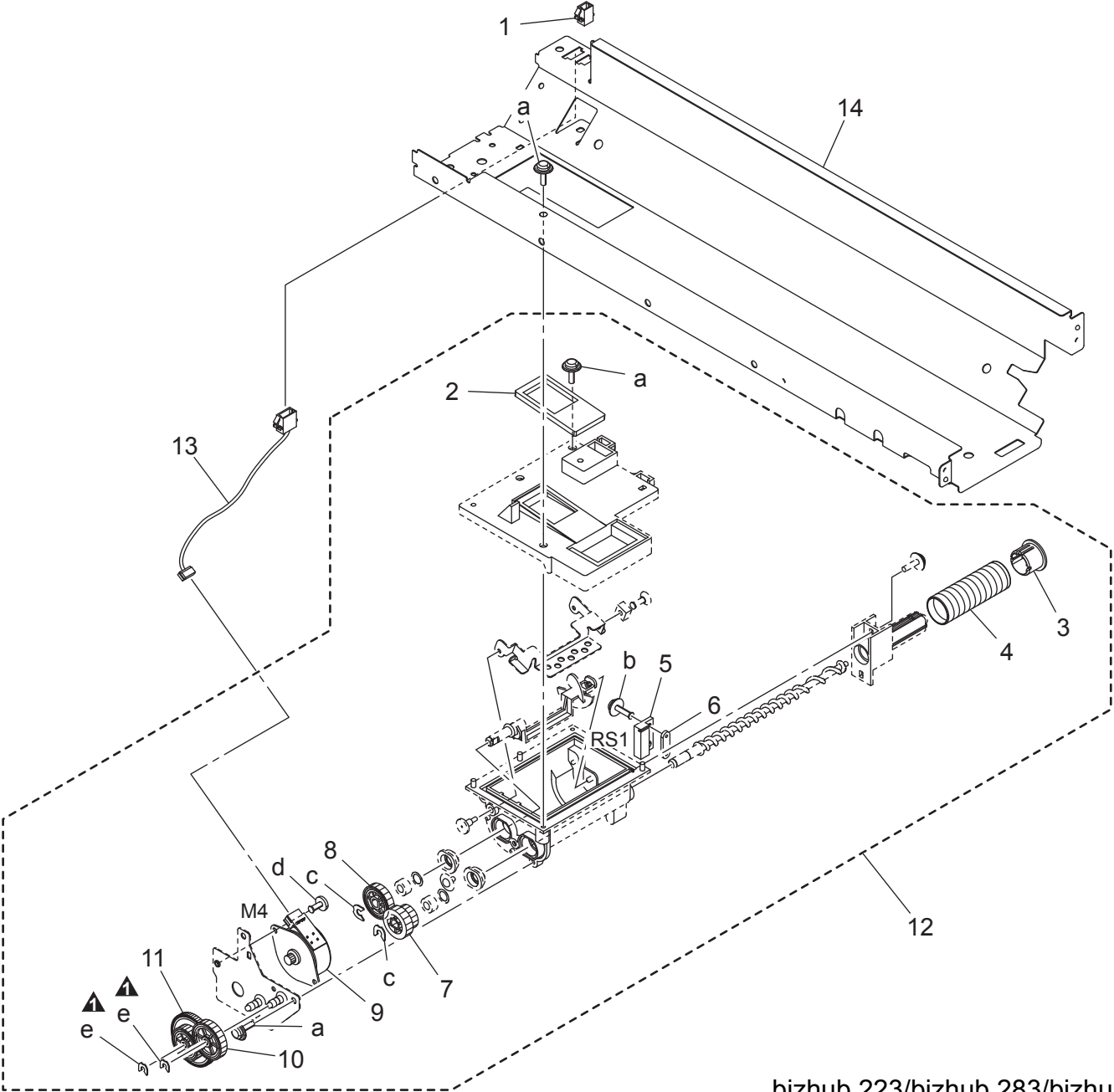


HOPPER SECTION

Key	Part No.	Description	Destinations	Class	QTY	Standard parts	
1	A1UFR70000	Hopper Assy	ホッパー A S S Y	A,A1,{bizhub 223/283}	I	1	a-V147030803 b-V151031403 c-V116041203 d-V116030603 e-V137030603
1	A1UDR71400	Hopper Assy	ホッパー A S S Y	A,A1,{bizhub 363/423}	I	1	
1	A1UFR70100	Hopper Assy	ホッパー A S S Y	B,G2,{bizhub 223/283}	I	1	
1	A1UDR71500	Hopper Assy	ホッパー A S S Y	B,G2,{bizhub 363/423}	I	1	
1	A1UFR70200	Hopper Assy	ホッパー A S S Y	C,D1,D3,F1,F2,G1,H,I,J,K,{bizhub 223/283/7828}	I	1	
1	A1UDR71600	Hopper Assy	ホッパー A S S Y	C,D1,D3,F1,F2,G1,H,I,J,K {bizhub 363/423}	I	1	
2	1151502301	SUPPORT	サポート		C	2	
3	A1UD410700	Joint	ジョイント (ボトル駆動)		C	1	
4	4030538702	STOPPER	ストッパ		D	1	
5	4030538802	Torsion Spring	ねじりコイルばね		C	1	
6	4030538001	HOLDER	ホルダ		D	1	
7	1165532501	PIN	ピン		D	2	
8	1165532703	SEAL	シール		C	1	
9	A1UD411000	Compressing Coil spring	圧縮コイルばね		C	1	
10	A1UD410800	Collar	カラー (ボトル駆動)		C	1	
11	A1UD410900	Cushion	クッション (トナーボトル)		C	1	
12	A1UD410300	Compressing Coil spring	圧縮コイルばね		C	1	
13	A1UF940600	Label	ラベル (トナー表示)	{bizhub 223/283/7828}	D	1	
13	A1UD940600	Label	ラベル (トナー表示)	{bizhub 363/423}	D	1	
14	A1UD410101	Stopper	ストッパ (トナーボトル)		D	1	
15	4030539301	HANDLE	取手		C	1	
16	A1UD410400	Pulling Coil spring	引張りコイルばね		C	1	
17	A1UD410601	Handle	取手 (ボトルトレイ)		C	1	
18	4163529301	SCREW	ねじ		C	1	
19	A1UD410200	Claw	爪 (ボトルトレイ)		C	1	
20	A1UD102802	Stopper	ストッパ (ボトルトレイ)		D	1	
21	4038M60000	SEESAW-SWITCH	波形スイッチ		C	1	
22	4030539601	PLATE SPRING	板ばね		C	1	
23	A1UDN11300	AC Power source harness	A C 電源束線		D	1	
24	A1UD103401	Light blocking Sheet	遮光シート (レーザー)		D	1	
25	4030539801	COLLAR	カラー		D	1	
26	4030538302	SHUTTER	シャッター		D	1	
27	4030538601	TENSION SPRING	引張コイルばね		C	1	
28	4030538401	SEAL	シール		C	1	
29	4040532201	STOPPER	ストッパ	A,A1,B,G2,{bizhub 363/423}	C	1	
30	4011534701	STOPPER	ストッパ	B,G2,{bizhub 223/283}	D	1	

HOPPER SECTION

改訂版 REVISED EDITION	日付 DATE
	JULY 2010

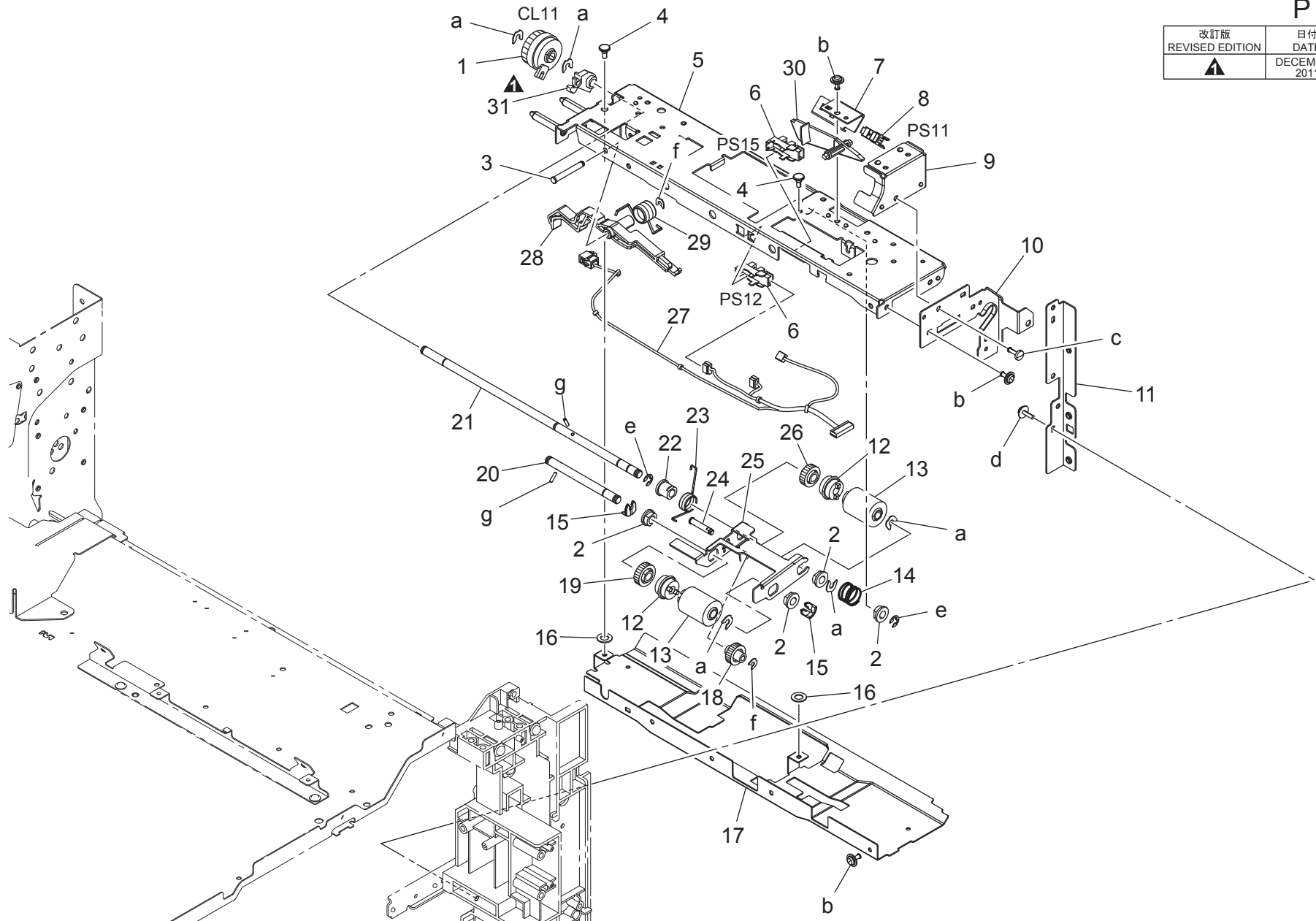


HOPPER SECTION

Key	Part No.	Description	Destinations	Class	QTY	Standard parts
1	V651010001	connector	W t o W コネクタ	D	1	a-V153030803 b-V116031003 c-V218040086 d-V136030603 e-V218030086
2	4030538502	SEAL	シール	C	1	
3	1165530801	SHUTTER	シャッター	D	1	
4	1165530902	PRESSURE SPRING	圧縮コイルばね	C	1	
5	A1UDM50200	Lead Switch	リードスイッチ	C	1	
6	4011533901	PLATE NUT	板ナット	D	1	
7	4030537901	GEAR 14/19T	ギヤ 14 / 19 T	C	1	
8	A1UD400801	Toner supply Gear	トナー補給ギア (攪拌板)	C	1	
9	A02EM10400	Stepping motor	ステッピングモータ	C	1	
10	A1UD400900	Toner supply Gear	トナー補給ギア (アイドル)	C	1	
11	A1UD400700	Toner supply Gear	トナー補給ギア (減速)	C	1	
12	A1UDR70411	Sub Hopper Assy	SUB ホッパー A S S Y	C	1	
13	A1UDN12500	Supply Drive harness	補給駆動束線	D	1	
14	A1UD102401	Mounting Plate	取付板 (トナーボトル)	D	1	

1ST PAPER FEED SECTION

改訂版 REVISED EDITION	日付 DATE
▲	DECEMBER 2011

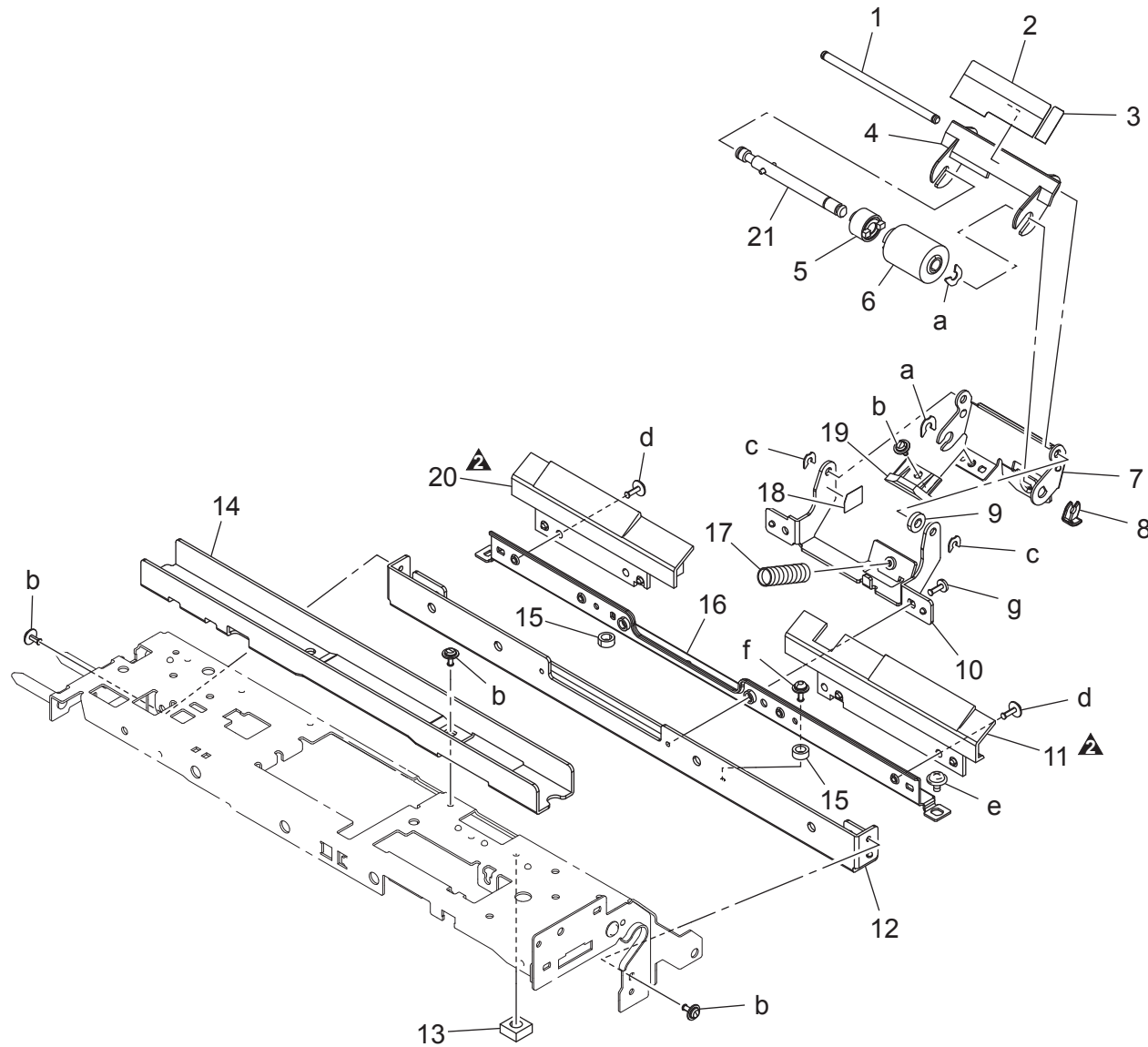


1ST PAPER FEED SECTION

Key	Part No.	Description	Destinations	Class	QTY	Standard parts
1	A00FM20000	Clutch		C	1	a-V218040086 b-V137030603 c-V136030803 d-V153030803 e-V217040001 f-V218030086 g-V237200850
2	4131300301	BUSHING		C	4	
3	4040309601	SHAFT		D	1	
4	A1UD560600	Shoulder screw		D	2	
5	A1UD560102	Frame		D	1	
6	A108M50100	Photointerrupter		B	2	
7	A1UD564901	Mounting Plate	{bizhub 423}	D	1	
8	A0EDM50100	Photoreflector	{bizhub 423}	I	1	
9	A1UD104400	Mounting Plate		D	1	
10	A1UD564101	Frame		D	1	
11	A1UD101801	Mounting Plate		D	1	
12	A02E561100	Clutch		C	2	
13	A00J563600	Roller		A	2	
14	A1UD560701	Compressing Coil spring		C	1	
15	56AA40490	SHAFT STOPPER 4		C	2	
16	A1UD560500	Cushion		D	2	
17	A1UD560200	Guide Plate		D	1	
18	4030300801	GEAR 29T		C	1	
19	4425301601	GEAR 32T		C	1	
20	A00J564000	Shaft /P		D	1	
21	A1UD560401	Shaft		D	1	
22	1065308601	BUSHING		C	1	
23	A00J560302	Torsion Spring		C	1	
24	4040309701	SHAFT		D	1	
25	A00J560100	Paper feed Holder		D	1	
26	4425301301	GEAR 30T		C	1	
27	A1UEN12700	Paperfeed Wiring /1	{bizhub 223/283/363 /7828}	D	1	
27	A1UDN12700	Paperfeed Wiring /1	{bizhub 423}	D	1	
28	A1UD561101	Lever		C	1	
29	A00J566801	Torsion Spring		C	1	
30	4030301612	ACTUATOR		C	1	
31	A1UD565500	Paper feed Bushing		C	1	

1ST PAPER FEED SECTION

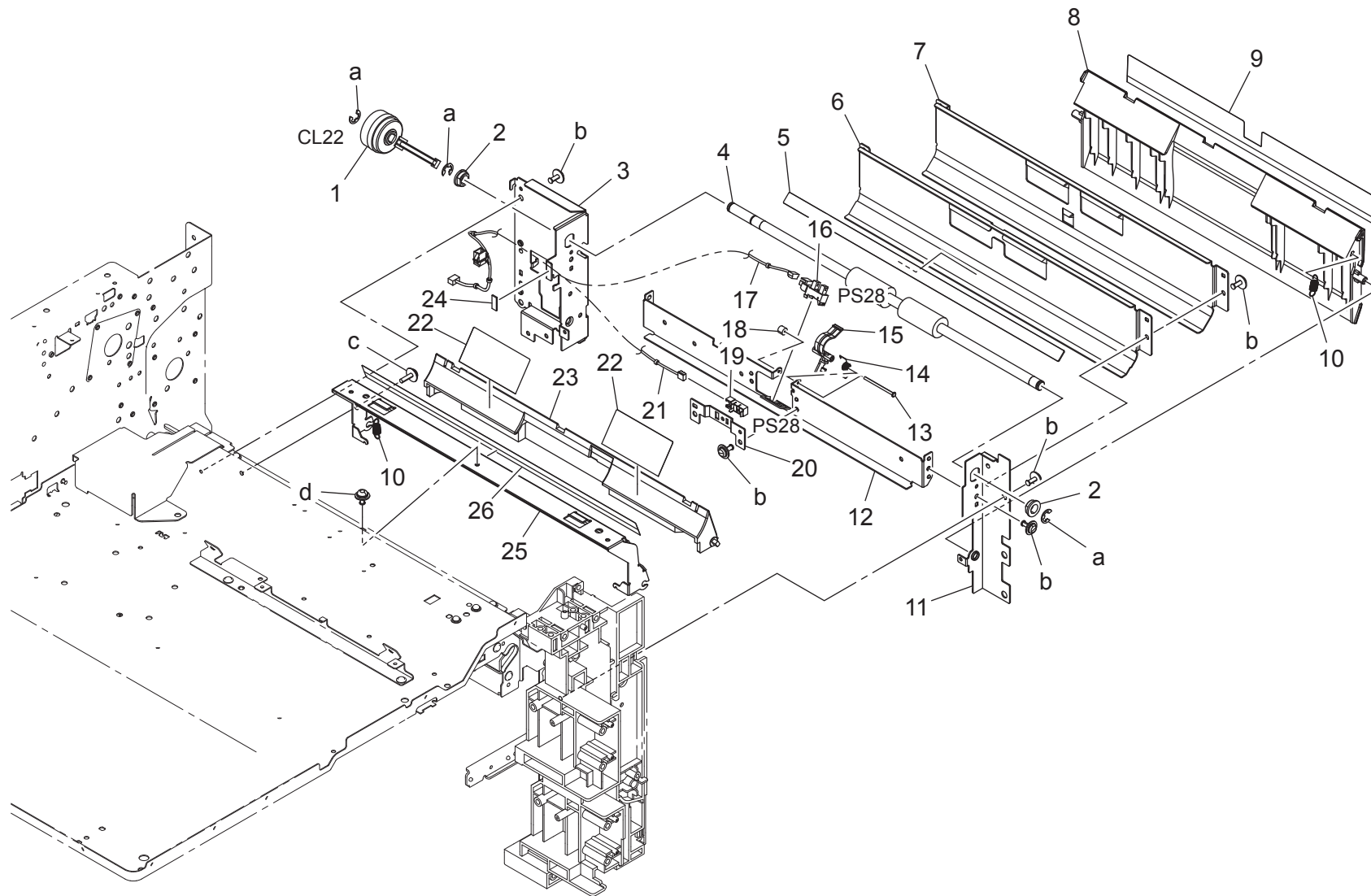
改訂版 REVISED EDITION	日付 DATE
	NOVEMBER 2011



1ST PAPER FEED SECTION

Key	Part No.	Description	Destinations	Class	QTY	Standard parts
1	4030303901	SHAFT		D	1	a-V218040086 b-V137030603 c-V218030086 d-V137030803 e-V121030303 f-V116030803 g-V136030803
2	4030307901	GUIDE		C	1	
3	4030308001	GUIDE		C	1	
4	4030307701	GUIDE		D	1	
5	A0ED563900	Torque limiter		C	1	
6	A00J563600	Roller		A	1	
7	A00J564700	Holder /S		D	1	
8	56AA40490	SHAFT STOPPER 4		C	1	
9	A1UD563100	Cushion		C	1	
10	A00J564600	Mounting Plate /S		D	1	
11	A1UD562600Old	Guide		D	1	
11	A1UD562611	Guide		D	1	
12	4030302505	Bracket		D	1	
13	57GA61560	SCREW PROTECTION CUSHION/1	{bizhub 423}	C	1	
14	A1UD564600	Reinforce Plate		D	1	
15	26NA20300	SEPARATE ROCKING COLLAR		C	2	
16	4030303701	REINFORCE PLATE		D	1	
17	4030301703	PRESSURE SPRING		C	1	
18	A1UD563200	Spacer		C	1	
19	4030307801	LEVER		C	1	
20	4030302702Old	GUIDE		D	1	
20	A3EW562700	Guide		D	1	
21	A0P0561600	Torque limiter /S		D	1	

2ND PAPER FEED SECTION

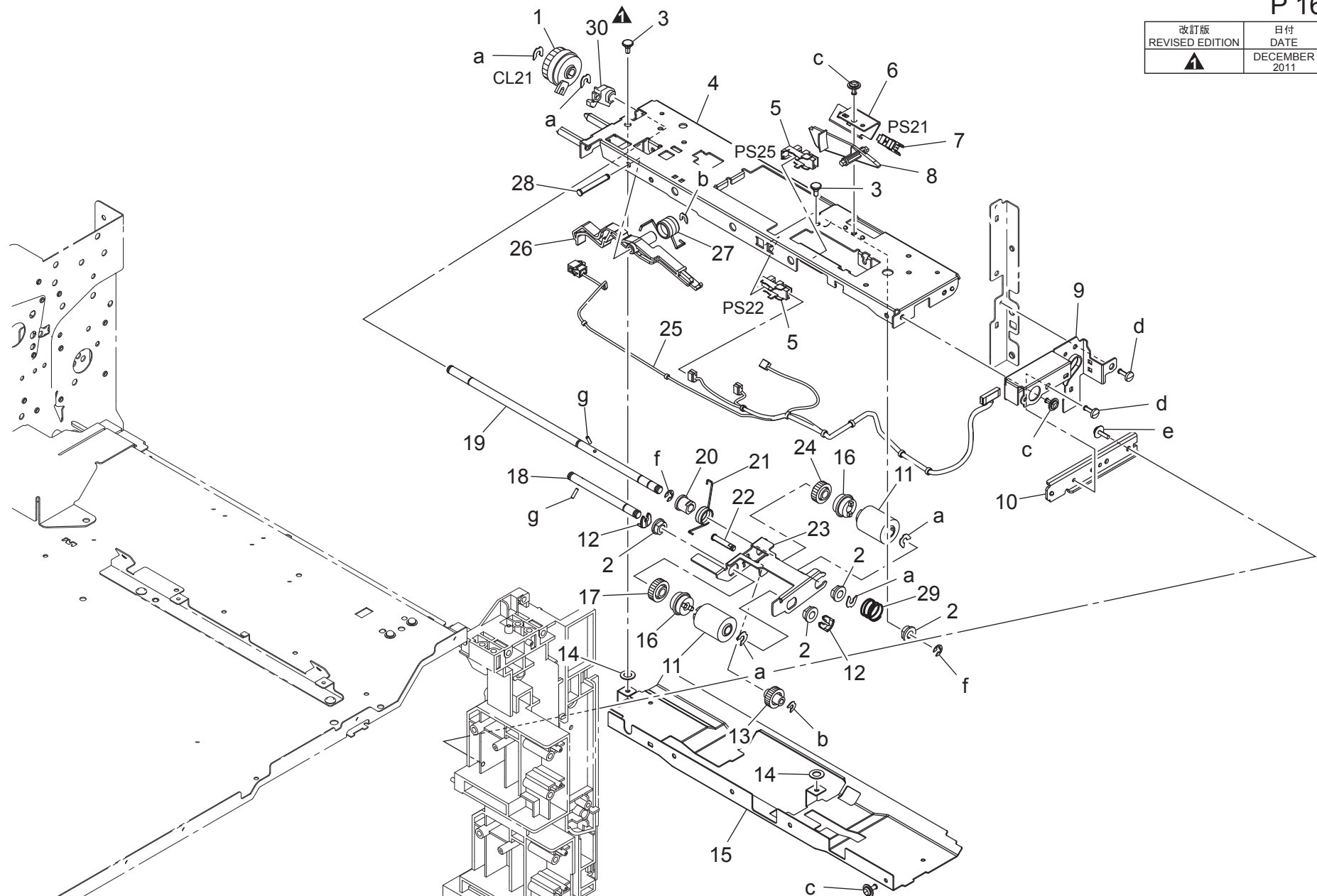


2ND PAPER FEED SECTION

Key	Part No.	Description	Destinations	Class	QTY	Standard parts
1	A1UDM20100	Clutch		C	1	a-V217060001 b-V137030603 c-V153030803 d-V116030603
2	4131353202	BUSHING		C	2	
3	A1UD564401	Frame		D	1	
4	A1UD562100	Roller		C	1	
5	A1UD561400	Weight		D	1	
6	4030311202	GUIDE PLATE	{bizhub 223/283/363 /7828}	D	1	
7	A1UD561200	Guide Plate	{bizhub 423}	D	1	
8	A1UD572400	Guide		C	1	
9	A1UD570500	Guide		C	1	
10	4030312501	TENSION SPRING		C	2	
11	A1UD564300	Frame		D	1	
12	A1UD561801	Mounting Plate		D	1	
13	1200521204	PIN	{bizhub 223/283/363 /7828}	D	1	
14	4030303101	TORSION SPRING	{bizhub 223/283/363 /7828}	C	1	
15	A1UD561600	Conveyance Actuator	{bizhub 223/283/363 /7828}	D	1	
16	A108M50100	Photointerrupter	{bizhub 223/283/363 /7828}	B	1	
17	A1UEN12400	Conveyance Drive harness /2	{bizhub 223/283/363 /7828}	D	1	
18	1134304101	COLLAR	{bizhub 223/283/363 /7828}	D	1	
19	A0EDM50100	Photorelector	{bizhub 423}	I	1	
20	A1UD561900	Mounting Plate	{bizhub 423}	D	1	
21	A1UDN12400	Conveyance Drive harness /2	{bizhub 423}	D	1	
22	4030310801	GUIDE		C	2	
23	4030303203	GUIDE		C	1	
24	A1UD561500	Cushion		D	1	
25	A1UD570300	Mounting Plate		D	1	
26	A1UD570400	Guide		C	1	

2ND PAPER FEED SECTION

改訂版 REVISED EDITION	日付 DATE
▲	DECEMBER 2011



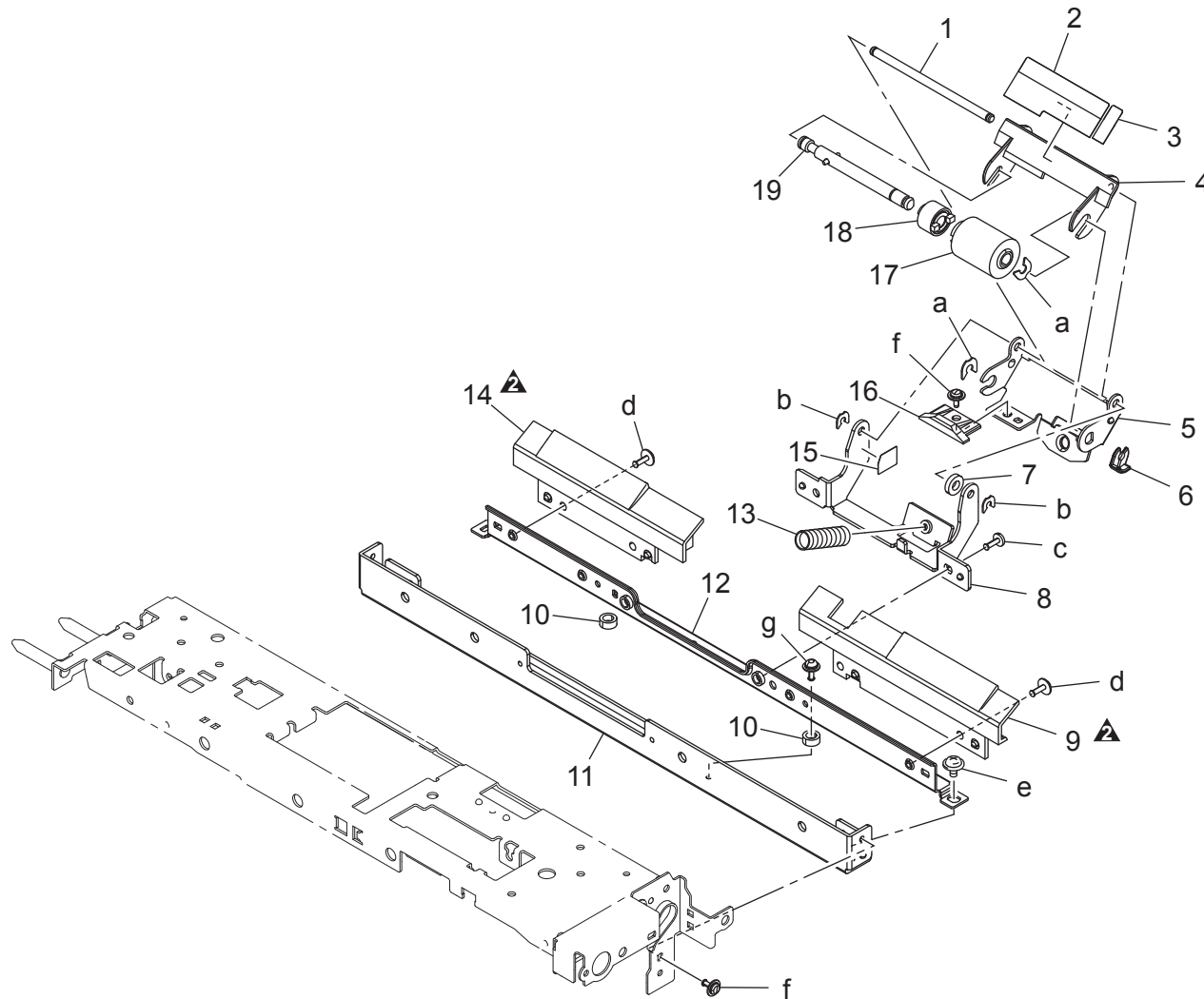
2ND PAPER FEED SECTION

Key	Part No.	Description	Destinations	Class	QTY	Standard parts
1	A00FM20000	Clutch		C	1	a-V218040086 b-V218030086 c-V137030603 d-V136030803 e-V153030803 f-V217040001 g-V237200850
2	4131300301	BUSHING 軸受	(2. 5 k g)	C	4	
3	A1UD560600	Shoulder screw 段ねじ		D	2	
4	A1UD565101	Frame フレーム (2 段目)		D	1	
5	A108M50100	Photointerrupter 透過型センサ		B	2	
6	A1UD564901	Mounting Plate 取付板 (給紙センサ)	{bizhub 423}	D	1	
7	A0EDM50100	Photorelector 反射型センサ (アンプ内蔵)	{bizhub 423}	I	1	
8	4030301612	ACTUATOR アクチュエータ		C	1	
9	A1UD564200	Frame フレーム (二段目 前)		D	1	
10	A1UD103300	Mounting Plate 取付板 (本体・2 段目)		D	1	
11	A00J563600	Roller ローラ		A	2	
12	56AA40490	SHAFT STOPPER 4 軸ストッパ 4		C	2	
13	4030300801	GEAR 29T ギヤ 29 T		C	1	
14	A1UD560500	Cushion クッション		D	2	
15	A1UD560200	Guide Plate ガイド板		D	1	
16	A02E561100	Clutch クラッチ		C	2	
17	4425301601	GEAR 32T ギヤ 32 T		C	1	
18	A00J564000	Shaft /P 軸 / P		D	1	
19	A1UD560401	Shaft 軸 (F 1)		D	1	
20	1065308601	BUSHING シゝクウケ		C	1	
21	A00J560302	Torsion Spring ねじりばね		C	1	
22	4040309701	SHAFT シャフト		D	1	
23	A00J560100	Paper feed Holder 給紙ホルダ		D	1	
24	4425301301	GEAR 30T ギヤ 30 T		C	1	
25	A1UEN12800	Paperfeed Wiring /2 給紙束線 / 2 (3 6)	{bizhub 223/283/363 /7828}	D	1	
25	A1UDN12800	Paperfeed Wiring /2 給紙束線 / 2 (4 2)	{bizhub 423}	D	1	
26	A1UD561101	Lever レバー (ピック解除)		C	1	
27	A00J566801	Torsion Spring ねじりばね		C	1	
28	4040309601	SHAFT シャフト		D	1	
29	A1UD560701	Compressing Coil spring 圧縮コイルばね		C	1	
30	A1UD565500	Paper feed Bushing 給紙すべり軸受		C	1	

2ND PAPER FEED SECTION

P 17

改訂版 REVISED EDITION	日付 DATE
	NOVEMBER 2011

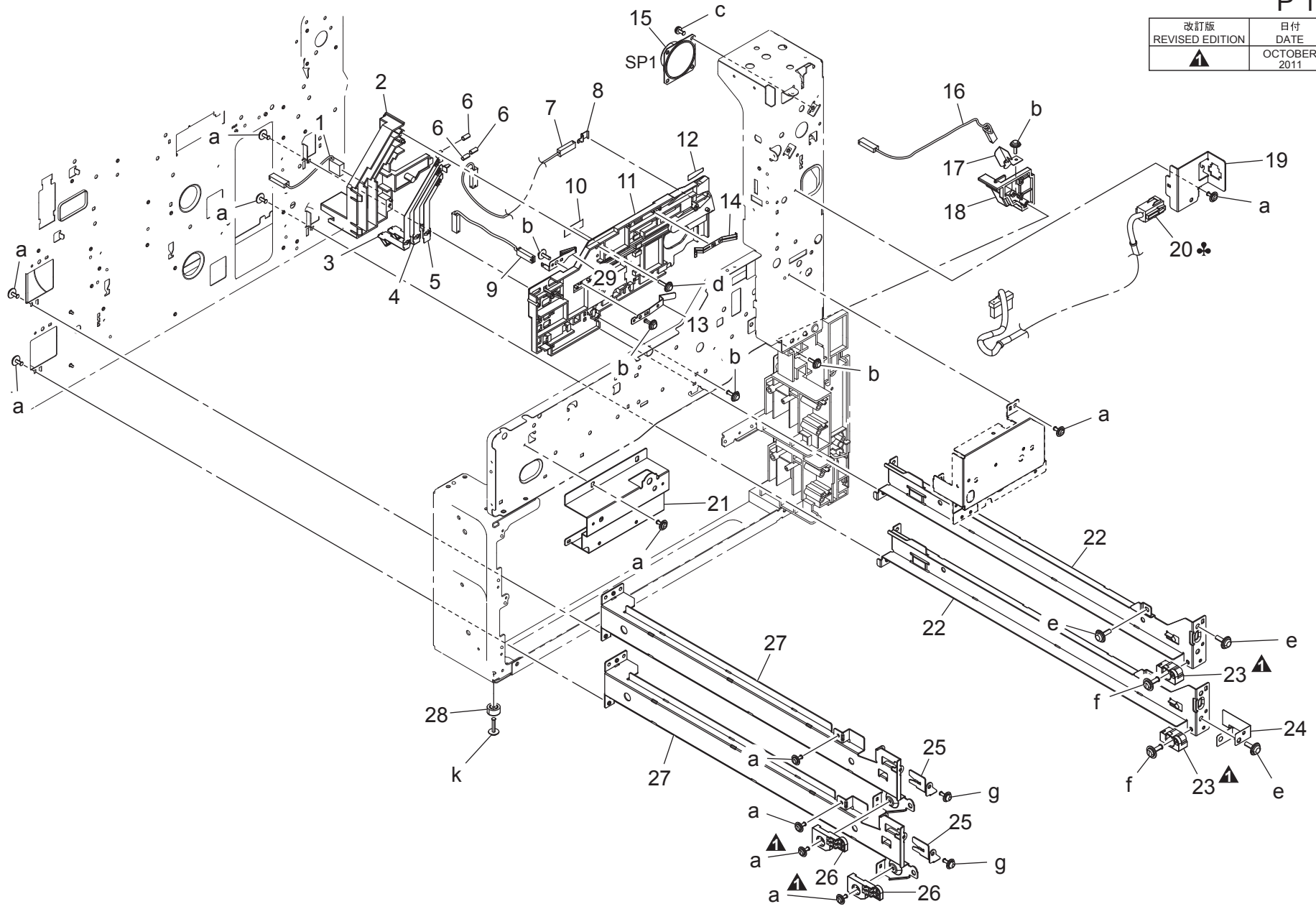


2ND PAPER FEED SECTION

Key	Part No.	Description	Destinations	Class	QTY	Standard parts
1	4030303901	SHAFT		D	1	a-V218040086 b-V218030086 c-V136030803 d-V137030803 e-V121030303 f-V137030603 g-V116030803
2	4030307901	GUIDE		C	1	
3	4030308001	GUIDE		C	1	
4	4030307701	GUIDE		D	1	
5	A00J564700	Holder /S		D	1	
6	56AA40490	SHAFT STOPPER 4		C	1	
7	A1UD563100	Cushion		C	1	
8	A00J564600	Mounting Plate /S		D	1	
9	A1UD562600Old	Guide		D	1	
9	A1UD562611	Guide		D	1	
10	26NA20300	SEPARATE ROCKING COLLAR		C	2	
11	4030302505	Bracket		D	1	
12	4030303701	REINFORCE PLATE		D	1	
13	4030301703	PRESSURE SPRING		C	1	
14	4030302702Old	GUIDE		D	1	
14	A3EW562700	Guide		D	1	
15	A1UD563200	Spacer		C	1	
16	4030307801	LEVER		C	1	
17	A00J563600	Roller		A	1	
18	A0ED563900	Torque limiter		C	1	
19	A0P0561600	Torque limiter /S		D	1	

IU/ CASSETTE RAIL SECTION

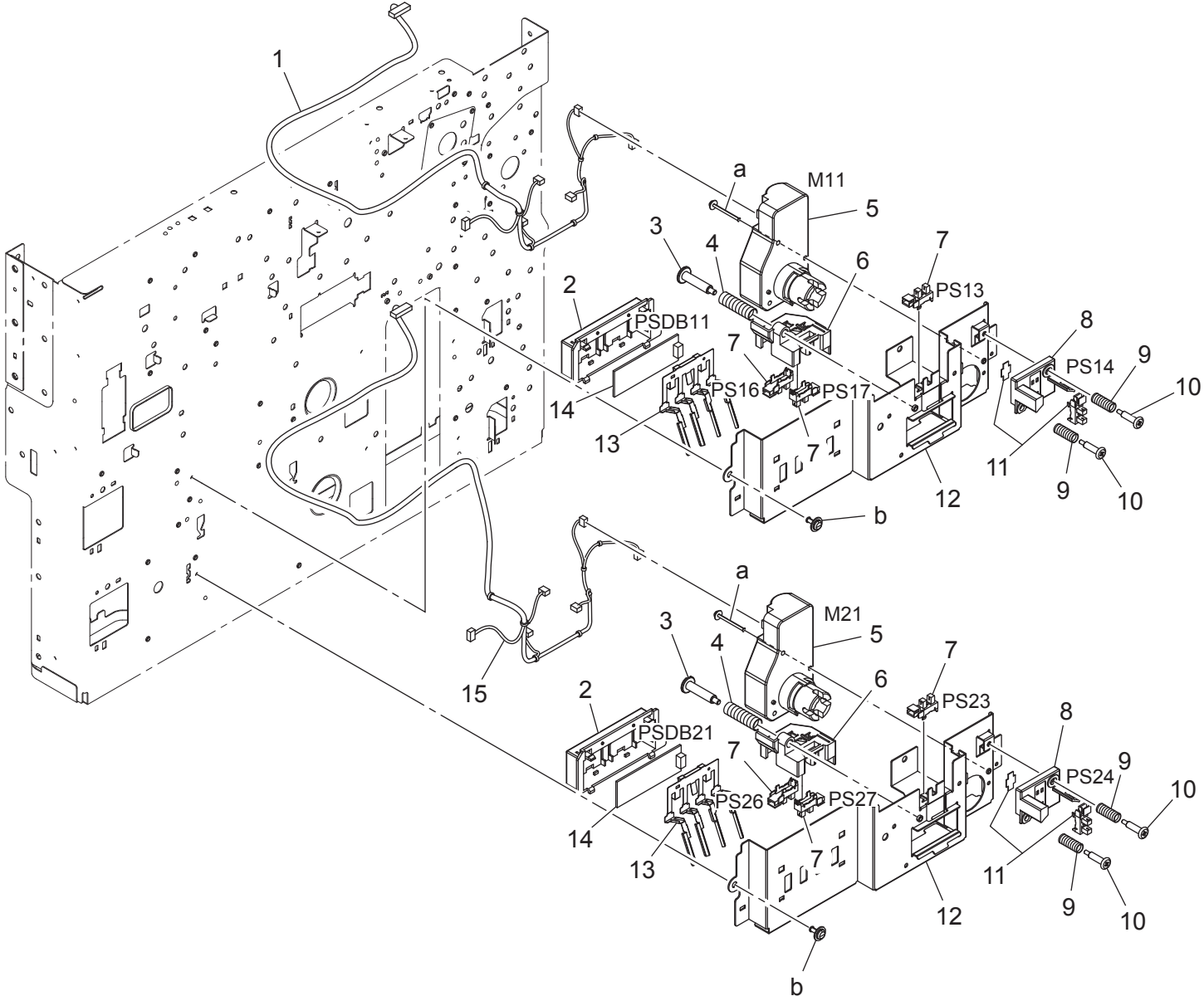
改訂版 REVISED EDITION	日付 DATE
▲	OCTOBER 2011



IU/ CASSETTE RAIL SECTION

Key	Part No.	Description	Destinations	Class	QTY	Standard parts
1	A1UDN12H00	Chaging Wiring		D	1	a-V137030603 b-V153030803 c-V115030603 d-V153031003 e-V153041003 f-V137041003 g-V116030803 k-V137031203
2	4030210201	HOLDER		D	1	
3	4030211501	CONTACT		C	1	
4	4030211301	CONTACT		C	1	
5	4030211201	CONTACT		C	1	
6	4011213401	PRESSURE SPRING		C	3	
7	A1UDN12J00	Separating Wiring		D	1	
8	1165215301	CONTACT		C	1	
9	A1UDN12G00	Developing Wiring		D	1	
10	1129730301	LABEL HI-VOL CAUTION		D	1	
11	4030201903	Guide		D	1	
12	4011204701	SEAL		C	1	
13	1164202102	PLATE SPRING		C	1	
14	1165214201	EARTH GROUND		D	1	
15	4040M40100	LOUDSPEAKER		D	1	
16	A1UDN12F00	Transfer Wiring		D	1	
17	1164215501	CONTACT		C	1	
18	A1UD105302	Holder		D	1	
19	A1UD131400	Mounting Plate		D	1	
20	A1UDN11400	Fixing Relay harness /100V	A,A1	D	1	
20	A1UDN11500	Fixing Relay harness	B,C,D1,D3,F1,F2,G1, G2,H,I,J,K	D	1	
21	A1UD132100	Mounting Plate		D	1	
22	A1UD100701	Rail		D	2	
23	A1UD102501	Guide		D	2	
24	A1UD105001	Ground Plate		D	1	
25	A1UD101600	Stopper		D	2	
26	A1UD106001	Guide		D	2	
27	A1UD100802	Rail		D	2	
28	4030208101	SPACER		D	1	
29	4030211401	CONTACT		C	1	

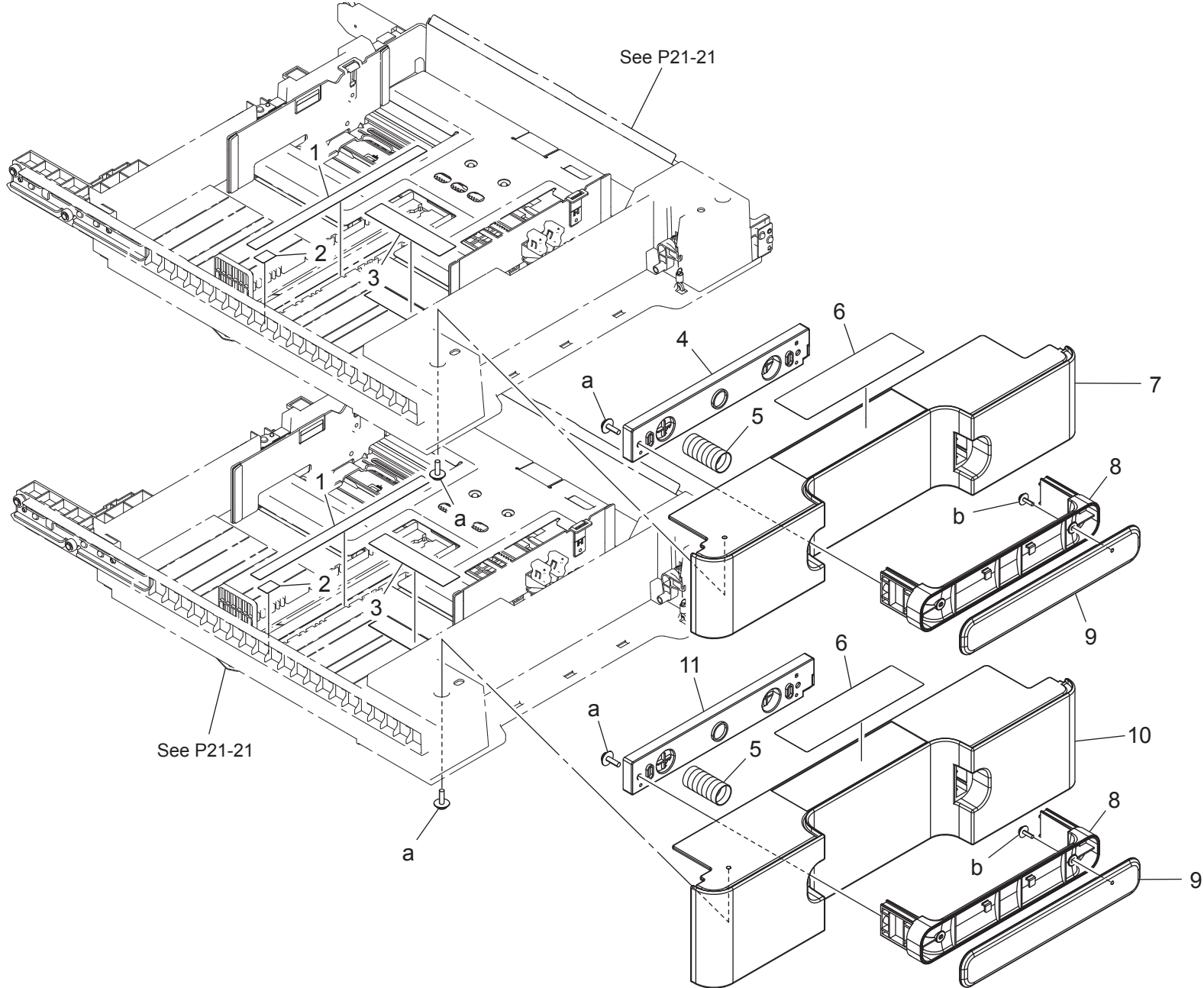
CASSETTE SIZE SECTION



CASSETTE SIZE SECTION

Key	Part No.	Description	Destinations	Class	QTY	Standard parts
1	A1UDN12K01	Paperfeed Detection harness /1		D	1	a-V116033003 b-V137030603
2	4011301201	HOLDER		D	2	
3	4002313101	SHOULDER SCREW		C	2	
4	4002311002	Pressure Spring		C	2	
5	9J06M10300	MOTOR		B	2	
6	A0ED627500	Holder		C	2	
7	A108M50100	Photointerrupter		B	6	
8	4030308301	HOLDER		D	2	
9	4030308104	Pressure Spring		C	4	
10	4030322402	SHOULDER SCREW		C	4	
11	A108R90000	PHOTO INTERRUPTER		I	2	
12	A1UD634600	Mounting Plate		D	2	
13	4030309101	LEVER		C	2	
14	4037010401	PWB ASSY		C	2	
15	A1UDN12M01	Paperfeed Detection harness /2		D	1	

CASSETTE SECTION



CASSETTE SECTION

Key	Part No.	Description	Destinations	Class	QTY	Standard parts
1	A00J942202	Label FD		C	2	a-V153041003 b-V153030803
2	A02E941300	Label Fd		C	2	
3	A02E941500	Label Cd		C	2	
4	A1UD625300	Holder		D	1	
5	A0ED625400	Compressing Coil spring		D	2	
6	A0ED940100	Label Paper		D	2	
7	A1UD625101	Cover		C	1	
8	A0ED625201	Handle		C	2	
9	A0ED625000	Cover		C	2	
10	A1UD635101	Cover		C	1	
11	A0ED625301	Holder		D	1	

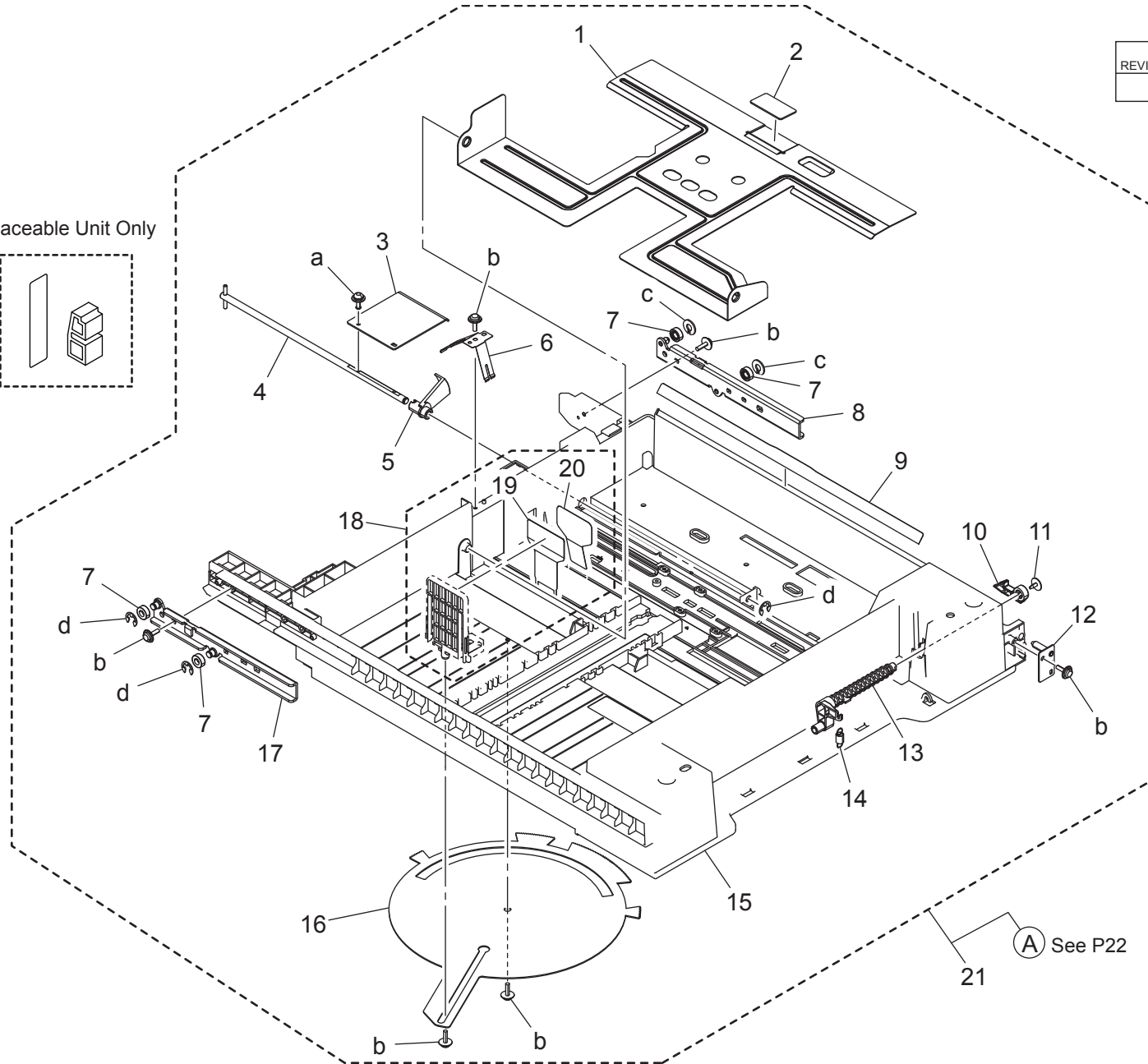
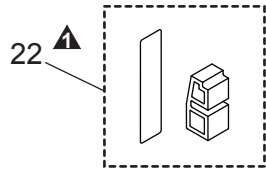
CASSETTE SECTION

2 UNIT

P 21

改訂版 REVISED EDITION	日付 DATE
▲	MARCH 2012

Field Replaceable Unit Only



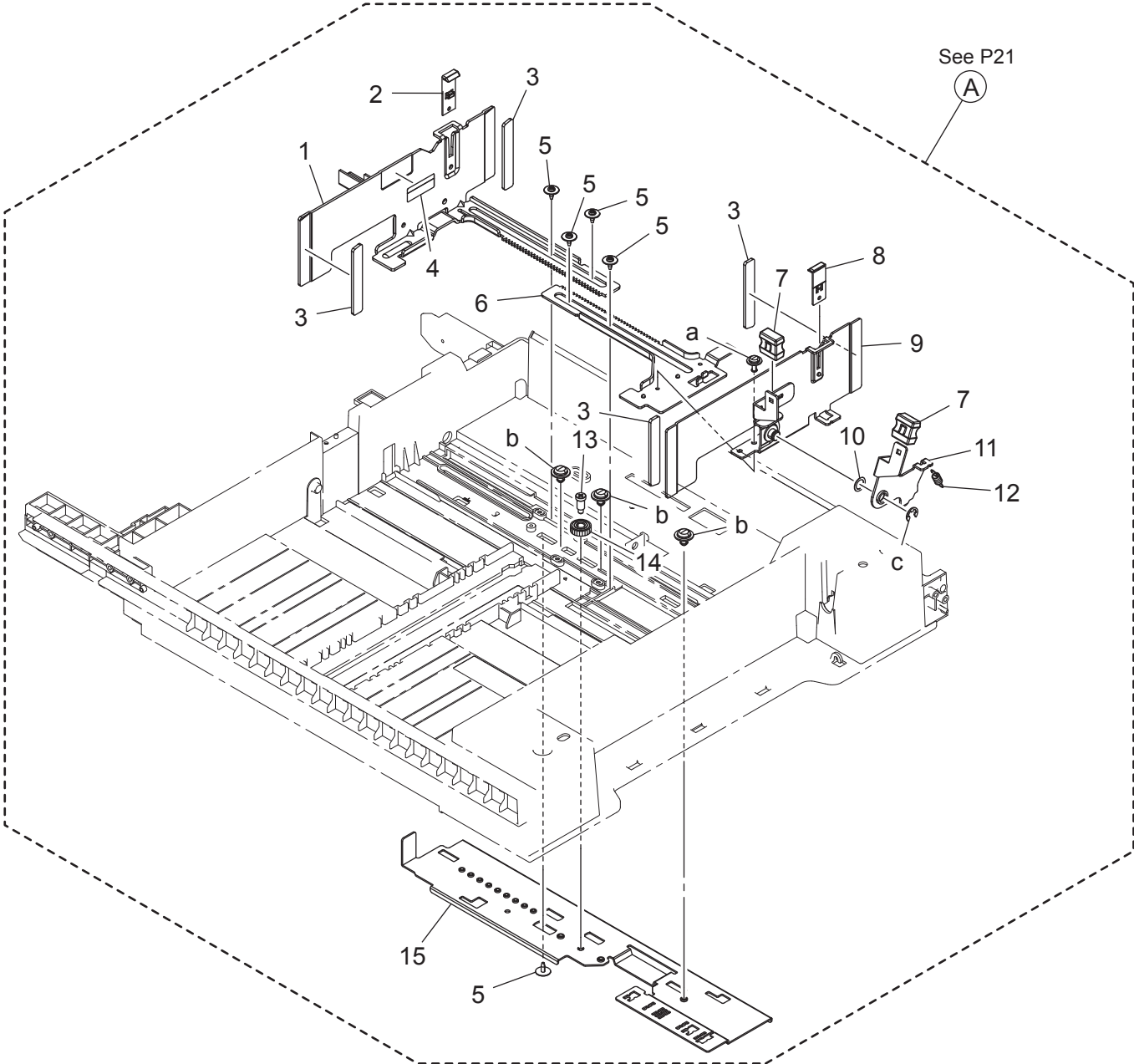
(A) See P22

CASSETTE SECTION

Key	Part No.	Description	Destinations	Class	QTY	Standard parts
1	A0ED620500	Lifting Plate		D	2	a-V116030803 b-V153030803 c-V221040050 d-V217040001
2	4030322601	FRICTION SHEET		C	2	
3	4030320601	LEVER		D	2	
4	A0ED631600	Lifting Shaft		D	2	
5	A0ED620701	Actuator		C	2	
6	A0ED622100	Ground Plate		D	2	
7	A0ED623400	Roll		D	8	
8	A0ED633100	Reinforce Plate /Right rear		D	2	
9	A0ED620200	Guide		C	2	
10	A0ED625500	Lock Lever		C	2	
11	4163529301	SCREW		C	2	
12	A3EWF62200	Caulking(Mounting Plate cassette)		D	2	
13	A0ED625700	Release Lever		C	2	
14	A0ED635801	Pulling Coil spring		D	2	
15	A0ED620113	Paper feed Cassette		D	2	
16	4002310801	LEVER		C	2	
17	A0ED623200	Reinforce Plate /Left rear		D	2	
18	A02ER73400	Regulating Plate Assy		C	2	
19	4030322812	GUIDE		C	2	
20	A02E622300	Guide plate		C	2	
21	A0EDF62303	1st Cassette		S	2	
22	A1UDR90200	Mounting Part Kit		D	2	

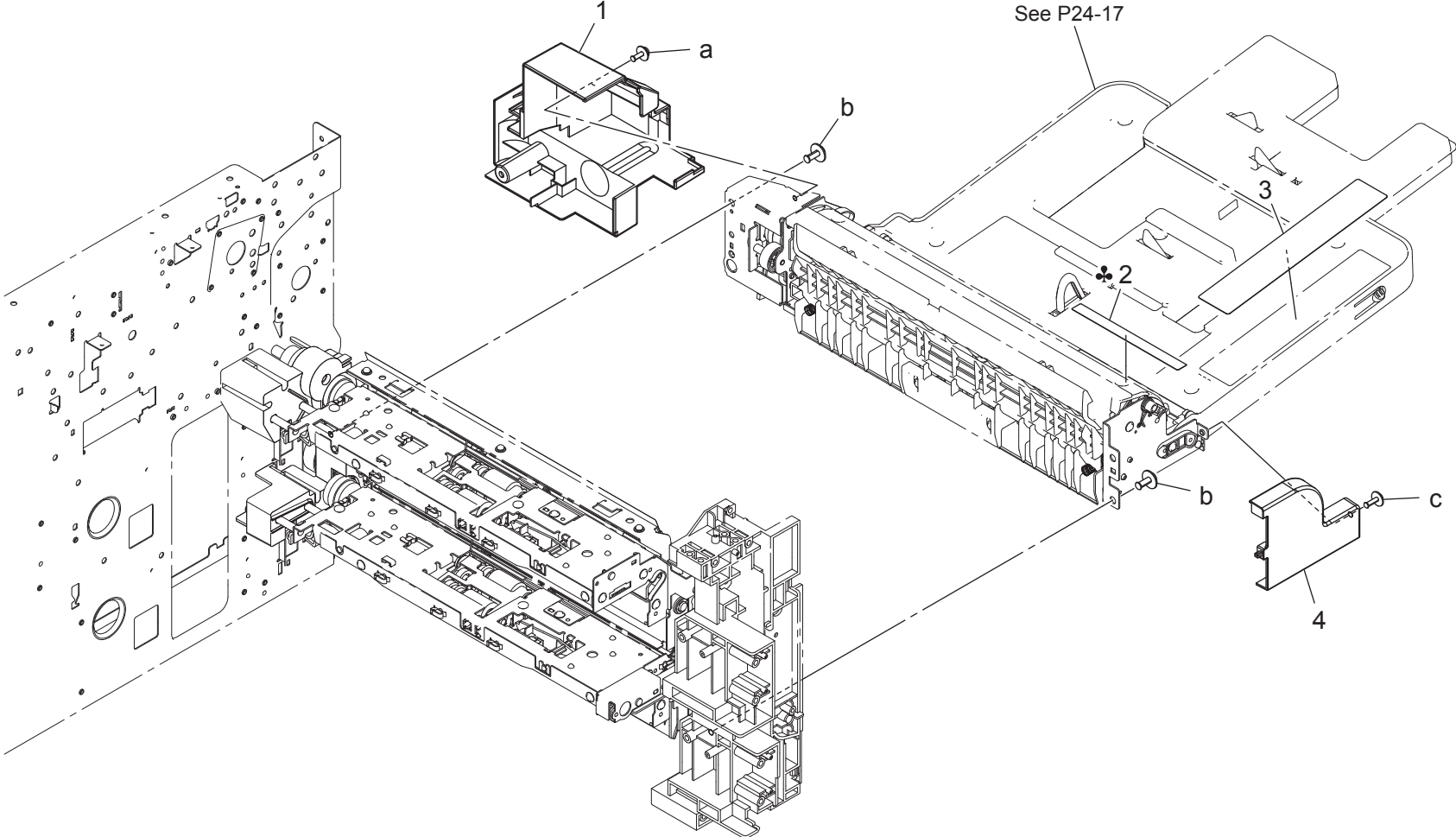
CASSETTE SECTION

2 UNIT



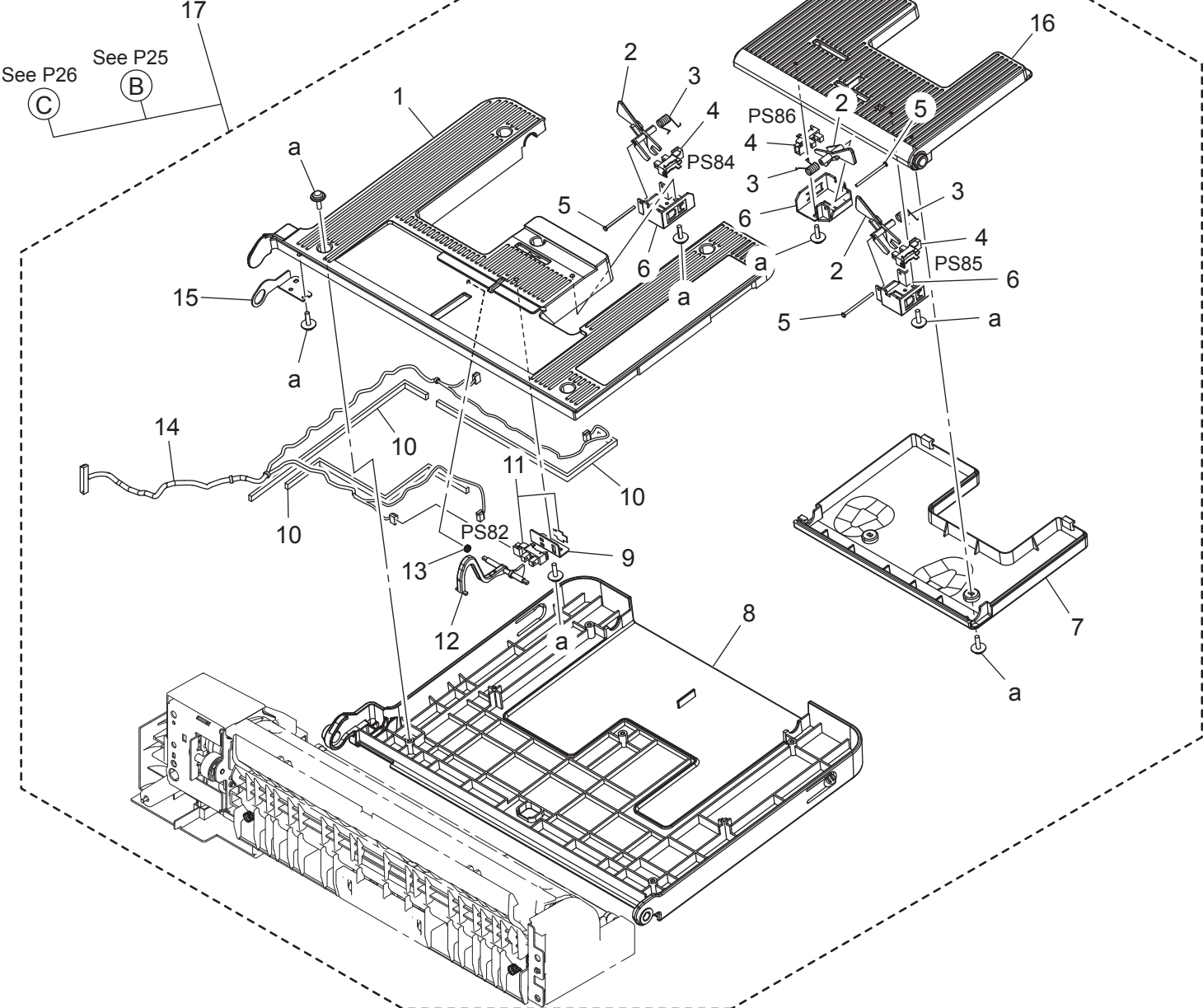
CASSETTE SECTION

Key	Part No.	Description	Destinations	Class	QTY	Standard parts
1	A0ED620901	Regulating Plate /Rear		C	2	a-V137030603 b-V144040603 c-V217060001
2	A0ED621000	Guide		D	2	
3	A02E622700	Cushion		C	8	
4	4002730601	LABEL CARRYING CAPACITY		C	2	
5	4163529301	SCREW		C	10	
6	A0ED621101	Rack /Front		D	2	
7	4037320401	KNOB		C	4	
8	4537331701	GUIDE		D	2	
9	A0EDF62100	Caulking(Regulating Plate/ASSY)		C	2	
10	4011302101	WASHER		C	2	
11	A0ED621300	Lever		D	2	
12	A0ED621400	Pulling Coil spring		D	2	
13	A0ED620601	Shoulder screw		D	2	
14	A02E622400	Gear 14T		C	2	
15	A0ED621901	Mounting Plate		D	2	

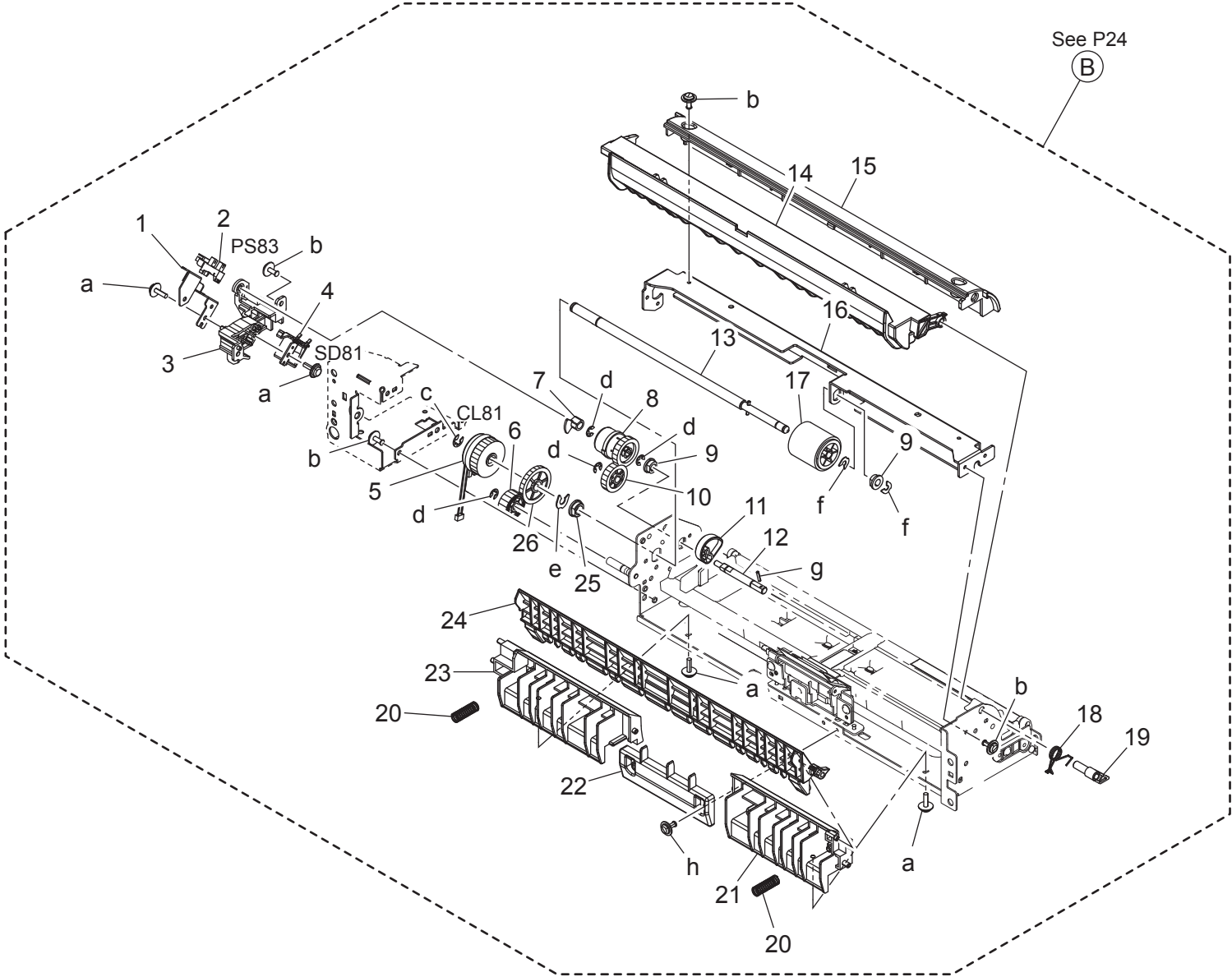


Key	Part No.	Description	Destinations	Class	QTY	Standard parts
1	A1UD590700	Cover		D	1	a-V116030804 b-V137040803 c-V137030804
2	A02E940901	Scale	カバー (R)	C	1	
2	A02E940800	Scale	スケール (手差し・メトリック)	C	1	
3	A0ED940200	Bypass Label	スケール (手差し・インチ)	D	1	
4	A1UD590600	Cover	手差しラベル (用紙補給)	D	1	
			カバー (F)			

MANUAL PAPER FEED SECTION



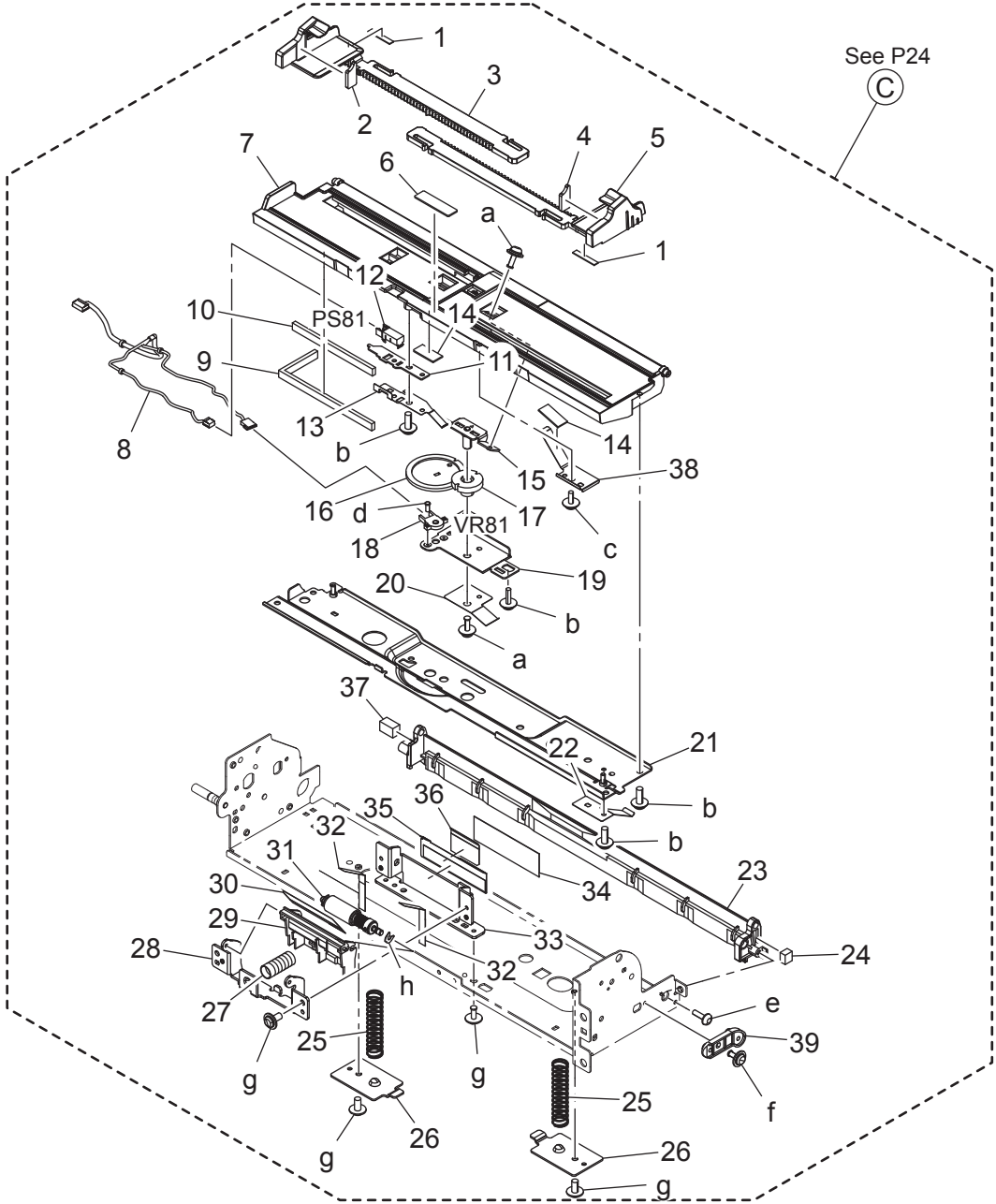
Key	Part No.	Description	Destinations	Class	QTY	Standard parts
1	A0ED590900	Cover		D	1	a-V153030803
2	A02E598400	Actuator		C	3	
3	4030344601	TORSION SPRING		C	3	
4	A108M50100	Photointerrupter		B	3	
5	1134304202	SHAFT		D	3	
6	A0ED598700	Holder		D	3	
7	A02E591801	Cover		C	1	
8	A0ED590800	Tray		C	1	
9	9J06323501	BRACKET		D	1	
10	A1UD598600	Seal		D	3	
11	A108R90000	PHOTO INTERRUPTER		I	1	
12	A02E598200	Actuator		C	1	
13	4038323402	TORSION SPRING		C	1	
14	A1UDN12B00	Paperfeed Detection harness /3		D	1	
15	A0ED591000	Mounting Plate		D	1	
16	A02E591100	Tray		C	1	
17	A1UDR70600	Bypass Tray Assy		S	1	



MANUAL PAPER FEED SECTION

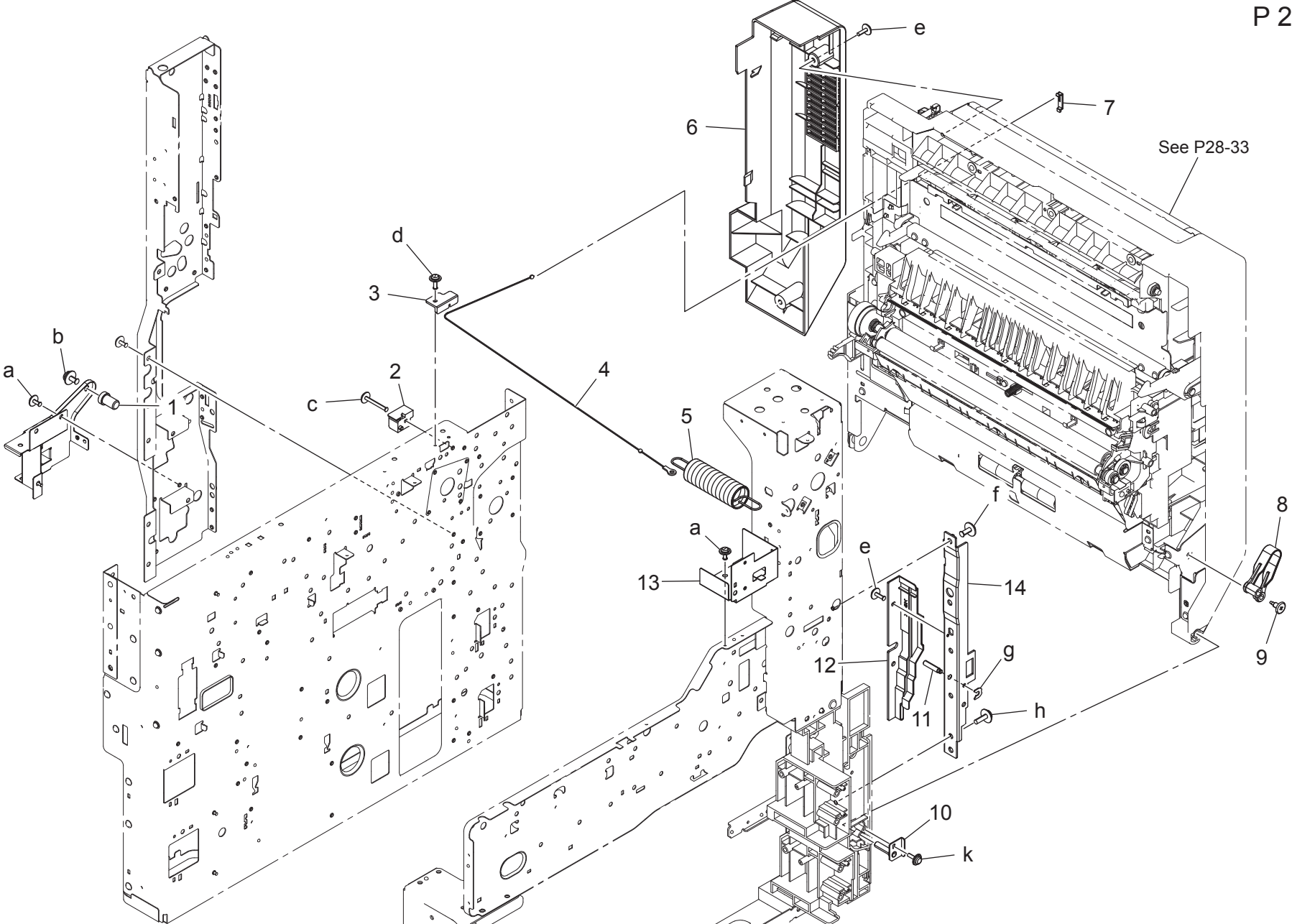
Key	Part No.	Description	Destinations	Class	QTY	Standard parts
1	A02E595600	Bracket		D	1	a-V153030803 b-V137030603 c-V217050001 d-V217040001 e-V218060086 f-V218040086 g-V233201050 h-V137030803
2	A108M50100	Photointerrupter		B	1	
3	A02E595201	Bracket		D	1	
4	9J06M20000	SOLENOID		C	1	
5	A1UDM20100	Clutch		C	1	
6	A1UD595500	Gear		C	1	
7	4038323701	SHIELD PLATE		C	1	
8	A02E595100	Clutch assy		C	1	
9	4131300301	BUSHING		C	2	
10	A02E595400	Gear 22T		C	1	
11	A02E596002	Cam		C	1	
12	A02E595302	Shaft		D	1	
13	A1UD595700	Shaft		D	1	
14	A1UD594101	Guide		C	1	
15	A02E591200	Cover		C	1	
16	A1UD591300	Mounting Plate		D	1	
17	A00F623200	Roller		B	1	
18	A02E594500	Torsion spring		C	1	
19	A02E594600	Lever		C	1	
20	A1UD595900	Compressing Coil spring		C	2	
21	A1UD590100	Guide		D	1	
22	A1UD591500	Guide		D	1	
23	A1UD590200	Guide		D	1	
24	A1UD594200	Guide		C	1	
25	4131353202	BUSHING		C	1	
26	A02E596100	Gear 30T		C	1	

MANUAL PAPER FEED SECTION



Key	Part No.	Description	Destinations	Class	QTY	Standard parts
1	A02E593400	Brake	ブレーキ材 (規制下)	C	2	a-V116030804
2	A02E593300	Brake	ブレーキ材 (サイド規制 R)	C	1	b-V153030803
3	A02E592400	Regulating plate	規制板 (R)	C	1	c-V153030603
4	A02E593200	Brake	ブレーキ材 (サイド規制 F)	C	1	d-V111170403
5	A02E592300	Regulating plate	規制板 (F)	C	1	e-V145030803
6	4687328101	FRICITION SHEET	摩擦板	C	1	f-V137030803
7	A0ED592201	Lifting Plate	押上げ板	C	1	h-V218030086
8	A1UDN12C02	Paperfeed Detection harness /4	給紙検知束線 / 4 (マル手 CD)	D	1	
9	A1UD599200	Seal	シール (セット検出ハーネス)	D	1	
10	A02E593700	Seal	シール (ハーネス押さえ)	C	1	
11	A0ED599100	Mounting Plate	取付板 (反射型 SE)	D	1	
12	A0EDM50100	Photoreflector	反射型センサ (アンプ内蔵)	I	1	
13	A0ED599000	Ground Plate	アース板 (反射型 SE)	D	1	
14	A1UD598100	Friction Plate	摩擦板	D	2	
15	A02EG62100	Caulking Gear Mounting Plate	ギヤ取付板カシメ A s s y	D	1	
16	A02E598300	Gear 40T	ギヤ 40 T	C	1	
17	A02E592100	Gear 20T	ギヤ 20 T	C	1	
18	A1UDM50100	VR	ポリウム	D	1	
19	A02E598100	Bracket	取付板 (CD 検出 A S S Y)	D	1	
20	A02E593500	Earth ground	アース	D	1	
21	A1UD592800	Reinforce Plate	補強板 (押上板)	D	1	
22	A0ED593600	Ground Plate	アース板 (フレーム)	D	1	
23	A0ED590500	Holder	ホルダ (押上支点)	C	1	
24	A0ED591900	Cushion	クッション (マル手トレイ・F)	C	1	
25	A02E592501	Pressure Spring	圧縮コイルばね	C	2	
26	A02E592600	Hold plate	保持板 (ばね)	D	2	
27	4030347501	PRESSURE SPRING	圧縮コイルばね	C	1	
28	A02E597200	Bracket	取付板 (捌き)	D	1	
29	A0ED597100	Holder	ホルダ (捌き)	D	1	
30	A02E597600	Guide	ガイド (捌き後)	C	1	
31	4034015101	SEPARATION ROLLER	分離ローラ	A	1	
32	A0ED599300	Guide	ガイド (さばきホルダ)	D	2	
33	A02E597301	Reinforce plate	補強板 (捌き)	D	1	
34	4030348901	SEAL	シール	C	1	
35	4030340201	GUIDE PLATE	ガイド板	C	1	
36	4030340301	GUIDE	ガイド	C	1	
37	A0ED591700	Cushion	クッション (マル手トレイ・R)	C	1	
38	A0ED593100	Brake Part	ブレーキ材 (規制板)	D	1	
39	A0ED593900	Hold Plate	保持板 (前支点)	C	1	

PAPER TRANSPORT SECTION



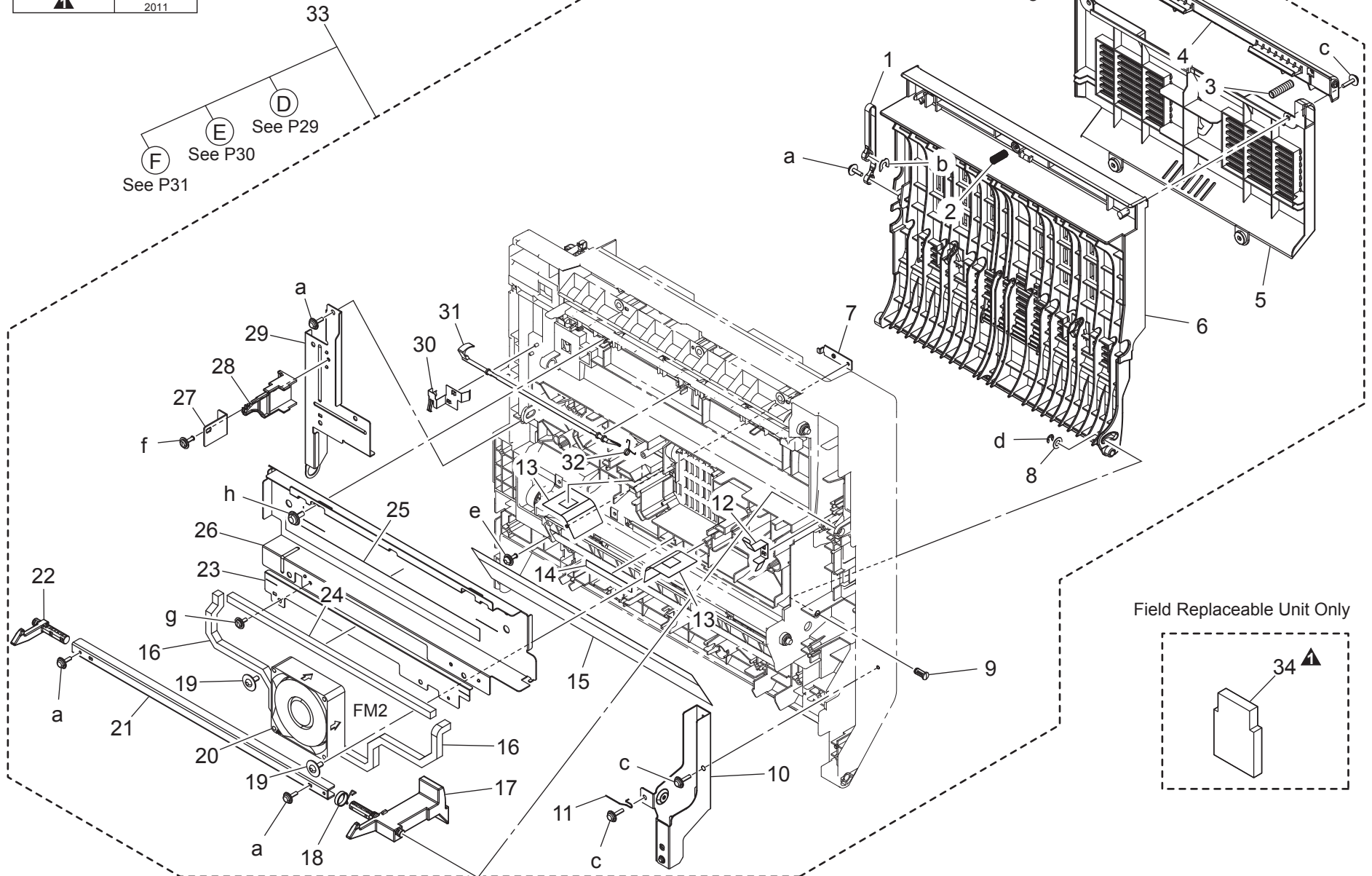
PAPER TRANSPORT SECTION

Key	Part No.	Description	Destinations	Class	QTY	Standard parts
1	A1UD101500	Shaft		D	1	a-V137030603
2	A1UD103900	Guide		D	1	b-V116040804
3	A1UD103800	Stopper		D	1	c-V137032003
4	A1UD103700	Wire		C	1	d-V137030803
5	A1UD101300	Pulling Coil spring		C	1	e-V137030804
6	A1UD810400	Cover		D	1	f-V137040803
7	4030103301	COVER		D	1	g-V218030086
8	A1UD711200	Stopper		C	1	h-V153041003
9	4038351102	SHOULDER SCREW		C	1	k-V153030803
10	A1UDR7A000	Supporting point Caulking Assy		D	1	
11	A1UD121000	Shaft		D	1	
12	A1UD105200	Cover		D	1	
13	A1UD132400	Mounting Plate		D	1	
14	A1UD120700	Reinforce Plate /Right front		D	1	

PAPER TRANSPORT SECTION

改訂版 REVISED EDITION	日付 DATE
	SEPTEMBER 2011

P 28

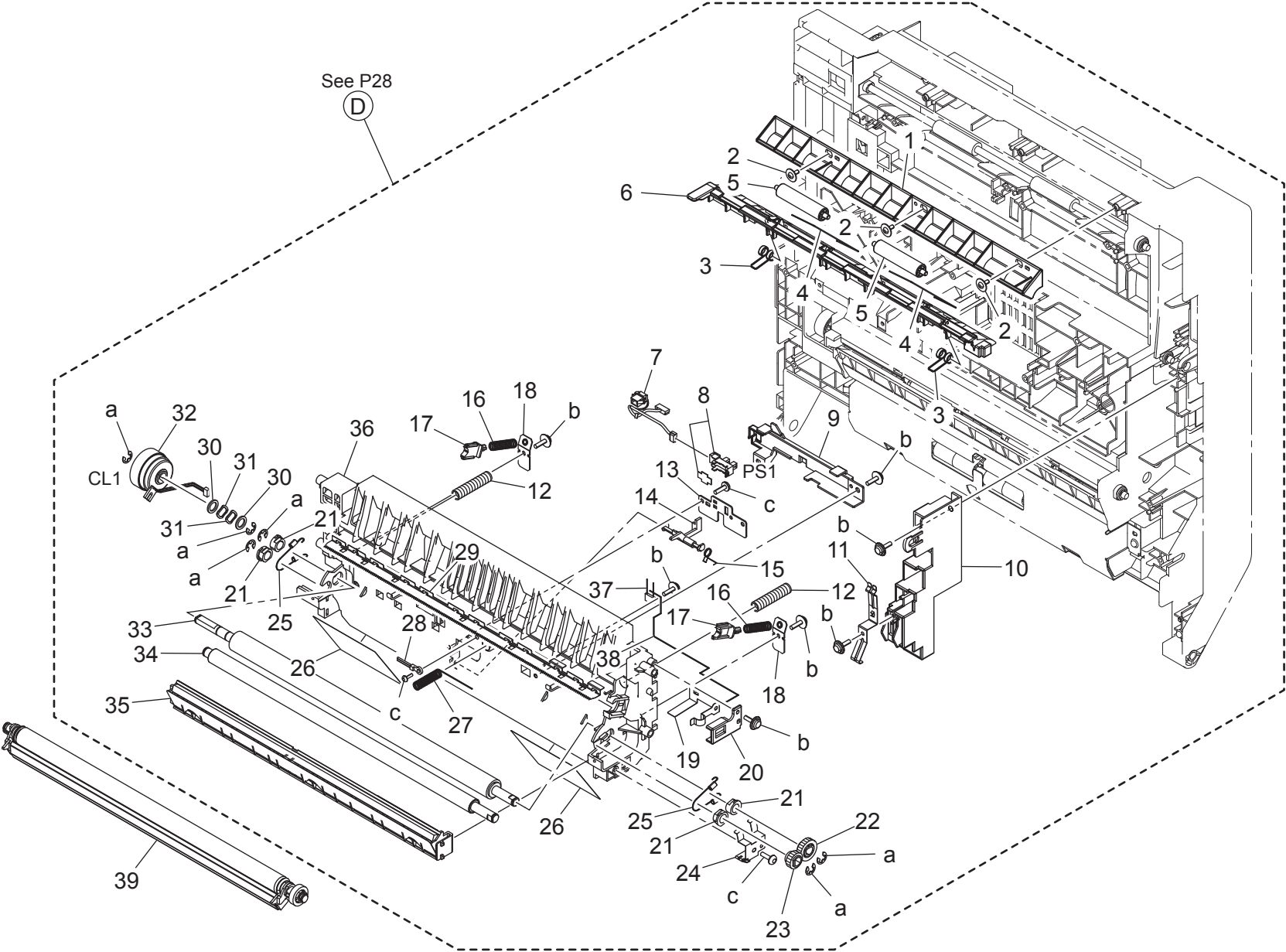


bizhub 223/bizhub 283/bizhub 363/bizhub 423/bizhub 7828

PAPER TRANSPORT SECTION

Key	Part No.	Description	Destinations	Class	QTY	Standard parts
1	A1UD811000	Stopper		C	1	a-V153030803
2	A1UD814000	Compressing Coil spring		C	1	b-V218060086
3	4066370501	PRESSURE SPRING		C	2	c-V153031004
4	A1UD810300	Handle		C	1	d-V217040001
5	A1UD810100	Cover		C	1	e-V116030803
6	A1UD810201	Door		C	1	f-V137030803
7	A1UD712500	Mounting Plate		D	1	g-V137030603
8	4661315501	WASHER		D	1	h-V153040803
9	A11U815000	Pin		D	1	
10	A1UD710101	Mounting Plate		D	1	
11	A1UD711900	Ground Part		D	1	
12	A1UD812200	Ground Plate		D	1	
13	A1UD712300	Seal		D	2	
14	A1UD712700	Seal		D	1	
15	4012352412	GUIDE		C	1	
16	A1UD712100	Seal		D	2	
17	A1UD710302	Lock Claw /Front		C	1	
18	A1UD711300	Torsion Spring		C	1	
19	4163529301	SCREW		C	2	
20	9J03M10000	FAN MOTOR		B	1	
21	A1UD710500	Mounting Plate		D	1	
22	A1UD710400	Claw		C	1	
23	A1UD711000	Mounting Plate		D	1	
24	A1UD712200	Seal		D	1	
25	4138586601	LABEL HI-TEMP CAUTION		D	1	
26	A1UD710800	Reinforce Plate		D	1	
27	A1UD712800	Reinforce Plate		D	1	
28	A1UD711101	Gear		C	1	
29	A1UD710200	Mounting Plate		D	1	
30	A1UD710900	Ground Plate		D	1	
31	A1UD812900	Actuator		C	1	
32	A02E813100	Torsion spring		D	1	
33	A1UDR70711	Vertical Conveyance Assy		S	1	
34	A1UDP00100	Filter		C	1	

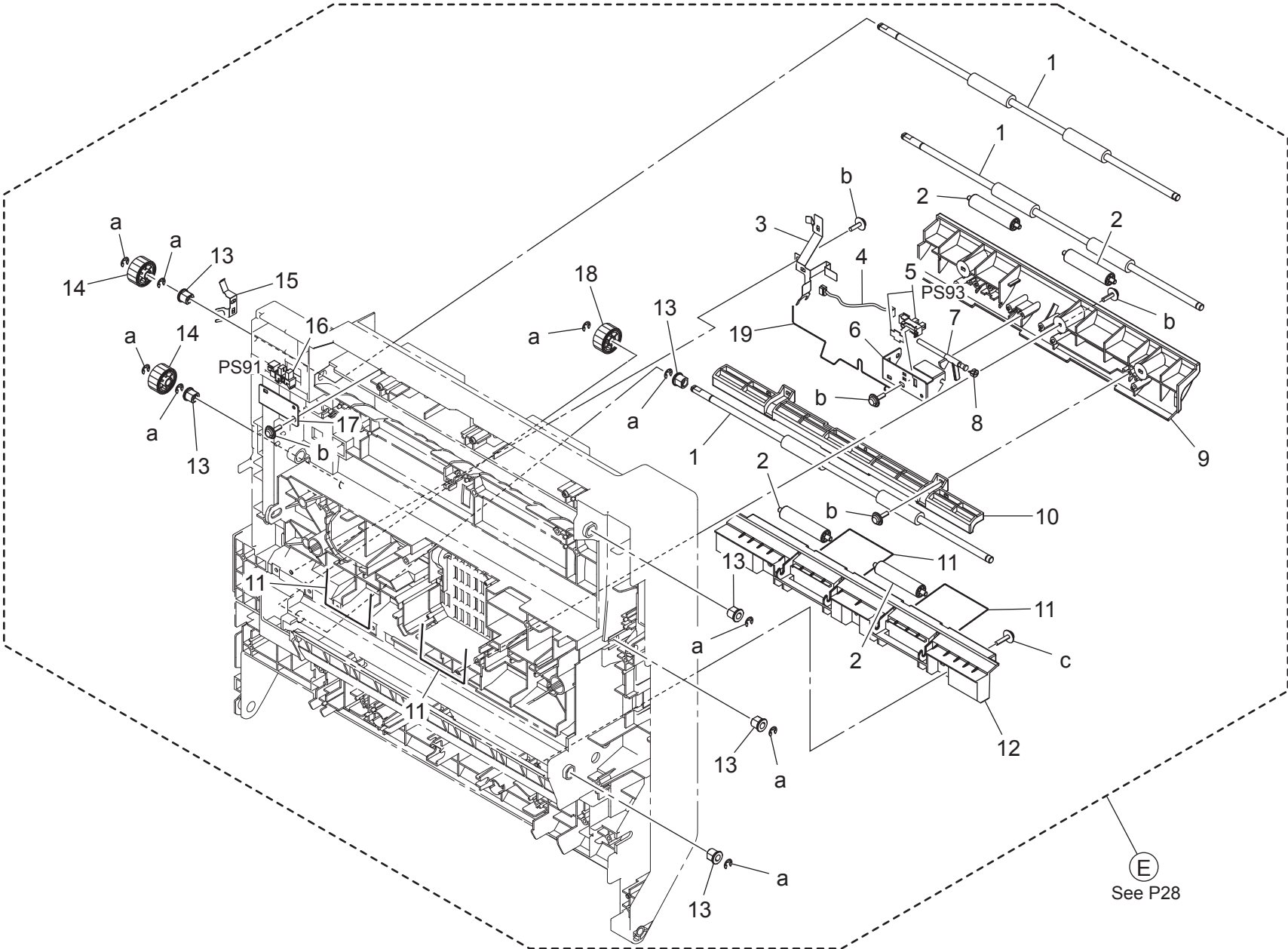
PAPER TRANSPORT SECTION



PAPER TRANSPORT SECTION

Key	Part No.	Description	Destinations	Class	QTY	Standard parts
1	A1UD812700	Guide		D	1	a-V217050001 b-V153030803 c-V145030803
2	4163529301	SCREW		C	3	
3	A1UD711800	Torsion Coil spring		C	2	
4	A1UD814100	Holding Part		C	2	
5	4497311601	ROLL		C	2	
6	A1UD810900	Guide		D	1	
7	A1UDN13200	Conveyance Detection harness		D	1	
8	A108R90000	PHOTO INTERRUPTER		I	1	
9	A1UD700300	Holder		D	1	
10	A1UD710700	Holder		D	1	
11	A1UD712000	Contact		D	1	
12	4011351501	PRESSURE SPRING		C	2	
13	1164352901	BRACKET		D	1	
14	4030350401	ACTUATOR		C	1	
15	1164352702	TORSION SPRING		C	1	
16	4030420701	PRESSURE SPRING		C	2	
17	1164420602	BUSHING		C	2	
18	1164420902	CONTACT		C	2	
19	A1UD713000	Contact		D	1	
20	1164421801	HOLDER		D	1	
21	1164354901	BUSHING		B	4	
22	1164350801	GEAR 18T		B	1	
23	1164351501	GEAR 13T		B	1	
24	1164351402	EARTH GROUND		C	1	
25	1164351302	Tension Spring		C	2	
26	4030350501	GUIDE		C	2	
27	4030421304	Pressure Spring		C	1	
28	9372271022	THERMISTOR		B	1	
29	1164420204	NEUTRALIZING NEEDLE		D	1	
30	4011351201	WASHER		C	2	
31	4011302001	WASHER		C	2	
32	A1UDM20000	Clutch		C	1	
33	A1UD700200	Roller		C	1	
34	4011350901	ROLLER		C	1	
35	4040077800	PAPER DUST REMOVER		A	1	
36	4030350109	Holder		C	1	
37	V800500300	FIXED POWER RESISTORS		D	1	
38	4030422001	CONTACT		C	1	
39	A1UDR70500	Transfer Roller Assy		A	1	


PAPER TRANSPORT SECTION



PAPER TRANSPORT SECTION

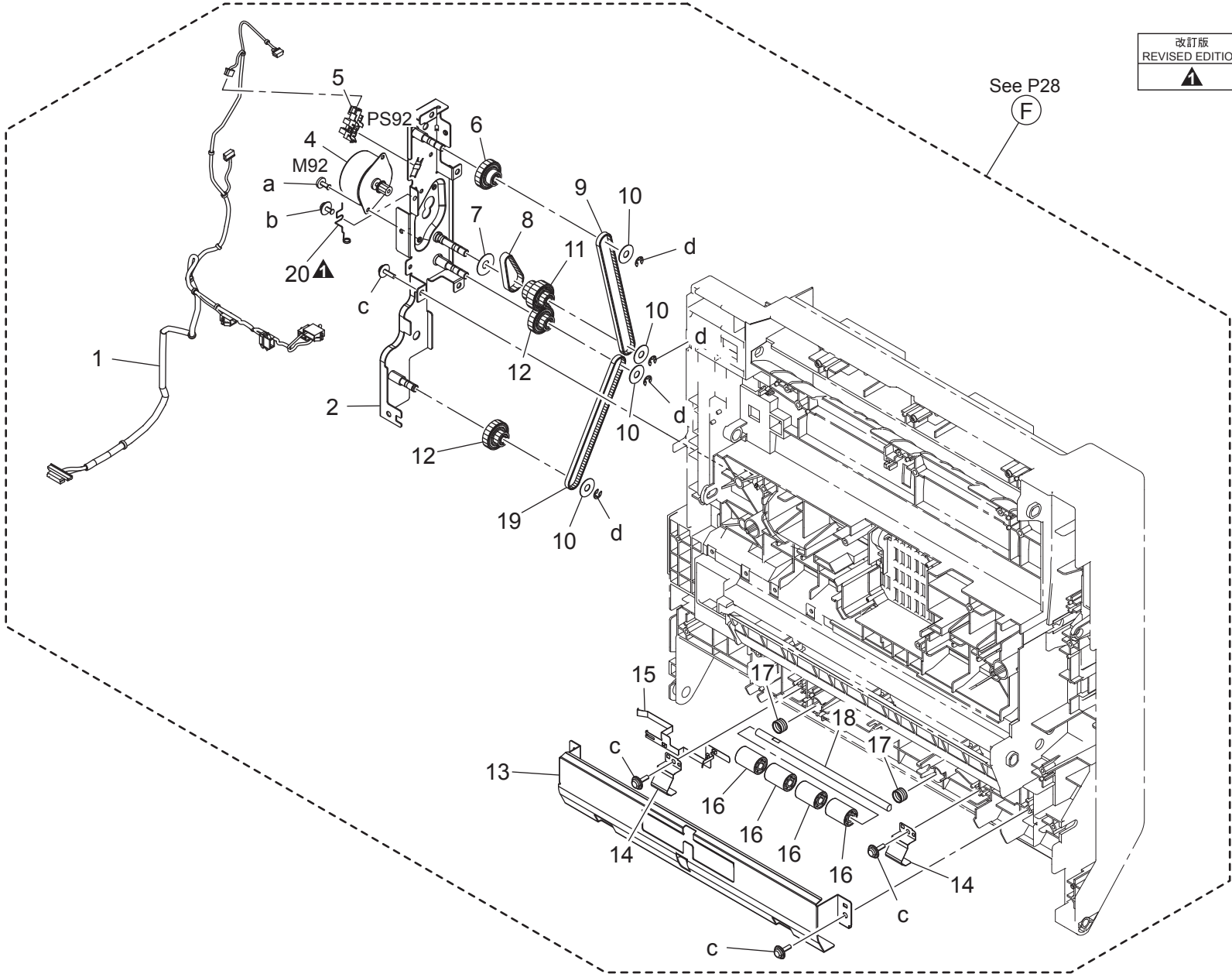
Key	Part No.	Description	Destinations	Class	QTY	Standard parts
1	A1UD810500	Roller		C	3	a-V217040001 b-V153030803 c-V153031004
2	4497311601	ROLL		C	4	
3	A1UD812300	Ground Plate		D	1	
4	A1UDN12P01	ADU Relay harness		D	1	
5	A108R90000	PHOTO INTERRUPTER		I	1	
6	4030374201	BRACKET		D	1	
7	4030374001	ACTUATOR		C	1	
8	4030374103	TORSION SPRING		C	1	
9	A1UD813400	Guide		D	1	
10	A1UD811100	Guide		D	1	
11	A1UD814100	Holding Part		C	4	
12	A1UD812800	Guide		D	1	
13	A02E815200	BUSHING		C	6	
14	A1UD811600	Gear		C	2	
15	A1UD812600	Ground Plate		D	1	
16	A108M50100	Photointerrupter		B	1	
17	A02E810800	Bracket		D	1	
18	A1UD813700	Gear		C	1	
19	A1UD814201	Ground Part		D	1	

PAPER TRANSPORT SECTION

改訂版 REVISED EDITION	日付 DATE
	NOVEMBER 2010

See P28

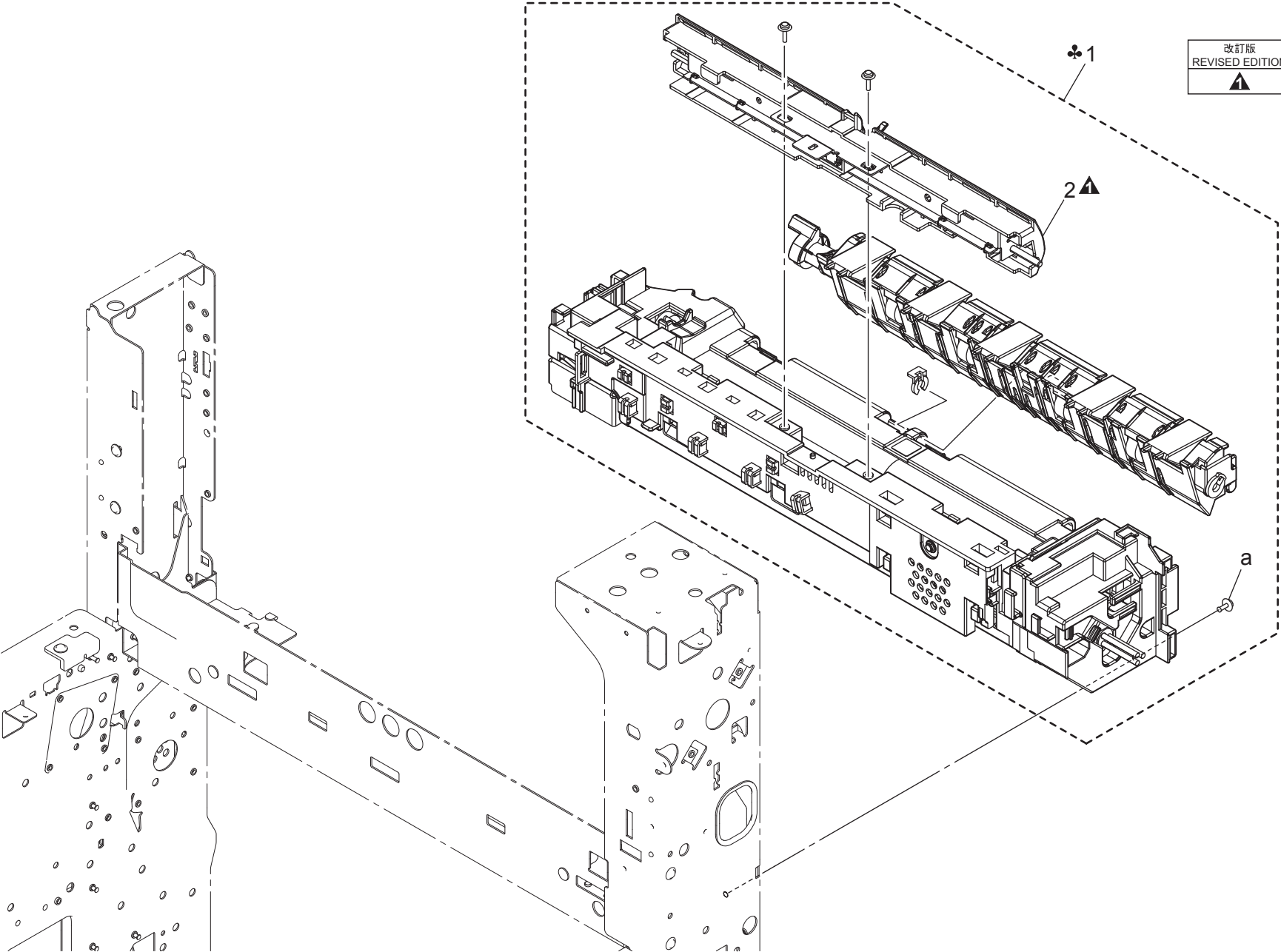
F



Key	Part No.	Description	Destinations	Class	QTY	Standard parts
1	A1UDN12N01	Conveyance Drive harness /1		D	1	a-V118030603 b-V116030603 c-V153030803 d-V217040001
2	A1UDR7A100	ADU Drive Caulking Assy		D	1	
4	A1UDM10100	Stepping motor		C	1	
5	A108M50100	Photointerrupter		B	1	
6	A1UD811700	Gear		C	1	
7	A1UD813900	Flange		C	1	
8	A1UD813800	Timing belt		C	1	
9	A1UD811300	Timing belt		C	1	
10	A02E811900	Flange		C	4	
11	A1UD813200	Gear		C	1	
12	A1UD813600	Gear		C	2	
13	A1UD711500	Guide Plate		D	1	
14	A1UD712600	Plate spring		D	2	
15	A1UD711700	Ground Plate		D	1	
16	4030312201	ROLL		C	4	
17	A1UD711600	Compressing Spring		C	2	
18	4030312101	SHAFT		D	1	
19	A02E811300	Timing Belt 264L		C	1	
20	A1UD814300	Ground Spring		D	1	

FUSING SECTION

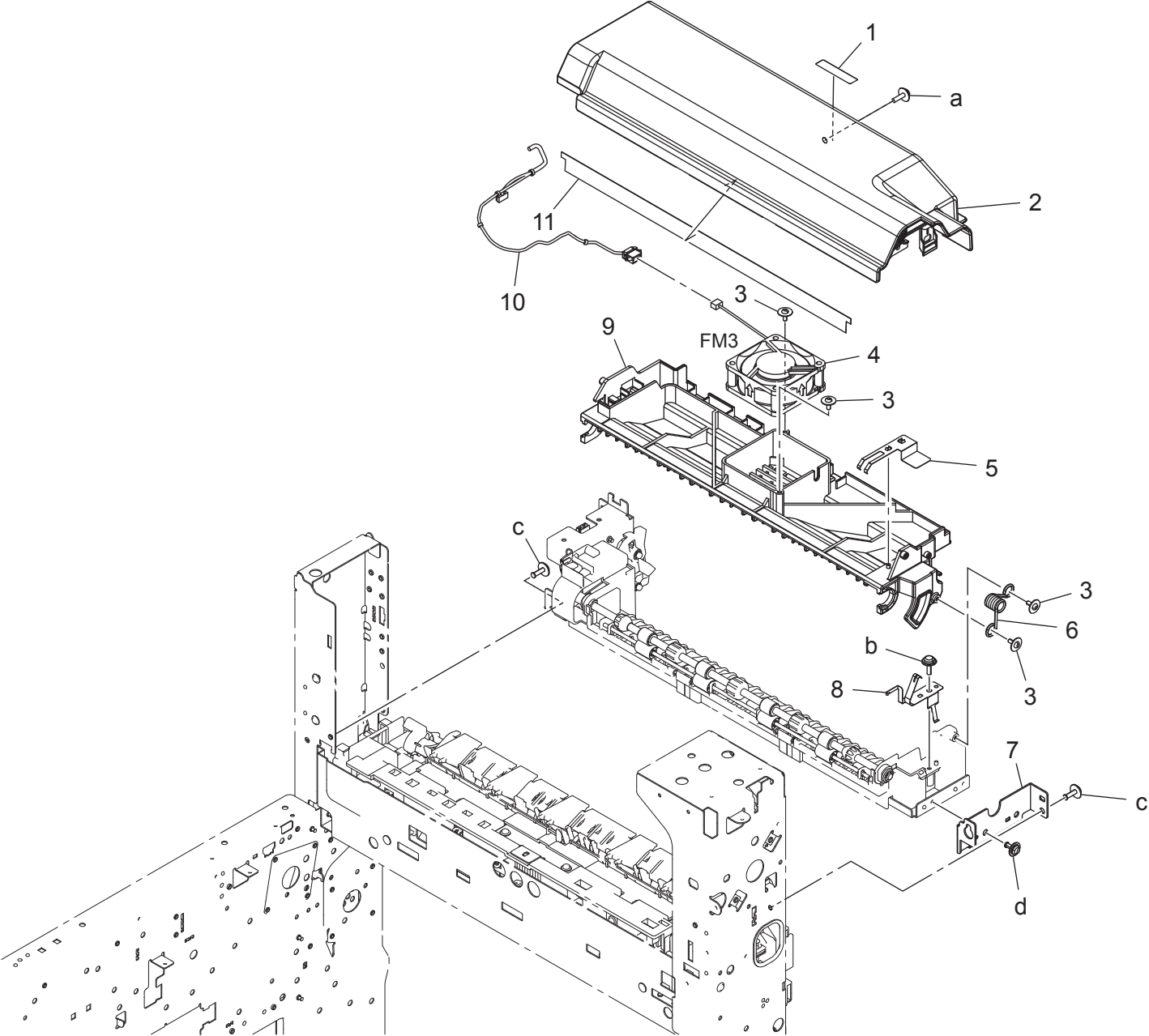
改訂版 REVISED EDITION	日付 DATE
▲	FEBRUARY 2011



FUSING SECTION

Key	Part No.	Description	Destinations	Class	QTY	Standard parts
1	A1UDR70811	Fusing Unit 100V	A,A1	B	1	a-V116030803
1	A1UDR70911	Fusing Unit 120V	B,F1,G2	B	1	
1	A1UDR71011	Fusing Unit 200V	C,D1,D3,F2,G1,I,J,K	B	1	
1	A1UDR72011	Fusing Unit 110V	H	B	1	
2	A1UDR72100	Separating Guide Assy		D	1	

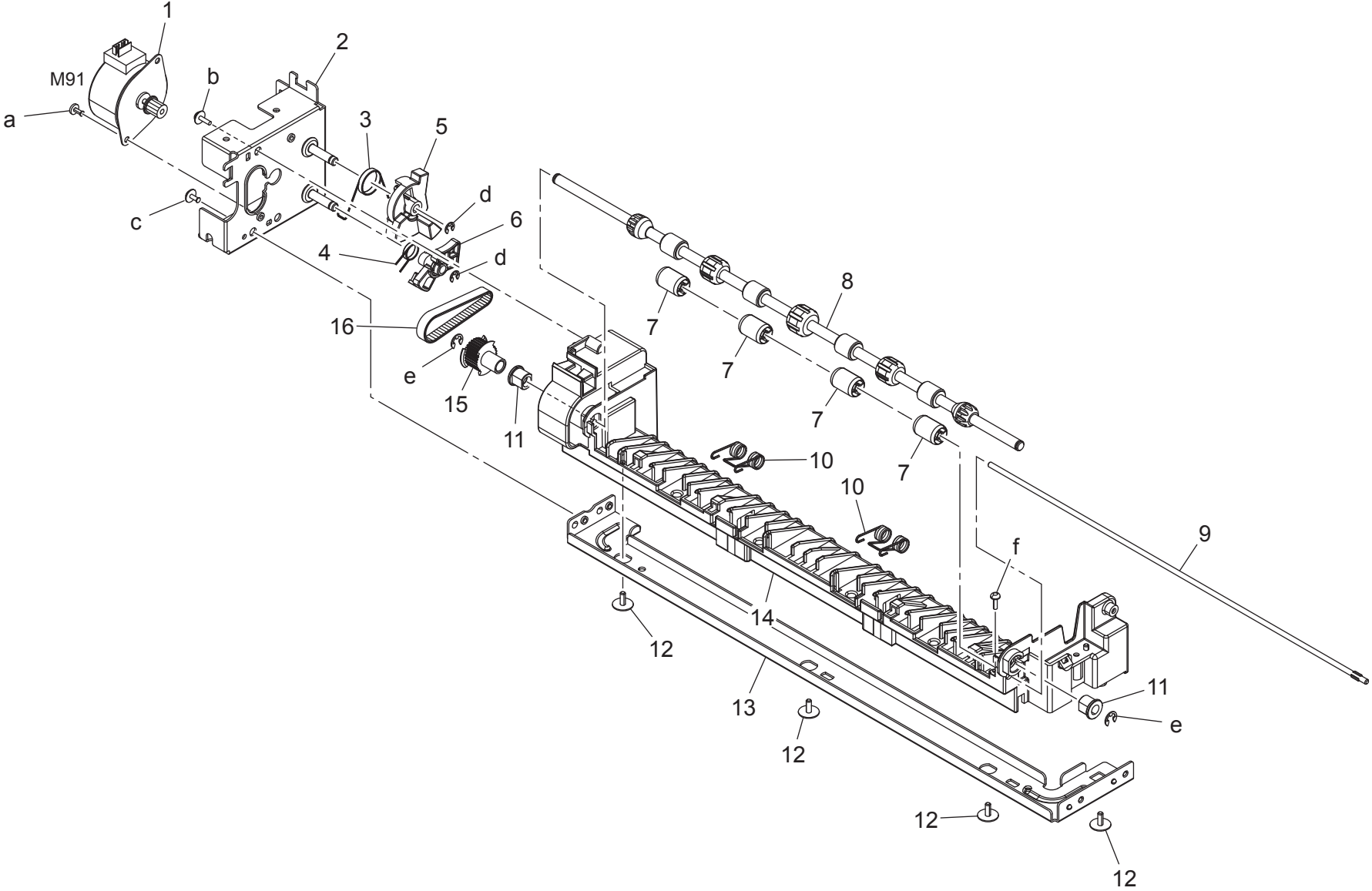
PAPER EXIT SECTION



PAPER EXIT SECTION

Key	Part No.	Description	Destinations	Class	QTY	Standard parts
1	A1UD941400	Label		D	1	a-V153030804 b-V153030803 c-V137030803 d-V137030603
2	A1UD890100	Cover		D	1	
3	4163529301	SCREW		C	4	
4	4556M10000	FAN MOTOR		B	1	
5	A1UD890700	Ground Plate /Upper		D	1	
6	A1UD890800	Torsion Coil spring		C	1	
7	A1UD892100	Mounting Plate /Front		D	1	
8	A1UD890500	Ground Plate /Lower		D	1	
9	A1UD890401	Guide		D	1	
10	A1UDN12E00	ADU Wiring		D	1	
11	4038585601	NEUTRALIZING BRUSH		C	1	

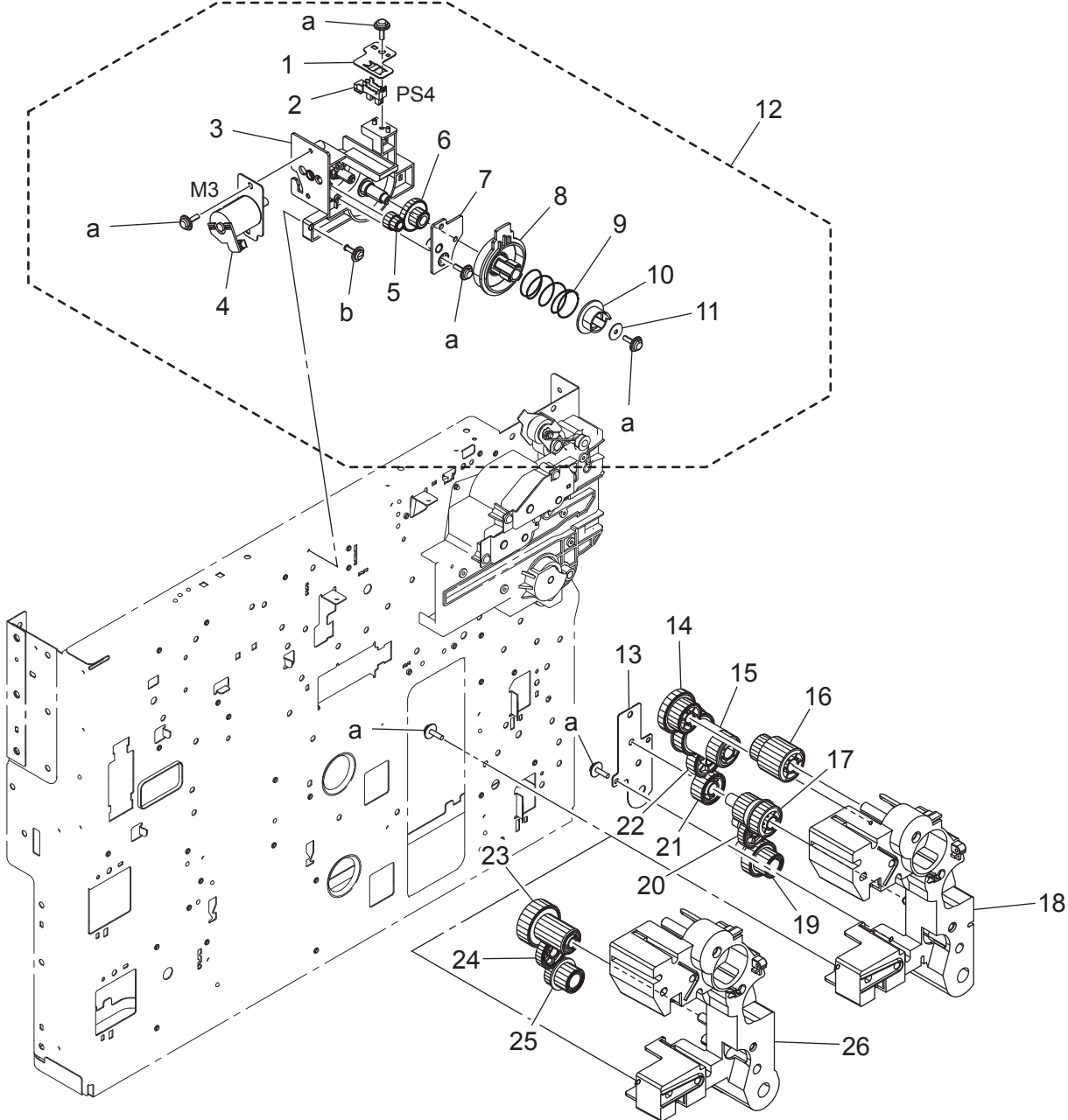
PAPER EXIT SECTION



PAPER EXIT SECTION

Key	Part No.	Description	Destinations	Class	QTY	Standard parts
1	A1UDM10100	Stepping motor		C	1	a-V118030603 b-V153030803 c-V137030603 d-V217030001 e-V217040001 f-V145030803
2	A1UD892800	Mounting Plate /ASSY		D	1	
3	A1UD891800	Torsion Coil spring /1		D	1	
4	A1UD891600	Torsion Coil spring /2		D	1	
5	A1UD891100	Lever /1		C	1	
6	A1UD891500	Lever /2		C	1	
7	A1UD892900	Roll		C	4	
8	A1UD891000	Paper exit Roller		C	1	
9	4025598401	SHAFT		D	1	
10	A1UD890600	Torsion Coil spring		C	2	
11	A02E815200	BUSHING		C	2	
12	4163529301	SCREW		C	4	
13	A1UD892200	Mounting Plate		D	1	
14	A1UD890201	Guide		D	1	
15	A1UD892600	Pulley		C	1	
16	A1UD892700	Timing belt		C	1	

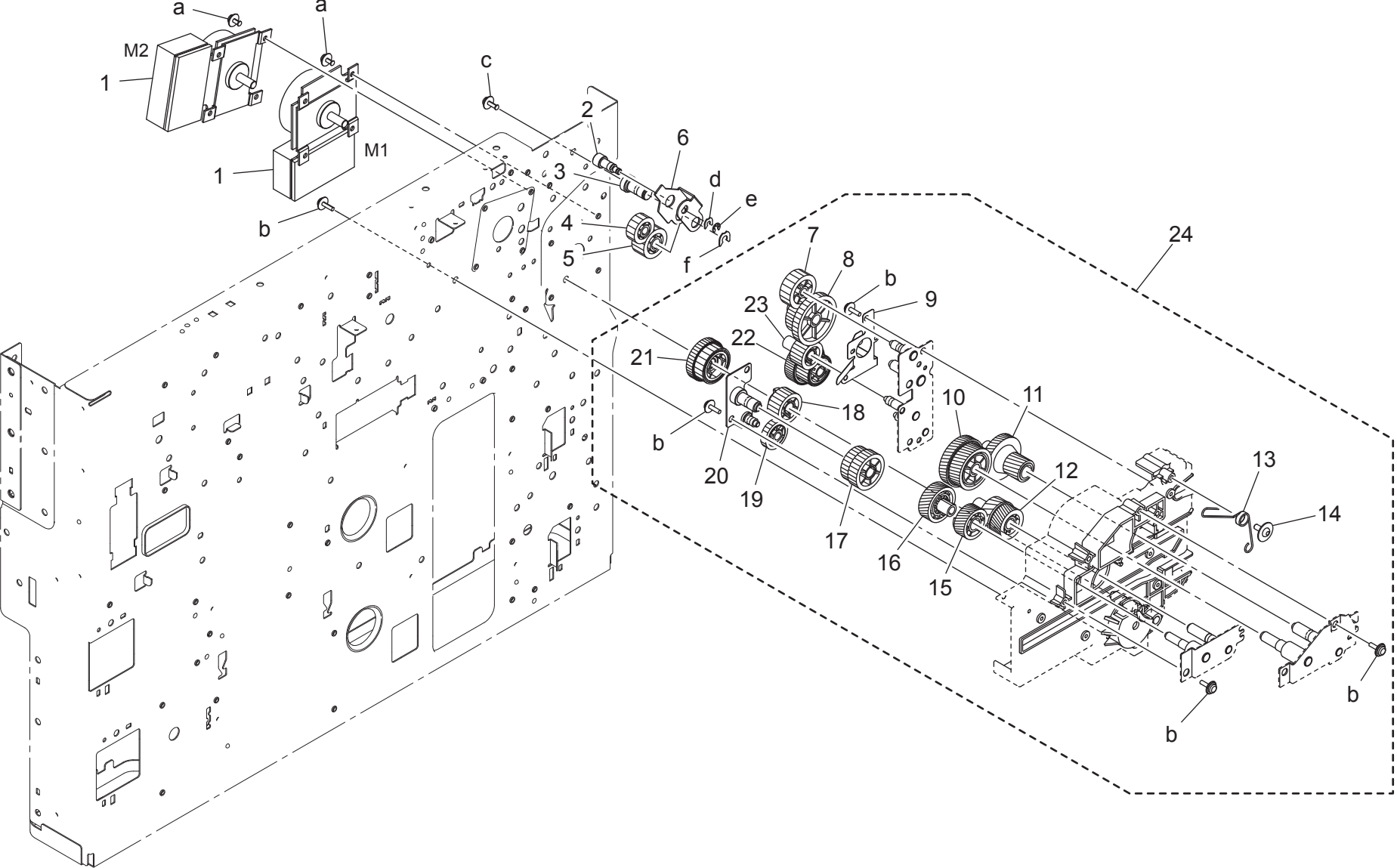
HOPPER/ PAPER FEED DRIVE SECTION



HOPPER/ PAPER FEED DRIVE SECTION

Key	Part No.	Description	Destinations	Class	QTY	Standard parts
1	A1UD218900	Mounting Plate		D	1	a-V153030803 b-V137030803
2	A108M50100	Photointerrupter		B	1	
3	A1UD218601	Holder		D	1	
4	A1UDR70200	Hopper Drive Motor Assy		C	1	
5	A1UD218100	Gear		C	1	
6	A1UD218200	Gear		C	1	
7	A1UD218700	Mounting Plate		D	1	
8	A1UD218301	Gear		C	1	
9	A1UD218500	Compressing Coil spring		C	1	
10	A1UD218400	Joint		C	1	
11	A1UD219000	Washer		C	1	
12	A1UDR70100	Hopper Drive Assy		D	1	
13	A1UD211401	Mounting Plate	{bizhub 423}	D	1	
14	A1UD210300	Gear		C	1	
15	A1UD210401	Gear		C	1	
16	A1UD210201	Gear		C	1	
17	A1UD210601	Gear	{bizhub 423}	C	1	
18	A1UD210001	Holder	{bizhub 423}	D	1	
19	A1UD210900	Gear	{bizhub 423}	C	1	
20	A1UD211300	Gear	{bizhub 423}	C	1	
21	A1UD212000	Gear	{bizhub 423}	C	1	
22	A1UD210500	Gear		C	1	
23	A1UE210700	Gear	{bizhub 223/283/363 /7828}	C	1	
24	A1UE210800	Gear	{bizhub 223/283/363 /7828}	C	1	
25	A1UE211000	Gear	{bizhub 223/283/363 /7828}	C	1	
26	A1UE210101	Holder	{bizhub 223/283/363 /7828}	D	1	

MAIN DRIVE SECTION

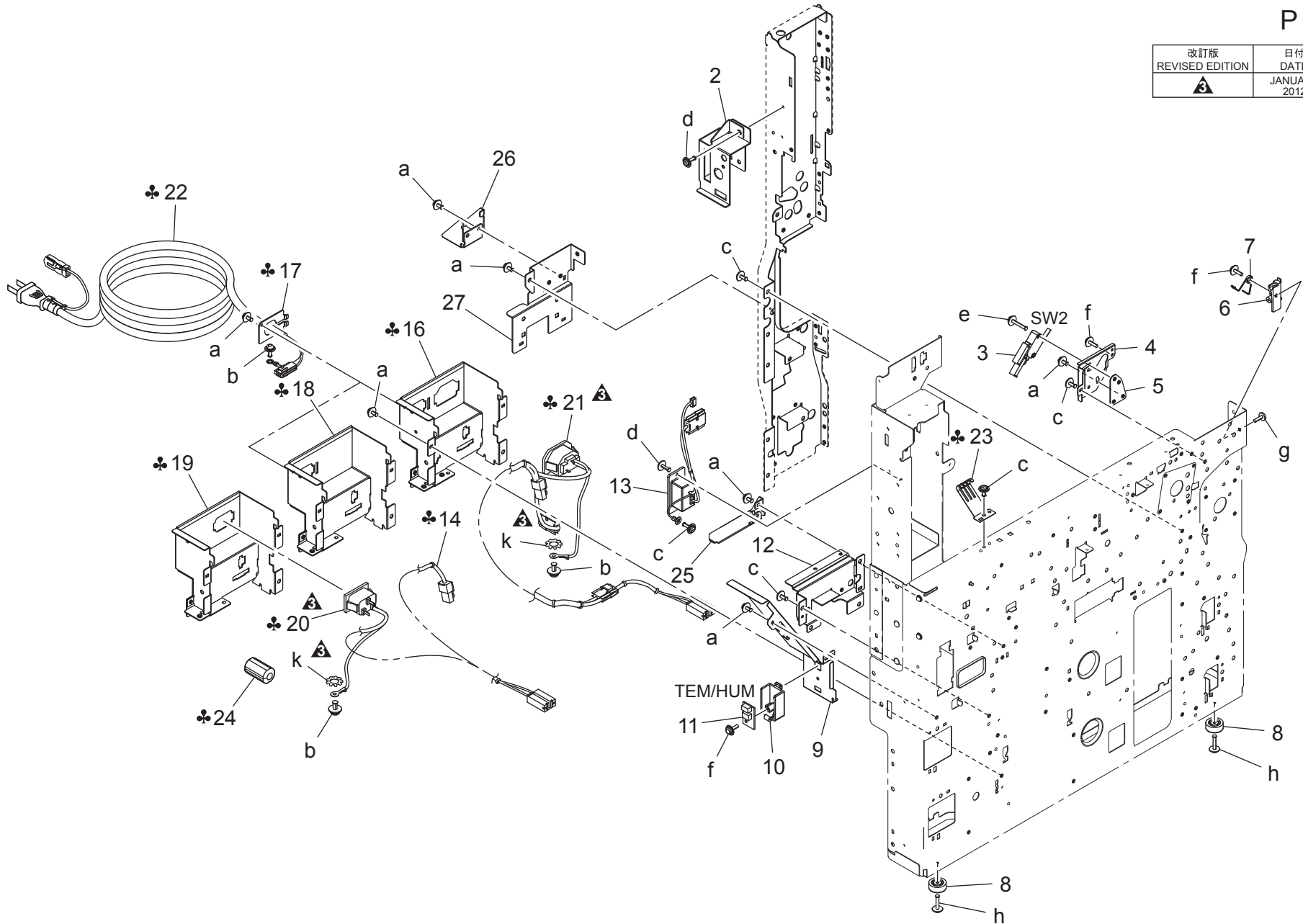


MAIN DRIVE SECTION

Key	Part No.	Description	Destinations	Class	QTY	Standard parts
1	A1UDM10000	DC Brushless motor		C	2	a-V116030603 b-V153030803 c-V116030803 d-V218030086 e-V217030001 f-V218060086
2	4030252401	SHAFT	DC ブラシレスモータ シャフト	D	1	
3	4030252303	Shaft	シャフト	D	1	
4	4030251801	GEAR 18T	ギヤ 1 8 T	C	1	
5	4030251701	GEAR 21T	ギヤ 2 1 T	C	1	
6	4030252501	BRACKET	取付板	D	1	
7	4030251601	GEAR 24T	ギヤ 2 4 T	C	1	
8	4030251501	GEAR 28/49T	ギヤ 2 8 / 4 9 T	C	1	
9	4030253002	PLATE SPRING	板ばね (アース板)	C	1	
10	4030250501	GEAR 58/67T	ギヤ 5 8 / 6 7 T	C	1	
11	4030250601	GEAR 23/60T	ギヤ 2 3 / 6 0 T	C	1	
12	4030251201	GEAR 19/44T	ギヤ 1 9 / 4 4 T	C	1	
13	4030253104	Spring	ばね	C	1	
14	4163529301	SCREW	ねじ	C	1	
15	4030251101	GEAR 42T	ギヤ 4 2 T	C	1	
16	4030251001	GEAR 49T	ギヤ 4 9 T	C	1	
17	4030252601	GEAR 32/35T	ギヤ 3 2 / 3 5 T	C	1	
18	4040254501	GEAR 29T	ギヤ 2 9 T	C	1	
19	4030253501	GEAR 27T	ギヤ 2 7 T	C	1	
20	4030R71200	BRACKET ASSY	取付板 A S S Y	D	1	
21	A1UD211600	Gear	ギア	C	1	
22	A1UD220600	Gear	ギア (定着第1減速)	C	1	
23	4040255201	GEAR 26T	ギヤ 2 6 T	C	1	
24	A1UDR70000	Main drive Assy	メイン駆動 A S S Y	C	1	

REAR FRAME SECTION


改訂版 REVISED EDITION	日付 DATE
	JANUARY 2012

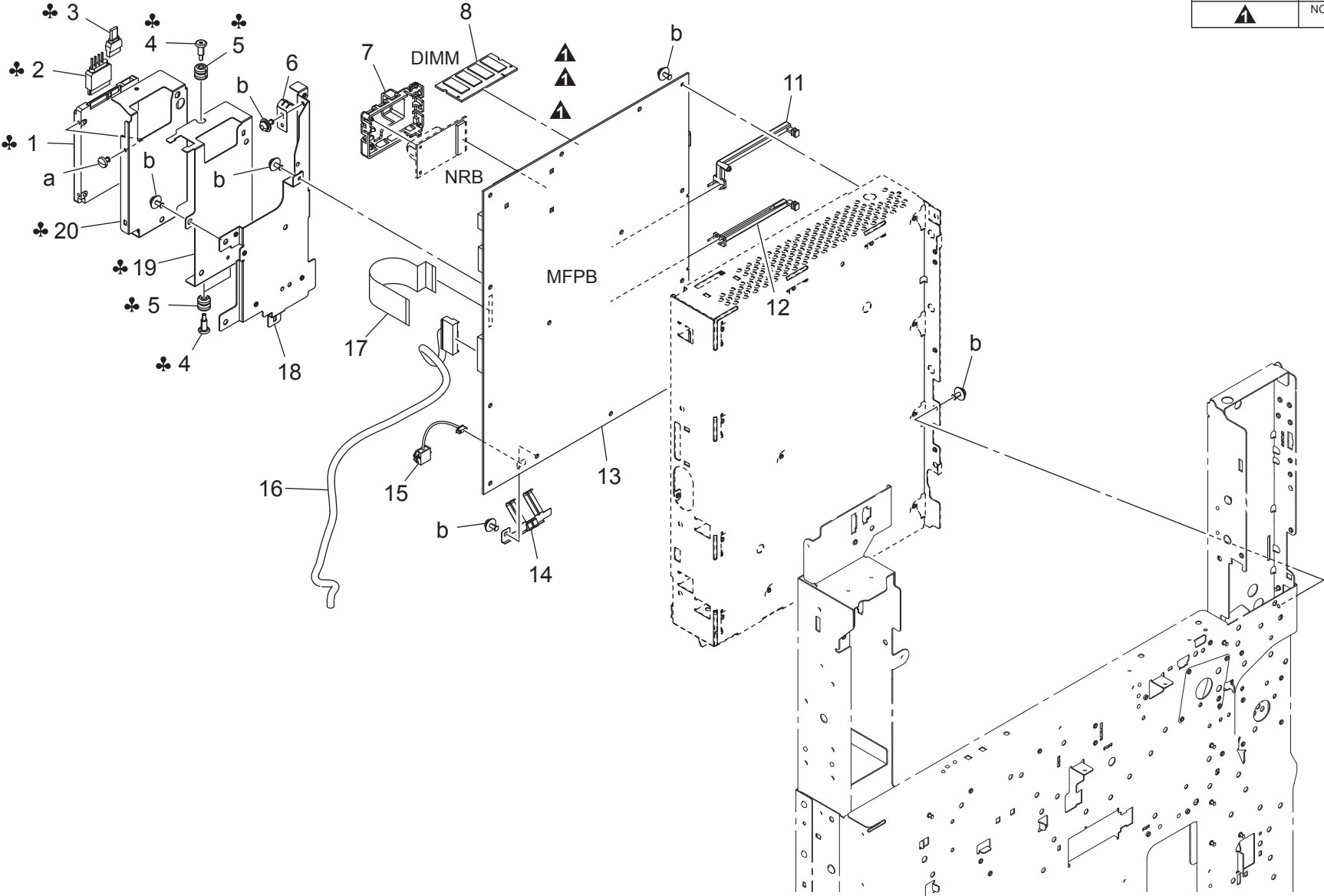


REAR FRAME SECTION

Key	Part No.	Description	Destinations	Class	QTY	Standard parts
2	A1UD102300	Mounting Plate		D	1	a-V116030603
3	9J06M60100	MICRO SWITCH		C	1	b-V116040803
4	A1UD133700	Mounting Plate		D	1	c-V137030603
5	A1UD133800	Mounting Plate		D	1	d-V137030803
6	1164205101	GUIDE		D	1	e-V116031603
7	A1UD133900	Torsion Coil spring		D	1	f-V153030803
8	4030208001	RUBBER FOOT		D	2	g-V149030803
9	A1UD132700	Mounting Plate		D	1	h-V137031203
10	A1UD133100	Holder		D	1	k-V209040003
11	A0P0M50400	Humidity sensor		C	1	
12	A1UD101001	Mounting Plate		D	1	
13	A1UDN13100	FNS Relay harness		D	1	
14	A1UDN11100	AC Wiring /120V	B,G2	D	1	
16	A1UD131200	Mounting Plate	A,A1	D	1	
17	4037223902	BRACKET	A,A1,B,G2	D	1	
18	A1UD131101	Mounting Plate	B,G2	D	1	
19	A1UD134101	Mounting Plate	C,D1,D3,F1,F2,G1,H,I,J,K	D	1	
20	A1UDN11200Old	AC Wiring /230V	C,D1,D3,F1,F2,G1,H,I,J,K	D	1	
20	A1UDN11211	AC Wiring /230V	C,D1,D3,F1,F2,G1,H,I,J,K	D	1	
21	A1UDN11000Old	AC Wiring /100V	A,A1	D	1	
21	A1UDN11011	AC Wiring /100V	A,A1	D	1	
22	A0EDN30002	Power source Cord /100V	A,A1	D	1	
22	A1UDN30001	Power code /120V	B,G2	C	1	
23	A1UD133000	Ground Plate spring	C,D1,D3,F2,G1,H,I,J,K	D	1	
24	A02EM70F00	Ferritecore	H	D	1	
25	A1UD121100	Reinforce Plate		D	1	
26	A1UD121200	Reinforce Plate		D	1	
27	A1UD106201	Reinforce Cover /2		D	1	


ELECTRICAL COMPONENTS

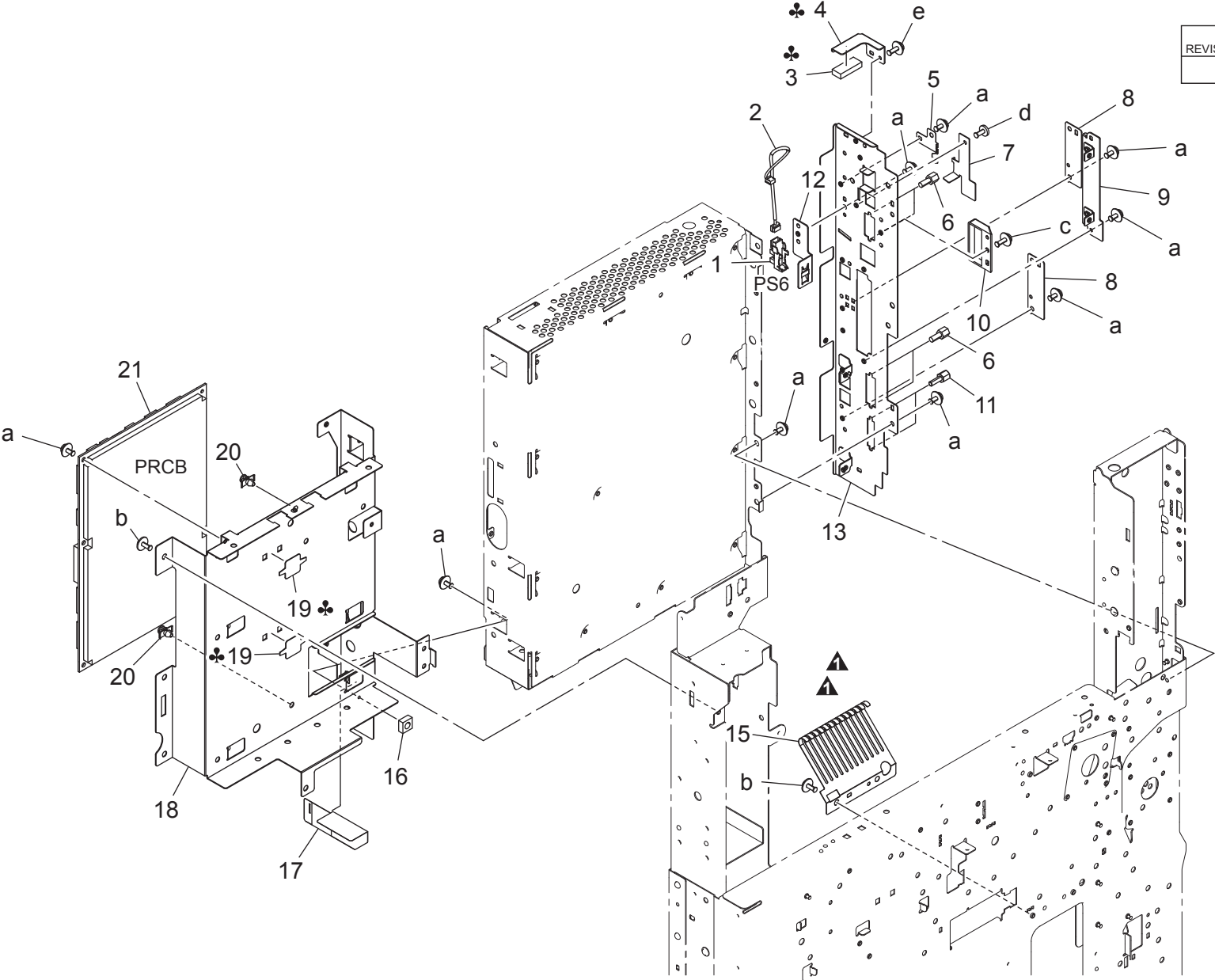
改訂版 REVISED EDITION	日付 DATE
	NOVEMBER 2010



Key	Part No.	Description		Destinations	Class	QTY	Standard parts
1	A0EDM72000	HDD	HDD	{bizhub 423}	I	1	a-V118030403 b-V116030603
1	A0EDM72000	HDD	HDD	A,A1,{bizhub 223/283}	I	1	
1	A0EDM72000	HDD	HDD	A,A1,B,C,G2,{bizhub 363}	I	1	
2	A0P0N15200	Cable	ケーブル	{bizhub 423}	C	1	
2	A0P0N15200	Cable	ケーブル	A,A1,{bizhub 223/283}	C	1	
2	A0P0N15200	Cable	ケーブル	A,A1,B,C,G2,{bizhub 363}	C	1	
3	A0P0N15100	Cable	ケーブル	{bizhub 423}	C	1	A,A1,{bizhub 223/283}
3	A0P0N15100	Cable	ケーブル	A,A1,B,C,G2,{bizhub 363}	C	1	
3	A0P0N15100	Cable	ケーブル	A,A1,B,C,G2,{bizhub 363}	C	1	
4	A0P0144300	Shoulder screw	段ねじ (HDD)	{bizhub 423}	D	3	A,A1,{bizhub 223/283}
4	A0P0144300	Shoulder screw	段ねじ (HDD)	A,A1,B,C,G2,{bizhub 363}	D	3	
4	A0P0144300	Shoulder screw	段ねじ (HDD)	A,A1,B,C,G2,{bizhub 363}	D	3	
5	A0P0144400	Bushing	ブッシュ (HDD)	{bizhub 423}	D	3	A,A1,{bizhub 223/283}
5	A0P0144400	Bushing	ブッシュ (HDD)	A,A1,B,C,G2,{bizhub 363}	D	3	
5	A0P0144400	Bushing	ブッシュ (HDD)	A,A1,B,C,G2,{bizhub 363}	D	3	
6	A1UD133200	Ground Plate spring	アース板ばね		D	1	MEMORY MODULES
7	A0P0147300	Mounting Plate	取付板 (NVRAM)		D	1	
8	V865300026	MEMORY MODULES	MEMORY MODULES		C	1	
11	A1UD130800	Rail	レール (地紋基板上)		D	1	
12	A0P0144701	Rail	レール (地紋基板)		D	1	
13	A1UDH02002	PWB assembly (PWB-MFP ASSY)	基板 ASSY (PWB-MFP ASSY)	{bizhub 223/283/7828}	I	1	{bizhub 363/423}
13	A1UDH02102	PWB assembly (PWB-MFP ASSY)	基板 ASSY (PWB-MFP ASSY)		I	1	
14	A1UD133300	Ground Plate spring	アース板ばね (FAX 取付板1)		D	1	
15	A1UDN12Y00	Cooling Relay harness	冷却中継束線 (コント FAN)		D	1	
16	A1UDN12R00	Control Power source harness	制御電源束線		D	1	
17	A1UDN12W00	Controller Control harness	コントローラ制御束線		D	1	A,A1,{bizhub 223/283}
18	A1UD130600	Mounting Plate	取付板 (FAX 基板)		D	1	
19	A1UD140102	Connecting Plate	連結板 (HDD)	{bizhub 423}	D	1	
19	A1UD140102	Connecting Plate	連結板 (HDD)	A,A1,B,C,G2,{bizhub 363}	D	1	
19	A1UD140102	Connecting Plate	連結板 (HDD)	A,A1,B,C,G2,{bizhub 363}	D	1	
20	A1UD140002	Mounting Plate	取付板 (HDD)	{bizhub 423}	D	1	A,A1,B,C,G2,{bizhub 363}
20	A1UD140002	Mounting Plate	取付板 (HDD)	A,A1,{bizhub 223/283}	D	1	
20	A1UD140002	Mounting Plate	取付板 (HDD)	A,A1,B,C,G2,{bizhub 363}	D	1	

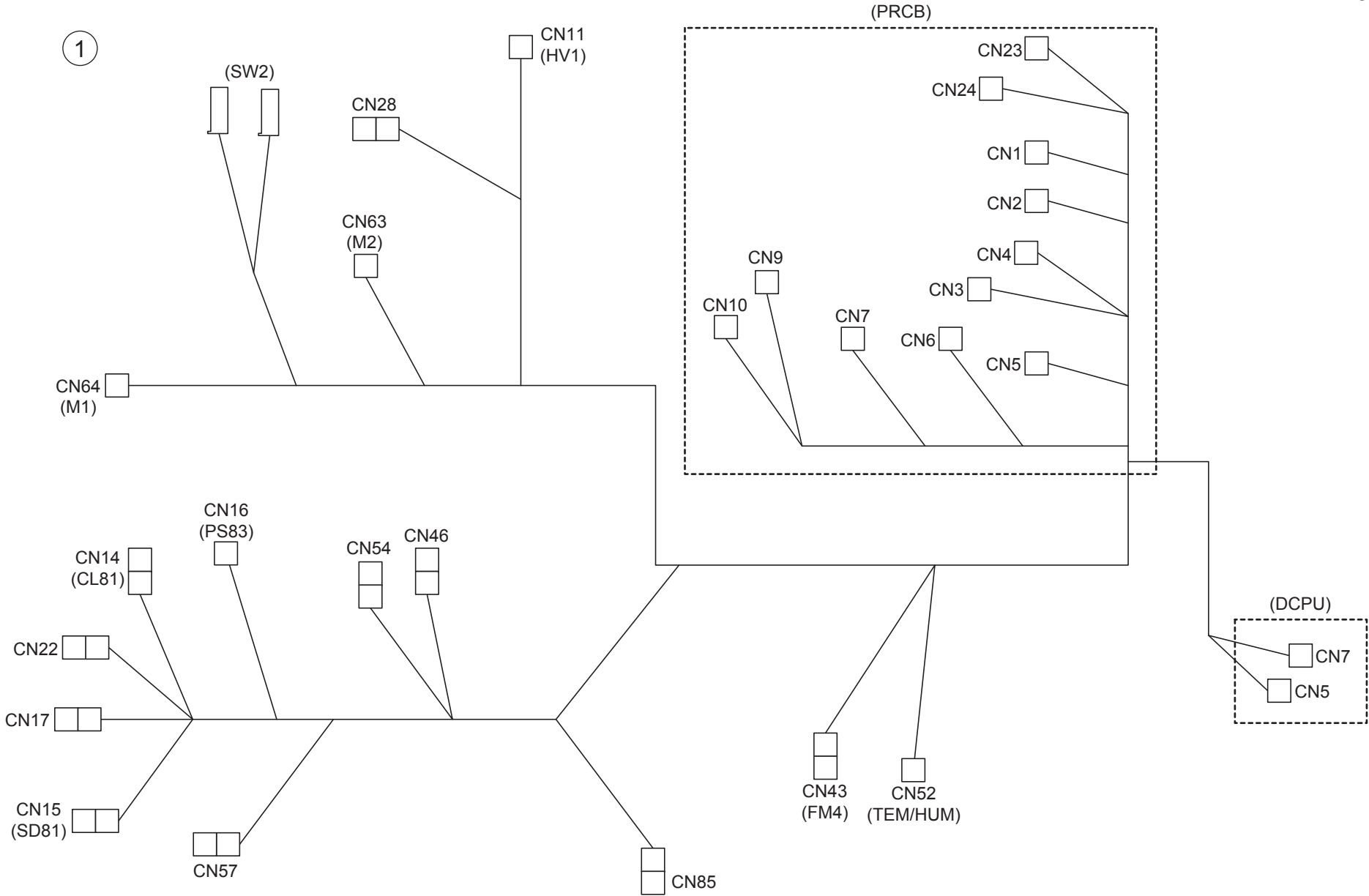
ELECTRICAL COMPONENTS

改訂版 REVISED EDITION	日付 DATE
	NOVEMBER 2010



Key	Part No.	Description	Destinations	Class	QTY	Standard parts
1	A108M50100	Photointerrupter		B	1	a-V116030603 b-V137030603 c-V116030804 d-V118030603 e-V116030803
2	A1UDN13300	Controller Detection harness		D	1	
3	A1UDM90300	Gasket	C,D1,D3,F2,G1,H,I,J ,K	D	1	
4	A1UD133600	Mounting Plate	C,D1,D3,F2,G1,H,I,J ,K	D	1	
5	A0ED137300	Ground Plate		D	1	
6	4025228301	SCREW		D	4	
7	A1UD131600	Cover		D	1	
8	A1UD131801	Cover		D	2	
9	A0P0147401	Mounting Plate		D	1	
10	A0ED131900	Cover		D	1	
11	A1UD134000	Screw		C	2	
12	A1UD131700	Mounting Plate		D	1	
13	A1UD130203	Cover		D	1	
15	A1UD132800	Ground Plate spring		D	1	
16	57GA61560	SCREW PROTECTION CUSHION/1		C	1	
17	A1UD133500	Insulating Film		D	1	
18	A1UD130102	Mounting Plate		D	1	
19	A1UD104500	Seal	A,A1,B,F1,G2	D	2	
20	V502010041	BUSHING		D	2	
21	A1UDP00004	PWB-Assy(PWB-MC)		I	1	

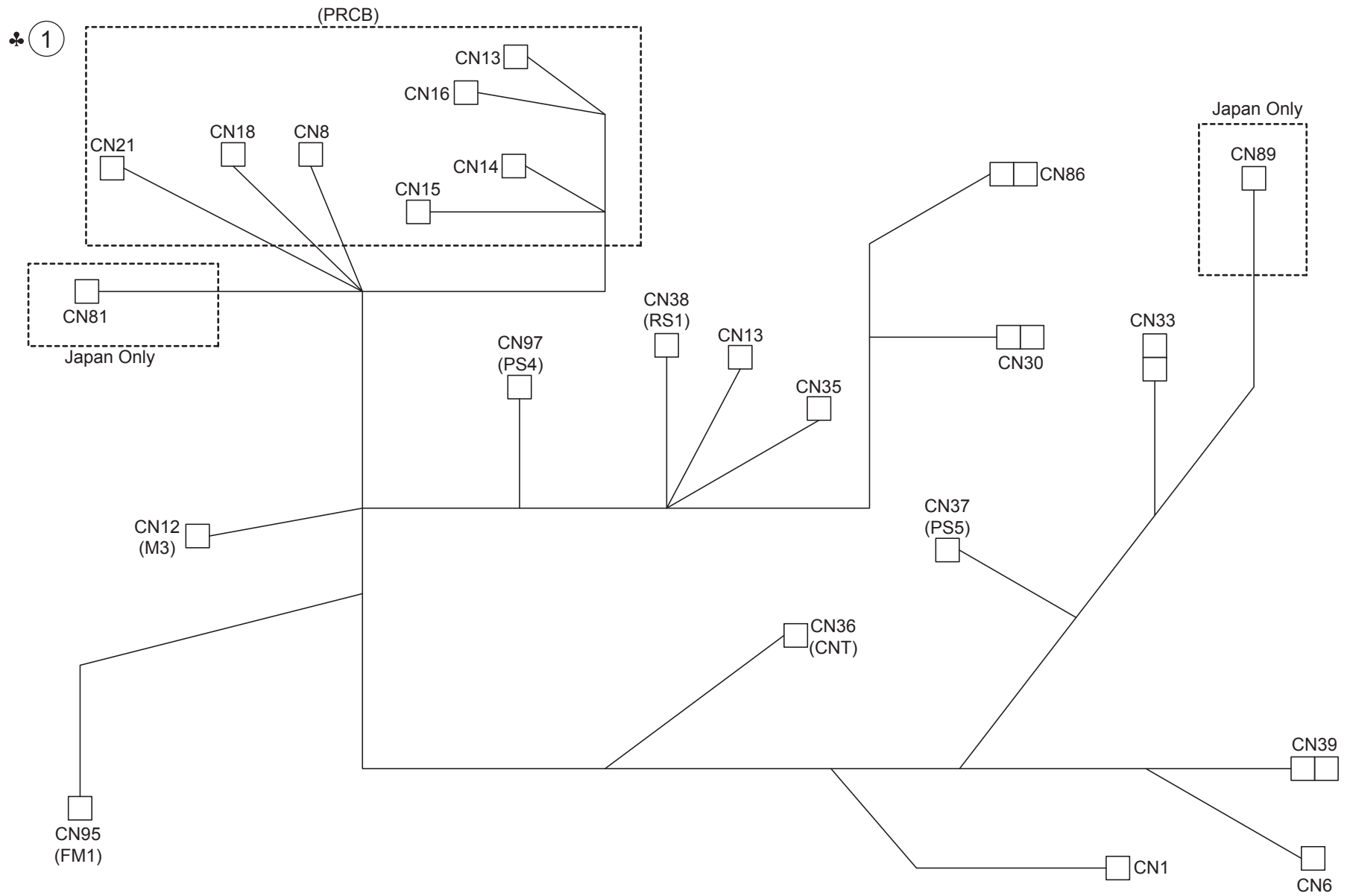
WIRING



WIRING

Key	Part No.	Description	Destinations	Class	QTY	Standard parts
1	A1UGN12001	Main body Relay harness /1 本体中継束線／1 (2 2)	{bizhub 223}	D	1	
1	A1UFN12001	Main body Relay harness /1 本体中継束線／1 (2 8)	{bizhub 283/7828}	D	1	
1	A1UEN12001	Main body Relay harness /1 本体中継束線／1 (3 6)	{bizhub 363}	D	1	
1	A1UDN12001	Main body Relay harness /1 本体中継束線／1 (4 2)	{bizhub 423}	D	1	

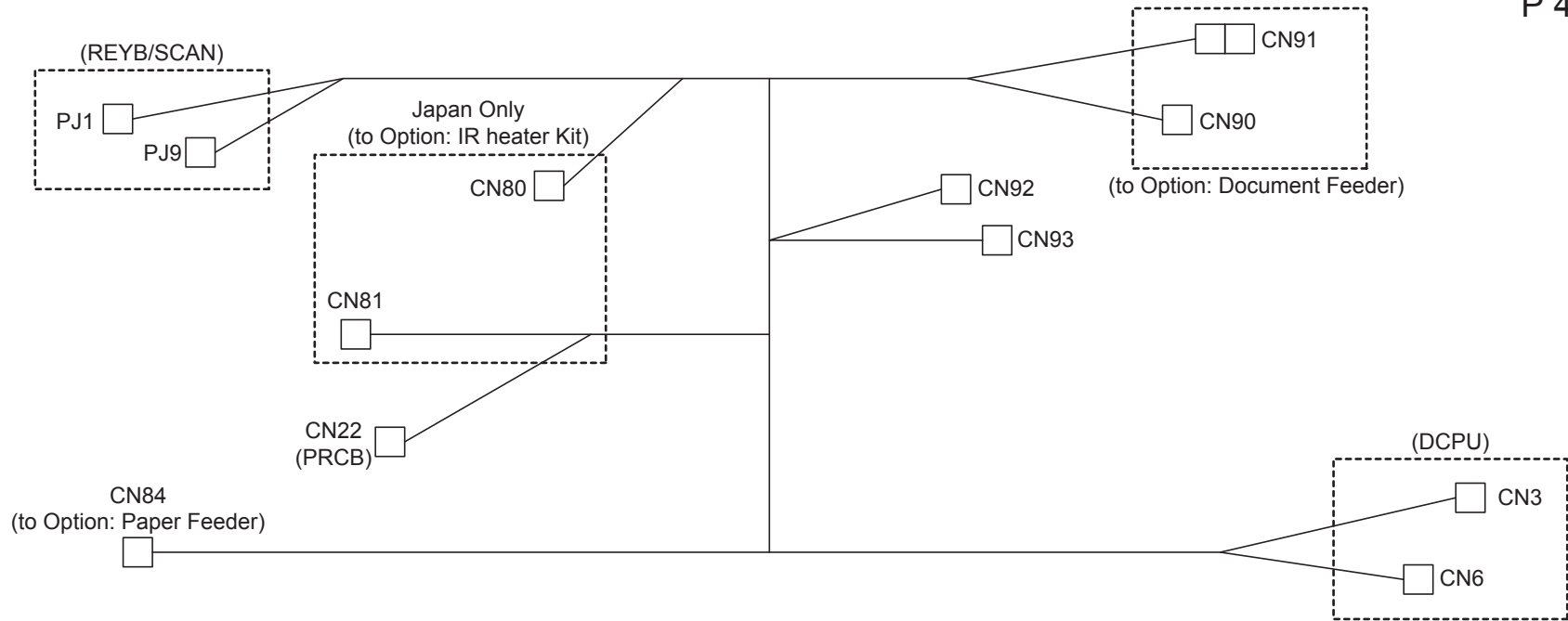
WIRING



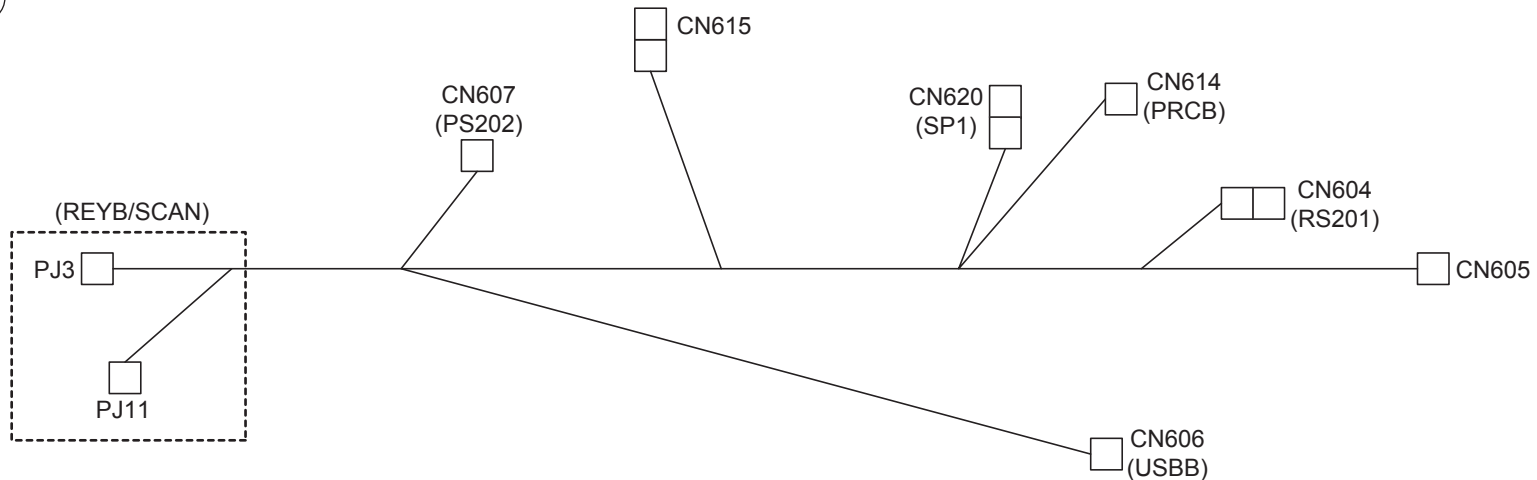
Key	Part No.	Description	Destinations	Class	QTY	Standard parts
1	A1UEN12X01	Main body Relay harness /2 本体中継束線 / 2 (3 6 J)	A,A1,{bizhub 223/28 3/363/7828}	D	1	
1	A1UDN12X01	Main body Relay harness /2 本体中継束線 / 2 (4 2 J)	A,A1,{bizhub 423}	D	1	
1	A1UEN12101	Main body Relay harness /2 本体中継束線 / 2 (3 6)	B,C,D1,D3,F1,F2,G1, G2,H,I,J,K,{bizhub 223/283/363/7828}	D	1	
1	A1UDN12101	Main body Relay harness /2 本体中継束線 / 2 (4 2)	B,C,D1,D3,F1,F2,G1, G2,H,I,J,K,{bizhub 423}	D	1	

WIRING

♣ ①



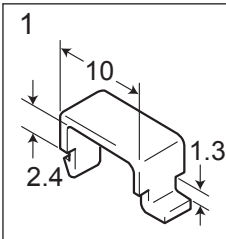
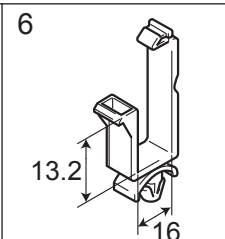
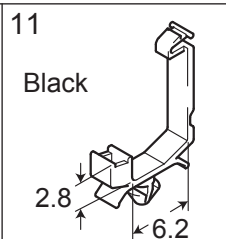
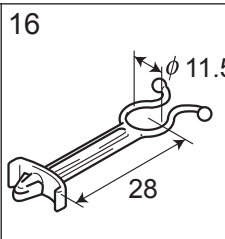
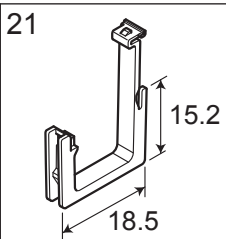
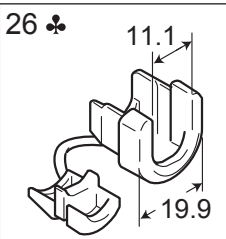
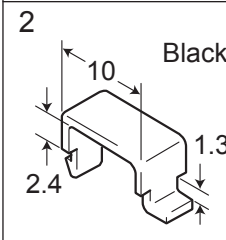
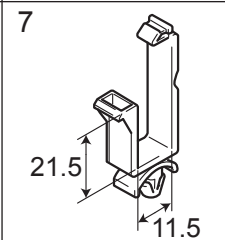
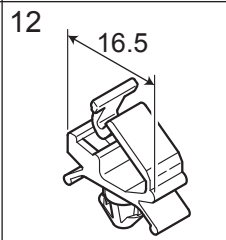
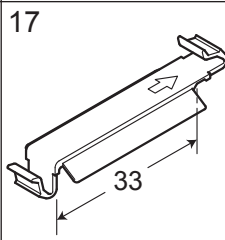
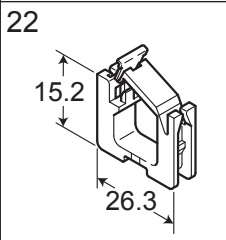
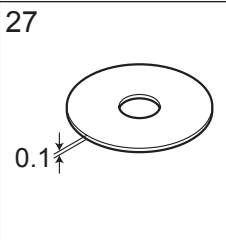
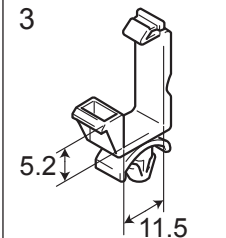
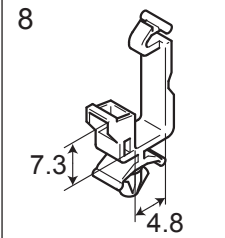
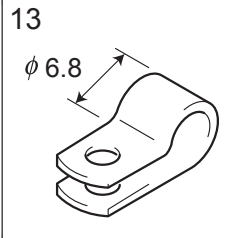
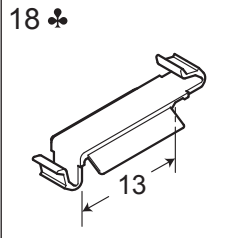
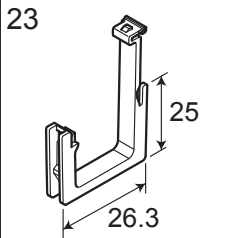
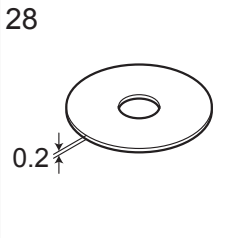
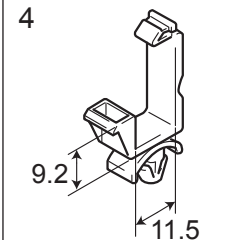
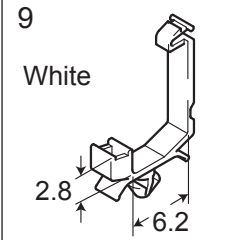
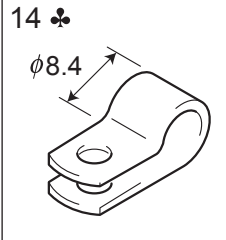
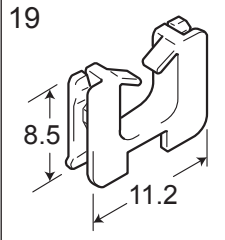
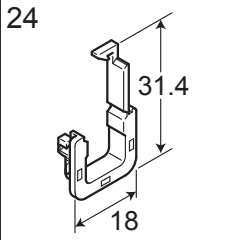
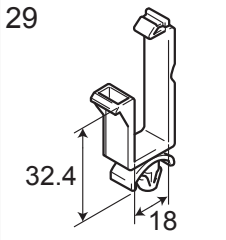
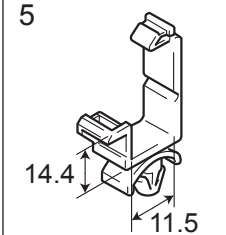
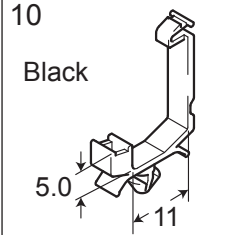
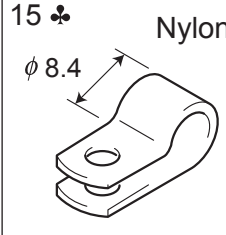
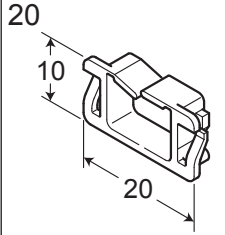
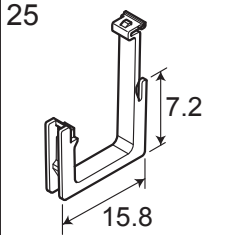
♣ ②



WIRING

Key	Part No.	Description	Destinations	Class	QTY	Standard parts
1	A1UDN12S01	Power source Wiring	電源束線 (OP)	D	1	
1	A1UDN13400	Power source Wiring	電源束線 (OP ヒータ無し)	D	1	
2	A1UDN10301	Scanner Wiring /3	スキャナー束線/3 (前部)	D	1	
2	A1UDN10701	Scanner Wiring /7	スキャナー束線/7 (シールド前部)	D	1	

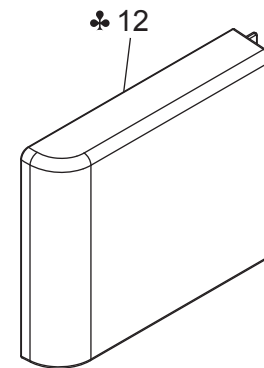
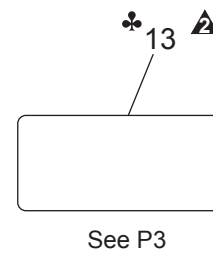
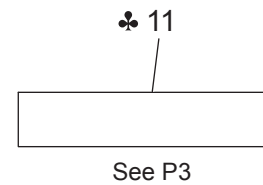
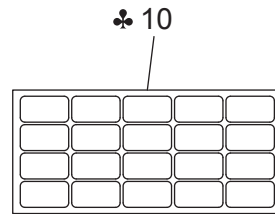
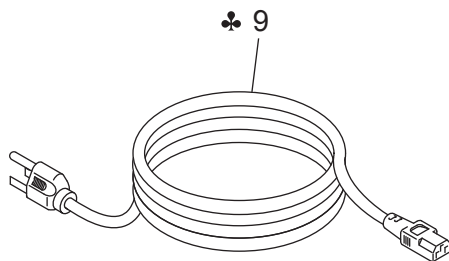
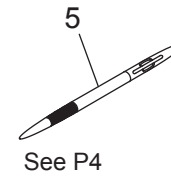
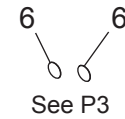
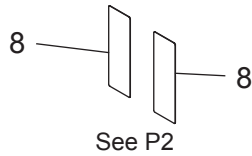
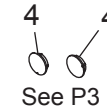
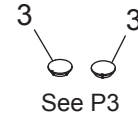
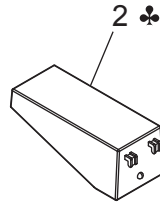
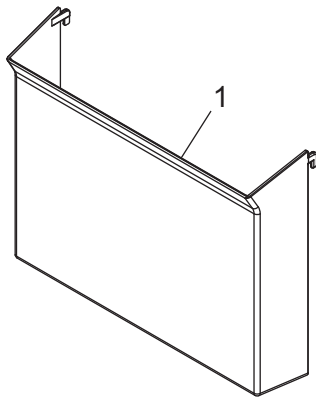
WIRING ACCESSORIES AND JIGS

1 	6 	11 Black 	16 	21 	26 ♣ 	31	36
2 Black 	7 	12 	17 	22 	27 	32	37
3 	8 	13 	18 ♣ 	23 	28 	33	38
4 	9 White 	14 ♣ 	19 	24 	29 	34	39
5 	10 Black 	15 ♣ Nylon 	20 	25 	30	35	40

Key	Part No.	Description	Destinations	Class	QTY	Standard parts
1	0990559601	CORD CLAMP		D		
2	1065587202	CORD CLAMP		D		
3	V500010003	Saddle		D		
4	V500010005	saddle		D		
5	V500010007	saddle		D		
6	V500010008	saddle		D		
7	V500010013	saddle		D		
8	V500010020	Saddle		D		
9	V500010046	saddle		D		
10	V500010054	SADDLE		D		
11	V500010055	SADDLE		D		
12	V500010061	saddle		D		
13	V500020019	clamp		D		
14	V500020020	clamp	C,D1,D3,F1,F2,G1,H, I,J,K	D		
15	V500020039	clamp	A,A1,B,F1,G2	D		
16	V500020042	locker		D		
17	V500020082	Clamping for FFC		D		
18	V500020084	Clamping for FFC	C,D1,D3,F2,G1,H,I,J ,K	D		
19	V570010021	Saddle		D		
20	V570010023	saddle		D		
21	V570010026	saddle		D		
22	V570010027	saddle		D		
23	V570010028	saddle		D		
24	V570010031	holder		D		
25	V570010046	SADDLE		D		
26	V500020052	bushing	A,A1,B,G2	D		
27	4030205301	SPACER (BLACK)		C	1	
28	4030205401	SPACER (WHITE)		C	1	
29	V500010015	saddle		D		

ACCESSORY PARTS

改訂版 REVISED EDITION	日付 DATE
	AUGUST 2011



ACCESSORY PARTS

Key	Part No.	Description	Destinations	Class	QTY	Standard parts
1	A0ED166200	Holder		C	1	
2	A0ED166100	Installing Spacer		D	1	
3	A00J169100	Cover		C	2	
4	A02E167700	Cover		C	2	
5	A0PD160200	Pen		C	1	
6	A1UD171800	Seal		C	2	
7	V116030803	Screw		V	1	
8	A02E161600	Seal		C	2	
9	A0EDN30201	Power source Cord /230V		D	1	
9	9381430031	POWER CORD		D	1	
9	9J03N30000	POWER CORD /120V		D	1	
9	9381410131	POWER CORD		C	1	
10	A02E942000	Label Metric		C	1	
10	A02E942100	Label Inch		C	1	
11	A00J940100	Label Legal Restriction		C	1	
12	A1UDP16000	Cover /Left front		C	1	
13	A1UD947400	Label		C	1	

MAINTENANCE LIST

● The items with no Page/Key numbers are not handled as spare parts.

No.	Section	PM Parts Description	Maintenance Cycle (K=1,000)		Parts No.	Destinations	Page/Key	Note	
			QTY	Replace					
1	Manual bypass tray	Manual bypass tray feed roller	1	200k *2	A00F623200		P25-17	*4	
2		Manual bypass tray separation roller assy	1	200k *2	4034015101		P26-31	*4	
3	Tray 1	Tray 1 pick-up roller	1	300k *2	A00J563600		P13-13	*4	
4		Tray 1 feed roller	1	300k *2	A00J563600		P13-13	*4	
5		Tray 1 separation roller assy	1	300k *2	A00J563600		P14-6	*4	
6	Tray 2	Tray 2 pick-up roller	1	300k *2	A00J563600		P16-11	*4	
7		Tray 2 feed roller	1	300k *2	A00J563600		P16-11	*4	
8		Tray 2 separation roller assy	1	300k *2	A00J563600		P17-17	*4	
9	Conveyance section	Timing roller bearing	4	900k	1164354901		P29-21		
10		Timing roller gear 18T	1	900k	1164350801		P29-22		
11		Timing roller gear 13T	1	900k	1164351501		P29-23		
12		Paper dust remover	1	150k *2	4040077800		P29-35		
13	Fusing section	Fusing Unit 100V	1	450k *3	A1UDR70811	{bizhub 423}	P32-1		
14		Fusing Unit 100V	1	450k *3	A1UDR70811	{bizhub 363}	P32-1		
15		Fusing Unit 100V	1	420k *3	A1UDR70811	{bizhub 283}	P32-1		
16		Fusing Unit 100V	1	340k *3	A1UDR70811	{bizhub 223}	P32-1		
17		Fusing Unit 110V	1	450k *3	A1UDR72011	{bizhub 423}	P32-1		
18		Fusing Unit 110V	1	450k *3	A1UDR72011	{bizhub 363}	P32-1		
19		Fusing Unit 110V	1	420k *3	A1UDR72011	{bizhub 283}	P32-1		
20		Fusing Unit 110V	1	340k *3	A1UDR72011	{bizhub 223}	P32-1		
21		Fusing Unit 120V	1	450k *3	A1UDR70911	{bizhub 423}	P32-1		
22		Fusing Unit 120V	1	450k *3	A1UDR70911	{bizhub 363}	P32-1		
23		Fusing Unit 120V	1	420k *3	A1UDR70911	{bizhub 283}	P32-1		
24		Fusing Unit 120V	1	340k *3	A1UDR70911	{bizhub 223}	P32-1		
25		Fusing Unit 200V	1	450k *3	A1UDR71011	{bizhub 423}	P32-1		
26		Fusing Unit 200V	1	450k *3	A1UDR71011	{bizhub 363}	P32-1		
27		Fusing Unit 200V	1	420k *3	A1UDR71011	{bizhub 283/7828}	P32-1		
28		Fusing Unit 200V	1	340k *3	A1UDR71011	{bizhub 223}	P32-1		
29	Transfer section	Transfer roller unit	1	150k *2	A1UDR70500		P29-39		
30	Processing section	Drum unit	1	120k *3	-	{bizhub 423}		*5	
31			1	110k *3	-	{bizhub 363}		*5	
32		1	100k *3	-	{bizhub 283/7828}		*5		
33		Developer	1	80k *3	-	{bizhub 223}		*5	
34			1	120k *3	-	{bizhub 423}			
35			1	110k *3	-	{bizhub 363}			
36			1	100k *3	-	{bizhub 283/7828}			
37			1	80k *3	-	{bizhub 223}			
38		Developing unit	1	480k *3	A1UDR71111	{bizhub 423}	P10-30	*6	
39			1	440k *3	A1UDR71111	{bizhub 363}	P10-30	*6	
40			1	400k *3	A1UDR71111	{bizhub 283/7828}	P10-30	*6	
41		Toner filter (Developing unit)	1	320k *3	A1UDR71111	{bizhub 223}	P10-30	*6	
42			1	120k *3	A1UD370700	{bizhub 423}	P10-25	*5	
43			1	110k *3	A1UD370700	{bizhub 363}	P10-25	*5	
44			1	100k *3	A1UD370700	{bizhub 283/7828}	P10-25	*5	
45			1	80k *3	A1UD370700	{bizhub 223}	P10-25	*5	
46			Toner filter (Main body)	1	480k *3	A02E148400	{bizhub 423}	P2-4	*6
47				1	440k *3	A02E148400	{bizhub 363}	P2-4	*6
48		1		400k *3	A02E148400	{bizhub 283/7828}	P2-4	*6	
49		1		320k *3	A02E148400	{bizhub 223}	P2-4	*6	
50		Ozone filter	1	150k *3	A1UD135100		P9-6		
51		Toner bottle	1	25k	-	{bizhub 423}		*1	
52			1	25k	-	{bizhub 363}		*1	
53			1	17.5k	-	{bizhub 283/7828}		*1	

No.	Section	PM Parts Description	Maintenance Cycle (K=1,000)		Parts No.	Destinations	Page/Key	Note
			QTY	Replace				
54	Processing section	Toner bottle	1	17.5k	-	{bizhub 223}		*1

*1: The parts can be replaced either by user or service engineer.

*2: Actual durable cycle (life counter value)

*3: Field standard yield refer Service manual: Field Service P.27

*4: Replace those three parts at the same time.

*5: The drum unit and toner filter (Developing unit) should be replaced with new ones at the same time.

*6: The drum unit and toner filter (Main body) should be replaced with new ones at the same time.

メンテナンスリスト

● ページ / キーナンバーのないものは、アフターサービス部品ではありません。

No.	区分	PM 部品名称	サイクル (K=1,000)		部品番号	仕向地	頁 / キー	備考
			員数	交換				
1	手差し	手差しトレイ給紙ローラー	1	200k *2	A00F623200		P25-17	*4
2		手差しトレイ分離ローラー Assy	1	200k *2	4034015101		P26-31	*4
3	トレイ 1	トレイ 1 ビックアップローラー	1	300k *2	A00J563600		P13-13	*4
4		トレイ 1 給紙ローラー	1	300k *2	A00J563600		P13-13	*4
5		トレイ 1 分離ローラー	1	300k *2	A00J563600		P14-6	*4
6	トレイ 2	トレイ 2 ビックアップローラー	1	300k *2	A00J563600		P16-11	*4
7		トレイ 2 給紙ローラー	1	300k *2	A00J563600		P16-11	*4
8		トレイ 2 分離ローラー	1	300k *2	A00J563600		P17-17	*4
9	搬送部	タイミングローラー軸受	4	900k	1164354901		P29-21	
10		タイミングローラーギア 18 T	1	900k	1164350801		P29-22	
11		タイミングローラーギア 13 T	1	900k	1164351501		P29-23	
12		紙粉除去クリーナー	1	150k *2	4040077800		P29-35	
13	定着部	定着ユニット 100V	1	450k *3	A1UDR70811	{bizhub 423}	P32-1	
14			1	450k *3	A1UDR70811	{bizhub 363}	P32-1	
15			1	420k *3	A1UDR70811	{bizhub 283}	P32-1	
16			1	340k *3	A1UDR70811	{bizhub 223}	P32-1	
17		定着ユニット 110V	1	450k *3	A1UDR72011	{bizhub 423}	P32-1	
18			1	450k *3	A1UDR72011	{bizhub 363}	P32-1	
19			1	420k *3	A1UDR72011	{bizhub 283}	P32-1	
20			1	340k *3	A1UDR72011	{bizhub 223}	P32-1	
21		定着ユニット 120V	1	450k *3	A1UDR70911	{bizhub 423}	P32-1	
22			1	450k *3	A1UDR70911	{bizhub 363}	P32-1	
23			1	420k *3	A1UDR70911	{bizhub 283}	P32-1	
24			1	340k *3	A1UDR70911	{bizhub 223}	P32-1	
25		定着ユニット 200V	1	450k *3	A1UDR71011	{bizhub 423}	P32-1	
26			1	450k *3	A1UDR71011	{bizhub 363}	P32-1	
27			1	420k *3	A1UDR71011	{bizhub 283/7828}	P32-1	
28			1	340k *3	A1UDR71011	{bizhub 223}	P32-1	
29	転写部	転写ローラーユニット	1	150k *2	A1UDR70500		P29-39	
30	プロセス部	ドラムユニット	1	120k *3	-	{bizhub 423}		*5
31			1	110k *3	-	{bizhub 363}		*5
32			1	100k *3	-	{bizhub 283/7828}		*5
33			1	80k *3	-	{bizhub 223}		*5
34		現像剤	1	120k *3	-	{bizhub 423}		
35			1	110k *3	-	{bizhub 363}		
36			1	100k *3	-	{bizhub 283/7828}		
37			1	80k *3	-	{bizhub 223}		
38		現像ユニット	1	480k *3	A1UDR71111	{bizhub 423}	P10-30	*6
39			1	440k *3	A1UDR71111	{bizhub 363}	P10-30	*6
40			1	400k *3	A1UDR71111	{bizhub 283/7828}	P10-30	*6
41			1	320k *3	A1UDR71111	{bizhub 223}	P10-30	*6
42		トナーフィルター (現像ユニット側)	1	120k *3	A1UD370700	{bizhub 423}	P10-25	*5
43			1	110k *3	A1UD370700	{bizhub 363}	P10-25	*5
44			1	100k *3	A1UD370700	{bizhub 283/7828}	P10-25	*5
45			1	80k *3	A1UD370700	{bizhub 223}	P10-25	*5
46		トナーフィルター (本体側)	1	480k *3	A02E148400	{bizhub 423}	P2-4	*6
47			1	440k *3	A02E148400	{bizhub 363}	P2-4	*6
48			1	400k *3	A02E148400	{bizhub 283/7828}	P2-4	*6
49			1	320k *3	A02E148400	{bizhub 223}	P2-4	*6
50		オゾンフィルター	1	150k *3	A1UD135100		P9-6	
51		トナーボトル	1	25k	-	{bizhub 423}		*1
52		10000 枚コピーキット	1	10k	-	{bizhub 423}		*1
53		トナーボトル	1	25k	-	{bizhub 363}		*1

No.	区分	PM 部品名称	サイクル (K=1,000)		部品番号	仕向地	頁/キー	備考
			員数	交換				
54	プロセス部	10000 枚コピーキット	1	10k	-	{bizhub 363}	*1	
55		トナーボトル	1	10k	-	{bizhub 283/7828}	*1	
56		5000 枚コピーキット	1	5k	-	{bizhub 283/7828}	*1	
57		2500 枚コピーキット	1	2.5k	-	{bizhub 283/7828}	*1	
58		トナーボトル	1	10k	-	{bizhub 223}	*1	
59		5000 枚コピーキット	1	5k	-	{bizhub 223}	*1	
60		2500 枚コピーキット	1	2.5k	-	{bizhub 223}	*1	

*1: ユーザー / サービス交換の選択が可能。

*2: ライフカウンター値

*3: 市場標準印刷枚数値 参照 : サービスマニュアル / フィールドサービス P.24

*4: 同時交換する。

*5: ドラムユニットとトナーフィルター (現像ユニット側) は同時交換する。

*6: 現像ユニットとトナーフィルター (本体側) は同時交換する。

DESTINATION

Destination No.		Destinations		V	Hz	Model No.
A	A1	JAPAN		100	50/60	A1UD001/ A1UE001/ A1UF001/ A1UG001
	A2	JAPAN				
B		USA, CANADA		120	60	A1UD011/ A1UD012/ A1UE011/ A1UE012/ A1UF011/ A1UF012/ A1UG011
C		EUROPEAN TYPE		220-240	50/60	A1UD021/ A1UE021/ A1UF021/ A1UG021
D	D1	S.E ASIA TYPE	THAILAND, SRI LANKA, SINGAPORE, MALAYSIA, HONG KONG, PAKISTAN, INDIA, BANGLADESH, INDONESIA	220-240	50/60	A1UD041/ A1UE041/ A1UF041/ A1UG041
	D3	OCEANIA TYPE	AUSTRALIA, NEW ZEALAND			
E		PHILIPPINES				

Destination No.		Destinations	V	Hz	Model No.
F	F1	SAUDI ARABIA	127	60	A1UD0M1/ A1UE0M1/ A1UF0M1/ A1UG0M1
	F2	SAUDI ARABIA	220-240	50/60	A1UD041/ A1UE041/ A1UF041/ A1UG041
G	G1	C.S AMERICA	220-240	50/60	A1UD041/ A1UE041/ A1UF041/ A1UG041
	G2	C.S AMERICA	120	60	A1UD011/ A1UE011/ A1UF011/ A1UG011
H		TAIWAN	110	60	A1UD071/ A1UE071/ A1UF071/ A1UG071
I		JORDAN, LEBANON, SYRIA, SOUTH AFRICA, IRAQ, IRAN, N.YEMEN, CAME- ROON, UAE, BAHRAIN, OMAN, QATAR, KUWAIT, KENYA, TUNISIA, IVORY COAST, MOROCCO	220-240	50/60	A1UD041/ A1UE041/ A1UF041/ A1UG041
J		CHINA	220-240	50/60	A1UD081/ A1UE081/ A1UF081/ A1UF082/ A1UG081
K		KOREA	220-240	50/60	A1UD041/ A1UE041/ A1UF041