

KONICA MINOLTA

PARTS GUIDE MANUAL

APRIL 2016

bizhub 4020
A6WD

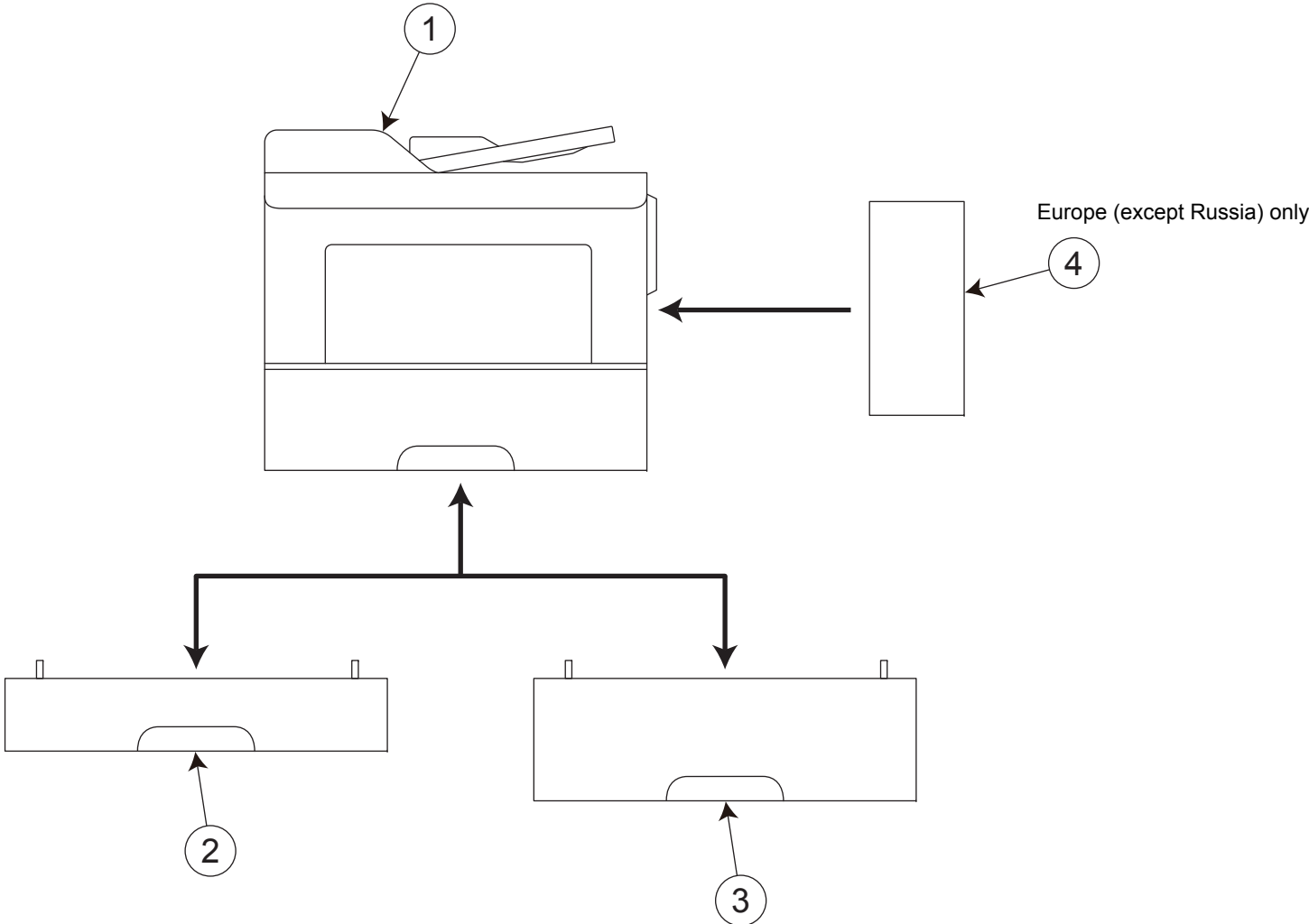
INFORMATION FOR PARTS GUIDE MANUAL

To find correct Parts No., refer to the "HOW TO MAKE THE BEST USE OF THIS MANUAL" in the following page.

HOW TO MAKE THE BEST USE OF THIS MANUAL

- 1 When you order, please check the proper figures beforehand that are on Our Parts Guide Manual, and order with the appropriate figures.
- 2 For screws, Nuts, Washers, retaining rings and Pins which are used in this model, one letter is shown on the Standard parts column of Parts list and exploded diagrams.
- 3 In order to maintain safety of the product, some specific parts composed of this product are set up as "essential safety parts".
- 4 The assigned parts number for the "essential safety parts" is indicated as "SP00-****".
When replacing these parts, follow precautions for disassembling and installing which are listed in the Service Manual.
Do not use any parts that are not set up as
- 5 ♣ means that there are exclusive parts for each destination.
Please check the appropriate destination when you order.
- 6 Revision Mark
Marked as ▲ on the illustration shows that the revision has been made.
- 7 All rights reserved. (any reprints or quotations are prohibited.)
Use of this parts guide manual should be strictly supervised to avoid disclosure of confidential information.

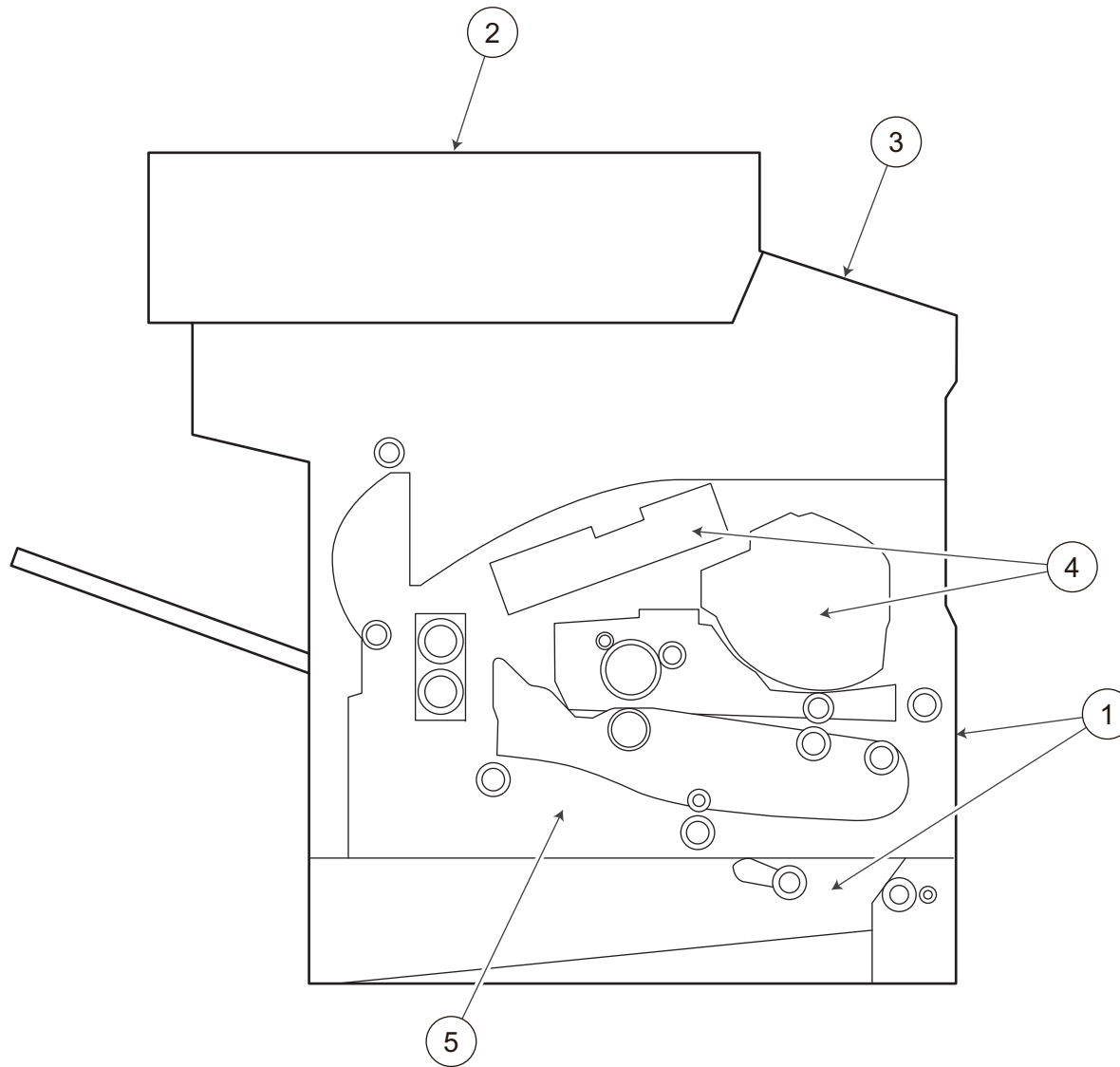
SYSTEM OUTLINE



GENERAL CONTENTS

No.	Description	Model
1	Printer B/W	bizhub 4020
2	Paper Feeder	PF-P11
3	Paper Feeder	PF-P12
4	Other Option	CU-201

DIAGRAMS OF MAIN PARTS SECTION



CONTENTS

No.	DESCRIPTION	PAGE No.
1	EXTERNAL PARTS/CASSETTE SECTION	P1
2	ADF SECTION	P2
3	OPERATION PANEL SECTION	P3
4	PH/FUSING SECTION	P4
5	MAIN POWER SUPPLY SECTION	P5
6	REVERSAL/MAIN DRIVE SECTION	P6
7	ACCESSORY PARTS	P7
8	MAINTENANCE KIT	P8

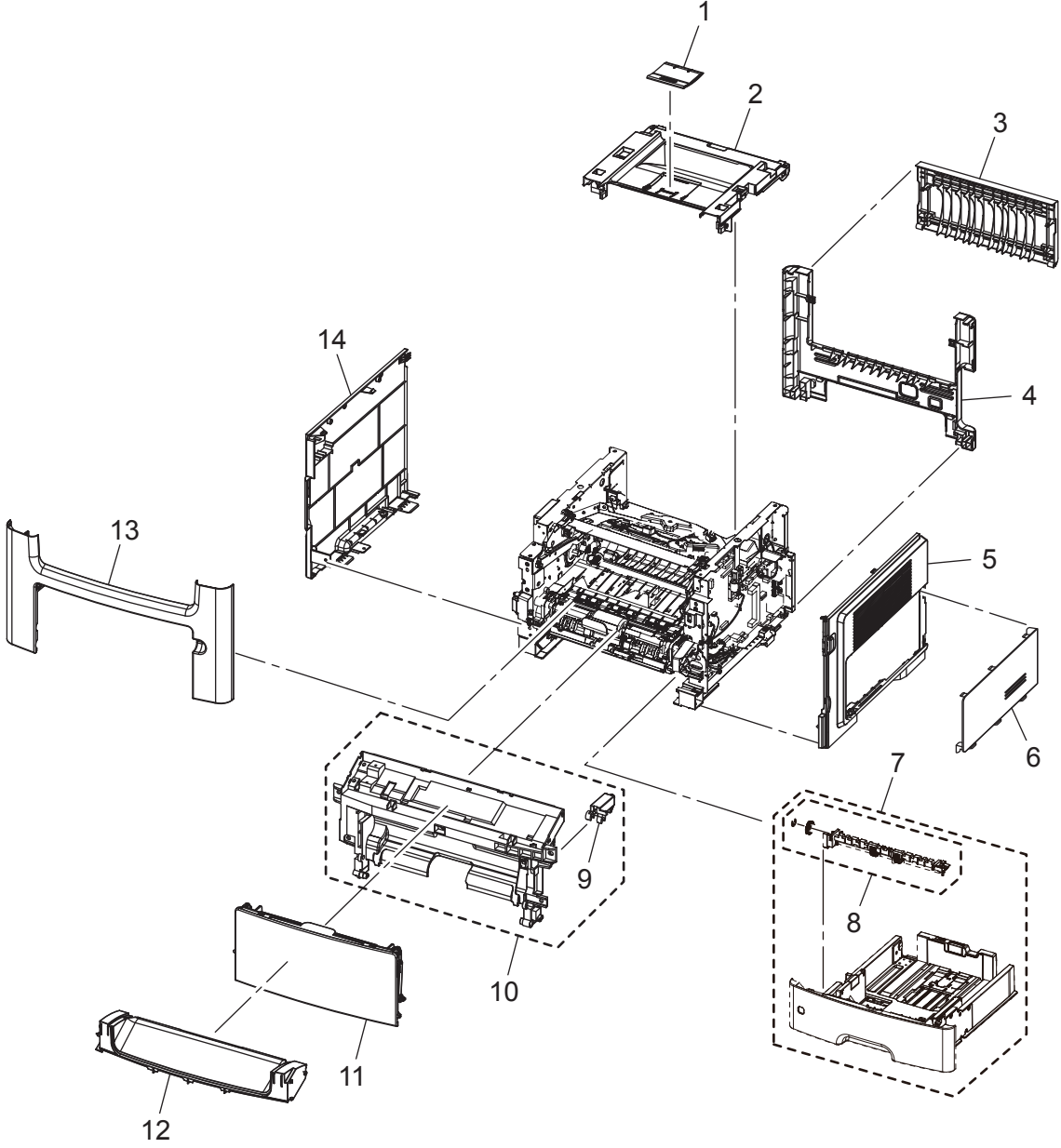
INDEX

Parts No.	Page No.
4136N30000	7-2
A034N30300	7-2
A0HFN12200	7-3
A1UDN30200	7-2
A2UPN30100	7-2
A2UPN30300	7-2
A2UPN30501	7-2
A2UPN30700	7-2
A63NPP0100	1-11
A63NPP0800	1-10
A63NPP0C00	4-9
A63NPP0D00	4-8
A63NPP0E00	4-7
A63NPP0F00	4-4
A63NPP0H00	4-3
A63NPP0M00	4-2
A63NPP0N00	4-2
A63NPP0P00	5-1
A63NPP0Q00	5-3
A63NPP0R00	5-5
A63NPP0S00	5-9
A63NPP0T00	5-6
A63NPP0U00	5-4
A63NPP0V00	5-4
A63NPP0W00	4-6
A63NPP0W00	5-8
A63NPP0Y00	6-1
A63NPP1001	6-6
A63NPP1100	6-8
A63NPP1200	6-9
A63NPP1400	6-11
A63NPP1500	6-3
A63NPP1601	6-7
A63NPP1700	6-12
A63NPP1800	6-4
A63NPP1900	6-13
A63NPP1C00	1-8
A63NPP1F00	7-1
A63NPP1H00	1-9
A63NPP1N00	6-15

Parts No.	Page No.
A63NPP1P00	7-2
A63NPP1R00	7-2
A63NPP1T00	7-2
A63NPP1U00	7-2
A63NPP1V00	7-2
A63NPP1W00	7-2
A63NPP1X00	7-2
A63NPP1Y00	7-2
A63NPP2000	7-2
A63NPP2100	7-2
A63NPP2200	7-2
A63NPP2300	7-2
A63NPP2A00	6-16
A63NPP2B00	6-14
A63NPP2U00	4-1
A63PPP0B00	5-2
A63RPP0000	1-7
A63RPP0300	4-1
A6WDPP0000	2-5
A6WDPP0100	2-7
A6WDPP0800	2-15
A6WDPP0900	1-6
A6WDPP0A00	1-4
A6WDPP0B00	1-14
A6WDPP0C00	1-5
A6WDPP0D00	1-2
A6WDPP0E00	1-1
A6WDPP0F00	2-4
A6WDPP0G00	2-12
A6WDPP0H00	1-3
A6WDPP0M00	6-2
A6WDPP0N00	8-1
A6WDPP0P00	8-1
A6WDPP0R00	5-7
A6WDPP0S00	2-9
A6WDPP0T00	3-1
A6WDPP0U00	1-12
A6WDPP0V00	1-13
A6WDPP0W00	2-11
A6WDPP0X00	3-6

Parts No.	Page No.
A6WDPP0Y00	2-10
A6WDPP1000	2-14
A6WDPP1201	4-5
A6WDPP1300	2-13
A6WDPP1400	2-8
A6WDPP1500	2-1
A6WDPP1600	2-3
A6WDPP1800	2-17
A6WDPP1900	2-6
A6WDPP1A00	2-2
A6WDPP1B01	2-18
A6WDPP1C00	2-16
A6WDPP1D00	6-5
A6WDPP1E00	6-10
A6WDPP1F00	4-10
A6WDPP1G00	4-5
A6WDPP1H00	3-7

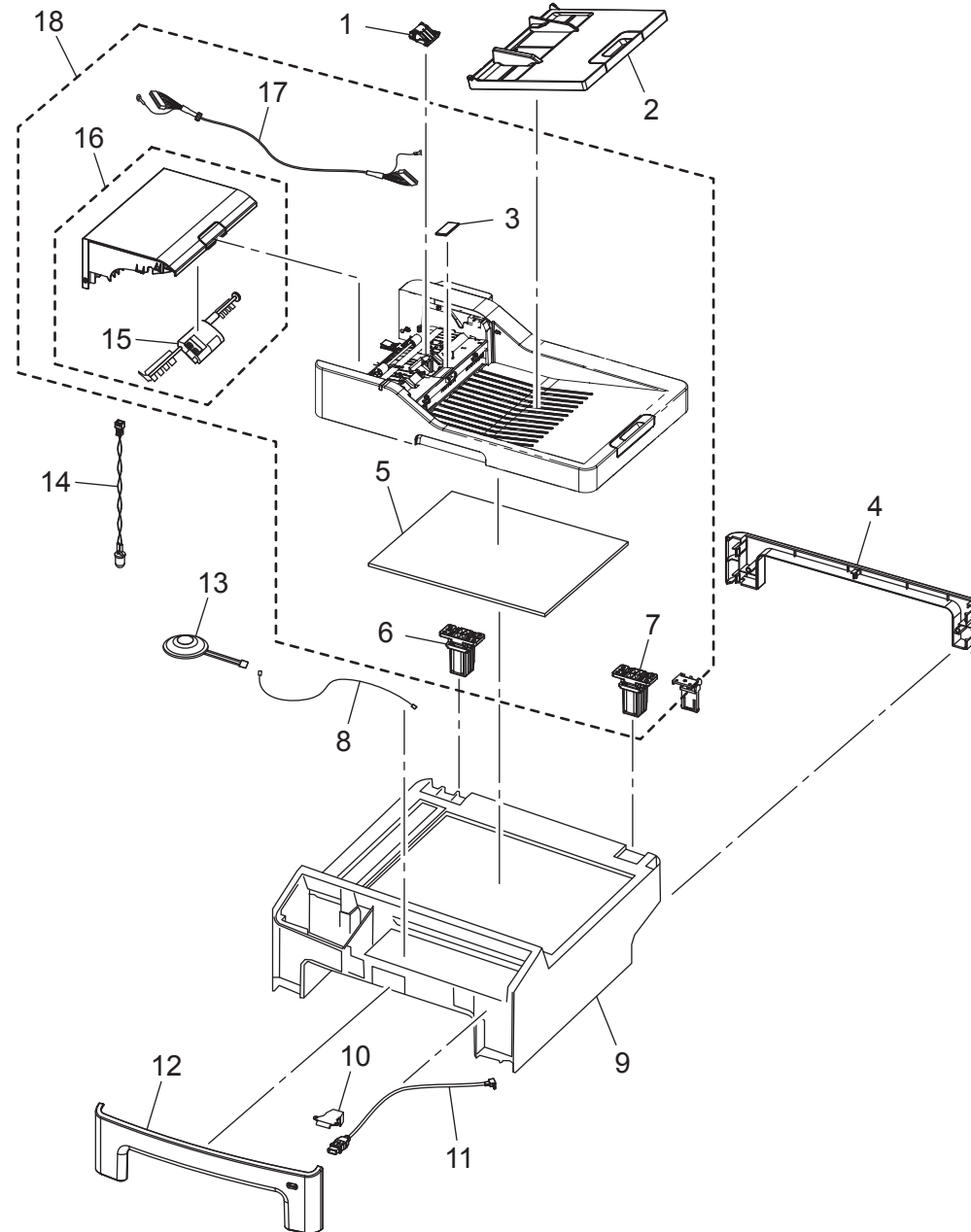
EXTERNAL PARTS/CASSETTE SECTION



EXTERNAL PARTS/CASSETTE SECTION

Key	Part No.	Description	Destinations	Class	QTY	Standard parts
1	A6WDPP0E00	Tray		C	1	
2	A6WDPP0D00	Cover/Upper		C	1	
3	A6WDPP0H00	Cover		C	1	
4	A6WDPP0A00	Cover/Rear		C	1	
5	A6WDPP0C00	Cover/Right		C	1	
6	A6WDPP0900	Cover		C	1	
7	A63RPP0000	Cassette Assy/250 Sheet		C	1	
8	A63NPP1C00	Separation Roller Assy		B	1	
9	A63NPP1H00	Holder		C	1	
10	A63NPP0800	Front Guide Assy		D	1	
11	A63NPP0100	Tray		C	1	
12	A6WDPP0U00	Cover		C	1	
13	A6WDPP0V00	Cover/Front		C	1	
14	A6WDPP0B00	Cover/Left		C	1	

ADF SECTION

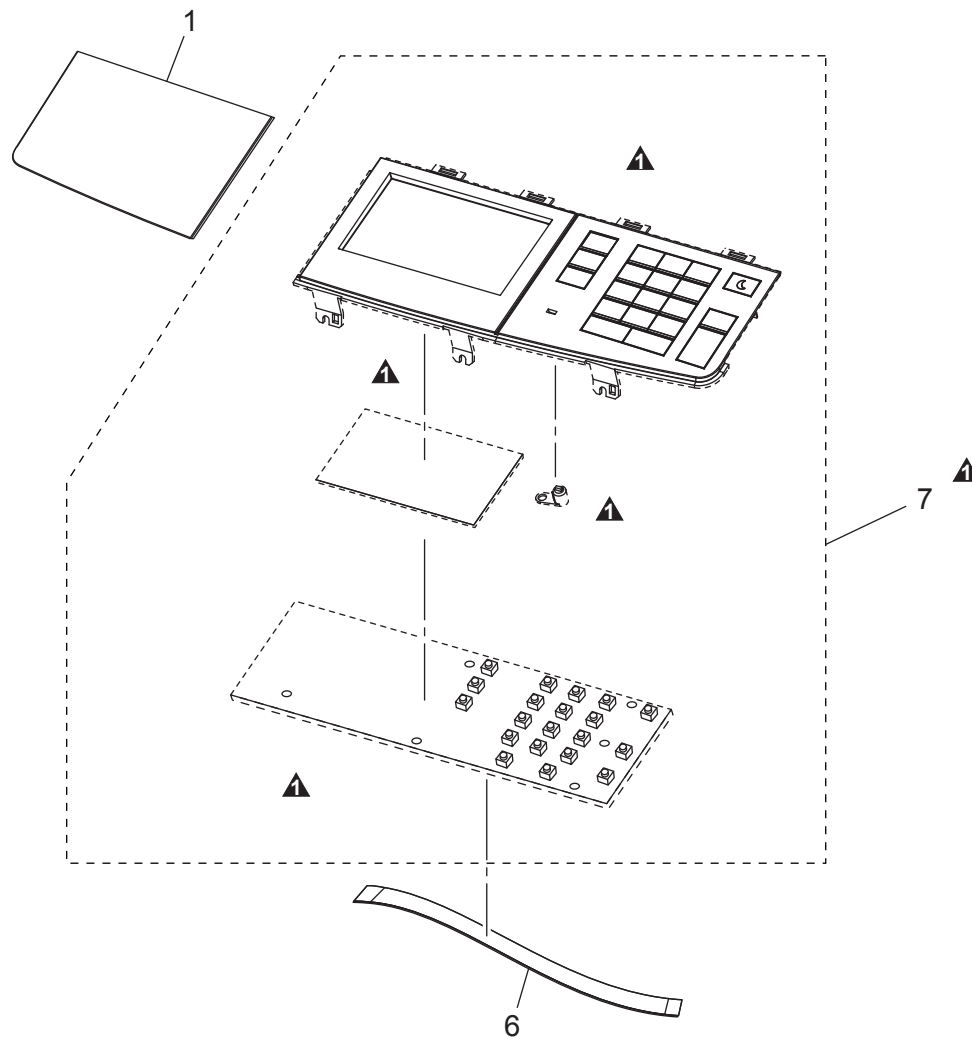


ADF SECTION

Key	Part No.	Description	Destinations	Class	QTY	Standard parts
1	A6WDPP1500	Separator Roller		B	1	
2	A6WDPP1A00	Tray		C	1	
3	A6WDPP1600	Separating Pad		C	1	
4	A6WDPP0F00	Cover/Rear		C	1	
5	A6WDPP0000	Pad		C	1	
6	A6WDPP1900	Hinge/Left		C	1	
7	A6WDPP0100	Hinge/Right		C	1	
8	A6WDPP1400	Harness/Speaker		D	1	
9	A6WDPP0S00	Scanner Unit		C	1	
10	A6WDPP0Y00	Mounting Plate		D	1	
11	A6WDPP0W00	USB Cable		D	1	
12	A6WDPP0G00	Cover/Front		C	1	
13	A6WDPP1300	Speaker		D	1	
14	A6WDPP1000	Harness		D	1	
15	A6WDPP0800	Pick-up Roller Assy		B	1	
16	A6WDPP1C00	Top Cover Assy		C	1	
17	A6WDPP1800	Harness		D	1	
18	A6WDPP1B01	ADF Unit		C	1	

OPERATION PANEL SECTION

改訂版 REVISED EDITION	日付 DATE
	MARCH 2016

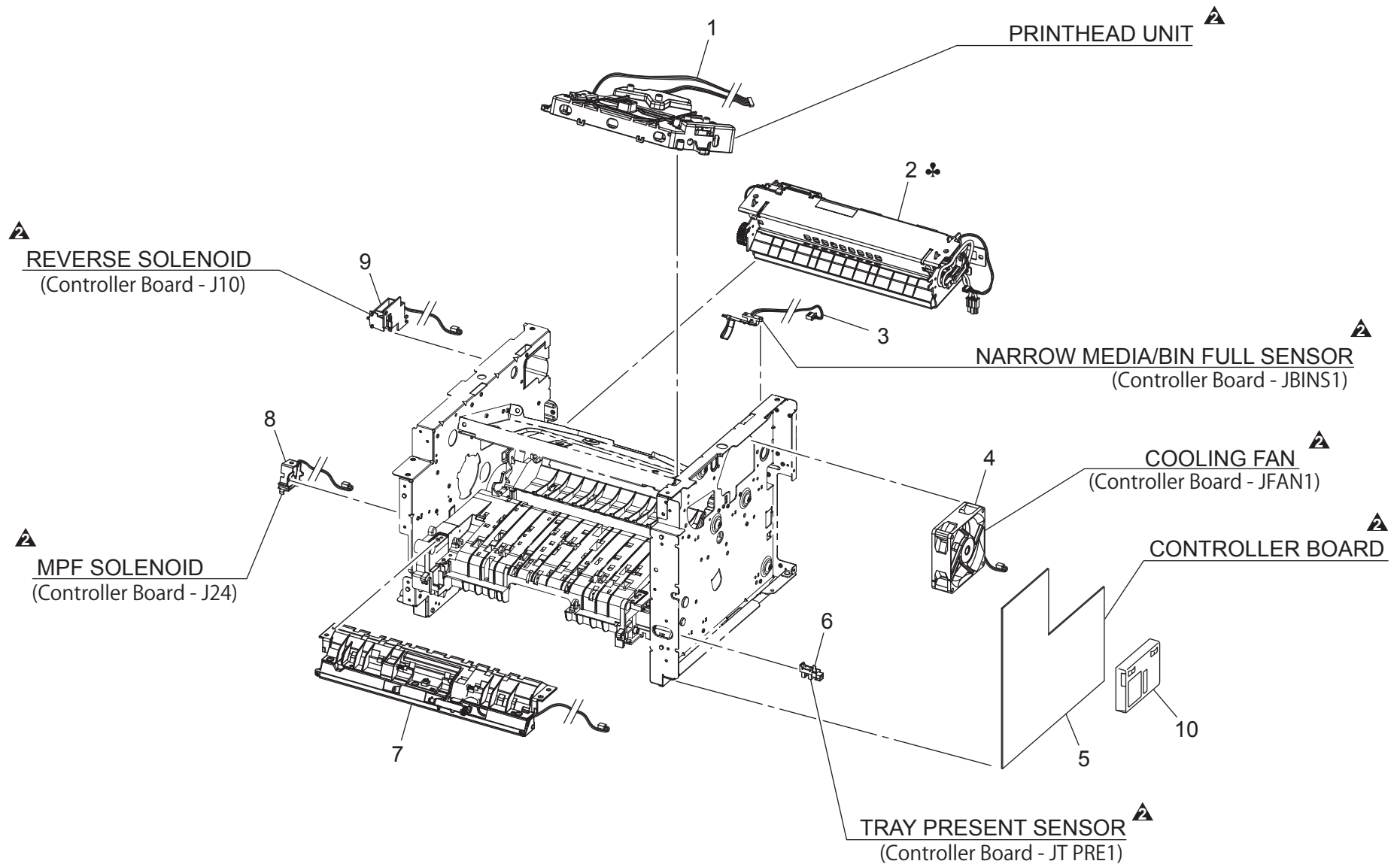


OPERATION PANEL SECTION

Key	Part No.	Description	Destinations	Class	QTY	Standard parts
1	A6WDPP0T00	Cover		C	1	
6	A6WDPP0X00	Flatcable		C	1	
7	A6WDPP1H00	Control Panel Assy		I	1	

PH/FUSING SECTION

改訂版 REVISED EDITION	日付 DATE
	MARCH 2016

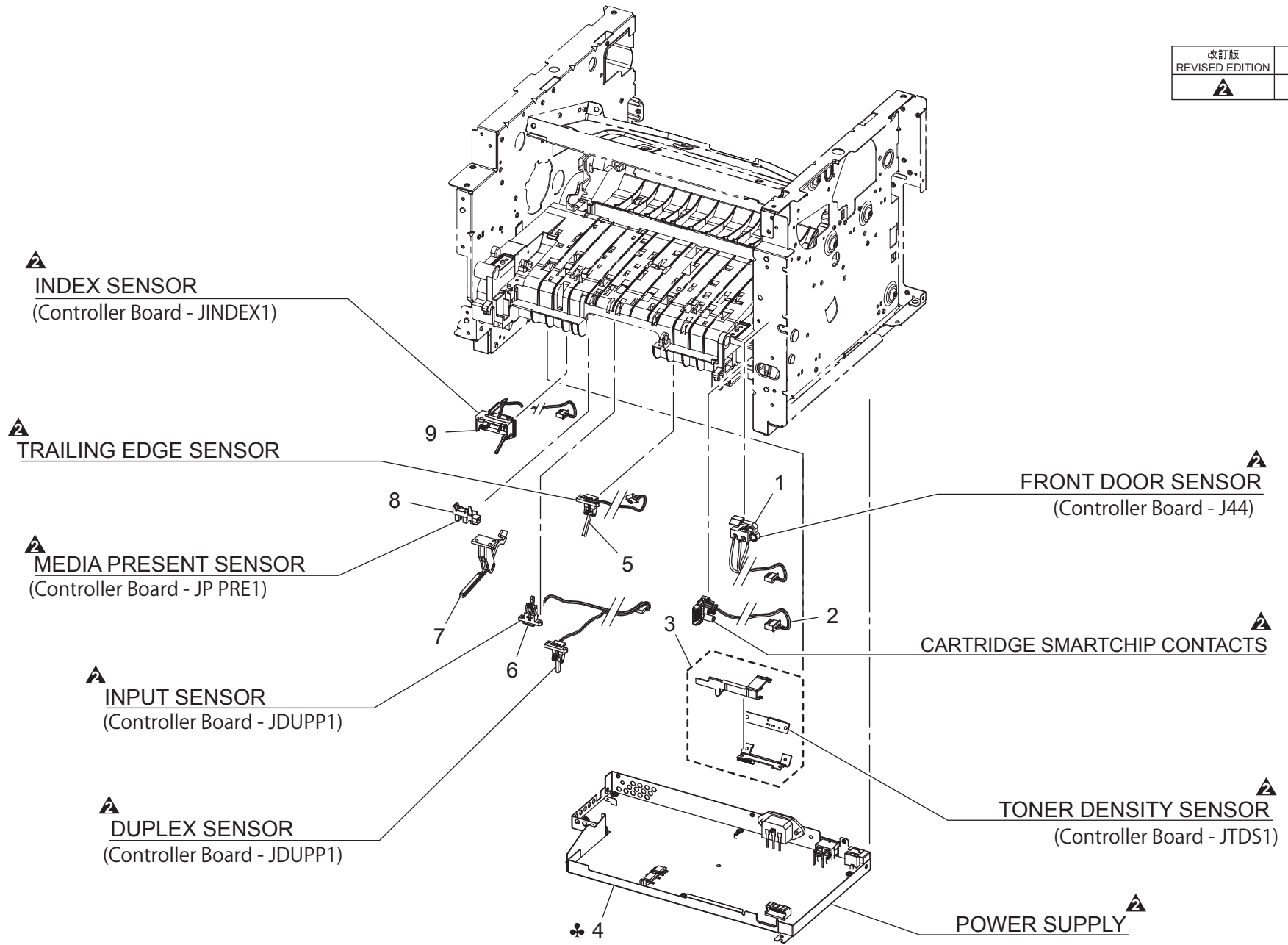


PH/FUSING SECTION

Key	Part No.	Description	Destinations	Class	QTY	Standard parts
1	A63RPP0300Old	Print Head Assy		I	1	
1	A63NPP2U00	Print Head Assy		I	1	
2	A63NPP0N00	Fusing Unit 110V	B,G2,H	B	1	
2	A63NPP0M00	Fusing Unit 220V	C,D1,D3,E,F2,G1,I,J,K	B	1	
3	A63NPP0H00	Sensor		I	1	
4	A63NPP0F00	Fan motor		C	1	
5	A6WDPP1201Old	PWB assembly		I	1	
5	A6WDPP1G00	PWB assembly		I	1	
6	A63NPP0W00	Sensor		I	1	
7	A63NPP0E00	Guide Assy		D	1	
8	A63NPP0D00	Solenoid Kit		C	1	
9	A63NPP0C00	Solenoid		C	1	
10	A6WDPP1F00	Fax Board		I	1	

MAIN POWER SUPPLY SECTION


改訂版 REVISED EDITION	日付 DATE
	MARCH 2016

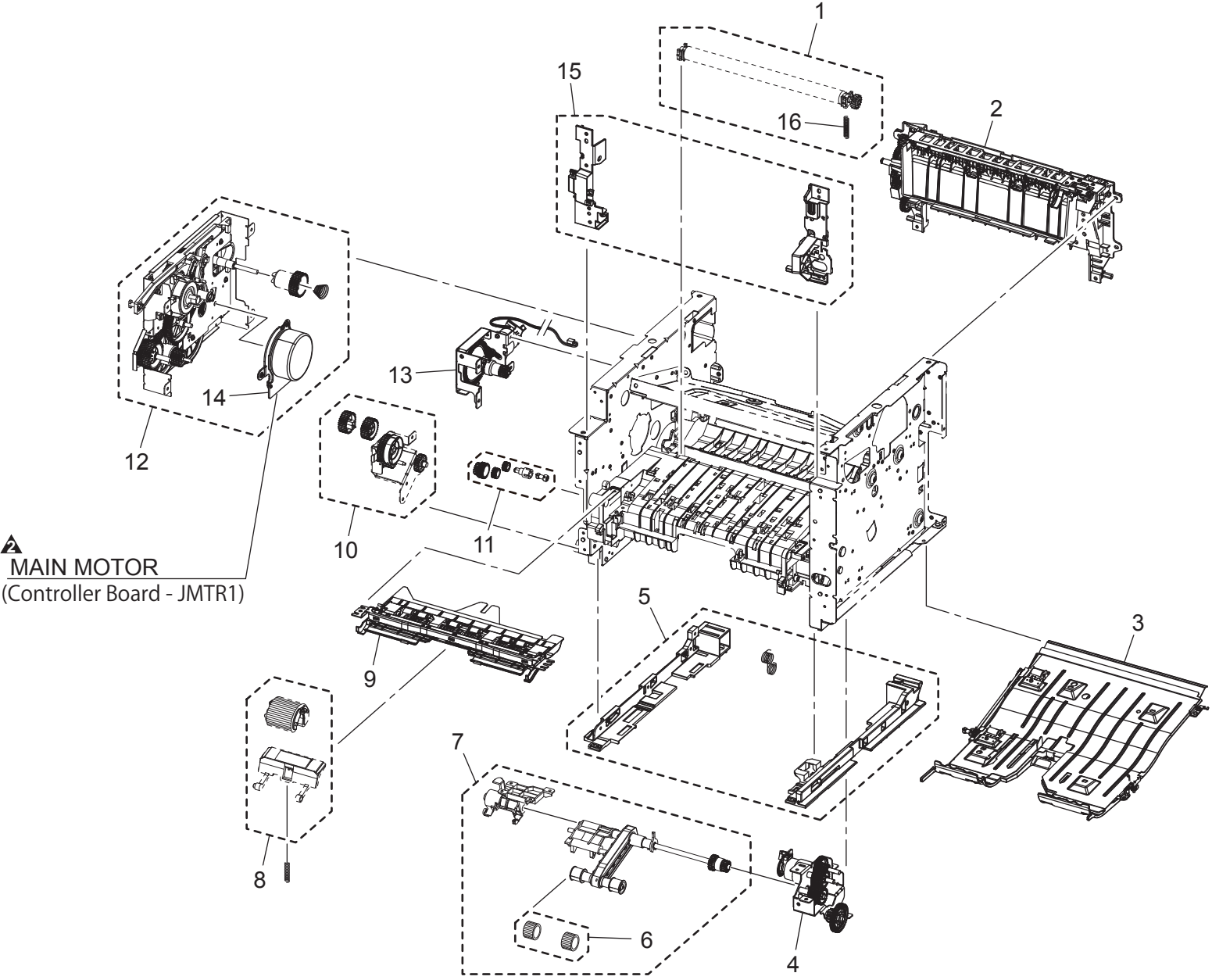


MAIN POWER SUPPLY SECTION

Key	Part No.	Description	Destinations	Class	QTY	Standard parts
1	A63NPP0P00	Sensor		I	1	
2	A63PPP0B00	Contact/Cartridge		C	1	
3	A63NPP0Q00	Sensor		I	1	
4	A63NPP0V00	Power supply Assy 100V	B,G2,H	I	1	
4	A63NPP0U00	Power supply Assy 220V	C,D1,D3,E,F2,G1,I,J,K	I	1	
5	A63NPP0R00	Sensor		I	1	
6	A63NPP0T00	Sensor		I	1	
7	A6WDPP0R00	Actuator		C	1	
8	A63NPP0W00	Sensor		I	1	
9	A63NPP0S00	Sensor		I	1	

REVERSAL/MAIN DRIVE SECTION

改訂版 REVISED EDITION	日付 DATE
	MARCH 2016




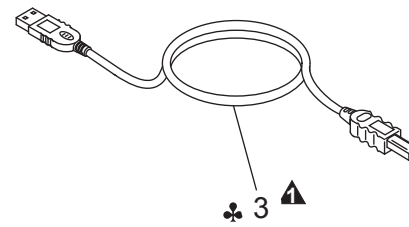
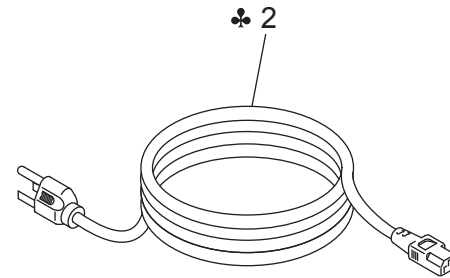
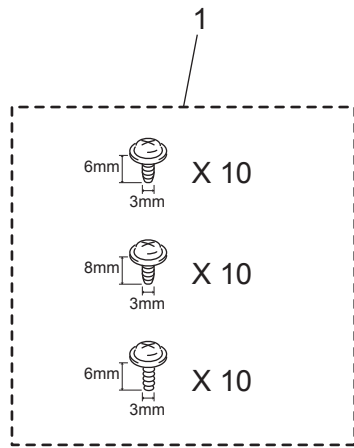
 MAIN MOTOR
(Controller Board - JMTR1)

REVERSAL/MAIN DRIVE SECTION

Key	Part No.	Description	Destinations	Class	QTY	Standard parts
1	A63NPP0Y00	Transfer Roller		B	1	
2	A6WDPP0M00	Reverse Assy		B	1	
3	A63NPP1500	Duplex Assy		C	1	
4	A63NPP1800	ACM Drive Assy		C	1	
5	A6WDPP1D00	Guide Kit		D	1	
6	A63NPP1001	Pick tire Set(2 pcs/set)		B	1	
7	A63NPP1601	ACM Assy		C	1	
8	A63NPP1100	Paper Feed/Separation Pad Kit		B	1	
9	A63NPP1200	Guide Assy		D	1	
10	A6WDPP1E00	MPF Drive Assy		C	1	
11	A63NPP1400	Duplex Gear Assy		C	1	
12	A63NPP1700	Main Drive Assy		C	1	
13	A63NPP1900	Cartridge Gear Assy		C	1	
14	A63NPP2B00	Main Drive Motor		B	1	
15	A63NPP1N00	Holder Kit		C	1	
16	A63NPP2A00	Compressing Spring		D	1	

ACCESSORY PARTS

改訂版 REVISED EDITION	日付 DATE
	APRIL 2015

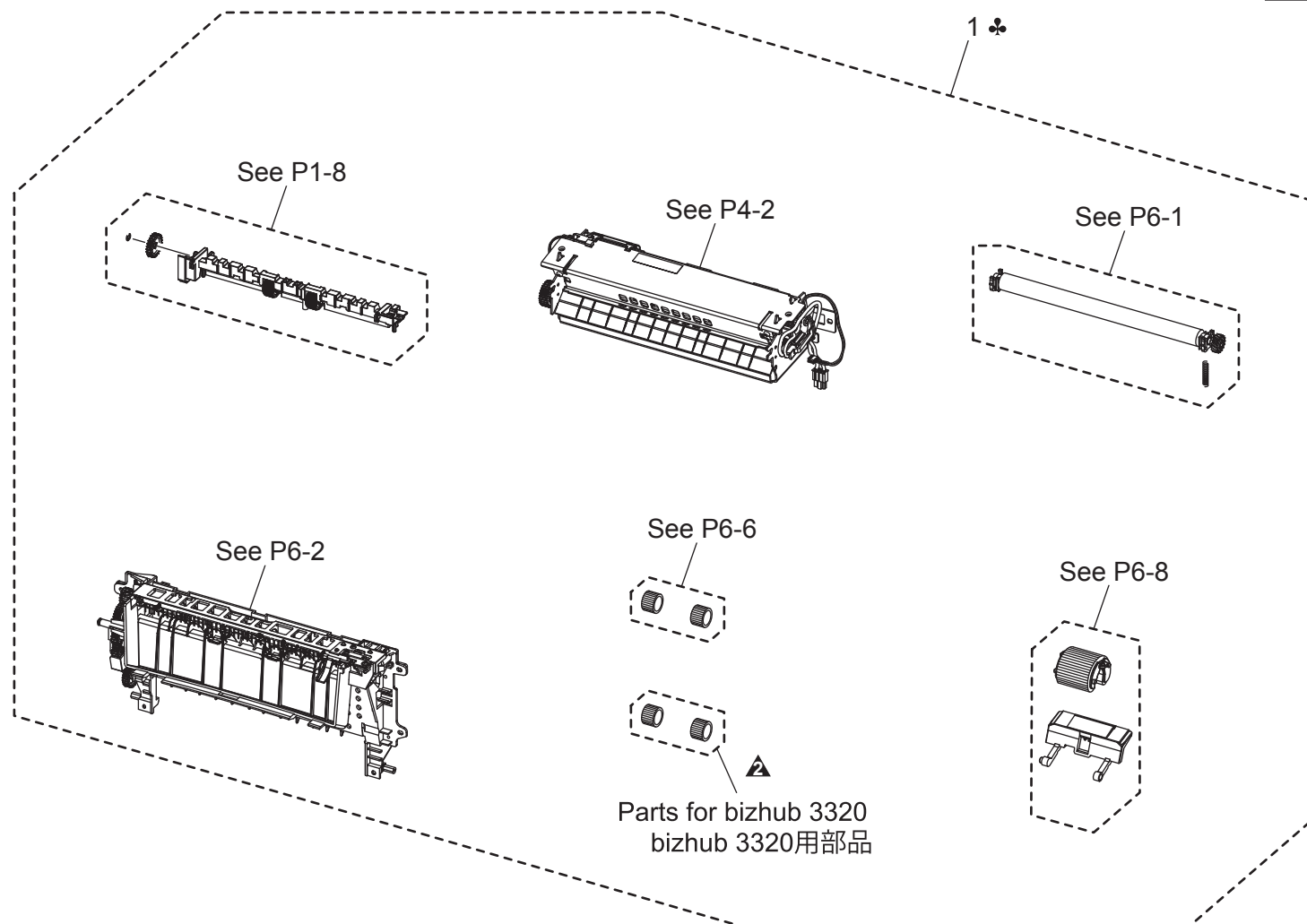


ACCESSORY PARTS

Key	Part No.	Description	Destinations	Class	QTY	Standard parts	
1	A63NPP1F00	Screw Kit		C	1		
2	A63NPP1P00	Power Cord	B,G2	D	1		
2	A63NPP1T00	Power Cord	C (United Kingdom)	D	1		
2	A63NPP1U00	Power Cord	C (Italy)	D	1		
2	A63NPP1V00	Power Cord	I (Israel)	D	1		
2	A63NPP1W00	Power Cord	G1	D	1		
2	A63NPP1X00	Power Cord	D3	D	1		
2	A63NPP1Y00	Power Cord	C (Switzerland)	D	1		
2	A63NPP2000	Power Cord	I (South Africa)	D	1		
2	A63NPP2100	Power Cord	C (Denmark)	D	1		
2	A63NPP2200	Power Cord	K	D	1		
2	A63NPP2300	Power Cord	C (Europe and others)	D	1		
2	A63NPP1R00	Power Cord	J	D	1		
2	A2UPN30501	Power code /230V	G2(Brazil)	C	1		
2	A2UPN30100	Power code (220-240V)	F2,D1(Singapore)	D	1		
2	A1UDN30200	Power code /230V	G1(Argentina)	C	1		
2	A2UPN30700	Power code (220-240V)	D1(India)	D	1		
2	A2UPN30300	Power code (220-240V)	D1(Thailand)	D	1		
2	4136N30000	POWER CODE	D1(Indonesia)	D	1		
2	A034N30300	Power source Cord	H	D	1		
3	A0HFN12200	Cable	D1(India)	D	1		

MAINTENANCE KIT

改訂版 REVISED EDITION	日付 DATE
	NOVEMBER 2014



MAINTENANCE KIT

Key	Part No.	Description	Destinations	Class	QTY	Standard parts
1	A6WDPP0N00	Maintenance kit (120V)	B,G2,H	S	1	
1	A6WDPP0P00	Maintenance kit (220-240V)	C,D1,D3,E,F2,G1,I,J,K	S	1	

MAINTENANCE LIST

● The items with no Page/Key numbers are not handled as spare parts.

No.	Section	PM Parts Description	Maintenance Cycle (K=1,000)		Parts No.	Destinations	Page/Key	Note
			QTY	Replace				
1	REVERSAL/MAIN DRIVE SEC-	ACM pick tire	1	200K	A63NPP1001		P6-6	
2		MPF pick roller/separator pad	1	200K	A63NPP1100		P6-8	
3		Reverse Assy	1	200K	A6WDPP0M00		P6-2	
4		Transfer roll	1	200K	A63NPP0Y00		P6-1	
5	EXTERNAL PARTS/CAS-	Separator roll assembly	1	200k	A63NPP1C00		P1-8	
6	PH/FUSING SECTION	Fuser assembly	1	200K	A63NPP0N00	Aera 110-127V	P4-2	
7		Fuser assembly	1	200K	A63NPP0M00	Aera 220-240V	P4-2	
8	ADF	ADF separator roller	1	200k	A6WDPP1500		P2-1	
9	Toner Cartridge	Toner Cartridge (TNP40)	1	20K	-			Return Program Cartridge
10		Toner Cartridge (TNP42)	1	20K	-			Standard Cartridge
11	Imaging Unit	Imaging Unit (IUP18)	1	60K	-			Return Program Cartridge
12		Imaging Unit (IUP19)	1	60K	-			Standard Cartridge

DESTINATION

Destination No.		Destinations		V	Hz	Model No.
A	A1	JAPAN				
	A2	JAPAN				
B		USA, CANADA		120	60	A6WD011
C		EUROPEAN TYPE		220-240	50/60	A6WD021
D	D1	S.E ASIA TYPE	THAILAND, SRI LANKA, SINGAPORE, MALAYSIA, HONG KONG, PAKISTAN, INDIA, BANGLADESH, INDONESIA	220-240	50/60	A6WD041
	D3	OCEANIA TYPE	AUSTRALIA, NEW ZEALAND	220-240	50/60	A6WD041
E		PHILIPPINES		220-240	50/60	A6WD041
F	F1	SAUDI ARABIA				
	F2	SAUDI ARABIA		220-240	50/60	A6WD041
G	G1	C.S AMERICA		220-240	50/60	A6WD041
	G2	C.S AMERICA		120	60	A6WD011
H		TAIWAN		110	60	A6WD011
I		JORDAN, LEBANON, SYRIA, SOUTH AFRICA, IRAQ, IRAN, N.YEMEN, CAMEROON, UAE, BAHRAIN, OMAN, QATAR, KUWAIT, KENYA, TUNISIA, IVORY COAST, MOROCCO		220-240	50/60	A6WD041
J		CHINA		220-240	50/60	A6WD081
K		KOREA		220-240	50/60	A6WD041