

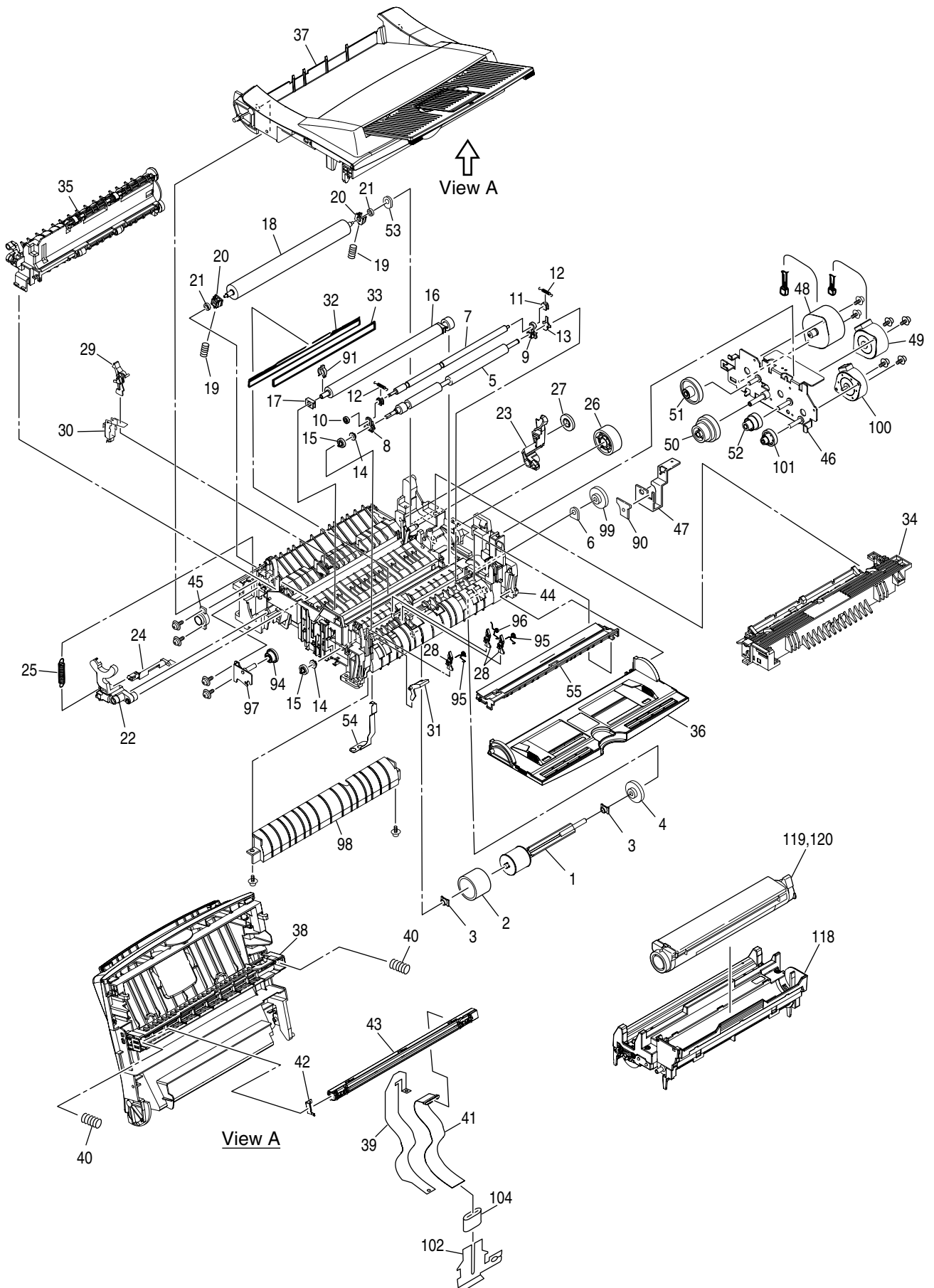
OEL Disassembly Drawing

B4350



Revision 4

B4350 (1/2)



B4350 (2/2)

