

For B4100

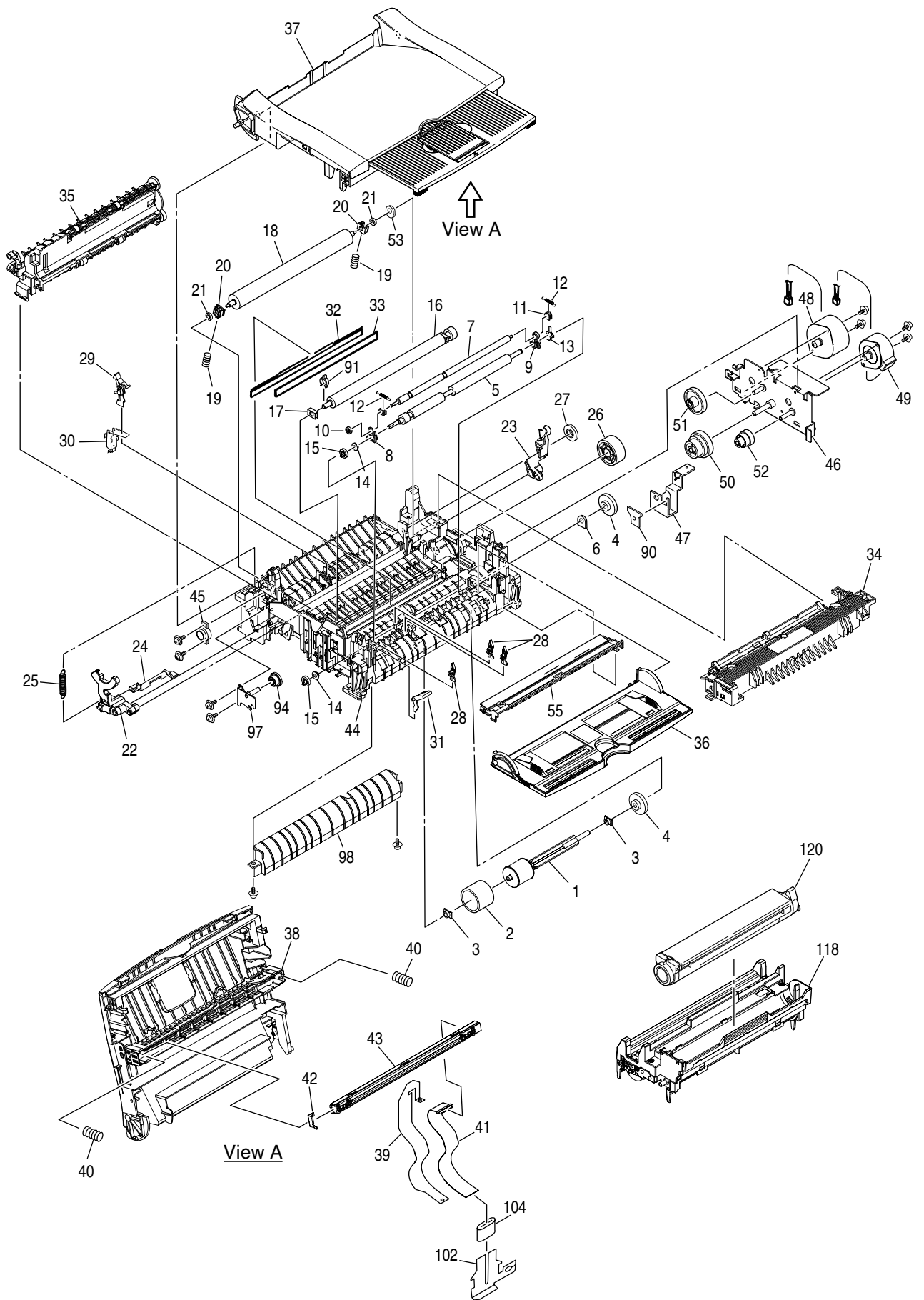
No.	Parts No.	Name	Q'ty /Unit	Recommended Q'ty/Year			Remarks New Parts: *	RoHS
				per 500	per 1000	per 2000		
1	3PP4083-6020P001	Hopping Roller Shaft	1	3	6	12		
2-a	4PB4076-5447P001	Rubber-Hopping Roller	1	3	6	12		
2-b	43456901	Rubber-Hopping Roller	1	3	6	12	OEL #1 ECO-B4250-033 (DCO-SQ1-2959)	
3	4PP4083-6022P002	Bearing	2	6	12	24		
4	4PB4083-6024P001	One-way Clutch Gear	2	6	12	24		
5	42174301	Roller-Regist	1	3	6	12		
6	4PP4083-6031P001	Bearing(Registration)	1	3	6	12		
7	42174201	Roller-Pressure	1	3	6	12		
8	41279501	Holder-Regist L	1	3	6	12		
9	41279601	Holder-Regist R	1	3	6	12		
10	42843001	Gear-Pressure	1	3	6	12		
11	41279401	Bearing-Pressure	2	6	12	24		
12	41281201	Spring-Tension	2	6	12	24		
13	41280401	Plate-Contact PA	1	3	6	12		
14	41279301	Bearing-Regist L	1	3	6	12		
15	41279701	Gear-Regist	1	3	6	12		
16	42208501	Roller Assy.-Transfer	1	3	6	12		
17	40438001	Bearing TR	1	3	6	12		
18	41301801	Roller-Back up	1	3	6	12		
19	41584101	Spring Bias	2	6	12	24		
20	41536201	Holder-BU	2	6	12	24		
21	41584201	Bearing-Ball	2	6	12	24		
22	42208601	Lever-Reset L Assy.	1	3	6	12		
23	3PP4083-6054P001	Reset Lever R	1	3	6	12		
24	42551201	Arm-Switch	1	3	6	12		
25	4PP4083-6057P001	Reset Spring	1	3	6	12		
26	42126101	Idle Gear	1	3	6	12		
27	4PP4083-6081P001	Idle Gear	1	3	6	12		
28	4PP4083-6083P001	Sensor Plate(Inlet)	3	9	18	36		
	43407501	Sensor Assy.-Lever Eject	1	3	6	12	ECO-B4250-032 (DCO-SQ1-2915)	
30	41027701	Sensor Wire Assembly	1	3	6	12		
31	42468801	Toner Sensor(Adhesion)	1	3	6	12		
32	4PB4083-6979P001	Diselectrification Bar Shaft	1	3	6	12		
33	3PB4083-6089P001	Diselectrification Film	1	3	6	12		
34-a	42209201	Heat Assy	1	10	20	40	110V/120V	
34-b	42209202	Heat Assy	1	10	20	40	230V	G
35	40772501	Roller Assy.-Eject	1	3	6	12		
36	42145701	Cover Assy.-Front	1	3	6	12		
37	42200401	Cover Assy.-Stacker	1	3	6	12		
38	42129101	Holder-Head	1	3	6	12		
39	42146701	Film-FG	1	3	6	12		
40	42146501	Spring-Head	2	6	12	24		
41	2381031P009	FUJI-CARD(24P)	1	5	10	20		*
42	42146601	Contact-Head	1	3	6	12		
43	42266803	LED Head Unit-51MXF3	1	5	10	20	ECO-B4250-004 (DCO-SQ1-2642)	*
44	42660001	Frame Subassy.-Lower	1	3	6	12		*
45	42596601	Damper Oil	1	3	6	12		*
46	42122701	Bracket-Motor(Caulking)	1	3	6	12		
47	42352501	Bracket-Sub-M	1	3	6	12		
48	42196001	Motor-Pulse(Main)	1	3	6	12		
49	42196101	Motor-Pulse(Regist)	1	3	6	12		
50	42121701	Gear-M3	1	3	6	12		
51	42121801	Gear-M2	1	3	6	12		
52	42121901	Gear-R2	1	3	6	12		
53	4PP4120-1210P001	Washer C	1	3	6	12		
55	42209101	Guide-Paper R(Adhesive)	1	3	6	12		
56	42200501	Plate-Base Assy.	1	3	6	12		
58	40828301	Guide-Paper H	2	6	12	24		
60	42209401	Cassette guide L Assy.	1	3	6	12		
61	42209501	Cassette guide R Assy.	1	3	6	12		
62	3PP4083-7660P001	Beam Plate	2	6	12	24		
63	4PP4083-7665P001	FG Plate(bm)	2	6	12	24		
64	4PP4083-7667P001	Sensor Plate(Paper Supply)	1	3	6	12		
65	3PP4083-6154P001	Cassette Sensor Plate	1	3	6	12		
66	42146301	Insulator	1	3	6	12		

For B4100

No.	Parts No.	Name	Q'ty /Unit	Recommended Q'ty/Year			Remarks New Parts: *	RoHS
				per 500	per 1000	per 2000		
	42957016	Board GRY-5	1	5	10	20	ODA 120V ECO-B4250-027 (DCO-SI 2-0617) *	G
	42957017	Board GRY-6	1	5	10	20	ODA_230V/OEL/AOS/TN ECO-B4250-027 (DCO-SI 2-0617) *	G
	41991601	Power Supply Unit	1	5	10	20	100V/110V/120V	
	42510301	Power Supply Unit	1	5	10	20	230V	
69	42284101	Board-HLB	1	5	10	20		G
70	2381015P0003	Sumi-Card(30P)	1	5	10	20		
71	42101001	Cord Assy.(13p-5P,8p)	1	5	10	20		
72	42283501	Fan Motor	1	3	6	12		G
73	42209604	Cassette Assy.-Paper	1	3	6	12		*
74	42146201	Plate-Guide	1	3	6	12		
75	42146901	Plate-Shield	1	3	6	12		
76	42146801	Face Up Stacker Assy.	1	3	6	12		
77	42200205	Frame Assy.-OP Panel	1	3	6	12		* G
78	42147207	Cover-Upper Assy.	1	3	6	12		*
90	42406601	Holder-Tr_R	1	3	6	12		
91	42406701	Spacer-Tr_L	1	3	6	12		
92	40771901	Plate-Earth(CTR)	1	3	6	12	ODA_230V/OEL/AOS/TWAN *	
94	4PP4083-6194P001	Damper-Gear	1	3	6	12		
97	42679901	Plate-Damper(Caulking)	1	3	6	12		*
98	42661401	Guide-Paper	1	3	6	12		*
102	42849301	Film-Support(Head)	1	3	6	12		*
103	42849201	Film-Support(OP)	1	3	6	12		*
104	1050003C0009	Core	1	3	6	12		*
106	40997102	Cord Assy.-OP	1	5	10	20		
121	43691201	Tray-Guide_Stopper	1					

#1 Rubber-Hopping Roller (43456901) can be used for the same part as a current roller (No.2-a 4PB4076-5447P001).
 (Note) Durability does not satisfy the machine life. (As a standard, about 70,000 sheets with standard paper.)

B4100 (1/2)



B4100 (2/2)

