

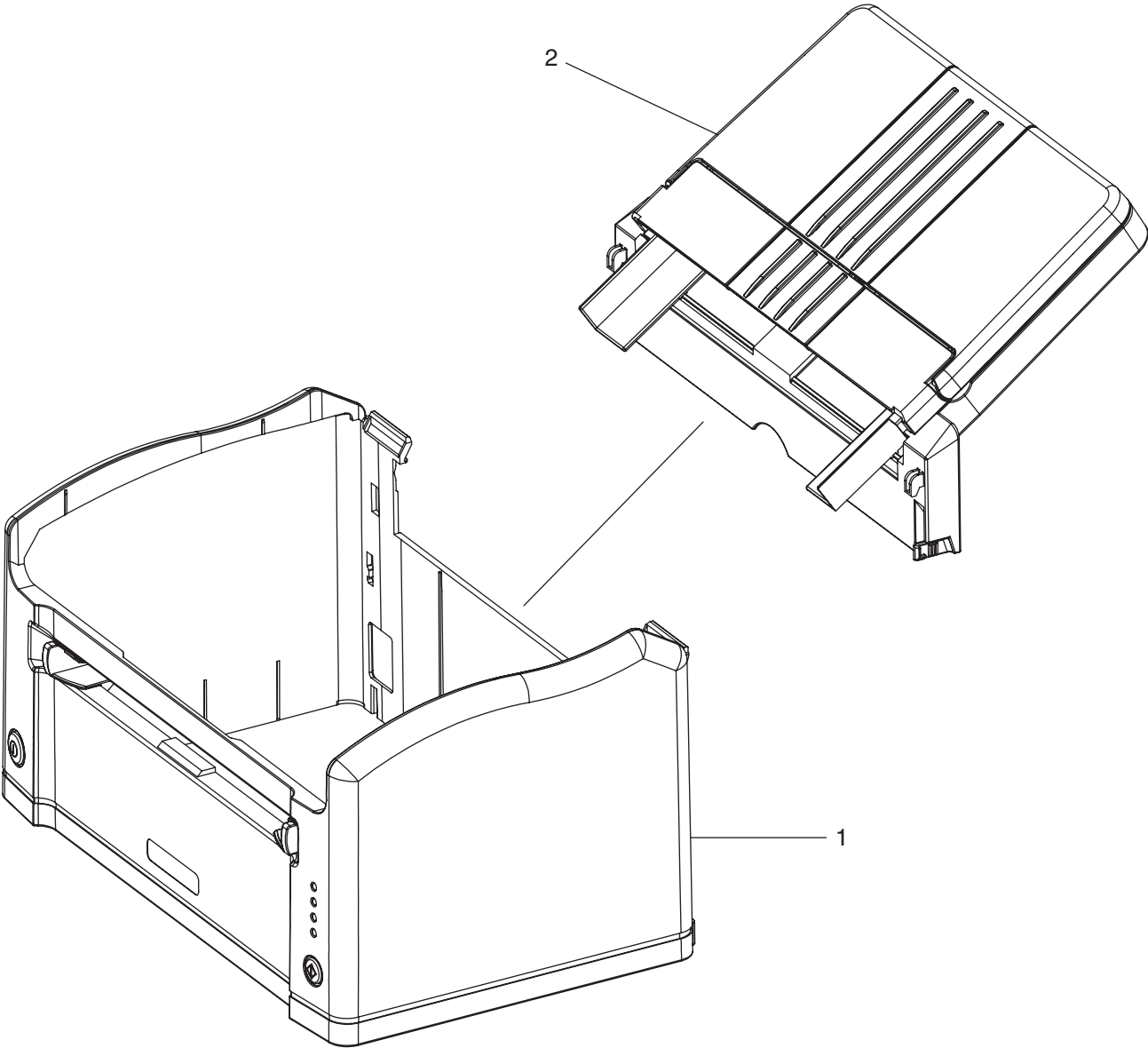
OEL Disassembly Drawing

B2200/B2400

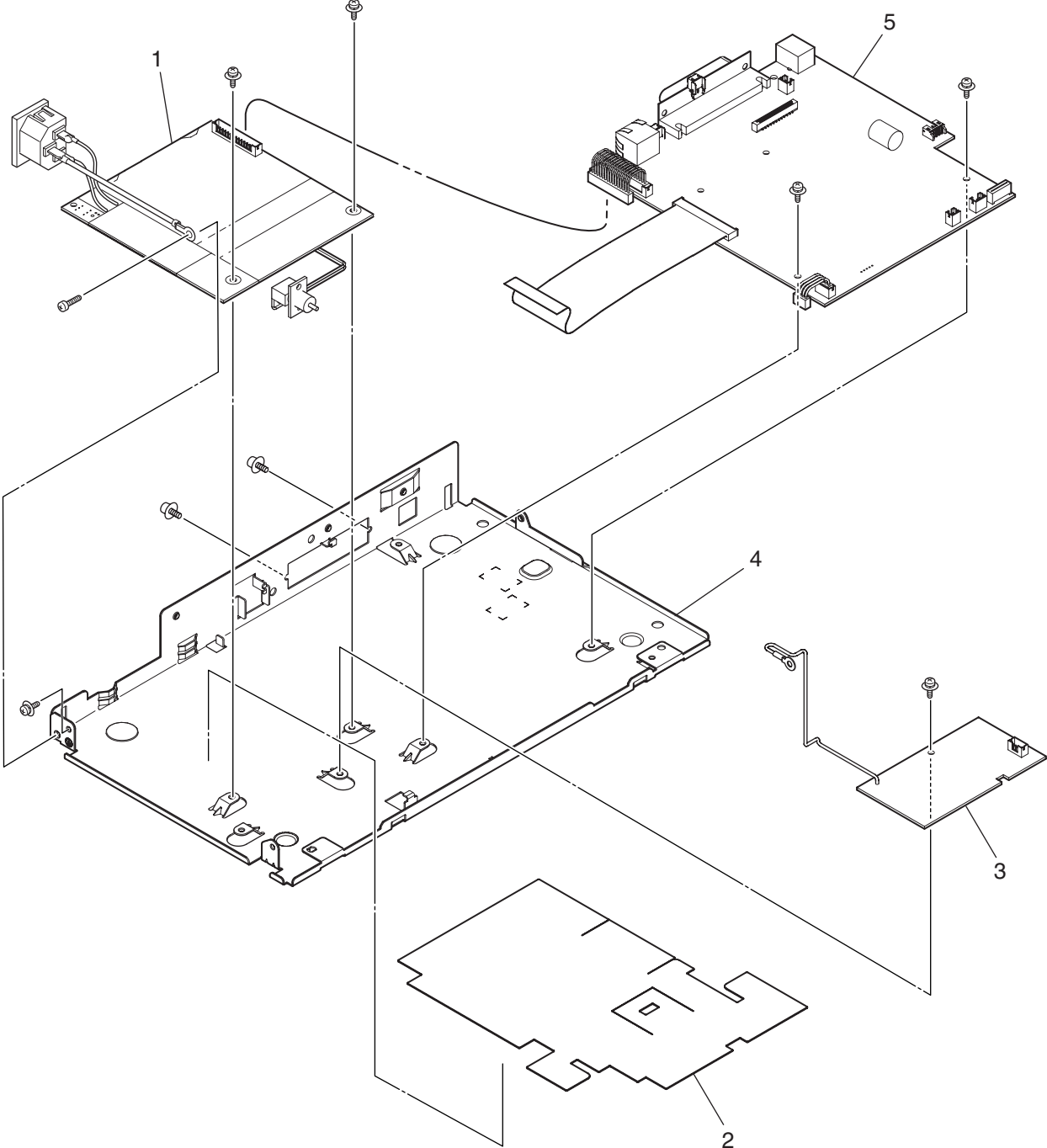


Revision 1

Cover Assy Upper



Base plate Assy



Base Frame Unit Assy

