



RICOH UNIVERSITY

Learning ♦ Knowledge ♦ Performance



B132/B200
PARTS CATALOG

002447MIU

Gestetner **LANIER** **RICOH** **SAVIN**



B132/B200
PARTS CATALOG

Gestetner[®]
LANIER[®]
RICOH[®]
SAVIN[®]



RICOH UNIVERSITY

Learning ♦ Knowledge ♦ Performance

B132/B200 PARTS CATALOG

002447MIU

Gestetner **LANIER** **RICOH** **SAVIN**

It is the reader's responsibility when discussing the information contained within this document to maintain a level of confidentiality that is in the best interest of Ricoh Corporation and its member companies.

***NO PART OF THIS DOCUMENT MAY BE REPRODUCED IN ANY
FASHION AND DISTRIBUTED WITHOUT THE PRIOR
PERMISSION OF RICOH CORPORATION.***

All product names, domain names or product illustrations, including desktop images, used in this document are trademarks, registered trademarks or the property of their respective companies.

They are used throughout this book in an informational or editorial fashion only and for the benefit of such companies. No such use, or the use of any trade name, or web site is intended to convey endorsement or other affiliation with Ricoh products.

LEGEND

PRODUCT CODE	COMPANY			
	GESTETNER	LANIER	RICOH	SAVIN
B132	DSc460	LD160	Aficio 3260C	SDC6054
B200	CS555	LC155	Aficio Color 5560	SDC555
A812	Punch Unit Type 850 SC			
B331	A3/11" x 17" Tray Type 2105			
B452	Key Counter Bracket Type 1027			
B473/B474	LCT RT43/8 1/2" x 14" Paper Size Tray Type 1075			
B498	Card Reader Bracket Type 3260			
B499	Tab Holder Type 3260			
B513	Output Jogger Unit Type 1075			
B756	Copy Tray Type 2075			
B531	Punch Unit Type 1075			
B698	Finisher Adapter Type A			
B699	LCT Adaptor Type B			
B700/B701	SR970/SR980			
B702	Punch Unit Type 3260			
B703	Output Jogger Unit Type 3260			
B704	Cover Interposer Tray Type 3260			
B706	SR841			
B762	Mail Box CS391			

DOCUMENTATION HISTORY

REV. NO.	DATE	COMMENTS
*	07/2005	Original Printing

B132/B200

TABLE OF CONTENTS

B132/B200 PARTS LOCATION AND LIST

LOCATION OF UNIT	3
1.EXTERIOR 1 (B132/B200).....	16
2.EXTERIOR 2 (B132/B200).....	18
3.OPETATION PANEL (B132/B200)	20
4.ARDF EXTERIOR (B132/B200).....	22
5.ARDF ORIGINAL TRAY (B132/B200)	24
6.ORIGINAL FEED 1 (B132/B200)	26
7.ORIGINAL FEED 2 (B132/B200)	28
8.ORIGINAL TRANS 1 (B132/B200).....	30
9.ORIGINAL TRANS 2 (B132/B200).....	32
10.ORIGINAL TRANS 3 (B132/B200).....	34
11.ORIGINAL EXIT 1 (B132/B200).....	36
12.ORIGINAL EXIT 2 (B132/B200).....	38
13.ARDF DRIVE & ELECTRICAL 1 (B132/B200)	40
14.ARDF DRIVE & ELECTRICAL 2 (B132/B200).....	42
15.ARDF FRAME (B132/B200).....	44
16.OPTICS SECTION 1 (B132/B200).....	46
17.OPTICS SECTION 2 (B132/B200).....	48
18.OPTICS SECTION 3 (B132/B200).....	50
19.OPTICS SECTION 4 (B132/B200).....	52
20.LASER UNIT (B132/B200).....	54
21.BY-PASS FEED 1 (B132/B200).....	56
22.BY-PASS FEED 2 (B132/B200).....	58
23.TANDEM TRAY 1 (B132/B200).....	60
24.TANDEM TRAY 2 (B132/B200).....	62
25.TANDEM TRAY 3 (B132/B200).....	64
26.UNIVERSAL TRAY 1 (B132/B200)	66
27.UNIVERSAL TRAY 2 (B132/B200)	68
28.PAPER REGISTRATION 1 (B132/B200)	70
29.PAPER REGISTRATION 2 (B132/B200)	72
30.VERTICAL TRANSPORT (B132/B200).....	74
31.TONNER SUPPLY 1 (B132/B200)	76
32.TONNER SUPPLY 2 (B132/B200)	78
33.TONNER SUPPLY 3 (B132/B200)	80
34.PCU 1 (B132/B200).....	82
35.PCU 2 (B132/B200).....	84
36.DEVELOPMENT UNIT (B132/B200).....	86
37.TRANSFER BELT UNIT 1 (B132/B200)	88
38.TRANSFER BELT UNIT 2 (B132/B200)	90
39.TRANSFER BELT UNIT 3 (B132/B200)	92
40.TRANSFER BELT CLEANING (B132/B200)	94
41.TRANSFER COVER (B132/B200)	96
42.TRANSFER ENTRANCE 1 (B132/B200)	98
43.TRANSFER ENTRANCE 2 (B132/B200)	100
44.TRANSFER ENTRANCE 3 (B132/B200)	102
45.PAPER TRANSFER 1 (B132/B200).....	104
46.PAPER TRANSFER 2 (B132/B200).....	106
47.FUSING UNIT 1 (B132/B200)	108
48.FUSING UNIT 2 (B132/B200)	110
49.FUSING UNIT 3 (B132/B200)	112
50.FUSING UNIT 4 (B132/B200)	114

51.PAPER EXIT 1 (B132/B200).....	116
52.PAPER EXIT 2 (B132/B200).....	118
53.PAPER EXIT 3 (B132/B200).....	120
54.PAPER EXIT 4 (B132/B200).....	122
55.DUPLEX UNIT 1 (B132/B200)	124
56.DUPLEX UNIT 2 (B132/B200)	126
57.DUPLEX UNIT 3 (B132/B200)	128
58.DUPLEX UNIT 4 (B132/B200)	130
59.DUPLEX UNIT 5 (B132/B200)	132
60.USED TONNER SECTION 1 (B132/B200).....	134
61.USED TONNER SECTION 2 (B132/B200).....	136
62.DRIVE SECTION 1 (B132/B200).....	138
63.DRIVE SECTION 2 (B132/B200).....	140
64.DRIVE SECTION 3 (B132/B200).....	142
65.DRIVE SECTION 4 (B132/B200).....	144
66.DRIVE SECTION 5 (B132/B200).....	146
67.ELECTRICAL SECTION 1 (B132/B200).....	148
68.ELECTRICAL SECTION 2 (B132/B200).....	150
69.ELECTRICAL SECTION 3 (B132/B200).....	152
70.ELECTRICAL SECTION 4 (B132/B200).....	154
71.ELECTRICAL SECTION 5 (B132/B200).....	156
72.ELECTRICAL SECTION 6 (B132/B200).....	158
73.ELECTRICAL SECTION 7 (B132/B200).....	160
74.ELECTRICAL SECTION 8 (B132/B200).....	162
75.FRAME SECTION 1 (B132/B200)	164
76.FRAME SECTION 2 (B132/B200)	166
77.FRAME SECTION 3 (B132/B200)	168
78.FRAME SECTION 4 (B132/B200)	170
79.BICU BOARD (B132/B200).....	172
80.IOB BOARD (B132/B200)	188

81.CONTROL BOARD (B132/B200).....	200
82.DECALS AND DOCUMENTS (B132/B200)	216
83.SPECIAL TOOLS (B132/B200).....	222

B132/B200 PARTS INDEX

PARTS INDEX.....	2
-------------------------	----------

COPY TRAY TYPE 2075 B756 PARTS LOCATION AND LIST

1.COPY TRAY (B756)	2
--------------------------	---

COPY TRAY TYPE 2075 B756 PARTS INDEX

PARTS INDEX.....	2
-------------------------	----------

SR970/SR980 B700/B701 PARTS LOCATION AND LIST

1.EXTERIOR (B700/B701)	2
2.PAPER TRANSFER (B700/B701).....	4
3.SHIFT TRANSFER SECTION 1 (B700/B701)	6
4.SHIFT TRANSFER SECTION 2 (B700/B701)	8
5.SHIFT TRANSFER SECTION 3 (B700/B701) ...	10
6.STAPLE TRANSFER SECTION 1 (B700/B701)	12
7.STAPLE TRANSFER SECTION 2 (B700/B701)	14
8.STAPLE TRAY 1 (B700/B701).....	16
9.STAPLE TRAY 2 (B700/B701).....	18
10.STAPLE TRAY 3 (B700/B701).....	20
11.STAPLE TRAY 4 (B700/B701).....	22
12.STAPLE TRAY 5 (B700/B701).....	24
13.STAPLE TRAY 6 (B700/B701).....	26
14.PAPER CRIMP SECTION 1 (B700).....	28
15.PAPER CRIMP SECTION 2 (B700).....	30

16.PAPER CRIMP SECTION 3 (B700).....	32
17.UPPER EXIT SECTION 1 (B700/B701).....	34
18.UPPER EXIT SECTION 2 (B700/B701).....	36

SR970/SR980 B700/B701 PARTS INDEX	
PARTS INDEX	2

PUNCH UNIT TYPE 3260 B702 PARTS LOCATION AND LIST	
1.PUNCH UNIT 1 (B702)	2
2.PUNCH UNIT 2 (B702)	4

PUNCH UNIT TYPE 3260 B702 PARTS PARTS INDEX	2
--	----------

OUTPUT JOGGER UNIT TYPE 3260 B703 PARTS LOCATION AND LIST	
1.OUTPUT JOGGER UNIT (B703)	2

OUTPUT JOGGER UNIT TYPE 3260 B703 PARTS INDEX	2
--	----------

MAIL BOX CS391 B762 PARTS LOCATION AND LIST	
1.EXTERIOR (B762)	2
2.PAPER EXIT 1 (B762)	4
3.PAPER EXIT 2 (B762)	6
4.PAPER EXIT 3 (B762)	8

MAIL BOX CS391 B762 PARTS INDEX	2
--	----------

COVER INTERPOSER TRAY TYPE 3260 B704 PARTS LOCATION AND LIST	
1.EXTERIOR (B704).....	2
2.ORIGINAL FEED 1 (B704)	4
3.ORIGINAL FEED 2 (B704)	6
4.ORIGINAL FEED 3 (B704)	8
5.ORIGINAL TRANSFER (B704)	10
6.DRIVE AND ELECTRICAL (B704).....	12

COVER INTERPOSER TRAY TYPE 3260 B704 PARTS INDEX	2
---	----------

A/11”X17” TRAY TYPE 2105 B331 PARTS LOCATION AND LIST	
1.PAPER TRAY 1 (B331)	2
2.PAPER TRAY 2 (B331)	4

A/11”X17” TRAY TYPE 2105 B331 PARTS INDEX	2
--	----------

LCT RT/8 1/2”X14” PAPER SIZE TRAY TYPE 1075 B473/B474 PARTS LOCATION AND LIST	
1.EXTERIOR (B473).....	2
2.PAPER FEED 1 (B473)	4
3.PAPER FEED 2 (B473)	6
4.TRAY DRIVE 1 (B473)	8
5.TRAY DRIVE 2 (B473)	10
6.TRAY DRIVE 3 (B473)	12
7.TRAY EXTENSION KIT (B474).....	14
8.MAIN CONTROL BOARD (B473)	16
9.DECALS AND DOCUMENTS (B473/B474)	18

LCT RT/8 1/2"X14" PAPER SIZE TRAY TYPE 1075 B473/B474 PARTS PARTS INDEX	2
--	----------

LCT ADAPTER TYPE B B699 PARTS LOCATION AND LIST	
1.LCT ADAPTOR (B699)	2

LCT ADAPTER TYPE B B699 PARTS INDEX PARTS INDEX	2
--	----------

SR841 B706 PARTS LOCATION AND LIST LOCATION OF UNIT	2
1.EXTERIOR (B706)	6
2.STAPLE TRAY 1 (B706)	8
3.STAPLE TRAY 2 (B706)	10
4.STAPLE TRAY 3 (B706)	12
5.STAPLE TRAY 4 (B706)	14
6.STAPLE TRAY 5 (B706)	16
7.STAPLER UNIT (B706)	18
8.STAPLE TRANSPORT 1 (B706)	20
9.STAPLE TRANSPORT 2 (B706)	22
10.STAPLE TRANSPORT 3 (B706)	24
11.STAPLE TRANSPORT 4 (B706)	26
12.TRANSPORT SECTION 1 (B706)	28
13.TRANSPORT SECTION 2 (B706)	30
14.PAPER EXIT SECTION 1 (B706)	32
15.PAPER EXIT SECTION 2 (B706)	34
16.PAPER EXIT SECTION 3 (B706)	36
17.PAPER EXIT SECTION 4 (B706)	38
18.DRIVE SECTION (B706)	40
19.ELECTRICAL SECTION (B706)	42

20.FRAME SECTION 1 (B706)	44
21.FRAME SECTION 2 (B706)	46
22.DECAL AND DOCUMENT (B706)	48

SR841 B706 PARTS INDEX PARTS INDEX.....	2
--	----------

FINISHER ADAPTER TYPE A B698 PARTS LOCATION AND LIST	
1.FINISHER ADAPTER (B698)	2

FINISHER ADAPTER TYPE A B698 PARTS INDEX PARTS INDEX.....	2
--	----------

PUNCH UNIT TYPE 1075 B531 PARTS LOCATION AND LIST	
1.PUNCHI UNIT (B531)	3

PUNCH UNIT TYPE 1075 B531 PARTS INDEX PARTS INDEX.....	5
---	----------

PUNCH UNIT TYPE 850 SC A812 PARTS LOCATION AND LIST	
1.PUNCH UNIT (A812)	2

PUNCH UNIT TYPE 850 SC A812 PARTS INDEX PARTS INDEX.....	2
---	----------

OUTPUT JOGGER UNIT TYPE 1075 B513 PARTS LOCATION AND LIST	
1.JOJGER UNIT (B513)	2

**OUTPUT JOGGER UNIT TYPE 1075 B513 PARTS
INDEX
PARTS INDEX 2**

**KEY COUNTER BRACKET TYPE 1027 B452 PARTS
LOCATION AND LIST
1.KEY COUNTER BRACKET (B452)..... 2**

**KEY COUNTER BRACKET TYPE 1027 B452
PARTS INDEX
PARTS INDEX 2**

**CARD READER BRACKET TYPE 3260 B498 PARTS
LOCATION AND LIST
1.CARD READER BRACKET (B498) 2**

**CARD READER BRACKET TYPE 3260 B498
PARTS INDEX
PARTS INDEX 3**

**TAB SHEET HOLDER TYPE 3260 B499 PARTS
LOCATION AND LIST
1.TAB SHEET HOLDER (B499)..... 2**

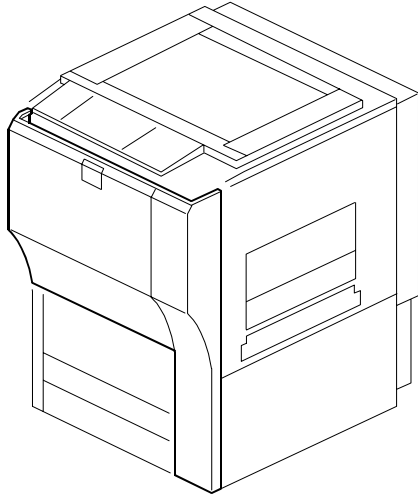
**TAB SHEET HOLDER TYPE 3260 B499 PARTS INDEX
PARTS INDEX 3**

B132/B200
PARTS LOCATION AND LIST

This section instructs you as to the numbers and names of parts on this machine.

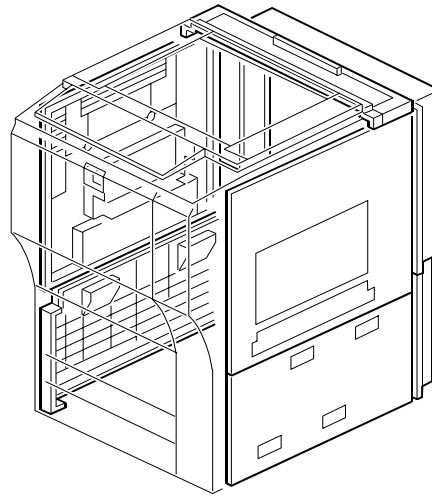
LOCATIONS OF UNITS

1. Exterior 1 (B132/B200)



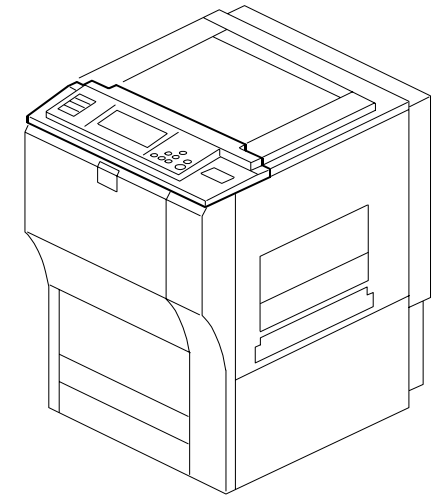
See Page 27

2. Exterior 2 (B132/B200)



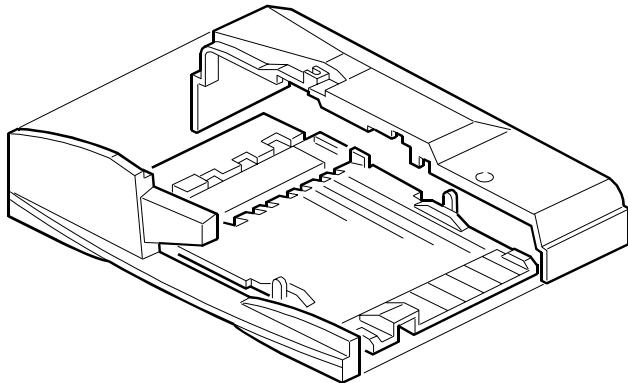
See Page 29

3. Operation Panel (B132/B200)



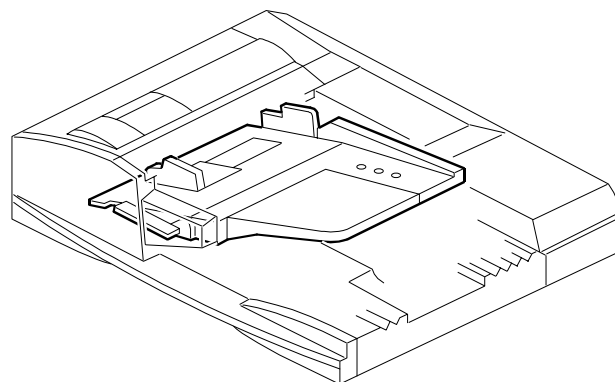
See Page 31

4. ARDF Exterior (B132/B200)



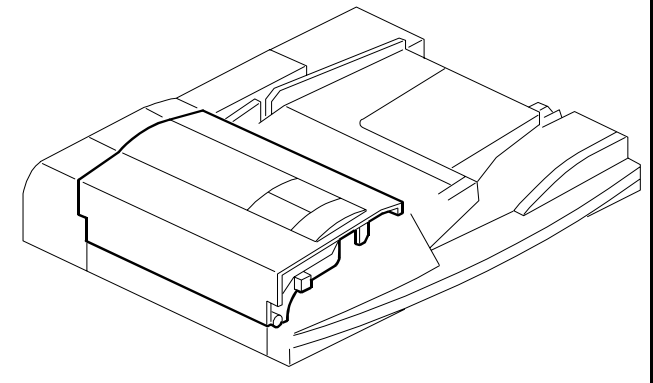
See Page 33

5. ARDF Original Tray (B132/B200)



See Page 35

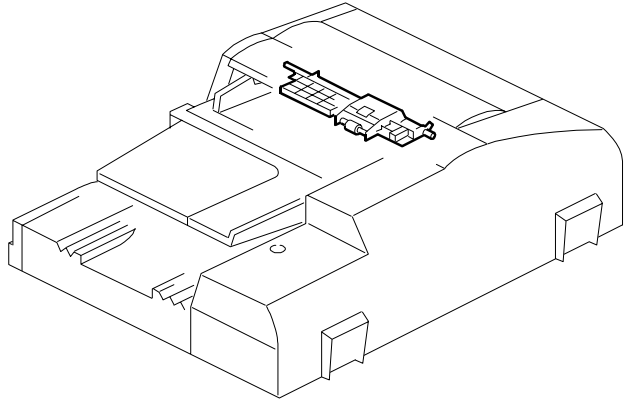
6. Original Feed 1 (B132/B200)



See Page 37

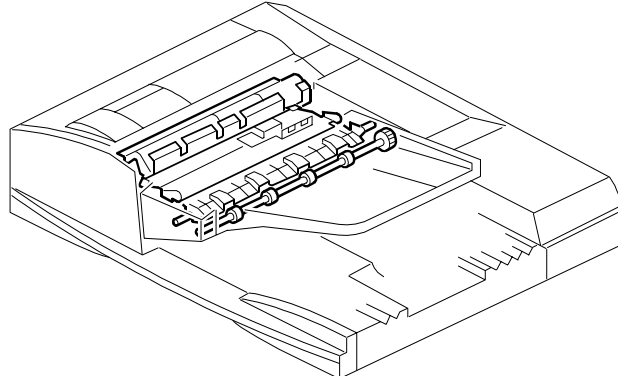
LOCATIONS OF UNITS

7. Original Feed 2 (B132/B200)



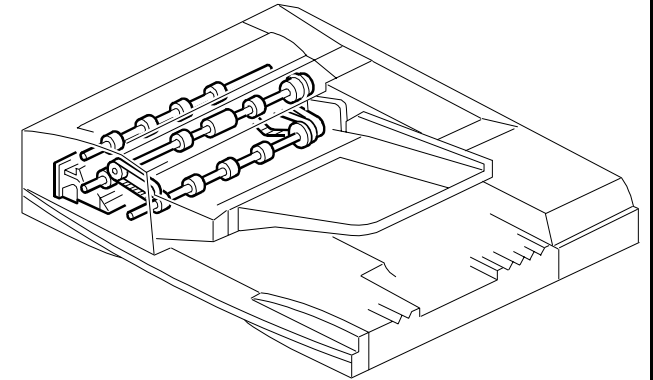
See Page 39

8. Original Trans 1 (B132/B200)



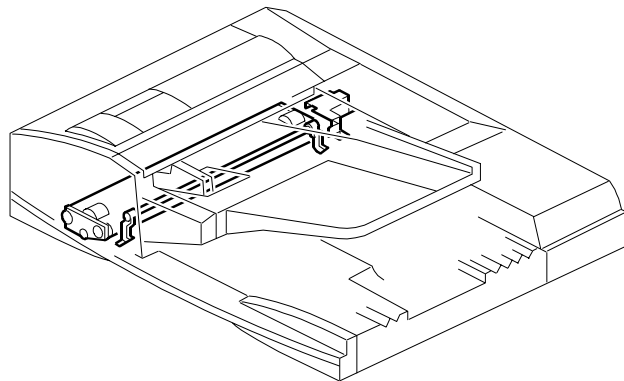
See Page 41

9. Original Trans 2 (B132/B200)



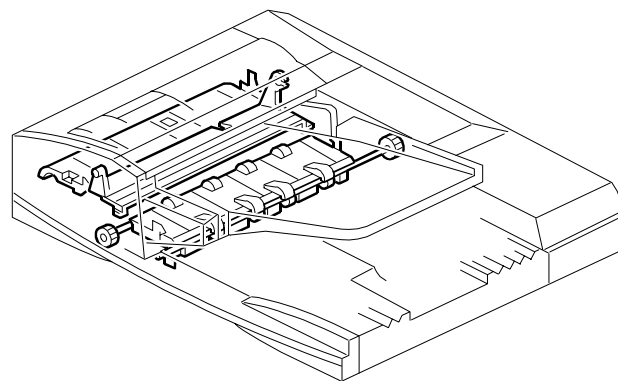
See Page 43

10. Original Trans 3 (B132/B200)



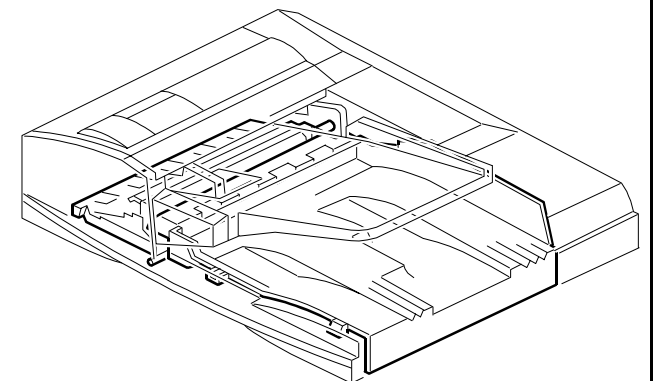
See Page 45

11. Original Exit 1 (B132/B200)



See Page 47

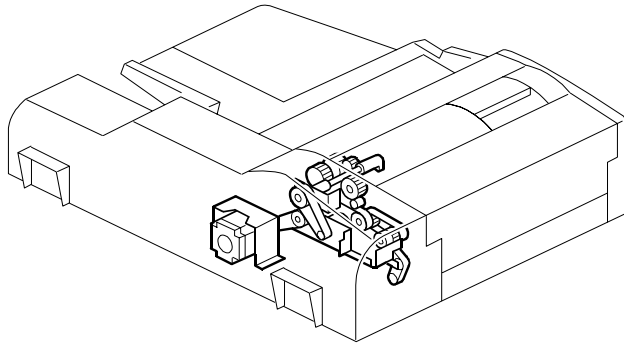
12. Original Exit 2 (B132/B200)



See Page 49

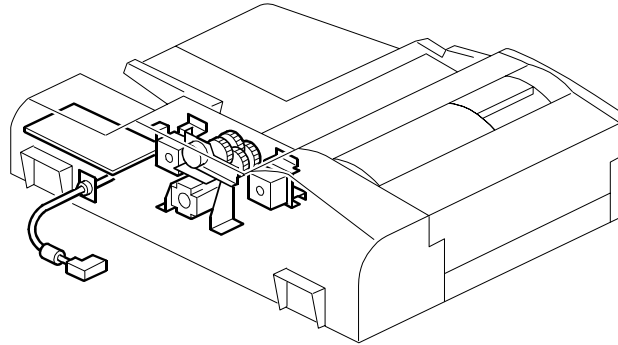
LOCATIONS OF UNITS

13. ARDF Drive & Electrical 1



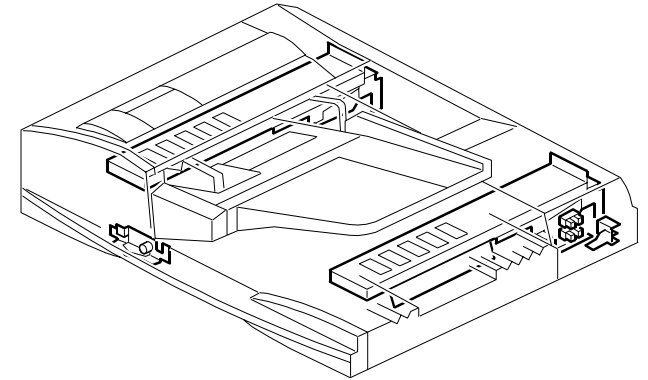
See Page 51

14. ARDF Drive & Electrical 2



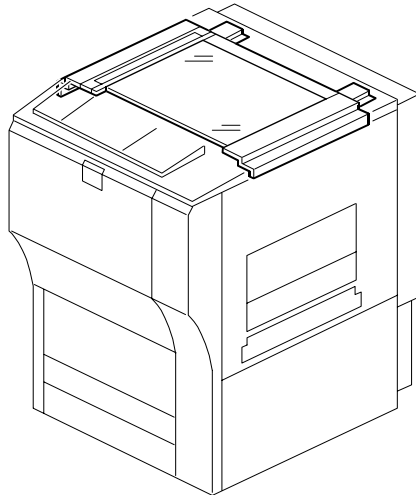
See Page 53

15. ARDF Frame (B132/B200)



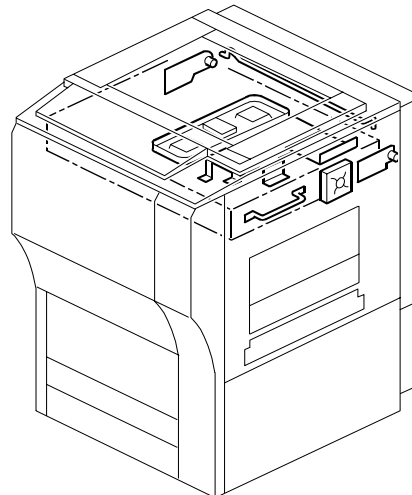
See Page 55

16. Optics Section 1 (B132/B200)



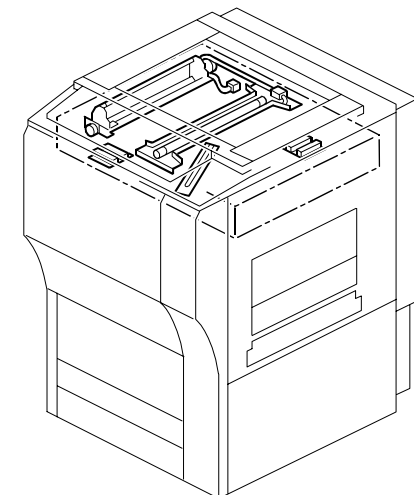
See Page 57

17. Optics Section 2 (B132/B200)



See Page 59

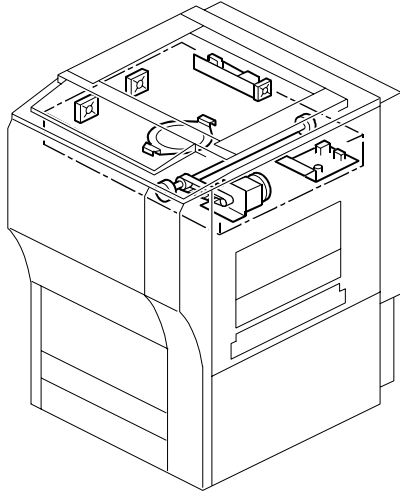
18. Optics Section 3 (B132/B200)



See Page 61

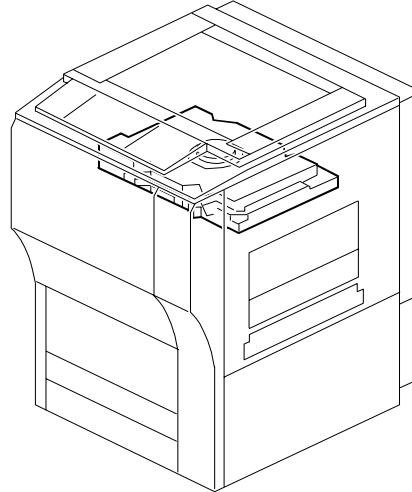
LOCATIONS OF UNITS

19. Optics Section 4 (B132/B200)



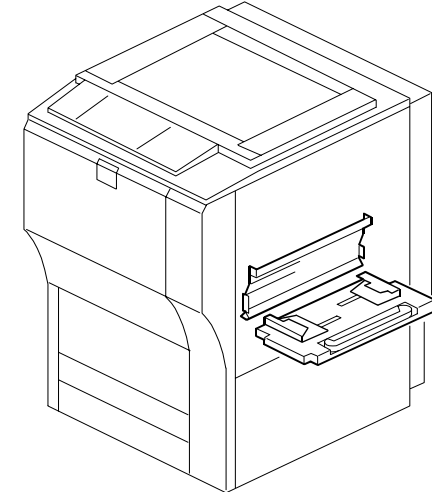
See Page 63

20. Laser Unit (B132/B200)



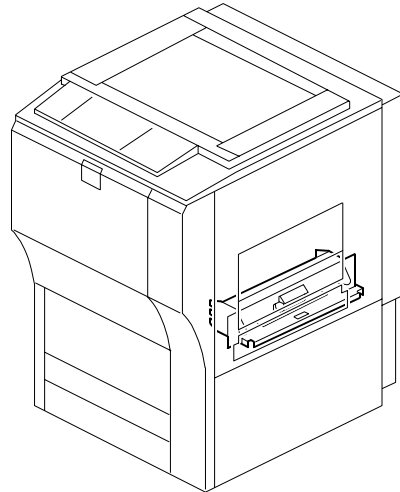
See Page 65

21. By-pass Feed 1 (B132/B200)



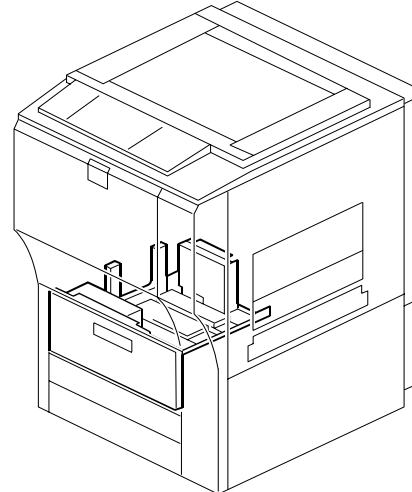
See Page 67

22. By-pass Feed 2 (B132/B200)



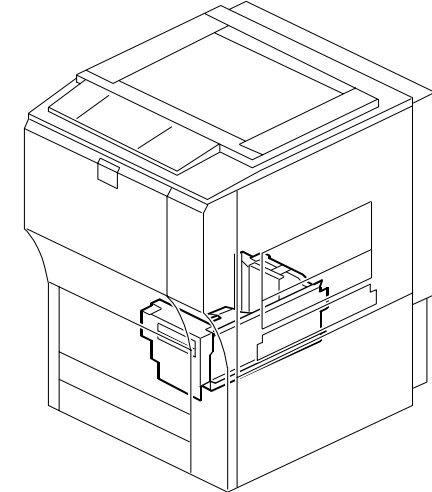
See Page 69

23. Tandem Tray 1 (B132/B200)



See Page 71

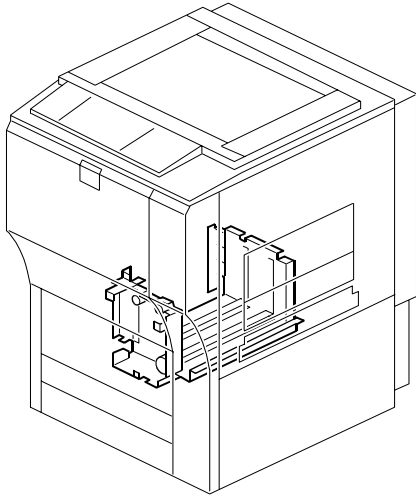
24. Tandem Tray 2 (B132/B200)



See Page 73

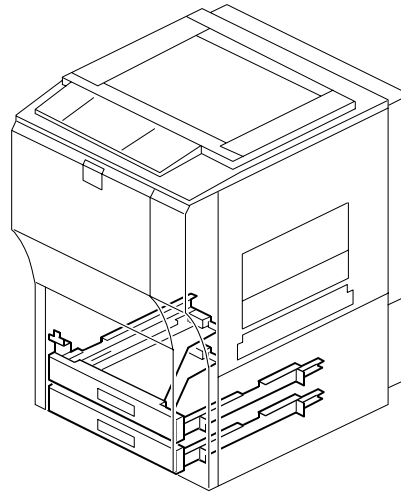
LOCATIONS OF UNITS

25. Tandem Tray 3 (B132/B200)



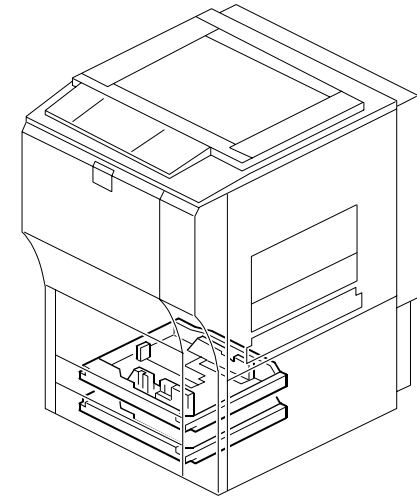
See Page 75

26. Universal Tray 1 (B132/B200)



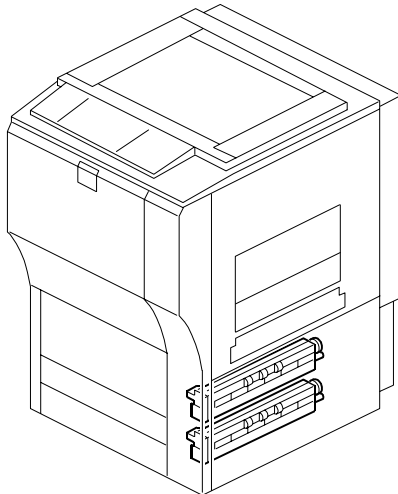
See Page 77

27. Universal Tray 2 (B132/B200)



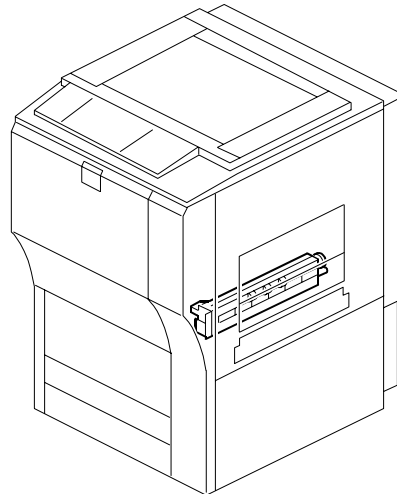
See Page 79

28. Paper Registration 1 (B132/B200)



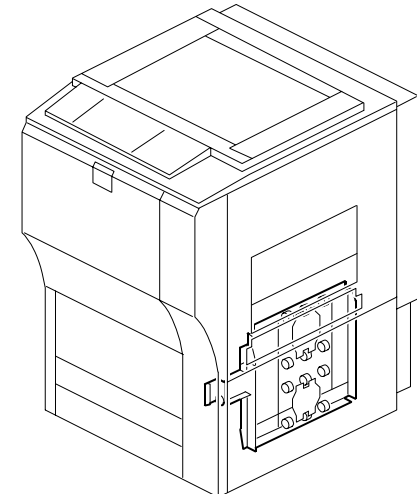
See Page 81

29. Paper Registration 2 (B132/B200)



See Page 83

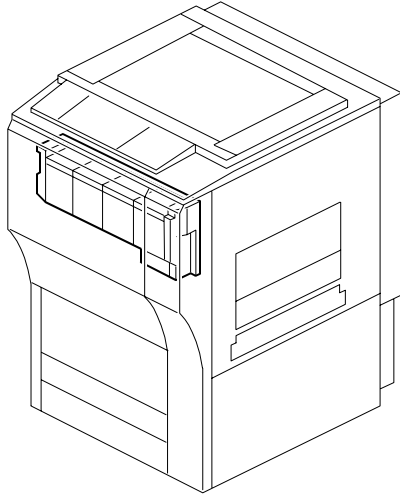
30. Vertical Transport (B132/B200)



See Page 85

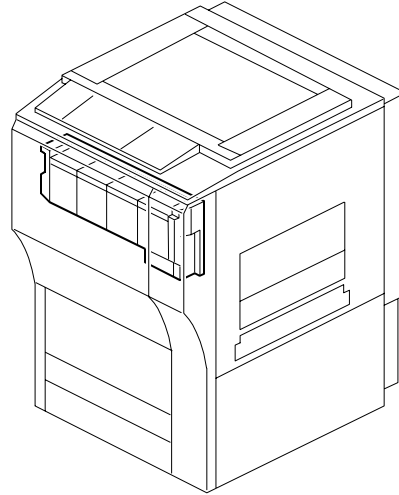
LOCATIONS OF UNITS

31. Toner Supply 1 (B132/B200)



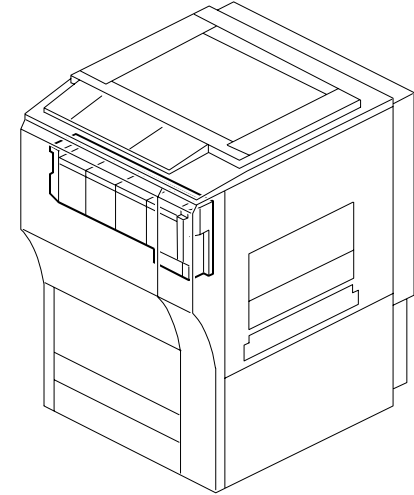
See Page 87

32. Toner Supply 2 (B132/B200)



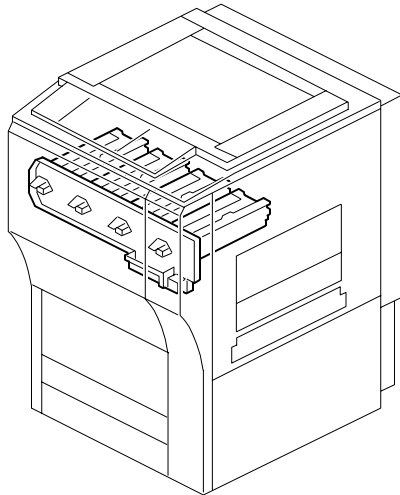
See Page 89

33. Toner Supply 3 (B132/B200)



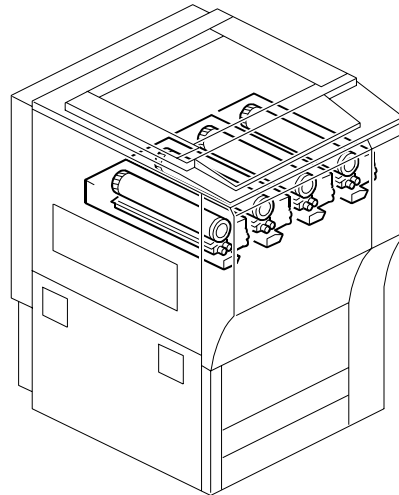
See Page 91

34. PCU 1 (B132/B200)



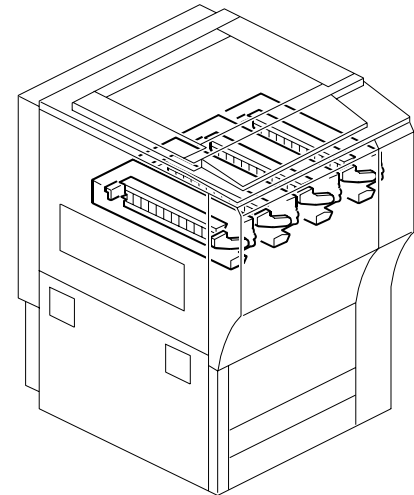
See Page 93

35. PCU 2 (B132/B200)



See Page 95

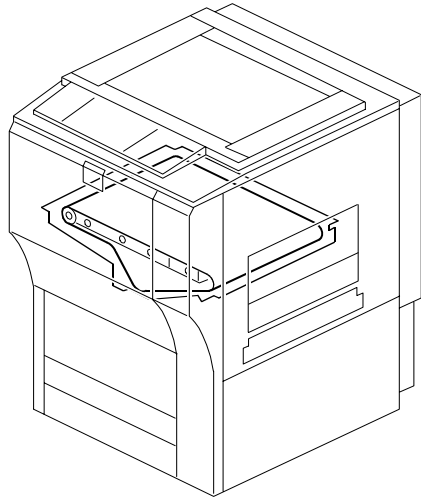
36. Development Unit (B132/B200)



See Page 97

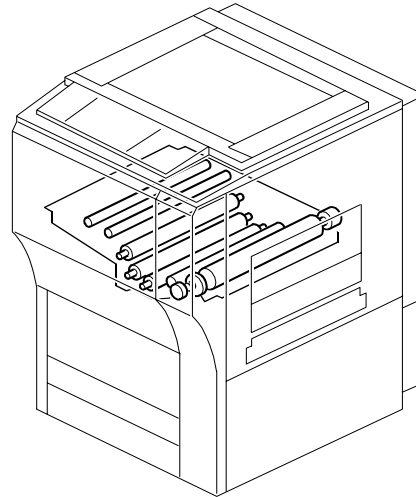
LOCATIONS OF UNITS

37. Transfer Belt Unit 1 (B132/B200)



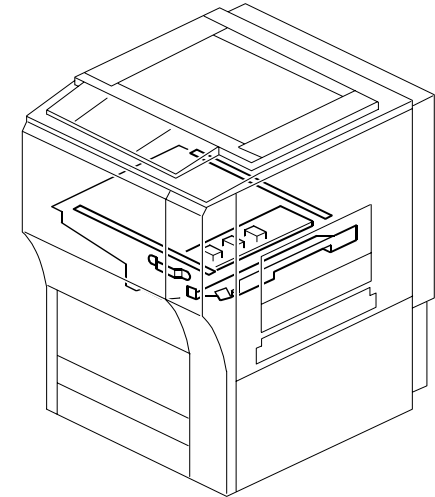
See Page 99

38. Transfer Belt Unit 2 (B132/B200)



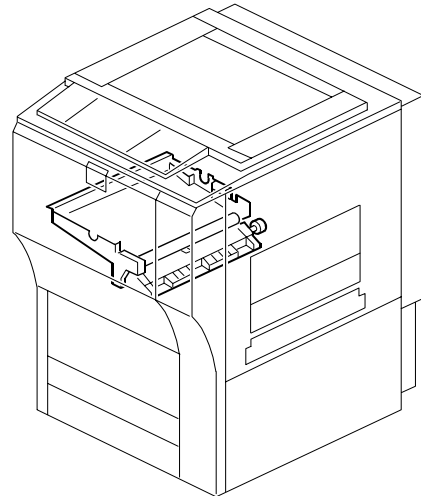
See Page 101

39. Transfer Belt Unit 3 (B132/B200)



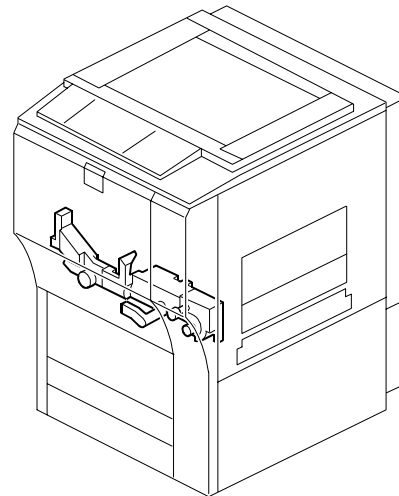
See Page 103

40. Transfer Belt Cleaning



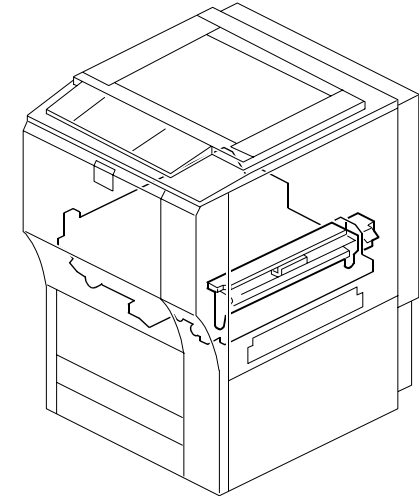
See Page 105

41. Transfer Cover (B132/B200)



See Page 107

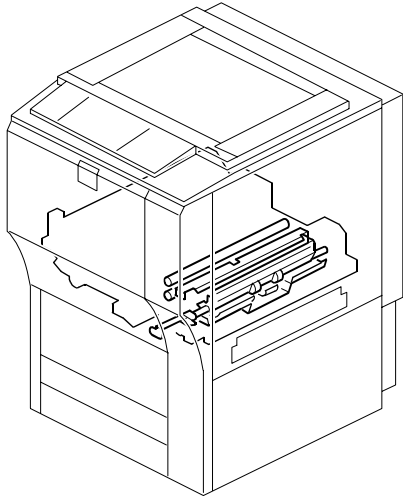
42. Transfer Entrance 1 (B132/B200)



See Page 109

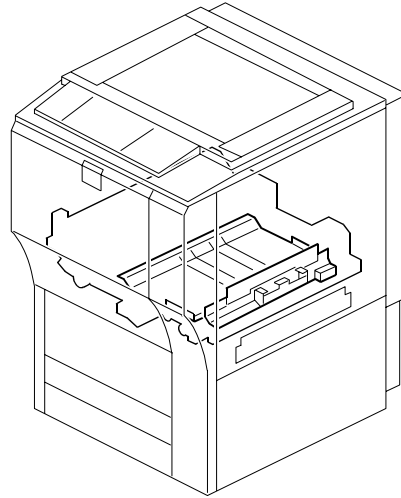
LOCATIONS OF UNITS

43. Transfer Entrance 2 (B132/B200)



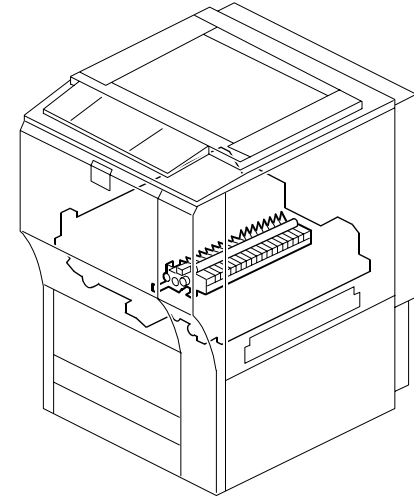
See Page 111

44. Transfer Entrance 3 (B132/B200)



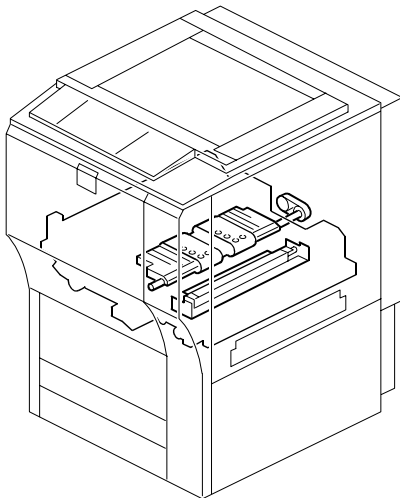
See Page 113

45. Paper Transfer 1 (B132/B200)



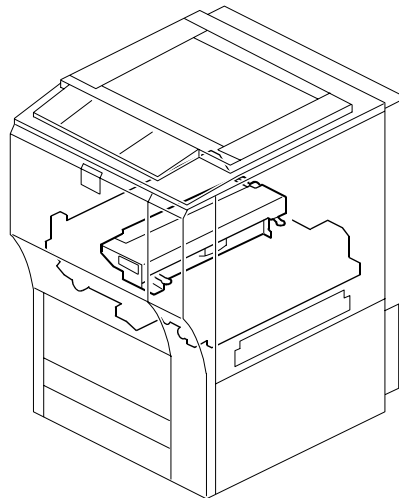
See Page 115

46. Paper Transfer 2 (B132/B200)



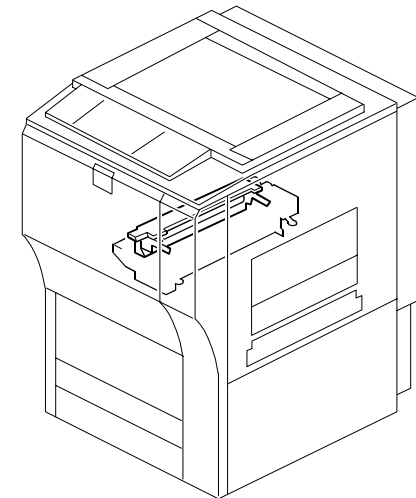
See Page 117

47. Fusing Unit 1 (B132/B200)



See Page 119

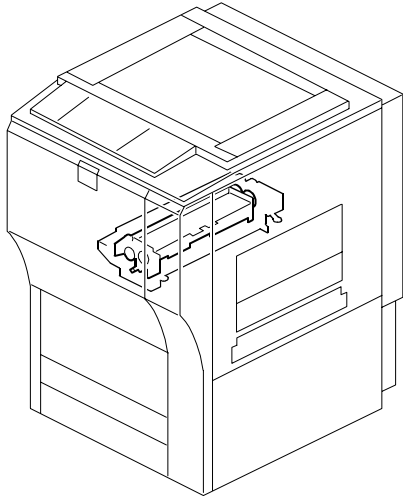
48. Fusing Unit 2 (B132/B200)



See Page 121

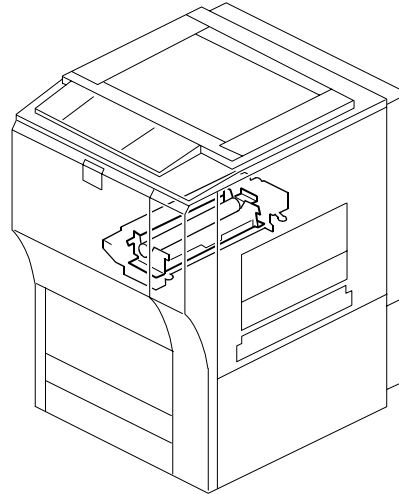
LOCATIONS OF UNITS

49. Fusing Unit 3 (B132/B200)



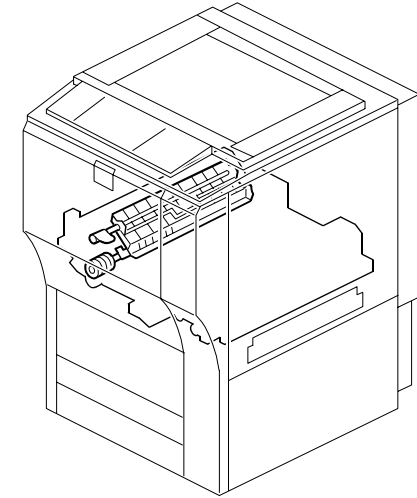
See Page 123

50. Fusing Unit 4 (B132/B200)



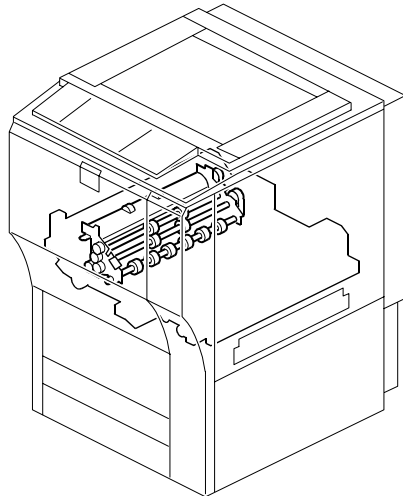
See Page 125

51. Paper Exit 1 (B132/B200)



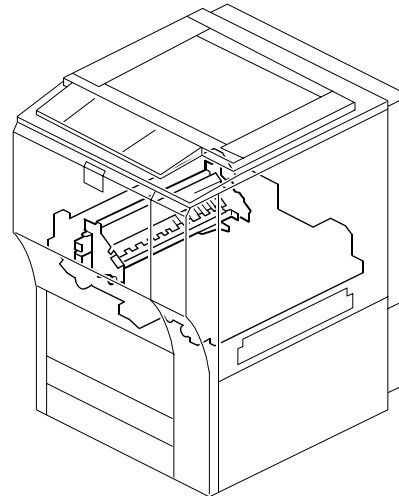
See Page 127

52. Paper Exit 2 (B132/B200)



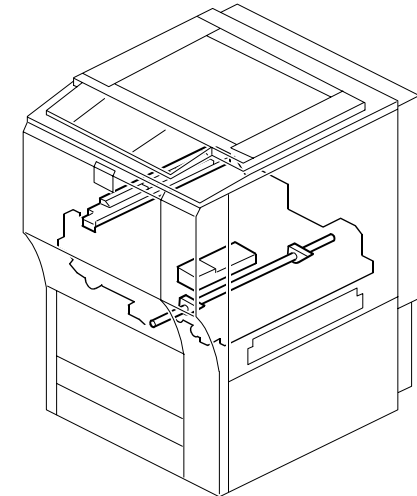
See Page 129

53. Paper Exit 3 (B132/B200)



See Page 131

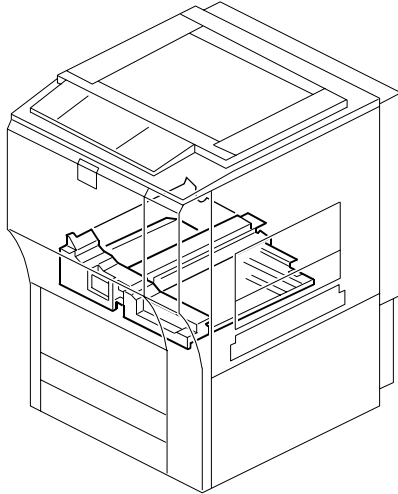
54. Paper Exit 4 (B132/B200)



See Page 133

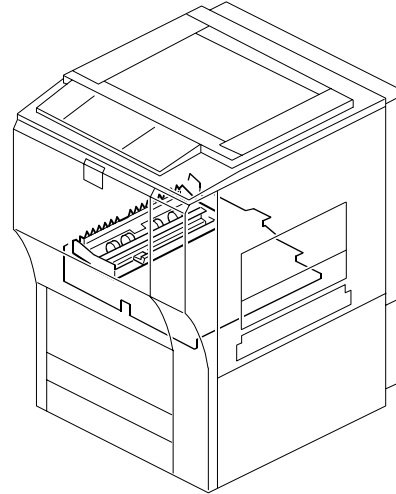
LOCATIONS OF UNITS

55. Duplex Unit 1 (B132/B200)



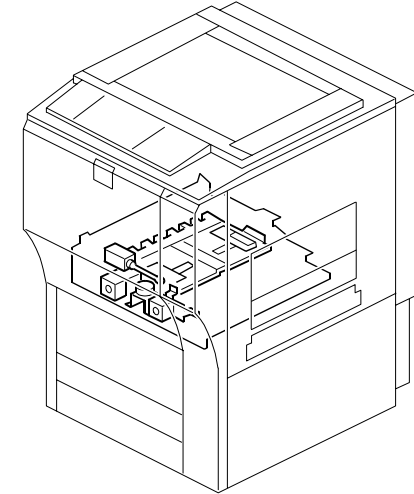
See Page 135

56. Duplex Unit 2 (B132/B200)



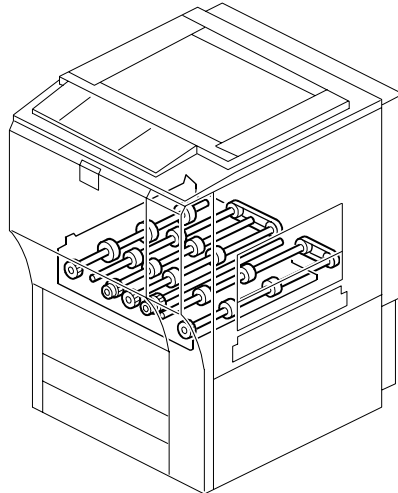
See Page 137

57. Duplex Unit 3 (B132/B200)



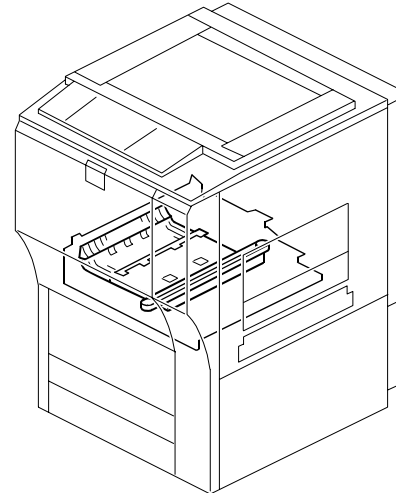
See Page 139

58. Duplex Unit 4 (B132/B200)



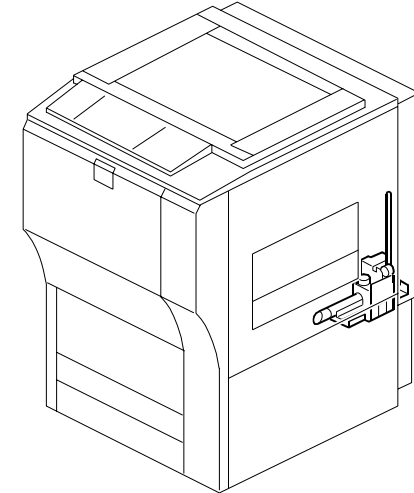
See Page 141

59. Duplex Unit 5 (B132/B200)



See Page 143

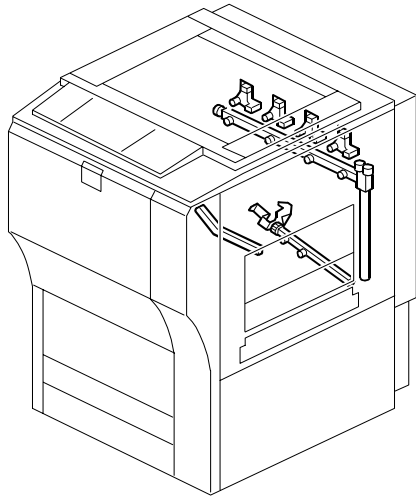
60. Used Toner Section 1 (B132/B200)



See Page 145

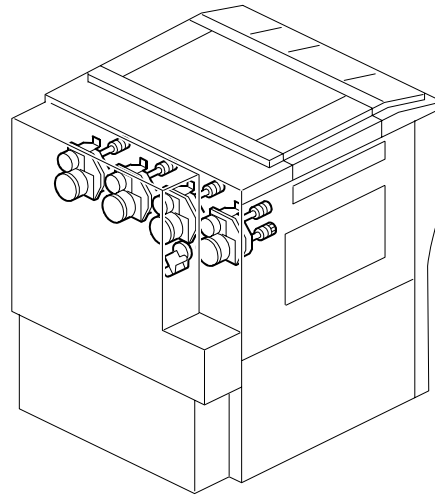
LOCATIONS OF UNITS

61. Used Toner Section 2



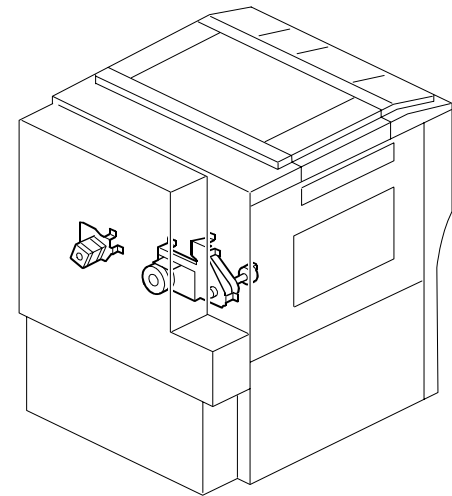
See Page 147

62. Drive Section 1 (B132/B200)



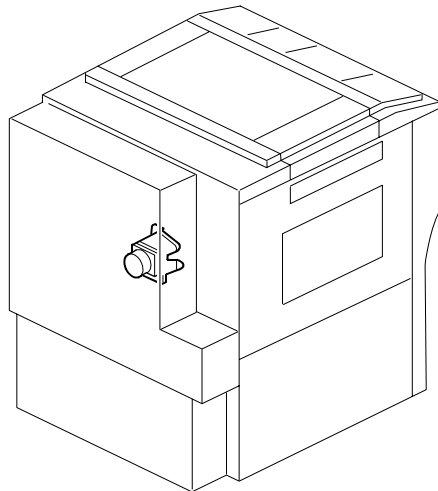
See Page 149

63. Drive Section 2 (B132/B200)



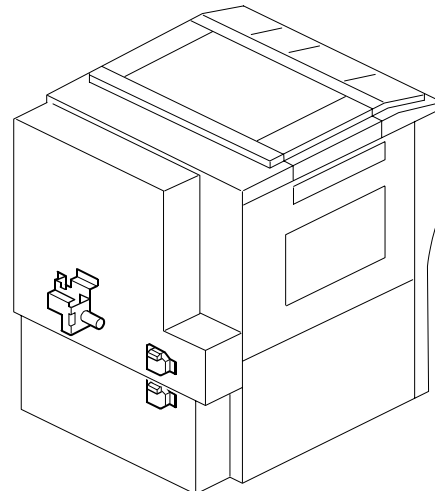
See Page 151

64. Drive Section 3 (B132/B200)



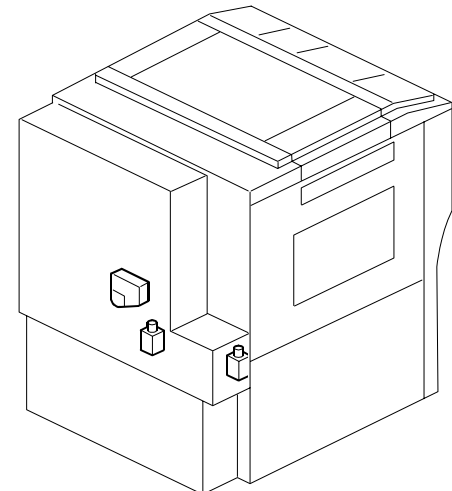
See Page 153

65. Drive Section 4 (B132/B200)



See Page 155

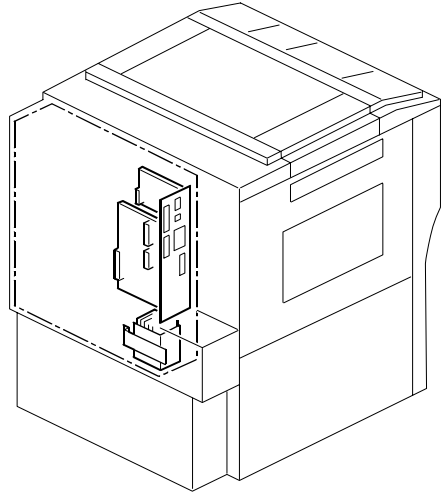
66. Drive Section 5 (B132/B200)



See Page 157

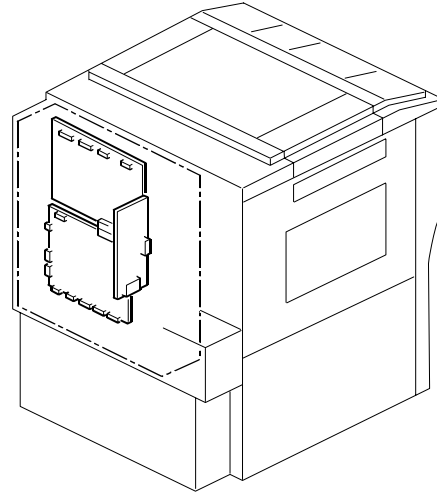
LOCATIONS OF UNITS

67. Electrical Section 1 (B132/B200)



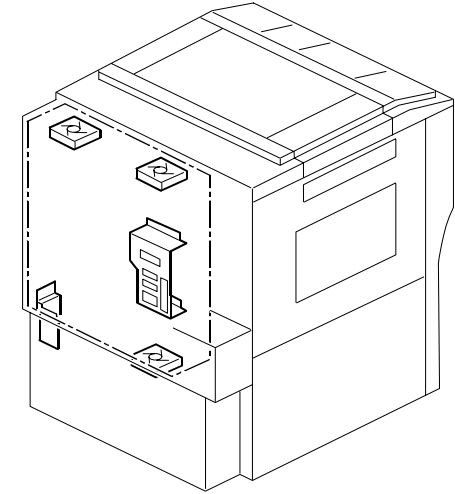
See Page 159

68. Electrical Section 2 (B132/B200)



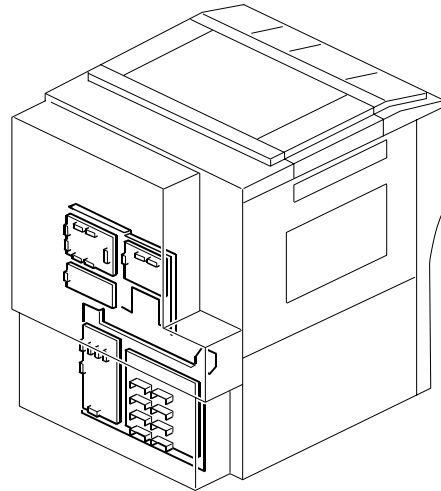
See Page 161

69. Electrical Section 3 (B132/B200)



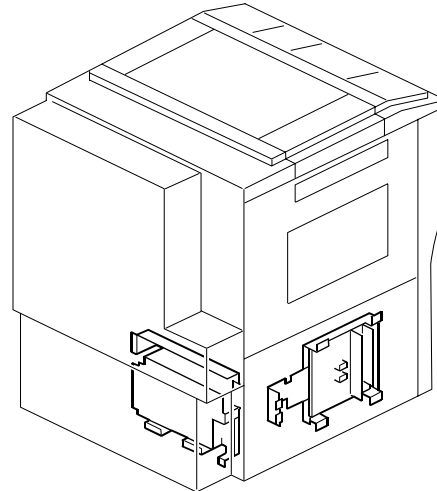
See Page 163

70. Electrical Section 4 (B132/B200)



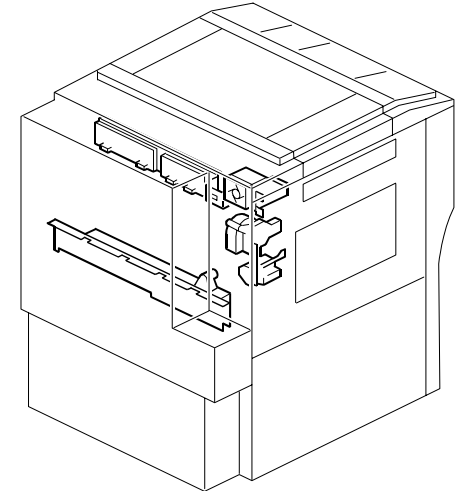
See Page 165

71. Electrical Section 5 (B132/B200)



See Page 167

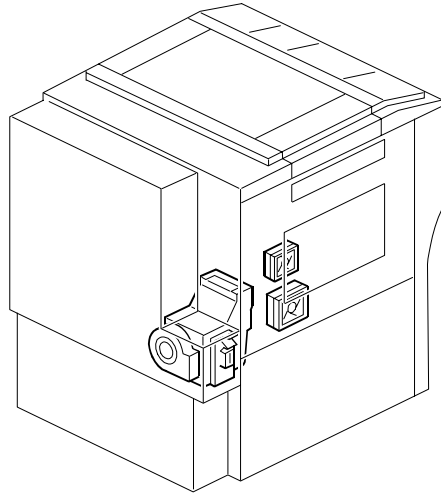
72. Electrical Section 6 (B132/B200)



See Page 169

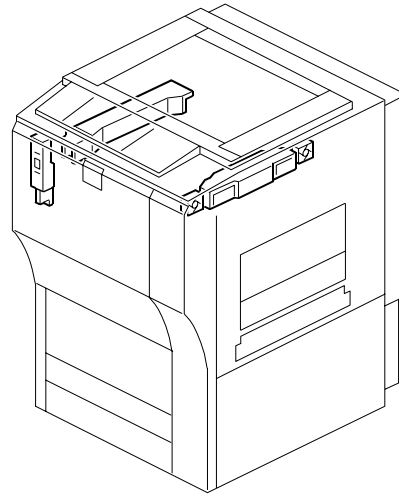
LOCATIONS OF UNITS

73. Electrical Section 7 (B132/B200)



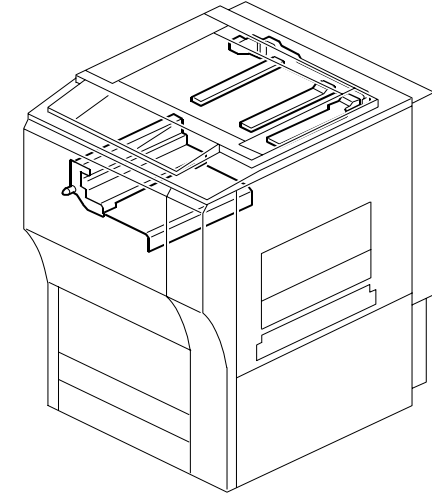
See Page 171

74. Electrical Section 8 (B132/B200)



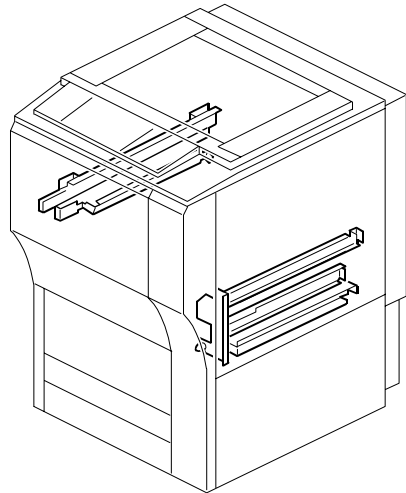
See Page 173

75. Frame Section 1 (B132/B200)



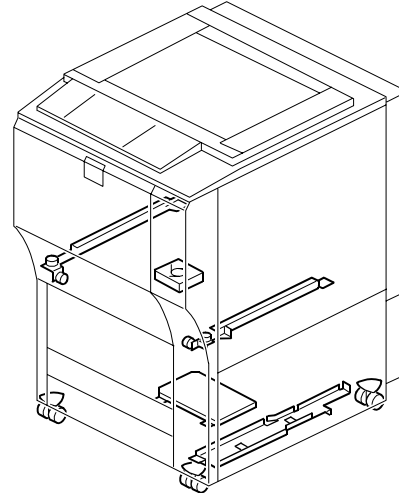
See Page 175

76. Frame Section 2 (B132/B200)



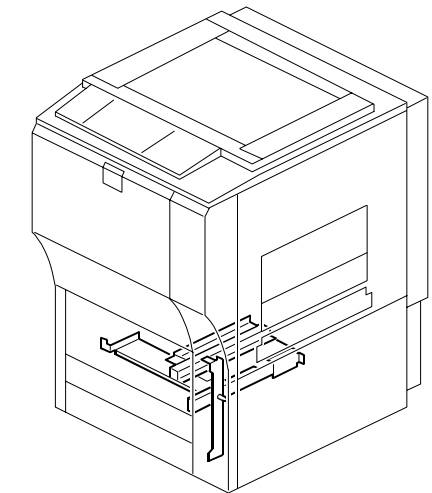
See Page 177

77. Frame Section 3 (B132/B200)



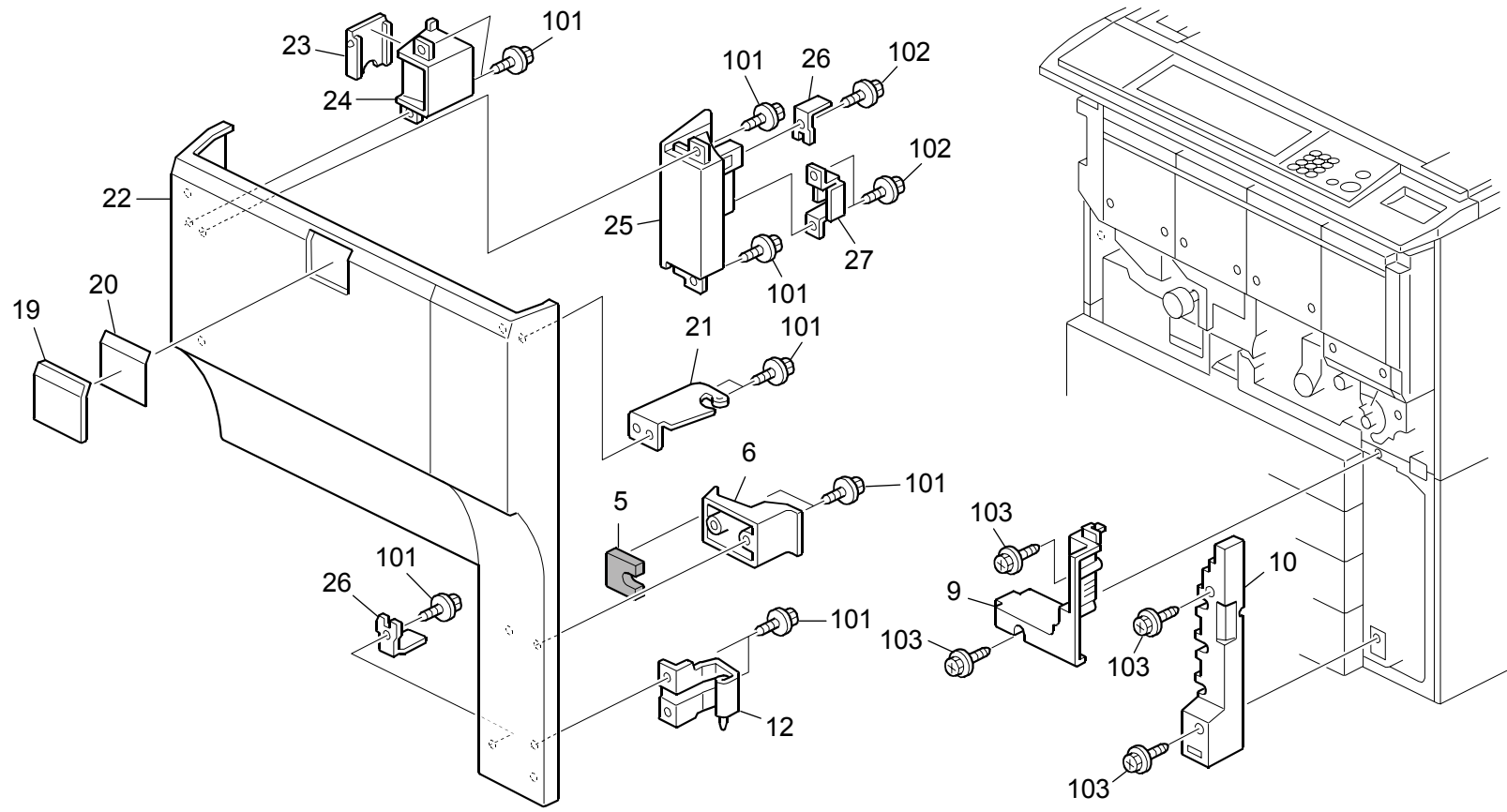
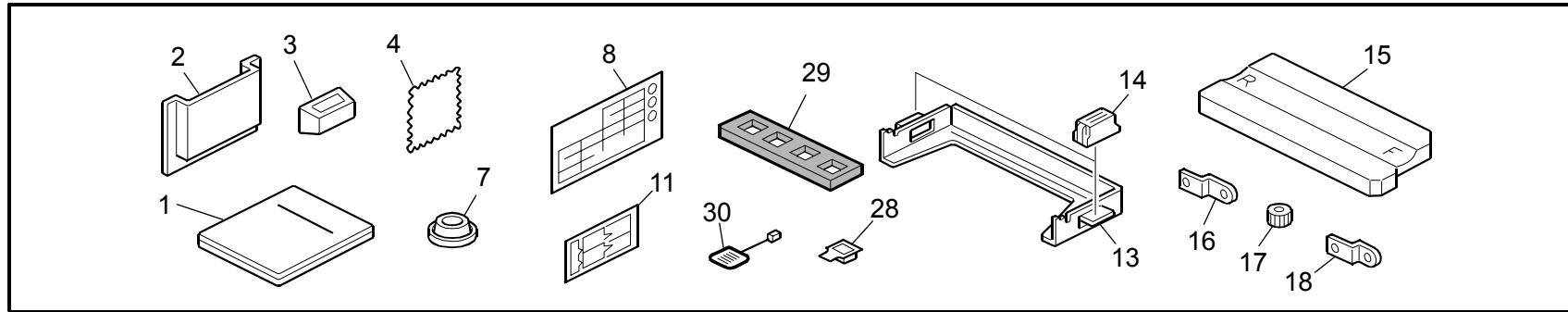
See Page 179

78. Frame Section 4 (B132/B200)



See Page 181

1.Exterior 1 (B132/B200)

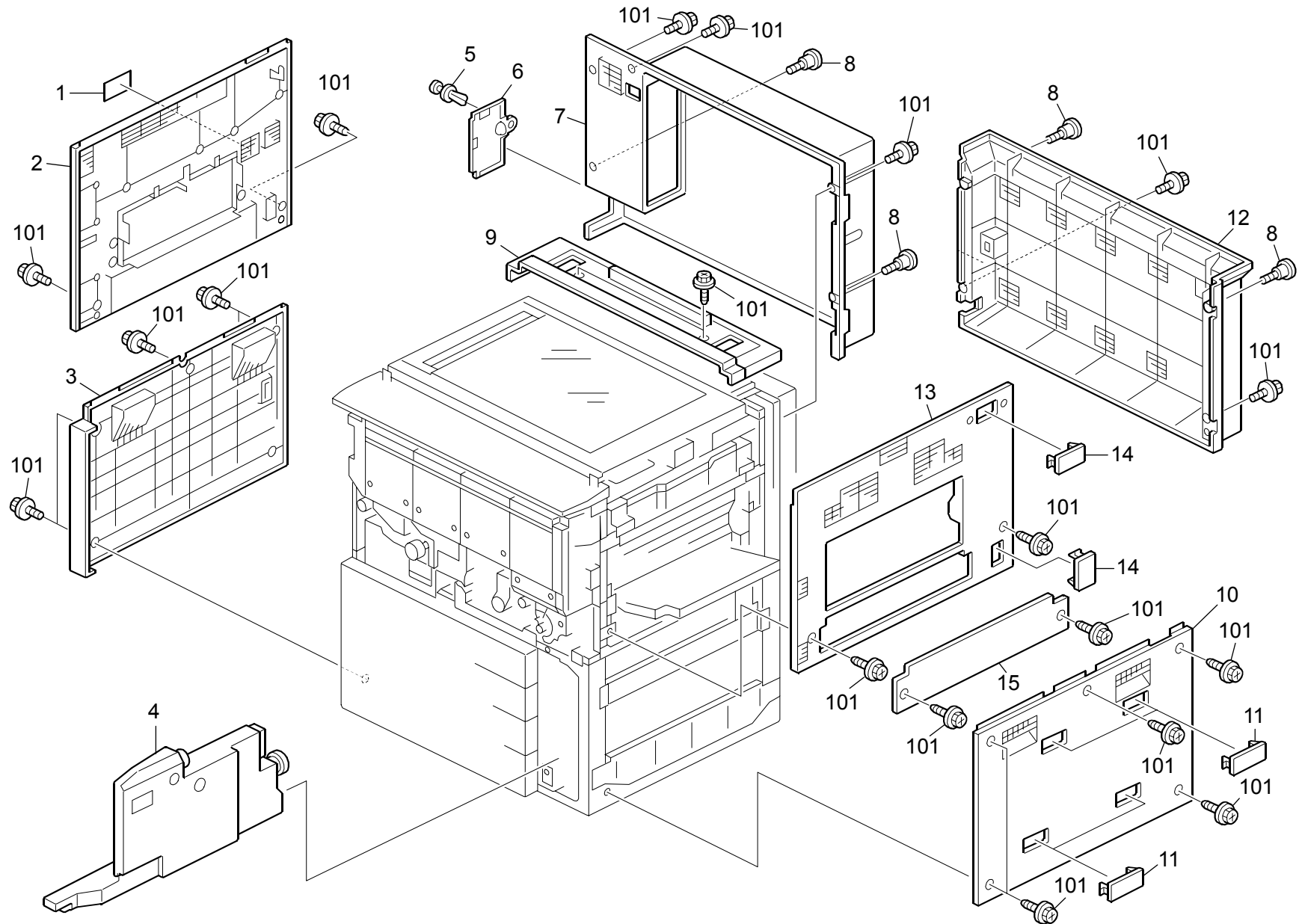


1.Exterior 1 (B132/B200)

Index No.	Part No.	Description	Q'ty Per Assembly
1	B132 8307	Operating Instructions - Security (NA)	1
1	B132 8607	Operating Instructions - Main (NA)	1
1	B132 8707	Operating Instructions - Copy (NA)	1
2	B027 8521	O/I Holder - Assembly	1
3	B065 1371	Cloth Holder	1
4	B065 1374	Cloth - DF Exposure Glass	1
5	B132 1529	Sponge:SD-Card:Plate	1
6	B132 1511	Lever:Guide Plate	1
7	B132 1226	Holder:Stand	2
8	B065 8490	Decal - Paper Size (B181)	1
9	B132 1558	Inner Cover:Paper Feed	1
10	B132 6761	Inner Cover:Paper Feed	1
11	B070 1307	Decal:Paper Set Direction	1
12	B132 1453	Hinge:Door:Lower:Ass'y	1
13	B132 2393	Tray:Holder:PCU	1
14	AG07 1012	Magnet Catch:Ass'y	2
15	B132 2391	Holder:PCU	1
16	B132 2392	Plate:Drum Shaft	1
17	B132 3120	Gear:Development Roller	5
18	B132 3079	Adjusting Pin:Development	1
19	B132 1531	Panel:Logo	1
20	B132 1533	Sheet:Logo:NA (B181)	1
20	B132 1537	Sheet:Logo:Lan:LDC160C (B181)	1
20	B132 1538	Sheet:Logo:Nsa:DSC460 (B181)	1
20	B132 1539	Sheet:Logo:Rex:DSC460 (B181)	1
20	B132 1540	Sheet:Logo:Ges:DSC460:EU (B181)	1
20	B132 1541	Sheet:Logo:Inf:ISC4560 (B181)	1
20	B200 1533	Sheet:Logo:Aficio5560 (B200)	1
20	B200 1535	Sheet:Logo:Svn:SDC555 (B200)	1
20	B200 1536	Sheet:Logo:Ges:CS555 (B200)	1
20	B200 1537	Sheet:Logo:Lan:LC155 (B200)	1
20	B200 1538	Sheet:Logo:Nsa:CS555 (B200)	1
20	B200 1539	Sheet:Logo:Rex:CS555 (B200)	1
20	B200 1540	Sheet:Logo:Ges:CS555:EU (B200)	1
21	B132 1452	Hinge:Door:Upper	1

Index No.	Part No.	Description	Q'ty Per Assembly
22	B132 1456	Door:Front:Ass'y	1
23	B132 1512	Cover:Main Switch	1
24	B132 1513	Case:Main Switch	1
25	B132 1514	Grip:Door:Front	1
26	B132 1515	Lever:Micro Switch	1
27	B132 1526	Door Catch	1
28	B132 3179	Cap:Toner Supply:Upper	1
29	B132 3084	Holder:Cap:Receiving Sub-unit	1
30	B027 3170	Stopper:Charge	1
101	0450 4012N	Tapping Screw - 4x12	
102	0450 4010N	Tapping Screw - M4x10	
103	0451 4008N	Tapping Screw - 4x8	

2.Exterior 2 (B132/B200)



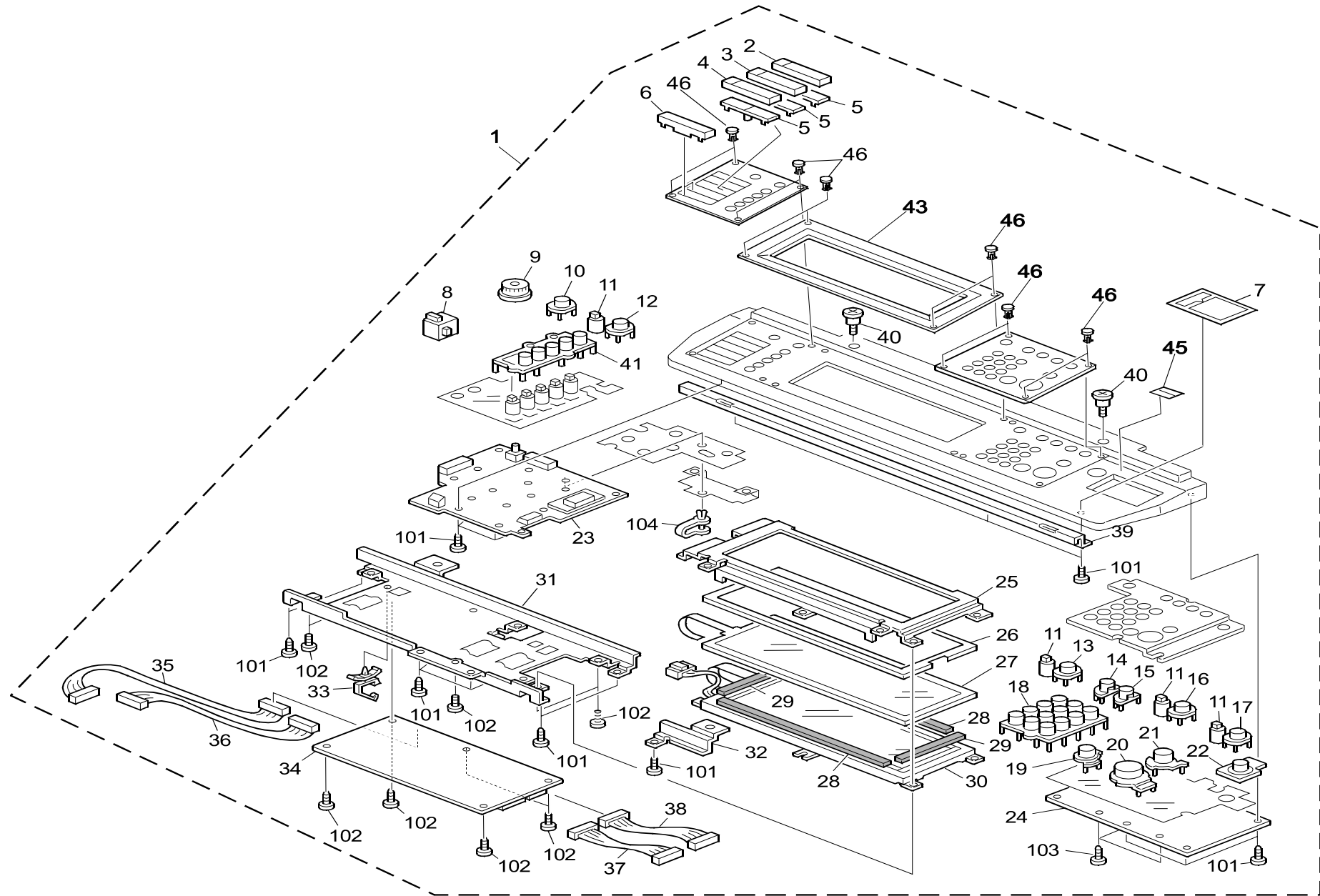
2.Exterior 2 (B132/B200)

Index No.	Part No.	Description	Q'ty Per Assembly
1	B065 4480	Decal - Cover	1
2	B132 1506	Cover:Left Middle	1
3	B132 1509	Cover:Left Lower	1
4	B132 6596	Waste Toner Bottle	1
5	B039 1367	Rivet - M6	1
6	B132 1516	Cover:Ozone Filter	1
7	B132 1507	Cover:Rear Middle	1
8	AA14 3801	Screw:M4:Exterior	4
9	B132 1504	Cover:Rear Upper	1
10	B132 1508	Cover:Right Lower	1
11	B065 1341	Connector Cap	4
12	B132 1471	Cover:Rear Lower:Ass'y	1
13	B132 1505	Cover:Right Middle	1
14	B065 1344	G4 Cap	2
15	B065 1303	LCT Cover	1

Index No.	Part No.	Description	Q'ty Per Assembly
101	0451 4010N	Tapping Scre - 4x10	

3. Operation Panel (B132/B200)

Rev. 10/21/2005



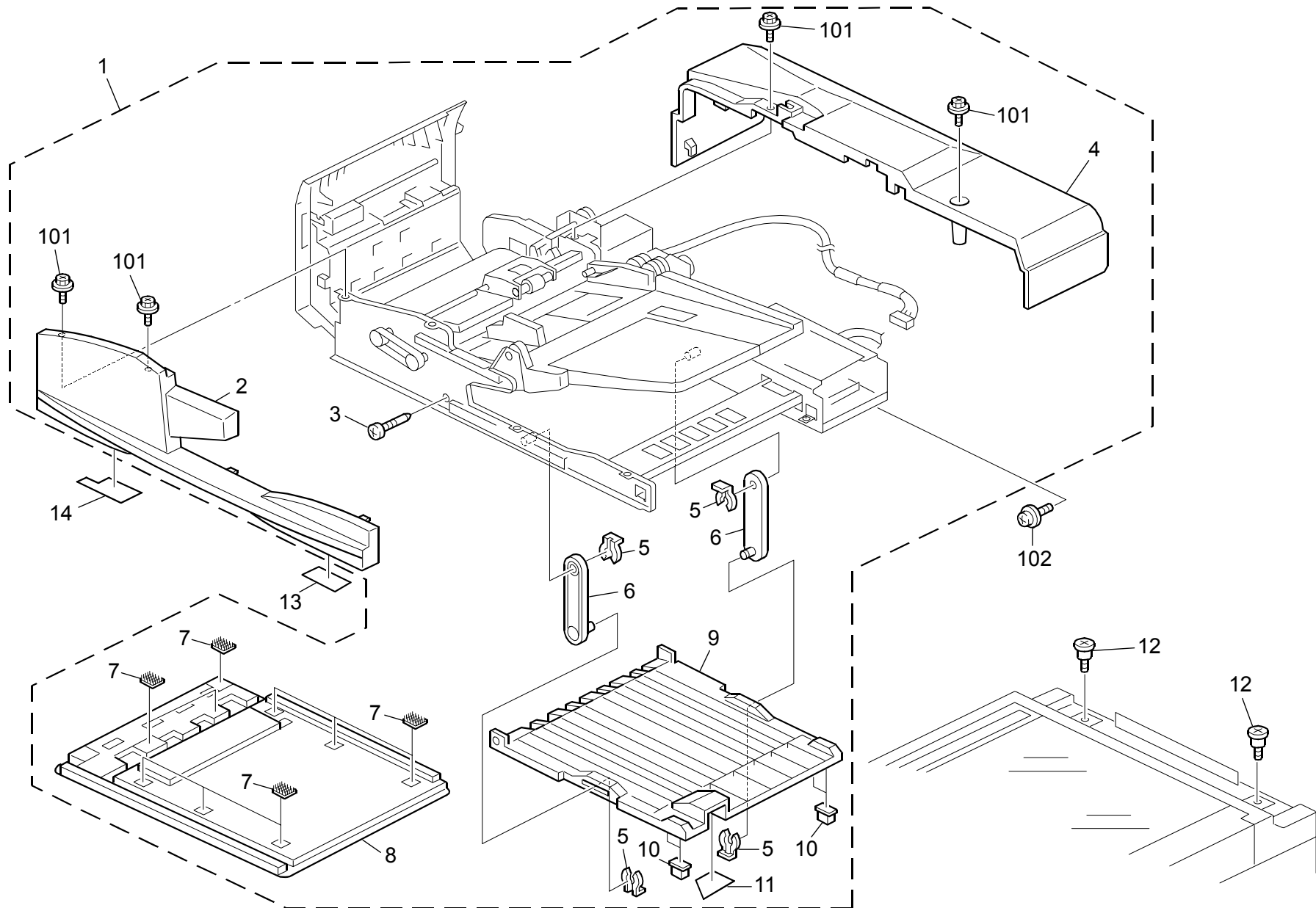
3. Opetation Panel (B132/B200)

Rev. 10/21/2005

Index No.	Part No.	Description	Q'ty Per Assembly
1	B132 7212	Operation Panel (NA)	1
1	B132 7213	Operation Panel (EU)	1
2	B132 7331	Keytop:Application:Job (NA)	1
2	B132 7341	Keytop+O8176:Job (EU)	1
3	B132 7332	Keytop:Application:Copy (NA)	1
3	B132 7342	Keytop:Application:Copy (EU)	1
4	B132 7333	Keytop:Application:Doc (NA)	1
4	B132 7343	Keytop:Application:Doc (EU)	1
5	B132 7273	Keytop:Application:Base	3
6	B132 7274	Keytop:Application:Cover	2
6	B737 7219	Keytop:Scanner:NA (B181)	1
6	B737 7229	Keytop:Scanner:EU (B181)	1
6	B737 7218	Keytop:Printer:NA (B181)	1
6	B737 7228	Keytop:Printer:EU (B181)	1
7	B132 1562	Decal - Inkjet:Paper	1
8	B132 7276	Lens:Data:In	1
9	B027 1444	Dial	1
10	B132 7263	Keytop:Counter	1
11	B132 7275	Lens:Keytop:1	9
12	B132 7262	Keytop:Collar Adjust	1
13	B132 7261	Keytop:Confirm	1
14	B132 7260	Keytop:Block Diagram	1
15	B132 7349	Keytop:Clear:Modes	1
16	B132 7258	Keytop:Preheat	1
17	B132 7257	Keytop:Interrupt	1
18	B132 7252	Keytop:10key	1
19	B132 7254	Keytop:Clear/Stop	1
20	B132 7265	Keytop:Start	1
21	B132 7253	Keytop:Sample Copy	1
22	B132 7256	Keytop:Power Source	1
23	B132 7310	PCB:OP-L	1
24	B132 7300	PCB:OP-R	1
25	B132 7286	Shadeing Plate:Touch Panel	1
26	B132 7297	Insulating Sheet:LCD:Touch Panel	1
27	B180 5258	Touch Panel:HVGA	1

Index No.	Part No.	Description	Q'ty Per Assembly
28	B027 1484	Long Spacer - Touch Panel	2
29	B027 1485	Short Spacer - Touch Panel	2
30	B140 7510	LCD:H-VGA:EDMGU95WDF:BK	1
31	B132 7282	Bracket:LCDC:Ass'y	1
32	B132 7290	Bracket:OP-R	1
33	B132 7296	Clamp:LWS-05S	1
34	B132 5194	PCB:OPU (NA)	1
34	B132 5195	PCB:OPU (EU)	1
35	B132 7314	Harness - OP-L:15	1
36	B132 7313	Harness - OP-L:14	1
37	B104 5083	Harness - SDG OP-R 13	1
38	B104 5084	Harness - SDG OP-R 10	1
39	B132 7287	Bracket:Coupling:Machine or Cop	1
40	5206 2684	Shoulder Screw - M3	2
41	B132 7266	Keytop:Round:Coupling	1
42	B132 7337	Panel Plate Left: NA	1
43	B132 7291	Center Panel Plate	1
44	B132 7336	Panel Plate Right: NA	1
45	B132 7338	Lable: Power Switch: NA	1
46	B132 7294	Pin: Operation Panel	12
101	0452 3010N	Binding Self-Tapping Screw:3x10	
102	0353 0060N	Philips Pan Head Bind Screw - M3x6	
103	0452 3010P	Binding Self-Tapping Screw:3x10	
104	1105 0032	Clamp	

4.ARDF Exterior (B132/B200)

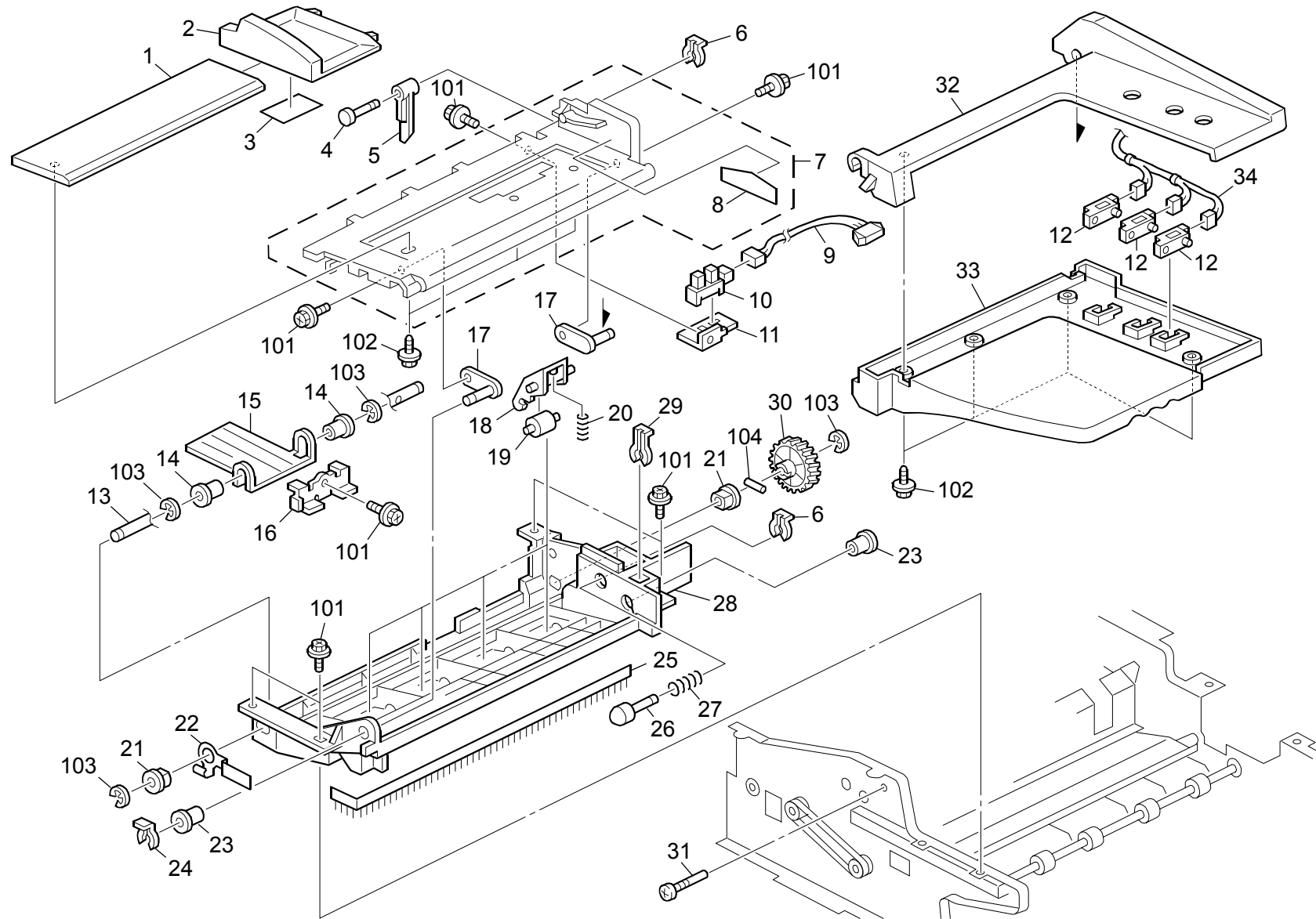


4.ARDF Exterior (B132/B200)

Index No.	Part No.	Description	Q'ty Per Assembly
1	B132 7451	ADF:Ass'y	1
2	B652 1902	Cover:Front	1
3	AA14 3788	Pin:Guide Plate:Paper Feed	1
4	B652 1952	Cover:Rear	1
5	5447 2681	Snap Ring	4
6	B652 4903	Stopper:Guide Plate:Pressure Plate	2
7	B477 2715	Pressure Plate Tape	10
8	B652 4741	Pressure Plate:Ass'y	1
9	B652 4902	Guide Plate:Pressure Plate	1
10	G012 1531	Magnet	4
11	B652 4905	Decal - Misfeed Removal	1
12	A859 7211	Stepped Screw	2
13	B652 1906	Decal - Misfeed Removal	1
14	B652 1905	Decal - Misfeed Removal:Exit	1

Index No.	Part No.	Description	Q'ty Per Assembly
101	0451 3006N	Tapping Screw - 3x6	
102	0951 5010N	Screw - M5x10	

5.ARDF Original Tray (B132/B200)

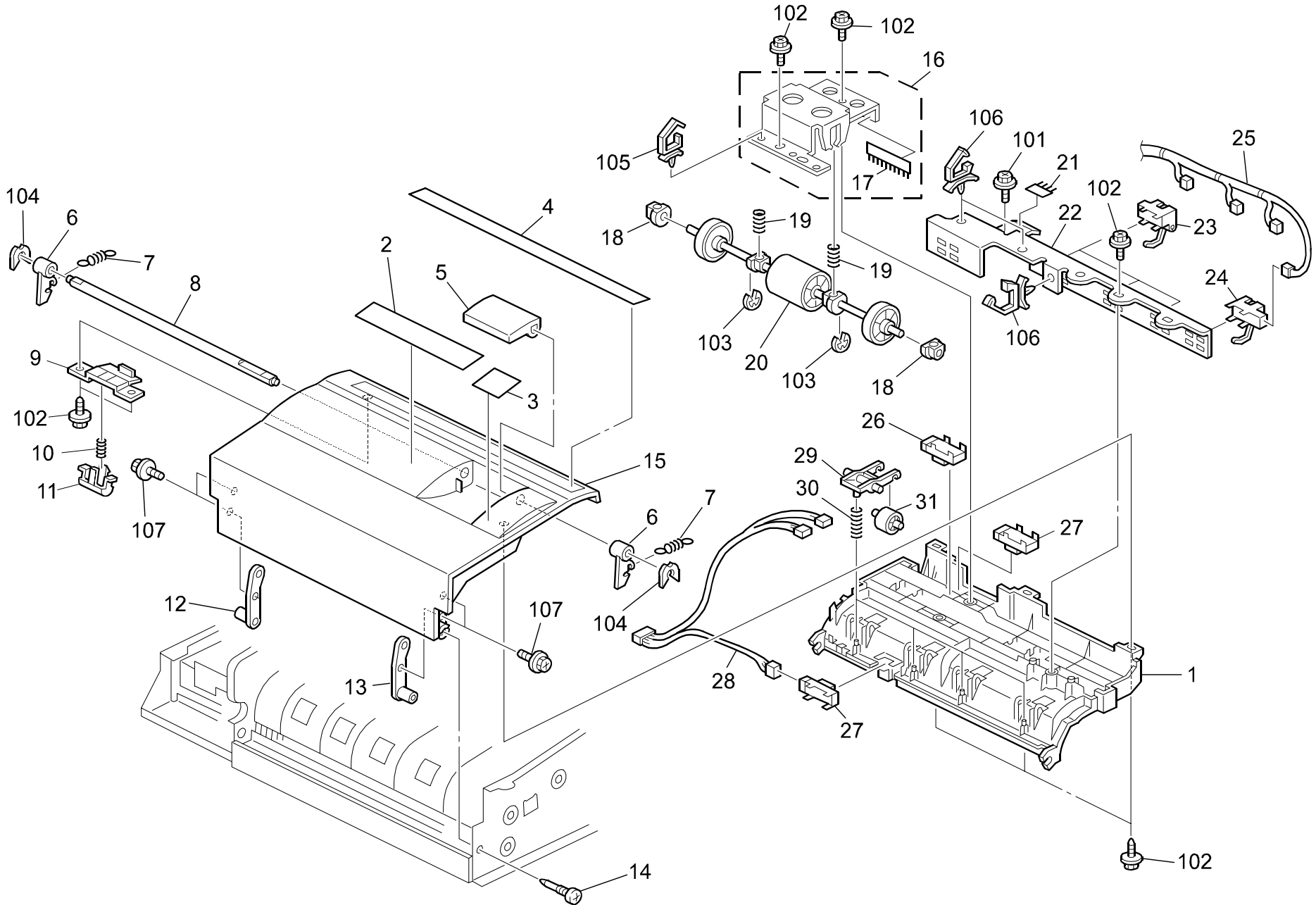


5.ARDF Original Tray (B132/B200)

Index No.	Part No.	Description	Q'ty Per Assembly
1	G564 4151	Rail - Side Fence	1
2	B477 2272	Table Side Fence	1
3	A376 4599	Side Fence Pad	1
4	B477 2286	Original Sensor Feeler Stud	1
5	A806 1351	Original Sensor Feeler	1
6	5206 2686	Snap Ring	2
7	B652 2351	Base:Original Table:Ass'y	1
8	B652 2354	Decal:Base:Original	1
9	B652 5451	Harness:Original Sensor	1
10	AW02 0141	Photointerruptor	1
11	B477 2281	Original Sensor Bracket	1
12	AW01 0112	Photo Refiection Sensor:Original Table	3
13	B652 2333	Shaft:Rise:Base	1
14	A628 1225	Bushing - 8mm	2
15	B652 2334	Lever:Rise:Base	1
16	B652 2335	Bracket:Lever:Rise:Base	1
17	B652 2363	Shaft:Base:Rear:Ass'y	2
18	B652 2403	Arm:Roller:Reverse:Upper	4
19	B351 3752	Pressure Roller - Reverse	4
20	B652 2404	Compression Spring:3.1n	4
21	5053 0223	Bushing - 8mm	2
22	B652 2323	Ground Plate:Shaft:Base	1
23	B652 2375	Bushing:Original Table	2
24	5447 2681	Snap Ring	1
25	A859 3225	Discharge Brush	1
26	B652 2392	Stopper:Original Table	1
27	B652 2393	Compression Spring	1
28	B652 2322	Guide Plate:Reverse:Upper	1
29	C101 2360	Snap Ring	1
30	A806 2281	Gear - Z47	1
31	AA14 3789	Shaft:Cleaner	1
32	B652 2372	Original Table:Face Front:Printing	1
33	B652 2383	Original Table:Behind	1
34	B652 5436	Harness:Sensor:Original Table	1

Index No.	Part No.	Description	Q'ty Per Assembly
101	0451 3006N	Tapping Screw - 3x6	
102	0450 3008N	Tapping Screw - M3x8	
103	0720 0060E	Retaining Ring - M6	
104	0632 0140G	Parallel Pin	

6.Original Feed 1 (B132/B200)

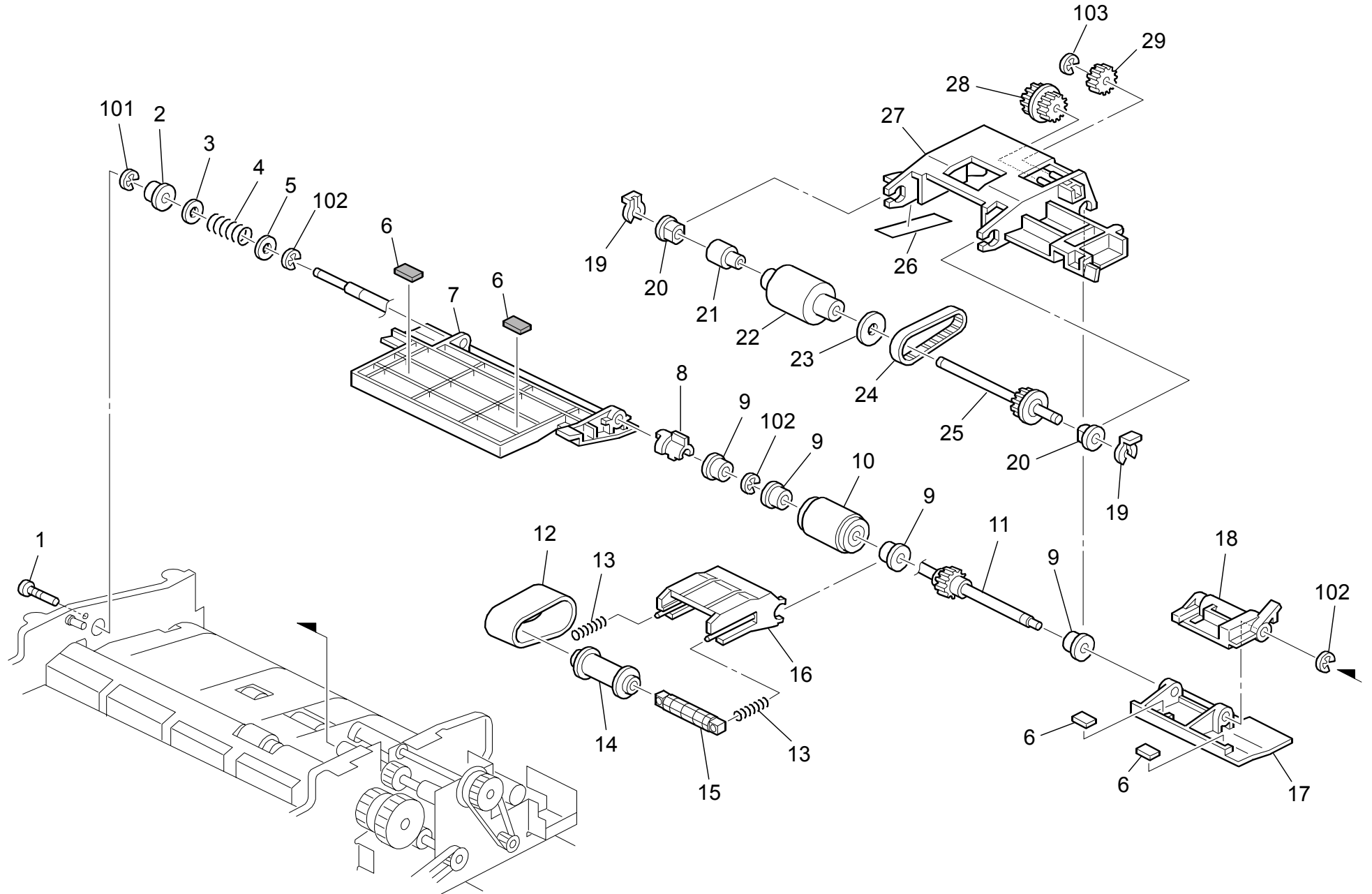


6.Original Feed 1 (B132/B200)

Index No.	Part No.	Description	Q'ty Per Assembly
1	B477 2342	Guide:Paper Feed:Upper	1
2	B652 1811	Decal:Misfeed Removal:Paper Feed	1
3	B652 1812	Decal:Display Guidance	1
4	B652 1807	Decal:Size:Original	1
5	B477 1821	Paper Feed Cover Grip	1
6	B477 1825	Paper Feed Release Lever	2
7	B477 4117	Spring	2
8	B477 1831	Grip Shaft	1
9	B652 1822	Bracket:Pressure:Pickup	1
10	B652 1824	Compression Spring	1
11	B652 1823	Pressure Plate:Pickup	1
12	B477 1851	Rear Cover Bracket	1
13	B477 1841	Front Cover Bracket	1
14	AA14 3788	Pin:Guide Plate:Paper Feed	1
15	B477 1791	Paper Feed Cover	1
16	B477 2361	Pull Out Roller Bracket	1
17	B477 2491	Anti-static Brush	1
18	AA08 0037	Bushing - 6mm	2
19	B477 4111	Spring	2
20	B477 2351	Driven Pull Out Roller	1
21	A697 2131	Antistatic Brush	1
22	B652 2523	Bracket:Paper Size Sensor	1
23	AW02 0155	Photointerruptor:Paper Size Sensor:	3
24	AW02 0154	Photointerruptor:Entrance	1
25	B652 5411	Harness:Paper Size Sensor	1
26	AW01 0107	Paper Feed Sensor	1
27	AW01 0117	Paper Feed Sensor	2
28	B652 5416	Harness:Sensor:Stopper Guide	1
29	B477 2373	Relay Roller Arm	4
30	B652 2505	Compression Spring	4
31	B477 2372	Driven Paper Feed Roller	4

Index No.	Part No.	Description	Q'ty Per Assembly
101	0451 3006N	Tapping Screw - 3x6	
102	0450 3008N	Tapping Screw - M3x8	
103	0720 0040E	Retaining Ring - M4	
104	0805 0089	Retaining Ring - M4	
105	1105 0487	Harness Clamp	
106	1105 0511	Harness Clamp - LWS-0306ZC	
107	0451 3008N	Tapping Screw - M3x8	

7.Original Feed 2 (B132/B200)

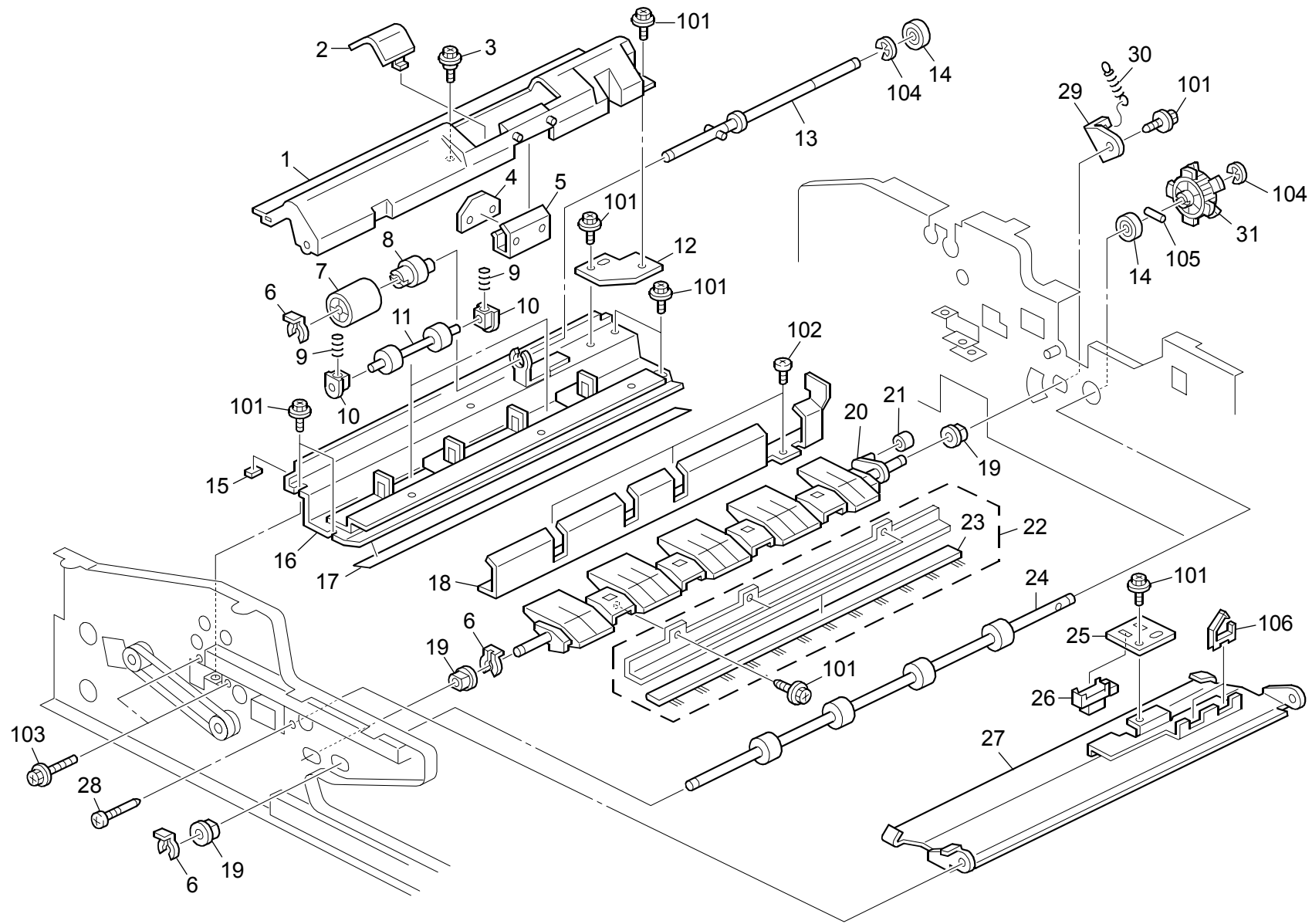


7.Original Feed 2 (B132/B200)

Index No.	Part No.	Description	Q'ty Per Assembly
1	AA14 3789	Shaft:Cleaner	1
2	B301 1286	Bushing - 6x10x6	1
3	A418 1158	Spacer - M6.5x1	1
4	AA06 3435	Compression Spring:Paper Feed:Joint	1
5	AA13 2013	Spacer	1
6	A806 1163	Guide Plate Cushion	4
7	B477 2172	Front Entrance Guide	1
8	A680 1621	Feed-in Unit Stopper	1
9	A628 1225	Bushing - 8mm	4
10	A806 1293	Feed Belt Drive Roller	1
11	B477 2191	Separation Shaft	1
12	A806 1295	Feed Belt	1
13	A806 4261	Spring Belt Guide Roller	2
14	A806 1294	Feed Belt Driven Roller	1
15	A806 1298	Transport Belt Roller Shaft	1
16	A806 1292	Feed Belt Bracket	1
17	B477 2182	Rear Entrance Guide	1
18	B477 2231	Pick-up Roller Lever	1
19	5447 2681	Snap Ring	2
20	5053 0447	Bushing - 6mm	2
21	B477 2226	Pickup Roller:Coupling	1
22	B477 2225	Pick-up Roller	1
23	AA13 2171	Spacer - 6x20x1	1
24	B652 2213	Timing Belt:B40S2M142	1
25	B652 2212	Timing Pulley:21T	1
26	B652 2215	Guide:Paper Feed Belt:Front	1
27	B477 2222	Pick-up Roller Bracket	1
28	A806 2151	Timing Pulley - T19/Z23 S2M/M0.6	1
29	A806 2271	Gear - Z18	1

Index No.	Part No.	Description	Q'ty Per Assembly
101	0720 0040E	Retaining Ring - M4	
102	0720 0060E	Retaining Ring - M6	
103	0720 0030E	Retaining Ring - M3	

8.Original Trans 1 (B132/B200)

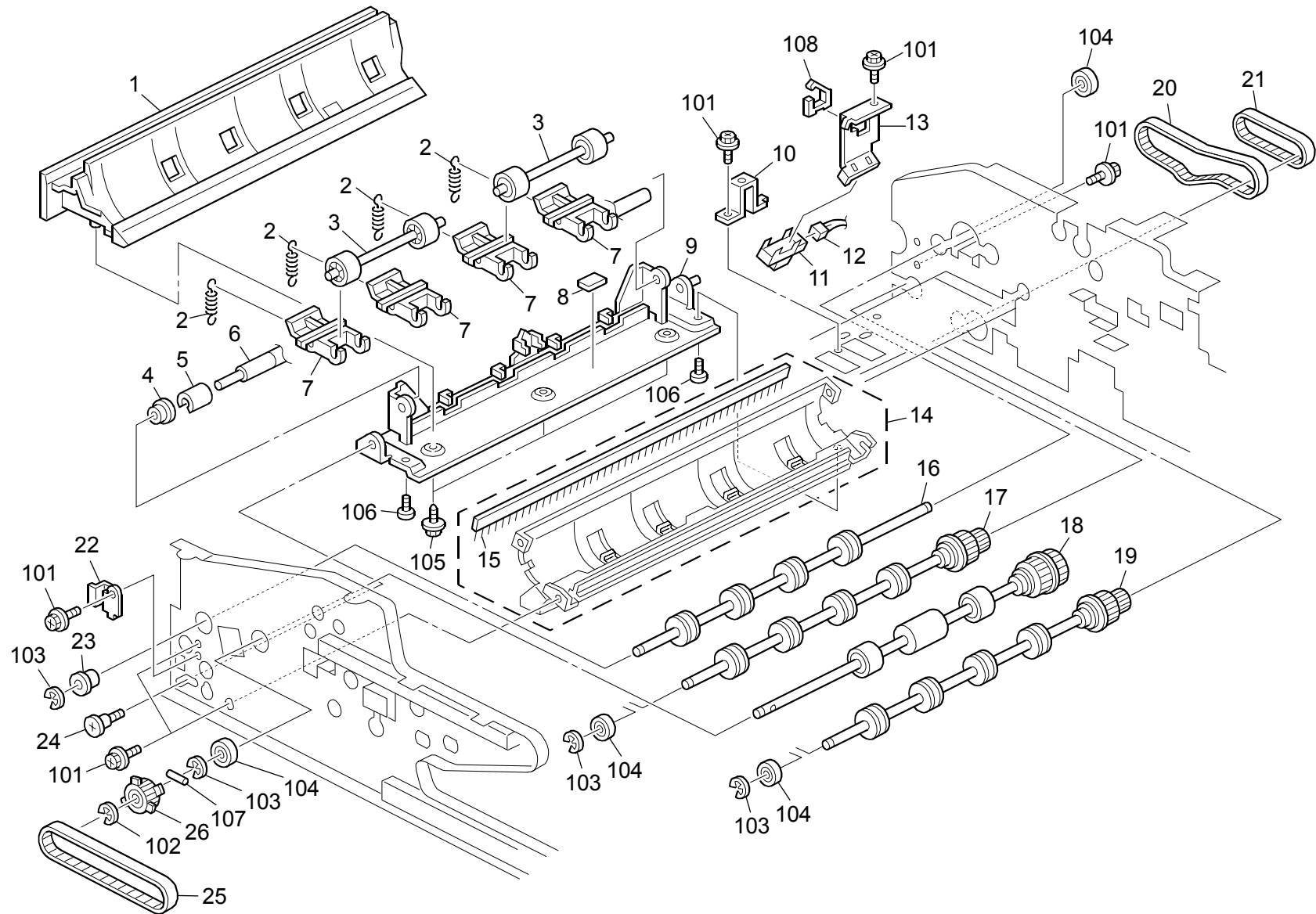


8.Original Trans 1 (B132/B200)

Index No.	Part No.	Description	Q'ty Per Assembly
1	B652 2142	Guide Plate:Paper Feed:Lower	1
2	B477 2151	Separation Cap	1
3	AA14 3790	Screw:Contact Point	1
4	B301 1155	Separation Support Pad	1
5	B301 1156	Separation Pad Holder	1
6	5447 2681	Snap Ring	3
7	A859 2241	Reverse Roller	1
8	A293 6399	Torque Limiter - Separator	1
9	B652 4156	Compression Spring:0.5n	4
10	A680 1661	Bushing - 4mm	4
11	B652 4155	Roller:Driven:Reverse:Middle	2
12	B652 2127	Bracket:Guide Plate:Lower	1
13	B477 3131	Reverse Roller Shaft	1
14	A859 2230	Ball Bearing - 6x13x5	2
15	B652 2128	Cushion:Guide Plate:Reverse:Exit	1
16	B652 2122	Stay:Reverse Roller:Ass'y	1
17	B652 2126	Guide:Stay:Reverse Roller	1
18	B652 2432	Guide Plate:Original Table	1
19	5053 0447	Bushing - 6mm	3
20	B652 4203	Gate Pawl:Reverse:Upper	1
21	A458 2251	Cushion - Bin Solenoid Lever	1
22	B652 4205	Bracket:Discharge Brush:Ass'y	1
23	A681 2416	Antistatic Brush	1
24	B652 4726	Exit Roller	1
25	B652 4133	Bracket:Sensor:Reverse:Middle	1
26	AW01 0117	Paper Feed Sensor	1
27	B652 4122	Guide Plate:Reverse:Middle:Upper	1
28	AA14 3788	Pin:Guide Plate:Paper Feed	1
29	B652 4212	Hook:Solenoid:Reverse:Upper	1
30	B652 4213	Tension Spring:Hook:Gate Pawl	1
31	B652 4727	Timing Pulley - 44t	1

Index No.	Part No.	Description	Q'ty Per Assembly
101	0451 3006N	Tapping Screw - 3x6	
102	0453 3006N	Tapping Screw - M3x6	
103	0451 3010N	Tapping Screw - 3x10	
104	0720 0040E	Retaining Ring - M4	
105	0632 0120G	Parallel Pin - 2x12	
106	1105 0522	Edge Saddle - LES0510	

9.Original Trans 2 (B132/B200)

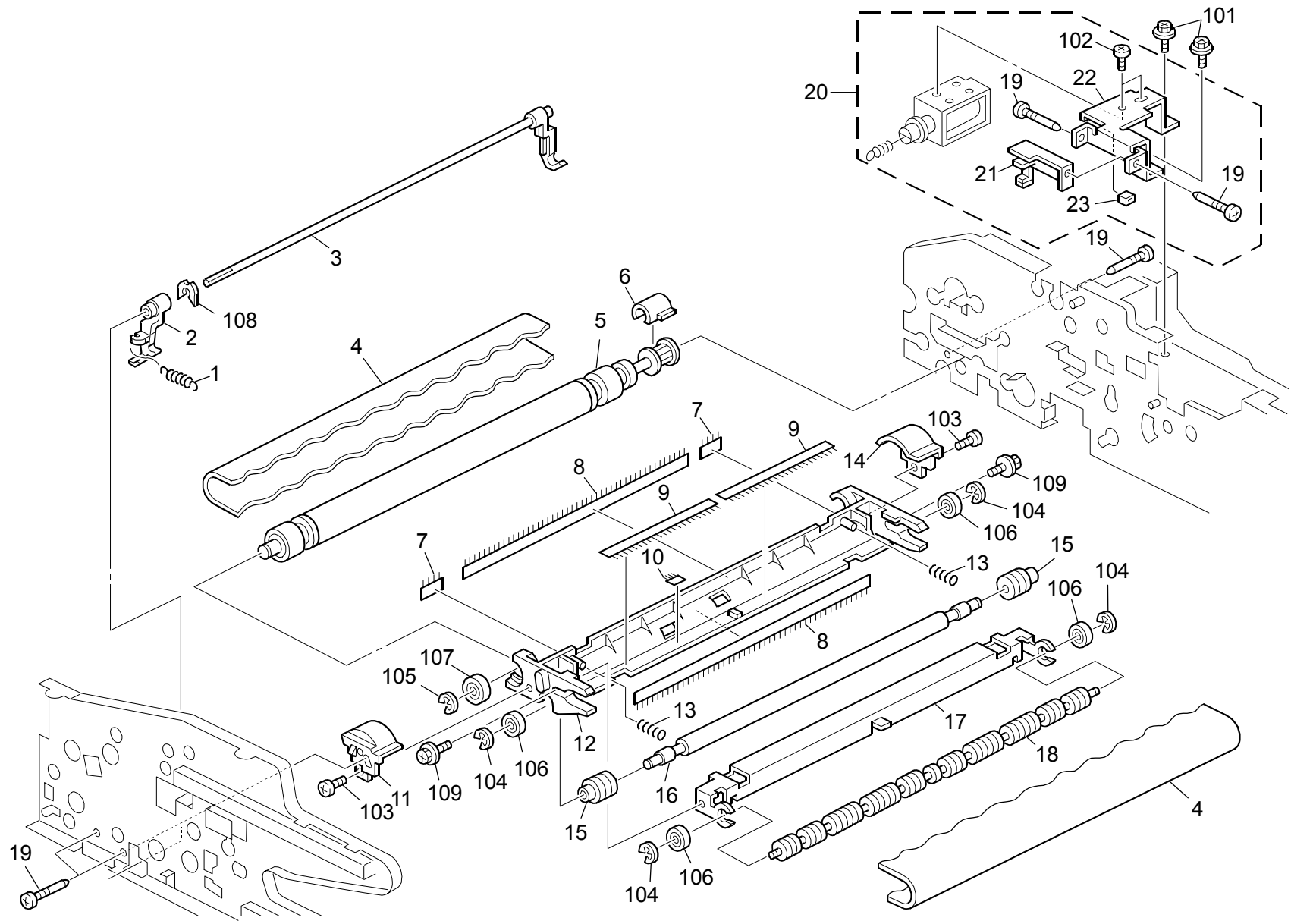


9.Original Trans 2 (B132/B200)

Index No.	Part No.	Description	Q'ty Per Assembly
1	B477 2581	Entrance Scanning Guide	1
2	B477 4115	Spring	4
3	B477 2577	Driven Entrance Scanning Roller	2
4	5324 1658	Bushing- 4x8x4.5mm	1
5	A374 2181	Spacer	1
6	B477 2575	Entrance Scanning Roller Shaft	1
7	B477 2574	Arm:Roller:Scanning:Entrance	4
8	A422 1063	Seal - 0.7x13x20	1
9	B477 2561	Entrance Scanning Base	1
10	B477 2145	Guide Bracket	1
11	AW01 0117	Paper Feed Sensor	1
12	B652 5431	Harness:Registration Sensor	1
13	B477 2665	Registration Sensor Bracket	1
14	B652 3251	Guide Plate:Entrance:Upper:Ass'y	1
15	A859 3225	Discharge Brush	1
16	B477 2121	Drive Relay Roller	1
17	B652 2411	Roller:Scanning:Entrance:Drive	1
18	B652 2112	Roller:Pull Out:Drive	1
19	B652 2421	Roller:Scanning:Exit:Drive	1
20	B652 1783	Timing Belt:B80S3M417	1
21	B652 3135	Timing Belt:B60S2M172	1
22	B477 1775	Paper Feed Cover Bracket	1
23	AA08 2141	Bushing - 16x18x5	1
24	AA14 3791	Screw:Safety	1
25	B652 4153	Timing Belt:B40S2M230	1
26	A806 2111	Timing Pulley - T28 S2M	1

Index No.	Part No.	Description	Q'ty Per Assembly
101	0451 3006N	Tapping Screw - 3x6	
102	0720 0040E	Retaining Ring - M4	
103	0720 0060E	Retaining Ring - M6	
104	0742 3808	Ball Bearing - 8x16x5	
105	0450 3008N	Tapping Screw - M3x8	
106	0453 3006N	Tapping Screw - M3x6	
107	0632 0120G	Parallel Pin - 2x12	
108	1105 0522	Edge Saddle - LES0510	

10.Original Trans 3 (B132/B200)

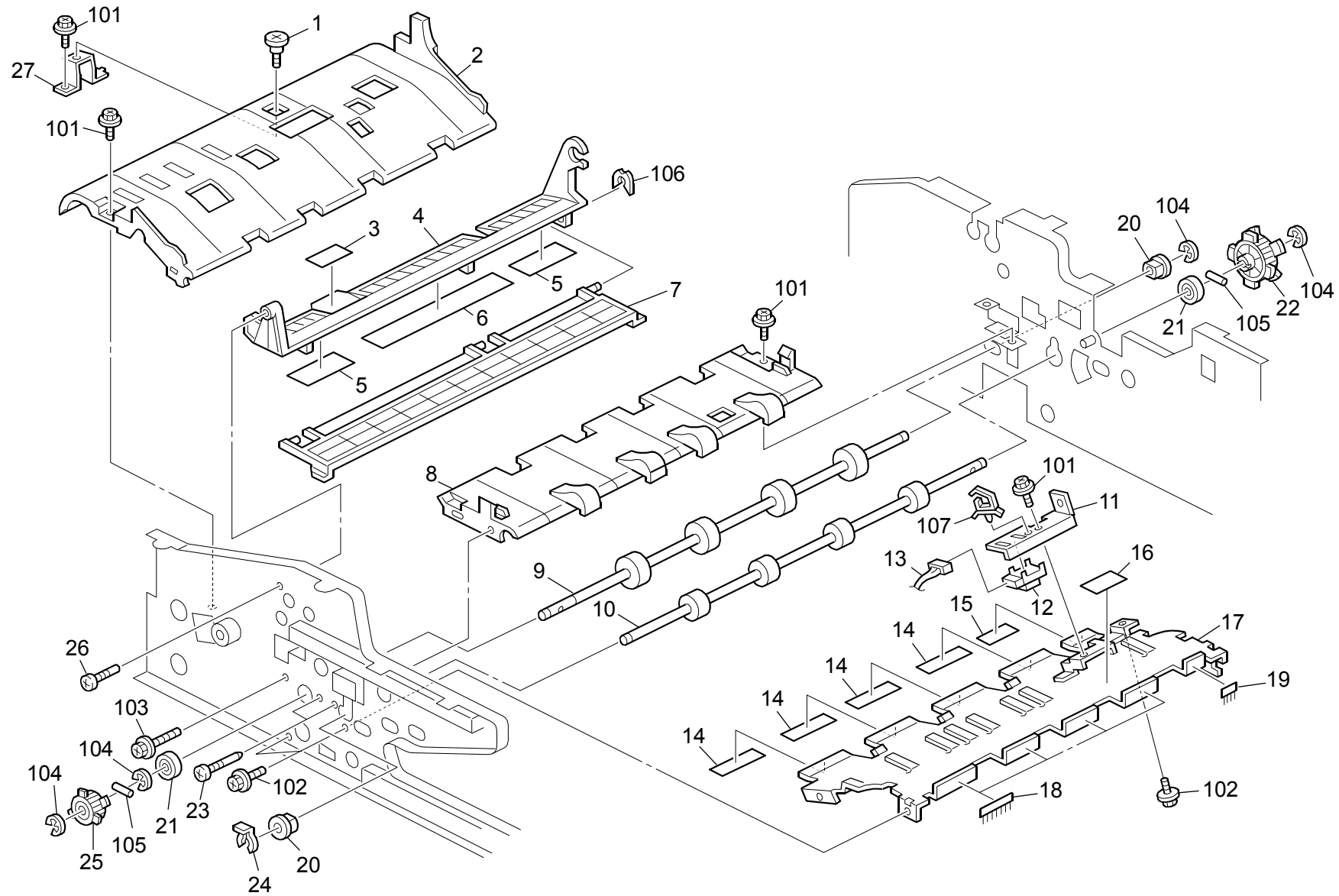


10.Original Trans 3 (B132/B200)

Index No.	Part No.	Description	Q'ty Per Assembly
1	B652 3145	Tension Spring:Lock:Lever	1
2	B652 3144	Hook:Lock:Image Reading Unit:Front	1
3	B652 3141	Shaft:Lever:Misfeed Removal:Ass'y	1
4	B652 3121	Transport Belt	1
5	B652 3112	Roller:Transport Belt:Drive	1
6	B652 3119	Stopper:Roller:Drive	1
7	B652 3158	Discharge Brush:Short	2
8	B652 3157	Discharge Brush:Long	1
9	B652 3159	Discharge Brush:Middle	2
10	B477 2621	Anti-static Brush	1
11	B652 3116	Guide:Transport Belt:Front	1
12	B652 3110	Housing:Transport Belt Unit	1
13	B652 3125	Compression Spring	2
14	B652 3117	Guide:Transport Belt:Rear	1
15	B652 3156	Spacer:Transport Belt	2
16	B652 3113	Roller:Pressure	1
17	B652 3123	Bracket:Roller:Driven	1
18	B652 3124	Driven Roller:Scanning	1
19	AA14 3788	Pin:Guide Plate:Paper Feed	3
20	B652 4766	DC Solenoid:Reverse:Lower:Ass'y	1
21	B652 4532	Lever:Reverse:Lower:DC Solenoid	1
22	B652 4533	Bracket:Reverse:Lower:DC Solenoid	1
23	A697 2102	Damper - Junction Gate Solenoid	1

Index No.	Part No.	Description	Q'ty Per Assembly
101	0451 3006N	Tapping Screw - 3x6	
102	0353 0040N	Screw - M3X4	
103	0453 3006N	Tapping Screw - M3x6	
104	0720 0040E	Retaining Ring - M4	
105	0720 0060E	Retaining Ring - M6	
106	0740 3706	Ball Bearing - M6x10x3	
107	0740 3508	Ball Bearing - 8x14x4	
108	0805 0089	Retaining Ring - M4	
109	0451 3008N	Tapping Screw - M3x8	

11.Original Exit 1 (B132/B200)

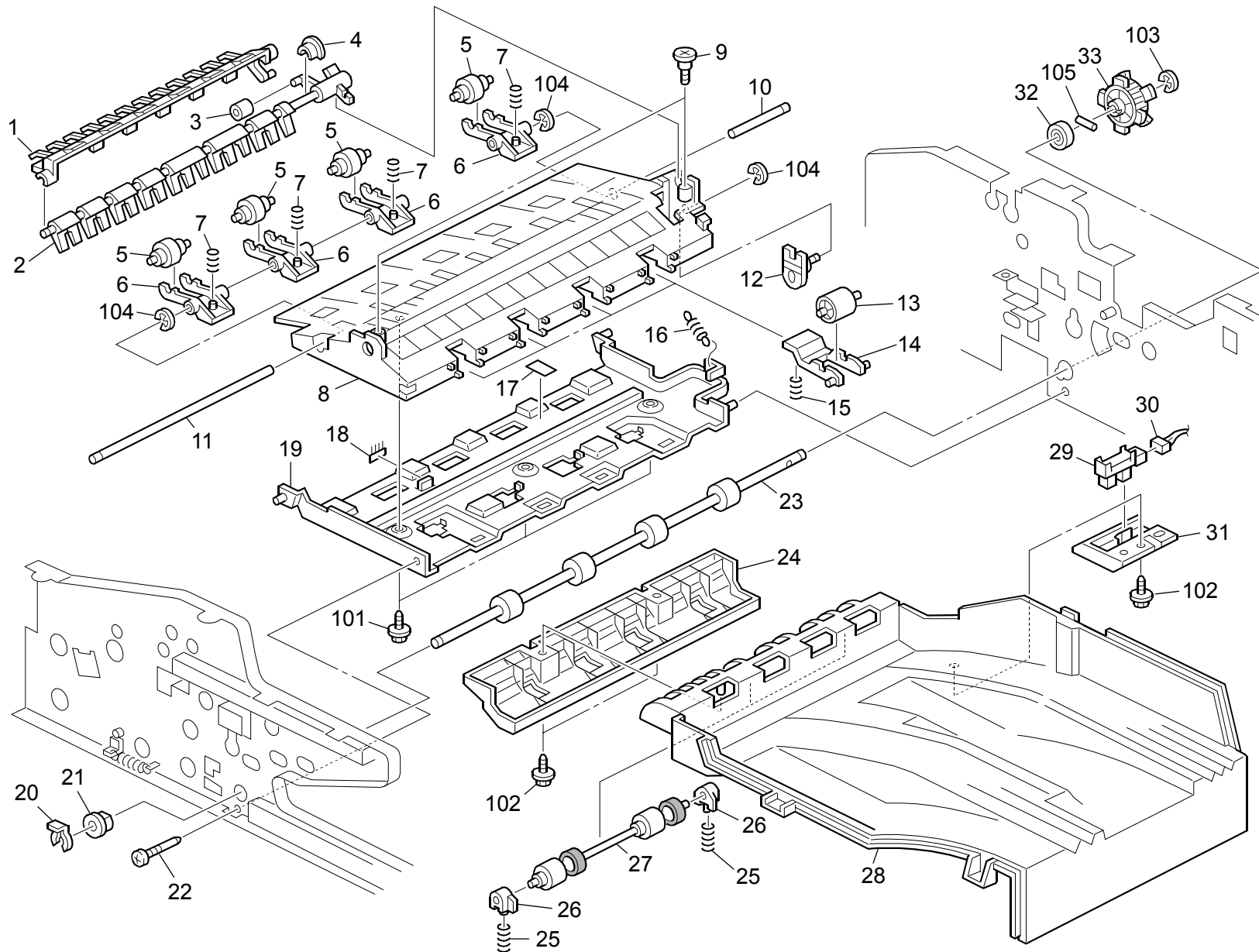


11.Original Exit 1 (B132/B200)

Index No.	Part No.	Description	Q'ty Per Assembly
1	5206 2684	Shoulder Screw - M3	1
2	B652 2152	Guide Plate:Lower:Pull Out	1
3	B652 4119	Decal:Guide Plate:Reverse:Exit	1
4	B652 4114	Guide Plate:Reverse:Exit:Upper	1
5	B652 4116	Guide:Reverse:Exit	2
6	B652 4117	Guide:Reverse:Exit:Middle	1
7	B652 4115	Guide Plate:Reverse:Middle:Upper	1
8	B652 4103	Guide Plate:Reverse:Entrance	1
9	B652 4152	Reverse Roller:Exit:Drive	1
10	B652 4726	Exit Roller	1
11	B477 2495	Paper Feed Sensor Bracket	1
12	AW01 0117	Paper Feed Sensor	1
13	B652 5461	Harness:Sensor:Exit	1
14	B652 4506	Guide:Scanning:Exit:Long	4
15	B652 4507	Guide:Scanning:Exit:Short	1
16	A422 1063	Seal - 0.7x13x20	1
17	B652 4501	Guide:Scanning:Exit:Exit	1
18	B652 4503	Discharge Brush:Exit:L37	4
19	B652 4504	Discharge Brush:Exit:L16	1
20	5053 0447	Bushing - 6mm	2
21	A859 2230	Ball Bearing - 6x13x5	2
22	B652 4727	Timing Pulley:44T	1
23	AA14 3788	Pin:Guide Plate:Paper Feed	1
24	5447 2681	Snap Ring	1
25	A806 2111	Timing Pulley - T28 S2M	1
26	C105 1866	Pin	1
27	B477 2145	Guide Bracket	1

Index No.	Part No.	Description	Q'ty Per Assembly
101	0451 3006N	Tapping Screw - 3x6	
102	0802 5291	Tapping Screw:Round Point - M3x6	
103	0451 3010N	Tapping Screw - 3x10	
104	0720 0040E	Retaining Ring - M4	
105	0632 0120G	Parallel Pin - 2x12	
106	0805 0092	Retaining Ring - 3m	
107	1105 0511	Harness Clamp - LWS-0306ZC	

12.Original Exit 2 (B132/B200)

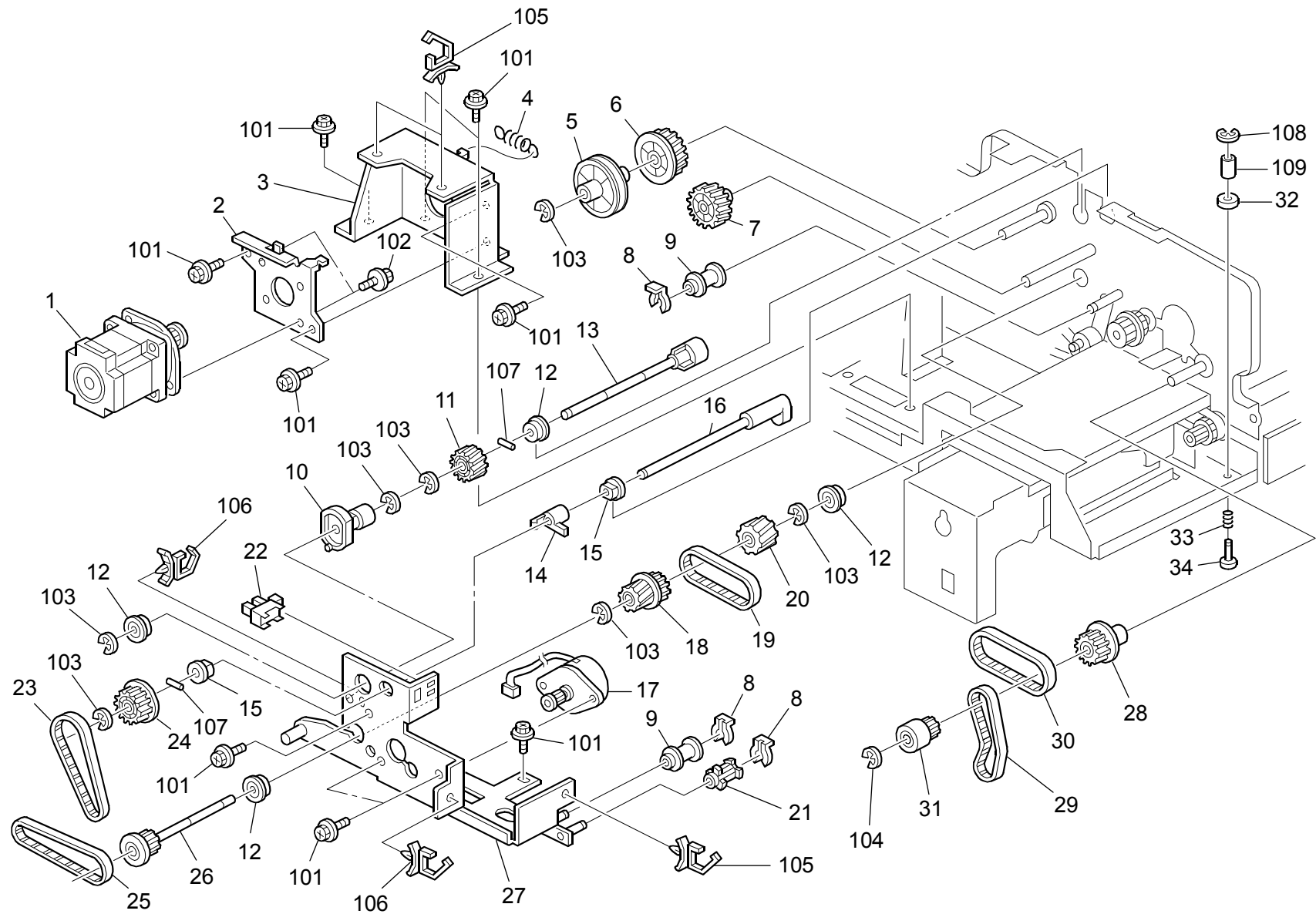


12.Original Exit 2 (B132/B200)

Index No.	Part No.	Description	Q'ty Per Assembly
1	B652 4527	Gate Pawl:Reverse:Lower:Left	1
2	B652 4528	Gate Pawl:Reverse:Lower:Right	1
3	A458 2251	Cushion - Bin Solenoid Lever	1
4	B652 4520	Bushing:Reverse:Lower:Gate Pawl	1
5	B652 4519	Roller:Scanning:Exit:Driven	4
6	B477 2637	Driven Exit Arm	4
7	B477 4127	Exit Arm Spring	4
8	B652 4516	Guide Plate:Reverse:Lower	1
9	A232 2356	Stepped Screw - M6	2
10	B477 2645	Short Arm Shaft	1
11	B477 2641	Long Arm Shaft	1
12	B652 4529	Lever:Reverse:Lower	1
13	B477 2636	Driven Exit Scanning Roller	4
14	B652 4517	Arm:Pressure:Reverse:Lower	4
15	B652 4518	Compression Spring	4
16	B652 4530	Tension Spring	1
17	A422 1063	Seal - 0.7x13x20	1
18	B477 2621	Anti-static Brush	1
19	B652 4522	Bracket:Reverse:Lower	1
20	5447 2681	Snap Ring	1
21	5053 0447	Bushing - 6mm	1
22	AA14 3788	Pin:Guide Plate:Paper Feed	1
23	B652 4726	Exit Roller	1
24	B652 4602	Guide Plate:Reverse:Lower:Fix	1
25	B652 1853	Compression Spring	4
26	A859 4836	Bushing- Exit Driven Roller	4
27	B477 2861	Driven Exit Roller	2
28	B652 1852	Cover:Exit	1
29	AW01 0117	Paper Feed Sensor	1
30	B652 5456	Harness:Sensor:Reverse:Lower	1
31	B652 1854	Cover:Sensor:Reverse:Lower	1
32	A859 2230	Ball Bearing - 6x13x5	1
33	B652 4727	Timing Pulley - 44t	1

Index No.	Part No.	Description	Q'ty Per Assembly
101	0450 4008N	Tapping Screw - M4x8	
102	0450 3008N	Tapping Screw - M3x8	
103	0720 0040E	Retaining Ring - M4	
104	0720 0030E	Retaining Ring - M3	
105	0632 0120G	Parallel Pin - 2x12	

13.ARDF Drive & Electrical 1 (B132/B200)

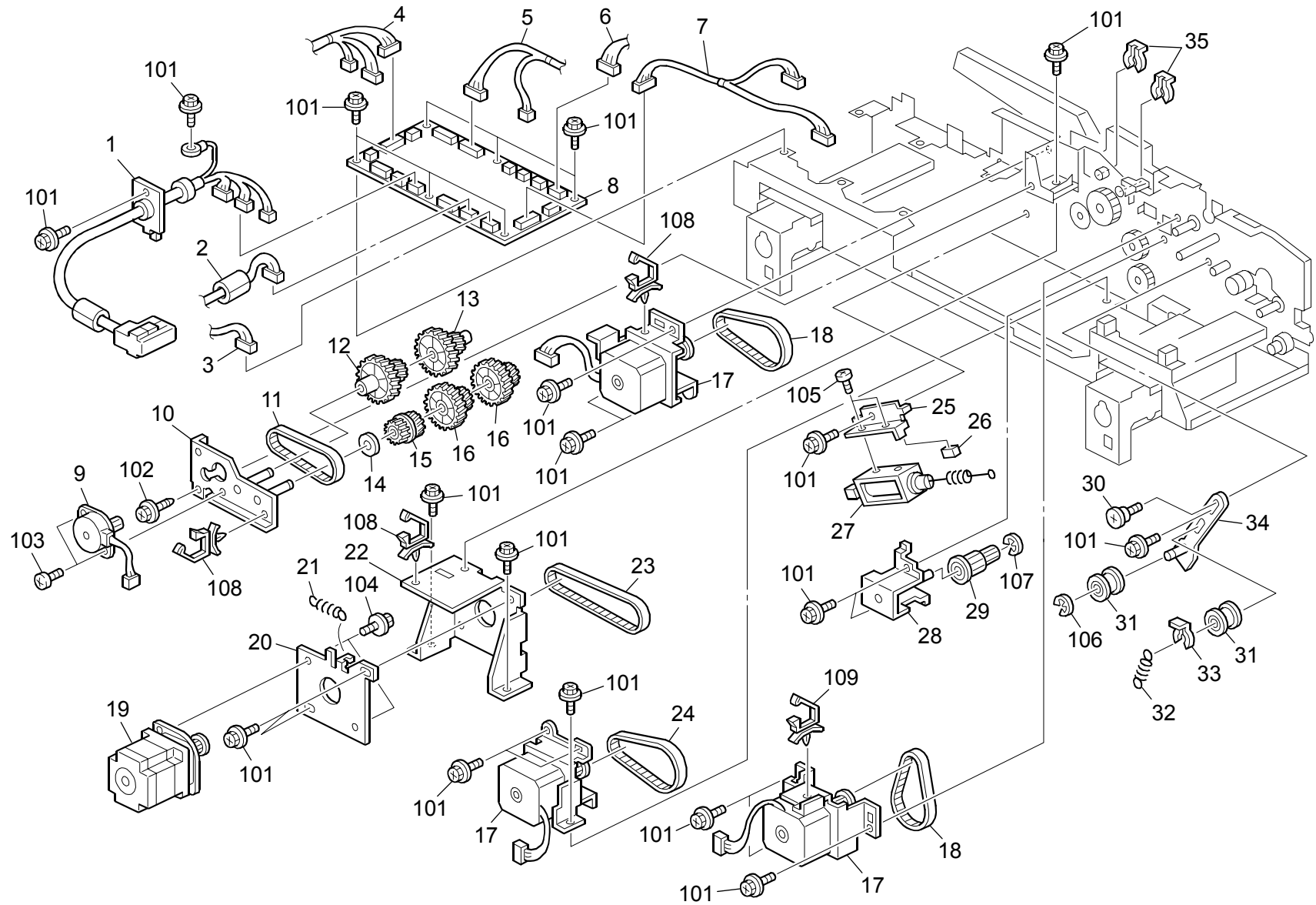


13.ARDF Drive & Electrical 1 (B132/B200)

Index No.	Part No.	Description	Q'ty Per Assembly
1	B477 3711	Paper Feed Motor - DC 7.4W	1
2	B477 3115	Paper Feed Motor Stay	1
3	B477 3111	Paper Feed Motor Bracket	1
4	AA06 0842	Tension Spring	1
5	B652 1633	Spacer:Reverse Roller:Rear	1
6	B477 3161	Gear - 37Z	1
7	B477 3151	Gear - 31Z	1
8	5447 2681	Snap Ring	3
9	A548 2139	Pulley	2
10	A806 2244	Separation Shaft Stopper	1
11	B477 3123	Gear - 24Z	1
12	A859 2230	Ball Bearing - 6x13x5	4
13	B477 3121	Separation Roller Shaft	1
14	A680 2262	Feeler - Pick-up Roller Cam	1
15	5053 0447	Bushing - 6mm	2
16	B477 3251	Pick-up Roller Cam	1
17	AX04 0139	Stepper Motor:MM42:0.95A:9.5V	1
18	B477 3143	Gear - 20Z	1
19	B652 1643	Timing Belt:B40S3M186	1
20	B477 3141	Gear - 23Z	1
21	B477 3177	Pulley	1
22	AW02 0141	Photointerruptor	1
23	B652 1773	Timing Belt:B40S2M178	1
24	B301 2141	Pulley - 39Z	1
25	B652 1613	Timing Belt:B60S2M212	1
26	B477 3145	Pulley	1
27	B477 3181	Paper Feed Drive Bracket	1
28	B477 3171	Pulley	1
29	B652 1674	Timing Belt:B40S2M170	1
30	B652 1673	Timing Belt:B40S3M180	1
31	B477 3173	Pulley	1
32	A697 2102	Damper - Junction Gate Solenoid	1
33	B652 1134	Compression Spring	1
34	B652 1133	Shaft:Slider	1

Index No.	Part No.	Description	Q'ty Per Assembly
101	0451 3006N	Tapping Screw - 3x6	
102	0451 4006N	Tapping Screw - 4x6	
103	0720 0040E	Retaining Ring - M4	
104	0720 0060E	Retaining Ring - M6	
105	1105 0487	Harness Clamp	
106	1105 0511	Harness Clamp - LWS-0306ZC	
107	0632 0120G	Parallel Pin - 2x12	
108	0720 0030E	Retaining Ring - M3	
109	0707 4060N	Bushin - :DIA4x6	

14.ARDF Drive & Electrical 2 (B132/B200)



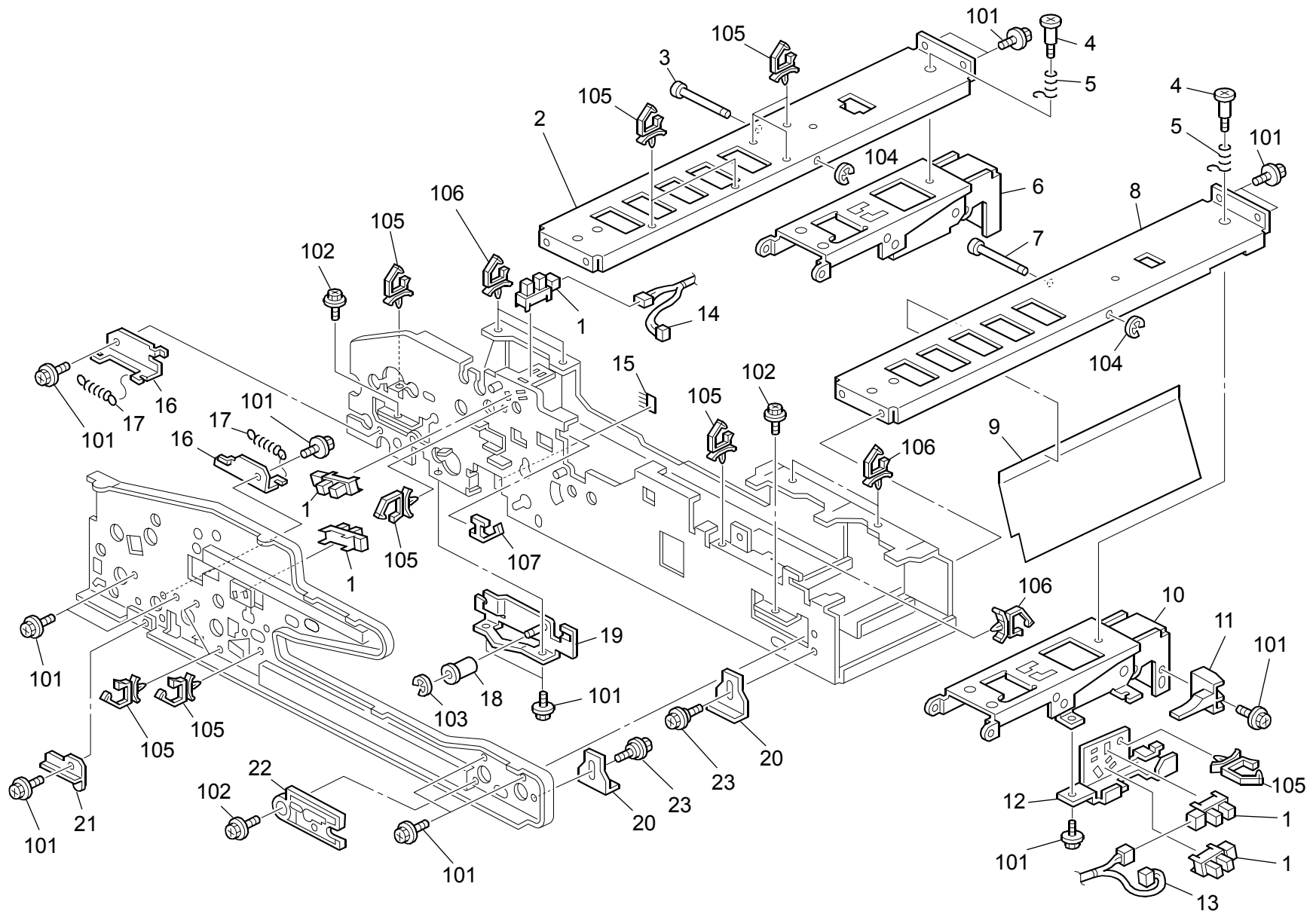
14.ARDF Drive & Electrical 2 (B132/B200)

Rev. 10/20/2005

Index No.	Part No.	Description	Q'ty Per Assembly
1	B477 5751	Interface Harness	1
2	B652 5421	Harness:Motor:Exit	1
3	B652 5426	Harness:Solenoid:Reverse	1
4	B652 5406	Harness:Paper Size Sensor	1
5	B652 5401	Harness:Original Sensor	1
6	B652 5441	Harness:Motor:Pick Up	1
7	B477 5691	Paper Feed Motor Harness	1
8	B652 5502	PCB:Main Control	1
9	B652 2911	Stepper Motor:Base:Rise:Ass'y	1
10	B652 2343	Bracket:Motor:Base:Ass'y	1
11	B652 2347	Timing Belt:B40S2M158	1
12	A806 2287	Gear - Z20/Z47	1
13	A806 2285	Gear - Z20/Z47	1
14	AA13 2152	Spacer - 8x20x1	1
15	A806 2161	Timing Pulley - T30/Z20 S2M/M0.8	1
16	A806 2283	Gear - Z20/Z47	2
17	B652 4722	Stepper Motor:Exit:Ass'y	3
18	B652 4728	Timing Belt:B40S2M138	2
19	B477 3721	Scanning Motor- DC 7.4W	1
20	B652 3211	Bracket:Stepper Motor	1
21	AA06 0991	Tension Spring:Tension:Transport	1
22	B652 3215	Guide Plate:Stepper Motor	1
23	B652 1721	Timing Belt:B60S2M280	1
24	B652 4153	Timing Belt:B40S2M230	1
25	B652 4223	Bracket:Solenoid:Reverse:Upper	1
26	A697 2102	Damper - Junction Gate Solenoid	1
27	B652 4222	DC Solenoid:Ass'y	1
28	B652 1781	Bracket:Shaft:Scanning:Ass'y	1
29	B477 3217	Pulley	1
30	AA14 3791	Screw:Safety	1
31	B477 3175	Pulley	2
32	B652 3174	Tension Spring	1
33	5215 2621	Snap Ring - M6	1
34	B652 3231	Belt Tensioner:Ass'y	1
35	5447 2681	Snap Ring	2

Index No.	Part No.	Description	Q'ty Per Assembly
101	0451 3006N	Tapping Screw - 3x6	
102	0450 3008N	Tapping Screw - M3x8	
103	0353 0050N	Screw - m3x5	
104	0451 4006N	Tapping Screw - 4x6	
105	0353 0040N	Screw - M3X4	
106	0720 0060E	Retaining Ring - M6	
107	0720 0040E	Retaining Ring - M4	
108	1105 0487	Harness Clamp	
109	1105 0511	Harness Clamp - LWS-0306ZC	

15.ARDF Frame (B132/B200)

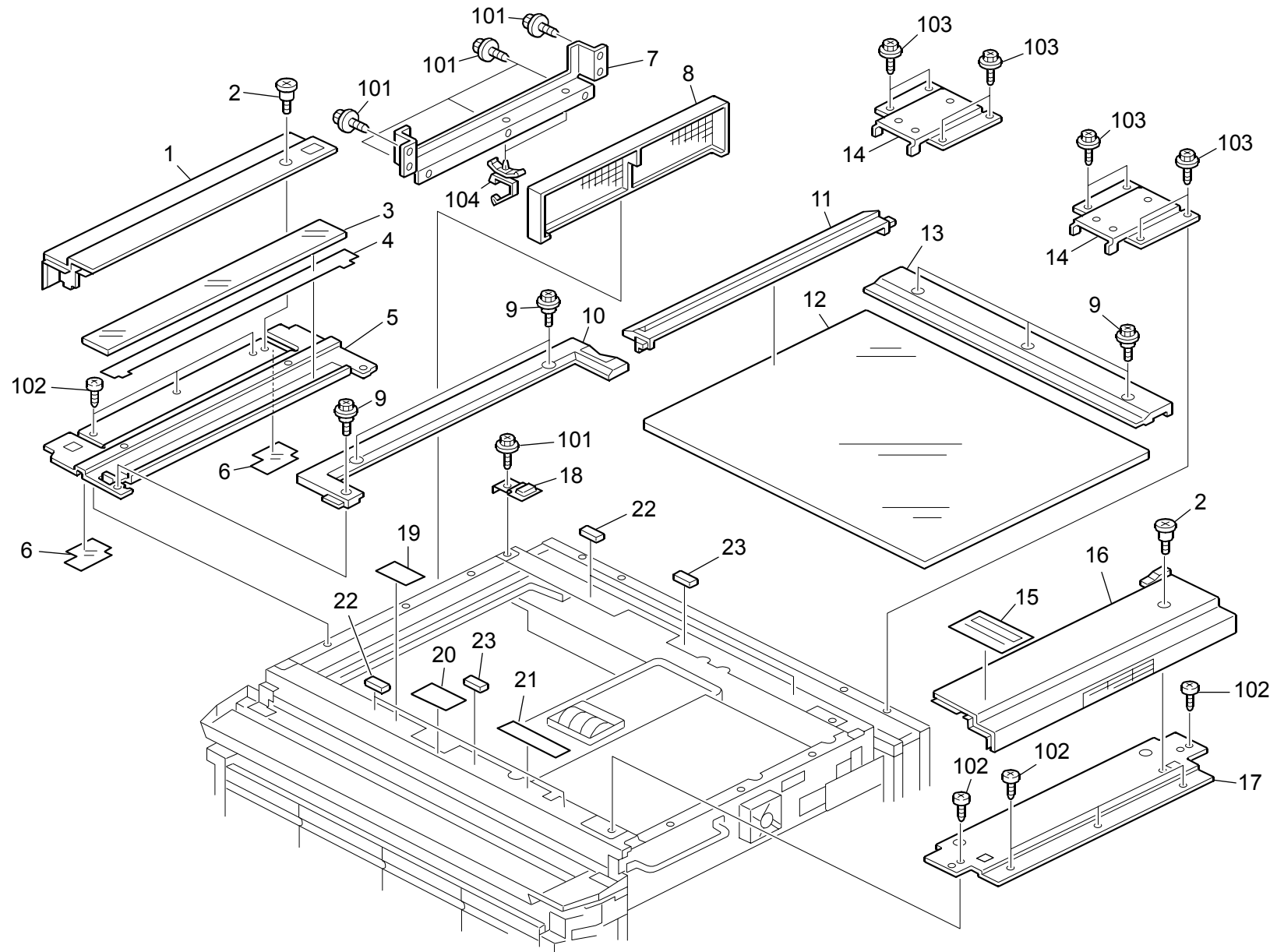


15.ARDF Frame (B132/B200)

Index No.	Part No.	Description	Q'ty Per Assembly
1	AW02 0141	Photointerruptor	5
2	B477 1152	Stay:Frame:Left	1
3	B477 1171	Arm Shaft	1
4	AA14 3020	Stepped Screw - M4	2
5	B652 1136	Compression Spring	2
6	B652 1210	Hinge:Left:Ass'y	1
7	A806 1135	Contact Point Shaft	1
8	B477 1161	Right Frame Stay	1
9	B652 1135	Sheet:Exit:Lower	1
10	B652 1220	Hinge:Right:Ass'y	1
11	B477 1185	Sensor Feeler	1
12	B477 1181	Sensor Bracket	1
13	B477 5611	Detection Sensor Harness	1
14	B652 5446	Harness:Sensor:Reverse:Upper	1
15	B477 2621	Anti-static Brush	1
16	B652 1131	Bracket:Pressure:Transport Belt	2
17	B652 1132	Tension Spring	2
18	A257 6112	Pulley:Belt Tensioner	1
19	B652 3136	Cover:Roller:Scanning:Peen	1
20	B652 4904	Bracket:Magnet Catch:Pressure Plate	2
21	B477 1191	Front Left Stopper	1
22	B652 1141	Adjusting Pin:Transport Belt Unit	1
23	AA14 3790	Screw:Contact Point	2

Index No.	Part No.	Description	Q'ty Per Assembly
101	0451 3006N	Tapping Screw - 3x6	
102	0802 5291	Tapping Screw:Round Point - M3x6	
103	0720 0040E	Retaining Ring - M4	
104	0720 0030E	Retaining Ring - M3	
105	1105 0511	Harness Clamp - LWS-0306ZC	
106	1105 0487	Harness Clamp	
107	1105 0522	Edge Saddle - LES0510	

16.Optics Section 1 (B132/B200)

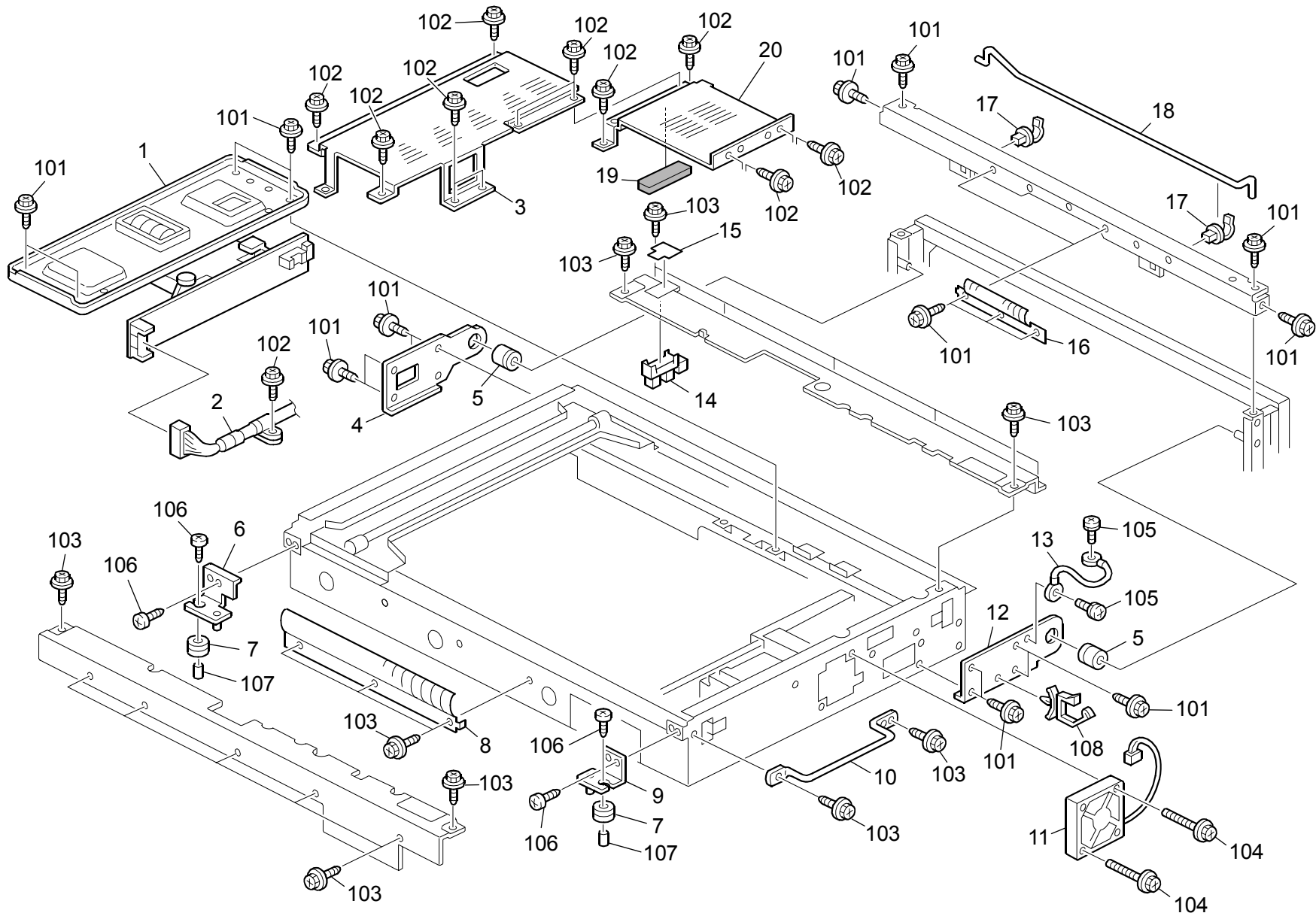


16.Optics Section 1 (B132/B200)

Index No.	Part No.	Description	Q'ty Per Assembly
1	B132 1503	Cover:Left Upper	1
2	AA14 3559	Screw - M4:DIA5	2
3	BC01 2007	Exposure Glass:Sheet Through	1
4	B065 1782	Seal	1
5	B065 1787	Scale Bracket	1
6	B065 1773	Scale Bracket Seal	2
7	B132 1856	Bracket:Filter:Ass'y	1
8	B132 1864	Filter:Scanner	1
9	AA14 3520	Shoulder Screw - M3	5
10	B065 1772	Left Scale	1
11	B132 1687	Scale:Sheet Through (NA)	1
11	B132 1686	Scale:Sheet Through:Ass'y (EU)	1
12	A250 1752	Exposure Glass	1
13	B132 1692	Scale:Rear:Printing	1
14	B132 1885	Bracket:ADF	4
15	B132 1583	Decal - Copy:Original	1
16	B132 1502	Cover:Right Upper	1
17	B065 1785	Right Stay	1
18	B132 1898	Spring Plate:Ground Plate:ADF	1
19	B132 1683	Mylar:Frame:Front	1
20	B132 1684	Mylar:Frame:Middle	1
21	B132 1685	Mylar:Frame:Rear	1
22	5442 1924	Exposure Glass Cushion	4
23	AA16 1137	Cushion - 0.5	2

Index No.	Part No.	Description	Q'ty Per Assembly
101	0451 3006N	Tapping Screw - 3x6	
102	0353 0040N	Screw - M3X4	
103	0451 4008N	Tapping Screw - 4x8	
104	1105 0516	Clamp	

17. Optics Section 2 (B132/B200)

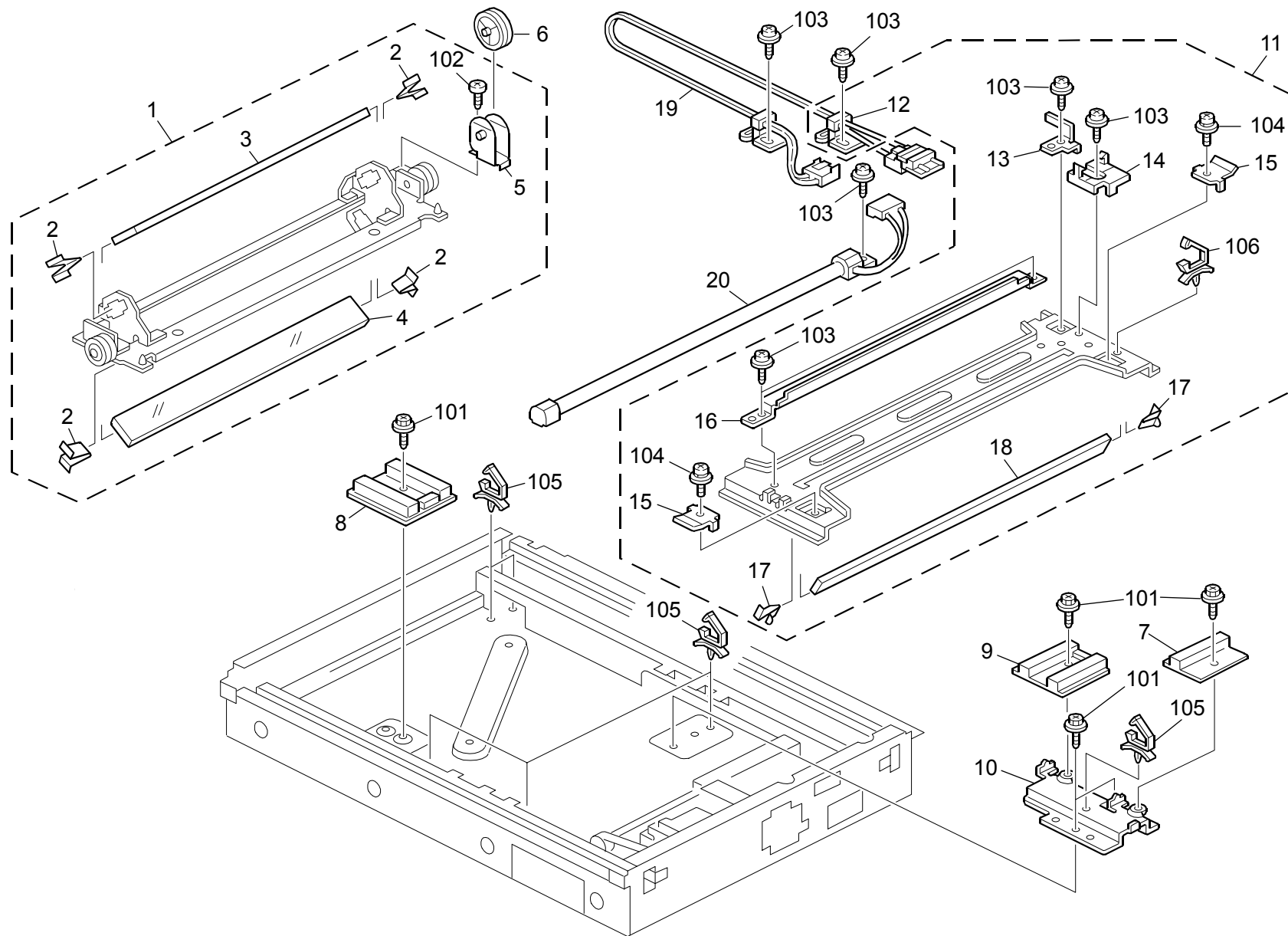


17.Optics Section 2 (B132/B200)

Index No.	Part No.	Description	Q'ty Per Assembly
1	B132 1731	Lens Unit	1
2	B132 5369	Interface Cable	1
3	B132 1674	Cover	1
4	B132 1871	Bracket:Open And Close:Left	1
5	A257 1884	Rubber Bushing	2
6	B132 1877	Bracket:Positioning:Left	1
7	AA16 1104	Cushion - Motor	2
8	B132 1897	Spring Plate:Earth:Scanner Unit	1
9	B132 1874	Bracket:Positioning:Right	1
10	B132 1886	Lever:Scanner Unit:Open And Close	1
11	AX64 0151	Fan Motor:Mm60	1
12	B132 1872	Bracket:Open And Close:Right	1
13	B132 1896	Ground Wire:Scanner	1
14	AW02 0145	Photointerruptor:Flat	1
15	A267 1820	Sheet - Photointerrupter	1
16	B132 1112	Ground Plate:Scanner:Rear	1
17	B132 1889	Plate:Rod	2
18	B132 1888	Rod:Open And Close:Scanner Unit	1
19	B132 1678	Seal:Inner Cover	1
20	B132 1677	Cover:Siob	1

Index No.	Part No.	Description	Q'ty Per Assembly
101	0451 4008N	Tapping Screw - 4x8	
102	0802 5291	Tapping Screw:Round Point - M3x6	
103	0451 3006N	Tapping Screw - 3x6	
104	0451 4025N	Tapping Screw - M4x25	
105	0950 4008N	Screw:Spring Washer - M4x8	
106	0354 0080N	Screw - M4x8	
107	0707 4050N	Bushing - 4x5	
108	1105 0487	Harness Clamp	

18. Optics Section 3 (B132/B200)

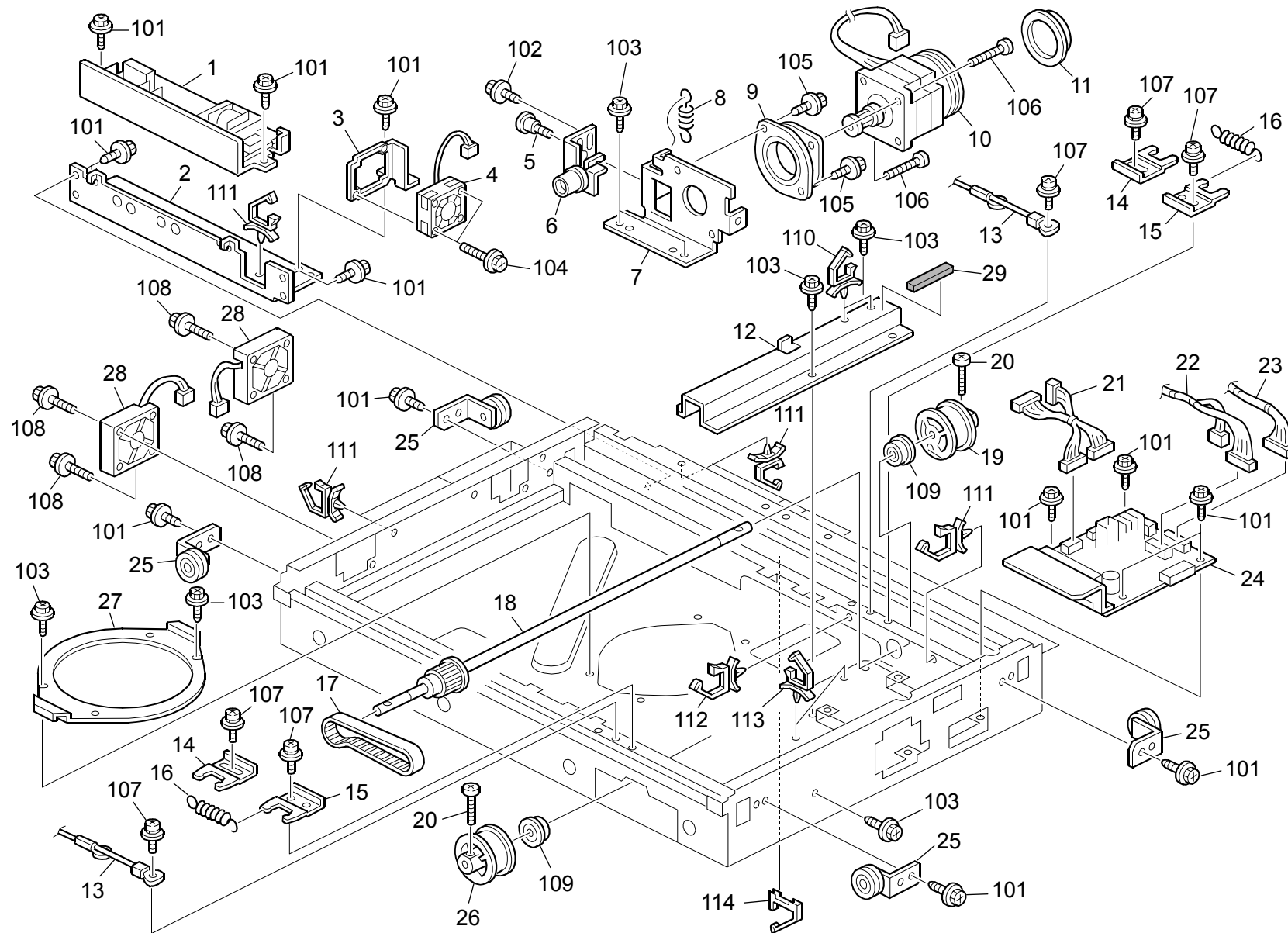


18.Optics Section 3 (B132/B200)

Index No.	Part No.	Description	Q'ty Per Assembly
1	B132 1801	Carriage:No.2:Ass'y	1
2	G404 2810	Spring Plate - 2nd Mirror	4
3	B132 1818	Mirror:No.2	1
4	B132 1819	Mirror:No.3	1
5	B132 1815	Holder:Pulley	1
6	G570 2834	Pulley - High Voltage Supply Cord	1
7	AW01 0116	Original Sensor:H=1-66	1
8	AW01 0115	Original Sensor:H=81.5	1
9	AW01 0114	Original Sensor:H=2-66	1
10	B132 1861	Bracket:Original Sensor	1
11	B132 1751	Carriage:No.1:Ass'y	1
12	G570 2731	Grip	1
13	B132 1766	Feeler:Home Position Sensor:No.1	1
14	B132 1767	Holder:Connector	1
15	B132 1758	Stay:Wire	2
16	B132 1762	Reflector	1
17	A193 1767	1st Mirror Holder	2
18	B132 1757	Mirror:No.1:Ass'y	1
19	B132 5304	Harness:Connecting:Scanner:Lamp	1
20	B132 1890	Xenon Lamp:100000LX	1

Index No.	Part No.	Description	Q'ty Per Assembly
101	0802 5291	Tapping Screw:Round Point - M3x6	
102	0313 0050N	Philips Pan Head Screw - M3x5	
103	0951 3006N	Screw - M3X6	
104	0954 4008N	Screw - M4X8	
105	1105 0511	Harness Clamp - LWS-0306ZC	
106	1105 0516	Clamp	

19.Optics Section 4 (B132/B200)



19.Optics Section 4 (B132/B200)

Index No.	Part No.	Description	Q'ty Per Assembly
1	B132 1891	Stabilizer	1
2	B132 1851	Bracket:Invertor	1
3	B132 1852	Bracket:Fan:MM40:Invertor	1
4	AX64 0164	Fan Motor:15mm:24V	1
5	AA14 3802	Screw:6x1.7	1
6	B132 1710	Pulley:Tension:Timing Belt:Ass'y	1
7	B132 1702	Bracket:Motor	1
8	G029 4150	Pressure Spring	1
9	A134 1724	Cushion - Stepper Motor	1
10	B132 1703	Stepper Motor:Scanner	1
11	B132 1714	Cover:Damper	1
12	B132 1716	Cover:Shaft	1
13	B132 1729	Drive Were:Scanner	2
14	B132 1724	Bracket:Tension	2
15	B132 1725	Bracket:Tension:Fix	2
16	B132 1723	Spring:Drive Were	2
17	AA04 3314	Timing Belt:100S2M266	1
18	B132 1720	Pulley:40T	1
19	AB03 2070	Pulley	1
20	B132 1719	Screw:Mechanical Drive Section	2
21	B132 5301	Harness:SIOB:SBU	1
22	B132 5302	Harness:SIOB:Fan Motor	1
23	B132 5300	Harness:SIOB:Original Sensor	1
24	B132 5495	PCB:SIOB	1
25	B132 1671	Bracket:Pulley	4
26	AB03 2069	Pulley	1
27	B132 1675	Cover:Polygon Mirror Motor	1
28	AX64 0151	Fan Motor:MM60	2
29	B132 1728	Gasket:Cover:Shaft	1

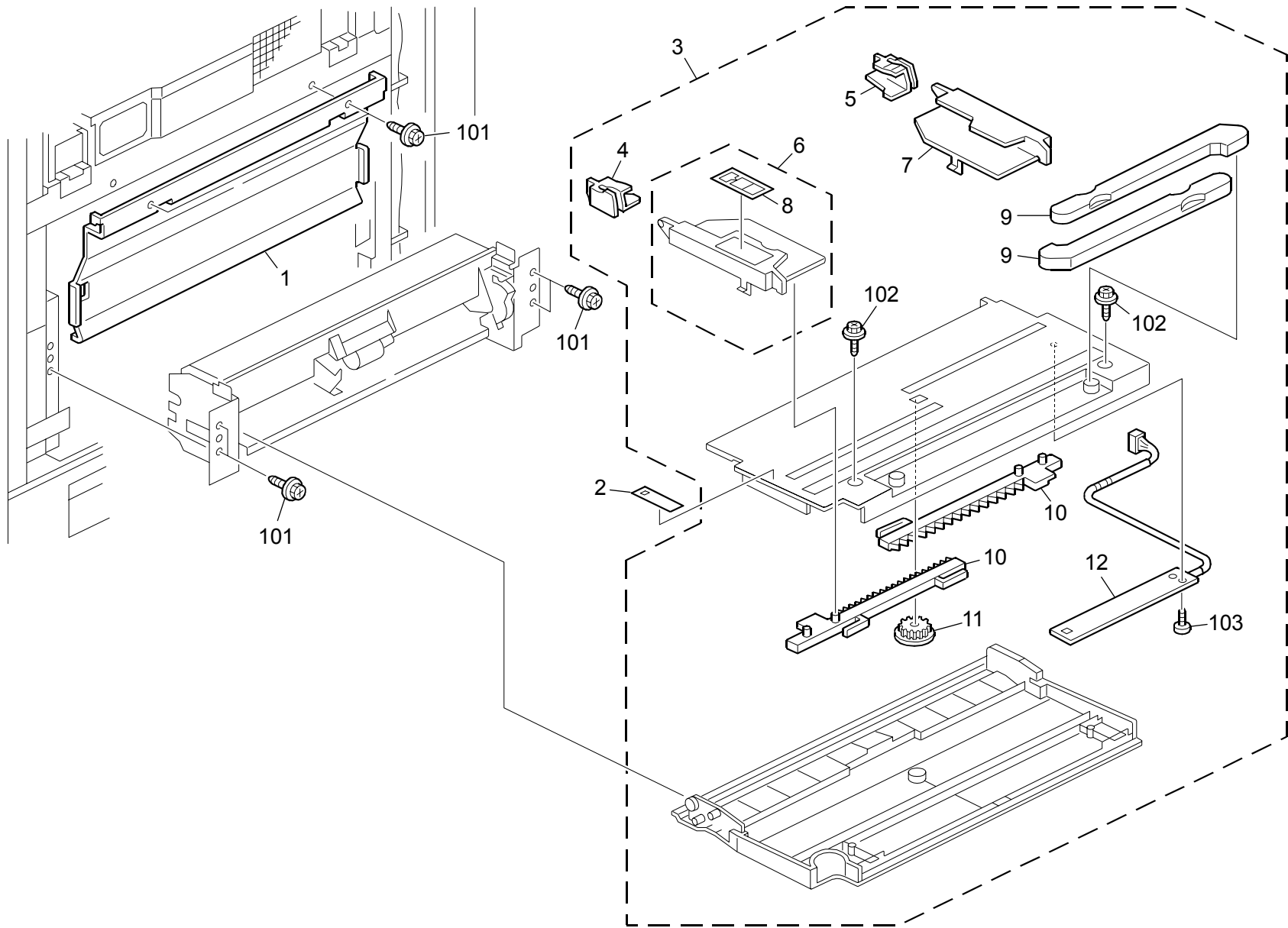
Index No.	Part No.	Description	Q'ty Per Assembly
101	0451 3006N	Tapping Screw - 3x6	
102	0951 3006N	Screw - M3X6	
103	0802 5291	Tapping Screw:Round Point - M3x6	
104	0451 3020N	Tapping Screw - 3x20	
105	0451 4008N	Tapping Screw - 4x8	
106	0314 0120N	Screw - M4x12	
107	0954 4008N	Screw - M4x8	
108	0451 4025N	Tapping Screw - M4x25	
109	0805 3368	Ball Bearing - 8x16x5mm	
110	1105 0487	Harness Clamp	
111	1105 0516	Clamp	
112	1105 0511	Harness Clamp - LWS-0306ZC	
113	1105 0488	Harness Clamp	
114	1105 0518	Edge Saddle - LES-1010	

20.Laser Unit (B132/B200)

Index No.	Part No.	Description	Q'ty Per Assembly
1	B132 1950	Imaging Unit	1
2	B132 5185	PCB:Sync Detector Board:Side	8
3	A259 1258	Door Stopper	2
4	AA00 0217	Decal - LD 655	2
5	B132 2185	Cover:Polygon Motor:Ass'y	1
6	B132 2156	Polygon Motor	1
7	B132 1971	Positioning Pin	1
8	B132 5366	Harness:LDB:LDD	2
9	B132 2172	Cover:Upper:Sub-ass'y	1
10	B132 5226	Harness:Imaging Unit	1
11	B132 2085	Shield:Shield Glass	1
12	B132 2094	Grip:Shield Glass	1
13	AC01 5041	Shield Glass	1
14	B132 2093	Rail:Shield Glass	1
15	G060 1908	Thermistor Plate	1
16	AW10 0100	Thermistor:Imaging Unit	1
17	B132 5367	Cable:LVDS:LDB	2

Index No.	Part No.	Description	Q'ty Per Assembly
101	0354 0200N	Screw - M4x20	
102	0354 0080N	Screw - M4x8	
103	0353 0060N	Philips Pan Head Bind Screw - M3x6	
104	0451 4006N	Tapping Screw - 4x6	

21.By-pass Feed 1 (B132/B200)

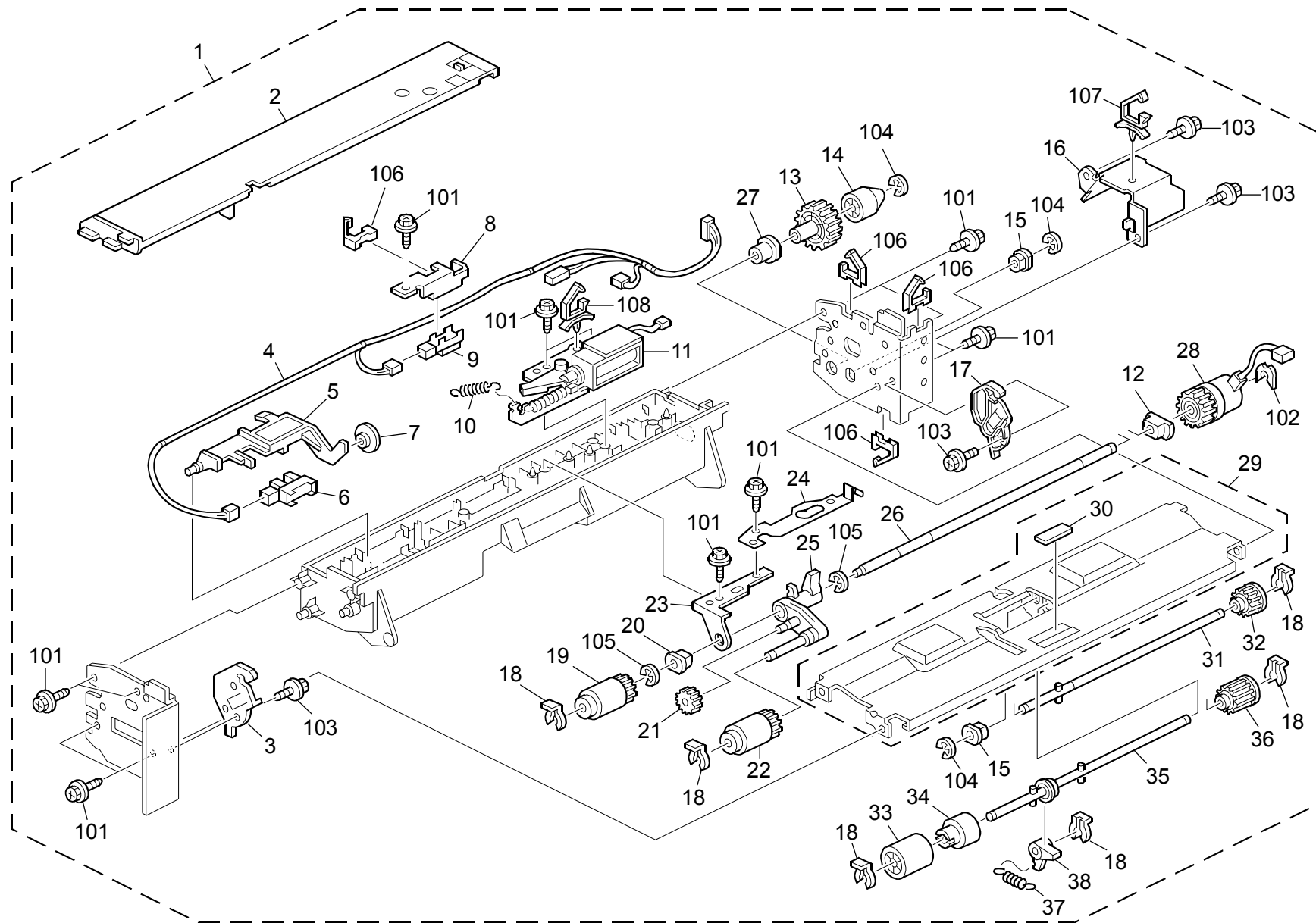


21.By-pass Feed 1 (B132/B200)

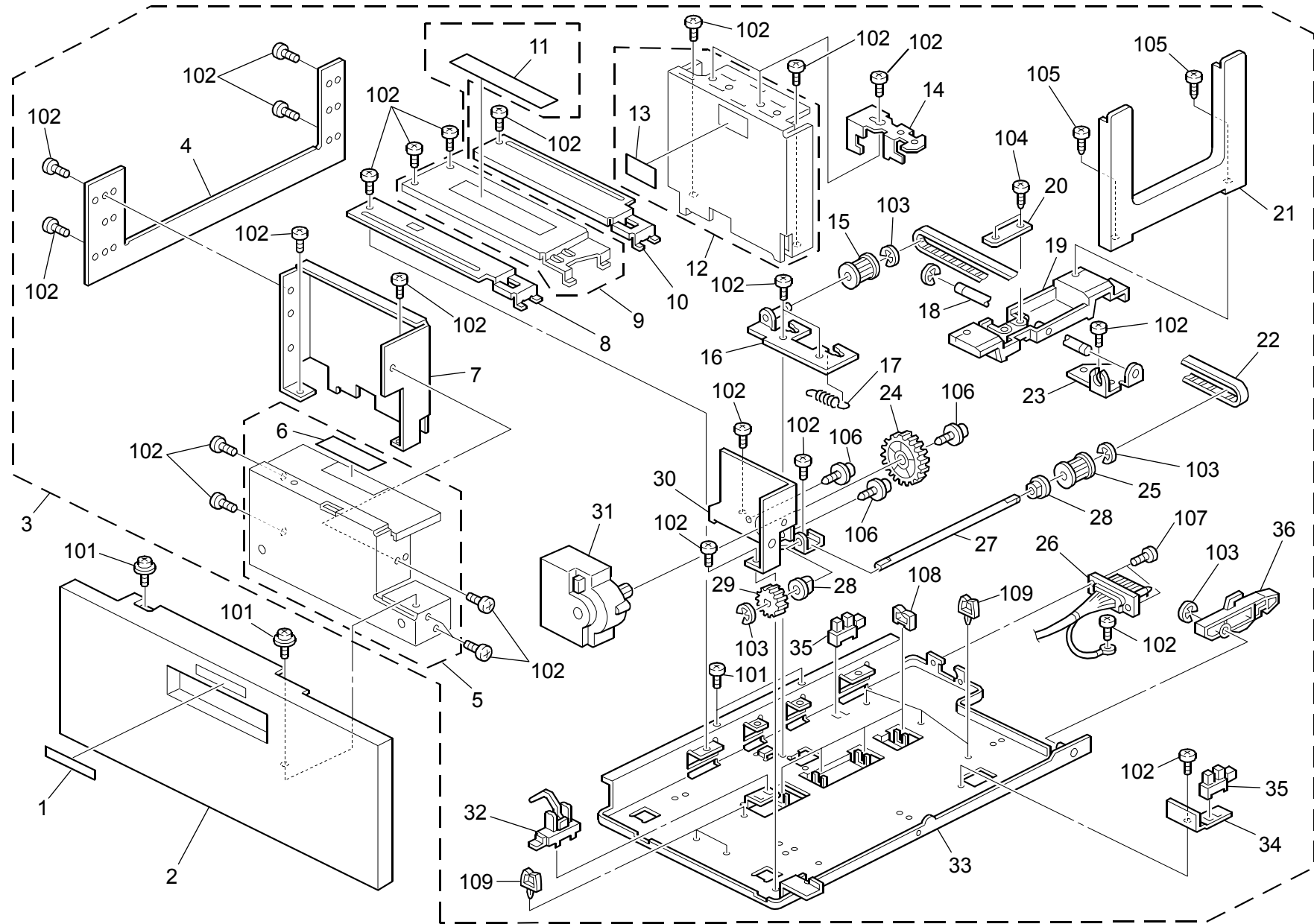
Index No.	Part No.	Description	Q'ty Per Assembly
1	B132 2816	Cover:Manual Feed:Machine or Copier	1
2	B132 1482	Decal - Inkjet:Manual Feed	2
3	B132 2809	Manual Feed Table:Ass'y	1
4	B132 2863	Side Fence:Auxiliary:Front	1
5	B132 2866	Side Fence:Auxiliary:Rear	1
6	B132 2861	Side Fence:Front:Ass'y	1
7	B132 2864	Side Fence:Rear:Ass'y	1
8	B132 2875	Decal:Paper Set Direction	1
9	B132 2868	Guide:Manual Feed Table	2
10	A232 6083	Rear Rack	2
11	G011 3305	Gear - 16Z	1
12	B132 2873	Paper Size Sensor	1

Index No.	Part No.	Description	Q'ty Per Assembly
101	0451 4008N	Tapping Scre - :4x8	
102	0450 3010N	Tapping Screw - M3x10	
103	0452 3008N	Tapping Screw - M3x8	

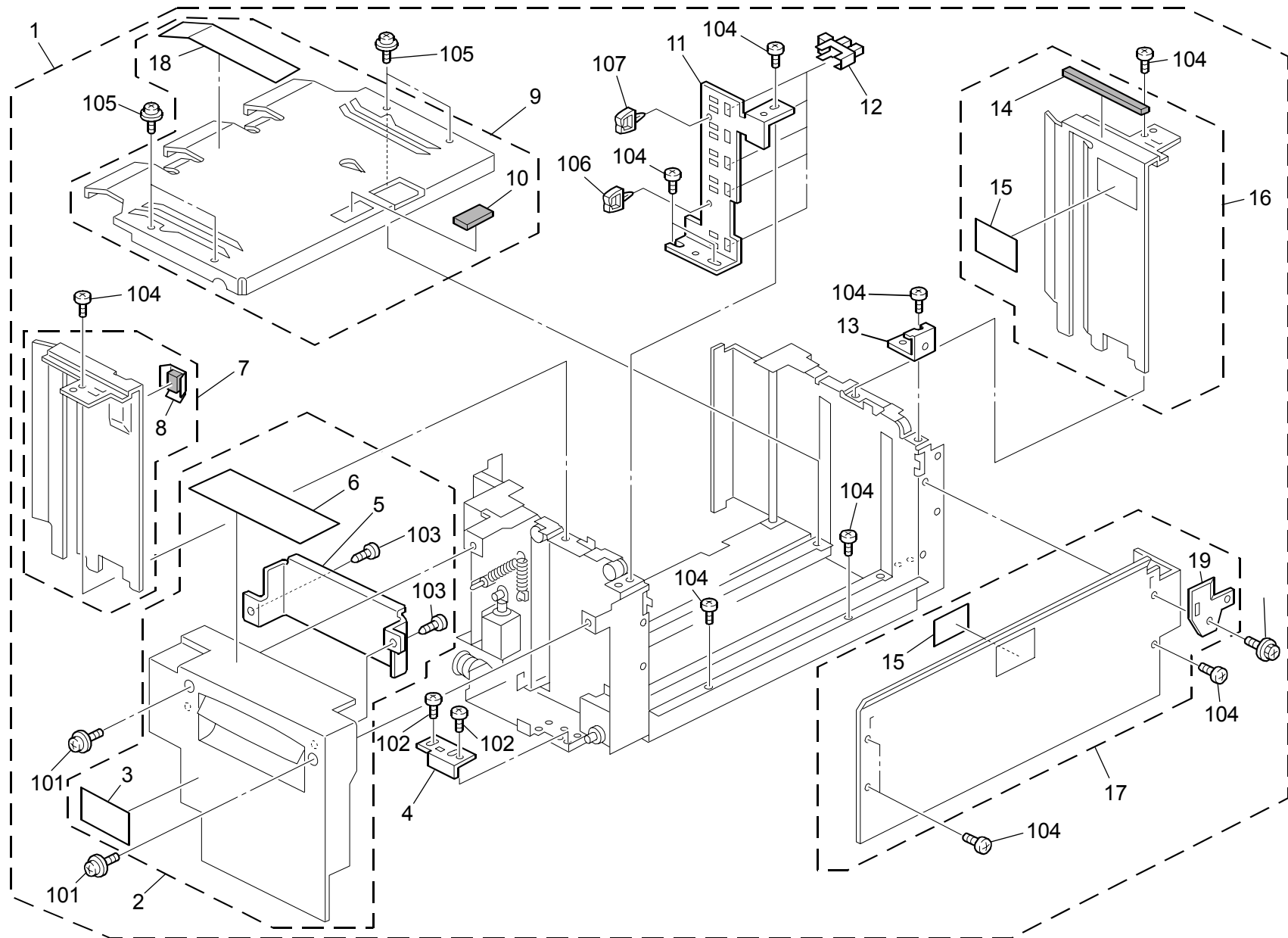
22.By-pass Feed 2 (B132/B200)



23. Tandem Tray 1 (B132/B200)



24. Tandem Tray 2 (B132/B200)

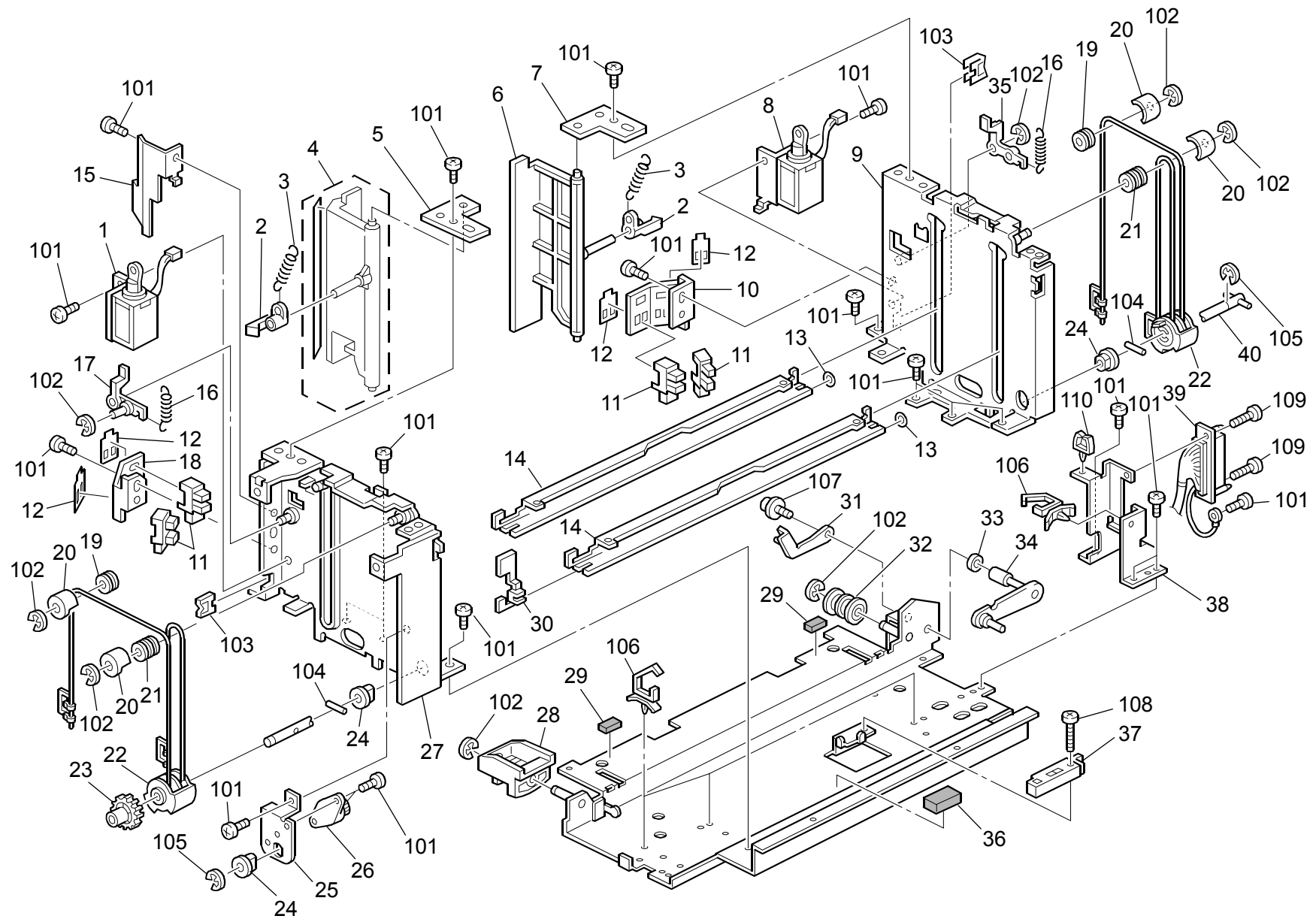


24.Tandem Tray 2 (B132/B200)

Index No.	Part No.	Description	Q'ty Per Assembly
1	B132 7506	Tandem LCT Unit:Right (NA)	1
1	B132 7505	Tandem LCT Unit:Right (EU)	1
2	B132 7586	Inner Cover:Tandem LCT	1
3	AA00 2246	Decal - Caution	1
4	B065 6859	Right Stopper	1
5	B065 6875	Protection -inner Cover	1
6	B065 6877	Decal - Paper Set - Right	1
7	B132 7578	Side Fence:Right Front	1
8	A294 6734	Plate:Paper:Ass'y	1
9	B132 7543	Base:Tandem LCT:Right	1
10	5201 2858	Friction Pad	1
11	A294 6706	Sensor Bracket	1
12	AW02 0160	Paper Feed Sensor	5
13	A176 6695	Misfeed Removal Guide	1
14	AA15 3063	Seal - 4x10x70 (B181/B200)	1
15	AA00 2010	Decal - Paper Level	2
16	B132 7576	Side Fence:Tandem LCT:Right	1
17	A294 6666	Side Plate	1
18	A096 6677	Decal - Right Paper Set	1
19	B065 6672	Interlock Guide - Tandem LCT	1

Index No.	Part No.	Description	Q'ty Per Assembly
101	0951 4008N	Screw:Polished Round:M4x8	
102	0314 0060N	Screw - M4X6	
103	0452 4008N	Tapping Screw - M4x8	
104	0434 0060N	Pan Self-tapping Screw - M4x6	
105	0951 4006N	Screw:Polished Round - M4x6	
106	1105 0230	Clamp	
107	1105 0199	Clamp	

25. Tandem Tray 3 (B132/B200)

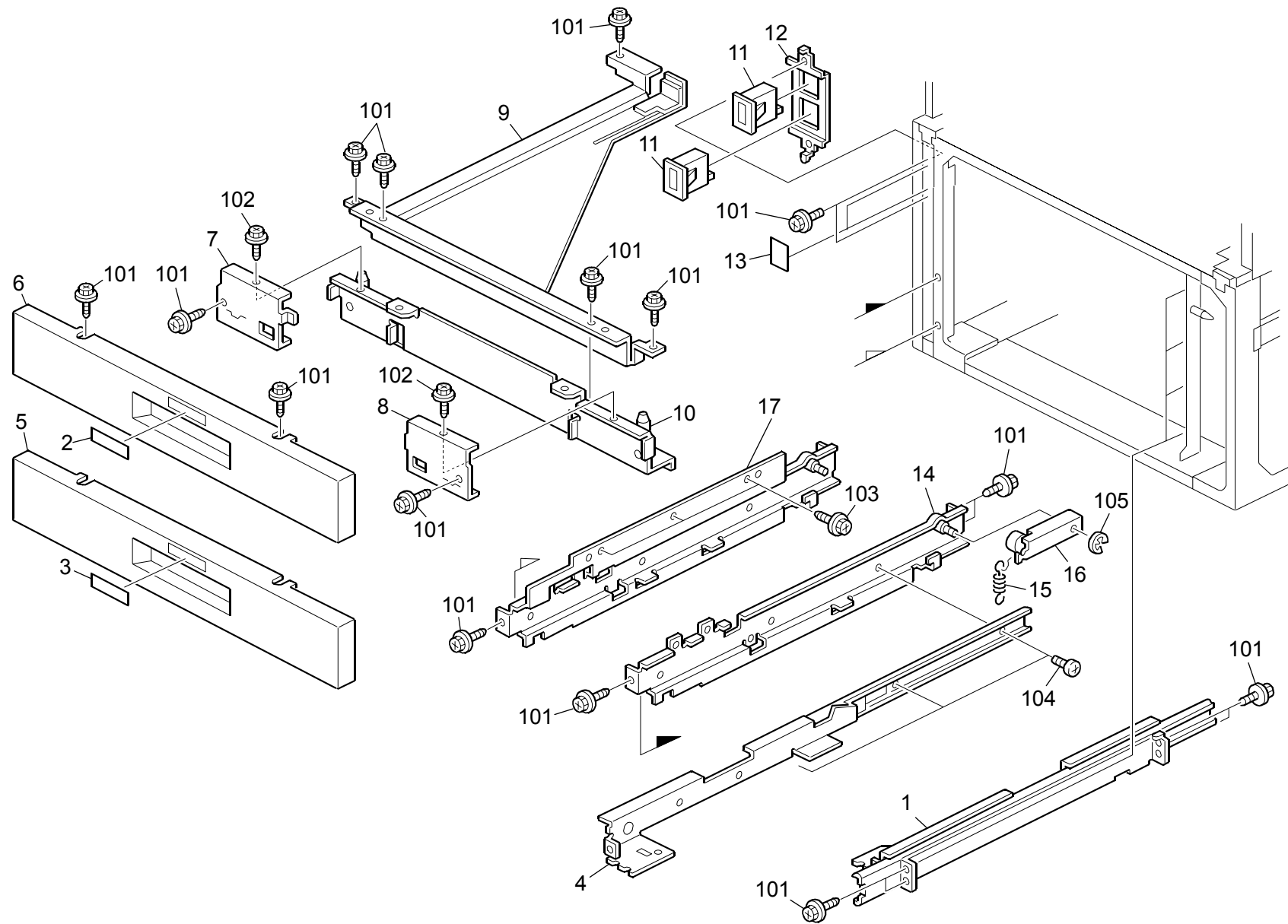


25.Tandem Tray 3 (B132/B200)

Index No.	Part No.	Description	Q'ty Per Assembly
1	B132 7547	DC Solenoid:End Fence:Front:Ass'y	1
2	A248 6713	Hook - Tension Sprong	2
3	AA06 0757	Tension Spring - Long	2
4	B132 7589	End Fence:Front:Adhesion	1
5	A294 6722	Front Support Bracket	1
6	B132 7556	End Fence:Rear	1
7	A294 6723	Rear Support Bracket	1
8	B132 7571	DC Solenoid:End Fence:Rear:Ass'y	1
9	A294 6676	Right Rear Side Plate	1
10	A294 6721	Sensor Bracket	1
11	AW02 0160	Paper Feed Sensor	4
12	A267 1820	Sheet - Photointerrupter	4
13	A248 6694	Wire Ring	2
14	B065 6870	Stay -rightbase	2
15	B070 6667	End Fence Cover Front	1
16	AA06 0758	Tension Spring - Short	2
17	B070 6683	Lever:Release:Front	1
18	A294 6720	Sensor Bracket	1
19	AB03 2058	Wire Pulley - M10	2
20	A248 6695	Guide - Pulley	4
21	AB03 2719	Pulley - M10	2
22	B132 7550	Cover:Pulley:Drive Were	2
23	AB01 3781	Gear - 30Z	1
24	5053 0223	Bushing - 8mm	3
25	B065 6872	Oil Damper Bracket	1
26	A248 6701	Oil Damper	1
27	B070 6668	Side Plate:Tandem:Right Front	1
28	A294 6655	Front Roller - Slide Rail	1
29	AA16 1130	Cushion - Small	2
30	A294 6690	Feeler - Paper Height Sensor	1
31	B065 6864	Small Lever	1
32	AF02 2105	Roller - Slide Rail	1
33	AA13 2203	Spacer - 6mm	1
34	B065 6862	Large Lever	1
35	B070 6684	Lever:Release:Rear	1

Index No.	Part No.	Description	Q'ty Per Assembly
36	AA16 1129	Cushion - Large	1
37	AW01 0113	Sensor	1
38	B132 7575	Bracket:Connector:Tandem LCT	1
39	B070 5474	DC Harness - Tandem LCT	1
40	A248 6687	Right Drive Shaft	1
101	0434 0060N	Pan Self-tapping Screw - M4x6	
102	0720 0040E	Retaining Ring - M4	
103	1105 0328	Harness Clamp - ES-0505	
104	0633 0200G	Pin - M3x20	
105	0720 0060E	Retaining Ring - M6	
106	1105 0488	Harness Clamp	
107	0951 3006N	Screw - M3X6	
108	0313 0120N	Pan Head Screw - M3x12	
109	0313 0080N	Pan Head Screw - M3x8	
110	1105 0199	Clamp	

26. Universal Tray 1 (B132/B200)

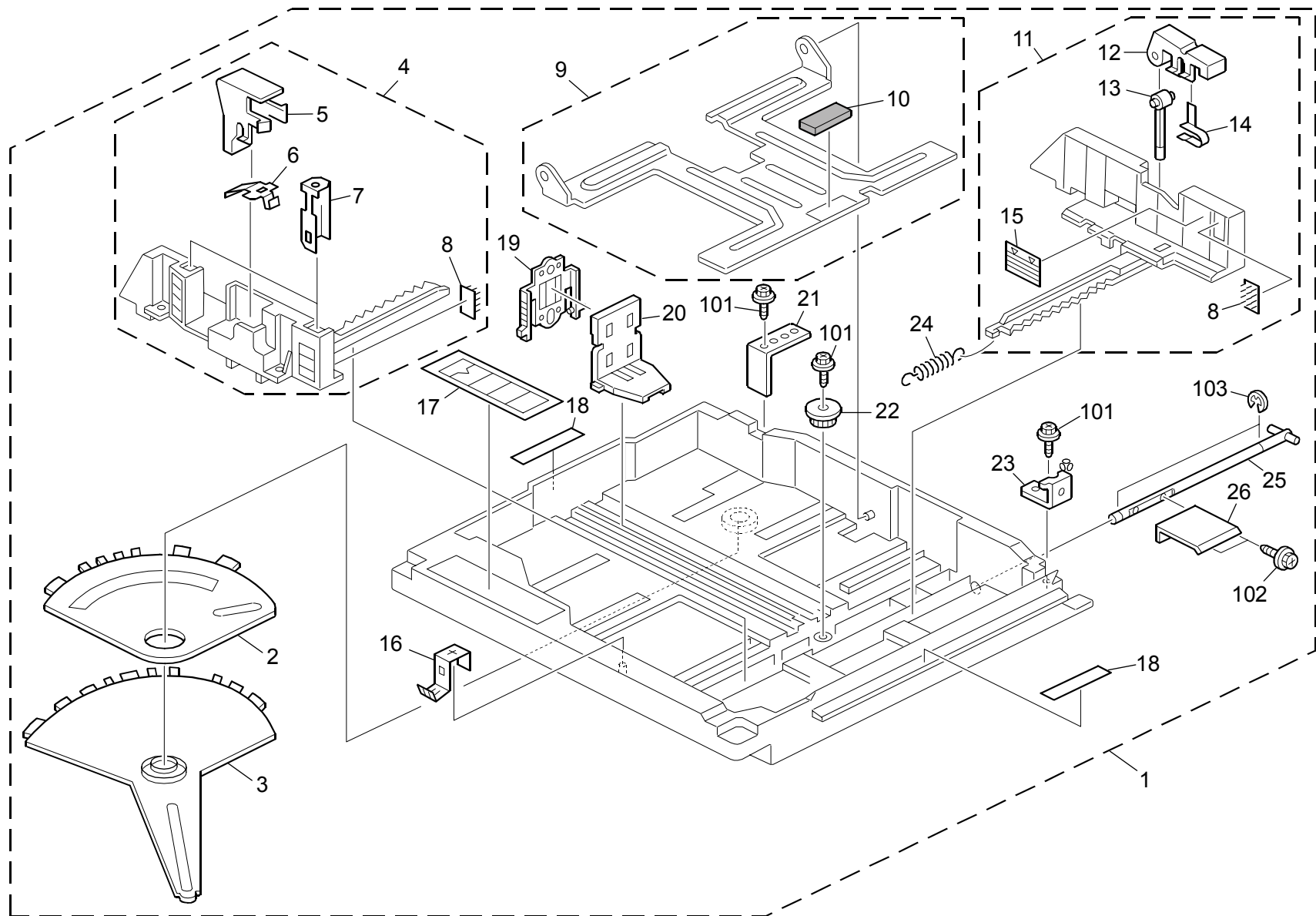


26.Universal Tray 1 (B132/B200)

Index No.	Part No.	Description	Q'ty Per Assembly
1	B132 6693	Slide Rail:Right:Ass'y	4
2	B065 6636	Decal - Paper Tray 2	1
3	B065 6637	Decal- Paper Tray 3	1
4	B132 6692	Slide Rail:Left:Sub-ass'y	2
5	B065 6632	Paper Tray Cover - Long	1
6	B065 6633	Paper Tray Cover - Short	1
7	B065 6589	Left Support Plate	2
8	B065 6588	Right Support Plate	2
9	B065 6591	Paper Tray Holder Base	2
10	B132 6653	Stay:Holder:Paper Tray:Ass'y	2
11	AX31 0047	Total Counter:7FIG:24V:MI2	2
12	B132 5976	Bracket:Total Counter	1
13	B132 5996	Decal:Total Counter	1
14	B065 6781	Base:Slide Rail:No.2:Peen	1
15	AA06 0534	Tray Lock Spring - 19mm	2
16	B065 6136	Tray Lock Arm	2
17	B065 6783	Slide Rail Base	1

Index No.	Part No.	Description	Q'ty Per Assembly
101	0451 4008N	Tapping Screw - 4x8	
102	0451 3008N	Tapping Screw - M3x8	
103	0451 3006N	Tapping Screw - 3x6	
104	0453 3006N	Tapping Screw - M3x6	
105	0720 0040E	Retaining Ring - M4	

27. Universal Tray 2 (B132/B200)

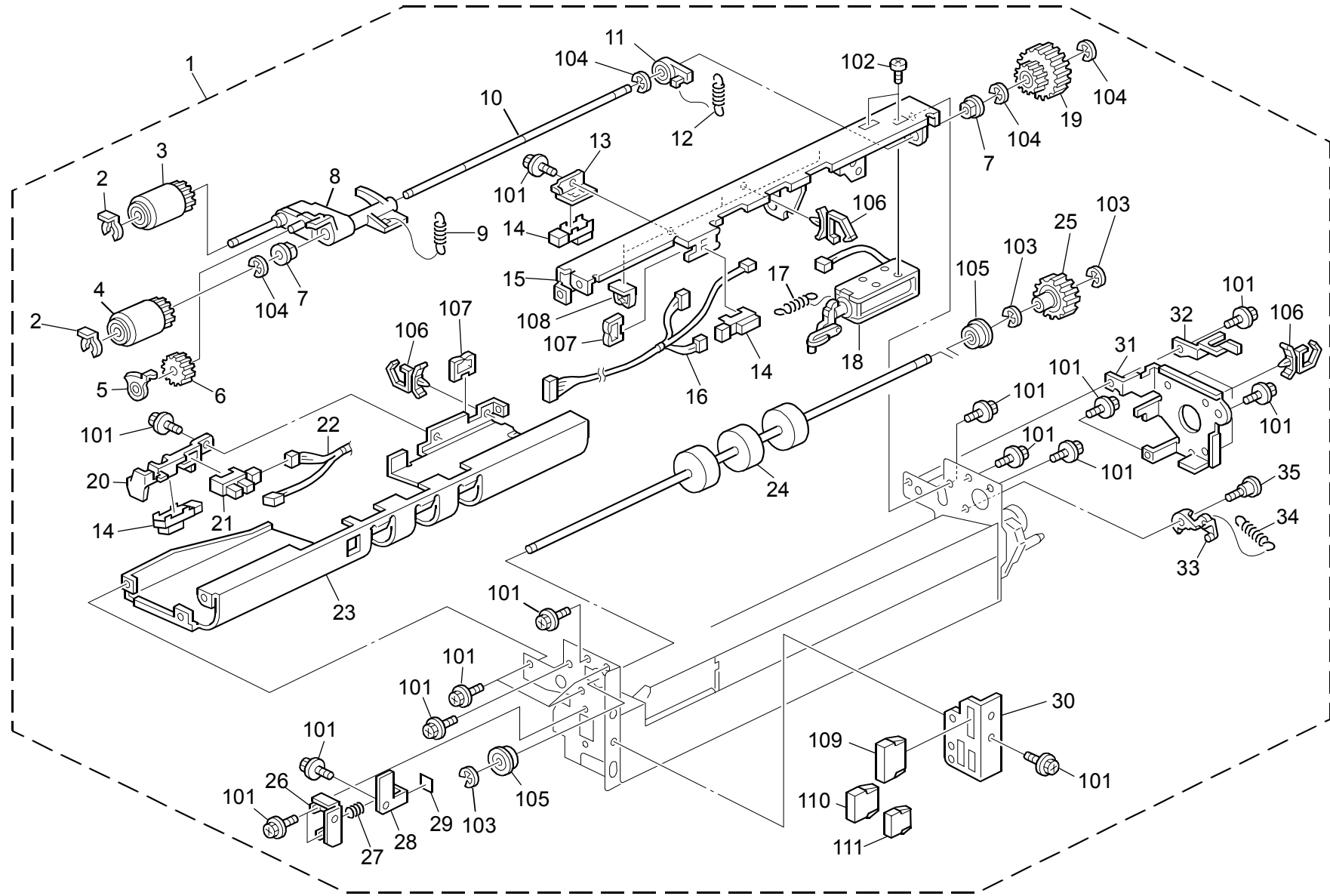


27.Universal Tray 2 (B132/B200)

Index No.	Part No.	Description	Q'ty Per Assembly
1	B132 6770	Paper Tray:Universal:DOM:Ass'y	1
2	B132 6789	Link:Side Fence	1
3	B132 6788	Link:End Fence	1
4	B132 6793	Side Fence:Front:Ass'y	1
5	B065 6538	Positioning Stopper Lever	1
6	A134 2978	Spring Plate	1
7	B132 6791	Plate:Side Fence	1
8	A096 6553	Side Fence Pad	2
9	B132 6785	Tray Bottom Plate:Ass'y	1
10	AF01 3005	Bottom Plate Pad	1
11	B132 6795	Side Fence:Rear:Ass'y	1
12	A267 2860	Rear Lever Stopper	1
13	A267 2859	Side Fence Stopper	1
14	A267 2857	Spring Plate - Side Fence	1
15	AA00 2010	Decal - Paper Level	1
16	B132 6798	Spring Plate:Paper Tray:Earth	1
17	B132 6786	Decal:Paper Tray:Paper Set Direction	1
18	B065 6545	Decal - Positioning	1
19	B132 6783	Arm:End Fence:Lock	1
20	AF01 7032	End Fence	1
21	B132 6797	Side Fence:Rear:Auxiliary	1
22	AB01 2327	Gear:16z	1
23	A176 6695	Misfeed Removal Guide	1
24	AA06 0961	Tension Spring:Side Fence:Rear	1
25	B065 6524	Bottom Plate Lift Shaft	1
26	B065 6526	Lift Lever	1

Index No.	Part No.	Description	Q'ty Per Assembly
101	0450 4008N	Tapping Screw - M4x8	
102	0360 4008N	Screw - M4X8	
103	0720 0060E	Retaining Ring - M6	

28.Paper Registration 1 (B132/B200)

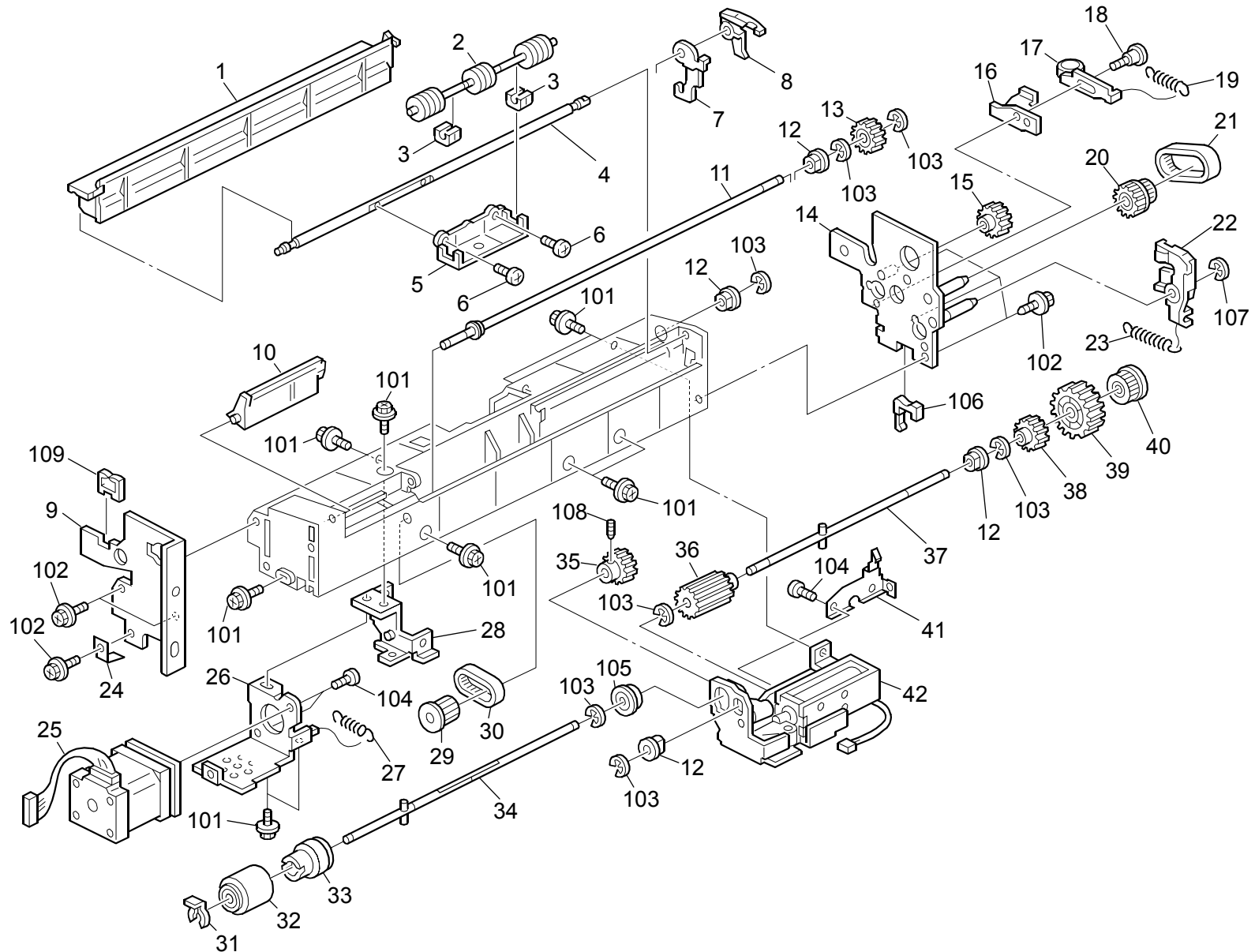


28.Paper Registration 1 (B132/B200)

Index No.	Part No.	Description	Q'ty Per Assembly
1	B132 6620	Paper Feed Unit	1
2	5447 2681	Snap Ring	2
3	AF03 0081	Paper Feed Roller:Pickup	1
4	AF03 1082	Paper Feed Roller:Feed	1
5	B065 6350	Pick-up Gear Cover	1
6	AB01 1465	Idler Gear	1
7	AA08 2118	Bushing - M6	2
8	B065 6357	Pick-up Arm	1
9	AA06 0898	Spring	1
10	AA14 0828	Feed Roller Shaft	1
11	B065 6445	Feed Lever	1
12	AA06 0897	Spring	1
13	B065 6358	Paper Feed Sensor Bracket	1
14	AW01 0107	Paper Feed Sensor	3
15	B065 6364	Feed Stay	1
16	B065 6488	Upper Paper Feed Harness	1
17	AA06 0899	Spring	1
18	B132 6659	DC Solenoid:Pickup:Ass'y	1
19	AB01 7617	Gear - 21Z/38Z	1
20	B065 6345	Paper End Sensor Bracket	1
21	AW02 0160	Paper Feed Sensor	1
22	B065 6487	Lower Paper Feed Harness	1
23	B140 6339	Paper Feed Guide Plate	1
24	AF02 0562	Transport Roller	1
25	AB01 1466	Gear - 35Z	1
26	B065 6334	Heat Sink Base	1
27	AA06 3889	Heat Sink Spring	1
28	B065 6337	Heat Sink	1
29	B065 6338	Heat Sink Sheet	1
30	B065 6375	Paper Feed Unit Stay	1
31	B065 6366	Drive Bracket	1
32	B065 6353	Feed Gear Cover	1
33	B065 6457	Driven Pressure Lever	1
34	AA06 0896	Spring	1
35	AA14 3718	Stepped Screw - M4	1

Index No.	Part No.	Description	Q'ty Per Assembly
101	0451 4008N	Tapping Screw - 4x8	
102	0353 0040N	Screw - M3X4	
103	0720 0060E	Retaining Ring - M6	
104	0720 0040E	Retaining Ring - M4	
105	0742 3808	Ball Bearing - 8x16x5	
106	1105 0511	Harness Clamp - LWS-0306ZC	
107	1105 0328	Harness Clamp - ES-0505	
108	1105 0542	Harness Clamp - MSBS-1207	
109	1102 6252	Connector - 9P	
110	1102 6251	Connector - 8P	
111	1102 6249	Relay Connector - 6P	

29.Paper Registration 2 (B132/B200)

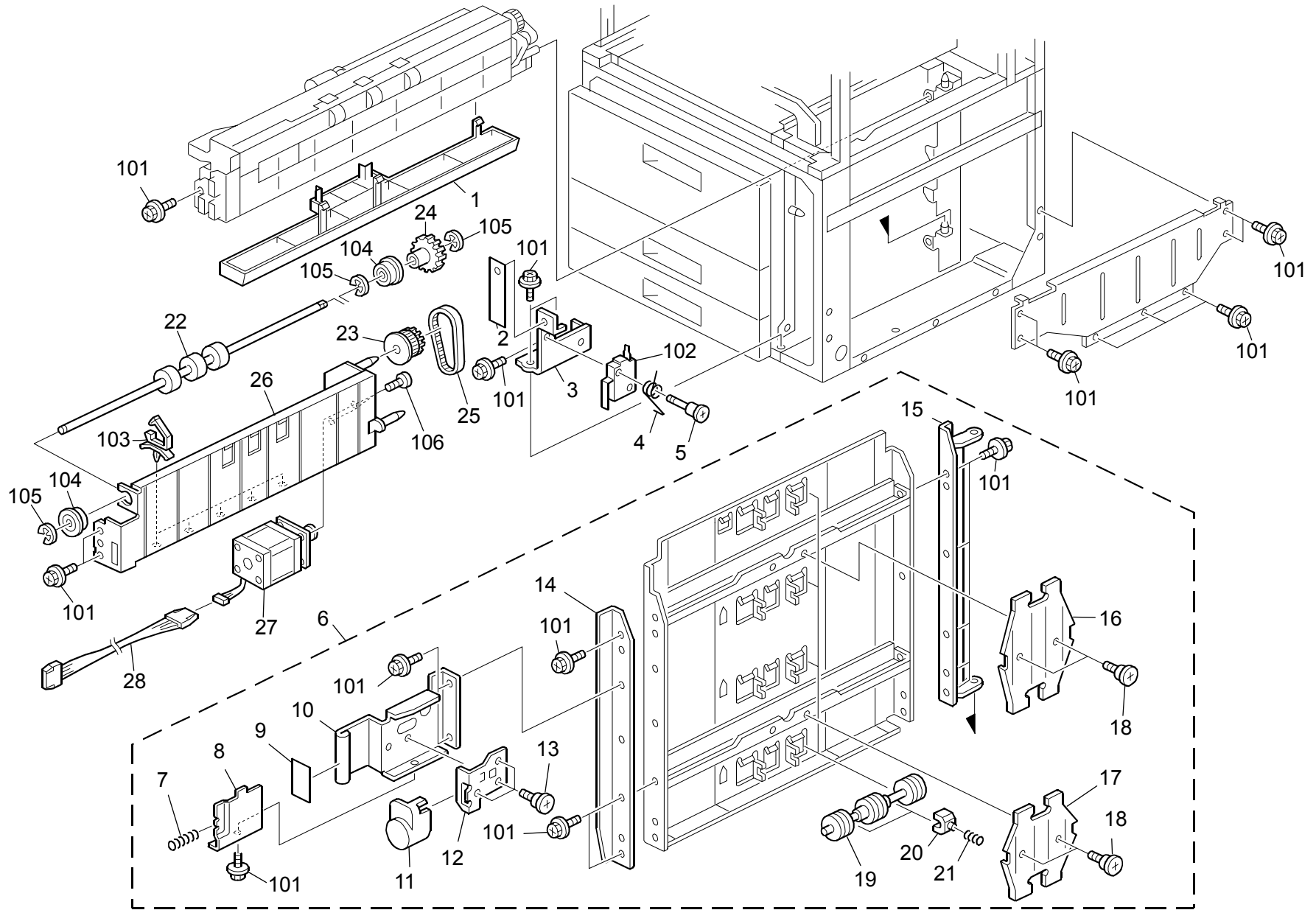


29.Paper Registration 2 (B132/B200)

Index No.	Part No.	Description	Q'ty Per Assembly
1	B065 6372	Guide Plate	1
2	AF02 2149	Transport Roller	1
3	AA08 0327	Bushing - M4	2
4	AA14 0829	Driven Shaft	1
5	B065 6453	Transport Roller Lever	1
6	AA14 3812	Screw - Scale	2
7	B065 6454	Driven Release Lever	1
8	B065 6455	Driven Pressure Lever	1
9	B065 6336	Front Side Plate - Paper Feed	1
10	B065 6371	Support Guide Plate	1
11	B065 6317	Relay Shaft	1
12	AA08 2118	Bushing - M6	3
13	AB01 1469	Gear - 19Z	1
14	B065 6330	Rear Side Plate - Paper Feed	1
15	AB01 1470	Gear - 18Z	1
16	B065 6452	Tray Link Guide	1
17	B065 6346	Paper Tray Link	1
18	5894 2540	Arm Screw	1
19	AA06 0900	Spring	1
20	AB01 7690	Pulley:Idler:30T/24Z	1
21	AA04 3575	Timing Belt	1
22	B065 6456	Vertical Transport Link	1
23	AA06 0901	Spring	1
24	B140 6378	Ground Plate:Stepper Motor:Paper Fe	1
25	B132 6655	Stepper Motor:Paper Feed Unit:Ass'y	1
26	B065 6394	Motor Bracket	1
27	AA06 0904	Spring	1
28	B065 6415	Motor Base	1
29	AB03 0733	Pulley - 20T	1
30	AA04 3576	Timing Belt	1
31	5447 2681	Snap Ring	1
32	AF03 2080	Paper Feed Roller:Separate	1
33	A294 6700	Torque Limiter - 53MNXM	1
34	B065 6307	Reverse Driven Shaft	1
35	AB01 1391	Driven Reverse Gear - 21Z	1

Index No.	Part No.	Description	Q'ty Per Assembly
36	AB01 1471	Reverse Gear	1
37	B065 6306	Reverse Drive Shaft	1
38	AB01 1491	Gear - 21Z	1
39	AB01 1490	Gear - 38Z	1
40	AB03 0734	Pulley - 30Z	1
41	B140 6377	Ground Plate:Reverse:Paper Feed Unit	1
42	B132 6670	DC Solenoid:Reverse:Ass'y	1
101	0451 4008N	Tapping Screw - 4x8	
102	0450 4008N	Tapping Screw - M4x8	
103	0720 0040E	Retaining Ring - M4	
104	0353 0040N	Screw - M3x4	
105	0741 3506	Ball Bearing - 6x12x4 mm	
106	1105 0522	Edge Saddle - LES0510	
107	0720 0060E	Retaining Ring - M6	
108	0573 0030E	Hexagon Headless Set Screw - M3x3	
109	1105 0328	Harness Clamp - ES-0505	

30.Vertical Transport (B132/B200)

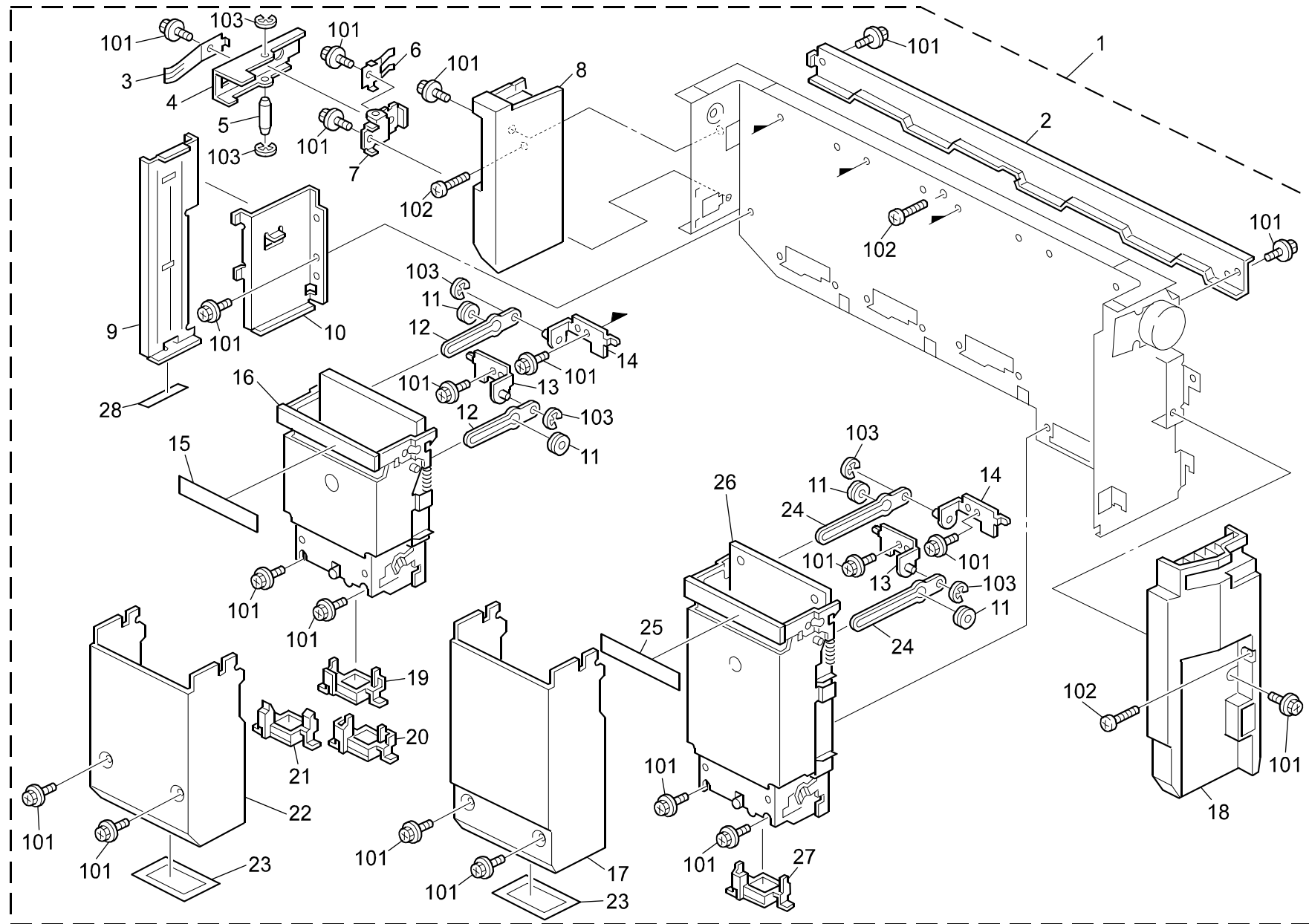


30.Vertical Transport (B132/B200)

Index No.	Part No.	Description	Q'ty Per Assembly
1	B132 6758	Guide:Relay:Paper Feed Unit	1
2	B132 5999	Sheet:Micro Switch:12mm	1
3	B132 5971	Bracket:Micro Switch:Paper Bank	1
4	B132 5869	Torsion Spring	1
5	B132 5868	Screw:Micro Switch	1
6	B132 6751	Transport Unit:Vertical Transport	1
7	AA06 3878	Spring	1
8	B065 6429	Release Cover - Vertical Transport	1
9	A029 2984	Decal - Grip	1
10	B065 6426	Release Lever - Vertical Transport	1
11	B065 6428	Release Button - Vertical Transport	1
12	B065 6427	Release Lever - Vertical Transport	1
13	AA14 3560	Stepped Screw - M4	3
14	B132 6753	Side Plate:Front:Vertical Transport	1
15	B132 6754	Side Plate:Rear:Vertical Transport	1
16	B132 6752	Pressure Plate:Transport Roller:Driven:No.1	1
17	B065 6407	Transport Pressure Plate	1
18	AA14 3715	Stepped Screw - M5	4
19	AF02 0295	Vertical Driven Roller	4
20	AA08 0241	Bushing - M4	8
21	AA06 3487	Spring - 10mm	4
22	AF02 0562	Transport Roller	1
23	AB01 7619	Gear - 24Z/40Z	1
24	AB01 1466	Gear - 35Z	1
25	AA04 3575	Timing Belt	1
26	B140 6472	Joint Unit Guide Plate Ass'y	1
28	B065 6489	Relay Unit Harness	1

Index No.	Part No.	Description	Q'ty Per Assembly
101	0451 4008N	Tapping Screw - 4x8	
102	1204 2521	Micro Switch	
103	1105 0511	Harness Clamp - LWS-0306ZC	
104	0742 3808	Ball Bearing - 8x16x5	
105	0720 0060E	Retaining Ring - M6	
106	0353 0040N	Screw - M3X4	

31.Tonner Supply 1 (B132/B200)



31.Tonner Supply 1 (B132/B200)

Index No.	Part No.	Description	Q'ty Per Assembly
1	B132 3202	Toner Supply Unit:Ass'y	1
2	B132 3428	Stay	1
3	B132 3240	Spring Plate:Stand	1
4	B132 3239	Lever:Stand	1
5	B132 3216	Shaft:Lever:Stand	1
6	B132 3242	Spring Plate:Lever:Stand	1
7	B132 3241	Guide Plate:Lever:Stand	1
8	B132 3236	Inner Cover:Left	1
9	B132 3237	Stand:Left	1
10	B132 3238	Guide:Stand	1
11	B132 3323	Guide:Arm:Stopper:Holder	8
12	B132 3322	Arm:Stopper:Holder:Color	6
13	B132 3316	Bracket:Stopper:Holder:Left:Ass'y	4
14	B132 3314	Bracket:Stopper:Holder:Right:Ass'y	4
15	B132 3331	Decal:Lever:Toner Supply:M	1
15	B132 3332	Decal:Lever:Toner Supply:C	1
15	B132 3333	Decal:Lever:Toner Supply:Y	1
16	B132 3287	Holder:Toner Cartridge:Color:Ass'y	3
17	B132 3232	Cover:Black	1
18	B132 3235	Inner Cover:Right	1
19	B132 3254	Cover:Lower:Holder:Y	1
20	B132 3252	Cover:Lower:Holder:M	1
21	B132 3253	Cover:Lower:Holder:C	1
22	B132 3233	Cover:Color	3
23	B132 3234	Sheet:Cover:Holder	4
24	B132 3321	Arm:Stopper:Holder:Black	2
25	B132 3330	Decal:Lever:Toner Supply:K	1
26	B132 3286	Holder:Toner Cartridge:Black:Ass'y	1
27	B132 3251	Cover:Lower:Holder:Black	1
28	B132 3245	Sheet	1

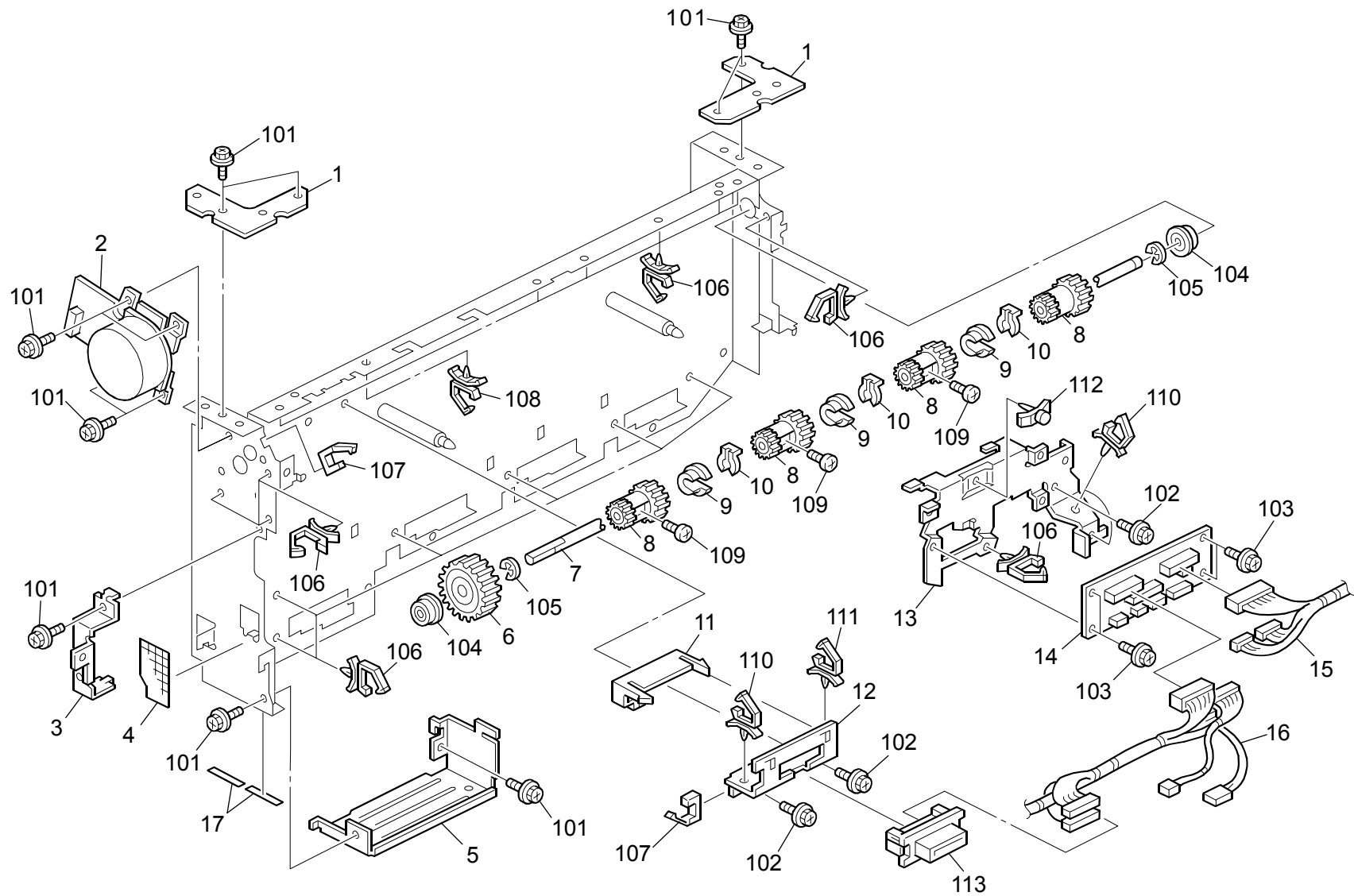
Index No.	Part No.	Description	Q'ty Per Assembly
101	0451 4008N	Tapping Screw - 4x8	
102	0354 0080N	Screw - M4x8	
103	0720 0040E	Retaining Ring - M4	

32.Tonner Supply 2 (B132/B200)

Index No.	Part No.	Description	Q'ty Per Assembly
1	B132 2459	Duct:Development:Front:Y	1
2	B132 2458	Duct:Development:Front	3
3	B132 2485	Seal:Fan Motor	4
4	AX64 0149	Fan Motor:MM40:15mm	4
5	B132 2474	Shield:Duct	1
6	B132 2457	Duct:Toner Hopper	1
7	B132 2476	Shield:Duct:Left	1
8	B132 3246	Heat Insulation:Toner Supply Unit	1
9	B132 3230	Cover:Lower:Color	1
10	B132 3336	Toner Supply Unit:Ass'y	4
11	B132 3436	Tube:Black	3
12	B132 3438	Coil:Guard:Tube:Black	3
13	AW23 0009	Toner End Sensor	4
14	B132 3437	Tube:Color	1
15	B132 3439	Coil:Guard:Tube:Color	1
16	B132 2496	Seal:Duct:Toner Hopper:Lower	1

Index No.	Part No.	Description	Q'ty Per Assembly
101	0451 4008N	Tapping Screw - 4x8	
102	0453 3006N	Tapping Screw - M3x6	
103	0450 3008N	Tapping Screw - M3x8	
104	1105 0568	Clamp - LWSS-0504	
105	1105 0458	Clamp - LHL-18	
106	1105 0598	Clamp - LWSS-1N	

33.Tonner Supply 3 (B132/B200)

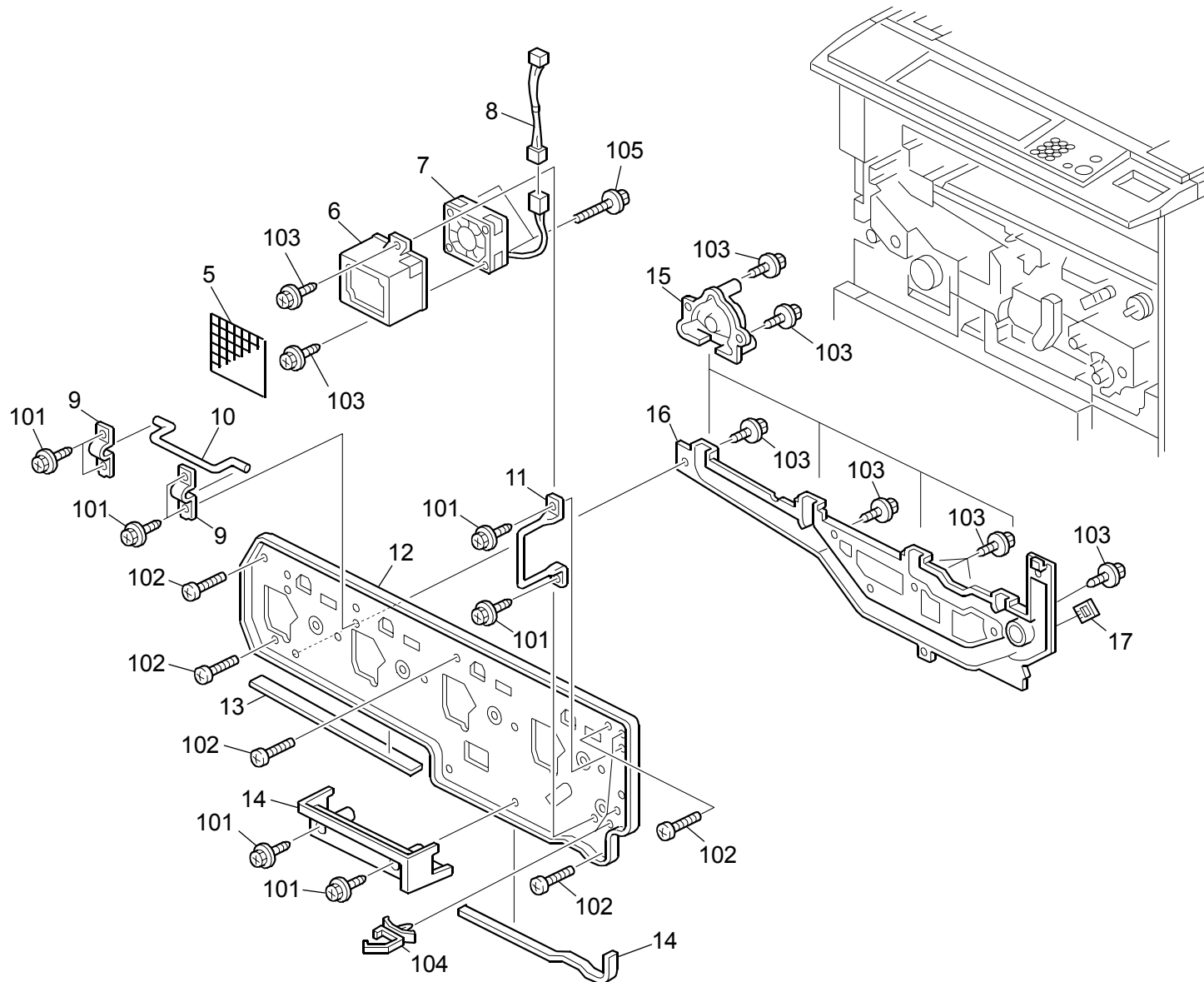


33.Tonner Supply 3 (B132/B200)

Index No.	Part No.	Description	Q'ty Per Assembly
1	B132 3217	Supporting Plate:Side Plate	2
2	GX06 0015	Brushless Motor:Drive:Paper Feed	1
3	B132 3218	Bracket:Fix:Right	1
4	B132 2475	Filter:Duct	1
5	B132 3229	Cover:Lower:Black	1
6	B132 3224	Gear:75Z	1
7	B132 3222	Shaft:Drive	1
8	B132 3223	Gear:21/32Z	4
9	AA08 2139	Guide:Shaft:Drive	3
10	5215 2621	Snap Ring - M6	3
11	B132 3435	Cover:Drawer	1
12	B132 3434	Bracket:Drawer	1
13	B132 3431	Bracket:PCB	1
14	B132 5440	PCB:CNB	1
15	B132 5228	Harness:CNB:Left	1
16	B132 5227	Harness:Toner Hopper:Uni:Drawer:CNB	1
17	B132 3245	Sheet	2

Index No.	Part No.	Description	Q'ty Per Assembly
101	0451 4008N	Tapping Screw - 4x8	
102	0454 3006Q	Tapping Screw - 3x6	
103	0451 3006N	Tapping Screw - 3x6	
104	0742 3808	Ball Bearing - 8x16x5	
105	0720 0060E	Retaining Ring - M6	
106	1105 0511	Harness Clamp - LWS-0306ZC	
107	1105 0522	Edge Saddle - LES0510	
108	1105 0487	Harness Clamp	
109	0354 0080N	Screw - M4x8	
110	1105 0516	Clamp	
111	1105 0488	Harness Clamp	
112	1105 0409	Card Spacer- 6.4mm	
113	1102 9781	Connector - 51405-3919	

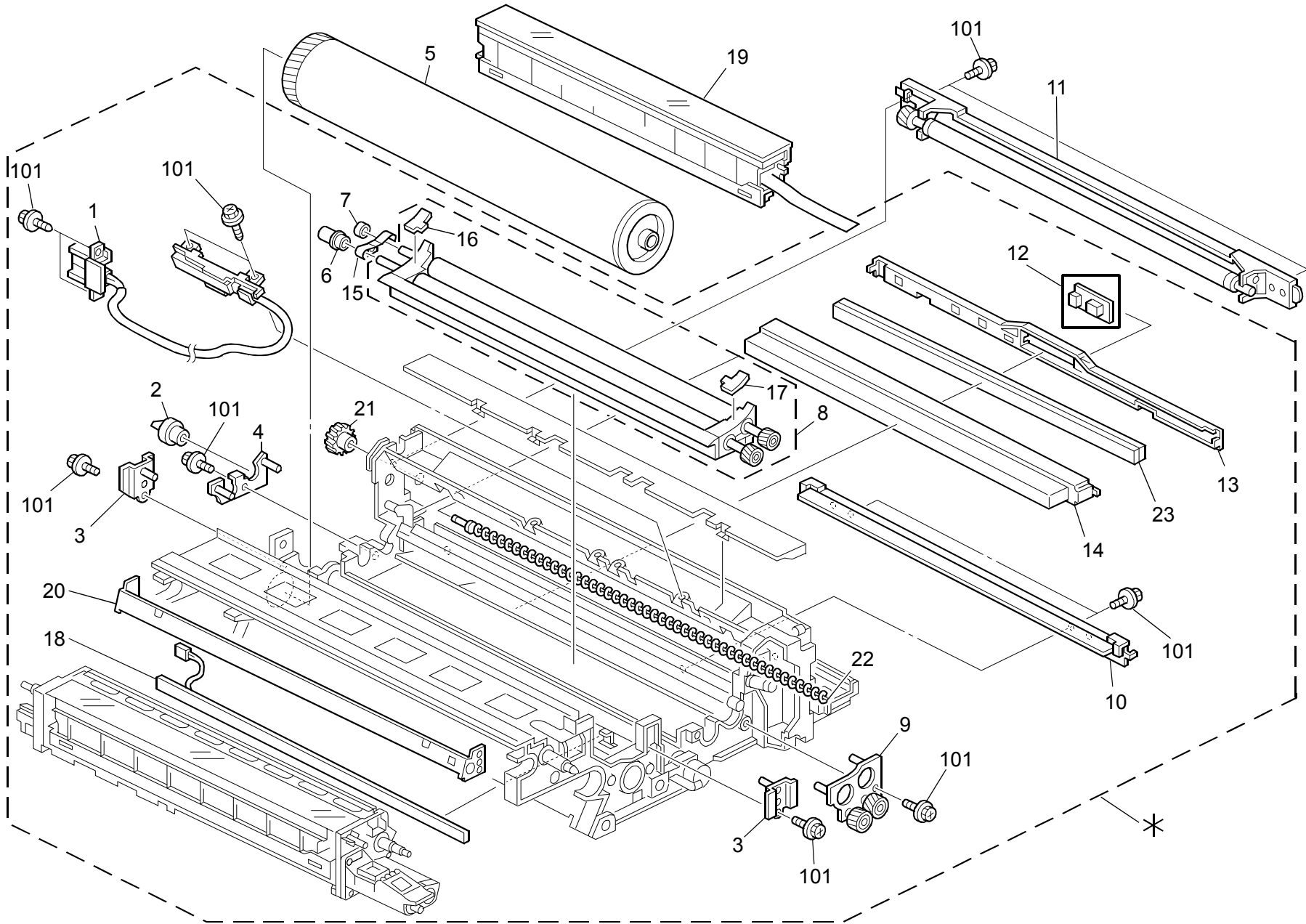
34.PCU 1 (B132/B200)



34.PCU 1 (B132/B200)

Index No.	Part No.	Description	Q'ty Per Assembly
1	B132 2450	Shield:Duct:Intermediate Transfer	1
2	B132 2442	Duct:Drum Stay	1
3	B132 2423	Duct:Drum Stay:PCU	4
4	B132 2399	Inner Cover:Drum Stay	1
5	B132 2466	Filter:Duct:Intermediate Transfer	1
6	B132 2454	Duct:Intermediate Transfer	1
7	AX64 0149	Fan Motor:Mm40:15mm	1
8	B132 5232	Harness:Sensor:Fan Motor	1
9	B132 2365	Plate:Lever	2
10	B132 2366	Lever:Drum Stay:Left	1
11	A257 3441	Side Plate Lever	1
12	B132 2318	Drum Stay	1
13	B132 2388	Heat Insulation:Drum Stay	1
14	B132 2417	Seal:Drum Stay:Lower	1

Index No.	Part No.	Description	Q'ty Per Assembly
101	0451 4008N	Tapping Screw - 4x8	
102	0354 0080N	Screw - M4x8	
103	0451 3006N	Tapping Screw - 3x6	
104	1105 0511	Harness Clamp - LWS-0306ZC	
105	0450 3020N	Tapping Screw - M3x20	



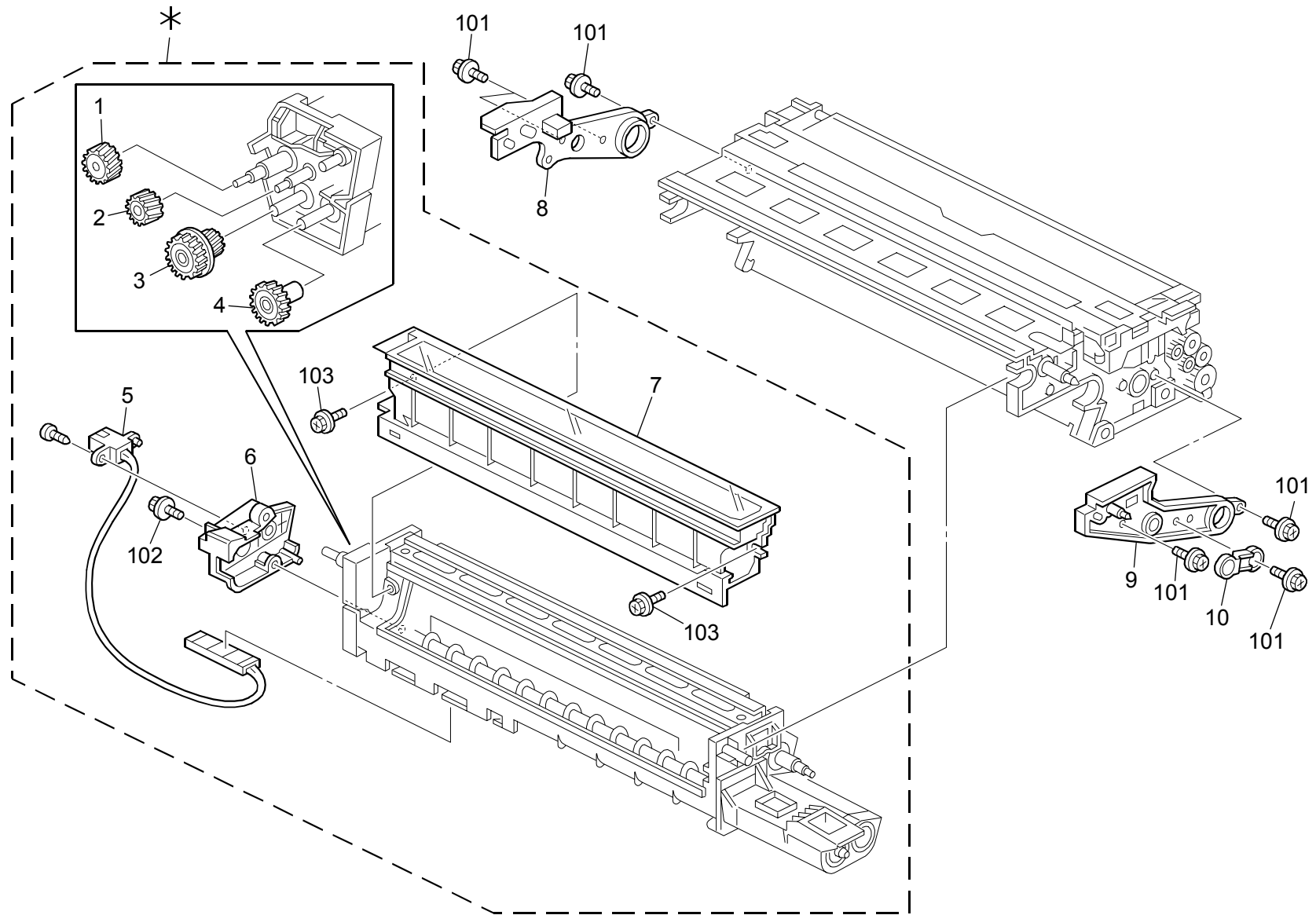
35.PCU 2 (B132/B200)

Rev. 07/18/2005

Index No.	Part No.	Description	Q'ty Per Assembly
*	B132 2215	PCU-K [TSB#002]	1
*	B132 2216	PCU-CMY [TSB#002]	1
1	B132 2344	Electric Potential Sensor	1
2	B132 3600	Joint PCU	1
3	B132 2335	Positioning Plate:Cleaning	2
4	B132 3607	Drum Stay:Rear	1
5	B132 9510	OPC Drum	1
6	B132 3655	Bushing:Brush Roller	1
7	AA08 2106	Bushing - 6x8x5	1
8	B132 3555	Drum Cleaning Brush Assy	1
9	B132 3601	Drum Stay:Front:Ass'y	1
10	B132 3560	Drum Cleaning Blade	1
11	B132 2270	Drum Charge Roller Assy	1
12	AW14 0012	Temperature & Humidity Sensor	1
13	B132 2380	Stay:Temperature & Humidity Sensor	1
14	B132 3573	Drum Lubricant Bar	1
15	B132 3656	Ground Plate:Brush Roller	1
16	B132 3653	Cleaning Brush Seal Rear	1
17	B132 3654	Cleaning Brush Seal Front	1
18	B132 2269	Discharge Lamp:LED Array	1
19	B200 9640	Developer Cartridge Black	1
19	B200 9660	Developer Cartridge Cyan	1
19	B200 9670	Developer Cartridge Magenta	1
19	B200 9680	Developer Cartridge Yellow	1
20	B132 3070	Stay:Toner Catch	1
21	B132 3596	Gear - 30Z	1
22	B132 3580	Transport Screw	1
23	B132 3574	Lubricant Bar Weight	1

Index No.	Part No.	Description	Q'ty Per Assembly
101	0360 3006P	Screw - M3x6	

36.Development Unit (B132/B200)

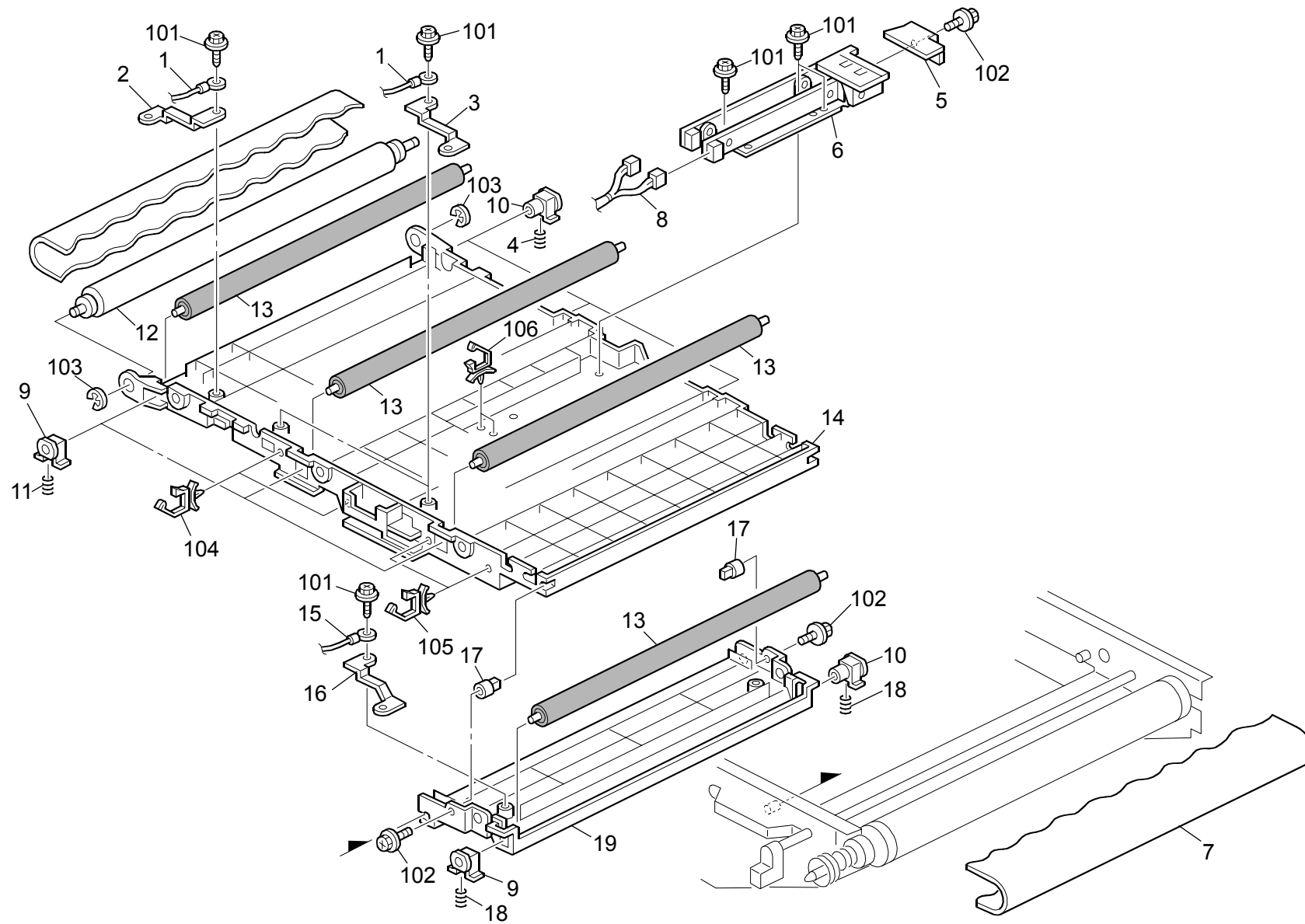


36.Development Unit (B132/B200)

Index No.	Part No.	Description	Q'ty Per Assembly
*	B132 3080	Development Unit	4
1	B132 3120	Gear:Development Roller	1
2	B132 3118	Gear - 21Z	1
3	B132 3123	Gear - 19/27Z	1
4	B132 3124	Gear - 27Z	1
5	B132 3199	Density Sensor	1
6	B132 3155	Cover:Gear:Ass'y	1
7	B132 3086	Case:Developer:Upper	1
8	B132 2329	Drum Stay:PCU:Rear	1
9	B132 2328	Drum Stay:PCU:Front	1
10	B132 3159	Adjusting Pin:Magnetic Roller	1

Index No.	Part No.	Description	Q'ty Per Assembly
101	0804 6123	Hexagonal Bolt:W/Washer - M3x8	
102	0452 3008N	Tapping Screw - M3x8	
103	0360 3006N	Screw - M3x6	

37. Transfer Belt Unit 1 (B132/B200)

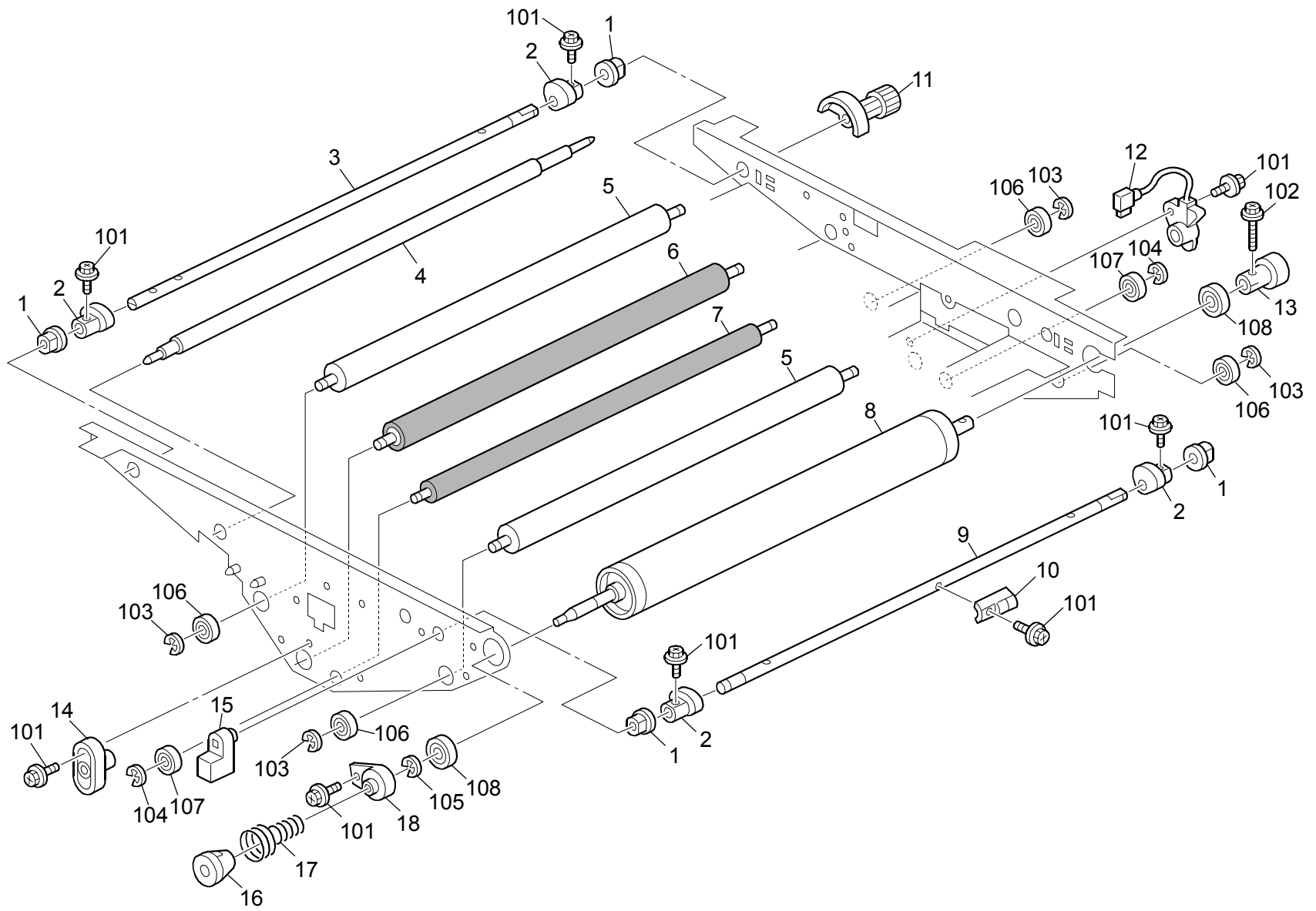


37.Transfer Belt Unit 1 (B132/B200)

Index No.	Part No.	Description	Q'ty Per Assembly
1	B132 5352	Harness:Transfer Unit:MCY	1
2	B132 6140	Terminal:Collar	1
3	B132 6149	Terminal:Yellow	1
4	B132 6147	Compression Spring:Transfer:Collar:Rear	3
5	B132 6178	Plate:Upper:Positioning Sensor:Ass'y	1
6	B132 6141	Positioning Sensor:Ass'y	1
7	B132 6050	Image Transfer Belt	1
8	B132 5378	Harness:Positioning Sensor	1
9	B132 6116	Bushing:Front	4
10	B132 6115	Bushing	4
11	B132 6144	Compression Spring:Transfer:Collar	3
12	B132 6061	Roller:Driven	1
13	B132 6080	Roller:Intermediate Transfer	4
14	B132 6077	Bracket:Collar	1
15	B132 5351	Harness:Transfer Unit:K	1
16	B132 6137	Terminal:Black	1
17	B132 6098	Shaft:Contact Point:Collar	2
18	B132 6133	Compression Spring:Transfer:Black	2
19	B132 6076	Bracket:On-off:Black	1

Index No.	Part No.	Description	Q'ty Per Assembly
101	0451 3008N	Tapping Screw - M3x8	
102	0360 3006N	Screw - M3x6	
103	0720 0040E	Retaining Ring - M4	
104	1105 0511	Harness Clamp - LWS-0306ZC	
105	1105 0516	Clamp	
106	1105 0534	Clamp	

38. Transfer Belt Unit 2 (B132/B200)

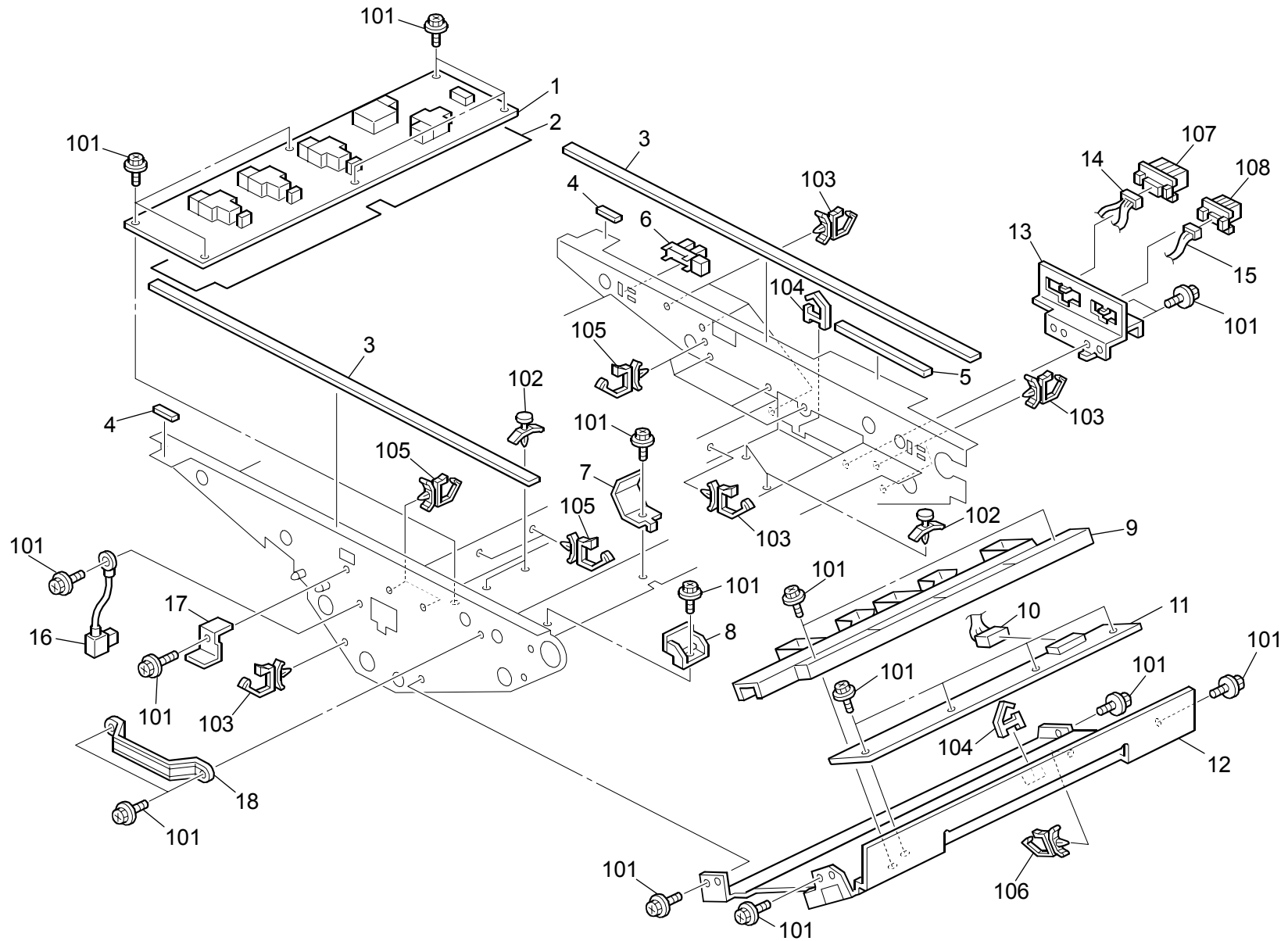


38.Transfer Belt Unit 2 (B132/B200)

Index No.	Part No.	Description	Q'ty Per Assembly
1	AA08 2104	Bushing - 8x12x7	4
2	B132 6111	Cam:On-Off	4
3	B132 6112	Shaft:Cam:Color	1
4	B132 6094	Shaft:Positioning	1
5	B132 6065	Roller:Opposed:Belt Cleaning	2
6	B132 6073	Roller:Opposed	1
7	B132 6069	Roller:Transfer:Front	1
8	B132 6055	Roller:Drive	1
9	B132 6113	Shaft:Cam	1
10	B132 6114	Cam:On-Off:Black	1
11	B132 6130	Gear:16Z	1
12	B132 6150	Holder:Opposed:Rear:Ass'y	1
13	B132 6099	Joint:Transfer:Drive	1
14	B132 6143	Holder:Opposed:Transfer:Front	1
15	B132 6131	Grip:On-Off	1
16	B132 6175	Joint:Intermediate Transfer:Front:Ass'y	1
17	B132 6136	Compression Spring:Plate:Intermedia	1
18	B132 6134	Plate:Intermediate Transfer:Front	1

Index No.	Part No.	Description	Q'ty Per Assembly
101	0360 3006N	Screw - M3x6	
102	0360 4016N	Screw - M4x16	
103	0720 0060E	Retaining Ring - M6	
104	0720 0040E	Retaining Ring - M4	
105	0720 0080E	Retaining Ring - M8	
106	0805 3511	Bushing 8mm	
107	0742 3910	Ball Bearing - 10x22x6	
108	0805 3496	Ball Bearing - 6x10x3	

39. Transfer Belt Unit 3 (B132/B200)

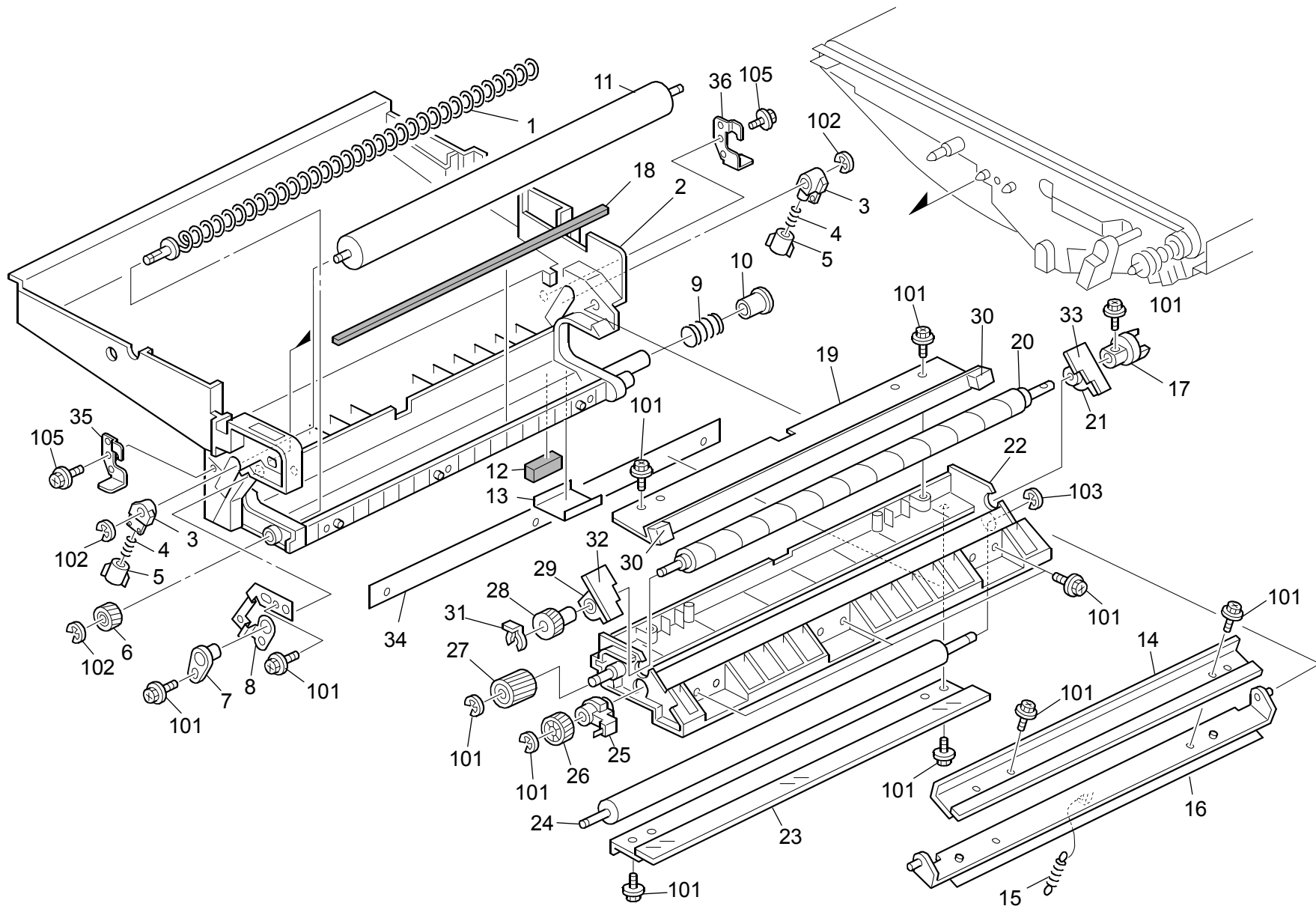


39.Transfer Belt Unit 3 (B132/B200)

Index No.	Part No.	Description	Q'ty Per Assembly
1	AZ32 0138	Power Pack:T1/T2	1
2	B132 6145	Insulating Sheet:Power Pack	1
3	B132 6170	Guard:Right	2
4	B132 6171	Guard:Left	2
5	B132 6172	Guard:Rear	1
6	AW02 0145	Photointerruptor:Flat	1
7	B132 6124	Spring Plate:Cam	1
8	B132 6157	Stopper:On-Off	1
9	B132 6121	Duct	1
10	B132 5237	Harness:Density Sensor	1
11	B132 6119	Belt Sensor	1
12	B132 6122	Bracket:Belt Sensor	1
13	B132 6156	Stand	1
14	B132 5376	Harness:Intermediate Transfer:39pin	1
15	B132 5377	Harness:Intermediate Transfer:18pin	1
16	B132 5355	Harness:Transfer Unit:Belt Cleaning	1
17	B132 6165	Plate:Bracket	1
18	B712 5605	Grip:Application	1

Index No.	Part No.	Description	Q'ty Per Assembly
101	0360 3006N	Screw - M3x6	
102	1105 0410	Card Spacer - 9.4mm	
103	1105 0511	Harness Clamp - LWS-0306ZC	
104	1105 0522	Edge Saddle - LES0510	
105	1105 0516	Clamp	
106	1105 0534	Clamp	
107	1102 9781	Connector - 51405-3919	
108	1102 9782	Connector - 51405-1819	

40.Transfer Belt Cleaning (B132/B200)

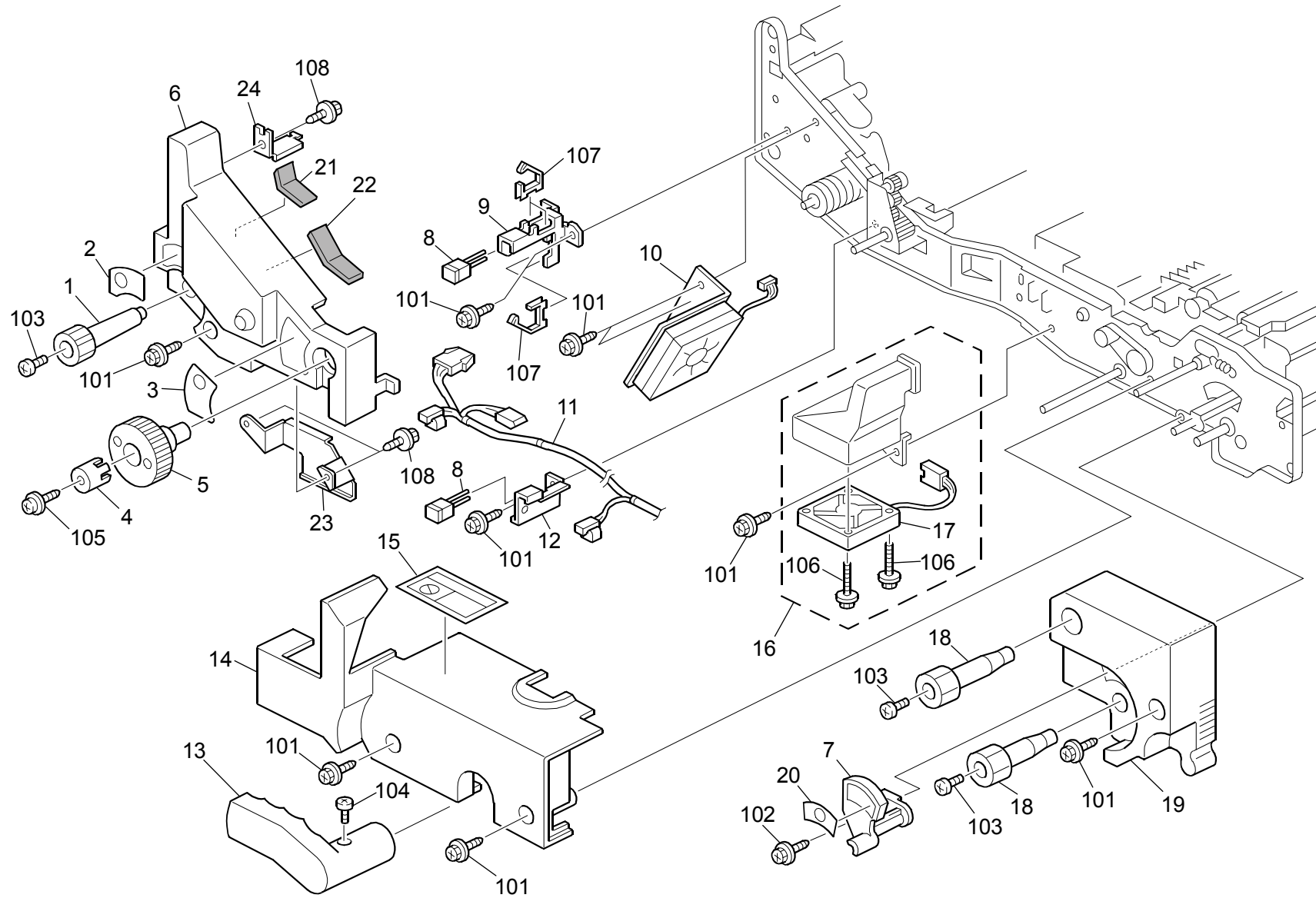


40.Transfer Belt Cleaning (B132/B200)

Index No.	Part No.	Description	Q'ty Per Assembly
1	AD04 3086	Toner Collection Coil	1
2	B132 6503	Case:Belt Cleaning:Ass'y	1
3	B132 6459	Holder:Spring:Roller:Pressure	2
4	AA06 3423	Spring:Roller:Pressure	2
5	B132 6460	Case:Spring:Roller:Pressure	2
6	AB01 3296	Gear:12Z	1
7	AA08 3021	Bushing:Holder:Blade	1
8	B132 6462	Ground Plate:Belt Cleaning	1
9	AA06 3424	Spring:Joint:Discharge Used Toner	1
10	B132 6461	Joint:Discharge Used Toner	1
11	B132 6469	Roller:Pressure	1
12	AA15 2371	Shield:Case:Belt Cleaning:No.2	1
13	AA15 2370	Shield:Case:Belt Cleaning	1
14	AD04 1107	Belt Cleaning Blade	1
15	AA06 0094	Spring:Blade:Belt Cleaning	1
16	B132 6470	Holder:Blade:Belt Cleaning:Ass'y	1
17	B132 6475	Joint:Drive:Brush:Belt Cleaning	1
18	B132 6120	Seal:Upper:Belt Cleaning	1
19	B132 6453	Cover:Case:Coating Bar	1
20	AD04 2071	Brush:Belt Cleaning	1
21	AA08 0279	Bushing:Brush:Rear	1
22	B132 6450	Case:Coating Bar:Ass'y	1
23	AD04 1109	Belt Cleaning Scraper Blade	1
24	B132 6468	Roller:Bias	1
25	B132 6454	Receptacle:Brush:Ass'y	1
26	AB01 3298	Gear - 13Z	1
27	AB01 3297	Gear - 13Z	1
28	AB01 3295	Gear - 13Z	1
29	AA08 0278	Bushing:Brush:Front	1
30	AA15 2368	Shield:Cover:Coating Bar:Side	2
31	G011 1058	Snap Ring	1
32	AA15 2366	Shield:Brush:Front	1
33	AA15 2316	Seal:Brush:Rear	1
34	AA15 2372	Seal:Case:Coating Bar	1
35	B132 6484	Stay:Roller:Pressure:Front	1

Index No.	Part No.	Description	Q'ty Per Assembly
36	B132 6485	Stay:Roller:Pressure:Rear	1
101	0360 3006N	Screw - M3x6	
102	0720 0040E	Retaining Ring - M4	
103	0720 0030E	Retaining Ring - M3	
104	0720 0040E	Retaining Ring - M4	
105	0450 3006N	Tapping Screw - M3x6	

41. Transfer Cover (B132/B200)

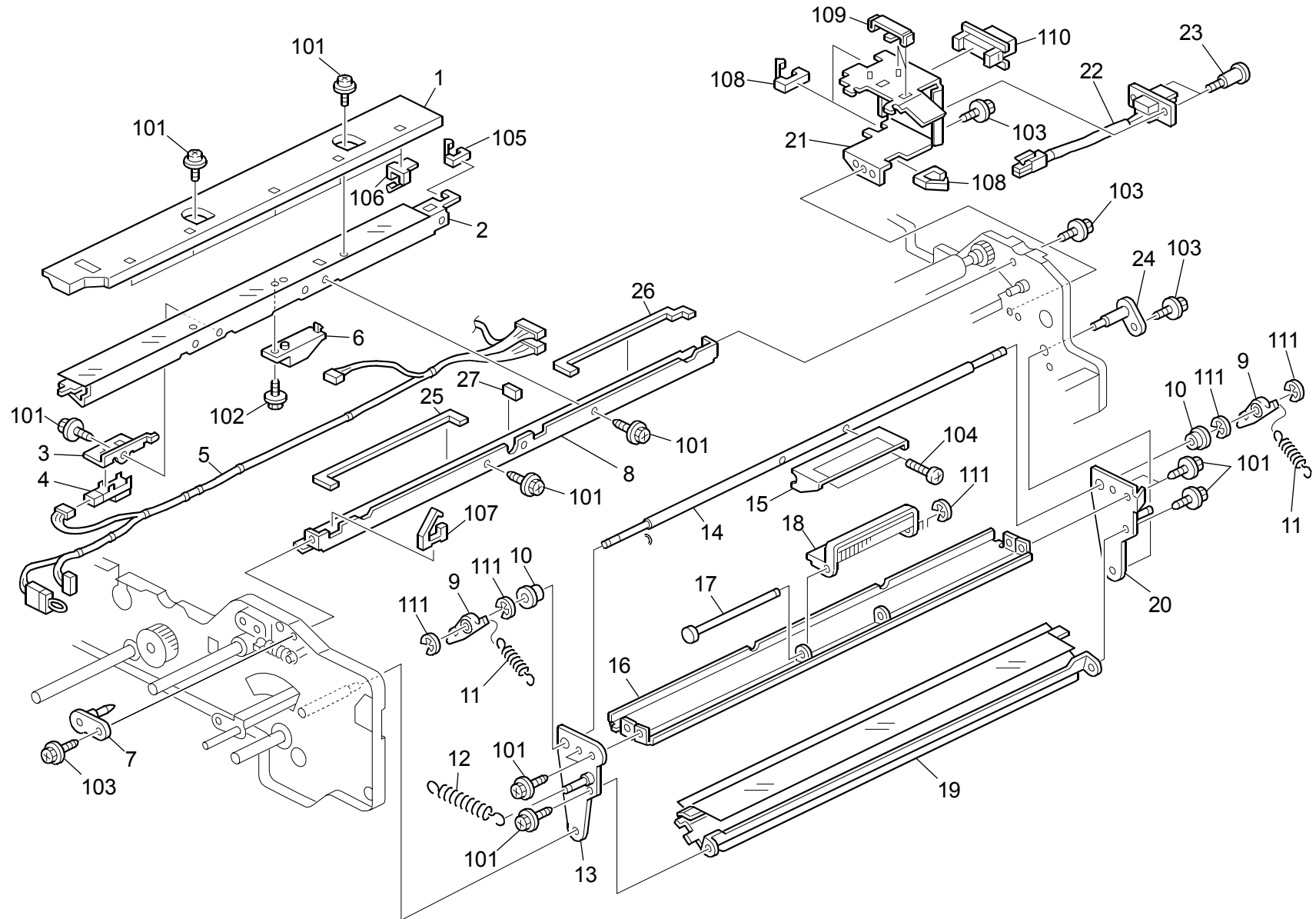


41.Transfer Cover (B132/B200)

Index No.	Part No.	Description	Q'ty Per Assembly
1	B132 7008	Knob:Front	1
2	B132 7130	Decal:LED:E1	1
3	B132 7131	Decal:LED:D1	1
4	A166 4290	Knob Joint	1
5	AG05 1144	Fusing Unit Knob	1
6	B132 1198	Inner Cover:Pull Out:Left	1
7	B132 2716	Lever:Release	1
8	B132 7146	LED:Red:MU93-5001	2
9	B132 7121	Bracket:LED:Left	1
10	B132 6940	Fan Motor:Ass'y	1
11	B132 5243	Harness:Front:Fan	1
12	B132 1239	Bracket:LED:Pull Out:Right	1
13	B132 1184	Lever:Pull Out:Printing	1
14	B132 1200	Inner Cover:Pull Out:Middle	1
15	B132 1238	Decal:Caution:Pull Out	1
16	B132 6931	Duct:Fusing:Vacuum:Ass'y	1
17	AX64 0151	Fan Motor:MM60	1
18	A060 2512	Registration Roller Knob	2
19	B132 1189	Inner Cover:Pull Out:Right	1
20	B132 2709	Decal:Lever:B4	1
21	B132 6925	Seal:Duct:Upper	1
22	B132 6928	Seal:Inner Cover:Lower	1
23	B132 7150	Cover:Duct:Middle	1
24	B132 1240	Bracket:Inner Cover:Pull Out:Left	1

Index No.	Part No.	Description	Q'ty Per Assembly
101	0451 4008N	Tapping Screw - 4x8	
102	0451 3006N	Tapping Screw - 3x6	
103	0354 0080N	Screw - M4x8	
104	0354 0060N	Screw - m4x6	
105	0951 4006N	Screw:Polished Round - M4x6	
106	0451 3025N	Tapping Screw - M3x25	
107	1105 0522	Edge Saddle - LES0510	

42.Transfer Entrance 1 (B132/B200)

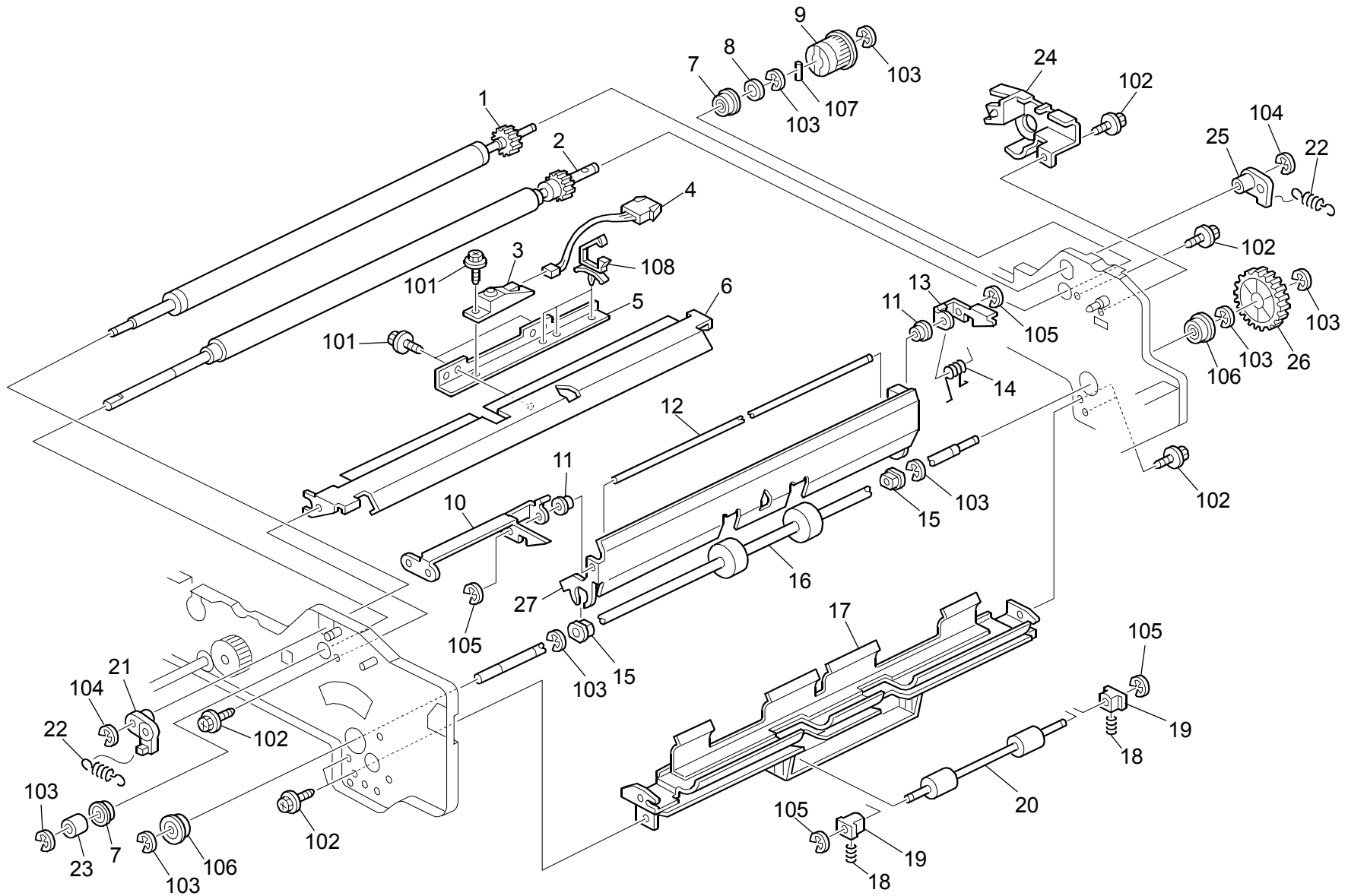


42.Transfer Entrance 1 (B132/B200)

Index No.	Part No.	Description	Q'ty Per Assembly
1	B132 2605	Case:Remove Paper Dust	1
2	B132 2601	Bracket:Remove Paper Dust:Ass'y	1
3	B132 2620	Bracket:Registration Sensor	1
4	AW01 0107	Paper Feed Sensor	1
5	B132 5245	Harness:Pull Out:Uni:26pin	1
6	AW00 0010	Optics Sensor:Photo	1
7	B132 2700	Stay:Registration Guide	1
8	B132 2673	Registration Guide:Upper	1
9	B132 2671	Lever:Un Lock	2
10	5443 2668	Bushing - 4x6x7mm	2
11	AA06 0957	Tension Spring	2
12	AA06 0962	Tension Spring	1
13	B132 2674	Side Plate:Open And Close:Front	1
14	B132 2670	Shaft:Lock	1
15	B132 2644	Lever:Knob:Release	1
16	B132 2682	Registration Guide:Upper	1
17	B132 2681	Shaft:Contact Point:Lever	1
18	B132 2651	Knob:Release	1
19	B132 2680	Registration Guide:Connecting	1
20	B132 2669	Side Plate:Open And Close:Rear	1
21	B132 1188	Cover:Drive Sub-unit	1
22	B132 5265	Harness:Dehumidifier	1
23	AA14 3792	Screw:Drawer	2
24	B132 2703	Stud:Contact Point	1
25	B132 2626	Seal:Remove Paper Dust	1
26	B132 2627	Seal:Remove Paper Dust:Inner Back	1
27	B132 2632	Seal:Optics Sensor:Middle	1

Index No.	Part No.	Description	Q'ty Per Assembly
101	0451 3006N	Tapping Screw - 3x6	
102	0951 3006N	Screw - M3X6	
103	0451 4008N	Tapping Screw - 4x8	
104	0353 0060N	Philips Pan Head Bind Screw - M3x6	
105	1105 0551	Clamp - LES-0505	
106	1105 0568	Clamp - LWSS-0504	
107	1105 0534	Clamp	
108	1105 0522	Edge Saddle - LES0510	
109	1105 0604	Clamp:RFC-16V0	
110	1102 9387	Connector:Drawer - 51405-2611	
111	0720 0025E	Retaining Ring - M2.5	

43.Transfer Entrance 2 (B132/B200)

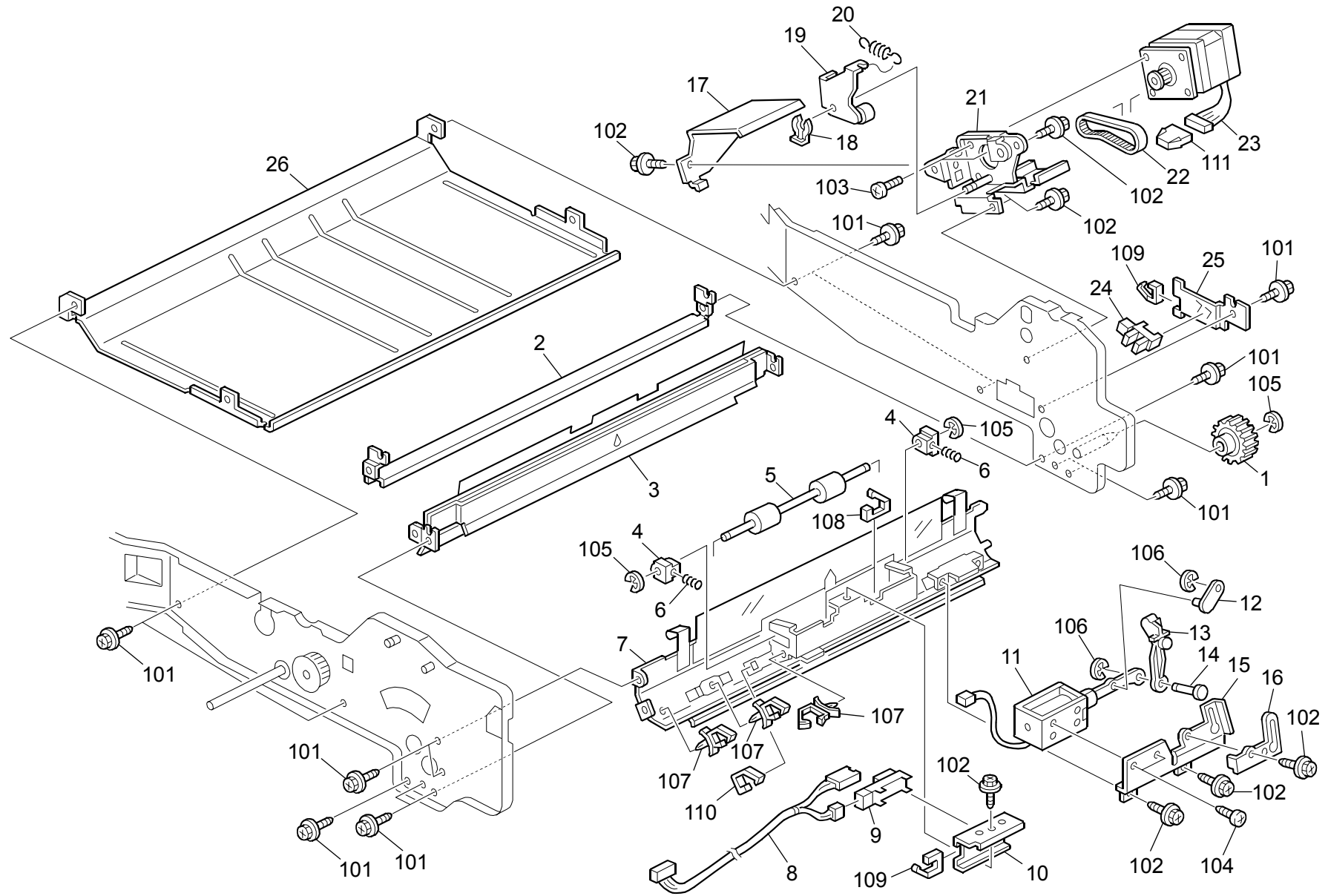


43.Transfer Entrance 2 (B132/B200)

Index No.	Part No.	Description	Q'ty Per Assembly
1	B132 2629	Registration Roller:Upper	1
2	B132 2617	Registration Roller:Lower	1
3	AX56 0011	LED:Radiate	1
4	B132 5246	Harness:LED:Sensor	1
5	B132 2624	Bracket:Optics Sensor	1
6	B132 2610	Registration Guide:Lower	1
7	A247 2800	Ball Bearing - 8x12x5	2
8	AA13 2025	Spacer - 1x8x12	1
9	AB03 0302	Timing Pulley:35T	1
10	B132 2708	Pawl:Lock:Front	1
11	5443 2668	Bushing - 4x6x7mm	2
12	B132 2691	Shaft:Lock	1
13	B132 2692	Pawl:Lock:Rear	1
14	AA06 6372	Spring	1
15	AA08 2116	Bushing - M8	2
16	B132 2658	Roller:Connecting:Drive	1
17	B132 2790	Guide Plate:Entrance:Lower Left	1
18	AA06 3433	Exit Roller Spring	2
19	AA08 0034	Bushing - 4x5x7	2
20	B132 2675	Transport Roller:Driven:Duplex	1
21	G020 2780	Front Bushing - Registration	1
22	AA06 2304	Pressure Spring	2
23	5446 2901	Collar - 8mm	1
24	B132 1232	Cover:Harness:Pull Out	1
25	G020 2781	Rear Bushing - Registration Roller	1
26	AB01 1300	Gear:50Z	1
27	B132 2641	Guide Plate:Open And Close:Middle	1

Index No.	Part No.	Description	Q'ty Per Assembly
101	0451 3006N	Tapping Screw - 3x6	
102	0451 4008N	Tapping Screw - 4x8	
103	0720 0060E	Retaining Ring - M6	
104	0720 0040E	Retaining Ring - M4	
105	0720 0025E	Retaining Ring - M2.5	
106	0742 3808	Ball Bearing - 8x16x5	
107	0633 0160G	Parallel Pin - 3x16mm	
108	1105 0534	Clamp	

44. Transfer Entrance 3 (B132/B200)

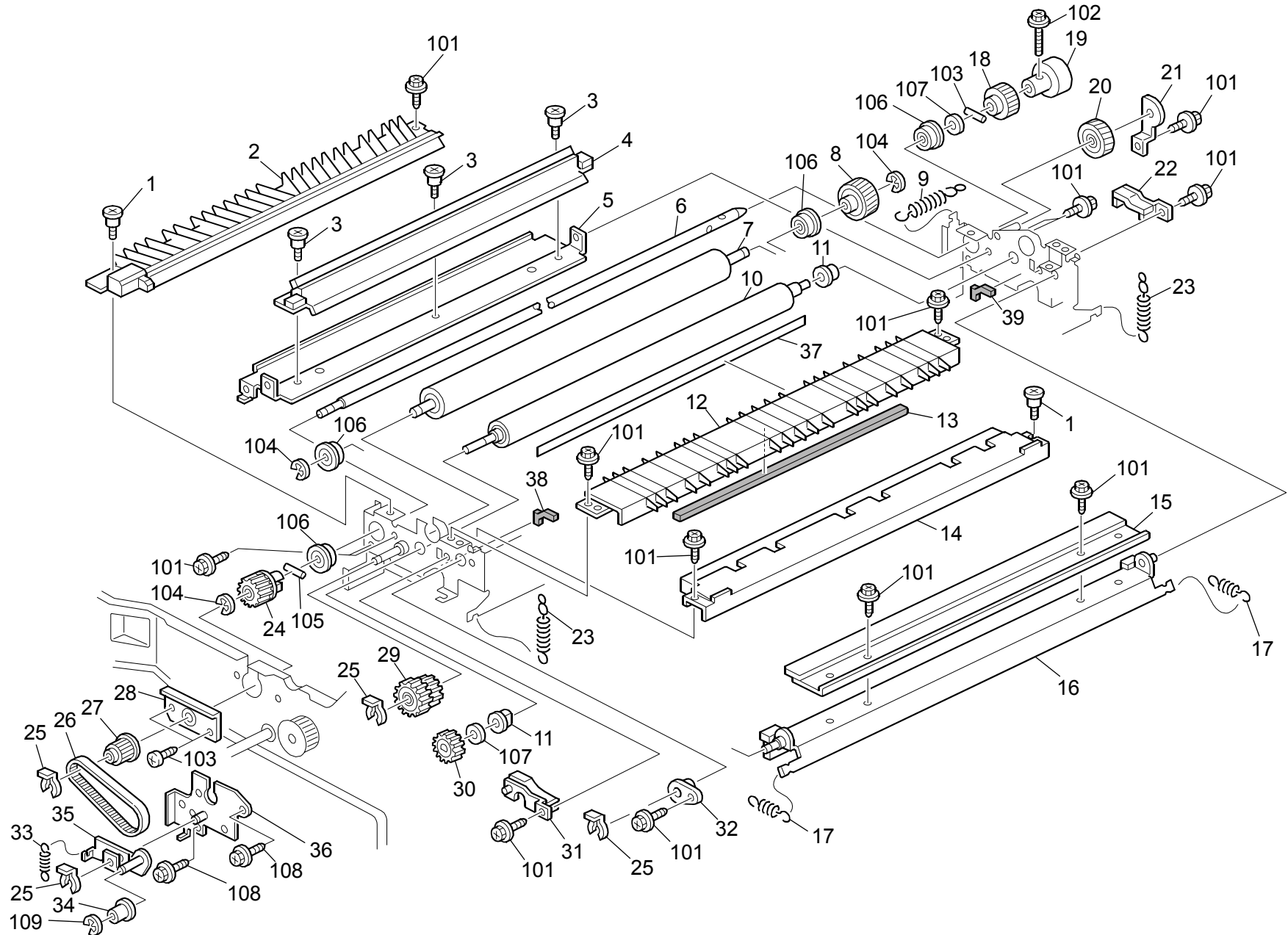


44. Transfer Entrance 3 (B132/B200)

Index No.	Part No.	Description	Q'ty Per Assembly
1	AB01 1301	Gear:32Z	1
2	B132 1192	Guard:Pull Out	1
3	B132 2767	Guide Plate:Paper Bank:Ass'y	1
4	AA08 0203	Bushing - 6mm	2
5	B132 2639	Transport Roller:Driven	1
6	AA06 3254	Driven Roller Spring	2
7	B132 2636	Guide Plate:Connecting:Right Upper	1
8	B132 5247	Harness:Sensor	1
9	AW01 0107	Paper Feed Sensor	1
10	B132 2773	Bracket:Sensor	1
11	B132 2594	DC Solenoid:24V:16.5W:Ass'y	1
12	B132 2649	Arm:Guide	1
13	B132 2650	Arm:Perpendicular	1
14	B132 2753	Support Stay:Solenoid	1
15	B132 2661	Bracket:Solenoid	1
16	B132 2667	Rail:Solenoid:Release	1
17	B132 2723	Cover:Motor:Registration	1
18	5206 2686	Snap Ring	1
19	B132 2720	Bracket:Tightener	1
20	B132 2710	Tension Spring	1
21	B132 2711	Bracket:Stepper Motor	1
22	AA04 3312	Timing Belt:60S2M138	1
23	B132 2722	Stepper Motor:Registration:Ass'y	1
24	AW02 0145	Photointerruptor:Flat	1
25	B132 1233	Bracket:Photointerruptor	1
26	B132 4868	Guide:Duplex:Upper Right	1

Index No.	Part No.	Description	Q'ty Per Assembly
101	0451 4008N	Tapping Screw - 4x8	
102	0451 3006N	Tapping Screw - 3x6	
103	0353 0060N	Philips Pan Head Bind Screw - M3x6	
104	0353 0040N	Screw - M3X4	
105	0720 0040E	Retaining Ring - M4	
106	0720 0025E	Retaining Ring - M2.5	
107	1105 0511	Harness Clamp - LWS-0306ZC	
108	1105 0522	Edge Saddle - LES0510	
109	1105 0551	Clamp - LES-0505	
110	1105 0568	Clamp - LWSS-0504	
111	1102 6249	Relay Connector - 6P	

45.Paper Transfer 1 (B132/B200)

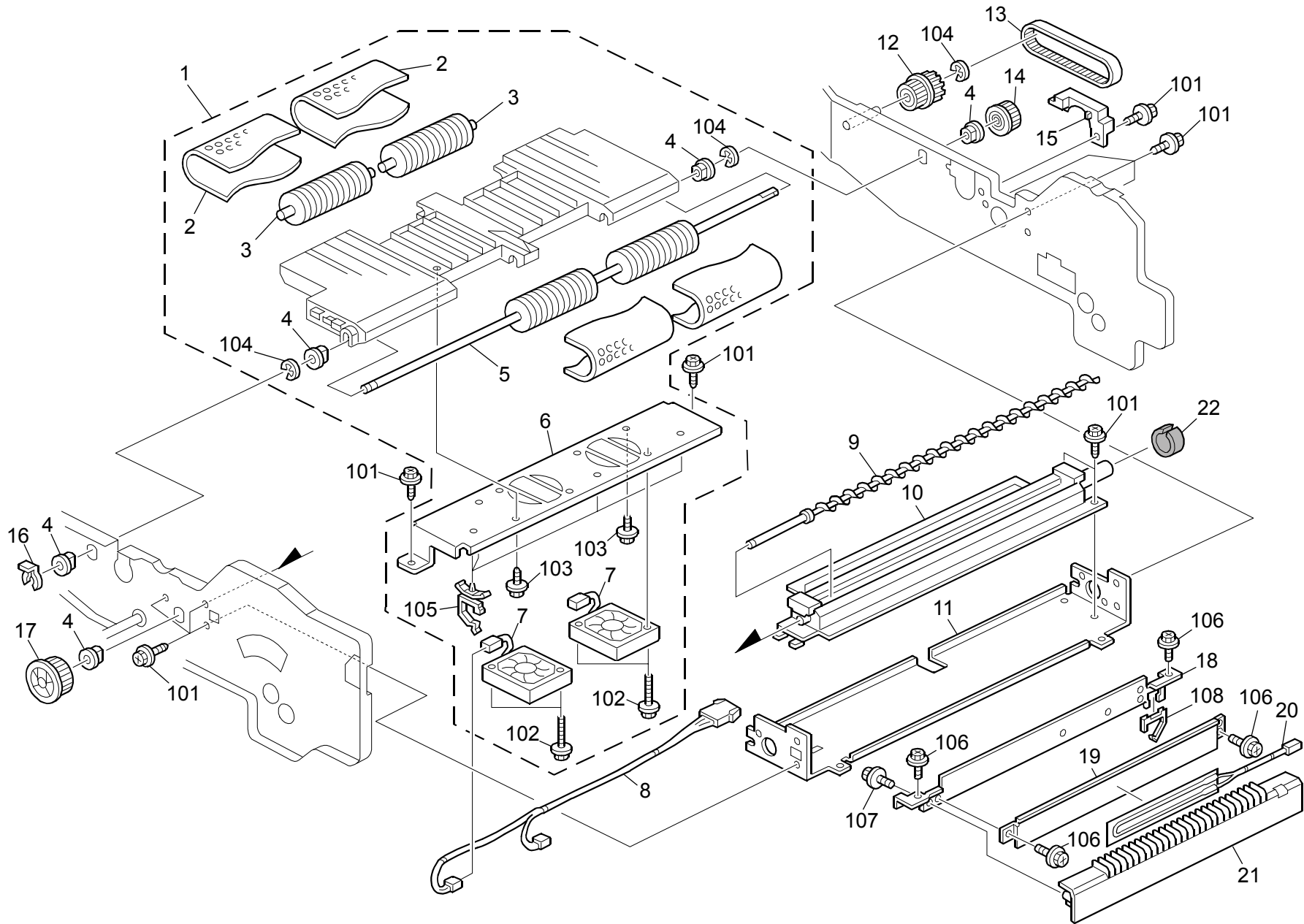


45.Paper Transfer 1 (B132/B200)

Index No.	Part No.	Description	Q'ty Per Assembly
1	5447 2769	Stepped Screw	2
2	B132 6268	Paper Discharge Plate	1
3	AA14 3716	Stepped Screw	3
4	B132 6253	Stay:Brush Roller:Ass'y	1
5	B132 6274	Stay:Transfer Unit	1
6	B132 6287	Shaft:Contact Point	1
7	B132 6250	Paper Transfer Roller	1
8	B132 6303	Gear:40Z	1
9	B132 6306	Spring:Pressure	1
10	B132 6255	PTR Cleaning Brush	1
11	AA08 2137	Bushing:6x10x6	2
12	B132 6295	Guide Plate:Entrance:Ass'y	1
13	B132 6323	Shield:Guide Plate:Entrance	1
14	B132 6289	PTR Lubricant Bar	1
15	B132 6265	PTR Cleaning Blade	1
16	B132 6269	Holder:Blade	1
17	B132 6299	Spring:Blade	2
18	B132 6301	Gear:40z	1
19	B132 6284	Joint:Transfer:Drive	1
20	B132 6302	Gear:40z	1
21	B132 6311	Bracket:Gear:Idler	1
22	B132 6307	Base:Transfer Roller:Rear:Ass'y	1
23	B132 6288	Spring:Pressure	2
24	AB01 1124	Gear:21Z	1
25	5447 2681	Snap Ring	4
26	AA04 3587	Timing Belt:S2M170	1
27	AB03 0749	Pulley:23T	1
28	B132 1186	Supporting Plate:Pull Out	1
29	AB01 1125	Gear:20/29Z	1
30	AB01 1126	Gear:20Z	1
31	B132 6314	Basefront	1
32	AA08 0154	Rear Bushing	1
33	B132 6337	Spring:Tightener:Transport Screw	1
34	A257 6112	Pulley:Belt Tensioner	1
35	B132 6331	Tightener:Transfer:Transport Screw:Ass'y	1

Index No.	Part No.	Description	Q'ty Per Assembly
36	B132 6334	Side Plate:Positioning:Transfer:Fro	1
37	B132 6327	Seal:Guide Plate:Entrance:Lower	1
38	B132 6326	Seal:Side Plate:Rear	1
39	B132 6325	Seal:Side Plate:Front	1
101	0360 3006N	Screw - M3x6	
102	0451 4014N	Tapping Screw - M4x14	
103	0354 0080N	Screw - M4x8	
104	0720 0060E	Retaining Ring - M6	
105	0633 0120G	Parallel Pin - 3x12	
106	0805 3511	Bushing 8mm	
107	0701 0060N	Washer - DIA6	
108	0451 4008N	Tapping Screw - 4x8	
109	0720 0040E	Retaining Ring - M4	

46.Paper Transfer 2 (B132/B200)



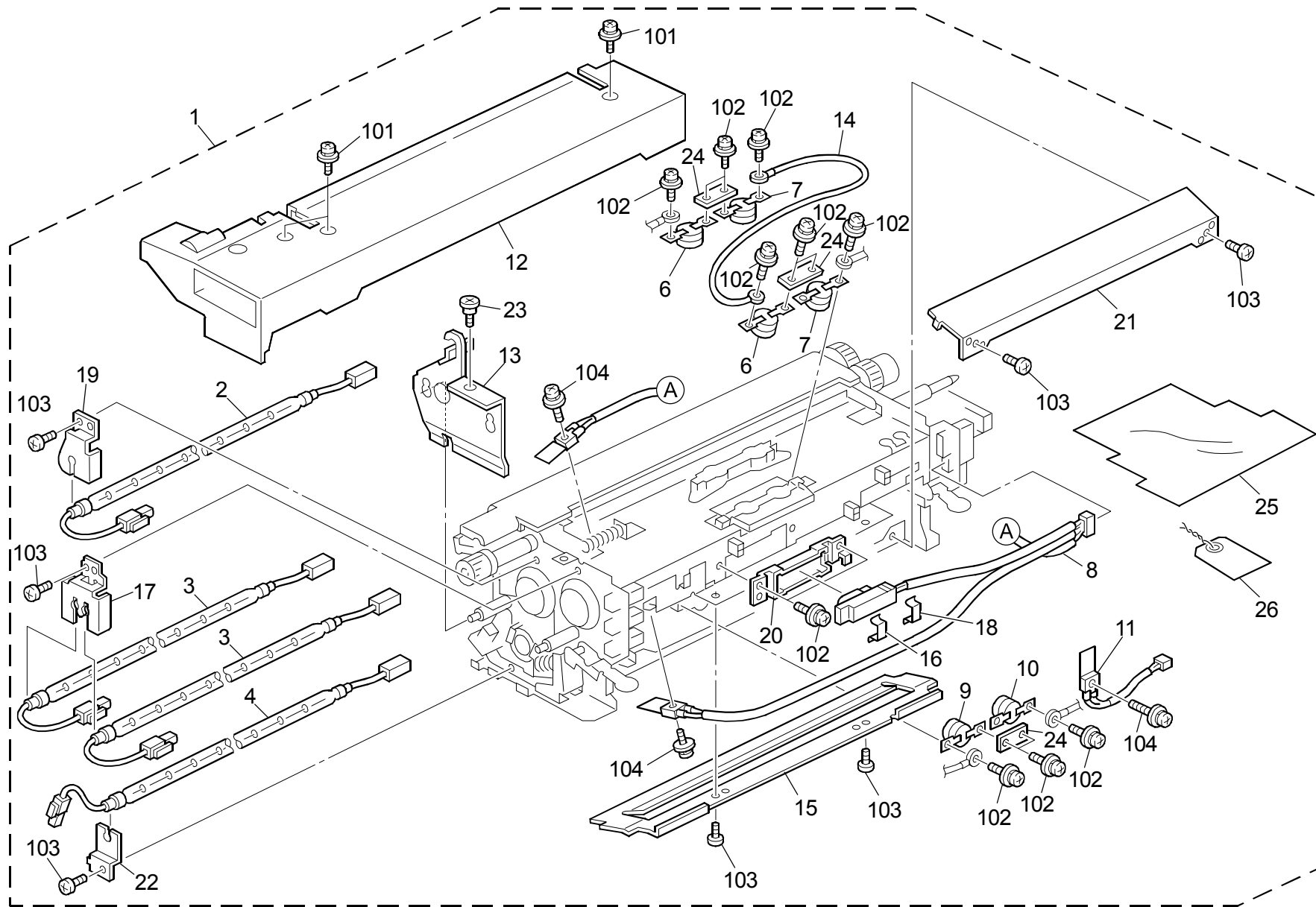
46.Paper Transfer 2 (B132/B200)

Index No.	Part No.	Description	Q'ty Per Assembly
1	B132 3850	Transport Unit:Ass'y	1
2	AA04 0033	Transport Belt	2
3	AF02 2064	Transport Roller:Driven	2
4	AA08 2101	Bushing - 6x10x6	5
5	B132 3851	Transport Roller:Drive	1
6	B132 3862	Supporting Plate:Vacuum	1
7	AX64 0158	Fan Motor MM60/15mm:24V	2
8	B132 5248	Harness:Transport Belt:Fan	1
9	B132 6260	Collection Coil:Toner:Ass'y	1
10	B132 6257	Tray:Toner Catchpan:Ass'y	1
11	B132 6304	Stay:Pull Out	1
12	AB01 7338	Gear:30T	1
13	AA04 3578	Timing Belt:S2M208	1
14	AB03 0275	Pulley:31T	1
15	B132 6286	Stopper:Transfer/Separation Unit	1
16	5447 2681	Snap Ring	1
17	AB03 0748	Pulley:40T	1
18	B132 6507	Holder:Heater	1
19	B132 6506	Heat Sink:Heater:Toner	1
20	AX40 0176	Heater:115V:18W:Upper	1
20	AX40 0178	Heater:240V:18W:Upper	1
21	B132 6508	Cover:Heater	1
22	AA15 3448	Toner Hopper Shield	1

Index No.	Part No.	Description	Q'ty Per Assembly
101	0451 4008N	Tapping Screw - 4x8	
102	0451 3020N	Tapping Screw - 3x20	
103	0450 4008N	Tapping Screw - M4x8	
104	0720 0040E	Retaining Ring - M4	
105	1105 0511	Harness Clamp - LWS-0306ZC	
106	0451 3006N	Tapping Screw - 3x6	
107	0450 3010N	Tapping Screw - M3x10	
108	1105 0516	Clamp	

47.Fusing Unit 1 (B132/B200)

Rev. 08/2005



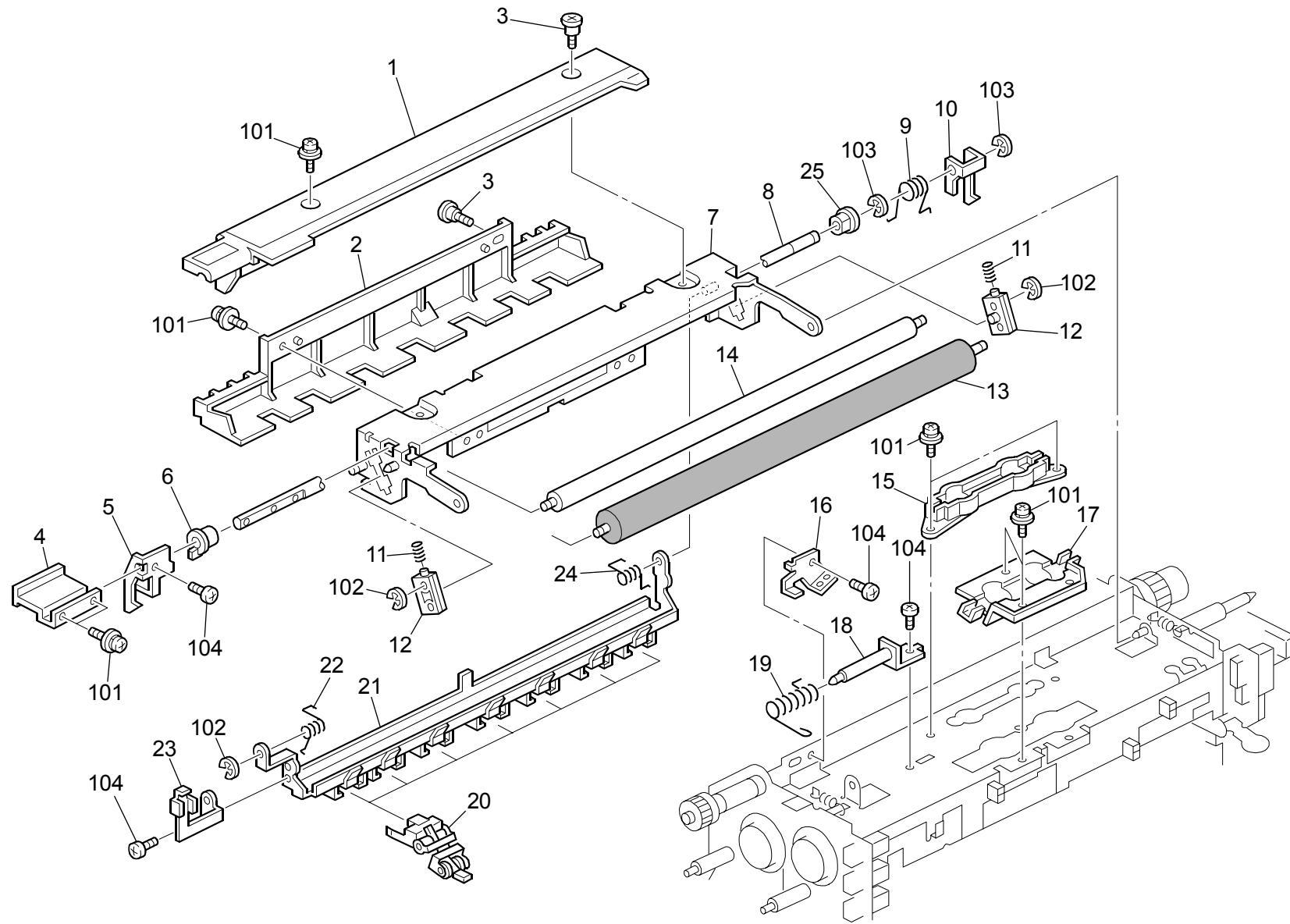
47.Fusing Unit 1 (B132/B200)

Rev. 08/2005

Index No.	Part No.	Description	Q'ty Per Assembly
1	B132 4017	Fusing Unit (NA)	1
1	B132 4027	Fusing Unit (EU)	1
2	AX43 0138	Heater - 350W/120V [TSB#005]	1
3	AX44 0226	Heater - 590W/120V [TSB#005]	2
4	AX43 0140	Heater - 350W/120V [TSB#005]	1
6	AW11 0042	Thermostat: 190C: 250V/17A	2
7	AW11 0043	Thermostat: 189C: 250V/17A	2
8	B132 4150	Temperature Sensor: Ass'y	1
9	AW11 0045	Thermostat: 149C: 250V/17A	1
10	AW11 0044	Thermostat: 150C: 250V/17A	1
11	AW10 0098	Thermistor: Pressure Roller	1
12	B132 4061	Fusing Cover	1
13	B132 4071	Stay: Fusing Unit	1
14	B132 4152	Harness: Thermostat: Upper Middle	1
15	B132 4133	Fusing Entrance Guide Plate: Upper	1
16	B132 4158	Plate: Temperature Sensor: Front	1
17	B132 4144	Heater Holder: Upper Front	1
18	B132 4159	Plate: Temperature Sensor: Rear	1
19	B132 4145	Heater Holder: Hot Roller	1
20	B132 4149	Housing: Temperature Sensor	1
21	B132 4273	Fusing Entrance Guide Plate: Lower	1
22	B132 4245	Heater Holder: Lower	1
23	B051 4103	Knob Screw - 4m	1
24	B065 4121	Thermostat Terminal	3
25	B132 4289	Fusing Protective Sheet	1
26	A232 3936	Tag: Red: Short	1

Index No.	Part No.	Description	Q'ty Per Assembly
101	0954 3008N	Screw - M3x8	
102	0954 3006N	Screw - M3x6	
103	0353 0060N	Philips Pan Head Bind Screw - M3x6	
104	0954 3010N	Screw: Polished Round/Spring - M3x10	

48.Fusing Unit 2 (B132/B200)

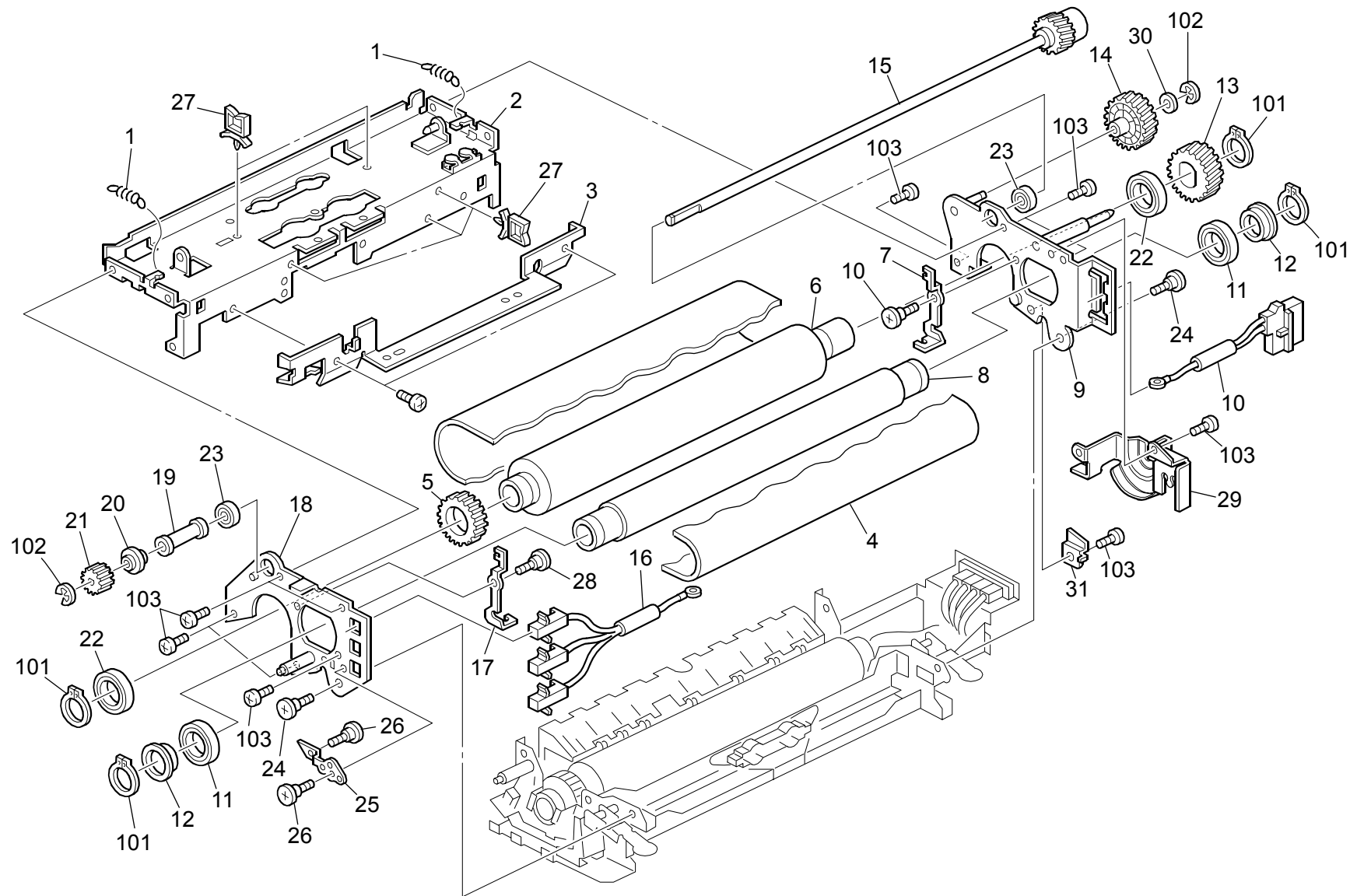


48.Fusing Unit 2 (B132/B200)

Index No.	Part No.	Description	Q'ty Per Assembly
1	B132 4178	Cover Oil Application Unit	1
2	B132 4174	Guide Plate:Fusing Exit:Upper	1
3	5206 2684	Shoulder Screw - M3	2
4	B132 4168	Grip:Oil Application Unit	1
5	B132 4165	Lever:Oil Application Unit:Front	1
6	AA08 2138	Bushing - 6x10x6	1
7	B132 4160	Bracket:Oil Application Unit	1
8	B132 4163	Shaft:Oil Application Unit	1
9	B132 4197	Torsion Spring:Lever	1
10	B132 4164	Lever:Oil Application Unit:Rear	1
11	B132 4191	Compression Spring - 2.5n	2
12	AE03 1057	Bushing:Cleaning Roller	2
13	AE04 0062	Oil Supply Roller	1
14	AE04 2051	Hot Roller Cleaning Roller	1
15	B132 4148	Housing:Thermostat	1
16	B132 4146	Bracket:Thermistor:Hot Roller	1
17	B132 4153	Housing:Thermostat	1
18	B132 4127	Bracket:Torsion Spring:Peen	1
19	B132 4195	Torsion Spring:Oil Application Unit	1
20	B132 4258	Stripper Pawls:Ass'y	7
21	B132 4256	Stripper Pawl Stay	1
22	B132 4190	Torsion Spring:Lever:Rear	1
23	B132 4269	Spring Plate:Oil Application Unit	1
24	B132 4198	Torsion Spring:Guide Plate	1
25	AA08 2101	Bushing - 6x10x6	1

Index No.	Part No.	Description	Q'ty Per Assembly
101	0954 3008N	Screw - M3x8	
102	0720 0030E	Retaining Ring - M3	
103	0720 0040E	Retaining Ring - M4	
104	0353 0060N	Philips Pan Head Bind Screw - M3x6	

49.Fusing Unit 3 (B132/B200)

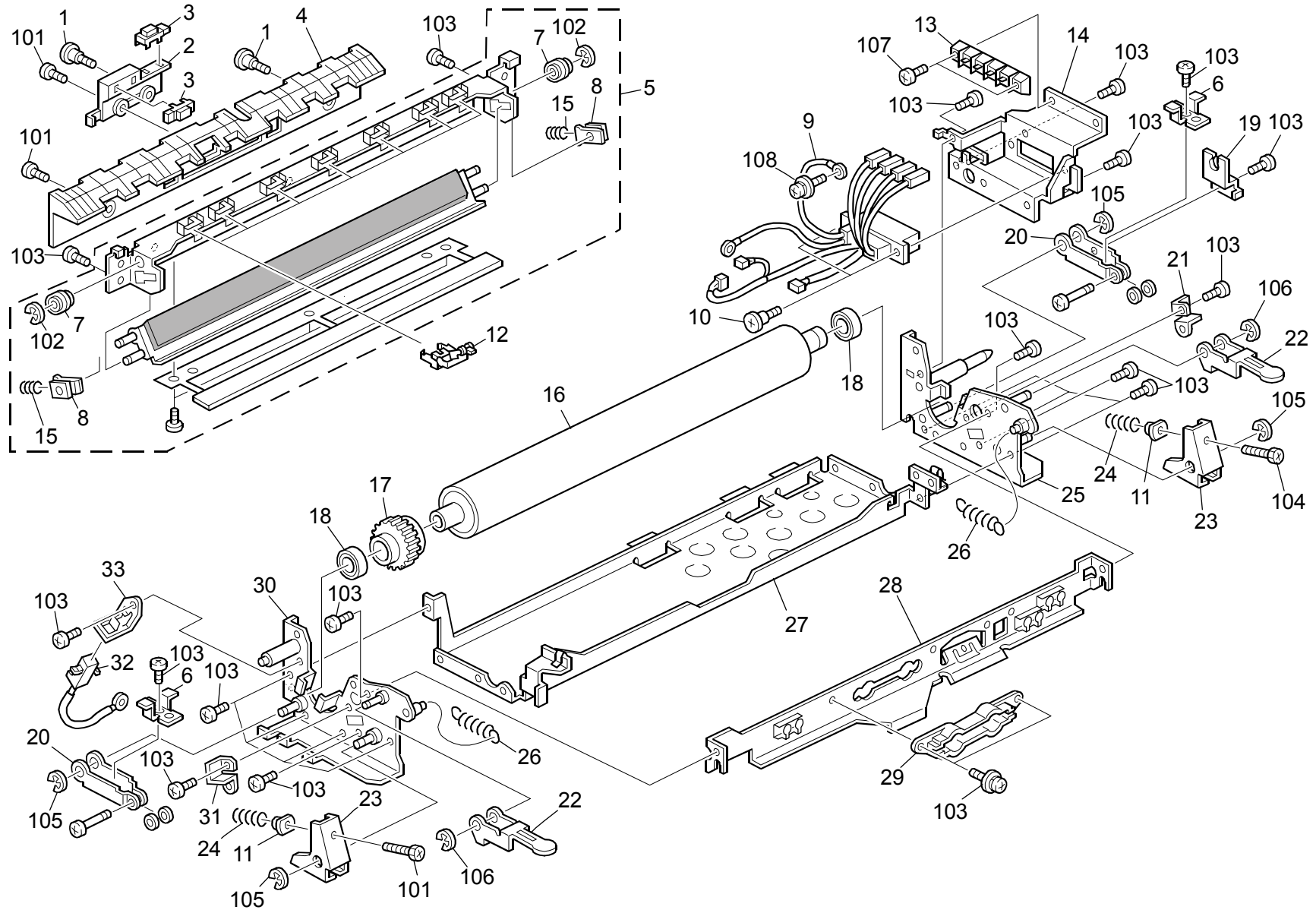


49.Fusing Unit 3 (B132/B200)

Index No.	Part No.	Description	Q'ty Per Assembly
1	B132 4194	Tension Spring:Hot Roller	2
2	B132 4103	Stay:Upper	1
3	B132 4132	Bracket:Guide Plate:Upper	1
4	B132 4089	Fusing Belt	1
5	AB01 3635	Gear:Upper:52Z	1
6	AE01 0052	Hot Roller	1
7	B132 4120	Lever:Heat Roller:Rear	1
8	B132 4084	Heat Roller	1
9	B132 4101	Side Plate:Upper Rear	1
10	B132 5205	Harness:Fusing Unit:No.2	1
11	AE03 0057	Ball Bearing:DIA30xDIA37x7	2
12	AE03 2027	Thermal Insulating Bushing	1
13	AB01 3620	Gear:Hot Roller:44z	1
14	AB01 3702	Gear - 46Z	1
15	B132 4123	Gear:Drive:Press Fit	1
16	B132 4151	Harness:Thermostat:Upper Front	1
17	B132 4121	Lever:Heat Roller:Front	1
18	B132 4102	Side Plate:Upper Front	1
19	B132 4125	Collar:Shaft:Drive	1
20	B132 4138	Roller:Coupling:Knob:Fusing	1
21	AB01 3703	Gear - 24Z	1
22	AE03 0058	Ball Bearing:DIA25:DIA37	2
23	AE03 0013	Ball Bearing - 8x15.6x4mm	2
24	A077 4239	Shoulder Screw - M3	2
25	B132 4122	Adjusting Pin:Heat Roller	1
26	A077 4239	Shoulder Screw - M3	2
27	B132 4189	Harness Clamp	6
28	5206 2684	Shoulder Screw - M3	1
29	B132 4143	Heater Holder:Upper Rear	1
30	B132 4119	Spacer:Gear:Idler	1
31	B132 4147	Stopper:Heat Roller:Upper Rear	1

Index No.	Part No.	Description	Q'ty Per Assembly
101	0725 0250E	Retaining Ring C - M25	
102	0720 0060E	Retaining Ring - M6	
103	0353 0060N	Philips Pan Head Bind Screw - M3x6	

50.Fusing Unit 4 (B132/B200)

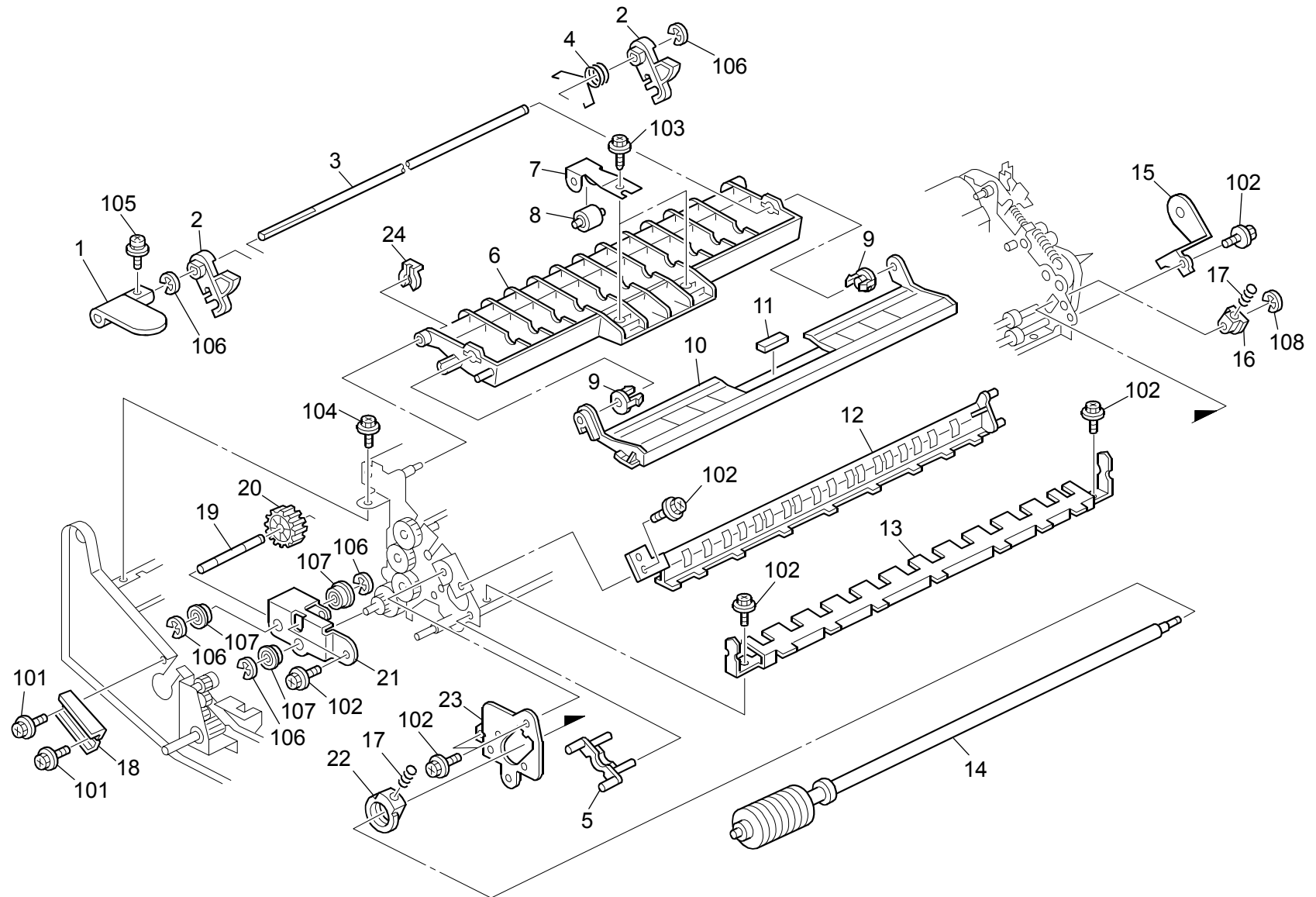


50.Fusing Unit 4 (B132/B200)

Index No.	Part No.	Description	Q'ty Per Assembly
1	5206 2684	Shoulder Screw - M3	4
2	B132 4284	Bracket:Paper Feed Sensor	1
3	AW01 0118	Paper Feed Sensor	1
4	B132 4283	Guide Plate:Fusing Exit:Lower	1
5	B132 4075	Pressure Roller Cleaning Felt Ass'y	1
6	B132 4255	Holder:Lever:Pressure Roller	2
7	AE03 1060	Bushing:Cleaning Roller:Pressure:Upper	2
8	AE03 1059	Bushing:Cleaning Roller:Pressure:Lower	2
9	B132 5204	Harness:Fusing Unit:No.1:100V	1
9	B132 5209	Harness:Fusing Unit:No.1:200V	1
10	B004 5843	Screw - Inner Cover	2
11	A030 4145	Pressure Spring Holder	2
12	B132 4290	Stripper Pawls:Ass'y	7
13	AA11 3037	Terminal:4P:187	1
14	B132 4244	Bracket:Drawer	1
15	G003 5674	Spring	2
16	AE02 0144	Pressure Roller	1
17	AB01 3636	Gear:Lower:49z	1
18	AE03 0040	Ball Bearing	2
19	B132 4245	Heater Holder:Lower	1
20	B132 4233	Lever:Pressure	2
21	B132 4230	Holder:Spring:Rear	1
22	B132 4238	Lever:Release	2
23	B132 4232	Lever:Turn	2
24	B132 4192	Compression Spring:Pressure:300n	2
25	B132 4201	Side Plate:Lower Rear	1
26	B132 4193	Tension Spring:Heat Roller	2
27	B132 4203	Stay:Lower	1
28	B132 4204	Stay:Right Lower	1
29	B132 4148	Housing:Thermostat	1
30	B132 4202	Side Plate:Lower Front	1
31	B132 4231	Holder:Spring:Front	1
32	B132 4249	Harness:Thermostat:Lower Front	1
33	B132 4246	Bracket:Connector	1

Index No.	Part No.	Description	Q'ty Per Assembly
101	0954 3008N	Screw - M3x8	
102	0720 0030E	Retaining Ring - M3	
103	0353 0060N	Philips Pan Head Bind Screw - M3x6	
104	0585 0161N	Hexagonal Head Bolt - M5x16	
105	0720 0060E	Retaining Ring - M6	
106	0720 0040E	Retaining Ring - M4	
107	0354 0120N	Screw - M4x12	
108	0954 3006N	Screw - M3x6	

51.Paper Exit 1 (B132/B200)

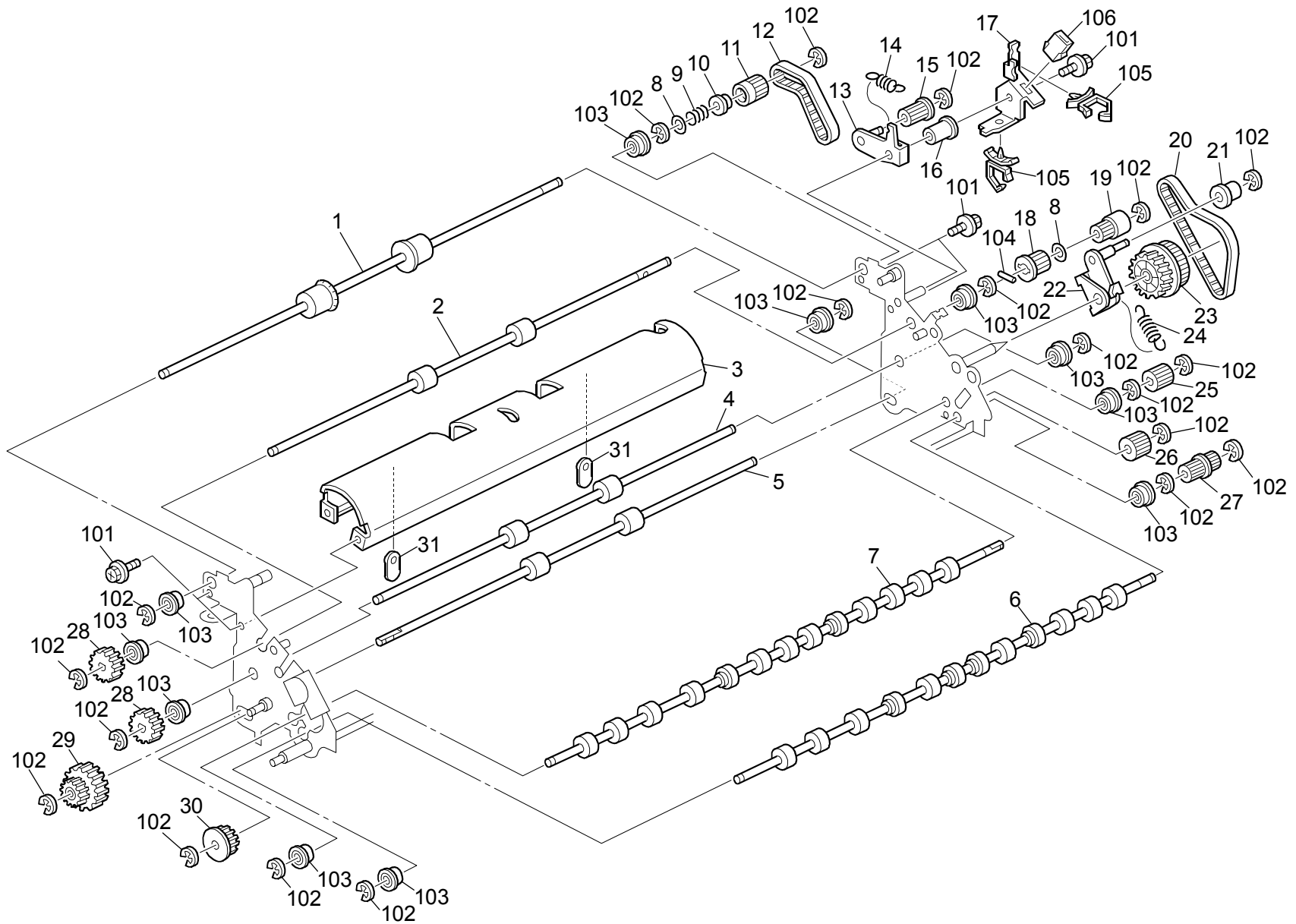


51.Paper Exit 1 (B132/B200)

Index No.	Part No.	Description	Q'ty Per Assembly
1	B132 7056	Grip:Guide Plate:Upper	1
2	B132 7044	Pawl:Guide Plate:Fix	2
3	B132 7052	Shaft:Release:Guide Plate:Upper	1
4	AA06 3908	Spring:Tightener	1
5	B132 7105	Stopper:Pipe	1
6	B132 7016	Guide Plate:Transport:Upper:Left	1
7	B132 7013	Spring Plate:Upper:Right	2
8	B132 7031	Roller:Middle	2
9	AA08 0213	Bushing:DIA6	2
10	B132 7010	Guide Plate:Transport:Upper:Right	1
11	B132 7124	Sound Proofing Material	1
12	B132 7129	Guide Plate:Entrance:Upper	1
13	B132 7164	Guide:Entrance:Right Front	1
14	B132 7005	Decura:Heat Pipe:DIA15	1
15	B132 7133	Bracket:Positioning Plate:Rear	1
16	AA08 0240	Bushing - Mm5	1
17	AA06 3906	Compression Spring	2
18	B132 1159	Supporting Plate:Pull Out:Front	1
19	B132 7037	Shaft:Knob	1
20	B132 7002	Gear:28Z	1
21	B132 7007	Bracket:Lever	1
22	B132 7011	Holder:Bearing:Front	1
23	B132 7039	Bracket:Bearing:Front	1
24	5447 2681	Snap Ring	1

Index No.	Part No.	Description	Q'ty Per Assembly
101	0451 4008N	Tapping Screw - 4x8	
102	0451 3006N	Tapping Screw - 3x6	
103	0450 3008N	Tapping Screw - M3x8	
104	0451 4006N	Tapping Screw - 4x6	
105	0954 3006N	Screw - M3x6	
106	0720 0040E	Retaining Ring - M4	
107	0741 3706	Ball Bearing - 6x10x3	
108	0720 0030E	Retaining Ring - M3	

52.Paper Exit 2 (B132/B200)

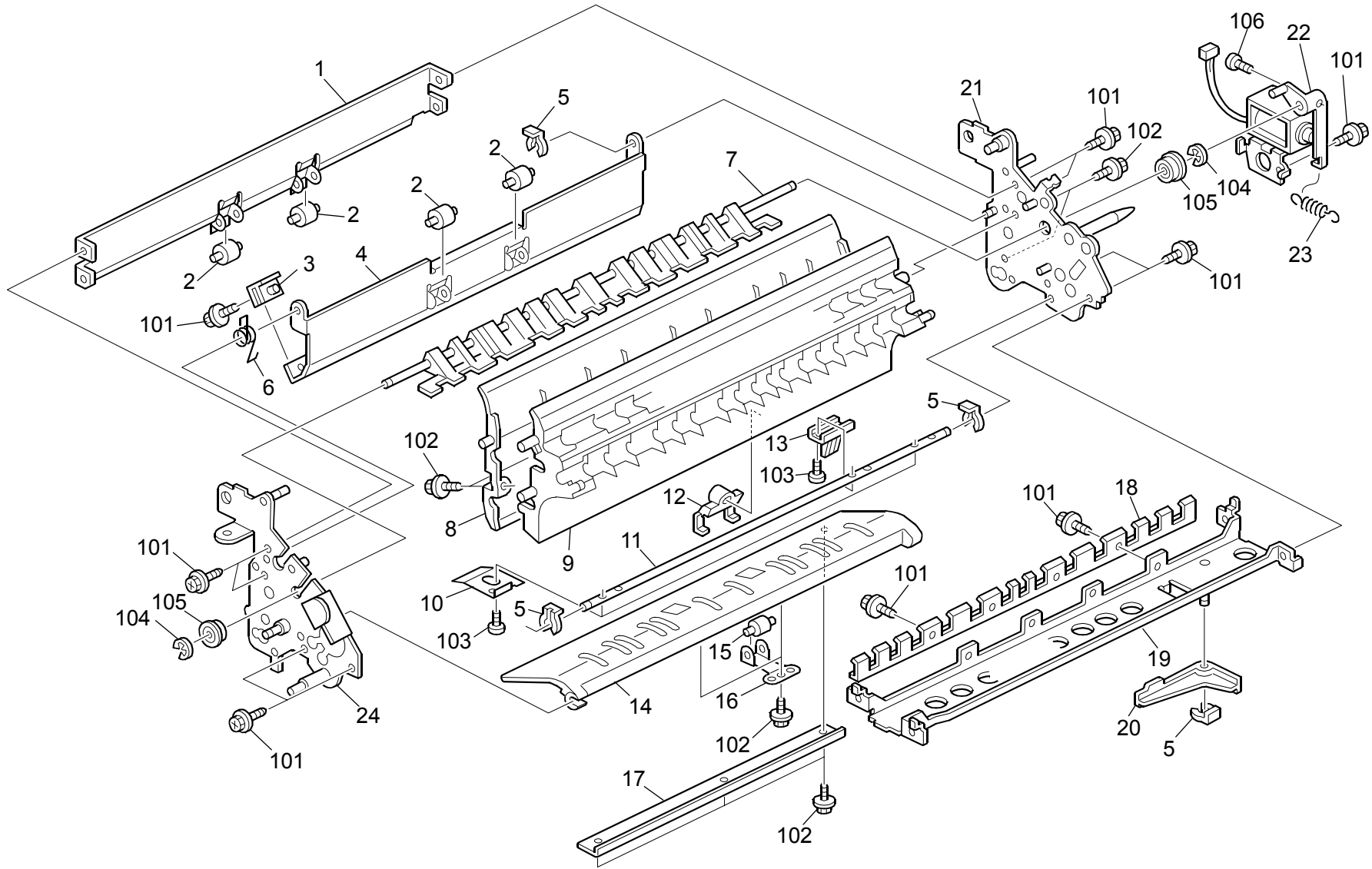


52.Paper Exit 2 (B132/B200)

Index No.	Part No.	Description	Q'ty Per Assembly
1	B132 7086	Exit Roller:Exit:Drive	1
2	B132 7081	Reverse Roller:Drive	1
3	B132 7151	Guide Plate:Shaft:Ass'y	1
4	B132 7087	Roller:Middle	1
5	B132 7088	Roller:Middle:Duplex Sub-unit	1
6	B132 7161	Roller:Decura:Entrance	1
7	B132 7085	Roller:Decura:Exit	1
8	H053 1174	Washer M6 - Scanner Unit	2
9	A470 1704	Spring - Lower Exit Roller	1
10	A470 1703	Shift Clutch	1
11	B132 7051	Pulley:19Z	1
12	B132 7116	Timing Belt:T198	1
13	B132 7112	Tightener:Front Upper:Ass'y	1
14	AA06 0695	Tension Spring	1
15	B132 7048	Pulley:13T	1
16	B132 7025	Roller:Tightener	1
17	B132 7069	Bracket:Connector	1
18	B132 7036	Pulley:15T	1
19	B132 7028	Pulley:15T	1
20	B132 7117	Timing Belt:T213	1
21	B132 7059	Roller:Tightener	1
22	B132 7141	Shaft:Base:Tightener	1
23	B132 7080	Pulley:37T	1
24	B132 7143	Spring:Tightener	1
25	B132 7138	Gear:Z20	1
26	B132 7144	Gear:Z28	1
27	B132 7162	Pulley:Z13	1
28	B132 7030	Gear:Z27	2
29	B132 7060	Gear:29Z	1
30	B132 7055	Gear:22Z	1
31	B132 7155	Stopper:Guide	2

Index No.	Part No.	Description	Q'ty Per Assembly
101	0451 3006N	Tapping Screw - 3x6	
102	0720 0040E	Retaining Ring - M4	
103	0741 3706	Ball Bearing - 6x10x3	
104	0632 0100G	Pin - 2x10mm	
105	1105 0511	Harness Clamp - LWS-0306ZC	
106	1102 6245	Relay Connector - 2P	

53.Paper Exit 3 (B132/B200)

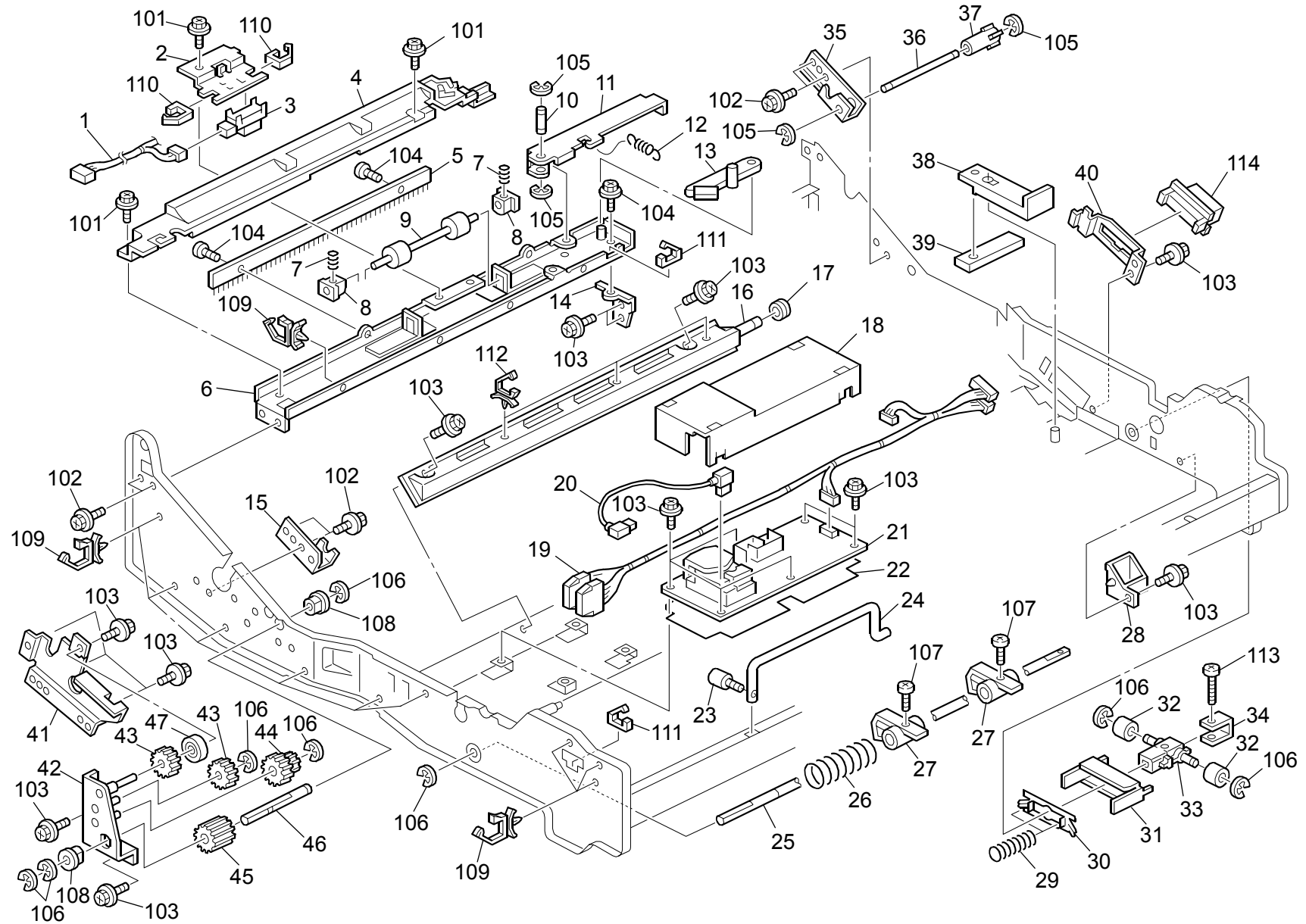


53.Paper Exit 3 (B132/B200)

Index No.	Part No.	Description	Q'ty Per Assembly
1	B132 7115	Guide Plate:Left Upper:Ass'y	1
2	B132 7033	Roller:MM14	4
3	B132 7015	Grip:Guide Plate:Left	1
4	B132 7110	Guide Plat:Left Lower:Ass'y	1
5	5447 2681	Snap Ring	4
6	AA06 3909	Spring:Guide Plate:Open And Close	1
7	B132 7054	Gate Pawl:Reverse	1
8	B132 7004	Guide Plate:Middle:Transport	1
9	B132 7064	Guide Plate:Middle:Left	1
10	B132 7045	Arm:Pressure	2
11	B132 7029	Shaft:Release:Guide Plate	1
12	B132 7132	Plate:Transport Roller	1
13	B132 7098	Lever:Release	1
14	B132 7017	Guide Plate:Middle:Right	1
15	B132 7031	Roller:Middle	2
16	B132 7020	Spring Plate:Middle	2
17	B132 7160	Stay:Supporting Plate	1
18	B132 7103	Guide:Entrance:Right Rear	1
19	B132 7097	Stay:Shaft:Ass'y	1
20	B132 7046	Lever:Release:Guide Plate:Lower	1
21	B132 7078	Side Plate:Rear:Ass'y	1
22	B132 7148	DC Solenoid:Bracket:Ass'y	1
23	AA06 2330	Tension Spring	1
24	B132 7076	Side Plate:Front:Ass'y	1

Index No.	Part No.	Description	Q'ty Per Assembly
101	0451 3006N	Tapping Screw - 3x6	
102	0450 3006N	Tapping Screw - M3x6	
103	0353 0060N	Philips Pan Head Bind Screw - M3x6	
104	0720 0040E	Retaining Ring - M4	
105	0741 3706	Ball Bearing - 6x10x3	
106	0353 0080N	Screw - M3x8	

54.Paper Exit 4 (B132/B200)

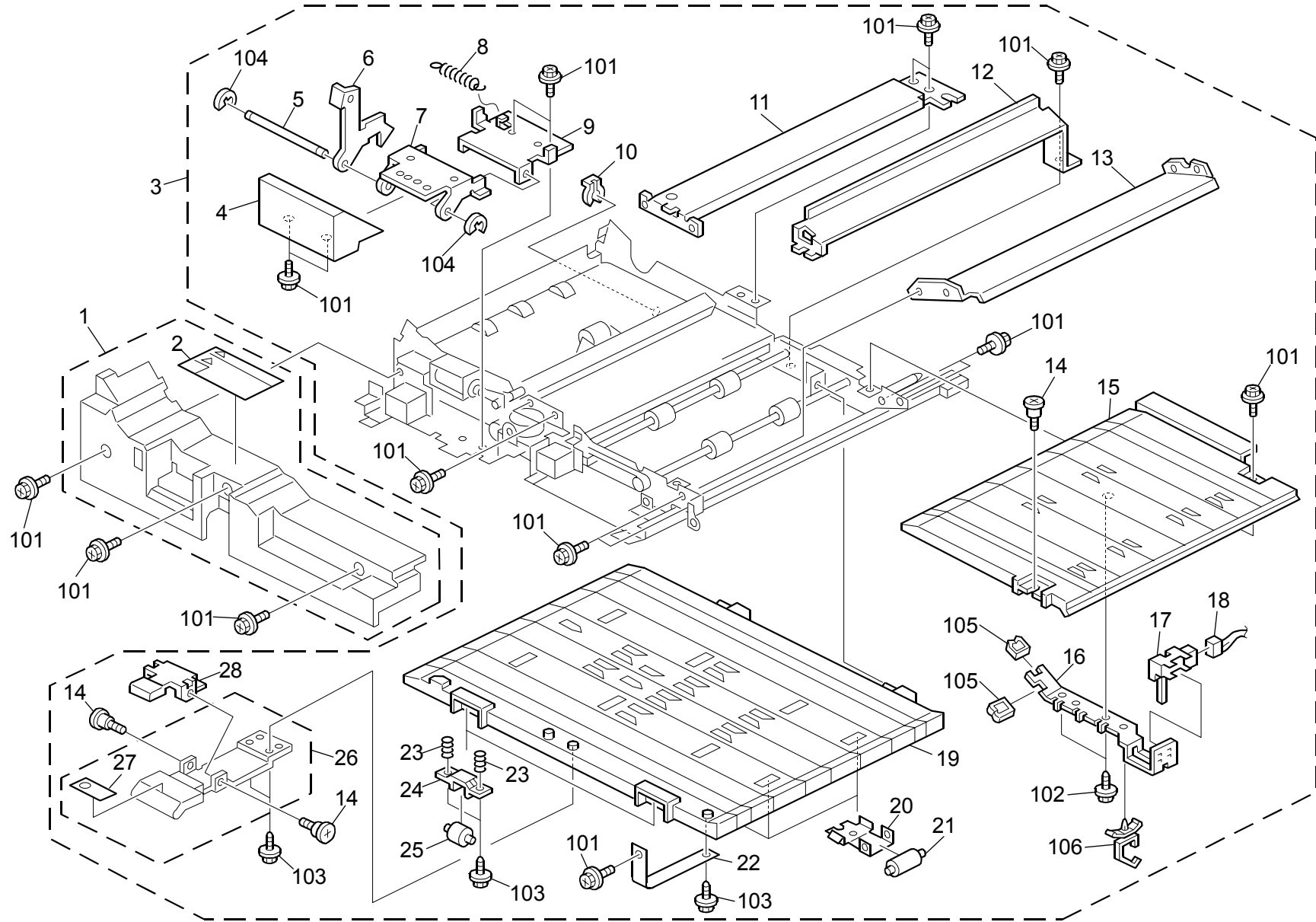


54.Paper Exit 4 (B132/B200)

Index No.	Part No.	Description	Q'ty Per Assembly
1	B132 5244	Harness:Paper Exit Unit	1
2	B132 7049	Bracket:Sensor	1
3	AW01 0107	Paper Feed Sensor	1
4	B132 7023	Cover:Exhaust	1
5	AA12 0084	Discharge Brush	1
6	B132 7018	Stay:Exit:Ass'y	1
7	AA06 3577	Compression Spring	2
8	AA08 4053	Ball Bearing:Driven:MM4	2
9	B132 7147	Exit Roller:Driven:Upper	1
10	B132 7123	Shaft:Lever:Left Inner Rear	1
11	B132 7041	Lever:Stopper	1
12	AA06 2319	Spring	1
13	B132 7042	Lever:Open And Close	1
14	B132 7119	Bracket:Stay:Left	1
15	B132 7043	Bracket:Fix:Front	1
16	B132 2463	Duct:Pull Out	1
17	B132 2484	Seal:Duct:Pull Out	1
18	B132 1220	Cover:Base:Pull Out	1
19	B132 5242	Harness:Pull Out:Uni:39pin	1
20	B132 5356	Harness:High Voltage Supply Cord	1
21	AZ31 0029	Power Pack:D	1
22	B132 1228	Insulating Sheet:Pull Out	1
23	5413 1875	Knob Screw	1
24	B132 1191	Handle:Pull Out	1
25	B132 1185	Shaft:Lock:Pull Out	1
26	AA06 3951	Compression Spring	1
27	B132 6305	Cam:Transfer Roller	2
28	B132 6285	Toner Catchpan	1
29	A267 5814	Compression Spring	1
30	B132 1221	Holder:Spring:Pull Out	1
31	B132 1190	Bracket:Release:Lock	1
32	AA13 2300	Roller:Lock:Pull Out	2
33	B132 1183	Bracket:Lock	1
34	B132 1224	Supporting Plate:Bracket:Lock	1
35	B132 7050	Bracket:Fix:Rear	1

Index No.	Part No.	Description	Q'ty Per Assembly
36	B132 7096	Shaft:Stopper	1
37	B132 7070	Holder:Shaft	1
38	B132 1193	Bracket:Interlock:Lever	1
39	B132 1194	Actuator:Pull Out	1
40	B132 1195	Bracket:Drawer:Pull Out	1
41	B132 1155	Guide Plate:Fusing Unit	1
42	B132 1152	Bracket:Knob:Fusing/paper Exit Unit	1
43	AB01 3309	Gear - 18Z	2
44	AB01 7688	Gear - 13/20Z	1
45	AB01 3363	Gear - 16Z	1
46	B132 1156	Shaft:Knob:Fusing/Paper Exit Unit	1
47	B132 1235	Collar - DIA18	1
101	0451 3006N	Tapping Screw - 3x6	
102	0451 4006N	Tapping Screw - 4x6	
103	0451 4008N	Tapping Screw - 4x8	
104	0353 0060N	Philips Pan Head Bind Screw - M3x6	
105	0720 0030E	Retaining Ring - M3	
106	0720 0060E	Retaining Ring - M6	
107	0354 0060N	Screw - M4x6	
108	0805 3386	Bushing - 8mm	
109	1105 0534	Clamp	
110	1105 0551	Clamp:LES-0505	
111	1105 0522	Edge Saddle - LES0510	
112	1105 0516	Clamp	
113	0314 0180N	Pan Head Screw - M4x18	
114	1102 9781	Connector:51405-3919	

55.Duplex Unit 1 (B132/B200)

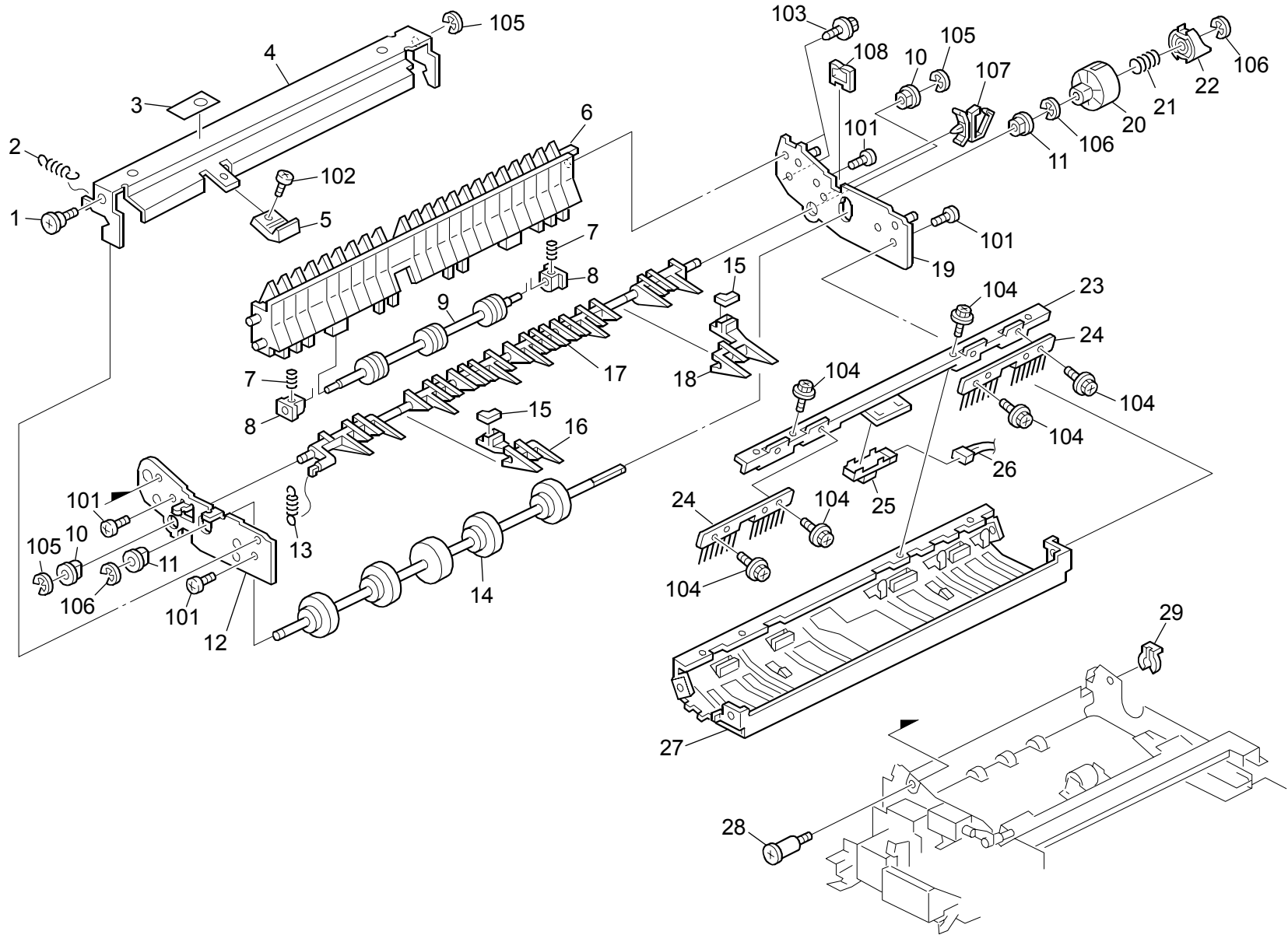


55.Duplex Unit 1 (B132/B200)

Index No.	Part No.	Description	Q'ty Per Assembly
1	B132 4525	Inner Cover:Duplex Unit:Ass'y	1
2	B132 4797	Decal:Warning (high Temperature)	1
3	B132 4500	Duplex Unit:Ass'y	1
4	B132 4674	Grip:Release:Duplex Unit	1
5	B065 4673	Release Lever Shaft	1
6	B132 4671	Arm:Lock:Duplex	1
7	B065 4675	Duplex Release Bracket	1
8	AA06 2320	Spring	1
9	B065 4672	Release Lever Bracket	1
10	5447 2681	Snap Ring	1
11	B132 4987	Stay:Duplex Unit:Upper	1
12	B132 4874	Guide Plate:Jogger:Upper	1
13	B132 4869	Guide Plate:Duplex:Exit	1
14	AA14 3811	Stepped Screw - M3x4	3
15	B132 4725	Table:Duplex:Right	1
16	B132 4727	Bracket:Sensor:Right	1
17	AW02 0149	Paper Feed Sensor	1
18	B132 5263	Harness:Sensor:Duplex:3p	1
19	B132 4730	Guide Plate:Transport:Lower	1
20	B065 4731	Spring Plate - Driven Roller	8
21	AF02 2077	Driven Roller	8
22	A096 4928	Guide Plate Band	1
23	AA06 3581	Compression Spring	4
24	A229 4727	Guide Plate Pressure Holder	2
25	AF02 2067	Guide Stopper Roller	2
26	B065 4531	Guide Plate Lever	1
27	B065 4867	Decal - Guide Plate Lever	1
28	B065 4933	Guide Plate Lever Hook	1

Index No.	Part No.	Description	Q'ty Per Assembly
101	0451 4006N	Tapping Screw - 4x6	
102	0450 4008N	Tapping Screw - M4x8	
103	0450 4010N	Tapping Screw - M4x10	
104	0720 0040E	Retaining Ring - M4	
105	1105 0328	Harness Clamp - ES-0505	
106	1105 0511	Harness Clamp - LWS-0306ZC	

56.Duplex Unit 2 (B132/B200)

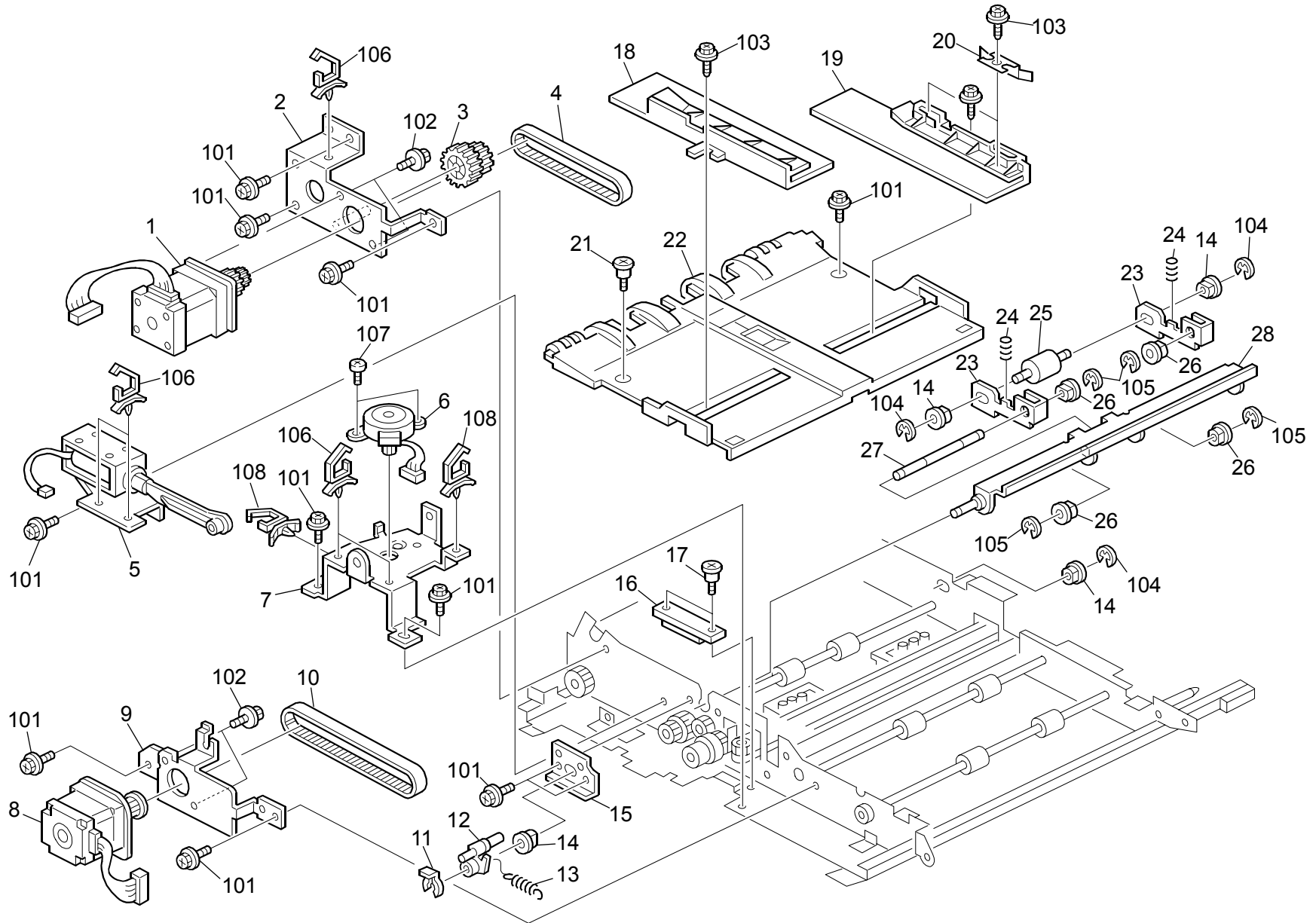


56.Duplex Unit 2 (B132/B200)

Index No.	Part No.	Description	Q'ty Per Assembly
1	AA14 3129	Shoulder Screw - Front Cover	1
2	AA06 2318	Spring	1
3	B132 4796	Decal:Grip:E3	1
4	B132 4647	Lever:Open And Close:Reverse Unit	1
5	AG05 1141	Release Lever	1
6	A229 4623	Lower Entrance Guide Plate	1
7	AA06 3579	Compression Spring	2
8	AA08 0034	Bushing - 4x5x7	2
9	A229 4624	Duplex Driven Roller	1
10	AA08 2118	Bushing - M6	2
11	AA08 2116	Bushing - M8	2
12	B132 4627	Side Plate:Front:Reverse Unit	1
13	AA06 2328	Tension Spring:Black	1
14	AF02 1074	Entrance Inverter Roller	1
15	B132 4643	Spacer:Gate Pawl	2
16	A293 4613	Front Gate Pawl	1
17	A293 4611	Reverse Roller	1
18	A293 4614	Rear Gate Pawl	1
19	B132 4620	Side Plate:Rear:Reverse Unit:Ass'y	1
20	B065 4632	Joint Holder	1
21	AA06 3582	Compression Spring	1
22	A229 4740	Drive Joint	1
23	B065 4644	Sensor Bracket	1
24	A229 4617	Duplex Discharge Brush	2
25	AW01 0119	Paper Feed Sensor	1
26	B132 4985	Harness:Sensor:Reverse Unit	1
27	B132 4640	Guide Plate:Entrance:Upper:Ass'y	1
28	AA14 3426	Stopped Screw - M4x17	1
29	5447 2681	Snap Ring	1

Index No.	Part No.	Description	Q'ty Per Assembly
101	0354 0060N	Screw - m4x6	
102	0353 0050N	Screw - m3x5	
103	0450 4010N	Tapping Screw - M4x10	
104	0451 3006N	Tapping Screw - 3x6	
105	0720 0040E	Retaining Ring - M4	
106	0720 0060E	Retaining Ring - M6	
107	1105 0511	Harness Clamp - LWS-0306ZC	
108	1105 0328	Harness Clamp - ES-0505	

57. Duplex Unit 3 (B132/B200)

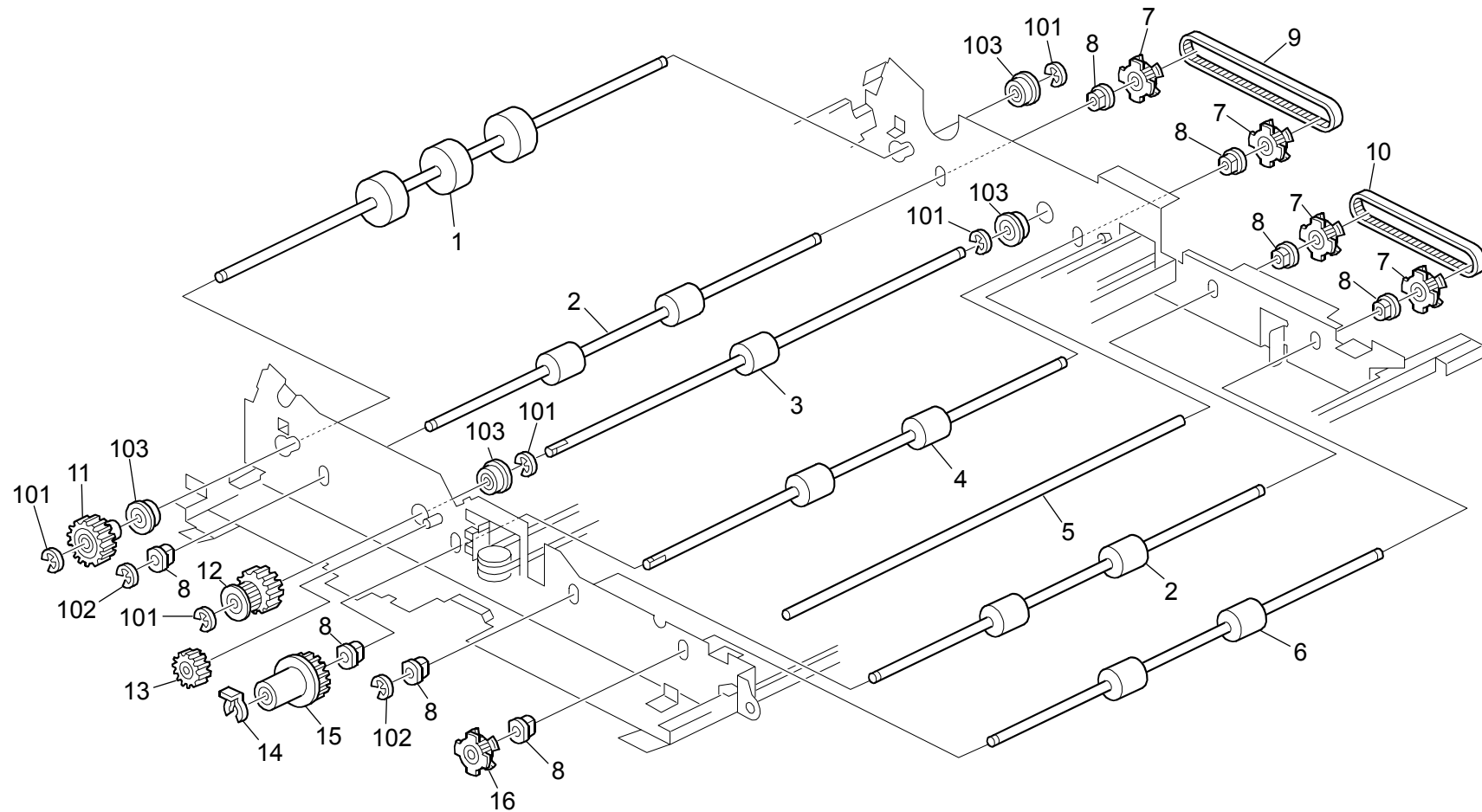


57.Duplex Unit 3 (B132/B200)

Index No.	Part No.	Description	Q'ty Per Assembly
1	B132 4780	Stepper Motor:Reverse:Ass'y	1
2	B132 4810	Bracket:Motor:Reverse:Ass'y	1
3	AB01 7687	Gear:22/24Z	1
4	AA04 3291	Timing Belt	1
5	B132 4745	DC Solenoid:Reversal:Ass'y	1
6	B132 4650	Stepper Motor:Jogger:Ass'y	1
7	B132 4696	Bracket:Stepper Motor:Jogger	1
8	B132 4785	Stepper Motor:Transport:Ass'y	1
9	B132 4789	Bracket:Stepper Motor:Transport	1
10	AA04 3309	Timing Belt:40S2M360G	1
11	5447 2681	Snap Ring	1
12	B132 4663	Lever:Roller:Driven:Reversal	1
13	AA06 2327	Tension Spring	1
14	AA08 2118	Bushing - M6	4
15	B132 4665	Stay:Bearing:Reversal	1
16	AA02 1034	Magnetic	1
17	AA14 3183	Stepped Screw	2
18	B132 4681	Jogger Fence:Front	1
19	B132 4682	Jogger Fence:Rear	1
20	B065 4683	Spring Plate - Rear Jogger Fence	1
21	AA14 3811	Stepped Screw - M3x4	1
22	B132 4720	Table:Duplex:Left	1
23	B132 4661	Arm:Roller:Reversal:Driven	2
24	AA06 3592	Compression Spring	2
25	AF02 0591	Driven Reversal Roller	1
26	AA08 2063	Bushing - 8x10x5	4
27	AA14 8631	Reversal Roller Shaft	1
28	B132 4655	Bracket:Reversal:Driven:Ass'y	1

Index No.	Part No.	Description	Q'ty Per Assembly
101	0451 4006N	Tapping Screw - 4x6	
102	0451 3006N	Tapping Screw - 3x6	
103	0450 4008N	Tapping Screw - M4x8	
104	0720 0040E	Retaining Ring - M4	
105	0720 0030E	Retaining Ring - M3	
106	1105 0534	Clamp	
107	0353 0050N	Screw - m3x5	
108	1105 0508	Harness Clamp - LWS-0711	

58.Duplex Unit 4 (B132/B200)

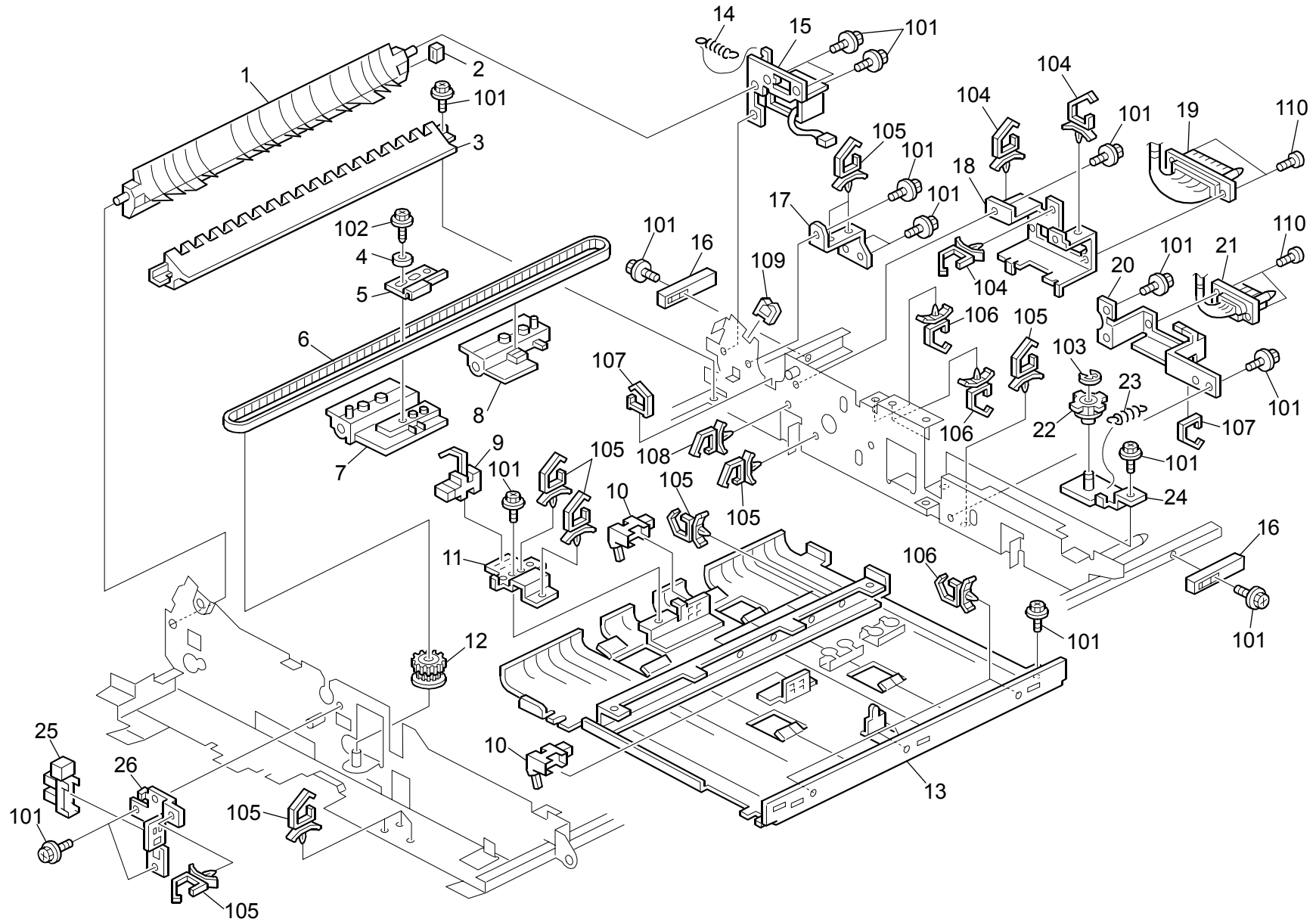


58. Duplex Unit 4 (B132/B200)

Index No.	Part No.	Description	Q'ty Per Assembly
1	AF02 1075	Duplex Turn Roller	1
2	AF02 1077	Driven Transport Roller	2
3	AF02 1076	Drive Inverter Roller	1
4	AF02 1078	Left Drive Roller	1
5	B065 4694	Jogger Guide Rod	1
6	AF02 1079	Right Drive Roller	1
7	AB03 0583	Timing Pulley - 24Z	4
8	AA08 2118	Bushing - M6	8
9	AA04 3310	Timing Belt:40S2M278G	1
10	AA04 3311	Timing Belt:40S2M302G	1
11	AB01 1497	Gear - 45Z	1
12	AB01 7614	Pulley	1
13	AB01 1498	Gear - 22Z	1
14	5447 2681	Snap Ring	1
15	AB01 1496	Gear - 32Z	1
16	AB03 0731	Pulley - 29Z	1

Index No.	Part No.	Description	Q'ty Per Assembly
101	0720 0060E	Retaining Ring - M6	
102	0720 0040E	Retaining Ring - M4	
103	0741 3808	Ball Bearing - 8x16x5mm	

59.Duplex Unit 5 (B132/B200)

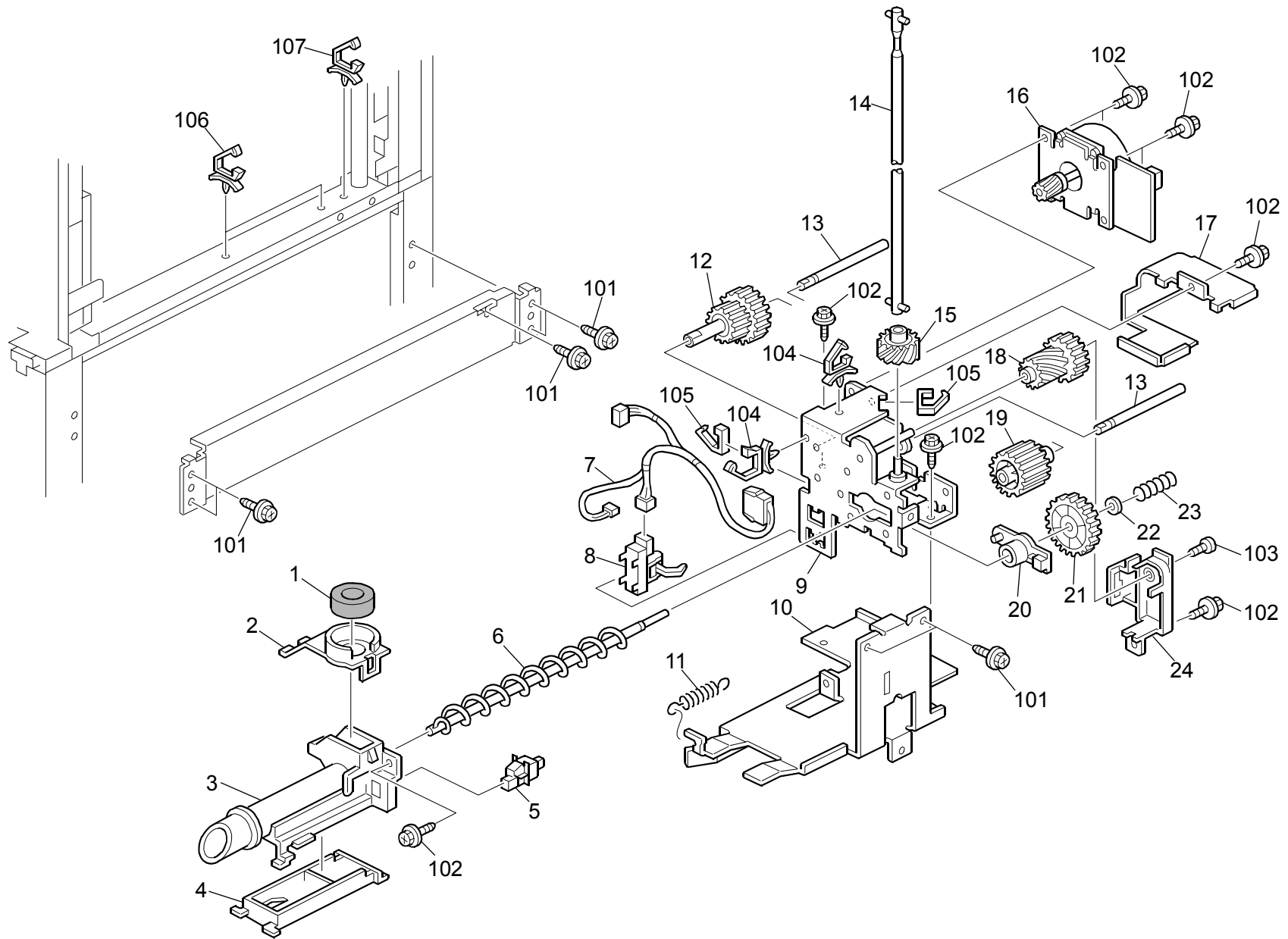


59. Duplex Unit 5 (B132/B200)

Index No.	Part No.	Description	Q'ty Per Assembly
1	B065 4733	Duplex Gate Pawl	1
2	B065 4738	Gate Pawl Cushion	1
3	A294 4626	Lower Duplex Guide Plate	1
4	B065 4865	Spacer	1
5	B132 4689	Stay:Timing Belt	1
6	AA04 3294	Timing Belt - 40S2M810G	1
7	B132 4692	Slider:Jogger Fence:Front	1
8	B132 4693	Slider:Jogger Fence:Rear	1
9	AW02 0148	Paper Feed Sensor	1
10	AW02 0149	Paper Feed Sensor	2
11	B132 4715	Bracket:Sensor:Reverse:Exit	1
12	AB01 7615	Gear - 30Z/45Z	1
13	B132 4710	Guide Plate:Transport:Upper:Ass'y	1
14	AA06 0984	Tension Spring	1
15	B132 4740	DC Solenoid:Gate Pawl:Ass'y	1
16	A096 4595	Duplex Guide	2
17	B132 4619	Bracket:Support:Positioning Pin	1
18	B132 4790	Bracket:Drawer:32pin:Duplex	1
19	B132 5261	Harness:Duplex Unit:32p	1
20	B132 4791	Bracket:Drawer:12pin:Duplex	1
21	B132 5262	Harness:Duplex Unit:12pin	1
22	AB03 0732	Jogger Pulley	1
23	AA06 2318	Spring	1
24	B065 4820	Jogger Bracket	1
25	AW02 0145	Photointerruptor:Flat	1
26	B132 4699	Bracket:Home Position Sensor:Jogger	1

Index No.	Part No.	Description	Q'ty Per Assembly
101	0451 4006N	Tapping Screw - 4x6	
102	0450 4008N	Tapping Screw - M4x8	
103	0720 0040E	Retaining Ring - M4	
104	1105 0516	Clamp	
105	1105 0534	Clamp	
106	1105 0508	Harness Clamp - LWS-0711	
107	1105 0522	Edge Saddle - LES0510	
108	1105 0511	Harness Clamp - LWS-0306ZC	
109	1105 0328	Harness Clamp - ES-0505	
110	0353 0080N	Screw - M3x8	

60.Used Toner Section 1 (B132/B200)

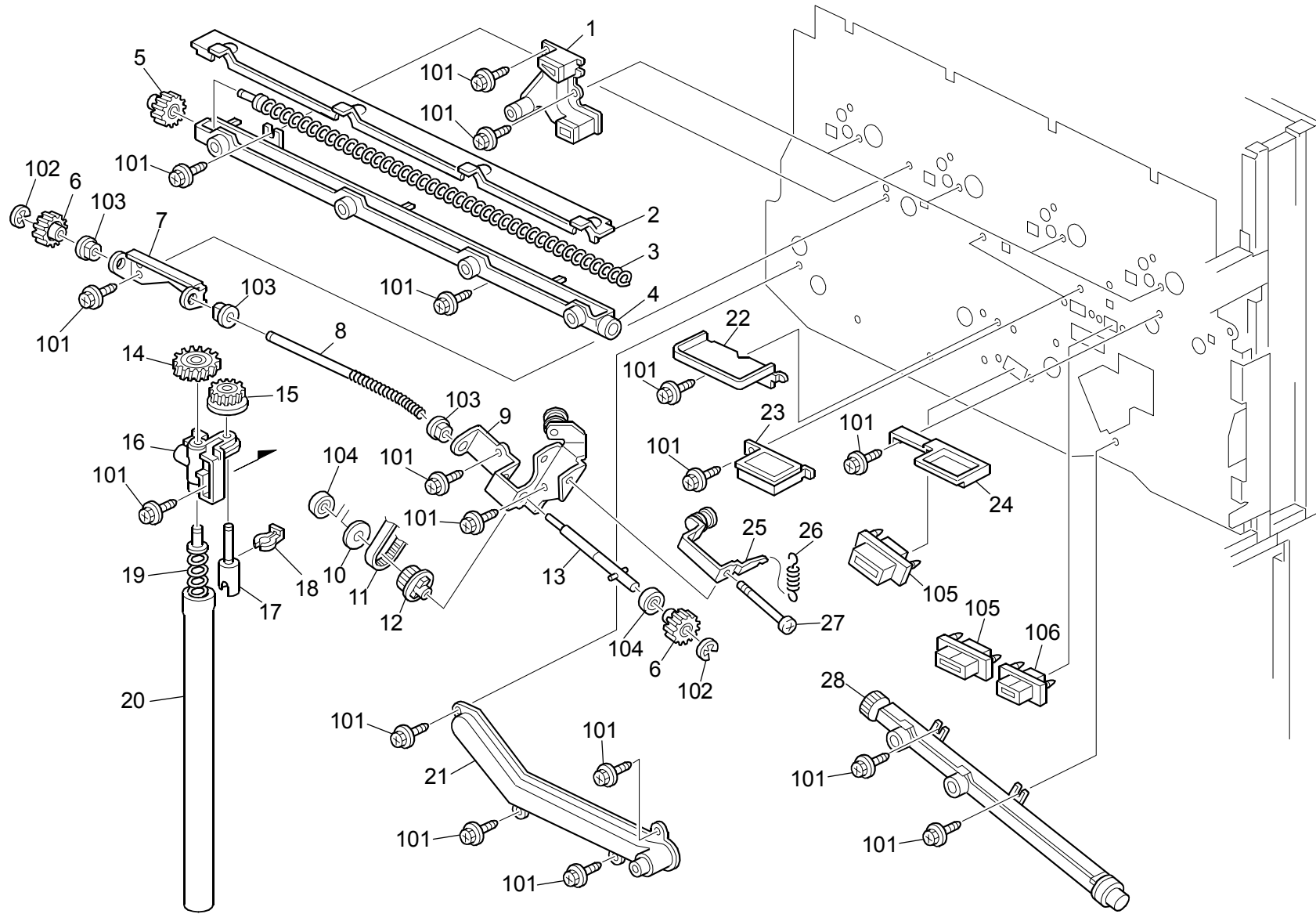


60.Used Toner Section 1 (B132/B200)

Index No.	Part No.	Description	Q'ty Per Assembly
1	B132 6578	Shield:Joint:PCU	1
2	B132 6519	Case:Toner Outlet Sub-unit:Cover	1
3	B132 6518	Case:Toner Outlet Sub-unit	1
4	B132 6539	Toner Catchpan:Tank:Entrance	1
5	AW50 0023	Push Switch	1
6	B132 6520	Transport Screw:Upper:Ass'y	1
7	B132 5393	Harness:Toner Recycling Section	1
8	AW02 0147	Photointerruptor:Feeler:Square	1
9	B132 6512	Base:Toner Outlet Sub-unit:Ass'y	1
10	B132 6514	Bracket:Toner Outlet Sub-unit:Drive	1
11	B132 6542	Tension Spring	1
12	AB01 1029	Gear:31/44Z	1
13	B132 6527	Shaft:Toner Outlet Sub-unit	2
14	B132 6548	Shaft:Drive:Long:Ass'y	1
15	AB01 3299	Gear:18Z	1
16	AX06 0302	Brushless Motor	1
17	B132 6537	Cover:DC Motor	1
18	AB01 1248	Gear:14/30Z	1
19	AB01 1247	Gear:32Z	1
20	B132 6536	Bushing:Transport Screw	1
21	B065 3587	Toner Collection Gear	1
22	AA13 2208	Spacer - M6	1
23	B065 3561	Spring	1
24	B132 6526	Guide:Spring:Discharge Used Toner	1

Index No.	Part No.	Description	Q'ty Per Assembly
101	0451 4008N	Tapping Screw - 4x8	
102	0451 3008N	Tapping Screw - M3x8	
103	0353 0080N	Screw - M3x8	
104	1105 0511	Harness Clamp - LWS-0306ZC	
105	1105 0522	Edge Saddle - LES0510	
106	1105 0488	Harness Clamp	
107	1105 0600	Clamp - LWSM-0306-2M	

61.Used Toner Section 2 (B132/B200)

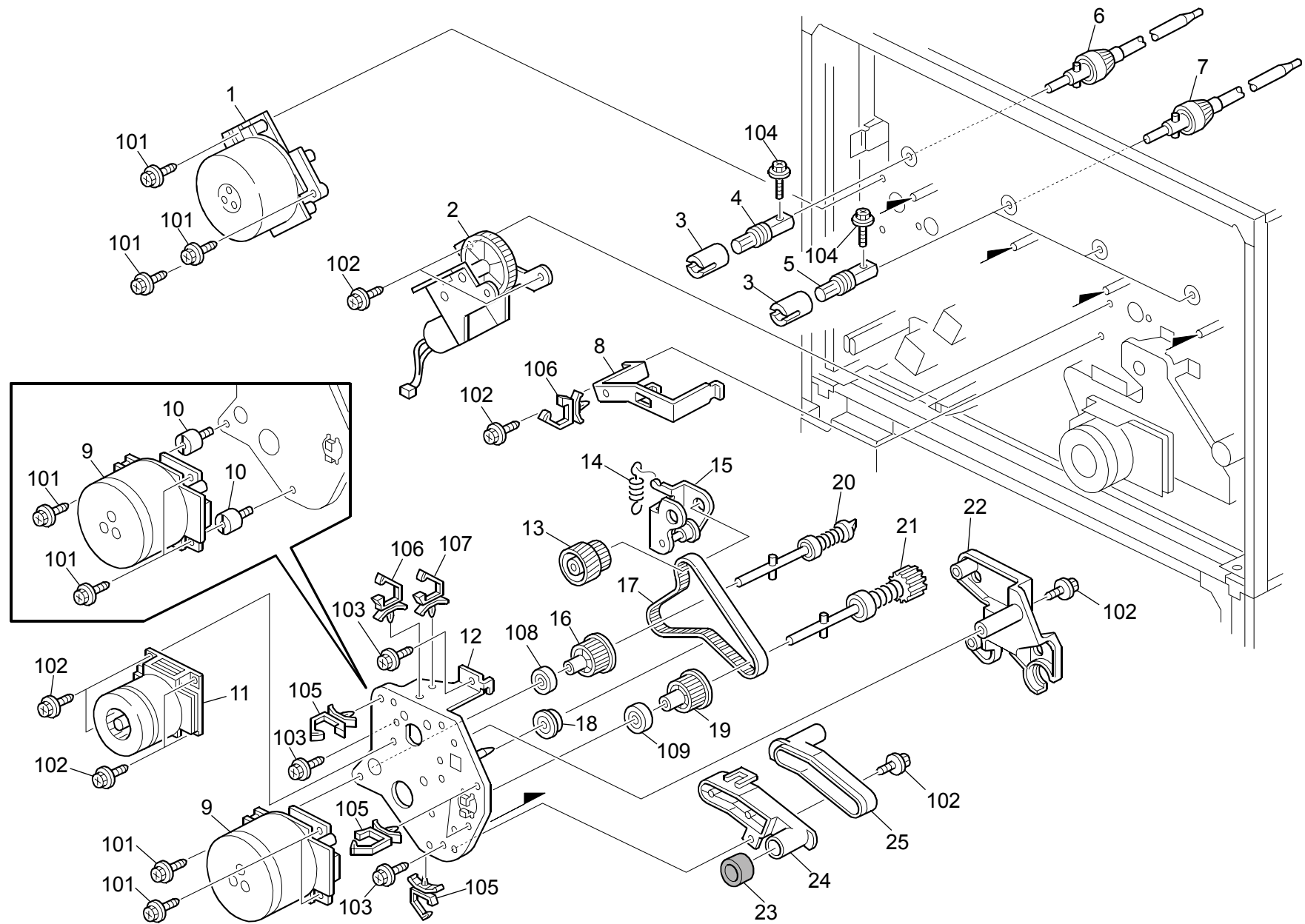


61.Used Toner Section 2 (B132/B200)

Index No.	Part No.	Description	Q'ty Per Assembly
1	B132 2443	Duct:Side Plate:Rear:Front:Ass'y	4
2	B132 6572	Toner Outlet Sub-unit:Cover:PCU	1
3	B132 6556	Transport Screw:Side	1
4	B132 6570	Toner Outlet Sub-unit	1
5	B132 6592	Gear:29Z	1
6	AB01 0135	Gear:25Z	2
7	B132 1316	Holder:Drive Sub-unit	1
8	B132 1311	Shaft:Horizontal:Ass'y	1
9	B132 1320	Holder:Drive Sub-unit	1
10	B132 1312	Flange:Timing Pulley	1
11	AA04 3300	Timing Belt:40S2M308	1
12	AB03 0300	Timing Pulley:30T	1
13	B132 1315	Shaft:Drive:Diagonal,slanted:Ass'y	1
14	AB01 3189	Gear:30Z	1
15	AB01 3122	Gear:26Z	1
16	B132 6540	Case:Drive:Ass'y	1
17	B132 6545	Shaft:Drive:Short:Ass'y	1
18	5447 2681	Snap Ring	1
19	B132 6561	Transport Screw:Lengthwise	1
20	B132 6531	Pipe	1
21	B132 2462	Duct:Connecting:Pull Out	1
22	B132 1229	Cover:Drawer	1
23	B132 6597	Toner Catchpan:CM	2
24	B132 6599	Toner Catchpan:K	1
25	B132 1325	Arm:Tightener	1
26	AA06 0160	Tension Spring	1
27	AA14 3550	Screw:DIA4:M3	1
28	B132 6533	Toner Outlet Sub-unit:Ass'y	1

Index No.	Part No.	Description	Q'ty Per Assembly
101	0451 4008N	Tapping Screw - 4x8	
102	0720 0040E	Retaining Ring - M4	
103	0805 3480	Bushing - 6mm	
104	0740 3906	Ball Bearing - 6x15x5	
105	1102 9783	Connector - 55949-3919	
106	1102 9785	Connector - 55949-1819	

62.Drive Section 1 (B132/B200)

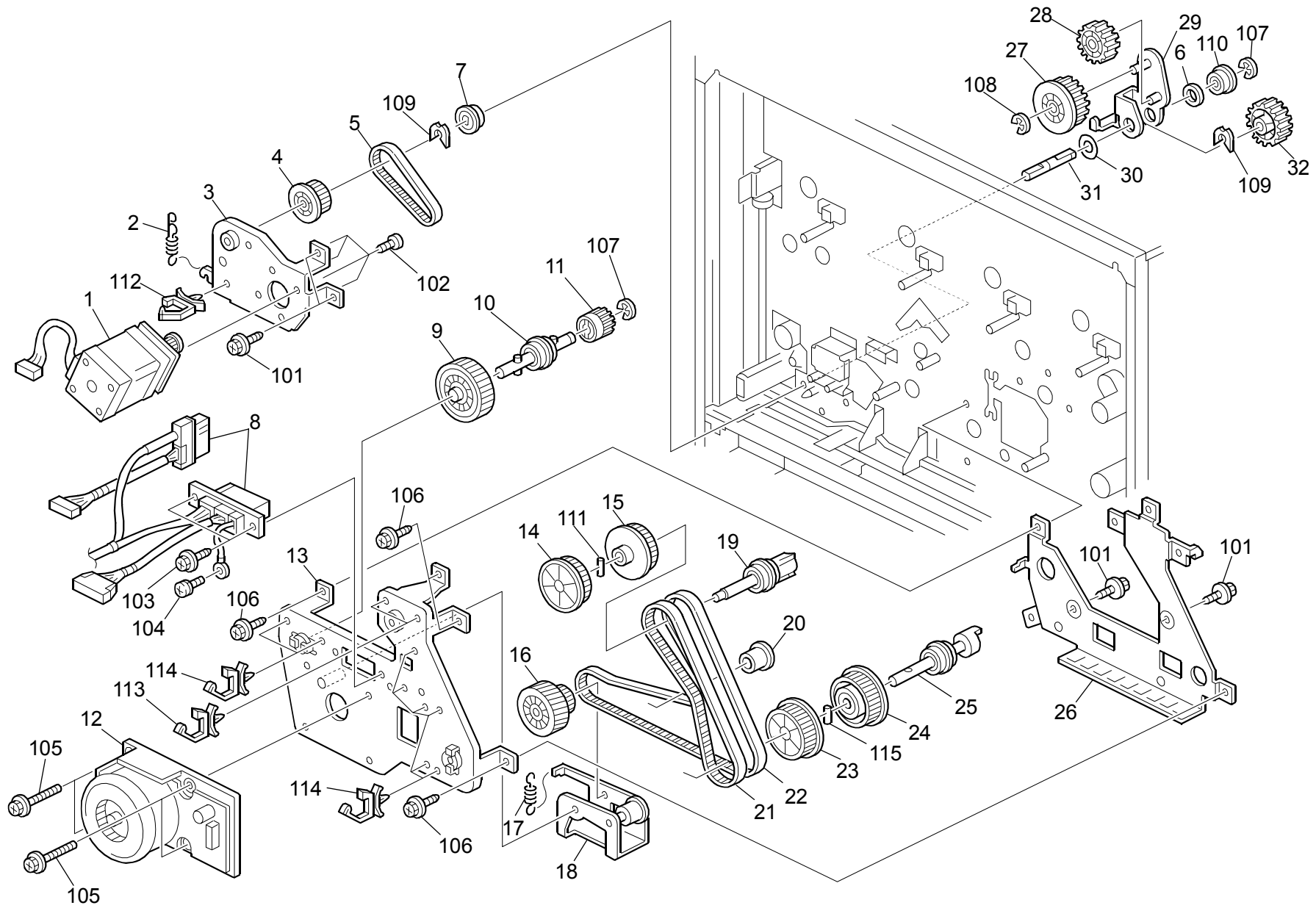


62. Drive Section 1 (B132/B200)

Index No.	Part No.	Description	Q'ty Per Assembly
1	B132 1330	DC Motor:Drive:Transfer	1
2	B132 1338	DC Motor:On-Off:Ass'y	1
3	B132 2488	Collar:Joint:Drive	4
4	B132 2487	Joint:Drive:K	1
5	B132 2486	Joint:Drive	3
6	B132 2491	Drum Shaft:K	1
7	B132 2481	Drum Shaft	3
8	B132 1339	Bracket:On-Off:Plate	1
9	B132 2493	DC Motor:Drum:DIA87:Ass'y	4
10	B132 1264	Stud:Drive:Motor:Drum	1
11	AX06 0280	DC Motor:MM63:24W	4
12	B132 1260	Bracket:Drive	4
13	AB01 7681	Gear:Pulley:60Z/36T	4
14	AA06 0950	Tension Spring	4
15	B132 1266	Bracket:Tightener:Drive	4
16	AB03 0767	Timing Pulley:44T	4
17	AA04 3963	Timing Belt:60S2M396	4
18	B132 1282	Pulley:Idler	4
19	AB03 0766	Timing Pulley:37T	4
20	B132 1275	Shaft:Drive:Brush Roller:Ass'y	4
21	B132 1270	Shaft:Drive:Development:Ass'y	4
22	B132 1265	Bracket:Auxiliary:Drive	4
23	B132 2467	Seal:Duct:Side Plate:Rear:Rear	4
24	B132 2421	Duct:Side Plate:Rear:Rear	4
25	B132 2420	Duct:Side Plate:Rear:Front	4

Index No.	Part No.	Description	Q'ty Per Assembly
101	0360 4010N	Screw - M4x10	
102	0451 3006N	Tapping Screw - 3x6	
103	0360 4006N	Screw - M4X6	
104	0360 3012P	Screw - M3x12	
105	1105 0511	Harness Clamp - LWS-0306ZC	
106	1105 0516	Clamp	
107	1105 0488	Harness Clamp	
108	0742 3906	Ball Bearing - 6x14x5mm	
109	0740 3008	Ball Bearing - 8x22x7	

63.Drive Section 2 (B132/B200)

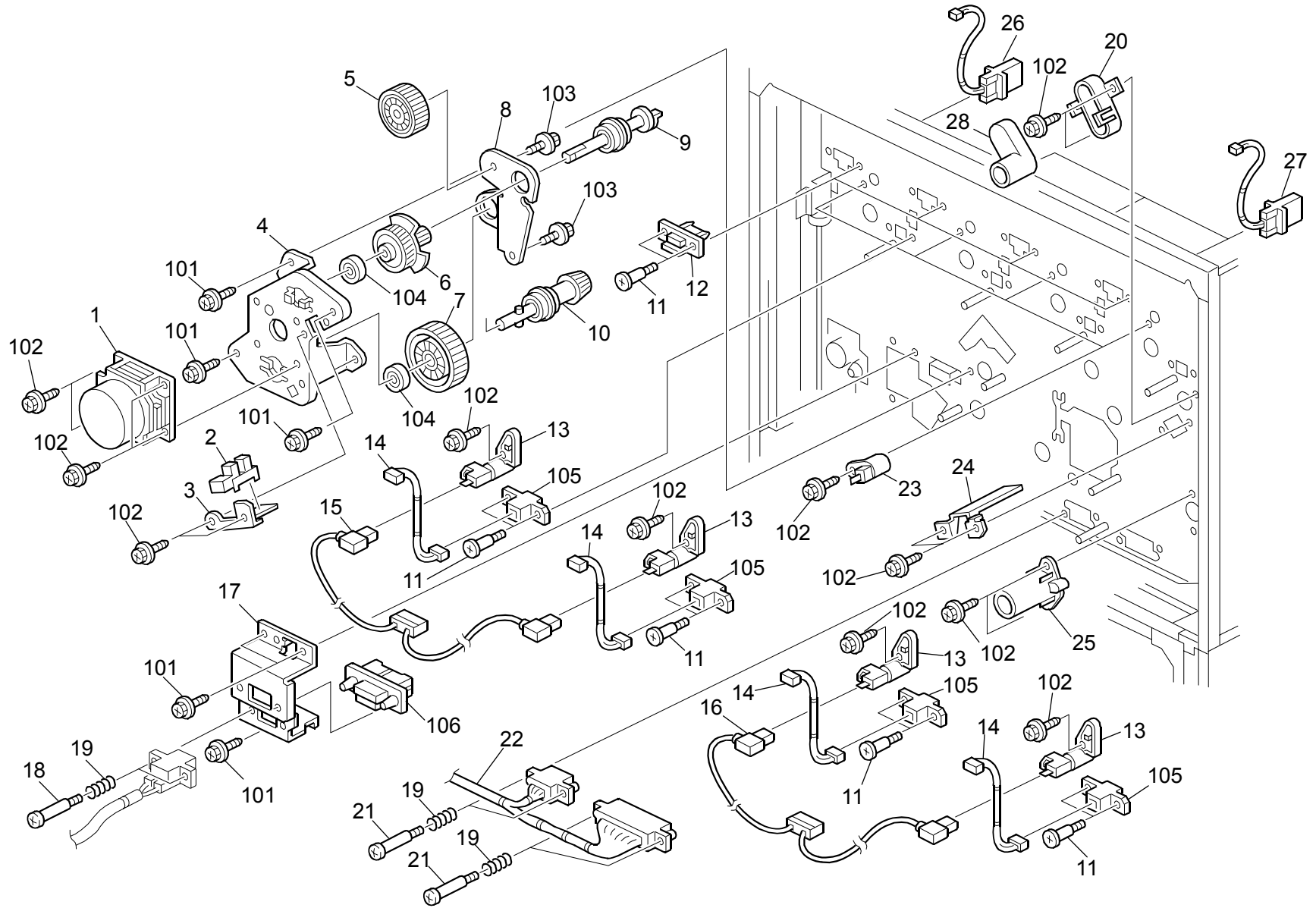


63.Drive Section 2 (B132/B200)

Index No.	Part No.	Description	Q'ty Per Assembly
1	B132 6655	Stepper Motor:Paper Feed Unit:Ass'y	1
2	AA06 0958	Tension Spring	1
3	B132 2760	Bracket:Drive:Paper Feed Sub-unit	1
4	AB03 0301	Timing Pulley:35t	1
5	AA04 3313	Timing Belt:40S2M150	1
6	AA13 2025	Spacer - 1x8x12	1
7	A247 2800	Ball Bearing - 8x12x5	1
8	B132 5371	Harness:Fusing:100V:C1a (B132)	1
8	B132 5373	Harness:Power Supply Unit:Fusing:200V (B181)	1
8	B132 5372	Harness:Power Supply Unit:Fusing:100V (B200)	1
8	B132 5374	Harness:Power Supply Unit:200V (B200)	1
9	AB01 0133	Gear:103Z	1
10	B132 1367	Shaft:Drive:Vacuum	1
11	AB01 1250	Gear:22Z	1
12	AX06 0279	DC Motor:DIA86:38W	1
13	B132 1350	Bracket:Drive:Fusing:Ass'y	1
14	AB03 0770	Timing Pulley:47T	1
15	AB03 0768	Timing Pulley:47T	1
16	AB01 7685	Gear:Pulley:96Z/30T	1
17	AA06 0951	Pressure Spring	1
18	B132 1356	Bracket:Tightener:Ass'y	1
19	B132 1360	Shaft:Drive:Fusing:Ass'y	1
20	B132 1370	Pulley:Idler	1
21	AA04 3965	Timing Belt:40S3M471	1
22	AA04 3964	Timing Belt:60S3M741	1
23	AB03 0771	Timing Pulley:44T	1
24	AB03 0772	Timing Pulley:44T	1
25	B132 1363	Shaft:Drive:Reverse:Ass'y	1
26	B132 1355	Bracket:Sub:Drive:Fusing	1
27	AB01 1304	Gear:40Z	1
28	AB01 1302	Gear:30Z	1
29	B132 2679	Bracket:Gear:Swivel	1
30	B132 2699	Spacer:MM12	1

Index No.	Part No.	Description	Q'ty Per Assembly
31	B132 2762	Shaft:Drive:Paper Feed	1
32	AB01 1303	Gear:33Z	1
101	0451 3006N	Tapping Screw - 3x6	
102	0353 0060N	Philips Pan Head Bind Screw - M3x6	
103	0451 4008N	Tapping Screw:4x8	
104	0954 4008N	Screw - M4X8	
105	0360 4010N	Screw - M4x10	
106	0360 4006N	Screw - M4X6	
107	0720 0060E	Retaining Ring - M6	
108	0720 0040E	Retaining Ring - M4	
109	0805 0088	Retaining Ring - M6	
110	0805 3497	Bushing - 8x12x3.5mm	
111	0633 0140G	Parallel Pin - 3x14	
112	1105 0511	Harness Clamp - LWS-0306ZC	
113	1105 0516	Clamp	
114	1105 0488	Harness Clamp	
115	0633 0160G	Parallel Pin - 3x16mm	

64. Drive Section 3 (B132/B200)

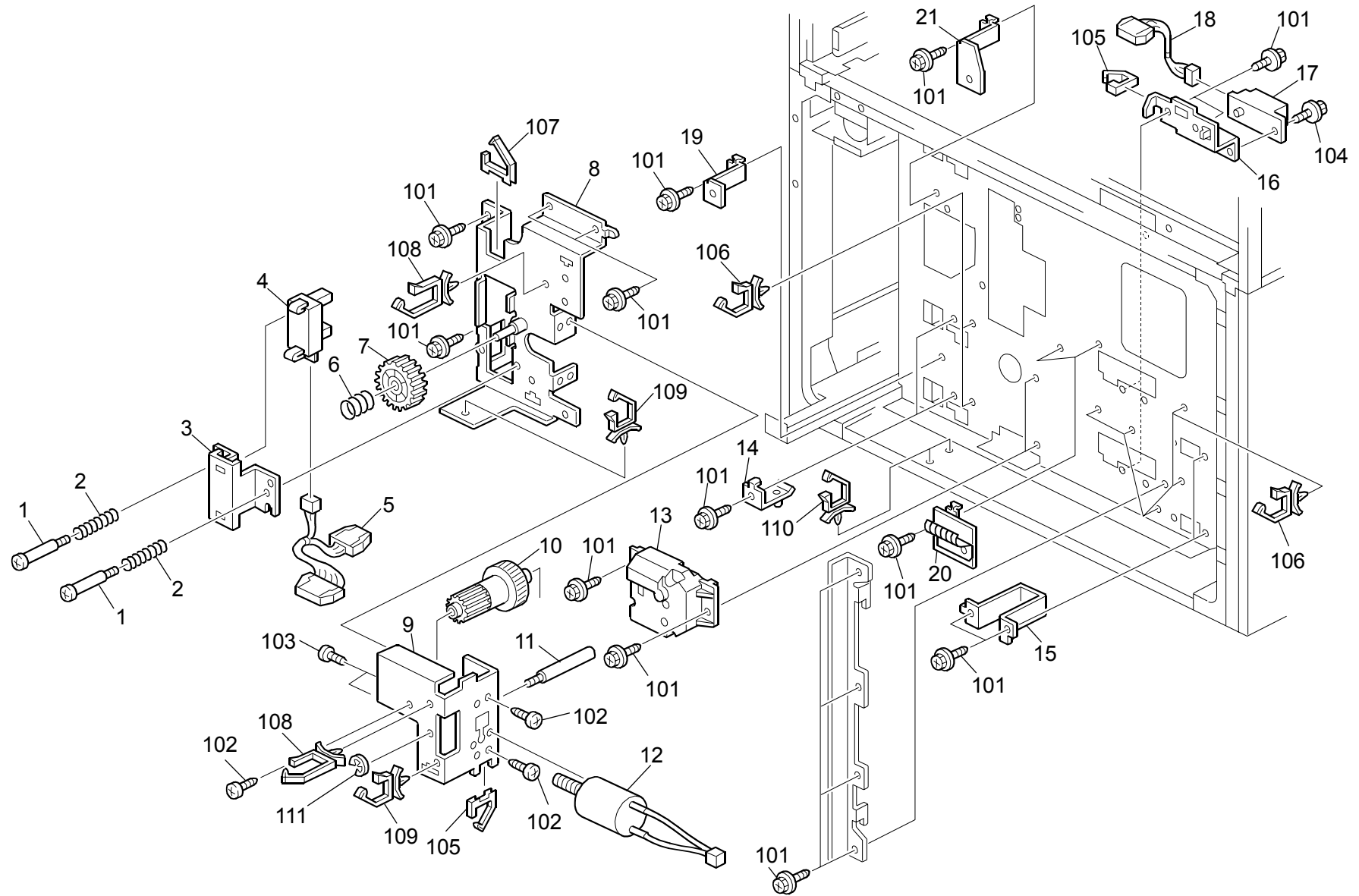


64. Drive Section 3 (B132/B200)

Index No.	Part No.	Description	Q'ty Per Assembly
1	AX06 0281	DC Motor:MM56:15W	1
2	AW02 0145	Photointerruptor:Flat	1
3	B132 1307	Bracket:Sensor	1
4	B132 1291	Bracket:Brushless Motor:Peen	1
5	AB01 0136	Gear:72Z	1
6	AB01 7684	Gear:Pulley:72Z/20T	1
7	AB01 0137	Gear:108Z	1
8	B132 1297	Bracket:Plate	1
9	B132 1300	Shaft:Drive:Cleaning	1
10	B132 1295	Shaft:Drive:Transfer	1
11	5216 4198	Stepped Screw - Guide Plate	16
12	B132 2325	Receptacle:Connector:6p	4
13	B132 3186	Receptacle:Development Vias:Ass'y	4
14	B132 5272	Harness:T:Sensor:Drawer	4
15	B132 5340	Harness:Development:BM	1
16	B132 5342	Harness:Development:CY	1
17	B132 1020	Bracket:Drawer:Paper Feed Unit	1
18	AA14 3794	Screw:Spring:Drawer	2
19	AA06 3670	Spring Connector:9.8n	6
20	B132 2428	Duct:Joint:Fusing	1
21	AA14 3797	Connector Guide Pin	4
22	B132 5260	Harness:Duplex:DRB:Drawer	1
23	B132 3650	Receptacle:Ass'y	4
24	B132 7107	Bracket:Spring Plate:Ass'y	1
25	B132 2461	Duct:Connecting:Pull Out:Rear	1
26	B132 5270	Harness:Sensor:Drawer:Black	1
27	B132 5271	Harness:Sensor:Drawer:MCY	4
28	B132 2453	Duct:Joint:Fusing:Rear	1

Index No.	Part No.	Description	Q'ty Per Assembly
101	0451 4008N	Tapping Screw - 4x8	
102	0451 3006N	Tapping Screw - 3x6	
103	0360 3006N	Screw - M3x6	
104	0740 3808	Ball Bearing - 8x16x5mm	
105	1102 9430	Connector - Drawer:1612257-7	
106	1102 9784	Connector - 55949-2619	

65.Drive Section 4 (B132/B200)

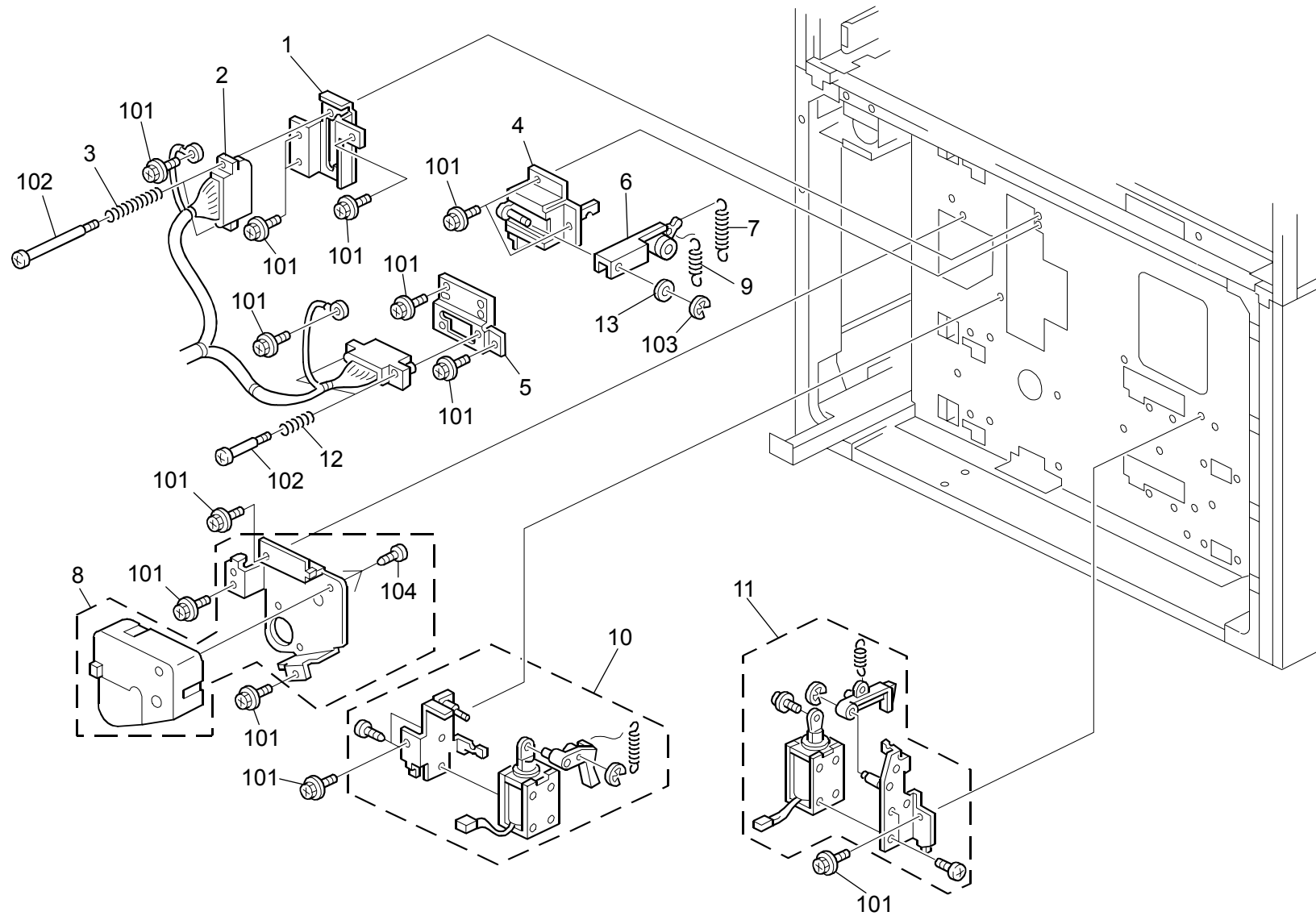


65. Drive Section 4 (B132/B200)

Index No.	Part No.	Description	Q'ty Per Assembly
1	A555 1671	Stepped Screw - M3x26.5	2
2	B132 6550	Compression Spring	2
3	B132 6547	Bracket:Used Toner Sensor:Install	1
4	AW02 0164	Oil End Sensor	1
5	B132 5394	Harness:Bank:Middle	1
6	B132 6566	Compression Spring	1
7	AB01 3467	Gear - 30Z	1
8	B132 6525	Bracket:Used Toner Sensor	1
9	B132 6544	Bracket:Dc Motor:No.2	1
10	AB01 7000	Gear:17/51Z	1
11	B132 6593	Shaft:Idler:DC Motor	1
12	B180 3991	DC Motor:On-Off:Ass'y (B132)(B200)	1
13	AX04 0144	DC Motor:Rise:Paper Tray	2
14	B065 6174	Paper Tray Positioning Bracket	2
15	B065 6172	Paper Tray Stopper	2
16	B132 6737	Bracket:Paper Size Sensor:No.1	2
17	AW50 0010	Push Switch	2
18	B132 5397	Harness:Bank:Tray:Paper Size Sensor	2
19	B132 5977	Bracket:Power Supply Unit:Right	1
20	B132 5827	Bracket:Earth:Power Supply Unit:Rear:Peen	2
21	B132 5997	Bracket:Power Supply Unit:Right:EXP	1

Index No.	Part No.	Description	Q'ty Per Assembly
101	0451 4008N	Tapping Screw - 4x8	
102	0354 0080N	Screw - M4x8	
103	0353 0030N	Screw - M3x3	
104	0451 3008N	Tapping Screw - M3x8	
105	1105 0522	Edge Saddle - LES0510	
106	1105 0508	Harness Clamp - LWS-0711	
107	1105 0544	Edge Saddle - LES-2017	
108	1105 0490	Harness Clamp - IWS-2218	
109	1105 0511	Harness Clamp - LWS-0306ZC	
110	1105 0488	Harness Clamp	
111	0720 0030E	Retaining Ring - M3	

66.Drive Section 5 (B132/B200)

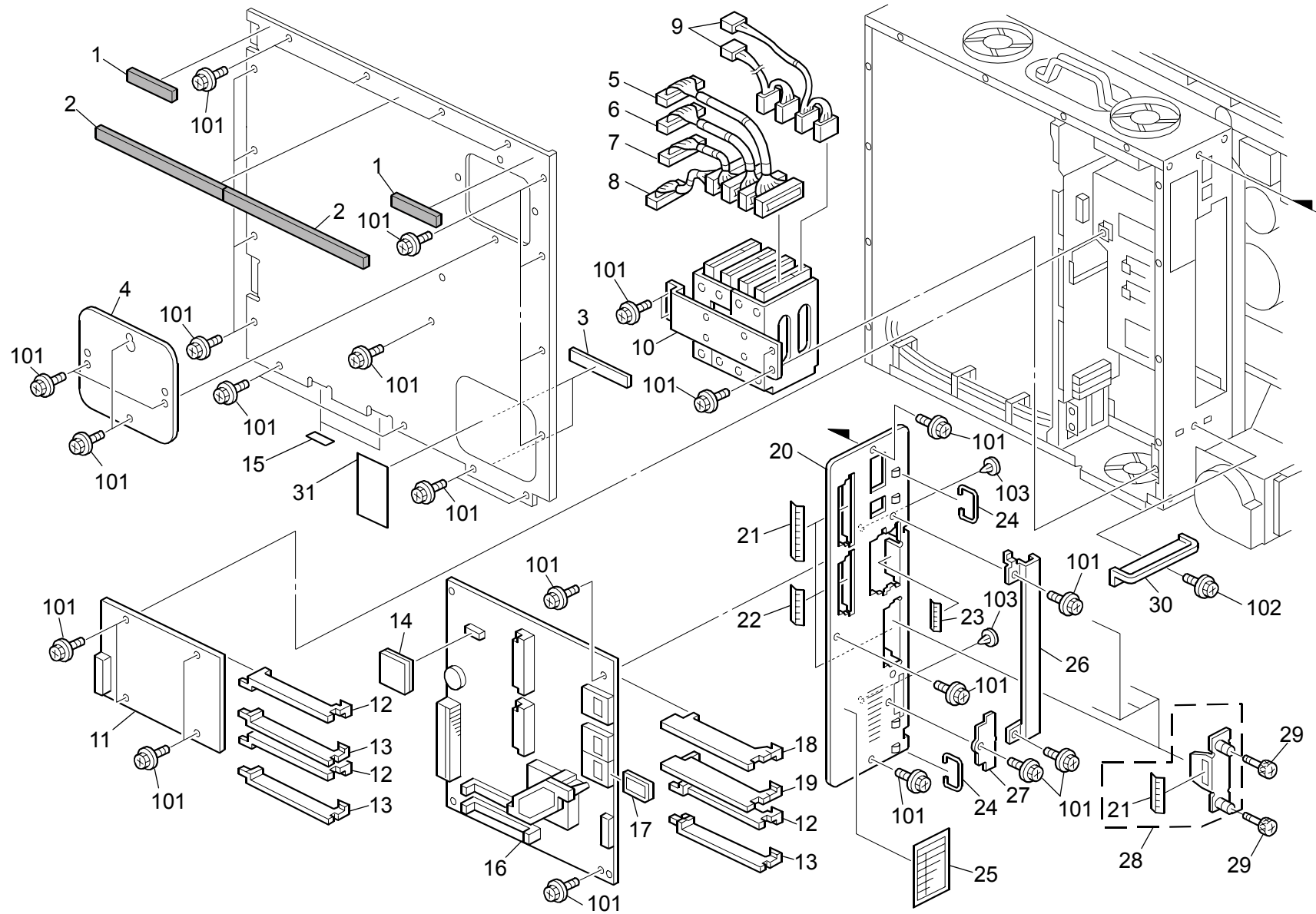


66. Drive Section 5 (B132/B200)

Index No.	Part No.	Description	Q'ty Per Assembly
1	B132 6764	Bracket:Connector:Right	1
2	B132 5396	Harness:Bank:Rear:3way	1
3	AA06 3268	Connector Spring	2
4	B132 6726	Bracket:Arm:Ass'y	1
5	B132 6763	Bracket:Connector:Left	1
6	B065 6769	Lock Arm	1
7	AA06 2251	Spring - Large	1
8	B132 6759	DC Motor:Rise:Tandem LCT:Ass'y	1
9	AA06 2252	Spring - Small	1
10	B132 6762	DC Solenoid:Coupling:Ass'y	1
11	B132 6765	DC Solenoid:Lock:Ass'y	1
12	AA06 3902	Spring:Connector:Tandem LCT	2
13	AA13 2203	Spacer - 6mm	1

Index No.	Part No.	Description	Q'ty Per Assembly
101	0451 4008N	Tapping Screw - 4x8	
102	0803 0058	Stepped Screw	
103	0720 0040E	Retaining Ring - M4	
104	0452 4010N	Binding Self-tapping Screw - 4x10	

67.Electrical Section 1 (B132/B200)

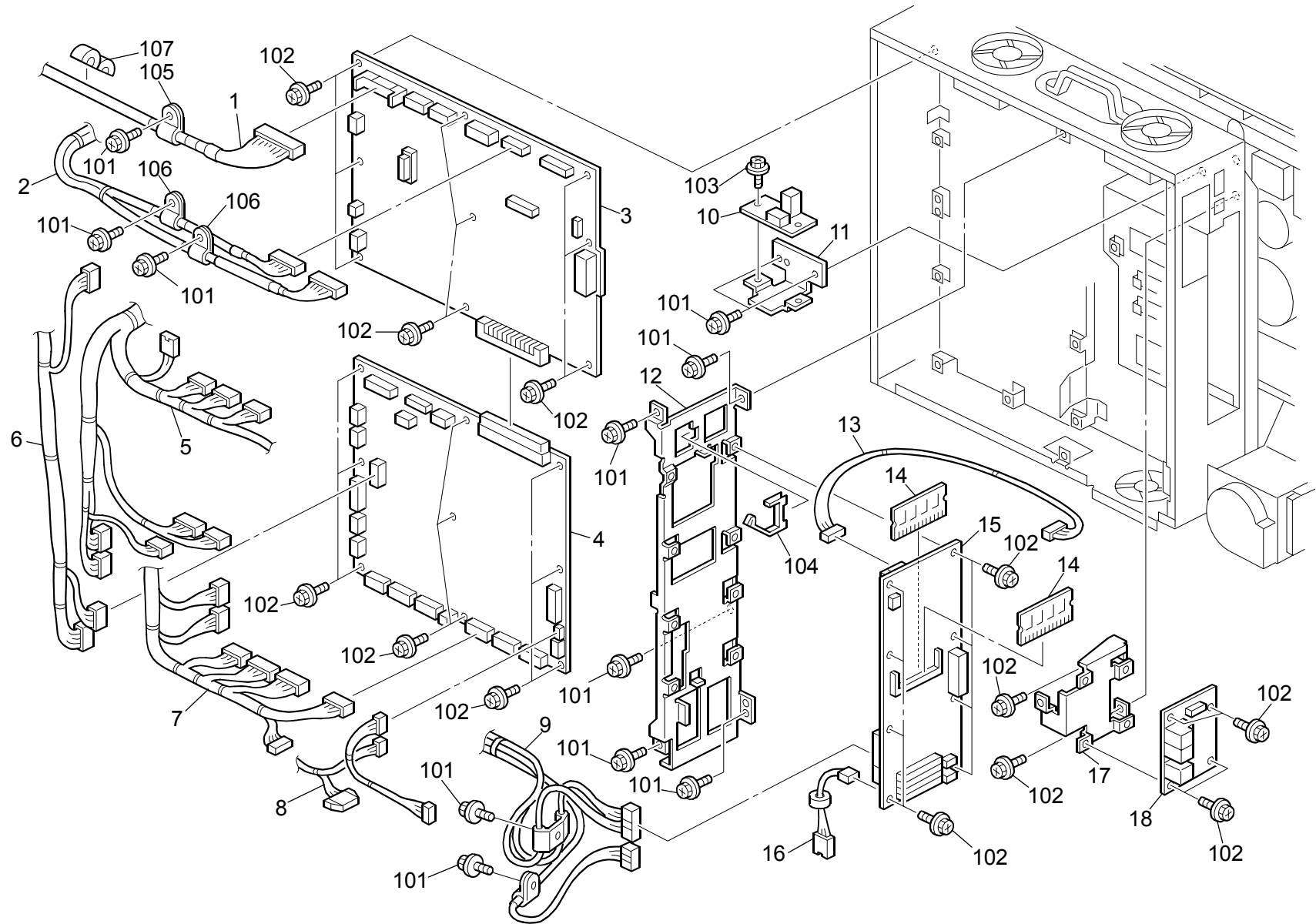


67.Electrical Section 1 (B132/B200)

Index No.	Part No.	Description	Q'ty Per Assembly
1	B132 5812	Seal:C/T Box:Cover:Side	2
2	B132 5809	Seal:C/T Box:Cover:Middle	2
3	B132 5831	Gasket:Cover:C/T Box	2
4	B132 5958	Cover:C/T Box:Small	1
5	B132 5731	Harness:HDD:RAID1	1
6	B132 5732	Harness:HDD:RAID2	1
7	B132 5733	Harness:HDD:RAID3	1
8	B132 5734	Harness:HDD:RAID4	1
9	B132 5735	Harness:HDD:Power Source	2
10	B132 5820	HDD Assy	1
11	B132 5762	PCB:Interface	1
12	G108 5108	Right Guide 1	3
13	G108 5107	Left Guide 1	3
14	B132 9590	NVRAM	1
15	B132 5832	Sheet:Cover:C/T Box	2
16	B132 5768	PCB:Control Board	1
17	B132 5730	SD-Card:Copy	1
18	B132 5923	Rail:Upper:Long:Right	1
19	B132 5924	Rail:Upper:Long:Left	1
20	B132 5928	Drum Stay:Control Board:Welding	1
21	B070 6899	Ground Plate:Panel	2
22	B070 6877	Large Drum Stay Ground Plate	1
23	B070 6879	Ground Plate:Drum Stay:Small	1
24	B132 5816	Grip:Bracket:Control Board	2
25	B132 5818	Decal:Caption:Interface	1
26	B132 5969	Cover:SD-Card:Control Board	1
27	B132 5925	Cover:Connector:Control Board	1
28	B070 6894	Interface Panel Ass'y	1
29	B070 6898	Knob Screw:Panel	2
30	B132 1528	Guard:GAP:C/T Box	1
31	B132 5819	Decal:Caution:HDD:Fan	1

Index No.	Part No.	Description	Q'ty Per Assembly
101	0802 5291	Tapping Screw:Round Point - M3x6	
102	0802 5282	Tapping Screw - M4x8	
103	1105 0605	Spacer - KGPS-4RF-V0	

68.Electrical Section 2 (B132/B200)



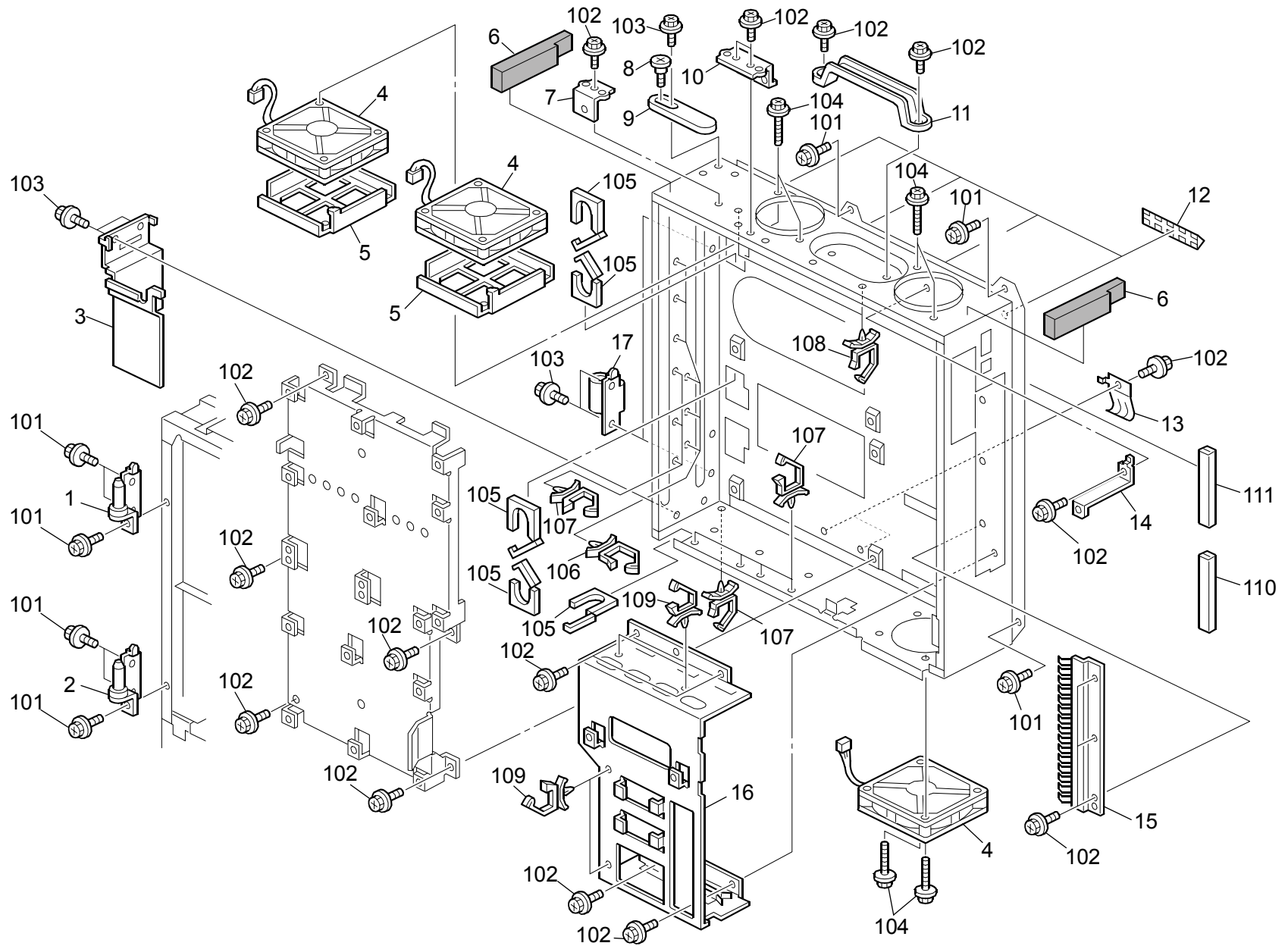
68.Electrical Section 2 (B132/B200)

Rev. 09/2005

Index No.	Part No.	Description	Q'ty Per Assembly
1	B132 5369	Interface Cable	1
2	B132 5367	Cable:LVDS:LDB	1
3	B132 5131	PCB:BICU [TSB#010]	1
4	B132 5410	PCB:IOB	1
5	B132 5375	Harness:Upper Front	1
6	B132 5231	Harness:Upper Rear	1
7	B132 5379	Harness:Middle	1
8	B132 5381	Harness:IOB:PP1:pFC	1
9	B132 5214	Harness:Shielded Wire:MB	1
10	B132 5435	PCB:PPB	1
11	B132 5960	Bracket:PPB	1
12	B132 5961	Bracket:Mother Board	1
13	B132 5370	Harness:CSS	1
14	B132 5763	PCB:DDR-DIMM:256MB	2
15	B132 5766	PCB:Mother Board	1
16	B132 5993	Harness:HDD:Fan Motor	1
17	B132 5966	Bracket:CSS	1
18	B188 5731	PCB:N-PI:Ass'y	1

Index No.	Part No.	Description	Q'ty Per Assembly
101	0451 4008N	Tapping Screw - 4x8	
102	0802 5291	Tapping Screw:Round Point - M3x6	
103	0451 3006N	Tapping Screw - 3x6	
104	1105 0518	Edge Saddle - LES-1010	
105	1105 0559	Clamp - EMT-5N	
106	1105 0528	Nylon Clamp - EMT-2N	
107	1607 0721	Ferrite Core - TFC-23-11-14	

69.Electrical Section 3 (B132/B200)

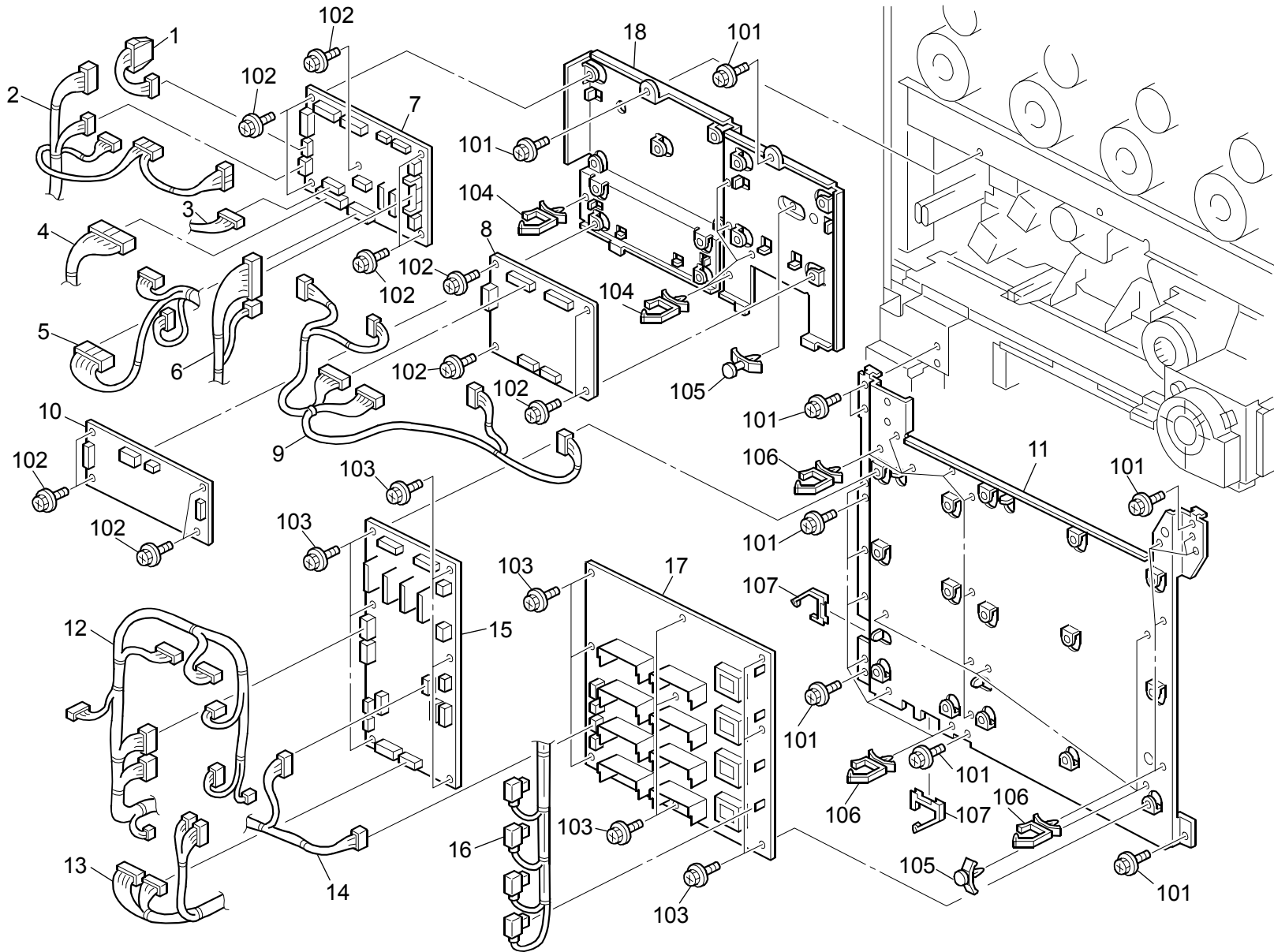


69.Electrical Section 3 (B132/B200)

Index No.	Part No.	Description	Q'ty Per Assembly
1	B132 5933	Hinge:C/T Box:Upper	1
2	B132 5930	Hinge:C/T Box:Lower	1
3	B132 1113	Bracket:Guard:Harness	1
4	AX64 0159	Fan Motor MM80	3
5	B132 5944	Bracket:Fan Motor	2
6	B132 5813	Seal:C/T Box:Upper:Side	2
7	B132 5941	Bracket:C/T Box:Right Upper	1
8	AA14 3718	Stepped Screw - M4	1
9	B132 5989	Stopper:C/T Box:Upper	1
10	B132 5940	Bracket:C/T Box:Upper	1
11	B712 5605	Grip:Application	1
12	B070 6877	Large Drum Stay Ground Plate	4
13	A267 7586	Grounding Plate	2
14	B132 5965	Bracket:Interface:Fix:Auxiliary	1
15	B132 5807	Ground Plate:Base:Control Board	1
16	B132 5963	Bracket:Interface	1
17	B132 5947	Arm:Hinge:C/T Box	2

Index No.	Part No.	Description	Q'ty Per Assembly
101	0451 4008N	Tapping Screw - 4x8	
102	0802 5291	Tapping Screw:Round Point - M3x6	
103	0802 5282	Tapping Screw - M4x8	
104	0451 4030N	Tapping Screw - M4x30	
105	1105 0599	Clamp:LESR-25	
106	1105 0490	Harness Clamp - IWS-2218	
107	1105 0508	Harness Clamp - LWS-0711	
108	1105 0488	Harness Clamp	
109	1105 0516	Clamp	
110	1106 0905	Bushing:LE-100	
111	1106 0901	Bushing:LE-60	

70.Electrical Section 4 (B132/B200)

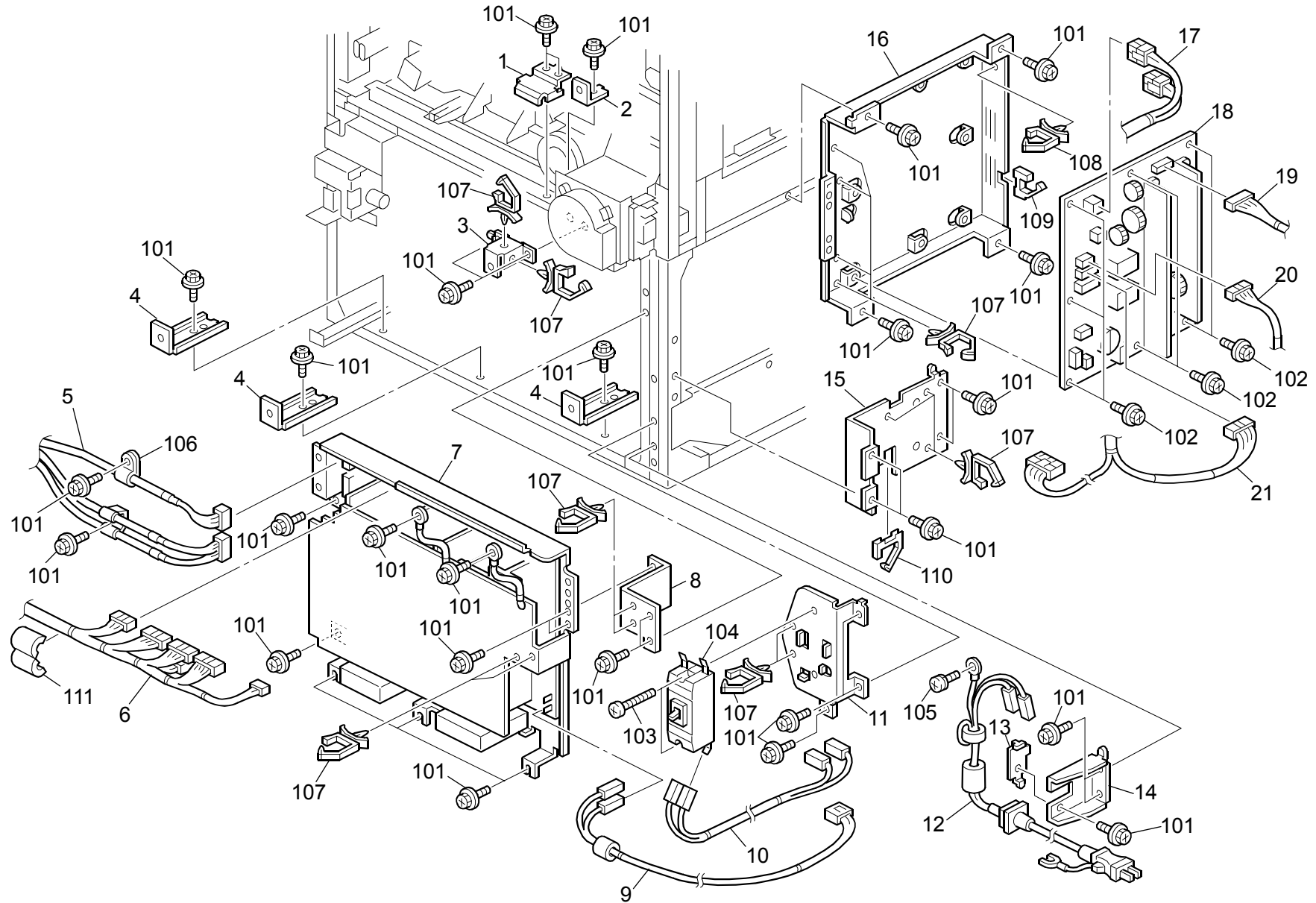


70.Electrical Section 4 (B132/B200)

Index No.	Part No.	Description	Q'ty Per Assembly
1	B132 5218	Harness:Manual Feed:Stepper Motor	1
2	B132 5213	Harness:DRB:IOB:Power Source	1
3	B132 5216	Harness:Large Capacity Tray:DRB	1
4	B132 5211	Harness:Power Supply Unit	1
5	B132 5383	Harness:Drb:Safety Switch:Fan	1
6	B132 5260	Harness:Duplex:DRB:Drawer	1
7	B132 5428	PCB DRB	1
8	B132 5425	PCB:DMB	1
9	B132 5267	Harness:Drum:Motor:KM	1
10	B132 5476	PCB:TMB	1
11	B132 5979	Bracket:Power Pack	1
12	B132 5395	Harness:Bank:Front:3way	1
13	B132 5396	Harness:Bank:Rear:3way	1
14	B132 5381	Harness:IOB:PP1:pFC	1
15	B132 5461	PCB:pFC	1
16	B132 5350	Harness:Main	1
17	AZ32 0136	Power Pack:C	1
18	B132 5862	Bracket:DRV	1

Index No.	Part No.	Description	Q'ty Per Assembly
101	0451 4008N	Tapping Screw:4x8	
102	0360 3006N	Screw - M3x6	
103	0451 3006N	Tapping Screw - 3x6	
104	1105 0489	Harness Clamp - LWS 1316	
105	1105 0409	Card Spacer- 6.4mm	
106	1105 0488	Harness Clamp	
107	1105 0521	Clamp - LES-1017	

71.Electrical Section 5 (B132/B200)

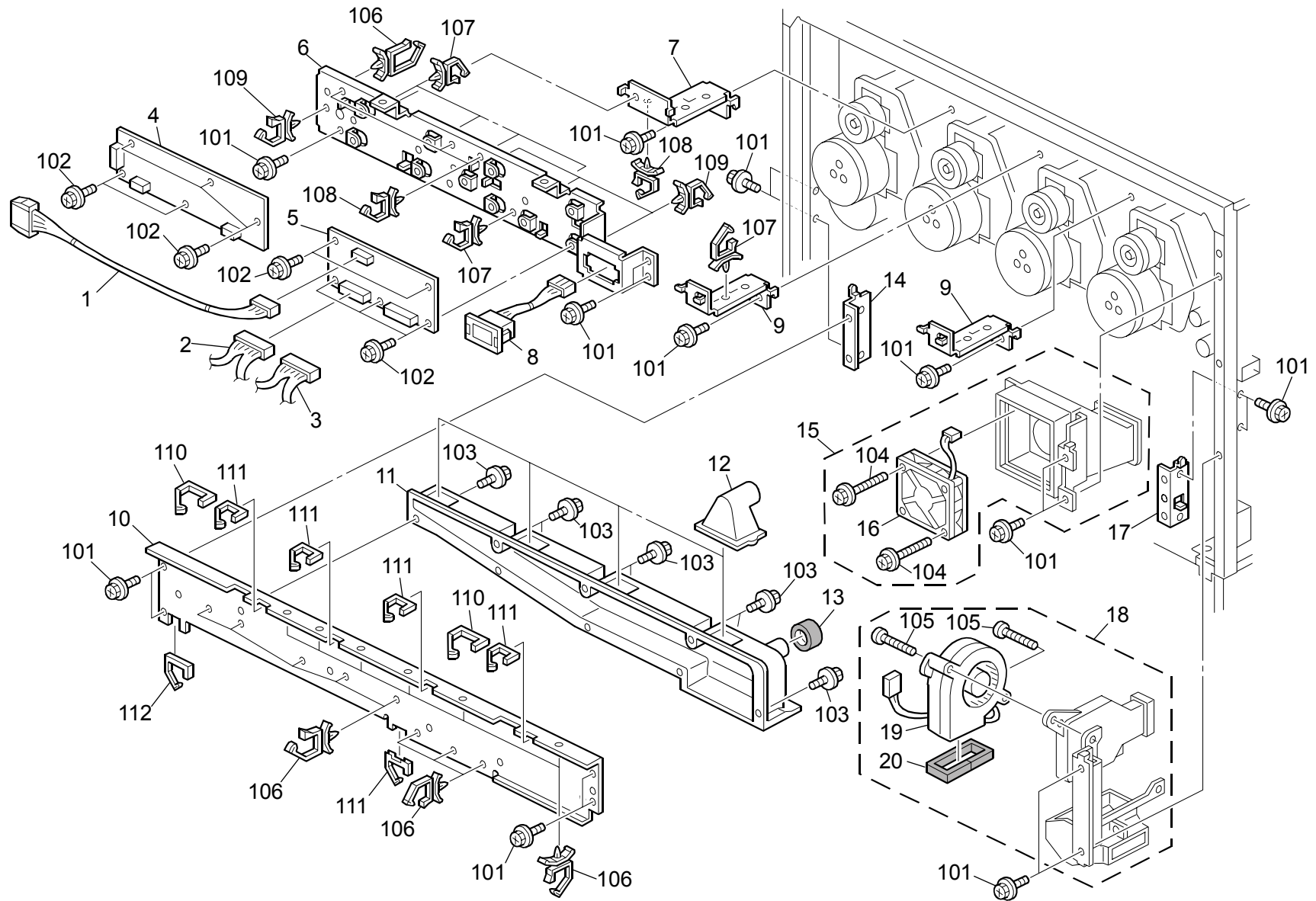


71.Electrical Section 5 (B132/B200)

Index No.	Part No.	Description	Q'ty Per Assembly
1	B132 5912	Bracket:Fix:C/T Box:Lower:Auxiliary	1
2	B132 5911	Bracket:Fix:C/T Box:Lower	1
3	B132 5980	Bracket:Power Pack:Fix:Upper	1
4	B132 5981	Bracket:Power Pack:Fix:Lower	3
5	B132 5214	Harness:Shielded Wire:MB	1
6	B132 5210	Harness:Dc Power Supply:Main	1
7	AZ25 0018	Power Supply Unit:100V	1
7	AZ25 0020	Power Supply Unit:200V	1
8	B132 5978	Bracket:Power Supply Unit:Fix:Left	1
9	B132 5202	Harness:AC Drive:DC Power Supply	1
10	B132 5201	Harness:Leak Breaker:AC Drive	1
11	B132 5990	Bracket:Leak Breaker:Rear	1
12	B132 5361	Power Supply Cord:Stopper:NA	1
12	B132 5362	Power Supply Cord:Stopper:EU	1
13	B132 5995	Stopper:Power Supply Cord	1
14	B132 5994	Bracket:Power Supply Cord:EXP	1
15	B132 5985	Bracket:Leak Breaker	1
16	B132 5810	Bracket:AC Drive Board:Welding	1
17	B132 5371	Harness:Fusing:100V:C1a (B132)	1
18	B132 5530	AC Control Board:100V	1
18	B132 5532	AC Control Board:200V	1
19	B132 5380	Harness:AC Drive Board	1
20	B132 5392	Harness:Bank:Dehumidifier	1
21	B132 5200	Harness:AC:Main:Switch	1

Index No.	Part No.	Description	Q'ty Per Assembly
101	0451 4008N	Tapping Screw - 4x8	
102	0451 3006N	Tapping Screw - 3x6	
103	0314 0200N	Pan Head Screw - M4x20	
104	1107 1103	Breakers - EC2A2-020NVZR (NA)	
105	0950 5012N	Screw:Spring Washer:M5x12	
106	1105 0528	Nylon Clamp - EMT-2n	
107	1105 0488	Harness Clamp	
108	1105 0511	Harness Clamp - LWS-0306ZC	
109	1105 0522	Edge Saddle - LES0510	
110	1105 0518	Edge Saddle - LES-1010	
111	1607 1461	Ferrite Core	

72.Electrical Section 6 (B132/B200)

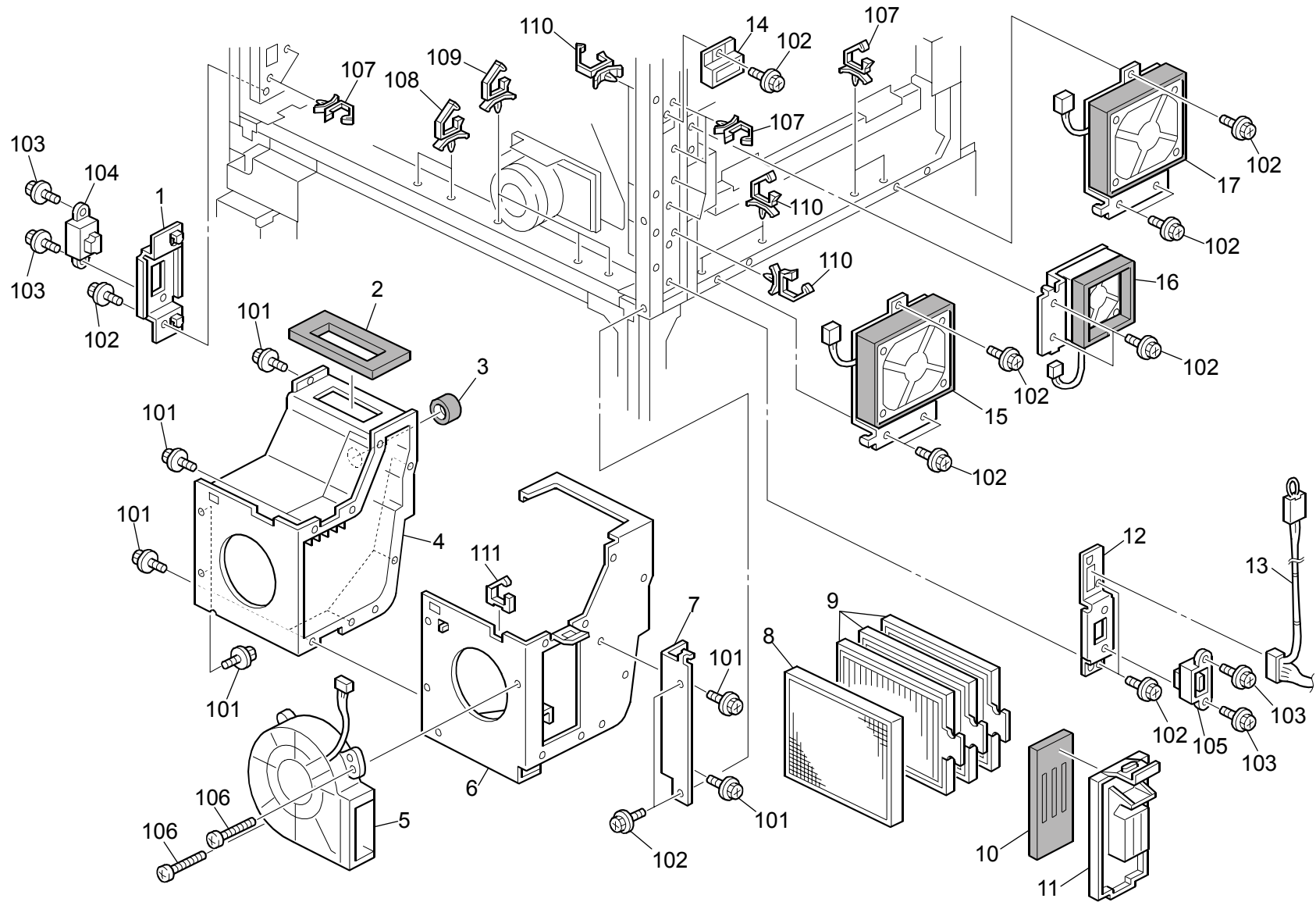


72.Electrical Section 6 (B132/B200)

Index No.	Part No.	Description	Q'ty Per Assembly
1	B132 5229	Harnessd:Electric Potential Sensor	1
2	B132 5357	Harness:Sensor:KM	1
3	B132 5358	Harness:Sensor:CY	1
4	AZ32 0137	Power Pack:B	1
5	B132 5415	Base:Electric Potential Sensor	1
6	B132 5861	Bracket:Power Pack:Development	1
7	B132 5863	Stay:Bracket:Power Pack:Development	1
8	B132 5258	Harness:DRB:ADF:Power Source	1
9	B132 5864	Stay:Harness:Power Pack:Development	2
10	B132 2431	Stay:Duct	1
11	B132 2434	Duct:Exhaust	1
12	B132 2455	Duct:Joint:Exhaust:Ass'y	4
13	B132 2479	Seal:Duct:Exhaust	1
14	B132 2432	Bracket:Stay:Duct	1
15	B132 6861	Duct:Exhaust:Ass'y	1
16	AX64 0159	Fan Motor MM80	1
17	B132 2433	Bracket:Stay:Duct:Right	1
18	B132 6901	Duct:Exit:Exhaust:Ass'y	1
19	AX65 0042	Fan:Sirocco:DC24V:2speed	1
20	B132 6966	Shield:Sirocco	1

Index No.	Part No.	Description	Q'ty Per Assembly
101	0451 4008N	Tapping Screw - 4x8	
102	0360 3006N	Screw - M3x6	
103	0802 5291	Tapping Screw:Round Point - M3x6	
104	0451 4035N	Tapping Screw - 4x35	
105	0354 0400N	Screw - M4x40	
106	1105 0488	Harness Clamp	
107	1105 0508	Harness Clamp - LWS-0711	
108	1105 0511	Harness Clamp - LWS-0306ZC	
109	1105 0516	Clamp	
110	1105 0521	Clamp - LES-1017	
111	1105 0522	Edge Saddle - LES0510	
112	1105 0518	Edge Saddle - LES-1010	

73.Electrical Section 7 (B132/B200)

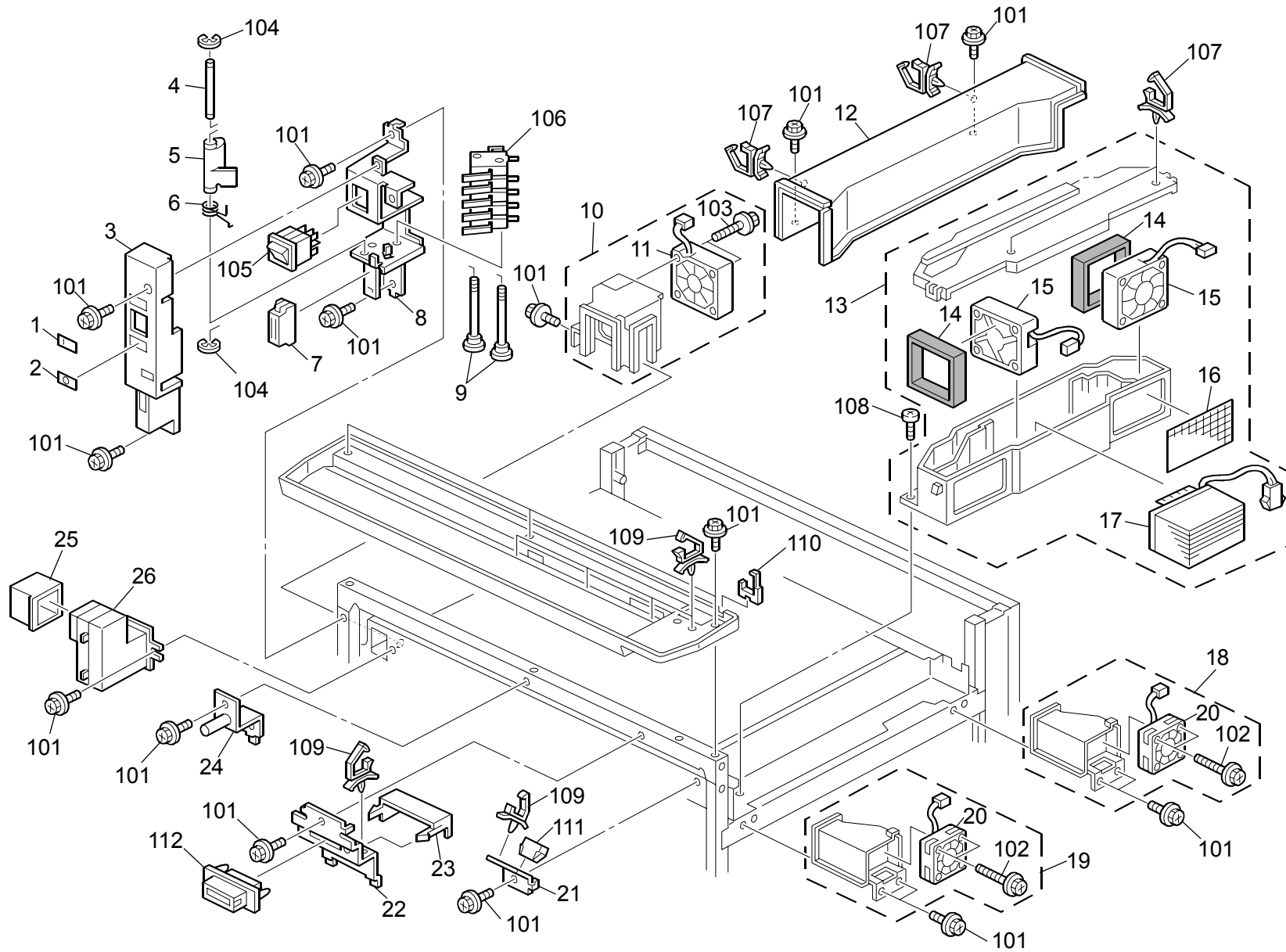


73.Electrical Section 7 (B132/B200)

Index No.	Part No.	Description	Q'ty Per Assembly
1	B132 5866	Bracket:LCT	1
2	B132 2438	Shield:Exhaust	1
3	B132 2478	Seal:Duct:Exhaust:Rear	1
4	B132 2425	Duct:Exhaust:Rear	1
5	AX65 0041	Fan Motor:Sirocco	1
6	B132 2429	Stay:Sirocco	1
7	B132 2430	Bracket:Stay:Sirocco	1
8	B132 2436	Ozone Filter	1
9	B132 2435	Dust Filter	3
10	B132 2439	Shield:Filter	1
11	B132 2437	Cover:Filter	1
12	B132 5867	Bracket:Finishing Sub-unit	1
13	B132 5380	Harness:AC Drive Board	1
14	B132 6860	Duct:Exit:Exhaust:Exit	1
15	B132 6950	Bracket:Duplex:Exhaust:Front	1
16	B132 6954	Fan Motor:Upper:Ass'y	1
17	B132 6951	Fan Motor:Lower:Ass'y	1

Index No.	Part No.	Description	Q'ty Per Assembly
101	0451 3006N	Tapping Screw - 3x6	
102	0451 4008N	Tapping Screw - 4x8	
103	0451 3008N	Tapping Screw - M3x8	
104	1102 8502	Connector - 54679-1615	
105	1102 8504	Connector	
106	0353 0080N	Screw - M3x8	
107	1105 0600	Clamp - LWSM-0306-2M	
108	1105 0487	Harness Clamp	
109	1105 0488	Harness Clamp	
110	1105 0508	Harness Clamp - LWS-0711	
111	1105 0522	Edge Saddle - LES0510	

74.Electrical Section 8 (B132/B200)

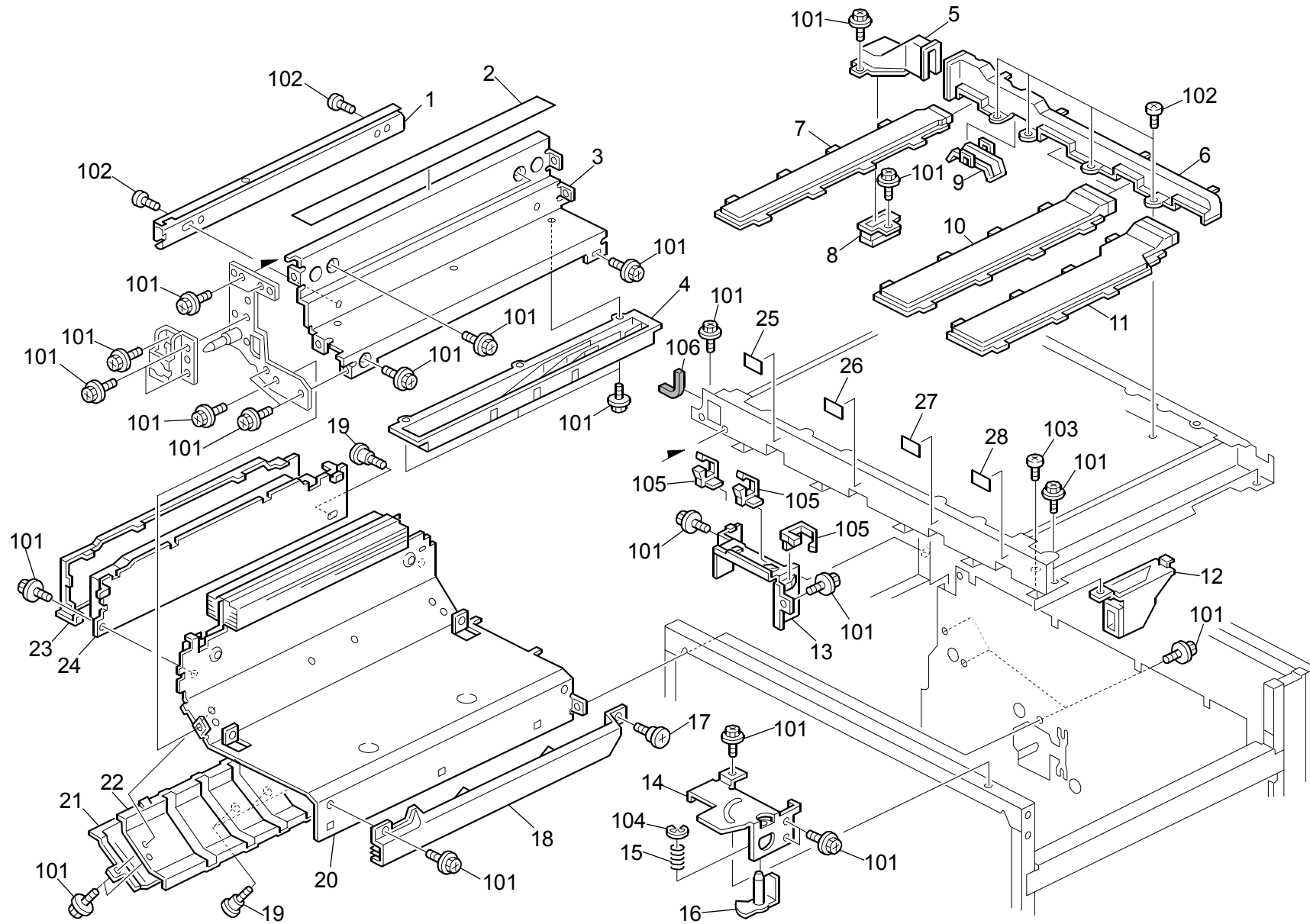


74.Electrical Section 8 (B132/B200)

Index No.	Part No.	Description	Q'ty Per Assembly
1	B132 1553	Decal - Main Switch Display:On (NA)	1
2	B132 1555	Decal - Main Switch Display:Off (NA)	1
3	B132 1551	Inner Cover:Main Switch	1
4	B132 5855	Shaft:Micro Switch:Front	1
5	B132 5853	Lever:Micro Switch	1
6	A257 1165	Safety Switch Spring	1
7	AG07 1012	Magnet Catch:Ass'y	1
8	B132 5851	Bracket:Main Switch	1
9	B132 5852	Screw:Micro Switch	2
10	B132 6876	Duct:Main:Vacuum:Ass'y	1
11	AX64 0151	Fan Motor:MM60	1
12	B132 6871	Duct:Main:Heat Sinker:Ass'y	1
13	B132 2409	Humidity Control:Ass'y	1
14	B132 2465	Seal:Fan:Humidity Control	2
15	AX64 0150	Fan Motor:MM60:25mm:24V	2
16	B132 2468	Filter	1
17	B132 2410	Humidity Control:Ass'y	1
18	B132 6926	Duct:Imaging Unit:Rear:Ass'y	1
19	B132 6921	Duct:Imaging Unit:Front:Ass'y	1
20	AX64 0164	Fan Motor:15mm:24V	2
21	B132 2489	Bracket:Connector	1
22	B132 3489	Bracket:Drawer:Toner Supply	1
23	B132 3491	Cover:Drawer	1
24	B132 3493	Bracket:Fix:Toner Supply	1
25	B132 6855	Duct:Vacuum:Entrance	1
26	B132 6851	Duct:Vacuum:Ass'y	1

Index No.	Part No.	Description	Q'ty Per Assembly
101	0451 4008N	Tapping Screw - 4x8	
102	0451 3025N	Tapping Screw - M3x25	
103	0451 4025N	Tapping Screw - M4x25	
104	0720 0040E	Retaining Ring - M4	
105	1204 2598	Switch	
106	1204 2521	Micro Switch	
107	1105 0508	Harness Clamp - LWS-0711	
108	0354 0080N	Screw - M4x8	
109	1105 0516	Clamp	
110	1105 0551	Clamp:LES-0505	
111	1102 6246	Relay Connector - 4P	
112	1102 9783	Connector - 55949-3919	

75.Frame Section 1 (B132/B200)

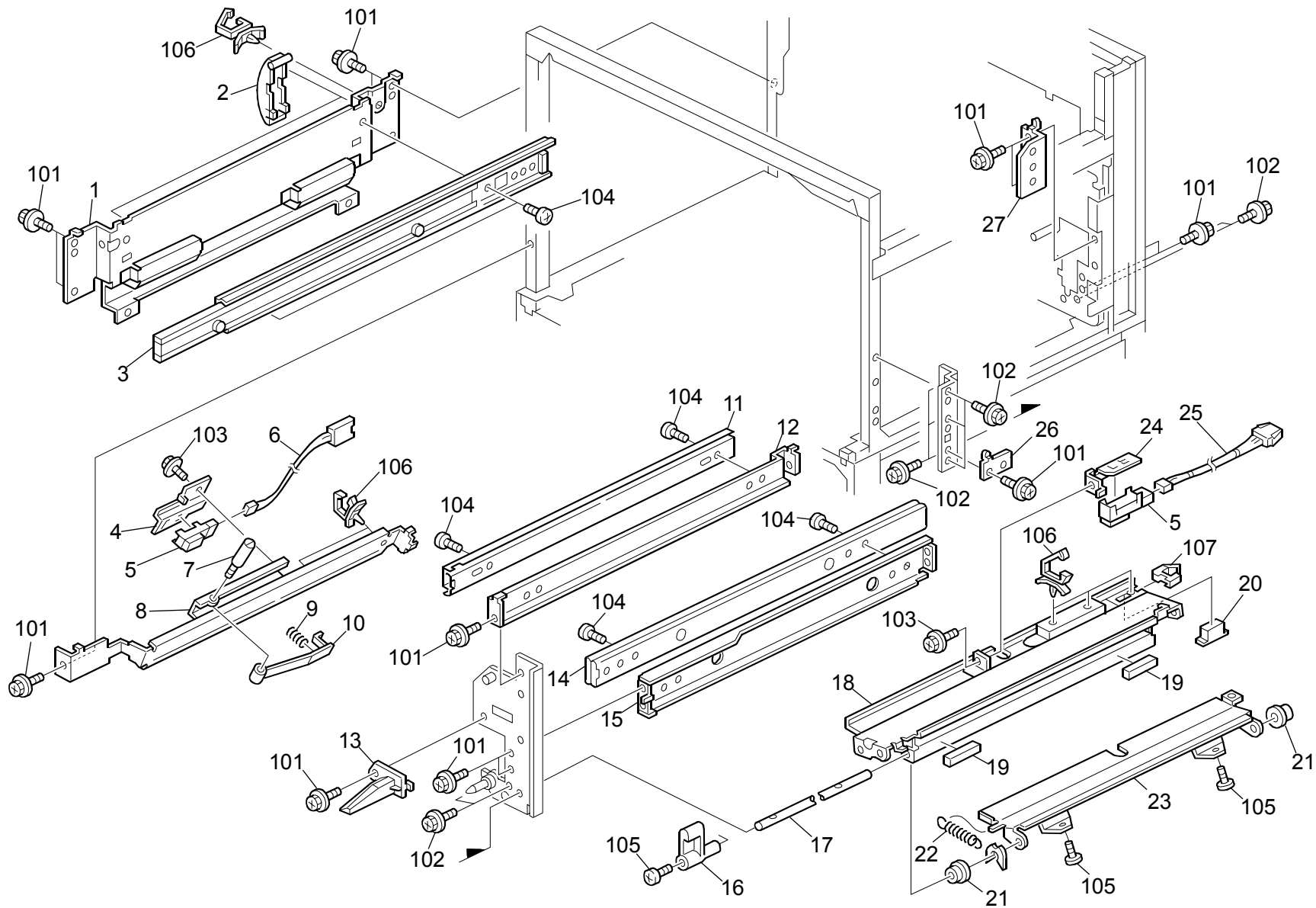


75.Frame Section 1 (B132/B200)

Index No.	Part No.	Description	Q'ty Per Assembly
1	AA07 0064	Slide Rail:Toner Supply:Ass'y	1
2	B132 6949	Sheet:Stay	1
3	B132 1003	Stay:Intermediate Transfer:Left	1
4	B132 2426	Duct:Fusing:Upper	1
5	B132 6958	Duct:Imaging Unit:Exhaust:Ass'y	1
6	B132 6978	Duct:Imaging Unit:Sub-ass'y	1
7	B132 6971	Duct:Imaging Unit:1st:Ass'y	1
8	B132 6965	Duct:Imaging Unit:Exhaust:Ass'y	1
9	B132 6980	Cover:Duct:Imaging Unit:Ass'y	1
10	B132 6973	Duct:Imaging Unit:23st:Ass'y	2
11	B132 6975	Duct:Imaging Unit:4st:Ass'y	1
12	B132 2470	Duct:Humidity Control:Ass'y	1
13	B132 6867	Bracket:Exhaust:Harness	1
14	B132 1462	Bracket:Hinge:Door	1
15	AA06 3052	Turret Spring	1
16	A096 1355	Hinge Shaft	1
17	AA14 3545	Screw:M4	1
18	B132 6896	Duct:Fusing:Side:Ass'y	1
19	AA14 3791	Screw:Safety	5
20	B132 6884	Heat Pipe:Ass'y	1
21	B132 6917	Duct:Fusing:Exit:Upper:Left	1
22	B132 6892	Duct:Fusing:Exit:Upper	1
23	B132 6908	Duct:Exit:Upper:Left:Ass'y	1
24	B132 6912	Duct:Exit:Upper	1
25	GA00 3016	Decal - Y Toner Supply	1
26	GA00 3018	Decal - C Toner Supply	1
27	GA00 3017	Decal - M Toner Supply	1
28	GA00 3019	Decal - K Toner Supply	1

Index No.	Part No.	Description	Q'ty Per Assembly
101	0451 4008N	Tapping Screw - 4x8	
102	0354 0060N	Screw - M4x6	
103	0354 0080N	Screw - M4x8	
104	0720 0040E	Retaining Ring - M4	
105	1105 0598	Clamp:LWSS-1n	
106	1106 0901	Bushing:LE-60	

76.Frame Section 2 (B132/B200)

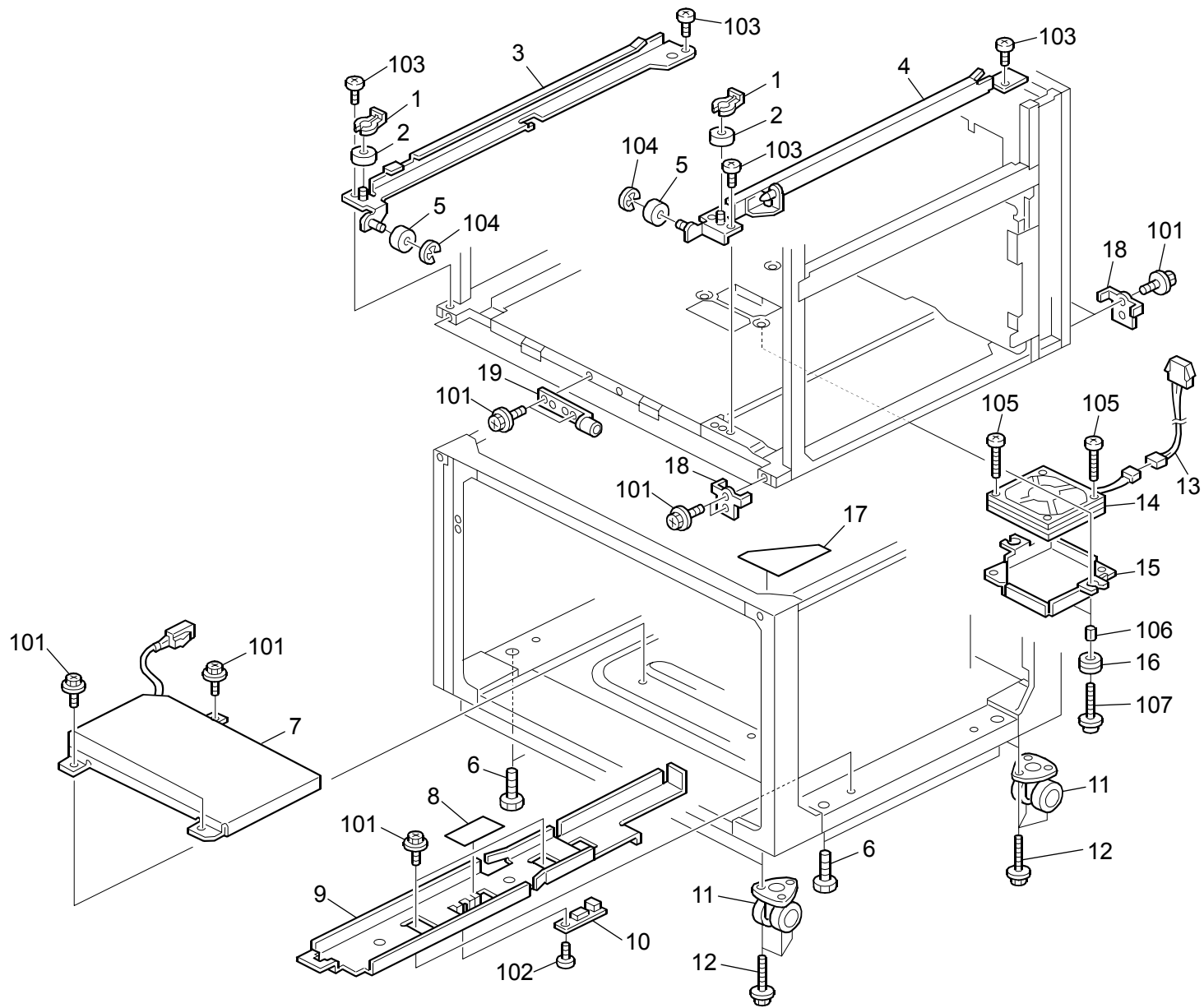


76.Frame Section 2 (B132/B200)

Index No.	Part No.	Description	Q'ty Per Assembly
1	B132 1115	Stay:Machine or Copier:Left:Peen	1
2	B132 1222	Cover:Stay:Left	2
3	AA07 0066	Slide Rail:Pull Out:Left	1
4	B132 7101	Bracket:Sensor:Entrance	1
5	AW01 0107	Paper Feed Sensor	2
6	B132 5253	Harness:Exit:Sensor	1
7	AA14 3421	Stud:Guide Pin	1
8	B132 7114	Guide Plate:Left Lower:Ass'y	1
9	AA06 3907	Compression Spring	1
10	B132 7038	Stopper:Pressure	1
11	AA07 0064	Slide Rail:Toner Supply:Ass'y	1
12	B132 3486	Stay:Slide Rail:Toner Supply	1
13	B132 2718	Guide:Registration:Open And Close	1
14	AA07 0067	Slide Rail:Pull Out:Right	1
15	B132 1004	Stay:Machine Or Copier:Right Lower	1
16	B132 2717	Lever:Large Capacity Tray	1
17	B132 2666	Shaft:Guide Plate	1
18	B132 2637	Guide Plate:LCT	1
19	B010 1289	Left Gasket - Front Rear	2
20	AG07 0513	Magnet Catch:Original Table:25.5N	1
21	AA08 0265	Bushing:6x8x5	2
22	AA06 0960	Tension Spring	1
23	B132 2662	Guide Plate:LCT:Open And Close	1
24	B132 2654	Bracket:Sensor:Large Capacity Tray	1
25	B132 5250	Harness:Paper Feed Unit	1
26	B132 1008	Bracket:Cover:LCT	1
27	B132 2815	Bracket:Fix:Manual Feed	1

Index No.	Part No.	Description	Q'ty Per Assembly
101	0451 4008N	Tapping Screw - 4x8	
102	0451 4012N	Tapping Screw - 4x12	
103	0451 3006N	Tapping Screw - 3x6	
104	0354 0060N	Screw - M4x6	
105	0951 3006N	Screw - M3X6	
106	1105 0511	Harness Clamp - LWS-0306ZC	
107	1105 0551	Clamp:LES-0505	

77.Frame Section 3 (B132/B200)

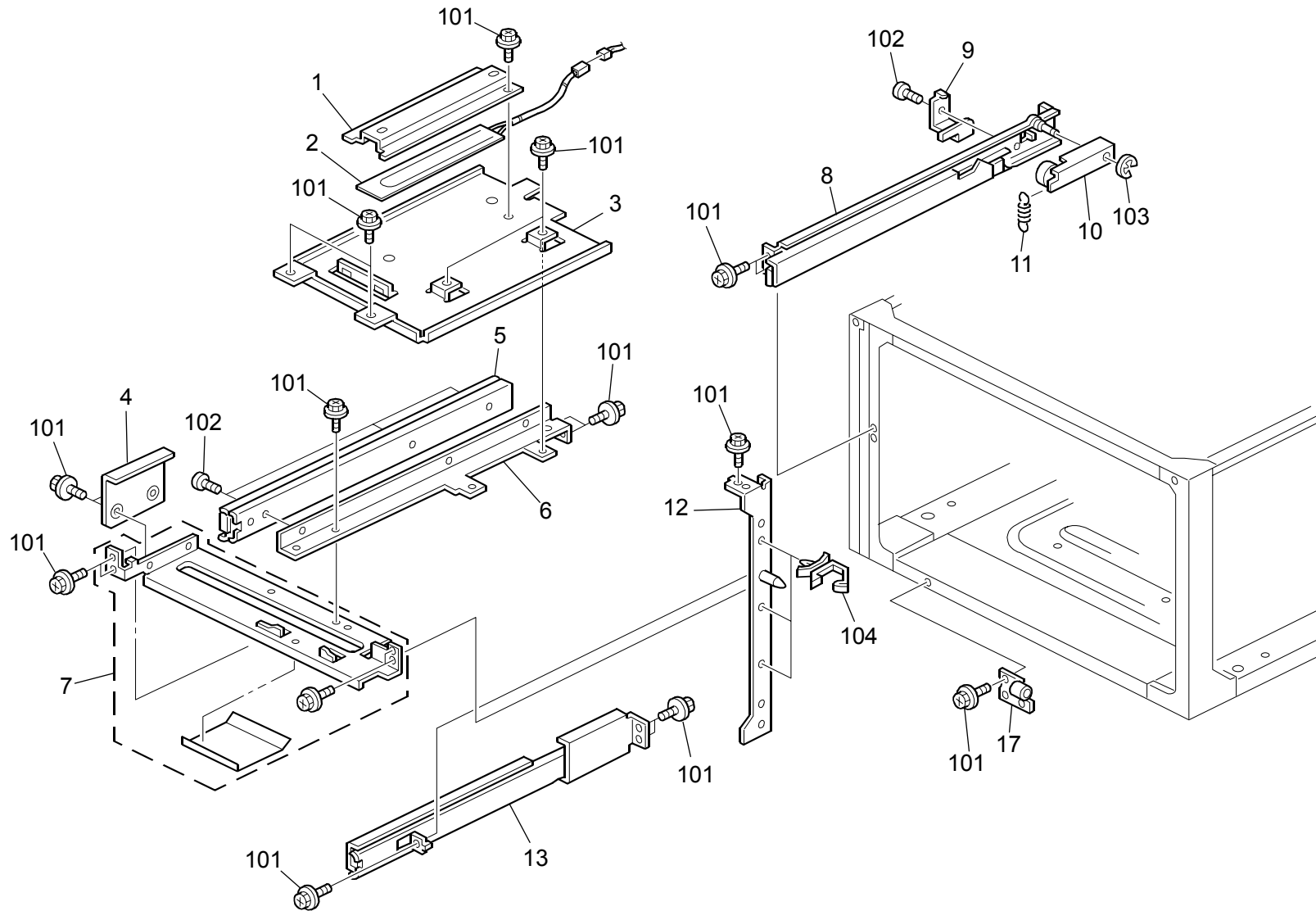


77.Frame Section 3 (B132/B200)

Index No.	Part No.	Description	Q'ty Per Assembly
1	5447 2681	Snap Ring	2
2	A300 2134	Guide Roller - B	2
3	B132 4835	Rail:Left:Ass'y	1
4	B132 4591	Rail:Right:Ass'y	1
5	6754 2866	Roller - Positioning Guide	2
6	AA14 3798	Hexagonal Bolt:M12x35	4
7	B140 6225	Heat Sink:Heater:Lower:NA:Ass'y	1
7	B140 6226	Heat Sink:Heater:Lower:EU:Ass'y	1
8	B132 6579	Cover:Temperature/Humidity Sensor	1
9	B132 6577	Guide:Tank:Discharge Used Toner	1
10	AW14 0012	Temperature & Humidity Sensor	1
11	AH01 2031	Caster:1470N	4
12	AA14 3803	Flanged Hexagonal Head Bolt:Caster	12
13	B132 5266	Harness:Duplex:Fan:Middle	1
14	AX64 0163	Fan Motor:MM80	1
15	B132 1118	Bracket:Fan:Duplex	1
16	AA16 1104	Cushion - Motor	2
17	A096 6693	Paper Guide Sheet	1
18	B065 1092	Bracket	2
19	B132 4830	Bracket:Holder:Ass'y	1

Index No.	Part No.	Description	Q'ty Per Assembly
101	0451 4008N	Tapping Screw - 4x8	
102	0313 0060N	Screw - M3X6	
103	0434 0080N	Pan Self-tapping Screw - M4x8	
104	0720 0040E	Retaining Ring - M4	
105	0354 0200N	Screw - M4x20	
106	0707 4050N	Bushing - 4x5	
107	0951 4010N	Screw:Polished Round:M4x10	
108	1105 0516	Clamp	
109	1105 0508	Harness Clamp - LWS-0711	

78.Frame Section 4 (B132/B200)



78.Frame Section 4 (B132/B200)

Index No.	Part No.	Description	Q'ty Per Assembly
1	A248 6103	Guide Plate - Upper Heat Sink	1
2	AX40 0176	Heater:115V:18W:Upper	1
2	AX40 0178	Heater:240V:18W:Upper	1
3	B070 6293	Heat Sink:Heater:Upper:Fiber	1
4	B132 6669	Supporting Plate:Stay	
5	AA07 0072	Slide Rail:Tandem LCT	1
6	B065 6774	Slidebracket	1
7	B132 6696	Stay:Tandem LCT:Ass'y	1
8	B132 7590	Rail:Tandem LCT:Left:Ass'y	1
9	B132 6742	Left Rail Bracket	1
10	B065 6135	Lock Arm - Tandem Tray	1
11	AA06 0761	Spring	1
12	B132 6689	Side Plate:Front:Paper Bank	1
13	B132 7591	Rail:Paper Tray:Ass'y	1
14	AA15 0406	Seal - Misfeed Removal	1
15	B132 6630	Bracket:Holder:Ass'y	1

Index No.	Part No.	Description	Q'ty Per Assembly
101	0451 4008N	Tapping Screw:4x8	

79.BICU Board (B132/B200)

CAPACITOR

SYMBOL NO.	INDEX NO.	SYMBOL NO.	INDEX NO.	SYMBOL NO.	INDEX NO.	SYMBOL NO.	INDEX NO.	SYMBOL NO.	INDEX NO.	SYMBOL NO.	INDEX NO.	SYMBOL NO.	INDEX NO.
C1	264	C11	178	C21	183	C31	264	C41	250	C51	250	C61	186
C2	250	C12	264	C22	264	C32	255	C42	250	C52	257	C61	254
C3	264	C13	182	C23	181	C33	193	C43	250	C53	250	C62	254
C4	210	C14	182	C24	250	C34	264	C44	264	C54	257	C64	255
C5	185	C15	264	C25	257	C35	194	C45	209	C55	264	C65	255
C6	264	C16	264	C26	250	C36	250	C46	259	C56	264	C66	264
C7	264	C17	259	C27	257	C37	193	C47	264	C57	191	C67	264
C8	179	C18	193	C28	262	C38	194	C48	264	C58	251	C68	250
C9	250	C19	260	C29	255	C39	250	C49	209	C59	252	C69	250
C10	250	C20	181	C30	264	C40	250	C50	209	C60	254	C70	193

CAPACITOR

SYMBOL NO.	INDEX NO.	SYMBOL NO.	INDEX NO.	SYMBOL NO.	INDEX NO.	SYMBOL NO.	INDEX NO.	SYMBOL NO.	INDEX NO.	SYMBOL NO.	INDEX NO.	SYMBOL NO.	INDEX NO.
C71	209	C81	254	C91	192	C101	250	C111	249	C121	264	C131	192
C72	250	C82	254	C92	192	C102	264	C112	249	C122	257	C132	250
C73	250	C83	254	C93	250	C103	194	C113	249	C123	264	C133	264
C74	264	C84	264	C94	264	C104	264	C114	264	C124	264	C134	257
C75	264	C85	257	C95	264	C105	264	C115	264	C125	187	C135	264
C76	193	C86	264	C96	264	C106	250	C116	257	C126	187	C136	264
C77	254	C87	257	C97	264	C107	249	C117	264	C127	192	C137	264
C78	254	C88	191	C98	250	C108	249	C118	257	C128	192	C138	250
C79	254	C89	192	C99	250	C109	249	C119	257	C129	264	C139	264
C80	254	C90	264	C100	250	C110	249	C120	264	C130	192	C140	264

79.BICU Board (B132/B200)

CAPACITOR

SYMBOL NO.	INDEX NO.	SYMBOL NO.	INDEX NO.	SYMBOL NO.	INDEX NO.	SYMBOL NO.	INDEX NO.	SYMBOL NO.	INDEX NO.	SYMBOL NO.	INDEX NO.		
C141	256	C151	249	C161	192	C171	193	C181	192	C191	264	C201	264
C142	256	C152	249	C162	264	C172	264	C182	264	C192	189	C202	189
C143	256	C153	264	C163	264	C173	264	C183	264	C193	189	C203	189
C144	264	C154	264	C164	264	C174	193	C184	264	C194	192	C204	264
C145	264	C155	257	C165	264	C175	192	C185	264	C195	264	C205	192
C146	250	C156	257	C166	264	C176	250	C186	264	C196	189	C206	250
C147	250	C157	264	C167	184	C177	264	C187	257	C197	189	C207	250
C148	249	C158	264	C168	180	C178	264	C188	192	C198	192	C208	258
C149	249	C159	187	C169	184	C179	264	C189	264	C199	264	C209	258
C150	249	C160	192	C170	180	C180	264	C190	257	C200	192	C210	257

CAPACITOR

SYMBOL NO.	INDEX NO.	SYMBOL NO.	INDEX NO.	SYMBOL NO.	INDEX NO.	SYMBOL NO.	INDEX NO.	SYMBOL NO.	INDEX NO.	SYMBOL NO.	INDEX NO.	SYMBOL NO.	INDEX NO.
C211	264	C221	264	C231	264	C241	264	C251	257	C261	264	C271	257
C212	264	C222	264	C232	264	C242	259	C252	257	C262	257	C272	257
C213	264	C223	264	C233	264	C243	262	C253	264	C263	250	C273	250
C214	264	C224	264	C234	255	C244	193	C254	264	C264	257	C274	249
C215	264	C225	264	---	---	C245	193	C255	257	C265	264	C275	250
C216	257	C226	264	C236	262	C246	257	C256	257	C266	264	C276	250
C217	264	C227	264	C237	264	C247	257	C257	264	C267	264	C277	250
C218	264	C228	264	C238	264	C248	264	C258	250	C268	250	C278	264
C219	192	C229	264	C239	255	C249	264	C259	250	C269	264	C279	190
C220	264	C230	264	C240	262	C250	264	C260	250	C270	257	C280	190

79.BICU Board (B132/B200)

CAPACIOR

SYMBOL NO.	INDEX NO.	SYMBOL NO.	INDEX NO.	SYMBOL NO.	INDEX NO.	SYMBOL NO.	INDEX NO.	SYMBOL NO.	INDEX NO.	SYMBOL NO.	INDEX NO.	SYMBOL NO.	INDEX NO.
C281	193	C291	264	C301	189	C311	264	C321	192	C331	264	C341	264
C282	264	C292	192	C302	264	C312	264	C322	250	C332	257	C342	264
C283	264	C293	192	C303	192	C313	192	C323	258	C333	264	C343	264
C284	264	C294	257	C304	192	C314	192	C324	258	C334	257	C344	264
C285	264	C295	264	C305	264	C315	264	C325	264	C335	192	C345	264
C286	264	C296	192	C306	189	C316	189	C326	257	C336	264	C346	264
C287	257	C297	192	C307	189	C317	189	C327	264	C337	264	C347	264
C288	257	C298	264	C308	264	C318	192	C328	257	C338	264	C348	264
C289	264	C299	257	C309	192	C319	264	C329	264	C339	192	C349	255
C290	264	C300	264	C310	192	C320	264	C330	264	C340	264	C350	264

CAPACITOR

SYMBOL NO.	INDEX NO.	SYMBOL NO.	INDEX NO.	SYMBOL NO.	INDEX NO.	SYMBOL NO.	INDEX NO.	SYMBOL NO.	INDEX NO.	SYMBOL NO.	INDEX NO.	SYMBOL NO.	INDEX NO.
C351	255	C361	259	C371	264	C381	264	C391	259	C401	255	C411	255
C352	255	C362	259	C372	264	C382	259	C392	264	C402	264	C412	255
C353	255	C363	255	C373	259	C383	255	C393	264	C403	264	C413	259
C354	264	C364	255	C374	255	C384	255	C394	259	C404	264	C414	259
C355	264	C365	264	C375	255	C385	259	C395	255	C405	259	C415	255
C356	264	C366	264	C376	259	C386	264	C396	255	C406	255	C416	255
C357	255	C367	264	C377	264	C387	264	C397	259	C407	259	C417	255
C358	255	C368	259	C378	255	C388	259	C398	264	C408	259	C418	255
C359	255	C369	259	C379	259	C389	255	C399	264	C409	264	C419	255
C360	259	C370	264	C380	264	C390	255	C400	259	C410	264	C420	259

79.BICU Board (B132/B200)

CAPACITOR

SYMBOL NO.	INDEX NO.	SYMBOL NO.	INDEX NO.	SYMBOL NO.	INDEX NO.	SYMBOL NO.	INDEX NO.	SYMBOL NO.	INDEX NO.	SYMBOL NO.	INDEX NO.	SYMBOL NO.	INDEX NO.
C421	259	C431	188	C441	255	C451	189	C461	264	C471	191	C481	249
C422	264	C432	264	C442	254	C452	264	C462	191	C472	264	C482	249
C423	264	C433	249	C443	264	C453	192	C463	250	C473	264	C483	249
C424	264	C434	249	C444	192	C454	264	C464	191	C474	264	C484	249
C425	255	C435	249	C445	264	C455	192	C465	257	C475	264	C485	253
C426	259	C436	255	C446	264	C456	264	C466	264	C476	264	C486	249
C427	259	C437	264	C447	257	C457	264	C467	264	C477	264	C487	249
C428	264	C438	250	C448	257	C458	192	C468	257	C478	264	C488	249
C429	255	C439	255	C449	264	C459	192	C469	264	C479	264	C489	249
C430	264	C440	255	C450	192	C460	264	C470	264	C480	249	C490	249

CAPACITOR

SYMBOL NO.	INDEX NO.	SYMBOL NO.	INDEX NO.	SYMBOL NO.	INDEX NO.	SYMBOL NO.	INDEX NO.	SYMBOL NO.	INDEX NO.	SYMBOL NO.	INDEX NO.	SYMBOL NO.	INDEX NO.
C491	249	C501	259	C511	264	C521	264	C531	255	C541	264	C551	264
C492	249	C502	259	C512	264	C522	264	C532	255	C542	264	C552	255
C493	249	C503	255	C513	255	C523	259	C533	255	C543	255	C553	264
C494	264	C504	255	C514	259	C524	255	C534	255	C544	255	C554	255
C495	264	C505	255	C515	264	C525	264	C535	259	C545	264	C555	264
C496	264	C506	255	C516	264	C526	259	C536	259	C546	264	C556	264
C497	264	C507	255	C517	259	C527	264	C537	259	C547	255	C557	255
C498	264	C508	255	C518	255	C528	259	C538	259	C548	264	C558	255
C499	259	C509	259	C519	255	C529	255	C539	264	C549	255	C559	263
C500	259	C510	259	C520	259	C530	255	C540	264	C550	264	C560	261

79.BICU Board (B132/B200)

CAPACITOR

SYMBOL NO.	INDEX NO.	SYMBOL NO.	INDEX NO.	SYMBOL NO.	INDEX NO.	SYMBOL NO.	INDEX NO.	SYMBOL NO.	INDEX NO.	SYMBOL NO.	INDEX NO.	SYMBOL NO.	INDEX NO.
C561	264	C571	250	C581	264	C591	255	C601	250	C611	264	C621	264
C562	250	C572	255	C582	264	C592	259	---	---	C612	249	C622	264
C563	250	C573	255	C583	264	C593	264	C603	255	C613	255	C623	259
C564	250	C574	255	C584	255	C594	259	C604	255	C614	259	C624	264
C565	262	C575	259	C585	259	C595	255	C605	262	C615	264	C625	259
C566	262	C576	259	C586	264	C596	249	C606	259	C616	264	C626	255
C567	262	C577	259	C587	255	C597	249	---	---	C617	259	C627	255
C568	255	C578	255	C588	259	C598	250	C608	249	C618	255	C628	264
C569	259	C579	259	C589	264	C599	250	C609	255	C619	255	C629	259
C570	264	C580	264	C590	264	C600	250	C610	259	C620	259	C630	255

CAPACITOR

SYMBOL NO.	INDEX NO.	SYMBOL NO.	INDEX NO.	SYMBOL NO.	INDEX NO.	SYMBOL NO.	INDEX NO.	SYMBOL NO.	INDEX NO.	SYMBOL NO.	INDEX NO.	SYMBOL NO.	INDEX NO.
C631	255	C641	259	C651	255	C661	264	C671	250	C681	264	C691	264
C632	259	C642	264	C652	259	C662	259	C672	250	C682	255	C692	259
C633	264	C643	255	C653	264	C663	255	C673	255	C683	259	C693	255
C634	264	C644	259	C654	264	C664	264	C674	255	C684	264	C694	255
C635	259	C645	264	C655	255	C665	259	C675	255	C685	264	C695	259
C636	255	C646	264	C656	255	C666	255	C676	259	C686	264	C696	255
C637	264	C647	264	C657	259	C667	255	C677	264	C687	259	C697	255
C638	259	C648	259	C658	264	C668	259	C678	259	C688	255	C698	259
C639	255	C649	255	C659	259	C669	264	C679	259	C689	259	C699	264
C640	255	C650	259	C660	255	C670	250	C680	264	C690	264	C700	259

79.BICU Board (B132/B200)

CAPACITOR

SYMBOL NO.	INDEX NO.
C701	255
C702	264
C703	264
C704	259
C705	255
C706	264
C707	259
C708	255
C709	264
C710	264

SYMBOL NO.	INDEX NO.
C711	259
C712	255
C713	259
C714	255
C715	250
C716	250
C717	250
C718	250
C719	264
C720	255

SYMBOL NO.	INDEX NO.
C721	264
C722	255
C723	262
C724	259
C725	255
C726	259
C727	264
C728	255
C729	259
C730	264

SYMBOL NO.	INDEX NO.
C731	264
C732	264
C733	191
C734	191
C735	264
C736	250
C737	250
---	---
---	---
---	---

SYMBOL NO.	INDEX NO.
C801	264
---	---
---	---
---	---
---	---
---	---
C807	264

CONNECTOR

SYMBOL NO.	INDEX NO.
CN300	102
CN301	112
---	---
---	---
CN304	107
CN305	109
---	---
---	---
---	---
CN310	116

SYMBOL NO.	INDEX NO.
CN311	111
CN312	7
---	---
CN314	101
CN315	108
CN316	110
CN317	117
CN318	104
---	---
---	---

CONNECTOR

SYMBOL NO.	INDEX NO.
---	---
CN322	103
---	---
CN324	115
CN325	114
CN326	113
CN327	105
CN328	106
---	---
---	---

SYMBOL NO.	INDEX NO.
---	---
CN332	103

DIODE

SYMBOL NO.	INDEX NO.
D1	125
D2	125
D3	124

DA

SYMBOL NO.	INDEX NO.
DA1	127

FILTER

SYMBOL NO.	INDEX NO.
FIL1	198
FIL2	198
FIL3	195
FIL4	195
FIL5	198
FIL6	198
FIL7	195
FIL8	195
FIL9	195
FIL10	198

RESISTOR

SYMBOL NO.	INDEX NO.
FIL11	198
FIL12	195
FIL13	195
FIL14	198
FIL15	198
FIL16	198
FIL17	198
FIL18	198
FIL19	198
FIL20	198

RESISTOR

SYMBOL NO.	INDEX NO.
FIL21	198
---	---
---	---
FIL24	198
FIL25	198
FIL26	198
FIL27	198
FIL28	198

IC

SYMBOL NO.	INDEX NO.
IC1	143
IC2	143
IC3	5
IC4	155
IC5	140
IC6	138
IC7	133
IC8	134
IC9	164
IC10	135

79.BICU Board (B132/B200)

IC

SYMBOL NO.	INDEX NO.	SYMBOL NO.	INDEX NO.	SYMBOL NO.	INDEX NO.	SYMBOL NO.	INDEX NO.	SYMBOL NO.	INDEX NO.	SYMBOL NO.	INDEX NO.	SYMBOL NO.	INDEX NO.
IC11	135	IC21	140	IC31	131	IC41	3	IC51	129	IC61	157	---	---
IC12	152	IC22	6	---	---	IC42	267	IC52	131	IC62	165	IC322	131
IC13	152	IC23	1	IC33	139	IC43	265	IC53	133	IC63	149		
IC14	152	IC24	150	IC34	134	IC44	131	IC54	4	IC64	132		
IC15	151	IC25	158	IC35	158	IC45	266	IC55	137	IC65	167		
IC16	2	IC26	131	IC36	4	IC46	131	IC56	130	IC66	145		
IC17	154	IC27	141	IC37	142	IC47	146	IC57	148	IC67	133		
IC18	138	IC28	141	IC38	142	IC48	131	IC58	138	IC68	153		
IC19	156	IC29	146	IC39	142	IC49	135	IC59	142	IC69	136		
IC20	135	IC30	131	IC40	142	IC50	147	IC60	144	---	---		

JP

SYMBOL NO.	INDEX NO.
JP5	208
---	---
JP7	208
---	---
JP9	208
---	---
JP11	208
JP12	208
JP13	208
---	---
---	---

SYMBOL NO.	INDEX NO.
---	---
---	---
JP18	208
---	---
---	---
JP21	208

L

SYMBOL NO.	INDEX NO.
L1	197
L2	196
L3	196
L4	199
L5	200
L6	200
L7	200
L8	200
L9	200
L10	200

SYMBOL NO.	INDEX NO.
L11	200
L12	200

LED

SYMBOL NO.	INDEX NO.
---	---
---	---
LED3	128
LED4	128
LED5	128
LED6	128
LED7	128
LED8	128
LED9	128
LED10	128

OSC

SYMBOL NO.	INDEX NO.
OSC1	171
OSC2	170

Q

SYMBOL NO.	INDEX NO.
Q1	123
Q2	120
Q3	122
Q4	121

79.BICU Board (B132/B200)

RESISTOR

SYMBOL NO.	INDEX NO.	SYMBOL NO.	INDEX NO.	SYMBOL NO.	INDEX NO.	SYMBOL NO.	INDEX NO.	SYMBOL NO.	INDEX NO.	SYMBOL NO.	INDEX NO.	SYMBOL NO.	INDEX NO.
R1	228	R11	232	R21	228	R31	232	R41	221	R51	219	R61	226
R2	228	R12	240	R22	228	R32	232	R42	232	R52	221	R62	231
R3	228	R13	240	R23	228	R33	232	R43	232	R53	208	R63	232
R4	228	R14	226	R24	228	R34	221	R44	232	R54	208	R64	232
R5	228	R15	223	R25	228	R35	221	R45	232	R55	233	---	---
R6	228	R16	214	R26	228	R36	221	R46	232	R56	208	---	---
R7	228	R17	226	R27	228	R37	221	R47	232	R57	221	R67	221
R8	228	R18	223	R28	232	R38	221	R48	221	R58	226	R68	221
R9	232	R19	214	R29	232	R39	221	R49	232	R59	226	R69	215
R10	232	R20	228	R30	232	R40	221	R50	219	R60	221	---	---

RESISTOR

SYMBOL NO.	INDEX NO.	SYMBOL NO.	INDEX NO.	SYMBOL NO.	INDEX NO.	SYMBOL NO.	INDEX NO.	SYMBOL NO.	INDEX NO.	SYMBOL NO.	INDEX NO.	SYMBOL NO.	INDEX NO.
---	---	R81	214	R91	232	R101	221	R111	226	R121	214	---	---
R72	221	R82	214	R92	232	R102	221	R112	226	R122	212	---	---
R73	221	R83	235	R93	232	R103	221	R113	226	R123	228	R133	221
R74	215	R84	235	R94	232	R104	219	R114	226	R124	212	R134	215
R75	208	R85	235	R95	226	R105	219	R115	212	---	---	---	---
R76	208	R86	235	R96	226	R106	226	---	---	R126	212	---	---
R77	208	R87	235	R97	226	R107	226	R117	212	---	---	R137	221
R78	208	R88	235	R98	221	R108	226	R118	228	R128	212	R138	221
R79	227	R89	226	R99	221	R109	226	R119	212	R129	212	R139	215
R80	227	R90	226	R100	221	R110	226	---	---	R130	221	R140	208

79.BICU Board (B132/B200)

RESISTOR

SYMBOL NO.	INDEX NO.	SYMBOL NO.	INDEX NO.	SYMBOL NO.	INDEX NO.	SYMBOL NO.	INDEX NO.	SYMBOL NO.	INDEX NO.	SYMBOL NO.	INDEX NO.		
R141	208	R151	219	R161	232	R171	221	R181	221	R191	227	R201	213
R142	227	R152	229	R162	232	R172	221	R182	228	R192	227	R202	214
R143	227	R153	230	R163	221	R173	221	R183	217	R193	227	R203	214
R144	208	R154	232	R164	221	R174	221	R184	212	R194	221	R204	225
R145	208	R155	232	R165	221	R175	221	R185	224	R195	221	R205	213
R146	227	R156	226	R166	221	R176	221	R186	227	R196	221	R206	213
R147	227	R157	214	R167	221	R177	221	R187	227	R197	221	R207	225
R148	214	R158	226	R168	221	R178	221	R188	227	R198	214	R208	225
R149	214	R159	232	R169	221	R179	221	R189	227	R199	222	R209	213
R150	219	R160	232	R170	221	R180	221	R190	227	R200	225	R210	213

RESISTOR

SYMBOL NO.	INDEX NO.	SYMBOL NO.	INDEX NO.	SYMBOL NO.	INDEX NO.	SYMBOL NO.	INDEX NO.	SYMBOL NO.	INDEX NO.	SYMBOL NO.	INDEX NO.		
R211	225	R221	225	R231	236	R241	221	R251	227	R261	214	R271	225
R212	225	R222	236	R232	245	R242	221	R252	227	R262	223	R272	225
R213	213	R223	245	R233	232	R243	221	R253	227	R263	236	R273	225
R214	213	R224	246	R234	221	R244	221	R254	232	R264	236	R274	225
R215	225	R225	245	R235	221	R245	221	R255	227	R265	246	R275	245
R216	241	R226	246	R236	221	R246	221	R256	227	R266	245	R276	246
R217	245	R227	236	R237	221	R247	232	R257	227	R267	245	R277	236
R218	246	R228	225	R238	232	R248	232	R258	227	R268	246	R278	236
R219	225	R229	225	R239	232	R249	227	R259	227	R269	245	R279	241
R220	236	R230	246	R240	226	R250	227	R260	226	R270	246	R280	241

79.BICU Board (B132/B200)

RESISTOR

SYMBOL NO.	INDEX NO.	SYMBOL NO.	INDEX NO.	SYMBOL NO.	INDEX NO.	SYMBOL NO.	INDEX NO.	SYMBOL NO.	INDEX NO.	SYMBOL NO.	INDEX NO.	SYMBOL NO.	INDEX NO.
R281	221	R291	226	R301	214	R311	227	R321	214	R331	221	R341	221
R282	221	R292	219	R302	214	R312	227	R322	218	R332	227	R342	225
R283	221	R293	219	R303	221	R313	214	R323	218	R333	227	R343	225
R284	221	R294	226	R304	227	R314	214	R324	218	R334	213	R344	225
R285	221	R295	232	R305	227	R315	214	R325	211	R335	214	R345	225
R286	221	R296	232	R306	221	R316	221	R326	211	R336	227	R346	232
R287	226	R297	232	R307	227	R317	227	R327	211	R337	214	R347	232
---	---	R298	232	R308	221	R318	227	R328	222	R338	214	R348	208
R289	226	R299	232	---	---	R319	208	---	---	R339	241	R349	226
R290	226	R300	221	R310	221	R320	226	R330	232	R340	221	R350	221

RESISTOR

SYMBOL NO.	INDEX NO.	SYMBOL NO.	INDEX NO.	SYMBOL NO.	INDEX NO.	SYMBOL NO.	INDEX NO.	SYMBOL NO.	INDEX NO.	SYMBOL NO.	INDEX NO.	SYMBOL NO.	INDEX NO.
R351	208	R361	220	---	---	R381	221	R391	221	R400	221	R411	237
R352	208	R362	214	R372	214	R382	221	R392	221	R401	226	R412	237
R353	221	R363	221	R373	208	R383	221	R393	208	---	---	R413	237
R354	221	R364	221	R374	214	R384	221	R394	227	R403	208	R414	237
R355	221	R365	227	R375	208	R385	221	R395	208	---	---	R415	237
R356	221	R366	214	R376	214	R386	221	R396	214	---	---	R416	237
R357	221	R367	214	R377	214	---	---	R397	214	R406	208	R417	237
R358	232	---	---	R378	221	R388	247	R398	212	R407	208	R418	208
R359	226	R369	214	R379	221	R389	221	R399	221	---	---	R419	236
R360	208	R370	214	R380	221	---	---	R400	214	R409	208	R420	236
										R410	237		

79.BICU Board (B132/B200)

RESISTOR

SYMBOL NO.	INDEX NO.	SYMBOL NO.	INDEX NO.	SYMBOL NO.	INDEX NO.	SYMBOL NO.	INDEX NO.	SYMBOL NO.	INDEX NO.	SYMBOL NO.	INDEX NO.		
R421	239	R431	221	R441	226	R451	227	R461	214	R471	208	R481	237
R422	239	R432	221	R442	238	R452	227	R462	214	R472	208	R482	237
R423	244	R433	221	R443	214	R453	214	R463	213	R473	232	R483	208
R424	244	R434	221	R444	211	R454	214	R464	213	R474	227	R484	208
R425	219	R435	221	R445	221	R455	227	R465	214	R475	214	R485	236
R426	242	R436	221	R446	227	R456	221	R466	232	R476	214	R486	236
R427	208	R437	220	R447	227	R457	214	R467	214	R477	208	R487	236
R428	208	R438	221	R448	227	R458	214	R468	214	R478	208	R488	236
R429	226	R439	226	R449	227	R459	214	R469	221	R479	237	R489	239
R430	226	R440	232	R450	227	R460	214	R470	232	R480	237	R490	239

RESISTOR

SYMBOL NO.	INDEX NO.	SYMBOL NO.	INDEX NO.	SYMBOL NO.	INDEX NO.	SYMBOL NO.	INDEX NO.	SYMBOL NO.	INDEX NO.	SYMBOL NO.	INDEX NO.	SYMBOL NO.	INDEX NO.
R491	244	R501	232	R511	226	R521	221	R531	208	R541	214	R551	236
R492	219	R502	232	R512	226	R522	226	R532	227	R542	225	R552	244
R493	219	R503	232	R513	232	R523	226	R533	219	R543	213	R553	226
R494	226	R504	226	R514	219	R524	214	R534	211	R544	208	R554	226
R495	232	R505	232	R515	232	R525	221	R535	219	R545	237	R555	226
R496	232	R506	226	R516	232	R526	232	R536	211	R546	237	R556	226
R497	232	R507	219	R517	232	R527	214	R537	219	R547	237	R557	221
R498	232	R508	219	R518	232	R528	211	R538	211	R548	237	R558	232
R499	232	R509	221	R519	232	R529	219	R539	227	R549	208	R559	221
R500	232	R510	226	R520	221	R530	208	R540	221	R550	236	R560	219

79.BICU Board (B132/B200)

RESISTOR

SYMBOL NO.	INDEX NO.	SYMBOL NO.	INDEX NO.	SYMBOL NO.	INDEX NO.	SYMBOL NO.	INDEX NO.	SYMBOL NO.	INDEX NO.	SYMBOL NO.	INDEX NO.	SYMBOL NO.	INDEX NO.
R561	219	R571	226	R581	232	R591	225	R601	221	R611	226	R621	208
R562	219	R572	226	R582	221	R592	225	R602	221	R612	226	---	---
R563	219	R573	226	R583	221	R593	225	R603	221	---	---	R623	216
R564	219	R574	226	R584	221	R594	214	R604	221	---	---	R624	232
R565	219	R575	226	R585	232	R595	221	R605	221	R615	226	R625	219
R566	219	R576	232	R586	214	R596	221	R606	221	R616	226	R626	226
R567	219	R577	226	R587	221	R597	221	R607	219	R617	219	R627	214
R568	219	R578	221	R588	221	R598	221	R608	227	R618	219	R628	214
R569	214	R579	232	R589	219	R599	221	R609	227	R619	208	R629	221
R570	226	R580	232	R590	225	R600	221	R610	226	R620	216	R630	226

RESISTOR

SYMBOL NO.	INDEX NO.	SYMBOL NO.	INDEX NO.	SYMBOL NO.	INDEX NO.	SYMBOL NO.	INDEX NO.	SYMBOL NO.	INDEX NO.	SYMBOL NO.	INDEX NO.		
R631	221	R641	226	---	---	R701	243	R751	226	REG1	160	REG11	169
R632	226	R642	226	---	---	---	---	---	---	REG2	163	REG12	168
R633	226	R643	226	R653	234	---	---	---	---	REG3	161	REG13	169
R634	221	R644	226	R654	234	---	---	R814	226	REG4	162	REG14	166
R635	221	R645	226	---	---	---	---	---	---	REG5	159	REG15	162
R636	232	R646	221	---	---	---	---	---	---	REG6	168	---	---
R637	226	R647	214	---	---	---	---	---	---	REG7	169	---	---
R638	232	R648	214	---	---	---	---	---	---	REG8	168	---	---
R639	232	R649	214	---	---	---	---	---	---	REG9	168	---	---
R640	226	---	---	R700	248	---	---	---	---	REG10	169	---	---

REGURATOR

SYMBOL NO.	INDEX NO.	SYMBOL NO.	INDEX NO.
REG1	160	REG11	169
REG2	163	REG12	168
REG3	161	REG13	169
REG4	162	REG14	166
REG5	159	REG15	162
REG6	168	---	---
REG7	169	---	---
REG8	168	---	---
REG9	168	---	---
REG10	169	---	---

79.BICU Board (B132/B200)

RN

SYMBOL NO.	INDEX NO.	SYMBOL NO.	INDEX NO.	SYMBOL NO.	INDEX NO.	SYMBOL NO.	INDEX NO.	SYMBOL NO.	INDEX NO.	SYMBOL NO.	INDEX NO.	SYMBOL NO.	INDEX NO.
RN1	203	RN11	207	RN21	203	RN31	203	RN41	203	RN51	174	RN61	176
RN2	203	RN12	207	RN22	176	RN32	203	RN42	204	RN52	175	RN62	176
RN3	203	RN13	207	RN23	206	RN33	176	RN43	176	RN53	201	RN63	176
RN4	203	RN14	201	RN24	206	RN34	174	RN44	204	RN54	201	RN64	204
RN5	203	RN15	201	RN25	173	RN35	201	RN45	174	RN55	203	RN65	204
												---	---
RN6	176	RN16	201	RN26	203	RN36	201	RN46	174	RN56	203	RN67	201
RN7	207	RN17	201	RN27	203	RN37	204	RN47	174	RN57	176	RN68	174
RN8	207	RN18	201	RN28	203	RN38	203	RN48	174	RN58	176	RN68	201
RN9	174	RN19	203	RN29	203	RN39	204	RN49	202	RN59	176	RN69	201
RN10	174	RN20	203	RN30	203	RN40	203	RN50	201	RN60	176	RN70	175

RN

SYMBOL NO.	INDEX NO.	SYMBOL NO.	INDEX NO.	SYMBOL NO.	INDEX NO.	SYMBOL NO.	INDEX NO.	SYMBOL NO.	INDEX NO.	SYMBOL NO.	INDEX NO.	SYMBOL NO.	INDEX NO.
RN71	201	RN81	174	RN91	176	RN101	203	RN111	204	RN121	173	RN131	176
RN72	201	RN82	174	RN92	205	RN102	204	RN112	204	RN122	174	RN132	203
RN73	201	RN83	174	RN93	205	RN103	204	RN113	174	RN123	204		
RN74	201	RN84	174	RN94	176	RN104	172	RN114	174	RN124	204		
RN75	174	RN85	174	RN95	203	RN105	204	RN115	177	RN125	204		
RN76	201	RN86	174	RN96	203	RN106	204	RN116	177	RN126	204		
RN77	201	RN87	174	RN97	203	RN107	204	RN117	204	RN127	204		
RN78	201	RN88	201	RN98	203	RN108	204	RN118	204	RN128	204		
RN79	201	RN89	201	RN99	203	RN109	174	RN119	203	RN129	203		
RN80	201	RN90	201	RN100	203	RN110	174	RN120	173	RN130	203		

SW	
SW1	118
SW2	119

ZD	
ZD1	126
ZD2	126

79.BICU Board (B132/B200)

Index No.	Part No.	Description	Q'ty Per Assembly
*	B132 5130	PCB:BICU	
1	B051 5500	IC - RL5C610	1
2	B101 5160	IC - MB87M1480175	1
3	B104 5350	IC - MB87M1530	1
4	B132 5280	IC - RL5C615	2
5	B132 5500	IC - UPD85661S1-021-B6-A	1
6	B132 5501	IC - RB5C609	1
7	B180 5411	Connector - 45P	1

Index No.	Part No.	Description	Q'ty Per Assembly
101	1102 4203	CT Header - 4P	
102	1102 5304	Connector - 5P	
103	1102 5943	Connector - 2P	
104	1102 6298	Connector - 5P	
105	1102 6305	Connector - 12P	
106	1102 6306	Connector - 13P	
107	1102 6397	Box Header	
108	1102 6658	Connector -40p	
109	1102 6894	Connector - 53314-3465	
110	1102 7690	Connector - WR-120P-VF60-1	
111	1102 8133	Connector - 100P	
112	1102 8194	Connector - 53375-0210	
113	1102 8486	Connector - 55451-2410	
114	1102 8489	Connector - 55451-3010	
115	1102 8490	Connector - 55451-3210	
116	1102 9505	Connector - 140PS-JUK-G-B	
117	1102 9744	Connector - WR-40P-VF60-N1	
118	1204 1543	DIP Switch	
119	1204 2373	Key Board Switch - Skqdp	
120	1400 0637	Transistor - DTC144EUA	
121	1400 1040	Transistor - 2SA1834S	
122	1401 1258	Fet - 2SJ517	
123	1401 1279	Fet Array - HAT1054R	
124	1402 1336	Diode - 1SS355	
125	1402 1444	Diode - RB051L-40	
126	1402 1515	Diode UDZS6.2B	
127	1402 1587	Diode - RB060	
128	1403 0996	LED - SML-310VT	
129	1407 2187	TTLIC - SN74LS07NS	
130	1407 5174	CMOS - SN74LVC04APW	
131	1407 5334	IC - CMOS LOGIC 74LVC244A TSSOP	
132	1407 5346	IC - SN74LS74ANS	
133	1407 5347	IC - SN74LV08APW	
134	1407 5351	IC - SN74LV14APW	
135	1407 5353	IC - SN74LV244APW	

Index No.	Part No.	Description	Q'ty Per Assembly
136	1407 5364	IC - SN74AHCT244PW	
137	1407 5366	IC - 74LVC08A TSSOP	
138	1407 5367	IC - 74LVC74A	
139	1407 5368	IC - 74LVC245A TSSOP	
140	1407 5376	IC - SN74LV32APW	
141	1407 5382	CMOS Logic - SN74LV373APW	
142	1407 5430	CMOS Logic - SN74LVCH16244ADGG	
143	1407 5447	LVDS - SN75LVDS86ADGG	
144	1407 5469	IC - SN74LV07APW	
145	1407 5492	IC - SN74ALVC04PW	
146	1407 5500	IC - SN74ALVC08PW	
147	1407 5509	IC - SN74AHCT08PW	
148	1407 5520	IC - SN74LVC125APW	
149	1407 5580	IC - M32102S6FP	
150	1407 5713	IC:SN74LV06APW	
151	1407 5733	IC:SN74ALVC244PW	
152	1407 5734	CMOS Logic - SN74ALVC245PW	
153	1407 6133	CMOS Logic - SN74AHCT00PW	
154	1407 6221	EEPROM - BR24I01AFV-W	
155	1407 6256	Line Memory - M66288FP	
156	1407 6397	Clock Generator - MB88152PNF-G-102-E1	
157	1408 0575	IC - M51957BFP	
158	1408 1550	IC - LM2902PW	
159	1408 1669	Series Regulator - :R1170h331b	
160	1408 1744	Regulator - PQ018EH01Z	
161	1408 1758	Regulator - UPC3025TJ	
162	1408 1850	Regulator - R1170H181B	
163	1408 1893	Series Regulator - LM1086IS-ADJ/NOPB	
164	1408 2008	IC - M62292FP	
165	1408 2009	IC - R1224N182E-FA	
166	1408 2010	Regulator - RN5RF33A-FA	
167	1408 2011	IC - MB3793-45PNFE1	
168	1408 2013	Regulator - R1114Q331B-FA	
169	1408 2016	Regulator - R1114Q181B-FA	
170	1503 1216	Crystal Oscillator - 31.9488Mhz	

Index No.	Part No.	Description	Q'ty Per Assembly
171	1503 1232	Crystal Oscillator:54Mhz	
172	1601 7877	Resistor Array 4.7k Ω \pm 5% 1/32W	
173	1601 7887	Resistor Array - 10K Ω \pm 5% 1/32W	
174	1601 7898	Resistor Array	
175	1601 7899	Resister Array - 56 Ω \pm 5% 1/16W	
176	1601 7943	Resistor Array - 68 Ω \pm 5% 1/32W	
177	1601 7992	Resistor - 47K Ω \pm 5% 1/16W	
178	1604 5019	Capacitor - 56 μ F \pm 20% 10V	
179	1604 5048	Capacitor - 470uf: \pm 20%:16V	
180	1604 5070	Capacitor - 100uf: \pm 20%:10V	
181	1604 5117	Resistor - 270 μ F \pm 20% 10V	
182	1604 5296	Resistor - 100 μ F \pm 20% 10V	
183	1604 5319	Resistor - 820 μ F \pm 20% 6.3V	
184	1604 5338	Resistor - 47 μ F \pm 20% 10V	
185	1604 5345	Resistor - 680 μ F \pm 20% 6.3V	
186	1605 0781	Capacitor - 5pF 50V	
187	1605 1135	Capacitor - 0.47 μ F \pm 1% 10V	
188	1605 1137	Capacitor - 470pF \pm 10% 50V	
189	1605 1161	Capacitor - 0.33 μ F \pm 10% 10V	
190	1605 1199	Capacitor - 8PF \pm 0.5pF 50V	
191	1605 1295	Capacitor - 10uf:+80-20%:10V	
192	1605 1306	Capacitor - 1 μ F \pm 10% 10V	
193	1605 1353	Capacitor - 0.1 μ F \pm 10% 25V	
194	1605 1355	Ceramic Capacitor - 680pF: \pm 10%:50V	
195	1607 1002	IC - NFM60R30T222	
196	1607 1216	Inductor - 22uh \pm 20% 4A	
197	1607 1223	Inductor - 47uh \pm 20% 2.7A	
198	1607 1351	Filter BLM21PG221SN1B	
199	1607 1618	Inductor - SLF7045-150M1R1-pF	
200	1607 1629	Coil - DLW21HN900SQ2B	
201	1609 0005	Registor:33 Ω : \pm 5%:1/16W	
202	1609 0006	Registor:10k Ω : \pm 5%:1/16W	
203	1609 0007	Resistor - 68 Ω \pm 5% 1/16W	
204	1609 0008	Registor:4.7k Ω : \pm 5%:1/16W	
205	1609 0009	Regidter - 47k Ω : \pm 5%:1/16W	

Index No.	Part No.	Description	Q'ty Per Assembly
206	1609 0020	Resistor - 10 Ω:±5%:1/16W	
207	1609 0033	Resistor - 82 Ω ±5% 1/16W	
208	1634 0000	Resistor - 0 Ω 1/16W	
209	1644 0470	Capacitor - 47μF±20% 10V	
210	1644 2220	Resistor - 22UF:±20%:25V	
211	1650 4100	Resistor - 10Ω ±5% 1/10W	
212	1650 4101	Resistor - 100Ω±5%1/10W	
213	1650 4102	Resistor - 1KΩ ±5% 1/10W	
214	1650 4103	Resistor - 10KΩ ±5% 1/10W	
215	1650 4104	Resistor - 100KΩ±5%1/10W	
216	1650 4182	Resistor - 1.8KΩ±5%1/10W	
217	1650 4202	Resistor - 2KΩ±5%1/10W	
218	1650 4220	Chip Resistor - 22Ω ±5% 1/10W	
219	1650 4222	Resistor - 2.2KΩ±5%1/10W	
220	1650 4223	Resistor - 22KΩ±5%1/10W	
221	1650 4330	Chip Resistor - 33Ω ±5% 1/10W	
222	1650 4331	Resistor - 330Ω±5%1/10W	
223	1650 4392	Chip Resistor - 3.9kΩ±5%1/10W	
224	1650 4470	Resistor - 47Ω±5%1/10W	
225	1650 4471	Resistor - 470Ω±5%1/10W	
226	1650 4472	Resistor - 4.7KΩ ±5% 1/10W	
227	1650 4473	Resistor - 47KΩ±5%1/10W	
228	1650 4510	Resistor - 51Ω±5%1/10W	
229	1650 4511	Resistor - 510Ω±5%1/10W	
230	1650 4561	Resistor - 560Ω ±5% 1/10W	
231	1650 4562	Resistor - 5.6KΩ ±5% 1/10W	
232	1650 4680	Resistor - 68Ω±5%1/10W	
233	1650 4820	Resistor - 82Ω ±5% 1/10W	
234	1650 4821	Chip Resistor - 820Ω ±5% 1/10W	
235	1650 5820	Chip Resistor - 82Ω:±5%:1/16W	
236	1654 1001	Resistor - 1KΩ±1%1/10W	
237	1654 1009	Resistor - 10Ω±1% 1/10W	
238	1654 1132	Resistor - 11.3K Ω ±1% 1/10W	
239	1654 1201	Resistor - 1.2KΩ ±1% 1/10W	
240	1654 1210	Resistor - 121Ω ±1% 1/10W	

Index No.	Part No.	Description	Q'ty Per Assembly
241	1654 1601	Chip Resistor - 1.6kΩ±1% 1/10W	
242	1654 2201	Resistor - 2.2K Ω ±1% 1/10W 1608	
243	1654 2709	Resistor - 27Ω±1% 1/10W	
244	1654 3000	Chip Resistor - 300Ω:±1%:1/10W	
245	1654 3001	Resistor - 3K Ω ±1% 1/10W	
246	1654 3900	Resistor - 390Ω:±1%:1/10w	
247	1654 8200	Resistor - 820Ω±1%1/10W	
248	1654 8209	Resistor - 82Ω±1% 1/10W	
249	1660 0100	Capacitor - 10PF ±0.5pF 50V	
250	1660 2101	Capacitor - 100pF - ±10% - 50V	
251	1660 2120	Capacitor - 12 pF ±5% 50V	
252	1660 2121	Capacitor - 120pF ±5% 50V	
253	1660 2391	Capacitor - 390pF ±5% 50V	
254	1660 2470	Capacitor - 47pF ±5% 50V	
255	1660 2471	Capacitor - 470pF - ±5% - 50V	
256	1660 2680	Capacitor - 68pF ±5% 50V	
257	1660 4102	Capacitor - 1000pF ±10% 50V	
258	1660 4103	Capacitor - 10000pF - ±10% - 50V	
259	1660 4222	Capacitor - 2200pF - ±10% - 50V	
260	1660 4472	Capacitor - 4700pF±10% 50V	
261	1660 4682	Capacitor - 6800pF 50V 1608	
262	1660 6103	Capacitor - 10000pF - +80%-20%50V	
263	1660 6473	Capacitor - 47000pF +80 -20% 50V	
264	1660 8104	Capacitor - 0.1μF+80-20% 25V	
265	1904 0033	FSRAM:4M:X16:3.3V:TSOP	
266	1906 0046	Flash Memory:MBM29DL324BE80TN	
267	1907 0012	SDRAM - 128M 2MX16X4 133Mhz	

80.IOB Board (B132/B200)

CAPACIOTR

SYMBOL NO.	INDEX NO.	SYMBOL NO.	INDEX NO.	SYMBOL NO.	INDEX NO.	SYMBOL NO.	INDEX NO.	SYMBOL NO.	INDEX NO.	SYMBOL NO.	INDEX NO.		
C1	192	C11	237	C21	241	C31	184	C41	184	C51	239	C61	184
C2	192	C12	237	C22	241	C32	184	---	---	---	---	C62	239
C3	193	C13	237	C23	241	C33	184	C43	242	---	---	C63	184
C4	193	C14	184	C24	183	C34	184	C44	239	C54	239	C64	239
C5	233	C15	184	C25	241	C35	241	C45	184	C55	184	C65	239
C6	237	C16	184	C26	241	C36	184	C46	239	C56	241	C66	184
C7	237	C17	241	C27	241	C37	184	C47	239	C57	237	C67	239
C8	237	C18	241	C28	241	C38	241	C48	239	C58	236	C68	239
C9	237	C19	184	C29	241	C39	239	C49	239	C59	184	C69	239
C10	237	C20	184	C30	241	C40	184	C50	239	C60	184	C70	239

CAPACITOR

SYMBOL NO.	INDEX NO.	SYMBOL NO.	INDEX NO.	SYMBOL NO.	INDEX NO.	SYMBOL NO.	INDEX NO.	SYMBOL NO.	INDEX NO.	SYMBOL NO.	INDEX NO.	SYMBOL NO.	INDEX NO.
C71	239	C81	182	C91	233	C101	233	C111	239	C121	239	C131	239
C72	184	C82	182	C92	241	C102	233	C112	242	C122	242	C132	239
C73	241	C83	182	C93	233	C103	233	C113	239	C123	242	C133	242
C74	241	C84	241	C94	233	C104	233	C114	242	C124	239	C134	239
C75	241	C85	241	C95	241	C105	239	C115	239	C125	239	C135	239
C76	184	C86	191	C96	234	C106	184	C116	242	C126	242	C136	242
C77	241	C87	233	C97	233	C107	239	C117	235	C127	239	C137	242
C78	184	C88	233	C98	233	C108	184	C118	236	C128	239	C138	242
C79	241	C89	239	C99	233	C109	184	C119	237	C129	242	C139	239
C80	241	C90	233	C100	233	C110	184	C120	184	C130	242	C140	242

80.IOB Board (B132/B200)

CAPACITOR

SYMBOL NO.	INDEX NO.	SYMBOL NO.	INDEX NO.	SYMBOL NO.	INDEX NO.	SYMBOL NO.	INDEX NO.	SYMBOL NO.	INDEX NO.	SYMBOL NO.	INDEX NO.		
C141	239	C151	239	C161	242	C171	242	C181	242	C191	239	C201	242
C142	242	C152	242	C162	242	C172	239	C182	242	C192	233	C202	184
C143	239	C153	239	C163	239	C173	239	C183	184	C193	239	C203	241
C144	242	C154	242	C164	239	C174	242	C184	184	C194	242	C204	238
C145	239	C155	237	C165	242	C175	242	C185	184	C195	184	C205	238
C146	242	C156	236	C166	239	C176	239	C186	184	C196	184	C206	238
C147	239	C157	239	C167	242	C177	239	C187	184	C197	239	C207	238
C148	184	C158	242	C168	239	C178	242	C188	184	C198	239	C208	238
C149	239	C159	239	C169	242	C179	239	C189	239	C199	239	C209	184
C150	242	C160	242	C170	239	C180	239	C190	239	C200	193	C210	241

CAPACITOR

SYMBOL NO.	INDEX NO.	SYMBOL NO.	INDEX NO.	SYMBOL NO.	INDEX NO.	SYMBOL NO.	INDEX NO.	SYMBOL NO.	INDEX NO.	SYMBOL NO.	INDEX NO.	SYMBOL NO.	INDEX NO.
C211	241	C221	241	C231	234	C241	233	C251	233	C261	233	C271	233
C212	241	C222	241	C232	233	C242	233	C252	233	C262	233	C272	233
C213	184	C223	241	C233	233	C243	233	C253	233	C263	233	C273	233
C214	184	C224	241	C234	233	C244	233	C254	233	C264	233	C274	233
C215	184	C225	233	C235	233	C245	233	C255	233	C265	233	C275	233
C216	184	C226	233	C236	233	C246	233	C256	233	C266	233	C276	233
C217	241	C227	233	C237	233	C247	233	C257	233	C267	233	C277	233
C218	241	C228	233	C238	233	C248	233	C258	233	C268	233	C278	233
C219	241	C229	233	C239	233	C249	233	C259	233	C269	233	C279	233
C220	241	C230	233	C240	233	C250	233	C260	233	C270	233	C280	241

80.IOB Board (B132/B200)

CAPACITOR

SYMBOL NO.	INDEX NO.	SYMBOL NO.	INDEX NO.	SYMBOL NO.	INDEX NO.	SYMBOL NO.	INDEX NO.	SYMBOL NO.	INDEX NO.	SYMBOL NO.	INDEX NO.		
C281	241	C291	242	---	---	C311	241	C321	241	C331	241	C341	240
C282	241	C292	241	C302	241	C312	241	C322	242	C332	241	C342	240
C283	242	C293	241	C303	241	C313	241	C323	242	C333	241	C343	240
C284	242	C294	242	C304	241	C314	241	C324	184	C334	239	C344	239
C285	242	C295	242	C305	241	C315	239	C325	184	C335	239	C345	239
C286	242	C296	184	C306	241	C316	239	C326	237	C336	239	C346	184
C287	241	C297	184	C307	241	C317	239	C327	237	C337	239	C347	184
C288	242	C298	241	C308	241	C318	239	C328	237	C338	239	C348	184
C289	241	C299	241	C309	241	C319	239	C329	237	C339	239	C349	184
C290	239	C300	184	C310	241	C320	239	C330	241	C340	240	C350	241

CAPACITOR

SYMBOL NO.	INDEX NO.	SYMBOL NO.	INDEX NO.	SYMBOL NO.	INDEX NO.	SYMBOL NO.	INDEX NO.	SYMBOL NO.	INDEX NO.	SYMBOL NO.	INDEX NO.	SYMBOL NO.	INDEX NO.
C351	241	C361	241	C371	241	C381	241	C401	184	C411	184	C421	184
C352	241	C362	241	C372	241	C382	241	C402	184	C412	184	C422	184
C353	241	C363	184	C373	241	C383	241	C403	184	C413	184	C423	184
C354	239	C364	184	C374	241	C384	241	C404	184	C414	184	C424	184
C355	239	C365	184	C375	241	C385	241	C405	184	C415	184	C425	184
C356	239	C366	239	C376	241	C386	241	C406	184	C416	184	C426	184
C357	239	C367	239	C377	241	C387	241	C407	184	C417	184	C427	184
C358	239	C368	239	C378	241	C388	241	C408	184	C418	184	C428	184
C359	184	C369	241	C379	241	C389	241	C409	184	C419	184	C429	184
C360	241	---	---	C380	241	---	---	C410	184	C420	184	C430	184

80.IOB Board (B132/B200)

CAPACITOR

SYMBOL NO.	INDEX NO.
C431	184
C432	184
C433	184
---	---
---	---
---	---
---	---
---	---
---	---
---	---

SYMBOL NO.	INDEX NO.
C501	184
C502	184
C503	184
C504	184
C505	184
C506	184
C507	184
C508	184
C509	184
C510	184

SYMBOL NO.	INDEX NO.
C511	184
C512	184
---	---
---	---

CONNECTOR

SYMBOL NO.	INDEX NO.
CN200	106
CN201	103
CN202	112
CN203	110
CN204	114
CN205	113
CN206	113
CN207	111
CN208	109
CN209	112
CN210	108

SYMBOL NO.	INDEX NO.
CN211	115
---	---
CN213	117
CN214	110
CN215	109
CN216	104
CN217	107
CN218	113
CN219	105
CN220	102

SYMBOL NO.	INDEX NO.
---	---
---	---
CN223	116
---	---
CN225	118

DIODE

SYMBOL NO.	INDEX NO.
D1	130
D2	130
D3	130
D4	131
D5	131
D6	130
D7	130
D8	127
D9	128
D10	127

DIODE

SYMBOL NO.	INDEX NO.
D11	127
D12	132
D13	131
D14	131
D15	131
D16	131
D17	131
D18	131
D19	131
D20	131

SYMBOL NO.	INDEX NO.
D21	131
D22	127
D23	127
D24	128
D25	128
D26	129
D27	128
D28	127
D29	127
D30	132

SYMBOL NO.	INDEX NO.
D31	135
D32	135
D33	131
D34	131
D35	127
D36	128
D37	127
D38	128
D39	129
D40	129

SYMBOL NO.	INDEX NO.
D41	129
---	---
---	---
D44	131
D45	131

FILTER

SYMBOL NO.	INDEX NO.
FIL1	185
FIL2	186

FUSE

SYMBOL NO.	INDEX NO.
FU1	119

IC

SYMBOL NO.	INDEX NO.
IC1	160
IC2	144
IC3	160
IC4	151
IC5	141
IC5	160
---	---
IC7	141
IC8	160
IC9	158
IC10	147

SYMBOL NO.	INDEX NO.
IC11	160
IC12	143
IC13	143
---	---
IC15	141
IC16	141
IC17	141
IC18	141
IC19	159
IC20	158

80.IOB Board (B132/B200)

IC

SYMBOL NO.	INDEX NO.
IC21	151
IC22	160
IC23	153
IC24	2
IC25	154
IC26	151
IC27	153
IC28	4
IC29	146
IC30	154

SYMBOL NO.	INDEX NO.
IC31	160
IC32	160
IC33	158
IC34	149
IC35	141
IC36	155
IC37	148
IC38	156
IC39	5
IC40	1

SYMBOL NO.	INDEX NO.
IC41	149
IC42	145
IC43	5
IC44	145
IC45	145
IC46	145
IC47	141
IC48	145
IC49	149
IC50	3

SYMBOL NO.	INDEX NO.
IC51	141
IC52	150
IC53	152
IC54	141
IC55	141
IC56	141
---	---
IC58	159
IC59	141
IC60	141

SYMBOL NO.	INDEX NO.
IC61	143

JP

SYMBOL NO.	INDEX NO.
JP1	189
---	---
JP3	189
JP4	189
---	---
---	---
JP7	190
---	---
---	---
JP10	189

SYMBOL NO.	INDEX NO.
JP11	189
JP12	189
JP13	189
---	---
---	---
JP16	189
JP17	189
JP18	189
JP19	189
---	---

JP

SYMBOL NO.	INDEX NO.
---	---
---	---
JP23	190
JP24	189
JP63	190

OSC

SYMBOL NO.	INDEX NO.
OSC1	166
OSC2	163
OSC3	164
OSC4	164
OSC5	165

Q

SYMBOL NO.	INDEX NO.
Q1	161
Q2	161
Q3	140
Q4	140
Q5	140
Q6	140
Q7	140
Q8	140
Q9	140
Q10	140

SYMBOL NO.	INDEX NO.
Q11	140
Q12	121
Q13	121
Q14	121
Q15	124
Q16	124
Q17	124
Q18	125
Q19	125
Q20	125

SYMBOL NO.	INDEX NO.
Q21	120
Q22	123
Q23	123
---	---
Q25	122
Q26	140
Q27	124
Q28	124
Q29	142
Q30	121

SYMBOL NO.	INDEX NO.
Q31	126
Q32	126
Q33	126
Q34	126
Q35	122
Q36	140
Q37	140
---	---
Q39	140
Q40	140

SYMBOL NO.	INDEX NO.
Q60	157
Q61	157

LED

SYMBOL NO.	INDEX NO.
LED1	139
LED2	139

PC

SYMBOL NO.	INDEX NO.
PC1	138

80.IOB Board (B132/B200)

RESISTOR

SYMBOL NO.	INDEX NO.	SYMBOL NO.	INDEX NO.	SYMBOL NO.	INDEX NO.	SYMBOL NO.	INDEX NO.	SYMBOL NO.	INDEX NO.	SYMBOL NO.	INDEX NO.	SYMBOL NO.	INDEX NO.
R141	200	R151	202	R161	218	R171	218	R181	199	R191	208	R201	200
R142	218	R152	203	R162	218	R172	200	R182	199	R192	197	R202	208
R143	218	R153	211	R163	202	R173	218	R183	199	R193	208	R203	200
R144	218	R154	200	R164	206	R174	218	R184	199	R194	208	R204	208
---	---	R155	200	R165	218	R175	200	R185	195	R195	208	R205	208
R146	218	R156	218	R166	218	R176	211	R186	195	R196	208	R206	208
R147	218	R157	218	R167	218	R177	199	R187	208	R197	208	R207	208
---	---	R158	199	R168	218	R178	211	R188	197	R198	208	R208	199
R149	218	R159	199	R169	218	R179	211	R189	208	R199	200	R209	199
R150	210	R160	200	R170	218	R180	199	R190	197	R200	208	R210	195

RESISTOR

SYMBOL NO.	INDEX NO.	SYMBOL NO.	INDEX NO.	SYMBOL NO.	INDEX NO.	SYMBOL NO.	INDEX NO.	SYMBOL NO.	INDEX NO.	SYMBOL NO.	INDEX NO.	SYMBOL NO.	INDEX NO.
R211	195	R221	217	R231	197	R241	200	R251	200	R261	200	R271	211
R212	195	R222	217	R232	200	R242	197	R252	200	R262	200	R272	211
R213	195	R223	217	R233	200	R243	197	R253	200	R263	200	R273	211
R214	195	R224	168	R234	200	R244	197	R254	200	R264	200	R274	199
R215	195	R225	168	R235	200	R245	197	R255	215	R265	211	R275	199
R216	197	R226	170	R236	200	R246	197	R256	215	R266	200	R276	200
R217	200	R227	170	R237	200	R247	200	R257	200	R267	200	R277	200
R218	200	R228	197	R238	200	R248	200	R258	200	R268	211	R278	200
R219	217	R229	197	R239	200	R249	200	R259	200	R269	200	R279	208
R220	217	R230	197	R240	200	R250	200	R260	211	R270	211	R280	200

80.IOB Board (B132/B200)

RESISTOR

SYMBOL NO.	INDEX NO.	SYMBOL NO.	INDEX NO.	SYMBOL NO.	INDEX NO.	SYMBOL NO.	INDEX NO.	SYMBOL NO.	INDEX NO.	SYMBOL NO.	INDEX NO.		
R281	208	R291	218	R301	218	R311	200	R321	200	R331	199	R341	200
R282	200	R292	215	R302	218	R312	200	R322	218	R332	199	R342	200
R283	200	R293	208	R303	218	R313	200	R323	218	R333	200	R343	200
R284	214	R294	218	R304	200	R314	200	R324	218	R334	200	R344	200
R285	214	R295	218	R305	218	R315	218	R325	218	R335	200	R345	215
R286	218	R296	200	R306	200	R316	218	R326	218	R336	200	R346	208
---	---	R297	199	R307	200	R317	218	R327	218	R337	215	R347	215
R288	200	R298	218	R308	200	R318	218	R328	218	R338	208	R348	200
R289	200	R299	218	R309	200	R319	218	R329	218	R339	197	R349	208
R290	218	R300	218	R310	200	R320	200	R330	200	R340	197	R350	200

RESISTOR

SYMBOL NO.	INDEX NO.	SYMBOL NO.	INDEX NO.	SYMBOL NO.	INDEX NO.	SYMBOL NO.	INDEX NO.	SYMBOL NO.	INDEX NO.	SYMBOL NO.	INDEX NO.		
R351	200	R361	199	R371	199	R381	200	R391	204	R401	200	R411	232
R352	200	R362	199	R372	228	R382	215	R389	204	R402	194	R412	232
R353	231	R363	228	R373	200	R383	199	R393	199	R403	194	R413	223
R354	199	R364	215	---	---	R384	226	R394	198	R404	197	R414	223
R355	199	R365	215	---	---	R385	226	R395	200	R405	200	R415	232
R356	231	R366	200	R376	199	R386	226	R396	198	R406	200	R416	232
R357	197	R367	215	R377	199	R387	204	R397	199	R407	200	R417	223
R358	200	R368	215	R378	199	R388	204	R398	199	R408	200	R418	221
R359	209	R369	228	R379	199	R389	204	R399	200	R409	200	R419	199
R360	228	R370	199	R380	200	R390	204	R400	200	R410	223	R420	199

80.IOB Board (B132/B200)

RESISTOR

SYMBOL NO.	INDEX NO.
R421	221
R422	215
R423	215
R424	200
R425	215
R426	215
R427	221
R428	199
R429	199
R430	221

SYMBOL NO.	INDEX NO.
R431	222
R432	222
R433	199
R434	199
R435	199
R436	199
R437	200
R438	200
R439	200
R440	200

SYMBOL NO.	INDEX NO.
R441	173
R442	222
R443	172
R444	173
R445	222
R446	227
R447	229
R448	199
R449	222
R450	199

SYMBOL NO.	INDEX NO.
R451	200
R451	224
R452	229
R453	199
R454	224
R455	229
R456	199
R457	222
R458	199
R459	199
R460	222

SYMBOL NO.	INDEX NO.
---	---
R462	200
R463	200
R464	200
R465	213
R466	218
R467	200
R468	197
R469	200
R470	200

SYMBOL NO.	INDEX NO.
R471	218
R472	218
R473	218
R474	218
R475	218
R476	218
R477	218
R478	218

RE

SYMBOL NO.	INDEX NO.
REG2	162

RN

SYMBOL NO.	INDEX NO.
RN1	175
RN2	175
RN3	175
RN4	177
RN5	175
RN6	175
RN7	177
RN8	175
RN9	175
RN10	175

SYMBOL NO.	INDEX NO.
RN11	175
RN12	175
RN13	175
RN14	177
RN15	175
RN16	175
RN17	177
RN18	175
RN19	175
RN20	175

SYMBOL NO.	INDEX NO.
RN21	175
RN22	175
RN23	175
RN24	175
RN25	175
RN26	175
RN27	175
RN28	175
RN29	175
RN30	177

SYMBOL NO.	INDEX NO.
RN31	177
RN32	175
RN33	175
RN34	177
RN35	175
RN36	175
RN37	175
RN38	175
RN39	175
RN40	181

SYMBOL NO.	INDEX NO.
RN41	181
RN42	176
RN43	176
RN44	176
RN45	176
RN46	176
RN47	176
RN48	176
RN49	176
RN50	175

SYMBOL NO.	INDEX NO.
RN51	175
RN52	175
RN53	175
RN54	175
RN55	177
RN56	178
RN57	175
RN58	188
RN59	179
RN60	179

SYMBOL NO.	INDEX NO.
RN61	178
RN62	178
RN63	187
RN64	175
RN65	178
RN66	178
RN67	178
RN68	178
RN69	178
RN70	178

80.IOB Board (B132/B200)

RN

SYMBOL NO.	INDEX NO.
RN71	178
RN72	178
RN73	178
RN74	175
RN75	178
RN76	178
RN77	178
RN78	174
RN79	178
RN80	175

SYMBOL NO.	INDEX NO.
RN81	175
RN82	178
RN83	178
RN84	175
RN85	175
RN86	175
RN87	175
RN88	175
RN89	175
RN90	175

SYMBOL NO.	INDEX NO.
RN91	175
RN92	174
RN93	180
RN94	180
RN95	180
RN96	178
RN97	180
RN98	175
---	---
RN100	175

SYMBOL NO.	INDEX NO.
RN101	175
RN102	175
RN103	175
RN104	175
RN105	177
RN106	175
RN107	175
---	---
RN109	178
RN110	178

SYMBOL NO.	INDEX NO.
RN111	175
RN112	175
RN113	177
RN114	178

TP

SYMBOL NO.	INDEX NO.
TP1	101
TP2	101
TP3	101
TP4	101
TP5	101
TP46	101
TP47	101
---	---
---	---
---	---

SYMBOL NO.	INDEX NO.
---	---
TP72	101

ZD

SYMBOL NO.	INDEX NO.
ZD1	134
ZD2	136
ZD3	136
---	---
ZD5	137
ZD6	137
ZD7	137
ZD8	133
ZD9	137

80.IOB Board (B132/B200)

Index No.	Part No.	Description	Q'ty Per Assembly
*	B132 5410	PCB:IOB	1
1	A232 5355	IC - GATEX	1
2	B051 5501	Converter - M38034M4-091FP	1
3	B065 5128	IC - GASTM	1
4	B132 5510	IC - DSP:VENUS:MUSIC	1
5	G060 5355	IC - S-GATEX	2

Index No.	Part No.	Description	Q'ty Per Assembly
101	1101 0328	Connector Pin Contact	
102	1102 3822	Connector - 20P	
103	1102 5301	Connector - 2P	
104	1102 5303	Connector - 4P	
105	1102 6297	Connector - 4P	
106	1102 6594	Connector - 10P	
107	1102 8479	Connector - 15P	
108	1102 8485	Connector - 55451-2210	
109	1102 8486	Connector - 55451-2410	
110	1102 8487	Connector - 55451-2610	
111	1102 8489	Connector - 55451-3010	
112	1102 8490	Connector - 55451-3210	
113	1102 8491	Connector - 55451-3410	
114	1102 8493	Connector - 55451-3810	
115	1102 8494	Connector - 55451-4010	
116	1102 8921	Connector - IMSA-9202B-2-14Z041-PT1	
117	1102 9125	Connector 3-292208-2	
118	1102 9449	Connector - TX24-100R-LT-H1E	
119	1109 0018	Circuit Protector - SMD100	
120	1400 0443	Transistor - DTB114EK	
121	1400 0556	Transistor - DTB143EK	
122	1400 0728	Transistor - 2SD2170	
123	1400 0767	Transistor - DTA114EUA	
124	1400 0775	Transistor - 2SC4081	
125	1400 0810	Transistor - DTC114EUA	
126	1400 0909	Transistor - DTA143EUA	
127	1402 0595	Diode Array - DAN202K	
128	1402 0596	Diode-array - DAP202K	
129	1402 1041	Diode - DA204U	
130	1402 1326	Diode Array - DA227	
131	1402 1336	Diode - 1SS355	
132	1402 1375	Diode - ERB84-009	
133	1402 1432	Diode - HZS18-1	
134	1402 1447	Diode - PTZ5.1B	
135	1402 1554	Diode-rb160I-60	

Index No.	Part No.	Description	Q'ty Per Assembly
136	1402 1662	Diode - PTZ6.2B	
137	1402 1663	Diode - ZTP12B	
138	1403 0964	Photocoupler - PC817X3J000F	
139	1403 1033	LED - SML-310YT	
140	1407 1535	IC - TD62308AP	
141	1407 2187	TTLIC - SN74LS07NS	
142	1407 2219	IC - TD62003AP	
143	1407 3357	Comparator - BA10393F	
144	1407 4023	IC - M62353GP	
145	1407 5344	IC - SN74LV02APW	
146	1407 5346	IC - SN74LS74ANS	
147	1407 5347	IC - SN74LV08APW	
148	1407 5350	IC - SN74LV00APW	
149	1407 5351	IC - SN74LV14APW	
150	1407 5364	IC - SN74AHCT244PW	
151	1407 5374	IC - SN74LV4052APW	
152	1407 5376	IC - SN74LV32APW	
153	1407 5398	IC - CD4066BNS	
154	1407 5469	IC - SN74LV07APW	
155	1407 5508	IC - SN74LV125APW	
156	1407 5686	CMOS Logic - SN74AHC2GU04HDCT	
157	1407 6341	Driver - TD62783APG	
158	1408 0810	IC - BA10358F	
159	1408 1065	Comparator - BA10339F	
160	1408 1095	IC - BA10324AF	
161	1408 1535	Transistor Array - M54585P	
162	1408 1774	Series Regulator - Upc2933at	
163	1503 0885	Crystal Oscillator - 10Mhz	
164	1503 0946	Crystal Oscillator - 9.8304Mhz	
165	1503 1084	Crystal Oscillator - 21Mhz	
166	1503 1214	Ceramic Oscillator - 16Mhz	
167	1601 5452	Resistor - 120Ω ±5% 3W	
168	1601 5453	Resistor - 150Ω ±5% 3W	
169	1601 5466	Resistor - 180Ω ±5% 3W	
170	1601 5491	Resistor - 100Ω ±5% 3W	

Index No.	Part No.	Description	Q'ty Per Assembly
171	1601 5493	Resistor - 100 Ω ±5% 2W	
172	1601 5632	Resistor - 1K Ω ±0.1% 1/16W	
173	1601 5711	Resistor - 33K Ω ±0.1% 1/16W	
174	1601 7877	Resistor Array 4.7k Ω ±5% 1/32W	
175	1601 7887	Resistor Array - 10K Ω ±5% 1/32W	
176	1601 7898	Resistor Array	
177	1601 7909	Resistor Array - 10 Ω ±5% 1/32W	
178	1601 7943	Resistor Array - 68 Ω ±5% 1/32W	
179	1601 7960	Resistor Array - 100 Ω ±5% 1/16W	
180	1601 7983	Resistor Array - 2.2kΩ:±5%:1/16W	
181	1601 7992	Resistor - 47KΩ ±5% 1/16W	
182	1605 0796	Capacitor - 4700pF:±5%:50V	
183	1605 1071	Capacitor - 1μF±10% 25V	
184	1605 1148	Capacitor - 0.1μF+80-20% 50V	
185	1607 0758	Filter - DSS710D223A12-22	
186	1607 1002	IC - NFM60R30T222	
187	1609 0007	Resistor - 68Ω ±5% 1/16W	
188	1609 0025	Resistor - 100Ω ±5% 1/16W	
189	1632 0000	Resistor - 0 Ω 1/8W	
190	1634 0000	Resistor - 0 Ω 1/16W	
191	1640 5101	Capacitor - 100μF±20% 50V	
192	1640 5331	Capacitor - 330μF±20% 50V	
193	1642 2470	Capacitor - 47μF±20% 25V	
194	1650 3131	Resistor - 130 Ω ±5% 1/8W	
195	1650 3151	Resistor - 150Ω±5%1/8W	
196	1650 3201	Resistor - 200Ω ±5% 1/8W	
197	1650 4100	Resistor - 10Ω ±5% 1/10W	
198	1650 4101	Resistor - 100Ω±5%1/10W	
199	1650 4102	Resistor - 1KΩ ±5% 1/10W	
200	1650 4103	Resistor - 10KΩ ±5% 1/10W	
201	1650 4104	Resistor - 100KΩ±5%1/10W	
202	1650 4105	Resistor - 1MΩ ±5% 1/10W	
203	1650 4121	Resistor - 120Ω±5%1/10W	
204	1650 4154	Resistor - 150kΩ ±5% 1/10W	
205	1650 4182	Resistor - 1.8KΩ±5%1/10W	

Index No.	Part No.	Description	Q'ty Per Assembly
206	1650 4202	Resistor - 2K Ω \pm 5% 1/10W	
207	1650 4220	Chip Resistor - 22 Ω \pm 5% 1/10W	
208	1650 4222	Resistor - 2.2K Ω \pm 5% 1/10W	
209	1650 4224	Resistor - 220k Ω : \pm 5%:1/10W	
210	1650 4272	Resistor - 2.7K Ω \pm 5% 1/10W	
211	1650 4330	Chip Resistor - 33 Ω \pm 5% 1/10W	
212	1650 4331	Resistor - 330 Ω \pm 5% 1/10W	
213	1650 4332	Resistor - 3.3K Ω \pm 5% 1/10W	
214	1650 4333	Resistor - 33K Ω \pm 5% 1/10W	
215	1650 4472	Resistor - 4.7K Ω \pm 5% 1/10W	
216	1650 4510	Resistor - 51 Ω \pm 5% 1/10W	
217	1650 4560	Chip Resistor - 56 Ω \pm 5% 1/10W	
218	1650 4680	Resistor - 68 Ω \pm 5% 1/10W	
219	1650 4750	Resistor - 75 Ω \pm 5% 1/10W	
220	1653 5609	Resistor - 56 Ω \pm 1% 1/8W	
221	1654 1001	Resistor - 1K Ω \pm 1% 1/10W	
222	1654 1002	Resistor - 10K Ω \pm 5% 1/10W	
223	1654 1602	Resistor - 16K Ω \pm 1% 1/10W	
224	1654 1800	Resistor - 180 Ω \pm 1% 1/10W	
225	1654 2202	Resistor - 22K Ω \pm 1% 1/10W	
226	1654 2402	Chip Resistor - 24k Ω : \pm 1%:1/10W	
227	1654 2800	Resistor - 280 Ω \pm 1% 1/10W	
228	1654 4702	Chip Resistor - 47k Ω \pm 1% 1/10W	
229	1654 6201	Resistor - 6.2K Ω \pm 1% 1/10W	
230	1654 6801	Resistor - 6.8K Ω \pm 1% 1/10W	
231	1654 8201	Resistor - 8.2K Ω \pm 1% 1/10W	
232	1654 9101	Resistor - 9.1k Ω : \pm 1%:1/10W	
233	1660 0100	Capacitor - 10PF \pm 0.5pF 50V	
234	1660 2101	Capacitor - 100pF - \pm 10% - 50V	
235	1660 2220	Capacitor - 22pF \pm 20% 35V	
236	1660 2270	Capacitor - 27pF \pm 20% 35V	
237	1660 2330	Capacitor - 33pF - \pm 5% - 50V	
238	1660 2470	Capacitor - 47pF \pm 5% 50V	
239	1660 2471	Capacitor - 470pF - \pm 5% - 50V	
240	1660 4102	Capacitor - 1000pF \pm 10% 50V	

Index No.	Part No.	Description	Q'ty Per Assembly
241	1660 6103	Capacitor - 10000pF - +80%-20%50V	
242	1660 8104	Capacitor - 0.1 μ F+80-20% 25V	

81.Control Board (B132/B200)

BAT

SYMBOL NO.	INDEX NO.
BAT1	112

CAPACITOR

SYMBOL NO.	INDEX NO.
---	---
C2	198
C3	167
C4	190
C5	190
C6	194
C7	200
C8	200
C9	167
C10	190

SYMBOL NO.	INDEX NO.
C11	194
C12	200
C13	200
C14	200
C15	200
C16	200
C17	200
C18	194
C19	194
C20	198

SYMBOL NO.	INDEX NO.
C21	200
---	---
---	---
C24	189
C25	179
C26	187
C27	182
C28	190
C29	190
C30	200

SYMBOL NO.	INDEX NO.
C31	177
C32	178
C33	200
C34	200
C35	189
C36	168
C37	187
C38	200
C39	170
C40	185

SYMBOL NO.	INDEX NO.
C41	200
C42	187
C43	168
C44	194
C45	186
C46	187
C47	200
C48	194
C49	168
C50	189

SYMBOL NO.	INDEX NO.
C51	189
C52	189
C53	189
C54	199
C55	188
C56	200
C57	198
C58	198
C59	198
C60	200

CAPACITOR

SYMBOL NO.	INDEX NO.
C61	200
C62	186
C63	189
C64	189
C65	189
C66	197
C67	191
---	---
C69	189
C70	189

SYMBOL NO.	INDEX NO.
C71	189
C72	189
C73	189
C74	189
C75	198
C76	189
C77	189
C78	189
C79	189
C80	189

SYMBOL NO.	INDEX NO.
C81	189
C82	189
C83	189
C84	189
C85	190
C86	200
C87	176
C88	190
C89	200
C90	169

SYMBOL NO.	INDEX NO.
C91	193
C92	191
C93	189
---	---
C95	189
C96	198
C97	201
C98	194
C99	194
C100	194

SYMBOL NO.	INDEX NO.
C101	189
C102	189
C103	189
C104	189
C105	189
C106	189
C107	201
C108	198
C109	198
C110	198

SYMBOL NO.	INDEX NO.
C111	200
C112	200
C113	198
C114	169
C115	200
C116	200
C117	169
C118	189
C119	189
---	---

SYMBOL NO.	INDEX NO.
C121	172
C122	189
C123	168
C124	168
C125	168
C126	168
C127	168
C128	168
C129	168
C130	168

81.Control Board (B132/B200)

CAPACITOR

SYMBOL NO.	INDEX NO.	SYMBOL NO.	INDEX NO.	SYMBOL NO.	INDEX NO.	SYMBOL NO.	INDEX NO.	SYMBOL NO.	INDEX NO.	SYMBOL NO.	INDEX NO.	SYMBOL NO.	INDEX NO.
C131	171	C141	189	C151	182	C161	175	C171	187	C181	189	C191	200
C132	171	C142	189	C152	196	C162	200	C172	193	C182	198	C192	200
C133	172	C143	181	C153	184	C163	200	C173	203	C183	189	C193	203
C134	172	C144	198	C154	184	---	---	C174	170	C184	200	C194	189
C135	205	C145	200	C155	187	C165	189	C175	168	C185	200	C195	189
C136	182	C146	198	C156	187	---	---	C176	200	C186	200	C196	189
C137	168	C147	200	C157	187	C167	187	C177	187	C187	200	C197	189
C138	168	C148	200	C158	200	C168	200	C178	203	C188	200	C198	189
C139	168	C149	198	C159	200	C169	168	C179	189	C189	200	C199	172
C140	189	C150	182	C160	175	C170	194	C180	198	C190	200	C200	200

CAPACITOR

SYMBOL NO.	INDEX NO.	SYMBOL NO.	INDEX NO.	SYMBOL NO.	INDEX NO.	SYMBOL NO.	INDEX NO.	SYMBOL NO.	INDEX NO.	SYMBOL NO.	INDEX NO.	SYMBOL NO.	INDEX NO.
C201	187	C211	187	C221	207	---	---	C241	207	C251	176	C261	187
C202	187	C212	187	C222	207	C232	174	---	---	C252	176	C262	306
---	---	---	---	C223	201	---	---	---	---	C253	176	C263	187
---	---	C214	189	---	---	---	---	C244	194	C254	176	C264	189
C205	172	C215	189	---	---	C235	194	C245	207	C255	200	C265	187
C206	200	C216	189	C226	201	C236	194	C246	176	C256	200	C266	187
C207	187	C217	189	C227	168	C237	196	C247	176	C257	200	C267	206
C208	187	C218	199	C228	191	C238	196	C248	176	C258	200	C268	198
C209	172	C219	167	C229	207	---	---	C249	176	C259	187	---	---
C210	200	C220	207	C230	168	---	---	C250	176	C260	204	C270	168

81.Control Board (B132/B200)

CAPACITOR

SYMBOL NO.	INDEX NO.	SYMBOL NO.	INDEX NO.	SYMBOL NO.	INDEX NO.	SYMBOL NO.	INDEX NO.	SYMBOL NO.	INDEX NO.	SYMBOL NO.	INDEX NO.	SYMBOL NO.	INDEX NO.
C271	189	C281	173	C291	173	C301	189	---	---	C321	189	C331	189
C272	189	C282	173	C292	189	C302	168	C312	187	C322	189	C332	189
C273	198	C283	189	C293	173	C303	189	C313	200	C323	189	C333	189
C274	189	C284	198	C294	189	C304	189	C314	189	C324	189	C334	189
C275	189	C285	189	C295	189	C305	168	C315	189	C325	189	C335	189
C276	198	C286	173	C296	198	C306	198	C316	187	---	---	C336	189
C277	189	C287	173	C297	189	C307	196	C317	187	---	---	C337	173
C278	189	C288	189	C298	189	C308	195	C318	200	C328	194	C338	173
C279	198	C289	189	C299	189	C309	181	C319	200	C329	170	C339	173
C280	189	C290	198	C300	198	C310	183	C320	200	C330	189	C340	173

CAPACITOR

SYMBOL NO.	INDEX NO.	SYMBOL NO.	INDEX NO.	SYMBOL NO.	INDEX NO.	SYMBOL NO.	INDEX NO.	SYMBOL NO.	INDEX NO.	SYMBOL NO.	INDEX NO.	SYMBOL NO.	INDEX NO.
C341	173	C351	173	C361	173	C371	189	---	---	C391	168	C401	200
C342	173	C352	189	C362	189	C372	168	C382	200	C392	189	C402	200
C343	189	C353	173	C363	189	---	---	C383	200	C393	198	C403	200
C344	173	C354	189	C364	189	---	---	C384	198	C394	189	C404	200
C345	173	C355	173	C365	189	C375	198	C385	198	C395	168	C405	172
C346	189	C356	173	C366	189	C376	198	C386	189	C396	194	C406	172
C347	198	C357	173	C367	189	C377	200	C387	168	C397	194	C407	200
---	---	C358	173	C368	208	C378	200	C388	189	C398	189	C408	198
C349	198	C359	173	C369	189	---	---	C389	189	C399	189	C409	198
C350	173	C360	173	C370	189	---	---	C390	189	C400	200	C410	172

81.Control Board (B132/B200)

CAPACITOR

SYMBOL NO.	INDEX NO.	SYMBOL NO.	INDEX NO.	SYMBOL NO.	INDEX NO.	SYMBOL NO.	INDEX NO.	SYMBOL NO.	INDEX NO.	SYMBOL NO.	INDEX NO.	SYMBOL NO.	INDEX NO.
C411	200	C421	189	C431	189	C441	189	C451	189	C461	198	C471	189
C412	200	C422	198	C432	189	C442	189	C452	202	C462	198	C472	189
C413	172	C423	189	C433	189	C443	189	C453	202	C463	200	C473	189
C414	200	C424	189	C434	189	C444	189	C454	202	---	---	C474	189
C415	200	C425	198	C435	189	C445	198	C455	189	C465	198	C475	189
C416	198	C426	189	C436	198	C446	189	C456	189	---	---	C476	189
C417	198	C427	200	C437	198	C447	189	C457	189	C467	198	C477	189
C418	198	C428	200	C438	189	C448	189	C458	189	C468	189	C478	189
C419	198	C429	189	C439	189	C449	189	C459	189	C469	189	C479	189
C420	189	C430	189	C440	198	C450	189	C460	189	C470	189	C480	200

CAPACITOR

SYMBOL NO.	INDEX NO.	SYMBOL NO.	INDEX NO.	SYMBOL NO.	INDEX NO.	SYMBOL NO.	INDEX NO.	SYMBOL NO.	INDEX NO.	SYMBOL NO.	INDEX NO.	SYMBOL NO.	INDEX NO.
C481	189	C491	189	---	---	C511	181	C521	189	C531	189	C541	202
C482	172	C492	200	C502	198	C512	189	C522	189	C532	202	C542	186
C483	189	C493	189	C503	198	C513	189	C523	189	C533	198	C543	189
C484	189	C494	200	C504	200	C514	189	C524	198	C534	189	C544	189
C485	198	C495	189	C505	200	C515	189	C525	202	C535	189	C545	189
C486	189	C496	198	C506	191	C516	181	C526	189	C536	189	C546	189
---	---	C497	189	C507	198	C517	189	C527	189	C537	189	C547	189
C488	189	C498	198	---	---	C518	189	C528	189	C538	189	C548	186
C489	189	C499	189	C509	189	C519	189	C529	189	C539	189	---	---
C490	180	C500	189	C510	202	C520	189	C530	189	C540	202	C550	189

81.Control Board (B132/B200)

CAPACITOR

SYMBOL NO.	INDEX NO.	SYMBOL NO.	INDEX NO.	SYMBOL NO.	INDEX NO.	SYMBOL NO.	INDEX NO.	SYMBOL NO.	INDEX NO.	SYMBOL NO.	INDEX NO.	SYMBOL NO.	INDEX NO.
C551	200	C561	189	C571	200	C581	189	C591	189	C601	180	C611	189
C552	189	C562	189	C572	168	C582	192	C592	180	C602	189	C612	200
C553	189	C563	189	C573	180	C583	189	C593	189	C603	189	C613	200
C554	189	C564	189	C574	189	C584	189	C594	189	C604	168	C614	200
C555	189	C565	189	C575	189	C585	198	---	---	---	---	C615	189
C556	189	---	---	C576	180	C586	201	C596	189	C606	189	C616	200
C557	189	C567	189	C577	189	---	---	C597	189	C607	202	C617	200
C558	189	C568	189	C578	189	C588	189	C598	189	C608	200	C618	189
C559	189	C569	189	C579	180	C589	189	C599	189	C609	200	C619	189
C560	189	C570	200	C580	180	C590	189	C600	198	C610	200	C620	202

CAPACITOR

SYMBOL NO.	INDEX NO.	SYMBOL NO.	INDEX NO.	SYMBOL NO.	INDEX NO.	SYMBOL NO.	INDEX NO.	SYMBOL NO.	INDEX NO.	SYMBOL NO.	INDEX NO.	SYMBOL NO.	INDEX NO.
---	---	C631	168	C641	200	C651	200	C661	201	C821	189	CN500	101
C622	189	C632	200	C642	198	C652	199	C662	189	---	---	CN501	101
C623	198	C633	187	C643	198	C653	200	C663	189	---	---	CN502	103
C624	201	---	---	C644	198	C654	199	---	---	---	---	CN503	103
C625	189	C635	194	C645	198	C655	200	---	---	---	---	CN504	103
---	---	C636	168	C646	198	C656	199	---	---	---	---	CN505	104
---	---	C637	200	C647	198	C657	189	---	---	---	---	CN506	102
---	---	C638	187	C648	199	C658	198	---	---	---	---	CN507	102
C629	200	C639	200	C649	200	C659	198	---	---	---	---	CN508	106
C630	194	C640	199	C650	199	C660	198	---	---	---	---	CN512	105

CONNECTOR

81.Control Board (B132/B200)

DIODE

SYMBOL NO.	INDEX NO.
D1	131
D2	131
D3	128
D4	132
D5	132
---	---
D6	132
D7	132
D8	132
D9	130
D10	131

FILTER

SYMBOL NO.	INDEX NO.
D11	131
---	---
D13	133
---	---
D15	133
---	---
---	---
D18	129

FUSE

SYMBOL NO.	INDEX NO.
FU1	108

IC

SYMBOL NO.	INDEX NO.
---	---
IC2	155
IC3	157
IC4	155
IC5	144
---	---
IC6	141
IC7	142
IC8	137
IC9	142
IC10	140

SYMBOL NO.	INDEX NO.
---	---
---	---
IC13	156
IC14	158
IC15	138
---	---
---	---
IC17	1
IC18	151
IC19	140
IC20	144

SYMBOL NO.	INDEX NO.
IC21	154
IC22	136
IC23	152
IC24	158
IC25	156
---	---
IC26	149
IC27	139
IC28	147
IC29	2
---	---

SYMBOL NO.	INDEX NO.
IC31	160
IC32	137
---	---
IC34	146
IC35	150
---	---
IC36	145
---	---
---	---
---	---
---	---

IC

SYMBOL NO.	INDEX NO.
IC41	148
---	---
IC43	143
IC44	143
---	---
---	---
IC46	159
IC47	159
ICS26	107

JP

SYMBOL NO.	INDEX NO.
JP1	220
JP2	220
JP3	220
JP4	220
JP5	256
---	---
JP6	256
JP7	256
JP8	256
JP9	256
JP10	256

SYMBOL NO.	INDEX NO.
---	---
JP12	256
JP13	220
JP14	220
JP15	220
---	---
JP16	220
---	---
JP18	256

L

SYMBOL NO.	INDEX NO.
L1	211
L2	213
L3	211
L4	214
L5	215
---	---
L6	209

LED

SYMBOL NO.	INDEX NO.
LED1	135
LED2	135
LED3	135
LED4	135
LED5	135
---	---
LED6	135
LED7	135
LED8	135
LED9	135
LED10	134

OSC

SYMBOL NO.	INDEX NO.
OSC1	161
OSC2	163
OSC3	162

Q

SYMBOL NO.	INDEX NO.
Q1	126
Q2	117
Q3	117
Q4	120
Q5	119
---	---
Q6	116
Q7	116
Q8	116
Q9	119
Q10	114

81.Control Board (B132/B200)

Q

SYMBOL NO.	INDEX NO.
Q11	127
---	---
Q13	121
Q14	124
Q15	125
Q16	123
Q17	118
---	---
---	---
Q20	114

SYMBOL NO.	INDEX NO.
Q21	119
Q22	119
Q23	116
Q24	115
Q25	125
Q26	124
Q27	125
Q28	122
Q29	122
Q30	125

SYMBOL NO.	INDEX NO.
Q31	124
---	---
---	---
---	---
---	---
Q35	124
---	---
Q37	116
---	---
Q39	113
---	---

SYMBOL NO.	INDEX NO.
---	---
---	---
---	---
Q44	116
Q45	113
Q46	116
Q47	127

RESISTOR

SYMBOL NO.	INDEX NO.
---	---
---	---
---	---
R3	246
---	---
R5	239
R6	239
R7	266
R8	257
R9	246
R10	246

SYMBOL NO.	INDEX NO.
R11	256
R12	225
---	---
R14	239
R15	225
R16	225
R17	224
R18	225
R19	225
R20	225

SYMBOL NO.	INDEX NO.
---	---
---	---
R23	225
R24	246
R25	225
R26	254
R27	246
R28	225
R29	225
R30	254

RESISTOR

SYMBOL NO.	INDEX NO.
R31	254
R32	239
R33	225
R34	239
R35	254
R36	225
R37	254
R38	227
R39	227
R40	254

SYMBOL NO.	INDEX NO.
R41	256
R42	225
R43	225
---	---
R45	253
R46	239
R47	225
R48	256
R49	256
R50	256

SYMBOL NO.	INDEX NO.
R51	256
R52	256
R53	256
R54	254
R55	239
R56	239
R57	239
R58	239
R59	254
R60	254

SYMBOL NO.	INDEX NO.
R61	254
R62	254
R63	254
R64	254
---	---
R66	222
---	---
R68	222
R69	239
R70	239

SYMBOL NO.	INDEX NO.
R71	239
R72	239
R73	239
---	---
R75	222
R76	239
---	---
---	---
R78	222
R79	225
R80	225

SYMBOL NO.	INDEX NO.
R81	239
R82	225
R83	225
R84	225
R85	225
R86	225
R87	225
R88	225
R89	256
---	---

SYMBOL NO.	INDEX NO.
R91	225
R92	246
---	---
---	---
R95	254
R96	254
R97	254
R98	254
R99	254
R100	254

81.Control Board (B132/B200)

RESISTOR

SYMBOL NO.	INDEX NO.	SYMBOL NO.	INDEX NO.	SYMBOL NO.	INDEX NO.	SYMBOL NO.	INDEX NO.	SYMBOL NO.	INDEX NO.	SYMBOL NO.	INDEX NO.	SYMBOL NO.	INDEX NO.
R101	254	R111	254	R121	225	R131	239	R141	222	R151	234	R161	225
R102	254	R112	254	R122	225	R132	256	R142	225	R152	234	R162	225
R103	224	R113	225	R123	225	---	---	R143	222	R153	234	R163	246
R104	246	R114	250	R124	239	R134	225	R144	256	R154	234	R164	246
R105	241	R115	250	R125	225	---	---	R145	222	R155	244	R165	239
R106	254	R116	250	R126	239	R136	225	R146	234	R156	244	R166	239
R107	236	R117	225	R127	259	R137	225	R147	234	R157	222	R167	239
R108	254	---	---	R128	256	R138	222	R148	234	R158	222	R168	239
R109	254	R119	225	R129	239	---	---	R149	234	R159	225	R169	239
R110	254	R120	225	R130	239	R140	225	R150	234	R160	225	R170	225

RESISTOR

SYMBOL NO.	INDEX NO.	SYMBOL NO.	INDEX NO.	SYMBOL NO.	INDEX NO.	SYMBOL NO.	INDEX NO.	SYMBOL NO.	INDEX NO.	SYMBOL NO.	INDEX NO.	SYMBOL NO.	INDEX NO.
R171	223	R181	225	---	---	R201	225	R211	256	R221	256	R231	282
R172	224	R182	225	R192	256	R202	225	R212	225	R222	225	R232	288
R173	224	R183	225	R193	239	R203	225	R213	225	R223	275	R233	288
R174	225	R184	224	R194	239	R204	225	R214	225	R224	261	R234	295
R175	224	R185	225	---	---	R205	234	R215	225	R225	297	R235	295
R176	224	---	---	---	---	R206	234	R216	222	R226	260	R236	295
R177	224	R187	225	---	---	R207	234	R217	222	R227	229	R237	295
R178	221	R188	225	---	---	R208	234	R218	222	R228	230	R238	295
R179	221	R189	226	---	---	R209	234	R219	256	R229	224	R239	282
R180	225	---	---	R200	225	R210	256	R220	256	R230	224	R240	282

81.Control Board (B132/B200)

RESISTOR

SYMBOL NO.	INDEX NO.	SYMBOL NO.	INDEX NO.	SYMBOL NO.	INDEX NO.	SYMBOL NO.	INDEX NO.	SYMBOL NO.	INDEX NO.	SYMBOL NO.	INDEX NO.		
R241	288	R251	225	---	---	R271	223	R281	237	R291	225	---	---
R242	282	---	---	---	---	R272	239	R282	237	R292	223	---	---
R243	295	R253	256	---	---	R273	239	R283	237	R293	223	---	---
---	---	R254	256	---	---	R274	225	R284	249	---	---	R304	219
R245	256	R255	226	---	---	R275	249	R285	249	R295	225	R305	228
R246	282	R256	226	---	---	R276	237	---	---	---	---	R306	226
R247	254	R257	226	---	---	R277	237	---	---	---	---	R307	231
R248	282	R258	225	---	---	R278	237	---	---	R298	223	R308	232
R249	225	R259	223	---	---	R279	237	---	---	R299	223	R309	223
R250	271	R260	225	---	---	R280	237	---	---	---	---	R310	282

RESISTOR

SYMBOL NO.	INDEX NO.	SYMBOL NO.	INDEX NO.	SYMBOL NO.	INDEX NO.	SYMBOL NO.	INDEX NO.	SYMBOL NO.	INDEX NO.	SYMBOL NO.	INDEX NO.	SYMBOL NO.	INDEX NO.
R311	225	R321	289	R331	253	R341	230	R351	225	R361	225	R371	234
R312	239	R322	300	R332	248	R342	242	---	---	R362	225	R372	234
R313	253	R323	282	R333	251	R343	242	R353	246	R363	225	R373	234
R314	253	R324	253	R334	297	R344	238	R354	254	R364	225	R374	234
R315	256	R325	253	R335	238	R345	238	R355	256	R365	225	R375	234
R316	256	R326	253	R336	235	R346	297	R356	256	R366	225	R376	234
R317	239	R327	253	R337	247	R347	255	R357	258	R367	234	R377	225
R318	239	R328	253	R338	229	R348	255	R358	269	R368	234	R378	225
---	---	R329	253	R339	235	R349	225	R359	270	R369	234	R379	225
R320	300	R330	253	R340	225	---	---	---	---	R370	234	R380	225

81.Control Board (B132/B200)

RESISTOR

SYMBOL NO.	INDEX NO.	SYMBOL NO.	INDEX NO.	SYMBOL NO.	INDEX NO.	SYMBOL NO.	INDEX NO.	SYMBOL NO.	INDEX NO.	SYMBOL NO.	INDEX NO.	SYMBOL NO.	INDEX NO.
R381	225	R391	225	R401	305	R411	224	R421	303	R431	234	R441	225
R382	278	R392	225	R402	267	R412	224	R422	303	R432	222	R442	225
R383	225	R393	225	R403	229	R413	224	R423	248	R433	222	---	---
R384	225	R394	225	R404	229	R414	282	R424	225	R434	246	R444	225
R385	225	R395	222	R405	262	R415	282	R425	225	---	---	R445	225
R386	225	R396	222	R406	305	R416	289	R426	225	R436	222	R446	225
R387	225	R397	222	R407	267	R417	300	R427	225	R437	222	R447	225
R388	225	R398	277	R408	224	R418	300	R428	225	R438	225	R448	222
R389	225	R399	281	R409	230	R419	240	R429	234	R439	264	R449	222
R390	225	R400	221	R410	230	R420	240	R430	234	R440	285	R450	234

RESISTOR

SYMBOL NO.	INDEX NO.	SYMBOL NO.	INDEX NO.	SYMBOL NO.	INDEX NO.	SYMBOL NO.	INDEX NO.	SYMBOL NO.	INDEX NO.	SYMBOL NO.	INDEX NO.	SYMBOL NO.	INDEX NO.
R451	234	R461	225	R471	297	R481	282	R491	254	R501	250	R511	254
R452	234	---	---	R472	225	R482	305	---	---	R502	239	R512	254
R453	234	R463	228	R473	225	R483	267	R493	254	R503	239	R513	254
R454	246	R464	246	R474	225	R484	256	---	---	R504	239	R514	254
R455	225	R465	246	R475	225	R485	276	R495	254	R505	239	R515	254
R456	249	R466	223	R476	224	R486	302	---	---	R506	239	R516	250
---	---	R467	223	R477	289	R487	222	R497	254	R507	239	R517	239
R458	224	R468	246	R478	282	R488	222	---	---	R508	239	---	---
R459	222	R469	246	R479	300	R489	222	R499	254	R509	254	R519	280
R460	225	R470	223	R480	300	---	---	---	---	R510	239	R520	256

81.Control Board (B132/B200)

RESISTOR

SYMBOL NO.	INDEX NO.	SYMBOL NO.	INDEX NO.	SYMBOL NO.	INDEX NO.	SYMBOL NO.	INDEX NO.	SYMBOL NO.	INDEX NO.	SYMBOL NO.	INDEX NO.	SYMBOL NO.	INDEX NO.
R521	256	R531	254	R541	299	R551	280	R561	225	R571	254	---	---
R522	284	R532	254	R542	267	R552	256	R562	225	R572	257	R582	225
R523	280	R533	254	R543	298	R553	274	R563	225	R573	263	R583	224
R524	223	R534	254	R544	257	R554	290	R564	225	R574	246	R584	254
R525	283	R535	254	R545	304	R555	280	R565	225	R575	280	R585	254
R526	293	R536	273	R546	292	R556	222	R566	225	R576	254	---	---
R527	265	R537	225	R547	304	R557	222	R567	224	R577	280	---	---
R528	225	R538	225	R548	257	R558	222	R568	224	---	---	---	---
R529	254	R539	288	---	---	R559	222	R569	225	R579	246	R599	239
---	---	R540	254	R550	294	R560	222	R570	254	R580	224	R600	225

RESISTOR

SYMBOL NO.	INDEX NO.	SYMBOL NO.	INDEX NO.	SYMBOL NO.	INDEX NO.	SYMBOL NO.	INDEX NO.	SYMBOL NO.	INDEX NO.	SYMBOL NO.	INDEX NO.	SYMBOL NO.	INDEX NO.
R601	239	---	---	R631	222	R641	258	R651	279	R661	239	R671	239
R602	239	---	---	R632	222	R642	291	R652	286	R662	239	R672	239
R603	239	---	---	R633	222	R643	258	R653	286	R663	239	R673	239
R604	257	R624	216	R634	222	R644	258	R654	296	R664	239	R674	239
R605	256	R625	218	R635	222	R645	258	R655	301	R665	239	R675	239
R606	256	R626	219	R636	222	R646	268	R656	301	R666	239	R676	239
R607	225	R627	222	---	---	R647	268	R657	217	R667	239	R677	239
---	---	R628	222	R638	225	R648	258	R658	239	R668	239	R678	239
R619	233	R629	222	---	---	R649	287	R659	239	R669	239	R679	239
R620	233	R630	222	R640	225	R650	272	R660	239	R670	239	R680	239

81.Control Board (B132/B200)

RESISTOR

SYMBOL NO.	INDEX NO.	SYMBOL NO.	INDEX NO.	SYMBOL NO.	INDEX NO.	SYMBOL NO.	INDEX NO.	SYMBOL NO.	INDEX NO.	SYMBOL NO.	INDEX NO.	SYMBOL NO.	INDEX NO.
R681	239	R691	254	R701	239	R711	225	---	---	R741	256	R751	254
R682	239	---	---	R702	239	R712	225	R722	256	R742	256	---	---
R683	256	R693	243	R703	239	---	---	---	---	R743	256	---	---
---	---	R694	252	R704	225	---	---	R724	256	R744	235	---	---
R685	239	R695	254	R705	239	---	---	R725	222	R745	235	---	---
R686	239	R696	225	R706	225	R716	225	R726	222	R746	245	---	---
R687	239	R697	225	R707	256	---	---	R727	222	R747	256	---	---
R688	239	R698	239	---	---	R718	256	R728	222	R748	235	---	---
R689	239	R699	239	R709	222	---	---	R729	222	R749	235	R759	225
R690	254	R700	239	R710	225	---	---	---	---	R750	245	R760	225

RESISTOR

SYMBOL NO.	INDEX NO.
R761	256
---	---
---	---
---	---
R765	221
R766	221
R767	221
R768	226
---	---
---	---

SYMBOL NO.	INDEX NO.
R771	226

REG

SYMBOL NO.	INDEX NO.
REG1	153

RN

SYMBOL NO.	INDEX NO.
RN1	165
RN2	165
RN3	165
RN4	165
RN5	165
RN6	165
RN7	165
RN8	165
RN9	165
RN10	164

SYMBOL NO.	INDEX NO.
RN11	164
RN12	164
RN13	165
RN14	165
RN15	165
RN16	164
RN17	166
RN18	166
RN19	166
RN20	166

SYMBOL NO.	INDEX NO.
RN21	166
RN22	166
RN23	166
RN24	166
RN25	166
---	---
---	---
RN28	164
RN29	164
RN30	164

SYMBOL NO.	INDEX NO.
RN31	164
RN32	164
RN33	164

SW

SYMBOL NO.	INDEX NO.
SW1	110
SW2	111
SW3	109
---	---
---	---
---	---
SW7	109

81.Control Board (B132/B200)

Index No.	Part No.	Description	Q'ty Per Assembly
*	B132 5768	PCB:Control Board	1
1	B132 5745	Flash Memory:BIOS:AX2	1
2	B180 5660	ASIC:Shaker4	1

Index No.	Part No.	Description	Q'ty Per Assembly
101	1102 8832	Connector - DM-3D4-B3210	
102	1102 9079	Connector - RHM-88PL-SDK11-1	
103	1102 9336	Connector - FPS009-2300-0	
104	1102 9337	Connector - 14016PS-JUK-G-B-1	
105	1102 9456	Connector - 20 5078 050 510 861	
106	1102 9887	Connector - 52588-3090	
107	1104 0813	IC Socket:1674772-2	
108	1107 1095	Fuse - Sst 2	
109	1204 1385	Push Switch	
110	1204 1543	DIP Switch	
111	1204 2637	DIP Switch - 71D-04	
112	1206 0114	Primary Lithium Cell:CR2354/1F2	
113	1400 0715	Transistor - 2SB1197KR	
114	1400 0730	Transistor - 2SD1782K	
115	1400 0769	Transistor - 2SA1576A	
116	1400 0775	Transistor - 2SC4081	
117	1400 0810	Transistor - DTC114EUA	
118	1400 0981	Transistor - 2SC3052	
119	1401 0902	Fet - 2SK1590	
120	1401 1181	Fet - 2SK2157-AZ	
121	1401 1192	Fet - 2SK1764	
122	1401 1209	IC - HAT2093R	
123	1401 1228	Fet - SI3433DV-E3	
124	1401 1317	Fet - HAT2197R	
125	1401 1318	Fet - HAT2198R	
126	1401 1319	Fet - TPC8105-H	
127	1401 1320	Fet - TPC8107	
128	1402 1336	Diode - 1SS355	
129	1402 1343	Diode - RB106L-40	
130	1402 1398	Diode - RB050L-40	
131	1402 1530	Diode - RB520S-30	
132	1402 1698	Diode - RB	
133	1402 1709	Diode - EC21QS06G	
134	1403 0953	LED - SML-310MT	
135	1403 0996	LED - SML-310VT	

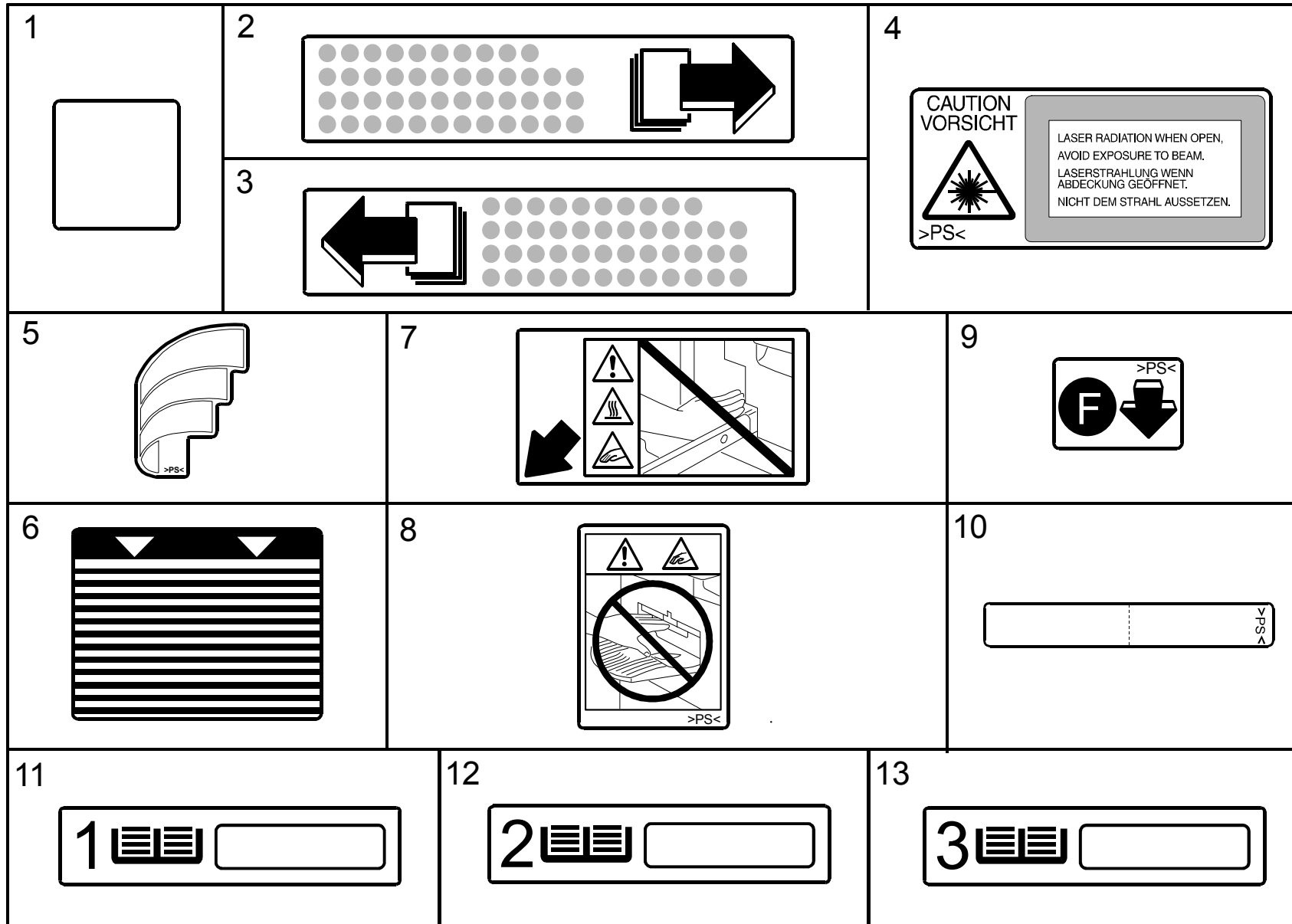
Index No.	Part No.	Description	Q'ty Per Assembly
136	1407 5438	CMOS Logic - SN74AHC2G14HDCT	
137	1407 5439	CMOS Logic - SN74AHC2G66HDCT	
138	1407 5482	IC - SN74LVC07APW	
139	1407 5511	IC - SN74LVC14APW	
140	1407 5684	CMOS Logic - SN74AHC1G08HDCK	
141	1407 5790	CMOS Logic - SN74AHC2G08HDCU	
142	1407 5803	IC:SN74LV132APW	
143	1407 5927	CMOS Logic - SN74LVC1G14DCK	
144	1407 6101	IC - SN74LVC2G17DCK	
145	1407 6126	Clock Generator - ICS950812CG	
146	1407 6127	Clock Generator:ICS960008AFIF	
147	1407 6205	CMOS Logic - SN74LVC1G06DCK	
148	1407 6245	CMOS Logic - SN74CBTLV3253PW	
149	1407 6247	CPU - RH80530MZ733256(SL797)	
150	1407 6248	EEPROM - M24256-BWMN6	
151	1407 6278	ICH3 - NH82801CAM(SL7A7)	
152	1407 6279	GMCH - NN82830MP(SL7A6)	
153	1408 1664	Series Regulator:LM1117MP-ADJ/NOPB	
154	1408 1778	IC:R3112Q101A	
155	1408 1779	IC - R3112Q281A	
156	1408 1815	IC - R3112Q151A	
157	1408 1825	IC - R3112Q121A	
158	1408 1826	IC - R3112Q421A	
159	1408 1956	IC - LTC3728LXCUH#TRPBF	
160	1408 2057	IC - LTC3714EG#TRPBF	
161	1503 0758	Oscillator - MC-306 32.768MHZ	
162	1503 0842	Oscillator - 14.31818Mhz	
163	1503 0947	Crystal Oscillator - 25Mhz	
164	1601 7898	Resistor Array	
165	1601 7909	Resistor Array - 10 Ω \pm 5% 1/32W	
166	1601 7913	Resistor 22 Ω \pm 5% 1/32W	
167	1604 5357	Resistor - 560 μ F \pm 20% 4V	
168	1605 0976	Capacitor - 1 μ F+80% -20% 10V	
169	1605 1034	Ceramic Capacitor:1000pF: \pm 10%:50V	
170	1605 1081	Capacitor - 10 μ F+80-20% 25V	

Index No.	Part No.	Description	Q'ty Per Assembly
171	1605 1095	Capacitor - 180pF: \pm 5%:25V	
172	1605 1124	Capacitor - 4.7 μ F+80 -20% 10V	
173	1605 1176	Ceramic Capacitor 0.47 μ F+80-20%16V	
174	1605 1194	Capacitor - 3pf: \pm 0.25pF:50V	
175	1605 1195	Capacitor - 4pf: \pm 0.25pF:50V	
176	1605 1200	Capacitor - 10PF \pm 0.5pF 50V	
177	1605 1202	Capacitor - 15pF \pm 5% 50V	
178	1605 1203	Capacitor - 18pF \pm 5% 50V	
179	1605 1205	Capacitor - 33pF \pm 5% 50V	
180	1605 1206	Capacitor - 47pF \pm 5% 50V	
181	1605 1207	Capacitor - 68pF \pm 5% 50V	
182	1605 1208	Capacitor - 100pF: \pm 5%:50V	
183	1605 1209	Capacitor - 150pF \pm 5% 50V	
184	1605 1210	Capacitor - 180pF: \pm 5%:50V	
185	1605 1211	Capacitor - 220pF \pm 10% 50V	
186	1605 1212	Capacitor - 470pF \pm 10% 50V	
187	1605 1214	Capacitor - 1000pF \pm 10% 50V	
188	1605 1216	Capacitor - 2200pF \pm 10%50V	
189	1605 1221	Capacitor - 0.1 UF+80-20%16V	
190	1605 1234	Capcitor - 4700pF: \pm 10%:50V	
191	1605 1240	Capacitor - 0.01 μ F \pm 10% 25V	
192	1605 1249	Capacitor - 0.047uf: \pm 10%:16V	
193	1605 1281	Capacitor - 0.22 μ F \pm 10% 16V	
194	1605 1282	Capacitor - 22uf:+80-20%:10V	
195	1605 1283	Capacitor - 680pF \pm 10% 50V	
196	1605 1284	Capacitor - 1500pF: \pm 10%:50V	
197	1605 1289	Capacitor - 0.1 μ F \pm 10% 10V	
198	1605 1295	Capacitor - 10uf:+80-20%:10V	
199	1605 1296	Capacitor - 330pF \pm 10% 50V	
200	1605 1303	Capacitor - 0.01 μ F+80-20% 50V	
201	1605 1306	Capacitor - 1 μ F \pm 10% 10V	
202	1605 1352	Resistor - 82pF \pm 5% 50V	
203	1605 1353	Capacitor - 0.1 μ F \pm 10% 25V	
204	1605 1354	Capacitor:1200pF: \pm 5%:50V	
205	1605 1416	Capacitor - 1800pF: \pm 5%:50V	

Index No.	Part No.	Description	Q'ty Per Assembly
206	1605 1417	Capacitor - 47uf:+80-20%:10V	
207	1605 1432	Resistor - 100μF±20% 6.3V	
208	1605 1450	Resistor - 22μF±10% 6.3V	
209	1607 1322	Inductor - LB2012B4R7M	
210	1607 1489	Filter - MMZ1608B301C	
211	1607 1556	Inductor - RLF7030-1R5N6R1	
212	1607 1637	Coil - ACM2012-900-2P	
213	1607 1650	Inductor - RLF7030-6R8M2R8	
214	1607 1651	Inductor - HM73-101R0LF	
215	1607 1657	Inductor - HM73-10R68LF	
216	1610 1733	Resistor - 0.01 Ω ±1% 1W	
217	1610 1775	Resistor - 0.03 Ω ±1% 1W	
218	1610 1804	Resistor - 0.006 Ω:±1%:1W	
219	1610 1805	Resistor - 0.003 Ω ±2% 1W	
220	1632 0000	Resistor - 0 Ω 1/8W	
221	1633 0000	Resistor - 0 Ω 1/10W	
222	1650 5100	Chip Resistor - 10 Ω±5%1/16W	
223	1650 5101	Chip Resistor - 100 Ω±5%1/16W	
224	1650 5102	Chip Resistor - 1kΩ±5%1/16W	
225	1650 5103	Chip Resistor - 10kΩ±5%1/16W	
226	1650 5104	Chip Resistor - 100kΩ±5%1/16W	
227	1650 5106	Resistor - 10M Ω ±5% 1/16W	
228	1650 5109	Chip Resistor 1Ω ±5% 1/16W	
229	1650 5151	Resistor - 150Ω ±5% 1/16W	
230	1650 5152	Chip Resistor - 1.5kΩ:±5%:1/16W	
231	1650 5153	Chip Resistor - 15kΩ ±5% 1/16W	
232	1650 5202	Chip Resistor - 2kΩ:±5%:1/16W	
233	1650 5204	Chip Resistor - 200kΩ±5%1/16W	
234	1650 5220	Resistor - 22Ω ±5% 1/16W	
235	1650 5221	Chip Resistor - 220Ω±5%1/16W	
236	1650 5222	Resistor - 2.2KΩ ±5% 1/16W	
237	1650 5229	Resistor - 2.2 Ω:±5%:1/16w:1005	
238	1650 5241	Resistor - 240 Ω ±5% 1/16W	
239	1650 5330	Chip Resistor - 33Ω±5%1/16W	
240	1650 5331	Resistor - 330Ω ±5% 1/16W	

Index No.	Part No.	Description	Q'ty Per Assembly
241	1650 5332	Resistor - 3.3KΩ ±5% 1/16W	
242	1650 5390	Resistor - 39Ω ±5% 1/16W	
243	1650 5393	Resistor - 39KΩ ±5% 1/16W	
244	1650 5470	Chip Resistor 47Ω ±5% 1/16W	
245	1650 5471	Chip Resistor - 470Ω -5% 1/16W	
246	1650 5472	Chip Resistor - 4.7kΩ:±5%:1/16W	
247	1650 5511	Resistor - 510Ω ±5% 1/16W	
248	1650 5513	Chip Resistor - 51kΩ:±5%:1/16W	
249	1650 5514	Chip Resistor - 510kΩ:±5%:1/16W	
250	1650 5560	Chip Resistor - 56Ω ±5% 1/16W	
251	1650 5569	Resistor - 5.6Ω ±5% 1/16W	
252	1650 5623	Resistor - 62KΩ ±5% 1/16W	
253	1650 5681	Chip Resistor - 680Ω:±5%:1/16W	
254	1650 5822	Chip Resistor - 8.2kΩ:±5%:1/16W	
255	1650 5823	Chip Resistor - 82kΩ:±5%:1/16W	
256	1655 0000	Chip Resistor - 0Ω±0%1/16W	
257	1655 1001	Chip Resistor - 1kΩ ±1% 1/16W	
258	1655 1002	Chip Resistor - 10kΩ±1%1/16W	
259	1655 1009	Resistor - 10Ω ±1% 1/16W	
260	1655 1100	Resistor - 110Ω ±1% 1/16W	
261	1655 1370	Resistor - 137Ω ±1% 1/16W	
262	1655 1409	Resistor - 14Ω ±1% 1/16W	
263	1655 1502	Resistor - 15KΩ ±1% 1/16W	
264	1655 1800	Chip Resistor - 180Ω:±1%:1/16W	
265	1655 1829	Resistor - 18.2Ω ±1% 1/16W	
266	1655 2000	Resistor - 200Ω ±1% 1/16W	
267	1655 2001	Resistor - 2KΩ ±1% 1/16W	
268	1655 2002	Chip Resistor - 20kΩ±1%1/16W	
269	1655 2003	Chip Resistor - 200kΩ±1%1/16W	
270	1655 2052	Resistor - 20.5KΩ ±1% 1/16W	
271	1655 2210	Resistor - 221Ω ±1% 1/16W	
272	1655 2402	Resistor - 24KΩ ±1% 1/16W	
273	1655 2433	Resistor - 243KΩ ±1% 1/16W	
274	1655 2490	Resistor - 249Ω ±1% 1/16W	
275	1655 2679	Resistor - 26.7Ω ±1% 1/16W	

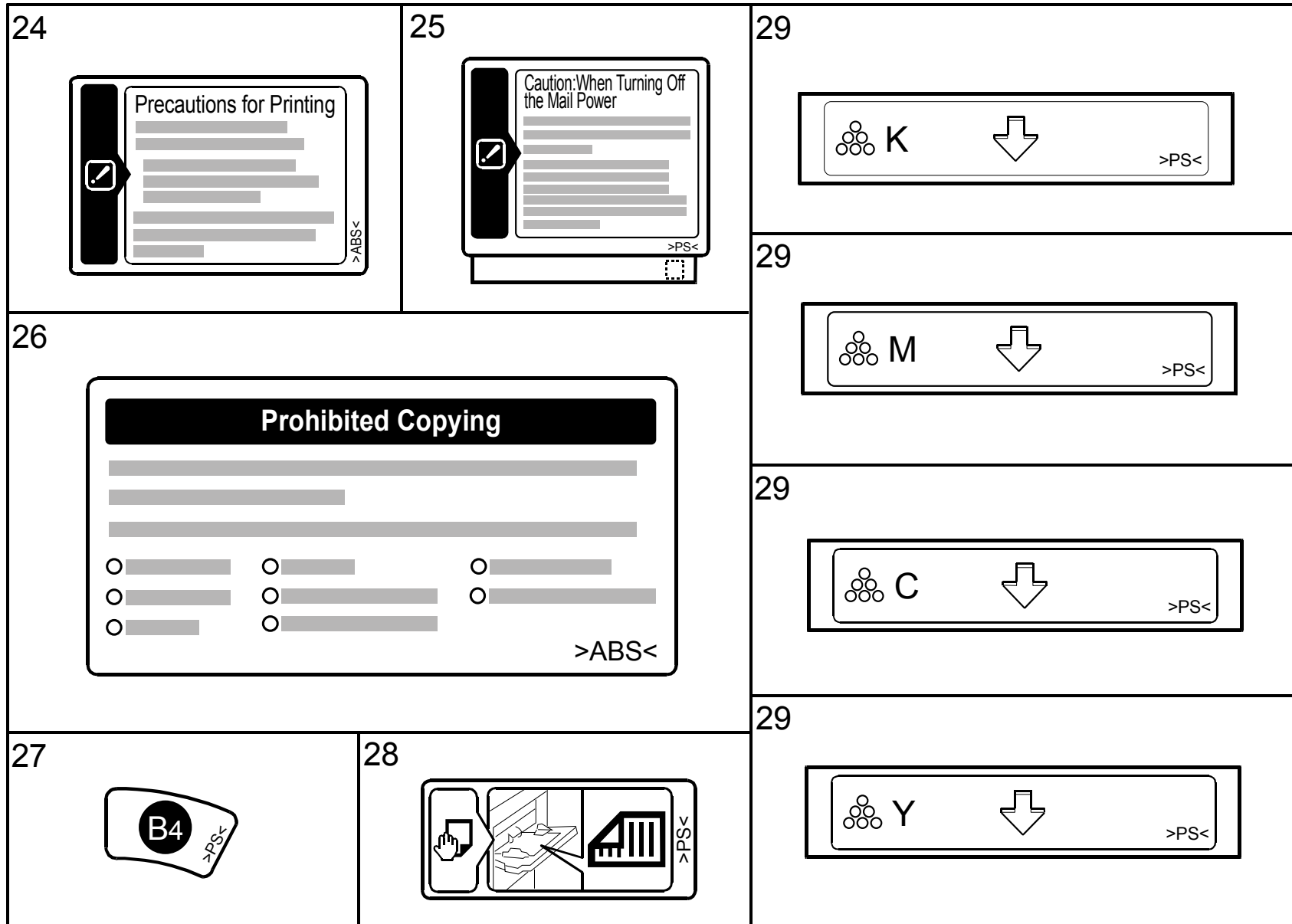
82.Decals and Documents (B132/B200)



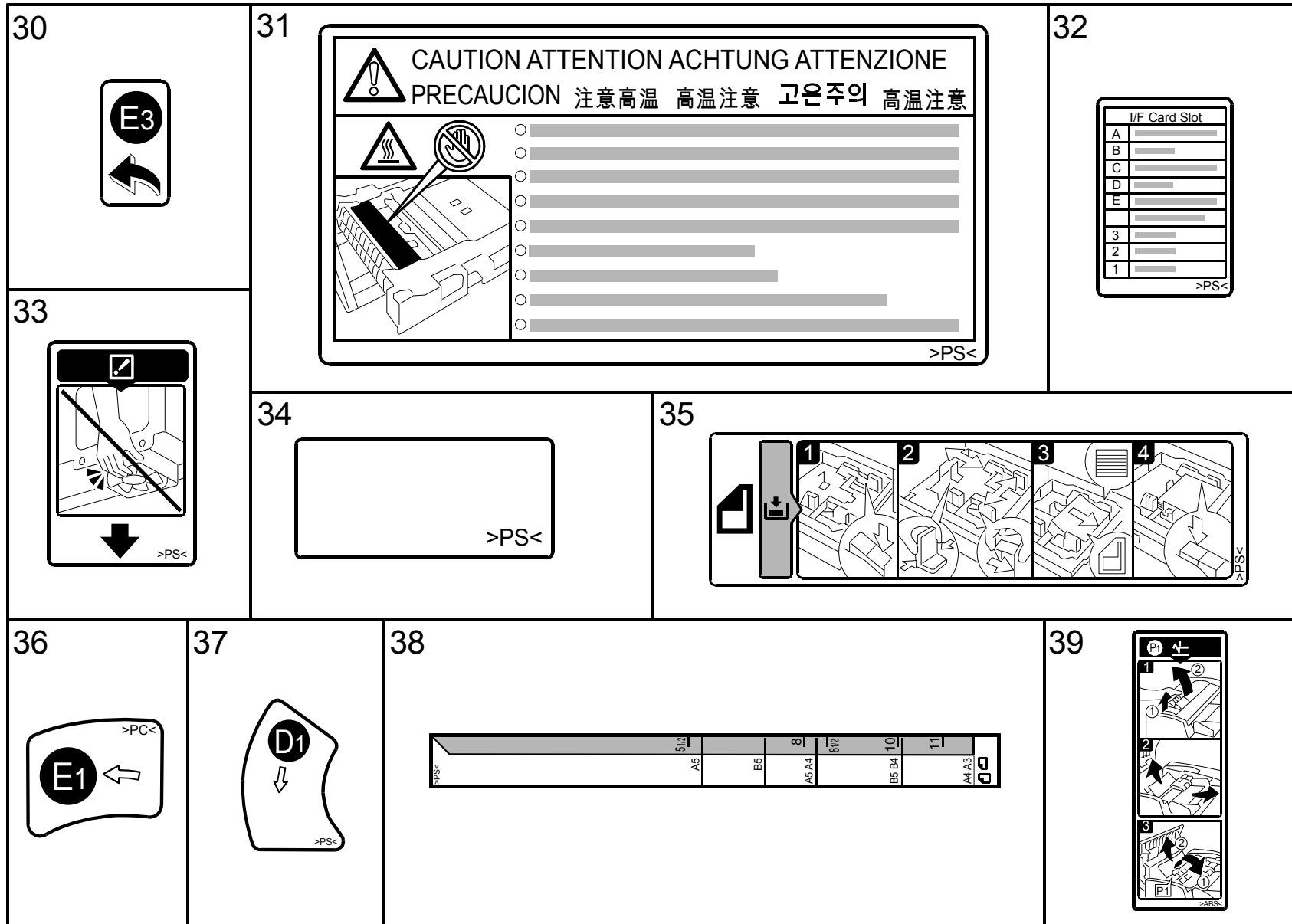
82.Decals and Documents (B132/B200)

<p>14</p>	<p>15</p>	<p>16</p> <table border="1"> <tr> <td></td> <td></td> <td>B5</td> <td>8½×11</td> <td><input type="radio"/></td> </tr> <tr> <td></td> <td></td> <td>A5</td> <td>8½×11</td> <td><input type="radio"/></td> </tr> <tr> <td>A3</td> <td>A4</td> <td>11×17</td> <td>8½×11</td> <td><input type="radio"/></td> </tr> <tr> <td>A3</td> <td>A4</td> <td>11×17</td> <td>8½×11</td> <td><input type="radio"/></td> </tr> <tr> <td>A4</td> <td>A4</td> <td>8½×14</td> <td>8½×11</td> <td><input type="radio"/></td> </tr> <tr> <td>A4</td> <td>B4</td> <td>8½×14</td> <td></td> <td><input type="radio"/></td> </tr> <tr> <td>A4</td> <td>B5</td> <td>8½×11</td> <td></td> <td><input type="radio"/></td> </tr> </table>			B5	8½×11	<input type="radio"/>			A5	8½×11	<input type="radio"/>	A3	A4	11×17	8½×11	<input type="radio"/>	A3	A4	11×17	8½×11	<input type="radio"/>	A4	A4	8½×14	8½×11	<input type="radio"/>	A4	B4	8½×14		<input type="radio"/>	A4	B5	8½×11		<input type="radio"/>
		B5	8½×11	<input type="radio"/>																																	
		A5	8½×11	<input type="radio"/>																																	
A3	A4	11×17	8½×11	<input type="radio"/>																																	
A3	A4	11×17	8½×11	<input type="radio"/>																																	
A4	A4	8½×14	8½×11	<input type="radio"/>																																	
A4	B4	8½×14		<input type="radio"/>																																	
A4	B5	8½×11		<input type="radio"/>																																	
<p>17</p>	<p>18</p>																																				
<p>19</p>	<p>21</p> <p>English ↑ Attention >ABS<</p> <p>French ↑ Attention >ABS<</p> <p>German ↑ Achtuug >ABS<</p> <p>itaLian ↑ Attenzione >ABS<</p> <p>Spanish ↑ Atencion >ABS<</p>	<p>22</p>																																			
<p>20</p>	<p>23</p>																																				

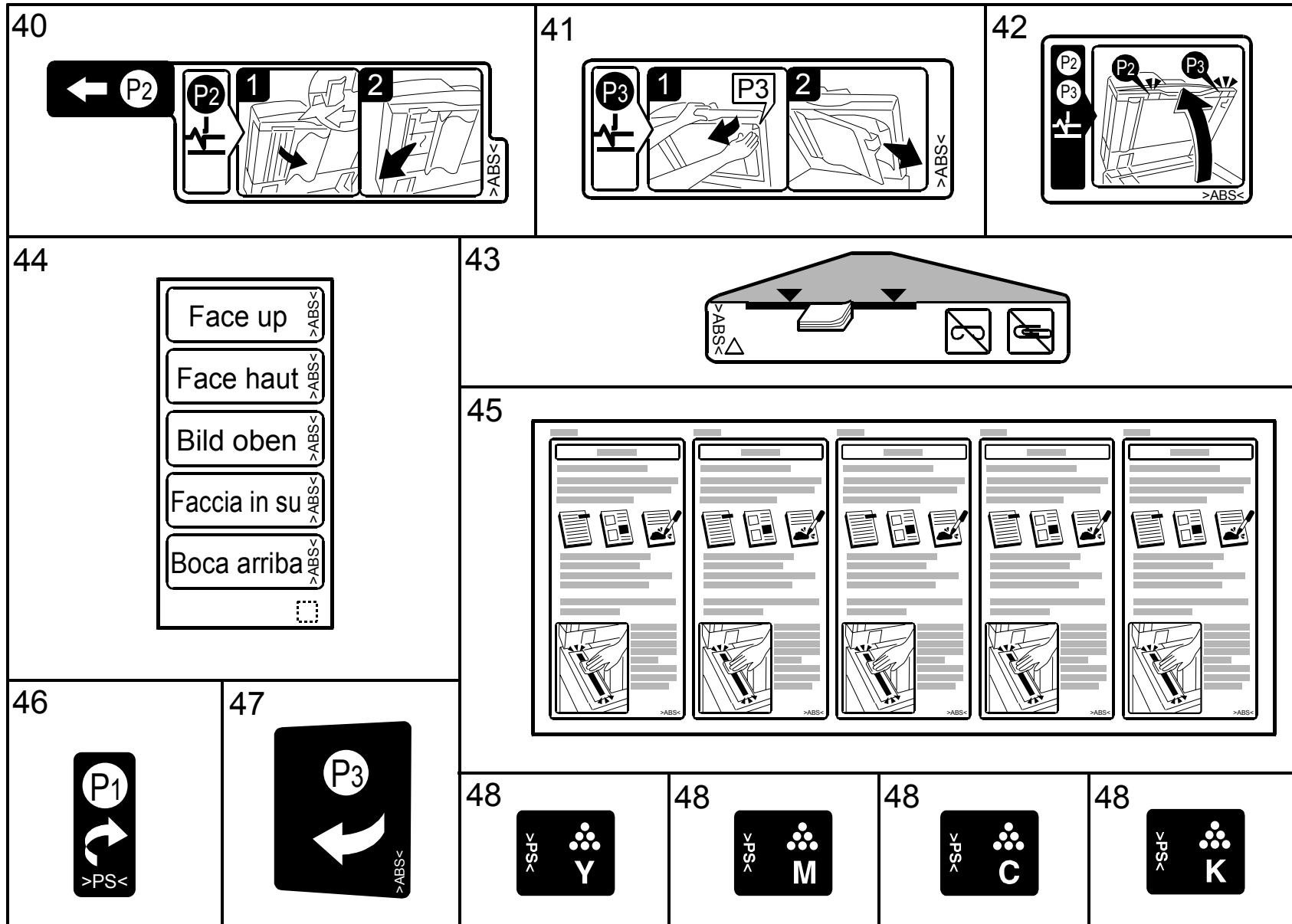
82.Decals and Documents (B132/B200)



82.Decals and Documents (B132/B200)



82.Decals and Documents (B132/B200)

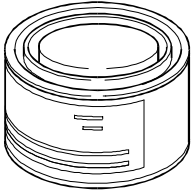
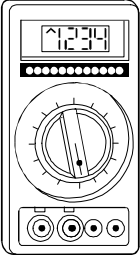
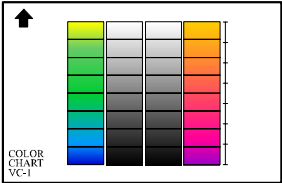
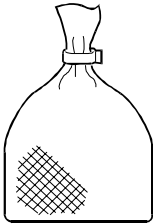



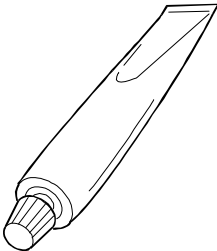

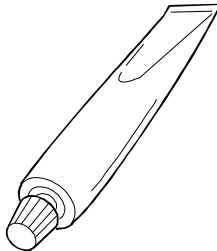
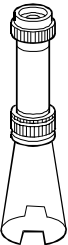
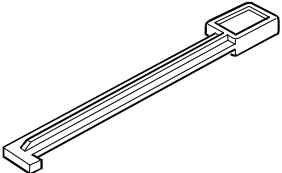


82.Decals and Documents (B132/B200)

Index No.	Part No.	Description	Q'ty Per Assembly
1	A029 2984	Decal - Grip	1
2	A096 6677	Decal - Right Paper Set	1
3	A096 6678	Decal - Left Paper Set	1
4	AA00 0217	Decal - LD 655	1
5	AA00 0239	Decal - Color:MFP	1
6	AA00 2010	Decal - Paper Level	1
7	AA00 2246	Decal - Caution	1
8	B065 4480	Decal - Cover	1
9	B065 4867	Decal - Guide Plate Lever	1
10	B065 6545	Decal - Positioning	1
11	B065 6635	Decal - Paper Tray 1	1
12	B065 6636	Decal - Paper Tray 2	1
13	B065 6637	Decal- Paper Tray 3	1
14	B065 6846	Decal - Paper Set - Left	1
15	B065 6877	Decal - Paper Set - Right	1
16	B065 8490	Decal - Paper Size	1
17	B070 1307	Decal - Paper Set Direction	1
18	B132 1238	Decal - Caution:Pull Out	1
19	B132 1482	Decal - Inkjet:Manual Feed	1
20	B132 1548	Decal - Cleaning:Exposure Glass	1
21	B132 1549	Decal - Cleaning:Exposure Glass	1
22	B132 1553	Decal - Main Switch Display:On	1
23	B132 1555	Decal - Main Switch Display:Off	1
24	B132 1562	Decal - Inkjet:Paper	1
25	B132 1573	Decal - Power Source:Off	1
26	B132 1583	Decal - Copy:Original	1
27	B132 2709	Decal - Lever:B4	1
28	B132 2875	Decal - Paper Set Direction	1
29	B132 3330	Decal - Lever:Toner Supply:K	1
29	B132 3331	Decal - Lever:Toner Supply:M	1
29	B132 3332	Decal - Lever:Toner Supply:C	1
29	B132 3333	Decal - Lever:Toner Supply:Y	1
30	B132 4796	Decal - Grip:E3	1
31	B132 4797	Decal - Warning (high Temperature)	1
32	B132 5818	Decal - Caption:Interface	1

Index No.	Part No.	Description	Q'ty Per Assembly
33	B132 5819	Decal - Caution:HDD:Fan	1
34	B132 5996	Decal - Total Counter	1
35	B132 6786	Decal - Paper Tray:Paper Set Direction	1
36	B132 7130	Decal - LED:E1	1
37	B132 7131	Decal - LED:D1	1
38	B652 1807	Decal - Size:Original	1
39	B652 1811	Decal - Misfeed Removal:Paper Feed	1
40	B652 1905	Decal - Misfeed Removal:Exit	1
41	B652 1906	Decal - Misfeed Removal	1
42	B652 1812	Decal - Display Guidance	1
43	B652 2354	Decal - Base:Original	1
44	B652 2378	Decal - Display:Original Table	1
45	B652 2379	Decal - Caution:Original:5-lang	1
46	B652 4119	Decal - Guide Plate:Reverse:Exit	1
47	B652 4905	Decal - Misfeed Removal	1
48	GA00 3016	Decal - Y Toner Supply	1
48	GA00 3017	Decal - M Toner Supply	1
48	GA00 3018	Decal - C Toner Supply	1
48	GA00 3019	Decal - K Toner Supply	1

83.Special Tools (B132/B200)

<p>1</p> 	<p>2</p> 	<p>3</p> 	<p>4</p> 	<p>5</p> 
<p>6</p> 	<p>7</p> 	<p>8</p> 	<p>9</p> 	<p>10</p> 
<p>11</p> 	<p>12</p> 			

83.Special Tools (B132/B200)

Index No.	Part No.	Description	Q'ty Per Assembly
1	5203 9501	Grease 501	1
2	VSSM 9000	Digital Multimeter - FLUKE187	1
3	VSST 9501	Connection Kit Color Test Chart(3 Sheets/set)	1
4	B132 9700	Lubricant Powder	1
5	5442 9103	Launa Oil 40	1
6	5447 9078	Heat Resistant Grease - MT-78	1
7	A259 9010	Scanner Adjust Pin 100mm (4pcs/set)	1
8	A008 9502	Silicone Grease - G40M	1
9	A012 9111	Optics Cloth	1
10	A028 9300	Grease Barrierta JFE 55/2	1
11	H515 9350	Mirror Cleaner Set	1
12	C401 9503	20X Magnification Scope	1

Index No.	Part No.	Description	Q'ty Per Assembly

B132/B200
PARTS INDEX

This section instructs you as to the numbers and names of parts on this machine.

PM Parts Index

Section Name	Part No.	Description in Service Manual	Description in Parts Catalog	Q'ty Per Assembly	Page and Index No.	
Exterior 2 (B132/B181/B200)	B132 6596	Used Toner Bottle	Waste Toner Bottle	1	19 - 4	
Original Feed 2 (B132/B181/B200)	A806 1295	Feed Belts	Feed Belt	1	29 - 12	
	B477 2225	Pick-up Roller	Pick-up Roller	1	29 - 22	
Original Trans 1 (B132/B181/B200)	A859 2241	Reverse Rollers	Reverse Roller	1	31 - 7	
Original Trans 3 (B132/B181/B200)	B652 3121	Transport Belt	Transport Belt	1	35 - 4	
PCU 2 (B132/B181/B200)	B132 3600	PCU Joint	Joint PCU	1	85 - 2	
	B132 9510	Drum	OPC Drum	1	85 - 5	
	B132 3555	Lubricant Brush	Drum Cleaning Brush Assy	1	85 - 8	
	B132 3560	Drum Cleaning Blade	Drum Cleaning Blade	1	85 - 10	
	B132 2270	Charge Roller Unit	Drum Charge Roller Assy	1	85 - 11	
	B132 3573	Lubricant Bar	Drum Lubricant Bar	1	85 - 14	
	B200 9640	Developer	Developer Cartridge Black	1	85 - 19	
	B200 9660	Developer	Developer Cartridge Cyan	1	85 - 19	
	B200 9670	Developer	Developer Cartridge Magenta	1	85 - 19	
	B200 9680	Developer	Developer Cartridge Yellow	1	85 - 19	
	Development Unit (B132/B181/B200)	B132 3080	Developer	Development Unit	1	87 - *
		B132 3118	Development Roller Idle Gear	Gear - 21Z	1	87 - 2
	Transfer Belt Unit 1 (B132/B181/B200)	B132 6050	ITB	Image Transfer Belt	1	89 - 7
	Transfer Belt Cleaning (B132/B181/B200)	AD04 1107	ITB Cleaning Blade	Belt Cleaning Blade	1	95 - 14
		AD04 2071	ITB Cleaning Brush	Brush:Belt Cleaning	1	95 - 20
AD04 1109		Belt Cleaning Scraper Blade	Belt Cleaning Scraper Blade	1	95 - 23	
Paper Transfer 1 (B132/B181/B200)	B132 6268	Paper Transfer Discharge Plate	Paper Discharge Plate	1	105 - 2	
	B132 6250	PTR	Paper Transfer Roller	1	105 - 7	
	B132 6255	PTR Cleaning Brush	PTR Cleaning Brush	1	105 - 10	
	B132 6289	Paper Transfer Lubricant Bar	PTR Lubricant Bar	1	105 - 14	
	B132 6265	Paper Transfer Cleaning Blade	PTR Cleaning Blade	1	105 - 15	
Fusing Unit 2 (B132/B181/B200)	AE04 0062	Oil Supply Roller	Oil Supply Roller	1	111 - 13	
	AE04 2051	Hot Roller Cleaning Roller	Hot Roller Cleaning Roller	1	111 - 14	
Fusing Unit 3 (B132/B181/B200)	B132 4089	Fusing Belt	Fusing Belt	1	113 - 4	
	AE01 0052	Hot Roller	Hot Roller	1	113 - 6	
Fusing Unit 4 (B132/B181/B200)	B132 4075	Pressure Roller Cleaning Felt Ass'y	Pressure Roller Cleaning Felt Ass'y	1	115 - 5	
	AE02 0144	Pressure Roller	Pressure Roller	1	115 - 16	
	AE03 0040	Ball Bearing	Ball Bearing	2	115 - 18	
Electrical Section 7 (B132/B181/B200)	B132 2435	Dust Filters	Dust Filter	3	161 - 9	

Parts Index

Part No.	Description	Page and Index No.
B132 1003	Stay: Intermediate Transfer: Left	165 - 3
B132 1004	Stay: Machine Or Copier: Right Lower	167 - 15
B132 1008	Bracket:Cover:LCT	167 - 26
B132 1020	Bracket:Drawer:Paper Feed Unit	143 - 17
B132 1112	Ground Plate:Scanner:Rear	49 - 16
B132 1113	Bracket:Guard:Harness	153 - 3
B132 1115	Stay:Machine or Copier:Left:Peen	167 - 1
B132 1118	Bracket:Fan:Duplex	169 - 15
B132 1152	Bracket:Knob:Fusing/paper Exit Unit	123 - 42
B132 1155	Guide Plate:Fusing Unit	123 - 41
B132 1156	Shaft:Knob:Fusing/Paper Exit Unit	123 - 46
B132 1159	Supporting Plate:Pull Out:Front	117 - 18
B132 1183	Bracket:Lock	123 - 33
B132 1184	Lever:Pull Out:Printing	97 - 13
B132 1185	Shaft:Lock:Pull Out	123 - 25
B132 1186	Supporting Plate:Pull Out	105 - 28
B132 1188	Cover:Drive Sub-unit	99 - 21
B132 1189	Inner Cover:Pull Out:Right	97 - 19
B132 1190	Bracket:Release:Lock	123 - 31
B132 1191	Handle:Pull Out	123 - 24
B132 1192	Guard:Pull Out	103 - 2
B132 1193	Bracket:Interlock:Lever	123 - 38
B132 1194	Actuator:Pull Out	123 - 39
B132 1195	Bracket:Drawer:Pull Out	123 - 40
B132 1198	Inner Cover:Pull Out:Left	97 - 6
B132 1200	Inner Cover:Pull Out:Middle	97 - 14
B132 1220	Cover:Base:Pull Out	123 - 18
B132 1221	Holder:Spring:Pull Out	123 - 30
B132 1222	Cover:Stay:Left	167 - 2
B132 1224	Supporting Plate:Bracket:Lock	123 - 34
B132 1226	Holder:Stand	17 - 7
B132 1228	Insulating Sheet:Pull Out	123 - 22
B132 1229	Cover:Drawer	137 - 22
B132 1232	Cover:Harness:Pull Out	101 - 24
B132 1233	Bracket:Photointerruptor	103 - 25

Part No.	Description	Page and Index No.
B132 1235	Collar:DIA18	123 - 47
B132 1238	Decal:Caution:Pull Out	221 - 18
B132 1238	Decal:Caution:Pull Out	97 - 15
B132 1239	Bracket:LED:Pull Out:Right	97 - 12
B132 1240	Bracket:Inner Cover:Pull Out:Left	97 - 24
B132 1260	Bracket:Drive	139 - 12
B132 1264	Stud:Drive:Motor:Drum	139 - 10
B132 1265	Bracket:Auxiliary:Drive	139 - 22
B132 1266	Bracket:Tightener:Drive	139 - 15
B132 1270	Shaft:Drive:Development:Ass'y	139 - 21
B132 1275	Shaft:Drive:Brush Roller:Ass'y	139 - 20
B132 1282	Pulley:Idler	139 - 18
B132 1291	Bracket:Brushless Motor:Peen	143 - 4
B132 1295	Shaft:Drive:Transfer	143 - 10
B132 1297	Bracket:Plate	143 - 8
B132 1300	Shaft:Drive:Cleaning	143 - 9
B132 1307	Bracket:Sensor	143 - 3
B132 1311	Shaft:Horizontal:Ass'y	137 - 8
B132 1312	Flange:Timing Pulley	137 - 10
B132 1315	Shaft:Drive:Diagonal, slanted:Ass'y	137 - 13
B132 1316	Holder: Drive Sub-unit	137 - 7
B132 1320	Holder: Drive Sub-unit	137 - 9
B132 1325	Arm:Tightener	137 - 25
B132 1330	DC Motor:Drive:Transfer	139 - 1
B132 1338	DC Motor:On-Off:Ass'y	139 - 2
B132 1339	Bracket:On-Off:Plate	139 - 8
B132 1350	Bracket:Drive:Fusing:Ass'y	141 - 13
B132 1355	Bracket:Sub:Drive:Fusing	141 - 26
B132 1356	Bracket:Tightener:Ass'y	141 - 18
B132 1360	Shaft:Drive:Fusing:Ass'y	141 - 19
B132 1363	Shaft:Drive:Reverse:Ass'y	141 - 25
B132 1367	Shaft:Drive:Vacuum	141 - 10
B132 1370	Pulley:Idler	141 - 20
B132 1452	Hinge:Door:Upper	17 - 21
B132 1453	Hinge:Door:Lower:Ass'y	17 - 12

Part No.	Description	Page and Index No.
B132 1456	Door:Front:Ass'y	17 - 22
B132 1462	Bracket:Hinge:Door	165 - 14
B132 1471	Cover:Rear Lower:Ass'y	19 - 12
B132 1482	Decal - Inkjet:Manual Feed	221 - 19
B132 1482	Decal - Inkjet:Manual Feed	57 - 2
B132 1502	Cover:Right Upper	47 - 16
B132 1503	Cover:Left Upper	47 - 1
B132 1504	Cover:Rear Upper	19 - 9
B132 1505	Cover:Right Middle	19 - 13
B132 1506	Cover:Left Middle	19 - 2
B132 1507	Cover:Rear Middle	19 - 7
B132 1508	Cover:Right Lower	19 - 10
B132 1509	Cover:Left Lower	19 - 3
B132 1511	Lever:Guide Plate	17 - 6
B132 1512	Cover:Main Switch	17 - 23
B132 1513	Case:Main Switch	17 - 24
B132 1514	Grip:Door:Front	17 - 25
B132 1515	Lever:Micro Switch	17 - 26
B132 1516	Cover:Ozone Filter	19 - 6
B132 1526	Door Catch	17 - 27
B132 1528	Guard:GAP:C/T Box	149 - 30
B132 1529	Sponge:SD-Card:Plate	17 - 5
B132 1531	Panel:Logo	17 - 19
B132 1533	Sheet:Logo:NA (B181)	17 - 20
B132 1537	Sheet:Logo:Lan:LDC160C (B181)	17 - 20
B132 1538	Sheet:Logo:Nsa:DSC460 (B181)	17 - 20
B132 1539	Sheet:Logo:Rex:DSC460 (B181)	17 - 20
B132 1540	Sheet:Logo:Ges:DSC460:EU (B181)	17 - 20
B132 1541	Sheet:Logo:Inf:ISC4560 (B181)	17 - 20
B132 1548	Decal - Cleaning:Exposure Glass	221 - 20
B132 1549	Decal - Cleaning:Exposure Glass	221 - 21
B132 1551	Inner Cover:Main Switch	163 - 3
B132 1553	Decal:Main Switch Display:On (NA)	163 - 1
B132 1553	Decal:Main Switch Display:On	221 - 22
B132 1555	Decal - Main Switch Display:Off (NA)	163 - 2

Part No.	Description	Page and Index No.
B132 1555	Decal - Main Switch Display:Off	221 - 23
B132 1558	Inner Cover:Paper Feed	17 - 9
B132 1562	Decal - Inkjet:Paper	221 - 24
B132 1562	Decal - Inkjet:Paper	21 - 7
B132 1573	Decal - Power Source:Off	221 - 25
B132 1583	Decal - Copy:Original	47 - 15
B132 1583	Decal - Copy:Original	221 - 26
B132 1671	Bracket:Pulley	53 - 25
B132 1674	Cover	49 - 3
B132 1675	Cover:Polygon Mirror Motor	53 - 27
B132 1677	Cover:Siob	49 - 20
B132 1678	Seal:Inner Cover	49 - 19
B132 1683	Mylar:Frame:Front	47 - 19
B132 1684	Mylar:Frame:Middle	47 - 20
B132 1685	Mylar:Frame:Rear	47 - 21
B132 1686	Scale:Sheet Through:Ass'y (EU)	47 - 11
B132 1687	Scale:Sheet Through (NA)	47 - 11
B132 1692	Scale:Rear:Printing	47 - 13
B132 1702	Bracket:Motor	53 - 7
B132 1703	Stepper Motor:Scanner	53 - 10
B132 1710	Pulley:Tension:Timing Belt:Ass'y	53 - 6
B132 1714	Cover:Damper	53 - 11
B132 1716	Cover:Shaft	53 - 12
B132 1719	Screw:Mechanical Drive Section	53 - 20
B132 1720	Pulley:40T	53 - 18
B132 1723	Spring:Drive Were	53 - 16
B132 1724	Bracket:Tension	53 - 14
B132 1725	Bracket:Tension:Fix	53 - 15
B132 1728	Gasket:Cover:Shaft	53 - 29
B132 1729	Drive Were:Scanner	53 - 13
B132 1731	Lens Unit	49 - 1
B132 1751	Carriage:No.1:Ass'y	51 - 11
B132 1757	Mirror:No.1:Ass'y	51 - 18
B132 1758	Stay:Wire	51 - 15
B132 1762	Reflector	51 - 16

Part No.	Description	Page and Index No.
B132 1766	Feeler:Home Position Sensor:No.1	51 - 13
B132 1767	Holder:Connector	51 - 14
B132 1801	Carriage:No.2:Ass'y	51 - 1
B132 1815	Holder:Pulley	51 - 5
B132 1818	Mirror:No.2	51 - 3
B132 1819	Mirror:No.3	51 - 4
B132 1851	Bracket:Invertor	53 - 2
B132 1852	Bracket:Fan:MM40:Invertor	53 - 3
B132 1856	Bracket:Filter:Ass'y	47 - 7
B132 1861	Bracket:Original Sensor	51 - 10
B132 1864	Filter:Scanner	47 - 8
B132 1871	Bracket:Open And Close:Left	49 - 4
B132 1872	Bracket:Open And Close:Right	49 - 12
B132 1874	Bracket:Positioning:Right	49 - 9
B132 1877	Bracket:Positioning:Left	49 - 6
B132 1885	Bracket:ADF	47 - 14
B132 1886	Lever:Scanner Unit:Open And Close	49 - 10
B132 1888	Rod:Open And Close:Scanner Unit	49 - 18
B132 1889	Plate:Rod	49 - 17
B132 1890	Xenon Lamp:100000LX	51 - 20
B132 1891	Stabilizer	53 - 1
B132 1896	Ground Wire:Scanner	49 - 13
B132 1897	Spring Plate:Earth:Scanner Unit	49 - 8
B132 1898	Spring Plate:Ground Plate:ADF	47 - 18
B132 1950	Imaging Unit	55 - 1
B132 1971	Positioning Pin	55 - 7
B132 2085	Shield:Shield Glass	55 - 11
B132 2093	Rail:Shield Glass	55 - 14
B132 2094	Grip:Shield Glass	55 - 12
B132 2156	Polygon Motor	55 - 6
B132 2172	Cover:Upper:Sub-ass'y	55 - 9
B132 2185	Cover:Polygon Motor:Ass'y	55 - 5
B132 2211	PCU-K	85 - *
B132 2212	PCU-CMY	85 - *
B132 2269	Discharge Lamp:LED Array	85 - 18

Part No.	Description	Page and Index No.
B132 2270	Drum Charge Roller Assy	85 - 11
B132 2318	Drum Stay	83 - 12
B132 2325	Receptacle:Connector:6p	143 - 12
B132 2328	Drum Stay:PCU:Front	87 - 9
B132 2329	Drum Stay:PCU:Rear	87 - 8
B132 2335	Positioning Plate:Cleaning	85 - 3
B132 2344	Electric Potential Sensor	85 - 1
B132 2365	Plate:Lever	83 - 9
B132 2366	Lever:Drum Stay:Left	83 - 10
B132 2380	Stay:Temperature & Humidity Sensor	85 - 13
B132 2388	Heat Insulation:Drum Stay	83 - 13
B132 2391	Holder:PCU	17 - 15
B132 2392	Plate:Drum Shaft	17 - 16
B132 2393	Tray:Holder:PCU	17 - 13
B132 2399	Inner Cover:Drum Stay	83 - 4
B132 2409	Humidity Control:Ass'y	163 - 13
B132 2410	Humidity Control:Ass'y	163 - 17
B132 2417	Seal:Drum Stay:Lower	83 - 14
B132 2420	Duct:Side Plate:Rear:Front	139 - 25
B132 2421	Duct:Side Plate:Rear:Rear	139 - 24
B132 2423	Duct:Drum Stay:PCU	83 - 3
B132 2425	Duct:Exhaust:Rear	161 - 4
B132 2426	Duct:Fusing:Upper	165 - 4
B132 2428	Duct:Joint:Fusing	143 - 20
B132 2429	Stay:Sirocco	161 - 6
B132 2430	Bracket:Stay:Sirocco	161 - 7
B132 2431	Stay:Duct	159 - 10
B132 2432	Bracket:Stay:Duct	159 - 14
B132 2433	Bracket:Stay:Duct:Right	159 - 17
B132 2434	Duct:Exhaust	159 - 11
B132 2435	Dust Filter	161 - 9
B132 2436	Ozone Filter	161 - 8
B132 2437	Cover:Filter	161 - 11
B132 2438	Shield:Exhaust	161 - 2
B132 2439	Shield:Filter	161 - 10

Part No.	Description	Page and Index No.
B132 2442	Duct:Drum Stay	83 - 2
B132 2443	Duct:Side Plate:Rear:Front:Ass'y	137 - 1
B132 2450	Shield:Duct:Intermediate Transfer	83 - 1
B132 2453	Duct:Joint:Fusing:Rear	143 - 28
B132 2454	Duct:Intermediate Transfer	83 - 6
B132 2455	Duct:Joint:Exhaust:Ass'y	159 - 12
B132 2457	Duct:Toner Hopper	79 - 6
B132 2458	Duct:Development:Front	79 - 2
B132 2459	Duct:Development:Front:Y	79 - 1
B132 2461	Duct:Connecting:Pull Out:Rear	143 - 25
B132 2462	Duct:Connecting:Pull Out	137 - 21
B132 2463	Duct:Pull Out	123 - 16
B132 2465	Seal:Fan:Humidity Control	163 - 14
B132 2466	Filter:Duct:Intermediate Transfer	83 - 5
B132 2467	Seal:Duct:Side Plate:Rear:Rear	139 - 23
B132 2468	Filter	163 - 16
B132 2470	Duct:Humidity Control:Ass'y	165 - 12
B132 2474	Shield:Duct	79 - 5
B132 2475	Filter:Duct	81 - 4
B132 2476	Shield:Duct:Left	79 - 7
B132 2478	Seal:Duct:Exhaust:Rear	161 - 3
B132 2479	Seal:Duct:Exhaust	159 - 13
B132 2481	Drum Shaft	139 - 7
B132 2484	Seal:Duct:Pull Out	123 - 17
B132 2485	Seal:Fan Motor	79 - 3
B132 2486	Joint:Drive	139 - 5
B132 2487	Joint:Drive:K	139 - 4
B132 2488	Collar:Joint:Drive	139 - 3
B132 2489	Bracket:Connector	163 - 21
B132 2491	Drum Shaft:K	139 - 6
B132 2493	DC Motor:Drum:DIA87:Ass'y	139 - 9
B132 2496	Seal:Duct:Toner Hopper:Lower	79 - 16
B132 2594	DC Solenoid:24V:16.5W:Ass'y	103 - 11
B132 2601	Bracket:Remove Paper Dust:Ass'y	99 - 2
B132 2605	Case:Remove Paper Dust	99 - 1

Part No.	Description	Page and Index No.
B132 2610	Registration Guide:Lower	101 - 6
B132 2617	Registration Roller:Lower	101 - 2
B132 2620	Bracket:Registration Sensor	99 - 3
B132 2624	Bracket:Optics Sensor	101 - 5
B132 2626	Seal:Remove Paper Dust	99 - 25
B132 2627	Seal:Remove Paper Dust:Inner Back	99 - 26
B132 2629	Registration Roller:Upper	101 - 1
B132 2632	Seal:Optics Sensor:Middle	99 - 27
B132 2636	Guide Plate:Connecting:Right Upper	103 - 7
B132 2637	Guide Plate:LCT	167 - 18
B132 2639	Transport Roller:Driven	103 - 5
B132 2641	Guide Plate:Open And Close:Middle	101 - 27
B132 2644	Lever:Knob:Release	99 - 15
B132 2649	Arm:Guide	103 - 12
B132 2650	Arm:Perpendicular	103 - 13
B132 2651	Knob:Release	99 - 18
B132 2654	Bracket:Sensor:Large Capacity Tray	167 - 24
B132 2658	Roller:Connecting:Drive	101 - 16
B132 2661	Bracket:Solenoid	103 - 15
B132 2662	Guide Plate:LCT:Open And Close	167 - 23
B132 2666	Shaft:Guide Plate	167 - 17
B132 2667	Rail:Solenoid:Release	103 - 16
B132 2669	Side Plate:Open And Close:Rear	99 - 20
B132 2670	Shaft:Lock	99 - 14
B132 2671	Lever:Un Lock	99 - 9
B132 2673	Registration Guide:Upper	99 - 8
B132 2674	Side Plate:Open And Close:Front	99 - 13
B132 2675	Transport Roller:Driven:Duplex	101 - 20
B132 2679	Bracket:Gear:Swivel	141 - 29
B132 2680	Registration Guide:Connecting	99 - 19
B132 2681	Shaft:Contact Point:Lever	99 - 17
B132 2682	Registration Guide:Upper	99 - 16
B132 2691	Shaft:Lock	101 - 12
B132 2692	Pawl:Lock:Rear	101 - 13
B132 2699	Spacer:MM12	141 - 30

Part No.	Description	Page and Index No.
B132 2700	Stay:Registration Guide	99 - 7
B132 2703	Stud:Contact Point	99 - 24
B132 2708	Pawl:Lock:Front	101 - 10
B132 2709	Decal:Lever:B4	221 - 27
B132 2709	Decal:Lever:B4	97 - 20
B132 2710	Tension Spring	103 - 20
B132 2711	Bracket:Stepper Motor	103 - 21
B132 2716	Lever:Release	97 - 7
B132 2717	Lever:Large Capacity Tray	167 - 16
B132 2718	Guide:Registration:Open And Close	167 - 13
B132 2720	Bracket:Tightener	103 - 19
B132 2722	Stepper Motor:Registration:Ass'y	103 - 23
B132 2723	Cover:Motor:Registration	103 - 17
B132 2753	Support Stay:Solenoid	103 - 14
B132 2760	Bracket:Drive:Paper Feed Sub-unit	141 - 3
B132 2762	Shaft:Drive:Paper Feed	141 - 31
B132 2767	Guide Plate:Paper Bank:Ass'y	103 - 3
B132 2773	Bracket:Sensor	103 - 10
B132 2790	Guide Plate:Entrance:Lower Left	101 - 17
B132 2800	Manual Feed Unit:Ass'y	59 - 1
B132 2809	Manual Feed Table:Ass'y	57 - 3
B132 2815	Bracket:Fix:Manual Feed	167 - 27
B132 2816	Cover:Manual Feed:Machine or Copier	57 - 1
B132 2819	Holder:Manual Feed Table:Front	59 - 3
B132 2823	Holder:Manual Feed Table:Rear	59 - 17
B132 2825	Guide Plate:Separator Ass'y	59 - 29
B132 2835	Arm:Pickup:Manual Feed	59 - 25
B132 2837	Guide Plate:Feed	59 - 23
B132 2839	DC Solenoid:Pickup:Ass'y	59 - 11
B132 2845	Feeler:Paper End Sensor	59 - 5
B132 2846	Ground Plate:Manual Feed	59 - 24
B132 2848	Bracket:Sensor:Manual Feed	59 - 8
B132 2849	Shaft:Separator:Drive:Ass'y	59 - 31
B132 2851	Shaft:Separator:Driven:Ass'y	59 - 35
B132 2853	Lever:Pressure:Separator	59 - 38

Part No.	Description	Page and Index No.
B132 2856	Roller:Manual Feed Unit:Drive	59 - 14
B132 2857	Stopper:Magnetic Clutch	59 - 16
B132 2859	Cover:Manual Feed Unit	59 - 2
B132 2861	Side Fence:Front:Ass'y	57 - 6
B132 2863	Side Fence:Auxiliary:Front	57 - 4
B132 2864	Side Fence:Rear:Ass'y	57 - 7
B132 2866	Side Fence:Auxiliary:Rear	57 - 5
B132 2868	Guide:Manual Feed Table	57 - 9
B132 2873	Paper Size Sensor	57 - 12
B132 2875	Decal:Paper Set Direction	221 - 28
B132 2875	Decal:Paper Set Direction	57 - 8
B132 3070	Stay:Toner Catch	85 - 20
B132 3079	Adjusting Pin:Development	17 - 18
B132 3080	Development Unit	87 - *
B132 3084	Holder:Cap:Receiving Sub-unit	17 - 29
B132 3086	Case:Developer:Upper	87 - 7
B132 3118	Gear - 21Z	87 - 2
B132 3120	Gear:Development Roller	87 - 1
B132 3120	Gear:Development Roller	17 - 17
B132 3123	Gear - 19/27Z	87 - 3
B132 3124	Gear - 27Z	87 - 4
B132 3155	Cover:Gear:Ass'y	87 - 6
B132 3159	Adjusting Pin:Magnetic Roller	87 - 10
B132 3179	Cap:Toner Supply:Upper	17 - 28
B132 3186	Receptacle:Development Vias:Ass'y	143 - 13
B132 3199	Density Sensor	87 - 5
B132 3202	Toner Supply Unit:Ass'y	77 - 1
B132 3216	Shaft:Lever:Stand	77 - 5
B132 3217	Supporting Plate:Side Plate	81 - 1
B132 3218	Bracket:Fix:Right	81 - 3
B132 3222	Shaft:Drive	81 - 7
B132 3223	Gear:21/32Z	81 - 8
B132 3224	Gear:75Z	81 - 6
B132 3229	Cover:Lower:Black	81 - 5
B132 3230	Cover:Lower:Color	79 - 9

Part No.	Description	Page and Index No.
B132 3232	Cover:Black	77 - 17
B132 3233	Cover:Color	77 - 22
B132 3234	Sheet:Cover:Holder	77 - 23
B132 3235	Inner Cover:Right	77 - 18
B132 3236	Inner Cover:Left	77 - 8
B132 3237	Stand:Left	77 - 9
B132 3238	Guide:Stand	77 - 10
B132 3239	Lever:Stand	77 - 4
B132 3240	Spring Plate:Stand	77 - 3
B132 3241	Guide Plate:Lever:Stand	77 - 7
B132 3242	Spring Plate:Lever:Stand	77 - 6
B132 3245	Sheet	77 - 28
B132 3245	Sheet	81 - 17
B132 3246	Heat Insulation:Toner Supply Unit	79 - 8
B132 3251	Cover:Lower:Holder:Black	77 - 27
B132 3252	Cover:Lower:Holder:M	77 - 20
B132 3253	Cover:Lower:Holder:C	77 - 21
B132 3254	Cover:Lower:Holder:Y	77 - 19
B132 3286	Holder:Toner Cartridge:Black:Ass'y	77 - 26
B132 3287	Holder:Toner Cartridge:Color:Ass'y	77 - 16
B132 3314	Bracket:Stopper:Holder:Right:Ass'y	77 - 14
B132 3316	Bracket:Stopper:Holder:Left:Ass'y	77 - 13
B132 3321	Arm:Stopper:Holder:Black	77 - 24
B132 3322	Arm:Stopper:Holder:Color	77 - 12
B132 3323	Guide:Arm:Stopper:Holder	77 - 11
B132 3330	Decal:Lever:Toner Supply:K	221 - 29
B132 3330	Decal:Lever:Toner Supply:K	77 - 25
B132 3331	Decal:Lever:Toner Supply:M	77 - 15
B132 3331	Decal:Lever:Toner Supply:M	221 - 29
B132 3332	Decal:Lever:Toner Supply:C	77 - 15
B132 3332	Decal:Lever:Toner Supply:C	221 - 29
B132 3333	Decal:Lever:Toner Supply:Y	77 - 15
B132 3333	Decal:Lever:Toner Supply:Y	221 - 29
B132 3336	Toner Supply Unit:Ass'y	79 - 10
B132 3428	Stay	77 - 2

Part No.	Description	Page and Index No.
B132 3431	Bracket:PCB	81 - 13
B132 3434	Bracket:Drawer	81 - 12
B132 3435	Cover:Drawer	81 - 11
B132 3436	Tube:Black	79 - 11
B132 3437	Tube:Color	79 - 14
B132 3438	Coil:Guard:Tube:Black	79 - 12
B132 3439	Coil:Guard:Tube:Color	79 - 15
B132 3486	Stay:Slide Rail:Toner Supply	167 - 12
B132 3489	Bracket:Drawer:Toner Supply	163 - 22
B132 3491	Cover:Drawer	163 - 23
B132 3493	Bracket:Fix:Toner Supply	163 - 24
B132 3555	Drum Cleaning Brush Assy	85 - 8
B132 3560	Drum Cleaning Blade	85 - 10
B132 3573	Drum Lubricant Bar	85 - 14
B132 3574	Lubricant Bar Weight	85 - 23
B132 3580	Transport Screw	85 - 22
B132 3596	Gear - 30Z	85 - 21
B132 3600	Joint PCU	85 - 2
B132 3601	Drum Stay:Front:Ass'y	85 - 9
B132 3607	Drum Stay:Rear	85 - 4
B132 3650	Receptacle:Ass'y	143 - 23
B132 3653	Cleaning Brush Seal Rear	85 - 16
B132 3654	Cleaning Brush Seal Front	85 - 17
B132 3655	Bushing:Brush Roller	85 - 6
B132 3656	Ground Plate:Brush Roller	85 - 15
B132 3850	Transport Unit:Ass'y	107 - 1
B132 3851	Transport Roller:Drive	107 - 5
B132 3862	Supporting Plate:Vacuum	107 - 6
B132 4017	Fusing Unit (NA)	109 - 1
B132 4027	Fusing Unit (EU)	109 - 1
B132 4061	Fusing Cover	109 - 12
B132 4071	Stay:Fusing Unit	109 - 13
B132 4075	Pressure Roller Cleaning Felt Ass'y	115 - 5
B132 4084	Heat Roller	113 - 8
B132 4089	Fusing Belt	113 - 4

Part No.	Description	Page and Index No.
B132 4101	Side Plate:Upper Rear	113 - 9
B132 4102	Side Plate:Upper Front	113 - 18
B132 4103	Stay:Upper	113 - 2
B132 4119	Spacer:Gear:Idler	113 - 30
B132 4120	Lever:Heat Roller:Rear	113 - 7
B132 4121	Lever:Heat Roller:Front	113 - 17
B132 4122	Adjusting Pin:Heat Roller	113 - 25
B132 4123	Gear:Drive:Press Fit	113 - 15
B132 4125	Collar:Shaft:Drive	113 - 19
B132 4127	Bracket:Torsion Spring:Peen	111 - 18
B132 4132	Bracket:Guide Plate:Upper	113 - 3
B132 4133	Fusing Entrance Guide Plate:Upper	109 - 15
B132 4138	Roller:Coupling:Knob:Fusing	113 - 20
B132 4143	Heater Holder:Upper Rear	113 - 29
B132 4144	Heater Holder:Upper Front	109 - 17
B132 4145	Heater Holder:Hot Roller	109 - 19
B132 4146	Bracket:Thermistor:Hot Roller	111 - 16
B132 4147	Stopper:Heat Roller:Upper Rear	113 - 31
B132 4148	Housing:Thermostat	111 - 15
B132 4148	Housing:Thermostat	115 - 29
B132 4149	Housing:Temperature Sensor	109 - 20
B132 4150	Temperature Sensor:Ass'y	109 - 8
B132 4151	Harness:Thermostat:Upper Front	113 - 16
B132 4152	Harness:Thermostat:Upper Middle	109 - 14
B132 4153	Housing:Thermostat	111 - 17
B132 4158	Plate:Temperature Sensor:Front	109 - 16
B132 4159	Plate:Temperature Sensor:Rear	109 - 18
B132 4160	Bracket:Oil Application Unit	111 - 7
B132 4163	Shaft:Oil Application Unit	111 - 8
B132 4164	Lever:Oil Application Unit:Rear	111 - 10
B132 4165	Lever:Oil Application Unit:Front	111 - 5
B132 4168	Grip:Oil Application Unit	111 - 4
B132 4174	Guide Plate:Fusing Exit:Upper	111 - 2
B132 4178	Cover Oil Application Unit	111 - 1
B132 4189	Harness Clamp	113 - 27

Part No.	Description	Page and Index No.
B132 4190	Torsion Spring:Lever:Rear	111 - 22
B132 4191	Compression Spring - 2.5n	111 - 11
B132 4192	Compression Spring:Pressure:300n	115 - 24
B132 4193	Tension Spring:Heat Roller	115 - 26
B132 4194	Tension Spring:Hot Roller	113 - 1
B132 4195	Torsion Spring:Oil Application Unit	111 - 19
B132 4197	Torsion Spring:Lever	111 - 9
B132 4198	Torsion Spring:Guide Plate	111 - 24
B132 4201	Side Plate:Lower Rear	115 - 25
B132 4202	Side Plate:Lower Front	115 - 30
B132 4203	Stay:Lower	115 - 27
B132 4204	Stay:Right Lower	115 - 28
B132 4230	Holder:Spring:Rear	115 - 21
B132 4231	Holder:Spring:Front	115 - 31
B132 4232	Lever:Turn	115 - 23
B132 4233	Lever:Pressure	115 - 20
B132 4238	Lever:Release	115 - 22
B132 4244	Bracket:Drawer	115 - 14
B132 4245	Heater Holder:Lower	109 - 22
B132 4245	Heater Holder:Lower	115 - 19
B132 4246	Bracket:Connector	115 - 33
B132 4249	Harness:Thermostat:Lower Front	115 - 32
B132 4255	Holder:Lever:Pressure Roller	115 - 6
B132 4256	Stripper Pawl Stay	111 - 21
B132 4258	Stripper Pawls:Ass'y	111 - 20
B132 4269	Spring Plate:Oil Application Unit	111 - 23
B132 4273	Fusing Entrance Guide Plate:Lower	109 - 21
B132 4283	Guide Plate:Fusing Exit:Lower	115 - 4
B132 4284	Bracket:Paper Feed Sensor	115 - 2
B132 4289	Fusing Protective Sheet	109 - 25
B132 4290	Stripper Pawls:Ass'y	115 - 12
B132 4500	Duplex Unit:Ass'y	125 - 3
B132 4525	Inner Cover:Duplex Unit:Ass'y	125 - 1
B132 4591	Rail:Right:Ass'y	169 - 4
B132 4619	Bracket:Support:Positioning Pin	133 - 17

Part No.	Description	Page and Index No.
B132 4620	Side Plate:Rear:Reverse Unit:Ass'y	127 - 19
B132 4627	Side Plate:Front:Reverse Unit	127 - 12
B132 4640	Guide Plate:Entrance:Upper:Ass'y	127 - 27
B132 4643	Spacer:Gate Pawl	127 - 15
B132 4647	Lever:Open And Close:Reverse Unit	127 - 4
B132 4650	Stepper Motor:Jogger:Ass'y	129 - 6
B132 4655	Bracket:Reversal:Driven:Ass'y	129 - 28
B132 4661	Arm:Roller:Reversal:Driven	129 - 23
B132 4663	Lever:Roller:Driven:Reversal	129 - 12
B132 4665	Stay:Bearing:Reversal	129 - 15
B132 4671	Arm:Lock:Duplex	125 - 6
B132 4674	Grip:Release:Duplex Unit	125 - 4
B132 4681	Jogger Fence:Front	129 - 18
B132 4682	Jogger Fence:Rear	129 - 19
B132 4689	Stay:Timing Belt	133 - 5
B132 4692	Slider:Jogger Fence:Front	133 - 7
B132 4693	Slider:Jogger Fence:Rear	133 - 8
B132 4696	Bracket:Stepper Motor:Jogger	129 - 7
B132 4699	Bracket:Home Position Sensor:Jogger	133 - 26
B132 4710	Guide Plate:Transport:Upper:Ass'y	133 - 13
B132 4715	Bracket:Sensor:Reverse:Exit	133 - 11
B132 4720	Table:Duplex:Left	129 - 22
B132 4725	Table:Duplex:Right	125 - 15
B132 4727	Bracket:Sensor:Right	125 - 16
B132 4730	Guide Plate:Transport:Lower	125 - 19
B132 4740	DC Solenoid:Gate Pawl:Ass'y	133 - 15
B132 4745	DC Solenoid:Reversal:Ass'y	129 - 5
B132 4780	Stepper Motor:Reverse:Ass'y	129 - 1
B132 4785	Stepper Motor:Transport:Ass'y	129 - 8
B132 4789	Bracket:Stepper Motor:Transport	129 - 9
B132 4790	Bracket:Drawer:32pin:Duplex	133 - 18
B132 4791	Bracket:Drawer:12pin:Duplex	133 - 20
B132 4796	Decal:Grip:E3	221 - 30
B132 4796	Decal:Grip:E3	127 - 3
B132 4797	Decal:Warning (High Temperature)	125 - 2

Part No.	Description	Page and Index No.
B132 4797	Decal:Warning (high Temperature)	221 - 31
B132 4810	Bracket:Motor:Reverse:Ass'y	129 - 2
B132 4830	Bracket:Holder:Ass'y	169 - 19
B132 4835	Rail:Left:Ass'y	169 - 3
B132 4868	Guide:Duplex:Upper Right	103 - 26
B132 4869	Guide Plate:Duplex:Exit	125 - 13
B132 4874	Guide Plate:Jogger:Upper	125 - 12
B132 4985	Harness:Sensor:Reverse Unit	127 - 26
B132 4987	Stay:Duplex Unit:Upper	125 - 11
B132 5130	PCB:BICU	185 - *
B132 5130	PCB:BICU	151 - 3
B132 5185	PCB:Sync Detector Board:Side	55 - 2
B132 5194	PCB:OPU (NA)	21 - 34
B132 5195	PCB:OPU (EU)	21 - 34
B132 5200	Harness:AC:Main:Switch	157 - 21
B132 5201	Harness:Leak Breaker:AC Drive	157 - 10
B132 5202	Harness:AC Drive:DC Power Supply	157 - 9
B132 5204	Harness:Fusing Unit:No.1:100V	115 - 9
B132 5205	Harness:Fusing Unit:No.2	113 - 10
B132 5209	Harness:Fusing Unit:No.1:200V	115 - 9
B132 5210	Harness:Dc Power Supply:Main	157 - 6
B132 5211	Harness:Power Supply Unit	155 - 4
B132 5213	Harness:DRB:IOB:Power Source	155 - 2
B132 5214	Harness:Shielded Wire:MB	151 - 9
B132 5214	Harness:Shielded Wire:MB	157 - 5
B132 5216	Harness:Large Capacity Tray:DRB	155 - 3
B132 5218	Harness:Manual Feed:Stepper Motor	155 - 1
B132 5226	Harness:Imaging Unit	55 - 10
B132 5227	Harness:Toner Hopper:Uni:Drawer:CNB	81 - 16
B132 5228	Harness:CNB:Left	81 - 15
B132 5229	Harnessd:Electric Potential Sensor	159 - 1
B132 5231	Harness:Upper Rear	151 - 6
B132 5232	Harness:Sensor:Fan Motor	83 - 8
B132 5237	Harness:Density Sensor	93 - 10
B132 5242	Harness:Pull Out:Uni:39pin	123 - 19

Part No.	Description	Page and Index No.
B132 5243	Harness:Front:Fan	97 - 11
B132 5244	Harness:Paper Exit Unit	123 - 1
B132 5245	Harness:Pull Out:Uni:26pin	99 - 5
B132 5246	Harness:LED:Sensor	101 - 4
B132 5247	Harness:Sensor	103 - 8
B132 5248	Harness:Transport Belt:Fan	107 - 8
B132 5249	Harness:Manual Feed Unit	59 - 4
B132 5250	Harness:Paper Feed Unit	167 - 25
B132 5253	Harness:Exit:Sensor	167 - 6
B132 5258	Harness:DRB:ADF:Power Source	159 - 8
B132 5260	Harness:Duplex:DRB:Drawer	143 - 22
B132 5260	Harness:Duplex:DRB:Drawer	155 - 6
B132 5261	Harness:Duplex Unit:32p	133 - 19
B132 5262	Harness:Duplex Unit:12pin	133 - 21
B132 5263	Harness:Sensor:Duplex:3p	125 - 18
B132 5265	Harness:Dehumidifier	99 - 22
B132 5266	Harness:Duplex:Fan:Middle	169 - 13
B132 5267	Harness:Drum:Motor:KM	155 - 9
B132 5270	Harness:Sensor:Drawer:Black	143 - 26
B132 5271	Harness:Sensor:Drawer:MCY	143 - 27
B132 5272	Harness:T:Sensor:Drawer	143 - 14
B132 5280	IC - RL5C615	185 - 4
B132 5300	Harness:SIOB:Original Sensor	53 - 23
B132 5301	Harness:SIOB:SBU	53 - 21
B132 5302	Harness:SIOB:Fan Motor	53 - 22
B132 5304	Harness:Connecting:Scanner:Lamp	51 - 19
B132 5340	Harness:Development:BM	143 - 15
B132 5342	Harness:Development:CY	143 - 16
B132 5350	Harness:Main	155 - 16
B132 5351	Harness:Transfer Unit:K	89 - 15
B132 5352	Harness:Transfer Unit:MCY	89 - 1
B132 5355	Harness:Transfer Unit:Belt Cleaning	93 - 16
B132 5356	Harness:High Voltage Supply Cord	123 - 20
B132 5357	Harness:Sensor:KM	159 - 2
B132 5358	Harness:Sensor:CY	159 - 3

Part No.	Description	Page and Index No.
B132 5361	Power Supply Cord:Stopper:NA	157 - 12
B132 5362	Power Supply Cord:Stopper:EU	157 - 12
B132 5366	Harness:LDB:LDD	55 - 8
B132 5367	Cable:LVDS:LDB	55 - 17
B132 5367	Cable:LVDS:LDB	151 - 2
B132 5369	Interface Cable	151 - 1
B132 5369	Interface Cable	49 - 2
B132 5370	Harness:CSS	151 - 13
B132 5371	Harness:Fusing:100V:C1a (B132)	141 - 8
B132 5371	Harness:Fusing:100V:C1a (B132)	157 - 17
B132 5372	Harness:Power Supply Unit:Fusing:100V	141 - 8
B132 5373	Harness:Power Supply Unit:Fusing:200V	141 - 8
B132 5374	Harness:Power Supply Unit:200V (B200)	141 - 8
B132 5375	Harness:Upper Front	151 - 5
B132 5376	Harness:Intermediate Transfer:39pin	93 - 14
B132 5377	Harness:Intermediate Transfer:18pin	93 - 15
B132 5378	Harness:Positioning Sensor	89 - 8
B132 5379	Harness:Middle	151 - 7
B132 5380	Harness:AC Drive Board	161 - 13
B132 5380	Harness:AC Drive Board	157 - 19
B132 5381	Harness:IOB:PP1:PFC	151 - 8
B132 5381	Harness:IOB:PP1:PFC	155 - 14
B132 5383	Harness:Drb:Safety Switch:Fan	155 - 5
B132 5392	Harness:Bank:Dehumidifier	157 - 20
B132 5393	Harness:Toner Recycling Section	135 - 7
B132 5394	Harness:Bank:Middle	145 - 5
B132 5395	Harness:Bank:Front:3way	155 - 12
B132 5396	Harness:Bank:Rear:3way	155 - 13
B132 5396	Harness:Bank:Rear:3way	147 - 2
B132 5397	Harness:Bank:Tray:Paper Size Sensor	145 - 18
B132 5410	PCB:IOB	198 - *
B132 5410	PCB:IOB	151 - 4
B132 5415	Base:Electric Potential Sensor	159 - 5
B132 5425	PCB:DMB	155 - 8
B132 5428	PCB DRB	155 - 7

Part No.	Description	Page and Index No.
B132 5435	PCB:PPB	151 - 10
B132 5440	PCB:CNB	81 - 14
B132 5461	PCB:PFC	155 - 15
B132 5476	PCB:TMB	155 - 10
B132 5495	PCB:SIOB	53 - 24
B132 5500	IC - UPD85661S1-021-B6-A	185 - 5
B132 5501	IC:RB5C609	185 - 6
B132 5510	IC:DSP:VENUS:MUSIC	198 - 4
B132 5530	AC Control Board:100V	157 - 18
B132 5532	AC Control Board:200V	157 - 18
B132 5730	SD-Card:Copy	149 - 17
B132 5731	Harness:HDD:RAID1	149 - 5
B132 5732	Harness:HDD:RAID2	149 - 6
B132 5733	Harness:HDD:RAID3	149 - 7
B132 5734	Harness:HDD:RAID4	149 - 8
B132 5735	Harness:HDD:Power Source	149 - 9
B132 5745	Flash Memory:BIOS:AX2	212 - 1
B132 5762	PCB:Interface	149 - 11
B132 5763	PCB:DDR-DIMM:256MB	151 - 14
B132 5766	PCB:Mother Board	151 - 15
B132 5768	PCB:Control Board	149 - 16
B132 5768	PCB:Control Board	212 - *
B132 5807	Ground Plate:Base:Control Board	153 - 15
B132 5809	Seal:C/T Box:Cover:Middle	149 - 2
B132 5810	Bracket:AC Drive Board:Welding	157 - 16
B132 5812	Seal:C/T Box:Cover:Side	149 - 1
B132 5813	Seal:C/T Box:Upper:Side	153 - 6
B132 5816	Grip:Bracket:Control Board	149 - 24
B132 5818	Decal:Caption:Interface	149 - 25
B132 5818	Decal:Caption:Interface	221 - 32
B132 5819	Decal:Caution:HDD:Fan	149 - 31
B132 5819	Decal:Caution:HDD:Fan	221 - 33
B132 5820	HDD Assy	149 - 10
B132 5827	Bracket:Earth:Power Supply Unit:Rear:Peen	145 - 20
B132 5831	Gasket:Cover:C/T Box	149 - 3

Part No.	Description	Page and Index No.
B132 5832	Sheet:Cover:C/T Box	149 - 15
B132 5851	Bracket:Main Switch	163 - 8
B132 5852	Screw:Micro Switch	163 - 9
B132 5853	Lever:Micro Switch	163 - 5
B132 5855	Shaft:Micro Switch:Front	163 - 4
B132 5861	Bracket:Power Pack:Development	159 - 6
B132 5862	Bracket:DRV	155 - 18
B132 5863	Stay:Bracket:Power Pack:Development	159 - 7
B132 5864	Stay:Harness:Power Pack:Development	159 - 9
B132 5866	Bracket:LCT	161 - 1
B132 5867	Bracket:Finishing Sub-unit	161 - 12
B132 5868	Screw:Micro Switch	75 - 5
B132 5869	Torsion Spring	75 - 4
B132 5911	Bracket:Fix:C/T Box:Lower	157 - 2
B132 5912	Bracket:Fix:C/T Box:Lower:Auxiliary	157 - 1
B132 5923	Rail:Upper:Long:Right	149 - 18
B132 5924	Rail:Upper:Long:Left	149 - 19
B132 5925	Cover:Connector:Control Board	149 - 27
B132 5928	Drum Stay:Control Board:Welding	149 - 20
B132 5930	Hinge:C/T Box:Lower	153 - 2
B132 5933	Hinge:C/T Box:Upper	153 - 1
B132 5940	Bracket:C/T Box:Upper	153 - 10
B132 5941	Bracket:C/T Box:Right Upper	153 - 7
B132 5944	Bracket:Fan Motor	153 - 5
B132 5947	Arm:Hinge:C/T Box	153 - 17
B132 5958	Cover:C/T Box:Small	149 - 4
B132 5960	Bracket:PPB	151 - 11
B132 5961	Bracket:Mother Board	151 - 12
B132 5963	Bracket:Interface	153 - 16
B132 5965	Bracket:Interface:Fix:Auxiliary	153 - 14
B132 5966	Bracket:CSS	151 - 17
B132 5969	Cover:SD-Card:Control Board	149 - 26
B132 5971	Bracket:Micro Switch:Paper Bank	75 - 3
B132 5976	Bracket:Total Counter	67 - 12
B132 5977	Bracket:Power Supply Unit:Right	145 - 19

Part No.	Description	Page and Index No.
B132 5978	Bracket:Power Supply Unit:Fix:Left	157 - 8
B132 5979	Bracket:Power Pack	155 - 11
B132 5980	Bracket:Power Pack:Fix:Upper	157 - 3
B132 5981	Bracket:Power Pack:Fix:Lower	157 - 4
B132 5985	Bracket:Leak Breaker	157 - 15
B132 5989	Stopper:C/T Box:Upper	153 - 9
B132 5990	Bracket:Leak Breaker:Rear	157 - 11
B132 5993	Harness:HDD:Fan Motor	151 - 16
B132 5994	Bracket:Power Supply Cord:EXP	157 - 14
B132 5995	Stopper:Power Supply Cord	157 - 13
B132 5996	Decal:Total Counter	221 - 34
B132 5996	Decal:Total Counter	67 - 13
B132 5997	Bracket:Power Supply Unit:Right:EXP	145 - 21
B132 5999	Sheet:Micro Switch:12mm	75 - 2
B132 6050	Image Transfer Belt	89 - 7
B132 6055	Roller:Drive	91 - 8
B132 6061	Roller:Driven	89 - 12
B132 6065	Roller:Opposed:Belt Cleaning	91 - 5
B132 6069	Roller:Transfer:Front	91 - 7
B132 6073	Roller:Opposed	91 - 6
B132 6076	Bracket:On-off:Black	89 - 19
B132 6077	Bracket:Collar	89 - 14
B132 6080	Roller:Intermediate Transfer	89 - 13
B132 6094	Shaft:Positioning	91 - 4
B132 6098	Shaft>Contact Point:Collar	89 - 17
B132 6099	Joint:Transfer:Drive	91 - 13
B132 6111	Cam:On-Off	91 - 2
B132 6112	Shaft:Cam:Color	91 - 3
B132 6113	Shaft:Cam	91 - 9
B132 6114	Cam:On-Off:Black	91 - 10
B132 6115	Bushing	89 - 10
B132 6116	Bushing:Front	89 - 9
B132 6119	Belt Sensor	93 - 11
B132 6120	Seal:Upper:Belt Cleaning	95 - 18
B132 6121	Duct	93 - 9

Part No.	Description	Page and Index No.
B132 6122	Bracket:Belt Sensor	93 - 12
B132 6124	Spring Plate:Cam	93 - 7
B132 6130	Gear:16Z	91 - 11
B132 6131	Grip:On-Off	91 - 15
B132 6133	Compression Spring:Transfer:Black	89 - 18
B132 6134	Plate:Intermediate Transfer:Front	91 - 18
B132 6136	Compression Spring:Plate:Intermedia	91 - 17
B132 6137	Terminal:Black	89 - 16
B132 6140	Terminal:Collar	89 - 2
B132 6141	Positioning Sensor:Ass'y	89 - 6
B132 6143	Holder:Opposed:Transfer:Front	91 - 14
B132 6144	Compression Spring:Transfer:Collar	89 - 11
B132 6145	Insulating Sheet:Power Pack	93 - 2
B132 6147	Compression Spring:Transfer:Collar:Rear	89 - 4
B132 6149	Terminal:Yellow	89 - 3
B132 6150	Holder:Opposed:Rear:Ass'y	91 - 12
B132 6156	Stand	93 - 13
B132 6157	Stopper:On-Off	93 - 8
B132 6165	Plate:Bracket	93 - 17
B132 6170	Guard:Right	93 - 3
B132 6171	Guard:Left	93 - 4
B132 6172	Guard:Rear	93 - 5
B132 6175	Joint:Intermediate Transfer:Front:Ass'y	91 - 16
B132 6178	Plate:Upper:Positioning Sensor:Ass'y	89 - 5
B132 6250	Paper Transfer Roller	105 - 7
B132 6253	Stay:Brush Roller:Ass'y	105 - 4
B132 6255	PTR Cleaning Brush	105 - 10
B132 6257	Tray:Toner Catchpan:Ass'y	107 - 10
B132 6260	Collection Coil:Toner:Ass'y	107 - 9
B132 6265	PTR Cleaning Blade	105 - 15
B132 6268	Paper Discharge Plate	105 - 2
B132 6269	Holder:Blade	105 - 16
B132 6274	Stay:Transfer Unit	105 - 5
B132 6284	Joint:Transfer:Drive	105 - 19
B132 6285	Toner Catchpan	123 - 28

Part No.	Description	Page and Index No.
B132 6286	Stopper:Transfer/Separation Unit	107 - 15
B132 6287	Shaft:Contact Point	105 - 6
B132 6288	Spring:Pressure	105 - 23
B132 6289	PTR Lubricant Bar	105 - 14
B132 6295	Guide Plate:Entrance:Ass'y	105 - 12
B132 6299	Spring:Blade	105 - 17
B132 6301	Gear:40z	105 - 18
B132 6302	Gear:40z	105 - 20
B132 6303	Gear:40Z	105 - 8
B132 6304	Stay:Pull Out	107 - 11
B132 6305	Cam:Transfer Roller	123 - 27
B132 6306	Spring:Pressure	105 - 9
B132 6307	Base:Transfer Roller:Rear:Ass'y	105 - 22
B132 6311	Bracket:Gear:Idler	105 - 21
B132 6314	Basefront	105 - 31
B132 6323	Shield:Guide Plate:Entrance	105 - 13
B132 6325	Seal:Side Plate:Front	105 - 39
B132 6326	Seal:Side Plate:Rear	105 - 38
B132 6327	Seal:Guide Plate:Entrance:Lower	105 - 37
B132 6331	Tightener:Transfer:Transport Screw:Ass'y	105 - 35
B132 6334	Side Plate:Positioning:Transfer:Fro	105 - 36
B132 6337	Spring:Tightener:Transport Screw	105 - 33
B132 6450	Case:Coating Bar:Ass'y	95 - 22
B132 6453	Cover:Case:Coating Bar	95 - 19
B132 6454	Receptacle:Brush:Ass'y	95 - 25
B132 6459	Holder:Spring:Roller:Pressure	95 - 3
B132 6460	Case:Spring:Roller:Pressure	95 - 5
B132 6461	Joint:Discharge Used Toner	95 - 10
B132 6462	Ground Plate:Belt Cleaning	95 - 8
B132 6468	Roller:Bias	95 - 24
B132 6469	Roller:Pressure	95 - 11
B132 6470	Holder:Blade:Belt Cleaning:Ass'y	95 - 16
B132 6475	Joint:Drive:Brush:Belt Cleaning	95 - 17
B132 6484	Stay:Roller:Pressure:Front	95 - 35
B132 6485	Stay:Roller:Pressure:Rear	95 - 36

Part No.	Description	Page and Index No.
B132 6503	Case:Belt Cleaning:Ass'y	95 - 2
B132 6506	Heat Sink:Heater:Toner	107 - 19
B132 6507	Holder:Heater	107 - 18
B132 6508	Cover:Heater	107 - 21
B132 6512	Base:Toner Outlet Sub-unit:Ass'y	135 - 9
B132 6514	Bracket:Toner Outlet Sub-unit:Drive	135 - 10
B132 6518	Case:Toner Outlet Sub-unit	135 - 3
B132 6519	Case:Toner Outlet Sub-unit:Cover	135 - 2
B132 6520	Transport Screw:Upper:Ass'y	135 - 6
B132 6525	Bracket:Used Toner Sensor	145 - 8
B132 6526	Guide:Spring:Discharge Used Toner	135 - 24
B132 6527	Shaft:Toner Outlet Sub-unit	135 - 13
B132 6531	Pipe	137 - 20
B132 6533	Toner Outlet Sub-unit:Ass'y	137 - 28
B132 6536	Bushing:Transport Screw	135 - 20
B132 6537	Cover:DC Motor	135 - 17
B132 6539	Toner Catchpan:Tank:Entrance	135 - 4
B132 6540	Case:Drive:Ass'y	137 - 16
B132 6542	Tension Spring	135 - 11
B132 6544	Bracket:Dc Motor:No.2	145 - 9
B132 6545	Shaft:Drive:Short:Ass'y	137 - 17
B132 6547	Bracket:Used Toner Sensor:Install	145 - 3
B132 6548	Shaft:Drive:Long:Ass'y	135 - 14
B132 6550	Compression Spring	145 - 2
B132 6556	Transport Screw:Side	137 - 3
B132 6561	Transport Screw:Lengthwise	137 - 19
B132 6566	Compression Spring	145 - 6
B132 6570	Toner Outlet Sub-unit	137 - 4
B132 6572	Toner Outlet Sub-unit:Cover:PCU	137 - 2
B132 6577	Guide:Tank:Discharge Used Toner	169 - 9
B132 6578	Shield:Joint:PCU	135 - 1
B132 6579	Cover:Temperature/Humidity Sensor	169 - 8
B132 6592	Gear:29Z	137 - 5
B132 6593	Shaft:Idler:DC Motor	145 - 11
B132 6596	Waste Toner Bottle	19 - 4

Part No.	Description	Page and Index No.
B132 6597	Toner Catchpan:CM	137 - 23
B132 6599	Toner Catchpan:K	137 - 24
B132 6620	Paper Feed Unit	71 - 1
B132 6630	Bracket:Holder:Ass'y	171 - 15
B132 6653	Stay:Holder:Paper Tray:Ass'y	67 - 10
B132 6655	Stepper Motor:Paper Feed Unit:Ass'y	73 - 25
B132 6655	Stepper Motor:Paper Feed Unit:Ass'y	141 - 1
B132 6659	DC Solenoid:Pickup:Ass'y	71 - 18
B132 6669	Supporting Plate:Stay	171 - 4
B132 6670	DC Solenoid:Reverse:Ass'y	73 - 42
B132 6671	Cover:Tandem LCT	61 - 2
B132 6689	Side Plate:Front:Paper Bank	171 - 12
B132 6692	Slide Rail:Left:Sub-ass'y	67 - 4
B132 6693	Slide Rail:Right:Ass'y	67 - 1
B132 6696	Stay:Tandem LCT:Ass'y	171 - 7
B132 6726	Bracket:Arm:Ass'y	147 - 4
B132 6737	Bracket:Paper Size Sensor:No.1	145 - 16
B132 6742	Left Rail Bracket	171 - 9
B132 6751	Transport Unit:Vertical Transport	75 - 6
B132 6752	Pressure Plate:Transport Roller:Driven:No.1	75 - 16
B132 6753	Side Plate:Front:Vertical Transport	75 - 14
B132 6754	Side Plate:Rear:Vertical Transport	75 - 15
B132 6758	Guide:Relay:Paper Feed Unit	75 - 1
B132 6759	DC Motor:Rise:Tandem LCT:Ass'y	147 - 8
B132 6761	Inner Cover:Paper Feed	17 - 10
B132 6762	DC Solenoid:Coupling:Ass'y	147 - 10
B132 6763	Bracket:Connector:Left	147 - 5
B132 6764	Bracket:Connector:Right	147 - 1
B132 6765	DC Solenoid:Lock:Ass'y	147 - 11
B132 6770	Paper Tray:Universal:DOM:Ass'y	69 - 1
B132 6783	Arm:End Fence:Lock	69 - 19
B132 6785	Tray Bottom Plate:Ass'y	69 - 9
B132 6786	Decal:Paper Tray:Paper Set Direction	69 - 17
B132 6786	Decal:Paper Tray:Paper Set Direction	221 - 35
B132 6788	Link:End Fence	69 - 3

Part No.	Description	Page and Index No.
B132 6789	Link:Side Fence	69 - 2
B132 6791	Plate:Side Fence	69 - 7
B132 6793	Side Fence:Front:Ass'y	69 - 4
B132 6795	Side Fence:Rear:Ass'y	69 - 11
B132 6797	Side Fence:Rear:Auxiliary	69 - 21
B132 6798	Spring Plate:Paper Tray:Earth	69 - 16
B132 6851	Duct:Vacuum:Ass'y	163 - 26
B132 6855	Duct:Vacuum:Entrance	163 - 25
B132 6860	Duct:Exit:Exhaust:Exit	161 - 14
B132 6861	Duct:Exhaust:Ass'y	159 - 15
B132 6867	Bracket:Exhaust:Harness	165 - 13
B132 6871	Duct:Main:Heat Sink:Ass'y	163 - 12
B132 6876	Duct:Main:Vacuum:Ass'y	163 - 10
B132 6884	Heat Pipe:Ass'y	165 - 20
B132 6892	Duct:Fusing:Exit:Upper	165 - 22
B132 6896	Duct:Fusing:Side:Ass'y	165 - 18
B132 6901	Duct:Exit:Exhaust:Ass'y	159 - 18
B132 6908	Duct:Exit:Upper:Left:Ass'y	165 - 23
B132 6912	Duct:Exit:Upper	165 - 24
B132 6917	Duct:Fusing:Exit:Upper:Left	165 - 21
B132 6921	Duct:Imaging Unit:Front:Ass'y	163 - 19
B132 6925	Seal:Duct:Upper	97 - 21
B132 6926	Duct:Imaging Unit:Rear:Ass'y	163 - 18
B132 6928	Seal:Inner Cover:Lower	97 - 22
B132 6931	Duct:Fusing:Vacuum:Ass'y	97 - 16
B132 6940	Fan Motor:Ass'y	97 - 10
B132 6949	Sheet:Stay	165 - 2
B132 6950	Bracket:Duplex:Exhaust:Front	161 - 15
B132 6951	Fan Motor:Lower:Ass'y	161 - 17
B132 6954	Fan Motor:Upper:Ass'y	161 - 16
B132 6958	Duct:Imaging Unit:Exhaust:Ass'y	165 - 5
B132 6965	Duct:Imaging Unit:Exhaust:Ass'y	165 - 8
B132 6966	Shield:Sirocco	159 - 20
B132 6971	Duct:Imaging Unit:1st:Ass'y	165 - 7
B132 6973	Duct:Imaging Unit:23st:Ass'y	165 - 10

Part No.	Description	Page and Index No.
B132 6975	Duct:Imaging Unit:4st:Ass'y	165 - 11
B132 6978	Duct:Imaging Unit:Sub-ass'y	165 - 6
B132 6980	Cover:Duct:Imaging Unit:Ass'y	165 - 9
B132 7002	Gear:28Z	117 - 20
B132 7004	Guide Plate:Middle:Transport	121 - 8
B132 7005	Decura:Heat Pipe:DIA15	117 - 14
B132 7007	Bracket:Lever	117 - 21
B132 7008	Knob:Front	97 - 1
B132 7010	Guide Plate:Transport:Upper:Right	117 - 10
B132 7011	Holder:Bearing:Front	117 - 22
B132 7013	Spring Plate:Upper:Right	117 - 7
B132 7015	Grip:Guide Plate:Left	121 - 3
B132 7016	Guide Plate:Transport:Upper:Left	117 - 6
B132 7017	Guide Plate:Middle:Right	121 - 14
B132 7018	Stay:Exit:Ass'y	123 - 6
B132 7020	Spring Plate:Middle	121 - 16
B132 7023	Cover:Exhaust	123 - 4
B132 7025	Roller:Tightener	119 - 16
B132 7028	Pulley:15T	119 - 19
B132 7029	Shaft:Release:Guide Plate	121 - 11
B132 7030	Gear:Z27	119 - 28
B132 7031	Roller:Middle	117 - 8
B132 7031	Roller:Middle	121 - 15
B132 7033	Roller:MM14	121 - 2
B132 7036	Pulley:15T	119 - 18
B132 7037	Shaft:Knob	117 - 19
B132 7038	Stopper:Pressure	167 - 10
B132 7039	Bracket:Bearing:Front	117 - 23
B132 7041	Lever:Stopper	123 - 11
B132 7042	Lever:Open And Close	123 - 13
B132 7043	Bracket:Fix:Front	123 - 15
B132 7044	Pawl:Guide Plate:Fix	117 - 2
B132 7045	Arm:Pressure	121 - 10
B132 7046	Lever:Release:Guide Plate:Lower	121 - 20
B132 7048	Pulley:13T	119 - 15

Part No.	Description	Page and Index No.
B132 7049	Bracket:Sensor	123 - 2
B132 7050	Bracket:Fix:Rear	123 - 35
B132 7051	Pulley:19Z	119 - 11
B132 7052	Shaft:Release:Guide Plate:Upper	117 - 3
B132 7054	Gate Pawl:Reverse	121 - 7
B132 7055	Gear:22Z	119 - 30
B132 7056	Grip:Guide Plate:Upper	117 - 1
B132 7059	Roller:Tightener	119 - 21
B132 7060	Gear:29Z	119 - 29
B132 7064	Guide Plate:Middle:Left	121 - 9
B132 7069	Bracket:Connector	119 - 17
B132 7070	Holder:Shaft	123 - 37
B132 7076	Side Plate:Front:Ass'y	121 - 24
B132 7078	Side Plate:Rear:Ass'y	121 - 21
B132 7080	Pulley:37T	119 - 23
B132 7081	Reverse Roller:Drive	119 - 2
B132 7085	Roller:Decura:Exit	119 - 7
B132 7086	Exit Roller:Exit:Drive	119 - 1
B132 7087	Roller:Middle	119 - 4
B132 7088	Roller:Middle:Duplex Sub-unit	119 - 5
B132 7096	Shaft:Stopper	123 - 36
B132 7097	Stay:Shaft:Ass'y	121 - 19
B132 7098	Lever:Release	121 - 13
B132 7101	Bracket:Sensor:Entrance	167 - 4
B132 7103	Guide:Entrance:Right Rear	121 - 18
B132 7105	Stopper:Pipe	117 - 5
B132 7107	Bracket:Spring Plate:Ass'y	143 - 24
B132 7110	Guide Plat:Left Lower:Ass'y	121 - 4
B132 7112	Tightener:Front Upper:Ass'y	119 - 13
B132 7114	Guide Plate:Left Lower:Ass'y	167 - 8
B132 7115	Guide Plate:Left Upper:Ass'y	121 - 1
B132 7116	Timing Belt:T198	119 - 12
B132 7117	Timing Belt:T213	119 - 20
B132 7119	Bracket:Stay:Left	123 - 14
B132 7121	Bracket:LED:Left	97 - 9

Part No.	Description	Page and Index No.
B132 7123	Shaft:Lever:Left Inner Rear	123 - 10
B132 7124	Sound Proofing Material	117 - 11
B132 7129	Guide Plate:Entrance:Upper	117 - 12
B132 7130	Decal:LED:E1	221 - 36
B132 7130	Decal:LED:E1	97 - 2
B132 7131	Decal:LED:D1	97 - 3
B132 7131	Decal:LED:D1	221 - 37
B132 7132	Plate:Transport Roller	121 - 12
B132 7133	Bracket:Positioning Plate:Rear	117 - 15
B132 7138	Gear:Z20	119 - 25
B132 7141	Shaft:Base:Tightener	119 - 22
B132 7143	Spring:Tightener	119 - 24
B132 7144	Gear:Z28	119 - 26
B132 7146	LED:Red:MU93-5001	97 - 8
B132 7147	Exit Roller:Driven:Upper	123 - 9
B132 7148	DC Solenoid:Bracket:Ass'y	121 - 22
B132 7150	Cover:Duct:Middle	97 - 23
B132 7151	Guide Plate:Shaft:Ass'y	119 - 3
B132 7155	Stopper:Guide	119 - 31
B132 7160	Stay:Supporting Plate	121 - 17
B132 7161	Roller:Decura:Entrance	119 - 6
B132 7162	Pulley:Z13	119 - 27
B132 7164	Guide:Entrance:Right Front	117 - 13
B132 7212	Operation Panel (NA)	21 - 1
B132 7213	Operation Panel (EU)	21 - 1
B132 7252	Keytop:10key	21 - 18
B132 7253	Keytop:Sample Copy	21 - 21
B132 7254	Keytop:Clear/Stop	21 - 19
B132 7256	Keytop:Power Source	21 - 22
B132 7257	Keytop:Interrupt	21 - 17
B132 7258	Keytop:Preheat	21 - 16
B132 7260	Keytop:Block Diagram	21 - 14
B132 7261	Keytop:Confirm	21 - 13
B132 7262	Keytop:Collar Adjust	21 - 12
B132 7263	Keytop:Counter	21 - 10

Part No.	Description	Page and Index No.
B132 7265	Keytop:Start	21 - 20
B132 7266	Keytop:Round:Coupling	21 - 41
B132 7273	Keytop:Application:Base	21 - 5
B132 7274	Keytop:Application:Cover	21 - 6
B132 7275	Lens:Keytop:1	21 - 11
B132 7276	Lens:Data:In	21 - 8
B132 7282	Bracket:LCDC:Ass'y	21 - 31
B132 7286	Shadeing Plate:Touch Panel	21 - 25
B132 7287	Bracket:Coupling:Machine or Cop	21 - 39
B132 7290	Bracket:OP-R	21 - 32
B132 7296	Clamp:LWS-05S	21 - 33
B132 7297	Insulating Sheet:LCD:Touch Panel	21 - 26
B132 7300	PCB:OP-R	21 - 24
B132 7310	PCB:OP-L	21 - 23
B132 7313	Harness:OP-L:14	21 - 36
B132 7314	Harness:OP-L:15	21 - 35
B132 7331	Keytop:Application:Job (NA)	21 - 2
B132 7332	Keytop:Application:Copy (NA)	21 - 3
B132 7333	Keytop:Application:Doc (NA)	21 - 4
B132 7341	Keytop+O8176:Job (EU)	21 - 2
B132 7342	Keytop:Application:Copy (EU)	21 - 3
B132 7343	Keytop:Application:Doc (EU)	21 - 4
B132 7349	Keytop:Clear:Modes	21 - 15
B132 7451	ADF:Ass'y	23 - 1
B132 7505	Tandem LCT Unit:Right (EU)	63 - 1
B132 7506	Tandem LCT Unit:Right (NA)	63 - 1
B132 7512	Tandem LCT Unit:Left (EU)	61 - 3
B132 7513	Tandem LCT Unit:Left (NA)	61 - 3
B132 7540	Tray Bottom Plate:Left Front	61 - 8
B132 7541	Tray Bottom Plate:Left Rear	61 - 10
B132 7543	Base:Tandem LCT:Right	63 - 9
B132 7547	DC Solenoid:End Fence:Front:Ass'y	65 - 1
B132 7550	Cover:Pulley:Drive Were	65 - 22
B132 7556	End Fence:Rear	65 - 6
B132 7561	Back Fence:Left	61 - 21

Part No.	Description	Page and Index No.
B132 7564	Slider:Back Fence:Left	61 - 19
B132 7566	Bracket:Photointerruptor:Left	61 - 34
B132 7571	DC Solenoid:End Fence:Rear:Ass'y	65 - 8
B132 7575	Bracket:Connector:Tandem LCT	65 - 38
B132 7576	Side Fence:Tandem LCT:Right	63 - 16
B132 7578	Side Fence:Right Front	63 - 7
B132 7586	Inner Cover:Tandem LCT	63 - 2
B132 7589	End Fence:Front:Adhesion	65 - 4
B132 7590	Rail:Tandem LCT:Left:Ass'y	171 - 8
B132 7591	Rail:Paper Tray:Ass'y	171 - 13
B132 8307	Operating Instructions - Security (NA)	17 - 1
B132 8607	Operating Instructions - Main (NA)	17 - 1
B132 8707	Operating Instructions - Copy (NA)	17 - 1
B132 9510	OPC Drum	85 - 5
B132 9590	NVRAM	149 - 14
B132 9700	Lubricant Powder	223 - 4

Part No.	Description	Page and Index No.
A008 9502	Silicone Grease - G40M	223 - 8
A012 9111	Optics Cloth	223 - 9
A028 9300	Grease Barrierta JFE 55/2	223 - 10
A029 2984	Decal - Grip	221 - 1
A029 2984	Decal - Grip	75 - 9
A030 4145	Pressure Spring Holder	115 - 11
A060 2512	Registration Roller Knob	97 - 18
A077 4239	Shoulder Screw - M3	113 - 24
A077 4239	Shoulder Screw - M3	113 - 26
A096 1355	Hinge Shaft	165 - 16
A096 4595	Duplex Guide	133 - 16
A096 4928	Guide Plate Band	125 - 22
A096 6553	Side Fence Pad	69 - 8
A096 6677	Decal - Right Paper Set	63 - 18
A096 6677	Decal - Right Paper Set	221 - 2
A096 6678	Decal - Left Paper Set	61 - 11
A096 6678	Decal - Left Paper Set	221 - 3
A096 6693	Paper Guide Sheet	169 - 17
A134 1724	Cushion - Stepper Motor	53 - 9
A134 2661	Feeler Roller	59 - 7
A134 2978	Spring Plate	69 - 6
A166 4290	Knob Joint	97 - 4
A176 6695	Misfeed Removal Guide	63 - 13
A176 6695	Misfeed Removal Guide	69 - 23
A193 1767	1st Mirror Holder	51 - 17
A229 4617	Duplex Discharge Brush	127 - 24
A229 4623	Lower Entrance Guide Plate	127 - 6
A229 4624	Duplex Driven Roller	127 - 9
A229 4727	Guide Plate Pressure Holder	125 - 24
A229 4740	Drive Joint	127 - 22
A232 2356	Stepped Screw - M6	39 - 9
A232 3936	Tag:Red:Short	109 - 26
A232 5355	IC - GATEX	198 - 1
A232 6083	Rear Rack	57 - 10
A247 2800	Ball Bearing - 8x12x5	101 - 7

Part No.	Description	Page and Index No.
A247 2800	Ball Bearing - 8x12x5	141 - 7
A248 6103	Guide Plate - Upper Heat Sink	171 - 1
A248 6615	Coupling Lever - Left	61 - 36
A248 6687	Right Drive Shaft	65 - 40
A248 6694	Wire Ring	65 - 13
A248 6695	Guide - Pulley	65 - 20
A248 6701	Oil Damper	65 - 26
A248 6713	Hook - Tension Spring	65 - 2
A250 1752	Exposure Glass	47 - 12
A257 1165	Safety Switch Spring	163 - 6
A257 1884	Rubber Bushing	49 - 5
A257 3441	Side Plate Lever	83 - 11
A257 6112	Pulley:Belt Tensioner	105 - 34
A257 6112	Pulley:Belt Tensioner	45 - 18
A259 1258	Door Stopper	55 - 3
A259 9010	Scanner Adjust Pin 100mm (4pcs/set)	223 - 7
A267 1820	Sheet - Photointerrupter	49 - 15
A267 1820	Sheet - Photointerrupter	65 - 12
A267 2857	Spring Plate - Side Fence	69 - 14
A267 2859	Side Fence Stopper	69 - 13
A267 2860	Rear Lever Stopper	69 - 12
A267 5814	Compression Spring	123 - 29
A267 7586	Grounding Plate	153 - 13
A293 4611	Reverse Roller	127 - 17
A293 4613	Front Gate Pawl	127 - 16
A293 4614	Rear Gate Pawl	127 - 18
A293 6399	Torque Limiter - Separator	31 - 8
A294 4626	Lower Duplex Guide Plate	133 - 3
A294 6630	Left Rear Fence	61 - 12
A294 6643	Left Front Fence	61 - 7
A294 6645	Left Side Plate	61 - 4
A294 6650	Stopper - Interlock Switch	61 - 14
A294 6655	Front Roller - Slide Rail	65 - 28
A294 6666	Side Plate	63 - 17
A294 6676	Right Rear Side Plate	65 - 9

Part No.	Description	Page and Index No.
A294 6690	Feeler - Paper Height Sensor	65 - 30
A294 6700	Torque Limiter - 53MNXM	73 - 33
A294 6700	Torque Limiter - 53MNXM	59 - 34
A294 6706	Sensor Bracket	63 - 11
A294 6720	Sensor Bracket	65 - 18
A294 6721	Sensor Bracket	65 - 10
A294 6722	Front Support Bracket	65 - 5
A294 6723	Rear Support Bracket	65 - 7
A294 6734	Plate:Paper:Ass'y	63 - 8
A300 2134	Guide Roller - B	169 - 2
A374 2181	Spacer	33 - 5
A376 4599	Side Fence Pad	25 - 3
A418 1158	Spacer - M6.5x1	29 - 3
A422 1063	Seal - 0.7x13x20	33 - 8
A422 1063	Seal - 0.7x13x20	37 - 16
A422 1063	Seal - 0.7x13x20	39 - 17
A458 2251	Cushion - Bin Solenoid Lever	31 - 21
A458 2251	Cushion - Bin Solenoid Lever	39 - 3
A470 1703	Shift Clutch	119 - 10
A470 1704	Spring - Lower Exit Roller	119 - 9
A548 2139	Pulley	41 - 9
A555 1671	Stepped Screw - M3x26.5	145 - 1
A628 1225	Bushing - 8mm	25 - 14
A628 1225	Bushing - 8mm	29 - 9
A680 1621	Feed-in Unit Stopper	29 - 8
A680 1661	Bushing - 4mm	31 - 10
A680 2262	Feeler - Pick-up Roller Cam	41 - 14
A681 2416	Antistatic Brush	31 - 23
A697 2102	Damper - Junction Gate Solenoid	41 - 32
A697 2102	Damper - Junction Gate Solenoid	35 - 23
A697 2102	Damper - Junction Gate Solenoid	43 - 26
A697 2131	Antistatic Brush	27 - 21
A806 1135	Contact Point Shaft	45 - 7
A806 1163	Guide Plate Cushion	29 - 6
A806 1292	Feed Belt Bracket	29 - 16

Part No.	Description	Page and Index No.
A806 1293	Feed Belt Drive Roller	29 - 10
A806 1294	Feed Belt Driven Roller	29 - 14
A806 1295	Feed Belt	29 - 12
A806 1298	Transport Belt Roller Shaft	29 - 15
A806 1351	Original Sensor Feeler	25 - 5
A806 2111	Timing Pulley - T28 S2M	37 - 25
A806 2111	Timing Pulley - T28 S2M	33 - 26
A806 2151	Timing Pulley - T19/Z23 S2M/M0.6	29 - 28
A806 2161	Timing Pulley - T30/Z20 S2M/M0.8	43 - 15
A806 2244	Separation Shaft Stopper	41 - 10
A806 2271	Gear - Z18	29 - 29
A806 2281	Gear - Z47	25 - 30
A806 2283	Gear - Z20/Z47	43 - 16
A806 2285	Gear - Z20/Z47	43 - 13
A806 2287	Gear - Z20/Z47	43 - 12
A806 4261	Spring Belt Guide Roller	29 - 13
A859 2230	Ball Bearing - 6x13x5	31 - 14
A859 2230	Ball Bearing - 6x13x5	39 - 32
A859 2230	Ball Bearing - 6x13x5	41 - 12
A859 2230	Ball Bearing - 6x13x5	37 - 21
A859 2241	Reverse Roller	31 - 7
A859 3225	Discharge Brush	25 - 25
A859 3225	Discharge Brush	33 - 15
A859 4836	Bushing- Exit Driven Roller	39 - 26
A859 7211	Stepped Screw	23 - 12
B004 5843	Screw - Inner Cover	115 - 10
B010 1289	Left Gasket - Front Rear	167 - 19
B027 1444	Dial	21 - 9
B027 1484	Long Spacer - Touch Panel	21 - 28
B027 1485	Short Spacer - Touch Panel	21 - 29
B027 3170	Stopper:Charge	17 - 30
B027 8521	O/I Holder - Assembly	17 - 2
B039 1367	Rivet - M6	19 - 5
B051 4103	Knob Screw - 4m	109 - 23
B051 5500	IC - RL5C610	185 - 1

Part No.	Description	Page and Index No.
B051 5501	Converter - M38034M4-091FP	198 - 2
B065 1092	Bracket	169 - 18
B065 1303	LCT Cover	19 - 15
B065 1341	Connector Cap	19 - 11
B065 1344	G4 Cap	19 - 14
B065 1371	Cloth Holder	17 - 3
B065 1374	Cloth - DF Exposure Glass	17 - 4
B065 1772	Left Scale	47 - 10
B065 1773	Scale Bracket Seal	47 - 6
B065 1782	Seal	47 - 4
B065 1785	Right Stay	47 - 17
B065 1787	Scale Bracket	47 - 5
B065 3561	Spring	135 - 23
B065 3587	Toner Collection Gear	135 - 21
B065 4121	Thermostat Terminal	109 - 24
B065 4480	Decal - Cover	221 - 8
B065 4480	Decal - Cover	19 - 1
B065 4531	Guide Plate Lever	125 - 26
B065 4632	Joint Holder	127 - 20
B065 4644	Sensor Bracket	127 - 23
B065 4672	Release Lever Bracket	125 - 9
B065 4673	Release Lever Shaft	125 - 5
B065 4675	Duplex Release Bracket	125 - 7
B065 4683	Spring Plate - Rear Jogger Fence	129 - 20
B065 4694	Jogger Guide Rod	131 - 5
B065 4731	Spring Plate - Driven Roller	125 - 20
B065 4733	Duplex Gate Pawl	133 - 1
B065 4738	Gate Pawl Cushion	133 - 2
B065 4820	Jogger Bracket	133 - 24
B065 4865	Spacer	133 - 4
B065 4867	Decal - Guide Plate Lever	221 - 9
B065 4867	Decal - Guide Plate Lever	125 - 27
B065 4933	Guide Plate Lever Hook	125 - 28
B065 5128	IC - GASTM	198 - 3
B065 6135	Lock Arm - Tandem Tray	171 - 10

Part No.	Description	Page and Index No.
B065 6136	Tray Lock Arm	67 - 16
B065 6172	Paper Tray Stopper	145 - 15
B065 6174	Paper Tray Positioning Bracket	145 - 14
B065 6306	Reverse Drive Shaft	73 - 37
B065 6307	Reverse Driven Shaft	73 - 34
B065 6317	Relay Shaft	73 - 11
B065 6330	Rear Side Plate - Paper Feed	73 - 14
B065 6334	Heat Sink Base	71 - 26
B065 6336	Front Side Plate - Paper Feed	73 - 9
B065 6337	Heat Sink	71 - 28
B065 6338	Heat Sink Sheet	71 - 29
B065 6345	Paper End Sensor Bracket	71 - 20
B065 6346	Paper Tray Link	73 - 17
B065 6350	Pick-up Gear Cover	71 - 5
B065 6353	Feed Gear Cover	71 - 32
B065 6357	Pick-up Arm	71 - 8
B065 6358	Paper Feed Sensor Bracket	71 - 13
B065 6364	Feed Stay	71 - 15
B065 6366	Drive Bracket	71 - 31
B065 6371	Support Guide Plate	73 - 10
B065 6372	Guide Plate	73 - 1
B065 6375	Paper Feed Unit Stay	71 - 30
B065 6394	Motor Bracket	73 - 26
B065 6407	Transport Pressure Plate	75 - 17
B065 6415	Motor Base	73 - 28
B065 6426	Release Lever - Vertical Transport	75 - 10
B065 6427	Release Lever - Vertical Transport	75 - 12
B065 6428	Release Button - Vertical Transport	75 - 11
B065 6429	Release Cover - Vertical Transport	75 - 8
B065 6445	Feed Lever	71 - 11
B065 6452	Tray Link Guide	73 - 16
B065 6453	Transport Roller Lever	73 - 5
B065 6454	Driven Release Lever	73 - 7
B065 6455	Driven Pressure Lever	73 - 8
B065 6456	Vertical Transport Link	73 - 22

Part No.	Description	Page and Index No.
B065 6457	Driven Pressure Lever	71 - 33
B065 6487	Lower Paper Feed Harness	71 - 22
B065 6488	Upper Paper Feed Harness	71 - 16
B065 6489	Relay Unit Harness	75 - 28
B065 6524	Bottom Plate Lift Shaft	69 - 25
B065 6526	Lift Lever	69 - 26
B065 6538	Positioning Stopper Lever	69 - 5
B065 6545	Decal - Positioning	221 - 10
B065 6545	Decal - Positioning	69 - 18
B065 6588	Right Support Plate	67 - 8
B065 6589	Left Support Plate	67 - 7
B065 6591	Paper Tray Holder Base	67 - 9
B065 6632	Paper Tray Cover - Long	67 - 5
B065 6633	Paper Tray Cover - Short	67 - 6
B065 6635	Decal -Paper Tray 1	61 - 1
B065 6635	Decal -Paper Tray 1	221 - 11
B065 6636	Decal - Paper Tray 2	221 - 12
B065 6636	Decal - Paper Tray 2	67 - 2
B065 6637	Decal- Paper Tray 3	221 - 13
B065 6637	Decal- Paper Tray 3	67 - 3
B065 6672	Interlock Guide - Tandem LCT	63 - 19
B065 6769	Lock Arm	147 - 6
B065 6774	Slidebracket	171 - 6
B065 6781	Base:Slide Rail:No.2:Peen	67 - 14
B065 6783	Slide Rail Base	67 - 17
B065 6821	Pulley Braket	61 - 16
B065 6823	Timing Belt Cover	61 - 20
B065 6830	Pulley Bracket	61 - 23
B065 6832	Base:Tandem LCT:Left:Ass'y	61 - 33
B065 6846	Decal - Paper Set - Left	221 - 14
B065 6846	Decal - Paper Set - Left	61 - 6
B065 6859	Right Stopper	63 - 4
B065 6862	Large Lever	65 - 34
B065 6864	Small Lever	65 - 31
B065 6870	Stay - Rightbase	65 - 14

Part No.	Description	Page and Index No.
B065 6872	Oil Damper Bracket	65 - 25
B065 6875	Protection -inner Cover	63 - 5
B065 6877	Decal - Paper Set - Right	63 - 6
B065 6877	Decal - Paper Set - Right	221 - 15
B065 8490	Decal - Paper Size (B181)	17 - 8
B065 8490	Decal - Paper Size	221 - 16
B070 1307	Decal:Paper Set Direction	17 - 11
B070 1307	Decal:Paper Set Direction	221 - 17
B070 5473	DC Harness - Left	61 - 26
B070 5474	DC Harness - Tandem LCT	65 - 39
B070 6293	Heat Sink:Heater:Upper:Fiber	171 - 3
B070 6516	Bracket:Cover:Tandem LCT:Ass'y	61 - 5
B070 6666	Left DC Motor Bracket	61 - 30
B070 6667	End Fence Cover Front	65 - 15
B070 6668	Side Plate:Tandem:Right Front	65 - 27
B070 6683	Lever:Release:Front	65 - 17
B070 6684	Lever:Release:Rear	65 - 35
B070 6877	Large Drum Stay Ground Plate	153 - 12
B070 6877	Large Drum Stay Ground Plate	149 - 22
B070 6879	Ground Plate:Drum Stay:Small	149 - 23
B070 6894	Interface Panel Ass'y	149 - 28
B070 6898	Knob Screw:Panel	149 - 29
B070 6899	Ground Plate:Panel	149 - 21
B098 6639	Tray Bottom Plate:Left Middle:Ass'y	61 - 9
B101 5160	IC:MB87M1480175	185 - 2
B104 5083	Harness - SDG OP-R 13	21 - 37
B104 5084	Harness - SDG OP-R 10	21 - 38
B104 5350	IC - MB87M1530	185 - 3
B140 6225	Heat Sink:Heater:Lower:NA:Ass'y	169 - 7
B140 6226	Heat Sink:Heater:Lower:EU:Ass'y	169 - 7
B140 6339	Paper Feed Guide Plate	71 - 23
B140 6377	Ground Plate:Reverse:Paper Feed Unit	73 - 41
B140 6378	Ground Plate:Stepper Motor:Paper Feed Unit	73 - 24
B140 6472	Joint Unit Guide Plate Ass'y	75 - 26
B140 7510	LCD:H-VGA:EDMGU95WDF:BK	21 - 30

Part No.	Description	Page and Index No.
B180 3991	DC Motor:On-Off:Ass'y (B132)(B200)	145 - 12
B180 5258	Touch Panel:HVGA	21 - 27
B180 5411	Connector - 45P	185 - 7
B180 5660	ASIC:Shaker4	212 - 2
B188 5731	PCB:N-PI:Ass'y	151 - 18
B200 1533	Sheet:Logo:Aficio5560 (B200)	17 - 20
B200 1535	Sheet:Logo:Svn:SDC555 (B200)	17 - 20
B200 1536	Sheet:Logo:Ges:CS555 (B200)	17 - 20
B200 1537	Sheet:Logo:Lan:LC155 (B200)	17 - 20
B200 1538	Sheet:Logo:Nsa:CS555 (B200)	17 - 20
B200 1539	Sheet:Logo:Rex:CS555 (B200)	17 - 20
B200 1540	Sheet:Logo:Ges:CS555:EU (B200)	17 - 20
B200 9640	Developer Cartridge Black	85 - 19
B200 9660	Developer Cartridge Cyan	85 - 19
B200 9670	Developer Cartridge Magenta	85 - 19
B200 9680	Developer Cartridge Yellow	85 - 19
B301 1155	Separation Support Pad	31 - 4
B301 1156	Separation Pad Holder	31 - 5
B301 1286	Bushing - 6x10x6	29 - 2
B301 2141	Pulley - 39Z	41 - 24
B351 3752	Pressure Roller - Reverse	25 - 19
B477 1152	Stay:Frame:Left	45 - 2
B477 1161	Right Frame Stay	45 - 8
B477 1171	Arm Shaft	45 - 3
B477 1181	Sensor Bracket	45 - 12
B477 1185	Sensor Feeler	45 - 11
B477 1191	Front Left Stopper	45 - 21
B477 1775	Paper Feed Cover Bracket	33 - 22
B477 1791	Paper Feed Cover	27 - 15
B477 1821	Paper Feed Cover Grip	27 - 5
B477 1825	Paper Feed Release Lever	27 - 6
B477 1831	Grip Shaft	27 - 8
B477 1841	Front Cover Bracket	27 - 13
B477 1851	Rear Cover Bracket	27 - 12
B477 2121	Drive Relay Roller	33 - 16

Part No.	Description	Page and Index No.
B477 2145	Guide Bracket	33 - 10
B477 2145	Guide Bracket	37 - 27
B477 2151	Separation Cap	31 - 2
B477 2172	Front Entrance Guide	29 - 7
B477 2182	Rear Entrance Guide	29 - 17
B477 2191	Separation Shaft	29 - 11
B477 2222	Pick-up Roller Bracket	29 - 27
B477 2225	Pick-up Roller	29 - 22
B477 2226	Pickup Roller:Coupling	29 - 21
B477 2231	Pick-up Roller Lever	29 - 18
B477 2272	Table Side Fence	25 - 2
B477 2281	Original Sensor Bracket	25 - 11
B477 2286	Original Sensor Feeler Stud	25 - 4
B477 2342	Guide:Paper Feed:Upper	27 - 1
B477 2351	Driven Pull Out Roller	27 - 20
B477 2361	Pull Out Roller Bracket	27 - 16
B477 2372	Driven Paper Feed Roller	27 - 31
B477 2373	Relay Roller Arm	27 - 29
B477 2491	Anti-static Brush	27 - 17
B477 2495	Paper Feed Sensor Bracket	37 - 11
B477 2561	Entrance Scanning Base	33 - 9
B477 2574	Arm:Roller:Scanning:Entrance	33 - 7
B477 2575	Entrance Scanning Roller Shaft	33 - 6
B477 2577	Driven Entrance Scanning Roller	33 - 3
B477 2581	Entrance Scanning Guide	33 - 1
B477 2621	Anti-static Brush	45 - 15
B477 2621	Anti-static Brush	35 - 10
B477 2621	Anti-static Brush	39 - 18
B477 2636	Driven Exit Scanning Roller	39 - 13
B477 2637	Driven Exit Arm	39 - 6
B477 2641	Long Arm Shaft	39 - 11
B477 2645	Short Arm Shaft	39 - 10
B477 2665	Registration Sensor Bracket	33 - 13
B477 2715	Pressure Plate Tape	23 - 7
B477 2861	Driven Exit Roller	39 - 27

Part No.	Description	Page and Index No.
B477 3111	Paper Feed Motor Bracket	41 - 3
B477 3115	Paper Feed Motor Stay	41 - 2
B477 3121	Separation Roller Shaft	41 - 13
B477 3123	Gear - 24Z	41 - 11
B477 3131	Reverse Roller Shaft	31 - 13
B477 3141	Gear - 23Z	41 - 20
B477 3143	Gear - 20Z	41 - 18
B477 3145	Pulley	41 - 26
B477 3151	Gear - 31Z	41 - 7
B477 3161	Gear - 37Z	41 - 6
B477 3171	Pulley	41 - 28
B477 3173	Pulley	41 - 31
B477 3175	Pulley	43 - 31
B477 3177	Pulley	41 - 21
B477 3181	Paper Feed Drive Bracket	41 - 27
B477 3217	Pulley	43 - 29
B477 3251	Pick-up Roller Cam	41 - 16
B477 3711	Paper Feed Motor - DC 7.4W	41 - 1
B477 3721	Scanning Motor- DC 7.4W	43 - 19
B477 4111	Spring	27 - 19
B477 4115	Spring	33 - 2
B477 4117	Spring	27 - 7
B477 4127	Exit Arm Spring	39 - 7
B477 5611	Detection Sensor Harness	45 - 13
B477 5691	Paper Feed Motor Harness	43 - 7
B477 5751	Interface Harness	43 - 1
B652 1131	Bracket:Pressure:Transport Belt	45 - 16
B652 1132	Tension Spring	45 - 17
B652 1133	Shaft:Slider	41 - 34
B652 1134	Compression Spring	41 - 33
B652 1135	Sheet:Exit:Lower	45 - 9
B652 1136	Compression Spring	45 - 5
B652 1141	Adjusting Pin:Transport Belt Unit	45 - 22
B652 1210	Hinge:Left:Ass'y	45 - 6
B652 1220	Hinge:Right:Ass'y	45 - 10

Part No.	Description	Page and Index No.
B652 1613	Timing Belt:B60S2M212	41 - 25
B652 1633	Spacer:Reverse Roller:Rear	41 - 5
B652 1643	Timing Belt:B40S3M186	41 - 19
B652 1673	Timing Belt:B40S3M180	41 - 30
B652 1674	Timing Belt:B40S2M170	41 - 29
B652 1721	Timing Belt:B60S2M280	43 - 23
B652 1773	Timing Belt:B40S2M178	41 - 23
B652 1781	Bracket:Shaft:Scanning:Ass'y	43 - 28
B652 1783	Timing Belt:B80S3M417	33 - 20
B652 1807	Decal:Size:Original	221 - 38
B652 1807	Decal:Size:Original	27 - 4
B652 1811	Decal:Misfeed Removal:Paper Feed	221 - 39
B652 1811	Decal:Misfeed Removal:Paper Feed	27 - 2
B652 1812	Decal:Display Guidance	221 - 42
B652 1812	Decal:Display Guidance	27 - 3
B652 1822	Bracket:Pressure:Pickup	27 - 9
B652 1823	Pressure Plate:Pickup	27 - 11
B652 1824	Compression Spring	27 - 10
B652 1852	Cover:Exit	39 - 28
B652 1853	Compression Spring	39 - 25
B652 1854	Cover:Sensor:Reverse:Lower	39 - 31
B652 1902	Cover:Front	23 - 2
B652 1905	Decal:Misfeed Removal:Exit	221 - 40
B652 1905	Decal:Misfeed Removal:Exit	23 - 14
B652 1906	Decal:Misfeed Removal	23 - 13
B652 1906	Decal:Misfeed Removal	221 - 41
B652 1952	Cover:Rear	23 - 4
B652 2112	Roller:Pull Out:Drive	33 - 18
B652 2122	Stay:Reverse Roller:Ass'y	31 - 16
B652 2126	Guide:Stay:Reverse Roller	31 - 17
B652 2127	Bracket:Guide Plate:Lower	31 - 12
B652 2128	Cushion:Guide Plate:Reverse:Exit	31 - 15
B652 2142	Guide Plate:Paper Feed:Lower	31 - 1
B652 2152	Guide Plate:Lower:Pull Out	37 - 2
B652 2212	Timing Pulley:21T	29 - 25

Part No.	Description	Page and Index No.
B652 2213	Timing Belt:B40S2M142	29 - 24
B652 2215	Guide:Paper Feed Belt:Front	29 - 26
B652 2322	Guide Plate:Reverse:Upper	25 - 28
B652 2323	Ground Plate:Shaft:Base	25 - 22
B652 2333	Shaft:Rise:Base	25 - 13
B652 2334	Lever:Rise:Base	25 - 15
B652 2335	Bracket:Lever:Rise:Base	25 - 16
B652 2343	Bracket:Motor:Base:Ass'y	43 - 10
B652 2347	Timing Belt:B40S2M158	43 - 11
B652 2351	Base:Original Table:Ass'y	25 - 7
B652 2354	Decal:Base:Original	221 - 43
B652 2354	Decal:Base:Original	25 - 8
B652 2363	Shaft:Base:Rear:Ass'y	25 - 17
B652 2372	Original Table:Face Front:Printing	25 - 32
B652 2375	Bushing:Original Table	25 - 23
B652 2378	Decal - Display:Original Table	221 - 44
B652 2379	Decal:Caution:Original:5-lang	221 - 45
B652 2383	Original Table:Behind	25 - 33
B652 2392	Stopper:Original Table	25 - 26
B652 2393	Compression Spring	25 - 27
B652 2403	Arm:Roller:Reverse:Upper	25 - 18
B652 2404	Compression Spring:3.1n	25 - 20
B652 2411	Roller:Scanning:Entrance:Drive	33 - 17
B652 2421	Roller:Scanning:Exit:Drive	33 - 19
B652 2432	Guide Plate:Original Table	31 - 18
B652 2505	Compression Spring	27 - 30
B652 2523	Bracket:Paper Size Sensor	27 - 22
B652 2911	Stepper Motor:Base:Rise:Ass'y	43 - 9
B652 3110	Housing:Transport Belt Unit	35 - 12
B652 3112	Roller:Transport Belt:Drive	35 - 5
B652 3113	Roller:Pressure	35 - 16
B652 3116	Guide:Transport Belt:Front	35 - 11
B652 3117	Guide:Transport Belt:Rear	35 - 14
B652 3119	Stopper:Roller:Drive	35 - 6
B652 3121	Transport Belt	35 - 4

Part No.	Description	Page and Index No.
B652 3123	Bracket:Roller:Driven	35 - 17
B652 3124	Driven Roller:Scanning	35 - 18
B652 3125	Compression Spring	35 - 13
B652 3135	Timing Belt:B60S2M172	33 - 21
B652 3136	Cover:Roller:Scanning:Peen	45 - 19
B652 3141	Shaft:Lever:Misfeed Removal:Ass'y	35 - 3
B652 3144	Hook:Lock:Image Reading Unit:Front	35 - 2
B652 3145	Tension Spring:Lock:Lever	35 - 1
B652 3156	Spacer:Transport Belt	35 - 15
B652 3157	Discharge Brush:Long	35 - 8
B652 3158	Discharge Brush:Short	35 - 7
B652 3159	Discharge Brush:Middle	35 - 9
B652 3174	Tension Spring	43 - 32
B652 3211	Bracket:Stepper Motor	43 - 20
B652 3215	Guide Plate:Stepper Motor	43 - 22
B652 3231	Belt Tensioner:Ass'y	43 - 34
B652 3251	Guide Plate:Entrance:Upper:Ass'y	33 - 14
B652 4103	Guide Plate:Reverse:Entrance	37 - 8
B652 4114	Guide Plate:Reverse:Exit:Upper	37 - 4
B652 4115	Guide Plate:Reverse:Middle:Upper	37 - 7
B652 4116	Guide:Reverse:Exit	37 - 5
B652 4117	Guide:Reverse:Exit:Middle	37 - 6
B652 4119	Decal:Guide Plate:Reverse:Exit	221 - 46
B652 4119	Decal:Guide Plate:Reverse:Exit	37 - 3
B652 4122	Guide Plate:Reverse:Middle:Upper	31 - 27
B652 4133	Bracket:Sensor:Reverse:Middle	31 - 25
B652 4152	Reverse Roller:Exit:Drive	37 - 9
B652 4153	Timing Belt:B40S2M230	43 - 24
B652 4153	Timing Belt:B40S2M230	33 - 25
B652 4155	Roller:Driven:Reverse:Middle	31 - 11
B652 4156	Compression Spring:0.5n	31 - 9
B652 4203	Gate Pawl:Reverse:Upper	31 - 20
B652 4205	Bracket:Discharge Brush:Ass'y	31 - 22
B652 4212	Hook:Solenoid:Reverse:Upper	31 - 29
B652 4213	Tension Spring:Hook:Gate Pawl	31 - 30

Part No.	Description	Page and Index No.
B652 4222	DC Solenoid:Ass'y	43 - 27
B652 4223	Bracket:Solenoid:Reverse:Upper	43 - 25
B652 4501	Guide:Scanning:Exit:Exit	37 - 17
B652 4503	Discharge Brush:Exit:L37	37 - 18
B652 4504	Discharge Brush:Exit:L16	37 - 19
B652 4506	Guide:Scanning:Exit:Long	37 - 14
B652 4507	Guide:Scanning:Exit:Short	37 - 15
B652 4516	Guide Plate:Reverse:Lower	39 - 8
B652 4517	Arm:Pressure:Reverse:Lower	39 - 14
B652 4518	Compression Spring	39 - 15
B652 4519	Roller:Scanning:Exit:Driven	39 - 5
B652 4520	Bushing:Reverse:Lower:Gate Pawl	39 - 4
B652 4522	Bracket:Reverse:Lower	39 - 19
B652 4527	Gate Pawl:Reverse:Lower:Left	39 - 1
B652 4528	Gate Pawl:Reverse:Lower:Right	39 - 2
B652 4529	Lever:Reverse:Lower	39 - 12
B652 4530	Tension Spring	39 - 16
B652 4532	Lever:Reverse:Lower:DC Solenoid	35 - 21
B652 4533	Bracket:Reverse:Lower:DC Solenoid	35 - 22
B652 4602	Guide Plate:Reverse:Lower:Fix	39 - 24
B652 4722	Stepper Motor:Exit:Ass'y	43 - 17
B652 4726	Exit Roller	37 - 10
B652 4726	Exit Roller	39 - 23
B652 4726	Exit Roller	31 - 24
B652 4727	Timing Pulley:44t	39 - 33
B652 4727	Timing Pulley:44t	31 - 31
B652 4727	Timing Pulley:44T	37 - 22
B652 4728	Timing Belt:B40S2M138	43 - 18
B652 4741	Pressure Plate:Ass'y	23 - 8
B652 4766	DC Solenoid:Reverse:Lower:Ass'y	35 - 20
B652 4902	Guide Plate:Pressure Plate	23 - 9
B652 4903	Stopper:Guide Plate:Pressure Plate	23 - 6
B652 4904	Bracket:Magnet Catch:Pressure Plate	45 - 20
B652 4905	Decal:Misfeed Removal	221 - 47
B652 4905	Decal:Misfeed Removal	23 - 11

Part No.	Description	Page and Index No.
B652 5401	Harness:Original Sensor	43 - 5
B652 5406	Harness:Paper Size Sensor	43 - 4
B652 5411	Harness:Paper Size Sensor	27 - 25
B652 5416	Harness:Sensor:Stopper Guide	27 - 28
B652 5421	Harness:Motor:Exit	43 - 2
B652 5426	Harness:Solenoid:Reverse	43 - 3
B652 5431	Harness:Registration Sensor	33 - 12
B652 5436	Harness:Sensor:Original Table	25 - 34
B652 5441	Harness:Motor:Pick Up	43 - 6
B652 5446	Harness:Sensor:Reverse:Upper	45 - 14
B652 5451	Harness:Original Sensor	25 - 9
B652 5456	Harness:Sensor:Reverse:Lower	39 - 30
B652 5461	Harness:Sensor:Exit	37 - 13
B652 5501	PCB:Main Control	43 - 8
B712 5605	Grip:Application	93 - 18
B712 5605	Grip:Application	153 - 11
B737 7218	Keytop:Printer:NA (B181)	21 - 6
B737 7219	Keytop:Scanner:NA (B181)	21 - 6
B737 7228	Keytop:Printer:EU (B181)	21 - 6
B737 7229	Keytop:Scanner:EU (B181)	21 - 6
C101 2360	Snap Ring	25 - 29
C105 1866	Pin	37 - 26
C401 9503	20X Magnification Scope	223 - 12
G003 5674	Spring	115 - 15
G011 1058	Snap Ring	95 - 31
G011 3305	Gear - 16Z	57 - 11
G012 1531	Magnet	23 - 10
G020 2780	Front Bushing - Registration	101 - 21
G020 2781	Rear Bushing - Registration Roller	101 - 25
G029 4150	Pressure Spring	53 - 8
G060 1908	Thermistor Plate	55 - 15
G060 5355	IC - S-GATEX	198 - 5
G108 5107	Left Guide 1	149 - 13
G108 5108	Right Guide 1	149 - 12
G404 2810	Spring Plate - 2nd Mirror	51 - 2

Part No.	Description	Page and Index No.
G564 4151	Rail - Side Fence	25 - 1
G570 2731	Grip	51 - 12
G570 2834	Pulley - High Voltage Supply Cord	51 - 6
H053 1174	Washer M6 - Scanner Unit	119 - 8
H515 9350	Mirror Cleaner Set	223 - 11

Part No.	Description	Page and Index No.
AA00 0217	Decal - LD 655	221 - 4
AA00 0217	Decal - LD 655	55 - 4
AA00 0239	Decal - Color:µFP	221 - 5
AA00 2010	Decal - Paper Level	61 - 13
AA00 2010	Decal - Paper Level	221 - 6
AA00 2010	Decal - Paper Level	69 - 15
AA00 2010	Decal - Paper Level	63 - 15
AA00 2246	Decal - Caution	63 - 3
AA00 2246	Decal - Caution	221 - 7
AA02 1034	Magnetic	129 - 16
AA04 0033	Transport Belt	107 - 2
AA04 3271	Timing Belt S3M 196T	61 - 22
AA04 3291	Timing Belt	129 - 4
AA04 3294	Timing Belt - 40S2M810G	133 - 6
AA04 3300	Timing Belt:40S2M308	137 - 11
AA04 3309	Timing Belt:40S2M360G	129 - 10
AA04 3310	Timing Belt:40S2M278G	131 - 9
AA04 3311	Timing Belt:40S2M302G	131 - 10
AA04 3312	Timing Belt:60S2M138	103 - 22
AA04 3313	Timing Belt:40S2M150	141 - 5
AA04 3314	Timing Belt:100S2M266	53 - 17
AA04 3575	Timing Belt	75 - 25
AA04 3575	Timing Belt	73 - 21
AA04 3576	Timing Belt	73 - 30
AA04 3578	Timing Belt:S2M208	107 - 13
AA04 3587	Timing Belt:S2M170	105 - 26
AA04 3963	Timing Belt:60S2M396	139 - 17
AA04 3964	Timing Belt:60S3M741	141 - 22
AA04 3965	Timing Belt:40S3M471	141 - 21
AA06 0094	Spring:Blade:Belt Cleaning	95 - 15
AA06 0160	Tension Spring	137 - 26
AA06 0534	Tray Lock Spring - 19mm	67 - 15
AA06 0695	Tension Spring	119 - 14
AA06 0757	Tension Spring - Long	65 - 3
AA06 0758	Tension Spring - Short	65 - 16

Part No.	Description	Page and Index No.
AA06 0761	Spring	171 - 11
AA06 0842	Tension Spring	41 - 4
AA06 0896	Spring	71 - 34
AA06 0897	Spring	71 - 12
AA06 0898	Spring	71 - 9
AA06 0899	Spring	71 - 17
AA06 0900	Spring	73 - 19
AA06 0901	Spring	73 - 23
AA06 0904	Spring	73 - 27
AA06 0950	Tension Spring	139 - 14
AA06 0951	Pressure Spring	141 - 17
AA06 0952	Tension Spring	59 - 10
AA06 0954	Tension Spring	59 - 37
AA06 0957	Tension Spring	99 - 11
AA06 0958	Tension Spring	141 - 2
AA06 0960	Tension Spring	167 - 22
AA06 0961	Tension Spring:Side Fence:Rear	69 - 24
AA06 0962	Tension Spring	99 - 12
AA06 0984	Tension Spring	133 - 14
AA06 0987	Tension Spring:Timing Belt:10n	61 - 17
AA06 0991	Tension Spring:Tension:Transport	43 - 21
AA06 2251	Spring - Large	147 - 7
AA06 2252	Spring - Small	147 - 9
AA06 2304	Pressure Spring	101 - 22
AA06 2318	Spring	133 - 23
AA06 2318	Spring	127 - 2
AA06 2319	Spring	123 - 12
AA06 2320	Spring	125 - 8
AA06 2327	Tension Spring	129 - 13
AA06 2328	Tension Spring:Black	127 - 13
AA06 2330	Tension Spring	121 - 23
AA06 3052	Turret Spring	165 - 15
AA06 3254	Driven Roller Spring	103 - 6
AA06 3268	Connector Spring	147 - 3
AA06 3423	Spring:Roller:Pressure	95 - 4

Part No.	Description	Page and Index No.
AA06 3424	Spring:Joint:Discharge Used Toner	95 - 9
AA06 3433	Exit Roller Spring	101 - 18
AA06 3435	Compression Spring:Paper Feed:Joint	29 - 4
AA06 3487	Spring - 10mm	75 - 21
AA06 3577	Compression Spring	123 - 7
AA06 3579	Compression Spring	127 - 7
AA06 3581	Compression Spring	125 - 23
AA06 3582	Compression Spring	127 - 21
AA06 3592	Compression Spring	129 - 24
AA06 3670	Spring Connector:9.8n	143 - 19
AA06 3878	Spring	75 - 7
AA06 3889	Heat Sink Spring	71 - 27
AA06 3902	Spring:Connector:Tandem LCT	147 - 12
AA06 3906	Compression Spring	117 - 17
AA06 3907	Compression Spring	167 - 9
AA06 3908	Spring:Tightener	117 - 4
AA06 3909	Spring:Guide Plate:Open And Close	121 - 6
AA06 3951	Compression Spring	123 - 26
AA06 6372	Spring	101 - 14
AA07 0064	Slide Rail:Toner Supply:Ass'y	165 - 1
AA07 0064	Slide Rail:Toner Supply:Ass'y	167 - 11
AA07 0066	Slide Rail:Pull Out:Left	167 - 3
AA07 0067	Slide Rail:Pull Out:Right	167 - 14
AA07 0072	Slide Rail:Tandem LCT	171 - 5
AA08 0034	Bushing - 4x5x7	101 - 19
AA08 0034	Bushing - 4x5x7	127 - 8
AA08 0037	Bushing - 6mm	27 - 18
AA08 0154	Rear Bushing	105 - 32
AA08 0203	Bushing - 6mm	103 - 4
AA08 0213	Bushing:DIA6	117 - 9
AA08 0240	Bushing - Mm5	117 - 16
AA08 0241	Bushing - M4	75 - 20
AA08 0265	Bushing:6x8x5	167 - 21
AA08 0278	Bushing:Brush:Front	95 - 29
AA08 0279	Bushing:Brush:Rear	95 - 21

Part No.	Description	Page and Index No.
AA08 0327	Bushing - M4	73 - 3
AA08 2063	Bushing - 8x10x5	129 - 26
AA08 2101	Bushing - 6x10x6	111 - 25
AA08 2101	Bushing - 6x10x6	107 - 4
AA08 2104	Bushing - 8x12x7	91 - 1
AA08 2106	Bushing - 6x8x5	85 - 7
AA08 2116	Bushing - M8	127 - 11
AA08 2116	Bushing - M8	101 - 15
AA08 2116	Bushing - M8	59 - 20
AA08 2118	Bushing - M6	131 - 8
AA08 2118	Bushing - M6	127 - 10
AA08 2118	Bushing - M6	71 - 7
AA08 2118	Bushing - M6	129 - 14
AA08 2118	Bushing - M6	59 - 15
AA08 2118	Bushing - M6	73 - 12
AA08 2137	Bushing:6x10x6	105 - 11
AA08 2138	Bushing - 6x10x6	111 - 6
AA08 2139	Guide:Shaft:Drive	81 - 9
AA08 2141	Bushing - 16x18x5	33 - 23
AA08 3013	Bushing - 8x18x11	59 - 27
AA08 3014	One-way Clutch	59 - 12
AA08 3021	Bushing:Holder:Blade	95 - 7
AA08 4053	Ball Bearing:Driven:MM4	123 - 8
AA11 3037	Terminal:4P:187	115 - 13
AA12 0084	Discharge Brush	123 - 5
AA13 2013	Spacer	29 - 5
AA13 2025	Spacer - 1x8x12	141 - 6
AA13 2025	Spacer - 1x8x12	101 - 8
AA13 2152	Spacer - 8x20x1	43 - 14
AA13 2171	Spacer - 6x20x1	29 - 23
AA13 2203	Spacer - 6mm	147 - 13
AA13 2203	Spacer - 6mm	65 - 33
AA13 2208	Spacer - M6	135 - 22
AA13 2300	Roller:Lock:Pull Out	123 - 32
AA14 0685	Shaft - Back Fence Slider	61 - 18

Part No.	Description	Page and Index No.
AA14 0686	Shaft - Timing Pulley	61 - 27
AA14 0761	Shaft:Feed Roller	59 - 26
AA14 0828	Feed Roller Shaft	71 - 10
AA14 0829	Driven Shaft	73 - 4
AA14 3020	Stepped Screw - M4	45 - 4
AA14 3129	Shoulder Screw - Front Cover	127 - 1
AA14 3183	Stepped Screw	129 - 17
AA14 3421	Stud:Guide Pin	167 - 7
AA14 3426	Stopped Screw - M4x17	127 - 28
AA14 3520	Shoulder Screw - M3	47 - 9
AA14 3545	Screw:M4	165 - 17
AA14 3550	Screw:DIA4:M3	137 - 27
AA14 3559	Screw:M4:DIA5	47 - 2
AA14 3560	Stepped Screw - M4	75 - 13
AA14 3715	Stepped Screw - M5	75 - 18
AA14 3716	Stepped Screw	105 - 3
AA14 3718	Stepped Screw - M4	153 - 8
AA14 3718	Stepped Screw - M4	71 - 35
AA14 3788	Pin:Guide Plate:Paper Feed	37 - 23
AA14 3788	Pin:Guide Plate:Paper Feed	39 - 22
AA14 3788	Pin:Guide Plate:Paper Feed	27 - 14
AA14 3788	Pin:Guide Plate:Paper Feed	31 - 28
AA14 3788	Pin:Guide Plate:Paper Feed	23 - 3
AA14 3788	Pin:Guide Plate:Paper Feed	35 - 19
AA14 3789	Shaft:Cleaner	25 - 31
AA14 3789	Shaft:Cleaner	29 - 1
AA14 3790	Screw:Contact Point	45 - 23
AA14 3790	Screw:Contact Point	31 - 3
AA14 3791	Screw:Safety	165 - 19
AA14 3791	Screw:Safety	43 - 30
AA14 3791	Screw:Safety	33 - 24
AA14 3792	Screw:Drawer	99 - 23
AA14 3794	Screw:Spring:Drawer	143 - 18
AA14 3797	Connector Guide Pin	143 - 21
AA14 3798	Hexagonal Bolt:M12x35	169 - 6

Part No.	Description	Page and Index No.
AA14 3801	Screw:M4:Exterior	19 - 8
AA14 3802	Screw:6x1.7	53 - 5
AA14 3803	Flanged Hexagonal Head Bolt:Caster	169 - 12
AA14 3811	Stepped Screw - M3x4	125 - 14
AA14 3811	Stepped Screw - M3x4	129 - 21
AA14 3812	Screw - Scale	73 - 6
AA14 8631	Reversal Roller Shaft	129 - 27
AA15 0406	Seal - Misfeed Removal	171 - 14
AA15 2316	Seal:Brush:Rear	95 - 33
AA15 2366	Shield:Brush:Front	95 - 32
AA15 2368	Shield:Cover:Coating Bar:Side	95 - 30
AA15 2370	Shield:Case:Belt Cleaning	95 - 13
AA15 2371	Shield:Case:Belt Cleaning:No.2	95 - 12
AA15 2372	Seal:Case:Coating Bar	95 - 34
AA15 3063	Seal - 4x10x70 (B181/B200)	63 - 14
AA15 3448	Toner Hopper Shield	107 - 22
AA16 1104	Cushion - Motor	169 - 16
AA16 1104	Cushion - Motor	49 - 7
AA16 1129	Cushion - Large	65 - 36
AA16 1130	Cushion - Small	65 - 29
AA16 1137	Cushion - 0.5	47 - 23
AB01 0133	Gear:103Z	141 - 9
AB01 0135	Gear:25Z	137 - 6
AB01 0136	Gear:72Z	143 - 5
AB01 0137	Gear:108Z	143 - 7
AB01 1029	Gear:31/44Z	135 - 12
AB01 1124	Gear:21Z	105 - 24
AB01 1125	Gear:20/29Z	105 - 29
AB01 1126	Gear:20Z	105 - 30
AB01 1247	Gear:32Z	135 - 19
AB01 1248	Gear:14/30Z	135 - 18
AB01 1250	Gear:22Z	141 - 11
AB01 1300	Gear:50Z	101 - 26
AB01 1301	Gear:32Z	103 - 1
AB01 1302	Gear:30Z	141 - 28

Part No.	Description	Page and Index No.
AB01 1303	Gear:33Z	141 - 32
AB01 1304	Gear:40Z	141 - 27
AB01 1305	Gear:21Z	59 - 36
AB01 1306	Gear:24Z	59 - 32
AB01 1307	Gear:42z	59 - 13
AB01 1391	Driven Reverse Gear - 21Z	73 - 35
AB01 1465	Idler Gear	71 - 6
AB01 1466	Gear - 35Z	71 - 25
AB01 1466	Gear - 35Z	75 - 24
AB01 1469	Gear - 19Z	73 - 13
AB01 1470	Gear - 18Z	73 - 15
AB01 1471	Reverse Gear	73 - 36
AB01 1490	Gear - 38Z	73 - 39
AB01 1491	Gear - 21Z	73 - 38
AB01 1496	Gear - 32Z	131 - 15
AB01 1497	Gear:45Z	131 - 11
AB01 1498	Gear:22Z	131 - 13
AB01 2327	Gear:16z	69 - 22
AB01 3122	Gear:26Z	137 - 15
AB01 3189	Gear:30Z	137 - 14
AB01 3295	Gear - 13Z	95 - 28
AB01 3296	Gear:12Z	95 - 6
AB01 3297	Gear - 13Z	95 - 27
AB01 3298	Gear - 13Z	95 - 26
AB01 3299	Gear:18Z	135 - 15
AB01 3309	Gear:18Z	123 - 43
AB01 3363	Gear - 16Z	123 - 45
AB01 3467	Gear - 30Z	145 - 7
AB01 3620	Gear:Hot Roller:44z	113 - 13
AB01 3635	Gear:Upper:52Z	113 - 5
AB01 3636	Gear:Lower:49z	115 - 17
AB01 3702	Gear - 46Z	113 - 14
AB01 3703	Gear - 24Z	113 - 21
AB01 3781	Gear - 30Z	65 - 23
AB01 3798	Gear - Z18	61 - 29

Part No.	Description	Page and Index No.
AB01 7000	Gear:17/51Z	145 - 10
AB01 7338	Gear:30T	107 - 12
AB01 7614	Pulley	131 - 12
AB01 7615	Gear - 30Z/45Z	133 - 12
AB01 7617	Gear - 21Z/38Z	71 - 19
AB01 7619	Gear - 24Z/40Z	75 - 23
AB01 7681	Gear:Pulley:60Z/36T	139 - 13
AB01 7684	Gear:Pulley:72Z/20T	143 - 6
AB01 7685	Gear:Pulley:96Z/30T	141 - 16
AB01 7687	Gear:22/24Z	129 - 3
AB01 7688	Gear:13/20Z	123 - 44
AB01 7690	Pulley:Idler:30T/24Z	73 - 20
AB01 9475	Gear - 48T	61 - 24
AB03 0275	Pulley:31T	107 - 14
AB03 0300	Timing Pulley:30T	137 - 12
AB03 0301	Timing Pulley:35t	141 - 4
AB03 0302	Timing Pulley:35T	101 - 9
AB03 0583	Timing Pulley - 24Z	131 - 7
AB03 0731	Pulley - 29Z	131 - 16
AB03 0732	Jogger Pulley	133 - 22
AB03 0733	Pulley - 20T	73 - 29
AB03 0734	Pulley - 30Z	73 - 40
AB03 0748	Pulley:40T	107 - 17
AB03 0749	Pulley:23T	105 - 27
AB03 0766	Timing Pulley:37T	139 - 19
AB03 0767	Timing Pulley:44T	139 - 16
AB03 0768	Timing Pulley:47T	141 - 15
AB03 0770	Timing Pulley:47T	141 - 14
AB03 0771	Timing Pulley:44T	141 - 23
AB03 0772	Timing Pulley:44T	141 - 24
AB03 2058	Wire Pulley - M10	65 - 19
AB03 2069	Pulley	53 - 26
AB03 2070	Pulley	53 - 19
AB03 2719	Pulley - M10	65 - 21
AB03 3084	Timing Pulley - 15T	61 - 25

Part No.	Description	Page and Index No.
AB03 3085	Timing Pulley - 15T	61 - 15
AC01 5041	Shield Glass	55 - 13
AD04 1107	Belt Cleaning Blade	95 - 14
AD04 1109	Belt Cleaning Scraper Blade	95 - 23
AD04 2071	Brush:Belt Cleaning	95 - 20
AD04 3086	Toner Collection Coil	95 - 1
AE01 0052	Hot Roller	113 - 6
AE02 0144	Pressure Roller	115 - 16
AE03 0013	Ball Bearing - 8x15.6x4mm	113 - 23
AE03 0040	Ball Bearing	115 - 18
AE03 0057	Ball Bearing:DIA30xDIA37x7	113 - 11
AE03 0058	Ball Bearing:DIA25:DIA37	113 - 22
AE03 1057	Bushing:Cleaning Roller	111 - 12
AE03 1059	Bushing:Cleaning Roller:Pressure:Lower	115 - 8
AE03 1060	Bushing:Cleaning Roller:Pressure:Upper	115 - 7
AE03 2027	Thermal Insulating Bushing	113 - 12
AE04 0062	Oil Supply Roller	111 - 13
AE04 2051	Hot Roller Cleaning Roller	111 - 14
AF01 3005	Bottom Plate Pad	69 - 10
AF01 3016	Bottom Plate Pad	59 - 30
AF01 7032	End Fence	69 - 20
AF02 0295	Vertical Driven Roller	75 - 19
AF02 0562	Transport Roller	75 - 22
AF02 0562	Transport Roller	71 - 24
AF02 0591	Driven Reversal Roller	129 - 25
AF02 1074	Entrance Inverter Roller	127 - 14
AF02 1075	Duplex Turn Roller	131 - 1
AF02 1076	Drive Inverter Roller	131 - 3
AF02 1077	Driven Transport Roller	131 - 2
AF02 1078	Left Drive Roller	131 - 4
AF02 1079	Right Drive Roller	131 - 6
AF02 2064	Transport Roller:Driven	107 - 3
AF02 2067	Guide Stopper Roller	125 - 25
AF02 2077	Driven Roller	125 - 21
AF02 2105	Roller - Slide Rail	65 - 32

Part No.	Description	Page and Index No.
AF02 2149	Transport Roller	73 - 2
AF03 0080	Paper Feed Roller:Pickup	59 - 22
AF03 0081	Paper Feed Roller:Pickup	71 - 3
AF03 1081	Paper Feed Roller:Feed:Manual Feed	59 - 19
AF03 1082	Paper Feed Roller:Feed	71 - 4
AF03 2080	Paper Feed Roller:Separate	73 - 32
AF03 2080	Paper Feed Roller:Separate	59 - 33
AG05 1141	Release Lever	127 - 5
AG05 1144	Fusing Unit Knob	97 - 5
AG07 0513	Magnet Catch:Original Table:25.5N	167 - 20
AG07 1012	Magnet Catch:Ass'y	17 - 14
AG07 1012	Magnet Catch:Ass'y	163 - 7
AH01 2031	Caster:1470N	169 - 11
AW00 0010	Optics Sensor:Photo	99 - 6
AW01 0107	Paper Feed Sensor	27 - 26
AW01 0107	Paper Feed Sensor	123 - 3
AW01 0107	Paper Feed Sensor	167 - 5
AW01 0107	Paper Feed Sensor	71 - 14
AW01 0107	Paper Feed Sensor	103 - 9
AW01 0107	Paper Feed Sensor	59 - 9
AW01 0107	Paper Feed Sensor	99 - 4
AW01 0112	Photo Refiection Sensor:Original Table	25 - 12
AW01 0113	Sensor	65 - 37
AW01 0114	Original Sensor:H=2-66	51 - 9
AW01 0115	Original Sensor:H=81.5	51 - 8
AW01 0116	Original Sensor:H=1-66	51 - 7
AW01 0117	Paper Feed Sensor	27 - 27
AW01 0117	Paper Feed Sensor	33 - 11
AW01 0117	Paper Feed Sensor	31 - 26
AW01 0117	Paper Feed Sensor	39 - 29
AW01 0117	Paper Feed Sensor	37 - 12
AW01 0118	Paper Feed Sensor	115 - 3
AW01 0119	Paper Feed Sensor	127 - 25
AW02 0141	Photointerruptor	41 - 22
AW02 0141	Photointerruptor	45 - 1

Part No.	Description	Page and Index No.
AW02 0141	Photointerruptor	25 - 10
AW02 0145	Photointerruptor:Flat	133 - 25
AW02 0145	Photointerruptor:Flat	93 - 6
AW02 0145	Photointerruptor:Flat	143 - 2
AW02 0145	Photointerruptor:Flat	103 - 24
AW02 0145	Photointerruptor:Flat	49 - 14
AW02 0147	Photointerruptor:Feeler:Square	135 - 8
AW02 0148	Paper Feed Sensor	133 - 9
AW02 0149	Paper Feed Sensor	125 - 17
AW02 0149	Paper Feed Sensor	133 - 10
AW02 0154	Photointerruptor:Entrance	27 - 24
AW02 0155	Photointerruptor:Paper Size Sensor:Document F	27 - 23
AW02 0160	Paper Feed Sensor	65 - 11
AW02 0160	Paper Feed Sensor	71 - 21
AW02 0160	Paper Feed Sensor	63 - 12
AW02 0160	Paper Feed Sensor	59 - 6
AW02 0163	Paper Feed Sensor	61 - 32
AW02 0163	Paper Feed Sensor	61 - 35
AW02 0164	Oil End Sensor	145 - 4
AW10 0098	Thermistor:Pressure Roller	109 - 11
AW10 0100	Thermistor:Imaging Unit	55 - 16
AW11 0042	Thermostat:190C:250V/17A	109 - 6
AW11 0043	Thermostat:189C:250V/17A	109 - 7
AW11 0044	Thermostat:150C:250V/17A	109 - 10
AW11 0045	Thermostat:149C:250V/17A	109 - 9
AW14 0012	Temperature & Humidity Sensor	85 - 12
AW14 0012	Temperature & Humidity Sensor	169 - 10
AW23 0009	Toner End Sensor	79 - 13
AW50 0010	Push Switch	145 - 17
AW50 0023	Push Switch	135 - 5
AX04 0139	Stepper Motor:MM42:0.95A:9.5V	41 - 17
AX04 0144	DC Motor:Rise:Paper Tray	145 - 13
AX04 0145	DC Motor:Tandem LCT	61 - 31
AX06 0279	DC Motor:DIA86:38W	141 - 12
AX06 0280	DC Motor:MM63:24W	139 - 11

Part No.	Description	Page and Index No.
AX06 0281	DC Motor:MM56:15W	143 - 1
AX06 0302	Brushless Motor	135 - 16
AX20 0277	Magnetic Clutch:0.53N M:36Z	59 - 28
AX31 0047	Total Counter:7FIG:24V:MI2	67 - 11
AX40 0176	Heater:115V:18W:Upper	171 - 2
AX40 0176	Heater:115V:18W:Upper	107 - 20
AX40 0178	Heater:240V:18W:Upper	171 - 2
AX40 0178	Heater:240V:18W:Upper	107 - 20
AX43 0137	Heater - 350W/230V	109 - 3
AX43 0138	Heater - 350W/120V	109 - 3
AX43 0139	Heater - 350W/230V	109 - 2
AX43 0140	Heater - 350W/120V	109 - 2
AX44 0225	Heater - 590W/230V	109 - 4
AX44 0226	Heater - 590W/120V	109 - 4
AX56 0011	LED:Radiate	101 - 3
AX64 0149	Fan Motor:MM40:15mm	79 - 4
AX64 0149	Fan Motor:Mm40:15mm	83 - 7
AX64 0150	Fan Motor:MM60:25mm:24V	163 - 15
AX64 0151	Fan Motor:Mm60	49 - 11
AX64 0151	Fan Motor:MM60	97 - 17
AX64 0151	Fan Motor:MM60	53 - 28
AX64 0151	Fan Motor:MM60	163 - 11
AX64 0158	Fan Motor MM60/15mm:24V	107 - 7
AX64 0159	Fan Motor MM80	159 - 16
AX64 0159	Fan Motor MM80	153 - 4
AX64 0163	Fan Motor:MM80	169 - 14
AX64 0164	Fan Motor:15mm:24V	53 - 4
AX64 0164	Fan Motor:15mm:24V	163 - 20
AX65 0041	Fan Motor:Sirocco	161 - 5
AX65 0042	Fan:Sirocco:DC24V:2speed	159 - 19
AZ25 0018	Power Supply Unit:100V	157 - 7
AZ25 0020	Power Supply Unit:200V	157 - 7
AZ31 0029	Power Pack:D	123 - 21
AZ32 0136	Power Pack:C	155 - 17
AZ32 0137	Power Pack:B	159 - 4

Part No.	Description	Page and Index No.
AZ32 0138	Power Pack:T1/T2	93 - 1
BC01 2007	Exposure Glass:Sheet Through	47 - 3
GA00 3016	Decal - Y Toner Supply	221 - 48
GA00 3016	Decal - Y Toner Supply	165 - 25
GA00 3017	Decal - M Toner Supply	221 - 48
GA00 3017	Decal - M Toner Supply	165 - 27
GA00 3018	Decal - C Toner Supply	165 - 26
GA00 3018	Decal - C Toner Supply	221 - 48
GA00 3019	Decal - K Toner Supply	221 - 48
GA00 3019	Decal - K Toner Supply	165 - 28
GX06 0015	Brushless Motor:Drive:Paper Feed	81 - 2

Part No.	Description	Page and Index No.
VSSM 9000	Digital Multimeter - FLUKE187	223 - 2
VSST 9501	Connection Kit Color Test Chart(3 Sheets/set)	223 - 3

Part No.	Description	Page and Index No.
0313 0050N	Philips Pan Head Screw - M3x5	51 - 102
0313 0060N	Screw - M3X6	169 -102
0313 0080N	Pan Head Screw - M3x8	61 - 107
0313 0080N	Pan Head Screw - M3x8	65 - 109
0313 0120N	Pan Head Screw - M3x12	65 - 108
0314 0060N	Screw - M4X6	63 - 102
0314 0120N	Screw - M4x12	53 - 106
0314 0180N	Pan Head Screw - M4x18	123 -113
0314 0200N	Pan Head Screw - M4x20	157 -103
0353 0030N	Screw - M3x3	145 -103
0353 0040N	Screw - M3X4	71 - 102
0353 0040N	Screw - M3X4	43 - 105
0353 0040N	Screw - M3X4	35 - 102
0353 0040N	Screw - M3X4	47 - 102
0353 0040N	Screw - M3X4	75 - 106
0353 0040N	Screw - M3x4	73 - 104
0353 0040N	Screw - M3X4	103 -104
0353 0050N	Screw - m3x5	127 -102
0353 0050N	Screw - m3x5	43 - 103
0353 0050N	Screw - m3x5	129 -107
0353 0060N	Philips Pan Head Bind Screw - M3x6	21 - 102
0353 0060N	Philips Pan Head Bind Screw - M3x6	111 -104
0353 0060N	Philips Pan Head Bind Screw - M3x6	141 -102
0353 0060N	Philips Pan Head Bind Screw - M3x6	121 -103
0353 0060N	Philips Pan Head Bind Screw - M3x6	109 -103
0353 0060N	Philips Pan Head Bind Screw - M3x6	99 - 104
0353 0060N	Philips Pan Head Bind Screw - M3x6	55 - 103
0353 0060N	Philips Pan Head Bind Screw - M3x6	113 -103
0353 0060N	Philips Pan Head Bind Screw - M3x6	103 -103
0353 0060N	Philips Pan Head Bind Screw - M3x6	115 -103
0353 0060N	Philips Pan Head Bind Screw - M3x6	123 -104
0353 0080N	Screw - M3x8	121 -106
0353 0080N	Screw - M3x8	133 -110
0353 0080N	Screw - M3x8	135 -103
0353 0080N	Screw - M3x8	161 -106

Part No.	Description	Page and Index No.
0354 0060N	Screw - M4x6	165 -102
0354 0060N	Screw - M4x6	123 -107
0354 0060N	Screw - m4x6	127 -101
0354 0060N	Screw - m4x6	97 - 104
0354 0060N	Screw - M4x6	167 -104
0354 0080N	Screw - M4x8	165 -103
0354 0080N	Screw - M4x8	145 -102
0354 0080N	Screw - M4x8	77 - 102
0354 0080N	Screw - M4x8	81 - 109
0354 0080N	Screw - M4x8	105 -103
0354 0080N	Screw - M4x8	83 - 102
0354 0080N	Screw - M4x8	163 -108
0354 0080N	Screw - M4x8	49 - 106
0354 0080N	Screw - M4x8	55 - 102
0354 0080N	Screw - M4x8	97 - 103
0354 0120N	Screw - M4x12	115 -107
0354 0200N	Screw - M4x20	169 -105
0354 0200N	Screw - M4x20	55 - 101
0354 0400N	Screw - M4x40	159 -105
0360 3006N	Screw - M3x6	91 - 101
0360 3006N	Screw - M3x6	89 - 102
0360 3006N	Screw - M3x6	93 - 101
0360 3006N	Screw - M3x6	159 -102
0360 3006N	Screw - M3x6	95 - 101
0360 3006N	Screw - M3x6	105 -101
0360 3006N	Screw - M3x6	87 - 103
0360 3006N	Screw - M3x6	143 -103
0360 3006N	Screw - M3x6	155 -102
0360 3006P	Screw - M3x6	85 - 101
0360 3012P	Screw - M3x12	139 -104
0360 4006N	Screw - M4X6	139 -103
0360 4006N	Screw - M4X6	141 -106
0360 4008N	Screw - M4X8	69 - 102
0360 4010N	Screw - M4x10	141 -105
0360 4010N	Screw - M4x10	139 -101

Part No.	Description	Page and Index No.
0360 4016N	Screw - M4x16	91 - 102
0434 0060N	Pan Self-tapping Screw - M4x6	61 - 102
0434 0060N	Pan Self-tapping Screw - M4x6	63 - 104
0434 0060N	Pan Self-tapping Screw - M4x6	65 - 101
0434 0080N	Pan Self-tapping Screw - M4x8	169 -103
0450 3006N	Tapping Screw - M3x6	121 -102
0450 3006N	Tapping Screw - M3x6	95 - 105
0450 3008N	Tapping Screw - M3x8	117 -103
0450 3008N	Tapping Screw - M3x8	79 - 103
0450 3008N	Tapping Screw - M3x8	25 - 102
0450 3008N	Tapping Screw - M3x8	39 - 102
0450 3008N	Tapping Screw - M3x8	33 - 105
0450 3008N	Tapping Screw - M3x8	61 - 106
0450 3008N	Tapping Screw - M3x8	27 - 102
0450 3008N	Tapping Screw - M3x8	43 - 102
0450 3010N	Tapping Screw - M3x10	57 - 102
0450 3010N	Tapping Screw - M3x10	107 -107
0450 3010N	Tapping Screw - M3x10	59 - 101
0450 3020N	Tapping Screw - M3x20	83 - 105
0450 4008N	Tapping Screw - M4x8	39 - 101
0450 4008N	Tapping Screw - M4x8	125 -102
0450 4008N	Tapping Screw - M4x8	129 -103
0450 4008N	Tapping Screw - M4x8	73 - 102
0450 4008N	Tapping Screw - M4x8	107 -103
0450 4008N	Tapping Screw - M4x8	69 - 101
0450 4008N	Tapping Screw - M4x8	133 -102
0450 4010N	Tapping Screw - M4x10	125 -103
0450 4010N	Tapping Screw - M4x10	127 -103
0450 4010N	Tapping Screw - M4x10	17 - 102
0450 4012N	Tapping Screw - 4x12	17 - 101
0451 3006N	Tapping Screw - 3x6	151 -103
0451 3006N	Tapping Screw - 3x6	161 -101
0451 3006N	Tapping Screw - 3x6	81 - 103
0451 3006N	Tapping Screw - 3x6	117 -102
0451 3006N	Tapping Screw - 3x6	127 -104

Part No.	Description	Page and Index No.
0451 3006N	Tapping Screw - 3x6	119 -101
0451 3006N	Tapping Screw - 3x6	47 - 101
0451 3006N	Tapping Screw - 3x6	33 - 101
0451 3006N	Tapping Screw - 3x6	101 -101
0451 3006N	Tapping Screw - 3x6	123 -101
0451 3006N	Tapping Screw - 3x6	83 - 103
0451 3006N	Tapping Screw - 3x6	103 -102
0451 3006N	Tapping Screw - 3x6	23 - 101
0451 3006N	Tapping Screw - 3x6	59 - 103
0451 3006N	Tapping Screw - 3x6	35 - 101
0451 3006N	Tapping Screw - 3x6	67 - 103
0451 3006N	Tapping Screw - 3x6	37 - 101
0451 3006N	Tapping Screw - 3x6	143 -102
0451 3006N	Tapping Screw - 3x6	155 -103
0451 3006N	Tapping Screw - 3x6	107 -106
0451 3006N	Tapping Screw - 3x6	49 - 103
0451 3006N	Tapping Screw - 3x6	129 -102
0451 3006N	Tapping Screw - 3x6	25 - 101
0451 3006N	Tapping Screw - 3x6	41 - 101
0451 3006N	Tapping Screw - 3x6	139 -102
0451 3006N	Tapping Screw - 3x6	43 - 101
0451 3006N	Tapping Screw - 3x6	167 -103
0451 3006N	Tapping Screw - 3x6	121 -101
0451 3006N	Tapping Screw - 3x6	45 - 101
0451 3006N	Tapping Screw - 3x6	141 -101
0451 3006N	Tapping Screw - 3x6	97 - 102
0451 3006N	Tapping Screw - 3x6	31 - 101
0451 3006N	Tapping Screw - 3x6	157 -102
0451 3006N	Tapping Screw - 3x6	99 - 101
0451 3006N	Tapping Screw - 3x6	53 - 101
0451 3006N	Tapping Screw - 3x6	27 - 101
0451 3008N	Tapping Screw - M3x8	89 - 101
0451 3008N	Tapping Screw - M3x8	27 - 107
0451 3008N	Tapping Screw - M3x8	67 - 102
0451 3008N	Tapping Screw - M3x8	35 - 109

Part No.	Description	Page and Index No.
0451 3008N	Tapping Screw - M3x8	145 -104
0451 3008N	Tapping Screw - M3x8	135 -102
0451 3008N	Tapping Screw - M3x8	161 -103
0451 3010N	Tapping Screw - 3x10	37 - 103
0451 3010N	Tapping Screw - 3x10	31 - 103
0451 3020N	Tapping Screw - 3x20	107 -102
0451 3020N	Tapping Screw - 3x20	53 - 104
0451 3025N	Tapping Screw - M3x25	163 -102
0451 3025N	Tapping Screw - M3x25	97 - 106
0451 4006N	Tapping Screw - 4x6	125 -101
0451 4006N	Tapping Screw - 4x6	133 -101
0451 4006N	Tapping Screw - 4x6	41 - 102
0451 4006N	Tapping Screw - 4x6	129 -101
0451 4006N	Tapping Screw - 4x6	117 -104
0451 4006N	Tapping Screw - 4x6	123 -102
0451 4006N	Tapping Screw - 4x6	55 - 104
0451 4006N	Tapping Screw - 4x6	43 - 104
0451 4008N	Tapping Screw - 4x8	161 -102
0451 4008N	Tapping Screw - 4x8	167 -101
0451 4008N	Tapping Screw - 4x8	171 -101
0451 4008N	Tapping Screw - 4x8	73 - 101
0451 4008N	Tapping Screw - 4x8	49 - 101
0451 4008N	Tapping Screw - 4x8	57 - 101
0451 4008N	Tapping Screw - 4x8	159 -101
0451 4008N	Tapping Screw - 4x8	75 - 101
0451 4008N	Tapping Screw - 4x8	147 -101
0451 4008N	Tapping Screw - 4x8	145 -101
0451 4008N	Tapping Screw - 4x8	81 - 101
0451 4008N	Tapping Screw - 4x8	137 -101
0451 4008N	Tapping Screw - 4x8	83 - 101
0451 4008N	Tapping Screw - 4x8	77 - 101
0451 4008N	Tapping Screw - 4x8	97 - 101
0451 4008N	Tapping Screw - 4x8	135 -101
0451 4008N	Tapping Screw - 4x8	79 - 101
0451 4008N	Tapping Screw - x8	17 - 103

Part No.	Description	Page and Index No.
0451 4008N	Tapping Screw - 4x8	157 -101
0451 4008N	Tapping Screw - 4x8	117 -101
0451 4008N	Tapping Screw - 4x8	165 -101
0451 4008N	Tapping Screw - 4x8	71 - 101
0451 4008N	Tapping Screw - 4x8	155 -101
0451 4008N	Tapping Screw - 4x8	153 -101
0451 4008N	Tapping Screw - 4x8	143 -101
0451 4008N	Tapping Screw - 4x8	67 - 101
0451 4008N	Tapping Screw - 4x8	103 -101
0451 4008N	Tapping Screw - 4x8	169 -101
0451 4008N	Tapping Screw - 4x8	151 -101
0451 4008N	Tapping Screw - 4x8	47 - 103
0451 4008N	Tapping Screw - 4x8	123 -103
0451 4008N	Tapping Screw - 4x8	99 - 103
0451 4008N	Tapping Screw - 4x8	101 -102
0451 4008N	Tapping Screw - 4x8	141 -103
0451 4008N	Tapping Screw - 4x8	105 -108
0451 4008N	Tapping Screw - 4x8	107 -101
0451 4008N	Tapping Screw - 4x8	53 - 105
0451 4008N	Tapping Screw - 4x8	163 -101
0451 4010N	Tapping Screw - 4x10	19 - 101
0451 4012N	Tapping Screw - 4x12	167 -102
0451 4014N	Tapping Screw - M4x14	105 -102
0451 4025N	Tapping Screw - M4x25	49 - 104
0451 4025N	Tapping Screw - M4x25	53 - 108
0451 4025N	Tapping Screw - M4x25	163 -103
0451 4030N	Tapping Screw - M4x30	153 -104
0451 4035N	Tapping Screw - 4x35	159 -104
0452 3008N	Tapping Screw - M3x8	57 - 103
0452 3008N	Tapping Screw - M3x8	87 - 102
0452 3010N	Binding Self-Tapping Screw - 3x10	21 - 101
0452 3010P	Binding Self-Tapping Screw - 3x10	21 - 103
0452 4008N	Tapping Screw - M4x8	61 - 104
0452 4008N	Tapping Screw - M4x8	63 - 103
0452 4010N	Binding Self-tapping Screw - 4x10	61 - 105

Part No.	Description	Page and Index No.
0452 4010N	Binding Self-tapping Screw - 4x10	147 -104
0453 3006N	Tapping Screw - M3x6	31 - 102
0453 3006N	Tapping Screw - M3x6	33 - 106
0453 3006N	Tapping Screw - M3x6	35 - 103
0453 3006N	Tapping Screw - M3x6	67 - 104
0453 3006N	Tapping Screw - M3x6	79 - 102
0454 3006Q	Tapping Screw:3x6	81 - 102
0573 0030E	Hexagon Headless Set Screw - M3x3	73 - 108
0585 0161N	Hexagonal Head Bolt - M5x16	115 -104
0632 0100G	Pin - 2x10mm	119 -104
0632 0120G	Parallel Pin - 2x12	39 - 105
0632 0120G	Parallel Pin - 2x12	37 - 105
0632 0120G	Parallel Pin - 2x12	33 - 107
0632 0120G	Parallel Pin - 2x12	41 - 107
0632 0120G	Parallel Pin - 2x12	31 - 105
0632 0140G	Parallel Pin	25 - 104
0633 0120G	Parallel Pin - 3x12	105 -105
0633 0140G	Parallel Pin - 3x14	141 -111
0633 0160G	Parallel Pin - 3x16mm	141 -115
0633 0160G	Parallel Pin - 3x16mm	101 -107
0633 0200G	Pin - M3x20	65 - 104
0701 0060N	Washer DIA6	105 -107
0707 4050N	Bushing - 4x5	169 -106
0707 4050N	Bushing - 4x5	49 - 107
0707 4060N	Bushing - DIA4x6	41 - 109
0720 0025E	Retaining Ring - M2.5	101 -105
0720 0025E	Retaining Ring - M2.5	103 -106
0720 0025E	Retaining Ring - M2.5	99 - 111
0720 0030E	Retaining Ring - M3	39 - 104
0720 0030E	Retaining Ring - M3	29 - 103
0720 0030E	Retaining Ring - M3	115 -102
0720 0030E	Retaining Ring - M3	111 -102
0720 0030E	Retaining Ring - M3	145 -111
0720 0030E	Retaining Ring - M3	95 - 103
0720 0030E	Retaining Ring - M3	45 - 104

Part No.	Description	Page and Index No.
0720 0030E	Retaining Ring - M3	117 -108
0720 0030E	Retaining Ring - M3	41 - 108
0720 0030E	Retaining Ring - M3	129 -105
0720 0030E	Retaining Ring - M3	123 -105
0720 0040E	Retaining Ring - M4	65 - 102
0720 0040E	Retaining Ring - M4	141 -108
0720 0040E	Retaining Ring - M4	127 -105
0720 0040E	Retaining Ring - M4	105 -109
0720 0040E	Retaining Ring - M4	101 -104
0720 0040E	Retaining Ring - M4	73 - 103
0720 0040E	Retaining Ring - M4	111 -103
0720 0040E	Retaining Ring - M4	89 - 103
0720 0040E	Retaining Ring - M4	39 - 103
0720 0040E	Retaining Ring - M4	133 -103
0720 0040E	Retaining Ring - M4	103 -105
0720 0040E	Retaining Ring - M4	71 - 104
0720 0040E	Retaining Ring - M4	67 - 105
0720 0040E	Retaining Ring - M4	163 -104
0720 0040E	Retaining Ring - M4	107 -104
0720 0040E	Retaining Ring - M4	35 - 104
0720 0040E	Retaining Ring - M4	165 -104
0720 0040E	Retaining Ring - M4	37 - 104
0720 0040E	Retaining Ring - M4	169 -104
0720 0040E	Retaining Ring - M4	117 -106
0720 0040E	Retaining Ring - M4	91 - 104
0720 0040E	Retaining Ring - M4	119 -102
0720 0040E	Retaining Ring - M4	43 - 107
0720 0040E	Retaining Ring - M4	45 - 103
0720 0040E	Retaining Ring - M4	137 -102
0720 0040E	Retaining Ring - M4	131 -102
0720 0040E	Retaining Ring - M4	147 -103
0720 0040E	Retaining Ring - M4	95 - 102
0720 0040E	Retaining Ring - M4	95 - 104
0720 0040E	Retaining Ring - M4	125 -104
0720 0040E	Retaining Ring - M4	27 - 103

Part No.	Description	Page and Index No.
0720 0040E	Retaining Ring - M4	33 - 102
0720 0040E	Retaining Ring - M4	121 -104
0720 0040E	Retaining Ring - M4	115 -106
0720 0040E	Retaining Ring - M4	77 - 103
0720 0040E	Retaining Ring - M4	29 - 101
0720 0040E	Retaining Ring - M4	59 - 104
0720 0040E	Retaining Ring - M4	31 - 104
0720 0040E	Retaining Ring - M4	129 -104
0720 0040E	Retaining Ring - M4	61 - 103
0720 0040E	Retaining Ring - M4	41 - 103
0720 0060E	Retaining Ring - M6	115 -105
0720 0060E	Retaining Ring - M6	75 - 105
0720 0060E	Retaining Ring - M6	41 - 104
0720 0060E	Retaining Ring - M6	73 - 107
0720 0060E	Retaining Ring - M6	123 -106
0720 0060E	Retaining Ring - M6	81 - 105
0720 0060E	Retaining Ring - M6	113 -102
0720 0060E	Retaining Ring - M6	131 -101
0720 0060E	Retaining Ring - M6	65 - 105
0720 0060E	Retaining Ring - M6	59 - 105
0720 0060E	Retaining Ring - M6	141 -107
0720 0060E	Retaining Ring - M6	33 - 103
0720 0060E	Retaining Ring - M6	101 -103
0720 0060E	Retaining Ring - M6	25 - 103
0720 0060E	Retaining Ring - M6	127 -106
0720 0060E	Retaining Ring - M6	43 - 106
0720 0060E	Retaining Ring - M6	29 - 102
0720 0060E	Retaining Ring - M6	35 - 105
0720 0060E	Retaining Ring - M6	69 - 103
0720 0060E	Retaining Ring - M6	71 - 103
0720 0060E	Retaining Ring - M6	105 -104
0720 0060E	Retaining Ring - M6	91 - 103
0720 0080E	Retaining Ring - M8	91 - 105
0725 0250E	Retaining Ring C - M25	113 -101
0740 3008	Ball Bearing - 8x22x7	139 -109

Part No.	Description	Page and Index No.
0740 3508	Ball Bearing -8x14x4	35 - 107
0740 3706	Ball Bearing - M6x10x3	35 - 106
0740 3808	Ball Bearing - 8x16x5mm	143 -104
0740 3906	Ball Bearing - 6x15x5	137 -104
0741 3506	Ball Bearing - 6x12x4 mm	73 - 105
0741 3706	Ball Bearing - 6x10x3	121 -105
0741 3706	Ball Bearing - 6x10x3	119 -103
0741 3706	Ball Bearing - 6x10x3	117 -107
0741 3808	Ball Bearing - 8x16x5mm	131 -103
0742 3808	Ball Bearing - 8x16x5	101 -106
0742 3808	Ball Bearing - 8x16x5	33 - 104
0742 3808	Ball Bearing - 8x16x5	81 - 104
0742 3808	Ball Bearing - 8x16x5	75 - 104
0742 3808	Ball Bearing - 8x16x5	71 - 105
0742 3906	Ball Bearing - 6x14x5mm	139 -108
0742 3910	Ball Bearing:10x22x6	91 - 107
0802 5282	Tapping Screw - M4x8	149 -102
0802 5282	Tapping Screw - M4x8	153 -103
0802 5291	Tapping Screw:Round Point:M3x6	37 - 102
0802 5291	Tapping Screw:Round Point:M3x6	153 -102
0802 5291	Tapping Screw:Round Point:M3x6	45 - 102
0802 5291	Tapping Screw:Round Point:M3x6	151 -102
0802 5291	Tapping Screw:Round Point:M3x6	159 -103
0802 5291	Tapping Screw:Round Point:M3x6	49 - 102
0802 5291	Tapping Screw:Round Point:M3x6	51 - 101
0802 5291	Tapping Screw:Round Point:M3x6	53 - 103
0802 5291	Tapping Screw:Round Point:M3x6	149 -101
0803 0058	Stepped Screw	147 -102
0804 6123	Hexagonal Bolt:W/Washer:M3x8	87 - 101
0805 0088	Retaining Ring - M6	141 -109
0805 0088	Retaining Ring - M6	59 - 102
0805 0089	Retaining Ring - M4	35 - 108
0805 0089	Retaining Ring - M4	27 - 104
0805 0092	Retaining Ring - 3m	37 - 106
0805 3368	Ball Bearing - 8x16x5mm	53 - 109

Part No.	Description	Page and Index No.
0805 3386	Bushing - 8mm	123 -108
0805 3480	Bushing - 6mm	137 -103
0805 3496	Ball Bearing - 6x10x3	91 - 108
0805 3497	Bushing - 8x12x3.5mm	141 -110
0805 3511	Bushing 8mm	105 -106
0805 3511	Bushing 8mm	91 - 106
0950 4008N	Screw:Spring Washer:M4x8	49 - 105
0950 5012N	Screw:Spring Washer:M5x12	157 -105
0951 3006N	Screw - M3X6	167 -105
0951 3006N	Screw - M3X6	51 - 103
0951 3006N	Screw - M3X6	65 - 107
0951 3006N	Screw - M3X6	53 - 102
0951 3006N	Screw - M3X6	99 - 102
0951 4006N	Screw:Polished Round:M4x6	63 - 105
0951 4006N	Screw:Polished Round:M4x6	97 - 105
0951 4008N	Screw:Polished Round:M4x8	61 - 101
0951 4008N	Screw:Polished Round:M4x8	63 - 101
0951 4010N	Screw:Polished Round:M4x10	169 -107
0951 5010N	Screw:M5x10	23 - 102
0954 3006N	Screw - M3x6	109 -102
0954 3006N	Screw - M3x6	115 -108
0954 3006N	Screw - M3x6	117 -105
0954 3008N	Screw - M3x8	109 -101
0954 3008N	Screw - M3x8	111 -101
0954 3008N	Screw - M3x8	115 -101
0954 3010N	Screw:Polished Round/Spring:M3x10	109 -104
0954 4008N	Screw - M4X8	141 -104
0954 4008N	Screw - M4x8	53 - 107
0954 4008N	Screw - M4X8	51 - 104
1101 0328	Connector Pin Contact	198 -101
1102 3822	Connector - 20P	198 -102
1102 4203	CT Header - 4P	185 -101
1102 5301	Connector - 2P	198 -103
1102 5303	Connector - 4P	198 -104
1102 5304	Connector - 5P	185 -102

Part No.	Description	Page and Index No.
1102 5943	Connector - 2P	185 -103
1102 6245	Relay Connector - 2P	119 -106
1102 6246	Relay Connector - 4P	163 -111
1102 6249	Relay Connector - 6P	71 - 111
1102 6249	Relay Connector - 6P	103 -111
1102 6251	Connector - 8P	71 - 110
1102 6252	Connector - 9P	71 - 109
1102 6297	Connector - 4P	198 -105
1102 6298	Connector - 5P	185 -104
1102 6305	Connector - 12P	185 -105
1102 6306	Connector - 13P	185 -106
1102 6397	Box Header	185 -107
1102 6594	Connector - 10P	198 -106
1102 6658	Connector -40p	185 -108
1102 6894	Connector - 53314-3465	185 -109
1102 7690	Connector - WR-120P-VF60-1	185 -110
1102 8133	Connector - 100P	185 -111
1102 8194	Connector - 53375-0210	185 -112
1102 8479	Connector - 15P	198 -107
1102 8485	Connector - 55451-2210	198 -108
1102 8486	Connector - 55451-2410	185 -113
1102 8486	Connector - 55451-2410	198 -109
1102 8487	Connector - 55451-2610	198 -110
1102 8489	Connector - 55451-3010	185 -114
1102 8489	Connector - 55451-3010	198 -111
1102 8490	Connector:55451-3210	198 -112
1102 8490	Connector:55451-3210	185 -115
1102 8491	Connector - 55451-3410	198 -113
1102 8493	Connector - 55451-3810	198 -114
1102 8494	Connector - 55451-4010	198 -115
1102 8502	Connector - 54679-1615	161 -104
1102 8504	Connector	161 -105
1102 8832	Connector - DM-3D4-B3210	212 -101
1102 8921	Connector - IMSA-9202B-2-14Z041-PT1	198 -116
1102 9079	Connector - RHM-88PL-SDK11-1	212 -102

Part No.	Description	Page and Index No.
1102 9125	Connector 3-292208-2	198 -117
1102 9336	Connector:FPS009-2300-0	212 -103
1102 9337	Connector:14016PS-JUK-G-B-1	212 -104
1102 9387	Connector:Drawer:51405-2611	99 - 110
1102 9430	Connector:Drawer:1612257-7	143 -105
1102 9449	Connector - TX24-100R-LT-H1E	198 -118
1102 9456	Connector - 20 5078 050 510 861	212 -105
1102 9505	Connector - 140PS-JUK-G-B	185 -116
1102 9744	Connector - WR-40P-VF60-N1	185 -117
1102 9781	Connector:51405-3919	93 - 107
1102 9781	Connector:51405-3919	81 - 113
1102 9781	Connector:51405-3919	123 -114
1102 9782	Connector:51405-1819	93 - 108
1102 9783	Connector:55949-3919	163 -112
1102 9783	Connector:55949-3919	137 -105
1102 9784	Connector:55949-2619	143 -106
1102 9785	Connector:55949-1819	137 -106
1102 9887	Connector:52588-3090	212 -106
1104 0813	IC Socket:1674772-2	212 -107
1105 0032	Clamp	21 - 104
1105 0199	Clamp	65 - 110
1105 0199	Clamp	63 - 107
1105 0230	Clamp	61 - 109
1105 0230	Clamp	63 - 106
1105 0328	Harness Clamp - ES-0505	73 - 109
1105 0328	Harness Clamp - ES-0505	133 -109
1105 0328	Harness Clamp - ES-0505	71 - 107
1105 0328	Harness Clamp - ES-0505	125 -105
1105 0328	Harness Clamp - ES-0505	127 -108
1105 0328	Harness Clamp - ES-0505	61 - 108
1105 0328	Harness Clamp - ES-0505	65 - 103
1105 0409	Card Spacer- 6.4mm	81 - 112
1105 0409	Card Spacer- 6.4mm	155 -105
1105 0410	Card Spacer - 9.4mm	93 - 102
1105 0458	Clamp - LHL-18	79 - 105

Part No.	Description	Page and Index No.
1105 0487	Harness Clamp	43 - 108
1105 0487	Harness Clamp	49 - 108
1105 0487	Harness Clamp	45 - 106
1105 0487	Harness Clamp	27 - 105
1105 0487	Harness Clamp	53 - 110
1105 0487	Harness Clamp	161 -108
1105 0487	Harness Clamp	81 - 108
1105 0487	Harness Clamp	41 - 105
1105 0488	Harness Clamp	53 - 113
1105 0488	Harness Clamp	153 -108
1105 0488	Harness Clamp	65 - 106
1105 0488	Harness Clamp	141 -114
1105 0488	Harness Clamp	139 -107
1105 0488	Harness Clamp	155 -106
1105 0488	Harness Clamp	135 -106
1105 0488	Harness Clamp	161 -109
1105 0488	Harness Clamp	81 - 111
1105 0488	Harness Clamp	145 -110
1105 0488	Harness Clamp	159 -106
1105 0488	Harness Clamp	157 -107
1105 0489	Harness Clamp - LWS 1316	155 -104
1105 0490	Harness Clamp - IWS-2218	153 -106
1105 0490	Harness Clamp - IWS-2218	145 -108
1105 0508	Harness Clamp - LWS-0711	161 -110
1105 0508	Harness Clamp - LWS-0711	159 -107
1105 0508	Harness Clamp - LWS-0711	153 -107
1105 0508	Harness Clamp - LWS-0711	133 -106
1105 0508	Harness Clamp - LWS-0711	169 -109
1105 0508	Harness Clamp - LWS-0711	129 -108
1105 0508	Harness Clamp - LWS-0711	145 -106
1105 0508	Harness Clamp - LWS-0711	163 -107
1105 0511	Harness Clamp - LWS-0306ZC	145 -109
1105 0511	Harness Clamp - LWS-0306ZC	45 - 105
1105 0511	Harness Clamp - LWS-0306ZC	75 - 103
1105 0511	Harness Clamp - LWS-0306ZC	135 -104

Part No.	Description	Page and Index No.
1105 0511	Harness Clamp - LWS-0306ZC	127 -107
1105 0511	Harness Clamp - LWS-0306ZC	71 - 106
1105 0511	Harness Clamp - LWS-0306ZC	133 -108
1105 0511	Harness Clamp - LWS-0306ZC	107 -105
1105 0511	Harness Clamp - LWS-0306ZC	27 - 106
1105 0511	Harness Clamp - LWS-0306ZC	125 -106
1105 0511	Harness Clamp - LWS-0306ZC	83 - 104
1105 0511	Harness Clamp - LWS-0306ZC	41 - 106
1105 0511	Harness Clamp - LWS-0306ZC	167 -106
1105 0511	Harness Clamp - LWS-0306ZC	119 -105
1105 0511	Harness Clamp - LWS-0306ZC	103 -107
1105 0511	Harness Clamp - LWS-0306ZC	43 - 109
1105 0511	Harness Clamp - LWS-0306ZC	157 -108
1105 0511	Harness Clamp - LWS-0306ZC	93 - 103
1105 0511	Harness Clamp - LWS-0306ZC	37 - 107
1105 0511	Harness Clamp - LWS-0306ZC	59 - 108
1105 0511	Harness Clamp - LWS-0306ZC	53 - 112
1105 0511	Harness Clamp - LWS-0306ZC	81 - 106
1105 0511	Harness Clamp - LWS-0306ZC	141 -112
1105 0511	Harness Clamp - LWS-0306ZC	139 -105
1105 0511	Harness Clamp - LWS-0306ZC	51 - 105
1105 0511	Harness Clamp - LWS-0306ZC	159 -108
1105 0511	Harness Clamp - LWS-0306ZC	89 - 104
1105 0516	Clamp	139 -106
1105 0516	Clamp	153 -109
1105 0516	Clamp	53 - 111
1105 0516	Clamp	51 - 106
1105 0516	Clamp	123 -112
1105 0516	Clamp	59 - 107
1105 0516	Clamp	107 -108
1105 0516	Clamp	47 - 104
1105 0516	Clamp	89 - 105
1105 0516	Clamp	169 -108
1105 0516	Clamp	141 -113
1105 0516	Clamp	163 -109

Part No.	Description	Page and Index No.
1105 0516	Clamp	81 - 110
1105 0516	Clamp	93 - 105
1105 0516	Clamp	133 -104
1105 0516	Clamp	159 -109
1105 0518	Edge Saddle - LES-1010	157 -110
1105 0518	Edge Saddle - LES-1010	151 -104
1105 0518	Edge Saddle - LES-1010	159 -112
1105 0518	Edge Saddle - LES-1010	53 - 114
1105 0521	Clamp - LES-1017	155 -107
1105 0521	Clamp - LES-1017	159 -110
1105 0522	Edge Saddle - LES0510	33 - 108
1105 0522	Edge Saddle - LES0510	157 -109
1105 0522	Edge Saddle - LES0510	133 -107
1105 0522	Edge Saddle - LES0510	97 - 107
1105 0522	Edge Saddle - LES0510	81 - 107
1105 0522	Edge Saddle - LES0510	45 - 107
1105 0522	Edge Saddle - LES0510	59 - 106
1105 0522	Edge Saddle - LES0510	73 - 106
1105 0522	Edge Saddle - LES0510	93 - 104
1105 0522	Edge Saddle - LES0510	159 -111
1105 0522	Edge Saddle - LES0510	145 -105
1105 0522	Edge Saddle - LES0510	99 - 108
1105 0522	Edge Saddle - LES0510	135 -105
1105 0522	Edge Saddle - LES0510	161 -111
1105 0522	Edge Saddle - LES0510	103 -108
1105 0522	Edge Saddle - LES0510	123 -111
1105 0522	Edge Saddle - LES0510	31 - 106
1105 0528	Nylon Clamp - EMT-2n	157 -106
1105 0528	Nylon Clamp - EMT-2N	151 -106
1105 0534	Clamp	99 - 107
1105 0534	Clamp	89 - 106
1105 0534	Clamp	93 - 106
1105 0534	Clamp	101 -108
1105 0534	Clamp	133 -105
1105 0534	Clamp	123 -109

Part No.	Description	Page and Index No.
1105 0534	Clamp	129 -106
1105 0542	Harness Clamp - MSBS-1207	71 - 108
1105 0544	Edge Saddle:LES-2017	145 -107
1105 0551	Clamp:LES-0505	123 -110
1105 0551	Clamp:LES-0505	99 - 105
1105 0551	Clamp:LES-0505	103 -109
1105 0551	Clamp:LES-0505	167 -107
1105 0551	Clamp:LES-0505	163 -110
1105 0559	Clamp:EMT-5N	151 -105
1105 0568	Clamp:LWSS-0504	99 - 106
1105 0568	Clamp:LWSS-0504	79 - 104
1105 0568	Clamp:LWSS-0504	103 -110
1105 0598	Clamp:LWSS-1n	165 -105
1105 0598	Clamp:LWSS-1N	79 - 106
1105 0599	Clamp:LESR-25	153 -105
1105 0600	Clamp:LWSM-0306-2M	161 -107
1105 0600	Clamp:LWSM-0306-2M	135 -107
1105 0604	Clamp:RFC-16V0	99 - 109
1105 0605	Spacer - KGPS-4RF-V0	149 -103
1106 0901	Bushing:LE-60	153 -111
1106 0901	Bushing:LE-60	165 -106
1106 0905	Bushing:LE-100	153 -110
1107 1095	Fuse - Sst 2	212 -108
1107 1103	Breakers:EC2A2-020NVZR (NA)	157 -104
1109 0018	Circuit Protector - SMD100	198 -119
1204 1385	Push Switch	212 -109
1204 1543	DIP Switch	185 -118
1204 1543	DIP Switch	212 -110
1204 2373	Key Board Switch - Skqdpa	185 -119
1204 2521	Micro Switch	75 - 102
1204 2521	Micro Switch	163 -106
1204 2598	Switch	163 -105
1204 2637	DIP Switch - 71D-04	212 -111
1206 0114	Primary Lithium Cell:CR2354/1F2	212 -112
1400 0443	Transistor - DTB114EK	198 -120

Part No.	Description	Page and Index No.
1400 0556	Transistor - DTB143EK	198 -121
1400 0637	Transistor - DTC144EUA	185 -120
1400 0715	Transistor - 2SB1197KR	212 -113
1400 0728	Transistor - 2SD2170	198 -122
1400 0730	Transistor - 2SD1782K	212 -114
1400 0767	Transistor:DTA114EUA	198 -123
1400 0769	Transistor - 2SA1576A	212 -115
1400 0775	Transistor - 2SC4081	198 -124
1400 0775	Transistor - 2SC4081	212 -116
1400 0810	Transistor:DTC114EUA	198 -125
1400 0810	Transistor:DTC114EUA	212 -117
1400 0909	Transistor - DTA143EUA	198 -126
1400 0981	Transistor - 2SC3052	212 -118
1400 1040	Transistor - 2SA1834S	185 -121
1401 0902	Fet:2SK1590	212 -119
1401 1181	Fet - 2SK2157-AZ	212 -120
1401 1192	Fet - 2SK1764	212 -121
1401 1209	IC - HAT2093R	212 -122
1401 1228	Fet:SI3433DV-E3	212 -123
1401 1258	Fet - 2SJ517	185 -122
1401 1279	Fet Array - HAT1054R	185 -123
1401 1317	Fet - HAT2197R	212 -124
1401 1318	Fet - HAT2198R	212 -125
1401 1319	Fet - TPC8105-H	212 -126
1401 1320	Fet - TPC8107	212 -127
1402 0595	Diode Array - DAN202K	198 -127
1402 0596	Diode-array - DAP202K	198 -128
1402 1041	Diode - DA204U	198 -129
1402 1326	Diode Array - DA227	198 -130
1402 1336	Diode - 1SS355	212 -128
1402 1336	Diode - 1SS355	198 -131
1402 1336	Diode - 1SS355	185 -124
1402 1343	Diode - RB106L-40	212 -129
1402 1375	Diode - ERB84-009	198 -132
1402 1398	Diode - RB050L-40	212 -130

Part No.	Description	Page and Index No.
1402 1432	Diode - HZS18-1	198 -133
1402 1444	Diode - RB051L-40	185 -125
1402 1447	Diode - PTZ5.1B	198 -134
1402 1515	Diode UDZS6.2B	185 -126
1402 1530	Diode - RB520S-30	212 -131
1402 1554	Diode-rb160I-60	198 -135
1402 1587	Diode - RB060	185 -127
1402 1662	Diode:PTZ6.2B	198 -136
1402 1663	Diode - ZTP12B	198 -137
1402 1698	Diode - RB	212 -132
1402 1709	Diode:EC21QS06G	212 -133
1403 0953	LED - SML-310MT	212 -134
1403 0964	Photocoupler - PC817X3J000F	198 -138
1403 0996	LED - SML-310VT	185 -128
1403 0996	LED - SML-310VT	212 -135
1403 1033	LED - SML-310YT	198 -139
1407 1535	IC - TD62308AP	198 -140
1407 2187	TTLIC - SN74LS07NS	198 -141
1407 2187	TTLIC - SN74LS07NS	185 -129
1407 2219	IC - TD62003AP	198 -142
1407 3357	Comparator - BA10393F	198 -143
1407 4023	IC - M62353GP	198 -144
1407 5174	CMOS - SN74LVC04APW	185 -130
1407 5334	IC - CMOS LOGIC 74LVC244A TSSOP	185 -131
1407 5344	IC - SN74LV02APW	198 -145
1407 5346	IC - SN74LS74ANS	198 -146
1407 5346	IC - SN74LS74ANS	185 -132
1407 5347	IC - SN74LV08APW	198 -147
1407 5347	IC - SN74LV08APW	185 -133
1407 5350	IC - SN74LV00APW	198 -148
1407 5351	IC - SN74LV14APW	185 -134
1407 5351	IC - SN74LV14APW	198 -149
1407 5353	IC - SN74LV244APW	185 -135
1407 5364	IC - SN74AHCT244PW	198 -150
1407 5364	IC - SN74AHCT244PW	185 -136

Part No.	Description	Page and Index No.
1407 5366	IC - 74LVC08A TSSOP	185 -137
1407 5367	IC - 74LVC74A	185 -138
1407 5368	IC - 74LVC245A TSSOP	185 -139
1407 5374	IC - SN74LV4052APW	198 -151
1407 5376	IC - SN74LV32APW	185 -140
1407 5376	IC - SN74LV32APW	198 -152
1407 5382	CMOS Logic - SN74LV373APW	185 -141
1407 5398	IC - CD4066BNS	198 -153
1407 5430	CMOS Logic - SN74LVCH16244ADGG	185 -142
1407 5438	CMOS Logic - SN74AHC2G14HDCT	212 -136
1407 5439	CMOS Logic:SN74AHC2G66HDCT	212 -137
1407 5447	LVDS - SN75LVDS86ADGG	185 -143
1407 5469	IC - SN74LV07APW	185 -144
1407 5469	IC - SN74LV07APW	198 -154
1407 5482	IC - SN74LVC07APW	212 -138
1407 5492	IC - SN74ALVC04PW	185 -145
1407 5500	IC - SN74ALVC08PW	185 -146
1407 5508	IC - SN74LV125APW	198 -155
1407 5509	IC - SN74AHCT08PW	185 -147
1407 5511	IC - SN74LVC14APW	212 -139
1407 5520	IC - SN74LVC125APW	185 -148
1407 5580	IC - M32102S6FP	185 -149
1407 5684	CMOS Logic - SN74AHC1G08HDCK	212 -140
1407 5686	CMOS Logic - SN74AHC2GU04HDCT	198 -156
1407 5713	IC:SN74LV06APW	185 -150
1407 5733	IC:SN74ALVC244PW	185 -151
1407 5734	CMOS Logic - SN74ALVC245PW	185 -152
1407 5790	CMOS Logic - SN74AHC2G08HDCU	212 -141
1407 5803	IC:SN74LV132APW	212 -142
1407 5927	CMOS Logic - SN74LVC1G14DCK	212 -143
1407 6101	IC - SN74LVC2G17DCK	212 -144
1407 6126	Clock Generator - ICS950812CG	212 -145
1407 6127	Clock Generator:ICS960008AFIF	212 -146
1407 6133	CMOS Logic - SN74AHCT00PW	185 -153
1407 6205	CMOS Logic - SN74LVC1G06DCK	212 -147

Part No.	Description	Page and Index No.
1407 6221	EEPROM - BR24I01AFV-W	185 -154
1407 6245	CMOS Logic - SN74CBTLV3253PW	212 -148
1407 6247	CPU - RH80530MZ733256(SL797)	212 -149
1407 6248	EEPROM - M24256-BWMN6	212 -150
1407 6256	Line Memory - M66288FP	185 -155
1407 6278	ICH3 - NH82801CAM(SL7A7)	212 -151
1407 6279	GMCH - NN82830MP(SL7A6)	212 -152
1407 6341	Driver - TD62783APG	198 -157
1407 6397	Clock Generator - MB88152PNF-G-102-E1	185 -156
1408 0575	IC - M51957BFP	185 -157
1408 0810	IC - BA10358F	198 -158
1408 1065	Comparator - BA10339F	198 -159
1408 1095	IC - BA10324AF	198 -160
1408 1535	Transistor Array - M54585P	198 -161
1408 1550	IC - LM2902PW	185 -158
1408 1664	Series Regulator:LM1117MP-ADJ/NOPB	212 -153
1408 1669	Series Regulator:R1170h331b	185 -159
1408 1744	Regulator - PQ018EH01Z	185 -160
1408 1758	Regulator - UPC3025TJ	185 -161
1408 1774	Series Regulator:Upc2933at	198 -162
1408 1778	IC:R3112Q101A	212 -154
1408 1779	IC - R3112Q281A	212 -155
1408 1815	IC - R3112Q151A	212 -156
1408 1825	IC - R3112Q121A	212 -157
1408 1826	IC - R3112Q421A	212 -158
1408 1850	Regulator - R1170H181B	185 -162
1408 1893	Series Regulator - LM1086IS-ADJ/NOPB	185 -163
1408 1956	IC:LTC3728LXCUH#TRPBF	212 -159
1408 2008	IC - M62292FP	185 -164
1408 2009	IC - R1224N182E-FA	185 -165
1408 2010	Regulator - RN5RF33A-FA	185 -166
1408 2011	IC - MB3793-45PNFE1	185 -167
1408 2013	Regulator - R1114Q331B-FA	185 -168
1408 2016	Regulator - R1114Q181B-FA	185 -169
1408 2057	IC - LTC3714EG#TRPBF	212 -160

Part No.	Description	Page and Index No.
1503 0758	Oscillator - MC-306 32.768MHZ	212 -161
1503 0842	Oscillator - 14.31818Mhz	212 -162
1503 0885	Crystal Oscillator - 10Mhz	198 -163
1503 0946	Crystal Oscillator - 9.8304Mhz	198 -164
1503 0947	Crystal Oscillator:25Mhz	212 -163
1503 1084	Crystal Oscillator - 21Mhz	198 -165
1503 1214	Ceramic Oscillator:16Mhz	198 -166
1503 1216	Crystal Oscillator:31.9488Mhz	185 -170
1503 1232	Crystal Oscillator:54Mhz	185 -171
1601 5452	Resistor - 120Ω ±5% 3W	198 -167
1601 5453	Resistor - 150Ω ±5% 3W	198 -168
1601 5466	Resistor - 180Ω ±5% 3W	198 -169
1601 5491	Resistor - 100Ω ±5% 3W	198 -170
1601 5493	Resistor - 100 Ω ±5% 2W	198 -171
1601 5632	Resistor - 1K Ω ±0.1% 1/16W	198 -172
1601 5711	Resistor - 33K Ω ±0.1% 1/16W	198 -173
1601 7877	Resistor Array 4.7k Ω ±5% 1/32W	185 -172
1601 7877	Resistor Array 4.7k Ω ±5% 1/32W	198 -174
1601 7887	Resistor Array - 10K Ω ±5% 1/32W	185 -173
1601 7887	Resistor Array - 10K Ω ±5% 1/32W	198 -175
1601 7898	Resistor Array	198 -176
1601 7898	Resistor Array	212 -164
1601 7898	Resistor Array	185 -174
1601 7899	Resistor Array - 56 Ω ±5% 1/16W	185 -175
1601 7909	Resistor Array - 10 Ω ±5% 1/32W	212 -165
1601 7909	Resistor Array - 10 Ω ±5% 1/32W	198 -177
1601 7913	Resistor 22 Ω ±5% 1/32W	212 -166
1601 7943	Resistor Array - 68 Ω ±5% 1/32W	198 -178
1601 7943	Resistor Array - 68 Ω ±5% 1/32W	185 -176
1601 7960	Resistor Array - 100 Ω ±5% 1/16W	198 -179
1601 7983	Resistor Array:2.2kΩ:±5%:1/16W	198 -180
1601 7992	Resistor - 47KΩ ±5% 1/16W	198 -181
1601 7992	Resistor - 47KΩ ±5% 1/16W	185 -177
1604 5019	Capacitor - 56μF ±20% 10V	185 -178
1604 5048	Capacitor:470μF:±20%:16V	185 -179

Part No.	Description	Page and Index No.
1604 5070	Capacitor:100μF:±20%:10V	185 -180
1604 5117	Resistor - 270μF ±20% 10V	185 -181
1604 5296	Resistor - 100μF ±20% 10V	185 -182
1604 5319	Resistor - 820μF ±20% 6.3V	185 -183
1604 5338	Resistor - 47μF ±20% 10V	185 -184
1604 5345	Resistor - 680μF ±20% 6.3V	185 -185
1604 5357	Resistor - 560μF ±20% 4V	212 -167
1605 0781	Capacitor - 5pF 50V	185 -186
1605 0796	Capacitor:4700pf:±5%:50V	198 -182
1605 0976	Capacitor - 1μF +80% -20% 10V	212 -168
1605 1034	Ceramic Capacitor:1000pf:±10%:50V	212 -169
1605 1071	Capacitor - 1μF ±10% 25V	198 -183
1605 1081	Capacitor - 10 μF +80-20% 25V	212 -170
1605 1095	Capacitor:180pf:±5%:25V	212 -171
1605 1124	Capacitor - 4.7μF +80 -20% 10V	212 -172
1605 1135	Capacitor - 0.47μF ±1% 10V	185 -187
1605 1137	Capacitor - 470pF ±10% 50V	185 -188
1605 1148	Capacitor - 0.1μF +80-20% 50V	198 -184
1605 1161	Capacitor - 0.33μF ±10% 10V	185 -189
1605 1176	Ceramic Capacitor 0.47μF +80-20%16V	212 -173
1605 1194	Capacitor:3pf:±0.25pf:50V	212 -174
1605 1195	Capacitor:4pf:±0.25pf:50V	212 -175
1605 1199	Capacitor - 8PF ±0.5pF 50V	185 -190
1605 1200	Capacitor - 10PF ±0.5pF 50V	212 -176
1605 1202	Capacitor - 15pF ±5% 50V	212 -177
1605 1203	Capacitor - 18pF ±5% 50V	212 -178
1605 1205	Capacitor - 33pF ±5% 50V	212 -179
1605 1206	Capacitor - 47pF ±5% 50V	212 -180
1605 1207	Capacitor - 68pF ±5% 50V	212 -181
1605 1208	Capacitor:100pf:±5%:50V	212 -182
1605 1209	Capacitor - 150pF ±5% 50V	212 -183
1605 1210	Capacitor:180pf:±5%:50V	212 -184
1605 1211	Capacitor - 220pF ±10% 50V	212 -185
1605 1212	Capacitor - 470pF ±10% 50V	212 -186
1605 1214	Capacitor - 1000pF ±10% 50V	212 -187

Part No.	Description	Page and Index No.
1605 1216	Capacitor - 2200PF±10%50V	212 -188
1605 1221	Capacitor - 0.1 μF+80-20%16V	212 -189
1605 1234	Capcitor:4700pf:±10%:50V	212 -190
1605 1240	Capacitor - 0.01μF ±10% 25V	212 -191
1605 1249	Capacitor:0.047μF:±10%:16V	212 -192
1605 1281	Capacitor - 0.22μF ±10% 16V	212 -193
1605 1282	Capacitor:22μF:+80-20%:10V	212 -194
1605 1283	Capacitor - 680pF ±10% 50V	212 -195
1605 1284	Capacitor:1500pf:±10%:50V	212 -196
1605 1289	Capacitor - 0.1μF ±10% 10V	212 -197
1605 1295	Capacitor:10μF:+80-20%:10V	185 -191
1605 1295	Capacitor:10μF:+80-20%:10V	212 -198
1605 1296	Capacitor - 330pF ±10% 50V	212 -199
1605 1303	Capacitor - 0.01μF +80-20% 50V	212 -200
1605 1306	Capacitor - 1μF ±10% 10V	212 -201
1605 1306	Capacitor - 1μF ±10% 10V	185 -192
1605 1352	Resistor - 82pF ±5% 50V	212 -202
1605 1353	Capacitor - 0.1μF ±10% 25V	185 -193
1605 1353	Capacitor - 0.1μF ±10% 25V	212 -203
1605 1354	Capacitor:1200pf:±5%:50V	212 -204
1605 1355	Ceramic Capacitor:680pf:±10%:50V	185 -194
1605 1416	Capacitor - 1800PF:±5%:50V	212 -205
1605 1417	Capacitor:47μF:+80-20%:10V	212 -206
1605 1432	Resistor - 100μF ±20% 6.3V	212 -207
1605 1450	Resistor - 22μF ±10% 6.3V	212 -208
1607 0721	Ferrite Core - TFC-23-11-14	151 -107
1607 0758	Filter - DSS710D223A12-22	198 -185
1607 1002	IC - NFM60R30T222	185 -195
1607 1002	IC - NFM60R30T222	198 -186
1607 1216	Inductor - 22uh ±20% 4A	185 -196
1607 1223	Inductor - 47uh ±20% 2.7A	185 -197
1607 1322	Inductor:LB2012B4R7M	212 -209
1607 1351	Filter BLM21PG221SN1B	185 -198
1607 1461	Ferrite Core	157 -111
1607 1489	Filter - MMZ1608B301C	212 -210

Part No.	Description	Page and Index No.
1607 1556	Inductor:RLF7030-1R5N6R1	212 -211
1607 1618	Inductor - SLF7045-150M1R1-PF	185 -199
1607 1629	Coil - DLW21HN900SQ2B	185 -200
1607 1637	Coil:ACM2012-900-2P	212 -212
1607 1650	Inductor:RLF7030-6R8M2R8	212 -213
1607 1651	Inductor - HM73-101R0LF	212 -214
1607 1657	Inductor - HM73-10R68LF	212 -215
1609 0005	Resistor:33 Ω:±5%:1/16W	185 -201
1609 0006	Resistor:10k Ω:±5%:1/16W	185 -202
1609 0007	Resistor - 68Ω ±5% 1/16W	198 -187
1609 0007	Resistor - 68Ω ±5% 1/16W	185 -203
1609 0008	Resistor:4.7k Ω:±5%:1/16W	185 -204
1609 0009	Resistor - 47k Ω:±5%:1/16W	185 -205
1609 0020	Resistor:10 Ω:±5%:1/16W	185 -206
1609 0025	Resistor - 100Ω ±5% 1/16W	198 -188
1609 0033	Resistor - 82 Ω ±5% 1/16W	185 -207
1610 1733	Resistor - 0.01 Ω ±1% 1W	212 -216
1610 1775	Resistor - 0.03 Ω ±1% 1W	212 -217
1610 1804	Resistor:0.006 Ω:±1%:1W	212 -218
1610 1805	Resistor - 0.003 Ω ±2% 1W	212 -219
1632 0000	Resistor - 0 Ω 1/8W	198 -189
1632 0000	Resistor - 0 Ω 1/8W	212 -220
1633 0000	Resistor - 0 Ω 1/10W	212 -221
1634 0000	Resistor - 0 Ω 1/16W	185 -208
1634 0000	Resistor - 0 Ω 1/16W	198 -190
1640 5101	Capacitor - 100μF ±20% 50V	198 -191
1640 5331	Capacitor - 330μF ±20% 50V	198 -192
1642 2470	Capacitor - 47μF ±20% 25V	198 -193
1644 0470	Capacitor - 47μF ±20% 10V	185 -209
1644 2220	Resistor - 22μF:±20%:25V	185 -210
1650 3131	Resistor - 130 Ω ±5% 1/8W	198 -194
1650 3151	Resistor - 150Ω±5%1/8W	198 -195
1650 3201	Resistor - 200Ω ±5% 1/8W	198 -196
1650 4100	Resistor - 10Ω ±5% 1/10W	185 -211
1650 4100	Resistor - 10Ω ±5% 1/10W	198 -197

Part No.	Description	Page and Index No.
1650 4101	Resistor - 100Ω±5%1/10W	198 -198
1650 4101	Resistor - 100Ω±5%1/10W	185 -212
1650 4102	Resistor - 1KΩ ±5% 1/10W	198 -199
1650 4102	Resistor - 1KΩ ±5% 1/10W	185 -213
1650 4103	Resistor - 10KΩ ±5% 1/10W	198 -200
1650 4103	Resistor - 10KΩ ±5% 1/10W	185 -214
1650 4104	Resistor - 100KΩ±5%1/10W	198 -201
1650 4104	Resistor - 100KΩ±5%1/10W	185 -215
1650 4105	Resistor - 1MΩ ±5% 1/10W	198 -202
1650 4121	Resistor - 120Ω±5%1/10W	198 -203
1650 4154	Resistor 150kΩ ±5% 1/10W	198 -204
1650 4182	Resistor - 1.8KΩ±5%1/10W	185 -216
1650 4182	Resistor - 1.8KΩ±5%1/10W	198 -205
1650 4202	Resistor - 2KΩ±5%1/10W	198 -206
1650 4202	Resistor - 2KΩ±5%1/10W	185 -217
1650 4220	Chip Resistor - 22Ω ±5% 1/10W	198 -207
1650 4220	Chip Resistor - 22Ω ±5% 1/10W	185 -218
1650 4222	Resistor - 2.2KΩ±5%1/10W	185 -219
1650 4222	Resistor - 2.2KΩ±5%1/10W	198 -208
1650 4223	Resistor - 22KΩ±5%1/10W	185 -220
1650 4224	Resistor:220kΩ:±5%:1/10W	198 -209
1650 4272	Resistor - 2.7KΩ±5%1/10W	198 -210
1650 4330	Chip Resistor - 33Ω ±5% 1/10W	185 -221
1650 4330	Chip Resistor - 33Ω ±5% 1/10W	198 -211
1650 4331	Resistor - 330Ω±5%1/10W	185 -222
1650 4331	Resistor - 330Ω±5%1/10W	198 -212
1650 4332	Resistor - 3.3KΩ±5%1/10W	198 -213
1650 4333	Resistor - 33KΩ±5%1/10W	198 -214
1650 4392	Chip Resistor - 3.9kΩ±5%1/10W	185 -223
1650 4470	Resistor - 47Ω±5%1/10W	185 -224
1650 4471	Resistor - 470Ω±5%1/10W	185 -225
1650 4472	Resistor - 4.7KΩ ±5% 1/10W	185 -226
1650 4472	Resistor - 4.7KΩ ±5% 1/10W	198 -215
1650 4473	Resistor - 47KΩ±5%1/10W	185 -227
1650 4510	Resistor - 51Ω±5%1/10W	185 -228

Part No.	Description	Page and Index No.
1650 4510	Resistor - 51Ω±5% 1/10W	198 -216
1650 4511	Resistor - 510Ω±5% 1/10W	185 -229
1650 4560	Chip Resistor - 56Ω ±5% 1/10W	198 -217
1650 4561	Resistor - 560Ω ±5% 1/10W	185 -230
1650 4562	Resistor - 5.6KΩ ±5% 1/10W	185 -231
1650 4680	Resistor - 68Ω±5% 1/10W	198 -218
1650 4680	Resistor - 68Ω±5% 1/10W	185 -232
1650 4750	Resistor - 75Ω±5% 1/10W	198 -219
1650 4820	Resistor - 82Ω ±5% 1/10W	185 -233
1650 4821	Chip Resistor - 820Ω ±5% 1/10W	185 -234
1650 5100	Chip Resistor - 10 Ω±5% 1/16W	212 -222
1650 5101	Chip Resistor - 100 Ω±5% 1/16W	212 -223
1650 5102	Chip Resistor - 1kΩ±5% 1/16W	212 -224
1650 5103	Chip Resistor - 10kΩ±5% 1/16W	212 -225
1650 5104	Chip Resistor - 100kΩ±5% 1/16W	212 -226
1650 5106	Resistor - 10M Ω ±5% 1/16W	212 -227
1650 5109	Chip Resistor 1Ω ±5% 1/16W	212 -228
1650 5151	Resistor - 150Ω ±5% 1/16W	212 -229
1650 5152	Chip Resistor:1.5kΩ:±5%:1/16W	212 -230
1650 5153	Chip Resistor - 15kΩ ±5% 1/16W	212 -231
1650 5202	Chip Resistor:2kΩ:±5%:1/16W	212 -232
1650 5204	Chip Resistor - 200kΩ±5% 1/16W	212 -233
1650 5220	Resistor - 22Ω ±5% 1/16W	212 -234
1650 5221	Chip Resistor - 220Ω±5% 1/16W	212 -235
1650 5222	Resistor - 2.2KΩ ±5% 1/16W	212 -236
1650 5229	Resistor:2.2 Ω:±5%:1/16w:1005	212 -237
1650 5241	Resistor - 240 Ω ±5% 1/16W	212 -238
1650 5330	Chip Resistor - 33Ω±5% 1/16W	212 -239
1650 5331	Resistor - 330Ω ±5% 1/16W	212 -240
1650 5332	Resistor - 3.3KΩ ±5% 1/16W	212 -241
1650 5390	Resistor - 39Ω ±5% 1/16W	212 -242
1650 5393	Resistor - 39KΩ ±5% 1/16W	212 -243
1650 5470	Chip Resistor 47Ω ±5% 1/16W	212 -244
1650 5471	Chip Resistor - 470Ω -5% 1/16W	212 -245
1650 5472	Chip Resistor:4.7kΩ:±5%:1/16W	212 -246

Part No.	Description	Page and Index No.
1650 5511	Resistor - 510Ω ±5% 1/16W	212 -247
1650 5513	Chip Resistor:51kΩ:±5%:1/16W	212 -248
1650 5514	Chip Resistor:510kΩ:±5%:1/16W	212 -249
1650 5560	Chip Resistor 56Ω ±5% 1/16W	212 -250
1650 5569	Resistor - 5.6Ω ±5% 1/16W	212 -251
1650 5623	Resistor - 62KΩ ±5% 1/16W	212 -252
1650 5681	Chip Resistor:680Ω:±5%:1/16W	212 -253
1650 5820	Chip Resistor:82Ω:±5%:1/16W	185 -235
1650 5822	Chip Resistor:8.2kΩ:±5%:1/16W	212 -254
1650 5823	Chip Resistor:82kΩ:±5%:1/16W	212 -255
1653 5609	Resistor - 56Ω ±1% 1/8W	198 -220
1654 1001	Resistor - 1KΩ±1% 1/10W	185 -236
1654 1001	Resistor - 1KΩ±1% 1/10W	198 -221
1654 1002	Resistor - 10KΩ±5% 1/10W	198 -222
1654 1009	Resistor - 10Ω±1% 1/10W	185 -237
1654 1132	Resistor - 11.3K Ω ±1% 1/10W	185 -238
1654 1201	Resistor - 1.2KΩ ±1% 1/10W	185 -239
1654 1210	Resistor - 121Ω ±1% 1/10W	185 -240
1654 1601	Chip Resistor - 1.6kΩ±1% 1/10W	185 -241
1654 1602	Resistor - 16KΩ ±1% 1/10W	198 -223
1654 1800	Resistor - 180Ω±1% 1/10W	198 -224
1654 2201	Resistor - 2.2K Ω ±1% 1/10W 1608	185 -242
1654 2202	Resistor - 22KΩ ±1% 1/10W	198 -225
1654 2402	Chip Resistor:24kΩ:±1%:1/10W	198 -226
1654 2709	Resistor - 27Ω±1% 1/10W	185 -243
1654 2800	Resistor - 280Ω±1% 1/10W	198 -227
1654 3000	Chip Resistor:300Ω:±1%:1/10W	185 -244
1654 3001	Resistor - 3K Ω ±1% 1/10W	185 -245
1654 3900	Resistor:390Ω:±1%:1/10w	185 -246
1654 4702	Chip Resistor - 47kΩ±1% 1/10W	198 -228
1654 6201	Resistor - 6.2KΩ ±1% 1/10W	198 -229
1654 6801	Resistor - 6.8KΩ±1% 1/10W	198 -230
1654 8200	Resistor - 820Ω±1% 1/10W	185 -247
1654 8201	Resistor - 8.2KΩ ±1% 1/10W	198 -231
1654 8209	Resistor - 82Ω±1% 1/10W	185 -248

Part No.	Description	Page and Index No.
1654 9101	Resistor:9.1kΩ±1%:1/10W	198 -232
1655 0000	Chip Resistor - 0Ω±0% 1/16W	212 -256
1655 1001	Chip Resistor - 1kΩ ±1% 1/16W	212 -257
1655 1002	Chip Resistor - 10kΩ±1% 1/16W	212 -258
1655 1009	Resistor - 10Ω ±1% 1/16W	212 -259
1655 1100	Resistor - 110Ω ±1% 1/16W	212 -260
1655 1370	Resistor - 137Ω ±1% 1/16W	212 -261
1655 1409	Resistor - 14Ω ±1% 1/16W	212 -262
1655 1502	Resistor - 15KΩ ±1% 1/16W	212 -263
1655 1800	Chip Resistor:180Ω:±1%:1/16W	212 -264
1655 1829	Resistor - 18.2Ω ±1% 1/16W	212 -265
1655 2000	Resistor - 200Ω ±1% 1/16W	212 -266
1655 2001	Resistor - 2KΩ ±1% 1/16W	212 -267
1655 2002	Chip Resistor - 20kΩ±1% 1/16W	212 -268
1655 2003	Chip Resistor - 200kΩ±1% 1/16W	212 -269
1655 2052	Resistor - 20.5KΩ ±1% 1/16W	212 -270
1655 2210	Resistor - 221Ω ±1% 1/16W	212 -271
1655 2402	Resistor - 24KΩ ±1% 1/16W	212 -272
1655 2433	Resistor - 243KΩ ±1% 1/16W	212 -273
1655 2490	Resistor - 249Ω ±1% 1/16W	212 -274
1655 2679	Resistor - 26.7Ω ±1% 1/16W	212 -275
1655 2749	Resistor - 27.4Ω ±1% 1/16W	212 -276
1655 2803	Resistor - 280KΩ ±1% 1/16W	212 -277
1655 3000	Chip Resistor:300Ω:±1%:1/16W	212 -278
1655 3002	Chip Resistor - 30kΩ±1% 1/16W	212 -279
1655 3010	Resistor - 301Ω ±1% 1/16W	212 -280
1655 3303	Resistor - 330KΩ ±1% 1/16W	212 -281
1655 3329	Resistor - 33.2Ω ±1% 1/16W	212 -282
1655 3480	Resistor - 348Ω ±1% 1/16W	212 -283
1655 3659	Resistor - 36.5Ω ±1% 1/16W	212 -284
1655 3900	Resistor:390 Ω:±1%:1/16W	212 -285
1655 4321	Resistor:4.32k Ω:±1%:1/16W	212 -286
1655 4701	Chip Resistor - 4.7kΩ±1% 1/16W	212 -287
1655 4709	Resistor - 47Ω ±1% 1/16W	212 -288
1655 4750	Resistor - 475Ω ±1% 1/16W	212 -289

Part No.	Description	Page and Index No.
1655 4999	Resistor - 49.9Ω ±1% 1/16W	212 -290
1655 5101	Resistor - 5.1KΩ ±1% 1/16W	212 -291
1655 5109	Resistor - 51Ω ±1% 1/16W	212 -292
1655 5119	Resistor - 51.1Ω ±1% 1/16W	212 -293
1655 5499	Resistor - 54.9Ω ±1% 1/16W	212 -294
1655 5609	Resistor - 56Ω ±1% 1/16W	212 -295
1655 5621	Resistor - 5.62KΩ ±1% 1/16W	212 -296
1655 5629	Resistor - 56.2Ω ±1% 1/16W	212 -297
1655 5760	Resistor - 576Ω ±1% 1/16W	212 -298
1655 6049	Resistor - 60.4Ω ±1% 1/16W	212 -299
1655 6199	Resistor - 61.9Ω ±1% 1/16W	212 -300
1655 6342	Resistor:63.4k Ω:±1%:1/16W	212 -301
1655 8062	Resistor - 80.6KΩ ±1% 1/16W	212 -302
1655 8063	Resistor - 806KΩ ±1% 1/16W	212 -303
1655 8209	Resistor - 82Ω ±1% 1/16W	212 -304
1655 9100	Resistor - 910Ω ±1% 1/16W	212 -305
1660 0100	Capacitor - 10PF ±0.5pF 50V	185 -249
1660 0100	Capacitor - 10PF ±0.5pF 50V	198 -233
1660 2101	Capacitor - 100pF - ±10% - 50V	185 -250
1660 2101	Capacitor - 100pF - ±10% - 50V	198 -234
1660 2120	Capacitor - 12 pF ±5% 50V	185 -251
1660 2121	Capacitor - 120pF ±5% 50V	185 -252
1660 2121	Capacitor - 120pF ±5% 50V	212 -306
1660 2220	Capacitor - 22pF ±20% 35V	198 -235
1660 2270	Capacitor - 27pF ±20% 35V	198 -236
1660 2330	Capacitor - 33pF - ±5% - 50V	198 -237
1660 2391	Capacitor - 390pF ±5% 50V	185 -253
1660 2470	Capacitor - 47pF ±5% 50V	198 -238
1660 2470	Capacitor - 47pF ±5% 50V	185 -254
1660 2471	Capacitor - 470pF - ±5% - 50V	198 -239
1660 2471	Capacitor - 470pF - ±5% - 50V	185 -255
1660 2680	Capacitor - 68pF ±5% 50V	185 -256
1660 4102	Capacitor - 1000pF ±10% 50V	185 -257
1660 4102	Capacitor - 1000pF ±10% 50V	198 -240
1660 4103	Capacitor - 10000pF - ±10% - 50V	185 -258

Part No.	Description	Page and Index No.
1660 4222	Capacitor - 2200pF - $\pm 10\%$ - 50V	185 -259
1660 4472	Capacitor - 4700PF $\pm 10\%$ 50V	185 -260
1660 4682	Capacitor - 6800pF 50V 1608	185 -261
1660 6103	Capacitor - 10000pF - +80%-20%50V	185 -262
1660 6103	Capacitor - 10000pF - +80%-20%50V	198 -241
1660 6473	Capacitor - 47000pF +80 -20% 50V	185 -263
1660 8104	Capacitor - 0.1 μ F +80-20% 25V	185 -264
1660 8104	Capacitor - 0.1 μ F +80-20% 25V	198 -242
1904 0033	FSRAM:4M:X16:3.3V:TSOP	185 -265
1906 0046	Flash Memory:MBM29DL324BE80TN	185 -266
1907 0012	SDRAM - 128M 2MX16X4 133Mhz	185 -267

Part No.	Description	Page and Index No.
5053 0223	Bushing - 8mm	65 - 24
5053 0223	Bushing - 8mm	25 - 21
5053 0447	Bushing - 6mm	37 - 20
5053 0447	Bushing - 6mm	61 - 28
5053 0447	Bushing - 6mm	41 - 15
5053 0447	Bushing - 6mm	29 - 20
5053 0447	Bushing - 6mm	39 - 21
5053 0447	Bushing - 6mm	31 - 19
5201 2858	Friction Pad	63 - 10
5203 9501	Grease 501	223 - 1
5206 2684	Shoulder Screw - M3	115 - 1
5206 2684	Shoulder Screw - M3	113 - 28
5206 2684	Shoulder Screw - M3	111 - 3
5206 2684	Shoulder Screw - M3	37 - 1
5206 2684	Shoulder Screw - M3	21 - 40
5206 2686	Snap Ring	25 - 6
5206 2686	Snap Ring	103 - 18
5215 2621	Snap Ring - M6	43 - 33
5215 2621	Snap Ring - M6	81 - 10
5216 4198	Stepped Screw - Guide Plate	143 - 11
5324 1658	Bushing- 4x8x4.5mm	33 - 4
5413 1875	Knob Screw	123 - 23
5442 1924	Exposure Glass Cushion	47 - 22
5442 9103	Launa Oil 40	223 - 5
5443 2668	Bushing - 4x6x7mm	101 - 11
5443 2668	Bushing - 4x6x7mm	99 - 10
5446 2901	Collar - 8mm	101 - 23
5447 2681	Snap Ring	117 - 24
5447 2681	Snap Ring	23 - 5
5447 2681	Snap Ring	169 - 1
5447 2681	Snap Ring	37 - 24
5447 2681	Snap Ring	137 - 18
5447 2681	Snap Ring	131 - 14
5447 2681	Snap Ring	129 - 11
5447 2681	Snap Ring	127 - 29

Part No.	Description	Page and Index No.
5447 2681	Snap Ring	125 - 10
5447 2681	Snap Ring	39 - 20
5447 2681	Snap Ring	121 - 5
5447 2681	Snap Ring	29 - 19
5447 2681	Snap Ring	31 - 6
5447 2681	Snap Ring	41 - 8
5447 2681	Snap Ring	107 - 16
5447 2681	Snap Ring	105 - 25
5447 2681	Snap Ring	43 - 35
5447 2681	Snap Ring	59 - 18
5447 2681	Snap Ring	73 - 31
5447 2681	Snap Ring	25 - 24
5447 2681	Snap Ring	71 - 2
5447 2706	Gear - 15T	59 - 21
5447 2769	Stepped Screw	105 - 1
5447 9078	Heat Resistant Grease - MT-78	223 - 6
5894 2540	Arm Screw	73 - 18
6754 2866	Roller - Positioning Guide	169 - 5

Part No.	Description	Page and Index No.