

DIGITAL LASER COPIER / PRINTER

AR-M277

AR-M237

AR-M276

MODEL AR-M236

CONTENTS

- | | | | |
|----|--|----|--------------------------------|
| 1 | Exteriors 1 | 21 | DV unit |
| 2 | Exteriors 2 | 22 | Process unit |
| 3 | Delivery tray section | 23 | Fusing unit 1 |
| 4 | RSPF Exteriors 1(AR-M237/M277) | 24 | Fusing unit 2 |
| 5 | RSPF Exteriors 2(AR-M237/M277) | 25 | Drive unit |
| 6 | RSPF Paper feeding section(AR-M237/M277) | 26 | 1st delivery paper unit 1 |
| 7 | RSPF Transport section 1(AR-M237/M277) | 27 | 1st delivery paper unit 2 |
| 8 | RSPF Transport section 2(AR-M237/M277) | 28 | 2nd delivery paper unit |
| 9 | Operation panel unit | 29 | PWB section |
| 10 | Frame section | 30 | Rear frame section |
| 11 | Lump unit | 31 | 2nd exteriors |
| 12 | Optical frame 1 | 32 | 2nd 550 cassette unit |
| 13 | Optical frame 2 | 33 | 2nd paper feed section |
| 14 | Middle frame | 34 | 2nd paper transfer section |
| 15 | 550 cassette unit | 35 | 2nd drive section |
| 16 | Paper feed section | 36 | Pick up motor unit |
| 17 | Paper transfer section | 37 | Packing material & accessories |
| 18 | Side door unit | ■ | Index |
| 19 | Multi manual paper feed tray unit | | |
| 20 | Multi manual paper feed unit | | |

Because parts marked with "△" is indispensable for the machine safety maintenance and operation, it must be replaced with the parts specific to the product specification.

DEFINITION

The definition of each Rank is as follows and also noted in the list

Rank A : Maintenance parts, and consumable parts which are not included in but closely related to maintenance parts

Rank B : Performance/function parts (sensors, clutches, and other electrical parts), consumable parts

Rank E : Unit parts including PWB

Rank D : Preparation parts (External fitting, packing, parts packed together)

Rank C : Parts other than the above (excluding sub components of PWB)

Because parts marked with "△" is indispensable for the machine safety maintenance and operation, it must be replaced with the parts specific to the product specification.

- Other than this Parts Guide, please refer to documents Service Manual (including Circuit Diagram) of this model.
- Please use the 13 digit code described in the right hand corner of front cover of the document, when you place an order.
- For U.S. only-Use order codes provided in advertising literature. Do not order from parts department.

1 Exteriors 1

NO.	PARTS CODE	PRICE RANK	NEW MARK	PART RANK	DESCRIPTION
1	GCAB-0081QSZZ	AN	N	D	Optical left cabinet
2	GCAB-0080QSZZ	AN	N	D	Optical right cabinet
3	CFIX-0013QS05	AN	N	D	Glass fixing plate
4	PSHEZ0220QSZ1	AK		C	Shading sheet
5	LX-BZ0024QSZZ	AA		C	Screw
6	GCAB-0084QSZZ	AV	N	D	Rear exterior upper
7	CGIDM0116QS02	AK		C	OR guide unit
8	LFIX-0011QSZB	AP	N	D	SPF fixing glass (AR-M276/M236)
11	PGLSP0003QSZZ	BA		B	Table glass
17	LFIX-0012QSZB	AK	N	D	SPF fixing glass (AR-M277/M237)
18	PSHEZ0221QSZZ	AC		C	White revise sheet (AR-M277/M237)
19	PGLSP0004QSZZ	AX		B	Glass (AR-M277/M237)
20	PSHEZ0207QSZZ	AC		C	SPF glass sheet F (AR-M277/M237)
21	PSHEZ0222QSZZ	AC		C	Glass fixing sheet (AR-M277/M237)
22	PCUSS0011QSZZ	AB		C	Glass cushion (AR-M277/M237)
23	PSHEZ0208QSZZ	AC		C	Glass sheet R (AR-M277/M237)
24	PCUSS0027QSZZ	AA		C	Glass cushion C (AR-M277/M237)
25	PSHEZ0088QSZ1	AD	N	C	Table glass sheet F
26	PMLT-0093QSZZ	AB	N	C	Rear exterior upper cushion

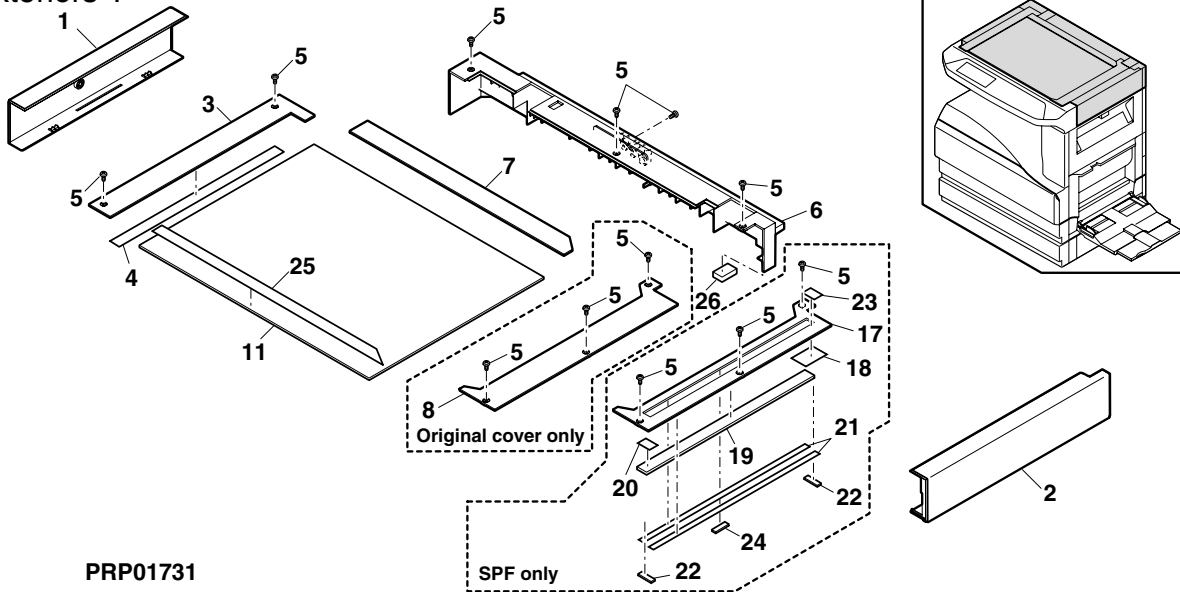
2 Exteriors 2

NO.	PARTS CODE	PRICE RANK	NEW MARK	PART RANK	DESCRIPTION
1	GCAB-0042QSZB	AQ	N	D	Rear exterior left
2	XEBSE30P12000	AA		C	Screw(3×12)
3	XHBSE30P08000	AA		C	Screw(3×8)
4	GCOV-0029QSZ1	AR	N	D	Delivery rear side cover upper
5	GCOV-0056QSZZ	AH	N	D	Rear exterior maintenance cover
6	GCAB-0043QSZB	AN	N	D	Rear exterior lower
7	XEBSE40P10000	AA		C	Screw(4×10)
8	GCAB-0085QSZZ	AZ	N	D	Rear exterior right
9	GCOV-0034QSZB	AK	N	D	Rear exterior memory cover
10	GCOV-0031QSZZ	AK		D	Delivery dummy cover (AR-M276/M236)
11	MSPRD0189QSZZ	AB		C	Right cabinet spring
12	MLEVP0069QSZZ	AD		C	Right cabinet lever
13	GDOR-0003QSZ1	AP		D	Right cabinet door
14	NROLP1060FCZZ	AF		C	U-turn roller
15	MSPRT0229GCAZ	AC		C	FU spring R
16	GCAB-0039QSZB	AX	N	D	Right cabinet
17	GCOV-0043QSZ1	AS		D	OP PWB cover
18	PFILZ0011QSZ1	AQ		B	Ozon filter
19	GCOV-0055QSZZ	AN	N	D	Delivery tray cover
20	GCOV-0054QSZZ	AX	N	D	Delivery rear cover lower
21	GCOV-0052QSZZ	AY	N	D	Power supply cover
22	GCOV-0053QSZ1	AG	N	D	Power supply switch cover
23	CCAB-0082QS01	AP	N	D	Front right cabinet
24	GCAB-0083QSZZ	AW	N	D	Front cabinet
25	LBNDZ0002QSZZ	AC	N	C	Band
26	CCOV-0051QS08	AX	N	D	Front cabinet cover (AR-M277)
	CCOV-0051QS07	AX	N	D	Front cabinet cover (AR-M237)
	CCOV-0051QS02	AX	N	D	Front cabinet cover (AR-M276)
	CCOV-0051QS01	AX	N	D	Front cabinet cover (AR-M236)
27	TLABZ4047FCZZ	AC		C	Enagy star label (U.S.A,Europe,Australia,New Zealand)
	TLABG0401QSZZ	AR		C	Enagy star label (Hong Kong)
35	XHBSE40P10000	AA		C	Screw(4×10)
37	LX-BZ0024QSZZ	AA		C	Screw
38	GCOV-0042QSZZ	AK		D	Rail dummy cover (Except LAG2,4)
39	TCAUA0770FCZZ	AB		D	Servise caution label

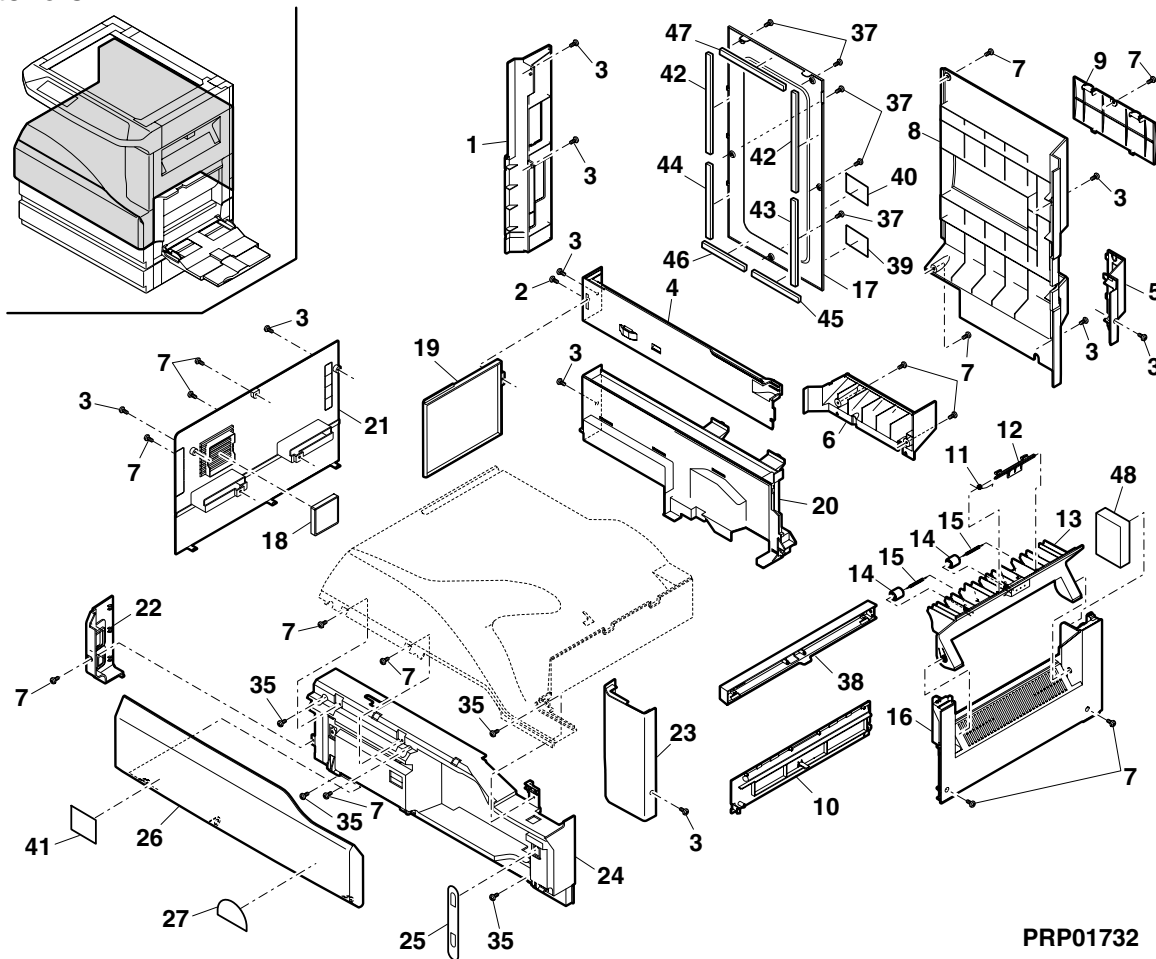
2 Exteriors 2

NO.	PARTS CODE	PRICE RANK	NEW MARK	PART RANK	DESCRIPTION
40	T L A B Z 0 0 5 8 Q S Z Z	AD		D	Class 1 label [Except U.S.A,Canada,Taiwan,LAG2,Brazil]
41	T L A B Z 4 3 1 2 F C Z Z	AE		D	ECP label (Canada)
42	P G S K - 0 0 1 1 Q S Z Z	AS		C	OP PWB cover cushion A (Taiwan)
43	P G S K - 0 0 1 2 Q S Z Z	AQ		C	OP PWB cover cushion B (Taiwan)
44	P G S K - 0 0 1 3 Q S Z Z	AP		C	OP PWB cover cushion C (Taiwan)
45	P G S K - 0 0 1 4 Q S Z Z	AM		C	OP PWB cover cushion D (Taiwan)
46	P G S K - 0 0 1 5 Q S Z Z	AL		C	OP PWB cover cushion E (Taiwan)
47	P G S K - 0 0 1 6 Q S Z Z	AP		C	OP PWB cover cushion F (Taiwan)
48	P M L T - 0 0 8 8 Q S Z Z	AE	N	C	Right exterior upper cushion R

1 Exteriors 1



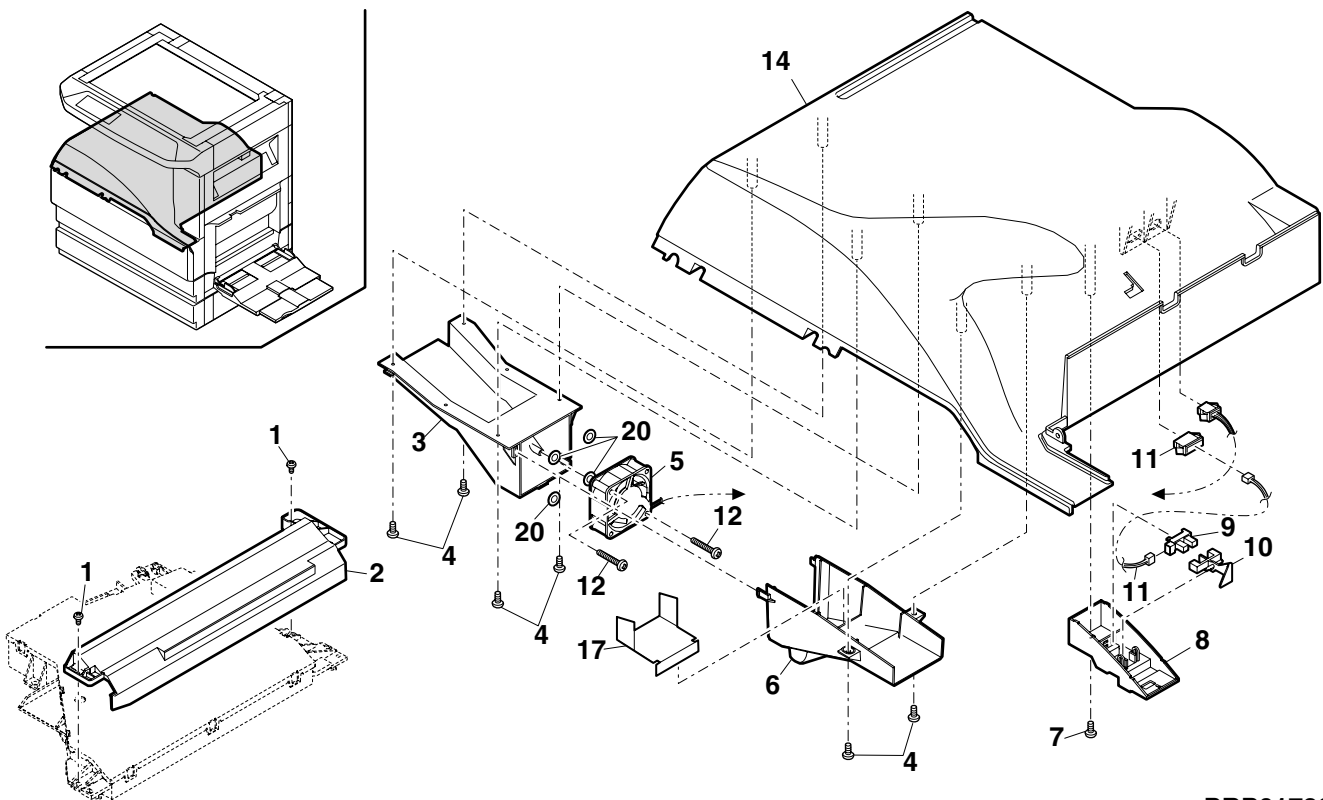
2 Exteriors 2



3 Delivery tray section

NO.	PARTS CODE	PRICE RANK	NEW MARK	PART RANK	DESCRIPTION
1	XEP SD30P14X00	AA		C	Screw(3×14)
2	PCOVP0085QSZZ	AP		D	Exhaust cover
3	PBOX-0016QSZZ	AN	N	C	Exhaust fan box
4	XEBSD30P10000	AA		C	Screw(3×10)
5	NFANP0015QSZZ	BA	N	B	Ozon fan motor
6	PDUC-0004QSZZ	AL		C	Exhaust fan duct
7	XEBSE30P12000	AA		C	Screw(3×12)
8	PBOX-0006QSZZ	AF		D	Delivery sensor BOX
9	VHPGP1S73P+-1	AF		B	Photo sensor(GP1S73P)
10	MLEVP0068QSZZ	AC		C	Delivery tray actuator
11	DHAi-0370QSZZ	AF	N	C	Delivery paper detect sensor harness
12	LX-BZ0030QSZZ	AC		C	Screw(M3×34P)
14	LSOU-0040QSZZ	BB	N	D	Delivery tray
17	PSHEZ0286QSZZ	AE		C	Exhaust fan sheet
20	PSHEZ0283QSZZ	AB		C	Fan motor sheet

3 Delivery tray section

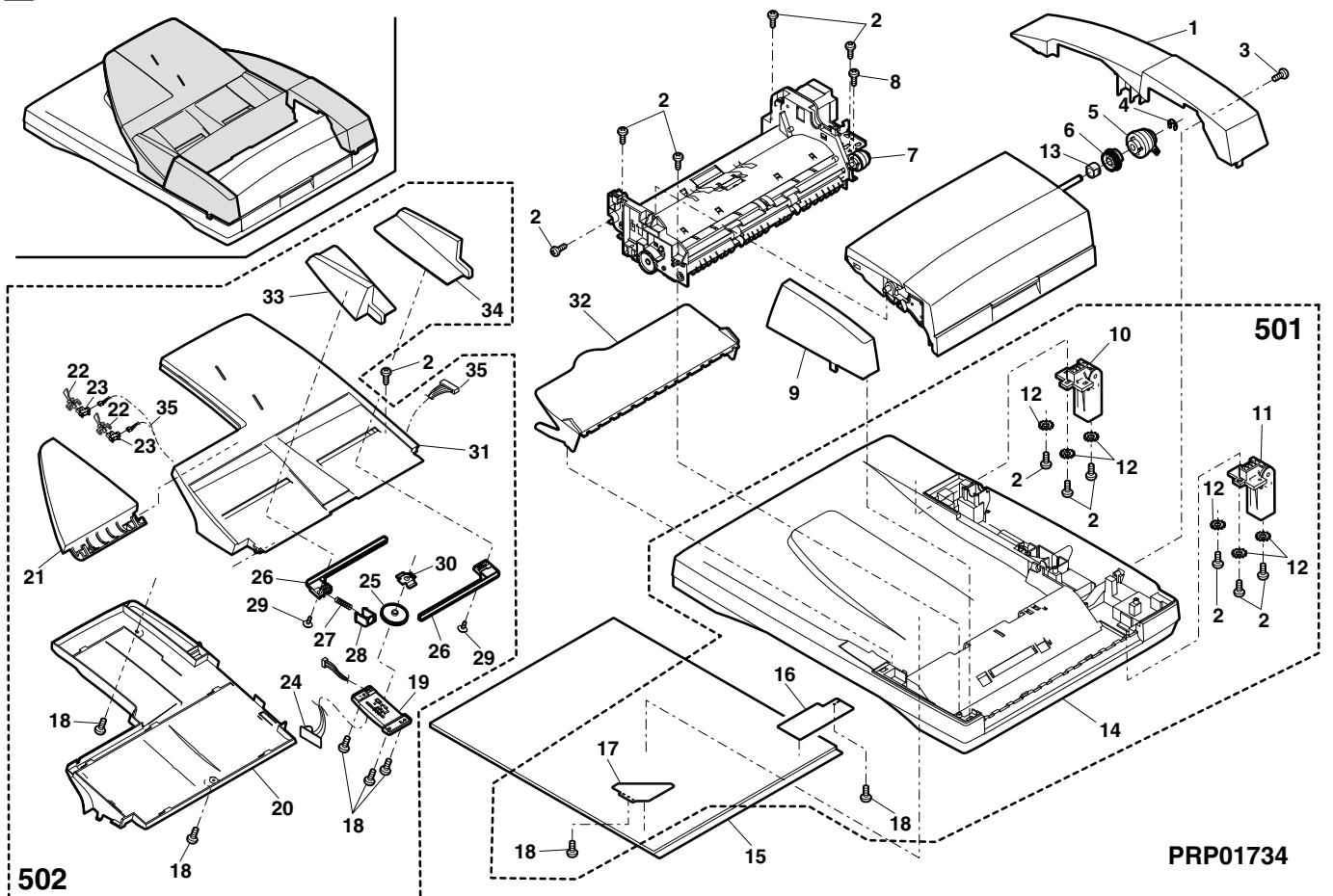


PRP01733

4 RSPF Exteriors 1(AR-M237/M277)

NO.	PARTS CODE	PRICE RANK	NEW MARK	PART RANK	DESCRIPTION
1	GCAB-0075QSZZ	AR	N	D	Rear exterior
2	XEBSE40P12000	AA		C	Screw(4x12)
3	XHBSE30P08000	AA		C	Screw(3x8)
4	LSTPP0016QSZZ	AC	N	C	Stopper
5	PCLC-0017QSZZ	AT	N	B	SPF paper feed clutch
6	NPLYZ0033QSZZ	AD	N	B	Coupling pulley(39P)
7	CGiDM0106RS51	BL	N	E	SPF Transport unit
8	XHBSD30P10000	AA		C	Screw(3x10)
9	GCAB-0074QSZZ	AK	N	D	Front exterior
10	MHNG-0021QSZZ	AX	N	C	SPF hinge L
11	MHNG-0022QSZZ	AX	N	C	SPF hinge R
12	XWVSD40-05000	AA		C	Washer
13	NBRGC0018QSZZ	AD		C	Bearing
14	LSOU-0037QSZZ	BE	N	C	Base tray
15	PCUSS0022QSZZ	AW		C	OC mat
16	PSHEZ0413QSZZ	AD	N	C	OC mat sheet R
17	PSHEZ0077QSZ1	AE		C	OC mat sheet F
18	XEBSE30P08000	AA		C	Screw(3x8)
19	LPLTP0321QSZZ	AE	N	C	Sensor plate
20	GCAB-0078QSZZ	AV	N	D	Original tray lower exterior
21	LSOU-0039QSZZ	AN	N	C	Original tray S
22	MLEVP0098QSZZ	AC	N	C	Original detect actuator
23	VHPGP1S73P+-1	AF		B	Photo sensor(GP1S73P)
24	CPWBF1501FCE2	AS	N	E	SPF VR PWB unit
25	NGERP0168QSZZ	AD	N	C	Gear(36T)
26	NGERR0169QSZZ	AE	N	C	Gear
27	MSPRC0250QSZZ	AC		C	Tray lock spring
28	PTME-0271FCZZ	AD		C	Tray lock pawl
29	XEPSD30P08X00	AA		C	Screw(3x8)
30	MSPRP0315QSZZ	AD	N	C	Regulation plate spring
31	LSOU-0038QSZZ	AW	N	C	Original tray
32	LSOU-0041QSZZ	AP	N	C	Middle tray
33	LPLTP0319QSZZ	AH	N	C	Regulation plate F
34	LPLTP0320QSZZ	AH	N	C	Regulation plate R
35	DHAi-0386QSZZ	AK	N	C	Original tray harness
501	CSOU-0037RS51	BQ	N	E	Base tray unit(Include Block 5-501)
502	CSOU-0038RS51	BF	N	E	Original tray unit

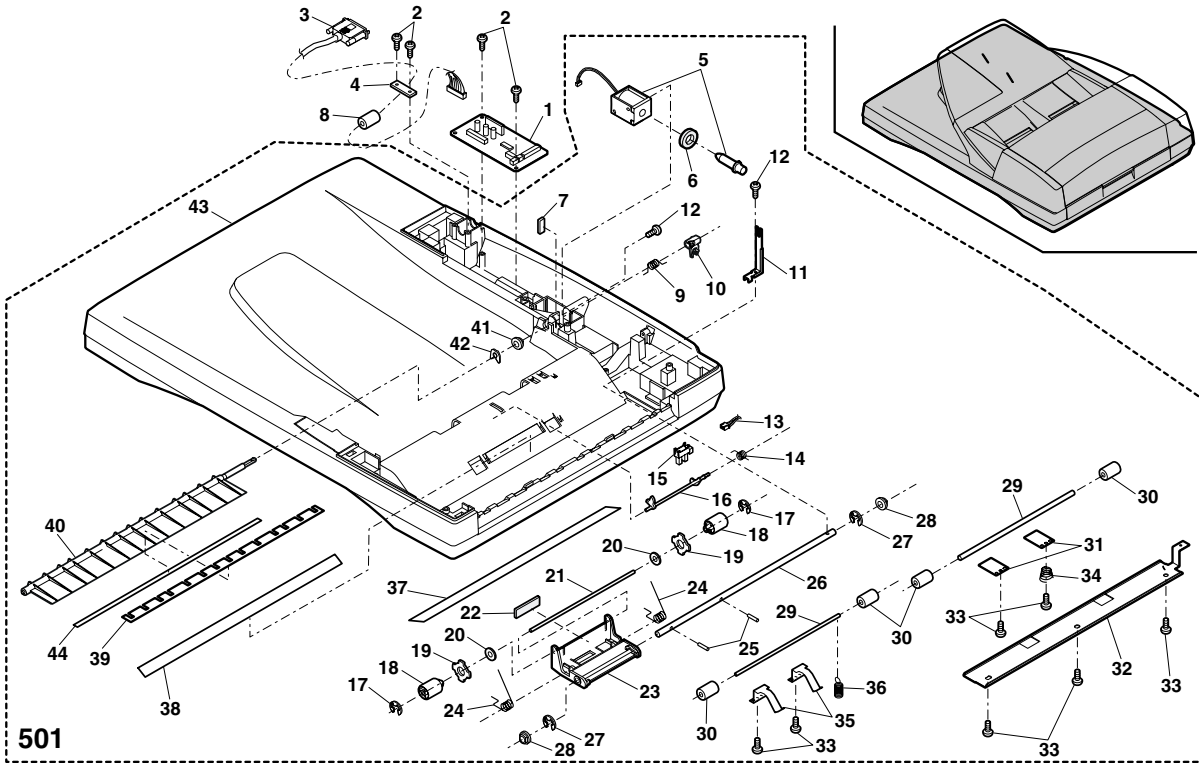
4 RSPF Exteriors 1(AR-M237/M277)



5 RSPF Exteriors 2(AR-M237/M277)

NO.	PARTS CODE	PRICE RANK	NEW MARK	PART RANK	DESCRIPTION
1	CPWBF0139QSE1	BA	N	E	SPF interface PWB unit
2	XHBSE30P08000	AA		C	Screw(3x8)
3	DHAI-0382QSZZ	BA	N	C	SPF interface harness
4	LPLTM0111QSZZ	AC		C	Reinforce plate earth
5	RPLU-0011QSZ1	AQ		B	Gate solenoid
6	PSP0-0023QSZZ	AB		C	Sound proof Sponge
7	PSP0-0004QSZZ	AB		C	Delivery gate sponge
8	RCORF0026FCZZ	AL		C	Core(TRC-16813)
9	MSPRD0342QSZZ	AD	N	C	Delivery gate spring
10	MLEVP0036QSZZ	AD		C	Delivery gate lever
11	MLEVF0093QSZZ	AE	N	C	Pressure release lever
12	XBBSD30P05000	AA		C	Screw(3x5)
13	DHAI-0388QSZZ	AE	N	C	Paper exit sensor harness
14	MSPRD0211QSZZ	AC		C	Delivery sensor ACT spring
15	VHPGP1S73P+-1	AF		B	Photo sensor(GP1S73P)
16	MLEVP0092QSZZ	AC	N	C	Delivery sensor ACT lever
17	XRESP20-04000	AA		C	E type ring
18	NROLP0011QSZZ	AD		B	Delivery roller
19	PSP0-0020QSZZ	AB		C	Sponge
20	PSHEZ0285QSZZ	AB		C	Sound proof sheet
21	NSFTZ0013QSZZ	AF		C	Delivery shaft
22	PSP0-0003QSZZ	AC		C	Sound proof Sponge
23	LHLDZ0101QSZZ	AE	N	C	Pressure release holder
24	MSPRD0305QSZZ	AC	N	C	Delivery spring
25	LPI NS0327FCZZ	AC		C	SP pin(2x10)
26	NSFTZ0072QSZZ	AP	N	C	Pressure release shaft
27	XRESP50-06000	AA		C	E type ring
28	NBRGM0501FCZZ	AB		C	Metal D
29	NSFTZ0009QSZZ	AE		C	Transport shaft
30	NROLP0010QSZZ	AD		B	Transport roller
31	MSPRP0306QSZZ	AC	N	C	Spring
32	LPLTM0316QSZZ	AH	N	C	Base tray reinforce plate
33	XEBSE30P08000	AA		C	Screw(3x8)
34	MSPRC0307QSZZ	AC	N	C	Earth spring
35	MSPRP0123QSZZ	AD		C	Transport spring
36	MSPRT0308QSZZ	AC	N	C	Transport earth spring
37	PSHEZ0436QSZZ	AD	N	C	Sheet
38	PSHEZ0069QSZZ	AE		C	Base tray sheet
40	LPLTP0117QSZZ	AM		C	Delivery gate
41	NBRGP0041GCZZ	AD		C	Bearing
42	PRNGP0090FCZZ	AA		C	Ring(E5)
43	LSOU-0037QSZZ	BE	N	C	Base tray
501	CSOU-0037RS51	BQ	N	E	Base tray unit(Include Block 4-501)

5 RSPF Exteriors 2(AR-M237/M277)

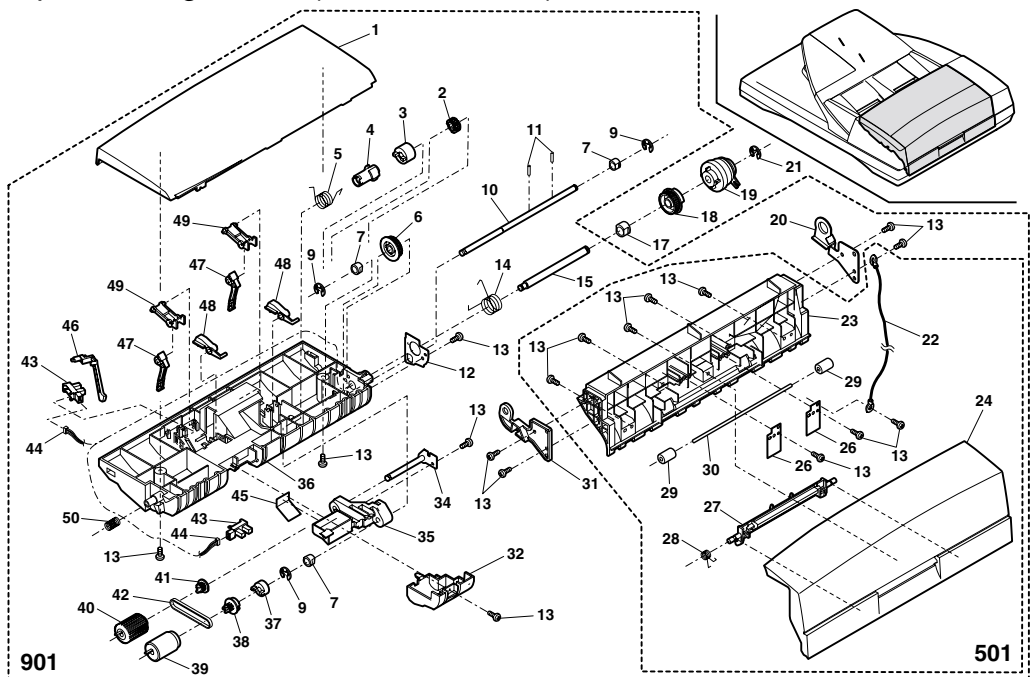


501
PRP01735

6 RSPF Paper feeding section(AR-M237/M277)

NO.	PARTS CODE	PRICE RANK	NEW MARK	PART RANK	DESCRIPTION
1	GCAB-0076QSZZ	AP	N	D	Open and shut exterior
2	NGERH0166QSZZ	AC	N	C	Paper feed shaft gear(20T)
3	PCLC-0316FCZ1	AR		B	Torque limiter
4	MLNKP0001QSZZ	AD	N	C	Pickup link
5	MSPRD0309QSZZ	AC	N	C	Pickup arm spring
6	NGERH0167QSZZ	AD	N	C	Paper feeding drive gear(32T)
7	NBRGM0096FCZ1	AC		C	Bearing
9	XRESP50-06000	AA		C	E type ring
10	NSFTB0075QSZZ	AF	N	C	Paper feed roller shaft
11	XPSSP20-07000	AA		C	Spring pin(φ2-7)
12	LPLTM0318QSZZ	AC	N	C	Paper feeding earth plate
13	XEBSE30P08000	AA		C	Screw(3×8)
14	MSPRD0314QSZZ	AD	N	C	JAM release spring R
15	NSFTZ0074QSZZ	AF	N	C	PF roller shaft
17	NBRGC0018QSZZ	AD		C	Bearing
18	NPLYZ0033QSZZ	AD	N	B	Coupling pulley(39P)
19	PCLC-0017QSZZ	AT	N	B	SPF paper feed clutch
20	MARMM0047QSZZ	AE	N	C	U-turn PG arm R
21	LSTPP0016QSZZ	AC	N	C	Stopper
22	DHAi-0390QSZZ	AC	N	C	U-turn earth harness
23	PGiDM0105QSZZ	AQ	N	C	U-turn guide
24	GCAB-0077QSZZ	AQ	N	D	U-turn PG exterior
26	MSPRP0311QSZZ	AC	N	C	PS spring
27	PTME-0029QSZZ	AE	N	C	U-turn PG lock pawl
28	MSPRD0310QSZZ	AC	N	C	U-turn PG lock spring
29	NROLP0010QSZZ	AD		B	Transport roller
30	NSFTZ0009QSZZ	AE		C	Transport shaft
31	MARMP0046QSZZ	AD	N	C	U-turn PG arm F
32	PCOVP0094QSZZ	AD	N	C	Maintenance cover
34	CSFTB0073QS01	AF	N	E	Pickup roller shaft ASSY'
35	MARMP0044QSZZ	AF	N	C	Pickup arm
36	LFRM-0069QSZZ	AQ	N	C	Paper feeding frame
37	NCPL-0049FCBZ	AT		C	Coupling
38	NPLYZ0035QSZZ	AD	N	B	Paper feeding roller pulley(16P)
39	NROLR1311FCZZ	AN		B	Paper feed separation roller
40	NROLR1312FCZZ	AN		B	Pickup roller
41	NPLYZ0034QSZZ	AD	N	B	Pick up roller pulley(16P)
42	NBLTT0033QSZZ	AF	N	B	Drive belt
43	VHPGP1S73P+-1	AF		B	Photo sensor(GP1S73P)
44	DHAi-0387QSZZ	AH	N	C	PFUN harness
46	MLEVP0097QSZZ	AC	N	C	Original detect actuator
47	LSTPP0015QSZZ	AC	N	C	Stopper
48	MLEVP0096QSZZ	AC	N	C	Stopper release lever
49	MARMP0045QSZZ	AC	N	C	Stopper arm
50	MSPRD0313QSZZ	AC	N	C	JAM release spring F
501	CCAB-0077RS51	AZ	N	E	U-turn PG uint
	(Unit)				
901	CFRM-0069RS51	BK	N	E	Paper feeding unit

6 RSPF Paper feeding section(AR-M237/M277)

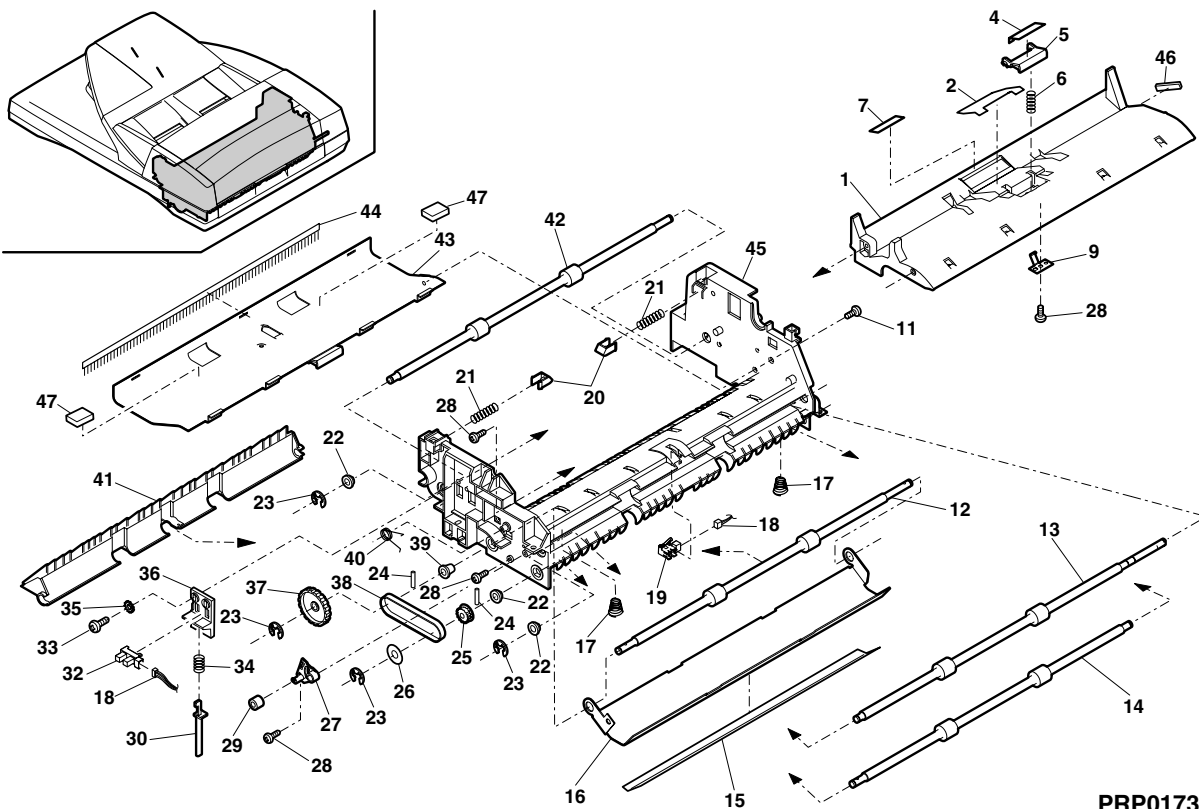


PRP01736

7 RSPF Transport section 1(AR-M237/M277)

NO.	PARTS CODE	PRICE RANK	NEW MARK	PART RANK	DESCRIPTION
1	PG i DM0107QSZZ	AP	N	C	Paper feeding guide
2	PSHEZ0452QSZZ	AF	N	C	Front separate sheet
4	PSHEZ0423QSZZ	AP	N	C	Separate sheet
5	LPLTP0328QSZZ	AC	N	C	SPF separate plate
7	PSHEZ0451QSZZ	AC	N	C	Sound proof sheet
9	LPLTM0327QSZZ	AD	N	C	Silence plate
11	XHBSE30P08000	AA		C	Screw(3x8)
12	NRÖLR0096QSZZ	AR	N	B	Transport roller
13	NRÖLR0094QSZZ	AR	N	B	PS roller
14	NRÖLR0095QSZZ	AR	N	B	Read roller
15	PSHEZ0415QSZZ	AE	N	C	White sheet
16	LPLTM0325QSZZ	AH	N	C	Transport plate
17	MSPRC0063QSZZ	AB		C	Delivery paper guide spring
18	DHAI-0384QSZZ	AR	N	C	RSPF harness
19	RDTCT0006QSZZ	AL		B	Inlet detect sensor
20	PTME-0030QSZZ	AC	N	C	Open and shut lock pawl
22	NBRGM0501FCZZ	AB		C	Metal D
23	XRESP50-06000	AA		C	E type ring
24	XPSSP20-09000	AA		C	Spring pin(φ2-9)
25	NPLYZ0019QSZZ	AE		B	PS pulley
26	PSHEP3029FCZZ	AA		C	Flange sheet DUP2
27	LHLDZ0102QSZZ	AC	N	C	Tension holder F
28	XEBSE30P08000	AA		C	Screw(3x8)
29	NKOM-0007QSZZ	AC	N	C	Tension roller
30	MLEVP0095QSZZ	AD	N	C	Book sensor actuator
32	VHPGP1S73P+-1	AF		B	Photo sensor(GP1S73P)
33	XEBSE40P14000	AA		C	Screw(4x14)
34	MSPRC0153QSZZ	AB		C	Book sensor spring
35	XWVSD40-05000	AA		C	Washer
36	LPLTP0131QSZZ	AD		C	Book sensor attachment plate
37	JKNBZ0009QSZZ	AE	N	D	JAM release knob(24P)
38	NBLTT0036QSZZ	AF	N	B	Belt(B79MXL4.0)
39	NBRGC0017QSZZ	AC		C	Bearing
40	MSPRD0316QSZZ	AC	N	C	Tension spring F
41	LPLTP0324QSZZ	AH	N	C	Reverse gate plate
42	NRÖLR0097QSZZ	AR	N	B	Delivery roller
43	LPLTM0326QSZZ	AM	N	C	Paper feeding PG reinforce plate
44	PBRSS0008QSZZ	AH		B	Discharge brush
45	PG i DM0106QSZZ	AS	N	C	Transport R guide
46	PSHEZ0454QSZZ	AB	N	C	PF PG cushion R
47	PSHEZ0455QSZZ	AD	N	C	PF PG sound proof cushion
501	CG i DM0106RS51	BL	N	E	SPF Transport unit(Include Block 8-501,Without No.9,10,18)

7 RSPF Transport section 1(AR-M237/M277)

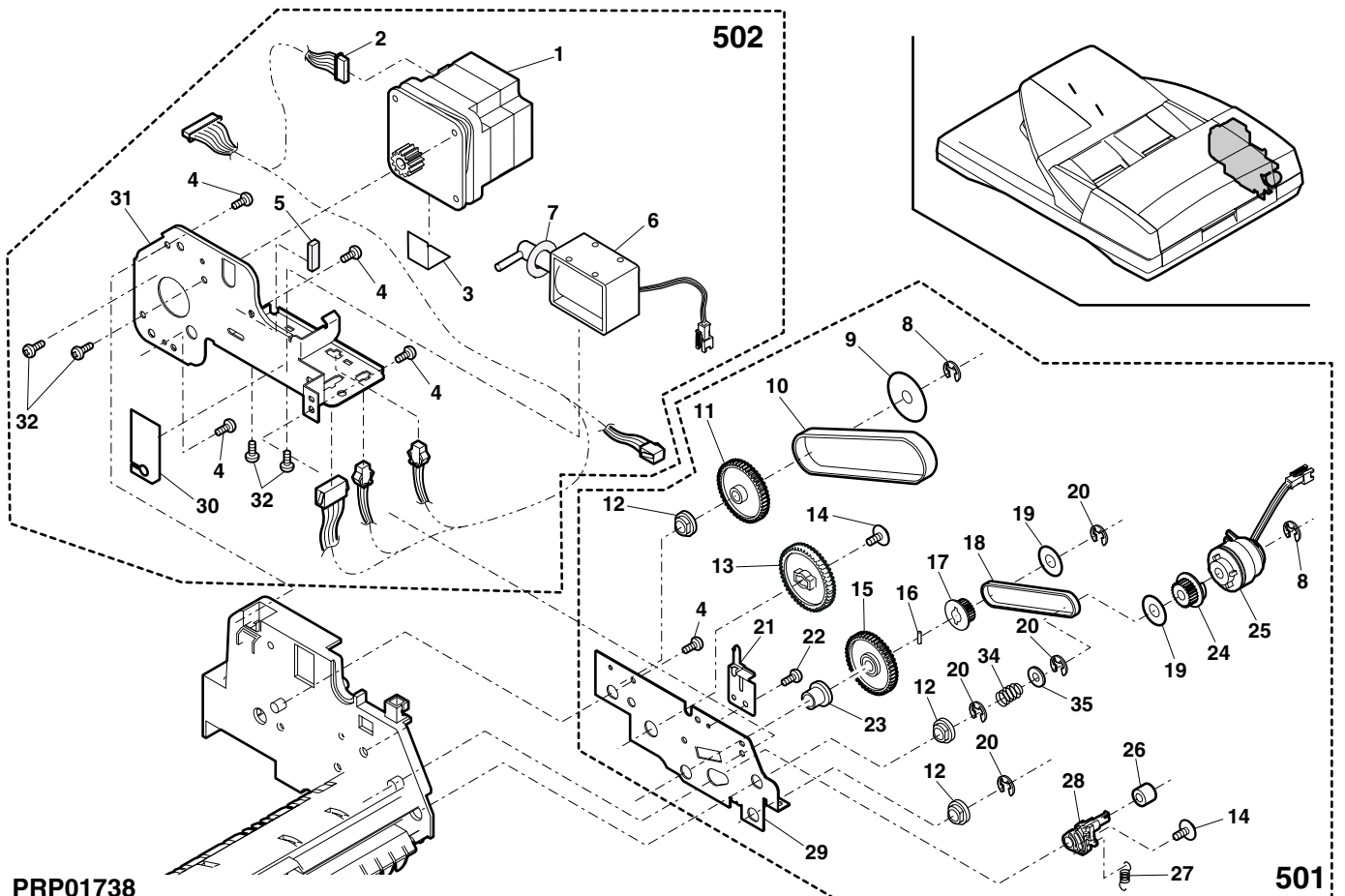


PRP01737

8 RSPF Transport section 2(AR-M237/M277)

NO.	PARTS CODE	PRICE RANK	NEW MARK	PART RANK	DESCRIPTION
1	RMOTS0043QSZZ	BG	N	B	SPF motor
2	DHAI-0384QSZZ	AR	N	C	RSPF harness
3	PTPE-0018QSZZ	AC		C	Motor earth tape
4	XEBSE30P08000	AA		C	Screw(3x8)
6	RPLU-0015QSZ1	AR		B	Pressure release solenoid
7	PSPO-0022QSZZ	AB		C	Sound proof Sponge
8	XRESP40-06000	AA		C	E type ring
9	PSHEZ0414QSZZ	AB	N	C	Flange sheet
10	NBLTT0034QSZZ	AF	N	B	Belt(48S2M244)
11	NGERH0170QSZZ	AD	N	C	Gear(48T/43P)
12	NBRGM0501FCZZ	AB		C	Metal D
13	NGERH0116QSZ1	AD		C	Gear(48T/25P)
14	XEPSD30P08X00	AA		C	Screw(3x8X)
15	NGERH0117QSZZ	AK		C	Gear(48T)
16	XPSSP20-09000	AA		C	Spring pin(φ2-9)
17	NPLYZ0019QSZZ	AE		B	PS pulley
18	NBLTT0035QSZZ	AE	N	B	Belt(B86MXL4.0)
19	PSHEP3029FCZZ	AA		C	Flange sheet DUP2
20	XRESP50-06000	AA		C	E type ring
21	MSPRP0312QSZZ	AD	N	C	U-turn earth spring
22	XHBSE30P08000	AA		C	Screw(3x8)
23	NBRGC0017QSZZ	AC		C	Bearing
24	NPLYZ0018QSZZ	AE		B	PS coupling pulley
25	PCLC-0018QSZZ	AT	N	B	PS clutch
26	NKOM-0007QSZZ	AC	N	C	Tension roller
27	MSPRT0317QSZZ	AC	N	C	Tension spring R
28	LHLDZ0103QSZZ	AC	N	C	Tension holder R
29	LPLTM0322QSZZ	AF	N	C	Transport earth plate
31	LPLTM0323QSZZ	AG	N	C	Motor attachment plate
32	XBBSD30P05000	AA		C	Screw(3x5)
34	MSPRC0346QSZZ	AC	N	C	PS Brake spring
501	CGIDM0106RS51	BL	N	E	SPF Transport unit(Include Block 7-501)
502	CPLTM0323RS51	AY	N	E	Drive unit(Without No.4)

8 RSPF Transport section 2(AR-M237/M277)

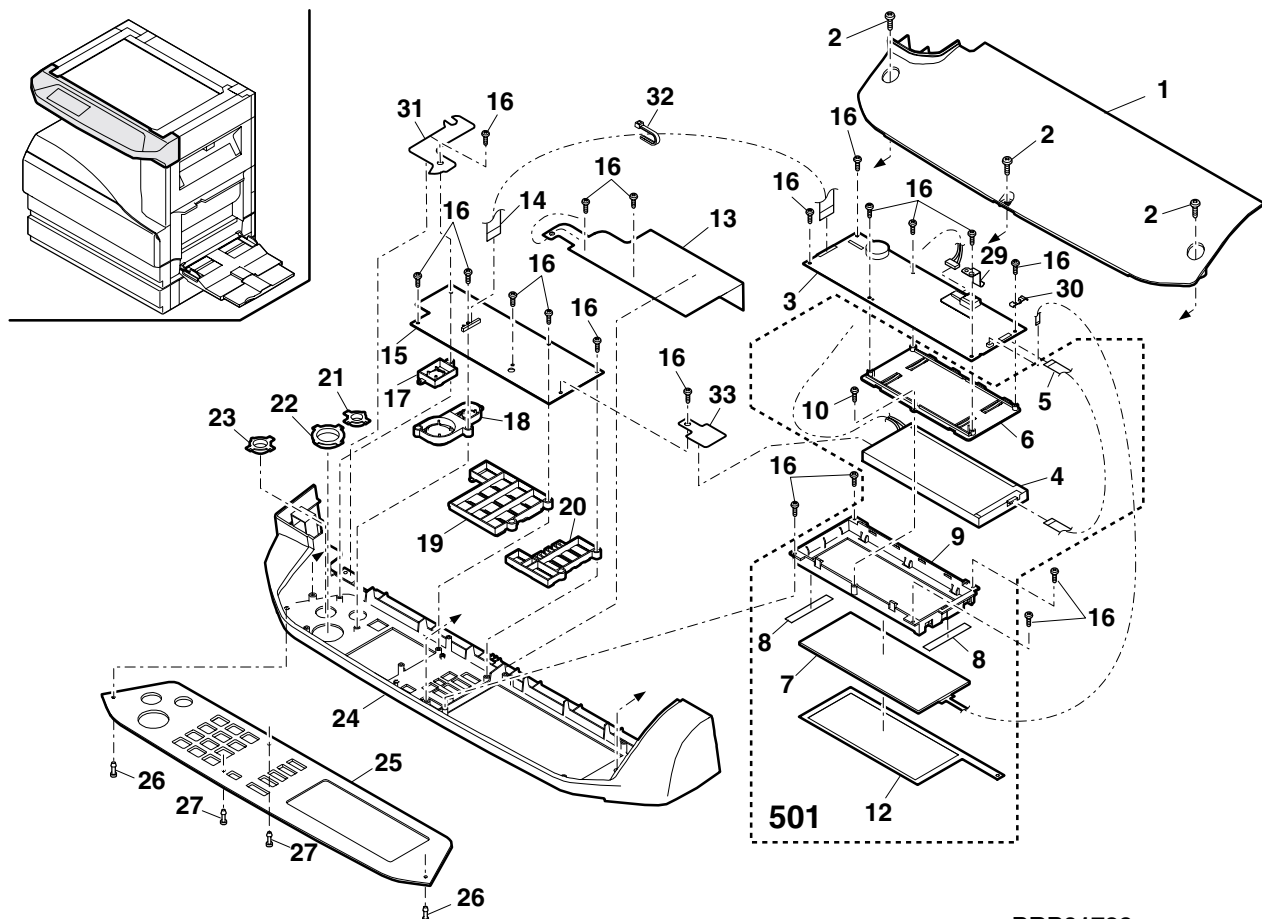


PRP01738

9 Operation panel unit

NO.	PARTS CODE	PRICE RANK	NEW MARK	PART RANK	DESCRIPTION
1	GCOV-0057QSZZ	AT	N	D	Operation panel cover
2	XEBSE40P10000	AA		C	Screw(4x10)
3	CPWBN0146QSE2	BU	N	E	OPU PWB (U.S.A,Other Countries)
4	VVLLM065HB1-1	CB		E	LCD module
5	DHAi-0361QSZZ	AE	N	C	LCD M harness
6	PCOVP0095QSZZ	AG	N	C	LCD cover
7	HPNLH0030QSZZ	BC	N	D	Touch panel(A126)
8	PTPE-0052QSZZ	AA	N	C	Touch panel fixing tape
9	LHLDZ0105QSZZ	AG	N	C	LCD holder
10	XEBSE30P08000	AA		C	Screw(3x8)
12	PSHEZ0424QSZZ	AL	N	C	Anti static electricity sheet
13	PSHEZ0425QSZZ	AE	N	C	PWB protect sheet
14	DHAi-0362QSZZ	AD	N	C	Key PWB harness
15	CPWBF0145QSE1	AX	N	E	KEY PWB
16	XEBSE30P08000	AA		C	Screw(3x8)
17	CBTN-0069QS02	AF	N	C	CA key
18	CBTN-0068QS01	AF	N	C	Start key AS
19	CBTN-0070QS01	AN	N	C	Ten key
20	CBTN-0071QS01	AM	N	C	Mode key AS (U.S.A,Other Countries)
	CBTN-0071QS02	AM	N	C	Mode key AS [No FAX] (Algeria,Iran,Egypt,Syria,Tunisa,Nigeria,West Africa, Morocco,Jordan,Lebanon,Special Country,Brazil,LAG2,4)
21	CFiLW0284FC02	AF	N	D	C key smoke AS
22	CFiLW0282FC02	AK	N	D	Copy key smoke AS
23	CFiLW0283FC02	AH	N	D	CA key smoke AS
24	GCAB-0086QSZZ	AV	N	D	Operation panel exterior
25	CPNLH0029QS05	AY	N	D	Main panel (Except AR-M276/M236 Germany)
	CPNLH0029QS06	AY	N	D	Main panel (AR-M276/M236 Germany)
26	LPiNS0014QSCZ	AF		C	Fixing pin D
27	LPiNS0014QSBZ	AF		C	Fixing pin E
29	LPLTM0346QSZZ	AC	N	C	LCD earth plate
30	LPLTM0331QSZZ	AC	N	C	PWB earth plate
32	RCORF0002QSZZ	AE		C	Core(HF57SH35*1)
501	CHLDZ0105RS51	AU	N	E	LCD unit
	(Unit)				
901	CPNLH0029RS55	BY	N	D	Operation panel (U.S.A,Other Countries)

9 Operation panel unit

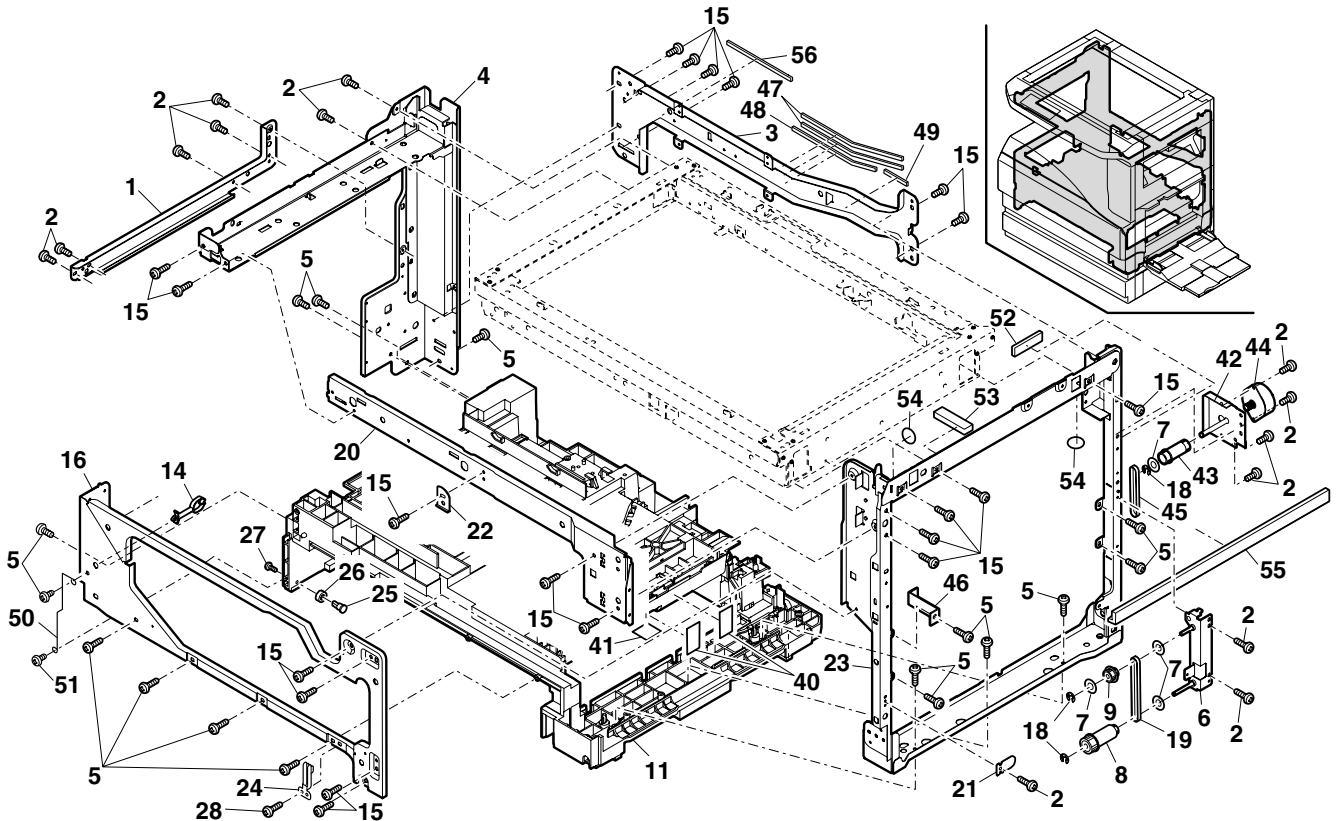


PRP01739

10 Frame section

NO.	PARTS CODE	PRICE RANK	NEW MARK	PART RANK	DESCRIPTION
1	LPLTM0163QSZZ	AK		C	Left reinforce plate lower
2	XHBSE30P08000	AA		C	Screw(3x8)
3	LPLTM0232QSZ1	AU	N	C	Frame support plate R
4	CFRM-0043QS02	AX		D	Corner frame RL
5	XEBSD40P10000	AA		C	Screw(3x10)
6	CPLTM0168QS02	AK	N	C	DUP drive idle plate
7	PSHEZ0065QSZZ	AB		C	Pully flange sheet
8	NGERH0173QSZZ	AD	N	C	DUP gear
9	NPLYZ0036QSZZ	AD	N	C	DUP pulley gear
11	LDAi-0023QSZZ	BH	N	D	Base plate
14	LHLDW1061FCZZ	AB		C	Harness holder(HL-18-0)
15	XHBSE40P10000	AA		C	Screw(4x10)
16	LPLTM0333QSZZ	AX	N	C	Frame support plate F
18	XRESP40-06000	AA		C	E type ring
19	NBLTT0026QSZZ	AF		B	DUP drive belt
20	LPLTM0165QSZ1	AS	N	C	Front support plate
21	PCOVP0066QSZZ	AC		D	Interlock cover
22	LPLTM0166QSZZ	AC		C	Front support adjusting plate
23	CFRM-0044QS02	BB		C	Right frame unit
24	LPLTM0251QSZZ	AE		C	PS earth plate
25	NSFTZ0048QSZZ	AG		C	Cassette collar shaft
26	NKOM-0005QSZZ	AC		C	Cassette guide collar
27	XBPSD30P08KS0	AA		C	Screw(3x8KS)
28	XHBSE30P06000	AA		C	Screw(3x6)
40	PSHEZ0333QSZZ	AC		C	PS front sheet
41	PSHEZ0325QSZZ	AB		C	Frame lower mylar
42	CPLTM0342QS01	AH	N	C	DU motor fixing plate ASSY'
43	NGERH0174QSZZ	AD	N	C	DUP drive gear
44	RMOTS0045QSZZ	AR	N	B	DUP 2 motor
45	NBLTT0038QSZZ	AF	N	B	DUP drive belt TL
46	LPLTM0332QSZZ	AE	N	C	Fusing unit earth plate
47	PGSK-0021QSZZ	AQ		C	Frame rainforce cushion A (Taiwan)
48	PGSK-0022QSZZ	AP		C	Frame rainforce cushion B (Taiwan)
49	PGSK-0023QSZZ	AH		C	Frame rainforce cushion C (Taiwan)
50	MSPRD0276QSZZ	AS		C	Front earth spring (Taiwan)
51	XEBSE40P12000	AA		C	Screw(4x12) (Taiwan)
52	PMLT-0092QSZZ	AB	N	C	Frame RR cushion
53	PMLT-0089QSZZ	AC	N	C	Right frame cushion F
55	PMLT-0091QSZZ	AD	N	C	Right frame cushion A
56	PGSK-0026QSZZ	AQ	N	C	OP holder cushion

10 Frame section

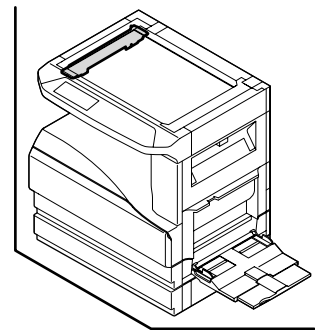
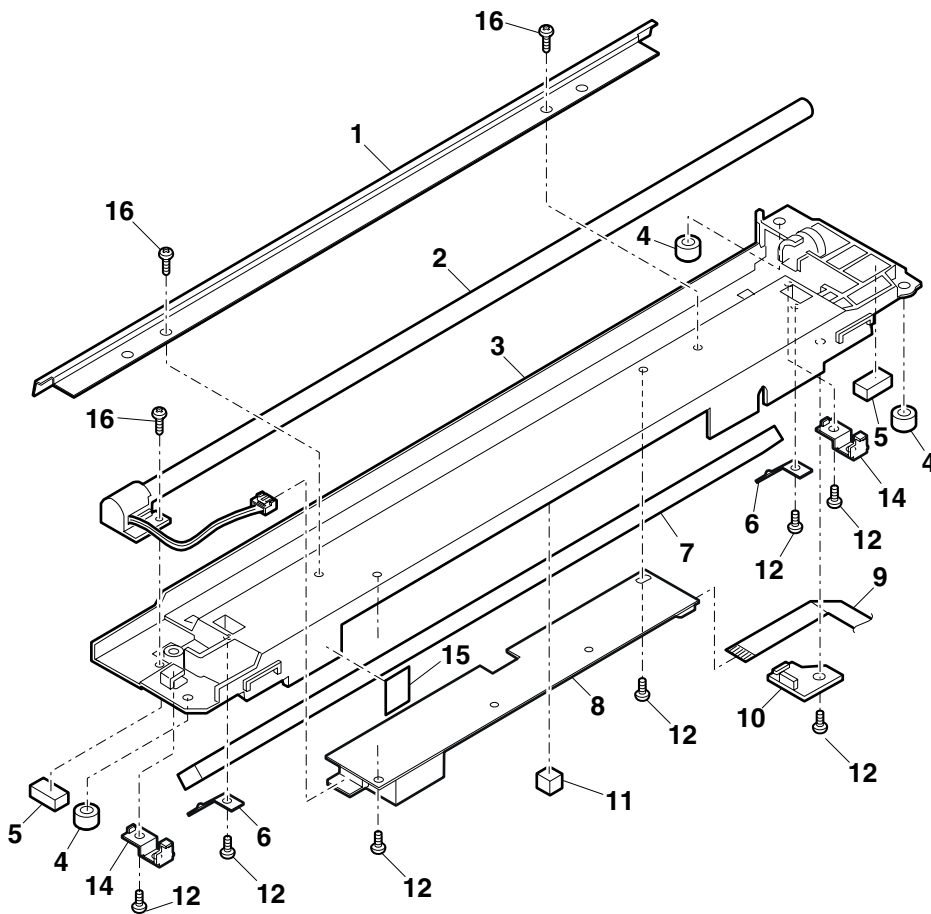


PRP01740

11 Lump unit

NO.	PARTS CODE	PRICE RANK	NEW MARK	PART RANK	DESCRIPTION
1	PREFL0004QSZZ	AP		D	Reflector
2	RLMPU0012QSZZ	BG		B	Lump
3	LHLDZ0047QSZZ	AW		C	Base
4	MSLi-0138FCZZ	AC		C	Slider
5	PCUSU0203FCZZ	AE		C	Protection cushion
6	MSPRP0145QSZZ	AF		C	Spring
7	PMiR-0009QSZZ	AS		B	1st mirror
8	DUNTK0034QSZZ	BC		C	Inverter unit
9	DHAi-0200QSZZ	AS		C	CL harness
10	LFiX-0009QSZZ	AF		D	Harness fixing
11	PCUSF0334FCZZ	AP		C	Cushion
12	XEPSD30P06000	AA		C	Screw(3×6)
14	LPLTM4715FCZ1	AF		C	Wire fixing plate
15	TCAUH0933FCZZ	AB		C	High temperature caution label
16	XEPSD40P06000	AA		C	Screw(4×6)
	(Unit)				
901	CREFL0004QS33	BL		E	Copy lamp unit

11 Lump unit

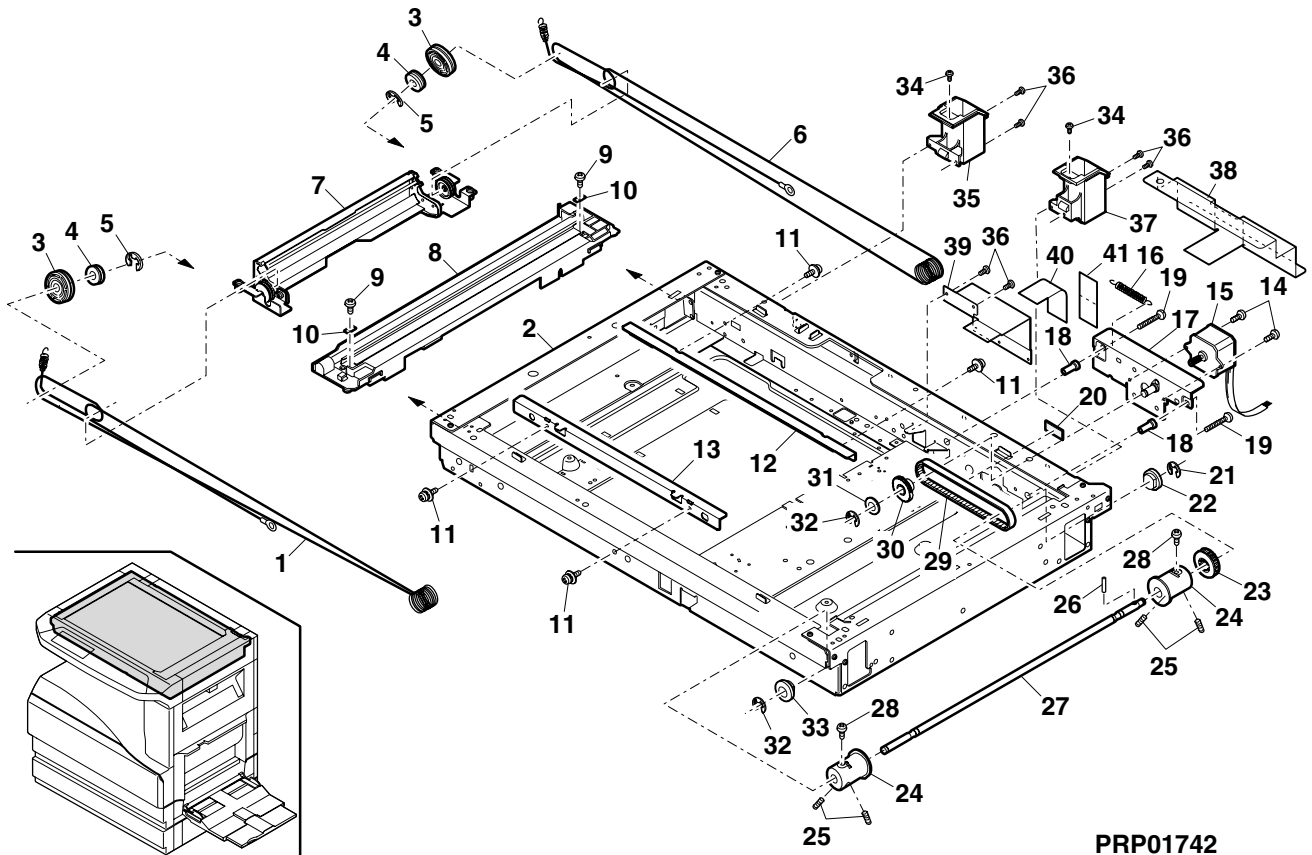


PRP01741

12 Optical frame 1

NO.	PARTS CODE	PRICE RANK	NEW MARK	PART RANK	DESCRIPTION
1	PWIR-0006QSZZ	AQ		C	MB wire F
2	CDAIU0012QS11	BH	N	D	Optical frame
3	NPLYZ0016QSZZ	AF		C	Pulley
4	NPLYZ0006QSZZ	AD		C	L pulley
5	XRESP40-05000	AA		C	E type ring
6	PWIR-0005QSZ1	AQ		C	MB wire R
8	CREFL0004QS33	BL		E	Copy lamp unit
9	XBPSD40P06K00	AA		C	Screw(4x6K)
10	LHLDZ0056QSZZ	AC		C	Wire holder
11	LX-BZ0004QSZZ	AB		C	Screw
12	LRALM0007QSZ1	AG		C	MB-B rail R
13	LRALM0006QSZZ	AG		C	MB-B rail F
14	XBPSD30P05K00	AA		C	Screw(3x5K)
15	RMOTP0027QSZZ	BG		B	Mirror motor
16	MSPRC0040QSZZ	AB		C	MB drive spring
17	CPLTM0084QS02	AK		C	Mirror motor fixing plate
18	PGUMS0002QSZZ	AL		C	Protection rubber
19	XBPSD40P16KS0	AA		C	Screw(4x16KS)
20	PCUSG0190FCZ1	AB		C	Table glass cushion
21	XRESP50-06000	AA		C	E type ring
22	NBRGP0012QSZZ	AC		C	Winder bearing F
23	NPLYZ0004QSZZ	AG		C	Winder drive shaft pulley
24	NPLYZ0003QSZZ	AM		C	Winder pulley
25	LX-BZ0049FCZZ	AB		C	Screw
26	XPSSJ30-12000	AB		C	Spring pin(φ3-12)
27	NSFTZ0028QSZ1	AS	N	C	Winder drive shaft
28	LX-BZ0324FCZZ	AA		C	Screw
29	NBLTT0002QSZZ	AH		B	Winder drive belt
30	NGERH0027QSZZ	AH		C	Mirror motor idle gear
31	LX-WZ0119FCZZ	AA		C	Washer
32	XRESP70-08000	AA		C	E type ring
33	NBRGP0011QSZZ	AC		C	Winder bearing F
34	LX-BZ0024QSZZ	AA		C	Screw
35	PGIDM0108QSZZ	AH	N	C	Hinge guide L
36	XHBSE30P08000	AA		C	Screw(3x8)
37	PGIDM0109QSZZ	AH	N	C	Hinge guide R
38	PSHEM0342QSZZ	AU		C	MCU earth sheet (Taiwan)
39	PGIDH0095QSZZ	AH		C	CCD harness guide (Taiwan)
40	PTPE-0036QSZZ	AF		C	CCD harness fixing tape (Taiwan)
41	PTPE-0032QSZZ	AK		C	CCD cable shield tape (Taiwan)

12 Optical frame 1



PRP01742

13 Optical frame 2

NO.	PARTS CODE	PRICE RANK	NEW MARK	PART RANK	DESCRIPTION
1	PCOVP0075QSZZ	AE		D	Harness cover
2	XNESD30-24000	AA		C	Nut(M3)
3	VHPGP2D07//--1	BA		B	Photo sensor(GP2D07) [AB Series]
	VHPGP2D03//--1	BA		B	Photo sensor(GP2D03) [Inch Series]
4	DHAI-0346QSZZ	AP	N	C	Optical sensor harness [AB Series]
	DHAI-0347QSZZ	AN	N	C	Optical sensor harness [Inch Series]
5	LHLDW1009ACZZ	AA		C	Clamp
6	XBBSF30P08000	AA		C	Screw(3x8)
7	CPWBF0083QSE5	AU		E	Sensor PWB
8	CDAIU0012QS11	BH	N	D	Optical frame
9	PCUSG0190FCZ1	AB		C	Table glass cushion
10	XHBSD30P06000	AA		C	Screw(3x6)
11	RSNSZ0001QSZZ	BA		B	Photo sensor(GP2D071) [AB Series]
	VHPGP2D032//--1	BA		B	Photo sensor(GP2D032) [Inch Series]
12	XBPSD30P08X00	AA		C	Screw(3x8)
13	LPLTP0230QSZZ	AF		C	Open/close sensor fixing plate
14	VHPGP1S73P+-1	AF		B	Photo sensor(GP1S73P)
15	MSPRD0232QSZZ	AB		C	Return spring
16	MLEVP0077QSZZ	AC		C	Open/Close actuator
17	LCRA-0002QSZZ	AC		C	Mini clump
18	TLABH0461QSZZ	AG		C	Clean caution label (U.S.A,Canada)
19	LHLDZ0104QSZZ	AD	N	C	CL lead holder
20	PSHEZ0218QSZZ	AC		C	Edge protect mylar A
21	PSHEZ0217QSZZ	AC		C	CCD harness protect mylar B
22	PSHEZ0448QSZZ	AA	N	C	Optical base plate bottom mylar B
24	PCASZ0010QSZZ	AL		D	Durk box
25	LHLDZ7021XCZZ	AD		C	Holder(FRH-12)
26	RCORF0002QSZZ	AE		C	Core(HF57SH35*1)
28	CLNS-0003RS54	BQ	N	E	Lens unit
29	LX-BZ0004QSZZ	AB		C	Screw
30	DHAI-0345QSZZ	AG	N	C	CCD harness
31	PSHEZ0108QSZZ	AC		C	Optical base plate bottom mylar A
32	PSHEZ0219QSZZ	AC		C	Edge protect mylar B
33	LX-BZ0031GCZZ	AB		C	Screw
34	PSHEZ0254QSZZ	AC		C	Optical bottom mylar
38	PSHEZ0273QSZZ	AB		C	CCD harness protect mylar A
39	PGSK-0008QSZZ	AF		C	Gasket
40	XWHS40-08100	AA		C	Washer
41	PMLT-0094QSZZ	AC	N	C	Cushion ORG
43	PSHEZ0420QSZZ	AC		C	OP harness protect mylar
44	PTPE-0051QSZZ	AC		C	OP harness protect tape
45	PSHEZ0426QSZZ	AB		C	OP harness protect mylar B

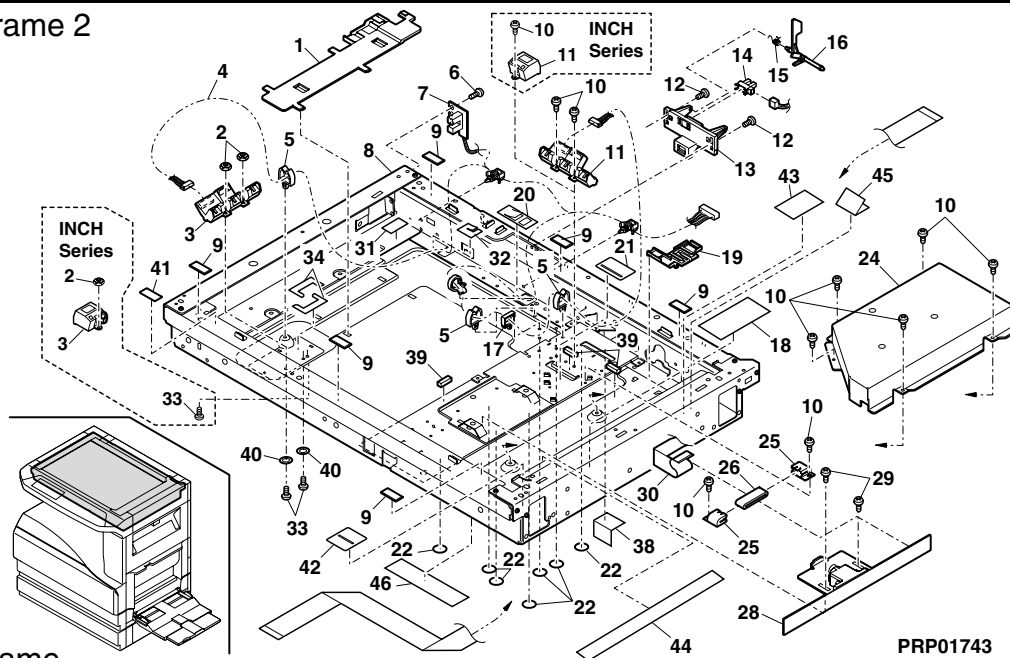
14 Middle frame

NO.	PARTS CODE	PRICE RANK	NEW MARK	PART RANK	DESCRIPTION
1	DUNTK0384RSZZ	BW	N	E	LSU unit
2	XEPSD30P14X00	AA		C	Screw(3x14X)
5	MARMP0025QSZZ	AD		C	Separator pawl arm
6	XEBSD30P10000	AA		C	Screw(3x10)
7	CHAI-0356RS51	AL	N	C	MC harness
8	CHAI-0357RS51	AL	N	C	GBMCFB harness
9	LHLDZ0057QSZZ	AH		C	High voltage terminal holder A
10	DHAI-0373QSZZ	AS	N	C	DV/LSU interface harness
11	MSPRD0190QSZ1	AD		C	High voltage terminal saw teeth
12	MSPRD0191QSZ1	AD		C	High voltage terminal grid L
13	MSPRD0192QSZ1	AD		C	High voltage terminal case L
14	DHAI-0353QSZZ	AH	N	C	ILSW I/F harness 2
15	LX-BZ0020QSZZ	AB		C	Screw
16	LPLTM0149QSZZ	AD		C	Connector fixing plate
18	XRESP50-06000	AA		C	E type ring
19	PLC-0006QSZZ	AU		B	PS clutch
27	XBBSD30P05000	AA		C	Screw(3x5)
28	LHLDZ0085QSZZ	AE		C	TR terminal holder
29	LPLTM0248QSZZ	AE		C	TR terminal plate
30	NROLR0089QSZZ	AQ		C	PS roller
31	NBRGC0018QSZZ	AD		C	Bearing
32	PCOVP0062QSZZ	AD		D	ILSW cover
33	LSTPP0010QSZZ	AD		C	Right door stopper
34	MSPRC0220QSZZ	AB		C	Stopper spring
35	MLEVP0071QSZZ	AD		C	ILSW lever
36	CSW-M0007RS56	AP	N	B	Inter lock switch
37	LHLDZ0065QSZ1	AF		C	ILSW holder
39	MSPRT0221QSZZ	AB		C	ILSW spring
40	JKNBZ0006QSZZ	AD		C	PS knob
41	XBPSD30P08KS0	AA		C	Screw(3x8KS)
42	XBPS30P06ES0	AA		C	Screw(3x6ES)
43	LFRM-0037QSZZ	BA	N	D	Middle frame
44	XRESP60-08000	AA		C	E type ring

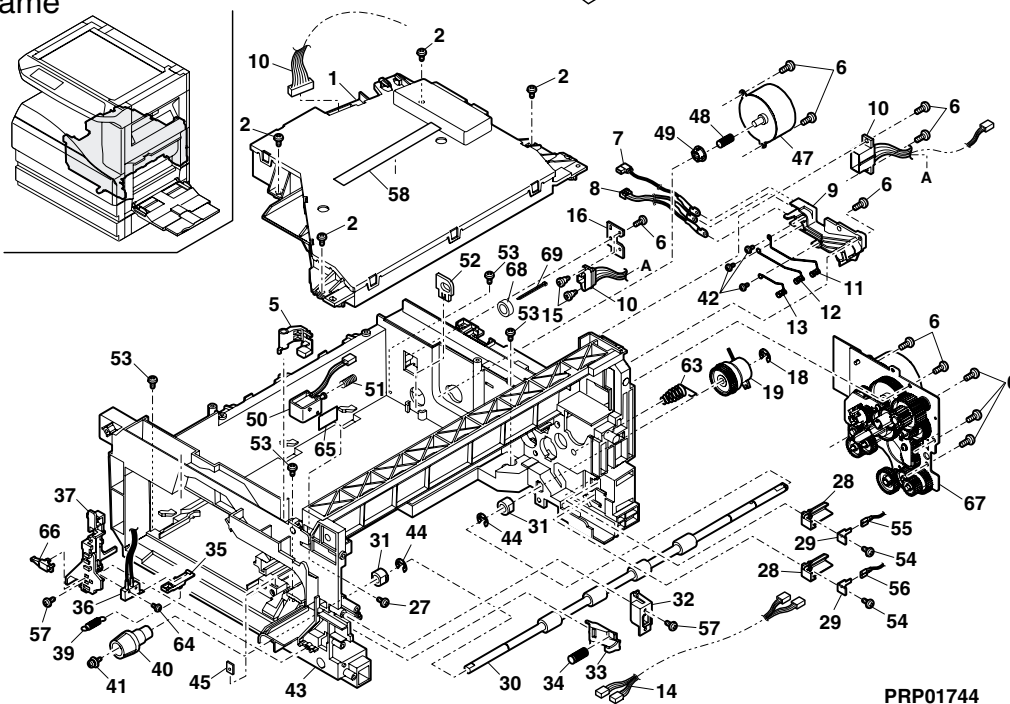
14 Middle frame

NO.	PARTS CODE	PRICE RANK	NEW MARK	PART RANK	DESCRIPTION
45	LPLTM0194QSZZ	AC		C	DV fixing plate
47	RMOTD0023QSZZ	AZ		B	Toner motor
48	MSPRC0195QSZZ	AB		C	Hopper spring
49	NCPL-0011QSZZ	AC		C	Hopper cupring
50	RPLU-0024QSZZ	AM		B	Pawl solenoid
51	MSPRC1318FCZ1	AA		C	Spring B
52	LPI NS0300FCZZ	AD		C	DV guide pin (U.S.A,Other countries)
	LPI NS0301FCZZ	AD		C	DV guide pin (Europe,Australia,New Zealand)
53	XEBSD40P10000	AA		C	Screw(3x10)
54	XEBSD30P06000	AA		C	Screw(3x6)
55	DHAI-0354QSZZ	AG	N	C	TC harness
56	DHAI-0355QSZZ	AG	N	C	BC harness
57	XEBSD30P10000	AA		C	Screw(3x10)
58	TCAUH0007QSZZ	AD		C	Laser caution labe
63	MSPRC0271QSZZ	AC		C	Earth Spring
64	XEPSD23P12000	AA		C	Screw(3x12)
65	PSHEZ0394QSZZ	AB		C	Drum solenoid silence material
66	QSW-B0017QSZZ	AF		B	Tray detect switch
67	CPLTM0160RS53	BN	N	E	Drive unit
68	RCORF0013QSZZ	AG		C	LSU harness core (Taiwan)
69	LBNDJ0013FCZ1	AE		C	Cable band (Taiwan)

13 Optical frame 2



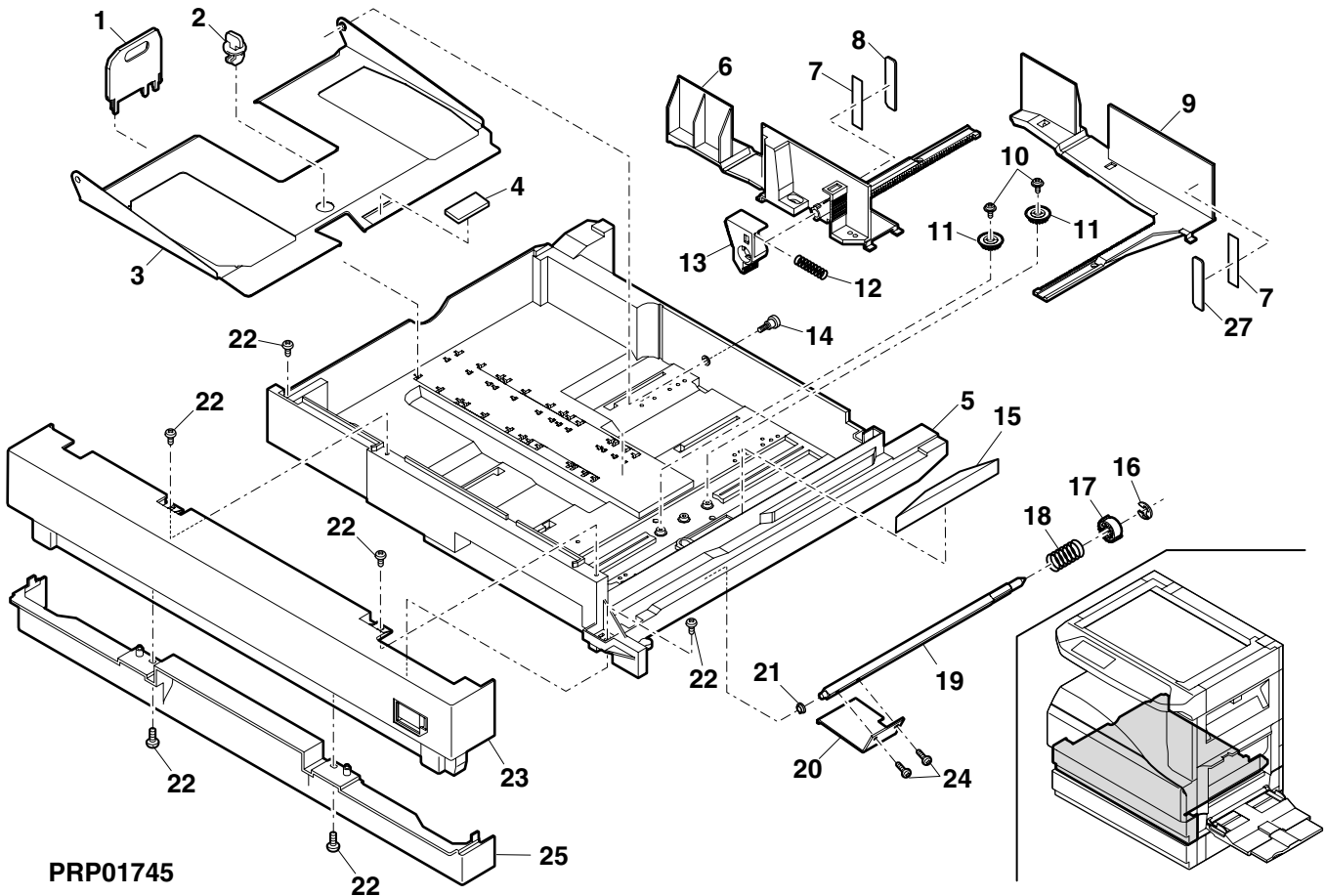
14 Middle frame



15 550 cassette unit

NO.	PARTS CODE	PRICE RANK	NEW MARK	PART RANK	DESCRIPTION
1	LPLTP0159QSZZ	AD		C	Cassette rear side plate
2	LHLDW1226FCZZ	AB		C	Turn fastener
3	LPLTM0179QSZ1	AR		C	Rotation plate
4	PSHEZ0274QSZZ	AC		C	Rotation plate sheet
5	GCASP0006QSZZ	BA	N	D	550 cassette
6	PGiDM0070QSZ1	AM		C	Guide F
7	PTPE-0021QSZZ	AD		C	GID tape
8	LPLTM0181QSZ1	AB		C	Side plate guide F
9	PGiDM0071QSZZ	AL		C	Guide R
10	LX-BZ0884FCZZ	AB		C	Screw
11	NGERH0193FCZZ	AB		C	UC manual feed gear
12	MSPRC2631FCZZ	AC		C	Fusing pressure spring
13	MLEVP0755FCZ1	AE		C	Side plate F lever
14	LX-BZ0833FCZZ	AC		C	Screw
15	PSHEZ0244QSZZ	AC		C	Cassette mylar
16	XRESP70-08000	AA		C	E type ring
17	NGERH0108QSZZ	AD		C	Lift gear(22T)
18	MSPRC0210QSZZ	AC		C	Lift gear spring
19	NSFTZ0047QSZZ	AP		C	Lift shaft
20	LPLTM0180QSZ1	AE		C	Lift plate
21	NBRGP0041GCZZ	AD		C	Bearing
22	XEBSE40P10000	AA		C	Screw(4x10)
23	JHNDP0004QSZZ	AV	N	C	Body cassette panel
24	XBPSD40P08KS0	AA		C	Screw(4x8KS)
25	PCOVP0096QSZZ	AN	N	C	Cassette panel line
27	LPLTM0277QSZZ	AC		C	Side plate guide R
	(Unit)				
901	CCASP0006RS51	BL	N	E	550 cassette unit

15 550 cassette unit



17 Paper transfer section

NO.	PARTS CODE	PRICE RANK	NEW MARK	PART RANK	DESCRIPTION
1	XEBSE40P12000	AA		C	Screw(4x12)
2	PCOVP0053QSZ2	AP		D	Middle frame cover
3	MSPRD0194QSZ1	AD		C	PS earth spring LP
4	MSPRC0291QSZZ	AC		C	PS pressure spring
5	NSFTZ0065QSZZ	AD		C	PS sub roller shaft
6	NKOM-0006QSZZ	AC		C	PS collar
7	PSHEZ0133QSZZ	AD		C	Paper feeding sheet
8	XEBSE40P10000	AA		C	Screw(4x10)
9	PGiDM0067QSZ1	AR		C	Base plate paper feed guide
10	MSPRD0233QSZ1	AC		C	MF actuator spring
11	MLEVP0023QSZZ	AE		C	MF sensor actuator
12	MLEVP0044QSZZ	AE		C	MF sensor actuator 2
13	LPLTP0348QSZZ	AC		C	Separation plate
14	MSPRC0301QSZZ	AD	N	C	Pressure plate spring
15	PFTA-0019QSZZ	AE	N	D	Pressure plate cover
16	XEBSD30P10000	AA		C	Screw(3x10)
17	PSHEZ0378QSZZ	AG		C	Separation sheet
18	LRALP0008QSZ1	AQ		C	Base plate rail
19	VHPGP1S73P+-1	AF		B	Photo sensor(GP1S73P)
20	DHAi-0398QSZZ	AE	N	C	Manual paper feeding PIN harness
21	MSPRD0202QSZZ	AB		C	Manual P-IN actuator spring
22	MLEVP0057QSZZ	AC		C	Manual paper feed P-IN actuator
23	PSHEZ0378QSZZ	AG		C	Separation sheet
24	LPLTP0297QSZZ	AC		C	Separation plate
25	PCOVP0088QSZ1	AD	N	D	Plate cover
26	MSPRC0270QSZZ	AB		C	Separation plate spring
27	NKOM-0005QSZZ	AC		C	Cassette guide collar
28	NSFTZ0048QSZZ	AG		C	Cassette collar shaft
29	XBPSD30P08KS0	AA		C	Screw(3x8KS)
31	XEBSD40P10000	AA		C	Screw(4x10)
33	PSHEZ0301QSZZ	AC		C	Rail R side mylar F
34	PSHEZ0302QSZZ	AC		C	Rail R side mylar R
35	LPLTM0276QSZZ	AE		C	Manual feed damper plate (Except AR-M276/M236 Taiwan,UAE)
36	PSHEZ0322QSZZ	AD		C	Front separator sheet
37	PSP0-0026QSZZ	AA		C	MF ACT cushion
38	LHLDZ0094QSZZ	AC		C	PS pressure holder
39	MSPRC0292QSZZ	AC		C	PS sub pressure spring
40	MSPRD0287QSZZ	AC		C	Paper feed assistance roller SP
41	NROLP0087QSZZ	AD		C	Paper feed assistance roller
42	NSFTZ0064QSZZ	AD		C	Paper feed assistance roller shaft
43	PSHEZ0314QSZ1	AF		C	Toner protect mylar
44	LBRC-0012QSZZ	AD		C	Manual feed sub roller bracket
45	NKOM-0009QSZZ	AC		C	Manual feed sub roller
46	NSFTZ0064QSZZ	AD		C	Manual feed sub shaft
47	MSPRD0340QSZZ	AC	N	C	Manual feed sub roller spring
501	CGiDM0067RS51	AY		E	Base plate paper feed guide unit (Except AR-M276/M236 U.kingdom,Taiwan)
502	CCOVP0053RS53	AW		E	Middle frame cover unit

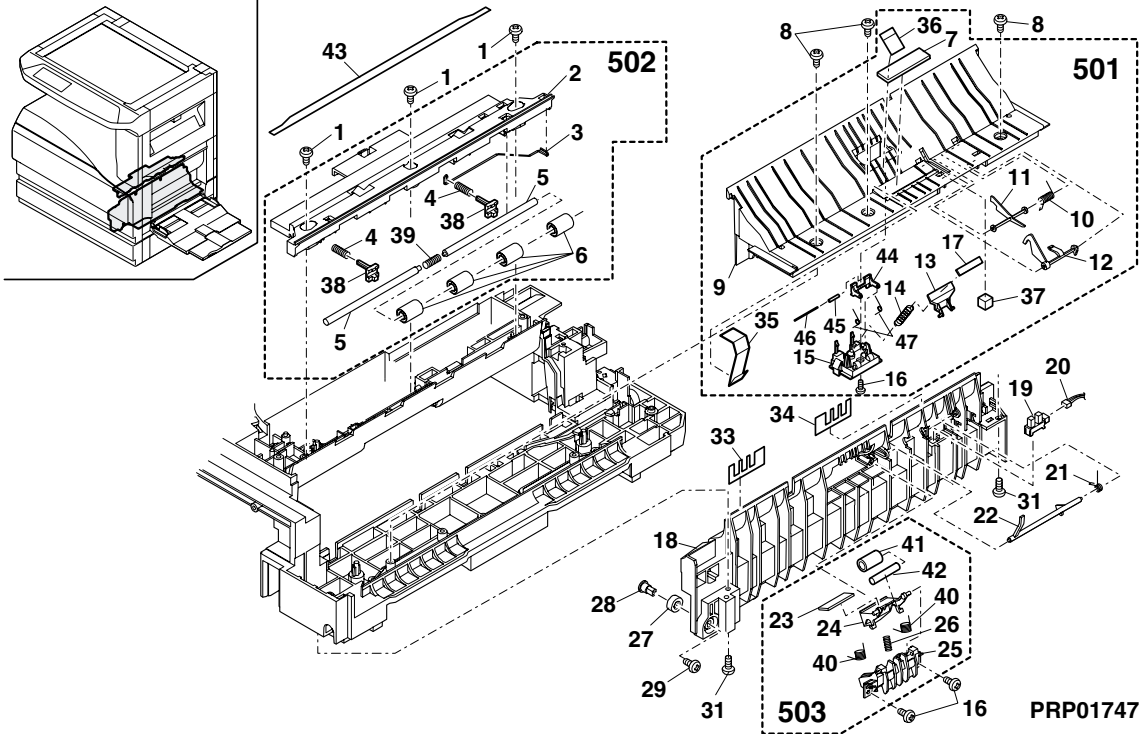
18 Side door unit

NO.	PARTS CODE	PRICE RANK	NEW MARK	PART RANK	DESCRIPTION
1	MLEVP0058QSEZ	AD	N	C	Lock lever
2	GDOR-0002QSZC	AY		D	Right door
3	XRESP40-06000	AA		C	E type ring
4	LBSHZ0303FCZZ	AC		C	M bushing C
5	NGERH0074QSZZ	AD		C	DUP roller driving gear
6	LPIINS0133FCZZ	AA		C	Pin(2x10)
7	PTME-0020QSZ1	AC		C	Lock pawl
8	MSPRD0222QSZZ	AC		C	Lock pawl spring
9	MARMP0043QSZZ	AC		C	Lock pawl arm
10	NSFTZ0055QSZ1	AN		C	Lock pawl shaft
11	XRESP30-06000	AA		C	E type ring
12	NROLP0036QSZZ	AP		C	DUP transport roller
13	XPSSJ20-07000	AA		C	Spring pin
15	NROLP1122FCZZ	AF		C	PS upper roller
16	LFRM-0040QSZZ	AV		D	Right door inner
17	MSPRC0349QSZZ	AD	N	C	High voltage spring B
18	MSPRC0348QSZZ	AD	N	C	High voltage spring A
19	LPLTM0102QSZZ	AD		C	DUP roller earth plate
20	LHLDZ0084QSZZ	AF		C	TR terminal interface holder
21	XEBSE30P08000	AA		C	Screw(3x8)
22	MSPRC0296QSZZ	AF		C	TR pressure spring R
23	MSPRC0295QSZZ	AF		C	TR pressure spring F
24	XHBSD30P10000	AA		C	Screw(3x10)
25	XHBSD30P16000	AA		C	Screw(3x16)
26	XHBSD30P14000	AA		C	Screw(3x14)
27	XEBSD30P10000	AA		C	Screw(3x10)
28	LPLTM0090QSZZ	AE		C	Inner reinforce plate F

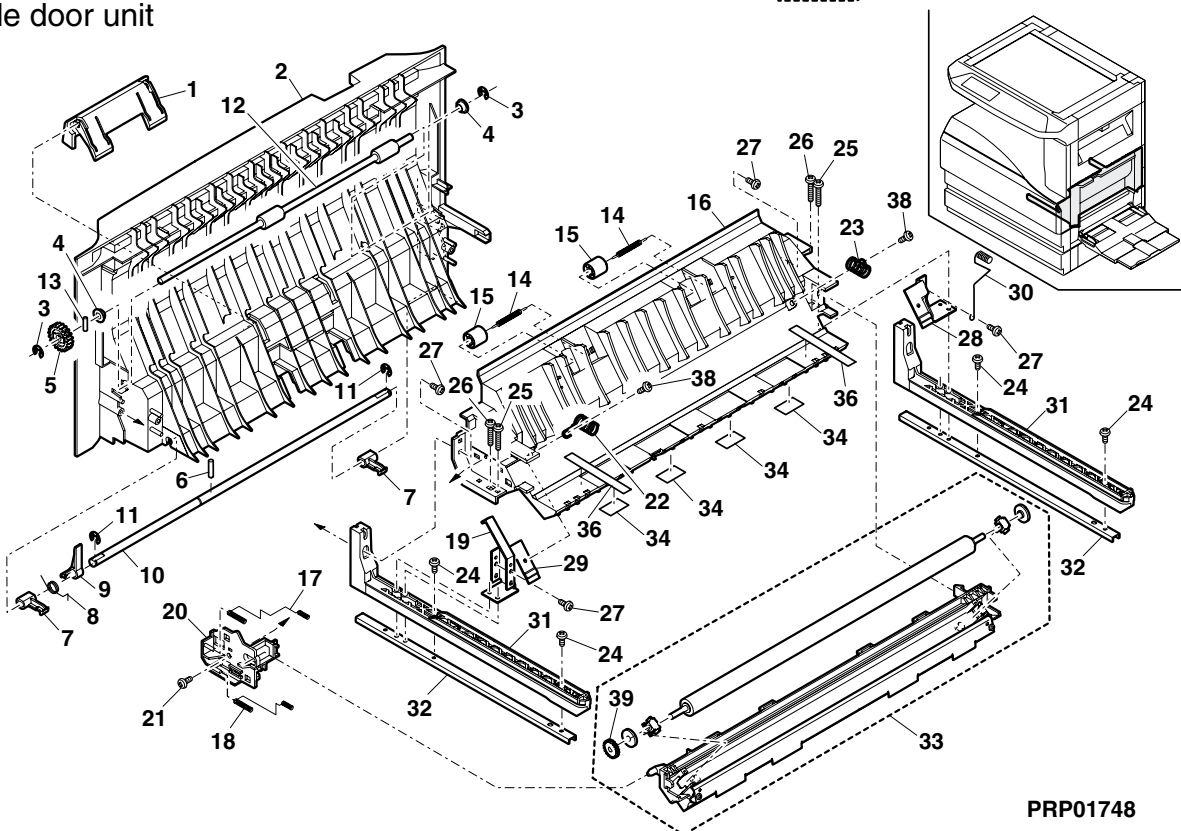
18 Side door unit

NO.	PARTS CODE	PRICE RANK	NEW MARK	PART RANK	DESCRIPTION
29	LPLTM0091QSZZ	AE		C	Inner reinforce plate R
30	MSPRD0205QSZZ	AE		C	TC grand spring
31	LRALP0004QSZZ	AH		C	Right door rail
34	PSHEZ0307QSZ1	AB		C	Right door mylar
36	PSHEZ0330QSZZ	AC		C	Right door DUP mylar
38	LX-BZ0032QSZZ	AB		C	Screw
39	NGERH0163QSZ2	AG	N	C	TR Gear
	(Unit)				
901	CDOR-0002RS58	BH	N	E	Side door unit(Except No.33,39)

17 Paper transfer section



18 Side door unit



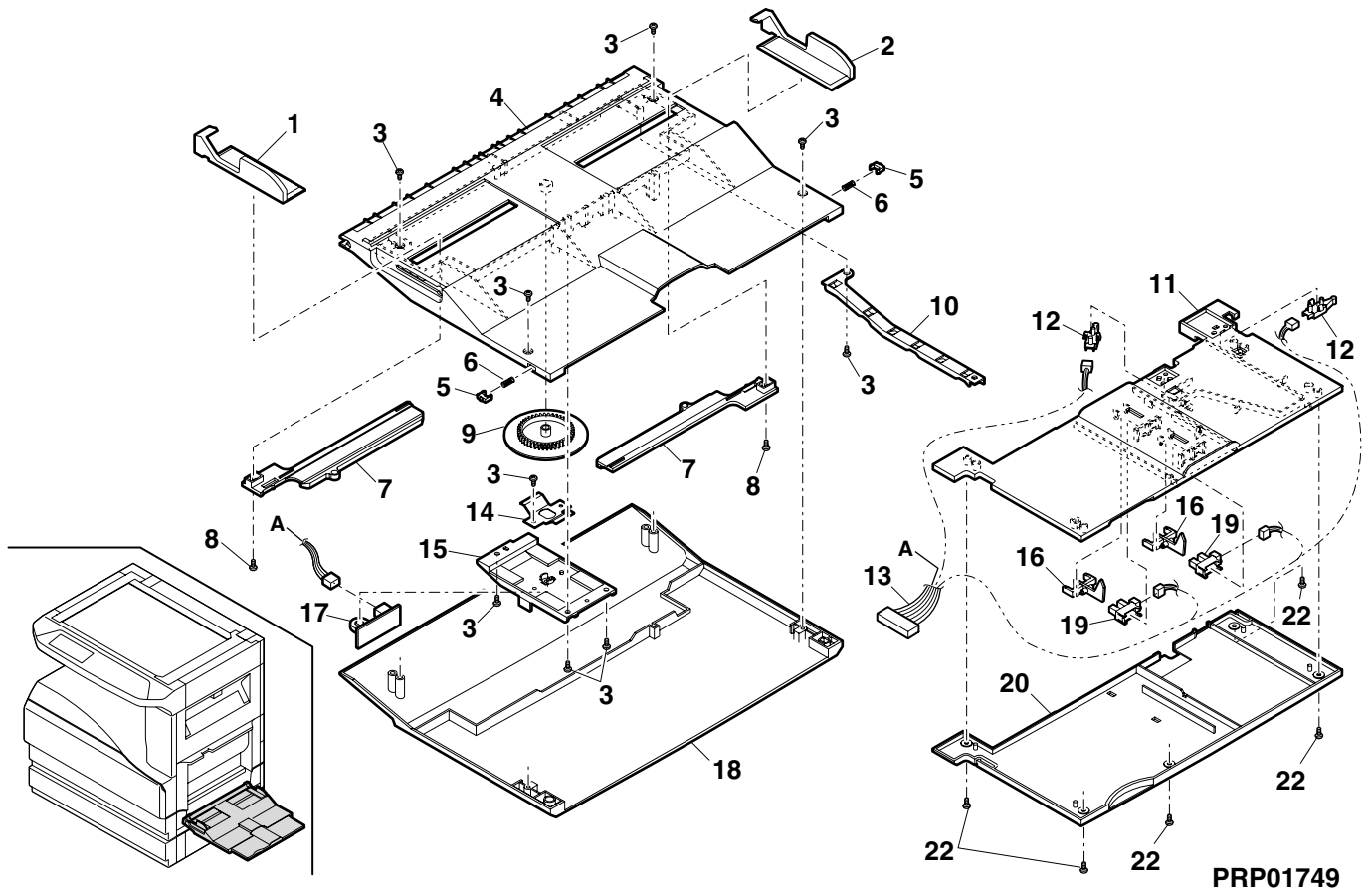
19 Multi manual paper feed tray unit

NO.	PARTS CODE	PRICE RANK	NEW MARK	PART RANK	DESCRIPTION
1	PGIDM0075QSZZ	AF		C	MB side guide F
2	PGIDM0076QSZZ	AF		C	MB side guide R
3	XEBSE30P08000	AA		C	Screw(3x8)
4	LSOU-0024QSZB	AT	N	D	Manual paper feed tray 1 upper
5	PTME-0271FCZZ	AD		C	Tray lock pawl
6	MSPRC0250QSZZ	AC		C	Tray lock spring
7	NGERR0140QSZZ	AD		C	Width detect rack
8	XEPSD30P06X00	AA		C	Screw(3x6X)
9	NGERP1385FCZZ	AF		C	Width detect pinion
10	LHLZ0066QSZZ	AD		C	Harness holder
11	LSOU-0026QSZB	AU	N	D	Manual paper feed tray 2 upper
12	QSW-B0017QSZZ	AF		B	Tray detect switch
13	DHAI-0359QSZZ	AP	N	C	Manual paper feeding unit harness
14	MSPRP2830FCZZ	AA		C	Width detect spring
15	LPLTP0234QSZZ	AE		C	Width detect plate
16	MLEVP0035QSE1	AC		C	Original detect actuator
17	CPWBF0106QSE4	AP	N	E	Manual paper feeding VR PWB unit
18	LSOU-0025QSZB	AS	N	D	Manual paper feed tray 1 lower
19	VHPGP1S73P+-1	AF		B	Photo sensor(GP1S73P)
20	LSOU-0027QSZB	AT	N	D	Manual paper feed tray 2 lower
22	XEBSE30P06000	AA		C	Screw(3x6)
	(Unit)				
901	CSOU-0024RS55	BK	N	E	Manual paper feeding tray unit

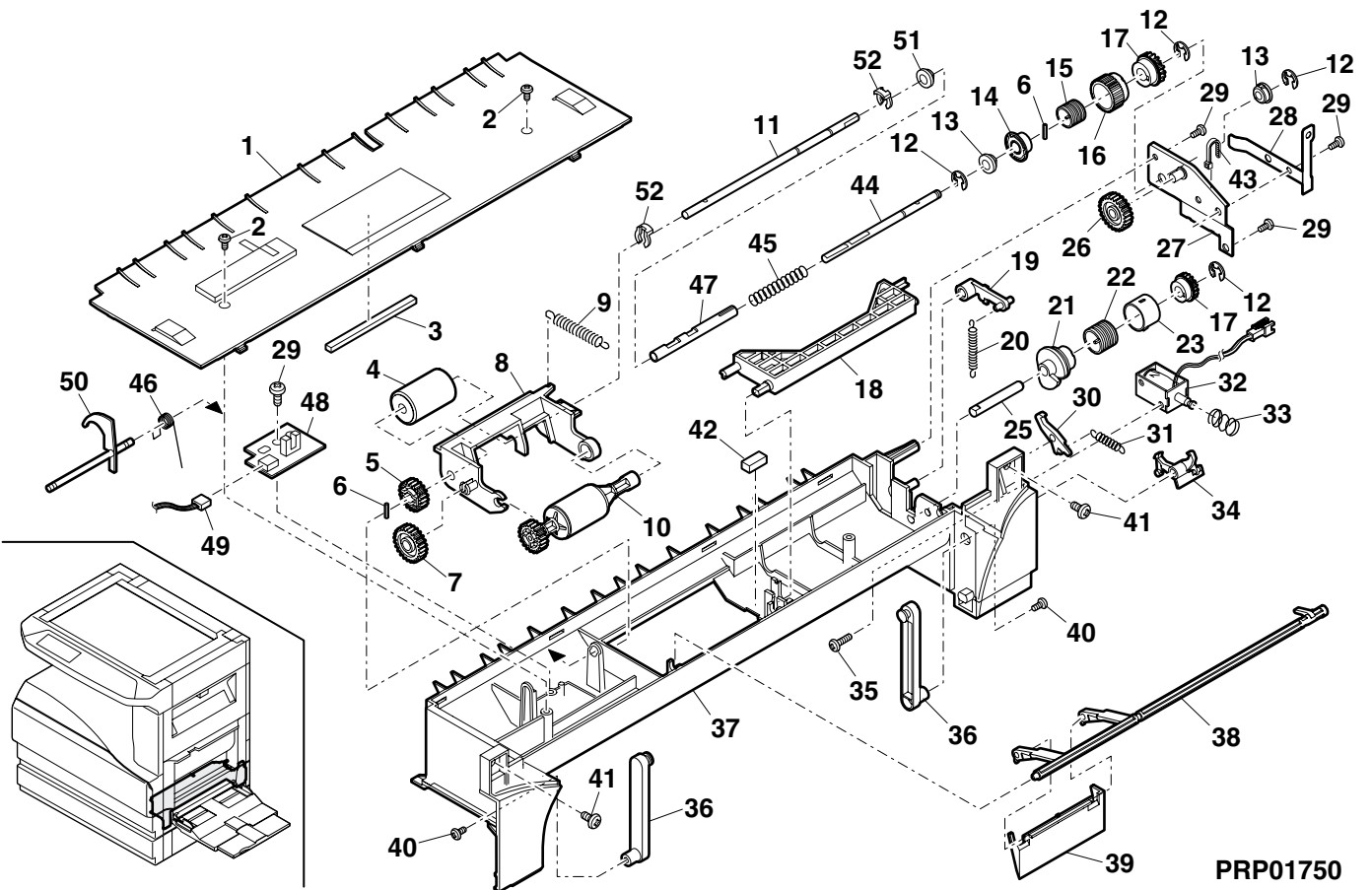
20 Multi manual paper feed unit

NO.	PARTS CODE	PRICE RANK	NEW MARK	PART RANK	DESCRIPTION
1	PCOVP0055QSZC	AL	N	D	Multi frame cover
2	XEBSE30P10000	AA		C	Screw(3x10)
3	PSHEZ0099QSZZ	AC		C	Protect sheet
4	NROLR0922FCZ2	AR		C	Manual feed roller
5	NGERH0495FCZZ	AC		C	Gear(20T)
6	XPSSJ20-07000	AA		C	Spring pin
7	NGERH0061QSZZ	AD		C	Gear(24T)
8	MARMP0009QSZZ	AF		C	Roller arm
9	MSPRT0091QSZZ	AC		C	Roller arm spring
10	NROLR1267FCZ1	AH		C	Paper feeding rotor
12	XRESP40-06000	AA		C	E type ring
13	LBSHZ0303FCZZ	AC		C	M bushing C
14	LBOSZ1508FCZZ	AG		C	Cam boss A2
15	MSPRC1315FCZ1	AD		C	Manual clutch spring A
16	PPiPP0109FCZZ	AB		C	Manual clutch sleeve pipe A
17	LBOSZ1510FCZZ	AF		C	Cam boss A1
18	MARMP0041QSZZ	AE		C	Cam transmission arm
19	MARMP0006QSZZ	AD		C	Arm
20	MSPRD0347QSZZ	AD	N	C	Stopper arm spring
21	MCAMP0003QSZZ	AD		C	Drive cam
22	MSPRC1316FCZ1	AE		C	MF clutch spring B
23	PPiPP0014QSZZ	AC		C	Cam clutch sleeve
25	NSFTZ0017QSZZ	AG		C	Manual feed cam shaft
26	NGERH0972FCZZ	AB		C	Gear(27T)
27	CPLTM0345QS01	AG	N	C	Paper feed plate
28	MSPRD0092QSZZ	AE		C	MF earth spring
29	XEBSD30P08000	AA		C	Screw(3x8)
30	PTME-0178FCZZ	AC		C	Manual paper feeding pawl A
31	MSPRC2175FCZZ	AA		C	Pawl A spring
32	RPLU-0028QSZZ	AM		B	Multi field solenoid
33	MSPRC1318FCZ1	AA		C	Spring B
34	PTME-0179FCZZ	AC		C	Manual paper feeding pawl B
35	XBBSD30P10000	AA		C	Screw(3x10)
36	MARMP0027QSZ1	AE		C	Manual paper feed tray arm
37	LFRM-0048QSZC	AT	N	D	Multi frame
38	MARMP0008QSZZ	AH		C	Stopper arm
39	LPLTP0056QSZ3	AD		C	Stopper plate
40	XEPSD30P06X00	AA		C	Screw(3x6X)
41	XEBSD30P10000	AA		C	Screw(3x10)
42	PSHEZ0241QSZZ	AB		C	Manual paper feed protection sheet
43	LBNDJ0013FCZ1	AE		C	Cable band
45	MSPRD0302QSZZ	AC		C	Manual paper cupling spring
46	MSPRD0329QSZZ	AC	N	C	Reversal spring
47	NCPL-0012QSZZ	AD		C	Manual paper cupling
48	CPWBF0083QSE5	AU		E	Sensor PWB
49	DHAI-0360QSZZ	AE	N	C	DUP 2 sensor harness
50	MLEVP0104QSZZ	AD	N	C	Reversal lever
51	LBSHZ0006QSZZ	AC		C	M bushing 2
52	LSTPP0011QSZZ	AC		C	E-ring
	(Unit)				
901	CFRM-0048RS53	BH	N	E	Multi manual paper feeding unit(Except No.36,40,41,43)

19 Multi manual paper feed tray unit



20 Multi manual paper feed unit



21 DV unit

NO.	PARTS CODE	PRICE RANK	NEW MARK	PART RANK	DESCRIPTION
1	PGIDM0085QSZZ	AP		C	TN guide U
2	PGIDM0086QSZZ	AQ		C	TN guide D
3	PSEL-0035QSZZ	AE		C	TG seal
4	XBBS40P08000	AA		C	Screw(4x8)
5	PCOVP0072QSZZ	AK		D	DV cover U
6	PMLT-0002YSZ1	AC		C	DV-TH cushion
7	PMLT-0006YSZZ	AB		C	DV side cushion R
8	PMLT-0005YSZZ	AB		C	DV side cushion F
9	NROLP0072QSZZ1	AP		C	DMX roller
10	NGERH0002YSZZ	AD		C	DMX gear(28T)
11	NBRGC0020QSZZ	AH		C	DMX Bearing
12	XEBSD30P08000	AA		C	Screw(3x8)
13	PSEL-0037QSZZ1	AG		C	TG seal
14	NGERH0001YSZZ	AD		C	DV idle gear(20T)
15	NBRGC0021QSZZ	AD		C	DID Bearing
16	NGERH0136QSZZ	AD		C	MG gear(18T)
17	XBPSD30P06KS0	AA		C	Screw(3x6KS)
18	PBOX-0001YS13	AM		D	DV BOX
19	PSHEP0035YSZZ	AB		C	DV side seat N
20	LPLTM6022FCZZ	AC		C	M4 plate
21	PSEL-0025QSZZ	AA		C	DVC seal
22	NROLM0108QSZZ	BA	N	C	MG roller
23	PSEL-0132QSZZ	AG		C	DV plate
24	XBPBZ30P03000	AB		C	Screw(3x3)
25	LPLTM0001YSZZ	AN		C	Doctor
26	LPLTM0002YSZ2	AP		C	Doctor reinforce plate
27	PSEN-0001QSZZ	AC		C	DV cap F
28	RDTCM0015QSZZ	AY		B	ATC sensor
29	XUBUZ30P08000	AA		C	Screw(3x8)
30	XRESP30-06000	AA		C	E type ring
31	LHLDR0072QSZZ	AC		C	MG holder
33	MSPRK0001YSZZ	AB		C	Bias spring
34	PSPAP0023QSZZ	AC		C	DV spacer F
35	LHLDZ0001YSZZ	AD		C	Bearing holder
36	LX-BZ0026QSZZ	AD		C	Screw
37	XEBSD30P10000	AA		C	Screw(3x10)
38	PCOVP0073QSZZ	AG		D	DV cover F
39	PSEL-0114QSZZ	AC		C	Seal F
40	PSEL-0115QSZZ	AD		C	Seal F2
41	TCAUH0016QSZZ	AC		C	Label
43	PSEL-0117QSZZ	AB		C	TG seal R
44	PSEL-0124QSZZ	AB		C	TG seal F
45	PSPAP0036QSZZ	AC		C	TGU-SPA-FL
46	PSEL-0116QSZZ	AB		C	DVC seal F
47	LANGF0013QSZZ	AD		C	DID plate
48	XEBSD26P05000	AA		C	Screw(2.6x5)
49	PSHEP0324QSZZ	AC		C	DVB Sheet FBR
50	DHAI-0314QSZZ	AH	N	C	Sensor harness
501	CBOX-0001JS5G	BL	N	E	DV box unit
502	CCOVP0072RS54	AP		E	DV cover unit

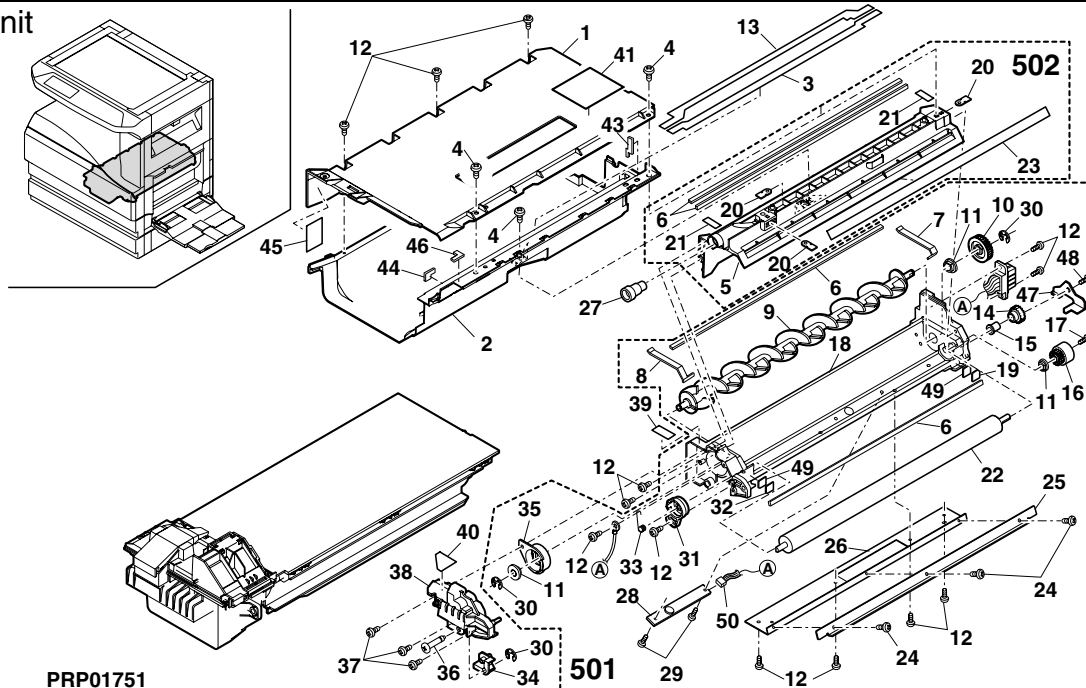
22 Process unit

NO.	PARTS CODE	PRICE RANK	NEW MARK	PART RANK	DESCRIPTION
1	XEBSD30P08000	AA		C	Screw(3x8)
2	PCAPH0009QSZZ	AC		D	Toner pipe cap
3	NSRW-0002QSZZ	AE		C	Transport pipe screw
4	LPLTM0241QSZZ	AF		C	Process reinforce plate
5	MLEVP0065QSZZ	AE		C	Separator pawl lever
6	CFRM-0049RS61	AZ		D	Process frame unit (Except Philippines,STCL,SRS,SRSSC,Indonesia,India,SRH)
	CFRM-0049RS69	AZ		D	Process frame unit (Philippines,STCL,SRS,SRSSC,Indonesia,India,SRH)
7	NCPL-0003QSZZ	AC		C	Screw cupring
10	PSEL-0071QSZZ	AF		C	Seal R
11	PSEL-0070QSZZ	AF		C	Seal F
12	PSHT-0004QSZ1	AC		C	Toner pipp shuter
13	PPiPP0015QSZZ	AG		C	Toner pipe
14	MSPRC0045QSZZ	AA		C	Toner pipe spring
15	PSPA Z0696FCZZ	AC		C	P cap spacer
16	NGERH0036QSZZ	AC		C	Transport screw gear(30T)
17	PCOVP0057QSZZ	AG		D	Drum cover
18	NGERH0039QSZZ	AE		C	Transport pipe gear(14T)
19	LFI X-0014QSZZ	AE		C	Drum fixing plate A (U.S.A Other countries)
	LFI X-0015QSZZ	AE		C	Drum fixing plate B (Europe,Australia,New Zealand)
20	NGERH0037QSZZ	AC		C	Idle gear(26T)
21	NGERH0038QSZZ	AC		C	Transport pipe gear(15T)
22	NSFTZ0020QSZZ	AL		C	Transport screw
23	NBRGP0299FCZZ	AC		C	DV bearing
24	PMLT-0018QSZ1	AC		C	Transport screw cushion
25	PTME-0021QSZZ	AK		C	Separator pawl

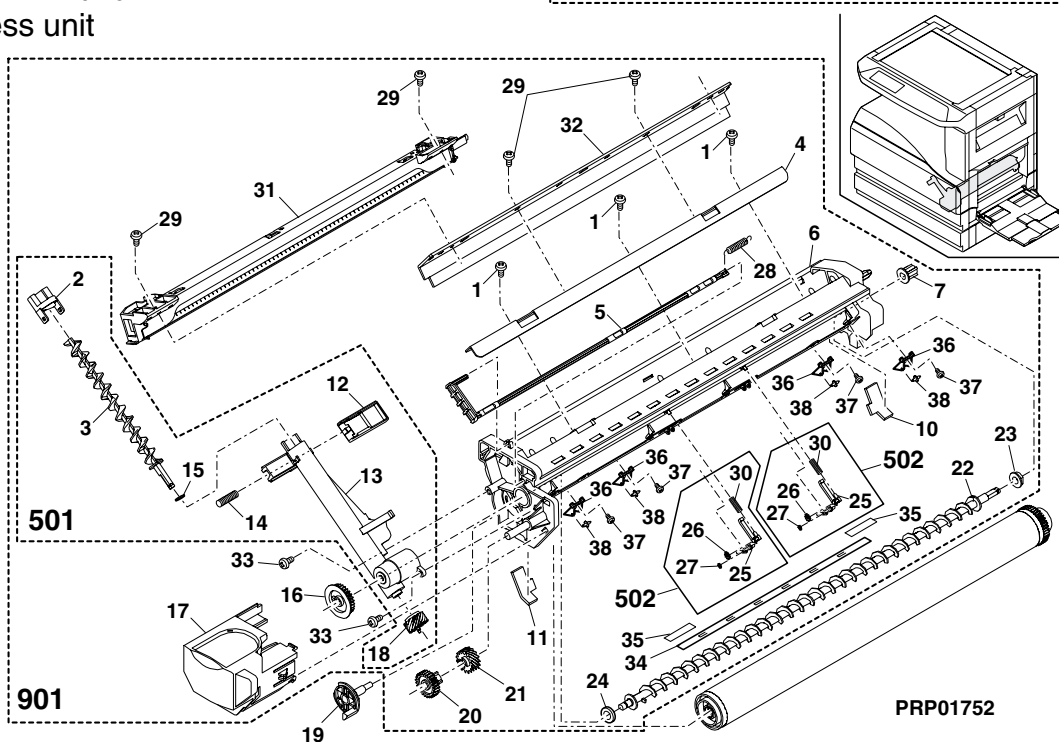
22 Process unit

NO.	PARTS CODE	PRICE RANK	NEW MARK	PART RANK	DESCRIPTION
26	LX-WZ0329FCZZ	AB		C	Washer
27	LX-RZ0001QSZZ	AB		C	Starling
28	MSPRT0214QSZZ	AB		C	Lever spring
29	XHBS230P08000	AA		C	Screw(3x8)
30	MSPRC0213QSZZ	AB		C	Separator pawl spring
31	CHLDZ0035RS53	AZ		E	MC holder unit
32	UCLEZ0011QSZZ	AT		D	Cleaning blade
33	XEBSE30P10000	AA		C	Screw(3x10)
34	PSHEZ0329QSZZ	AC		C	Screw miler
35	PTPE-0026QSZZ	AA		C	Screw tape
36	LHLDZ0090QSZZ	AC		C	Star ring holder (Philippines,STCL,SRS,SRSSC,Indonesia,India,SRH)
37	LX-BZ0406FCZZ	AA		C	Screw(3x4) (Philippines,STCL,SRS,SRSSC,Indonesia,India,SRH)
38	PRNGF0106FCZ2	AC		C	Star ring N2 (Philippines,STCL,SRS,SRSSC,Indonesia,India,SRH)
501	CPiPP0015RS51	AP		E	Toner pipe unit
502	CTME-0021RS51	AK		E	Separator pawl unit
	(Unit)				
901	CFRM-0049RS58	BK	N	E	Process unit(Except No.19) (Except Philippines,STCL,SRS,SRSSC,Indonesia,India,SRH)
	CFRM-0049RS54	BK		E	Process unit(Except No.19) (Philippines,STCL,SRS,SRSSC,Indonesia,India,SRH)

21 DV unit



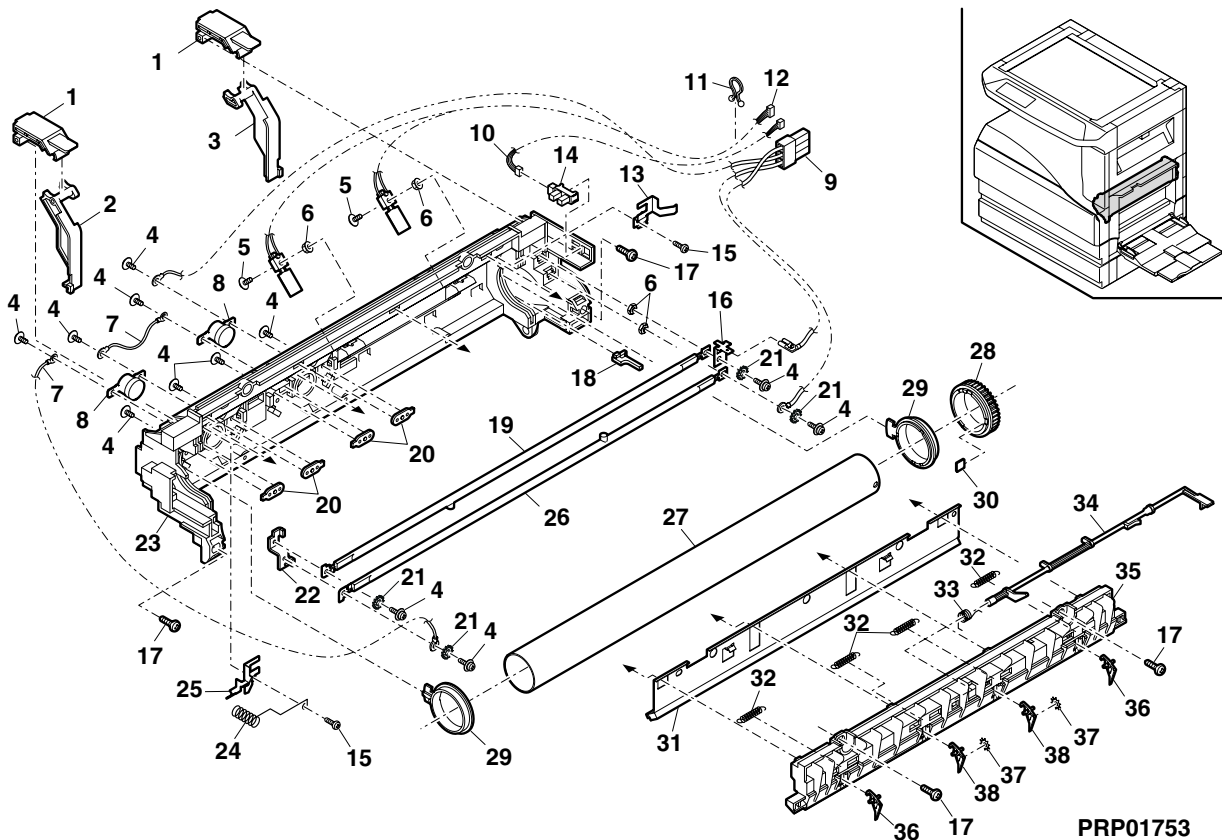
22 Process unit



23 Fusing unit 1

NO.	PARTS CODE	PRICE RANK	NEW MARK	PART RANK	DESCRIPTION
1	MARMP0048QSZZ	AF	N	C	Pressurization fulcrum arm
2	MLEVP0100QSZZ	AE	N	C	Pressurization lever F TL
3	MLEVP0101QSZZ	AE	N	C	Pressurization lever R TL
4	XBPSN30P08KS0	AA		C	Screw(3x8KS)
5	XBPSD30P14KS0	AA		C	Screw(3x14KS)
6	LX-NZ0002QSZZ	AA	N	C	Nut
7	DHAI-0368QSZZ	AD	N	C	Thermostat harness 1
8	RTHM-0004QSZZ	AN	N	B	Thermostat TL
9	DHAI-0366QSZZ	AL	N	C	Fusing harness
10	DHAI-0367QSZZ	AF	N	C	DUP sensor harness
11	LHLDW0086QSZZ	AB		C	Harness ring
12	RH-HX0001QSZZ	AS	N	B	Thermistor TL
13	LPLTM0338QSZZ	AC	N	C	Fusing earth plate UR
14	VHPGP1S73P+-1	AF		B	Photo sensor(GP1S73P)
15	XEBSD30P06000	AA		C	Screw(3x6)
16	LPLTM0334QSZZ	AE	N	C	Lamp terminal plate
17	LX-BZ0040QSZZ	AC	N	C	Screw
18	LSTPP0017QSZZ	AF	N	C	Suport
△	RLMPU0027QSZZ	AY	N	B	Sub heater lamp (120V)
△	RLMPU0029QSZZ	AY	N	B	Sub heater lamp (230V)
20	LPLTM0339QSZZ	AC	N	C	Thermostat fixing plate
21	LX-WZ7021SCZZ	AA		C	Washer
22	LPLTM0335QSZZ	AF	N	C	Lamp fixing plate
23	LFRM-0071QSZZ	AY	N	D	Fusing upper frame
24	MSPRC0323QSZZ	AC	N	C	Fusing earth spring
25	LPLTM0337QSZZ	AC	N	C	Fusing earth plate UF
△	RLMPU0026QSZZ	AZ	N	B	Main heater lamp TL (120V)
△	RLMPU0028QSZZ	AZ	N	B	Main heater lamp TL (230V)
27	NROLM0098QSZZ	BE	N	C	Heat roller TL
28	NGERH0171QSZZ	AR	N	B	Fusing gear TL(38T)
29	NBRGP0025QSZZ	AN	N	C	Upper HR bearing TL
31	CPLTM0336QS01	AR	N	C	Fusing cleaner plate
32	MSPRT0257QSZ1	AC		C	Upper pawl spring
33	MSPRD0322QSZZ	AC	N	C	Fusing ACT spring
34	MLEVP0099QSZZ	AF	N	C	Fusing rear side lever
35	PGIDM0113QSZZ	AT	N	C	Fusing rear upper guide
36	PTME-0282FCZZ	AH		C	Upper separate pawl
37	LX-WZ0001QSZZ	AC		C	Washer
38	PTME-0024QSZZ	AN		C	Upper separate pawl
	(Unit)				
901	DUNTW0375RS12	BZ	N	E	Fusing unit(Include Block 24. Except No.17) (120V)

23 Fusing unit 1

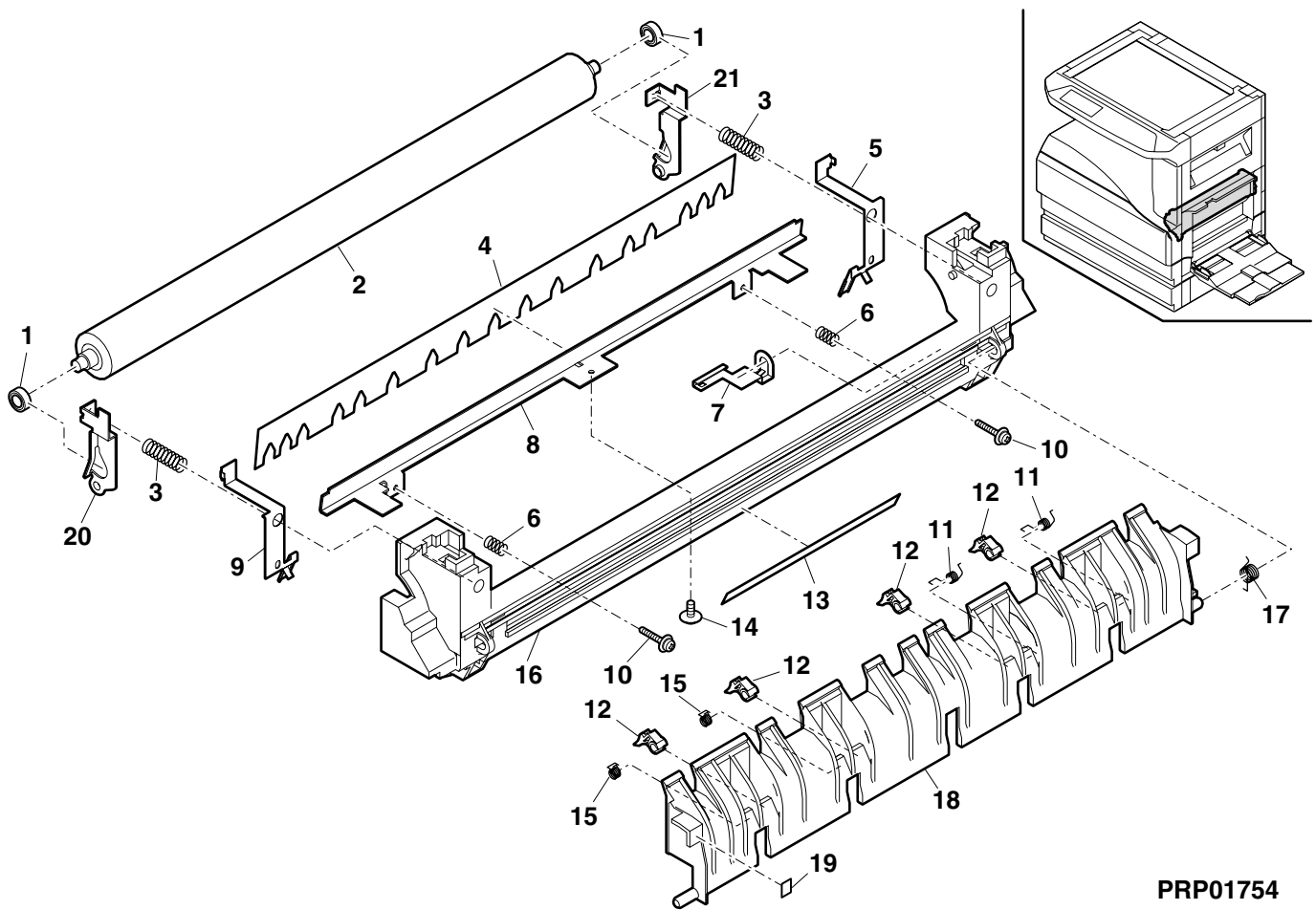


PRP01753

24 Fusing unit 2

NO.	PARTS CODE	PRICE RANK	NEW MARK	PART RANK	DESCRIPTION
1	NBRGY0022QSZZ	AL		C	Fusing pressure bearing
2	NROLS0100QSZZ	BB	N	C	Fusing roller
3	MSPRC0324QSZZ	AC	N	C	Fusing pressure spring TL
4	PSHEZ0266QSZ1	AK		C	Fusing front guide sheet
6	MSPRC0325QSZZ	AB	N	C	Fusing front guide spring
7	LPLTM0344QSZZ	AC	N	C	Fusing front guide earth plate
8	PGIDH0114QSZZ	AH	N	C	Fusing front guide
9	LPLTM0340QSZZ	AC	N	C	Fusing earth plate DF
10	XBPSD30P14KS0	AA		C	Screw(3x14KS)
11	MSPRD0328QSZZ	AC	N	C	Lower pawl spring R TL
12	PTME-0014QSZZ	AK		C	Lower separate pawl
14	XBPSN30P08KS0	AA		C	Screw(3x8KS)
15	MSPRD0327QSZZ	AC	N	C	Lower pawl spring F TL
16	LFRM-0072QSZZ	AU	N	D	Fusing lower frame
17	MSPRD0326QSZZ	AC	N	C	Fusing rear lower guide spring
18	PGIDM0115QSZZ	AS	N	C	Fusing rear lower guide
19	TLABH0289QSZZ	AA		C	Fusing green label
(Unit)					
901	DUNTW0375RS12	BZ	N	E	Fusing unit(Include Block 23.) (120V)

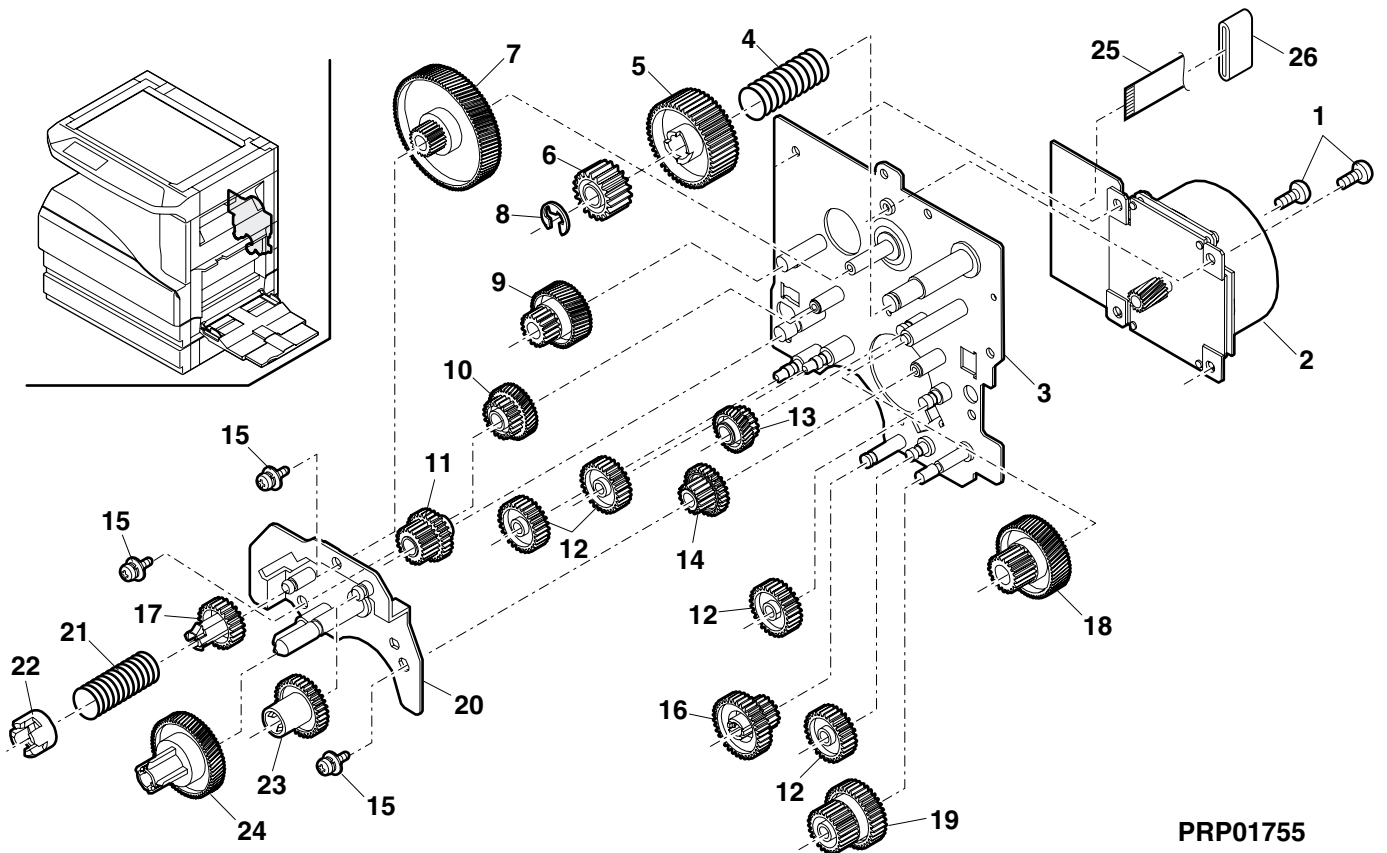
24 Fusing unit 2



25 Drive unit

NO.	PARTS CODE	PRICE RANK	NEW MARK	PART RANK	DESCRIPTION
1	XBP SD40P08K00	AA		C	Screw(4x8K)
2	RMOTP0025QSNA	BF		B	Main motor
3	CPLTM0160QS01	AU		C	Main drive plate
4	MSPRC0200QSZZ	AB		C	Ratchet spring
5	NGERH0153QSZZ	AH		C	Ratchet gear(49T)
6	NGERH0090QSZZ	AE		C	Ratchet gear(19T)
7	NGERH0084QSZZ	AK		C	Gear(94/21T)
8	XRESP70-08000	AA		C	E type ring
9	NGERH0085QSZZ	AE		C	Gear(46/18T)
10	NGERH0086QSZZ	AD		C	Gear(39/21T)
11	NGERH0087QSZZ	AE		C	Gear(28/21T)
12	NGERH0010QSZZ	AD		C	Gear(28T)
13	NGERH0092QSZZ	AD		C	Gear(30/16T)
14	NGERH0093QSZZ	AD		C	Gear(28/16T)
15	XBP SD30P06KS0	AA		C	Screw(3x6KS)
16	NGERH0095QSZZ	AE		C	Gear
17	NGERH0011QSZZ	AD		C	MG gear
18	NGERH0152QSZZ	AH		C	N gear(59/21T)
19	NGERH0096QSZZ	AE		C	Gear(37/25T)
20	CPLTM0161QS01	AN		C	Sub drive plate
21	MSPRC0262QSZZ	AC		C	MG spring
22	NCPL-0009QSZZ	AC		C	MG cupring
23	NGERH0091QSZZ	AE		C	Cupring(34T)
24	NGERH0083QSZZ	AH		C	Drum cupring gear
25	DHAI-0376QSZZ	AD	N	C	Main motor harness
26	RCORF0012QSZZ	AC		C	MM harness core (Taiwan)
	(Unit)				
901	CPLTM0160RS53	BN	N	E	Drive unit(Except No.26)

25 Drive unit

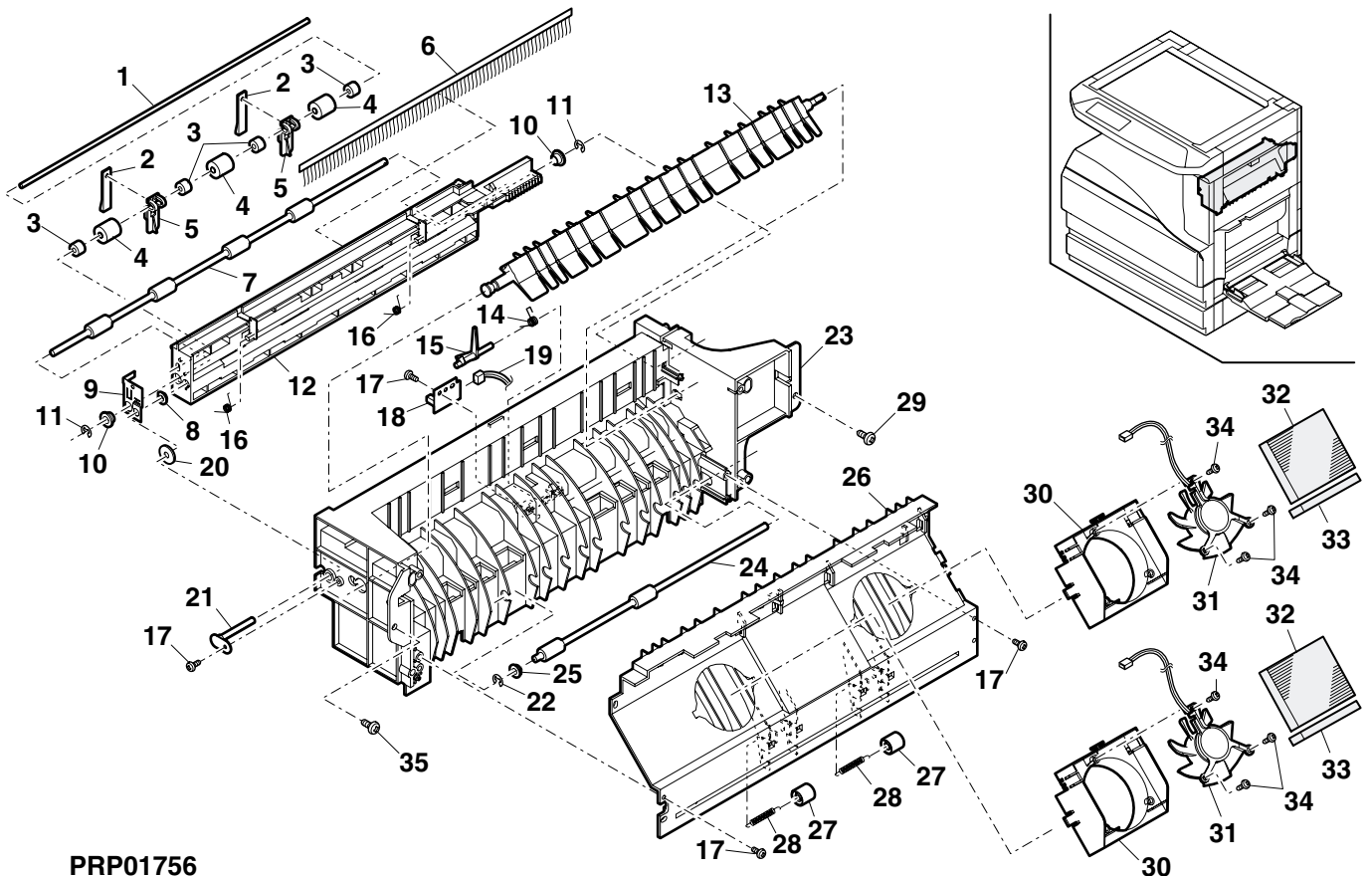


PRP01755

26 1st delivery paper unit 1

NO.	PARTS CODE	PRICE RANK	NEW MARK	PART RANK	DESCRIPTION
1	NSFTZ0042QSZZ	AF		C	Delivery sub roller shaft
2	PGUMM0005QSZZ	AD		C	Paddler (Except AR-M276/M236 U.kingdom,Taiwan)
3	NROLP0049QSZZ	AC		C	Delivery sub roller
4	NROLP0079QSZZ	AC		C	Delivery sub roller (Large)
5	LBRC-0003QSZZ	AD		C	P-OUT bracket
6	PBRSR0019QSZZ	AK		B	Discharger brush LP
7	NRÖLM0037QSZ4	AR		C	Delivery roller C
8	NBRGY2122SCZZ	AB		C	Transport roller bearing
9	LPLTM0195QSZZ	AC		C	Delivery earth plate A
10	NBRGM0501FCZZ	AB		C	Bearing
11	XRESP50-06000	AA		C	E type ring
12	LHLDZ0058QSZZ	AR		C	Delivery roller holder
13	LPLTP0185QSZ1	AL		C	Delivery change gate
14	MSPRD0224QSZZ	AB		C	Delivery actuator spring
15	MLEVP0055QSZ1	AC		C	Delivery actuator
16	MSPRT0197QSZZ	AB		C	Delivery sub spring
17	XEBSD30P08000	AA		C	Screw(3x8)
18	CPWBF0083QSE5	AU		E	Sensor PWB
19	DHAi-0364QSZZ	AP	N	C	1st delivery harness
20	PSPO-0021QSZZ	AD		C	Shifter cution
21	CSFTZ0023QS01	AH		C	Shifter shaft
22	XRESP40-06000	AA		C	E type ring
24	NRÖLR0051QSZ1	AL		C	DUP delivery roller
25	LBSHZ0303FCZZ	AC		C	M bushing C
26	PGiDM0065QSZ1	AY		C	Delivery upper paper guide
27	NROLP1122FCZZ	AF		C	PS upper roller
28	MSPRT0229GCAZ	AC		C	FU spring R
29	XHBSE40P10000	AA		C	Screw(4x10)
30	PDUC-0003QSZ1	AG		C	Cooling fan duct
31	NFANP0004QSZZ	BB		B	Cooling fan
32	PFiLZ0004QSZZ	AM		B	Ozone filter
33	PMLT-0027QSZZ	AC		C	Cleaning fan cushion
34	XEBSD20P06000	AA		C	Screw(2x6)
35	LX-BZ0780FCZZ	AC		C	Screw
(Unit)					
901	CFRM-0038RS57	BT	N	E	1st delivery unit(Include Block 27 Except No.29,35) (AR-M276/M236 U.kingdom,Taiwan)
	CFRM-0038RS58	BT	N	E	1st delivery unit(Include Block 27 Except No.29,35) (Except AR-M276/M236 U.kingdom,Taiwan)

26 1st delivery paper unit 1

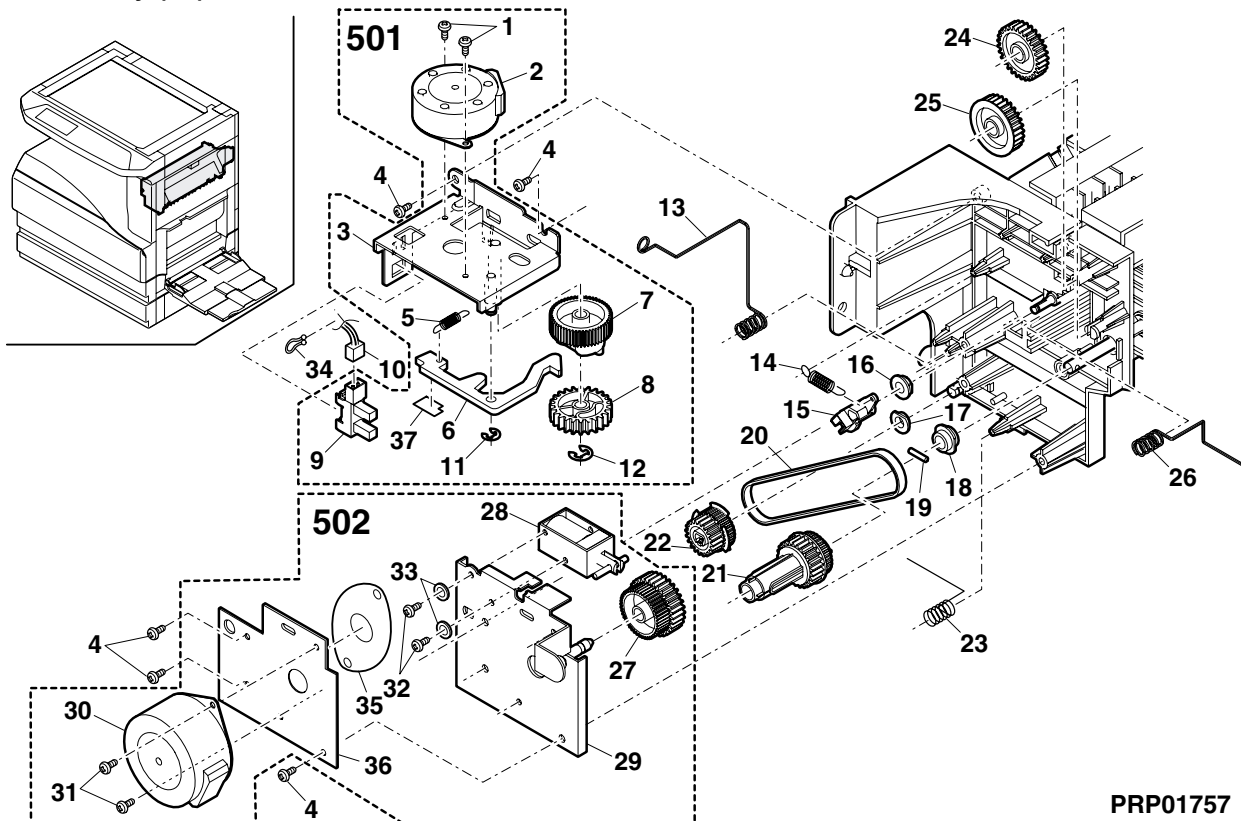


PRP01756

27 1st delivery paper unit 2

NO.	PARTS CODE	PRICE RANK	NEW MARK	PART RANK	DESCRIPTION
1	XHBSD30P08000	AA		C	Screw(3x8)
2	RMOTP0029QSNA	AV		B	Shifter motor
3	CPLTM0184QS02	AG		C	Shifter drive plate
4	XEBSD30P08000	AA		C	Screw(3x8)
5	MSPRD0225QSZZ	AC		C	Stopper return spring
6	LSTPP0003QSZ1	AC		C	Shifter stopper
7	NGERH0068QSZ1	AD		C	Shifter gear(50T)
8	NGERH0067QSZZ	AD		C	Shifter gear(24T)
9	VHPGP1A71L3-1	AG		B	Photo sensor(GP1A71L3)
10	DHAi-0364QSZZ	AP	N	C	1st delivery harness
11	XRESP30-06000	AA		C	E type ring
12	XRESP40-06000	AA		C	E type ring
13	MSPRD0216QSZZ	AD		C	Shifter earth spring
14	MSPRT0217QSZ1	AC		C	Gate return spring
15	LBRC-0002QSZZ	AD		C	Gate bracket
16	LBSHZ0303FCZZ	AC		C	M bushing C
17	NBRGY2122SCZZ	AB		C	Transport roller bearing
18	NBRGC0019QSZZ	AD		C	Bearing
19	LPINS0258FCZZ	AA		C	Spring pin(φ3-10)
20	NBLTT0024QSZZ	AG		B	Drive belt 240
21	NGERH0080QSZZ	AE		C	Delivery drive gear(25/31T)
22	NGERH0082QSZZ	AD		C	DUP delivery gear(20/31T)
23	MSPRD0198QSZZ	AC		C	Delivery earth spring B
24	NGERH0113QSZZ	AC		C	Idle gear B(29T)
25	NGERH0114QSZZ	AC		C	Idle gear C(29T)
26	MSPRD0196QSZZ	AC		C	Delivery earth spring A
27	NGERH0155QSZZ	AD		C	Gear(31/39T)
28	RPLU-0027QSZZ	AU		B	Change gate solenoid
29	CBRC-0004QS03	AF		C	DUP motor fixing bracket
30	RMOTP0024QSZZ	AW		B	DUP motor
31	XHBSD30P08000	AA		C	Screw(3x8)
32	XBBSD26P03000	AA		C	Screw(2.6x3)
33	XWBSD30-05070	AA		C	Washer
34	LHLDW1334FCZZ	AA		C	Wire holder
35	PSHEZ0316QSZZ	AD		C	Delivery motor sheet
36	PRDAZ0002QSZZ	AD		C	Delivery motor radiation plate
37	PSHEZ0341QSZZ	AA		C	Shifter stop mylar
501	CPLTM0184RS52	AZ	N	E	Shifter unit
502	CBRC-0004RS51	BA		E	DUP motor fixing bracket unit
	(Unit)				
901	CFRM-0038RS57	BT	N	E	1st delivery unit(Include Block 26) (AR-M276/M236 U.kingdom,Taiwan)
	CFRM-0038RS58	BT	N	E	1st delivery unit(Include Block 26) (Except AR-M276/M236 U.kingdom,Taiwan)

27 1st delivery paper unit 2

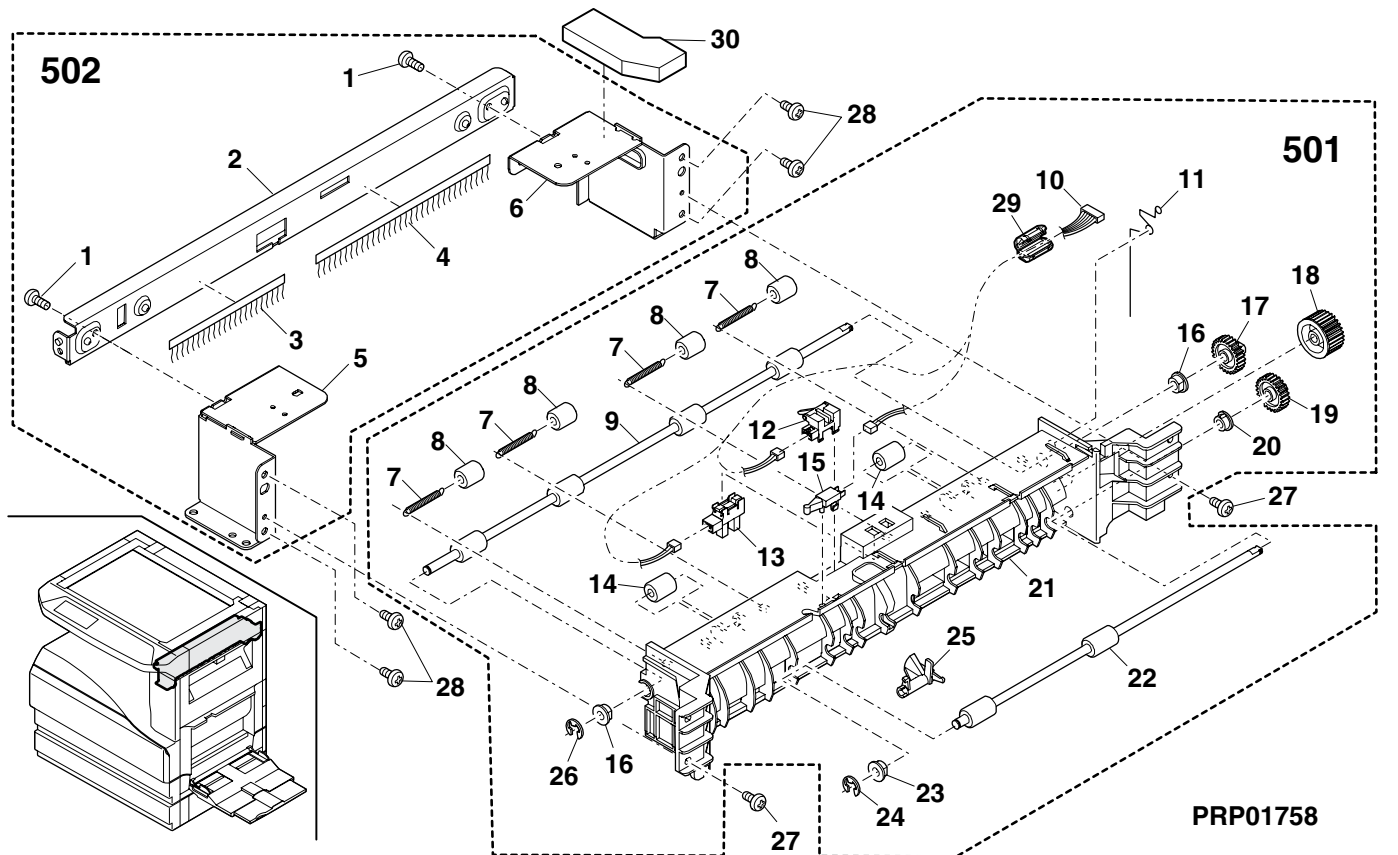


PRP01757

28 2nd delivery paper unit

NO.	PARTS CODE	PRICE RANK	NEW MARK	PART RANK	DESCRIPTION
1	XHBSD40P10000	AA		C	Screw(4x10)
2	CPLTM0216QS01	AH		C	DID rail assistance plate
3	PBRSR0021QSZ1	AG		B	Discharger brush S
4	PBRSR0020QSZ1	AH		B	Discharger brush L
5	LFRM-0047QSZZ	AG		D	Delivery frame
6	LFRM-0058QSZZ	AG		D	Delivery frame R
7	MSPRT0229GCAZ	AC		C	FU spring R
8	NROLP1122FCZZ	AF		C	PS upper roller
9	NROLR0056QSZ1	AN		C	Delivery roller
10	DHAi-0365QSZZ	AH	N	C	2nd delivery harness
11	MSPRD0218QSZZ	AD		C	Delivery earth spring
12	VHPGP1S44S/-1	AK		B	Photo sensor(GP1S44S)
13	VHPGP1S73P+-1	AF		B	Photo sensor(GP1S73P)
14	NROLP0079QSZZ	AC		C	Delivery roller
15	QSW-B0017QSZZ	AF		B	Tray detect switch
16	NBRGM0501FCZZ	AB		C	Bearing
17	NGERH0111QSZZ	AC		C	Drive gear A(25T)
18	NGERH0110QSZZ	AE		C	Idle gear A(29T)
19	NGERH0112QSZZ	AC		C	Drive gear B(25T)
20	NBRGY2122SCZZ	AB		C	Transport roller bearing
21	PGiDM0072QSZZ	AU		C	Delivery lower paper guide
22	NROLR0051QSZ1	AL		C	DUP delivery roller
23	LBSHZ0303FCZZ	AC		C	M bushing C
24	XRESP40-06000	AA		C	E type ring
25	MLEVP0067QSZ1	AC		C	Delivery actuator
26	XRESP50-06000	AA		C	E type ring
27	XHBSD30P08000	AA		C	Screw(3x8)
28	XHBSE40P10000	AA		C	Screw(4x10)
29	RCORF0014QSZZ	AK		C	Core (Taiwan)
30	PMLT-0090QSZZ	AE	N	C	2nd delivery upper cushion R
501	CGiDM0072RS64	BB	N	E	Delivery lower PG unit
502	CFRM-0047RS51	AV		E	Delivery frame unit

28 2nd delivery paper unit



29 PWB section

NO.	PARTS CODE	PRICE RANK	NEW MARK	PART RANK	DESCRIPTION
1	CPWBX0136QS31	CG	N	E	IMC PWB
2	XBBS30P08000	AA		C	Screw(3x8)
4	CPWBF0138QSE1	BD	N	E	Option interface PWB
5	XBBSF30P08000	AA		C	Screw(3x8)
6	DHAI-0372QSZZ	AE	N	C	OP interface PWB harness
7	LHLDZ0062QSZZ	AT		C	MCU PWB holder
8	LX-BZ0031QSZZ	AC		C	Screw
9	LHLDW0086QSZZ	AB		C	Harness ring
10	CPWBX0134QS31	CF	N	E	MCU PWB (AR-M237/M236)
12	LHLDZ0071QSZZ	AG		C	Mother bord holder
13	CPWBN0137QSE1	AZ	N	E	Mother bord
14	XHBSE30P08000	AA		C	Screw(3x8)
15	LX-BZ0024QSZZ	AA		C	Screw
16	LHLDZ0070QSZZ	AX	N	C	OP PWB holder
17	XHBSE30P08000	AA		C	Screw(3x8)
18	XEBSE40P10000	AA		C	Screw(4x8)
19	XBPSD30P08KS0	AA		C	Screw(3x8)
20	PSHEZ0269QSZZ	AC		C	CCD harness sheet
21	RCORF0002QSZZ	AE		C	Core
22	DHAI-0345QSZZ	AG	N	C	CCD harness
28	DHAI-0353QSZZ	AH	N	C	ILSW I/F harness 2
29	DHAI-0392QSZZ	AU	N	C	2nd harness
30	PCAPH0023FCZZ	AC		D	15P protect cap
31	PCAPH1003ACZZ	AC		D	25P protect cap
32	PCAPH1005ACZZ	AC		D	9P protect cap
33	CPWBN0135QS31	CF	N	E	GDI PWB
35	DHAI-0364QSZZ	AP	N	C	1st delivery harness
37	DHAI-0200QSZZ	AS		C	CL harness
38	DHAI-0346QSZZ	AP	N	C	Optical sensor harness [AB Series]
	DHAI-0347QSZZ	AN	N	C	Optical sensor harness [Inch Series]
39	DHAI-0373QSZZ	AS	N	C	DV/LSU interface harness
40	DHAI-0371QSZZ	AR	N	C	Drive/Manual paper feed interface harness
41	DHAI-0395QSZZ	AG	N	C	Cassette sensor PWB harness
42	DHAI-0348QSZZ	AH	N	C	Operation PWB FFC
43	DHAI-0381QSZZ	AH	N	C	Fusing interface harness
44	DHAI-0374QSZZ	AX	N	C	Power supply harness
45	PGSK-0018QSZZ	AH		C	MCU-OP PWB holder cushion (Taiwan)
47	RCORF0011QSZZ	AG		C	Manual harness core (Taiwan)
48	PTPE-0034QSZZ	AP		C	MB holder shield cushion (Taiwan)
49	PTPE-0035QSZZ	AH		C	MB holder tape B (Taiwan)
50	PGSK-0017QSZZ	AH		C	1394CN cushion (Taiwan)
51	PTPE-0027QSZZ	AP		C	OP PWB holder shield tape A (Taiwan)
52	PTPE-0028QSZZ	AG		C	OP PWB holder shield tape B (Taiwan)
53	PTPE-0029QSZZ	AG		C	OP PWB holder shield tape C (Taiwan)
54	PSHEM0338QSZZ	AH		C	IMC shield alpet (Taiwan)

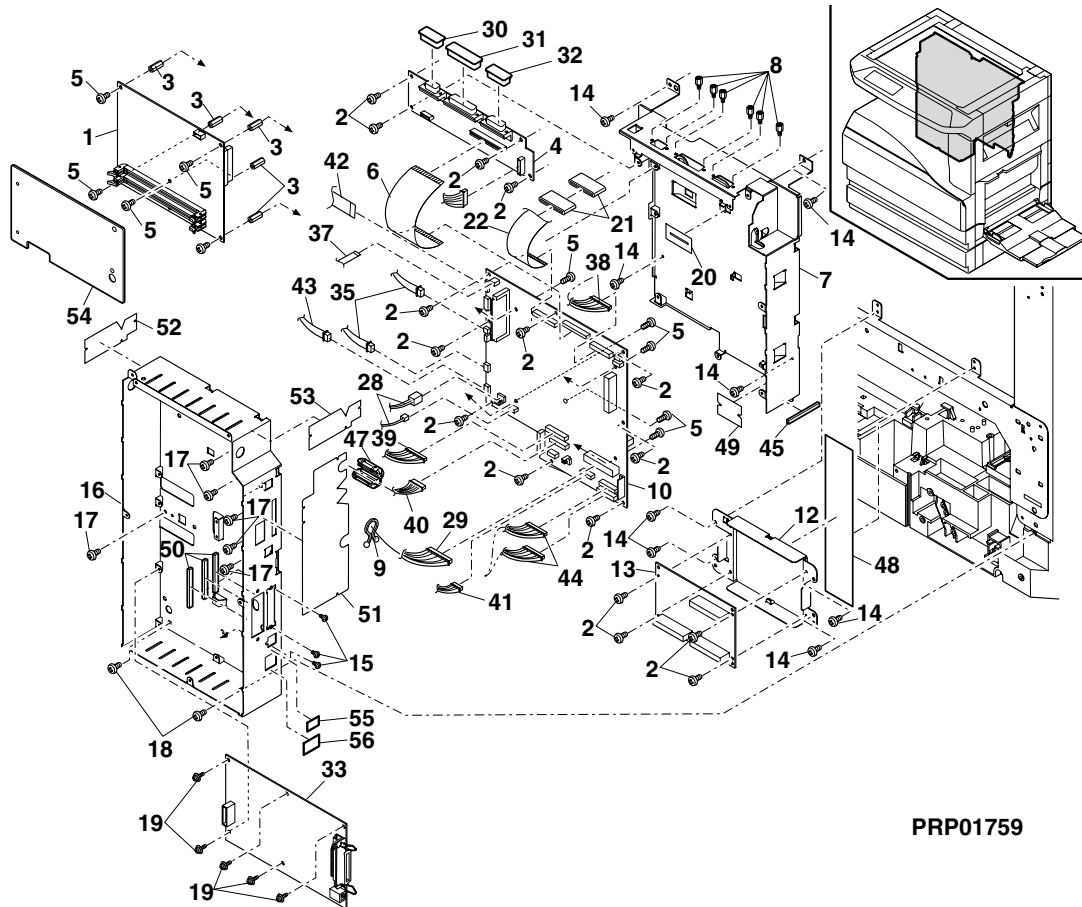
30 Rear frame section

NO.	PARTS CODE	PRICE RANK	NEW MARK	PART RANK	DESCRIPTION
1	XBPSN40P06K00	AA		C	Screw(4x6K)
2	DHAI-0375QSZZ	AM	N	C	HL interface harness
4	XHBSE30P06000	AA		C	Screw(3x6)
5	LPLTM0162QSZZ	AC		C	Drive earth plate
6	LPLTM0252QSZZ	AD		C	Paper feed earth plate LP
7	DHAI-0371QSZZ	AR	N	C	Drive/Manual paper feed interface harness
8	DHAI-0378QSZZ	AC	N	C	Cassette earth harness
9	XHBSE30P08000	AA		C	Screw(3x8)
10	XEBSD40P30000	AA		C	Screw(4x30)
11	PGIDM0112QSZZ	AG	N	C	Harness guide
12	XEBSD40P30000	AA		C	Screw(4x30)
13	CDAIU0024RS53	AZ	N	E	1st lift up unit
15	LPLTM0249QSZZ	AC		C	2nd earth plate
19	QACCDR614QCPZ	AS		B	AC cord (U.S.A,Canada,Brazil,LAG2)
	QACCBR421QCPZ	AZ		B	AC cord (U.kingdom,UAE,Yemen,Oman,Qatar,Kuwait,Bahrain)
	QACCR624QCPZ	AW		B	AC cord (Other Countries)
	QACCJR614QCPZ	AW		B	AC cord (Philippines,Taiwan)
	QACCLR421QCPZ	AW	N	B	AC cord (Australia,New Zealand)
	DHAI-0167QSZZ	BA	N	B	AC cord (Saudi Arabia)
	DHAI-0151QSZZ	AU	N	B	AC cord (SRS,SRSSC,South africa,Special Country,India,Hong kong)
20	QSW-C9292QCZZ	AN		B	Power supply switch(AJ8W200B)
28	RDENC0011QSZZ	BY	N	E	Low voltage power supply unit (100V)
	RDENC0011QS11	BY	N	E	Low voltage power supply unit (120V)
	RDENC0011QS12	BY	N	E	Low voltage power supply unit (230V)
29	RDENC0012QSZZ	BN	N	E	High voltage Power supply unit
30	LHLDW1057FCZZ	AB		C	Wire holder(LWS-3S)
31	DHAI-0377QSZZ	AP	N	C	AC switch harness
32	LFX-0016FCZZ	AD		C	AC cord fixer
33	XEBSD40P30000	AA		C	Screw(4x30)
34	XEBSE40P12000	AA		C	Screw(4x12)

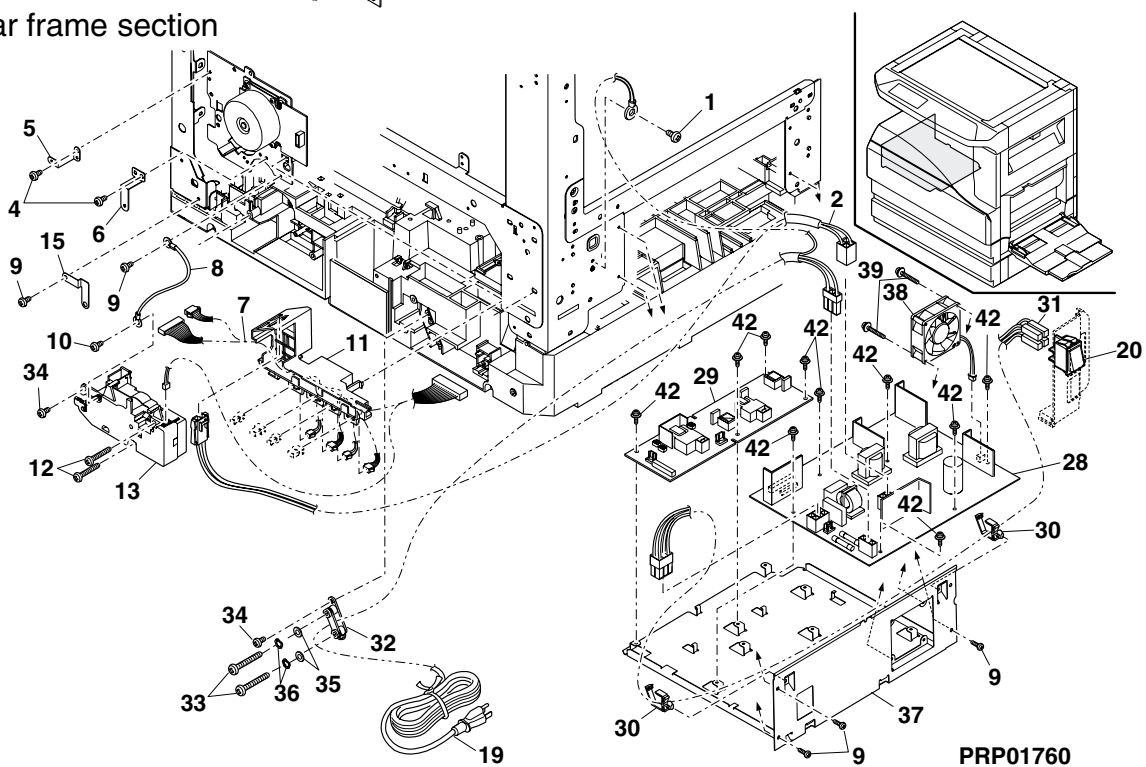
30 Rear frame section

NO.	PARTS CODE	PRICE RANK	NEW MARK	PART RANK	DESCRIPTION
35	XW HSD 40 - 0 8 1 0 0	AA		C	Washer
36	XW SSD 40 - 1 0 0 0 0	AA		C	Washer
37	L P L T M 0 3 4 9 Q S Z Z	AS	N	C	Power supply plate
38	N F A N P 0 0 1 1 Q S Z Z	AS	N	B	P/S fan motor
39	X B P S D 3 0 P 3 0 K S 0	AA		C	Screw(3x30KS)
42	X B P S D 3 0 P 0 8 K S 0	AA		C	Screw(3x8KS)

29 PWB section



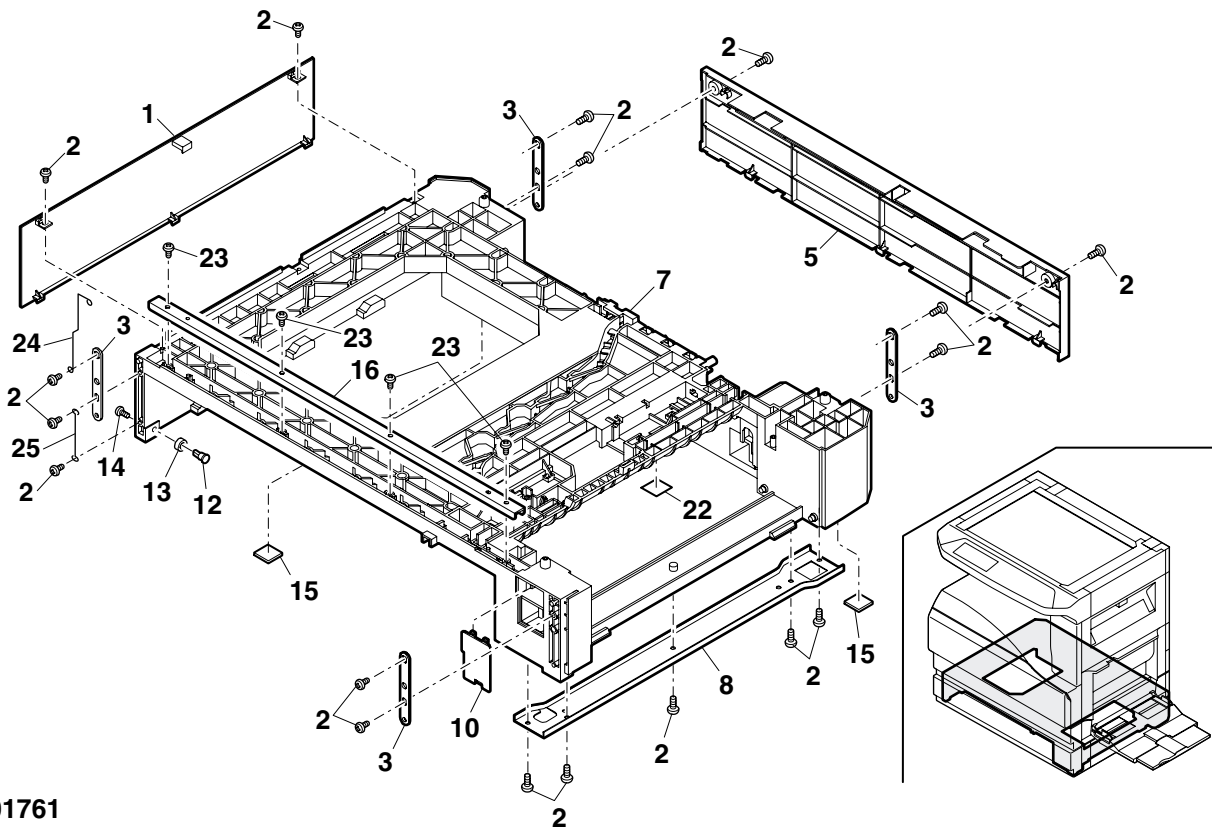
30 Rear frame section



31 2nd exteriors

NO.	PARTS CODE	PRICE RANK	NEW MARK	PART RANK	DESCRIPTION
1	GCAB-0030QSZA	AN	N	D	Left cabinet
2	XEBSE40P12000	AA		C	Screw(4x12)
3	LPLTM0240QSZZ	AC		C	2nd joint plate
5	GCOVA0025QSZB	AS	N	D	Rear cover
7	LFRM-0039QSZB	BK	N	D	Frame
8	LPLTM0236QSZZ	AG		C	2nd reinforce plate R
10	PCOVP0063QSZB	AD	N	D	Front cover
12	NSFTZ0048QSZZ	AG		C	Cassette collar shaft
13	NKOM-0005QSZZ	AC		C	Cassette guide collar
14	XBPSD30P08KS0	AA		C	Screw(3x8KS)
15	GLEGG0064FCZZ	AC		C	Rubber foot
16	LPLTM0237QSZZ	AH		C	2nd reinforce plate F
22	PSHEZ0325QSZZ	AB		C	Frame lower mylar
23	LX-BZ0037QSZZ	AB	N	C	Screw
24	MSPRD0276QSZZ	AS		C	Front earth spring (Taiwan)
25	MSPRD0277QSZZ	AN		C	2nd joint earth spring (Taiwan)

31 2nd exteriors

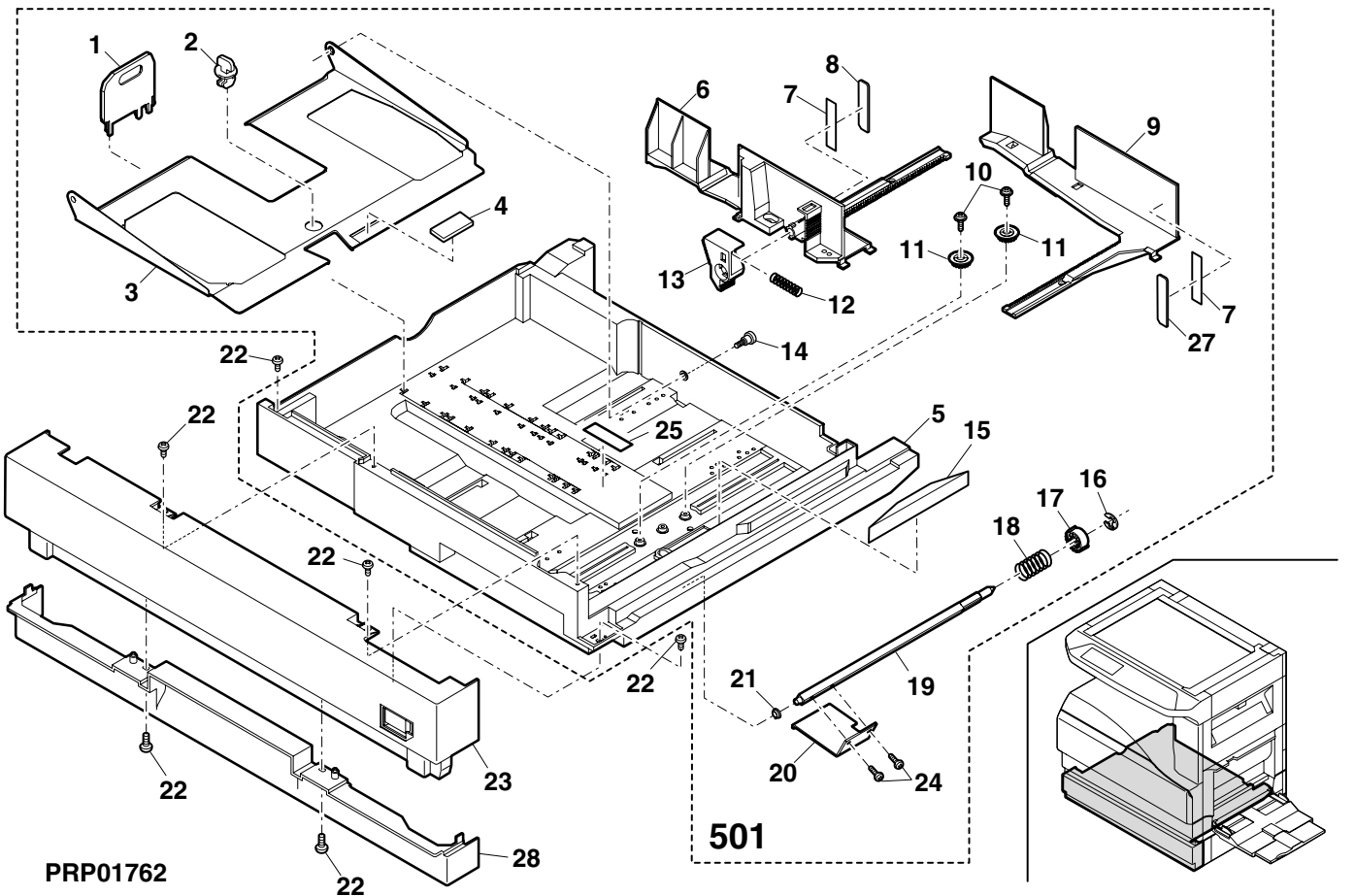


PRP01761

32 2nd 550 cassette unit

NO.	PARTS CODE	PRICE RANK	NEW MARK	PART RANK	DESCRIPTION
1	LPLTP0159QSZZ	AD		C	Cassette rear side plate
2	LHLDW1226FCZZ	AB		C	Turn fastener
3	LPLTM0179QSZ1	AR		C	Rotation plate
4	PSHEZ0274QSZZ	AC		C	Rotation plate sheet
5	GCASP0005QSZ2	BA	N	D	550 cassette
6	PGiDM0070QSZ1	AM		C	Guide F
7	PTPE-0021QSZZ	AD		C	GiD tape
8	LPLTM0181QSZ1	AB		C	Side plate guide F
9	PGiDM0071QSZZ	AL		C	Guide R
10	LX-BZ0884FCZZ	AB		C	Screw
11	NGERH0193FCZZ	AB		C	UC manual feed gear
12	MSPRC2631FCZZ	AC		C	Fusing pressure spring
13	MLEVP0755FCZ1	AE		C	Side plate F lever
14	LX-BZ0833FCZZ	AC		C	Screw
15	CSHEZ0244QS02	AE		C	Cassette mylar
16	XRESP70-08000	AA		C	E type ring
17	NGERH0108QSZZ	AD		C	Lift gear(22T)
18	MSPRC0210QSZZ	AC		C	Lift gear spring
19	NSFTZ0047QSZZ	AP		C	Lift shaft
20	LPLTM0180QSZ1	AE		C	Lift plate
21	NBRGP0041GCZZ	AD		C	Bearing
22	XEBSE40P10000	AA		C	Screw(4x10)
23	JHNDP0005QSZZ	AY	N	C	Cassette panel
24	XBPSD40P08KS0	AA		C	Screw(4x8KS)
25	TLABZ0366QSZZ	AD		C	Label
27	LPLTM0277QSZZ	AC		C	Side plate guide R
28	PCOVP0096QSZZ	AN	N	C	Cassette panel line
(Unit)					
901	CCASP0005RS55	BM	N	E	2nd 550 cassette unit

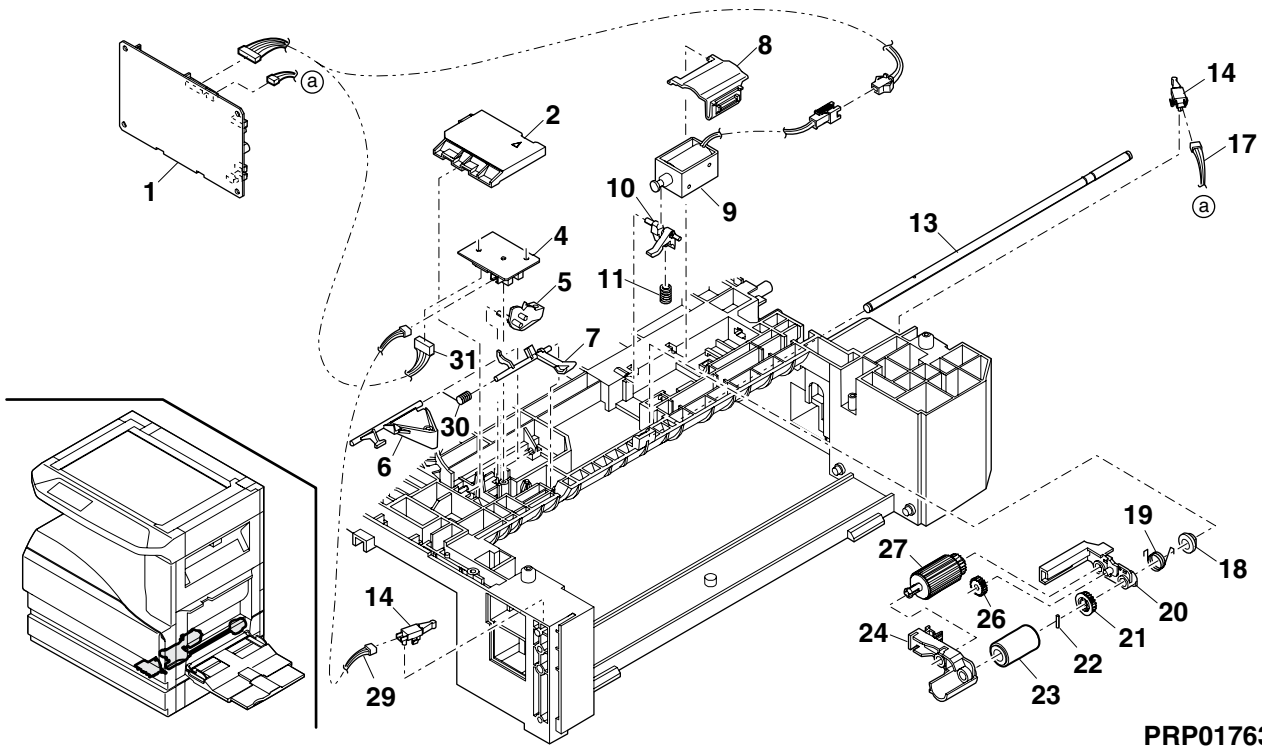
32 2nd 550 cassette unit



33 2nd paper feed section

NO.	PARTS CODE	PRICE RANK	NEW MARK	PART RANK	DESCRIPTION
1	CPWBF0082QSE1	BB		E	2nd cassette interface PWB
2	PCOVP0070QSZZ	AD		D	Sensor cover
4	CPWBF0095QSE3	AP	N	E	2nd cassette sensor PWB
5	MLEVP0063QSZZ	AD		C	Upper limit detect actuator
6	MLEVP0064QSZZ	AD		C	Paper detect actuator
7	MLEVP0062QSZZ	AC		C	P-IN detect actuator
8	PCOVP0064QSZZ	AD		D	Solenoid cover
9	RPLU-0026QSZ1	AR		B	Paper feed solenoid
10	MARMP0026QSZZ	AD		C	Solenoid arm
11	MSPRC0209QSZ1	AC		C	Solenoid spring
13	NSFTZ0050QSZ1	AH		C	2nd paper feed roller shaft
14	QSW-B0017QSZZ	AF		B	Tray detect switch
17	DHAi-0397QSZZ	AD	N	C	Cassette detect interface harness
18	NBRGC0100FCZ1	AC		C	Bearing 6
19	MSPRD0206QSZZ	AC		C	Pick up roller pressure spring
20	MARMP0021QSZZ	AD		C	Pick up arm R
21	NGERH0107QSZZ	AD		C	Paper feed gear
22	LPiN-0026MCZZ	AA		C	Spring pin(φ2-10)
23	NROLR0055QSZ1	AR		C	Paper feed roller
24	MARMP0019QSZZ	AD		C	Pick up arm F
26	NGERH0990FCZZ	AB		C	Gear(16T)
27	NROLR0054QSZZ	AP		C	Pick up roller
29	DHAi-0394QSZZ	AD	N	C	Door open/close detect harness
30	MSPRD0204QSZZ	AC		C	P-IN detect actuator spring
31	DHAi-0395QSZZ	AG	N	C	Cassette sensor PWB harness

33 2nd paper feed section

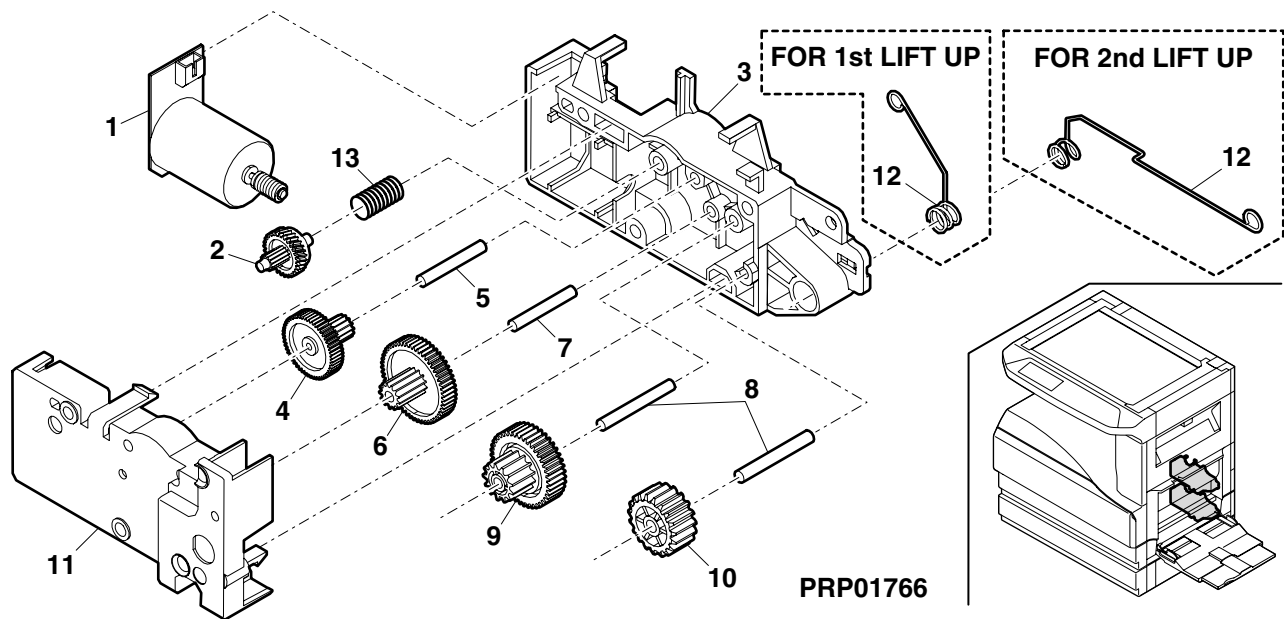


PRP01763

36 Pick up motor unit

NO.	PARTS CODE	PRICE RANK	NEW MARK	PART RANK	DESCRIPTION
1	CMOTV0778FCE3	AU	N	E	Lift up motor unit
2	NGERH0158QSZ1	AE		C	Gear(29T/11T)
3	LDAIU0024QSZ1	AH	N	D	Lift up base
4	NGERH0102QSZZ	AD		C	Gear(53T/14T)
5	NSFTZ0045QSZZ	AC		C	Shaft
6	NGERH0103QSZZ	AE		C	Gear(54T/13T)
7	NSFTZ0044QSZZ	AC		C	Shaft
8	NSFTZ0060QSZZ	AC		C	Shaft
9	NGERH0104QSZZ	AE		C	Gear(13T/42T)
10	NGERH0105QSZZ	AD		C	Gear(19T)
11	PCOVP0061QSZ1	AH		D	Lift up cover
12	MSPRD0208QSZZ	AC		C	1st cassette earth spring
	MSPRD0251QSZZ	AD		C	2nd cassette earth spring
13	MSPRC0263QSZZ	AC		C	Lift up spring
	(Unit)				
901	CDAIU0024RS53	AZ	N	E	1st lift up unit
	CDAIU0024RS54	AZ	N	E	2nd lift up unit

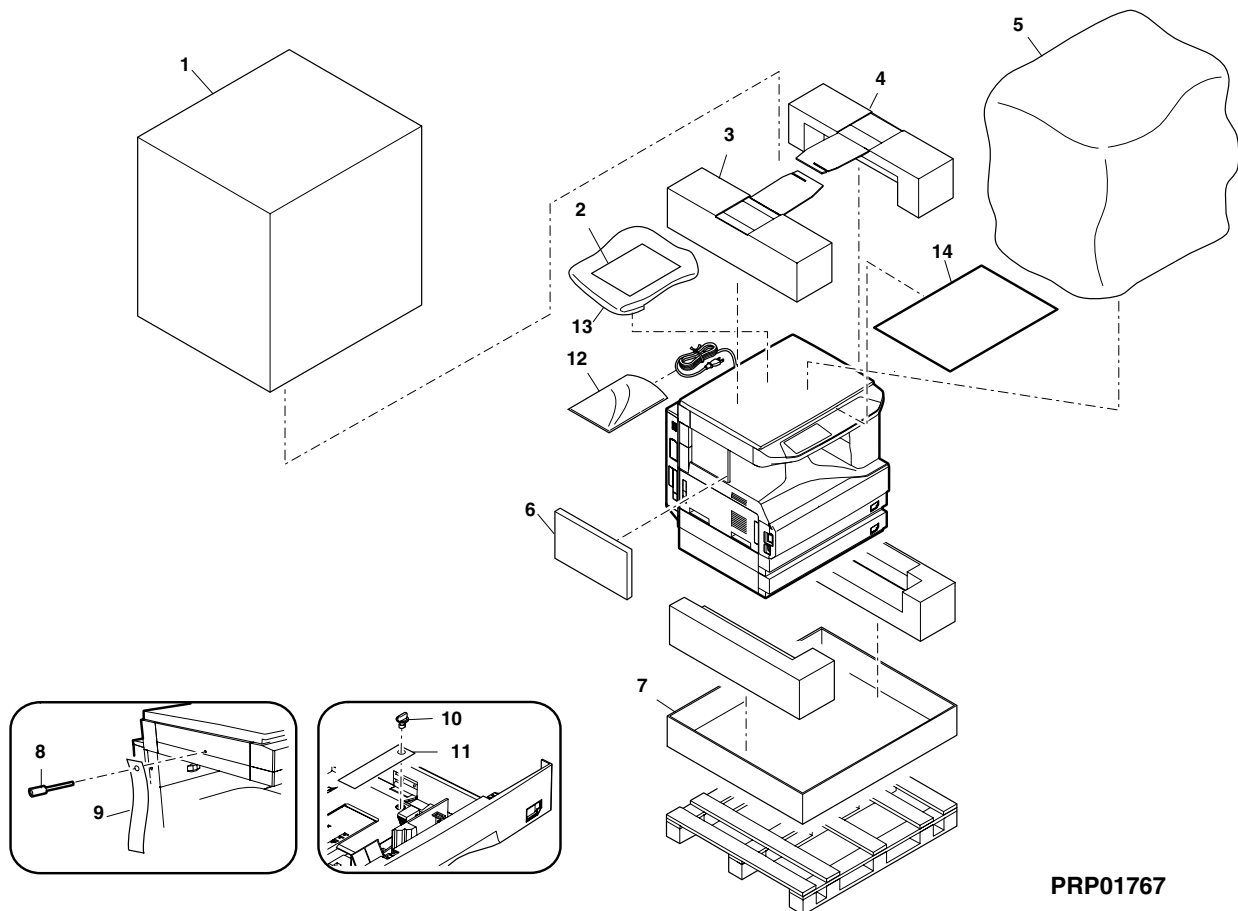
36 Pick up motor unit



37 Packing material & accessories

NO.	PARTS CODE	PRICE RANK	NEW MARK	PART RANK	DESCRIPTION
	T I N S E 1 0 0 5 Q S Z Z	AW	N	D	Operation manual (Copy) (English)[U.kingdom]
	T I N S E 1 0 0 3 Q S Z Z	AW	N	D	Operation manual (Copy) (English)[Other Countries]
	T I N S E 1 0 0 1 Q S Z Z	AX	N	D	Operation manual (Copy) (English)[U.S.A]
	T I N S E 1 0 3 1 Q S Z Z	AL	N	D	Operation manual (Key) (English)[U.kingdom]
	T I N S E 1 0 2 9 Q S Z Z	AL	N	D	Operation manual (Key) (English)[Other Countries]
	T I N S E 1 0 2 7 Q S Z Z	AL	N	D	Operation manual (Key) (English)[U.S.A]
	T I N S E 1 0 5 3 Q S Z Z	AL	N	D	Operation manual (Set up) (English)
	T I N S E 1 0 9 1 Q S Z Z	AQ	N	D	Operation manual (NW scanner) (English)
	T I N S F 1 0 0 6 Q S Z Z	AZ	N	D	Operation manual (Copy) (French)
	T I N S F 1 0 3 2 Q S Z Z	AP	N	D	Operation manual (Key) (French)
	T I N S F 1 0 5 5 Q S Z Z	AN	N	D	Operation manual (Set up) (French)
2	T I N S F 1 0 9 3 Q S Z Z	AU	N	D	Operation manual (NW scanner) (French)
	T I N S G 1 0 0 8 Q S Z Z	AZ	N	D	Operation manual (Copy) (German)
	T I N S G 1 0 3 4 Q S Z Z	AP	N	D	Operation manual (Key) (German)
	T I N S G 1 0 5 6 Q S Z Z	AN	N	D	Operation manual (Set up) (German)
	T I N S G 1 0 9 5 Q S Z Z	AU	N	D	Operation manual (NW scanner) (German)
	C D S K A 0 0 3 5 Q S 3 2	AW	N	D	CD-ROM (GDI)[U.S.A,Other Countries]
	T C A D Z 0 0 1 5 Q S Z Z	AD	N	D	ECP card (Canada)
	P S H E Z 1 3 9 4 F C Z Z	AC		D	Vinyl sheet
	T L A B H 0 4 8 4 Q S Z Z	AE	N	D	Paper size label (Inch Series)
	U K O G Z 0 0 0 2 F C Z Z	AD		D	Vinyl gloves
	U Y O K - 0 0 1 1 F C Z Z	AA		D	Vinyl bag
	C C A S Z 0 0 6 7 F C 0 1	AD		D	Maintenance case
3	S P A K A 0 4 8 2 Q S Z Z	AW	N	D	Top packing L (AR-M237/M277)
	S P A K A 0 4 8 0 Q S Z Z	AW	N	D	Top packing L (AR-M236/M276)
4	S P A K A 0 4 8 3 Q S Z Z	AW	N	D	Top packing R (AR-M237/M277)
	S P A K A 0 4 8 1 Q S Z Z	AW	N	D	Top packing R (AR-M236/M276)
5	S S A K Z 0 0 1 9 F C Z Z	AM		D	Vinyl bag
6	S P A K A 0 4 8 5 Q S Z Z	AL	N	D	Scanner reinforce add
7	S P A K A 0 4 8 4 Q S Z Z	BE	N	D	Bottom packing case
8	L X - B Z 0 0 1 5 Q S Z Z	AF		D	2/3 fixing screw
9	T C A D Z 0 0 1 0 Q S Z Z	AC		D	Fixing screw caution card
10	L H L D W 1 2 2 6 F C Z Z	AB		C	Turn fastener
11	T C A D Z 1 2 7 5 F C Z Z	AB		D	Cassett rotation tag
12	S S A K A 3 0 0 1 C C Z Z	AA		D	Vinyl bag(140X360)
13	S S A K A 2 3 4 3 Q C Z Z	AA		D	Vinyl bag(260X380)
14	S P A K A 0 1 3 4 R S Z Z	AL		D	OC protect sheet
101	C S H E Z 0 4 3 3 Q S 0 5	AG	N	C	Key sheet (French)[Canada]

37 Packing material & accessories



PRP01767

■ Index

PARTS CODE	NO.	PRICE RANK	NEW MARK	PART RANK
[C]				
CBOX-0001JS5G	21-501	BL	N	E
CBRC-0004QS03	27- 29	AF		C
CBRC-0004RS51	27-502	BA		E
CBTN-0068QS01	9- 18	AF	N	C
CBTN-0069QS02	9- 17	AF	N	C
CBTN-0070QS01	9- 19	AN	N	C
CBTN-0071QS01	9- 20	AM	N	C
CBTN-0071QS02	9- 20	AM	N	C
CCAB-0077RS51	6-501	AZ	N	E
CCAB-0082QS01	2- 23	AP	N	D
CCASP0005RS55	32-901	BM	N	E
CCASP0006RS51	15-901	BL	N	E
CCASZ0067FC01	37- 2	AD		D
CCOV-0051QS01	2- 26	AX	N	D
CCOV-0051QS02	2- 26	AX	N	D
CCOV-0051QS07	2- 26	AX	N	D
CCOV-0051QS08	2- 26	AX	N	D
CCOVP0053RS53	17-502	AW		E
CCOVP0072RS54	21-502	AP		E
CCOVP0089RS51	34-501	AQ		E
CDAiU0012QS11	12- 2	BH	N	D
"	13- 8	BH	N	D
CDAiU0024RS53	30- 13	AZ	N	E
"	36-901	AZ	N	E
CDAiU0024RS54	35- 13	AZ	N	E
"	36-901	AZ	N	E
CDOR-0002RS58	18-901	BH	N	E
CDSKA0035QS32	37- 2	AW	N	D
CFiLW0282FC02	9- 22	AK	N	D
CFiLW0283FC02	9- 23	AH	N	D
CFiLW0284FC02	9- 21	AF	N	D
CFiX-0013QS05	1- 3	AN	N	D
CFRM-0038RS57	26-901	BT	N	E
"	27-901	BT	N	E
CFRM-0038RS58	26-901	BT	N	E
"	27-901	BT	N	E
CFRM-0043QS02	10- 4	AX		D
CFRM-0044QS02	10- 23	BB		C
CFRM-0047RS51	28-502	AV		E
CFRM-0048RS53	20-901	BH	N	E
CFRM-0049RS54	22-901	BK		E
CFRM-0049RS58	22-901	BK	N	E
CFRM-0049RS61	22- 6	AZ		D
CFRM-0049RS69	22- 6	AZ		D
CFRM-0069RS51	6-901	BK	N	E
CGiDM0067RS51	17-501	AY		E
CGiDM0068RS51	34-502	AS		E
CGiDM0072RS64	28-501	BB	N	E
CGiDM0106RS51	4- 7	BL	N	E
"	7-501	BL	N	E
"	8-501	BL	N	E
CGiDM0116QS02	1- 7	AK		C
CHAi-0356RS51	14- 7	AL	N	C
CHAi-0357RS51	14- 8	AL	N	C
CHLDZ0035RS53	22- 31	AZ		E
CHLDZ0105RS51	9-501	AU	N	E
CLNS-0003RS54	13- 28	BQ	N	E
CMOTV0778FCE3	36- 1	AU	N	E
CPiPP0015RS51	22-501	AP		E
CPLTM0084QS02	12- 17	AK		C
CPLTM0160QS01	25- 3	AU		C
CPLTM0160RS53	14- 67	BN	N	E
"	25-901	BN	N	E
CPLTM0161QS01	25- 20	AN		C
CPLTM0168QS02	10- 6	AK	N	C
CPLTM0184QS02	27- 3	AG		C
CPLTM0184RS52	27-501	AZ	N	E
CPLTM0216QS01	28- 2	AH		C
CPLTM0323RS51	8-502	AY	N	E
CPLTM0336QS01	23- 31	AR	N	C
CPLTM0342QS01	10- 42	AH	N	C
CPLTM0345QS01	20- 27	AG	N	C
CPNLH0029QS05	9- 25	AY	N	D
CPNLH0029QS06	9- 25	AY	N	D
CPNLH0029RS55	9-901	BY	N	D
CPWBF0081QSE2	16- 2	AP	N	E
CPWBF0082QSE1	33- 1	BB		E
"	35- 2	BB		E

PARTS CODE	NO.	PRICE RANK	NEW MARK	PART RANK
CPWBF0083QSE5	13- 7	AU		E
"	20- 48	AU		E
"	26- 18	AU		E
CPWBF0095QSE3	33- 4	AP	N	E
CPWBF0106QSE4	19- 17	AP	N	E
CPWBF0138QSE1	29- 4	BD	N	E
CPWBF0139QSE1	5- 1	BA	N	E
CPWBF0145QSE1	9- 15	AX	N	E
CPWBF1501FCE2	4- 24	AS	N	E
CPWBN0135QS31	29- 33	CF	N	E
CPWBN0137QSE1	29- 13	AZ	N	E
CPWBN0146QSE2	9- 3	BU	N	E
CPWBX0134QS31	29- 10	CF	N	E
CPWBX0136QS31	29- 1	CG	N	E
CREFL0004QS33	11-901	BL		E
"	12- 8	BL		E
CSFTB0073QS01	6- 34	AF	N	E
CSFTZ0023QS01	26- 21	AH		C
CSHEZ0244QS02	32- 15	AE		C
CSHEZ0433QS05	37-101	AG	N	C
CSOU-0024RS55	19-901	BK	N	E
CSOU-0037RS51	4-501	BQ	N	E
"	5-501	BQ	N	E
CSOU-0038RS51	4-502	BF	N	E
CSW-M0007RS56	14- 36	AP	N	B
CTME-0021RS51	22-502	AK		E
[D]				
DHAi-0151QSZZ	30- 19	AU	N	B
DHAi-0167QSZZ	30- 19	BA	N	B
DHAi-0200QSZZ	11- 9	AS		C
"	29- 37	AS		C
DHAi-0314QSZZ	21- 50	AH	N	C
DHAi-0345QSZZ	13- 30	AG	N	C
"	29- 22	AG	N	C
DHAi-0346QSZZ	13- 4	AP	N	C
"	29- 38	AP	N	C
DHAi-0347QSZZ	13- 4	AN	N	C
"	29- 38	AN	N	C
DHAi-0348QSZZ	29- 42	AH	N	C
DHAi-0350QSZZ	16- 21	AG	N	C
DHAi-0353QSZZ	14- 14	AH	N	C
"	29- 28	AH	N	C
DHAi-0354QSZZ	14- 55	AG	N	C
DHAi-0355QSZZ	14- 56	AG	N	C
DHAi-0359QSZZ	19- 13	AP	N	C
DHAi-0360QSZZ	20- 49	AE	N	C
DHAi-0361QSZZ	9- 5	AE	N	C
DHAi-0362QSZZ	9- 14	AD	N	C
DHAi-0364QSZZ	26- 19	AP	N	C
"	27- 10	AP	N	C
"	29- 35	AP	N	C
DHAi-0365QSZZ	28- 10	AH	N	C
DHAi-0366QSZZ	23- 9	AL	N	C
DHAi-0367QSZZ	23- 10	AF	N	C
DHAi-0368QSZZ	23- 7	AD	N	C
DHAi-0370QSZZ	3- 11	AF	N	C
DHAi-0371QSZZ	29- 40	AR	N	C
"	30- 7	AR	N	C
DHAi-0372QSZZ	29- 6	AE	N	C
DHAi-0373QSZZ	14- 10	AS	N	C
"	29- 39	AS	N	C
DHAi-0374QSZZ	29- 44	AX	N	C
DHAi-0375QSZZ	30- 2	AM	N	C
DHAi-0376QSZZ	25- 25	AD	N	C
DHAi-0377QSZZ	30- 31	AP	N	C
DHAi-0378QSZZ	30- 8	AC	N	C
DHAi-0381QSZZ	29- 43	AH	N	C
DHAi-0382QSZZ	5- 3	BA	N	C
DHAi-0384QSZZ	7- 18	AR	N	C
"	8- 2	AR	N	C
DHAi-0386QSZZ	4- 35	AK	N	C
DHAi-0387QSZZ	6- 44	AH	N	C
DHAi-0388QSZZ	5- 13	AE	N	C
DHAi-0390QSZZ	6- 22	AC	N	C
DHAi-0392QSZZ	29- 29	AU	N	C
"	35- 4	AU	N	C
DHAi-0394QSZZ	33- 29	AD	N	C
DHAi-0395QSZZ	29- 41	AG	N	C
"	33- 31	AG	N	C
DHAi-0396QSZZ	35- 17	AD	N	C
DHAi-0397QSZZ	33- 17	AD	N	C

PARTS CODE	NO.	PRICE RANK	NEW MARK	PART RANK
DHA i -0398QSZZ	17- 20	AE	N	C
DHA i -0399QSZZ	16- 31	AF	N	C
DUNTK0034QSZZ	11- 8	BC		C
DUNTK0384RSZZ	14- 1	BW	N	E
DUNTW0375RS12	23-901	BZ	N	E
"	24-901	BZ	N	E
[G]				
GCAB-0030QSA	31- 1	AN	N	D
GCAB-0039QSZB	2- 16	AX	N	D
GCAB-0042QSZB	2- 1	AQ	N	D
GCAB-0043QSZB	2- 6	AN	N	D
GCAB-0074QSZZ	4- 9	AK	N	D
GCAB-0075QSZZ	4- 1	AR	N	D
GCAB-0076QSZZ	6- 1	AP	N	D
GCAB-0077QSZZ	6- 24	AQ	N	D
GCAB-0078QSZZ	4- 20	AV	N	D
GCAB-0080QSZZ	1- 2	AN	N	D
GCAB-0081QSZZ	1- 1	AN	N	D
GCAB-0083QSZZ	2- 24	AW	N	D
GCAB-0084QSZZ	1- 6	AV	N	D
GCAB-0085QSZZ	2- 8	AZ	N	D
GCAB-0086QSZZ	9- 24	AV	N	D
GCASP0005QSZZ	32- 5	BA	N	D
GCASP0006QSZZ	15- 5	BA	N	D
GCOV-0029QSZZ	2- 4	AR	N	D
GCOV-0031QSZZ	2- 10	AK		D
GCOV-0034QSZB	2- 9	AK	N	D
GCOV-0042QSZZ	2- 38	AK		D
GCOV-0043QSZZ	2- 17	AS		D
GCOV-0052QSZZ	2- 21	AY	N	D
GCOV-0053QSZZ	2- 22	AG	N	D
GCOV-0054QSZZ	2- 20	AX	N	D
GCOV-0055QSZZ	2- 19	AN	N	D
GCOV-0056QSZZ	2- 5	AH	N	D
GCOV-0057QSZZ	9- 1	AT	N	D
GCOVA0025QSZB	31- 5	AS	N	D
GCOVA0026QSZB	34- 10	AP	N	D
GDOR-0002QSZZ	18- 2	AY		D
GDOR-0003QSZZ	2- 13	AP		D
GLEGG0064FCZZ	31- 15	AC		C
[H]				
HPNLH0030QSZZ	9- 7	BC	N	D
[J]				
JHNDP0004QSZZ	15- 23	AV	N	C
JHNDP0005QSZZ	32- 23	AY	N	C
JKNBZ0006QSZZ	14- 40	AD		C
JKNBZ0009QSZZ	7- 37	AE	N	D
[L]				
LANGF0013QSZZ	21- 47	AD		C
LBNDJ0013FCZ1	14- 69	AE		C
"	20- 43	AE		C
LBNDZ0002QSZZ	2- 25	AC	N	C
LBOSZ1508FCZZ	20- 14	AG		C
LBOSZ1510FCZZ	20- 17	AF		C
LBRC-0002QSZZ	27- 15	AD		C
LBRC-0003QSZZ	26- 5	AD		C
LBRC-0012QSZZ	17- 44	AD		C
LBSHZ0006QSZZ	20- 51	AC		C
LBSHZ0303FCZZ	18- 4	AC		C
"	20- 13	AC		C
"	26- 25	AC		C
"	27- 16	AC		C
"	28- 23	AC		C
LCRA-0002QSZZ	13- 17	AC		C
LDA i -0023QSZB	10- 11	BH	N	D
LDA i U0024QSZZ	36- 3	AH	N	D
LF i X-0009QSZZ	11- 10	AF		D
LF i X-0011QSZB	1- 8	AP	N	D
LF i X-0012QSZB	1- 17	AK	N	D
LF i X-0014QSZZ	22- 19	AE		C
LF i X-0015QSZZ	22- 19	AE		C
LF i X-0016FCZZ	30- 32	AD		C
LFRM-0037QSZZ	14- 43	BA	N	D
LFRM-0039QSZB	31- 7	BK	N	D
LFRM-0040QSZZ	18- 16	AV		D
LFRM-0047QSZZ	28- 5	AG		D
LFRM-0048QSZZ	20- 37	AT	N	D
LFRM-0058QSZZ	28- 6	AG		D
LFRM-0069QSZZ	6- 36	AQ	N	C
LFRM-0071QSZZ	23- 23	AY	N	D
LFRM-0072QSZZ	24- 16	AU	N	D

PARTS CODE	NO.	PRICE RANK	NEW MARK	PART RANK
LHLDR0072QSZZ	21- 31	AC		C
LHLDW0086QSZZ	23- 11	AB		C
"	29- 9	AB		C
LHLDW1009ACZZ	13- 5	AA		C
LHLDW1057FCZZ	30- 30	AB		C
LHLDW1061FCZZ	10- 14	AB		C
LHLDW1226FCZZ	15- 2	AB		C
"	32- 2	AB		C
"	37- 10	AB		C
LHLDW1334FCZZ	27- 34	AA		C
LHLZ0001YSZZ	21- 35	AD		C
LHLZ0047QSZZ	11- 3	AW		C
LHLZ0056QSZZ	12- 10	AC		C
LHLZ0057QSZZ	14- 9	AH		C
LHLZ0058QSZZ	26- 12	AR		C
LHLZ0062QSZZ	29- 7	AT		C
LHLZ0065QSZZ	14- 37	AF		C
LHLZ0066QSZZ	19- 10	AD		C
LHLZ0070QSZZ	29- 16	AX	N	C
LHLZ0071QSZZ	29- 12	AG		C
LHLZ0084QSZZ	18- 20	AF		C
LHLZ0085QSZZ	14- 28	AE		C
LHLZ0090QSZZ	22- 36	AC		C
LHLZ0094QSZZ	17- 38	AC		C
LHLZ0101QSZZ	5- 23	AE	N	C
LHLZ0102QSZZ	7- 27	AC	N	C
LHLZ0103QSZZ	8- 28	AC	N	C
LHLZ0104QSZZ	13- 19	AD	N	C
LHLZ0105QSZZ	9- 9	AG	N	C
LHLZ7021XCZZ	13- 25	AD		C
LP i N-0026MCZZ	16- 16	AA		C
"	33- 22	AA		C
LP i NS0014QSBZ	9- 27	AF		C
LP i NS0014QSCZ	9- 26	AF		C
LP i NS0133FCZZ	18- 6	AA		C
LP i NS0258FCZZ	27- 19	AA		C
LP i NS0300FCZZ	14- 52	AD		C
LP i NS0301FCZZ	14- 52	AD		C
LP i NS0327FCZZ	5- 25	AC		C
LPLTM0001YSZZ	21- 25	AN		C
LPLTM0002YSZZ	21- 26	AP		C
LPLTM0090QSZZ	18- 28	AE		C
LPLTM0091QSZZ	18- 29	AE		C
LPLTM0102QSZZ	18- 19	AD		C
LPLTM0111QSZZ	5- 4	AC		C
LPLTM0149QSZZ	14- 16	AD		C
LPLTM0162QSZZ	30- 5	AC		C
LPLTM0163QSZZ	10- 1	AK		C
LPLTM0165QSZZ	10- 20	AS	N	C
LPLTM0166QSZZ	10- 22	AC		C
LPLTM0176QSZZ	35- 33	AH		C
LPLTM0179QSZZ	15- 3	AR		C
"	32- 3	AR		C
LPLTM0180QSZZ	15- 20	AE		C
"	32- 20	AE		C
LPLTM0181QSZZ	15- 8	AB		C
"	32- 8	AB		C
LPLTM0194QSZZ	14- 45	AC		C
LPLTM0195QSZZ	26- 9	AC		C
LPLTM0203QSZZ	35- 20	AF		C
LPLTM0232QSZZ	10- 3	AU	N	C
LPLTM0236QSZZ	31- 8	AG		C
LPLTM0237QSZZ	31- 16	AH		C
LPLTM0240QSZZ	31- 3	AC		C
LPLTM0241QSZZ	22- 4	AF		C
LPLTM0248QSZZ	14- 29	AE		C
LPLTM0249QSZZ	30- 15	AC		C
LPLTM0251QSZZ	10- 24	AE		C
LPLTM0252QSZZ	30- 6	AD		C
LPLTM0276QSZZ	17- 35	AE		C
LPLTM0277QSZZ	15- 27	AC		C
"	32- 27	AC		C
LPLTM0316QSZZ	5- 32	AH	N	C
LPLTM0318QSZZ	6- 12	AC	N	C
LPLTM0322QSZZ	8- 29	AF	N	C
LPLTM0323QSZZ	8- 31	AG	N	C
LPLTM0325QSZZ	7- 16	AH	N	C
LPLTM0326QSZZ	7- 43	AM	N	C
LPLTM0327QSZZ	7- 9	AD	N	C
LPLTM0331QSZZ	9- 30	AC	N	C
LPLTM0332QSZZ	10- 46	AE	N	C

PARTS CODE	NO.	PRICE RANK	NEW MARK	PART RANK
LPLTM0333QSZZ	10- 16	AX	N	C
LPLTM0334QSZZ	23- 16	AE	N	C
LPLTM0335QSZZ	23- 22	AF	N	C
LPLTM0337QSZZ	23- 25	AC	N	C
LPLTM0338QSZZ	23- 13	AC	N	C
LPLTM0339QSZZ	23- 20	AC	N	C
LPLTM0340QSZZ	24- 9	AC	N	C
LPLTM0344QSZZ	24- 7	AC	N	C
LPLTM0346QSZZ	9- 29	AC	N	C
LPLTM0349QSZZ	30- 37	AS	N	C
LPLTM4715FCZ1	11- 14	AF		C
LPLTM6022FCZZ	21- 20	AC		C
LPLTP0056QSZZ	20- 39	AD		C
LPLTP0117QSZZ	5- 40	AM		C
LPLTP0131QSZZ	7- 36	AD		C
LPLTP0159QSZZ	15- 1	AD		C
"	32- 1	AD		C
LPLTP0185QSZZ	26- 13	AL		C
LPLTP0230QSZZ	13- 13	AF		C
LPLTP0234QSZZ	19- 15	AE		C
LPLTP0297QSZZ	17- 24	AC		C
"	34- 13	AC		C
LPLTP0319QSZZ	4- 33	AH	N	C
LPLTP0320QSZZ	4- 34	AH	N	C
LPLTP0321QSZZ	4- 19	AE	N	C
LPLTP0324QSZZ	7- 41	AH	N	C
LPLTP0328QSZZ	7- 5	AC	N	C
LPLTP0348QSZZ	17- 13	AC		C
LRALM0006QSZZ	12- 13	AG		C
LRALM0007QSZZ	12- 12	AG		C
LRALP0004QSZZ	18- 31	AH		C
LRALP0008QSZZ	17- 18	AQ		C
LRALP0009QSZZ	34- 19	AQ		C
LSOU-0024QSZZ	19- 4	AT	N	D
LSOU-0025QSZZ	19- 18	AS	N	D
LSOU-0026QSZZ	19- 11	AU	N	D
LSOU-0027QSZZ	19- 20	AT	N	D
LSOU-0037QSZZ	4- 14	BE	N	C
"	5- 43	BE	N	C
LSOU-0038QSZZ	4- 31	AW	N	C
LSOU-0039QSZZ	4- 21	AN	N	C
LSOU-0040QSZZ	3- 14	BB	N	D
LSOU-0041QSZZ	4- 32	AP	N	C
LSTPP0003QSZZ	27- 6	AC		C
LSTPP0010QSZZ	14- 33	AD		C
LSTPP0011QSZZ	20- 52	AC		C
"	34- 18	AC		C
LSTPP0015QSZZ	6- 47	AC	N	C
LSTPP0016QSZZ	4- 4	AC	N	C
"	6- 21	AC	N	C
LSTPP0017QSZZ	23- 18	AF	N	C
LX-BZ0004QSZZ	12- 11	AB		C
"	13- 29	AB		C
LX-BZ0015QSZZ	37- 8	AF		D
LX-BZ0020QSZZ	14- 15	AB		C
LX-BZ0024QSZZ	12- 34	AA		C
"	1- 5	AA		C
"	2- 37	AA		C
"	29- 15	AA		C
LX-BZ0026QSZZ	21- 36	AD		C
LX-BZ0030QSZZ	3- 12	AC		C
LX-BZ0031GCZZ	13- 33	AB		C
LX-BZ0031QSZZ	29- 8	AC		C
LX-BZ0032QSZZ	18- 38	AB		C
LX-BZ0037QSZZ	31- 23	AB	N	C
LX-BZ0040QSZZ	23- 17	AC	N	C
LX-BZ0049FCZZ	12- 25	AB		C
LX-BZ0324FCZZ	12- 28	AA		C
LX-BZ0406FCZZ	22- 37	AA		C
LX-BZ0780FCZZ	26- 35	AC		C
LX-BZ0833FCZZ	15- 14	AC		C
"	32- 14	AC		C
LX-BZ0884FCZZ	15- 10	AB		C
"	32- 10	AB		C
LX-NZ0002QSZZ	23- 6	AA	N	C
LX-RZ0001QSZZ	22- 27	AB		C
LX-WZ0001QSZZ	23- 37	AC		C
LX-WZ0119FCZZ	12- 31	AA		C
LX-WZ0329FCZZ	22- 26	AB		C
LX-WZ7021SCZZ	23- 21	AA		C

PARTS CODE	NO.	PRICE RANK	NEW MARK	PART RANK
[M]				
MARMM0047QSZZ	6- 20	AE	N	C
MARMP0006QSZZ	20- 19	AD		C
MARMP0008QSZZ	20- 38	AH		C
MARMP0009QSZZ	20- 8	AF		C
MARMP0015QSZZ	34- 5	AD		C
MARMP0018QSZZ	35- 6	AD		C
MARMP0019QSZZ	16- 11	AD		C
"	33- 24	AD		C
MARMP0021QSZZ	16- 15	AD		C
"	33- 20	AD		C
MARMP0025QSZZ	14- 5	AD		C
MARMP0026QSZZ	16- 9	AD		C
"	33- 10	AD		C
MARMP0027QSZZ	20- 36	AE		C
MARMP0041QSZZ	20- 18	AE		C
MARMP0043QSZZ	18- 9	AC		C
MARMP0044QSZZ	6- 35	AF	N	C
MARMP0045QSZZ	6- 49	AC	N	C
MARMP0046QSZZ	6- 31	AD	N	C
MARMP0048QSZZ	23- 1	AF	N	C
MCAMP0003QSZZ	20- 21	AD		C
MHNG-0021QSZZ	4- 10	AX	N	C
MHNG-0022QSZZ	4- 11	AX	N	C
MLEVF0093QSZZ	5- 11	AE	N	C
MLEVP0023QSZZ	17- 11	AE		C
MLEVP0035QSE1	19- 16	AC		C
MLEVP0036QSZZ	5- 10	AD		C
MLEVP0044QSZZ	17- 12	AE		C
MLEVP0055QSZZ	26- 15	AC		C
MLEVP0056QSZZ	16- 5	AC		C
MLEVP0057QSZZ	17- 22	AC		C
MLEVP0058QSEZ	18- 1	AD	N	C
MLEVP0062QSZZ	33- 7	AC		C
MLEVP0063QSZZ	16- 4	AD		C
"	33- 5	AD		C
MLEVP0064QSZZ	16- 3	AD		C
"	33- 6	AD		C
MLEVP0065QSZZ	22- 5	AE		C
MLEVP0067QSZZ	28- 25	AC		C
MLEVP0068QSZZ	3- 10	AC		C
MLEVP0069QSZZ	2- 12	AD		C
MLEVP0071QSZZ	14- 35	AD		C
MLEVP0077QSZZ	13- 16	AC		C
MLEVP0092QSZZ	5- 16	AC	N	C
MLEVP0095QSZZ	7- 30	AD	N	C
MLEVP0096QSZZ	6- 48	AC	N	C
MLEVP0097QSZZ	6- 46	AC	N	C
MLEVP0098QSZZ	4- 22	AC	N	C
MLEVP0099QSZZ	23- 34	AF	N	C
MLEVP0100QSZZ	23- 2	AE	N	C
MLEVP0101QSZZ	23- 3	AE	N	C
MLEVP0104QSZZ	20- 50	AD	N	C
MLEVP0755FCZ1	15- 13	AE		C
"	32- 13	AE		C
MLNKP0001QSZZ	6- 4	AD	N	C
MLOKZ0001QSZZ	34- 2	AC		C
MSL i-0138FCZZ	11- 4	AC		C
MSPRC0040QSZZ	12- 16	AB		C
MSPRC0045QSZZ	22- 14	AA		C
MSPRC0063QSZZ	7- 17	AB		C
MSPRC0141QSZZ	34- 1	AB		C
MSPRC0153QSZZ	7- 34	AB		C
MSPRC0195QSZZ	14- 48	AB		C
MSPRC0200QSZZ	25- 4	AB		C
MSPRC0209QSZZ	16- 24	AC		C
"	33- 11	AC		C
MSPRC0210QSZZ	15- 18	AC		C
"	32- 18	AC		C
MSPRC0213QSZZ	22- 30	AB		C
MSPRC0220QSZZ	14- 34	AB		C
MSPRC0250QSZZ	19- 6	AC		C
"	4- 27	AC		C
MSPRC0262QSZZ	25- 21	AC		C
MSPRC0263QSZZ	36- 13	AC		C
MSPRC0270QSZZ	17- 26	AB		C
"	34- 16	AB		C
MSPRC0271QSZZ	14- 63	AC		C
MSPRC0291QSZZ	17- 4	AC		C
MSPRC0292QSZZ	17- 39	AC		C
MSPRC0295QSZZ	18- 23	AF		C

PARTS CODE	NO.	PRICE RANK	NEW MARK	PART RANK
MSPRC0296QSZZ	18- 22	AF		C
MSPRC0301QSZZ	17- 14	AD	N	C
MSPRC0307QSZZ	5- 34	AC	N	C
MSPRC0323QSZZ	23- 24	AC	N	C
MSPRC0324QSZZ	24- 3	AC	N	C
MSPRC0325QSZZ	24- 6	AB	N	C
MSPRC0346QSZZ	8- 34	AC	N	C
MSPRC0348QSZZ	18- 18	AD	N	C
MSPRC0349QSZZ	18- 17	AD	N	C
MSPRC1315FCZ1	20- 15	AD		C
MSPRC1316FCZ1	20- 22	AE		C
MSPRC1318FCZ1	14- 51	AA		C
"	20- 33	AA		C
MSPRC2175FCZZ	20- 31	AA		C
MSPRC2631FCZZ	15- 12	AC		C
"	32- 12	AC		C
MSPRD0092QSZZ	20- 28	AE		C
MSPRD0189QSZZ	2- 11	AB		C
MSPRD0190QSZZ	14- 11	AD		C
MSPRD0191QSZZ	14- 12	AD		C
MSPRD0192QSZZ	14- 13	AD		C
MSPRD0194QSZZ	17- 3	AD		C
MSPRD0196QSZZ	27- 26	AC		C
MSPRD0198QSZZ	27- 23	AC		C
MSPRD0201QSZZ	16- 6	AC		C
MSPRD0202QSZZ	17- 21	AB		C
MSPRD0204QSZZ	33- 30	AC		C
MSPRD0205QSZZ	18- 30	AE		C
MSPRD0206QSZZ	16- 18	AC		C
"	33- 19	AC		C
MSPRD0208QSZZ	36- 12	AC		C
MSPRD0211QSZZ	5- 14	AC		C
MSPRD0216QSZZ	27- 13	AD		C
MSPRD0218QSZZ	28- 11	AD		C
MSPRD0222QSZZ	18- 8	AC		C
MSPRD0224QSZZ	26- 14	AB		C
MSPRD0225QSZZ	27- 5	AC		C
MSPRD0232QSZZ	13- 15	AB		C
MSPRD0233QSZZ	17- 10	AC		C
MSPRD0251QSZZ	36- 12	AD		C
MSPRD0276QSZZ	10- 50	AS		C
"	31- 24	AS		C
MSPRD0277QSZZ	31- 25	AN		C
MSPRD0287QSZZ	17- 40	AC		C
"	34- 27	AC		C
MSPRD0302QSZZ	20- 45	AC		C
MSPRD0305QSZZ	5- 24	AC	N	C
MSPRD0309QSZZ	6- 5	AC	N	C
MSPRD0310QSZZ	6- 28	AC	N	C
MSPRD0313QSZZ	6- 50	AC	N	C
MSPRD0314QSZZ	6- 14	AD	N	C
MSPRD0316QSZZ	7- 40	AC	N	C
MSPRD0322QSZZ	23- 33	AC	N	C
MSPRD0326QSZZ	24- 17	AC	N	C
MSPRD0327QSZZ	24- 15	AC	N	C
MSPRD0328QSZZ	24- 11	AC	N	C
MSPRD0329QSZZ	20- 46	AC	N	C
MSPRD0340QSZZ	17- 47	AC	N	C
MSPRD0342QSZZ	5- 9	AD	N	C
MSPRD0347QSZZ	20- 20	AD	N	C
MSPRK0001YSZZ	21- 33	AB		C
MSPRP0123QSZZ	5- 35	AD		C
MSPRP0145QSZZ	11- 6	AF		C
MSPRP0306QSZZ	5- 31	AC	N	C
MSPRP0311QSZZ	6- 26	AC	N	C
MSPRP0312QSZZ	8- 21	AD	N	C
MSPRP0315QSZZ	4- 30	AD	N	C
MSPRP0345QSZZ	34- 8	AD	N	C
MSPRP2830FCZZ	19- 14	AA		C
MSPRT0091QSZZ	20- 9	AC		C
MSPRT0197QSZZ	26- 16	AB		C
MSPRT0203QSZZ	35- 10	AC		C
MSPRT0214QSZZ	22- 28	AB		C
MSPRT0217QSZZ	27- 14	AC		C
MSPRT0221QSZZ	14- 39	AB		C
MSPRT0229GCAZ	2- 15	AC		C
"	26- 28	AC		C
"	28- 7	AC		C
MSPRT0257QSZZ	23- 32	AC		C
MSPRT0308QSZZ	5- 36	AC	N	C
MSPRT0317QSZZ	8- 27	AC	N	C

PARTS CODE	NO.	PRICE RANK	NEW MARK	PART RANK
[N]				
NBLTT0002QSZZ	12- 29	AH		B
NBLTT0024QSZZ	27- 20	AG		B
NBLTT0026QSZZ	10- 19	AF		B
NBLTT0029QSZZ	35- 25	AG		B
NBLTT0033QSZZ	6- 42	AF	N	B
NBLTT0034QSZZ	8- 10	AF	N	B
NBLTT0035QSZZ	8- 18	AE	N	B
NBLTT0036QSZZ	7- 38	AF	N	B
NBLTT0038QSZZ	10- 45	AF	N	B
NBRGC0017QSZZ	7- 39	AC		C
"	8- 23	AC		C
NBRGC0018QSZZ	14- 31	AD		C
"	4- 13	AD		C
"	6- 17	AD		C
NBRGC0019QSZZ	27- 18	AD		C
NBRGC0020QSZZ	21- 11	AH		C
NBRGC0021QSZZ	21- 15	AD		C
NBRGC0100FCZ1	16- 19	AC		C
"	33- 18	AC		C
"	35- 5	AC		C
NBRGC0529FCZZ	35- 32	AD		C
NBRGM0096FCZ1	6- 7	AC		C
NBRGM0501FCZZ	26- 10	AB		C
"	28- 16	AB		C
"	5- 28	AB		C
"	7- 22	AB		C
"	8- 12	AB		C
NBRGP0011QSZZ	12- 33	AC		C
NBRGP0012QSZZ	12- 22	AC		C
NBRGP0025QSZZ	23- 29	AN	N	C
NBRGP0041GCZZ	15- 21	AD		C
"	32- 21	AD		C
"	5- 41	AD		C
NBRGP0299FCZZ	22- 23	AC		C
NBRGY0022QSZZ	24- 1	AL		C
NBRGY2122SCZZ	26- 8	AB		C
"	27- 17	AB		C
"	28- 20	AB		C
NBRGZ0503FCZZ	34- 17	AC		C
NCPL-0003QSZZ	22- 7	AC		C
NCPL-0009QSZZ	25- 22	AC		C
NCPL-0011QSZZ	14- 49	AC		C
NCPL-0012QSZZ	20- 47	AD		C
NCPL-0049FCBZ	6- 37	AT		C
NFANP0004QSZZ	26- 31	BB		B
NFANP0011QSZZ	30- 38	AS	N	B
NFANP0015QSZZ	3- 5	BA	N	B
NGERH0001YSZZ	21- 14	AD		C
NGERH0002YSZZ	21- 10	AD		C
NGERH0010QSZZ	25- 12	AD		C
NGERH0011QSZZ	25- 17	AD		C
NGERH0027QSZZ	12- 30	AH		C
NGERH0036QSZZ	22- 16	AC		C
NGERH0037QSZZ	22- 20	AC		C
NGERH0038QSZZ	22- 21	AC		C
NGERH0039QSZZ	22- 18	AE		C
NGERH0061QSZZ	20- 7	AD		C
NGERH0067QSZZ	27- 8	AD		C
NGERH0068QSZZ	27- 7	AD		C
NGERH0074QSZZ	18- 5	AD		C
NGERH0080QSZZ	27- 21	AE		C
NGERH0082QSZZ	27- 22	AD		C
NGERH0083QSZZ	25- 24	AH		C
NGERH0084QSZZ	25- 7	AK		C
NGERH0085QSZZ	25- 9	AE		C
NGERH0086QSZZ	25- 10	AD		C
NGERH0087QSZZ	25- 11	AE		C
NGERH0090QSZZ	25- 6	AE		C
NGERH0091QSZZ	25- 23	AE		C
NGERH0092QSZZ	25- 13	AD		C
NGERH0093QSZZ	25- 14	AD		C
NGERH0095QSZZ	25- 16	AE		C
NGERH0096QSZZ	25- 19	AE		C
NGERH0097QSZZ	16- 20	AF		C
NGERH0102QSZZ	36- 4	AD		C
NGERH0103QSZZ	36- 6	AE		C
NGERH0104QSZZ	36- 9	AE		C
NGERH0105QSZZ	36- 10	AD		C
NGERH0107QSZZ	16- 17	AD		C
"	33- 21	AD		C

PARTS CODE	NO.	PRICE RANK	NEW MARK	PART RANK
NGERH0108QSZZ	15- 17	AD		C
"	32- 17	AD		C
NGERH0110QSZZ	28- 18	AE		C
NGERH0111QSZZ	28- 17	AC		C
NGERH0112QSZZ	28- 19	AC		C
NGERH0113QSZZ	27- 24	AC		C
NGERH0114QSZZ	27- 25	AC		C
NGERH0116QSZ1	8- 13	AD		C
NGERH0117QSZZ	8- 15	AK		C
NGERH0119QSZZ	35- 11	AD		C
NGERH0121QSZZ	35- 24	AE		C
NGERH0136QSZZ	21- 16	AD		C
NGERH0152QSZZ	25- 18	AH		C
NGERH0153QSZZ	25- 5	AH		C
NGERH0155QSZZ	27- 27	AD		C
NGERH0156QSZZ	16- 23	AD		C
NGERH0158QSZ1	36- 2	AE		C
NGERH0163QSZZ	18- 39	AG	N	C
NGERH0166QSZZ	6- 2	AC	N	C
NGERH0167QSZZ	6- 6	AD	N	C
NGERH0170QSZZ	8- 11	AD	N	C
NGERH0171QSZZ	23- 28	AR	N	B
NGERH0173QSZZ	10- 8	AD	N	C
NGERH0174QSZZ	10- 43	AD	N	C
NGERH0193FCZZ	15- 11	AB		C
"	32- 11	AB		C
NGERH0495FCZZ	20- 5	AC		C
NGERH0972FCZZ	20- 26	AB		C
NGERH0990FCZZ	16- 13	AB		C
"	33- 26	AB		C
NGERH1207FCZZ	35- 12	AF		C
NGERP0168QSZZ	4- 25	AD	N	C
NGERP1385FCZZ	19- 9	AF		C
NGERR0140QSZZ	19- 7	AD		C
NGERR0169QSZZ	4- 26	AE	N	C
NKOM-0005QSZZ	10- 26	AC		C
"	17- 27	AC		C
"	31- 13	AC		C
"	34- 21	AC		C
NKOM-0006QSZZ	17- 6	AC		C
NKOM-0007QSZZ	7- 29	AC	N	C
"	8- 26	AC	N	C
NKOM-0009QSZZ	17- 45	AC		C
NPLYZ0003QSZZ	12- 24	AM		C
NPLYZ0004QSZZ	12- 23	AG		C
NPLYZ0006QSZZ	12- 4	AD		C
NPLYZ0016QSZZ	12- 3	AF		C
NPLYZ0018QSZZ	8- 24	AE		B
NPLYZ0019QSZZ	7- 25	AE		B
"	8- 17	AE		B
NPLYZ0027QSZZ	35- 28	AD		C
NPLYZ0033QSZZ	4- 6	AD	N	B
"	6- 18	AD	N	B
NPLYZ0034QSZZ	6- 41	AD	N	B
NPLYZ0035QSZZ	6- 38	AD	N	B
NPLYZ0036QSZZ	10- 9	AD	N	C
NROLM0037QSZ4	26- 7	AR		C
NROLM0098QSZZ	23- 27	BE	N	C
NROLM0108QSZZ	21- 22	BA	N	C
NROLP0008QSZZ	35- 30	AD		C
NROLP0010QSZZ	5- 30	AD		B
"	6- 29	AD		B
NROLP0011QSZZ	5- 18	AD		B
NROLP0036QSZZ	18- 12	AP		C
NROLP0049QSZZ	26- 3	AC		C
NROLP0072QSZ1	21- 9	AP		C
NROLP0079QSZZ	26- 4	AC		C
"	28- 14	AC		C
NROLP0087QSZZ	17- 41	AD		C
"	34- 28	AD		C
NROLP1060FCZZ	2- 14	AF		C
"	34- 7	AF		C
NROLP1122FCZZ	18- 15	AF		C
"	26- 27	AF		C
"	28- 8	AF		C
NROLR0051QSZ1	26- 24	AL		C
"	28- 22	AL		C
NROLR0052QSZZ	34- 15	AN		C
NROLR0054QSZZ	16- 10	AP		C
"	33- 27	AP		C
NROLR0055QSZ1	16- 14	AR		C

PARTS CODE	NO.	PRICE RANK	NEW MARK	PART RANK
NRÖLR0055QSZ1	33- 23	AR		C
NRÖLR0056QSZ1	28- 9	AN		C
NRÖLR0089QSZZ	14- 30	AQ		C
NRÖLR0094QSZZ	7- 13	AR	N	B
NRÖLR0095QSZZ	7- 14	AR	N	B
NRÖLR0096QSZZ	7- 12	AR	N	B
NRÖLR0097QSZZ	7- 42	AR	N	B
NRÖLR0922FCZ2	20- 4	AR		C
NRÖLR1267FCZ1	20- 10	AH		C
NRÖLR1311FCZZ	6- 39	AN		B
NRÖLR1312FCZZ	6- 40	AN		B
NRÖLS0100QSZZ	24- 2	BB	N	C
NSFTB0075QSZZ	6- 10	AF	N	C
NSFTZ0009QSZZ	5- 29	AE		C
"	6- 30	AE		C
NSFTZ0013QSZZ	5- 21	AF		C
NSFTZ0017QSZZ	20- 25	AG		C
NSFTZ0020QSZZ	22- 22	AL		C
NSFTZ0028QSZ1	12- 27	AS	N	C
NSFTZ0042QSZZ	26- 1	AF		C
NSFTZ0043QSZ1	16- 29	AH		C
NSFTZ0044QSZZ	36- 7	AC		C
NSFTZ0045QSZZ	36- 5	AC		C
NSFTZ0047QSZZ	15- 19	AP		C
"	32- 19	AP		C
NSFTZ0048QSZZ	10- 25	AG		C
"	17- 28	AG		C
"	31- 12	AG		C
"	34- 22	AG		C
NSFTZ0050QSZ1	33- 13	AH		C
NSFTZ0054QSZZ	34- 6	AE		C
NSFTZ0055QSZ1	18- 10	AN		C
NSFTZ0060QSZZ	36- 8	AC		C
NSFTZ0064QSZZ	17- 42	AD		C
"	17- 46	AD		C
"	34- 29	AD		C
NSFTZ0065QSZZ	17- 5	AD		C
NSFTZ0072QSZZ	5- 26	AP	N	C
NSFTZ0074QSZZ	6- 15	AF	N	C
NSRW-0002QSZZ	22- 3	AE		C
[P]				
PBOX-0001YS13	21- 18	AM		D
PBOX-0006QSZZ	3- 8	AF		D
PBOX-0016QSZZ	3- 3	AN	N	C
PBRSR0019QSZZ	26- 6	AK		B
PBRSR0020QSZ1	28- 4	AH		B
PBRSR0021QSZ1	28- 3	AG		B
PBRSS0008QSZ1	7- 44	AH		B
PCAPH0009QSZZ	22- 2	AC		D
PCAPH0023FCZZ	29- 30	AC		D
PCAPH1003ACZZ	29- 31	AC		D
PCAPH1005ACZZ	29- 32	AC		D
PCASZ0010QSZZ	13- 24	AL		D
PCLC-0006QSZZ	14- 19	AU		B
PCLC-0011QSZZ	35- 26	AS		B
PCLC-0012QSZZ	16- 28	AS		B
PCLC-0014QSZZ	35- 7	AS		B
PCLC-0017QSZZ	4- 5	AT	N	B
"	6- 19	AT	N	B
PCLC-0018QSZZ	8- 25	AT	N	B
PCLC-0316FCZ1	6- 3	AR		B
PCOVP0053QSZZ	17- 2	AP		D
PCOVP0055QSZC	20- 1	AL	N	D
PCOVP0057QSZZ	22- 17	AG		D
PCOVP0061QSZ1	36- 11	AH		D
PCOVP0062QSZZ	14- 32	AD		D
PCOVP0063QSZB	31- 10	AD	N	D
PCOVP0064QSZZ	16- 7	AD		D
"	33- 8	AD		D
PCOVP0066QSZZ	10- 21	AC		D
PCOVP0070QSZZ	33- 2	AD		D
PCOVP0072QSZZ	21- 5	AK		D
PCOVP0073QSZZ	21- 38	AG		D
PCOVP0075QSZZ	13- 1	AE		D
PCOVP0084QSZZ	35- 1	AE		C
PCOVP0085QSZZ	3- 2	AP		D
PCOVP0088QSZ1	17- 25	AD	N	D
PCOVP0089QSZZ	34- 12	AD		D
PCOVP0094QSZZ	6- 32	AD	N	C
PCOVP0095QSZZ	9- 6	AG	N	C
PCOVP0096QSZZ	15- 25	AN	N	C

PARTS CODE	NO.	PRICE RANK	NEW MARK	PART RANK
PCOVP0096QSZZ	32- 28	AN	N	C
PCUSF0334FCZZ	11- 11	AP		C
PCUSG0190FCZ1	12- 20	AB		C
/"	13- 9	AB		C
PCUSS0011QSZZ	1- 22	AB		C
PCUSS0022QSZZ	4- 15	AW		C
PCUSS0027QSZZ	1- 24	AA		C
PCUSU0203FCZZ	11- 5	AE		C
PDUC-0003QSZZ	26- 30	AG		C
PDUC-0004QSZZ	3- 6	AL		C
PFILZ0004QSZZ	26- 32	AM		B
PFILZ0011QSZZ	2- 18	AQ		B
PFTA-0019QSZZ	17- 15	AE	N	D
PGIDH0095QSZZ	12- 39	AH		C
PGIDH0114QSZZ	24- 8	AH	N	C
PGIDM0065QSZZ	26- 26	AY		C
PGIDM0067QSZZ	17- 9	AR		C
PGIDM0068QSZZ	34- 4	AP		C
PGIDM0070QSZZ	15- 6	AM		C
/"	32- 6	AM		C
PGIDM0071QSZZ	15- 9	AL		C
/"	32- 9	AL		C
PGIDM0072QSZZ	28- 21	AU		C
PGIDM0074QSZZ	34- 23	AK		C
PGIDM0075QSZZ	19- 1	AF		C
PGIDM0076QSZZ	19- 2	AF		C
PGIDM0085QSZZ	21- 1	AP		C
PGIDM0086QSZZ	21- 2	AQ		C
PGIDM0105QSZZ	6- 23	AQ	N	C
PGIDM0106QSZZ	7- 45	AS	N	C
PGIDM0107QSZZ	7- 1	AP	N	C
PGIDM0108QSZZ	12- 35	AH	N	C
PGIDM0109QSZZ	12- 37	AH	N	C
PGIDM0112QSZZ	30- 11	AG	N	C
PGIDM0113QSZZ	23- 35	AT	N	C
PGIDM0115QSZZ	24- 18	AS	N	C
PGLSP0003QSZZ	1- 11	BA		B
PGLSP0004QSZZ	1- 19	AX		B
PGSK-0008QSZZ	13- 39	AF		C
PGSK-0011QSZZ	2- 42	AS		C
PGSK-0012QSZZ	2- 43	AQ		C
PGSK-0013QSZZ	2- 44	AP		C
PGSK-0014QSZZ	2- 45	AM		C
PGSK-0015QSZZ	2- 46	AL		C
PGSK-0016QSZZ	2- 47	AP		C
PGSK-0017QSZZ	29- 50	AH		C
PGSK-0018QSZZ	29- 45	AH		C
PGSK-0021QSZZ	10- 47	AQ		C
PGSK-0022QSZZ	10- 48	AP		C
PGSK-0023QSZZ	10- 49	AH		C
PGSK-0026QSZZ	10- 56	AQ	N	C
PGUMM0005QSZZ	26- 2	AD		C
PGUMS0002QSZZ	12- 18	AL		C
PMIR-0009QSZZ	11- 7	AS		B
PMLT-0002YSZ1	21- 6	AC		C
PMLT-0005YSZ1	21- 8	AB		C
PMLT-0006YSZ1	21- 7	AB		C
PMLT-0018QSZZ	22- 24	AC		C
PMLT-0027QSZZ	26- 33	AC		C
PMLT-0088QSZZ	2- 48	AE	N	C
PMLT-0089QSZZ	10- 53	AC	N	C
PMLT-0090QSZZ	28- 30	AE	N	C
PMLT-0091QSZZ	10- 55	AD	N	C
PMLT-0092QSZZ	10- 52	AB	N	C
PMLT-0093QSZZ	1- 26	AB	N	C
PMLT-0094QSZZ	13- 41	AC	N	C
PPIPP0014QSZZ	20- 23	AC		C
PPIPP0015QSZZ	22- 13	AG		C
PPIPP0109FCZZ	20- 16	AB		C
PRDAZ0002QSZZ	27- 36	AD		C
PREFL0004QSZZ	11- 1	AP		D
PRNGF0106FCZZ	22- 38	AC		C
PRNGP0090FCZZ	5- 42	AA		C
PSEL-0025QSZZ	21- 21	AA		C
PSEL-0035QSZZ	21- 3	AE		C
PSEL-0037QSZZ	21- 13	AG		C
PSEL-0070QSZZ	22- 11	AF		C
PSEL-0071QSZZ	22- 10	AF		C
PSEL-0114QSZZ	21- 39	AC		C
PSEL-0115QSZZ	21- 40	AD		C
PSEL-0116QSZZ	21- 46	AB		C

PARTS CODE	NO.	PRICE RANK	NEW MARK	PART RANK
PSEL-0117QSZZ	21- 43	AB		C
PSEL-0124QSZZ	21- 44	AB		C
PSEL-0132QSZZ	21- 23	AG		C
PSEN-0001QSZZ	21- 27	AC		C
PSHEM0338QSZZ	29- 54	AH		C
PSHEM0342QSZZ	12- 38	AU		C
PSHEP0035YSZZ	21- 19	AB		C
PSHEP0324QSZZ	21- 49	AC		C
PSHEP3029FCZZ	7- 26	AA		C
/"	8- 19	AA		C
PSHEZ0065QSZZ	10- 7	AB		C
PSHEZ0069QSZZ	5- 38	AE		C
PSHEZ0077QSZZ	4- 17	AE		C
PSHEZ0088QSZZ	1- 25	AD	N	C
PSHEZ0099QSZZ	20- 3	AC		C
PSHEZ0108QSZZ	13- 31	AC		C
PSHEZ0133QSZZ	17- 7	AD		C
PSHEZ0207QSZZ	1- 20	AC		C
PSHEZ0208QSZZ	1- 23	AC		C
PSHEZ0217QSZZ	13- 21	AC		C
PSHEZ0218QSZZ	13- 20	AC		C
PSHEZ0219QSZZ	13- 32	AC		C
PSHEZ0220QSZZ	1- 4	AK		C
PSHEZ0221QSZZ	1- 18	AC		C
PSHEZ0222QSZZ	1- 21	AC		C
PSHEZ0241QSZZ	20- 42	AB		C
PSHEZ0244QSZZ	15- 15	AC		C
PSHEZ0249QSZZ	35- 31	AB		C
PSHEZ0250QSZZ	35- 29	AB		C
PSHEZ0254QSZZ	13- 34	AC		C
PSHEZ0266QSZZ	24- 4	AK		C
PSHEZ0269QSZZ	29- 20	AC		C
PSHEZ0273QSZZ	13- 38	AB		C
PSHEZ0274QSZZ	15- 4	AC		C
/"	32- 4	AC		C
PSHEZ0283QSZZ	3- 20	AB		C
PSHEZ0285QSZZ	5- 20	AB		C
PSHEZ0286QSZZ	3- 17	AE		C
PSHEZ0301QSZZ	17- 33	AC		C
/"	34- 25	AC		C
PSHEZ0302QSZZ	17- 34	AC		C
/"	34- 26	AC		C
PSHEZ0307QSZZ	18- 34	AB		C
PSHEZ0314QSZZ	17- 43	AF		C
PSHEZ0316QSZZ	27- 35	AD		C
PSHEZ0322QSZZ	17- 36	AD		C
PSHEZ0325QSZZ	10- 41	AB		C
/"	31- 22	AB		C
PSHEZ0329QSZZ	22- 34	AC		C
PSHEZ0330QSZZ	18- 36	AC		C
PSHEZ0333QSZZ	10- 40	AC		C
PSHEZ0341QSZZ	27- 37	AA		C
PSHEZ0378QSZZ	17- 17	AG		C
/"	17- 23	AG		C
/"	34- 14	AG		C
PSHEZ0391QSZZ	16- 36	AC		C
PSHEZ0392QSZZ	16- 37	AB		C
PSHEZ0393QSZZ	16- 38	AA		C
PSHEZ0394QSZZ	14- 65	AB		C
PSHEZ0413QSZZ	4- 16	AD	N	C
PSHEZ0414QSZZ	8- 9	AB	N	C
PSHEZ0415QSZZ	7- 15	AE	N	C
PSHEZ0420QSZZ	13- 43	AC		C
PSHEZ0423QSZZ	7- 4	AP	N	C
PSHEZ0424QSZZ	9- 12	AL	N	C
PSHEZ0425QSZZ	9- 13	AE	N	C
PSHEZ0426QSZZ	13- 45	AB		C
PSHEZ0436QSZZ	5- 37	AD	N	C
PSHEZ0448QSZZ	13- 22	AA	N	C
PSHEZ0451QSZZ	7- 7	AC	N	C
PSHEZ0452QSZZ	7- 2	AF	N	C
PSHEZ0454QSZZ	7- 46	AB	N	C
PSHEZ0455QSZZ	7- 47	AD	N	C
PSHEZ1394FCZZ	37- 2	AC		D
PSHT-0004QSZZ	22- 12	AC		C
PSPAP0023QSZZ	21- 34	AC		C
PSPAP0036QSZZ	21- 45	AC		C
PSPAZ0696FCZZ	22- 15	AC		C
PSPO-0003QSZZ	5- 22	AC		C
PSPO-0004QSZZ	5- 7	AB		C
PSPO-0020QSZZ	5- 19	AB		C

PARTS CODE	NO.	PRICE RANK	NEW MARK	PART RANK
PSPO-0021QSZZ	26- 20	AD		C
PSPO-0022QSZZ	8- 7	AB		C
PSPO-0023QSZZ	5- 6	AB		C
PSPO-0026QSZZ	17- 37	AA		C
PTME-0014QSZZ	24- 12	AK		C
PTME-0020QSZ1	18- 7	AC		C
PTME-0021QSZZ	22- 25	AK		C
PTME-0024QSZZ	23- 38	AN		C
PTME-0029QSZZ	6- 27	AE	N	C
PTME-0030QSZZ	7- 20	AC	N	C
PTME-0178FCZZ	20- 30	AC		C
PTME-0179FCZZ	20- 34	AC		C
PTME-0271FCZZ	19- 5	AD		C
//	4- 28	AD		C
PTME-0282FCZZ	23- 36	AH		C
PTPE-0018QSZZ	8- 3	AC		C
PTPE-0021QSZZ	15- 7	AD		C
//	32- 7	AD		C
PTPE-0026QSZZ	22- 35	AA		C
PTPE-0027QSZZ	29- 51	AP		C
PTPE-0028QSZZ	29- 52	AG		C
PTPE-0029QSZZ	29- 53	AG		C
PTPE-0032QSZZ	12- 41	AK		C
PTPE-0034QSZZ	29- 48	AP		C
PTPE-0035QSZZ	29- 49	AH		C
PTPE-0036QSZZ	12- 40	AF		C
PTPE-0051QSZZ	13- 44	AC		C
PTPE-0052QSZZ	9- 8	AA	N	C
PWiR-0005QSZ1	12- 6	AQ		C
PWiR-0006QSZZ	12- 1	AQ		C
{Q}				
QACCBR421QCPZ	30- 19	AZ		B
QACCDR614QCPZ	30- 19	AS		B
QACCER624QCPZ	30- 19	AW		B
QACCJR614QCPZ	30- 19	AW		B
QACCLR421QCPZ	30- 19	AW	N	B
QSW-B0017QSZZ	14- 66	AF		B
//	16- 22	AF		B
//	19- 12	AF		B
//	28- 15	AF		B
//	33- 14	AF		B
QSW-C9292QCZZ	30- 20	AN		B
{R}				
RCORF0002QSZZ	13- 26	AE		C
//	29- 21	AE		C
//	9- 32	AE		C
RCORF0011QSZZ	29- 47	AG		C
RCORF0012QSZZ	25- 26	AC		C
RCORF0013QSZZ	14- 68	AG		C
RCORF0014QSZZ	28- 29	AK		C
RCORF0026FCZZ	5- 8	AL		C
RCORF1036ACZZ	35- 16	AP		C
RDENC0011QS11	30- 28	BY	N	E
RDENC0011QS12	30- 28	BY	N	E
RDENC0011QSZZ	30- 28	BY	N	E
RDENC0012QSZZ	30- 29	BN	N	E
RDTCM0015QSZZ	21- 28	AY		B
RDTCT0006QSZZ	7- 19	AL		B
RH-HX0001QSZZ	23- 12	AS	N	B
RLMPU0012QSZZ	11- 2	BG		B
RLMPU0026QSZZ	23- 26	AZ	N	B
RLMPU0027QSZZ	23- 19	AY	N	B
RLMPU0028QSZZ	23- 26	AZ	N	B
RLMPU0029QSZZ	23- 19	AY	N	B
RMOTD0023QSZZ	14- 47	AZ		B
RMOTP0024QSZZ	27- 30	AW		B
RMOTP0025QSNA	25- 2	BF		B
RMOTP0027QSZZ	12- 15	BG		B
RMOTP0029QSNA	27- 2	AV		B
RMOTS0043QSZZ	8- 1	BG	N	B
RMOTS0045QSZZ	10- 44	AR	N	B
RPLU-0011QSZ1	5- 5	AQ		B
RPLU-0015QSZ1	8- 6	AR		B
RPLU-0024QSZZ	14- 50	AM		B
RPLU-0026QSZ1	16- 8	AR		B
//	33- 9	AR		B
RPLU-0027QSZZ	27- 28	AU		B
RPLU-0028QSZZ	20- 32	AM		B
RSNSZ0001QSZZ	13- 11	BA		B
RTHM-0004QSZZ	23- 8	AN	N	B

PARTS CODE	NO.	PRICE RANK	NEW MARK	PART RANK
{S}				
SPAKA0134RSZZ	37- 14	AL		D
SPAKA0480QSZZ	37- 3	AW	N	D
SPAKA0481QSZZ	37- 4	AW	N	D
SPAKA0482QSZZ	37- 3	AW	N	D
SPAKA0483QSZZ	37- 4	AW	N	D
SPAKA0484QSZZ	37- 7	BE	N	D
SPAKA0485QSZZ	37- 6	AL	N	D
SSAKA2343QCZZ	37- 13	AA		D
SSAKA3001CCZZ	37- 12	AA		D
SSAKZ0019FCZZ	37- 5	AM		D
{T}				
TCADZ0010QSZZ	37- 9	AC		D
TCADZ0015QSZZ	37- 2	AD	N	D
TCADZ1275FCZZ	37- 11	AB		D
TCAUA0770FCZZ	2- 39	AB		D
TCAUH0007QSZZ	14- 58	AD		C
TCAUH0016QSZZ	21- 41	AC		C
TCAUH0933FCZZ	11- 15	AB		C
TiNSE1001QSZZ	37- 2	AX	N	D
TiNSE1003QSZZ	37- 2	AW	N	D
TiNSE1005QSZZ	37- 2	AW	N	D
TiNSE1027QSZZ	37- 2	AL	N	D
TiNSE1029QSZZ	37- 2	AL	N	D
TiNSE1031QSZZ	37- 2	AL	N	D
TiNSE1053QSZZ	37- 2	AL	N	D
TiNSE1091QSZZ	37- 2	AQ	N	D
TiNSF1006QSZZ	37- 2	AZ	N	D
TiNSF1032QSZZ	37- 2	AP	N	D
TiNSF1055QSZZ	37- 2	AN	N	D
TiNSF1093QSZZ	37- 2	AU	N	D
TiNSG1008QSZZ	37- 2	AZ	N	D
TiNSG1034QSZZ	37- 2	AP	N	D
TiNSG1056QSZZ	37- 2	AN	N	D
TiNSG1095QSZZ	37- 2	AU	N	D
TLABG0401QSZZ	2- 27	AR		C
TLABH0289QSZZ	24- 19	AA		C
TLABH0461QSZZ	13- 18	AG		C
TLABH0484QSZZ	37- 2	AE	N	D
TLABZ0058QSZZ	2- 40	AD		D
TLABZ0366QSZZ	32- 25	AD		C
TLABZ4047FCZZ	2- 27	AC		C
TLABZ4312FCZZ	2- 41	AE		D
{U}				
UCLEZ0011QSZZ	22- 32	AT		D
UKOGZ0002FCZZ	37- 2	AD		D
UYOK-0011FCZZ	37- 2	AA		D
{V}				
VHPGP1A71L3-1	27- 9	AG		B
VHPGP1S44S/-1	28- 12	AK		B
VHPGP1S73P+-1	13- 14	AF		B
//	16- 30	AF		B
//	17- 19	AF		B
//	19- 19	AF		B
//	23- 14	AF		B
//	28- 13	AF		B
//	3- 9	AF		B
//	4- 23	AF		B
//	5- 15	AF		B
//	6- 43	AF		B
//	7- 32	AF		B
VHPGP2D03// -1	13- 3	BA		B
VHPGP2D032// -1	13- 11	BA		B
VHPGP2D07// -1	13- 3	BA		B
VVLLM065HB1-1	9- 4	CB		E
{X}				
XBBSD26P03000	27- 32	AA		C
XBBSD30P05000	14- 27	AA		C
//	5- 12	AA		C
//	8- 32	AA		C
XBBSD30P08000	29- 2	AA		C
XBBSD30P10000	20- 35	AA		C
XBBSD40P08000	21- 4	AA		C
XBBSF30P08000	13- 6	AA		C
//	29- 5	AA		C
XPBZ30P03000	21- 24	AB		C
XPBSC30P06ES0	14- 42	AA		C
XPBPSD30P05K00	12- 14	AA		C
XPBPSD30P06KS0	21- 17	AA		C
//	25- 15	AA		C
XPBPSD30P08KS0	10- 27	AA		C

CAUTION FOR BATTERY REPLACEMENT

(Danish) ADVARSEL !
Lithiumbatteri – Eksplosionsfare ved fejlagtig håndtering.
Udskiftning må kun ske med batteri
af samme fabrikat og type.
Levér det brugte batteri tilbage til leverandoren.

(English) Caution !
Danger of explosion if battery is incorrectly replaced.
Replace only with the same or equivalent type
recommended by the manufacturer.

Dispose of used batteries according to manufacturer's instructions.

(Finnish) VAROITUS
Paristo voi räjähtää, jos se on virheellisesti asennettu.
Vaihda paristo ainoastaan laitevalmistajan suosittelemaan
tyyppiin. Hävitä käytetty paristo valmistajan ohjeiden
mukaisesti.

(French) ATTENTION
Il y a danger d'explosion s' il y a remplacement incorrect
de la batterie. Remplacer uniquement avec une batterie du
même type ou d'un type équivalent recommandé par
le constructeur.
Mettre au rebut les batteries usagées conformément aux
instructions du fabricant.

(Swedish) VARNING
Explosionsfara vid felaktigt batteribyte.
Använd samma batterityp eller en ekvivalent
typ som rekommenderas av apparattillverkaren.
Kassera använt batteri enligt fabrikantens
instruktion.

(German) Achtung
Explosionsgefahr bei Verwendung inkorrekt
Batterien.
Als Ersatzbatterien dürfen nur Batterien vom gleichen Typ oder
vom Hersteller empfohlene Batterien verwendet werden.
Entsorgung der gebrauchten Batterien nur nach den vom
Hersteller angegebenen Anweisungen.

CAUTION FOR BATTERY DISPOSAL

(For USA, CANADA)

"BATTERY DISPOSAL"
THIS PRODUCT CONTAINS A LITHIUM PRIMARY
(MANGANESE DIOXIDE) MEMORY BACK-UP BATTERY
THAT MUST BE DISPOSED OF PROPERLY. REMOVE THE
BATTERY FROM THE PRODUCT AND CONTACT YOUR
LOCAL ENVIRONMENTAL AGENCIES FOR INFORMATION
ON RECYCLING AND DISPOSAL OPTIONS.

"TRAITEMENT DES PILES USAGÉES"
CE PRODUIT CONTIENT UNE PILE DE SAUVEGARDE DE
MÉMOIRE LITHIUM PRIMAIRE (DIOXYDE DE MANGANÈSE)
QUI DOIT ÊTRE TRAITÉE CORRECTEMENT. ENLEVEZ LA
PILE DU PRODUIT ET PRENEZ CONTACT AVEC VOTRE
AGENCE ENVIRONNEMENTALE LOCALE POUR DES
INFORMATIONS SUR LES MÉTHODES DE RECYCLAGE ET
DE TRAITEMENT.

SHARP

COPYRIGHT © 2003 BY SHARP CORPORATION

All rights reserved.

Printed in Japan.

No part of this publication may be reproduced,
stored in a retrieval system, or transmitted.

In any form or by any means,
electronic, mechanical, photocopying, recording, or otherwise,
without prior written permission of the publisher.

SHARP CORPORATION
Digital Document Systems Group
Products Quality Assurance Department
Yamatokoriyama, Nara 639-1186, Japan
2003 August Printed in Japan ⓘ