

DIGITAL MULTIFUNCTIONAL SYSTEM

AR-M150 AR-M155X MODEL AR-M155

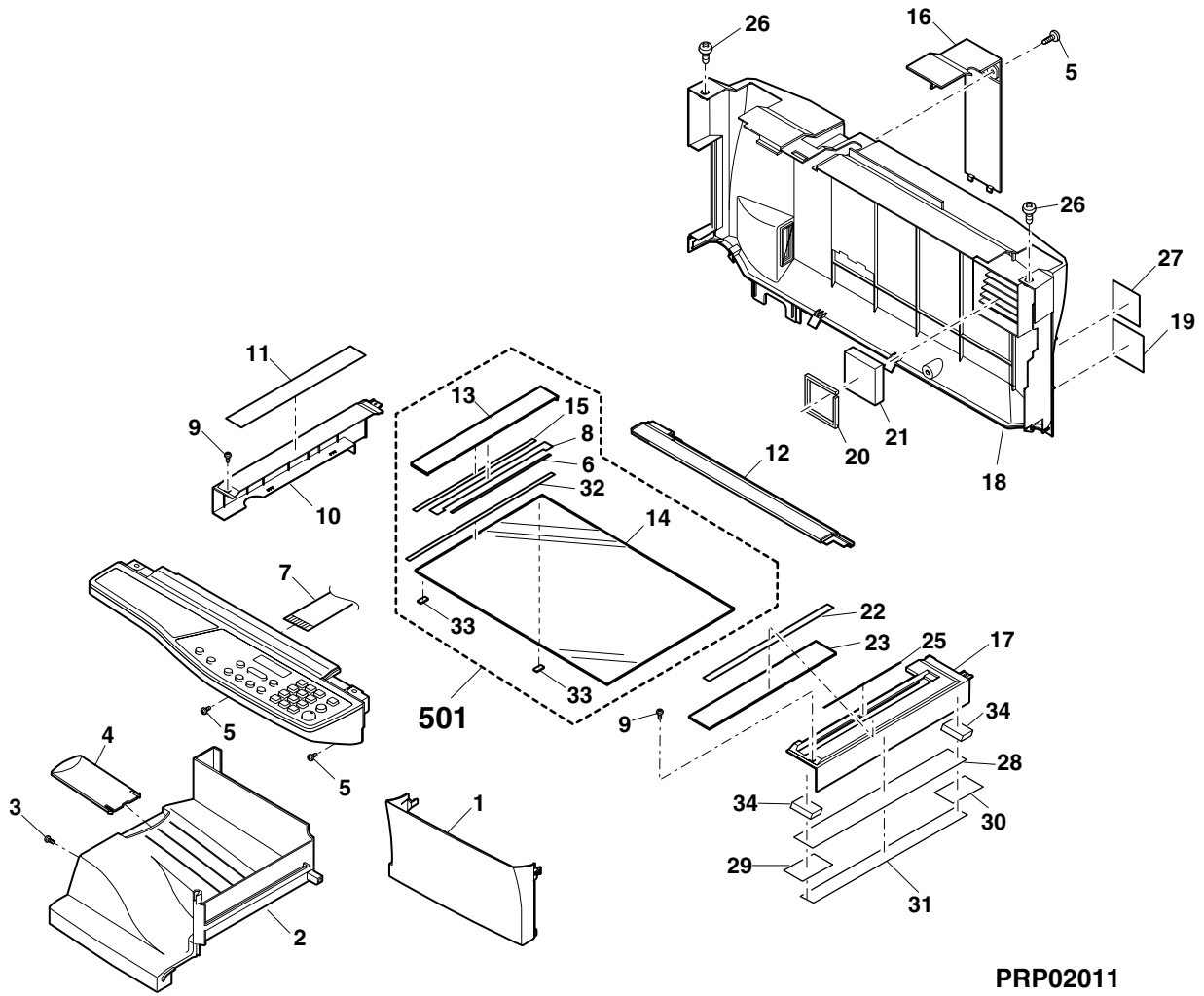
(For Australia, New Zealand, Iran and Europe)

CONTENTS

- | | |
|--|-----------------------------------|
| 1 Exteriors | 16 250 sheets tray |
| 2 Original cover unit | 17 Harness |
| 3 Operation panel | 18 Process unit |
| 4 Side door unit | 19 DV cartridge unit |
| 5 Optical frame | 20 Packing material & accessories |
| 6 Shifter unit | 21 Operation PWB |
| 7 Middle frame | 22 MCU PWB |
| 8 Base plate unit 1 | 23 DC power supply PWB |
| 9 Base plate unit 2 | ■ Index |
| 10 Fusing unit | |
| 11 Drive unit | |
| 12 Multi manual paper feeding cover unit | |
| 13 Multi manual paper feeding unit | |
| 14 Socket holder unit | |
| 15 TC case unit | |

Because parts marked with "△" is indispensable for the machine safety maintenance and operation, it must be replaced with the parts specific to the product specification.

1 Exteriors

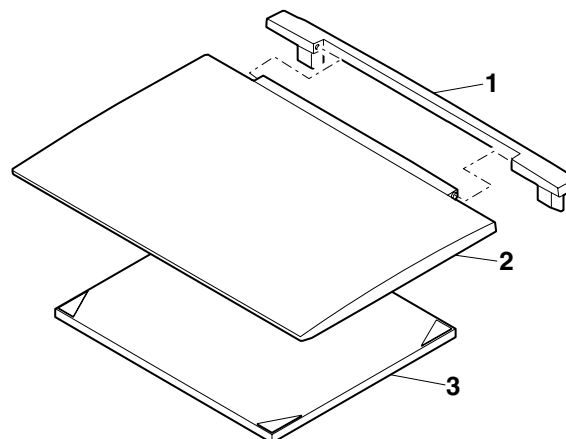


PRP02011

2 Original cover unit

NO.	PARTS CODE	PRICE RANK	NEW MARK	PART RANK	DESCRIPTION
1	GCOVH0003Q SJ 1	AL	N	D	OC cover S
2	GCOVH0004Q SJ 2	AX	N	D	OC cover M
3	PCUSS0024Q SZ Z	AV		D	OC mat

2 Original cover unit

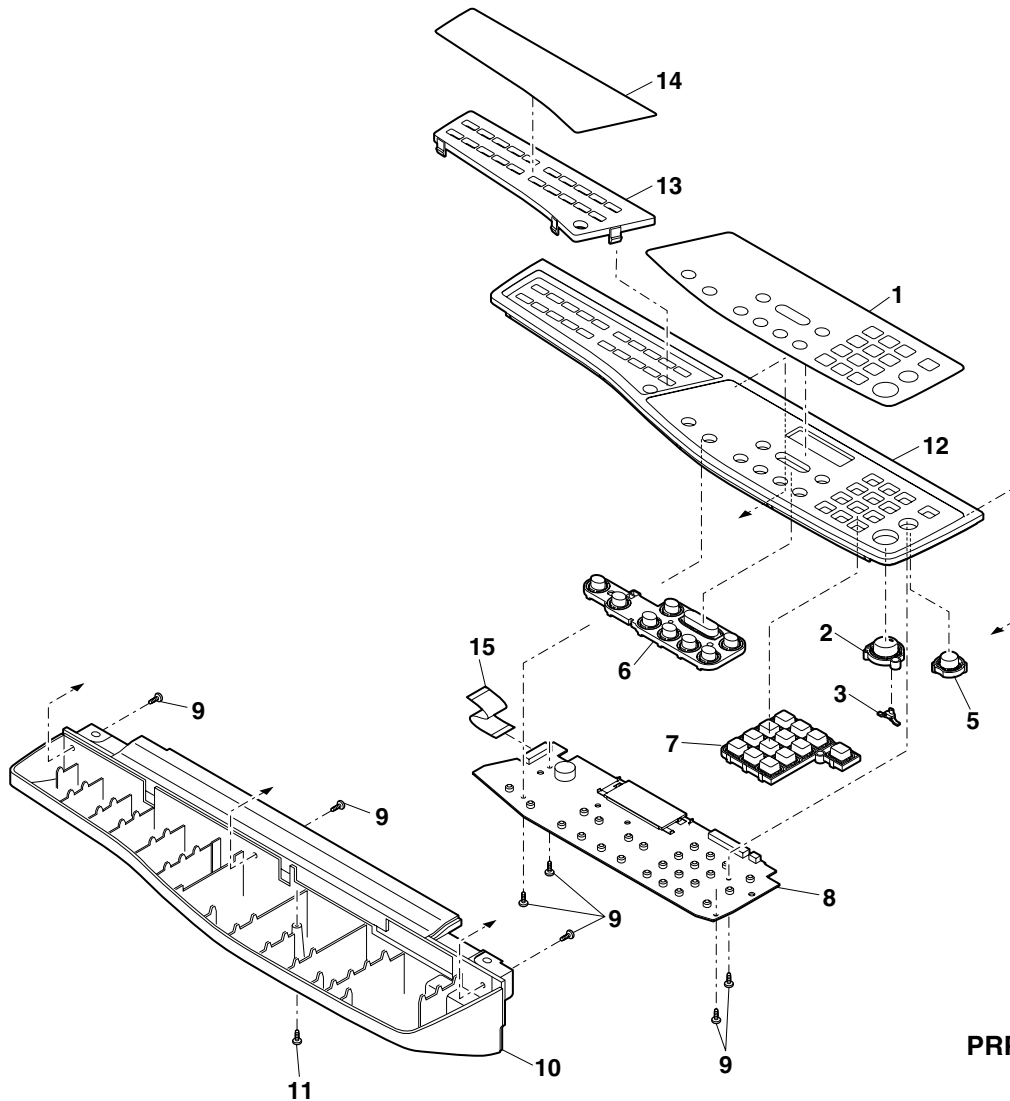


PRP02012

3 Operation panel

NO.	PARTS CODE	PRICE RANK	NEW MARK	PART RANK	DESCRIPTION
1	CPNLH0031QS46	AY	N	D	Operation panel sheet [AR-M155]
	CPNLH0031QS47	AY	N	D	Operation panel sheet [AR-M150]
2	CBTN-0061QS01	AE		E	Copy key
3	PfiLZ0012QSZZ	AC		C	Copy key light
5	CBTN-0062QS01	AF		E	CA key
6	JBTN-0074QSZ1	AG		C	Operation key L
7	CBTN-0060QS01	AK		E	Ten key
8	CPWBF0151QSE1	BD		E	Operation PWB
9	XEBSD30P08000	AA		C	Screw(3x8)
10	GCAB-0088QSZ1	AV	N	D	Operation cabinet
11	XEBSE30P10000	AA		C	Screw(3x10)
12	GCAB-0089QSZ2	AR		D	Operation panel cabinet
13	GCOV-0059QSZZ	AG		C	Option cover
14	CPNLH0037QS01	AR		D	Operation panel sheet
15	DHAi-0429QSZ1	AH		C	FAX-KEY harness 2

3 Operation panel

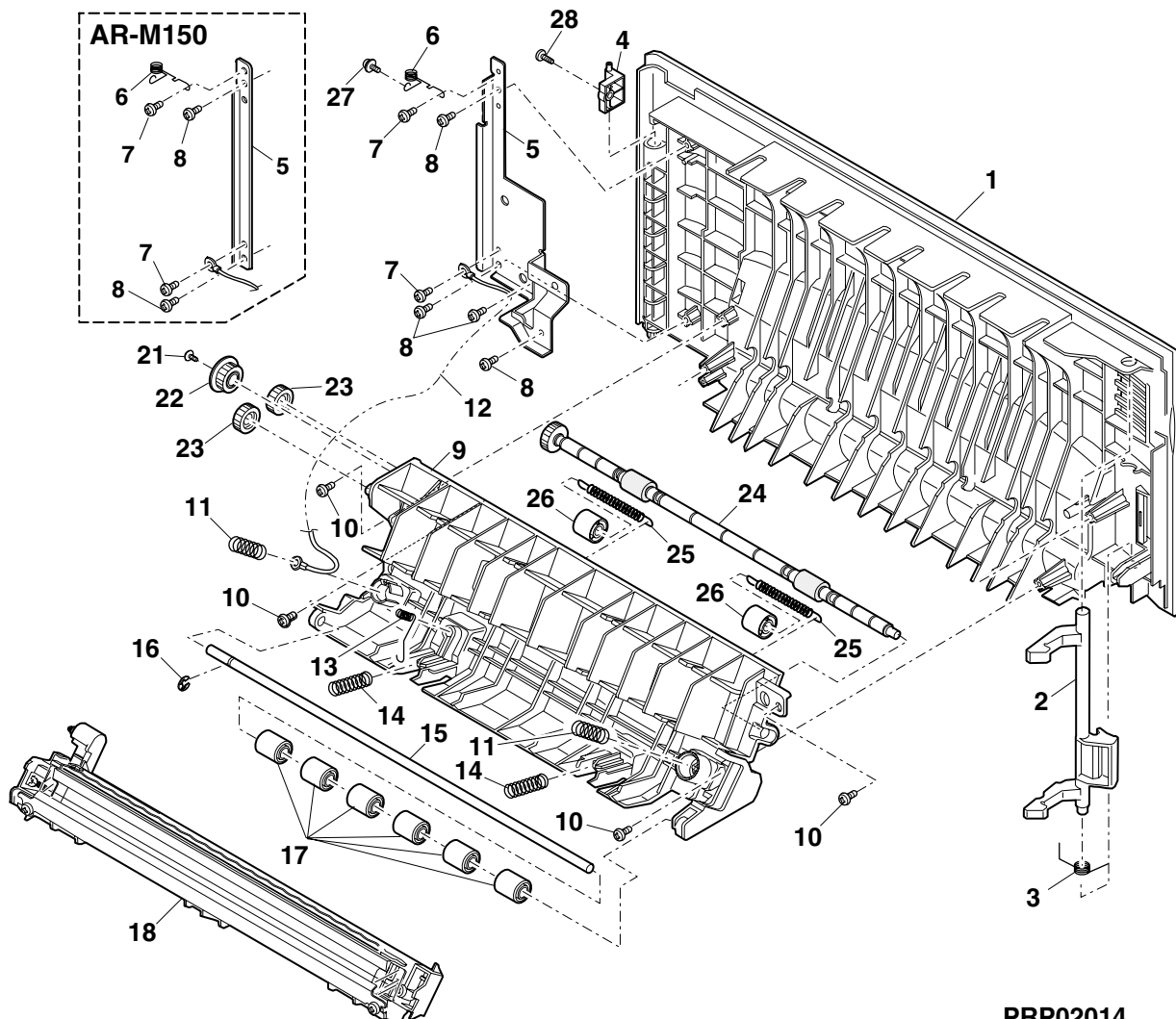


PRP02013

4 Side door unit

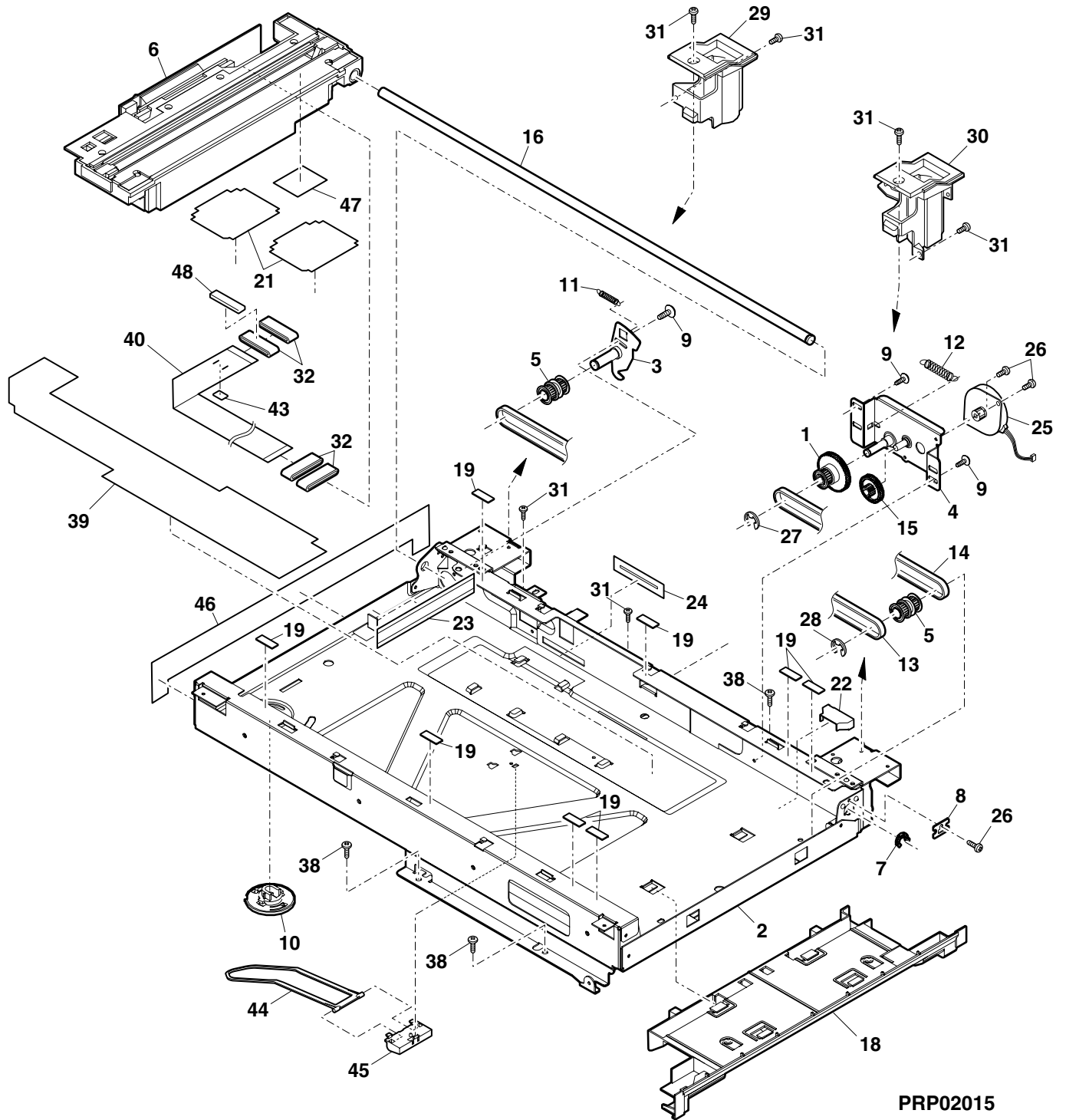
NO.	PARTS CODE	PRICE RANK	NEW MARK	PART RANK	DESCRIPTION
1	GCAB-0007Q SJ4	AU		D	Side door
2	PTME-0004Q SZZ	AG		C	Lock pawl
3	MSPRT0029Q SZZ	AC		C	Lock pawl spring
4	PGiDM0008Q SZZ	AD		C	Hinge guide
5	LPLTM0132Q SZZ	AH		C	Earth plate [AR-M155]
	LPLTM0043Q SZZ	AD		C	Earth plate [AR-M150]
6	MSPRD0076Q SZ1	AD		C	Earth spring
7	XHBSE30P06000	AA		C	Screw(3x6)
8	XEBSE30P06000	AA		C	Screw(3x6)
9	LFRM-0003Q SJ3	AN		D	Side door inner frame
10	XEBSD30P10000	AA		C	Screw(3x10)
11	MSPRC0032Q SZZ	AB		C	Transcription pressure spring
12	DHAi-0291Q SZZ	AC		C	TCFB harness
13	MSPRC0031Q SZZ	AB		C	PS earth spring
14	MSPRC0030Q SZZ	AC		C	PS pressure spring
15	NSFTZ0006Q SZZ	AG		C	PS shaft
16	XRESP30-06000	AA		C	E-ring
17	NRÖLP1122FCZZ	AF		C	PS upper roller
18	CHLDZ0010RS52	AU		E	Transcription holder unit
21	XEPSD30P08X00	AA		C	Screw(3x8) [AR-M155]
22	NGERH0048Q SZZ	AE		C	DUP drive gear [AR-M155]
23	NGERH0051Q SZZ	AE		C	DUP drive gear A [AR-M155]
24	NRÖLP0025Q SZZ	AM		C	DUP drive roller [AR-M155]
25	MSPRC0050Q SZZ	AB		C	DUP pressupe spring [AR-M155]
26	NRÖLP1122FCZZ	AF		C	PS upper roller [AR-M155]
27	XBPSD30P04KS0	AA		C	Screw(3x4KS)
28	XBBSD40P08000	AA		C	Screw(4x8)

4 Side door unit



PRP02014

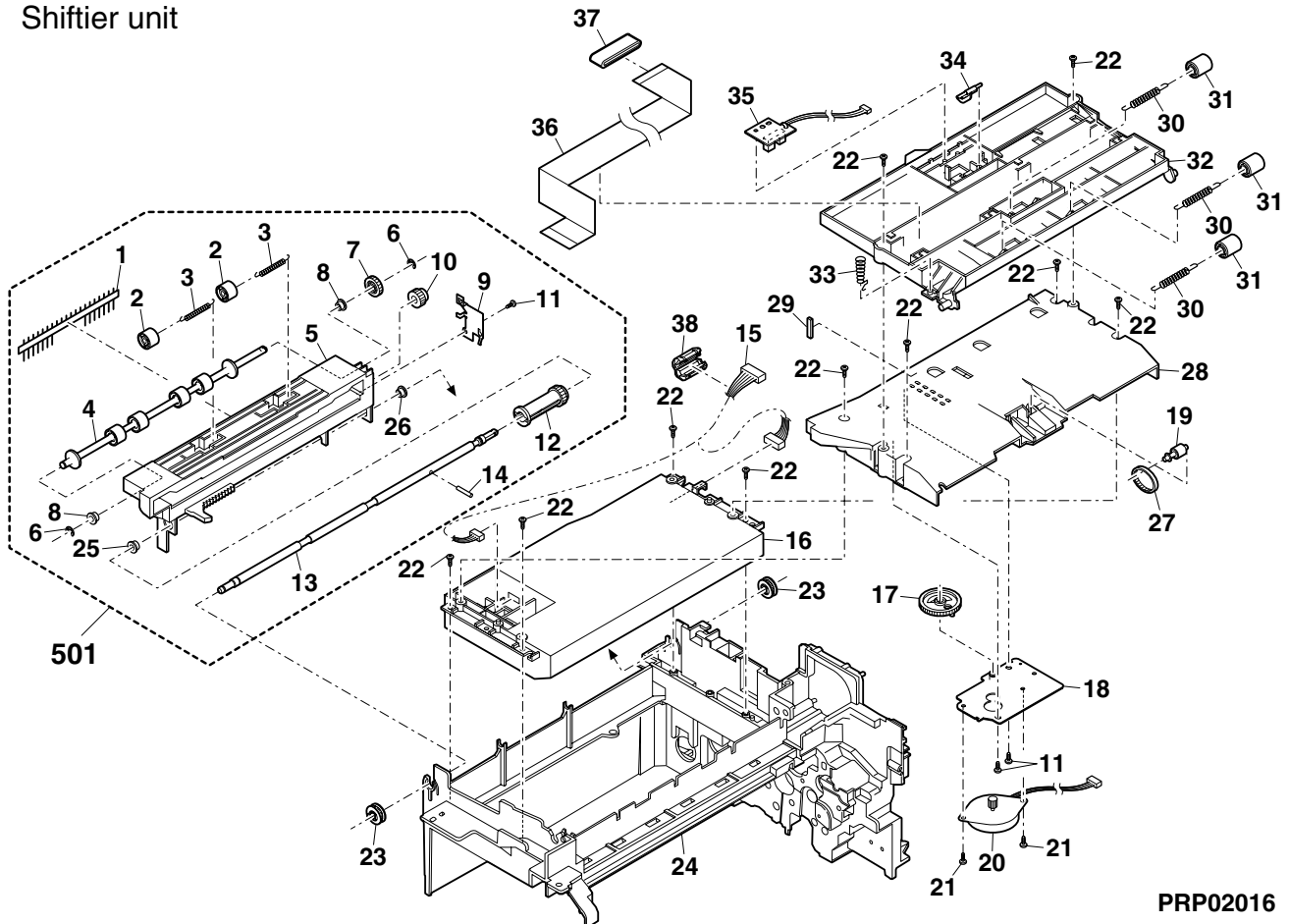
5 Optical frame



6 Shiftier unit

NO.	PARTS CODE	PRICE RANK	NEW MARK	PART RANK	DESCRIPTION
1	PBRSS0027QSZ1	AM		B	Discharge brush
2	NROLP0106QSZZ	AC		C	Shiftier roller
3	MSPRT0338QSZZ	AC		C	Shiftier spring
4	NROLR0107QSZZ	AQ	N	C	Shiftier roller
5	MSLIP0001QSZ1	AP	N	C	Slider
6	XRESP30-06000	AA		C	E-ring
7	NGERH0177QSZZ	AC		C	Shiftier gear(20TB)
8	NBRGC0579FCZZ	AE		C	Roller bearing
9	LPLTM0351QSZZ	AD		C	Earth spring
10	NGERH0175QSZZ	AC		C	Shiftier gear(17T)
11	XEBSD30P06000	AA		C	Screw(M3x6)
12	NGERH0176QSZZ	AE		C	Shiftier gear(20TA)
13	NSFTZ0077QSZZ	AU		C	Shiftier shaft
14	LPI NS0265FCZZ	AB		C	Spring pin(M3x12)
15	DHAi-0414QSZZ	AH		C	LSU harness
16	DUNTK0446QSZZ	BR		E	LSU unit
17	NGERH0178QSZZ	AD		C	Shiftier gear(24/60T)
18	CPLTM0352QS01	AG		E	Motor attachment unit
19	NROLP0009ESZ1	AG		C	Delivery auxiliary roller
20	RMOTS0047QSZZ	AR		B	Shiftier motor
21	XHBSD30P06000	AA		C	Screw(3x6)
22	XEBSD30P10000	AA		C	Screw(3x10)
23	NPLYZ0001QSZZ	AE		C	Pulley(22T)
24	LFRM-0035QSZ1	AV		D	Middle frame
25	NBRGP0699FCZZ	AF		C	Separator pawl bearing
26	NBRGC0651FCZZ	AD		C	Multi manual paper feeding bearing
27	NBLTH0043QSZZ	AL		B	Delivery auxiliary belt
28	PGiDM0121QSZZ	AM		C	Lower paper guide
29	PMLT-0086QSZZ	AA		C	Silence cushion
30	MSPRT0344QSZZ	AC		C	Delivery transport roller spring
31	NROLP1122FCZZ	AF		C	PS upper roller
32	PGiDM0120QSZZ	AN		C	Upper paper guide
33	MSPRD0353QSZZ	AD		C	Delivery earth spring
34	MLEVP0005QSZZ	AD		C	Delivery actuator
35	CPWBF0147QSE6	AL		E	POD sensor PWB
36	DHAi-0428QSZZ	AH		C	OP-MCU harness
37	RCORF0026QSZZ	AE		C	I/F FFC core
38	RCORF0021QSZZ	AK		C	Core
501	CSLIP0001RS51	AZ		E	Slider unit

6 Shiftier unit

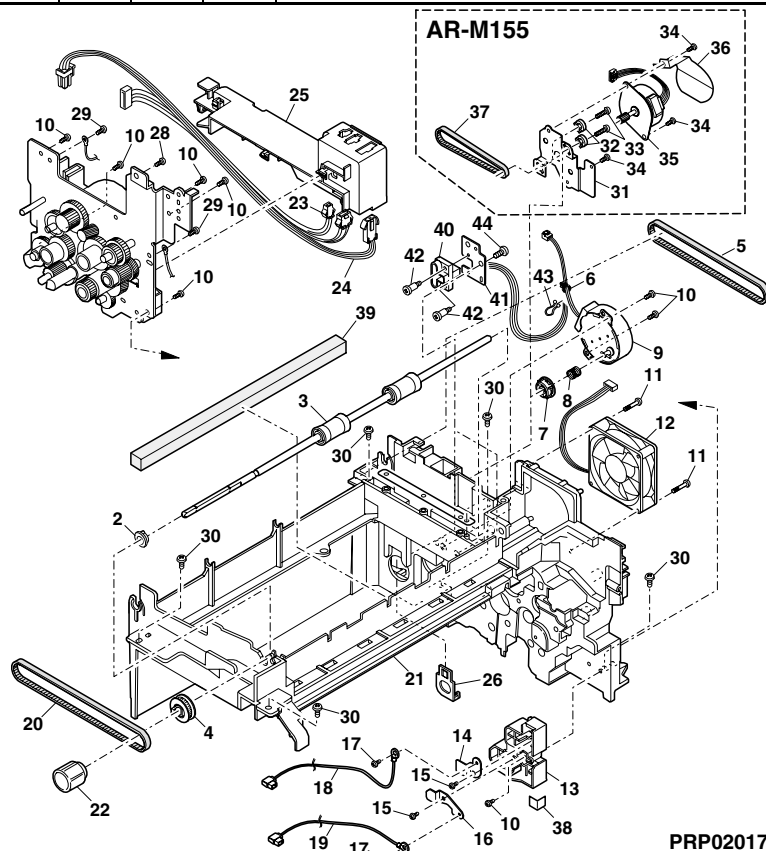


PRP02016

7 Middle frame

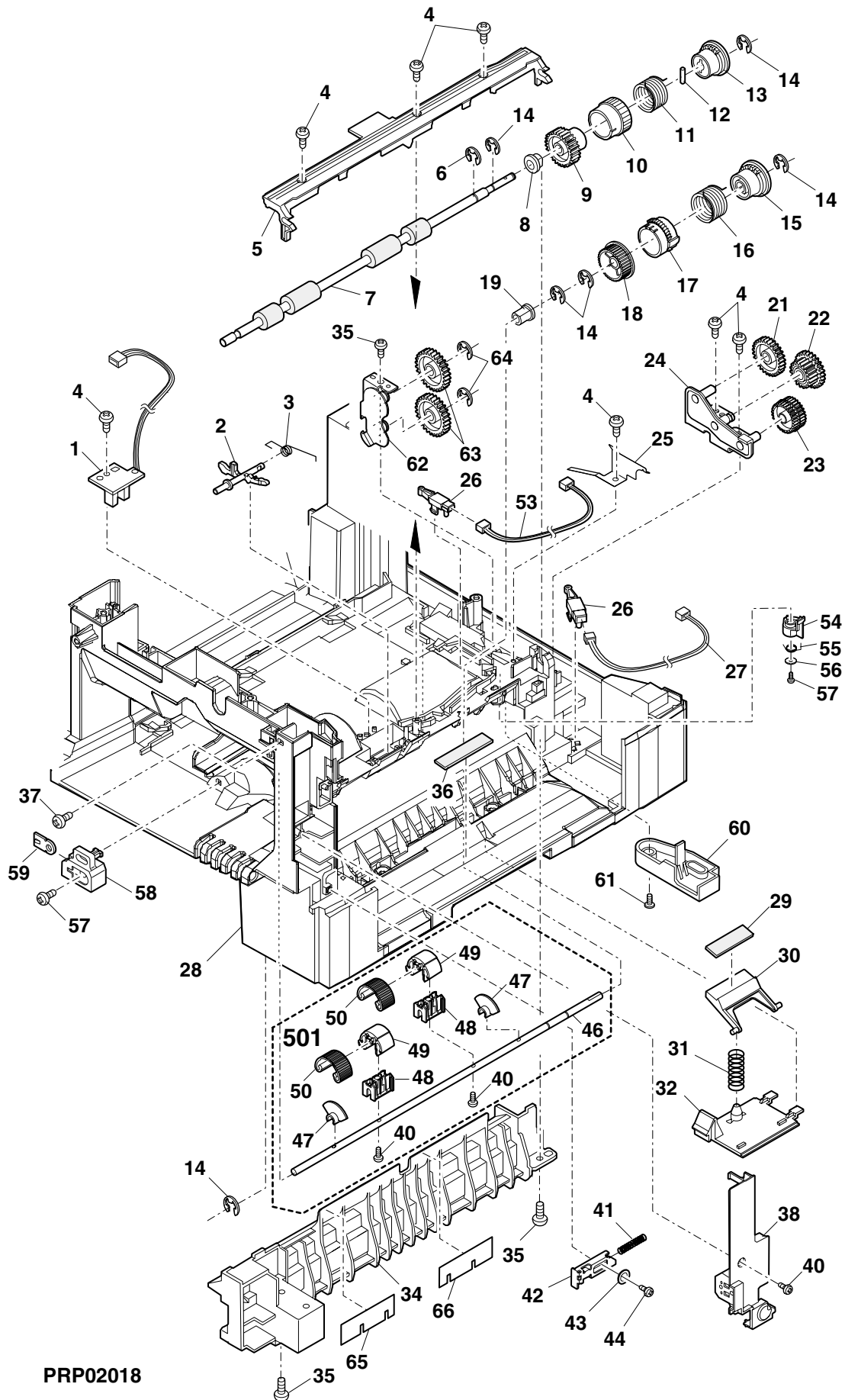
NO.	PARTS CODE	PRICE RANK	NEW MARK	PART RANK	DESCRIPTION
2	NBRGC0579FCZZ	AE		C	Roller bearing
3	NROLP0012QSZZ	AL		C	Delivery trasport roller lower
4	NPLYZ0001QSZZ	AE		C	Pulley(22T)
5	NBLTT0045QSZZ	AH	N	B	Delivery roller drive belt [AR-M150]
6	LBNDJ0043FCZZ	AA		C	Snap band(SG-130)
7	NCPL-0006QSZZ	AC		C	Hopper cupring S
8	MSPRC0330QSZZ	AC		C	Hopper spring
9	RMOTD0009QSZZ	AU		B	Toner motor
10	XEBSD30P10000	AA		C	Screw(3x10)
11	XEBSD30P30000	AA		C	Screw(3x30)
12	NFANP0013QSZZ	AW		B	Fan
13	LHLDZ0018QSZZ	AE		C	TC high voltage holder
14	QSLP-0006QSZZ	AE		C	BC HV electrode plate
15	XEBSD30P06000	AA		C	Screw(M3x6)
16	QSLP-0005QSZZ	AE		C	TC HV electrode plate
17	XBPSC30P06K00	AA		C	Screw(3x6K)
18	DHAi-0267QSZZ	AG		C	BC harness
19	DHAi-0292QSZZ	AF		C	TC harness
20	NBLTT0039QSZZ	AE		B	Belt 308
21	LFRM-0035QSZZ	AV		D	Middle frame
22	JKNBZ0001QSZZ	AE		C	Roller rotation knob
23	DHAi-0287QSZZ	AF		C	PPD2 interface harness
24	DHAi-0276QSZZ	AL		C	HL harness 1
25	PGiDM0009QSZZ	AG		C	Harness guide
26	LPI NS0008QSZZ	AD		C	DV guide pin (Iran)
26	LPI NS0009QSZZ	AD		C	DV guide pin (Other Countries)
28	LX-BZ3006SC0S	AA		C	Screw(3x6)
29	XBBSD30P08000	AA		C	Screw(3x8)
30	XEBSE40P12000	AA		C	Screw(4x12)
31	LPLTM0133QSZZ	AE		C	DUP motor sink [AR-M155]
32	PSPA Z0017QSZZ	AK		C	DUP spacer [AR-M155]
33	XEBSD30P10000	AA		C	Screw(3x10) [AR-M155]
34	XHBSE30P06000	AA		C	Screw(3x6) [AR-M155]
35	RMOTS0048QSZZ	BD		B	DUP transport motor [AR-M155]
36	PSHEZ0156QSZZ	AE		C	Harness protection sheet [AR-M155]
37	NBLTT0040QSZZ	AE		B	Belt [AR-M155]
38	PSHEZ0155QSZZ	AD		C	Sheet
39	PMLT-0087QSZZ	AC		C	Cushion
40	DHAi-0307QSZZ	AT		C	CRUM2 harness
41	LPLTM0149QSZZ	AD		C	Plate fixing connector
42	LX-BZ0020QSZZ	AB		C	Screw
43	LHLDW1334FCZZ	AA		C	Holder
44	XEBSD30P08000	AA		C	Screw(3x8)

7 Middle frame



PRP02017

8 Base plate unit 1

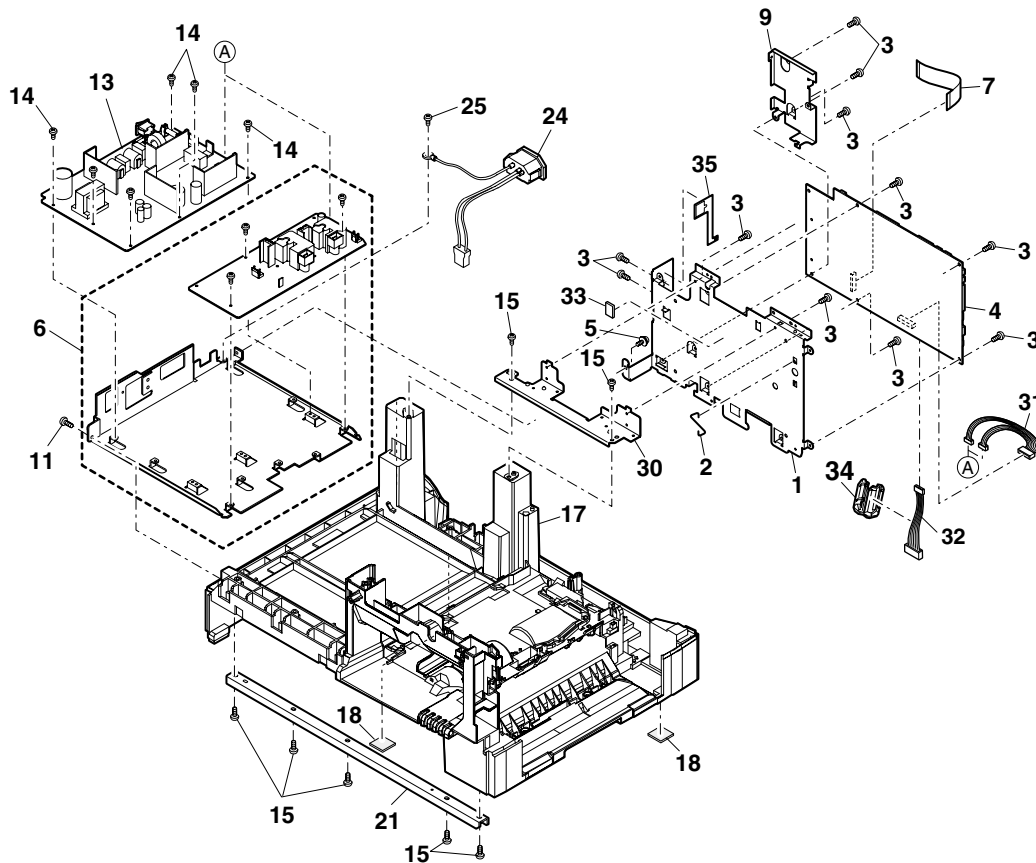


PRP02018

9 Base plate unit 2

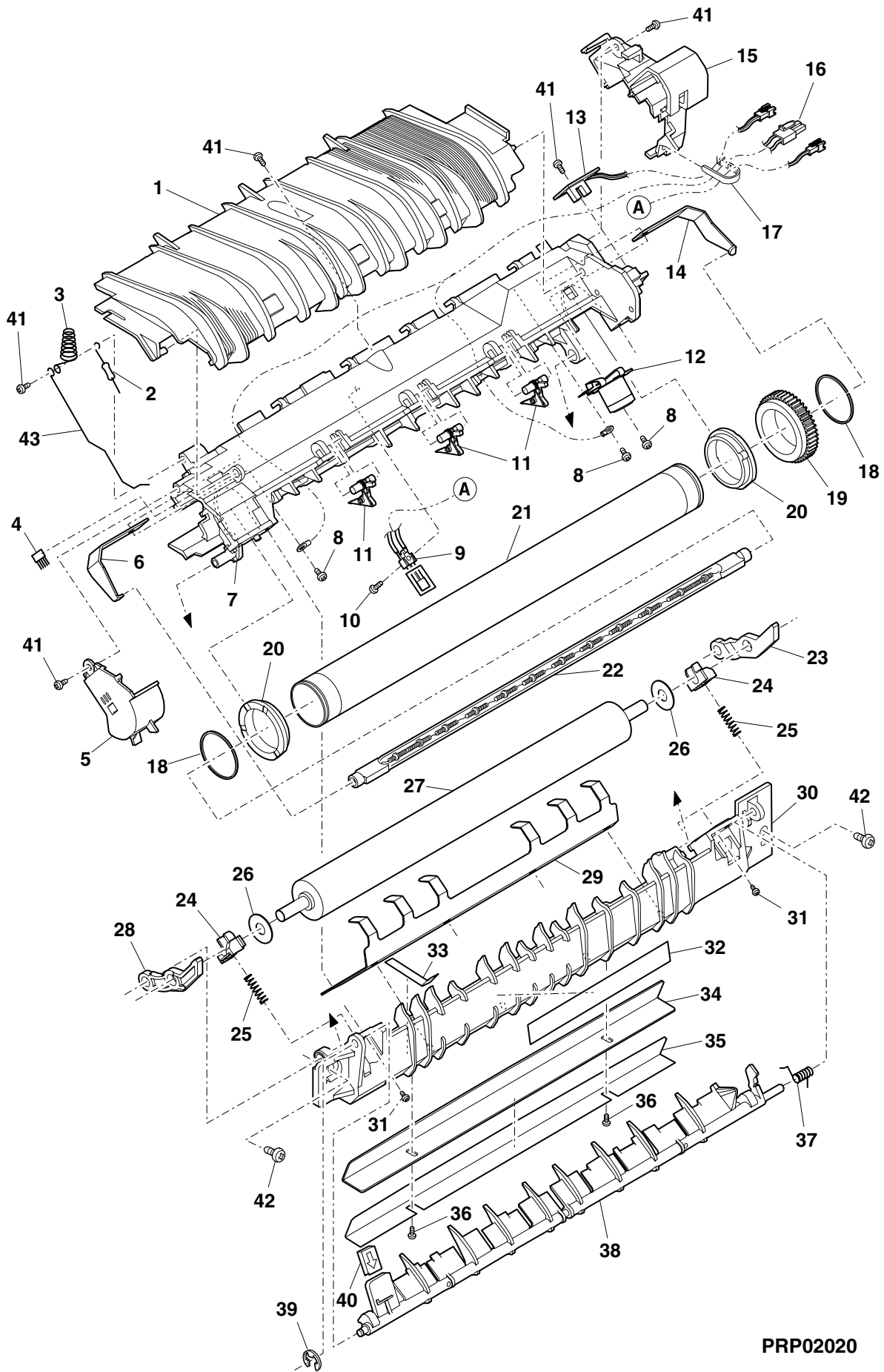
NO.	PARTS CODE	PRICE RANK	NEW MARK	PART RANK	DESCRIPTION
1	LHL D Z 0 1 0 7 Q S Z 2	AP		C	MCU PWB holder
2	MSPRD 0 3 3 7 Q S Z 1	AE		C	Earth wire JAG2
3	XHBSE 3 0 P 0 6 0 0 0	AA		C	Screw(3×6)
4	CPWBX 0 1 6 3 Q S 4 C	CK	N	E	MCU PWB (Australia,New Zealand)
	CPWBX 0 1 6 3 Q S 4 A	CK		E	MCU PWB (Iran)
	CPWBX 0 1 6 3 Q S 4 B	CK	N	E	MCU PWB (Other Countries)
5	XBPSD 3 0 P 0 8 K S 0	AA		C	Screw(3×8KS)
△ 6	RDENC 0 0 1 3 Q S Z Z	BF		E	High voltage PWB
7	DH A i - 0 4 4 0 Q S Z 1	AG		C	NW box interface harness
9	LPLTM 0 3 5 6 Q S Z Z	AH		C	NW box holding plate
11	XEBSE 3 0 P 1 0 0 0 0	AA		C	Screw(3×10)
△ 13	RDENC 0 0 1 4 Q S 1 1	CE		E	DC power supply PWB (200V)
14	XBBSE 3 0 P 0 6 0 0 0	AA		C	Screw(3×6)
15	XEBSE 4 0 P 1 2 0 0 0	AA		C	Screw(4×12)
17	GD A i - 0 0 0 1 Q S J 2	BE		D	Base plate
18	GLEGG 0 0 6 4 F C Z Z	AC		C	Rubber foot
21	LPLTM 0 0 2 0 Q S Z Z	AL		C	Base plate reinforce plate F
24	DH A i - 0 3 0 5 Q S Z 1	AL		C	Inlet interface harness (200V Series)
25	XBPSN 4 0 P 0 6 K 0 0	AA		C	Screw(4×6K)
30	LPLTM 0 3 5 4 Q S Z 1	AH		C	Connector plate
31	DH A i - 0 2 9 4 Q S Z Z	AK		C	Center frame harness
32	DH A i - 0 4 4 1 Q S Z Z	AK		C	2NDCS interface harness
33	PGSK - 0 0 2 7 Q S Z Z	AE		C	Gasket
34	RCORF 0 0 2 1 Q S Z Z	AK		C	Core
35	PSHEZ 0 4 0 5 Q S Z Z	AE		C	Connector ground sheet

9 Base plate unit 2



PRP02019

10 Fusing unit

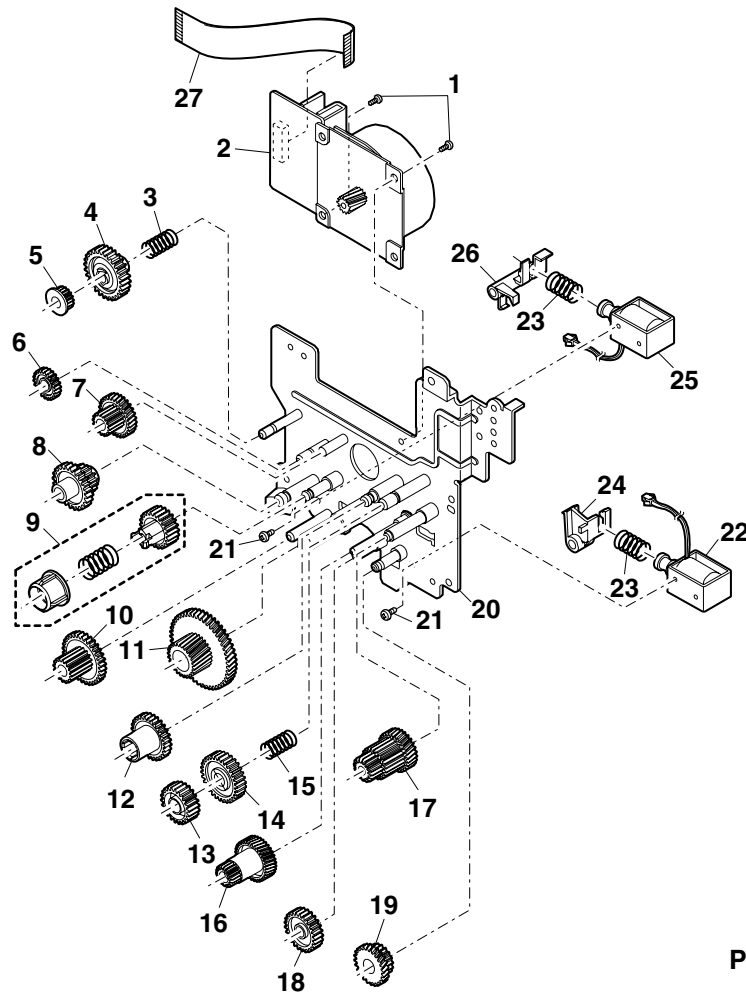


PRP02020

11 Drive unit

NO.	PARTS CODE	PRICE RANK	NEW MARK	PART RANK	DESCRIPTION
1	XBBSD40P06000	AA		C	Screw(4x6)
2	RMOTP0044QSPZ	BH		B	Main motor
3	MSPRC0053QSZ1	AC		C	Pulley spring [AR-M150]
4	NGERH0050QSZZ	AD		C	Ratchet gear(33T) [AR-M150]
5	NPLYZ0002QSZZ	AC		C	Pulley(17T) [AR-M150]
6	NGERH0010QSZZ	AD		C	Gear(28T)
7	NGERH0009QSZZ	AD		C	Gear(46/16T)
8	NGERH0014QSZZ	AD		C	Gear(30/15T)
9	CGERH0011RS51	AE		E	MG gear unit
10	NGERH0015QSZZ	AD		C	Gear(37/15T)
11	NGERH0007QSZZ	AH		C	Gear(68/26T)
12	NGERH0016QSZZ	AD		C	Cupring gear(34T)
13	NGERH0019QSZZ	AD		C	Ratchet gear(21T)
14	NGERH0018QSZZ	AC		C	Ratchet gear(28T)
15	MSPRC0023QSZ1	AC		C	Ratchet spring
16	NGERH0008QSZZ3	AL		C	Gear(55/19T)
17	NGERH0017QSZZ	AD		C	Gear(33/20/15T)
18	NGERH0012QSZZ	AE		C	Gear(20T)
19	NGERH0013QSZZ	AG		C	Gear(31/17T)
20	CPLTM0042QS03	AY		C	Main drive plate [AR-M155]
	CPLTM0042QS02	AY		C	Main drive plate [AR-M150]
21	XBBSD30P04000	AA		C	Screw(3x4)
22	RPLU-0035QSZZ	AL		B	Solenoid
23	MSPRC1318FCZ1	AA		C	Spring B
24	PTME-0002QSZZ	AD		C	PS roller pawl
25	RPLU-0002QSZZ	AN		B	Solenoid
26	PTME-0003QSZZ1	AD		C	Roller pawl
27	DHAi-0296QSZZ	AK		C	Main motor harness
	(Unit)				
901	CPLTM0042RS57	BH		E	Drive unit[Except No.27] [AR-M155]
	CPLTM0042RS58	BK		E	Drive unit[Except No.27] [AR-M150]

11 Drive unit

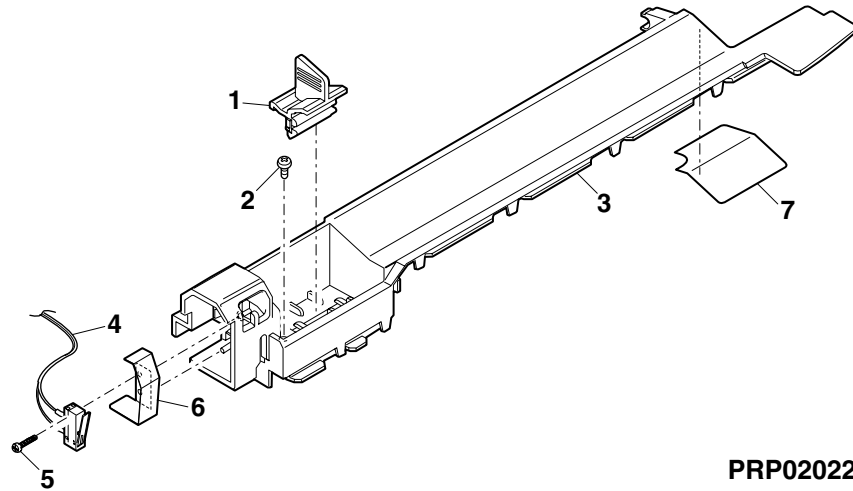


PRP02021

12 Multi manual paper feeding cover unit

NO.	PARTS CODE	PRICE RANK	NEW MARK	PART RANK	DESCRIPTION
1	CCLEZ0005RS51	AQ		E	Charger cleaner unit
2	XEBSE30P08000	AA		C	Screw(3x8)
3	PCOVP0023QSJ1	AH		D	Multi upper cover
4	CSW-M0016RS52	AL		E	Side door detect switch unit
5	XEPSD20P10000	AA		C	Screw(2x10)
6	MSPRP0110QSZ1	AD		C	Door switch spring
7	PSHEZ0075QSZZ	AC		C	MB upper guide sheet

12 Multi manual paper feeding cover unit



PRP02022

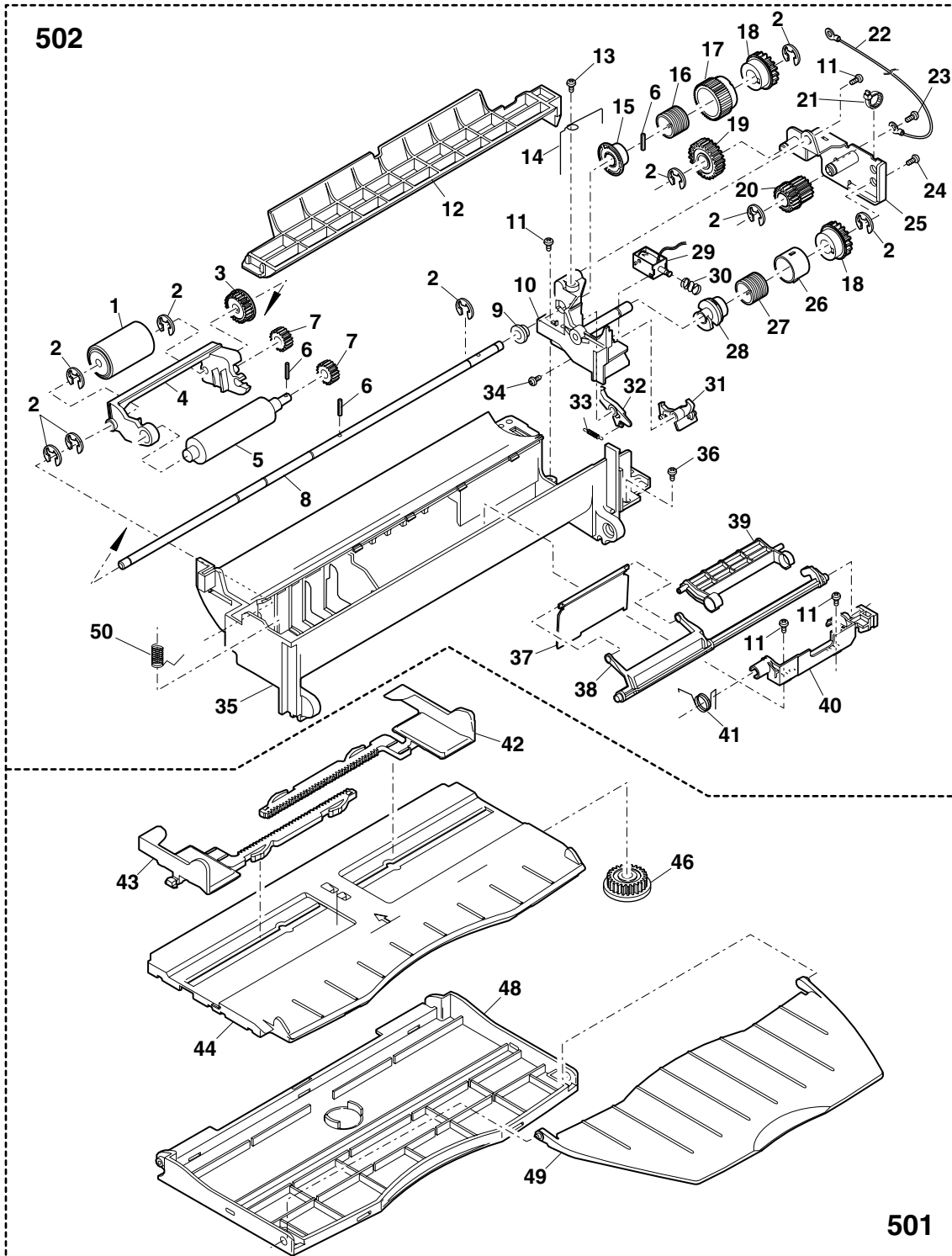
13 Multi manual paper feeding unit

NO.	PARTS CODE	PRICE RANK	NEW MARK	PART RANK	DESCRIPTION
1	NR0LR0922FCZ2	AR		C	Manual feeding roller
2	XRESP40-06000	AA		C	E-ring
3	NGERH0992FCZZ	AB		C	Gear(20T)
4	MARMP0173FCZ1	AC	N	C	Arm C
5	NR0LR0105QSZZ	AR		C	Roller R
6	XPSSJ20-07000	AA		C	Spring pin(φ2-7)
7	NGERH0990FCZZ	AB		C	Gear(16T)
8	NSFTZ2311FCZZ	AU		C	Cam boss A shaft
9	LBSHZ0303FCZZ	AC		C	M bushing C
10	LBRC-0055FCZZ	AK		C	Multi F bracket
11	XEBSE30P08000	AA		C	Screw(3x8)
12	PGiDM0014QSJ1	AF		C	DUP upper guide
13	XEBSD30P06000	AA		C	Screw(M3x6)
14	MSPRC0049QSZZ	AC		C	Manual feeding earth spring
15	LBOSZ1851FCZZ	AC		C	STK clutch boss
16	MSPRC1315FCZ1	AD		C	Clutch spring A
17	PPiPP0109FCZ1	AC		C	Pipe A
18	LBOSZ0118QSZZ	AE		C	Cam boss A1R
19	NGERH0972FCZZ	AB		C	Gear(27T)
20	NGERH0991FCZZ	AC		C	Gear(20.20MXL)
21	LBNDJ0013FCZ1	AE		C	Wire band
22	DHAI-0295QSZZ	AC		C	Manual feeding earth harness
23	XHBSE30P06000	AA		C	Screw(3x6)
24	XBPSD30P06KSO	AA		C	Screw(3x6K)
25	CPLTM0023QS03	AG		C	Paper plate 1
26	PPiPP0009QSZZ	AD		C	Clutch sleeve
27	MSPRC1316FCZ1	AE		C	MF clutch spring B
28	LBOSZ1509FCZ1	AD		C	Cam boss B
29	RPLU-0003QSZZ	AN		B	Multi feeding solenoid
30	MSPRC1318FCZ1	AA		C	Spring B
31	PTME-0179FCZZ	AC		C	Manual paper feeding pawl B
32	PTME-0178FCZ1	AC		C	Manual paper feeding pawl A
33	MSPRC2175FCZZ	AA		C	Pawl A spring
34	XBBSD30P08000	AA		C	Screw(3x8)
35	LFRM-0010QSJZ	AN		D	Multi frame
36	XEBSE40P12000	AA		C	Screw(4x12)
37	LSTPP0300FCZZ	AB		C	Stopper plate
38	MARMP0205FCZZ	AF		C	Arm B
39	MARMP0204FCZ1	AF		C	Arm A
40	MHNG-0002QSZ1	AC		C	Arm hinge
41	MSPRC0048QSZZ	AB		C	Arm C spring
42	PGiDM0018QSJ2	AE		C	MB side guide R

13 Multi manual paper feeding unit

NO.	PARTS CODE	PRICE RANK	NEW MARK	PART RANK	DESCRIPTION
43	P G i D M 0 0 1 7 Q S J 2	AE		C	MB side guide L
44	P C O V P 0 0 1 9 Q S J 4	AK		D	Multi tray front cover
46	N G E R H 0 0 2 1 Q S Z Z	AD		C	Manual feeding gear
48	L S O U - 0 0 0 2 Q S J 2	AL		D	Multi tray 1
49	L S O U - 0 0 0 3 Q S J 2	AK		D	Multi tray 2
50	M S P R C 0 1 0 9 Q S Z Z	AC		C	Spring
501	C S O U - 0 0 0 2 R S 5 7	AX		E	Multi manual paper feeding tray unit
502	C F R M - 0 0 1 0 R S 5 6	BD		E	Multi manual paper feeding unit

13 Multi manual paper feeding unit



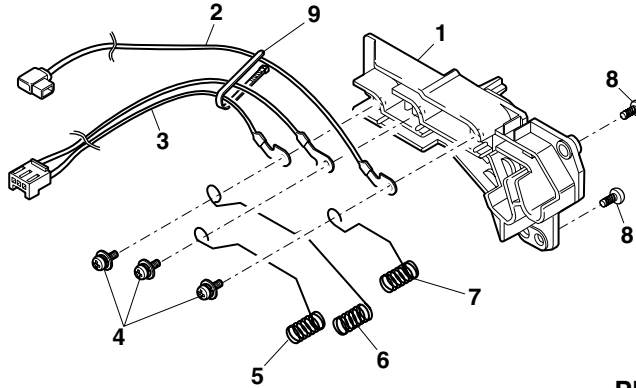
501

PRP02023

14 Socket holder unit

NO.	PARTS CODE	PRICE RANK	NEW MARK	PART RANK	DESCRIPTION
1	LHLDZ0009QSDZ	AG		C	HV interface holder
2	CHAI-0298RS52	AG		C	MC harness unit
3	CHAI-0273RS52	AS		C	GB-MCFB harness unit
4	XBPSC30P06ES0	AA		C	Screw(3x6ES)
5	MSPRC0017QSZ1	AC		C	HV terminal spring
6	MSPRC0018QSZ1	AC		C	HV terminal spring
7	MSPRC0016QSZ1	AC		C	HV terminal spring
8	XEBSD30P08000	AA		C	Screw(3x8)
9	LBNDJ0013FCZ1	AE		C	Wire band

14 Socket holder unit

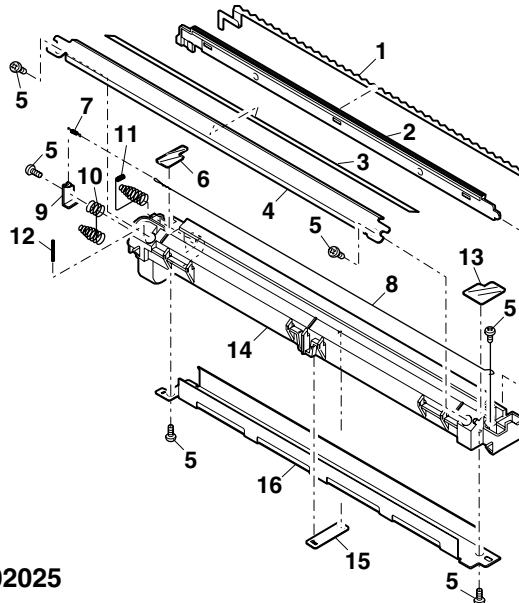


PRP02024

15 TC case unit

NO.	PARTS CODE	PRICE RANK	NEW MARK	PART RANK	DESCRIPTION
1	PSHEZ0018QSZZ	AF		C	Discharge plate sheet
2	PGIDM0011QSZZ	AE		C	Separator guige
3	PSHEP0019QSZ1	AC		C	TC sheet
4	PGIDH0025QSZ1	AG		C	TC front guide
5	XEBSD30P06000	AA		C	Screw(M3x6)
6	PSHEP0021QSZZ	AA		C	TC cover sheet R
7	MSPRT0513FCZ1	AA		C	MC tension spring
8	DWIR-0466CSZZ	BE		B	Charger wire
9	QSLP-0007QSZZ	AC		C	TC electrode plate
10	MSPRC0027QSZZ	AC		C	TC electrode spring
11	MSPRC0028QSZZ	AC		C	BC electrode spring
12	MSPRC0051QSZ1	AA		C	Front guide earth spring
13	PSHEP0020QSZZ	AB		C	TC cover sheet F
14	LHLDZ0010QSZ1	AL		C	TC holder
15	LFIX-0004QSZZ	AC		C	Holer fixing plate
16	PCASZ0002QSZZ	AL		D	TC case
(Unit)					
901	CHLDZ0010RS52	AU		E	Transcription holder unit

15 TC case unit

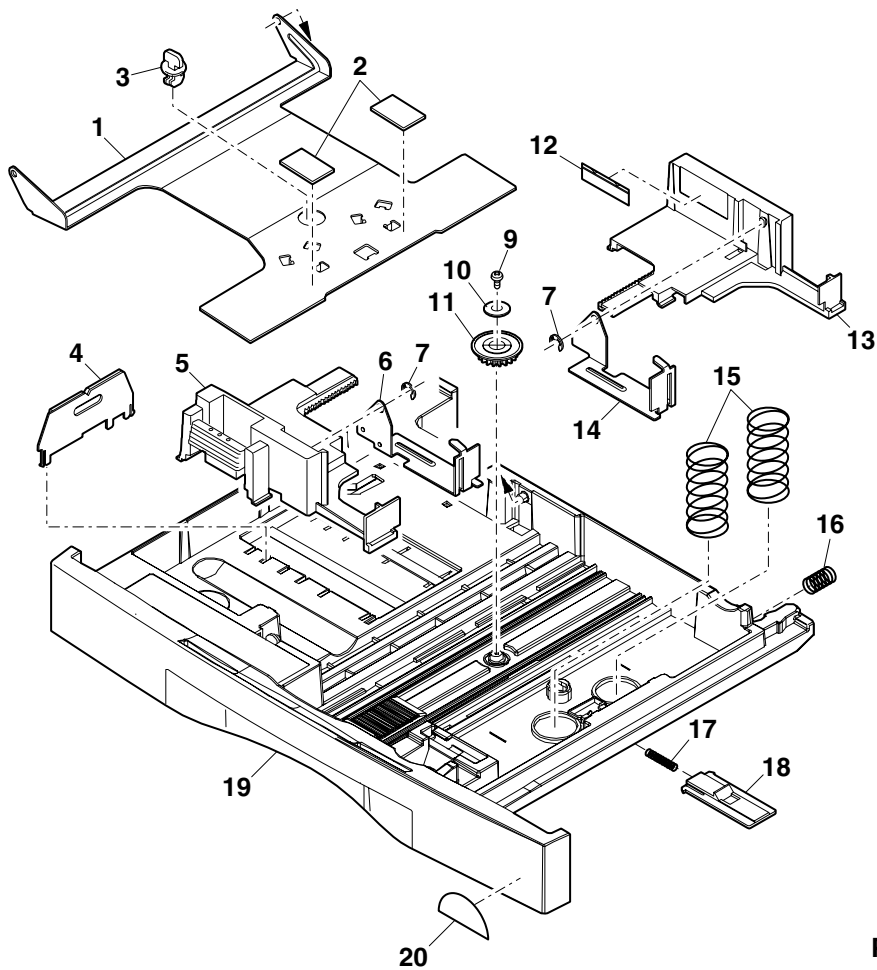


PRP02025

16 250 sheets tray

NO.	PARTS CODE	PRICE RANK	NEW MARK	PART RANK	DESCRIPTION
1	LPLTM5106FCZZ	AR		C	Turning plate 250
2	PSHEZ4142FCZZ	AC		C	Rotation plate sheet
3	LHLDW1226FCZZ	AB		C	Turn fasner
4	LPLTM2642FCG2	AD		C	Tray rear plate
5	LPLTP5107FCZ1	AG		C	250 tray side plate F
6	PTME-0255FCZZ	AG		C	250 Tray pawl F
7	XRESP40-06000	AA		C	E-ring
9	XEBSE30P08000	AA		C	Screw(3x8)
10	LX-WZ2028SCZZ	AA		C	Washer(φ12)
11	NGERH0193FCZZ	AB		C	Manual feeding gear
12	TLABZ0546QSZZ	AB		D	Indication label (Australia,New Zealand,Iran)
	TLABZ3568GHZZ	*	N	D	Indication label (Other Countries)
13	LPLTP5108FCZ1	AG		C	250 tray side plate R
14	PTME-0256FCZZ	AG		C	250 Tray pawl R
15	MSPRC0108QSZZ	AC		C	250 Tray spring
16	MSPRC1873FCZ1	AB		C	Tray spring
17	MSPRC1145FCZZ	AA		C	Stopper spring
18	LSTPP0161FCZ1	AB		C	Rotation plate stopper
19	GCASP0001QSJ4	BA		D	250 Tray case
20	TLABZ4047FCZZ	AC		C	Enagy star label
	(Unit)				
901	CCASP0001RS57	BF		E	250 Tray unit(Except No.20)

16 250 sheets tray

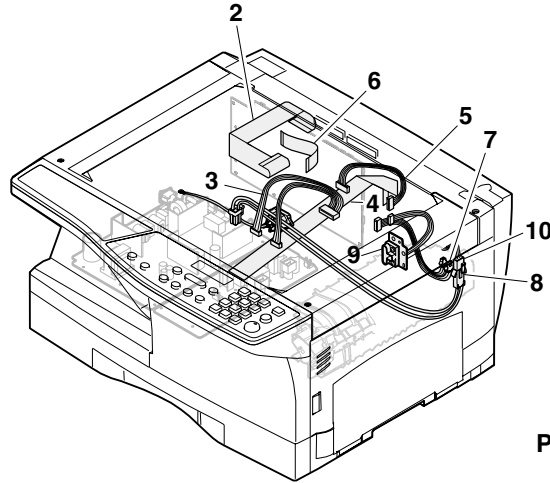


PRP02026

17 Harness

NO.	PARTS CODE	PRICE RANK	NEW MARK	PART RANK	DESCRIPTION
2	DHA i - 0 2 6 8 Q S Z 1	AH		C	CCD-MCU harness
3	DHA i - 0 2 9 4 Q S Z Z	AK		C	Center frame harness
4	DHA i - 0 4 2 8 Q S Z Z	AH		C	OP-MCU harness
5	DHA i - 0 2 9 6 Q S Z Z	AK		C	Main motor harness
6	DHA i - 0 4 4 0 Q S Z 1	AG		C	NW box interface harness
7	DHA i - 0 2 8 7 Q S Z Z	AF		C	PPD2 interface harness
8	DHA i - 0 2 7 6 Q S Z Z	AL		C	HL harness 1
9	DHA i - 0 3 0 7 Q S Z Z	AT		C	CRUM2 harness
10	DHA i - 0 2 8 0 Q S Z 1	AH		C	HL harness 2

17 Harness



PRP02027

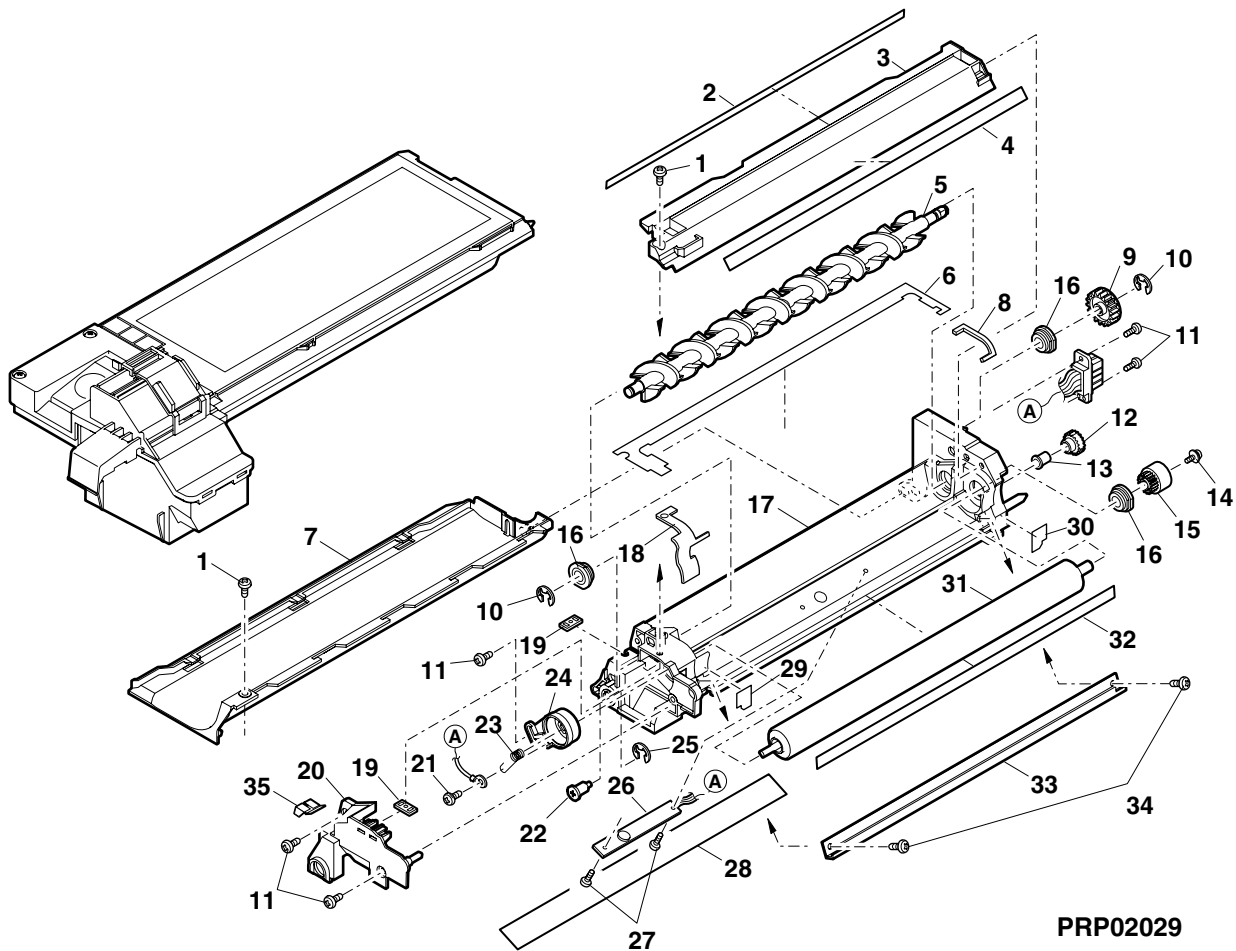
18 Process unit

NO.	PARTS CODE	PRICE RANK	NEW MARK	PART RANK	DESCRIPTION
1	XEBSD30P10000	AA		C	Screw(3×10)
2	XEBSD26P05000	AA		C	Screw(2.6×5)
3	QTANP0004QSZZ	AD		C	Saw terminal
4	PCASZ0004QSZZ	AK		C	MC case
5	LHLDZ0016QSZZ	AM		C	MC holder unit
6	QTANP0005QSZZ	AC		C	Grid terminal
7	PTPE-0003QSZ1	AF		C	Saw tape
8	LPLTM0033QSZ1	AF		C	Saw
9	LPLTM0034QSZ1	AE		C	Grid
10	UCLEZ0013QSZZ	AQ		C	Cleaning blade
12	NCPL-0003QSZZ	AC		C	Screw cupring
13	LX-WZ0329FCZZ	AB		C	Washer
14	PMLT-0018QSZ1	AC		C	Transport screw cushion
15	NSFTZ0004QSZZ	AK		C	Screw
16	PSEL-0022QSZ1	AF		C	Seal R
17	PMLT-0083QSZZ	AA		C	Toner shield cushion
18	PMLT-0016QSZ1	AC		C	CL blade cushion
19	PSEL-0021QSZ1	AF		C	Seal F
20	PMLT-0017QSZZ	AC		C	Flange cushion
21	NBRGP0299FCZZ	AC		C	DV bearing
23	PCOVP0018QSZZ	AG		C	Drum cover
24	LPLTP0010QSZZ	AD		C	Drum holding plate
25	NGERH0039QSZZ	AE		C	Transport pipe gear(14T)
26	NGERH0038QSZZ	AC		C	Transport pipe gear(15T)
27	NGERH0037QSZZ	AC		C	Idle gear(26T)
28	NGERH0036QSZZ	AC		C	Transport screw gear(30T)
29	PSHT-0004QSZ1	AC		C	Toner pipp shuter
30	MSPRC0045QSZ1	AC		C	Toner pipe spring
31	PPiPP0004QSZZ	AH		C	Toner pipe
32	PSPAZ0696FCZZ	AC		C	P cap spacer
33	NSFTZ0003QSZZ	AD		C	Transport pipe screw
34	PCAPH0008QSZZ	AC		C	Toner pipe cap
35	UCLEZ0014QSZZ	AL		C	Sub blade
36	PTPE-0004QSZZ	AC		C	Sub blade tape
37	PMLT-0025QSZZ	AC		C	Sheeld cussion
	(Unit)				
901	CDRM-0002RS7A	BG		E	Process unit (Australia,New Zealand,Iran)

19 DV cartridge unit

NO.	PARTS CODE	PRICE RANK	NEW MARK	PART RANK	DESCRIPTION
1	XBBSE30P08000	AA		C	Screw(3x8)
2	PSEL-0110QSZZ	AF		C	DV cover sheet
3	PCOVP0081QSZZ	AF		D	DV cover U
4	UCLEZ0006QS11	AF		D	DV blade
5	NROLP0073QSZ1	AN		C	DMX roller
6	PSEL-0083QSZ1	AF		C	DV seal CN
7	PGiDM0090QSZZ	AH		C	TN guide D
8	PSEL-0084QSZ2	AA		C	DV seal RN
9	NGERH0135QSZZ	AD		C	DMX Gear(28T)
10	XRESP40-06000	AA		C	E-ring
11	XBSF30P08000	AA		C	Screw(3x8)
12	NGERH0001YSZZ	AD		C	DV idle gear(20T)
13	NBRGC0021QSZZ	AD		C	DID bearing
14	XBPSD30P06KS0	AA		C	Screw(3x6K)
15	NGERH0145QSZ1	AD		C	DV gear(18T)
16	NBRGC0020QSZZ	AH		C	DMX bearing
17	PBOX-0012QSZZ	AN		D	DV BOX
18	PSEL-0082QSZZ	AC		C	DV seal FN
19	LPLTM0194QSZZ	AC		C	DV fixing plate
20	PCOVP0082QSZZ	AD		D	DV cover F
21	XBSD30P06000	AA		C	Screw(3x6)
22	LX-BZ0656FCZZ	AD		C	Screw
23	MSPRK0001YSZZ	AB		C	Byass spring
24	LHLDR0081QSZZ	AC		C	MG holder
25	XRESP50-06000	AA		C	E-ring
26	RDTCT0003QSZZ	AZ		B	ATC sensor
27	XUBUZ30P06000	AA		C	Screw(3x6)
28	PSEL-0080QSZ1	AD		C	DV seal A
29	PSHEZ0029QS11	AC		C	Side sheet FN
30	PSEL-0096QSZZ	AA		C	DV side seal RN
31	NROLM0074QSZZ	AZ		C	MG roller
32	PMLT-0008QSZZ	AC		C	DVC cushion
33	LPLTM0003YSZZ	AK		C	DV doctor N
34	XUBUZ30P08000	AA		C	Screw(3x8)
35	PBRSR0022QSZ1	AF		B	Brush

19 DV cartridge unit

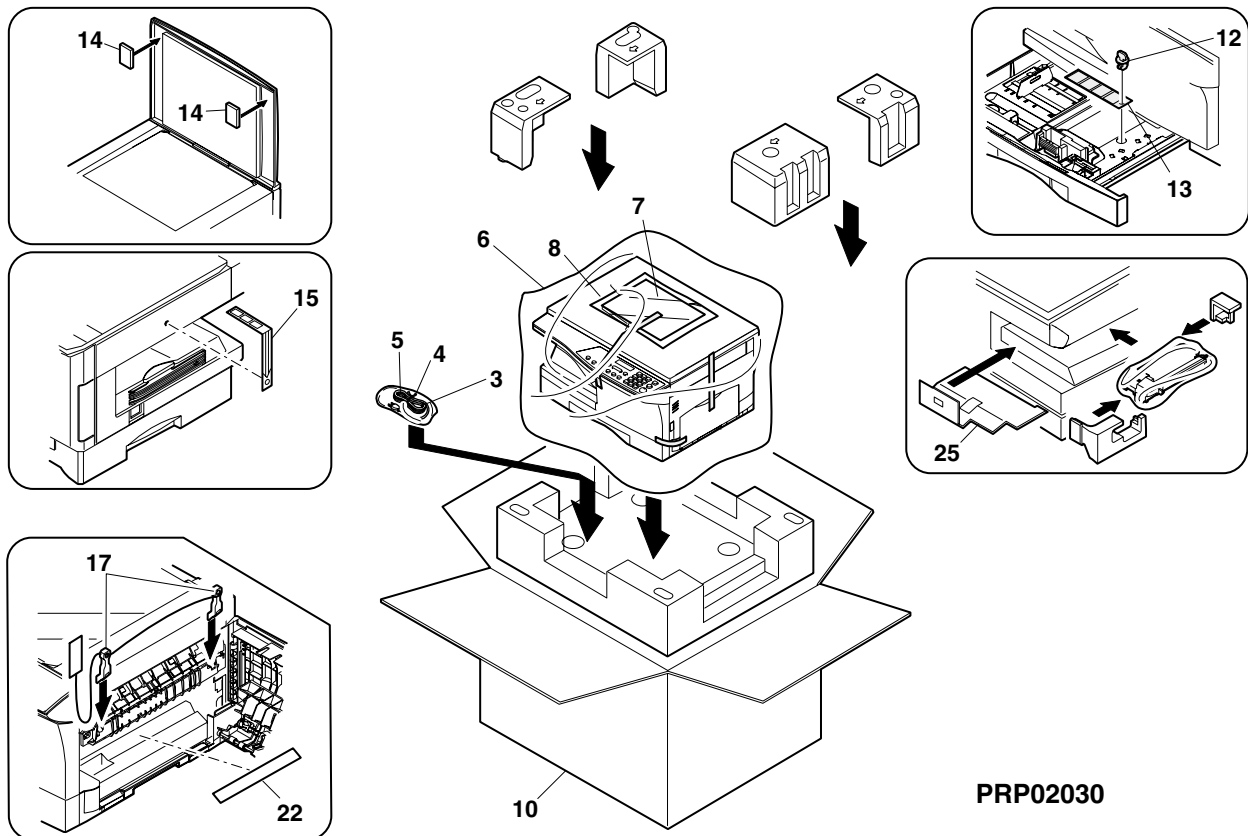


PRP02029

20 Packing material & accessories

NO.	PARTS CODE	PRICE RANK	NEW MARK	PART RANK	DESCRIPTION
3	QACCBR623QCPZ	AU		B	AC cord (U.kingdom)
	QACCE7621QCZZ	*	N	B	AC cord (Switzerland)
	QACCER622QCPZ	AQ		B	AC cord (Iran)
	QACCLR622QCPZ	AR		B	AC cord (Australia,New Zealand)
	QACCV6621JHPZ	*	N	B	AC cord (Other Countries)
4	UBNDA0001FCZZ	AA		C	AC cable band
5	SSAKA5003CCZZ	AA		D	Vinyl bag(140×260mm)
6	SSAKZ0002QSZZ	AF		D	Body vinyl bag
7	TiNSE1259QSZZ	BB	N	D	Operation manual (Australia,New Zealand)
	TiNSE1269TSZZ	*	N	D	Operation manual (ENGLISH)
	TiNSF1270TSZZ	*	N	D	Operation manual (FRENCH)
	TiNSG1260TSZZ	*	N	D	Operation manual (GERMAN)
	TiNSH1266TSZZ	*	N	D	Operation manual (DUTCH)
	TiNSI1264TSZZ	*	N	D	Operation manual (ITALIAN)
	TiNSS1265TSZZ	*	N	D	Operation manual (SPANISH)
	TiNSW1276TSZZ	*	N	D	Operation manual (Denmark, Finland, Norway)
	TiNSX1267TSZZ	*	N	D	Operation manual (Sweden)
TiNSX1268TSZZ	*	N	D	Operation manual (Austria(NON EU))	
TiNSZ1277TSZZ	*	N	D	Operation manual (POLISH)	
8	SSAKA2347QCZZ	AB		D	Vinyl bag(240×300mm)
10	SPAKC0565TS11	*	N	D	Packing case [AR-M155 Europe]
	SPAKC0565TSZZ	*	N	D	Packing case [AR-M150]
12	LHLDW1226FCZZ	AB		C	Turn fasner
13	TTAG-0002QSZZ	AB		D	Tray rotation tag
14	SPAKA0051RSZZ	AC		D	OC packing
15	TTAG-0006QSZZ1	AD		D	Scanner fixing tag JAG
17	CLEVP0016QS02	AF		C	Pressure block lever
22	TCAUH0007QSZZ	AD		D	Laser caution label
25	SPAKA0551QSZZ	AD		D	Protect sheet
101	CDSKA0055QS32	BC	N	D	CD-ROM (Australia,New Zealand)
	CDSKA0055TS32	*	N	D	CD-ROM (Europe)

20 Packing material & accessories



PRP02030

21 Operation PWB

NO.	PARTS CODE	PRICE RANK	NEW MARK	PART RANK	DESCRIPTION
1	LPLTM0350QSZZ	AD		C	LCD Spacer [SP301]
2	QCNCM0861FCZZ	AB		C	Connector(3pin) [CN303]
3	QCNCW0098QSZZ	AD		C	Connector(28pin) [CN302]
4	QCNCW1132LC1H	AD		C	Connector(18pin) [CN301]
5	QSW-P0001ESZZ	AC		B	Tact swtch(SKQNA010) [CLK,CAK,NM1K,NM2K,NM3K]
	QSW-P0001ESZZ	AC		B	Tact swtch(SKQNA010) [NM4K,NM5K,NM6K,NM7K,NM8K]
	QSW-P0001ESZZ	AC		B	Tact swtch(SKQNA010) [NM9K,NM0K,SHPK,ASTK,ENTK]
	QSW-P0001ESZZ	AC		B	Tact swtch(SKQNA010) [MAGK,UPK,DWK,MENUK,EXMODK]
	QSW-P0001ESZZ	AC		B	Tact swtch(SKQNA010) [ESTK,DUPK,CASK,MODK,PSW]
6	RALMB0001QSZZ	AF		B	Buzzer(PS1720P02) [BZ301]
7	RH-TX0003ESZZ	AC		B	Digital trnsistor(KRA225S) [Q303,Q304,Q305]
8	VCCCCY1HH101J	AA		C	Capacitor(50WV 100pF) [C327,C328,C329]
	VCCCCY1HH101J	AA		C	Capacitor(50WV 100pF) [C330,C331,C332]
9	VCCCCY1HH470J	AA		C	Capacitor(50WV 47PF) [C315]
10	VCEAJU1CW476M	AB		C	Capacitor(16WV 47μF) [C301,C302,C303]
11	VCKYCY1CB104K	AB		C	Capacitor(16WV 0.1μF) [C312,C321,C322,C324]
	VCKYCY1CB104K	AB		C	Capacitor(16WV 0.1μF) [C325,C326,C333]
12	VCKYCY1HB102K	AA		C	Capacitor(50WV 1000pF) [C305,C306]
13	VHD1SS133+-1	AA		B	Diode(1SS133) [D301,D302,D303]
14	VHi74HC151M-1	AD		B	IC(74HC151M) [IC302]
15	VHi74HC238F-1	AH		B	IC(TC74HC238AF) [IC303]
16	VHiTB62725F-1	AL		B	IC(TB62725AF) [IC304]
17	VHP1LHEE-002A	AC		B	LED(Red)(1LHEE-002A) [ALM]
18	VHP1LHLE-002A	AC		B	LED(Green)(LTL-1LHLE-002A) [READY,1CAS,FAX,COPY,SPON]
	VHP1LHLE-002A	AC		B	LED(Green)(LTL-1LHLE-002A) [2CAS,PRINT,MB,SCAN,PML]
19	VRS-CY1JD000J	AA		C	Resistor(1/16W 0Ω ±5%) [R305,R324,R325,R326]
20	VRS-CY1JD101J	AA		C	Resistor(1/16W 100Ω ±5%) [R302,R303,R304,R307,R308]
	VRS-CY1JD101J	AA		C	Resistor(1/16W 100Ω ±5%) [R309,R310,R311,R312,R313]
	VRS-CY1JD101J	AA		C	Resistor(1/16W 100Ω ±5%) [R314,R329,R330,R331,R332]
	VRS-CY1JD101J	AA		C	Resistor(1/16W 100Ω ±5%) [R333,R334]
21	VRS-CY1JD102J	AA		C	Resistor(1/16W 1KΩ ±5%) [R315,R316,R317]
	VRS-CY1JD102J	AA		C	Resistor(1/16W 1KΩ ±5%) [R336,R337,R338]
22	VRS-CY1JD103J	AA		C	Resistor(1/16W 10KΩ ±5%) [R323,R328,R339]
23	VRS-CY1JD202J	AA		C	Resistor(1/16W 2.0KΩ ±5%) [R319,R320,R321,R322]
	VRS-CY1JD202J	AA		C	Resistor(1/16W 2.0KΩ ±5%) [R340,R341,R342,R343]
24	VRS-CY1JD330J	AA		C	Resistor(1/16W 33Ω ±5%) [R318]
25	VRS-CY1JD471J	AA		C	Resistor(1/16W 470Ω ±5%) [R301]
26	VRS-CY1JD561J	AA		C	Resistor(1/16W 560Ω ±5%) [R335]
27	VRS-CY1JD821J	AA		C	Resistor(1/16W 820Ω ±5%) [R327]
28	VSKRC106S+-1	AB		B	Transistor(KRC106S) [Q301,Q302,Q306]
29	VVLGPM181C0-1	AZ	N	B	LCD(GPM181C0) [IC301]
	(Unit)				
901	CPWBF0151QSE1	BD		E	Operation PWB

22 MCU PWB

NO.	PARTS CODE	PRICE RANK	NEW MARK	PART RANK	DESCRIPTION
1	QCNCM0923FC14	AE		C	Connector(14pin) [CN18]
2	QCNCM0923FC24	AF		C	Connector(24pin) [CN1,CN24]
3	QCNCM0923FC10	AE		C	Connector(10pin) [CN9]
4	QCNCM0923FC18	AF		C	Connector(18pin) [CN20]
5	QCNCM1005MCZZ	AB		C	Connector(2pin) [CN23]
6	QCNCM0079QSZZ	AC		C	Connector(2pin) [CN15]
7	QCNCW0948FCZ5	AC		C	Connector(5pin) [CN13]
8	QCNCM2401SC0C	AB		C	Connector(3pin) [CN8,CN16]
9	QCNCM2401SC0D	AC		C	Connector(4pin) [CN4]
10	QCNCM2401SC0E	AC		C	Connector(5pin) [CN26]
11	QCNCM7014SC0C	AA		C	Connector(3pin) [CN10,CN19,CN14]
12	QCNCM0340QCZZ	AC		C	Connector(3pin) [CN7]
13	QCNCM7014SC0D	AB		C	Connector(4pin) [CN11]
14	QCNCM7014SC0E	AB		C	Connector(5pin) [CN22,CN27]
15	QCNCM1119LC0C	AC		C	Connector(3pin) [CN25]
16	QCNCM0341QCZZ	AC		C	Connector(3pin) [CN12]
17	QCNCW1124LC0H	AC		C	Connector(8pin) [CN6]
18	QCNCW0103QSZZ	AD		C	Connector(28pin) [CN2]
19	QCNCW1124LC2F	AD		C	Connector(26pin)(26FE-BT-VK-N) [CN37]
20	QCNCW0096QSZZ	AD	N	C	Connector(20pin) [CN38]
21	QCNCW0024QSZZ	AF		C	Connector(32pin) [CN3]
22	QSOCZ0002QSZZ	AD		C	IC socket(8pin) [For IC3]
23	QSOCN0002ESZZ	AH		C	Connector(36Pin)(RBE42-36K1153) [CN28]
24	QSOCN0005ESZZ	AE		C	Connector(6pin)(UBR23-4K2200) [CN33]
25	VHiLHF80J04-1	AS		B	Flash ROM (8M)(LH28F800BJE-PBTL90) [IC7]
26	VHiLHF16J06-1	BA		B	Flash ROM (16M)(LH28F160BJE-BTL90) [IC38]
27	VHiH8S2321+-1	AX		B	CPU(HD6412321VF25) [IC2]
29	RH-iX7001XCZZ	AQ		B	SRAM(IS63LV1024L-12J-TR (ISSI)) [IC8]
30	RH-iX0001QSZZ	BD		B	IC(MT48LC8M16ATG-8E) [IC6]

22 MCU PWB

NO.	PARTS CODE	PRICE RANK	NEW MARK	PART RANK	DESCRIPTION
31	RH-iX0029QSZZ	BE	N	B	SDRAM(K4S561632E-TC75) [IC39]
32	VHiHC151MTC-1	AE		B	IC(MM74HC151MTCX) [IC9,IC11,IC13]
33	VHiTD62064AF/	AM		B	IC(TD62064AF) [IC25,IC30,IC28]
34	RH-iX0005ESZZ	AE		B	IC(IX0005ES) [IC42]
36	VHiNC7ST08M-1	AD		B	IC(NC7ST08M) [IC20,IC107]
38	VHiKiA358F+-1	AE		B	IC(KIA358F) [IC24]
39	VHiEES02L400P	AG		B	IC(EES02L400P) [IC3]
40	VHiM51957BFP1	AH		B	IC(M51957BFP1) [IC4]
41	VHiKiA393F+-1	AE		B	IC(KIA393F) [IC22]
42	VHiMTD1361F-1	AR		B	IC(MTD1361F) [IC31]
44	VHiBA6920FF-1	AL		B	IC(BA6920FF) [IC32]
45	VHiD65503F+-1	AG		B	IC(D65503F) [IC26,IC27]
46	VHiD65001AF-1	AG		B	IC(D65001AF) [IC23,IC21]
47	VHiP2010ASR-1	AN		B	IC(P2010ASR) [IC1]
48	VHi74LCX244MT	AM		B	IC(74LCX244MT) [IC12,IC19]
49	VHiLCX244WM-1	AG		B	IC(74LCX244WM) [IC10,IC14]
50	VHi7SBD385+-1	AE	N	B	IC(TC7SBD385AFU) [IC18]
51	VHiVHCT244T-1	AK		B	IC(74VHCT244AMTCX) [IC16]
55	VHiOA982++++-1	BM	N	B	IC(OA-982) [IC37]
57	VHiKA7805AP-1	AE		B	IC(KIA7805API) [IC33]
58	RCRSP0016QSZZ	AD		B	Cristal(19.6608MHz) [X1]
59	RCRUB0018QSZZ	AF	N	B	Cristal(48MHz) [X2]
60	RCRSP0022QSZZ	AF	N	B	Cristal(16.1511MHz) [X3]
62	RCRSP0019QSZZ	AF	N	B	Cristal(12MHz) [Y1]
64	RMPTR4103ACZZ	AB		B	Block resistor(10KΩ×4) [BR1, BR2, BR3, BR4, BR5, BR6, BR7]
	RMPTR4103ACZZ	AB		B	Block resistor(10KΩ×4) [BR8, BR9, BR10, BR11, BR12, BR13, BR15]
	RMPTR4103ACZZ	AB		B	Block resistor(10KΩ×4) [BR18, BR25, BR29, BR31, BR33, BR35, BR37]
	RMPTR4103ACZZ	AB		B	Block resistor(10KΩ×4) [BR40, BR46, BR48, BR50, BR53, BR54, BR57]
	RMPTR4103ACZZ	AB		B	Block resistor(10KΩ×4) [BR59, BR61, BR67, BR68, BR93, BR94, BR115]
	RMPTR4103ACZZ	AB		B	Block resistor(10KΩ×4) [BR116, BR117, BR118]
65	RMPTR4220ACZZ	AB		B	Block resistor(22Ω×4) [BR89, BR90, BR91, BR92]
66	RMPTR4330ACZZ	AB		B	Block resistor(33Ω×4) [BR14, BR16, BR17, BR19, BR20, BR21, BR22]
	RMPTR4330ACZZ	AB		B	Block resistor(33Ω×4) [BR23, BR24, BR26, BR27, BR28, BR30, BR32]
	RMPTR4330ACZZ	AB		B	Block resistor(33Ω×4) [BR34, BR36, BR38, BR39, BR41, BR43, BR44]
	RMPTR4330ACZZ	AB		B	Block resistor(33Ω×4) [BR45, BR47, BR49, BR51, BR52, BR55, BR56]
	RMPTR4330ACZZ	AB		B	Block resistor(33Ω×4) [BR58, BR62, BR63, BR74, BR75, BR77, BR78]
	RMPTR4330ACZZ	AB		B	Block resistor(33Ω×4) [BR73, BR88, BR110, BR111, BR112, BR113, BR114]
70	VRS-CZ1JD100J	AA		C	Resistor(1/16W 10Ω ±5%) [R46, R56, R57, R60, R172, R310, R311]
71	VRS-CZ1JD102J	AA		C	Resistor(1/16W 1.0KΩ ±5%) [R15, R16, R69, R93, R97, R101]
	VRS-CZ1JD102J	AA		C	Resistor(1/16W 1.0KΩ ±5%) [R115, R124, R125, R126, R127, R128]
	VRS-CZ1JD102J	AA		C	Resistor(1/16W 1.0KΩ ±5%) [R129, R130, R131, R141, R142, R143, R144]
	VRS-CZ1JD102J	AA		C	Resistor(1/16W 1.0KΩ ±5%) [R153, R154, R155, R156, R157, R158, R159]
	VRS-CZ1JD102J	AA		C	Resistor(1/16W 1.0KΩ ±5%) [R162, R165, R178, R181, R323, R319]
72	VRS-CY1JD102J	AA		C	Resistor(1/16W 1.0KΩ ±5%) [R105, R106]
73	VRS-CZ1JD152J	AA		C	Resistor(1/16W 1.5KΩ ±5%) [R91, R92, R293, R325, R343]
74	VRS-CZ1JD203J	AA		C	Resistor(1/16W 20KΩ ±5%) [R132, R133]
75	VRS-CZ1JD000J	AA		C	Resistor(1/16W 0Ω ±5%) [R5, R6, R44, R45, R217, R50, R51]
	VRS-CZ1JD000J	AA		C	Resistor(1/16W 0Ω ±5%) [R48, R237, R304, R327, R328, R330, R2]
76	VRS-CY1JD000J	AA		C	Resistor(1/16W 0Ω ±5%) [R338, R339, R340, R341, R347, R348, R349, R350, L12, L13]
77	VRS-CZ1JD220J	AA		C	Resistor(1/16W 22Ω ±5%) [R204, R7]
78	VRS-CZ1JD101J	AA		C	Resistor(1/16W 100Ω ±5%) [R10, R61, R82, R110]
79	VRS-CY1JD101J	AA		C	Resistor(1/16W 100Ω ±5%) [R342]
80	VRS-CZ1JD102F	AA		C	Resistor(1/16W 1KΩ ±1%) [R66]
81	VRS-CZ1JD103F	AA		C	Resistor(1/16W 10KΩ ±1%) [R20, R70, R85]
82	VRS-CZ1JD103J	AA		C	Resistor(1/16W 10KΩ ±5%) [R11, R12, R13, R14, R22, R28, R32]
	VRS-CZ1JD103J	AA		C	Resistor(1/16W 10KΩ ±5%) [R33, R34, R35, R37, R41, R42, R47]
	VRS-CZ1JD103J	AA		C	Resistor(1/16W 10KΩ ±5%) [R49, R54, R55, R58, R59, R84, R116]
	VRS-CZ1JD103J	AA		C	Resistor(1/16W 10KΩ ±5%) [R117, R118, R120, R121, R123, R137, R138]
	VRS-CZ1JD103J	AA		C	Resistor(1/16W 10KΩ ±5%) [R140, R151, R160, R164, R166, R173]
	VRS-CZ1JD103J	AA		C	Resistor(1/16W 10KΩ ±5%) [R197, R198, R200, R209, R240, R241, R242]
	VRS-CZ1JD103J	AA		C	Resistor(1/16W 10KΩ ±5%) [R243, R244, R280, R281, R282, R283, R285]
	VRS-CZ1JD103J	AA		C	Resistor(1/16W 10KΩ ±5%) [R286, R287, R289, R290, R306, R308, R309]
83	VRS-CZ1JD393J	AA		C	Resistor(1/16W 10KΩ ±5%) [R315, R317, R320, R336, R232, R88, R329, R358]
84	VRS-CZ1JD105F	AA		C	Resistor(1/16W 39KΩ ±5%) [R122, R139, R146, R147]
85	VRS-CZ1JD122J	AA		C	Resistor(1/16W 1.0MΩ ±1%) [R67]
86	VRS-CZ1JD202J	AA		C	Resistor(1/16W 1.2KΩ ±5%) [R109]
87	VRS-CZ1JD242J	AA		C	Resistor(1/16W 2.0KΩ ±5%) [R96]
88	VRS-CZ1JD301J	AA		C	Resistor(1/16W 2.4KΩ ±5%) [R104, R111]
89	VRS-CZ1JD332J	AA		C	Resistor(1/16W 300Ω ±5%) [R81, R107, R175, R176]
90	VRS-CZ1JD473J	AA		C	Resistor(1/16W 3.3KΩ ±5%) [R19, R196, R152]
91	VRS-CY1JD473J	AA		C	Resistor(1/16W 47KΩ ±5%) [R73]
92	VRS-CZ1JD621J	AA		C	Resistor(1/16W 47KΩ ±5%) [R112, R113]
93	VRS-CZ1JD751J	AA		C	Resistor(1/16W 620Ω ±5%) [R108]
94	VRS-CZ1JD752J	AA		C	Resistor(1/16W 750Ω ±5%) [R102]
95	VRS-CY1JD752J	AA		C	Resistor(1/16W 7.5KΩ ±5%) [R148, R149, R150]
96	VRS-CZ1JD752F	AA		C	Resistor(1/16W 7.5KΩ ±1%) [R99, R100]
97	VRS-CZ1JD122F	AA		C	Resistor(1/16W 7.5KΩ ±1%) [R68, R231]
98	VRS-CZ1JD113F	AA		C	Resistor(1/16W 1.2KΩ ±1%) [R83]
99	VRS-CZ1JD472J	AA		C	Resistor(1/16W 11KΩ ±1%) [R18]
					Resistor(1/16W 4.7KΩ ±5%) [R226, R235, R236, R238, R177, R119]

22 MCU PWB

NO.	PARTS CODE	PRICE RANK	NEW MARK	PART RANK	DESCRIPTION
100	VRS-CZ1JD153J	AA		C	Resistor(1/16W 15KΩ ±5%) [R169,R167]
101	VRS-CZ1JD241J	AA		C	Resistor(1/16W 240KΩ ±5%) [R86,R87]
102	VRS-CZ1JD272J	AA		C	Resistor(1/16W 2.7KΩ ±5%) [R134]
103	VRS-CZ1JD432F	AA		C	Resistor(1/16W 4.3KΩ ±1%) [R71]
104	VRS-CZ1JD330J	AA		C	Resistor(1/16W 33Ω ±5%) [R8,R9,R21,R23,R24,R25,R26]
	VRS-CZ1JD330J	AA		C	Resistor(1/16W 33Ω ±5%) [R27,R29,R30,R31,R43,R225,R218]
	VRS-CZ1JD330J	AA		C	Resistor(1/16W 33Ω ±5%) [R331,R332,R333,R334,R335,R324,R344,R345,R346]
	VRS-CZ1JD330J	AA		C	Resistor(1/16W 33Ω ±5%) [R351,R352,R356]
105	VRS-CY1JD330J	AA		C	Resistor(1/16W 33Ω ±5%) [R337]
106	VRS-CZ1JD303J	AA		C	Resistor(1/16W 30KΩ ±5%) [R94,R95]
107	VRS-CZ1JD511J	AA		C	Resistor(1/16W 510Ω ±5%) [R98]
108	VRS-CZ1JD563J	AA		C	Resistor(1/16W 56KΩ ±5%) [R170]
109	VRS-CZ1JD123F	AA		C	Resistor(1/16W 12KΩ ±1%) [R302]
110	VRD-HT2EY151J	AA		C	Resistor(1/4W 150Ω ±5%) [R186,R318]
111	VRD-HT2EY391J	AA		C	Resistor(1/4W 390Ω ±5%) [R179,R180,R185,R187]
112	VRD-HT2EY562J	AA		C	Resistor(1/4W 5.6KΩ ±5%) [R168]
113	VRD-HT2EY472J	AA		C	Resistor(1/4W 4.7KΩ ±5%) [R78]
114	VRN-VT3ATR68J	AC		C	Resistor(1W 0.68Ω ±5%) [R89,R90]
115	VRS-HT3DA102J	AA		C	Resistor(2W 1.0KΩ ±5%) [R136]
116	VRS-HT3DA1R0J	AB		C	Resistor(2W 1.0Ω ±5%) [R103,R114]
117	VRS-HT3DAR22J	AA		C	Resistor(2W 0.22Ω ±5%) [R135]
118	VRS-HT3DA101J	AA		C	Resistor(2W 100Ω ±5%) [R145]
119	VCCCCZ1HH330J	AA		C	Capacitor(50WV 33pF) [C84,C88,C91,C216,C390,C391,C392]
120	VCKYCZ1CF104Z	AB		C	Capacitor(16WV 0.1μF) [C2,C7,C9,C10,C11,C12,C13]
	VCKYCZ1CF104Z	AB		C	Capacitor(16WV 0.1μF) [C14,C22,C24,C26,C27,C28,C29]
	VCKYCZ1CF104Z	AB		C	Capacitor(16WV 0.1μF) [C30,C31,C32,C33,C34,C35,C37]
	VCKYCZ1CF104Z	AB		C	Capacitor(16WV 0.1μF) [C38,C39,C40,C41,C42,C43,C44]
	VCKYCZ1CF104Z	AB		C	Capacitor(16WV 0.1μF) [C45,C46,C55,C56,C57,C58,C59]
	VCKYCZ1CF104Z	AB		C	Capacitor(16WV 0.1μF) [C60,C61,C62,C63,C64,C65,C67]
	VCKYCZ1CF104Z	AB		C	Capacitor(16WV 0.1μF) [C73,C74,C75,C76,C77,C78,C79]
	VCKYCZ1CF104Z	AB		C	Capacitor(16WV 0.1μF) [C80,C81,C82,C83,C86,C87,C89]
	VCKYCZ1CF104Z	AB		C	Capacitor(16WV 0.1μF) [C90,C92,C93,C94,C95,C103,C104]
	VCKYCZ1CF104Z	AB		C	Capacitor(16WV 0.1μF) [C109,C110,C112,C113,C119,C121,C134]
	VCKYCZ1CF104Z	AB		C	Capacitor(16WV 0.1μF) [C165,C190,C193,C194,C197,C198,C242]
	VCKYCZ1CF104Z	AB		C	Capacitor(16WV 0.1μF) [C243,C244,C245,C257,C268,C269,C270]
	VCKYCZ1CF104Z	AB		C	Capacitor(16WV 0.1μF) [C271,C273,C274,C275,C276,C277,C278]
	VCKYCZ1CF104Z	AB		C	Capacitor(16WV 0.1μF) [C279,C280,C281,C283,C284,C285,C286]
	VCKYCZ1CF104Z	AB		C	Capacitor(16WV 0.1μF) [C287,C288,C289,C290,C292,C293,C294]
	VCKYCZ1CF104Z	AB		C	Capacitor(16WV 0.1μF) [C295,C296,C297,C298,C299,C321,C323]
VCKYCZ1CF104Z	AB		C	Capacitor(16WV 0.1μF) [C324,C325,C326,C327,C328,C332,C333]	
VCKYCZ1CF104Z	AB		C	Capacitor(16WV 0.1μF) [C334,C338,C339,C379,C380,C138,C140]	
VCKYCZ1CF104Z	AB		C	Capacitor(16WV 0.1μF) [C141,C160,C161,C174,C175,C176,C177]	
VCKYCZ1CF104Z	AB		C	Capacitor(16WV 0.1μF) [C178,C179,C180,C181,C402]	
121	VCKYCZ1HB102K	AA		C	Capacitor(50WV 1000pF) [C166,C167,C168,C169,C170,C171,C172]
	VCKYCZ1HB102K	AA		C	Capacitor(50WV 1000pF) [C173,C185,C186,C187,C188,C199,C200]
	VCKYCZ1HB102K	AA		C	Capacitor(50WV 1000pF) [C201,C202,C203,C204,C205,C209,C210]
	VCKYCZ1HB102K	AA		C	Capacitor(50WV 1000pF) [C211,C212,C217,C218,C219,C220,C221]
	VCKYCZ1HB102K	AA		C	Capacitor(50WV 1000pF) [C227,C228]
122	VCCCCZ1HH101J	AA		C	Capacitor(50WV 100pF) [C5,C6,C241]
123	VCCCCY1HH101J	AA		C	Capacitor(50WV 100pF/1608Type/CH) [C229,C230,C231,C232,C233,C234,C235]
	VCCCCY1HH101J	AA		C	Capacitor(50WV 100pF/1608Type/CH) [C236,C237,C238,C239,C240,C246,C248,C249]
124	VCCCCY1HH331J	AB		C	Capacitor(50WV 330pF) [C247]
125	VCCCCZ1HH470J	AA		C	Capacitor(50WV 47pF) [C85,C25,C47,C48,C49,C50,C51]
	VCCCCZ1HH470J	AA		C	Capacitor(50WV 47pF) [C52,C53,C54,C71,C389,C265]
126	VCKYCZ1HB222K	AA		C	Capacitor(50WV 2200pF) [C132,C135]
127	VCKYCY1HB222K	AA		C	Capacitor(50WV 2200pF) [C125,C126]
128	VCKYCZ1CB223K	AB		C	Capacitor(16WV 0.022μF) [C66,C111,C114]
129	VCCCCZ1HH100D	AA		C	Capacitor(50WV 10pF) [C329,C330]
130	VCCCCZ1HH120J	AA		C	Capacitor(50WV 12pF) [C4,C68,C69,C70,C300,C306]
131	VCCCCZ1HH150J	AA		C	Capacitor(50WV 15pF) [C300,C306]
132	VCCCCZ1HH220J	AA		C	Capacitor(50WV 22pF) [C1,C3,C381]
133	VCKYCZ1HB821K	AC		C	Capacitor(50WV 820pF) [C115,C116,C117,C118]
134	VCKYCY1HB104K	AA		C	Capacitor(50WV 0.10μF) [C123,C124,C129,C184,C207,C215,C222,C223]
135	VCKYCZ1CB103K	AA		C	Capacitor(16WV 0.010μF) [C259,C262,C314,C315,C316,C317,C318]
	VCKYCZ1CB103K	AA		C	Capacitor(16WV 0.010μF) [C319,C331,C377]
136	VCCUCY1AJ105Z	AC		C	Capacitor(10WV 1.0μF) [C260,C263]
137	VCEAGA1CW106M	AA		C	Capacitor(16WV 10μF) [C8]
138	VCEAJU1CW106M	AB		C	Capacitor(16WV 10μF) [C320,C322]
139	VCEAGA1CW226M	AB		C	Capacitor(22μF/16V) [C192,C195,C196]
140	VCEAGA1CW476M	AB		C	Capacitor(16WV 47μF) [C36]
141	VCEAJU1CW476M	AB		C	Capacitor(16WV 47μF) [C272]
142	VCEAGA1EW476M	AA		C	Capacitor(25WV 47μF) [C191]
143	VCEAGA1VW106M	AA		C	Capacitor(35WV 10μF) [C128]
144	VCEAGA1VW476M	AB		C	Capacitor(35WV 47μF) [C122,C183,C189,C213,C214]
145	VHDKDS226+-1	AC		B	Diode(KDS226) [D1]
146	VHDISS355/-1	AB		B	Diode(1SS355) [D4,D12,D17,D20,D40]
147	VHEMTZJ22B/-1	AA		B	Zener diode(MTZJ22B) [D5,D6]
148	RH-DX0001ESZZ	AC		B	Diode(11EQS06-TA1B2) [D33,D39]
149	RH-DZ0016FCZZ	AB		B	Diode(MA700) [D1]
150	VSKTA1505S+-1	AC		B	Transistor(KTA1505S) [Q1]

22 MCU PWB

NO.	PARTS CODE	PRICE RANK	NEW MARK	PART RANK	DESCRIPTION
151	VSKRA119S+-1	AB		B	Transistor(KRA119S) [Q2]
152	VSKRC106S+-1	AB		B	Transistor(KRC106S) [Q3]
153	VSKTA1281+-1	AD		B	Transistor(KTA1281) [Q4]
154	VSKTC3198+-1	AB		B	Transistor(KTC3198+) [Q5]
155	RFILZ0004QSZZ	AM		C	Filter(ZJSR5101-223) [L1,L3,L5,L6]
156	RFILN0043FCZZ	AC		C	Filter(ZJSR5101-102) [L2,L10]
157	RCILZ0015QSZZ	AD		C	Coil(770mA/220uH) [L9]
158	RCILF1097ACZZ	AG		C	Coil(DLW21SN900SQ2) [L15]
159	RCILF2049HCZZ	AB		C	Ferrite beads(BLM21P600SG)(Type60Ω,3A) [L14,L16]
160	TLABZ4201FCZZ	AC		D	Version label [For IC7 and IC38]
	(Unit)				
901	CPWBX0163QS4C	CK	N	E	MCU PWB (Australia,New Zealand)
	CPWBX0163QS4A	CK		E	MCU PWB (Iran)
	CPWBX0163QS4B	CK	N	E	MCU PWB (Other Countries)

23 DC power supply PWB

NO.	PARTS CODE	PRICE RANK	NEW MARK	PART RANK	DESCRIPTION
1	0AV1560000002	AD		C	Film capacitor(RE104-C 0.1μF 250V(RE)) [C4,C011]
2	0AV1480000088	AC		C	Film capacitor(ECQB1H103JF3 0.01μF 50V) [C8,C013]
3	0AV1480000100	AC	N	C	Film capacitor(ECQB1H562JF3 0.0056μF 50V) [C9]
4	0AV1480000095	AC		C	Film capacitor(ECQB1H153JF3 0.015μF 50V) [C14]
5	0AV1480000094	AL		C	Film capacitor(ECQU2A105MLC 1.0μF 275V) [C1]
6	0AV1690000112	AE		C	Ceramic capacitor(DE1210-2E222M-KX 2200PF KX) [C2,C003]
7	0AV1690000106	AD		C	Ceramic capacitor(DE1007-486E222M-KH 2200PF KH) [C20,C021]
8	0AV1480000093	AK		C	Film capacitor(ECQU2A824MLC 0.82μF 275V) [C16]
9	0AV1690000088	AC		C	Ceramic capacitor(DE0605-979SL680J2K 68PF 2KV) [C7]
10	0AV1480000098	AC		C	Film capacitor(ECQB1H221JF3 220PF 50V) [C10]
11	0AV1690000088	AC		C	Ceramic capacitor(TRPE132R104K50 0.1μF 50V) [C12,C015,C115,C116,C117]
12	0AV1390000183	AQ		C	Al-electrolytic capacitor(LLS2G101MHLY 100μF 400V) [C6]
13	0AV1390000138	AF		C	Al-electrolytic capacitor(UPJ1H471MHH 470μF 50V) [C101,C114]
14	0AV1610000091	AC		C	Ceramic capacitor(DE0905-979R102K1K 1000PF 1KV) [C17]
15	0AV1390000108	AC		C	Al-electrolytic capacitor(UPJ1V220MDH 22μF 35V) [C102,C104,C105,C111]
16	0AV1390000180	AC		C	Al-electrolytic capacitor(UPJ1H3R3MDH 3.3μF 50V) [C106]
17	0AV1390000181	AE		C	Al-electrolytic capacitor(UHD1A102MPR 1000μF 10V) [C107,C108]
18	0AV1390000186	AC		C	Al-electrolytic capacitor(UPJ1H4R7MDH 4.7μF 50V) [C110,C113]
19	0AV1390000227	AC		C	Al-electrolytic capacitor(UPJ0J331MEH 330μF 6.3V) [C112]
20	0AV1610000126	AC		C	Ceramic capacitor(DE0705-979R471K1K 470PF 1KV) [C118]
21	0AV1480000099	AC		C	Film capacitor(ECQV1H105JL3 1μF 50V) [C119]
22	0AV3050086000	AB		B	Diode(1SS270A 0.15A 70V) [D8,D009,D011,D105,D107]
	0AV3050086000	AB		B	Diode(1SS270A 0.15A 70V) [D112,D117,D119,D120,D123]
	0AV3050086000	AB		B	Diode(1SS270A 0.15A 70V) [D124,D125]
23	0AV3050019000	AF		B	Diode(ERA91-02 0.5A 200V) [D10,D128]
24	0AV3050097000	AG		B	Diode(SF10LC20U 10A 200V) [D101]
25	0AV3060043000	AC		B	Diode(RLIN4005-E 1A 600V) [D1,D002,D104,D116]
26	0AV3060027000	AH		B	Diode(D3SB60 4A 600V) [D3]
27	0AV3050098000	AG		B	Diode(SF5SC4 5A 40V) [D113]
28	0AV3070085000	AC		B	Zenner diode(RD33ES 0.4W) [D7]
29	0AV3070075000	AC		B	Zenner diode(RD18ES 0.4W) [D12]
30	0AV3070145000	AC		B	Zenner diode(RD3.3ES 0.4W) [D127]
31	0AV3070061000	AC		B	Zenner diode(RD4.7ES 0.4W) [D103]
32	0AV3070057000	AC		B	Zenner diode(RD30ES 0.4W) [D106]
33	0AV3070074000	AC		B	Zenner diode(RD13ES 0.4W) [D108]
34	0AV3070146000	AD		B	Zenner diode(RD5.6F 1W) [D109]
35	0AV3070081000	AC		B	Zenner diode(RD3.9ES 0.4W) [D111,D118]
36	0AV3070147000	AC		B	Zenner diode(RD18ES 0.4W) [D121,D122]
37	0AV3042717000	AR		B	FET(2SK2717 5A 900V) [Q1]
38	0AV3021741000	AD		B	Transistor(2SC1741 0.5A 32V) [Q2]
39	0AV3040494000	AP		B	FET(2SJ494 -20A -60V) [Q101]
40	0AV3021815090	AC		B	Transistor(2SC1815 0.15A 50V) [Q102,Q105,Q106,Q107,Q110,Q111]
41	0AV3001020000	AE		B	Transistor(2SA1020 -2A -50V) [Q104]
42	0AV3001015090	AD		B	Transistor(2SA1015 -0.15A -50V) [Q112]
43	0AV2011073030	AC	N	C	Fixed carbon film resistor(RDF50S100KΩJ 100KΩ 1/2W) [R2,R003]
44	0AV2012233010	AA		C	Fixed carbon film resistor(RDF16S22KΩJ 22KΩ 1/6W) [R4,R111,R136]
45	0AV2011233010	AA		C	Fixed carbon film resistor(RDF16S12KΩJ 12KΩ 1/6W) [R18]
46	0AV2016823010	AA		C	Fixed carbon film resistor(RDF16S6.8KΩJ 6.8KΩ 1/6W) [R9]
47	0AV2013313010	AA		C	Fixed carbon film resistor(RDF16S330ΩJ 330Ω 1/6W) [R10]
48	0AV2012733010	AA		C	Fixed carbon film resistor(RDF16S27KΩJ 27KΩ 1/6W) [R11]
49	0AV2011013010	AA		C	Fixed carbon film resistor(RDF16S100ΩJ 100Ω 1/6W) [R14]
50	0AV2011033010	AA		C	Fixed carbon film resistor(RDF16S10KΩJ 10KΩ 1/6W) [R106,R110]
51	0AV2015603010	AA		C	Fixed carbon film resistor(RDF16S56ΩJ 56Ω 1/6W) [R21]
52	0AV2014723010	AA		C	Fixed carbon film resistor(RDF16S4.7KΩJ 4.7KΩ 1/6W) [R102,R108,R112,R121,R122]
	0AV2014723010	AA		C	Fixed carbon film resistor(RDF16S4.7KΩJ 4.7KΩ 1/6W) [R124,R125,R129]
53	0AV2012223010	AA		C	Fixed carbon film resistor(RDF16S2.7KΩJ 2.7KΩ 1/6W) [R104]
54	0AV2012223030	AC		C	Fixed carbon film resistor(RDF16S330ΩJ 2.2KΩ 1/2W) [R103]

23 DC power supply PWB

NO.	PARTS CODE	PRICE RANK	NEW MARK	PART RANK	DESCRIPTION
55	0AV2011023010	AA		C	Fixed carbon film resistor(RDF16S1K0J 1KΩ 1/6W) [R109,R114,R127,R128,R135]
56	0AV2011813010	AA		C	Fixed carbon film resistor(RDF16S180J 180Ω 1/6W) [R113]
57	0AV2011823010	AA		C	Fixed carbon film resistor(RDF16S1.8K0J 1.8KΩ 1/6W) [R116]
58	0AV2014713010	AA		C	Fixed carbon film resistor(RDF16S470J 470Ω 1/6W) [R119,R120,R123]
59	0AV2013933010	AA		C	Flame proof carbon resistor(RDF16S39K0J 39KΩ 1/6W) [R126]
60	0AV2013943030	AC		C	Fixed carbon film resistor(RDF50S390K0J 390KΩ 1/2W) [R1]
61	0AV2014713030	AC		C	Fixed carbon film resistor(RDF50S470J 470Ω 1/2W) [R5]
62	0AV2011213030	AB		C	Fixed carbon film resistor(RDF50S120J 120Ω 1/2W) [R15]
63	0AV2025623050	AC		C	Metal oxide film resistor(RSS1F5.6K0J 5.6KΩ 1W) [R101,R130,R131,R134]
64	0AV2041013020	AC		B	Fusing resistor(RF25S100J 100Ω 1/4W) [R16]
65	0AV2041213030	AC		B	Fusing resistor(RF50S120J 120Ω 1/2W) [R17]
66	0AV2021023052	AC		C	Metal oxide film resistor(RSS2FB1K0J 1KΩ 2W) [R107]
67	0AV2990127000	AC	N	C	Metal film resistor(SN14K2C680K0D 680KΩ 1/6W) [R6,R007]
68	0AV2990041000	AC		C	Metal film resistor(SN14K2C33K0D 33KΩ 1/6W) [R8]
69	0AV2990129000	AC	N	C	Metal film resistor(SN14K2C6.8K0D 6.8KΩ 1/6W) [R12]
70	0AV2990128000	AC	N	C	Metal film resistor(SN14K2C2.7K0D 2.7KΩ 1/6W) [R13]
71	0AV2990007000	AC		C	Metal film resistor(SN14K2C2.2K0D 2.2KΩ 1/6W) [R117]
72	0AV2990124000	AC		C	Metal film resistor(SN14K2C2.08K0D 2.08KΩ 1/6W) [R118]
73	0AV2042203030	AA		B	Fusing resistor(RFZ50S22J 22Ω 1/2W) [R133]
74	0AV2990125000	AC		C	Metal film resistor(SN14K2C37.4K0D 37.4KΩ 1/6W) [R137]
75	0AV2990126000	AC		C	Metal film resistor(SN14K2C4.05K0D 4.05KΩ 1/6W) [R138]
76	0AV2013323010	AA		C	Flame proof carbon resistor(RDF16S3.3K0J 3.3KΩ 1/6W) [R19]
77	0AV4070065000	AQ		B	Inductor(DRB25-16196A) [L5]
78	0AV4080013000	AP		B	Inductor(SK-12M-74YR-080) [L1,L006]
79	0AV4120015000	AC		B	Inductor(HF70BTS3.5*6B) [L4]
80	0AV4120008000	AD		B	Inductor(LFP3A) [L7]
81	0AV4070075000	AF		B	Inductor(LF-4Z-E242) [L2,L003]
82	0AV4120002000	AC		B	Inductor(B-01-A) [L101]
83	0AV4120017000	AD	N	B	Inductor(LFD3A-M3R2T0) [L8]
84	0AV4000148911	AU	N	B	Transformer(N-T01-489-J11) [T1]
85	0AV3160034000	AQ		B	Triac(TM1641PLF113) [TR1]
86	0AV5140023000	AE		B	Thermistor(M5R110T3C) [TH1]
87	0AV5190009000	AL		B	Varistor(ENC471D-14A) [X1]
88	0AV3180000007	AL		B	Photo coupler(S21ME3Y) [PC1]
89	0AV3082561300	AF		B	Photo coupler(PS2561) [PC2,PC003]
90	0AV5190024000	AK		B	Arrestor(RA-102M-C6-Y) [Z1,Z002]
91	0AV3090041000	AF		B	IC(UPC1093J-1) [IC1,IC102,IC104]
92	0AV3090050000	AH		B	IC(UPC78M12AHF) [IC101]
93	0AV3090071000	AN		B	IC(PQ3RD23) [IC103]
94	0AV5030123000	AD		C	Connector(B02B-VT) [CN1]
95	0AV5030130000	AF		C	Connector(B04P-XL-R) [CN2]
96	0AV5030125000	AG		C	Connector(B16B-PHDSS-B) [CN101]
97	0AV5030036000	AC		C	Connector(B2P3-VH) [CN3]
98	0AV5080011000	AP		B	Relay(ALE15B24) [RL1]
99	0AV5040017000	AL		B	Switch(AJ7231B) [S1]
100	0AV5060085000	AF		A	Fuse(215RB10AA-SB 10A/250V) [F1,F003]
101	0AV5060083000	AF		A	Fuse(215SB-3R15AA-SB 3.15A/250V) [F2]
102	0AV5060170000	AE	N	A	Fuse(392RB2AR-ALT T2A/250V) [F101]
103	0AV6114125811	AF		C	Heatsink(LM41258)
104	0AV6114079111	AE		C	Heatsink(LM40791)
105	0AV8117730514	AB		C	Screw(NACPEW-B3*10ZF)
106	0AV8117730414	AB		C	Screw(NACPEW-B3X8ZF B3X8)
107	0AV7100003000	AE		C	Insulation sheet(M-30AD-D-3)
108	0AV5130008000	AC		C	Terminal(TP00370-41)
109	0AV5050005000	AA		C	Holder(PFC5000-0203)
110	0AV7414151811	AD	N	C	Label(LV41518)
111	0AV5110012000	AB		C	Jumper wire(RJ-SKA-06 6mm) [RJ712,RJ714,RJ716,RJ721]
	0AV5110012000	AB		C	Jumper wire(RJ-SKA-06 6mm) [RJ741,RJ750]
112	0AV5110001000	AA		C	Jumper wire(RJ-SCA-06 10mm) [RJ722,RJ723,RJ733,RJ737]
	0AV5110001000	AA		C	Jumper wire(RJ-SCA-06 10mm) [RJ743,RJ744,RJ746]
113	0AV5110006000	AA		C	Jumper wire(RJ-SDA-06 12.5mm) [RJ702,RJ718,RJ720,RJ725,RJ728]
	0AV5110006000	AA		C	Jumper wire(RJ-SDA-06 12.5mm) [RJ732,RJ735,RJ747]
	0AV5110002000	AA		C	Jumper wire(RJ-SEA-06 15mm) [RJ704,RJ705,RJ706,RJ715,RJ724]
114	0AV5110002000	AA		C	Jumper wire(RJ-SEA-06 15mm) [RJ726,RJ731,RJ736,RJ739,RJ740]
	0AV5110002000	AA		C	Jumper wire(RJ-SEA-06 15mm) [RJ742,RJ745,RJ748,RJ749,RJ751,RJ752]
115	0AV5110011000	AB		C	Jumper wire(RJ-SFA-06 17.5mm) [RJ709,RJ727,RJ729,RJ730,RJ738]
116	0AV5110004000	AA		C	Jumper wire(RJ-SGA-06 20mm) [RJ703,RJ719,RJ734]
	(Unit)				
901	RDENC0014QS11	CE		E	DC power supply PWB (200V)

■ Index

PARTS CODE	NO.	PRICE RANK	NEW MARK	PART RANK
{ C }				
CBTN-0060QS01	3- 7	AK		E
CBTN-0061QS01	3- 2	AE		E
CBTN-0062QS01	3- 5	AF		E
CCAB-0003QS47	1- 1	AR	N	D
CCASP0001RS57	16-901	BF		E
CCLEZ0005RS51	12- 1	AQ		E
CDRM-0002RS7A	18-901	BG		E
CDSKA0055QS32	20-101	BC	N	D
CDSKA0055TS32	20-101	*	N	D
CFiX-0021QS16	1- 13	AH		D
CFiX-0021RS55	1-501	BA		E
CFRM-0010RS56	13-502	BD		E
CGERH0011RS51	11- 9	AE		E
CGERH0162QS01	5- 1	AN		E
CHAi-0273RS52	14- 3	AS		C
CHAi-0298RS52	14- 2	AG		C
CHLDZ0010RS52	15-901	AU		E
"	4- 18	AU		E
CLEVP0016QS02	20- 17	AF		C
CPLTM0023QS03	13- 25	AG		C
CPLTM0024QS01	8- 24	AG		C
CPLTM0038QS02	8- 62	AG		C
CPLTM0042QS02	11- 20	AY		C
CPLTM0042QS03	11- 20	AY		C
CPLTM0042RS57	11-901	BH		E
CPLTM0042RS58	11-901	BK		E
CPLTM0288QS02	5- 2	BC		E
CPLTM0291QS01	5- 3	AG		E
CPLTM0294QS01	5- 4	AK		E
CPLTM0352QS01	6- 18	AG		E
CPLYZ0028QS01	5- 5	AM		E
CPNLH0031QS46	3- 1	AY	N	D
CPNLH0031QS47	3- 1	AY	N	D
CPNLH0037QS01	3- 14	AR		D
CPWBF0147QSE6	6- 35	AL		E
CPWBF0147QSE7	8- 1	AL		E
CPWBF0147QSE8	10- 13	AL		E
CPWBF0151QSE1	21-901	BD		E
"	3- 8	BD		E
CPWBX0163QS4A	22-901	CK		E
"	9- 4	CK		E
CPWBX0163QS4B	22-901	CK	N	E
"	9- 4	CK	N	E
CPWBX0163QS4C	22-901	CK	N	E
"	9- 4	CK	N	E
CSFTZ0068RS72	8-501	AX		E
CSLiP0001RS51	6-501	AZ		E
CSOU-0002RS57	13-501	AX		E
CSW-M0016RS52	12- 4	AL		E
CTHM-0019DS52	10- 12	AT		E
CTME-0229FC04	10- 11	AG		C
{ D }				
DHAi-0267QSZZ	7- 18	AG		C
DHAi-0268QSZZ	17- 2	AH		C
"	5- 40	AH		C
DHAi-0269QSZZ	8- 27	AD		C
DHAi-0276QSZZ	17- 8	AL		C
"	7- 24	AL		C
DHAi-0280QSZZ	10- 16	AH		C
"	17- 10	AH		C
DHAi-0287QSZZ	17- 7	AF		C
"	7- 23	AF		C
DHAi-0291QSZZ	4- 12	AC		C
DHAi-0292QSZZ	7- 19	AF		C
DHAi-0294QSZZ	17- 3	AK		C
"	9- 31	AK		C
DHAi-0295QSZZ	13- 22	AC		C
DHAi-0296QSZZ	11- 27	AK		C
"	17- 5	AK		C
DHAi-0305QSZZ	9- 24	AL		C
DHAi-0307QSZZ	17- 9	AT		C
"	7- 40	AT		C
DHAi-0414QSZZ	6- 15	AH		C
DHAi-0423QSZZ	8- 53	AD		C
DHAi-0428QSZZ	1- 7	AH		C
"	17- 4	AH		C
"	6- 36	AH		C
DHAi-0429QSZZ	3- 15	AH		C

PARTS CODE	NO.	PRICE RANK	NEW MARK	PART RANK
DHAi-0440QSZZ	17- 6	AG		C
"	9- 7	AG		C
DHAi-0441QSZZ	9- 32	AK		C
DUNT-0404QSZZ	5- 6	BU		E
DUNTK0446QSZZ	6- 16	BR		E
DUNTW0459RS11	10-901	BR	N	E
DWiR-0466CSZZ	15- 8	BE		B
{ G }				
GCAB-0007QSJ4	4- 1	AU		D
GCAB-0061QSZZ	1- 10	AL		D
GCAB-0062QSZZ	1- 17	AM		D
GCAB-0087QSZZ	1- 18	AX	N	D
GCAB-0088QSZZ	3- 10	AV	N	D
GCAB-0089QSZZ	3- 12	AR		D
GCASP0001QSJ4	16- 19	BA		D
GCOV-0045QSZZ	1- 12	AH		D
GCOV-0058QSZZ	1- 16	AH		D
GCOV-0059QSZZ	3- 13	AG		C
GCOVH0003QSJ1	2- 1	AL	N	D
GCOVH0004QSJ2	2- 2	AX	N	D
GDAi-0001QSJ2	8- 28	BE		D
"	9- 17	BE		D
GLEGG0064FCZZ	9- 18	AC		C
{ J }				
JBTN-0074QSZZ	3- 6	AG		C
JKNBZ0001QSZZ	7- 22	AE		C
{ L }				
LBNDJ0013FCZ1	13- 21	AE		C
"	14- 9	AE		C
LBNDJ0037FCZ1	10- 17	AA		C
LBNDJ0043FCZ2	7- 6	AA		C
LBOSZ0118QSZZ	13- 18	AE		C
LBOSZ1031FCZZ	8- 15	AC		C
LBOSZ1509FCZ1	13- 28	AD		C
LBOSZ1851FCZZ	13- 15	AC		C
"	8- 13	AC		C
LBRC-0055FCZZ	13- 10	AK		C
LBRCR0011QSZZ	8- 49	AD		C
LBSHZ0303FCZZ	13- 9	AC		C
LFiX-0004QSZZ	15- 15	AC		C
LFRM-0003QSJ3	4- 9	AN		D
LFRM-0004QSZZ	10- 7	AR		D
LFRM-0005QSZZ	10- 30	AM		D
LFRM-0010QSJZ	13- 35	AN		D
LFRM-0035QSZZ	6- 24	AV		D
"	7- 21	AV		D
LHLDL0081QSZZ	19- 24	AC		C
LHLDL0095QSZZ	8- 48	AD		C
LHLDL1226FCZZ	16- 3	AB		C
"	20- 12	AB		C
LHLDL1334FCZZ	7- 43	AA		C
LHLDZ0009QSDZ	14- 1	AG		C
LHLDZ0010QSZZ	15- 14	AL		C
LHLDZ0016QSZZ	18- 5	AM		C
LHLDZ0017QSZZ	8- 30	AD		C
LHLDZ0018QSZZ	7- 13	AE		C
LHLDZ0080QSZZ	8- 58	AC		C
LHLDZ0093QSZZ	5- 7	AC		C
LHLDZ0107QSZZ	9- 1	AP		C
LHLDZ0111QSZZ	5- 45	AE		C
LPI NS0008QSZZ	7- 26	AD		C
LPI NS0009QSZZ	7- 26	AD		C
LPI NS0265FCZZ	6- 14	AB		C
LPLTM0003YSZZ	19- 33	AK		C
LPLTM0016QSZZ	8- 42	AE		C
LPLTM0020QSZZ	9- 21	AL		C
LPLTM0022QSZZ	10- 29	AG		C
LPLTM0033QSZZ	18- 8	AF		C
LPLTM0034QSZZ	18- 9	AE		C
LPLTM0043QSZZ	4- 5	AD		C
LPLTM0046QSZZ	8- 25	AE		C
LPLTM0132QSZZ	4- 5	AH		C
LPLTM0133QSZZ	7- 31	AE		C
LPLTM0149QSZZ	7- 41	AD		C
LPLTM0194QSZZ	19- 19	AC		C
LPLTM0350QSZZ	21- 1	AD		C
LPLTM0351QSZZ	6- 9	AD		C
LPLTM0354QSZZ	9- 30	AH		C
LPLTM0356QSZZ	9- 9	AH		C
LPLTM2642FCG2	16- 4	AD		C
LPLTM5106FCZZ	16- 1	AR		C

PARTS CODE	NO.	PRICE RANK	NEW MARK	PART RANK
LPLTM6022FCZZ	8- 59	AC		C
LPLTP0009QSZZ	10- 38	AS		C
LPLTP0010QSZZ	18- 24	AD		C
LPLTP5107FCZ1	16- 5	AG		C
LPLTP5108FCZ1	16- 13	AG		C
LRALP0001QSJ2	8- 34	AM		C
LSOU-0002QSJ2	13- 48	AL		D
LSOU-0003QSJ2	13- 49	AK		D
LSOU-0042QSZ1	1- 2	AY		D
LSOU-0043QSZ1	1- 4	AH		D
LSTPF0013QSZZ	5- 8	AC		C
LSTPP0116FCZZ	10- 18	AA		C
LSTPP0161FCZ1	16- 18	AB		C
LSTPP0300FCZZ	13- 37	AB		C
LX-BZ0010QSZZ	10- 8	AB		C
LX-BZ0011QSZZ	10- 42	AB		C
LX-BZ0020QSZZ	7- 42	AB		C
LX-BZ0033QSZZ	5- 9	AB		C
LX-BZ0656FCZZ	19- 22	AD		C
LX-BZ0700FCZZ	8- 61	AA		C
LX-BZ0735FCZZ	10- 36	AA		C
LX-BZ3006SC0S	7- 28	AA		C
LX-WZ0023FCZZ	8- 43	AA		C
LX-WZ0313FCZZ	10- 26	AA		C
LX-WZ0329FCZZ	18- 13	AB		C
LX-WZ2028SCZZ	16- 10	AA		C
/"	8- 56	AA		C
[M]				
MARMP0050QSZZ	5- 44	AF		C
MARMP0173FCZ1	13- 4	AC	N	C
MARMP0204FCZ1	13- 39	AF		C
MARMP0205FCZZ	13- 38	AF		C
MHNG-0002QSZ1	13- 40	AC		C
MLEVP0005QSZZ	6- 34	AD		C
MLEVP0006QSZZ	8- 2	AD		C
MLEVP0014QSZZ	10- 28	AF		C
MLEVP0015QSZZ	10- 23	AF		C
MLEVP0048QSZZ	8- 54	AD		C
MLOKZ0004QSZ1	5- 10	AD		C
MSL i P0001QSZ1	6- 5	AP	N	C
MSPRC0016QSZ1	14- 7	AC		C
MSPRC0017QSZ1	14- 5	AC		C
MSPRC0018QSZ1	14- 6	AC		C
MSPRC0023QSZ1	11- 15	AC		C
MSPRC0026QSZ1	8- 3	AB		C
MSPRC0027QSZZ	15- 10	AC		C
MSPRC0028QSZZ	15- 11	AC		C
MSPRC0030QSZZ	4- 14	AC		C
MSPRC0031QSZZ	4- 13	AB		C
MSPRC0032QSZZ	4- 11	AB		C
MSPRC0045QSZ1	18- 30	AC		C
MSPRC0047QSZZ	8- 31	AA		C
MSPRC0048QSZZ	13- 41	AB		C
MSPRC0049QSZZ	13- 14	AC		C
MSPRC0050QSZZ	4- 25	AB		C
MSPRC0051QSZ1	15- 12	AA		C
MSPRC0053QSZ1	11- 3	AC		C
MSPRC0055QSZZ	10- 25	AC		C
MSPRC0077QSZ1	8- 41	AB		C
MSPRC0108QSZZ	16- 15	AC		C
MSPRC0109QSZZ	13- 50	AC		C
MSPRC0161QSZZ	8- 16	AF		C
MSPRC0330QSZZ	7- 8	AC		C
MSPRC1145FCZZ	16- 17	AA		C
MSPRC1315FCZ1	13- 16	AD		C
MSPRC1316FCZ1	13- 27	AE		C
/"	8- 11	AE		C
MSPRC1318FCZ1	11- 23	AA		C
/"	13- 30	AA		C
MSPRC1873FCZ1	16- 16	AB		C
MSPRC2175FCZZ	13- 33	AA		C
MSPRD0076QSZ1	4- 6	AD		C
MSPRD0158QSZZ	8- 55	AB		C
MSPRD0335QSZZ	10- 3	AD		C
MSPRD0336QSZZ	10- 43	AD		C
MSPRD0337QSZ1	9- 2	AE		C
MSPRD0353QSZZ	6- 33	AD		C
MSPRK0001YSZZ	19- 23	AB		C
MSPRP0033QSZZ	10- 6	AD		C
MSPRP0034QSZZ	10- 14	AE		C
MSPRP0110QSZ1	12- 6	AD		C

PARTS CODE	NO.	PRICE RANK	NEW MARK	PART RANK
MSPRT0029QSZZ	4- 3	AC		C
MSPRT0054QSZ1	10- 37	AB		C
MSPRT0283QSZZ	5- 11	AC		C
MSPRT0284QSZZ	5- 12	AC		C
MSPRT0338QSZZ	6- 3	AC		C
MSPRT0344QSZZ	6- 30	AC		C
MSPRT0513FCZ1	15- 7	AA		C
[N]				
NBLTH0043QSZZ	6- 27	AL		B
NBLTT0030QSZ1	5- 13	AH	N	B
NBLTT0031QSZ1	5- 14	AF	N	B
NBLTT0039QSZZ	7- 20	AE		B
NBLTT0040QSZZ	7- 37	AE		B
NBLTT0045QSZZ	7- 5	AH	N	B
NBRGC0020QSZZ	19- 16	AH		C
NBRGC0021QSZZ	19- 13	AD		C
NBRGC0100FCZ1	8- 8	AC		C
NBRGC0579FCZZ	6- 8	AE		C
/"	7- 2	AE		C
NBRGC0651FCZZ	6- 26	AD		C
NBRGP0260FCZ1	10- 24	AD		C
NBRGP0299FCZZ	18- 21	AC		C
NBRGP0562FCZZ	8- 19	AD		C
NBRGP0567FCZZ	10- 20	AG		C
NBRGP0699FCZZ	6- 25	AF		C
NCPL-0003QSZZ	18- 12	AC		C
NCPL-0006QSZZ	7- 7	AC		C
NFANP0013QSZZ	7- 12	AW		B
NGERH0001YSZZ	19- 12	AD		C
NGERH0007QSZZ	11- 11	AH		C
NGERH0008QSZ3	11- 16	AL		C
NGERH0009QSZZ	11- 7	AD		C
NGERH0010QSZZ	11- 6	AD		C
NGERH0012QSZZ	11- 18	AE		C
NGERH0013QSZZ	11- 19	AG		C
NGERH0014QSZZ	11- 8	AD		C
NGERH0015QSZZ	11- 10	AD		C
NGERH0016QSZZ	11- 12	AD		C
NGERH0017QSZZ	11- 17	AD		C
NGERH0018QSZZ	11- 14	AC		C
NGERH0019QSZZ	11- 13	AD		C
NGERH0020QSZZ	8- 9	AG		C
NGERH0021QSZZ	13- 46	AD		C
NGERH0022QSZZ	8- 21	AC		C
NGERH0025QSZZ	8- 23	AD		C
NGERH0026QSZZ	8- 22	AD		C
NGERH0036QSZZ	18- 28	AC		C
NGERH0037QSZZ	18- 27	AC		C
NGERH0038QSZZ	18- 26	AC		C
NGERH0039QSZZ	18- 25	AE		C
NGERH0048QSZZ	4- 22	AE		C
NGERH0050QSZZ	11- 4	AD		C
NGERH0051QSZZ	4- 23	AE		C
NGERH0135QSZZ	19- 9	AD		C
NGERH0145QSZ1	19- 15	AD		C
NGERH0161QSZZ	5- 15	AL		C
NGERH0175QSZZ	6- 10	AC		C
NGERH0176QSZZ	6- 12	AE		C
NGERH0177QSZZ	6- 7	AC		C
NGERH0178QSZZ	6- 17	AD		C
NGERH0193FCZZ	16- 11	AB		C
NGERH0540FCZ3	10- 19	AD		C
NGERH0972FCZZ	13- 19	AB		C
NGERH0990FCZZ	13- 7	AB		C
NGERH0991FCZZ	13- 20	AC		C
NGERH0992FCZZ	13- 3	AB		C
NGERH1132FCZZ	8- 18	AH		C
NGERH1169FCZZ	8- 63	AF		C
NPLYZ0001QSZZ	6- 23	AE		C
/"	7- 4	AE		C
NPLYZ0002QSZZ	11- 5	AC		C
NROL i 0014QSZ3	10- 21	BA		C
NROLM0074QSZZ	19- 31	AZ		C
NROLP0009ESZ1	6- 19	AG		C
NROLP0012QSZ2	7- 3	AL		C
NROLP0025QSZZ	4- 24	AM		C
NROLP0073QSZ1	19- 5	AN		C
NROLP0106QSZZ	6- 2	AC		C
NROLP1122FCZZ	4- 17	AF		C
/"	4- 26	AF		C
/"	6- 31	AF		C

PARTS CODE	NO.	PRICE RANK	NEW MARK	PART RANK
NRÖLR0013QSZZ	8- 7	AQ		C
NRÖLR0028QSZZ	10- 27	AZ		C
NRÖLR0105QSZZ	13- 5	AR		C
NRÖLR0107QSZZ	6- 4	AQ	N	C
NRÖLR0922FCZ2	13- 1	AR		C
NSFTZ0003QSZZ	18- 33	AD		C
NSFTZ0004QSZZ	18- 15	AK		C
NSFTZ0006QSZZ	4- 15	AG		C
NSFTZ0063QSZZ	5- 16	AK		C
NSFTZ0068QSZZ	8- 46	AR		C
NSFTZ0077QSZZ	6- 13	AU		C
NSFTZ2311FCZZ	13- 8	AU		C
[P]				
PBOX-0012QSZZ	19- 17	AN		D
PBRSR0004QSZ1	10- 4	AD		B
PBRSR0022QSZ1	19- 35	AF		B
PBRSS0027QSZ1	6- 1	AM		B
PCAPH0008QSZZ	18- 34	AC		C
PCASZ0002QSZZ	15- 16	AL		D
PCASZ0004QSZZ	18- 4	AK		C
PCLR-0011QSZZ	8- 47	AC		C
PCÖVP0007QSJZ	8- 38	AE		D
PCÖVP0010QSZ1	10- 5	AF		D
PCÖVP0011QSZ1	10- 15	AG		D
PCÖVP0013QSZZ	8- 32	AD		D
PCÖVP0018QSZZ	18- 23	AG		C
PCÖVP0019QSJ4	13- 44	AK		D
PCÖVP0023QSJ1	12- 3	AH		D
PCÖVP0051QSZZ	8- 60	AF		C
PCÖVP0081QSZZ	19- 3	AF		D
PCÖVP0082QSZZ	19- 20	AD		D
PCUSS0024QSZZ	2- 3	AV		D
PDUC-0005QSZZ	5- 22	AD		C
PfiLZ0002QSZZ	1- 21	AL		D
PfiLZ0012QSZZ	3- 3	AC		C
PGiDH0025QSZ1	15- 4	AG		C
PGiDH0026QSZZ	10- 34	AE		C
PGiDM0008QSZZ	4- 4	AD		C
PGiDM0009QSZZ	7- 25	AG		C
PGiDM0010QSZ1	8- 5	AG		C
PGiDM0011QSZZ	15- 2	AE		C
PGiDM0014QSJ1	13- 12	AF		C
PGiDM0017QSJ2	13- 43	AE		C
PGiDM0018QSJ2	13- 42	AE		C
PGiDM0023QSZ1	10- 1	AP		C
PGiDM0059QSJ1	5- 29	AG	N	C
PGiDM0060QSJ2	5- 30	AG	N	C
PGiDM0090QSZZ	19- 7	AH		C
PGiDM0099QSZ1	5- 18	AH		C
PGiDM0120QSZZ	6- 32	AN		C
PGiDM0121QSZZ	6- 28	AM		C
PGLSP0007QSZZ	1- 14	AV		B
PGLSP0008QSZZ	1- 23	AH		B
PGSK-0027QSZZ	9- 33	AE		C
PGSK-0034QSZZ	1- 33	AE	N	C
PGUMM0012QSZZ	8- 50	AG		C
PGUMS0004QSZZ	5- 19	AA		C
PMLT-0008QSZZ	19- 32	AC		C
PMLT-0016QSZ1	18- 18	AC		C
PMLT-0017QSZZ	18- 20	AC		C
PMLT-0018QSZ1	18- 14	AC		C
PMLT-0024QSZZ	1- 20	AC		C
PMLT-0025QSZZ	18- 37	AC		C
PMLT-0068QSZZ	5- 48	AC		C
PMLT-0069QSZZ	1- 34	AA		C
PMLT-0083QSZZ	18- 17	AA		C
PMLT-0086QSZZ	6- 29	AA		C
PMLT-0087QSZZ	7- 39	AC		C
PPiPP0003QSZZ	8- 17	AD		C
PPiPP0004QSZZ	18- 31	AH		C
PPiPP0009QSZZ	13- 26	AD		C
PPiPP0109FCZ1	13- 17	AC		C
"/	8- 10	AC		C
PSEL-0021QSZ1	18- 19	AF		C
PSEL-0022QSZ1	18- 16	AF		C
PSEL-0080QSZ1	19- 28	AD		C
PSEL-0082QSZZ	19- 18	AC		C
PSEL-0083QSZ1	19- 6	AF		C
PSEL-0084QSZZ	19- 8	AA		C
PSEL-0096QSZZ	19- 30	AA		C
PSEL-0110QSZZ	19- 2	AF		C

PARTS CODE	NO.	PRICE RANK	NEW MARK	PART RANK
PSHEP0019QSZ1	15- 3	AC		C
PSHEP0020QSZZ	15- 13	AB		C
PSHEP0021QSZZ	15- 6	AA		C
PSHEP0023QSZZ	10- 35	AF		C
PSHEP0047QSZZ	10- 40	AC		C
PSHEZ0018QSZZ	15- 1	AF		C
PSHEZ0029QS11	19- 29	AC		C
PSHEZ0045QSZZ	10- 33	AC		C
PSHEZ0075QSZZ	12- 7	AC		C
PSHEZ0155QSZ1	7- 38	AD		C
PSHEZ0156QSZ1	7- 36	AE		C
PSHEZ0367QSZ1	5- 21	AD		C
PSHEZ0369QSZZ	1- 8	AE		C
PSHEZ0376QSZ1	5- 23	AD		C
PSHEZ0377QSZZ	5- 24	AC		C
PSHEZ0389QSZ1	5- 39	AK		C
PSHEZ0403QSZZ	5- 46	AG		C
PSHEZ0404QSZZ	1- 28	AF		C
PSHEZ0405QSZZ	9- 35	AE		C
PSHEZ0470QSZZ	8- 65	AC		C
PSHEZ0471QSZZ	8- 66	AC		C
PSHEZ2026FCZ1	8- 29	AB		C
PSHEZ2174FCZZ	8- 36	AB		C
PSHEZ4142FCZZ	16- 2	AC		C
PSHT-0004QSZ1	18- 29	AC		C
PSPAZ0017QSZZ	7- 32	AK		C
PSPAZ0696FCZZ	18- 32	AC		C
PTME-0002QSZZ	11- 24	AD		C
PTME-0003QSZ1	11- 26	AD		C
PTME-0004QSZZ	4- 2	AG		C
PTME-0178FCZ1	13- 32	AC		C
PTME-0179FCZZ	13- 31	AC		C
PTME-0255FCZZ	16- 6	AG		C
PTME-0256FCZZ	16- 14	AG		C
PTPE-0003QSZ1	18- 7	AF		C
PTPE-0004QSZZ	18- 36	AC		C
PTPE-0010QSZZ	1- 25	AC		C
PTPE-0041QSZZ	1- 6	AB		C
PTPE-0044QSZZ	1- 22	AC		C
PTPE-0045QSZZ	5- 43	AA		C
PTPE-0047QSZZ	1- 29	AC		C
PTPE-0048QSZZ	1- 30	AA		C
PTPE-0049QSZZ	1- 31	AC		C
PTPE-0056QSZZ	5- 47	AD		C
PTPE-0059QSZZ	1- 15	AC	N	C
PTPE-0060QSZZ	1- 32	AC	N	C
[Q]				
QACCBR623QCPZ	20- 3	AU		B
QACCE7621QCZZ	20- 3	*	N	B
QACCE7622QCPZ	20- 3	AQ		B
QACCLR622QCPZ	20- 3	AR		B
QACCV6621JHPZ	20- 3	*	N	B
QCNCM0079QSZZ	22- 6	AC		C
QCNCM0861FCZZ	21- 2	AB		C
QCNCM0923FC10	22- 3	AE		C
QCNCM0923FC14	22- 1	AE		C
QCNCM0923FC18	22- 4	AF		C
QCNCM0923FC24	22- 2	AF		C
QCNCM1005MCZZ	22- 5	AB		C
QCNCM1119LC0C	22- 15	AC		C
QCNCM2401SC0C	22- 8	AB		C
QCNCM2401SC0D	22- 9	AC		C
QCNCM2401SC0E	22- 10	AC		C
QCNCM7014SC0C	22- 11	AA		C
QCNCM7014SC0D	22- 13	AB		C
QCNCM7014SC0E	22- 14	AB		C
QCNCM0340QCZZ	22- 12	AC		C
QCNCM0341QCZZ	22- 16	AC		C
QCNCW0024QSZZ	22- 21	AF		C
QCNCW0096QSZZ	22- 20	AD	N	C
QCNCW0098QSZZ	21- 3	AD		C
QCNCW0103QSZZ	22- 18	AD		C
QCNCW0948FCZ5	22- 7	AC		C
QCNCW1124LC0H	22- 17	AC		C
QCNCW1124LC2F	22- 19	AD		C
QCNCW1132LC1H	21- 4	AD		C
QSLP-0005QSZZ	7- 16	AE		C
QSLP-0006QSZZ	7- 14	AE		C
QSLP-0007QSZZ	15- 9	AC		C
QSOCN0002ESZZ	22- 23	AH		C
QSOCN0005ESZZ	22- 24	AE		C

PARTS CODE	NO.	PRICE RANK	NEW MARK	PART RANK
QSOCZ0002QSZZ	22- 22	AD		C
QSW-B0017QSZZ	8- 26	AF		B
QSW-P0001ESZZ	21- 5	AC		B
QTANP0004QSZZ	18- 3	AD		C
QTANP0005QSZZ	18- 6	AC		C
[R]				
RALMB0001QSZZ	21- 6	AF		B
RCILF1097ACZZ	22-158	AG		C
RCILF2049HCZZ	22-159	AB		C
RCILZ0015QSZZ	22-157	AD		C
RCORF0018QSZZ	5- 32	AR		C
RCORF0021QSZZ	6- 38	AK		C
"	9- 34	AK		C
RCORF0026QSZZ	6- 37	AE		C
RCRSP0016QSZZ	22- 58	AD		B
RCRSP0019QSZZ	22- 62	AF	N	B
RCRSP0022QSZZ	22- 60	AF	N	B
RCRUB0018QSZZ	22- 59	AF	N	B
RDENC0013QSZZ	9- 6	BF		E
RDENC0014QS11	23-901	CE		E
"	9- 13	CE		E
RDTCT0003QSZZ	19- 26	AZ		B
RDTCT0128FCZZ	10- 9	AR		B
RFILN0043FCZZ	22-156	AC		C
RFILZ0004QSZZ	22-155	AM		C
RH-DX0001ESZZ	22-148	AC		B
RH-DZ0016FCZZ	22-149	AB		B
RH-iX0001QSZZ	22- 30	BD		B
RH-iX0005ESZZ	22- 34	AE		B
RH-iX0029QSZZ	22- 31	BE	N	B
RH-iX7001XCZZ	22- 29	AQ		B
RH-TX0003ESZZ	21- 7	AC		B
RLMPU0011QSZZ	10- 22	BA		B
RMOTD0009QSZZ	7- 9	AU		B
RMOTP0044QSPZ	11- 2	BH		B
RMOTS0046QSZZ	5- 25	AQ		B
RMOTS0047QSZZ	6- 20	AR		B
RMOTS0048QSZZ	7- 35	BD		B
RMPTR4103ACZZ	22- 64	AB		B
RMPTR4220ACZZ	22- 65	AB		B
RMPTR4330ACZZ	22- 66	AB		B
RPLU-0002QSZZ	11- 25	AN		B
RPLU-0003QSZZ	13- 29	AN		B
RPLU-0035QSZZ	11- 22	AL		B
[S]				
SPAKA0051RSZZ	20- 14	AC		D
SPAKA0551QSZZ	20- 25	AD		D
SPAKC0565TS11	20- 10	*	N	D
SPAKC0565TSZZ	20- 10	*	N	D
SSAKA2347QCZZ	20- 8	AB		D
SSAKA5003CCZZ	20- 5	AA		D
SSAKZ0002QSZZ	20- 6	AF		D
[T]				
TCAUA0770FCZZ	1- 19	AB		D
TCAUH0007QSZZ	20- 22	AD		D
TCAUH0017QSZ1	10- 32	AC		D
TINSE1259QSZZ	20- 7	BB	N	D
TINSE1269TSZZ	20- 7	*	N	D
TINSF1270TSZZ	20- 7	*	N	D
TINSG1260TSZZ	20- 7	*	N	D
TINSH1266TSZZ	20- 7	*	N	D
TINSI1264TSZZ	20- 7	*	N	D
TINSS1265TSZZ	20- 7	*	N	D
TINSW1276TSZZ	20- 7	*	N	D
TINSX1267TSZZ	20- 7	*	N	D
TINSX1268TSZZ	20- 7	*	N	D
TINSZ1277TSZZ	20- 7	*	N	D
TLABH0560QSZZ	1- 11	AF		C
TLABZ0058QSZZ	1- 27	AD		D
TLABZ0531TSZZ	1- 27	*	N	D
TLABZ0546QSZZ	16- 12	AB		D
TLABZ3568GHZZ	16- 12	*	N	D
TLABZ4047FCZZ	16- 20	AC		C
TLABZ4201FCZZ	22-160	AC		D
TTAG-0002QSZZ	20- 13	AB		D
TTAG-0006QSZ1	20- 15	AD		D
[U]				
UBNDA0001FCZZ	20- 4	AA		C
UCLEZ0006QS11	19- 4	AF		D
UCLEZ0013QSZZ	18- 10	AQ		C
UCLEZ0014QSZZ	18- 35	AL		C

PARTS CODE	NO.	PRICE RANK	NEW MARK	PART RANK
[V]				
VCCCCY1HH101J	21- 8	AA		C
"	22-123	AA		C
VCCCCY1HH331J	22-124	AB		C
VCCCCY1HH470J	21- 9	AA		C
VCCCCZ1HH100D	22-129	AA		C
VCCCCZ1HH101J	22-122	AA		C
VCCCCZ1HH120J	22-130	AA		C
VCCCCZ1HH150J	22-131	AA		C
VCCCCZ1HH220J	22-132	AA		C
VCCCCZ1HH330J	22-119	AA		C
VCCCCZ1HH470J	22-125	AA		C
VCCUCY1AJ105Z	22-136	AC		C
VCEAGA1CW106M	22-137	AA		C
VCEAGA1CW226M	22-139	AB		C
VCEAGA1CW476M	22-140	AB		C
VCEAGA1EW476M	22-142	AA		C
VCEAGA1VW106M	22-143	AA		C
VCEAGA1VW476M	22-144	AB		C
VCEAJU1CW106M	22-138	AB		C
VCEAJU1CW476M	21- 10	AB		C
"	22-141	AB		C
VCKYCY1CB104K	21- 11	AB		C
VCKYCY1HB102K	21- 12	AA		C
VCKYCY1HB104K	22-134	AA		C
VCKYCY1HB222K	22-127	AA		C
VCKYCZ1CB103K	22-135	AA		C
VCKYCZ1CB223K	22-128	AB		C
VCKYCZ1CF104Z	22-120	AB		C
VCKYCZ1HB102K	22-121	AA		C
VCKYCZ1HB222K	22-126	AA		C
VCKYCZ1HB821K	22-133	AC		C
VHD1SS133+-1	21- 13	AA		B
VHD1SS355//-1	22-146	AB		B
VHDKDS226+-1	22-145	AC		B
VHEMTZJ22B/-1	22-147	AA		B
VHi74HC151M-1	21- 14	AD		B
VHi74HC238F-1	21- 15	AH		B
VHi74LCX244MT	22- 48	AM		B
VHi7SBD385+-1	22- 50	AE	N	B
VHiBA6920FP-1	22- 44	AL		B
VHiD65001AF-1	22- 46	AG		B
VHiD65503F+-1	22- 45	AG		B
VHiEES02L400P	22- 39	AG		B
VHiH8S2321+-1	22- 27	AX		B
VHiHC151MTC-1	22- 32	AE		B
VHiKA7805AP-1	22- 57	AE		B
VHiKiA358F+-1	22- 38	AE		B
VHiKiA393F+-1	22- 41	AE		B
VHiLCX244WM-1	22- 49	AG		B
VHiLHF16J06-1	22- 26	BA		B
VHiLHF80J04-1	22- 25	AS		B
VHiM51957BFP1	22- 40	AH		B
VHiMTD1361F-1	22- 42	AR		B
VHiNC7ST08M-1	22- 36	AD		B
VHiOA982+++1	22- 55	BM	N	B
VHiP2010ASR-1	22- 47	AN		B
VHiTB62725F-1	21- 16	AL		B
VHiTD62064AF/	22- 33	AM		B
VHiVHCT244T-1	22- 51	AK		B
VHP1LHEE-002A	21- 17	AC		B
VHP1LHLE-002A	21- 18	AC		B
VRD-HT2EY151J	22-110	AA		C
VRD-HT2EY391J	22-111	AA		C
VRD-HT2EY472J	22-113	AA		C
VRD-HT2EY562J	22-112	AA		C
VRH-ST2HB157K	10- 2	AD		C
VRN-VT3ATR68J	22-114	AC		C
VRS-CY1JD000J	21- 19	AA		C
"	22- 76	AA		C
VRS-CY1JD101J	21- 20	AA		C
"	22- 79	AA		C
VRS-CY1JD102J	21- 21	AA		C
"	22- 72	AA		C
VRS-CY1JD103J	21- 22	AA		C
VRS-CY1JD202J	21- 23	AA		C
VRS-CY1JD330J	21- 24	AA		C
"	22-105	AA		C
VRS-CY1JD471J	21- 25	AA		C
VRS-CY1JD473J	22- 91	AA		C
VRS-CY1JD561J	21- 26	AA		C

PARTS CODE	NO.	PRICE RANK	NEW MARK	PART RANK
VRS-CY1JD752J	22- 95	AA		C
VRS-CY1JD821J	21- 27	AA		C
VRS-CZ1JD000J	22- 75	AA		C
VRS-CZ1JD100J	22- 70	AA		C
VRS-CZ1JD101J	22- 78	AA		C
VRS-CZ1JD102F	22- 80	AA		C
VRS-CZ1JD102J	22- 71	AA		C
VRS-CZ1JD103F	22- 81	AA		C
VRS-CZ1JD103J	22- 82	AA		C
VRS-CZ1JD105F	22- 84	AA		C
VRS-CZ1JD113F	22- 98	AA		C
VRS-CZ1JD122F	22- 97	AA		C
VRS-CZ1JD122J	22- 85	AA		C
VRS-CZ1JD123F	22-109	AA		C
VRS-CZ1JD152J	22- 73	AA		C
VRS-CZ1JD153J	22-100	AA		C
VRS-CZ1JD202J	22- 86	AA		C
VRS-CZ1JD203J	22- 74	AA		C
VRS-CZ1JD220J	22- 77	AA		C
VRS-CZ1JD241J	22-101	AA		C
VRS-CZ1JD242J	22- 87	AA		C
VRS-CZ1JD272J	22-102	AA		C
VRS-CZ1JD301J	22- 88	AA		C
VRS-CZ1JD303J	22-106	AA		C
VRS-CZ1JD330J	22-104	AA		C
VRS-CZ1JD332J	22- 89	AA		C
VRS-CZ1JD393J	22- 83	AA		C
VRS-CZ1JD432F	22-103	AA		C
VRS-CZ1JD472J	22- 99	AA		C
VRS-CZ1JD473J	22- 90	AA		C
VRS-CZ1JD511J	22-107	AA		C
VRS-CZ1JD563J	22-108	AA		C
VRS-CZ1JD621J	22- 92	AA		C
VRS-CZ1JD751J	22- 93	AA		C
VRS-CZ1JD752F	22- 96	AA		C
VRS-CZ1JD752J	22- 94	AA		C
VRS-HT3DA101J	22-118	AA		C
VRS-HT3DA102J	22-115	AA		C
VRS-HT3DA1R0J	22-116	AB		C
VRS-HT3DAR22J	22-117	AA		C
VSKRA119S+-+1	22-151	AB		B
VSKRC106S+-+1	21- 28	AB		B
"	22-152	AB		B
VSKTA1281+-+1	22-153	AD		B
VSKTA1505S+-1	22-150	AC		B
VSKTC3198+-+1	22-154	AB		B
VVLGPM181C0-1	21- 29	AZ	N	B
[X]				
XBBS30P04000	11- 21	AA		C
XBBS30P08000	13- 34	AA		C
"	7- 29	AA		C
XBBS40P06000	11- 1	AA		C
XBBS40P08000	4- 28	AA		C
XBBSE30P06000	9- 14	AA		C
XBBSE30P08000	1- 9	AA		C
"	19- 1	AA		C
XBPSC30P06ES0	14- 4	AA		C
XBPSC30P06K00	7- 17	AA		C
XBPSD30P04KS0	4- 27	AA		C
XBPSD30P06KS0	13- 24	AA		C
"	19- 14	AA		C
XBPSD30P08KS0	8- 37	AA		C
"	9- 5	AA		C
XBPSD30P10KS0	10- 10	AB		C
XBPSN40P06K00	9- 25	AA		C
XEBSD26P05000	18- 2	AA		C
XEBSD30P06000	13- 13	AA		C
"	15- 5	AA		C
"	19- 21	AA		C
"	6- 11	AA		C
"	7- 15	AA		C
XEBSD30P08000	14- 8	AA		C
"	3- 9	AA		C
"	7- 44	AA		C
"	8- 57	AA		C
XEBSD30P10000	18- 1	AA		C
"	4- 10	AA		C
"	6- 22	AA		C
"	7- 10	AA		C
"	7- 33	AA		C
XEBSD30P30000	7- 11	AA		C

PARTS CODE	NO.	PRICE RANK	NEW MARK	PART RANK
XEBSE30P06000	4- 8	AA		C
XEBSE30P08000	10- 41	AA		C
"	12- 2	AA		C
"	1- 3	AA		C
"	13- 11	AA		C
"	16- 9	AA		C
XEBSE30P10000	3- 11	AA		C
"	8- 4	AA		C
"	8- 44	AA		C
"	9- 11	AA		C
XEBSE30P12000	10- 31	AA		C
"	8- 40	AA		C
XEBSE40P12000	13- 36	AA		C
"	1- 5	AA		C
"	5- 38	AA		C
"	7- 30	AA		C
"	8- 35	AA		C
"	9- 15	AA		C
XEBSF30P08000	19- 11	AA		C
XEPSD20P10000	12- 5	AA		C
XEPSD30P08X00	4- 21	AA		C
XHBSD30P06000	6- 21	AA		C
XHBSE30P06000	13- 23	AA		C
"	4- 7	AA		C
"	5- 26	AA		C
"	7- 34	AA		C
"	9- 3	AA		C
XHBSE30P08000	1- 26	AA		C
"	5- 31	AA		C
XPSSJ20-07000	13- 6	AA		C
"	8- 12	AA		C
XRESP30-04000	10- 39	AA		C
XRESP30-06000	4- 16	AA		C
"	6- 6	AA		C
XRESP40-06000	13- 2	AA		C
"	16- 7	AA		C
"	19- 10	AA		C
"	8- 14	AA		C
XRESP50-06000	19- 25	AA		C
"	5- 27	AA		C
"	8- 6	AA		C
XRESP70-08000	5- 28	AA		C
"	8- 64	AA		C
XUBUZ30P06000	19- 27	AA		C
XUBUZ30P08000	19- 34	AA		C
[0]				
0AV1390000108	23- 15	AC		C
0AV1390000138	23- 13	AF		C
0AV1390000180	23- 16	AC		C
0AV1390000181	23- 17	AE		C
0AV1390000183	23- 12	AQ		C
0AV1390000186	23- 18	AC		C
0AV1390000227	23- 19	AC		C
0AV1480000088	23- 2	AC		C
0AV1480000093	23- 8	AK		C
0AV1480000094	23- 5	AL		C
0AV1480000095	23- 4	AC		C
0AV1480000098	23- 10	AC		C
0AV1480000099	23- 21	AC		C
0AV1480000100	23- 3	AC	N	C
0AV1560000002	23- 1	AD		C
0AV16100000091	23- 14	AC		C
0AV1610000126	23- 20	AC		C
0AV1690000088	23- 11	AC		C
"	23- 9	AC		C
0AV1690000106	23- 7	AD		C
0AV1690000112	23- 6	AE		C
0AV2011013010	23- 49	AA		C
0AV2011023010	23- 55	AA		C
0AV2011033010	23- 50	AA		C
0AV2011073030	23- 43	AC	N	C
0AV2011213030	23- 62	AB		C
0AV2011233010	23- 45	AA		C
0AV2011813010	23- 56	AA		C
0AV2011823010	23- 57	AA		C
0AV2012223030	23- 54	AC		C
0AV2012233010	23- 44	AA		C
0AV2012723010	23- 53	AA		C
0AV2012733010	23- 48	AA		C
0AV2013313010	23- 47	AA		C
0AV2013323010	23- 76	AA		C

SHARP

COPYRIGHT © 2004 BY SHARP CORPORATION

All rights reserved.

Printed in Japan.

No part of this publication may be reproduced,
stored in a retrieval system, or transmitted.

In any form or by any means,
electronic, mechanical, photocopying, recording, or otherwise,
without prior written permission of the publisher.

SHARP CORPORATION
Digital Document Systems Group
Products Quality Assurance Department
Yamatokoriyama, Nara 639-1186, Japan
2004 March Printed in Japan ⓘ