

SHARP PARTS GUIDE

No. 00ZAM400PLSME

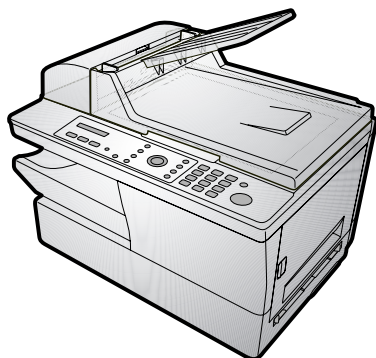


Illustration:AM-400PL

DIGITAL MULTIFUNCTIONAL SYSTEM

MODEL **AM-400PL**

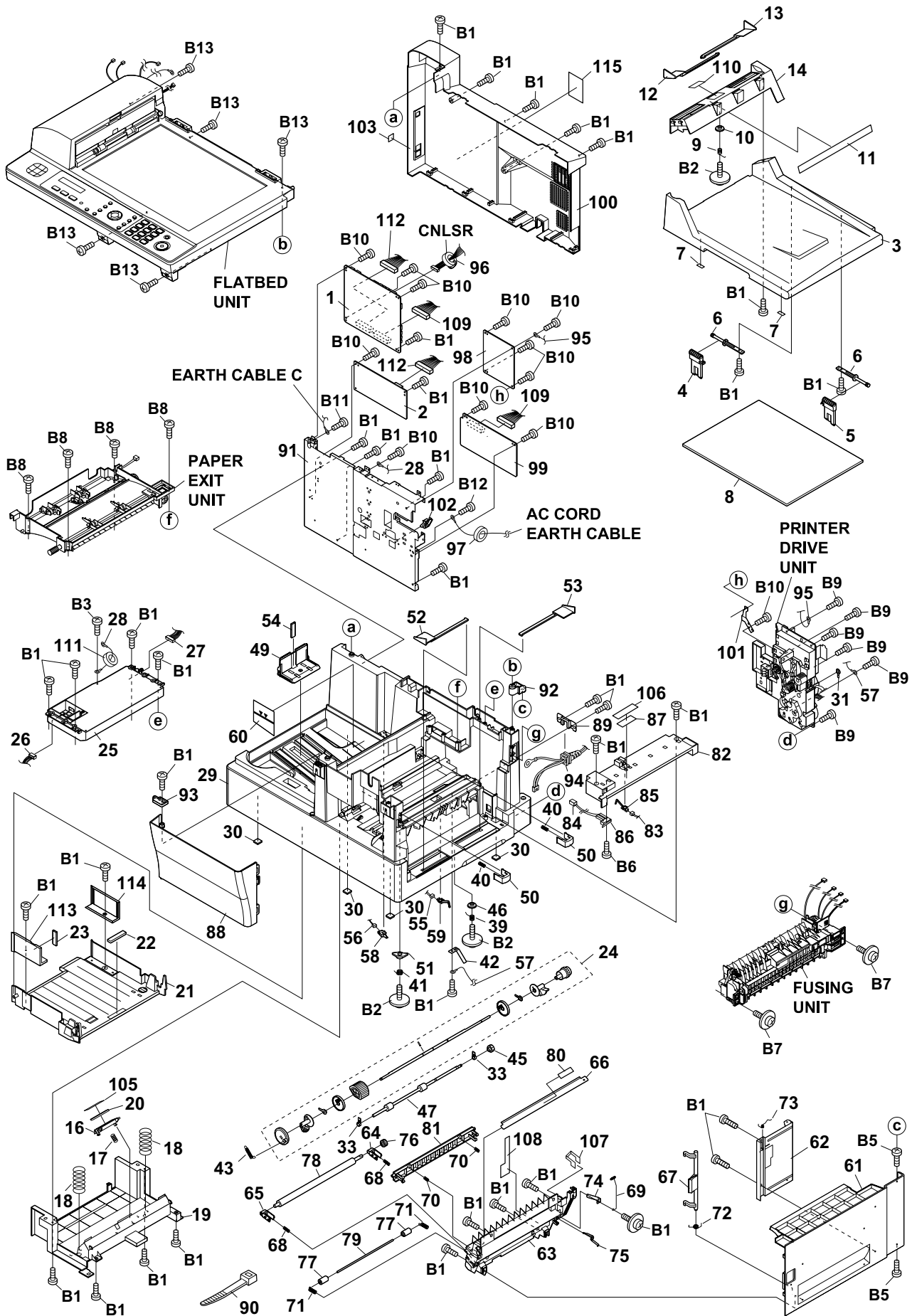
MODEL	SELECTION CODE	DESTINATION
AM-400	PL	Poland
AM-400	RA	Russian

CONTENTS

- | | |
|------------------------|------------------------------------|
| [1] Cabinet, etc. | [8] Packing material & Accessories |
| [2] Flatbed unit | [9] Control PWB unit |
| [3] Scanner unit | [10] LIU PWB unit |
| [4] Paper exit unit | [11] Power supply PWB unit |
| [5] Fusing unit | [12] High voltage PWB unit |
| [6] Printer drive unit | [13] Operation panel PWB unit |
| [7] Drive unit | ■ INDEX |

Parts marked with "△" are important for maintaining the safety of the set. Be sure to replace these parts with specified ones for maintaining the safety and performance of the set.

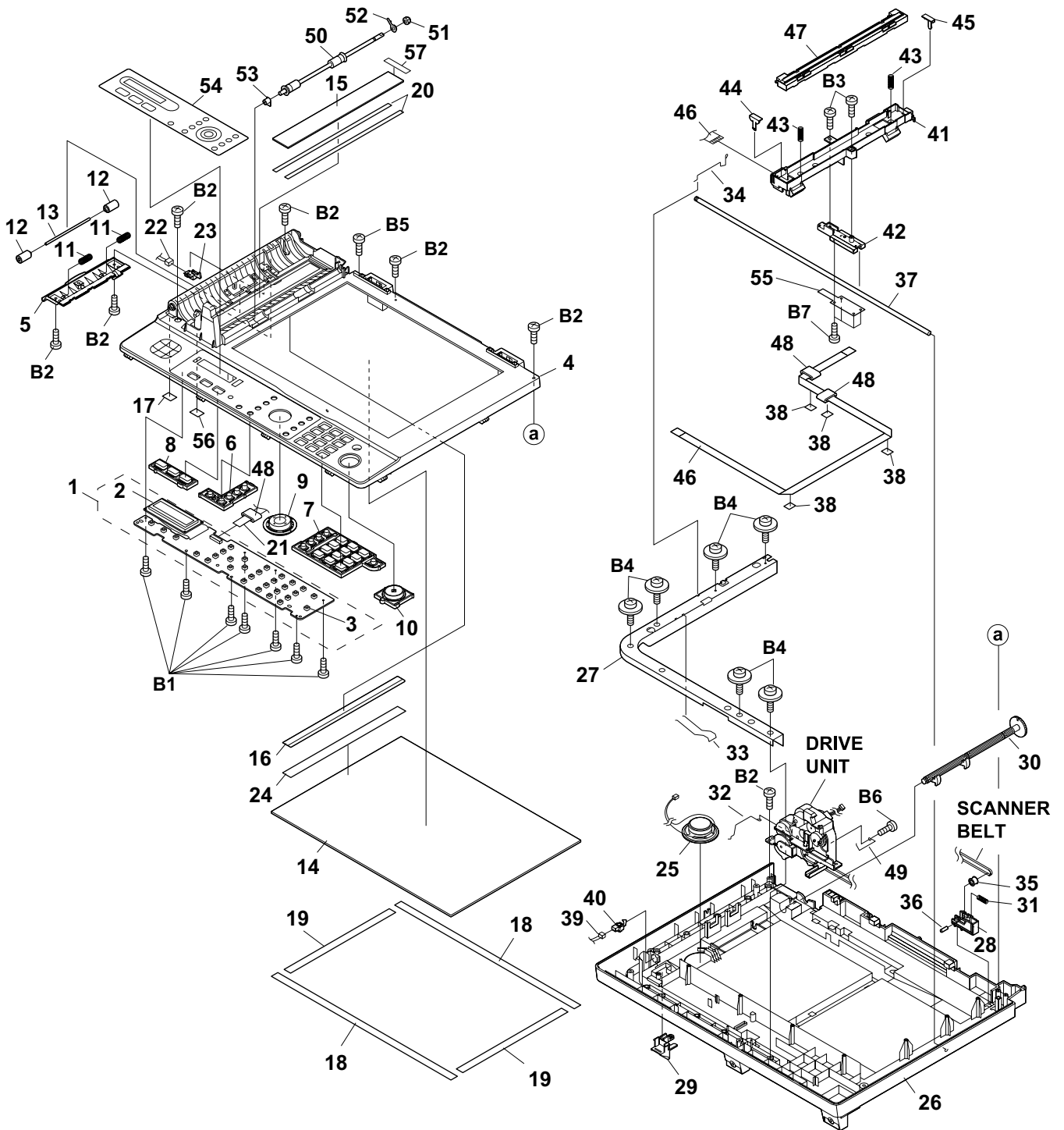
[1] Cabinet, etc.



NO.	PARTS CODE	PRICE RANK	NEW MARK	PART RANK	DESCRIPTION
[1] Cabinet,etc.					
1	DCEKC586VXHZZ		N	E	Control PWB unit(Within ROM)(PL)
1	DCEKC587VXHZZ		N	E	Control PWB unit(Within ROM)(RA)
2	DCEKL475CXH12		N	E	LIU PWB unit(PL)
2	DCEKL475CXH13		N	E	LIU PWB unit(RA)
3	GCOVA2510XHSA	BA	N	C	Flatbed cover
4	LPLTP3335XHSA	AF	N	C	Hinge,left
5	LPLTP3336XHSA	AF	N	C	Hinge,right
6	NSFTP2393XHZZ	AF	N	C	Hinge shaft
7	PCUSS2226XHZZ	AE	N	C	Flatbed cushion
8	PSHEZ3855XHZZ	AY	N	C	Back sheet
9	MSPRC3301XHZZ	AB		C	Hopper spring
10	NGERP2318XHZZ	AD		C	Pinion gear
11	PBR5-2074XHZZ	AG	N	C	Static brush
12	PGiDM2679XHSA	AF	N	C	Hopper guide,left
13	PGiDM2680XHSA	AF	N	C	Hopper guide,right
14	PHOP-2120XHSA	AQ	N	C	Hopper
16	LPLTP3342XHZZ	AE	N	C	Separate plate
17	MSPRC3505XHZZ	AD	N	C	Separate spring
18	MSPRC3506XHZZ	AF	N	C	Up spring
19	PGiDM2689XHZZ	AW	N	C	Paper guide lower
20	LPLTG3386XHZZ	AL	N	C	Separate rubber
21	LPLTP3349XHZZ	AU	N	C	Rotation plate
22	LPLTG3388XHZZ	AG	N	C	Rotation plate pad
23	PSPO-2001XHZZ	AD		C	Tray width sponge
24	CROLR2528XH51		N	C	PU roller ass'y
25	DUNTK273DXHZZ	BV	N	E	Optical unit(LSU)
26	QCWN246CXHZZ	AL	N	C	Optical cable 1
27	QCWN247CXHZZ	AL	N	C	Optical cable 2
28	QCWN316CXHZZ	AG	N	C	Earth cable
29	GCABB2450XHSA	BR	N	D	Bottom cabinet
30	GLEGG2089XHZZ	AE	N	C	Leg rubber
31	LBSHP2113XHZA	AE		C	Bearing
33	LBSHP2161XHZZ	AE	N	C	Regist roller bearing
39	MSPRC3301XHZZ	AB		C	Guide spring
40	MSPRC3590XHZZ	AE	N	C	DV press spring
41	MSPRD3545XHZZ	AE	N	C	TC stopper spring
42	MSPRP3591XHZZ	AE	N	C	Regist roller spring
43	MSPRT3507XHZZ	AE	N	C	Cam spring
45	NGERH2661XHZZ	AE	N	C	Regist gear,23Z
46	NGERP2318XHZZ	AD		C	Pinion gear
47	NROLR2527XHZZ	AQ	N	C	Regist roller
49	PGiDM2677XHSA	AG	N	C	Tray back guide
50	PGiDM2687XHZZ	AE	N	C	DV press guide
51	PGiDM2688XHZZ	AE	N	C	TC stopper
52	PGiDM2694XHSA	AE	N	C	Bypass hopper guide,left
53	PGiDM2695XHSA	AE	N	C	Bypass hopper guide,right
54	PSPO-2013XHZZ	AE		C	Tray back guide sponge
55	QCWN259CXHZZ	AG	N	C	Tray sensor cable
56	QCWN278CXHZZ	AG	N	C	P-IN sensor cable
57	QCWN315CXHZZ	AG	N	C	Earth cable 3
58	QSW-M2221XHZA	AL	N	C	P-IN sensor
59	QSW-M2296XHZZ	AD		C	Tray cover sensor
60	TLABM224JXHZZ	AE	N	D	Paper limit label
61	GCOVA2513XHSA	AY	N	C	Right cover
62	LANGF2869XHZZ	AN	N	C	Right cover bracket
63	LFRM-2264XHZZ	AT	N	C	Right cover frame
64	LHLDZ2295XHZZ	AE	N	C	TR roller holder,right
65	LHLDZ2296XHZZ	AE	N	C	TR roller holder,left
66	LPLTMO163GCZZ	AE		C	Discharge plate
67	MLEVP2410XHSA	AK	N	C	Release lever
68	MSPRC3522XHZZ	AD	N	C	TR spring
69	MSPRC3525XHZZ	AE	N	C	TR term spring B
70	MSPRC3527XHZZ	AD	N	C	Paper guide plate spring
71	MSPRC3576XHZZ	AE	N	C	Pinch roller spring
72	MSPRD3523XHZZ	AE	N	C	Release lever spring
73	MSPRD3548XHZZ	AE	N	C	Discharge spring B
74	MSPRP3524XHZZ	AE	N	C	TC terminal spring
75	MSPRP3534XHZZ	AF	N	C	Discharge spring A
76	NGERH2677XHZZ	AE	N	C	TR gear
77	NROLP2334XHZA	AC		C	Pinch roller
78	NROLP2530XHZZ	BD	N	C	TR roller
79	NSFTZ2402XHZZ	AK	N	C	Pinch roller shaft
80	PBR5-2075XHZZ	AE	N	C	Static brush
81	PGiDM2699XHZZ	AH	N	C	Paper guide plate
82	PGiDM2692XHSA	AQ	N	C	Bypass guide
83	QCWN256CXHZZ	AG	N	C	Bypass PE sensor cable
84	QCWN267CXHZZ	AN	N	C	Inter lock switch cable
85	QSW-M2221XHZA	AL	N	C	Bypass PE sensor
86	QSW-M2343XHZZ	AN	N	C	Inter lock switch
87	TCAUZ2044XHZA	AK	N	D	Laser caution label
88	GCOVA2515XHSA	AU	N	C	Front cover
89	LANGF2870XHZZ	AG	N	C	AC cord bracket
90	LBJD2006XHZZ	AA		C	Band
91	LPLTP3346XHZZ	AZ	N	C	PWB plate
92	PGiDM2678XHZZ	AE	N	C	Right cover pivot

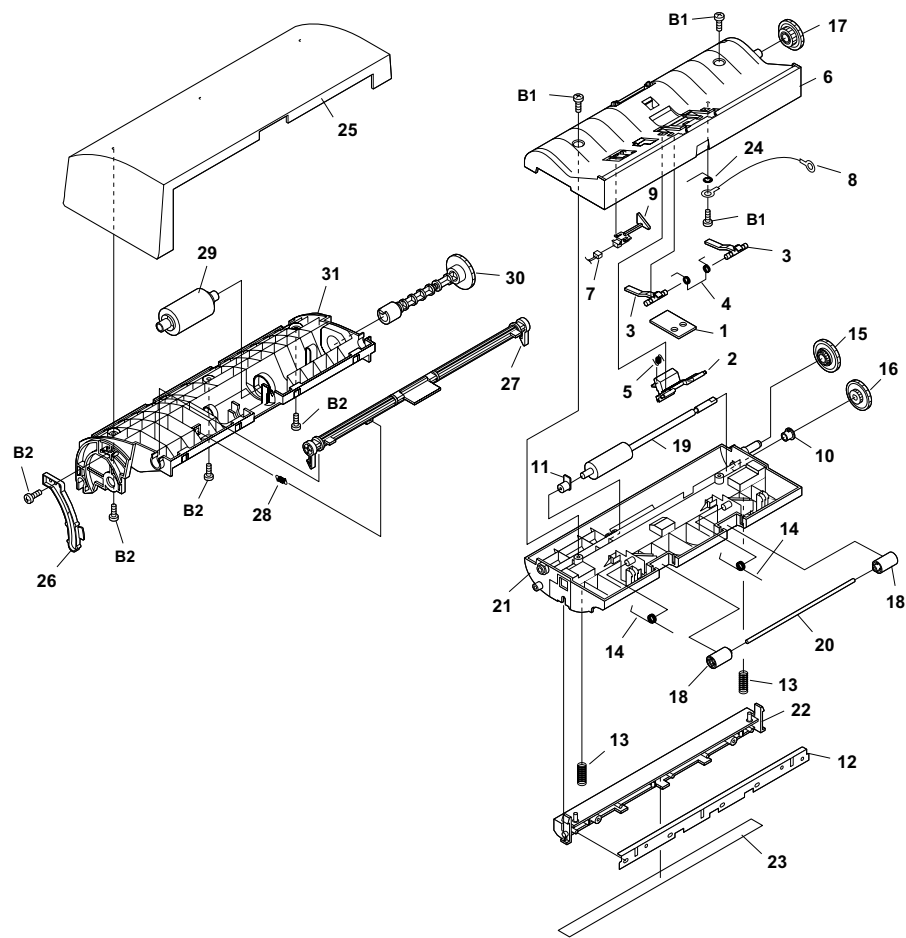
NO.	PARTS CODE	PRICE RANK	NEW MARK	PART RANK	DESCRIPTION
[1] Cabinet,etc.					
93	PGiDM2700XHZZ	AE	N	C	Front cover pivot
94	QACCE2082XHZZ	AX		B	AC cord ass'y
95	QCNWN261CXHZZ	AG	N	C	Earth cable
96	RCORF2146XHZZ	AG		B	Core
97	RCORF2154XHZZ	AG	N	B	Core
98	RDENT2206XHZZ	BK	N	E	High voltage PWB unit
99	RDENT2215XHZZ	BQ	N	E	Power supply PWB unit
100	GCOVA2514XHSA	BA	N	C	Rear cover
101	LANGJ2847XHZZ	AG	N	C	Earth plate
102	LHLDW2310XHZZ	AE	N	C	Wire holder
103	PSHEZ3410XHZZ	AB		C	Jack sheet
105	PSHEP3879XHZZ	AE	N	C	Separate sheet
106	TCAUZ2046XHZZ	AK	N	D	Drum caution label 2
107	PSHEP3883XHZZ	AG	N	C	Cover sheet
108	PBRs-2076XHZZ	AF	N	C	Static brush
109	QCNWN390CXHZZ	AN	N	C	Power supply cable
110	TLABH208KXHZZ		N	D	Face up label(PL)
110	TLABH434JXHZZ		N	D	Face up label(RA)
111	RCORF2147XHZZ	AG		B	Core
112	QCNWN392CXHZZ	AL	N	C	LIU cable
113	PGiDM2690XHSA	AY	N	C	A4 width guide,front
114	PGiDM2691XHSA	AY	N	C	A4 width guide,rear
115	TLABH3335XHZZ	AF	N	D	Laser class 1 label
B1	XEBS730P10000	AC		C	Screw(3x10)
B2	LX-BZ2205XHZZ	AE	N	C	Screw
B3	XEBS730P08000	AC		C	Screw(3x8)
B5	XHBS730P10000	AD		C	Screw(3x10)
B6	XEBS720P10000	AE	N	C	Screw(2x10)
B7	LX-BZ2321XHZZ	AE	N	C	Screw
B8	XEBS730P14000	AD	N	C	Screw(3x14)
B9	XEBS730P12000	AC		C	Screw(3x12)
B10	XHBS730P08000	AB		C	Screw(3x8)
B11	XHBS730P06000	AC		C	Screw(3x6)
B12	LX-BZ2282XHZZ	AE	N	C	Screw
B13	XJBS740P12000	AB	N	C	Screw(4x12)

[2] Flatbed unit



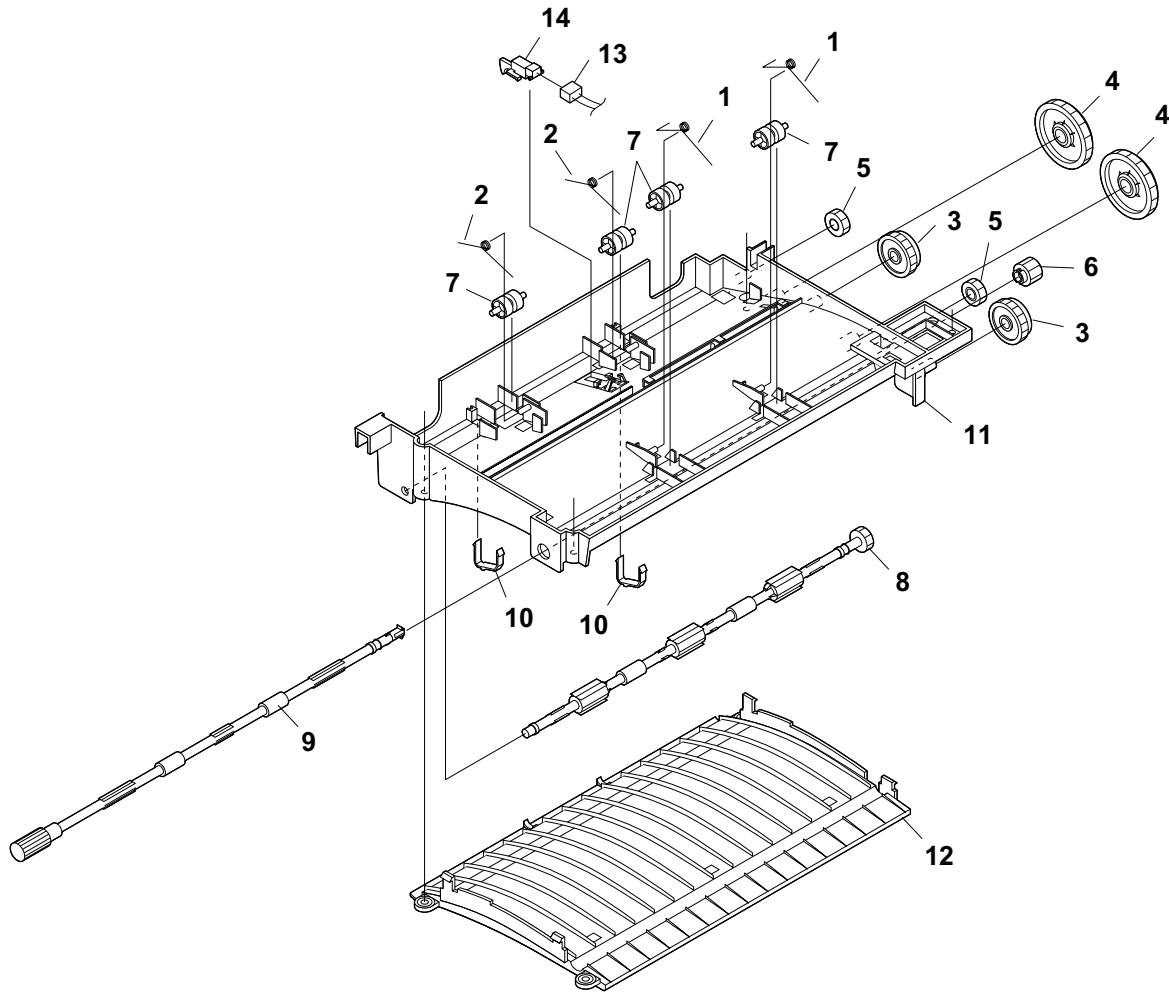
NO.	PARTS CODE	PRICE RANK	NEW MARK	PART RANK	DESCRIPTION
[2] Flatbed unit					
1	DCEKP304DXH01	BD	N	E	Operation panel PWB unit
2	RU i TZ2001XHZZ	AZ	N	E	LCD unit
3	QSW-K0005AWZZ	AC		C	Tact switch [SW]
4	GCABA2451XHSA	BB	N	C	Flatbed, upper
5	GCOVA2512XHZZ	AH	N	C	Sensor cover
6	JBTN-2483XHSA	AF	N	C	Function key
7	JBTN-2484XHSA	AL	N	C	12 key
8	JBTN-2486XHSA	AK	N	C	Mode key
9	JBTN-2487XHSA	AK	N	C	Cursor key
10	JBTN-2489XHSA	AE	N	C	Start key
11	MSPRC2568XHZZ	AE	N	C	Pinch roller spring
12	NROLP2334XHZA	AC		C	Pinch roller
13	NSFTZ2407XHZZ	AH	N	C	Pinch roller shaft

NO.	PARTS CODE	PRICE RANK	NEW MARK	PART RANK	DESCRIPTION
[2] Flatbed unit					
14	PGLSP2064XHZA		N	C	Sheet glass
15	PGLSP2065XHZZ	AQ	N	C	ADF glass
16	PSHEZ3854XHZZ	AH	N	C	Rear book sheet
17	PSHEZ3866XHZZ	AE	N	C	Blind fold sheet
18	PTPEZ2116XHZZ	AE	N	C	Book long double tape
19	PTPEZ2117XHZZ	AE	N	C	Book short double tape
20	PTPEZ2118XHZZ	AE	N	C	ADF doble tape
21	QCNWN245CXHZZ	AL	N	C	Panel cable
22	QCNWN249CXHZZ	AG	N	C	ORG sensor cable
23	QSW-Z2237XHZZ	AL	N	C	ORG sensor
24	PSEL-2043XHZZ	AE	N	C	Shield tape
25	CCNWN346CXH01	AP	N	C	Speaker ass'y
26	GCABB2452XHSA	BF	N	C	Flatbed.lower
27	LPLTP3338XHZZ	AW	N	C	Reinforce plate
28	LPLTP3339XHZZ	AE	N	C	Pulley plate
29	MLEVP2403XHSA	AG	N	C	Scanner hold lever
30	MLEVP2404XHZZ	AG	N	C	Hold lever
31	MSPRC3542XHZZ	AD	N	C	Tension spring
32	MSPRD3543XHZZ	AE	N	C	Earth spring 1
33	MSPRD3560XHZZ	AE	N	C	Speaker spring
34	MSPRD3570XHZZ	AE	N	C	Earth spring 2
35	NPLYD2088XHZZ	AC		C	Pulley
36	NSFTZ2396XHZZ	AG	N	C	Pulley shaft
37	NSFTZ2397XHZZ	AS	N	C	Guide shaft
38	PTPEZ2127XHZZ	AC	N	C	Double tape
39	QCNWN254CXHZZ	AG	N	C	Home position sensor cable
40	QSW-M2324XHZZ	AN		C	Home position sensor
41	LHLDZ2299XHZZ	AH	N	C	CIS holder
42	LHLDZ2300XHZZ	AG	N	C	Shaft holder
43	MSPRC3572XHZZ	AE	N	C	CIS spring
44	PGiDM2704XHZZ	AE	N	C	CIS guide,left
45	PGiDM2705XHZZ	AE	N	C	CIS guide,right
46	QCNWN248CXHZZ	AN	N	C	CIS cable
47	RUiTZ2006XHZZ	BT	N	B	CIS
48	RCORF2152SCZZ	AL	N	B	Core
49	MSPRD3569XHZZ	AE	N	C	Exit roller earth spring
50	NROLR2526XHZZ	AS	N	C	Exit roller
51	NGERH2543XHZZ	AC		C	Exit roller gear
52	LBSHP2113XHZZ	AH		C	Roller bearing
53	LBSHP2136XHZZ	AC		C	Roller bearing
54	HPNLH2450XHSM		N	D	Decoration panel(PL)
54	HPNLH2450XHSL	AP	N	D	Decoration panel(RA)
55	LPLTM3387XHZZ	AF	N	C	Shaft holder plate
56	PSHEZ3884XHZZ	AE	N	C	Blind fold sheet
57	PSPAP2290XHZZ	AF	N	C	ADF spacer
B1	XEBS720P06000	AC		C	Screw(2x6)
B2	XEBS730P10000	AC		C	Screw(3x10)
B3	XEBS730P08000	AC		C	Screw(3x8)
B4	XJPS740P10X00	AC	N	C	Screw(4x10)
B5	XEBS730P12000	AC		C	Screw(3x12)
B6	XHBS730P06000	AC		C	Screw(3x6)
B7	LX-BZ2323XHZZ	AE	N	C	Screw(3x8)

[3] Scanner unit

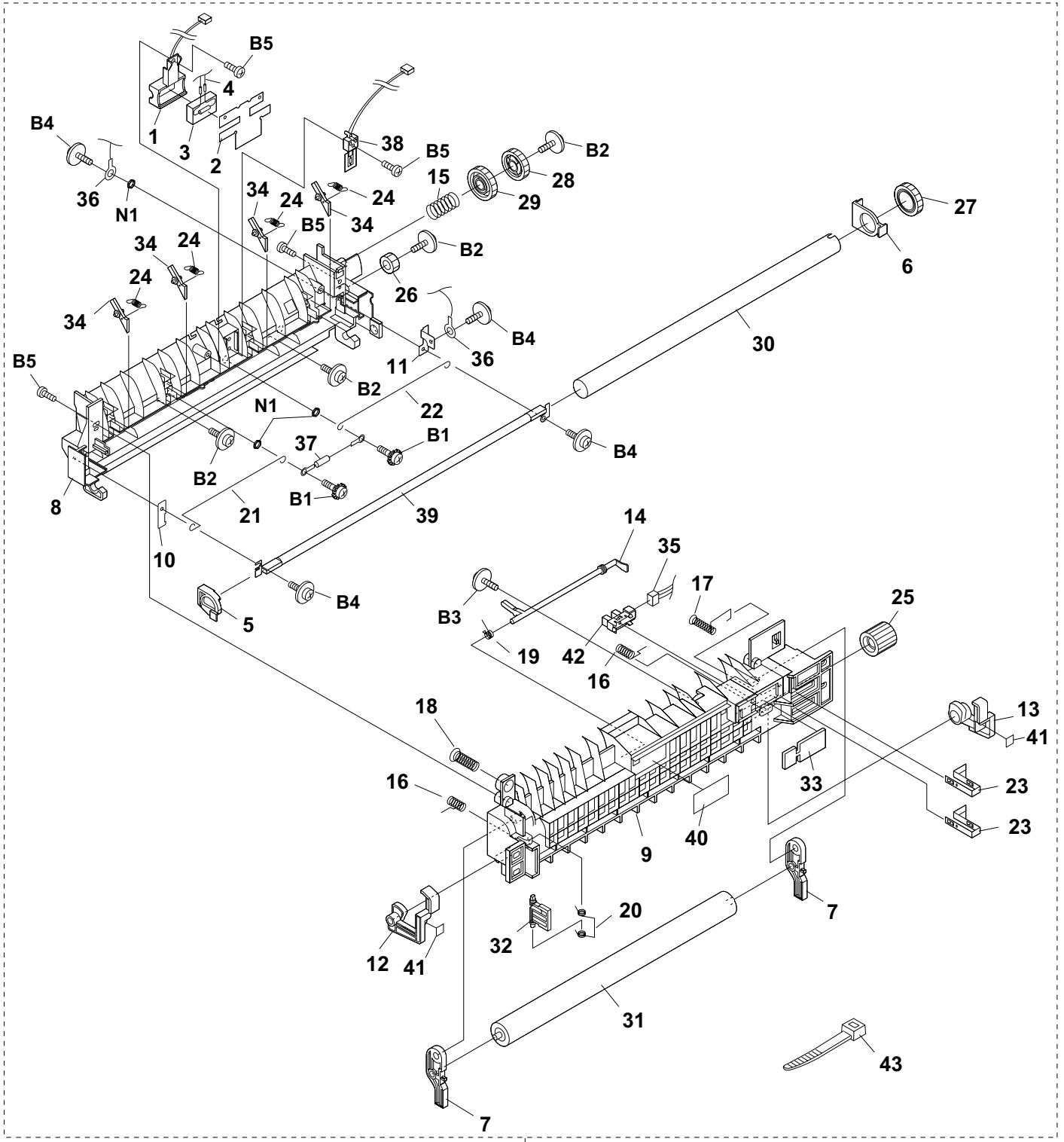
NO.	PARTS CODE	PRICE RANK	NEW MARK	PART RANK	DESCRIPTION
[3] Scanner unit					
1	LPLTG3307XHZZ	AF		C	Separate rubber
2	LPLTP2790XHZZ	AD		C	Separate plate
3	MARMP2025XHZZ	AF		C	Feed plate arm
4	MSPRD3564XHZZ	AE	N	C	Feed spring
5	MSPRT3563XHZZ	AD	N	C	Separate spring
6	PGiDM2681XHSA	AN	N	C	Guide middle upper
7	QCNWN255CXHZZ	AG	N	C	Front sensor cable
8	QCNWN260CXHZZ	AG	N	C	Earth cable C
9	QSW-Z2250XHZA	AL	N	C	Front sensor
10	LBSHP2135XHZZ	AC		C	Roller bearing
11	LBSHP2136XHZZ	AC		C	Roller bearing
12	LPLTP3363XHZZ	AH	N	C	Back guide bracket
13	MSPRC3589XHZZ	AD	N	C	Back guide spring
14	MSPRD3566XHZZ	AE	N	C	Exit pinch roller spring
15	NGERH2542XHZZ	AE	N	C	ADF gear
16	NGERH2547XHZZ	AE		C	Transfer gear,42/17Z
17	NGERH2657XHZZ	AE	N	C	Reduction gear
18	NROLP2334XHZA	AC		C	Exit pinch roller
19	NROLR2525XHZZ	AQ	N	C	Transfer roller
20	NSFTZ2406XHZZ	AH	N	C	Exit pinch roller shaft
21	PGiDM2682XHSA	AN	N	C	Guide middle lower
22	PGiDM2703XHZA	AG	N	C	Back guide
23	PSHEZ3843XHZZ	AF	N	C	Rear sheet
24	MSPRC3567XHZZ	AE	N	C	Earth spring
25	GCOVA2511XHSA	AS	N	C	Top cover
26	LSTPP2063XHZZ	AE	N	C	Stopper plate
27	MLEVP2402XHSA	AG	N	C	Release lever
28	MSPRT3565XHZZ	AD	N	C	Release lever spring
29	NROLR2333XHZZ	AP		C	Feed roller
30	NSFTP2394XHZZ	AF	N	C	Feed roller shaft
31	PGiDM2683XHSA	AQ	N	C	Guide upper
B1	XEBS730P10000	AC		C	Screw(3x10)
B2	XEBS730P08000	AC		C	Screw(3x8)

[4] Paper exit unit



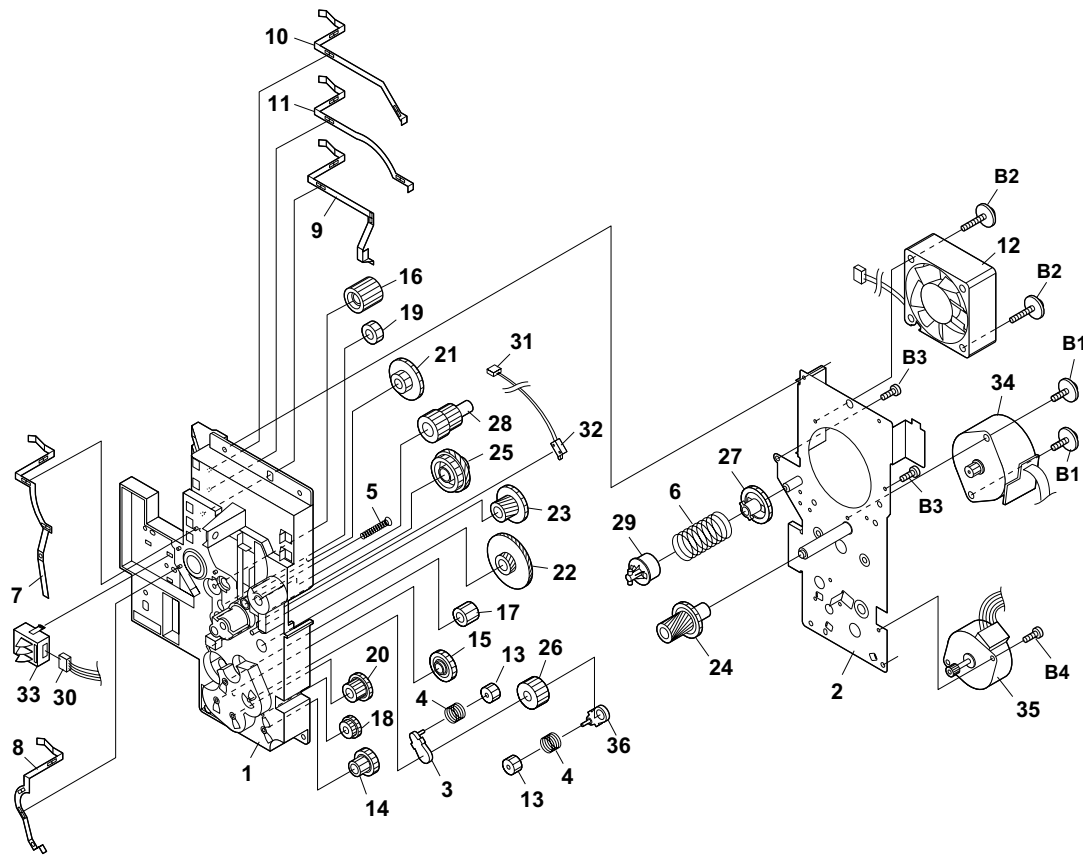
NO.	PARTS CODE	PRICE RANK	NEW MARK	PART RANK	DESCRIPTION
[4] Paper exit unit					
1	MSPRD3574XHZZ	AE	N	C	Pinch roller spring 1
2	MSPRD3575XHZZ	AE	N	C	Pinch roller spring 2
3	NGERH2466XHZZ	AE		C	Idler gear,32Z
4	NGERH2602XHZZ	AH		C	Idler gear,50Z
5	NGERH2603XHZZ	AE		C	Idler gear,17Z(17Z)
6	NGERH2662XHZZ	AE	N	C	Feed roller gear,15Z
7	NROLP2332XHZA	AL	N	C	PO pinch roller
8	NROLP2420XHZZ	AM		C	Paper exit roller
9	NSFTP2400XHZZ	AS	N	C	Feed roller shaft
10	PGiDM2696XHZZ	AE	N	C	Anti curl guide
11	PGiDM2697XHZZ	AU	N	C	Paper exit guide upper
12	PGiDM2698XHZZ	AS	N	C	Paper exit guide lower
13	QCWN264CXHZZ	AG	N	C	PO sensor cable
14	QSW-Z2237XHQB	AL	N	C	PO2 sensor

[5] Fusing unit



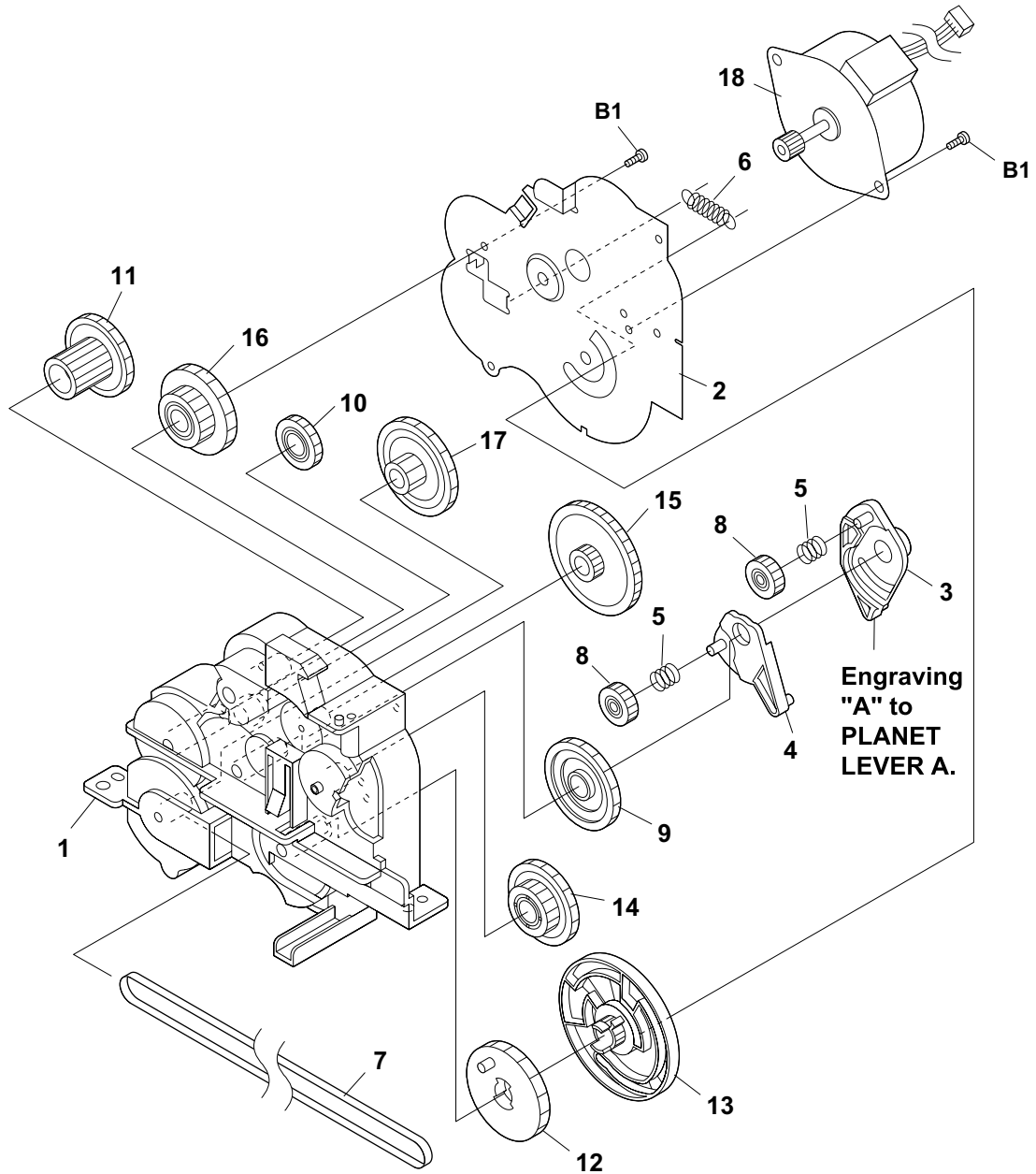
901

NO.	PARTS CODE	PRICE RANK	NEW MARK	PART RANK	DESCRIPTION
[5] Fusing unit					
1	LHLDZ2297XHZZ	AE	N	C	Fuse holder
2	PSHEP3853XHZZ	AG	N	C	Fuse sheet
3	PSPO-2024XHZZ	AG	N	C	Fuse sponge
4	QFS-T2020XHZZ	AT	N	A	Fuse-2
5	LBSHP2162XHZZ	AE	N	C	Heat roller bearing 1
6	LBSHP2167XHZZ	AK	N	C	Heat roller bearing 2
7	LBSHP2168XHZZ	AE	N	C	FU bearing
8	LFRM-2265XHZZ	AU	N	C	FU frame,left
9	LFRM-2266XHZZ	AV	N	C	FU frame,right
10	LPLTP3348XHZZ	AG	N	C	FU terminal
11	LPLTP3376XHZZ	AK	N	C	FU AC terminal
12	MLEVP2411XHZZ	AF	N	C	FU release lever,front
13	MLEVP2412XHZZ	AF	N	C	FU release lever,rear
14	MLEVP2413XHZZ	AF	N	C	FU sensor lever
15	MSPRC3528XHZZ	AE	N	C	Ratchet gear spring
16	MSPRC3530XHZZ	AD	N	C	FU pinch spring
17	MSPRC3531XHZZ	AE	N	C	FU earth spring
18	MSPRC3595XHZZ	AE	N	C	Right cover open spring
19	MSPRD3529XHZZ	AE	N	C	FU sensor lever spring
20	MSPRD3550XHZZ	AE	N	C	Rear cover spring
21	MSPRK3549XHZZ	AF	N	C	Fuse bar 1
22	MSPRK3590XHZZ	AE	N	C	Fuse bar 2
23	MSPRP3535XHZZ	AE	N	C	Earth spring
24	MSPRT3594XHZZ	AE	N	C	Separating pawl spring
25	NGERH2576XHZA	AF	N	C	Idler gear,21Z
26	NGERH2582XHZA	AY		C	Idler gear,15Z
27	NGERH2678XHZZ	AF	N	C	Heat roller gear
28	NGERH2679XHZZ	AE	N	C	Idler gear,27Z
29	NGERH2680XHZZ	AE	N	C	Idler gear,28Z
30	NROLP2536XHZZ	BD	N	C	Heat roller
31	NROLR2539XHZZ	BD	N	C	FU roller
32	PGiDM2702XHZZ	AE	N	C	Rear cover
33	PSHEZ3864XHZZ	AG	N	C	Photo sheet
34	PTME-2081XHZZ	AF	N	C	Separating pawl
35	QCNWN262CXHZZ	AG	N	C	Photo sensor cable
36	QCNWN266CXHZZ	AK	N	C	FU AC cord
37	QFS-T2019XHZZ	AQ	N	A	Fuse-1
38	RDTCT2001XHZZ	AV	N	B	Thermistor
39	RLMPU2016XHZZ	BE	N	B	Heater
40	TCAUH2041XHZZ	AG	N	D	Heat caution
41	TLABH351JXHZZ	AD	N	D	FU release label
42	VHPSG2482A+-1	AN	N	B	PO1 sensor
43	LBNDJ2006XHZZ	AA		C	Band
B1	LX-BZ0956XHZZ	AE	N	C	Screw
B2	LX-BZ2138XHZZ	AD		C	Screw
B3	LX-BZ2222XHZZ	AD		C	Screw
B4	XBPS730P08KS0	AB	N	C	Screw(3x8)
B5	XEBS730P10000	AC		C	Screw(3x10)
N1	XNGS730-18000	AD	N	C	Nut(M3)
	(Unit)				
901	CFRM-2265XH02	BV	N	E	Fusing unit

[6] Printer drive unit

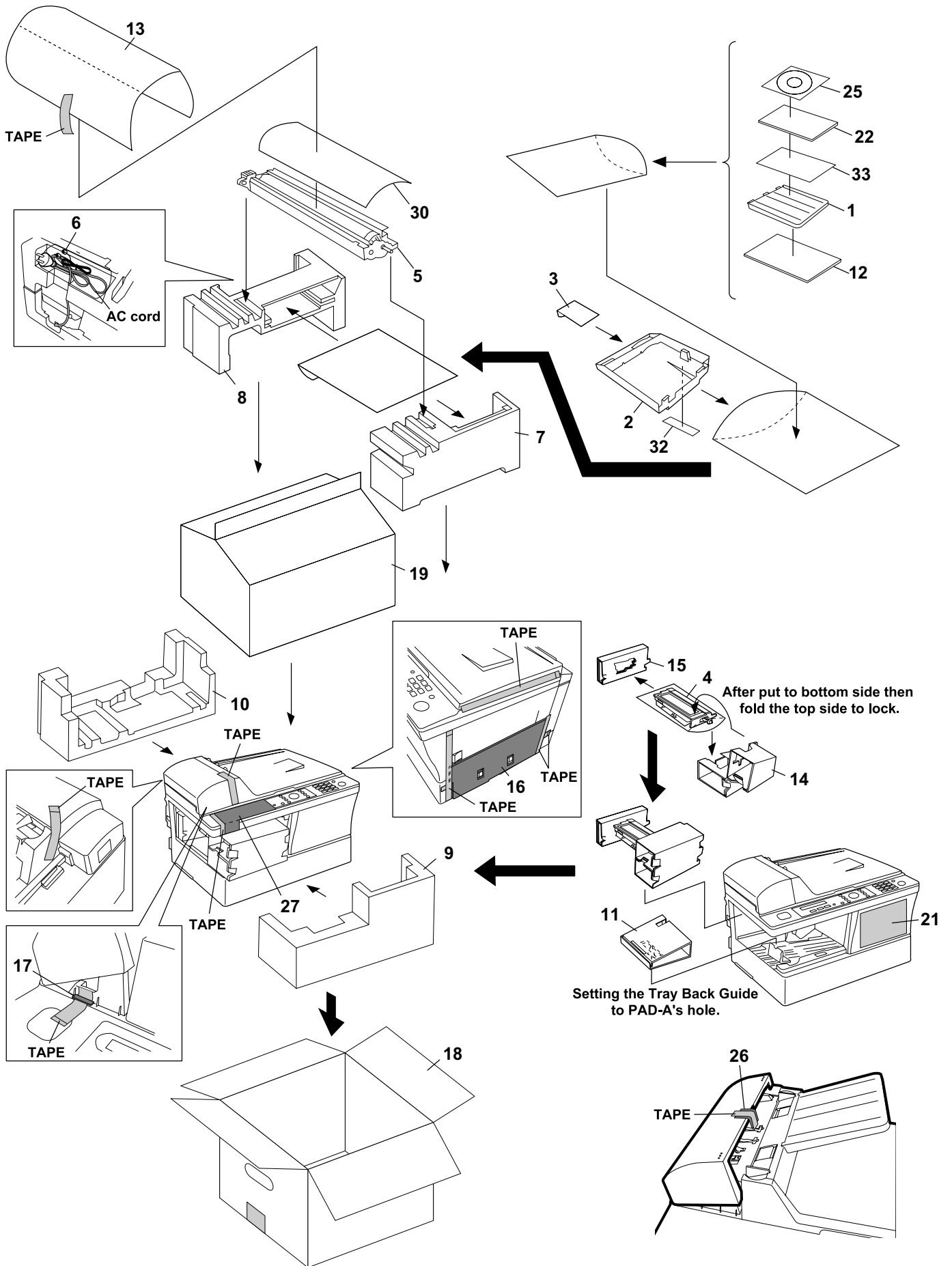
NO.	PARTS CODE	PRICE RANK	NEW MARK	PART RANK	DESCRIPTION
[6] Printer drive unit					
1	LFRM-2263XHZZ	AW	N	C	Printer drive frame
2	LPLTP3343XHZZ	AV	N	C	Printer drive bracket
3	MLEVP2409XHZZ	AE	N	C	Planet lever A
4	MSPRC2735XHZZ	AC	N	C	Planet gear spring
5	MSPRC3519XHZZ	AE	N	C	OPC earth spring
6	MSPRC3547XHZZ	AE	N	C	Coupling spring
7	MSPRP3514XHZZ	AG	N	C	DVE-TE spring
8	MSPRP3515XHZZ	AG	N	C	SROL-T spring
9	MSPRP3516XHZZ	AG	N	C	MC-TER spring
10	MSPRP3517XHZZ	AG	N	C	Earth spring
11	MSPRP3518XHZZ	AH	N	C	TR-TER spring
12	NFANP2005XHZZ	AY	N	B	Fan
13	NGERH2458XHZZ	AB	N	C	Planet gear
14	NGERH2480XHZZ	AB	N	C	Reduction gear,17/28Z
15	NGERH2700XHZZ	AF	N	C	Reduction gear,17/23Z
16	NGERH2576XHZZ	AF	N	C	Idler gear,21Z
17	NGERH2577XHZZ	AD	N	C	Idler gear,20Z
18	NGERH2581XHZZ	AC	N	C	Idler gear,25Z
19	NGERH2699XHZZ	AL	N	C	Idler gear
20	NGERH2621XHZZ	AF	N	C	Reduction gear,15/30Z
21	NGERH2663XHZZ	AE	N	C	Reduction gear,15/52Z
22	NGERH2664XHZZ	AE	N	C	Reduction gear,15/70Z
23	NGERH2697XHZZ	AG	N	C	Jgma gear,15/28Z
24	NGERH2698XHZZ	AG	N	C	Jgma gear,15/28Z
25	NGERH2667XHZZ	AE	N	C	Reduction gear,29/32Z
26	NGERH2670XHZZ	AE	N	C	Sun gear
27	NGERH2671XHZZ	AE	N	C	Coupling gear
28	NGERH2673XHZZ	AE	N	C	Reduction gear,20/18Z
29	NSFTP2401XHZZ	AE	N	C	Coupling shaft
30	QCNWN297CXHZZ	AH	N	C	Toner sensor cable
31	QCNWN317CXHZZ	AE	N	C	Roller switch cable
32	QSW-F2224SCZZ	AE	N	C	Roller switch
33	QSW-M2342XHZZ	AV	N	C	Toner sensor
34	RMOTS2199XHZZ	BC	N	B	Main motor
35	RMOTS2202XHZZ	AY	N	B	Pickup motor
36	MLEVP2409XHZZ	AL	N	C	Planet lever B
B1	LX-BZ2241XHZZ	AD	N	C	Screw
B2	LX-BZ2314XHZZ	AD	N	C	Screw
B3	XEBS730P12000	AC	N	C	Screw(3x12)
B4	XHBS730P06000	AC	N	C	Screw(3x6)

[7] Drive unit



NO.	PARTS CODE	PRICE RANK	NEW MARK	PART RANK	DESCRIPTION
[7] Drive unit					
1	LFRM-2262XHZZ	AN	N	C	Drive frame
2	LPLTP3340XHZZ	AK	N	C	Motor plate
3	MLEVP2405XHZA	AF	N	C	Planet lever A
4	MLEVP2406XHZZ	AE	N	C	Planet lever B
5	MSPRC2735XHZZ	AC	N	C	Planet spring
6	MSPRT3571XHZZ	AD	N	C	Hold spring
7	NBLTK2067XHZZ	AS	N	C	Drive belt
8	NGERH2278XHZZ	AC	N	C	Planet gear
9	NGERH2517XHZA	AF	N	C	Reduction gear
10	NGERH2541XHZZ	AE	N	C	Reduction gear,25Z
11	NGERH2573XHZZ	AD	N	C	Reduction gear,20/40Z
12	NGERH2655XHZZ	AE	N	C	System gear A
13	NGERH2656XHZZ	AE	N	C	System gear B
14	NGERH2657XHZZ	AE	N	C	Reduction gear,42/25Z
15	NGERH2658XHZZ	AE	N	C	Reduction gear,55/15Z
16	NGERH2693XHZZ	AE	N	C	Reduction gear,27/44Z
17	NPLYD2099XHZZ	AE	N	C	Pulley reduction gear,48Z
18	RMOTZ2201XHZZ	AW	N	B	Scanner motor
B1	XEBS730P10000	AC	N	C	Screw(3x10)

[8] Packing material & Accessories



NO.	PARTS CODE	PRICE RANK	NEW MARK	PART RANK	DESCRIPTION	
[8] Packing material & Accessories						
1	PHOP-2121XHSA	AV	N	C	Document feeder tray	
2	LPLTP3344XHSA	AY	N	C	Output tray	
3	LPLTP3345XHSA	AK	N	C	Output sub tray	
4	DUNT-291DXH21		N	S	Toner cartridge(Initial starter cartridge)(PL)	
4	DUNT-291DXH18		N	S	Toner cartridge(Initial starter cartridge)(RA)	
5	DUNT-292DXH21		N	S	Drum cartridge(Initial starter cartridge)(PL)	
5	DUNT-292DXH18		N	S	Drum cartridge(Initial starter cartridge)(RA)	
6	QCNWG370BXHZZ	AL		C	Telephone line cord(RA)	
7	SPAKA279GXHZZ	AQ	N	D	Packing add.,top,front	
8	SPAKA280GXHZZ	AS	N	D	Packing add.,top,rear	
9	SPAKA281GXHZZ	AQ	N	D	Packing add.,bottom,front	
10	SPAKA282GXHZZ	AQ	N	D	Packing add.,bottom,rear	
11	SPAKA286GXHZZ	AG	N	D	Pad A	
12	SPAKA429GXHZZ	AE	N	D	Protection B	
13	SPAKA428GXHZZ	AE	N	D	Protection A	
14	SPAKA356GXHZZ	AG	N	D	Pad,toner cartridge,left	
15	SPAKA357GXHZZ	AG	N	D	Pad,toner cartridge,right	
16	SPAKA373GXHZZ	AD	N	D	Pad D	
17	SPAKA374GXHZZ	AD	N	D	Spacer	
18	SPAKC377GXHTA	BB	N	D	Packing case	
19	SPAKP285GXHZZ	AK	N	D	Unit cover	
21	TCADZ3812XHZZ		N	D	Pop card(PL)	
21	TCADZ3844XHZZ		N	D	Pop card(RA)	
22	TCADH3815XHZZ		N	D	Setup guide(PL)	
22	TCADH3811XHZZ	AK	N	D	Setup guide(RA)	
25	UDSKA2053XHZZ	BB	N	D	CD ROM	
26	SPAKA386GXHZZ	AE	N	D	Release pad	
27	PSHEZ3880XHZA	AE	N	D	Release lever caution sheet 2(PL)	
27	PSHEZ3880XHZA	AE	N	D	Release lever caution sheet 2(RA)	
30	PSHEZ3885XHZZ	AG	N	C	Shading sheet	
32	TLABH363JXHZZ	AH		D	Output tray label(PL)	
32	TLABH363JXHZZ		N	D	Output tray label(RA)	
33	TGANZ2365XHZZ		N	D	Warranty card	
[9] Control PWB unit						
1	VRS-CG1JF330J	AC	N	C	Block resistor(33Ω x4)	[BR1]
2	VRS-CG1JF330J	AC	N	C	Block resistor(33Ω x4)	[BR2]
3	VRS-CG1JF330J	AC	N	C	Block resistor(33Ω x4)	[BR3]
4	VRS-CG1JF330J	AC	N	C	Block resistor(33Ω x4)	[BR4]
5	VRS-CG1JF330J	AC	N	C	Block resistor(33Ω x4)	[BR5]
6	VRS-CG1JF271J	AD	N	C	Block resistor(270Ω x4)	[BR6]
7	VRS-CG1JF330J	AC	N	C	Block resistor(33Ω x4)	[BR7]
8	VRS-CG1JF330J	AC	N	C	Block resistor(33Ω x4)	[BR8]
9	VRS-CG1JF271J	AD	N	C	Block resistor(270Ω x4)	[BR9]
10	VRS-CG1JF271J	AD	N	C	Block resistor(270Ω x4)	[BR10]
11	VRS-CG1JF330J	AC	N	C	Block resistor(33Ω x4)	[BR11]
12	VRS-CG1JF330J	AC	N	C	Block resistor(33Ω x4)	[BR12]
13	VRS-CG1JF330J	AC	N	C	Block resistor(33Ω x4)	[BR13]
14	VRS-CG1JF330J	AC	N	C	Block resistor(33Ω x4)	[BR14]
15	VRS-CG1JF221J	AC	N	C	Block resistor(220Ω x4)	[BR15]
16	VRS-CG1JF221J	AC	N	C	Block resistor(220Ω x4)	[BR16]
17	VCKYCZ1CB103K	AA		C	Capacitor(16VV 0.01μ F)	[C3]
18	VCCCCZ1EH180J	AA		C	Capacitor(25VV 18PF)	[C4]
19	VCCCCZ1EH180J	AA		C	Capacitor(25VV 18PF)	[C5]
20	VCKYCZ1CF104Z	AB		C	Capacitor(16VV 0.1μ F)	[C8]
21	VCCCCZ1EH180J	AA		C	Capacitor(25VV 18PF)	[C11]
22	VCCCCZ1EH180J	AA		C	Capacitor(25VV 18PF)	[C12]
23	VCKYCZ1CB103K	AA		C	Capacitor(16VV 0.01μ F)	[C13]
24	VCKYCZ1CF104Z	AB		C	Capacitor(16VV 0.1μ F)	[C14]
25	VCEAEA1CW106M	AC		C	Capacitor(16VV 10μ F)	[C15]
26	VCKYCZ1CF104Z	AB		C	Capacitor(16VV 0.1μ F)	[C17]
27	VCKYCZ1CF104Z	AB		C	Capacitor(16VV 0.1μ F)	[C19]
28	VCKYCZ1CF104Z	AB		C	Capacitor(16VV 0.1μ F)	[C20]
29	VCCCCZ1EH270J	AA		C	Capacitor(25VV 27PF)	[C21]
30	VCEAEA1CW106M	AC		C	Capacitor(16VV 10μ F)	[C22]
31	VCCCCZ1EH330J	AC		C	Capacitor(25VV 33PF)	[C23]
32	VCKYCZ1CB103K	AA		C	Capacitor(16VV 0.01μ F)	[C24]
33	VCKYCZ1CF104Z	AB		C	Capacitor(16VV 0.1μ F)	[C25]
34	VCEAEA1CW106M	AC		C	Capacitor(16VV 10μ F)	[C26]
35	VCKYCZ1CF104Z	AB		C	Capacitor(16VV 0.1μ F)	[C27]
36	VCEAEA1CW106M	AC		C	Capacitor(16VV 10μ F)	[C28]
37	VCKYCZ1CF104Z	AB		C	Capacitor(16VV 0.1μ F)	[C29]
38	VCKYCZ1CF104Z	AB		C	Capacitor(16VV 0.1μ F)	[C30]
39	VCKYCZ1CF104Z	AB		C	Capacitor(16VV 0.1μ F)	[C31]
40	VCKYCZ0JF105Z	AC		C	Capacitor(6.3VV 1μ F)	[C34]
41	VCKYCZ0JF105Z	AC		C	Capacitor(6.3VV 1μ F)	[C35]
42	VCKYCZ0JF105Z	AC		C	Capacitor(6.3VV 1μ F)	[C36]
43	VCKYCZ0JF105Z	AC		C	Capacitor(6.3VV 1μ F)	[C37]
44	VCKYCZ0JF105Z	AC		C	Capacitor(6.3VV 1μ F)	[C38]
45	VCKYCZ0JF105Z	AC		C	Capacitor(6.3VV 1μ F)	[C39]
46	VCKYCZ0JF105Z	AC		C	Capacitor(6.3VV 1μ F)	[C40]
47	VCKYCZ0JF105Z	AC		C	Capacitor(6.3VV 1μ F)	[C41]
48	VCKYCZ0JF105Z	AC		C	Capacitor(6.3VV 1μ F)	[C42]
49	VCKYCZ0JF105Z	AC		C	Capacitor(6.3VV 1μ F)	[C43]

NO.	PARTS CODE	PRICE RANK	NEW MARK	PART RANK	DESCRIPTION	
[9] Control PWB unit						
50	VCKYCZ0JF105Z	AC		C	Capacitor(6.3WV 1μ F)	[C44]
51	VCKYCZ0JF105Z	AC		C	Capacitor(6.3WV 1μ F)	[C45]
52	VCKYCZ0JF105Z	AC		C	Capacitor(6.3WV 1μ F)	[C46]
53	VCKYCZ0JF105Z	AC		C	Capacitor(6.3WV 1μ F)	[C47]
54	VCKYCZ0JF105Z	AC		C	Capacitor(6.3WV 1μ F)	[C48]
55	VCKYCZ0JF105Z	AC		C	Capacitor(6.3WV 1μ F)	[C49]
56	VCKYCZ0JF105Z	AC		C	Capacitor(6.3WV 1μ F)	[C50]
57	VCKYCZ0JF105Z	AC		C	Capacitor(6.3WV 1μ F)	[C51]
58	VCKYCZ1CB103K	AA		C	Capacitor(16WV 0.01μ F)	[C52]
59	VCKYCY1AB225K	AB		C	Capacitor(10WV 2.2μ F)	[C53]
60	VCEAEA1CW107M	AC		C	Capacitor(16WV 100μ F)	[C54]
61	VCKYCZ0JF105Z	AC		C	Capacitor(6.3WV 1μ F)	[C56]
62	VCKYCZ0JF105Z	AC		C	Capacitor(6.3WV 1μ F)	[C57]
63	VCKYCZ0JF105Z	AC		C	Capacitor(6.3WV 1μ F)	[C58]
64	VCKYCZ0JF105Z	AC		C	Capacitor(6.3WV 1μ F)	[C59]
65	VCKYCZ0JF105Z	AC		C	Capacitor(6.3WV 1μ F)	[C60]
66	VCKYCZ0JF105Z	AC		C	Capacitor(6.3WV 1μ F)	[C61]
67	VCKYCZ0JF105Z	AC		C	Capacitor(6.3WV 1μ F)	[C62]
68	VCKYCZ0JF105Z	AC		C	Capacitor(6.3WV 1μ F)	[C63]
69	VCKYCZ0JF105Z	AC		C	Capacitor(6.3WV 1μ F)	[C64]
70	VCKYCZ0JF105Z	AC		C	Capacitor(6.3WV 1μ F)	[C65]
71	VCKYCZ0JF105Z	AC		C	Capacitor(6.3WV 1μ F)	[C66]
72	VCKYCZ0JF105Z	AC		C	Capacitor(6.3WV 1μ F)	[C67]
73	VCKYCZ0JF105Z	AC		C	Capacitor(6.3WV 1μ F)	[C68]
74	VCKYCZ0JF105Z	AC		C	Capacitor(6.3WV 1μ F)	[C69]
75	VCKYCZ0JF105Z	AC		C	Capacitor(6.3WV 1μ F)	[C70]
76	VCKYCY1AF105Z	AC		C	Capacitor(10WV 1μ F)	[C71]
77	VCKYCZ1CF104Z	AB		C	Capacitor(16WV 0.1μ F)	[C73]
78	VCKYCZ1CF104Z	AB		C	Capacitor(16WV 0.1μ F)	[C74]
79	VCKYCZ1EB102K	AA		C	Capacitor(25WV 1000PF)	[C75]
80	VCKYCZ1CF104Z	AB		C	Capacitor(16WV 0.1μ F)	[C76]
81	VCKYCZ1CF104Z	AB		C	Capacitor(16WV 0.1μ F)	[C79]
82	VCKYCZ1CF104Z	AB		C	Capacitor(16WV 0.1μ F)	[C80]
83	VCEAGA1CW476M	AB		C	Capacitor(16WV 47μ F)	[C81]
84	VCKYCY1AF105Z	AC		C	Capacitor(10WV 1μ F)	[C82]
85	VCKYCY1AF105Z	AC		C	Capacitor(10WV 1μ F)	[C83]
86	VCCCCZ1EH271J	AA		C	Capacitor(25WV 270PF)	[C84]
87	VCCCCZ1EH271J	AA		C	Capacitor(25WV 270PF)	[C85]
88	VCCCCZ1EH271J	AA		C	Capacitor(25WV 270PF)	[C86]
89	VCCCCZ1EH271J	AA		C	Capacitor(25WV 270PF)	[C87]
90	VCCCCZ1EH271J	AA		C	Capacitor(25WV 270PF)	[C88]
91	VCCCCZ1EH271J	AA		C	Capacitor(25WV 270PF)	[C89]
92	VCCCCZ1EH271J	AA		C	Capacitor(25WV 270PF)	[C90]
93	VCKYCZ1CF104Z	AB		C	Capacitor(16WV 0.1μ F)	[C91]
94	VCCCCZ1EH271J	AA		C	Capacitor(25WV 270PF)	[C92]
95	VCCCCZ1EH271J	AA		C	Capacitor(25WV 270PF)	[C93]
96	VCCCCZ1EH101J	AA		C	Capacitor(25WV 100PF)	[C94]
97	VCCCCZ1EH101J	AA		C	Capacitor(25WV 100PF)	[C95]
98	VCCCCZ1EH101J	AA		C	Capacitor(25WV 100PF)	[C96]
99	VCCCCZ1EH101J	AA		C	Capacitor(25WV 100PF)	[C97]
100	VCKYCZ1CF104Z	AB		C	Capacitor(16WV 0.1μ F)	[C99]
101	VCKYCZ1EB102K	AA		C	Capacitor(25WV 1000PF)	[C110]
102	VCKYCZ1EB102K	AA		C	Capacitor(25WV 1000PF)	[C111]
103	VCKYCZ1EB102K	AA		C	Capacitor(25WV 1000PF)	[C113]
104	VCKYCZ1EB102K	AA		C	Capacitor(25WV 1000PF)	[C114]
105	VCKYCZ1EB472K	AA		C	Capacitor(25WV 4700PF)	[C116]
106	VCKYCZ1CF104Z	AB		C	Capacitor(16WV 0.1μ F)	[C117]
107	VCKYCZ1EB102K	AA		C	Capacitor(25WV 1000PF)	[C118]
108	VCKYCY1HB472K	AA		C	Capacitor(50WV 4700PF)	[C119]
109	VCKYCY1HB472K	AA		C	Capacitor(50WV 4700PF)	[C120]
110	VCKYCY1HB472K	AA		C	Capacitor(50WV 4700PF)	[C121]
111	VCKYCY1HB472K	AA		C	Capacitor(50WV 4700PF)	[C122]
112	VCEAEA1HW107M	AA		C	Capacitor(50WV 100μ F)	[C124]
113	VCKYCZ1EB102K	AA		C	Capacitor(25WV 1000PF)	[C125]
114	VCKYCZ0JF105Z	AC		C	Capacitor(6.3WV 1μ F)	[C126]
115	VCKYCZ1CF104Z	AB		C	Capacitor(16WV 0.1μ F)	[C127]
116	VCKYCZ1EB102K	AA		C	Capacitor(25WV 1000PF)	[C128]
117	VCKYCZ1HB331K	AA		C	Capacitor(50WV 330PF)	[C129]
118	VCKYCZ1CF104Z	AB		C	Capacitor(16WV 0.1μ F)	[C130]
119	VCKYCZ1CF104Z	AB		C	Capacitor(16WV 0.1μ F)	[C131]
120	VCKYCZ1AB104K	AC		C	Capacitor(10WV 0.1μ F)	[C132]
121	VCKYCZ1CF104Z	AB		C	Capacitor(16WV 0.1μ F)	[C133]
122	VCKYCZ1AB104K	AC		C	Capacitor(10WV 0.1μ F)	[C134]
123	VCKYCZ1AB104K	AC		C	Capacitor(10WV 0.1μ F)	[C135]
124	VCKYCZ1CF104Z	AB		C	Capacitor(16WV 0.1μ F)	[C136]
125	VCKYCZ1CF104Z	AB		C	Capacitor(16WV 0.1μ F)	[C137]
126	VCKYCZ1CF104Z	AB		C	Capacitor(16WV 0.1μ F)	[C138]
127	VCKYCZ1CF104Z	AB		C	Capacitor(16WV 0.1μ F)	[C139]
128	VCKYCZ1CF104Z	AB		C	Capacitor(16WV 0.1μ F)	[C140]
129	VCKYCZ1CF104Z	AB		C	Capacitor(16WV 0.1μ F)	[C141]
130	VCKYCZ1CF104Z	AB		C	Capacitor(16WV 0.1μ F)	[C142]
131	VCEAGA1CW476M	AB		C	Capacitor(16WV 47μ F)	[C143]
132	VCEAEA1EW475M	AA		C	Capacitor(25WV 4.7μ F)	[C144]
133	VCEAEA1HW105M	AC		C	Capacitor(50WV 1μ F)	[C145]
134	VCKYCZ1EB102K	AA		C	Capacitor(25WV 1000PF)	[C148]

NO.	PARTS CODE	PRICE RANK	NEW MARK	PART RANK	DESCRIPTION	
[9] Control PWB unit						
135	VCEAGA1HW226M	AB		C	Capacitor(50WV 22μ F)	[C149]
136	VCKY CZ1CF104Z	AB		C	Capacitor(16WV 0.1μ F)	[C150]
137	VCEAGA1HW226M	AB		C	Capacitor(50WV 22μ F)	[C151]
138	VCKY CZ1CF104Z	AB		C	Capacitor(16WV 0.1μ F)	[C152]
139	VCKY CZ1CF104Z	AB		C	Capacitor(16WV 0.1μ F)	[C153]
140	VCKY CZ1CB103K	AA		C	Capacitor(16WV 0.01μ F)	[C155]
141	VCKY CZ1EB102K	AA		C	Capacitor(25WV 1000PF)	[C156]
142	VCCCCZ1EH221J	AB		C	Capacitor(25WV 220PF)	[C157]
143	VCKY CZ1HB331K	AA		C	Capacitor(50WV 330PF)	[C158]
144	VCKY CY1AB105K	AB		C	Capacitor(10WV 1μ F)	[C159]
145	VCCCCZ1EH221J	AB		C	Capacitor(25WV 220PF)	[C160]
146	VCKY CY1AB105K	AB		C	Capacitor(10WV 1μ F)	[C161]
147	VCKY CY1AB105K	AB		C	Capacitor(10WV 1μ F)	[C162]
148	VCKY CZ1EB222K	AB		C	Capacitor(25WV 2200PF)	[C164]
149	VCKY CZ1EB222K	AB		C	Capacitor(25WV 2200PF)	[C165]
150	VCKY CZ1CF104Z	AB		C	Capacitor(16WV 0.1μ F)	[C166]
151	VCEAEA1CW106M	AC		C	Capacitor(16WV 10μ F)	[C167]
152	VCCCCZ1EH221J	AB		C	Capacitor(25WV 220PF)	[C168]
153	VCEAEA1CW106M	AC		C	Capacitor(16WV 10μ F)	[C169]
154	VCKY CY1AF105Z	AC		C	Capacitor(10WV 1μ F)	[C170]
155	VCKY CZ1CF104Z	AB		C	Capacitor(16WV 0.1μ F)	[C171]
156	VCEAEA1CW106M	AC		C	Capacitor(16WV 10μ F)	[C172]
157	VCKY CZ1EB471K	AD		C	Capacitor(25WV 470PF)	[C173]
158	VCCCCZ1EH221J	AB		C	Capacitor(25WV 220PF)	[C174]
159	VRS-CY1JB000J	AA		C	Resistor(1/16W 0Ω ± 5%)	[C175]
160	VCCCCZ1EH470J	AA		C	Capacitor(25WV 47PF)	[C176]
161	VCCCCZ1HH8R0D	AA		C	Capacitor(50WV 8.0PF)	[C177]
162	VCKY CY1HF104Z	AA		C	Capacitor(50WV 0.1μ F)	[C178]
163	VCKY CZ1CF104Z	AB		C	Capacitor(16WV 0.1μ F)	[C180]
164	VCEAEA1CW106M	AC		C	Capacitor(16WV 10μ F)	[C181]
165	VCKY CY1AB105K	AB		C	Capacitor(10WV 1μ F)	[C182]
166	VCCCCZ1EH221J	AB		C	Capacitor(25WV 220PF)	[C183]
167	VCCCCZ1EH221J	AB		C	Capacitor(25WV 220PF)	[C185]
168	VCEAGA1EW107M	AB		C	Capacitor(25WV 100μ F)	[C187]
169	VCKY CZ1CF104Z	AB		C	Capacitor(16WV 0.1μ F)	[C188]
170	VCKY CZ1EB102K	AA		C	Capacitor(25WV 1000PF)	[C190]
171	VCKY CZ1EB102K	AA		C	Capacitor(25WV 1000PF)	[C191]
172	VCKY CZ1EB471K	AD		C	Capacitor(25WV 470PF)	[C192]
173	VCKY CZ1EB471K	AD		C	Capacitor(25WV 470PF)	[C193]
174	VCKY CZ1EB222K	AB		C	Capacitor(25WV 2200PF)	[C194]
175	VCKY CZ1EB222K	AB		C	Capacitor(25WV 2200PF)	[C195]
176	VCCCCZ1EH150J	AC		C	Capacitor(25WV 15PF)	[C196]
177	VCCCCZ1EH150J	AC		C	Capacitor(25WV 15PF)	[C197]
178	VCKY CZ1CF104Z	AB		C	Capacitor(16WV 0.1μ F)	[C198]
179	VCKY CZ1CF104Z	AB		C	Capacitor(16WV 0.1μ F)	[C199]
180	VCKY CZ1CF104Z	AB		C	Capacitor(16WV 0.1μ F)	[C200]
181	VCKY CY1HF104Z	AA		C	Capacitor(50WV 0.1μ F)	[C202]
182	VCKY CZ1CF104Z	AB		C	Capacitor(16WV 0.1μ F)	[C203]
183	VCKY CZ1CF104Z	AB		C	Capacitor(16WV 0.1μ F)	[C204]
184	VCKY CZ1CF104Z	AB		C	Capacitor(16WV 0.1μ F)	[C205]
185	VCEAEA1CW106M	AC		C	Capacitor(16WV 10μ F)	[C206]
186	VCKY CZ1CF104Z	AB		C	Capacitor(16WV 0.1μ F)	[C207]
187	VCCCCZ1EH330J	AC		C	Capacitor(25WV 33PF)	[C208]
188	VCCCCZ1EH101J	AA		C	Capacitor(25WV 100PF)	[C209]
189	VCCCCZ1EH100D	AA		C	Capacitor(25WV 10PF)	[C210]
190	VCCCCZ1EH330J	AC		C	Capacitor(25WV 33PF)	[C211]
191	VCCCCZ1EH100D	AA		C	Capacitor(25WV 10PF)	[C212]
192	VCCCCZ1EH330J	AC		C	Capacitor(25WV 33PF)	[C213]
193	VCKY CZ1CF104Z	AB		C	Capacitor(16WV 0.1μ F)	[C214]
194	VCKY CZ1CF104Z	AB		C	Capacitor(16WV 0.1μ F)	[C215]
195	VCKY CZ1CF104Z	AB		C	Capacitor(16WV 0.1μ F)	[C217]
196	VCCCCZ1EH101J	AA		C	Capacitor(25WV 100PF)	[C218]
197	VCKY CZ1CF104Z	AB		C	Capacitor(16WV 0.1μ F)	[C219]
198	VCCCCZ1EH100D	AA		C	Capacitor(25WV 10PF)	[C220]
199	VCKY CZ1CF104Z	AB		C	Capacitor(16WV 0.1μ F)	[C222]
200	VCKY CZ1CF104Z	AB		C	Capacitor(16WV 0.1μ F)	[C227]
201	VCEAEA1CW106M	AC		C	Capacitor(16WV 10μ F)	[C228]
202	VCKY CY1HF104Z	AA		C	Capacitor(50WV 0.1μ F)	[C229]
203	VCKY CY1HF104Z	AA		C	Capacitor(50WV 0.1μ F)	[C230]
204	VCCCCZ1EH330J	AC		C	Capacitor(25WV 33PF)	[C231]
205	VCCCCZ1EH330J	AC		C	Capacitor(25WV 33PF)	[C232]
206	VCKY CZ1CF104Z	AB		C	Capacitor(16WV 0.1μ F)	[C233]
207	VCKY CY1HF104Z	AA		C	Capacitor(50WV 0.1μ F)	[C234]
208	VCEAGA1HW107M	AA		C	Capacitor(50WV 100μ F)	[C235]
209	VCKY CZ1CF104Z	AB		C	Capacitor(16WV 0.1μ F)	[C236]
210	VCKY CY1HB103K	AA		C	Capacitor(50WV 0.01μ F)	[C237]
211	VCKY CY1HB103K	AA		C	Capacitor(50WV 0.01μ F)	[C238]
212	VCKY CY1HB103K	AA		C	Capacitor(50WV 0.01μ F)	[C239]
213	VCKY CY1HB103K	AA		C	Capacitor(50WV 0.01μ F)	[C240]
214	VCKY CZ1CF224Z	AB		C	Capacitor(16WV 0.22μ F)	[C241]
215	VCKY CY1HF104Z	AA		C	Capacitor(50WV 0.1μ F)	[C242]
216	VCKY CY1HF104Z	AA		C	Capacitor(50WV 0.1μ F)	[C243]
217	VCEAGA1HW476M	AB		C	Capacitor(50WV 47μ F)	[C244]
218	VCKY CY1HF104Z	AA		C	Capacitor(50WV 0.1μ F)	[C245]
219	VCKY CZ1EB102K	AA		C	Capacitor(25WV 1000PF)	[C246]

NO.	PARTS CODE	PRICE RANK	NEW MARK	PART RANK	DESCRIPTION	
[9] Control PWB unit						
220	VCEAGA1CW476M	AB		C	Capacitor(16WV 47μ F)	[C248]
221	VCKYCZ1CF104Z	AB		C	Capacitor(16WV 0.1μ F)	[C249]
222	VCKYCZ1EB102K	AA		C	Capacitor(25WV 1000PF)	[C250]
223	VCEAGA1CW476M	AB		C	Capacitor(16WV 47μ F)	[C251]
224	VCKYCZ1CF104Z	AB		C	Capacitor(16WV 0.1μ F)	[C252]
225	VCKYCZ1EB102K	AA		C	Capacitor(25WV 1000PF)	[C253]
226	VCKYCZ1EB102K	AA		C	Capacitor(25WV 1000PF)	[C254]
227	VCKYCZ1EB102K	AA		C	Capacitor(25WV 1000PF)	[C256]
228	VCKYCZ1EB102K	AA		C	Capacitor(25WV 1000PF)	[C257]
229	VCKYCZ1EB102K	AA		C	Capacitor(25WV 1000PF)	[C258]
230	VCKYCZ1EB102K	AA		C	Capacitor(25WV 1000PF)	[C259]
231	VCKYCY1HF104Z	AA		C	Capacitor(50WV 0.1μ F)	[C260]
232	VCEAEA1CW106M	AC		C	Capacitor(16WV 10μ F)	[C261]
233	VCEAGA1EW227M	AB		C	Capacitor(25WV 220μ F)	[C263]
234	VCKYCZ1CF104Z	AB		C	Capacitor(16WV 0.1μ F)	[C264]
235	VCEAGA1CW476M	AB		C	Capacitor(16WV 47μ F)	[C267]
236	VCKYCZ1CF104Z	AB		C	Capacitor(16WV 0.1μ F)	[C268]
237	VCCCZ1EH100D	AA		C	Capacitor(25WV 10PF)	[C269]
238	VCCCZ1EH330J	AC		C	Capacitor(25WV 33PF)	[C270]
239	VCKYCZ1CF104Z	AB		C	Capacitor(16WV 0.1μ F)	[C273]
240	VCKYCZ1CF104Z	AB		C	Capacitor(16WV 0.1μ F)	[C274]
241	VCKYCZ0JB105K	AB		C	Capacitor(6.3WV 1.0μ F)	[C275]
242	VCKYCY1HF104Z	AA		C	Capacitor(50WV 0.1μ F)	[C284]
243	VCKYCY1HF104Z	AA		C	Capacitor(50WV 0.1μ F)	[C285]
244	VCKYCZ1CF104Z	AB		C	Capacitor(16WV 0.1μ F)	[C286]
245	VCKYCY1HF104Z	AA		C	Capacitor(50WV 0.1μ F)	[C287]
246	VCKYTQ1CF474Z	AB		C	Capacitor(16WV 0.47μ F)	[C289]
247	QCNCM2442SC0B	AB		C	Connector(2pin)	[CNBYPE]
248	QCNCW2556SC1B	AG		C	Connector(12pin)	[CNCIS]
249	QCNCM2694XH0C	AE	N	C	Connector(3pin)	[CNFM]
250	QCNCM2401SC0B	AA		C	Connector(2pin)	[CNFRT]
251	QCNCM2694XH0B	AE	N	C	Connector(2pin)	[CNHPS]
252	QCNCM2694XH0E	AE	N	C	Connector(5pin)	[CNHV]
253	QCNCM2694XH1B	AE	N	C	Connector(12pin)	[CNLIU]
254	QCNCM7014SC0H	AB		C	Connector(8pin)	[CNLSR]
255	QCNCM7014SC0D	AB		C	Connector(4pin)	[CNMM]
256	QCNCM2442SC0B	AB		C	Connector(2pin)	[CNORG]
257	QCNCM2401SC0B	AA		C	Connector(2pin)	[CNPIN]
258	QCNCM2666XH0E	AE	N	C	Connector(5pin)	[CNPM]
259	QCNCW2556SC1F	AG	N	C	Connector(16pin)	[CNPN]
260	QCNCM7014SC0C	AA		C	Connector(3pin)	[CNPOUT1]
261	QCNCM2401SC0B	AA		C	Connector(2pin)	[CNPOUT2]
262	QCNCM2694XH0F	AE	N	C	Connector(6pin)	[CNPUM]
263	QCNCM2694XH1D	AE	N	C	Connector(14pin)	[CNPW]
264	QCNCM2666XH0B	AD		C	Connector(2pin)	[CNROLSNS]
265	QCNCM7014SC0B	AD		C	Connector(2pin)	[CNRTH]
266	QCNCM7014SC0D	AB		C	Connector(4pin)	[CNSCM]
267	QCNCM2666XH0B	AD		C	Connector(2pin)	[CNSP]
268	QCNCM2666XH0D	AD		C	Connector(4pin)	[CNTCT]
269	QCNCM7014SC0B	AD		C	Connector(2pin)	[CNTCVR]
270	QCNCM2710XHZZ	AK	N	C	Connector	[CNUSB]
271	VHD1SS355//--1	AB		B	Diode(1SS355)	[D4]
272	VHD1SS355//--1	AB		B	Diode(1SS355)	[D12]
273	VHDMC2850T1-1	AE		B	Diode(MC2850)	[D13]
274	VHD1SS355//--1	AB		B	Diode(1SS355)	[D14]
275	VHE1N4748A/-1	AC		B	Diode(1N4748A)	[D15]
276	VHEUDZ96R2B-1	AE	N	B	Zener diode(UDZS6.2B)	[D21]
277	VHD1SS355//--1	AB		B	Diode(1SS355)	[D24]
278	QFS-L1027YCZZ	AE		A	IC protector(KAB3202 202)	[F3]
279	QFS-L2021XHZZ	AE	N	A	IC protector(KAB5002 251)	[F4]
280	QFS-L2021XHZZ	AE	N	A	IC protector(KAB5002 251)	[F5]
281	QFS-L0004QCZZ	AE	N	A	IC protector(KAB3202 102)	[F6]
282	QFS-L2025XHZZ	AE	N	A	IC protector(KAB2402 402)	[F7]
283	QFS-L2016XHZZ	AD		A	IC protector(KAB5002 201)	[F8]
284	RH-iX2425XHZZ	BS	N	B	IC(OA-2000)	[IC1]
285	RH-iX2459XHZZ	AG	N	B	IC(74LV1GWU04ASCE-E)	[IC3]
286	RH-iX2446XHZZ	BK	N	B	IC(W9812G6DH-75/IS42S16800A-7TL)	[IC4]
287	VHiPST596CMT1	AF		B	IC(PST596CMT)	[IC5]
288	VHiF016/TE46A		N	E	Service IC,FLASH ROM(16MB)(Ver.:TE46A)(PL)	[IC6]
288	VHiF016/TE47A		N	B	Service IC,FLASH ROM(16MB)(Ver.:TE47A)(RA)	[IC6]
289	RH-iX2448XHZZ	AL	N	B	IC(FAN1117AD18X)	[IC8]
290	RH-iX2494XHZZ	AH	N	B	IC(XC6219B332PR)	[IC9]
291	RH-iX2411XHZZ	AG	N	B	IC(SN74LV244APWR)	[IC10]
292	RH-iX2462XHZZ	AZ	N	B	IC(MTD2007F-3072)	[IC12]
293	RH-iX2411XHZZ	AG	N	B	IC(SN74LV244APWR)	[IC14]
294	RH-iX2451XHZZ	AH	N	B	IC(SN74AHCT244PWR)	[IC15]
295	RH-iX2458XHZZ	AG	N	B	IC(74LV1GW53ASCE-E)	[IC16]
296	VHiNJM2113M-1	AG		B	IC(NJM2113M)	[IC17]
297	RH-iX2444XHZZ	BP	N	B	IC(FM336Plus)	[IC18]
298	RH-iX2346XHZZ	AG		B	IC(HA17358AF)	[IC19]
299	VHiF001/TE53E	BL	N	B	Service IC,MASK ROM(1MB)(Ver.:TE53E)	[IC21]
300	RH-iX2461XHZZ	AH	N	B	IC(KIA7805API/P)	[IC22]
301	RH-iX2454XHZZ	AG	N	B	IC(SN74LV32APWR)	[IC23]
302	RH-iX2453XHZZ	AG	N	B	IC(SN74LV08APWR)	[IC24]
303	RH-iX2452XHZZ	AG	N	B	IC(SN74LV06APWR)	[IC25]

△
△
△
△
△
△

NO.	PARTS CODE	PRICE RANK	NEW MARK	PART RANK	DESCRIPTION	
[9] Control PWB unit						
304	RH-iX2450XHZZ	AG	N	B	IC(SN74AHC74PWR)	[IC26]
305	RH-iX2457XHZZ	AG	N	B	IC(74LV1GW14ASCE-E)	[IC27]
306	RH-iX2456XHZZ	AG	N	B	IC(74HC161FPEL-E)	[IC28]
307	RH-iX2453XHZZ	AG	N	B	IC(SN74LV08APWR)	[IC29]
308	RH-iX2455XHZZ	AG	N	B	IC(74HC151FPEL-E)	[IC30]
309	VHiBA10393F-1	AC		B	IC(BA10393F)	[IC31]
310	VHiULN2003AN/	AE		B	IC(ULN2003AN)	[IC32]
311	RH-iX2450XHZZ	AG	N	B	IC(SN74AHC74PWR)	[IC33]
312	RH-iX2447XHZZ	AX	N	B	IC(A3982SLB)	[IC34]
313	RH-iX2493XHZZ	AH	N	B	IC(NJM78L12UA)	[IC36]
314	RcILF2195XHZZ	AL	N	C	Filter(1012AH-1012=P2)	[L1]
315	VRS-CZ1JB100J	AA		C	Resistor(1/16W 10Ω ± 5%)	[L4]
316	VRS-CZ1JB000J	AA		C	Resistor(1/16W 0Ω ± 5%)	[L5]
317	RcILZ2193XHZZ	AE	N	C	Coil(MMZ1005Y102C)	[L6]
318	VSRT1N436CT-1	AE		B	Transistor(RT1N436C)	[Q4]
319	VSRT1N436CT-1	AE		B	Transistor(RT1N436C)	[Q5]
320	VSRT1N436CT-1	AE		B	Transistor(RT1N436C)	[Q6]
321	VSRT1P141CT-1	AB		B	Transistor(RT1P141C)	[Q7]
322	VSRT1N436CT-1	AE		B	Transistor(RT1N436C)	[Q8]
323	VSRT1N436CT-1	AE		B	Transistor(RT1N436C)	[Q9]
324	VSRT1N436CT-1	AE		B	Transistor(RT1N436C)	[Q10]
325	VSRT1N436CT-1	AE		B	Transistor(RT1N436C)	[Q11]
326	VSRT1N436CT-1	AE		B	Transistor(RT1N436C)	[Q12]
327	VSRT1N436CT-1	AE		B	Transistor(RT1N436C)	[Q13]
328	VSRT1N141CT-1	AE	N	B	Transistor(RT1N141C)	[Q14]
329	VSRT1N141CT-1	AE	N	B	Transistor(RT1N141C)	[Q15]
330	VSRT5N141CT-1	AE	N	B	Transistor(RT5N141C)	[Q18]
331	VS2SC2412K/-1	AB		B	Transistor(2SC2412K)	[Q29]
332	VS2SC2412K/-1	AB		B	Transistor(2SC2412K)	[Q30]
333	VS2SC2412K/-1	AB		B	Transistor(2SC2412K)	[Q31]
334	VS2SA1530AT-1	AE	N	B	Transistor(2SA1530A)	[Q32]
335	VS2SA1530AT-1	AE	N	B	Transistor(2SA1530A)	[Q33]
336	VSRT1N436CT-1	AE		B	Transistor(RT1N436C)	[Q34]
337	VRS-CZ1JB000J	AA		C	Resistor(1/16W 0Ω ± 5%)	[R1]
338	VRS-CZ1JB101J	AA		C	Resistor(1/16W 100Ω ± 5%)	[R2]
339	VRS-CZ1JB100J	AA		C	Resistor(1/16W 10Ω ± 5%)	[R3]
340	VRS-CZ1JB472J	AA		C	Resistor(1/16W 4.7KΩ ± 5%)	[R5]
341	VRS-CZ1JB472J	AA		C	Resistor(1/16W 4.7KΩ ± 5%)	[R6]
342	VRS-CZ1JB101J	AA		C	Resistor(1/16W 100Ω ± 5%)	[R7]
343	VRS-CZ1JB101J	AA		C	Resistor(1/16W 100Ω ± 5%)	[R9]
344	VRS-CZ1JB330J	AA		C	Resistor(1/16W 33Ω ± 5%)	[R10]
345	VRS-CZ1JB221J	AD		C	Resistor(1/16W 220Ω ± 5%)	[R11]
346	VRS-CZ1JB330J	AA		C	Resistor(1/16W 33Ω ± 5%)	[R12]
347	VRS-CZ1JB000J	AA		C	Resistor(1/16W 0Ω ± 5%)	[R13]
348	VRS-CZ1JB330J	AA		C	Resistor(1/16W 33Ω ± 5%)	[R14]
349	VRS-CZ1JB330J	AA		C	Resistor(1/16W 33Ω ± 5%)	[R15]
350	VRS-CZ1JB330J	AA		C	Resistor(1/16W 33Ω ± 5%)	[R16]
351	VRS-CZ1JB330J	AA		C	Resistor(1/16W 33Ω ± 5%)	[R17]
352	VRS-CZ1JB330J	AA		C	Resistor(1/16W 33Ω ± 5%)	[R18]
353	VRS-CZ1JB221J	AD		C	Resistor(1/16W 220Ω ± 5%)	[R19]
354	VRS-CZ1JB221J	AD		C	Resistor(1/16W 220Ω ± 5%)	[R20]
355	VRS-CZ1JB330J	AA		C	Resistor(1/16W 33Ω ± 5%)	[R21]
356	VRS-CZ1JB271J	AA		C	Resistor(1/16W 270Ω ± 5%)	[R22]
357	VRS-CZ1JB330J	AA		C	Resistor(1/16W 33Ω ± 5%)	[R24]
358	VRS-CZ1JB330J	AA		C	Resistor(1/16W 33Ω ± 5%)	[R25]
359	VRS-CZ1JB330J	AA		C	Resistor(1/16W 33Ω ± 5%)	[R26]
360	VRS-CZ1JB330J	AA		C	Resistor(1/16W 33Ω ± 5%)	[R27]
361	VRS-CZ1JB330J	AA		C	Resistor(1/16W 33Ω ± 5%)	[R28]
362	VRS-CZ1JB000J	AA		C	Resistor(1/16W 0Ω ± 5%)	[R29]
363	VRS-CZ1JB000J	AA		C	Resistor(1/16W 0Ω ± 5%)	[R32]
364	VRS-CZ1JB223J	AA		C	Resistor(1/16W 22KΩ ± 5%)	[R33]
365	VRS-CZ1JB000J	AA		C	Resistor(1/16W 0Ω ± 5%)	[R34]
366	VRS-CZ1JB000J	AA		C	Resistor(1/16W 0Ω ± 5%)	[R35]
367	RcILZ2193XHZZ	AE		C	Coil(MMZ1005Y102C)	[R36]
368	RcILZ2193XHZZ	AE		C	Coil(MMZ1005Y102C)	[R38]
369	VRS-CZ1JB333J	AA		C	Resistor(1/16W 33KΩ ± 5%)	[R39]
370	RcILZ2193XHZZ	AE		C	Coil(MMZ1005Y102C)	[R40]
371	RcILZ2193XHZZ	AE		C	Coil(MMZ1005Y102C)	[R41]
372	RcILZ2193XHZZ	AE		C	Coil(MMZ1005Y102C)	[R42]
373	RcILZ2193XHZZ	AE		C	Coil(MMZ1005Y102C)	[R43]
374	VRS-CZ1JB000J	AA		C	Resistor(1/16W 0Ω ± 5%)	[R44]
375	VRS-CZ1JB100J	AA		C	Resistor(1/16W 10Ω ± 5%)	[R46]
376	VRS-CZ1JB330J	AA		C	Resistor(1/16W 33Ω ± 5%)	[R47]
377	VRS-CZ1JB101J	AA		C	Resistor(1/16W 100Ω ± 5%)	[R51]
378	VRS-CZ1JB105J	AD		C	Resistor(1/16W 1MΩ ± 5%)	[R52]
379	VRS-CZ1JB000J	AA		C	Resistor(1/16W 0Ω ± 5%)	[R53]
380	VRS-CZ1JB330J	AA		C	Resistor(1/16W 33Ω ± 5%)	[R54]
381	VRS-CZ1JB391J	AD		C	Resistor(1/16W 390Ω ± 5%)	[R55]
382	VRSCY1JB27R4F	AD	N	C	Resistor(1/16W 27.4Ω ± 1%)	[R56]
383	VRSCY1JB27R4F	AD	N	C	Resistor(1/16W 27.4Ω ± 1%)	[R57]
384	VRS-CY1JB000J	AA		C	Resistor(1/16W 0Ω ± 5%)	[R58]
385	VRS-CZ1JB000J	AA		C	Resistor(1/16W 0Ω ± 5%)	[R59]
386	VRS-CZ1JB000J	AA		C	Resistor(1/16W 0Ω ± 5%)	[R60]
387	VRS-CZ1JB152J	AA		C	Resistor(1/16W 1.5KΩ ± 5%)	[R61]
388	VRS-CZ1JB000J	AA		C	Resistor(1/16W 0Ω ± 5%)	[R62]

NO.	PARTS CODE	PRICE RANK	NEW MARK	PART RANK	DESCRIPTION	
[9] Control PWB unit						
389	VRSCZ1JB2492F	AF	N	C	Resistor(1/16W 24.9KΩ ± 1%)	[R63]
390	VRS-CY1JB000J	AA		C	Resistor(1/16W 0Ω ± 5%)	[R66]
391	VRS-CZ1JB000J	AA		C	Resistor(1/16W 0Ω ± 5%)	[R69]
392	VRS-CY1JB000J	AA		C	Resistor(1/16W 0Ω ± 5%)	[R78]
393	VRS-CZ1JB105J	AD		C	Resistor(1/16W 1MΩ ± 5%)	[R80]
394	VRS-CZ1JB181J	AA		C	Resistor(1/16W 180Ω ± 5%)	[R81]
395	VRS-CY1JB000J	AA		C	Resistor(1/16W 0Ω ± 5%)	[R82]
396	VRS-CY1JB000J	AA		C	Resistor(1/16W 0Ω ± 5%)	[R83]
397	VRS-CY1JB000J	AA		C	Resistor(1/16W 0Ω ± 5%)	[R84]
398	RCILZ0285AFZZ	AB		C	Coil(MMZ1608Y102B)	[R87]
399	VRS-CY1JB000J	AA		C	Resistor(1/16W 0Ω ± 5%)	[R88]
400	VRS-CZ1JB103J	AA		C	Resistor(1/16W 10KΩ ± 5%)	[R89]
401	VRS-CZ1JB103J	AA		C	Resistor(1/16W 10KΩ ± 5%)	[R90]
402	VRS-CZ1JB103J	AA		C	Resistor(1/16W 10KΩ ± 5%)	[R91]
403	VRS-CZ1JB103J	AA		C	Resistor(1/16W 10KΩ ± 5%)	[R92]
404	VRS-CZ1JB102J	AA		C	Resistor(1/16W 1KΩ ± 5%)	[R98]
405	VRS-CZ1JB000J	AA		C	Resistor(1/16W 0Ω ± 5%)	[R100]
406	VRS-CZ1JB000J	AA		C	Resistor(1/16W 0Ω ± 5%)	[R103]
407	VRS-CZ1JB472J	AA		C	Resistor(1/16W 4.7KΩ ± 5%)	[R104]
408	VRS-CZ1JB472J	AA		C	Resistor(1/16W 4.7KΩ ± 5%)	[R106]
409	VRS-CZ1JB330J	AA		C	Resistor(1/16W 33Ω ± 5%)	[R107]
410	VRS-CZ1JB330J	AA		C	Resistor(1/16W 33Ω ± 5%)	[R108]
411	VRS-CZ1JB330J	AA		C	Resistor(1/16W 33Ω ± 5%)	[R109]
412	VRS-CZ1JB330J	AA		C	Resistor(1/16W 33Ω ± 5%)	[R110]
413	VRS-CZ1JB333J	AA		C	Resistor(1/16W 33KΩ ± 5%)	[R111]
414	VRS-CZ1JB333J	AA		C	Resistor(1/16W 33KΩ ± 5%)	[R112]
415	VRS-CZ1JB333J	AA		C	Resistor(1/16W 33KΩ ± 5%)	[R113]
416	VRS-CZ1JB333J	AA		C	Resistor(1/16W 33KΩ ± 5%)	[R114]
417	VRS-CZ1JB271J	AA		C	Resistor(1/16W 270Ω ± 5%)	[R115]
418	VRS-CZ1JB271J	AA		C	Resistor(1/16W 270Ω ± 5%)	[R116]
419	VRS-CZ1JB271J	AA		C	Resistor(1/16W 270Ω ± 5%)	[R117]
420	VRS-CZ1JB271J	AA		C	Resistor(1/16W 270Ω ± 5%)	[R118]
421	VRS-CZ1JB271J	AA		C	Resistor(1/16W 270Ω ± 5%)	[R119]
422	VRS-CZ1JB271J	AA		C	Resistor(1/16W 270Ω ± 5%)	[R120]
423	VRS-CZ1JB271J	AA		C	Resistor(1/16W 270Ω ± 5%)	[R121]
424	VRS-CZ1JB271J	AA		C	Resistor(1/16W 270Ω ± 5%)	[R122]
425	VRS-CZ1JB000J	AA		C	Resistor(1/16W 0Ω ± 5%)	[R132]
426	VRS-CZ1JB000J	AA		C	Resistor(1/16W 0Ω ± 5%)	[R133]
427	VRS-CY1JB000J	AA		C	Resistor(1/16W 0Ω ± 5%)	[R134]
428	VRS-CY1JB000J	AA		C	Resistor(1/16W 0Ω ± 5%)	[R135]
429	VRS-CZ1JB472J	AA		C	Resistor(1/16W 4.7KΩ ± 5%)	[R137]
430	VRS-CZ1JB392J	AD		C	Resistor(1/16W 3.9KΩ ± 5%)	[R139]
431	VRS-CZ1JB103J	AA		C	Resistor(1/16W 10KΩ ± 5%)	[R140]
432	VRS-CZ1JB472J	AA		C	Resistor(1/16W 4.7KΩ ± 5%)	[R141]
433	VRS-CZ1JB101J	AA		C	Resistor(1/16W 100Ω ± 5%)	[R142]
434	VRS-CZ1JB103J	AA		C	Resistor(1/16W 10KΩ ± 5%)	[R143]
435	VRS-CZ1JB332J	AA		C	Resistor(1/16W 3.3KΩ ± 5%)	[R144]
436	VRS-HT3AAR47J	AC		C	Resistor(1W 0.47Ω ± 5%)	[R146]
437	VRS-CZ1JB472J	AA		C	Resistor(1/16W 4.7KΩ ± 5%)	[R152]
438	VRS-CZ1JB133J	AC	N	C	Resistor(1/16W 13KΩ ± 5%)	[R153]
439	VRS-CZ1JB103J	AA		C	Resistor(1/16W 10KΩ ± 5%)	[R154]
440	VRS-CZ1JB101J	AA		C	Resistor(1/16W 100Ω ± 5%)	[R155]
441	VRS-HT3AAR47J	AC		C	Resistor(1W 0.47Ω ± 5%)	[R156]
442	VRS-CZ1JB472J	AA		C	Resistor(1/16W 4.7KΩ ± 5%)	[R157]
443	VRS-CZ1JB103J	AA		C	Resistor(1/16W 10KΩ ± 5%)	[R158]
444	VRS-CZ1JB101J	AA		C	Resistor(1/16W 100Ω ± 5%)	[R159]
445	VRS-CZ1JB101J	AA		C	Resistor(1/16W 100Ω ± 5%)	[R160]
446	VRS-CZ1JB101J	AA		C	Resistor(1/16W 100Ω ± 5%)	[R161]
447	VRS-CZ1JB152J	AA		C	Resistor(1/16W 1.5KΩ ± 5%)	[R162]
448	VRS-CZ1JB101J	AA		C	Resistor(1/16W 100Ω ± 5%)	[R165]
449	VRS-CZ1JB101J	AA		C	Resistor(1/16W 100Ω ± 5%)	[R166]
450	VRS-CZ1JB101J	AA		C	Resistor(1/16W 100Ω ± 5%)	[R167]
451	VRS-CZ1JB101J	AA		C	Resistor(1/16W 100Ω ± 5%)	[R168]
452	VRS-CZ1JB101J	AA		C	Resistor(1/16W 100Ω ± 5%)	[R169]
453	VRS-CZ1JB101J	AA		C	Resistor(1/16W 100Ω ± 5%)	[R170]
454	VRS-CZ1JB101J	AA		C	Resistor(1/16W 100Ω ± 5%)	[R171]
455	VRS-CZ1JB472J	AA		C	Resistor(1/16W 4.7KΩ ± 5%)	[R172]
456	VRS-CZ1JB271J	AA		C	Resistor(1/16W 270Ω ± 5%)	[R174]
457	VRS-CZ1JB104J	AA		C	Resistor(1/16W 100KΩ ± 5%)	[R175]
458	VRS-CZ1JB154J	AD		C	Resistor(1/16W 150KΩ ± 5%)	[R176]
459	VRS-CZ1JB203J	AD		C	Resistor(1/16W 20KΩ ± 5%)	[R177]
460	VRS-CZ1JB302J	AD		C	Resistor(1/16W 3KΩ ± 5%)	[R178]
461	VRS-CZ1JB000J	AA		C	Resistor(1/16W 0Ω ± 5%)	[R179]
462	VRS-CZ1JB471J	AA		C	Resistor(1/16W 470Ω ± 5%)	[R180]
463	VRS-CZ1JB000J	AA		C	Resistor(1/16W 0Ω ± 5%)	[R181]
464	VRS-CZ1JB102J	AA		C	Resistor(1/16W 1KΩ ± 5%)	[R183]
465	VRS-CZ1JB563J	AD		C	Resistor(1/16W 56KΩ ± 5%)	[R184]
466	VRS-CZ1JB103J	AA		C	Resistor(1/16W 10KΩ ± 5%)	[R185]
467	VRS-CZ1JB102J	AA		C	Resistor(1/16W 1KΩ ± 5%)	[R188]
468	VRS-CZ1JB472J	AA		C	Resistor(1/16W 4.7KΩ ± 5%)	[R189]
469	VRS-CZ1JB103J	AA		C	Resistor(1/16W 10KΩ ± 5%)	[R190]
470	VRS-CZ1JB333J	AA		C	Resistor(1/16W 33KΩ ± 5%)	[R191]
471	VRS-CZ1JB103J	AA		C	Resistor(1/16W 10KΩ ± 5%)	[R192]
472	VRS-CZ1JB472J	AA		C	Resistor(1/16W 4.7KΩ ± 5%)	[R193]
473	VRS-CZ1JB472J	AA		C	Resistor(1/16W 4.7KΩ ± 5%)	[R194]

NO.	PARTS CODE	PRICE RANK	NEW MARK	PART RANK	DESCRIPTION	
[9] Control PWB unit						
474	VRS-CZ1JB472J	AA		C	Resistor(1/16W 4.7KΩ ± 5%)	[R195]
475	VRS-CZ1JB472J	AA		C	Resistor(1/16W 4.7KΩ ± 5%)	[R196]
476	VRS-CZ1JB203J	AD		C	Resistor(1/16W 20KΩ ± 5%)	[R197]
477	VRS-CZ1JB562J	AA		C	Resistor(1/16W 5.6KΩ ± 5%)	[R198]
478	VRS-CZ1JB621J	AA		C	Resistor(1/16W 620Ω ± 5%)	[R199]
479	VRS-CZ1JB100J	AA		C	Resistor(1/16W 10Ω ± 5%)	[R200]
480	VRSCZ1JB4422F	AF	N	C	Resistor(1/16W 44.2KΩ ± 1%)	[R201]
481	VRS-CZ1JB203J	AD		C	Resistor(1/16W 20KΩ ± 5%)	[R202]
482	VRS-CZ1JB472J	AA		C	Resistor(1/16W 4.7KΩ ± 5%)	[R204]
483	VRS-CZ1JB102J	AA		C	Resistor(1/16W 1KΩ ± 5%)	[R205]
484	VRSCZ1JB4422F	AF	N	C	Resistor(1/16W 44.2KΩ ± 1%)	[R206]
485	VRS-CZ1JB332J	AA		C	Resistor(1/16W 3.3KΩ ± 5%)	[R207]
486	VRS-CZ1JB472J	AA		C	Resistor(1/16W 4.7KΩ ± 5%)	[R208]
487	VRS-CZ1JB303J	AD		C	Resistor(1/16W 30KΩ ± 5%)	[R209]
488	VRS-CZ1JB623J	AD		C	Resistor(1/16W 62KΩ ± 5%)	[R210]
489	VRS-CZ1JB100J	AA		C	Resistor(1/16W 10Ω ± 5%)	[R211]
490	VRS-CZ1JB151J	AA		C	Resistor(1/16W 150Ω ± 5%)	[R213]
491	VRS-CZ1JB000J	AA		C	Resistor(1/16W 0Ω ± 5%)	[R216]
492	VRS-CZ1JB332J	AA		C	Resistor(1/16W 3.3KΩ ± 5%)	[R217]
493	VRS-CZ1JB103J	AA		C	Resistor(1/16W 10KΩ ± 5%)	[R220]
494	VRS-CZ1JB000J	AA		C	Resistor(1/16W 0Ω ± 5%)	[R221]
495	VRS-CZ1JB000J	AA		C	Resistor(1/16W 0Ω ± 5%)	[R222]
496	VRS-CZ1JB103J	AA		C	Resistor(1/16W 10KΩ ± 5%)	[R223]
497	VRS-CZ1JB000J	AA		C	Resistor(1/16W 0Ω ± 5%)	[R224]
498	VRS-CZ1JB000J	AA		C	Resistor(1/16W 0Ω ± 5%)	[R225]
499	VRS-CZ1JB103J	AA		C	Resistor(1/16W 10KΩ ± 5%)	[R226]
500	VRS-CZ1JB101J	AA		C	Resistor(1/16W 100Ω ± 5%)	[R227]
501	VRS-CZ1JB472J	AA		C	Resistor(1/16W 4.7KΩ ± 5%)	[R228]
502	VRS-CZ1JB472J	AA		C	Resistor(1/16W 4.7KΩ ± 5%)	[R229]
503	VRS-CZ1JB472J	AA		C	Resistor(1/16W 4.7KΩ ± 5%)	[R230]
504	VRS-CZ1JB330J	AA		C	Resistor(1/16W 33Ω ± 5%)	[R232]
505	VRS-CZ1JB330J	AA		C	Resistor(1/16W 33Ω ± 5%)	[R233]
506	VRS-CZ1JB000J	AA		C	Resistor(1/16W 0Ω ± 5%)	[R234]
507	VRS-CZ1JB330J	AA		C	Resistor(1/16W 33Ω ± 5%)	[R235]
508	VRS-CZ1JB100J	AA		C	Resistor(1/16W 10Ω ± 5%)	[R236]
509	VRS-CZ1JB103J	AA		C	Resistor(1/16W 10KΩ ± 5%)	[R237]
510	VRS-CZ1JB103J	AA		C	Resistor(1/16W 10KΩ ± 5%)	[R238]
511	VRS-CZ1JB103J	AA		C	Resistor(1/16W 10KΩ ± 5%)	[R239]
512	VRS-CZ1JB100J	AA		C	Resistor(1/16W 10Ω ± 5%)	[R240]
513	VRS-CZ1JB103J	AA		C	Resistor(1/16W 10KΩ ± 5%)	[R241]
514	VRS-CZ1JB103J	AA		C	Resistor(1/16W 10KΩ ± 5%)	[R242]
515	VRS-CZ1JB103J	AA		C	Resistor(1/16W 10KΩ ± 5%)	[R243]
516	VRS-CZ1JB103J	AA		C	Resistor(1/16W 10KΩ ± 5%)	[R244]
517	VRS-CZ1JB103J	AA		C	Resistor(1/16W 10KΩ ± 5%)	[R245]
518	VRS-CZ1JB103J	AA		C	Resistor(1/16W 10KΩ ± 5%)	[R246]
519	VRS-CZ1JB103J	AA		C	Resistor(1/16W 10KΩ ± 5%)	[R247]
520	VRS-CZ1JB103J	AA		C	Resistor(1/16W 10KΩ ± 5%)	[R248]
521	VRS-CZ1JB101J	AA		C	Resistor(1/16W 100Ω ± 5%)	[R249]
522	VRS-CZ1JB101J	AA		C	Resistor(1/16W 100Ω ± 5%)	[R251]
523	VRS-CZ1JB103J	AA		C	Resistor(1/16W 10KΩ ± 5%)	[R252]
524	VRS-CZ1JB101J	AA		C	Resistor(1/16W 100Ω ± 5%)	[R253]
525	VRS-CZ1JB330J	AA		C	Resistor(1/16W 33Ω ± 5%)	[R254]
526	VRS-CZ1JB101J	AA		C	Resistor(1/16W 100Ω ± 5%)	[R255]
527	VRS-CZ1JB101J	AA		C	Resistor(1/16W 100Ω ± 5%)	[R256]
528	VRS-CZ1JB330J	AA		C	Resistor(1/16W 33Ω ± 5%)	[R257]
529	VRS-CZ1JB100J	AA		C	Resistor(1/16W 10Ω ± 5%)	[R258]
530	VRS-CZ1JB330J	AA		C	Resistor(1/16W 33Ω ± 5%)	[R259]
531	VRS-CZ1JB330J	AA		C	Resistor(1/16W 33Ω ± 5%)	[R260]
532	VRS-CZ1JB101J	AA		C	Resistor(1/16W 100Ω ± 5%)	[R261]
533	VRS-CZ1JB101J	AA		C	Resistor(1/16W 100Ω ± 5%)	[R262]
534	VRS-CZ1JB330J	AA		C	Resistor(1/16W 33Ω ± 5%)	[R263]
535	VRS-CZ1JB103J	AA		C	Resistor(1/16W 10KΩ ± 5%)	[R264]
536	VRS-CZ1JB103J	AA		C	Resistor(1/16W 10KΩ ± 5%)	[R265]
537	VRS-CZ1JB103J	AA		C	Resistor(1/16W 10KΩ ± 5%)	[R266]
538	VRS-CZ1JB103J	AA		C	Resistor(1/16W 10KΩ ± 5%)	[R267]
539	VRS-CZ1JB103J	AA		C	Resistor(1/16W 10KΩ ± 5%)	[R268]
540	VRS-CZ1JB103J	AA		C	Resistor(1/16W 10KΩ ± 5%)	[R269]
541	VRS-CZ1JB103J	AA		C	Resistor(1/16W 10KΩ ± 5%)	[R270]
542	VRS-CZ1JB101J	AA		C	Resistor(1/16W 100Ω ± 5%)	[R271]
543	VRS-CZ1JB000J	AA		C	Resistor(1/16W 0Ω ± 5%)	[R272]
544	VRS-CZ1JB103J	AA		C	Resistor(1/16W 10KΩ ± 5%)	[R273]
545	VRS-CZ1JB103J	AA		C	Resistor(1/16W 10KΩ ± 5%)	[R274]
546	VRS-CZ1JB103J	AA		C	Resistor(1/16W 10KΩ ± 5%)	[R275]
547	VRS-CZ1JB103J	AA		C	Resistor(1/16W 10KΩ ± 5%)	[R276]
548	VRS-HT3DA470J	AA		C	Resistor(2W 47Ω ± 5%)	[R277]
549	VRS-CZ1JB101J	AA		C	Resistor(1/16W 100Ω ± 5%)	[R278]
550	VRS-CZ1JB101J	AA		C	Resistor(1/16W 100Ω ± 5%)	[R279]
551	VRS-CZ1JB270J	AA		C	Resistor(1/16W 27Ω ± 5%)	[R280]
552	VRS-CZ1JB103J	AA		C	Resistor(1/16W 10KΩ ± 5%)	[R281]
553	VRS-CZ1JB103J	AA		C	Resistor(1/16W 10KΩ ± 5%)	[R282]
554	VRS-CZ1JB101J	AA		C	Resistor(1/16W 100Ω ± 5%)	[R283]
555	VRS-CZ1JB101J	AA		C	Resistor(1/16W 100Ω ± 5%)	[R284]
556	RCiLZ2193XHZZ	AE		C	Coil(MMZ1005Y102C)	[R285]
557	VRS-CZ1JB101J	AA		C	Resistor(1/16W 100Ω ± 5%)	[R286]
558	VRS-CZ1JB103J	AA		C	Resistor(1/16W 10KΩ ± 5%)	[R287]

NO.	PARTS CODE	PRICE RANK	NEW MARK	PART RANK	DESCRIPTION	
[9] Control PWB unit						
559	VRS-CZ1JB101J	AA		C	Resistor(1/16W 100Ω ± 5%)	[R288]
560	VRS-CZ1JB101J	AA		C	Resistor(1/16W 100Ω ± 5%)	[R289]
561	VRS-CZ1JB103J	AA		C	Resistor(1/16W 10KΩ ± 5%)	[R290]
562	VRS-CZ1JB103J	AA		C	Resistor(1/16W 10KΩ ± 5%)	[R291]
563	VRS-CZ1JB101J	AA		C	Resistor(1/16W 100Ω ± 5%)	[R292]
564	VRS-CZ1JB101J	AA		C	Resistor(1/16W 100Ω ± 5%)	[R293]
565	VRS-CZ1JB104J	AA		C	Resistor(1/16W 100KΩ ± 5%)	[R294]
566	VRS-CZ1JB103J	AA		C	Resistor(1/16W 10KΩ ± 5%)	[R295]
567	VRS-CZ1JB100J	AA		C	Resistor(1/16W 10Ω ± 5%)	[R296]
568	VRS-CZ1JB101J	AA		C	Resistor(1/16W 100Ω ± 5%)	[R297]
569	VRS-CZ1JB100J	AA		C	Resistor(1/16W 10Ω ± 5%)	[R298]
570	VRS-CZ1JB101J	AA		C	Resistor(1/16W 100Ω ± 5%)	[R300]
571	VRS-CZ1JB330J	AA		C	Resistor(1/16W 33Ω ± 5%)	[R301]
572	VRS-CZ1JB103J	AA		C	Resistor(1/16W 10KΩ ± 5%)	[R302]
573	VRS-CZ1JB330J	AA		C	Resistor(1/16W 33Ω ± 5%)	[R303]
574	VRS-CZ1JB330J	AA		C	Resistor(1/16W 33Ω ± 5%)	[R304]
575	VRS-CZ1JB102J	AA		C	Resistor(1/16W 1KΩ ± 5%)	[R305]
576	VRS-CZ1JB330J	AA		C	Resistor(1/16W 33Ω ± 5%)	[R306]
577	VRS-CZ1JB101J	AA		C	Resistor(1/16W 100Ω ± 5%)	[R307]
578	VRS-CZ1JB330J	AA		C	Resistor(1/16W 33Ω ± 5%)	[R308]
579	VRS-CZ1JB000J	AA		C	Resistor(1/16W 0Ω ± 5%)	[R309]
580	VRS-CZ1JB330J	AA		C	Resistor(1/16W 33Ω ± 5%)	[R310]
581	VRS-CZ1JB103J	AA		C	Resistor(1/16W 10KΩ ± 5%)	[R311]
582	VRS-CZ1JB103J	AA		C	Resistor(1/16W 10KΩ ± 5%)	[R312]
583	VRS-CZ1JB103J	AA		C	Resistor(1/16W 10KΩ ± 5%)	[R313]
584	VRS-CZ1JB101J	AA		C	Resistor(1/16W 100Ω ± 5%)	[R314]
585	VRS-CZ1JB473J	AA		C	Resistor(1/16W 47KΩ ± 5%)	[R315]
586	VRS-CZ1JB473J	AA		C	Resistor(1/16W 47KΩ ± 5%)	[R316]
587	VRS-CZ1JB103J	AA		C	Resistor(1/16W 10KΩ ± 5%)	[R317]
588	VRS-CZ1JB472J	AA		C	Resistor(1/16W 4.7KΩ ± 5%)	[R318]
589	VRS-CZ1JB203J	AD		C	Resistor(1/16W 20KΩ ± 5%)	[R319]
590	VRS-CZ1JB203F	AD		C	Resistor(1/16W 20KΩ ± 1%)	[R320]
591	VRS-CZ1JB000J	AA		C	Resistor(1/16W 0Ω ± 5%)	[R321]
592	VRS-CZ1JB104J	AA		C	Resistor(1/16W 100KΩ ± 5%)	[R322]
593	VRS-CZ1JB103J	AA		C	Resistor(1/16W 10KΩ ± 5%)	[R323]
594	VRS-CZ1JB472J	AA		C	Resistor(1/16W 4.7KΩ ± 5%)	[R324]
595	VRS-CZ1JB105J	AD		C	Resistor(1/16W 1MΩ ± 5%)	[R325]
596	VRS-CZ1JB512F	AE	N	C	Resistor(1/16W 5.1KΩ ± 1%)	[R326]
597	VRS-CZ1JB103J	AA		C	Resistor(1/16W 10KΩ ± 5%)	[R327]
598	VRS-CZ1JB104J	AA		C	Resistor(1/16W 100KΩ ± 5%)	[R328]
599	VRS-CZ1JB203F	AD		C	Resistor(1/16W 20KΩ ± 1%)	[R329]
600	VRS-CZ1JB105J	AD		C	Resistor(1/16W 1MΩ ± 5%)	[R330]
601	VRS-CZ1JB000J	AA		C	Resistor(1/16W 0Ω ± 5%)	[R331]
602	VRS-CZ1JB000J	AA		C	Resistor(1/16W 0Ω ± 5%)	[R332]
603	VRS-CZ1JB000J	AA		C	Resistor(1/16W 0Ω ± 5%)	[R333]
604	VRS-CZ1JB000J	AA		C	Resistor(1/16W 0Ω ± 5%)	[R334]
605	VRS-CZ1JB000J	AA		C	Resistor(1/16W 0Ω ± 5%)	[R335]
606	VRS-CZ1JB000J	AA		C	Resistor(1/16W 0Ω ± 5%)	[R336]
607	VRS-CZ1JB103J	AA		C	Resistor(1/16W 10KΩ ± 5%)	[R337]
608	VRS-CZ1JB102J	AA		C	Resistor(1/16W 1KΩ ± 5%)	[R338]
609	VRS-CZ1JB000J	AA		C	Resistor(1/16W 0Ω ± 5%)	[R339]
610	VRS-CZ1JB103J	AA		C	Resistor(1/16W 10KΩ ± 5%)	[R340]
611	VRS-CZ1JB103J	AA		C	Resistor(1/16W 10KΩ ± 5%)	[R341]
612	VRS-CZ1JB101J	AA		C	Resistor(1/16W 100Ω ± 5%)	[R342]
613	VRS-CZ1JB000J	AA		C	Resistor(1/16W 0Ω ± 5%)	[R343]
614	VRS-CZ1JB103J	AA		C	Resistor(1/16W 10KΩ ± 5%)	[R344]
615	VRS-CZ1JB103J	AA		C	Resistor(1/16W 10KΩ ± 5%)	[R346]
616	VRS-CZ1JB103J	AA		C	Resistor(1/16W 10KΩ ± 5%)	[R347]
617	VRS-HT3AAR22J	AA		C	Resistor(1W 0.22Ω ± 5%)	[R348]
618	VRS-CZ1JB103J	AA		C	Resistor(1/16W 10KΩ ± 5%)	[R349]
619	VRS-CZ1JB102J	AA		C	Resistor(1/16W 1KΩ ± 5%)	[R350]
620	VRS-CZ1JB302J	AD		C	Resistor(1/16W 3KΩ ± 5%)	[R351]
621	VRS-HT3AAR22J	AA		C	Resistor(1W 0.22Ω ± 5%)	[R352]
622	VRS-CZ1JB000J	AA		C	Resistor(1/16W 0Ω ± 5%)	[R354]
623	VRS-CZ1JB103J	AA		C	Resistor(1/16W 10KΩ ± 5%)	[R356]
624	VRS-CZ1JB101J	AA		C	Resistor(1/16W 100Ω ± 5%)	[R357]
625	VRS-CZ1JB103J	AA		C	Resistor(1/16W 10KΩ ± 5%)	[R358]
626	VRS-CZ1JB101J	AA		C	Resistor(1/16W 100Ω ± 5%)	[R359]
627	VRS-CZ1JB103J	AA		C	Resistor(1/16W 10KΩ ± 5%)	[R360]
628	VRS-CZ1JB473J	AA		C	Resistor(1/16W 47KΩ ± 5%)	[R361]
629	VRS-CZ1JB101J	AA		C	Resistor(1/16W 100Ω ± 5%)	[R362]
630	VRS-CZ1JB000J	AA		C	Resistor(1/16W 0Ω ± 5%)	[R363]
631	VRS-CZ1JB103J	AA		C	Resistor(1/16W 10KΩ ± 5%)	[R366]
632	VRS-CZ1JB101J	AA		C	Resistor(1/16W 100Ω ± 5%)	[R367]
633	VRS-CZ1JB000J	AA		C	Resistor(1/16W 0Ω ± 5%)	[R369]
634	VRS-CY1JB000J	AA		C	Resistor(1/16W 0Ω ± 5%)	[R371]
635	VRS-CZ1JB103J	AA		C	Resistor(1/16W 10KΩ ± 5%)	[R372]
636	VRS-CZ1JB101J	AA		C	Resistor(1/16W 100Ω ± 5%)	[R373]
637	VRS-CZ1JB103J	AA		C	Resistor(1/16W 10KΩ ± 5%)	[R374]
638	VRS-CZ1JB103J	AA		C	Resistor(1/16W 10KΩ ± 5%)	[R376]
639	VRS-CZ1JB103J	AA		C	Resistor(1/16W 10KΩ ± 5%)	[R377]
640	VRS-CZ1JB103J	AA		C	Resistor(1/16W 10KΩ ± 5%)	[R378]
641	VRS-CZ1JB103J	AA		C	Resistor(1/16W 10KΩ ± 5%)	[R379]
642	VRS-CZ1JB101J	AA		C	Resistor(1/16W 100Ω ± 5%)	[R380]
643	VRS-CZ1JB101J	AA		C	Resistor(1/16W 100Ω ± 5%)	[R381]

NO.	PARTS CODE	PRICE RANK	NEW MARK	PART RANK	DESCRIPTION	
[9] Control PWB unit						
644	VRS-CZ1JB101J	AA		C	Resistor(1/16W 100Ω ± 5%)	[R382]
645	VRS-CZ1JB101J	AA		C	Resistor(1/16W 100Ω ± 5%)	[R383]
646	VRS-CZ1JB330J	AA		C	Resistor(1/16W 33Ω ± 5%)	[R384]
647	RCiLZ0285AFZZ	AB		C	Coil(MMZ1608Y102B)	[R388]
648	VRS-CZ1JB000J	AA		C	Resistor(1/16W 0Ω ± 5%)	[R392]
649	VRS-CZ1JB472J	AA		C	Resistor(1/16W 4.7KΩ ± 5%)	[R394]
650	VRS-CZ1JB271J	AA		C	Resistor(1/16W 270Ω ± 5%)	[R395]
651	VCCCCZ1EH180J	AA		C	Capacitor(25WV 18PF)	[R398]
652	VRS-CY1JB000J	AA		C	Resistor(1/16W 0Ω ± 5%)	[R401]
653	VRS-CY1JB000J	AA		C	Resistor(1/16W 0Ω ± 5%)	[R403]
654	VRS-CZ1JB104J	AA		C	Resistor(1/16W 100KΩ ± 5%)	[R404]
655	VRS-CZ1JB472J	AA		C	Resistor(1/16W 4.7KΩ ± 5%)	[R409]
656	VRS-CZ1JB271J	AA		C	Resistor(1/16W 270Ω ± 5%)	[R411]
657	VRS-CZ1JB101J	AA		C	Resistor(1/16W 100Ω ± 5%)	[R412]
658	VRS-CZ1JB472J	AA		C	Resistor(1/16W 4.7KΩ ± 5%)	[R417]
659	VRS-CZ1JB151J	AA		C	Resistor(1/16W 150Ω ± 5%)	[R421]
660	VRS-CZ1JB151J	AA		C	Resistor(1/16W 150Ω ± 5%)	[R422]
661	VRS-CZ1JB471J	AA		C	Resistor(1/16W 470Ω ± 5%)	[R423]
662	VRS-CZ1JB471J	AA		C	Resistor(1/16W 470Ω ± 5%)	[R425]
663	VRS-CZ1JB471J	AA		C	Resistor(1/16W 470Ω ± 5%)	[R426]
664	VRS-CZ1JB000J	AA		C	Resistor(1/16W 0Ω ± 5%)	[R427]
665	VRS-CZ1JB000J	AA		C	Resistor(1/16W 0Ω ± 5%)	[R428]
666	VRS-CZ1JB330J	AA		C	Resistor(1/16W 33Ω ± 5%)	[R429]
667	VRS-CZ1JB000J	AA		C	Resistor(1/16W 0Ω ± 5%)	[R430]
668	VRS-CZ1JB000J	AA		C	Resistor(1/16W 0Ω ± 5%)	[R431]
669	VRS-CZ1JB000J	AA		C	Resistor(1/16W 0Ω ± 5%)	[R432]
670	VRS-CZ1JB102J	AA		C	Resistor(1/16W 1KΩ ± 5%)	[R433]
671	VRS-CZ1JB102J	AA		C	Resistor(1/16W 1KΩ ± 5%)	[R436]
672	VRS-CZ1JB103J	AA		C	Resistor(1/16W 10KΩ ± 5%)	[R437]
673	VRS-CZ1JB102J	AA		C	Resistor(1/16W 1KΩ ± 5%)	[R438]
674	VRS-CZ1JB103J	AA		C	Resistor(1/16W 10KΩ ± 5%)	[R439]
675	VRS-TW2HF561F	AF	N	C	Resistor(1/2W 560Ω ± 1%)	[R440]
676	VRS-TW2HF561F	AF	N	C	Resistor(1/2W 560Ω ± 1%)	[R441]
677	VRS-CZ1JB682J	AD		C	Resistor(1/16W 6.8KΩ ± 5%)	[R444]
678	VRS-CZ1JB102J	AA		C	Resistor(1/16W 1KΩ ± 5%)	[R445]
679	VRS-CZ1JB103J	AA		C	Resistor(1/16W 10KΩ ± 5%)	[R446]
680	VRS-CZ1JB203J	AD		C	Resistor(1/16W 20KΩ ± 5%)	[R447]
681	VRS-CZ1JB203J	AD		C	Resistor(1/16W 20KΩ ± 5%)	[R448]
682	VRS-CZ1JB472J	AA		C	Resistor(1/16W 4.7KΩ ± 5%)	[R449]
683	VRS-TP2BD151J	AA		C	Resistor(1/8W 150Ω ± 5%)	[R450]
684	VRS-TP2BD151J	AA		C	Resistor(1/8W 150Ω ± 5%)	[R451]
685	VRS-CZ1JB202J	AD		C	Resistor(1/16W 2KΩ ± 5%)	[R452]
686	VRS-CZ1JB330J	AA		C	Resistor(1/16W 33Ω ± 5%)	[R453]
687	VRS-CZ1JB000J	AA		C	Resistor(1/16W 0Ω ± 5%)	[R455]
688	VRS-CZ1JB000J	AA		C	Resistor(1/16W 0Ω ± 5%)	[R458]
689	VRS-CY1JB000J	AA		C	Resistor(1/16W 0Ω ± 5%)	[R459]
690	VRS-CY1JB000J	AA		C	Resistor(1/16W 0Ω ± 5%)	[R460]
691	VRS-CZ1JB000J	AA		C	Resistor(1/16W 0Ω ± 5%)	[R463]
692	VRS-CZ1JB102J	AA		C	Resistor(1/16W 1KΩ ± 5%)	[R465]
693	RCRSB2185XHZZ	AD		B	Crystal(32.768kHz)	[X1]
694	RCRSA2212XHZZ	AK	N	B	Crystal(27.5549MHZ)	[X2]
695	RCRSA2213XHZZ	AK	N	B	Crystal(24.000MHZ)	[X3]
696	RCRSP2194XHZZ	AL		B	Crystal(28.2240MHZ)	[X4]
697	RCRSA2214XHZZ	AK	N	B	Crystal(20.000MHZ)	[X5]
	(Unit)					
901	DCEKC586VXHZZ		N	E	Control PWB unit(Within ROM)(PL)	
901	DCEKC587VXHZZ		N	E	Control PWB unit(Within ROM)(RA)	
[10] LIU PWB unit						
1	VHVRA501PC6-1	AG		B	Varistor(RA-501P-C6)	[AR1]
2	VHVRA501PC6-1	AG		B	Varistor(RA-501P-C6)	[AR2]
3	QTANZ2042SCZZ	AB		C	Earth terminal	[ARG]
4	VCE9GA475V1HM	AC		C	Capacitor(50WV 4.7μ F)	[C1]
5	VCEAGA1EW107M	AB		C	Capacitor(25WV 100μ F)	[C2]
6	VCEAGA1EW476M	AA		C	Capacitor(25WV 47μ F)	[C3]
7	VCEAGA1HW226M	AB		C	Capacitor(50WV 22μ F)	[C6]
8	RC-FZ3080SCZZ	AL		C	Capacitor(250WV 1.5μ F)	[C7]
9	VCEAGA1HW225M	AA		C	Capacitor(50WV 2.2μ F)(PL)	[C8]
9	VCEAGA1HW106M	AA		C	Capacitor(50WV 10μ F)(RA)	[C8]
10	VCEAGA1HW106M	AA		C	Capacitor(50WV 10μ F)	[C9]
11	VCEAGA1HW106M	AA		C	Capacitor(50WV 10μ F)	[C11]
12	VCEAGA1HW106M	AA		C	Capacitor(50WV 10μ F)	[C13]
13	RC-FZ3078SCZZ	AF		C	Capacitor(250WV 0.56μ F)	[C14]
14	VCEAGA1EW107M	AB		C	Capacitor(25WV 100μ F)	[C15]
15	VCEAGA1HW226M	AB		C	Capacitor(50WV 22μ F)	[C16]
16	VCKYCY1HB102K	AA		C	Capacitor(50WV 1000PF)	[C100]
17	VCKYCY1CB104K	AB		C	Capacitor(16WV 0.1μ F)	[C101]
18	VCKYCY1CB104K	AB		C	Capacitor(16WV 0.1μ F)	[C103]
19	VCKYTY1HB223K	AA		C	Capacitor(50WV 0.022μ F)	[C104]
20	VCKYCY1HF104Z	AA		C	Capacitor(50WV 0.1μ F)	[C105]
21	VCKYCY1HF104Z	AA		C	Capacitor(50WV 0.1μ F)	[C106]
22	VCKYCY1HF104Z	AA		C	Capacitor(50WV 0.1μ F)	[C107]
23	VCKYCY1HF104Z	AA		C	Capacitor(50WV 0.1μ F)	[C111]
24	VCKYCY1HF104Z	AA		C	Capacitor(50WV 0.1μ F)	[C112]
25	VCKYCY1HF104Z	AA		C	Capacitor(50WV 0.1μ F)	[C113]



NO.	PARTS CODE	PRICE RANK	NEW MARK	PART RANK	DESCRIPTION		
[10] LIU PWB unit							
	26	VCKYTV1HB104K	AA		C	Capacitor(50WV 0.1 μ F)	[C117]
	27	VCKYCY1HB102K	AA		C	Capacitor(50WV 1000PF)	[C118]
	28	VCKYCY1HB821K	AA		C	Capacitor(50WV 820PF)	[C119]
	29	VCKYCY1HB102K	AA		C	Capacitor(50WV 1000PF)	[C120]
	30	VCKYTV1HB223K	AA		C	Capacitor(50WV 0.022 μ F)(RA)	[C121]
	31	VCKYCY1HF104Z	AA		C	Capacitor(50WV 0.1 μ F)	[C122]
	32	VCKYTV1HB223K	AA		C	Capacitor(50WV 0.022 μ F)	[C123]
	33	VCKYCY1HB103K	AA		C	Capacitor(50WV 0.01 μ F)	[C124]
△	34	RRLYD3439XHZZ	AM		B	Relay(A5X-G-24E-908)	[CML1]
	35	QCNCM2694XH1B	AE		C	Connector(12pin)	[CNLIU1]
	36	VHD1N4148//--1	AA		B	Diode(1N4148)	[D1]
	37	VHD1N4148//--1	AA		B	Diode(1N4148)	[D3]
	38	VHiTHS65//--1A	AF		B	IC(THS-65)	[IC1]
	39	RH-iX2394XHZZ	AG		B	IC(LM2904PS)	[IC100]
	40	RH-iX2394XHZZ	AG		B	IC(LM2904PS)	[IC101]
△	41	RFiLN2027XHZZ	AC		C	Coil(R-5C)	[L1]
	42	RcILF2125SCZZ	AF		C	Coil(LHL08 472K)	[L2]
△	43	RFiLN2027XHZZ	AC		C	Coil(R-5C)	[L3]
△	44	RFiLN2027XHZZ	AC		C	Coil(R-5C)	[L5]
△	45	RFiLN2027XHZZ	AC		C	Coil(R-5C)	[L6]
	46	QJAKZ2046SCFD	AL		C	Jack(PL)	[MJ1/2]
	46	QJAKZ2046SCBB	AH		C	Jack(RA)	[MJ1/2]
△	47	VHPPS2535-1//	AH		B	Photo coupler(PS2535-1)	[PC1]
△	48	VHPPS2561L-1//	AG		B	Photo coupler(PS2561L-1)(PL)	[PC2]
△	49	VHPPS2561L-1//	AG		B	Photo coupler(PS2561L-1)	[PC4]
	50	VSBS108/////--1	AE		B	FET(BS108)(RA)	[Q2]
	51	VSKTD2092//--1	AL		B	Transistor(KTD2092)(PL)	[Q3]
	52	VSRT1N141CT-1	AE		B	Transistor(RT1N141C)	[Q100]
	53	VSRT1N141CT-1	AE		B	Transistor(RT1N141C)	[Q101]
	54	VSRT1N436CT-1	AE		B	Transistor(RT1N436C)	[Q102]
	55	VSRT1N436CT-1	AE		B	Transistor(RT1N436C)(PL)	[Q103]
	56	VSRT1N436CT-1	AE		B	Transistor(RT1N436C)	[Q104]
	57	VSRT1N436CT-1	AE		B	Transistor(RT1N436C)	[Q105]
	58	VRS-HT3AA121J	AA		C	Resistor(1W 120 Ω \pm 5%)(PL)	[R1]
	59	VRD-HT2EY100J	AA		C	Resistor(1/4W 10 Ω \pm 5%)	[R2]
	60	VRD-HT2EY150J	AA		C	Resistor(1/4W 15 Ω \pm 5%)(RA)	[R3]
	61	VRD-HT2EY150J	AA		C	Resistor(1/4W 15 Ω \pm 5%)(RA)	[R4]
	62	VRD-HT2HY223J	AA		C	Resistor(1/2W 22K Ω \pm 5%)	[R5]
	63	VRS-TS2AD103J	AA		C	Resistor(1/10W 10K Ω \pm 5%)	[R100]
	64	VRS-CY1JB000J	AA		C	Resistor(1/16W 0 Ω \pm 5%)	[R101]
	65	VRS-TP2BD100J	AA		C	Resistor(1/8W 10 Ω \pm 5%)	[R102]
	66	VRS-TS2AD471J	AA		C	Resistor(1/10W 470 Ω \pm 5%)(PL)	[R103]
	67	VRS-TS2AD471J	AA		C	Resistor(1/10W 470 Ω \pm 5%)	[R104]
	68	VRS-CY1JB332J	AA		C	Resistor(1/16W 3.3K Ω \pm 5%)	[R105]
	69	VRS-CY1JB153J	AA		C	Resistor(1/16W 15K Ω \pm 5%)	[R106]
	70	VRS-TS2AD103J	AA		C	Resistor(1/10W 10K Ω \pm 5%)(PL)	[R109]
	70	VRS-TS2AD153J	AA		C	Resistor(1/10W 15K Ω \pm 5%)(RA)	[R109]
	71	VRS-TS2AD103J	AA		C	Resistor(1/10W 10K Ω \pm 5%)	[R110]
	72	VRS-CY1JB223J	AA		C	Resistor(1/16W 22K Ω \pm 5%)	[R112]
	73	VRS-CY1JB203J	AA		C	Resistor(1/16W 20K Ω \pm 5%)	[R113]
	74	VRS-CY1JB473J	AA		C	Resistor(1/16W 47K Ω \pm 5%)	[R114]
	75	VRS-CY1JB102J	AA		C	Resistor(1/16W 1K Ω \pm 5%)	[R115]
	76	VRS-CY1JB163J	AA		C	Resistor(1/16W 16K Ω \pm 5%)(PL)	[R116]
	76	VRS-CY1JB203J	AA		C	Resistor(1/16W 20K Ω \pm 5%)(RA)	[R116]
	77	VRS-CY1JB511J	AA		C	Resistor(1/16W 510 Ω \pm 5%)	[R119]
	78	VRS-TS2AD203J	AA		C	Resistor(1/10W 20K Ω \pm 5%)	[R120]
	79	VRS-TS2AD203J	AA		C	Resistor(1/10W 20K Ω \pm 5%)	[R121]
	80	VRS-CY1JB271J	AA		C	Resistor(1/16W 270 Ω \pm 5%)	[R122]
	81	VRS-CY1JB222J	AA		C	Resistor(1/16W 2.2K Ω \pm 5%)	[R123]
	82	VRS-CY1JB102J	AA		C	Resistor(1/16W 1K Ω \pm 5%)	[R124]
	83	VRS-CY1JB000J	AA		C	Resistor(1/16W 0 Ω \pm 5%)	[R125]
	84	VRS-CY1JB223J	AA		C	Resistor(1/16W 22K Ω \pm 5%)	[R126]
	85	VRS-TS2AD000J	AA		C	Resistor(1/10W 0 Ω \pm 5%)	[R127]
	86	VRS-CY1JB301J	AA		C	Resistor(1/16W 300 Ω \pm 5%)	[R129]
	87	VRS-CY1JB621J	AA		C	Resistor(1/16W 620 Ω \pm 5%)(PL)	[R130]
	87	VRS-CY1JB561J	AA		C	Resistor(1/16W 560 Ω \pm 5%)(RA)	[R130]
	88	RH-DX2007SCZZ	AC		B	Diode bridge(S1ZB60)	[REC1]
△	89	RTRN12165XHZZ	AG		B	Transformer(2165)	[T1]
△	90	VHVDSS301L/-U	AF		B	Varistor(DSS-301L)	[VA1]
	91	VHVTN07G101-1	AB		B	Varistor(TN07G101K)(RA)	[VA2]
	92	VHEMTZJ200B-1	AC		B	Zener diode(MTZJ20B)	[ZD1]
	93	VHEMTZJ300B-1	AA		B	Zener diode(MTZJ30B)	[ZD2]
	94	VHEMTZJ6R8B-1	AC		C	Resistor(MTZJ6.8B)(RA)	[ZD3]
	95	VHEMTZJ200B-1	AC		B	Zener diode(MTZJ20B)(PL)	[ZD4]
	96	VHEMTZJ4R7B-1	AC		B	Zener diode(MTZJ4.7B)	[ZD5]
	97	VHEHZ11C3//--1	AB		B	Zener diode(HZ11C3)(PL)	[ZD6]
	97	VHEMTZJ200B-1	AC		B	Zener diode(MTZJ20B)(RA)	[ZD6]
	98	VHEMTZJ4R7B-1	AC		B	Zener diode(MTZJ4.7B)	[ZD7]
		(Unit)					
	901	DCEKL475CXH12		N	E	LIU PWB unit(PL)	
	901	DCEKL475CXH13		N	E	LIU PWB unit(RA)	

NO.	PARTS CODE	PRICE RANK	NEW MARK	PART RANK	DESCRIPTION	
[11] Power supply PWB unit						
1	0KYL5051AQ002	AF		C	Ferrite beads(BL02RN2)	[BEA1]
2	0KYL5051AQ002	AF		C	Ferrite beads(BL02RN2)	[BEA2]
3	0KYL5116AC002	AH		C	Ferrite beads(BLM31PG121)	[BEA102]
4	0KYW0000AQ005	AC		C	Wire(5mm)	[BEA103]
5	0KYL5051AQ002	AF		C	Ferrite beads(BL02RN2)	[BEA104]
6	0KYL5116AC002	AH		C	Ferrite beads(BLM31PG121)	[BEA105]
7	0KYC2131QS224	AK		C	Film capacitor(275WV 0.22μ F)	[C1]
8	0KYC2131QS224	AK		C	Film capacitor(275WV 0.22μ F)	[C2]
9	0KYC3126YS680	AX	N	C	Electrolytic capacitor(450WV 68μ F)	[C5]
10	0KYC1384QS102	AG		C	Ceramic capacitor(1000PF)	[C6]
11	0KYC1384QS102	AG		C	Ceramic capacitor(1000PF)	[C7]
12	0KYC10B2SQ101	AF		C	Ceramic capacitor(2KWV 100PF)	[C8]
13	0KYC1102EC103	AC		C	Ceramic capacitor(50WV 0.01μ F)	[C9]
14	0KYC1102EC472	AC		C	Ceramic capacitor(50WV 4700PF)	[C10]
15	0KYC10Q1EQ101	AC		C	Ceramic capacitor(50WV 100PF)	[C11]
16	0KYC1076QQ103	AL	N	C	Ceramic capacitor(0.01μ F)	[C15]
17	0KYC1076QQ103	AL	N	C	Ceramic capacitor(0.01μ F)	[C16]
18	0KYC1384QS102	AG		C	Ceramic capacitor(1000PF)	[C17]
19	0KYC10Q2EQ104	AD		C	Ceramic capacitor(50WV 0.1μ F)	[C22]
20	0KYC30A0DQ331	AK		C	Electrolytic capacitor(35WV 330μ F)	[C101]
21	0KYC1186NC102	AG	N	C	Ceramic capacitor(630WV 1000PF)	[C102]
22	0KYC30A0DQ330	AG		C	Electrolytic capacitor(35WV 33μ F)	[C103]
23	0KYC10Q2EQ104	AD		C	Ceramic capacitor(50WV 0.1μ F)	[C105]
24	0KYC10A9RQ152	AH		C	Ceramic capacitor(1KWV 1500PF)	[C108]
25	0KYC30A0DQ560	AG		C	Electrolytic capacitor(35WV 56μ F)	[C151]
26	0KYC30A0BQ121	AG		C	Electrolytic capacitor(16WV 120μ F)	[C271]
27	0KYC1102EC103	AC		C	Ceramic capacitor(50WV 0.01μ F)	[C272]
28	0KYC1102EC562	AC		C	Ceramic capacitor(50WV 5600PF)	[C273]
29	0KYC1102EC103	AC		C	Ceramic capacitor(50WV 0.01μ F)	[C274]
30	0KYC30A0BQ331	AK		C	Electrolytic capacitor(16WV 330μ F)	[C301]
31	0KYC3075BQ471	AM		C	Electrolytic capacitor(16WV 470μ F)	[C302]
32	0KYC10Q2EQ104	AD		C	Ceramic capacitor(50WV 0.1μ F)	[C305]
33	0KYC1095EQ104	AD		C	Ceramic capacitor(50WV 0.1μ F)	[C501]
34	0KYC30A0BQ331	AK		C	Electrolytic capacitor(16WV 330μ F)	[C502]
35	0KYK2061AQ002	AF		C	Connector(2pin)	[CN2]
36	0KYK2148LS005	AG		C	Connector(3pin)	[CN6]
37	0KYK2051AQ002	AG		C	Connector(3pin)	[CNAC]
38	0KYK2051AQ002	AG		C	Connector(3pin)	[CNHT]
39	0KYK2148LS004	AN		C	Connector(14pin)	[CNPW]
40	0KYD4066AQ105	AF		B	Zener diode(HZS30)	[D2]
41	0KYD2051AQ002	AD		B	Diode(1SS133)	[D4]
42	0KYD4066AQ060	AF		B	Zener diode(HZS9)	[D5]
43	0KYD2051AQ002	AD		B	Diode(1SS133)	[D6]
44	0KYD2051AQ002	AD		B	Diode(1SS133)	[D7]
45	0KYW0000AQ005	AC		C	Wire(5mm)	[D8]
46	0KYD1057AQ006	AF		B	Diode(ERA15-06)	[D10]
47	0KYD1057AQ006	AF		B	Diode(ERA15-06)	[D11]
48	0KYD1057AQ006	AF		B	Diode(ERA15-06)	[D12]
49	0KYD1057AQ006	AF		B	Diode(ERA15-06)	[D13]
50	0KYD1057AQ006	AF		B	Diode(ERA15-06)	[D51]
51	0KYD1057AQ006	AF		B	Diode(ERA15-06)	[D52]
52	0KYD3155AL001	AU	N	B	Diode(YG861S15R)	[D101]
53	0KYD4061AQ270	AL		B	Zener diode(HZ27P)	[D104]
54	0KYD4066AQ048	AF		B	Zener diode(HZS7)	[D110]
55	0KYD2066AQ006	AH		B	Diode(ERA83-006)	[D151]
56	0KYD3134AA004	AK		B	Diode(CB833-04)	[D271]
57	0KYD4066AQ015	AE		B	Zener diode(HZS3)	[D274]
58	0KYD4061AQ5R6	AK		B	Zener diode(HZ5.6P)	[D275]
59	0KYD4066AQ078	AE		B	Zener diode(HZS12B2)	[D277]
60	0KYD4066AQ015	AE		B	Zener diode(HZS3)	[D291]
61	0KYD3134AA004	AK		B	Diode(CB833-04)	[D301]
62	0KYD1057AQ006	AF		B	Diode(ERA15-06)	[D501]
63	0KYK7135AS006	AM	N	A	Fuse(T6.3AH/AC250V)	[F1]
64	0KYK7144AR003	AL	N	A	Fuse(T2.5A/AC250V)	[F2]
65	0KYK7135AS006	AM	N	A	Fuse(T6.3AH/AC250V)	[F3]
66	0KYW0000AQ012	AC		C	Wire(12.5mm)	[F101]
67	0KYK7144AR005	AL	N	A	Fuse(T4A/AC250V)	[F102]
68	0KYK7144AR005	AL	N	A	Fuse(T4A/AC250V)	[F103]
69	0KY0MPS902200	AF		C	Heat sink	[HS1]
70	0KY0MPS902200	AF		C	Heat sink	[HS2]
71	0KY0MPS902100	AH		C	Heat sink	[HS3]
72	0KYH2107AR001	AQ		B	IC(TA76432S)	[IC201]
73	0KYH1050BQ5R0	AT		B	IC(μ PC7805AHF)	[IC301]
74	0KYW0000AQ012	AC		C	Wire(12.5mm)	[J2]
75	0KYW0000AQ005	AC		C	Wire(5mm)	[J4]
76	0KYW0000AQ005	AC		C	Wire(5mm)	[J101]
77	0KYW0000AQ005	AC		C	Wire(5mm)	[J102]
78	0KYW0000AQ012	AC		C	Wire(12.5mm)	[J103]
79	0KYW0000AQ005	AC		C	Wire(5mm)	[J104]
80	0KYW0000AQ010	AC		C	Wire(10mm)	[J105]
81	0KYW0000AQ012	AC		C	Wire(12.5mm)	[J106]
82	0KYW0000AQ007	AC		C	Wire(7.5mm)	[J107]
83	0KYR3121TC000	AB		C	Resistor(1/8W 0Ω)	[J108]
84	0KYR3111VC000	AB		C	Resistor(1/10W 0Ω)	[J109]
85	0KYR3121TC000	AB		C	Resistor(1/8W 0Ω)	[J110]

NO.	PARTS CODE	PRICE RANK	NEW MARK	PART RANK	DESCRIPTION	
[11] Power supply PWB unit						
86	0KYR3131AC000	AC		C	Resistor(1/4W 0Ω)	[J112]
87	0KYW0000AQ005	AC		C	Wire(5mm)	[J113]
88	0KYL1179JL333	AM	N	C	Inductor(OR5A333F20A)	[L1]
89	0KYL1118RS400	AQ		C	Inductor(SN8SP-404JA)	[L3]
90	0KYL1105SL560	AN		C	Inductor(SBC9-560)	[L271]
91	0KYD7102AR8R0	AM		B	NTC thermistor(NTPA78R0)	[NTC1]
92	0KYH7137AS001	AL		B	Optical isolater(TLP421F)	[PC1]
93	0KYH7151AS001	AW		B	Optical isolater(TLP363JF)	[PC2]
94	0KYH7137AS001	AL		B	Optical isolater(TLP421F)	[PC3]
95	0KYT2717KL002	AY		B	FET(2SK2717)	[Q1]
96	0KYT4097CC002	AG		B	Transistor(2SC4097)	[Q2]
97	0KYT4081CC002	AF		B	Transistor(2SC4081)	[Q101]
98	0KYT1029LC001	AU		B	FET(FDS6685)	[Q271]
99	0KYT1018NC001	AG		B	Transistor(XP4601)	[Q272]
100	0KYT4081CC002	AF		B	Transistor(2SC4081)	[Q274]
101	0KYT1576AC002	AF		B	Transistor(2SA1576A)	[Q291]
102	0KYT4081CC002	AF		B	Transistor(2SC4081)	[Q292]
103	0KYT1576AC002	AF		B	Transistor(2SA1576A)	[Q301]
104	0KYT4081CC002	AF		B	Transistor(2SC4081)	[Q501]
105	0KYR1066BQ475	AE		C	Resistor(1/2W 4.7MΩ)	[R1]
106	0KYR3126TC274	AC		C	Resistor(1/8W 270KΩ)	[R2]
107	0KYR3126TC274	AC		C	Resistor(1/8W 270KΩ)	[R3]
108	0KYR3126TC274	AC		C	Resistor(1/8W 270KΩ)	[R4]
109	0KYR3114VC153	AC		C	Resistor(1/10W 15KΩ)	[R5]
110	0KYR3120TC102	AC	N	C	Resistor(1/8W 1KΩ)	[R6]
111	0KYR3121TC221	AB		C	Resistor(1/8W 220Ω)	[R7]
112	0KYR3111VC333	AB		C	Resistor(1/10W 33KΩ)	[R8]
113	0KYR3111VC101	AB		C	Resistor(1/10W 100Ω)	[R9]
114	0KYR3111VC682	AB		C	Resistor(1/10W 6.8KΩ)	[R10]
115	0KYR3114VC822	AC		C	Resistor(1/10W 8.2KΩ)	[R11]
116	0KYR3111VC223	AB		C	Resistor(1/10W 22KΩ)	[R12]
117	0KYR3111VC122	AC		C	Resistor(1/10W 1.2KΩ)	[R13]
118	0KYR3111VC681	AB		C	Resistor(1/10W 680Ω)	[R17]
119	0KYR3131AC100	AB		C	Resistor(1/4W 10Ω)	[R19]
120	0KYR3062UQ100	AL		C	Resistor(1/6W 10Ω)	[R20]
121	0KYR3121TC220	AC		C	Resistor(1/8W 22Ω)	[R21]
122	0KYR3121TC151	AC		C	Resistor(1/8W 150Ω)	[R23]
123	0KYR1053UQ563	AC		C	Resistor(1/4W 56KΩ)	[R51]
124	0KYR3121TC563	AC		C	Resistor(1/8W 56KΩ)	[R52]
125	0KYR3121TC563	AC		C	Resistor(1/8W 56KΩ)	[R53]
126	0KYR3121TC563	AC		C	Resistor(1/8W 56KΩ)	[R54]
127	0KYR3114VC102	AC		C	Resistor(1/10W 1KΩ)	[R101]
128	0KYR3120TC101	AC		C	Resistor(1/8W 100Ω)	[R102]
129	0KYR3113VC334	AC		C	Resistor(1/10W 330KΩ)	[R103]
130	0KYR3120TC153	AB		C	Resistor(1/8W 15KΩ)	[R105]
131	0KYR3120TC752	AB		C	Resistor(1/8W 7.5KΩ)	[R106]
132	0KYR3111VC103	AB		C	Resistor(1/10W 10KΩ)	[R250]
133	0KYR3111VC152	AC		C	Resistor(1/10W 1.5KΩ)	[R274]
134	0KYR3114VC752	AC		C	Resistor(1/10W 7.5KΩ)	[R275]
135	0KYR3121TC102	AB		C	Resistor(1/8W 1KΩ)	[R276]
136	0KYR3114VC681	AC		C	Resistor(1/10W 680Ω)	[R277]
137	0KYR3114VC332	AC		C	Resistor(1/10W 3.3KΩ)	[R278]
138	0KYR3111VC332	AC		C	Resistor(1/10W 3.3KΩ)	[R279]
139	0KYR3111VC102	AB		C	Resistor(1/10W 1KΩ)	[R280]
140	0KYR3111VC103	AB		C	Resistor(1/10W 10KΩ)	[R281]
141	0KYR3111VC103	AB		C	Resistor(1/10W 10KΩ)	[R282]
142	0KYR3114VC302	AC	N	C	Resistor(1/10W 3KΩ)	[R291]
143	0KYR3114VC562	AC		C	Resistor(1/10W 5.6KΩ)	[R292]
144	0KYR3111VC153	AC		C	Resistor(1/10W 15KΩ)	[R293]
145	0KYR3111VC272	AC		C	Resistor(1/10W 2.7KΩ)	[R294]
146	0KYR3111VC332	AC		C	Resistor(1/10W 3.3KΩ)	[R295]
147	0KYR3113VC274	AC		C	Resistor(1/10W 270KΩ)	[R301]
148	0KYR3113VC184	AC		C	Resistor(1/10W 180KΩ)	[R302]
149	0KYR3111VC103	AB		C	Resistor(1/10W 10KΩ)	[R303]
150	0KYR3114VC472	AC		C	Resistor(1/10W 4.7KΩ)	[R306]
151	0KYR3131AC472	AC		C	Resistor(1/4W 4.7KΩ)	[R501]
152	0KYR3131AC472	AC		C	Resistor(1/4W 4.7KΩ)	[R502]
153	0KYR3131AC472	AC		C	Resistor(1/4W 4.7KΩ)	[R503]
154	0KYR3131AC472	AC		C	Resistor(1/4W 4.7KΩ)	[R504]
155	0KYR1053UQ103	AC		C	Resistor(1/4W 10KΩ)	[R505]
156	0KYR3111VC103	AB		C	Resistor(1/10W 10KΩ)	[R507]
157	0KYR1053UQ473	AC		C	Resistor(1/4W 47KΩ)	[R508]
158	0KYR3111VC473	AC		C	Resistor(1/10W 47KΩ)	[R509]
159	0KYK3104AL001	AU		B	Relay(G5PA-1)	[RL1]
160	0KYL2100DS083	BA	N	B	Transformer(83D1)	[T1]
161	0KYD5013AQ612	AV		B	Triac(SM12JZ47)	[TRA1]
162	0KYR8054EQ502	AG		C	Variable resistor(1/10W 5KΩ)	[VR101]
163	0KYD7062AQ471	AH		B	Transient voltage surge suppressor(ENC471D-07A)	[Z1]
164	0KYM1108AZ001	AE		C	Screw with washer(3x7)	[SR1]
165	0KYM1108AZ001	AE		C	Screw with washer(3x7)	[SR2]
166	0KYM1108AZ001	AE		C	Screw with washer(3x7)	[SR3]
167	0KYM1108AZ001 (Unit)	AE		C	Screw with washer(3x7)	[SR4]
△	901	RDENT2215XHZZ	BQ	N	E	Power supply PWB unit

NO.	PARTS CODE	PRICE RANK	NEW MARK	PART RANK	DESCRIPTION
[12] High voltage PWB unit					
901	RDENT2206XHZZ	BK	N	E	High voltage PWB unit
[13] Operation panel PWB unit					
1	QSW-K0005AWZZ (Unit)	AC		C	Tact switch [SW]
901	DCEKP304DXH01	BD	N	E	Operation panel PWB unit

INDEX

PARTS CODE	No.	PRICE RANK	NEW MARK	PART RANK
[C]				
CCNWN346CXH01	2-25	AP	N	C
CFRM-2265XH02	5-901	BV	N	E
CROLR2528XH51	1-24		N	C
[D]				
DCEKC586VXHZZ	1-1		N	E
"	9-901		N	E
DCEKC587VXHZZ	1-1		N	E
"	9-901		N	E
DCEKL475CXH12	1-2		N	E
"	10-901		N	E
DCEKL475CXH13	1-2		N	E
"	10-901		N	E
DCEKP304DXH01	2-1	BD	N	E
"	13-901	BD	N	E
DUNT-291DXH18	8-4		N	S
DUNT-291DXH21	8-4		N	S
DUNT-292DXH18	8-5		N	S
DUNT-292DXH21	8-5		N	S
DUNTK273DXHZZ	1-25	BV	N	E
[G]				
GCABA2451XHSA	2-4	BB	N	C
GCABB2450XHSA	1-29	BR	N	D
GCABB2452XHSA	2-26	BF	N	C
GCÖVA2510XHSA	1-3	BA	N	C
GCÖVA2511XHSA	3-25	AS	N	C
GCÖVA2512XHZZ	2-5	AH	N	C
GCÖVA2513XHSA	1-61	AY	N	C
GCÖVA2514XHSA	1-100	BA	N	C
GCÖVA2515XHSA	1-88	AU	N	C
GLEGG2089XHZZ	1-30	AE	N	C
[H]				
HPNLH2450XHSL	2-54	AP	N	D
HPNLH2450XHSM	2-54		N	D
[J]				
JBTN-2483XHSA	2-6	AF	N	C
JBTN-2484XHSA	2-7	AL	N	C
JBTN-2486XHSA	2-8	AK	N	C
JBTN-2487XHSA	2-9	AK	N	C
JBTN-2489XHSA	2-10	AE	N	C
[L]				
LANGF2869XHZZ	1-62	AN	N	C
LANGF2870XHZZ	1-89	AG	N	C
LANGJ2847XHZZ	1-101	AG	N	C
LBNDJ2006XHZZ	1-90	AA	N	C
"	5-43	AA	N	C
LBSHP2113XHZA	1-31	AE	N	C
LBSHP2113XHZZ	2-52	AH	N	C
LBSHP2135XHZZ	3-10	AC	N	C
LBSHP2136XHZZ	2-53	AC	N	C
"	3-11	AC	N	C
LBSHP2161XHZZ	1-33	AE	N	C
LBSHP2162XHZZ	5-5	AE	N	C
LBSHP2167XHZZ	5-6	AK	N	C
LBSHP2168XHZZ	5-7	AE	N	C
LFRM-2262XHZZ	7-1	AN	N	C
LFRM-2263XHZZ	6-1	AW	N	C
LFRM-2264XHZZ	1-63	AT	N	C
LFRM-2265XHZZ	5-8	AU	N	C
LFRM-2266XHZZ	5-9	AV	N	C
LHLDW2310XHZZ	1-102	AE	N	C
LHLDZ2295XHZZ	1-64	AE	N	C
LHLDZ2296XHZZ	1-65	AE	N	C
LHLDZ2297XHZZ	5-1	AE	N	C
LHLDZ2299XHZZ	2-41	AH	N	C
LHLDZ2300XHZZ	2-42	AG	N	C
LPLTG3307XHZZ	3-1	AF	N	C
LPLTG3386XHZZ	1-20	AL	N	C
LPLTG3388XHZZ	1-22	AG	N	C
LPLTM0163GCZZ	1-66	AE	N	C
LPLTM3387XHZZ	2-55	AF	N	C
LPLTP2790XHZZ	3-2	AD	N	C
LPLTP3335XHSA	1-4	AF	N	C
LPLTP3336XHSA	1-5	AF	N	C
LPLTP3338XHZZ	2-27	AW	N	C
LPLTP3339XHZZ	2-28	AE	N	C
LPLTP3340XHZZ	7-2	AK	N	C
LPLTP3342XHZZ	1-16	AE	N	C
LPLTP3343XHZZ	6-2	AV	N	C

PARTS CODE	No.	PRICE RANK	NEW MARK	PART RANK
LPLTP3344XHSA	8-2	AY	N	C
LPLTP3345XHSA	8-3	AK	N	C
LPLTP3346XHZZ	1-91	AZ	N	C
LPLTP3348XHZZ	5-10	AG	N	C
LPLTP3349XHZZ	1-21	AU	N	C
LPLTP3363XHZZ	3-12	AH	N	C
LPLTP3376XHZZ	5-11	AK	N	C
LSTPP2063XHZZ	3-26	AE	N	C
LX-BZ0956XHZZ	5-B1	AE	N	C
LX-BZ2138XHZZ	5-B2	AD	N	C
LX-BZ2205XHZZ	1-B2	AE	N	C
LX-BZ2222XHZZ	5-B3	AD	N	C
LX-BZ2241XHZZ	6-B1	AD	N	C
LX-BZ2282XHZZ	1-B12	AE	N	C
LX-BZ2314XHZZ	6-B2	AD	N	C
LX-BZ2321XHZZ	1-B7	AE	N	C
LX-BZ2323XHZZ	2-B7	AE	N	C
[M]				
MARMP2025XHZZ	3-3	AF	N	C
MLEVP2402XHSA	3-27	AG	N	C
MLEVP2403XHSA	2-29	AG	N	C
MLEVP2404XHZZ	2-30	AG	N	C
MLEVP2405XHZA	7-3	AF	N	C
MLEVP2406XHZZ	7-4	AE	N	C
MLEVP2409XHZZ	6-36	AL	N	C
MLEVP2409XHZZ	6-3	AE	N	C
MLEVP2410XHSA	1-67	AK	N	C
MLEVP2411XHZZ	5-12	AF	N	C
MLEVP2412XHZZ	5-13	AF	N	C
MLEVP2413XHZZ	5-14	AF	N	C
MSPRC2568XHZZ	2-11	AE	N	C
MSPRC2735XHZZ	6-4	AC	N	C
"	7-5	AC	N	C
MSPRC3301XHZZ	1-9	AB	N	C
"	1-39	AB	N	C
MSPRC3505XHZZ	1-17	AD	N	C
MSPRC3506XHZZ	1-18	AF	N	C
MSPRC3519XHZZ	6-5	AE	N	C
MSPRC3522XHZZ	1-68	AD	N	C
MSPRC3525XHZZ	1-69	AE	N	C
MSPRC3527XHZZ	1-70	AD	N	C
MSPRC3528XHZZ	5-15	AE	N	C
MSPRC3530XHZZ	5-16	AD	N	C
MSPRC3531XHZZ	5-17	AE	N	C
MSPRC3542XHZZ	2-31	AD	N	C
MSPRC3547XHZZ	6-6	AE	N	C
MSPRC3567XHZZ	3-24	AE	N	C
MSPRC3572XHZZ	2-43	AE	N	C
MSPRC3576XHZZ	1-71	AE	N	C
MSPRC3589XHZZ	3-13	AD	N	C
MSPRC3590XHZZ	1-40	AE	N	C
MSPRC3595XHZZ	5-18	AE	N	C
MSPRD3523XHZZ	1-72	AE	N	C
MSPRD3529XHZZ	5-19	AE	N	C
MSPRD3543XHZZ	2-32	AE	N	C
MSPRD3545XHZZ	1-41	AE	N	C
MSPRD3548XHZZ	1-73	AE	N	C
MSPRD3550XHZZ	5-20	AE	N	C
MSPRD3560XHZZ	2-33	AE	N	C
MSPRD3564XHZZ	3-4	AE	N	C
MSPRD3566XHZZ	3-14	AE	N	C
MSPRD3569XHZZ	2-49	AE	N	C
MSPRD3570XHZZ	2-34	AE	N	C
MSPRD3574XHZZ	4-1	AE	N	C
MSPRD3575XHZZ	4-2	AE	N	C
MSPRK3549XHZZ	5-21	AF	N	C
MSPRK3590XHZZ	5-22	AE	N	C
MSPRP3514XHZZ	6-7	AG	N	C
MSPRP3515XHZZ	6-8	AG	N	C
MSPRP3516XHZZ	6-9	AG	N	C
MSPRP3517XHZZ	6-10	AG	N	C
MSPRP3518XHZZ	6-11	AH	N	C
MSPRP3524XHZZ	1-74	AE	N	C
MSPRP3534XHZZ	1-75	AF	N	C
MSPRP3535XHZZ	5-23	AE	N	C
MSPRP3591XHZZ	1-42	AE	N	C
MSPRT3507XHZZ	1-43	AE	N	C
MSPRT3563XHZZ	3-5	AD	N	C
MSPRT3565XHZZ	3-28	AD	N	C
MSPRT3571XHZZ	7-6	AD	N	C

AM-400PL

PARTS CODE	No.	PRICE RANK	NEW MARK	PART RANK
MSPRT3594XHZZ	5-24	AE	N	C
【 N 】				
NBLTK2067XHZZ	7-7	AS	N	C
NFANP2005XHZZ	6-12	AY	N	B
NGERH2278XHZZ	7-8	AC		C
NGERH2458XHZZ	6-13	AB		C
NGERH2466XHZZ	4-3	AE		C
NGERH2480XHZZ	6-14	AB		C
NGERH2517XHZA	7-9	AF	N	C
NGERH2541XHZZ	7-10	AE	N	C
NGERH2542XHZZ	3-15	AE	N	C
NGERH2543XHZZ	2-51	AC		C
NGERH2547XHZZ	3-16	AE		C
NGERH2573XHZZ	7-11	AD		C
NGERH2576XHZA	5-25	AF	N	C
NGERH2576XHZA	6-16	AF	N	C
NGERH2577XHZZ	6-17	AD		C
NGERH2581XHZZ	6-18	AC		C
NGERH2582XHZA	5-26	AY		C
NGERH2602XHZZ	4-4	AH		C
NGERH2603XHZZ	4-5	AE		C
NGERH2621XHZZ	6-20	AF		C
NGERH2655XHZZ	7-12	AE	N	C
NGERH2656XHZZ	7-13	AE	N	C
NGERH2657XHZZ	3-17	AE	N	C
"	7-14	AE	N	C
NGERH2658XHZZ	7-15	AE	N	C
NGERH2661XHZZ	1-45	AE	N	C
NGERH2662XHZZ	4-6	AE	N	C
NGERH2663XHZZ	6-21	AE	N	C
NGERH2664XHZZ	6-22	AE	N	C
NGERH2667XHZZ	6-25	AE	N	C
NGERH2670XHZZ	6-26	AE	N	C
NGERH2671XHZZ	6-27	AE	N	C
NGERH2673XHZZ	6-28	AE	N	C
NGERH2677XHZZ	1-76	AE	N	C
NGERH2678XHZZ	5-27	AF	N	C
NGERH2679XHZZ	5-28	AE	N	C
NGERH2680XHZZ	5-29	AE	N	C
NGERH2693XHZZ	7-16	AE	N	C
NGERH2697XHZZ	6-23	AG	N	C
NGERH2698XHZZ	6-24	AG	N	C
NGERH2699XHZZ	6-19	AL	N	C
NGERH2700XHZZ	6-15	AF	N	C
NGERP2318XHZZ	1-10	AD		C
"	1-46	AD		C
NPLYD2088XHZZ	2-35	AC		C
NPLYD2099XHZZ	7-17	AE	N	C
NROLP2332XHZA	4-7	AL	N	C
NROLP2334XHZA	1-77	AC		C
"	2-12	AC		C
"	3-18	AC		C
NROLP2420XHZZ	4-8	AM		C
NROLP2530XHZZ	1-78	BD	N	C
NROLP2536XHZZ	5-30	BD	N	C
NROLR2333XHZZ	3-29	AP		C
NROLR2525XHZZ	3-19	AQ	N	C
NROLR2526XHZZ	2-50	AS	N	C
NROLR2527XHZZ	1-47	AQ	N	C
NROLR2539XHZZ	5-31	BD	N	C
NSFTP2393XHZZ	1-6	AF	N	C
NSFTP2394XHZZ	3-30	AF	N	C
NSFTP2400XHZZ	4-9	AS	N	C
NSFTP2401XHZZ	6-29	AE	N	C
NSFTZ2396XHZZ	2-36	AG	N	C
NSFTZ2397XHZZ	2-37	AS	N	C
NSFTZ2402XHZZ	1-79	AK	N	C
NSFTZ2406XHZZ	3-20	AH	N	C
NSFTZ2407XHZZ	2-13	AH	N	C
【 P 】				
PBRs-2074XHZZ	1-11	AG	N	C
PBRs-2075XHZZ	1-80	AE	N	C
PBRs-2076XHZZ	1-108	AF	N	C
PCUSS2226XHZZ	1-7	AE	N	C
PGiDM2677XHSA	1-49	AG	N	C
PGiDM2678XHZZ	1-92	AE	N	C
PGiDM2679XHSA	1-12	AF	N	C
PGiDM2680XHSA	1-13	AF	N	C
PGiDM2681XHSA	3-6	AN	N	C
PGiDM2682XHSA	3-21	AN	N	C
PGiDM2683XHSA	3-31	AQ	N	C
PGiDM2687XHZZ	1-50	AE	N	C

PARTS CODE	No.	PRICE RANK	NEW MARK	PART RANK
PGiDM2688XHZZ	1-51	AE	N	C
PGiDM2689XHZZ	1-19	AW	N	C
PGiDM2690XHSA	1-113	AY	N	C
PGiDM2691XHSA	1-114	AY	N	C
PGiDM2692XHSA	1-82	AQ	N	C
PGiDM2694XHSA	1-52	AE	N	C
PGiDM2695XHSA	1-53	AE	N	C
PGiDM2696XHZZ	4-10	AE	N	C
PGiDM2697XHZZ	4-11	AU	N	C
PGiDM2698XHZZ	4-12	AS	N	C
PGiDM2699XHZZ	1-81	AH	N	C
PGiDM2700XHZZ	1-93	AE	N	C
PGiDM2702XHZZ	5-32	AE	N	C
PGiDM2703XHZA	3-22	AG	N	C
PGiDM2704XHZZ	2-44	AE	N	C
PGiDM2705XHZZ	2-45	AE	N	C
PGLSP2064XHZA	2-14		N	C
PGLSP2065XHZZ	2-15	AQ	N	C
PHOP-2120XHSA	1-14	AQ	N	C
PHOP-2121XHSA	8-1	AV	N	C
PSEL-2043XHZZ	2-24	AE	N	C
PSHEP3853XHZZ	5-2	AG	N	C
PSHEP3879XHZZ	1-105	AE	N	C
PSHEP3883XHZZ	1-107	AG	N	C
PSHEZ3410XHZZ	1-103	AB		C
PSHEZ3843XHZZ	3-23	AF	N	C
PSHEZ3854XHZZ	2-16	AH	N	C
PSHEZ3855XHZZ	1-8	AY	N	C
PSHEZ3864XHZZ	5-33	AG	N	C
PSHEZ3866XHZZ	2-17	AE	N	C
PSHEZ3880XHZA	8-27	AE	N	D
PSHEZ3880XHZA	8-27	AE	N	D
PSHEZ3884XHZZ	2-56	AE	N	C
PSHEZ3885XHZZ	8-30	AG	N	C
PSPAP2290XHZZ	2-57	AF	N	C
PSPO-2001XHZZ	1-23	AD		C
PSPO-2013XHZZ	1-54	AE		C
PSPO-2024XHZZ	5-3	AG	N	C
PTME-2081XHZZ	5-34	AF	N	C
PTPEZ2116XHZZ	2-18	AE	N	C
PTPEZ2117XHZZ	2-19	AE	N	C
PTPEZ2118XHZZ	2-20	AE	N	C
PTPEZ2127XHZZ	2-38	AC	N	C
【 Q 】				
QACCE2082XHZZ	1-94	AX		B
QCNCM2401SC0B	9-250	AA		C
"	9-257	AA		C
"	9-261	AA		C
QCNCM2442SC0B	9-247	AB		C
"	9-256	AB		C
QCNCM2666XH0B	9-264	AD		C
"	9-267	AD		C
QCNCM2666XH0D	9-268	AD		C
QCNCM2666XH0E	9-258	AE	N	C
QCNCM2694XH0B	9-251	AE	N	C
QCNCM2694XH0C	9-249	AE	N	C
QCNCM2694XH0E	9-252	AE	N	C
QCNCM2694XH0F	9-262	AE	N	C
QCNCM2694XH1B	9-253	AE	N	C
"	10-35	AE		C
QCNCM2694XH1D	9-263	AE	N	C
QCNCM2710XHZZ	9-270	AK	N	C
QCNCM7014SC0B	9-265	AD		C
"	9-269	AD		C
QCNCM7014SC0C	9-260	AA		C
QCNCM7014SC0D	9-255	AB		C
"	9-266	AB		C
QCNCM7014SC0H	9-254	AB		C
QCNCW2556SC1B	9-248	AG		C
QCNCW2556SC1F	9-259	AG	N	C
QCNWG370BXHZZ	8-6	AL		C
QCWNW245CXHZZ	2-21	AL	N	C
QCWNW246CXHZZ	1-26	AL	N	C
QCWNW247CXHZZ	1-27	AL	N	C
QCWNW248CXHZZ	2-46	AN	N	C
QCWNW249CXHZZ	2-22	AG	N	C
QCWNW254CXHZZ	2-39	AG	N	C
QCWNW255CXHZZ	3-7	AG	N	C
QCWNW256CXHZZ	1-83	AG	N	C
QCWNW259CXHZZ	1-55	AG	N	C
QCWNW260CXHZZ	3-8	AG	N	C
QCWNW261CXHZZ	1-95	AG	N	C

PARTS CODE	No.	PRICE RANK	NEW MARK	PART RANK
QCNWN262CXHZZ	5-35	AG	N	C
QCNWN264CXHZZ	4-13	AG	N	C
QCNWN266CXHZZ	5-36	AK	N	C
QCNWN267CXHZZ	1-84	AN	N	C
QCNWN278CXHZZ	1-56	AG	N	C
QCNWN297CXHZZ	6-30	AH	N	C
QCNWN315CXHZZ	1-57	AG	N	C
QCNWN316CXHZZ	1-28	AG	N	C
QCNWN317CXHZZ	6-31	AE	N	C
QCNWN390CXHZZ	1-109	AN	N	C
QCNWN392CXHZZ	1-112	AL	N	C
QFS-L0004QCZZ	9-281	AE	N	A
QFS-L1027YCZZ	9-278	AE		A
QFS-L2016XHZZ	9-283	AD		A
QFS-L2021XHZZ	9-279	AE	N	A
"	9-280	AE	N	A
QFS-L2025XHZZ	9-282	AE	N	A
QFS-T2019XHZZ	5-37	AQ	N	A
QFS-T2020XHZZ	5-4	AT	N	A
QJAKZ2046SCBB	10-46	AH		C
QJAKZ2046SCFD	10-46	AL		C
QSW-F2224SCZZ	6-32	AE		C
QSW-K0005AWZZ	2-3	AC		C
"	13-1	AC		C
QSW-M2221XHZA	1-58	AL	N	C
"	1-85	AL	N	C
QSW-M2296XHZZ	1-59	AD		C
QSW-M2324XHZZ	2-40	AN		C
QSW-M2342XHZZ	6-33	AV	N	C
QSW-M2343XHZZ	1-86	AN	N	C
QSW-Z2237XHZB	2-23	AL	N	C
"	4-14	AL	N	C
QSW-Z2250XHZA	3-9	AL	N	C
QTANZ2042SCZZ	10-3	AB		C
【 R 】				
RC-FZ3078SCZZ	10-13	AF		C
RC-FZ3080SCZZ	10-8	AL		C
RCiLF2125SCZZ	10-42	AF		C
RCiLF2195XHZZ	9-314	AL	N	C
RCiLZ0285AFZZ	9-398	AB		C
"	9-647	AB		C
RCiLZ2193XHZZ	9-317	AE	N	C
"	9-367	AE		C
"	9-368	AE		C
"	9-370	AE		C
"	9-371	AE		C
"	9-372	AE		C
"	9-373	AE		C
"	9-556	AE		C
RCORF2146XHZZ	1-96	AG		B
RCORF2147XHZZ	1-111	AG		B
RCORF2152SCZZ	2-48	AL	N	B
RCORF2154XHZZ	1-97	AG	N	B
RCRSA2212XHZZ	9-694	AK	N	B
RCRSA2213XHZZ	9-695	AK	N	B
RCRSA2214XHZZ	9-697	AK	N	B
RCRSB2185XHZZ	9-693	AD		B
RCRSP2194XHZZ	9-696	AL		B
RDENT2206XHZZ	1-98	BK	N	E
"	12-901	BK	N	E
RDENT2215XHZZ	1-99	BQ	N	E
"	11-901	BQ	N	E
RDTCT2001XHZZ	5-38	AV	N	B
RFiLN2027XHZZ	10-41	AC		C
"	10-43	AC		C
"	10-44	AC		C
"	10-45	AC		C
RH-DX2007SCZZ	10-88	AC		B
RH-iX2346XHZZ	9-298	AG		B
RH-iX2394XHZZ	10-39	AG		B
"	10-40	AG		B
RH-iX2411XHZZ	9-291	AG	N	B
"	9-293	AG	N	B
RH-iX2425XHZZ	9-284	BS	N	B
RH-iX2444XHZZ	9-297	BP	N	B
RH-iX2446XHZZ	9-286	BK	N	B
RH-iX2447XHZZ	9-312	AX	N	B
RH-iX2448XHZZ	9-289	AL	N	B
RH-iX2450XHZZ	9-304	AG	N	B
"	9-311	AG	N	B
RH-iX2451XHZZ	9-294	AH	N	B
RH-iX2452XHZZ	9-303	AG	N	B

PARTS CODE	No.	PRICE RANK	NEW MARK	PART RANK
RH-iX2453XHZZ	9-302	AG	N	B
"	9-307	AG	N	B
RH-iX2454XHZZ	9-301	AG	N	B
RH-iX2455XHZZ	9-308	AG	N	B
RH-iX2456XHZZ	9-306	AG	N	B
RH-iX2457XHZZ	9-305	AG	N	B
RH-iX2458XHZZ	9-295	AG	N	B
RH-iX2459XHZZ	9-285	AG	N	B
RH-iX2461XHZZ	9-300	AH	N	B
RH-iX2462XHZZ	9-292	AZ	N	B
RH-iX2493XHZZ	9-313	AH	N	B
RH-iX2494XHZZ	9-290	AH	N	B
RLMPU2016XHZZ	5-39	BE	N	B
RMOTS2199XHZZ	6-34	BC	N	B
RMOTS2202XHZZ	6-35	AY	N	B
RMOTZ2201XHZZ	7-18	AW	N	B
RRLYD3439XHZZ	10-34	AM		B
RTRNi2165XHZZ	10-89	AG		B
RUiTZ2001XHZZ	2-2	AZ	N	E
RUiTZ2006XHZZ	2-47	BT	N	B
【 S 】				
SPAKA279GXHZZ	8-7	AQ	N	D
SPAKA280GXHZZ	8-8	AS	N	D
SPAKA281GXHZZ	8-9	AQ	N	D
SPAKA282GXHZZ	8-10	AQ	N	D
SPAKA286GXHZZ	8-11	AG	N	D
SPAKA356GXHZZ	8-14	AG	N	D
SPAKA357GXHZZ	8-15	AG	N	D
SPAKA373GXHZZ	8-16	AD	N	D
SPAKA374GXHZZ	8-17	AD	N	D
SPAKA386GXHZZ	8-26	AE	N	D
SPAKA428GXHZZ	8-13	AE	N	D
SPAKA429GXHZZ	8-12	AE	N	D
SPAKC377GXHTA	8-18	BB	N	D
SPAKP285GXHZZ	8-19	AK	N	D
【 T 】				
TCADH3811XHZZ	8-22	AK	N	D
TCADH3815XHZZ	8-22		N	D
TCADZ3812XHZZ	8-21		N	D
TCADZ3844XHZZ	8-21		N	D
TCAUH2041XHZZ	5-40	AG	N	D
TCAUZ2044XHZA	1-87	AK	N	D
TCAUZ2046XHZZ	1-106	AK	N	D
TGANZ2365XHZZ	8-33		N	D
TLABH208KXHZZ	1-110		N	D
TLABH3335XHZZ	1-115	AF	N	D
TLABH351JXHZZ	5-41	AD	N	D
TLABH363JXHZZ	8-32		N	D
TLABH363JXHZZ	8-32	AH		D
TLABH434JXHZZ	1-110		N	D
TLABM224JXHZZ	1-60	AE	N	D
【 U 】				
UDSKA2053XHZZ	8-25	BB	N	D
【 V 】				
VCCCCZ1EH100D	9-189	AA		C
"	9-191	AA		C
"	9-198	AA		C
"	9-237	AA		C
VCCCCZ1EH101J	9-96	AA		C
"	9-97	AA		C
"	9-98	AA		C
"	9-99	AA		C
"	9-188	AA		C
"	9-196	AA		C
VCCCCZ1EH150J	9-176	AC		C
"	9-177	AC		C
VCCCCZ1EH180J	9-18	AA		C
"	9-19	AA		C
"	9-21	AA		C
"	9-22	AA		C
"	9-651	AA		C
VCCCCZ1EH221J	9-142	AB		C
"	9-145	AB		C
"	9-152	AB		C
"	9-158	AB		C
"	9-166	AB		C
"	9-167	AB		C
VCCCCZ1EH270J	9-29	AA		C
VCCCCZ1EH271J	9-86	AA		C
"	9-87	AA		C
"	9-88	AA		C
"	9-89	AA		C

AM-400PL

PARTS CODE	No.	PRICE RANK	NEW MARK	PART RANK
"	9-90	AA		C
"	9-91	AA		C
"	9-92	AA		C
"	9-94	AA		C
"	9-95	AA		C
VCCCCZ1EH330J	9-31	AC		C
"	9-187	AC		C
"	9-190	AC		C
"	9-192	AC		C
"	9-204	AC		C
"	9-205	AC		C
"	9-238	AC		C
VCCCCZ1EH470J	9-160	AA		C
VCCCCZ1HH8R0D	9-161	AA		C
VCE9GA475V1HM	10-4	AC		C
VCEAEA1CW106M	9-25	AC		C
"	9-30	AC		C
"	9-34	AC		C
"	9-36	AC		C
"	9-151	AC		C
"	9-153	AC		C
"	9-156	AC		C
"	9-164	AC		C
"	9-185	AC		C
"	9-201	AC		C
"	9-232	AC		C
VCEAEA1CW107M	9-60	AC		C
VCEAEA1EW475M	9-132	AA		C
VCEAEA1HW105M	9-133	AC		C
VCEAGA1CW476M	9-83	AB		C
"	9-131	AB		C
"	9-220	AB		C
"	9-223	AB		C
"	9-235	AB		C
VCEAGA1EW107M	9-168	AB		C
"	10-5	AB		C
"	10-14	AB		C
VCEAGA1EW227M	9-233	AB		C
VCEAGA1EW476M	10-6	AA		C
VCEAGA1HW106M	10-9	AA		C
"	10-10	AA		C
"	10-11	AA		C
"	10-12	AA		C
VCEAGA1HW107M	9-112	AA		C
"	9-208	AA		C
VCEAGA1HW225M	10-9	AA		C
VCEAGA1HW226M	9-135	AB		C
"	9-137	AB		C
"	10-7	AB		C
"	10-15	AB		C
VCEAGA1HW476M	9-217	AB		C
VCKYCY1AB105K	9-144	AB		C
"	9-146	AB		C
"	9-147	AB		C
"	9-165	AB		C
VCKYCY1AB225K	9-59	AB		C
VCKYCY1AF105Z	9-76	AC		C
"	9-84	AC		C
"	9-85	AC		C
"	9-154	AC		C
VCKYCY1CB104K	10-17	AB		C
"	10-18	AB		C
VCKYCY1CF224Z	9-214	AB		C
VCKYCY1HB102K	10-16	AA		C
"	10-27	AA		C
"	10-29	AA		C
VCKYCY1HB103K	9-210	AA		C
"	9-211	AA		C
"	9-212	AA		C
"	9-213	AA		C
"	10-33	AA		C
VCKYCY1HB472K	9-108	AA		C
"	9-109	AA		C
"	9-110	AA		C
"	9-111	AA		C
VCKYCY1HB821K	10-28	AA		C
VCKYCY1HF104Z	9-162	AA		C
"	9-181	AA		C
"	9-202	AA		C
"	9-203	AA		C
"	9-207	AA		C
"	9-215	AA		C

PARTS CODE	No.	PRICE RANK	NEW MARK	PART RANK
"	9-216	AA		C
"	9-218	AA		C
"	9-231	AA		C
"	9-242	AA		C
"	9-243	AA		C
"	9-245	AA		C
"	10-20	AA		C
"	10-21	AA		C
"	10-22	AA		C
"	10-23	AA		C
"	10-24	AA		C
"	10-25	AA		C
"	10-31	AA		C
VCKYCY0JB105K	9-241	AB		C
VCKYCY0JF105Z	9-40	AC		C
"	9-41	AC		C
"	9-42	AC		C
"	9-43	AC		C
"	9-44	AC		C
"	9-45	AC		C
"	9-46	AC		C
"	9-47	AC		C
"	9-48	AC		C
"	9-49	AC		C
"	9-50	AC		C
"	9-51	AC		C
"	9-52	AC		C
"	9-53	AC		C
"	9-54	AC		C
"	9-55	AC		C
"	9-56	AC		C
"	9-57	AC		C
"	9-61	AC		C
"	9-62	AC		C
"	9-63	AC		C
"	9-64	AC		C
"	9-65	AC		C
"	9-66	AC		C
"	9-67	AC		C
"	9-68	AC		C
"	9-69	AC		C
"	9-70	AC		C
"	9-71	AC		C
"	9-72	AC		C
"	9-73	AC		C
"	9-74	AC		C
"	9-75	AC		C
"	9-114	AC		C
VCKYCY1AB104K	9-120	AC		C
"	9-122	AC		C
"	9-123	AC		C
VCKYCY1CB103K	9-17	AA		C
"	9-23	AA		C
"	9-32	AA		C
"	9-58	AA		C
"	9-140	AA		C
VCKYCY1CF104Z	9-20	AB		C
"	9-24	AB		C
"	9-26	AB		C
"	9-27	AB		C
"	9-28	AB		C
"	9-33	AB		C
"	9-35	AB		C
"	9-37	AB		C
"	9-38	AB		C
"	9-39	AB		C
"	9-77	AB		C
"	9-78	AB		C
"	9-80	AB		C
"	9-81	AB		C
"	9-82	AB		C
"	9-93	AB		C
"	9-100	AB		C
"	9-106	AB		C
"	9-115	AB		C
"	9-118	AB		C
"	9-119	AB		C
"	9-121	AB		C
"	9-124	AB		C
"	9-125	AB		C
"	9-126	AB		C
"	9-127	AB		C

PARTS CODE	No.	PRICE RANK	NEW MARK	PART RANK
"	9-128	AB		C
"	9-129	AB		C
"	9-130	AB		C
"	9-136	AB		C
"	9-138	AB		C
"	9-139	AB		C
"	9-150	AB		C
"	9-155	AB		C
"	9-163	AB		C
"	9-169	AB		C
"	9-178	AB		C
"	9-179	AB		C
"	9-180	AB		C
"	9-182	AB		C
"	9-183	AB		C
"	9-184	AB		C
"	9-186	AB		C
"	9-193	AB		C
"	9-194	AB		C
"	9-195	AB		C
"	9-197	AB		C
"	9-199	AB		C
"	9-200	AB		C
"	9-206	AB		C
"	9-209	AB		C
"	9-221	AB		C
"	9-224	AB		C
"	9-234	AB		C
"	9-236	AB		C
"	9-239	AB		C
"	9-240	AB		C
"	9-244	AB		C
VCKYCZ1EB102K	9-79	AA		C
"	9-101	AA		C
"	9-102	AA		C
"	9-103	AA		C
"	9-104	AA		C
"	9-107	AA		C
"	9-113	AA		C
"	9-116	AA		C
"	9-134	AA		C
"	9-141	AA		C
"	9-170	AA		C
"	9-171	AA		C
"	9-219	AA		C
"	9-222	AA		C
"	9-225	AA		C
"	9-226	AA		C
"	9-227	AA		C
"	9-228	AA		C
"	9-229	AA		C
"	9-230	AA		C
VCKYCZ1EB222K	9-148	AB		C
"	9-149	AB		C
"	9-174	AB		C
"	9-175	AB		C
VCKYCZ1EB471K	9-157	AD		C
"	9-172	AD		C
"	9-173	AD		C
VCKYCZ1EB472K	9-105	AA		C
VCKYCZ1HB331K	9-117	AA		C
"	9-143	AA		C
VCKYTQ1CF474Z	9-246	AB		C
VCKYTV1HB104K	10-26	AA		C
VCKYTV1HB223K	10-19	AA		C
"	10-30	AA		C
"	10-32	AA		C
VHD1N4148//-1	10-36	AA		B
"	10-37	AA		B
VHD1SS355//-1	9-271	AB		B
"	9-272	AB		B
"	9-274	AB		B
"	9-277	AB		B
VHDMC2850T1-1	9-273	AE		B
VHE1N4748A/-1	9-275	AC		B
VHEHZ11C3//-1	10-97	AB		B
VHEMTZJ200B-1	10-92	AC		B
"	10-95	AC		B
"	10-97	AC		B
VHEMTZJ300B-1	10-93	AA		B
VHEMTZJ4R7B-1	10-96	AC		B
"	10-98	AC		B

PARTS CODE	No.	PRICE RANK	NEW MARK	PART RANK
VHEMTZJ6R8B-1	10-94	AC		C
VHEUDZS6R2B-1	9-276	AE	N	B
VHiBA10393F-1	9-309	AC		B
VHiF001/TE53E	9-299	BL	N	B
VHiF016/TE46A	9-288		N	E
VHiF016/TE47A	9-288		N	B
VHiNJM2113M-1	9-296	AG		B
VHiPST596CMT1	9-287	AF		B
VHiTHS65//-1A	10-38	AF		B
VHiULN2003AN/	9-310	AE		B
VHPPS2535-1//	10-47	AH		B
VHPPS2561L-1//	10-48	AG		B
"	10-49	AG		B
VHPSG2482A+-1	5-42	AN	N	B
VHVDS301L/-U	10-90	AF		B
VHVRA501PC6-1	10-1	AG		B
"	10-2	AG		B
VHVTN07G101-1	10-91	AB		B
VRD-HT2EY100J	10-59	AA		C
VRD-HT2EY150J	10-60	AA		C
"	10-61	AA		C
VRD-HT2HY223J	10-62	AA		C
VRS-CG1JF221J	9-15	AC	N	C
"	9-16	AC	N	C
VRS-CG1JF271J	9-6	AD	N	C
"	9-9	AD	N	C
"	9-10	AD	N	C
VRS-CG1JF330J	9-1	AC	N	C
"	9-2	AC	N	C
"	9-3	AC	N	C
"	9-4	AC	N	C
"	9-5	AC	N	C
"	9-7	AC	N	C
"	9-8	AC	N	C
"	9-11	AC	N	C
"	9-12	AC	N	C
"	9-13	AC	N	C
"	9-14	AC	N	C
VRS-CY1JB000J	9-159	AA		C
"	9-384	AA		C
"	9-390	AA		C
"	9-392	AA		C
"	9-395	AA		C
"	9-396	AA		C
"	9-397	AA		C
"	9-399	AA		C
"	9-427	AA		C
"	9-428	AA		C
"	9-634	AA		C
"	9-652	AA		C
"	9-653	AA		C
"	9-689	AA		C
"	9-690	AA		C
"	10-64	AA		C
"	10-83	AA		C
VRS-CY1JB102J	10-75	AA		C
"	10-82	AA		C
VRS-CY1JB153J	10-69	AA		C
VRS-CY1JB163J	10-76	AA		C
VRS-CY1JB203J	10-73	AA		C
"	10-76	AA		C
VRS-CY1JB222J	10-81	AA		C
VRS-CY1JB223J	10-72	AA		C
"	10-84	AA		C
VRS-CY1JB271J	10-80	AA		C
VRSCY1JB27R4F	9-382	AD	N	C
"	9-383	AD	N	C
VRS-CY1JB301J	10-86	AA		C
VRS-CY1JB332J	10-68	AA		C
VRS-CY1JB473J	10-74	AA		C
VRS-CY1JB511J	10-77	AA		C
VRS-CY1JB561J	10-87	AA		C
VRS-CY1JB621J	10-87	AA		C
VRS-CZ1JB000J	9-316	AA		C
"	9-337	AA		C
"	9-347	AA		C
"	9-362	AA		C
"	9-363	AA		C
"	9-365	AA		C
"	9-366	AA		C
"	9-374	AA		C
"	9-379	AA		C

PARTS CODE	No.	PRICE RANK	NEW MARK	PART RANK
"	9-385	AA		C
"	9-386	AA		C
"	9-388	AA		C
"	9-391	AA		C
"	9-405	AA		C
"	9-406	AA		C
"	9-425	AA		C
"	9-426	AA		C
"	9-461	AA		C
"	9-463	AA		C
"	9-491	AA		C
"	9-494	AA		C
"	9-495	AA		C
"	9-497	AA		C
"	9-498	AA		C
"	9-506	AA		C
"	9-543	AA		C
"	9-579	AA		C
"	9-591	AA		C
"	9-601	AA		C
"	9-602	AA		C
"	9-603	AA		C
"	9-604	AA		C
"	9-605	AA		C
"	9-606	AA		C
"	9-609	AA		C
"	9-613	AA		C
"	9-622	AA		C
"	9-630	AA		C
"	9-633	AA		C
"	9-648	AA		C
"	9-664	AA		C
"	9-665	AA		C
"	9-667	AA		C
"	9-668	AA		C
"	9-669	AA		C
"	9-687	AA		C
"	9-688	AA		C
"	9-691	AA		C
VRS-CZ1 JB100J	9-315	AA		C
"	9-339	AA		C
"	9-375	AA		C
"	9-479	AA		C
"	9-489	AA		C
"	9-508	AA		C
"	9-512	AA		C
"	9-529	AA		C
"	9-567	AA		C
"	9-569	AA		C
VRS-CZ1 JB101J	9-338	AA		C
"	9-342	AA		C
"	9-343	AA		C
"	9-377	AA		C
"	9-433	AA		C
"	9-440	AA		C
"	9-444	AA		C
"	9-445	AA		C
"	9-446	AA		C
"	9-448	AA		C
"	9-449	AA		C
"	9-450	AA		C
"	9-451	AA		C
"	9-452	AA		C
"	9-453	AA		C
"	9-454	AA		C
"	9-500	AA		C
"	9-521	AA		C
"	9-522	AA		C
"	9-524	AA		C
"	9-526	AA		C
"	9-527	AA		C
"	9-532	AA		C
"	9-533	AA		C
"	9-542	AA		C
"	9-549	AA		C
"	9-550	AA		C
"	9-554	AA		C
"	9-555	AA		C
"	9-557	AA		C
"	9-559	AA		C
"	9-560	AA		C
"	9-563	AA		C

PARTS CODE	No.	PRICE RANK	NEW MARK	PART RANK
"	9-564	AA		C
"	9-568	AA		C
"	9-570	AA		C
"	9-577	AA		C
"	9-584	AA		C
"	9-612	AA		C
"	9-624	AA		C
"	9-626	AA		C
"	9-629	AA		C
"	9-632	AA		C
"	9-636	AA		C
"	9-642	AA		C
"	9-643	AA		C
"	9-644	AA		C
"	9-645	AA		C
"	9-657	AA		C
VRS-CZ1 JB102J	9-404	AA		C
"	9-464	AA		C
"	9-467	AA		C
"	9-483	AA		C
"	9-575	AA		C
"	9-608	AA		C
"	9-619	AA		C
"	9-670	AA		C
"	9-671	AA		C
"	9-673	AA		C
"	9-678	AA		C
"	9-692	AA		C
VRS-CZ1 JB103J	9-400	AA		C
"	9-401	AA		C
"	9-402	AA		C
"	9-403	AA		C
"	9-431	AA		C
"	9-434	AA		C
"	9-439	AA		C
"	9-443	AA		C
"	9-466	AA		C
"	9-469	AA		C
"	9-471	AA		C
"	9-493	AA		C
"	9-496	AA		C
"	9-499	AA		C
"	9-509	AA		C
"	9-510	AA		C
"	9-511	AA		C
"	9-513	AA		C
"	9-514	AA		C
"	9-515	AA		C
"	9-516	AA		C
"	9-517	AA		C
"	9-518	AA		C
"	9-519	AA		C
"	9-520	AA		C
"	9-523	AA		C
"	9-535	AA		C
"	9-536	AA		C
"	9-537	AA		C
"	9-538	AA		C
"	9-539	AA		C
"	9-540	AA		C
"	9-541	AA		C
"	9-544	AA		C
"	9-545	AA		C
"	9-546	AA		C
"	9-547	AA		C
"	9-552	AA		C
"	9-553	AA		C
"	9-558	AA		C
"	9-561	AA		C
"	9-562	AA		C
"	9-566	AA		C
"	9-572	AA		C
"	9-581	AA		C
"	9-582	AA		C
"	9-583	AA		C
"	9-587	AA		C
"	9-593	AA		C
"	9-597	AA		C
"	9-607	AA		C
"	9-610	AA		C
"	9-611	AA		C
"	9-614	AA		C

PARTS CODE	No.	PRICE RANK	NEW MARK	PART RANK
"	9-615	AA		C
"	9-616	AA		C
"	9-618	AA		C
"	9-623	AA		C
"	9-625	AA		C
"	9-627	AA		C
"	9-631	AA		C
"	9-635	AA		C
"	9-637	AA		C
"	9-638	AA		C
"	9-639	AA		C
"	9-640	AA		C
"	9-641	AA		C
"	9-672	AA		C
"	9-674	AA		C
"	9-679	AA		C
VRS-CZ1JB104J	9-457	AA		C
"	9-565	AA		C
"	9-592	AA		C
"	9-598	AA		C
"	9-654	AA		C
VRS-CZ1JB105J	9-378	AD		C
"	9-393	AD		C
"	9-595	AD		C
"	9-600	AD		C
VRS-CZ1JB133J	9-438	AC	N	C
VRS-CZ1JB151J	9-490	AA		C
"	9-659	AA		C
"	9-660	AA		C
VRS-CZ1JB152J	9-387	AA		C
"	9-447	AA		C
VRS-CZ1JB154J	9-458	AD		C
VRS-CZ1JB181J	9-394	AA		C
VRS-CZ1JB202J	9-685	AD		C
VRS-CZ1JB203F	9-590	AD		C
"	9-599	AD		C
VRS-CZ1JB203J	9-459	AD		C
"	9-476	AD		C
"	9-481	AD		C
"	9-589	AD		C
"	9-680	AD		C
"	9-681	AD		C
VRS-CZ1JB221J	9-345	AD		C
"	9-353	AD		C
"	9-354	AD		C
VRS-CZ1JB223J	9-364	AA		C
VRSCZ1JB2492F	9-389	AF	N	C
VRS-CZ1JB270J	9-551	AA		C
VRS-CZ1JB271J	9-356	AA		C
"	9-417	AA		C
"	9-418	AA		C
"	9-419	AA		C
"	9-420	AA		C
"	9-421	AA		C
"	9-422	AA		C
"	9-423	AA		C
"	9-424	AA		C
"	9-456	AA		C
"	9-650	AA		C
"	9-656	AA		C
VRS-CZ1JB302J	9-460	AD		C
"	9-620	AD		C
VRS-CZ1JB303J	9-487	AD		C
VRS-CZ1JB330J	9-344	AA		C
"	9-346	AA		C
"	9-348	AA		C
"	9-349	AA		C
"	9-350	AA		C
"	9-351	AA		C
"	9-352	AA		C
"	9-355	AA		C
"	9-357	AA		C
"	9-358	AA		C
"	9-359	AA		C
"	9-360	AA		C
"	9-361	AA		C
"	9-376	AA		C
"	9-380	AA		C
"	9-409	AA		C
"	9-410	AA		C
"	9-411	AA		C
"	9-412	AA		C

PARTS CODE	No.	PRICE RANK	NEW MARK	PART RANK
"	9-504	AA		C
"	9-505	AA		C
"	9-507	AA		C
"	9-525	AA		C
"	9-528	AA		C
"	9-530	AA		C
"	9-531	AA		C
"	9-534	AA		C
"	9-571	AA		C
"	9-573	AA		C
"	9-574	AA		C
"	9-576	AA		C
"	9-578	AA		C
"	9-580	AA		C
"	9-646	AA		C
"	9-666	AA		C
"	9-686	AA		C
VRS-CZ1JB332J	9-435	AA		C
"	9-485	AA		C
"	9-492	AA		C
VRS-CZ1JB333J	9-369	AA		C
"	9-413	AA		C
"	9-414	AA		C
"	9-415	AA		C
"	9-416	AA		C
"	9-470	AA		C
VRS-CZ1JB391J	9-381	AD		C
VRS-CZ1JB392J	9-430	AD		C
VRSCZ1JB4422F	9-480	AF	N	C
"	9-484	AF	N	C
VRS-CZ1JB471J	9-462	AA		C
"	9-661	AA		C
"	9-662	AA		C
"	9-663	AA		C
VRS-CZ1JB472J	9-340	AA		C
"	9-341	AA		C
"	9-407	AA		C
"	9-408	AA		C
"	9-429	AA		C
"	9-432	AA		C
"	9-437	AA		C
"	9-442	AA		C
"	9-455	AA		C
"	9-468	AA		C
"	9-472	AA		C
"	9-473	AA		C
"	9-474	AA		C
"	9-475	AA		C
"	9-482	AA		C
"	9-486	AA		C
"	9-501	AA		C
"	9-502	AA		C
"	9-503	AA		C
"	9-588	AA		C
"	9-594	AA		C
"	9-649	AA		C
"	9-655	AA		C
"	9-658	AA		C
"	9-682	AA		C
VRS-CZ1JB473J	9-585	AA		C
"	9-586	AA		C
"	9-628	AA		C
VRS-CZ1JB512F	9-596	AE	N	C
VRS-CZ1JB562J	9-477	AA		C
VRS-CZ1JB563J	9-465	AD		C
VRS-CZ1JB621J	9-478	AA		C
VRS-CZ1JB623J	9-488	AD		C
VRS-CZ1JB682J	9-677	AD		C
VRS-HT3AA121J	10-58	AA		C
VRS-HT3AAR22J	9-617	AA		C
"	9-621	AA		C
VRS-HT3AAR47J	9-436	AC		C
"	9-441	AC		C
VRS-HT3DA470J	9-548	AA		C
VRS-TP2BD100J	10-65	AA		C
VRS-TP2BD151J	9-683	AA		C
"	9-684	AA		C
VRS-TS2AD000J	10-85	AA		C
VRS-TS2AD103J	10-63	AA		C
"	10-70	AA		C
"	10-71	AA		C
VRS-TS2AD153J	10-70	AA		C

AM-400PL

PARTS CODE	No.	PRICE RANK	NEW MARK	PART RANK
VRS-TS2AD203J	10-78	AA		C
"	10-79	AA		C
VRS-TS2AD471J	10-66	AA		C
"	10-67	AA		C
VRS-TW2HF561F	9-675	AF	N	C
"	9-676	AF	N	C
VS2SA1530AT-1	9-334	AE	N	B
"	9-335	AE	N	B
VS2SC2412K/-1	9-331	AB		B
"	9-332	AB		B
"	9-333	AB		B
VSBS108///-1	10-50	AE		B
VSKTD2092// -1	10-51	AL		B
VSRT1N141CT-1	9-328	AE	N	B
"	9-329	AE	N	B
"	10-52	AE		B
"	10-53	AE		B
VSRT1N436CT-1	9-318	AE		B
"	9-319	AE		B
"	9-320	AE		B
"	9-322	AE		B
"	9-323	AE		B
"	9-324	AE		B
"	9-325	AE		B
"	9-326	AE		B
"	9-327	AE		B
"	9-336	AE		B
"	10-54	AE		B
"	10-55	AE		B
"	10-56	AE		B
"	10-57	AE		B
VSRT1P141CT-1	9-321	AB		B
VSRT5N141CT-1	9-330	AE	N	B
【 X 】				
XBPS730P08KS0	5-B4	AB	N	C
XEBS720P06000	2-B1	AC		C
XEBS720P10000	1-B6	AE	N	C
XEBS730P08000	1-B3	AC		C
"	2-B3	AC		C
"	3-B2	AC		C
XEBS730P10000	1-B1	AC		C
"	2-B2	AC		C
"	3-B1	AC		C
"	5-B5	AC		C
"	7-B1	AC		C
XEBS730P12000	1-B9	AC		C
"	2-B5	AC		C
"	6-B3	AC		C
XEBS730P14000	1-B8	AD	N	C
XHBS730P06000	1-B11	AC		C
"	2-B6	AC		C
"	6-B4	AC		C
XHBS730P08000	1-B10	AB		C
XHBS730P10000	1-B5	AD		C
XJBS740P12000	1-B13	AB	N	C
XJPS740P10X00	2-B4	AC	N	C
XNGS730-18000	5-N1	AD	N	C
【 o 】				
0KY0MPS902100	11-71	AH		C
0KY0MPS902200	11-69	AF		C
"	11-70	AF		C
0KYC1076QQ103	11-16	AL	N	C
"	11-17	AL	N	C
0KYC1095EQ104	11-33	AD		C
0KYC10A9RQ152	11-24	AH		C
0KYC10B2SQ101	11-12	AF		C
0KYC10Q1EQ101	11-15	AC		C
0KYC10Q2EQ104	11-19	AD		C
"	11-23	AD		C
"	11-32	AD		C
0KYC1102EC103	11-13	AC		C
"	11-27	AC		C
"	11-29	AC		C
0KYC1102EC472	11-14	AC		C
0KYC1102EC562	11-28	AC		C
0KYC1186NC102	11-21	AG	N	C
0KYC1384QS102	11-10	AG		C
"	11-11	AG		C
"	11-18	AG		C
0KYC2131QS224	11-7	AK		C
"	11-8	AK		C
0KYC3075BQ471	11-31	AM		C

PARTS CODE	No.	PRICE RANK	NEW MARK	PART RANK
0KYC30A0BQ121	11-26	AG		C
0KYC30A0BQ331	11-30	AK		C
"	11-34	AK		C
0KYC30A0DQ330	11-22	AG		C
0KYC30A0DQ331	11-20	AK		C
0KYC30A0DQ560	11-25	AG		C
0KYC3126YS680	11-9	AX	N	C
0KYD1057AQ006	11-46	AF		B
"	11-47	AF		B
"	11-48	AF		B
"	11-49	AF		B
"	11-50	AF		B
"	11-51	AF		B
"	11-62	AF		B
0KYD2051AQ002	11-41	AD		B
"	11-43	AD		B
"	11-44	AD		B
0KYD2066AQ006	11-55	AH		B
0KYD3134AA004	11-56	AK		B
"	11-61	AK		B
0KYD3155AL001	11-52	AU	N	B
0KYD4061AQ270	11-53	AL		B
0KYD4061AQ5R6	11-58	AK		B
0KYD4066AQ015	11-57	AE		B
"	11-60	AE		B
0KYD4066AQ048	11-54	AF		B
0KYD4066AQ060	11-42	AF		B
0KYD4066AQ078	11-59	AE		B
0KYD4066AQ105	11-40	AF		B
0KYD5013AQ612	11-161	AV		B
0KYD7062AQ471	11-163	AH		B
0KYD7102AR8R0	11-91	AM		B
0KYH1050BQ5R0	11-73	AT		B
0KYH2107AR001	11-72	AQ		B
0KYH7137AS001	11-92	AL		B
"	11-94	AL		B
0KYH7151AS001	11-93	AW		B
0KYK2051AQ002	11-37	AG		C
"	11-38	AG		C
0KYK2061AQ002	11-35	AF		C
0KYK2148LS004	11-39	AN		C
0KYK2148LS005	11-36	AG		C
0KYK3104AL001	11-159	AU		B
0KYK7135AS006	11-63	AM	N	A
"	11-65	AM	N	A
0KYK7144AR003	11-64	AL	N	A
0KYK7144AR005	11-67	AL	N	A
"	11-68	AL	N	A
0KYL1105SL560	11-90	AN		C
0KYL1118RS400	11-89	AQ		C
0KYL1179JL333	11-88	AM	N	C
0KYL2100DS083	11-160	BA	N	B
0KYL5051AQ002	11-1	AF		C
"	11-2	AF		C
"	11-5	AF		C
0KYL5116AC002	11-3	AH		C
"	11-6	AH		C
0KYM1108AZ001	11-164	AE		C
"	11-165	AE		C
"	11-166	AE		C
"	11-167	AE		C
0KYR1053UQ103	11-155	AC		C
0KYR1053UQ473	11-157	AC		C
0KYR1053UQ563	11-123	AC		C
0KYR1066BQ475	11-105	AE		C
0KYR3062UQ100	11-120	AL		C
0KYR3111VC000	11-84	AB		C
0KYR3111VC101	11-113	AB		C
0KYR3111VC102	11-139	AB		C
0KYR3111VC103	11-132	AB		C
"	11-140	AB		C
"	11-141	AB		C
"	11-149	AB		C
"	11-156	AB		C
0KYR3111VC122	11-117	AC		C
0KYR3111VC152	11-133	AC		C
0KYR3111VC153	11-144	AC		C
0KYR3111VC223	11-116	AB		C
0KYR3111VC272	11-145	AC		C
0KYR3111VC332	11-138	AC		C
"	11-146	AC		C
0KYR3111VC333	11-112	AB		C

PARTS CODE	No.	PRICE RANK	NEW MARK	PART RANK
0KYR3111VC473	11-158	AC		C
0KYR3111VC681	11-118	AB		C
0KYR3111VC682	11-114	AB		C
0KYR3113VC184	11-148	AC		C
0KYR3113VC274	11-147	AC		C
0KYR3113VC334	11-129	AC		C
0KYR3114VC102	11-127	AC		C
0KYR3114VC153	11-109	AC		C
0KYR3114VC302	11-142	AC	N	C
0KYR3114VC332	11-137	AC		C
0KYR3114VC472	11-150	AC		C
0KYR3114VC562	11-143	AC		C
0KYR3114VC681	11-136	AC		C
0KYR3114VC752	11-134	AC		C
0KYR3114VC822	11-115	AC		C
0KYR3120TC101	11-128	AC		C
0KYR3120TC102	11-110	AC	N	C
0KYR3120TC153	11-130	AB		C
0KYR3120TC752	11-131	AB		C
0KYR3121TC000	11-83	AB		C
"	11-85	AB		C
0KYR3121TC102	11-135	AB		C
0KYR3121TC151	11-122	AC		C
0KYR3121TC220	11-121	AC		C
0KYR3121TC221	11-111	AB		C
0KYR3121TC563	11-124	AC		C
"	11-125	AC		C
"	11-126	AC		C
0KYR3126TC274	11-106	AC		C
"	11-107	AC		C
"	11-108	AC		C
0KYR3131AC000	11-86	AC		C
0KYR3131AC100	11-119	AB		C
0KYR3131AC472	11-151	AC		C
"	11-152	AC		C
"	11-153	AC		C
"	11-154	AC		C
0KYR8054EQ502	11-162	AG		C
0KYT1018NC001	11-99	AG		B
0KYT1029LC001	11-98	AU		B
0KYT1576AC002	11-101	AF		B
"	11-103	AF		B
0KYT2717KL002	11-95	AY		B
0KYT4081CC002	11-97	AF		B
"	11-100	AF		B
"	11-102	AF		B
"	11-104	AF		B
0KYT4097CC002	11-96	AG		B
0KYW0000AQ005	11-4	AC		C
"	11-45	AC		C
"	11-75	AC		C
"	11-76	AC		C
"	11-77	AC		C
"	11-79	AC		C
"	11-87	AC		C
0KYW0000AQ007	11-82	AC		C
0KYW0000AQ010	11-80	AC		C
0KYW0000AQ012	11-66	AC		C
"	11-74	AC		C
"	11-78	AC		C
"	11-81	AC		C