

(AL-1457)

DIGITAL LASER COPIER / PRINTER

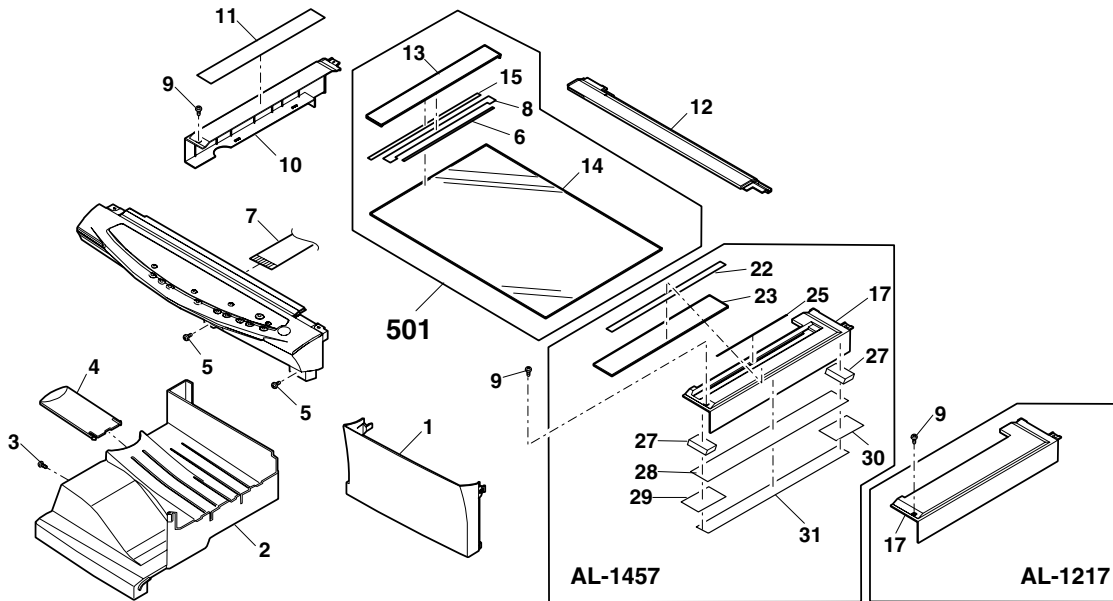
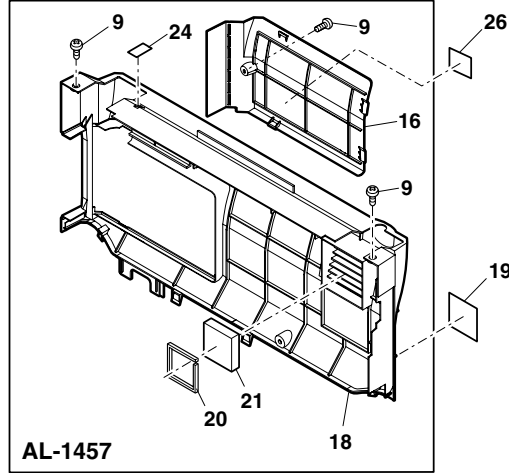
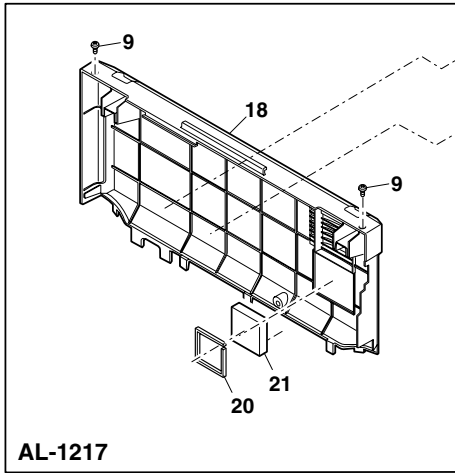
AL-1217 MODEL AL-1457

CONTENTS

- | | | | |
|----|--------------------------------------------------|----|-------------------------------------------------|
| 1 | Exteriors | 17 | Multi manual paper feeding cover unit (AL-1457) |
| 2 | Original cover unit (AL-1217) | 18 | Single manual paper feeding unit (AL-1217) |
| 3 | SPF exteriors (AL-1457) | 19 | Multi manual paper feeding unit (AL-1457) |
| 4 | SPF transport unit (AL-1457) | 20 | Socket holder unit |
| 5 | SPF pick up unit (AL-1457) | 21 | TC case unit |
| 6 | Operation panel | 22 | 250 sheets tray |
| 7 | Side door unit | 23 | Harness |
| 8 | Optical frame | 24 | Packing material & accessories |
| 9 | LSU unit | 25 | Operation PWB |
| 10 | Delivery paper guide unit | 26 | MCU PWB |
| 11 | Middle frame | 27 | IF PWB |
| 12 | Base plate unit 1 | 28 | DC power supply PWB |
| 13 | Base plate unit 2 | ■ | Index |
| 14 | Fusing unit | | |
| 15 | Drive unit | | |
| 16 | Single manual paper feeding cover unit (AL-1217) | | |

Because parts marked with "△" is indispensable for the machine safety maintenance and operation, it must be replaced with the parts specific to the product specification.

1 Exteriors

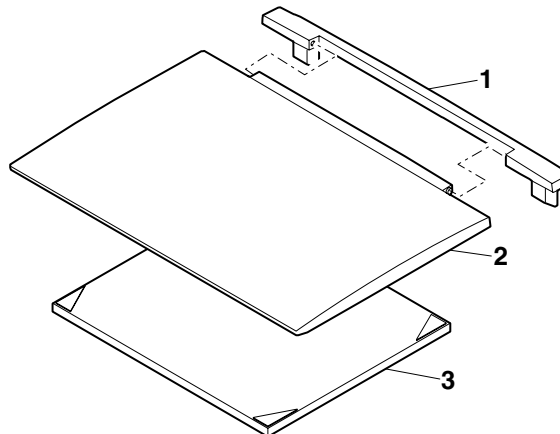


PRP01347

2 Original cover unit (AL-1217)

NO.	PARTS CODE	PRICE RANK	NEW MARK	PART RANK	DESCRIPTION
1	GCOVH0003Q SJZ	AL		D	OC cover S
2	GCOVH0004Q SJ1	AX		D	OC cover M
3	PCUSS0024Q SZZ	AV		D	OC mat
	(Unit)				
901	CCOVH0004R S54	BF		E	OC cover unit

2 Original cover unit (AL-1217)

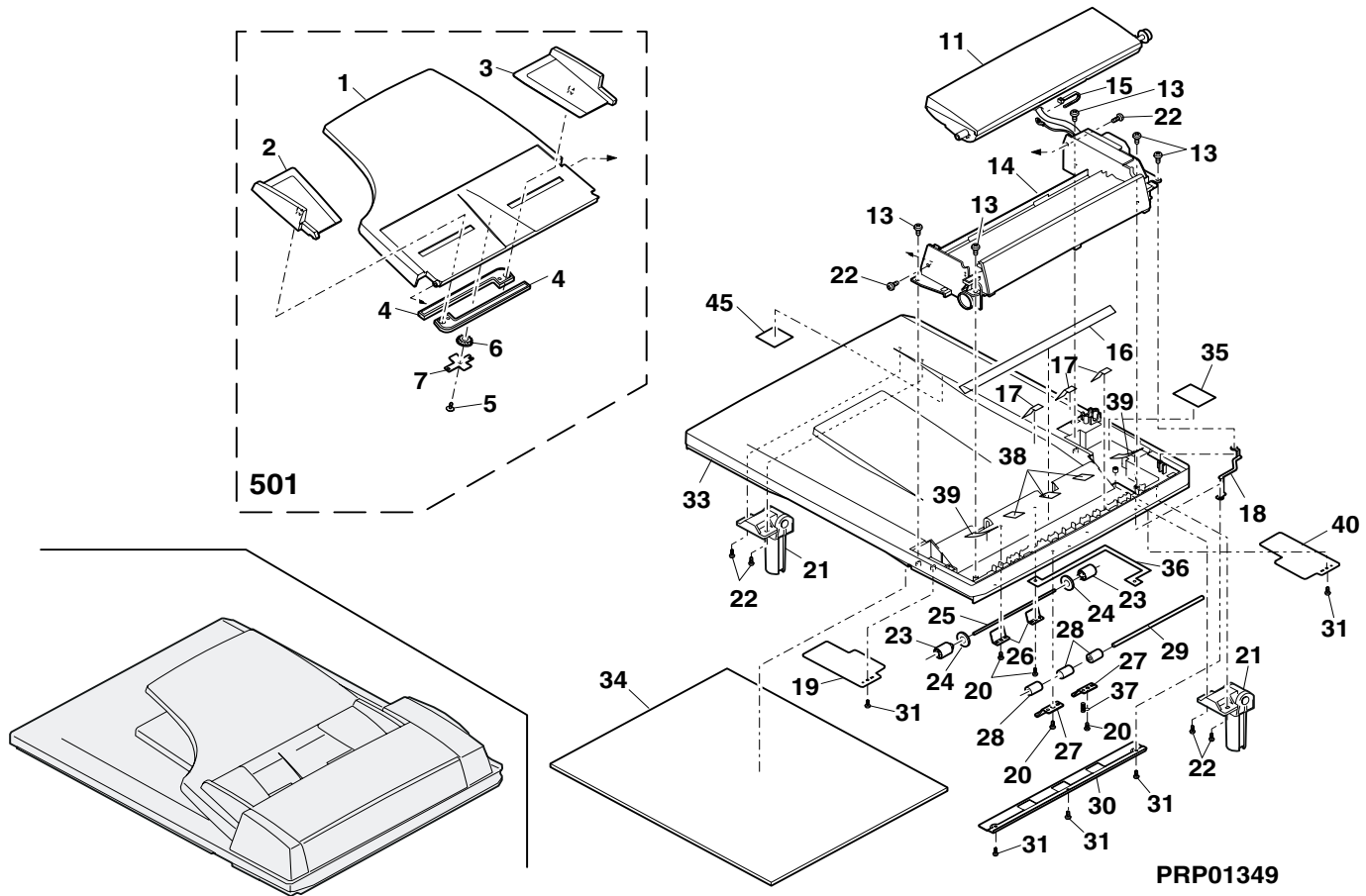


PRP01348

3 SPF exteriors (AL-1457)

NO.	PARTS CODE	PRICE RANK	NEW MARK	PART RANK	DESCRIPTION
1	L SOU-0035QSZZ	AR		D	Original tray
2	L PLTP0011QSJZ	AH		C	Control plate F
3	L PLTP0012QSJZ	AH		C	Control plate R
4	NGERR0377FCZZ	AD		C	Manual feeding rack gear
5	XEPSD30P08X00	AA		C	Screw(3×8X)
6	NGERH0193FCZZ	AB		C	Manual feeding gear
7	MSPRP0059QSZZ	AD		C	Control plate spring
11	CFRM-0011RS58	BF		E	SPF pick up unit
13	XEBSD40P10000	AA		C	Screw(4×10)
14	CFRM-0013RS59		N	E	SPF transport unit
15	LBNDJ0013FCZ1	AA		C	Wire band
16	PSHEZ0384QSZZ	AD		C	Base tray sheet
17	PSHEP0063QSZZ	AC		C	Transport sheet
18	MSPRP0113QSZ1	AD		C	Earth spring
19	PSHEZ0379QSZZ	AD		C	OC sheet
20	XEBSD30P08000	AA		C	Screw(3×8)
21	MHNG-0017QSZZ	AQ		C	SPF hinge
22	XEBSE40P14000	AA		C	Screw(4×14)
23	NROLP0011QSZZ	AD		C	Delivery roller
24	PSPO-0001QSZZ	AB		C	Sponge
25	NSFTZ0010QSZZ	AE		C	Delivery shaft
26	MSPRT0061QSZZ	AC		C	Delivery spring
27	MSPRP0060QSZZ	AD		C	Transport spring
28	NROLP0010QSZZ	AD		C	Transport roller
29	NSFTZ0009QSZZ	AE		C	Transport shaft
30	L PLTM0096QSZZ	AF		C	Base tray reinforce plate
31	LX-BZ0016QSZZ	AC		C	Screw(3×8)
33	L SOU-0005QSJ4	BA		D	Base tray
34	PCUSS0025QSZ1	AQ		D	OC mat
35	PSHEZ0102QSZZ	AD		C	Motor pressure sheet
36	PSHEZ0112QSZZ	AE		C	Delivery earth sheet SPF
37	MSPRC0149QSZZ	AC		C	PS earth spring SPF
38	PSHEZ0386QSZZ	AB		D	Rear side mylar A
39	PSHEZ0387QSZZ	AB		D	Rear side mylar B
40	PSHEZ0388QSZZ	AD		C	OC sheet mylar 2
45	PSHEZ0383QSZZ	AC		C	Book detect sheet
501	C SOU-0035RS51	AZ		E	SPF original tray unit
	(Unit)				
901	DUNT-0032RS22		N	E	SPF unit

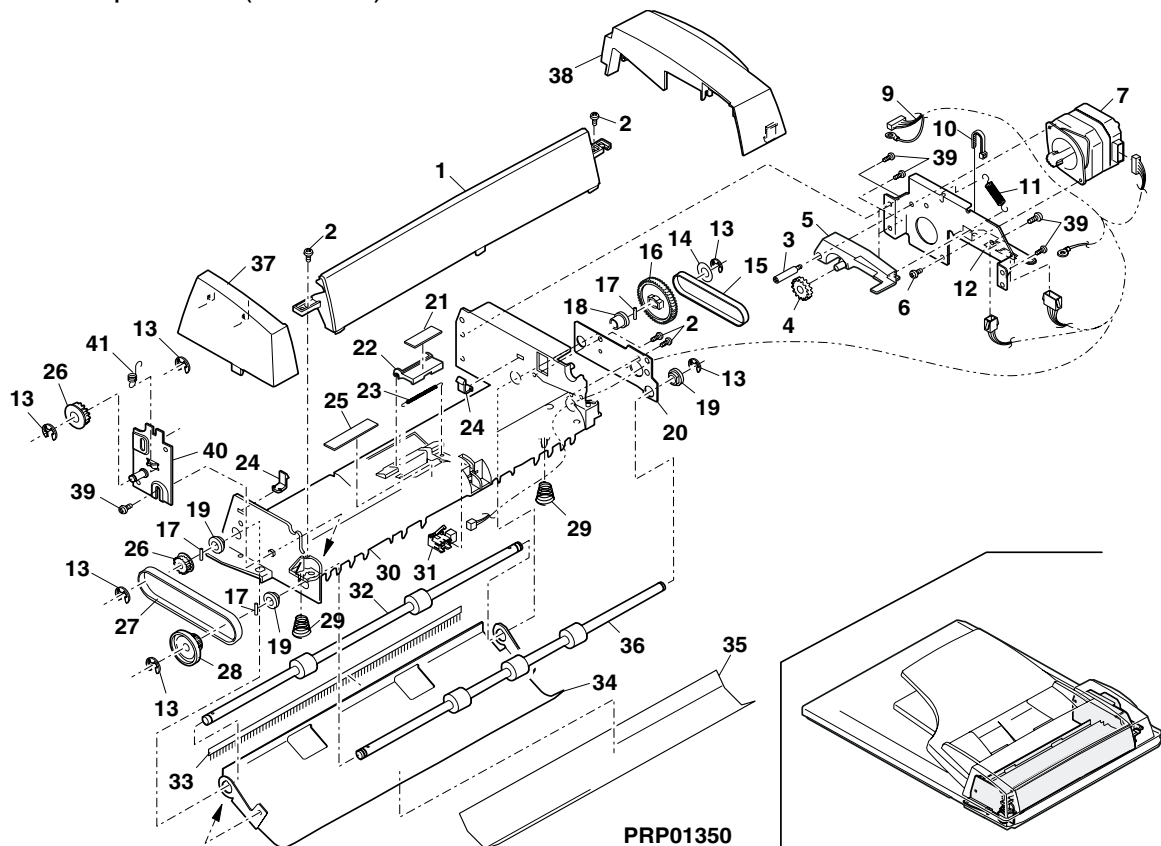
3 SPF exteriors (AL-1457)



4 SPF transport unit (AL-1457)

NO.	PARTS CODE	PRICE RANK	NEW MARK	PART RANK	DESCRIPTION
1	PGIDM0042QSJZ	AL		C	U-turn paper guide
2	XEBSD30P12000	AA		C	Screw(3x12)
3	LX-BZ0012QSZZ	AC		C	Screw
4	NGERH0972FCZZ	AB		C	Gear(27T)
5	MARMP0001QSZZ	AF		C	Drive arm
6	XBPSD30P05K00	AA		C	Screw(3x5K)
7	RMOTP0013QSZZ	BB		B	SPF motor
9	DHAI-0290QSZ1	AN		C	SPF interface harness
10	LBNDJ0013FCZ1	AA		C	Wire band
11	MSPRT0064QSZ1	AC		C	Drive arm spring
12	LFRM-0013QSZZ	AG		C	Drive frame
13	XRESP50-06000	AA		C	E-ring
14	PSHEP3029FCZZ	AA		C	Flange sheet DUP2
15	NBLTT0006QSZ1	AE		B	Belt(83MXL4.8)
16	NGERH0047QSZZ	AF		C	Gear(48T/15T)
17	LPINS0019QSZZ	AB		C	Spring pin(φ2.5-9)
18	NBRGC0017QSZZ	AC		C	Bearing
19	NBRGM0501FCZZ	AB		C	Metal D
20	LFRM-0012QSZZ	AD		C	Frame R
21	PSHEZ0039QSZZ	AG		C	Sheet
22	LPLTP0013QSZZ	AD		C	Plate
23	MSPRC0062QSZZ	AC		C	Pressure spring
24	MSPRP0065QSZZ	AD		C	Open and shut lock spring
25	PSHEZ2174FCZZ	AB		C	Paper feeding sheet
26	NPLYZ0146FCZZ	AB		C	22MXL pulley
27	NBLTT0003QSZ1	AF		B	Belt(B75MXL4.8)
28	JKNBZ0004QSZZ	AD		C	JAM release knob
29	MSPRC0063QSZZ	AB		C	Delivery paper guide spring
30	PGIDM0024QSZ3	AN		C	Transport paper guide
31	RDTCT0004QSZZ	AL		B	Inlet detect sensor
32	NROLM0023QSZ1	AP		C	Delivery roller
33	PBRSR0003QSZ2	AG		B	Discharger brush
34	PGIDH0029QSZZ	AL		C	Delivery paper guide
35	PSHEP0044QSZZ	AF		C	White sheet
36	NROLM0022QSZ1	AL		C	PS roller
37	PCOVP0037QSJZ	AH		D	Front cover
38	PCOVP0038QSJ1	AL		D	Rear cover
39	XEBSE30P10000	AA		C	Screw(3x10)
40	CPLTM0298QS01	AF		C	SPF tension plate
41	MSPRT0294QSZZ	AC		C	SPF tension spring
	(Unit)				
901	CFRM-0013RS59		N	E	SPF transport unit

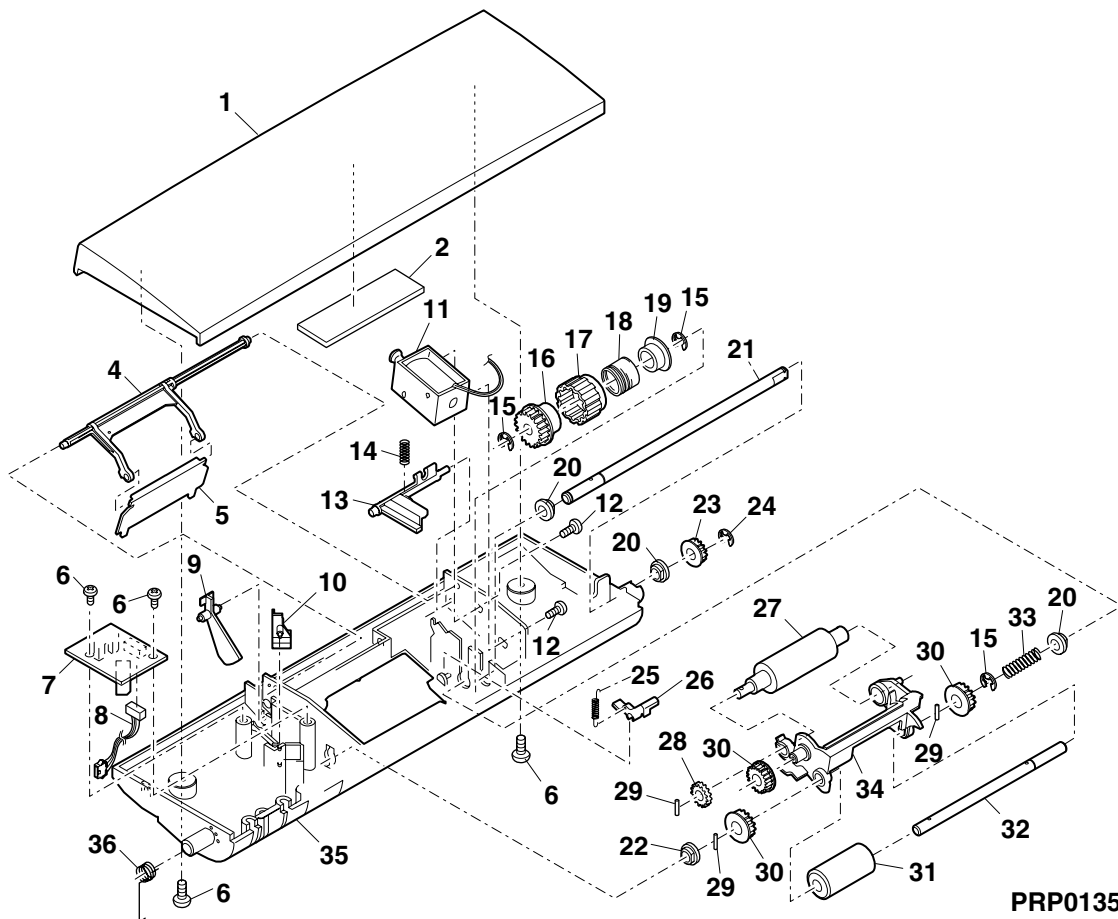
4 SPF transport unit (AL-1457)



5 SPF pick up unit (AL-1457)

NO.	PARTS CODE	PRICE RANK	NEW MARK	PART RANK	DESCRIPTION
1	GCAB-0008QSJZ	AM		D	Open and shut cabinet
2	PSPO-0002QSZZ	AC		C	Stopper sponge
4	MARMP0003QSZ1	AD		C	Stopper arm
5	LSTPP0001QSZZ	AD		C	Paper stopper R
6	XEBSD30P08000	AA		C	Screw(3x8)
7	CPWBF0009RS51	AG		E	SPF sensor PWB
8	DHAI-0293QSZZ	AE		C	Sensor harness
9	MLEVP0009QSZZ	AD		C	Set detect lever ACT
10	MLEVP0010QSZZ	AE		C	Open and shut detect lever ACT
11	RPLU-0004QSZ1	AQ		B	PU solenoid
12	XBPSD30P06KS0	AA		C	Screw(3x6KS)
13	MARMP0002QSZZ	AD		C	Solenoid arm
14	MSPRT0067QSZ1	AB		C	Solenoid arm spring
15	XRESP40-06000	AA		C	E-ring
16	NGERH0073QSZZ	AE		C	Clutch gear(20T)
17	PPiPP0008QSZZ	AD		C	Clutch sleeve
18	MSPRC1316FCZ1	AE		C	MF clutch spring B
19	LBOSZ1851FCZZ	AC		C	STK clutch boss
20	LBSHZ0303FCZZ	AC		C	M bushing C
21	NSFTZ0012QSZZ	AG		C	Clutch shaft
22	LBSHZ0006QSZZ	AC		C	M Bushing 2
23	NPLYZ0010QSZZ	AE		C	20MXL pulley
24	XRESP30-06000	AA		C	E-ring
25	MSPRT0066QSZ1	AC		C	Clutch pawl spring
26	PTME-0019QSZZ	AD		C	Clutch pawl
27	NROLP0024QSZ1	AH		C	Pick up roller
28	NGERH0990FCZZ	AB		C	Gear(16T)
29	XPSSP20-07000	AA		C	Spring pin(φ2-7)
30	NGERH0992FCZZ	AB		C	Gear(20T)
31	NROLR0922FCZZ	AR		C	Manual feeding roller
32	NSFTZ0011QSZZ	AF		C	PF shaft
33	MSPRC0115QSZZ	AB		C	Paper feeding spring
34	MARMP0004QSZZ	AF		C	Pick up arm
35	LFRM-0011QSJ2	AL		D	Paper feedind frame
36	MSPRD0114QSZ1	AD		C	PF frame spring
	(Unit)				
901	CFRM-0011RS58	BF		E	SPF pick up unit

5 SPF pick up unit (AL-1457)

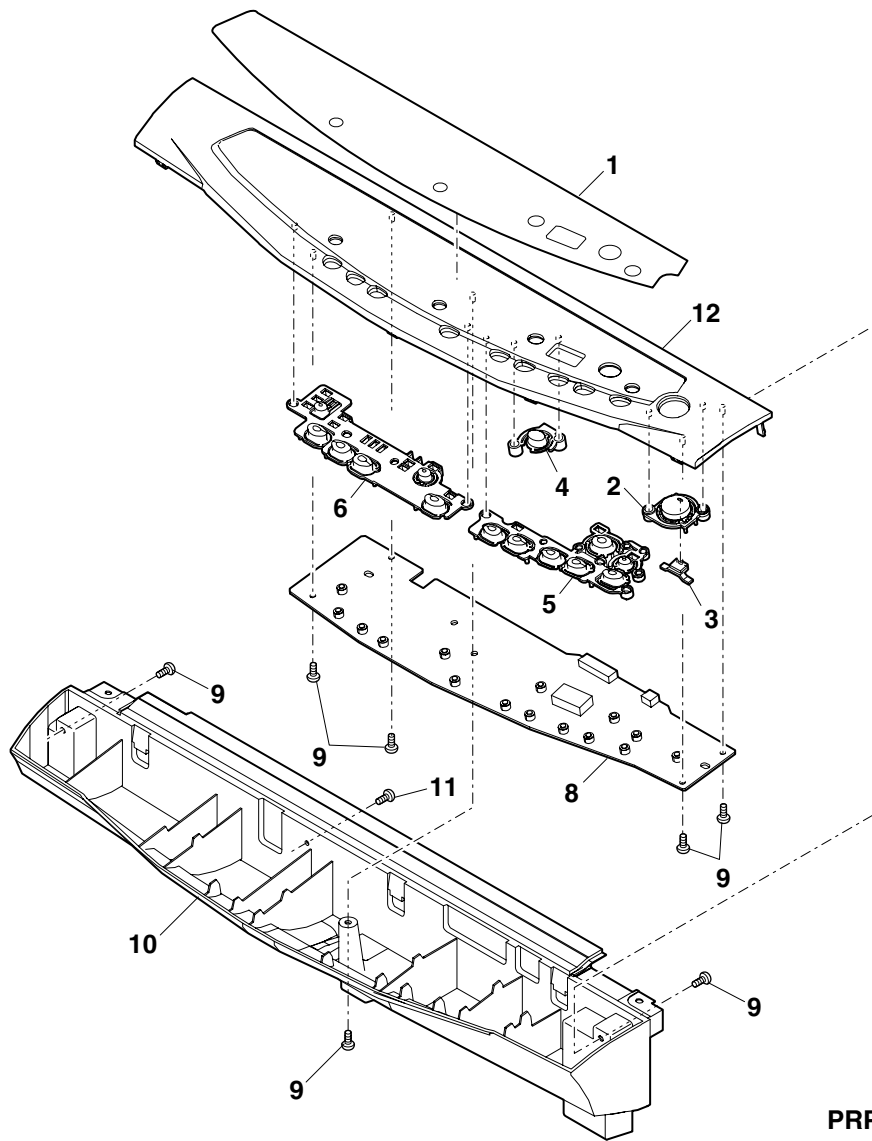


PRP01351

6 Operation panel

NO.	PARTS CODE	PRICE RANK	NEW MARK	PART RANK	DESCRIPTION
1	CPNLH0023QS31	AR		D	Panel (AL-1217)
	CPNLH0023QS45		N	D	Panel (AL-1457)
2	CBTN-0019QS02	AF		E	Copy key
3	JBTN-0020QSZZ	AC		C	Copy key light
4	JBTN-0005QSZZ	AC		C	% Key
5	CBTN-0050QS01	AE		E	Operation key R
6	JBTN-0049QSZZ	AF		C	Operation key L
8	CPWBF0113QSE1	BB		E	Operation PWB (AL-1217)
	CPWBF0113QSE7	BB		E	Operation PWB (AL-1457)
9	XEBSD30P08000	AA		C	Screw(3x8)
10	GCAB-0063QSZZ	AT		D	Operation cabinet
11	XEBSE30P10000	AA		C	Screw(3x10)
12	GCAB-0064QSZZ	AN		D	Operation panel

6 Operation panel

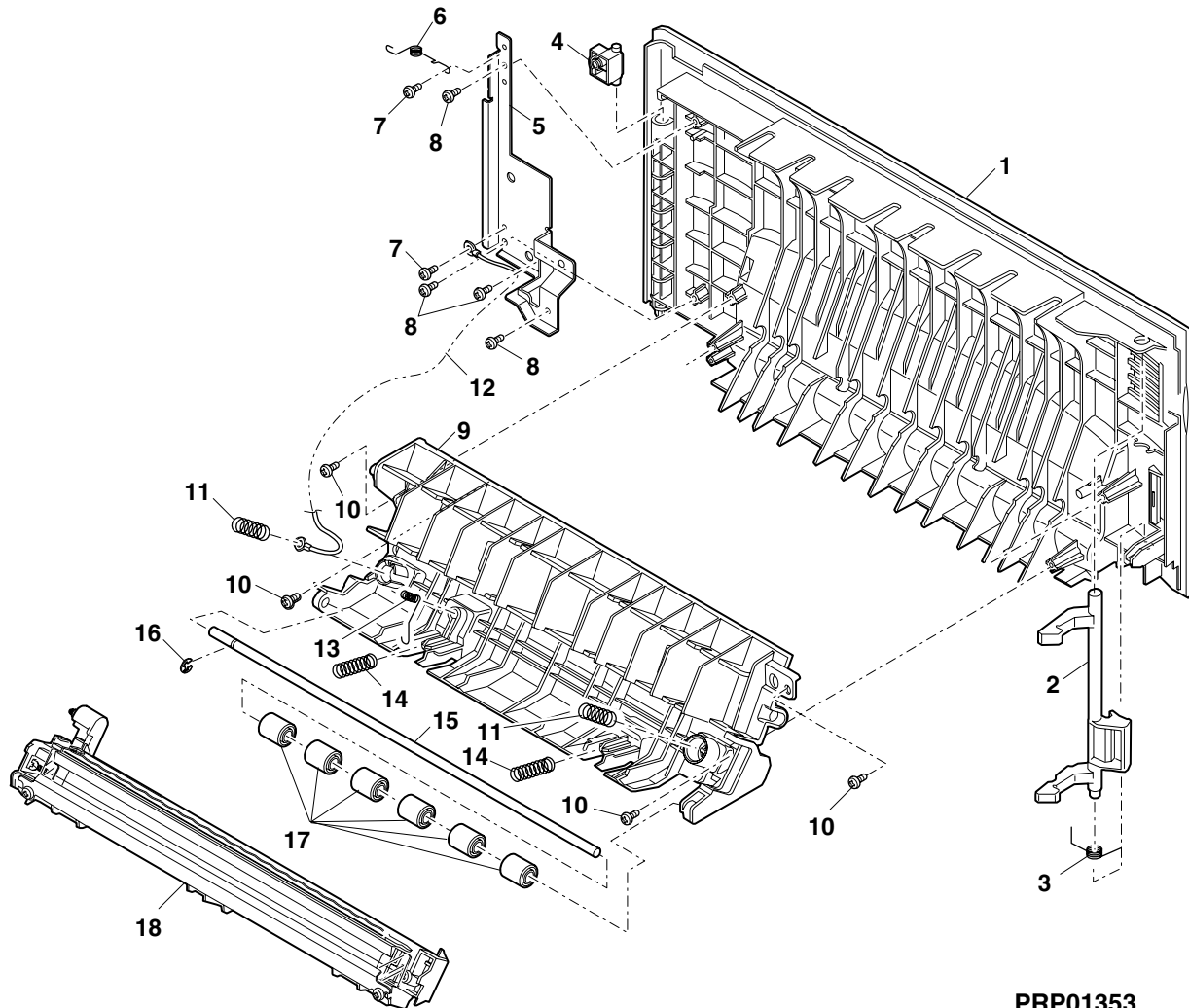


PRP01352

7 Side door unit

NO.	PARTS CODE	PRICE RANK	NEW MARK	PART RANK	DESCRIPTION
1	GCAB-0007Q SJ 2	AU		D	Side door
2	PTME-0004Q SZ Z	AG		C	Lock pawl
3	MSPRT0029Q SZ Z	AC		C	Lock pawl spring
4	PGIDM0008Q SZ Z	AD		C	Hinge guide
5	LPLTM0043Q SZ Z	AD		C	Earth plate
6	MSPRD0076Q SZ 1	AD		C	Earth spring
7	XHBSE30P06000	AA		C	Screw(3x6)
8	XEBSE30P06000	AA		C	Screw(3x6)
9	LFRM-0003Q SJ 2	AN		D	Side door inner frame
10	XEBSD30P10000	AA		C	Screw(3x10)
11	MSPRC0032Q SZ Z	AB		C	Transcription pressure spring
12	DHAi-0291Q SZ Z	AC		C	TCFB harness
13	MSPRC0031Q SZ Z	AB		C	PS earth spring
14	MSPRC0030Q SZ Z	AC		C	PS pressure spring
15	NSFTZ0006Q SZ 1	AG		C	PS shaft
16	XRESP30-06000	AA		C	E-ring
17	NROLP1122FCZZ	AF		C	PS upper roller
18	CHLDZ0010RS52	AU		E	Transcription holder unit

7 Side door unit

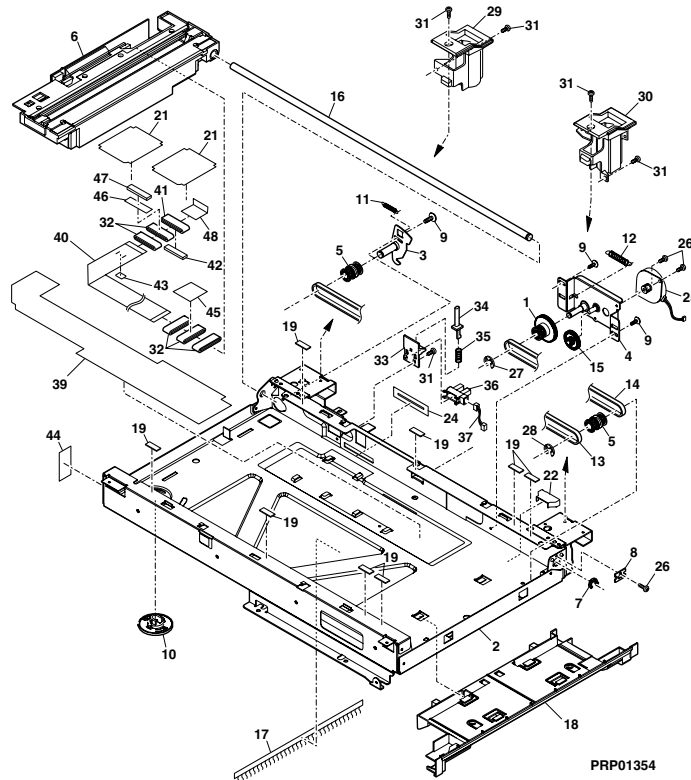


PRP01353

8 Optical frame

NO.	PARTS CODE	PRICE RANK	NEW MARK	PART RANK	DESCRIPTION
1	CGERH0162QS01	AN		E	Pulley gear
2	CPLTM0288QS01	BC		E	Scanner plate
3	CPLTM0291QS01	AG		E	Tension plate
4	CPLTM0294QS01	AK		E	Motor fixing plate
5	CPLYZ0028QS01	AM		E	Idle pulley
6	DUNT-0276QS11	BT		E	Carriage unit
7	LHLDZ0093QSZZ	AC		C	Rod holder
8	LSTPF0013QSZZ	AC		C	Rod stopper
9	LX-BZ0033QSZZ	AB		C	Screw(3x6)
10	MLOKZ0004QSZZ	AD		C	Carriage lock
11	MSPRT0283QSZZ	AC		C	Tension spring
12	MSPRT0284QSZZ	AC		C	Motor spring
13	NBLTT0030QSZZ	AH		B	Belt(473MXL)
14	NBLTT0031QSZZ	AF		B	Belt(190MXL)
15	NGERH0161QSZZ	AL		C	Idle gear
16	NSFTZ0063QSZZ	AK		C	Slide shaft
17	PBRSR0002QSZ1	AH		B	Discharger brush (Other countries)
	PBRSR0002QSZ2	AG		B	Discharger brush (AL-1457,AL-1217 Syngapore,Malaysia,Indonesia,India,STCL)
18	PGiDM0099QSZ1	AH	N	C	Paper guide
19	PGUMS0004QSZZ	AA		C	Table glass cushion
21	PSHEZ0367QSZZ	AD		C	Cable fixing sheet
22	PDUC-0005QSZ1	AD	N	C	Fan duct JAG
24	PSHEZ0377QSZZ	AC		C	Edge protect sheet
25	RMOTS0038QSZZ	BL		B	Scanner motor
26	XHBSE30P06000	AA		C	Screw(3x6)
27	XRESP50-06000	AA		C	E-ring
28	XRESP70-08000	AA		C	E-ring
29	PGiDM0019QSJZ	AH		C	SPF hinge guide L (AL-1457)
30	PGiDM0020QSJZ	AH		C	SPF hinge guide R (AL-1457)
31	XHBSE30P08000	AA		C	Screw(3x8)
32	RCORF0018QSZZ	AR		C	FFC core
33	LPLTP0131QSZZ	AD		C	Book sensor attachment plate (AL-1457)
34	MLEVP0047QSE1	AD		C	Book sensor ACT (AL-1457)
35	MSPRC0153QSZZ	AB		C	Book sensor spring (AL-1457)
36	VHPGP1A71A1-1	AG		B	Photo transistor(GP1A71A1) (AL-1457)
37	DHAi-0303QSZZ	AD		C	Harness (AL-1457)
39	PSHEZ0389QSZ1	AK		C	Scanner sheet
40	DHAi-0268QSZZ	AH		C	CCD-MCU harness
41	RCORF0020QSZZ	AL		C	FFC core
42	PCUSU0026QSZZ	AC		D	Core cushion
43	PTPE-0045QSZZ	AA		C	CCD harness double-sided tape
44	PSHEZ0403QSZZ	AG		C	Noise sheet
45	PSHEZ0401QSZZ	AG		C	Scanner core sheet
46	PTPE-0046QSZZ	AB		C	Core double-sided tape
47	PMLT-0068QSZZ	AC		C	Core holder malt
48	PSHEZ0400QSZZ	AG		C	PWB core miler

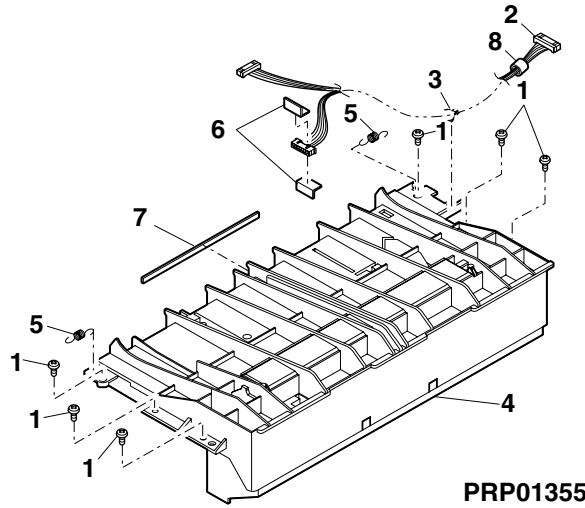
8 Optical frame



9 LSU unit

NO.	PARTS CODE	PRICE RANK	NEW MARK	PART RANK	DESCRIPTION
1	XEBSD30P12000	AA		C	Screw(3×12)
2	DHAI-0282QSZZ	AG		C	LSU harness
3	LBNDJ0013FCZ1	AA		C	Wire band
4	DUNTK0013QS13	BS		E	LSU unit(A4600D)
5	MSPRT0019QSZ1	AB		C	Delivery paper guide spring
6	PSHEZ0350QSZZ	AB		C	LSU protect sheet A
7	PSHEZ0351QSZZ	AB		C	LSU protect sheet B
8	RCORF0021QSZZ	AK		C	Core

9 LSU unit

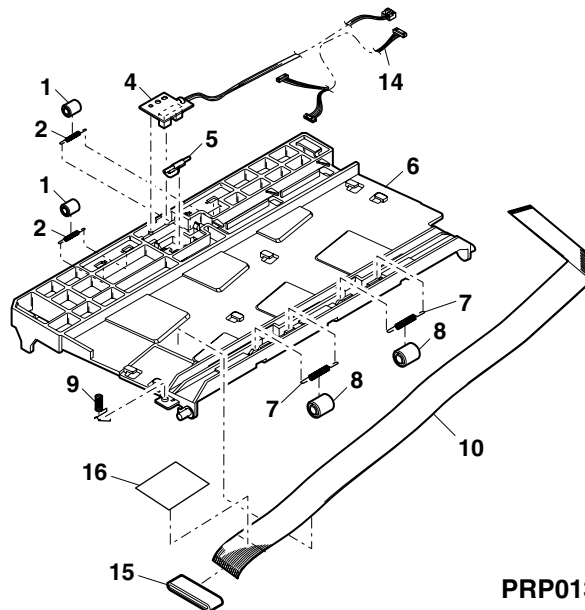


PRP01355

10 Delivery paper guide unit

NO.	PARTS CODE	PRICE RANK	NEW MARK	PART RANK	DESCRIPTION
1	NROLP0046QSZZ	AC		C	Delivery roller upper
2	MSPRT0020QSZ1	AB		C	Delivery roller spring
4	CPWBF0116RS53	AP		E	POD sensor PWB
5	MLEVP0005QSZZ	AD		C	Delivery actuator
6	PGIDM0006QSZZ	AM		C	Delivery paper guide
7	MSPRC0021QSZZ	AB		C	Delivery transport roller spring
8	NROLP1122FCZZ	AF		C	PS upper roller
9	MSPRD0281QSZZ	AD		C	Delivery earth spring
10	DHAI-0285QSZZ	AK		C	OP-MCU harness
14	DHAI-0282QSZZ	AG		C	LSU harness
15	RCORF0018QSZZ	AR		C	FFC core
16	PSHEZ0402QSZZ	AG		C	Panel core sheet

10 Delivery paper guide unit

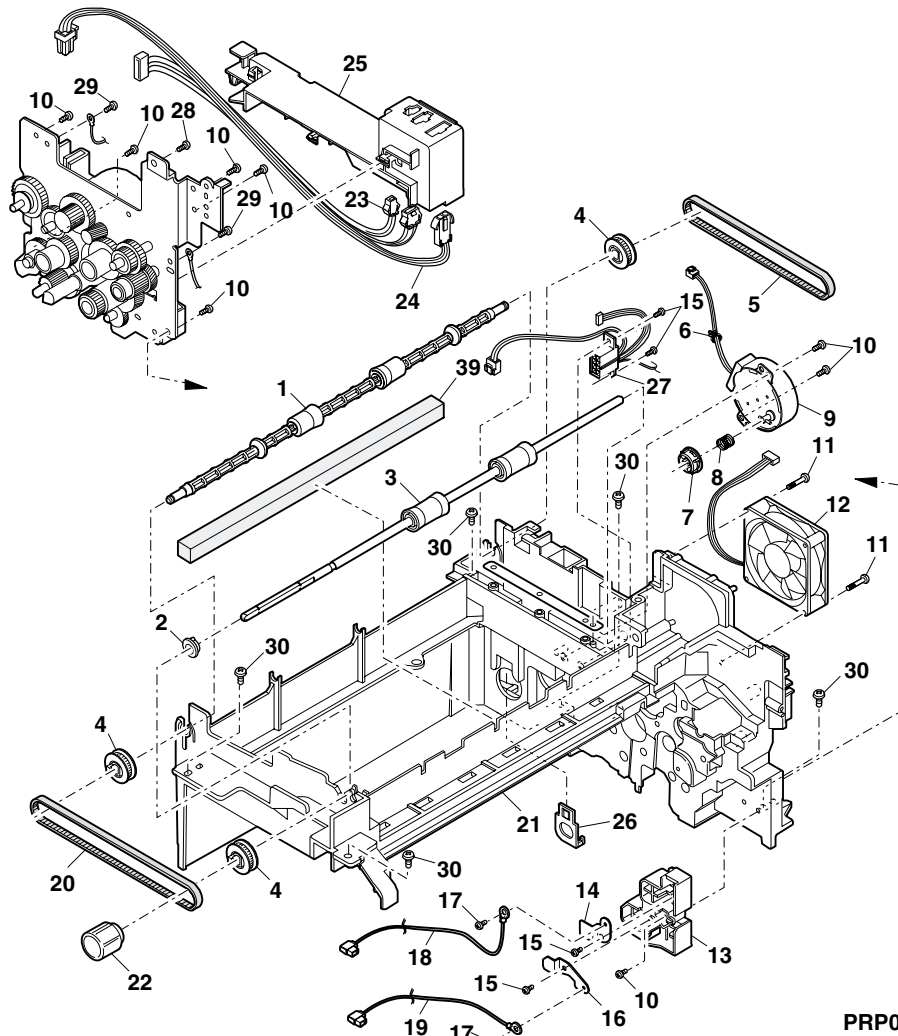


PRP01356

11 Middle frame

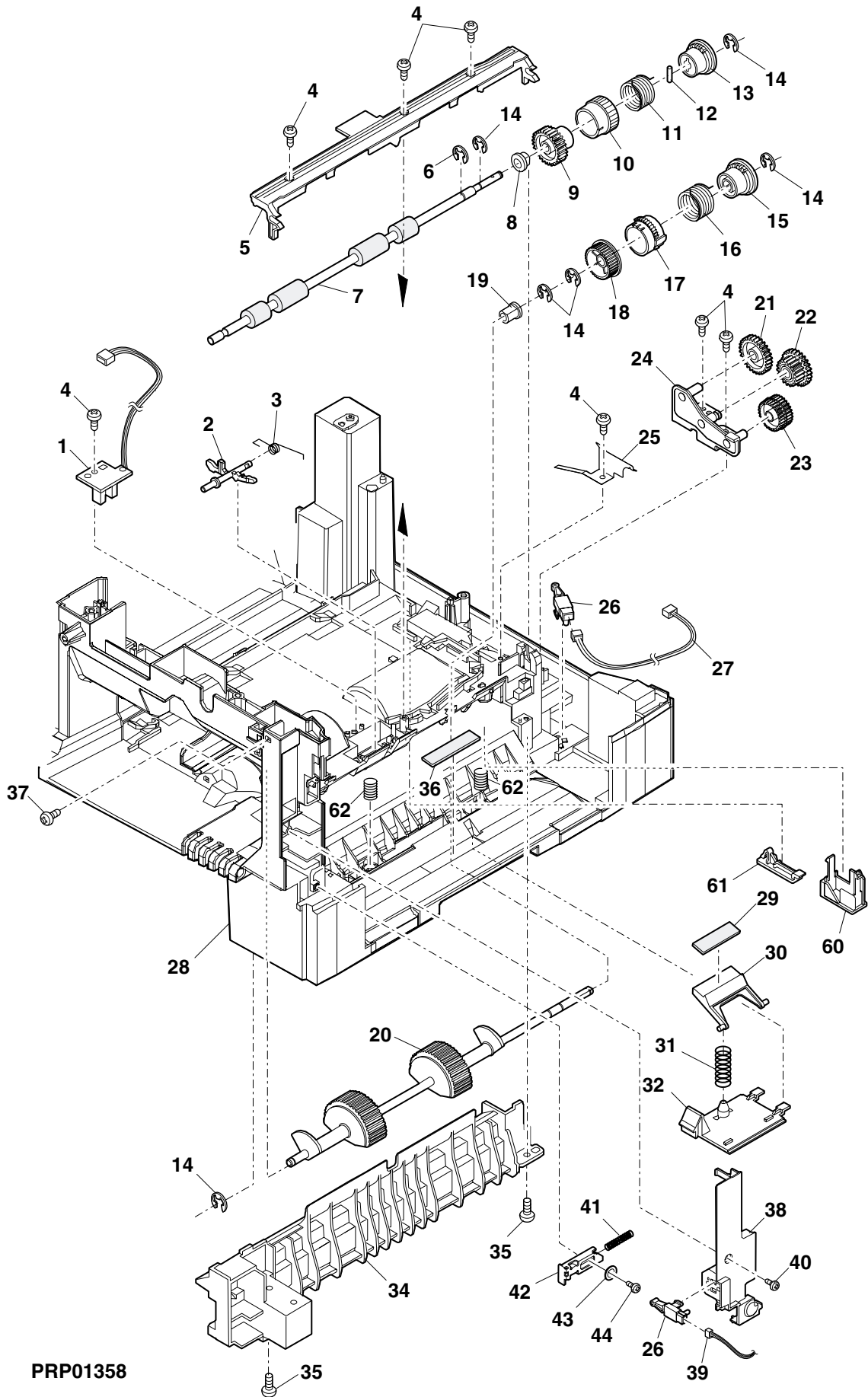
NO.	PARTS CODE	PRICE RANK	NEW MARK	PART RANK	DESCRIPTION
1	NROL P 0 0 0 7 Q S Z 1	AQ		C	Delivery roller lower
2	NBRGC 0 5 7 9 F C Z Z	AE		C	Roller bearing
3	NROL P 0 0 1 2 Q S Z 2	AL		C	Delivery trasport roller lower
4	NPLYZ 0 0 0 1 Q S Z Z	AE		C	Pulley(22T)
5	NBLT - 0 0 0 5 Q S Z Z	AH		B	Delivery roller drive belt
6	LBNDJ 0 0 4 3 F C Z Z	AA		C	Snap band(SG-130)
7	NCPL - 0 0 0 2 Q S Z Z	AC		C	Hopper cupring S
8	MSPRC 0 0 2 4 Q S Z 1	AC		C	Hopper spring
9	RMOTD 0 0 0 9 Q S Z Z	AU		B	Toner motor
10	XEBSD 3 0 P 1 0 0 0 0	AA		C	Screw(3x10)
11	XEBSD 3 0 P 3 0 0 0 0	AA		C	Screw(3x30)
12	NFANP 0 0 0 5 Q S Z 1	BR		B	Fan (Other countries)
	NFANP 0 0 0 5 Q S Z 2	AU		B	Fan (Syngapore,Malaysia,Indonesia,India,STCL)
13	LHLDZ 0 0 1 8 Q S Z Z	AE		C	TC high voltage holder
14	QSLP - 0 0 0 6 Q S Z Z	AE		C	BC HV electrode plate
15	XEBSD 3 0 P 0 6 0 0 0	AA		C	Screw(M3x6)
16	QSLP - 0 0 0 5 Q S Z Z	AE		C	TC HV electrode plate
17	XBPSC 3 0 P 0 6 K 0 0	AA		C	Screw(3x6K)
18	DHA i - 0 2 6 7 Q S Z Z	AG		C	BC harness
19	DHA i - 0 2 9 2 Q S Z Z	AF		C	TC harness
20	NBLTT 0 0 0 1 Q S Z Z	AH		B	Belt 308
21	LFRM - 0 0 0 2 Q S Z Z	AX		D	Middle frame
22	JKNBZ 0 0 0 1 Q S Z Z	AE		C	Roller rotation knob
23	DHA i - 0 2 8 7 Q S Z Z	AF		C	PPD2 interface harness
24	DHA i - 0 2 7 6 Q S Z Z	AL		C	HL harness 1 (200V Series)
25	PGIDM 0 0 0 9 Q S Z 1	AF	N	C	Harness guide
26	LPINS 0 0 0 7 Q S Z Z	AC		C	DV guide pin (Other countries)
	LPINS 0 3 0 1 F C Z Z	AD		C	DV guide pin (Syngapore,Malaysia,Indonesia,India,STCL)
27	DHA i - 0 2 7 1 Q S Z Z	AP		C	DSV harness
28	LX-BZ 3 0 0 6 S C 0 S	AA		C	Screw(3x6)
29	XBBSD 3 0 P 0 8 0 0 0	AA		C	Screw(3x8)
30	XEBSE 4 0 P 1 2 0 0 0	AA		C	Screw(4x12)
39	PMLT - 0 0 6 7 Q S Z Z	AC		C	Cushion

11 Middle frame



PRP01357

12 Base plate unit 1

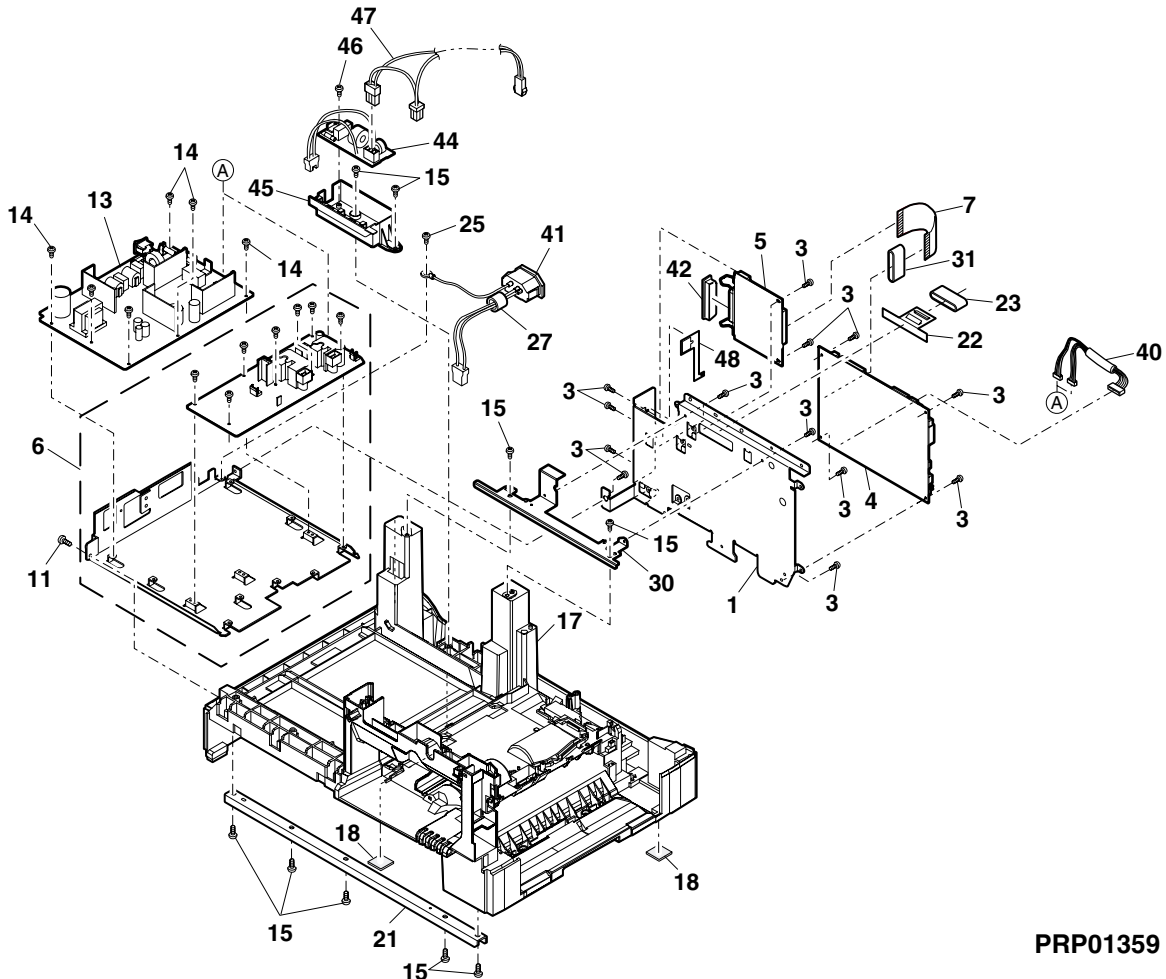


PRP01358

13 Base plate unit 2

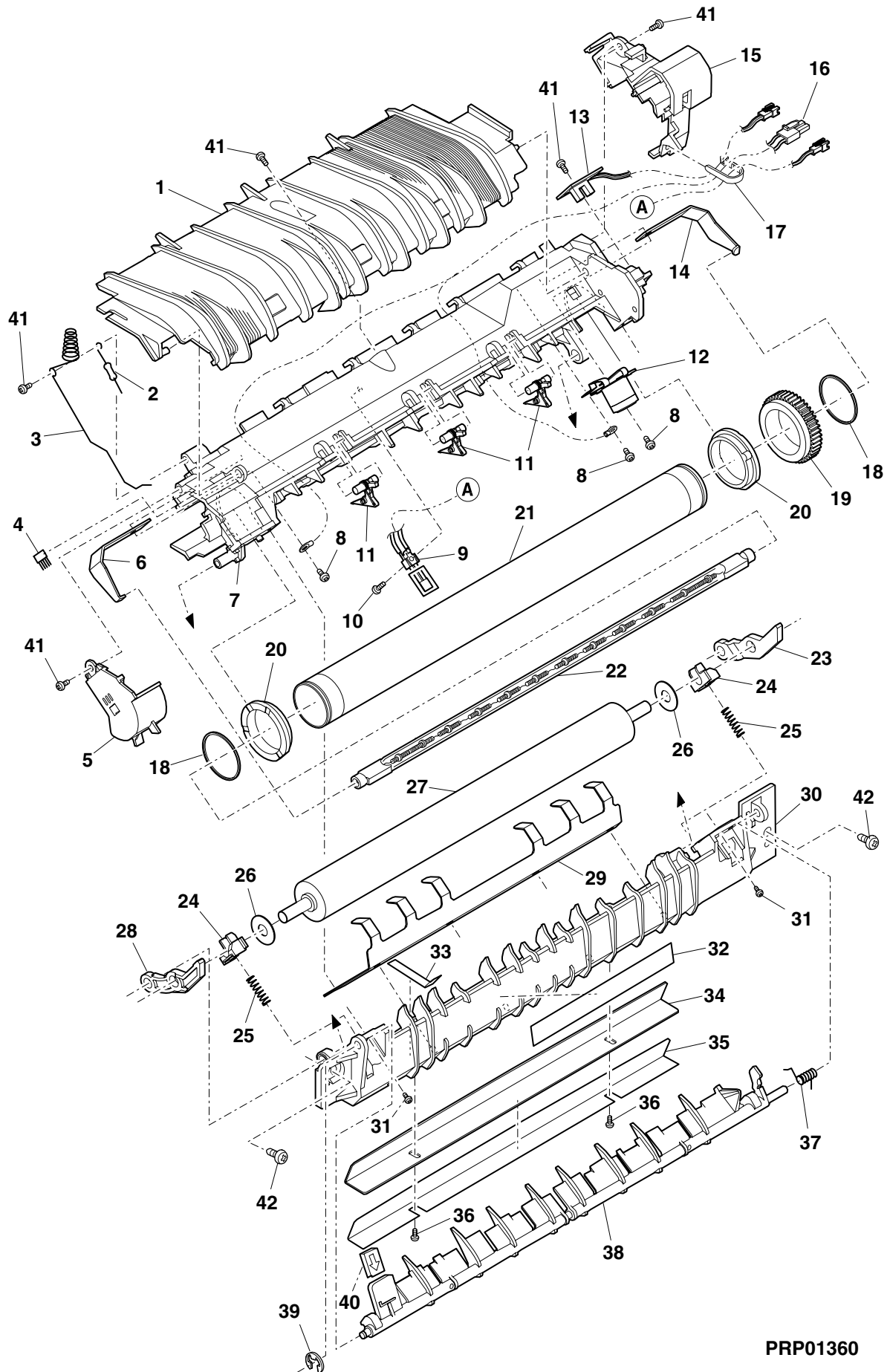
NO.	PARTS CODE	PRICE RANK	NEW MARK	PART RANK	DESCRIPTION
1	LHL DZ0092QSZZ	AP		C	PWB holder JAG
3	XHBSE30P06000	AA		C	Screw(3x6)
4	CPWBX0112QS3A	BW		E	MCU PWB (AL-1217)
	CPWBX0112QS3F	BY		E	MCU PWB (AL-1457)
5	CPWBF0114QSE1	BA		E	IF PWB
6	RDENC0007QSZZ	BG		E	High voltage PWB
7	DHAI-0283QSZ1	AG		C	MCU-I/F harness
11	XEBSE30P10000	AA		C	Screw(3x10)
13	RDENC0006QS13	BN		E	DC power supply PWB (200V)
14	XBBSE30P06000	AA		C	Screw(3x6)
15	XEBSE40P12000	AA		C	Screw(4x12)
17	GDAI-0001QSJ1	BF		D	Base plate
18	GLEGG0064FCZZ	AC		C	Rubber foot
21	LPLTM0020QSZZ	AL		C	Base plate reinforce plate F
22	PSHEZ0390QSZZ	AL		C	PWB holder sheet
23	RCORF0018QSZZ	AR		C	FFC core
25	XBPSN40P06K00	AA		C	Screw(4x6K)
27	RCORF0021QSZZ	AK		C	Core
30	LFRM-0062QSZZ	AG		C	Connector frame
31	RCORF1028LCZZ	AP		C	Ferrite core
40	DHAI-0294QSZZ	AK		C	Center frame harness
41	DHAI-0305QSZ1	AL		C	Inlet interface harness
42	PCAPH1001ACZZ	AE		D	Protection cover (Except Syngapore, Malaysia, Indonesia, India, STCL)
44	CPWBF0122QS31	AZ		E	Noise filter PWB
45	LHLDC0097QSZZ	AG		C	Noise filter holder
46	XEBSD30P10000	AA		C	Screw(3x10)
47	DHAI-0276QSZ2	AL		C	HL harness 1 (200V Series)
48	PSHEZ0405QSZZ	AE		C	Connector ground sheet

13 Base plate unit 2



PRP01359

14 Fusing unit

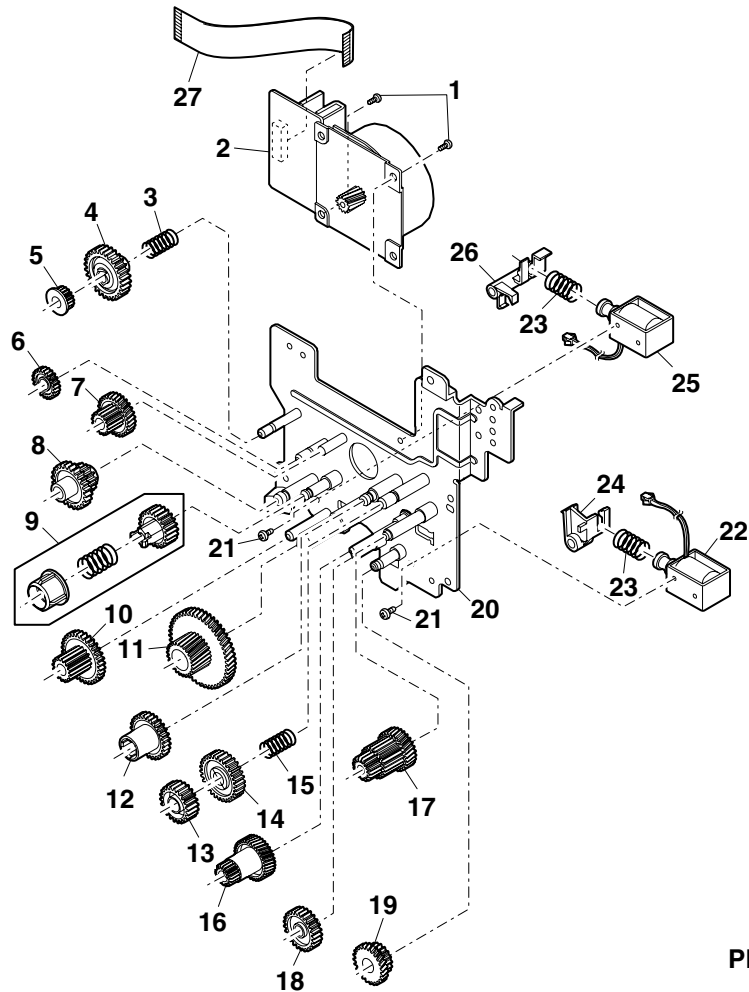


PRP01360

15 Drive unit

NO.	PARTS CODE	PRICE RANK	NEW MARK	PART RANK	DESCRIPTION
1	XBBSD40P06000	AA		C	Screw(4x6)
2	RMOTP0036QSZZ	BD		B	Main motor
3	MSPRC0053QSZ1	AC		C	Pulley spring
4	NGERH0050QSZZ	AD		C	Ratchet gear(33T)
5	NPLYZ0002QSZZ	AC		C	Pulley(17T)
6	NGERH0010QSZZ	AD		C	Gear(28T)
7	NGERH0009QSZZ	AD		C	Gear(46/16T)
8	NGERH0014QSZZ	AD		C	Gear(30/15T)
9	CGERH0011RS51	AE		E	MG gear unit
10	NGERH0015QSZZ	AD		C	Gear(37/15T)
11	NGERH0007QSZZ	AH		C	Gear(68/26T)
12	NGERH0016QSZZ	AD		C	Cupring gear(34T)
13	NGERH0019QSZZ	AD		C	Ratchet gear(21T)
14	NGERH0018QSZZ	AC		C	Ratchet gear(28T)
15	MSPRC0023QSZ1	AC		C	Ratchet spring
16	NGERH0008QSZZ3	AL		C	Gear(55/19T)
17	NGERH0017QSZZ	AD		C	Gear(33/20/15T)
18	NGERH0012QSZZ	AE		C	Gear(20T)
19	NGERH0013QSZZ	AG		C	Gear(31/17T)
20	CPLTM0042QS02	AY		C	Main drive plate
21	XBBSD30P04000	AA		C	Screw(3x4)
22	RPLU-0035QSZZ	AL		B	Solenoid
23	MSPRC1318FCZ1	AA		C	Spring B
24	PTME-0002QSZZ	AD		C	PS roller pawl
25	RPLU-0002QSZZ	AN		B	Solenoid
26	PTME-0003QSZ1	AD		C	Roller pawl
27	DHAi-0296QSZZ	AK		C	Main motor harness
	(Unit)				
901	CPLTM0042RS55	BM		E	Drive unit[Except No.27]

15 Drive unit

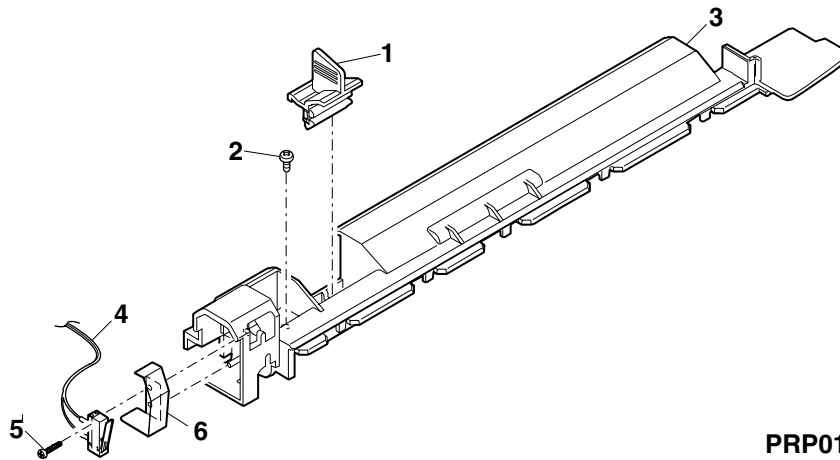


PRP01361

16 Single manual paper feeding cover unit (AL-1217)

NO.	PARTS CODE	PRICE RANK	NEW MARK	PART RANK	DESCRIPTION
1	CCLEZ0005RS51	AQ		E	Charger cleaner unit
2	XEBSE30P08000	AA		C	Screw(3x8)
3	PCOVP0012QSJ1	AH		C	Single upper cover
4	CSW-M0016RS51	AG		E	Side door detect switch unit
5	XEPSD20P10000	AA		C	Screw(2x10)
6	MSPRP0110QSZ1	AD		C	Door switch spring

16 Single manual paper feeding cover unit (AL-1217)

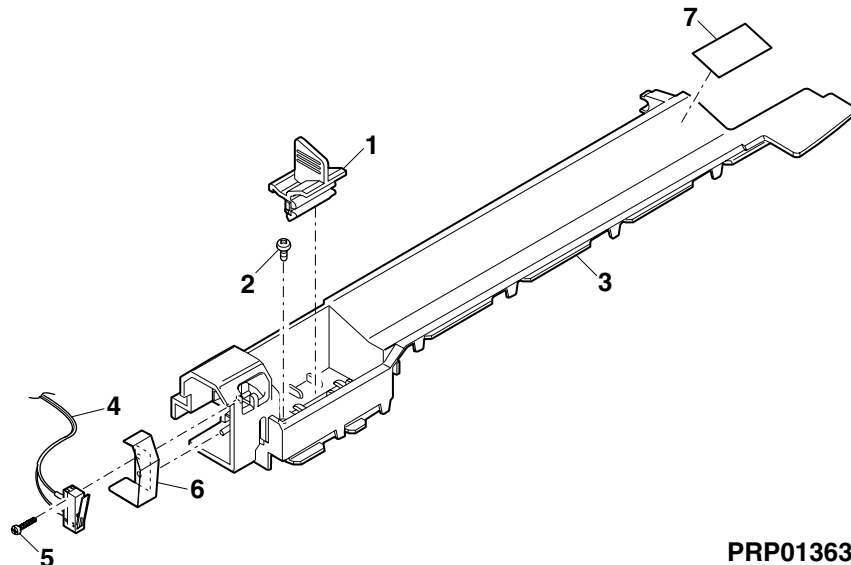


PRP01362

17 Multi manual paper feeding cover unit (AL-1457)

NO.	PARTS CODE	PRICE RANK	NEW MARK	PART RANK	DESCRIPTION
1	CCLEZ0005RS51	AQ		E	Charger cleaner unit
2	XEBSE30P08000	AA		C	Screw(3x8)
3	PCOVP0023QSJ1	AH		D	Multi upper cover
4	CSW-M0016RS51	AG		E	Side door detect switch unit
5	XEPSD20P10000	AA		C	Screw(2x10)
6	MSPRP0110QSZ1	AD		C	Door switch spring
7	PSHEZ0075QSZZ	AC		C	MB upper guide sheet

17 Multi manual paper feeding cover unit (AL-1457)

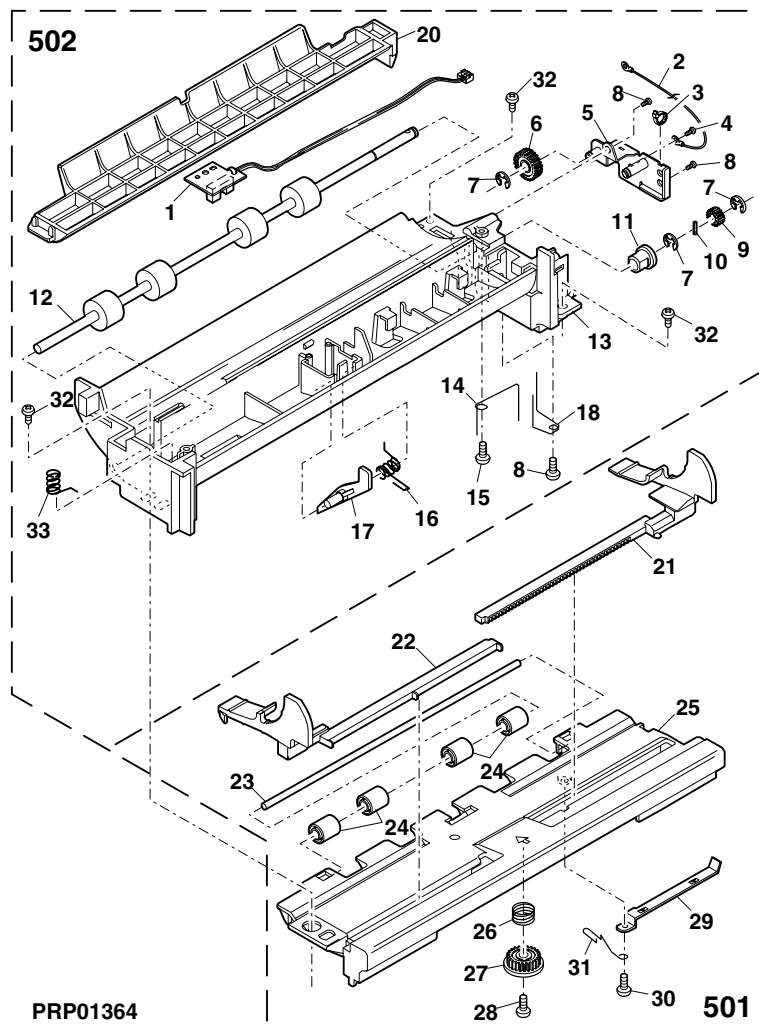


PRP01363

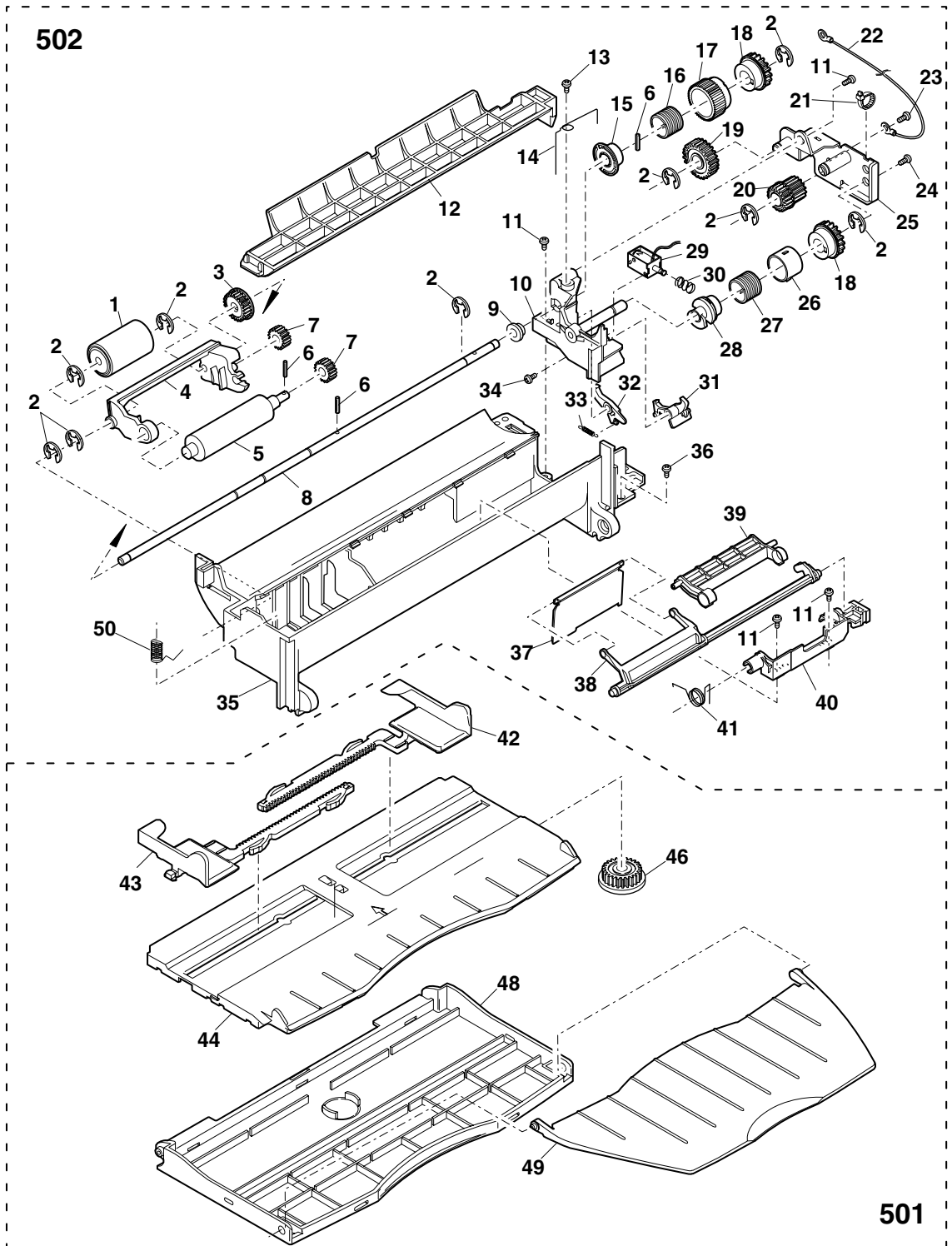
18 Single manual paper feeding unit (AL-1217)

NO.	PARTS CODE	PRICE RANK	NEW MARK	PART RANK	DESCRIPTION
1	CPWBF0116RS54	AP		E	MFD sensor PWB
2	DHAI-0295QSZZ	AC		C	Manual feeding earth harness
3	LBNDJ0013FCZ1	AA		C	Wire band
4	XHBSE30P06000	AA		C	Screw(3x6)
5	CPLTM0023QS02	AF		C	SB plate 1
6	NGERH0972FCZZ	AB		C	Gear(27T)
7	XRESP40-06000	AA		C	E-ring
8	XEBSE30P08000	AA		C	Screw(3x8)
9	NGERH0990FCZZ	AB		C	Gear(16T)
10	XPSSJ20-07000	AA		C	Spring pin(φ2-7)
11	NBRGP0562FCZZ	AD		C	Bearing
12	NRÖLR0016QSZZ	AT		C	MF transport roller
13	LFRM-0006QSJZ	AN		D	Single manual feed frame
14	MSPRC0039QSZ1	AC		C	Earth spring
15	XEBSD30P06KS0	AA		C	Screw(3x6KS)
16	MSPRC0038QSZ1	AC		C	Actuator spring
17	MLEVP0007QSZZ	AD		C	Actuator
18	MSPRC0080QSZZ	AB		C	SB transport earth spring
20	PGIDM0014QSJZ	AF		C	DUP upper guide
21	PGIDM0013QSJZ	AF		C	SB side guide R
22	PGIDM0012QSJZ	AF		C	SB side guide F
23	NSFTZ0007QSZ1	AG		C	Roller shaft
24	NRÖLP1122FCZZ	AF		C	PS upper roller
25	LFRM-0007QSJ2	AL		D	Single manual feed lower frame
26	MSPRC0036QSZ1	AB		C	MF spring
27	NGERH0021QSZZ	AD		C	Manual feeding gear
28	XEP30P06X00	AA		C	Screw(3x6X)
29	MSPRP0079QSZZ	AD		C	SB earth plate spring
30	XEBSE30P06000	AA		C	Screw(3x6)
31	MSPRD0108QSZZ	AC		C	SB lower earth spring
32	XEBSE40P12000	AA		C	Screw(4x12)
33	MSPRC0109QSZZ	AC		C	Spring
501	CFRM-0007RS54	AX		E	SB manual feeding lower frame unit
502	CFRM-0006RS53	BB		E	Single manual paper feeding unit

18 Single manual paper feeding unit (AL-1217)



19 Multi manual paper feeding unit (AL-1457)

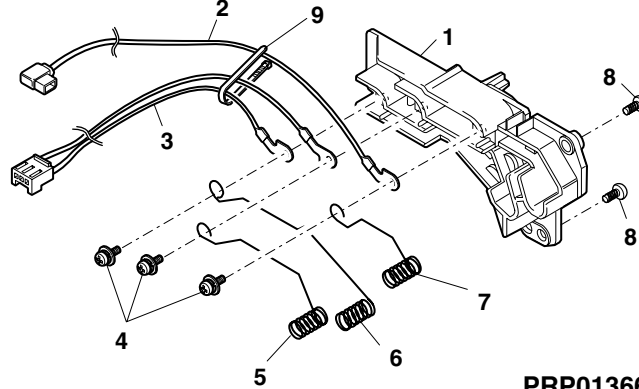


PRP01365

20 Socket holder unit

NO.	PARTS CODE	PRICE RANK	NEW MARK	PART RANK	DESCRIPTION
1	LHLDZ0009QSAZ	AF		C	HV interface holder
2	CHAI-0298RS51	AL		C	MC harness unit
3	CHAI-0273RS51	AN		C	GB-MCFB harness unit
4	XBPSC30P06ES0	AA		C	Screw(3x6ES)
5	MSPRC0017QSZ1	AC		C	HV terminal spring
6	MSPRC0018QSZ1	AC		C	HV terminal spring
7	MSPRC0016QSZ1	AC		C	HV terminal spring
8	XEBSD30P08000	AA		C	Screw(3x8)
9	LBNDJ0013FCZ1	AA		C	Wire band

20 Socket holder unit

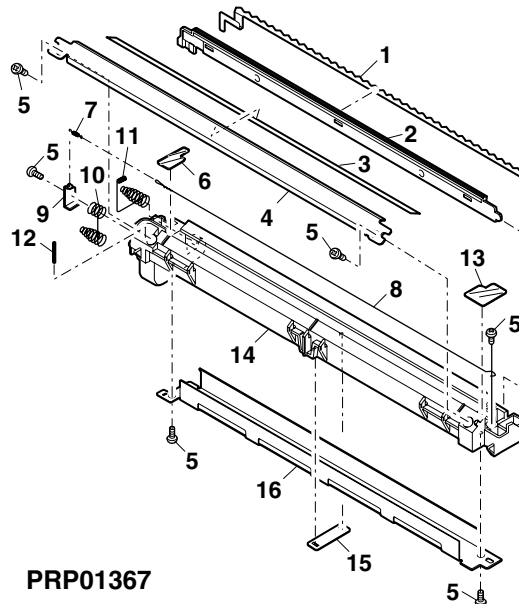


PRP01366

21 TC case unit

NO.	PARTS CODE	PRICE RANK	NEW MARK	PART RANK	DESCRIPTION
1	PSHEZ0018QSZZ	AF		C	Discharge plate sheet
2	PGIDM0011QSZZ	AE		C	Separator guige
3	PSHEP0019QSZ1	AC		C	TC sheet
4	PGIDH0025QSZ1	AG		C	TC front guide
5	XEBSD30P06000	AA		C	Screw(M3x6)
6	PSHEP0021QSZZ	AA		C	TC cover sheet R
7	MSPRT0513FCZ1	AA		C	MC tension spring
8	DWIR-0466CSZZ	BG		B	Charger wire
9	QSLP-0007QSZZ	AC		C	TC electrode plate
10	MSPRC0027QSZZ	AC		C	TC electrode spring
11	MSPRC0028QSZZ	AC		C	BC electrode spring
12	MSPRC0051QSZ1	AA		C	Front guide earth spring
13	PSHEP0020QSZZ	AB		C	TC cover sheet F
14	LHLDZ0010QSZ1	AL		C	TC holder
15	LFIX-0004QSZZ	AC		C	Holer fixing plate
16	PCASZ0002QSZZ	AL		D	TC case
	(Unit)				
901	CHLDZ0010RS52	AU		E	Transcription holder unit

21 TC case unit

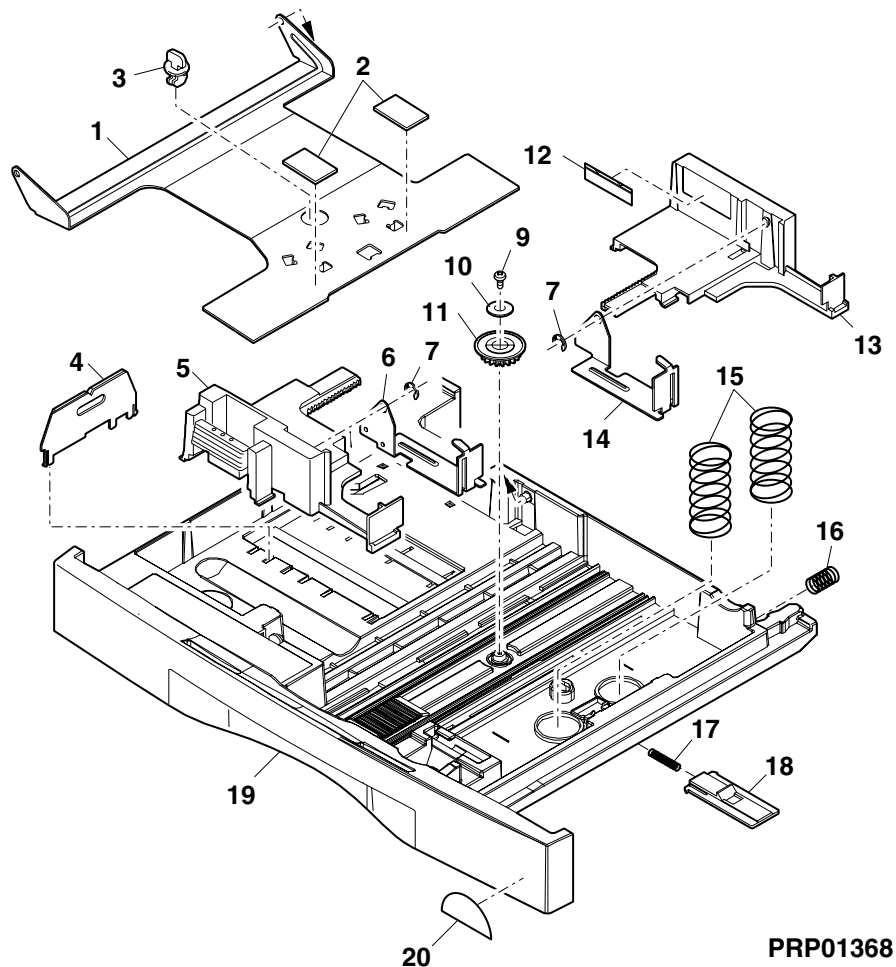


PRP01367

22 250 sheets tray

NO.	PARTS CODE	PRICE RANK	NEW MARK	PART RANK	DESCRIPTION
1	LPLTM5106FCZZ	AR		C	Turning plate 250
2	PSHEZ4142FCZZ	AC		C	Rotation plate sheet
3	LHLDW1226FCZZ	AB		C	Turn fasner
4	LPLTM2642FCG1	AD	N	C	Tray rear plate
5	LPLTP5107FCZ1	AG		C	250 tray side plate F
6	PTME-0255FCZZ	AG		C	250 Tray pawl F
7	XRESP40-06000	AA		C	E-ring
9	XEBSE30P08000	AA		C	Screw(3x8)
10	LX-WZ2028SCZZ	AA		C	Washer(φ12)
11	NGERH0193FCZZ	AB		C	Manual feeding gear
12	TLABZ3568GHZZ	*	N	D	Indication label (Other countries)
	TLABZ3568FCZZ	AB		D	Indication label (Syngapore,Malaysia,Indonesia,India,STCL)
13	LPLTP5108FCZ1	AG		C	250 tray side plate R
14	PTME-0256FCZZ	AG		C	250 Tray pawl R
15	MSPRC0108QSZZ	AC		C	250 Tray spring
16	MSPRC1873FCZ1	AB		C	Tray spring
17	MSPRC1145FCZZ	AA		C	Stopper spring
18	LSTPP0161FCZ1	AD	N	C	Rotation plate stopper
19	GCASP0001QSJ2	AZ		D	250 Tray case
20	TLABZ4047FCZZ	AC		C	Enagy star label (Except Syngapore,Malaysia,Indonesia,India,STCL)
	(Unit)				
901	CCASP0001RS55	BF		E	250 Tray unit(Except No.20)

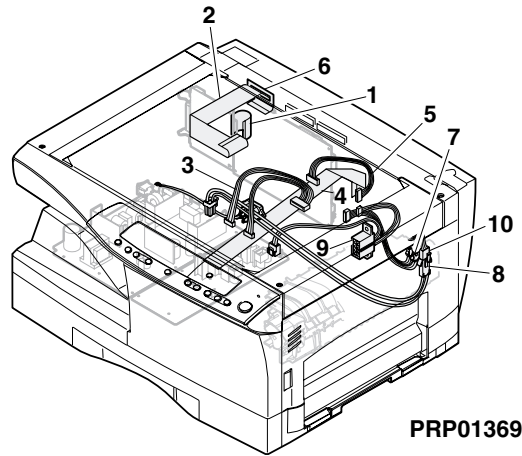
22 250 sheets tray



23 Harness

NO.	PARTS CODE	PRICE RANK	NEW MARK	PART RANK	DESCRIPTION
1	DHAI-0283QSZ1	AG		C	MCU-I/F harness
2	DHAI-0268QSZ1	AH		C	CCD-MCU harness
3	DHAI-0294QSZZ	AK		C	Center frame harness
4	DHAI-0285QSZZ	AK		C	OP-MCU harness
5	DHAI-0296QSZZ	AK		C	Main motor harness
6	PSHEZ0390QSZZ	AL		C	PWB holder sheet
7	DHAI-0287QSZZ	AF		C	PPD2 interface harness
8	DHAI-0276QSZZ	AL		C	HL harness 1 (200V Series)
9	DHAI-0271QSZZ	AP		C	DSV harness
10	DHAI-0280QSZ1	AH		C	HL harness 2 (200V Series)

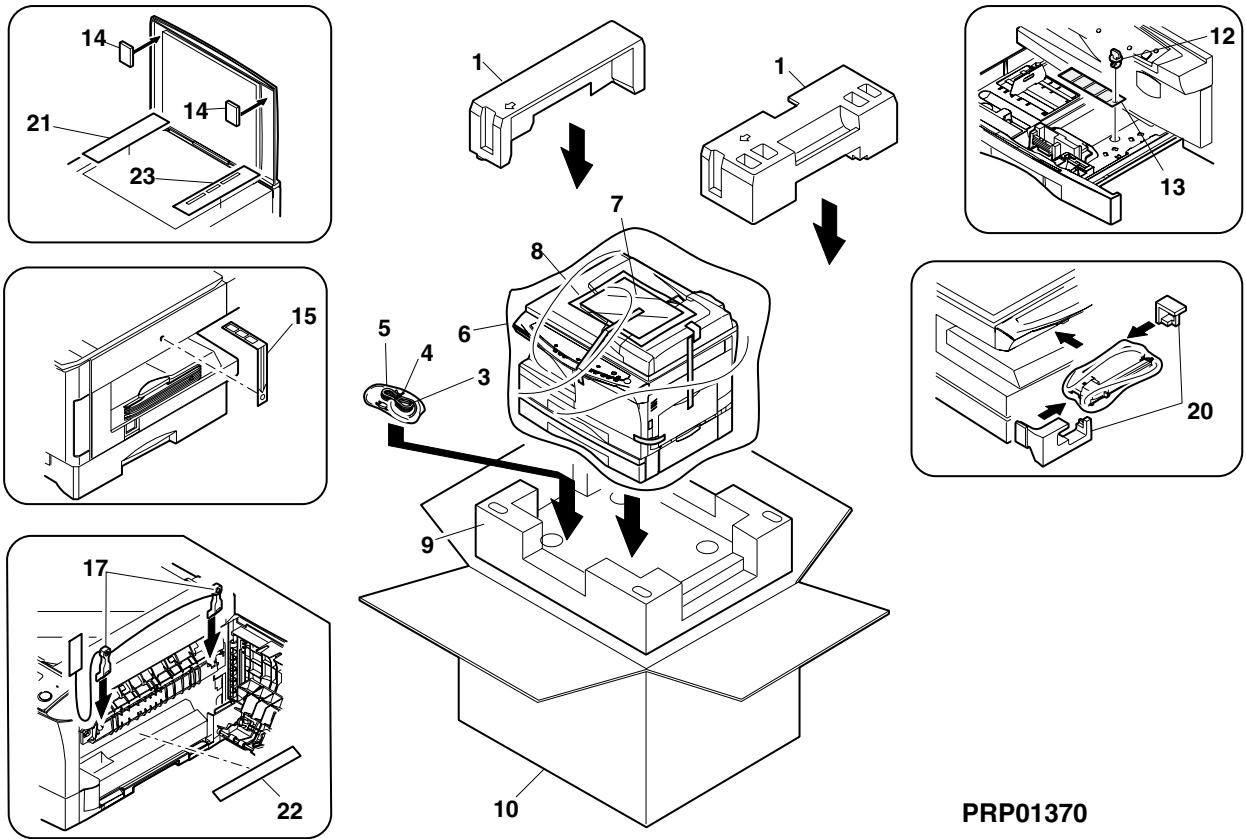
23 Harness



24 Packing material & accessories

NO.	PARTS CODE	PRICE RANK	NEW MARK	PART RANK	DESCRIPTION
1	SPAKA0408QSZZ	AN		D	Top packing OC (AL-1217)
	SPAKA0409QSZZ	AR		D	Top packing SPF (AL-1457)
3	QACCB7521QCZZ	AS		B	AC cord (India)
	QACCBR623QCPZ	AU		B	AC cord (U.kingdom)
	QACCE7621QCZZ	*	N	B	AC cord (Switzerland)
	QACCE7622QCPZ	AQ		B	AC cord (STCL)
	QACCF7620QCZZ	AX		B	AC cord (Syngapore,Malaysia,Indonesia)
	QACCV6621JHPZ	*	N	B	AC cord (Other countries)
4	UBNDA0001FCZZ	AA		C	AC cable band
5	SSAKA5003CCZZ	AA		D	Vinyl bag(140x260mm)
6	SSAKZ0002QSZZ	AF		D	Body vinyl bag
7	TINSE0829QSZ1	AZ		D	Operation manual (Syngapore,Malaysia,Indonesia,India,STCL)
	TINSE0862TSZZ	*	N	D	Operation manual (U.kingdom)
	TINSZ0868TSZZ	*	N	D	Operation manual (France,Italy,Holland,Spain,Portugal)
	TINSZ0869TSZZ	*	N	D	Operation manual (Sweden,Finland,Norway,Denmark)
	TINSZ0870TSZZ	*	N	D	Operation manual (Other countries)
8	SSAKA2347QCZZ	AB		D	Vinyl bag(240x300mm)
9	SPAKA0405QSZZ	AN		D	Bottom packing (AL-1217)
	SPAKA0406QSZZ	AS		D	Bottom packing (AL-1457)
10	SPAKC0402RS28	AT		D	Packing case (AL-1217 Syngapore,Malaysia,Indonesia,India,STCL)
	SPAKC0402TS30	*	N	D	Packing case (AL-1217 Other countries)
	SPAKC0403TS16	*	N	D	Packing case (AL-1457)
12	LHLDW1226FCZZ	AB		C	Turn fasner
13	TTAG-0002QSZZ	AB		D	Tray rotation tag
14	SPAKA0051RSZZ	AC		D	OC packing (AL-1217)
	SPAKA0064RSZ1	AC		D	OC packing (AL-1457)
15	TTAG-0006QSZ1	AD		D	Scanner fixing tag JAG
17	CLEVP0016QS02	AF		C	Pressure block lever
20	SPAKA0411QSZZ	AE		D	Accessories Add A
21	SPAKA5116FCZZ	AB		D	SPF protect sheet (AL-1457)
22	TCAUH0007TSZZ	*	N	D	Laser caution label (Other countries)
	TCAUH0007QSZZ	AD		D	Laser caution label (Syngapore,Malaysia,Indonesia,India,STCL)
23	SPAKA0432QSZZ	AC		D	SPF protect sheet JAG (AL-1457)
101	CDSKA0019TS36	*	N	D	CD-ROM (Other countries)
	CDSKA0019QS33	AL		D	CD-ROM (Syngapore,Malaysia,Indonesia,India,STCL)

24 Packing material & accessories



PRP01370

25 Operation PWB

NO.	PARTS CODE	PRICE RANK	NEW MARK	PART RANK	DESCRIPTION
1	QCNCM0861FCZZ	AB		C	Connector(3pin) [CN302]
2	QCNCW1132LC1H	AD		C	Connector(18pin) [CN301]
3	QSW-P0001ESZZ	AC		B	Tact swtch(SKQNA010) [MAGK,ZDWK,CLK,ZUPK,PSW]
	QSW-P0001ESZZ	AC		B	Tact swtch(SKQNA010) [10UPK,1UPK,EXUPK,EXDWK]
	QSW-P0001ESZZ	AC		B	Tact swtch(SKQNA010) [EXMODK,CRSK,OLK,SCNK]
	QSW-P0001ESZZ	AC		B	Tact swtch(SKQNA010) (AL-1457)[BPK]
4	VCCCY1HH201J	AA		C	Capacitor(50WV 200pF) [C317,C319,C326,C327]
5	VCEAJU1CW476M	AB		C	Capacitor(16WV 47μF) [C301]
6	VCKYCY1CB104K	AB		C	Capacitor(16WV 0.1μF) [C311,C323]
7	VCKYCY1HB102K	AA		C	Capacitor(50WV 1000pF) [C302-310,312-316]
8	VCKYCY1HB223K	AC		C	Capacitor(50WV 0.022μF) [C318,325]
9	VHDDSS133// -1	AA		B	Diode(1SS133) [D301-310]
10	VHILC7935// -1	AN		B	IC(LC7935) [IC303]
11	VH174HC151M-1	AD		B	IC(74HC151M) [IC301,IC302]
12	VHP1LHEE-002A	AC		B	LED(Red)(1LHEE-002A) [TPL,DPL,JPL]
	VHP1LHEE-002A	AC		B	LED(Red)(1LHEE-002A) (AL-1457)[SJAL]
13	VHP1LHLE-002A	AC		B	LED(Green)(LTL-1LHLE-002A) [PE,ME,RPL,AE,ZPL,ONLL]
	VHP1LHLE-002A	AC		B	LED(Green)(LTL-1LHLE-002A) [EXD,EXN,EXL,CS1L,SCNL]
	VHP1LHLE-002A	AC		B	LED(Green)(LTL-1LHLE-002A) [BPL,3RE,2RE,1RE,NOR]
	VHP1LHLE-002A	AC		B	LED(Green)(LTL-1LHLE-002A) [1ENR,2ENR,PML]
	VHP1LHLE-002A	AC		B	LED(Green)(LTL-1LHLE-002A) (AL-1457)[SPFL]
	VHP1LHLE-002A	AC		B	LED(Green)(LTL-1LHLE-002A) [LEDM]
14	VHP3650AG2J-1	AL		B	LED(7SEGMENT)(LTC-3650AG-02J) [LEDM]
15	VRS-CY1JD101J	AA		C	Resistor(1/16W 100Ω ±5%) [R302,308,309,310,312]
	VRS-CY1JD101J	AA		C	Resistor(1/16W 100Ω ±5%) [R313,314,318,319,321]
	VRS-CY1JD101J	AA		C	Resistor(1/16W 100Ω ±5%) [R322,324,327,336]
16	VRS-CY1JD102J	AA		C	Resistor(1/16W 1.0KΩ ±5%) [R317,335,338,339]
	VRS-CY1JD102J	AA		C	Resistor(1/16W 1.0KΩ ±5%) [R340,352,357,360]
17	VRS-CY1JD121J	AA		C	Resistor(1/16W 120Ω ±5%) [R328-334,341-349,361]
18	VRS-CY1JD151J	AA		C	Resistor(1/16W 150Ω ±5%) [R350,351,358]
19	VRS-CY1JD152J	AA		C	Resistor(1/16W 1.5KΩ ±5%) [R304,359]
20	VRS-CY1JD471J	AA		C	Resistor(1/16W 470Ω ±5%) [R353,354]

25 Operation PWB

NO.	PARTS CODE	PRICE RANK	NEW MARK	PART RANK	DESCRIPTION
21	VRS-CY1JD472J	AA		C	Resistor(1/16W 4.7KΩ ±5%) [R301,303,305,306,307]
	VRS-CY1JD472J	AA		C	Resistor(1/16W 4.7KΩ ±5%) [R311,315,316,320,323]
	VRS-CY1JD472J	AA		C	Resistor(1/16W 4.7KΩ ±5%) [R325,326,337,355]
22	VRS-CY1JD511J	AA		C	Resistor(1/16W 510Ω ±5%) [R356,362]
23	RH-TX0003ESZZ	AC		B	Digital tnsistor(KRA225S) [Q301,302,303]
	(Unit)				
901	CPWBF0113QSE1	BB		E	Operation PWB (AL-1217)
	CPWBF0113QSE7	BB		E	Operation PWB (AL-1457)

26 MCU PWB

NO.	PARTS CODE	PRICE RANK	NEW MARK	PART RANK	DESCRIPTION
1	QCNCM0079QSZZ	AC		C	Connector(2pin) [CN116]
2	QCNCM0923FC14	AE		C	Connector(14pin) (AL-1457)[CN115]
3	QCNCM0923FC18	AF		C	Connector(18pin) [CN119]
4	QCNCM0923FC24	AF		C	Connector(24pin) [CN101]
	QCNCM0923FC24	AF		C	Connector(24pin) (AL-1457)[CN122]
5	QCNCM1005MCZZ	AB		C	Connector(2pin) [CN124]
6	QCNCM2401SC0C	AB		C	Connector(3pin) [CN111]
7	QCNCM2401SC0D	AC		C	Connector(4pin) [CN106A,CN103]
8	QCNCM2401SC0E	AC		C	Connector(5pin) [CN123]
9	QCNCM7014SC0C	AA		C	Connector(3pin) [CN113,CN110]
10	QCNCM7014SC0D	AB		C	Connector(4pin) [CN112]
11	QCNCM7014SC0E	AB		C	Connector(5pin) [CN120]
12	QCNCM7014SC0F	AB		C	Connector(6pin) [CN125]
13	QCNCP0340QCZZ	AC		C	Connector(3pin) [CN108]
14	QCNCP0341QCZZ	AC		C	Connector(3pin) [CN117]
15	QCNCW0024QSZZ	AF		C	Connector(32pin) [CN105]
16	QCNCW0078QSZZ	AF		C	Connector(35pin) [CN104]
17	QCNCW1124LC0H	AC		C	Connector(8pin) [CN107]
18	QCNCW1124LC1H	AD		C	Connector(18pin) [CN102]
19	QSOCZ0002QSZZ	AD		C	IC socket(8pin) [For IC102]
20	RCiLZ0015QSZZ	AD		C	Coil [L129]
21	RCRSP0016QSZZ	AD		B	Cristal(19.6608MHz) [X101]
22	RCRUB0013QSZZ	AN		B	Cristal(24MHz) [X102]
23	RCRUB0016QSZZ	AN		B	Cristal(13.9867MHz) [X103]
24	RFiLZ0004QSZZ	AM		C	Filter(ZJSR5101-223) [L101,L113,L123,L124]
	RFiLZ0004QSZZ	AM		C	Filter(ZJSR5101-223) [L125,L126,L127]
25	RH-DX0001ESZZ	AC		B	Diode(11EQS06-TA1B2) [D139]
26	RH-DZ0016FCZZ	AB		B	Diode(MA700) [D101]
27	RH-iX0002QSZZ	AZ		B	IC(MT48LC4M16ATG-8E) [IC110]
28	RH-iX0020QSZZ	AS		B	IC(UT61L1024JC-15) [IC112]
29	RMP TW4100QCJJ	AA		B	Block resistor(10KΩ×4) [BR156,BR157,BR158]
30	RMP TW4102QCJJ	AB		B	Block resistor(1.0KΩ×4) [BR160,BR161,BR162,BR163]
31	RMP TW4103QCJJ	AB		B	Block resistor(10KΩ×4) [BR101,BR102,BR103,BR104,BR105]
	RMP TW4103QCJJ	AB		B	Block resistor(10KΩ×4) [BR106,BR107,BR108,BR109,BR110]
	RMP TW4103QCJJ	AB		B	Block resistor(10KΩ×4) [BR111,BR112,BR114,BR115,BR117]
	RMP TW4103QCJJ	AB		B	Block resistor(10KΩ×4) [BR133,BR135,BR137,BR139,BR145]
	RMP TW4103QCJJ	AB		B	Block resistor(10KΩ×4) [BR146,BR148,BR150,BR152,BR153]
	RMP TW4103QCJJ	AB		B	Block resistor(10KΩ×4) [BR154,BR155,BR159]
32	RMP TW4330QCJJ	AB		B	Resistor arrey(33Ω×4 1/32W ±5%) [BR116,BR118,BR119,BR120,BR121]
	RMP TW4330QCJJ	AB		B	Resistor arrey(33Ω×4 1/32W ±5%) [BR122,BR123,BR124,BR125,BR126]
	RMP TW4330QCJJ	AB		B	Resistor arrey(33Ω×4 1/32W ±5%) [BR127,BR128,BR129,BR130,BR134]
	RMP TW4330QCJJ	AB		B	Resistor arrey(33Ω×4 1/32W ±5%) [BR136,BR138,BR140,BR141,BR131]
	RMP TW4330QCJJ	AB		B	Resistor arrey(33Ω×4 1/32W ±5%) [BR132,BR142,BR143,BR144,BR147]
	RMP TW4330QCJJ	AB		B	Resistor arrey(33Ω×4 1/32W ±5%) [BR149,BR151]
33	TLABZ4201FCZZ	AC		D	Version label
34	VCCCCZ1HH101J	AA		C	Capacitor(50WV 100pF) [C104,C105,C190,C191,C192]
35	VCCCCZ1HH120J	AA		C	Capacitor(50WV 12pF) [C106,C165,C167]
36	VCCCCZ1HH220J	AA		C	Capacitor(50WV 22pF) [C102,C103]
37	VCCCCZ1HH330J	AA		C	Capacitor(50WV 33pF) [C186,C188,C194,C302]
38	VCCCCZ1HH470J	AA		C	Capacitor(50WV 47pF) [C126,C315,C316,C317,C318]
	VCCCCZ1HH470J	AA		C	Capacitor(50WV 47pF) [C319,C320,C321,C166]
39	VCEAGA1CW105M	AA		C	Capacitor(16WV 1.0μF) [C206]
40	VCEAGA1CW106M	AA		C	Capacitor(16WV 10μF) [C109]
41	VCEAGA1CW226M	AB		C	Capacitor(16WV 22μF) [C174,C286,C287,C322]
42	VCEAGA1CW476M	AB		C	Capacitor(16WV 47μF) [C139]
	VCEAGA1CW476M	AB		C	Capacitor(16WV 47μF) (AL-1457)[C217,C219]
43	VCEAGA1EW476M	AA		C	Capacitor(25WV 47uF) [C284]
44	VCEAGA1VW106M	AA		C	Capacitor(35WV 10μF) [C212]
45	VCEAGA1VW476M	AB		C	Capacitor(35WV 47uF) [C208,C276,C282,C299,C300]
46	VCKYCY1HB104K	AA		C	Capacitor(50WV 0.10μF) [C277,C313,C314,C209,C210]
	VCKYCY1HB104K	AA		C	Capacitor(50WV 0.10μF) [C213,C334,C335,C301]
47	VCKYCY1CB223K	AB		C	Capacitor(16WV 0.022μF) [C125,C163,C169,C197,C200]
48	VCKYCY1CF104Z	AB		C	Capacitor(16WV 0.10μF) [C101,C107,C108,C110,C111]
	VCKYCY1CF104Z	AB		C	Capacitor(16WV 0.10μF) [C112,C113,C114,C115,C124]

26 MCU PWB

NO.	PARTS CODE	PRICE RANK	NEW MARK	PART RANK	DESCRIPTION
48	VCKYCZ1CF104Z	AB		C	Capacitor(16WV 0.10μF) [C127,C128,C129,C130,C131]
	VCKYCZ1CF104Z	AB		C	Capacitor(16WV 0.10μF) [C132,C133,C134,C135,C136]
	VCKYCZ1CF104Z	AB		C	Capacitor(16WV 0.10μF) [C137,C138,C140,C141,C142]
	VCKYCZ1CF104Z	AB		C	Capacitor(16WV 0.10μF) [C143,C144,C145,C146,C147]
	VCKYCZ1CF104Z	AB		C	Capacitor(16WV 0.10μF) [C148,C149,C150,C151,C152]
	VCKYCZ1CF104Z	AB		C	Capacitor(16WV 0.10μF) [C153,C154,C155,C156,C157]
	VCKYCZ1CF104Z	AB		C	Capacitor(16WV 0.10μF) [C158,C159,C160,C161,C162]
49	VCKYCZ1HB102K	AA		C	Capacitor(50WV 1000pF) [C261,C262,C263,C264,C265]
	VCKYCZ1HB102K	AA		C	Capacitor(50WV 1000pF) [C266,C278,C279,C280,C281]
	VCKYCZ1HB102K	AA		C	Capacitor(50WV 1000pF) [C290,C291,C292,C293,C294]
	VCKYCZ1HB102K	AA		C	Capacitor(50WV 1000pF) [C295,C296,C297,C298,C303]
	VCKYCZ1HB102K	AA		C	Capacitor(50WV 1000pF) [C304,C305,C306,C307,C309]
	VCKYCZ1HB102K	AA		C	Capacitor(50WV 1000pF) [C310,C311,C312]
50	VCKYCZ1HB222K	AA		C	Capacitor(50WV 2200pF) [C211,C214,C218,C222]
51	VCKYCZ1HB821K	AC		C	Capacitor(50WV 820pF) [C201,C202,C203,C204]
52	VHDDSS133// -1	AA		B	Diode(1SS133) [D104,D120,D124,D127]
53	VHDKDS121+ + -1	AC		B	Diode(KDS121) [D116,D117,D118,D121,D122]
	VHDKDS121+ + -1	AC		B	Diode(KDS121) [D123,D125,D126,D128,D129]
	VHDKDS121+ + -1	AC		B	Diode(KDS121) [D130,D131,D132,D133]
	VHDKDS121+ + -1	AC		B	Diode(KDS121) [D134,D135,D136,D137]
54	VHDKDS226+ + -1	AC		B	Diode(KDS226) [D102,D103,D119,D138,D140,D143]
55	VHi28F4BVEB85	AX		B	IC(28F4BVEB85) [IC111]
56	VHi74HC151M-1	AD		B	IC(74HC151M) [IC114,IC115]
	VHi74HC151M-1	AD		B	IC(74HC151M) (AL-1457)[IC117]
57	VHiBA6920FP-1	AL		B	IC(BA6920FP) [IC129]
58	VHiD65001AF-1	AG		B	IC(D65001AF) [IC119,IC121]
59	VHiD65503F+ -1	AG		B	IC(D65503F) [IC124,IC125]
60	VHiEES02L400P	AG		B	IC(EES02L400P) [IC102]
61	VHiH8S2320+ -1	AY		B	IC(H8S/2320) [IC103]
62	VHiHG73C1191C	BH		B	IC(HG73C1191C) [IC106]
63	VHiKA7805AP-1	AE		B	IC(KIA7805AP) [IC130]
64	VHiKIA358F+ -1	AE		B	IC(KIA358F) [IC122]
65	VHiKIA393F+ -1	AE		B	IC(KIA393F) [IC120]
66	VHiL6219DS+ -1	AN		B	IC(L6219DS) [IC127]
67	VHiLCX244WM-1	AG		B	IC(74LCX244WM) [IC118,IC113]
68	VHiM51957BFP1	AH		B	IC(M51957BFP1) [IC104]
69	VHiMTD1361F-1	AR		B	IC(MTD1361F) (AL-1457)[IC128]
70	RH-iX0005ESZ	AE		B	IC(IX0005ES) [IC131]
71	VHiNC7ST08M-1	AD		B	IC(NC7ST08M5X) [IC107]
72	VHiP2010ASR-1	AN		B	IC(P2010ASR) [IC101]
73	VHiTD62064AF/	AM		B	IC(TD62064AF) (AL-1457)[IC123]
74	VHiVHCT244M-1	AG		B	IC(VHCT244M) [IC116]
75	VHViCPN38// -1	AF		B	IC protector(ICPN38) [CP101,CP102,CP103]
76	VRD-HT2EY151J	AA		C	Resistor(1/4W 150Ω ±5%) (AL-1457)[R251]
77	VRD-HT2EY391J	AA		C	Resistor(1/4W 390Ω ±5%) [R245,R246,R247,R253]
78	VRD-HT2EY472J	AA		C	Resistor(1/4W 4.7KΩ ±5%) [R166]
79	VRN-VT3ATR68J	AC		C	Resistor(1W 0.68Ω ±5%) [R178,R177]
80	VRS-CZ1JD000J	AA		C	Resistor(1/16W 0Ω ±5%) [R102,R105,R106,R287]
81	VRS-CZ1JD100J	AA		C	Resistor(1/16W 10Ω ±5%) [R144,R145,R149,R267]
82	VRS-CZ1JD101J	AA		C	Resistor(1/16W 100Ω ±5%) [R120,R170,R202,R278]
83	VRS-CZ1JD102F	AA		C	Resistor(1/16W 1KΩ ±1%) [R154]
84	VRS-CZ1JD102J	AA		C	Resistor(1/16W 1.0KΩ ±5%) [R157,R181,R185,R195,R207]
	VRS-CZ1JD102J	AA		C	Resistor(1/16W 1.0KΩ ±5%) [R214,R216,R235,R236,R237]
	VRS-CZ1JD102J	AA		C	Resistor(1/16W 1.0KΩ ±5%) [R244,R187,R188,R282,R291]
85	VRS-CZ1JD103F	AA		C	Resistor(1/16W 10KΩ ±1%) [R117,R158,R173]
86	VRS-CZ1JD103J	AA		C	Resistor(1/16W 10KΩ ±5%) [R108,R110,R111,R112,R113]
	VRS-CZ1JD103J	AA		C	Resistor(1/16W 10KΩ ±5%) [R115,R118,R122,R123,R124]
	VRS-CZ1JD103J	AA		C	Resistor(1/16W 10KΩ ±5%) [R125,R126,R127,R128,R134]
	VRS-CZ1JD103J	AA		C	Resistor(1/16W 10KΩ ±5%) [R136,R137,R140,R141,R146]
	VRS-CZ1JD103J	AA		C	Resistor(1/16W 10KΩ ±5%) [R147,R148,R172,R187,R188]
	VRS-CZ1JD103J	AA		C	Resistor(1/16W 10KΩ ±5%) [R189,R190,R192,R193,R208]
	VRS-CZ1JD103J	AA		C	Resistor(1/16W 10KΩ ±5%) [R209,R210,R211,R212,R213]
	VRS-CZ1JD103J	AA		C	Resistor(1/16W 10KΩ ±5%) [R221,R222,R223,R224,R226]
	VRS-CZ1JD103J	AA		C	Resistor(1/16W 10KΩ ±5%) [R227,R228,R231,R233,R234]
87	VRS-CZ1JD105F	AA		C	Resistor(1/16W 1.0MΩ ±1%) [R155]
88	VRS-CZ1JD113F	AA		C	Resistor(1/16W 11KΩ ±1%) [R114]
89	VRS-CZ1JD122F	AA		C	Resistor(1/16W 1.2KΩ ±1%) [R171]
90	VRS-CZ1JD122J	AA		C	Resistor(1/16W 1.2KΩ ±5%) [R201]
91	VRS-CZ1JD152J	AA		C	Resistor(1/16W 1.5KΩ ±5%) [R150,R151,R152,R153,R160]
	VRS-CZ1JD152J	AA		C	Resistor(1/16W 1.5KΩ ±5%) [R162,R163,R164,R165,R167]
	VRS-CZ1JD152J	AA		C	Resistor(1/16W 1.5KΩ ±5%) [R168,R179,R180]
92	VRS-CZ1JD153J	AA		C	Resistor(1/16W 15KΩ ±5%) [R240,R275]
93	VRS-CZ1JD202J	AA		C	Resistor(1/16W 2.0KΩ ±5%) [R184]
94	VRS-CZ1JD203J	AA		C	Resistor(1/16W 20KΩ ±5%) [R215,R217]
95	VRS-CZ1JD220J	AA		C	Resistor(1/16W 22Ω ±5%) [R107]
96	VRS-CZ1JD241J	AA		C	Resistor(1/16W 240KΩ ±5%) [R174,R175,R176]
97	VRS-CZ1JD242J	AA		C	Resistor(1/16W 2.4KΩ ±5%) [R198,R203]
98	VRS-CZ1JD272J	AA		C	Resistor(1/16W 2.7KΩ ±5%) [R218]

26 MCU PWB

NO.	PARTS CODE	PRICE RANK	NEW MARK	PART RANK	DESCRIPTION
99	VRS-CZ1JD301J	AA		C	Resistor(1/16W 300Ω ±5%) [R169,R199]
100	VRS-CZ1JD303J	AA		C	Resistor(1/16W 30KΩ ±5%) [R182,R183]
101	VRS-CZ1JD330J	AA		C	Resistor(1/16W 33Ω ±5%) [R119,R254,R255,R256,R257]
	VRS-CZ1JD330J	AA		C	Resistor(1/16W 33Ω ±5%) [R258,R259,R260,R261,R262]
	VRS-CZ1JD330J	AA		C	Resistor(1/16W 33Ω ±5%) [R276,R277,R285,R121]
102	VRS-CZ1JD332J	AA		C	Resistor(1/16W 3.3KΩ ±5%) [R232]
103	VRS-CZ1JD393J	AA		C	Resistor(1/16W 39KΩ ±5%) [R211,R223,R226,R227]
104	VRS-CZ1JD432F	AA		C	Resistor(1/16W 4.3KΩ ±1%) [R159]
105	VRS-CZ1JD471J	AA		C	Resistor(1/16W 470Ω ±5%) [R239]
106	VRS-CZ1JD472J	AA		C	Resistor(1/16W 4.7KΩ ±5%) [R281]
107	VRS-CZ1JD473J	AA		C	Resistor(1/16W 47KΩ ±5%) [R161,R204,R205]
108	VRS-CZ1JD511J	AA		C	Resistor(1/16W 510Ω ±5%) [R186]
109	VRS-CZ1JD563J	AA		C	Resistor(1/16W 56KΩ ±5%) [R241]
110	VRS-CZ1JD621J	AA		C	Resistor(1/16W 620Ω ±5%) [R200]
111	VRS-CZ1JD751J	AA		C	Resistor(1/16W 750Ω ±5%) [R196]
112	VRS-CZ1JD752F	AA		C	Resistor(1/16W 7.5KΩ ±1%) [R156]
113	VRS-CZ1JD752J	AA		C	Resistor(1/16W 7.5KΩ ±5%) [R191,R194,R229,R230,R231]
114	VRS-HT3DA102J	AA		C	Resistor(2W 1.0KΩ ±5%) [R220]
115	VRS-HT3DA1R0J	AB		C	Resistor(2W 1.0Ω ±5%) (AL-1457)[R206,R197]
116	VRS-HT3DA101J	AA		C	Resistor(2W 100Ω ±5%) [R225]
117	VRS-HT3DAR22J	AA		C	Resistor(2W 0.22Ω ±5%) [R219]
118	VSKRA119S+-1	AB		B	Transistor(KRA119S) [Q102]
119	VSKRC106S+-1	AB		B	Transistor(KRC106S) [Q103,Q106,Q107,Q110]
120	VSKTA1281+-1	AD		B	Transistor(KTA1281) [Q108]
121	VSKTA1505S+-1	AC		B	Transistor(KTA1505S) [Q101]
122	VSKTC3198S+-1	AB		B	Transistor(KTC3198+) [Q109]
123	RfiLN0043FCZZ	AC		C	Filter(ZJSR5101-102) [L103,L110]
	(Unit)				
901	CPWBX0112QS3A	BW		E	MCU PWB (AL-1217)
	CPWBX0112QS3F	BY		E	MCU PWB (AL-1457)

27 IF PWB

NO.	PARTS CODE	PRICE RANK	NEW MARK	PART RANK	DESCRIPTION
1	DHAI-0310QSZZ	AB		C	IF GND harness
2	QCNCW0078QSZZ	AF		C	Connector(35Pin)(35FE-BT-VK-N) [CN403]
3	QSOCN0002ESZZ	AH		C	Connector(36Pin)(RBE42-36K1153) [CN401]
4	QSOCN0005ESZZ	AE		C	Connector(UBR23-4K2200) [CN402]
5	RfiLN0010QSZZ	AB		C	Coil(BLM18BB121SN1D) [L405]
6	RH-DX0001ESZZ	AC		B	Diode(11EQS06-TA1B2) [D401]
7	VCCCCY1HH101J	AA		C	Capacitor(50WV 100pF/1608Type/CH) [C404-415,417-419]
	VCCCCY1HH101J	AA		C	Capacitor(50WV 100pF/1608Type/CH) [C422,426]
8	VCCCCY1HH331J	AB		C	Capacitor(50WV 330pF) [C416]
9	VCEAGU1CW476M	AB		C	Capacitor(16WV 47μF) [C401,402]
10	VCKYCY1CF104Z	AA		C	Capacitor(16WV 0.1μF) [C403,420,421,423]
	VCKYCY1CF104Z	AA		C	Capacitor(16WV 0.1μF) [C424,425,427]
11	VHEUDZS6.2B-1	AC		B	Zener diode(UDZS6.2B) [D402]
12	VH174LVX16128	AP		B	IC(74LVX16128) [IC403]
13	RH-iX0005ESZZ	AE		B	IC(IX0005ES) [IC402]
14	VH1USB11AMX-1	AH		B	IC(USB111AMX) [IC401]
15	VRS-CY1JD000J	AA		C	Resistor(1/16W 0Ω ±5%) [L403,404]
16	VRS-CY1JD103J	AA		C	Resistor(1/16W 10KΩ ±5%) [R424-429]
17	VRS-CY1JD152J	AA		C	Resistor(1/16W 1.5KΩ ±5%) [R423]
18	VRS-CY1JD220J	AA		C	Resistor(1/16W 22Ω ±5%) [R405-419,421,422]
19	VRS-CY1JD240J	AA		C	Resistor(1/16W 24Ω ±5%) [R402,403,430]
20	VRS-CY1JD332J	AA		C	Resistor(1/16W 3.3KΩ ±5%) [R420]
	(Unit)				
901	CPWBF0114QSE1	BA		E	IF PWB

28 DC power supply PWB

NO.	PARTS CODE	PRICE RANK	NEW MARK	PART RANK	DESCRIPTION
1	0AV1690000106	AD		C	Ceramic capacitor(DE1007-486E222M-KH 2200PF KH) [C20,C021]
2	0AV1690000088	AC		C	Ceramic capacitor(TRPE132R104K50 0.1μF 50V) [C4,C019,C114,C012]
3	0AV1560000002	AD		C	Film capacitor(RE104-C 0.1μF 250V) [C2,C005,C006]
4	0AV1690000111	AD		C	Ceramic capacitor(DE1210-2E222M-KX 2200PF KX) [C1,C003,C007]
5	0AV1480000083	AC		C	Film capacitor(ECQB1H102JF4 1000pF 50V) [C8,C023]
6	0AV1480000079	AC		C	Film capacitor(ECQB1H103JF4 0.01μF 50V) [C9,0014]
7	0AV1390000183	AQ		C	Al-electrolytic capacitor(LLS2G101MHLY 100μF 400V) [C10]
8	0AV1610000091	AC		C	Ceramic capacitor(DE0905-979R102K1K 1000PF 1KV) [C11,C101]
9	0AV1390000184	AC		C	Al-electrolytic capacitor(UPJ1H2R2MDH 2.2μF 50V) [C106]
10	0AV1390000107	AC		C	Al-electrolytic capacitor(UPJ1HR47MDH 0.47μF 50V) [C13]

28 DC power supply PWB

NO.	PARTS CODE	PRICE RANK	NEW MARK	PART RANK	DESCRIPTION
11	0AV1610000108	AD		C	Ceramic capacitor(DE1307-486R222K1K 2200PF 1KV) [C15]
12	0AV1390000108	AC		C	Al-electrolytic capacitor(UPJ1V220MDH 22μF 35V) [C17,C018,C111]
	0AV1390000108	AC		C	Al-electrolytic capacitor(UPJ1V220MDH 22μF 35V) [C107,C108,C109]
13	0AV1390000177	AC		C	Al-electrolytic capacitor(UPJ1E221MPH 220μF 25V) [C102]
14	0AV1390000181	AE		C	Al-electrolytic capacitor(UHD1A102MPR 1000μF 10V) [C103,C104]
15	0AV1390000178	AG		C	Al-electrolytic capacitor(UPJ1H821MHH 820μF 50V) [C105]
16	0AV1390000182	AG		C	Al-electrolytic capacitor(UHD1V102MHR 1000μF 35V) [C110]
17	0AV1390000179	AC		C	Al-electrolytic capacitor(UPJ1H100MDH 10μF 50V) [C112]
18	0AV1610000109	AC		C	Ceramic capacitor(DE0705-979R471K1K 470PF 1KV) [C113]
19	0AV1390000180	AC		C	Al-electrolytic capacitor(UPJ1H3R3MDH 3.3μF 50V) [C115]
20	0AV1610000114	AD		C	Ceramic capacitor(DE0605-979SL680J2K 68PF 2KV) [C16]
21	0AV3050086000	AB		B	Diode(1SS270 0.15A 70V) [D1,D014,D106,D108]
	0AV3050086000	AB		B	Diode(1SS270 0.15A 70V) [D111,D113,D115,D118]
22	0AV3060027000	AH		B	Diode(D3SB60 4A 600V) [D2]
23	0AV3060043000	AC		B	Rectifier(RLIN4005-E 1A 600V) [D3,D004,D012,D015]
24	0AV3070058000	AC		B	Zener diode(RD5.6ES 0.4W) [D5,D110,D116]
25	0AV3050036000	AF		B	Diode(RG1C 0.7A 1000V) [D6]
26	0AV3050019000	AF		B	Diode(ERA9102 0.5A 200V) [D7,D008,D010]
27	0AV3070085000	AC		B	Zener diode(RD33ES 0.4W) [D9]
28	0AV3070056000	AD		B	Zener diode(RD20ES 0.4W) [D11]
29	0AV3050097000	AG		B	Diode(SF10LC20U 10A 200V) [D101]
30	0AV3050099000	AD		B	Diode(D1NL20U 1A 200V) [D102]
31	0AV3050098000	AG		B	Diode(SF5SC4 5A 40V) [D103]
32	0AV3070061000	AC		B	Zener diode(RD4.7ES 0.4W) [D104]
33	0AV3070057000	AC		B	Zener diode(RD30ES 0.4W) [D107,D013]
34	0AV3070074000	AC		B	Zener diode(RD13ES 0.4W) [D109]
35	0AV3070081000	AC		B	Zener diode(RD3.9ES 0.4W) [D112,D117]
36	0AV3042605000	AN		B	FET(SK2605 5A 800V) [Q1]
37	0AV3001015090	AD		B	Transistor(2SA1015 -0.15A -50V) [Q2]
38	0AV3020143999	AD		B	Transistor(DTC143ESA 0.1A 50V) [Q101,Q108,Q110]
39	0AV3040494000	AP		B	FET(2SJ494 20A 60V) [Q102]
40	0AV3021815090	AC		B	Transistor(2SC1815 0.15A 50V) [Q104,Q106,Q107,Q109,Q113]
41	0AV3001020000	AE		B	Transistor(2SA1020 -2A -50V) [Q105]
42	0AV3000143999	AD		B	Transistor(DTA143ESA -0.1A -50V) [Q112]
43	0AV2011053030	AB		C	Fixed carbon film resistor(RDF50S1MΩJ 1MΩ 1/2W) [R1]
44	0AV2041013020	AC		B	Fusing resistor(RF25S100ΩJ 100Ω 1/4W) [R2]
45	0AV2011213030	AB		C	Fixed carbon film resistor(RDF50S120ΩJ 120Ω 1/2W) [R3]
46	0AV2041213030	AC		B	Fusing resistor(RF50S120ΩJ 120Ω 1/2W) [R4]
47	0AV2011043030	AA		C	Fixed carbon film resistor(RDF50S100KΩJ 100KΩ 1/2W) [R5,R006]
48	0AV2012243010	AA		C	Fixed carbon film resistor(RDF16S220KΩJ 220KΩ 1/6W) [R7,R008]
49	0AV2012233010	AA		C	Fixed carbon film resistor(RDF16S22KΩJ 22KΩ 1/6W) [R121,R133,R135]
50	0AV2013333010	AA		C	Fixed carbon film resistor(RDF16S33KΩJ 33KΩ 1/6W) [R10,R014]
51	0AV2011003020	AA		C	Fixed carbon film resistor(RDF25S10ΩJ 10Ω 1/4W) [R11]
52	0AV2091083042	AC		C	Special power resistor(SPR1B0.1ΩJ 0.1Ω 1W) [R12]
53	0AV2044703010	AB		B	Fusing resistor(RF16S47ΩJ 47Ω 1/6W) [R13]
54	0AV2011033010	AA		C	Fixed carbon film resistor(RDF16S10KΩJ 10KΩ 1/6W) [R15,R019,R023]
	0AV2011033010	AA		C	Fixed carbon film resistor(RDF16S10KΩJ 10KΩ 1/6W) [R104,R122,R134]
55	0AV2016833010	AA		C	Fixed carbon film resistor(RDF16S68KΩJ 68KΩ 1/6W) [R16]
56	0AV2011013010	AA		C	Fixed carbon film resistor(RDF16S100ΩJ 100Ω 1/6W) [R17]
57	0AV2021043062	AD		C	Metal oxide film resistor(RSS3FB100KΩJ 100KΩ 3W) [R18]
58	0AV2016803030	AA		C	Fixed carbon film resistor(RDF50S68ΩJ 68Ω 1/2W) [R20]
59	0AV2015633010	AA		C	Fixed carbon film resistor(RDF16S56KΩJ 56KΩ 1/6W) [R21]
60	0AV2011023010	AA		C	Fixed carbon film resistor(RDF16S1KΩJ 1KΩ 1/6W) [R22,R113]
61	0AV2012243020	AA		C	Fixed carbon film resistor(RDF25S220KΩJ 220KΩ 1/4W) [R24,R025]
62	0AV2011033030	AB		C	Fixed carbon film resistor(RDF50S10KΩJ 10KΩ 1/2W) [R101]
63	0AV2012733010	AA		C	Fixed carbon film resistor(RDF16S27KΩJ 27KΩ 1/6W) [R9]
64	0AV2014723010	AA		C	Fixed carbon film resistor(RDF16S4.7KΩJ 4.7KΩ 1/6W) [R106,R114,R115,R116]
	0AV2014723010	AA		C	Fixed carbon film resistor(RDF16S4.7KΩJ 4.7KΩ 1/6W) [R123,R124,R136,R137]
65	0AV2011533010	AA		C	Fixed carbon film resistor(RDF16S15KΩJ 15KΩ 1/6W) [R107]
66	0AV2990007000	AC		C	Metal film resistor(SN14K2C2.2KΩD 2.2KΩ 1/6W) [R109,R111]
67	0AV2014713010	AA		C	Fixed carbon film resistor(RDF16S470ΩJ 470Ω 1/6W) [R103,R105,R110,R112]
68	0AV2990082000	AC		C	Metal film resistor(SN14K2C12KΩD 12KΩ 1/6W) [R119]
69	0AV2990083000	AC		C	Metal film resistor(SN14K2C3.44KΩD 3.44KΩ 1/6W) [R120]
70	0AV2021023052	AC		C	Metal oxide film resistor(RSS2FB1KΩJ 1KΩ 2W) [R130]
71	0AV2014733010	AA		C	Flame proof fixed carbon film resistor(RDF16S47KΩJ 47KΩ 1/6W) [R131,R026]
72	0AV2012203010	AA		C	Flame proof fixed carbon film resistor(RDF16S22ΩJ 22Ω 1/6W) [R132]
73	0AV4070062000	AF		C	Inductor(LF-4Z-E822) [L1,L002]
74	0AV4120002000	AC		C	Inductor(B-01-A) [L3,L101,L102,L103]
75	0AV4080010000	AP		C	Inductor(DR-18728A) [L5]
76	0AV4120013000	AC		C	Inductor(T3140P3206536HW) [L104]
77	0AV4000135411	BD		B	Transformer(N-T01-354-D11) [T1]
78	0AV3160034000	AQ		B	Triac(TM1661PLF113) [TR1]
79	0AV5140022000	AF		B	Power thermistor(M10010T3C) [TH1]
80	0AV5190009000	AL		B	Varistor(ENC471D-14A) [X1]
81	0AV3180000004	AL		B	Phototriac coupler(S21ME3Y) [PC1]
82	0AV3082561300	AF		B	Photo coupler(PS2561) [PC2,PC003]
83	0AV3090076000	AF		B	IC(MM1431ATT) [IC1,IC102]
84	0AV3090077000	AN		B	IC(FA3647P) [IC2]
85	0AV3090078000	AN		B	IC(PQ20RX11) [IC101]
86	0AV3090071000	AN		B	IC(PQ3RD23) [IC103]

28 DC power supply PWB

NO.	PARTS CODE	PRICE RANK	NEW MARK	PART RANK	DESCRIPTION
87	0AV5030123000	AD		B	Connector(B02B-VT) [CN1]
88	0AV5030130000	AF		B	Connector(B04P-XL-R) [CN2]
89	0AV5030125000	AG		B	Connector(B16B-PHDSS-B) [CN101]
90	0AV5080010000	AQ		B	Relay(FTR-H1AA024V) [RL1]
91	0AV5190024000	AK		B	Arrestor(RA-102M-C6-Y) [Z1,Z002]
92	0AV5040012000	AM		B	Switch(SDDJE30501 10A 250V) [S1]
93	0AV5060085000	AF		A	Fuse(215RB-10AA-SB 10A/250V) [F1,F003]
94	0AV5060083000	AF		A	Fuse(215SB-3R15AA-SB 3.15A/250V) [F2]
95	0AV5050005000	AA		C	Fuse holder(PFC5000-0203)
96	0AV5130008000	AC		C	Terminal(TP00370-41)
97	0AV7100003000	AE		C	Insulator(M-30AD-D-3)
98	0AV6114125811	AF		C	Heatsink(LM41258)
99	0AV8117730414	AB		C	Screw(NACPEW-B3x8ZF B3x8)
100	0AV8117730514	AB		C	Screw(NACPEW-B3x10ZF B3x10)
101	0AV7414136011	AD		C	Label(LV41360)
102	0AV5110012000	AB		C	Jumper wire(RJ-SKA-06 6mm) [RJ701,RJ718,RJ724]
103	0AV5110001000	AA		C	Jumper wire(RJ-SCA-06 10mm) [RJ712,RJ713,RJ715]
	0AV5110001000	AA		C	Jumper wire(RJ-SCA-06 10mm) [RJ721,RJ725,RJ727]
104	0AV5110006000	AA		C	Jumper wire(RJ-SDA-06 12.5mm) [RJ711,RJ723,RJ726,RJ731]
	0AV5110006000	AA		C	Jumper wire(RJ-SDA-06 12.5mm) [RJ740,RJ742,RJ744]
105	0AV5110002000	AA		C	Jumper wire(RJ-SEA-06 15mm) [RJ702,RJ704,RJ705,RJ714]
	0AV5110002000	AA		C	Jumper wire(RJ-SEA-06 15mm) [RJ719,RJ720,RJ729,RJ730]
	0AV5110002000	AA		C	Jumper wire(RJ-SEA-06 15mm) [RJ732,RJ733,RJ734,RJ735]
	0AV5110002000	AA		C	Jumper wire(RJ-SEA-06 15mm) [RJ737,RJ739,RJ741,RJ743]
106	0AV5110004000	AA		C	Jumper wire(RJ-SGA-06 20mm) [RJ703,RJ706,RJ710,RJ722]
	0AV5110004000	AA		C	Jumper wire(RJ-SGA-06 20mm) [RJ728,RJ736,RJ738]
	(Unit)				
901	R D E N C 0 0 0 6 Q S 1 3	BN		E	DC power supply PWB (200V)

■ Index

PARTS CODE	NO.	PRICE RANK	NEW MARK	PART RANK
[C]				
CBTN-0019QS02	6- 2	AF		E
CBTN-0050QS01	6- 5	AE		E
CCAB-0003QS22	1- 1	AS		D
CCASP0001RS55	22-901	BF		E
CCLEZ0005RS51	16- 1	AQ		E
"	17- 1	AQ		E
CCOVH0004RS54	2-901	BF		E
CDSKA0019QS33	24-101	AL		D
CDSKA0019TS36	24-101	*	N	D
CFiX-0021QS06	1- 13	AG	N	D
CFiX-0021RS51	1-501	BB		E
CFRM-0006RS53	18-502	BB		E
CFRM-0007RS54	18-501	AX		E
CFRM-0010RS54	19-502	BG		E
CFRM-0011RS58	3- 11	BF		E
"	5-901	BF		E
CFRM-0013RS59	3- 14		N	E
"	4-901		N	E
CGERH0011RS51	15- 9	AE		E
CGERH0162QS01	8- 1	AN		E
CHAi-0273RS51	20- 3	AN		C
CHAi-0298RS51	20- 2	AL		C
CHLDZ0010RS52	21-901	AU		E
"	7- 18	AU		E
CLEVP0016QS02	24- 17	AF		C
CPLTM0023QS02	18- 5	AF		C
CPLTM0023QS03	19- 25	AG		C
CPLTM0024QS01	12- 24	AG		C
CPLTM0042QS02	15- 20	AY		C
CPLTM0042RS55	15-901	BM		E
CPLTM0288QS01	8- 2	BC		E
CPLTM0291QS01	8- 3	AG		E
CPLTM0294QS01	8- 4	AK		E
CPLTM0298QS01	4- 40	AF		C
CPLYZ0028QS01	8- 5	AM		E
CPNLH0023QS31	6- 1	AR		D
CPNLH0023QS45	6- 1		N	D
CPWBF0009RS51	5- 7	AG		E
CPWBF0113QSE1	25-901	BB		E
"	6- 8	BB		E
CPWBF0113QSE7	25-901	BB		E
"	6- 8	BB		E
CPWBF0114QSE1	13- 5	BA		E
"	27-901	BA		E
CPWBF0116RS51	12- 1	AP		E
CPWBF0116RS52	14- 13	AP		E
CPWBF0116RS53	10- 4	AP		E
CPWBF0116RS54	18- 1	AP		E
CPWBF0122QS31	13- 44	AZ		E
CPWBX0112QS3A	13- 4	BW		E
"	26-901	BW		E
CPWBX0112QS3F	13- 4	BY		E
"	26-901	BY		E
CROLP0015QS01	12- 20	AU		C
CSOU-0002RS56	19-501	AX		E
CSOU-0035RS51	3-501	AZ		E
CSW-M0016RS51	16- 4	AG		E
"	17- 4	AG		E
CTHM-0019DS52	14- 12	AT		E
CTME-0229FC04	14- 11	AG		C
[D]				
DHAi-0267QSZZ	11- 18	AG		C
DHAi-0268QSZ1	23- 2	AH		C
"	8- 40	AH		C
DHAi-0269QSZZ	12- 27	AD		C
DHAi-0270QSZZ	12- 39	AD		C
DHAi-0271QSZZ	11- 27	AP		C
"	23- 9	AP		C
DHAi-0276QSZ2	11- 24	AL		C
"	13- 47	AL		C
"	23- 8	AL		C
DHAi-0280QSZ1	14- 16	AH		C
"	23- 10	AH		C
DHAi-0282QSZZ	10- 14	AG		C
"	9- 2	AG		C
DHAi-0283QSZ1	13- 7	AG		C
"	23- 1	AG		C
DHAi-0285QSZZ	10- 10	AK		C

PARTS CODE	NO.	PRICE RANK	NEW MARK	PART RANK
DHAi-0285QSZZ	1- 7	AK		C
"	23- 4	AK		C
DHAi-0287QSZZ	11- 23	AF		C
"	23- 7	AF		C
DHAi-0290QSZ1	4- 9	AN		C
DHAi-0291QSZZ	7- 12	AC		C
DHAi-0292QSZZ	11- 19	AF		C
DHAi-0293QSZZ	5- 8	AE		C
DHAi-0294QSZZ	13- 40	AK		C
"	23- 3	AK		C
DHAi-0295QSZZ	18- 2	AC		C
"	19- 22	AC		C
DHAi-0296QSZZ	15- 27	AK		C
"	23- 5	AK		C
DHAi-0303QSZZ	8- 37	AD		C
DHAi-0305QSZ1	13- 41	AL		C
DHAi-0310QSZZ	27- 1	AB		C
DUNT-0032RS22	3-901		N	E
DUNT-0276QS11	8- 6	BT		E
DUNTK0013QS13	9- 4	BS		E
DUNTW0285RS11	14-901	BS		E
DWiR-0466CSZZ	21- 8	BG		B
[G]				
GCAB-0004QSJ1	1- 18	AX		D
GCAB-0007QSJ2	7- 1	AU		D
GCAB-0008QSJZ	5- 1	AM		D
GCAB-0026QSJ2	1- 18	AZ		D
GCAB-0061QSZ1	1- 10	AK	N	D
GCAB-0062QSZ3	1- 17	AL	N	D
GCAB-0062QSZZ	1- 17	AL		D
GCAB-0063QSZZ	6- 10	AT		D
GCAB-0064QSZZ	6- 12	AN		D
GCASP0001QSJ2	22- 19	AZ		D
GCOV-0045QSZ3	1- 12	AG	N	D
GCOV-0045QSZZ	1- 12	AG		D
GCOVH0003QSJZ	2- 1	AL		D
GCOVH0004QSJ1	2- 2	AX		D
GDAi-0001QSJ1	12- 28	BF		D
"	13- 17	BF		D
GLEGG0064FCZZ	13- 18	AC		C
[J]				
JBTN-0005QSZZ	6- 4	AC		C
JBTN-0020QSZZ	6- 3	AC		C
JBTN-0049QSZZ	6- 6	AF		C
JKNBZ0001QSZZ	11- 22	AE		C
JKNBZ0004QSZZ	4- 28	AD		C
[L]				
LBNDJ0013FCZ1	18- 3	AA		C
"	19- 21	AA		C
"	20- 9	AA		C
"	3- 15	AA		C
"	4- 10	AA		C
"	9- 3	AA		C
LBNDJ0037FCZ1	14- 17	AA		C
LBNDJ0043FCZZ	11- 6	AA		C
LBOSZ0118QSZZ	19- 18	AE		C
LBOSZ1031FCZZ	12- 15	AC		C
LBOSZ1509FCZ1	19- 28	AD		C
LBOSZ1851FCZZ	12- 13	AC		C
"	19- 15	AC		C
"	5- 19	AC		C
LBRC-0055FCZZ	19- 10	AK		C
LBSHZ0006QSZZ	5- 22	AC		C
LBSHZ0303FCZZ	19- 9	AC		C
"	5- 20	AC		C
LFiX-0004QSZZ	21- 15	AC		C
LFRM-0002QSZZ	11- 21	AX		D
LFRM-0003QSJ2	7- 9	AN		D
LFRM-0004QSZZ	14- 7	AV		D
LFRM-0005QSZ1	14- 30	AQ		D
LFRM-0006QSJZ	18- 13	AN		D
LFRM-0007QSJ2	18- 25	AL		D
LFRM-0010QSJZ	19- 35	AN		D
LFRM-0011QSJ2	5- 35	AL		D
LFRM-0012QSZZ	4- 20	AD		C
LFRM-0013QSZZ	4- 12	AG		C
LFRM-0062QSZZ	13- 30	AG		C
LHLDZ0009QSZZ	13- 45	AG		C
LHLDW1226FCZZ	22- 3	AB		C
"	24- 12	AB		C
LHLDZ0009QSAZ	20- 1	AF		C

PARTS CODE	NO.	PRICE RANK	NEW MARK	PART RANK	
LHLDZ0010QSZ1	21- 14	AL		C	
LHLDZ0017QSZZ	12- 30	AD		C	
LHLDZ0018QSZZ	11- 13	AE		C	
LHLDZ0092QSZZ	13- 1	AP		C	
LHLDZ0093QSZZ	8- 7	AC		C	
LPI NS0007QSZZ	11- 26	AC		C	
LPI NS0019QSZZ	4- 17	AB		C	
LPI NS0301FCZZ	11- 26	AD		C	
LPL TM0016QSZZ	12- 42	AE		C	
LPL TM0020QSZZ	13- 21	AL		C	
LPL TM0022QSZZ	14- 29	AG		C	
LPL TM0043QSZZ	7- 5	AD		C	
LPL TM0046QSZZ	12- 25	AE		C	
LPL TM0096QSZZ	3- 30	AF		C	
LPL TM2642FCG1	22- 4	AD	N	C	
LPL TM5106FCZZ	22- 1	AR		C	
LPL TP0009QSZZ	14- 38	AS		C	
LPL TP0011QSJZ	3- 2	AH		C	
LPL TP0012QSJZ	3- 3	AH		C	
LPL TP0013QSZZ	4- 22	AD		C	
LPL TP0131QSZZ	8- 33	AD		C	
LPL TP5107FCZ1	22- 5	AG		C	
LPL TP5108FCZ1	22- 13	AG		C	
LRALP0001QSJ2	12- 34	AM		C	
LSOU-0001QSJZ	1- 2	AY		D	
LSOU-0002QSJZ	19- 48	AL		D	
LSOU-0003QSJZ	19- 49	AH		D	
LSOU-0005QSJ4	3- 33	BA		D	
LSOU-0008QSJZ	1- 4	AH		D	
LSOU-0035QSZZ	3- 1	AR		D	
LSTPF0013QSZZ	8- 8	AC		C	
LSTPP0001QSZZ	5- 5	AD		C	
LSTPP0116FCZZ	14- 18	AA		C	
LSTPP0161FCZ1	22- 18	AD	N	C	
LSTPP0300FCZZ	19- 37	AB		C	
LX-BZ0010QSZZ	14- 8	AB		C	
LX-BZ0011QSZZ	14- 42	AB		C	
LX-BZ0012QSZZ	4- 3	AC		C	
LX-BZ0016QSZZ	3- 31	AC		C	
LX-BZ0033QSZZ	8- 9	AB		C	
LX-BZ0735FCZZ	14- 36	AA		C	
LX-BZ3006SC0S	11- 28	AA		C	
LX-WZ0023FCZZ	12- 43	AA		C	
LX-WZ0313FCZZ	14- 26	AA		C	
LX-WZ2028SCZZ	22- 10	AA		C	
[M]					
MARMP0001QSZZ	4- 5	AF		C	
MARMP0002QSZZ	5- 13	AD		C	
MARMP0003QSZ1	5- 4	AD		C	
MARMP0004QSZZ	5- 34	AF		C	
MARMP0173FCZZ	19- 4	AC		C	
MARMP0204FCZ1	19- 39	AF		C	
MARMP0205FCZZ	19- 38	AF		C	
MHNG-0002QSZZ	19- 40	AC		C	
MHNG-0017QSZZ	3- 21	AQ		C	
MLEVP0005QSZZ	10- 5	AD		C	
MLEVP0006QSZZ	12- 2	AD		C	
MLEVP0007QSZZ	18- 17	AD		C	
MLEVP0009QSZZ	5- 9	AD		C	
MLEVP0010QSZZ	5- 10	AE		C	
MLEVP0014QSZZ	14- 28	AF		C	
MLEVP0015QSZZ	14- 23	AF		C	
MLEVP0047QSE1	8- 34	AD		C	
MLOKZ0004QSZZ	8- 10	AD		C	
MSPRC0016QSZ1	20- 7	AC		C	
MSPRC0017QSZ1	20- 5	AC		C	
MSPRC0018QSZ1	20- 6	AC		C	
MSPRC0021QSZZ	10- 7	AB		C	
MSPRC0023QSZ1	15- 15	AC		C	
MSPRC0024QSZ1	11- 8	AC		C	
MSPRC0026QSZ1	12- 3	AB		C	
MSPRC0027QSZZ	21- 10	AC		C	
MSPRC0028QSZZ	21- 11	AC		C	
MSPRC0030QSZZ	7- 14	AC		C	
MSPRC0031QSZZ	7- 13	AB		C	
MSPRC0032QSZZ	7- 11	AB		C	
MSPRC0036QSZ1	18- 26	AB		C	
MSPRC0037QSZZ	12- 62	AB		C	
MSPRC0038QSZ1	18- 16	AC		C	
MSPRC0039QSZ1	18- 14	AC		C	
MSPRC0047QSZZ	12- 31	AA		C	

PARTS CODE	NO.	PRICE RANK	NEW MARK	PART RANK	
MSPRC0048QSZZ	19- 41	AB		C	
MSPRC0049QSZZ	19- 14	AC		C	
MSPRC0051QSZ1	21- 12	AA		C	
MSPRC0053QSZ1	15- 3	AC		C	
MSPRC0055QSZZ	14- 25	AC		C	
MSPRC0062QSZZ	4- 23	AC		C	
MSPRC0063QSZZ	4- 29	AB		C	
MSPRC0077QSZ1	12- 41	AB		C	
MSPRC0080QSZZ	18- 18	AB		C	
MSPRC0108QSZZ	22- 15	AC		C	
MSPRC0109QSZZ	18- 33	AC		C	
//	19- 50	AC		C	
MSPRC0115QSZZ	5- 33	AB		C	
MSPRC0149QSZZ	3- 37	AC		C	
MSPRC0153QSZZ	8- 35	AB		C	
MSPRC0161QSZZ	12- 16	AF		C	
MSPRC1145FCZZ	22- 17	AA		C	
MSPRC1315FCZ1	19- 16	AD		C	
MSPRC1316FCZ1	12- 11	AE		C	
//	19- 27	AE		C	
//	5- 18	AE		C	
MSPRC1318FCZ1	15- 23	AA		C	
//	19- 30	AA		C	
MSPRC1873FCZ1	22- 16	AB		C	
MSPRC2175FCZZ	19- 33	AA		C	
MSPRD0076QSZ1	7- 6	AD		C	
MSPRD0108QSZZ	18- 31	AC		C	
MSPRD0114QSZ1	5- 36	AD		C	
MSPRD0281QSZZ	10- 9	AD		C	
MSPRD0282QSZZ	14- 3	AH		C	
MSPRP0033QSZZ	14- 6	AD		C	
MSPRP0034QSZZ	14- 14	AE		C	
MSPRP0059QSZZ	3- 7	AD		C	
MSPRP0060QSZZ	3- 27	AD		C	
MSPRP0065QSZZ	4- 24	AD		C	
MSPRP0079QSZZ	18- 29	AD		C	
MSPRP0110QSZ1	16- 6	AD		C	
//	17- 6	AD		C	
MSPRP0113QSZ1	3- 18	AD		C	
MSPRT0019QSZ1	9- 5	AB		C	
MSPRT0020QSZ1	10- 2	AB		C	
MSPRT0029QSZZ	7- 3	AC		C	
MSPRT0054QSZ1	14- 37	AB		C	
MSPRT0061QSZZ	3- 26	AC		C	
MSPRT0064QSZ1	4- 11	AC		C	
MSPRT0066QSZ1	5- 25	AC		C	
MSPRT0067QSZ1	5- 14	AB		C	
MSPRT0283QSZZ	8- 11	AC		C	
MSPRT0284QSZZ	8- 12	AC		C	
MSPRT0294QSZZ	4- 41	AC		C	
MSPRT0513FCZ1	21- 7	AA		C	
[N]					
NBLT-0005QSZZ	11- 5	AH		B	
NBLTT0001QSZZ	11- 20	AH		B	
NBLTT0003QSZ1	4- 27	AF		B	
NBLTT0006QSZ1	4- 15	AE		B	
NBLTT0030QSZZ	8- 13	AH		B	
NBLTT0031QSZZ	8- 14	AF		B	
NBRGC0017QSZZ	4- 18	AC		C	
NBRGC0100FCZ1	12- 8	AC		C	
NBRGC0579FCZZ	11- 2	AE		C	
NBRGM0501FCZZ	4- 19	AB		C	
NBRGP0260FCZ1	14- 24	AD		C	
NBRGP0562FCZZ	12- 19	AD		C	
//	18- 11	AD		C	
NBRGP0567FCZZ	14- 20	AG		C	
NCPL-0002QSZZ	11- 7	AC		C	
NFANP0005QSZ1	11- 12	BR		B	
NFANP0005QSZ2	11- 12	AU		B	
NGERH0007QSZZ	15- 11	AH		C	
NGERH0008QSZ3	15- 16	AL		C	
NGERH0009QSZZ	15- 7	AD		C	
NGERH0010QSZZ	15- 6	AD		C	
NGERH0012QSZZ	15- 18	AE		C	
NGERH0013QSZZ	15- 19	AG		C	
NGERH0014QSZZ	15- 8	AD		C	
NGERH0015QSZZ	15- 10	AD		C	
NGERH0016QSZZ	15- 12	AD		C	
NGERH0017QSZZ	15- 17	AD		C	
NGERH0018QSZZ	15- 14	AC		C	
NGERH0019QSZZ	15- 13	AD		C	

PARTS CODE	NO.	PRICE RANK	NEW MARK	PART RANK
NGERH0020QSZZ	12- 9	AG		C
NGERH0021QSZZ	18- 27	AD		C
"	19- 46	AD		C
NGERH0022QSZZ	12- 21	AC		C
NGERH0025QSZZ	12- 23	AD		C
NGERH0026QSZZ	12- 22	AD		C
NGERH0047QSZZ	4- 16	AF		C
NGERH0050QSZZ	15- 4	AD		C
NGERH0073QSZZ	5- 16	AE		C
NGERH0161QSZZ	8- 15	AL		C
NGERH0193FCZZ	22- 11	AB		C
"	3- 6	AB		C
NGERH0540FCZ3	14- 19	AD		C
NGERH0972FCZZ	18- 6	AB		C
"	19- 19	AB		C
"	4- 4	AB		C
NGERH0990FCZZ	18- 9	AB		C
"	19- 7	AB		C
"	5- 28	AB		C
NGERH0991FCZZ	19- 20	AC		C
NGERH0992FCZZ	19- 3	AB		C
"	5- 30	AB		C
NGERH1132FCZZ	12- 18	AH		C
NGERR0377FCZZ	3- 4	AD		C
NPLYZ0001QSZZ	11- 4	AE		C
NPLYZ0002QSZZ	15- 5	AC		C
NPLYZ0010QSZZ	5- 23	AE		C
NPLYZ0146FCZZ	4- 26	AB		C
NRÖL i 0014QSZ3	14- 21	BA		C
NRÖLM0022QSZ1	4- 36	AL		C
NRÖLM0023QSZ1	4- 32	AP		C
NRÖLP0007QSZ1	11- 1	AQ		C
NRÖLP0010QSZZ	3- 28	AD		C
NRÖLP0011QSZZ	3- 23	AD		C
NRÖLP0012QSZZ	11- 3	AL		C
NRÖLP0024QSZ1	5- 27	AH		C
NRÖLP0046QSZZ	10- 1	AC		C
NRÖLP1008FCZZ	19- 5	AK		C
NRÖLP1122FCZZ	10- 8	AF		C
"	18- 24	AF		C
"	7- 17	AF		C
NRÖLR0013QSZZ	12- 7	AQ		C
NRÖLR0016QSZZ	18- 12	AT		C
NRÖLR0028QSZZ	14- 27	AZ		C
NRÖLR0922FCZZ	19- 1	AR		C
"	5- 31	AR		C
NSFTZ0006QSZ1	7- 15	AG		C
NSFTZ0007QSZ1	18- 23	AG		C
NSFTZ0009QSZZ	3- 29	AE		C
NSFTZ0010QSZZ	3- 25	AE		C
NSFTZ0011QSZZ	5- 32	AF		C
NSFTZ0012QSZZ	5- 21	AG		C
NSFTZ0063QSZZ	8- 16	AK		C
NSFTZ2311FCZZ	19- 8	AU		C
[P]				
PBRSR0002QSZ1	8- 17	AH		B
PBRSR0002QSZ2	8- 17	AG		B
PBRSR0003QSZ2	4- 33	AG		B
PBRSR0004QSZ1	14- 4	AD		B
PCAPH1001ACZZ	13- 42	AE		D
PCASZ0002QSZZ	21- 16	AL		D
PCÖVP0007QSJZ	12- 38	AE		D
PCÖVP0008QSZZ	12- 60	AE		C
PCÖVP0009QSZZ	12- 61	AE		C
PCÖVP0010QSZZ	14- 5	AG		D
PCÖVP0011QSZZ	14- 15	AK		D
PCÖVP0012QSJ1	16- 3	AH		C
PCÖVP0013QSZZ	12- 32	AD		D
PCÖVP0019QSJZ	19- 44	AL		D
PCÖVP0023QSJ1	17- 3	AH		D
PCÖVP0037QSJZ	4- 37	AH		D
PCÖVP0038QSJ1	4- 38	AL		D
PCÖVP0040QSJZ	1- 16	AL		D
PCUSS0024QSZZ	2- 3	AV		D
PCUSS0025QSZ1	3- 34	AQ		D
PCUSU0026QSZZ	8- 42	AC		D
PDUC-0005QSZ1	8- 22	AD	N	C
PF i LZ0002QSZZ	1- 21	AL		D
PG i DH0025QSZ1	21- 4	AG		C
PG i DH0026QSZZ	14- 34	AE		C
PG i DH0029QSZZ	4- 34	AL		C

PARTS CODE	NO.	PRICE RANK	NEW MARK	PART RANK
PG i DM0006QSZ2	10- 6	AM		C
PG i DM0008QSZZ	7- 4	AD		C
PG i DM0009QSZ1	11- 25	AF	N	C
PG i DM0010QSZ1	12- 5	AG		C
PG i DM0011QSZZ	21- 2	AE		C
PG i DM0012QSJZ	18- 22	AF		C
PG i DM0013QSJZ	18- 21	AF		C
PG i DM0014QSJZ	18- 20	AF		C
"	19- 12	AF		C
PG i DM0017QSJZ	19- 43	AF		C
PG i DM0018QSJZ	19- 42	AF		C
PG i DM0019QSJZ	8- 29	AH		C
PG i DM0020QSJZ	8- 30	AH		C
PG i DM0023QSZZ	14- 1	AP		C
PG i DM0024QSZ3	4- 30	AN		C
PG i DM0042QSJZ	4- 1	AL		C
PG i DM0099QSZ1	8- 18	AH	N	C
PGLSP0007QSZZ	1- 14	AV		B
PGLSP0008QSZZ	1- 23	AH		B
PGUMS0004QSZZ	8- 19	AA		C
PMLT-0024QSZZ	1- 20	AC		C
PMLT-0067QSZZ	11- 39	AC		C
PMLT-0068QSZZ	8- 47	AC		C
PMLT-0069QSZZ	1- 27	AA		C
PP i PP0003QSZZ	12- 17	AD		C
PP i PP0008QSZZ	5- 17	AD		C
PP i PP0109FCZ1	12- 10	AC		C
"	19- 17	AC		C
PP i PP0175FCZZ	19- 26	AC		C
PSHEP0019QSZ1	21- 3	AC		C
PSHEP0020QSZZ	21- 13	AB		C
PSHEP0021QSZZ	21- 6	AA		C
PSHEP0023QSZZ	14- 35	AF		C
PSHEP0044QSZZ	4- 35	AF		C
PSHEP0047QSZZ	14- 40	AC		C
PSHEP0063QSZZ	3- 17	AC		C
PSHEP3029FCZZ	4- 14	AA		C
PSHEZ0018QSZZ	21- 1	AF		C
PSHEZ0039QSZZ	4- 21	AG		C
PSHEZ0045QSZ2	14- 33	AC		C
PSHEZ0075QSZZ	17- 7	AC		C
PSHEZ0102QSZZ	3- 35	AD		C
PSHEZ0112QSZZ	3- 36	AE		C
PSHEZ0181QSJZ	1- 24	AC		C
PSHEZ0350QSZZ	9- 6	AB		C
PSHEZ0351QSZZ	9- 7	AB		C
PSHEZ0367QSZZ	8- 21	AD		C
PSHEZ0369QSZZ	1- 8	AE		C
PSHEZ0377QSZZ	8- 24	AC		C
PSHEZ0379QSZZ	3- 19	AD		C
PSHEZ0383QSZZ	3- 45	AC		C
PSHEZ0384QSZZ	3- 16	AD		C
PSHEZ0386QSZZ	3- 38	AB		D
PSHEZ0387QSZZ	3- 39	AB		D
PSHEZ0388QSZZ	3- 40	AD		C
PSHEZ0389QSZ1	8- 39	AK		C
PSHEZ0390QSZZ	13- 22	AL		C
"	23- 6	AL		C
PSHEZ0400QSZZ	8- 48	AG		C
PSHEZ0401QSZZ	8- 45	AG		C
PSHEZ0402QSZZ	10- 16	AG		C
PSHEZ0403QSZZ	8- 44	AG		C
PSHEZ0404QSZZ	1- 28	AF		C
PSHEZ0405QSZZ	13- 48	AE		C
PSHEZ2026FCZ1	12- 29	AB		C
PSHEZ2174FCZZ	12- 36	AB		C
"	4- 25	AB		C
PSHEZ4142FCZZ	22- 2	AC		C
PSPO-0001QSZZ	3- 24	AB		C
PSPO-0002QSZZ	5- 2	AC		C
PTME-0002QSZZ	15- 24	AD		C
PTME-0003QSZ1	15- 26	AD		C
PTME-0004QSZZ	7- 2	AG		C
PTME-0019QSZZ	5- 26	AD		C
PTME-0178FCZ1	19- 32	AC		C
PTME-0179FCZZ	19- 31	AC		C
PTME-0255FCZZ	22- 6	AG		C
PTME-0256FCZZ	22- 14	AG		C
PTPE-0010QSZZ	1- 25	AC		C
PTPE-0040QSZZ	1- 15	AC		C
PTPE-0041QSZZ	1- 6	AB		C

PARTS CODE	NO.	PRICE RANK	NEW MARK	PART RANK
PTPE-0044QSZZ	1- 22	AC		C
PTPE-0045QSZZ	8- 43	AA		C
PTPE-0046QSZZ	8- 46	AB		C
PTPE-0047QSZZ	1- 29	AC		C
PTPE-0048QSZZ	1- 30	AA		C
PTPE-0049QSZZ	1- 31	AC		C
[Q]				
QACCB7521QCZZ	24- 3	AS		B
QACCBR623QCPZ	24- 3	AU		B
QACCE7621QCZZ	24- 3	*	N	B
QACCE7622QCPZ	24- 3	AQ		B
QACCF7620QCZZ	24- 3	AX		B
QACCV6621JHPZ	24- 3	*	N	B
QCNCM0079QSZZ	26- 1	AC		C
QCNCM0861FCZZ	25- 1	AB		C
QCNCM0923FC14	26- 2	AE		C
QCNCM0923FC18	26- 3	AF		C
QCNCM0923FC24	26- 4	AF		C
QCNCM1005MCZZ	26- 5	AB		C
QCNCM2401SC0C	26- 6	AB		C
QCNCM2401SC0D	26- 7	AC		C
QCNCM2401SC0E	26- 8	AC		C
QCNCM7014SC0C	26- 9	AA		C
QCNCM7014SC0D	26- 10	AB		C
QCNCM7014SC0E	26- 11	AB		C
QCNCM7014SC0F	26- 12	AB		C
QCNCP0340QCZZ	26- 13	AC		C
QCNCP0341QCZZ	26- 14	AC		C
QCNCW0024QSZZ	26- 15	AF		C
QCNCW0078QSZZ	26- 16	AF		C
/"	27- 2	AF		C
QCNCW1124LC0H	26- 17	AC		C
QCNCW1124LC1H	26- 18	AD		C
QCNCW1132LC1H	25- 2	AD		C
QSLP-0005QSZZ	11- 16	AE		C
QSLP-0006QSZZ	11- 14	AE		C
QSLP-0007QSZZ	21- 9	AC		C
QSOCN0002ESZZ	27- 3	AH		C
QSOCN0005ESZZ	27- 4	AE		C
QSOCZ0002QSZZ	26- 19	AD		C
QSW-B0003QSZZ	12- 26	AF		B
QSW-P0001ESZZ	25- 3	AC		B
[R]				
RCiLZ0015QSZZ	26- 20	AD		C
RCORF0018QSZZ	10- 15	AR		C
/"	13- 23	AR		C
/"	8- 32	AR		C
RCORF0020QSZZ	8- 41	AL		C
RCORF0021QSZZ	13- 27	AK		C
/"	9- 8	AK		C
RCORF1028LCZZ	13- 31	AP		C
RCRSP0016QSZZ	26- 21	AD		B
RCRUB0013QSZZ	26- 22	AN		B
RCRUB0016QSZZ	26- 23	AN		B
RDENC0006QS13	13- 13	BN		E
/"	28-901	BN		E
RDENC0007QSZZ	13- 6	BG		E
RDTCT0004QSZZ	4- 31	AL		B
RDTCT0128FCZZ	14- 9	AR		B
RFiLN0010QSZZ	27- 5	AB		C
RFiLN0043FCZZ	26-123	AC		C
RFiLZ0004QSZZ	26- 24	AM		C
RH-DX0001ESZZ	26- 25	AC		B
/"	27- 6	AC		B
RH-DZ0016FCZZ	26- 26	AB		B
RH-iX0002QSZZ	26- 27	AZ		B
RH-iX0005ESZZ	26- 70	AE		B
/"	27- 13	AE		B
RH-iX0020QSZZ	26- 28	AS		B
RH-TX0003ESZZ	25- 23	AC		B
RLMPU0011QSZZ	14- 22	BA		B
RMOTD0009QSZZ	11- 9	AU		B
RMOTP0013QSZZ	4- 7	BB		B
RMOTP0036QSZZ	15- 2	BD		B
RMOTS0038QSZZ	8- 25	BL		B
RMPTW4100QCJJ	26- 29	AA		B
RMPTW4102QCJJ	26- 30	AB		B
RMPTW4103QCJJ	26- 31	AB		B
RMPTW4330QCJJ	26- 32	AB		B
RPLU-0002QSZZ	15- 25	AN		B
RPLU-0003QSZZ	19- 29	AN		B

PARTS CODE	NO.	PRICE RANK	NEW MARK	PART RANK
RPLU-0004QSZ1	5- 11	AQ		B
RPLU-0035QSZZ	15- 22	AL		B
[S]				
SPAKA0051RSZZ	24- 14	AC		D
SPAKA0064RSZ1	24- 14	AC		D
SPAKA0405QSZZ	24- 9	AN		D
SPAKA0406QSZZ	24- 9	AS		D
SPAKA0408QSZZ	24- 1	AN		D
SPAKA0409QSZZ	24- 1	AR		D
SPAKA0411QSZZ	24- 20	AE		D
SPAKA0432QSZZ	24- 23	AC		D
SPAKA5116FCZZ	24- 21	AB		D
SPAKC0402RS28	24- 10	AT		D
SPAKC0402TS30	24- 10	*	N	D
SPAKC0403TS16	24- 10	*	N	D
SSAKA2347QCZZ	24- 8	AB		D
SSAKA5003CCZZ	24- 5	AA		D
SSAKZ0002QSZZ	24- 6	AF		D
[T]				
TCAUA0770FCZZ	1- 19	AB		D
TCAUA0770GHZZ	1- 19	*	N	D
TCAUH0007QSZZ	24- 22	AD		D
TCAUH0007TSZZ	24- 22	*	N	D
TCAUH0017QSZZ	14- 32	AC		D
TiNSE0829QSZ1	24- 7	AZ		D
TiNSE0862TSZZ	24- 7	*	N	D
TiNSZ0868TSZZ	24- 7	*	N	D
TiNSZ0869TSZZ	24- 7	*	N	D
TiNSZ0870TSZZ	24- 7	*	N	D
TLABH0387QSZZ	1- 11	AF		C
TLABH0387TSZZ	1- 11	*	N	C
TLABZ0058QSZZ	1- 26	AD		D
TLABZ0058TSZZ	1- 26	*	N	D
TLABZ3568FCZZ	22- 12	AB		D
TLABZ3568GHZZ	22- 12	*	N	D
TLABZ4047FCZZ	22- 20	AC		C
TLABZ4201FCZZ	26- 33	AC		D
TTAG-0002QSZZ	24- 13	AB		D
TTAG-0006QSZ1	24- 15	AD		D
[U]				
UBNDA0001FCZZ	24- 4	AA		C
[V]				
VCCCCY1HH101J	27- 7	AA		C
VCCCCY1HH201J	25- 4	AA		C
VCCCCY1HH331J	27- 8	AB		C
VCCCCZ1HH101J	26- 34	AA		C
VCCCCZ1HH120J	26- 35	AA		C
VCCCCZ1HH220J	26- 36	AA		C
VCCCCZ1HH330J	26- 37	AA		C
VCCCCZ1HH470J	26- 38	AA		C
VCEAGA1CW105M	26- 39	AA		C
VCEAGA1CW106M	26- 40	AA		C
VCEAGA1CW226M	26- 41	AB		C
VCEAGA1CW476M	26- 42	AB		C
VCEAGA1EW476M	26- 43	AA		C
VCEAGA1VW106M	26- 44	AA		C
VCEAGA1VW476M	26- 45	AB		C
VCEAGU1CW476M	27- 9	AB		C
VCEAJU1CW476M	25- 5	AB		C
VCKYCY1CB104K	25- 6	AB		C
VCKYCY1CF104Z	27- 10	AA		C
VCKYCY1HB102K	25- 7	AA		C
VCKYCY1HB104K	26- 46	AA		C
VCKYCY1HB223K	25- 8	AC		C
VCKYCY1CB223K	26- 47	AB		C
VCKYCY1CF104Z	26- 48	AB		C
VCKYCY1HB102K	26- 49	AA		C
VCKYCY1HB222K	26- 50	AA		C
VCKYCY1HB821K	26- 51	AC		C
VHDDSS133/-1	25- 9	AA		B
/"	26- 52	AA		B
VHDKDS121+-1	26- 53	AC		B
VHDKDS226+-1	26- 54	AC		B
VHEUDZS6.2B-1	27- 11	AC		B
VHi28F4BVEB85	26- 55	AX		B
VHi74HC151M-1	25- 11	AD		B
/"	26- 56	AD		B
VHi74LVX16128	27- 12	AP		B
VHiBA6920FP-1	26- 57	AL		B
VHiD65001AF-1	26- 58	AG		B
VHiD65503F+-1	26- 59	AG		B

PARTS CODE	NO.	PRICE RANK	NEW MARK	PART RANK
VHiEES02L400P	26- 60	AG		B
VHiH8S2320+-1	26- 61	AY		B
VHiHG73C1191C	26- 62	BH		B
VHiKA7805AP-1	26- 63	AE		B
VHiKiA358F+-1	26- 64	AE		B
VHiKiA393F+-1	26- 65	AE		B
VHiL6219DS+-1	26- 66	AN		B
VHiLC7935//--1	25- 10	AN		B
VHiLCX244WM-1	26- 67	AG		B
VHiM51957BFP1	26- 68	AH		B
VHiMTD1361F-1	26- 69	AR		B
VHiNC7ST08M-1	26- 71	AD		B
VHiP2010ASR-1	26- 72	AN		B
VHiTD62064AF/	26- 73	AM		B
VHiUSB11AMX-1	27- 14	AH		B
VHiVHCT244M-1	26- 74	AG		B
VHP1LHEE-002A	25- 12	AC		B
VHP1LHLE-002A	25- 13	AC		B
VHP3650AG2J-1	25- 14	AL		B
VHPGP1A71A1-1	8- 36	AG		B
VHVCPN38//--1	26- 75	AF		B
VRD-HT2EY151J	26- 76	AA		C
VRD-HT2EY391J	26- 77	AA		C
VRD-HT2EY472J	26- 78	AA		C
VRH-ST2HB157K	14- 2	AD		C
VRN-VT3ATR68J	26- 79	AC		C
VRS-CY1JD000J	27- 15	AA		C
VRS-CY1JD101J	25- 15	AA		C
VRS-CY1JD102J	25- 16	AA		C
VRS-CY1JD103J	27- 16	AA		C
VRS-CY1JD121J	25- 17	AA		C
VRS-CY1JD151J	25- 18	AA		C
VRS-CY1JD152J	25- 19	AA		C
"	27- 17	AA		C
VRS-CY1JD220J	27- 18	AA		C
VRS-CY1JD240J	27- 19	AA		C
VRS-CY1JD332J	27- 20	AA		C
VRS-CY1JD471J	25- 20	AA		C
VRS-CY1JD472J	25- 21	AA		C
VRS-CY1JD511J	25- 22	AA		C
VRS-CZ1JD000J	26- 80	AA		C
VRS-CZ1JD100J	26- 81	AA		C
VRS-CZ1JD101J	26- 82	AA		C
VRS-CZ1JD102F	26- 83	AA		C
VRS-CZ1JD102J	26- 84	AA		C
VRS-CZ1JD103F	26- 85	AA		C
VRS-CZ1JD103J	26- 86	AA		C
VRS-CZ1JD105F	26- 87	AA		C
VRS-CZ1JD113F	26- 88	AA		C
VRS-CZ1JD122F	26- 89	AA		C
VRS-CZ1JD122J	26- 90	AA		C
VRS-CZ1JD152J	26- 91	AA		C
VRS-CZ1JD153J	26- 92	AA		C
VRS-CZ1JD202J	26- 93	AA		C
VRS-CZ1JD203J	26- 94	AA		C
VRS-CZ1JD220J	26- 95	AA		C
VRS-CZ1JD241J	26- 96	AA		C
VRS-CZ1JD242J	26- 97	AA		C
VRS-CZ1JD272J	26- 98	AA		C
VRS-CZ1JD301J	26- 99	AA		C
VRS-CZ1JD303J	26- 100	AA		C
VRS-CZ1JD330J	26- 101	AA		C
VRS-CZ1JD332J	26- 102	AA		C
VRS-CZ1JD393J	26- 103	AA		C
VRS-CZ1JD432F	26- 104	AA		C
VRS-CZ1JD471J	26- 105	AA		C
VRS-CZ1JD472J	26- 106	AA		C
VRS-CZ1JD473J	26- 107	AA		C
VRS-CZ1JD511J	26- 108	AA		C
VRS-CZ1JD563J	26- 109	AA		C
VRS-CZ1JD621J	26- 110	AA		C
VRS-CZ1JD751J	26- 111	AA		C
VRS-CZ1JD752F	26- 112	AA		C
VRS-CZ1JD752J	26- 113	AA		C
VRS-HT3DA101J	26- 116	AA		C
VRS-HT3DA102J	26- 114	AA		C
VRS-HT3DA1R0J	26- 115	AB		C
VRS-HT3DAR22J	26- 117	AA		C
VSKRA119S++-1	26- 118	AB		B
VSKRC106S++-1	26- 119	AB		B
VSKTA1281++-1	26- 120	AD		B

PARTS CODE	NO.	PRICE RANK	NEW MARK	PART RANK
VSKTA1505S+-1	26- 121	AC		B
VSKTC3198++-1	26- 122	AB		B
[X]				
XBBS30P04000	15- 21	AA		C
XBBS30P08000	11- 29	AA		C
"	19- 34	AA		C
XBBS40P06000	15- 1	AA		C
XBBSE30P06000	13- 14	AA		C
XBBSE30P08000	1- 9	AA		C
XBPS30P06ES0	20- 4	AA		C
XBPS30P06K00	11- 17	AA		C
XBPSD30P05K00	4- 6	AA		C
XBPSD30P06KS0	19- 24	AA		C
"	5- 12	AA		C
XBPSD30P08KS0	12- 37	AA		C
XBPSD30P10KS0	14- 10	AB		C
XBPSN40P06K00	13- 25	AA		C
XEBSD30P06000	11- 15	AA		C
"	19- 13	AA		C
"	21- 5	AA		C
XEBSD30P06KS0	18- 15	AA		C
XEBSD30P08000	20- 8	AA		C
"	3- 20	AA		C
"	5- 6	AA		C
"	6- 9	AA		C
XEBSD30P10000	11- 10	AA		C
"	13- 46	AA		C
"	7- 10	AA		C
XEBSD30P12000	4- 2	AA		C
"	9- 1	AA		C
XEBSD30P30000	11- 11	AA		C
XEBSD40P10000	3- 13	AA		C
XEBSE30P06000	18- 30	AA		C
"	7- 8	AA		C
XEBSE30P08000	1- 3	AA		C
"	14- 41	AA		C
"	16- 2	AA		C
"	17- 2	AA		C
"	18- 8	AA		C
"	19- 11	AA		C
"	22- 9	AA		C
XEBSE30P10000	12- 4	AA		C
"	12- 44	AA		C
"	13- 11	AA		C
"	4- 39	AA		C
"	6- 11	AA		C
XEBSE30P12000	12- 40	AA		C
"	14- 31	AA		C
XEBSE40P12000	11- 30	AA		C
"	12- 35	AA		C
"	13- 15	AA		C
"	1- 5	AA		C
"	18- 32	AA		C
"	19- 36	AA		C
XEBSE40P14000	3- 22	AA		C
XEPSD20P10000	16- 5	AA		C
"	17- 5	AA		C
XEPSD30P06X00	18- 28	AA		C
XEPSD30P08X00	3- 5	AA		C
XHBSE30P06000	13- 3	AA		C
"	18- 4	AA		C
"	19- 23	AA		C
"	7- 7	AA		C
"	8- 26	AA		C
XHBSE30P08000	8- 31	AA		C
XPSSJ20-07000	12- 12	AA		C
"	18- 10	AA		C
"	19- 6	AA		C
XPSSP20-07000	5- 29	AA		C
XRESP30-04000	14- 39	AA		C
XRESP30-06000	5- 24	AA		C
"	7- 16	AA		C
XRESP40-06000	12- 14	AA		C
"	18- 7	AA		C
"	19- 2	AA		C
"	22- 7	AA		C
"	5- 15	AA		C
XRESP50-06000	12- 6	AA		C
"	4- 13	AA		C
"	8- 27	AA		C
XRESP70-08000	8- 28	AA		C

注意

- 電池を正しく交換しないと爆発を起こす危険がある。
- 機器製造者が指定したものと同一型名のもの、又は、その同等の電池とのみ交換すること。
- 使用済みの電池は、製造者の指示に従って処分すること。

CAUTION FOR BATTERY REPLACEMENT

(Danish) ADVARSEL !
Lithiumbatteri - Eksplosionsfare ved fejlagtig håndtering.
Udskiftning må kun ske med batteri
af samme fabrikat og type.
Levér det brugte batteri tilbage til leverandoren.

(English) Caution !
Danger of explosion if battery is incorrectly replaced.
Replace only with the same or equivalent type
recommended by the manufacturer.
Dispose of used batteries according to manufacturer's instructions.

(Finnish) VAROITUS
Paristo voi räjähtää, jos se on virheellisesti asennettu.
Vaihda paristo ainoastaan laitevalmistajan suosittelemaan
tyyppiin. Hävitä käytetty paristo valmistajan ohjeiden
mukaisesti.

(French) ATTENTION
Il y a danger d'explosion s'il y a remplacement incorrect
de la batterie. Remplacer uniquement avec une batterie du
même type ou d'un type équivalent recommandé par
le constructeur.
Mettre au rebut les batteries usagées conformément aux
instructions du fabricant.

(Swedish) VARNING
Explosionsfara vid felaktigt batteribyte.
Använd samma batterityp eller en ekvivalent
typ som rekommenderas av apparatillverkaren.
Kassera använt batteri enligt fabrikantens
Instruktion.

(German) Achtung
Explosionsgefahr bei Verwendung inkorrekt er Batterien.
Als Ersatzbatterien dürfen nur Batterien vom gleichen Typ oder
vom Hersteller empfohlene Batterien verwendet werden.
Entsorgung der gebrauchten Batterien nur nach den vom
Hersteller angegebenen Anweisungen.

CAUTION FOR BATTERY DISPOSAL

(For USA, CANADA)
Contains lithium-ion battery. Must be disposed of properly.
Remove the battery from the product and contact
federal or state environmental
agencies for information on recycling and disposal options.

SHARP

COPYRIGHT © 2002 BY SHARP CORPORATION

All rights reserved.

Printed in Japan.

No part of this publication may be reproduced,
stored in a retrieval system, or transmitted.

In any form or by any means,
electronic, mechanical, photocopying, recording, or otherwise,
without prior written permission of the publisher.

SHARP CORPORATION
Digital Document Systems Group
Products Quality Assurance Department
Yamatokoriyama, Nara 639-1186, Japan
2002 December Printed in Japan ⓘ