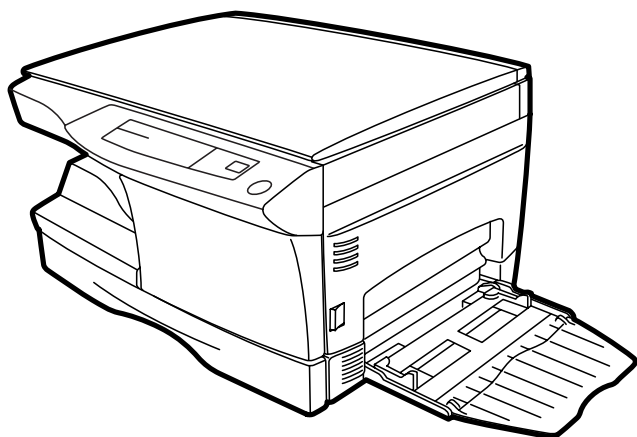


SHARP PARTS GUIDE

CODE:00ZAL1200/P1/



DIGITAL COPIER

AL-1000 (Except Japan)

AL-1001 (Japan only)

MODEL AL-1200

CONTENTS

- | | |
|---|--|
| 1 Exteriors | 17 Single Manual Paper Feeding unit
..AL-1000 |
| 2 Original cover unit | 18 Multi manual paper feeding unit
..AL-1001/AL-1200 |
| 3 Operation panel | 19 Socket Holder unit |
| 4 Side Door unit | 20 TC case unit |
| 5 Optical Frame 1 | 21 250 sheets tray |
| 6 Optical Frame 2 | 22 Harness |
| 7 LSU unit | 23 Packing material & Accessories |
| 8 Mirror Holder unit | 24 MCU PWB |
| 9 Delivery paper guide unit | 25 Operation PWB |
| 10 Middle Frame | 26 MFD sensor PWB |
| 11 Base plate unit 1 | 27 POD sensor PWB |
| 12 Base plate unit 2 | 28 PPD1 sensor PWB |
| 13 Fusing unit | 29 PPD2 sensor PWB |
| 14 Drive unit | 30 DC power supply PWB |
| 15 Single Manual Paper Feeding cover unit
..AL-1000 | Index |
| 16 Multi Manual Paper feeding cover unit
..AL-1001/AL-1200) | |

SHARP CORPORATION

This document has been published to be used for after sales service only. The contents are subject to change without notice.

DEFINITION

The definition of each Rank is as follows and also noted in the list

- A : Parts necessary to be stocked as High usage parts.
- B : Parts necessary to be stocked as Standard usage parts.
- C : Low usage parts.
- D : Parts necessary for refurbish.
- E : Unit parts recommended to be stocked for efficient after sales service.
Please note that the lead time for the said parts may be longer than normal parts.
- S : Consumable parts.

Please note that the following parts used in Copier under the same description are classified into A or B Rank depending upon the place used.

Example : Gear made of Metal, Sprocket, Bearing, Belt made of Rubber, Spring clutch mechanism.

A Rank : The parts which may be with the revolution or loading.

B Rank : Parts similar to A Rank parts, but are not included in Rank A.

Because parts marked with "△" is indispensable for the machine safety maintenance and operation, it must be replaced with the parts specific to the product specification.

- Other than this Parts Guide, please refer to documents Service Manual (including Circuit Diagram) of this model.
- Please use the 13 digit code described in the right hand corner of front cover of the document, when you place an order.
- For U.S. only-Use order codes provided in advertising literature. Do not order from parts department.

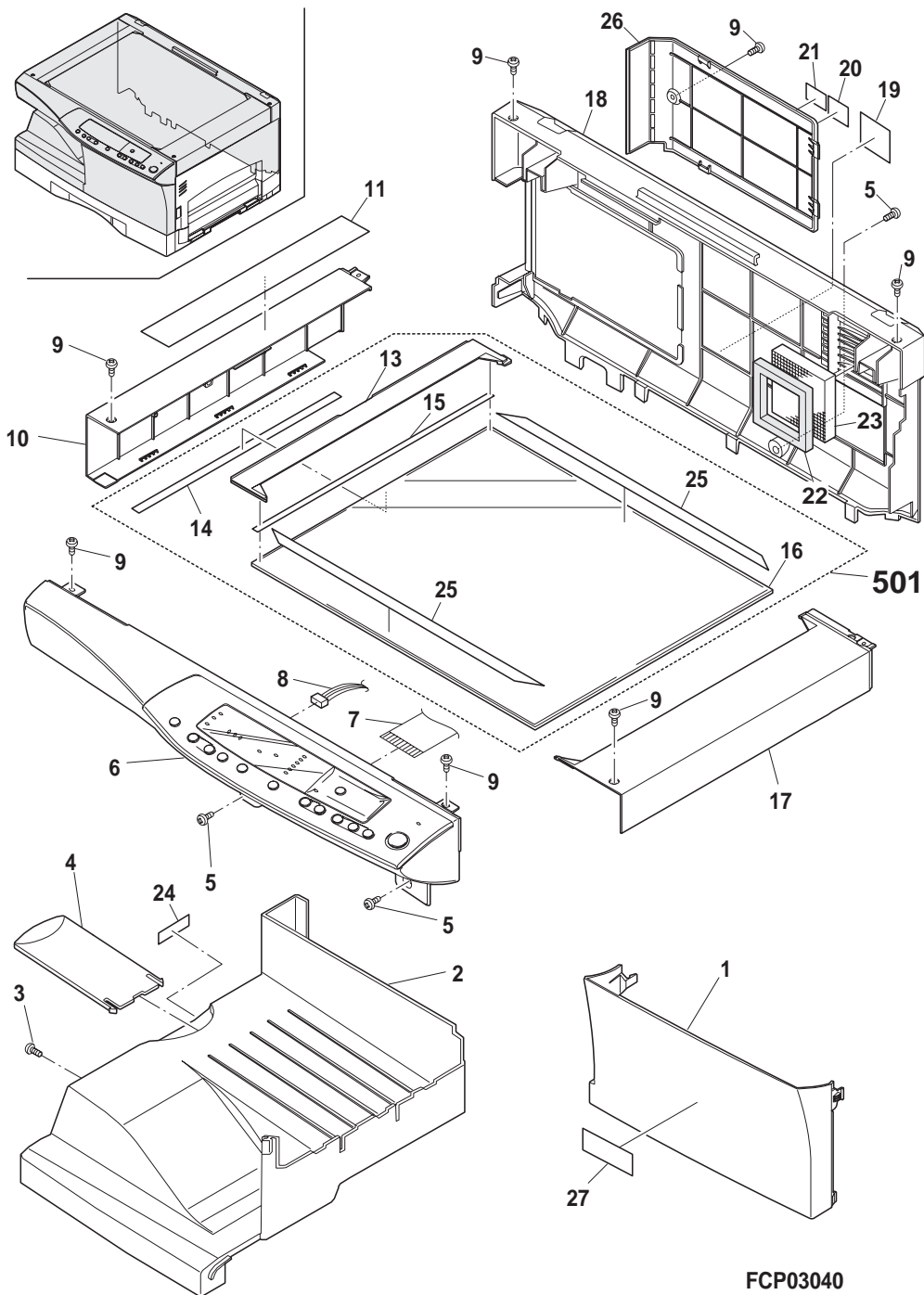
1 Exteriors

NO.	PARTS CODE	PRICE RANK		NEW MARK	PART RANK	DESCRIPTION
		Ex.	Ja.			
1	GCAB-0003QS01	AR	EQ	N	D	Front cover (Japan only)
	GCAB-0003QSZA	AS	EZ	N	D	Front cover (For Europe)
	GCAB-0003QSZZ	AP	EQ	N	D	Front cover (Except Europe,Japan)
2	LSOU-0001QSZZ	AW	FG	N	D	Delivery tray (Except Europe)
	LSOU-0001QSZA	AX	FG	N	D	Delivery tray (For Europe)
3	XEBSE30P08000	AA	DD		C	Screw (3×8)
4	LSOU-0008QSZZ	AH	DX	N	D	Extension tray (Except Europe)
	LSOU-0008QSZA	AH	DX	N	D	Extension tray (For Europe)
5	XEBSE40P12000	AA	DD		C	Screw (4×12)
6	CPNLC0002QS03	AV	FG	N	D	Operation panel (Except Europe) (AL-1000)
	CPNLC0002QS04	AW	FG	N	D	Operation panel (For Europe) (AL-1000)
	CPNLC0002QS01	AV	FG	N	D	Operation panel (Japan only) (AL-1001)
	CPNLC0002QS08	AW	FG	N	D	Operation panel (For Europe) (AL-1200)
	CPNLC0002QS07	AV	FG	N	D	Operation panel (Except Europe) (AL-1200)
7	DHAi-0040QSZZ	AK	DX	N	C	OP harness
8	DHAi-0049QSZZ	AG	DS	N	C	D-RST harness
9	XBBSE30P08000	AA	DD		C	Screw (3×8)
10	GCAB-0005QSZZ	AN	EG	N	D	Left exterior (Except Europe)
	GCAB-0005QSZA	AN	EQ	N	D	Left exterior (For Europe)
11	TLABH0056QSZZ	AG	DX	N	C	Operation instruction label
13	CFiX-0003QS01	AN	EG	N	C	Glass fixing plate (Japan only)
	CFiX-0003QS04	AN	EG	N	C	Glass fixing plate (For Europe)
	CFiX-0003QS02	AN	EG	N	C	Glass fixing plate (Except Europe,Japan)
	PSHEZ0026QSZZ	AE	DJ	N	C	Sheet
15	PSHEZ0027QSZZ	AC	DJ	N	C	Table glass fixing sheet
16	PGLSP0001QSZZ	AX	FG	N	B	Table glass
17	GCAB-0006QSZZ	AN	EQ	N	D	Right exterior (Except Europe)
	GCAB-0006QSZA	AN	EQ	N	D	Right exterior (For Europe)
18	GCAB-0021QSZZ	AY	FQ	N	D	Rear exterior (Except Europe)
	GCAB-0021QSZA	AY	FQ	N	D	Rear exterior (For Europe)
19	TCAUA0770FCZZ	AB	DD		C	Service caution label (Except Japan)

1 Exteriors

NO.	PARTS CODE	PRICE RANK		NEW MARK	PART RANK	DESCRIPTION
		Ex.	Ja.			
20	TLABZ0058QSZZ	AD	DJ	N	C	Class 1 label (For Europe,Australia)
21	TLABH0264GCZZ	AC	DJ	N	C	Service man label (For Europe)
22	PMLT-0024QSZZ	AC	DJ	N	C	Fan cushion
23	PF i LZ0002QSZZ	AL	EB	N	B	Ozone filter
24	TLABH0055QSZZ	AE	DS	N	C	Power supply label (Japan only)
25	PSHEZ0079QSZZ	AD	DJ	N	C	Table glass sheet
26	PCÖVP0035QSZZ	AL	EB	N	D	Rear exterior cover (Except Europe)
	PCÖVP0035QSZA	AL	EB	N	D	Rear exterior cover (For Europe)
27	TLABM0067QSZZ	AD	DJ	N	C	Digital mark label (USA only)
501	CF i X-0003QS51	AZ	FQ	N	E	Table unit (Japan only)
	CF i X-0003QS54	BA	FX	N	E	Table unit (For Europe)
	CF i X-0003QS52	BA	FX	N	E	Table unit (Except Europe,Japan)

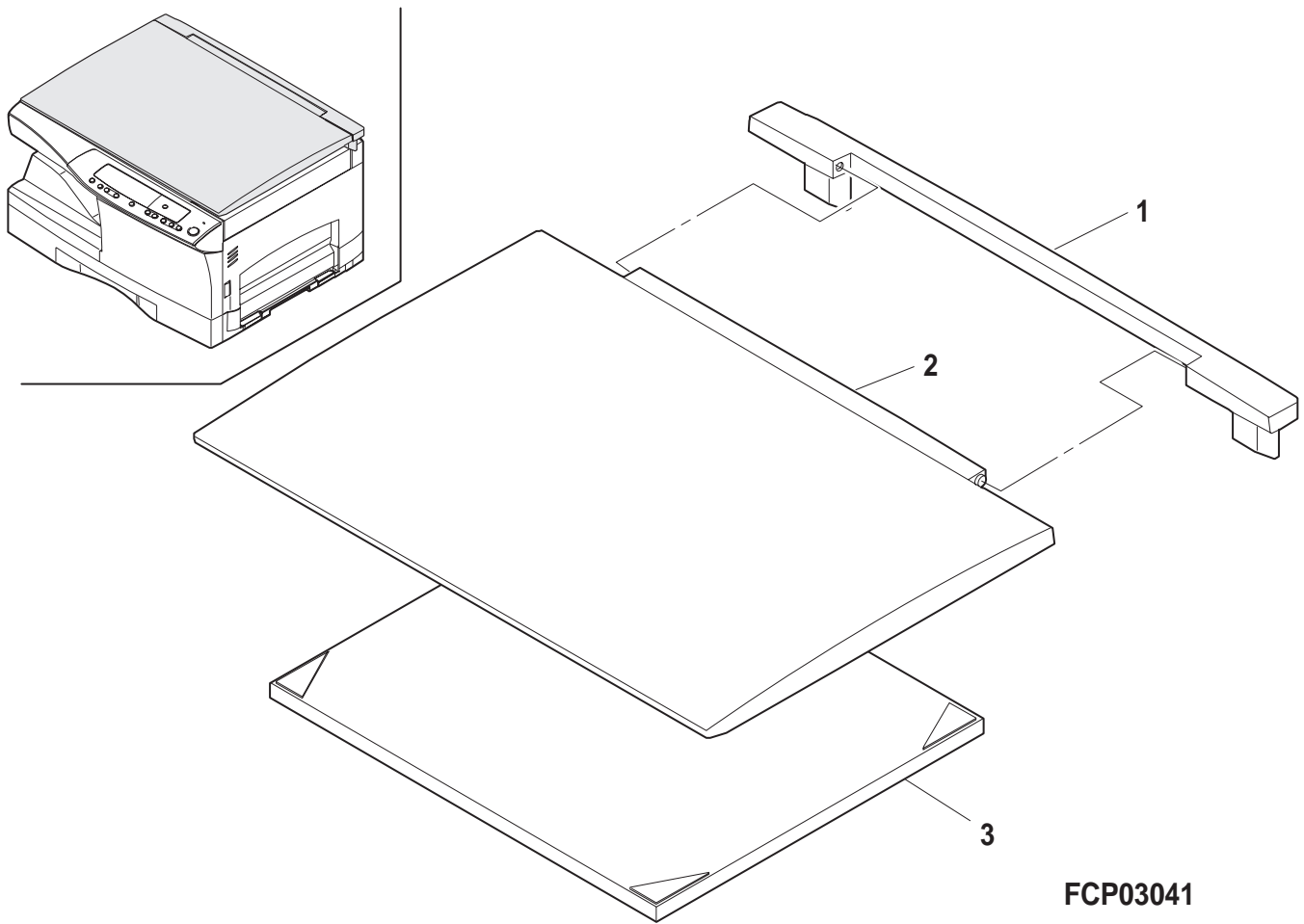
1 Exteriors



2 Original cover unit

NO.	PARTS CODE	PRICE RANK		NEW MARK	PART RANK	DESCRIPTION
		Ex.	Ja.			
1	GCÖVH0003QSZZ	AM	EG	N	D	OC cover S
2	GCÖVH0004QSZZ	AX	FG	N	D	OC cover M
3	PSHEZ0034QSZZ	AV	FG	N	C	OC sheet
	(Unit)					
901	CCÖVH0004QS51	BC	GD	N	E	OC cover unit

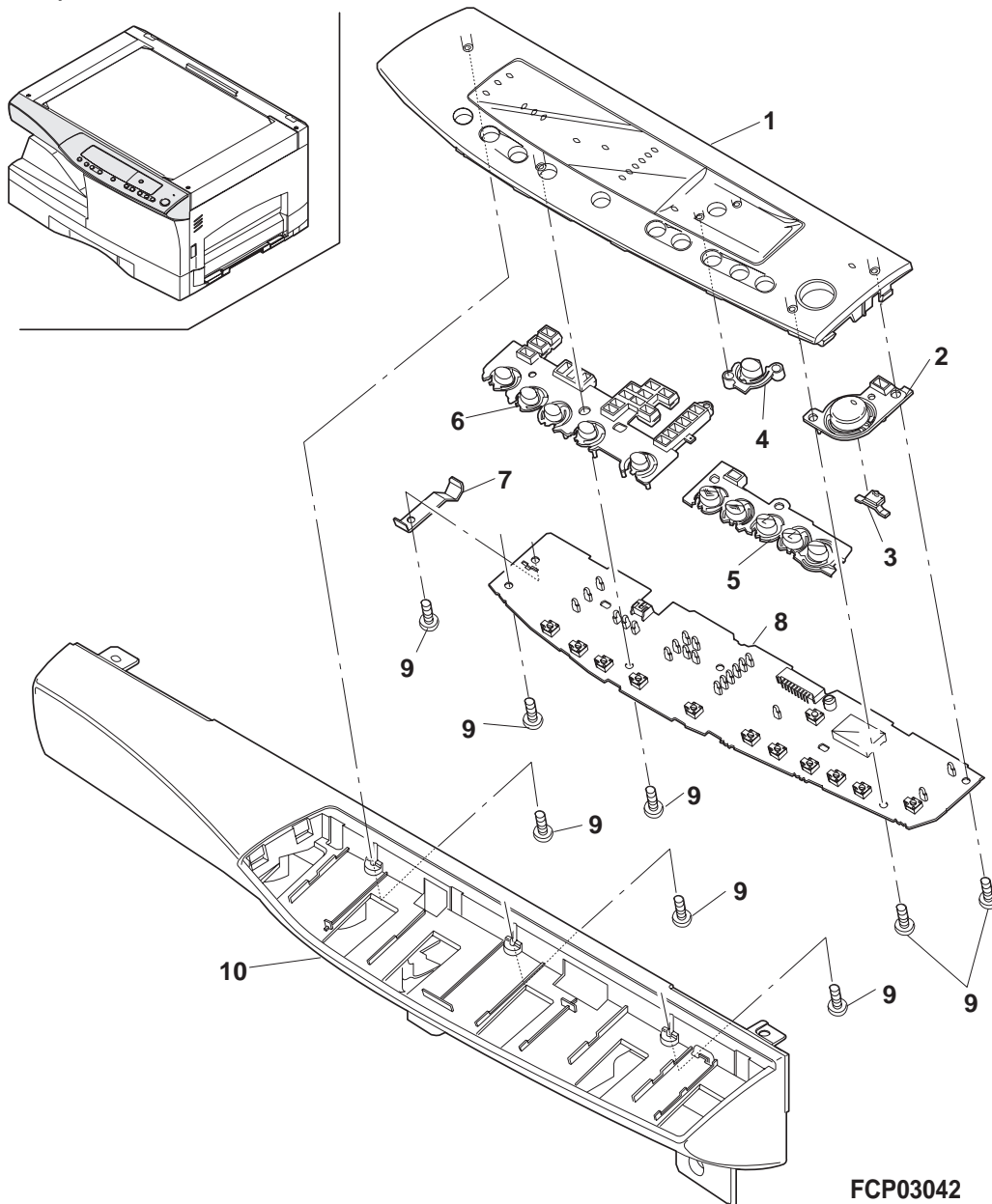
2 Original cover unit



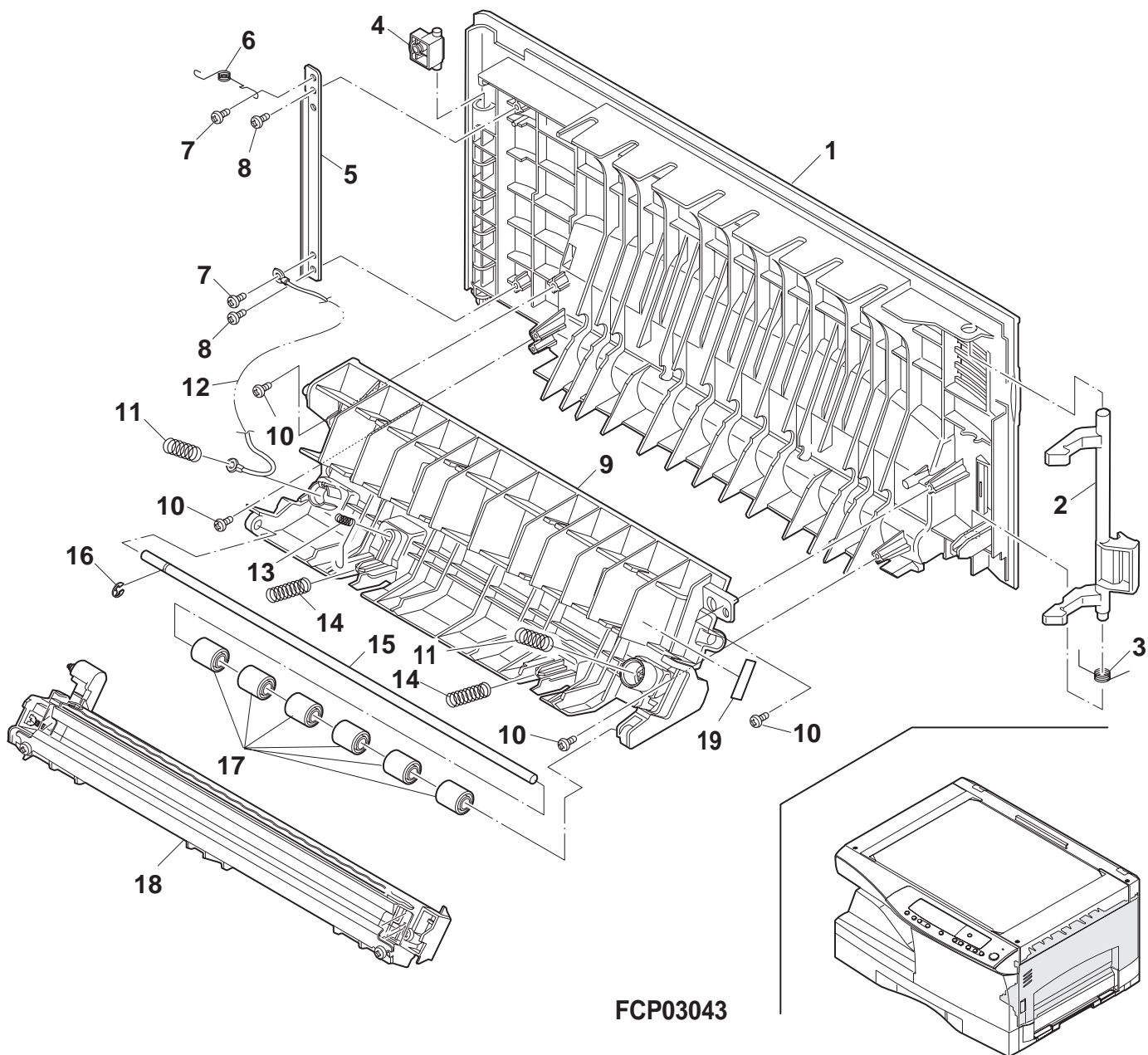
3 Operation panel

NO.	PARTS CODE	PRICE RANK		NEW MARK	PART RANK	DESCRIPTION	
		Ex.	Ja.				
1	PFiLZ0001QS12	AS	EQ	N	B	Filter (Inch series)	(AL-1000)
	PFiLZ0001QSZ5	AS	EQ	N	B	Filter (AB series)	(AL-1000)
	PFiLZ0001QSZ6	AS	EQ	N	B	Filter (Japan only)	(AL-1001/AL-1200)
	PFiLZ0001QS18	AS	EQ	N	B	Filter (Inch series)	(AL-1200)
	PFiLZ0001QSZ2	AS	EQ	N	B	Filter (AB series)	(AL-1200)
2	CBTN-0009QS01	AG	DS	N	C	Copy key	
3	JBTN-0010QSZZ	AC	DJ	N	C	Copy key smoke	
4	JBTN-0005QSZZ	AC	DJ	N	C	Percent key	
5	CBTN-0004QS01	AE	DS	N	C	Operation key R	
6	JBTN-0008QSZZ	AD	DJ	N	C	Operation key L	
7	MSPRP0015QSZZ	AC	DJ	N	C	Operation PWB earth spring	
8	CPWBF0014QS51	BR	LX	N	E	Operation PWB	(AL-1000)
	CPWBF0014QS52	BR	LX	N	E	Operation PWB	(AL-1001/AL-1200)
9	XEBSE30P08000	AA	DD		C	Screw (3x8)	
10	CPNLC0002QS03	AV	FG	N	D	Operation panel (Except Europe)	(AL-1000)
	CPNLC0002QS04	AW	FG	N	D	Operation panel (For Europe)	(AL-1000)
	CPNLC0002QS01	AV	FG	N	D	Operation panel (Japan only)	(AL-1001)
	CPNLC0002QS08	AW	FG	N	D	Operation panel (For Europe)	(AL-1200)
	CPNLC0002QS07	AV	FG	N	D	Operation panel (Except Europe)	(AL-1200)

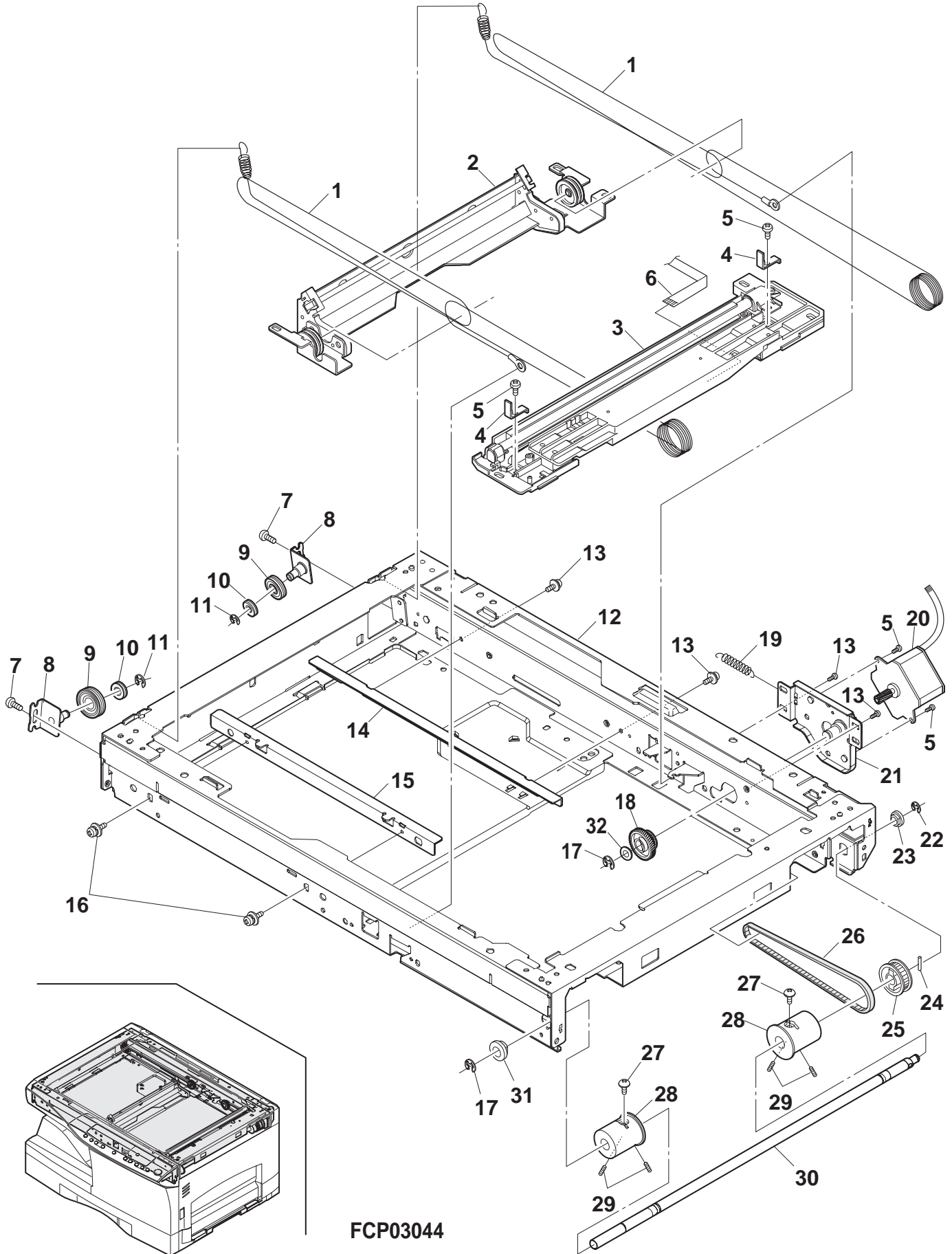
3 Operation panel



4 Side Door unit



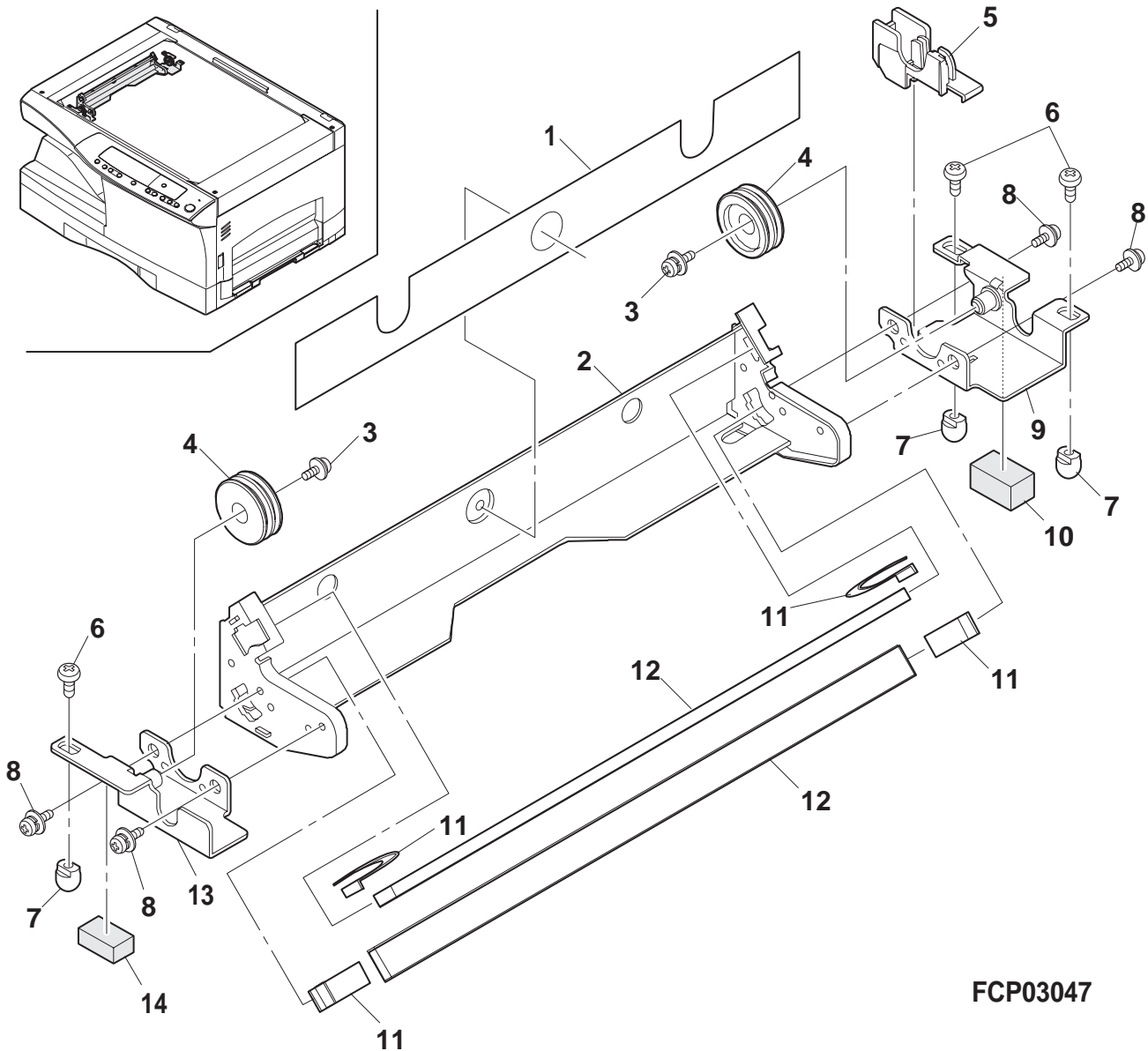
5 Optical Frame 1



8 Mirror Holder unit

NO.	PARTS CODE	PRICE RANK		NEW MARK	PART RANK	DESCRIPTION
		Ex.	Ja.			
1	PSHEZ0048QSZZ	AE	DJ	N	C	Reflector protect sheet
2	LHLDZ0019QSZZ	AN	EG	N	C	2nd,3rd mirror holder
3	XBPSD40P06KS0	AA	DD		C	Screw (4x6KS)
4	NPLYZ0007QSZZ	AG	DX	N	C	W pulley
5	LHLDZ0013QSZZ	AD	DJ	N	C	CL guide holder
6	XEBSD40P06000	AA	DD		C	Screw (4x6)
7	CSL i -0103FC31	AF	DS		E	Slider (4pcs/set)
8	LX-BZ0335FCZZ	AA	DD		C	Screw (4x6)(Red)
9	CPLTM0029QS01	AH	DX	N	C	Pulley fixing plate R
10	PCUSS0009QSZZ	AA	DJ	N	C	MB-B cushion R
11	LF i X-0284FCZZ	AC	DD		C	4th 5th mirror fixing plate F
12	PM i R-0002QSZZ	AN	EQ	N	B	2nd,3rd mirror
13	CPLTM0028QS01	AH	DX	N	C	Pulley fixing plate F
14	PCUSS0201FCZZ	AA	DD		C	MB-B cushion
	(Unit)					
901	CHLDZ0019QS31	BC	GJ	N	E	2nd,3rd mirror holder unit

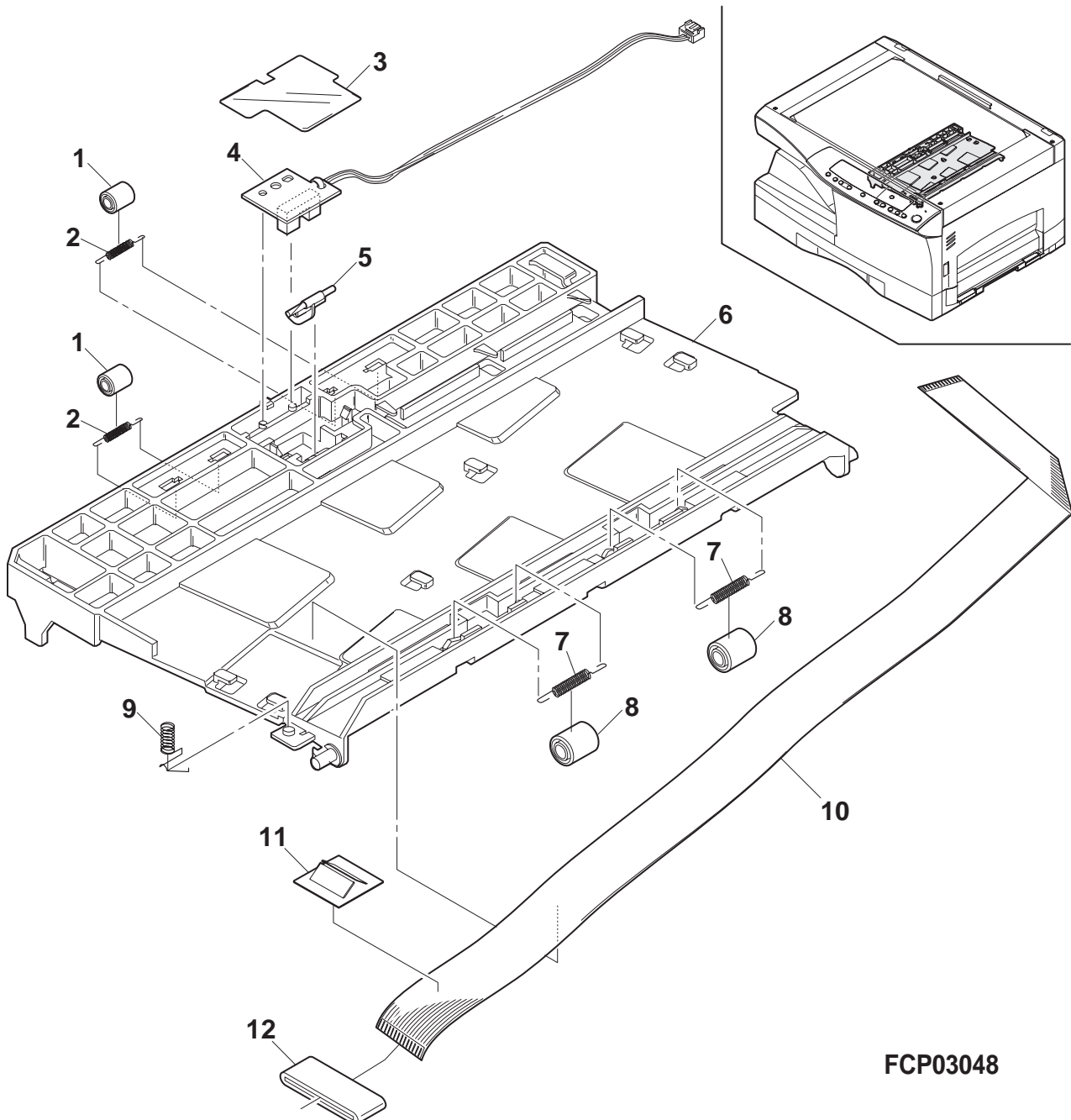
8 Mirror Holder unit



9 Delivery paper guide unit

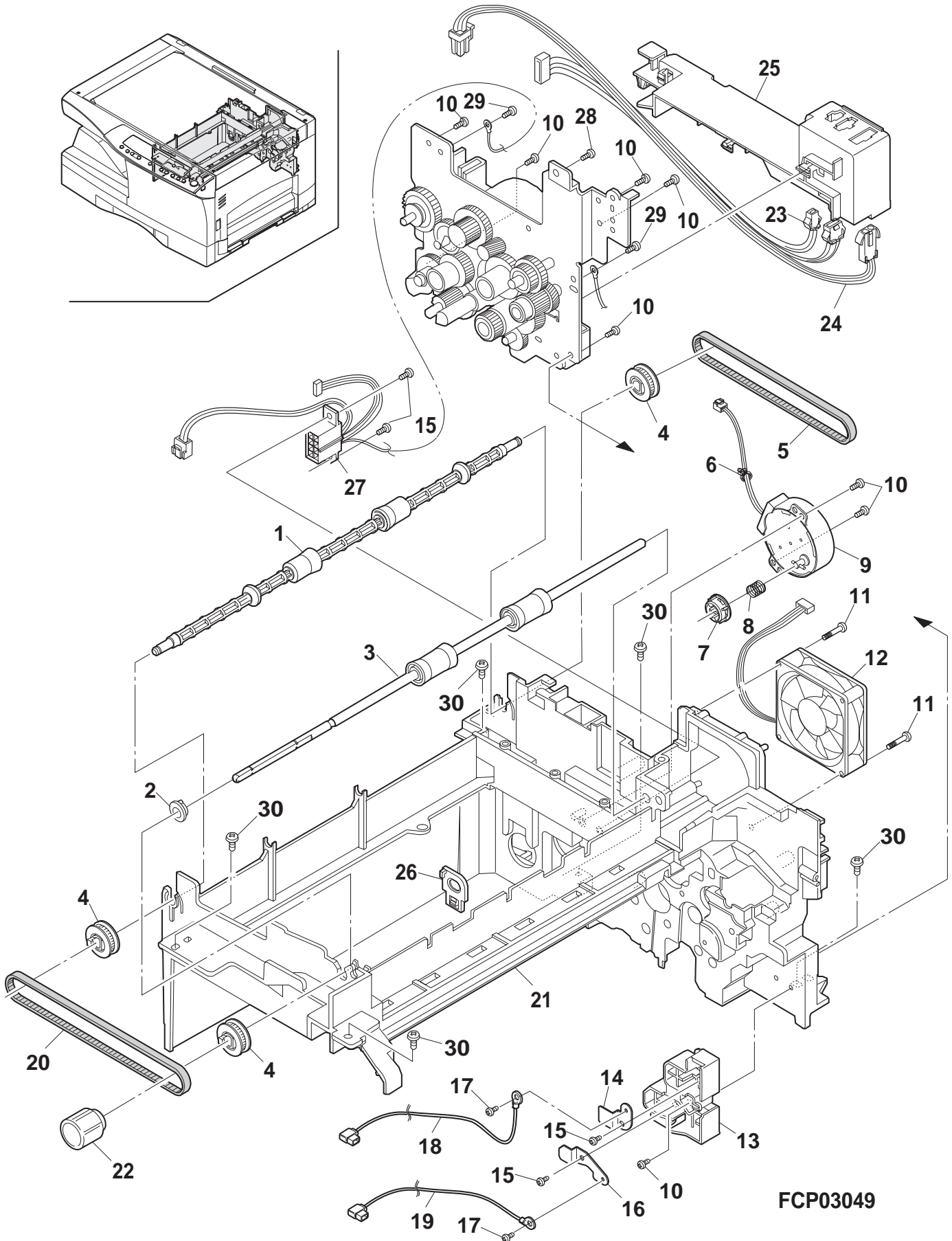
NO.	PARTS CODE	PRICE RANK		NEW MARK	PART RANK	DESCRIPTION
		Ex.	Ja.			
1	NRÖLP0008QSZZ	AD	DJ	N	C	Delivery roller upper
2	MSPRT0020QSZZ	AB	DJ	N	C	Delivery roller spring
3	PSHEZ0017QSZZ	AC	DJ	N	C	PWB insulation sheet
4	CPWBF1177FC57	AG	DX	N	E	POD sensor PWB
5	MLEVP0005QSZZ	AD	DJ	N	C	Delivery actuator
6	PGiDM0006QSZZ	AN	EG	N	C	Delivery paper guide
7	MSPRC0021QSZZ	AB	DJ	N	C	Delivery transport roller spring
8	NRÖLP1122FCZZ	AF	DS	N	C	PS upper roller
9	MSPRC0022QSZ1	AC	DJ	N	C	Delivery earth spring
10	DHAi-0040QSZZ	AK	DX	N	C	OP harness
11	PSHEZ0080QSZZ	AE	DJ	N	C	OPE harness core hold sheet
12	RCÖRF0002QSZZ	AE	DS	N	C	Ferrite core

9 Delivery paper guide unit

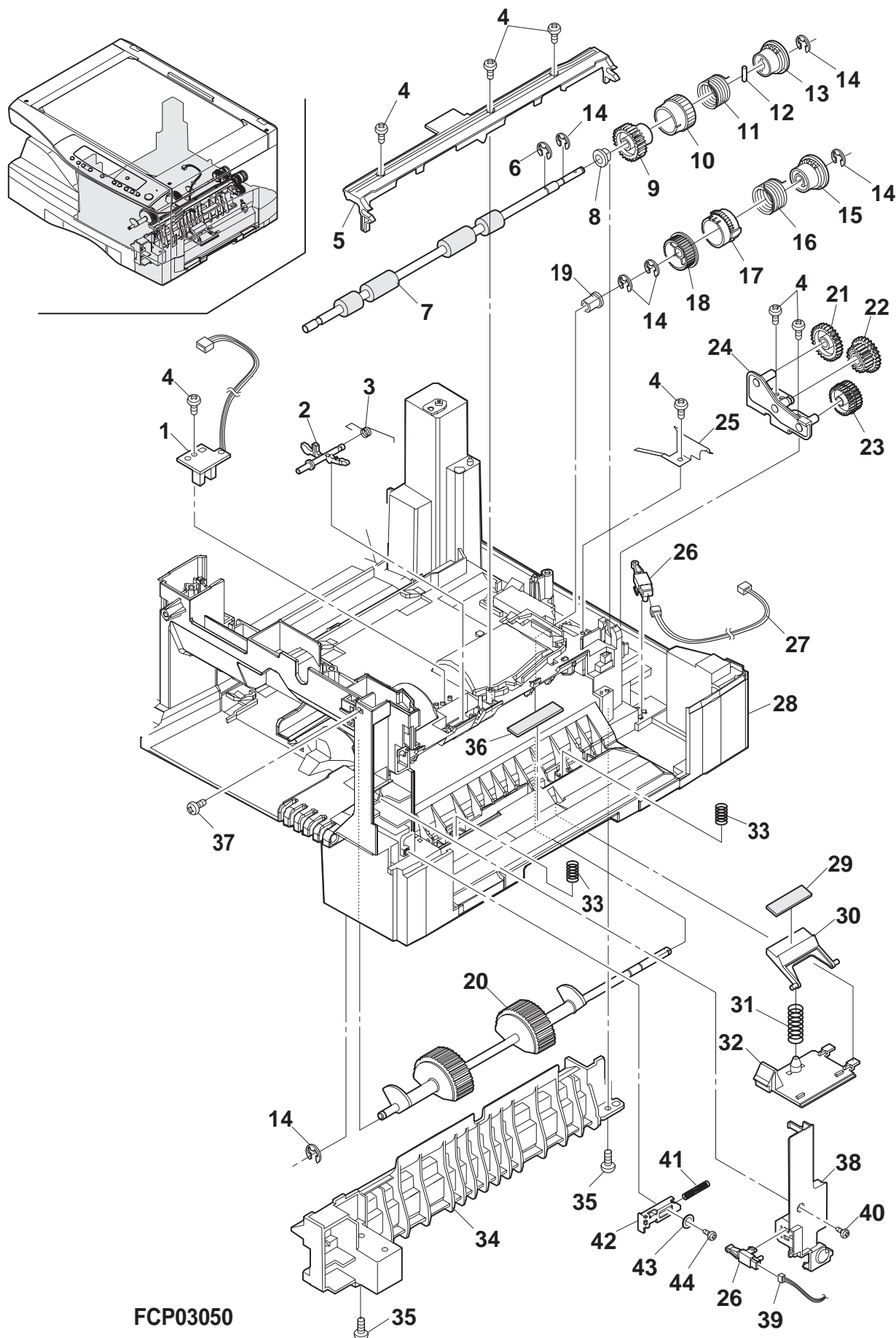


FCP03048

10 Middle Frame

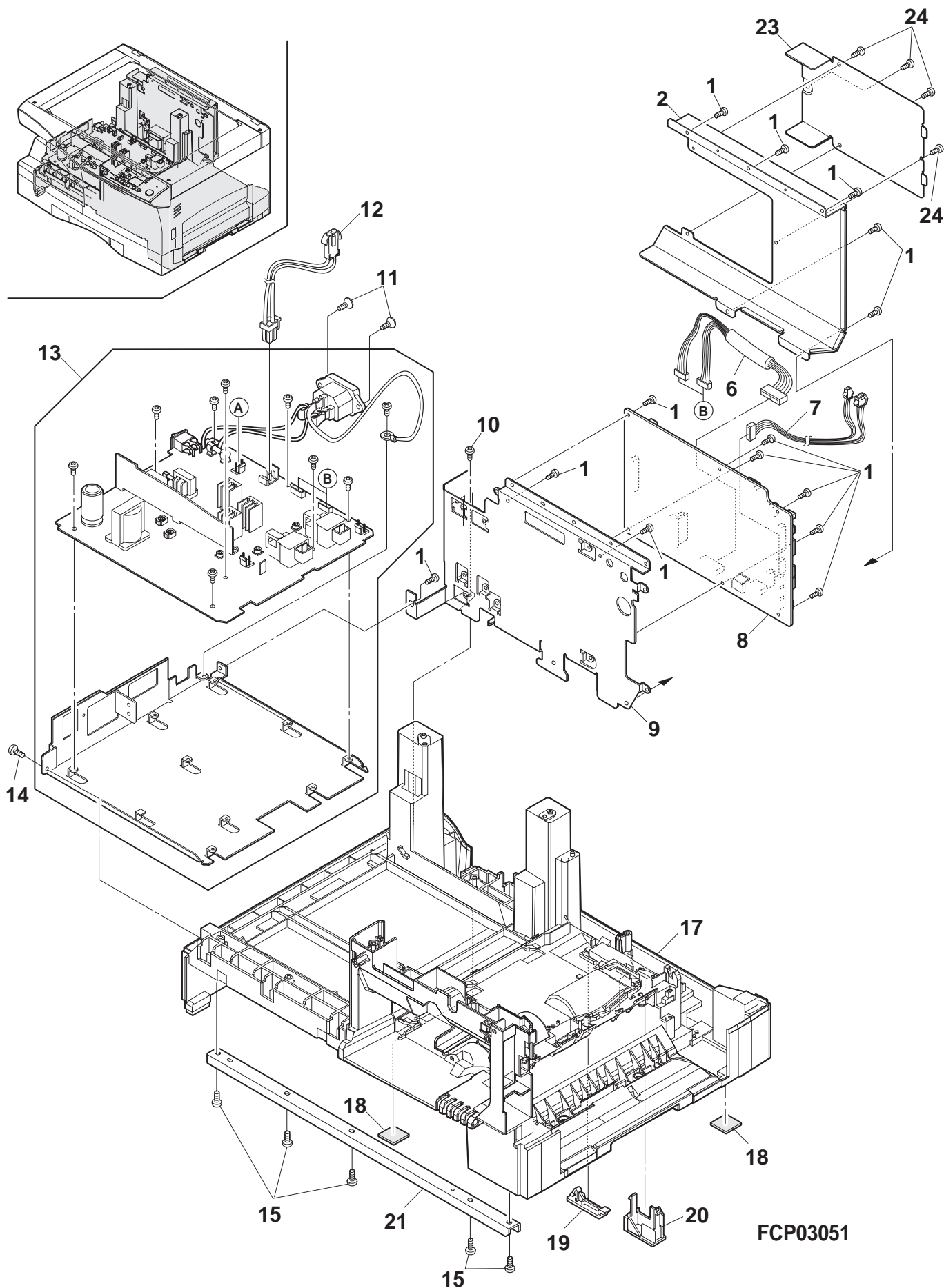


11 Base plate unit 1



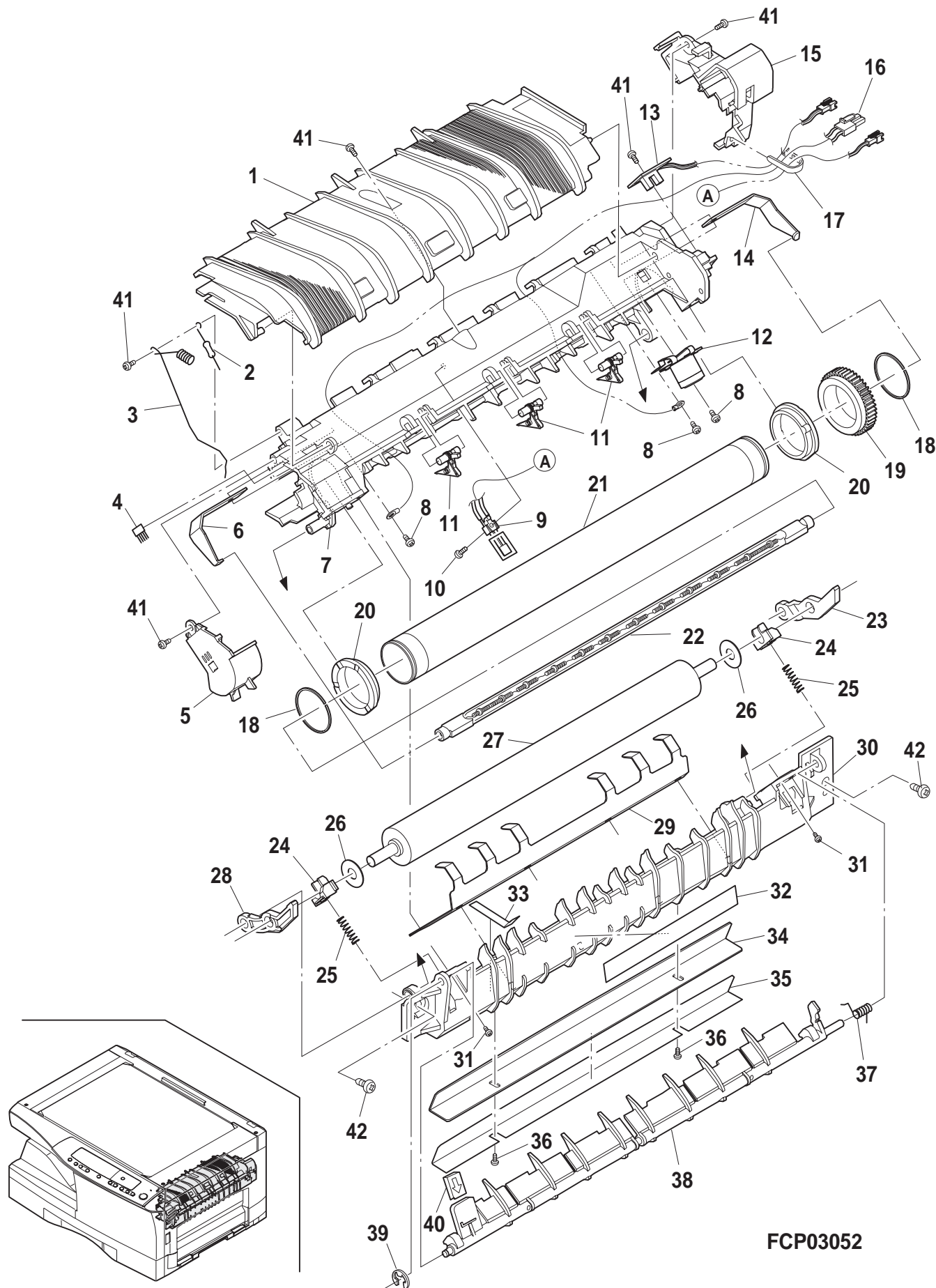
FCP03050

12 Base plate unit 2



FCP03051

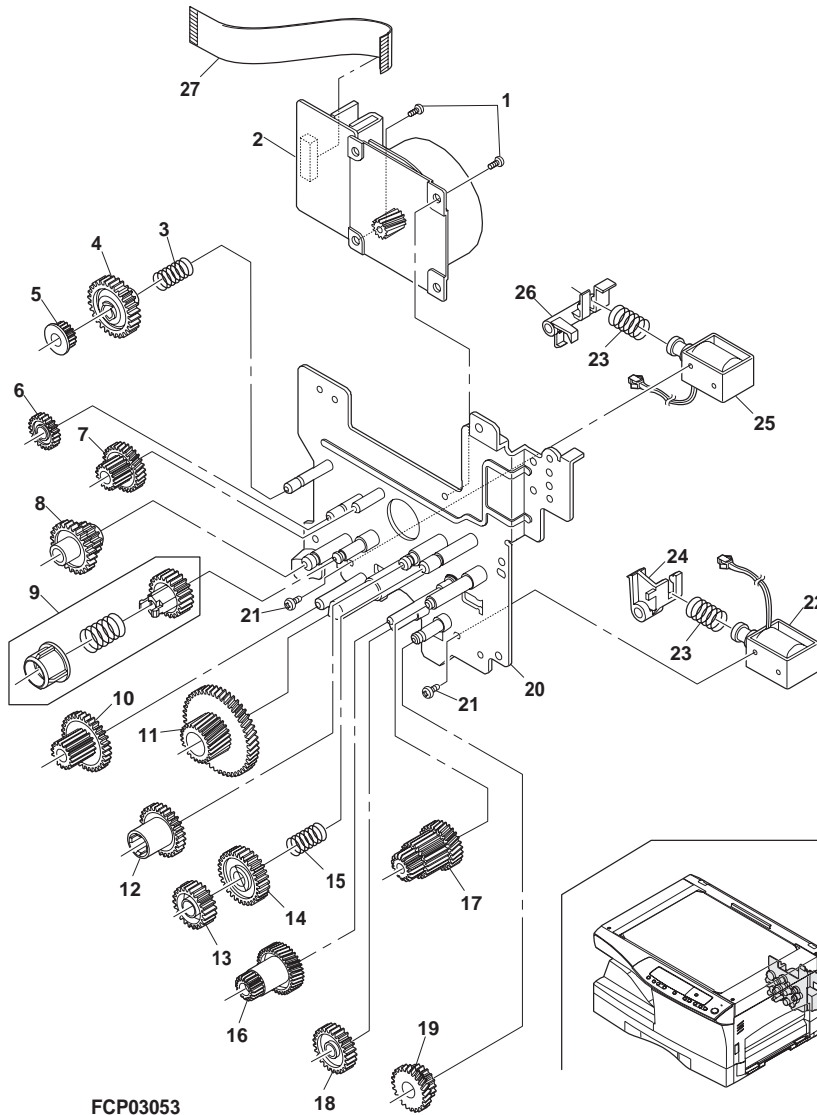
13 Fusing unit



14 Drive unit

NO.	PARTS CODE	PRICE RANK		NEW MARK	PART RANK	DESCRIPTION
		Ex.	Ja.			
1	XBBSD40P06000	AA	DD		C	Screw (4x6)
2	RMOTP0010QSZZ	BN	HZ	N	B	Main motor
3	MSPRC0053QSZZ	AB	DJ	N	C	Pulley spring
4	NGERH0050QSZZ	AD	DJ	N	C	Ratchet gear (33T)
5	NPLYZ0002QSZZ	AC	DJ	N	C	Pulley (17T)
6	NGERH0010QSZZ	AD	DJ	N	C	Gear (28T)
7	NGERH0009QSZZ	AD	DJ	N	C	Gear (46/16T)
8	NGERH0014QSZZ	AD	DJ	N	C	Gear (30/15T)
9	CGERH0011QS51	AE	DS	N	E	MG gear unit
10	NGERH0015QSZZ	AD	DJ	N	C	Gear (37/15T)
11	NGERH0007QSZZ	AH	DX	N	C	Gear (68/26T)
12	NGERH0016QSZZ	AD	DJ	N	C	Cupring gear (34T)
13	NGERH0019QSZZ	AD	DJ	N	C	Ratchet gear (21T)
14	NGERH0018QSZZ	AC	DJ	N	C	Ratchet gear (28T)
15	MSPRC0023QSZZ	AB	DJ	N	C	Ratchet spring
16	NGERH0008QSZ1	AL	EB	N	C	Gear (55/19T)
17	NGERH0017QSZZ	AD	DJ	N	C	Gear (33/20/15T)
18	NGERH0012QSZZ	AE	DS	N	C	Gear (20T)
19	NGERH0013QSZZ	AG	DX	N	C	Gear (31/17T)
20	CPLTM0042QS01	AZ	FQ	N	C	Main drive plate
21	XBBSD30P04000	AA	DD		C	Screw (3x4)
22	RPLU-0001QSZZ	AN	EG	N	B	PS solenoid
23	MSPRC1318FCZ1	AA	DJ		C	Spring B
24	PTME-0002QSZZ	AD	DJ	N	B	PS roller pawl
25	RPLU-0002QSZZ	AN	EG	N	B	Solenoid
26	PTME-0003QSZZ	AD	DJ	N	B	Roller pawl
27	DHAi-0045QSZZ	AD	DJ	N	C	Main motor harness
	(Unit)					
901	CPLTM0042QS51	BP	LP	N	E	Drive unit

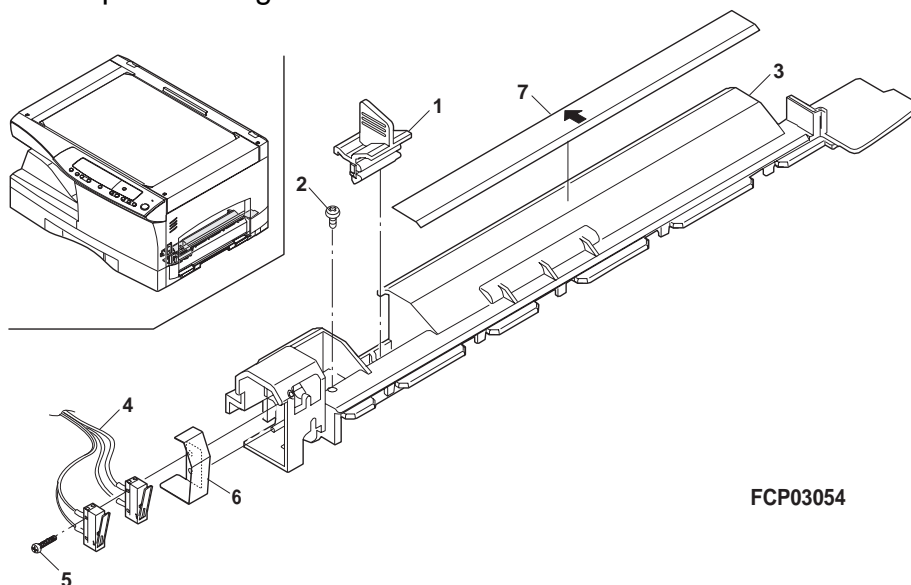
14 Drive unit



15 Single Manual Paper Feeding cover unit · AL-1000

NO.	PARTS CODE	PRICE RANK		NEW MARK	PART RANK	DESCRIPTION
		Ex.	Ja.			
1	CCLZ0005QS51	AQ	EQ	N	E	Charger cleaner unit
2	XEBSE30P08000	AA	DD		C	Screw (3×8)
3	PCOVP0012QSZZ	AK	DX	N	C	Single upper cover
4	CSW-M0004QS51	AS	EQ	N	E	Side door detect switch unit
5	XEP20P18000	AB	DD	N	C	Screw (2×18)
6	MSPRP0110QSZZ	AE	DJ	N	C	Door switch spring
7	TCAUH0007QSZZ	AD	DJ	N	C	Laser caution label (For Europe,Australia)

15 Single Manual Paper Feeding cover unit · AL-1000

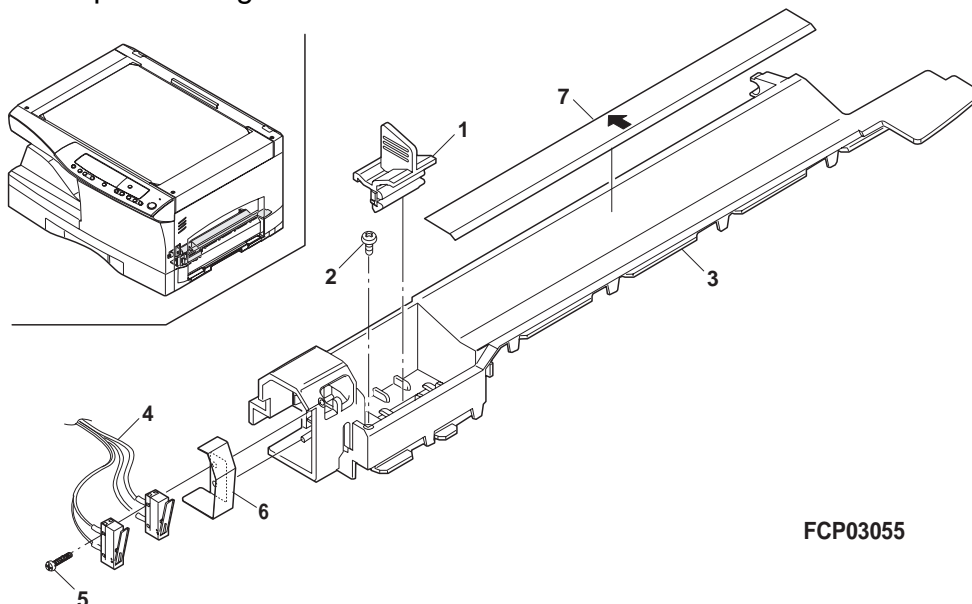


FCP03054

16 Multi Manual Paper feeding cover unit · AL-1001/AL-1200

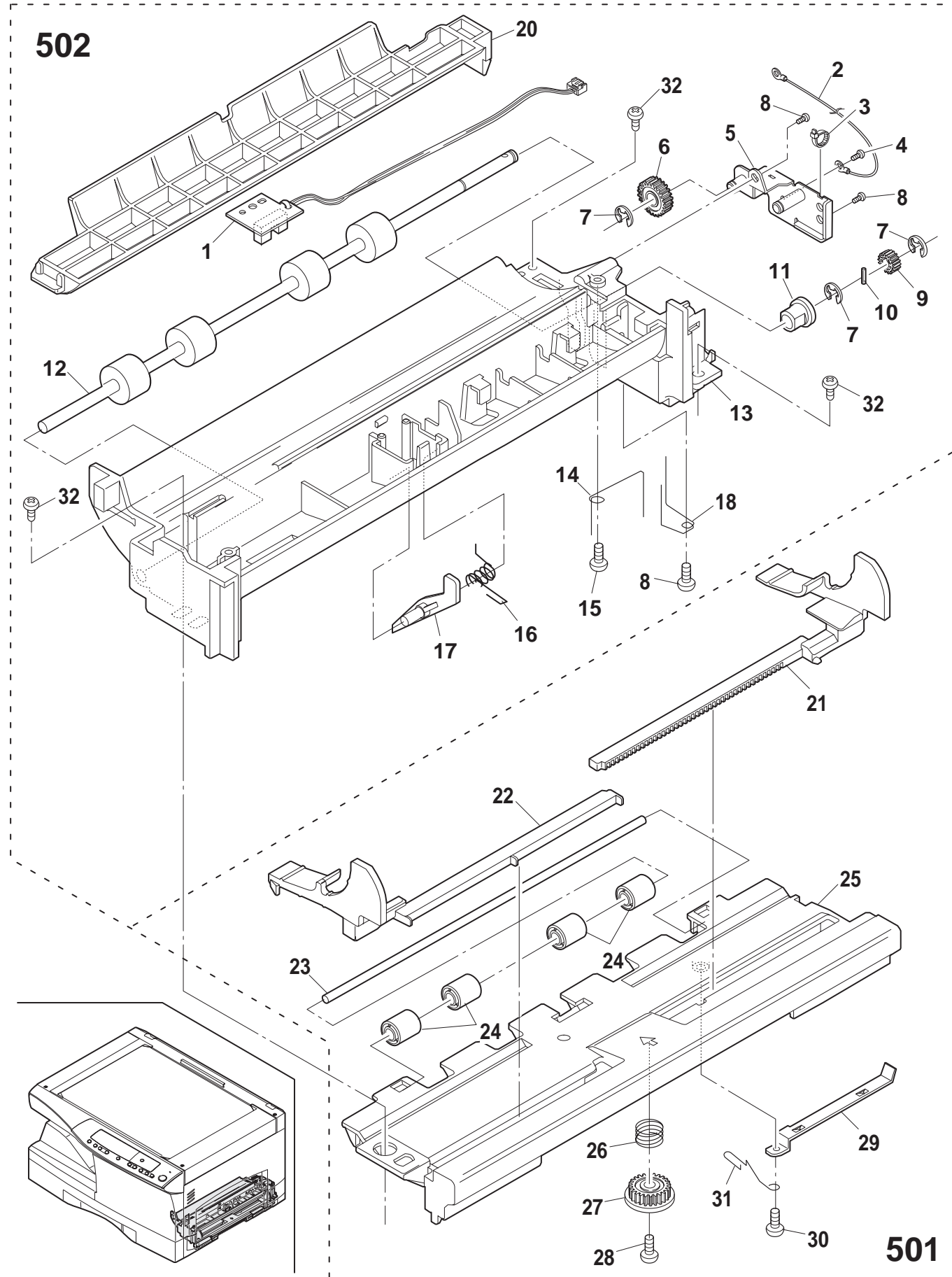
NO.	PARTS CODE	PRICE RANK		NEW MARK	PART RANK	DESCRIPTION
		Ex.	Ja.			
1	CCLZ0005QS51	AQ	EQ	N	E	Charger cleaner unit
2	XEBSE30P08000	AA	DD		C	Screw (3×8)
3	PCOVP0023QSZZ	AK	DX	N	C	Multi upper cover
4	CSW-M0004QS51	AS	EQ	N	E	Side door detect switch unit
5	XBPSD20P18000	AA	DD	N	C	Screw (2×18)
6	MSPRP0110QSZZ	AE	DJ	N	C	Door switch spring
7	TCAUH0007QSZZ	AD	DJ	N	C	Laser caution label (For Europe,Australia)

16 Multi Manual Paper feeding cover unit · AL-1001/AL-1200



FCP03055

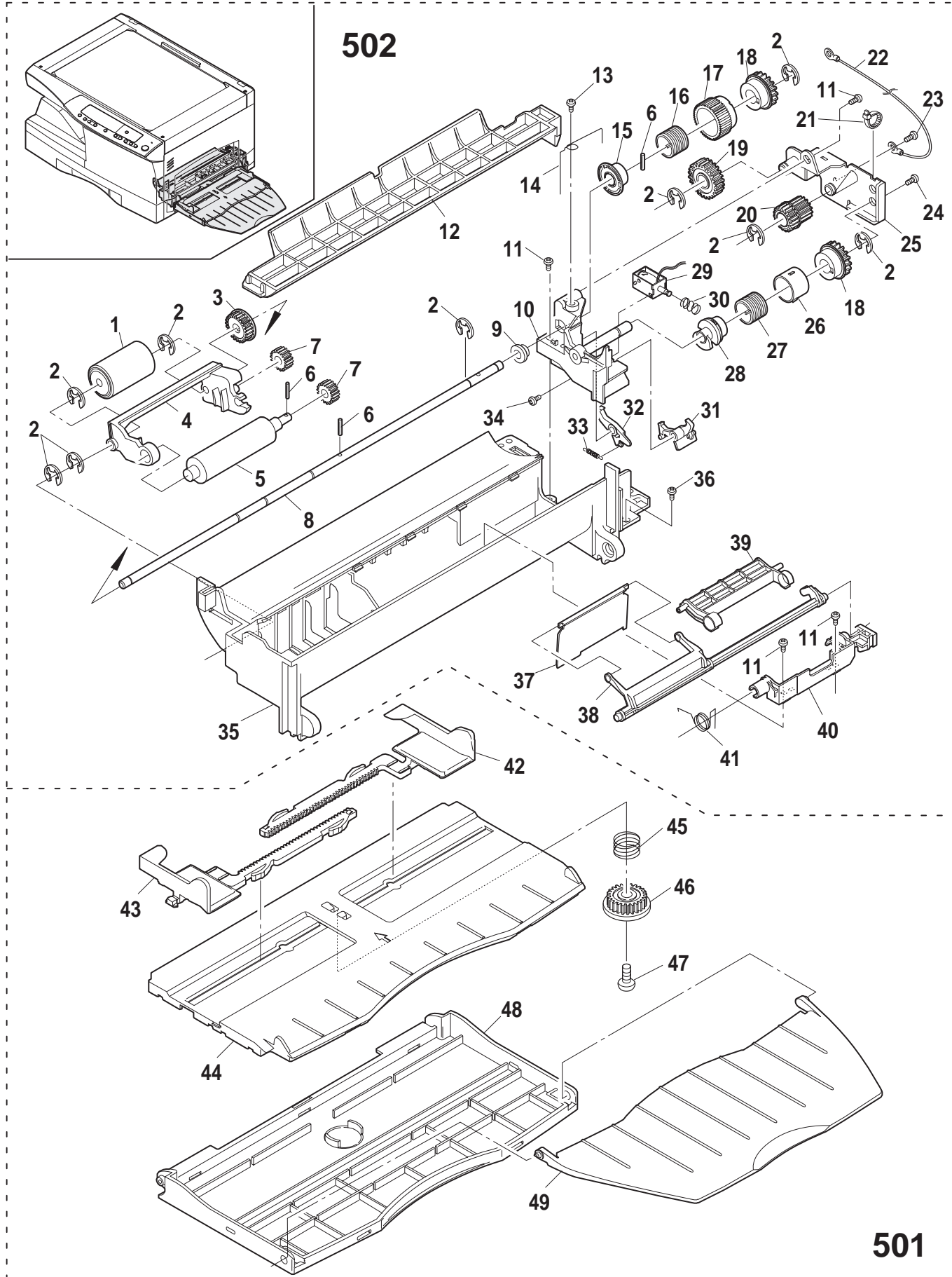
17 Single Manual Paper Feeding unit · AL-1000



501

FCP03056

18 Multi manual paper feeding unit - AL-1001/AL-1200



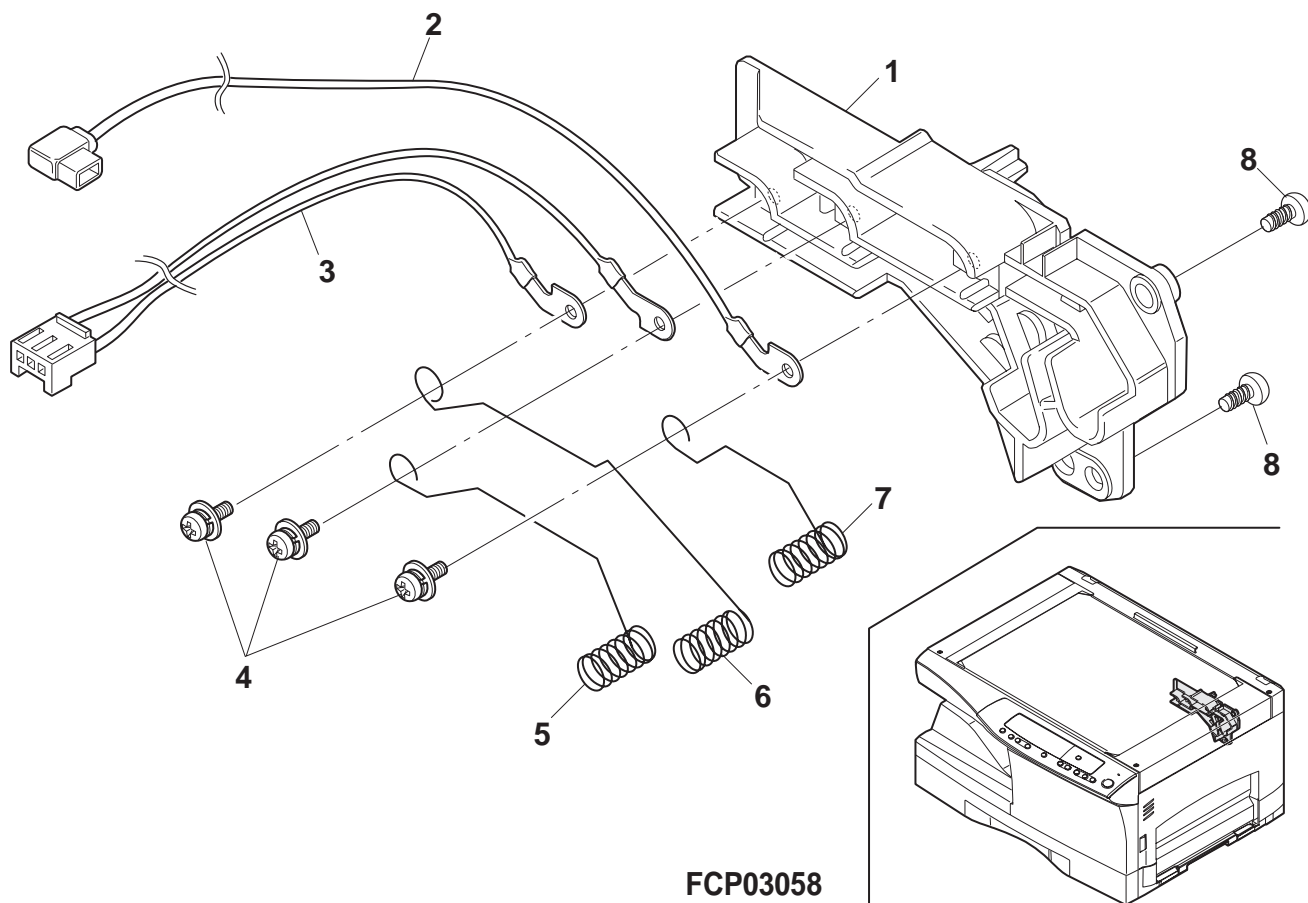
501

FCP03057

19 Socket Holder unit

NO.	PARTS CODE	PRICE RANK		NEW MARK	PART RANK	DESCRIPTION
		Ex.	Ja.			
1	LHLDZ0009QSAZ	AF	DS	N	C	HV interface holder
2	CHA i -0032QS51	AL	EB	N	E	MC harness unit
3	CHA i -0028QS51	AL	EB	N	E	GB-MCFB harness unit
4	XBPSC30P06ES0	AA	DD	N	C	Screw (3×6ES)
5	MSPRC0017QSZZ	AC	DJ	N	C	HV terminal spring
6	MSPRC0018QSZZ	AC	DJ	N	C	HV terminal spring
7	MSPRC0016QSZZ	AC	DJ	N	C	HV terminal spring
8	XEBSD30P08000	AA	DD		C	Screw (3×8)

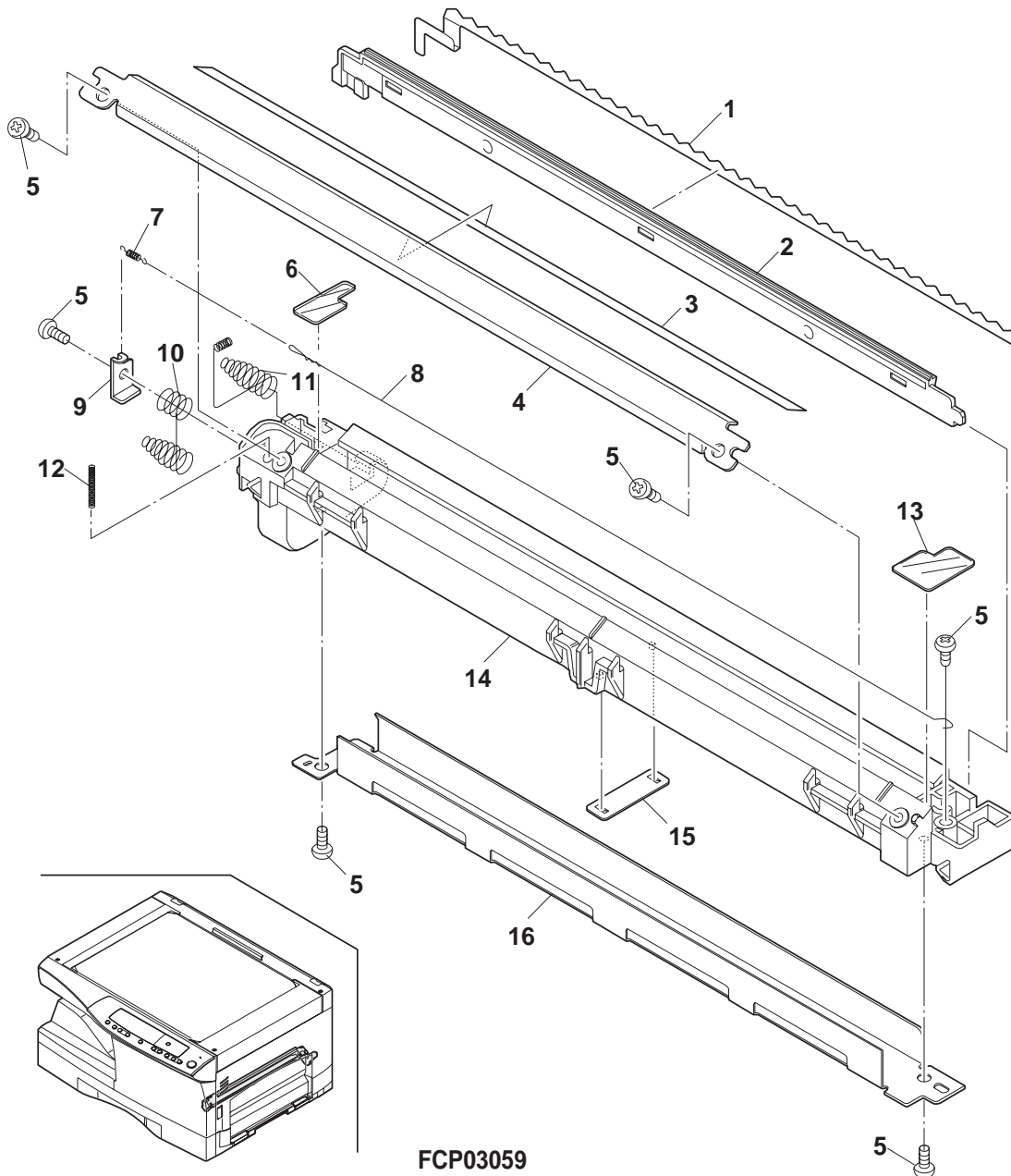
19 Socket Holder unit



20 TC case unit

NO.	PARTS CODE	PRICE RANK		NEW MARK	PART RANK	DESCRIPTION
		Ex.	Ja.			
1	PSHEZ0018QSZZ	AF	DS	N	C	Discharge plate sheet
2	PGiDM0011QSZZ	AE	DS	N	C	Separator guige
3	PSHEP0019QSZZ	AC	DJ	N	C	TC sheet
4	PGiDH0025QSZ1	AG	DX	N	C	TC front guide
5	XEBSD30P06000	AA	DD		C	Screw (3×6)
6	PSHEP0021QSZZ	AA	DJ	N	C	TC cover sheet R
7	MSPRT0513FCZ1	AA	DJ		C	MC tension spring
8	DWiR-0466CSZZ	BG	HC		B	Charger wire
9	QSLP-0007QSZZ	AC	DJ	N	C	TC electrode plate
10	MSPRC0027QSZZ	AC	DJ	N	C	TC electrode spring
11	MSPRC0028QSZZ	AC	DJ	N	C	BC electrode spring
12	MSPRC0051QSZZ	AA	DJ	N	C	Front guide earth spring
13	PSHEP0020QSZZ	AB	DJ	N	C	TC cover sheet F
14	LHLDZ0010QSZZ	AL	EB	N	C	TC holder
15	LFiX-0004QSZZ	AC	DJ	N	C	Holer fixing plate
16	PCASZ0002QSZZ	AL	EB	N	C	TC case
	(Unit)					
901	CHLDZ0010QS51	AX	FG	N	E	Transcription holder unit

20 TC case unit

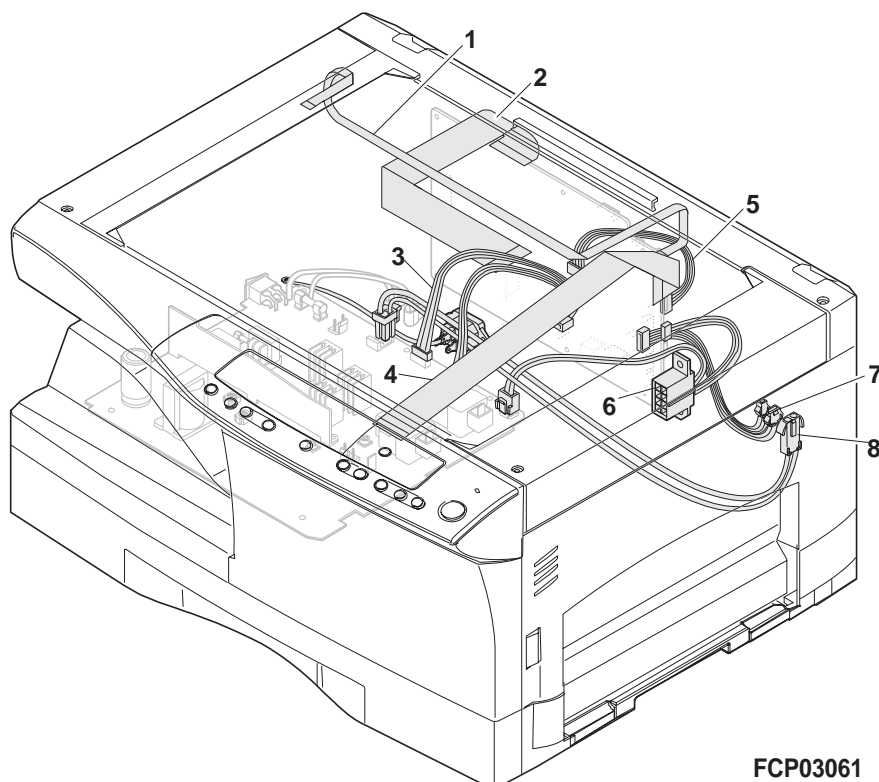


21 250 sheets tray

NO.	PARTS CODE	PRICE RANK		NEW MARK	PART RANK	DESCRIPTION
		Ex.	Ja.			
1	LPLTM5106FCZZ	AR	EQ		C	Turning plate 250
2	PSHEZ4142FCZZ	AC	DJ		C	Rotation plate sheet
3	LHLDW1226FCZZ	AB	DJ		C	Turn fasner
4	LPLTM2642FCGZ	AD	DS		C	Tray rear plate
5	LPLTP5107FCZZ	AH	DX		C	250 tray side plate F
6	PTME-0255FCZZ	AG	DS		C	250 tray pawl F
7	XRESP40-06000	AA	DD		C	E type ring
8	PSHEP0061QSZZ	AA	DJ	N	C	Tray guide sheet
9	XEBSE30P08000	AA	DD		C	Screw (3×8)
10	LX-WZ2028SCZZ	AA	DD		C	Washer (3×10)
11	NGERH0193FCZZ	AB	DD		C	UC manual feed gear
12	TLABZ3568FCZZ	AB	DJ		C	Indication label
13	LPLTP5108FCZZ	AH	DX		C	250 tray side plate R
14	PTME-0256FCZZ	AG	DS		C	250 tray pawl R
15	MSPRC0108QSZZ	AC	DJ	N	C	250 Tray spring
16	MSPRC1873FCZ1	AB	DJ		C	Tray spring
17	MSPRC1145FCZZ	AA	DD		C	Stopper spring
18	LSTPP0161FCZZ	AB	DD		C	Rotation plate stopper
19	GCASP0001QSZZ	AY	FQ	N	D	250 Tray case
	(Unit)					
901	GCASP0001QS51	BC	GJ	N	E	250 Tray unit

22 Harness

NO.	PARTS CODE	PRICE RANK		NEW MARK	PART RANK	DESCRIPTION
		Ex.	Ja.			
1	DHAi-0041QSZZ	AF	DS	N	C	CL lead harness
2	DHAi-0042QSZZ	AK	EB	N	C	ICU-CCD harness
3	DHAi-0039QSZZ	BD	GJ	N	C	Center frame harness (100V series)
	DHAi-0064QSZ1	AU	EZ	N	C	Center frame harness (200V series)
4	DHAi-0040QSZZ	AK	DX	N	C	OP harness
5	DHAi-0045QSZZ	AD	DJ	N	C	Main motor harness
6	DHAi-0038QSZZ	AS	EQ	N	C	DVS harness
7	DHAi-0037QSZ1	AS	EQ	N	C	PPD2 interface harness
8	DHAi-0029QSZZ	AN	EG	N	C	HL harness 1 (100V series)
	DHAi-0057QSZZ	AN	EG	N	C	HL harness 1 (200V series)

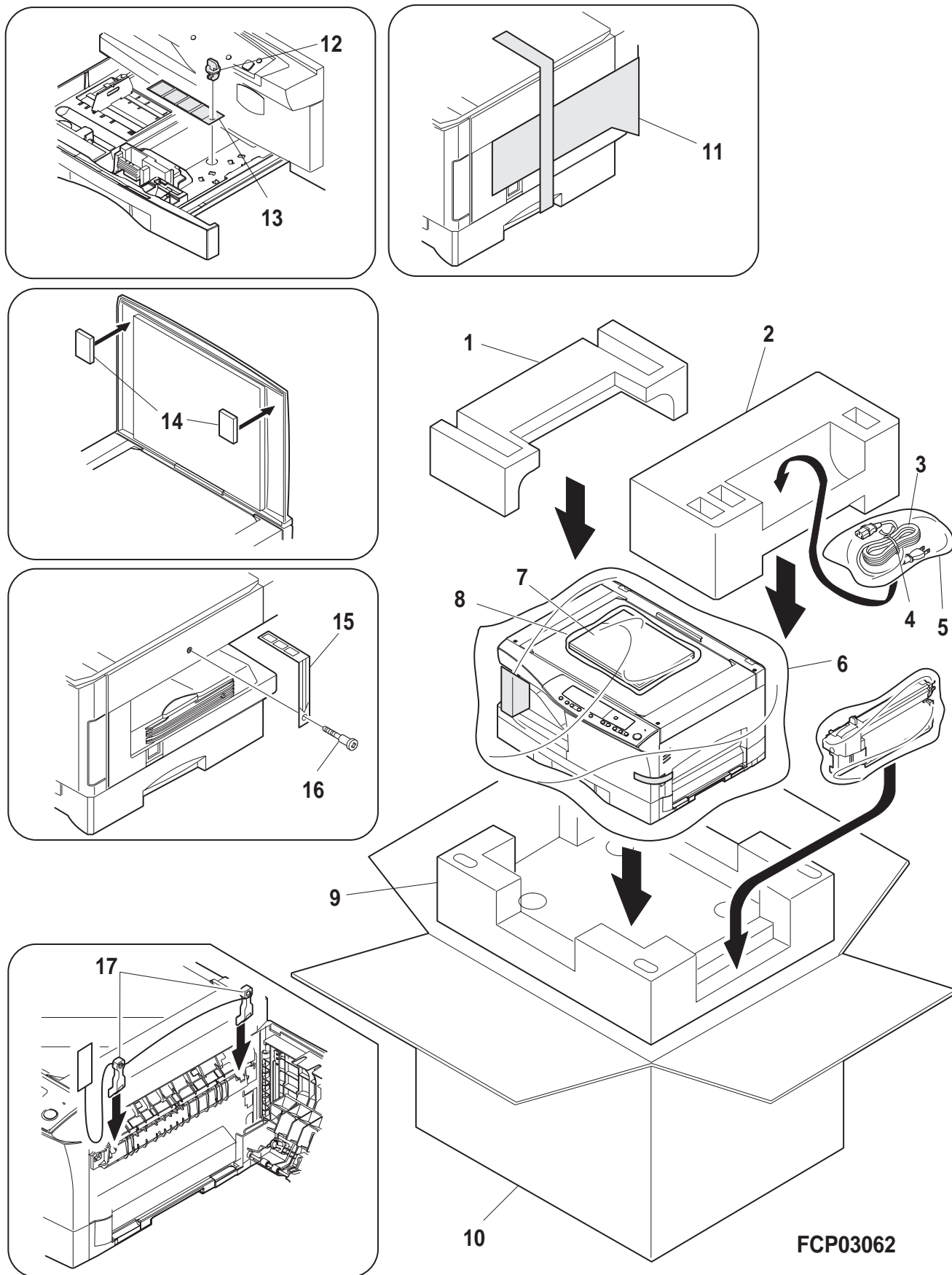
22 Harness

FCP03061

23 Packing material & Accessories

NO.	PARTS CODE	PRICE RANK		NEW MARK	PART RANK	DESCRIPTION
		Ex.	Ja.			
1	SPAKA0049QSZZ	AP	EQ	N	D	Top packing cushion Left
2	SPAKA0048QSZZ	AP	EQ	N	D	Top packing cushion Right
3	QACCJ9610QCZZ	AR	EZ		B	AC cord (Japan)
	QACCD7618QCZZ	AQ	EQ		B	AC cord (USA,CANADA)
	QACCL7621QCZZ	AX	FQ		B	AC cord (Australia)
	QACCB7620QCN1	AX	FX		B	AC cord (U,Kingdom)
	QACCV6621QCN1	AU	FQ		B	AC cord (For Europe)
4	UBNDA0001FCZZ	AA	DD		C	AC cord band
5	SSAKA5003CCZZ	AA	DD		D	Vinyl bag (140x260mm)
6	UBAGF0039FCZZ	AG	DS		D	Vinyl bag for body
7	T i N S J 0 0 6 5 Q S Z Z	AU	ZZ	N	D	Operation manual (Japanese)
	T i N S E 0 0 6 7 Q S Z Z	AM	EG	N	D	Operation manual (USA)
	T i N S E 0 0 7 8 Q S Z Z	AQ	EQ	N	D	Operation manual (U.Kingdom)
	T i N S E 0 0 6 9 Q S Z Z	AX	FG	N	D	Operation manual (English)
	T i N S F 0 0 7 1 Q S Z Z	AX	FG	N	D	Operation manual (French)
8	SSAKA2347QCZZ	AB	DD		D	Vinyl bag (240x300mm)
9	SPAKA0047QSZZ	AX	FG	N	D	Bottom packing cushion
10	SPAKC0052QS40	AY	FQ	N	D	Packing case (USA) (AL-1000)
	SPAKC0052QS41	AY	FQ	N	D	Packing case (CANADA) (AL-1000)
	SPAKC0052QS16	AY	FQ	N	D	Packing case (Australia) (AL-1000)
	SPAKC0052QS34	AY	FQ	N	D	Packing case (For Europe Except Germany,U,Kingdom) (AL-1000)
	SPAKC0052QS22	AY	FQ	N	D	Packing case (U,Kingdom) (AL-1000)
	SPAKC0052QS28	AY	FQ	N	D	Packing case (Germany) (AL-1000)
	SPAKC0052QSZZ	AY	FQ	N	D	Packing case (Japan) (AL-1001)
	SPAKC0052QS11	AY	FQ	N	D	Packing case (Japan) (AL-1200)
	SPAKC0052QS46	AY	FQ	N	D	Packing case (USA) (AL-1200)
	SPAKC0052QS48	AY	FQ	N	D	Packing case (CANADA) (AL-1200)
	SPAKC0052QS17	AY	FQ	N	D	Packing case (Australia) (AL-1200)
	SPAKC0052QS35	AY	FQ	N	D	Packing case (For Europe Except Germany,U,Kingdom) (AL-1200)
	SPAKC0052QS23	AY	FQ	N	D	Packing case (U,Kingdom) (AL-1200)
SPAKC0052QS29	AY	FQ	N	D	Packing case (Germany) (AL-1200)	
11	SPAKA0050QSZZ	AE	DJ	N	D	Fixer packing cushion
12	LHLDW1226FCZZ	AB	DJ		C	Turn fasner
13	TTAG-0002QSZZ	AB	DJ	N	C	Tray rotation tag
14	SPAKA0051QSZZ	AC	DJ	N	D	OC packing cushion
15	TTAG-0003QSZZ	AC	DJ	N	C	Mirror fixing tag
16	LX-BZ0001QSZZ	AD	DJ		C	2nd,3rd mirror unit fixing screw
17	CLEVP0016QS01	AL	EB	N	C	Pressure block lever
101	TCADZ0014QSZZ	AE	DJ	N	D	MSDS card (USA,CANADA,U,Kingdom)
102	TGANJ0005QSZZ	AL	EB	N	D	Warranty card (Japan) (AL-1001)
	TGANJ0006QSZZ	AL	EB	N	D	Warranty card (Japan) (AL-1200)
	TGANE0009QSZZ	AL	EB	N	D	Warranty card (USA)
	TCADS0764FCZ1	AD	DJ		D	Warranty card (U,Kingdom)
103	TLABH3591FCZZ	AB	DJ		C	Service label (USA)
104	SPAKA0068QSZZ	AD	DJ	N	D	Front exterior sub packing cushion (USA,CANADA) (AL-1200)

23 Packing material & Accessories



24 MCU PWB

NO.	PARTS CODE	PRICE RANK		NEW MARK	PART RANK	DESCRIPTION
		Ex.	Ja.			
1	QCNCM0923FC14	AE	DJ		C	Connector (14pin) [CN105]
2	QCNCM0923FC18	AF	DS		C	Connector (18pin) [CN115]
3	QCNCM0923FC24	AF	DS		C	Connector (24pin) [CN109]
4	QCNCM1005MCZZ	AB	DD		C	Connector (2pin) [CN101]
5	QCNCM1069AC0D	AC	DD		C	Connector (4pin) [CN107]
6	QCNCM1119LC0E	AC	DJ	N	C	Connector (5pin) [CN104]
7	QCNCM2401SC0C	AB	DJ		C	Connector (3pin) [CN112]
8	QCNCM2401SC0D	AC	DJ		C	Connector (4pin) [CN113]
9	QCNCM2401SC0E	AC	DJ		C	Connector (5pin) [CN111]
10	QCNCM2401SC0F	AB	DJ		C	Connector (6pin) [CN108]
11	QCNCM7014SC0C	AA	DD		C	Connector (3pin) [CN102,117,122]
12	QCNCM7014SC0D	AB	DD		C	Connector (4pin) [CN103]
13	QCNCM7014SC0E	AB	DJ		C	Connector (5pin) [CN119]
14	QCNCP0340QCZZ	AC	DJ		C	Connector (3pin) [CN106]
15	QCNCW0012QSZZ	AH	DX	N	C	Connector (40pin) [CN110]
16	QCNCW0015QSZZ	AE	DJ	N	C	Connector (52147-0510) [CN120]
17	QCNCW1124LC0D	AB	DJ	N	C	Connector (4pin) [CN118]
18	QCNCW1124LC0H	AC	DJ		C	Connector (8pin) [CN114]
19	QCNCW1124LC1H	AD	DJ	N	C	Connector (18pin) [CN116]
20	QCNCW1124LC2F	AD	DJ		C	Connector (26pin) [CN123]
21	QCNCW1135LC3B	AF	DS	N	C	Connector (32pin) [CN121]
22	QSÖCZ0002GCZZ	AD	DJ		C	IC socket (40pin) [IC117]
23	QSÖCZ6408ACZZ	AB	DD		C	IC socket (8pin) [IC109]
24	RC-K1E104HCZT	AA	DD		C	Capacitor (25WV 0.1µF)
25	RCiLZ0003QSZZ	AC	DJ	N	C	Coil (HF50ACC201209) [L107-112]
26	RCiLZ0004QSZZ	AE	DJ	N	C	Coil (NFM839R02C470R101) [NF101,102]
27	RCiLZ1032CCZZ	AD	DJ		C	Coil (SBO-02SAN) [L101-106]
28	RCRSZ0001QSZZ	AG	DS	N	B	Crystal (19.6608MHZ) [X101]
29	RCRSZ0002QSZZ	AP	EQ	N	B	Crystal (15.4265074MHZ) [X103]
30	RCRSZ0003QSZZ	AP	EQ	N	B	Crystal (22MHZ) [X102]
31	RH-DZ0016FCZZ	AB	DD		B	Diode (MA700) [D118]
32	RMP TC6203QCJB	AC	DD	N	B	Block resistor (20KΩ×6 1/8W ±5%) [BR102,105,108,111,124]
33	RMP TC8203QCJB	AC	DD	N	B	Block resistor (20KΩ×8 1/8W ±5%) [BR101,103,104,106,107,109,110,112,115,127,128,129,130]
34	RMP TW4203QCJJ	AA	DD	N	B	Block resistor (20KΩ×4) [BR113,114,116,117,120,121,123,126]
35	RMP TW4470QCJJ	AB	DD		B	Block resistor (47Ω×4) [BR118,119,122,125]
36	TLABZ3405FCZZ	AB	DJ		C	Version label
37	VCCCTV1HH101J	AA	DD		C	Capacitor (50WV 100PF) [C134-139,159,160,172-177]
	VCCCTV1HH101J	AA	DD		C	Capacitor (50WV 100PF) [C180,181,182,186,190,200,201,203]
	VCCCTV1HH101J	AA	DD		C	Capacitor (50WV 100PF) [C204,205,216,218,222-228,235]
38	VCCCTV1HH120J	AA	DD		C	Capacitor (50WV 12PF) [C231]
39	VCCCTV1HH180J	AA	DD		C	Capacitor (50WV 18PF) [C143,150,242,243,244,246,247,248]
40	VCCCTV1HH330J	AA	DD		C	Capacitor (50WV 33PF) [C158,220,262,265,266,282,283,284,285,286,287,295,302]
41	VCCCTV1HH470J	AA	DD		C	Capacitor (50WV 47PF) [C145,146,185,194,196,206,260,264,306]
42	VCEAGU1CW106M	AA	DD		C	Capacitor (16WV 10µF) [C335,336,347,348]
43	VCEAGU1CW107M	AB	DD		C	Capacitor (16WV 100µF) [C360]
44	VCEAGU1CW226M	AA	DD		C	Capacitor (16WV 22µF) [C325,361]
45	VCEAGU1CW476M	AB	DD		C	Capacitor (16WV 47µF) [C338,345]
46	VCEAGU1EW106M	AA	DD		C	Capacitor (25WV 10µF) [C339]
47	VCEAGU1EW476M	AB	DD		C	Capacitor (25WV 47µF) [C357]
48	VCEAGU1HW474M	AA	DD		C	Capacitor (50WV 0.47µF) [C362]
49	VCEAGA1VW106M	AA	DD		C	Capacitor (35WV 10µF) [C334]
50	VCEAGA1VW226M	AC	DD		C	Capacitor (35WV 22µF) [C359]
51	VCEAGU1VW476M	AB	DD		C	Capacitor (35WV 47µF) [C321]
52	VCKYTV1EB104K	AA	DD		C	Capacitor (25WV 0.1µF) [C103,104,111,117,118,119,133,140,149,155,157,163-168]
	VCKYTV1EB104K	AA	DD		C	Capacitor (25WV 0.1µF) [C178,179,183,184,187,189,191,193,195,197,202,207-210,212]
	VCKYTV1EB104K	AA	DD		C	Capacitor (25WV 0.1µF) [C217,221,229,232,236,237,238,245,259,263,267,279,280,281,288]
	VCKYTV1EB104K	AA	DD		C	Capacitor (25WV 0.1µF) [C291,292,293,294,296,299,300,301]
53	VCKYTV1HB102K	AA	DD		C	Capacitor (50WV 1000PF) [C105,106,107,108,110,112,114,115,116,120,121]
	VCKYTV1HB102K	AA	DD		C	Capacitor (50WV 1000PF) [C123,124,125,128,129,130,131,132,142,147,148,153]
	VCKYTV1HB102K	AA	DD		C	Capacitor (50WV 1000PF) [C170,171,211,213,215,219,234,240,241,249,250,303,304,305]
54	VCKYTV1HB222K	AA	DD		C	Capacitor (50WV 2200PF) [C122,254,276,289]
55	VCKYTV1HB223K	AA	DD		C	Capacitor (50WV 0.022µF) [C109,127,141,154,156,188,192,230]
	VCKYTV1HB223K	AA	DD		C	Capacitor (50WV 0.022µF) [C233,239,251,268,290,297,298]
56	VCKYTV1HB104K	AC	DD		C	Capacitor (50WV 0.10µF) [C101,102,113]
57	VCKYTV1HB471K	AA	DD		C	Capacitor (50WV 470PF) [C257,273]
58	VHDDSS133// -1	AA	DD		B	Diode (DSS133) [D102-117,119-153]
59	VHD1N4005E/-1	AB	DJ	N	B	Diode (1N4005E) [D101]
60	VHEHZS5A1// -1	AC	DJ	N	B	Zener diode (HZS5A1) [ZD101]
61	VHiHG73C025FD	BE	GN	N	B	IC (HG73C025FD) [IC111]
62	VHiH8S/2350FP	AY	FQ	N	B	IC (H8S/2350FP) [IC110]
63	VHiLM358PS/-S	AC	DJ		B	IC (LM358PS) [IC124]
64	VHiM24C02WBN6	AG	DS	N	B	IC (M24C02WBN6) [IC109]

25 Operation PWB

NO.	PARTS CODE	PRICE RANK		NEW MARK	PART RANK	DESCRIPTION
		Ex.	Ja.			
1	PSPAZ0005QSZZ	AC	DJ	N	C	Spacer [for LEDM]
2	QCNCM0861FCZZ	AB	DJ		C	Connector (3pin) [CN802]
3	QCNCW1132LC1H	AD	DJ	N	C	Connector (18pin) [CN801]
4	QSW-P0005QSZZ	AC	DJ	N	B	Tact swtch (B3F-6102) [CLK,PSW,1UPK,10UPK,ZUPK,ZDWK,MAGK,CRSK,EXUPK,EXDWK,EXMODK]
	QSW-P0005QSZZ	AC	DJ	N	B	Tact swtch (B3F-6102)(AL-1001/AL-1200) [BPK]
5	VCCCTV1HH201J	AA	DD		C	Capacitor (50WV 200PF) [C904,905,906]
6	VCEAJU1CW476M	AB	DD		C	Capacitor (16WV 47μF) [C802]
7	VCKYTV1EB104K	AA	DD		C	Capacitor (25WV 0.10μF) [C907,908]
8	VCKYTV1HB102K	AA	DD		C	Capacitor (50WV 1000PF) [C909-920,922]
9	VCKYTV1HB223K	AA	DD		C	Capacitor (50WV 0.022μF) [C901,903]
10	VHDDSS133// -1	AA	DD		B	Diode (DSS133) [D801-810]
11	VHiLC7935// -1	AN	EQ		B	IC (LC7935) [IC901]
12	VHiTC74HC151F	AG	DS	N	B	IC (TC74HC151F) [IC902,903]
13	VHPLTC3650G01	AQ	EQ	N	B	Photo transistor (LTC3650G01) [LEDM]
14	VHPMPG3864K-J	AC	DJ		B	LED(Green) (MPG3864K-J) [RPL,ONLL,ZPL,1ENR,2ENR,NOR,1RE,2RE,3RE]
	VHPMPG3864K-J	AC	DJ		B	LED(Green) (MPG3864K-J) [CS1L,EXD,EXN,EXL,AE,ME,PE,PM]
	VHPMPG3864K-J	AC	DJ		B	LED(Green) (MPG3864K-J)(AL-1001/AL-1200) [BPL]
15	VHPMVR3864K-J	AC	DJ		B	LED(Red) (MVR3864K-J) [TPL,MPL,DPL,JPL]
16	VRS-TP2BD000J	AA	DD		C	Resistor (1/8W 0Ω ±5%)
17	VRS-TS2AD101J	AA	DD		C	Resistor (1/10W 100Ω ±5%) [R948-960]
18	VRS-TS2AD102J	AA	DD		C	Resistor (1/10W 1.0KΩ ±5%) [R932-935,944-946]
19	VRS-TS2AD103J	AA	DD		C	Resistor (1/10W 10KΩ ±5%) [R962]
20	VRS-TS2AD121J	AA	DD		C	Resistor (1/10W 120Ω ±5%) [R902-918]
21	VRS-TS2AD151J	AA	DD		C	Resistor (1/10W 150Ω ±5%) [R939-941]
22	VRS-TS2AD152J	AA	DD		C	Resistor (1/10W 1.5KΩ ±5%) [R936,937,938]
23	VRS-TS2AD472J	AA	DD		C	Resistor (1/10W 4.7KΩ ±5%) [R919-930,947]
24	VRS-TS2AD511J	AA	DD		C	Resistor (1/10W 510Ω ±5%) [R942,943]
25	VSDTB113ZK/-1	AD	DJ		B	Transistor (DTB113ZK) [Q901,902,903]
	(Unit)					
901	CPWBF0014QS51	BR	LX	N	E	Operation PWB (AL-1000)
	CPWBF0014QS52	BR	LX	N	E	Operation PWB (AL-1001/1200)

26 MFD sensor PWB

NO.	PARTS CODE	PRICE RANK		NEW MARK	PART RANK	DESCRIPTION
		Ex.	Ja.			
1	DHAi-0061QSZZ	AG	DS	N	C	MFD harness
2	LBNDJ0037FCZ1	AA	DJ		C	Wire band (T18S)
3	VCKYPU1HB102K	AA	DD		C	Capacitor (50WV 1000PF)
4	VHPGP1S53V/-1	AE	DS		B	Photo transistor (GP1S53V)
	(Unit)					
901	CPWBF1177FC5B	AG	DX	N	E	MFD sensor PWB

27 POD sensor PWB

NO.	PARTS CODE	PRICE RANK		NEW MARK	PART RANK	DESCRIPTION
		Ex.	Ja.			
1	DHAi-0034QSZZ	AQ	EQ	N	C	POD harness
2	LBNDJ0037FCZ1	AA	DJ		C	Wire band (T18S)
3	VCKYPU1HB102K	AA	DD		C	Capacitor (50WV 1000PF)
4	VHPGP1S53V/-1	AE	DS		B	Photo transistor (GP1S53V)
	(Unit)					
901	CPWBF1177FC57	AG	DX	N	E	POD sensor PWB

28 PPD1 sensor PWB

NO.	PARTS CODE	PRICE RANK		NEW MARK	PART RANK	DESCRIPTION
		Ex.	Ja.			
1	DHAi-0035QSZZ	AF	DS	N	C	PPD1 harness
2	LBNDJ0037FCZ1	AA	DJ		C	Wire band (T18S)
3	VCKYPU1HB102K	AA	DD		C	Capacitor (50WV 1000PF)
4	VHPGP1S53V/-1	AE	DS		B	Photo transistor (GP1S53V)
	(Unit)					
901	CPWBF1177FC58	AG	DX	N	E	PPD1sensor PWB

29 PPD2 sensor PWB

NO.	PARTS CODE	PRICE RANK		NEW MARK	PART RANK	DESCRIPTION
		Ex.	Ja.			
1	DHA i - 0036QSZZ	AQ	EQ	N	C	PPD2 harness
2	LBNDJ0037FCZ1	AA	DJ		C	Wire band (T18S)
3	VCKYPU1HB102K	AA	DD		C	Capacitor (50WV 1000PF)
4	VHPGP1S53V/-1	AE	DS		B	Photo transistor (GP1S53V)
	(Unit)					
901	CPWBF1177FC59	AG	DX	N	E	PPD2 sensor PWB

30 DC power supply PWB

NO.	PARTS CODE	PRICE RANK		NEW MARK	PART RANK	DESCRIPTION
		Ex.	Ja.			
1	QPLGJ2326YAZZ	AB	DD		C	Connector (B2P3-VH) [CN11]
2	QPLGZ0430PAZZ	AE	DJ	N	C	Connector (B6-PH-K-S)(6PIN) [CN6]
3	QPLGZ0557PAZZ	AD	DJ	N	C	Connector (B02P-NV) [CN10]
4	QPLGZ0558PAZZ	AE	DS	N	C	Connector (B04P-XL)(100V series) [CN3]
	QPLGZ0560PAZZ	AF	DS	N	C	Connector (B04P-XL)(RED)(200Vseries) [CN3]
5	QPLGZ0559PAZZ	AG	DS	N	C	Connector (B14B-PH-DSS) [CN1]
6	RATTT0004PAZZ	AP	EQ	N	B	Arrestor (DSA-242MA-05F25)(100V series) [A1]
	RC-EZ0398PAZZ	AV	FG	N	C	Capacitor (680MF/200V MXR)(100V/110V) [C6]
7	RC-EZ0425PAZZ	AR	EQ	N	C	Capacitor (MXR470MF 200V)(120V/127V) [C6]
	RC-EZ0382PAZZ	AR	EQ	N	C	Capacitor (MXR120MF/400V)(200V series) [C6]
8	RC-FZ137DPAZZ	AE	DJ	N	C	Capacitor (PA 0.1MF/250V) [C16]
9	RC-FZ138DPAZZ	AE	DS	N	C	Capacitor (PA 0.22MF/250V) [C3,4B]
10	RC-FZ140DPAZZ	AG	DX	N	C	Capacitor (0.47MF/250V)(200V series) [C1B]
11	RC-KZ4012PAZZ	AD	DJ	N	C	Capacitor (ECKD3A332KB) [C123]
12	RC-KZ4013PAZZ	AC	DD	N	C	Capacitor (ECKD3A102KB) [C143]
13	RC-KZ4014PAZZ	AC	DD	N	C	Capacitor (ECKD3A471KBP) [C10,121,141]
14	RC-KZ4015PAZZ	AC	DD	N	C	Capacitor (KBP 2200PF/1KV) [C50]
15	RC-KZ4018PAZZ	AF	DS	N	C	Capacitor (ECKD4A101MDU) [C182]
	RC-QZ0218PAZZ	AC	DD	N	C	Capacitor (TS 2200PF/250V)(100V series) [C4,5,11]
16	RC-QZ0230PAZZ	AE	DJ	N	C	Capacitor (2200PF/250V)(200V series) [C4,5,11]
	RC-QZ0221PAZZ	AD	DJ	N	C	Capacitor (0.01MF/250V)(100V series) [C7]
	RC-QZ0222PAZZ	AD	DJ	N	C	Capacitor (0.001MF/630V)(200V series) [C7]
18	RC-QZ0232PAZZ	AE	DS	N	C	Capacitor (4700PF/250V)(200V series) [C2B,C3B]
19	RC-QZA102PARK	AC	DD	N	C	Capacitor (102PF/K/50V) [C20]
20	RC-QZA103PARK	AC	DD	N	C	Capacitor (103PF/K/50V) [C8,22,122]
21	RC-QZA104PARK	AC	DD	N	C	Capacitor (104PF/K/50V) [C13,17,21]
22	RC-QZA223PARK	AC	DD	N	C	Capacitor (223PF/K/50V) [C14,C142]
23	RC-QZA273PARK	AC	DD	N	C	Capacitor (273PF/K/50V) [C105,161]
24	RC-QZA472PARK	AC	DD	N	C	Capacitor (472PF/K/50V) [C9]
25	RC-QZA473PARK	AC	DD	N	C	Capacitor (473PF/K/50V) [C102,162]
26	RCORF4092PAZZ	AC	DJ	N	C	Core [BJ2,3]
27	RH-iX1783PAZZ	AF	DS	N	B	IC (1CP-N25) [ICP101]
28	RH-iX1950PAZZ	AF	DS		B	IC (HA17431PA) [IC1,2]
29	RH-iX2251PAZZ	AR	EQ	N	B	IC (PQ30RV31) [IC52]
30	RH-iX2257PAZZ	AK	EB	N	B	IC (BA033T/FP) [IC53]
31	RH-iX2258PAZZ	AH	DX	N	B	IC (78M12) [IC51]
	RH-PX0296PAZZ	AF	DS	N	B	Photo coupler (PC817X2)(100V series) [PC1,3]
	RH-PX0285PAZZ	AF	DS		B	Photo coupler (PC123Y(2))(200V series) [PC1,3]
33	RH-PX0307PAZZ	AK	DX	N	B	Photo thyristor (S11MD5V)(100V series) [PC2]
	RH-PX0308PAZZ	AM	EG	N	B	Photo thyristor (S21ME3)(200V series) [PC2]
34	RR-HZ4022PAZZ	AD	DJ	N	C	Resistor (1/2W 206J) [R146,181,182]
35	RR-HZ4023PAZZ	AD	DJ	N	C	Resistor (1/2W 306J) [R125]
36	RR-HZ4024PAZZ	AD	DJ	N	C	Resistor (1/2W 186J) [R183,184]
37	RR-SN1201PA6F	AB	DD	N	C	Resistor (1/6W 122J) [R25]
38	RR-SN3900PA6F	AB	DD	N	C	Resistor (1/6W 391J) [R26]
39	RR-SZ0034PAZZ	AC	DD		C	Resistor (2W-22Ω) [R9]
40	RR-SZ0048PAZZ	AC	DD	N	C	Resistor (RSS2L15 1KΩ) [R69,71,73]
41	RR-SZ0057PAZZ	AC	DD	N	C	Resistor (2W-330J) [R3]
42	RR-WZ0028PAZZ	AF	DX		C	Resistor (5W-3K RGBS)(100V series) [R1B]
43	RR-XZ0051PAZZ	AC	DD	N	C	Resistor (RF16S-4.7J) [R4]
44	RR-XZ0078PAZZ	AC	DD		C	Resistor (FUSE-R 1/6W-33J) [R12]
45	RR-XZ4002PAZZ	AC	DD	N	C	Resistor (1/4W 121J) [R15,17]
46	RR-XZ4003PAZZ	AC	DD	N	C	Resistor (1/4W 101J) [R16]
47	RRLYZ0100PAZZ	AN	EG	N	B	Relay (OMI-SS-124LM) [RY1]
48	RTRNF5025PAZZ	BA	FX	N	B	MC transformer [T101]
49	RTRNF5026PAZZ	BA	FX	N	B	TC transformer [T102]
	RTRNZ0202PACN	AL	EB	N	B	Line filter (Z0202)(100V/110V) [L1,2]
	RTRNZ0202PANT	AL	EB	N	B	Line filter (Z0202)(120V/127V) [L1,2]
	RTRNZ0499PACT	AL	EB	N	B	Line filter (Z0499)(200V series) [L1,2]
	RTRNZ0609PANT	AW	FG	N	B	Transformer (Z0609)(100V/110V) [T1]
	RTRNZ0609PACD	AW	FG	N	B	Transformer (Z0609)(120V/127V) [T1]
	RTRNZ0610PACD	AW	FG	N	B	Transformer (Z0610)(200V series) [T1]
52	RTRNZ0617PANT	AR	EQ	N	B	Line filter (Z0617)(200V series) [L1B]
53	RTRNZ0618PANT	AP	EQ	N	B	Line filter (Z0618)(200V series) [L3]
54	RVR-M0384PAZZ	AD	DJ	N	B	Variable resistor (EVMAASA00 200KJ) [VR121,142]
55	RVR-M0390PAZZ	AD	DJ	N	B	Variable resistor (VR-1K) [VR1]

30 DC power supply PWB

NO.	PARTS CODE	PRICE RANK		NEW MARK	PART RANK	DESCRIPTION	
		Ex.	Ja.				
56	RVR-M0391PAZZ	AD	DJ	N	B	Variable resistor (VR-3K)	[VR101]
57	RVR-M0392PAZZ	AD	DJ	N	B	Variable resistor (VR-10KJ)	[VR161]
58	RVR-M0395PAZZ	AD	DJ	N	B	Variable resistor (VR-150KJ)	[VR141]
59	VCEAFU1EM227M	AC	DD	N	C	Capacitor (YXF 220MF/25V)	[C53]
60	VCEAFU1HM105M	AC	DD	N	C	Capacitor (YXF 1MF/50V)	[C55]
61	VCEAFU1HM475M	AC	DD	N	C	Capacitor (YXF 4.7MF/50V)	[C104,164]
62	VCEAFU1VM336M	AC	DD	N	C	Capacitor (YXF 33MF/35V)	[C56-58]
63	VCEAFU1VM476M	AD	DD	N	C	Capacitor (YXF 47MF/35V)	[C101]
64	VCEAFV1AM228M	AF	DS	N	C	Capacitor (YXF 2200MF/10V)	[C54]
65	VCEAFV1VM108M	AF	DS	N	C	Capacitor (YXF 1000MF/35V)	[C51,52]
66	VHD1N4003//--1	AC	DJ	N	B	Diode (1N4003-G23)	[D164]
67	VHD1N4005//--1	AC	DJ	N	B	Diode (1N4005-G23)	[D5,6]
68	VHD1SS244//--1	AC	DJ	N	B	Diode (1SS244)	[D2]
69	VHD1SS270A/--1	AA	DD		B	Diode (1SS270A)	[D3,54,101,102,105]
70	VHDD5SBA60/--1	AH	DX		B	Diode (D5SBA60)(100V series)	[DB1]
	VHDD3SBA60/--1	AG	DX		B	Diode (D3SBA60)(200V series)	[DB1]
71	VHDDSK10C//--1	AB	DJ		B	Diode (DSK10C)	[D104]
	VHDERA2206/--1	AD	DJ		B	Diode (ERA22-06)(100V series)	[D1]
72	VHDERA2208/--1	AD	DJ		B	Diode (ERA22-08)(100V series)	[D122]
	VHDERA2208/--1	AD	DJ		B	Diode (ERA22-08)(200V series)	[D1,122]
73	VHDERA9202/--1	AE	DJ	N	B	Diode (ERA92-02)	[D52]
74	VHDESJA5210-1	AE	DS	N	B	Diode (ESJA52-10)	[D181,182]
75	VHDYG801C04-1	AG	DX	N	B	Diode (YG801C04)	[D53]
76	VHDYG901C2/--1	AG	DX		B	Diode (YG901C2)	[D51]
	VHERD16ESB1-1	AC	DJ	N	B	Zener diode (RD16ES B1)(100V/110V)	[ZD141,142,145,146]
77	VHERD39ESB1-1	AC	DJ	N	B	Zener diode (RD39ESB1(A))(120V/127V/200V series)	[ZD141,142,145,146]
78	VHERD20ESB2-1	AC	DJ	N	B	Zener diode (RD20ES B2)	[ZD2]
79	VHERD3.0ESB11	AC	DJ	N	B	Zener diode (RD3.0ESAB1)	[ZD101]
80	VHERD30ESB1-1	AC	DJ	N	B	Zener diode (RD30ESB1(A))	[ZD53]
	VHERD39ESB1-1	AC	DJ	N	B	Zener diode (RD39ESB1(A))(100V/110V)	[ZD1]
	VHERD16ESB1-1	AC	DJ	N	B	Zener diode (RD16ES B1)(120V/127V/200V series)	[ZD1]
82	VHERD4.7ESB11	AC	DJ	N	B	Zener diode (RD4.7ESAB1)	[ZD102]
83	VHERD5.1ESB21	AC	DJ	N	B	Zener diode (RD5.1ES B2)	[ZD162]
84	VHERD5.6ESB21	AC	DJ	N	B	Zener diode (RD5.6ESAB2)	[ZD103]
85	VHERD5.6ESB31	AC	DJ	N	B	Zener diode (RD5.6ES-B3)	[ZD161,163]
86	VHERD6.8ESB11	AC	DJ	N	B	Zener diode (RD6.8ESAB1)	[ZD121,143]
87	VHH4D18////--1	AK	EB	N	B	Power thermistor (4D18)(100V series)	[TH1]
	VHH8D13////--1	AK	DS	N	B	Power thermistor (8D13)(200V series)	[TH1]
88	VHSTF321S//--1	AG	DX		B	Thyristor (TF321S)	[SCR51]
	VHSTM1641P/--F	AT	EZ	N	B	Thyristor (TM1641P-L(L))(100V series)	[TRC1]
89	VHSTM1661P/--F	AT	EZ	N	B	Thyristor (TM1661P-L(L))(200V series)	[TRC1]
	VHVC271D10A-1	AD	DJ		B	Varistor (C271D10A)(100V series)	[ZR1]
	VHVC471D10A-1	AE	DJ		B	Varistor (C471D10A)(200V series)	[ZR1]
91	VRD-ST2CD103J	AA	DD		C	Resistor (ST1/6S-10KJ)	[R29,101,105,108,110,121]
	VRD-ST2CD104J	AA	DD		C	Resistor (ST1/6S-100KJ)(100V series)	[R18,19,127,128,148,149]
92	VRD-ST2CD224J	AB	DD	N	C	Resistor (ST1/6S-220KJ)(200V series)	[R18,19]
	VRD-ST2CD104J	AA	DD		C	Resistor (ST1/6S-100KJ)(200V series)	[R127,128,148,149]
93	VRD-ST2CD105J	AA	DD		C	Resistor (ST1/6S-1M)	[R123,144]
94	VRD-ST2CD122J	AA	DD		C	Resistor (ST1/6S-1.2KJ)	[R13]
95	VRD-ST2CD123J	AA	DD		C	Resistor (ST1/6S-12KJ)	[R5]
96	VRD-ST2CD153J	AA	DD		C	Resistor (ST1/6S-15KJ)	[R7]
97	VRD-ST2CD181J	AA	DD		C	Resistor (ST1/6S-180J)	[R109,168]
98	VRD-ST2CD182J	AA	DD		C	Resistor (ST1/6S-1.8KJ)	[R24]
99	VRD-ST2CD183J	AA	DD		C	Resistor (ST1/6S-18KJ)	[R142,163,104,141]
100	VRD-ST2CD223J	AA	DD		C	Resistor (ST1/6S-22KJ)	[R6,27]
	VRD-ST2CD334J	AB	DD	N	C	Resistor (ST1/6S-330KJ)(100V series)	[R20]
	VRD-ST2CD274J	AB	DD	N	C	Resistor (ST1/6S-270KJ)(100V series)	[R21,145]
101	VRD-ST2CD684J	AB	DD	N	C	Resistor (ST1/6S-680KJ)(100V series)	[R143]
	VRD-ST2CD684J	AB	DD	N	C	Resistor (ST1/6S-680KJ)(200V series)	[R20,21,143]
	VRD-ST2CD274J	AB	DD	N	C	Resistor (ST1/6S-270KJ)(200V series)	[R145]
102	VRD-ST2CD330J	AA	DD		C	Resistor (ST1/6S-33J)	[R68]
103	VRD-ST2CD331J	AA	DD		C	Resistor (ST1/6S-330J)	[R14]
104	VRD-ST2CD333J	AA	DD		C	Resistor (ST1/6S-33KJ)	[R23]
105	VRD-ST2CD394J	AB	DD	N	C	Resistor (ST1/6S-390KJ)	[R124]
106	VRD-ST2CD472J	AA	DD		C	Resistor (ST1/6S-4.7KJ)	[R58,122,129]
107	VRD-ST2CD473J	AA	DD		C	Resistor (ST1/6S-47KJ)	[R22,28]
108	VRD-ST2CD474J	AA	DD		C	Resistor (ST1/6S-470KJ)	[R2B]
109	VRD-ST2CD562J	AA	DD		C	Resistor (ST1/6S-5.6KJ)	[R111]
110	VRD-ST2CD563J	AB	DD	N	C	Resistor (ST1/6S-56KJ)	[R8,106,165]
111	VRD-ST2CD681J	AB	DD	N	C	Resistor (ST1/6S-680J)	[R107,166]
112	VRD-ST2CD822J	AA	DD		C	Resistor (ST1/6S-8.2KJ)	[R30]
113	VRD-ST2EF105J	AB	DD	N	C	Resistor (ST1/4S-1M)	[R150-152]
114	VRD-ST2EF155J	AA	DD		C	Resistor (ST1/4S-1.5MJ)	[R153-155]
115	VRD-ST2HF104J	AA	DD		C	Resistor (ST1/2S-100KJ)	[R2]
116	VS2SA1175H/--1	AC	DJ	N	B	Transistor (2SA1175-HF)	[Q121,141,142,101,161]
117	VS2SA1920P/--1	AE	DS	N	B	Transistor (2SA1920P)	[Q122,143]
118	VS2SC1213-C1A	AC	DD		B	Transistor (2SC1213C)	[Q2]
119	VS2SC2785F/--1	AC	DJ	N	B	Transistor (2SC2785-FF)	[Q3,102,162]
	VS2SD1266AP-1	AK	DX	N	B	Transistor (2SD1266A-P)(100V series)	[Q103]
120	VS2SD1266AP-1	AK	DX	N	B	Transistor (2SD1266A-P)(200V series)	[Q103,163]

■ Index

PARTS CODE	JAPAN ONLY ORDER CODE	NO.	PRICE R.		NEW	P/R
			Ex.	Ja.		
【C】						
CBTN-0004QS01	572 170 0441	3- 5	AE	DS	N	C
CBTN-0009QS01	572 170 0442	3- 2	AG	DS	N	C
CCAB-0003QS01	572 107 1749	1- 1	AR	EQ	N	D
CCASP0001QS51	572 108 1263	21-901	BC	GJ	N	E
CCLEZ0005QS51	572 704 0073	15- 1	AQ	EQ	N	E
"	572 704 0073	16- 1	AQ	EQ	N	E
CCOVH0004QS51	572 110 1072	2-901	BC	GD	N	E
CDAiU0002QS01	572 210 1087	5- 12	BG	GT	N	C
"	572 210 1087	6- 14	BG	GT	N	C
CDAiU0008QS51	572 210 1098	6- 7	BC	GJ	N	E
CFiX-0003QS01	572 211 0680	1- 13	AN	EG	N	C
CFiX-0003QS02	572 211 0681	1- 13	AN	EG	N	C
CFiX-0003QS04	572 211 0682	1- 13	AN	EG	N	C
CFiX-0003QS51	572 211 0678	1-501	AZ	FQ	N	E
CFiX-0003QS52	572 211 0684	1-501	BA	FX	N	E
CFiX-0003QS54	572 211 0685	1-501	BA	FX	N	E
CFRM-0006QS51	572 213 1861	17-502	BE	GN	N	E
CFRM-0007QS51	572 213 1876	17-501	BF	GN	N	E
CFRM-0010QS51	572 213 1862	18-502	BG	GN	N	E
CGERH0011QS51	572 281 1780	14- 9	AE	DS	N	E
CHAi-0028QS51	572 427 1633	19- 3	AL	EB	N	E
CHAi-0032QS51	572 427 1634	19- 2	AL	EB	N	E
CHLDZ0010QS51	572 214 1882	4- 18	AX	FG	N	E
"	572 214 1882	20-901	AX	FG	N	E
CHLDZ0019QS31	572 214 1865	5- 2	BC	GJ	N	E
"	572 214 1865	8-901	BC	GJ	N	E
CLEVP0016QS01	572 248 1108	23- 17	AL	EB	N	C
CPLTM0023QS01	572 221 6936	17- 5	AG	DX	N	C
"	572 221 6936	18- 25	AG	DX	N	C
CPLTM0024QS01	572 221 6937	11- 24	AG	DX	N	C
CPLTM0025QS01	572 221 6938	5- 21	AH	DX	N	C
CPLTM0026QS01	572 221 6939	5- 8	AH	DX	N	C
CPLTM0028QS01	572 221 6940	8- 13	AH	DX	N	C
CPLTM0029QS01	572 221 6941	8- 9	AH	DX	N	C
CPLTM0042QS01	572 221 6942	14- 20	AZ	FQ	N	C
CPLTM0042QS51	572 221 6976	14-901	BP	LP	N	E
CPNLC0002QS01	572 158 0591	1- 6	AV	FG	N	D
"	572 158 0591	3- 10	AV	FG	N	D
CPNLC0002QS03	572 158 0592	1- 6	AV	FG	N	D
"	572 158 0592	3- 10	AV	FG	N	D
CPNLC0002QS04	572 158 0594	1- 6	AW	FG	N	D
"	572 158 0594	3- 10	AW	FG	N	D
CPNLC0002QS07	572 158 0593	1- 6	AV	FG	N	D
"	572 158 0593	3- 10	AV	FG	N	D
CPNLC0002QS08	572 158 0595	1- 6	AW	FG	N	D
"	572 158 0595	3- 10	AW	FG	N	D
CPWBF0014QS51	572 684 3211	3- 8	BR	LX	N	E
"	572 684 3211	25-901	BR	LX	N	E
CPWBF0014QS52	572 684 3212	3- 8	BR	LX	N	E
"	572 684 3212	25-901	BR	LX	N	E
CPWBF0017QS31	572 684 3204	12- 13	BV	NU	N	E
"	572 684 3204	30-901	BV	NU	N	E
CPWBF0017QS32	572 684 3205	12- 13	BU	NN	N	E
"	572 684 3205	30-901	BU	NN	N	E
CPWBF0017QS34	572 684 3181	12- 13	BV	RB	N	E
"	572 684 3181	30-901	BV	RB	N	E
CPWBF1177FC57	572 684 3194	9- 4	AG	DX	N	E
"	572 684 3194	27-901	AG	DX	N	E
CPWBF1177FC58	572 684 3195	11- 1	AG	DX	N	E
"	572 684 3195	28-901	AG	DX	N	E
CPWBF1177FC59	572 684 3196	13- 13	AG	DX	N	E
"	572 684 3196	29-901	AG	DX	N	E
CPWBF1177FC5A	572 684 3192	6- 9	AG	DX	N	E
CPWBF1177FC5B	572 684 3193	17- 1	AG	DX	N	E
"	572 684 3193	26-901	AG	DX	N	E
CPWBX0010QS52	572 684 3201	12- 8	CB	TZ	N	E
"	572 684 3201	24-901	CB	TZ	N	E
CPWBX0010QS53	572 684 3215	12- 8	CH	UM	N	E
"	572 684 3215	24-901	CH	UM	N	E
CREFL0003QS31	572 432 0067	5- 3	BQ	LP	N	E
CROLP0015QS01	572 287 1830	11- 20	AU	EZ	N	C
CSLi-0103FC31	572 256 0015	8- 7	AF	DS	N	E
CSOU-0002QS51	572 226 0571	18-501	AW	EZ	N	E
CSOU-0002QS52	572 226 0578	18-501	AY	FQ	N	E
CSW-M0004QS51	572 530 0670	15- 4	AS	EQ	N	E
"	572 530 0670	16- 4	AS	EQ	N	E
CTHM-0019FC52	572 644 0027	13- 12	AU	FG	N	E
CTME-0229FC03	572 420 0297	13- 11	AG	DX	N	B

PARTS CODE	JAPAN ONLY ORDER CODE	NO.	PRICE R.		NEW	P/R
			Ex.	Ja.		
【D】						
DHAi-0029QSZZ	572 542 1338	10- 24	AN	EG	N	C
"	572 542 1338	12- 12	AN	EG	N	C
"	572 542 1338	22- 8	AN	EG	N	C
DHAi-0030QSZZ	572 542 1339	13- 16	AN	EG	N	C
DHAi-0034QSZZ	572 542 1342	27- 1	AQ	EQ	N	C
DHAi-0035QSZZ	572 542 1343	28- 1	AF	DS	N	C
DHAi-0036QSZZ	572 542 1344	29- 1	AQ	EQ	N	C
DHAi-0037QSZ1	572 542 1414	10- 23	AS	EQ	N	C
"	572 542 1414	12- 7	AS	EQ	N	C
"	572 542 1414	22- 7	AS	EQ	N	C
DHAi-0038QSZZ	572 542 1346	10- 27	AS	EQ	N	C
"	572 542 1346	22- 6	AS	EQ	N	C
DHAi-0039QSZZ	572 542 1347	12- 6	BD	GJ	N	C
"	572 542 1347	22- 3	BD	GJ	N	C
DHAi-0040QSZZ	572 542 1348	1- 7	AK	DX	N	C
"	572 542 1348	9- 10	AK	DX	N	C
"	572 542 1348	22- 4	AK	DX	N	C
DHAi-0041QSZZ	572 542 1349	5- 6	AF	DS	N	C
"	572 542 1349	6- 3	AF	DS	N	C
"	572 542 1349	22- 1	AF	DS	N	C
DHAi-0042QSZZ	572 542 1350	6- 5	AK	EB	N	C
"	572 542 1350	22- 2	AK	EB	N	C
DHAi-0045QSZZ	572 542 1351	14- 27	AD	DJ	N	C
"	572 542 1351	22- 5	AD	DJ	N	C
DHAi-0046QSZZ	572 542 1352	10- 18	AH	DX	N	C
DHAi-0047QSZZ	572 542 1353	4- 12	AH	DX	N	C
DHAi-0048QSZZ	572 542 1354	10- 19	AG	DX	N	C
DHAi-0049QSZZ	572 542 1355	1- 8	AG	DS	N	C
"	572 542 1355	11- 39	AG	DS	N	C
DHAi-0050QSZZ	572 542 1356	11- 27	AR	EQ	N	C
DHAi-0057QSZZ	572 542 1358	10- 24	AN	EG	N	C
"	572 542 1358	12- 12	AN	EG	N	C
"	572 542 1358	22- 8	AN	EG	N	C
DHAi-0058QSZZ	572 542 1359	13- 16	AL	EB	N	C
DHAi-0059QSZZ	572 542 1360	7- 3	AQ	EQ	N	C
DHAi-0061QSZZ	572 542 1361	26- 1	AG	DS	N	C
DHAi-0064QSZ1	572 542 1415	12- 6	AU	EZ	N	C
"	572 542 1415	22- 3	AU	EZ	N	C
DHAi-0066QSZZ	572 542 1394	17- 2	AD	DJ	N	C
"	572 542 1394	18- 22	AD	DJ	N	C
DUNTK0013QSZZ	572 685 1784	7- 5	BU	NU	N	E
DUNTW0014QS12	572 685 1790	13-901	BT	NE	N	E
DUNTW0014QS13	572 685 1791	13-901	BT	NE	N	E
DUNTW0014QS14	572 685 1792	13-901	BT	NE	N	E
DUNTW0014QSZZ	572 685 1788	13-901	BT	NE	N	E
DWIR-0466CSZZ	572 427 1070	20- 8	BG	HC	N	B
【G】						
GCAB-0003QSZA	572 107 1756	1- 1	AS	EQ	N	D
GCAB-0003QSZZ	572 107 1750	1- 1	AP	EQ	N	D
GCAB-0005QSZA	572 107 1757	1- 10	AN	EQ	N	D
GCAB-0005QSZZ	572 107 1751	1- 10	AN	EQ	N	D
GCAB-0006QSZA	572 107 1752	1- 17	AN	EQ	N	D
GCAB-0006QSZZ	572 107 1753	1- 17	AN	EQ	N	D
GCAB-0007QSZA	572 107 1758	4- 1	AV	FG	N	D
GCAB-0007QSZZ	572 107 1754	4- 1	AU	EZ	N	D
GCAB-0021QSZA	572 107 1759	1- 18	AY	FQ	N	D
GCAB-0021QSZZ	572 107 1755	1- 18	AY	FQ	N	D
GCASP0001QSZZ	572 108 1264	21- 19	AY	FQ	N	D
GCÖVH0003QSZZ	572 110 1074	2- 1	AM	EG	N	D
GCÖVH0004QSZZ	572 110 1075	2- 2	AX	FG	N	D
GDAi-0001QSZZ	572 112 0145	11- 28	BF	GN	N	D
"	572 112 0145	12- 17	BF	GN	N	D
GLEGG0064FCZZ	572 123 0072	12- 18	AC	DJ	N	C
【J】						
JBTN-0005QSZZ	572 170 0443	3- 4	AC	DJ	N	C
JBTN-0008QSZZ	572 170 0444	3- 6	AD	DJ	N	C
JBTN-0010QSZZ	572 170 0445	3- 3	AC	DJ	N	C
JKNBZ0001QSZZ	572 174 0326	10- 22	AE	DS	N	C
【L】						
LBNDJ0013FCZ1	572 201 0118	7- 4	AA	DJ	N	C
LBNDJ0013FCZZ	541 201 1001	17- 3	AA	DD	N	C
"	541 201 1001	18- 21	AA	DD	N	C
LBNDJ0037FCZ1	572 201 0119	26- 2	AA	DJ	N	C
"	572 201 0119	27- 2	AA	DJ	N	C
"	572 201 0119	28- 2	AA	DJ	N	C
"	572 201 0119	29- 2	AA	DJ	N	C
LBNDJ0043FCZZ	572 201 0022	10- 6	AA	DD	N	C
LBNDJ0067FCZZ	572 201 0136	13- 17	AC	DJ	N	C
LBÖSZ1031FCZZ	572 202 0270	11- 15	AC	DJ	N	C
LBÖSZ1508FCZZ	572 202 0378	18- 15	AG	DX	N	C

PARTS CODE	JAPAN ONLY ORDER CODE	NO.	PRICE R.		NEW	P/R
			Ex.	Ja.		
LBOSZ1509FCZ1	572 202 0403	18- 28	AD	DJ		C
LBOSZ1510FCZZ	572 202 0373	18- 18	AF	DX		C
LBOSZ1851FCZZ	572 202 0407	11- 13	AC	DJ		C
LBRC-0055FCZZ	572 203 0281	18- 10	AK	EB		C
LBSHZ0303FCZZ	572 204 0302	17- 11	AC	DJ		C
"/	572 204 0302	18- 9	AC	DJ		C
LFiX-0004QSZZ	572 211 0676	20- 15	AC	DJ	N	C
LFiX-0284FCZZ	572 211 0176	8- 11	AC	DD		C
LFRM-0002QSZZ	572 213 1850	10- 21	AX	FG	N	C
LFRM-0003QSZZ	572 213 1844	4- 9	AP	EQ	N	C
LFRM-0004QSZZ	572 213 1845	13- 7	AV	FG	N	C
LFRM-0005QSZZ	572 213 1846	13- 30	AQ	EQ	N	C
LFRM-0006QSZZ	572 213 1866	17- 13	AN	EG	N	C
LFRM-0007QSZZ	572 213 1867	17- 25	AK	EB	N	C
LFRM-0010QSZZ	572 213 1869	18- 35	AN	EG	N	C
LHLDW1226FCZZ	572 214 1450	21- 3	AB	DJ		C
"/	572 214 1450	23- 12	AB	DJ		C
LHLDZ0009QSAZ	572 214 1879	19- 1	AF	DS	N	C
LHLDZ0010QSZZ	572 214 1867	20- 14	AL	EB	N	C
LHLDZ0011QSZZ	572 214 1868	6- 4	AD	DJ	N	C
LHLDZ0013QSZZ	572 214 1869	8- 5	AD	DJ	N	C
LHLDZ0017QSZZ	572 214 1880	11- 30	AD	DJ	N	C
LHLDZ0018QSZZ	572 214 1872	10- 13	AE	DS	N	C
LHLDZ0019QSZZ	572 214 1873	8- 2	AN	EG	N	C
LHLDZ0021XCZZ	569 214 0006	6- 19	AD	DJ		C
LPiNS0301FCZZ	572 218 0426	10- 26	AD	DJ		C
LPLTM0016QSZZ	572 221 6943	11- 42	AE	DS	N	C
LPLTM0017QSZ1	572 221 6977	12- 9	AR	EQ	N	C
LPLTM0020QSZZ	572 221 6946	12- 21	AL	EB	N	C
LPLTM0022QSZZ	572 221 6947	13- 29	AG	DS	N	C
LPLTM0043QSZZ	572 221 6959	4- 5	AD	DJ	N	C
LPLTM0046QSZZ	572 221 6960	11- 25	AE	DJ	N	C
LPLTM0088QSZZ	572 221 6981	12- 2	AN	EQ	N	C
LPLTM0089QSZZ	572 221 6982	12- 23	AH	DX	N	C
LPLTM0097QSZZ	572 221 6978	6- 17	AE	DS	N	C
LPLTM0098QSZZ	572 221 6979	6- 18	AE	DJ	N	C
LPLTM2642FCGZ	572 221 5110	21- 4	AD	DS		C
LPLTM51106FCZZ	572 221 5879	21- 1	AR	EQ		C
LPLTM5111FCZZ	572 221 5882	5- 4	AC	DJ		C
LPLTP0009QSZZ	572 221 6962	13- 38	AS	EZ	N	C
LPLTP5107FCZZ	572 221 5910	21- 5	AH	DX		C
LPLTP5108FCZZ	572 221 5911	21- 13	AH	DX		C
LRALM0002QSZZ	572 223 0226	5- 15	AF	DS	N	C
LRALM0003QSZZ	572 223 0227	5- 14	AG	DS	N	C
LRALP0001QSZZ	572 223 0228	11- 34	AM	EG	N	C
LSOU-0001QSAZ	572 226 0577	1- 2	AX	FG	N	D
LSOU-0001QSZZ	572 226 0572	1- 2	AW	FG	N	D
LSOU-0002QSZZ	572 226 0573	18- 48	AL	EB	N	D
LSOU-0003QSZZ	572 226 0574	18- 49	AK	DX	N	D
LSOU-0008QSAZ	572 226 0575	1- 4	AH	DX	N	D
LSOU-0008QSZZ	572 226 0576	1- 4	AH	DX	N	D
LSTPP0116FCZZ	572 230 0157	13- 18	AA	DD		C
LSTPP0161FCZZ	572 230 0062	21- 18	AB	DD		C
LSTPP0300FCZZ	572 230 0378	18- 37	AB	DJ		C
LX-BZ0001QSZZ	572 970 1783	23- 16	AD	DJ		C
LX-BZ0004QSZZ	572 970 1917	5- 16	AB	DD	N	C
"/	572 970 1917	6- 6	AB	DD	N	C
LX-BZ0005QSZZ	572 970 1918	5- 7	AA	DD	N	C
LX-BZ0010QSZZ	572 970 1920	13- 8	AB	DD	N	C
LX-BZ0011QSZZ	572 970 1921	13- 42	AB	DD	N	C
LX-BZ0049FCZZ	572 970 0353	5- 29	AB	DD		C
LX-BZ0324FCZZ	572 970 0197	5- 27	AA	DD		C
LX-BZ0335FCZZ	572 970 0245	8- 8	AA	DD		C
LX-BZ0735FCZZ	572 970 1483	13- 36	AA	DD		C
LX-BZ3006SC0S	541 970 5148	10- 28	AA	DD		C
LX-WZ0023FCZZ	572 990 0217	11- 43	AA	DD		C
LX-WZ0119FCZZ	572 990 0002	5- 32	AA	DD	N	C
LX-WZ0313FCZZ	572 990 0227	13- 26	AA	DD		C
LX-WZ2028SCZZ	509 990 5003	21- 10	AA	DD		C
[M]						
MARMP0173FCZZ	572 240 0188	18- 4	AC	DJ		C
MARMP0204FCZ1	572 240 0283	18- 39	AF	DS		C
MARMP0205FCZZ	572 240 0252	18- 38	AF	DS		C
MHNG-0002QSZZ	572 246 0370	18- 40	AC	DJ	N	C
MLEVP0005QSZZ	572 248 1109	9- 5	AD	DJ	N	C
MLEVP0006QSZZ	572 248 1110	11- 2	AD	DJ	N	C
MLEVP0007QSZZ	572 248 1111	17- 17	AD	DJ	N	C
MLEVP0014QSZZ	572 248 1113	13- 28	AF	DS	N	C
MLEVP0015QSZZ	572 248 1114	13- 23	AF	DS	N	C
MSPRC0016QSZZ	572 258 3123	19- 7	AC	DJ	N	C
MSPRC0017QSZZ	572 258 3124	19- 5	AC	DJ	N	C

PARTS CODE	JAPAN ONLY ORDER CODE	NO.	PRICE R.		NEW	P/R
			Ex.	Ja.		
MSPRC0018QSZZ	572 258 3125	19- 6	AC	DJ	N	C
MSPRC0021QSZZ	572 258 3126	9- 7	AB	DJ	N	C
MSPRC0022QSZ1	572 258 3195	9- 9	AC	DJ	N	C
MSPRC0023QSZZ	572 258 3128	14- 15	AB	DJ	N	C
MSPRC0024QSZZ	572 258 3129	10- 8	AA	DJ	N	C
MSPRC0026QSZZ	572 258 3130	11- 3	AB	DJ	N	C
MSPRC0027QSZZ	572 258 3131	20- 10	AC	DJ	N	C
MSPRC0028QSZZ	572 258 3132	20- 11	AC	DJ	N	C
MSPRC0030QSZZ	572 258 3133	4- 14	AC	DJ	N	C
MSPRC0031QSZZ	572 258 3134	4- 13	AB	DJ	N	C
MSPRC0032QSZZ	572 258 3135	4- 11	AB	DJ	N	C
MSPRC0036QSZZ	572 258 3136	17- 26	AB	DJ	N	C
"/	572 258 3136	18- 45	AB	DJ	N	C
MSPRC0037QSZZ	572 258 3137	11- 33	AB	DJ	N	C
MSPRC0038QSZZ	572 258 3138	17- 16	AC	DJ	N	C
MSPRC0039QSZZ	572 258 3139	17- 14	AB	DJ	N	C
MSPRC0040QSZZ	572 258 3140	5- 19	AB	DJ	N	C
MSPRC0047QSZZ	572 258 3165	11- 31	AA	DJ	N	C
MSPRC0048QSZZ	572 258 3166	18- 41	AB	DJ	N	C
MSPRC0049QSZZ	572 258 3167	18- 14	AC	DJ	N	C
MSPRC0051QSZZ	572 258 3143	20- 12	AA	DJ	N	C
MSPRC0053QSZZ	572 258 3144	14- 3	AB	DJ	N	C
MSPRC0055QSZZ	572 258 3145	13- 25	AC	DJ	N	C
MSPRC0077QSZZ	572 258 3146	11- 41	AB	DJ	N	C
MSPRC0080QSZZ	572 258 3196	17- 18	AB	DJ	N	C
MSPRC0108QSZZ	572 258 3168	21- 15	AC	DJ	N	C
MSPRC1145FCZZ	572 258 1272	21- 17	AA	DD		C
MSPRC1152FCZZ	572 258 1329	11- 16	AE	DJ		C
MSPRC1315FCZ1	572 258 2131	18- 16	AD	DJ		C
MSPRC1316FCZ1	572 258 2132	11- 11	AE	DS		C
"/	572 258 2132	18- 27	AE	DS		C
MSPRC1318FCZ1	572 258 2134	14- 23	AA	DJ		C
"/	572 258 2134	18- 30	AA	DJ		C
MSPRC1873FCZ1	572 258 2216	21- 16	AB	DJ		C
MSPRC2175FCZZ	572 258 2170	18- 33	AA	DJ		C
MSPRD0076QSZZ	572 258 3147	4- 6	AC	DJ	N	C
MSPRD0108QSZZ	572 258 3198	17- 31	AC	DJ	N	C
MSPRP0015QSZZ	572 258 3148	3- 7	AC	DJ	N	C
MSPRP0033QSZZ	572 258 3149	13- 6	AD	DJ	N	C
MSPRP0034QSZZ	572 258 3150	13- 14	AE	DJ	N	C
MSPRP0079QSZZ	572 258 3169	17- 29	AD	DJ	N	C
MSPRP0110QSZZ	572 258 3194	15- 6	AE	DJ	N	C
"/	572 258 3194	16- 6	AE	DJ	N	C
MSPRT0019QSZZ	572 258 3153	7- 7	AB	DJ	N	C
MSPRT0020QSZZ	572 258 3154	9- 2	AB	DJ	N	C
MSPRT0029QSZZ	572 258 3155	4- 3	AC	DJ	N	C
MSPRT0054QSZZ	572 258 3156	13- 37	AC	DJ	N	C
MSPRT0513FCZ1	572 258 2240	20- 7	AA	DJ		C
[N]						
NBLT-0005QSZZ	572 271 0581	10- 5	AH	DX	N	B
NBLTT0001QSZZ	572 271 0582	10- 20	AH	DX	N	B
NBLTT0002QSZZ	572 271 0583	5- 26	AH	DX	N	B
NBRGC0100FCZ1	572 272 0465	11- 8	AC	DJ		C
NBRGC0133FCZ1	572 272 0470	5- 31	AC	DJ		C
NBRGC0387FCZ1	572 272 0471	5- 23	AC	DJ		C
NBRGC0579FCZZ	572 272 0557	10- 2	AE	DJ		C
NBRGP0260FCZ1	572 272 0433	13- 24	AD	DS		C
NBRGP0562FCZZ	572 272 0547	11- 19	AD	DJ		C
NBRGP0567FCZZ	572 272 0558	13- 20	AG	DX		C
NCPL-0002QSZZ	572 274 0043	10- 7	AC	DJ	N	C
NFANP0001QSZZ	572 277 0081	10- 12	AY	FQ	N	B
NGERH0007QSZZ	572 281 1748	14- 11	AH	DX	N	C
NGERH0008QSZ1	572 281 1749	14- 16	AL	EB	N	C
NGERH0009QSZZ	572 281 1750	14- 7	AD	DJ	N	C
NGERH0010QSZZ	572 281 1751	14- 6	AD	DJ	N	C
NGERH0012QSZZ	572 281 1753	14- 18	AE	DS	N	C
NGERH0013QSZZ	572 281 1754	14- 19	AG	DX	N	C
NGERH0014QSZZ	572 281 1755	14- 8	AD	DJ	N	C
NGERH0015QSZZ	572 281 1756	14- 10	AD	DJ	N	C
NGERH0016QSZZ	572 281 1757	14- 12	AD	DJ	N	C
NGERH0017QSZZ	572 281 1758	14- 17	AD	DJ	N	C
NGERH0018QSZZ	572 281 1759	14- 14	AC	DJ	N	C
NGERH0019QSZZ	572 281 1760	14- 13	AD	DJ	N	C
NGERH0020QSZZ	572 281 1761	11- 9	AG	DX	N	C
NGERH0021QSZZ	572 281 1762	17- 27	AD	DJ	N	C
"/	572 281 1762	18- 46	AD	DJ	N	C
NGERH0022QSZZ	572 281 1763	11- 21	AC	DJ	N	C
NGERH0025QSZZ	572 281 1764	11- 23	AD	DJ	N	C
NGERH0026QSZZ	572 281 1765	11- 22	AD	DJ	N	C
NGERH0027QSZZ	572 281 1766	5- 18	AH	DX	N	C
NGERH0050QSZZ	572 281 1777	14- 4	AD	DJ	N	C

PARTS CODE	JAPAN ONLY ORDER CODE	NO.	PRICE R.		NEW	P/R
			Ex.	Ja.		
NGERH0193FCZZ	572 281 0318	21- 11	AB	DD		C
NGERH0540FCZ1	572 281 1277	13- 19	AE	DJ		C
NGERH0972FCZZ	572 281 1108	17- 6	AB	DJ		C
"	572 281 1108	18- 19	AB	DJ		C
NGERH0990FCZZ	572 281 1125	17- 9	AB	DJ		C
"	572 281 1125	18- 7	AB	DJ		C
NGERH0991FCZZ	572 281 1126	18- 20	AC	DJ		C
NGERH0992FCZZ	572 281 1127	18- 3	AB	DJ		C
NGERH1132FCZZ	572 281 1349	11- 18	AH	DX		C
NPLYZ0001QSZZ	572 284 0696	10- 4	AE	DJ	N	C
NPLYZ0002QSZZ	572 284 0697	14- 5	AC	DJ	N	C
NPLYZ0003QSZZ	572 284 0698	5- 28	AM	EG	N	C
NPLYZ0004QSZZ	572 284 0699	5- 25	AG	DX	N	C
NPLYZ0005QSZZ	572 284 0700	5- 9	AG	DX	N	C
NPLYZ0006QSZZ	572 284 0701	5- 10	AD	DJ	N	C
NPLYZ0007QSZZ	572 284 0702	8- 4	AG	DX	N	C
NRÖL i 0014QSZZ	572 287 1853	13- 21	AZ	FQ	N	C
NRÖLP0007QSZ1	572 287 1854	10- 1	AQ	EQ	N	C
NRÖLP0008QSZZ	572 287 1832	9- 1	AD	DJ	N	C
NRÖLP0012QSZ1	572 287 1855	10- 3	AS	EQ	N	C
NRÖLP1008FCZZ	572 287 1280	18- 5	AK	EB		C
NRÖLP1122FCZZ	572 287 1526	4- 17	AF	DS		C
"	572 287 1526	9- 8	AF	DS		C
"	572 287 1526	17- 24	AF	DS		C
NRÖLR0013QSZZ	572 287 1834	11- 7	AQ	EQ	N	C
NRÖLR0016QSZZ	572 287 1835	17- 12	AT	EZ	N	C
NRÖLR0028QSZZ	572 287 1836	13- 27	AZ	FQ	N	C
NRÖLR0922FCZZ	572 287 1120	18- 1	AR	EZ		C
NSFTZ0006QSZZ	572 290 2423	4- 15	AG	DX	N	C
NSFTZ0007QSZZ	572 290 2424	17- 23	AG	DX	N	C
NSFTZ0008QSZZ	572 290 2425	5- 30	AQ	EQ	N	C
NSFTZ2311FCZZ	572 290 2048	18- 8	AU	EZ		C
[P]						
PBRSR0002QSZZ	572 310 0305	6- 13	AK	DX	N	B
PBRSR0004QSZZ	572 310 0306	13- 4	AE	DS	N	B
PCASZ0002QSZZ	572 315 0190	20- 16	AL	EB	N	C
PCASZ0003QSZZ	572 315 0191	6- 2	AK	EB	N	C
PCÖVP0007QSZZ	572 323 1886	11- 38	AF	DS	N	C
PCÖVP0008QSZA	572 323 1867	12- 20	AE	DS	N	C
PCÖVP0008QSZZ	572 323 1868	12- 20	AE	DJ	N	C
PCÖVP0009QSZA	572 323 1869	12- 19	AF	DS	N	C
PCÖVP0009QSZZ	572 323 1870	12- 19	AE	DS	N	C
PCÖVP0010QSZZ	572 323 1871	13- 5	AG	DS	N	C
PCÖVP0011QSZZ	572 323 1872	13- 15	AK	DX	N	C
PCÖVP0012QSZZ	572 323 1873	15- 3	AK	DX	N	C
PCÖVP0013QSZZ	572 323 1874	11- 32	AD	DJ	N	C
PCÖVP0019QSZ1	572 323 1889	18- 44	AK	DX	N	C
PCÖVP0019QSZZ	572 323 1888	18- 44	AK	DX	N	C
PCÖVP0023QSZZ	572 323 1884	16- 3	AK	DX	N	C
PCÖVP0028QSZZ	572 323 1880	7- 2	AE	DJ	N	C
PCÖVP0035QSZA	572 323 1905	1- 26	AL	EB	N	D
PCÖVP0035QSZZ	572 323 1890	1- 26	AL	EB	N	D
PCUSG0190FCZ1	572 326 0236	6- 10	AB	DJ		C
PCUSS0009QSZZ	572 326 0377	8- 10	AA	DJ	N	C
PCUSS0201FCZZ	572 326 0103	8- 14	AA	DD		C
Pfi LZ0001QS12	572 337 0353	3- 1	AS	EQ	N	B
Pfi LZ0001QS18	572 337 0354	3- 1	AS	EQ	N	B
Pfi LZ0001QS22	572 337 0350	3- 1	AS	EQ	N	B
Pfi LZ0001QS25	572 337 0351	3- 1	AS	EQ	N	B
Pfi LZ0001QS26	572 337 0352	3- 1	AS	EQ	N	B
Pfi LZ0002QSZZ	572 337 0345	1- 23	AL	EB	N	B
Pgi DH0025QSZ1	572 345 3162	20- 4	AG	DX	N	C
Pgi DH0026QSZZ	572 345 3142	13- 34	AE	DS	N	C
Pgi DM0006QSZZ	572 345 3143	9- 6	AN	EG	N	C
Pgi DM0007QSZZ	572 345 3144	6- 15	AP	EQ	N	C
Pgi DM0008QSZZ	572 345 3145	4- 4	AD	DJ	N	C
Pgi DM0009QSZZ	572 345 3146	10- 25	AG	DS	N	C
Pgi DM0010QSZ1	572 345 3163	11- 5	AG	DX	N	C
Pgi DM0011QSZZ	572 345 3148	20- 2	AE	DS	N	C
Pgi DM0012QSZZ	572 345 3165	17- 22	AF	DS	N	C
Pgi DM0013QSZZ	572 345 3166	17- 21	AF	DS	N	C
Pgi DM0014QSZZ	572 345 3151	17- 20	AF	DS	N	C
"	572 345 3151	18- 12	AF	DS	N	C
Pgi DM0017QSZZ	572 345 3167	18- 43	AE	DJ	N	C
Pgi DM0018QSZZ	572 345 3168	18- 42	AE	DJ	N	C
Pgi DM0023QSZZ	572 345 3152	13- 1	AP	EQ	N	C
PGLSP0001QSZZ	572 348 0130	1- 16	AF	FG	N	B
PGSK-1004DCZZ	593 350 0001	6- 23	AX	DJ		C
Pmi R-0002QSZZ	572 374 0195	8- 12	AN	EQ	N	B
PMLT-0024QSZZ	572 375 0880	1- 22	AC	DJ	N	C
Ppi PP0003QSZZ	572 395 0205	11- 17	AD	DJ	N	C

PARTS CODE	JAPAN ONLY ORDER CODE	NO.	PRICE R.		NEW	P/R
			Ex.	Ja.		
PPIPP0109FCZZ	572 395 0039	11- 10	AB	DD		C
"	572 395 0039	18- 17	AB	DD		C
PPIPP0175FCZZ	572 395 0169	18- 26	AC	DJ		C
PSHEP0019QSZZ	572 403 4257	20- 3	AC	DJ	N	C
PSHEP0020QSZZ	572 403 4258	20- 13	AB	DJ	N	C
PSHEP0021QSZZ	572 403 4259	20- 6	AA	DJ	N	C
PSHEP0023QSZZ	572 403 4260	13- 35	AF	DS	N	C
PSHEP0042QSZZ	572 403 4263	6- 11	AC	DJ	N	C
PSHEP0047QSZZ	572 403 4265	13- 40	AC	DJ	N	C
PSHEP0061QSZZ	572 403 4266	21- 8	AA	DJ	N	C
PSHEZ0017QSZZ	572 403 4267	9- 3	AC	DJ	N	C
PSHEZ0018QSZZ	572 403 4268	20- 1	AF	DS	N	C
PSHEZ0026QSZZ	572 403 4269	1- 14	AE	DJ	N	C
PSHEZ0027QSZZ	572 403 4270	1- 15	AC	DJ	N	C
PSHEZ0034QSZZ	572 403 4276	2- 3	AV	FG	N	C
PSHEZ0045QSZZ	572 403 4277	13- 33	AB	DJ	N	C
PSHEZ0048QSZZ	572 403 4278	8- 1	AE	DJ	N	C
PSHEZ0066QSZZ	572 403 4318	6- 20	AE	DS	N	C
PSHEZ0073QSZZ	572 403 4319	7- 6	AC	DJ	N	C
PSHEZ0074QSZZ	572 403 4322	6- 24	AE	DS	N	C
PSHEZ0079QSZZ	572 403 4323	1- 25	AD	DJ	N	C
PSHEZ0080QSZZ	572 403 4324	9- 11	AE	DJ	N	C
PSHEZ2026FCZ1	572 403 1992	11- 29	AB	DD		C
PSHEZ2174FCZZ	572 403 2095	11- 36	AB	DD		C
PSHEZ4142FCZZ	572 403 3653	21- 2	AC	DJ		C
PSPAZ0005QSZZ	572 413 0676	25- 1	AC	DJ	N	C
PTME-0002QSZZ	572 420 0298	14- 24	AD	DJ	N	B
PTME-0003QSZZ	572 420 0299	14- 26	AD	DJ	N	B
PTME-0004QSZZ	572 420 0300	4- 2	AG	DX	N	C
PTME-0178FCZZ	572 420 0181	18- 32	AC	DD		C
PTME-0179FCZZ	572 420 0182	18- 31	AC	DD		C
PTME-0255FCZZ	572 420 0271	21- 6	AG	DS		C
PTME-0256FCZZ	572 420 0272	21- 14	AG	DS		C
PWi R-0001QSZZ	572 427 1630	13- 3	AF	DS	N	C
PWi R-0003QSZZ	572 427 1631	5- 1	AR	EQ	N	C
[Q]						
QACCB7620QCNI	572 500 0018	23- 3	AX	FX		B
QACCD7618QCZZ	578 500 0012	23- 3	AQ	EQ		B
QACJ9610QCZZ	572 500 0016	23- 3	AR	EZ		B
QACCL7621QCZZ	578 500 0010	23- 3	AX	FQ		B
QACCV6621QCNI	572 500 0059	23- 3	AU	FQ		B
QCNCM0861FCZZ	572 510 0777	25- 2	AB	DJ		C
QCNCM0923FC14	572 510 0937	24- 1	AE	DJ		C
QCNCM0923FC18	572 510 0877	24- 2	AF	DS		C
QCNCM0923FC24	572 510 0870	24- 3	AF	DS		C
QCNCM1005MCZZ	589 510 0004	24- 4	AB	DD		C
QCNCM1069AC0D	569 510 0002	24- 5	AC	DD		C
QCNCM1119LC0E	572 510 1029	24- 6	AC	DJ	N	C
QCNCM2401SC0C	595 510 0762	24- 7	AB	DJ		C
QCNCM2401SC0D	595 510 0090	24- 8	AC	DJ		C
QCNCM2401SC0E	578 510 0195	24- 9	AC	DJ		C
QCNCM2401SC0F	595 510 0782	24- 10	AB	DJ		C
QCNCM7014SC0C	595 510 0338	24- 11	AA	DD		C
QCNCM7014SC0D	595 510 0345	24- 12	AB	DD		C
QCNCM7014SC0E	595 510 0744	24- 13	AB	DJ		C
QCNCP0340QCZZ	572 510 0921	24- 14	AC	DJ		C
QCNCW0012QSZZ	572 510 1030	24- 15	AH	DX	N	C
QCNCW0015QSZZ	572 510 1031	24- 16	AE	DJ	N	C
QCNCW1124LC0D	572 510 1032	24- 17	AB	DJ	N	C
QCNCW1124LC0H	594 510 0507	24- 18	AC	DJ		C
QCNCW1124LC1H	572 510 1033	24- 19	AD	DJ	N	C
QCNCW1124LC2F	594 510 0436	24- 20	AD	DJ		C
QCNCW1132LC1H	572 510 1034	25- 3	AD	DJ	N	C
QCNCW1135LC3B	572 510 1035	24- 21	AF	DS	N	C
QFS-A0052PAZZ	572 515 0479	30-123	AE	DJ	N	A
QFS-A2700QCZZ	571 515 0003	30-122	AD	DJ		A
QFS-B0030FCZZ	572 515 0062	30-122	AH	DS	N	A
QFS-C0056PAZZ	572 515 0480	30-123	AE	DS	N	A
QFS-C1500QCZZ	572 515 0120	30-122	AF	DS	N	A
QFS-F0030PAZZ	572 515 0482	30-123	AE	DJ	N	A
QPLGJ2326YAZZ	541 524 5004	30- 1	AB	DD		C
QPLGZ0430PAZZ	572 524 0118	30- 2	AE	DJ	N	C
QPLGZ0557PAZZ	572 524 0119	30- 3	AD	DJ	N	C
QPLGZ0558PAZZ	572 524 0120	30- 4	AE	DS	N	C
QPLGZ0559PAZZ	572 524 0121	30- 5	AG	DS	N	C
QPLGZ0560PAZZ	572 524 0122	30- 4	AF	DS	N	C
QSLP-0005QSZZ	572 537 0040	10- 16	AE	DJ	N	C
QSLP-0006QSZZ	572 537 0041	10- 14	AE	DJ	N	C
QSLP-0007QSZZ	572 537 0042	20- 9	AC	DJ	N	C
QSÖCZ0002GCZZ	578 527 0017	24- 22	AD	DJ		C
QSÖCZ6408ACZZ	578 527 0004	24- 23	AB	DD		C

PARTS CODE	JAPAN ONLY ORDER CODE	NO.	PRICE R.		NEW	P/R
			Ex.	Ja.		
QSW-B0003QSZZ	572 530 0667	11- 26	AF	DS	N	B
QSW-P0005QSZZ	572 530 0672	25- 4	AC	DJ	N	B
[R]						
RATTT0004PAZZ	572 602 0003	30- 6	AP	EQ	N	B
RC-EZ0382PAZZ	572 590 0038	30- 7	AR	EQ	N	C
RC-EZ0398PAZZ	572 591 0074	30- 7	AV	FG	N	C
RC-EZ0425PAZZ	572 591 0070	30- 7	AR	EQ	N	C
RC-FZ137DPAZZ	572 590 0039	30- 8	AE	DJ	N	C
RC-FZ138DPAZZ	572 596 0378	30- 9	AE	DS	N	C
RC-FZ140DPAZZ	572 590 0040	30- 10	AG	DX	N	C
RC-K1E104HCZT	579 593 0008	24- 24	AA	DD	N	C
RC-KZ4012PAZZ	572 591 0071	30- 11	AD	DJ	N	C
RC-KZ4013PAZZ	572 590 0041	30- 12	AC	DD	N	C
RC-KZ4014PAZZ	572 591 0072	30- 13	AC	DD	N	C
RC-KZ4015PAZZ	572 590 0042	30- 14	AC	DD	N	C
RC-KZ4018PAZZ	572 591 0073	30- 15	AF	DS	N	C
RC-QZ0218PAZZ	572 596 0382	30- 16	AC	DD	N	C
RC-QZ0221PAZZ	572 590 0047	30- 17	AD	DJ	N	C
RC-QZ0222PAZZ	572 596 0383	30- 17	AD	DJ	N	C
RC-QZ0230PAZZ	572 590 0048	30- 16	AE	DJ	N	C
RC-QZ0232PAZZ	572 596 0384	30- 18	AE	DS	N	C
RC-QZA102PARK	572 590 0043	30- 19	AC	DD	N	C
RC-QZA103PARK	572 596 0379	30- 20	AC	DD	N	C
RC-QZA104PARK	572 590 0044	30- 21	AC	DD	N	C
RC-QZA223PARK	572 596 0380	30- 22	AC	DD	N	C
RC-QZA273PARK	572 590 0045	30- 23	AC	DD	N	C
RC-QZA472PARK	572 596 0381	30- 24	AC	DD	N	C
RC-QZA473PARK	572 590 0046	30- 25	AC	DD	N	C
RCiLZ0003QSZZ	572 614 0252	24- 25	AC	DJ	N	C
RCiLZ0004QSZZ	572 614 0253	24- 26	AE	DJ	N	C
RCiLZ1032CCZZ	507 614 5006	24- 27	AD	DJ	N	C
RCORF0002QSZZ	572 615 0066	6- 22	AE	DS	N	C
"	572 615 0066	9- 12	AE	DS	N	C
RCORF4092PAZZ	572 615 0065	30- 26	AC	DJ	N	C
RCRSZ0001QSZZ	572 616 0100	24- 28	AG	DS	N	B
RCRSZ0002QSZZ	572 616 0097	24- 29	AP	EQ	N	B
RCRSZ0003QSZZ	572 616 0098	24- 30	AP	EQ	N	B
RDTCT0128FCZZ	572 618 0116	13- 9	AR	EQ	N	B
RH-DZ0016FCZZ	572 570 0001	24- 31	AB	DD	N	B
RH-iX1783PAZZ	572 573 1780	30- 27	AF	DS	N	B
RH-iX1950PAZZ	578 573 0894	30- 28	AF	DS	N	B
RH-iX2251PAZZ	572 573 1781	30- 29	AR	EQ	N	B
RH-iX2257PAZZ	572 573 1782	30- 30	AK	EB	N	B
RH-iX2258PAZZ	572 573 1783	30- 31	AH	DX	N	B
RH-PX0285PAZZ	578 574 0040	30- 32	AF	DS	N	B
RH-PX0296PAZZ	572 573 1784	30- 32	AF	DS	N	B
RH-PX0307PAZZ	572 574 0315	30- 33	AK	DX	N	B
RH-PX0308PAZZ	572 573 1785	30- 33	AM	EG	N	B
RLMPU0009QSZZ	572 626 0578	13- 22	BA	FX	N	B
RLMPU0010QSZZ	572 626 0574	13- 22	BA	FX	N	B
RLMPU0011QSZZ	572 626 0575	13- 22	BA	FX	N	B
RMOTD0009QSZZ	572 630 0954	10- 9	AU	EZ	N	B
RMOTP0010QSZZ	572 630 0955	14- 2	BN	HZ	N	B
RMOTP0011QSZZ	572 630 0956	5- 20	BA	FX	N	B
RMPTC6203QCJB	572 631 0263	24- 32	AC	DD	N	B
RMPTC8203QCJB	572 631 0261	24- 33	AC	DD	N	B
RMPTW4203QCJJ	572 631 0262	24- 34	AA	DD	N	B
RMPTW4470QCJJ	521 631 0024	24- 35	AB	DD	N	B
RPLU-0001QSZZ	572 647 0322	14- 22	AN	EG	N	B
RPLU-0002QSZZ	572 647 0323	14- 25	AN	EG	N	B
RPLU-0003QSZZ	572 647 0325	18- 29	AN	EG	N	B
RR-HZ4022PAZZ	572 581 1859	30- 34	AD	DJ	N	C
RR-HZ4023PAZZ	572 580 1134	30- 35	AD	DJ	N	C
RR-HZ4024PAZZ	572 581 1860	30- 36	AD	DJ	N	C
RR-SN1201PA6F	572 581 1864	30- 37	AB	DD	N	C
RR-SN3900PA6F	572 581 1861	30- 38	AB	DD	N	C
RR-SZ0034PAZZ	578 580 0042	30- 39	AC	DD	N	C
RR-SZ0048PAZZ	572 580 1135	30- 40	AC	DD	N	C
RR-SZ0057PAZZ	572 581 1862	30- 41	AC	DD	N	C
RR-WZ0028PAZZ	595 580 0105	30- 42	AF	DX	N	C
RR-XZ0051PAZZ	572 580 1136	30- 43	AC	DD	N	C
RR-XZ0078PAZZ	578 580 0044	30- 44	AC	DD	N	C
RR-XZ4002PAZZ	572 581 1863	30- 45	AC	DD	N	C
RR-XZ4003PAZZ	572 580 1137	30- 46	AC	DD	N	C
RRLYZ0100PAZZ	572 637 0150	30- 47	AN	EG	N	B
RTRNF5025PAZZ	572 651 0001	30- 48	BA	FX	N	B
RTRNF5026PAZZ	572 651 0002	30- 49	BA	FX	N	B
RTRNZ0202PACN	572 660 0412	30- 50	AL	EB	N	B
RTRNZ0202PANT	572 660 0413	30- 50	AL	EB	N	B
RTRNZ0499PACT	572 660 0414	30- 50	AL	EB	N	B
RTRNZ0609PACD	572 660 0415	30- 51	AW	FG	N	B

PARTS CODE	JAPAN ONLY ORDER CODE	NO.	PRICE R.		NEW	P/R
			Ex.	Ja.		
RTRNZ0609PANT	572 660 0416	30- 51	AW	FG	N	B
RTRNZ0610PACD	572 660 0417	30- 51	AW	FG	N	B
RTRNZ0617PANT	572 660 0418	30- 52	AR	EQ	N	B
RTRNZ0618PANT	572 660 0419	30- 53	AP	EQ	N	B
RVR-M0384PAZZ	572 670 0177	30- 54	AD	DJ	N	B
RVR-M0390PAZZ	572 670 0178	30- 55	AD	DJ	N	B
RVR-M0391PAZZ	572 670 0179	30- 56	AD	DJ	N	B
RVR-M0392PAZZ	572 670 0180	30- 57	AD	DJ	N	B
RVR-M0395PAZZ	572 670 0181	30- 58	AD	DJ	N	B
[S]						
SPAKA0047QSZZ	572 902 1412	23- 9	AX	FG	N	D
SPAKA0048QSZZ	572 902 1426	23- 2	AP	EQ	N	D
SPAKA0049QSZZ	572 902 1427	23- 1	AP	EQ	N	D
SPAKA0050QSZZ	572 902 1413	23- 11	AE	DJ	N	D
SPAKA0051QSZZ	572 902 1414	23- 14	AC	DJ	N	D
SPAKA0068QSZZ	572 902 1428	23-104	AD	DJ	N	D
SPAKC0052QS11	572 901 1410	23- 10	AY	FQ	N	D
SPAKC0052QS16	572 901 1411	23- 10	AY	FQ	N	D
SPAKC0052QS17	572 901 1423	23- 10	AY	FQ	N	D
SPAKC0052QS22	572 901 1412	23- 10	AY	FQ	N	D
SPAKC0052QS23	572 901 1413	23- 10	AY	FQ	N	D
SPAKC0052QS28	572 901 1414	23- 10	AY	FQ	N	D
SPAKC0052QS29	572 901 1415	23- 10	AY	FQ	N	D
SPAKC0052QS34	572 901 1416	23- 10	AY	FQ	N	D
SPAKC0052QS35	572 901 1417	23- 10	AY	FQ	N	D
SPAKC0052QS40	572 901 1418	23- 10	AY	FQ	N	D
SPAKC0052QS41	572 901 1419	23- 10	AY	FQ	N	D
SPAKC0052QS46	572 901 1420	23- 10	AY	FQ	N	D
SPAKC0052QS48	572 901 1421	23- 10	AY	FQ	N	D
SPAKC0052QSZZ	572 901 1408	23- 10	AY	FQ	N	D
SSAKA2347QCZZ	578 906 0006	23- 8	AB	DD	N	D
SSAKA5003CCZZ	500 906 0006	23- 5	AA	DD	N	D
[T]						
TCADS0764FCZ1	572 913 0620	23-102	AD	DJ	N	D
TCADZ0014QSZZ	572 913 0858	23-101	AE	DJ	N	D
TCAUH0077FCZZ	572 914 0035	1- 19	AB	DD	N	C
TCAUH0007QSZZ	572 914 0676	15- 7	AD	DJ	N	C
"	572 914 0676	16- 7	AD	DJ	N	C
TCAUH0819FCZZ	572 914 0575	4- 19	AA	DD	N	C
TCAUH0933FCZZ	572 914 0129	6- 16	AB	DD	N	C
TCAUH0991FCZZ	572 914 0620	13- 32	AE	DS	N	C
TCAUH0992FCZZ	572 914 0621	13- 32	AE	DS	N	C
TCAUH1013FCZZ	572 914 0642	13- 32	AD	DJ	N	C
TGANE0009QSZZ	572 915 0043	23-102	AL	EB	N	D
TGANJ0005QSZZ	572 915 0041	23-102	AL	EB	N	D
TGANJ0006QSZZ	572 915 0042	23-102	AL	EB	N	D
TINSE0067QSZZ	572 916 1522	23- 7	AM	EG	N	D
TINSE0069QSZZ	572 916 1523	23- 7	AX	FG	N	D
TINSE0078QSZZ	572 916 1524	23- 7	AQ	EQ	N	D
TINSF0071QSZZ	572 916 1525	23- 7	AX	FG	N	D
TINSJ0065QSZZ	572 916 1528	23- 7	AU	ZZ	N	D
TLABH0055QSZZ	572 917 3351	1- 24	AE	DS	N	C
TLABH0056QSZZ	572 917 3352	1- 11	AG	DX	N	C
TLABH0264GCZZ	578 917 0363	1- 21	AC	DJ	N	C
TLABH3591FCZZ	572 917 2721	23-103	AB	DJ	N	C
TLABM0067QSZZ	572 917 3354	1- 27	AD	DJ	N	C
TLABZ0058QSZZ	572 917 3341	1- 20	AD	DJ	N	C
TLABZ3405FCZZ	572 917 2809	24- 36	AB	DJ	N	C
TLABZ3568FCZZ	572 917 2729	21- 12	AB	DJ	N	C
TTAG-0002QSZZ	572 921 0001	23- 13	AB	DJ	N	C
TTAG-0003QSZZ	572 921 0002	23- 15	AC	DJ	N	C
[U]						
UBAGF0039FCZZ	572 931 0017	23- 6	AG	DS	N	D
UBNDA0001FCZZ	595 933 0001	23- 4	AA	DD	N	C
[V]						
VCCCTV1HH101J	500 591 5023	24- 37	AA	DD	N	C
VCCCTV1HH120J	500 593 0026	24- 38	AA	DD	N	C
VCCCTV1HH180J	595 593 0051	24- 39	AA	DD	N	C
VCCCTV1HH201J	500 591 5042	25- 5	AA	DD	N	C
VCCCTV1HH330J	578 593 0008	24- 40	AA	DD	N	C
VCCCTV1HH470J	500 591 5043	24- 41	AA	DD	N	C
VCEAFU1EM227M	572 594 0787	30- 59	AC	DD	N	C
VCEAFU1HM105M	578 594 0103	30- 60	AC	DD	N	C
VCEAFU1HM475M	572 594 0788	30- 61	AC	DD	N	C
VCEAFU1VM336M	572 594 0789	30- 62	AC	DD	N	C
VCEAFU1VM476M	572 594 0790	30- 63	AD	DD	N	C
VCEAFV1AM228M	572 594 0791	30- 64	AF	DS	N	C
VCEAFV1VM108M	572 594 0792	30- 65	AF	DS	N	C
VCEAGA1VW106M	572 594 0093	24- 49	AA	DD	N	C
VCEAGA1VW226M	595 594 0344	24- 50	AC	DD	N	C
VCEAGU1CW106M	571 594 0095	24- 42	AA	DD	N	C

PARTS CODE	JAPAN ONLY ORDER CODE	NO.	PRICE R.		NEW	P/R
			Ex.	Ja.		
VCEAGU1CW107M	541 591 5286	24- 43	AB	DD		C
VCEAGU1CW226M	541 591 5060	24- 44	AA	DD		C
VCEAGU1CW476M	541 591 5063	24- 45	AB	DD		C
VCEAGU1EW106M	572 594 0065	24- 46	AA	DD		C
VCEAGU1EW476M	571 594 0230	24- 47	AB	DD		C
VCEAGU1HW474M	571 594 0236	24- 48	AA	DD		C
VCEAGU1VW476M	579 594 0046	24- 51	AB	DD		C
VCEAJU1CW476M	596 594 0062	25- 6	AB	DD		C
VCKYPU1HB102K	541 595 1004	26- 3	AA	DD		C
"	541 595 1004	27- 3	AA	DD		C
"	541 595 1004	28- 3	AA	DD		C
"	541 595 1004	29- 3	AA	DD		C
VCKYTV1EB104K	595 593 0031	24- 52	AA	DD		C
"	595 593 0031	25- 7	AA	DD		C
VCKYTV1HB102K	588 593 0008	24- 53	AA	DD		C
"	588 593 0008	25- 8	AA	DD		C
VCKYTV1HB222K	596 593 0080	24- 54	AA	DD		C
VCKYTV1HB223K	500 595 0082	24- 55	AA	DD		C
"	500 595 0082	25- 9	AA	DD		C
VCKYTV1HB471K	500 595 0077	24- 57	AA	DD		C
VCKYTV1HB104K	572 593 0295	24- 56	AC	DD		C
VHD1N4003//--1	572 570 0477	30- 66	AC	DJ	N	B
VHD1N4005//--1	572 570 0478	30- 67	AC	DJ	N	B
VHD1N4005E//--1	572 570 0480	24- 59	AB	DJ	N	B
VHD1SS244//--1	572 570 0479	30- 68	AC	DJ	N	B
VHD1SS270A//--1	578 570 0049	30- 69	AA	DD		B
VHDD3SBA60//--1	572 570 0410	30- 70	AG	DX		B
VHDD5SBA60//--1	595 570 0289	30- 70	AH	DX		B
VHDDSK10C//--1	595 570 0285	30- 71	AB	DJ		B
VHDDSS133//--1	500 570 5006	24- 58	AA	DD		B
"	500 570 5006	25- 10	AA	DD		B
VHDERA2206//--1	578 570 0053	30- 72	AD	DJ		B
VHDERA2208//--1	578 570 0054	30- 72	AD	DJ		B
VHDERA9202//--1	572 570 0474	30- 73	AE	DJ	N	B
VHDESJA5210--1	572 570 0475	30- 74	AE	DS	N	B
VHDYG801C04--1	572 570 0476	30- 75	AG	DX	N	B
VHDYG901C2//--1	578 570 0058	30- 76	AG	DX		B
VHEHS5A1//--1	572 571 0225	24- 60	AC	DJ	N	B
VHERD16ESB1--1	572 571 0212	30- 77	AC	DJ	N	B
"	572 571 0212	30- 81	AC	DJ	N	B
VHERD20ESB2--1	572 571 0213	30- 78	AC	DJ	N	B
VHERD3.0ESB11	572 571 0214	30- 79	AC	DJ	N	B
VHERD30ESB1--1	572 571 0215	30- 80	AC	DJ	N	B
VHERD39ESB1--1	572 571 0216	30- 77	AC	DJ	N	B
"	572 571 0216	30- 81	AC	DJ	N	B
VHERD4.7ESB11	572 571 0217	30- 82	AC	DJ	N	B
VHERD5.1ESB21	572 571 0218	30- 83	AC	DJ	N	B
VHERD5.6ESB21	572 571 0219	30- 84	AC	DJ	N	B
VHERD5.6ESB31	572 571 0220	30- 85	AC	DJ	N	B
VHERD6.8ESB11	572 571 0221	30- 86	AC	DJ	N	B
VHH4D18////--1	572 572 0008	30- 87	AK	EB	N	B
VHH8D13////--1	541 572 5004	30- 87	AK	DS	N	B
VHi27C1024-80	572 573 1772	24- 76	AW	FG	N	B
VHi341256SJ12	578 573 0970	24- 77	AN	EG	N	B
VHi74VHC08//--1	572 573 1476	24- 78	AE	DS		B
VHiH8S/2350FP	572 573 1768	24- 62	AY	FQ	N	B
VHiHG73C025FD	572 573 1767	24- 61	BE	GN	N	B
VHiLC7935//--1	572 573 0454	25- 11	AN	EQ		B
VHiLM358PS/-S	572 573 0399	24- 63	AC	DJ		B
VHiM24C02WBN6	572 573 1769	24- 64	AG	DS	N	B
VHiM51953BL--1	588 573 0032	24- 65	AF	DS		B
VHiM66236FP--1	572 573 1791	24- 66	AT	EZ	N	B
VHiNJM2903M/-	572 573 0025	24- 67	AD	DJ		B
VHiNJM3414M--1	571 573 1448	24- 68	AF	DX		B
VHiSLA7027MU/	578 573 0883	24- 69	AQ	EQ		B
VHiSN74LS07NS	596 573 0065	24- 70	AF	DS		B
VHiTA7291S/-1	572 573 0188	24- 71	AF	DS		B
VHiTC74HC14FN	595 573 1165	24- 72	AH	DX		B
VHiTC74HC151F	572 573 1792	24- 73	AG	DS	N	B
"	572 573 1792	25- 12	AG	DS	N	B
VHiTD62503F/-	572 573 0907	24- 74	AG	DX		B
VHiULN2003AN1	572 573 0829	24- 75	AE	DJ		B
VHPGP1S53V/-1	578 574 0031	26- 4	AE	DS		B
"	578 574 0031	27- 4	AE	DS		B
"	578 574 0031	28- 4	AE	DS		B
"	578 574 0031	29- 4	AE	DS		B
VHPLTC3650G01	572 574 0314	25- 13	AQ	EQ	N	B
VHPMPG3864K-J	572 574 0298	25- 14	AC	DJ		B
VHPMVR3864K-J	572 574 0299	25- 15	AC	DJ		B
VHSTF321S//--1	578 575 0020	30- 88	AG	DX		B
VHSTM1641P/-F	572 575 0153	30- 89	AT	EZ	N	B

PARTS CODE	JAPAN ONLY ORDER CODE	NO.	PRICE R.		NEW	P/R
			Ex.	Ja.		
VHSTM1661P/-F	572 575 0154	30- 89	AT	EZ	N	B
VHVC271D10A-1	578 577 0016	30- 90	AD	DJ		B
VHVC471D10A-1	578 577 0017	30- 90	AE	DJ		B
VHV iCPN38//--1	585 577 0022	24- 79	AF	DS		B
VRD-HT2EY121J	507 581 5011	24- 80	AA	DD		C
VRD-HT2EY151J	541 581 5470	24- 81	AA	DD		C
VRD-HT2EY221J	507 581 5014	24- 82	AA	DD		C
VRD-HT2EY241J	593 581 0088	24- 83	AA	DD		C
VRD-HT2EY432J	595 581 0479	24- 84	AA	DD		C
VRD-HT2EY472J	507 581 5018	24- 85	AA	DD		C
VRD-ST2CD103J	501 581 0044	30- 91	AA	DD		C
VRD-ST2CD104J	501 581 0042	30- 92	AA	DD		C
VRD-ST2CD105J	588 581 0103	30- 93	AA	DD		C
VRD-ST2CD122J	596 581 0155	30- 94	AA	DD		C
VRD-ST2CD123J	571 580 0129	30- 95	AA	DD		C
VRD-ST2CD153J	572 581 0195	30- 96	AA	DD		C
VRD-ST2CD181J	578 580 0045	30- 97	AA	DD		C
VRD-ST2CD182J	596 581 0154	30- 98	AA	DD		C
VRD-ST2CD183J	578 580 0046	30- 99	AA	DD		C
VRD-ST2CD223J	588 581 0119	30-100	AA	DD		C
VRD-ST2CD224J	572 580 1138	30- 92	AB	DD	N	C
VRD-ST2CD274J	572 580 1139	30-101	AB	DD	N	C
VRD-ST2CD330J	578 580 0047	30-102	AA	DD		C
VRD-ST2CD331J	572 581 0201	30-103	AA	DD		C
VRD-ST2CD333J	596 581 0144	30-104	AA	DD		C
VRD-ST2CD334J	572 580 1140	30-101	AB	DD	N	C
VRD-ST2CD394J	572 580 1141	30-105	AB	DD	N	C
VRD-ST2CD472J	572 581 0200	30-106	AA	DD		C
VRD-ST2CD473J	596 581 0146	30-107	AA	DD		C
VRD-ST2CD474J	578 580 0049	30-108	AA	DD		C
VRD-ST2CD562J	501 581 0041	30-109	AA	DD		C
VRD-ST2CD563J	572 580 1142	30-110	AB	DD	N	C
VRD-ST2CD681J	572 580 1143	30-111	AB	DD	N	C
VRD-ST2CD684J	572 580 1144	30-101	AB	DD	N	C
VRD-ST2CD822J	572 581 0206	30-112	AA	DD		C
VRD-ST2EF105J	572 580 1145	30-113	AB	DD	N	C
VRD-ST2EF155J	578 580 0051	30-114	AA	DD		C
VRD-ST2HF104J	571 580 0130	30-115	AA	DD		C
VRH-ST2HB157K	572 581 1817	13- 2	AD	DJ		C
VRNHT2EK2401F	585 581 0102	24- 86	AA	DD		C
VRNHT2EK4301F	572 581 1879	24- 86	AB	DD	N	C
VRS-HT3DA102J	588 581 0145	24- 89	AA	DD		C
VRS-HT3DA1R0J	567 581 0073	24- 88	AB	DD		C
VRS-HT3DAR22J	572 581 0135	24- 87	AA	DD		C
VRS-TP2BD000J	507 581 5003	25- 16	AA	DD		C
VRS-TS2AD000J	500 581 5090	24- 90	AA	DD		C
VRS-TS2AD100J	501 581 5008	24- 91	AA	DD		C
VRS-TS2AD101J	500 581 5047	24- 92	AA	DD		C
"	500 581 5047	25- 17	AA	DD		C
VRS-TS2AD102F	595 581 0169	24- 93	AA	DD		C
VRS-TS2AD102J	595 581 0137	24- 94	AA	DD		C
"	595 581 0137	25- 18	AA	DD		C
VRS-TS2AD103F	595 581 0139	24- 95	AA	DD		C
VRS-TS2AD103J	501 581 5009	24- 96	AA	DD		C
"	501 581 5009	25- 19	AA	DD		C
VRS-TS2AD105F	594 581 0233	24- 97	AB	DD		C
VRS-TS2AD121J	578 581 0014	25- 20	AA	DD		C
VRS-TS2AD122J	500 581 5053	24- 98	AA	DD		C
VRS-TS2AD151J	572 581 0442	25- 21	AA	DD		C
VRS-TS2AD152J	500 581 5043	24- 99	AA	DD		C
"	500 581 5043	25- 22	AA	DD		C
VRS-TS2AD153J	595 581 0192	24-100	AA	DD		C
VRS-TS2AD202J	596 581 0126	24-101	AA	DD		C
VRS-TS2AD203J	501 581 5010	24-102	AA	DD		C
VRS-TS2AD205J	500 581 5092	24-103	AB	DD		C
VRS-TS2AD242J	578 581 0026	24-104	AA	DD		C
VRS-TS2AD273J	500 581 0463	24-105	AA	DD		C
VRS-TS2AD300J	595 581 0284	24-106	AA	DD		C
VRS-TS2AD301J	595 581 0285	24-107	AA	DD		C
VRS-TS2AD331J	579 581 0093	24-108	AA	DD		C
VRS-TS2AD332J	500 581 5049	24-109	AA	DD		C
VRS-TS2AD333J	501 581 5012	24-110	AA	DD		C
VRS-TS2AD393J	595 581 0036	24-111	AA	DD		C
VRS-TS2AD470J	595 581 0326	24-112	AA	DD		C
VRS-TS2AD472J	501 581 5013	24-113	AA	DD		C
"	501 581 5013	25- 23	AA	DD		C
VRS-TS2AD473J	500 581 5051	24-114	AA	DD		C
VRS-TS2AD510J	595 581 0323	24-115	AA	DD		C
VRS-TS2AD511J	595 581 0296	25- 24	AA	DD		C
VRS-TS2AD512J	595 581 0298	24-116	AA	DD		C
VRS-TS2AD621F	572 581 1822	24-117	AA	DD		C

SHARP

COPYRIGHT © 1998 BY SHARP CORPORATION

All rights reserved.

Printed in Japan.

No part of this publication may be reproduced,
stored in a retrieval system, or transmitted,
in any form or by any means,
electronic, mechanical, photocopying, recording, or otherwise,
without prior written permission of the publisher.

SHARP CORPORATION
Printing & Reprographic Systems Group
Quality & Reliability Control Center
Yamatokoriyama, Nara 639-1186, Japan
July 1998 Printed in Japan ©