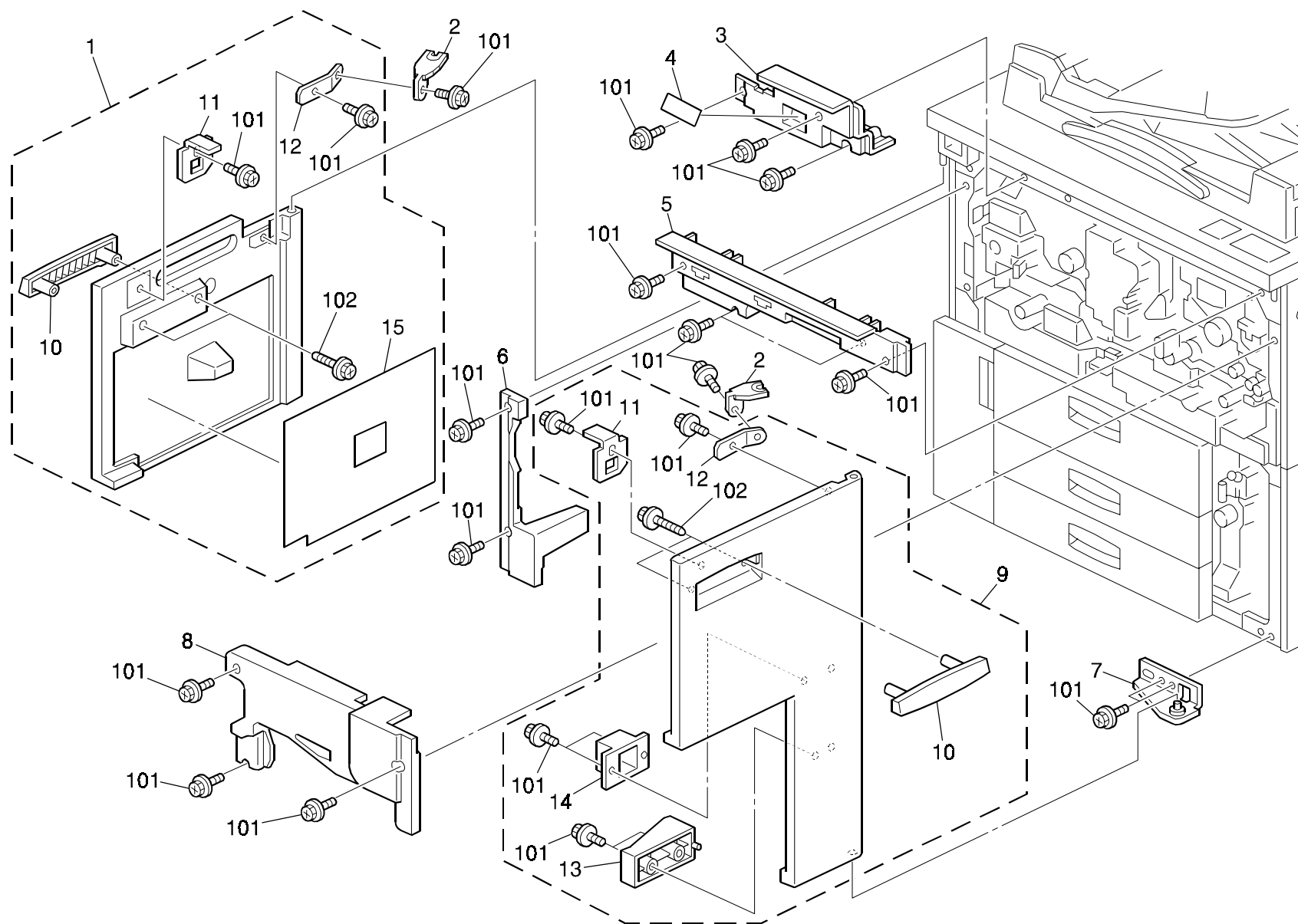


1.EXTERIOR 1 (A294)

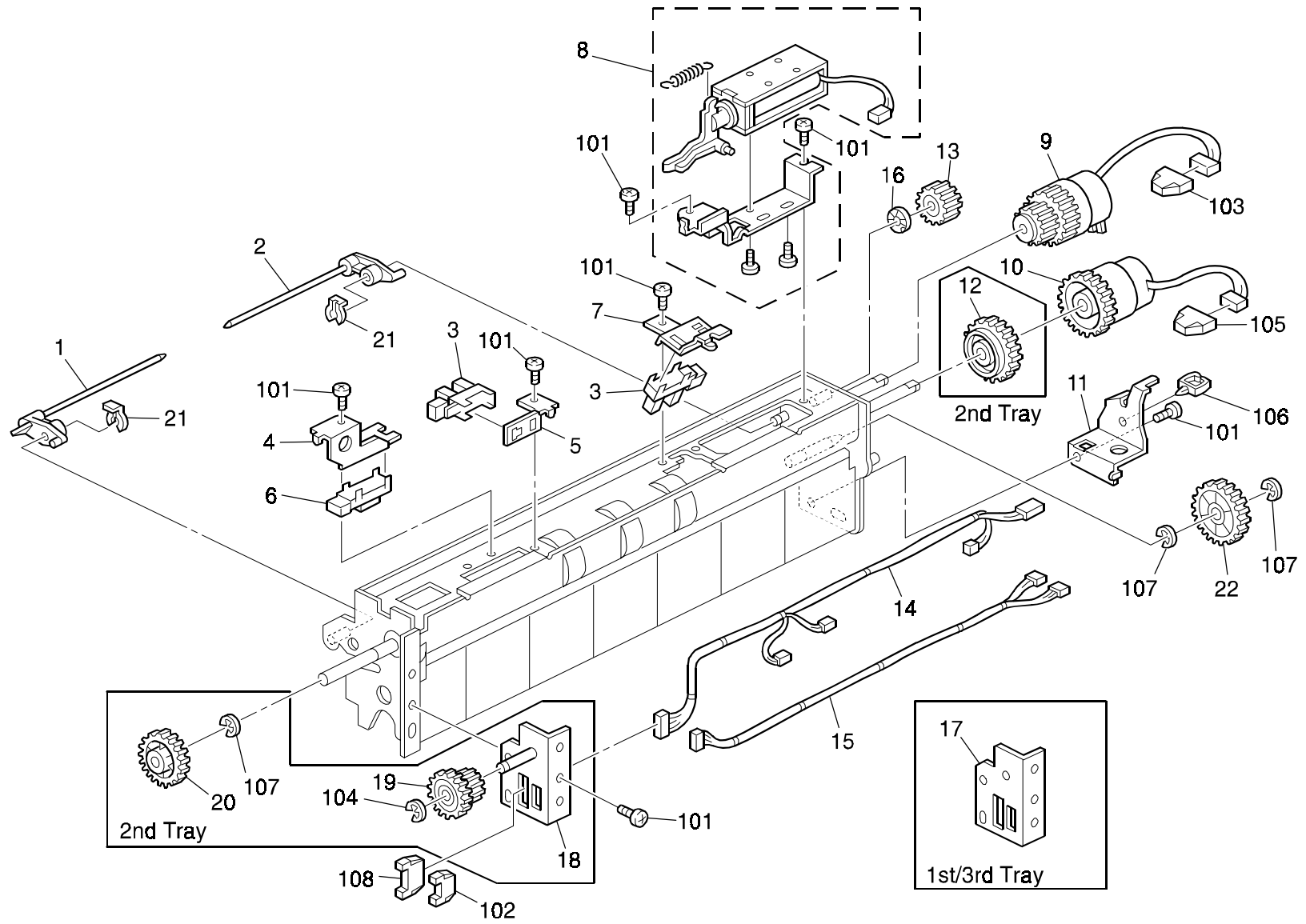


1.EXTERIOR 1 (A294)

Index No.	Part No.	Description	Q'ty Per Assembly
1	A294 1278	Left Front Door (RIC)	1
1	A294 6914	Left Front Door (NRG/SVN/LAN)	1
1	A294 6915	Left Front Door (INF)	1
2	A079 1406	Upper Door Spacer	2
3	A294 1377	Inner Cover - Left Upper	1
4	A294 1378	Decal - Total Counter	1
5	A294 1375	Inner Cover - Right Upper	1
6	A294 1380	Inner Cover - Left	1
7	A294 1356	Lower Right Hinge	1
8	A294 3699	Drum Inner Cover	1
9	A294 1285	Right Front Door (RIC A294I)	1
9	A294 1254	Right Front Door (RIC A294II/UP-KIT) MB91 ADDED	1
9	A295 1285	Right Front Door (RIC A295I) MB13 ADDED	1
9	A295 1254	Right Front Door (RIC A295II/UP-KIT) MB91 ADDED	1
9	A294 6910	Right Front Door (SVN/LAN)	1
9	A294 6911	Right Front Door (NRG)	1
9	A294 6912	Right Front Door (INF A294I)	1
9	A294 6913	Right Front Door (INF A294II/UP-KIT) MB91 ADDED	1
9	A295 6912	Right Front Door (INF A295I) MB13 ADDED	1
9	A295 6913	Right Front Door (INF A295II/UP-KIT) MB91 ADDED	1
10	A294 1281	Front Door Grip	2
11	A294 1292	Door Switch Bracket	2
12	A294 1282	Front Door Spcer Bracket	2
13	A294 1294	Vertical Guide Stopper	1
14	A079 1395	Left Door Stopper	1
15	A294 1300	Decal - Misfeed Removal	1

Index No.	Part No.	Description	Q'ty Per Assembly
101	0451 4008B	Philips Tapping Screw - M4x8	
102	0450 4014B	Tapping Screw - 4x14	

24.PAPER FEED UNIT 1 (A294)

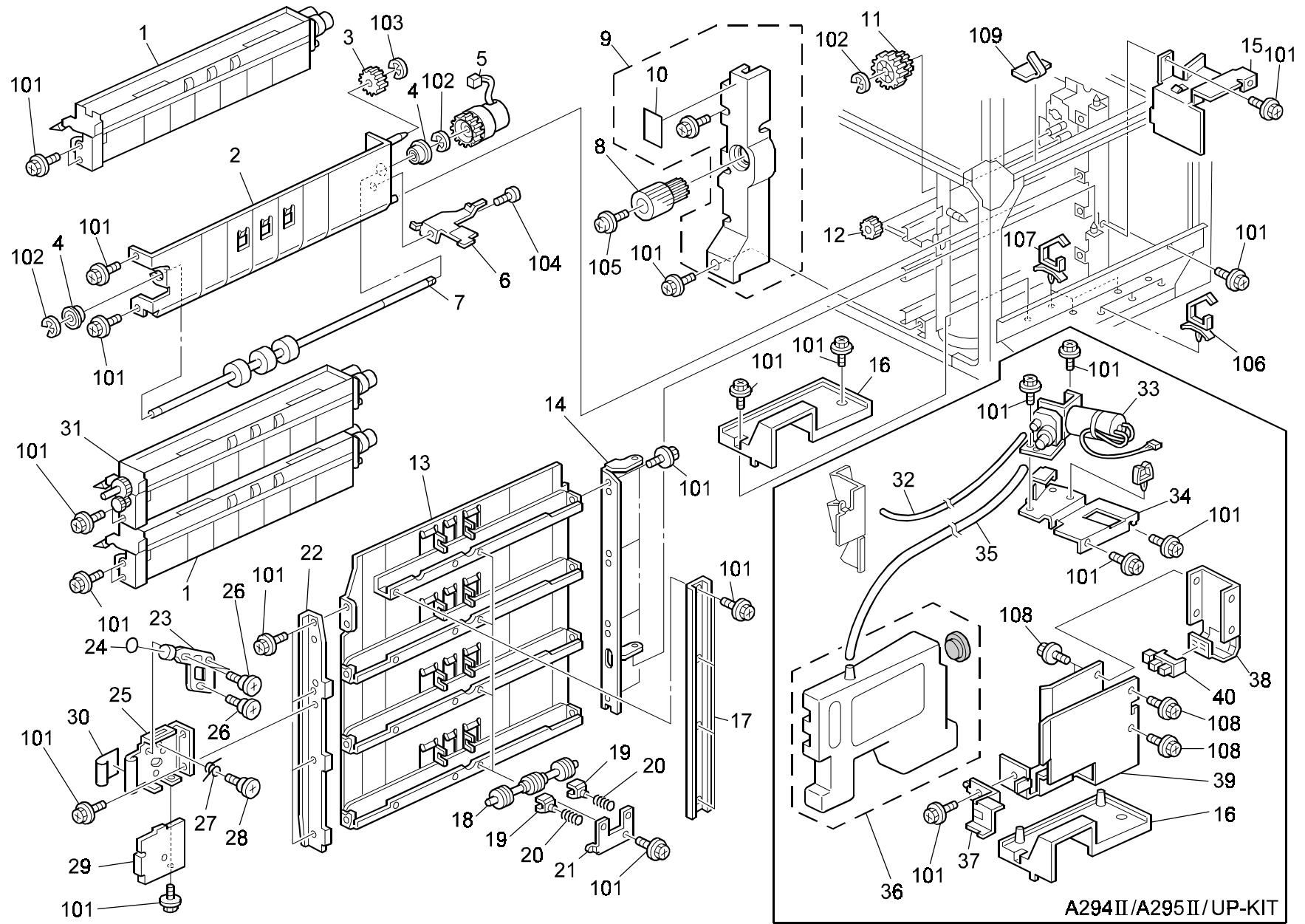


24.PAPER FEED UNIT 1 (A294)

Index No.	Part No.	Description	Q'ty Per Assembly
1	A096 6363	Front Paper Flattener	3
2	A096 6360	Paper Flattener	3
3	AW02 0056	Photointerruptor - EE-SX4235A-P1	6
4	A229 6353	Photo Refiection Sensor Bracket	3
5	A229 6345	Paper End Sensor Bracket	3
6	AW01 0049	Photo Reflection Sensor	3
7	A229 6358	Paper Sensor Bracket	3
8	A229 6355	Pick-up Solenoid Ass'y	3
9	AX20 0176	Magnetic Clutch (A294I/A295I/UP-KIT)	3
9	AX20 0237	Magnetic Clutch (A294II/A295II) MB91 ADDED	3
10	AX20 0147	Magnetic Clutch	3
11	A294 6366	Magnetic Clutch Arm	3
12	AB01 4069	Drive Gear - Misfeed Removal	1
13	AB01 3000	Idler Gear - 18Z	3
14	A229 5497	Upper Harness	3
15	A229 5496	Lower Harness	3
16	AA16 0020	Felt Wick Spacer - 6x12x2	3
17	A229 6382	Paper Feed Unit Stay - Tandem	2
18	A229 6381	Paper Feed Unit Stay Ass'y	1
19	AB01 3780	Gear	1
20	AB01 3778	Gear - 32Z	1
21	5447 2681	Snap Ring	6
22	AB01 3775	Gear - 33Z	1

Index No.	Part No.	Description	Q'ty Per Assembly
101	0434 0060B	Pan Head Self-tapping Screw - M4x6	
102	1102 6254	Connector - 11P	
103	1102 6259	Connector - 2P	
104	0720 0040B	Retaining Ring - M4	
105	1102 6245	Relay Connector - 2P	
106	1105 0199	Clamp	
107	0720 0060B	Retaining Ring - M6	
108	1102 6249	Relay Connector - 6P	

27.VERTICAL TRANSPORT (A294)

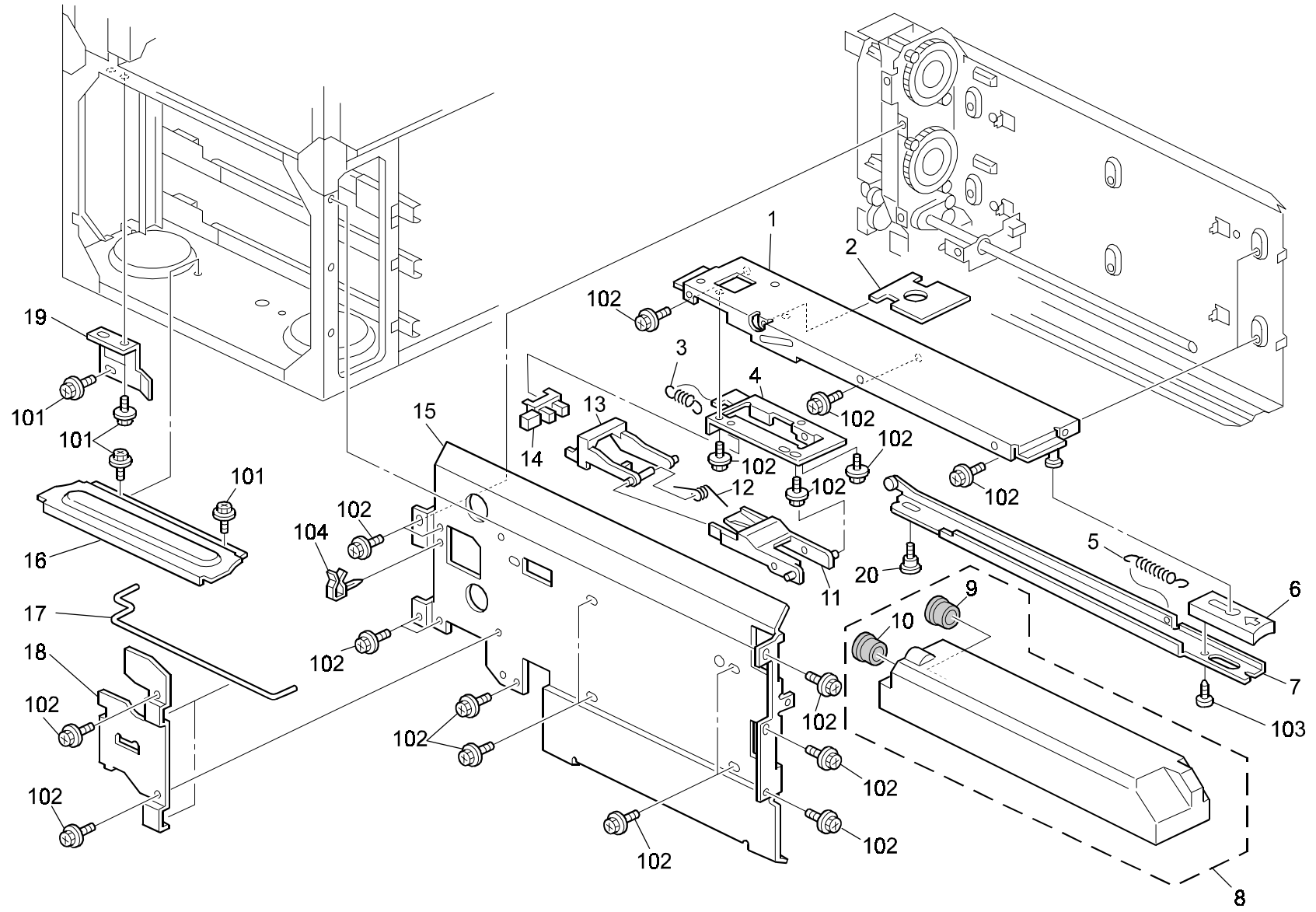


27.VERTICAL TRANSPORT (A294)

Index No.	Part No.	Description	Q'ty Per Assembly
1	A294 6320	Paper Feed Unit (A294I/A295I/UP-KIT)	2
1	A294 6322	Paper Feed Unit (A294II/A295II) MB91 ADDED	2
2	A294 6371	Guide Plate	1
3	AB01 3000	Idler Gear - 18Z	1
4	A232 3566	Ball Bearing - 8x16x5	2
5	AX20 0147	Magnetic Clutch	1
6	A294 2752	Magnetic Clutch Holder	1
7	A294 6376	Transport Roller	1
8	AG05 0067	Knob - Transport Roller	1
9	A294 6183	Inner Cover - Paper Tray	1
10	AA00 0540	Decal - Misfeed Removal	1
11	AB01 7516	Gear - 32Z/22Z	1
12	AB01 3000	Idler Gear - 18Z	1
13	A294 6405	Guide Plate - Upper Transport	1
14	A294 6404	Rear Side Plate	1
15	A294 1525	Harness Cover Plate	1
16	A294 1526	Harness Cover	1
	A294 1524	X/O MB91	
17	A294 6409	Stay	1
18	AF02 0295	Vertical Driven Roller	4
19	AA08 0241	Bushing - M4	8
20	AA06 3487	Spring - 10mm	8
21	A096 6402	Pressure Plate Driven Roller	4
22	A294 6403	Front Side Plate	1
23	A029 2858	Release Lever	1
24	AA00 1326	Decal - A1	1
25	A294 6426	Release Lever - Vertical Transport	1
26	5201 1796	Stepped Screw - M4	3
27	5446 2846	Release Spring - Vertical Transport	1
28	5403 6246	Stepped Screw - Cleaning	1
29	A096 6413	Release Lever Cover	1
30	A029 2984	Decal - Grip	1
31	A294 6321	Paper Feed Unit - 2nd (A294I/A295I/UP-KIT)	1

Index No.	Part No.	Description	Q'ty Per Assembly
31	A294 6323	Paper Feed Unit - 2nd (A294II/A295II)	1
32	A294 3731	Joint Tube (A294II/A295II/UP-KIT) MB91 ADDED	1
33	A294 3725	Air Pump Ass'y (A294II/A295II/UP-KIT) MB91 ADDED	1
34	A294 3722	Pump Unit Bracket (A294II/A295II/UP-KIT) MB91 ADDED	1
35	A294 3732	Collection Bottle Tube (A294II/A295II/UP-KIT) MB91 ADDED	1
36	A294 3700	Collection Bottle Ass'y (A294II/A295II/UP-KIT) MB91 ADDED	1
37	A294 3713	Stopper - Collection Bottle (A294II/A295II/UP-KIT) MB91 ADDED	1
38	A294 3712	Supporter Stay (A294II/A295II/UP-KIT) MB91 ADDED	1
39	A294 3711	Vacuum Supporter (A294II/A295II/UP-KIT) MB91 ADDED	1
40	AW02 0059	Duplex Paper Sensor (A294II/A295II/UP-KIT) MB91 ADDED	1
101	0451 4008B	Philips Tapping Screw - M4x8	
102	0720 0060B	Retaining Ring - M6	
103	0720 0040B	Retaining Ring - M4	
104	0951 4008B	Philips Screw With Washer - M4x8	
105	0314 0060B	Philips Pan Head Screw - M4x6	
106	1105 0210	Clamp. Flate Cable	
107	1105 0292	Wire Saddle	
108	0451 3006B	Tapping Screw - M3x6 (A294II/A295II/UP-KIT) MB91 ADDED	
109	1105 0412	Cord Keep (A294II/A295II/UP-KIT) MB91 ADDED	

31.TONER BANK UNIT 1 (A294)

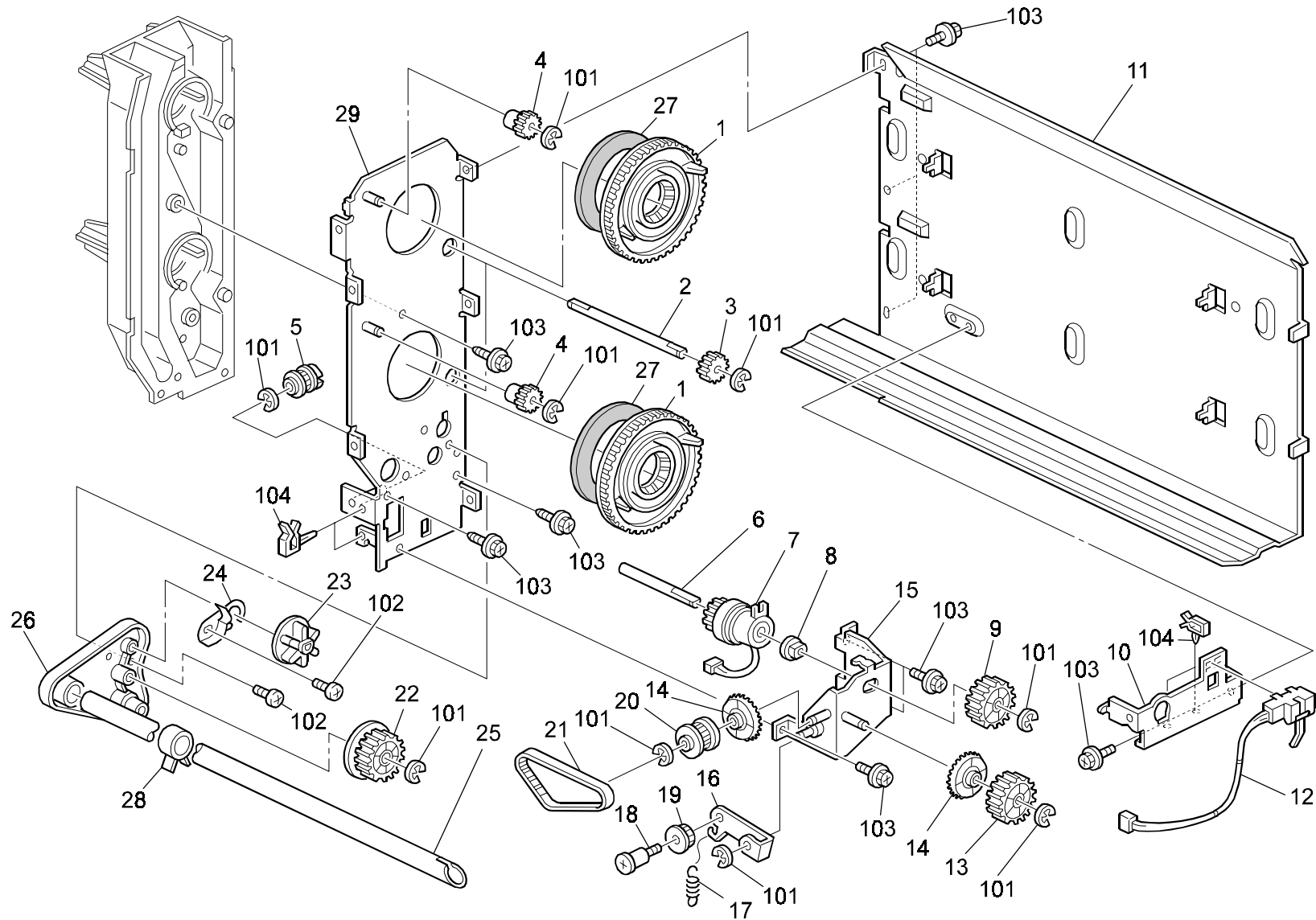


31.TONER BANK UNIT 1 (A294)

Index No.	Part No.	Description	Q'ty Per Assembly
*	A294 3187	Toner Bank Unit (RIC EU)(A294I/A295I)	1
	A294 3047	X/O MB91	
	A294 3309	X/O MB33	
*	A294 3186	Toner Bank Unit (RIC NA)(A294I/A295I)	1
	A294 3046	X/O MB91	
	A294 3308	X/O MB33	
*	A294 3189	Toner Bank Unit (INF/LAN)(A294I/A295I)	1
	A294 3049	X/O MB91	
	A294 3282	X/O MB33	
*	A294 3188	Toner Bank Unit (NRG/SVN)(A294I/A295I)	1
	A294 3048	X/O MB91	
	A294 3272	X/O MB33	
*	A294 3022	Toner Bank Unit (A294II/A295II/UP-KIT) MB91 ADDED	1
1	A294 3442	Toner Bottle Guide Plate	2
2	A294 3454	Lever Stopper	2
3	AA06 0812	Lever Tension Spring	2
4	A294 3445	Stopper Support Plate	2
5	AA06 0811	Tension Spring - Stopper	2
6	A294 3453	Toner Bottle Release Lever	2
7	A294 3451	Lever Holder	2
8	A294 3465	Toner Collection Bottle	1
9	A007 3751	Large Cap - Toner Collection Tank	1
10	AA15 2315	Tank Seal	1
11	A294 3446	Toner Bottle Stopper	2
12	AA06 6320	Feeler Tortion Spring	2
13	A294 3447	Toner Bottle Set Feeler	2
14	AW02 0056	Photointerruptor - EE-SX4235A-P1	2
15	A294 3436	Left Side Plate - Toner Bank	1
16	A294 3496	Toner Bank Guide Rail	1
17	A294 3461	Lever Rack Joint	2
18	A294 3462	Joint Holder	1
19	A294 3495	Fixing Plate	1
20	AA14 3062	Shoulder Screw - M4	2

Index No.	Part No.	Description	Q'ty Per Assembly
101	0451 4008B	Philips Tapping Screw - M4x8	
102	0451 4006B	Tapping Screw - 4x6	
103	0452 4008B	Binding Self Tapping Screw - M4x8	
104	1105 0267	Harness Clamp - YMC-10-0	

33.TONER SUPPLY UNIT 1 (A294)

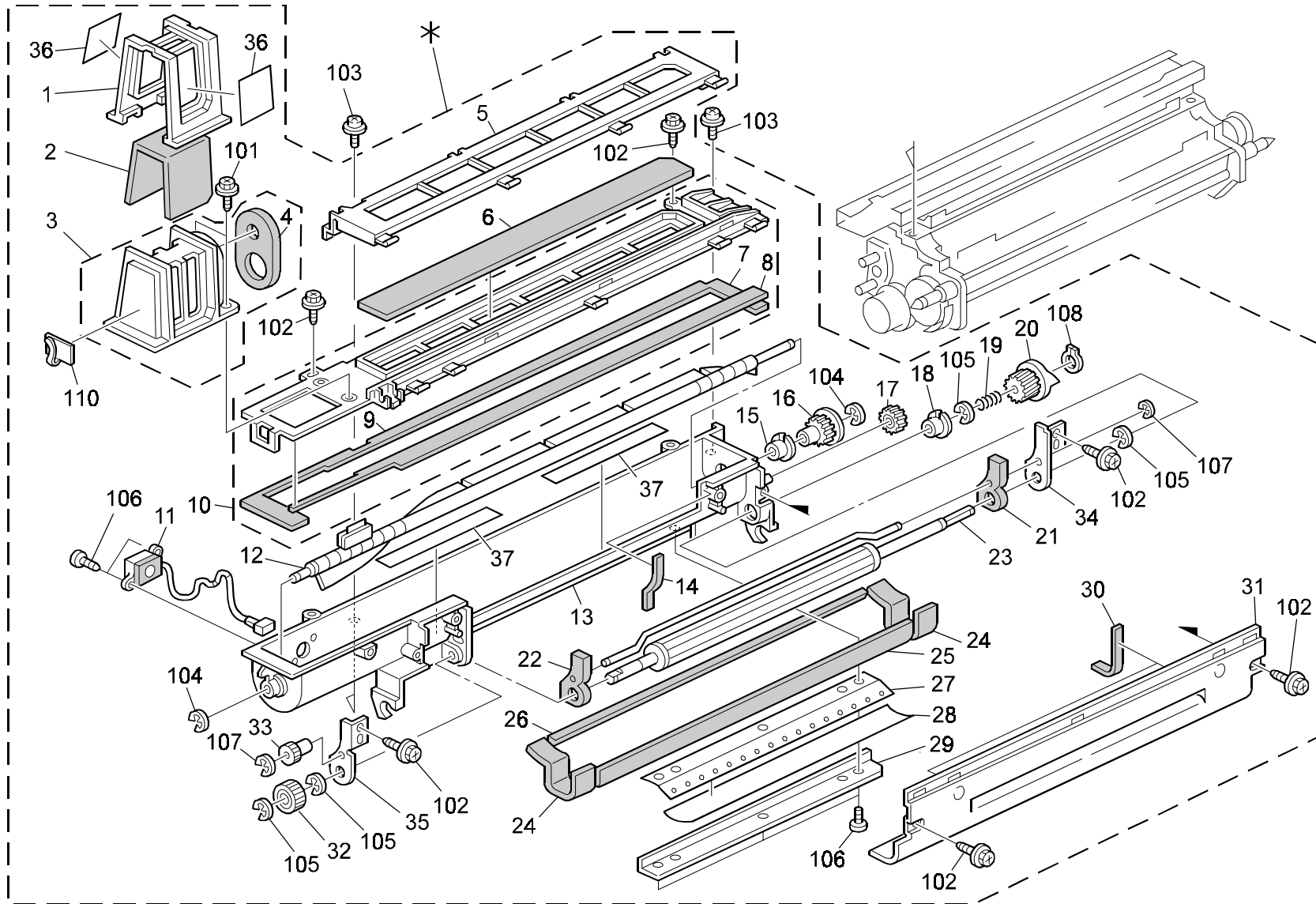


33.TONER SUPPLY UNIT 1 (A294)

Index No.	Part No.	Description	Q'ty Per Assembly
1	A294 3294	Gear - 108Z USA (RIC)(A294I/A295I)	2
	A294 3276	X/X MB33	
1	A294 3296	Gear - 108Z EU (RIC)(A294I/A295I)	2
	A294 3277	X/X MB33	
1	A294 3297	Gear - 108Z OEM (NRG/SVN)(A294I/A295I)	2
	A294 3278	X/X MB33	
1	A294 3298	Gear - 108Z OEM2 (INF/LAN)(A294I/A295I)	2
	A294 3279	X/X MB33	
2	A294 3246	Gear - 108Z (A294II/A295II/UP-KIT) MB91 ADDED	2
2	A294 3382	Toner Bottle Drive Shaft	2
3	AB01 2007	Gear - 14Z	2
4	AB01 2005	Gear - 13Z	2
5	AB03 0643	Pulley - 23Z	1
6	A294 3406	Clutch Shaft	1
7	G024 5456	Registration Solenoid - 25Ncm	1
8	AA08 2058	Bushing - 6x10x9mm	1
9	AB01 2009	Gear - 34Z	1
10	A294 3456	Sensor Bracket - Toner Bank	1
11	A294 3432	Right Side Plate - Toner Bank	1
12	AW02 0059	Duplex Paper Sensor	1
13	AB01 2010	Gear - 34Z	1
14	A294 1163	Gear - 30Z	2
15	A294 3402	Clutch Bracket	1
16	A294 3408	Tightener Bracket	1
17	AA06 0308	Spring	1
18	AA14 3444	Stepped Screw	1
19	AB03 0317	Gate Tightener	1
20	AB03 0542	Pulley - 36Z	1
21	AA04 3283	Timing Belt - 50S2M194	1
22	A294 3391	Gear - 32Z	1
23	A294 3390	Spring Shaft Cam	1
24	A294 3393	Cam Stopper	1
25	A294 3415	Toner Collection Pipe	1
26	A294 3386	Driving Case	1

Index No.	Part No.	Description	Q'ty Per Assembly
27	AA15 2299	Bottle Hold Seal	2
28	A294 3422	Pipe Stopper-toner Collection Coil	1
29	A294 3346	Toner Bank Side Plate	1
101	0720 0040B	Retaining Ring - M4	
102	0354 0060B	Screw - M4X6	
103	0451 4006B	Tapping Screw - 4x6	
104	1105 0267	Harness Clamp - YMC-10-0	

35.TONER HOPPER SECTION (A294)

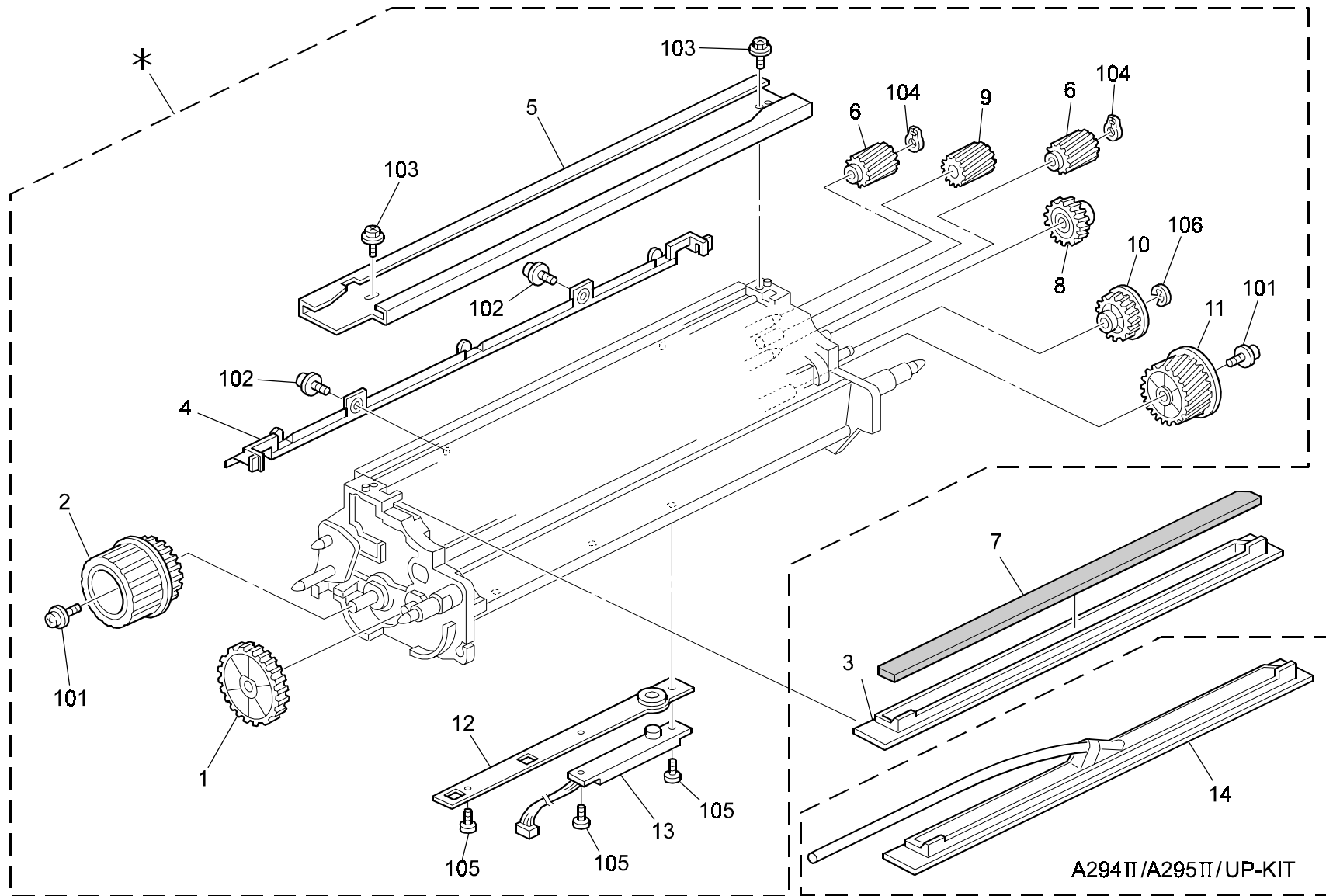


35.TONER HOPPER SECTION (A294)

Index No.	Part No.	Description	Q'ty Per Assembly
*	A294 3203	Toner Supply Unit (A294I/A295I)	1
	A294 3202	X/O MB38	
	A294 3200	X/O MB6	
*	A294 3204	Toner Supply Unit (A294II/A295II/UP-KIT) MB91 ADDED	1
1	A294 3263	Front Filter Holder	1
2	AA01 2114	Pressure Release Filter - Front	1
3	A294 3258	Toner Hopper Joint	1
	A294 3261	X/O MB38	
4	A294 3266	Joint Hopper Seal	1
5	A294 3212	Center Filter Holder	1
6	AA01 2113	Pressure Release Filter - Center	1
7	A294 3223	Seal - 45x12.5x3	1
	A294 3217	X/O MB38	
8	A294 3222	Upper Case Seal - Right	1
	A294 3216	X/O MB38	
9	A294 3221	Upper Case Seal - Left	1
	A294 3215	X/O MB38	
10	A294 3220	Upper Toner Hopper	1
	A294 3210	X/O MB38	
11	AW31 0003	Toner End Sensor	1
12	A294 3240	Agitator	1
13	A294 3231	Lower Toner Hopper Case	1
14	A294 3234	Seal - 52x5x2	1
	AA15 1787	X/O MB38	
15	A096 3176	Bushing - 6x12x8.5	1
16	AB01 3749	Gear - 15Z	1
17	AB01 3747	Gear - 16Z	1
18	A096 3175	Bushing 8x14x8	1
19	AA06 0291	Spring	1
20	AB01 3748	Joint Gear - 15Z (WHITE)	1
20	A294 3255	Idler Gear - 15Z (RED) MB6 ADDED	1
21	AA15 1789	Rear Separate Plate Seal	1
22	AA15 1788	Front Separate Plate Seal	1
23	A294 3242	Toner Supply Roller	1

Index No.	Part No.	Description	Q'ty Per Assembly
24	A294 3236	Seal - 3x15x85	2
	AA15 1792	X/O MB38	
25	A294 3237	Seal - 33x324x4	1
	AA15 1793	X/O MB38	
26	A294 3238	Filter Lower Case Seal	1
	AA15 1794	X/O MB38	
27	A096 3181	Slitter	1
28	AA15 0361	Slitter Cover Seal	1
29	A247 3123	Plate Nut - Slitter	1
30	A294 3256	Seal - 8x68x2	2
	A294 3252	X/O MB38	
31	A294 3251	Right Hopper Case	1
32	AB01 0018	Gear - 34Z	1
33	AB01 0017	Gear - 18Z	1
34	A294 3245	Agitator Rear Holder	1
35	A096 3185	Agitator Front Holder	1
36	A294 3264	Filter Holder Cover - Front MB11 ADDED	2
37	A294 3235	Seal - 60x25 MB38 ADDED	2
101	0450 3006B	Tapping Screw - M3x6	
102	0450 4008B	Tapping Screw - 4x8	
103	0951 4006B	Philips Screw With Washer - M4x6	
104	0720 0040B	Retaining Ring - M4	
105	0720 0060B	Retaining Ring - M6	
106	0452 3008B	Tapping Screw - M3x8	
107	0720 0020B	Retaining Ring - M2	
108	0727 0060B	Retaining Ring C - 6	
109	0951 3006B	Philips Screw With Flat Washer - M3X6 MB6 ADDED	
110	1105 0412	Cord Keep K-106G (A294II/A295II/UP-KIT) MB91 ADDED	

36.DEVELOPMENT UNIT 1(A294)

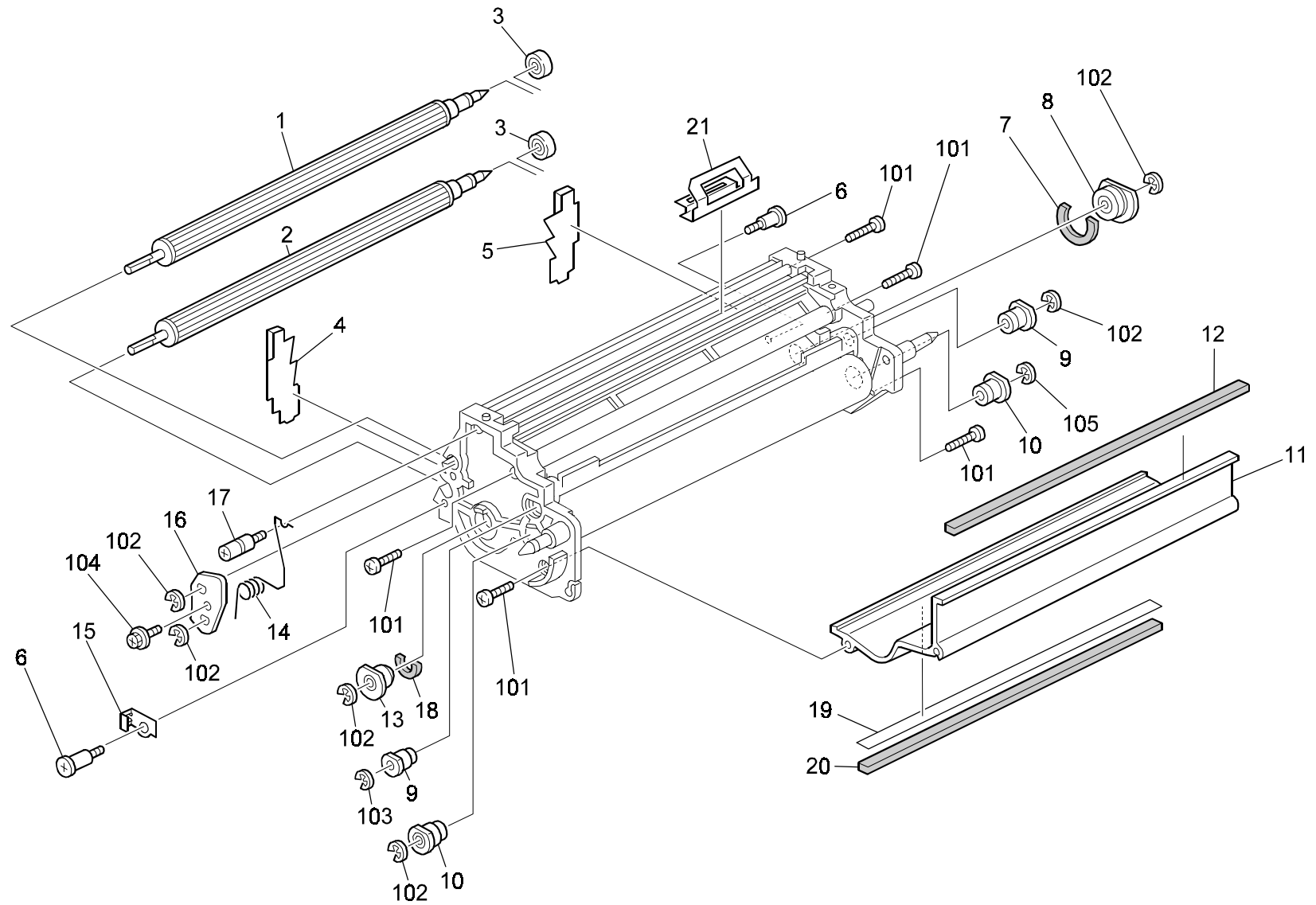


36.DEVELOPMENT UNIT 1(A294)

Index No.	Part No.	Description	Q'ty Per Assembly
*	A294 3102	Development Unit (A294I/A295I)	1
	A294 3101	O/O MB75	
	A294 3100	X/O MB38	
*	A294 3105	Development Unit (A294II/A295II/UP-KIT) MB91 ADDED	1
1	AB01 3785	Gear - 43Z	1
2	A096 3069	Development Knob	1
3	A096 3141	Development Filter Case (A294I/A295I)	1
4	A229 3091	Entrance Seal (A294I/A295I)	1
4	A294 3180	Entrance Seal (A294II/A295II/UP-KIT) MB91 ADDED	1
5	A096 3104	Development Guide Rail	1
6	A247 3081	Gear - 17Z	2
7	AA01 2060	Development Filter (A294I/A295I)	1
8	AB01 3788	Gear - 23Z	1
9	AB01 3786	Gear - 18Z	1
10	AB01 3790	Gear - 25Z	1
11	A247 3074	Gear - 34Z	1
12	A096 3059	Toner Sensor Guide	1
13	AW23 0006	Toner Density Sensor	1
14	A294 3190	Development Duct Ass'y (A294II/A295II/UP-KIT) MB91 ADDED	1

Index No.	Part No.	Description	Q'ty Per Assembly
101	0951 3006B	Philips Screw With Flat Washer - M3x6	
102	0951 4008B	Philips Screw With Washer - M4x8	
103	0450 4008B	Tapping Screw - 4x8	
104	0727 0090E	Retaining Ring C - M9	
105	0313 0050B	Philips Pan Head Screw - M3x5	
106	0720 0030B	Retaining Ring - M3	

37.DEVELOPMENT UNIT 2(A294)

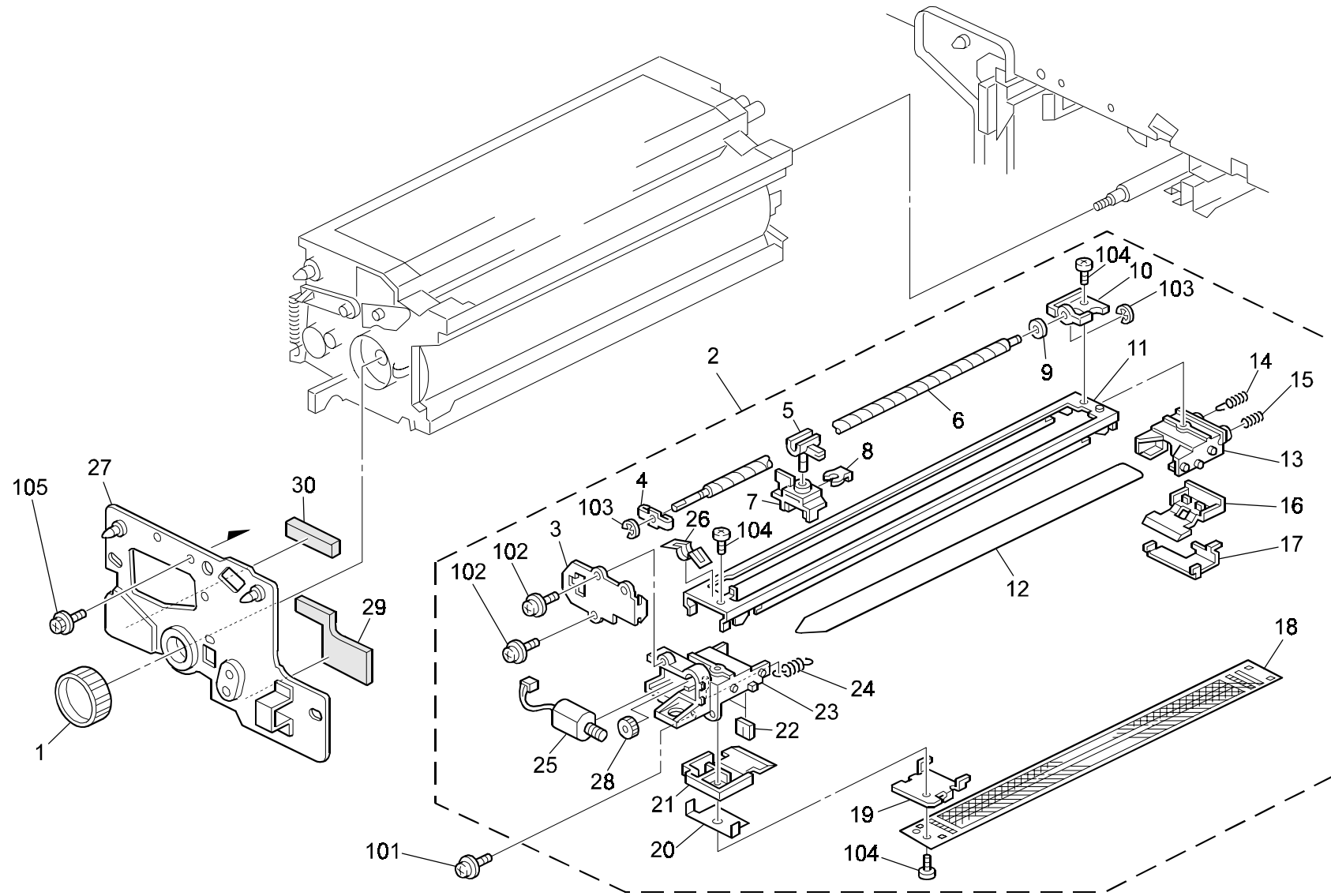


37.DEVELOPMENT UNIT 2(A294)

Index No.	Part No.	Description	Q'ty Per Assembly
*	A294 3102	Development Unit (A294I/A295I)	1
	A294 3101	O/O MB75	
	A294 3100	X/O MB38	
*	A294 3105	Development Unit (A294II/A295II/UP-KIT) MB91 ADDED	1
1	A294 3131	Upper Development Roller	1
2	A294 3132	Lower Development Roller	1
3	A247 3089	Ball Bearing - 9x17x5	2
4	A294 3166	Front Drum Seal	1
	A294 3161	X/O MB38	
5	A294 3167	Rear Drum Seal	1
	A294 3163	X/O MB38	
6	AA14 3426	Stepped Screw - M4x17	2
7	A294 3147	Seal	1
8	A294 3145	Ball Bearing Case - 8x19x6	1
9	AA08 0152	Bushing - 4x12x13	2
10	A294 3150	Bushing - 6x22x14	2
11	A096 3052	Lower Development Casing	1
12	AA15 1794	Seal - 3x5x322	1
13	A294 3170	Bushing - 6x22x14	1
14	A294 3129	Electrode Torsion Spring (A294I/A295I)	1
14	A294 3125	Electrode Torsion Spring (A294II/A295II/UP-KIT) MB91 ADDED	1
15	A294 3126	Casing Electrode	1
16	A247 3080	Adjusting Plate	1
17	5403 2819	Spring Anchor - Reverse Roller	1
18	A294 3173	Seal - M8	1
19	A294 3133	Lower Development Sheet	1
	A294 3127	X/X MB75	
	A294 3127	MB72 ADDED	
20	AA15 3094	Lower Development Seal - 10x330x0.5 MB75 ADDED	1
21	A294 3124	Ground Plate - Doctor Blade (A294II/A295II/UP-KIT) MB91 ADDED	1

Index No.	Part No.	Description	Q'ty Per Assembly
101	0314 0080B	Philips Pan Head Screw - M4x8	
102	0720 0040B	Retaining Ring - M4	
103	0720 0030B	Retaining Ring - M3	
104	0450 4008B	Tapping Screw - 4x8	
105	0720 0060B	Retaining Ring - M6	

38.PCU 1 (A294)

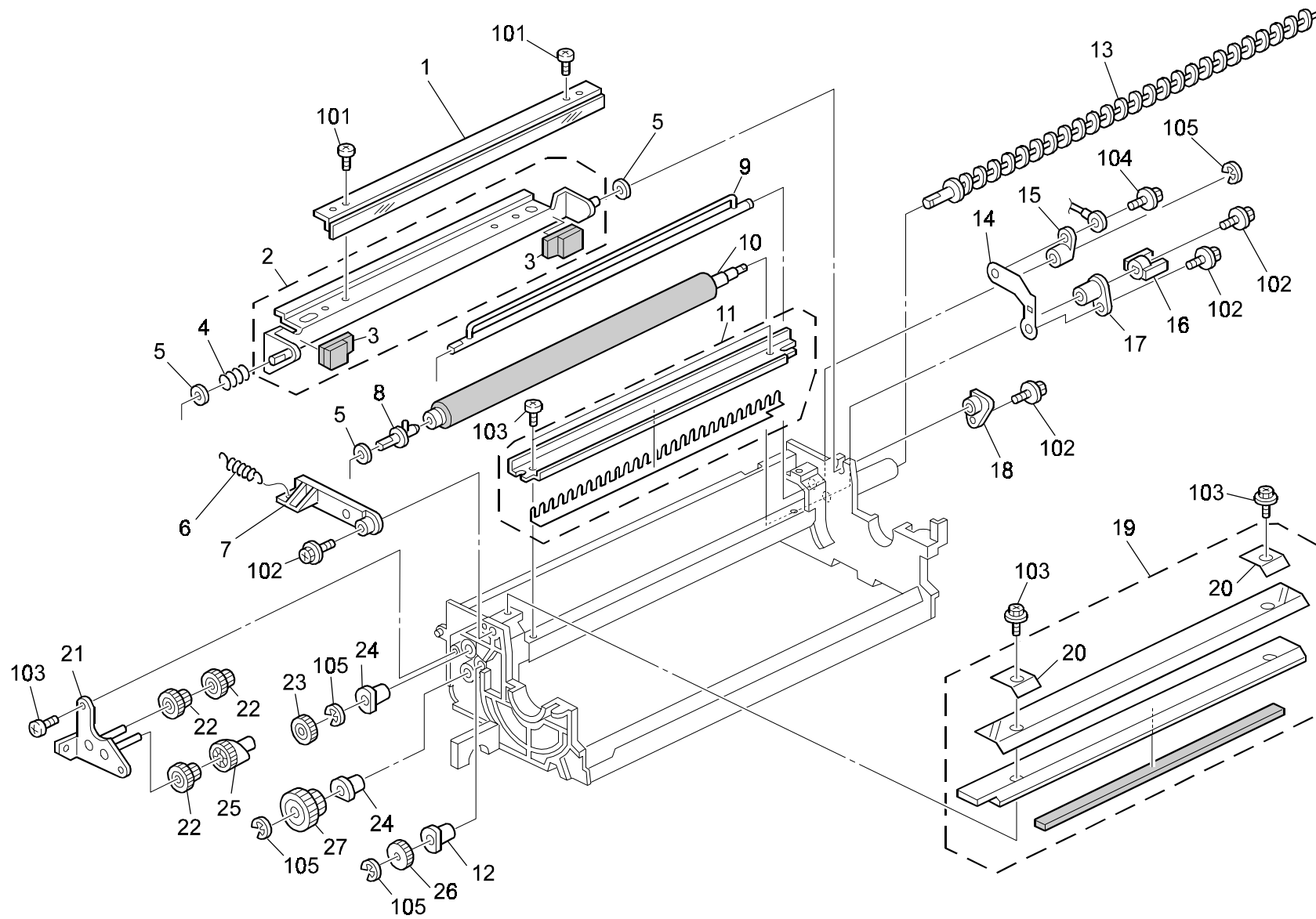


38.PCU 1 (A294)

Index No.	Part No.	Description	Q'ty Per Assembly
1	A096 2330	Drum Shaft Knob	1
2	AD00 4091	Charge Corona Unit (A294I/A295I)	1
2	A294 2010	Charge Corona Unit (A294II/A295II/UP-KIT)MB91 ADDED	1
3	A096 2053	Cleaner Motor Cover	1
4	AA08 0147	Front Bushing	1
5	A096 2062	Wire Cleaner Slider	1
6	A176 2061	Screw Shaft	1
7	A096 2063	Corona Wire Cleaner (A294I/A295I)	1
7	A294 2011	Corona Wire Cleaner (A294II/A295II/UP-KIT) MB91 ADDED	
8	A096 2065	Slider Ring	1
9	AA16 1105	Cleaner Cushion	1
10	AA08 0148	Rear Bushing	1
11	AD02 3106	Charge Corona Casing	1
12	AD02 0053	Charge Corona Wire	1
13	AD02 2285	Rear End Block	1
14	AA06 3248	Charge Terminal Spring	2
15	AA06 3249	Grid Terminal Spring	1
16	AD02 2307	Cover - Rear End Block	1
17	A096 2051	Rear Grid Anchor	1
18	A096 2057	Charge Corona Grid	1
19	A096 2052	Front Grid Anchor	1
20	A134 2363	Terminal Plate	1
21	AD02 2306	Cover - Front End Block	1
22	AA16 1119	Cushion - Wire	2
23	AD02 2283	Front End Block	1
24	AA06 2284	Pressure Spring	1
25	AX04 0061	Cleaner Motor - DC 0.5w	1
26	A176 2054	Grounding Plate	1
27	A294 2407	Drum Stay	1
	A294 2405	X/O MB75	
28	AB01 0087	Gear - 20Z	1
29	AA15 3092	Drum Stay Seal - 2	1
30	AA15 3093	Drum Stay Seal 1 - 7x39x12	1

Index No.	Part No.	Description	Q'ty Per Assembly
101	0451 4006B	Tapping Screw - 4x6	
102	0965 3008B	Tapping Screw With Washer - M3x8	
102	0450 3008H	Tapping Screw - M3x8 (A294II/A295II/UP-KIT) MB91 ADDED	
103	0720 0025B	Retaining Ring - M2.5	
104	0971 4006A	Philips Polycarbonate Screw - M4x6	
105	0451 4008B	Philips Tapping Screw - M4x8	

40.PCU 3 (A294)

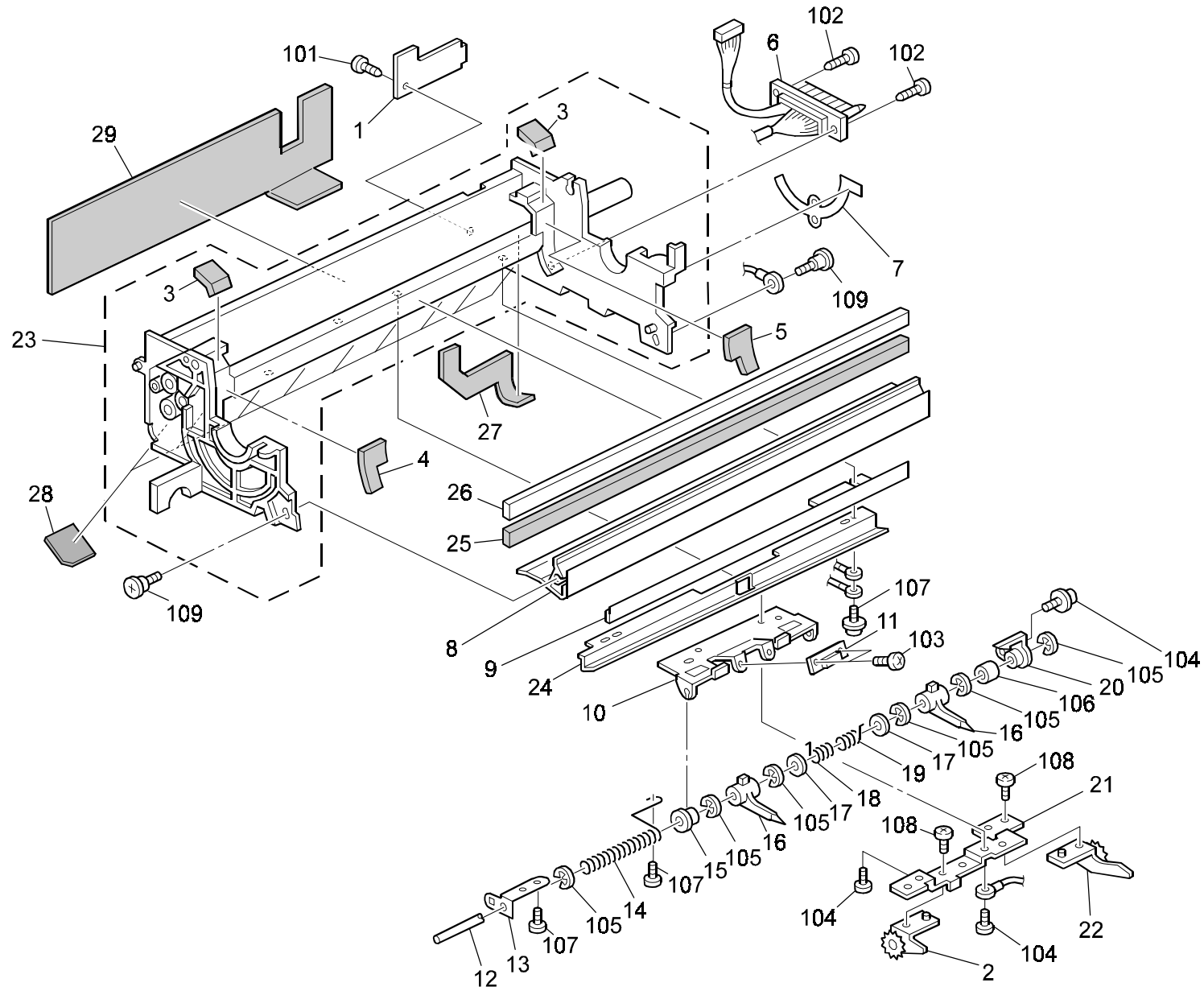


40.PCU 3 (A294)

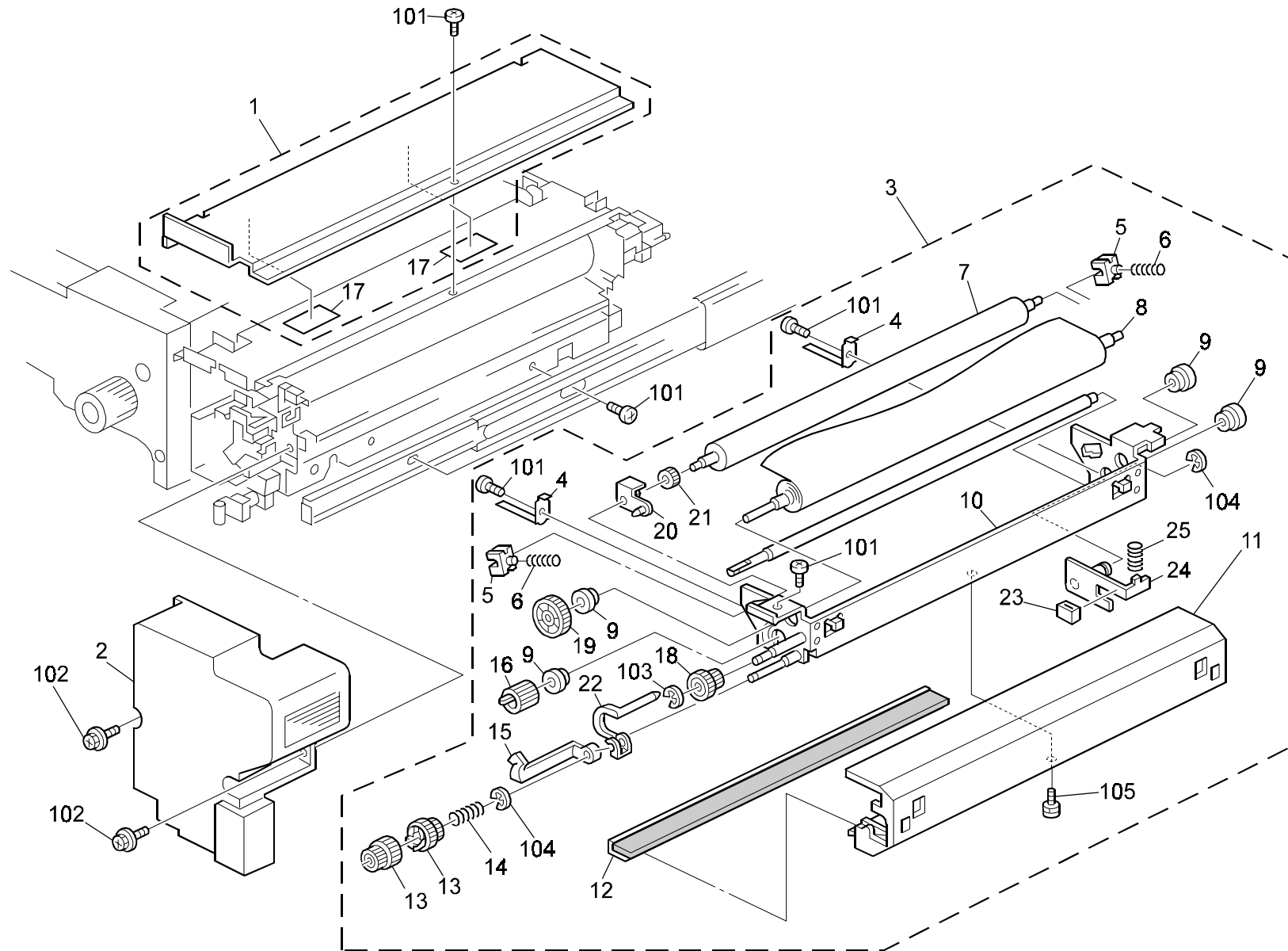
Index No.	Part No.	Description	Q'ty Per Assembly
*	A294 3511	Lower Drum Unit (A294I/A295I)	1
	A294 3510	X/O MB82	
*	A294 3512	Lower Drum Unit (A294II/A295II/UP-KIT)	1
		MB91 ADDED	
1	AD04 1056	Cleaning Blade	1
2	A247 3573	Bracket - Cleaning Blade	1
3	A247 3571	Cleaning Seal	2
4	AA06 3380	Spring - 16mm	1
5	AA13 2024	Spacer - M6	3
6	AA06 3591	Cleaning Blade Spring	1
7	A247 3575	Blade Release Lever	1
8	A096 3586	Cleaning Brush Drive Shaft	1
9	AD03 9057	Cleaning Agitator	1
10	AD04 2039	Cleaning Brush (A294I/A295I)	1
	AD04 2032	O/O MB37	
10	AD04 2038	Cleaning Brush (A294II/A295II/UP-KIT)	1
		MB91 ADDED	
11	A294 3566	Holder - Toner Collection Coil	1
12	AA08 2094	Bushing - Brush Roller	1
13	AD04 3065	Toner Collection Coil	1
14	A176 3527	Grounding Plate	1
15	AA08 2059	Agitator Bushing	1
16	A294 3591	Joint - Cleaning Drive	1
17	AA08 2045	Cleaning Brush Bushing	1
18	AA08 0154	Rear Bushing	1
19	A294 3606	Cleaning Seal - Ass'y	1
20	A229 2371	Cleaning Seal Sheet	2
21	A247 3656	Bracket - Speed Reduction Gear	1
22	A096 3661	Gear - 15/35Z	3
23	AB01 0340	Gear - 30Z	1
24	AA08 2095	Bushing - Toner Collection Coil	2
25	AB01 7288	Cam Gear - 35Z	1
26	A096 3588	Gear - 19Z	1
27	AB01 7296	Gear - 30/47Z	

Index No.	Part No.	Description	Q'ty Per Assembly
101	0314 0040B	Philips Pan Head Screw - M4x4	
102	0951 3006B	Philips Screw With Flat Washer - M3x6	
103	0452 3008B	Tapping Screw - M3x8	
104	0452 3010B	Tapping Bind Screw - M3x10	
105	0720 0040B	Retaining Ring - M4	

41.PCU 4 (A294)



44.FUSING UNIT 1 (A294)

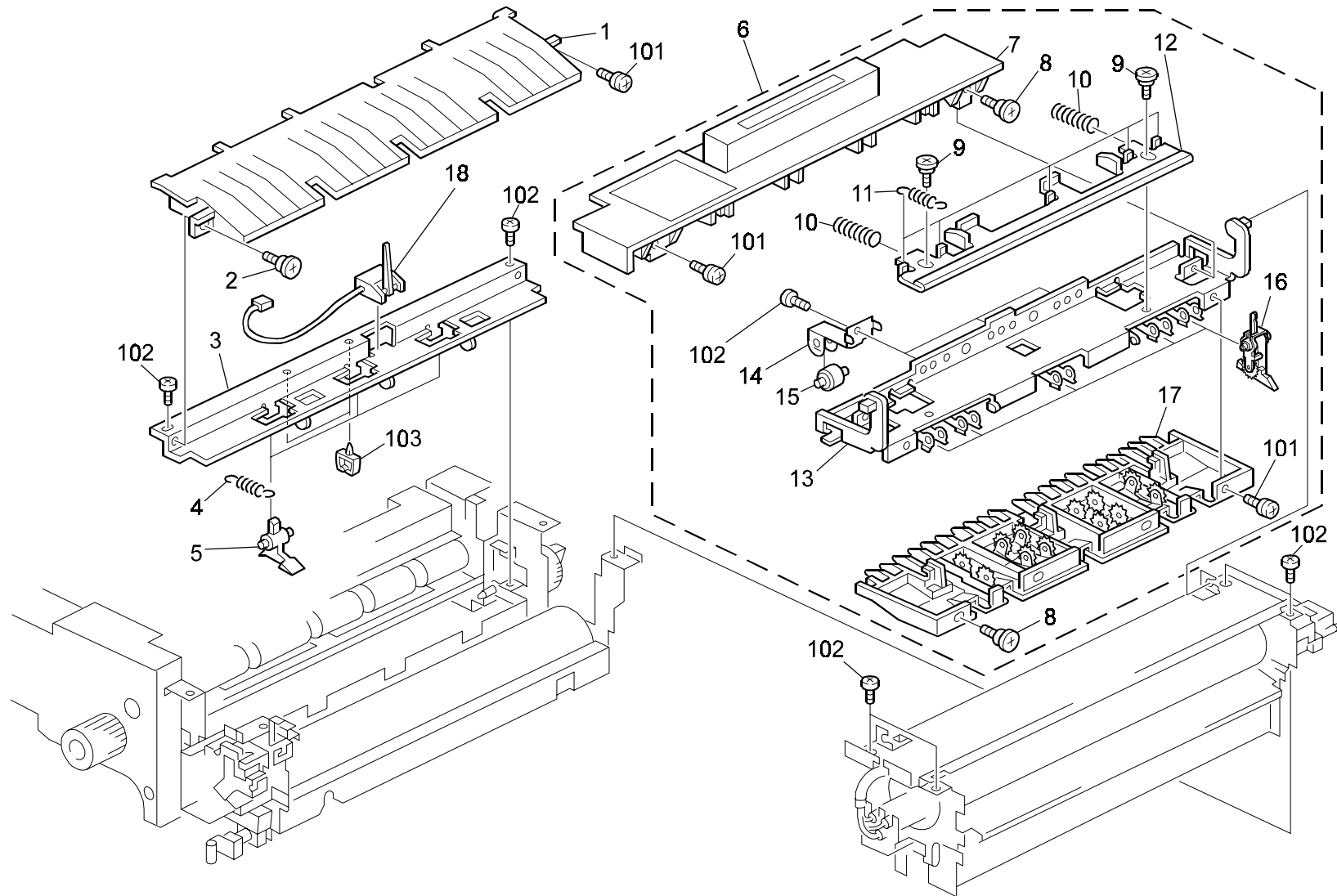


44.FUSING UNIT 1 (A294)

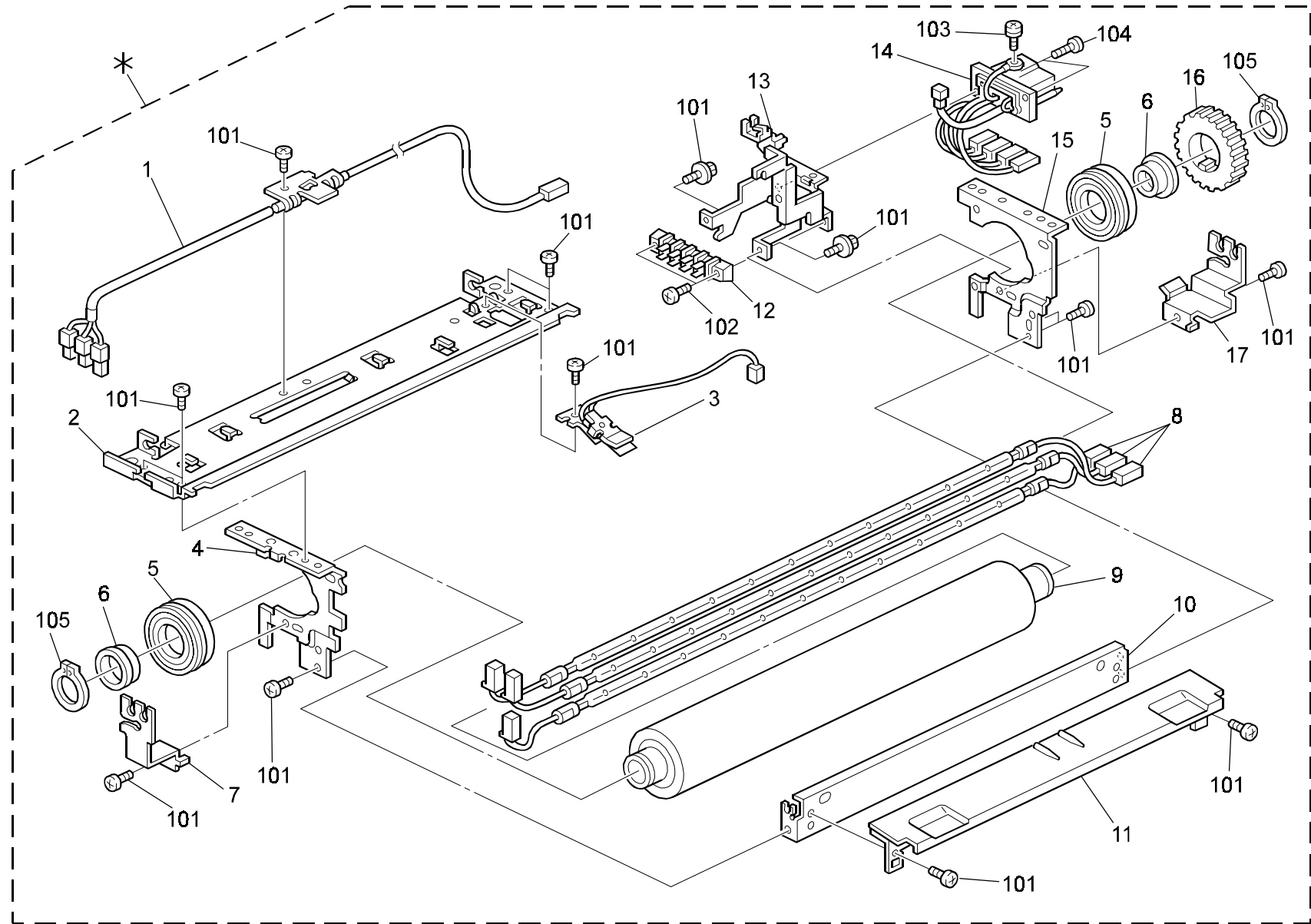
Index No.	Part No.	Description	Q'ty Per Assembly
1	A294 4089	Fusing Upper Cover (A294I/A295I/UP-KIT)	1
1	A294 4451	Fusing Upper Cover (A294II/A295II) MB91 ADDED	1
2	A294 4198	Fusing Inner Cover	1
3	A294 4480	Oil Supply & Cleaning Web Unit (A294I/A295I)	1
	A294 4117	O/O	
	A294 4132	X/O MB85	
	A294 4134	X/O MB11	
	A294 4140	X/O MB1	
3	A294 4429	Oil Supply & Cleaning Web Unit (A294II/A295II) MB91 ADDED	1
3	A294 4490	Oil Supply & Cleaning Web Unit (UP-KIT) MB91 ADDED	1
4	A294 4426	Web Spring Plate (A294I/A295I/UP-KIT)	2
	A294 4155	X/X	
4	A294 4433	Web Spring Plate (A294II/A295II) MB91 ADDED	2
5	AE03 1026	Bushing - Oil Supply Roller	2
6	AA06 3851	Pressure Spring	2
7	AE04 0029	Web Cleaning Roller	1
8	AE04 5031	Oil Supply & Cleaning Web (A294I/A295I)	1
8	AE04 5047	Oil Supply & Cleaning Web (A294II/A295II) MB91 ADDED	1
8	AE04 5045	Oil Supply & Cleaning Web (UP-KIT) MB91 ADDED	1
9	AE03 1032	Bushing - 6x9x6.5	4
10	A294 4423	Web Bracket (A294I/A295I/UP-KIT)	1
	A294 4136	X/X	
10	A294 4431	Web Bracket (A294II/A295II) MB91 ADDED	1
11	A294 4482	Web Unit Cover (A294I/A295I/UP-KIT)	1
	A294 4149	X/X	
11	A294 4437	Web Unit Cover (A294II/A295II) MB91 ADDED	1

Index No.	Part No.	Description	Q'ty Per Assembly
12	A294 4147	Oil Collect Bracket	1
13	A294 4158	Coupled Gear - 25Z/32Z	2
14	AA06 3850	Cleaning Pressure Spring	1
15	A294 4425	Web End Feeler (A294I/A295I/UP-KIT)	1
	A294 4191	O/O MB	
	A294 4150	X/X MB	
	A294 4151	X/O MB	
15	A294 4434	Web End Feeler (A294II/A295II) MB91 ADDED	1
16	A294 4156	Gear - 23Z	1
17	A294 4092	Fusing Cover Film	2
18	A294 4171	Coupled Gear - 17Z/32Z	1
19	A294 4146	Gear - 50Z (A294I/A295I/UP-KIT)	1
19	AB01 4230	Gear - 50Z (A294II/A295II) MB91 ADDED	1
20	A294 4104	Stopper Bracket	1
	A294 4112	X/O MB85	
21	A294 4116	Plate Ratchet	1
22	A294 4192	Web End Metal Lever (A294I/A295I/UP-KIT) MB1 ADDED	1
22	A294 4435	Web End Metal Lever (A294II/A295II) MB91 ADDED	1
23	A294 4449	Web Brake Pad (A294II/A295II) MB91 ADDED	1
24	A294 4412	Web Brake Pad Bracket (A294II/A295II) MB91 ADDED	1
25	AA06 3652	Spring-Oil Supply Roller (A294II/A295II) MB91 ADDED	1
101	0354 0060B	Screw - M4X6	
102	0354 0080B	Screw - M4X8	
103	0720 0030B	Retaining Ring - M3	
104	0720 0040B	Retaining Ring - M4	
105	0950 4006B	Screw - M4X6	

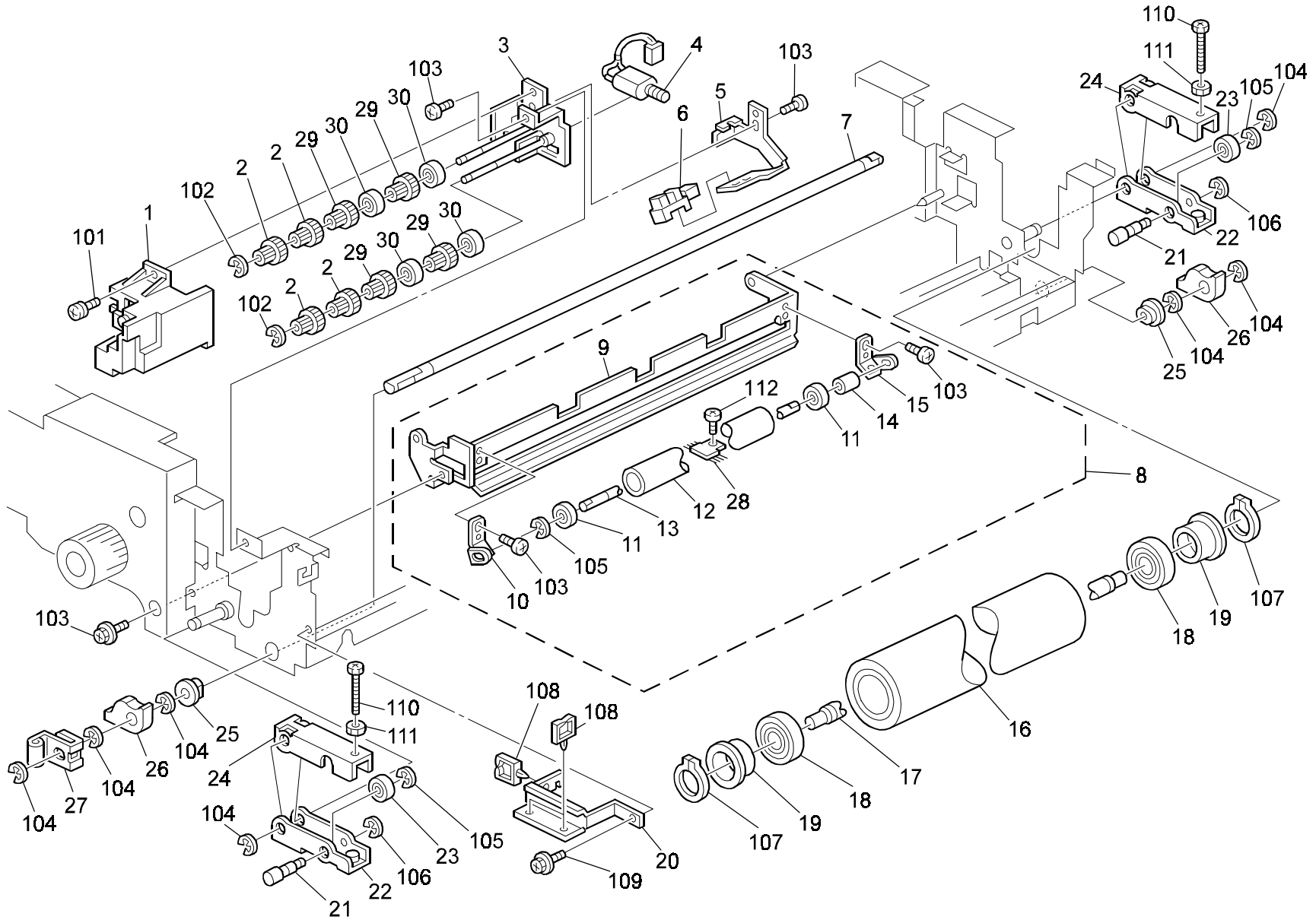
45.FUSING UNIT 2 (A294)



46.FUSING UNIT 3 (A294)



47.FUSING UNIT 4 (A294)

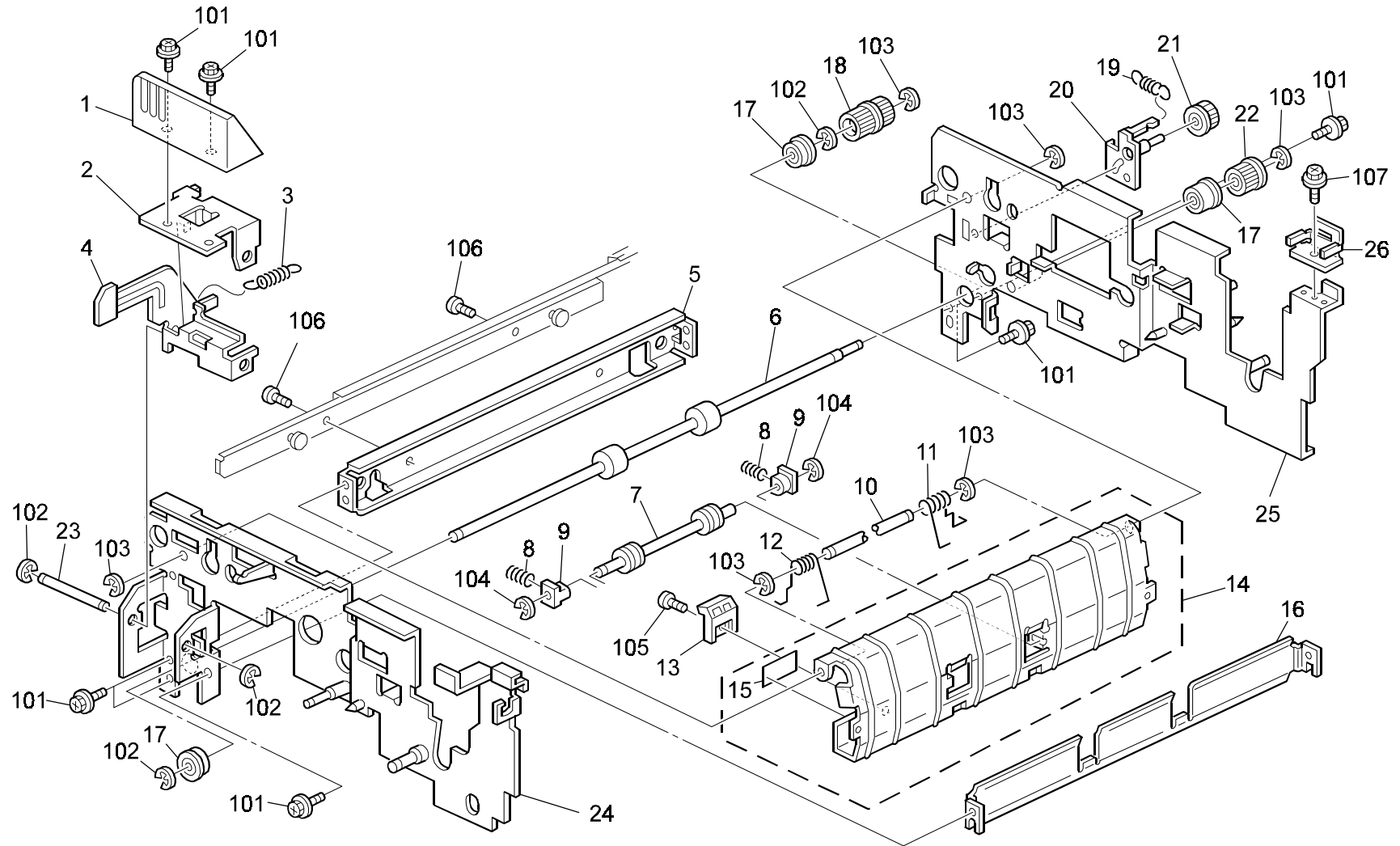


47.FUSING UNIT 4 (A294)

Index No.	Part No.	Description	Q'ty Per Assembly
1	A294 4176	Right Front Case (A294I/A295I/UP-KIT)	1
1	A294 4448	Right Front Case (A294II/A295II) MB91 ADDED	1
2	A294 4171	Coupled Gear - 17Z/32Z (A294I/A295I)	6
2	A294 4171	MB91 (A294II/A295II)	4
2	A294 4171	MB91 (UP-KIT)	8
3	A294 4172	Drive Bracket (A294I/A295I)	1
3	A294 4443	Drive Bracket (A294II/A295II) MB91 ADDED	1
3	A294 4414	Drive Bracket (UP-KIT) MB91 ADDED	1
4	AX04 0061	Cleaner Motor - DC 0.5W	1
5	A294 4152	Sensor Bracket (A294I/A295I)	1
5	A294 4447	Sensor Bracket (A294II/A295II) MB91 ADDED	1
5	A294 4416	Sensor Bracket (UP-KIT) MB91 ADDED	1
6	AW02 0056	Photointerruptor - EE-SX4235A-P1	1
7	A294 4186	Pressure Shaft	1
8	A294 4070	Cleaning Roller Unit	1
9	A294 4083	Cleaning Roller Bracket	1
	A294 4072	X/O MB65	
10	A294 4077	Left Holder	1
	A097 4126	X/O MB65	
11	AE03 0035	Ball Bearing - 6x16x5	2
12	AE04 2042	Pressure Roller Cleaning Roller	1
13	A294 4075	Cleaning Roller Shaft	1
14	AA13 2209	Spacer - 8x10x13.5	1
15	A294 4078	Right Holder	1
	A097 4129	X/O MB65	
16	AE02 0087	Pressure Roller (A294I/A295I)	1
16	AE02 0117	Pressure Roller (A294II/A295II/UP-KIT) MB91 ADDED	1
17	A294 4135	Pressure Roller Shaft	1
18	AE03 0032	Ball Bearing - 25x52x15	2
19	AE03 2024	Bushing - 20x25x18	2
	AE03 2022	O/O MB70	

Index No.	Part No.	Description	Q'ty Per Assembly
20	A294 4190	Front Bracket	1
21	A294 4106	Pressure Shaft	2
22	A294 4107	Lower Pressure Lever	2
23	AE03 0035	Ball Bearing - 6x16x5	2
24	A294 4103	Upper Pressure Lever	2
25	5053 0419	Bushing - 10mm	2
26	A079 4097	Pressure Cam	2
27	A294 4185	Pressure Lever Support Plate	1
28	AA12 0098	Antistatic Brush - Cleaning Roller	1
29	AB01 4229	Coupled Gear - 17Z/32Z (A294II/A295II) MB91 ADDED	4
30	AE03 1037	Bushing - M4 (A294II/A295II) MB91 ADDED	4
101	0950 4006B	Screw - M4X6	
102	0720 0030B	Retaining Ring - M3	
103	0354 0060B	Screw - M4X6	
104	0720 0080B	Retaining Ring - M8	
105	0720 0060B	Retaining Ring - M6	
106	0720 0040B	Retaining Ring - M4	
107	0725 0200E	Retaining Ring C - M20	
108	1105 0199	Clamp	
109	0451 4008B	Philips Tapping Screw - M4x8	
110	0585 0351B	Hexagonal Head Bolt - M5x35	
111	0710 0050B	Hexagon Nut - M5	
112	0353 0060B	Philips Pan Head Screw - M3x6	

51.PAPER EXIT SECTION 4 (A294)

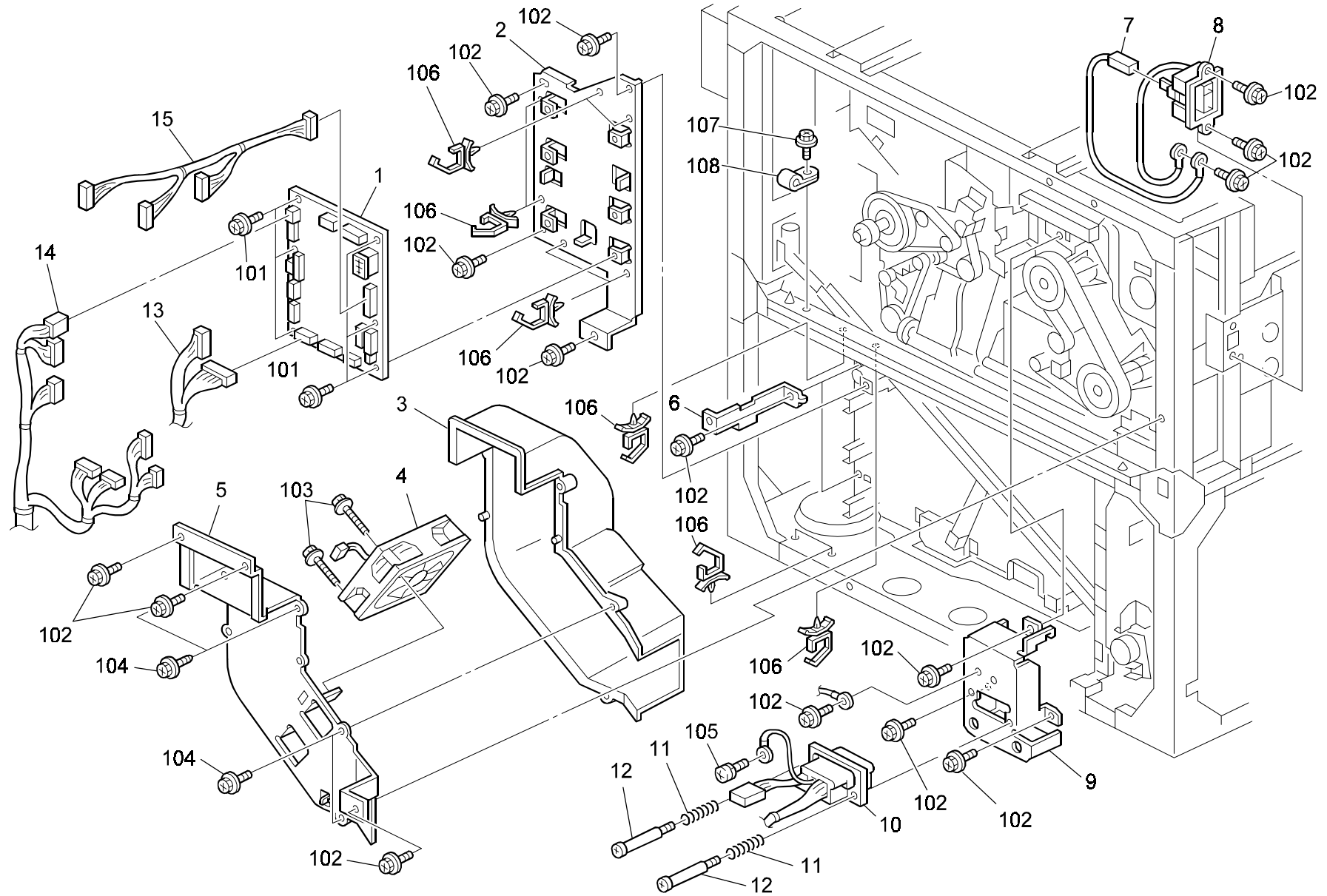


51.PAPER EXIT SECTION 4 (A294)

Index No.	Part No.	Description	Q'ty Per Assembly
1	A294 4347	Release Lever	1
2	A294 4346	Lever Bracket	1
3	5215 4121	Spring - Oil Blade	1
4	A294 4349	Lock Lever	1
5	A294 4382	Left Lower Stay	1
6	AF02 0490	Inverter Relay Roller	1
7	AF02 2117	Driven Transport Roller	1
8	5887 4157	Spring - Exit Roller	2
9	AA08 0034	Bushing - 4X5X7	2
10	AA14 0739	Pivot Shaft	1
	AA14 0724	X/O MB50	
11	AA06 6321	Rear Guide Plate Spring	1
12	AA06 6322	Front Guide Plate Spring	1
13	AG05 1141	Release Lever	1
14	A294 4294	Exit Guide Plate	1
15	AA00 1417	Decal - D6	1
16	A294 4289	Relay Guide Plate	1
17	A232 3566	Ball Bearing - 8x16x5	3
18	AB03 0651	Pulley - 20Z	1
19	A422 1219	Pressure Lever Spring	1
20	A294 4331	Left Tightner	1
21	AB03 0674	Pulley - 20Z	1
22	AB03 0081	Pulley - 20Z	1
23	AA14 8594	Lever Shaft	1
24	A294 4342	Front Side Plate - Fusing Exit (A294I/A295I/UP-KIT)	1
24	A294 4457	Front Side Plate - Fusing Exit (A294II/A295II) MB91 ADDED	1
25	A294 4311	Rear Side Plate - Fusing Exit (A294I/A295I/UP-KIT)	1
25	A294 4314	Rear Side Plate - Fusing Exit (A294II/A295II) MB91 ADDED	1
26	A294 4462	Inner Back Bracket - Cleaning Unit (A294II/A295II) MB91 ADDED	1

Index No.	Part No.	Description	Q'ty Per Assembly
101	0451 4008B	Philips Tapping Screw - M4x8	
102	0720 0060B	Retaining Ring - M6	
103	0720 0040B	Retaining Ring - M4	
104	0720 0030B	Retaining Ring - M3	
105	0313 0040B	Philips Pan Head Screw - M3x4	
106	0314 0060B	Philips Pan Head Screw - M4x6	
107	0451 3006B	Tapping Screw - M3x6 MB91 ADDED	

65.ELECTRICAL SECTION 4 (A294)

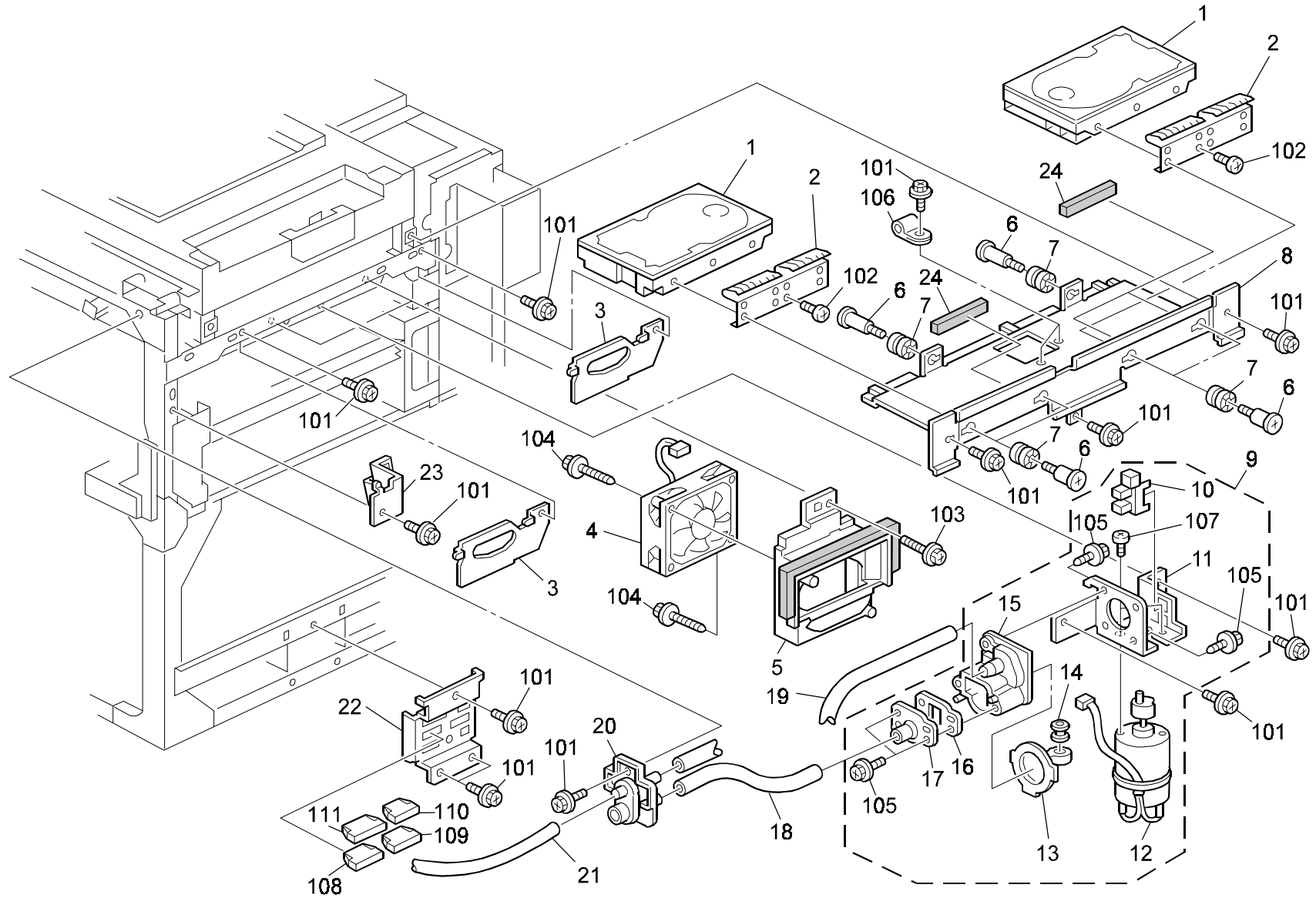


65.ELECTRICAL SECTION 4 (A294)

Index No.	Part No.	Description	Q'ty Per Assembly
1	A294 5310	IO Board (A294I/A295I)	1
	A294 5300	O/O MB	
1	A294 5340	I/O Board (A294II/A295II/UP-KIT) MB91 ADDED	1
2	A294 1513	Bracket - Feed Control Board	1
3	A294 4372	Paper Cooling Duct	1
4	AX64 0106	Fan Motor - DC 2.88W	1
5	A294 4373	Paper Cooling Duct Cover	1
6	A294 1514	Bracket - Feed Control Board	2
7	A294 5486	Interface Grounding Harness	1
8	A294 5485	Interface Finisher Griunding Harnes	1
9	A294 4183	Cable Connector Bracket	1
10	A294 5465	Fusing Harness	1
11	AA06 3068	Spring Connector	2
12	5446 5832	Connector Guide Pin	2
13	A294 5468	Sub DC Harness - Paper Bank	1
14	A294 5452	Main DC Harness - Paper Bank	1
15	B479 5450	Toner Suction Motor Harness (UP-KIT) MB91 ADDED	1

Index No.	Part No.	Description	Q'ty Per Assembly
101	0451 3006B	Tapping Screw - M3x6	
102	0451 4008B	Philips Tapping Screw - M4x8	
103	0451 4035B	Tapping Screw - M4x35	
104	0450 4010B	Tapping Screw - 4x10	
105	0950 4006B	Screw - M4X6	
106	1105 0292	Wire Saddle	
107	0451 4010B	Tapping Screw - 4x10	
108	1105 0009	Nylon Clamp - 5N	

66.ELECTRICAL SECTION 5 (A294)



66.ELECTRICAL SECTION 5 (A294)

Index No.	Part No.	Description	Q'ty Per Assembly
1	A293 5892	HDD ATA SU5 (A294)	2
	A691 5861	O/O MB	
	A691 5860	O/O MB82	
	A691 5879	X/O MB61	
	A691 5878	O/O MB5	
1	A295 5174	HDD ATA IBM - 15G (A295)	2
	A295 5173	O/O MB89	
	A295 5172	O/O MB58	
	A295 5172	HARD DISK - FIREBALL PLUS KX MB13 ADDED	
2	A294 1506	HDD Ground Plate	2
3	A294 3093	Air Block Plate	2
4	AX64 0106	Fan Motor - DC 2.88W	1
5	A294 3090	Fan Duct	1
6	AA14 3499	Stepped Screw	6
7	AA16 1125	Rubber Cushion	6
8	A294 1507	Bracket - HDD	1
9	A294 3062	Air Pump Motor - DC 5.85W	1
10	AW02 0056	Photointerruptor - EE-SX4235A-P1	1
11	A294 3064	Air Pump Bracket	1
12	A294 3065	DC Motor - Tonner Supply	1
13	A294 3086	Toner Supply Pump	1
14	A294 3084	Coller - 4x7x8	1
15	A294 3081	Air Pump	1
16	A294 3085	Pump Seal	1
17	A294 3083	Pump Cap	1
18	A294 3072	Tube - 6x9x170	1
19	A294 3071	Tube - 6x9x1000	1
20	A294 3061	Pump Joint	1
21	A294 3070	Tube - 6x9x740	1
22	A294 1511	Connector Bracket	1
23	A294 3076	Development Connector Bracket (A294I/A295I)	1
23	A294 3094	Development Connector Bracket (A294II/A295II) MB91 ADDED	1

Index No.	Part No.	Description	Q'ty Per Assembly
23	B479 3094	Development Connector Bracket (UP-KIT) MB91 ADDED	1
24	A294 1505	HDD Gasket	2
101	0451 4008B	Philips Tapping Screw - M4x8	
102	0801 0153	Bind Screw - M6x32	
103	0451 4014B	Tapping Screw - M4x14	
104	0450 4035B	Philips Tapping Screw - M4x35	
105	0450 4008B	Tapping Screw - 4x8	
106	1105 0306	Metal Clamp - Al-4	
107	0450 4035B	Philips Tapping Screw - M4x35	
108	1102 6265	Connector - RED 8P	
109	1102 6251	Connector - 8P	
110	1102 6245	Relay Connector - 2P	
111	1102 6256	Relay Connector - 13P	

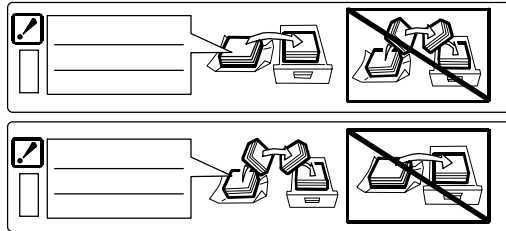
75.IO BOARD (A294)

Index No.	Part No.	Description	Q'ty Per Assembly
*	A294 5310	IO Board (A294I/A295I)	1
	A294 5300	O/O MB	
*	A294 5340	I/O Board (A294II/A295II/UP-KIT) MB91 ADDED	1

Index No.	Part No.	Description	Q'ty Per Assembly
101	1100 1474	Test Pin	
102	1102 5303	Connector - 4P	
103	1102 5304	Connector - 5P	
104	1102 5327	Connector - 8P	
105	1102 6299	Connector - 6P	
106	1102 6303	Connector - 10P	
107	1102 6304	Connector - 11P	
108	1102 6306	Connector - 13P	
109	1102 6308	Connector - 15P	
110	1102 6394	Connector - 12P	
111	1102 6396	Connector - 1P	
112	1102 6399	Connector - 22P	
113	1102 6400	Connector - 24P	
114	1102 6403	Connector - 30P	
115	1102 6592	Connector - 8P	
116	1400 0555	Transistor - DTC143EK	
117	1402 1142	Diode Array - DAN217	
118	1402 1378	Diode - PTZ12A	
119	1403 0894	LED SML-010LT	
120	1407 1535	IC - TD62308AP	
121	1407 2187	TTLIC - SN74LS07NS	
122	1407 3168	IC - TC74HC251AF	
123	1407 3173	Driver - 16bit - M66311FP	
124	1407 3245	IC - CMOS - TC74HC32AF	
125	1407 3257	CMOSIC - TC74HC14AF	
126	1407 3305	IC - TC74HC157AF	
127	1407 4687	IC - TA8083F	
128	1407 5002	IC - M66310FP	
129	1408 0826	IC - TA8428K	
130	1601 7751	Resistor - 4.7K Ω \pm 5%	
131	1601 7752	Resistor Array - 10K Ω \pm 5%	
132	1601 7791	Resistor Array - 1K Ω \pm 5%	
133	1611 8751	Resistor - 750 Ω \pm 5% 1/4W	
134	1630 3102	Resistor - 1K Ω 1/10W \pm 5%	
135	1630 3103	Resistor - 10K Ω 1/10W \pm 5%	

77.DECAL AND DOCUMENT (A294)

43



44

ENGLISH

Power Supply


.....

Ozone Safety (if applicable)

.....

Laser Safety (if applicable)

.....



CAUTION

.....

For Fax or Telephone

.....

Symbols

.....

ENGLISH

.....

Safety During Operation

.....

WARNING:

.....

CAUTION:

.....

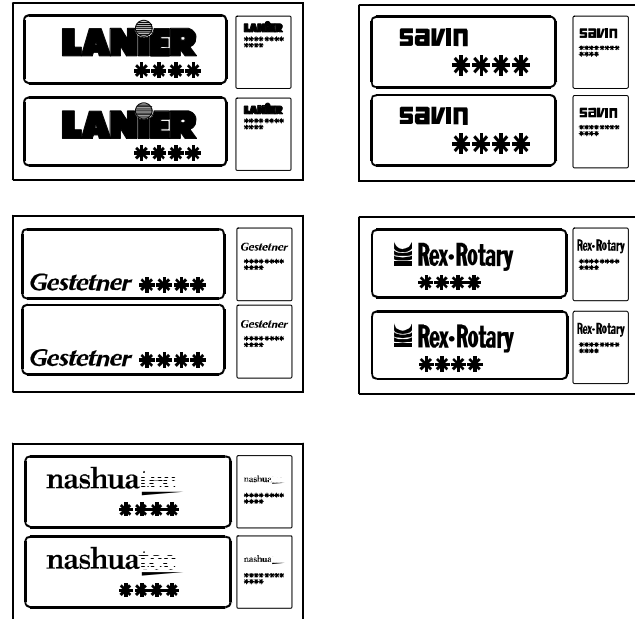
WARNING:

.....

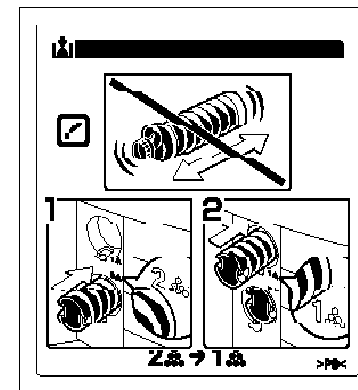
CAUTION

.....

45



46



77.DECAL AND DOCUMENT (A294)

Index No.	Part No.	Description	Q'ty Per Assembly
1	A029 2984	Decal - Grip	1
2	A096 6677	Decal - Right Paper Set	1
3	A096 6678	Decal - Left Paper Set	1
4	A294 1272	Decal - Toner Bank	1
5	A294 1300	Decal - Misfeed Removal	1
6	A294 1305	Decal - Main Switch - English (USA)	1
6	A294 1306	Decal - Main Switch - Symbol (EU)	1
7	A294 1378	Decal - Total Counter	1
8	A806 4311	Decal - Misfeed Removal	1
9	A806 4321	Decal - Original Stack Hight	1
10	A806 4331	Decal - Original Size	1
11	AA00 0207	High Temperature Decal - Small	1
12	AA00 0208	High Temperature Decal - Large	1
13	AA00 0213	Decal - Universal Tray	1
14	AA00 0540	Decal - Misfeed Removal	1
15	AA00 1190	Decal - Ground	1
16	AA00 1213	Decal - B2	1
17	AA00 1326	Decal - A1	1
18	AA00 1407	Guide Lever Decal	1
19	AA00 1408	Duplex Knob Decal	1
20	AA00 1409	Decal - Z4	1
21	AA00 1410	Decal - Paper Feed B4	1
22	AA00 1411	Decal - Paper Feed B1	1
23	AA00 1412	Decal - Paper Feed C2	1
24	AA00 1413	Decal - Paper Feed B3	1
25	AA00 1414	Decal - D1	1
26	AA00 1416	Decal - D5	1
27	AA00 1417	Decal - D6	1
28	AA00 2010	Decal - Paper Level	2
29	AA00 2237	Decal - Paper Tray No1	1
30	AA00 2238	Decal - Cover No.2	1
31	AA00 2239	Decal - Cover No.3	1
32	AA00 2244	Decal - Paper Set - Left	1
33	AA00 2245	Decal - Paper Set - Right	1
34	AA00 2246	Decal - Caution	1

Index No.	Part No.	Description	Q'ty Per Assembly
35	AA00 2251	Paper Size Decal - LT	1
35	AA00 2252	Paper Size Decal - A4	1
36	B301 4351	Caution Decal	1
37	G029 1982	Decal - LD	2
38	A294 6930	Model Name Plate - SVN 2085DP (A294I)	1
38	A294 6931	Model Name Plate - GES 3285 (A294I)	1
38	A294 6932	Model Name Plate - NSA D485 (A294I)	1
38	A294 6933	Model Name Plate - REX 2885 (A294I)	1
38	A294 6934	Model Name Plate - LAN 5485 (A294I)	1
38	A295 6930	Model Name Plate - SVN 2105DP (A295I) MB91 ADDED	1
38	A295 6931	Model Name Plate - GES 32105 (A295I) MB13 ADDED	1
38	A295 6932	Model Name Plate - NSA D4105 (A295I) MB13 ADDED	1
38	A295 6933	Model Name Plate - REX 28105 (A295I) MB13 ADDED	1
38	A295 6934	Model Name Plate - LAN 5505 (A295I) MB13 ADDED	1
38	A294 6940	Model Name Plate - SVN 2585 (A294II) MB91 ADDED	1
38	A294 6941	Model Name Plate - GES 8502 (A294II) MB91 ADDED	1
38	A294 6942	Model Name Plate - NSA 8505 (A294II) MB91 ADDED	1
38	A294 6943	Model Name Plate - REX 8508 (A294II) MB91 ADDED	1
38	A294 6944	Model Name Plate - LAN 5685 (A294II) MB91 ADDED	1
38	A295 6940	Model Name Plate - SVN 25105 (A295II) MB91 ADDED	1
38	A295 6941	Model Name Plate - GES 10502 (A295II) MB91 ADDED	1
38	A295 6942	Model Name Plate - NSA 10505 (A295II) MB91 ADDED	1

Index No.	Part No.	Description	Q'ty Per Assembly
38	A295 6943	Model Name Plate - REX 10508 (A295II) MB91 ADDED	1
38	A295 6944	Model Name Plate - LAN 5705 (A295II) MB91 ADDED	1
39	A294 7207	Copier Operating Instructions LT (RIC)(A294I) MB69 (OBS)	1
39	A294 7297	Copier Operating Instructions Eng LT (SVN) (A294I) MB69 (OBS)	1
39	A294 7260	Copier Operating Instructions Eng A3 (INF) (A294I) MB69 (OBS)	1
39	A294 7290	Copier Operating Instructions Eng A3 (NRG) MB17 (OBS)	1
39	A294 7237	Copier Operating Instructions Eng LT (LAN) (A294I)	1
39	A295 7207	Copier Operating Instructions LT (RIC)(A294I/A295I) MB69 (RIC)(A295I) MB13 ADDED	1
39	A295 7297	Copier Operating Instructions Eng LT (SVN)(A294I/A295I) MB69 (SVN)(A295I) MB13 ADDED	1
39	A295 7260	Copier Operating Instructions Eng A3 (INF)(A294I/A295I) MB69 (INF)(A295I) MB13 ADDED	1
39	A295 7237	Copier Operating Instructions Eng LT (LAN)(A295I) MB13 ADDED	1
39	A295 7507	Copier Operating Instructions Eng (RIC)(A294II/A295II) MB91 ADDED	1
39	A295 7597	Copier Operating Instructions Eng (SVN)(A294II/A295II) MB91 ADDED	1
39	A295 7560	Copier Operating Instructions Eng (INF)(A294II/A295II) MB91 ADDED	1
39	A295 7537	Copier Operating Instructions Eng (LAN)(A294II/A295II) MB91 ADDED	1
40	A294 8607	System Operating Instructions - LT (RIC)(A294I) MB69 (OBS)	1

Index No.	Part No.	Description	Q'ty Per Assembly
40	A294 8690	System Operating Instructions Eng A3 (NRG) MB17 (OBS)	1
40	A294 8697	System Operating Instructions Eng LT (SVN)(A294I) MB69 (OBS)	1
40	A294 8660	System Operating Instructions Eng A3 (INF)(A294I) MB69 (OBS)	1
40	A294 8637	System Operating Instructions Eng LT (LAN)(A294I)	1
40	A295 8607	System Operating Instructions Eng LT (RIC)(A294I/A295I) MB69 (RIC)(A295I) MB13 ADDED	1
40	A295 8697	System Operating Instructions Eng A3 (SVN)(A294I/A295I) MB69 (SVN)(A295I) MB13 ADDED	1
40	A295 8660	System Operating Instructions Eng A3 (INF)(A294I/A295I) MB69 (INF)(A295I) MB13 ADDED	1
40	A295 8637	System Operating Instructions Eng LT (LAN)(A295I) MB13 ADDED	1
40	A295 7407	System Operating Instructions Eng (RIC)(A294II/A295II) MB91 ADDED	1
40	A295 7497	System Operating Instructions Eng (SVN)(A294II/A295II) MB91 ADDED	1
40	A295 7460	System Operating Instructions Eng (INF)(A294II/A295II) MB91 ADDED	1
40	A295 7437	System Operating Instructions Eng (LAN)(A294II/A295II) MB91 ADDED	1
41	A610 6051	Decal - Document Set	1
42	AA00 2096	Decal - Size Indication	1
43	A294 1307	Decal - Ppaper Set Direction MB20 ADDED	1
44	A267 8561	Safety Information Sheet MB46 ADDED	1
45	B479 1256	Model Name Decal Ass'y (RIC)(UP-KIT) MB91 ADDED	1
45	B479 1257	Model Name Decal Ass'y (INF)(UP-KIT) MB91 ADDED	1

Index No.	Part No.	Description	Q'ty Per Assembly
45	B479 1271	Model Name Decal Ass'y (LAN)(UP-KIT) MB91 ADDED	1
45	B479 1272	Model Name Decal Ass'y (SVN)(UP-KIT) MB91 ADDED	1
45	B479 1273	Model Name Decal Ass'y (GES)(UP-KIT) MB91 ADDED	1
45	B479 1274	Model Name Decal Ass'y (NSA)(UP-KIT) MB91 ADDED	1
45	B479 1275	Model Name Decal Ass'y (REX)(UP-KIT) MB91 ADDED	1
46	A294 1273	Caution Decal - Toner Supply MB ADDED	1

Index No.	Part No.	Description	Q'ty Per Assembly

Parts Index

PM Parts Index

Section Name	Part No.	Description in Service Manual	Description in Parts Catalog	Q'ty Per Assembly	Page and Index No.
ORIGINAL FEED 2 (A294)	A806 1295	Paper Feed Belt	Feed Belt	1	27- 10
	A806 1321	Pick-up Roller	Pickup Roller	1	27- 23
	A680 1671	Separation Roller	Separation Roller	1	27- 26
ORIGINAL TRANSPORT (A294)	B301 1441	Transport Belt	Transport Belt	1	31- 1
PAPER FEED UNIT 2 (A294)	AF03 0040	Pick-up Roller	Pick-up Roller	3	63- 4
	AF03 1040	Paper Feed Roller	Feed Roller	3	63- 5
PAPER FEED UNIT 3 (A294)	AF03 2040	Separation Roller	Separation Roller	3	65- 3
VERTICAL TRANSPORT 1 (A294)	A294 3725	Air Pump Motor	Air Pump Ass'y	1	67- 33
	A394 3700	Sucked Toner Collection Bottle	Collection Bottle Ass'y	1	67- 36
TONER HOPPER SECTION (A294)	AA01 2114	Toner Filter/Air Dust Filter (Front)	Pressure Release Filter - Front	1	83- 2
	AA01 2113	Toner Filter/Air Dust Filter (Center)	Pressure Release Filter - Center	1	83- 6
	AA01 2060	Development Filter	Development Filter	1	85- 7
DEVELOPMENT UNIT 1(A294)	A096 2063	Wire Cleaner	Corona Wire Cleaner (A294I/A295I)	1	89- 7
PCU 1 (A294)	A294 2011	Wire Cleaner	Corona Wire Cleaner (A294II/A295II/UP-KIT)	1	89- 7
	AD02 0053	Charge Corona Wire	Charge Corona Wire	1	89- 12
PCU 3 (A294)	A096 2057	Plate Grid	Charge Corona Grid	1	89- 18
	AD04 1056	Cleaning Blade	Cleaning Blade	1	93- 1
	AD04 2038	Cleaning Brush	Cleaning Brush (A294II/A295II/UP-KIT)	1	93- 10
	AD04 2039	Cleaning Brush	Cleaning Brush (A294I/A295I)	1	93- 10
PCU 4 (A294)	AD02 5022	Pick-off Pawl	Pick-off Pawl	2	95- 16
TRANSFER BELT UNIT 1 (A294)	A229 3852	Transfer Belt	Transfer Belt	1	97- 1
TRANSFER BELT UNIT 2 (A294)	A294 3883	Transfer Belt Cleaning Blade	Transfer Belt Cleaning Blade	1	99- 4
FUSING UNIT 1 (A294)	AE04 0029	Web Cleaning Roller	Web Cleaning Roller	1	101- 7
	AE04 5031	Oil Supply & Cleaning Web	Oil Supply & Cleaning Web (A294I/A295I)	1	101- 8
	AE04 5045	Oil Supply & Cleaning Web	Oil Supply & Cleaning Web (UP-KIT)	1	101- 8
	AE04 5047	Oil Supply & Cleaning Web	Oil Supply & Cleaning Web (A294II/A295II)	1	101- 8
	A294 4449	Web Brake Pad	Web Brake Pad (A294II/A295II)	1	101- 23
FUSING UNIT 2 (A294)	A096 9507	Hot Roller Stripper	Hot Roller Stripper - 5pcs/set	1	103- 16
FUSING UNIT 3 (A294)	AE01 1056	Hot Roller	Hot Roller	1	105- 9
FUSING UNIT 4 (A294)	AE04 2042	Pressure Roller Cleaning Roller	Pressure Roller Cleaning Roller	1	107- 12
	AE02 0087	Pressure Roller	Pressure Roller (A294I/A295I)	1	107- 16

Section Name	Part No.	Description in Service Manual	Description in Parts Catalog	Q'ty Per Assembly	Page and Index No.
FRAME SECTION 3 (A294)	AE02 0117	Pressure Roller	Pressure Roller (A294II/A295II/UP-KIT)	1	107- 16
	A294 2114	Toner Filter	Toner Filter	1	153- 19

Parts Index

Part No.	Description	Page and Index No.
A294 1037	Front Upper Fixing Plate	157- 18
A294 1038	Front Lower Fixing Plate	157- 19
A294 1039	Rear Upper Fixing Plate	157- 9
A294 1040	Rear Lower Fixing Plate	157- 11
A294 1041	Right Lower Stay	155- 8
A294 1076	Front Left Fixing Plate	155- 3
A294 1077	Front Right Fixing Plate	155- 1
A294 1080	Channel Bracket - Center Front	155- 6
A294 1083	Frame Chanel	153- 21
A294 1086	ADF Holder	147- 4
A294 1099	Right Holder	155- 2
A294 1101	Bracket - Drum Motor	129- 17
A294 1105	Tightener - Drum Unit	129- 24
A294 1109	Tightener - Transfer Cleaning	129- 23
A294 1112	Pulley Tightener - M19	129- 25
A294 1113	Ground Plate - Drum	129- 14
A294 1118	Flange - Fly Wheel	129- 2
A294 1121	Bracket Ass'y - Fusing Motor	127- 5
A294 1124	Tightener - Fusing Duplex	127- 8
A294 1127	Tightener - M28	127- 7
A294 1130	Fusing Drive Bracket	127- 12
A294 1132	Shaft - Fusing Drive	127- 14
A294 1134	Ground Plate - Fusing	127- 3
A294 1136	X/O MB56	127- 13
A294 1137	Joint - Duplex	127- 16
A294 1141	Gear - 24Z	129- 21
A294 1142	Transfer Drive Shaft	129- 19
A294 1144	Duplex Drive Shaft	127- 13
A294 1151	Bracket Ass'y - Collection	131- 36
A294 1156	Tightener Ass'y - Collection	131- 38
A294 1158	Transport Screw Bushing	131- 39
A294 1162	Gear - Z24	131- 34
A294 1163	Gear - 30Z	131- 35
A294 1163	Gear - 30Z	79- 14
A294 1167	Tension Spring - 12N	129- 22

Part No.	Description	Page and Index No.
A294 1168	Tension Spring - 27N	131- 37
A294 1169	Tension Spring - 35N	127- 9
A294 1182	Exhaust Duct - Fusing	139- 13
A294 1195	Right Fixing Plate	155- 7
A294 1196	Left Fixing Plate	149- 12
A294 1254	Right Front Door (RIC A294II/UP-KIT)	15- 9
A294 1258	Upper Cover	17- 4
A294 1259	Bracket - Upper Cover	147- 12
A294 1261	Cover - Rear Upper	17- 6
A294 1262	Right Upper Cover	19- 1
A294 1264	X/O MB45	19- 1
A294 1265	ADF Exit Tray	19- 4
A294 1266	Exit Bracket	19- 3
A294 1267	Lower Front Door	17- 22
A294 1268	Door Catch Plate	17- 26
A294 1270	Lower Front Hinge	17- 24
A294 1271	Hinge - Lower Front Door	17- 21
A294 1272	Decal - Toner Bank	17- 25
A294 1272	Decal - Toner Bank	181- 4
A294 1273	Caution Decal - Toner Supply MB19 ADDED	17- 28
A294 1273	Caution Decal - Toner Supply MB ADDED	181- 46
A294 1278	Left Front Door (RIC)	15- 1
A294 1281	Front Door Grip	15- 10
A294 1282	Front Door Spcer Bracket	15- 12
A294 1285	Right Front Door (RIC A294I)	15- 9
A294 1292	Door Switch Bracket	15- 11
A294 1294	Vertical Guide Stopper	15- 13
A294 1300	Decal - Misfeed Removal	15- 15
A294 1300	Decal - Misfeed Removal	181- 5
A294 1305	Decal - Main Switch - English (USA)	181- 6
A294 1305	Decal - Main Switch - English (USA)	17- 7
A294 1306	Decal - Main Switch - Symbol (EU)	181- 6
A294 1306	Decal - Main Switch - Symbol (EU)	17- 7
A294 1307	Decal - Ppaper Set Direction MB20 ADDED	181- 43
A294 1310	Cover - Right Upper	17- 18

Part No.	Description	Page and Index No.
A294 1312	Cap - Joint LCT	17- 15
A294 1313	Cover - LCT	17- 17
A294 1316	Cover - Right Under	17- 16
A294 1320	Cover - Left Upper	17- 1
A294 1326	Lower Left Cover	17- 3
A294 1330	Cover - Upper Rear	17- 11
A294 1336	Cover - Under Rear	17- 12
A294 1337	Cap - Control Unit	17- 13
A294 1345	Bracket - Interlock Switch	147- 2
A294 1346	Lever - Interlock Switch	147- 1
A294 1347	Bracket - Total Counter	147- 14
A294 1348	Bracket - Main Switch	147- 9
A294 1349	Cover - Main Switch	147- 10
A294 1352	Right Upper Hinge	147- 8
A294 1356	Lower Right Hinge	15- 7
A294 1360	Lower Left Hinge	147- 11
A294 1363	Lower Left Hinge	149- 13
A294 1369	Bracket - Under Cover	139- 11
A294 1375	Inner Cover - Right Upper	15- 5
A294 1377	Inner Cover - Left Upper	15- 3
A294 1378	Decal - Total Counter	15- 4
A294 1378	Decal - Total Counter	181- 7
A294 1380	Inner Cover - Left	15- 6
A294 1421	Cover - Operation Hinge	19- 8
A294 1422	Cover - Upper Operation Hinge	19- 6
A294 1423	Cover - Under Operatin Hinge	19- 7
A294 1424	Cover - Operation Arm	19- 5
A294 1425	Operation Unit Arm	19- 21
A294 1429	Hinge - Operation Unit	19- 14
A294 1430	Rear Cover - Operation Unit	19- 13
A294 1433	Arm Frame	19- 22
A294 1434	Lower Support	19- 9
A294 1437	Supporting Plate - Operation Panel	19- 12
A294 1438	Hinge Fixing Plate	19- 15
A294 1439	Operation Unit Fixing Plate	19- 16

Part No.	Description	Page and Index No.
A294 1440	Knob - Operation Panel	19- 19
A294 1441	Spacer - Operation Panel	19- 23
A294 1442	Frame - Operation Panel	147- 7
A294 1445	Bracket - Cover	19- 10
A294 1446	Bracket - Arm Cover	19- 20
A294 1447	Shaft - Upper Operation Knob	19- 18
A294 1448	Shaft - Under Operation Knob	19- 24
A294 1449	Bushing - Operation Panel	19- 11
A294 1451	Operation Unit - LT	21- *
A294 1452	Operation Unit - A4	21- *
A294 1472	Front Cover - Operation Unit - LT	21- 1
A294 1473	Front Cover - Operation Unit - A4	21- 1
A294 1474	Rear Cover - Operation Unit	21- 31
A294 1475	Key Top - Start	21- 24
A294 1476	Key Top - Stop	21- 18
A294 1477	Key Top - 10 Key	21- 20
A294 1478	Key Top - Standby	21- 16
A294 1479	Key Top - Proof	21- 19
A294 1482	Key Top - Language Selection	21- 14
A294 1486	Cap - Key Top	21- 29
A294 1487	Key Top - Counter	21- 23
A294 1488	Lens - Application	21- 22
A294 1489	Spacer - Key Top	21- 21
A294 1490	PCB - Operation Panel	21- 13
A294 1491	PCB - Inverter	21- 12
A294 1492	Lens - LED	21- 10
A294 1493	PCB - LED	21- 32
A294 1494	Frame - Operation Panel	21- 30
A294 1495	Fixing Plate - Operation Panel	21- 34
A294 1496	Cover Sheet - 1	21- 36
A294 1497	Cover Sheet - 2	21- 37
A294 1498	Cover Sheet - 3	21- 35
A294 1499	Display Film - LED	21- 25
A294 1500	LED Board	21- 5
A294 1501	Bracket BCU	139- 8

Part No.	Description	Page and Index No.
A294 1502	Right Hinge - BCU	139- 7
A294 1503	Left Hinge - BCU	139- 12
A294 1505	HDD Gasket	145- 24
A294 1506	HDD Ground Plate	145- 2
A294 1507	Bracket - HDD	145- 8
A294 1509	ADF Plug Bracket	137- 19
A294 1511	Connector Bracket	145- 22
A294 1513	Bracket - Feed Control Board	143- 2
A294 1514	Bracket - Feed Control Board	143- 6
A294 1514	Bracket - Feed Control Board	133- 12
A294 1521	Bracket - Noise Filter	141- 5
A294 1522	Bracket - Power Cord	141- 7
A294 1523	Bracket - AC Drive Board	141- 4
A294 1524	X/O MB91	67- 16
A294 1525	Harness Cover Plate	67- 15
A294 1526	Harness Cover	67- 16
A294 1530	LCD - Display	21- 4
A294 1531	Operation Panel Frame	21- 33
A294 1532	Cable Holder	21- 6
A294 1533	Flat Cable	21- 11
A294 1534	Grounding Plate - Right	21- 9
A294 1535	Grounding Plate - Left	21- 2
A294 1540	Key Top - Clear	21- 17
A294 1541	Key Top Application 1 - LT	21- 26
A294 1542	Key Top Application 2 - LT	21- 27
A294 1543	Key Top Application 3 - LT	21- 28
A294 1545	Key Top - Application 1 - A4	21- 26
A294 1546	Key Top Application 2 - A4	21- 27
A294 1547	Key Top - Application 3 - A4	21- 28
A294 1661	Base Frame	49- 29
A294 1665	Left Frame	49- 28
A294 1666	Right Frame	49- 30
A294 1667	Sheet - Optical Housing	49- 31
A294 1668	Front Frame	49- 27
A294 1670	Rear Frame	49- 25

Part No.	Description	Page and Index No.
A294 1673	Front Stay	49- 26
A294 1687	Bracket - Scanner Rail	49- 15
A294 1694	Front Scanner Rail Ass'y	49- 22
A294 1695	Rear Scanner Rail Ass'y	49- 11
A294 1701	1st Scanner Ass'y	45- 14
A294 1705	Cover - 1st Scanner	45- 24
A294 1706	1st Mirror	45- 23
A294 1707	Reflector	45- 25
A294 1708	Invertor Insulator - 1	45- 18
A294 1709	Wire Clamp	45- 22
A294 1710	Holder - 1st Scanner Harness	45- 15
A294 1712	Rear Holder - Lamp	45- 27
A294 1732	2nd Scanner Ass'y	45- 1
A294 1739	Scanner Drive Bracket	45- 8
A294 1742	2nd Mirror	45- 2
A294 1743	Cushion - 5x20x4	45- 5
A294 1743	Cushion - 5x20x4	99- 32
A294 1744	Guard - 2nd Mirror	45- 3
A294 1746	Bracket - Wire Tension	43- 7
A294 1746	Bracket - Wire Tension	49- 13
A294 1747	Timing Belt - Scanner	49- 3
A294 1748	Scanner Motor Bracket	49- 2
A294 1749	Shaft - Scanner Drive	49- 8
A294 1753	Bracket - Belt Tension	49- 4
A294 1756	Spring - Scanner Motor	49- 5
A294 1757	Pulley - Front Drive	49- 23
A294 1758	Pulley - Rear Drive	49- 10
A294 1759	Wire - Scanner Drive	49- 12
A294 1760	Scanner Motor - DC38V 50W	49- 1
A294 1765	Sems Screw - M3x8	49- 32
A294 1771	O/O MB66	43- 8
A294 1771	O/O MB13 (A294)	43- 8
A294 1778	Lens Cover Gasket - D06560	43- 12
A294 1779	O/O MB77	43- 10
A294 1780	Cover - Lens Unit	43- 10

Part No.	Description	Page and Index No.
A294 1781	Holder - Lens Unit	49- 16
A294 1782	Spacer - Lens Stay	43- 6
A294 1785	Frame - Optical Housing	45- 11
A294 1788	Sheet - Upper Frame	43- 18
A294 1788	Sheet - Upper Frame	45- 10
A294 1789	Sheet - Upper Frame Big	45- 9
A294 1790	Cushion - Scanner	45- 12
A294 1791	X/O MB81	43- 2
A294 1793	Cushion Seal - 20x50x4 MB52 ADDED	45- 30
A294 1794	Left Scale	43- 2
A294 1795	Right Scale	43- 4
A294 1799	Right Stay - Optical Housing	43- 16
A294 1811	Cover - LD Unit	47- 3
A294 1817	Cover - Sync Detector	47- 6
A294 1822	Bracket - Original Sensor	43- 13
A294 1825	Holder - Original Sensor	43- 20
A294 1827	Cover - SICU Board	47- 10
A294 1828	Duct Fan	47- 11
A294 1830	X/O MB77	43- 15
A294 1832	Bracket Harness	45- 29
A294 1833	Guide Harnes	47- 8
A294 1834	Guide Board - PCB	47- 17
A294 1835	Holder - SICU Harness	47- 9
A294 1836	Ground Plate - Left Frame	149- 6
A294 1837	Ground Plate - Rear Frame	147- 5
A294 1838	Ground Plate - Lens Stay	43- 9
A294 1839	Ground Plate - Under Lens Stay MB66 (OBS)	47- 20
A294 1840	Cable Holder Plate	47- 7
A294 1842	Rear Grounding Plate	153- 22
A294 1843	Photosensor With Filter - H50 MB14 ADDED	43- 21
A294 1845	Dust Filter	43- 15
A294 1851	Optical housing Ass'y	51- *
A294 1910	LD Unit	51- 13
A294 1930	BTL Lens Ass'y	51- 40
A294 1942	Holder - Sync Detector Board	51- 8

Part No.	Description	Page and Index No.
A294 1945	Holder - Shield Glass	51- 10
A294 1949	Bracket - Shield Glass	51- 12
A294 1951	Shield 1	51- 21
A294 1953	Shield 3	51- 30
A294 1954	Shield 4	51- 31
A294 1955	Shield 5	51- 33
A294 1956	Shield 6	51- 24
A294 1957	Shield 7	51- 23
A294 1958	Shield 8	51- 26
A294 1959	Shield 9	51- 25
A294 1961	Spacer - Laser Diode Unit	51- 15
A294 1962	Spacer Seal	51- 14
A294 1963	Imaging Unit Shield Duct	51- 18
A294 1964	Optical Housing Gasket	51- 32
A294 1965	Fan Motor - DC12V 2.1W	51- 1
A294 1971	Bracket - Optical Housing Fan	151- 4
A294 1972	Duct - Optical Housing	151- 3
A294 1975	Lower Seal - Fan Motor	151- 5
A294 1976	Duct - Left Rear Frame	151- 1
A294 1977	Upper Seal - Fan Motor	151- 7
A294 1979	Filter - Laser Diode Unit	51- 6
A294 1991	Ground Plate - Rear Imaging Unit	151- 12
A294 1992	Ground Plate - Front Imaging Unit	151- 11
A294 1993	Ground Plate	153- 23
A294 2010	Charge Corona Unit	89- 2
A294 2011	Corona Wire Cleaner	89- 7
A294 2051	Rear Receptacle	139- 1
A294 2052	Receptacle Pin	139- 2
A294 2053	Receptacle Connector - G	139- 5
A294 2054	Seal - Inner Duct	139- 10
A294 2057	Inner Duct	139- 9
A294 2062	Bracket - Exhaust Duct	137- 8
A294 2065	Bracket - Rear Duct	137- 15
A294 2067	Rear Duct Ass'y	137- 16
A294 2071	Exhaust Duct Ass'y	137- 12

Part No.	Description	Page and Index No.
A294 2072	Mirror Duct	51- 22
A294 2076	Ozone Filter	137- 13
A294 2079	Seal - Rear Duct	137- 14
A294 2101	Duct Ass'y	151- 6
A294 2106	Exit Duct Seal	151- 13
A294 2108	Entrance Duct Seal	151- 14
A294 2109	Entrance Duct Slider	151- 15
A294 2112	Guide - Dust Filter	153- 20
A294 2114	Toner Filter	153- 19
A294 2120	Seal - Fan Duct	137- 1
A294 2121	Exhaust Fan Duct	137- 2
A294 2122	Receptalce Connector - C	139- 6
A294 2123	Dust Filter	19- 2
A294 2124	Seal - Operation Frame	147- 6
A294 2405	X/O MB75	89- 27
A294 2407	Drum Stay	89- 27
A294 2413	Upper Drum Unit	91- 1
A294 2420	Charge Corona Receptacle	91- 10
A294 2421	X/X MB79	131- 23
A294 2424	Transport Screw - Used Toner	131- 23
A294 2426	Relay Harness Plate	91- 3
A294 2600	Front Side Plate	73- 26
A294 2605	Rear Side Plate	73- 27
A294 2619	Sensor Board Guide	71- 2
A294 2643	X/X as set MB59	73- 3
A294 2645	Transport Guide Plate	73- 2
A294 2647	Transport Roller	73- 3
A294 2651	Guide Plate - Vertical Transport	73- 9
A294 2661	Bracket - Transport Sensor	69- 5
A294 2672	Guide Plate - Duplex Exit	73- 4
A294 2678	Roller - Duplex Exit	73- 8
A294 2684	Guide Plate - LCT Exit	69- 6
A294 2694	Release Lever	69- 13
A294 2697	Guide Plate - LCT Exit	71- 8
A294 2701	Bracket - LCT Transport Sensor	69- 2

Part No.	Description	Page and Index No.
A294 2705	Roller - LCT Exit	71- 7
A294 2752	Magnetic Clutch Holder	67- 6
A294 2752	Magnetic Clutch Holder	71- 17
A294 2752	Magnetic Clutch Holder	73- 17
A294 2780	Inner Cover - Paper Feed	69- 19
A294 2800	Paper Feed Motor - DC24V 23.5W	127- 2
A294 3022	Toner Bank Unit	75- *
A294 3046	X/O MB91	75- *
A294 3047	X/O MB91	75- *
A294 3048	X/O MB91	75- *
A294 3049	X/O MB91	75- *
A294 3051	Motor - DC 35W	127- 1
A294 3061	Pump Joint	145- 20
A294 3062	Air Pump Motor - DC 5.85W	145- 9
A294 3064	Air Pump Bracket	145- 11
A294 3065	DC Motor - Tonner Supply	145- 12
A294 3070	Tube - 6x9x740	145- 21
A294 3071	Tube - 6x9x1000	145- 19
A294 3072	Tube - 6x9x170	145- 18
A294 3076	Development Connector Bracket	145- 23
A294 3078	Development Ground Plate	131- 9
A294 3081	Air Pump	145- 15
A294 3083	Pump Cap	145- 17
A294 3084	Coller - 4x7x8	145- 14
A294 3085	Pump Seal	145- 16
A294 3086	Toner Supply Pump	145- 13
A294 3090	Fan Duct	145- 5
A294 3093	Air Block Plate	145- 3
A294 3094	Development Connector Bracket	145- 23
A294 3100	X/O MB38	87- *
A294 3100	X/O MB38	85- *
A294 3101	O/O MB75	87- *
A294 3101	O/O MB75	85- *
A294 3102	Development Unit (A294I/A295I)	87- *
A294 3102	Development Unit (A294I/A295I)	85- *

Part No.	Description	Page and Index No.
A294 3105	Development Unit (A294II/A295II/UP-KIT)	87- *
A294 3105	Development Unit	85- *
A294 3124	Ground Plate - Doctor Blade	87- 21
A294 3125	Electrode Torsion Spring	87- 14
A294 3126	Casing Electrode	87- 15
A294 3127	X/X MB75	87- 19
A294 3127	MB72 ADDED	87- 19
A294 3129	Electrode Torsion Spring (A294I/A295I)	87- 14
A294 3131	Upper Development Roller	87- 1
A294 3132	Lower Development Roller	87- 2
A294 3133	Lower Development Sheet	87- 19
A294 3145	Ball Bearing Case - 8x19x6	87- 8
A294 3147	Seal	87- 7
A294 3150	Bushing - 6x22x14	87- 10
A294 3161	X/O MB38	87- 4
A294 3163	X/O MB38	87- 5
A294 3166	Front Drum Seal	87- 4
A294 3167	Rear Drum Seal	87- 5
A294 3170	Bushing - 6x22x14	87- 13
A294 3173	Seal - M8	87- 18
A294 3180	Entrance Seal	85- 4
A294 3186	Toner Bank Unit (RIC NA)(A294I/A295I)	75- *
A294 3187	Toner Bank Unit (RIC EU)(A294I/A295I)	75- *
A294 3188	Toner Bank Unit (NRG/SVN)(A294I/A295I)	75- *
A294 3189	Toner Bank Unit (INF/LAN)(A294I/A295I)	75- *
A294 3190	Development Duct Ass'y	85- 14
A294 3200	X/O MB6	83- *
A294 3202	X/O MB38	83- *
A294 3203	Toner Supply Unit (A294I/A295I)	83- *
A294 3204	Toner Supply Unit	83- *
A294 3210	X/O MB38	83- 10
A294 3212	Center Filter Holder	83- 5
A294 3215	X/O MB38	83- 9
A294 3216	X/O MB38	83- 8
A294 3217	X/O MB38	83- 7

Part No.	Description	Page and Index No.
A294 3220	Upper Toner Hopper	83- 10
A294 3221	Upper Case Seal - Left	83- 9
A294 3222	Upper Case Seal - Right	83- 8
A294 3223	Seal - 45x12.5x3	83- 7
A294 3231	Lower Toner Hopper Case	83- 13
A294 3234	Seal - 52x5x2	83- 14
A294 3235	Seal - 60x25 MB38 ADDED	83- 37
A294 3236	Seal - 3x15x85	83- 24
A294 3237	Seal - 33x324x4	83- 25
A294 3238	Filter Lower Case Seal	83- 26
A294 3240	Agitator	83- 12
A294 3242	Toner Supply Roller	83- 23
A294 3245	Agitator Rear Holder	83- 34
A294 3246	Gear - 108Z (A294II/A295II/UP-KIT)	79- 2
A294 3251	Right Hopper Case	83- 31
A294 3252	X/O MB38	83- 30
A294 3255	Idler Gear - 15Z (RED) MB6 ADDED	83- 20
A294 3256	Seal - 8x68x2	83- 30
A294 3258	Toner Hopper Joint	83- 3
A294 3261	X/O MB38	83- 3
A294 3263	Front Filter Holder	83- 1
A294 3264	Filter Holder Cover - Front MB11 ADDED	83- 36
A294 3266	Joint Hopper Seal	83- 4
A294 3272	X/O MB33	75- *
A294 3276	X/X MB33	79- 1
A294 3277	X/X MB33	79- 1
A294 3278	X/X MB33	79- 1
A294 3279	X/X MB33	79- 1
A294 3282	X/O MB33	75- *
A294 3285	Toner Collection Coil	81- 22
A294 3290	X/X MB33	81- 16
A294 3292	Toner Bank Slider	81- 16
A294 3294	Gear - 108Z USA (RIC)(A294I/A295I)	79- 1
A294 3296	Gear - 108Z EU (RIC)(A294I/A295I)	79- 1
A294 3297	Gear - 108Z OEM (NRG/SVN)(A294I/A295I)	79- 1

Part No.	Description	Page and Index No.
A294 3298	Gear - 108Z OEM2 (INF/LAN)(A294I/A295I)	79- 1
A294 3308	X/O MB33	75- *
A294 3309	X/O MB33	75- *
A294 3313	Toner Bank Case	81- 5
A294 3317	Left Case Seal	81- 6
A294 3318	Right Case Seal	81- 7
A294 3321	Long Case Seal	81- 23
A294 3322	Short Case Seal	81- 24
A294 3323	Vibration Plate	81- 12
A294 3327	Toner Collection Vibration Plate	81- 11
A294 3333	Agitator Shaft	81- 21
A294 3334	Toner Bank Agitator	81- 20
A294 3336	Cam Shaft	81- 26
A294 3337	Vibration Plate Cam	81- 25
A294 3339	Spring Shaft	81- 18
A294 3340	Spring Support Plate	81- 19
A294 3341	Vibrating Plate Link Bracket	81- 1
A294 3346	Toner Bank Side Plate	79- 29
A294 3352	Toner Bottle Shaft	81- 13
A294 3354	Rack - 10z	81- 2
A294 3362	Toner Bottle Bracket	77- 7
A294 3371	Motor Bracket	77- 2
A294 3372	Motor - DC 5.85W	77- 1
A294 3375	Motor - DC 5.85W	77- 8
A294 3377	Sensor Bracket	77- 19
A294 3378	Position Sensor Bracket - Upper	77- 4
A294 3379	Position Sensor Bracket - Lower	77- 21
A294 3382	Toner Bottle Drive Shaft	79- 2
A294 3386	Driving Case	79- 26
A294 3390	Spring Shaft Cam	79- 23
A294 3391	Gear - 32Z	79- 22
A294 3392	Bracket Cover	81- 29
A294 3393	Cam Stopper	79- 24
A294 3402	Clutch Bracket	79- 15
A294 3406	Clutch Shaft	79- 6

Part No.	Description	Page and Index No.
A294 3408	Tightener Bracket	79- 16
A294 3411	X/O MB62	81- 22
A294 3414	Toner Collection Coil Joint	77- 15
A294 3415	Toner Collection Pipe	79- 25
A294 3416	Toner Recycling Magnet	77- 14
A294 3419	Joint Disk	77- 13
A294 3422	Pipe Stopper-toner Collection Coil	79- 28
A294 3426	Motor - DC 5.1W	77- 20
A294 3432	Right Side Plate - Toner Bank	79- 11
A294 3436	Left Side Plate - Toner Bank	75- 15
A294 3442	Toner Bottle Guide Plate	75- 1
A294 3445	Stopper Support Plate	75- 4
A294 3446	Toner Bottle Stopper	75- 11
A294 3447	Toner Bottle Set Feeler	75- 13
A294 3451	Lever Holder	75- 7
A294 3453	Toner Bottle Release Lever	75- 6
A294 3454	Lever Stopper	75- 2
A294 3456	Sensor Bracket - Toner Bank	79- 10
A294 3461	Lever Rack Joint	75- 17
A294 3462	Joint Holder	75- 18
A294 3465	Toner Collection Bottle	75- 8
A294 3471	Toner Transport Screw Case	133- 15
A294 3475	Tube - 12x14x835	133- 10
A294 3476	Pipe Seal	133- 19
A294 3477	Toner Transport Screw	133- 9
A294 3480	Driving Joint	133- 17
A294 3482	Tube Guide Rail	133- 11
A294 3485	Toner Transport Joint	133- 18
A294 3490	Inner Cover - Toner Bank	17- 19
A294 3491	X/O MB19	17- 19
A294 3495	Fixing Plate	75- 19
A294 3496	Toner Bank Guide Rail	75- 16
A294 3510	X/O MB82	93- *
A294 3511	Lower Drum Unit (A294I/A295I)	93- *
A294 3512	Lower Drum Unit (A294II/A295II/UP-KIT)	93- *

Part No.	Description	Page and Index No.
A294 3550	X/O MB82	95- 23
A294 3554	PCU Frame	95- 23
A294 3556	Entrance Seal Holder (A294I/A295I)	95- 24
A294 3563	X/O MB42	95- 8
A294 3566	Holder - Toner Collection Coil	93- 11
A294 3569	Upper Stay - Transfer Unit	95- 8
A294 3573	Midium Insulation Sheet	95- 27
A294 3574	Small Insulation Sheet	95- 28
A294 3576	Large Insulation Sheet	95- 29
A294 3591	Joint - Cleaning Drive	93- 16
A294 3593	Entrance Seal Holder	95- 24
A294 3594	Cleaning Magnet	95- 26
A294 3606	Cleaning Seal - Ass'y	93- 19
A294 3612	Toner Recycling Upper Case	131- 18
A294 3613	Toner Recycling Lower Case	131- 11
A294 3614	Vibrating Plate Cushion	81- 8
A294 3614	Vibrating Plate Cushion	131- 13
A294 3617	Vibrating Plate -toner Recycling	131- 16
A294 3618	Vibrating Plate Cam	131- 20
A294 3619	Transport Screw - Toner Recycling	131- 24
A294 3621	Gear - 44Z	131- 15
A294 3622	X/O MB64	131- 21
A294 3623	Used Toner Collection Pipe - M14mm	131- 22
A294 3624	X/X MB64	131- 23
A294 3626	Gear - 17Z	131- 30
A294 3627	Seal - Toner Recycling Lower Case	131- 14
A294 3628	Upper Guide - Vibrating Plate	131- 12
A294 3629	Lower Guide - Vibrating Plate	131- 17
A294 3630	Lower Case	131- 28
A294 3632	Lower Case Seal	131- 31
A294 3634	Seal	131- 32
A294 3635	Seal	131- 42
A294 3636	X/O MB64	131- 27
A294 3637	Upper Case Cover	131- 29
A294 3638	Toner Recycling Pipe - M14mm	131- 21

Part No.	Description	Page and Index No.
A294 3639	Cam Gear - 17Z MB64 ADDED	131- 43
A294 3641	Upper Case - Ass'y	131- 27
A294 3656	Gear Joint - Z16	129- 13
A294 3660	Drum Drive Shaft	129- 5
A294 3671	Cam - Blade Slide	129- 6
A294 3680	Drum Shaft Stay	129- 4
A294 3699	Drum Inner Cover	15- 8
A294 3700	Collection Bottle Ass'y	67- 36
A294 3711	Vacuum Supporter	67- 39
A294 3712	Supporter Stay	67- 38
A294 3713	Stopper - Collection Bottle	67- 37
A294 3722	Pump Unit Bracket	67- 34
A294 3725	Air Pump Ass'y	67- 33
A294 3731	Joint Tube	67- 32
A294 3732	Collection Bottle Tube	67- 35
A294 3810	Transfer Belt Unit (A294)	97- *
A294 3851	Transfer Belt Casing	99- 26
A294 3859	Coupled Gear - 32Z/40Z	99- 25
A294 3861	Transfer Belt Frame	97- 23
A294 3862	X/O MB15	97- 13
A294 3863	Electrode Plate	97- 14
A294 3864	Electrode Cover	97- 17
A294 3865	X/O MB15	97- 21
A294 3866	Driven Cover	97- 16
A294 3867	Grounding Plate	97- 20
A294 3868	Rear Frame Spring Plate	97- 13
A294 3869	Rear Positioning Plate	97- 10
A294 3871	Gear - 20Z	97- 11
A294 3872	Transfer Bias Brush	97- 18
A294 3876	Bushing - 0.75x6x23	97- 15
A294 3878	Back Up Roller	97- 7
A294 3879	Front Spring Plate	97- 21
A294 3880	Toner Collection Coil	99- 5
A294 3883	Transfer Belt Cleaning Blade	99- 4
A294 3885	Bias Roller Terminal	97- 12

Part No.	Description	Page and Index No.
A294 3887	Casing Spring Plate	99- 17
A294 3889	Electrode Cover	99- 19
A294 3890	Transfer Belt Solenoid	99- 15
A294 3892	X/X MB31	99- 3
A294 3893	Solenoid Heat Sink	99- 11
A294 3895	X/X MB31	99- 31
A294 3896	Casing Cover	99- 18
A294 3897	Relay Electrode Plate	99- 30
A294 3911	Support Plate	153- 11
A294 3913	Heat Resistance Sheet	153- 8
A294 3915	Belt Unit Support Plate	97- 22
A294 3918	Positioning Plate	153- 15
A294 3920	Support Plate	153- 17
A294 3951	Rear Casing Guide	99- 3
A294 3956	Exit Electrode Plate - Transfer Belt	99- 31
A294 3962	Transfer Belt	97- 1
A294 4011	O/O MB86	103- *
A294 4013	Fusing Paper Exit Unit - US	103- *
A294 4014	Fusing Paper Exit Unit - EU	103- *
A294 4026	Fusing Paper Exit Unit - US	103- *
A294 4027	Fusing Paper Exit Unit - EU	103- *
A294 4036	Hot Roller Unit - US	105- *
A294 4037	Hot Roller Unit - EU	105- *
A294 4053	Front Fusing Plate (A294I/A295I/UP-KIT)	105- 4
A294 4054	Rear Fusing Plate	105- 15
A294 4055	Upper Fusing Tray (A294I/A295I/UP-KIT)	105- 2
A294 4056	Front Heater Holder	105- 7
A294 4057	Rear Heater Holder	105- 17
A294 4059	Right Lower Fusing Stay	105- 10
A294 4061	Gear - 67Z	105- 16
A294 4065	O/O MB44	105- 1
A294 4066	Hot Roller Unit - US	105- *
A294 4070	Cleaning Roller Unit	107- 8
A294 4072	X/O MB65	107- 9
A294 4073	Right Lower Stay	109- 24

Part No.	Description	Page and Index No.
A294 4075	Cleaning Roller Shaft	107- 13
A294 4076	Lower Exit Guide Plate	103- 1
A294 4077	Left Holder	107- 10
A294 4078	Right Holder	107- 15
A294 4079	Stripper Pawl Bracket	103- 3
A294 4083	Cleaning Roller Bracket	107- 9
A294 4089	Fusing Upper Cover (A294I/A295I/UP-KIT)	101- 1
A294 4092	Fusing Cover Film	101- 17
A294 4095	Fusing Entrance Guide - A4	105- 11
A294 4103	Upper Pressure Lever	107- 24
A294 4104	Stopper Bracket	101- 20
A294 4106	Pressure Shaft	107- 21
A294 4107	Lower Pressure Lever	107- 22
A294 4111	Hot Roller Unit - EU	105- *
A294 4112	X/O MB85	101- 20
A294 4116	Plate Ratchet	101- 21
A294 4117	O/O	101- 3
A294 4118	Fusing Exit Guide X/O MB78	103- 6
A294 4132	X/O MB85	101- 3
A294 4134	X/O MB11	101- 3
A294 4135	Pressure Roller Shaft	107- 17
A294 4136	X/X	101- 10
A294 4140	X/O MB1	101- 3
A294 4146	Gear - 50Z (A294I/A295I/UP-KIT)	101- 19
A294 4147	Oil Collect Bracket	101- 12
A294 4149	X/X	101- 11
A294 4150	X/X MB	101- 15
A294 4151	X/O MB	101- 15
A294 4152	Sensor Bracket (A294I/A295I)	107- 5
A294 4155	X/X	101- 4
A294 4156	Gear - 23Z	101- 16
A294 4158	Coupled Gear - 25Z/32Z	101- 13
A294 4159	O/O MB8	103- 6
A294 4160	Left Upper Fusing Cover	103- 7
A294 4161	X/X MB8	103- 17

Part No.	Description	Page and Index No.
A294 4164	Roller Spring Plate	103- 14
A294 4165	X/X MB8	103- 13
A294 4170	X/O MB78	103- 17
A294 4171	Coupled Gear - 17Z/32Z (A294I/A295I)	107- 2
A294 4171	Coupled Gear - 17Z/32Z	101- 18
A294 4172	Drive Bracket (A294I/A295I)	107- 3
A294 4176	Right Front Case (A294I/A295I/UP-KIT)	107- 1
A294 4178	Exit Guide Bracket	103- 13
A294 4179	Fusing Harness Bracket	105- 13
A294 4183	Cable Connector Bracket	143- 9
A294 4185	Pressure Lever Support Plate	107- 27
A294 4186	Pressure Shaft	107- 7
A294 4190	Front Bracket	107- 20
A294 4191	O/O MB	101- 15
A294 4192	Web End Metal Lever	101- 22
A294 4195	Fusing Entrance Guide - LT	105- 11
A294 4198	Fusing Inner Cover	101- 2
A294 4209	O/O MB86	103- *
A294 4252	Paper Cooling Roller	109- 3
A294 4253	X/O MB21	109- 1
A294 4254	Transport Belt - Paper Exit	109- 1
A294 4267	X/O MB63	109- 14
A294 4268	Paper Cooling Stay	109- 14
A294 4272	Inverter Guide Plate	111- 9
A294 4279	Inverter Junction Solenoid	111- 18
A294 4280	Solenoid Bracket	111- 21
A294 4281	Inverter Lever	111- 23
A294 4287	Inverter Middle Guide Plate	111- 4
A294 4288	Entrance Inverter Guide Mylar MB2 ADDED	111- 31
A294 4289	Relay Guide Plate	115- 16
A294 4294	Exit Guide Plate	115- 14
A294 4301	Upper Guide Plate - Exit	113- 10
A294 4308	Exit Sensor Braket	113- 2
A294 4309	X/O MB39	113- 3
A294 4311	Rear Side Plate - Fusing Exit	115- 25

Part No.	Description	Page and Index No.
A294 4314	Rear Side Plate - Fusing Exit	115- 25
A294 4322	Timing Belt - 561P3M6	109- 20
A294 4323	Timing Belt- B60DS3M480	113- 15
A294 4326	Right Tightener	111- 26
A294 4331	Left Tightner	115- 20
A294 4336	Brush Bracket	109- 18
A294 4342	Front Side Plate - Fusing Exit	115- 24
A294 4346	Lever Bracket	115- 2
A294 4347	Release Lever	115- 1
A294 4349	Lock Lever	115- 4
A294 4356	Slide Rail Bracket - Left Front	149- 8
A294 4357	Slide Rail Bracket - Left Rear	149- 9
A294 4369	Fan Motor Bracket	149- 10
A294 4372	Paper Cooling Duct	143- 3
A294 4373	Paper Cooling Duct Cover	143- 5
A294 4375	Suction Duct	153- 3
A294 4379	Duct Stay	153- 2
A294 4381	Connector Bracket	111- 16
A294 4382	Left Lower Stay	115- 5
A294 4385	Fusing Bottom Cover	111- 14
A294 4387	Inner Cover - Paper Exit	109- 6
A294 4391	Finisher Connecting Bracket	149- 1
A294 4392	Upper Guide Plate	149- 2
A294 4393	Lower Exit Guide Plate	149- 3
A294 4401	X/X MB4	113- 11
A294 4403	X/X MB4	113- 16
A294 4405	Entrance Guide	113- 11
A294 4406	Support Guide - Entrance Cooling	113- 16
A294 4407	Lower Exit Guide	113- 3
A294 4412	Web Brake Pad Bracket	101- 24
A294 4414	Drive Bracket (UP-KIT) MB91 ADDED	107- 3
A294 4416	Sensor Bracket (UP-KIT) MB91 ADDED	107- 5
A294 4420	Front Fusing Plate (A294II/A295II)	105- 4
A294 4421	Upper Fusing Stay (A294II/A295II)	105- 2
A294 4423	Web Bracket (A294I/A295I/UP-KIT)	101- 10

Part No.	Description	Page and Index No.
A294 4425	Web End Feeler (A294I/A295I/UP-KIT)	101- 15
A294 4426	Web Spring Plate (A294I/A295I/UP-KIT)	101- 4
A294 4429	Oil Supply & Cleaning Web Unit	101- 3
A294 4431	Web Bracket (A294II/A295II)	101- 10
A294 4433	Web Spring Plate (A294II/A295II)	101- 4
A294 4434	Web End Feeler (A294II/A295II)	101- 15
A294 4435	Web End Metal Lever	101- 22
A294 4437	Web Unit Cover (A294II/A295II)	101- 11
A294 4443	Drive Bracket (A294II/A295II)	107- 3
A294 4447	Sensor Bracket (A294II/A295II)	107- 5
A294 4448	Right Front Case (A294II/A295II)	107- 1
A294 4449	Web Brake Pad (A294II/A295II)	101- 23
A294 4451	Fusing Upper Cover (A294II/A295II)	101- 1
A294 4457	Front Side Plate - Fusing Exit	115- 24
A294 4462	Inner Back Bracket - Cleaning Unit	115- 26
A294 4465	Thermofuse Ass'y	105- 1
A294 4470	Fusing Guide Plate	103- 6
A294 4471	O/O MB88	103- 6
A294 4472	Upper Fusing Exit Guide	103- 17
A294 4480	Oil Supply & Cleaning Web Unit	101- 3
A294 4482	Web Unit Cover (A294I/A295I/UP-KIT)	101- 11
A294 4490	Oil Supply & Cleaning Web Unit (UP-KIT)	101- 3
A294 4500	Duplex Unit	117- *
A294 4611	Upper Guide Plate	125- 15
A294 4621	X/O MB49	125- 15
A294 4626	Lower Duplex Guide Plate	125- 3
A294 4652	Driven Duplex Roller Ass'y	125- 1
A294 4654	Transport Roller	125- 2
A294 4661	Duplex Junction Gate	121- 2
A294 4662	Junction Gate Solenoid	121- 23
A294 4665	Cushion - 6x6x2	111- 15
A294 4665	X/O MB60	121- 24
A294 4668	Cushion - Junction Gate Solenoid	121- 24
A294 4673	Inverter Exit Guide - Left	121- 3
A294 4674	Inverter Exit Guide - Right	121- 1

Part No.	Description	Page and Index No.
A294 4701	Rear Jogger Fence	117- 15
A294 4705	Front Jogger Fence	117- 16
A294 4708	Guide Seal - 19x45	117- 17
A294 4711	Jogger Motor - Bracket	123- 2
A294 4712	Motor - DC 17.76W	123- 1
A294 4716	Rear Jogger Slider	123- 7
A294 4718	Belt Holder	123- 4
A294 4721	Front Jogger Slider	123- 6
A294 4723	Belt Holder Fixing Plate	123- 3
A294 4726	Idle Bracket	123- 10
A294 4730	Jogger Guide Rod	123- 8
A294 4732	Guide Rod Plate	123- 25
A294 4733	Jogger Fence Guide	123- 11
A294 4736	Jogger HP Sensor Bracket	123- 23
A294 4737	Left Duplex Table	123- 16
A294 4738	Duplex Entrance Seal	123- 18
A294 4742	X/O MB29	117- 18
A294 4744	Right Duplex Table	117- 18
A294 4745	Right Sensor Bracket	117- 21
A294 4751	Reverse Roller Bracket	117- 42
A294 4754	Roller Lever	117- 7
A294 4761	Reverse Roller Solenoid	117- 2
A294 4774	Relay Gear Shaft	119- 11
A294 4788	Transport Tightener	125- 17
A294 4792	Reverse Roller Tightner	125- 8
A294 4802	Duplex Entrance Guide	121- 10
A294 4806	Knob Bracket	121- 18
A294 4807	Rear Side Plate - Duplex	121- 12
A294 4808	Front Side Plate - Duplex	121- 20
A294 4809	Inverter Knob	121- 17
A294 4813	X/X MB68	121- 9
A294 4814	Lower Duplex Guide	121- 9
A294 4821	Entrance Guide	119- 18
A294 4822	Paper Guide Solenoid	119- 14
A294 4827	Paper Guide Seal	119- 17

Part No.	Description	Page and Index No.
A294 4831	Duplex Knob Bracket	125- 7
A294 4832	Knob Shaft	125- 9
A294 4836	X/O MB30	117- 10
A294 4837	Upper Duplex Stay	117- 10
A294 4841	Release Lever Shaft	117- 32
A294 4842	Release Bracket	117- 35
A294 4843	Lock Arm	117- 34
A294 4844	Release Lever	117- 36
A294 4851	Guide Plate	117- 22
A294 4852	Plate Spring	117- 24
A294 4854	Guide Plate Lever	117- 29
A294 4855	Lower Transport Guide Stay	117- 41
A294 4861	Duplex Unit Drawer Bracket	119- 2
A294 4866	Lock Lever	117- 37
A294 4871	Slide Rail Stay - Left	149- 5
A294 4881	Slide Rail Stay - Right Rear	155- 4
A294 4892	Duplex Inner Cover	117- 1
A294 5053	MCU Board	47- 4
A294 5053	MCU Board	161- *
A294 5057	PRON - MCU	161- 1
A294 5090	Harness - FFC40	47- 18
A294 5091	Harness - FFC15	47- 19
A294 5092	Harness - SICU Board	47- 13
A294 5093	Harness - MCU LDB	47- 1
A294 5094	Harness - MCU Board (A294) MB13	47- 2
A294 5096	Harness - Heater Connect	47- 22
A294 5098	Harness - SICU Connect	47- 12
A294 5176	Harness - Hard Disk Drive	47- 16
A294 5177	2nd HDD Harness	47- 15
A294 5222	Harness - Optical Unit FFC	47- 26
A294 5223	Harness - Sync Detector	51- 5
A294 5225	Harness - Interlock Switch	51- 4
A294 5226	Safety Switch Harness	147- 3
A294 5245	Board - Polygon Motor Drive	51- 2
A294 5261	BCU Board	167- *

Part No.	Description	Page and Index No.
A294 5261	BCU Board	139- 19
A294 5300	O/O MB	171- *
A294 5300	O/O MB	143- 1
A294 5310	IO Board (A294I/A295I)	171- *
A294 5310	IO Board (A294I/A295I)	143- 1
A294 5330	Board - Main Switch	17- 9
A294 5340	I/O Board (A294II/A295II/UP-KIT)	143- 1
A294 5340	I/O Board (A294II/A295II/UP-KIT)	171- *
A294 5361	Cable - 10KV 105C	137- 9
A294 5365	High Voltage Cable - G/B/S	137- 11
A294 5410	AC Drive Board	141- 3
A294 5440	AC Harness	141- 2
A294 5441	DC Harness	141- 9
A294 5442	AC Harness - Heater	141- 10
A294 5450	DC Main Harness	139- 20
A294 5452	Main DC Harness - Paper Bank	143- 14
A294 5453	X/O MB26	139- 21
A294 5454	DC Harness - Power Supply	139- 21
A294 5461	DC Harness - Drum	131- 8
A294 5462	DC Harness - Tandem LCT	133- 8
A294 5464	DC Harness - Duplex	131- 25
A294 5465	Fusing Harness	143- 10
A294 5466	Paper Exit Harness	139- 14
A294 5468	Sub DC Harness - Paper Bank	143- 13
A294 5471	Harness - Drum Unit	95- 6
A294 5472	DC Harness - Tandem LCT	57- 23
A294 5474	Duplex Harness	119- 1
A294 5475	Fusing Harness	105- 14
A294 5476	Exit Unit Harness	111- 17
A294 5477	Drum Relay Harness	91- 4
A294 5479	Relay Harness - Transfer Belt	153- 13
A294 5480	Transfer Belt Harness	99- 14
A294 5481	X/O MB55	69- 4
A294 5482	Harness - Paper Feed Unit	69- 4
A294 5485	Interface Finisher Griunding Harnes	143- 8

Part No.	Description	Page and Index No.
A294 5486	Interface Grounding Harness	137- 18
A294 5486	Interface Grounding Harness	143- 7
A294 5487	Grounding Wire - DF	137- 17
A294 5490	Cable - Operation Board SICU	47- 24
A294 5491	Toner Bank Harness - 10p White	77- 18
A294 5492	Toner Bank Harness - 10p Red	77- 17
A294 5493	Toner Bank Harness - 15p	77- 16
A294 5494	Harness - Main Switch	17- 8
A294 5496	Key Counter Relay Harness - Lanier MB7 ADDED	47- 27
A294 5497	Key Counter Short Connector - 4P	47- 28
A294 5500	Harness - 1st Scanner	45- 16
A294 5501	Board - 1st Scanner Harness	45- 28
A294 5550	Touch Panel - 10.4inch	21- 3
A294 5600	SICU Board - 240V USA	47- 14
A294 5620	Power Cord - USA	141- 6
A294 5650	SICU Board - 230V	47- 14
A294 5670	Power Cord - 230V	141- 6
A294 6155	Rear Side Plate	157- 10
A294 6171	DC Motor - 27.6W	133- 4
A294 6181	Front Side Plate	157- 21
A294 6183	Inner Cover - Paper Tray	67- 9
A294 6320	Paper Feed Unit (A294I/A295I/UP-KIT)	67- 1
A294 6321	Paper Feed Unit - 2nd	67- 31
A294 6322	Paper Feed Unit (A294II/A295II)	67- 1
A294 6323	Paper Feed Unit - 2nd	67- 31
A294 6366	Magnetic Clutch Arm	61- 11
A294 6371	Guide Plate	67- 2
A294 6376	Transport Roller	67- 7
A294 6403	Front Side Plate	67- 22
A294 6404	Rear Side Plate	67- 14
A294 6405	Guide Plate - Upper Transport	67- 13
A294 6409	Stay	67- 17
A294 6426	Release Lever - Vertical Transport	67- 25
A294 6609	Left Tandem Tray Ass'y - A4	53- 3
A294 6610	Right Tandem Tray Ass'y - A4	55- *

Part No.	Description	Page and Index No.
A294 6611	Left Tandem Tray Ass'y - LT	53- 3
A294 6612	Right Tandem Tray Ass'y - LT	55- *
A294 6624	Left End Fence	53- 27
A294 6630	Left Rear Fence	53- 14
A294 6632	Cover Bracket	53- 5
A294 6643	Left Front Fence	53- 7
A294 6645	Left Side Plate	53- 8
A294 6650	Stopper - Interlock Switch	53- 15
A294 6666	Side Plate	55- 14
A294 6668	Right Front Side Plate	57- 37
A294 6670	Base - Right Tandem Tray	55- 7
A294 6676	Right Rear Side Plate	57- 21
A294 6688	Wire Pulley Ass'y	57- 19
A294 6688	Drive Wire Pulley Cover O/O MB84	57- 19
A294 6690	Feeler - Paper Height Sensor	57- 13
A294 6706	Sensor Bracket	55- 9
A294 6711	Front Side Fence	57- 2
A294 6720	Sensor Bracket	57- 35
A294 6721	Sensor Bracket	57- 8
A294 6722	Front Support Bracket	57- 5
A294 6723	Rear Support Bracket	57- 7
A294 6725	Rear End Fence	57- 6
A294 6736	X/X as set MB53	55- 6
A294 6737	Right Fence	55- 10
A294 6739	Right Front Fence	55- 6
A294 6744	Inner Cover - Tandem LCT	55- 2
A294 6804	Tandem LCT Cover	53- 1
A294 6910	Right Front Door (SVN/LAN)	15- 9
A294 6911	Right Front Door (NRG)	15- 9
A294 6912	Right Front Door (INF A294I)	15- 9
A294 6913	Right Front Door (INF A294II/UP-KIT)	15- 9
A294 6914	Left Front Door (NRG/SVN/LAN)	15- 1
A294 6915	Left Front Door (INF)	15- 1
A294 6930	Model Name Plate - SVN 2085DP (A294I)	181- 38
A294 6931	Model Name Plate - GES 3285 (A294I)	181- 38

Part No.	Description	Page and Index No.
A294 6932	Model Name Plate - NSA D485 (A294I)	181- 38
A294 6933	Model Name Plate - REX 2885 (A294I)	181- 38
A294 6934	Model Name Plate - LAN 5485 (A294I)	181- 38
A294 6940	Model Name Plate - SVN 2585 (A294II)	181- 38
A294 6941	Model Name Plate - GES 8502 (A294II)	181- 38
A294 6942	Model Name Plate - NSA 8505 (A294II)	181- 38
A294 6943	Model Name Plate - REX 8508 (A294II)	181- 38
A294 6944	Model Name Plate - LAN 5685 (A294II)	181- 38
A294 7207	Copier Operating Instructions LT	181- 39
A294 7237	Copier Operating Instructions Eng LT	181- 39
A294 7260	Copier Operating Instructions Eng A3	181- 39
A294 7290	Copier Operating Instructions Eng A3	181- 39
A294 7297	Copier Operating Instructions Eng LT	181- 39
A294 8607	System Operating Instructions - LT	181- 40
A294 8637	System Operating Instructions Eng LT	181- 40
A294 8660	System Operating Instructions Eng A3	181- 40
A294 8690	System Operating Instructions Eng A3	181- 40
A294 8697	System Operating Instructions Eng LT	181- 40
A294 9099	NVRAM - Minus Counter	47- 21
A294 9510	OPC Drum	91- 8

Part No.	Description	Page and Index No.
AA00 0207	High Temperature Decal - Small	109- 16
AA00 0207	High Temperature Decal - Small	181- 11
AA00 0208	High Temperature Decal - Large	109- 7
AA00 0208	High Temperature Decal - Large	181- 12
AA00 0213	Decal - Universal Tray	59- 5
AA00 0213	Decal - Universal Tray	181- 13
AA00 0540	Decal - Misfeed Removal	181- 14
AA00 0540	Decal - Misfeed Removal	67- 10
AA00 1190	Decal - Ground	141- 8
AA00 1190	Decal - Ground	181- 15
AA00 1213	Decal - B2	181- 16
AA00 1213	Decal - B2	73- 25
AA00 1326	Decal - A1	67- 24
AA00 1326	Decal - A1	181- 17
AA00 1407	Guide Lever Decal	181- 18
AA00 1407	Guide Lever Decal	117- 40
AA00 1408	Duplex Knob Decal	181- 19
AA00 1408	Duplex Knob Decal	117- 3
AA00 1409	Decal - Z4	181- 20
AA00 1409	Decal - Z4	117- 4
AA00 1410	Decal - Paper Feed B4	69- 18
AA00 1410	Decal - Paper Feed B4	181- 21
AA00 1411	Decal - Paper Feed B1	69- 24
AA00 1411	Decal - Paper Feed B1	181- 22
AA00 1412	Decal - Paper Feed C2	69- 21
AA00 1412	Decal - Paper Feed C2	181- 23
AA00 1413	Decal - Paper Feed B3	181- 24
AA00 1413	Decal - Paper Feed B3	69- 22
AA00 1414	Decal - D1	109- 9
AA00 1414	Decal - D1	181- 25
AA00 1416	Decal - D5	181- 26
AA00 1416	Decal - D5	109- 8
AA00 1417	Decal - D6	181- 27
AA00 1417	Decal - D6	115- 15
AA00 2010	Decal - Paper Level	53- 13

Part No.	Description	Page and Index No.
AA00 2010	Decal - Paper Level	59- 21
AA00 2010	Decal - Paper Level	55- 13
AA00 2010	Decal - Paper Level	181- 28
AA00 2096	Decal - Size Indication	181- 42
AA00 2237	Decal - Paper Tray No1	53- 2
AA00 2237	Decal - Paper Tray No1	181- 29
AA00 2238	Decal - Cover No.2	181- 30
AA00 2238	Decal - Cover No.2	59- 1
AA00 2239	Decal - Cover No.3	59- 1
AA00 2239	Decal - Cover No.3	181- 31
AA00 2244	Decal - Paper Set - Left	181- 32
AA00 2244	Decal - Paper Set - Left	53- 6
AA00 2245	Decal - Paper Set - Right	181- 33
AA00 2245	Decal - Paper Set - Right	55- 5
AA00 2246	Decal - Caution	181- 34
AA00 2246	Decal - Caution	55- 3
AA00 2251	Paper Size Decal - LT	59- 25
AA00 2251	Paper Size Decal - LT	181- 35
AA00 2252	Paper Size Decal - A4	59- 25
AA00 2252	Paper Size Decal - A4	181- 35
AA01 2060	Development Filter (A294I/A295I)	85- 7
AA01 2113	Pressure Release Filter - Center	83- 6
AA01 2114	Pressure Release Filter - Front	83- 2
AA02 1025	Magnet Catch	117- 11
AA02 1031	Magnetic Catch	113- 12
AA02 1031	Magnetic Catch	121- 8
AA02 1031	Magnetic Catch	109- 15
AA04 3269	Timing Belt - S2M114	131- 5
AA04 3271	Timing Belt - S3M 196T	53- 29
AA04 3278	Timing Belt - B60S3M339	119- 6
AA04 3279	Timing Belt - B60S3M225	123- 22
AA04 3280	Timing Belt - B40S2M308	125- 21
AA04 3281	Timing Belt - B40S2M300	125- 16
AA04 3282	Timing Belt - 774P2M4	123- 5
AA04 3283	Timing Belt - 50S2M194	79- 21

Part No.	Description	Page and Index No.
AA04 3533	Timing Belt - B0S2M256	39- 32
AA04 3534	Timing Belt - B60S3M216	37- 31
AA04 3535	Timing Belt - B60S3M195	37- 27
AA04 3536	Timing Belt - B60S3M279	37- 23
AA04 3537	Timing Belt - B40S2M206	37- 38
AA04 3538	Timing Belt - B60S3M174	39- 39
AA04 3539	Timing Belt - B40S2M104	39- 5
AA04 3540	Timing Belt - 633P3M6	133- 1
AA04 3541	Timing Belt - 852P3M6	133- 2
AA04 3542	Timing Belt - B100S2M426	129- 18
AA04 3543	Timing Belt - B100S3M327	129- 29
AA04 3544	Timing Belt - B150S3M741 - Fusing	127- 10
AA04 3545	Timing Belt - B60S3M459	129- 28
AA04 3546	Timing Belt - B60S2M474	39- 33
AA04 3547	Timing Belt - B40S3M213	35- 17
AA04 3547	Timing Belt - B40S3M213	39- 7
AA04 3548	Timing Belt - B40S3M150	33- 14
AA06 0119	Arm Spring	131- 19
AA06 0221	Gripper Solenoid Spring	49- 14
AA06 0262	Spring	111- 22
AA06 0291	Spring	83- 19
AA06 0308	Spring	79- 17
AA06 0523	Pick-up Pressure Sping	63- 9
AA06 0534	Tray Lock Spring - 19mm	157- 8
AA06 0539	Stripper Pawl Spring	103- 11
AA06 0575	Release Spring	65- 16
AA06 0590	Pressure Spring	39- 29
AA06 0590	Pressure Spring	37- 14
AA06 0636	Pressure Spring	65- 13
AA06 0720	Tension Spring - 7.75N	131- 4
AA06 0742	Tension Spring	125- 19
AA06 0742	Tension Spring	123- 12
AA06 0754	Tension Spring	133- 25
AA06 0755	Tension Spring	135- 22
AA06 0757	Tension Spring - Long	57- 3

Part No.	Description	Page and Index No.
AA06 0758	Tension Spring - Short	57- 15
AA06 0759	Tension Spring	53- 22
AA06 0761	Spring	157- 5
AA06 0805	Duplex Junction Spring	121- 22
AA06 0806	Spring	117- 9
AA06 0807	Paper Guide Spring	119- 16
AA06 0808	Reverse Roller Spring	125- 10
AA06 0810	Tension Spring - Vibrating Plate	81- 30
AA06 0811	Tension Spring - Stopper	75- 5
AA06 0812	Lever Tension Spring	75- 3
AA06 2251	Spring - Large	135- 8
AA06 2252	Spring - Small	135- 7
AA06 2284	Pressure Spring	89- 24
AA06 2311	Paper Bank Drive Spring	133- 23
AA06 3068	Spring Connector	143- 11
AA06 3068	Spring Connector	131- 26
AA06 3068	Spring Connector	139- 15
AA06 3131	Spring	69- 14
AA06 3182	Joint Spring	127- 19
AA06 3248	Charge Terminal Spring	89- 14
AA06 3249	Grid Terminal Spring	89- 15
AA06 3254	Driven Roller Spring	73- 22
AA06 3255	Exit Roller Spring	69- 9
AA06 3255	Exit Roller Spring	73- 7
AA06 3255	Exit Roller Spring	125- 24
AA06 3268	Connector Spring	133- 13
AA06 3310	Guide Plate Spring	99- 29
AA06 3315	Spring - Belt Drive Shaft	27- 31
AA06 3344	X/X MB68	121- 13
AA06 3350	Pressure Spring - Duplex Entrance	121- 13
AA06 3366	Chuck Spring	81- 10
AA06 3380	Spring - 16mm	93- 4
AA06 3384	Pick-off Pawl Shaft Spring	95- 14
AA06 3485	Compression Spring	99- 16
AA06 3487	Spring - 10mm	67- 20

Part No.	Description	Page and Index No.
AA06 3487	Spring - 10mm	65- 20
AA06 3490	Spring - 21.6mm	127- 15
AA06 3580	Compression Spring	117- 12
AA06 3581	Compression Spring	117- 26
AA06 3583	Spring	133- 6
AA06 3591	Cleaning Blade Spring	93- 6
AA06 3601	Rack Spring	81- 3
AA06 3602	Chuck Spring	81- 4
AA06 3604	Pressure Spring	129- 12
AA06 3652	Spring-Oil Supply Roller	101- 25
AA06 3850	Cleaning Pressure Spring	101- 14
AA06 3851	Pressure Spring	101- 6
AA06 3853	Pressure Spring	103- 10
AA06 6211	Rear Lock Spring	73- 13
AA06 6214	Front Pawl Spring	95- 18
AA06 6215	Rear Pawl Spring	95- 19
AA06 6223	Grip Spring	117- 33
AA06 6315	Rear Guide Spring	121- 6
AA06 6316	Front Guide Spring	121- 7
AA06 6319	Tortion Spring	81- 17
AA06 6320	Feeler Tortion Spring	75- 12
AA06 6321	Rear Guide Plate Spring	115- 11
AA06 6322	Front Guide Plate Spring	115- 12
AA06 6331	Duplex Entrance Spring	121- 21
AA06 6332	Paper Guide Spring	119- 19
AA06 6336	Torsion Spring - Duplex Entrance	121- 25
AA06 6551	Stopper Spring - 24mm	59- 9
AA07 0044	Slide Rail - Tandem LCT	157- 12
AA07 0048	Duplex Slide Rail	149- 4
AA07 0048	Duplex Slide Rail	155- 5
AA07 0050	Slide Rail	149- 7
AA07 0050	Slide Rail	153- 10
AA08 0034	Bushing - 4x5x7	73- 6
AA08 0034	Bushing - 4x5x7	111- 2
AA08 0034	Bushing - 4x5x7	117- 13

Part No.	Description	Page and Index No.
AA08 0034	Bushing - 4x5x7	121- 14
AA08 0034	Bushing - 4x5x7	69- 8
AA08 0034	Bushing - 4X5X7	115- 9
AA08 0034	Bushing - 4x5x7	113- 7
AA08 0147	Front Bushing	89- 4
AA08 0148	Rear Bushing	89- 10
AA08 0152	Bushing - 4x12x13	87- 9
AA08 0154	Rear Bushing	93- 18
AA08 0155	Rear Pawl Bushing	95- 20
AA08 0156	Bushing - M4	65- 19
AA08 0158	Arm Bushing	153- 24
AA08 0241	Bushing - M4	67- 19
AA08 2045	Cleaning Brush Bushing	93- 17
AA08 2046	Bushing - 6x12x6	117- 8
AA08 2046	Bushing - 6x12x6	119- 15
AA08 2046	Bushing - 6x12x6	125- 4
AA08 2046	Bushing - 6x12x6	125- 30
AA08 2046	Bushing - 6x12x6	123- 20
AA08 2047	Bushing - 8x16x7	123- 19
AA08 2047	Bushing - 8x16x7	125- 31
AA08 2047	Bushing - 8x16x7	125- 6
AA08 2058	Bushing - 6x10x9mm	79- 8
AA08 2058	Bushing - 6x10x9mm	131- 33
AA08 2059	Agitator Bushing	93- 15
AA08 2070	Bushing - 8x16x7	63- 6
AA08 2094	Bushing - Brush Roller	93- 12
AA08 2095	Bushing - Toner Collection Coil	93- 24
AA08 3009	Clutch Roller - 8x18x11	63- 11
AA12 0027	Antistatic Brush	113- 9
AA12 0032	Antistatic Brush	23- 10
AA12 0032	Antistatic Brush	33- 16
AA12 0091	Antistatic Brush	111- 13
AA12 0096	Duplex Antistatic Brush	121- 16
AA12 0097	Antistatic Brush	109- 17
AA12 0098	Antistatic Brush - Cleaning Roller	107- 28

Part No.	Description	Page and Index No.
AA13 2013	Spacer	27- 32
AA13 2024	Spacer - M6	129- 11
AA13 2024	Spacer - M6	99- 2
AA13 2024	Spacer - M6	93- 5
AA13 2025	Spacer - 1x8x12	71- 13
AA13 2152	Spacer - 8x20x1	37- 9
AA13 2152	Spacer - 8x20x1 MB22 ADDED	113- 17
AA13 2152	Spacer - 8x20x1	135- 9
AA13 2171	Spacer - 6x20x1	27- 24
AA13 2203	Spacer - 6mm	135- 6
AA13 2203	Spacer - 6mm	57- 25
AA13 2209	Spacer - 8x10x13.5	107- 14
AA13 2212	Spacer - 8x22x1.5 MB25 ADDED	135- 23
AA14 0486	Lock Shaft	73- 1
AA14 0685	Shaft - Back Fence Slider	53- 25
AA14 0686	Shaft - Timing Pulley	53- 20
AA14 0717	Feed Roller Shaft	63- 10
AA14 0723	X/O MB80	109- 4
AA14 0724	X/O MB50	115- 10
AA14 0739	Pivot Shaft	115- 10
AA14 0747	Cooling Roller Shaft	109- 4
AA14 3020	Stepped Screw - M4	33- 1
AA14 3037	Development Cover Screw	103- 9
AA14 3037	Development Cover Screw	103- 2
AA14 3039	Spring Holder	41- 6
AA14 3062	Shoulder Screw - M4	75- 20
AA14 3074	Stepped Screw - M4x5	29- 1
AA14 3183	Stepped Screw	117- 39
AA14 3307	Stepped Screw - M3	123- 17
AA14 3307	Stepped Screw - M3	117- 30
AA14 3417	Shoulder Screw - M4x4	43- 5
AA14 3426	Stepped Screw - M4x17	87- 6
AA14 3426	Stepped Screw - M4x17	121- 11
AA14 3444	Stepped Screw	79- 18
AA14 3483	Stepped Screw	133- 7

Part No.	Description	Page and Index No.
AA14 3499	Stepped Screw	145- 6
AA14 8578	Shaft - Cleaning Drive	129- 10
AA14 8579	Shaft - Transport Slide	129- 8
AA14 8594	Lever Shaft	115- 23
AA15 0012	Shielding Mylar - 30x30	49- 20
AA15 0332	Seal - 0.19x18x22	49- 17
AA15 0359	Seal	59- 31
AA15 0361	Slitter Cover Seal	83- 28
AA15 0406	Seal - Misfeed Removal	157- 16
AA15 1676	Upper Front Seal - Hopper MB48 ADDED	71- 18
AA15 1771	Seal - 5x10x138	137- 4
AA15 1775	Seal - Fan	137- 7
AA15 1775	Seal - Fan	139- 18
AA15 1787	X/O MB38	83- 14
AA15 1788	Front Separate Plate Seal	83- 22
AA15 1789	Rear Separate Plate Seal	83- 21
AA15 1792	X/O MB38	83- 24
AA15 1793	X/O MB38	83- 25
AA15 1794	X/O MB38	83- 26
AA15 1794	Seal - 3x5x322	87- 12
AA15 2299	Bottle Hold Seal	79- 27
AA15 2315	Tank Seal	75- 10
AA15 2395	Rear Duct Seal	153- 5
AA15 2396	Seal - 6x272x5	153- 6
AA15 2397	Seal - 6x185x5	153- 7
AA15 2398	Upper Rear Duct Seal	153- 4
AA15 2431	Front Drum Seal	95- 4
AA15 3004	Paper Guide Seal - 3	59- 28
AA15 3063	Seal - 4x10x70	55- 16
AA15 3067	Seal - Cooling Duct	139- 4
AA15 3085	Inner Case Seal	95- 3
AA15 3085	Inner Case Seal	91- 15
AA15 3088	Cleaning Entrance Seal - 3x345x2	95- 25
AA15 3092	Drum Stay Seal - 2	89- 29
AA15 3093	Drum Stay Seal 1 - 7x39x12	89- 30

Part No.	Description	Page and Index No.
AA15 3094	Lower Development Seal - 10x330x0.5	87- 20
AA16 0020	Felt Wick Spacer - 6x12x2	61- 16
AA16 1072	Cushion - DC Motor	129- 16
AA16 1072	Cushion - DC Motor	127- 6
AA16 1104	Cushion - Motor	133- 3
AA16 1104	Cushion - Motor	49- 24
AA16 1105	Cleaner Cushion	89- 9
AA16 1119	Cushion - Wire	89- 22
AA16 1122	Motor Cushion	131- 2
AA16 1125	Rubber Cushion	145- 7
AA16 1129	Cushion - Large	57- 28
AA16 1130	Cushion - Small	57- 29
AA16 1138	Cushion - 1.1	31- 18
AA16 1138	Cushion - 1.1	43- 14
AB01 0017	Gear - 18Z	83- 33
AB01 0018	Gear - 34Z	83- 32
AB01 0087	Gear - 20Z	89- 28
AB01 0333	Gear - 26Z	97- 2
AB01 0334	Gear - 34Z	99- 23
AB01 0336	Gear - 22/36Z	99- 24
AB01 0340	Gear - 30Z	93- 23
AB01 1391	Driven Reverse Gear - 21Z	65- 8
AB01 1392	Drive Reverse Gear - 24Z	65- 9
AB01 1411	Gear - Z56	73- 21
AB01 2002	Gear - 13Z	129- 9
AB01 2003	Gear - 16Z	81- 27
AB01 2004	Gear - 27Z	81- 28
AB01 2004	Gear - 27Z	77- 9
AB01 2005	Gear - 13Z	79- 4
AB01 2007	Gear - 14Z	79- 3
AB01 2008	Gear - 23Z	77- 11
AB01 2009	Gear - 34Z	79- 9
AB01 2010	Gear - 34Z	79- 13
AB01 2012	Gear - 51Z	77- 12
AB01 3000	Idler Gear - 18Z	67- 12

Part No.	Description	Page and Index No.
AB01 3000	Idler Gear - 18Z	67- 3
AB01 3000	Idler Gear - 18Z	61- 13
AB01 3587	Gear - 41Z	109- 23
AB01 3603	Gear - 18Z	125- 5
AB01 3747	Gear - 16Z	83- 17
AB01 3748	Joint Gear - 15Z (WHITE)	83- 20
AB01 3749	Gear - 15Z	83- 16
AB01 3775	Gear - 33Z	61- 22
AB01 3776	Gear - 30Z	65- 11
AB01 3778	Gear - 32Z	61- 20
AB01 3780	Gear	109- 11
AB01 3780	Gear	61- 19
AB01 3781	Gear - 30Z	135- 20
AB01 3781	Gear - 30Z	57- 34
AB01 3785	Gear - 43Z	85- 1
AB01 3786	Gear - 18Z	85- 9
AB01 3788	Gear - 23Z	85- 8
AB01 3790	Gear - 25Z	85- 10
AB01 3798	Gear - Z18	53- 17
AB01 4069	Drive Gear - Misfeed Removal	61- 12
AB01 4077	Registration Roller Gear	71- 14
AB01 4093	Cleaning Roller Gear	99- 7
AB01 4094	Side Fence Gear	59- 24
AB01 4104	Cleaning Roller Gear	97- 9
AB01 4132	Side Fence Gear	59- 23
AB01 4137	Gear - 26Z	119- 12
AB01 4138	Gear - 23Z	119- 9
AB01 4139	Gear - 20Z	125- 26
AB01 4146	Gear - 17Z	109- 21
AB01 4147	Gear - 43Z	109- 22
AB01 4152	Gear - 32Z	109- 13
AB01 4229	Coupled Gear - 17Z/32Z (A294II/A295II)	107- 29
AB01 4230	Gear - 50Z (A294II/A295II) MB91 ADDED	101- 19
AB01 7288	Cam Gear - 35Z	93- 25
AB01 7296	Gear - 30/47Z	93- 27

Part No.	Description	Page and Index No.
AB01 7449	Gear - 21Z/24T	131- 6
AB01 7473	Gear - 32Z	129- 7
AB01 7508	Coupled Gear - 26Z/40Z	119- 7
AB01 7509	Coupled Gear - 15Z/30Z	119- 4
AB01 7510	Gear - 36Z	119- 8
AB01 7511	Coupled Gear - 27Z/38Z	125- 22
AB01 7513	Double Gear - 16/47Z	77- 5
AB01 7514	Double Gear - 12/27Z	77- 6
AB01 7515	Double Gear - 12/23Z	77- 10
AB01 7516	Gear - 32Z/22Z	67- 11
AB01 9475	Gear - 48T	53- 21
AB03 0081	Pulley - 20Z MB22	113- 14
AB03 0081	Pulley - 20Z	109- 19
AB03 0081	Pulley - 20Z	115- 22
AB03 0081	Pulley - 20Z	111- 20
AB03 0308	Pulley - 15Z	125- 20
AB03 0310	Tightener Pulley	111- 25
AB03 0317	Gate Tightener	79- 19
AB03 0354	Pulley - 20T	39- 27
AB03 0364	Timing Pulley - 18Z	135- 10
AB03 0391	Timing Pulley - 22Z	135- 1
AB03 0431	Transport Pulley	125- 18
AB03 0529	Belt Tension Pulley	49- 6
AB03 0542	Pulley - 36Z	79- 20
AB03 0583	Timing Pulley - 24Z	125- 29
AB03 0583	Timing Pulley - 24Z	123- 21
AB03 0641	Pulley Z125 - Drum	129- 3
AB03 0642	Pulley - T82	127- 11
AB03 0643	Pulley - 23Z	79- 5
AB03 0644	Pulley - Cleaning Drive	129- 31
AB03 0650	Pulley - 20Z	113- 14
AB03 0650	Pulley - 20Z MB22 (OBS)	111- 27
AB03 0651	Pulley - 20Z	115- 18
AB03 0652	Pulley Tightener - T34	129- 26
AB03 0653	Pulley - 23T	131- 40

Part No.	Description	Page and Index No.
AB03 0654	Pulley - T40	131- 41
AB03 0674	Pulley - 20Z	115- 21
AB03 0674	Pulley - 20Z	111- 28
AB03 2058	Wire Pulley - M10	57- 16
AB03 2716	X/O MB12	133- 22
AB03 2716	Idle Pulley - M18	135- 21
AB03 2719	Pulley - M10	57- 17
AB03 2721	Pulley - M18	133- 22
AB03 3084	Timing Pulley - 15T - Drive	53- 31
AB03 3085	Timing Pulley - 15T Driven	53- 24
AB03 3093	Idle Pulley - 25T/20T	129- 27
AC01 2065	Exposure Glass - A3 T-3.2	43- 3
AC01 5030	Toner Shield Glass - 366x15	51- 11
AC02 2012	F-theta Lens 1	51- 38
AC02 2013	F-theta Lens 2	51- 37
AC02 4004	Cylindrical Lens	51- 35
AC03 0069	1st Mirror	51- 28
AC03 0078	Sync Detector Mirror	51- 19
AC03 0124	O/O MB73	51- 16
AC03 0134	2nd Mirror	51- 16
AC03 5022	Rear Mirror Clamp - 1st Mirror	45- 21
AC03 5052	1st Mirror Plate	51- 27
AC03 5054	2nd Mirror Plate	51- 17
AC03 5055	Sync Detector Mirror Plate	51- 20
AD00 4091	Charge Corona Unit (A294I/A295I)	89- 2
AD02 0053	Charge Corona Wire	89- 12
AD02 2283	Front End Block	89- 23
AD02 2285	Rear End Block	89- 13
AD02 2306	Cover - Front End Block	89- 21
AD02 2307	Cover - Rear End Block	89- 16
AD02 3106	Charge Corona Casing	89- 11
AD02 5022	Pick-off Pawl	95- 16
AD03 9057	Cleaning Agitator	93- 9
AD04 1056	Cleaning Blade	93- 1
AD04 2032	O/O MB37	93- 10

Part No.	Description	Page and Index No.
AD04 2038	Cleaning Brush (A294II/A295II/UP-KIT)	93- 10
AD04 2039	Cleaning Brush (A294I/A295I)	93- 10
AD04 3065	Toner Collection Coil	93- 13
AE01 1049	O/O MB36	105- 9
AE01 1056	Hot Roller	105- 9
AE02 0087	Pressure Roller (A294I/A295I)	107- 16
AE02 0117	Pressure Roller (A294II/A295II/UP-KIT)	107- 16
AE03 0031	Ball Bearing - 40x62x12	105- 5
AE03 0032	Ball Bearing - 25x52x15	107- 18
AE03 0035	Ball Bearing - 6x16x5	107- 23
AE03 0035	Ball Bearing - 6x16x5	107- 11
AE03 1026	Bushing - Oil Supply Roller	101- 5
AE03 1032	Bushing - 6x9x6.5	101- 9
AE03 1037	Bushing - M4 (A294II/A295II) MB91 ADDED	107- 30
AE03 2021	Bushing - 34.3x39.9x15.5	105- 6
AE03 2022	O/O MB70	107- 19
AE03 2024	Bushing - 20x25x18	107- 19
AE04 0029	Web Cleaning Roller	101- 7
AE04 2042	Pressure Roller Cleaning Roller	107- 12
AE04 4010	Pressure Roller Stripper	103- 5
AE04 5031	Oil Supply & Cleaning Web (A294I/A295I)	101- 8
AE04 5033	Felt	111- 12
AE04 5045	Oil Supply & Cleaning Web (UP-KIT)	101- 8
AE04 5047	Oil Supply & Cleaning Web (A294II/A295II)	101- 8
AF01 0072	Paper Tray	59- 3
AF01 3005	Bottom Plate Pad	59- 18
AF01 6079	Left Rear Side Fence	59- 32
AF02 0288	Duplex Exit Roller	69- 10
AF02 0295	Vertical Driven Roller	67- 18
AF02 0425	Drive Transport Roller - Grip	63- 14
AF02 0426	Drive Transport Roller - LCT	63- 13
AF02 0479	Drive Transport Roller	125- 27
AF02 0479	Drive Transport Roller	123- 13
AF02 0480	Driven Transport Roller	125- 28
AF02 0480	Driven Transport Roller	123- 14

Part No.	Description	Page and Index No.
AF02 0481	Drive Duplex Roller	125- 11
AF02 0482	X/X MB68	125- 1
AF02 0483	Drive Reverse Roller	125- 12
AF02 0484	Driven Reverse Roller	117- 14
AF02 0490	Inverter Relay Roller	115- 6
AF02 0491	MB22	111- 5
AF02 0491	Inverter Entrance Roller	111- 7
AF02 0492	Exit Drive Roller	113- 4
AF02 0492	MB22	111- 7
AF02 0493	Inverter Exit Roller	111- 5
AF02 0493	Inverter Exit Roller MB22	113- 4
AF02 2067	Guide Stopper Roller	117- 28
AF02 2077	X/O MB68	117- 23
AF02 2104	Exit Roller - Driven	111- 1
AF02 2105	Roller - Slide Rail	57- 30
AF02 2110	Transport Driven Roller	73- 10
AF02 2114	X/O MB54	121- 15
AF02 2114	Duplex Driven Roller	113- 6
AF02 2115	Cooling Exit Roller	109- 2
AF02 2117	Driven Transport Roller	111- 10
AF02 2117	Driven Transport Roller	115- 7
AF02 2117	Driven Transport Roller	113- 5
AF02 2125	Cooling Entrance Roller	109- 5
AF02 2129	Duplex Driven Roller	121- 15
AF02 2130	Driven Roller	117- 23
AF02 2133	X/X MB68	121- 15
AF02 5039	Inverter Junction Pawl	111- 6
AF03 0040	Pick-up Roller	63- 4
AF03 1040	Feed Roller	63- 5
AF03 2040	Separation Roller	65- 3
AF04 0561	Fusing Exit Roller - Upper	103- 15
AG05 0067	Knob - Transport Roller	109- 10
AG05 0067	Knob - Transport Roller	67- 8
AG05 1141	Release Lever	115- 13
AG05 1141	Release Lever	111- 11

Part No.	Description	Page and Index No.
AG05 1141	Release Lever	121- 5
AG05 1141	Release Lever	69- 12
AG07 0004	Magnetic Catch	147- 13
AH01 3002	Leveling Shoe	157- 27
AW01 0034	Original Width Sensor	43- 17
AW01 0049	Photo Reflection Sensor	121- 19
AW01 0049	Photo Reflection Sensor	69- 3
AW01 0049	Photo Reflection Sensor	61- 6
AW01 0076	Photosensor - PS-117D1	29- 23
AW01 0076	Photosensor - PS-117D1	25- 36
AW01 0076	Photosensor - PS-117D1	33- 2
AW01 0078	MB14	43- 19
AW01 0078	Photosensor H=50	43- 19
AW02 0008	Photointerruptor	53- 4
AW02 0056	Photointerruptor - EE-SX4235A-P1	61- 3
AW02 0056	Photointerruptor - EE-SX4235A-P1	57- 9
AW02 0056	Photointerruptor - EE-SX4235A-P1	55- 12
AW02 0056	Photointerruptor - EE-SX4235A-P1	145- 10
AW02 0056	Photointerruptor - EE-SX4235A-P1	107- 6
AW02 0056	Photointerruptor - EE-SX4235A-P1	123- 24
AW02 0056	Photointerruptor - EE-SX4235A-P1	53- 18
AW02 0056	Photointerruptor - EE-SX4235A-P1	73- 16
AW02 0056	Photointerruptor - EE-SX4235A-P1	77- 3
AW02 0056	Photointerruptor - EE-SX4235A-P1	75- 14
AW02 0056	Photointerruptor - EE-SX4235A-P1	45- 20
AW02 0057	Paper Exit Sensor	113- 1
AW02 0059	Duplex Paper Sensor	67- 40
AW02 0059	Duplex Paper Sensor	79- 12
AW02 0064	Duplex Entrance Sensor	125- 14
AW02 0075	Photointerruptor	41- 7
AW02 0075	Photointerruptor	39- 14
AW02 0075	Photointerruptor	37- 17
AW02 0075	Photointerruptor	29- 21
AW02 0075	Photointerruptor	25- 27
AW02 0095	Photointerruptor	29- 6

Part No.	Description	Page and Index No.
AW02 0102	Photointerruptor	117- 20
AW02 0102	Photointerruptor	125- 13
AW02 0104	Photointerruptor	29- 5
AW20 0006	X/O MB74	103- 18
AW20 0007	Paper Feed Sensor - Fusing Exit	103- 18
AW23 0006	Toner Density Sensor	85- 13
AW31 0003	Toner End Sensor	83- 11
AW31 0003	Toner End Sensor	81- 9
AW33 0003	Drum Potential Sensor	91- 13
AW50 0010	Push Switch	135- 18
AX04 0061	Cleaner Motor - DC 0.5w	89- 25
AX04 0061	Cleaner Motor - DC 0.5W	107- 4
AX04 0096	Stepping Motor - DC 18W	37- 36
AX04 0107	DC Motor - 19.2W	53- 16
AX04 0117	DC Motor - 1.9W	135- 15
AX05 0142	Registration Motor - DC24V 9.6W	131- 1
AX06 0121	DC Motor - 27W	39- 1
AX06 0185	Polygon Mirror Motor Ass'y	51- 3
AX06 0189	Drum Motor - DC31W	129- 15
AX07 0024	Fusing Motor - DC53W	127- 4
AX20 0147	Magnetic Clutch	67- 5
AX20 0147	Magnetic Clutch	61- 10
AX20 0171	Duplex Roller Clutch	119- 13
AX20 0172	Electro Clutch	119- 3
AX20 0173	Magnetic Clutch	37- 29
AX20 0174	Magnetic Clutch - Z52	73- 20
AX20 0175	Magnetic Clutch - Z35	71- 16
AX20 0176	Magnetic Clutch (A294I/A295I/UP-KIT)	61- 9
AX20 0237	Magnetic Clutch (A294II/A295II)	61- 9
AX31 0036	Total Counter	147- 15
AX40 0048	Anticondensation Heater - 230V 15W	153- 14
AX40 0106	Anticondensation Heater - 230V 15W	47- 25
AX40 0111	Anticondenation Heater - 230V 18W	157- 23
AX43 0052	Fusing Lamp - 230V/530W (A294)	105- 8
AX43 0055	Fusing Lamp - 230V/630W (A295)	105- 8

Part No.	Description	Page and Index No.
AX50 0071	Xenon Lamp - 7000 OLX	45- 26
AX64 0082	Fan Motor - DC24V 1.8W	151- 2
AX64 0083	Cooling Fan	49- 18
AX64 0106	Fan Motor - DC 2.88W	145- 4
AX64 0106	Fan Motor - DC 2.88W	143- 4
AX65 0021	Fan Motor - DC6.48W	149- 11
AZ25 0012	X/O MB35	141- 1
AZ25 0013	X/O MB76	141- 1
AZ25 0014	Power Supply Unit - 819W 200-240V	141- 1
AZ32 0097	DC Power Board	137- 10
AZ32 0098	Transfer Power Pack	99- 13
AZ50 0054	Inverter - Xenon Lamp	45- 17
B301 1131	Rear Side Plate	41- 3
B301 1133	Right Stay	41- 10
B301 1134	Anti-Static Brush MB10 ADDED	41- 17
B301 1137	Pulley Cover	41- 15
B301 1141	Rubber Cushion	39- 16
B301 1141	Rupper Cushion MB34 ADDED	31- 29
B301 1155	Separation Support Pad	27- 37
B301 1156	Separation Pad Holder	27- 34
B301 1171	Pulley Cover	25- 35
B301 1186	Sensor Bracket	25- 16
B301 1191	Pull-out Driven Roller	25- 13
B301 1192	Bushing - 4x6x6	25- 39
B301 1195	Gear - 19Z	25- 15
B301 1198	Pull-out Driven Roller - Front	25- 37
B301 1245	X/O MB28	29- 25
B301 1246	X/O MB47	29- 25
B301 1247	Entrance Guide	29- 25
B301 1286	Bushing - 6x10x6	27- 3
B301 1286	Bushing - 6x10x6	27- 7
B301 1351	Original Feeler	25- 19
B301 1412	Transport Belt Plate	31- 13
B301 1422	Transport Stay	31- 24
B301 1423	Tension Bracket	31- 21

Part No.	Description	Page and Index No.
B301 1427	Spring	31- 19
B301 1432	Belt Drive Roller	31- 2
B301 1436	Transport Belt Roller	31- 23
B301 1441	Transport Belt	31- 1
B301 1443	Transport Belt Stopper - Front	31- 4
B301 1444	Transport Belt Stopper - Rear	31- 5
B301 1445	Rear Spacer	31- 12
B301 1447	Stepped Screw	31- 20
B301 1449	Front Spacer	31- 28
B301 1451	Belt Pressure Roller	31- 3
B301 1481	Belt Pressure Roller	31- 9
B301 1510	Left Hinge	41- 9
B301 1520	Right Hinge	41- 11
B301 1542	Sensor Bracket	41- 1
B301 1731	Rear Cover	23- 6
B301 1835	Original Holder	23- 8
B301 2111	Pulley - 30Z	39- 34
B301 2113	Pulley - 19Z	39- 28
B301 2122	Shaft	37- 11
B301 2123	Pulley - 24Z	37- 32
B301 2141	Pulley - 39Z	37- 39
B301 2172	Cushion	39- 26
B301 2211	Pulley - 20/19Z	37- 13
B301 2213	Pulley - 20Z	37- 12
B301 2221	Gear - 31Z	37- 41
B301 2231	Pulley - 58/20Z	39- 38
B301 2242	Shaft	37- 18
B301 2243	Gear - 29Z	37- 25
B301 2244	Gear - 23Z	37- 24
B301 2251	Tension Bracket	37- 15
B301 2261	Pulley - 36Z	37- 22
B301 2271	Shaft	37- 30
B301 2273	Pulley - 32Z	37- 28
B301 2311	Motor Bracket	39- 40
B301 2316	Tension Bracket	39- 37

Part No.	Description	Page and Index No.
B301 2319	Heat Sink - DC Motor	39- 41
B301 2320	Heat Sink Holder	39- 42
B301 2322	Holder Bracket	39- 30
B301 2333	Side Plate	37- 37
B301 2362	Motor Bracket	37- 2
B301 2422	Cam - Pick-up Roller	37- 20
B301 2511	Reverse Roller Shaft	27- 38
B301 2610	Bearing - 6x15x5	39- 31
B301 3131	X/O MB43	33- 11
B301 3132	Lower Guide Plate	33- 11
B301 3135	Spring	33- 6
B301 3161	Left Exit Guide	33- 3
B301 3181	Invertor Guide Plate	35- 7
B301 3184	Reverse Driven Roller	35- 5
B301 3184	Reverse Driven Roller	33- 9
B301 3185	Driven Roller Shaft	33- 23
B301 3185	Driven Roller Shaft	35- 23
B301 3186	Spring	35- 4
B301 3191	Exit Junction Gate	35- 15
B301 3192	Lever - Exit Junction Gate	35- 22
B301 3241	Exit Motor Bracket	39- 3
B301 3245	Exit Motor Guide Plate	39- 2
B301 3246	Motor Bushing - 4x9x5.2	39- 43
B301 3271	Reverse Drive Roller	35- 12
B301 3286	Pulley - 30Z	35- 27
B301 4211	Spring	25- 10
B301 4222	Spring	25- 38
B301 4226	Spring	29- 11
B301 4351	Caution Decal	181- 36
B301 4351	Caution Decal	25- 40
B301 4411	Noise Reduction Pad	23- 3
B301 4412	Acoustic Material	41- 13
B301 4413	Noise Absorbing Pad	29- 19
B301 4413	Noise Absorbing Pad	33- 8
B301 4414	Rubber Cushion	39- 10

Part No.	Description	Page and Index No.
B301 4421	Noise Reduction Pad - Right	25- 6
B301 4422	Noise Reduction Pad - Left	25- 7
B301 4425	Noise Reduction Pad	23- 2
B301 4431	Vibration Absorbing Pad	31- 10
B301 5300	DC Harness	39- 20
B301 5305	DC Relay Harness	25- 8
B301 5330	DC Harness	39- 21
B301 5340	DF Harness	39- 17
B301 5350	DC Harness	33- 22
B301 5350	DC Harness	39- 23
B301 5355	DC Relay Harness	29- 26
B301 5360	DC Relay Harness	39- 15
B301 5370	DC Harness	39- 24
B301 5375	Grounding Wire	39- 13
B301 5380	DF Position Sensor Harness	41- 14
B301 5500	X/O MB23	175- *
B301 5500	X/O MB23	39- 22
B301 5505	X/O MB24	175- *
B301 5505	X/O MB24	39- 22
B301 5510	ADF Main Control Board	175- *
B301 5510	ADF Main Control Board	39- 22
B301 5562	IC - UVEPROM 27C 1M X8 120NS	175- 1
B301 5580	Heat Sink - Main Control MB23 ADDED	175- 3
B301 5600	DC Motor - 54W	39- 25
B301 5700	IC - HTS7420X	175- 2
B479 1256	Model Name Decal Ass'y	181- 45
B479 1257	Model Name Decal Ass'y	181- 45
B479 1271	Model Name Decal Ass'y	181- 45
B479 1272	Model Name Decal Ass'y	181- 45
B479 1273	Model Name Decal Ass'y	181- 45
B479 1274	Model Name Decal Ass'y	181- 45
B479 1275	Model Name Decal Ass'y	181- 45
B479 3094	Development Connector Bracket (UP-KIT)	145- 23
B479 5450	Toner Suction Motor Harness (UP-KIT)	143- 15
C201 5125	Stepped Screw - M6	49- 7

Part No.	Description	Page and Index No.
G004 9668	Grease - KS660 - SHIN-ETSU	183- 7
G012 1531	Magnet	23- 15
G020 3897	Discharge Brush - Transport	29- 29
G024 5456	Registration Solenoid - 25Ncm	79- 7
G029 1975	Cylindrical Lens	51- 9
G029 1982	Decal - LD	181- 37
G029 1982	Decal - LD	47- 5
G029 1982	Decal - LD	49- 21
G404 2810	Spring Plate - Mirror - Second	45- 4
GB01 3035	Gear - 28Z	119- 5
H053 1150	Stepped Screw - Locking	99- 28
H306 1317	Cover Magnet	17- 20

Part No.	Description	Page and Index No.
A006 9104	Scanner Positioning Pin (4pcs/set)	183- 1
A007 3751	Large Cap - Toner Collection Tank	75- 9
A010 5700	Sensor	57- 27
A028 9300	Grase Barrierta - JFE 5 5/2	183- 5
A029 2858	Release Lever	67- 23
A029 2859	Release Button	69- 17
A029 2984	Decal - Grip	181- 1
A029 2984	Decal - Grip	67- 30
A029 9387	Digital Multimeter - FLUKE 87	183- 3
A048 2274	Front Transport Guide	95- 2
A048 2277	Rear Transport Guide	95- 22
A048 2838	Nylon Rivet	59- 16
A060 2512	Registration Roller Knob	69- 20
A069 1883	Shoe - Scanner	45- 6
A079 1201	Fusing Drive Joint	127- 17
A079 1203	Fusing Drive Stopper	127- 18
A079 1395	Left Door Stopper	15- 14
A079 1406	Upper Door Spacer	15- 2
A079 2861	Knob - Transport Roller	117- 5
A079 2861	Knob - Transport Roller	69- 23
A079 4097	Pressure Cam	107- 26
A096 1123	Belt Drive Bracket	129- 20
A096 1337	Hinge Shaft - Lower Left	17- 23
A096 1677	Right Rail - Drum Unit	151- 8
A096 1679	Development Grounding Plate	151- 10
A096 1873	Scanner Shoe Pin	45- 7
A096 2051	Rear Grid Anchor	89- 17
A096 2052	Front Grid Anchor	89- 19
A096 2053	Cleaner Motor Cover	89- 3
A096 2057	Charge Corona Grid	89- 18
A096 2062	Wire Cleaner Slider	89- 5
A096 2063	Corona Wire Cleaner (A294I/A295I)	89- 7
A096 2065	Slider Ring	89- 8
A096 2266	Corona Unit Bracket	91- 7
A096 2281	Connector Bracket	91- 6

Part No.	Description	Page and Index No.
A096 2301	Grounding Plate	91- 14
A096 2330	Drum Shaft Knob	89- 1
A096 2607	Paper Dust Cleaner	69- 1
A096 2612	Lower Registration Guide	71- 4
A096 2622	Front Lower Registration Guide	71- 6
A096 2626	Front Upper Resistration Guide	71- 5
A096 2633	Front Lock	73- 14
A096 2634	Rear Lock	73- 12
A096 3052	Lower Development Casing	87- 11
A096 3059	Toner Sensor Guide	85- 12
A096 3069	Development Knob	85- 2
A096 3104	Development Guide Rail	85- 5
A096 3141	Development Filter Case (A294I/A295I)	85- 3
A096 3175	Bushing 8x14x8	83- 18
A096 3176	Bushing - 6x12x8.5	83- 15
A096 3181	Slitter	83- 27
A096 3185	Agitator Front Holder	83- 35
A096 3586	Cleaning Brush Drive Shaft	93- 8
A096 3588	Gear - 19Z	93- 26
A096 3621	Entrance Seal	95- 9
A096 3624	Drum Grounding Plate	95- 13
A096 3642	Pick-off Pawl Bracket	95- 10
A096 3646	Pick-off Pawl Shaft	95- 12
A096 3661	Gear - 15/35Z	93- 22
A096 3666	Harness Cover	95- 1
A096 3867	Front Bushing - 4.5x6x21	97- 6
A096 3915	Transfer Belt Lever	99- 10
A096 3916	Belt Lever Arm	99- 9
A096 3922	Soleniod Bracket	99- 12
A096 3956	Heater Cover	153- 9
A096 3959	Release Arm	153- 18
A096 3960	O/O MB67	153- 16
A096 4316	Stripper Release Slider	103- 12
A096 4732	X/O MB49	117- 21
A096 4891	Lever Exit Guide	123- 15

Part No.	Description	Page and Index No.
A096 4928	Guide Plate Band	117- 25
A096 4933	Guide Plate Lever Hook	117- 31
A096 4944	Harness Clamp	153- 12
A096 4944	Harness Clamp	71- 9
A096 5200	Registration Sensor Board	69- 16
A096 5320	Quenching Lamp	91- 9
A096 5416	Paper Size Harness	135- 16
A096 5442	Corona Cleaner Harness	91- 5
A096 5464	Key Counter Connector (OTHER)	47- 23
A096 6100	Lower Heat Sink	157- 24
A096 6158	Paper Tray Stopper	135- 19
A096 6177	Paper Size Bracket	135- 17
A096 6186	Lower Tightner - P/B	133- 21
A096 6188	Upper Tightner - P/B	133- 24
A096 6199	Lower Drive Shaft	135- 14
A096 6246	Left Rail Bracket	157- 2
A096 6247	Lock Arm - Tandem Tray	157- 3
A096 6266	Tray Lock Arm	157- 7
A096 6344	Paper End Actuator	63- 3
A096 6360	Paper Flattener	61- 2
A096 6363	Front Paper Flattener	61- 1
A096 6402	Pressure Plate Driven Roller	67- 21
A096 6413	Release Lever Cover	67- 29
A096 6524	Lift Shaft	59- 12
A096 6526	Lift Lever	59- 30
A096 6527	Paper Guide Feeler	59- 13
A096 6536	Side Fence Cover	59- 11
A096 6537	Stopper Lever	59- 8
A096 6553	Side Fence Pad	59- 15
A096 6562	End Fence	59- 7
A096 6563	End Fence Cover	59- 10
A096 6564	End Fence Plate	59- 6
A096 6671	Paper Guide Plate MB53 ADDED	55- 17
A096 6677	Decal - Right Paper Set	181- 2
A096 6677	Decal - Right Paper Set	55- 15

Part No.	Description	Page and Index No.
A096 6678	Decal - Left Paper Set	181- 3
A096 6678	Decal - Left Paper Set	53- 11
A096 6693	Paper Guide Sheet	157- 25
A096 9500	X/O MB 27	103- 16
A096 9506	O/O MB88	103- 16
A096 9507	Hot Roller Stripper - 5pcs/Set	103- 16
A097 3644	Transport Guide Bracket	95- 21
A097 4126	X/O MB65	107- 10
A097 4129	X/O MB65	107- 15
A100 2602	Transport Pressure Roller	65- 18
A110 1193	Seal - 01.x15x24	45- 13
A134 1135	Fly Wheel	137- 3
A134 2363	Terminal Plate	89- 20
A134 2392	Rear Drum Seal	95- 5
A134 2860	Pick-up Arm	63- 8
A134 3180	Bottle Chuck	81- 15
A134 3216	Screw	81- 14
A134 5251	ID Sensor	95- 11
A153 3571	Collar	91- 12
A167 4835	Cushion - 2x10x20	125- 33
A176 1494	Keytop - Interrupt	21- 15
A176 1737	Exposure Glass Cushion	43- 11
A176 2054	Grounding Plate	89- 26
A176 2061	Screw Shaft	89- 6
A176 2260	Upper Unit Cover	91- 2
A176 3527	Grounding Plate	93- 14
A176 3863	Spacer - 4x6x2	97- 24
A176 6110	Harness Cover	157- 20
A176 6570	Paper Stopper	59- 20
A176 6695	Misfeed Removal Guide	59- 29
A176 6695	Misfeed Removal Guide	55- 11
A193 1829	Ball Bearing - M8	49- 9
A229 1132	Bracket - Registration Motor	131- 3
A229 1133	Stepper Motor Base Ass'y	131- 7
A229 1186	Development Guide Rail	151- 9

Part No.	Description	Page and Index No.
A229 1331	Key Counter Cap	17- 14
A229 1333	Connector Cap	17- 2
A229 1459	Keytop - Power Source	17- 27
A229 1465	LED Guide	17- 10
A229 1825	Home Position Sensor Bracket	45- 19
A229 1831	Fan Bracket	49- 19
A229 1832	Front Grounding Plate	153- 1
A229 2352	Grounding Plate	95- 7
A229 2371	Cleaning Seal Sheet	93- 20
A229 2401	Connector Bracket	91- 11
A229 2617	Lower Registration Roller	71- 3
A229 2618	Upper Registration Roller	71- 1
A229 2619	X/O MB9	71- 2
A229 2648	X/X as set MB59	73- 2
A229 2660	Guide Shutter Solenoid	73- 18
A229 2717	Lock Lever	73- 24
A229 3091	Entrance Seal (A294I/A295I)	85- 4
A229 3852	Transfer Belt (A294) MB32 DELETED	97- 1
A229 3861	Front Arm	97- 3
A229 3862	Rear Arm	97- 8
A229 3865	Transport Driven Roller	97- 19
A229 3875	Drive Electrode	97- 4
A229 3880	Drive Roller	97- 5
A229 3899	Transfer Belt :SP5:Service (A295)	97- 1
A229 3899	X/O MB40	97- 1
A229 3909	Bias Terminal	99- 20
A229 3910	Front Bushing	99- 22
A229 3911	Rear Bushing	99- 6
A229 3912	Bias Terminal	99- 27
A229 3919	Danping Insulation - Terminal	99- 21
A229 4131	Thermistor	105- 3
A229 4727	Guide Plate Pressure Holder	117- 27
A229 4813	Arm Pad	117- 38
A229 5442	Duplex Connectiong Harness	117- 19
A229 5496	Lower Harness	61- 15

Part No.	Description	Page and Index No.
A229 5497	Upper Harness	61- 14
A229 6303	Reverse Stay	65- 15
A229 6306	Reverse Drive Shaft	65- 10
A229 6307	Reverse Driven Shaft	65- 6
A229 6309	Reverse Pressure Lever	65- 14
A229 6315	Reverse DC Solenoid	65- 17
A229 6330	Rear Side Plate	65- 12
A229 6335	Front Side Plate	65- 1
A229 6338	Reverse Guide Plate	65- 5
A229 6345	Paper End Sensor Bracket	61- 5
A229 6346	Feed Stay	63- 1
A229 6353	Photo Refiection Sensor Bracket	61- 4
A229 6355	Pick-up Solenoid Ass'y	61- 8
A229 6358	Paper Sensor Bracket	61- 7
A229 6362	Paper End Feeler	63- 2
A229 6370	Pape Guide Plate	65- 21
A229 6381	Paper Feed Unit Stay Ass'y	61- 18
A229 6382	Paper Feed Unit Stay - Tandem	61- 17
A229 6534	Front Side Fence	59- 14
A229 6541	Rear Side Fence	59- 19
A229 6544	Side Fence Plate - A4	59- 22
A229 6545	Side Fence Plate - LT	59- 22
A229 6556	Tray Bottom Plate	59- 17
A229 6589	Paper Tray Front Cover (2nd Rtay)	59- 2
A229 6620	Tandem Tray Front Cover (3rd Tray)	59- 2
A230 9352	Flash Memoty Card - 4MB	183- 4
A232 3562	Ball Bearing - 6x12x4mm	27- 35
A232 3562	Ball Bearing - 6x12x4mm	31- 22
A232 3562	Ball Bearing - 6x12x4mm	37- 16
A232 3562	Ball Bearing - 6x12x4mm	29- 27
A232 3565	Ball Bearing - 6x10x3mm	31- 11
A232 3565	Ball Bearing - 6x10x3mm	37- 42
A232 3565	Ball Bearing - 6x10x3mm	27- 36
A232 3565	Ball Bearing - 6x10x3mm	39- 36
A232 3566	Ball Bearing - 8x16x5	111- 19

Part No.	Description	Page and Index No.
A232 3566	Ball Bearing - 8x16x5	73- 15
A232 3566	Ball Bearing - 8x16x5	71- 15
A232 3566	Ball Bearing - 8x16x5	113- 13
A232 3566	Ball Bearing - 8x16x5	115- 17
A232 3566	Ball Bearing - 8x16x5	109- 12
A232 3566	Ball Bearing - 8x16x5	119- 10
A232 3566	Ball Bearing - 8x16x5	73- 19
A232 3566	Ball Bearing - 8x16x5	125- 23
A232 3566	Ball Bearing - 8x16x5	67- 4
A232 3566	Ball Bearing - 8x16x5	29- 28
A232 3566	Ball Bearing - 8x16x5	37- 34
A232 5310	Laser Sync. Detector	51- 7
A232 5355	IC - GATEX	167- 1
A232 5371	MPU CSS	167- 2
A247 1183	Supporting Plate - Drum Shaft	129- 30
A247 2110	DC Motor - 11W	139- 17
A247 2110	DC Motor - 11W	137- 6
A247 2113	Drum Cooling Duct	139- 3
A247 2116	Exhaust Duct	137- 5
A247 2327	Terminal Development Bias	129- 1
A247 2341	Electrode Plate - Drum Shaft	129- 32
A247 2800	Ball Bearing - 8x12x5	71- 12
A247 2900	Torque Limiter - 53mnm	27- 27
A247 2900	Torque Limiter - 53mnm	65- 4
A247 3074	Gear - 34Z	85- 11
A247 3080	Adjusting Plate	87- 16
A247 3081	Gear - 17Z	85- 6
A247 3089	Ball Bearing - 9x17x5	87- 3
A247 3123	Plate Nut - Slitter	83- 29
A247 3571	Cleaning Seal	93- 3
A247 3573	Bracket - Cleaning Blade	93- 2
A247 3575	Blade Release Lever	93- 7
A247 3656	Bracket - Speed Reduction Gear	93- 21
A247 5428	DC Harness - Left	53- 34
A247 6165	Paper Support Plate	135- 3

Part No.	Description	Page and Index No.
A247 6198	Uper Drive Shaft	135- 2
A247 6250	Paper Trai Rail	157- 17
A247 6262	Left Slide Rail	157- 6
A247 6264	Stay - Left Rail	157- 4
A248 6102	Upper Heat Sink	157- 22
A248 6167	DC Motor - 19.2W	135- 12
A248 6168	Bracket - Lift Motor	135- 11
A248 6241	Left Rail - Tandem LCT	157- 1
A248 6615	Coupling Lever - Left	53- 33
A248 6616	Bracket - Driven Pulley	53- 23
A248 6619	Bracket - Drive Pulley	53- 30
A248 6620	Bracket - Photointerruptor	53- 35
A248 6623	Slider - Left Back Fence	53- 28
A248 6627	Timing Belt Cover	53- 26
A248 6636	DC Motor Bracket	53- 19
A248 6639	Tray Bottom Plate - Left Middle	53- 10
A248 6640	Tray Bottom Plate - Left Front	53- 9
A248 6642	Tray Bottom Plate - Left Rear	53- 12
A248 6655	Right Base - Tandem LCT	57- 38
A248 6659	Right Stopper	55- 1
A248 6681	X/O MB	55- 7
A248 6682	Stay - Right Base	57- 11
A248 6687	Right Drive Shaft	57- 20
A248 6694	Wire Ring	57- 12
A248 6695	Guide - Pulley	57- 18
A248 6701	Oil Damper	57- 32
A248 6703	Bracket - Oil Damper	57- 33
A248 6713	Hook - Tension Sprong	57- 4
A248 6714	DC Solenoid - Front End Fence	57- 1
A248 6717	Front Release Lever	57- 36
A248 6727	DC Solenoid - Rear End Fence	57- 10
A248 6730	Rear Release Lever	57- 14
A248 6741	Protection - Inner Cover	55- 4
A248 6743	Connector Bracket	57- 24
A248 6746	Lever - Large	57- 26

Part No.	Description	Page and Index No.
A248 6750	DC Solenoid - Coupling	135- 13
A248 6753	Lever - Small	57- 31
A248 6757	Left Connector Bracket	133- 14
A248 6758	DC Lock Solenoid	133- 20
A248 6767	Right Connector Bracket	133- 5
A248 6774	Slide Rail Bracket	157- 13
A248 6775	Supporting Stay	157- 14
A248 6776	Stay - Tandem Tray	157- 15
A248 6792	Lock Arm - Tandem Tray	135- 5
A249 6339	Feed Guide Plate	63- 12
A257 2072	O/O MB73	51- 40
A257 2072	MB71 ADDED	51- 40
A257 2076	Front Lens Plate	51- 34
A257 2077	Rear Lens Plate	51- 29
A257 2097	Cylindrical Lens Plate	51- 36
A257 2102	F-theta Lens Plate	51- 39
A257 4105	Terminal - 4p	105- 12
A258 5523	Grounding Wire	19- 17
A259 1481	Lengthwise Sponge	21- 8
A259 1482	Side Sponge	21- 7
A267 8561	Safety Information Sheet MB46 ADDED	181- 44
A293 3908	Cleaning Roller - Transfer Belt	99- 1
A293 3960	Belt Unit Knob	153- 16
A293 5892	HDD ATA SU5 (A294)	145- 1
A293 6517	Universal Tray - LT	59- *
A293 6518	Universal Tray - A4	59- *
A293 6571	Actuator - Paper Size Switch	59- 26
A293 6574	Actuator Guide	59- 27
A293 6575	Knob - Paper Size Selection	59- 33
A293 6576	Link - Paper Size Lever	59- 4
A293 6579	Link Guide	59- 34
A293 6680	X/X as set MB53	55- 7
A293 6766	Arm Bracket	135- 4
A295 1254	Right Front Door (RIC A295II/UP-KIT)	15- 9
A295 1285	Right Front Door (RIC A295I)	15- 9

Part No.	Description	Page and Index No.
A295 1771	MB13 ADDED (A295)	43- 8
A295 1771	Scanner Lens Unit	43- 8
A295 3810	Transfer Belt Unit (A295) MB13 ADDED	97- *
A295 4026	Fusing Paper Exit Unit - US	103- *
A295 4027	Fusing Paper Exit Unit - EU	103- *
A295 4036	Hot Roller Unit - US	105- *
A295 4037	Hot Roller Unit - EU	105- *
A295 4066	Hot Roller Unit - US	105- *
A295 4111	Hot Roller Unit - EU	105- *
A295 4206	MB13 ADDED / O/O MB70	103- *
A295 4207	MB13 ADDED / O/O MB70	103- *
A295 4212	Fusing Paper Exit Unit - US	103- *
A295 4213	Fusing Paper Exit Unit - EU	103- *
A295 4216	X/O MB88	103- *
A295 4217	X/O MB88	103- *
A295 5094	MCU Board Harness(A295) MB13 ADDED	47- 2
A295 5172	HARD DISK - FIREBALL PLUS KX MB13 ADDED	145- 1
A295 5172	O/O MB58	145- 1
A295 5173	O/O MB89	145- 1
A295 5174	HDD ATA IBM - 15G (A295)	145- 1
A295 6912	Right Front Door (INF A295I)	15- 9
A295 6913	Right Front Door (INF A295II/UP-KIT)	15- 9
A295 6930	Model Name Plate - SVN 2105DP (A295I)	181- 38
A295 6931	Model Name Plate - GES 32105 (A295I)	181- 38
A295 6932	Model Name Plate - NSA D4105 (A295I)	181- 38
A295 6933	Model Name Plate - REX 28105 (A295I)	181- 38
A295 6934	Model Name Plate - LAN 5505 (A295I)	181- 38
A295 6940	Model Name Plate - SVN 25105 (A295II)	181- 38
A295 6941	Model Name Plate - GES 10502 (A295II)	181- 38
A295 6942	Model Name Plate - NSA 10505 (A295II)	181- 38
A295 6943	Model Name Plate - REX 10508 (A295II)	181- 38
A295 6944	Model Name Plate - LAN 5705 (A295II)	181- 38
A295 7207	Copier Operating Instructions LT	181- 39
A295 7237	Copier Operating Instructions Eng LT	181- 39
A295 7260	Copier Operating Instructions Eng A3	181- 39

Part No.	Description	Page and Index No.
A295 7297	Copier Operating Instructions Eng LT	181- 39
A295 7407	System Operating Instructions Eng	181- 40
A295 7437	System Operating Instructions Eng	181- 40
A295 7460	System Operating Instructions Eng	181- 40
A295 7497	System Operating Instructions Eng	181- 40
A295 7507	Copier Operating Instructions Eng	181- 39
A295 7537	Copier Operating Instructions Eng	181- 39
A295 7560	Copier Operating Instructions Eng	181- 39
A295 7597	Copier Operating Instructions Eng	181- 39
A295 8607	System Operating Instructions Eng LT	181- 40
A295 8637	System Operating Instructions Eng LT	181- 40
A295 8660	System Operating Instructions Eng A3	181- 40
A295 8697	System Operating Instructions Eng A3	181- 40
A300 3812	Spacer - 6x22x1.5	39- 8
A351 3459	Idler	33- 19
A351 4281	Anti-vibration Cushion	41- 8
A352 2138	Slide Collar - 0.6x4.5x6	95- 17
A376 4599	Side Fence Pad	25- 18
A418 1158	Spacer - M6.5x1	27- 33
A422 1063	Seal - 0.7x13x20	29- 20
A422 1219	Pressure Lever Spring	111- 24
A422 1219	Pressure Lever Spring	115- 19
A469 2123	Rubber Cushion - 1x10x10mm	73- 5
A469 2123	Rubber Cushion - 1x10x10mm	69- 11
A469 3113	Rubber Seal - 1x6x10mm	35- 19
A498 3118	Stepped Screw - M4	31- 27
A548 1135	Spring Plate	41- 5
A548 1217	Antistatic Brush - Paper Exit	35- 3
A548 1231	Guide Roller	35- 13
A548 1234	Driven Roller Arm	35- 6
A548 1234	Driven Roller Arm	33- 10
A548 1241	Driven Roller Ass'y	23- 9
A548 1261	Exit Roller	35- 8
A548 1317	Lever Cushion	35- 10
A548 1320	Inverter Gate Plate	35- 26

Part No.	Description	Page and Index No.
A548 1321	Exchange Powl	35- 9
A548 1442	Transport Arm	31- 15
A548 1448	Arm Cushion	31- 17
A548 1531	Safety Switch Feeler	41- 12
A548 2137	Timing Pulley - 18Z	35- 18
A548 2137	Timing Pulley - 18Z	39- 12
A610 2132	Pressure Bushing	31- 8
A610 2133	Tension Spring	31- 7
A610 2136	Bushing	31- 6
A610 2137	Pressure Roller Bushing	31- 26
A610 2161	Belt Pressure Roller - 24	31- 25
A610 3532	Timing Pulley - 18Z	39- 6
A610 6051	Decal - Document Set	181- 41
A680 1171	Harness Holder	39- 18
A680 1181	Magnetic Catch	37- 19
A680 1181	Magnetic Catch	41- 2
A680 1384	Solenoid - Lower Inverter Gate	35- 21
A680 1385	Solenoid Bracket	35- 24
A680 1443	Arm Shaft	31- 16
A680 1446	Transport Unit Arm	31- 14
A680 1621	Feed-in Unit Stopper	27- 6
A680 1661	Bushing - 4mm	25- 12
A680 1671	Separation Roller	27- 26
A680 2262	Feeler - Pick-up Roller Cam	37- 21
A680 2311	Pulley - 18T/32T	39- 4
A680 2321	Pulley - 30T	35- 1
A680 4151	Side Fence Guide	25- 21
A691 5860	O/O MB82	145- 1
A691 5861	O/O MB	145- 1
A691 5878	O/O MB5	145- 1
A691 5879	X/O MB61	145- 1
A697 4170	Pulley - 32T	123- 9
A806 1135	Contact Point Shaft	41- 4
A806 1141	Reverse Roller Stay	27- 28
A806 1151	Upper Guide Plate	27- 2

Part No.	Description	Page and Index No.
A806 1152	Upper Guide Plate	27- 1
A806 1161	Entrance Guide Plate - Front	27- 4
A806 1162	Entrance Guide Plate - Inner	27- 15
A806 1163	Guide Plate Cushion	27- 5
A806 1181	Pressure Roller Bracket - Pull Out	25- 9
A806 1211	Middle Guide Plate	29- 8
A806 1221	Registration Sensor Bracket	29- 22
A806 1226	Paper Size Sensor Bracket	29- 7
A806 1231	Paper Feed Base	29- 18
A806 1241	Lower Guide Plate	29- 9
A806 1251	Transport Roller Arm	29- 10
A806 1256	Middle Shaft - Roller Arm	29- 16
A806 1257	Roller Arm Shaft	29- 17
A806 1261	Middle Driven Roller	29- 15
A806 1266	Driven Roller	29- 12
A806 1271	Pull Out Drive Roller	29- 2
A806 1276	Transport Drive Roller	29- 3
A806 1282	Separation Drive Shaft	27- 14
A806 1292	Feed Belt Bracket	27- 9
A806 1293	Feed Belt Drive Roller	27- 8
A806 1294	Feed Belt Driven Roller	27- 11
A806 1295	Feed Belt	27- 10
A806 1298	Transport Belt Roller Shaft	27- 12
A806 1314	Pick-up Roller Bracket	27- 17
A806 1321	Pickup Roller	27- 23
A806 1328	Release Lever	27- 16
A806 1331	Original Table Stay	25- 34
A806 1335	Original Table Guide Plate	25- 14
A806 1342	Base Lever	25- 32
A806 1346	Base Shaft	25- 31
A806 1353	Feeler Stud	25- 20
A806 1356	Original Sensor Bracket	25- 28
A806 1361	Cover Bracket	25- 5
A806 1371	Magnet Catch - Paper Feed Cover	25- 3
A806 1712	Front Cover	23- 4

Part No.	Description	Page and Index No.
A806 1761	Paper Feed Cover	25- 1
A806 1781	Exit Cover	23- 14
A806 1792	Original Table Cover	23- 5
A806 1821	Original Table	23- 1
A806 1852	Original Table Base	25- 23
A806 1861	X/O MB57	25- 23
A806 1881	Side Fence	25- 17
A806 1921	Right Cover	33- 20
A806 2151	Timing Pulley - T19/Z23 S2M/M0.6	27- 19
A806 2153	Timing Pulley - T27 S2M	27- 25
A806 2161	Timing Pulley - T30/Z20 S2M/M0.8	37- 8
A806 2244	Separation Shaft Stopper	37- 26
A806 2271	Gear - Z18	27- 18
A806 2281	Gear - Z47	25- 29
A806 2283	Gear - Z20/Z47	37- 7
A806 2285	Gear - Z20/Z47	37- 5
A806 2287	Gear - Z20/Z47	37- 6
A806 2911	Stepper Motor Ass'y	37- 1
A806 3111	Drive Exit Roller	33- 21
A806 3142	Guide Plate Bracket	33- 5
A806 3151	Driven Exit Roller	33- 4
A806 3171	Lower Exit Cover	33- 7
A806 3211	Right Exit Guide Plate	33- 15
A806 3221	Exit Ground Plate	33- 18
A806 3222	Seal	33- 17
A806 3251	Exit Cover Bracket	23- 13
A806 3261	Inner Back Cover Bracket	23- 12
A806 3266	Discharge Brush Bracket	23- 11
A806 3281	Timing Pulley - T14 S3M	33- 13
A806 3311	Invertor Solenoid Assembly	35- 20
A806 3312	Solenoid Bracket	35- 25
A806 4117	Timing Belt - B40S2M158	37- 10
A806 4118	Timing Belt - B40S2M148	27- 22
A806 4221	Compression Spring	29- 14
A806 4231	Spring	35- 16

Part No.	Description	Page and Index No.
A806 4232	Tension Spring	35- 11
A806 4261	Spring Belt Guide Roller	27- 13
A806 4311	Decal - Misfeed Removal	181- 8
A806 4311	Decal - Misfeed Removal	25- 2
A806 4321	Decal - Original Stack Hight	181- 9
A806 4321	Decal - Original Stack Hight	25- 25
A806 4331	Decal - Original Size	25- 4
A806 4331	Decal - Original Size	181- 10
A806 4341	Display Panel	23- 7
A806 5705	Display Harness	37- 3
A806 5715	Pick Up Motor Harness	37- 35
A806 5740	Registration Sensor Harness	29- 24
A806 5745	Paper Siz Sensor Harness	27- 29
A806 5745	Paper Siz Sensor Harness	29- 4
A806 5755	On Off Detector Harness	39- 44
A806 5755	On Off Detector Harness X/O MB87	41- 14
A806 5773	SADF Harness	39- 19
A806 5790	Original Sensor Harness	25- 26
A859 2230	Ball Bearing - 6x13x5	37- 33
A859 7211	Stepped Screw	147- 16

Part No.	Description	Page and Index No.
5053 0223	X/X as set MB59	73- 15
5053 0223	Bushing - 8mm	57- 22
5053 0223	Bushing - 8mm	25- 33
5053 0419	Bushing - 10mm	107- 25
5053 0447	Bushing - 6mm	65- 7
5053 0447	Bushing - 6mm	37- 40
5053 0447	Bushing - 6mm	53- 32
5053 0447	Bushing - 6mm	35- 2
5053 0447	Bushing - 6mm	33- 12
5053 0447	Bushing - 6mm	39- 11
5053 0447	Bushing - 6mm	27- 21
5053 0447	Bushing - 6mm	25- 30
5201 1796	Stepped Screw - M4	67- 26
5201 1796	Stepped Screw - M4	17- 5
5201 1796	Stepped Screw - M4	69- 15
5201 2858	Friction Pad	55- 8
5203 2679	Pinion Tightening Screw - M4x5	111- 29
5203 9502	Silicon Grease G-501	183- 6
5205 2697	Bushing - Upper Registration Roller	125- 25
5205 2697	Bushing - Upper Registration Roller	73- 23
5205 2697	Bushing - Upper Registration Roller	71- 10
5205 4527	Spring - Exit	113- 8
5205 4527	Spring - Exit	111- 3
5206 2684	Shoulder Screw - M3	43- 1
5206 2686	Snap Ring	25- 22
5215 2621	Snap Ring - M6	25- 24
5215 2621	Snap Ring - M6	35- 14
5215 4121	Spring - Oil Blade	115- 3
5324 1658	Bushing- 4x8x4.5mm	35- 28
5324 1658	Bushing- 4x8x4.5mm	95- 15
5324 1658	Bushing- 4x8x4.5mm	29- 13
5403 2819	Spring Anchor - Reverse Roller	87- 17
5403 6246	Stepped Screw - Cleaning	67- 28
5410 1291	Pin	41- 16
5415 4145	Stud	27- 30

Part No.	Description	Page and Index No.
5420 9516	Test Chart - OS-A3 (10pcs/set)	183- 2
5424 1064	Screw Stand	157- 26
5442 1890	Spring - Wire Tightener	111- 8
5442 1924	Exposure Glass Cushion	63- 16
5442 2754	Spring - Registration Roller	71- 11
5443 2668	Bushing - 4x6x7mm	73- 11
5446 2824	Screw - Duplex Guide Plate	25- 11
5446 2824	Screw - Duplex Guide Plate	23- 16
5446 2846	Release Spring - Vertical Transport	67- 27
5446 2901	Collar - 8mm MB22 ADDED	113- 18
5446 4235	Spring - Hot Roller Stripper	103- 4
5446 5832	Connector Guide Pin	139- 16
5446 5832	Connector Guide Pin	143- 12
5446 5832	Connector Guide Pin	131- 10
5447 2681	Snap Ring	61- 21
5447 2681	Snap Ring	27- 20
5447 2681	Snap Ring	99- 8
5447 2681	Snap Ring	63- 15
5447 2681	Snap Ring	117- 6
5447 2681	Snap Ring	121- 4
5447 2681	Snap Ring	65- 2
5447 2681	Snap Ring	69- 7
5447 2681	Snap Ring	133- 16
5447 2706	Gear - 15T	63- 7
5506 6111	Stepped Screw - M4	103- 8
5887 4157	Spring - Exit Roller	111- 30
5887 4157	Spring - Exit Roller	115- 8
5918 3120	Stud - M4	125- 32
5918 3120	Stud - M4	123- 26
5936 2321	Rubber Bushing - Vibration Damper	39- 35
5936 2321	Rubber Bushing - Vibration Damper	39- 9
5936 5221	Heat Sink	175-191
5936 5231	Indicator Board	37- 4

Part No.	Description	Page and Index No.
0312 5050B	Pan Head Screw - M2.5x5	77-101
0313 0040B	Philips Pan Head Screw - M3x4	115-105
0313 0040B	Philips Pan Head Screw - M3x4	121-102
0313 0040B	Philips Pan Head Screw - M3x4	111-106
0313 0050B	Philips Pan Head Screw - M3x5	85-105
0313 0050B	Philips Pan Head Screw - M3x5	95-103
0313 0050B	Philips Pan Head Screw - M3x5	73-101
0313 0060B	Philips Pan Head Screw - M3x6	59-107
0313 0080B	Philips Pan Head Screw - M3x8	53-107
0313 0080B	Philips Pan Head Screw - M3x8	119-101
0313 0080B	Philips Pan Head Screw - M3x8	19-103
0313 0080B	Philips Pan Head Screw - M3x8	57-105
0313 0080B	Philips Pan Head Screw - M3x8	51-107
0313 0120B	Philips Pan Head Screw - M3x12	57-106
0314 0040B	Philips Pan Head Screw - M4x4	157-104
0314 0040B	Philips Pan Head Screw - M4x4	69-107
0314 0040B	Philips Pan Head Screw - M4x4	93-101
0314 0060B	Philips Pan Head Screw - M4x6	55-101
0314 0060B	Philips Pan Head Screw - M4x6	71-103
0314 0060B	Philips Pan Head Screw - M4x6	127-107
0314 0060B	Philips Pan Head Screw - M4x6	115-106
0314 0060B	Philips Pan Head Screw - M4x6	157-101
0314 0060B	Philips Pan Head Screw - M4x6	67-105
0314 0080B	Philips Pan Head Screw - M4x8	59-106
0314 0080B	Philips Pan Head Screw - M4x8	105-104
0314 0080B	Philips Pan Head Screw - M4x8	43-101
0314 0080B	Philips Pan Head Screw - M4x8	87-101
0314 0080B	Philips Pan Head Screw - M4x8	147-107
0314 0120B	Philips Pan Head Screw - M4x12	105-102
0324 0060B	Philips Sunken Head Screw - M4x6	117-105
0324 0250B	Screw - M4x25	49-105
0344 0050F	Philips Truss Head Screw - M4X5	59-104
0344 0050F	Philips Truss Head Screw - M4X5	55-106
0344 0050F	Philips Truss Head Screw - M4X5	53-105
0353 0050B	Philips Truss Head Screw - M3x5	37-101

Part No.	Description	Page and Index No.
0353 0060B	Philips Pan Head Screw - M3x6	107-112
0353 0060B	Philips Pan Head Screw - M3x6	51-102
0353 0060B	Philips Pan Head Screw - M3x6	35-103
0354 0060B	Screw - M4X6	105-101
0354 0060B	Screw - M4X6	107-103
0354 0060B	Screw - M4X6	103-102
0354 0060B	Screw - M4X6	101-101
0354 0060B	Screw - M4X6	79-102
0354 0080B	Screw - M4X8	101-102
0354 0100B	Screw - M4X10	51-103
0413 0082B	Tapping Screw - M3x8	59-109
0414 0080B	Binding Self-tapping Screw - M4x8	57-112
0414 0082B	Binding Self Tapping Screw - M4x8	59-102
0414 0102B	Tapping Screw M4x10	135-107
0434 0060B	Pan Head Self-tapping Screw - M4x6	69-105
0434 0060B	Pan Head Self-tapping Screw - M4x6	149-103
0434 0060B	Pan Head Self-tapping Screw - M4x6	53-103
0434 0060B	Pan Head Self-tapping Screw - M4x6	55-104
0434 0060B	Pan Head Self-tapping Screw - M4x6	57-101
0434 0060B	Pan Head Self-tapping Screw - M4x6	73-104
0434 0060B	Pan Head Self-tapping Screw - M4x6	61-101
0434 0060B	Pan Head Self-tapping Screw - M4x6	153-102
0434 0060B	Pan Head Self-tapping Screw - M4x6	63-101
0434 0060B	Pan Head Self-tapping Screw - M4x6	71-104
0434 0060B	Pan Head Self-tapping Screw - M4x6	65-101
0434 0080B	Pan Head Self-tapping Screw - M4x8	155-102
0434 0080B	Pan Head Self-tapping Screw - M4x8	149-102
0434 0200B	O/O MB16	141-110
0434 0250B	Tapping Screw - M4x25	141-110
0450 3006B	Tapping Screw - M3x6	83-101
0450 3006B	Tapping Screw - M3x6	59-103
0450 3006B	Tapping Screw - M3x6	17-102
0450 3008B	Tapping Screw - M3x8	121-107
0450 3008B	Tapping Screw - M3x8	33-103
0450 3008B	Tapping Screw - M3x8	129-101

Part No.	Description	Page and Index No.
0450 3008B	Tapping Screw - M3x8	117-106
0450 3008B	Tapping Screw - M3x8	131-104
0450 3008B	Tapping Screw - M3x8	99-101
0450 3008B	Tapping Screw - M3x8	41-101
0450 3008B	Tapping Screw - M3x8	147-109
0450 3008B	Tapping Screw - M3x8	97-105
0450 3008B	Tapping Screw - M3x8	133-108
0450 3008B	Tapping Screw - M3x8	29-108
0450 3008H	Tapping Screw - M3x8	89-102
0450 3010B	Tapping Screw - M3x10	43-103
0450 4008B	Tapping Screw - 4x8	85-103
0450 4008B	Tapping Screw - 4x8	81-103
0450 4008B	Tapping Screw - 4x8	87-104
0450 4008B	Tapping Screw - 4x8	145-105
0450 4008B	Tapping Screw - 4x8	59-110
0450 4008B	Tapping Screw - 4x8	83-102
0450 4008B	Tapping Screw - 4x8	17-104
0450 4008B	Tapping Screw - 4x8	25-101
0450 4008B	Tapping Screw - 4x8	137-105
0450 4010B	Tapping Screw - 4x10	143-104
0450 4010B	Tapping Screw - 4x10	97-106
0450 4010B	Tapping Screw - 4x10	117-107
0450 4012B	Tapping Screw - M4x12	23-103
0450 4014B	Tapping Screw - 4x14	15-102
0450 4016B	Tapping Screw - 4x16	139-106
0450 4016B	Tapping Screw - 4x16	137-103
0450 4035B	Philips Tapping Screw - M4x35	145-104
0450 4035B	Philips Tapping Screw - M4x35	145-107
0451 3006B	Tapping Screw - M3x6 MB91 ADDED	115-107
0451 3006B	Tapping Screw - M3x6	109-105
0451 3006B	Tapping Screw - M3x6	67-108
0451 3006B	Tapping Screw - M3x6	153-103
0451 3006B	Tapping Screw - M3x6	151-102
0451 3006B	Tapping Screw - M3x6	141-102
0451 3006B	Tapping Screw - M3x6	29-105

Part No.	Description	Page and Index No.
0451 3006B	Tapping Screw - M3x6	81-102
0451 3006B	Tapping Screw - M3x6	31-105
0451 3006B	Tapping Screw - M3x6	123-102
0451 3006B	Tapping Screw - M3x6	139-102
0451 3006B	Tapping Screw - M3x6	143-101
0451 3008B	Tapping Screw - M3x8	37-102
0451 3008B	Tapping Screw - M3x8	121-106
0451 3008B	Tapping Screw - M3x8	23-101
0451 3008B	Tapping Screw - M3x8	27-101
0451 3008B	Tapping Screw - M3x8	35-104
0451 3008B	Tapping Screw - M3x8	137-104
0451 3008B	Tapping Screw - M3x8	29-103
0451 3008B	Tapping Screw - M3x8	39-103
0451 3008B	Tapping Screw - M3x8	33-102
0451 3008B	Tapping Screw - M3x8	31-102
0451 3008B	Tapping Screw - M3x8	149-104
0451 3008H	Tapping Screw - 3x8	21-101
0451 3012B	Tapping Screw With Washer - M3x12	29-101
0451 3012B	Tapping Screw With Washer - M3x12	77-105
0451 3014B	Tapping Screw - M3-14	147-101
0451 3030B	Tapping Screw - 3x30	151-103
0451 4006B	Tapping Screw - 4x6	75-102
0451 4006B	Tapping Screw - 4x6	31-103
0451 4006B	Tapping Screw - 4x6	131-107
0451 4006B	Tapping Screw - 4x6	41-104
0451 4006B	Tapping Screw - 4x6	133-105
0451 4006B	Tapping Screw - 4x6	45-104
0451 4006B	Tapping Screw - 4x6	49-103
0451 4006B	Tapping Screw - 4x6	39-106
0451 4006B	Tapping Screw - 4x6	79-103
0451 4006B	Tapping Screw - 4x6	127-103
0451 4006B	Tapping Screw - 4x6	77-104
0451 4006B	Tapping Screw - 4x6	89-101
0451 4008B	Philips Tapping Screw - M4x8	119-102
0451 4008B	Philips Tapping Screw - M4x8	143-102

Part No.	Description	Page and Index No.
0451 4008B	Philips Tapping Screw - M4x8	141-101
0451 4008B	Philips Tapping Screw - M4x8	69-102
0451 4008B	Philips Tapping Screw - M4x8	157-102
0451 4008B	Philips Tapping Screw - M4x8	19-102
0451 4008B	Philips Tapping Screw - M4x8	47-103
0451 4008B	Philips Tapping Screw - M4x8	149-101
0451 4008B	Philips Tapping Screw - M4x8	151-101
0451 4008B	Philips Tapping Screw - M4x8	111-101
0451 4008B	Philips Tapping Screw - M4x8	107-109
0451 4008B	Philips Tapping Screw - M4x8	67-101
0451 4008B	Philips Tapping Screw - M4x8	135-102
0451 4008B	Philips Tapping Screw - M4x8	137-102
0451 4008B	Philips Tapping Screw - M4x8	109-102
0451 4008B	Philips Tapping Screw - M4x8	129-106
0451 4008B	Philips Tapping Screw - M4x8	145-101
0451 4008B	Philips Tapping Screw - M4x8	155-101
0451 4008B	Philips Tapping Screw - M4x8	121-101
0451 4008B	Philips Tapping Screw - M4x8	39-104
0451 4008B	Philips Tapping Screw - M4x8	147-103
0451 4008B	Philips Tapping Screw - M4x8	25-102
0451 4008B	Philips Tapping Screw - M4x8	89-105
0451 4008B	Philips Tapping Screw - M4x8	75-101
0451 4008B	Philips Tapping Screw - M4x8	49-102
0451 4008B	Philips Tapping Screw - M4x8	127-101
0451 4008B	Philips Tapping Screw - M4x8	117-101
0451 4008B	Philips Tapping Screw - M4x8	113-101
0451 4008B	Philips Tapping Screw - M4x8	131-103
0451 4008B	Philips Tapping Screw - M4x8	15-101
0451 4008B	Philips Tapping Screw - M4x8	17-103
0451 4008B	Philips Tapping Screw - M4x8	123-101
0451 4008B	Philips Tapping Screw - M4x8	125-103
0451 4008B	Philips Tapping Screw - M4x8	115-101
0451 4008B	Philips Tapping Screw - M4x8	133-103
0451 4008B	Philips Tapping Screw - M4x8	153-101
0451 4008B	Philips Tapping Screw - M4x8	139-101

Part No.	Description	Page and Index No.
0451 4008H	Tapping Screw - 4x8	17-101
0451 4008H	Tapping Screw - 4x8	19-101
0451 4010B	Tapping Screw - 4x10	129-110
0451 4010B	Tapping Screw - 4x10	143-107
0451 4010B	MB2	51-105
0451 4010B	Tapping Screw - 4x10	131-102
0451 4012B	Tapping Screw - 4x12	127-109
0451 4012B	Tapping Screw - 4x12	129-103
0451 4012B	Tapping Screw - 4x12	51-105
0451 4012B	Tapping Screw - 4x12	149-105
0451 4012B	Tapping Screw - 4x12	133-102
0451 4012H	Tapping Screw M4x12	19-106
0451 4014B	Tapping Screw - M4x14	145-103
0451 4035B	Tapping Screw - M4x35	143-103
0452 3006B	Tapping Screw - M3x6	91-101
0452 3006B	Tapping Screw - M3x6	95-108
0452 3006B	Tapping Screw - M3x6	51-104
0452 3006W	Tapping Screw - 3x6	45-107
0452 3008B	Tapping Screw - M3x8	59-108
0452 3008B	Tapping Screw - M3x8	83-106
0452 3008B	Tapping Screw - M3x8	91-106
0452 3008B	Tapping Screw - M3x8	81-104
0452 3008B	Tapping Screw - M3x8	95-101
0452 3008B	Tapping Screw - M3x8	93-103
0452 3010B	Tapping Bind Screw - M3x10	95-102
0452 3010B	Tapping Bind Screw - M3x10	93-104
0452 4006B	Tapping Screw - M4x6	121-104
0452 4008B	Binding Self Tapping Screw - M4x8	55-103
0452 4008B	Binding Self Tapping Screw - M4x8	25-104
0452 4008B	Binding Self Tapping Screw - M4x8	59-101
0452 4008B	Binding Self Tapping Screw - M4x8	75-103
0452 4010B	Tapping Bind Screw - M4x10	53-109
0453 3006B	Tapping Screw - M3x6	91-102
0453 3006B	Tapping Screw - M3x6	45-105
0453 3008B	Bind Tapping Screw - M3x8	111-107

Part No.	Description	Page and Index No.
0453 3008B	Bind Tapping Screw - M3x8	95-107
0453 4006B	Tapping Screw - 4x6	121-103
0453 4006B	Tapping Screw - 4x6	49-101
0573 0030E	Hexagon Headless Set Screw - M3x3	65-104
0574 0050E	Hexagon Headless Set Screw - M4x5	39-102
0575 0050E	Hexagon Headless Set Screw - M5x5	129-102
0585 0351B	Hexagonal Head Bolt - M5x35	107-110
0632 0080G	O/O MB68	125-101
0632 0100G	Pin - 2x10mm	125-101
0632 0120G	Parallel Pin - 2x12	39-107
0632 0120G	Parallel Pin - 2x12	35-102
0632 0120G	Parallel Pin - 2x12	37-105
0632 0140G	Parallel Pin	25-107
0632 0160G	Parallel Pin - M2x16	37-107
0633 0140G	Parallel Pin - 3x14	97-103
0633 0200G	Pin - M3x20	127-108
0633 0200G	Pin - M3x20	57-110
0633 0220G	Pin - 3x22	129-104
0701 0030B	Flat Washer - M3	39-105
0701 0030B	Flat Washer - M3	37-106
0707 4050B	Bushing - 4 X5	49-109
0707 4050B	Bushing - 4x5	133-101
0707 4060B	Bushing - 4x6	127-104
0707 4060B	Bushing - 4x6	129-108
0710 0050B	Hexagon Nut - M5	107-111
0720 0020B	Retaining Ring - M2	83-107
0720 0025B	Retaining Ring - M2.5	89-103
0720 0030B	Retaining Ring - M3	111-105
0720 0030B	Retaining Ring - M3	25-103
0720 0030B	Retaining Ring - M3	31-104
0720 0030B	Retaining Ring - M3	29-107
0720 0030B	Retaining Ring - M3	69-104
0720 0030B	Retaining Ring - M3	65-105
0720 0030B	Retaining Ring - M3	117-104
0720 0030B	Retaining Ring - M3	107-102

Part No.	Description	Page and Index No.
0720 0030B	Retaining Ring - M3	95-105
0720 0030B	Retaining Ring - M3	41-102
0720 0030B	Retaining Ring - M3	73-102
0720 0030B	Retaining Ring - M3	121-105
0720 0030B	Retaining Ring - M3	87-103
0720 0030B	Retaining Ring - M3	113-104
0720 0030B	Retaining Ring - M3	85-106
0720 0030B	Retaining Ring - M3	115-104
0720 0030B	Retaining Ring - M3	101-103
0720 0040B	Retaining Ring - M4	27-102
0720 0040B	Retaining Ring - M4	131-106
0720 0040B	Retaining Ring - M4	61-104
0720 0040B	Retaining Ring - M4	81-101
0720 0040B	Retaining Ring - M4	65-102
0720 0040B	Retaining Ring - M4	101-104
0720 0040B	Retaining Ring - M4	99-103
0720 0040B	Retaining Ring - M4	71-101
0720 0040B	Retaining Ring - M4	29-102
0720 0040B	Retaining Ring - M4	107-106
0720 0040B	Retaining Ring - M4	67-103
0720 0040B	Retaining Ring - M4	129-105
0720 0040B	Retaining Ring - M4	109-107
0720 0040B	Retaining Ring - M4	111-102
0720 0040B	Retaining Ring - M4	119-104
0720 0040B	Retaining Ring - M4	73-105
0720 0040B	Retaining Ring - M4	77-102
0720 0040B	Retaining Ring - M4	115-103
0720 0040B	Retaining Ring - M4	31-101
0720 0040B	Retaining Ring - M4	79-101
0720 0040B	Retaining Ring - M4	25-108
0720 0040B	Retaining Ring - M4	117-103
0720 0040B	Retaining Ring - M4	157-103
0720 0040B	Retaining Ring - M4	33-101
0720 0040B	Retaining Ring - M4	83-104
0720 0040B	Retaining Ring - M4	93-105

Part No.	Description	Page and Index No.
0720 0040B	Retaining Ring - M4	125-102
0720 0040B	Retaining Ring - M4	123-103
0720 0040B	Retaining Ring - M4	53-104
0720 0040B	Retaining Ring - M4	133-106
0720 0040B	Retaining Ring - M4	57-102
0720 0040B	Retaining Ring - M4	135-103
0720 0040B	Retaining Ring - M4	97-101
0720 0040B	Retaining Ring - M4	39-101
0720 0040B	Retaining Ring - M4	87-102
0720 0040B	Retaining Ring - M4	37-104
0720 0040B	Retaining Ring - M4	35-101
0720 0060B	Retaining Ring - M6	73-103
0720 0060B	Retaining Ring - M6	87-105
0720 0060B	Retaining Ring - M6	113-103
0720 0060B	Retaining Ring - M6	133-107
0720 0060B	Retaining Ring - M6	111-103
0720 0060B	Retaining Ring - M6	123-104
0720 0060B	Retaining Ring - M6	71-102
0720 0060B	Retaining Ring - M6	115-102
0720 0060B	Retaining Ring - M6	135-101
0720 0060B	Retaining Ring - M6	37-103
0720 0060B	Retaining Ring - M6	131-105
0720 0060B	Retaining Ring - M6	109-101
0720 0060B	Retaining Ring - M6	61-107
0720 0060B	Retaining Ring - M6	129-107
0720 0060B	Retaining Ring - M6	119-103
0720 0060B	Retaining Ring - M6	83-105
0720 0060B	Retaining Ring - M6	59-105
0720 0060B	Retaining Ring - M6	67-102
0720 0060B	Retaining Ring - M6	19-104
0720 0060B	Retaining Ring - M6	25-109
0720 0060B	Retaining Ring - M6	107-105
0720 0060B	Retaining Ring - M6	97-104
0720 0060B	Retaining Ring - M6	125-104
0720 0060B	Retaining Ring - M6	63-103

Part No.	Description	Page and Index No.
0720 0060B	Retaining Ring - M6	57-104
0720 0060B	Retaining Ring - M6	127-106
0720 0060B	Retaining Ring - M6	27-103
0720 0080B	Retaining Ring - M8	127-110
0720 0080B	Retaining Ring - M8	107-104
0720 0080E	Retaining Ring - M8	109-108
0725 0200E	Retaining Ring C - M20	107-107
0727 0060B	Retaining Ring C - 6	83-108
0727 0090E	Retaining Ring C - M9	85-104
0740 3008	Ball Bearing - 8x22x7	135-108
0742 3808	Ball Bearing - 8x16x5	63-102
0801 0141	Pah Head Screw - M2x16	147-105
0801 0142	Screw - Spring Washer - M5X8	141-106
0801 0153	Bind Screw - M6x32	145-102
0803 0058	Stepped Screw	133-104
0805 0088	Retaining Ring - M6	63-105
0805 0098	Ring - M35	105-105
0805 3145	Ball Bearing - 6x12x4mm	65-103
0805 3384	Bushing - 5mm	111-104
0805 3480	Bushing - 6mm	77-103
0805 3507	Bushing - 6mm	39-108
0805 3507	Bushing - 6mm	37-108
0805 5011	Caster - 250kgf	157-106
0807 3092	Spacer - 4x5x3	95-106
0807 4040	Washer - 6.5mm MB79 ADDED	131-110
0950 4006B	Screw - M4X6	105-103
0950 4006B	Screw - M4X6	101-105
0950 4006B	Screw - M4X6	103-101
0950 4006B	Screw - M4X6	143-105
0950 4006B	Screw - M4X6	107-101
0950 4008B	Philips Screw With Spring Washer - M4x8	153-105
0951 3004B	Philps Screw With Flat Washer - M3x4	45-101
0951 3006B	Philips Screw With Flat Washer - M3x6	99-102
0951 3006B	Philips Screw With Flat Washer - M3x6	85-101
0951 3006B	Philips Screw With Flat Washer - M3X6	83-109

Part No.	Description	Page and Index No.
0951 3006B	Philips Screw With Flat Washer - M3x6	95-104
0951 3006B	Philips Screw With Flat Washer - M3x6	93-102
0951 3006B	Philips Screw With Flat Washer - M3x6	49-104
0951 3006B	Philips Screw With Flat Washer - M3x6	57-107
0951 3006B	Philips Screw With Flat Washer - M3x6	47-101
0951 3006B	Philips Screw With Flat Washer - M3x6	45-102
0951 3006B	Philips Screw With Flat Washer - M3x6	43-102
0951 3006B	Philips Screw With Flat Washer- M3x6	131-109
0951 3008B	Philips Screw With Flat Washer - M3x8	95-109
0951 3008B	Philips Screw With Flat Washer - M3x8	97-102
0951 3020B	Philips Screw With Flat Washer -3x8	51-101
0951 4006B	Philips Screw With Washer - M4x6	83-103
0951 4006B	Philips Screw With Washer - M4x6	55-105
0951 4008B	Philips Screw With Washer - M4x8	67-104
0951 4008B	Philips Screw With Washer - M4x8	109-103
0951 4008B	Philips Screw With Washer - M4x8	69-101
0951 4008B	Philips Screw With Washer - M4x8	57-111
0951 4008B	Philips Screw With Washer - M4x8	55-102
0951 4008B	Philips Screw With Washer - M4x8	127-102
0951 4008B	Philips Screw With Washer - M4x8	53-101
0951 4008B	Philips Screw With Washer - M4x8	117-102
0951 4008B	Philips Screw With Washer - M4x8	131-101
0951 4008B	Philips Screw With Washer - M4x8	85-102
0951 4010B	Philips Screw With Washer - M4x10	127-105
0951 4010B	Philips Screw With Washer - M4x10	129-109
0951 4010W	Philips Screw With Flatwasher - M4x10	91-104
0951 5008B	Philips Screw With Washer - M5x8	157-107
0951 5010B	Philips Screw With Washer - M5x10	23-102
0954 3008B	Philips Screw - M3x8	45-103
0954 4008B	Philips Screw - M4x8	45-106
0965 3008B	Tapping Screw With Washer - M3x8	89-102
0965 3008W	Tapping Screw With Flat Washer - M3x8	53-108
0971 4006A	Philips Polycarbonate Screw - M4x6	89-104
1005 0843	Heat Sink - OSH2425SP MB23 ADDED	175-192
1100 1474	Test Pin	171-101

Part No.	Description	Page and Index No.
1101 0328	Connector Pin Contact	161-101
1101 0328	Connector Pin Contact	175-101
1101 0429	Test Pin	167-101
1102 0913	Connector - 9P	175-102
1102 3822	Connector - 20P	167-102
1102 4201	Connector - 2P	175-103
1102 4202	Connector - 3P	175-104
1102 4203	CT Header - 4P	175-105
1102 4205	CT Header - 6p	175-106
1102 4206	Connector - 7P	175-107
1102 4207	Connector - 8P	175-108
1102 4208	Connector - 9P	175-109
1102 4211	CT Header - 12P	175-110
1102 4212	CT Header - 15P	175-111
1102 4623	CT Connector - 6p	175-112
1102 4629	Connector - 12P	175-113
1102 5276	Connector - 4P	167-103
1102 5278	Connector - 6P	167-104
1102 5280	Connector - 8P	167-105
1102 5283	Connector - 11P	167-106
1102 5301	Connector - 2P	161-102
1102 5302	Connector - 3P	161-103
1102 5303	Connector - 4P	171-102
1102 5304	Connector - 5P	171-103
1102 5305	Connector - 6P	161-104
1102 5325	Connector - 2P	161-105
1102 5326	Connector - 4P	167-107
1102 5327	Connector - 8P	171-104
1102 5476	Modular Cord - 6P/6P	167-108
1102 5699	Connector - 12P	167-109
1102 5894	Connector - 68P	167-110
1102 5943	Connector - 2P	167-111
1102 6245	Relay Connector - 2P	145-110
1102 6245	Relay Connector - 2P	61-105
1102 6247	Connector - 4P	91-103

Part No.	Description	Page and Index No.
1102 6249	Relay Connector - 6P	61-108
1102 6251	Connector - 8P	145-109
1102 6254	Connector - 11P	61-102
1102 6256	Relay Connector - 13P	145-111
1102 6259	Connector - 2P	61-103
1102 6265	Connector - RED 8P	145-108
1102 6297	Connector - 4P	167-112
1102 6298	Connector - 5P	161-106
1102 6299	Connector - 6P	167-113
1102 6299	Connector - 6P	171-105
1102 6300	Connector - 7P	161-107
1102 6301	Connector - 8P	175-114
1102 6302	Connector - 9P	167-114
1102 6302	Connector - 9P	175-115
1102 6303	Connector - 10P	171-106
1102 6304	Connector - 11P	171-107
1102 6306	Connector - 13P	171-108
1102 6307	Connector - 14P	161-108
1102 6308	Connector - 15P	171-109
1102 6308	Connector - 15P	167-115
1102 6314	CONNECTOR - 7P	161-109
1102 6394	Connector - 12P	171-110
1102 6396	Connector - 1P	167-116
1102 6396	Connector - 1P	171-111
1102 6397	Box Header	167-117
1102 6398	Connector - 2P	167-118
1102 6399	Connector - 22P	167-119
1102 6399	Connector - 22P	171-112
1102 6400	Connector - 24P	171-113
1102 6400	Connector - 24P	167-120
1102 6403	Connector - 30P	171-114
1102 6403	Connector - 30P	167-121
1102 6414	Connector - 16P	167-122
1102 6592	Connector - 8P	171-115
1102 6760	Connector - 3P	167-123

Part No.	Description	Page and Index No.
1104 0351	Fuse Holder	175-116
1104 0588	Dip Socket - 28P	167-124
1104 0589	Dip Socket - 32p	175-117
1104 0730	Short Pin - 2P	167-125
1105 0009	Nylon Clamp - 5N	143-108
1105 0009	Nylon Clamp - 5n	137-101
1105 0087	Clamp	113-102
1105 0087	Clamp	111-108
1105 0087	Clamp	109-104
1105 0087	Clamp	135-106
1105 0192	Locking Support	141-103
1105 0192	Locking Support	47-102
1105 0198	Harness Clamp - WS-3 NSV-0	141-108
1105 0198	Harness Clamp - WS-3 NSV-0	51-110
1105 0198	Harness Clamp - WS-3 NSV-0	139-108
1105 0199	Clamp	29-106
1105 0199	Clamp	57-109
1105 0199	Clamp	119-107
1105 0199	Clamp	61-106
1105 0199	Clamp	73-106
1105 0199	Clamp	63-104
1105 0199	Clamp	65-106
1105 0199	Clamp	49-110
1105 0199	Clamp	135-105
1105 0199	Clamp	109-106
1105 0199	Clamp	69-106
1105 0199	Clamp	27-105
1105 0199	Clamp	107-108
1105 0199	Clamp	103-103
1105 0210	Clamp. Flate Cable	67-106
1105 0229	Clamp	19-105
1105 0229	Clamp	91-105
1105 0230	Clamp	53-102
1105 0230	Clamp	35-105
1105 0230	Clamp	37-109

Part No.	Description	Page and Index No.
1105 0230	Clamp	39-109
1105 0230	Clamp	41-106
1105 0230	Clamp	27-104
1105 0230	Clamp	25-105
1105 0267	Harness Clamp - YMC-10-0	123-105
1105 0267	Harness Clamp - YMC-10-0	75-104
1105 0267	Harness Clamp - YMC-10-0	119-106
1105 0267	Harness Clamp - YMC-10-0	77-106
1105 0267	Harness Clamp - YMC-10-0	79-104
1105 0291	Harness Clamp - LWS-3S	57-108
1105 0291	Harness Clamp - LWS-3S	69-103
1105 0291	Harness Clamp - LWS-3S	135-104
1105 0291	Harness Clamp - LWS-3S	49-106
1105 0291	Harness Clamp - LWS-3S	127-111
1105 0291	Harness Clamp - LWS-3S	123-106
1105 0291	Harness Clamp - LWS-3S	121-109
1105 0291	Harness Clamp - LWS-3S	153-104
1105 0291	Harness Clamp - LWS-3S	119-105
1105 0292	Wire Saddle	127-112
1105 0292	Wire Saddle	141-105
1105 0292	Wire Saddle	139-103
1105 0292	Wire Saddle	51-109
1105 0292	Wire Saddle	143-106
1105 0292	Wire Saddle	149-107
1105 0292	Wire Saddle	67-107
1105 0295	Metal Cable Clamp	47-104
1105 0306	Metal Clamp - AI-4	145-106
1105 0310	Harness Clamp - LWS-1S	151-105
1105 0310	Harness Clamp - LWS-1S	149-106
1105 0310	Harness Clamp - LWS-1S	153-106
1105 0310	Harness Clamp - LWS-1S	147-110
1105 0310	Harness Clamp - LWS-1S	71-105
1105 0310	Harness Clamp - LWS-1S	49-107
1105 0310	Harness Clamp - LWS-1S	139-105
1105 0310	Harness Clamp - LWS-1S	21-102

Part No.	Description	Page and Index No.
1105 0310	Harness Clamp - LWS-1S	131-108
1105 0310	Harness Clamp - LWS-1S	157-105
1105 0310	Harness Clamp - LWS-1S	51-108
1105 0316	Clamp	139-104
1105 0316	Clamp	127-113
1105 0328	Harness Clamp - ES-0505	29-104
1105 0328	Harness Clamp - ES-0505	73-107
1105 0328	Harness Clamp - ES-0505	41-105
1105 0328	Harness Clamp - ES-0505	57-103
1105 0328	Harness Clamp - ES-0505	53-106
1105 0328	Harness Clamp - ES-0505	121-108
1105 0328	Harness Clamp - ES-0505	55-107
1105 0328	Harness Clamp - ES-0505	25-106
1105 0334	Edge - 17	41-103
1105 0359	Clamp	51-106
1105 0367	Spacer	49-108
1105 0412	Cord Keep	67-109
1105 0412	Cord Keep K-106G	83-110
1105 0460	Clamp	77-107
1106 0193	Bushing - 7.9mm	29-109
1106 0200	Bushing - 19.44mm	151-104
1106 0200	Bushing - 19.44mm	47-105
1106 0383	Supportor - P.C.B.	141-104
1107 0751	Fuse - 4A 250V	175-118
1107 0752	Fuse - 5A 250V	175-119
1107 0943	Circuit Brackekr - 1.5KA	141-109
1109 0007	IC - MINISMDC100-02	167-126
1109 0010	FUSE - 3.75A	161-110
1204 2368	Dip Switch - DSS804	161-111
1204 2368	Dip Switch - Dss804	175-120
1204 2468	Switch - AC250/16A	147-108
1204 2508	Interlock Switch - FA7L-AJAB	147-106
1204 2509	Micro Switch - V16506K-3C205	147-102
1204 2515	Micro Switch - DE2L-FJ10	147-104
1400 0398	Transistor - 2SC2412K	161-112

Part No.	Description	Page and Index No.
1400 0398	Transistor - 2SC2412K	167-127
1400 0398	Transistor - 2SC2412K	175-121
1400 0555	Transistor - DTC143EK	171-116
1400 0555	Transistor - DTC143EK	167-128
1400 0619	Transistor - DTA143EKA	167-129
1400 0663	Transistor - 2SA1037AK	175-122
1400 0728	Transistor - 2SD2170	167-130
1400 0731	Transistor - 2SD1766	167-131
1400 0763	Transistor - 2SD2025	175-123
1401 0881	Transistor - 2SJ142	161-113
1401 0886	Transistor - 2SK1286 MB23 ADDED	175-193
1401 0919	Mosfet Array - 4am14	175-124
1401 0964	FET 2SJ172	175-125
1401 0972	Transistor - 2SB1260	161-114
1401 0972	Transistor-2sb1260	167-132
1401 1066	FET 2SJ176 MB23 (OBS)	175-126
1401 1104	FET - 2SJ303 MB23 ADDED	175-195
1401 1113	FET 2SK2462	161-115
1402 0595	Diode-array - DAN202K	167-133
1402 0780	Diode - 200V - 1A - 11ES2	175-127
1402 1112	Diode - ERA83-004	167-134
1402 1142	Diode Array - DAN217	167-135
1402 1142	Diode Array - DAN217	171-117
1402 1142	Diode Array - DAN217	161-116
1402 1236	Diode - ERA83-006	167-136
1402 1326	Diode Array - DA227	167-137
1402 1336	Diode - 1SS355	167-138
1402 1353	Diode - HZ12BP	175-128
1402 1378	Diode - PTZ12A	167-139
1402 1378	Diode - PTZ12A	171-118
1402 1380	Diode - PTZ 6.2A	161-117
1402 1380	Diode - PTZ 6.2A	167-140
1402 1492	14021492ERA32-01	175-129
1402 1505	Diode - UDZS5.6B	167-141
1403 0416	LED - Red - TLR123	175-130

Part No.	Description	Page and Index No.
1403 0894	LED SML-010LT	167-142
1403 0894	LED SML-010LT	171-119
1403 0895	LED SML-010MT	167-143
1403 0954	Sensor - MA12-10V23	161-118
1404 0238	Serge Absorber 22V 0.6J	167-144
1407 1535	IC - TD62308AP	167-145
1407 1535	IC - TD62308AP	171-120
1407 1596	TTLIC - SN74LS14NS	161-119
1407 1596	TTLIC - SN74LS14NS	167-146
1407 1596	TTLIC - SN74LS14NS	175-131
1407 1741	TTL - SN74LS32NS	161-120
1407 1783	IC - 74LS02	161-121
1407 1880	TTLIC - SN74LS04NS	161-122
1407 1984	IC - SH74LS123NS	161-123
1407 2051	TTL - IC - SN74LS00NS	161-124
1407 2052	TTLIC - SN74LS74ANS	167-147
1407 2052	TTLIC - SN74LS74ANS	161-125
1407 2134	TTLIC - 74F32SJ	167-148
1407 2187	TTLIC - SN74LS07NS	167-149
1407 2187	TTLIC - SN74LS07NS	175-132
1407 2187	TTLIC - SN74LS07NS	161-126
1407 2187	TTLIC - SN74LS07NS	171-121
1407 2231	IC - TD62308AF	167-150
1407 3168	IC - TC74HC251AF	171-122
1407 3173	Driver - 16bit - M66311FP	171-123
1407 3231	FIFO - M66300FP	167-151
1407 3245	IC - CMOS - TC74HC32AF	171-124
1407 3257	Cmosic - Tc74hc14af	175-133
1407 3257	CMOSIC - TC74HC14AF	167-152
1407 3257	CMOSIC - TC74HC14AF	171-125
1407 3281	IC - TC74HCU04AF	167-153
1407 3283	IC - TC74HC373AF	175-134
1407 3287	IC - TC74HC393AF	175-135
1407 3290	IC - TC74HC02AF	175-136
1407 3305	IC - TC74HC157AF	171-126

Part No.	Description	Page and Index No.
1407 3395	Cmosic - Tc74hc541af	175-137
1407 4114	IC - SN751177	167-154
1407 4137	IC - MM1035XF	161-127
1407 4164	IC - MMID75XF	167-155
1407 4300	IC - TC74VHC32F	167-156
1407 4316	IC - TD52308BF	175-138
1407 4321	IC - TC74VHC04F	167-157
1407 4404	CMOS 74VHC157 SOP	167-158
1407 4615	IC - TC74VHC02F	167-159
1407 4687	IC - TA8083F	171-127
1407 4718	IC - TC74VHC08F	167-160
1407 4724	Cpu Hd6413003tf-16	175-139
1407 4730	SRAM STK12C68-W45	167-251
1407 4730	Sram Stk12c68-w45	139-107
1407 4959	IC - MC68334GCFC20	167-161
1407 4980	EEPROM BR93LC56FV	175-140
1407 5002	IC - M66310FP	171-128
1407 5032	IC - MBM29F400TC-70PFTN	167-162
1407 5085	CMOS TC4066BF(N)	167-163
1407 5127	IC SLA7033M	167-164
1408 0397	Comparator - NJM2901M	175-141
1408 0565	IC - UPC311G	161-128
1408 0599	IC - M51971EP	175-142
1408 0611	IC - 3771	175-143
1408 0645	IC - UPC4570G	161-129
1408 0826	IC - TA8428K	167-165
1408 0826	IC - TA8428K	171-129
1408 0827	IC - TA8429H	167-166
1408 0875	Transistor-array - TD62382AF	167-167
1408 0942	IC - BA4558F	161-130
1408 1007	Regurator - Upc7812ahf	175-144
1408 1050	IC - STK6712BMK4	175-145
1408 1065	Comparator Ba10339f	167-168
1408 1065	Comparator Ba10339f	161-131
1408 1095	IC - BA10324AF	167-169

Part No.	Description	Page and Index No.
1408 1206	Transistor-array - TD62M4700F	167-170
1408 1287	IC - SI-8501L	175-146
1408 1294	VR AD8402AR100	175-147
1408 1387	VR AD8402AR50	175-148
1503 0460	Oscillator - 32.768KHZ	167-171
1503 0817	Oscillator - 15.9744MHZ	161-132
1503 0865	Oscillator - 9.8304MHZ	167-172
1503 0865	Oscillator - 9.8304MHZ	175-149
1600 0830	Nonflamable Resistor - 0.47Ω 3W	175-194
1600 1209	Resistor - 220Ω 1W ±5%	175-150
1600 1510	Resistor - 1.5K Ω ±5% 1W	161-133
1600 1683	Resistor - 0.22 Ω ±5% 2W MB23 (OBS)	175-151
1600 1774	Resistor - 0.68 Ω ±5%	167-173
1600 1856	Resistor - 12 Ω ±10% 5W	175-152
1601 5277	Resistor - 3.9 Ω ±5% 2W	167-174
1601 7751	Resistor - 4.7KΩ ±5%	167-175
1601 7751	Resistor - 4.7KΩ ±5%	171-130
1601 7752	Resistor Array - 10K Ω ±5%	171-131
1601 7752	Resistor Array - 10K Ω ±5%	167-176
1601 7759	Resistor Array - 100K Ω ±5% 0.063W	161-134
1601 7769	Resistor Array - 151 Ω ±5%	167-177
1601 7781	Resistor - 10 Ω ±5%	167-178
1601 7791	Resistor Array - 1K Ω ±5%	171-132
1601 7791	Resistor Array - 1K Ω ±5%	167-179
1601 7791	Resistor Array - 1K Ω ±5%	161-135
1601 7791	Resistor Array - 1K Ω ±5%	167-180
1601 7814	Resistor 3.3k Ω ±5%	167-181
1601 7870	Resistor - 15 Ω ±5% 1/16W	175-153
1601 8148	Variable Resistor - 20K Ω 0.5W	175-154
1604 4448	Capacitor - UPJ1A561MPH	167-182
1604 4506	Capacitor - 1000μF ±20% 50V	167-183
1604 4708	Capacitor - 10μF ±20% 50V	167-184
1604 4730	Capacitor - 47μF ±20% 50V	161-136
1604 4734	Capacitor - 47uF ±20% 25V	161-137
1604 4735	Capacitor - 1000uF ±20% 50V	161-138
1605 0599	Capacitor - 0.1μF ±10%	161-138

Part No.	Description	Page and Index No.
1605 0643	Capacitor - 0.1MICRO F	161-139
1605 0797	Capacitor - 16pF ±5% 50V	175-155
1605 0926	Capacitor - 0.33μF 16V ±10%	167-185
1606 1178	Capacitor - 0.01μF 50V	175-156
1607 0758	Filter - DSS710D223A12-22	167-186
1607 1040	Filter - ACB1608M-120	167-187
1607 1143	Noise Filter	141-107
1611 8751	Resistor - 750 Ω ±5% 1/4W	171-133
1611 9331	Resistor - 330 Ω ±5% 1/2W	161-140
1611 9621	Resistor - 620 Ω ±5% 1/2W	161-141
1630 1101	Resistor - 100 Ω 1/4W ±5%	167-188
1630 1121	Resistor - 120Ω±5% 1/8W	167-189
1630 1151	Resistor - 150 Ω ±5% 1/4W	167-190
1630 1392	Resistor - 3.9K Ω ±5% 1/4W	167-191
1630 1471	Resistor - 470 Ω ±5% 1/4W	167-192
1630 2471	Resistor - 470Ω 1/8W ±5%	167-193
1630 3100	Resistor - 10 Ω ±5% 1/10W	175-157
1630 3101	Resistor - 100Ω - 1/10W	175-158
1630 3102	Resistor - 1KΩ 1/10W ±5%	171-134
1630 3102	Resistor - 1KΩ 1/10W ±5%	175-159
1630 3102	Resistor - 1KΩ 1/10W ±5%	167-194
1630 3103	Resistor - 10KΩ 1/10W ±5%	171-135
1630 3103	Resistor - 10KΩ 1/10W ±5%	175-160
1630 3105	Resistor - 1M Ω ±5% 1/10W	175-161
1630 3121	Resistor - 120 Ω ±5% 1/10w	167-195
1630 3161	Resistor - 160Ω 1/10w ±5%	175-162
1630 3200	Resistor - 20 Ω ±5% 1/10W	175-163
1630 3203	Resistor - 20 Ω ±5% 1/10W	175-164
1630 3222	Resistor - 2.2KΩ 1/10W ±5%	175-165
1630 3223	Resistor - 22kΩ - 1/10W	175-166
1630 3273	Resistor - 27kΩ - 1/10W	175-167
1630 3302	Resistor - 3kΩ - 1/10W	175-168
1630 3391	Resistor - 390Ω 1/10W ±5%	175-169
1630 3392	Resistor - 3.9kΩ - 1/10W	175-170
1630 3472	Resistor - 4.7KΩ 1/10W ±5%	171-136

Part No.	Description	Page and Index No.
1630 3472	Resistor - 4.7K Ω 1/10W \pm 5%	175-171
1630 3560	Resistor - 56 Ω \pm 5% 1/10W	175-172
1630 3561	Resistor - 560 Ω \pm 5% 1/10W	167-196
1630 3562	Resistor - 5.6K Ω \pm 5% 1/10W	175-173
1630 3563	Resistor - 56K Ω \pm 5% 1/10W	167-197
1630 3682	Resistor - 6.8k Ω - 1/10W	175-174
1630 3753	Resistor - 75k Ω - 1/10W	175-175
1630 4100	Resistor - 10 Ω \pm 5% 1/16W	161-142
1630 4100	Resistor - 10 Ω \pm 5% 1/16W	167-198
1630 4102	Resistor - 1.0K Ω \pm 5% 1/16W	161-143
1630 4102	Resistor - 1.0K Ω \pm 5% 1/16W	167-199
1630 4103	Resistor - 10K Ω \pm 5% 1/16W	161-144
1630 4103	Resistor - 10K Ω \pm 5% 1/16W	167-200
1630 4104	Resistor - 100 Ω \pm 5% 1/16W	161-145
1630 4104	Resistor - 100 Ω \pm 5% 1/16W	167-201
1630 4105	Resistor - 1.0M Ω \pm 5% 1/16W	167-202
1630 4106	Resistor - 10m Ω \pm 5% 1/16W	167-203
1630 4124	Resistor - 120K Ω \pm 5% 1/16W	161-146
1630 4152	Resistor - 1.5K Ω \pm 5% 1/16W	167-204
1630 4153	Resistor - 15K Ω \pm 5% 1/16W	161-147
1630 4153	Resistor - 15K Ω \pm 5% 1/16W	167-205
1630 4154	Resistor - 150k Ω \pm 5%, 1/16W	167-206
1630 4161	Resistor - 160 Ω \pm 5% 1/16W	167-207
1630 4161	Resistor - 160 Ω \pm 5% 1/16W	161-148
1630 4222	Resistor - 2.2K Ω \pm 5%	167-208
1630 4222	Resistor - 2.2K Ω \pm 5%	161-149
1630 4224	Resistor - 220K Ω \pm 5% 1/16W	161-150
1630 4242	Resistor - 2.4k Ω - \pm 5% - 1/16W	161-151
1630 4272	Resistor - 2.7k Ω - \pm 5% - 1/16W	167-209
1630 4330	Resistor - 33 Ω \pm 5% 1/8W	167-210
1630 4332	Resistor - 3.3K Ω \pm 5% 1/16W	167-211
1630 4332	Resistor - 3.3K Ω \pm 5% 1/16W	161-152
1630 4334	Resistor - 330K Ω \pm 5% 1/16W	167-212
1630 4362	Resistor - 3.6K Ω \pm 5% 1/16W	167-213
1630 4393	Resistor - 39k Ω - \pm 5% - 1/16W	167-214

Part No.	Description	Page and Index No.
1630 4470	Resistor - 470 Ω \pm 5% 1/16W	161-153
1630 4472	Resistor - 4.7K Ω \pm 5% 1/16W	161-154
1630 4472	Resistor - 4.7K Ω \pm 5% 1/16W	167-215
1630 4510	Resistor - 51 Ω \pm 5% 1/16W	167-216
1630 4511	Resistor - 510 Ω - \pm 5% - 1/16W	161-155
1630 4512	Resistor - 5.1k Ω - \pm 5% - 1/16W	161-156
1630 4562	Resistor - 5.6k Ω - \pm 5% - 1/16W	161-157
1630 4562	Resistor - 5.6k Ω - \pm 5% - 1/16W	167-217
1630 4680	Resistor - 68 Ω \pm 5% 1/16W	167-218
1630 4752	Resistor - 7.5K Ω \pm 5% 1/16W	167-219
1630 4910	Resistor - 91 Ω \pm 5% 1/16W	167-220
1632 0000	Resistor - 0 Ω 1/8W	167-221
1633 1000	Resistor - 100 Ω \pm 1% 1/10W	167-222
1633 1003	Resistor - 100K Ω \pm 1% 1/10W	167-223
1633 1403	Resistor - 140K Ω \pm 1% 1/10W	167-224
1633 1602	Resistor - 16K Ω \pm 1% 1/4W	175-176
1633 2002	Resistor - 20K Ω \pm 1% 1/10W	167-225
1633 2200	Resistor - 220 Ω \pm 1% 1/10W	167-226
1633 5100	Resistor - 510 Ω \pm 1% 1/10W	167-227
1633 5361	Resistor - 5.36K Ω \pm 1% 1/10W	167-228
1633 5600	Resistor - 560 Ω \pm 1% 1/10W	167-229
1634 0000	Resistor - 0 Ω 1/16W	161-158
1634 1002	Resistor - 10 Ω \pm 5% 1/16W	161-159
1634 1693	Resistor - 169 Ω \pm 1% 1/16W	167-230
1634 2002	Resistor - 20K Ω \pm 1% 1/16W	161-160
1634 2201	Resistor - 2.20K Ω \pm 1% 1/16W	167-231
1634 2402	Resistor - 24K Ω \pm 1% 1/16W	161-161
1634 2702	Resistor - 27K Ω \pm 1% 1/16W	161-162
1634 3301	Resistor - 3.3K Ω \pm 1% 1/16W	167-232
1634 3903	Resistor - 390k Ω - \pm 1% - 1/16W	161-163
1634 4302	Resistor - 43k Ω \pm 1% 1/16W	161-164
1634 4702	Resistor - 47.0k Ω - \pm 1% - 1/16W	167-233
1634 5231	Resistor - 5.23K Ω \pm 1% 1/16W	167-234
1634 6200	Resistor - 620 Ω \pm 1% 1/16W	167-235
1640 0101	Capacitor - 100 μ F 10V	161-165

Part No.	Description	Page and Index No.
1640 2470	Capacitor - 47 μ F \pm 20% 25V	161-166
1640 5100	Capacitor - 10 μ F +20% 50	167-236
1640 5101	Capacitor - 100 μ F \pm 20% 50V	161-167
1640 5101	Capacitor - 100 μ F \pm 20% 50V	175-177
1640 5101	Capacitor - 100 μ F \pm 20% 50V	167-237
1640 5102	Capacitor - 1000 μ F \pm 20% 50V	175-178
1640 5220	Capacitor - 22 μ F \pm 20% 50V	175-179
1640 5220	Capacitor - 22 μ F \pm 20% 50V	167-238
1640 5221	Capacitor - 220 μ F \pm 20% 50V	167-239
1640 5470	Capacitor - 47 μ F \pm 20% 50V	171-137
1640 5470	Capacitor - 47 μ F \pm 20% 50V	167-240
1640 5471	Capacitor - 470 μ F \pm 20% 50V	175-180
1643 5339	Capacitor - 3.3 μ F \pm 20% 50V	175-181
1643 5478	Capacitor - 0.47 μ F \pm 20% 50V	175-182
1660 0100	Capacitor - 10PF \pm 0.5pF 50V	161-168
1660 2101	Capacitor - 100pF - \pm 10% - 50V	175-183
1660 2101	Capacitor - 100pF - \pm 10% - 50V	167-241
1660 2101	Capacitor - 100pF - \pm 10% - 50V	161-169
1660 2180	Capacitor 18pF \pm 5% 50v	167-242
1660 2220	Capacitor - 22pF \pm 20% 35V	167-243
1660 2221	Capacitor - 220pF +80-20% 50V	175-184
1660 2470	Capacitor - 47pF \pm 5% 50V	167-244
1660 2471	Capacitor - 470pF - \pm 5% - 50V	175-185
1660 2471	Capacitor - 470pF - \pm 5% - 50V	161-170
1660 2471	Capacitor - 470pF - \pm 5% - 50V	167-245
1660 3102	Capacitor - 1000pF \pm 5% 50V	161-171
1660 3471	Capacitor - 470pF 50V	171-138
1660 4102	Capacitor - 1000pF \pm 10% 50V	167-246
1660 4102	Capacitor - 1000pF \pm 10% 50V	161-172
1660 4102	Capacitor - 1000pF \pm 10% 50V	175-186
1660 4222	Capacitor - 2200pF - \pm 10% - 50V	175-187
1660 4472	Capacitor - 4700pf \pm 10% 50v	167-247
1660 5102	Capacitor - 1000pF \pm 10% 50V	171-139
1660 6103	Capacitor - 10000pF - +80% -20% 50V	161-173
1660 6103	Capacitor - 10000pF - +80% -20% 50V	167-248

Part No.	Description	Page and Index No.
1660 6103	Capacitor - 10000pF - +80%-20%, 50V	175-188
1660 6223	Capacitor 22000pF +80 -20% 50V	175-189
1660 7103	Capacitor - 10000pF 50V	171-140
1660 7104	Capacitor - 100000pF 50V	175-190
1660 8104	Capacitor - 0.1 μ F +80-20% 25V	161-174
1660 8104	Capacitor - 0.1 μ F +80-20% 25V	167-249
1660 9104	C - 0.1 μ F 25V	171-141
1902 0039	IC - SRAM 1M X16 70NS G1	167-250