

5 Parts Lists

PL 1 - Standby Power

PL 1.10 Power and Control Assembly	5-3
--	-----

PL 2 - User Interface

PL 2.10 User Interface (65-75 ppm)	5-4
PL 2.15 User Interface (32-55 ppm)	5-5

PL 3 - Machine Run Control

PL 3.10 Image Processing PWB Module (65-75 ppm) (1 of 2)	5-6
PL 3.11 Image Processing PWB Module (65-75 ppm) (2 of 2)	5-7
PL 3.15 Image Processing PWB Module (32-55 ppm) (1 of 2)	5-8
PL 3.20 Image Processing PWB Module (32-55 ppm) (2 of 2)	5-9

PL 4 - Main Drive Assembly

PL 4.10 Main Drive Module (65-75 ppm) (1 of 2)	5-10
PL 4.12 Main Drive Module (65-75 ppm) (2 of 2)	5-11
PL 4.15 Main Drive Module (32-55 ppm) (1 of 2)	5-12
PL 4.17 Main Drive Module (32-55 ppm) (2 of 2)	5-13

PL 5 - DADH

PL 5.10 DADH (Complete), Covers, DADH PWB	5-14
PL 5.15 Feed Assembly	5-15
PL 5.20 Top Cover Assembly	5-16
PL 5.25 CVT	5-17
PL 5.30 Baffle Assembly	5-18
PL 5.35 Input Tray Assembly	5-19
PL 5.40 Document Cover	5-20

PL 6 - Imaging

PL 6.10 ROS	5-21
-------------------	------

PL 7 - Paper Supply

PL 7.10 Tray 1 and 2 Assembly	5-22
PL 7.15 HCF (Complete), Tray 3 and 4 Assembly, Elevator Cables	5-23
PL 7.20 Elevator Motor and Control PWB	5-24
PL 7.25 HCF Covers	5-25
PL 7.30 Bypass Tray and Left Hand Door Assembly (65-75 ppm)	5-26
PL 7.35 Bypass tray and Left Hand Door Assembly (32-55 ppm)	5-27
PL 7.40 Stand Assembly	5-28

PL 8 - Paper Transport

PL 8.10 Main Covers (1 of 3)	5-29
PL 8.11 Covers (65-75 ppm) (2 of 3)	5-30
PL 8.12 Covers (3 of 3)	5-31
PL 8.15 Registration Transport	5-32
PL 8.20 Duplex Transport (65-75 ppm)	5-33
PL 8.22 Duplex Transport (32-55 ppm)	5-34
PL 8.25 Tray 1 and 2 Paper Feed Assembly (1 of 2)	5-35
PL 8.26 Tray 1 and 2 Paper Feed Assembly (2 of 2)	5-36

PL 8.30 Tray 3 and 4 Paper Feed Assembly	5-37
PL 8.35 Tray 3 Transport Assembly	5-38

PL 9 - Xerographics

PL 9.10 Waste Toner Bottle Assembly	5-39
PL 9.15 Developer Assembly (65-75 ppm)	5-40
PL 9.17 Developer Assembly (32-55 ppm)	5-41
PL 9.20 Xerographic Module and Short Paper Path Assembly (45-75 ppm)	5-42
PL 9.22 Xerographic Module and Short Paper Path Assembly (32-38 ppm)	5-43
PL 9.25 Ozone Fan and Photoreceptor Fan	5-44

PL 10 - Copy Transportation and Fusing

PL 10.8 Fuser Module Assembly (32-55 ppm)	5-45
PL 10.10 Fuser Module Assembly (65-75 ppm)	5-46
PL 10.11 Inverter Assembly (65-75 ppm) (1 of 2)	5-47
PL 10.12 Inverter Assembly (65-75 ppm) (2 of 2)	5-48
PL 10.13 Inverter Assembly (32-55 ppm) (1 of 2)	5-49
PL 10.14 Inverter Assembly (32-55 ppm) (2 of 2)	5-50
PL 10.15 Inverter Drive Gears and Jam Clearance Knobs	5-51
PL 10.20 Short Paper Path Assembly	5-52

PL 11 - 2K LCSS

PL 11.2 2K LCSS Covers	5-53
PL 11.4 2K LCSS Docking Latch	5-54
PL 11.6 2K LCSS Hole Punch Unit	5-55
PL 11.8 2K LCSS Paddle Wheel/Safety Gate	5-56
PL 11.10 2K LCSS Bin 1 Control Components (1 of 2)	5-57
PL 11.12 2K LCSS Bin 1 Control Components (2 of 2)	5-58
PL 11.14 2K LCSS Paper Entry Transport	5-59
PL 11.16 2K LCSS Tamper Assembly	5-60
PL 11.18 2K LCSS Ejector Assembly	5-61
PL 11.20 2K LCSS Staple Head Unit/Traverse Assembly	5-62
PL 11.22 2K LCSS Bin 0 Entry	5-63
PL 11.23 2K LCSS Bin 1 Entry	5-64
PL 11.24 2K LCSS Entry Guide Cover/Jam Clearance Guide	5-65
PL 11.26 2K LCSS Electrical	5-66

PL 11 - HCSS

PL 11.30 HCSS Covers (1 of 2)	5-67
PL 11.32 HCSS Covers (2 of 2)	5-68
PL 11.34 HCSS Docking Latch	5-69
PL 11.36 HCSS Paper Path (1 of 2)	5-70
PL 11.38 HCSS Paper Path (2 of 2)	5-71
PL 11.40 HCSS Vertical Paper Transport (1 of 2)	5-72
PL 11.42 HCSS Vertical Paper Transport (2 of 2)	5-73
PL 11.44 HCSS Vertical Carriage Transport	5-74
PL 11.46 HCSS Compiler Carriage (1 of 4)	5-75
PL 11.47 HCSS Compiler Carriage (2 of 4)	5-76

PL 11.48 HCSS Compiler Carriage (3 of 4)	5-77
PL 11.49 HCSS Compiler Carriage (4 of 4)	5-78
PL 11.52 HCSS Bin 1	5-79
PL 11.54 HCSS Bin 2	5-80
PL 11.56 HCSS Electrical	5-81

PL 11 - HCSS Booklet Maker

PL 11.60 HCSS BM Covers (1 of 2)	5-82
PL 11.62 HCSS BM Covers (2 of 2)	5-83
PL 11.64 HCSS BM Docking Latch	5-84
PL 11.65 HCSSBM Module (Complete)	5-85
PL 11.66 HCSS BM Paper Path (1 of 4)	5-86
PL 11.67 HCSS BM Paper Path (2 of 4)	5-87
PL 11.68 HCSS BM Paper Path (3 of 4)	5-88
PL 11.70 HCSS BM Paper Path (4 of 4)	5-89
PL 11.72 HCSS BM Stapling Compiler Carriage (1 of 4)	5-90
PL 11.73 HCSS BM Stapling Compiler Carriage (2 of 4)	5-91
PL 11.74 HCSS BM Stapling Compiler Carriage (3 of 4)	5-92
PL 11.75 HCSS BM Stapling Compiler Carriage (4 of 4)	5-93
PL 11.78 HCSS BM Bin 1	5-94
PL 11.80 HCSS BM Entry and Front Cover	5-95
PL 11.81 HCSS BM Tamper Assembly	5-96
PL 11.82 HCSS BM Back Stop and Tamper Assemblies	5-97
PL 11.84 HCSS BM Crease Blade Motor	5-98
PL 11.86 HCSS BM Crease Rolls Motor and PWB	5-99
PL 11.87 HCSS BM Crease Rolls and Support Leg	5-100
PL 11.88 HCSS BM Stapler Assemblies	5-101
PL 11.90 HCSS BM Bin 2	5-102
PL 11.92 HCSS BM Electrical	5-103

PL 11 - 1K LCSS

PL 11.100 1K LCSS Covers	5-104
PL 11.102 1K LCSS Docking Latch	5-105
PL 11.104 1K LCSS Paddle Wheel/Safety Gate	5-106
PL 11.106 1K LCSS Bin 1 Control Components	5-107
PL 11.110 1K LCSS Paper Entry Transport	5-108
PL 11.112 1K LCSS Tamper Assembly	5-109
PL 11.114 1K LCSS Ejector Assembly	5-110
PL 11.116 1K LCSS Staple Head Assembly	5-111
PL 11.118 1K LCSS Bin 0 Entry	5-112
PL 11.120 1K LCSS Bin 1 Entry	5-113
PL 11.122 1K LCSS Entry Guide Cover/Jam Clearance Guide	5-114
PL 11.124 1K LCSS Electrical	5-115

PL 12 - OCT

PL 12.10 OCT	5-116
--------------------	-------

PL 14 - Scanner

PL 14.10 Scanner Module, CVT/Document Glass (65-75 ppm)	5-117
PL 14.15 Electrical Components 65-75 ppm (1 of 2)	5-118
PL 14.16 Electrical Components 65-75 ppm (2 of 2)	5-119
PL 14.20 Scanner Module, CVT/Document Glass (32-55 ppm)	5-120
PL 14.25 Electrical Components (32-55 ppm)	5-121

PL 16 - Network

PL 16.10 Network Controller	5-122
-----------------------------------	-------

PL 20 - Fax

PL 20.10 Fax PWBs	5-123
-------------------------	-------

PL 25 - Accessories

PL 25.10 Convenience Stapler	5-124
------------------------------------	-------

PL 26 - Consumables and Tools

PL 26.10 Consumables and Tools	5-125
--------------------------------------	-------

PL 28 - Covers

PL 28.10 Covers	5-126
-----------------------	-------

PL 31 - Maintenance/Installation/Removal Kits

PL 31.10 Maintenance/Installation/Removal Kits (1 of 2)	5-127
PL 31.12 Maintenance/Installation/Removal Kits (2 of 2)	5-128
PL 31.15 Terminal Repair Kits (1 of 2)	5-129
PL 31.20 Terminal Repair Kits (2 of 2)	5-130
PL 31.25 Splicing Block and Terminal Repair	5-131
PL 31.30 Connector Kits	5-132
PL 31.35 Line 1 Fax Kits	5-133
PL 31.40 Line 2 Fax Kits	5-134

Common Hardware

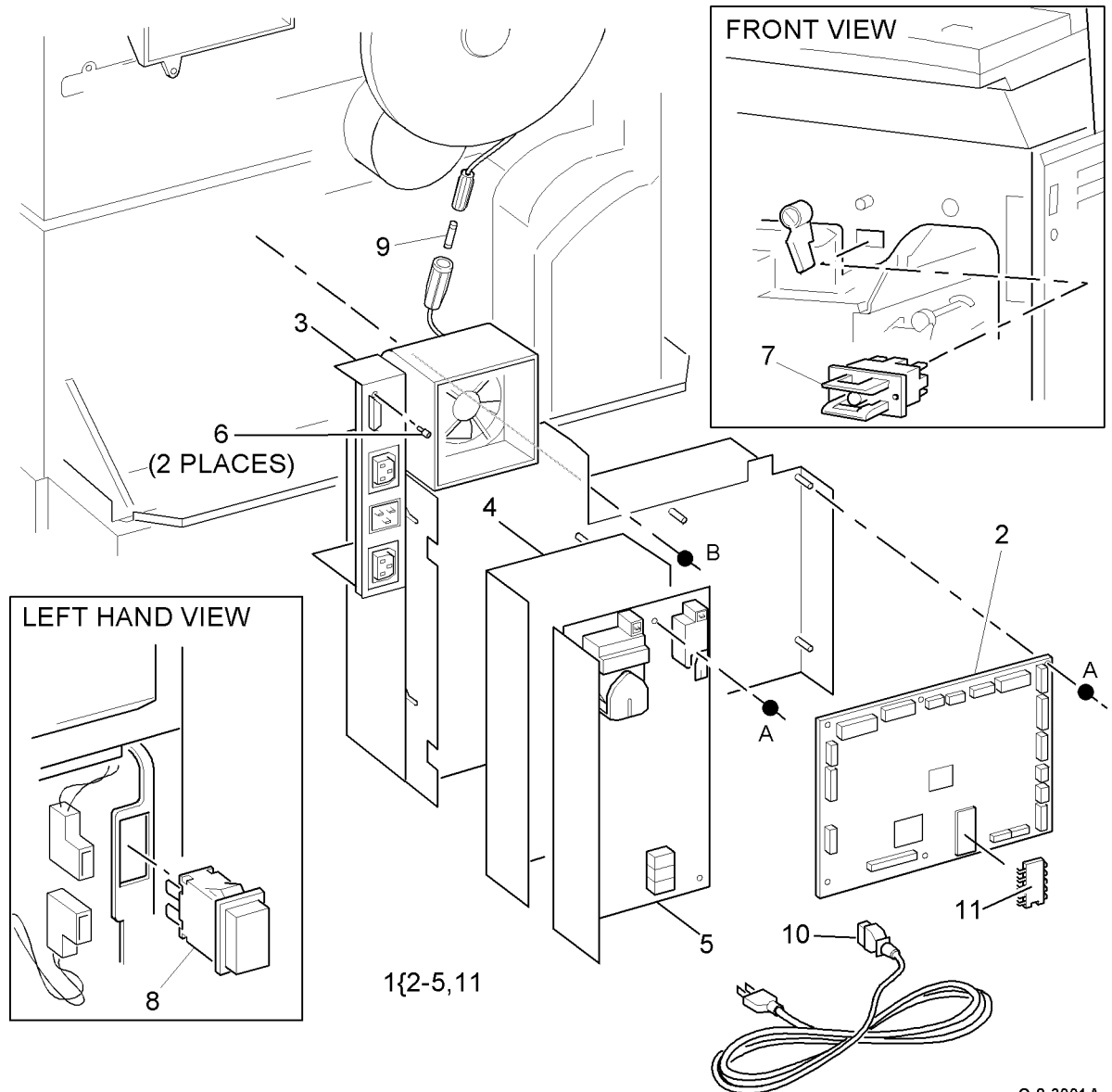
Common Hardware	5-135
Part Number Index	5-137

PL 1.10 Power and Control Assembly

Item	Part	Description
1	-	Power and control assembly (Not Spared) (REP 1.1)
2	960K20526	IOT PWB and software module (see NOTE 2) (REP 3.1)
3	-	LVPS and base module (see below for variants) (REP 1.9)
-	105K28132	32-55 ppm (XE)
-	105K27953	65-75 ppm (XE)
-	105K27943	32-55 ppm (NASG/XCL)
-	105K27963	65-75 ppm (NASG/XCL)
4	-	Shield (P/O PL 1.10 Item 1)
5	160K97152	HVPS (32-38 ppm) (REP 1.10)
-	105K26916	HVPS (45-75 ppm) (REP 1.10)
6	713W80737	Locking screw
7	110K14020	Door interlock switch (S01-300) (REP 1.8)
8	110K14030	On/Off switch
9	108E06220	Inline fuse (2.5A slow blow)
10	-	Main power cord (see below for variants)
-	152S05109	United Kingdom (32-55 ppm)
-	152S05101	United Kingdom (65-75 ppm)
-	117E17420	NASG/XCL (32-55 ppm)
-	117E25590	NASG/XCL (65-75 ppm)
-	152S05110	Denmark (32-55 ppm)
-	117K43680	Denmark (65-75 ppm)
-	152S05104	Europe (32-55 ppm)
-	152S05108	Europe (Alternate) (32-55 ppm)
-	152S05100	EU (65-75 ppm)
-	152S05111	Switzerland (32-55 ppm)
-	152S05103	South Africa (65-75 ppm)
-	152S05103	Switzerland (65-75 ppm)
11	-	IOT NVM (P/O PL 1.10 Item 2)

NOTE: 1. For the Left Door Interlock (S01-305), refer to (32-55 ppm) PL 7.35 Item 3 or (65-75 ppm) PL 7.30 Item 3.

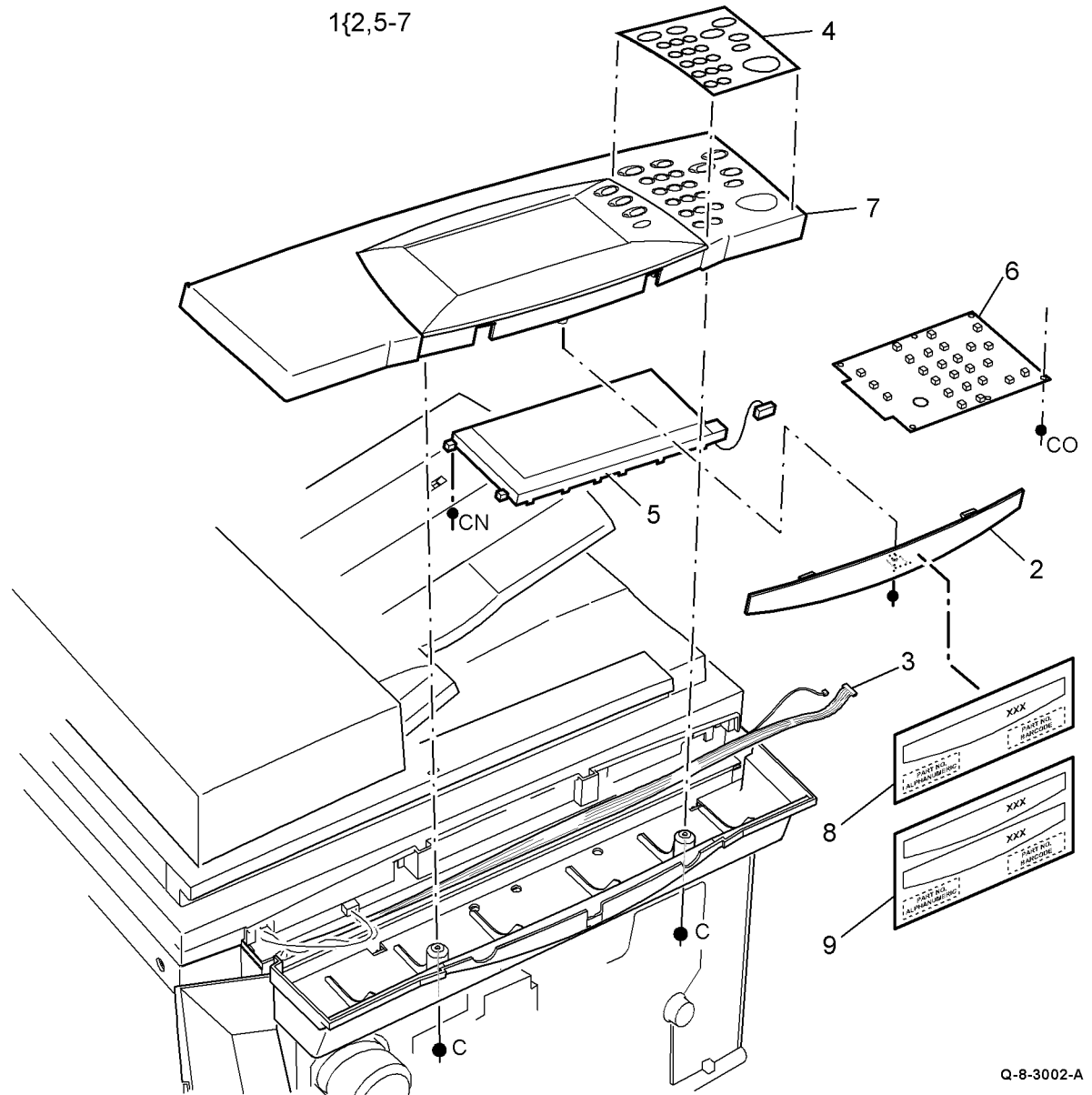
NOTE: 2. Refer to GP 9 for the IOT PWB sparing strategy.



PL 2.10 User Interface (65-75 ppm)

Item	Part	Description
1	123K07600	User interface assembly (XE) (REP 2.1)
-	123K07590	User interface assembly (NASG/XCL) (REP 2.1)
2	056P03229	Name plate
3	-	UI Harness (REF: PL 14.10 Item 9)
4	-	Overlay label (French/Canadian) (see NOTE)
5	123K07670	User interface touch screen (REP 2.2)
6	960K21164	User interface PWB (REP 2.3)
7	802K93500	User interface housing (XE)
-	802K93510	User interface housing (NASG/XCL)
8	893E80340	Label CC265
-	097S03340	Label CC275
9	893E80320	WC265-WC275
-	893E80330	WCP265-WCP275

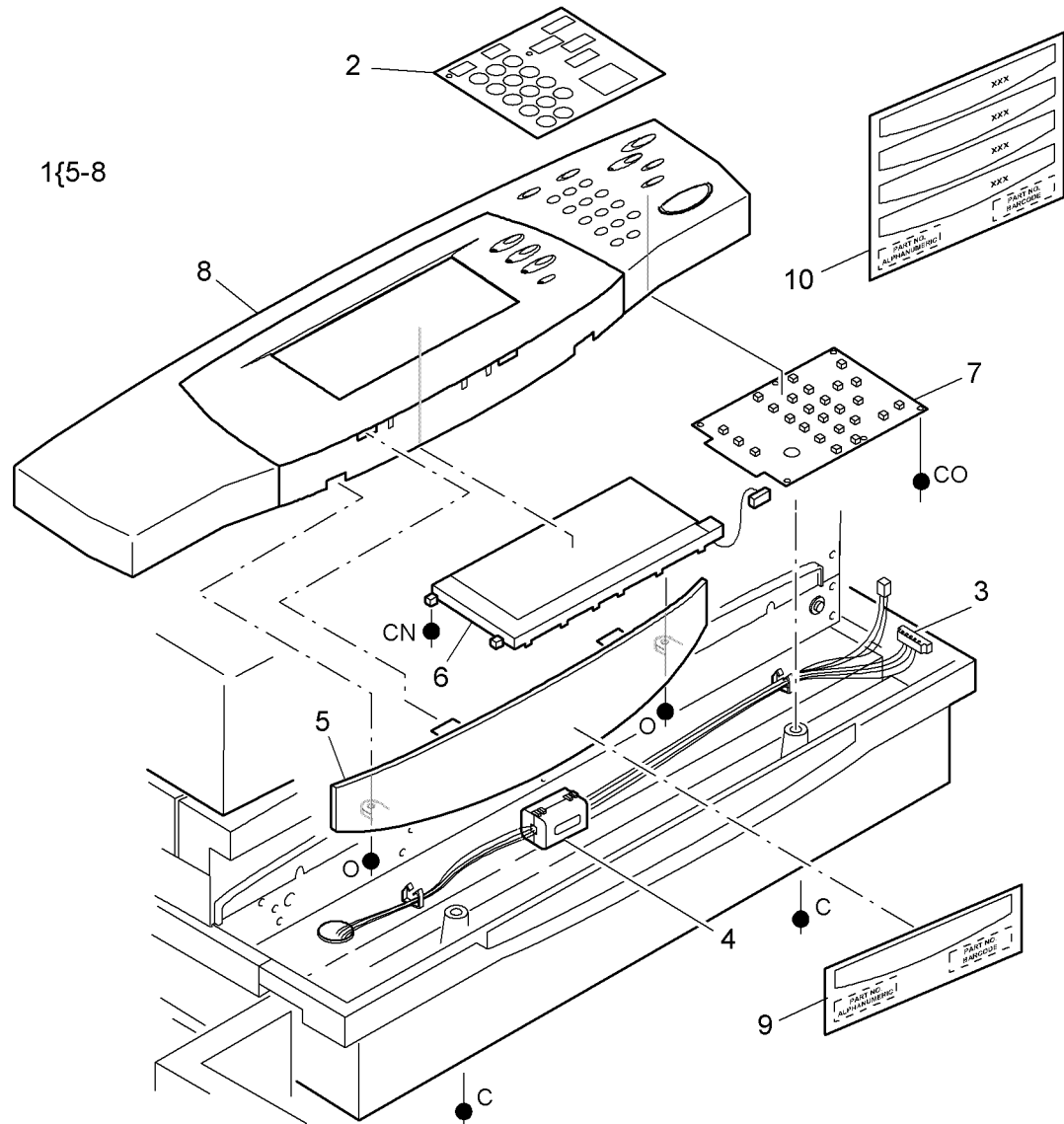
NOTE: Part number unavailable on SOLOS at time of issue.



PL 2.15 User Interface (32-55 ppm)

Item	Part	Description
1	123K07580	User interface assembly (XE)
-	123K07570	User interface assembly (NASG/XCL) (REP 2.1)
2	-	Overlay label (French/Canadian) (see NOTE)
3	-	User interface harness (REF: PL 14.20 Item 9)
4	-	Ferrite (P/O PL 2.15 Item 1)
5	056P03260	Name plate
6	123K07670	User interface touch screen (REP 2.2)
7	960K21164	User interface PWB (REP 2.3)
8	802K87591	User interface housing (XE)
-	802K87601	User interface housing (NASG/XCL)
9	893E80300	Label CC232
-	097S03330	Label CC238
-	097S03331	Label CC245
-	893E80310	Label CC255
10	893E80280	Lable WC232-WC255
-	893E80290	Label WCP232-WCP255

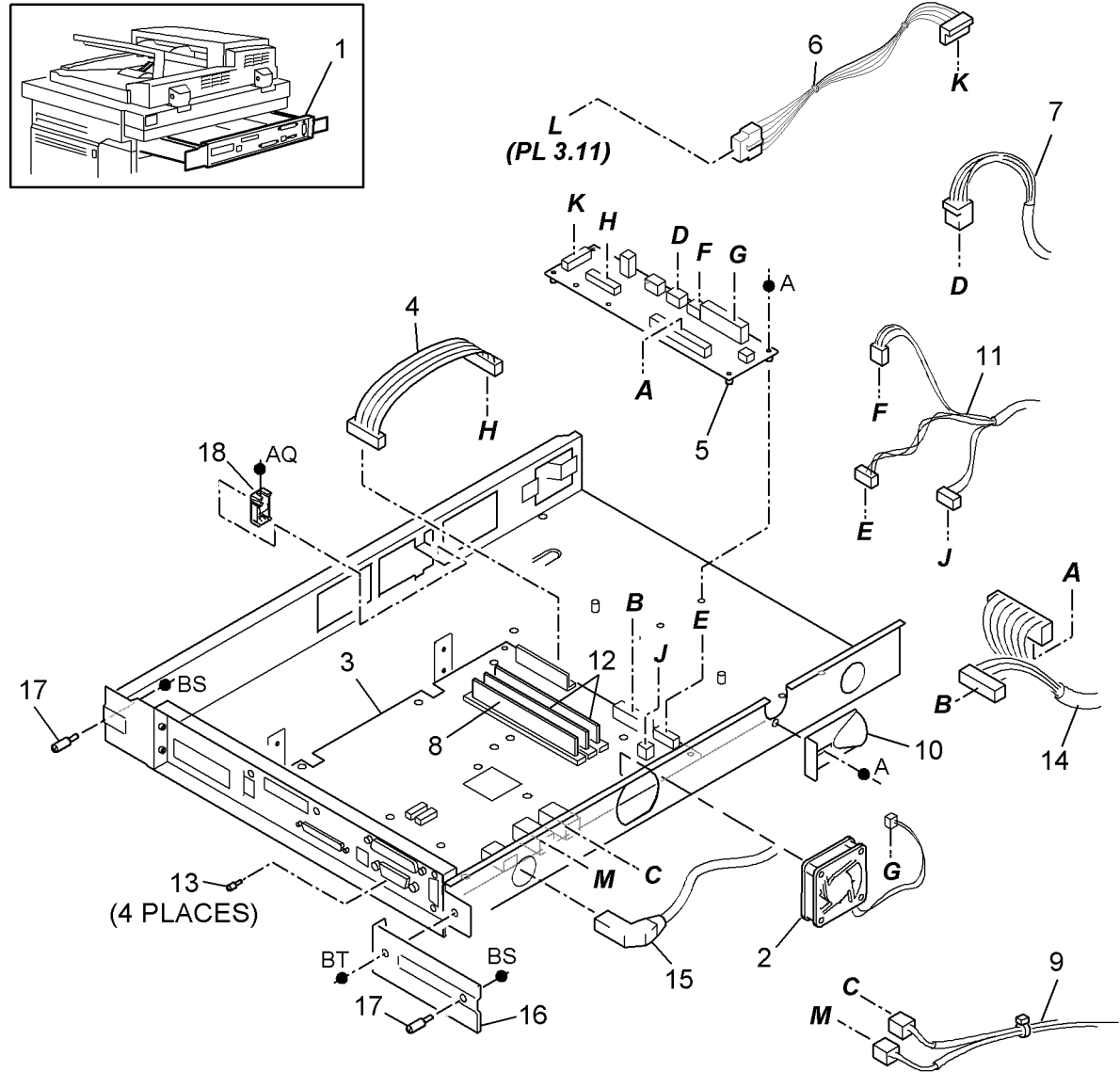
NOTE: Part number unavailable on SOLOS at time of issue.



Q-8-3112-A

PL 3.10 Image Processing PWB Module (65-75 ppm) (1 of 2)

Item	Part	Description
1	-	Image processing PWB module (Not Spared)
2	127E14250	Cooling fan
3	960K20542	Image processing PWB (REP 3.2)
4	-	Image processing PWB/power distribution PWB harness (Not Spared)
5	960K11571	Power distribution PWB
6	-	Riser PWB/power distribution PWB harness (P/O PL 31.10 Item 13)
7	-	Power distribution PWB/scanner PWB harness (REF: PL 14.16 Item 7)
8	960K22182	Software module (REP 3.3)
9	-	Image processing PWB/scanner PWB harness (REF: PL 14.16 Item 6)
10	-	Cable clamp (Not Spared)
11	-	Image processing PWB module/UI harness (REF: PL 14.10 Item 9)
12	960K20202	EPC Memory module (256Mb)
13	713W80737	Locking screw
14	962K17151	Image processing PWB module/LVPS/IOT PWB (PJ131-PJ25 & PJ105-PJ1) harness
15	-	ROS Data (PJ228-PJ122) cable (P/O PL 6.10 Item 5)
16	-	Extension bracket (Not Spared)
17	-	Thumbscrew (Not Spared)
18	019E67610	Fax clip

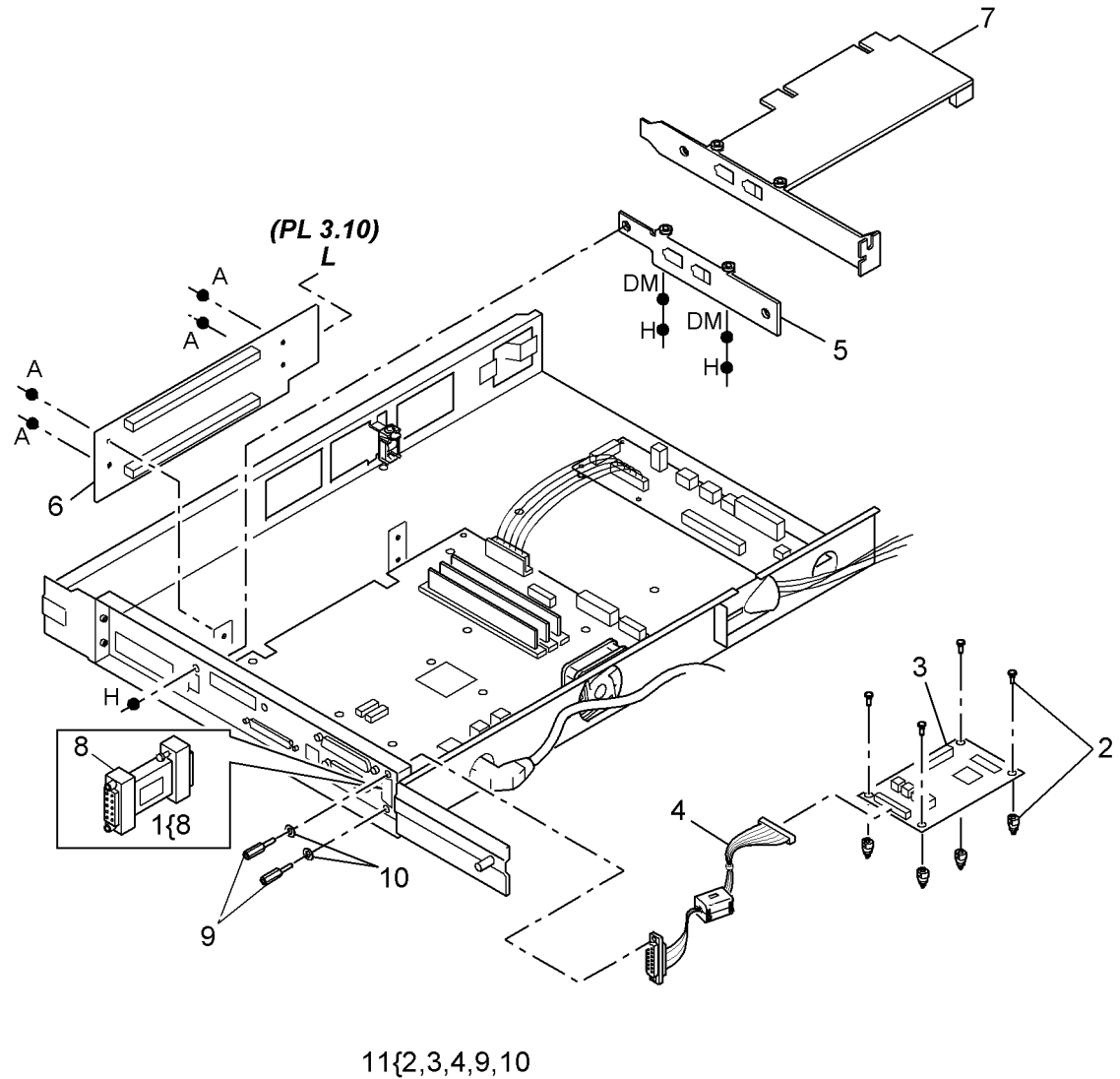


Q-8-3003-A

PL 3.11 Image Processing PWB Module (65-75 ppm) (2 of 2)

Item	Part	Description
1	-	Foreign interface/vend adaptor kit (P/O PL 31.10 Item 1) (NASG/XCL)
2	-	Standoff (P/O PL 3.11 Item 11)
3	960K20400	Foreign interface PWB (P/O PL 3.11 Item 11)
4	-	Foreign interface harness (P/O PL 3.11 Item 11)
5	815E21641	Firewire PWB mounting bracket (REP 3.2)
6	960K13101	Riser PWB (REP 3.2)
7	960K20552	Firewire PWB (see NOTE) (REP 3.2)
8	-	Vend adaptor (P/O PL 3.11 Item 1) (NASG/XCL)
9	713W80737	Locking screw (P/O PL 3.11 Item 11)
10	-	Washer (P/O PL 3.11 Item 11)
11	-	Foreign interface kit (P/O PL 31.10 Item 3)

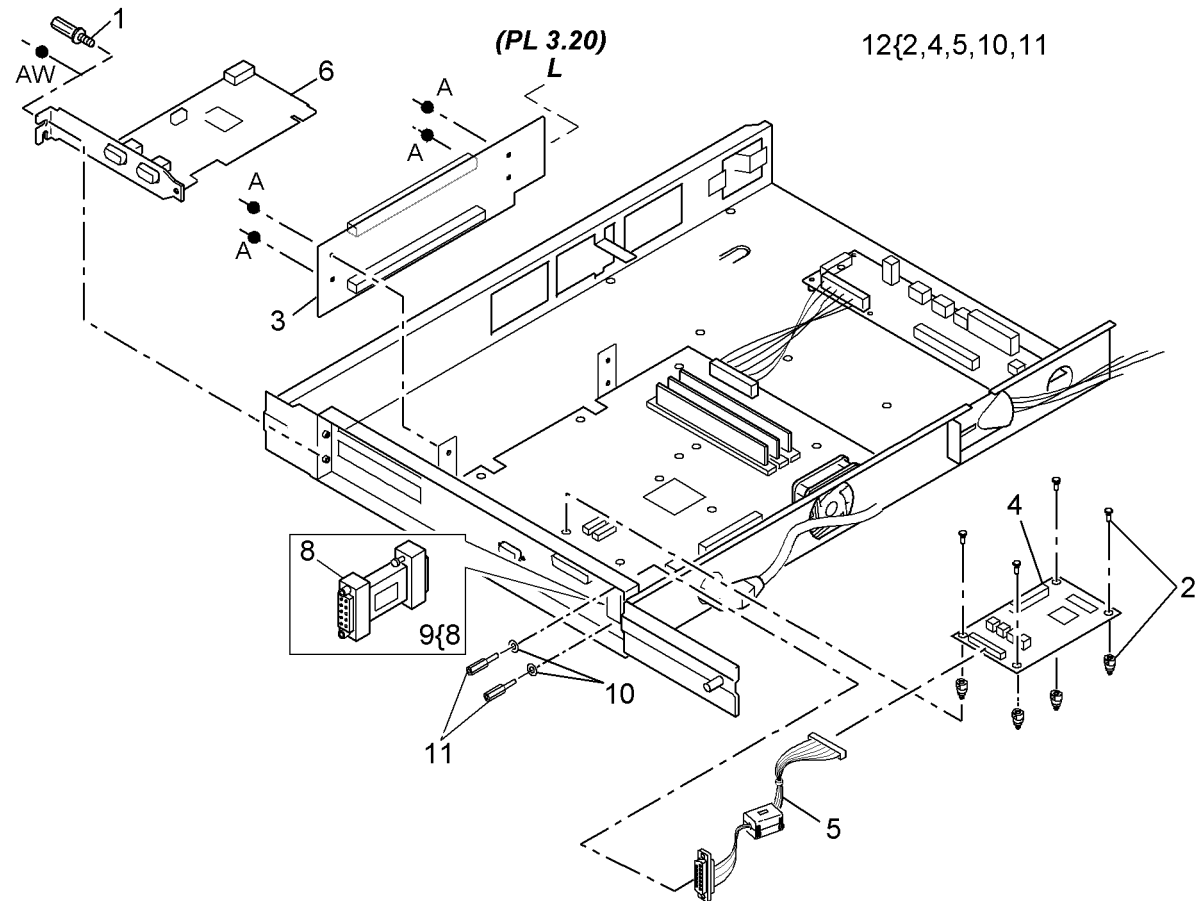
NOTE: The firewire PWB is not supplied with the correct mounting bracket. Install the mounting bracket from the old firewire PWB or order a new firewire PWB mounting bracket, PL 3.11 Item 5.



Q-8-3004-A

PL 3.15 Image Processing PWB Module (32-55 ppm) (1 of 2)

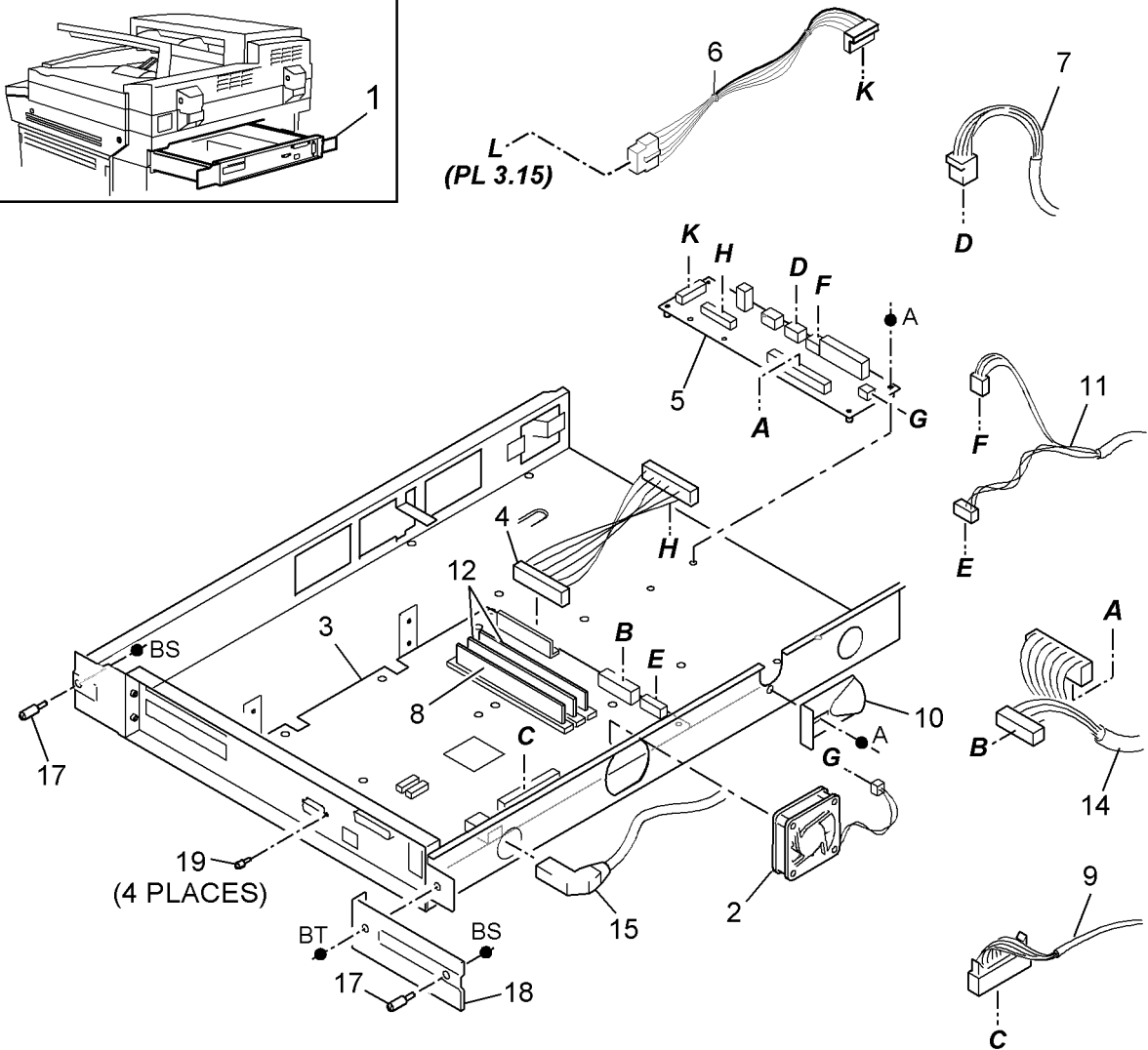
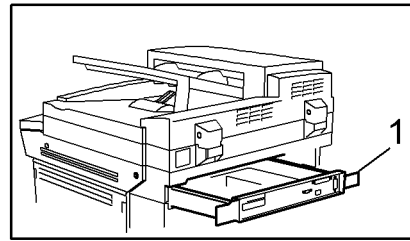
Item	Part	Description
1	-	Thumbscrew (Not Spared)
2	-	Standoff (P/O PL 3.15 Item 12)
3	960K21110	Riser PWB (REP 3.2)
4	960K20400	Foreign interface PWB (P/O PL 3.15 Item 12)
5	-	Foreign interface harness (P/O PL 3.15 Item 12)
6	960K20552	Firewire PWB (REP 3.2)
7	-	Not used
8	-	Vend adaptor (P/O PL 3.15 Item 9)
9	-	Foreign interface/vend adaptor kit (P/O PL 31.10 Item 1) (NASG/XCL)
10	-	Washer (P/O PL 3.15 Item 12)
11	713W80737	Locking screw (P/O PL 3.15 Item 2)
12	-	Foreign interface kit (P/O PL 3.15 Item 3)



Q-8-3110-A

PL 3.20 Image Processing PWB Module (32-55 ppm) (2 of 2)

Item	Part	Description
1	-	Image processing PWB module (Not Spared)
2	127E14250	Cooling fan
3	960K20532	Image processing PWB (REP 3.2)
4	-	Image processing PWB harness (Not Spared)
5	960K11571	Power distribution PWB
6	-	Riser PWB/Power distribution harness (Not Spared)
7	-	Image processing module/Scanner driver PWB harness (REF: PL 14.25 Item 13)
8	960K22182	Software module (REP 3.3)
9	-	Image processing module/CCD PWB harness (REF: PL 14.25 Item 5)
10	-	Cable clamp (Not Spared)
11	-	Image processing module/User interface harness (REF: PL 14.20 Item 9)
12	960K21131	EPC Memory module (128Mb)
13	-	Not used
14	962K17151	Image processing module/LVPS/IOT PWB (PJ131-PJ25 & PJ105-PJ1) harness
15	-	ROS Data (PJ109-PJ122) cable (REF: PL 6.10 Item 5)
16	-	Not used
17	-	Thumbscrew (Not Spared)
18	-	Extension bracket (Not Spared)
19	713W80737	Locking Screw

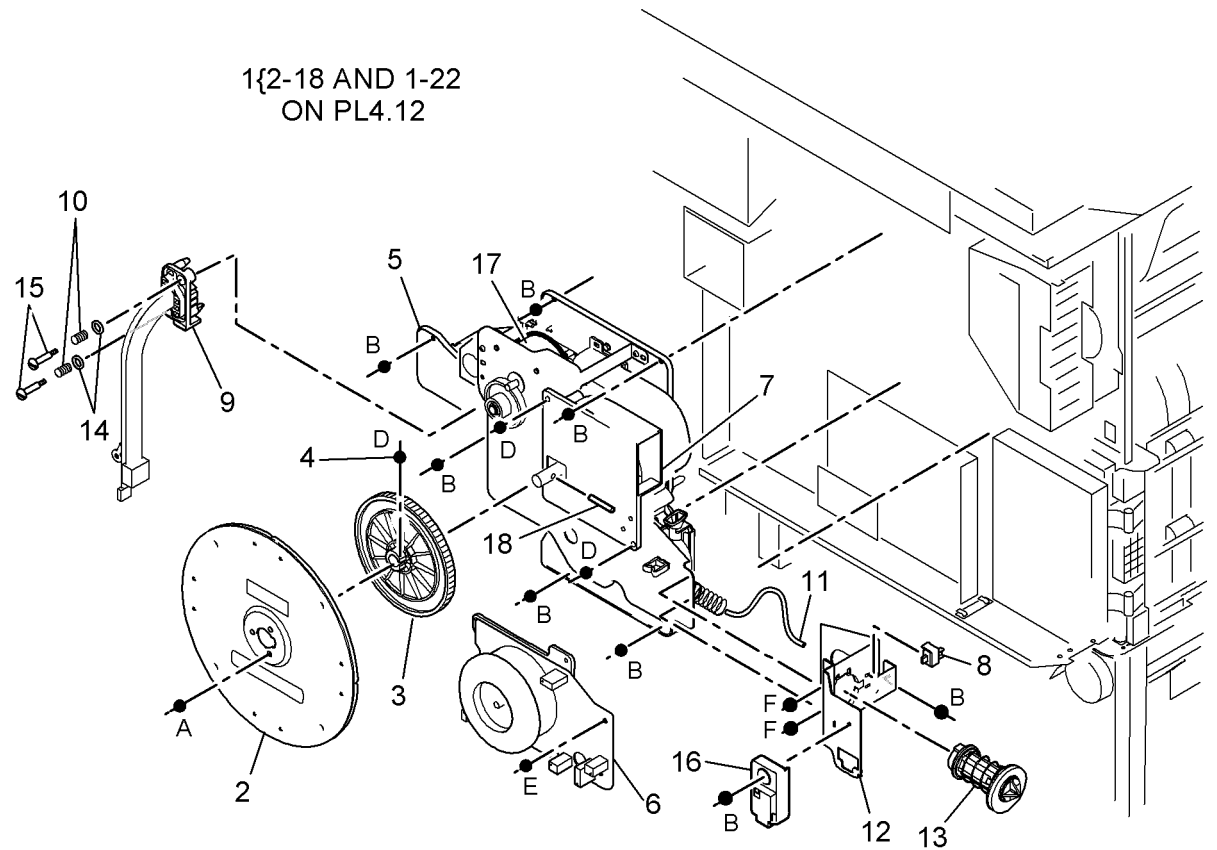


Q-8-3111-A

PL 4.10 Main Drive Module (65-75 ppm) (1 of 2)

Item	Part	Description
1	007K13669	Main drive module (REP 4.1B)
2	-	Flywheel (P/O PL 4.10 Item 1)
3	807E09920	Photoreceptor drive gear (REP 4.4)
4	-	Dowel pin (P/O PL 4.10 Item 1)
5	-	Main drive (P/O PL 4.10 Item 1)
6	-	Main drive motor and PWB assembly (REP 4.2B) (P/O PL 4.10 Item 1) (see NOTE)
7	-	Ozone fan (REF: PL 9.25 Item 1)
8	130E10530	Waste toner door switch (S09-380)
9	114E18630	Fuser connector assembly
10	-	Spring (P/O PL 4.10 Item 1)
11	604K24650	Auger damper kit (REP 9.10)
12	-	Mounting bracket (P/O PL 4.10 Item 1)
13	055K36090	Shutter assembly (REP 9.10)
14	-	Washer (P/O PL 4.10 Item 1)
15	-	Screw (P/O PL 4.10 Item 1)
16	-	Waste toner full sensor (REF: PL 9.10 Item 2)
17	-	Photoreceptor drive motor (09-010) (P/O PL 4.10 Item 1)
18	-	Dowel pin (P/O PL 4.10 Item 1)

NOTE: The main drive motor is an integral part of the main drive PWB.

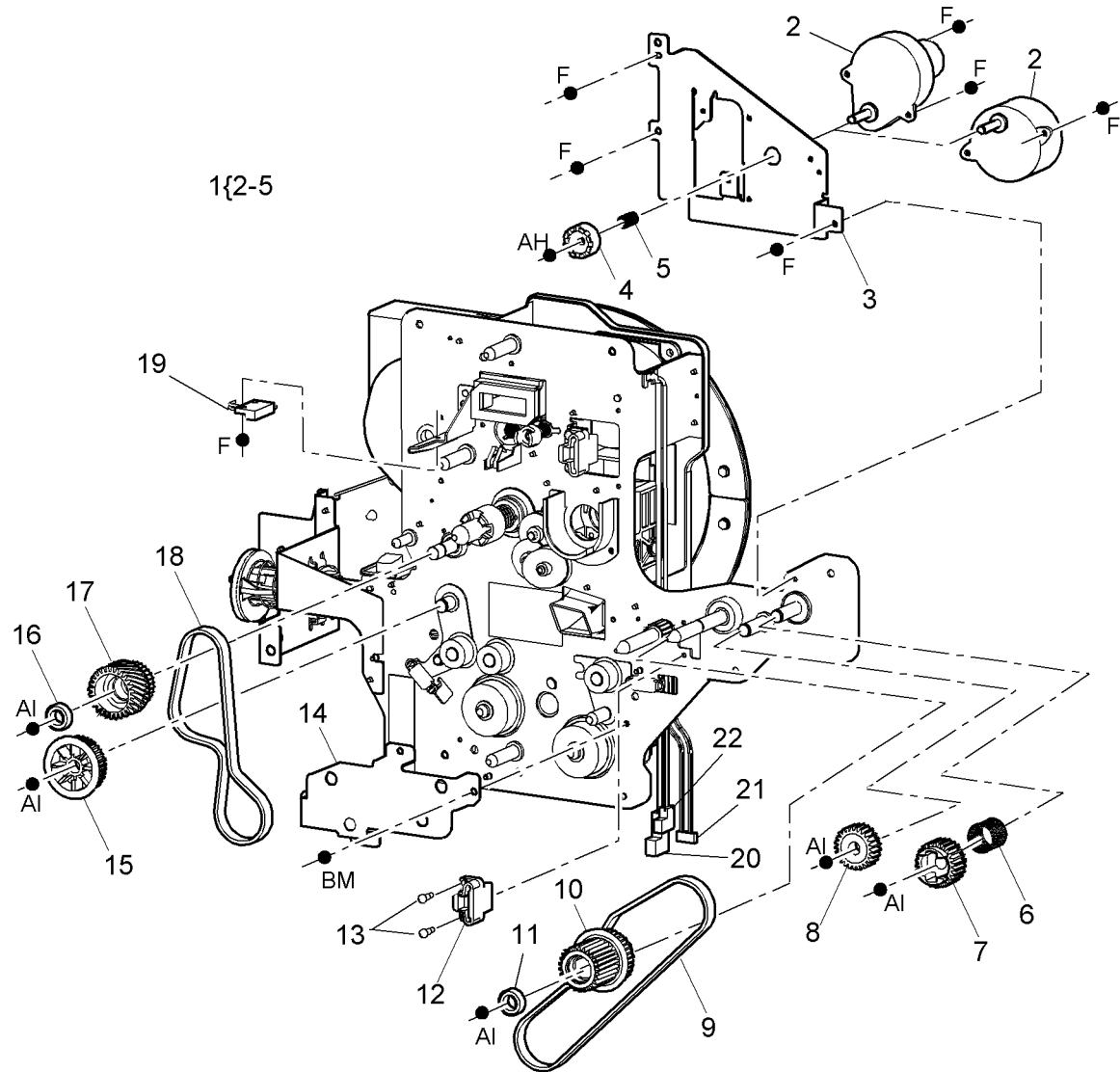


Q-8-3005-A

PL 4.12 Main Drive Module (65-75 ppm) (2 of 2)

Item	Part	Description
1	127K53500	Fuser web motor assembly (see NOTE)
2	-	Fuser web motor (MOT 10-010) (P/O PL 4.12 Item 1) (REP 10.13)
3	-	Bracket (P/O PL 4.12 Item 1)
4	-	Coupling (P/O PL 4.12 Item 1)
5	-	Spring (P/O PL 4.12 Item 1)
6	-	Spring (P/O PL 4.10 Item 1)
7	807E09930	Output paper path drive gear (REP 4.3B)
8	807E09940	Intermediate drive gear (REP 4.3B)
9	023E25040	Main drive belt 2 (REP 4.3B)
10	807E06462	Fuser drive gear/pulley (REP 4.3B)
11	-	Bearing (P/O PL 4.10 Item 1)
12	114E18810	Fuser CRUM connector
13	-	Screw (P/O PL 4.10 Item 1)
14	-	Support plate (P/O PL 4.10 Item 1)
15	807E05670	Registration transport drive pulley (REP 4.3B)
16	-	Bearing (P/O PL 4.10 Item 1)
17	-	Developer drive gear/pulley (P/O PL 9.15 Item 23) (REP 4.3B)
18	023E25050	Main drive belt 1 (REP 4.3B)
19	-	Scorotron home sensor (Q09-070) (P/O PL 4.10 Item 1)
20	-	Charge scorotron harness (P/O PL 4.10 Item 1)
21	-	Charge scorotron grid harness (P/O PL 4.10 Item 1)
22	-	Auto cleaner harness (P/O PL 4.10 Item 1)

NOTE: The type of fuser web motor fitted on this assembly can vary as shown.

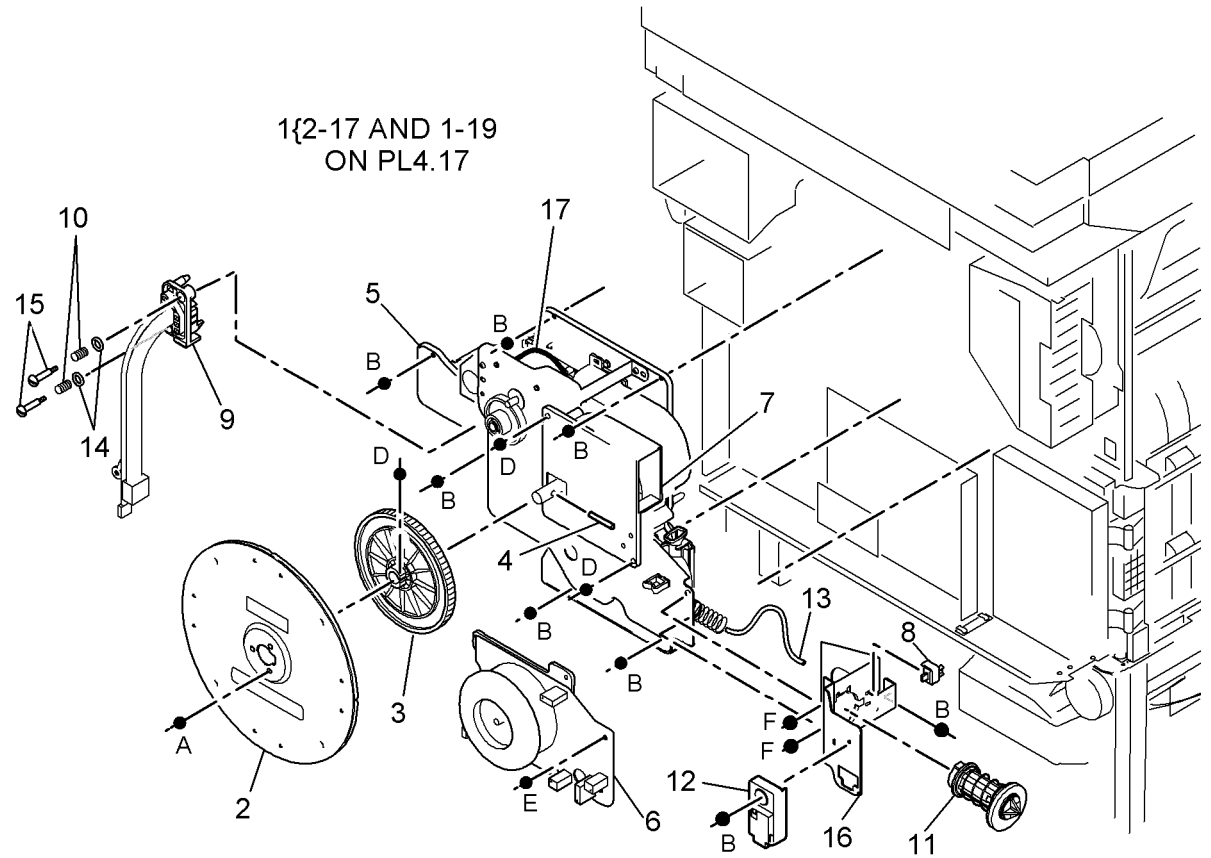


Q-8-3132-A

PL 4.15 Main Drive Module (32-55 ppm) (1 of 2)

Item	Part	Description
1	007K13484	Main drive module (32-38 ppm) (REP 4.1A)
-	007K13922	Main drive module (45-55 ppm) (REP 4.1A)
2	-	Flywheel (P/O PL 4.15 Item 1)
3	807E06600	Photoreceptor drive gear
4	-	Dowel pin (P/O PL 4.15 Item 1)
5	-	Main drive (P/O PL 4.15 Item 1)
6	127K42780	Main drive motor and PWB assembly (32-38 ppm) (see NOTE) (REP 4.2A)
-	127K42800	Main drive motor and PWB assembly (45-55 ppm) (see NOTE) (REP 4.2A)
7	-	Ozone fan (REF: PL 9.25 Item 1)
8	130E10530	Waste toner door switch (S09-380)
9	114E18630	Fuser connector assembly
10	-	Spring (P/O PL 4.15 Item 1)
11	055K36090	Shutter assembly (REP 9.10)
12	-	Waste toner full sensor (P/O PL 9.10 Item 2)
13	604K24650	Auger damper kit (REP 9.10)
14	-	Washer (P/O PL 4.15 Item 1)
15	-	Screw (P/O PL 4.15 Item 1)
16	-	Mounting bracket (P/O PL 4.15 Item 1)
17	-	Photoreceptor drive motor (09-010) (P/O PL 4.15 Item 1)

NOTE: The main drive motor is an integral part of the main drive PWB.

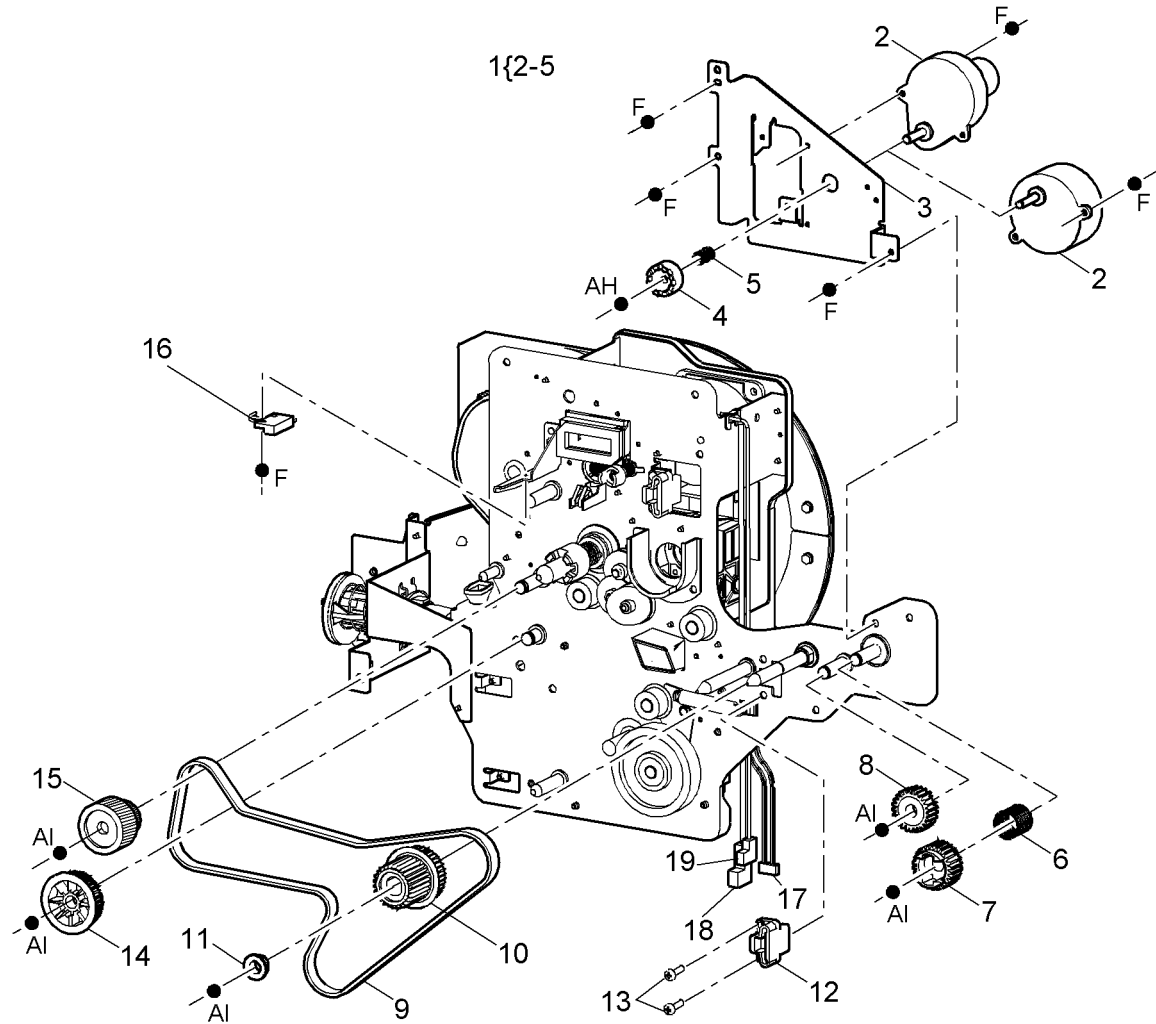


Q-8-3109-A

PL 4.17 Main Drive Module (32-55 ppm) (2 of 2)

Item	Part	Description
1	127K53500	Fuser web motor assembly (see NOTE)
2	-	Fuser web motor (MOT 10-010) (P/O PL 4.17 Item 1) (REP 10.13)
3	-	Bracket (P/O PL 4.17 Item 1)
4	-	Coupling (P/O PL 4.17 Item 1)
5	-	Spring (P/O PL 4.17 Item 1)
6	-	Spring (P/O PL 4.15 Item 1)
7	807E09930	Output paper path drive gear (REP 4.3A)
8	807E09940	Intermediate drive gear (REP 4.3A)
9	023E30740	Main drive belt (REP 4.3A)
10	007K13200	Fuser drive gear (REP 4.3A)
11	-	Bearing (P/O PL 4.15 Item 1)
12	114E18810	Fuser CRUM connector
13	-	Screw (P/O PL 4.15 Item 1)
14	807E05670	Registration transport drive pulley (REP 4.3A)
15	807E05680	Developer drive gear (32-38 ppm) (REP 4.3A)
-	807E05700	Developer drive gear (45-55 ppm) (REP 4.3A)
16	-	Scorotron home sensor (Q09-070) (P/O PL 4.15 Item 1) (45-55 ppm)
17	-	Auto cleaner harness (P/O PL 14.15 Item 1)
18	-	Charge scorotron harness (P/O PL 14.15 Item 1)
19	-	Charge scorotron grid harness (P/O PL 14.15 Item 1)

NOTE: The type of fuser web motor fitted on this assembly can vary as shown.



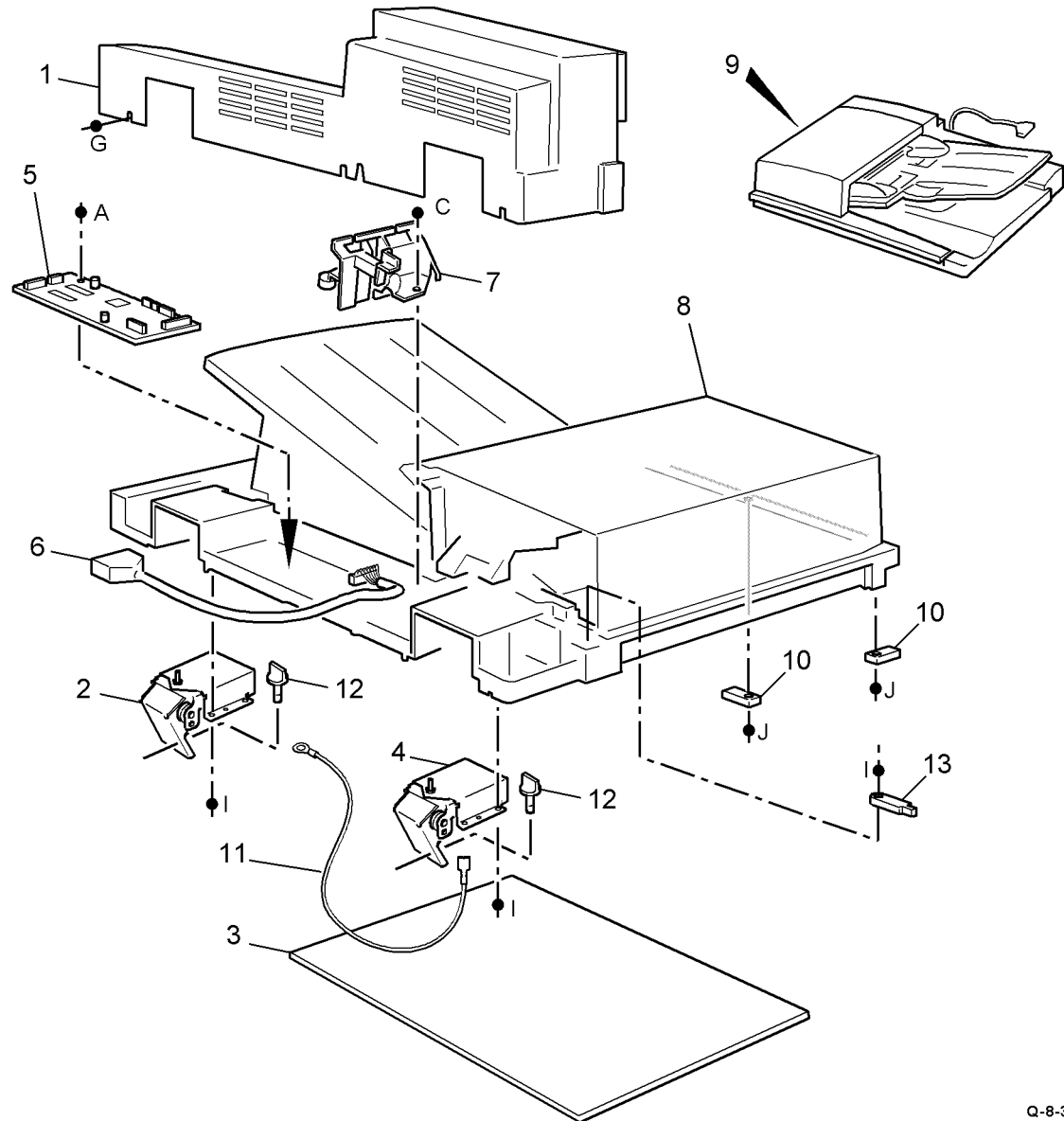
Q-8-3133-A

PL 5.10 DADH (Complete), Covers, DADH PWB

Item	Part	Description
1	802E19350	Rear cover
2	036K01326	Right counterbalance (REP 5.12, ADJ 5.2, ADJ 5.5)
3	019K05210	Document pad (ADJ 5.6)
4	036K01336	Left counterbalance (REP 5.12, ADJ 5.2, ADJ 5.5)
5	960K20650	DADH PWB
6	162K68270	Communication/power cable
7	-	Harness support (P/O PL 5.10 Item 9)
8	-	Top cover (REF: PL 5.20 Item 15)
9	084K29902	DADH (complete) (REP 5.19, ADJ 5.2, ADJ 5.5)
10	121E17510	DADH Closed switch magnet (see NOTE 1)
11	-	DADH ground harness (P/O PL 5.10 Item 9)
12	003K91881	Thumbscrew
13	-	Bracket (P/O PL 5.10 Item 9)

NOTE: 1. For the DADH Closed Switch (Q05-300), refer to (32-55 ppm) PL 14.25 Item 6 or (65-75 ppm) PL 14.16 Item 5.

NOTE: 2. To clean the DADH, refer to ADJ 5.4.

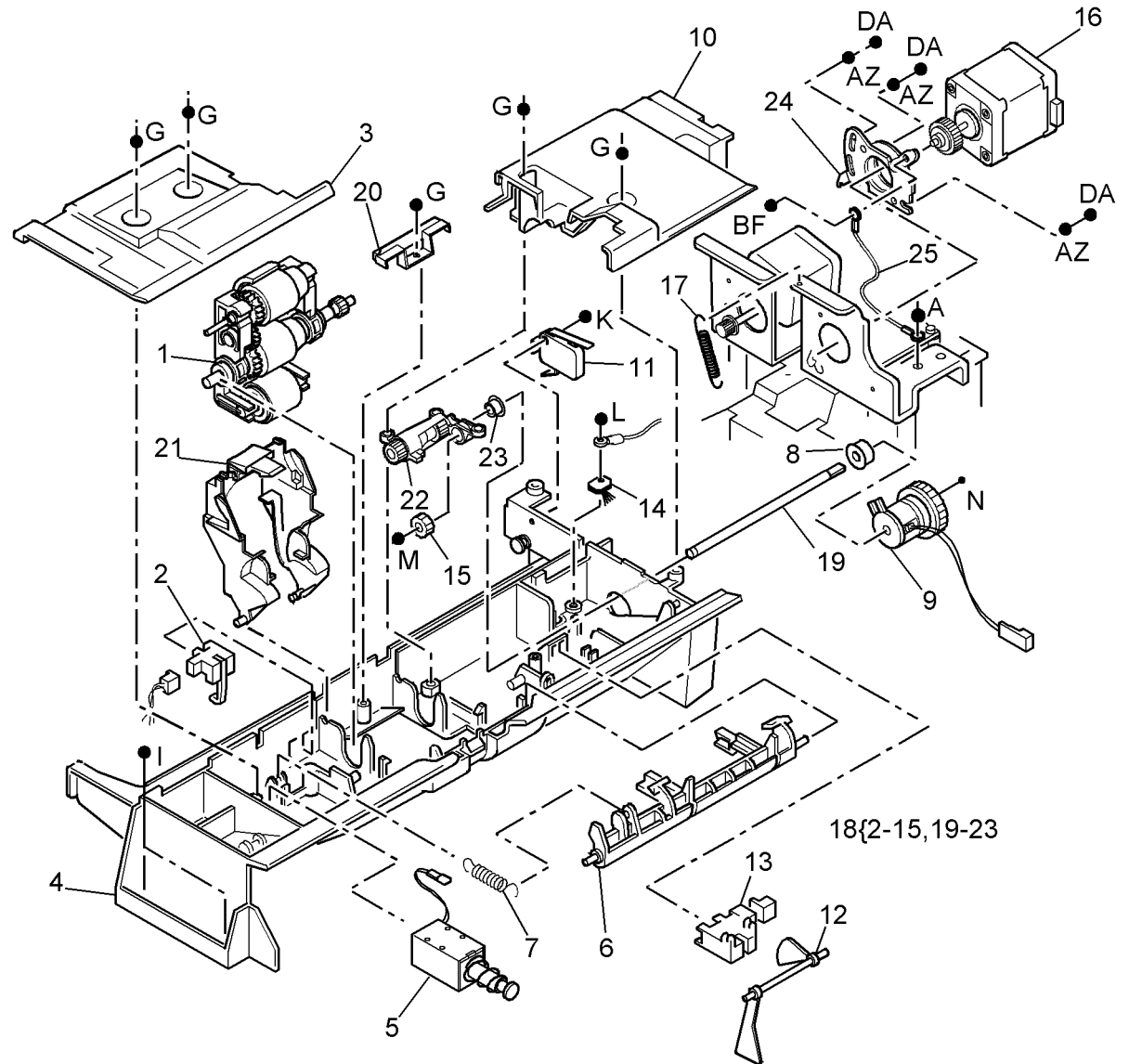


Q-8-3006-A

PL 5.15 Feed Assembly

Item	Part	Description
1	113R00686	Feed roll assembly (REP 5.14)
2	130K65961	Feed sensor (Q05-330)
3	-	Front cover (P/O PL 5.15 Item 18)
4	-	Feed housing (P/O PL 5.15 Item 18)
5	121K39131	Feed solenoid (SOL05-010)
6	-	Feed yoke (P/O PL 5.15 Item 18)
7	-	Spring (P/O PL 5.15 Item 18)
8	-	Bearing (P/O PL 5.15 Item 18)
9	005K11980	Feed clutch (CL05-025)
10	-	Rear cover (P/O PL 5.15 Item 18)
11	110E13480	Top cover interlock switch (S05-305)
12	019E67980	Document present sensor actuator
13	130K65951	Document present sensor (Q05-310)
14	-	Static eliminator
15	-	Gear (P/O PL 5.15 Item 18)
16	127K47590	Feed motor (MOT05-020) (ADJ 5.1)
17	-	Feed motor tension spring (red) (P/O PL 5.10 Item 9)
18	059K43640	Feed assembly (complete) (REP 5.3)
19	-	Shaft (P/O PL 5.15 Item 18)
20	-	Bracket (P/O PL 5.15 Item 18)
21	802E41680	Feed roll assembly cover
22	-	Intermediate feed bearing (P/O PL 5.15 Item 18)
23	-	Bearing (P/O PL 5.15 Item 18)
24	-	Feed motor bracket (P/O PL 5.10 Item 9)
25	-	Ground harness (P/O PL 5.15 Item 18)

NOTE: 1. For the Feed Motor Drive Belt, refer to PL 5.35 Item 5.

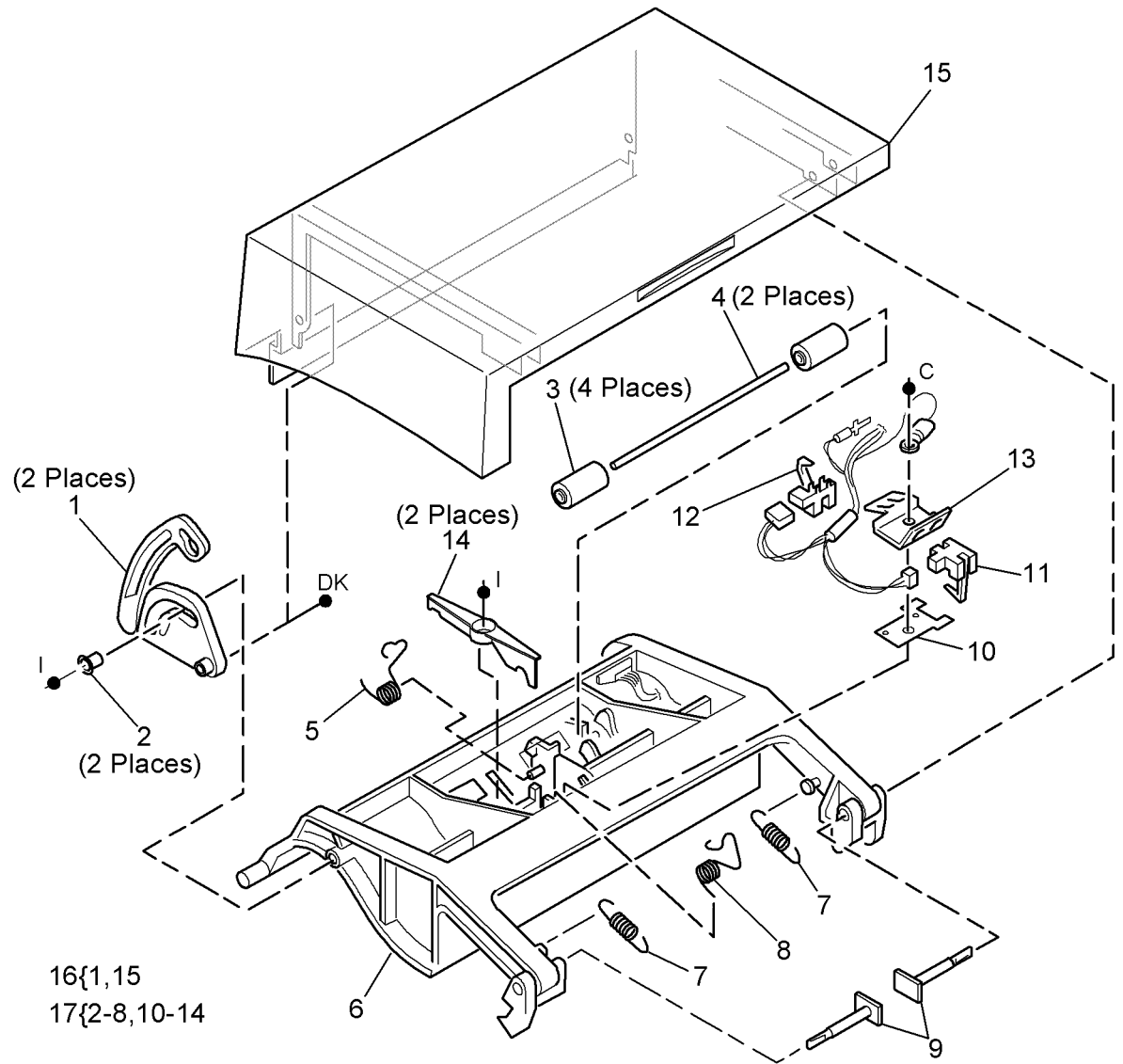


Q-8-3007-A

PL 5.20 Top Cover Assembly

Item	Part	Description
1	-	Hinge (P/O PL 5.20 Item 16)
2	-	Bushing (P/O PL 5.20 Item 16)
3	022E25061	CVT/Takeaway idler
4	806E02590	Shaft
5	-	Torsion spring (green) (P/O PL 5.20 Item 17)
6	-	Base (P/O PL 5.20 Item 17)
7	-	Spring (P/O PL 5.20 Item 17)
8	-	Torsion spring (silver) (P/O PL 5.20 Item 17)
9	029E37810	Latch pin
10	-	Spring plate (P/O PL 5.20 Item 17)
11	130K65971	Takeaway sensor (Q05-335) (REP 5.8)
12	130K65981	CVT Sensor (Q05-350) (REP 5.8)
13	-	Sensor support (P/O PL 5.20 Item 17)
14	-	Shaft securing bracket (P/O PL 5.20 Item 17)
15	-	Top cover
16	802K62060	Top cover assembly (REP 5.1)
17	055K33563	Top access cover assembly (REP 5.2)

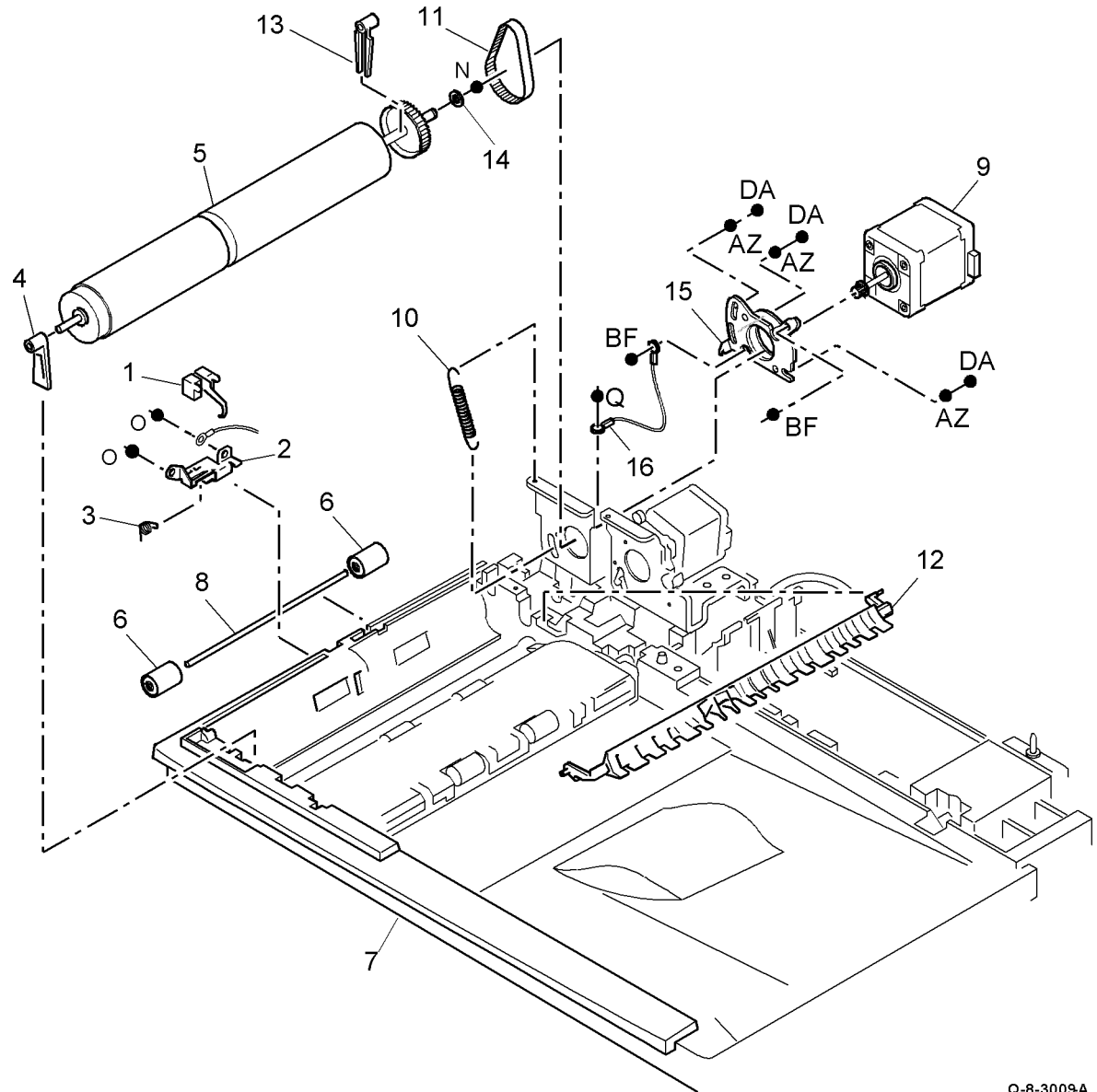
NOTE: For the Top Cover Interlock Switch (S05-305), refer to PL 5.15 Item 11.



Q-8-3008-A

PL 5.25 CVT

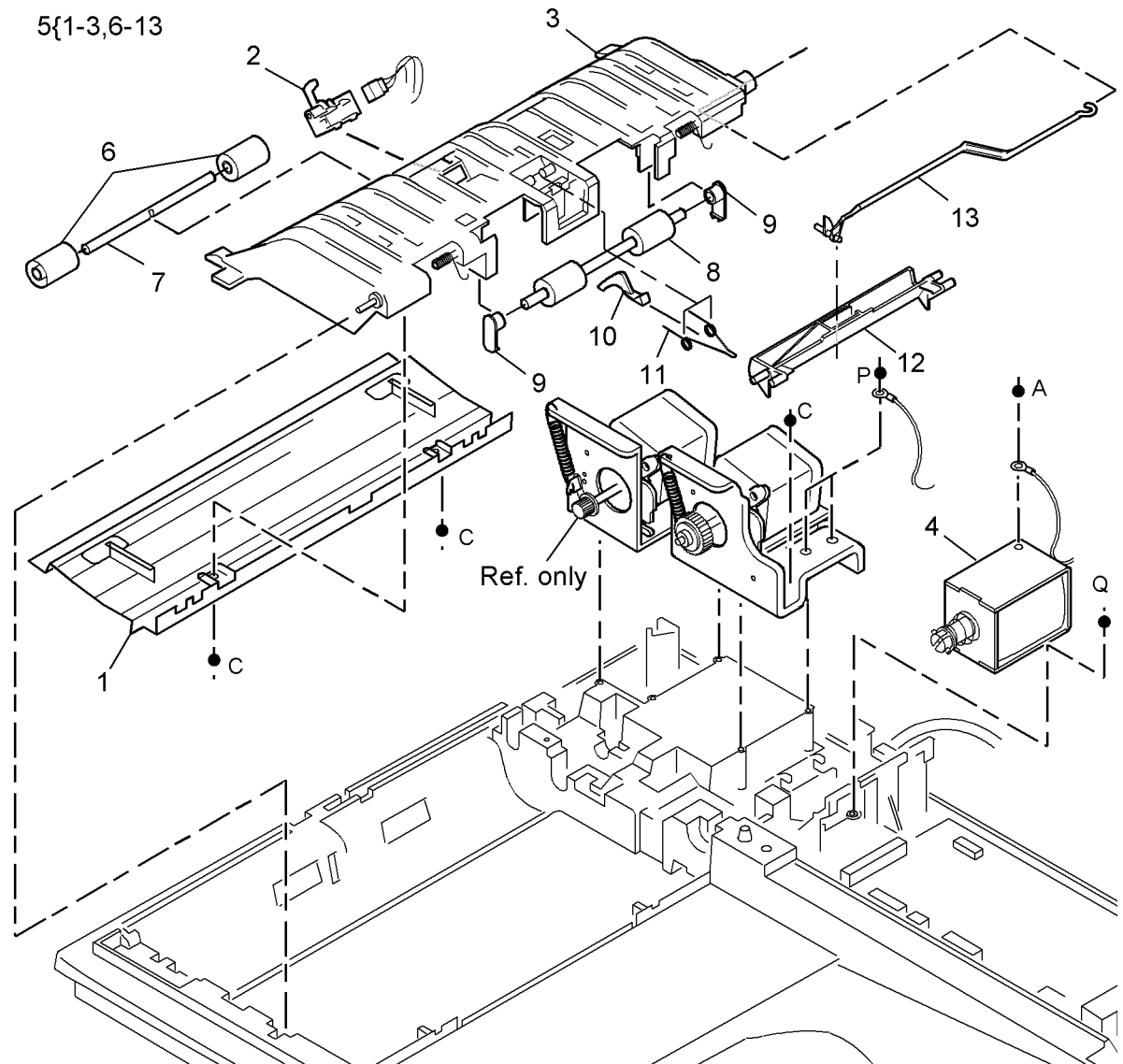
Item	Part	Description
1	130K65991	Registration sensor (Q05-340) (REP 5.10)
2	-	Sensor support (P/O PL 5.10 Item 9)
3	-	Torsion spring (P/O PL 5.10 Item 9)
4	013E21103	Front CVT roll bearing
5	022K69682	CVT Roll (REP 5.15)
6	022E25061	Pre-scan idler
7	-	Base (P/O PL 5.10 Item 9)
8	806E02590	Shaft
9	127K47600	CVT Motor (MOT05-030) (ADJ 5.1)
10	-	CVT Motor tension spring (silver) (P/O PL 5.10 Item 9)
11	023E23520	CVT Motor drive belt (REP 5.15,ADJ 5.1)
12	-	Duplex gate (Not Spared) (REP 5.15)
13	013E21093	Rear CVT roll bearing
14	-	Spacer (white) (P/O PL 5.10 Item 9)
15	-	CVT Motor bracket (P/O PL 5.10 Item 9)
16	-	Ground harness (Not Spared)



Q-8-3009-A

PL 5.30 Baffle Assembly

Item	Part	Description
1	–	Lower cover (P/O PL 5.30 Item 5)
2	130K66762	Exit sensor (Q05-345) (REP 5.11)
3	–	Baffle assembly (P/O PL 5.30 Item 5)
4	121K29610	Duplex solenoid (SOL05-050) (REP 5.7)
5	055K32531	Baffle assembly (complete) (REP 5.5)
6	022E25061	Post scan idlers
7	806E02590	Shaft
8	022K69800	Exit roll idlers (REP 5.18)
9	–	Bearing (P/O PL 5.30 Item 5)
10	–	Document finger (P/O PL 5.30 Item 5)
11	–	Torsion spring (P/O PL 5.30 Item 5)
12	–	Lift bar (P/O PL 5.30 Item 5)
13	–	Link arm (P/O PL 5.30 Item 5)

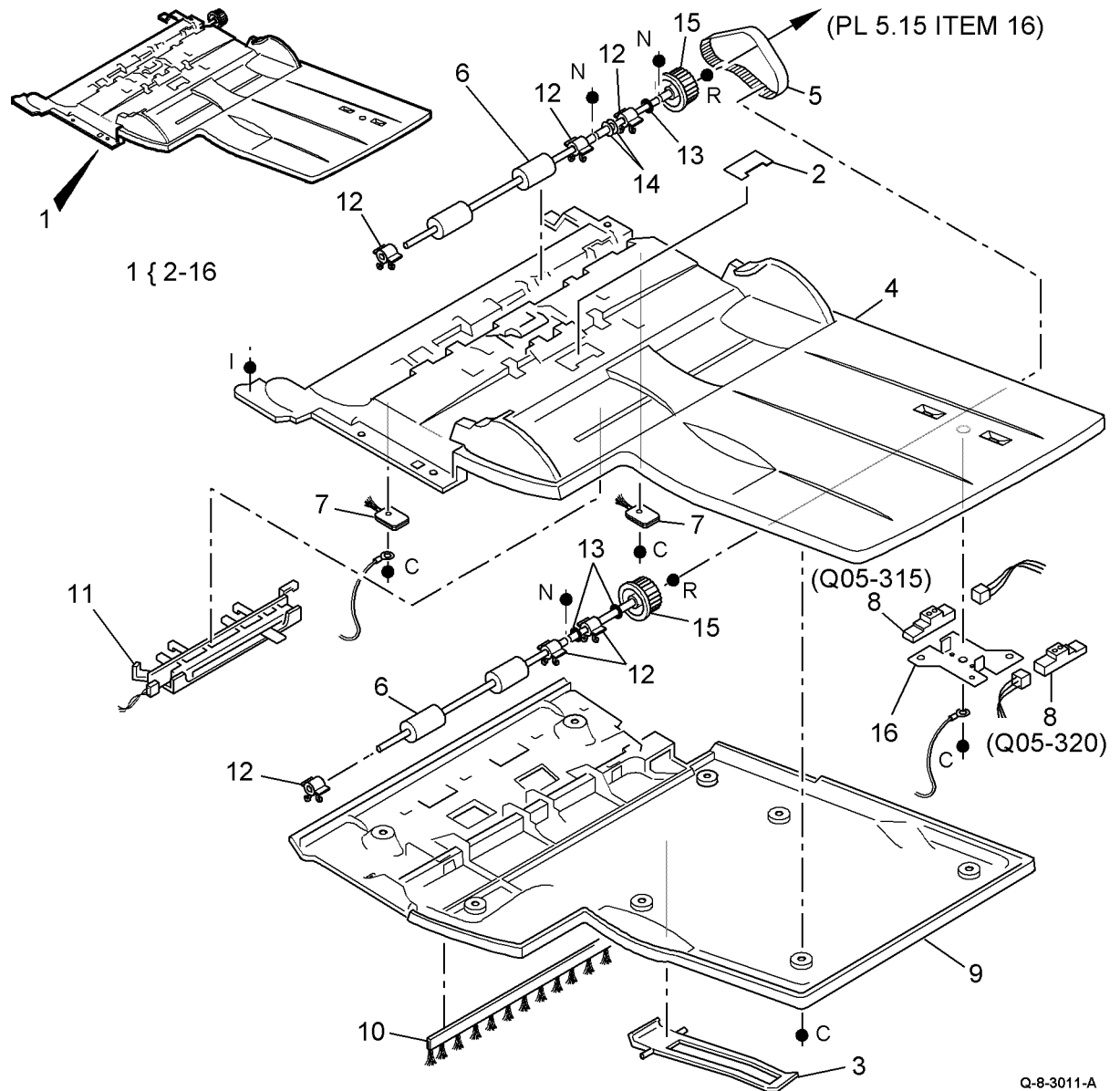


Q-8-3010A

PL 5.35 Input Tray Assembly

Item	Part	Description
1	050K55012	Input tray assembly (complete) (REP 5.4)
2	004K00971	Pad
3	031E08720	Restack arm
4	-	Input tray (P/O PL 5.35 Item 1)
5	023E25420	Feed motor drive belt (ADJ 5.1)
6	022K69780	Takeaway roll assembly (REP 5.6), Exit roll assembly (REP 5.13)
7	125E00430	Static eliminator (small) (REP 5.17)
8	130E09710	DADH Length sensor 1 (Q05-315)/ DADH Length sensor 2 (Q05-320) (REP 5.9)
9	-	Lower cover (P/O PL 5.35 Item 1)
10	115E02160	Static eliminator (large)
11	103K01300	Document width sensor (Q05-325) (REP 5.16, ADJ 5.3)
12	-	Bearing (P/O PL 5.35 Item 1)
13	014P04124	Spacer (black)
14	-	Spacer (white) (P/O PL 5.35 Item 1)
15	-	Pulley (P/O PL 5.35 Item 1)
16	-	Sensor bracket (P/O PL 5.35 Item 1)

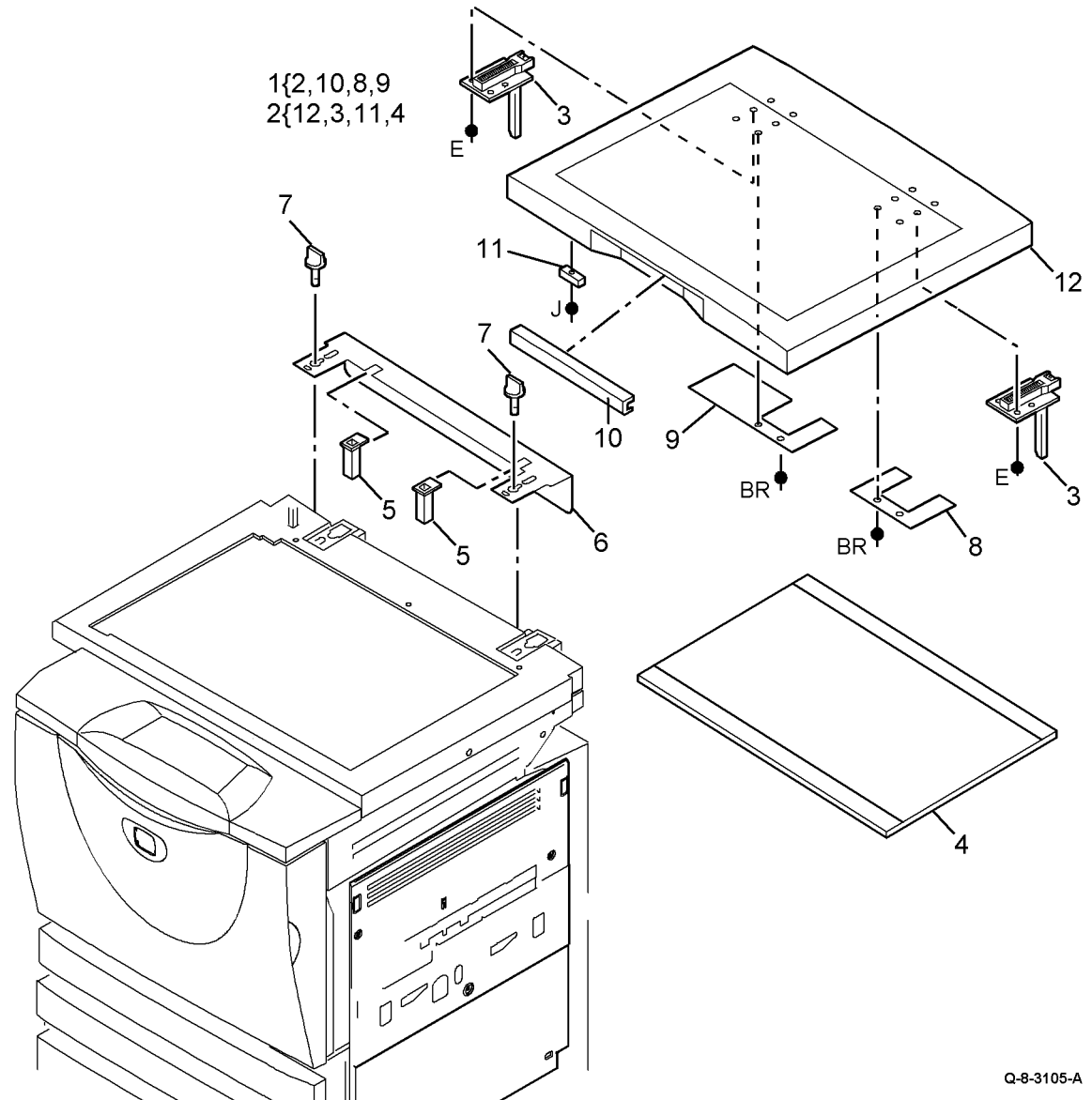
NOTE: If a new part is installed into the input tray, or a new input tray is installed, perform ADJ 5.3.



Q-8-3011-A

PL 5.40 Document Cover

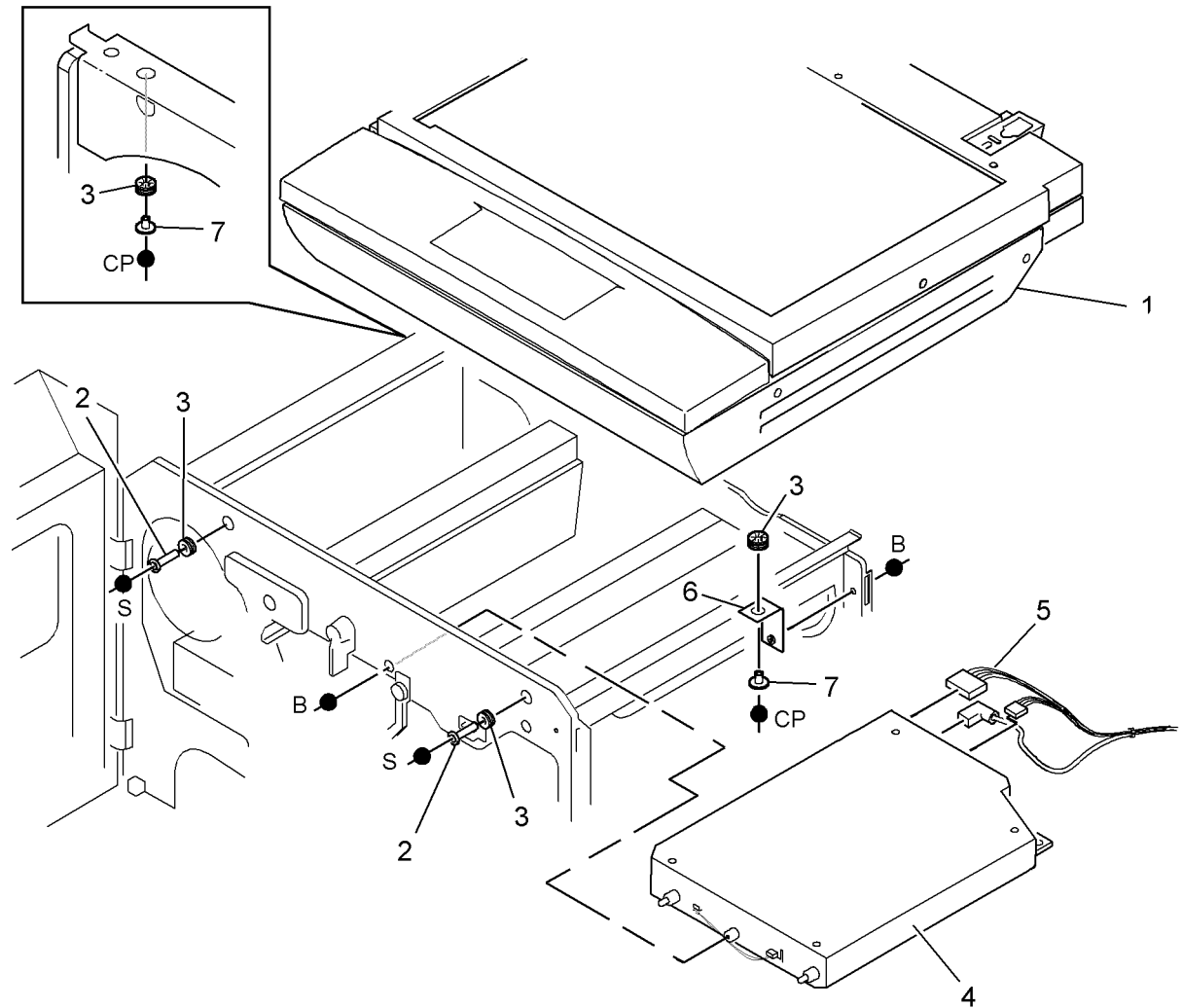
Item	Part	Description
1	048K14061	Document cover assembly
2	-	Document cover (P/O PL 5.40 Item 1)
3	-	Counter balance (P/O PL 5.40 Item 2)
4	-	Document pad (P/O PL 5.40 Item 2)
5	-	Counterbalance support (Not Spared)
6	-	Document cover bracket (Not Spared)
7	003K91881	Thumbscrew
8	-	LH Adaptor plate (P/O PL 5.40 Item 1)
9	-	RH Adaptor plate (P/O PL 5.40 Item 1)
10	-	Platen cover handle (P/O PL 5.40 Item 1)
11	-	Magnetic interlock (P/O PL 5.40 Item 2)
12	-	Cover platen (P/O PL 5.40 Item 2)



Q-8-3105-A

PL 6.10 ROS

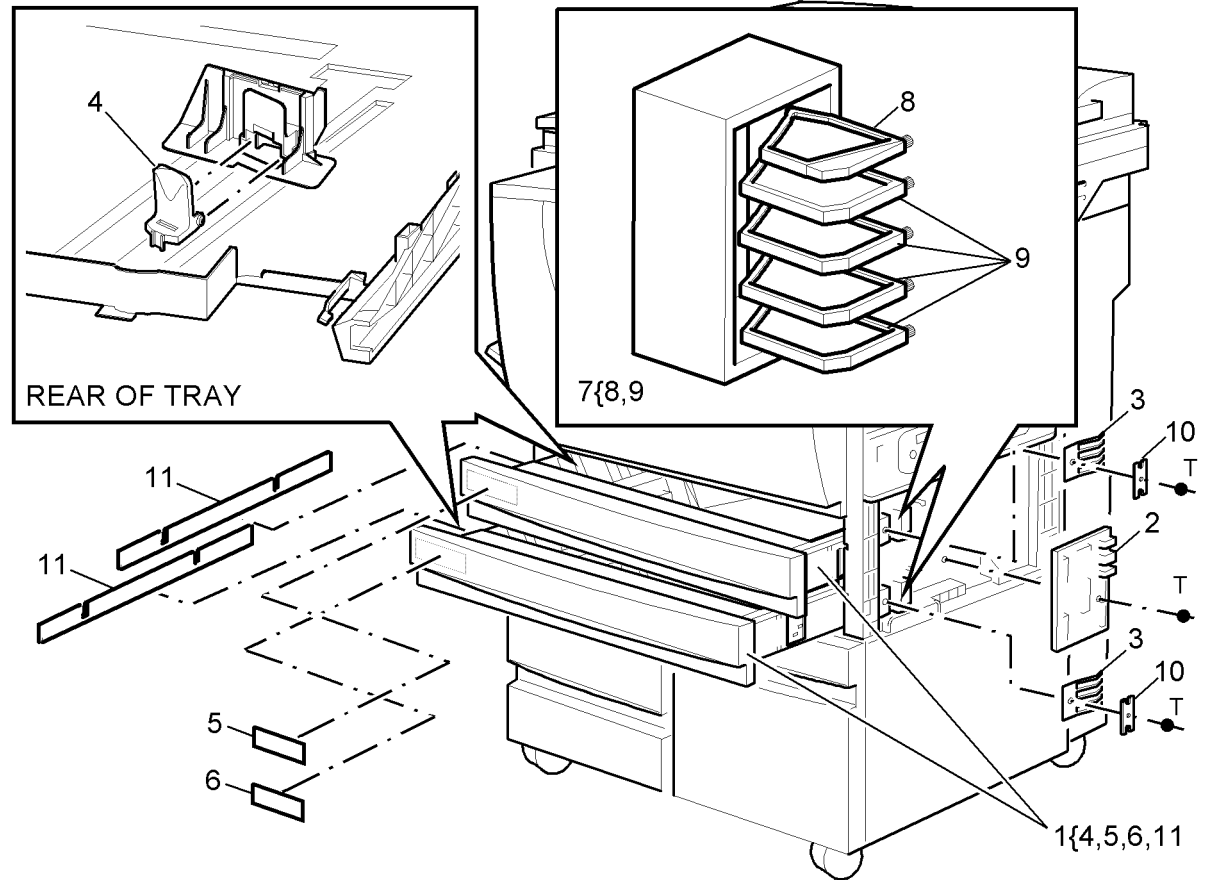
Item	Part	Description
1	-	Scanner (REF: PL 14.10 Item 1; 65-75 ppm), (REF: PL 14.20 Item 1 ;32-55 ppm)
2	-	Spacer (REF: PL 14.10 Item 6; 65-75 ppm), (REF: PL 14.20 Item 6; 32-55 ppm)
3	-	Grommet (REF: PL 14.10 Item 7; 65-75 ppm), (REF: PL 14.20 Item 7; 32-55 ppm)
4	604K18500	ROS (32-38 ppm)
-	604K31720	ROS (45-55 ppm)
-	604K24580	ROS (65-75 ppm)
5	962K12184	ROS Power distribution (PJ120-PJ18)/Communication (PJ121-PJ2 & PJ122-PJ109) harness (32-55 ppm)
-	-	ROS Power distribution/communication harness (Not Spared) (65-75 ppm)
6	-	Scanner frame securing bracket (Not Spared)
7	-	Spacer (Not Spared)



Q-8-3012A

PL 7.10 Tray 1 and 2 Assembly

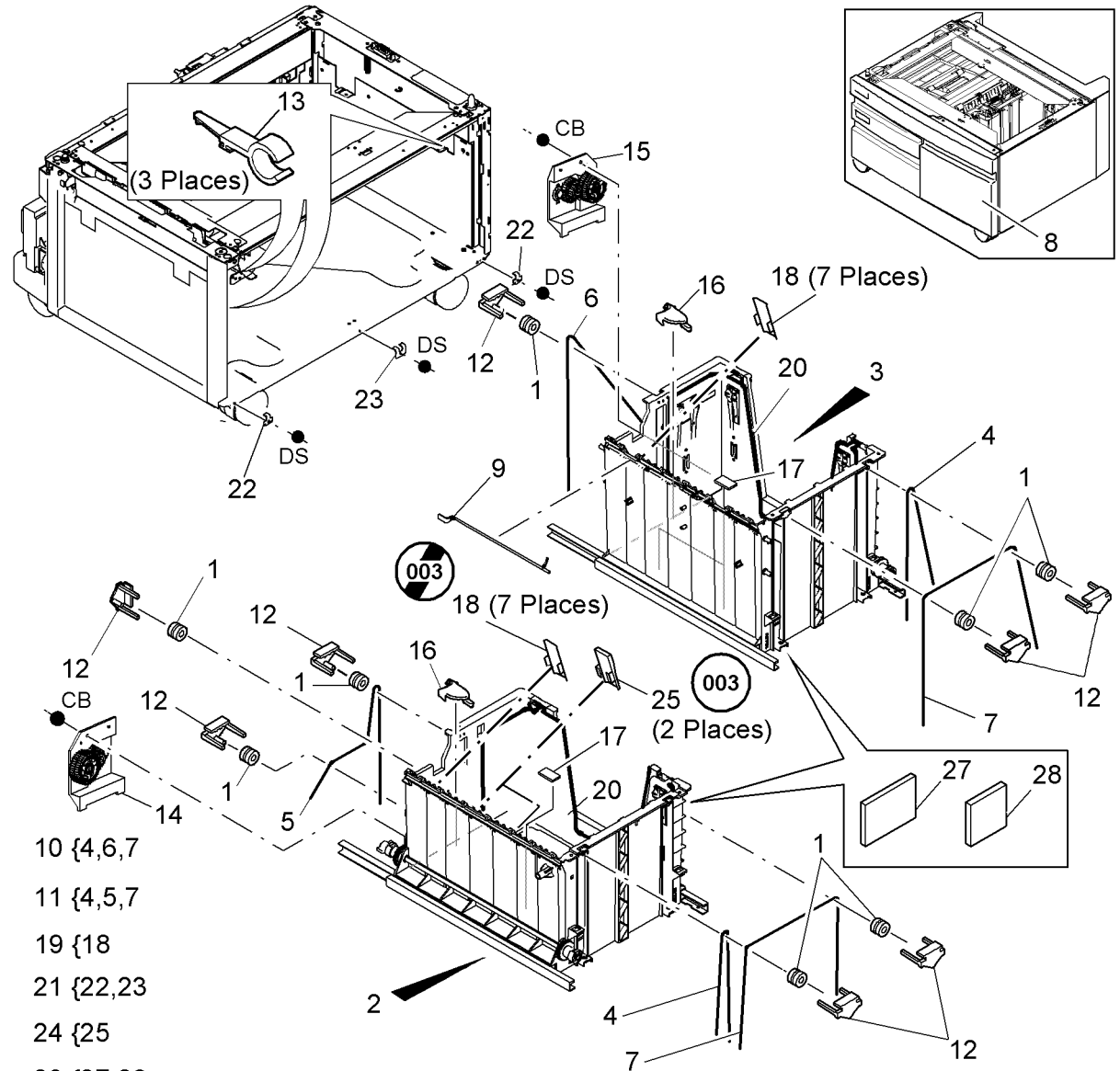
Item	Part	Description
1	050K54360	Tray 1 and 2 assembly (REP 7.1)
2	960K20980	Tray 1 and 2 control PWB
3	009K02240	Leaf spring (REP 7.12)
4	038K15780	Paper guide latch (REP 7.6)
5	-	Label tray 1 (P/O PL 7.10 Item 1)
6	-	Label tray 2 (P/O PL 7.10 Item 1)
7	604K31590	Actuator kit (REP 7.12)
8	-	Tray home cam (P/O PL 7.10 Item 7)
9	-	Paper size cam (P/O PL 7.10 Item 7)
10	-	Retaining plate (Not Spared)
11	038E39860	Paper guide



Q-8-3013-A

PL 7.15 HCF (Complete), Tray 3 and 4 Assembly, Elevator Cables

Item	Part	Description
1	022E27180	Tray hoist pulley
2	050K59433	Tray 4 assembly (see NOTE) (REP 7.2)
3	050K59422	Tray 3 assembly (see NOTE) (REP 7.2)
4	-	Front short elevator cable (P/O PL 7.15 Item 10, PL 7.15 Item 11)
5	-	Rear elevator cable (tray 4) (P/O PL 7.15 Item 11)
6	-	Rear elevator cable (tray 3) (P/O PL 7.15 Item 10)
7	-	Front long elevator cable (P/O PL 7.15 Item 10, PL 7.15 Item 11)
8	-	HCF (complete)
9	130K67520	Tray 3 feed sensor actuator (REP 8.14)
10	012K05690	Tray 3 elevator cable kit (REP 7.4)
11	012K05701	Tray 4 elevator cable kit (REP 7.4)
12	849E21140	Pulley carrier
13	019K06030	HCF tray alignment clip kit
14	004K07330	Tray 4 elevate damper (REP 7.11)
15	004K07320	Tray 3 elevate damper (REP 7.11)
16	038E30370	Tray lift guide
17	019E73940	Cork pad
18	-	Separation strip (7 off) (P/O PL 7.15 Item 19)
19	801K20310	Separation strip kit
20	-	Paper tray guide (P/O PL 7.15 Item 2) (ADJ 7.1)
21	049K00180	Tray 3 and 4 clamp kit
22	-	Side clamp (2 off) (P/O PL 7.15 Item 21)
23	-	Center clamp (P/O PL 7.15 Item 21)
24	-	Tray 4 multifeed kit (REF: PL 31.12 Item 16) (W/TAG 003)
25	-	Retard clip assembly (P/O PL 7.15 Item 24) (W/TAG 003)
26	-	Tray 3 & 4 Mylar retainer clip kit (REF: PL 31.12 Item 17)
27	-	Retainer clip (Wide) (6 off) (P/O PL 7.15 Item 26)
28	-	Retainer clip (Narrow) (2 off) (P/O PL 7.15 Item 26)

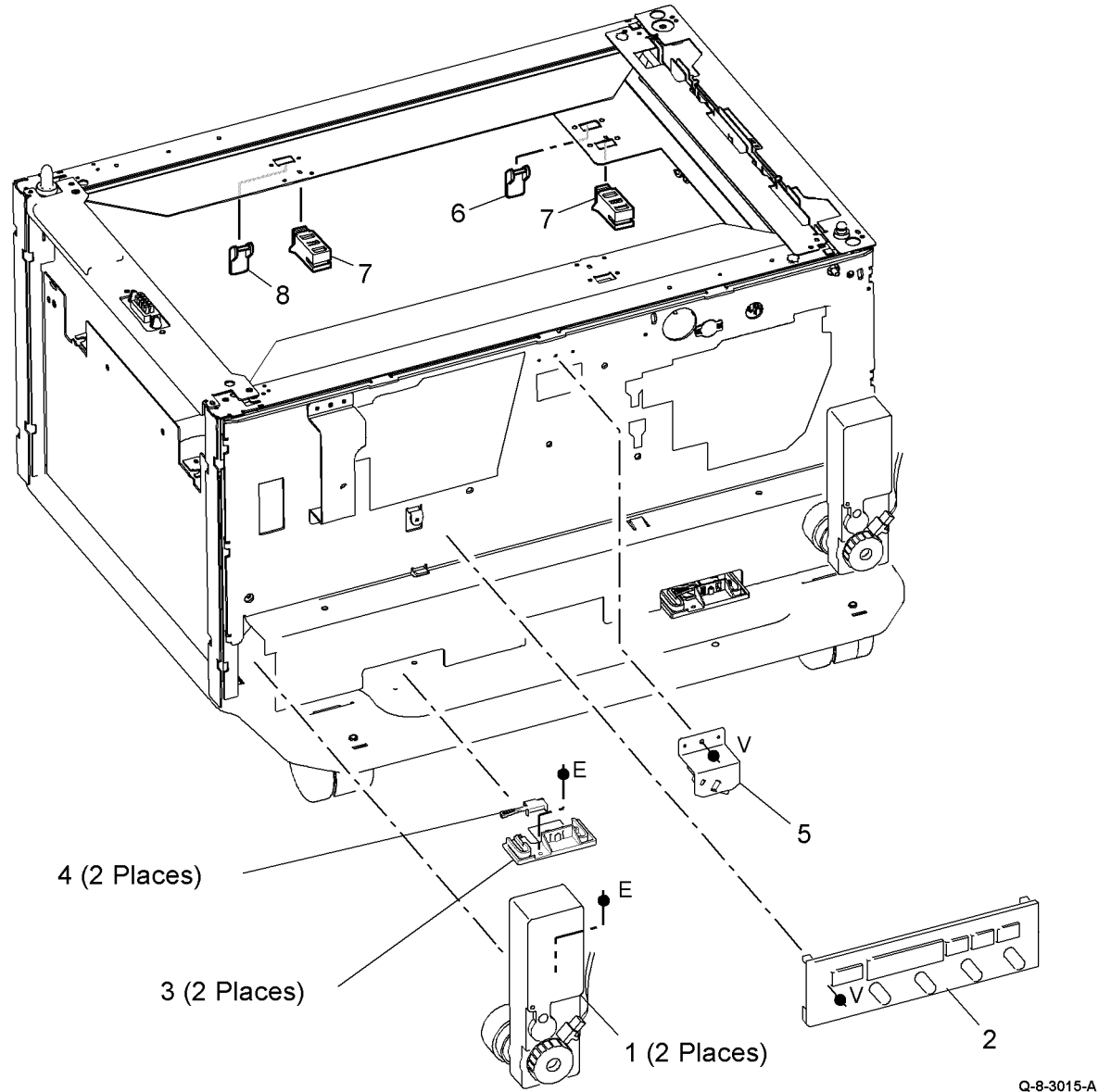


Q-8-3014-A

NOTE: Refer to ADJ 7.1 to set the tray 3 and tray 4 paper guides.

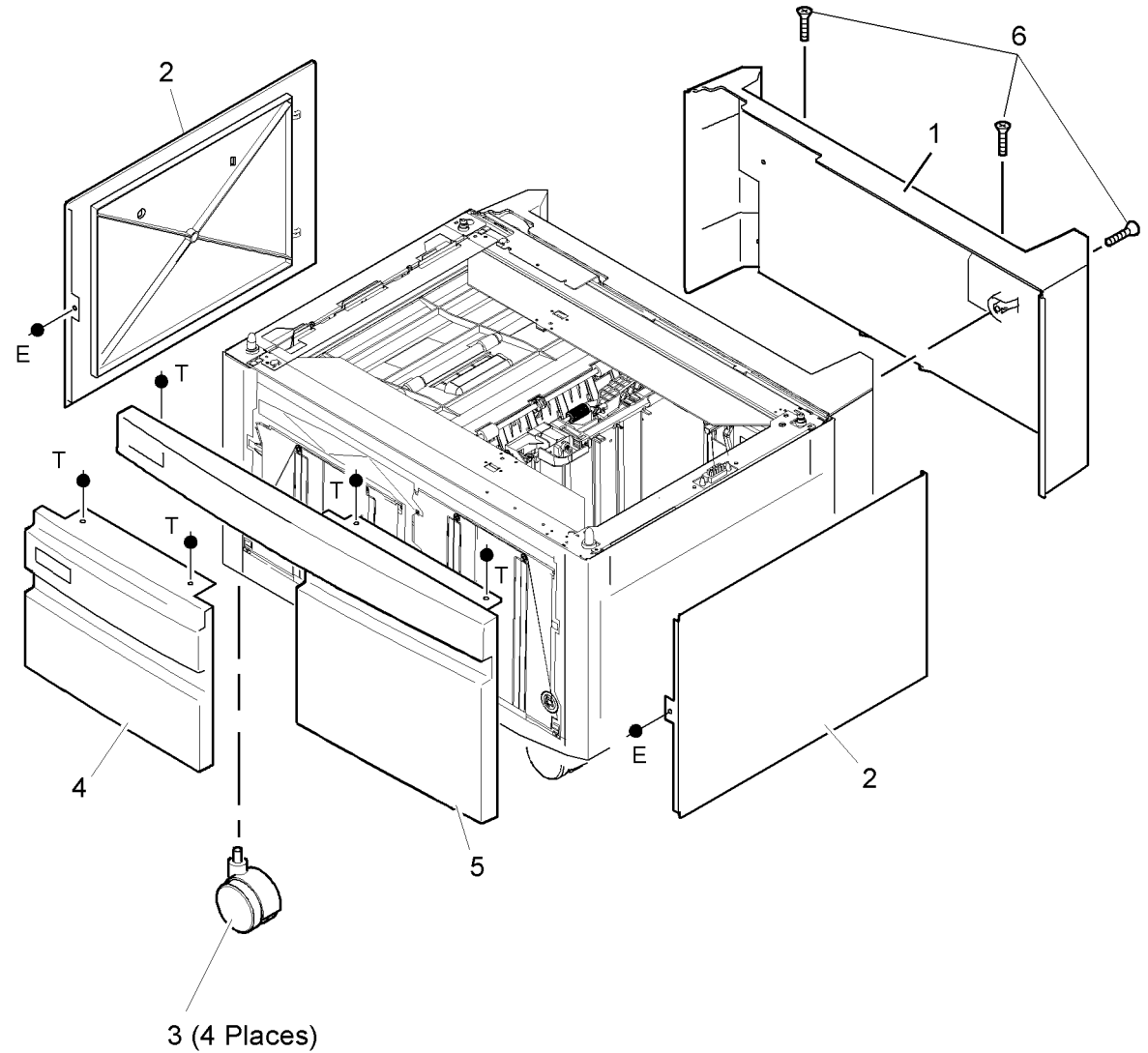
PL 7.20 Elevator Motor and Control PWB

Item	Part	Description
1	127K42811	Tray 3 elevator motor (MOT07-030), Tray 4 elevator motor (MOT07-040) (REP 7.3)
2	960K20990	HCF control PWB (REP 7.10)
3	019E63410	Switch holder
4	130E10570	Tray 3 home switch (S07-303), Tray 4 home switch (S07-304) (REP 7.9)
5	-	Tray 3 feed sensor (Q08-103) (REF: PL 8.30 Item 13)
6	120E25810	Tray 4 stack limiter (REP 7.8)
7	849E22090	Stack limiter bracket
8	120E25800	Tray 3 stack limiter (REP 7.8)



PL 7.25 HCF Covers

Item	Part	Description
1	802K48781	Rear cover
2	802K48770	Left cover/right cover
3	117K41090	Castor (locking)
4	802E65840	Tray 4 front cover
5	802E65830	Tray 3 front cover
6	826E20970	Screw (M6 x 30)

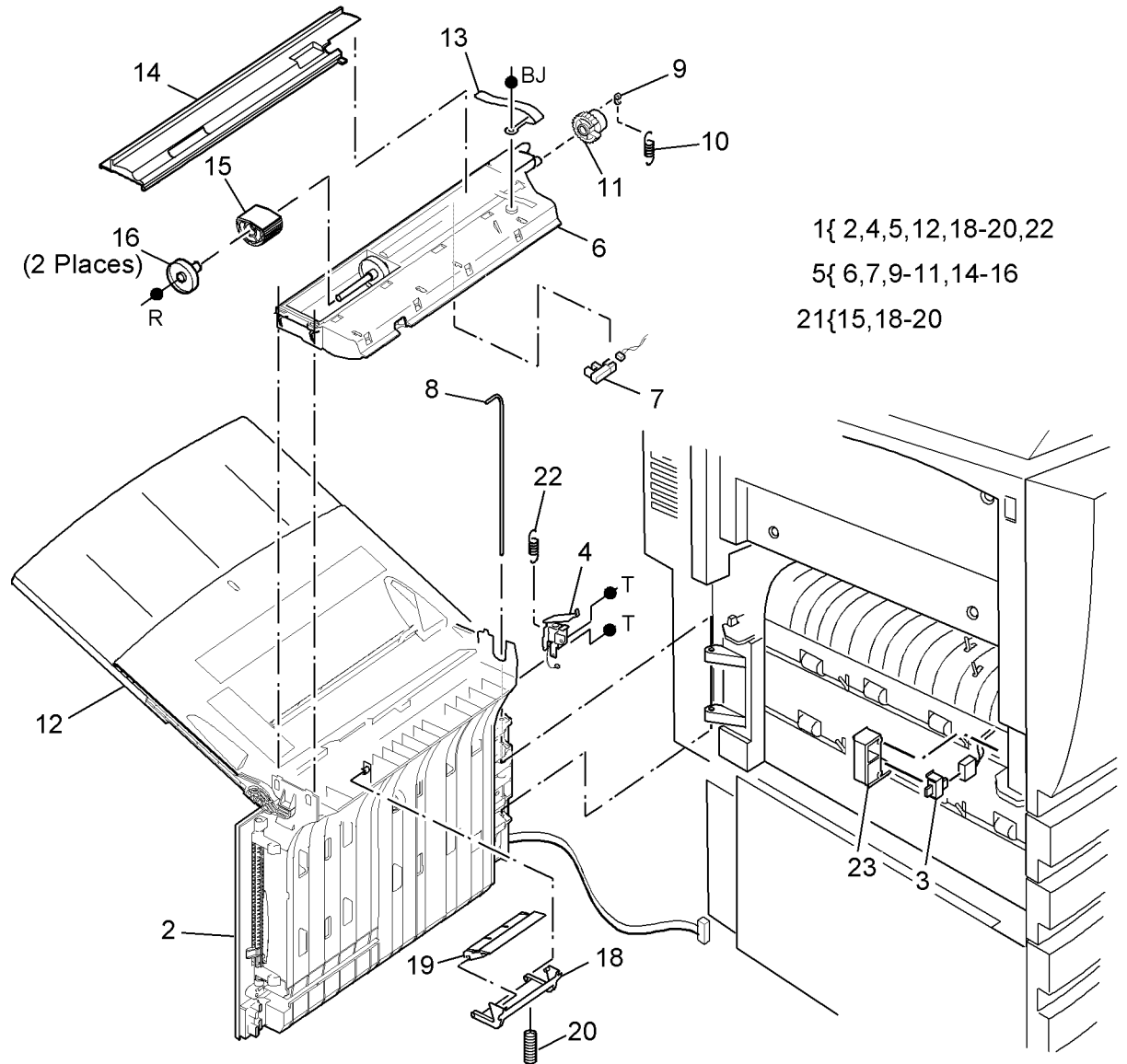


Q-8-3016-A

PL 7.30 Bypass Tray and Left Hand Door Assembly (65-75 ppm)

Item	Part	Description
1	050K55215	Bypass tray and left hand door assembly (REP 7.5)
2	-	Left hand door (P/O PL 7.30 Item 1)
3	110E93440	Left hand door interlock (S01-305)
4	121E18350	Feed solenoid (SOL08-050) (REP 8.9)
5	-	Feed head assembly (P/O PL 7.30 Item 1) (REP 8.19)
6	-	Feed head (P/O PL 7.30 Item 5)
7	130E11270	Bypass tray empty sensor (Q07-335) (REP 8.23)
8	-	Hinge pin (Not Spared)
9	120E26140	Spring retainer (P/O PL 7.30 Item 5)
10	809E57640	Spring
11	807E05311	Drive gear (REP 8.20)
12	-	Bypass tray (P/O PL 7.30 Item 1)
13	019E62020	Ground spring
14	-	Feed head top cover (P/O PL 7.30 Item 5)
15	-	Feed roll (P/O PL 7.30 Item 21) (REP 8.21)
16	-	Nip roll (P/O PL 7.30 Item 5)
17	-	Not used
18	-	Retard pad bracket (P/O PL 7.30 Item 21)
19	-	Retard pad assembly (P/O PL 7.30 Item 21)
20	-	Retard pad spring (P/O PL 7.30 Item 21)
21	059K39862	Feed roll and retard pad assembly (REP 8.22B)
22	809E57650	Solenoid spring
23	-	Interlock cover (Not Spared)

NOTE: Hinge pins (item 8) are supplied with the front door.



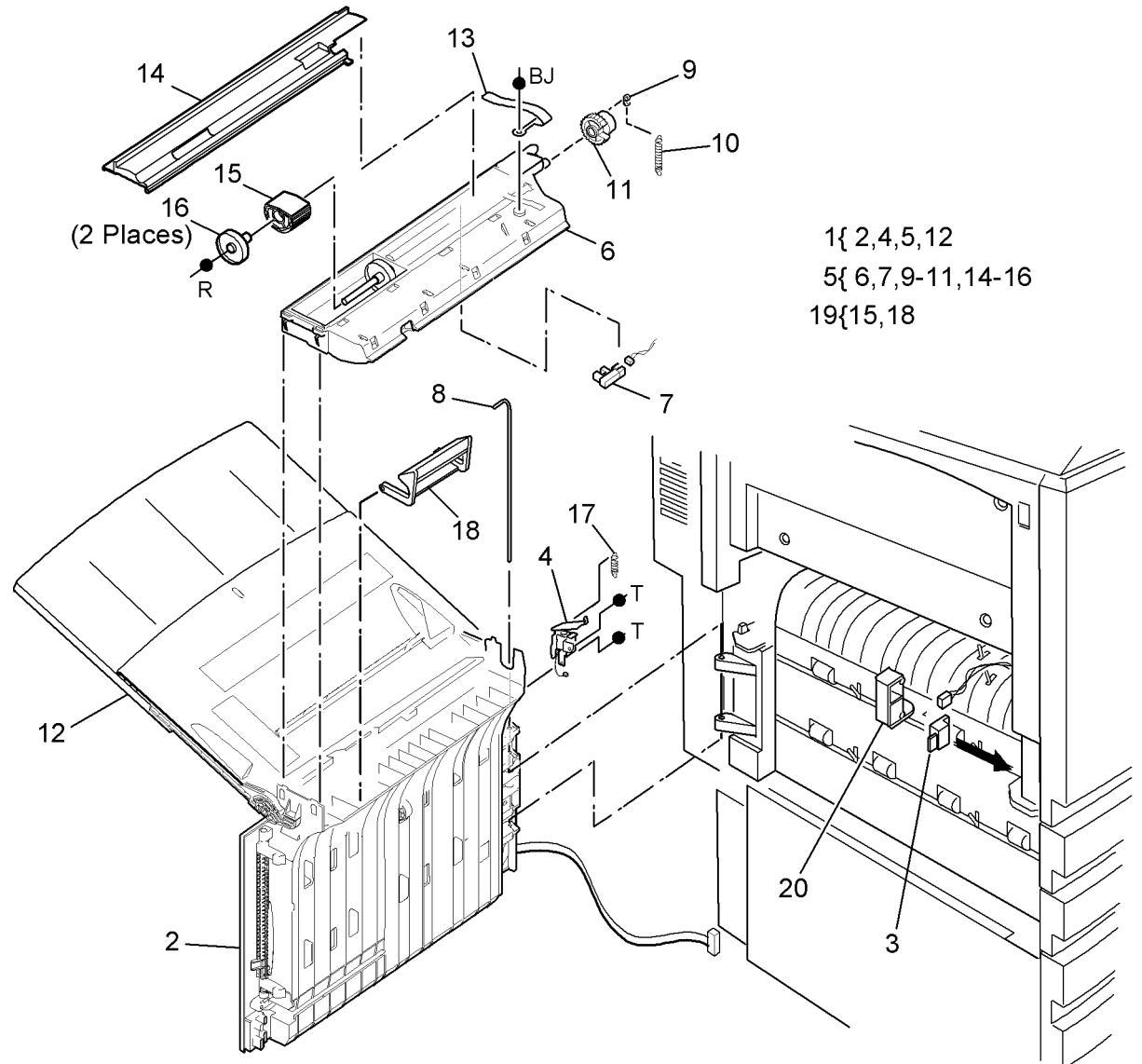
1{ 2,4,5,12,18-20,22
 5{ 6,7,9-11,14-16
 21{15,18-20

Q-8-3017-A

PL 7.35 Bypass tray and Left Hand Door Assembly (32-55 ppm)

Item	Part	Description
1	050K54933	Bypass tray and left hand door assembly (REP 7.5)
2	-	LH door (P/O PL 7.35 Item 1)
3	110E93440	LH door interlock (SOL01-305)
4	121E18350	Feed solenoid (SOL08-050) (REP 8.9)
5	-	Feed head assembly (P/O PL 7.35 Item 1) (REP 8.19)
6	-	Feed head (P/O PL 7.35 Item 5)
7	130E10540	Bypass tray empty sensor (Q07-335) (REP 8.23)
8	-	Hinge pin (Not Spared)
9	120E26140	Spring retainer
10	809E57640	Spring
11	807E05311	Drive gear (REP 8.20)
12	-	Bypass tray (P/O PL 7.35 Item 1)
13	019E62020	Ground spring
14	-	Feed head top cover (P/O PL 7.35 Item 5)
15	-	Feed roll (P/O PL 7.35 Item 19) (REP 8.21)
16	-	Nip roll (P/O PL 7.35 Item 5)
17	809E57650	Solenoid spring
18	-	Retard pad (P/O PL 7.35 Item 19) (REP 8.22A)
19	059K30381	Feed roll and retard roll kit
20	-	Interlock cover (Not Spared)

NOTE: Hinge pins (item 8) are supplied with the front door.



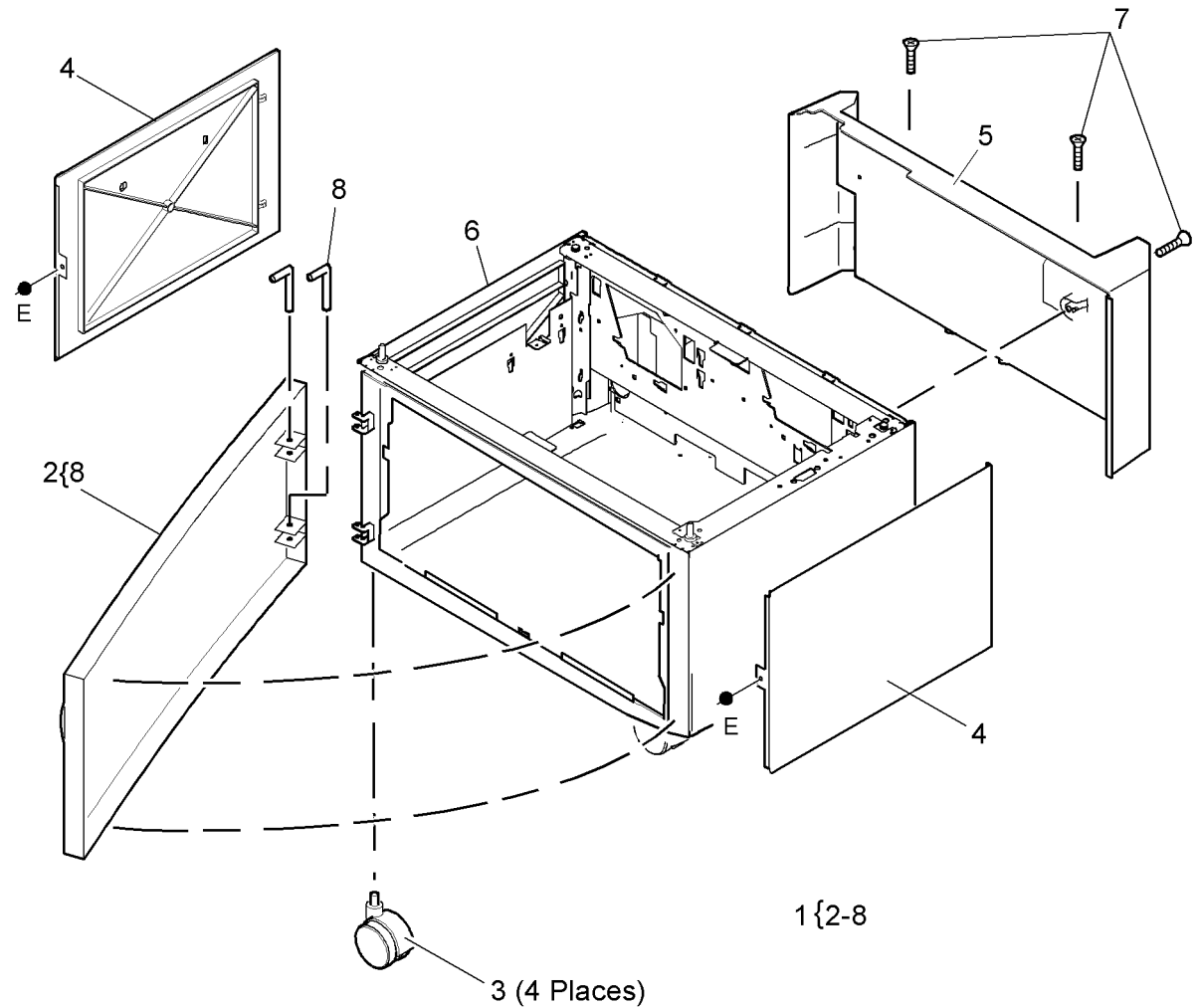
1{ 2,4,5,12
5{ 6,7,9-11,14-16
19{15,18

Q-8-3104-A

PL 7.40 Stand Assembly

Item	Part	Description
1	–	Stand unit (complete)
2	802K48582	Front door (see NOTE)
3	017K03771	Castor (locking)
4	802K48770	Left cover/Right cover
5	802K48781	Rear cover
6	–	Stand base (P/O PL 7.40 Item 1)
7	826E20970	Screw (M6 x 30)
8	–	Door hinge pin (P/O PL 7.40 Item 2)

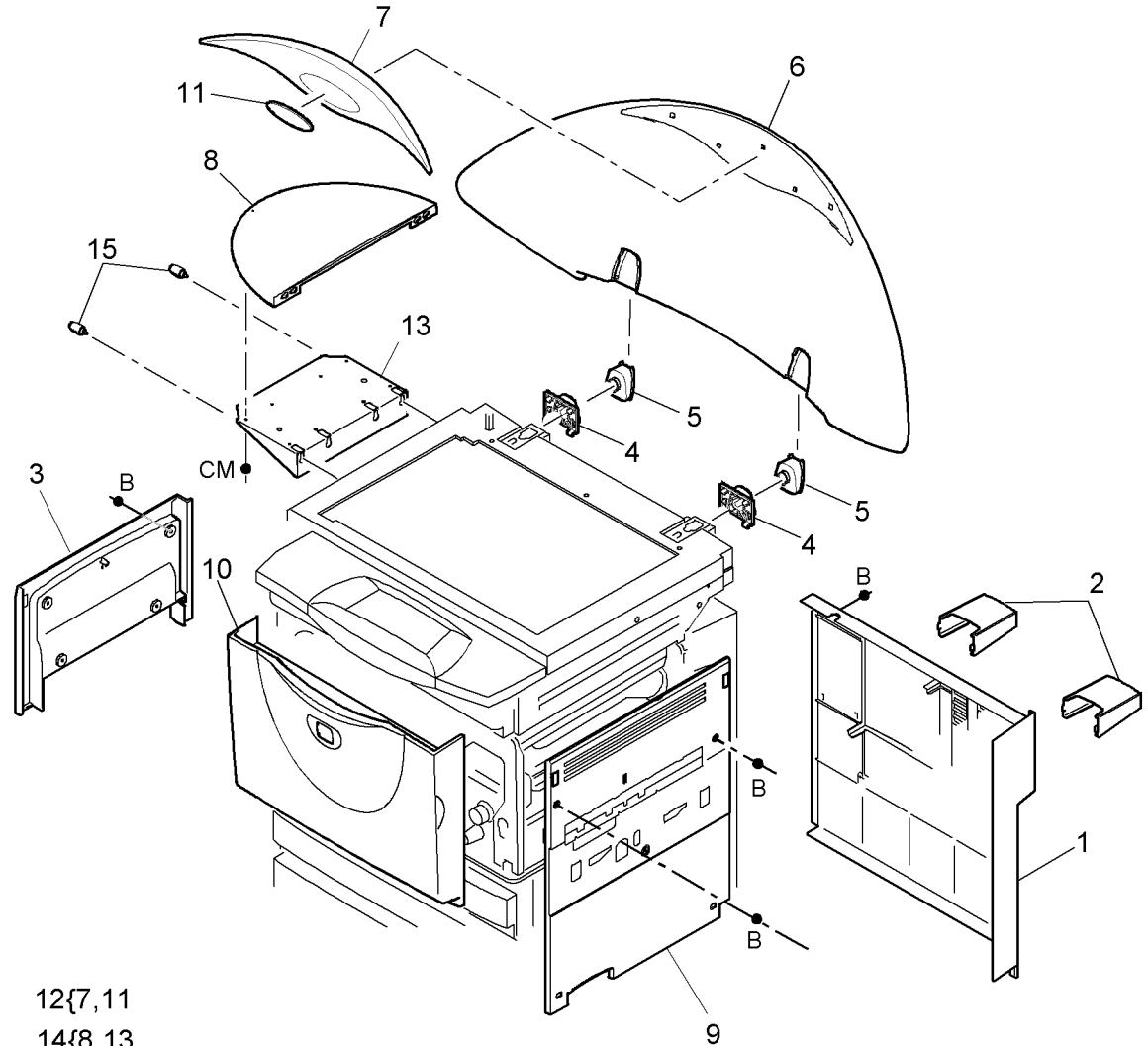
NOTE: Hinge pins (item 8) are supplied with the front door.



Q-8-3103-A

PL 8.10 Main Covers (1 of 3)

Item	Part	Description
1	-	Rear cover (32-55 ppm) (see NOTE)
-	-	Rear cover (65-75 ppm) (see NOTE)
2	-	Rear cover standoff
3	802E45161	Left hand cover
4	-	Front bracket (P/O PL 8.10 Item 16)
5	-	Rear bracket (P/O PL 8.10 Item 16)
6	802E59110	Rear wall
7	-	Rear wall inlay (P/O PL 8.10 Item 12)
8	-	Work shelf (P/O PL 8.10 Item 14)
9	802E45157	Right hand cover
10	802K82481	Front door assembly (32-55 ppm)
-	-	Front door assembly (REF: PL 8.11) (65-75 ppm)
11	-	Badge (see below for variants)
-	-	Fax badge (see NOTE)
-	802E60111	Xerox badge
-	-	E-Mail badge (P/O PL 8.10 Item 12)
12	-	Rear wall inlay assembly (REF: PL 8.12)
13	-	Work shelf bracket (P/O PL 8.10 Item 14)
14	068K36186	Work shelf assembly (REF: PL 31.12 Item 20)
15	826E26990	Thumbscrew
16	-	Rear wall bracket assembly (see NOTE)



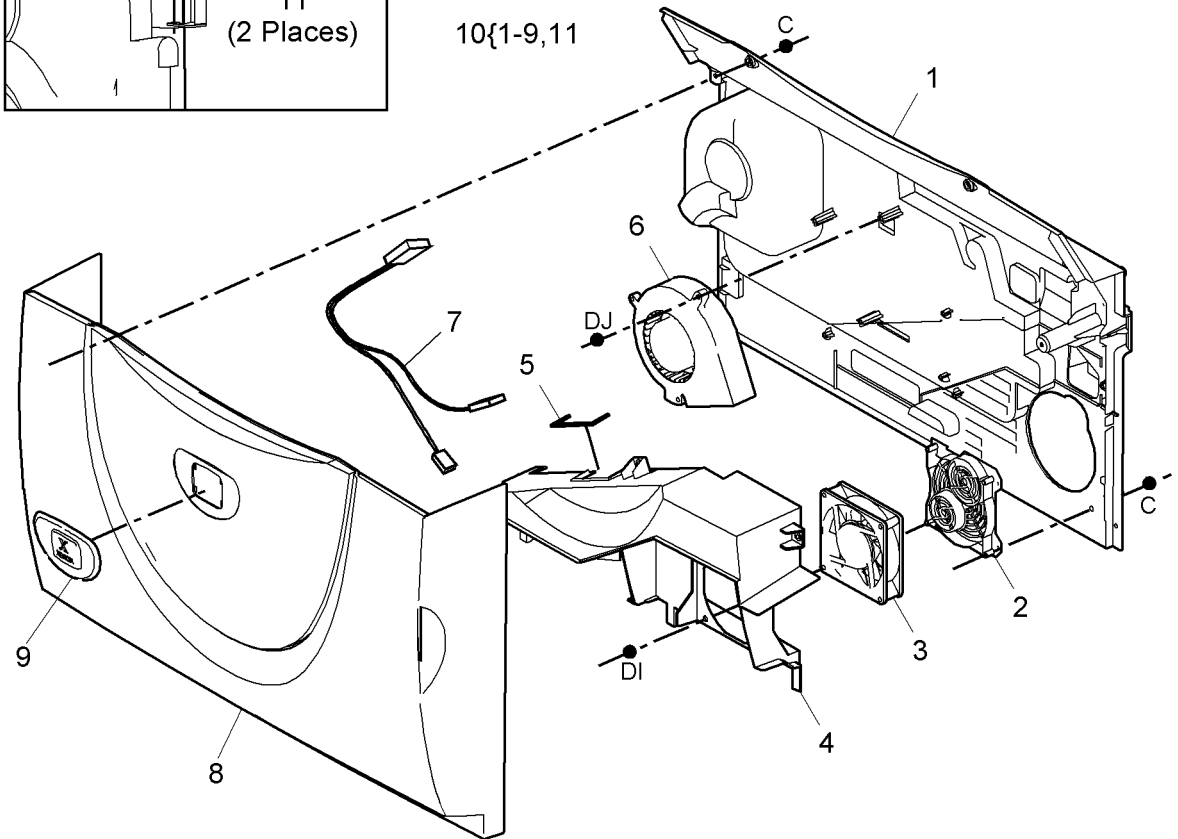
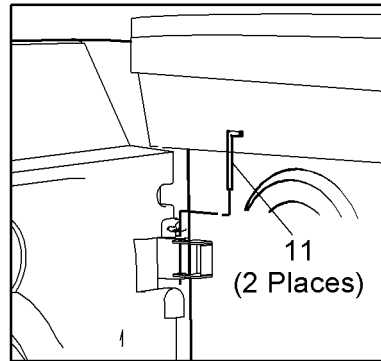
12{7, 11
14{8, 13
16{4, 5

NOTE: Part number unavailable on SOLOS at time of issue.

Q-8-3018-A

PL 8.11 Covers (65-75 ppm) (2 of 3)

Item	Part	Description
1	-	Internal cover (P/O PL 8.11 Item 10)
2	-	Grill (P/O PL 8.11 Item 10)
3	-	Paper path cooling fan 1 (P/O PL 8.11 Item 10)
4	-	Cooling duct (P/O PL 8.11 Item 10)
5	-	Foam seal (P/O PL 8.11 Item 10)
6	-	Paper path cooling fan 2 (P/O PL 8.11 Item 10)
7	-	Harness (P/O PL 8.11 Item 10)
8	-	Front door (P/O PL 8.11 Item 10)
9	-	Logo badge (P/O PL 8.11 Item 10)
10	802K69657	Front door assembly
11	-	Door hinge pin (P/O PL 8.11 Item 10)



Q-8-3019-A

PL 8.12 Covers (3 of 3)

Item	Part	Description
1	–	Rear wall inlay assembly (see below for variants)
–	–	Copy/Print (Brazilian Portuguese) (see NOTE)
–	–	Copy/Print/Scan/E-mail (Brazilian Portuguese) (see NOTE)
–	048S01630	Copy/Print (Czechoslovakian)
–	048S01631	Copy/Print/Scan/E-mail (Czechoslovakian)
–	048S01626	Copy/Print (Danish)
–	048S01627	Copy/Print/Scan/E-mail (Danish)
–	048S01611	Copy/Print (Dutch)
–	048S01612	Copy/Print/Scan/E-mail (Dutch)
–	048S01603	Copy/Print (English)
–	048S01604	Copy/Print/Scan/E-mail (English)
–	048S01628	Copy/Print (Finnish)
–	048S01629	Copy/Print/Scan/E-mail (Finnish)
–	048S01620	Copy/Print (French)
–	048S01621	Copy/Print/Scan/E-mail (French)
–	048S01617	Copy/Print (German)
–	048S01644	Copy/Print/Scan/E-mail (German)
–	048S01642	Copy/Print (Greek)
–	048S01643	Copy/Print/Scan/E-mail (Greek)
–	048S01634	Copy/Print (Hungarian)
–	048S01635	Copy/Print/Scan/E-mail (Hungarian)
–	048S01615	Copy/Print (Italian)
–	048S01616	Copy/Print/Scan/E-mail (Italian)
–	048S01624	Copy/Print (Norwegian)
–	048S01647	Copy/Print/Scan/E-mail (Norwegian)
–	048S01632	Copy/Print (Polish)
–	048S01633	Copy/Print/Scan/E-mail (Polish)
–	048S01636	Copy/Print (Romanian)
–	048S01637	Copy/Print/Scan/E-mail (Romanian)
–	048S01640	Copy/Print (Russian)
–	048S01641	Copy/Print/Scan/E-mail (Russian)
–	048S01607	Copy/Print (Spanish)
–	048S01619	Copy/Print/Scan/E-mail (Spanish)
–	048S01646	Copy/Print (Swedish)
–	048S01623	Copy/Print/Scan/E-mail (Swedish)
–	048S01648	Copy/Print (Turkish)
–	048S01639	Copy/Print/Scan/E-mail (Turkish)

**NO EXPLODED
VIEW PROVIDED**

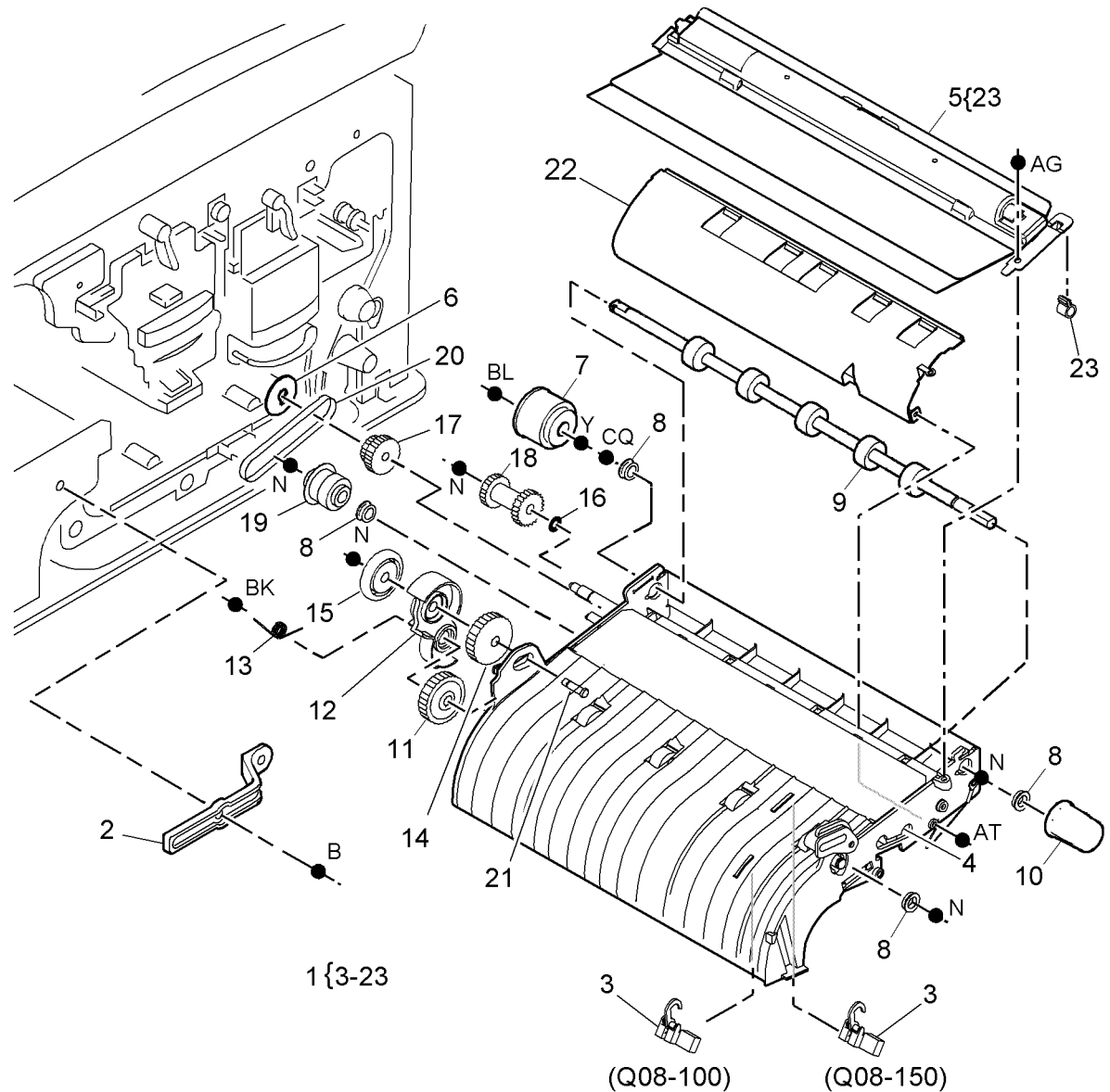
Q-8-3020-A

NOTE: Part number unavailable on SOLOS at time of issue.

PL 8.15 Registration Transport

Item	Part	Description
1	059K50500	Registration transport assembly (32-55 ppm) (REP 8.4, ADJ 8.2)
-	059K49220	Registration transport assembly (65-75 ppm) (REP 8.4, ADJ 8.2)
2	-	Retainer bracket (Not Spared)
3	130E10870	Wait sensor (Q08-100), Registration sensor (Q08-150) (REP 8.6)
4	-	Registration transport guide (P/O PL 8.15 Item 1)
5	059K50490	Registration nip assembly
6	028E16330	Snap on washer (M6) (P/O PL 8.15 Item 1)
7	121K33231	Registration clutch (CL08-070) (REP 8.5, ADJ 8.2, ADJ 4.1)
8	013E23110	Bearing
9	059K33970	Drive roll assembly (REP 8.26)
10	003K17611	Jam clearance knob
11	807E05170	Gear (26T)
12	-	Spring arm (P/O PL 8.15 Item 1)
13	-	Torsion spring (P/O PL 8.15 Item 1)
14	807E05180	Gear (28T)
15	-	Ring pitch (P/O PL 8.15 Item 1)
16	-	Black nylon washer (P/O PL 8.15 Item 1)
17	807E05160	Gear (22G/28T) (ADJ 4.1)
18	807E15650	Gear (23T) (ADJ 4.1)
19	807E05150	Gear (22G/20T)
20	023E24420	Drive belt (REP 8.27)
21	-	Spring arm pin (P/O PL 8.15 Item 1)
22	-	Lower bias guide (P/O PL 8.15 Item 1)
23	055E51821	Bias contact (see NOTE)

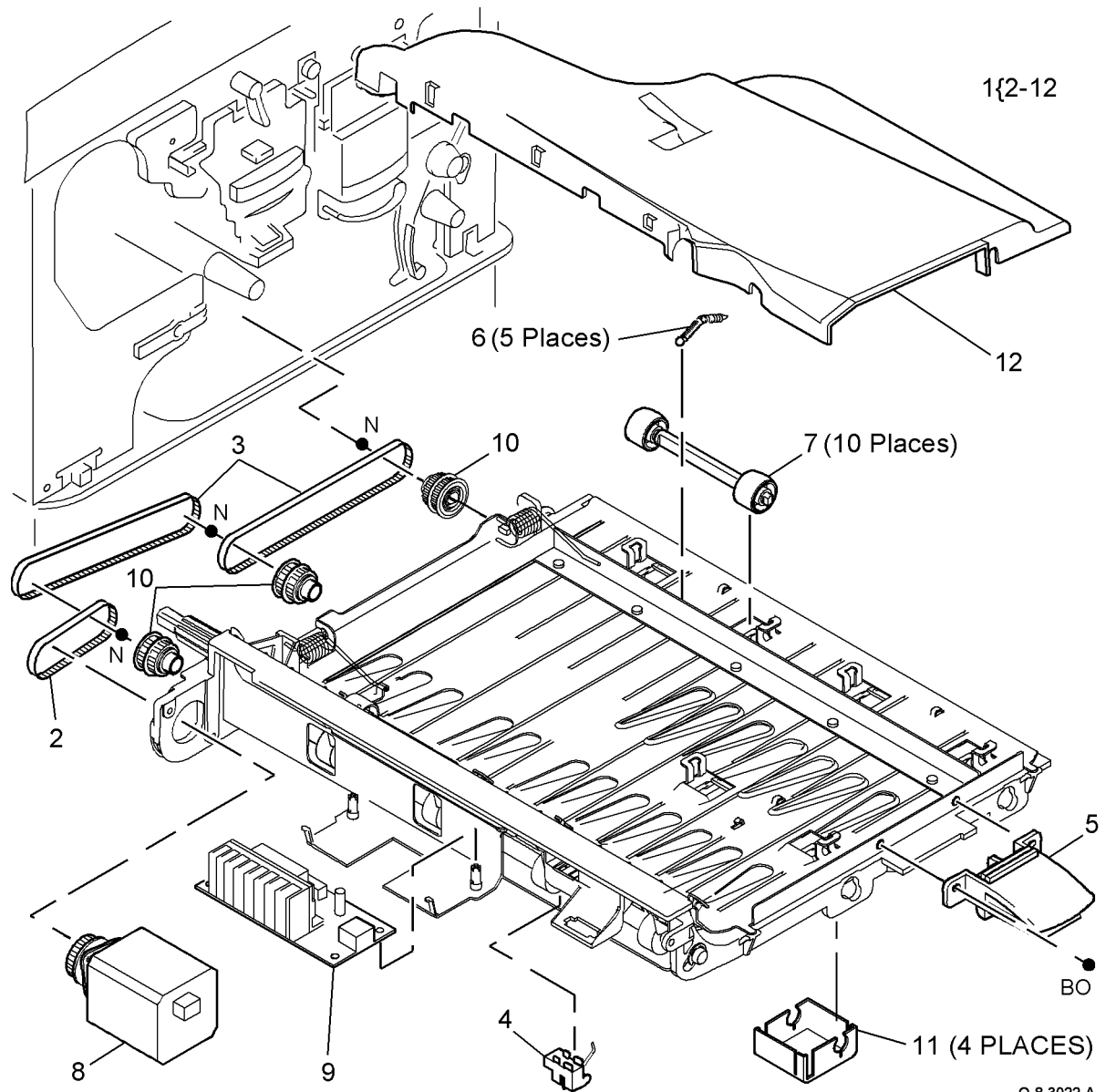
NOTE: This is a HFSI item. Refer to GP 17 and reset the bias foam count to zero in the feature screen.



Q-8-3021-A

PL 8.20 Duplex Transport (65-75 ppm)

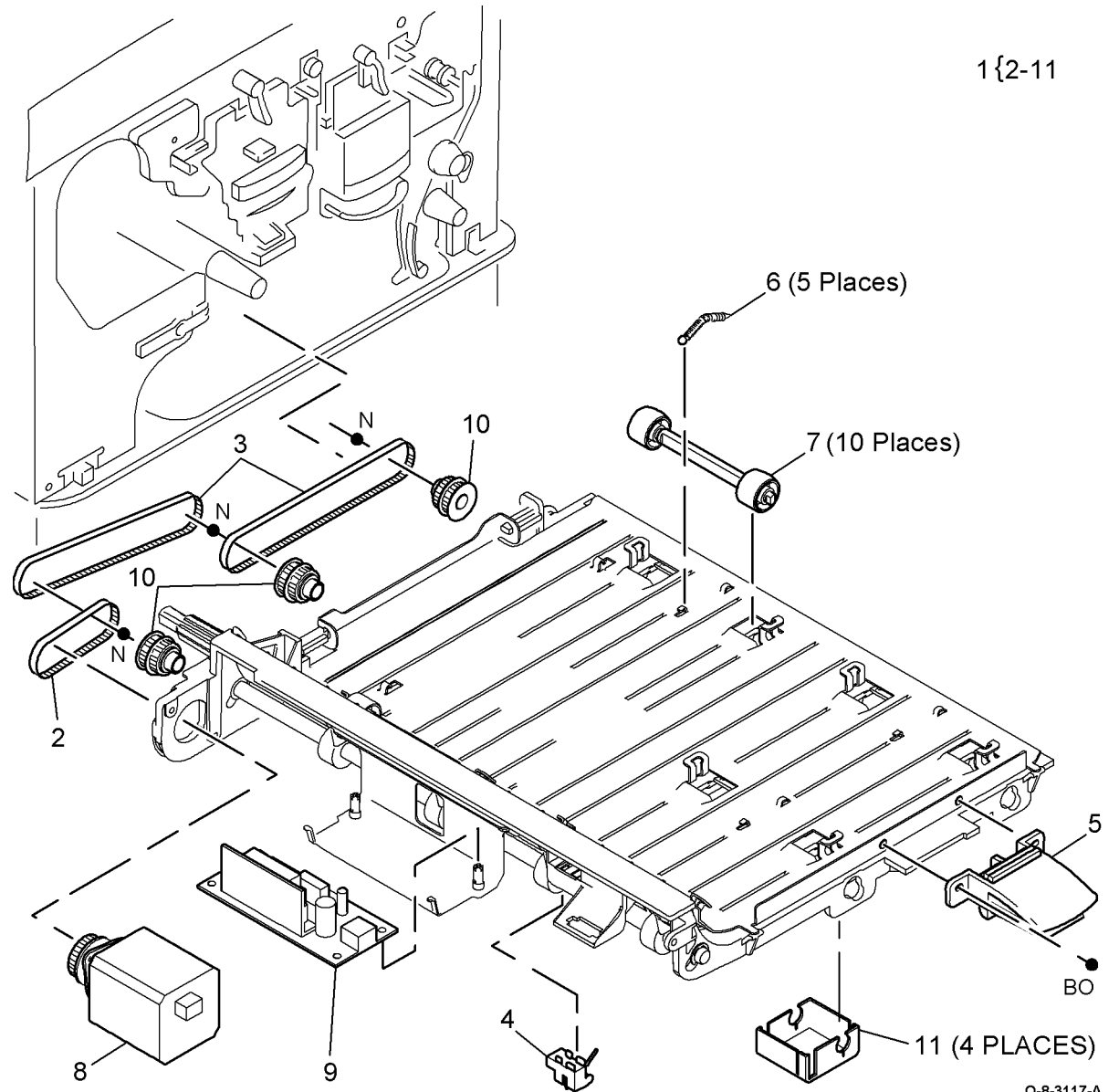
Item	Part	Description
1	059K35670	Duplex transport (REP 8.7)
2	023E24390	Drive belt (76T) (REP 8.8)
3	023E24400	Drive belt (285T) (REP 8.8)
4	130E10630	Duplex sensor (Q08-160) (REP 8.32)
5	003K18500	Jam clearance latch
6	-	Spring (P/O PL 8.20 Item 1)
7	059K49400	Idler roll
8	127K44300	Duplex motor (MOT08-060) (REP 8.8)
9	960K11540	Duplex motor driver PWB (REP 8.8)
10	020E39800	Drive pulley
11	802E87650	Lower cover
12	-	Duplex duct (Not Spared)



PL 8.22 Duplex Transport (32-55 ppm)

Item	Part	Description
1	059K33951	Duplex transport (REP 8.7)
2	023E24390	Drive belt (76T) (REP 8.8)
3	023E24400	Drive belt (285T) (REP 8.8)
4	130E10630	Duplex sensor (Q08-160) (REP 8.32)
5	003K18500	Jam clearance latch
6	–	Spring (P/O PL 8.22 Item 1)
7	059K49400	Idler Roll
8	127K42770	Duplex motor (MOT08-060) (REP 8.8)
9	160K92780	Duplex motor driver PWB (REP 8.8)
10	020E39800	Drive pulley
11	802E87650	Lower cover

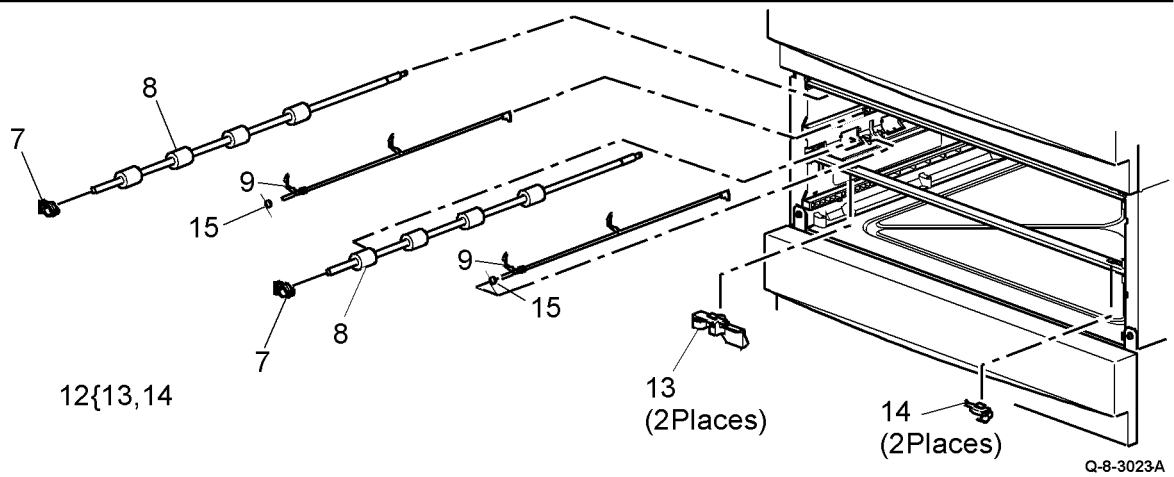
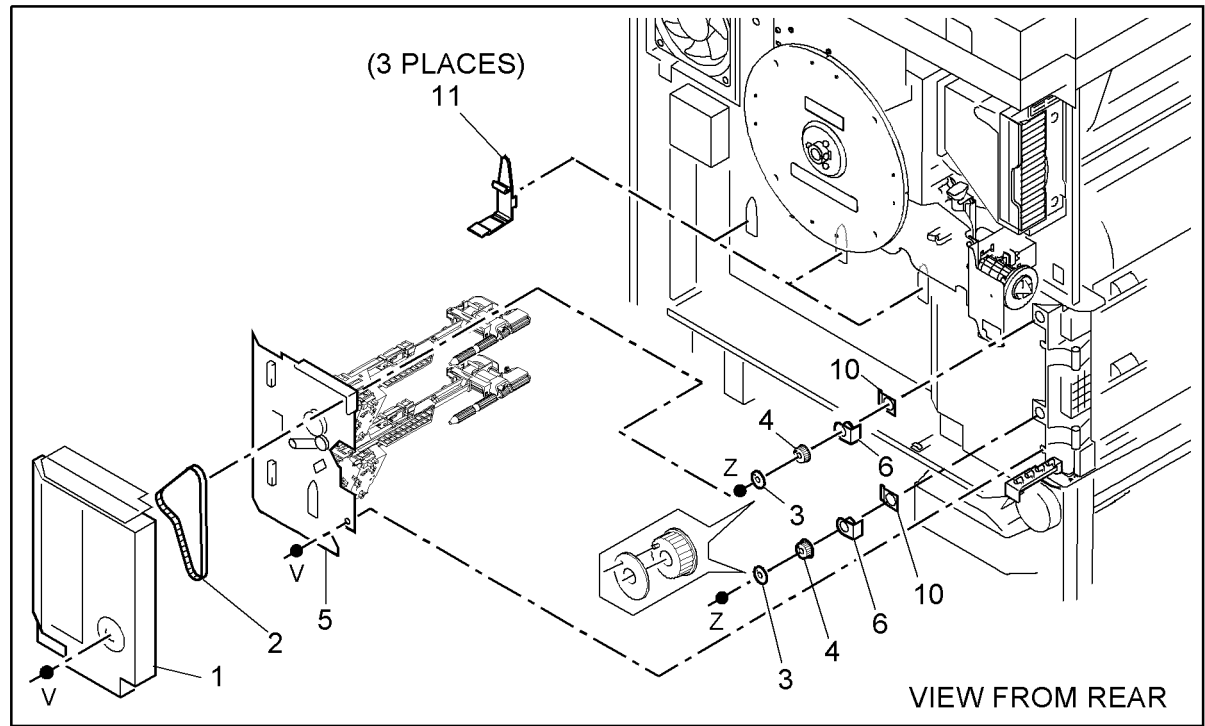
1{2-11



Q-8-3117-A

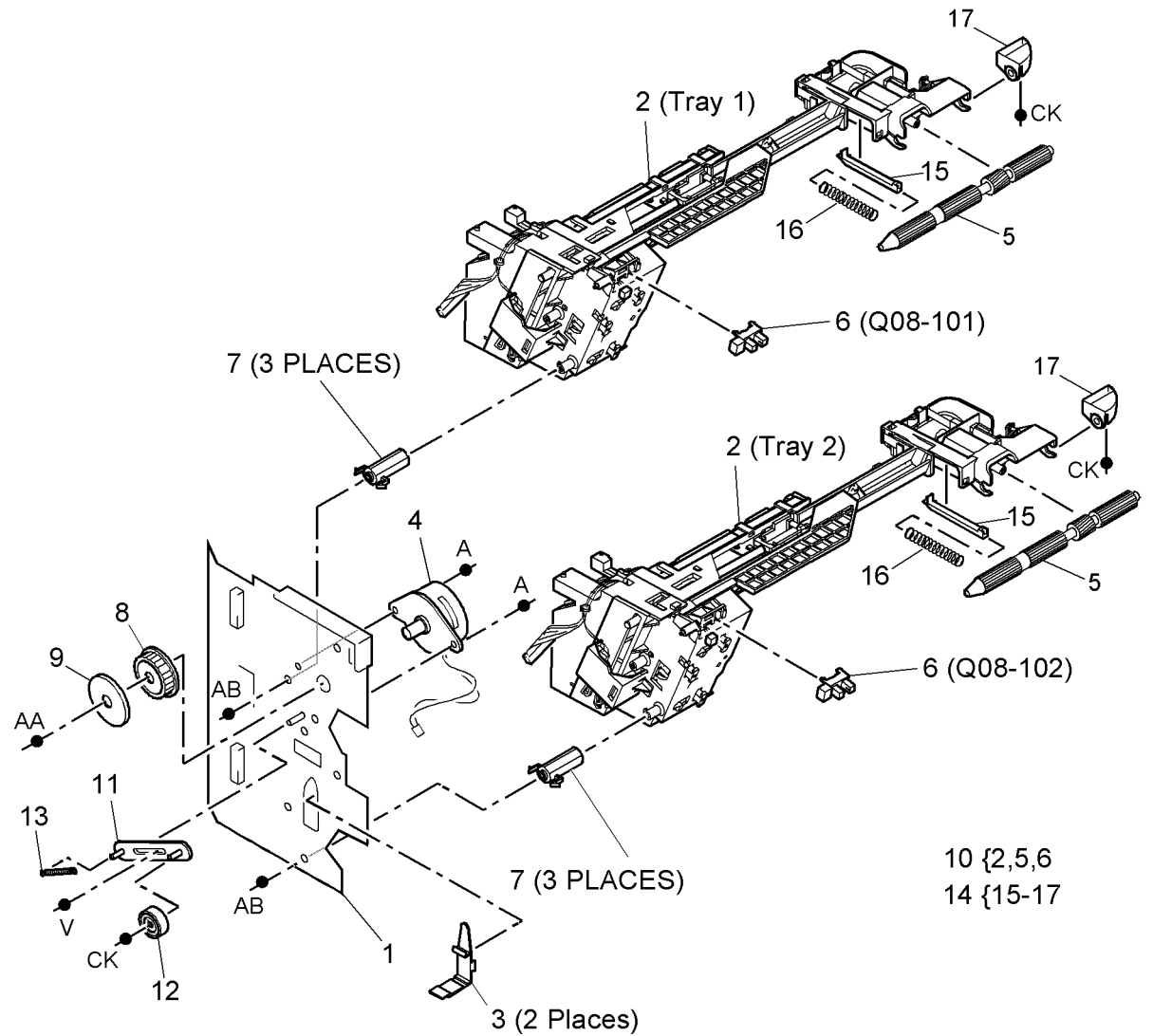
PL 8.25 Tray 1 and 2 Paper Feed Assembly (1 of 2)

Item	Part	Description
1	-	Cover (Not Spared)
2	023E24880	Transport drive belt (REP 8.12, ADJ 8.1)
3	028E16170	Flange
4	807E10200	Pulley
5	-	Tray 1 and 2 paper feed assembly (REF: PL 8.26 Item 10)
6	013E25710	Rear transport roll bearing (REP 8.15, ADJ 4.1)
7	013E23130	Front transport roll bearing (32-55 ppm) (REP 8.15, ADJ 4.1)
-	013E31560	Front transport roll bearing (65-75 ppm) (REP 8.15, ADJ 4.1)
8	059K30420	Transport roll assembly (32-55 ppm) (REP 8.16, ADJ 4.1)
-	059K50090	Transport roll assembly (65-75 ppm) (REP 8.16, ADJ 4.1)
9	130E10560	Tray 1 or Tray 2 Feed sensor actuator (REP 8.17)
10	809E57390	Ground plate
11	019E63140	Cable clamp
12	019E67990	Tray alignment clip kit
13	-	Left alignment clip (P/O PL 8.25 Item 12)
14	-	Right alignment clip (P/O PL 8.25 Item 12)
15	809E69140	Spring



PL 8.26 Tray 1 and 2 Paper Feed Assembly (2 of 2)

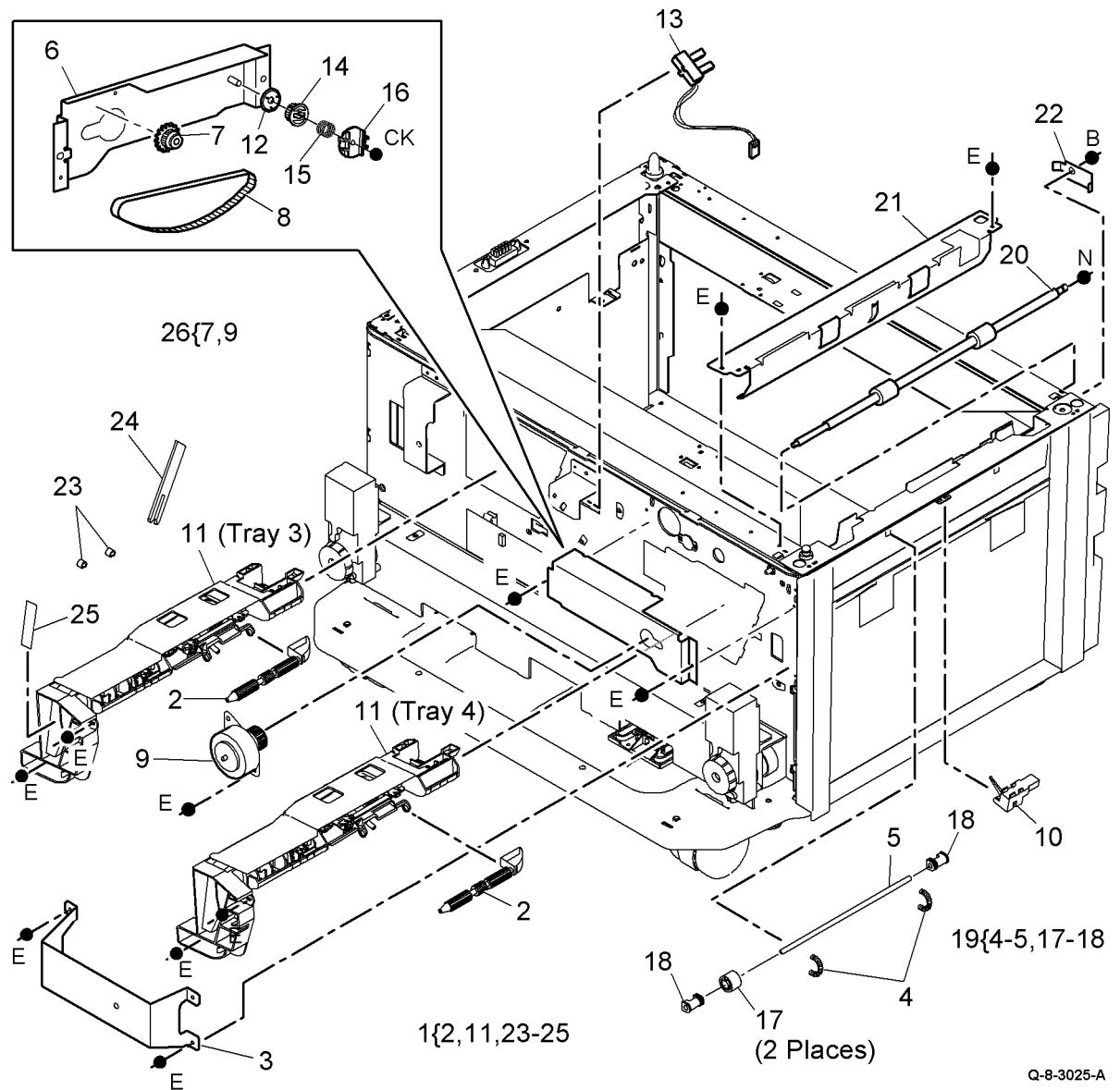
Item	Part	Description
1	815E19640	Frame
2	-	Tray 1 and 2 paper feed (P/O PL 8.26 Item 10)
3	019E63140	Cable clamp
4	127K42820	Tray 1 and 2 transport motor (REP 8.18)
-	127K53370	Alternate
5	059K30390	Feed roll assembly
6	130E11270	Tray 1 feed sensor (Q08-101) (REP 8.24), Tray 2 feed sensor (Q08-102) (REP 8.25)
7	014E50620	Standoff
8	807E10080	Pulley
9	005E22410	Flange
10	059K49840	Tray 1 and 2 paper feed assembly (REP 8.1)
11	019E63130	Transport drive belt tensioner
12	020E40600	Transport drive belt tensioner pulley
13	809E53870	Tensioner spring
14	-	Tray 1 & 2 multifeed kit (REF: PL 31.12 Item 18) (W/TAG 004)
15	-	Shaft (P/O PL 8.26 Item 14)
16	-	Spring (P/O PL 8.26 Item 14)
17	-	Retard ramp (P/O PL 8.26 Item 14)



Q-8-3024-A

PL 8.30 Tray 3 and 4 Paper Feed Assembly

Item	Part	Description
1	604K30621	Tray 3 and 4 paper feed assembly kit (REP 8.2, REP 8.3)
2	059K43730	Feed roll assembly
3	-	Mounting bracket (Not Spared)
4	-	Spring (P/O PL 8.30 Item 19)
5	-	Shaft (P/O PL 8.30 Item 19)
6	-	Tray 3 and 4 transport motor bracket (Not Spared)
7	807E06210	Tray 3 and 4 transport drive gear (32-55 ppm) (REP 8.11)
-	-	Tray 3 and 4 transport drive gear (65-75 ppm) (P/O PL 8.30 Item 26) (REP 8.11)
8	-	Transport drive belt (P/O PL 8.35 Item 16)
9	127K42880	Tray 3 and 4 transport motor (32-55 ppm) (MOT08-045) (REP 8.10)
-	127K53380	Alternate (32-55 ppm) (MOT08-045) (REP 8.10)
-	-	Tray 3 and 4 transport motor (65-75 ppm) (MOT08-045) (P/O PL 8.30 Item 26) (REP 8.10)
10	130E10880	Tray 4 feed sensor (Q08-104)
11	059K40260	Tray 3 and 4 paper feeder (P/O PL 8.30 Item 1)
12	-	Flange (P/O PL 8.35)
13	130E10550	Tray 3 feed sensor (Q08-103) (see NOTE) (REP 8.28)
14	-	Pulley (P/O PL 8.35 Item 16)
15	-	Spring (P/O PL 8.35 Item 16)
16	-	Drive coupling (P/O PL 8.35 Item 16)
17	-	Idler roll (P/O PL 8.30 Item 19)
18	-	Bearing (P/O PL 8.30 Item 19)
19	006K29490	Idler shaft assembly
20	059K30410	Tray 3 and 4 transport roll (32-55 ppm) (REP 8.31, ADJ 4.1)
-	059K50120	Tray 3 and 4 transport roll (65-75 ppm) (REP 8.31, ADJ 4.1)
21	-	Paper guide (Not Spared)
22	-	Ground plate (Not Spared)
23	-	Feeder spacer (Tray 3 only) (P/O PL 8.30 Item 1)
24	-	Spacer tool (P/O PL 8.30 Item 1)
25	-	Tray 3 feeder label (P/O PL 8.30 Item 1)
26	127K47980	Tray 3 and 4 transport motor & drive gear kit (65-75 ppm) (REP 8.10)



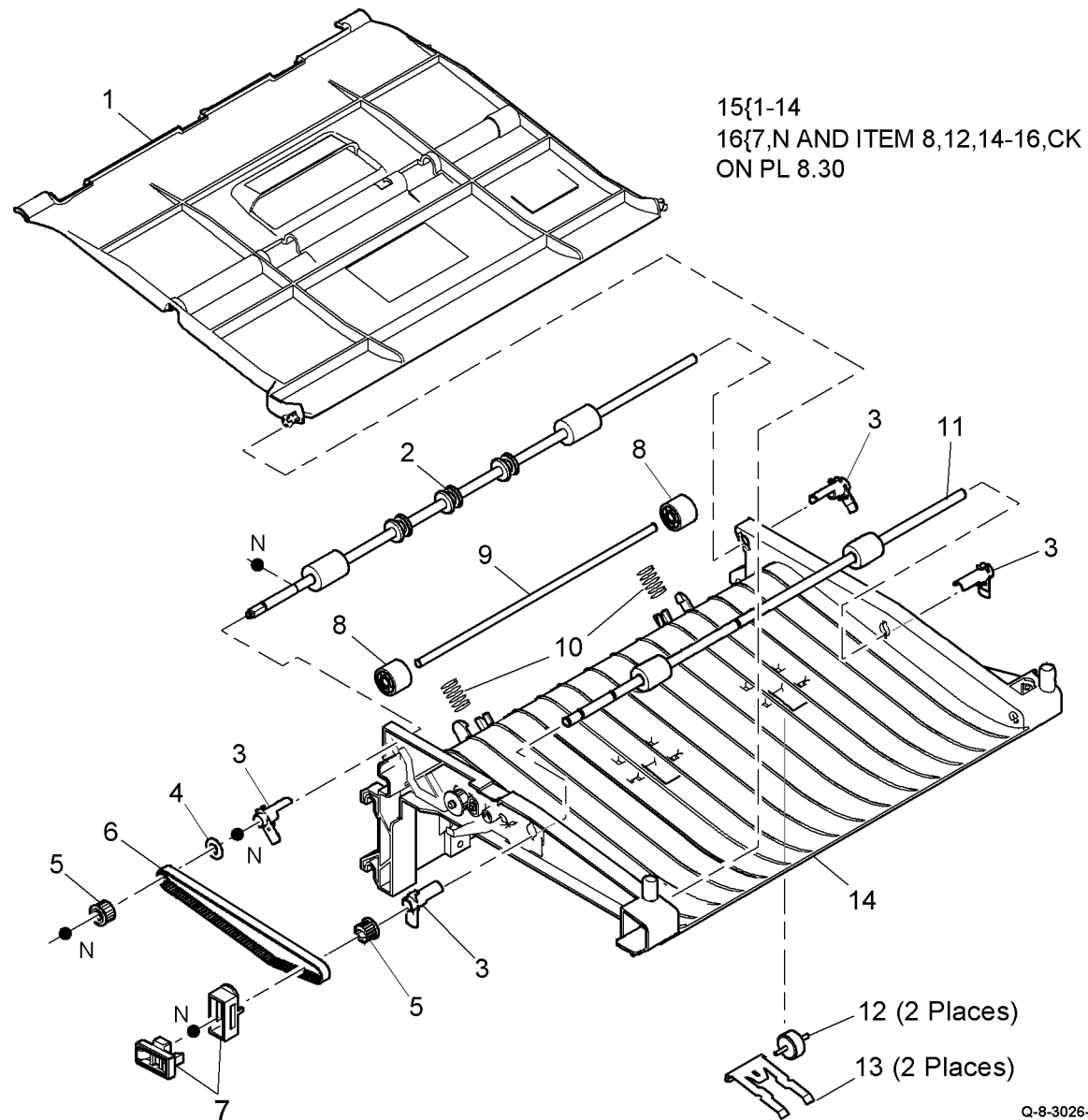
NOTE: For the Tray 3 Feed Sensor Actuator, refer to PL 7.15 Item 9.

PL 8.35 Tray 3 Transport Assembly

Item	Part	Description
1	802K48530	Jam clearance door
2	059K30401	Takeaway roll assembly (32-55 ppm) (REP 8.29, ADJ 4.1)
-	059K50100	Takeaway roll assembly (65-75 ppm) (REP 8.29, ADJ 4.1)
3	022E26620	Transport roll bearing
4	-	Flange (P/O PL 8.35 Item 15)
5	-	Pulley (P/O PL 8.35 Item 15)
6	023E24440	Drive belt
7	-	Drive coupling (P/O PL 8.35 Item 16)
8	022E26640	Idler roll
9	-	Shaft (P/O PL 8.35 Item 15) (REP 8.30)
10	-	Spring (P/O PL 8.35 Item 15) (REP 8.30)
11	059K50110	Transport roll assembly (REP 8.30, ADJ 4.1)
12	-	Nip roll (see NOTE 1)
13	-	Spring plate (P/O PL 8.35 Item 15)
14	-	Base (P/O PL 8.35 Item 15)
15	059K43830	Tray 3 transport assembly (REP 8.13)
16	005E21801	Clutch kit

NOTE: 1. Part number unavailable on SOLOS at time of issue.

NOTE: 2. Refer to REP 8.13 for the Tray 3 Transport Assembly.

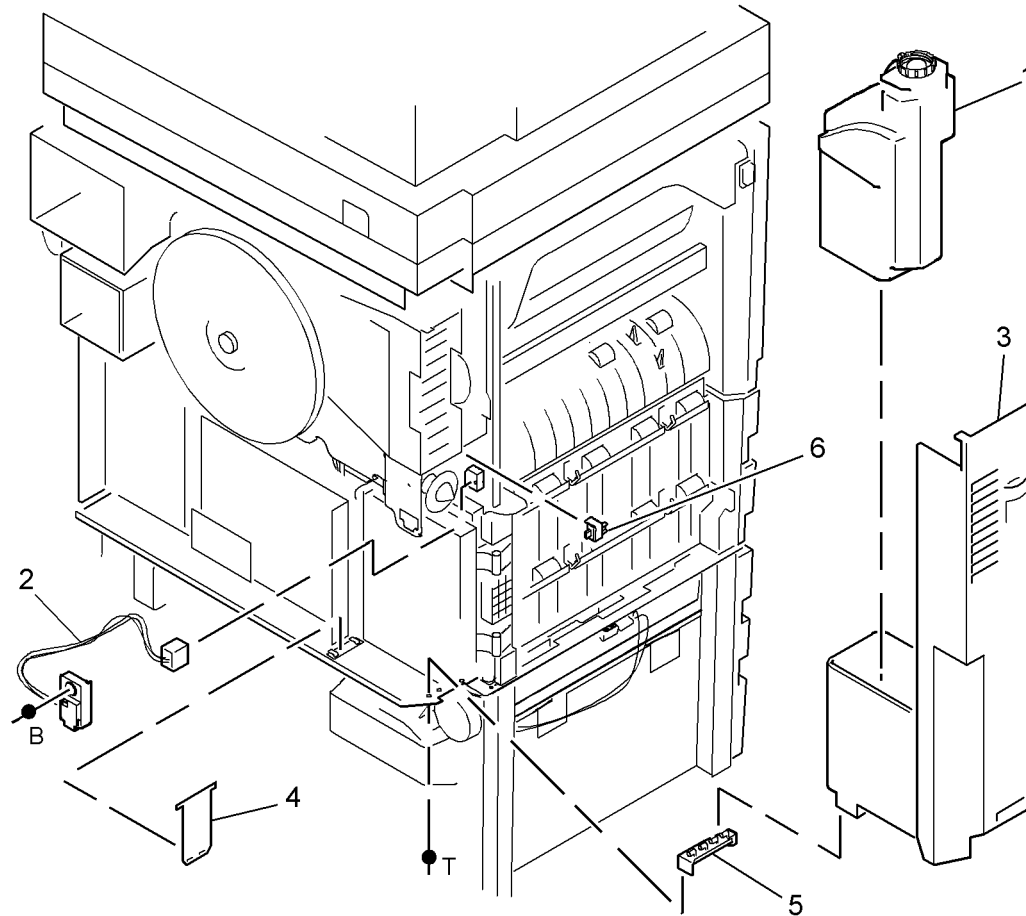


PL 9.10 Waste Toner Bottle Assembly

Item	Part	Description
1	—	Waste toner bottle (see NOTE 1)
2	130K54564	Waste toner full sensor (Q09-350) (REP 9.4)
3	802E45131	Waste toner door (REP 9.1)
4	—	Strap (see NOTE 1)
5	003K17670	Hinge block
6	—	Waste toner door switch (S09-380) (REF: PL 4.10 Item 8, PL 4.15 Item 8)

NOTE: 1. Part number unavailable on SOLOS at time of issue.

NOTE: 2. Refer to REP 9.1 for the waste toner bottle assembly.



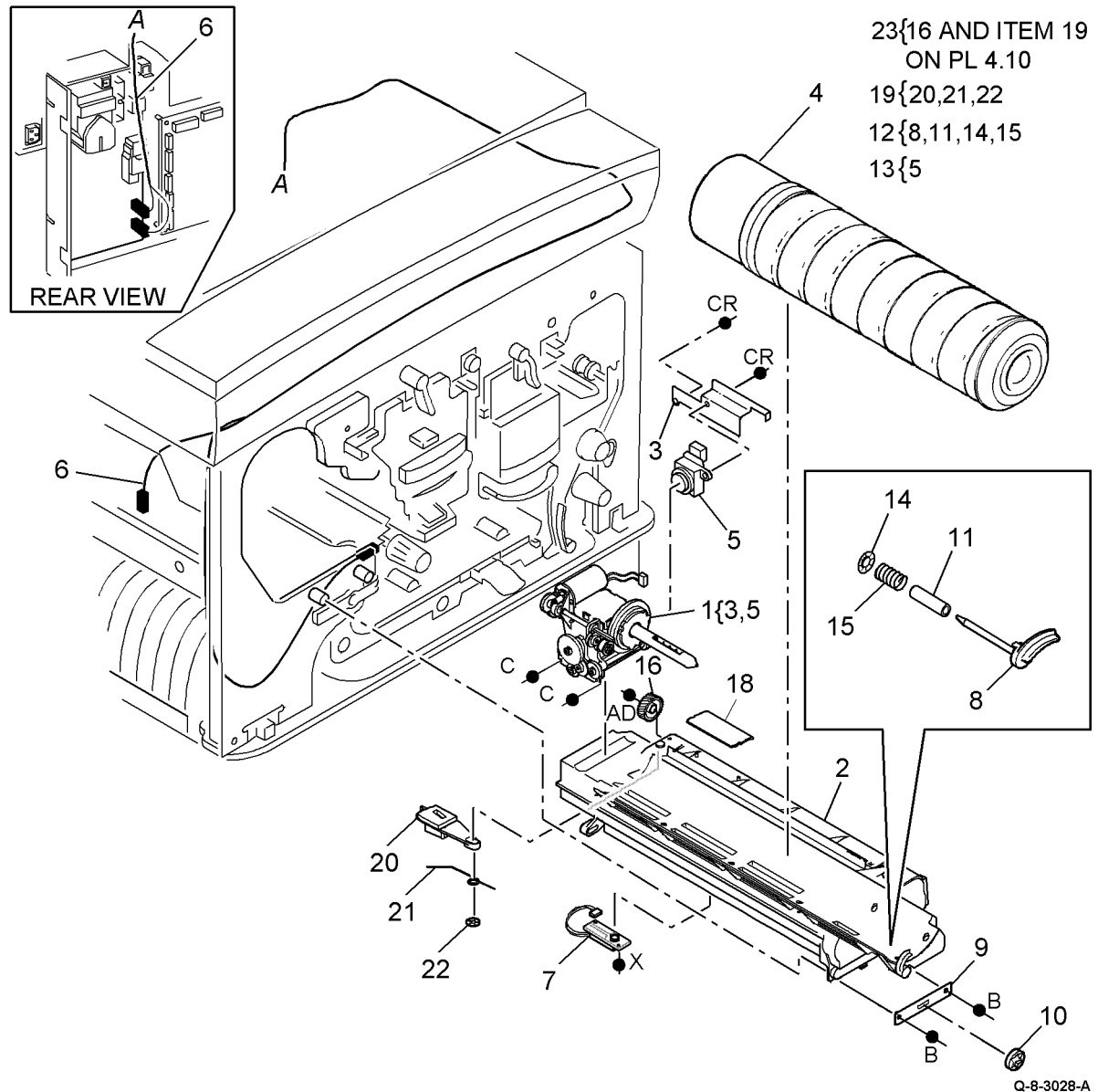
Q-8-3027-A

PL 9.15 Developer Assembly (65-75 ppm)

Item	Part	Description
1	094K04760	Toner dispense module (REP 9.5)
2	-	Developer module (P/O PL 31.12 Item 8) (REP 9.2)
3	-	Retaining bracket (P/O PL 9.15 Item 1)
4	006R01146	Toner cartridge (2 Pack) (see NOTE 1)
5	-	Low toner sensor (Q09-310) (P/O PL 9.15 Item 13)
6	962K25641	Registration/Developer bias harness
7	-	Toner concentration sensor (Q09-360) (P/O PL 9.15 Item 2)
8	-	Developer module latch (P/O PL 9.15 Item 12)
9	-	Retaining plate (P/O PL 9.15 Item 2)
10	-	Speed nut (P/O PL 9.15 Item 2)
11	-	Sleeve (P/O PL 9.15 Item 12)
12	604K30560	Developer module latch repair kit
13	604K16890	Out of toner sensor kit
14	-	Push on fastener (P/O PL 9.15 Item 12)
15	-	Spring (P/O PL 9.15 Item 12)
16	-	Main drive gear (P/O PL 9.15 Item 23) (ADJ 4.1)
17	-	Not used
18	-	Mag seal repair tool (REF: PL 26.10 Item 23)
19	604K24570	Trickle outlet shutter kit
20	-	Shutter assembly (P/O PL 9.15 Item 9)
21	-	Shutter spring (P/O PL 9.15 Item 19)
22	-	Push on fastener (P/O PL 9.15 Item 19)
23	604K24930	Developer/Drives interface kit (See NOTE 2)

NOTE: 1. A waste toner bottle, PL 9.10 Item 1 is supplied with the toner cartridges.

NOTE: 2. The main drive gear PL 9.15 Item 16 and developer drive gear/pulley, PL 4.12 Item 17 must always be replaced as a pair.

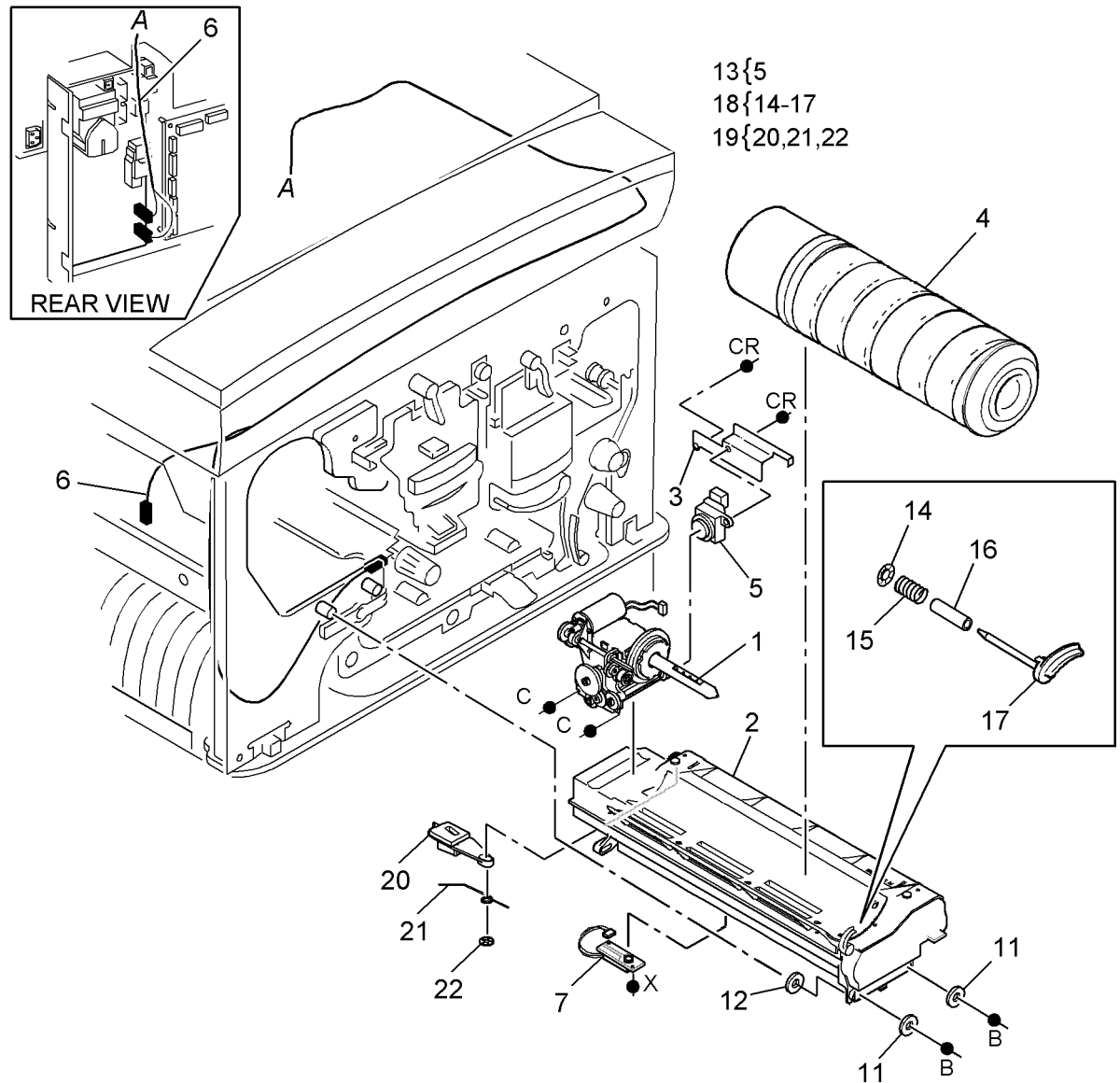


23{16 AND ITEM 19
ON PL 4.10
19{20,21,22
12{8,11,14,15
13{5

PL 9.17 Developer Assembly (32-55 ppm)

Item	Part	Description
1	604K13620	Toner dispense module kit (REP 9.5)
2	-	Developer module (P/O PL 31.12 Item 8) (REP 9.2)
3	-	Retaining bracket (Not Spared)
4	006R01046	Toner cartridge (2) pack (see NOTE)
5	130K67510	Low toner sensor (Q09-310) (P/O PL 9.17 Item 13)
6	962K25641	Registration/Developer bias harness
7	-	Toner concentration sensor (Q09-360) (P/O PL 9.17 Item 2)
8	-	Not used
9	-	Not used
10	-	Not used
11	-	Stepped washer (Not Spared)
12	-	Washer (Not Spared)
13	604K16890	Out of toner sensor kit
14	-	Push on fastener (P/O PL 9.17 Item 18)
15	-	Spring (P/O PL 9.17 Item 18)
16	-	Sleeve (P/O PL 9.17 Item 18)
17	-	Developer module latch (P/O PL 9.17 Item 18)
18	604K18510	Developer module latch repair kit
19	604K24570	Trickle outlet shutter kit
20	-	Shutter assembly (P/O PL 9.17 Item 9)
21	-	Shutter spring (P/O PL 9.17 Item 19)
22	-	Push on fastener (P/O PL 9.17 Item 19)

NOTE: A waste toner bottle, PL 9.10 Item 1 is supplied with the toner cartridges.



13{5
18{14-17
19{20,21,22

Q-8-3115-A

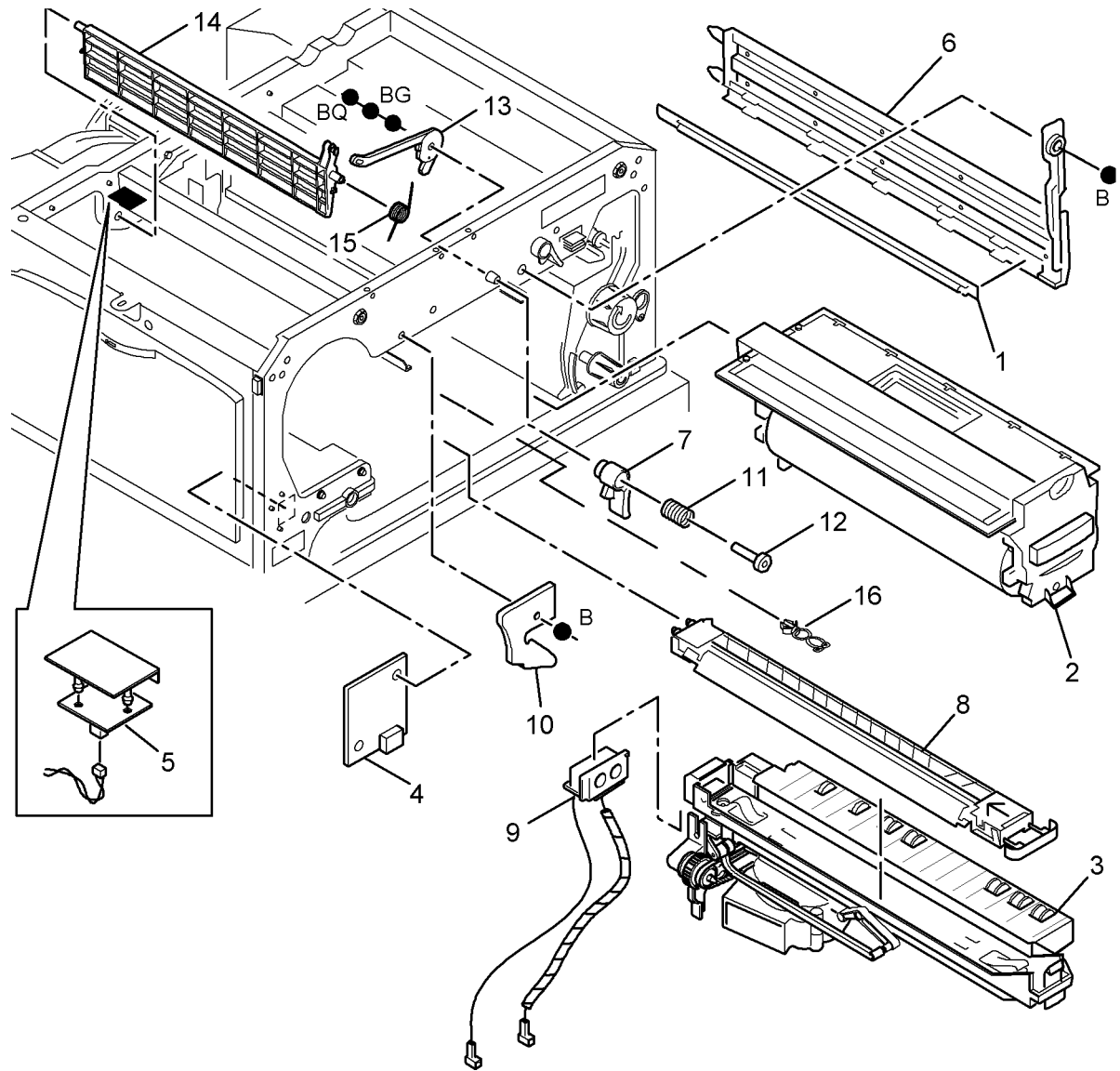
PL 9.20 Xerographic Module and Short Paper Path Assembly (45-75 ppm)

Item	Part	Description
1	122K02390	Erase lamp (REP 9.9)
2	—	Xerographic module (see below for variants, see also NOTE 1 and NOTE 3)
—	113R00673	Sold (XE)
—	113R00674	Sold (NASG/XCL)
—	113R00672	Metered
3	059K35690	Short paper path assembly (REF: PL 10.20)
4	130E10510	Relative humidity sensor (Q09-365)/Ambient temperature sensor (Q09-375)
5	960K11700	Temperature sensor (Q09-370)
6	019E68140	Erase lamp support
7	003K17600	Xerographic module latch (REP 9.6)
8	504K11880	Transfer/Detack corotron (see NOTE 1) (ADJ 9.1)
9	113K03260	Transfer/Detack harness
10	—	Pivot plate (Not Spared)
11	—	Latch spring (Not Spared)
12	—	Latch pin (Not Spared)
13	—	Latch plate (Not Spared)
14	031E10610	Developer paddle (REP 9.7)
15	809E70160	Spring
16	019E62870	Kurly clip

NOTE: 1. A transfer/detack corotron (Item 8) is supplied with the xerographic module.

NOTE: 2. For the charge scorotron and the charge scorotron grid harnesses, refer to (45 ppm) PL 4.17 or (65-75 ppm) PL 4.12.

NOTE: 3. If a new Xerographic module has been installed, perform ADJ 9.2.



Q-8-3029-A

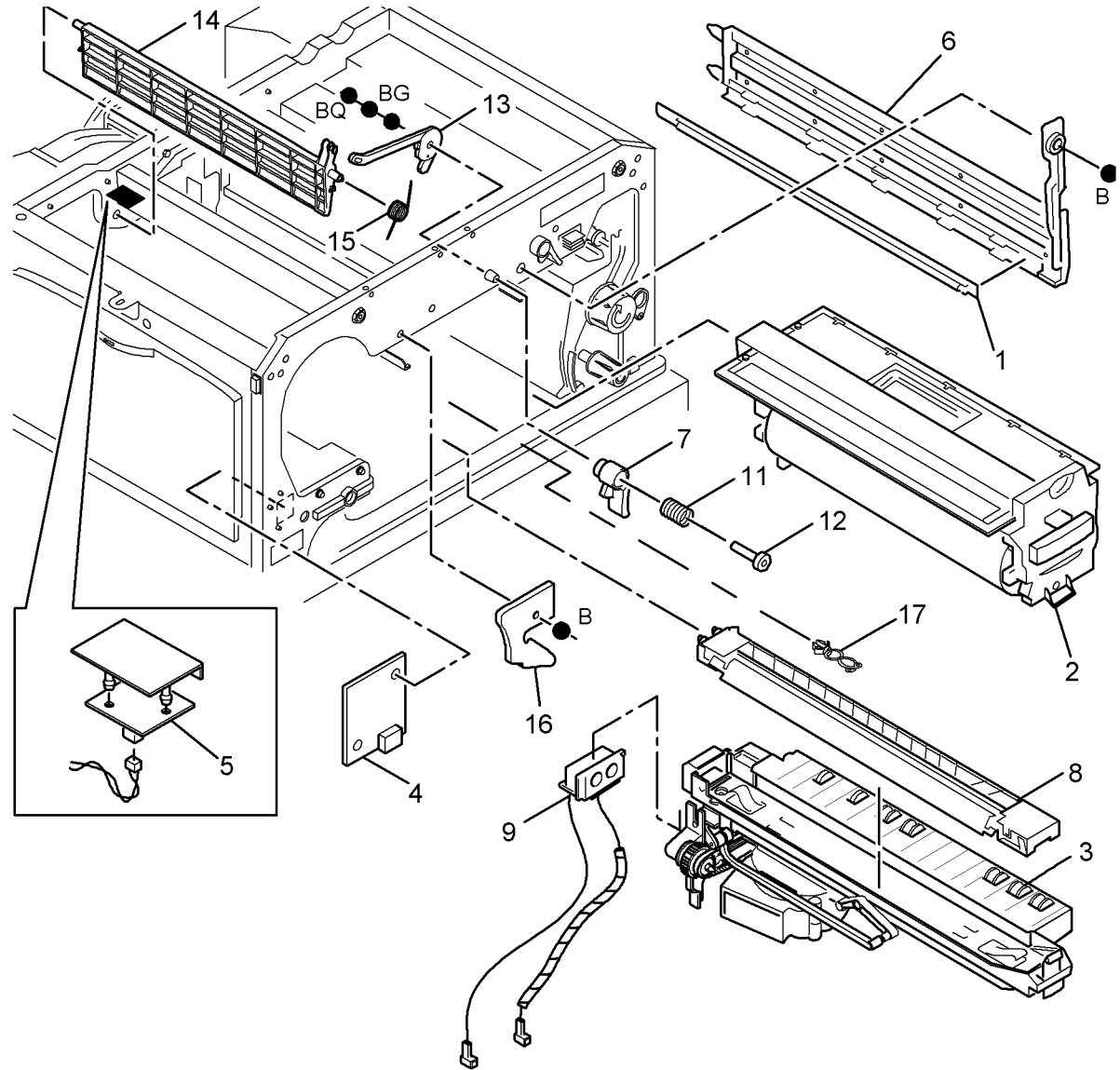
PL 9.22 Xerographic Module and Short Paper Path Assembly (32-38 ppm)

Item	Part	Description
1	122K02300	Erase Lamp (REP 9.9)
2	—	Xerographic module (see below for variants, see also NOTE 1 and NOTE 3)
—	113R00607	Sold (XE)
—	113R00610	Sold (NASG/XCL)
—	113R00608	Metered
3	059K35690	Short paper path assembly (REF: PL 10.20)
4	130E10510	Relative humidity sensor (Q09-365)/Ambient temperature sensor (Q09-375)
5	960K11700	Temperature sensor (Q09-370)
6	019E68140	Erase lamp support
7	003K17600	Xerographic module latch (REP 9.6)
8	504K11510	Transfer/Detack corotron (see NOTE 1) (ADJ 9.1)
9	113K03260	Transfer/Detack harness (REP 9.8)
10	—	Not used
11	—	Latch spring (Not Spared)
12	—	Latch pin (Not Spared)
13	—	Latch plate (Not Spared)
14	031E10610	Developer paddle (REP 9.7)
15	809E70160	Spring
16	—	Pivot plate (Not Spared)
17	019E62870	Kurly clip

NOTE: 1. A transfer/detack corotron (item 8) is supplied with the xerographic module.

NOTE: 2. For the charge scorotron and charge scorotron grid harnesses, refer to PL 4.17.

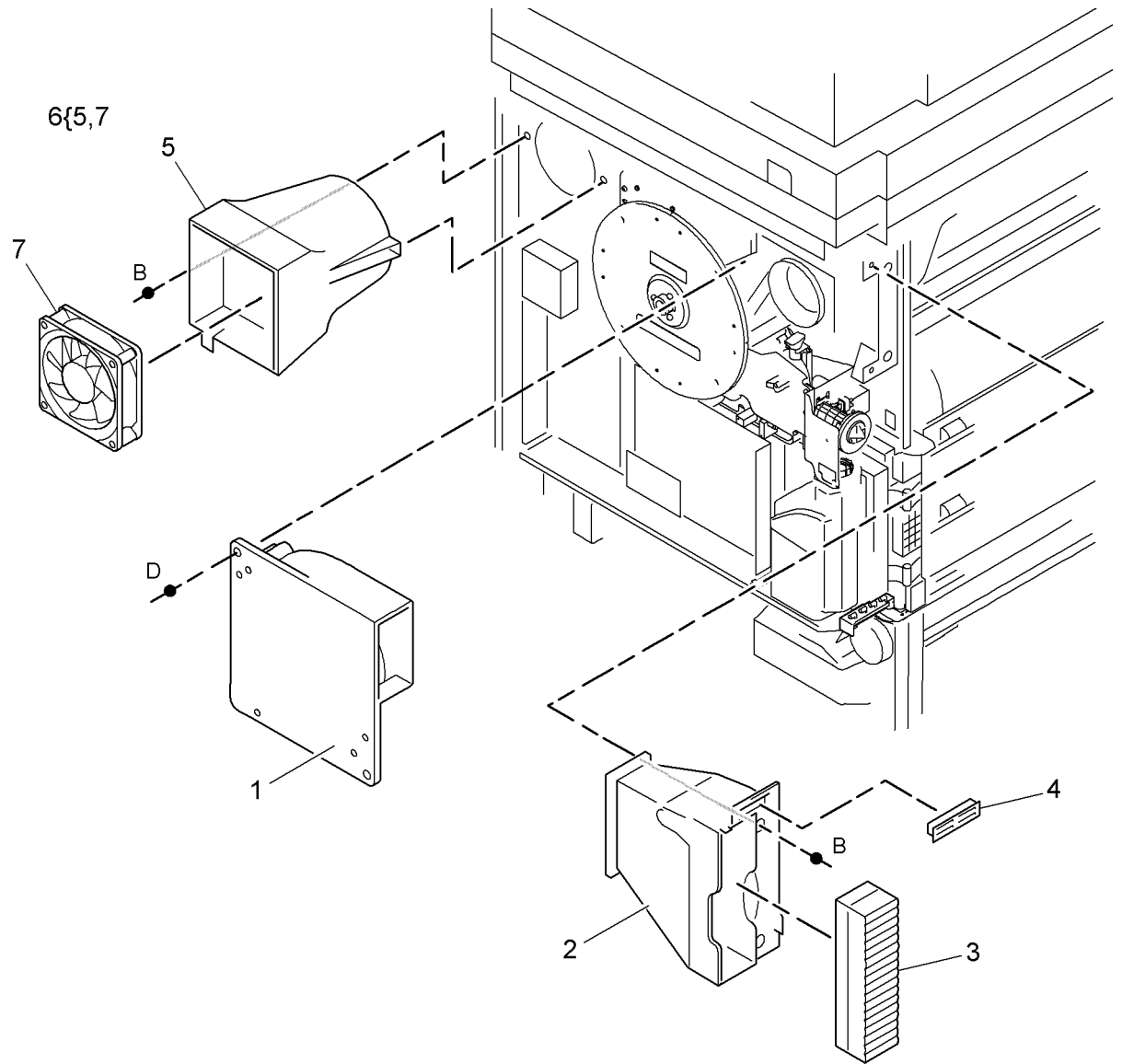
NOTE: 3. If a new Xerographic module has been installed, perform ADJ 9.2.



Q-8-3116-A

PL 9.25 Ozone Fan and Photoreceptor Fan

Item	Part	Description
1	127K42790	Ozone fan (REP 9.3)
2	054E24631	Ozone duct
3	053K04381	Ozone filter (32-55 ppm)
-	053K04482	Ozone filter (65-75 ppm)
4	-	Magnet (P/O PL 9.25 Item 2)
5	-	Photoreceptor duct (P/O PL 9.25 Item 6)
6	127K43291	Photoreceptor fan assembly
7	-	Fan (P/O PL 9.25 Item 6)



Q-8-3030-A

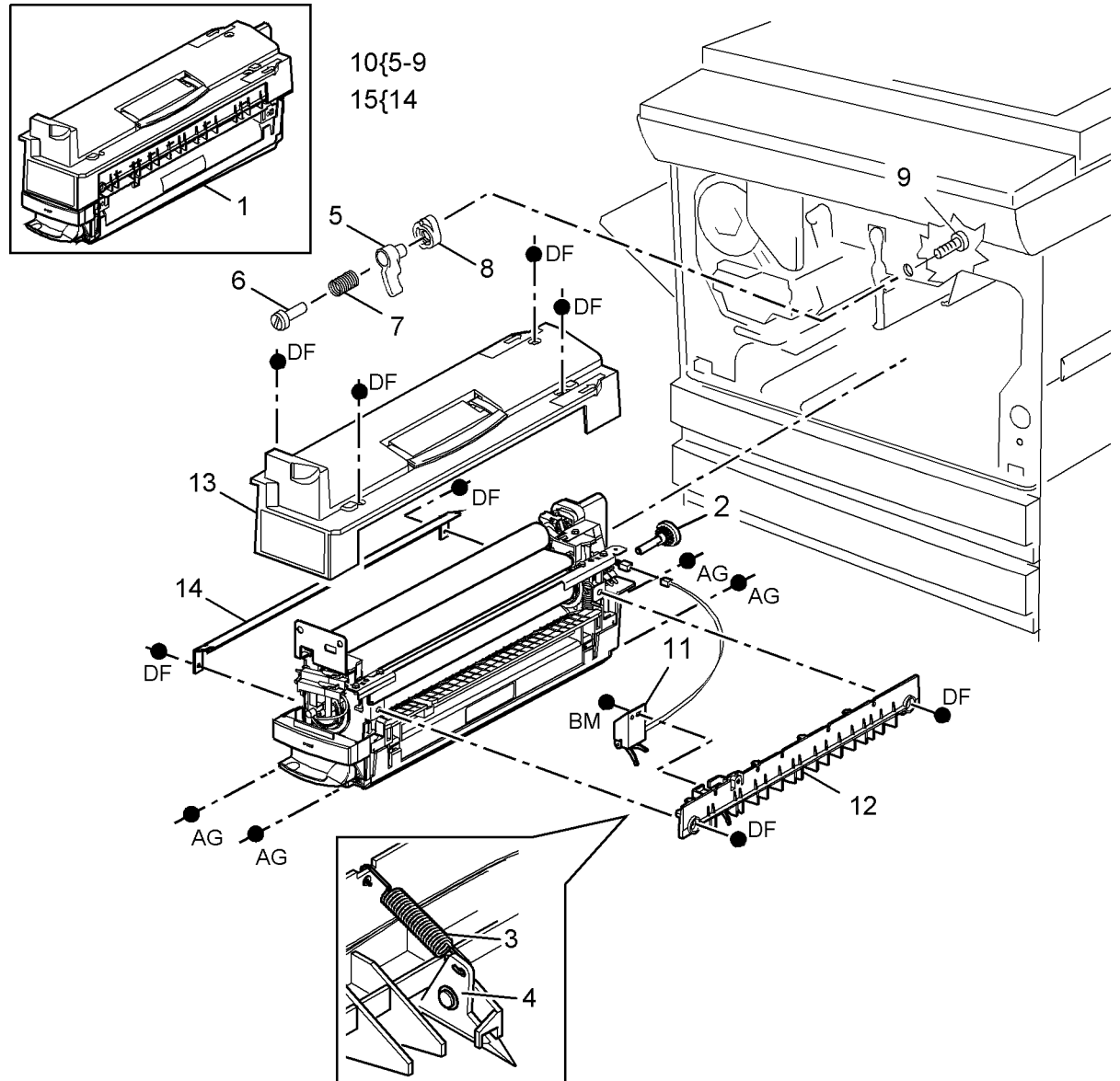
PL 10.8 Fuser Module Assembly (32-55 ppm)

Item	Part	Description
1	109R00751	Fuser module (XE) (see NOTE 1)
-	109R00752	Fuser module (NASG/XCL) (see NOTE 1)
2	007E74044	Web drive dog
3	-	Spring (P/O PL 10.8 Item 1)
4	-	Fuser stripper finger (P/O PL 31.12 Item 10)
5	-	Fuser latch (P/O PL 10.8 Item 10) (REP 10.10)
6	-	Fuser latch pin (P/O PL 10.8 Item 10)
7	-	Spring (P/O PL 10.8 Item 10)
8	-	Latch stop (P/O PL 10.8 Item 10)
9	-	Screw (P/O PL 10.10 Item 10)
10	604K17672	Fuser latch pin kit
11	-	Fuser exit switch (see NOTE 3) (REP 10.16)
12	-	Fuser upper exit guide (P/O PL 10.8 Item 1)
13	-	Fuser top cover (P/O PL 10.8 Item 1)
14	-	Lower input guide (P/O PL 10.8 Item 15)
15	-	Lower input guide kit (REF: PL 31.12 Item 19)

NOTE: 1. An ozone filter, PL 9.25 Item 3 is supplied with the fuser module.

NOTE: 2. For the fuser web motor, fuser connector assembly and fuser CRUM connector, refer to PL 4.15.

NOTE: 3. Part number unavailable on SOLOS at time of issue.



Q-8-3101-A

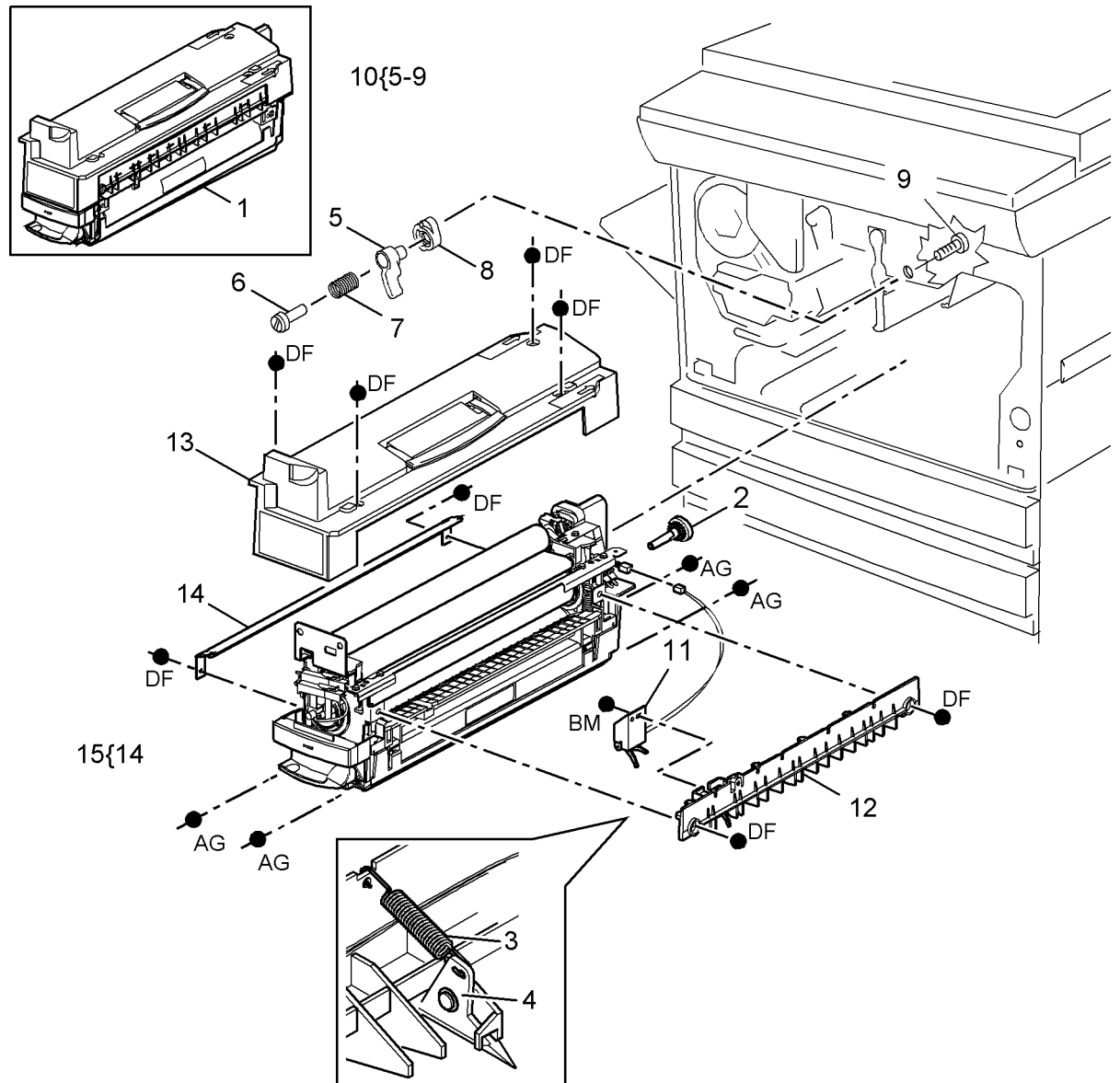
PL 10.10 Fuser Module Assembly (65-75 ppm)

Item	Part	Description
1	109R00724	Fuser module (XE) (see NOTE 1)
-	109R00723	Fuser module (NASG/XCL) (see NOTE 1)
2	007E74044	Web drive dog
3	-	Spring (P/O PL 10.10 Item 1)
4	-	Fuser stripper finger (P/O PL 31.12 Item 10)
5	-	Fuser latch (P/O PL 10.10 Item 10) (REP 10.10)
6	-	Fuser latch pin (P/O PL 10.10 Item 10)
7	-	Spring (P/O PL 10.10 Item 10)
8	-	Latch stop (P/O PL 10.10 Item 10)
9	-	Screw (P/O PL 10.10 Item 10)
10	604K17672	Fuser latch pin kit
11	-	Fuser exit switch (see NOTE 3) (REP 10.16)
12	-	Fuser upper exit guide (P/O PL 10.10 Item 1)
13	-	Fuser top cover (P/O PL 10.10 Item 1)
14	-	Lower input guide (P/O PL 10.10 Item 15)
15	-	Lower input guide kit (REF: PL 31.12 Item 19)

NOTE: 1. An ozone filter, PL 9.25 Item 3 is supplied with the fuser module.

NOTE: 2. For the fuser web motor, fuser connector assembly and fuser CRUM connector, refer to PL 4.10.

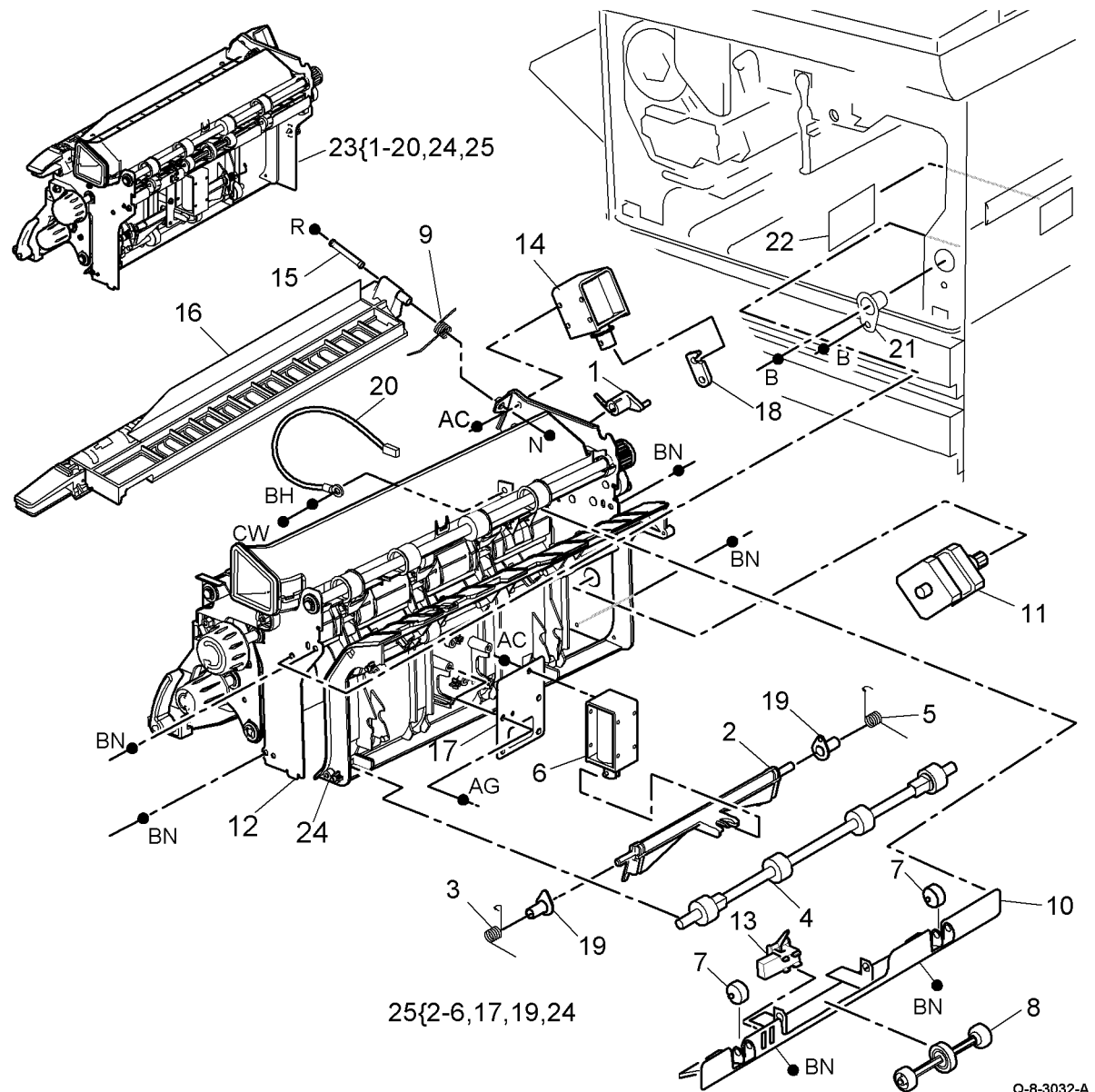
NOTE: 3. Part number unavailable on SOLOS at time of issue.



Q-8-3031-A

PL 10.11 Inverter Assembly (65-75 ppm) (1 of 2)

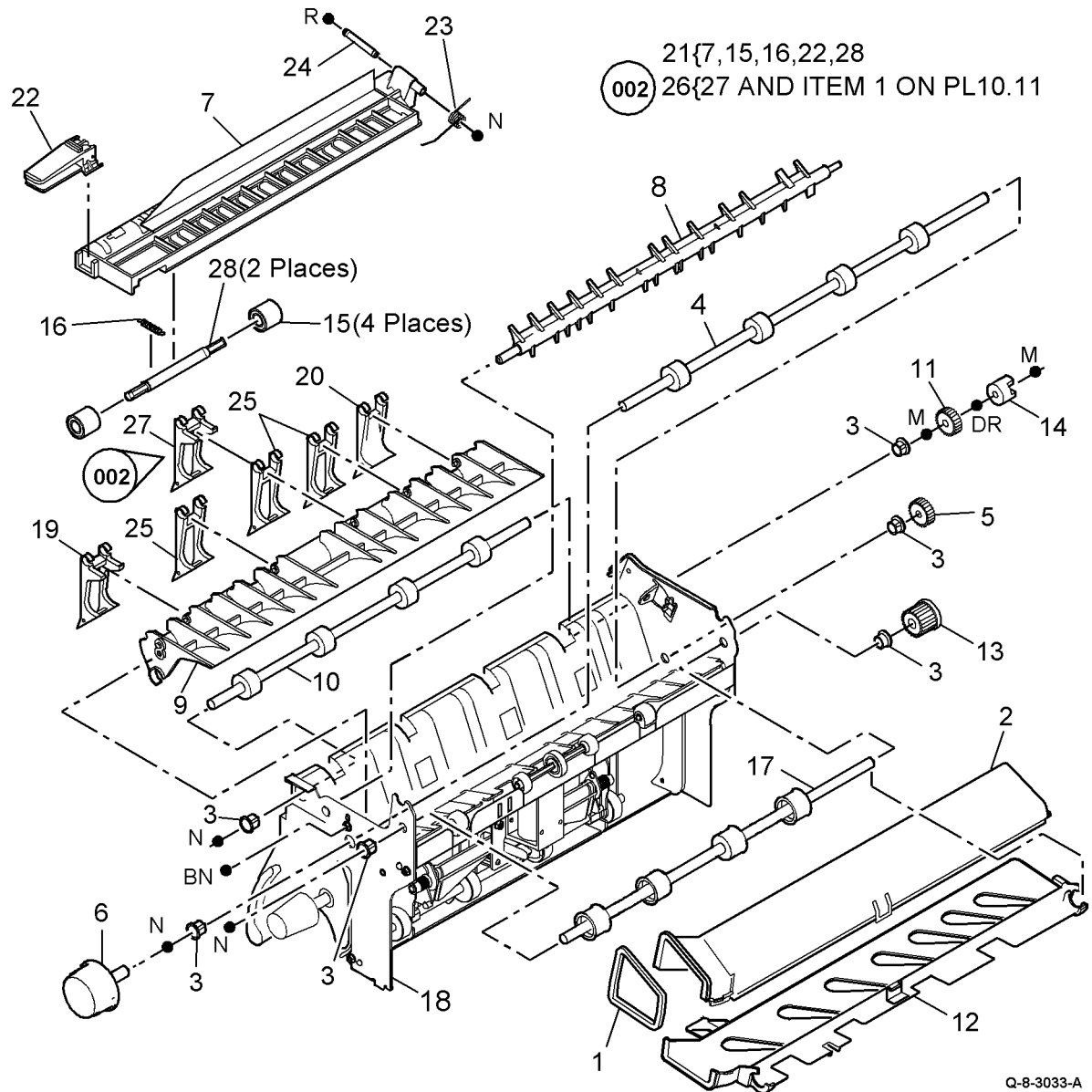
Item	Part	Description
1	012E14120	Link arm
2	120E26280	Shaft actuator (REP 10.9)
3	-	LH Spring (P/O PL 10.11 Item 23)
4	006K28361	Nip split shaft assembly (REP 10.8)
5	-	RH Spring (P/O PL 10.11 Item 23)
6	121E18300	Inverter nip solenoid (SOL10-050) (REP 10.5)
7	059K30342	Single exit nip roll (REP 10.6)
8	059K43660	Double exit nip roll (REP 10.6)
9	-	Torsion spring (P/O PL 10.11 Item 23)
10	849E28060	Nip roll guide (REP 10.6)
11	127K44290	Inverter motor (MOT10-040) (REP 10.3)
12	-	Inverter (P/O PL 10.11 Item 23)
13	130E11390	IOT Exit sensor (Q10-120) (REP 10.17)
14	121E18310	Inverter path solenoid (SOL10-045) (REP 10.4)
15	-	Hinge pin (P/O PL 10.11 Item 23)
16	-	Upper baffle assembly (REF: PL 10.12 Item 21)
17	-	Inverter nip solenoid bracket (P/O PL 10.11 Item 23)
18	-	Solenoid link (P/O PL 10.11 Item 23)
19	013E27850	Bearing
20	130K68450	Thermistor assembly
21	114E18621	Inverter locator
22	960K11550	Inverter motor driver PWB
23	112K00710	Inverter complete assembly (REP 10.2)
24	-	Output guide (P/O PL 10.11 Item 25) (REP 10.18)
25	059K49890	Output guide assembly



Q-8-3032-A

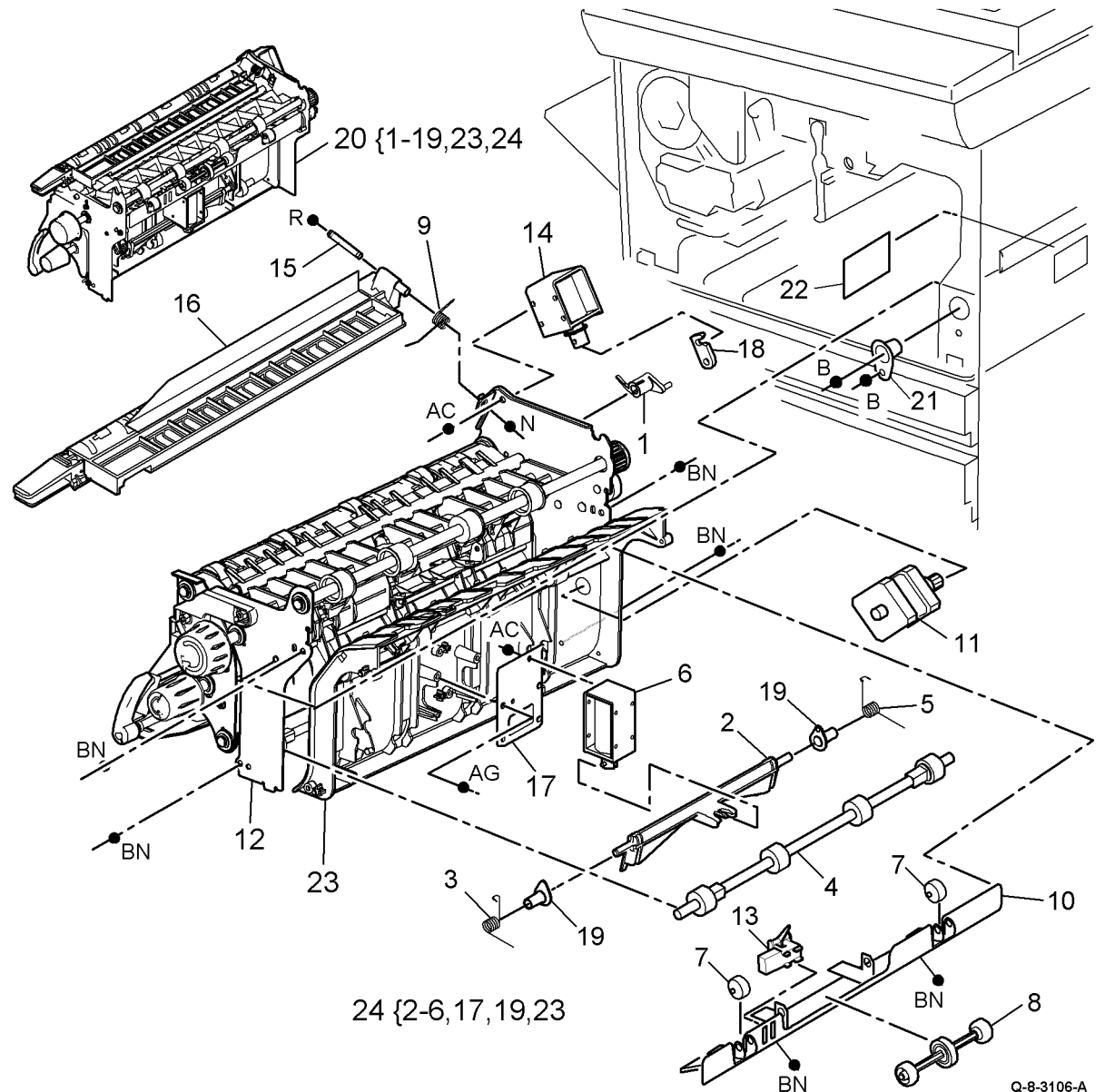
PL 10.12 Inverter Assembly (65-75 ppm) (2 of 2)

Item	Part	Description
1	-	Seal (P/O PL 10.11 Item 23)
2	-	Inverter assembly duct (P/O PL 10.11 Item 23)
3	013E23110	Bearing
4	006K29031	Tri roll shaft assembly (REP 10.12)
5	-	Idler gear (20T) (REF: PL 10.15 Item 4)
6	-	Tri roll knob (REF: PL 10.15 Item 12)
7	-	Upper baffle (P/O PL 10.12 Item 21)
8	050E22230	Inverter gate (REP 10.11)
9	-	Tri roll guide (P/O PL 10.11 Item 23)
10	-	Post fuser exit roller (P/O PL 10.11 Item 23)
11	-	Post fuser gear (20T) (REF: PL 10.15 Item 7)
12	-	Baffle guide (P/O PL 10.11 Item 23)
13	-	Exit gear (REF: PL 10.15 Item 1)
14	-	Dog drive assembly (REF: PL 10.15 Item 6)
15	059K49400	Idler roll
16	-	Spring (P/O PL 10.12 Item 21)
17	006K28051	Exit shaft assembly (REP 10.14)
18	-	Inverter (P/O PL 10.11 Item 23)
19	-	Front gravity finger (P/O PL 10.11 Item 23)
20	-	Rear gravity finger (P/O PL 10.11 Item 23)
21	038K16520	Upper baffle assembly (REP 10.7)
22	-	Post fuser jam clearance latch (REF: PL 10.15 Item 11)
23	-	Torsion spring (P/O PL 10.11 Item 23)
24	-	Hinge pin (P/O PL 10.11 Item 23)
25	-	Gravity gate finger (P/O PL 10.11 Item 23)
26	-	Gravity gate finger kit (P/O PL 31.12 Item 11) (W/TAG 002)
27	-	Front gravity finger (P/O PL 10.12 Item 26) (W/TAG 002)
28	-	Idler roll shaft (P/O PL 10.12 Item 21)



PL 10.13 Inverter Assembly (32-55 ppm) (1 of 2)

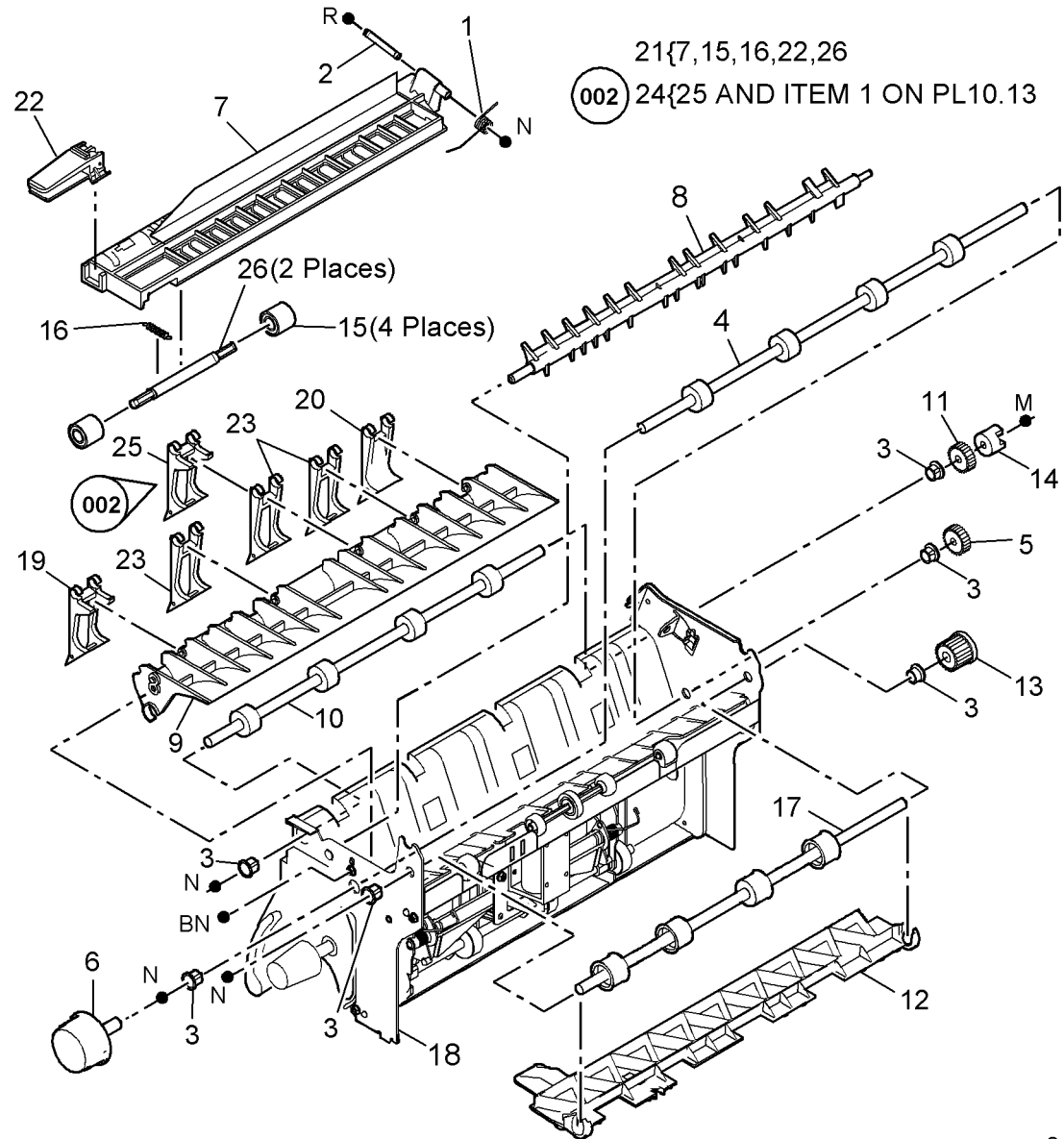
Item	Part	Description
1	012E14120	Link arm
2	120E26280	Shaft actuator (REP 10.9)
3	-	LH Spring (P/O PL 10.13 Item 20)
4	006K28361	Nip split shaft assembly (REP 10.8)
5	-	RH Spring (P/O PL 10.13 Item 20)
6	121E18300	Inverter nip solenoid (SOL 10-050) (REP 10.5)
7	059K30342	Single exit nip roll (REP 10.6)
8	059K43660	Double exit nip roll (REP 10.6)
9	-	Torsion spring (P/O PL 10.13 Item 20)
10	849E28060	Nip roll guide (REP 10.6)
11	127K42760	Inverter motor (MOT 10-040) (REP 10.3)
12	-	Inverter (P/O PL 10.13 Item 20)
13	130E11390	IOT Exit sensor (Q 10-120) (REP 10.17)
14	121E18310	Inverter path solenoid (SOL 10-045) (REP 10.4)
15	-	Hinge pin (P/O PL 10.13 Item 20)
16	-	Upper baffle assembly (REF: PL 10.14 Item 21)
17	-	Inverter nip solenoid bracket (P/O PL 10.13 Item 20)
18	-	Solenoid link (P/O PL 10.13 Item 20)
19	013E27850	Bearing
20	112K00700	Inverter complete assembly (REP 10.2)
21	114E18621	Inverter locator
22	160K92790	Inverter motor driver PWB
23	-	Output guide (P/O PL 10.13 Item 24) (REP 10.18)
24	059K49890	Output guide assembly



Q-8-3106-A

PL 10.14 Inverter Assembly (32-55 ppm) (2 of 2)

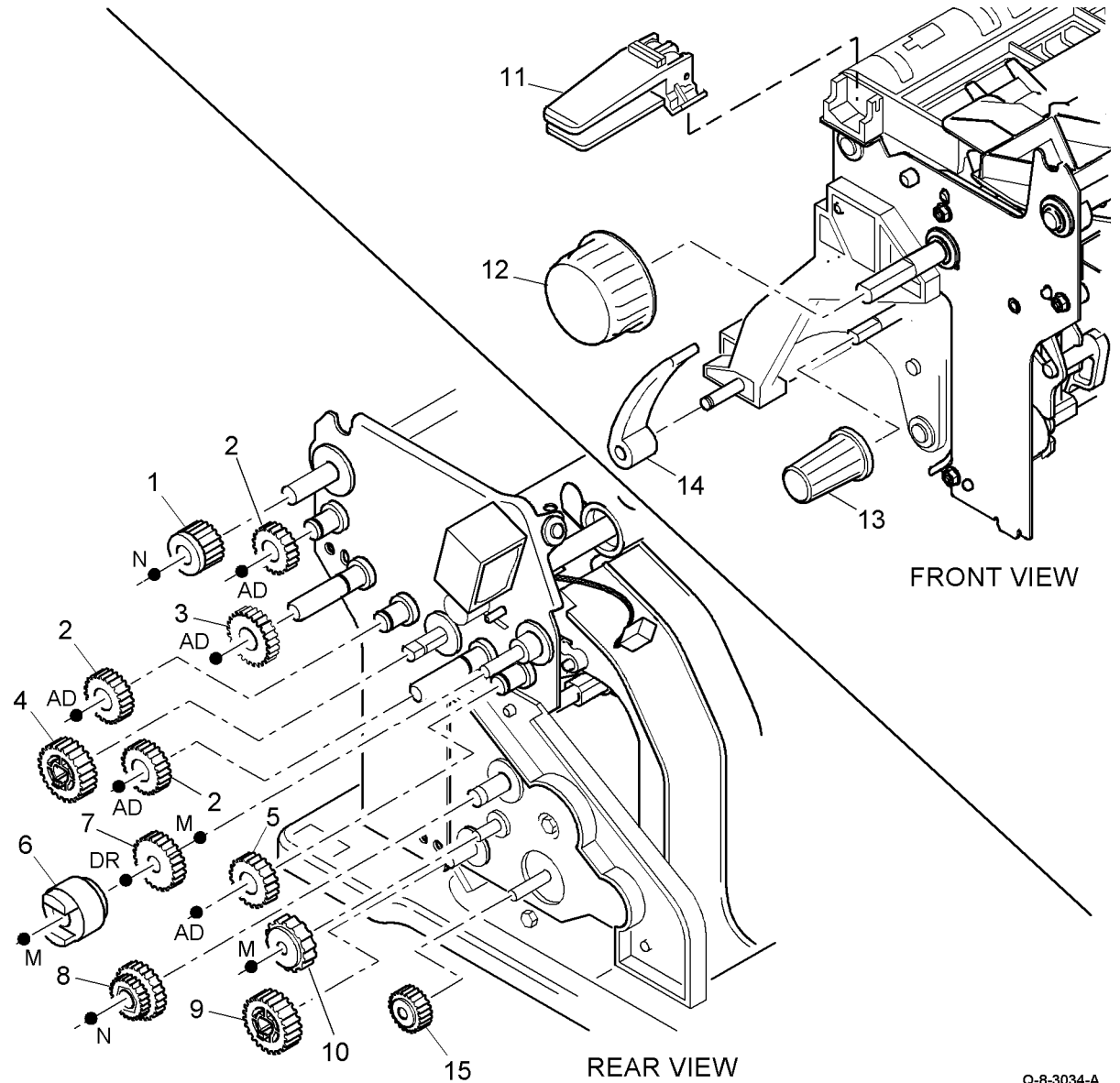
Item	Part	Description
1	-	Torsion spring (P/O PL 10.14 Item 20)
2	-	Hinge pin (P/O PL 10.13 Item 20)
3	013E23110	Bearing
4	006K29981	Tri roll shaft assembly (REP 10.12)
5	-	Idler gear (20T) (REF: PL 10.15 Item 4)
6	-	Tri roll knob (REF: PL 10.15 Item 12)
7	-	Upper baffle (P/O PL 10.14 Item 21)
8	050E22230	Inverter gate (REP 10.11)
9	-	Tri roll guide (P/O PL 10.13 Item 20)
10	-	Post fuser exit roller (P/O PL 10.13 Item 20)
11	-	Post fuser gear (20T) (REF: PL 10.15 Item 7)
12	-	Baffle guide (P/O PL 10.13 Item 20)
13	-	Exit gear (REF: PL 10.15 Item 1)
14	-	Drive dog assembly (REF: PL 10.15 Item 6)
15	059K49400	Idler roll
16	-	Spring (P/O PL 10.14 Item 21)
17	006K28051	Exit shaft assembly (REP 10.14)
18	-	Inverter (P/O PL 10.13 Item 20)
19	-	Front gravity finger (P/O PL 10.13 Item 20)
20	-	Rear gravity finger (P/O PL 10.13 Item 20)
21	038K16520	Upper baffle assembly (REP 10.7)
22	-	Post fuser jam clearance latch (REF: PL 10.15 Item 11)
23	-	Gravity finger (P/O PL 10.13 Item 20)
24	-	Gravity gate finger kit (P/O PL 31.12 Item 11) (W/TAG 002)
25	-	Front gravity finger (P/O PL 10.14 Item 24) (W/TAG 002)
26	-	Idler roll shaft (P/O PL 10.14 Item 21)



Q-8-3114-A

PL 10.15 Inverter Drive Gears and Jam Clearance Knobs

Item	Part	Description
1	807E05230	Exit gear (20T)
2	807E05270	Idler gear (21T)
3	807E05260	Idler gear (25T)
4	807E05250	Idler gear (20T)
5	807E05240	Idler gear (19T)
6	807E05210	Dog drive assembly
7	807E05220	Post fuser gear (20T)
8	807E05300	Gear assembly
9	807E05290	Gear (24T)
10	807E05280	Gear (21T)
11	003K18490	Post fuser jam clearance latch
12	003K17570	Tri roll knob
13	003K17581	Jam clearance knob
14	003K17591	Latch cam handle
15	-	Inverter motor gear (32-55 ppm) (REF: PL 10.13 Item 11)
-	-	Inverter motor gear (65-75 ppm) (REF: PL 10.10 Item 11)

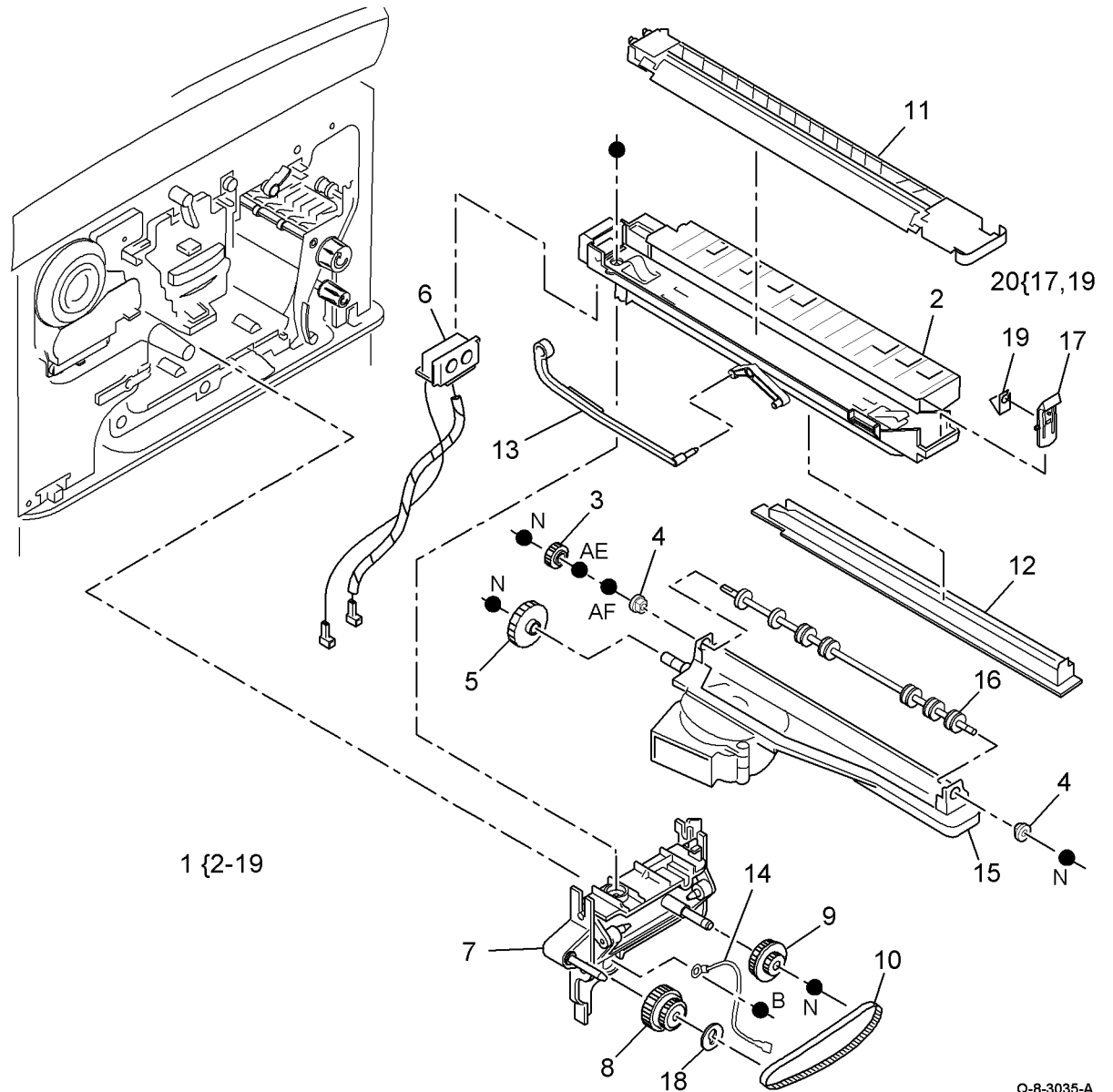


Q-8-3034-A

PL 10.20 Short Paper Path Assembly

Item	Part	Description
1	059K35690	Short paper path assembly (REP 10.1)
2	-	Corotron carrier (P/O PL 10.20 Item 1)
3	807E05140	Gear (16T)
4	013E08140	Bearing
5	807E05130	Gear (32T)
6	-	Transfer/Detack harness (REF: PL 9.20 Item 9)
7	-	Intermediate drive assembly (P/O PL 10.20 Item 1)
8	807E05420	Gear/Pulley (28T/25G)
9	807E05200	Gear/Pulley (16T/30G)
10	023E24410	Intermediate drive belt (REP 10.15)
11	-	Transfer/Detack corotron (32-38 ppm) (REF: PL 9.22 Item 8)
-	-	Transfer/Detack corotron (45-75 ppm) (REF: PL 9.20 Item 8)
12	-	Ozone duct (P/O PL 10.20 Item 1)
13	-	Push rod (P/O PL 10.20 Item 1)
14	-	Ground harness (P/O PL 10.20 Item 1)
15	-	Base (P/O PL 10.20 Item 1)
16	-	Roll assembly (P/O PL 10.20 Item 1)
17	003E70960	Corotron carrier latch (P/O PL 10.20 Item 20)
18	028E16330	Snap on washer (M6)
19	-	Spring clip (P/O PL 10.20 Item 20)
20	003K18370	Latch and spring assembly

NOTE: For the registration and halo bias contact, refer to PL 8.15 Item 23.

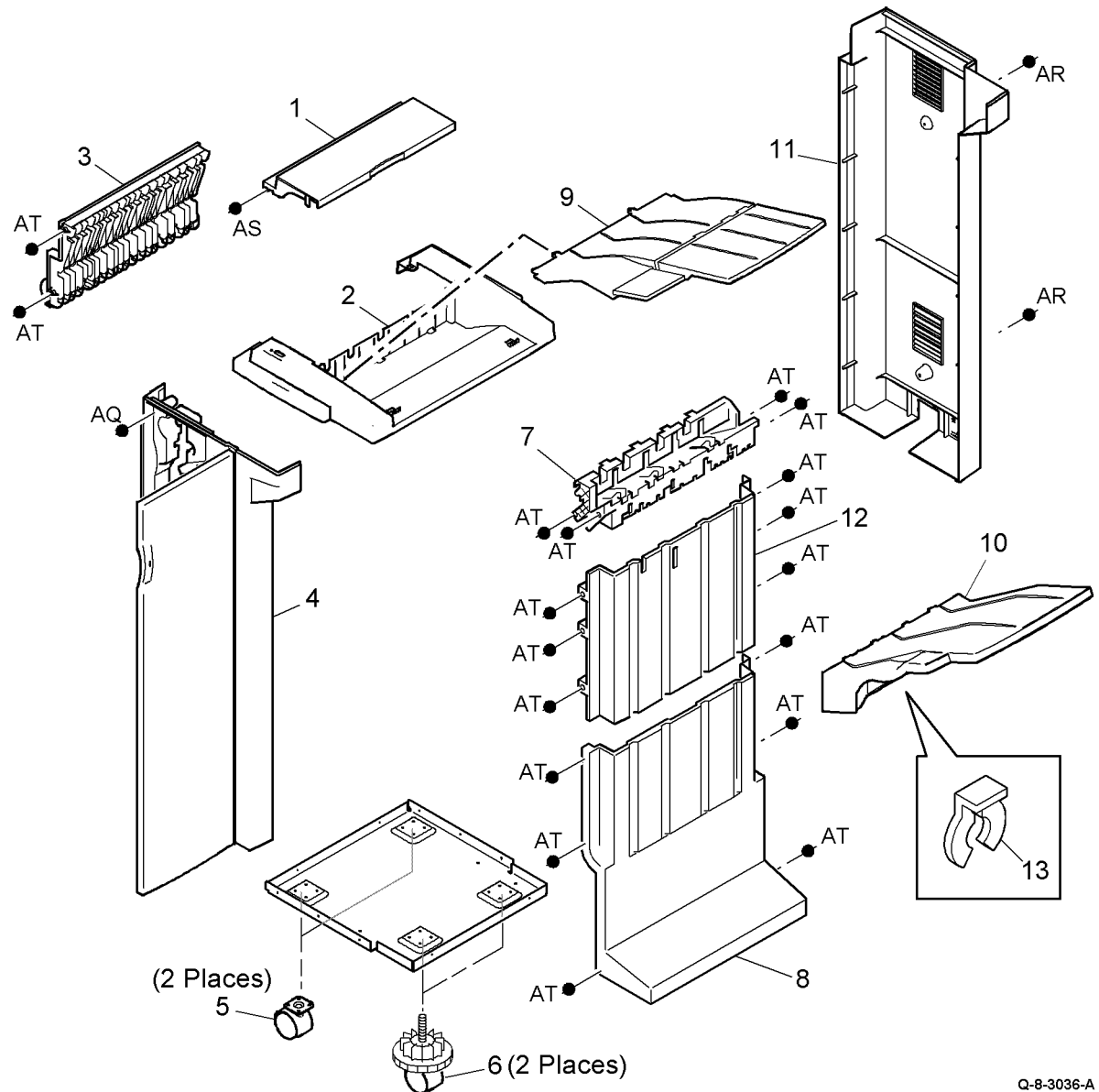


Q-8-3035-A

PL 11.2 2K LCSS Covers

Item	Part	Description
1	802K48330	Exit cover
2	802K48372	Top cover (REP 11.1-110)
3	–	Entry guide cover (REF: PL 11.24 Item 5) (REP 11.15-110)
4	802K48353	Front door cover assembly (REP 11.1-110)
5	017K03750	Fixed castor
6	017K03740	Adjustable castor
7	–	Output cover (Not Spared)
8	802K48320	Lower right hand cover
9	050K55021	Bin 0
10	050K54132	Bin 1 (ADJ 11.1-110)
11	802K48360	Rear cover assembly (REP 11.1-110)
12	–	Upper right hand cover (Not Spared)
13	019K06000	Bin 1 alignment clip kit

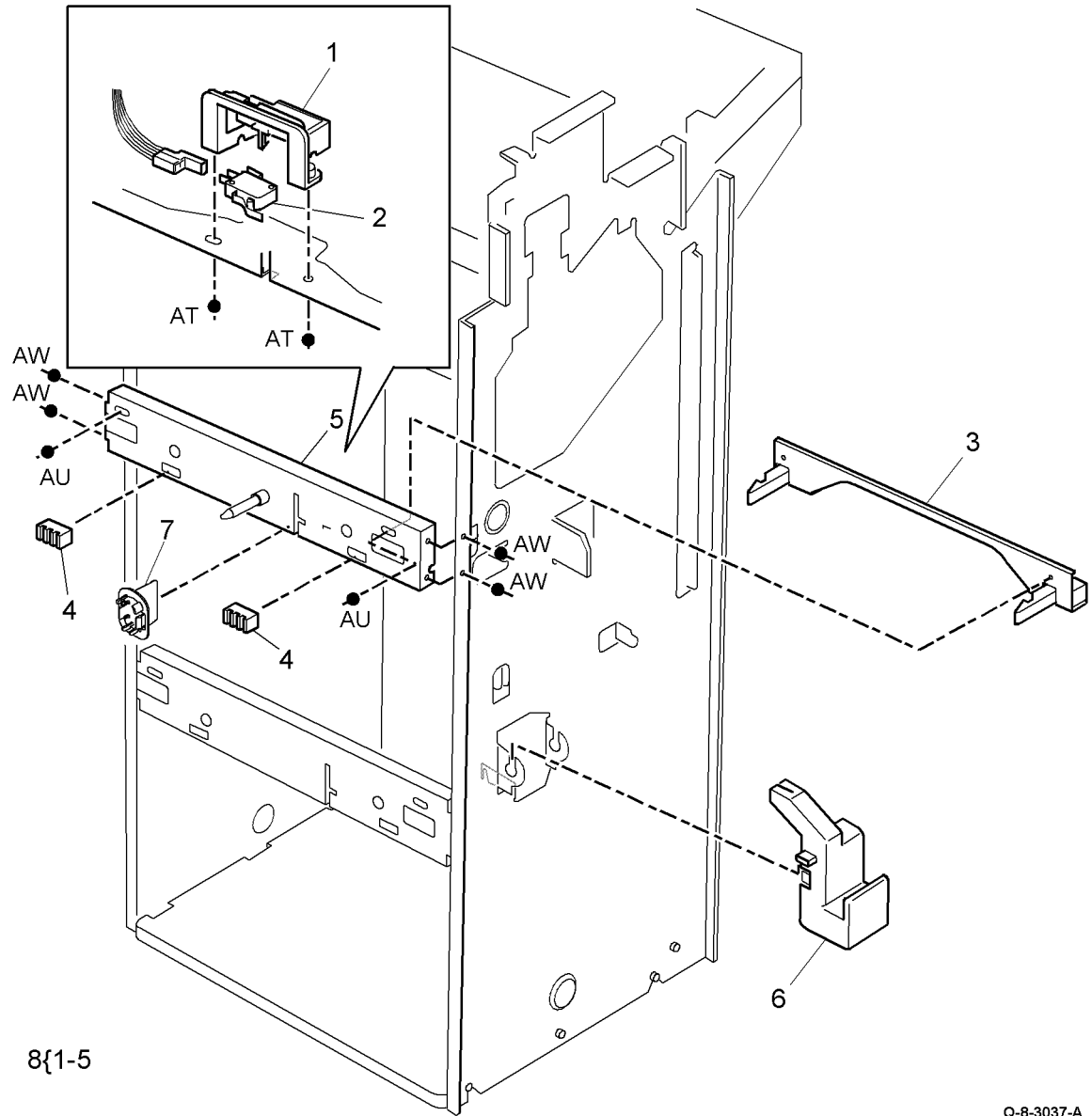
NOTE: Refer to ADJ 11.2-110 to align the 2K LCSS to the machine.



Q-8-3036-A

PL 11.4 2K LCSS Docking Latch

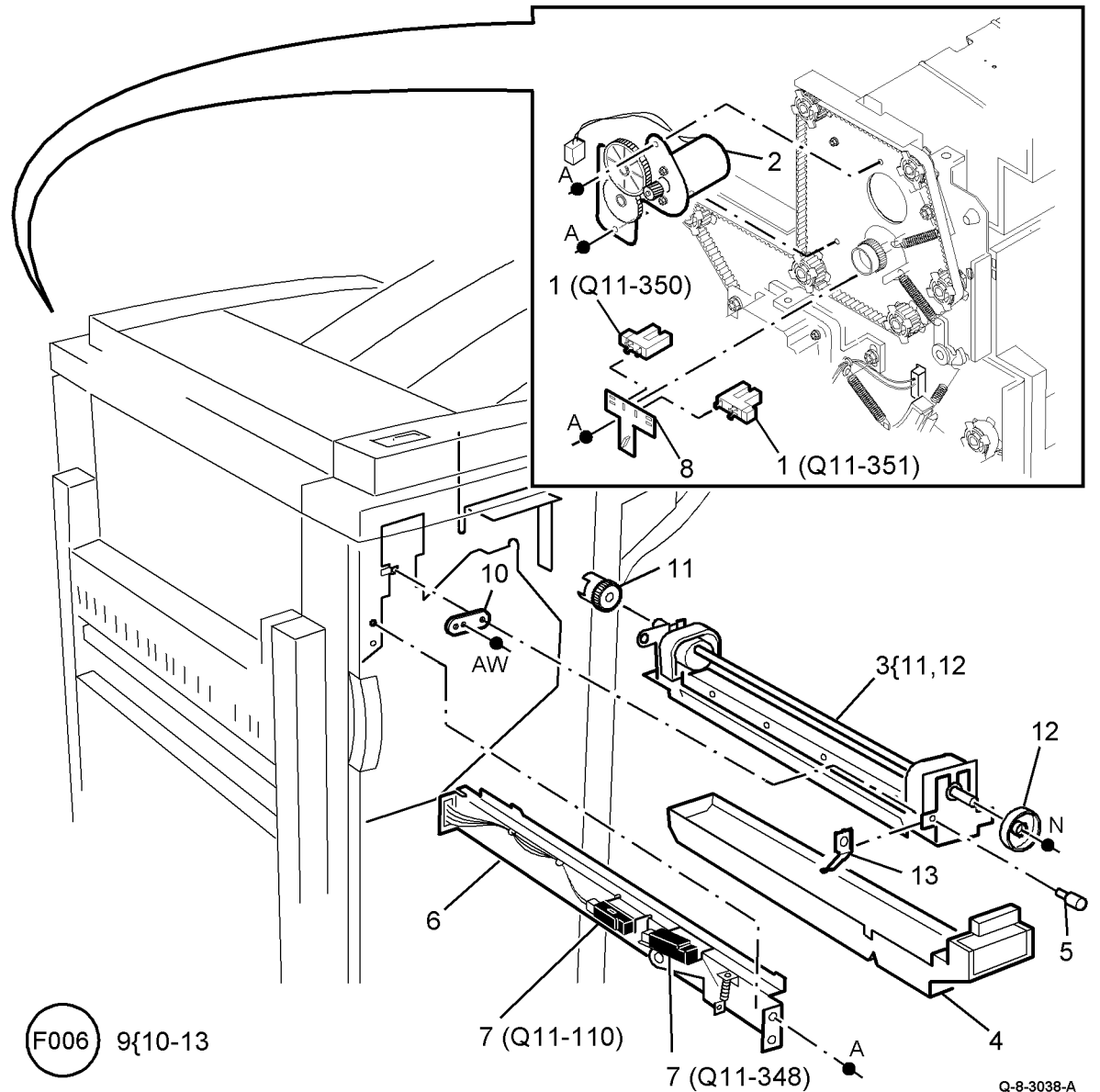
Item	Part	Description
1	—	Sensor cover (Not Spared)
2	110K13980	Docking interlock switch (S11-300)
3	003K17510	Link bracket assembly (P/O PL 11.4 Item 8)
4	—	Stopper (Not Spared)
5	—	Docking latch (P/O PL 11.4 Item 8)
6	003K17520	Latch handle
7	120K02590	Docking actuator
8	003K18510	Docking latch assembly (REP 11.16-110)



PL 11.6 2K LCSS Hole Punch Unit

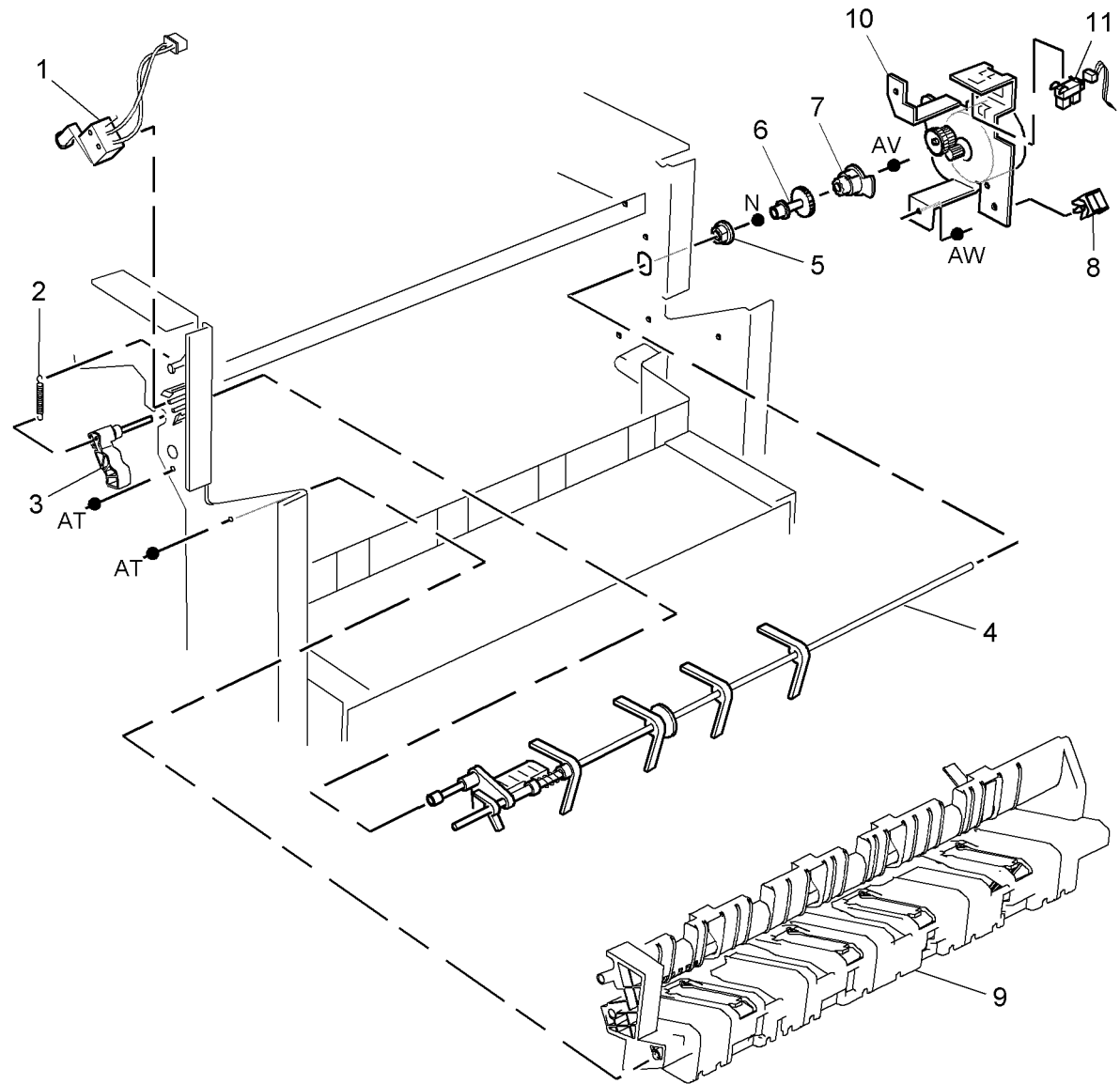
Item	Part	Description
1	130E10360	Punch head home sensor (Q11-350), Punch head present sensor (Q11-351) (REP 11.7-110)
2	127K44230	Hole punch motor assembly (MOT11-042) (REP 11.7-110)
3	180K00140	Hole punch unit (2 Hole) (REP 11.7-110,ADJ 11.3-110)
-	180K00150	Hole punch unit (3 Hole) (REP 11.7-110,ADJ 11.3-110)
4	093E03550	Chad bin
5	-	Thumbscrew (Not Spared)
6	-	Bracket (Not Spared) (W/TAG F008)
7	130E10380	Punch sensor(Q11-110), Chad bin full sensor (Q11-348) (W/TAG F008) (REP 11.7-110)
8	-	Sensor bracket (Not Spared)
9	-	Hole punch field repair kit (REF: PL 31.12 Item 15) (W/TAG F006)
10	-	Bracket (W/TAG F006)
11	-	Punch drive gear (W/TAG F006)
12	-	Punch cam (W/TAG F006)
13	-	Punch spacer (W/TAG F006)

NOTE: Refer to PL 31.10 Item 6 for other 2K LCSS hole punch kits.



PL 11.8 2K LCSS Paddle Wheel/Safety Gate

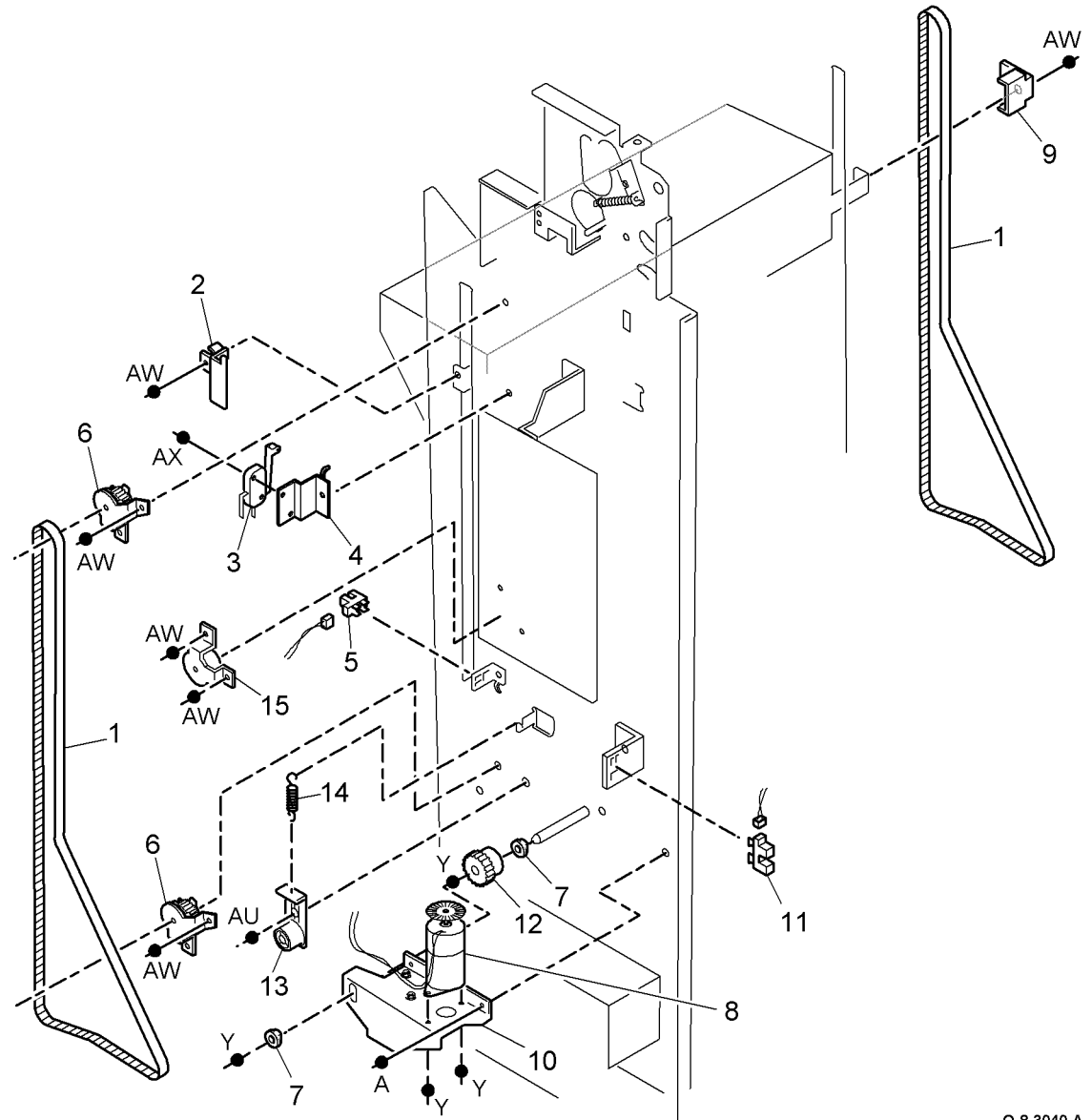
Item	Part	Description
1	110K14000	SU1 Safety gate switch (S11-365)
2	-	Spring (Not Spared)
3	-	Switch actuator (Not Spared)
4	006K27950	Paddle wheel shaft assembly (REP 11.12-110)
5	013E25790	Bearing
6	-	Gear (Not Spared)
7	-	Flag (Not Spared)
8	-	Cable clamp (Not Spared)
9	-	Output cover (REF: PL 11.2 Item 7)
10	127K42721	Paddle motor assembly (MOT11-024)
11	130E10360	Paddle roll position sensor (Q11-326)



Q-8-3039-A

PL 11.10 2K LCSS Bin 1 Control Components (1 of 2)

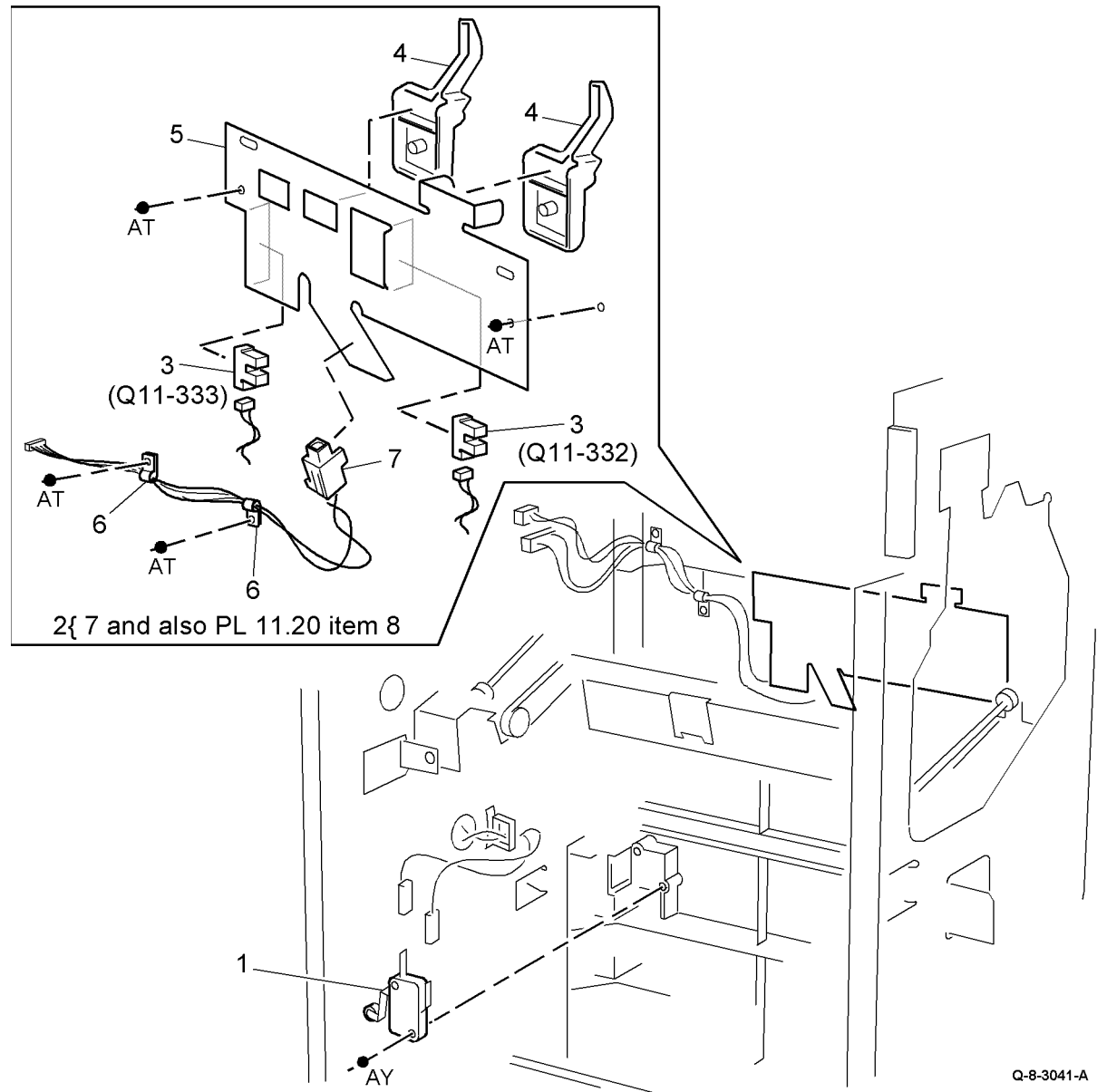
Item	Part	Description
1	023E24320	Bin 1 drive belt (REP 11.5-110)
2	-	Rear belt clamp (Not Spared) (ADJ 11.1-110)
3	110E14200	Upper limit switch (S11-334) (W/ TAG F002)
-	110K13990	Upper limit switch (S11-334) (W/O TAG F002)
4	-	Sensor bracket (Not Spared)
5	130E10360	Bin 1 90% full sensor (Q11-331)
6	-	Pulley (Not Spared)
7	013E25810	Bearing
8	127K42730	Bin 1 elevator motor (MOT11-030)
9	-	Front belt clamp (Not Spared) (ADJ 11.1-110)
10	-	Motor bracket (Not Spared)
11	130E10980	Motor encoder sensor (Q11-336)
12	-	Pulley assembly (Not Spared)
13	-	Belt tensioner (Not Spared)
14	-	Spring (Not Spared)
15	-	Idler (Not Spared)



Q-8-3040-A

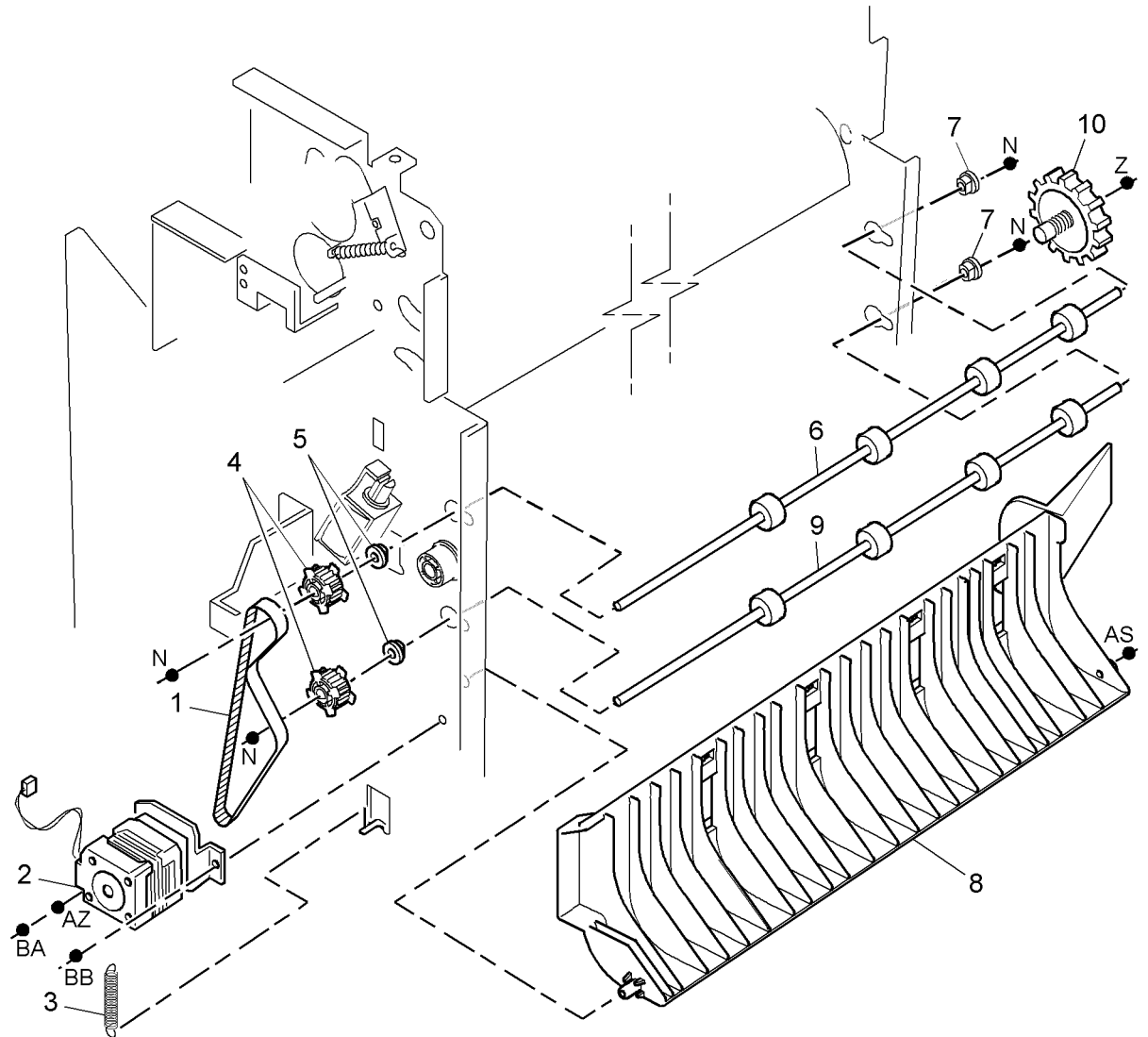
PL 11.12 2K LCSS Bin 1 Control Components (2 of 2)

Item	Part	Description
1	110K13990	Bin 1 lower limit switch (S11-335)
2	130K67080	Edge registration sensor kit
3	130E10360	Bin 1 Upper level sensor (Q11-332), Bin 1 Lower level sensor (Q11-333) (REP 11.11-110)
4	-	Actuator (Not Spared)
5	-	Sensor support assembly (Not Spared)
6	-	P-clamp (Not Spared)
7	-	Edge registration sensor LED (P/O PL 11.12 Item 2) (REP 11.11-110)



PL 11.14 2K LCSS Paper Entry Transport

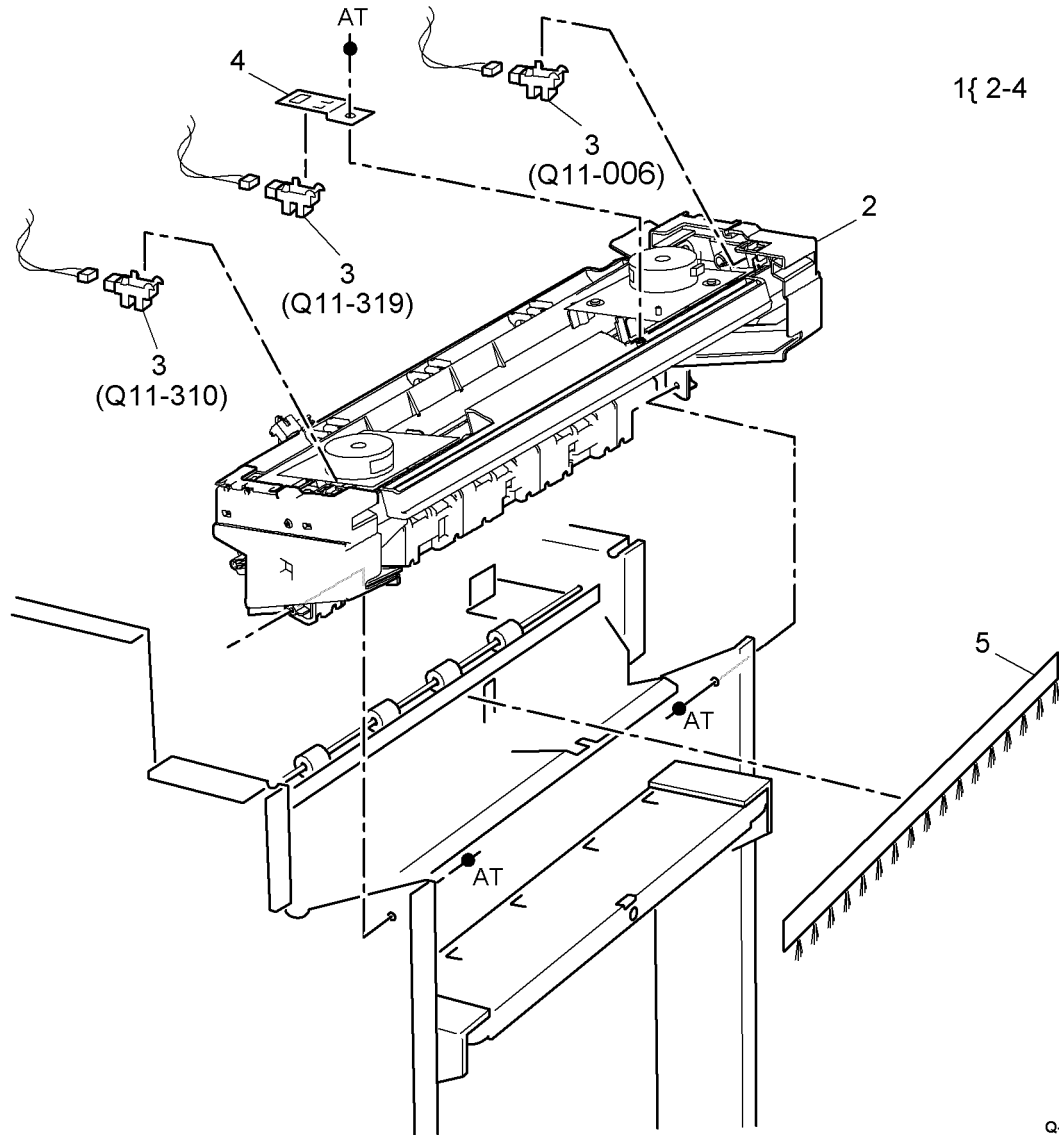
Item	Part	Description
1	023E24340	Input drive belt (REP 11.2-110)
2	127K42702	Transport motor 1 (MOT11-000) (REP 11.2-110)
3	-	Spring (Not Spared)
4	-	Pulley (Not Spared)
5	013E25790	Nylon bearing
6	006K27980	Feed roll shaft (short)
7	013E25800	Bearing
8	-	Paper entry guide assembly (REF: PL 11.24 Item 1)
9	006K27800	Feed roll shaft (long)
10	-	Thumbwheel (Not Spared)



Q-8-3042-A

PL 11.16 2K LCSS Tamper Assembly

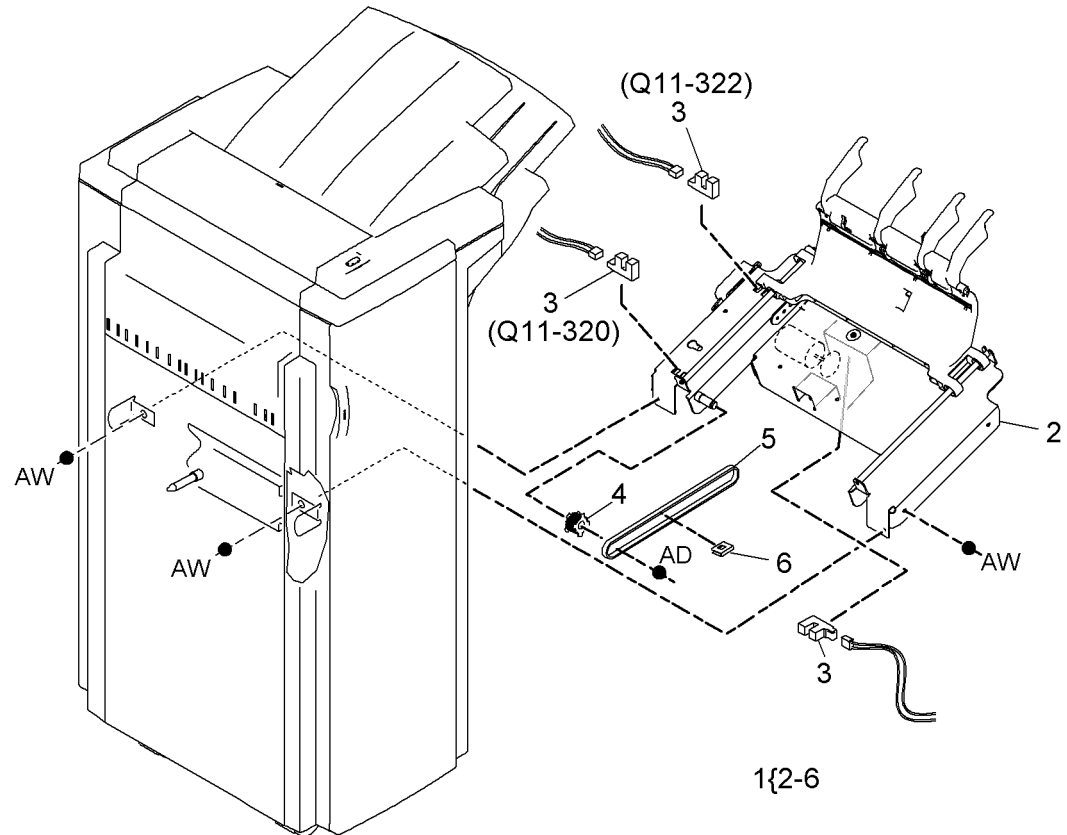
Item	Part	Description
1	068K41410	Tamper assembly (W/TAG F002, TAG F004, TAG F010) (REP 11.6-110)
2	-	Tamper unit (P/O PL 11.16 Item 1)
3	130E10360	Front tamper home sensor (Q11-310), Rear tamper home sensor (Q11-006), Rear tamper home away sensor (Q11-319)
4	-	Sensor bracket (P/O PL 11.16 Item 1)
5	-	Static eliminator (stacker) (REF: PL 11.23 Item 7)



Q-8-3043-A

PL 11.18 2K LCSS Ejector Assembly

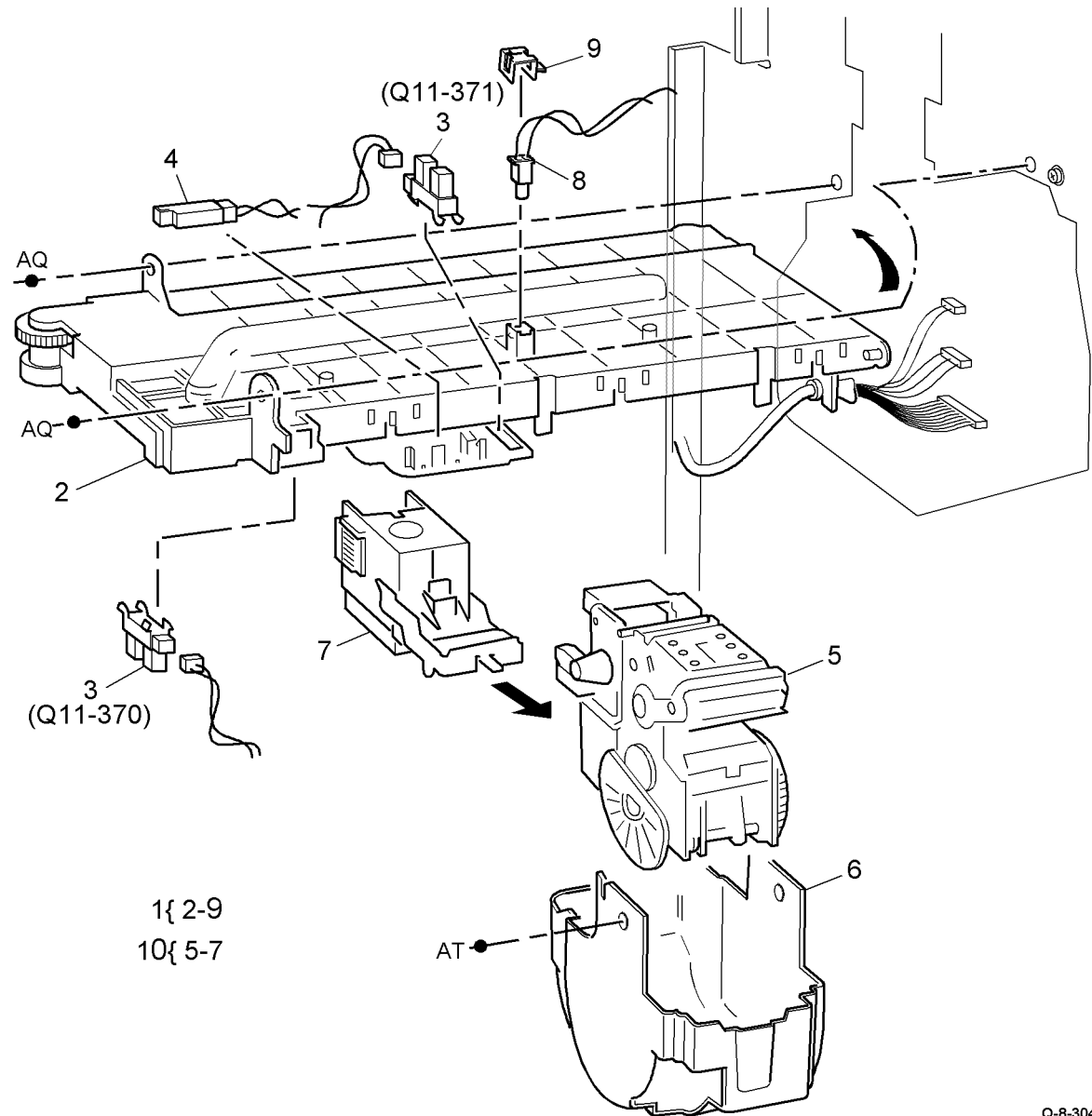
Item	Part	Description
1	054K28980	Ejector assembly (W/TAG F002) (REP 11.10-110)
2	-	Ejector base (P/O PL 11.18 Item 1)
3	130E10360	Ejector home sensor (Q11-320), Ejector out sensor (Q11-322), Ejector motor encoder sensor (REP 11.10-110)
4	-	Pulley (P/O PL 11.18 Item 1)
5	023E24330	Ejector belt (REP 11.17-110)
6	-	Clip (P/O PL 11.18 Item 1)



Q-8-3044-A

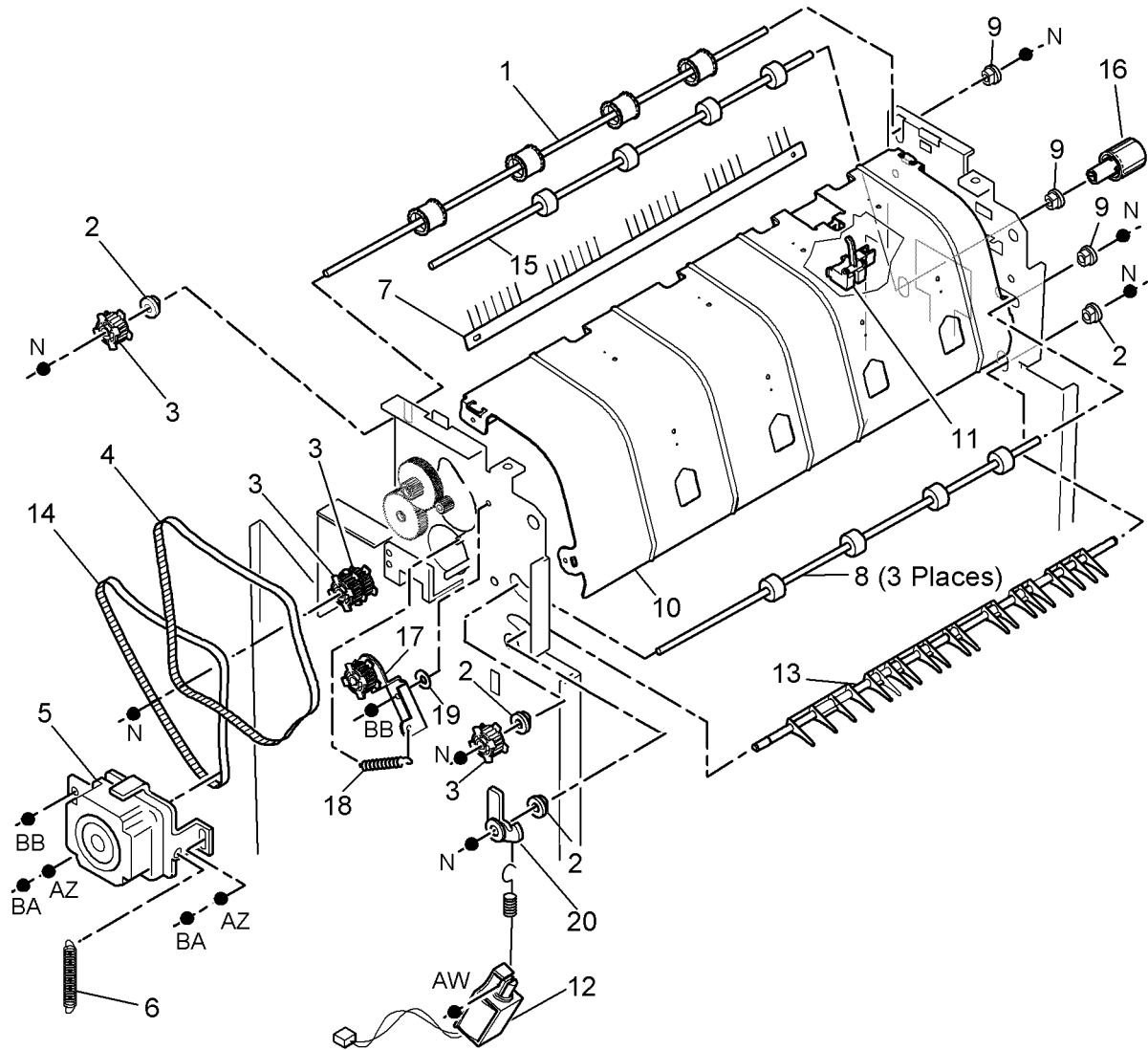
PL 11.20 2K LCSS Staple Head Unit/ Traverse Assembly

Item	Part	Description
1	014K08430	Stapler traverse assembly (REP 11.8-110)
2	-	Head traverse unit (P/O PL 11.20 Item 1)
3	130E10360	SU1 Home sensor (Q11-370), SU1 Front index sensor (Q11-371)
4	130E10380	SH1 Paper sensor (Q11-361)
5	029K03900	Staple head unit (REP 11.9-110)
6	-	Stapler cover (P/O PL 11.20 Item 1)
7	-	Staple cartridge (REF: PL 26.10 Item 11)
8	-	Edge registration sensor (Q11-367) (P/O PL 11.12 Item 2)
9	-	Sensor cover (P/O PL 11.20 Item 1)
10	-	Staple head assembly (P/O PL 11.20 Item 1)



PL 11.22 2K LCSS Bin 0 Entry

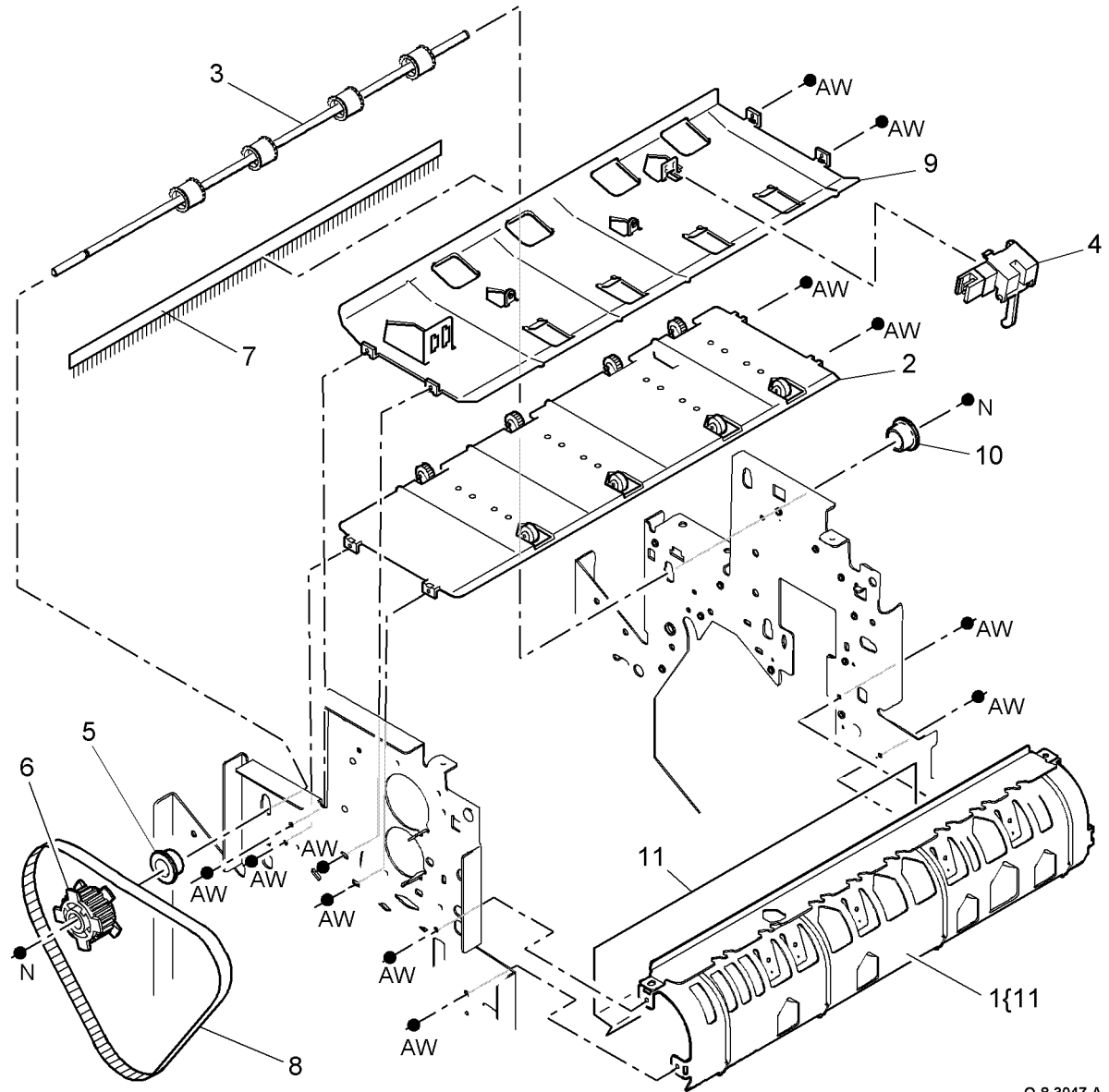
Item	Part	Description
1	006K27960	Ejector drive shaft
2	013E25790	Nylon bearing
3	-	Pulley (Not Spared)
4	023E24330	Intermediate paper drive belt (REP 11.3-110)
5	127K42711	Transport motor 2 (MOT11-001) (REP 11.4-110)
6	-	Spring (Not Spared)
7	115E11800	Static eliminator
8	006K27980	Feed roll shaft (short)
9	013E25800	Bearing
10	032K03800	Paper guide
11	130E10370	Top exit sensor (Q11-130)
12	121K33040	Diverter gate solenoid (SOL11-002)
13	006K27990	Shaft diverter assembly
14	023E24340	Paper output drive belt (REP 11.4-110)
15	006K27970	Drive shaft assembly
16	003K17530	Jam clearance knob
17	-	Belt tensioner (Not Spared)
18	-	Spring (Not Spared)
19	-	Washer (Not Spared)
20	-	Actuator (Not Spared)



Q-8-3046-A

PL 11.23 2K LCSS Bin 1 Entry

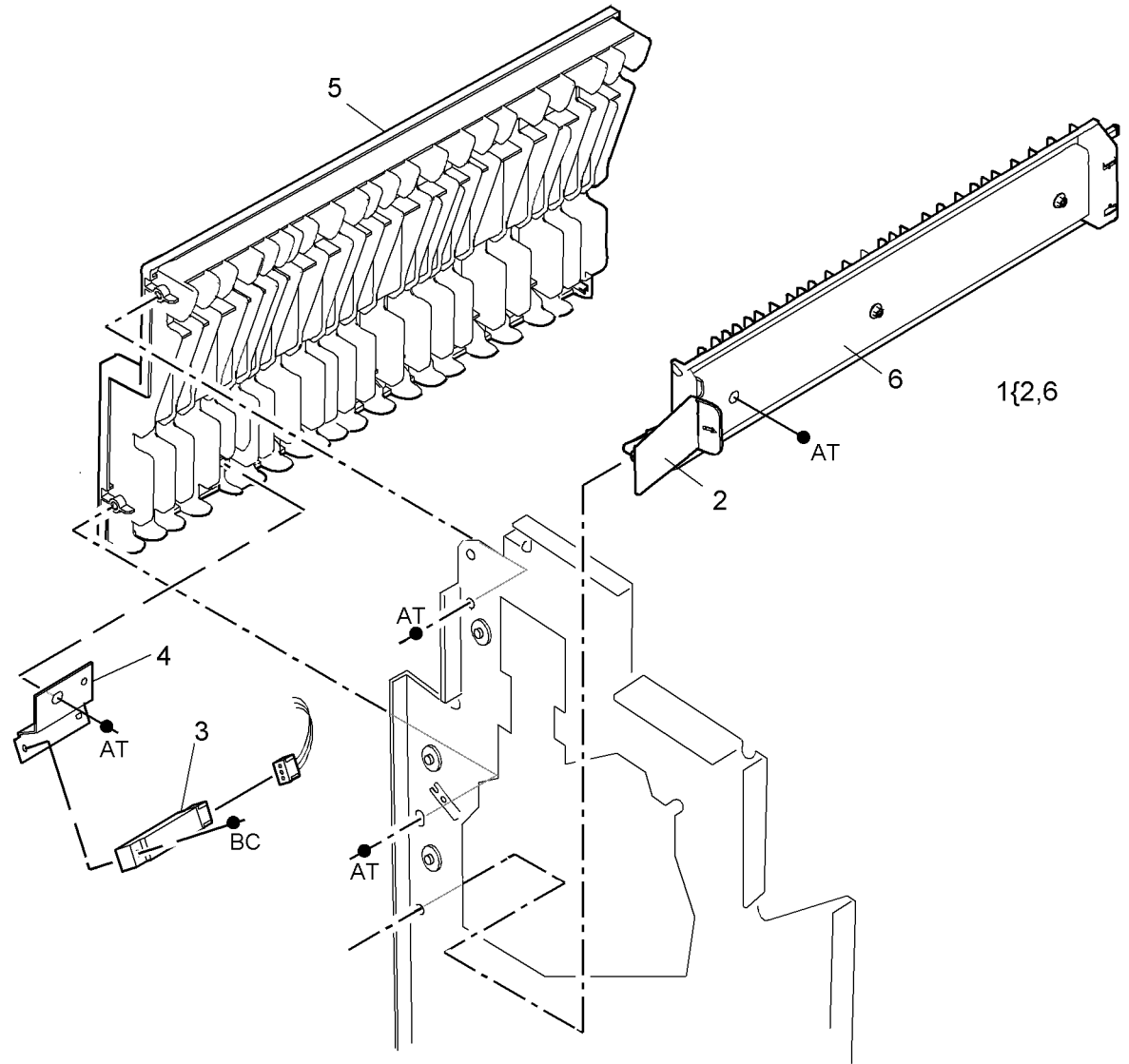
Item	Part	Description
1	032K04100	Left hand paper guide (W/TAG F008)
2	032K03811	Lower right hand paper guide (W/TAG F004)
3	006K27960	Ejector drive shaft (REF: PL 11.22 Item 1)
4	130E10370	2nd to top exit sensor (Q11-140)
5	013E25790	Nylon bearing
6	-	Pulley (Not Spared)
7	115E11810	Static eliminator (stacker)
8	-	Paper output drive belt (REF: PL 11.22 Item 14)
9	-	Upper right hand paper guide (Not Spared)
10	013E25800	Bearing
11	-	Mylar safety cover (P/O PL 11.23 Item 1)



Q-8-3047-A

PL 11.24 2K LCSS Entry Guide Cover/ Jam Clearance Guide

Item	Part	Description
1	032K03820	Jam clearance guide assembly
2	-	Jam clearance handle(P/O PL 11.24 Item 1)
3	130E10380	Entry sensor (Q11-100)
4	-	Sensor bracket (Not Spared)
5	802K48342	Entry guide cover (W/TAG F003) (REP 11.15-110)
6	-	Jam clearance guide (P/O PL 11.24 Item 1)



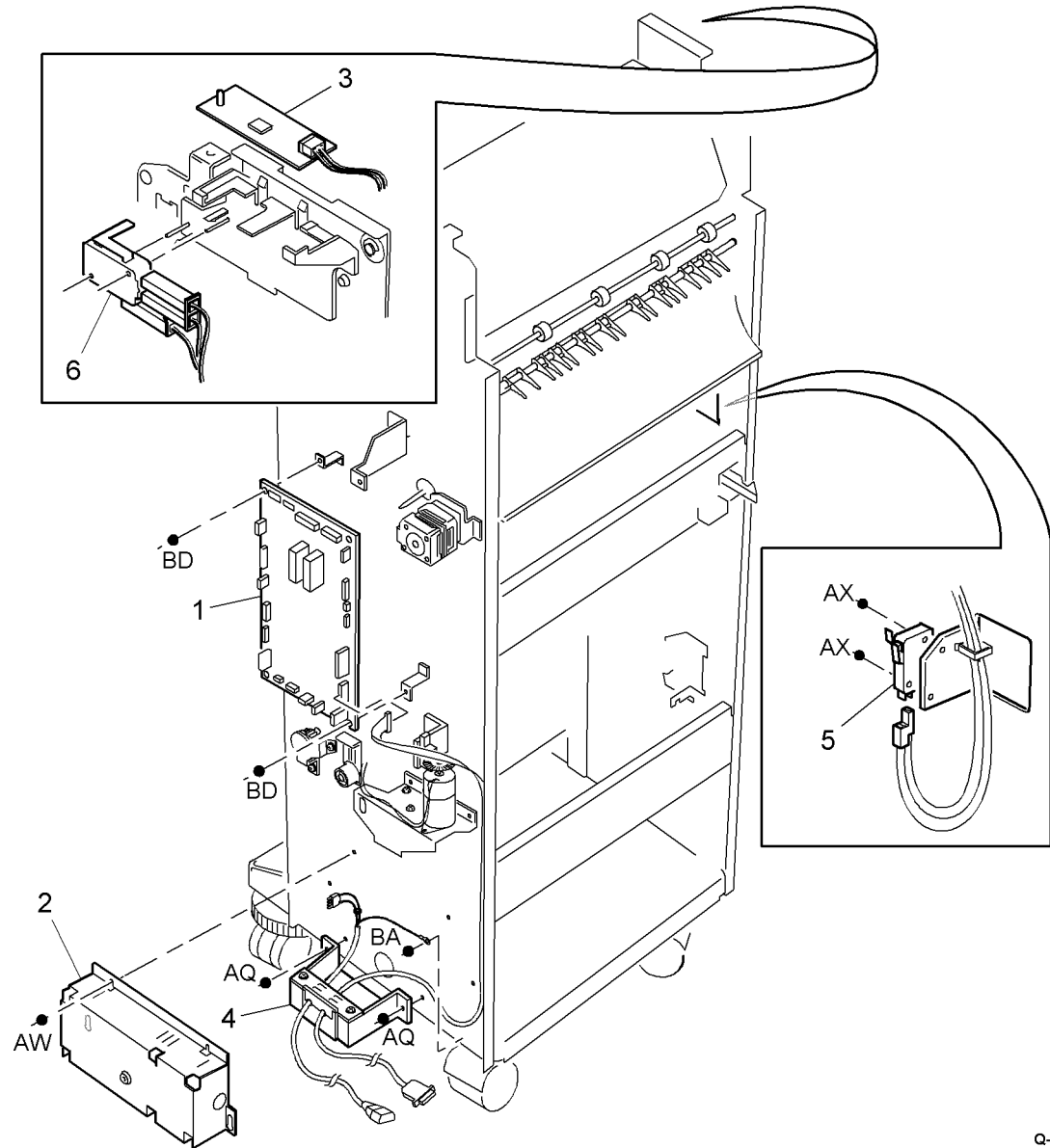
Q-8-3048-A

PL 11.26 2K LCSS Electrical

Item	Part	Description
1	160K92710	2K LCSS PWB (see CAUTION) (REP 11.14-110)
2	105K26331	Power supply module
3	160K92700	Offline staple PWB
4	962K12130	Cord bracket assembly
5	110K13980	Front door interlock switch (S11-303)
6	110K13970	Top cover interlock switch (S11-302)

CAUTION

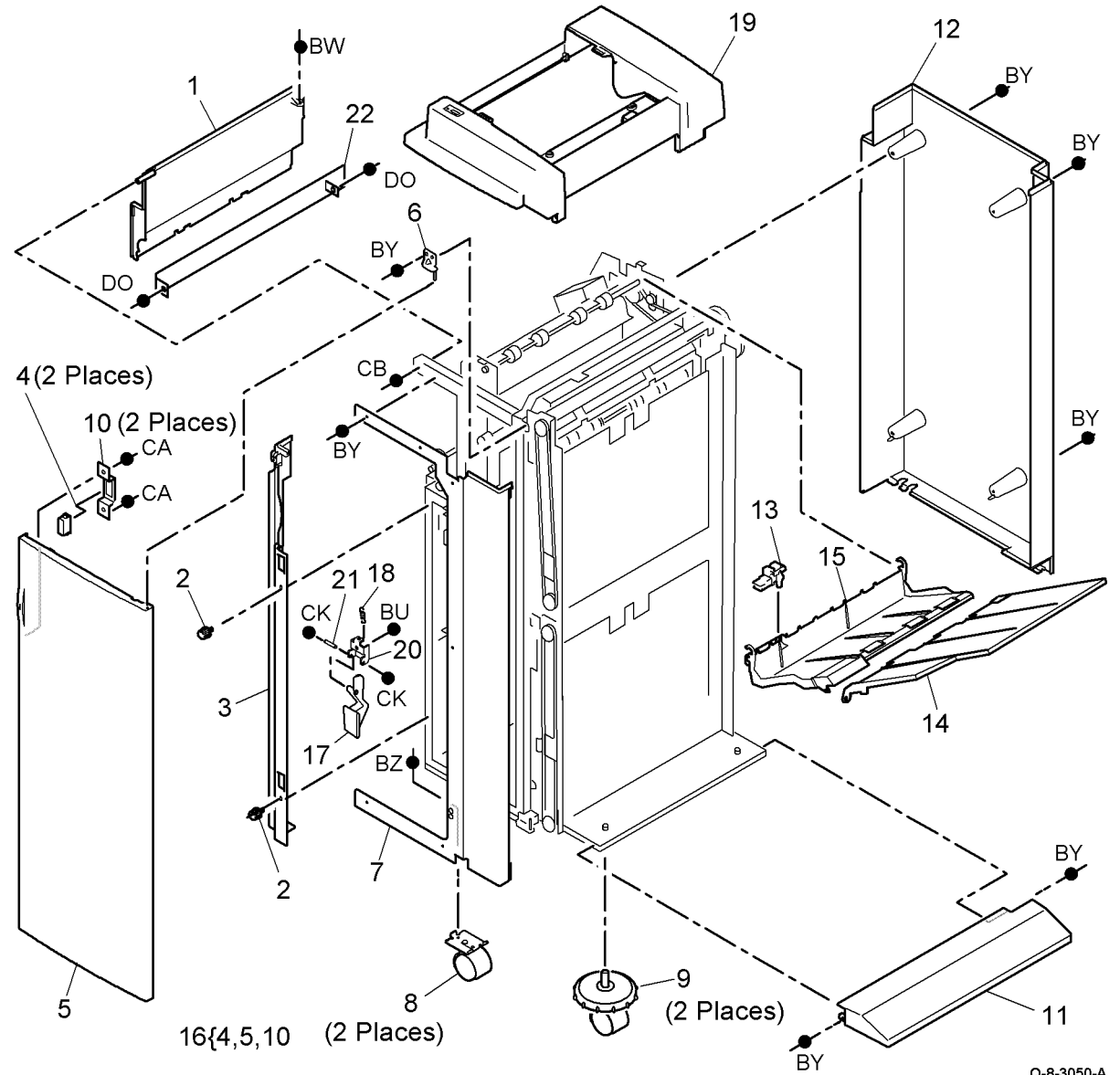
Do not install a new 2K LCSS PWB until the cause of the damage to the old 2K LCSS PWB has been determined. Go to the 11G-110 LCSS PWB Damage RAP.



Q-8-3049-A

PL 11.30 HCSS Covers (1 of 2)

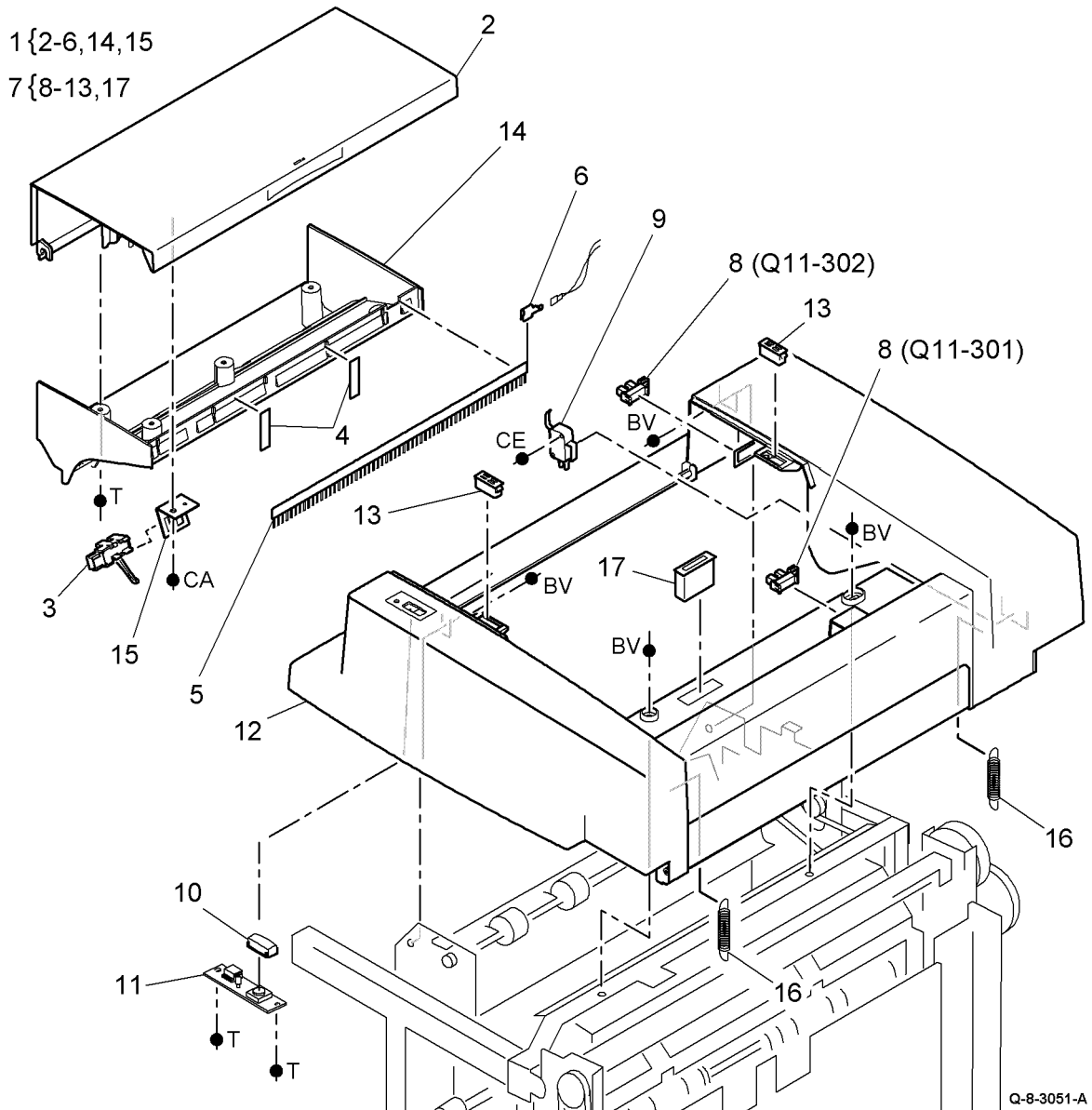
Item	Part	Description
1	802E18382	Upper Left Cover (REP 11.1-130)
2	026E77010	Thumb Screw
3	802E40463	Hole Punch Access Cover (REP 11.1-130)
4	-	Magnet (P/O PL 11.30 Item 16)
5	-	Front door (P/O PL 11.30 Item 16) (REP 11.1-130)
6	-	Door hinge (Not Spared)
7	802E18362	Front Cover (REP 11.1-130)
8	017E10154	Fixed Castor (REP 11.9-130)
9	017K03551	Adjustable Castor (REP 11.9-130)
10	-	Bracket (P/O PL 11.30 Item 16)
11	802E21711	Lower Right Cover
12	802E18375	Rear Cover (REP 11.1-130)
13	130K65510	Bin 0 90% Full Sensor (Q11-330)
14	050E22841	Bin 0 Pivot tray (P/O PL 11.30 Item 15)
15	050E22830	Bin 0 Assembly
16	604K31350	Front Door Assembly
17	003E70200	Latch
18	809E53320	Latch Spring
19	802K41722	Top Cover Assembly (REF: PL 11.32) (REP 11.1-130)
20	-	Latch bracket (Not Spared)
21	826E20800	Hinge Pin
22	-	Lower left cover (Not Spared)



Q-8-3050-A

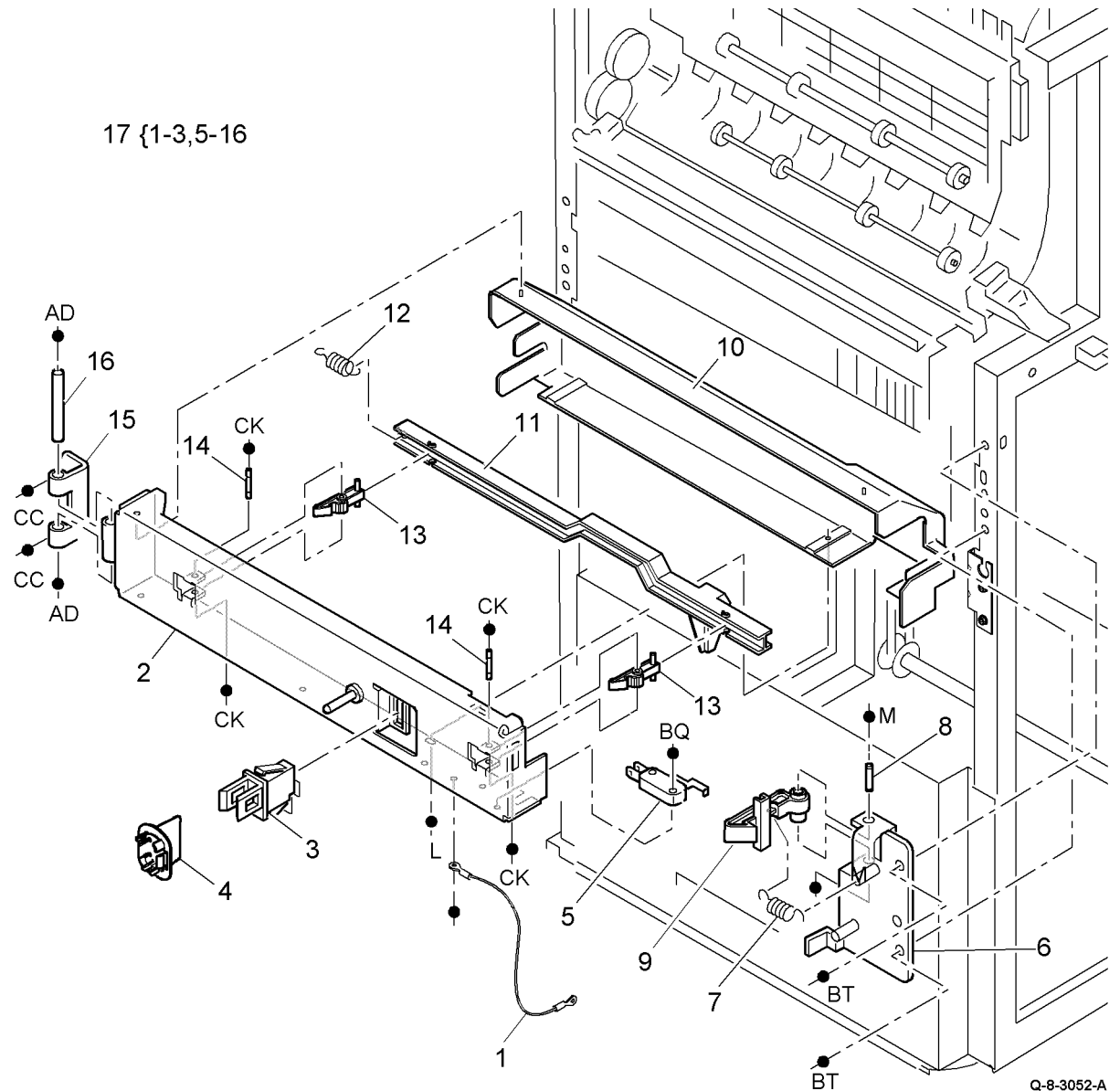
PL 11.32 HCSS Covers (2 of 2)

Item	Part	Description
1	-	Exit cover assembly (Not Spared)
2	-	Upper exit cover (P/O PL 11.32 Item 1)
3	130K83340	Top exit sensor (Q11-130)
4	038E28320	Document guide
5	125E02830	Static eliminator
6	019E04792	Static clip
7	-	Top cover assembly (Not Spared) (REP 11.1-130)
8	107E08680	Top cover interlock sensor (Q11-302), Top bin interlock sensor (Q11-301)
9	110E13620	Upper exit gate interlock switch (S11-304)
10	-	Button (P/O PL 11.32 Item 7)
11	130K65570	Offline staple PWB
12	802E18356	Top cover (P/O PL 11.32 Item 7)
13	-	Magnet (P/O PL 11.32 Item 7)
14	-	Lower exit cover (P/O PL 11.32 Item 1)
15	-	Bracket (P/O PL 11.32 Item 1)
16	809E45302	Top safety gate spring
17	-	Magnet (P/O PL 11.32 Item 7)



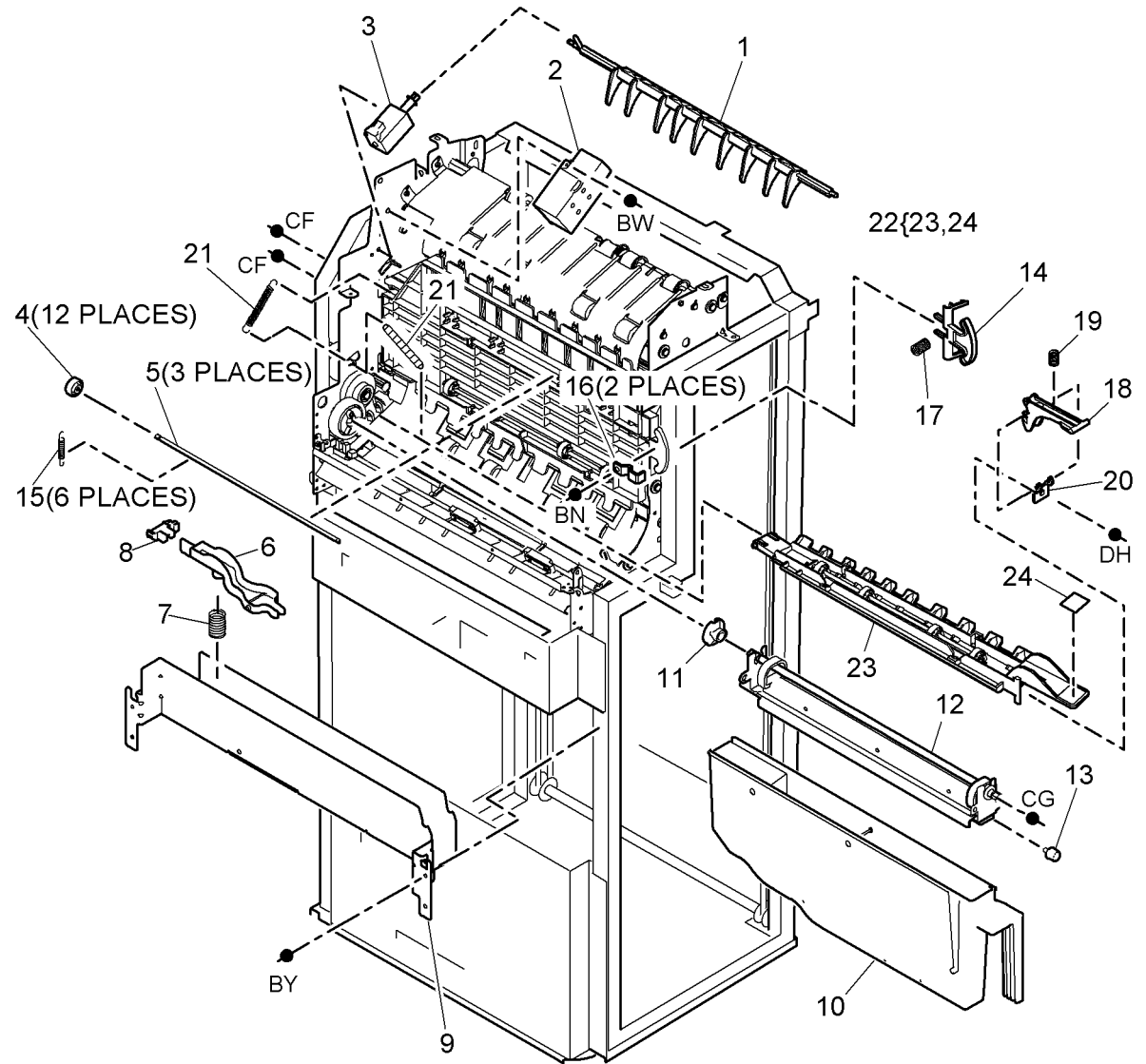
PL 11.34 HCSS Docking Latch

Item	Part	Description
1	012E14160	Restraining cable (REP 11.33-130)
2	-	Docking latch bracket (P/O PL 11.34 Item 17)
3	110E13470	Docking interlock switch (S11-300A) (REP 11.33-130)
4	120E22861	Docking actuator
5	110E13620	Docking pivot interlock switch (S11-300B) (REP 11.33-130)
6	-	Jam clearance release bracket (P/O PL 11.34 Item 17)
7	809E53320	Spring
8	-	Hinge pin (32mm) (P/O PL 11.34 Item 17)
9	003E70210	Jam clearance release latch
10	-	Docking latch bracket rear cover (P/O PL 11.34 Item 17)
11	011E13751	Release bracket (REP 11.33-130)
12	809E43860	Spring
13	003E66310	Docking release latch (REP 11.33-130)
14	-	Hinge pin (23mm) (P/O PL 11.34 Item 17)
15	-	Docking latch hinge bracket (P/O PL 11.34 Item 17)
16	-	Hinge pin (95mm) (P/O PL 11.34 Item 17)
17	003K17030	Docking assembly



PL 11.36 HCSS Paper Path (1 of 2)

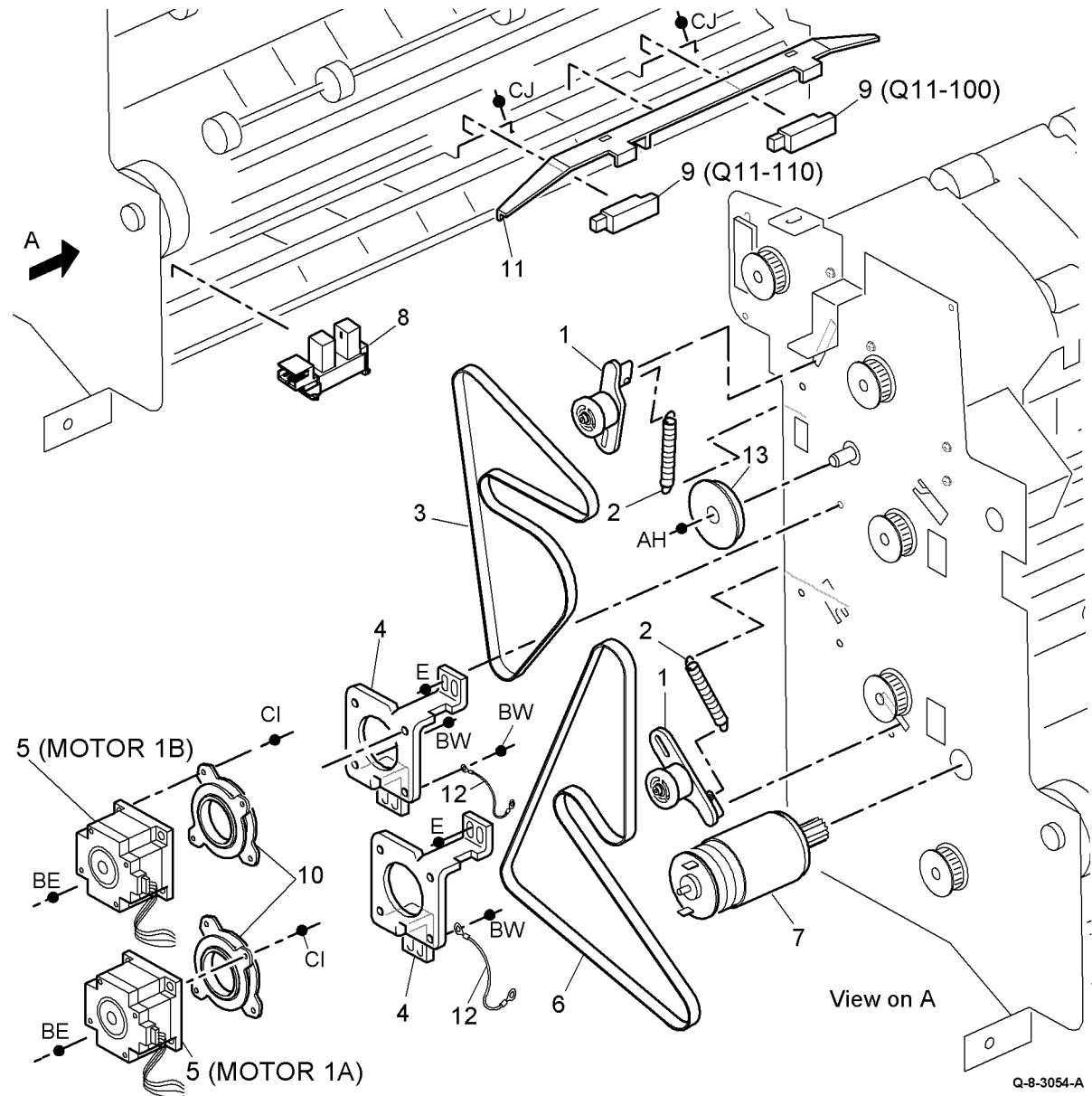
Item	Part	Description
1	050E15572	Diverter gate (REP 11.12-130)
2	-	Solenoid cover (Not Spared)
3	121E10933	Diverter gate solenoid (SOL11-002) (REP 11.12-130)
4	-	Nip roll (Not Spared) (ADJ 4.1)
5	006E73100	Nip shaft (ADJ 4.1)
6	120E22801	Chad bin sensor actuator (REP 11.16-130)
7	809E43580	Spring (REP 11.16-130)
8	107E08680	Chad bin full sensor (Q11-348) (REP 11.16-130)
9	-	Chad bin support bracket (Not Spared)
10	093K06421	Chad bin
11	014E41560	Hole punch motor coupling (REP 11.10-130)
12	-	Hole punch unit (see below for variants)
-	180K00070	2 Hole (XE)
-	180K00080	3 Hole (NASG/XCL)
-	180K00021	4 Hole (XE)
-	180K00092	4 Hole (Sweden)
13	026E77010	Thumbscrew
14	003E54761	Handle 5b
15	809E02910	Nip spring
16	120E25320	Latch securing bracket
17	-	Spring (Not Spared)
18	003E67871	Jam clearance latch (5a)
19	809E46970	Spring
20	003E67881	Latch securing bracket
21	809E46723	Spring
22	604K31340	Baffle repair kit
23	-	Baffle (P/O PL 11.36 Item 22)
24	-	Label 5a (P/O PL 11.36 Item 22)



Q-8-3053-A

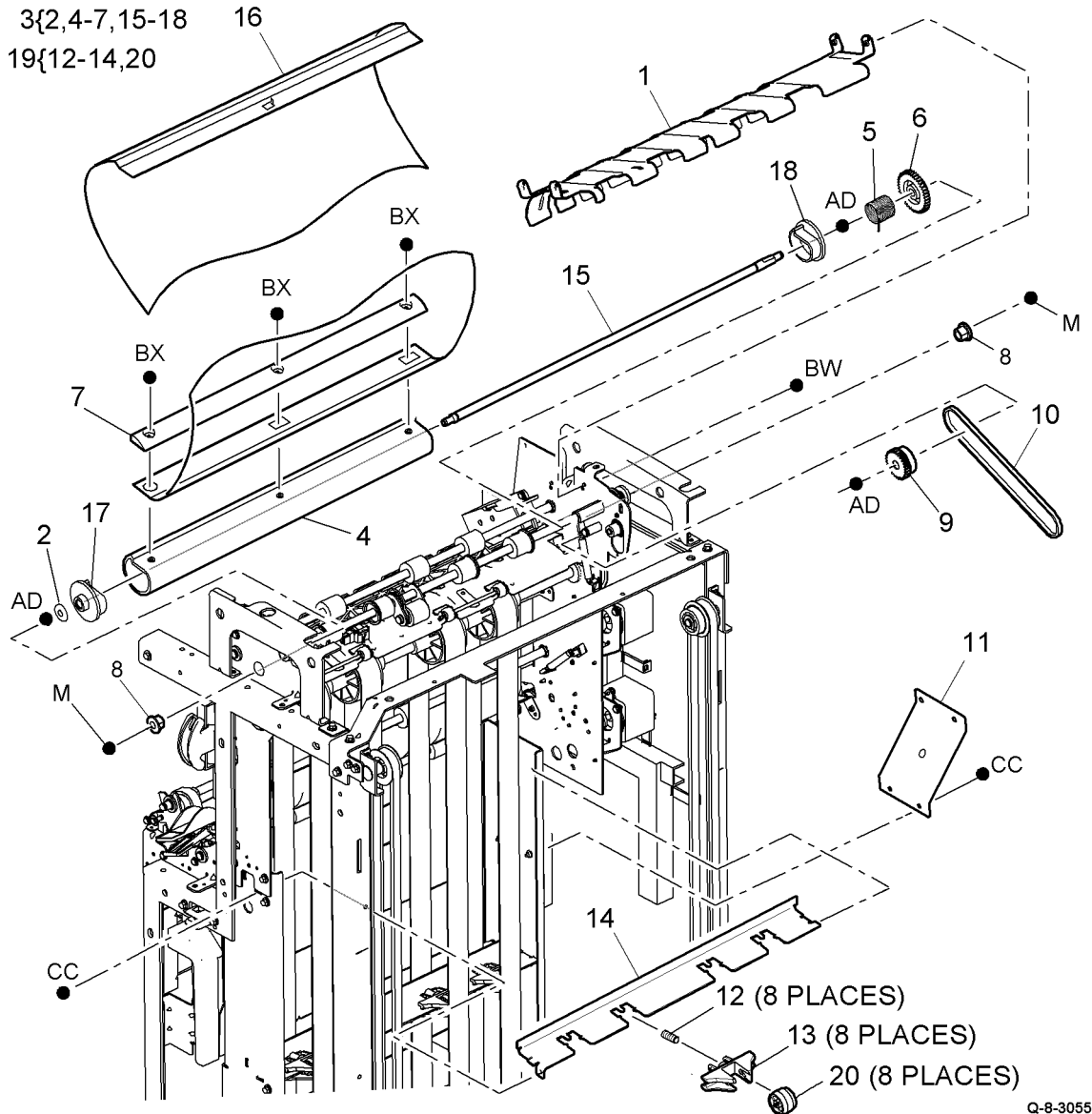
PL 11.38 HCSS Paper Path (2 of 2)

Item	Part	Description
1	022K78852	Belt tensioner
2	809E47190	Tensioner spring
3	023E25440	Transport motor 1B drive belt (REP 11.18-130)
4	—	Damper motor bracket (Not Spared)
5	127K47551	Transport motor 1A (MOT11-000) (REP 11.17-130), Transport motor 1B (MOT11-000) (REP 11.18-130)
6	023E18811	Transport motor 1A drive belt (REP 11.17-130)
7	127K34921	Hole punch motor (MOT11-042) (REP 11.10-130)
8	107E08680	Hole punch home sensor (Q11-350)
9	130E07860	Punch position sensor (Q11-110), Entry sensor (Q11-100) (REP 11.37-130)
10	004E21810	Motor damper 1A (REP 11.17-130), Motor damper 1B (REP 11.18-130)
11	802E58301	Sensor cover
12	162K59980	Ground harness
13	—	Drive pulley (REF: PL 11.38 Item 6)



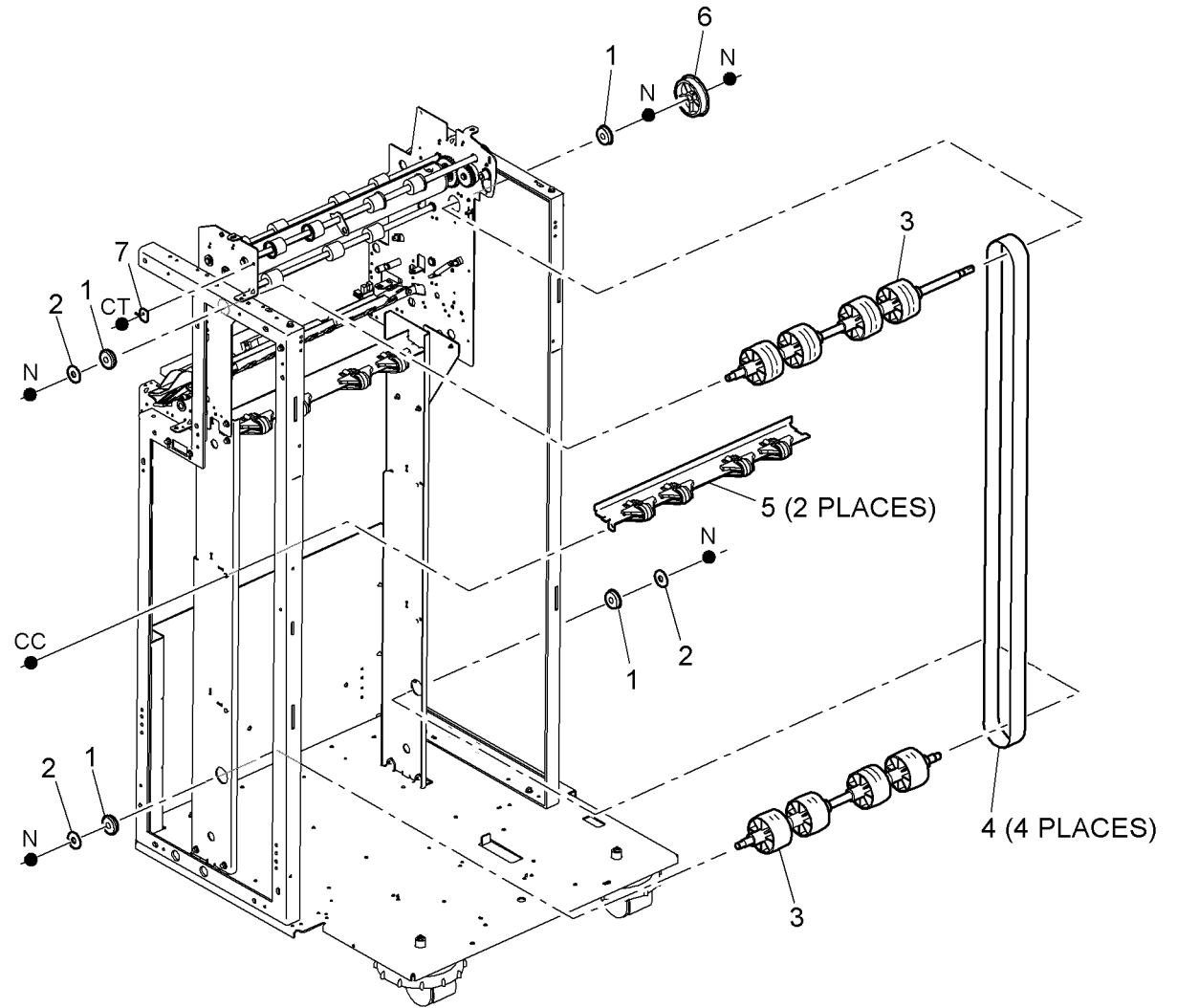
PL 11.40 HCSS Vertical Paper Transport (1 of 2)

Item	Part	Description
1	-	Upper paper guide (Not Spared) (REP 11.11-130)
2	-	Washer (P/O PL 11.40 Item 3)
3	-	Mylar guide assembly (REP 11.13-130)
4	-	Mylar guide reel (P/O PL 11.40 Item 3) (REP 11.13-130)
5	809E30740	Mylar guide torsion spring (REP 11.13-130)
6	007E63370	Mylar guide reel gear (P/O PL 11.40 Item 3)
7	-	Mylar guide clamp (REP 11.13-130)
8	-	Mylar guide reel bearing (Not Spared)
9	020E33250	Pulley/Gear (REP 11.13-130)
10	023E18790	Drive belt (REP 11.13-130)
11	-	Bracket
12	809E30751	Spring (REP 11.15-130)
13	830E47520	Nip holder
14	-	Nip bracket (P/O PL 11.40 Item 19)
15	006E72870	Shaft (P/O PL 11.40 Item 3) (REP 11.13-130)
16	055K33920	Mylar guide (P/O PL 11.40 Item 3) (REP 11.13-130)
17	-	Front cap (P/O PL 11.40 Item 3)
18	-	Rear cap (P/O PL 11.40 Item 3)
19	059K34070	Nip roller assembly (REP 11.15-130)
20	-	Nip roller (P/O PL 11.40 Item 19)



PL 11.42 HCSS Vertical Paper Transport (2 of 2)

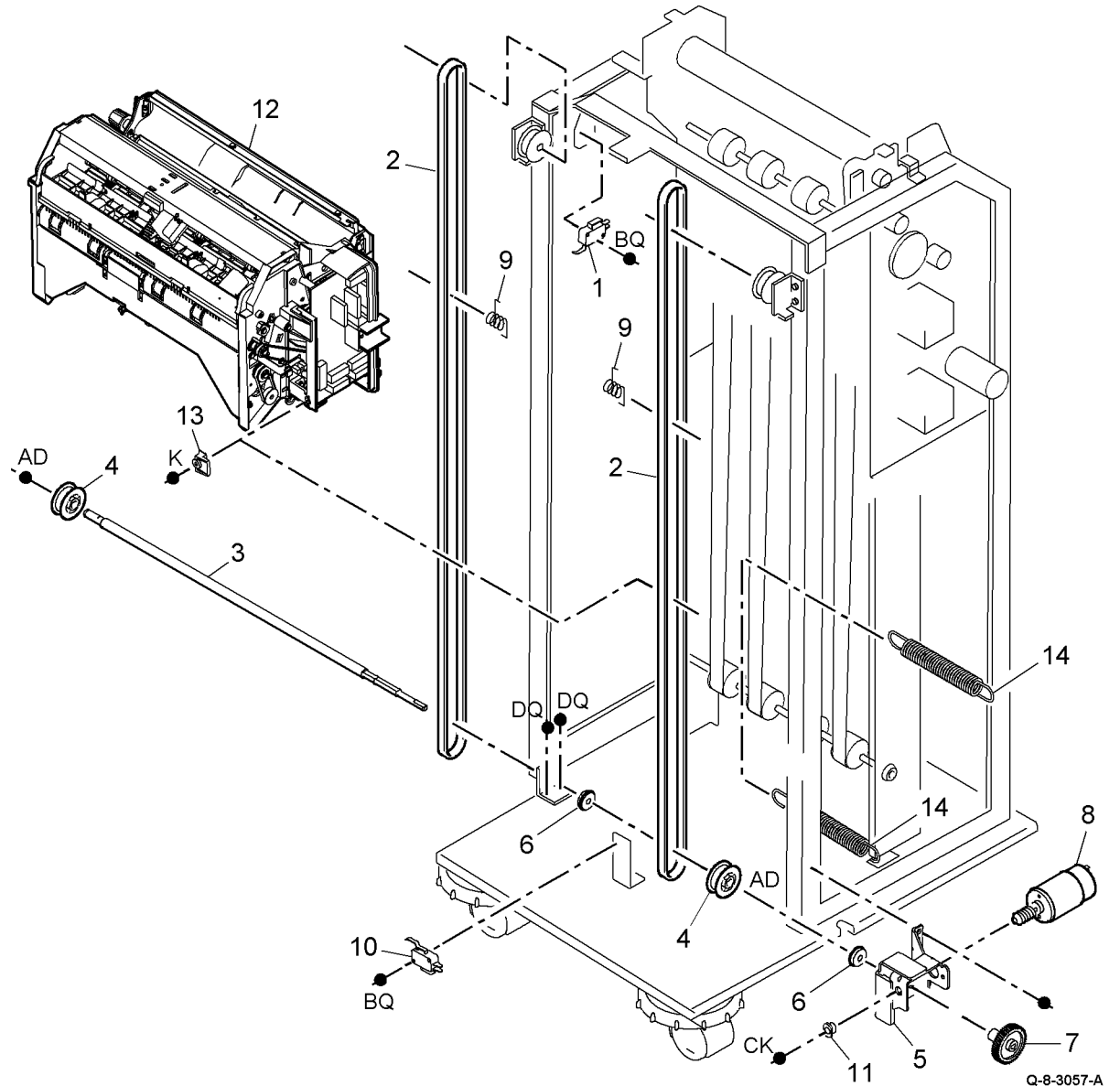
Item	Part	Description
1	413W30854	Bearing
2	-	Washer (Not Spared)
3	022K69071	Pre-compile pulley (REP 11.14-130)
4	023E18661	Vertical transport belt (REP 11.14-130)
5	-	Nip roller assembly (REF: PL 11.40 Item 19)
6	020E33400	Drive pulley
7	125E00430	Static eliminator



Q-8-3056-A

PL 11.44 HCSS Vertical Carriage Transport

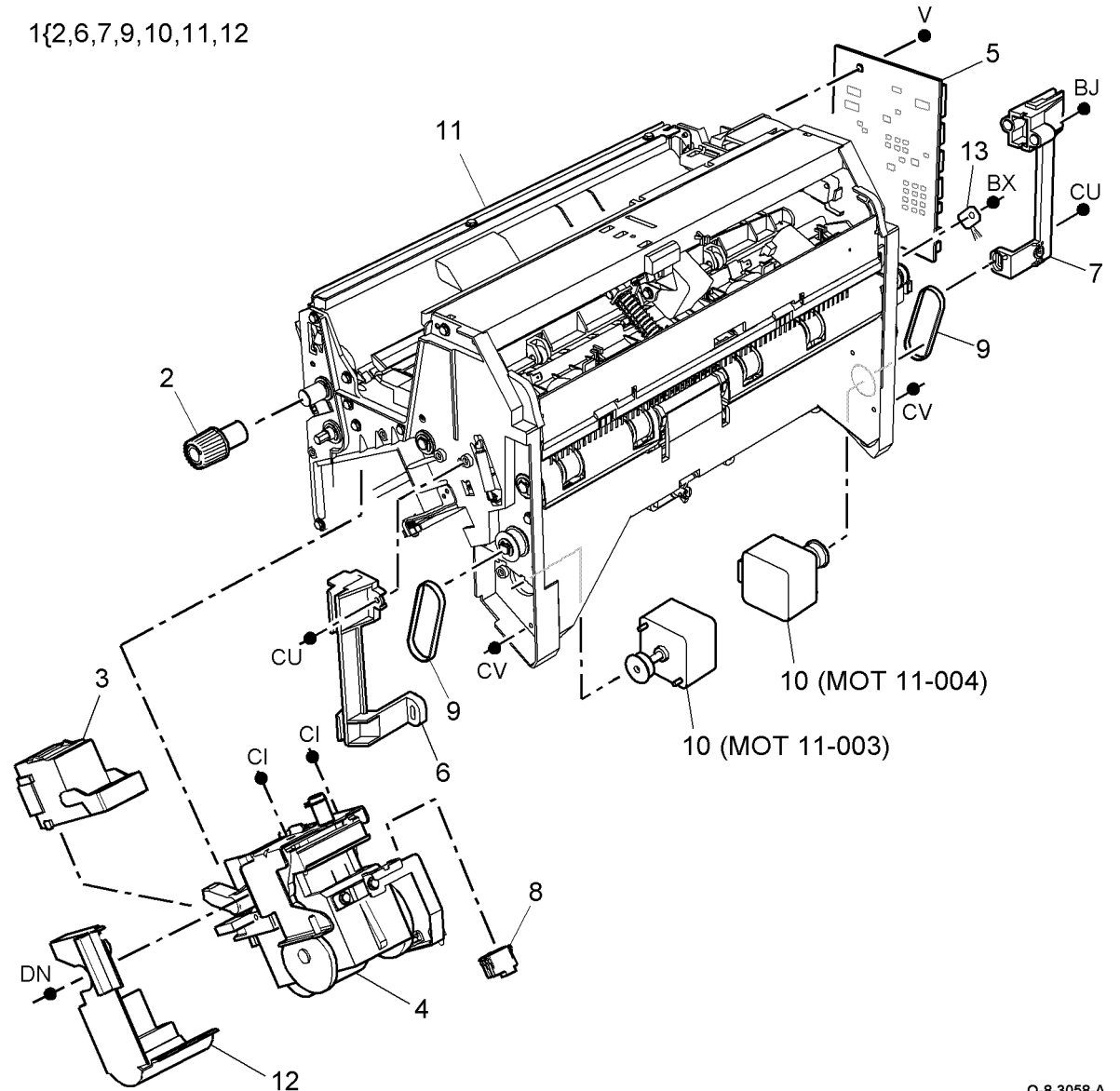
Item	Part	Description
1	110E13620	Carriage upper limit switch (S11-315)
2	023E18671	Compiler carriage elevator belt (REP 11.7-130)
3	-	Lower carriage shaft (Not Spared)
4	020E33421	Pulley (REP 11.25-130)
5	-	Compiler carriage elevator motor bracket (REP 11.6-130)
6	413W30854	Bearing
7	007E63821	Worm wheel (ADJ 4.1)
8	127K40641	Compiler carriage elevator motor (MOT11-013) (REP 11.6-130, ADJ 4.1)
9	809E44151	Elevator belt tensioner spring (REP 11.8-130)
10	110E13760	Carriage lower limit switch (S11-316)
11	-	Bearing (Not Spared) (REP 11.6-130)
12	-	Compiler carriage (REF: PL 11.46) (REP 11.2-130)
13	019E55570	Clamp
14	-	Compiler carriage support (REF: PL 26.10 Item 25) (REP 11.2-130)



PL 11.46 HCSS Compiler Carriage (1 of 4)

Item	Part	Description
1	041K06340	Compiler carriage assembly (REP 11.2-130)
2	003E54941	Jam clearance knob
3	-	Staple cartridge (REF: PL 26.10 Item 11)
4	029K02750	Staple head unit 1 assembly (REP 11.3-130)
5	160K71611	Carriage PWB (REP 11.4-130)
6	019E46582	Front grip (REP 11.34-130)
7	019E61970	Rear grip (REP 11.34-130)
8	130E81311	SH1 Paper sensor (Q11-361)
9	023E18760	Tamper drive belt (P/O PL 11.46 Item 1)
10	127K34570	Front tamper motor (MOT11-003)/ Rear tamper motor (MOT11-004)
11	-	Compiler carriage (P/O PL 11.46 Item 1)
12	-	Stapler cover (P/O PL 11.46 Item 1)
13	125E00430	Static eliminator

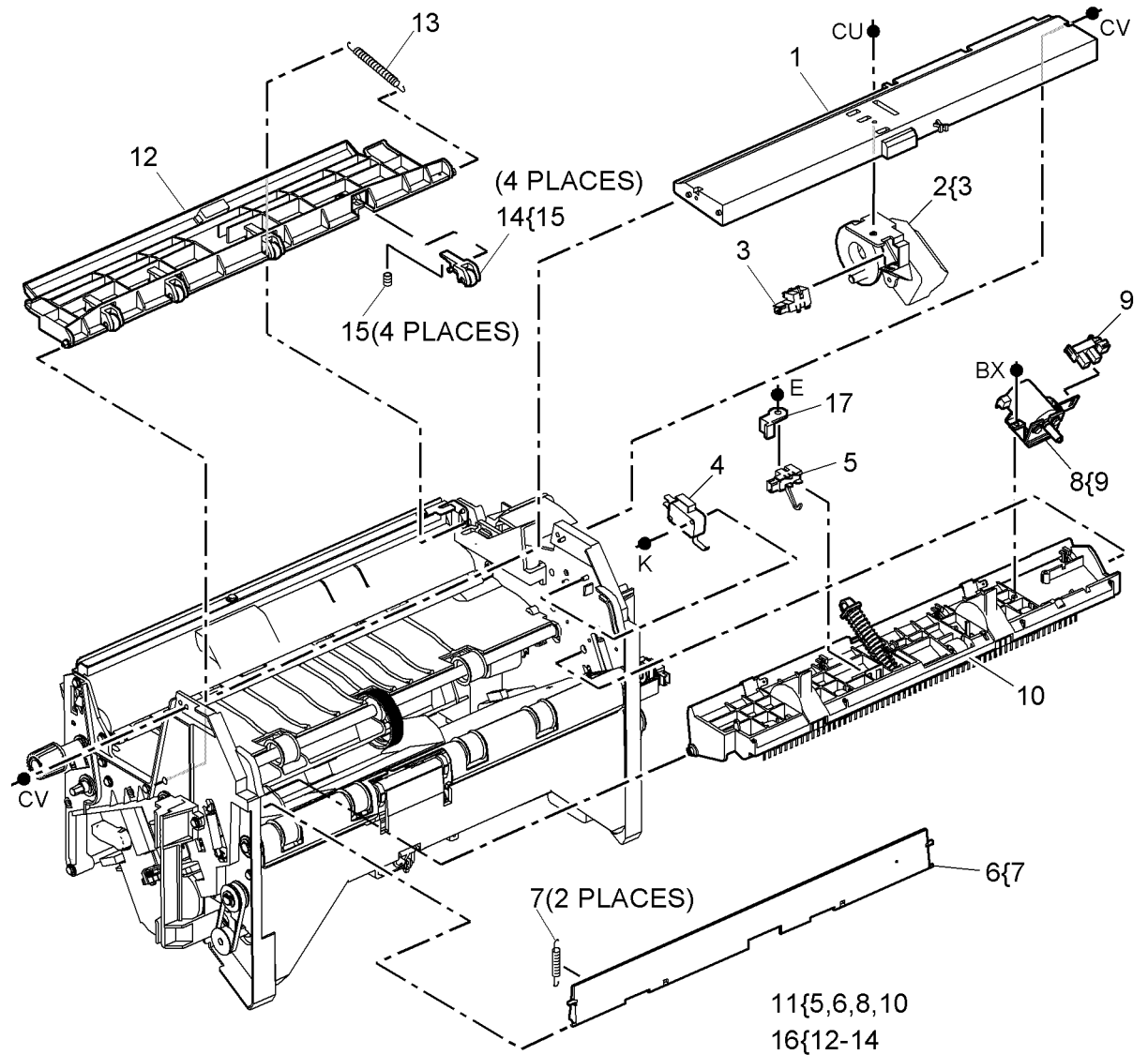
1{2,6,7,9,10,11,12



Q-8-3058-A

PL 11.47 HCSS Compiler Carriage (2 of 4)

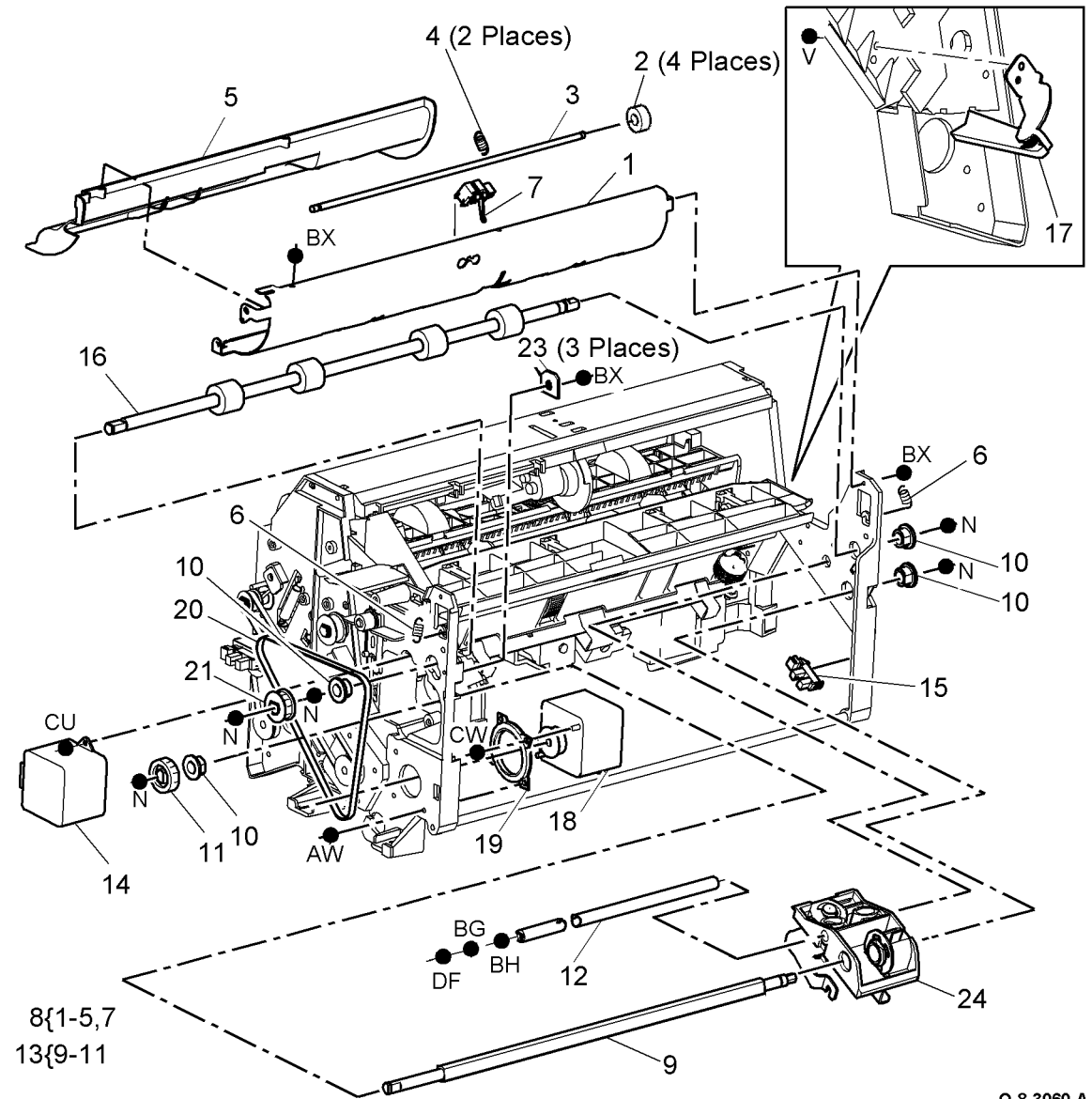
Item	Part	Description
1	-	Frame cross member (P/O PL 11.46 Item 1)
2	127K43820	Ejector motor assembly (MOT11-020) (REP 11.20-130)
3	130K83340	Ejector home sensor (Q11-320) (REP 11.20-130)
4	110E13620	Compiler carriage safety switch (S11-317)
5	130K65602	2nd to top exit sensor (Q11-140) (REP 11.38-130)
6	802E40142	Shutter (REP 11.39-130, ADJ 4.1)
7	-	Shutter spring (P/O PL 11.46 Item 6)
8	127K45130	Paddle roll motor assembly (MOT11-024) (REP 11.21-130)
9	107E08680	Paddle roll home sensor (Q11-326) (REP 11.21-130)
10	-	Eject housing (P/O PL 11.47 Item 11) (REP 11.41-130, ADJ 4.1)
11	802K70210	Eject housing assembly
12	055E44672	Carriage top baffle (P/O PL 11.47 Item 16) (REP 11.22-130)
13	809E47671	Carriage top baffle return spring (REP 11.22-130)
14	009K02290	Top baffle idler assembly (REP 11.22-130)
15	-	Top baffle idler spring (P/O PL 11.47 Item 14) (REP 11.22-130)
16	-	Top baffle assembly (P/O PL 11.46 Item 1)
17	-	Securing block (P/O PL 11.46 Item 1)



Q-8-3059-A

PL 11.48 HCSS Compiler Carriage (3 of 4)

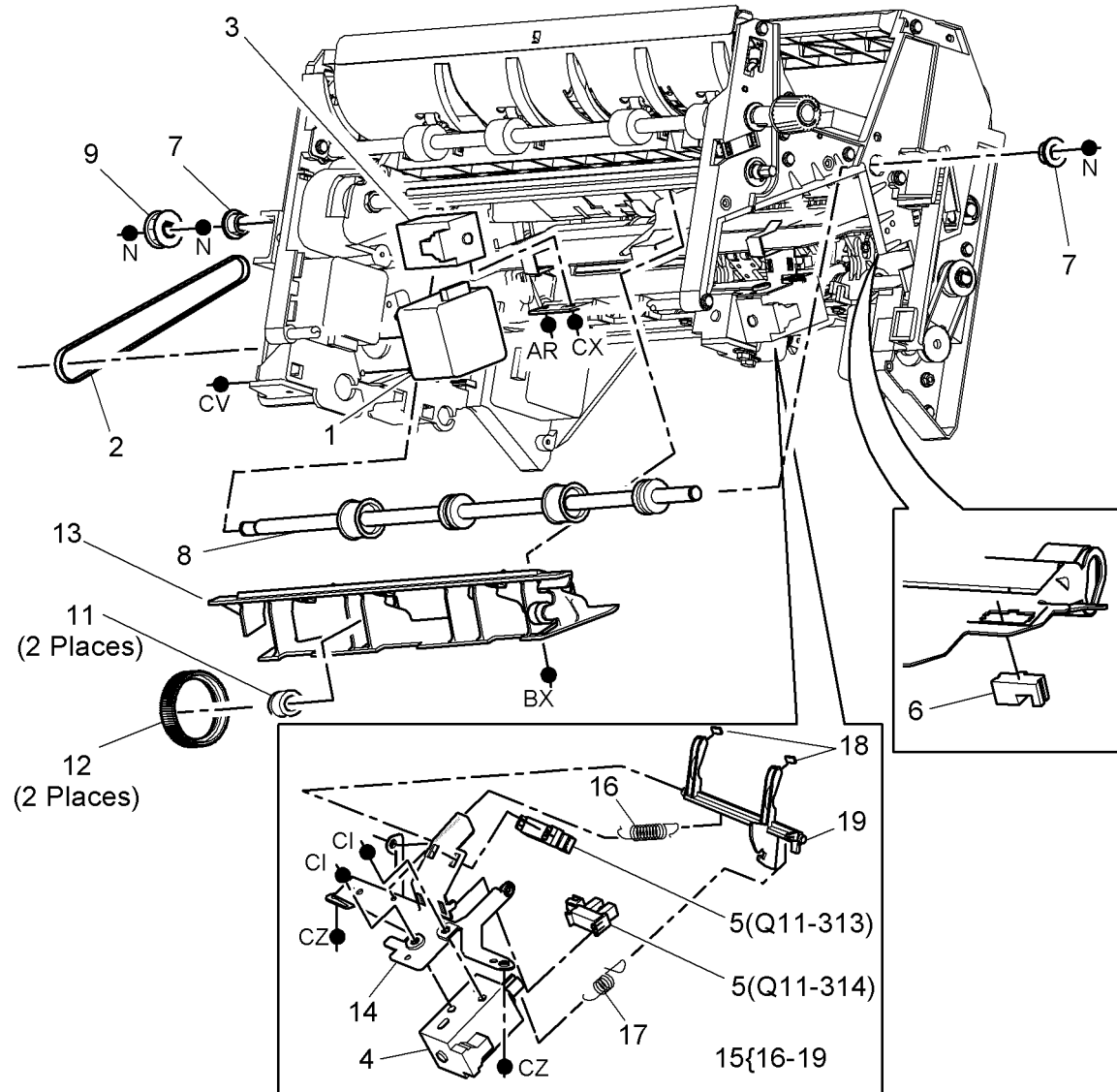
Item	Part	Description
1	-	Entrance baffle (P/O PL 11.48 Item 8) (REP 11.24-130)
2	-	Nip roll (P/O PL 11.48 Item 8) (REP 11.40-130, ADJ 4.1)
3	006E73100	Nip shaft (P/O PL 11.48 Item 8) (REP 11.40-130, ADJ 4.1)
4	809E68510	Nip spring (P/O PL 11.48 Item 8) (REP 11.40-130)
5	-	Entrance baffle cover (P/O PL 11.48 Item 8)
6	809E25550	Entrance baffle spring (REP 11.24-130)
7	130K67970	Compiler sensor (Q11-120) (REP 11.23-130)
8	032K04120	Entrance baffle assembly (REP 11.24-130)
9	026E76940	Traverse shaft (REP 11.31-130)
10	-	Bushing (P/O PL 11.48 Item 13)
11	-	Stapling unit drive pulley (P/O PL 11.48 Item 13)
12	-	Stapling unit mount support shaft (P/O PL 11.46 Item 1)
13	-	Stapling unit mount assembly (P/O PL 11.46 Item 1)
14	127K33970	Stapling unit traverse motor (MOT11-053) (REP 11.26-130)
15	107E08680	Stapling unit 1 home sensor (Q11-370)
16	-	Compiler carriage entry shaft (P/O PL 11.46 Item 1)
17	029K04030	Stapling unit pivot assembly
18	127K44851	Transport motor 2 (MOT11-001) (REP 11.27-130)
19	004E21810	Motor damper (REP 11.27-130)
20	023E25010	Drive belt
21	-	Carriage entry shaft drive pulley (P/O PL 11.46 Item 1)
22	-	Not used
23	125E00430	Static eliminator
24	068K40650	Stapler mount assembly (REP 11.31-130)



Q-8-3060-A

PL 11.49 HCSS Compiler Carriage (4 of 4)

Item	Part	Description
1	127K44851	Compiler carriage eject roll motor (MOT11-010) (REP 11.28-130)
2	023E18770	Eject motor drive belt (P/O PL 11.46 Item 1)
3	121K36940	Compiler carriage tray hold solenoid assembly (SOL11-011) (REP 11.30-130, ADJ 4.1)
4	121E10933	Kicker solenoid (SOL11-430) (REP 11.29-130)
5	107E08680	Compiler carriage bin height sensor (Q11-314)/Compiler carriage 90% full sensor (Q11-313) (REP 11.29-130)
6	130E81311	SU1 Edge registration sensor (Q11-367)
7	-	Bushing (P/O PL 11.46 Item 1)
8	-	Transport shaft (P/O PL 11.46 Item 1) (REP 11.32-130)
9	-	Transport shaft pulley (P/O PL 11.46 Item 1)
10	-	Not used
11	-	Guide roller (P/O PL 11.49 Item 12) (REP 11.32-130)
12	-	Compiler belt (REP 11.32-130)
13	-	Feed chute (P/O PL 11.46 Item 1) (REP 11.32-130)
14	-	Kicker frame (P/O PL 11.46 Item 1)
15	031K07951	Kicker assembly (W/TAG H002) (REP 11.29-130)
16	-	Return spring (P/O PL 11.49 Item 15)
17	-	Spring solenoid (P/O PL 11.49 Item 15)
18	-	Kicker finger pad (P/O PL 11.49 Item 15)
19	-	Kicker fingers (P/O PL 11.49 Item 15)

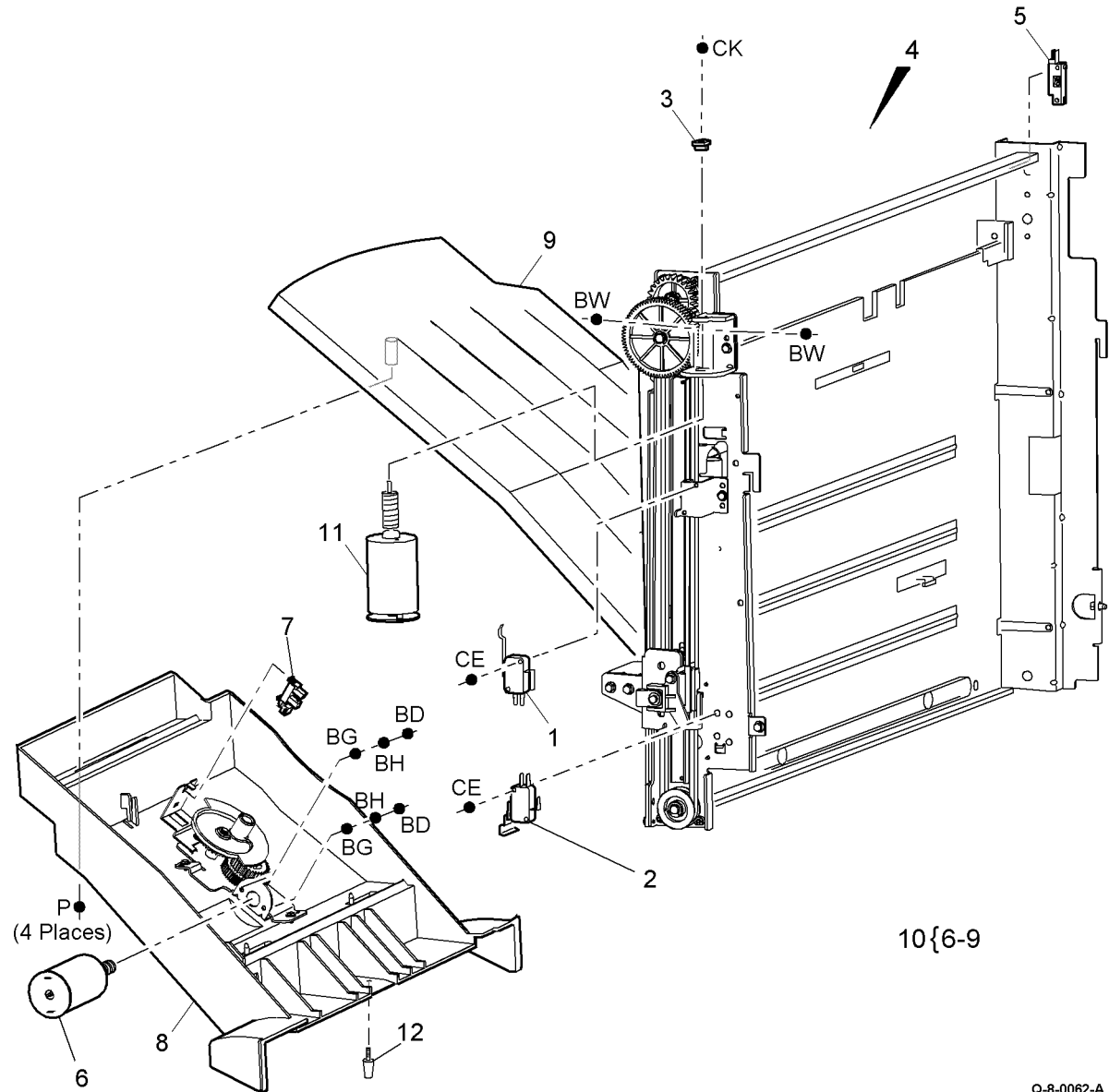


Q-8-3061-A

PL 11.52 HCSS Bin 1

Item	Part	Description
1	110E13760	Bin 1 upper limit switch (S11-334)
2	-	Bin 1 lower limit switch (S11-335) (see NOTE)
3	-	Bearing (P/O PL 11.52 Item 4) (REP 11.36-130)
4	801K10430	Bin 1 assembly (REP 11.5-130)
5	130E09920	Bin 1 empty sensor (Q11-035)
6	127K34041	Bin 1 offset motor (MOT11-034) (REP 11.35-130, ADJ 4.1)
7	107E08680	Bin 1 offset sensor (Q11-337) (REP 11.35-130)
8	001K75163	Bin 1 lower support (P/O PL 11.52 Item 10) (ADJ 4.1)
9	050E15583	Bin 1 tray
10	050K54200	Bin 1 tray assembly
11	127K40641	Bin 1 elevator motor (MOT11-030) (REP 11.36-130, ADJ 4.1)
12	026E77310	Thumbscrew

NOTE: Part number unavailable on SOLOS at time of issue.

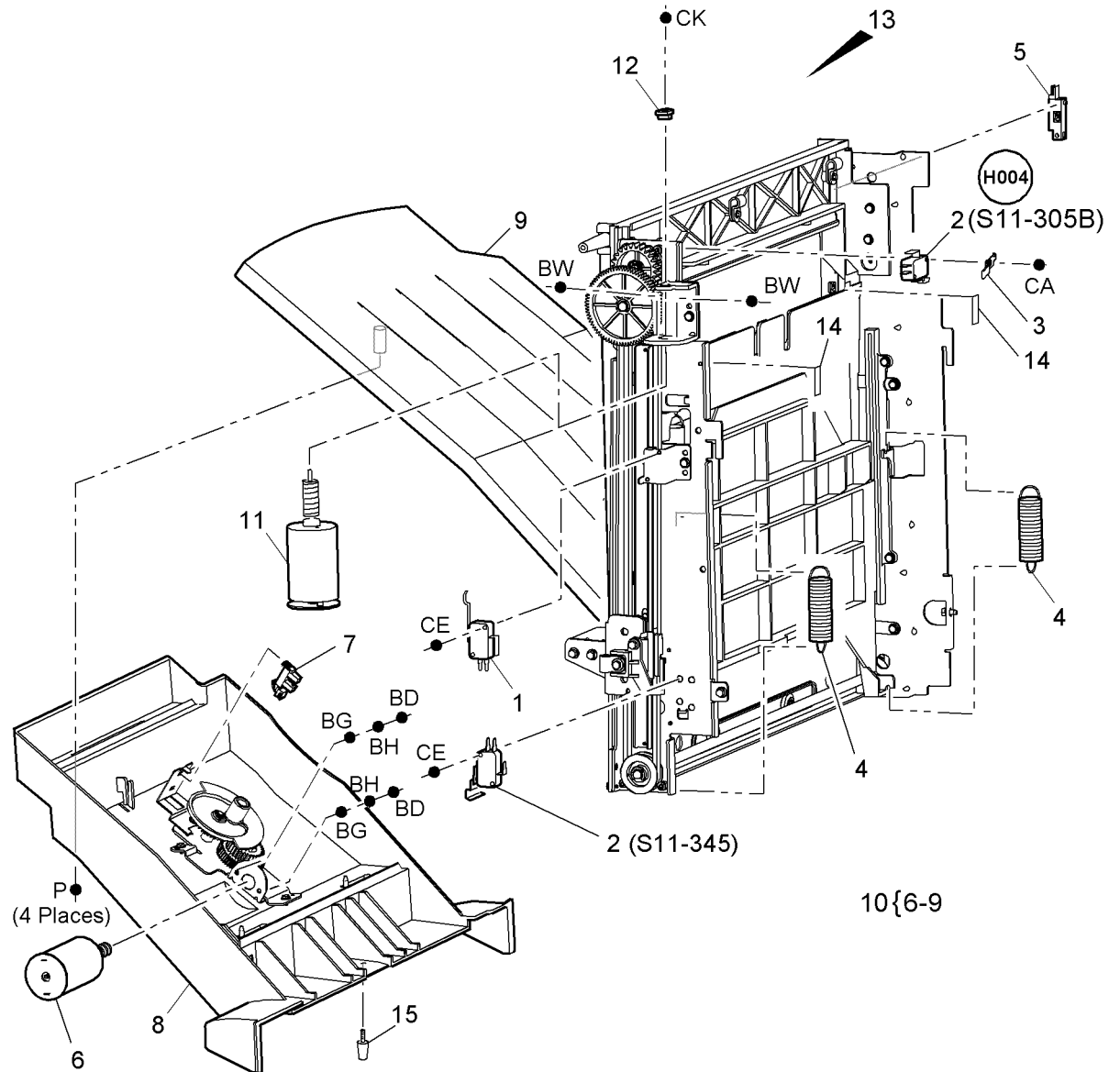


Q-8-0062-A

PL 11.54 HCSS Bin 2

Item	Part	Description
1	110E13760	Bin 2 upper limit switch (S11-344)
2	-	Bin 2 lower limit switch (S11-345), Lower exit gate interlock switch (S11-305B)(W/TAG H004) (see NOTE)
-	110E13620	Lower exit gate interlock switch (S11-305B) (W/O TAG H004)
3	-	Retainer (P/O PL 11.54 Item 13)
4	809E43850	Safety door spring
5	130E09920	Bin 2 empty sensor (Q11-041)
6	127K34041	Bin 2 offset motor (MOT11-040) (REP 11.35-130,ADJ 4.1)
7	107E08680	Bin 2 offset sensor (Q11-347) (REP 11.35-130)
8	001K75163	Bin 2 lower support (P/O PL 11.54 Item 10) (ADJ 4.1)
9	050E15583	Bin 2 tray
10	050K54200	Bin 2 tray assembly
11	127K40641	Bin 2 elevator motor (MOT11-036) (REP 11.36-130, ADJ 4.1)
12	-	Bearing (P/O PL 11.54 Item 13) (REP 11.36-130)
13	801K10440	Bin 2 assembly (REP 11.5-130)
14	038E29421	Mylar guide
15	026E77310	Thumbscrew

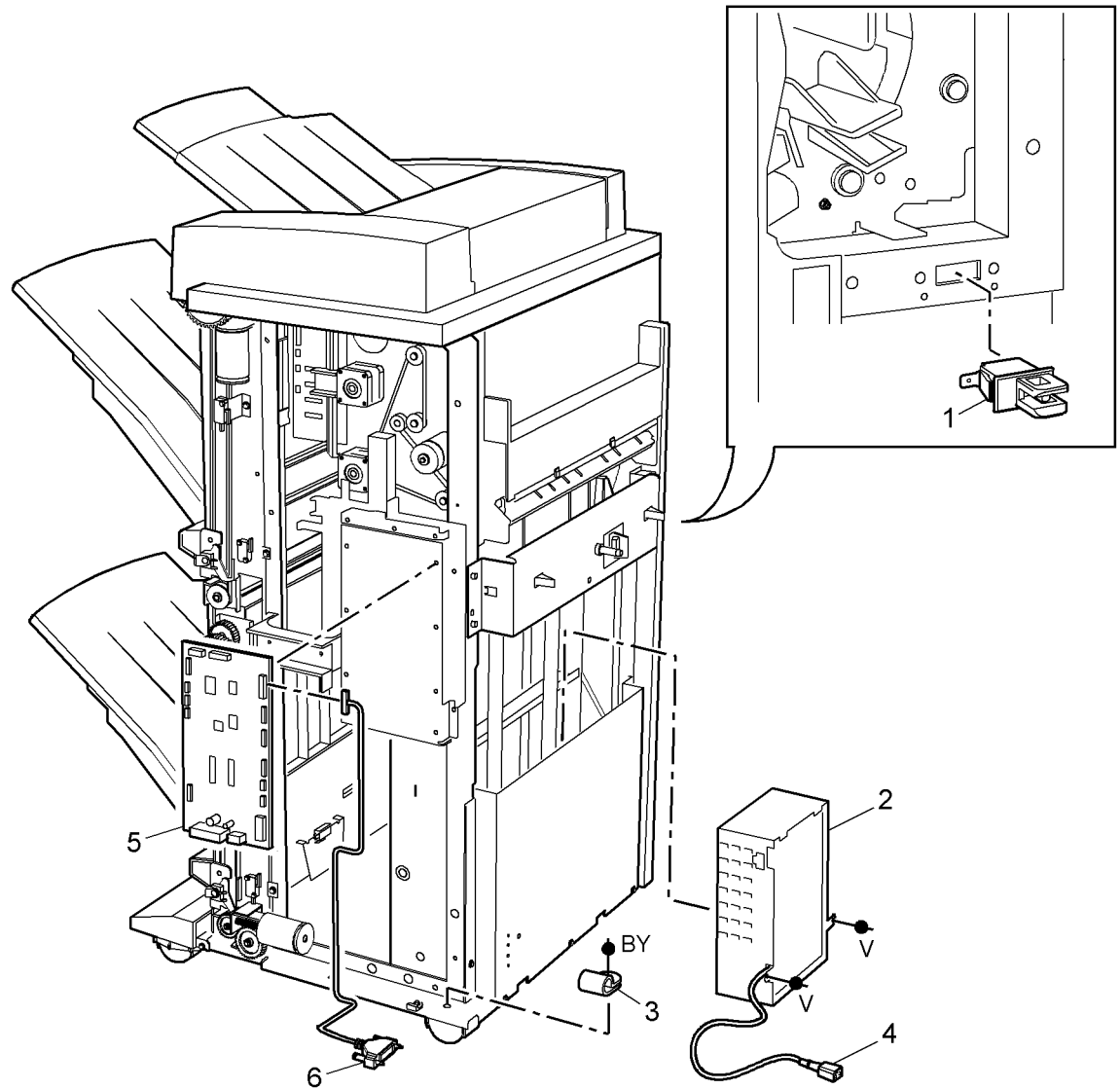
NOTE: Part number unavailable on SOLOS at time of issue.



PL 11.56 HCSS Electrical

Item	Part	Description
1	110E13470	Front door interlock switch (S11-303)
2	105K24803	HCSS Power supply module
3	—	P-clamp (Not Spared)
4	162K59974	Power cord
5	960K20432	HCSS PWB
6	162K65232	Communication cable

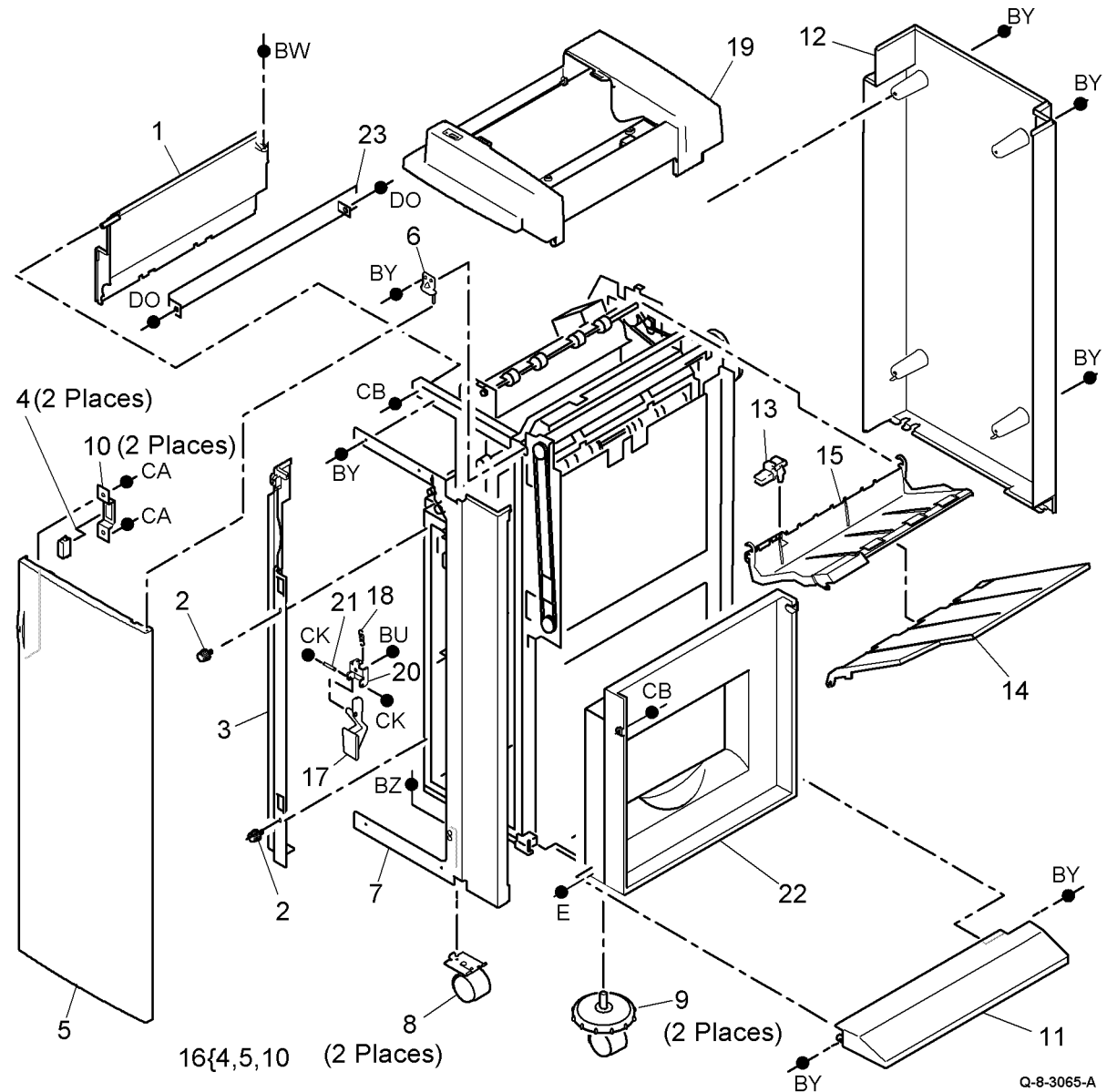
NOTE: For the Docking Interlock Switch, refer to PL 11.34 Item 3.



Q-8-3064-A

PL 11.60 HCSS BM Covers (1 of 2)

Item	Part	Description
1	802E18382	Upper left cover (REP 11.1-170)
2	026E77010	Thumbscrew
3	802E40463	Hole punch access cover (REP 11.1-170)
4	-	Magnet (P/O PL 11.60 Item 16)
5	-	Front door (P/O PL 11.60 Item 16)
6	-	Door hinge (Not Spared)
7	802E18362	Front cover (REP 11.1-170)
8	017E10154	Fixed castor (REP 11.6-170)
9	017K03551	Adjustable castor (REP 11.6-170)
10	-	Bracket (P/O PL 11.60 Item 16)
11	802E21711	Lower right cover
12	802E18375	Rear cover (REP 11.1-170)
13	130K65510	Bin 0 90% full sensor (Q11-330)
14	050E22841	Bin 0 Pivot tray
15	050E22830	Bin 0 Base tray
16	604K31350	Front door assembly (REP 11.1-170)
17	003E70200	Latch
18	809E53320	Latch spring
19	802K68831	Top cover assembly (REF: PL 11.62) (REP 11.1-170)
20	-	Latch bracket (Not Spared)
21	826E20800	Hinge pin
22	802E42751	BM Exit Cover
23	-	Lower left cover (Not Spared) (REP 11.1-170)

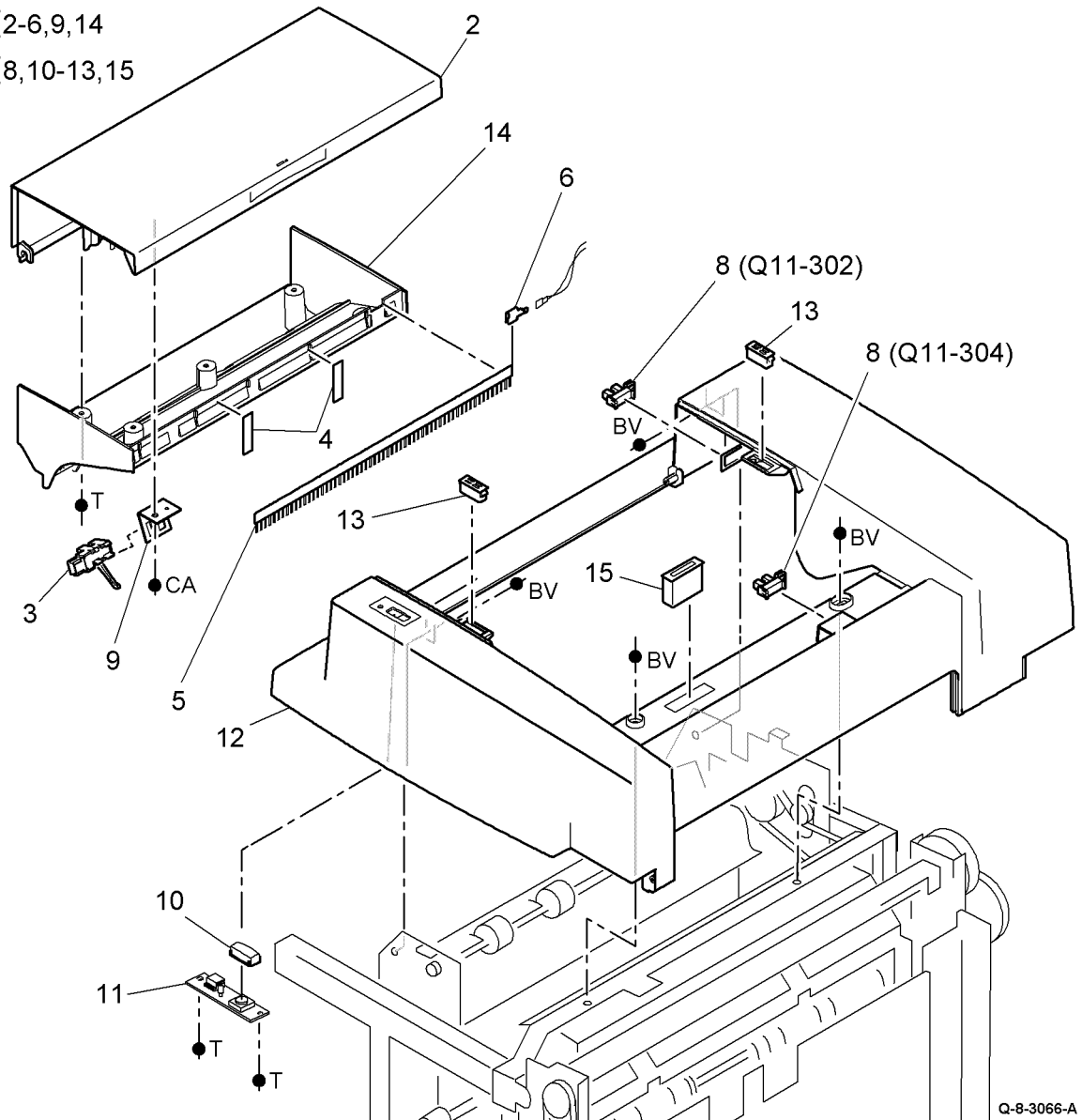


Q-8-3065-A

PL 11.62 HCSS BM Covers (2 of 2)

Item	Part	Description
1	-	Exit cover assembly (Not Spared)
2	-	Upper exit cover (P/O PL 11.62 Item 1)
3	130K83340	Top exit sensor (Q11-130)
4	038E28320	Document guide
5	125E02830	Static eliminator
6	019E04792	Static clip
7	-	Top cover assembly (Not Spared) (REP 11.1-170)
8	107E08680	Top cover interlock sensor (Q11-302), Top bin interlock sensor (Q11-304)
9	-	Bracket (P/O PL 11.62 Item 1)
10	-	Button (P/O PL 11.62 Item 7)
11	130K65570	Offline stapling PWB
12	802E18356	Top cover (P/O PL 11.62 Item 7)
13	-	Magnet (P/O PL 11.62 Item 7)
14	-	Lower exit cover (P/O PL 11.62 Item 1)
15	-	Magnet (P/O PL 11.62 Item 7)

1 {2-6,9,14
7 {8,10-13,15

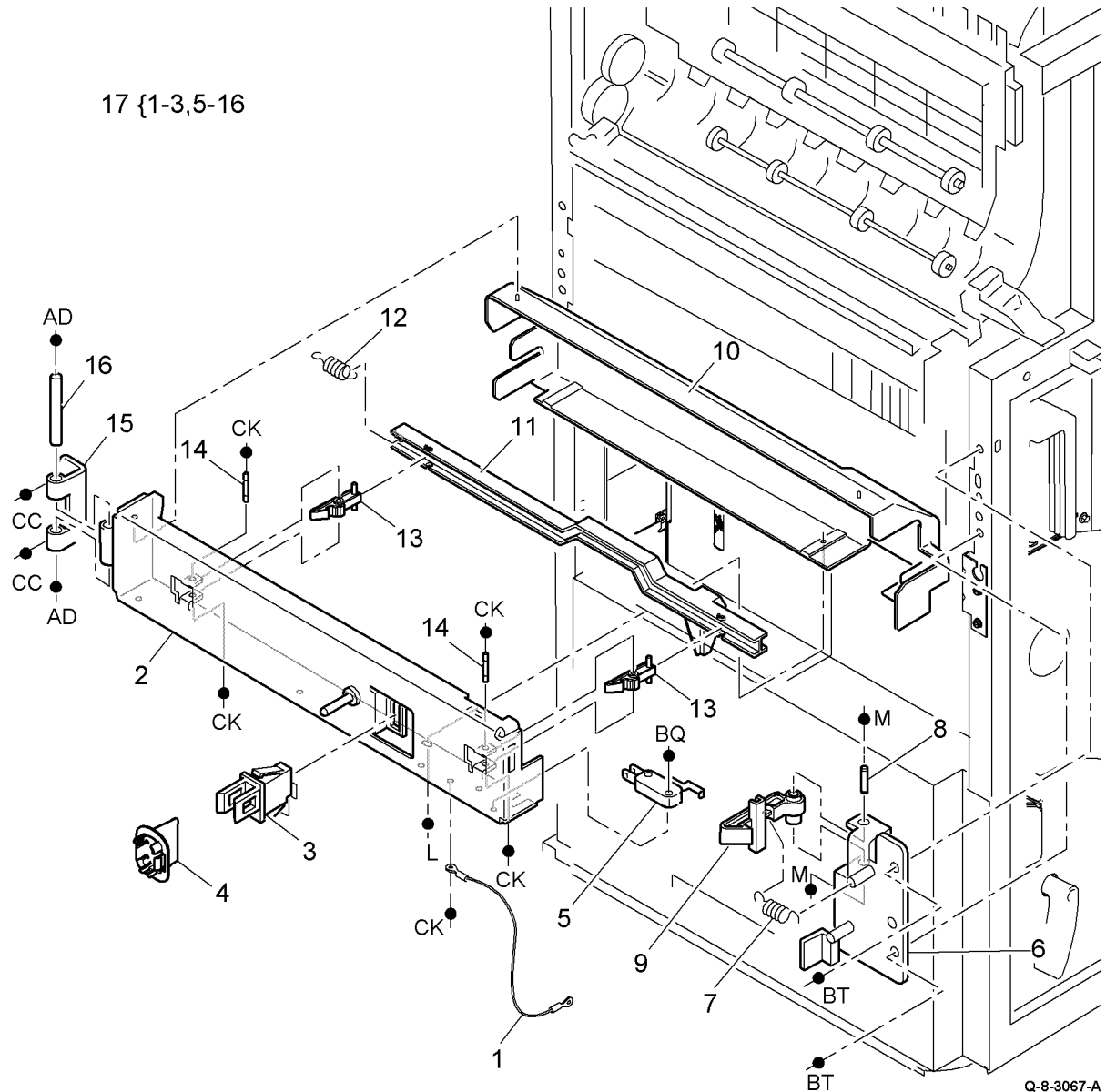


Q-8-3066-A

PL 11.64 HCSS BM Docking Latch

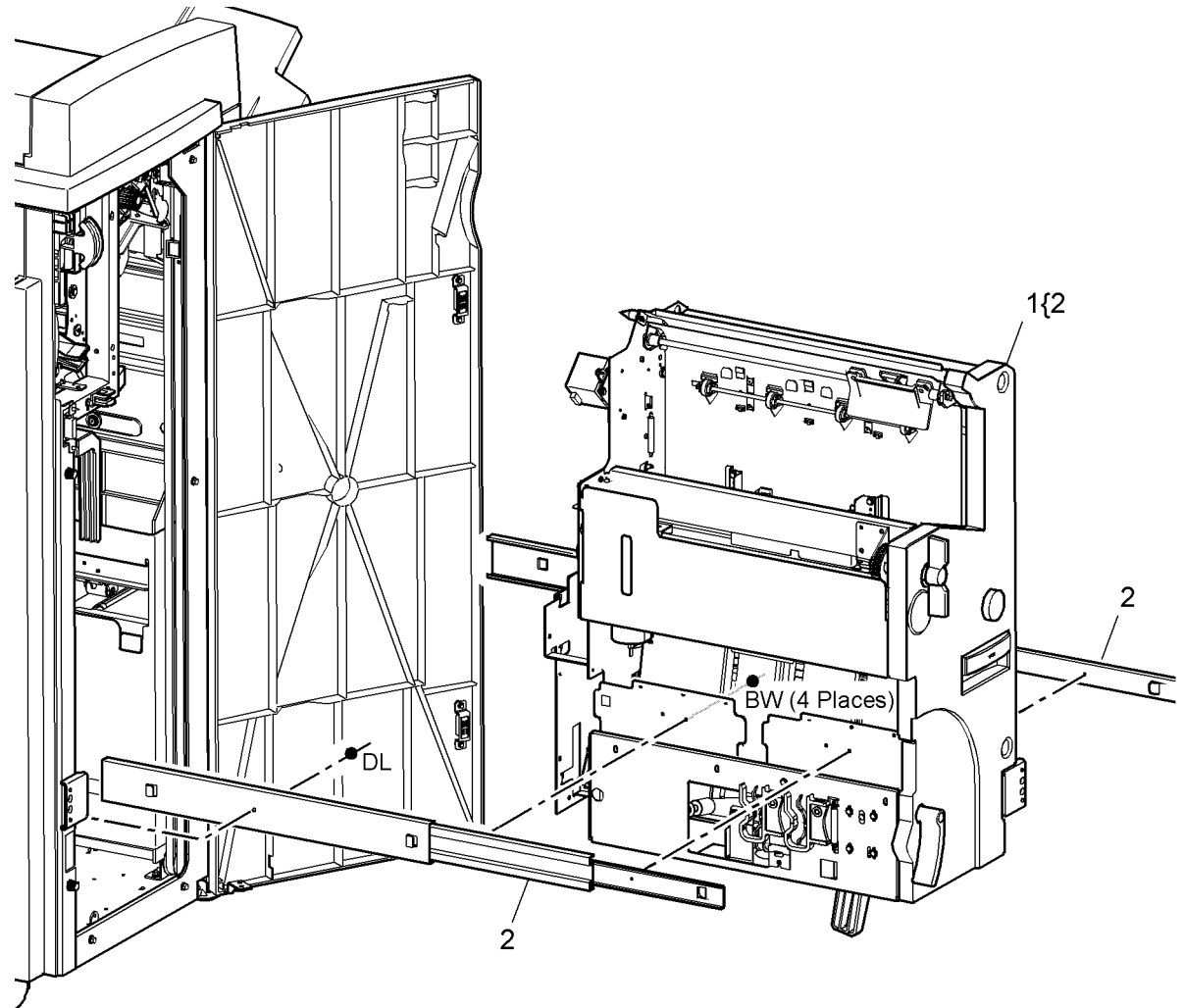
Item	Part	Description
1	012E14160	Restraining cable (REP 11.44-170)
2	-	Docking latch bracket (P/O PL 11.64 Item 17)
3	110E13470	Docking interlock switch (S11-300) (REP 11.44-170)
4	120E22861	Docking actuator
5	110E13620	Docking pivot interlock switch (REP 11.44-170)
6	-	Jam clearance release bracket (P/O PL 11.64 Item 17)
7	809E53320	Spring
8	-	Hinge pin (32mm) (P/O PL 11.64 Item 17)
9	003E70210	Jam clearance release latch
10	-	Docking latch bracket rear cover (P/O PL 11.64 Item 17)
11	011E13751	Release bracket (REP 11.44-170)
12	809E43860	Spring
13	003E66310	Docking release latch (REP 11.44-170)
14	-	Hinge pin (23mm) (P/O PL 11.64 Item 17)
15	-	Docking latch hinge bracket (P/O PL 11.64 Item 17)
16	-	Hinge pin (95mm) (P/O PL 11.64 Item 17)
17	003K17030	Docking assembly

17 {1-3,5-16



PL 11.65 HCSSBM Module (Complete)

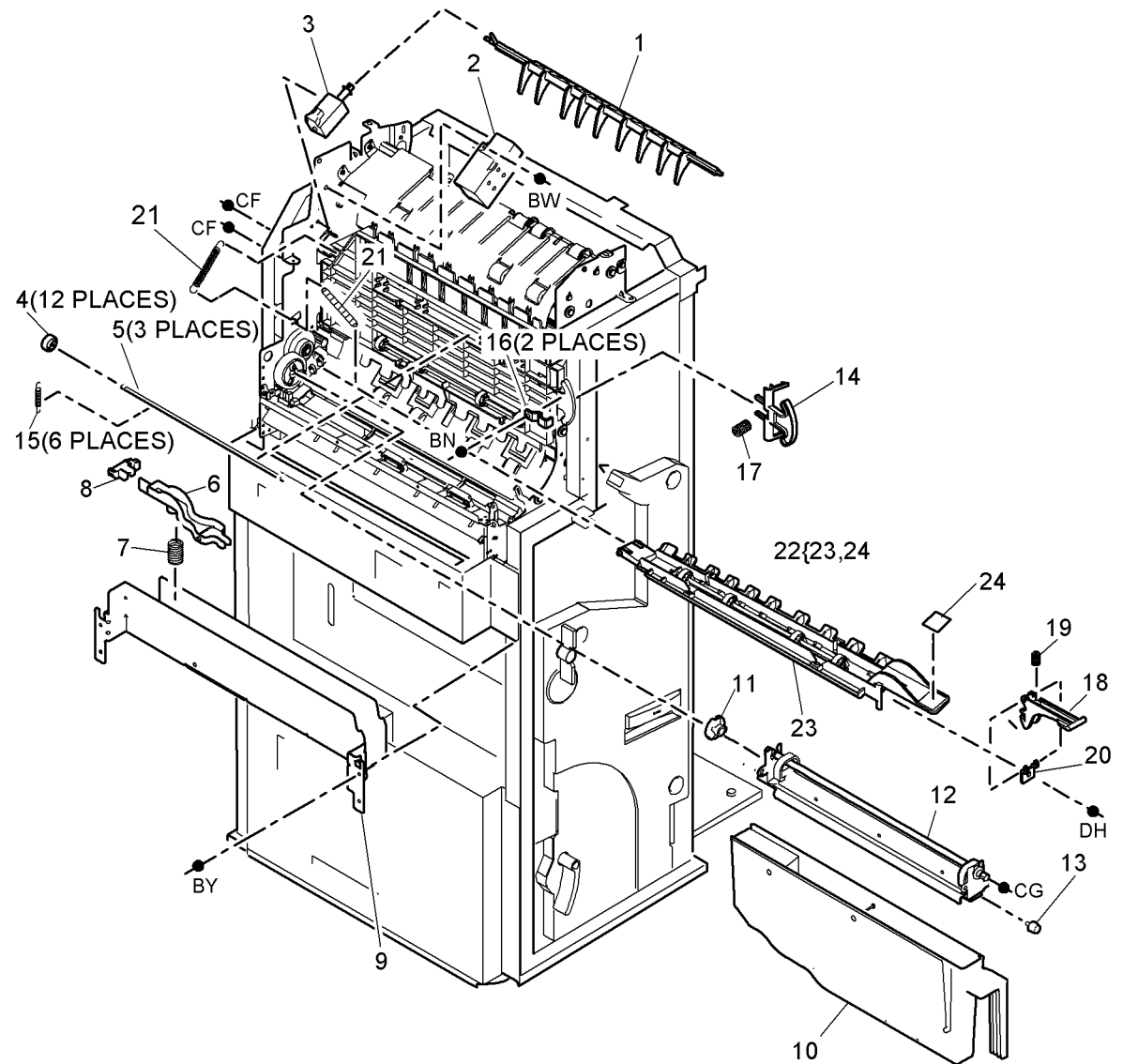
Item	Part	Description
1	801K26142	BM Module (REP 11.61-170)
2	010K02271	Slide assembly



Q-8-3130-A

PL 11.66 HCSS BM Paper Path (1 of 4)

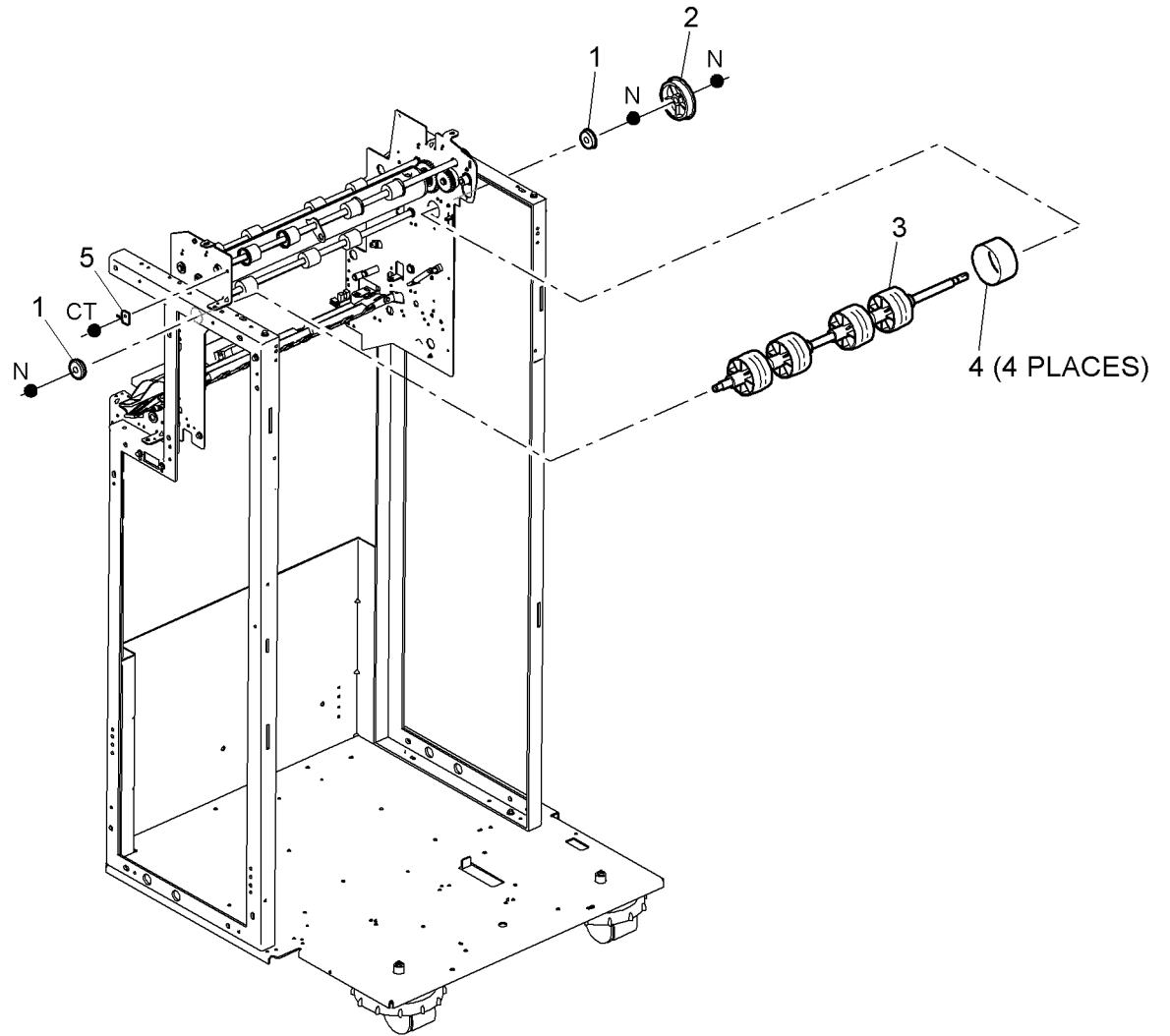
Item	Part	Description
1	050E15572	Upper diverter gate (REP 11.9-170)
2	-	Solenoid cover (Not Spared)
3	121E10933	Upper diverter solenoid (SOL11-002) (REP 11.9-170)
4	-	Nip roll (Not Spared) (ADJ 4.1)
5	006E73100	Nip shaft (ADJ 4.1)
6	120E22801	Chad bin sensor actuator (REP 11.10-170)
7	809E43580	Spring (REP 11.10-170)
8	107E08680	Chad bin full sensor (Q11-348) (REP 11.10-170)
9	-	Chad bin support bracket (Not Spared)
10	093K06421	Chad bin
11	014E41560	Hole punch motor coupling (REP 11.7-170)
12	-	Hole punch unit (see below for variants)
-	180K00070	2 Hole punch unit (XE)
-	180K00021	4 Hole punch unit (XE)
-	180K00080	3 Hole punch unit (NASG/XCL)
-	180K00092	4 Hole punch unit (Sweden)
13	026E77010	Thumbscrew
14	003E54761	Jam clearance latch (5b)
15	809E02910	Nip spring
16	120E25320	Latch securing bracket
17	-	Spring (Not Spared)
18	003E67871	Jam clearance latch (5a)
19	809E46970	Spring
20	003E67881	Latch securing bracket
21	809E46723	Spring
22	604K31340	Baffle repair kit
23	-	Baffle (P/O PL 11.66 Item 22)
24	-	Label 5a/6a (P/O PL 11.66 Item 22)



Q-8-3068-A

PL 11.67 HCSS BM Paper Path (2 of 4)

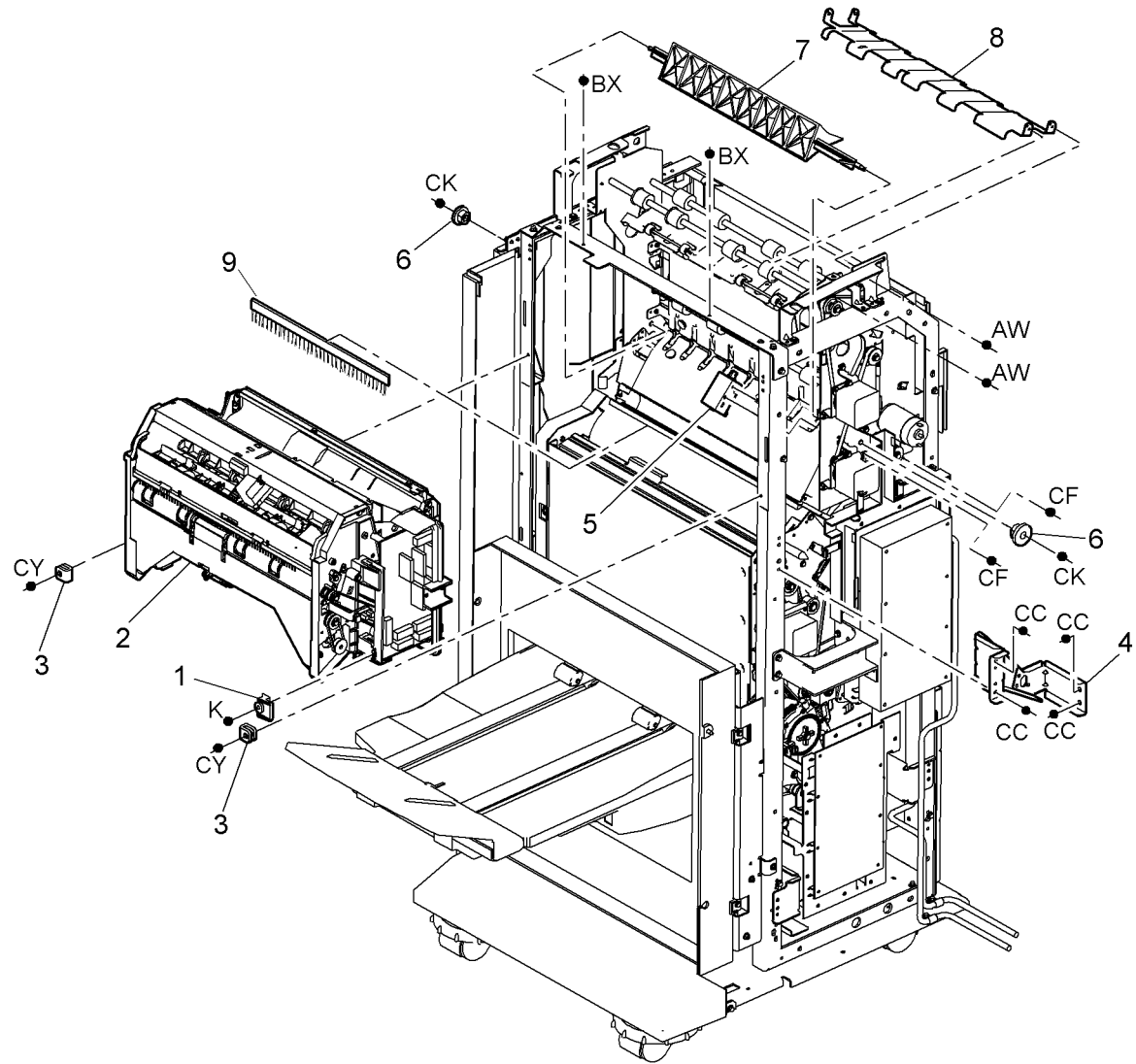
Item	Part	Description
1	413W30854	Bearing
2	020E33400	Drive pulley
3	022K69071	Pre-compile pulley (REP 11.55-170)
4	-	Pulley tyre (REP 11.55-170)
5	125E00430	Static eliminator



Q-8-3069-A

PL 11.68 HCSS BM Paper Path (3 of 4)

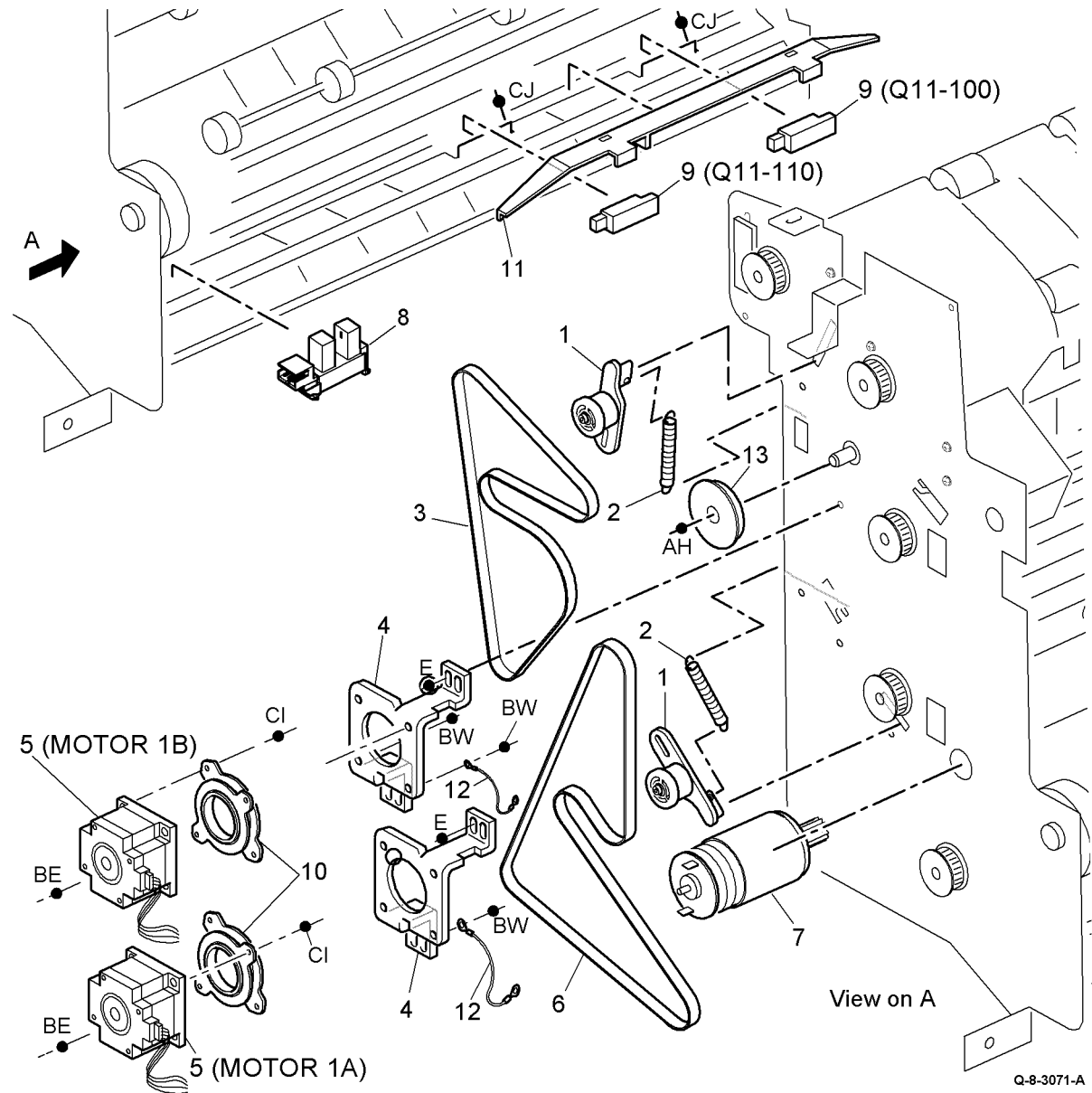
Item	Part	Description
1	019E55570	Clamp (REP 11.2-170)
2	-	Compiler carriage (REF: PL 11.72) (REP 11.2-170)
3	-	Support (Not Spared)
4	-	BM support bracket (Not Spared)
5	055E46000	Lower diverter gate solenoid (SOL 11-074) (REP 11.14-170)
6	-	Bearing (Not Spared)
7	-	Lower diverter gate (Not Spared) (REP 11.15-170)
8	-	Upper paper guide (Not Spared) (REP 11.8-170)
9	125E02750	Static eliminator



Q-8-3070A

PL 11.70 HCSS BM Paper Path (4 of 4)

Item	Part	Description
1	022K78852	Belt tensioner
2	809E47190	Tensioner spring
3	023E25440	Transport motor 1B drive belt (REP 11.11-170)
4	-	Motor bracket (Not Spared)
5	127K47551	Transport motor 1A (MOT11-000) (REP 11.11-170), Transport motor 1B (MOT11-000) (REP 11.12-170)
6	023E18811	Transport motor 1A drive belt (REP 11.11-170)
7	127K34921	Hole punch motor (MOT11-042) (REP 11.7-170)
8	107E08680	Hole punch home sensor (Q11-350)
9	130E07860	Punch sensor (Q11-110), Entry sensor (Q11-100) (REP 11.48-170)
10	004E21810	Motor damper 1A (REP 11.11-170), Motor damper 1B (REP 11.12-170)
11	802E58301	Sensor cover
12	162K59980	Ground harness
13	-	Drive pulley (REF: PL PL 11.70 Item 2)

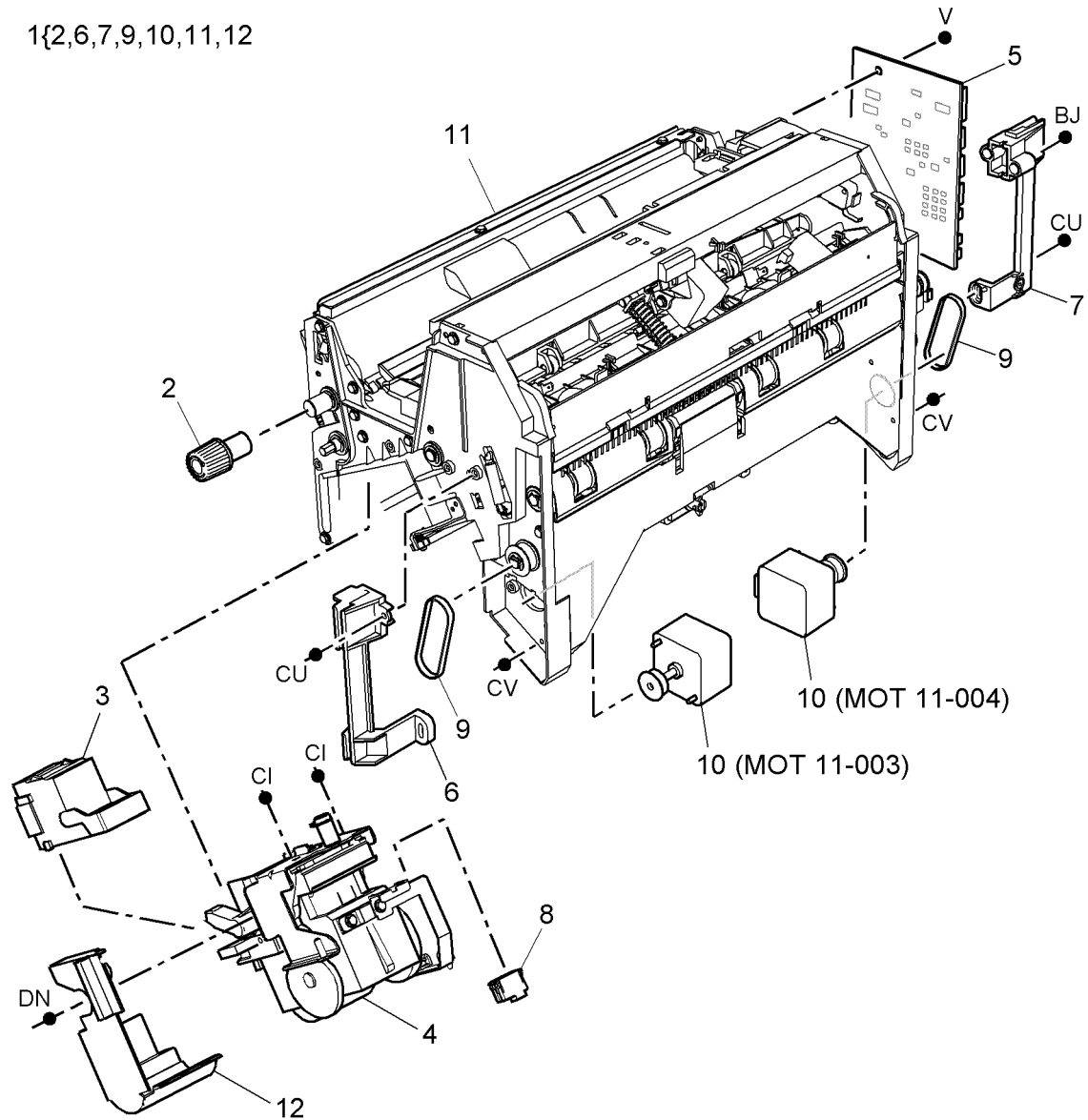


Q-8-3071-A

PL 11.72 HCSS BM Stapling Compiler Carriage (1 of 4)

1{2,6,7,9,10,11,12

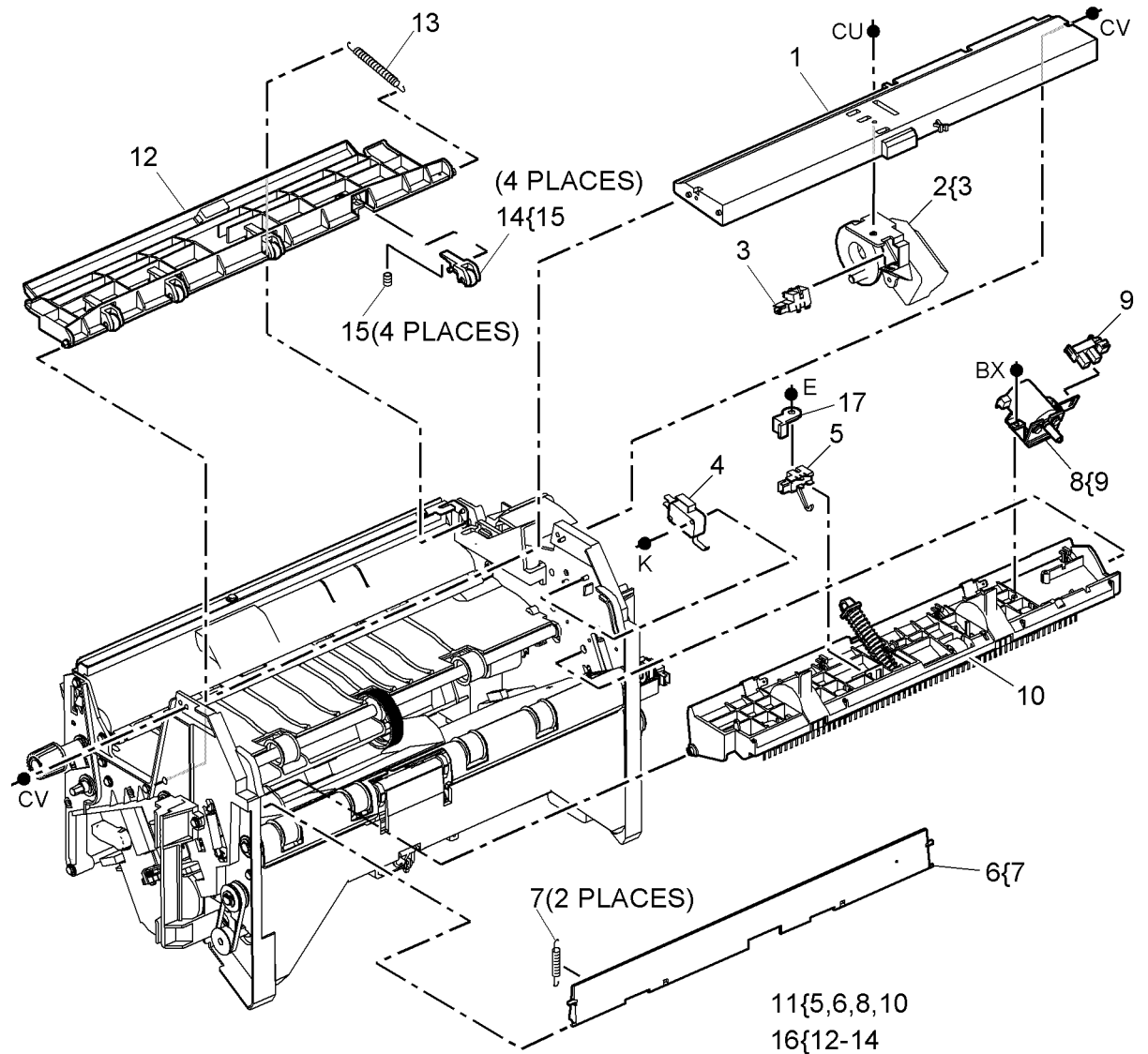
Item	Part	Description
1	041K06340	Compiler carriage assembly
2	003E54941	Jam clearance knob
3	-	Staple cartridge (REF: PL 26.10 Item 11)
4	029K02750	Staple head unit 1 (REP 11.3-170)
5	160K71611	Carriage PWB (REP 11.4-170)
6	019E46582	Front grip (REP 11.45-170)
7	019E61970	Rear grip (REP 11.45-170)
8	130E81311	SH1 Paper sensor (Q11-361) (REP 11.3-170)
9	023E18760	Tamper drive belt (P/O PL 11.72 Item 1)
10	127K34570	Front tamper motor (MOT11-003)/ Rear tamper motor (MOT11-004)
11	-	Compiler carriage (P/O PL 11.72 Item 1)
12	-	Stapler cover (P/O PL 11.72 Item 1)



Q-8-3072-A

PL 11.73 HCSS BM Stapling Compiler Carriage (2 of 4)

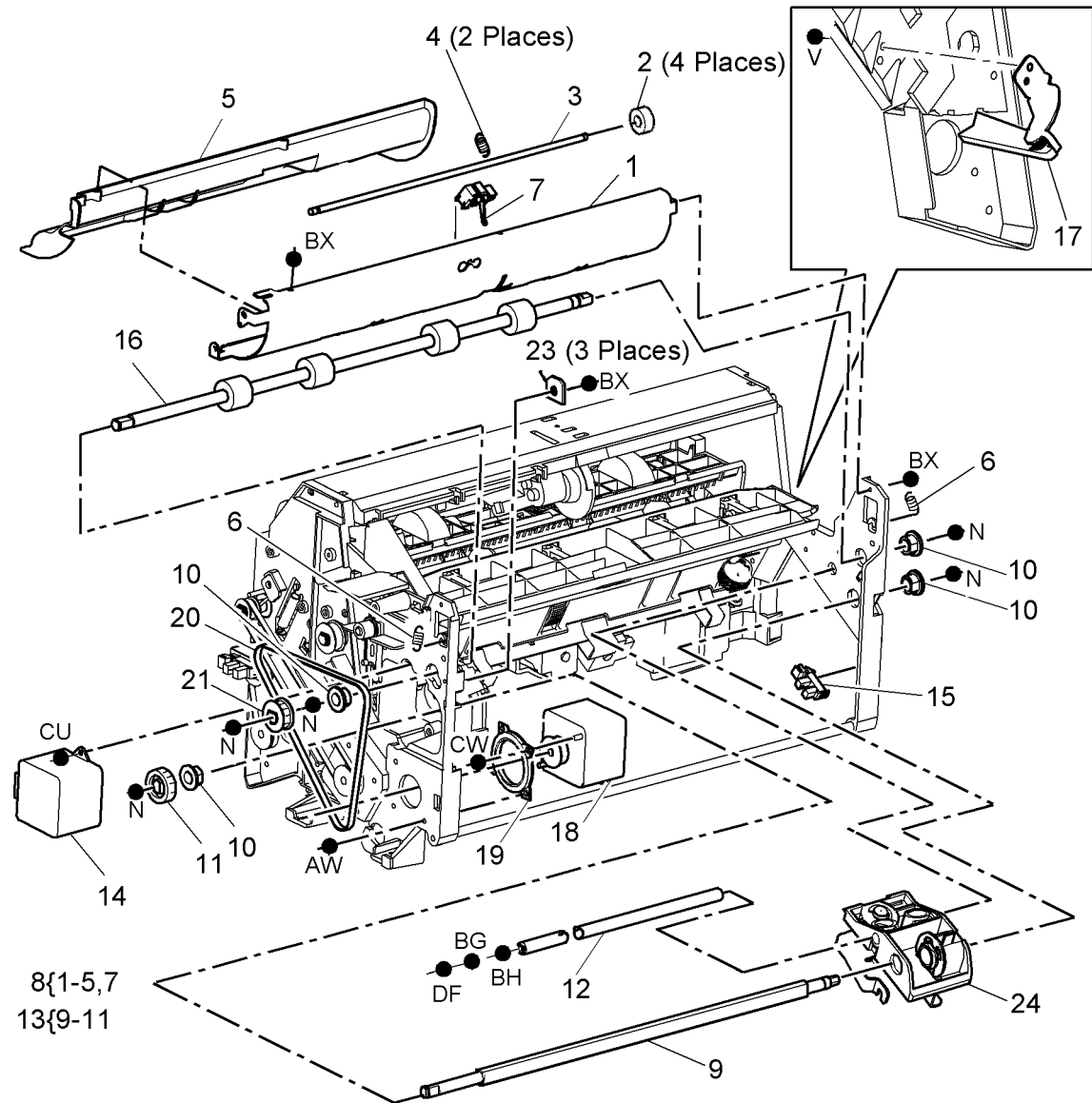
Item	Part	Description
1	-	Frame cross member (P/O PL 11.72 Item 1)
2	127K43820	Ejector motor assembly (MOT11-020) (REP 11.31-170)
3	130K83340	Ejector home sensor (Q11-320) (REP 11.31-170)
4	110E13620	Compiler carriage safety switch (S11-317)
5	130K65602	2nd To top exit sensor (Q11-140) (REP 11.49-170)
6	802E40142	Shutter (REP 11.53-170, ADJ 4.1)
7	-	Shutter spring (P/O PL 11.73 Item 6) (REP 11.53-170)
8	127K45130	Paddle roll motor assembly (MOT11-024) (REP 11.32-170)
9	107E08680	Paddle roll home sensor (Q11-326) (REP 11.32-170)
10	-	Eject housing (P/O PL 11.73 Item 11) (REP 11.57-170, ADJ 4.1)
11	802K70210	Eject housing assembly
12	055E44672	Carriage top baffle (P/O PL 11.73 Item 16) (REP 11.33-170)
13	809E47671	Carriage top baffle return spring (REP 11.33-170)
14	009K02290	Top baffle idler assembly (REP 11.33-170)
15	-	Top baffle idler spring (P/O PL 11.73 Item 14) (REP 11.33-170)
16	-	Top baffle assembly (P/O PL 11.72 Item 1)
17	-	Securing block (P/O PL 11.72 Item 1)



Q-8-3073-A

PL 11.74 HCSS BM Stapling Compiler Carriage (3 of 4)

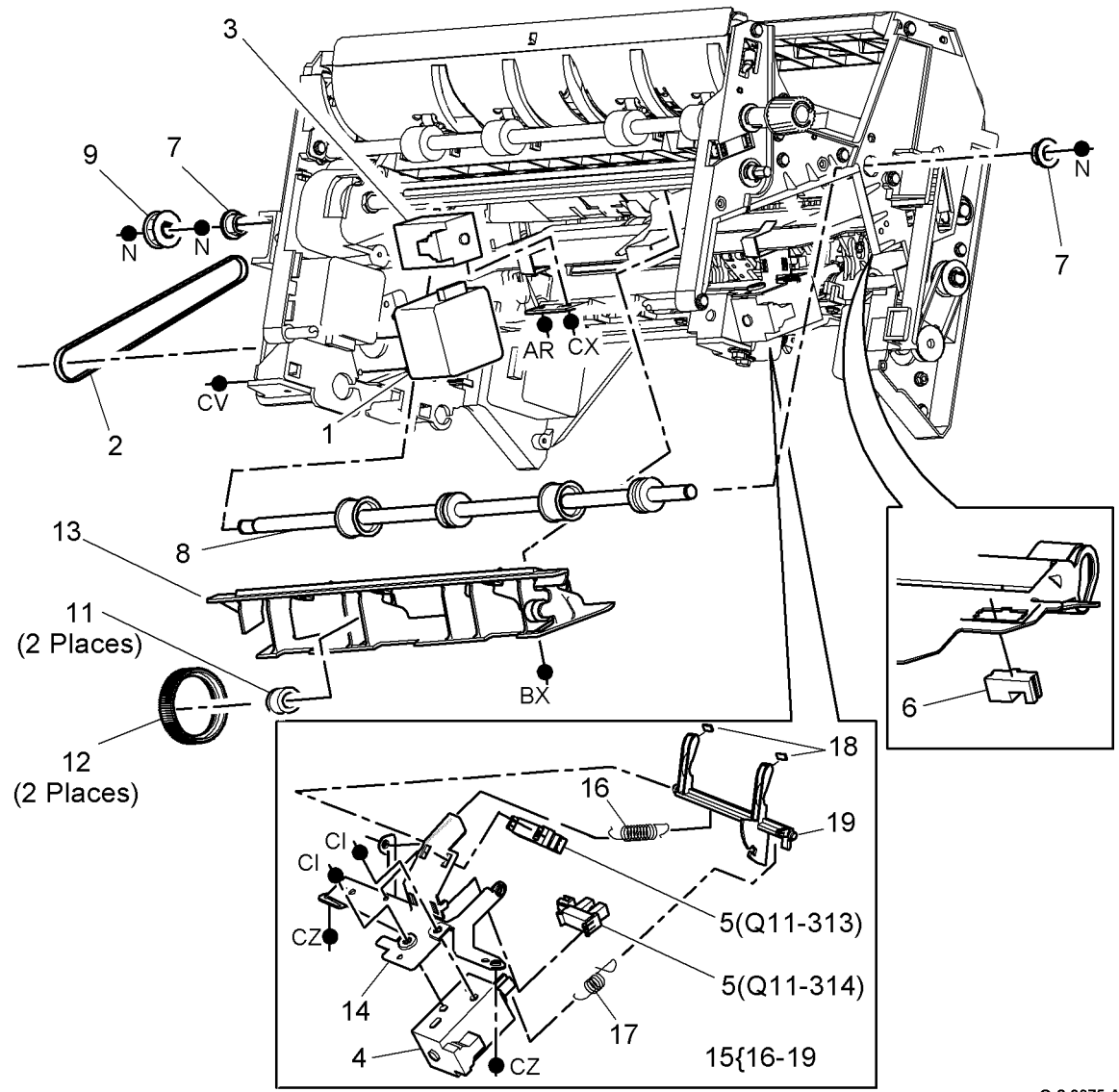
Item	Part	Description
1	-	Entrance baffle (P/O PL 11.74 Item 8) (REP 11.35-170)
2	-	Nip roll (P/O PL 11.74 Item 8) (REP 11.54-170, ADJ 4.1)
3	006E73100	Nip shaft (P/O PL 11.74 Item 8) (REP 11.54-170, ADJ 4.1)
4	809E68510	Nip spring (P/O PL 11.74 Item 8) (REP 11.54-170)
5	-	Entrance baffle cover (P/O PL 11.74 Item 8)
6	809E25550	Entrance baffle spring (REP 11.35-170)
7	130K67970	Compiler sensor (Q11-120) (REP 11.34-170)
8	032K04120	Entrance baffle assembly (REP 11.35-170)
9	026E76940	Traverse shaft (REP 11.42-170)
10	-	Bushing (P/O PL 11.74 Item 13)
11	-	Stapling unit drive pulley (P/O PL 11.74 Item 13)
12	-	Stapling unit mount support shaft (P/O PL 11.72 Item 1)
13	-	Stapling unit mount assembly (P/O PL 11.72 Item 1)
14	127K33970	Stapling unit traverse motor (MOT11-053) (REP 11.37-170)
15	107E08680	Stapling unit 1 home sensor (Q11-370)
16	-	Carriage entry shaft (P/O PL 11.72 Item 1)
17	029K04030	Stapling unit pivot assembly
18	127K44851	Transport motor 2 (MOT11-001) (REP 11.38-170)
19	004E21810	Motor damper (REP 11.38-170)
20	023E25010	Drive belt
21	-	Carriage entry shaft drive pulley (P/O PL 11.72 Item 1)
22	-	Not used
23	125E00430	Static eliminator
24	068K40650	Stapler mount assembly (REP 11.42-170)



Q-8-3074-A

PL 11.75 HCSS BM Stapling Compiler Carriage (4 of 4)

Item	Part	Description
1	127K44851	Compiler carriage eject roll motor (MOT11-010) (REP 11.39-170)
2	023E18770	Eject motor drive belt
3	121K36940	Compiler carriage tray hold solenoid assembly (SOL11-011) (REP 11.41-170, ADJ 4.1)
4	121E10933	Kicker solenoid (SOL11-430) (REP 11.40-170)
5	107E08680	Compiler carriage bin height sensor (Q11-314)/Compiler carriage 90% full sensor (Q11-313) (REP 11.40-170)
6	130E81311	SU1 Edge registration sensor (Q11-367)
7	-	Bushing (P/O PL 11.72 Item 1)
8	-	Transport shaft (P/O PL 11.72 Item 1) (REP 11.43-170)
9	-	Transport shaft pulley (P/O PL 11.72 Item 1)
10	-	Not used
11	-	Guide roller (P/O PL 11.75 Item 12) (REP 11.43-170)
12	-	Compiler belt (REP 11.43-170)
13	-	Feed chute (P/O PL 11.72 Item 1) (REP 11.43-170)
14	-	Kicker frame (P/O PL 11.72 Item 1)
15	031K07951	Kicker assembly (REP 11.40-170)
16	-	Return spring (P/O PL 11.75 Item 15)
17	-	Spring solenoid (P/O PL 11.75 Item 15)
18	-	Kicker finger pad (P/O PL 11.75 Item 15)
19	-	Kicker fingers (P/O PL 11.75 Item 15)

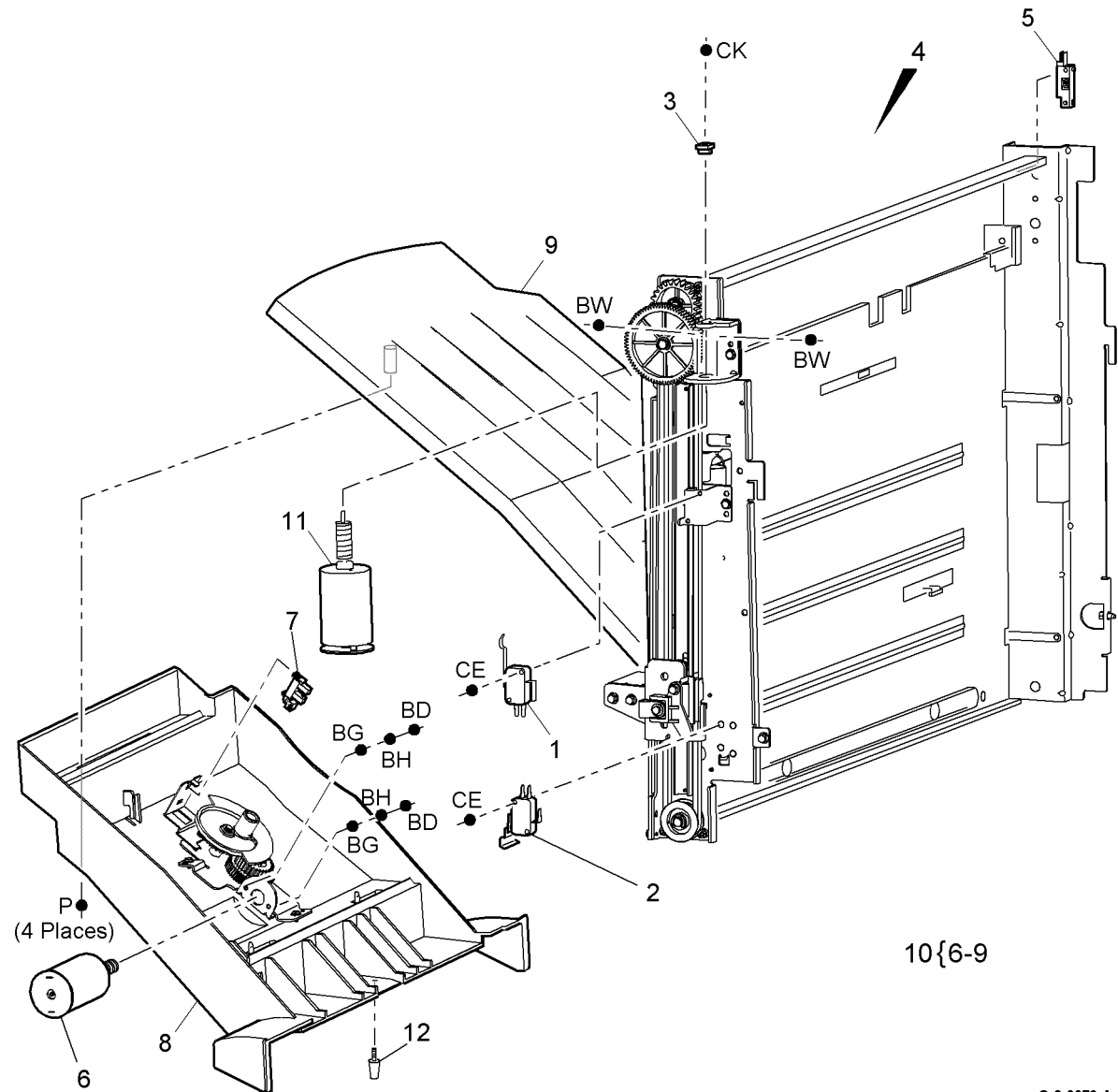


Q-8-3075-A

PL 11.78 HCSS BM Bin 1

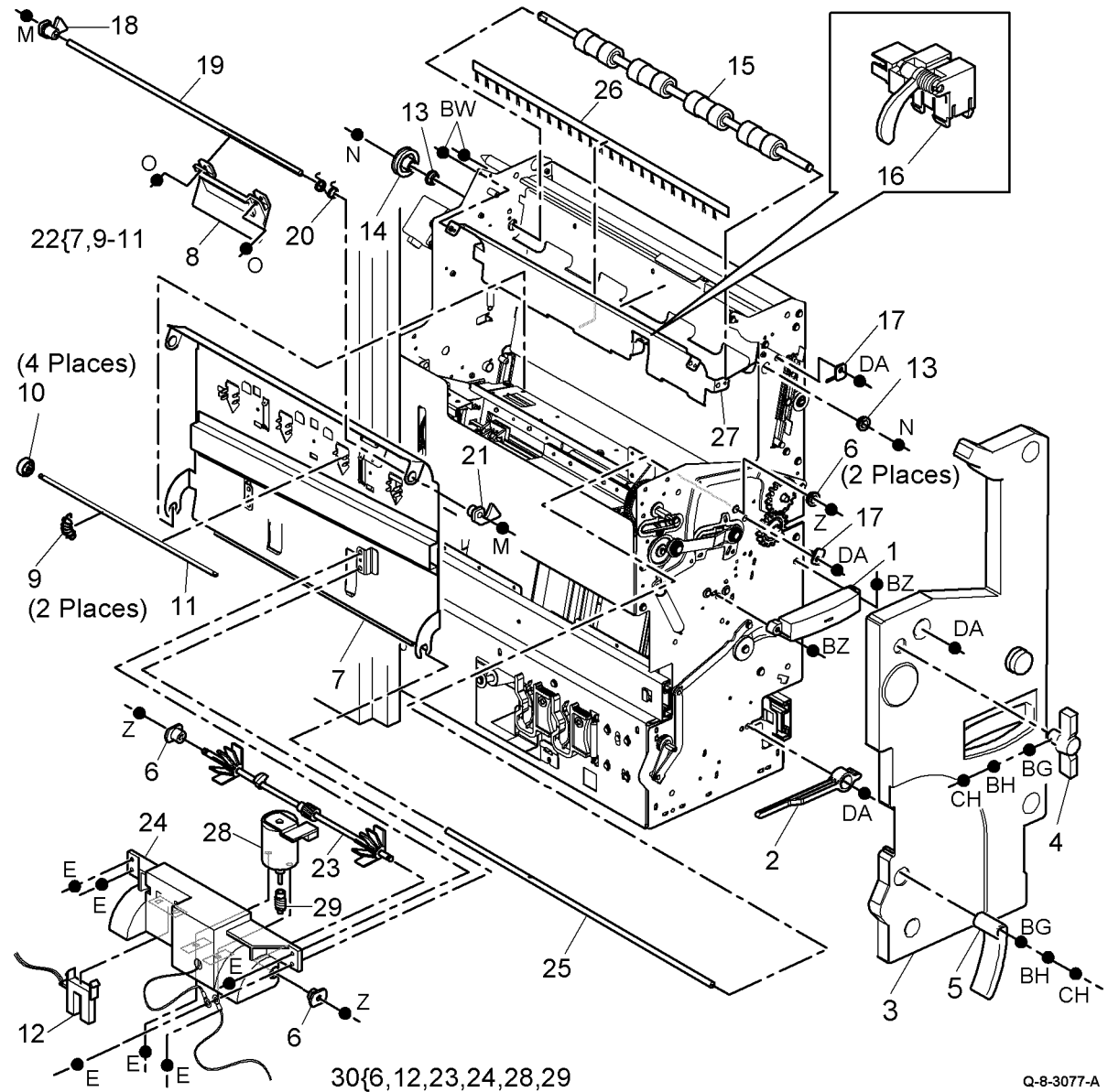
Item	Part	Description
1	110E13760	Bin 1 upper limit switch (S11-334)
2	-	Bin 1 lower limit switch (S11-335) (see NOTE)
3	-	Bearing (P/O PL 11.78 Item 4) (REP 11.47-170)
4	801K10430	Bin 1 assembly (REP 11.5-170)
5	130E09920	Bin 1 empty sensor (Q11-035)
6	127K34041	Bin 1 offset motor (MOT11-034) (REP 11.46-170, ADJ 4.1)
7	107E08680	Bin 1 offset sensor (Q11-337) (REP 11.46-170)
8	001K75163	Bin 1 lower support (P/O PL 11.78 Item 10) (ADJ 4.1)
9	050E15583	Bin 1 tray
10	050K54200	Bin 1 Tray assembly
11	127K40641	Bin 1 elevator motor (MOT11-030) (REP 11.47-170, ADJ 4.1)
12	026E77310	Thumbscrew

NOTE: Part number unavailable on SOLOS at time of issue.



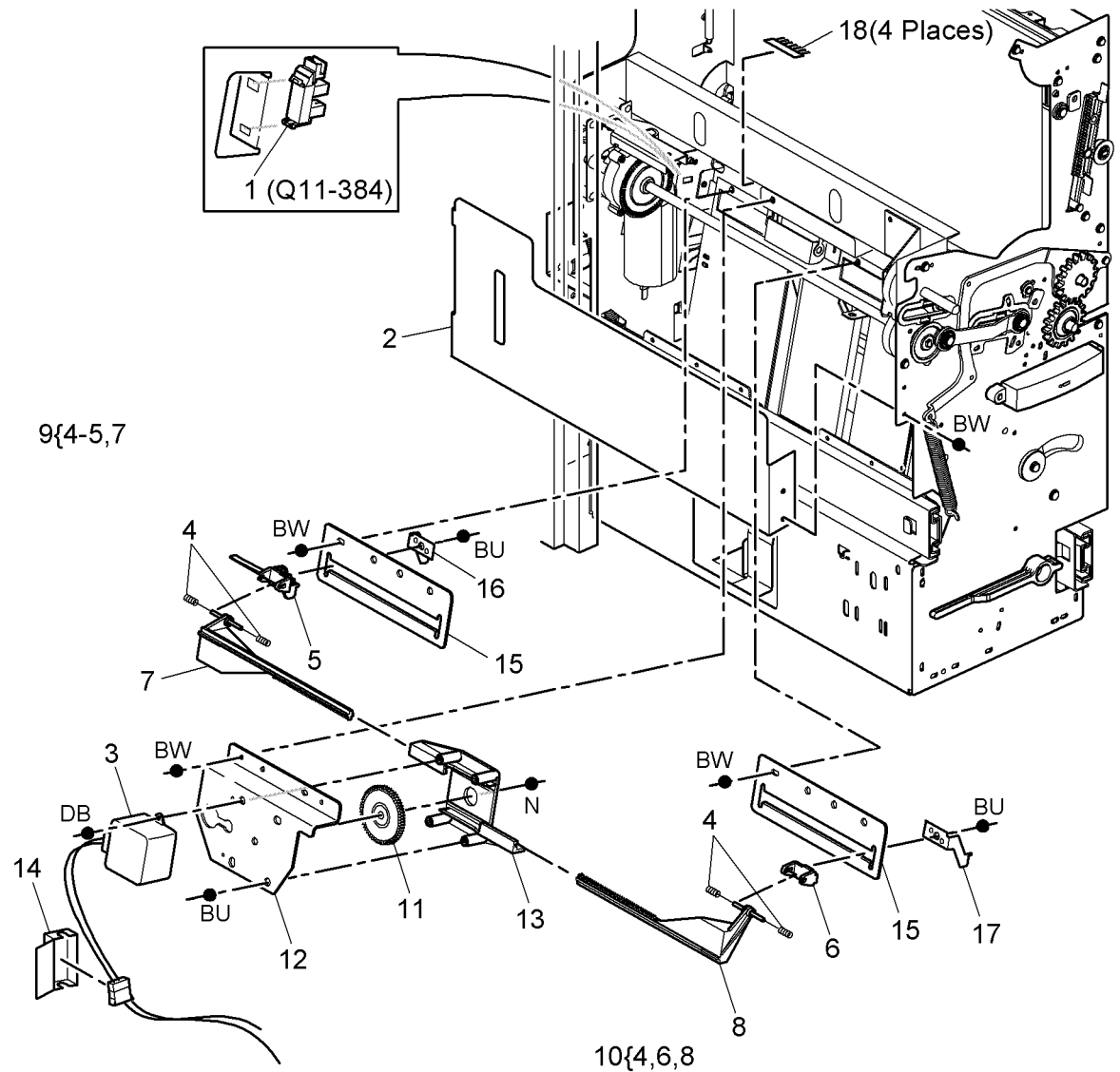
PL 11.80 HCSS BM Entry and Front Cover

Item	Part	Description
1	003E69090	Drawer handle
2	809E46511	Crease roll leaf spring
3	802E66650	BM Front cover
4	003E69021	Crease blade knob (6d)
5	003E66010	Crease roll handle (6c)
6	013E12610	Nylon bearing
7	-	Paper guide (P/O PL 11.80 Item 22) (REP 11.60-170)
8	-	Jam clearance handle (Not Spared) (REP 11.60-170)
9	-	Nip spring (P/O PL 11.80 Item 22) (REP 11.60-170)
10	022E30620	Nip roll (REP 11.60-170)
11	-	Nip shaft (P/O PL 11.80 Item 22) (REP 11.60-170)
12	107E08680	Flapper home sensor (Q11-391) (P/ O PL 11.80 Item 30) (REP 11.16- 170)
13	-	Bearing (Not Spared)
14	020E39990	BM Entry roll pulley (REP 11.22- 170)
15	006K28660	BM Entry roll (REP 11.22-170)
16	130K68441	BM Entry sensor (Q11-160) (REP 11.23-170)
17	125E00430	Static eliminator
18	-	Rear latch (Not Spared)
19	-	Shaft (Not Spared)
20	809E46411	Latch spring
21	-	Front latch (Not Spared)
22	-	Entrance baffle assembly (Not Spared) (REP 11.60-170)
23	-	BM Flapper (P/O PL 11.80 Item 30) (REP 11.16-170)
24	-	Cover (P/O PL 11.80 Item 30)
25	-	BM Compiler shaft (Not Spared)
26	125K03831	Static eliminator
27	-	Top baffle (Not Spared)
28	127K41951	BM Flapper motor assembly (MOT 11-390) (P/O PL 11.80 Item 30) (REP 11.16-170)
29	-	Worm gear (P/O PL 11.80 Item 28)
30	-	BM Flapper assembly (Not Spared)



PL 11.81 HCSS BM Tamper Assembly

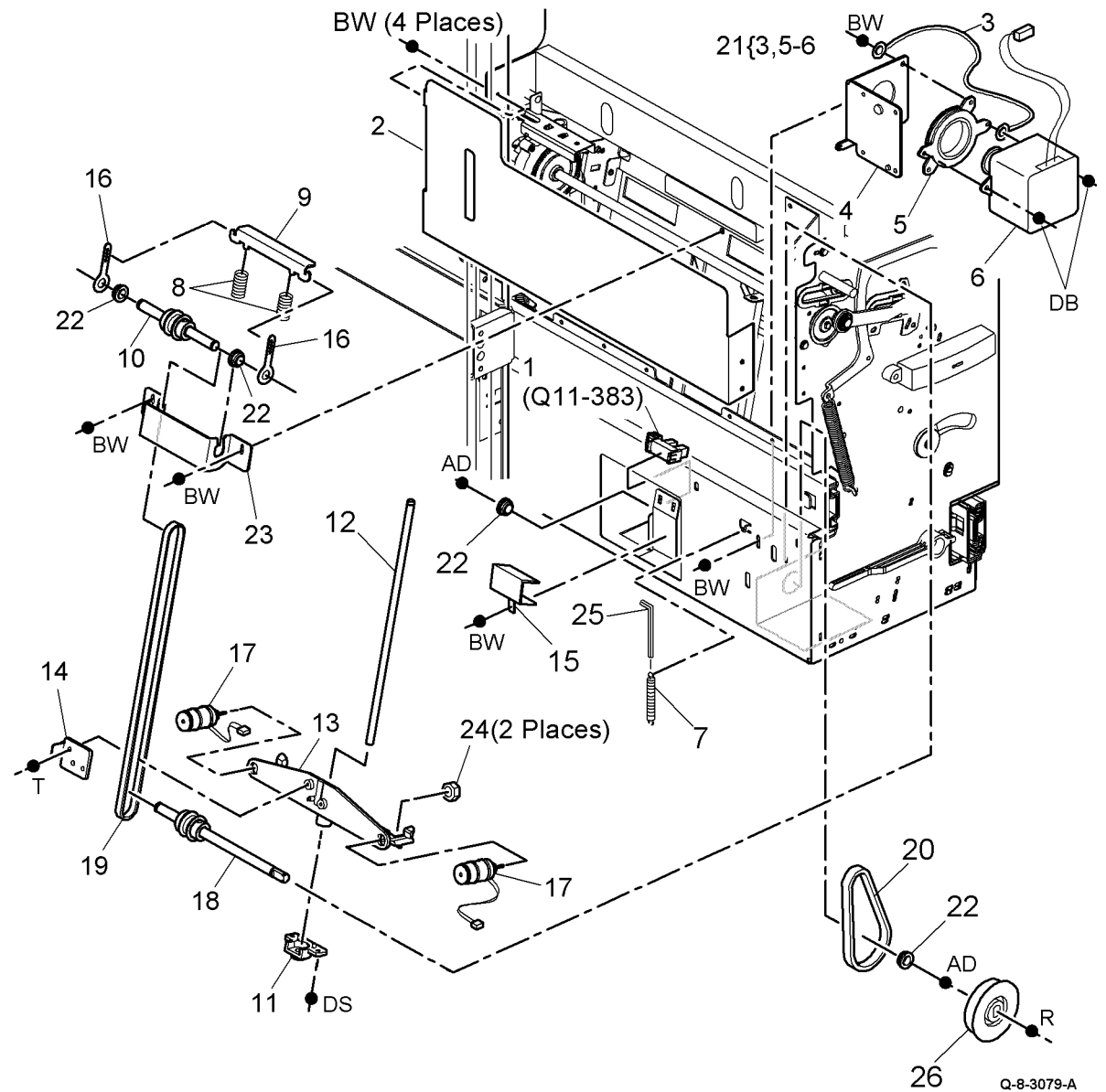
Item	Part	Description
1	107E22600	BM Tamper 1 home sensor (Q11-384)
2	-	LH Frame plate (Not Spared)
3	127K47660	BM Tamper 1 motor (MOT 11-066) (REP 11.30-170)
4	-	BM Tamper spring (P/O PL 11.81 Item 10)
5	-	BM Rear tamper arm (P/O PL 11.81 Item 9) (REP 11.30-170)
6	-	BM Front tamper arm (P/O PL 11.81 Item 10) (REP 11.30-170)
7	-	BM Rear tamper rack (P/O PL 11.81 Item 9) (REP 11.30-170)
8	-	BM Front tamper rack (P/O PL 11.81 Item 10) (REP 11.30-170)
9	007K13190	BM Rear tamper assembly (REP 11.30-170)
10	007K13180	BM Front tamper assembly (REP 11.30-170)
11	007E69040	BM Tamper gear (REP 11.30-170)
12	-	BM Tamper bracket (Not Spared) (REP 11.30-170)
13	-	BM Tamper rack guide (Not Spared) (REP 11.30-170)
14	802E59410	BM Connector cover
15	-	BM Tamper guide plate (Not Spared) (REP 11.30-170)
16	-	BM Rear tamper finger (Not Spared) (REP 11.30-170)
17	-	BM Front tamper finger (Not Spared) (REP 11.30-170)
18	125K03593	BM Static eliminator



Q-8-3078-A

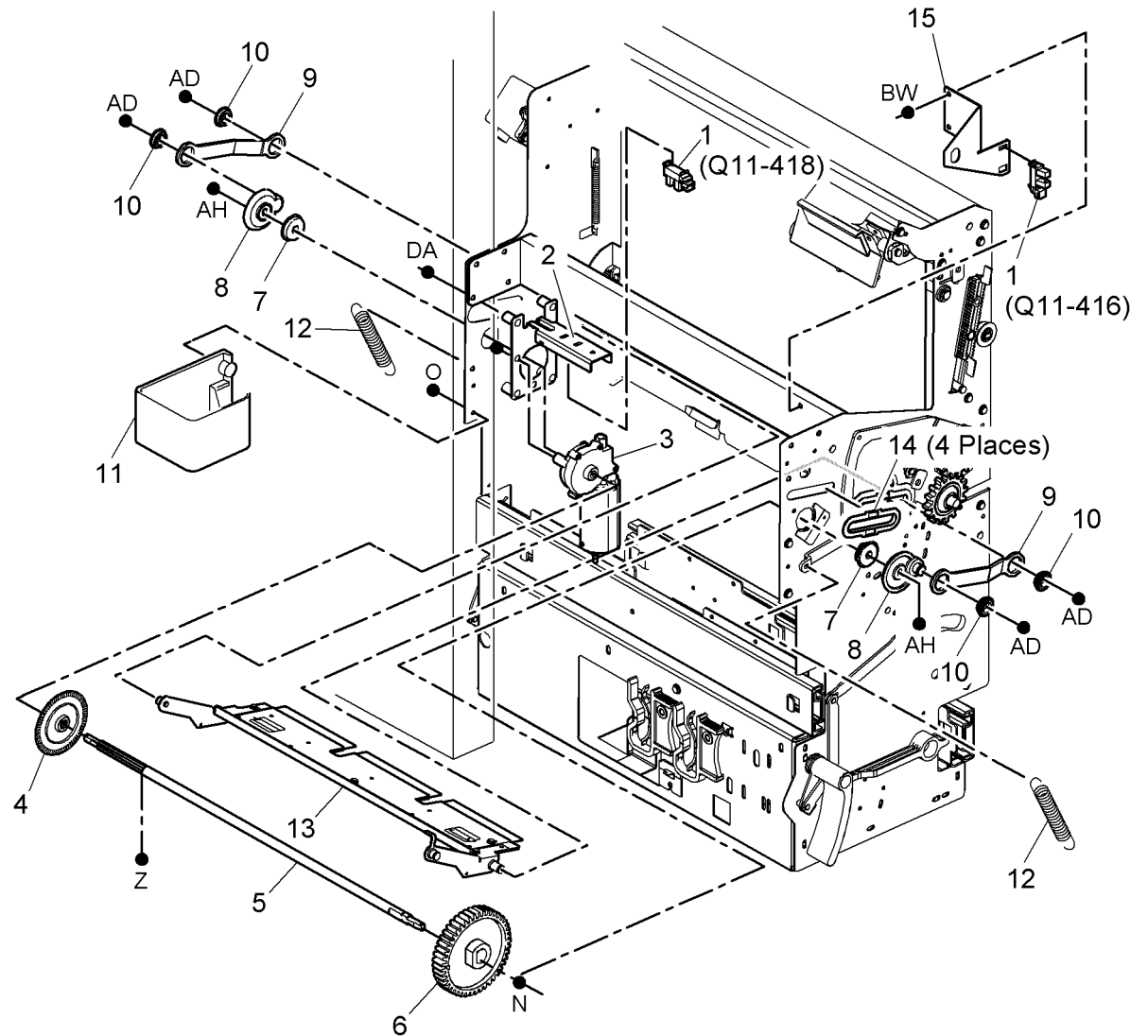
PL 11.82 HCSS BM Back Stop and Tamper Assemblies

Item	Part	Description
1	107E22600	BM Back stop guide home sensor (Q11-383)
2	-	LH Frame plate (Not Spared)
3	-	Ground wire (P/O PL 11.82 Item 21)
4	-	Motor bracket (Not Spared)
5	-	Motor damper (P/O PL 11.82 Item 21) (REP 11.20-170)
6	-	BM Back stop motor (MOT11-065) (P/O PL 11.82 Item 21) (REP 11.20-170)
7	809E48440	Drive belt tensioner spring (REP 11.20-170)
8	809E25100	BM Back stop link spring (REP 11.26-170)
9	012E13020	BM Back stop link (REP 11.26-170)
10	-	BM Back stop idler shaft (Not Spared)
11	-	Shaft support (Not Spared)
12	-	Shaft (Not Spared)
13	802K54313	Back stop assembly (REP 11.21-170)
14	-	Belt clamp (Not Spared)
15	802E59180	Sensor cover
16	-	BM Back stop tensioner link (Not Spared)
17	121K33433	BM Stack hold solenoid assembly (REP 11.21-170)
18	006K28670	BM Back stop drive shaft (REP 11.26-170)
19	023E23140	BM Back stop belt (REP 11.26-170)
20	023E23300	BM Back stop drive belt (REP 11.20-170)
21	127K43770	BM Back stop motor assembly (REP 11.20-170)
22	-	BM Back stop bearing (Not Spared) (REP 11.26-170)
23	-	BM Back stop idler bracket (Not Spared) (REP 11.26-170)
24	-	Clamp solenoid retaining nut (P/O PL 11.82 Item 17)
25	-	Allen key 3mm (Not Spared)
26	-	Pulley (Not Spared)



PL 11.84 HCSS BM Crease Blade Motor

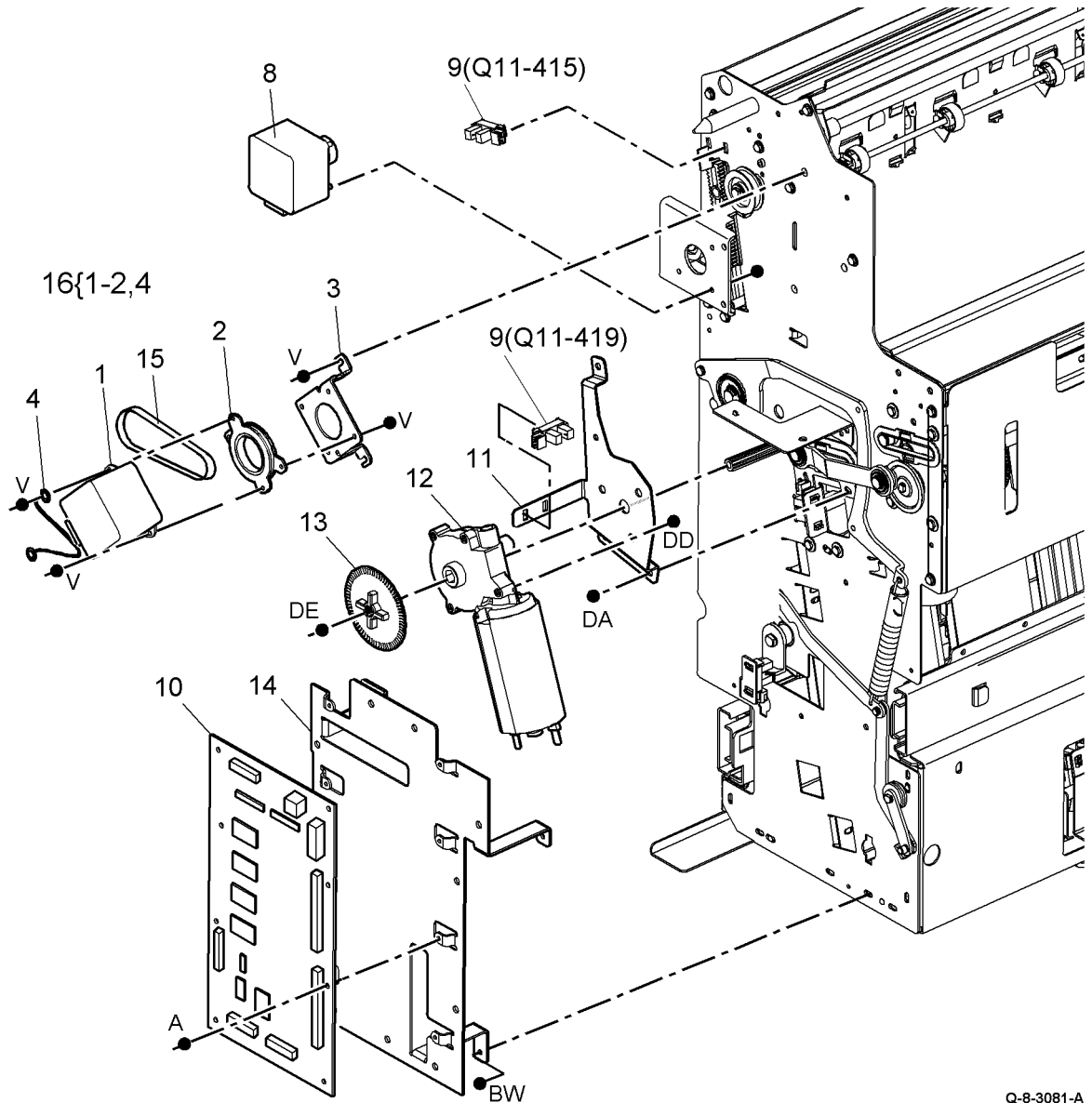
Item	Part	Description
1	107E22600	BM Crease blade motor encoder sensor (Q11-418), BM Crease blade home sensor (Q11-416) (REP 11.18-170)
2	-	Motor bracket (P/O PL 11.84 Item 3)
3	127K43600	BM Crease blade motor assembly (MOT11-061) (REP 11.18-170)
4	014E47460	Motor encoder (REP 11.18-170)
5	-	Drive shaft (Not Spared)
6	-	Drive gear (Not Spared)
7	413W30654	Bearing (REP 11.18-170)
8	008E06840	Crank (REP 11.18-170)
9	012E12730	Connecting rod (REP 11.36-170)
10	-	Bearing (Not Spared)
11	802E59171	Motor cover
12	809E42861	Crease nip spring (REP 11.58-170)
13	015K62191	Crease blade assembly (REP 11.36-170)
14	032E19330	Crease blade support guide (REP 11.36-170)
15	-	Crease blade home sensor bracket (Not Spared)



Q-8-3080-A

PL 11.86 HCSS BM Crease Rolls Motor and PWB

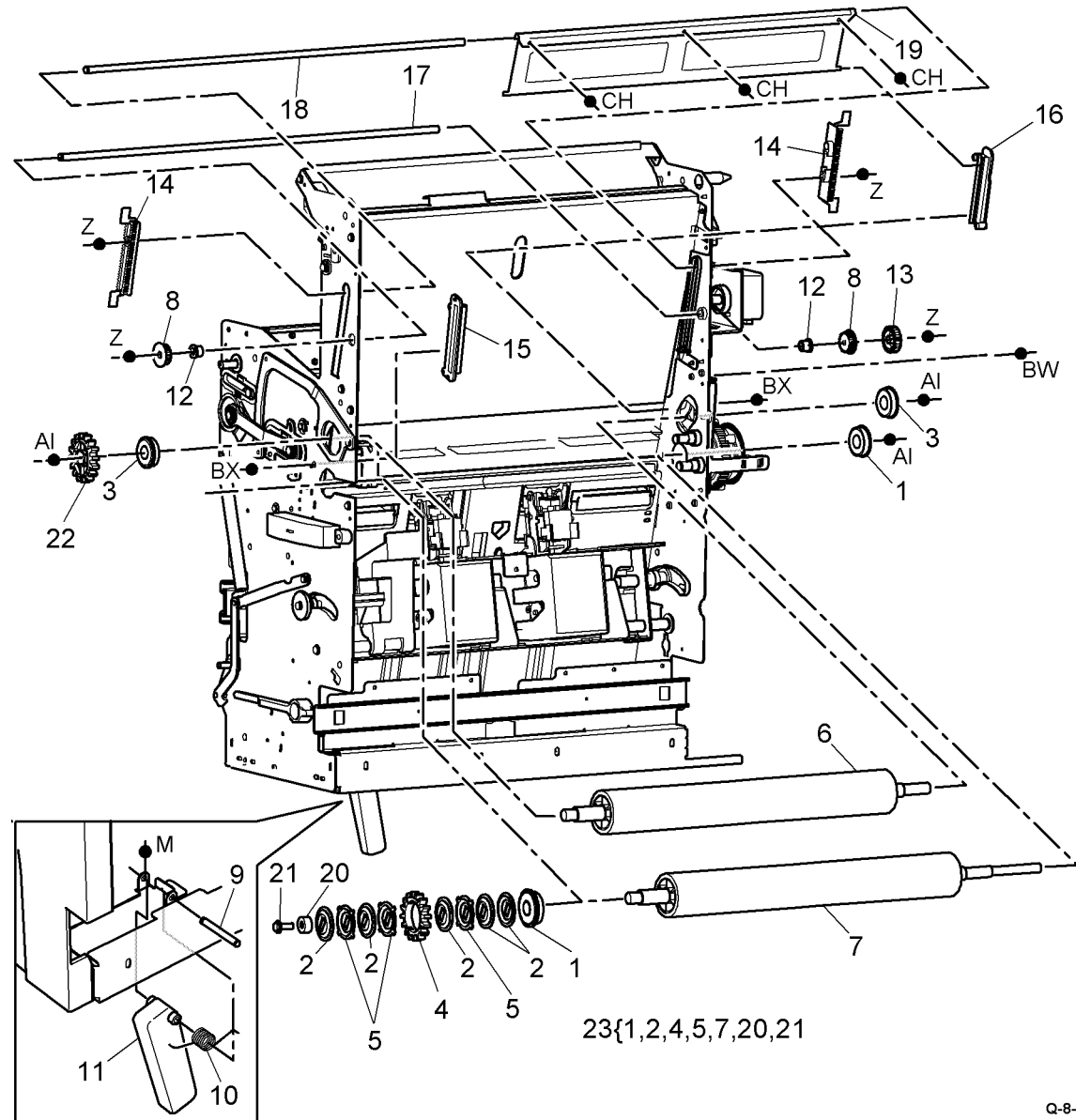
Item	Part	Description
1	127K43750	BM Paper path transport motor (MOT11-060) (REP 11.25-170)
2	-	Damper bracket (P/O PL 11.86 Item 16) (REP 11.25-170)
3	-	Motor bracket (Not Spared)
4	-	Ground wire (P/O PL 11.86 Item 16)
5	-	Not used
6	-	Not used
7	-	Not used
8	127K43020	Crease roll gate motor (MOT11-401) (REP 11.24-170)
9	107E22600	BM Crease roll gate home sensor (Q11-415), BM Crease roll motor encoder sensor (Q11-419)
10	960K20490	BM PWB (REP 11.17-170)
11	-	Motor bracket (P/O PL 11.86 Item 12)
12	127K43610	BM Crease roll motor assembly (MOT11-062) (REP 11.19-170)
13	014E47460	BM Crease roll motor encoder support bracket (Not Spared)
14	-	Support bracket (Not Spared)
15	023E25430	Belt
16	127K47840	BM Paper path transport motor assembly (REP 11.25-170)



Q-8-3081-A

PL 11.87 HCSS BM Crease Rolls and Support Leg

Item	Part	Description
1	-	Lower crease roll bearing (P/O PL 11.87 Item 23)
2	-	Shaft keyed clutch plate (P/O PL 11.87 Item 23)
3	413W31054	Crease roll bearing (REP 11.52-170)
4	-	Lower crease roll gear (P/O PL 11.87 Item 23)
5	-	Gear keyed clutch plate (P/O PL 11.87 Item 23) (REP 11.52-170)
6	-	Upper crease roll (Not Spared) (REP 11.52-170)
7	-	Lower crease roll (P/O PL 11.87 Item 23) (REP 11.52-170)
8	-	Crease roll gate rack gear (REF: PL 11.88 Item 15) (REP 11.52-170)
9	826E19240	BM Support leg pin (REP 11.51-170)
10	809E49630	BM Support leg spring (REP 11.51-170)
11	830E77580	BM Support leg (REP 11.51-170)
12	-	Bearing (Not Spared)
13	007E69070	Crease roll gate rack drive gear (REP 11.52-170)
14	007E68951	Crease roll gate rack (REP 11.52-170)
15	020E38700	Crease roll gate front guide (REP 11.52-170)
16	020E38080	Crease roll gate rear guide (REP 11.52-170)
17	-	Crease roll drive shaft (Not Spared)
18	-	Crease roll gate shaft (Not Spared)
19	-	Crease roll gate (see NOTE) (REP 11.52-170)
20	-	Retainer (P/O PL 11.87 Item 23)
21	-	Screw (P/O PL 11.87 Item 23)
22	-	Upper crease roll gear (Not Spared)
23	-	Lower crease roll and clutch assembly (Not Spared)

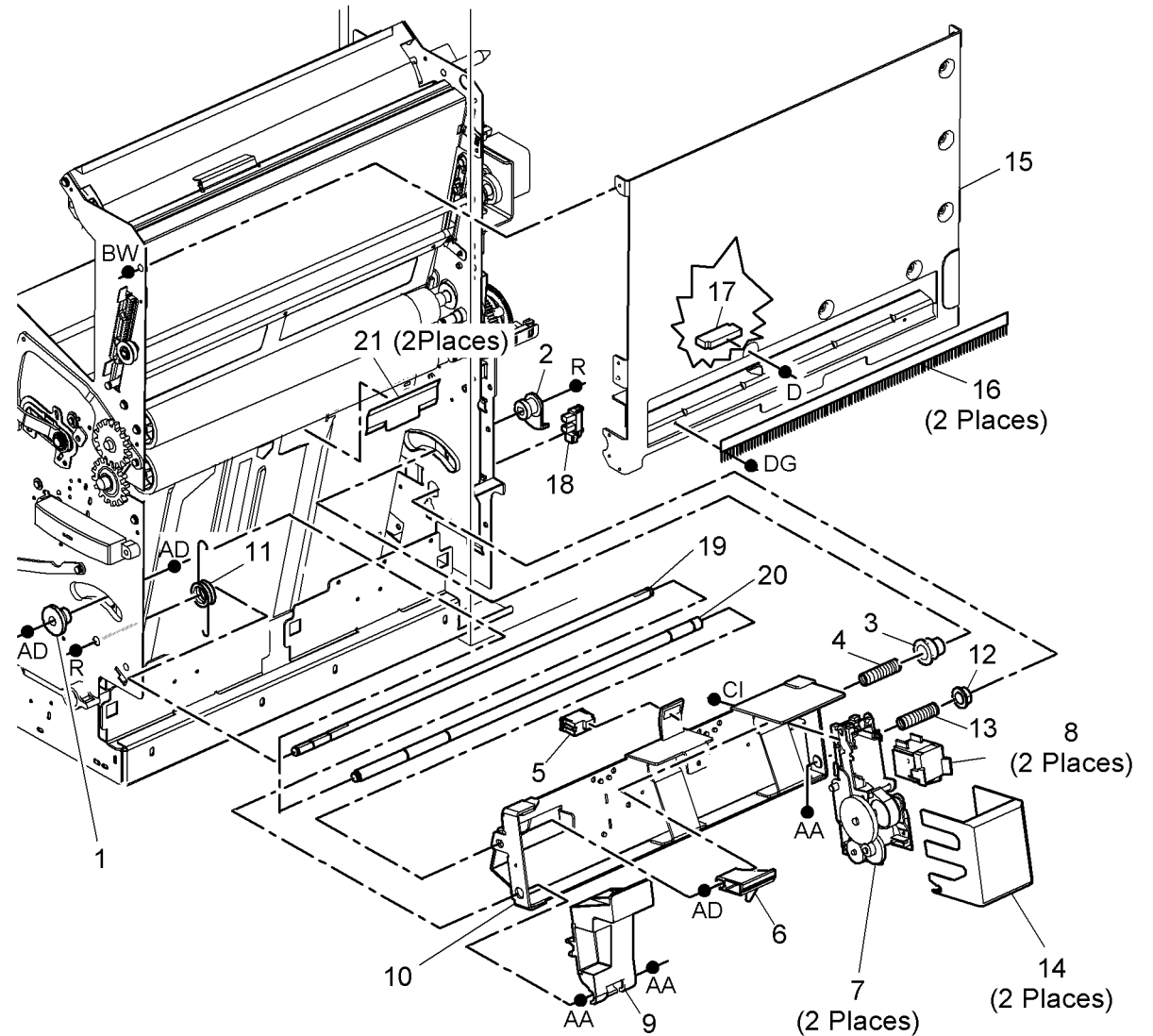


NOTE: Part number unavailable on SOLOS at time of issue.

Q-8-3082-A

PL 11.88 HCSS BM Stapler Assemblies

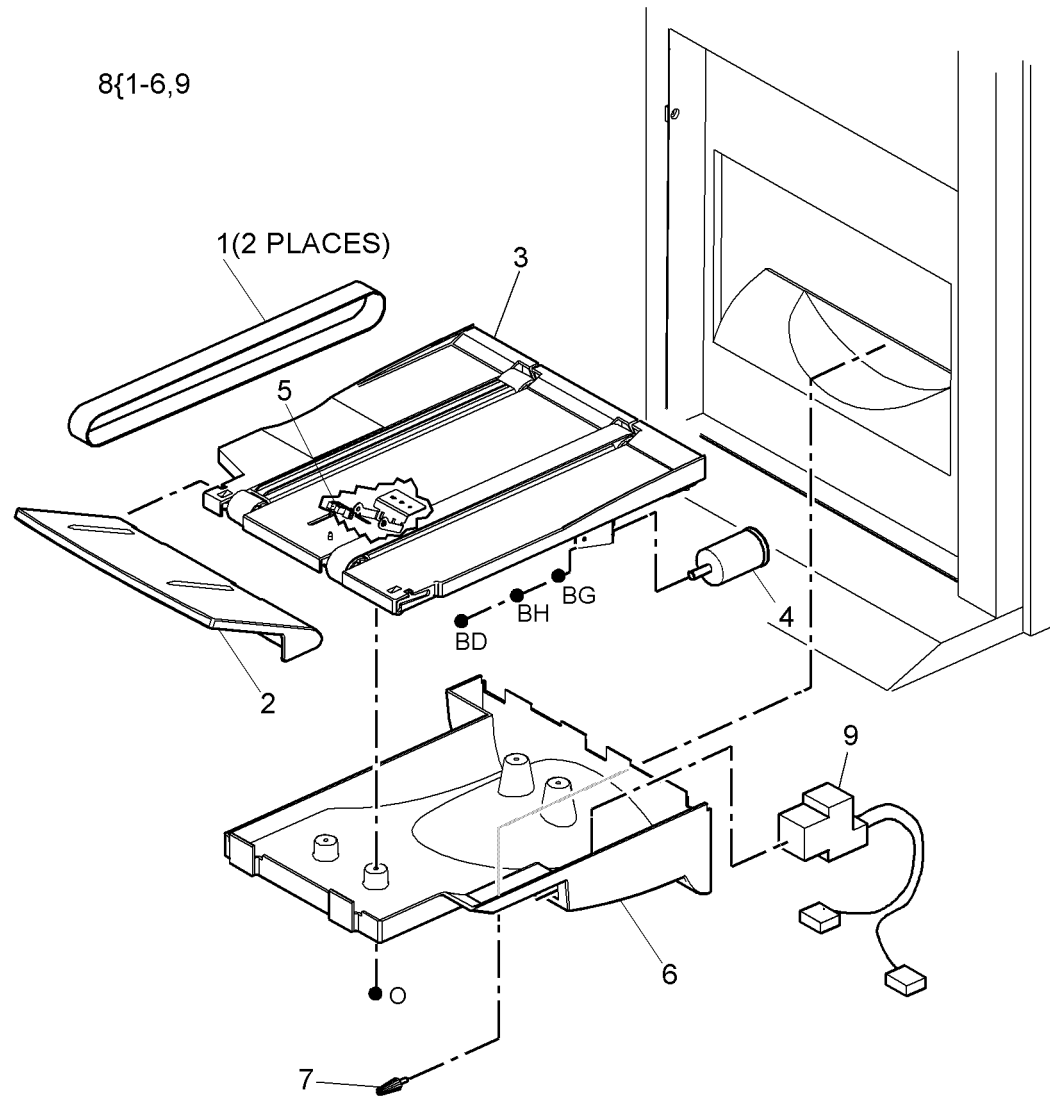
Item	Part	Description
1	020E38513	Front follower
2	016E17731	Actuator
3	-	Rear follower (Not Spared)
4	809E44010	Spring
5	130K67640	BM Paper present sensor (Q11-190)
6	008E06850	Latch slide
7	029K03232	BM Staple head assembly (REP 11.27-170, ADJ 4.1)
8	-	Staple cartridge (REF: PL 26.10 Item 24)
9	-	Staple bracket handle (Not Spared) (REP 11.28-170)
10	-	Stapler bracket assembly (Not Spared) (REP 11.28-170)
11	809E48830	Torsion spring (REP 11.28-170)
12	-	Bearing (Not Spared) (REP 11.28-170)
13	-	Spring (Not Spared) (REP 11.28-170)
14	802E42770	Staple head cover
15	-	BM Right hand cover (Not Spared) (REP 11.56-170)
16	125K03831	Static eliminator
17	130E10900	BM Eject sensor (Q11-386) (REP 11.50-170)
18	107E22600	BM Stapler head carrier closed sensor (Q11-421) (REP 11.28-170)
19	-	Lower shaft (Not Spared) (REP 11.28-170)
20	-	Upper shaft (Not Spared) (REP 11.28-170)
21	055E51870	Mylar guide



Q-8-3083-A

PL 11.90 HCSS BM Bin 2

Item	Part	Description
1	023E18612	Conveyor belt (REP 11.29-170)
2	-	BM Bin 2 extension (Not Spared)
3	-	BM Bin 2 upper cover (P/O PL 11.90 Item 8)
4	127K40641	BM Conveyor belt drive motor (MOT11-402)
5	107E22600	BM Bin 2 90% full sensor (Q11-389)
6	-	BM Bin 2 lower cover (P/O PL 11.90 Item 8)
7	026E77310	Thumbscrew
8	-	BM Bin 2 assembly (Not Spared)
9	-	BM Bin 2 connector (Not Spared)

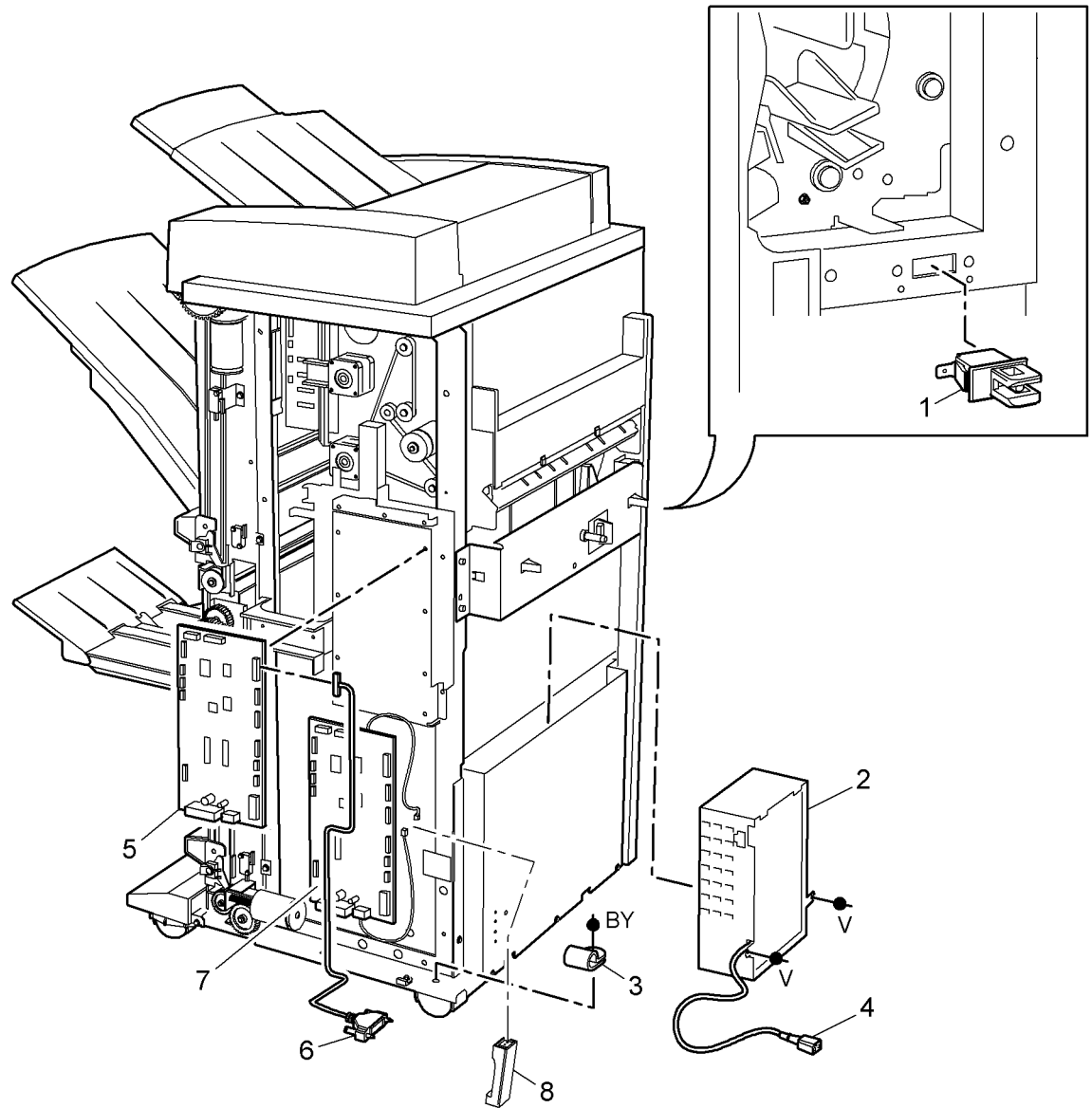


Q-8-3084-A

PL 11.92 HCSS BM Electrical

Item	Part	Description
1	110E13470	Front door interlock switch (S11-303)
2	105K24803	HCSS Power supply module
3	—	P-clamp (Not Spared)
4	162K59974	Power Cord
5	960K20430	HCSS PWB
6	162K65232	Communication cable
7	—	BM PWB (REF: PL 11.86 Item 10)
8	960K21080	Inline fuse PWB

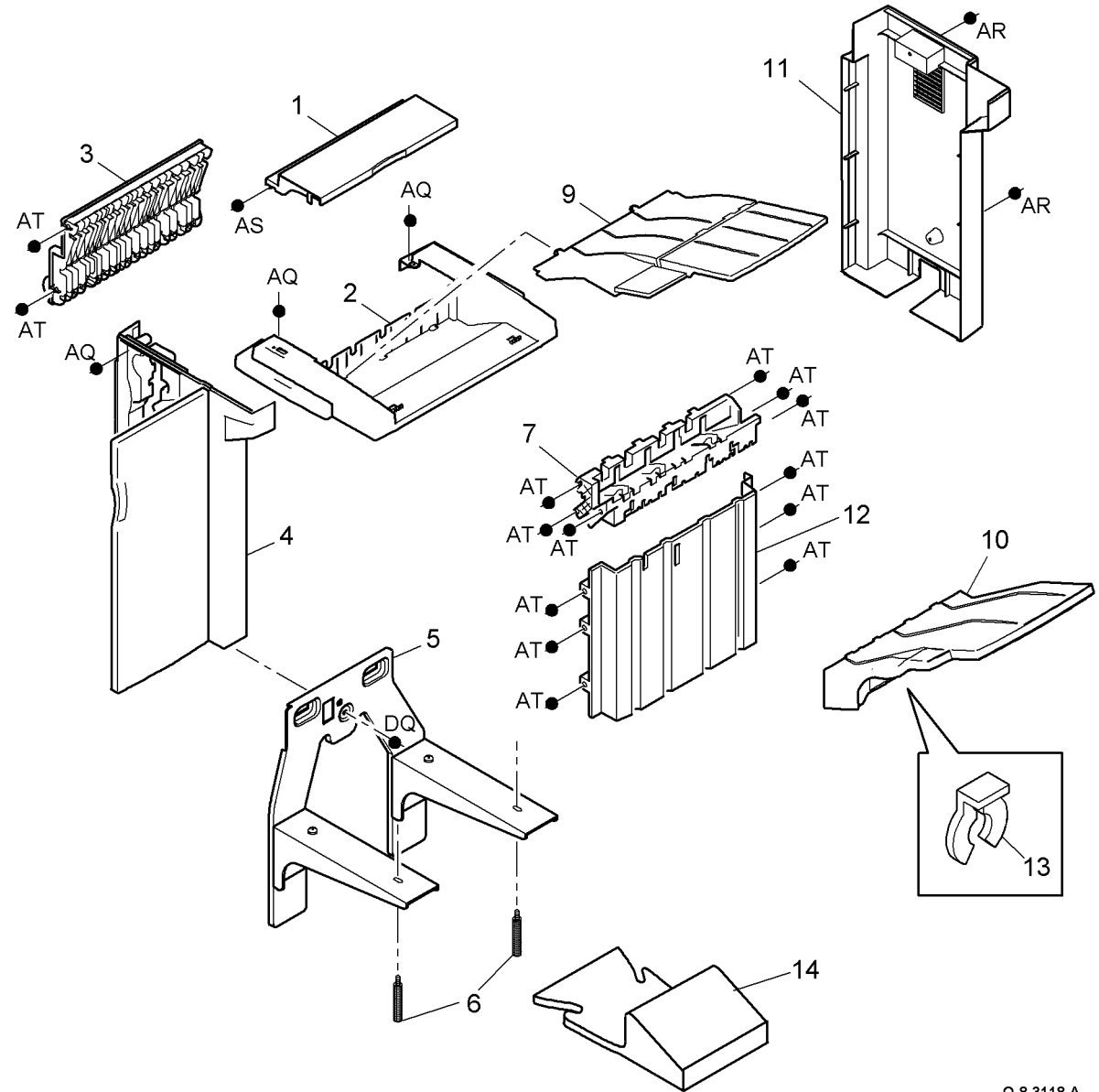
NOTE: For the Docking Interlock Switch, refer to PL 11.64 Item 3.



Q-8-3085-A

PL 11.100 1K LCSS Covers

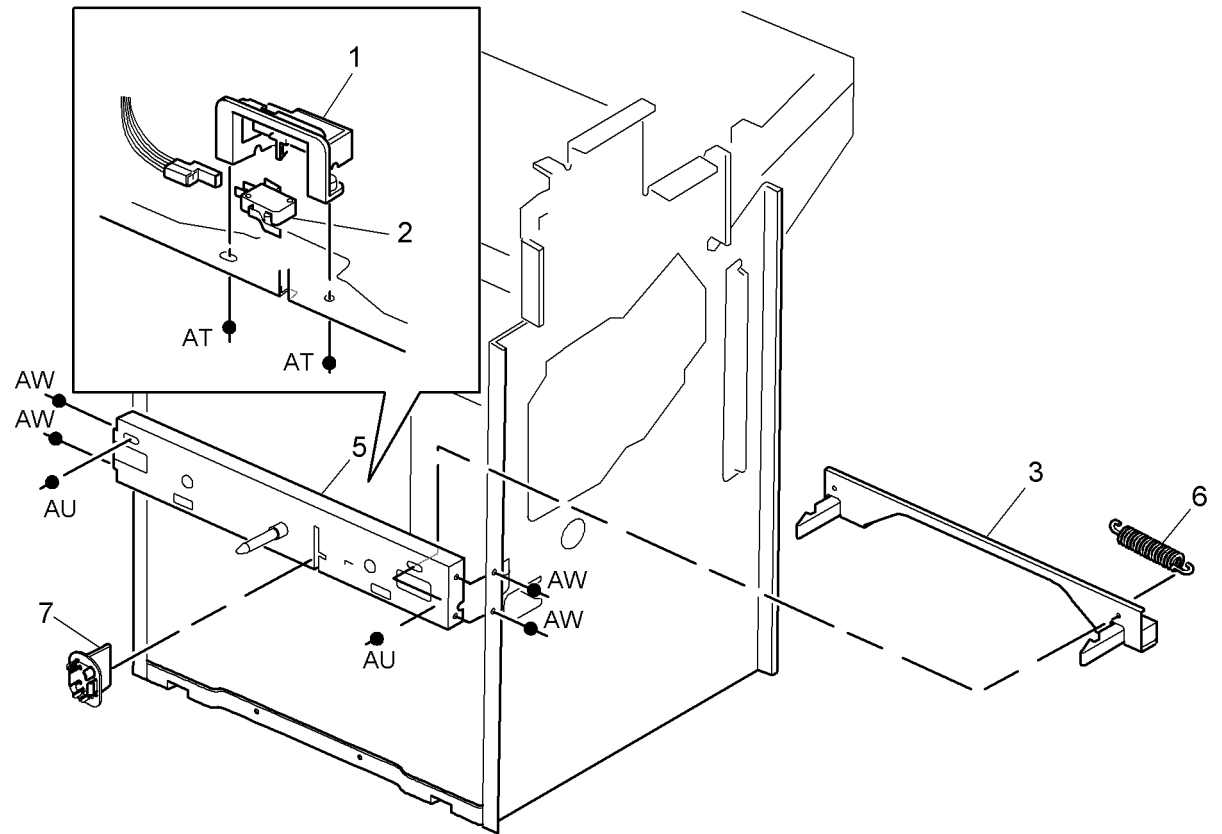
Item	Part	Description
1	802K48330	Exit cover
2	802K87880	Top cover (REP 11.1-120)
3	-	Entry guide cover (REF: PL 11.122 Item 5)
4	802K87860	Front door cover assembly (REP 11.1-120)
5	-	Mounting bracket (Not Spared)
6	-	Thumbscrew (Not Spared)
7	-	Output cover (Not Spared)
8	-	Not used
9	050K55021	Bin 0
10	050K54132	Bin 1 (ADJ 11.1-120)
11	802K87870	Rear cover (REP 11.1-120)
12	-	Right hand cover (Not Spared)
13	019K06000	Bin 1 alignment clip kit
14	017E11260	Stability foot (REP 11.3-120)



Q-8-3118-A

PL 11.102 1K LCSS Docking Latch

Item	Part	Description
1	-	Sensor cover (P/O PL 11.102 Item 8)
2	110K13980	Docking interlock switch (S11-300) (REP 11.14-120)
3	003K17510	Link bracket assembly (P/O PL 11.102 Item 8) (REP 11.14-120)
4	-	Not used
5	-	Docking latch (P/O PL 11.102 Item 8) (REP 11.14-120)
6	-	Spring (P/O PL 11.102 Item 8)
7	120K02590	Docking actuator
8	003K19620	Docking latch assembly (REP 11.14-120)

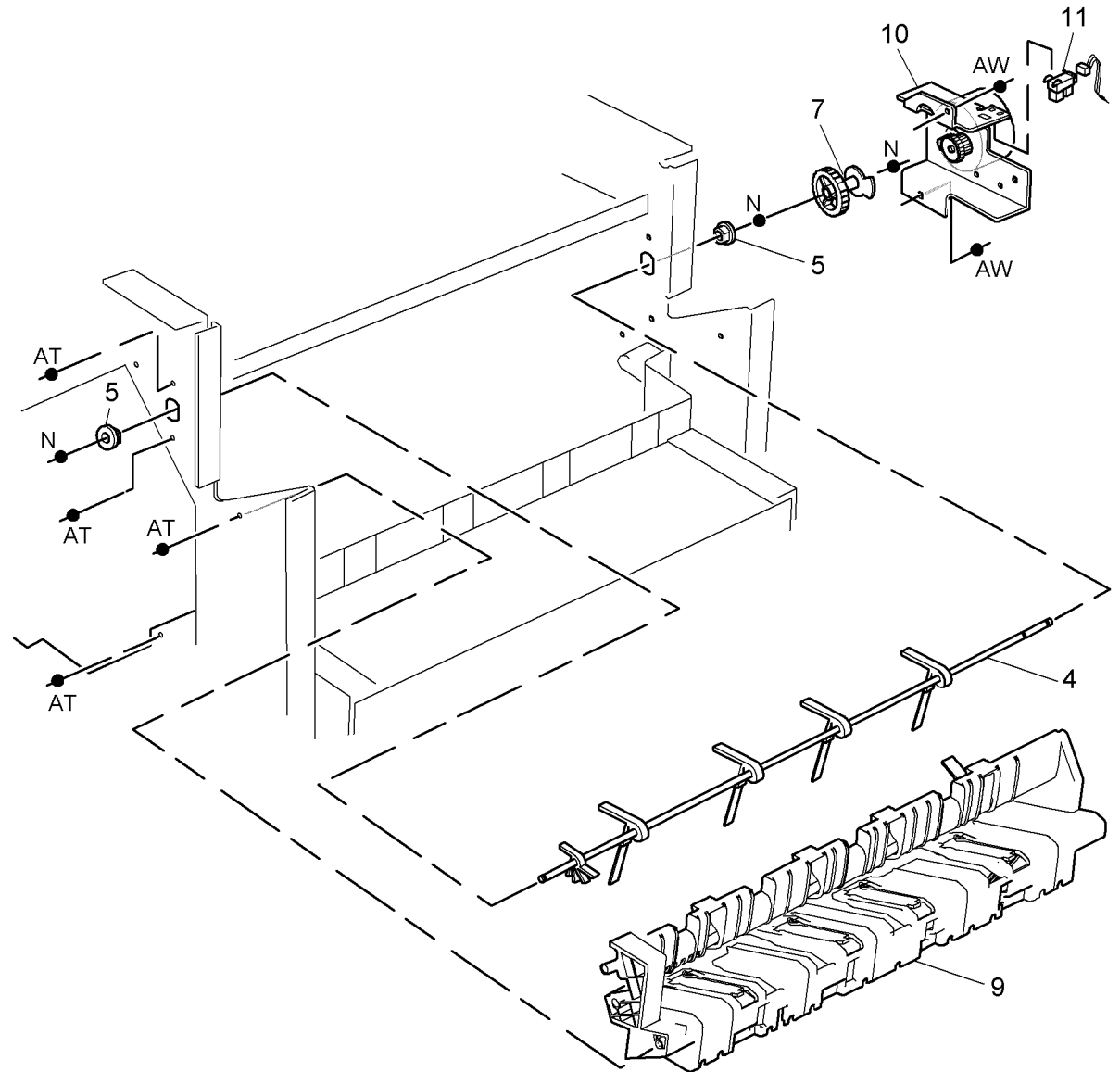


8{1-6

Q-8-3119-A

PL 11.104 1K LCSS Paddle Wheel/ Safety Gate

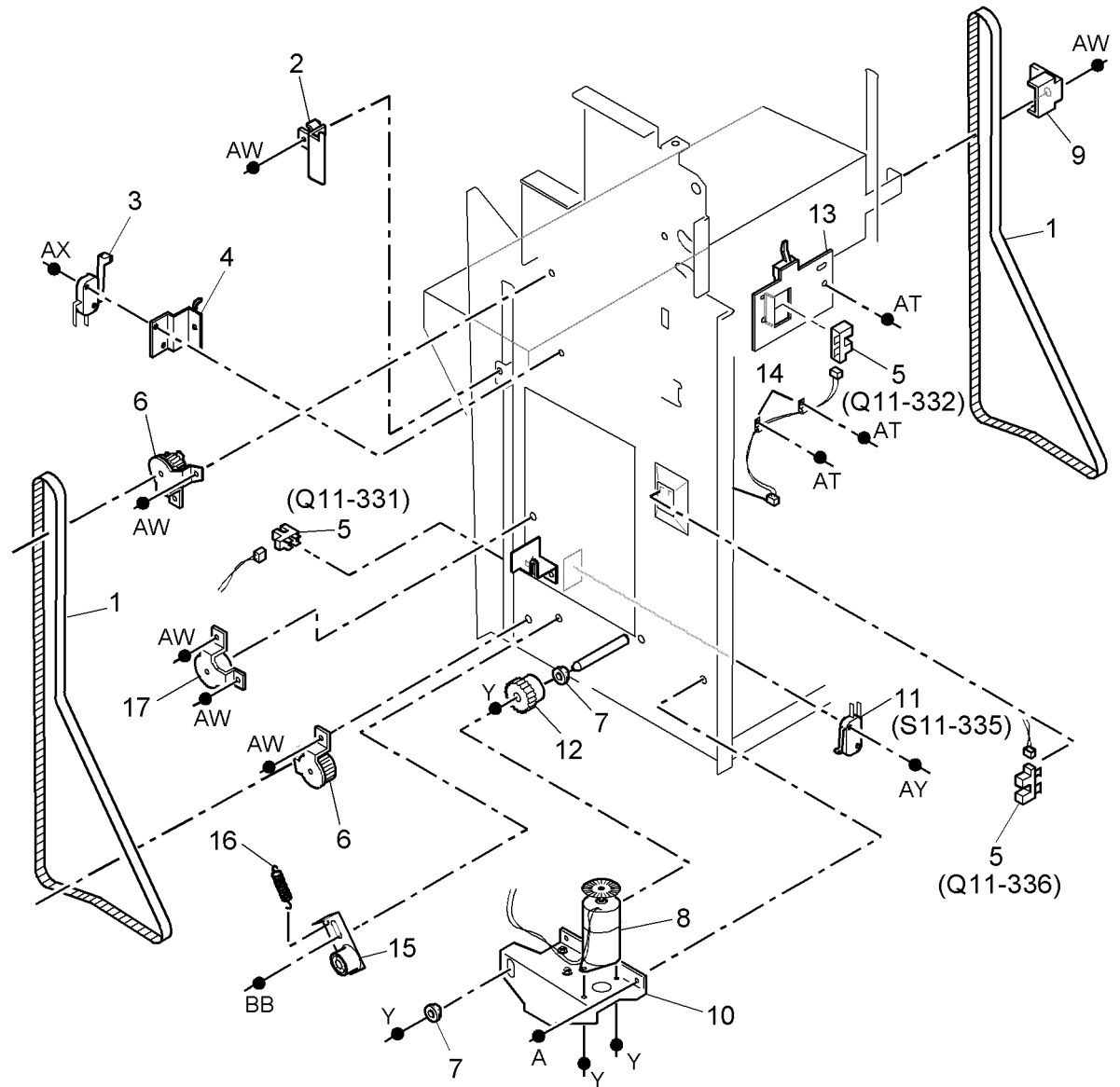
Item	Part	Description
1	-	Not used
2	-	Not used
3	-	Not used
4	006K30490	Paddle wheel shaft (REP 11.10-120)
5	013E25790	Bearing
6	-	Not used
7	-	Flag/Gear (Not Spared)
8	-	Not used
9	-	Output cover (REF: PL 11.100 Item 7)
10	127K53350	Paddle motor assembly (MOT11-024)
11	130E10980	Paddle roll position sensor (Q11-326)



Q-8-3120-A

PL 11.106 1K LCSS Bin 1 Control Components

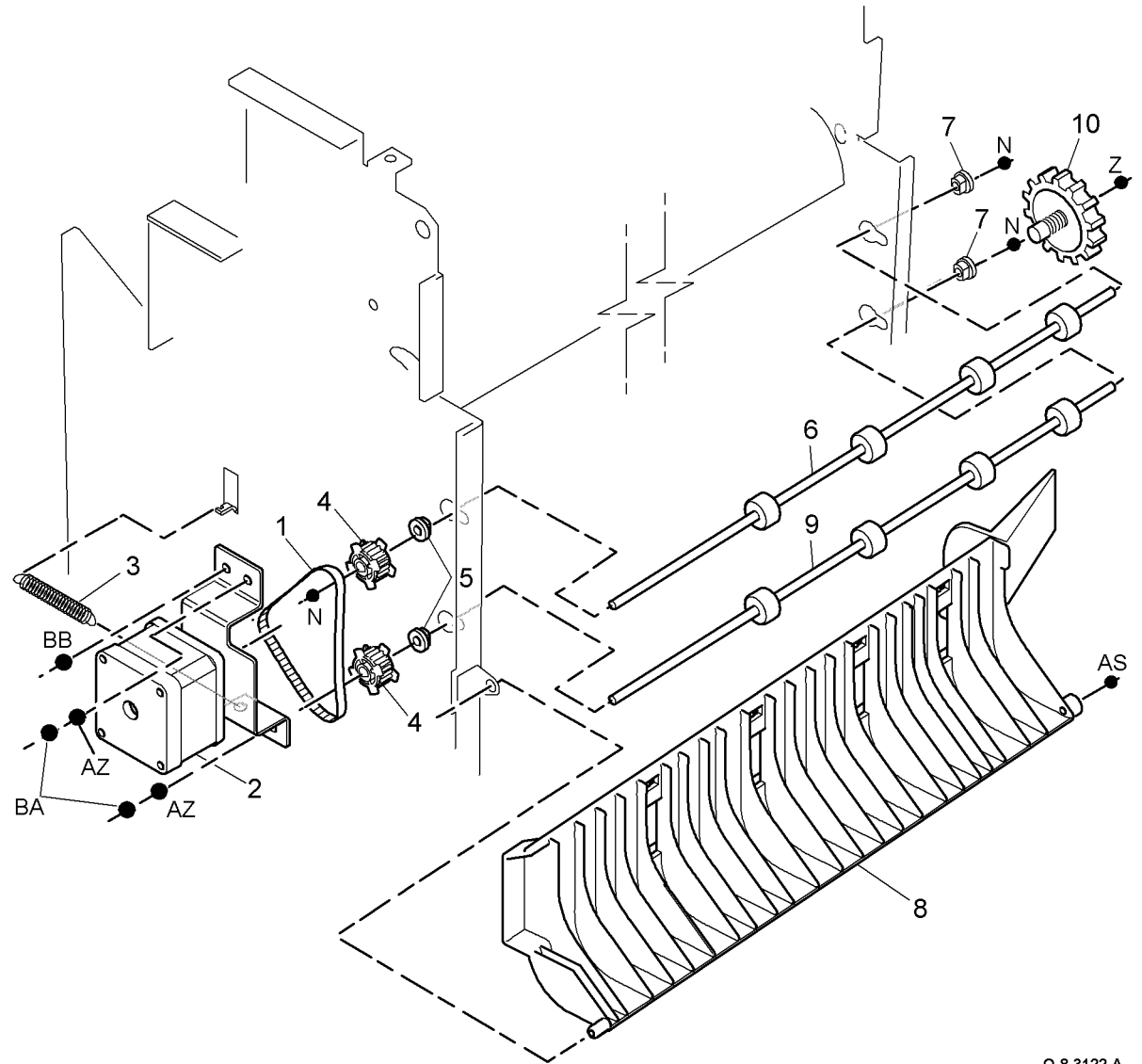
Item	Part	Description
1	023E30710	Bin 1 drive belt (REP 11.5-120)
2	-	Rear belt clamp (Not Spared) (ADJ 11.1-120)
3	110E14200	Bin 1 upper limit switch (S11-334)
4	-	Sensor bracket (Not Spared)
5	130E10980	Bin 1 90% full sensor (Q11-331), Bin 1 Upper level sensor (Q11-332) (REP 11.9-120), Motor encoder sensor Q11-336
6	-	Pulley (Not Spared)
7	013E25810	Bearing
8	127K53360	Bin 1 elevator motor (MOT11-030)
9	-	Front belt clamp (Not Spared) (ADJ 11.1-120)
10	-	Motor bracket (Not Spared)
11	-	Bin 1 lower limit switch (S11-335)
12	-	Pulley assembly (Not Spared)
13	-	Sensor support (Not Spared)
14	-	P-clamp (Not Spared)
15	-	Belt tensioner (Not Spared)
16	-	Spring (Not Spared)
17	-	Idler (Not Spared)



Q-8-3121-A

PL 11.110 1K LCSS Paper Entry Transport

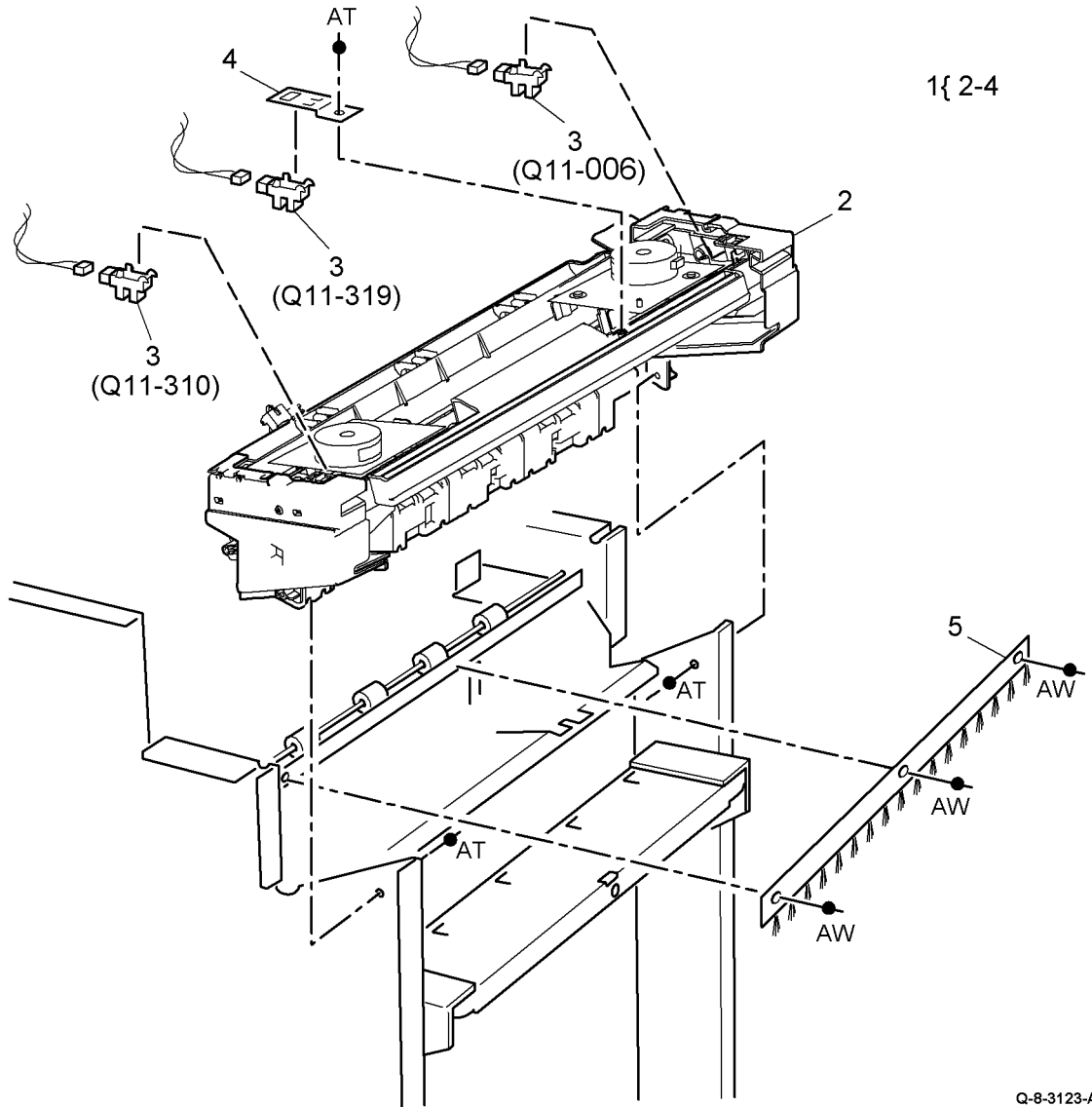
Item	Part	Description
1	023E30690	Input drive belt (REP 11.2-120)
2	127K53330	Transport motor 1 (MOT11-000) (REP 11.2-120)
3	-	Spring (Not Spared)
4	-	Pulley (Not Spared)
5	013E25790	Nylon bearing
6	006K27980	Feed roll shaft (short)
7	013E25800	Bearing
8	-	Paper entry guide assembly (REF: PL 11.122 Item 1)
9	006K27800	Feed roll shaft (long)
10	-	Thumbwheel (Not Spared)



Q-8-3122-A

PL 11.112 1K LCSS Tamper Assembly

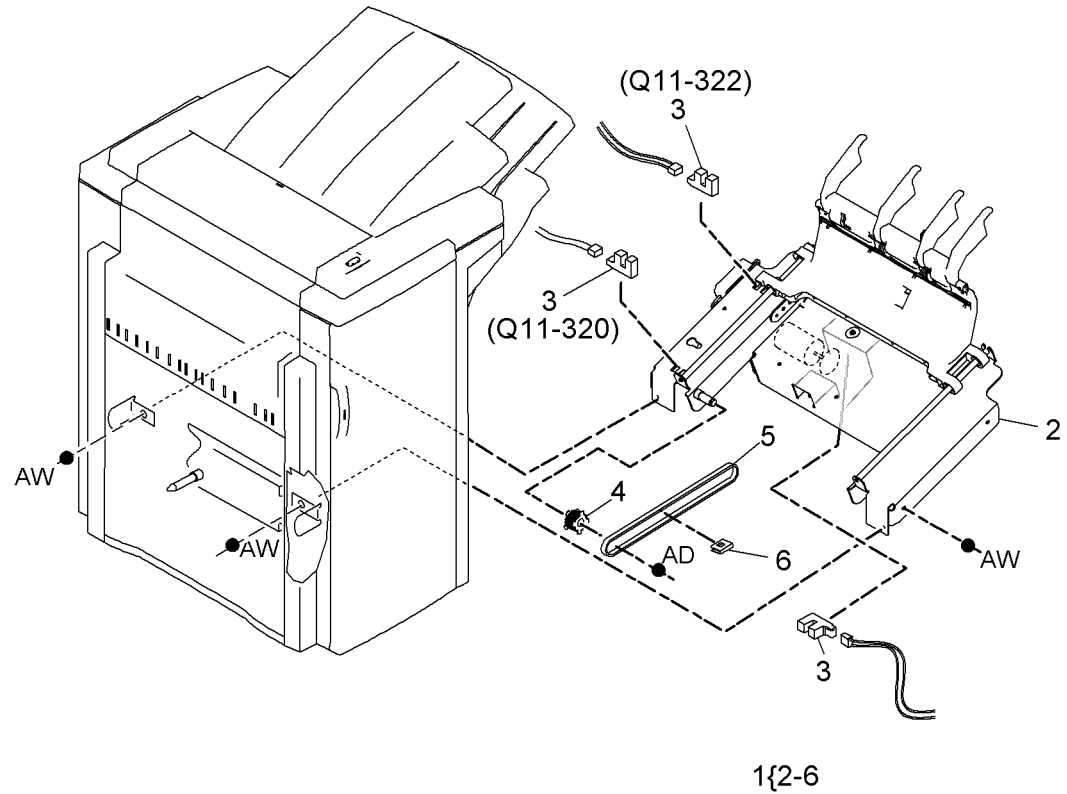
Item	Part	Description
1	068K45240	Tamper assembly (REP 11.6-120)
2	-	Tamper unit (P/O PL 11.112 Item 1)
3	130E10980	Front tamper home sensor (Q11-310), Rear tamper home sensor (Q11-006), Rear tamper home away sensor (Q11-319)
4	-	Sensor bracket (P/O PL 11.112 Item 1)
5	-	Static eliminator (stacker) (REF: PL 11.120 Item 7)



Q-8-3123-A

PL 11.114 1K LCSS Ejector Assembly

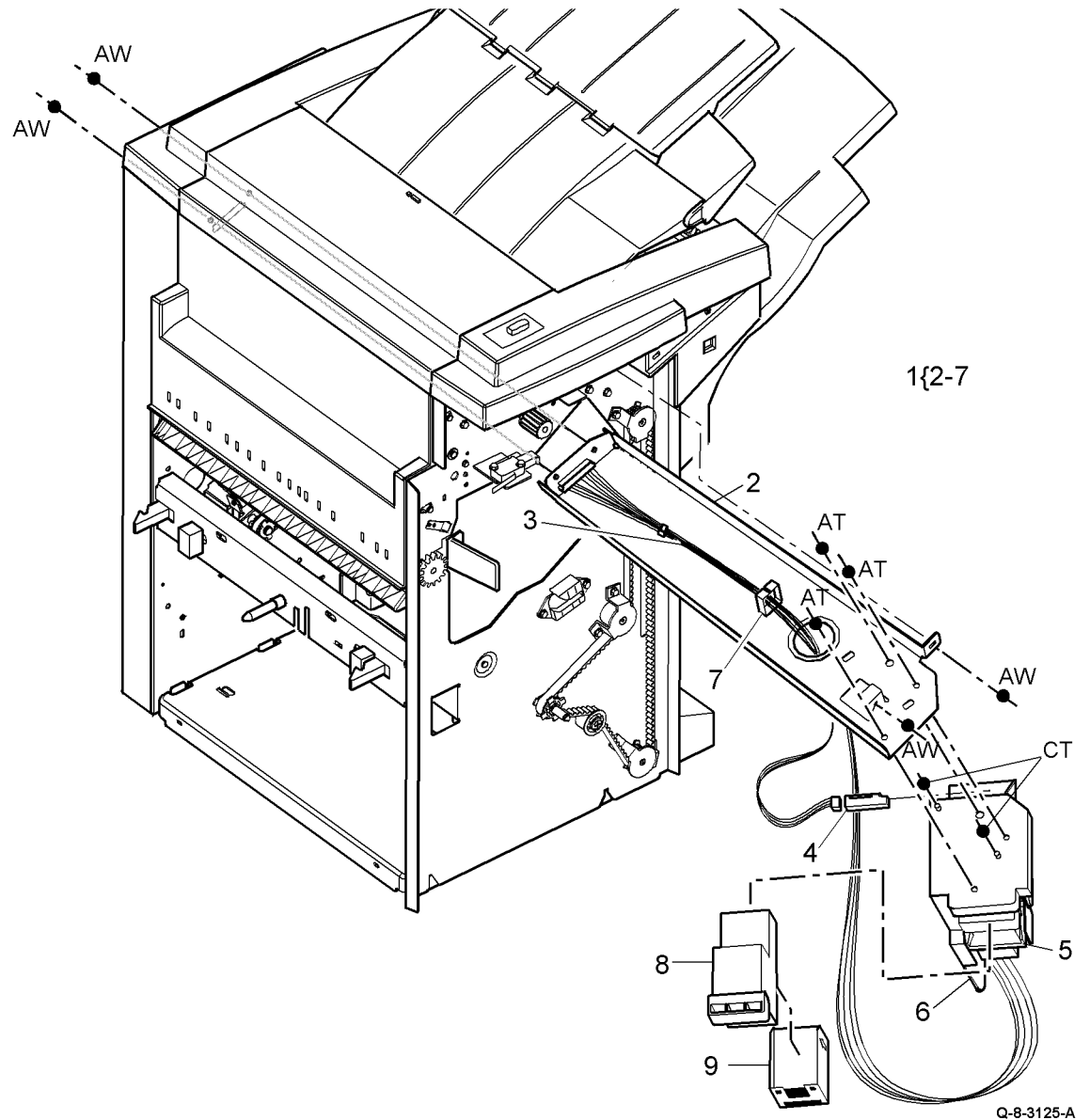
Item	Part	Description
1	054K32530	Ejector assembly (REP 11.8-120)
2	-	Ejector base (P/O PL 11.114 Item 1)
3	130E10980	Ejector home sensor (Q11-320), Ejector out sensor (Q11-322), Ejector motor encoder sensor (REP 11.8-120)
4	-	Pulley (P/O PL 11.114 Item 1)
5	023E24330	Ejector belt (REP 11.15-120)
6	-	Clip (P/O PL 11.114 Item 1)



Q-8-3124-A

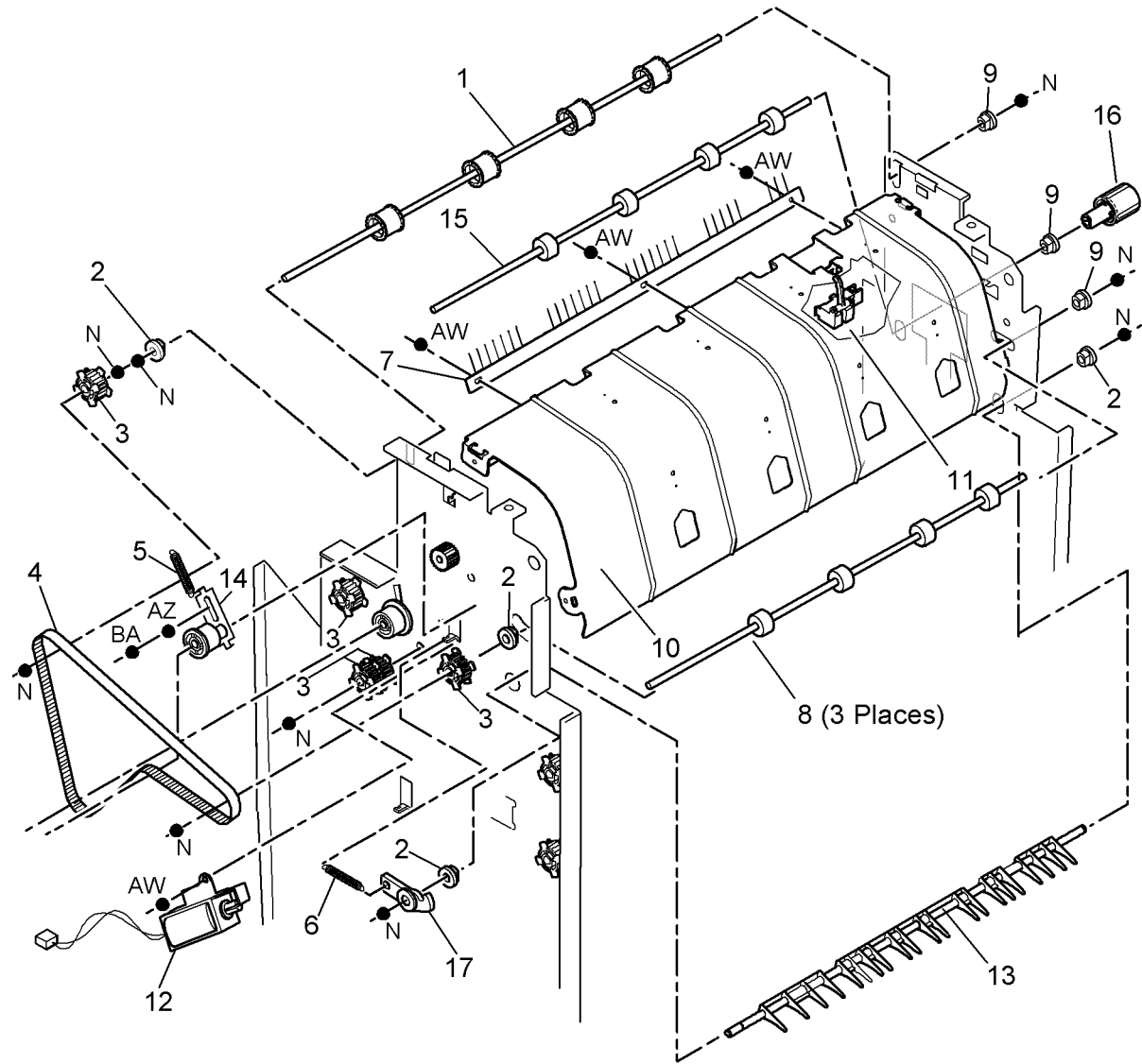
PL 11.116 1K LCSS Staple Head Assembly

Item	Part	Description
1	014K09550	Stapler assembly (REP 11.7-120)
2	-	Mounting bracket (P/O PL 11.116 Item 1)
3	-	Stapler harness (P/O PL 11.116 Item 1)
4	130E10380	SH1 Paper sensor (Q11-361) (P/O PL 11.116 Item 1) (REP 11.7-120)
5	-	Staple head unit (P/O PL 11.116 Item 1)
6	-	Stapler cover (P/O PL 11.116 Item 1)
7	-	Cable clamp (P/O PL 11.116 Item 1)
8	-	Staple cartridge (REF: PL 26.10 Item 26)
9	-	Staple refills (REF: PL 26.10 Item 27)



PL 11.118 1K LCSS Bin 0 Entry

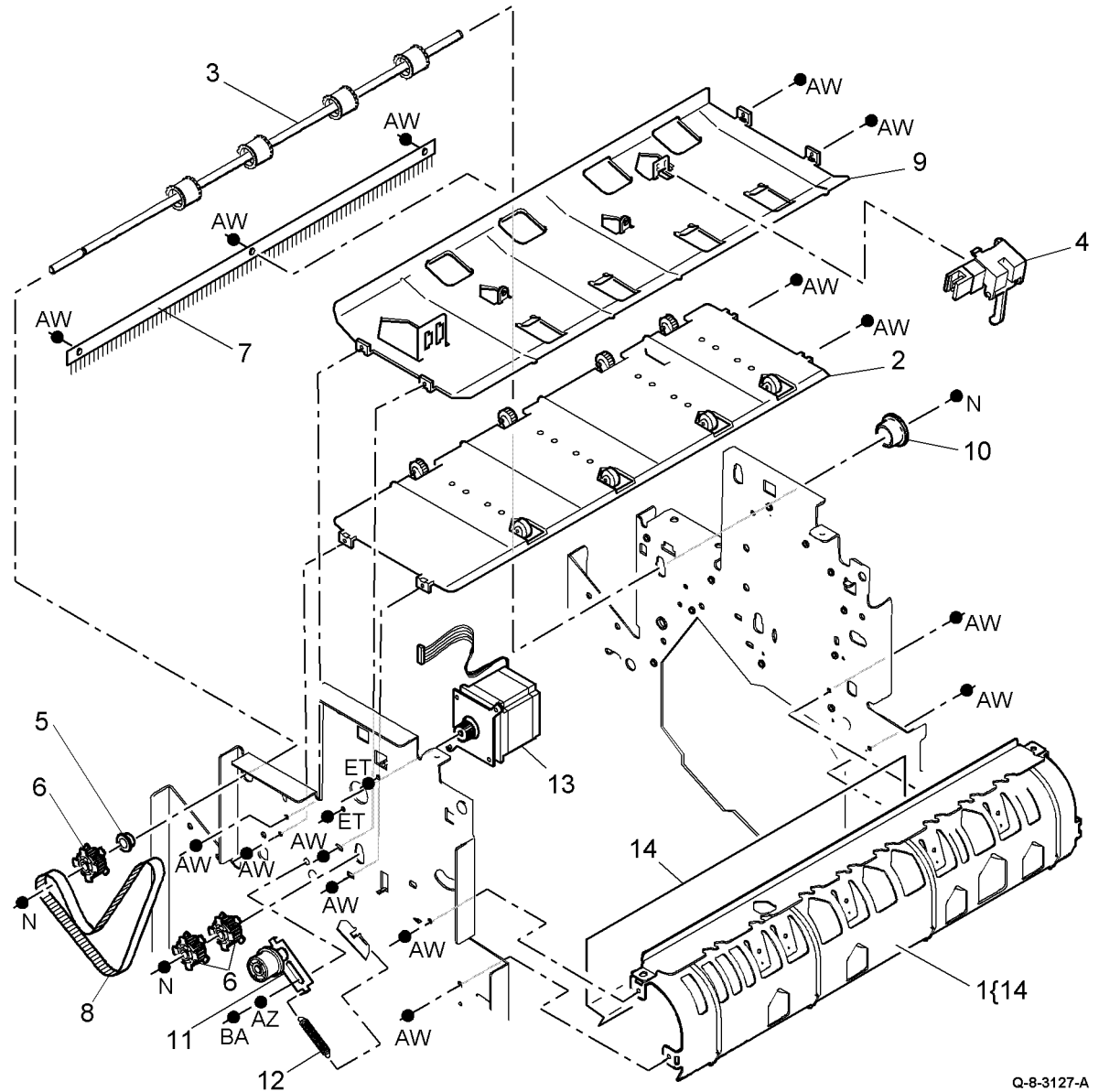
Item	Part	Description
1	006K27960	Ejector drive shaft
2	013E25790	Nylon bearing
3	-	Pulley (Not Spared)
4	023E30700	Intermediate paper drive belt
5	-	Spring (Not Spared)
6	-	Spring (Not Spared)
7	115E11800	Static eliminator
8	006K27980	Feed roll shaft (short)
9	013E25800	Bearing
10	032K04290	Paper guide
11	130E11440	Top exit sensor (Q11-130)
12	121K44440	Diverter gate solenoid (SOL11-002)
13	006K27990	Shaft diverter assembly
14	-	Belt tensioner (Not Spared)
15	006K27970	Drive shaft assembly
16	003K17530	Jam clearance knob
17	-	Actuator (Not Spared)



Q-8-3126-A

PL 11.120 1K LCSS Bin 1 Entry

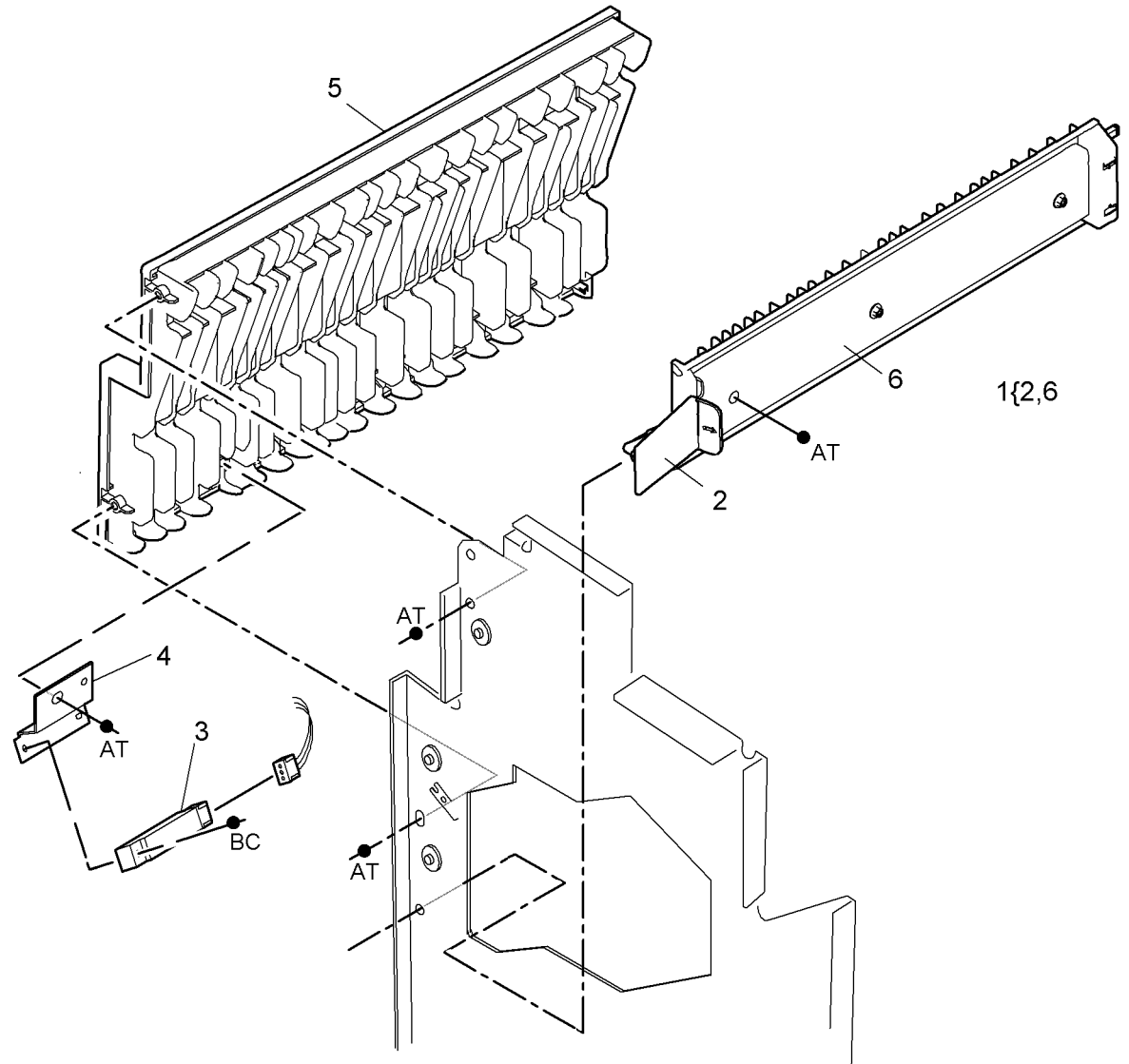
Item	Part	Description
1	032K04310	Left hand paper guide
2	032K04300	Lower right hand paper guide
3	006K27960	Ejector drive shaft (REF: PL 11.118 Item 1)
4	130E11440	2nd to top exit sensor (Q11-140)
5	013E25790	Nylon bearing
6	-	Pulley (Not Spared)
7	115E11810	Static eliminator (stacker)
8	023E24340	Paper output drive belt (REP 11.4-120)
9	-	Upper right hand paper guide (Not Spared)
10	013E25800	Bearing
11	-	Belt tensioner (Not Spared)
12	-	Spring (Not Spared)
13	127K53340	Transport motor 2 (MOT 11-001) (REP 11.4-120)
14	-	Mylar safety cover (P/O PL 11.120 Item 1)



Q-8-3127-A

PL 11.122 1K LCSS Entry Guide Cover/Jam Clearance Guide

Item	Part	Description
1	032K03820	Jam clearance guide assembly
2	-	Jam clearance handle (P/O PL 11.122 Item 1)
3	130E10380	Entry sensor (Q11-100)
4	-	Sensor bracket (Not Spared)
5	802K48342	Entry guide cover (REP 11.13-120)
6	-	Jam clearance guide (P/O PL 11.122 Item 1)



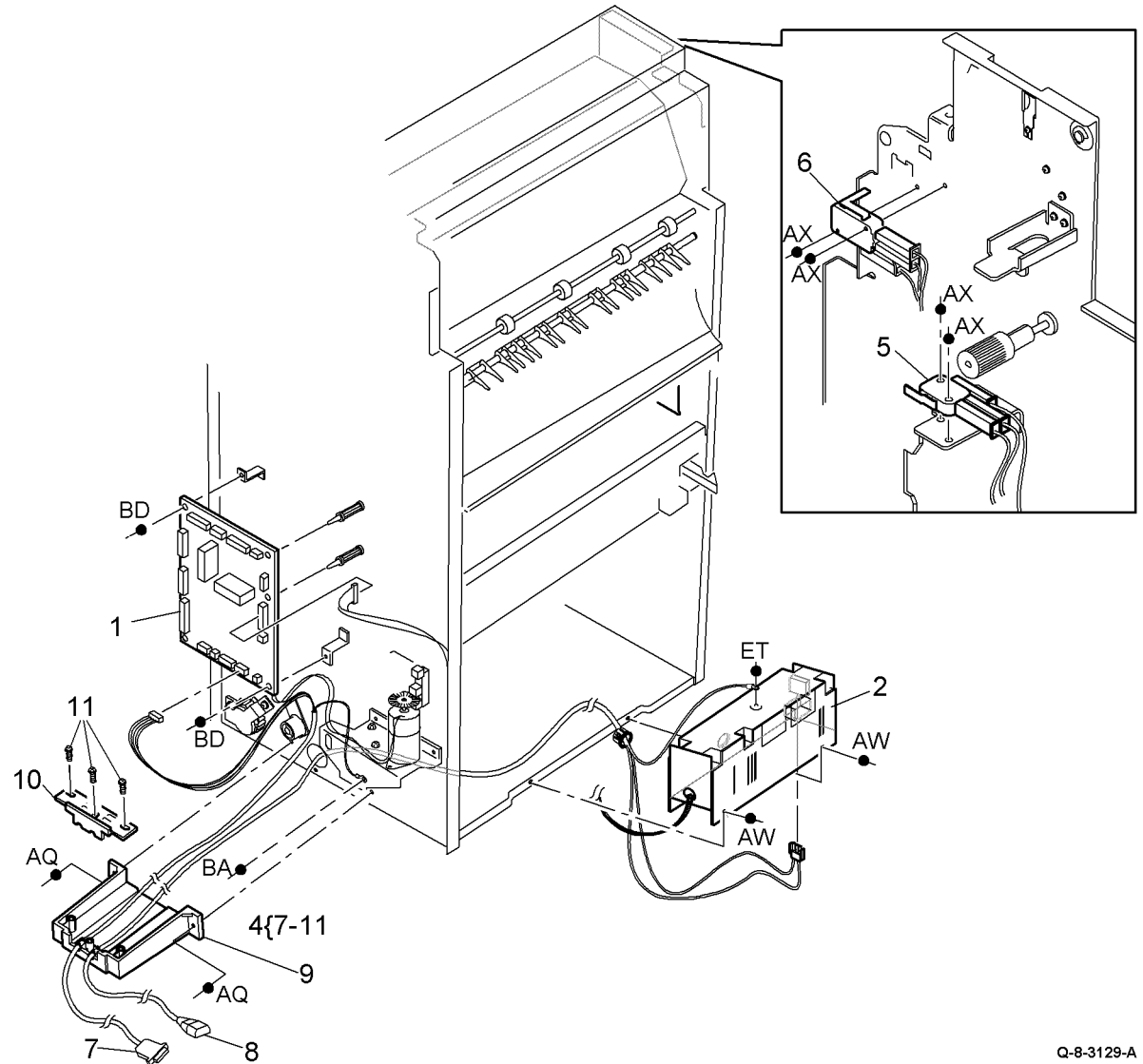
Q-8-3128-A

PL 11.124 1K LCSS Electrical

Item	Part	Description
1	960K21260	1K LCSS PWB (see CAUTION) (REP 11.12-120)
2	105K28270	Power supply module
3	–	Not used
4	962K41340	Cord bracket assembly
5	110K13980	Front door interlock switch (S11-303)
6	110K13970	Top cover interlock switch (S11-302)
7	–	1K LCSS communication harness (P/O PL 11.124 Item 4)
8	–	Power cord (P/O PL 11.124 Item 4)
9	–	Lower bracket (P/O PL 11.124 Item 4)
10	–	Upper bracket (P/O PL 11.124 Item 4)
11	–	Screw (P/O PL 11.124 Item 4)

CAUTION

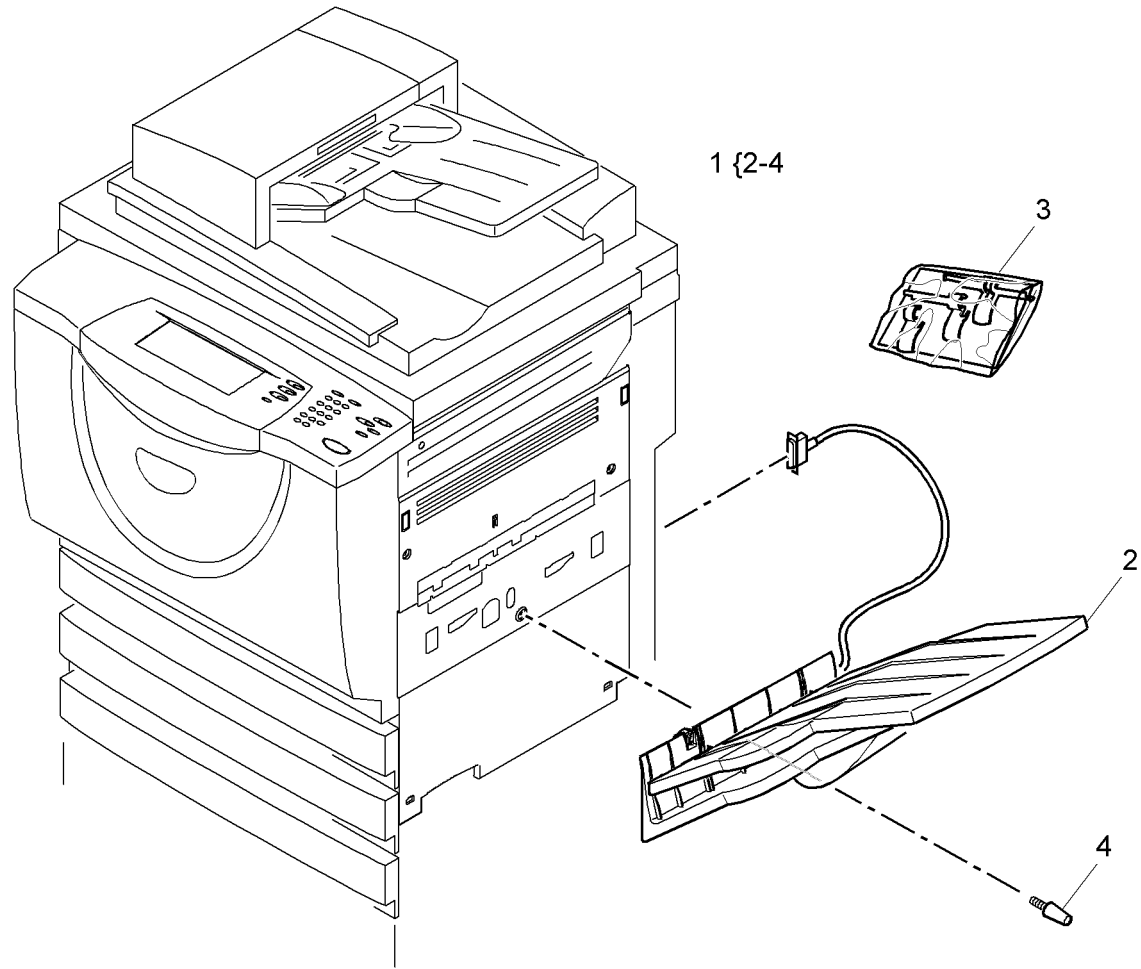
Do not install a new 1K LCSS PWB until the cause of the damage to the old 1K LCSS PWB has been determined. Go to the 11G-120 1K LCSS PWB Damage RAP.



Q-8-3129-A

PL 12.10 OCT

Item	Part	Description
1	-	OCT (complete) (REF: PL 31.10 Item 9)
2	-	OCT tray (P/O PL 12.10 Item 1)
3	-	OCT finger kit (P/O PL 12.10 Item 1) (REP 12.1)
4	026E77310	Thumbscrew (P/O PL 12.10 Item 1)

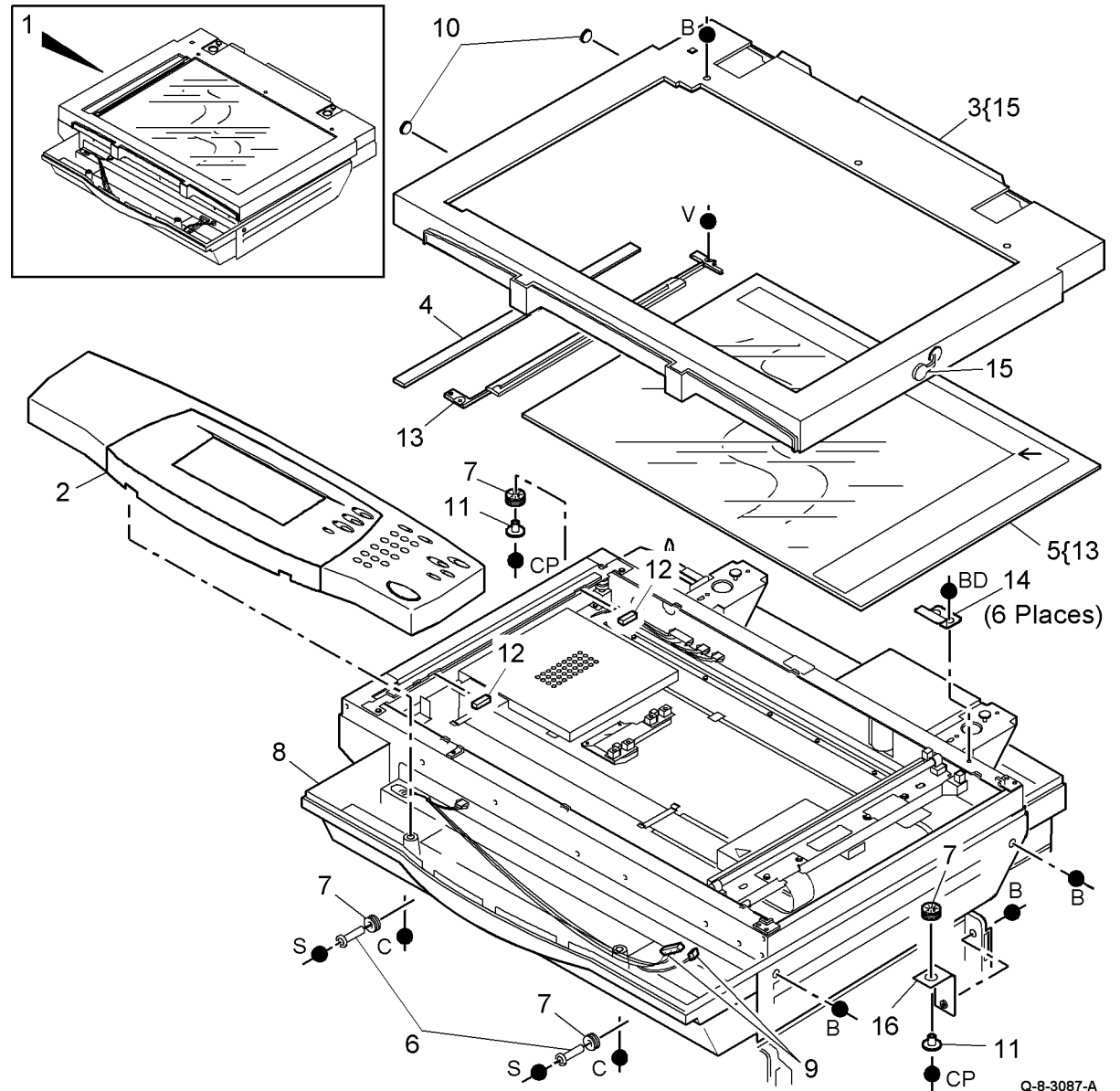


Q-8-3086-A

PL 14.10 Scanner Module, CVT/ Document Glass (65-75 ppm)

Item	Part	Description
1	062K16702	Scanner (REP 14.1B, ADJ 14.1B)
2	-	UI (REF: PL 2.10 Item 1)
3	-	Top cover (REP 14.2B)
4	090E02581	CVT Glass (REP 14.3B) (see NOTE)
5	090K02461	Document glass (see NOTE) (REP 14.3B)
6	014E47731	Spacer
7	-	Grommet (Not Spared)
8	-	Base cover (P/O PL 14.10 Item 1)
9	962K26801	Image processing PWB module/UI harness (PJ103 & PJ104 & PJ133-PJ130 & PJ80)
10	114K01800	Top cover plug
11	-	Spacer (Not Spared)
12	-	Rubber cushion (P/O PL 14.10 Item 1)
13	032K04091	CVT Ramp assembly (REP 14.3B)
14	-	Document glass securing bracket (P/O PL 14.10 Item 1)
15	-	Transit screw hole plug (P/O PL 14.10 Item 3)
16	-	Scanner frame securing bracket (Not Spared)

NOTE: Refer to ADJ 14.1B for the optics cleaning procedure.

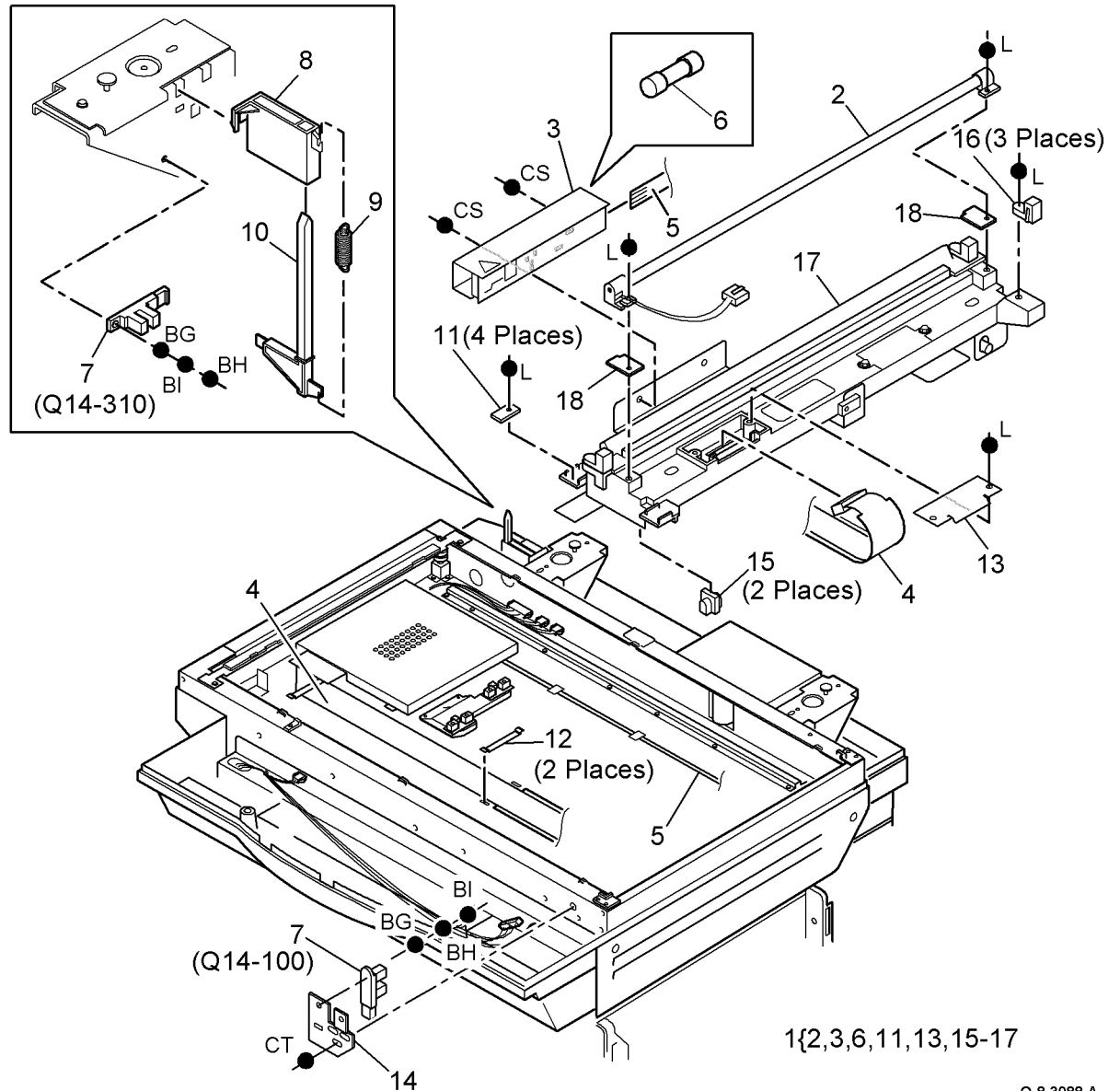


PL 14.15 Electrical Components 65-75 ppm (1 of 2)

Item	Part	Description
1	604K30942	Scan carriage assembly (REP 14.5B, ADJ 14.2B)
2	122E02820	Exposure lamp (REP 14.10B)
3	105K26970	Exposure lamp inverter (Q14-320) (REP 14.10B)
4	962K26841	Scan carriage ribbon cable (PJ451-PJ291) (REP 14.13B)
5	962K26830	Exposure lamp ribbon harness (PJ452-PJ290) (REP 14.11B)
6	108E06390	Fuse (250V/1.25A)
7	130K67500	Scan carriage home sensor (Q14-100) (REP 14.4B)/Input module angle sensor (Q14-310) (REP 14.9B)
8	-	Actuator support (Not Spared)
9	-	Actuator spring (Not Spared)
10	110K14010	Input module angle sensor actuator
11	-	Cable clamp (P/O PL 14.15 Item 1)
12	-	Harness retainer (Not Spared)
13	-	Connector cover (P/O PL 14.15 Item 1)
14	-	Sensor bracket (Not Spared)
15	-	Lower skid (P/O PL 14.15 Item 17)
16	-	Upper skid (P/O PL 14.15 Item 17)
17	-	Scan carriage (P/O PL 14.15 Item 1)
18	-	Shim (P/O PL 14.15 Item 1) (see NOTE 2)

NOTE: 1. Refer to ADJ 14.1B for the optics cleaning procedure.

NOTE: 2. Shims are not installed in all scanners. Refer to REP 14.10B.



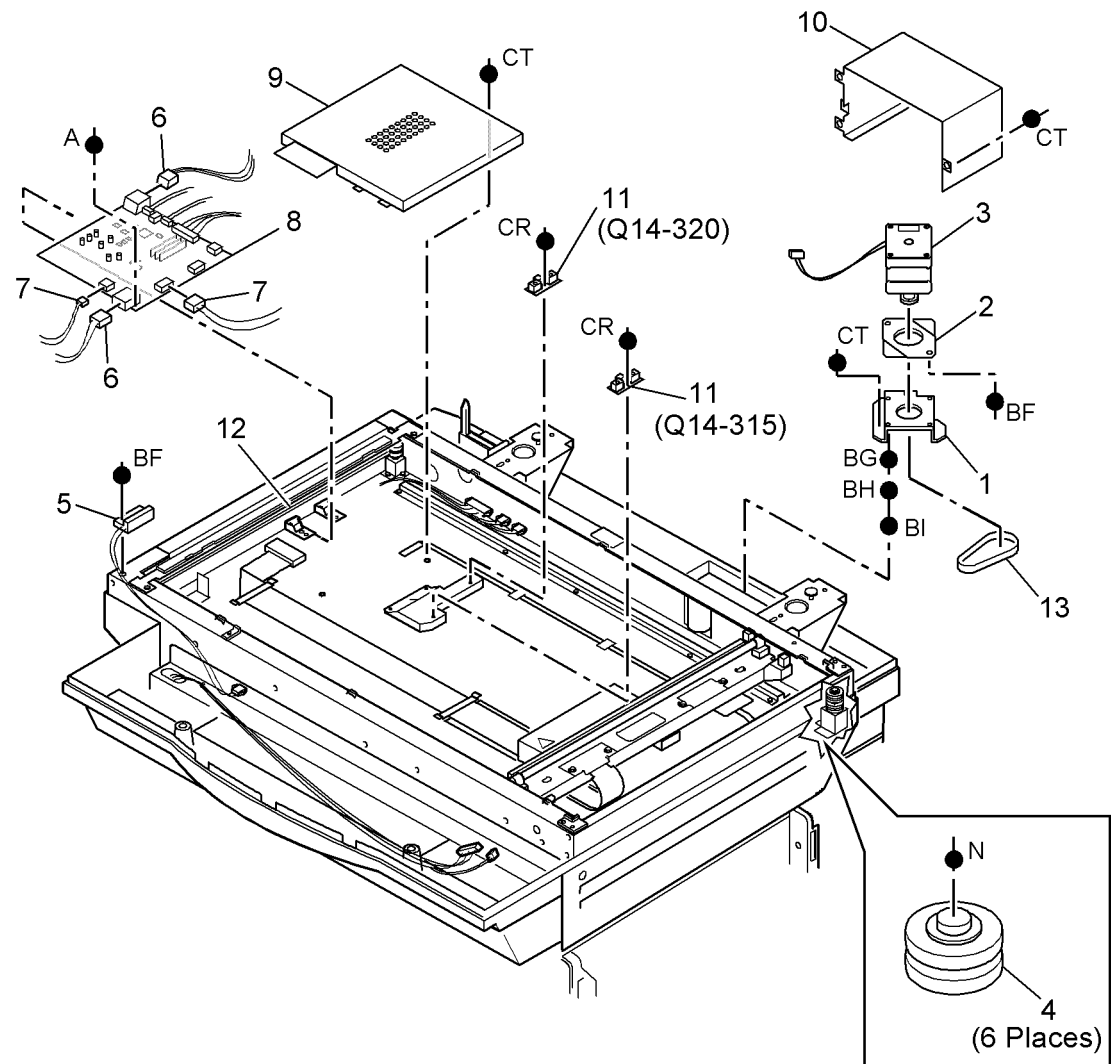
Q-8-3088-A

PL 14.16 Electrical Components 65-75 ppm (2 of 2)

Item	Part	Description
1	-	Scan motor bracket (Not Spared)
2	-	Scan motor mounting (see NOTE 1) (REP 14.6B)
3	127K44880	Scan motor (REP 14.6B, ADJ 14.3B)
4	020K12510	Scan idler pulley
5	130E10400	DADH Closed switch (Q05-300)
6	962K26821	Image processing PWB/Scanner PWB (PJ225-PJ127 & PJ226-PJ125) Harness
7	962K26810	Power distribution PWB/Scanner PWB (PJ135-PJ450 & PJ455) harness
8	960K12322	Scanner PWB (REP 14.12B)
9	-	Scanner PWB cover (Not Spared)
10	-	Scan motor cover (Not Spared)
11	130E11240	Document size sensor 1 (Q14-315), Document size sensor 2 (Q14-320) (REP 14.14B)
12	-	Scan cables (Not Spared) (REP 14.7B)
13	023E25140	Scan drive belt (REP 14.8B)

NOTE: 1. Part number unavailable on SOLOS at time of issue.

NOTE: 2. Refer to ADJ 14.1B for the optics cleaning procedure.



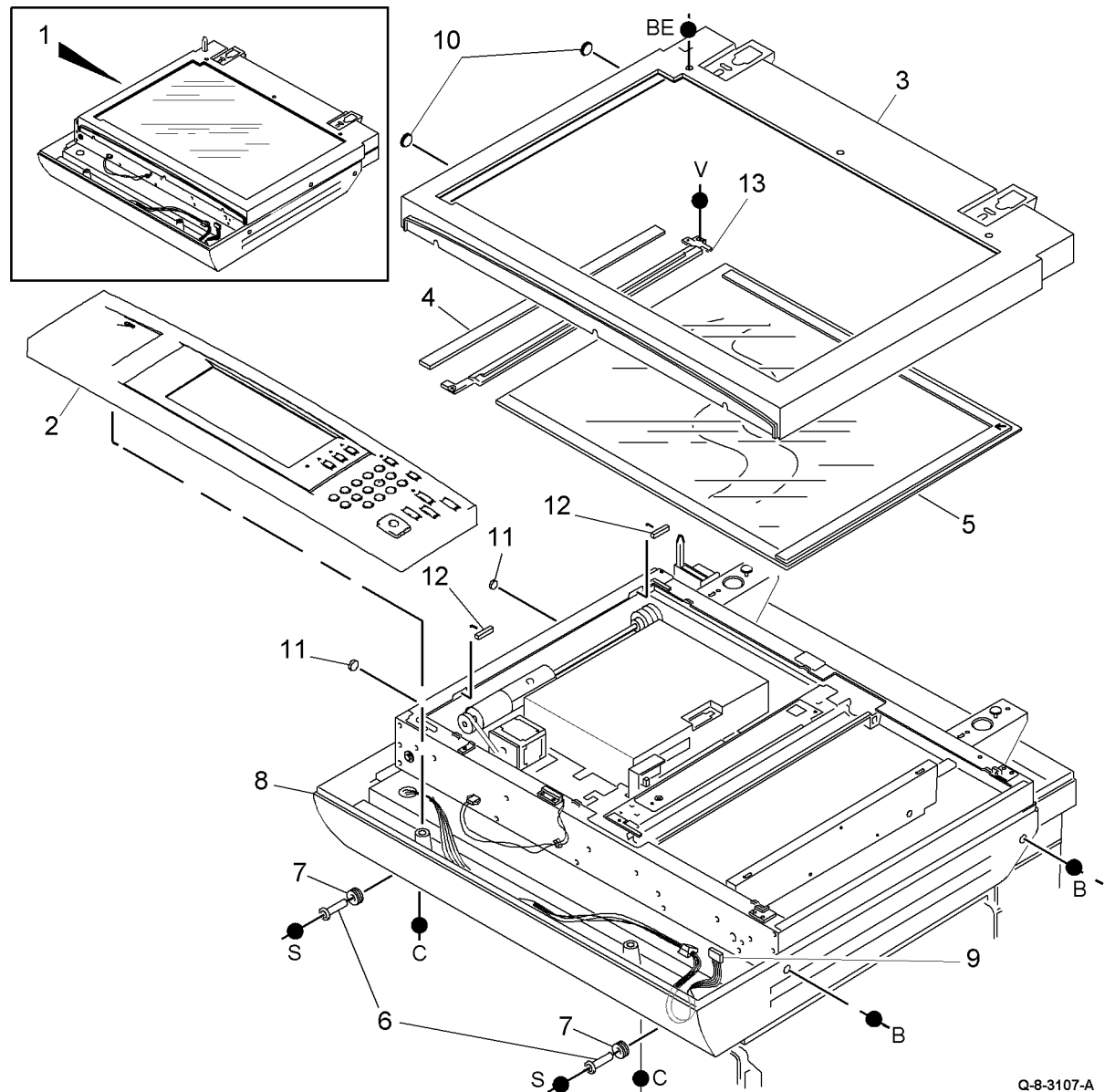
Q-8-3089-A

PL 14.20 Scanner Module, CVT/ Document Glass (32-55 ppm)

Item	Part	Description
1	062K21931	Scanner (32-38 ppm)
-	062K21941	Scanner (45-55 ppm)
2	-	User interface (REF: PL 2.15)
3	802K62500	Top cover
4	090E02500	CVT Glass (28mm wide) (see Note 2) (REP 14.6A)
-	090E02590	CVT Glass (31mm wide) (see NOTE 2) (REP 14.6A)
5	090K02451	Document glass (see Note 2) (REP 14.6A)
6	014E47731	Spacer
7	-	Grommet (Not Spared)
8	802E59105	Base cover
9	962K40650	Image processing module/UI harness (PJ130-PJ133 & PJ104)
10	-	Top cover plug (see NOTE 1)
11	-	Base cover plug (Not Spared)
12	032E20580	Seal
13	032K04061	CVT Ramp assembly

NOTE: 1. Part number unavailable on SOLOS at time of issue.

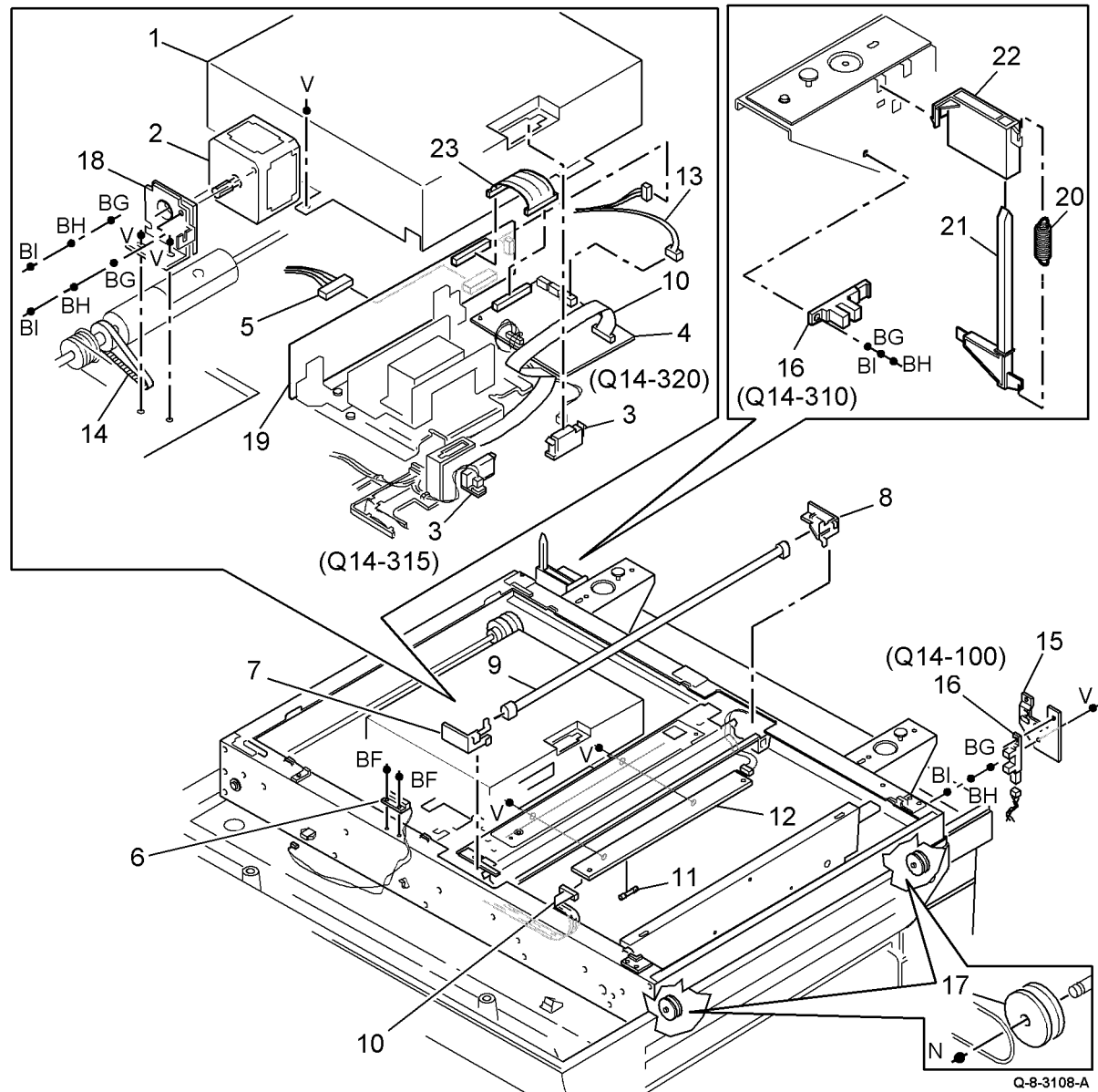
NOTE: 2. Refer to ADJ 14.1A for the optics cleaning procedure.



PL 14.25 Electrical Components (32-55 ppm)

Item	Part	Description
1	-	PWB Cover (Not Spared)
2	127K42750	Scan motor (REP 14.11A)
3	130E10390	Document size sensor 1 (Q14-315), Document size sensor 2 (Q14-320) (REP 14.3A)
4	960K20412	Scanner PWB (REP 14.5A)
5	962K12190	Image processing module/CCD PWB PJ25-PJ110 harness
6	130E10400	DADH Closed switch (Q05-300) (REP 14.4A)
7	030K79630	Front end block (REP 14.9A)
8	030K79620	Rear end block (REP 14.9A)
9	122K02290	Exposure lamp (REP 14.9A)
10	962K12210	Lamp ribbon harness
11	160K92760	Fuse (REP 14.2A)
12	160K92750	Exposer lamp inverter (REP 14.2A)
13	152S06184	Image processing module/scanner driver PWB/CCD PWB (PJ455 & PJ450-PJ135) harness
14	-	Scanner drive belt (P/O PL 14.20 Item 1)
15	-	Sensor bracket not spared
16	130K67500	Scan carriage home sensor (Q14-100) (REP 14.7)/Input module angle sensor (Q14-310) (REP 14.8A)
17	020K12510	Scan idler pulley (REP 14.10A)
18	030K79640	Scan motor bracket (REP 14.11A)
19	-	CCD PWB (P/O PL 14.20 Item 1)
20	-	Actuator spring (Not Spared)
21	110K14010	Input module angle sensor actuator
22	-	Actuator support (Not Spared)
23	-	CCD PWB/Scanner PWB harness (P/O PL 14.20 Item 1)

NOTE: 1. Refer to ADJ 14.1A for the optics cleaning procedure.

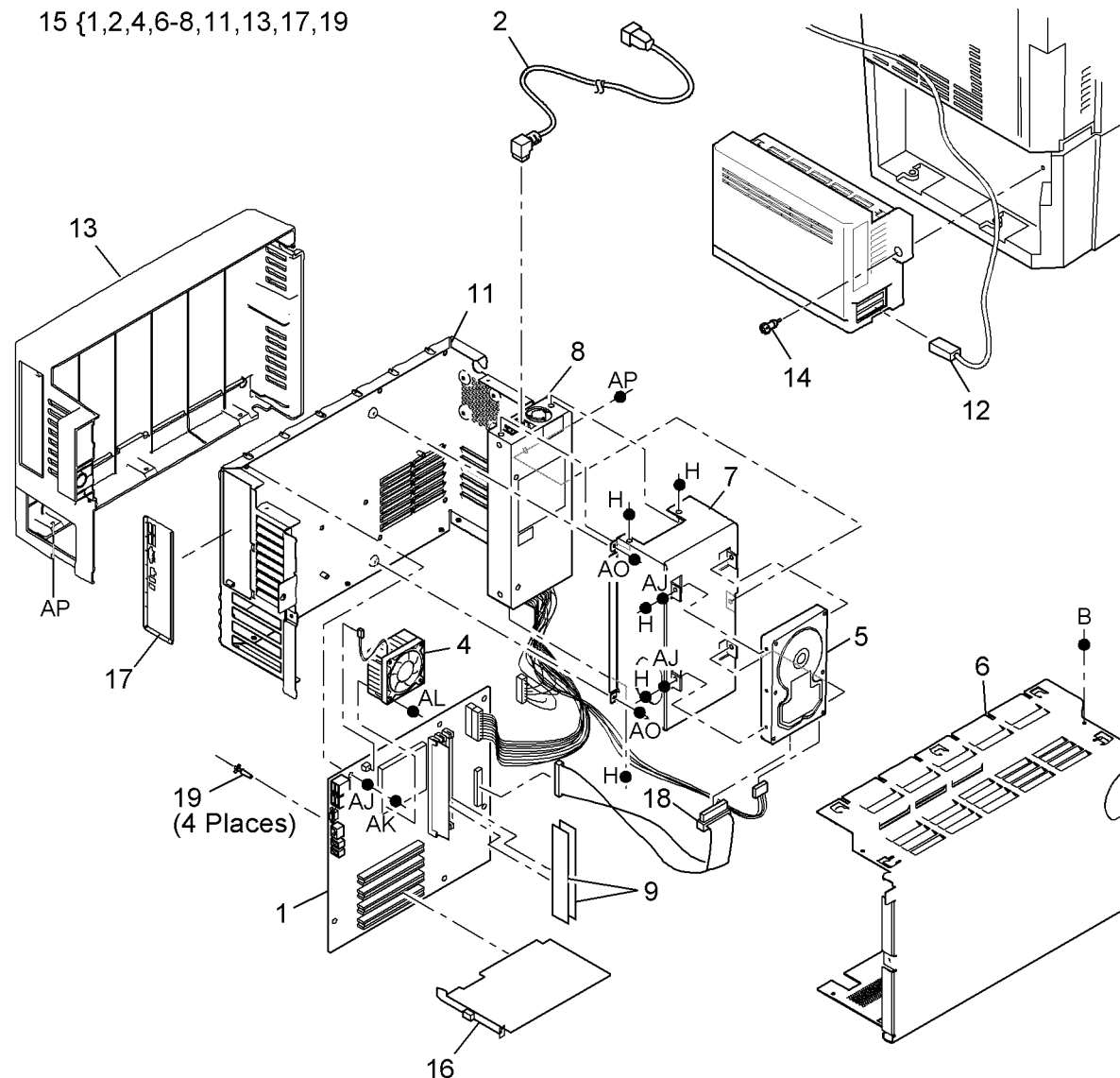


PL 16.10 Network Controller

Item	Part	Description
1	-	Network control PWB (P/O PL 16.10 Item 15)
2	152S06200	Power supply harness (P/O PL 16.10 Item 15)
3	-	Not used
4	127E15030	CPU cooling fan assembly (P/O PL 16.10 Item 15)
5	121E20000	NC Disk drive (REP 16.2)
6	-	Front cage (P/O PL 16.10 Item 15)
7	-	Power supply cage (P/O PL 16.10 Item 15)
8	105K28281	Power supply (P/O PL 16.10 Item 15)
9	960K21330	Memory Module (DDR SDRAM 256MB)
10	-	Not used
11	-	Rear cage (P/O PL 16.10 Item 15)
12	117E28560	Network controller - Firewire cable
13	-	Cover (P/O PL 16.10 Item 15)
14	826E19740	Thumbscrew
15	604K30880	Network controller replacement kit (see NOTE 2) (REP 16.1)
16	-	USB Print kit (REF: PL 31.10 Item 8) (REP 16.1)
17	-	Infill cover (P/O PL 16.10 Item 15)
18	-	Ribbon cable (Not Spared)
19	-	Spacer (P/O PL 16.10 Item 15)

NOTE: 1. Refer to PL 31.10 Item 5 for the scanning hardware kit.

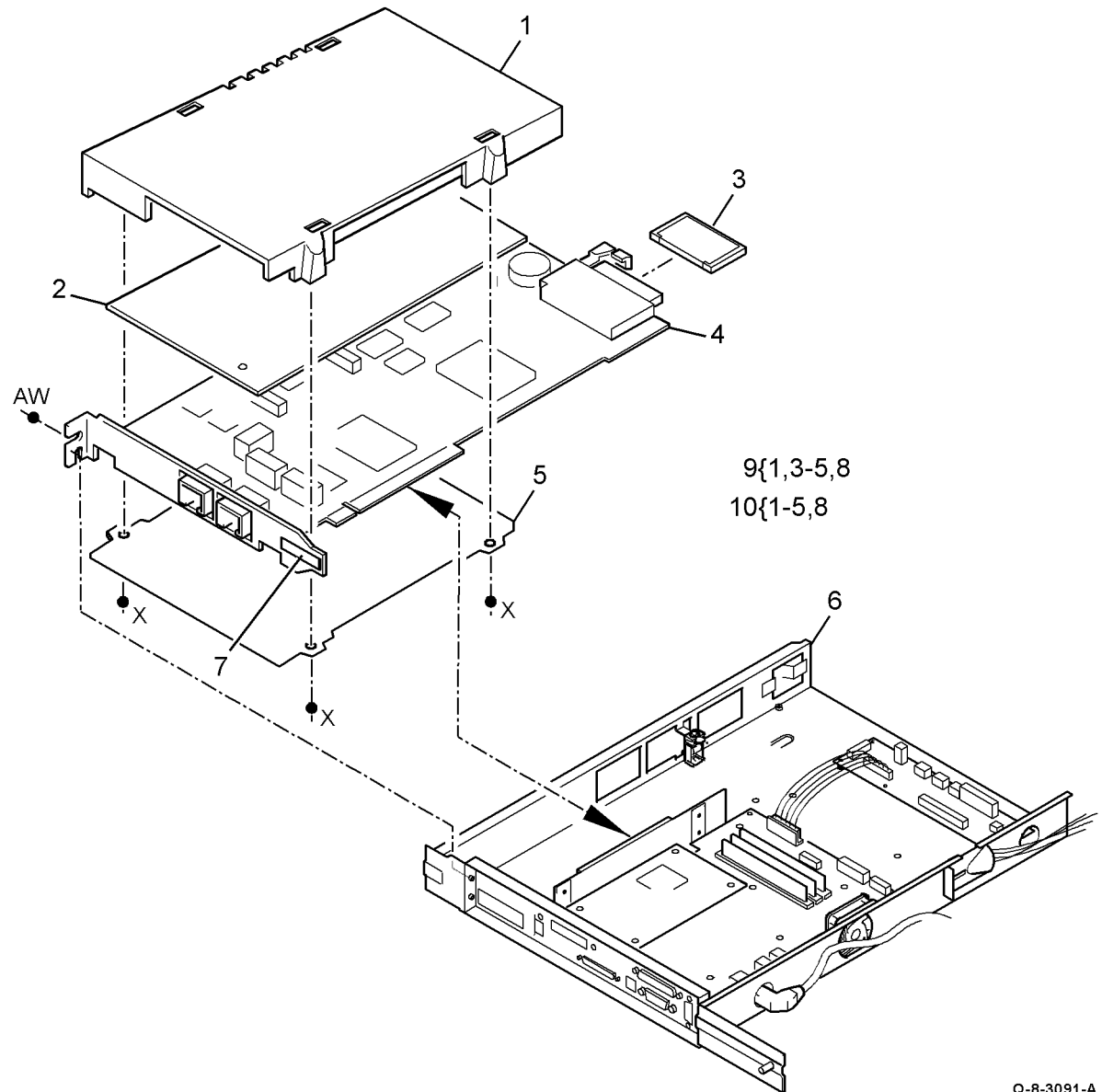
NOTE: 2. Refer to PL 31.10 for the network controller kits.



Q-8-3090-A

PL 20.10 Fax PWBs

Item	Part	Description
1	–	Safety cover (see NOTE)
2	960K14490	Extended fax PWB (Line 2)
3	–	Compact flash memory (32Mb) (see NOTE)
–	–	Compact flash memory (256Mb) (see NOTE)
4	960K21292	Embedded fax PWB (Line 1) (REP 3.2)
–	–	Embedded fax PWB (Line 1), (South Africa only) (REP 3.2) (see NOTE)
5	–	Lower cover (see NOTE)
6	–	Image processing PWB module (REF: PL 3.10; 65-75 ppm), (REF: PL 3.15; 32-55 ppm)
7	–	Grounding strip
8	–	Telephone cable (not shown on illustration, see below for variants)
–	–	Austria (see NOTE)
–	–	Belgium (see NOTE)
–	–	Denmark (see NOTE)
–	–	Finland (see NOTE)
–	–	France (see NOTE)
–	–	Germany (see NOTE)
–	117K42140	Greece/Ireland/Portugal/Spain/ Turkey/Other CCE countries
–	117S26684	Holland
–	–	Italy (see NOTE)
–	–	NASG/XCL (see NOTE)
–	–	Norway (see NOTE)
–	117S26687	Russia
–	–	South Africa (see NOTE)
–	–	Sweden (see NOTE)
–	–	Switzerland (see NOTE)
–	117K33920	United Kingdom
9	–	Line 1 fax kit (REF: PL 31.35 Item 1)
10	–	Line 2 fax kit (REF: PL 31.40 Item 1)



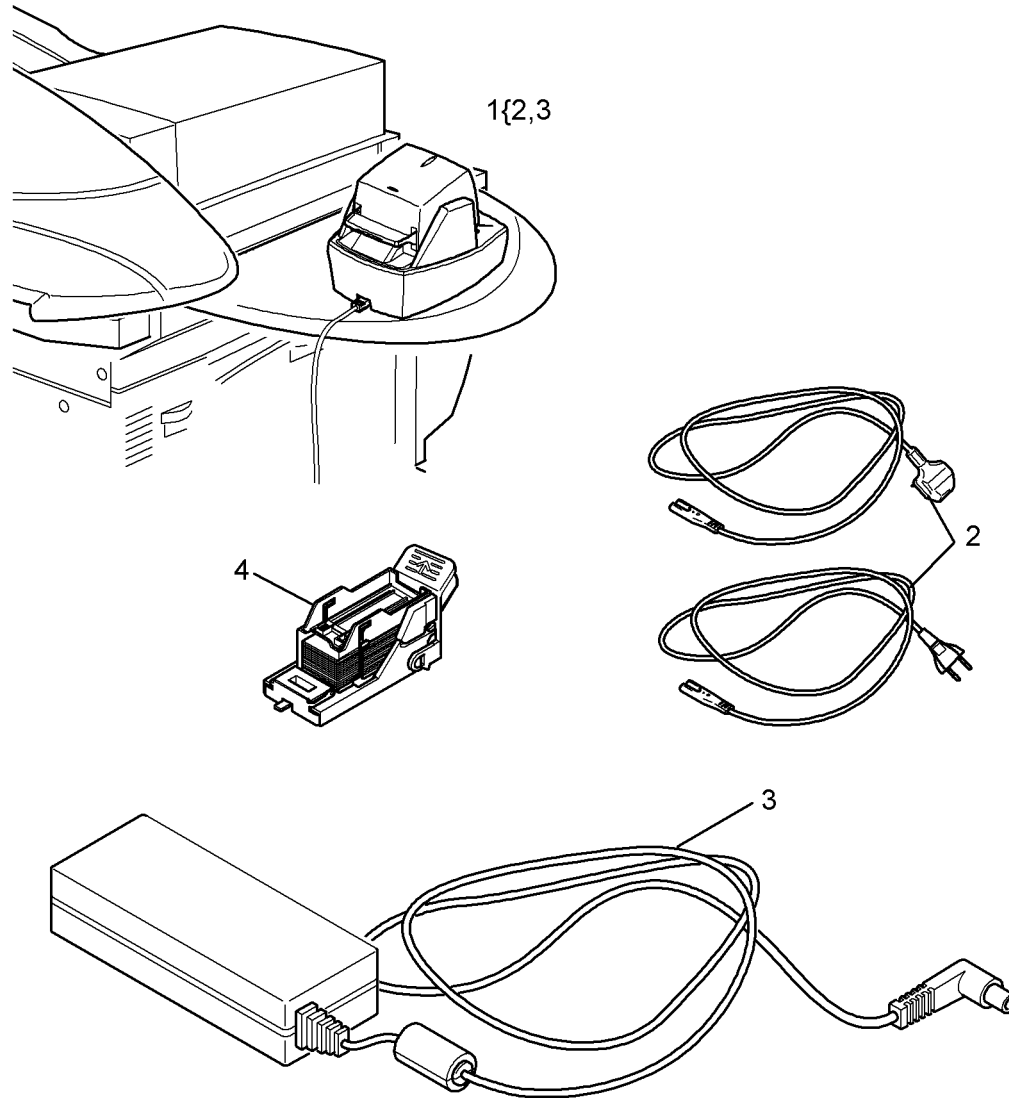
NOTE: Part number unavailable on SOLOS at time of issue.

Q-8-3091-A

PL 25.10 Convenience Stapler

Item	Part	Description
1	–	Convenience stapler kit (REF: PL 31.12 Item 13) (see NOTE)
2	–	Power cord (P/O PL 25.10 Item 1)
3	–	PSU (P/O PL 25.10 Item 1)
4	–	Staple cartridge (REF: PL 26.10 Item 28)

NOTE: The convenience stapler has no serviceable parts.



Q-8-3131-A

PL 26.10 Consumables and Tools

Item	Part	Description
1	113E40060	9 Way gender changer/Null modem adapter
2	043P00048	Formula A cleaning fluid (see WARNING)
3	600T02133	Line test tool
4	043P00045	Film remover (see WARNING)
5	600T02231	USB Cable
6	600T02252	Ethernet crossover cable (PWS to network controller)
7	600T02261	Finisher bypass harness
8	043E00550	Plastislip grease
9	043P00081	Lens and mirrors cleaner (see WARNING)
10	099P03037	Disposable gloves (general protection) (Qty. 100) (see WARNING)
11	108R00493	Staple cartridge (pack of 3) (2K LCSS/HCSS & HCSS BM Compiler Carriage)
12	600T020258	Serial cable
13	035E56460	Micro fiber wiper
14	082E02000	Test pattern (A3/11x17)
15	082E02010	Test pattern (A4)
16	082E02020	Test pattern (8.5x11)
17	082E08230	Test pattern (solid area density scale)
18	082P00448	Test pattern (visual scale)
19	008R0275	Antistatic fluid
20	070P00043	Molub grease 777
21	300K63850	Machine resident disk kit
22	655N00118	Foreign interface test tool (NASG/XCL)
23	600T91952	Mag seal repair tool
24	050K21270	Staple cartridge (BM Stapler)
25	809E57680	Compiler carriage support
26	108R00682	Staple cartridge 1K LCSS
27	108R00535	Staple refill 1K LCSS (pack of 40)
28	–	Staple cartridge convenience stapler (pack of 20) (see NOTE)

WARNING

Wear protective gloves, PL 26.10 Item 10 when using solvents and cleaning agents.

NOTE: Part number unavailable on SOLOS at time of issue.

**NO EXPLODED
VIEW PROVIDED**

Q-8-3092-A

PL 28.10 Covers

Item	Part	Description
1	–	DADH Covers (REF: PL 5.10)
2	–	HCF Covers (REF: PL 7.25)
3	–	Main Covers (REF: PL 8.10)
4	–	2K LCSS Covers (REF: PL 11.2)
5	–	HCSS Covers (REF: PL 11.30)
6	–	HCSS BM Covers (REF: PL 11.60)
7	–	Scanner Covers (REF: PL 14.10) (65-75 ppm)
8	–	1K LCSS Covers (REF: PL 11.100) (32-45 ppm)
9	–	Stand Covers (REF: PL 7.40)
10	–	Scanner Covers (REF: PL 14.20) (32-55 ppm)

**NO EXPLODED
VIEW PROVIDED**

Q-8-3093-A

PL 31.10 Maintenance/Installation/ Removal Kits (1 of 2)

Item	Part	Description
1	498K04320	Foreign Interface /Vend Adaptor Kit (NASG/XCL)
2	498K07100	Mobility plate
3	498K07700	Foreign Interface Kit
4	498K03860	EPC Memory Upgrade Kit (256Mb)
5	498K09570	Scanning Enablement Hardware Kit (NASG/XCL)
6	–	LCSS/HCSS Hole Punch Kits (see below for variants)
–	498K04120	Two Hole (XE)
–	498K04141	Four Hole (XE)
–	498K04161	Legal Two Hole (NASG/XCL)
–	498K04130	Three Hole (NASG/XCL)
–	498K04151	4 Hole (Sweden)
7	498K10430	Copier assistant kit
8	498K02120	USB Print Kit
9	604K31360	OCT Kit
10	498K10500	Scanning Upgrade Kit (XE)
11	498K07210	Tray Lock Kit
12	–	Network Controller Kits (XE) (see below for variants) (see NOTE)
–	498K09770	WorkCentre (Non Scanning) (32-55 ppm)
–	498K09750	WorkCentre Pro (Non Scanning) (32-55 ppm)
–	498K09760	WorkCentre Pro (Scanning Enabled) (32-55 ppm)
–	498K10540	WorkCentre (Non Scanning) (65-75 ppm)
–	498K10530	WorkCentre Pro (Non Scanning) (65-75 ppm)
–	498K10950	WorkCentre Pro (Scanning Enabled) (65-75 ppm)
13	498K04052	Riser Card Kit (32-55 ppm)
–	498K09340	Riser Card Kit (65-75 ppm)
14	–	Network Controller Kits (NASG/XCL) (see below for variants) (see NOTE)
–	498K09600	WorkCentre (32-75 ppm)
–	498K09610	WorkCentre Pro (32-75 ppm)
–	498K09810	WorkCentre to WorkCentre Pro upgrade kit (32-75 ppm)

NOTE: The network controller (scanning enabled) kit contains software to enable scan to e-mail and scan to file, the network controller (non scanning) kit does not.

**NO EXPLODED
VIEW PROVIDED**

Q-8-3094-A

PL 31.12 Maintenance/Installation/ Removal Kits (2 of 2)

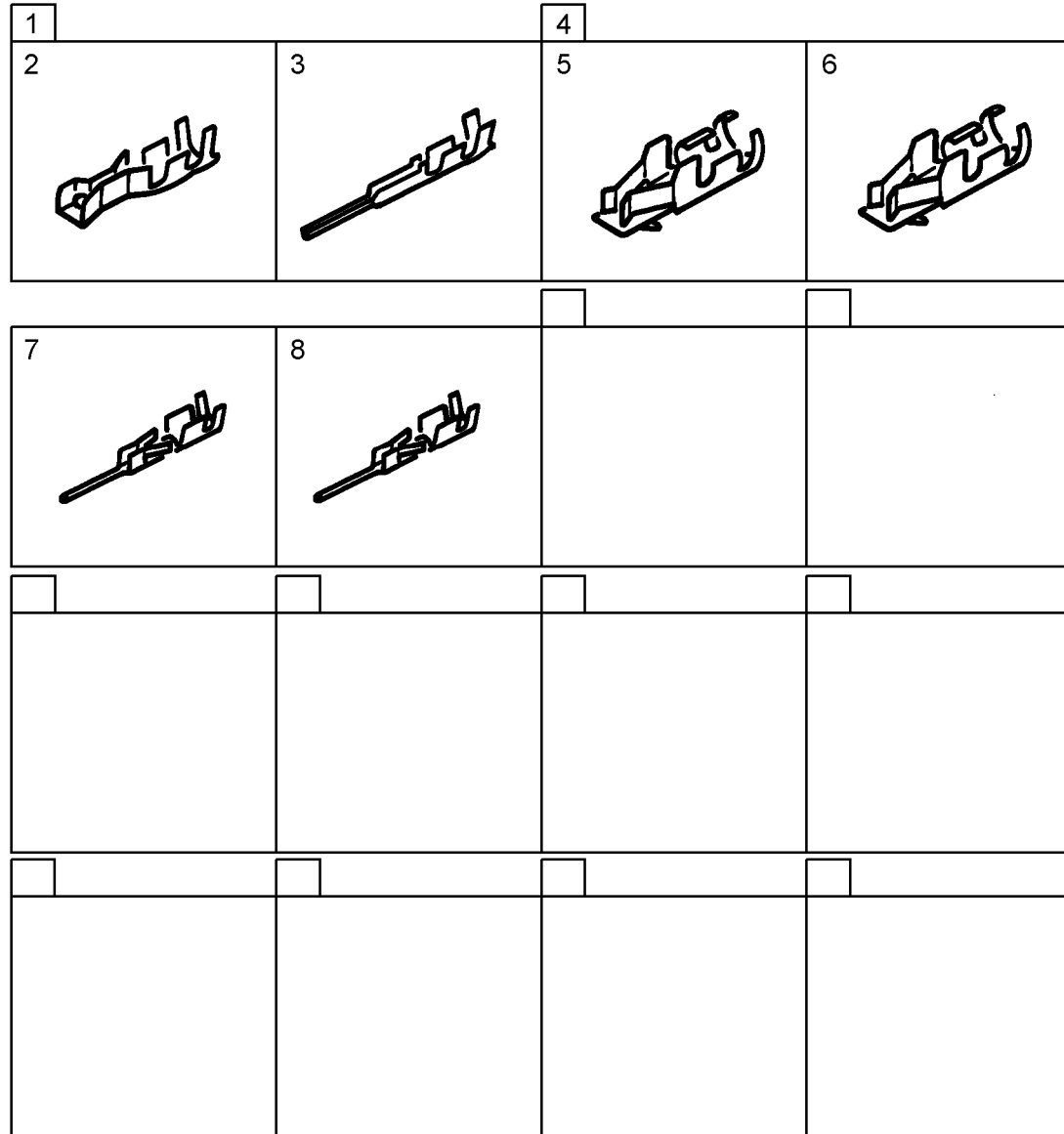
Item	Part	Description
1	498K10980	Postscript Upgrade Kit (XE) (WTAG N002)
–	098S04854	Postscript Upgrade Kit (NASG/XCL) (W/TAG N002)
2	498K10750	Internet Fax (software enablement)
3	498K10760	Server Fax (software enablement)
4	498K10780	Network Accounting (software enablement)
5	498K10930	Image Overwrite Security Kit (software enablement)
6	498K09580	Scan to File, Scan to E-mail Kit (software enablement)
7	498K09590	E-mail Kit (software enablement)
8	604K13411	Developer Spares Kit (32-55 ppm)
–	604K30581	Developer Spares Kit (65-75 ppm)
9		Not used
10	604K24990	Fuser stripper finger kit
11	604K30910	Gravity gate finger kit
12	498K06280	Envelope feed kit (NASG/XCL) (32-55 ppm)
13	498K08260	Convenience stapler (XE)
–	498K08250	Convenience stapler (NASG/XCL)
14	498K08970	E-mail kit (XE)
15	604K21620	Hole punch field repair kit (W/TAG F006)
16	604K24620	HCF Multifeed kit (W/TAG 003)
17	604K18182	Tray 3 & 4 Mylar retainer clip kit
18	604K31370	Tray 1 & 2 Multifeed kit (W/TAG 004)
19	604K31080	Fuser lower input guide kit (32-55 ppm)
20	498K05031	LH workshelf kit

**NO EXPLODED
VIEW PROVIDED**

Q-8-3134-A

PL 31.15 Terminal Repair Kits (1 of 2)

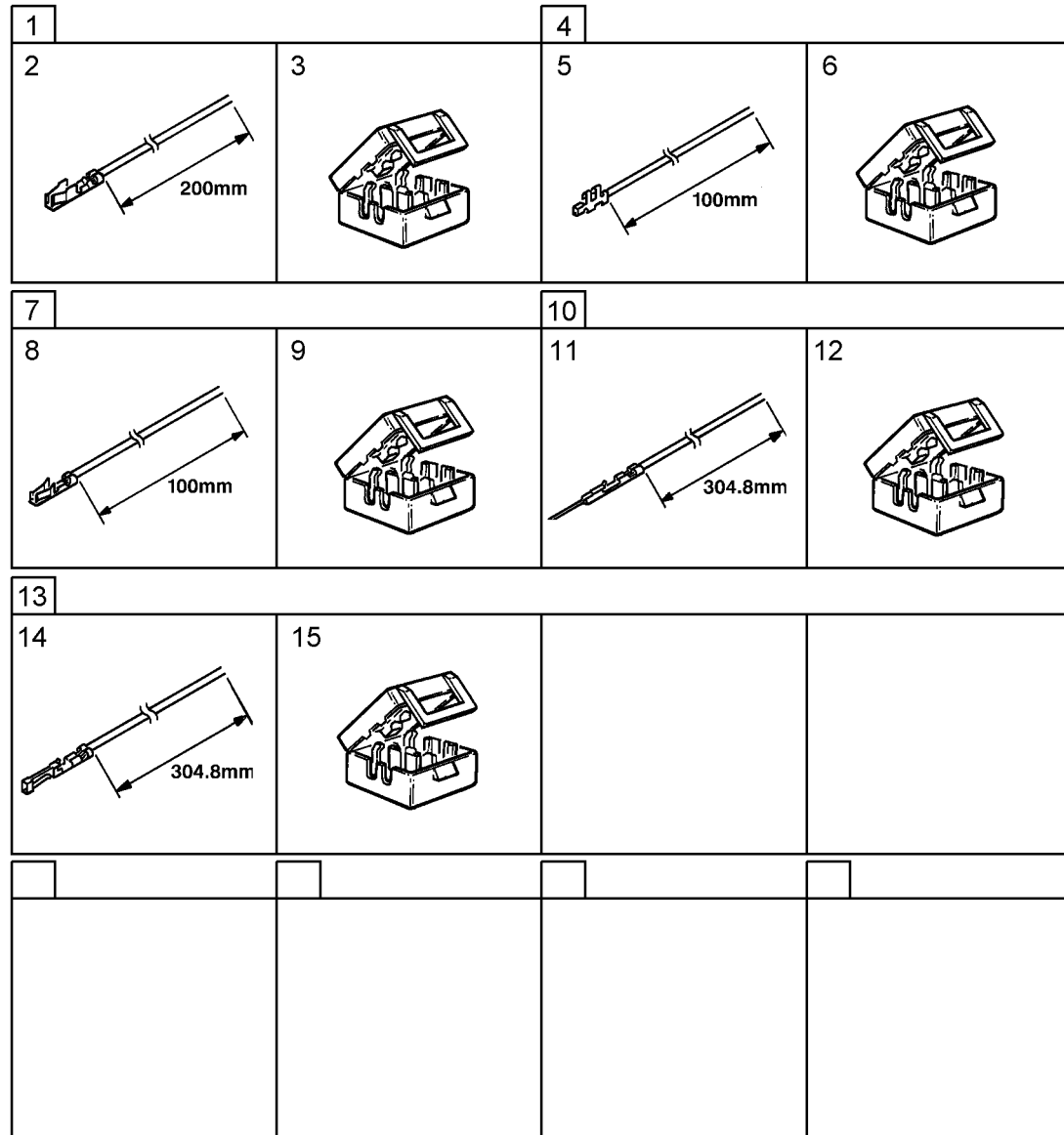
Item	Part	Description
1	600K38010	AMP E1 Terminal Repair Kit (REP 1.5)
2	-	Crimp Socket (20-26 AWG) (P/O PL 31.15 Item 1)
3	-	Crimp Pin (Qty. 20) (P/O PL 31.15 Item 1)
4	600K37970	Hirose DF1B Terminal Repair Kit (REP 1.4)
5	-	Crimp Socket (20-22 AWG) (Qty. 20) (P/O PL 31.15 Item 4)
6	-	Crimp Socket (24-28 AWG) (Qty. 20) (P/O PL 31.15 Item 4)
7	-	Crimp Pin (20-22 AWG) (Qty. 20) (P/O PL 31.15 Item 4)
8	-	Crimp Pin (24-28 AWG) (Qty. 20) (P/O PL 31.15 Item 4)



Q-8-3095-A

PL 31.20 Terminal Repair Kits (2 of 2)

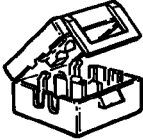
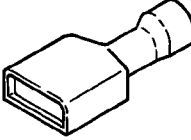
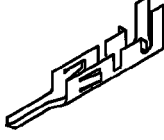
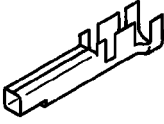
Item	Part	Description
1	600K37891	Hirose DF1B Terminal Repair Kit (REP 1.4)
2	-	Pre-crimped Wire (24 AWG) (Qty. 20) (P/O PL 31.20 Item 1)
3	-	Splicing Block (Qty. 20) (P/O PL 31.20 Item 1)
4	600K37901	AMP CT Terminal Repair Kit (REP 1.5)
5	-	Pre-crimped Wire (24 AWG) (Qty. 20) (P/O PL 31.20 Item 4)
6	-	Splicing Block (Qty. 20) (P/O PL 31.20 Item 4)
7	600K37911	Hirose DF11 Terminal Repair Kit (REP 1.6)
8	-	Pre-crimped Wire (24 AWG) (Qty. 20) (P/O PL 31.20 Item 7)
9	-	Splicing Block (Qty. 20) (P/O PL 31.20 Item 7)
10	600K18710	Molex SL Socket Repair Kit (REP 1.3)
11	-	Pre-crimped Wire (24 AWG) (Qty. 10) (P/O PL 31.20 Item 10)
12	-	Splicing Block (Qty. 20) (P/O PL 31.20 Item 10)
13	600K18720	Molex SL Pin Terminal Repair Kit
14	-	Pre-crimped Wire (24 AWG) (Qty. 20) (P/O PL 31.20 Item 13)
15	-	Splicing Block (Qty. 20) (P/O PL 31.20 Item 13)



Q-8-3096-A

PL 31.25 Splicing Block and Terminal Repair

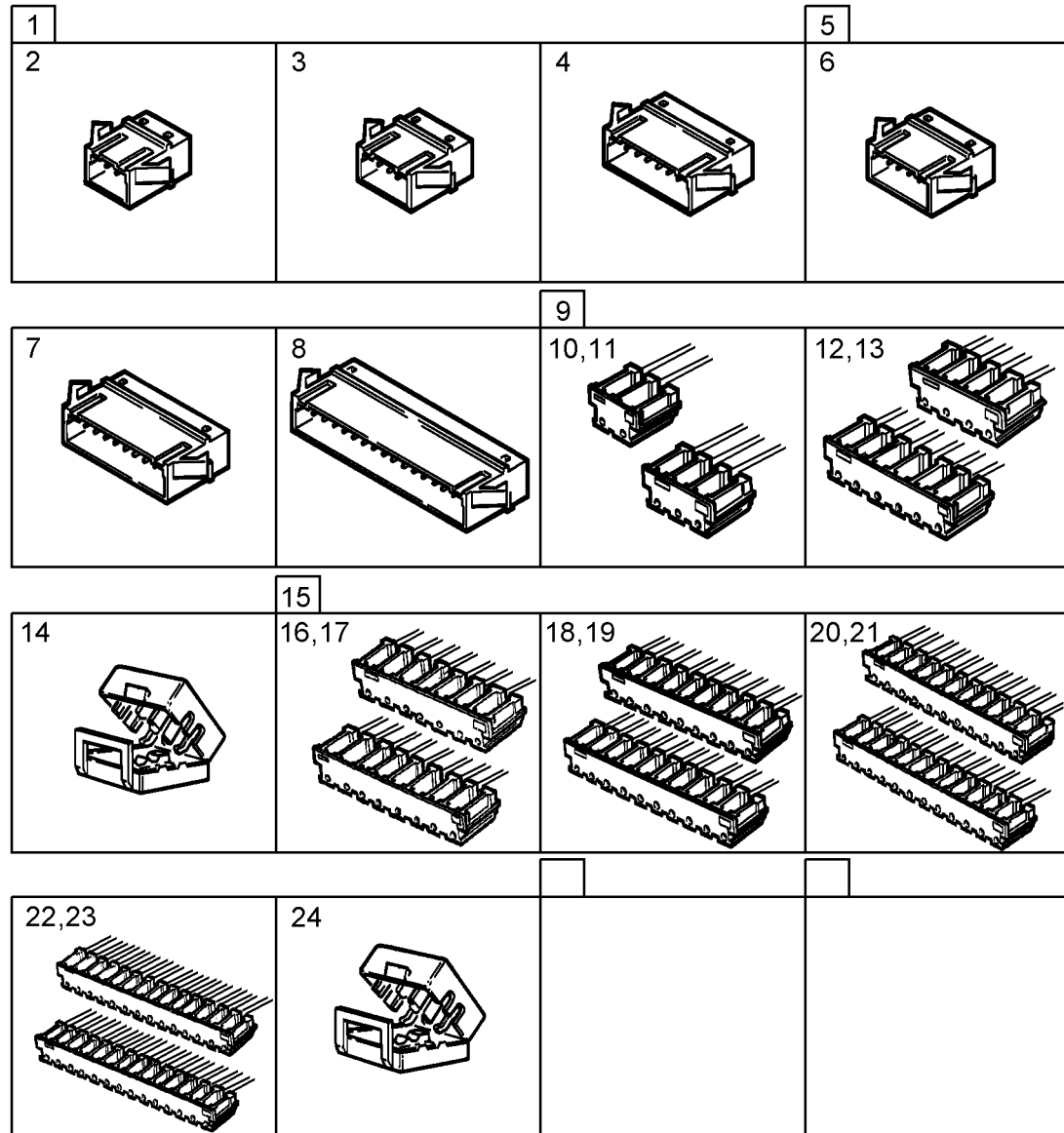
Item	Part	Description
1	113P01701	Connector Splicing Block (22-24 AWG)
2	116P20501	Faston 187 Connector
-	116P20504	Faston 250 Connector Blue, Socket
-	116P20503	Faston 250 Connector Red, Straight Case
3	715W60000	Molex Mini Fit Junior Terminal Pin
4	715W60001	Molex Mini Fit Junior Terminal Socket

1	2	3	4
			

Q-8-3097-A

PL 31.30 Connector Kits

Item	Part	Description
1	600K90400	AMP CT (In-line Adaptor) Kit (REP 1.7)
2	-	Extender (2 Way) (Qty. 1) (P/O PL 31.30 Item 1)
3	-	Extender (3 Way) (Qty. 1) (P/O PL 31.30 Item 1)
4	-	Extender (6 Way) (Qty. 1) (P/O PL 31.30 Item 1)
5	600K90390	AMP CT (In-line Adaptor) Kit (REP 1.7)
6	-	Extender (4 Way) (Qty. 1) (P/O PL 31.30 Item 5)
7	-	Extender (8 Way) (Qty. 1) (P/O PL 31.30 Item 5)
8	-	Extender (15 Way) (Qty. 1) (P/O PL 31.30 Item 5)
9	600K40640	AMP CT Connector Kit (REP 1.7)
10	-	IDC Connector (2 Way) (Qty. 4) (P/O PL 31.30 Item 9)
11	-	IDC Connector (3 Way) (Qty. 4) (P/O PL 31.30 Item 9)
12	-	IDC Connector (4 Way) (Qty. 4) (P/O PL 31.30 Item 9)
13	-	IDC Connector (6 Way) (Qty. 4) (P/O PL 31.30 Item 9)
14	-	Splicing Block (Qty. 30) (P/O PL 31.30 Item 9)
15	600K40650	AMP CT Connector Kit (REP 1.7)
16	-	IDC Connector (7 Way) (Qty. 2) (P/O PL 31.30 Item 15)
17	-	IDC Connector (8 Way) (Qty. 2) (P/O PL 31.30 Item 15)
18	-	IDC Connector (9 Way) (Qty. 2) (P/O PL 31.30 Item 15)
19	-	IDC Connector (10 Way) (Qty. 2) (P/O PL 31.30 Item 15)
20	-	IDC Connector (11 Way) (Qty. 2) (P/O PL 31.30 Item 15)
21	-	IDC Connector (12 Way) (Qty. 2) (P/O PL 31.30 Item 15)
22	-	IDC Connector (14 Way) (Qty. 2) (P/O PL 31.30 Item 15)
23	-	IDC Connector (15 Way) (Qty. 2) (P/O PL 31.30 Item 15)
24	-	Splicing Block (Qty. 60) (P/O PL 31.30 Item 15)



Q-8-3098-A

PL 31.35 Line 1 Fax Kits

Item	Part	Description
1	–	Line 1 Fax Kits (see below for variants)
–	498K10140	Albania
–	498K10120	Austria
–	498K09970	Belgium
–	498K10140	Czech Republic
–	498K10080	Denmark
–	498K10060	Finland
–	498K09880	France
–	498K09900	Germany
–	498K10140	Greece
–	498K09950	Holland
–	498K10140	Hungary
–	498K09930	Italy
–	498K10140	Ireland
–	498K09840	NASG/XCL
–	498K10040	Norway
–	498K10140	Poland
–	498K10140	Portugal
–	498K10140	Romania
–	498K10140	Russia
–	498K10160	South Africa
–	498K10140	Spain
–	498K10000	Sweden
–	498K10510	Switzerland
–	498K10140	Turkey
–	498K09860	United Kingdom
–	498K10140	Other Countries of Central Europe

**NO EXPLODED
VIEW PROVIDED**

Q-8-3099-A

PL 31.40 Line 2 Fax Kits

Item	Part	Description
1	–	Line 2 Fax Kits (see below for variants)
–	498K10150	Albania
–	498K10130	Austria
–	498K09980	Belgium
–	498K10150	Czech Republic
–	498K10090	Denmark
–	498K10070	Finland
–	498K09890	France
–	498K09740	Germany
–	498K10150	Greece
–	498K09960	Holland
–	498K10150	Hungary
–	498K09940	Italy
–	498K10150	Ireland
–	498K09850	NASG/XCL
–	498K10050	Norway
–	498K10150	Poland
–	498K10150	Portugal
–	498K10150	Romania
–	498K10150	Russia
–	498K10170	South Africa
–	498K10150	Spain
–	498K10010	Sweden
–	498K09990	Switzerland
–	498K10150	Turkey
–	498K09870	United Kingdom
–	498K10150	Other Countries of Central Europe

**NO EXPLODED
VIEW PROVIDED**

Q-8-3100-A

Common Hardware

Item	Part	Description			Description
A	026E14070	Screw M3x6 Taptite	AW	–	Screw M3x5.5 Taptite
B	–	Screw M4x8 Taptite	AX	–	Screw M3x14 Machine
C	153W42353	Screw M4x13 Self Tapping	AY	–	Screw M3x18 Self Tapping
D	–	Screw M3.9.5 Taptite	AZ	–	Washer M4
E	–	Screw M3x8 Taptite	BA	–	Screw M4x16 Machine
F	–	Screw M3x7.5 Taptite	BB	–	Screw M4x5 Machine
G	–	Screw M4x12 Self Tapping	BC	–	Screw M3x10 Machine
H	–	Screw M3x4.5 Machine	BD	–	Screw M3x6 Machine
I	153W72553	Screw M4x16 Self Tapping	BE	–	Screw M4x7.5 Machine
J	–	Screw M3x14 Self Tapping (Countersunk)	BF	–	Screw M3x5.5 Machine
K	153W41553	Screw M3x16 Self Tapping	BG	–	Washer M3
L	153W42253	Screw M4x10 Self Tapping	BH	–	Spring Washer M3
M	354W20852	E-Clip M4	BI	–	Screw M3x6 Machine
N	354W20952	E-Clip M5	BJ	–	Screw M3x22 Self Tapping
O	153W62353	Screw M4x12 Self Tapping	BK	–	Retaining Ring (Skiffy) M7
P	153W72353	Screw M4x12 Taptite	BL	354W00655	Circlip M10
Q	–	Screw M4x11 Self Tapping	BM	–	Screw M3x8 Machine
R	–	KL Clip M6	BN	–	Screw M4x8 Self Tapping
S	–	Screw M4x30 Taptite	BO	158W27655	Screw M3x6 Taptite
T	–	Screw M3x10 Self Tapping	BP	–	Screw M3x4 Machine (Countersunk)
U	–	Screw M3x10 Taptite	BQ	–	Screw M3x16 Machine
V	–	Screw M3x6 Taptite	BR	026P63574	Screw M3x9.5 Self Tapping
W	–	Screw M3x16 Self Tapping	BS	251W16355	Washer M4
X	–	Screw M3x6 Self Tapping	BT	158W35855	Screw M4x8 Self Tapping
Y	–	E-Clip M8	BU	153W17855	Screw M3x5.5 Self Tapping
Z	354W26251	E-Clip M4	BV	–	Screw M4x7 Taptite
AA	354W29251	E-Clip M7	BW	158W27660	Screw M3x6 Self Tapping
AB	–	Screw M3x25 Self Tapping	BX	–	Screw M3x8 Self Tapping
AC	112W25155	Screw M3x4 Taptite	BY	158W40459	Screw M4x8 Self Tapping
AD	354W21052	E-Clip M6	BZ	–	Screw M4x16 Taptite
AE	251W10655	Washer M8	CA	153W71153	Screw M3x8 Self Tapping
AF	265W00650	Spring Washer M6	CB	–	Screw M4x10 Self Tapping
AG	–	Screw M3.5x10 Self Tapping	CC	158W20459	Screw M4x8 Self Tapping
AH	–	Circlip M5	CD	153W71253	Screw M3x10 Self Tapping
AI	–	Circlip M8	CE	–	Screw M3x12 Self Tapping
AJ	259W30351	Star Washer M4	CF	158W35860	Screw M4x5 Taptite
AK	–	Screw M4x9.5 Machine	CG	028E16190	Circlip M6
AL	–	Screw M5x18 Self Tapping	CH	–	Screw M3x10 Machine
AM	–	Star Washer M3.5	CI	113W35557	Screw M4x5 Machine
AN	–	Screw M3.5x5.5 Machine	CJ	–	Screw M3x11 Self Tapping
AO	–	Screw M3.5x6 Machine	CK	354W20652	E-clip M2.5
AP	–	Screw M5x11 Taptite	CL	251W10556	Washer M5
AQ	–	Screw M3x8 Taptite	CM	–	Screw M4x9 Self Tapping
AR	–	Screw M4x8 Machine	CN	–	Screw M3x14 Self Tapping
AS	–	Screw M4x10 Self Tapping	CO	–	Screw M3x8 Self Tapping
AT	–	Screw M4x10 Self Tapping	CP	–	Screw M4x15 Taptite
AU	–	Screw M3x5 Machine	CQ	–	Spring Washer M8
AV	–	E-Clip M3.5	CR	–	Screw M3x8 Self Tapping
			CS	–	Screw M4x8 Machine
			CT	–	Screw M3x5.5 Machine
			CU	–	Screw M3x9 Self Tapping
			CV	–	Nut M3

CW	-	Nut M3
CX	-	Screw M4x6 Machine
CY	-	Screw M4x11.5 Taptite
CZ	-	Screw M3x7.5 Taptite
DA	-	Screw M4x7 Self Tapping
DB	-	Screw M3x6 Self Tapping
DC	-	Screw M3x12 Self Tapping
DD	-	Screw M5x12 Self Tapping
DE	-	Circlip M7
DF	-	Screw M3x6 Machine
DG	-	Screw M3x7.5 Self Tapping
DH	-	Screw M4x7 Self Tapping
DI	-	Screw M4x34 Self Tapping
DJ	-	Screw M4x16 Self Tapping
DK	-	Screw M4x7 Self Tapping
DL	-	Screw M4x6 Taptite
DM	-	M3 Star Washer
DN	-	Screw M4x6 Machine
DO	-	Screw M3x6 Self Tapping
DP	-	M3 Nut (Washer Head)
DQ	-	Screw M4x11 Machine
DR	-	Washer M8 (Nylatron)
DS	-	Screw M3 x 8 (158W10462)
ET	-	M4 x 5.5 Screw/Machine/Pozi/Wash Hd Brass

Part Number Index

Table 1 Part Number Index

Part Number	Part List
001K75163	PL 11.52
	PL 11.54
	PL 11.78
003K17030	PL 11.34
	PL 11.64
003K17510	PL 11.102
	PL 11.4
003K17520	PL 11.4
003K17530	PL 11.118
	PL 11.22
003K17570	PL 10.15
003K17581	PL 10.15
003K17591	PL 10.15
003K17600	PL 9.20
	PL 9.22
003K17611	PL 8.15
003K17670	PL 9.10
003K18370	PL 10.20
003K18490	PL 10.15
003K18500	PL 8.20
	PL 8.22
003K18510	PL 11.4
003K19620	PL 11.102
003E54761	PL 11.36
	PL 11.66
003E54941	PL 11.46
	PL 11.72
003E66010	PL 11.80
003E66310	PL 11.34
	PL 11.64
003E67871	PL 11.36
	PL 11.66
003E67881	PL 11.36
	PL 11.66
003E69021	PL 11.80
003E69090	PL 11.80
003E70200	PL 11.30
	PL 11.60
003E70210	PL 11.34

Table 1 Part Number Index

Part Number	Part List
	PL 11.64
003E70960	PL 10.20
003K91881	PL 5.10
	PL 5.40
004K00971	PL 5.35
004K07320	PL 7.15
004K07330	PL 7.15
004E21810	PL 11.38
	PL 11.48
	PL 11.74
	PL 11.70
005K11980	PL 5.15
005E21801	PL 8.35
005E22410	PL 8.26
006R01046	PL 9.17
006R01146	PL 9.15
006K27800	PL 11.110
	PL 11.14
006K27950	PL 11.8
006K27960	PL 11.118
	PL 11.23
	PL 11.120
	PL 11.22
006K27970	PL 11.118
	PL 11.22
006K27980	PL 11.110
	PL 11.118
	PL 11.14
	PL 11.22
006K27990	PL 11.118
	PL 11.22
006K28051	PL 10.12
	PL 10.14
006K28361	PL 10.11
	PL 10.13
006K28660	PL 11.80
006K28670	PL 11.82
006K29031	PL 10.12
006K29490	PL 8.30
006K29981	PL 10.14
006K30490	PL 11.104

Table 1 Part Number Index

Part Number	Part List
006E72870	PL 11.40
006E73100	PL 11.36
	PL 11.48
	PL 11.74
	PL 11.66
007K13180	PL 11.81
007K13190	PL 11.81
007K13200	PL 4.17
007K13484	PL 4.15
007K13669	PL 4.10
007K13922	PL 4.15
007E63370	PL 11.40
007E63821	PL 11.44
007E68951	PL 11.87
007E69040	PL 11.81
007E69070	PL 11.87
007E74044	PL 10.10
	PL 10.8
008E06840	PL 11.84
008E06850	PL 11.88
008R90275	PL 26.10
009K02240	PL 7.10
009K02290	PL 11.47
	PL 11.73
010K02271	PL 11.65
011E13751	PL 11.34
	PL 11.64
012K05690	PL 7.15
012K05701	PL 7.15
012E12730	PL 11.84
012E13020	PL 11.82
012E14120	PL 10.11
	PL 10.13
012E14160	PL 11.34
	PL 11.64
013E08140	PL 10.20
013E12610	PL 11.80
013E21093	PL 5.25
013E21103	PL 5.25
013E23110	PL 10.12
	PL 10.14

Table 1 Part Number Index

Part Number	Part List
	PL 8.15
013E23130	PL 8.25
013E25710	PL 8.25
013E25790	PL 11.104
	PL 11.118
	PL 11.120
	PL 11.14
	PL 11.22
	PL 11.8
	PL 11.23
	PL 11.110
013E25800	PL 11.110
	PL 11.120
	PL 11.23
	PL 11.22
	PL 11.14
	PL 11.118
013E25810	PL 11.10
	PL 11.106
013E27850	PL 10.11
	PL 10.13
013E31560	PL 8.25
014P04124	PL 5.35
014K08430	PL 11.20
014K09550	PL 11.116
014E41560	PL 11.36
	PL 11.66
014E47460	PL 11.84
	PL 11.86
014E47731	PL 14.10
	PL 14.20
014E50620	PL 8.26
015K62191	PL 11.84
016E17731	PL 11.88
017K03551	PL 11.30
	PL 11.60
017K03740	PL 11.2
017K03750	PL 11.2
017K03771	PL 7.40
017E10154	PL 11.30
	PL 11.60

Table 1 Part Number Index

Part Number	Part List
017E11260	PL 11.100
019E04792	PL 11.32
	PL 11.62
019K05210	PL 5.10
019K06000	PL 11.100
	PL 11.2
019K06030	PL 7.15
019E46582	PL 11.46
	PL 11.72
019E55570	PL 11.44
	PL 11.68
019E61970	PL 11.46
	PL 11.72
019E62020	PL 7.30
	PL 7.35
019E62870	PL 9.20
	PL 9.22
019E63130	PL 8.26
019E63140	PL 8.25
	PL 8.26
019E63410	PL 7.20
019E67610	PL 3.10
019E67980	PL 5.15
019E67990	PL 8.25
019E68140	PL 9.20
	PL 9.22
019E73940	PL 7.15
020K12510	PL 14.16
	PL 14.25
020E33250	PL 11.40
020E33400	PL 11.42
	PL 11.67
020E33421	PL 11.44
020E38080	PL 11.87
020E38513	PL 11.88
020E38700	PL 11.87
020E39800	PL 8.20
	PL 8.22
020E39990	PL 11.80
020E40600	PL 8.26
022E25061	PL 5.20

Table 1 Part Number Index

Part Number	Part List
	PL 5.25
	PL 5.30
022E26620	PL 8.35
022E26640	PL 8.35
022E27180	PL 7.15
022E30620	PL 11.80
022K69071	PL 11.42
	PL 11.67
022K69682	PL 5.25
022K69780	PL 5.35
022K69800	PL 5.30
022K78852	PL 11.38
	PL 11.70
023E18612	PL 11.90
023E18661	PL 11.42
023E18671	PL 11.44
023E18760	PL 11.46
	PL 11.72
023E18770	PL 11.49
	PL 11.75
023E18790	PL 11.40
023E18811	PL 11.38
	PL 11.70
023E23140	PL 11.82
023E23300	PL 11.82
023E23520	PL 5.25
023E24320	PL 11.10
023E24330	PL 11.114
	PL 11.22
	PL 11.18
023E24340	PL 11.120
	PL 11.14
	PL 11.22
023E24390	PL 8.20
	PL 8.22
023E24400	PL 8.20
	PL 8.22
023E24410	PL 10.20
023E24420	PL 8.15
023E24440	PL 8.35
023E24880	PL 8.25

Table 1 Part Number Index

Part Number	Part List
023E25010	PL 11.48
	PL 11.74
023E25040	PL 4.12
023E25050	PL 4.12
023E25140	PL 14.16
023E25420	PL 5.35
023E25430	PL 11.86
023E25440	PL 11.38
	PL 11.70
023E30690	PL 11.110
023E30700	PL 11.118
023E30710	PL 11.106
023E30740	PL 4.17
026E76940	PL 11.48
	PL 11.74
026E77010	PL 11.30
	PL 11.66
	PL 11.36
	PL 11.60
026E77310	PL 11.52
	PL 12.10
	PL 11.90
	PL 11.54
	PL 11.78
028E16170	PL 8.25
028E16330	PL 10.20
	PL 8.15
029K02750	PL 11.46
	PL 11.72
029K03232	PL 11.88
029K03900	PL 11.20
029K04030	PL 11.48
	PL 11.74
029E37810	PL 5.20
030K79620	PL 14.25
030K79630	PL 14.25
030K79640	PL 14.25
031K07951	PL 11.49
	PL 11.75
031E08720	PL 5.35
031E10610	PL 9.20

Table 1 Part Number Index

Part Number	Part List
	PL 9.22
032K03800	PL 11.22
032K03811	PL 11.23
032K03820	PL 11.122
	PL 11.24
032K04061	PL 14.20
032K04091	PL 14.10
032K04100	PL 11.23
032K04120	PL 11.48
	PL 11.74
032K04290	PL 11.118
032K04300	PL 11.120
032K04310	PL 11.120
032E19330	PL 11.84
032E20580	PL 14.20
035E56460	PL 26.10
036K01326	PL 5.10
036K01336	PL 5.10
038K15780	PL 7.10
038K16520	PL 10.12
	PL 10.14
038E28320	PL 11.32
	PL 11.62
038E29421	PL 11.54
038E30370	PL 7.15
038E39860	PL 7.10
041K06340	PL 11.46
	PL 11.72
043P00045	PL 26.10
043P00048	PL 26.10
043P00081	PL 26.10
043E00550	PL 26.10
048S01603	PL 8.12
048S01604	PL 8.12
048S01607	PL 8.12
048S01611	PL 8.12
048S01612	PL 8.12
048S01615	PL 8.12
048S01616	PL 8.12
048S01617	PL 8.12
048S01619	PL 8.12

Table 1 Part Number Index

Part Number	Part List
048S01620	PL 8.12
048S01621	PL 8.12
048S01623	PL 8.12
048S01624	PL 8.12
048S01626	PL 8.12
048S01627	PL 8.12
048S01628	PL 8.12
048S01629	PL 8.12
048S01630	PL 8.12
048S01631	PL 8.12
048S01632	PL 8.12
048S01633	PL 8.12
048S01634	PL 8.12
048S01635	PL 8.12
048S01636	PL 8.12
048S01637	PL 8.12
048S01639	PL 8.12
048S01640	PL 8.12
048S01641	PL 8.12
048S01642	PL 8.12
048S01643	PL 8.12
048S01644	PL 8.12
048S01646	PL 8.12
048S01647	PL 8.12
048S01648	PL 8.12
048K14061	PL 5.40
049K00180	PL 7.15
050E15572	PL 11.36
	PL 11.66
050E15583	PL 11.52
	PL 11.54
	PL 11.78
050K21270	PL 26.10
050E22230	PL 10.12
	PL 10.14
050E22830	PL 11.30
	PL 11.60
050E22841	PL 11.30
	PL 11.60
050K54132	PL 11.100
	PL 11.2

Table 1 Part Number Index

Part Number	Part List
050K54200	PL 11.52
	PL 11.54
	PL 11.78
050K54360	PL 7.10
050K54933	PL 7.35
050K55012	PL 5.35
050K55021	PL 11.100
	PL 11.2
050K55215	PL 7.30
050K59422	PL 7.15
050K59433	PL 7.15
053K04381	PL 9.25
053K04482	PL 9.25
053E00550	PL 26.10
054E24631	PL 9.25
054K28980	PL 11.18
054K32530	PL 11.114
055K32531	PL 5.30
055K33563	PL 5.20
055K33920	PL 11.40
055K36090	PL 4.10
	PL 4.15
055E44672	PL 11.47
	PL 11.73
055E46000	PL 11.68
055E51821	PL 8.15
055E51870	PL 11.88
056P03229	PL 2.10
056P03260	PL 2.15
059K30342	PL 10.11
	PL 10.13
059K30381	PL 7.35
059K30390	PL 8.26
059K30401	PL 8.35
059K30410	PL 8.30
059K30420	PL 8.25
059K33951	PL 8.22
059K33970	PL 8.15
059K34070	PL 11.40
059K35670	PL 8.20
059K35690	PL 10.20

Table 1 Part Number Index

Part Number	Part List
	PL 9.22
	PL 9.20
059K39862	PL 7.30
059K40260	PL 8.30
059K43640	PL 5.15
059K43660	PL 10.11
	PL 10.13
059K43730	PL 8.30
059K43830	PL 8.35
059K49220	PL 8.15
059K49400	PL 10.12
	PL 8.22
	PL 8.20
	PL 10.14
059K49840	PL 8.26
059K49890	PL 10.11
	PL 10.13
059K50090	PL 8.25
059K50100	PL 8.35
059K50110	PL 8.35
059K50120	PL 8.30
059K50490	PL 8.15
059K50500	PL 8.15
062K16702	PL 14.10
062K21931	PL 14.20
062K21941	PL 14.20
068K36186	PL 8.10
068K40650	PL 11.48
	PL 11.74
068K41410	PL 11.16
068K45240	PL 11.112
070P00043	PL 26.10
082E02000	PL 26.10
082E02010	PL 26.10
082E02020	PL 26.10
082E08230	PL 26.10
082P00448	PL 26.10
084K29902	PL 5.10
090K02451	PL 14.20
090K02461	PL 14.10
090E02500	PL 14.20

Table 1 Part Number Index

Part Number	Part List
090E02581	PL 14.10
090E02590	PL 14.20
093E03550	PL 11.6
093K06421	PL 11.36
	PL 11.66
094K04760	PL 9.15
097S03330	PL 2.10
097S03331	PL 2.10
097S03340	PL 2.10
098S04854	PL 31.12
099P03037	PL 26.10
103K01300	PL 5.35
105K24803	PL 11.56
	PL 11.92
105K26331	PL 11.26
105K26916	PL 1.10
105K26970	PL 14.15
105K27943	PL 1.10
105K27953	PL 1.10
105K27963	PL 1.10
105K28132	PL 1.10
105K28270	PL 11.124
105K28281	PL 16.10
107E08680	PL 11.32
	PL 11.54
	PL 11.80
	PL 11.78
	PL 11.75
	PL 11.74
	PL 11.73
	PL 11.70
	PL 11.66
	PL 11.62
	PL 11.52
	PL 11.36
	PL 11.47
	PL 11.48
	PL 11.49
	PL 11.38
107E22600	PL 11.81
	PL 11.82

Table 1 Part Number Index

Part Number	Part List
	PL 11.86
	PL 11.88
	PL 11.90
	PL 11.84
108R00493	PL 26.10
108R00535	PL 26.10
108R00682	PL 26.10
108E06220	PL 1.10
108E06390	PL 14.15
109R00723	PL 10.10
109R00724	PL 10.10
109R00751	PL 10.8
109R00752	PL 10.8
110E13470	PL 11.34
	PL 11.64
	PL 11.92
	PL 11.56
110E13480	PL 5.15
110E13620	PL 11.32
	PL 11.44
	PL 11.47
	PL 11.54
	PL 11.73
	PL 11.64
	PL 11.34
110E13760	PL 11.44
	PL 11.52
	PL 11.78
	PL 11.54
110K13970	PL 11.124
	PL 11.26
110K13980	PL 11.102
	PL 11.124
	PL 11.4
	PL 11.26
110K13990	PL 11.10
	PL 11.12
110K14000	PL 11.8
110K14010	PL 14.15
	PL 14.25
110K14020	PL 1.10

Table 1 Part Number Index

Part Number	Part List
110K14030	PL 1.10
110E14200	PL 11.10
	PL 11.106
110E93440	PL 7.30
	PL 7.35
112K00700	PL 10.13
112K00710	PL 10.11
113E40060	PL 26.10
113P01701	PL 31.25
113R00607	PL 9.22
113R00608	PL 9.22
113R00610	PL 9.22
113R00672	PL 9.20
113R00673	PL 9.20
113R00674	PL 9.20
113R00686	PL 5.15
113K03260	PL 9.20
	PL 9.22
114K01800	PL 14.10
114E18621	PL 10.11
	PL 10.13
114E18630	PL 4.10
	PL 4.15
114E18810	PL 4.12
	PL 4.17
115E02160	PL 5.35
115E11800	PL 11.118
	PL 11.22
115E11810	PL 11.120
	PL 11.23
116P20501	PL 31.25
116P20503	PL 31.25
116P20504	PL 31.25
117S26684	PL 20.10
117S26687	PL 20.10
117E17420	PL 1.10
117E25590	PL 1.10
117E28560	PL 16.10
117K33920	PL 20.10
117K41090	PL 7.25
117K42140	PL 20.10

Table 1 Part Number Index

Part Number	Part List
117K43680	PL 1.10
120K02590	PL 11.102
	PL 11.4
120E22801	PL 11.36
	PL 11.66
120E22861	PL 11.34
	PL 11.64
120E25320	PL 11.36
	PL 11.66
120E25800	PL 7.20
120E25810	PL 7.20
120E26140	PL 7.30
	PL 7.35
120E26280	PL 10.11
	PL 10.13
121E10933	PL 11.36
	PL 11.49
	PL 11.75
	PL 11.66
121E17510	PL 5.10
121E18300	PL 10.11
	PL 10.13
121E18310	PL 10.11
	PL 10.13
121E18350	PL 7.30
	PL 7.35
121E20000	PL 16.10
121K29610	PL 5.30
121K33040	PL 11.22
121K33231	PL 8.15
121K33433	PL 11.82
121K36940	PL 11.49
	PL 11.75
121K39131	PL 5.15
121K44440	PL 11.118
122K02290	PL 14.25
122K02300	PL 9.22
122K02390	PL 9.20
122E02820	PL 14.15
123K07570	PL 2.15
123K07580	PL 2.15

Table 1 Part Number Index

Part Number	Part List
123K07590	PL 2.10
123K07600	PL 2.10
123K07670	PL 2.10
	PL 2.15
125E00430	PL 11.42
	PL 5.35
	PL 11.80
	PL 11.74
	PL 11.46
	PL 11.67
	PL 11.48
125E02750	PL 11.68
125E02830	PL 11.32
	PL 11.62
125K03593	PL 11.81
125K03831	PL 11.80
	PL 11.88
127E14250	PL 3.10
	PL 3.20
127E15030	PL 16.10
127K33970	PL 11.48
	PL 11.74
127K34041	PL 11.52
	PL 11.54
	PL 11.78
127K34570	PL 11.46
	PL 11.72
127K34921	PL 11.38
	PL 11.70
127K40641	PL 11.44
	PL 11.52
	PL 11.78
	PL 11.90
	PL 11.54
127K41951	PL 11.80
127K42702	PL 11.14
127K42711	PL 11.22
127K42721	PL 11.8
127K42730	PL 11.10
127K42750	PL 14.25
127K42760	PL 10.13

Table 1 Part Number Index

Part Number	Part List
127K42770	PL 8.22
127K42780	PL 4.15
127K42790	PL 9.25
127K42800	PL 4.15
127K42811	PL 7.20
127K42820	PL 8.26
127K42880	PL 8.30
127K43020	PL 11.86
127K43291	PL 9.25
127K43600	PL 11.84
127K43610	PL 11.86
127K43750	PL 11.86
127K43770	PL 11.82
127K43820	PL 11.47
	PL 11.73
127K44230	PL 11.6
127K44290	PL 10.11
127K44300	PL 8.20
127K44851	PL 11.48
	PL 11.49
	PL 11.74
	PL 11.75
127K44880	PL 14.16
127K45130	PL 11.47
	PL 11.73
127K47551	PL 11.38
	PL 11.70
127K47590	PL 5.15
127K47600	PL 5.25
127K47660	PL 11.81
127K47840	PL 11.86
127K47980	PL 8.30
127K53330	PL 11.110
127K53340	PL 11.120
127K53350	PL 11.104
127K53360	PL 11.106
127K53370	PL 8.26
127K53380	PL 8.30
127K53500	PL 4.12
	PL 4.17
130E07860	PL 11.38

Table 1 Part Number Index

Part Number	Part List
	PL 11.70
130E09710	PL 5.35
130E09920	PL 11.52
	PL 11.78
	PL 11.54
130E10360	PL 11.10
	PL 11.8
	PL 11.6
	PL 11.20
	PL 11.18
	PL 11.16
	PL 11.12
130E10370	PL 11.22
	PL 11.23
130E10380	PL 11.116
	PL 11.6
	PL 11.24
	PL 11.20
	PL 11.122
130E10390	PL 14.25
130E10400	PL 14.16
	PL 14.25
130E10510	PL 9.20
	PL 9.22
130E10530	PL 4.10
	PL 4.15
130E10540	PL 7.35
130E10550	PL 8.30
130E10560	PL 8.25
130E10570	PL 7.20
130E10630	PL 8.20
	PL 8.22
130E10870	PL 8.15
130E10880	PL 8.30
130E10900	PL 11.88
130E10980	PL 11.10
	PL 11.104
	PL 11.112
	PL 11.106
	PL 11.114
130E11240	PL 14.16

Table 1 Part Number Index

Part Number	Part List
130E11270	PL 7.30
	PL 8.26
130E11390	PL 10.11
	PL 10.13
130E11440	PL 11.118
	PL 11.120
130K54564	PL 9.10
130K65510	PL 11.30
	PL 11.60
130K65570	PL 11.32
	PL 11.62
130K65602	PL 11.47
	PL 11.73
130K65951	PL 5.15
130K65961	PL 5.15
130K65971	PL 5.20
130K65981	PL 5.20
130K65991	PL 5.25
130K66762	PL 5.30
130K67080	PL 11.12
130K67500	PL 14.15
	PL 14.25
130K67510	PL 9.17
130K67520	PL 7.15
130K67640	PL 11.88
130K67970	PL 11.48
	PL 11.74
130K68441	PL 11.80
130K68450	PL 10.11
130E81311	PL 11.46
	PL 11.75
	PL 11.72
	PL 11.49
130K83340	PL 11.32
	PL 11.62
	PL 11.73
	PL 11.47
152S05100	PL 1.10
152S05101	PL 1.10
152S05103	PL 1.10
152S05104	PL 1.10

Table 1 Part Number Index

Part Number	Part List
152S05108	PL 1.10
152S05109	PL 1.10
152S05110	PL 1.10
152S05111	PL 1.10
152S06184	PL 14.25
152S06200	PL 16.10
160K71611	PL 11.46
	PL 11.72
160K92700	PL 11.26
160K92710	PL 11.26
160K92750	PL 14.25
160K92760	PL 14.25
160K92780	PL 8.22
160K92790	PL 10.13
160K97152	PL 1.10
162K59974	PL 11.56
	PL 11.92
162K59980	PL 11.38
	PL 11.70
162K65232	PL 11.56
	PL 11.92
162K68270	PL 5.10
180K00021	PL 11.36
	PL 11.66
180K00070	PL 11.36
	PL 11.66
180K00080	PL 11.36
	PL 11.66
180K00092	PL 11.36
	PL 11.66
180K00140	PL 11.6
180K00150	PL 11.6
300K63850	PL 26.10
413W30654	PL 11.84
413W30854	PL 11.42
	PL 11.67
	PL 11.44
413W31054	PL 11.87
498K02120	PL 31.10
498K03860	PL 31.10
498K04052	PL 31.10

Table 1 Part Number Index

Part Number	Part List
498K04120	PL 31.10
498K04130	PL 31.10
498K04141	PL 31.10
498K04151	PL 31.10
498K04161	PL 31.10
498K04320	PL 31.10
498K05031	PL 31.12
498K06280	PL 31.12
498K07100	PL 31.10
498K07210	PL 31.10
498K07700	PL 31.10
498K08250	PL 31.12
498K08260	PL 31.12
498K08970	PL 31.12
498K09340	PL 31.10
498K09570	PL 31.10
498K09580	PL 31.12
498K09590	PL 31.12
498K09600	PL 31.10
498K09610	PL 31.10
498K09740	PL 31.40
498K09750	PL 31.10
498K09760	PL 31.10
498K09770	PL 31.10
498K09810	PL 31.10
498K09830	PL 31.10
498K09840	PL 31.35
498K09850	PL 31.40
498K09860	PL 31.35
498K09870	PL 31.40
498K09880	PL 31.35
498K09890	PL 31.40
498K09900	PL 31.35
498K09930	PL 31.35
498K09940	PL 31.40
498K09950	PL 31.35
498K09960	PL 31.40
498K09970	PL 31.35
498K09980	PL 31.40
498K09990	PL 31.40
498K10000	PL 31.35

Table 1 Part Number Index

Part Number	Part List
498K10010	PL 31.40
498K10040	PL 31.35
498K10050	PL 31.40
498K10060	PL 31.35
498K10070	PL 31.40
498K10080	PL 31.35
498K10090	PL 31.40
498K10120	PL 31.35
498K10130	PL 31.40
498K10140	PL 31.35
498K10150	PL 31.40
498K10160	PL 31.35
498K10170	PL 31.40
498K10430	PL 31.10
498K10500	PL 31.10
498K10510	PL 31.35
498K10530	PL 31.10
498K10540	PL 31.10
498K10750	PL 31.12
498K10760	PL 31.12
498K10780	PL 31.12
498K10930	PL 31.12
498K10950	PL 31.10
498K10980	PL 31.12
504K11510	PL 9.22
504K11880	PL 9.20
600K18710	PL 31.20
600K18720	PL 31.20
600K37891	PL 31.20
600K37901	PL 31.20
600K37911	PL 31.20
600K37970	PL 31.15
600K38010	PL 31.15
600K40640	PL 31.30
600K40650	PL 31.30
600K90390	PL 31.30
600K90400	PL 31.30
600T02058	PL 26.10
600T02133	PL 26.10
600T02231	PL 26.10
600T02252	PL 26.10

Table 1 Part Number Index

Part Number	Part List
600T02261	PL 26.10
600T91952	PL 26.10
604K13411	PL 31.12
604K13620	PL 9.17
604K16890	PL 9.15
	PL 9.17
604K17672	PL 10.10
	PL 10.8
604K18182	PL 31.12
604K18500	PL 6.10
604K18510	PL 9.17
604K21620	PL 31.12
604K24570	PL 9.15
	PL 9.17
604K24580	PL 6.10
604K24620	PL 31.12
604K24650	PL 4.10
	PL 4.15
604K24930	PL 9.15
604K24990	PL 31.12
604K30560	PL 9.15
604K30581	PL 31.12
604K30621	PL 8.30
604K30880	PL 16.10
604K30910	PL 31.12
604K30942	PL 14.15
604K31080	PL 31.12
604K31340	PL 11.36
	PL 11.66
604K31350	PL 11.30
	PL 11.60
604K31360	PL 31.10
604K31370	PL 31.12
604K31590	PL 7.10
604K31720	PL 6.10
655N00118	PL 26.10
713W80737	PL 1.10
	PL 3.15
	PL 3.20
	PL 3.11
	PL 3.10

Table 1 Part Number Index

Part Number	Part List
715W60000	PL 31.25
715W60001	PL 31.25
801K10430	PL 11.52
	PL 11.78
801K10440	PL 11.54
801K20310	PL 7.15
801K26142	PL 11.65
802E18356	PL 11.32
	PL 11.62
802E18362	PL 11.30
	PL 11.60
802E18375	PL 11.30
	PL 11.60
802E18382	PL 11.30
	PL 11.60
802E19350	PL 5.10
802E21711	PL 11.30
	PL 11.60
802E40142	PL 11.47
	PL 11.73
802E40463	PL 11.30
	PL 11.60
802E41680	PL 5.15
802K41722	PL 11.30
802E42752	PL 11.60
802E42770	PL 11.88
802E45131	PL 9.10
802E45157	PL 8.10
802E45161	PL 8.10
802K48320	PL 11.2
802K48330	PL 11.100
	PL 11.2
802K48342	PL 11.122
	PL 11.24
802K48353	PL 11.2
802K48360	PL 11.2
802K48372	PL 11.2
802K48530	PL 8.35
802K48582	PL 7.40
802K48770	PL 7.25
	PL 7.40

Table 1 Part Number Index

Part Number	Part List
802K48781	PL 7.25
	PL 7.40
802K54313	PL 11.82
802E58301	PL 11.38
	PL 11.70
802E59105	PL 14.20
802E59110	PL 8.10
802E59171	PL 11.84
802E59180	PL 11.82
802E59410	PL 11.81
802E60111	PL 8.10
802K62060	PL 5.20
802K62500	PL 14.20
802E65830	PL 7.25
802E65840	PL 7.25
802E66650	PL 11.80
802K68831	PL 11.60
802K69657	PL 8.11
802K70210	PL 11.47
	PL 11.73
802K82481	PL 8.10
802K87591	PL 2.15
802K87601	PL 2.15
802E87650	PL 8.20
	PL 8.22
802K87860	PL 11.100
802K87870	PL 11.100
802K87880	PL 11.100
802K93500	PL 2.10
802K93510	PL 2.10
806E02590	PL 5.20
	PL 5.30
	PL 5.25
807E05130	PL 10.20
807E05140	PL 10.20
807E05150	PL 8.15
807E05160	PL 8.15
807E05170	PL 8.15
807E05180	PL 8.15
807E05200	PL 10.20
807E05210	PL 10.15

Table 1 Part Number Index

Part Number	Part List
807E05220	PL 10.15
807E05230	PL 10.15
807E05240	PL 10.15
807E05250	PL 10.15
807E05260	PL 10.15
807E05270	PL 10.15
807E05280	PL 10.15
807E05290	PL 10.15
807E05300	PL 10.15
807E05311	PL 7.30
	PL 7.35
807E05420	PL 10.20
807E05670	PL 4.12
	PL 4.17
807E05680	PL 4.17
807E05700	PL 4.17
807E06210	PL 8.30
807E06462	PL 4.12
807E06600	PL 4.15
807E09920	PL 4.10
807E09930	PL 4.12
	PL 4.17
807E09940	PL 4.12
	PL 4.17
807E10080	PL 8.26
807E10200	PL 8.25
807E15650	PL 8.15
809E02910	PL 11.36
	PL 11.66
809E25100	PL 11.82
809E25550	PL 11.48
	PL 11.74
809E30740	PL 11.40
809E30751	PL 11.40
809E42861	PL 11.84
809E43580	PL 11.36
	PL 11.66
809E43850	PL 11.54
809E43860	PL 11.34
	PL 11.64
809E44010	PL 11.88

Table 1 Part Number Index

Part Number	Part List
809E44151	PL 11.44
809E45302	PL 11.32
809E46411	PL 11.80
809E46511	PL 11.80
809E46723	PL 11.36
	PL 11.66
809E46970	PL 11.36
	PL 11.66
809E47190	PL 11.38
	PL 11.70
809E47671	PL 11.47
	PL 11.73
809E48440	PL 11.82
809E48830	PL 11.88
809E49630	PL 11.87
809E53320	PL 11.30
	PL 11.60
	PL 11.64
	PL 11.34
809E53870	PL 8.26
809E57390	PL 8.25
809E57640	PL 7.30
	PL 7.35
809E57650	PL 7.30
	PL 7.35
809E57680	PL 26.10
809E68510	PL 11.48
	PL 11.74
809E69140	PL 8.25
809E70160	PL 9.20
	PL 9.22
815E19640	PL 8.26
815E21641	PL 3.11
826E19240	PL 11.87
826E19740	PL 16.10
826E20800	PL 11.30
	PL 11.60
826E20970	PL 7.25
	PL 7.40
826E26990	PL 8.10
830E47520	PL 11.40

Table 1 Part Number Index

Part Number	Part List
830E77580	PL 11.87
849E21140	PL 7.15
849E22090	PL 7.20
849E28060	PL 10.11
	PL 10.13
893E80280	PL 2.15
893E80290	PL 2.15
893E80300	PL 2.15
893E80310	PL 2.15
893E80320	PL 2.10
893E80330	PL 2.10
893E80340	PL 2.10
960K11540	PL 8.20
960K11550	PL 10.11
960K11571	PL 3.10
	PL 3.20
960K11700	PL 9.20
	PL 9.22
960K12322	PL 14.16
960K13101	PL 3.11
960K14490	PL 20.10
960K20202	PL 3.10
960K20400	PL 3.11
	PL 3.15
960K20412	PL 14.25
960K20430	PL 11.92
960K20432	PL 11.56
960K20490	PL 11.86
960K20526	PL 1.10
960K20532	PL 3.20
960K20542	PL 3.10
960K20552	PL 3.11
	PL 3.15
960K20650	PL 5.10
960K20980	PL 7.10
960K20990	PL 7.20
960K21080	PL 11.92
960K21110	PL 3.15
960K21131	PL 3.20
960K21164	PL 2.10
	PL 2.15

Table 1 Part Number Index

Part Number	Part List
960K21260	PL 11.124
960K21292	PL 20.10
960K21330	PL 16.10
960K22182	PL 3.10
	PL 3.20
962K12130	PL 11.26
962K12184	PL 6.10
962K12190	PL 14.25
962K12210	PL 14.25
962K17151	PL 3.10
	PL 3.20
962K25641	PL 9.15
	PL 9.17
962K26801	PL 14.10
962K26810	PL 14.16
962K26821	PL 14.16
962K26830	PL 14.15
962K26841	PL 14.15
962K32880	PL 1.10
962K40650	PL 14.20
962K41340	PL 11.124

