

**Main**  
PL 1.1 Main ..... 5-3  
PL 1.2 Main ..... 5-4

**ADF**  
PL 1.3 ADF (Automatic Document Feeder) ..... 5-5

**Middle Cover**  
PL 2.1 Middle Cover ..... 5-6

**Control Panel Assembly**  
PL 3.1 Control Panel Assembly ..... 5-7  
PL 3.2 Control Panel Assembly ..... 5-8

**Scanner**  
PL 4.1 Scanner ..... 5-9  
PL 4.2 Scanner ..... 5-10

**Frame**  
PL 5.1 Frame ..... 5-11

**Fuser**  
PL 5.2 Fuser ..... 5-12

**Frame Path**  
PL 5.3 Frame Path ..... 5-13

**Left Main Frame**  
PL 5.4 Left Main Frame ..... 5-14

**Right Main Frame**  
PL 5.5 Right Main Frame ..... 5-15

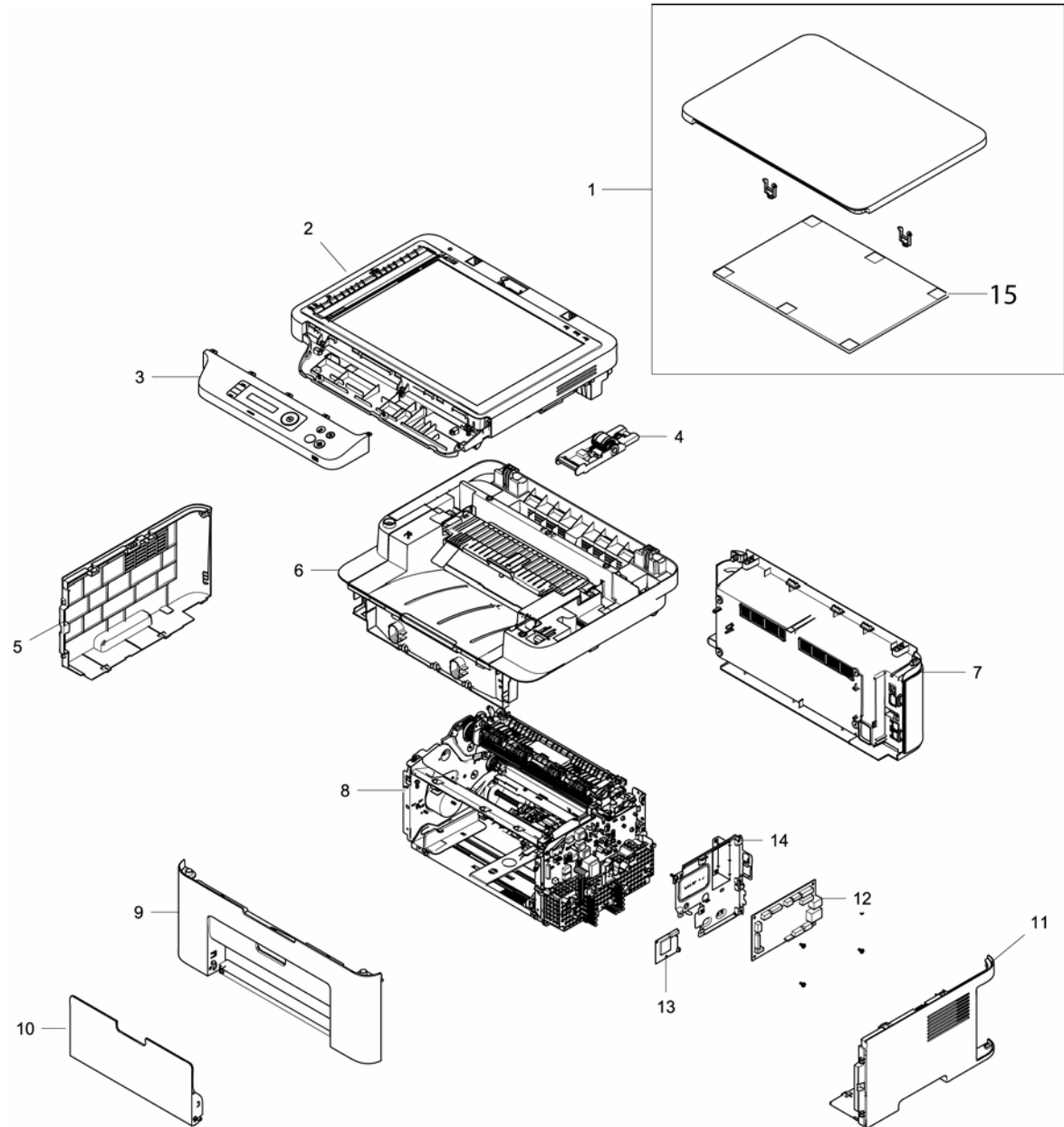
**Middle And Bottom Frame**  
PL 5.6 Paper Tray and LSU Frame ..... 5-16

**Idle Feed**  
PL 5.7 Paper Feed Assembly ..... 5-17  
Part Number Index ..... 5-18



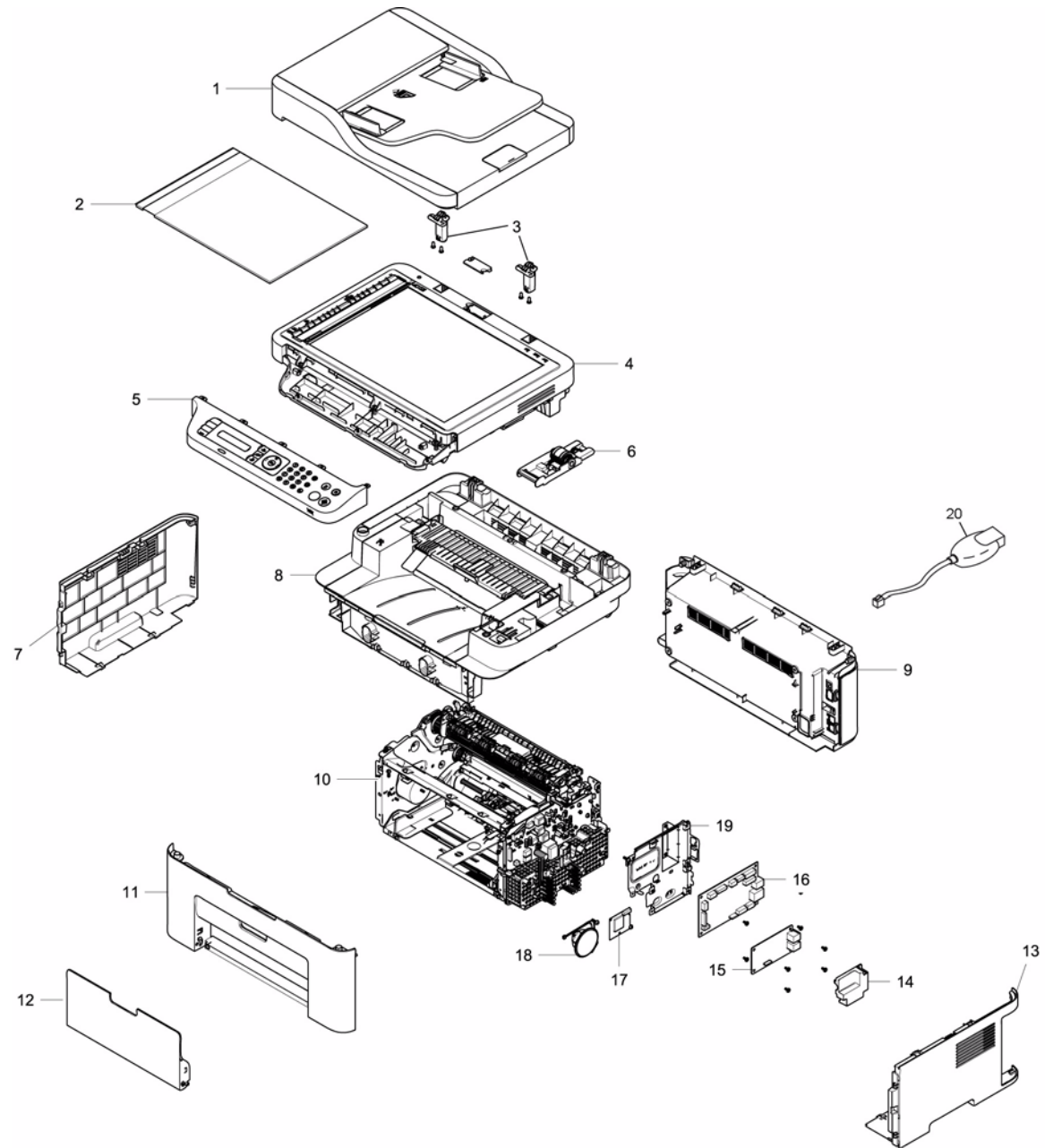
## PL 1.1 Main

Item	Part	Description
1	002N03188	Platen Cover Assembly
–	002N03189	Platen Cover Assembly (Black)
2	090N00184	Scanner (PL 4.1)
–	090N00185	Scanner (Black) (PL 4.1)
3	–	Control Panel Assembly (PL 3.1)
4	–	Scanner Support Hinge
5	002N03163	Left Cover
–	002N03164	Left Cover (Black)
6	–	Middle Cover (PL 2.1)
7	002N03168	Rear Cover
–	002N03169	Rear Cover (Black)
8	–	Frame (PL 5.1)
9	002N03174	Front Cover (Black)
–	002N03173	Front Cover
10	002N03176	Paper Support
–	002N03177	Paper Support (Black)
11	002N03180	Right Cover
–	002N03181	Right Cover (Black)
12	140N63718	PWB-MAIN-3025 BI (USB / Wifi)
13	140N63727	WNPC (WiFi) PWB
14	–	Controller Shield
15	–	Document Pad



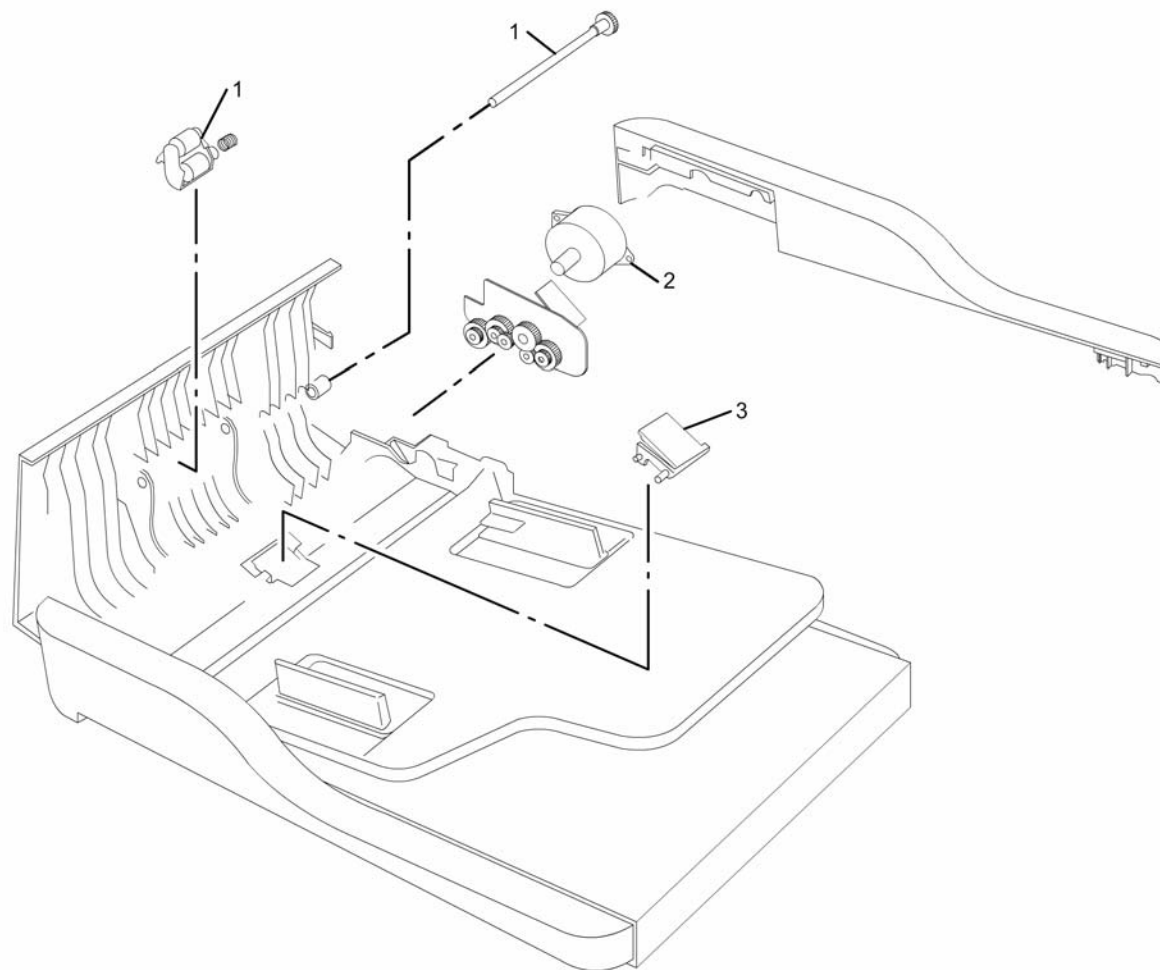
## PL 1.2 Main

Item	Part	Description
1	022N02799	ADF (PL 1.3)
2	050N00680	Document Pad
3	003N01117	Hinge
4	090N00183	Scanner (PL4.2)
5	–	Control Panel (PL 3.2)
6	–	Scanner Support Hinge
7	002N03163	Left Cover
8	–	Middle Cover (PL 2.1)
9	002N03168	Rear Cover
10	–	Frame (PL 5.1)
11	002N03173	Front Cover
12	002N03176	Paper Support
13	002N03180	Right Cover
14	–	FAX Board Cover
15	140N63726	Fax PWB
16	140N63717	PWB-MAIN-3025 NI (NW / Wifi)
17	140N63727	WNPC (WiFi) PWB
18	–	Speaker
19	–	Controller Shield
20	005N01172	Surge Protector (South Africa Only)



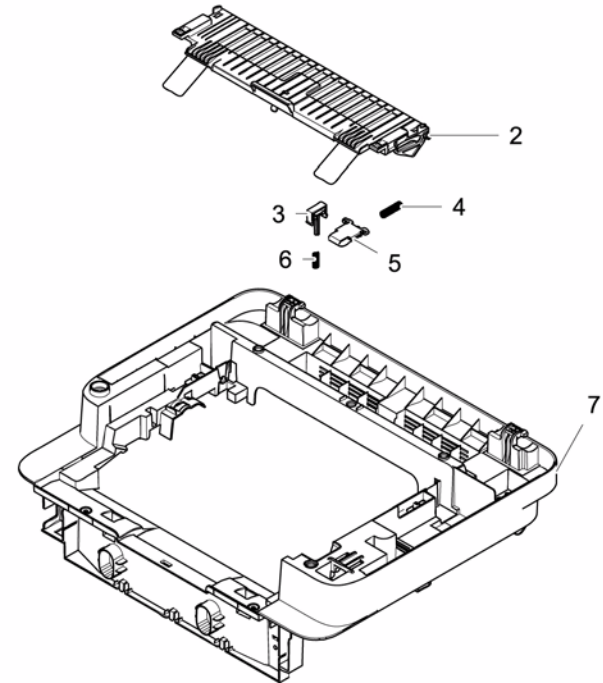
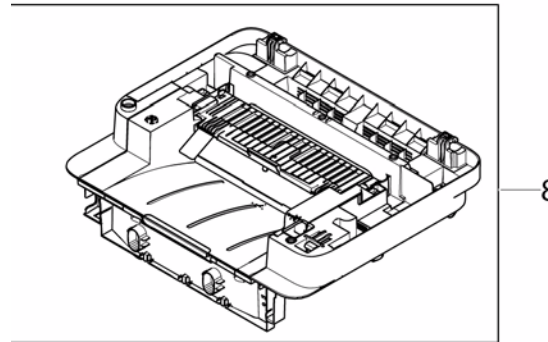
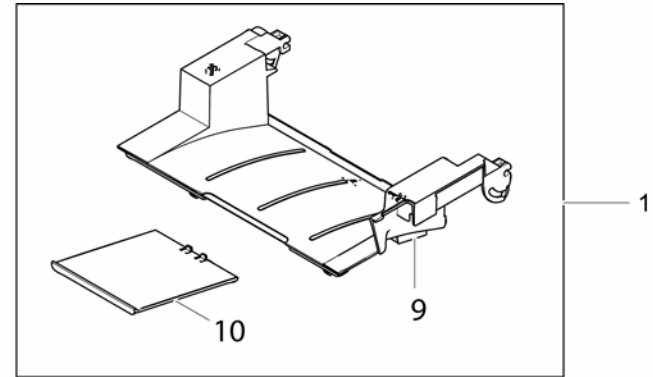
## PL 1.3 ADF (Automatic Document Feeder)

Item	Part	Description
1	022N02801	ADF Feed Roll Assembly
2	127N07864	ADF Drive Motor
3	022N02800	ADF Separation Pad



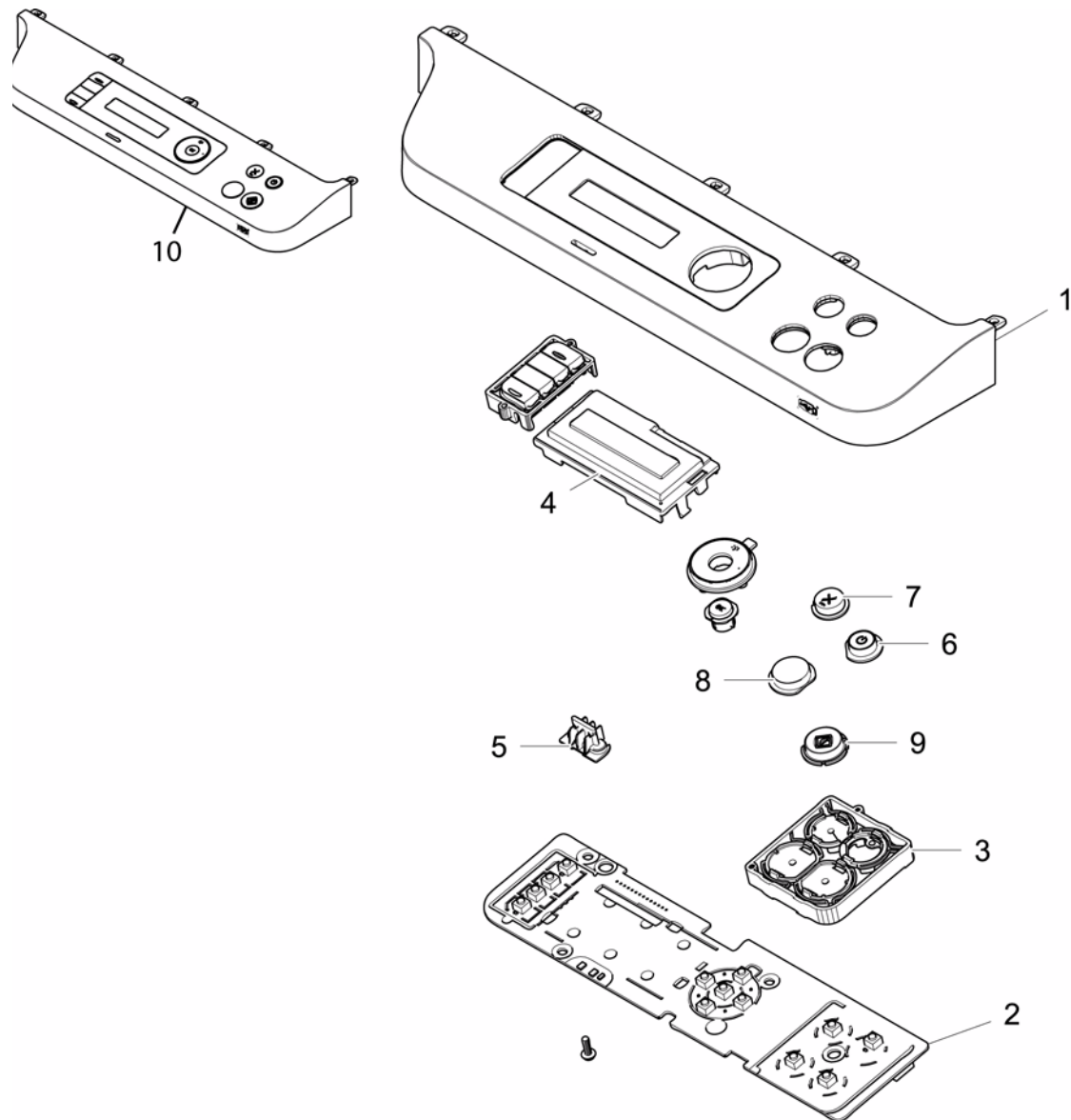
## PL 2.1 Middle Cover

Item	Part	Description
1	—	Jam Clearance Cover Assembly
2	—	Exit Jam Clearance Cover
3	—	Top Cover Closed Switch Actuator
4	—	Spring
5	—	Latch
6	—	Spring
7	—	Middle Cover
8	002N03185	Middle Cover Assembly
—	002N03186	Middle Cover Assembly (Black)
9	—	Output Tray
10	—	Output Support



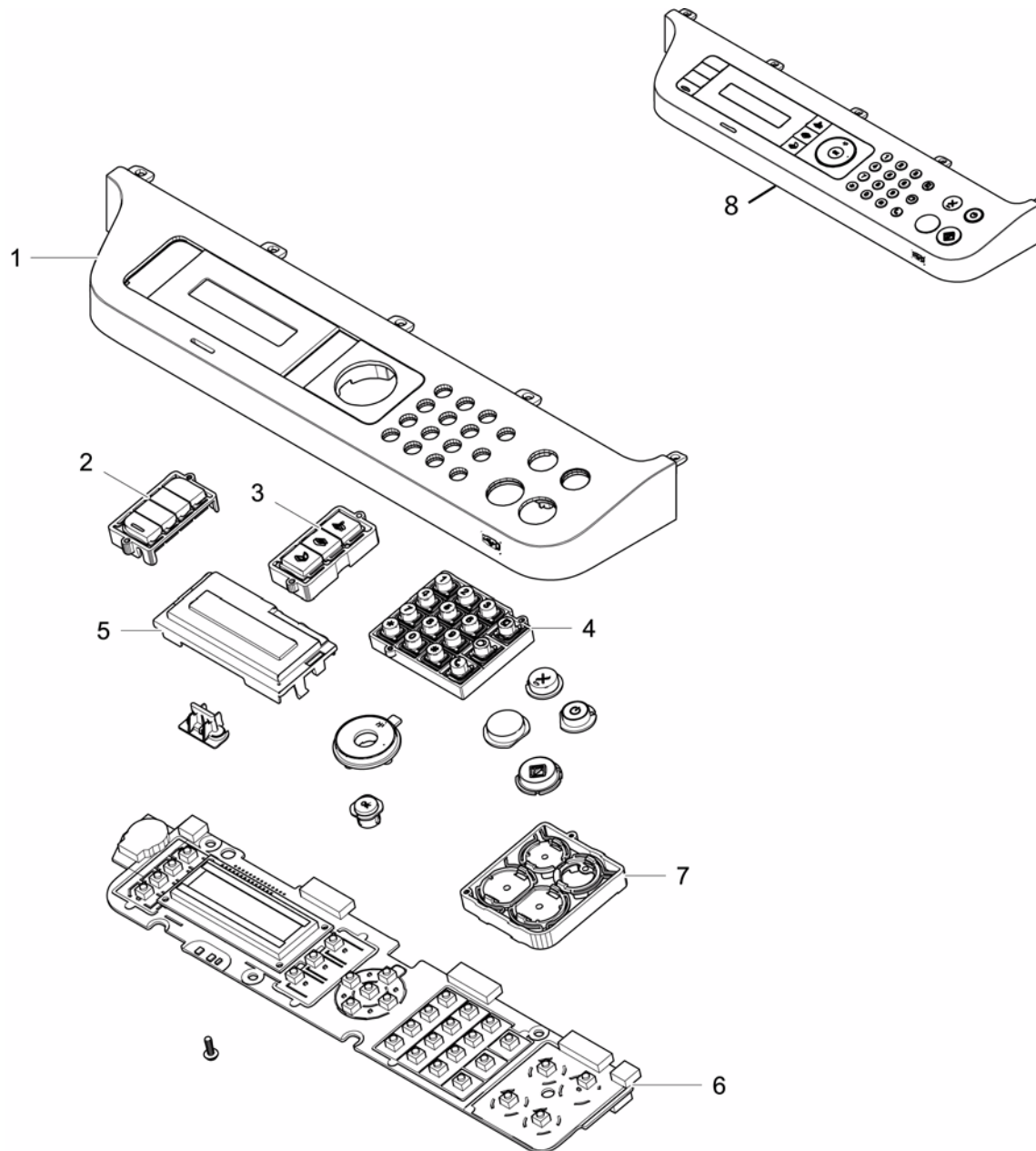
## PL 3.1 Control Panel Assembly

Item	Part	Description
1	–	Cover
2	140N63724	Control Panel PWB
3	–	Key Holder Cover
4	–	LCD Cover
5	–	LED Status Indicator
6	–	Power Key
7	–	Stop Key
8	–	Power Saver Key
9	–	Start Key
10	140N63732	Control Panel Assembly



## PL 3.2 Control Panel Assembly

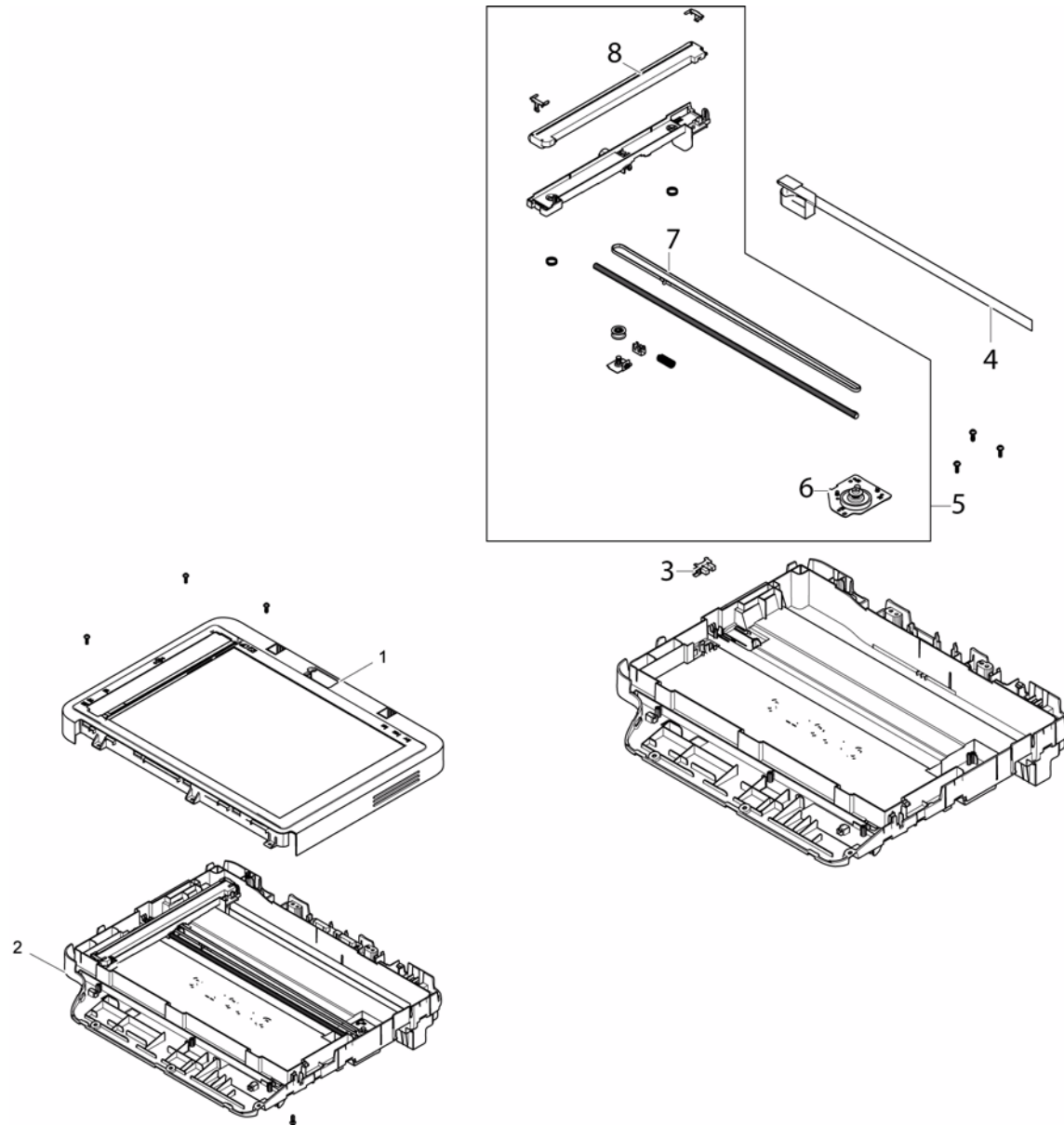
Item	Part	Description
1	–	Control Panel Cover
2	–	Function Key
3	–	FAX Key
4	–	Tel Key
5	–	LCD Cover
6	140N63722	Control Panel PWB
7	–	Key Holder Cover
8	140N63731	Control Panel Assembly





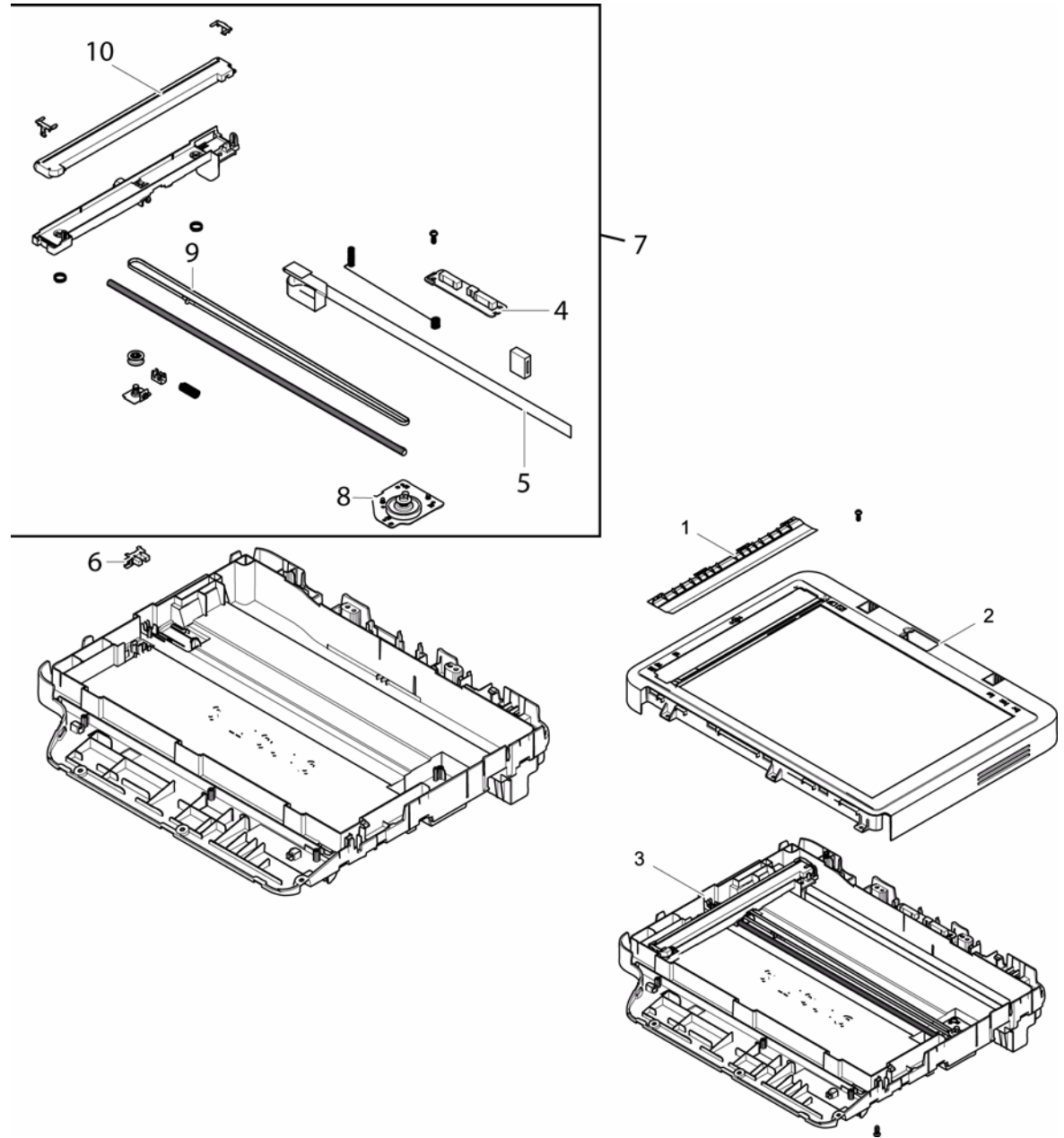
## PL 4.1 Scanner

Item	Part	Description
1	–	Upper Scanner Frame
2	–	Lower Scanner Frame
3	–	Sensor
4	–	Flat Cable
5	–	Platen Scanner
6	–	Scanner Drive Motor
7	–	Drive Belt
8	–	Contact Image Sensor (CIS)



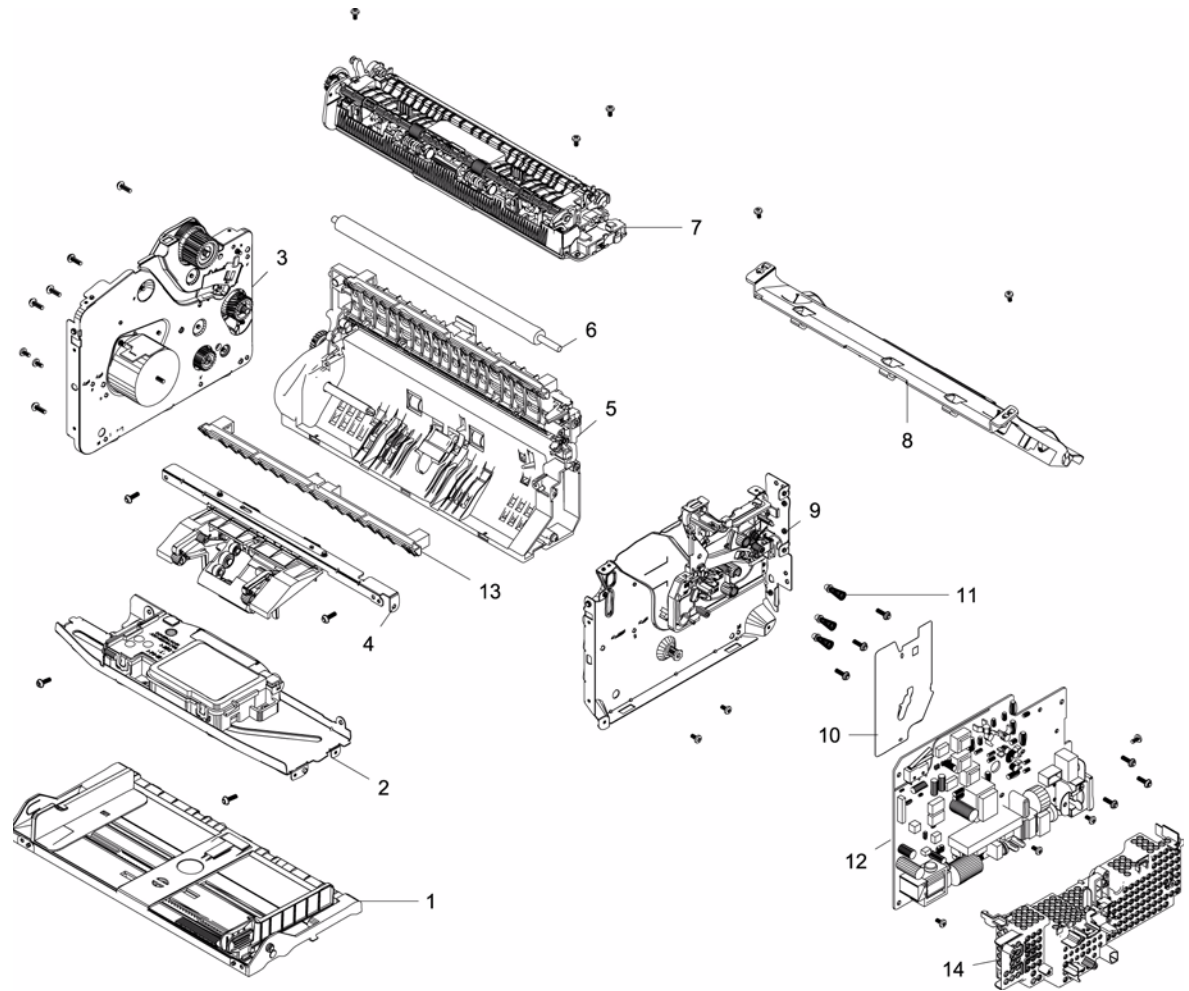
## PL 4.2 Scanner

Item	Part	Description
1	-	Paper Guide
2	-	Upper Scanner Frame
3	-	Lower Scanner Frame
4	-	Scanner PWB
5	-	Flat Cable
6	-	Sensor
7	-	Platen Scanner
8	-	Platen Drive
9	-	Drive Belt
10	-	Contact Image Sensor



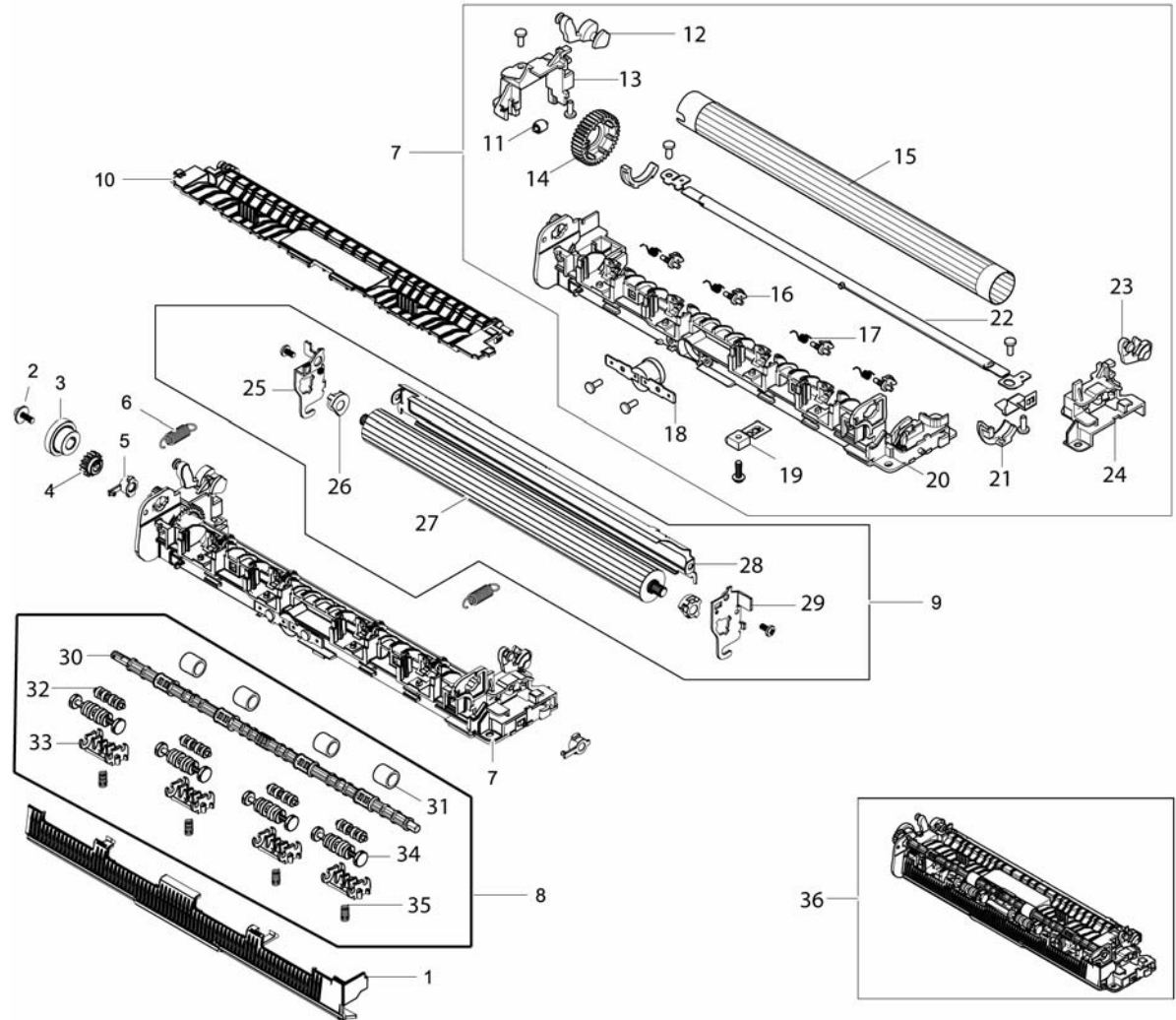
## PL 5.1 Frame

Item	Part	Description
1	—	Paper Tray
2	—	Middle Frame
3	—	Left Frame
4	—	Feed Frame
5	—	Paper Path Frame
6	022N02794	Transfer Roller
7	—	Fuser (PL 5.2)
8	—	LSU Cover
9	—	Right Frame
10	—	HVPS Insulator
11	—	HVPS Contacts
12	105N02303	LVPS/HVPS 220V
—	105N02302	LVPS/HVPS 110V
13	—	Input Guide
14	—	HVPS/SMPS Cover



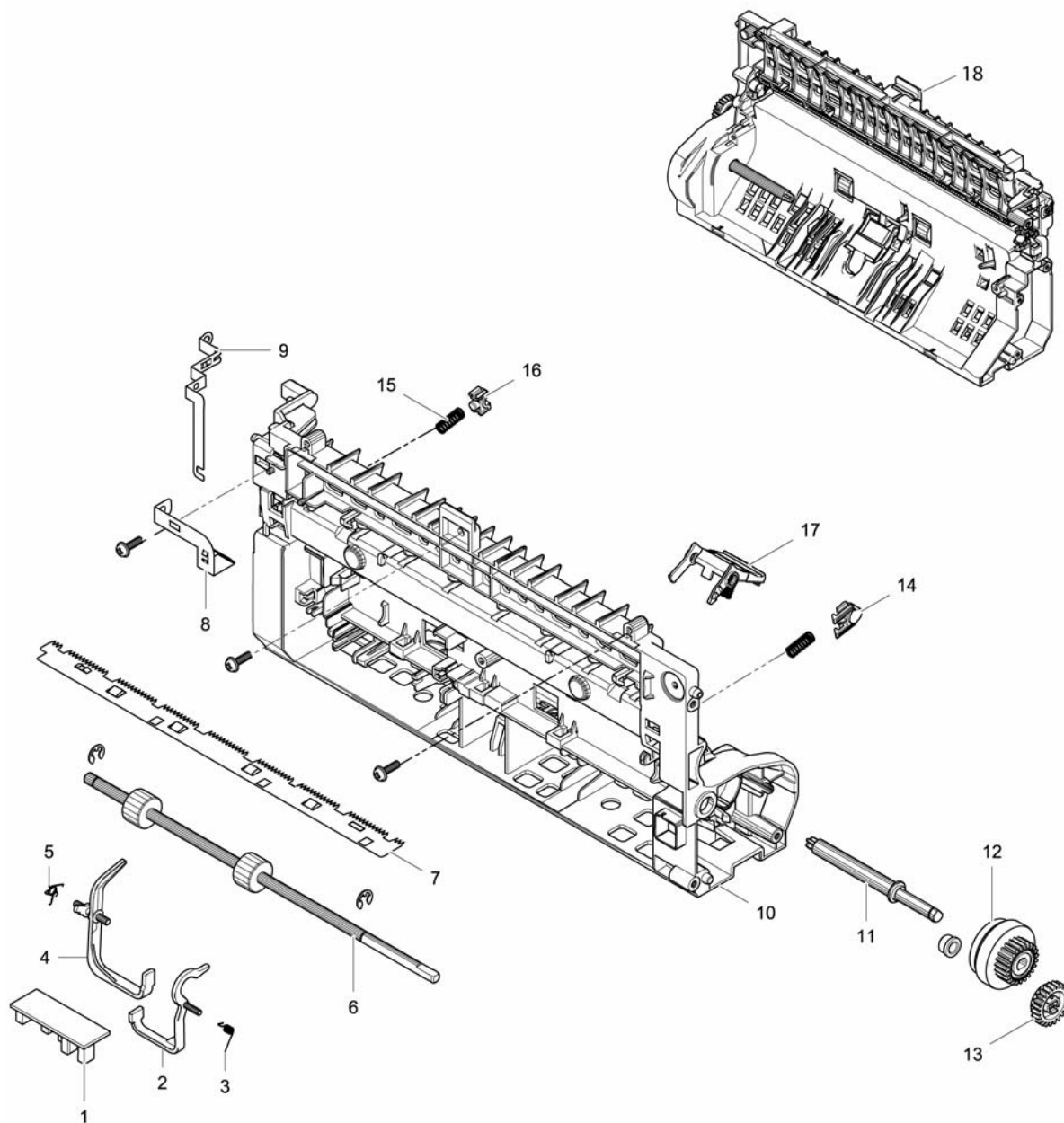
## PL 5.2 Fuser

Item	Part	Description
1	–	Exit Cover
2	–	Screw
3	–	Exit Drive Gear
4	–	Exit Gear
5	–	Exit Shaft Bushing
6	–	Spring
7	–	Upper Fuser
8	–	Exit Roller
9	–	Lower Fuser
10	–	Fuser Cover
11	–	Gear
12	–	Jam Lever
13	–	Lamp Cover
14	–	Gear
15	–	Heat Roll
16	–	Claw Guide
17	–	Spring
18	–	Thermostat
19	–	Thermistor
20	–	Fuser Cover
21	–	Bushing
22	–	Fuser Lamp
23	–	Right Jam Lever
24	–	Lamp Cover
25	–	Bracket
26	–	Bushing
27	–	Pressure Roll
28	–	Frame
29	–	Bracket
30	–	Exit Shaft
31	–	Rubber Rolls
32	–	Exit Roll
33	–	Exit Holder
34	–	Exit Roll
35	–	Spring
36	126N00432	FUSER Module 110V
–	126N00433	FUSER Module 220V



## PL 5.3 Frame Path

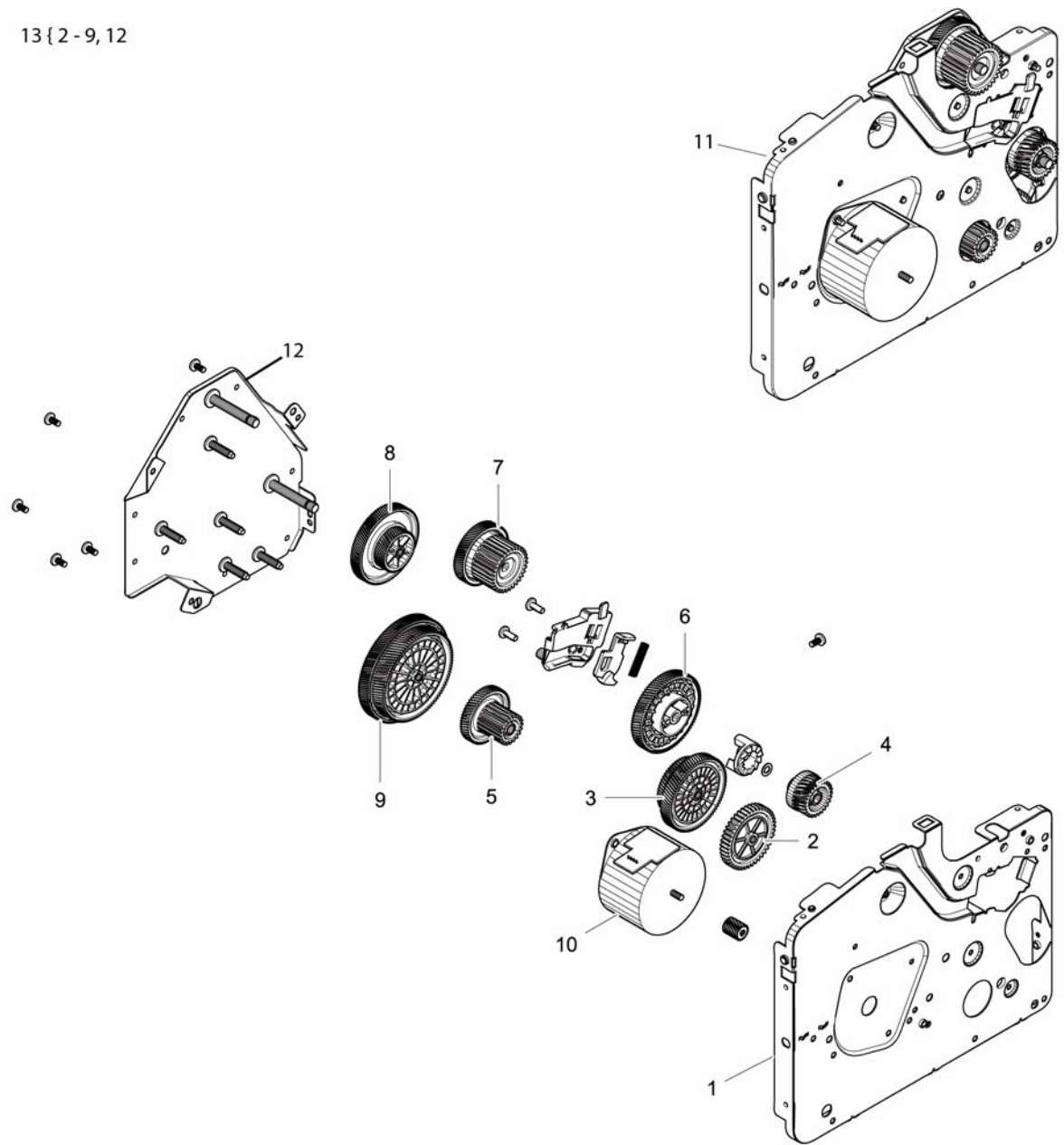
Item	Part	Description
1	130N01759	Paper Feed Sensor PWB
2	120N00546	Feed Sensor Actuator
3	—	Spring
4	120N00547	Width Sensor Actuator
5	—	Spring
6	022N02798	Paper Drive Roll
7	—	Plate
8	—	Ground Clip
9	—	Ground Clip
10	—	Paper Path Guide
11	—	Feed Roll Shaft
12	121N01246	Feed Clutch
13	007N01801	Feed Gear
14	—	Left Bushing
15	—	Spring
16	—	Right Bushing
17	001N00547	Retard Pad
18	—	Path Frame



## PL 5.4 Left Main Frame

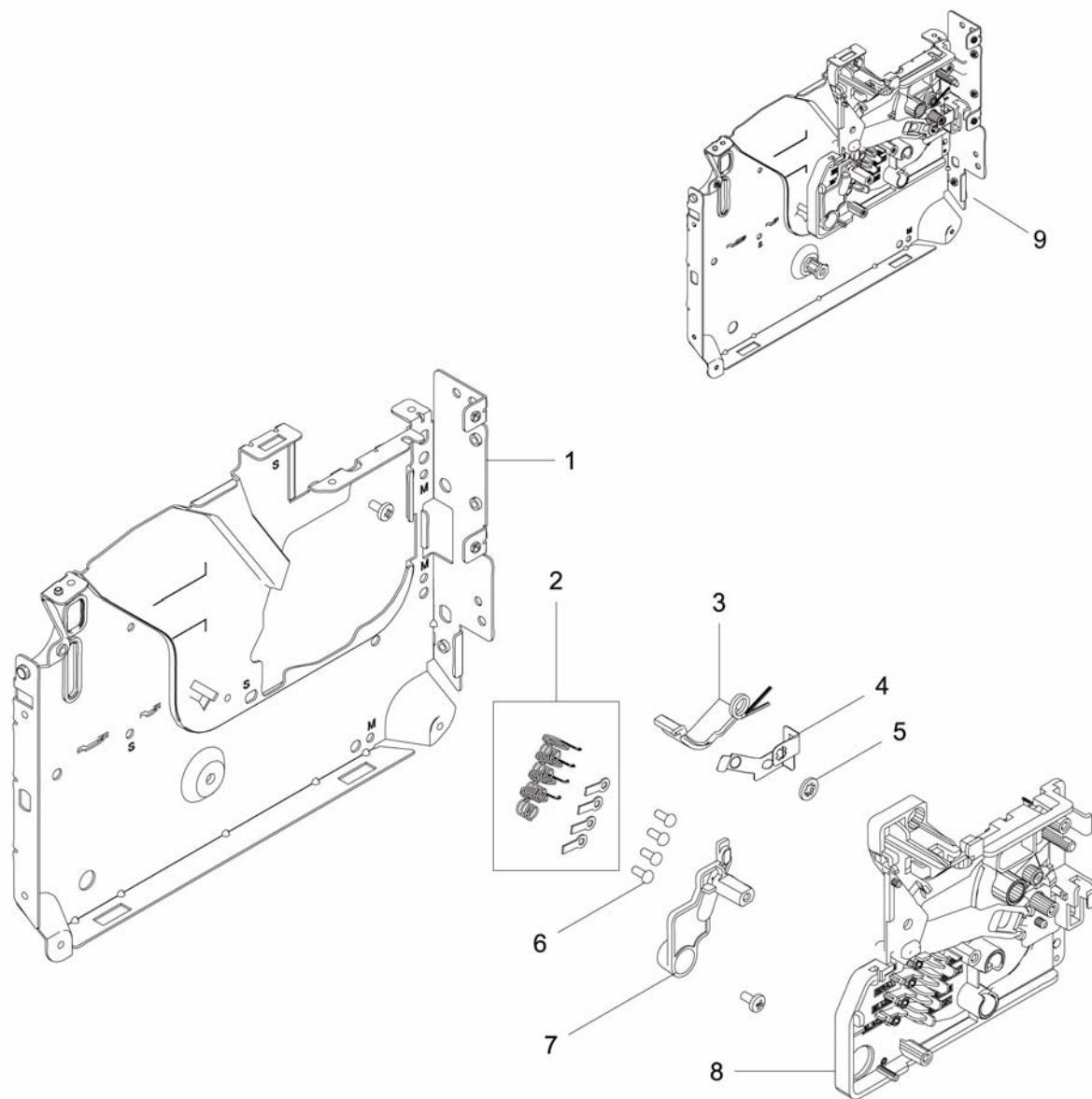
Item	Part	Description
1	–	Left Frame
2	–	Feed Drive Gear
3	–	RDCN OPC Gear
4	–	Drive Out Gear
5	–	Feed Gear
6	–	Drive In Gear
7	–	Fuser Drive Gear
8	–	RDCN Fuser Gear
9	–	RDCN A Gear
10	–	Drive Motor
11	–	Left Main Frame
12	–	Drive Mounting Plate
13	001N00548	Drive Gear Assembly

13 { 2 - 9, 12



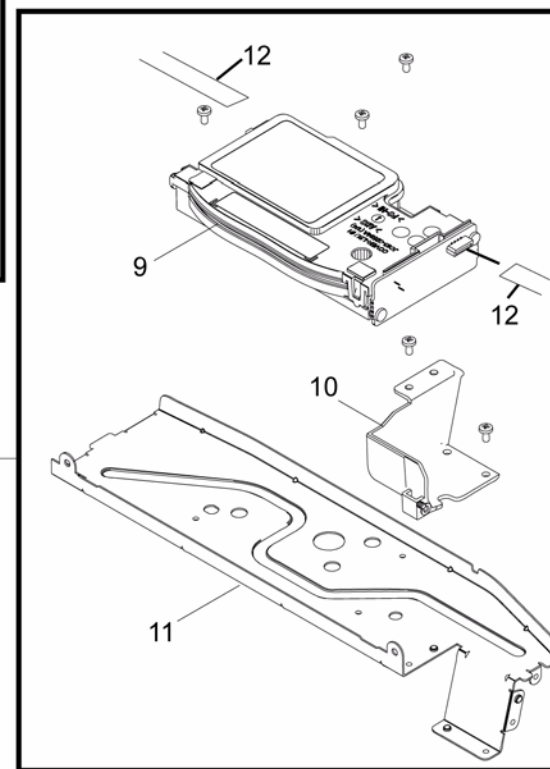
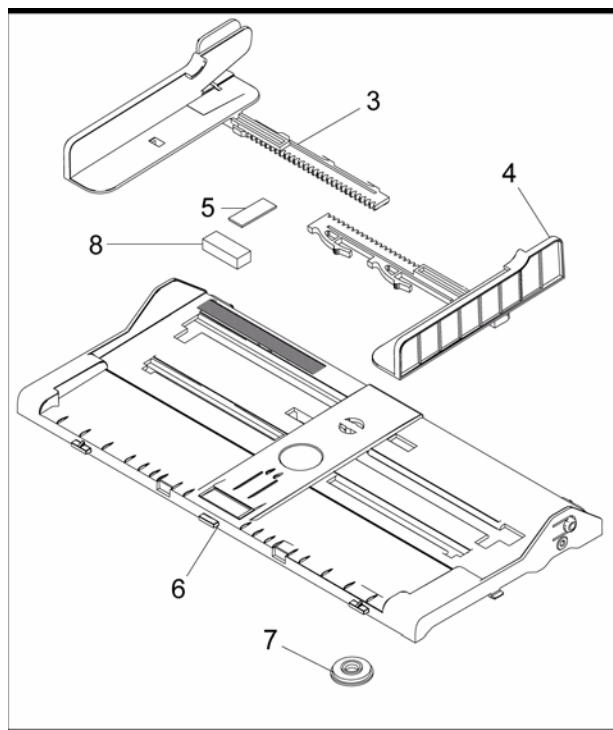
## PL 5.5 Right Main Frame

Item	Part	Description
1	–	Right Frame
2	–	CRUM Contacts
3	–	Spring
4	–	Ground Clip
5	–	Washer
6	–	Screw
7	–	CRUM Cover
8	–	Print Cartridge Guide
9	–	Main Right Frame Assembly



## PL 5.6 Paper Tray and LSU Frame

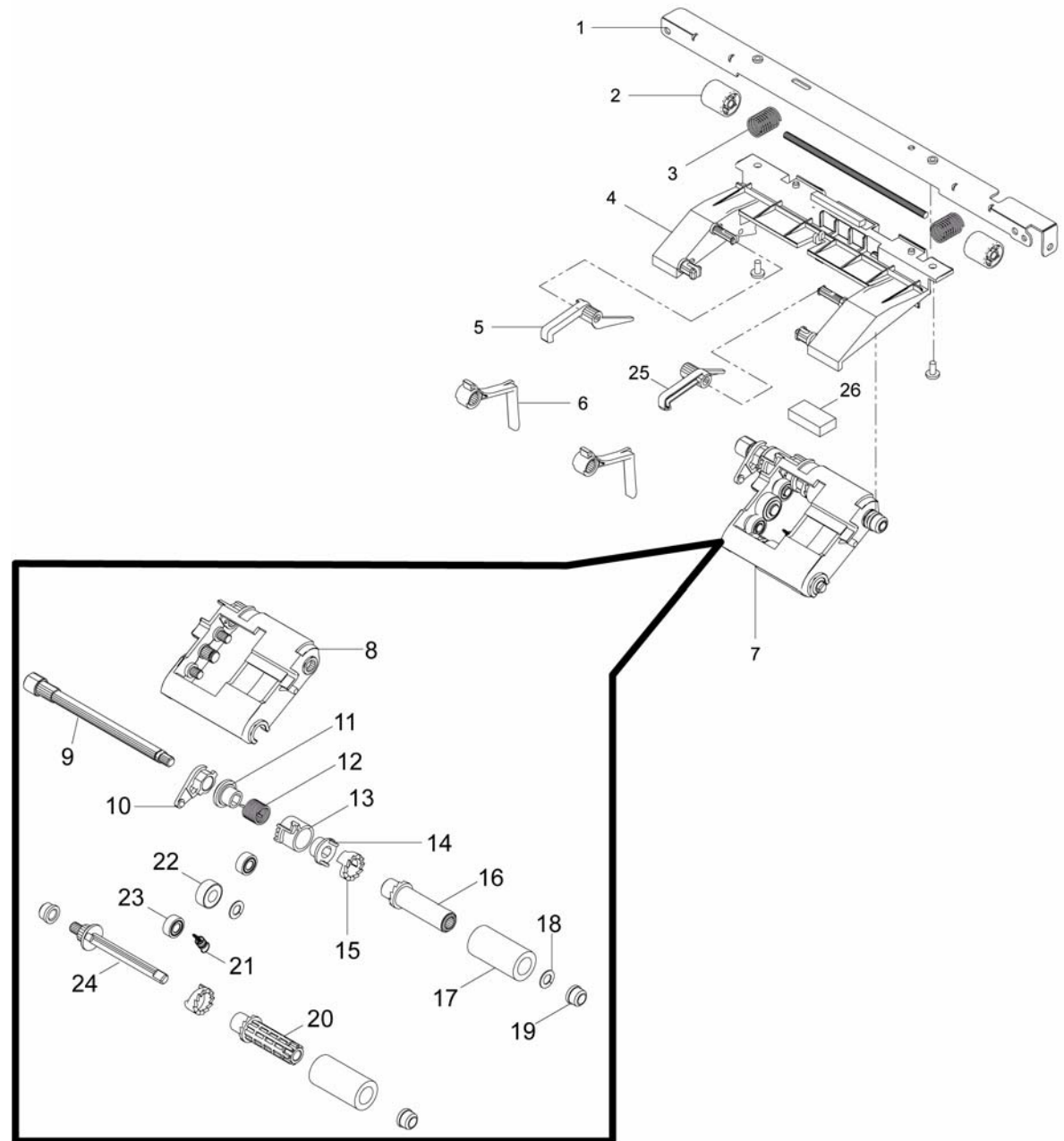
Item	Part	Description
1	001N00549	Paper Tray
2	-	LSU Frame
3	-	Right Guide
4	-	Left Guide
5	-	Rubber Friction Pad
6	-	Bottom Plate
7	-	Pinion Gear
8	-	Sponge Damper
9	062N00293	LSU
10	-	Motor Cover
11	-	LSU Frame
12	117N01971	LSU Flat Cable





## PL 5.7 Paper Feed Assembly

Item	Part	Description
1	—	Paper Feed Holder
2	—	Feed Roller
3	—	Spring
4	—	Guide Plate
5	—	Left Latch
6	—	Paper Stop
7	130N01757	Feed Rolls Assembly
8	—	Feed Rolls Housing
9	—	Feed Rolls Shaft
10	—	Shaft Holder
11	—	Bushing
12	—	Spring
13	—	Collar
14	—	Joint Gear
15	—	Pickup Clutch
16	—	Bushing
17	—	Pickup Roller
18	—	Washer
19	—	Bushing
20	—	Sleeve
21	—	Spring
22	—	Pickup Gear
23	—	Feed Gear
24	—	Shaft Drive Roller
25	—	Right Latch
26	—	Sponge Damper



## Part Number Index

Table 1 Part Number Index

Part Number	Part List
001N00547	PL 5.3
001N00548	PL 5.4
001N00549	PL 5.6
002N03163	PL 1.1
002N03163	PL 1.2
002N03164	PL 1.1
002N03168	PL 1.1
002N03168	PL 1.2
002N03169	PL 1.1
002N03173	PL 1.1
002N03173	PL 1.2
002N03174	PL 1.1
002N03176	PL 1.1
002N03176	PL 1.2
002N03177	PL 1.1
002N03180	PL 1.2
002N03180	PL 1.1
002N03181	PL 1.1
002N03185	PL 2.1
002N03186	PL 2.1
002N03188	PL 1.1
002N03189	PL 1.1
003N01117	PL 1.2
005N01172	PL 1.2
007N01801	PL 5.3
022N02794	PL 5.1
022N02798	PL 5.3
022N02799	PL 1.2
022N02800	PL 1.3
022N02801	PL 1.3
050N00680	PL 1.2
062N00293	PL 5.6
090N00183	PL 1.2
090N00184	PL 1.1
090N00185	PL 1.1
105N02302	PL 5.1
105N02303	PL 5.1
117N01971	PL 5.6
120N00546	PL 5.3

Table 1 Part Number Index

Part Number	Part List
120N00547	PL 5.3
121N01246	PL 5.3
126N00432	PL 5.2
126N00433	PL 5.2
127N07864	PL 1.3
130N01757	PL 5.7
130N01759	PL 5.3
140N63717	PL 1.2
140N63718	PL 1.1
140N63722	PL 3.2
140N63724	PL 3.1
140N63726	PL 1.2
140N63727	PL 1.2
140N63727	PL 1.1
140N63731	PL 3.2
140N63732	PL 3.1