

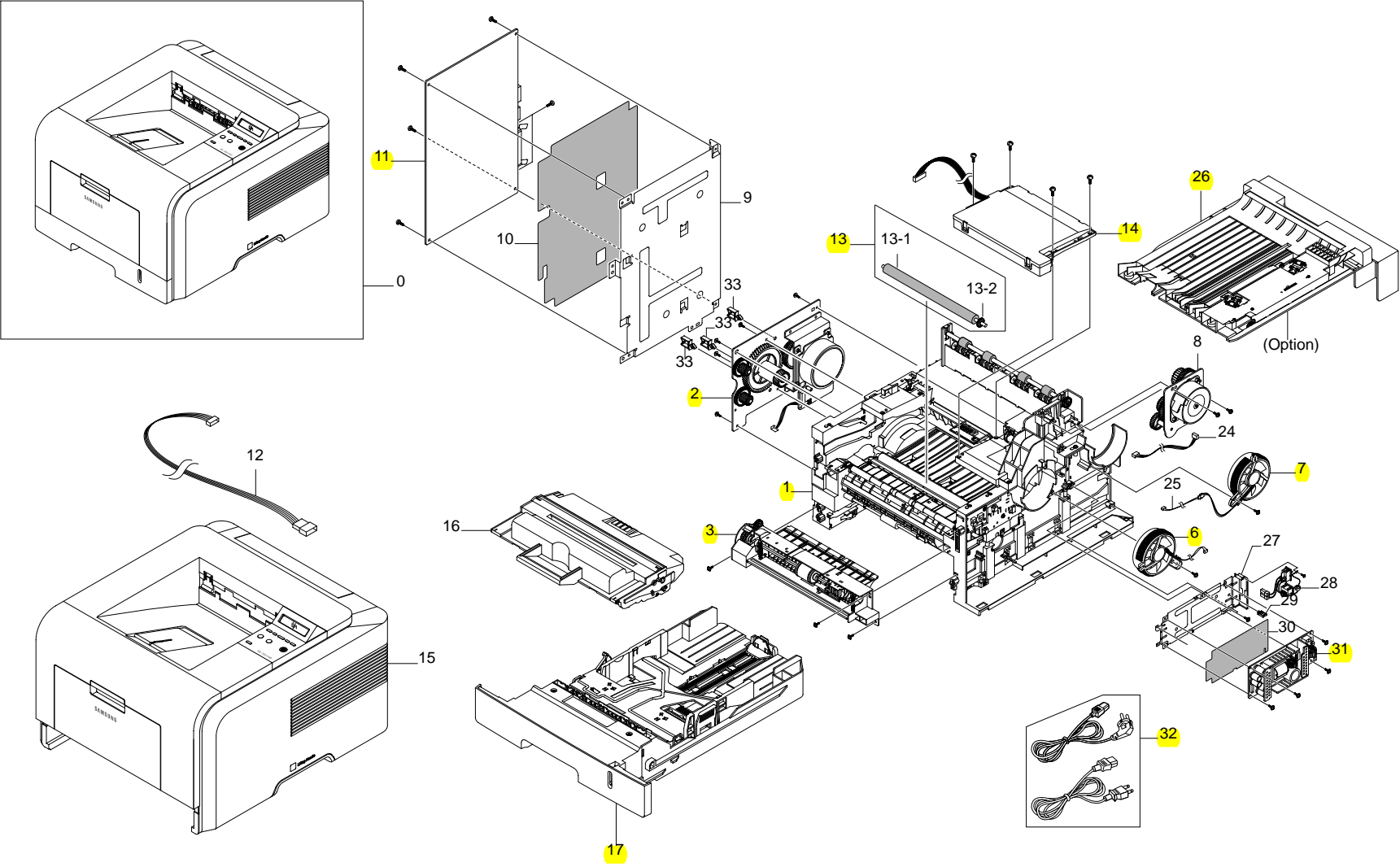
5. Exploded Views and Parts List

Contents

- 5.1 Main**
- 5.2 Cover Ass'y**
- 5.3 Front Cover Ass'y**
- 5.4 Rear Cover Ass'y**
- 5.5 OPE Cover Ass'y**
- 5.6 Frame**
- 5.7 MP Ass'y**
- 5.8 Main Drive Ass'y**
- 5.9 Fuser Drive Ass'y**
- 5.10 Duplex Unit (Optional)**
- 5.11 Fuser Unit**
- 5.12 Cassette Unit**

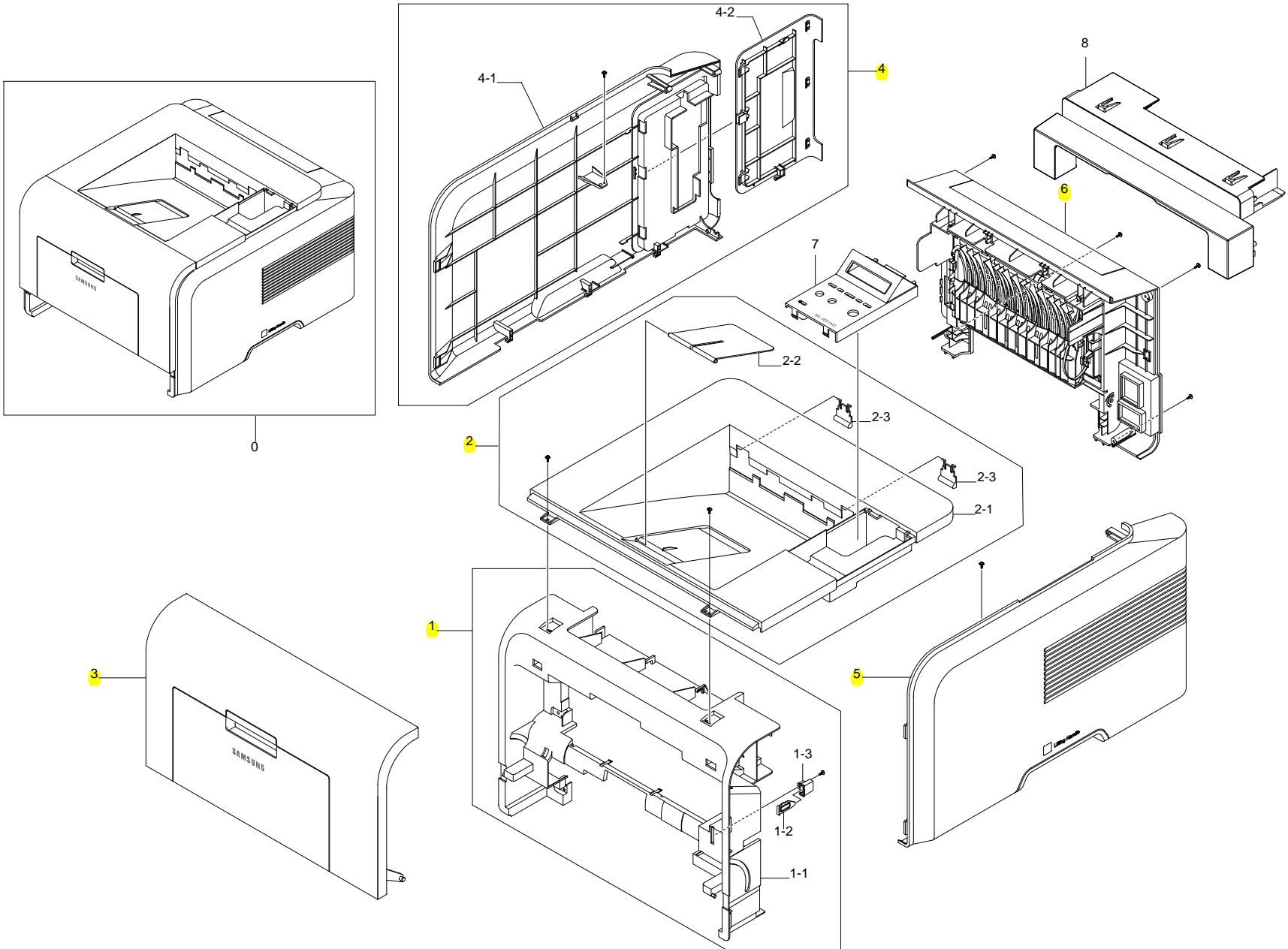
Phaser 3428 Parts List

DWG #	Part Number	Description
5.1-2	JC96-03761A	ELA UNIT-MAIN DRIVE
5.1-3	JC96-03837A	ELA HOU-MPF
5.1-6	JC31-00025A	FAN-DC
5.1-7	JC31-00025B	FAN-DC
5.1-11	JC92-01745L	PBA MAIN-CONTROLLER (3428/DN) for Asia/Aus/NZ
5.1-11	JC92-01745M	PBA MAIN-CONTROLLER (3428/DN) for Taiwan
5.1-11	JC92-01796K	PBA MAIN-CONTROLLER (3428/D) for China
5.1-11	JC92-01796L	PBA MAIN-CONTROLLER (3428/D) for Asia/Aus/NZ
5.1-13	JC97-02652A	MEA TRANSFER ROLLER
5.1-14	JC59-00027A	UNIT-LSU
5.1-17	JC97-02415B	MEA UNIT-CASSETTE
5.1-31	JC44-00097A	SMPS-PSP_TYPE3_V1 (110V)
5.1-31	JC44-00090A	SMPS-PSP_TYPE3_V2 (220V)
5.1-32	3903-000227	Taiwan BSMI Power Cord
5.1-32	3903-000042	Power Cord for Asia(Eur type)
5.1-32	3903-000067	Power Cord for Asia(UK type)
5.1-32	3903-000082	China CCC Power Cord
5.1-32	3903-000204	Australia Power Cord
5.2-1	JC97-02399B	MEA-COVER MIDDLE
5.2-2	JC97-02442B	MEA-COVER TOP
5.2-3	JC97-02781A	MEA-COVER FRONT
5.2-4	JC97-02397B	MEA-COVER SIDE L
5.2-5	JC97-02882C	MEA-COVER SIDE R
5.2-6	JC97-02398E	MEA-COVER REAR (Low Model)
5.2-6	JC97-02398F	MEA-COVER REAR (High Model)
5.2-7	JC96-04213A	ELA HOU-COVER OPE (Asia/Aus/NZ)
5.2-7	JC96-04213B	ELA HOU-COVER OPE (China/Taiwan)
5.5-9	JC92-01854B	PBA SUB-OPE for FX China & Taiwan model
5.6-3-9	JC97-02441A	MEA-ROLLER PICK UP
5.6-3-13	JC66-01173A	ROLLER-FEED
5.6-8	JC97-01788A	MEA UNIT-CLUTCH
5.6-15	JC66-00526A	ROLLER-FEED ROLLER 1
5.6-33	JC97-01034A	MEA RACK-EXIT ROLLER
5.6-61	JC96-04387B	ELA UNIT-FUSER_110V
5.6-61	JC96-04389B	ELA UNIT-FUSER_220V
5.6-72	JC44-00107A	HVPS-ELBERT
5.7-5	JC33-00015A	SOLENOID-MP
5.7-7	JC73-00140A	RPR-FRICTION PAD
5.7-17	JC97-02034A	MEA-PICK UP_MP
	JC39-00001A	CBF INTERFACE-USB

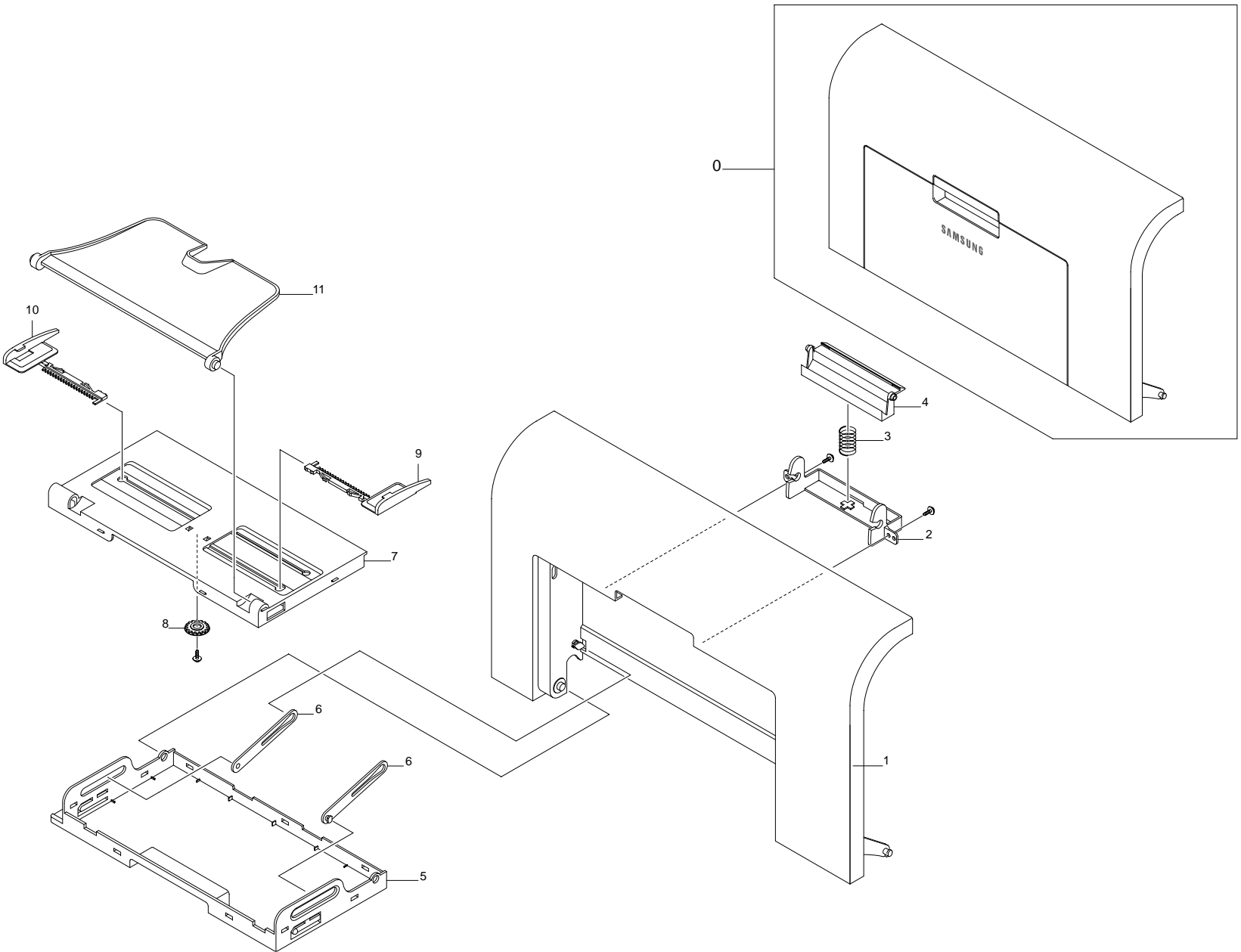


5.1 Main

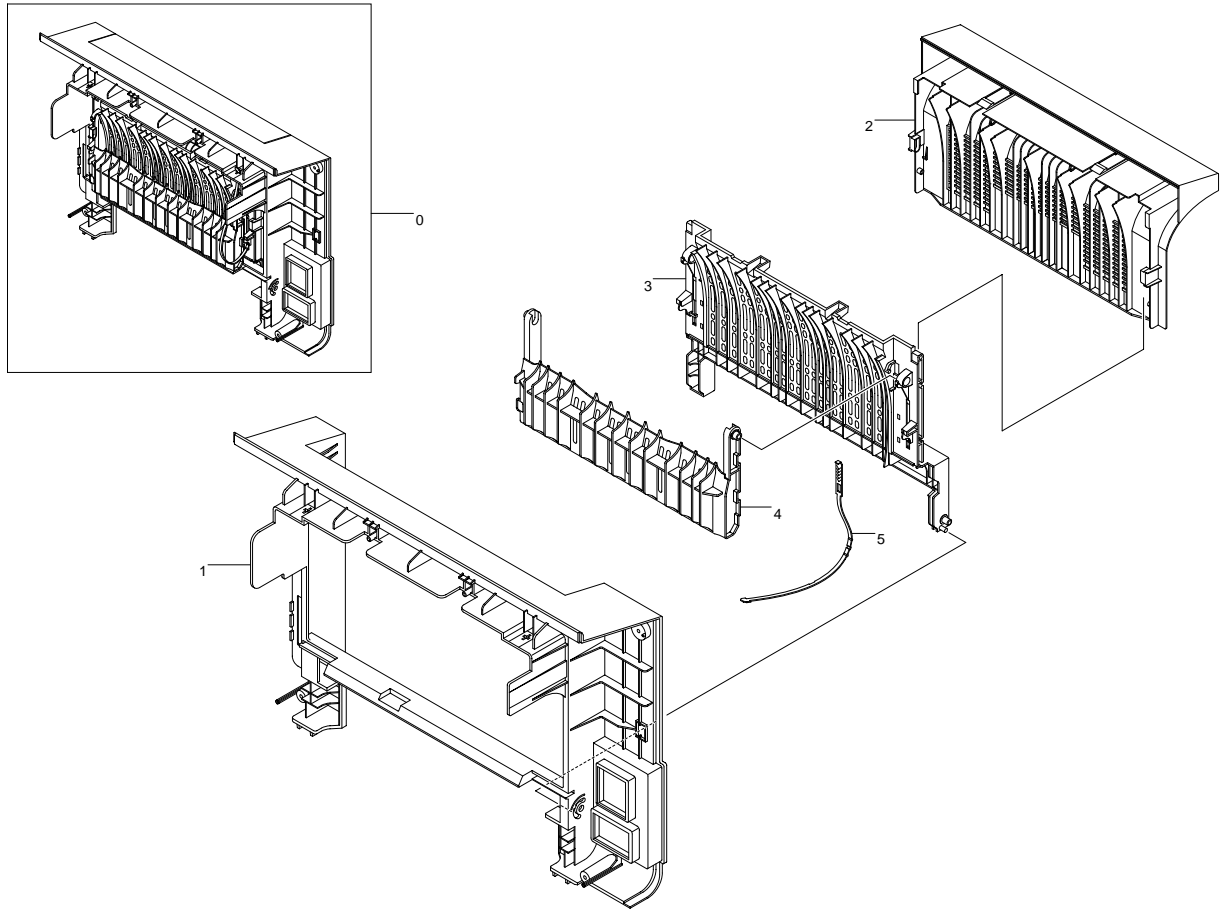
5.2 Cover Ass'y



5.3 Front Cover Ass'y



5.4 Rear Cover Ass'y

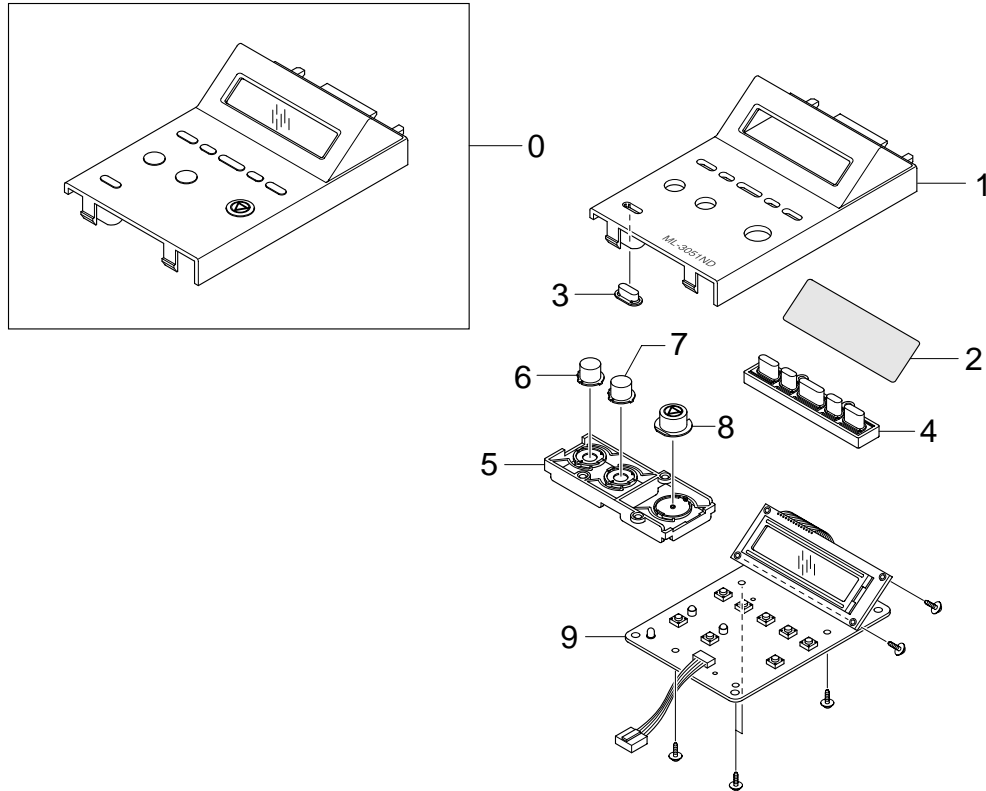


Rear Cover Parts List

----- SA : Service Available -----
 SA : Service available SNA : Service not available

No.	Description	QT'y	Service
7.4-0	MEA-COVER REAR	1	
7.4-1	COVER-REAR	1	
7.4-2	COVER-M_FACE UP	1	
7.4-3	COVER-M STACKER REAR	1	
7.4-4	GUIDE-OUTPUT FUSER	1	
7.4-5	STOPPER-M-STRAP	1	

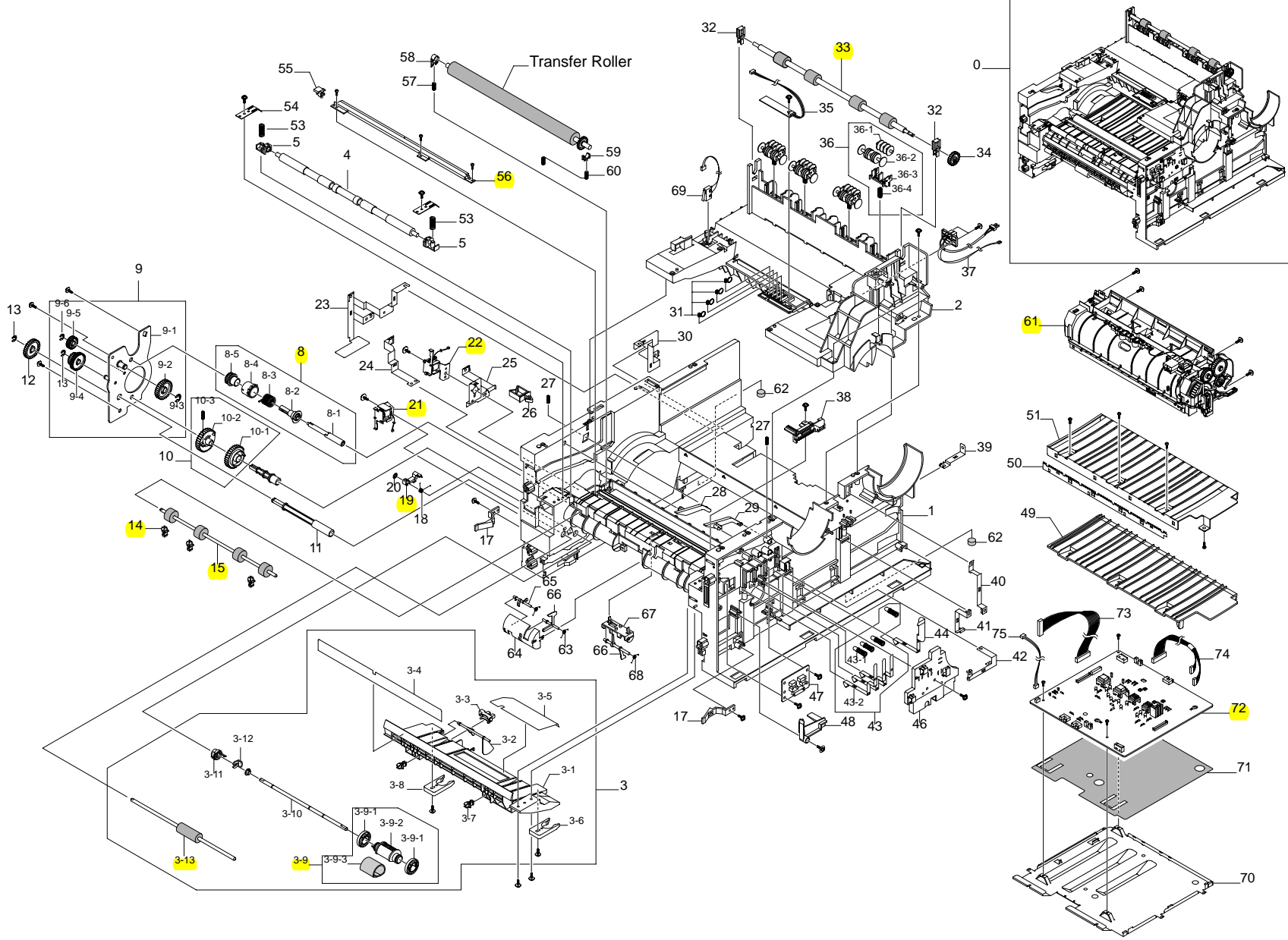
5.5 OPE Cover Ass'y



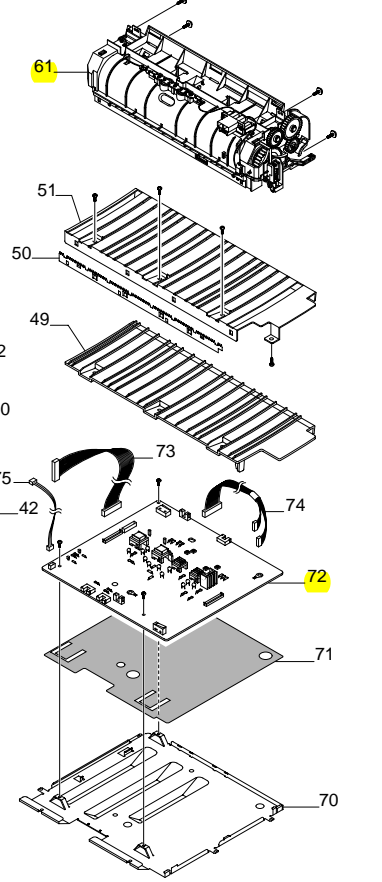
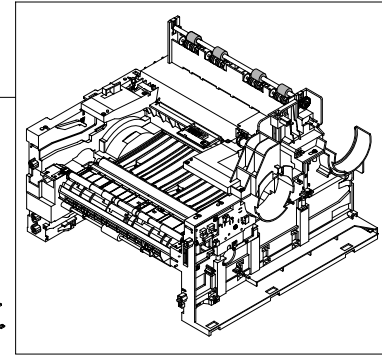
OPE Cover Ass'y Parts List

SA : Service Available
 SA : Service available SNA : Service not available

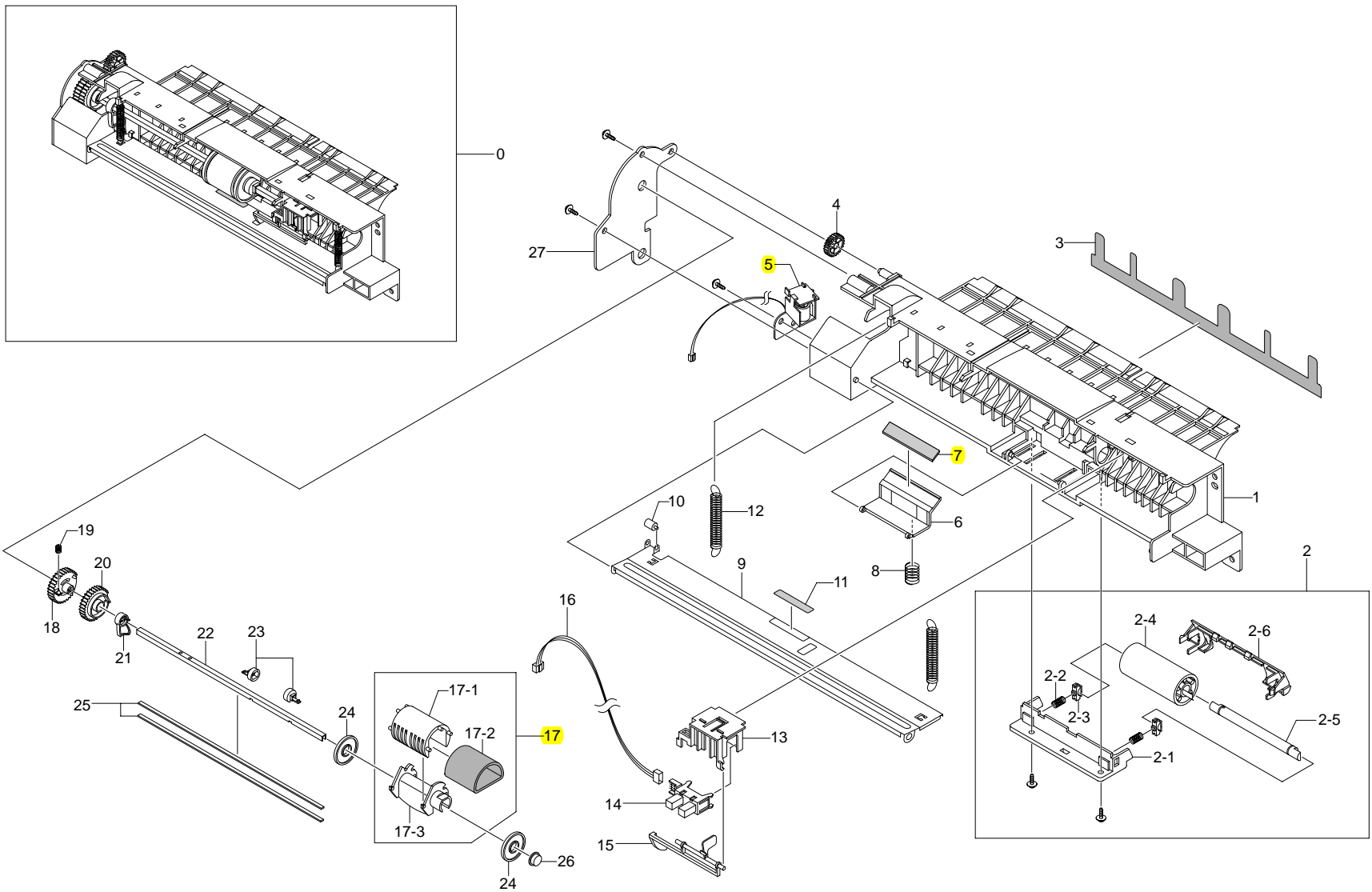
No.	Description	QT'y	Service
7.5-0	ELA HOU-COVER OPE	1	
7.5-1	COVER-M_KEY MENU_LCD	1	
7.5-2	PCT-LCD WINDOW	1	
7.5-3	LENS LED-M_STATUS	1	
7.5-4	KEY-M_MENU	1	
7.5-5	KEY-M_BUTTON	1	
7.5-6	KEY-M-SAVE MODE	1	
7.5-7	KEY-M_DEMO	1	
7.5-8	KEY-M_STOP	1	
7.5-9	PBA SUB-OPE	1	



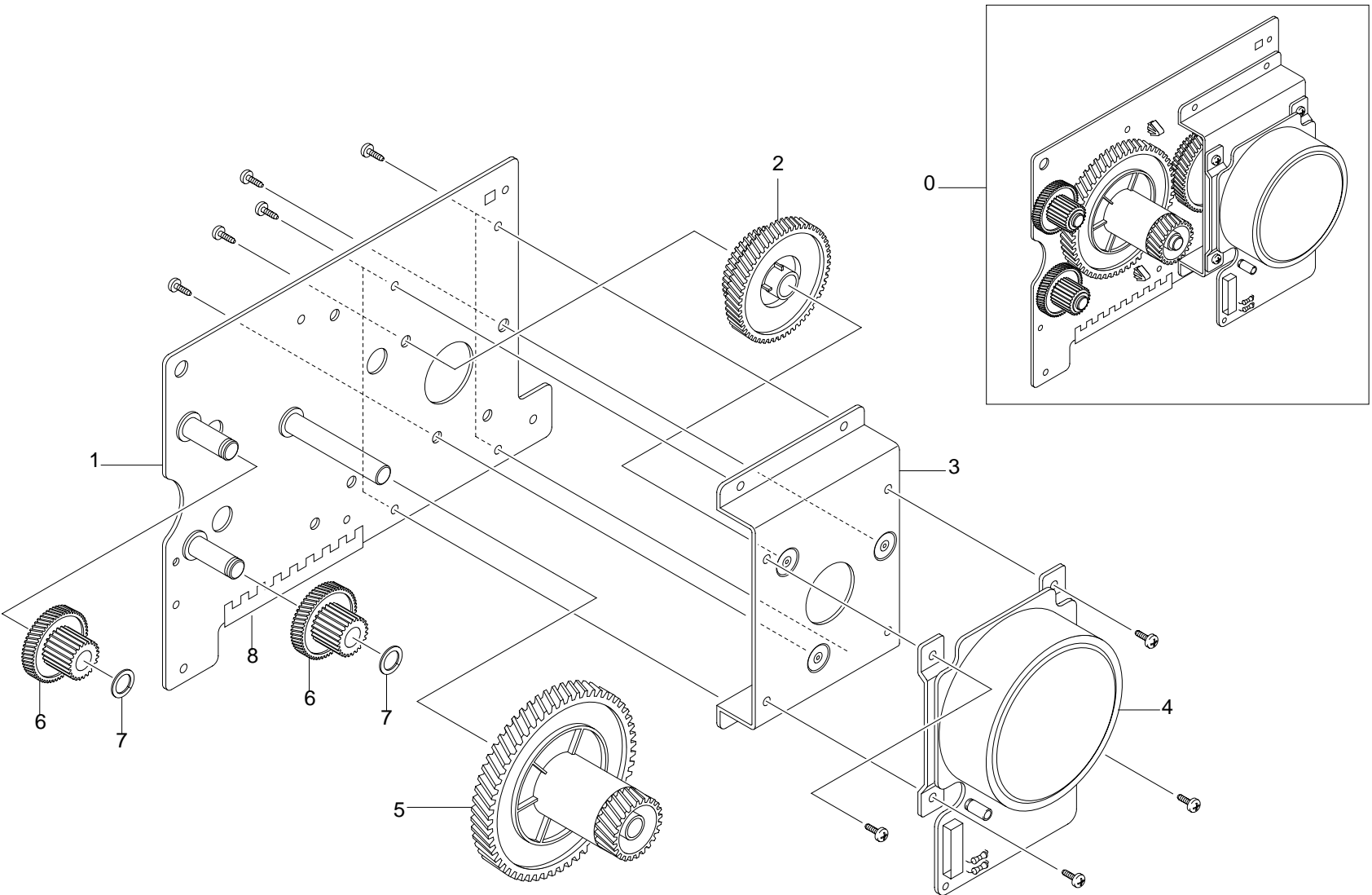
5.6 Frame



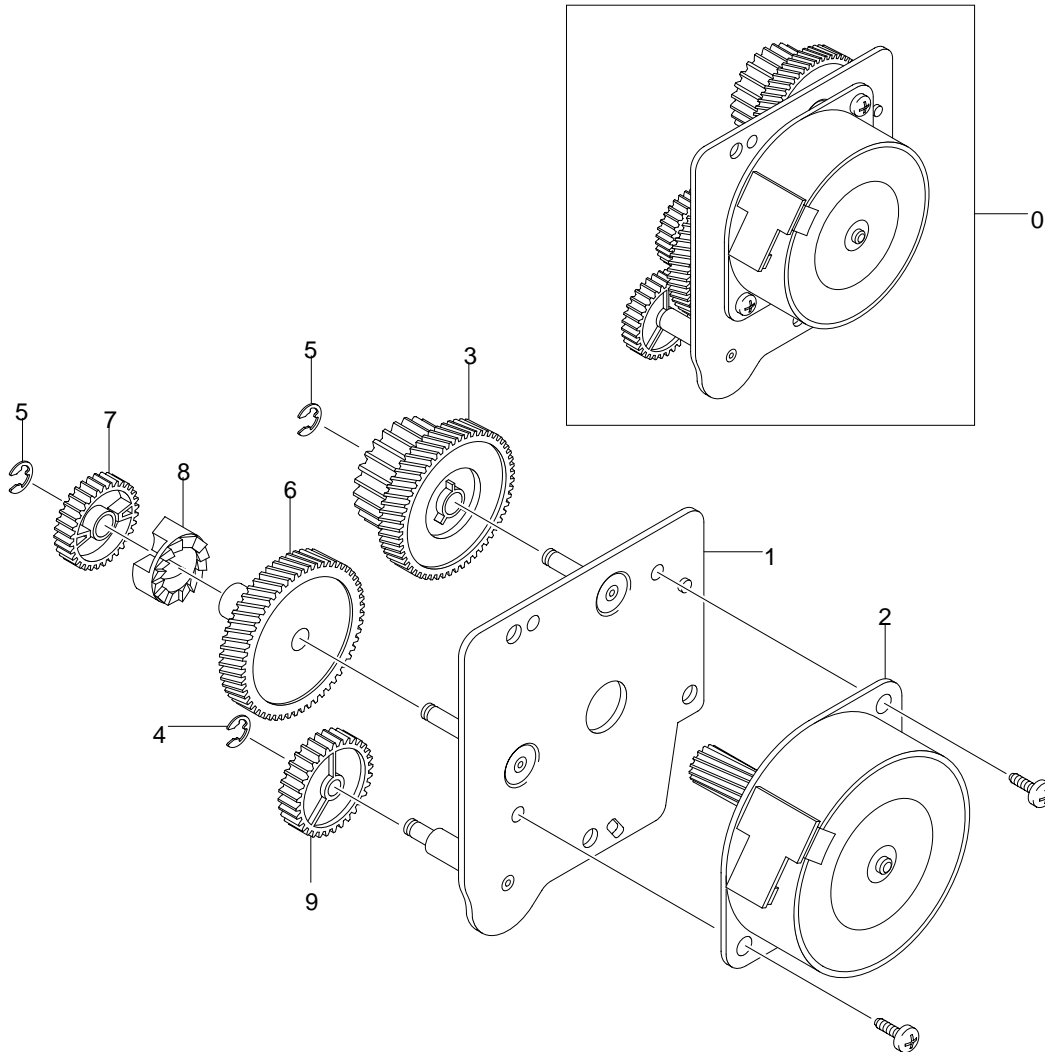
.7 MP Ass'y



5.8 Main Drive Ass'y



5.9 Fuser Drive Ass'y

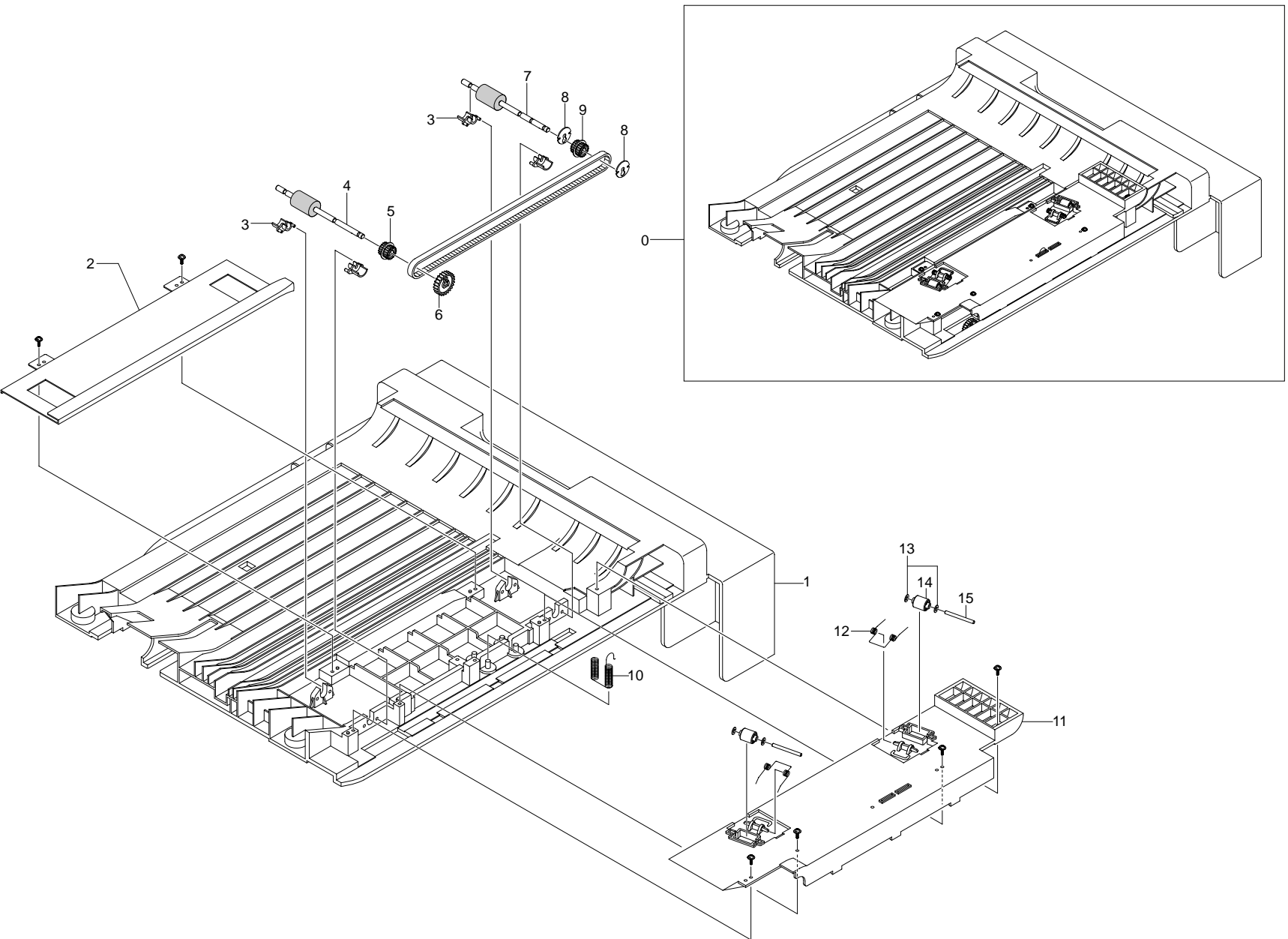


Fuser Drive Ass'y Parts List

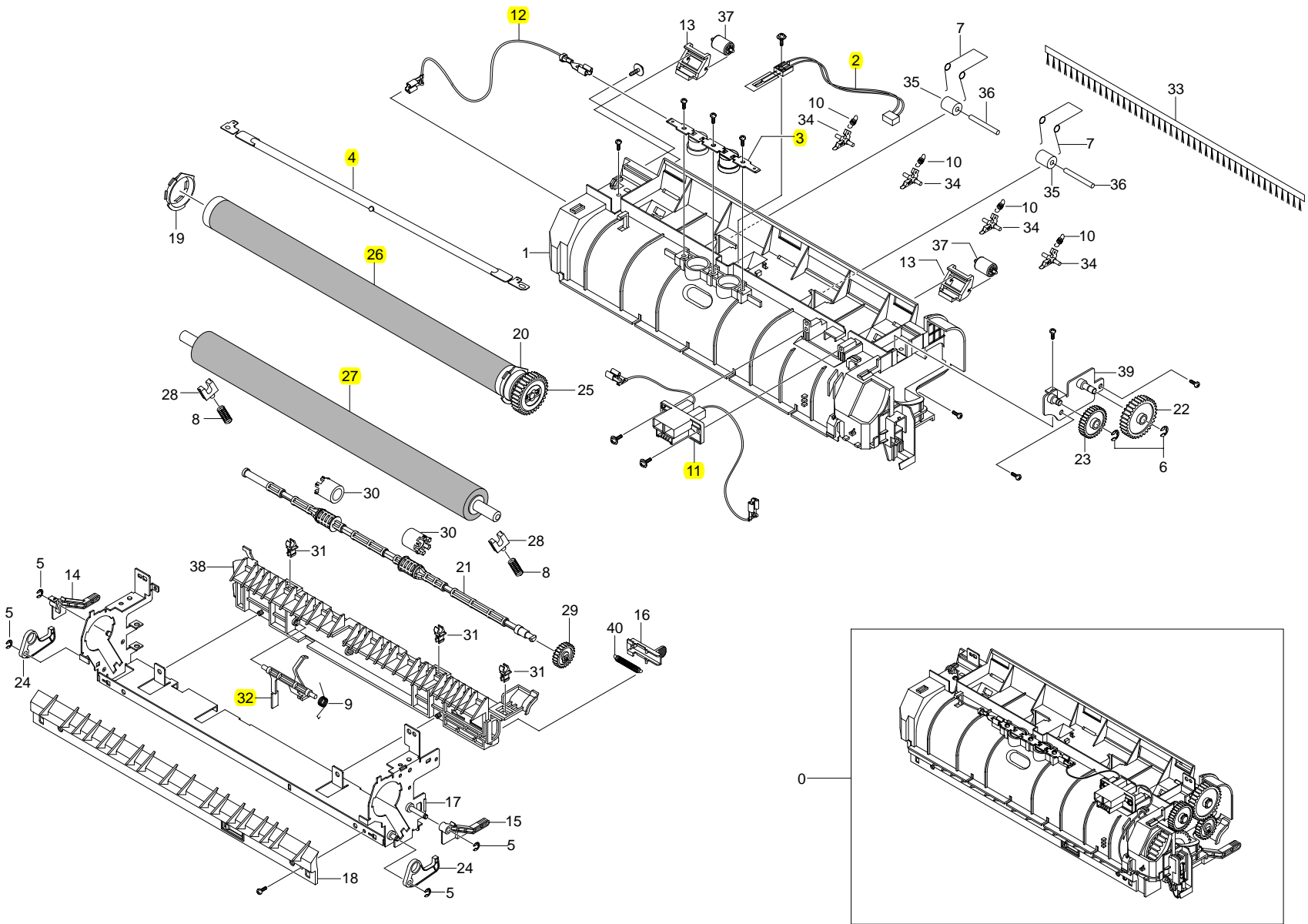
SA : Service Available
 SA : Service available SNA : Service not available

No.	Description	QT'y	Service
7.9-0	ELA HOU-FUSER DRIVE	1	
7.9-1	BRACKET-P-FUSER EXIT	1	
7.9-2	MOTOR STEP-MAIN	1	
7.9-3	GEAR-EXIT RDCN 87/24	1	
7.9-4	RING-E	1	
7.9-5	RING-E	2	
7.9-6	GEAR-FUSER RDCN IN 95	1	
7.9-7	GEAR-RDCN FUSER OUT	1	
7.9-8	GEAR-HUB CLUTCH	1	
7.9-9	GEAR-FUSER IDLE FR	1	

5.10 Duplex Unit (Optional)



5.11 Fuser Unit



5.12 Cassette Unit

