

PL 15.9 Motor Unit Assembly.....	5-68
PL 15.10 DADF Document Tray	5-69
HCF	
PL 18.1 HCF Unit.....	5-70
PL 18.2 HCF Tray 6 (1 of 2).....	5-71
PL 18.3 HCF Tray 6 (2 of 2).....	5-72
PL 18.4 HCF Feeder (1 of 3).....	5-73
PL 18.5 HCF Feeder (2 of 3).....	5-74
PL 18.6 HCF Feeder (3 of 3).....	5-75
PL 18.7 HCF Top Cover Unit	5-76
PL 18.8 HCF Electrical and Rail.....	5-77
A-Finisher	
PL 22.1 Finisher Assembly (Part 1 of 2)	5-78
PL 22.2 Finisher Assembly (Part 2 of 2)	5-79
PL 22.3 Stacker Base Assembly (Part 1 of 5).....	5-80
PL 22.4 Stacker Base Assembly (Part 2 of 5).....	5-81
PL 22.5 Stacker Base Assembly (Part 3 of 5).....	5-82
PL 22.6 Stacker Base Assembly (Part 4 of 5).....	5-83
PL 22.7 Stacker Base Assembly (Part 5 of 5).....	5-84
PL 22.8 Stacker Tray Assembly.....	5-85
PL 22.9 Compile Assembly (Part 1 of 2).....	5-86
PL 22.10 Compile Assembly (Part 2 of 2)	5-87
SB Finisher	
PL 23.1 H-Transport Assembly (1 of 5).....	5-88
PL 23.2 H - Transport Assembly (2 of 5).....	5-89
PL 23.3 H - Transport Assembly (3 of 5).....	5-90
PL 23.4 H - Transport Assembly (4 of 5).....	5-91
PL 23.5 H - Transport Assembly (5 of 5).....	5-92
PL 23.6 Finisher Cover	5-93
PL 23.7 Finisher Stacker.....	5-94
PL 23.8 Finisher Stapler.....	5-95
PL 23.9 Finisher Eject (1 of 5).....	5-96
PL 23.10 Finisher Eject (2 of 5).....	5-97
PL 23.11 Finisher Eject (3 of 5).....	5-98
PL 23.12 Finisher Eject (4 of 5).....	5-99
PL 23.13 Finisher Eject (5 of 5).....	5-100
PL 23.14 Finisher Exit/Folder Assembly	5-101
PL 23.15 Folder Assembly	5-102
PL 23.16 Finisher Electrical	5-103
PL 23.17 Booklet Cover	5-104
PL 23.18 Booklet Stapler Assembly	5-105
PL 23.19 Booklet Front Stapler Assembly	5-106
PL 23.20 Booklet Rear Stapler Assembly	5-107
PL 23.21 Booklet Electrical	5-108
Common Hardware	
Common Hardware	5-109
Part Number Index	5-119

Introduction

Overview

The Parts List section identifies all part numbers and the corresponding location of all spared subsystem components.

Organization

Parts Lists

Each item number in the part number listing corresponds to an item number in the related illustration. All the parts in a given subsystem of the machine will be located in the same illustration or in a series of associated illustrations.

Electrical Connectors and Fasteners

This section contains the illustrations and descriptions of the plugs, jacks, and fasteners used in the machine. A part number listing of the connectors is included.

Common Hardware

The common hardware is listed in alphabetical order by the letter or letters used to identify each item in the part number listing and in the illustrations. Dimensions are in millimeters unless otherwise identified.

Part Number Index

This index lists all the spared parts in the machine in numerical order. Each number is followed by a reference to the parts list on which the part may be found.

Other Information

Abbreviations

Abbreviations are used in the parts lists and the exploded view illustrations to provide information in a limited amount of space. The following abbreviations are used in this manual:

Table 1 Abbreviation size

Abbreviation	Meaning
A3	297 x 594 Millimeters
A4	210 x 297 Millimeters
A5	148 x 210 Millimeters
AD	Auto Duplex
AWG	American Wire Gauge
EMI	Electro Magnetic Induction
GB	Giga Byte
KB	Kilo Byte
MB	Mega Byte
MM	Millimeters
MOD	Magneto Optical Drive
NOHAD	Noise Ozone Heat Air Dirt
PL	Parts List
P/O	Part of

Table 1 Abbreviation size

Abbreviation	Meaning
R/E	Reduction/Enlargement
REF:	Refer to
SCSI	Small Computer Systems Interface
W/	With
W/O	Without

Table 2 Meaning

Operating Companies	
Abbreviation	Meaning
AO	Americas Operations
NASG - US	North American Solutions Group - US
NASG - Canada	North American Solutions Group - Canada
XE	Xerox Europe

Symbology

Symbology used in the Parts List section is identified in the Symbology section.

Service Procedure Referencing

If a part or assembly has an associated repair or adjustment procedure, the procedure number will be listed at the end of the part description in the parts lists e.g. (REP 5.1, ADJ 5.3)

Subsystem Information

Use of the Term “Assembly”

The term “assembly” will be used for items in the part number listing that include other itemized parts in the part number listing. When the word “assembly” is found in the part number listing, there will be a corresponding item number on the illustrations followed by a bracket and a listing of the contents of the assembly.

Brackets

A bracket is used when an assembly or kit is spared, but is not shown in the illustration. The item number of the assembly or kit precedes the bracket; the item numbers of the piece parts follow the bracket.

Tag

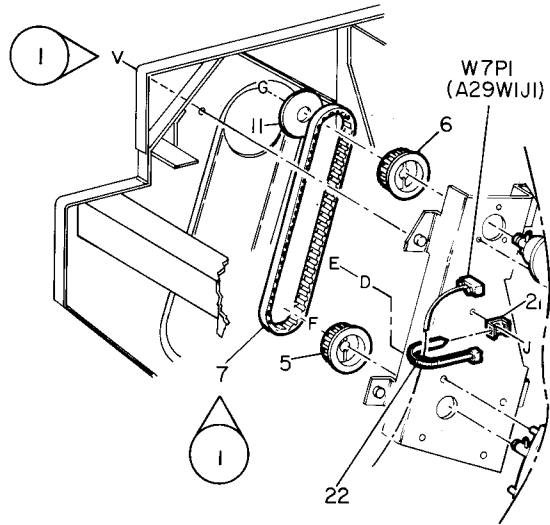
The notation “W/Tag” in the parts description indicates that the part configuration has been updated. Check the change Tag index in the General Information section of the Service Data for the name and purpose of the modification.

In some cases, a part or assembly may be spared in two versions: with the Tag and without the Tag. In those cases, use whichever part is appropriate for the configuration of the machine on which the part is to be installed. If the machine does not have a particular Tag and the only replacement part available is listed as “W/Tag”, install the Tag kit or all of the piece parts. The Change Tag Index tells you which kit or piece parts you need.

Whenever you install a Tag kit or all the piece parts that make up a Tag, mark the appropriate number on the Tag matrix.

Symbology

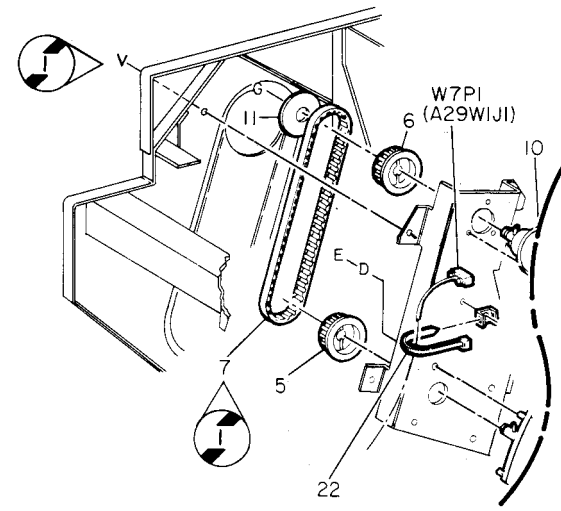
A Tag number within a circle pointing to an item number shows that the part has been changed by the tag number within the circle (Figure 1). Information on the modification is in the Change Tag Index.



O	Z004	A
850	PL	M I

Figure 1 With Tag Symbol

A Tag number within a circle having a shaded bar and pointing to an item number shows that the configuration of the part shown is the configuration before the part was changed by the Tag number within the circle (Figure 2).



O	Z005	A
850	PL	M I

Figure 2 Without Tag Symbol

A tag number within a circle with no apex shows that the entire drawing has been changed by the tag number within the circle (Figure 3). Information on the modification is in the Change Tag Index.

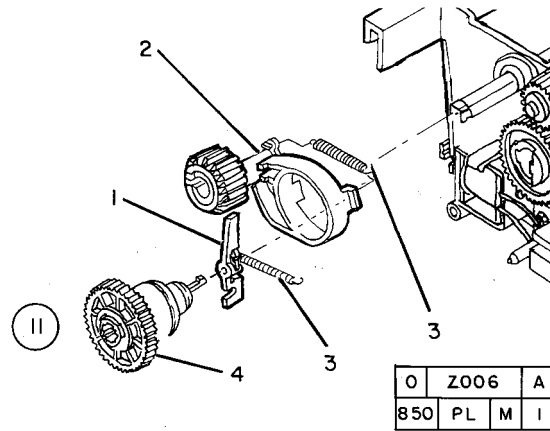


Figure 3 Entire Drawing With Tag Symbol

A tag number within a circle with no apex and having a shaded bar shows that the entire drawing was the configuration before being changed by the tag number within the circle (Figure 4).

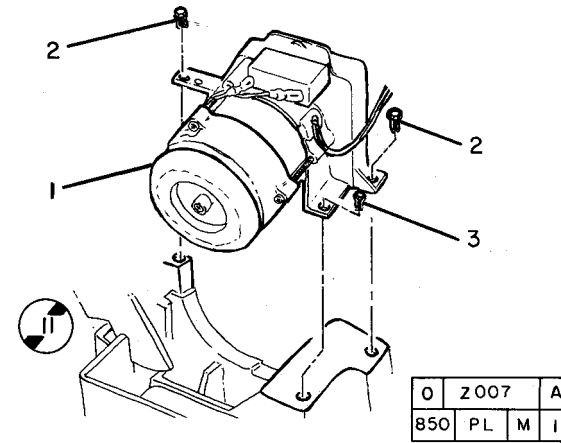
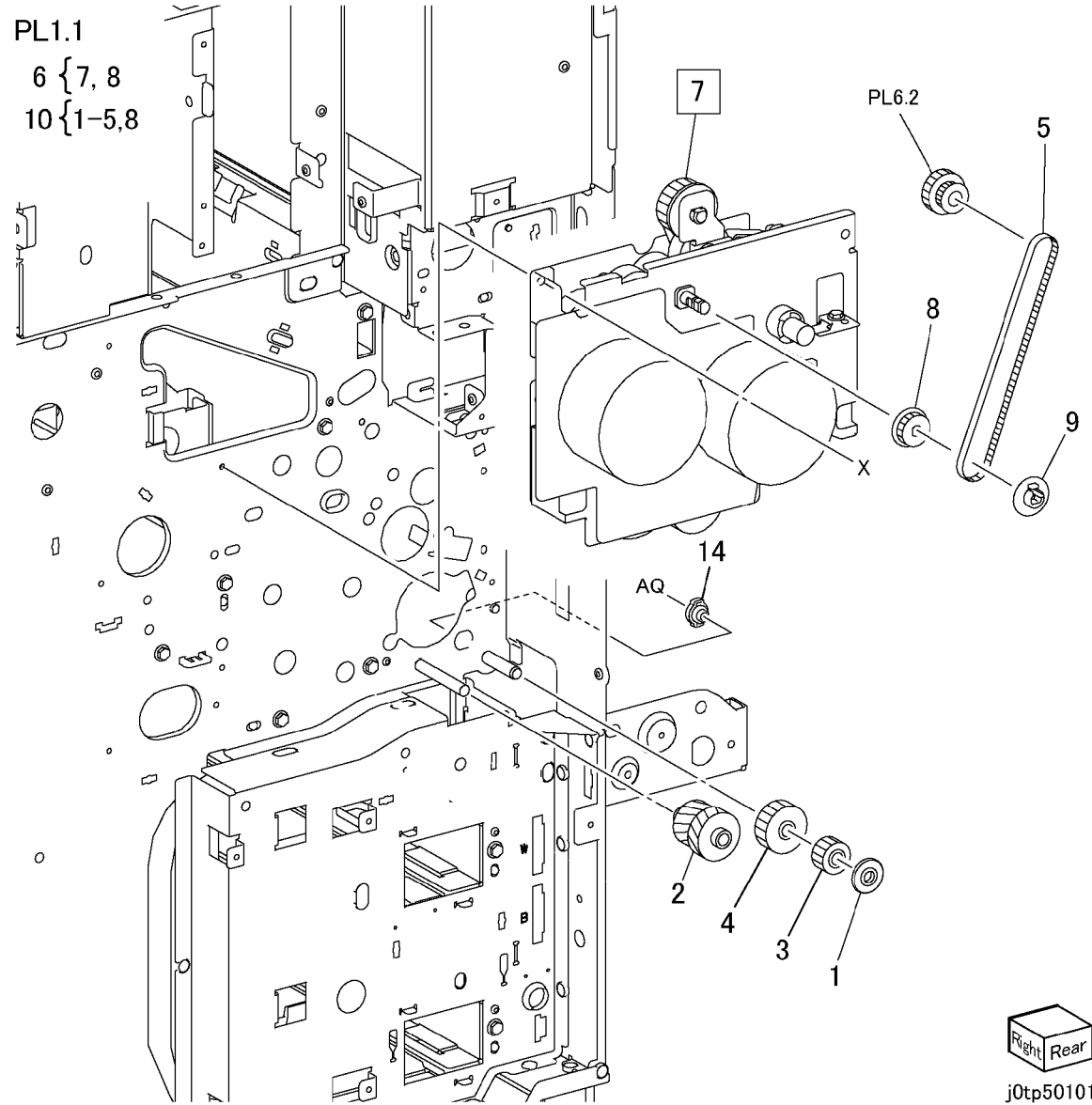


Figure 4 Entire Drawing Without Tag Symbol

PL 1.1 Main Drive

Item	Part	Description
1	-	Collar (P/O PL 1.1 Item 10)
2	-	Gear (21/21T) (P/O PL 1.1 Item 10)
3	-	Gear (18T) (P/O PL 1.1 Item 10)
4	-	Gear (21T) (P/O PL 1.1 Item 10)
5	-	Belt (P/O PL 1.1 Item 10)
6	007K88585	Main Drive Unit
7	-	Main Drive Assembly (P/O PL 1.1 Item 6) (REP 1.1.1)
8	-	Pulley (P/O PL 1.1 Item 6, 10)
9	005E17860	Flange
10	604K20500	Drive Gear Kit

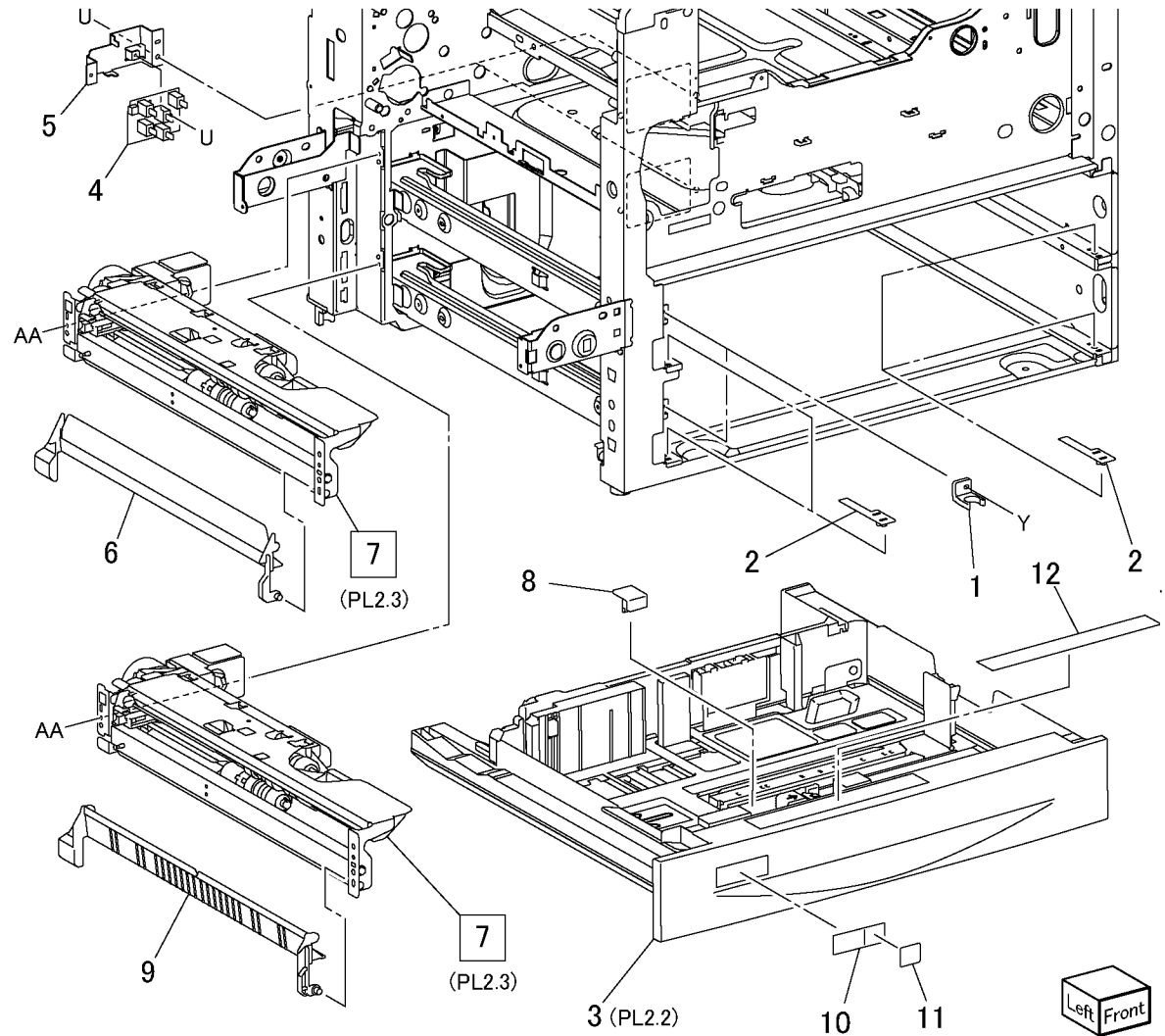


PL 2.1 Tray, Feeder 1/2 Assembly

Item	Part	Description
1	003E61510	Stopper
2	–	Spacer (Not Spared)
3	050K61180	Tray Assembly
4	110K12100	Tray 1 Paper Size Switch, Tray 2 Paper Size Switch
5	–	Bracket (Not Spared)
6	054K24091	Feed Out Chute
7	059K42524	Feeder 1 Assembly, Feeder 2 Assembly (REP 2.1.1)
8	–	Slide Look (Not Spared)
9	054E25722	Feed Out Chute
10	–	Label Tray 1, Label Tray 2 (P/O PL 2.1 Item 13)
11	–	Label Size (Not Spared)
12	–	Label (Instruction) (P/O PL 2.1 Item 13)
13	604K20550	Tray Label Kit

PL2.1

13 { 10,12, PL2.2 Item 4



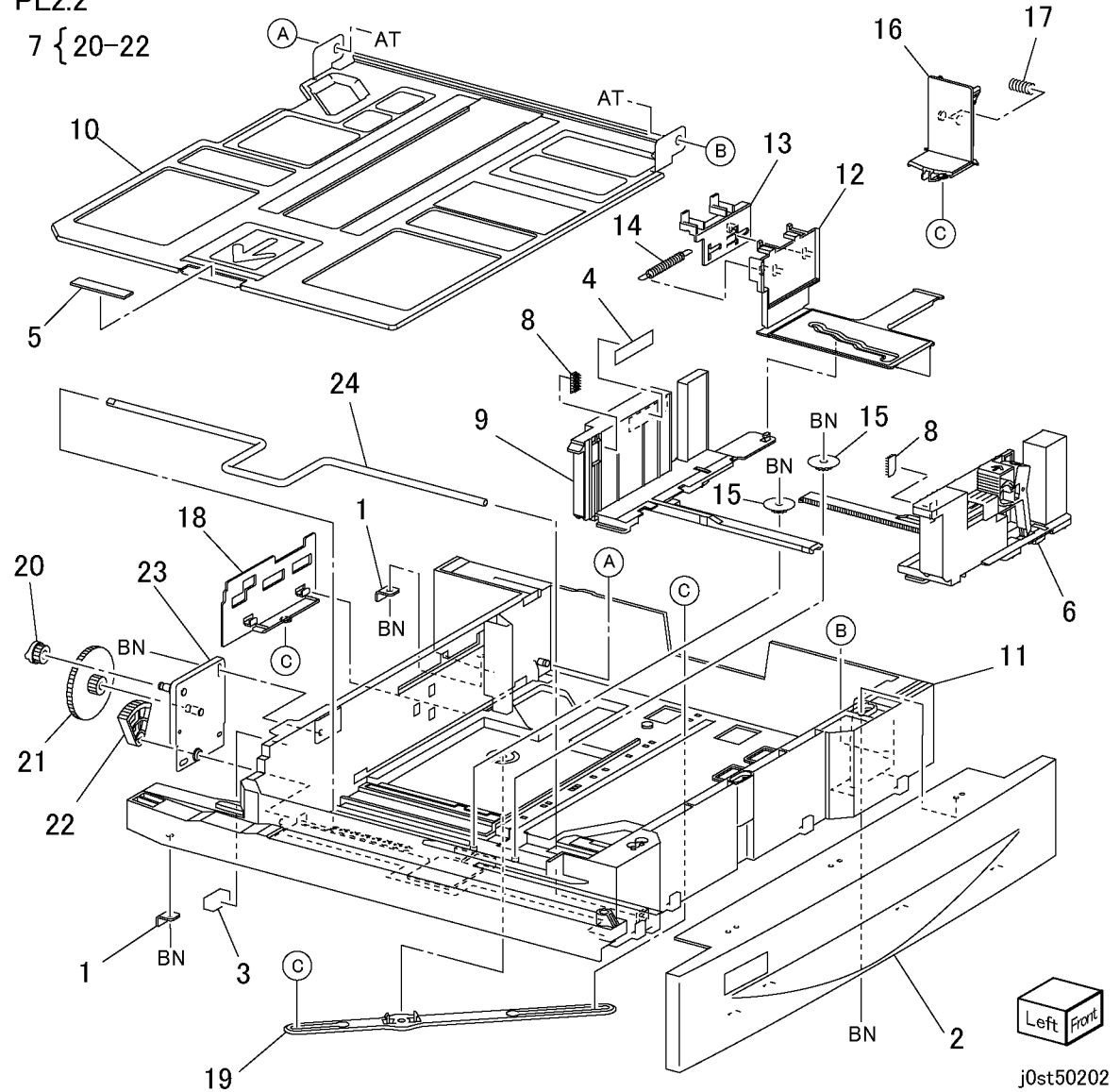
j0st50201B

PL 2.2 Tray 1/2

Item	Part	Description
1	-	Stopper (P/O PL 2.1 Item 3)
2	-	(SCC) Tray Cover (P/O PL 2.1 Item 3)
3	-	Seal (P/O PL 2.1 Item 3)
4	-	Label (Max) (P/O PL 2.1 Item 3)
5	-	Bottom Pad (P/O PL 2.1 Item 3)
6	-	Front Side Guide (P/O PL 2.1 Item 3)
7	604K20541	Tray Gear Kit
8	-	Tray Pad (P/O PL 2.1 Item 3)
9	-	Rear Side Guide (P/O PL 2.1 Item 3)
10	-	Bottom Plate (P/O PL 2.1 Item 3)
11	-	Tray (P/O PL 2.1 Item 3)
12	-	Side Guide Actuator (P/O PL 2.1 Item 3)
13	-	Guide Actuator (P/O PL 2.1 Item 3)
14	-	Spring (P/O PL 2.1 Item 3)
15	-	Pinion Gear (P/O PL 2.1 Item 3)
16	-	End Guide (P/O PL 2.1 Item 3)
17	-	Spring (P/O PL 2.1 Item 3)
18	-	End Guide Actuator (P/O PL 2.1 Item 3)
19	-	Link (P/O PL 2.1 Item 3)
20	-	Coupling Gear (P/O PL 2.2 Item 7)
21	-	Gear (13T/60T) (P/O PL 2.2 Item 7)
22	-	Sector Gear (P/O PL 2.2 Item 7)
23	-	Bracket (P/O PL 2.1 Item 3)
24	-	Lift Up Shaft (P/O PL 2.1 Item 3)

PL2.2

7 { 20-22



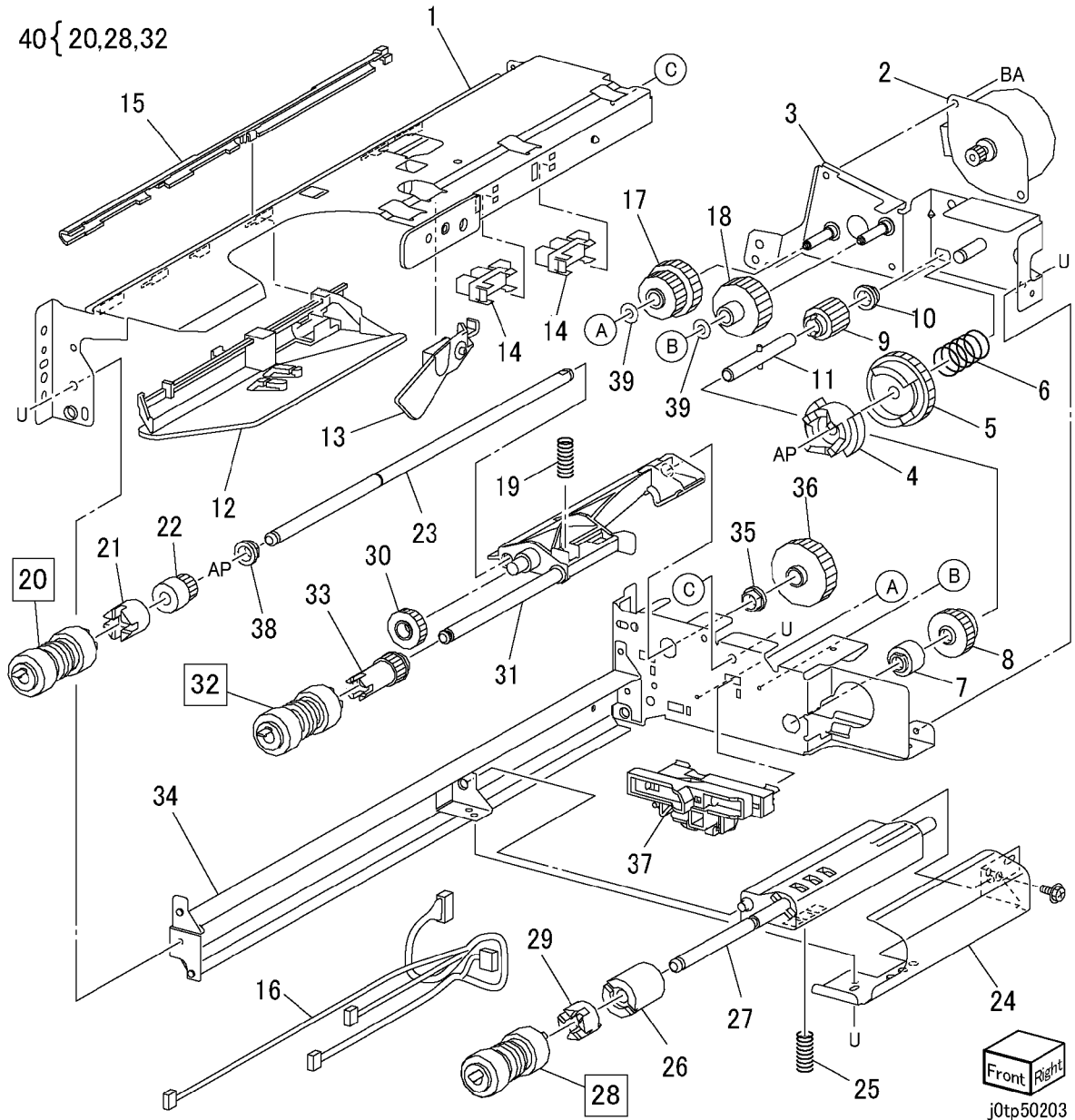
j0st50202

PL 2.3 Feeder 1/2 Assembly

Item	Part	Description
1	-	Upper Frame (P/O PL 2.1 Item 7)
2	127K38171	Tray 1/2 Feed/Lift Up Motor
3	-	Bracket (P/O PL 2.1 Item 7)
4	-	Spacer (P/O PL 2.1 Item 7)
5	-	Gear (31T) (P/O PL 2.1 Item 7)
6	-	Spring (P/O PL 2.1 Item 7)
7	-	Oneway Clutch (P/O PL 2.1 Item 7)
8	-	Oneway Gear (P/O PL 2.1 Item 7)
9	-	Gear (13T) (P/O PL 2.1 Item 7)
10	-	Bearing (P/O PL 2.1 Item 7)
11	-	Shaft (P/O PL 2.1 Item 7)
12	-	Front Chute (P/O PL 2.1 Item 7)
13	120E22481	Actuator
14	930W00113	Tray 1/2 Level Sensor, Tray 1/2 No Paper Sensor
15	113E37571	Harness Holder
16	962K19692	Wire Harness
17	-	Gear (28T/21T) (P/O PL 2.1 Item 7)
18	-	Gear (29T) (P/O PL 2.1 Item 7)
19	-	Spring (P/O PL 2.1 Item 7)
20	-	Feed Roll (P/O PL 2.3 Item 40) (REP 2.3.1)
21	005K05890	Oneway Clutch
22	005K06760	Oneway Gear (22T)
23	-	Shaft (P/O PL 2.1 Item 7)
24	-	Chute (P/O PL 2.1 Item 7)
25	-	Spring (P/O PL 2.1 Item 7)
26	005K81880	Friction Clutch
27	-	Support (P/O PL 2.1 Item 7)
28	-	Retard Roll (P/O PL 2.3 Item 40) (REP 2.3.1)
29	-	Spacer (P/O PL 2.1 Item 7)
30	-	Gear (33T) (P/O PL 2.1 Item 7)
31	-	Support Assembly (P/O PL 2.1 Item 7)
32	-	Nudger Roll (P/O PL 2.3 Item 40) (REP 2.3.1)
33	-	Gear (25T) (P/O PL 2.1 Item 7)
34	-	Lower Frame (P/O PL 2.1 Item 7)
35	-	Bearing (P/O PL 2.1 Item 7)
36	-	Gear (34T) (P/O PL 2.1 Item 7)
37	-	Lever (P/O PL 2.1 Item 7)
38	-	Bearing (P/O PL 2.1 Item 7)
39	-	Washer (P/O PL 2.1 Item 7)
40	604K20360	Tray Feed Roller Kit (3/Kit) (REP 2.3.1)

PL2.3

40 { 20,28,32

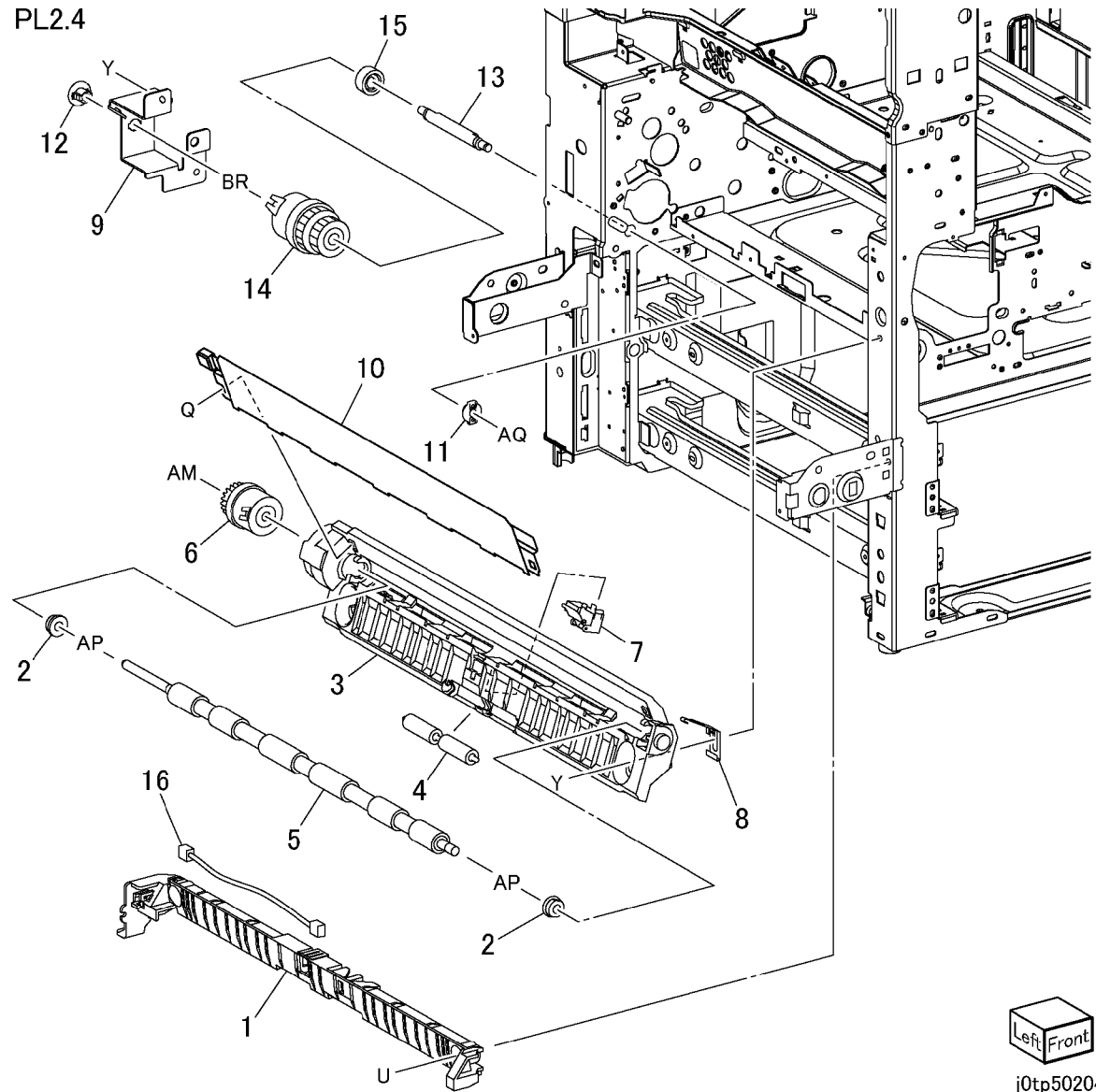


Front Right
j0tp50203

PL 2.4 Registration

Item	Part	Description
1	054K35390	Chute
2	013E26760	Bearing
3	054E23940	Registration Chute
4	059E98590	Idler Roll
5	059K31021	Registration Roll
6	121K32660	Registration Roll
7	130K64270	Registration Sensor
8	-	Earth Plate (Not Spared)
9	-	Bracket (Not Spared)
10	054K23940	Chute Assembly
11	013E26060	Bearing
12	013E26091	Bearing
13	-	Shaft (Not Spared)
14	121K32730	Takeaway Roll Clutch (Alternate)
15	007E79320	Gear (19T) (23/28CPM)
16	-	Wire Harness (Not Spared)

PL2.4



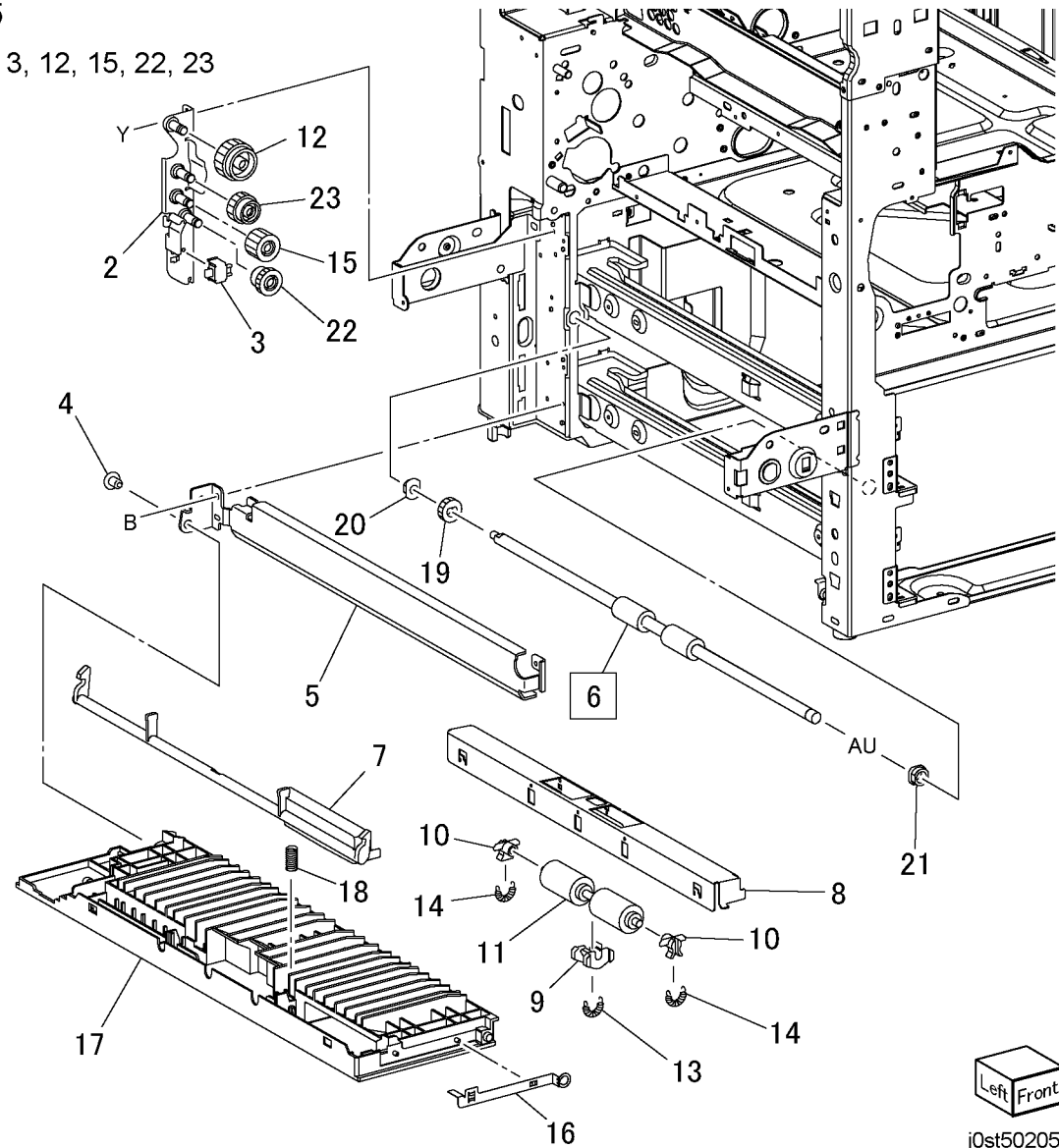
j0tp50204

PL 2.5 Vertical Transport Cover

Item	Part	Description
1	015K73510	Gear Assembly
2	-	Bracket Assembly (P/O PL 2.5 Item 1)
3	-	L/H Lower Cover Interlock Switch (P/O PL 2.5 Item 1)
4	-	Cap (Not Spared)
5	-	Lower Chute (Not Spared)
6	059K26840	Takeaway Roll (REP 2.5.1)
7	-	Handle (Not Spared)
8	-	Bracket (Not Spared)
9	-	Bearing (Not Spared)
10	-	Bearing (Not Spared)
11	059E98371	Pinch Roller
12	-	Gear (31T) (P/O PL 2.5 Item 1)
13	-	Spring (Not Spared)
14	-	Spring (Not Spared)
15	-	Gear (22T) (P/O PL 2.5 Item 1)
16	-	Earth Plate (Not Spared)
17	802E55701	L/H Lower Cover
18	-	Spring (Not Spared)
19	007E79270	Gear (18T)
20	013E29830	Bearing
21	013E30110	Bearing
22	-	Gear (21T) (P/O PL 2.5 Item 1)
23	-	Gear (23T) (P/O PL 2.5 Item 1)

PL2.5

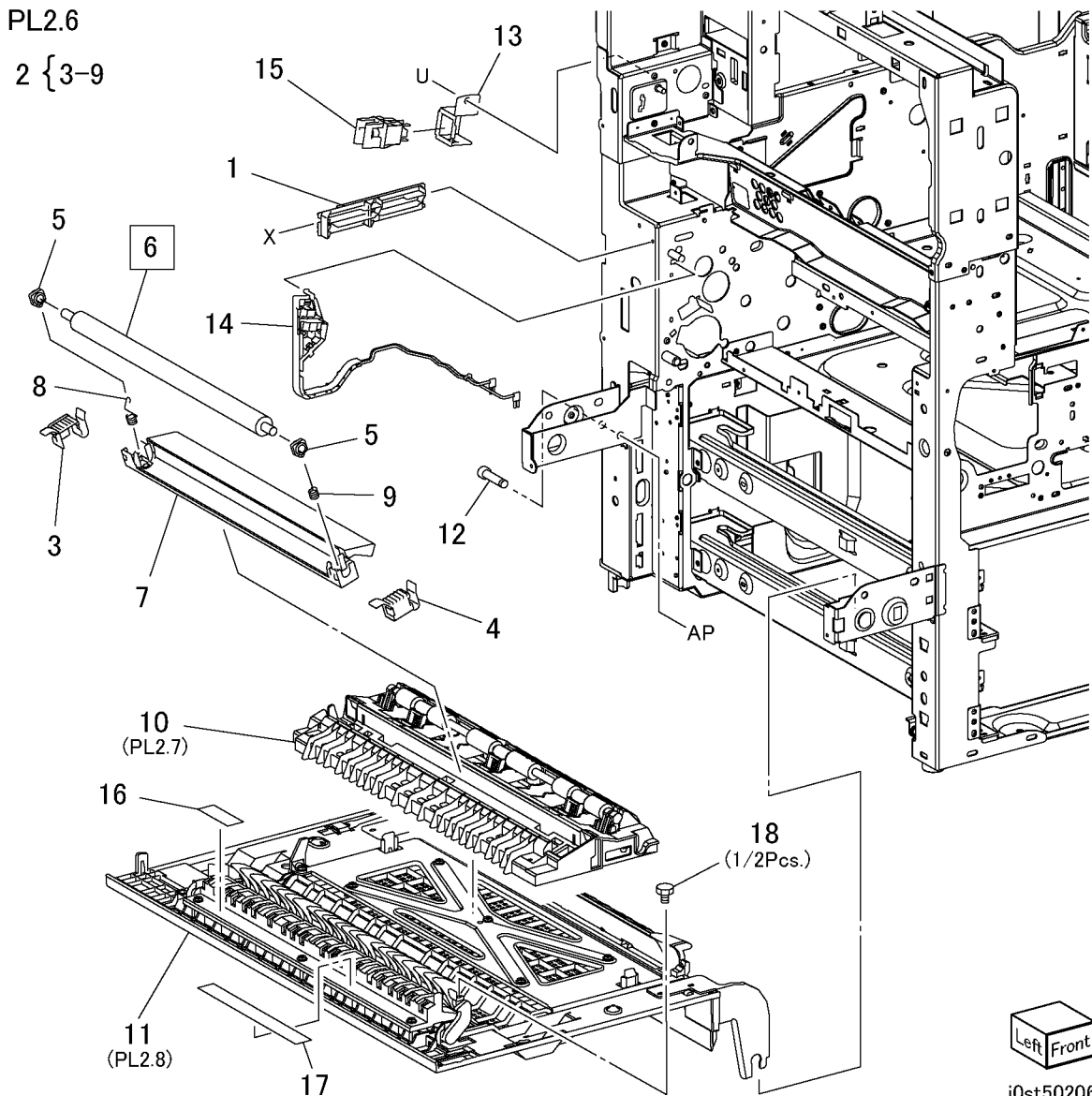
1 { 2, 3, 12, 15, 22, 23



PL 2.6 Transfer Cover Assembly

Item	Part	Description
1	012K94341	Link Assembly
2	802K81270	BTR Roll Assembly
3	-	Lever (Rear) (P/O PL 2.6 Item 2)
4	-	Lever (Front) (P/O PL 2.6 Item 2)
5	-	Bearing (P/O PL 2.6 Item 2)
6	-	BTR Roll (P/O PL 2.6 Item 2) (REP 2.6.1)
7	-	Housing (P/O PL 2.6 Item 2)
8	-	Spring (P/O PL 2.6 Item 2)
9	-	Spring (P/O PL 2.6 Item 2)
10	054K24055	L/H Upper Chute Assembly
11	802K88890	L/H Upper Cover Assembly
12	-	Stud (Not Spared)
13	-	Bracket (Not Spared)
14	802K49240	Wire Assembly
15	110E94770	L/H Cover Inter Lock Switch
16	-	Label 220V (Not Spared)
17	-	Label 110V (Not Spared)
18	-	Screw (Not Spared)

PL2.6

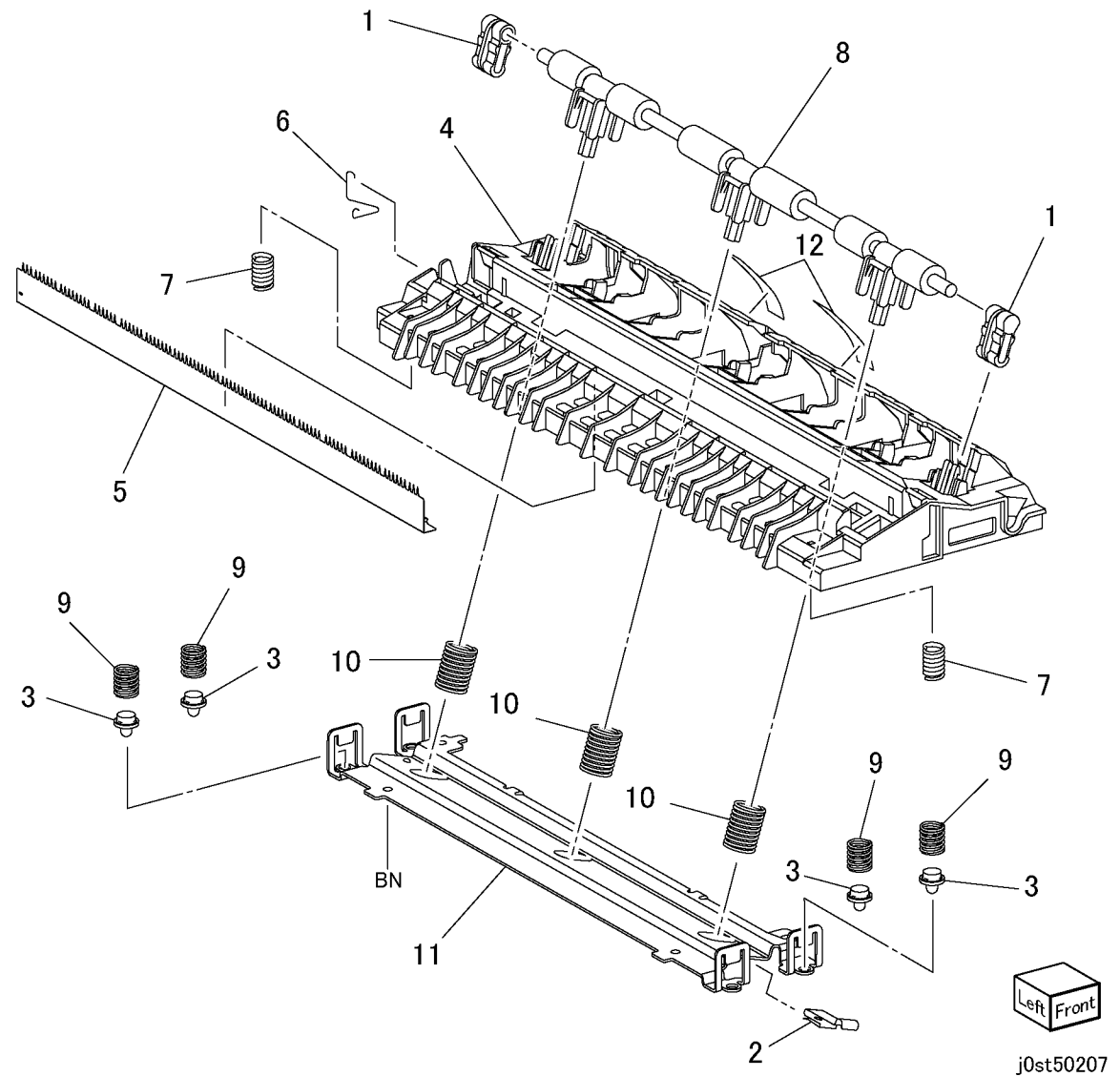


j0st50206

PL 2.7 L/H Upper Chute Assembly

Item	Part	Description
1	-	Bearing (P/O PL 2.6 Item 10)
2	-	Earth Plate (P/O PL 2.6 Item 10)
3	-	Guide (P/O PL 2.6 Item 10)
4	-	L/H Chute (P/O PL 2.6 Item 10)
5	-	Eliminator (P/O PL 2.6 Item 10)
6	-	Spring Contact (P/O PL 2.6 Item 10)
7	-	Spring Chute (P/O PL 2.6 Item 10)
8	-	Pinch Roll (P/O PL 2.6 Item 10)
9	-	Spring (P/O PL 2.6 Item 10)
10	-	Spring (P/O PL 2.6 Item 10)
11	-	Plate (P/O PL 2.6 Item 10)
12	-	Guide (P/O PL 2.6 Item 10)

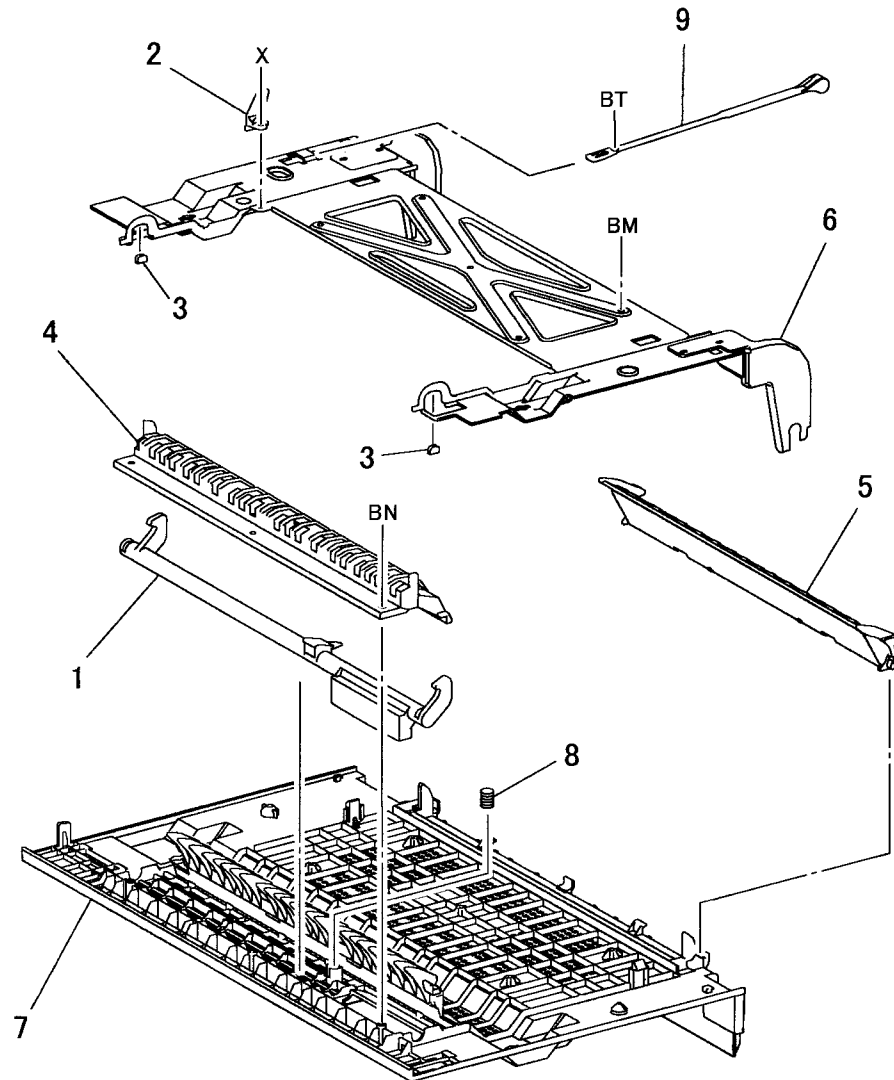
PL2.7



PL 2.8 L/H Upper Cover Assembly

Item	Part	Description
1	003E59833	Handle
2	-	Xerographics/Developer Cartridge Shutter (P/O PL 2.6 Item 11)
3	-	Handle Guide (P/O PL 2.6 Item 11)
4	054E23950	L/H Cover Chute
5	054K30770	Chute Assembly
6	-	Frame (P/O PL 2.6 Item 11)
7	802K86921	L/H Upper Cover (P/O PL 2.6 Item 11)
8	-	Spring (P/O PL 2.6 Item 11)
9	849E13981	Support

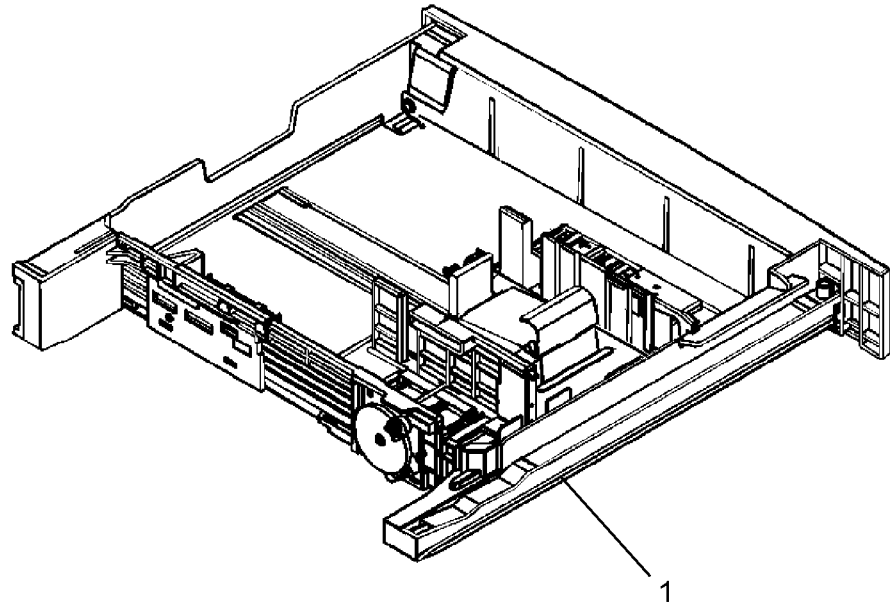
PL2.8



j0tp50208

PL 2.9 Envelope Tray Assembly

Item	Part	Description
1	050K61320	Envelope Tray Assembly (Optional)

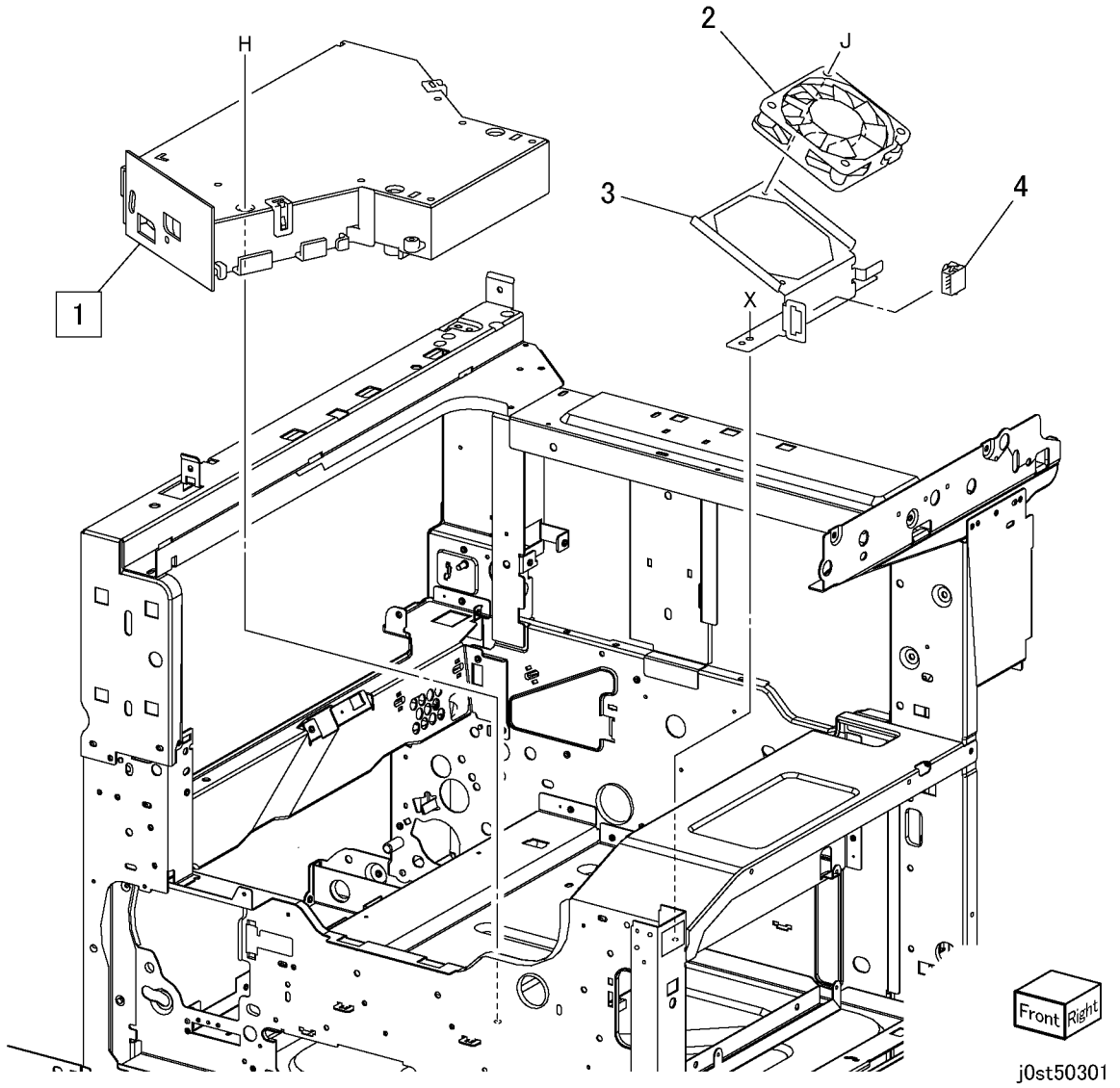


0502009A-KOH

PL 3.1 ROS

Item	Part	Description
1	062K13584	ROS Unit (REP 3.1.1)
2	927W00111	ROS Fan
3	-	Bracket (Not Spared)
4	-	Connector (Not Spared)

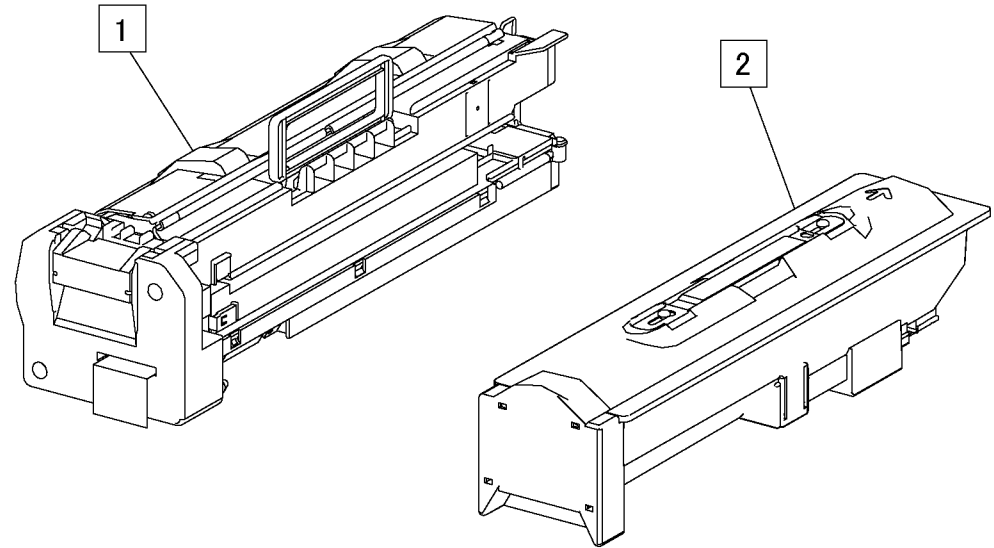
PL3.1



PL 4.1 CRU, Toner Cartridge

Item	Part	Description
1	-	Xerographics/Developer Cartridge (Not Spared) (REP 4.1.1)
2	-	Toner Cartridge (Not Spared) (REP 4.1.2)

PL4.1



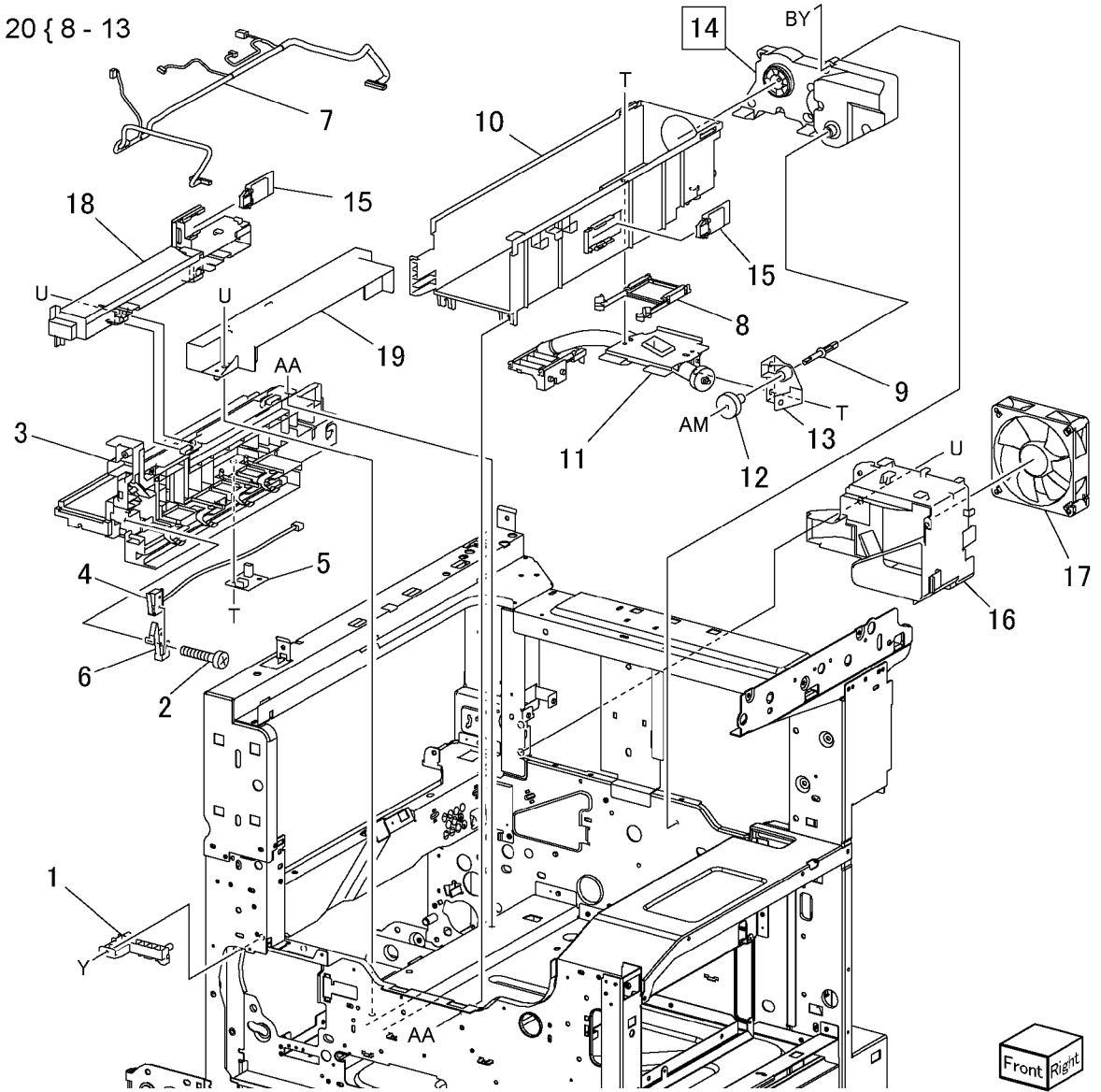
j0st50401

PL 4.2 Toner System

Item	Part	Description
1	-	Stopper (Not Spared)
2	-	Screw (Not Spared)
3	-	Guide Assembly (Not Spared)
4	110K11810	Xerographics Interlock Switch
5	130K87980	HUM and Temp Sensor
6	-	Plate (Not Spared)
7	962K13060	Wire Harness
8	-	Stopper (P/O PL 4.2 Item 20)
9	-	Shaft (P/O PL 4.2 Item 20)
10	-	Toner Box (P/O PL 4.2 Item 20)
11	-	Dispense Motor (P/O PL 4.2 Item 20)
12	807E01360	Gear (13T)
13	849E23310	Support
14	127K38040	Dispense Motor (REP 4.2.1)
15	160K95831	Toner Crum PWB, Xerographic Crum PWB
16	-	Duct (Not Spared)
17	127K37881	Fuser Fan
18	-	Housing Assembly (Not Spared)
19	-	Housing Assembly (Not Spared)
20	032K96941	Toner Box Assembly

PL4.2

20 { 8 - 13

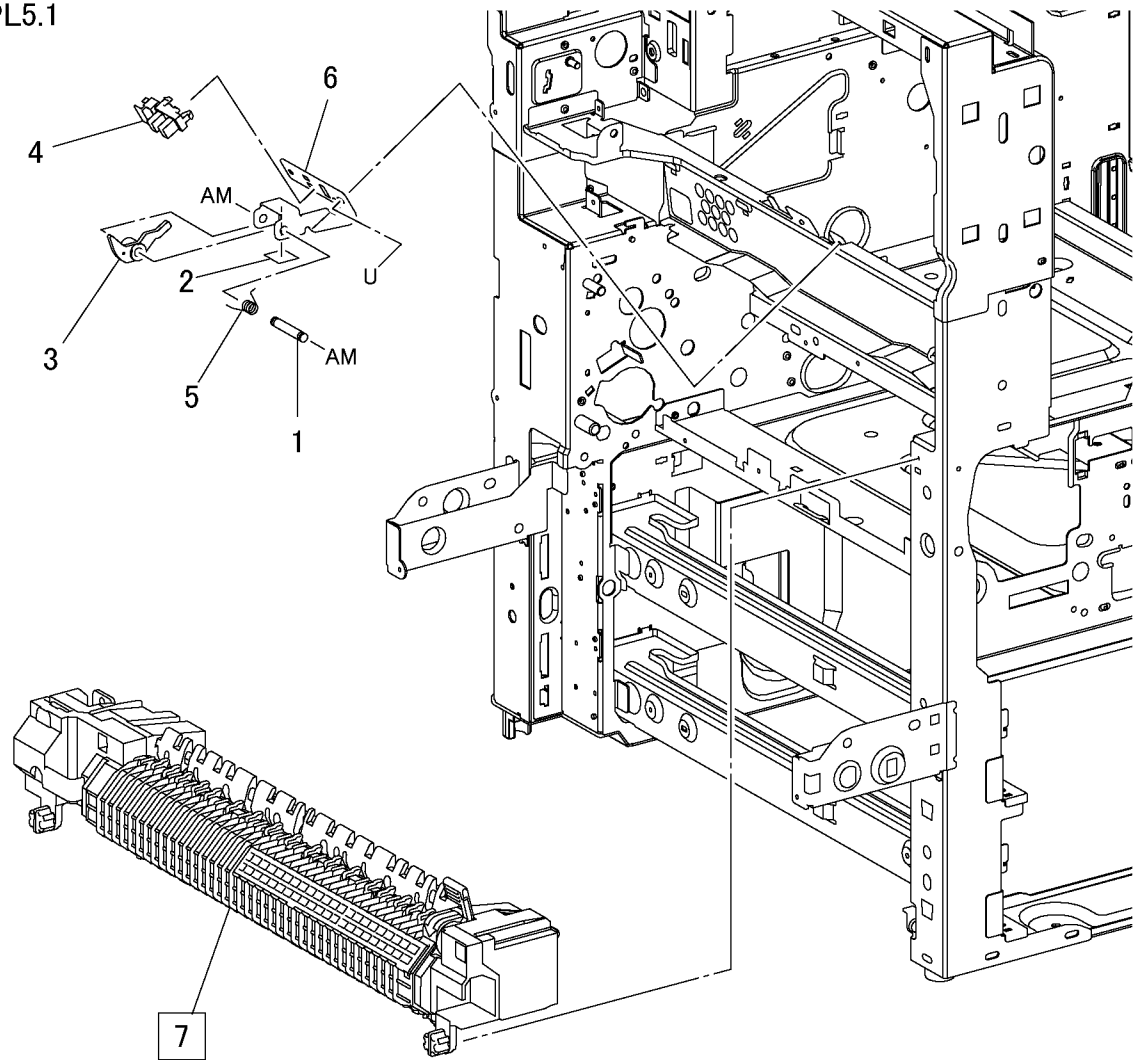


j0st50402B

PL 5.1 Fuser Unit

Item	Part	Description
1	–	Shaft (Not Spared)
2	–	Insulator (Not Spared)
3	120E29881	Actuator
4	130E87090	Fuser Exit Sensor
5	809E42201	Spring
6	–	Bracket (Not Spared)
7	126K24980	Fuser Unit (110V) (REP 5.1.1)
–	126K24990	Fuser Unit (220V) (REP 5.1.1)

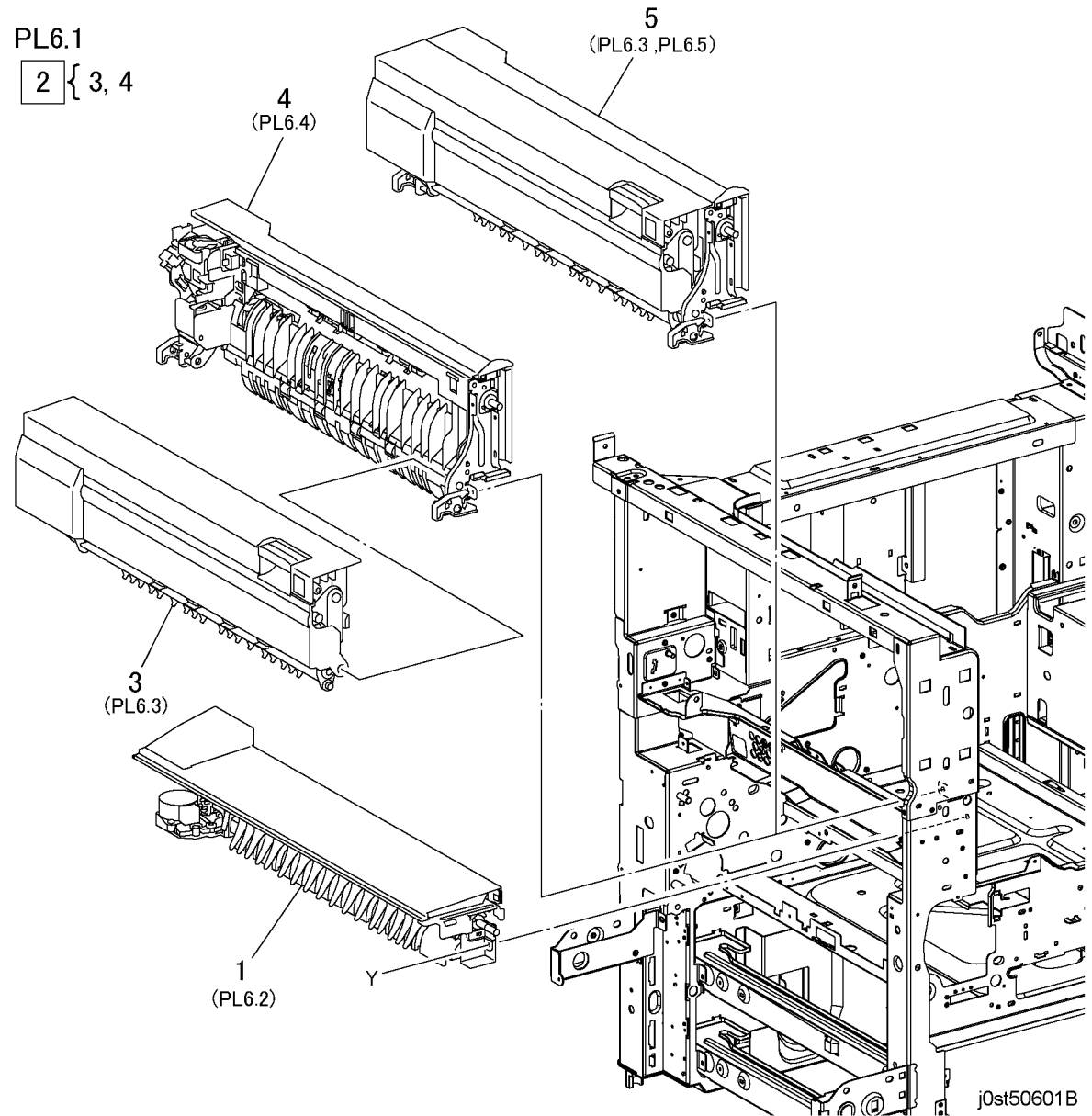
PL5.1



j0st50501

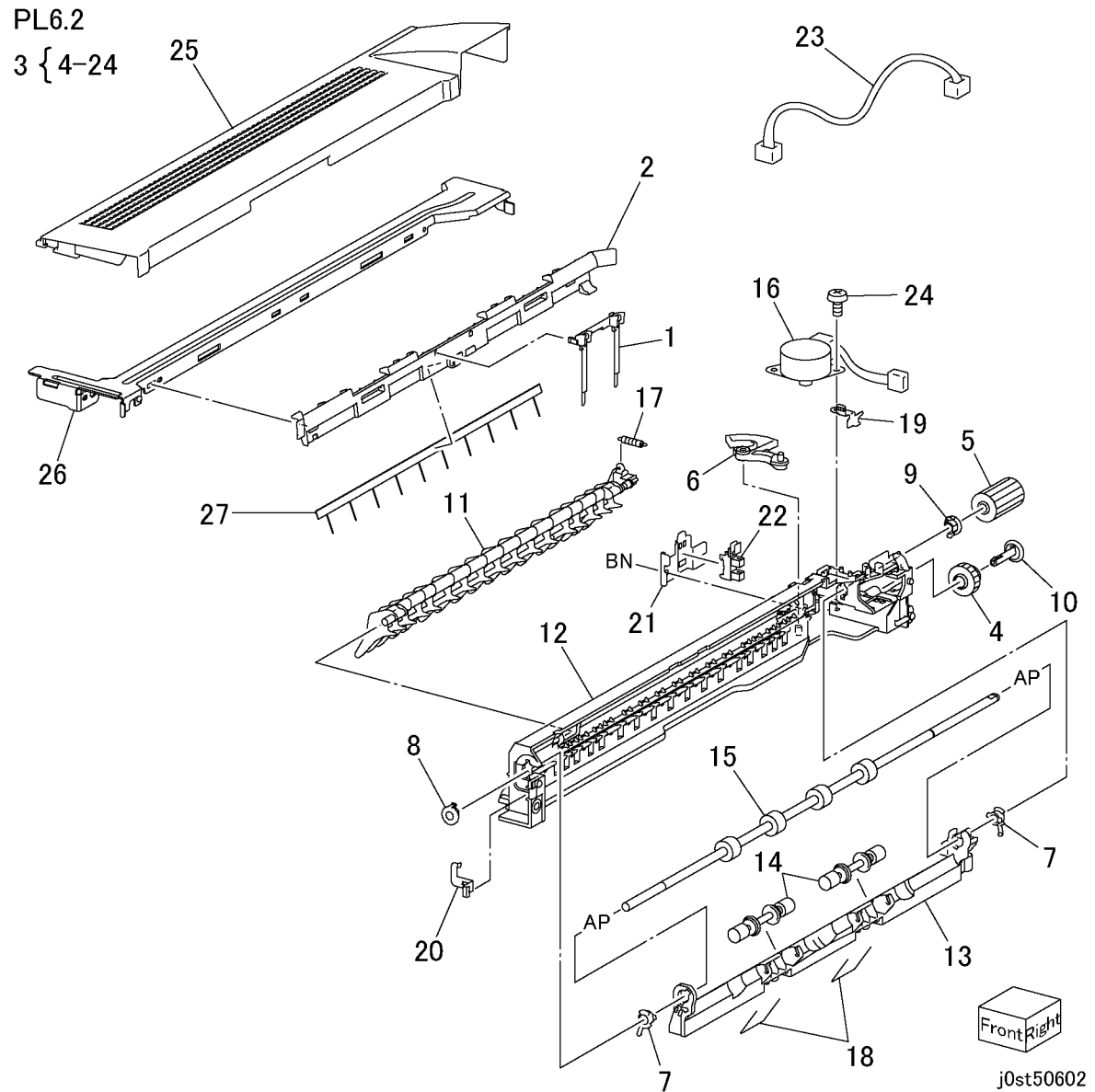
PL 6.1 Exit

Item	Part	Description
1	–	Exit 1 (REF: PL 6.2 Item 3)
2	059K55870	Exit 2 And OCT2 (REP 6.1.1)
3	–	L/H Upper Chute Assembly (P/O PL 6.1 Item 2)
4	–	Tray Guide Assembly (P/O PL 6.1 Item 2)
5	059K55880	Exit 2 And Inverter



PL 6.2 Exit 1

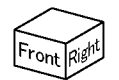
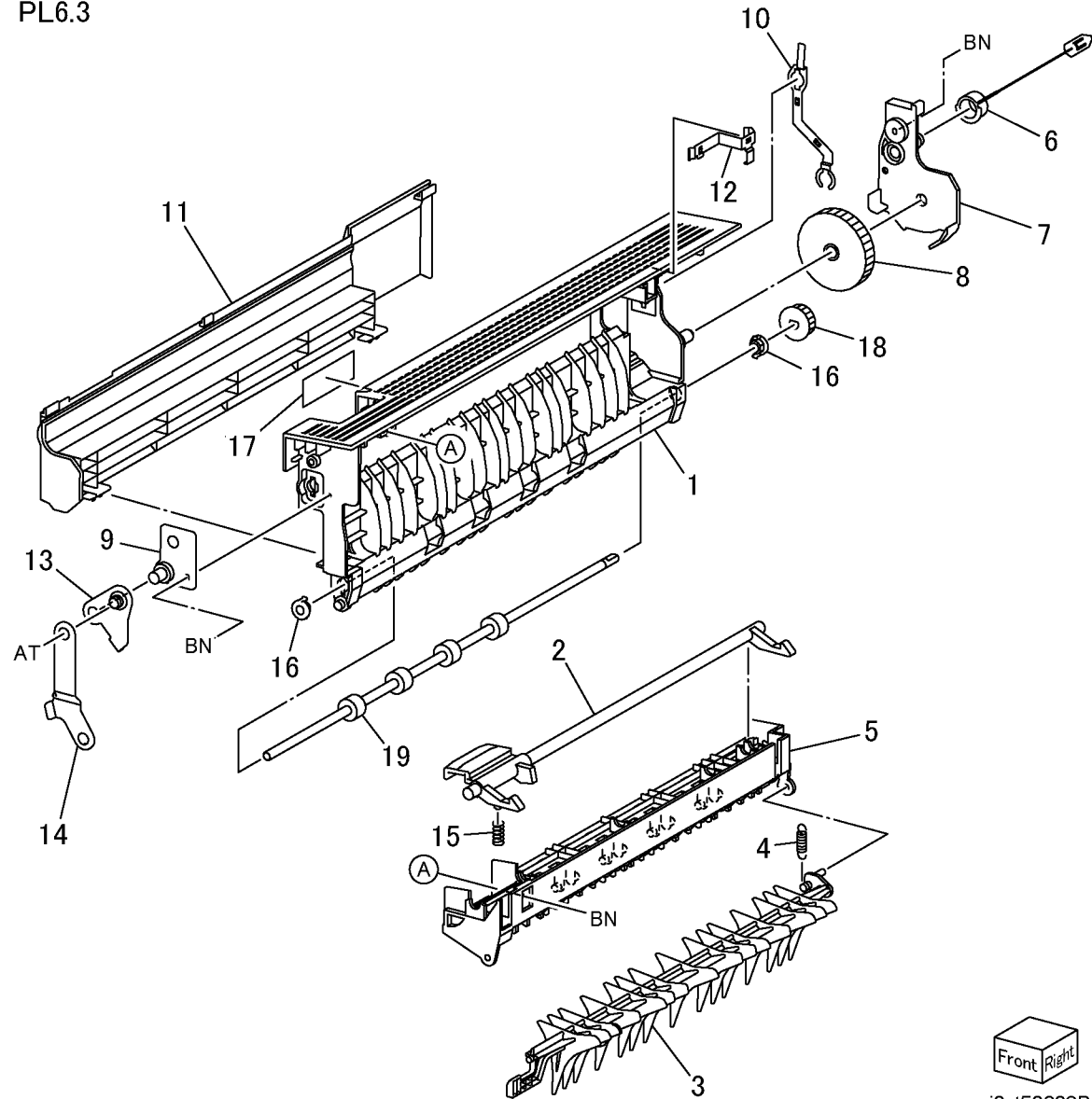
Item	Part	Description
1	036K91620	Paper Weight Assembly
2	038E26725	Exit 1 Tray Guide
3	059K55770	Exit 1 Assembly
4	-	Gear (P/O PL 6.2 Item 3)
5	-	Gear (19T) (P/O PL 6.2 Item 3)
6	-	Offset Gear (P/O PL 6.2 Item 3)
7	-	Bearing (P/O PL 6.2 Item 3)
8	013E25550	Bearing
9	013E30050	Bearing
10	-	Cap (P/O PL 6.2 Item 3)
11	050E19804	Exit 1 Gate
12	-	Lower Chute (P/O PL 6.2 Item 3)
13	054E23844	OCT Chute
14	604K47020	Roller Kit (2/Kit)
15	059K26760	Exit 1 Roll
16	127K57200	Offset Motor 1
17	-	Spring (P/O PL 6.2 Item 3)
18	604K20420	Spring Kit (2/Kit)
19	-	Earth Plate (P/O PL 6.2 Item 3)
20	-	Earth Plate (P/O PL 6.2 Item 3)
21	-	Bracket (P/O PL 6.2 Item 3)
22	930W00113	OCT Home Sensor
23	962K15241	Wire Harness
24	-	Screw (P/O PL 6.2 Item 3)
25	-	Exit 1 Top Cover (Not Spared)
26	-	Bracket (Not Spared)
27	105E12940	Eliminator



PL 6.3 L/H Upper Chute Assembly

Item	Part	Description
1	-	L/H Upper Chute (P/O PL 6.1 Item 3)
2	003E60161	Latch
3	050E20010	Exit 2 Gate
4	-	Spring (P/O PL 6.1 Item 3)
5	054E24372	Upper FU Chute
6	-	Stopper (P/O PL 6.1 Item 3)
7	-	Gear Cover (P/O PL 6.1 Item 3)
8	-	Gear (52T) (P/O PL 6.1 Item 3)
9	-	Bracket (P/O PL 6.1 Item 3)
10	-	Earth Plate (P/O PL 6.1 Item 3)
11	-	Face Up Exit Cover (P/O PL 6.1 Item 3)
12	-	Earth Plate (P/O PL 6.1 Item 3)
13	-	Bracket (P/O PL 6.1 Item 3)
14	-	Link (P/O PL 6.1 Item 3)
15	809E37170	Spring
16	-	Bearing (P/O PL 6.1 Item 3)
17	-	Label (P/O PL 6.1 Item 3)
18	-	Gear (P/O PL 6.1 Item 3)
19	-	Invert Roll Assembly (P/O PL 6.1 Item 3)

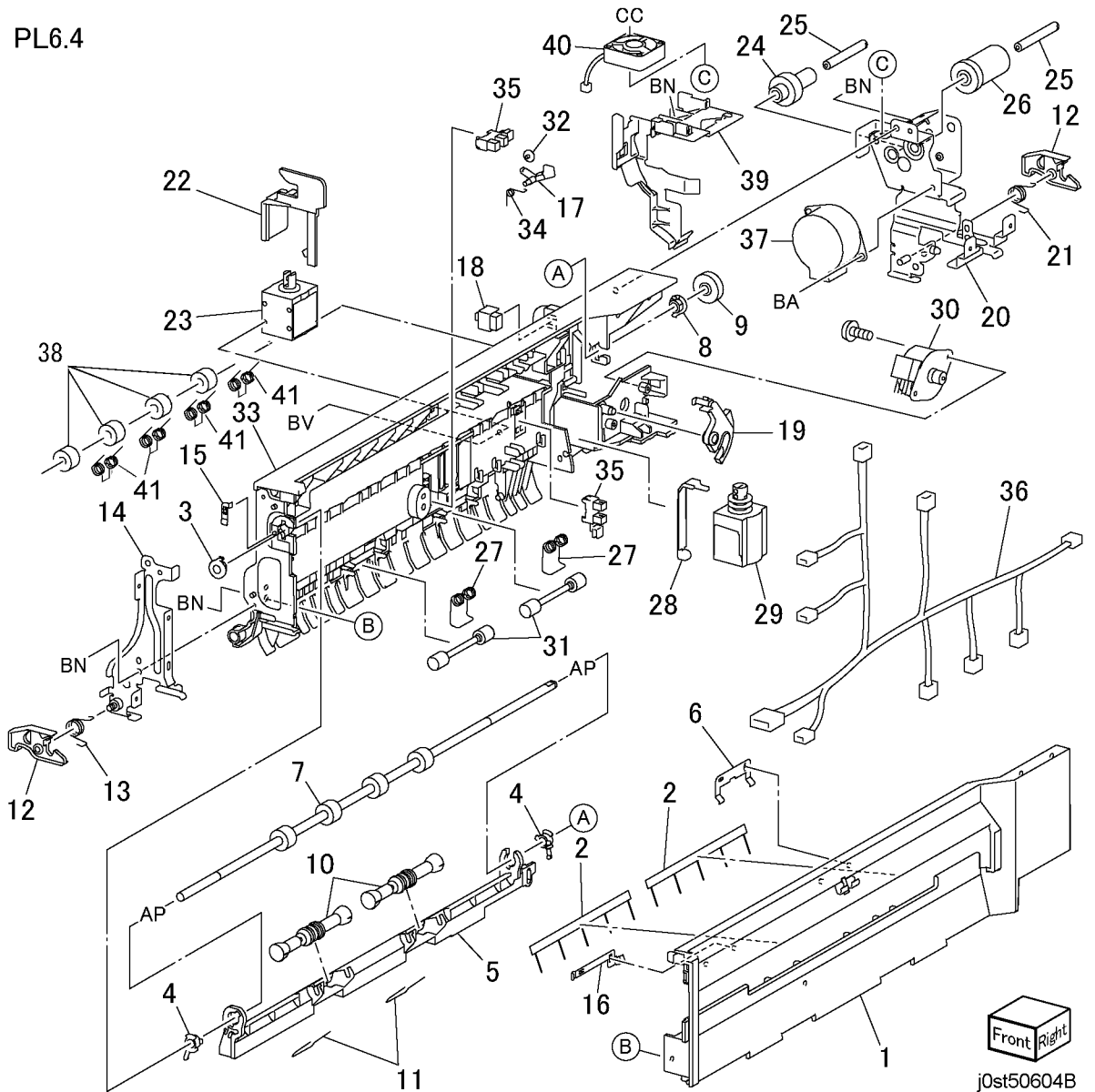
PL6.3



j0st50603B

PL 6.4 Tray Guide Assembly

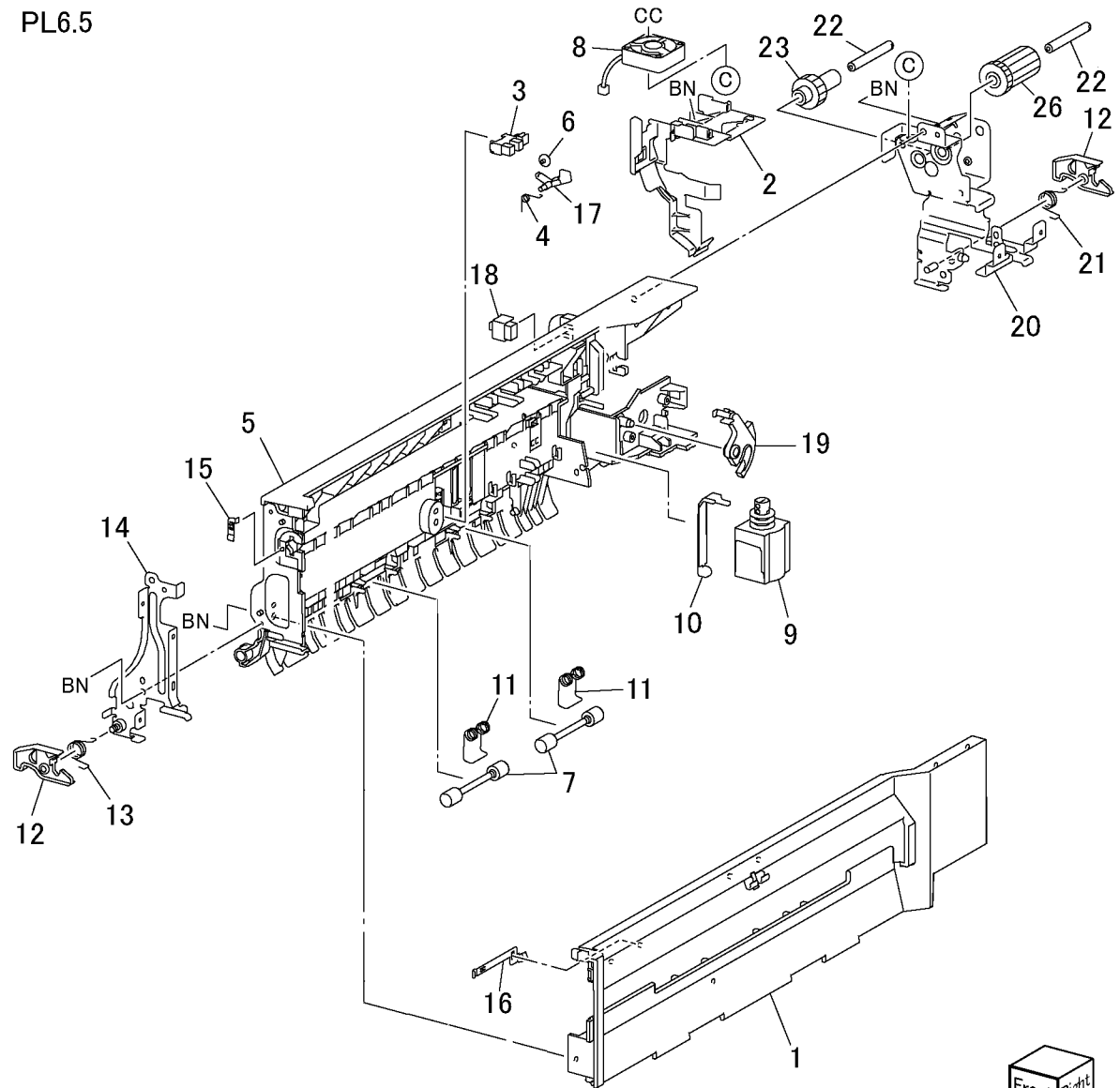
Item	Part	Description
1	-	Tray Guide (P/O PL 6.1 Item 4)
2	105E12940	Eliminator
3	-	Bearing (P/O PL 6.1 Item 4)
4	604K20680	Exit Bear Roll Kit (2/Kit)
5	054E24331	OCT 2 Chute
6	-	Earth Plate (P/O PL 6.1 Item 4)
7	059K26760	Exit 2 Roll
8	-	Bearing (P/O PL 6.1 Item 4)
9	807E00180	Gear (19T)
10	604K20690	Exit Roll Kit (2/Kit)
11	604K20700	Exit Spring Kit (2/Kit)
12	003E60171	Latch
13	809E50210	Spring
14	-	Front Plate (P/O PL 6.1 Item 4)
15	-	Earth Plate (P/O PL 6.1 Item 4)
16	-	Earth plate (P/O PL 6.1 Item 4)
17	120E22451	Actuator
18	110E11580	Exit 2 Interlock Switch
19	-	Offset Gear (P/O PL 6.1 Item 4)
20	-	Rear Plate (P/O PL 6.1 Item 4)
21	-	Spring (P/O PL 6.1 Item 4)
22	-	Link (P/O PL 6.1 Item 4)
23	121K32370	Face Up Solenoid
24	-	Gear (20T) (P/O PL 6.1 Item 4)
25	-	Shaft (P/O PL 6.1 Item 4)
26	-	Gear (19T/44T) (P/O PL 6.1 Item 4)
27	604K20430	Spring Kit (2 Per Kit)
28	-	Exit Gate Link (P/O PL 6.1 Item 4)
29	121K41700	Exit 2 Gate Solenoid
30	127K57200	Offset Motor 2
31	604K20400	Roller Kit (2/Kit)
32	059E98780	Actuator
33	-	Lower Chute (P/O PL 6.1 Item 4)
34	809E37332	Spring Actuator
35	-	Exit 2 Sensor, OCT Home Sensor 2 (P/O PL 6.1 Item 4)
36	962K18882	Wire Harness
37	127K51680	Exit 2 Motor
38	604K20450	Pinch Roll Kit (2/Kit)
39	-	Cover (P/O PL 6.1 Item 4)
40	-	Exit Fan (P/O PL 6.1 Item 4)
41	809E54971	Pinch Spring



PL 6.5 Tray Guide Assembly

Item	Part	Description
1	-	Tray Guide (P/O PL 6.1 Item 5)
2	-	Cover (P/O PL 6.1 Item 5)
3	930W00113	Exit 2 Sensor (P/O PL 6.1 Item 5)
4	809E37332	Spring Actuator
5	-	Lower Chute (P/O PL 6.1 Item 5)
6	059E98780	Actuator
7	604K20400	Roller Kit (2/Kit)
8	-	Exit Fan (P/O PL 6.1 Item 5)
9	121K41700	Exit 2 Gate Solenoid
10	-	Exit Gate Link (P/O PL 6.1 Item 5)
11	604K20430	Spring Kit (2/Kit)
12	003E60171	Latch
13	809E50210	Spring
14	-	Front Plate (P/O PL 6.1 Item 5)
15	-	Earth Plate (P/O PL 6.1 Item 5)
16	-	Earth Plate (P/O PL 6.1 Item 5)
17	120E22451	Actuator
18	-	Exit 2 Interlock Switch (P/O PL 6.1 Item 5)
19	-	Offset Gear (P/O PL 6.1 Item 5)
20	-	Rear Plate (P/O PL 6.1 Item 5)
21	-	Spring (P/O PL 6.1 Item 5)
22	-	Shaft (P/O PL 6.1 Item 5)
23	-	Gear (19T/44T) (P/O PL 6.1 Item 5)
24	-	Gear (40T) (P/O PL 6.1 Item 5)

PL6.5



Front Right

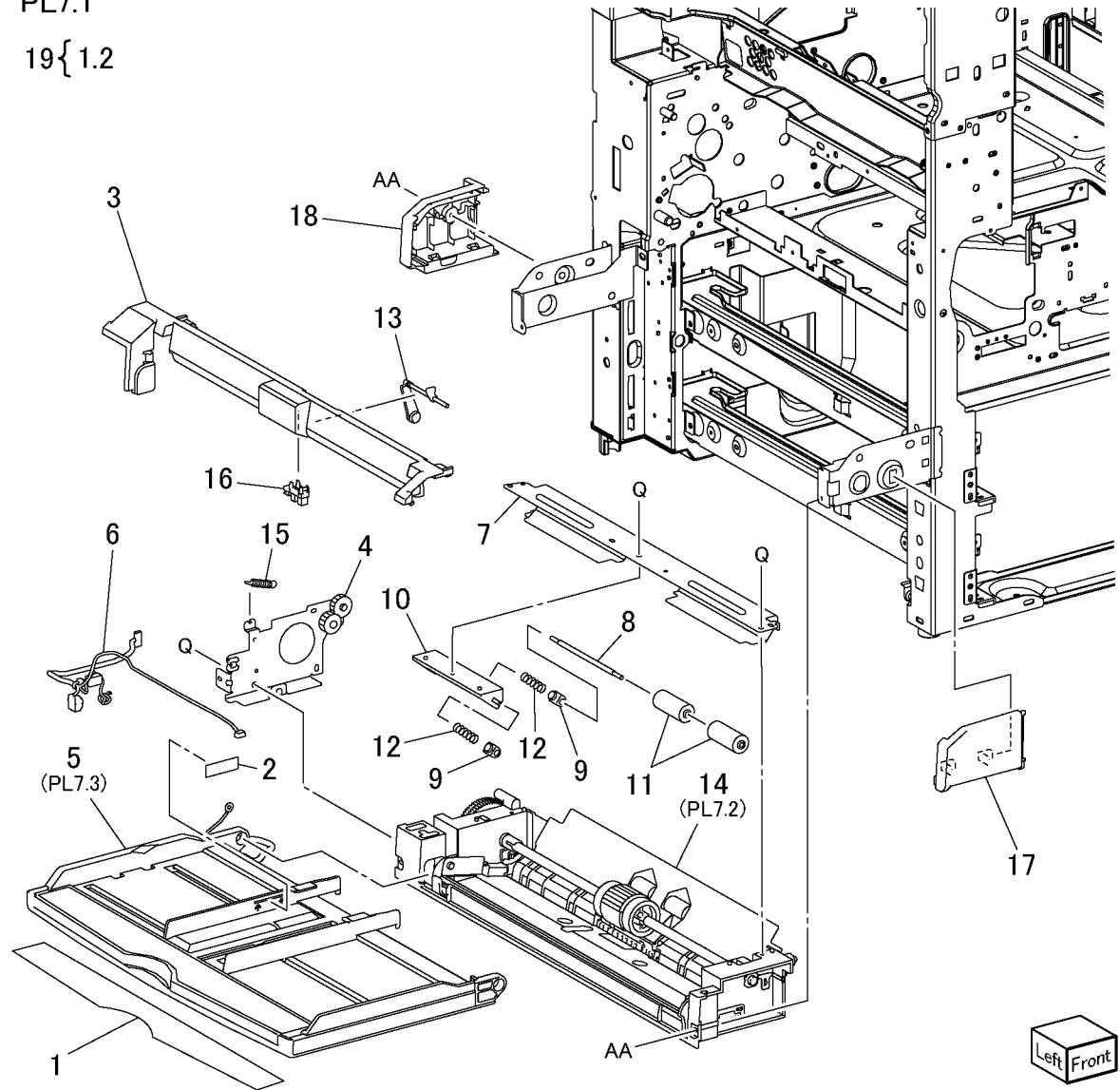
j0st50606B

PL 7.1 MSI Assembly

Item	Part	Description
1	-	Label (P/O PL 7.1 Item 19)
2	-	Label (Max) (P/O PL 7.1 Item 19)
3	-	Upper Frame (Not Spared)
4	-	Bracket (Not Spared)
5	050K56600	MPT Tray Assembly
6	962K13120	Wire Harness
7	-	Chute (Not Spared)
8	-	Shaft (Not Spared)
9	-	Spacer (Not Spared)
10	-	Guide (Not Spared)
11	604K20410	Roller Kit (2/Kit)
12	-	Spring (Not Spared)
13	120E22231	Actuator
14	-	Lower Frame Assembly (Not Spared)
15	-	Spring (Not Spared)
16	930W00113	MPT No Paper Sensor
17	802E55201	MPT Front Cover
18	802E55212	MPT Rear Cover
19	604K20520	MPT Label Kit

PL7.1

19 { 1.2



Left Front

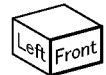
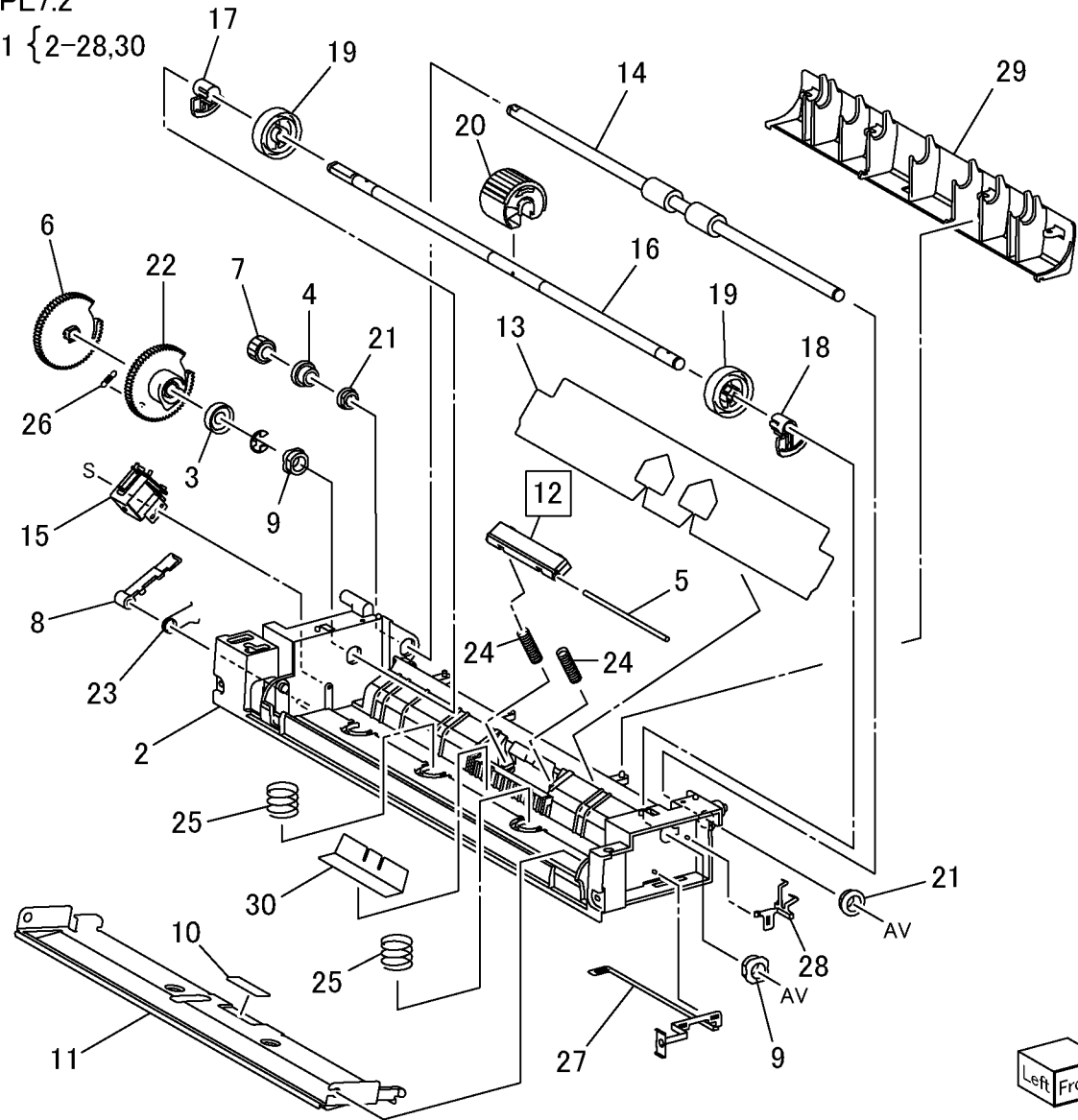
j0st50701

PL 7.2 Lower Frame Assembly

Item	Part	Description
1	801K30720	Lower Frame Assembly
2	-	Lower Frame (P/O PL 7.2 Item 1)
3	-	Stopper Lever (P/O PL 7.2 Item 1)
4	-	Collar (P/O PL 7.2 Item 1)
5	-	Retard Shaft (P/O PL 7.2 Item 1)
6	-	Pick Up Gear (P/O PL 7.2 Item 1)
7	007E79710	Gear (18T)
8	011E15150	Gear Lever
9	-	Bearing (8) (P/O PL 7.2 Item 1)
10	019E56551	Pad
11	-	Bottom Plate (P/O PL 7.1 Item 14)
12	019K09420	MPT Retard Pad (REP 7.2.1)
13	032E21061	Paper Guide
14	059K27141	Drive Roll
15	121E92780	MSI Feed Solenoid
16	-	Shaft (P/O PL 7.2 Item 1)
17	-	Pick Up Cam (Rear) (P/O PL 7.2 Item 1)
18	-	Pick Up Cam (Front) (P/O PL 7.2 Item 1)
19	-	Core (P/O PL 7.2 Item 1)
20	059K40654	Feed Roll (REP 7.2.1)
21	-	Bearing (P/O PL 7.2 Item 1)
22	807E02610	Cam Gear
23	-	Spring (P/O PL 7.2 Item 1)
24	-	Spring (P/O PL 7.2 Item 1)
25	-	Spring (P/O PL 7.2 Item 1)
26	-	Spring (P/O PL 7.2 Item 1)
27	-	Earth Plate (P/O PL 7.2 Item 1)
28	-	Earth Plate (P/O PL 7.2 Item 1)
29	-	Lower Chute (Not Spared)
30	-	Paper Guide (P/O PL 7.2 Item 1)

PL7.2

1 {2-28,30

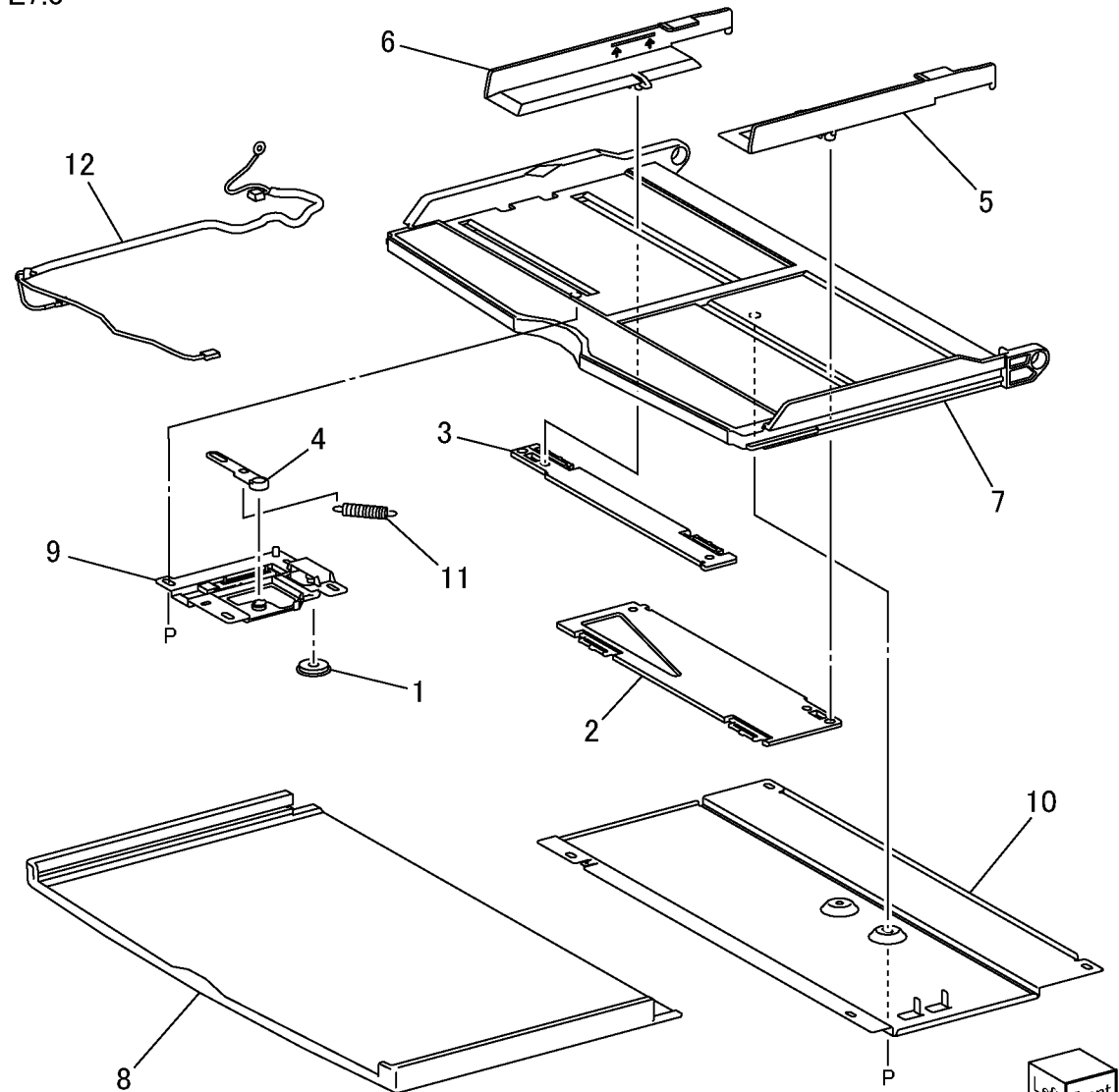


j0st50702

PL 7.3 MSI Tray Assembly

Item	Part	Description
1	–	Pinion Gear (P/O PL 7.1 Item 5)
2	–	Front Rack (P/O PL 7.1 Item 5)
3	–	Rear Rack (P/O PL 7.1 Item 5)
4	–	Link (P/O PL 7.1 Item 5)
5	–	Side Guide (P/O PL 7.1 Item 5)
6	–	Side Guide (P/O PL 7.1 Item 5)
7	–	Tray MPT (P/O PL 7.1 Item 5)
8	–	Tray Exit (P/O PL 7.1 Item 5)
9	–	MPT Paper Size Sensor (P/O PL 7.1 Item 5)
10	–	Cover Tray (P/O PL 7.1 Item 5)
11	–	Spring (P/O PL 7.1 Item 5)
12	–	Wire Harness (P/O PL 7.1 Item 5)

PL7.3



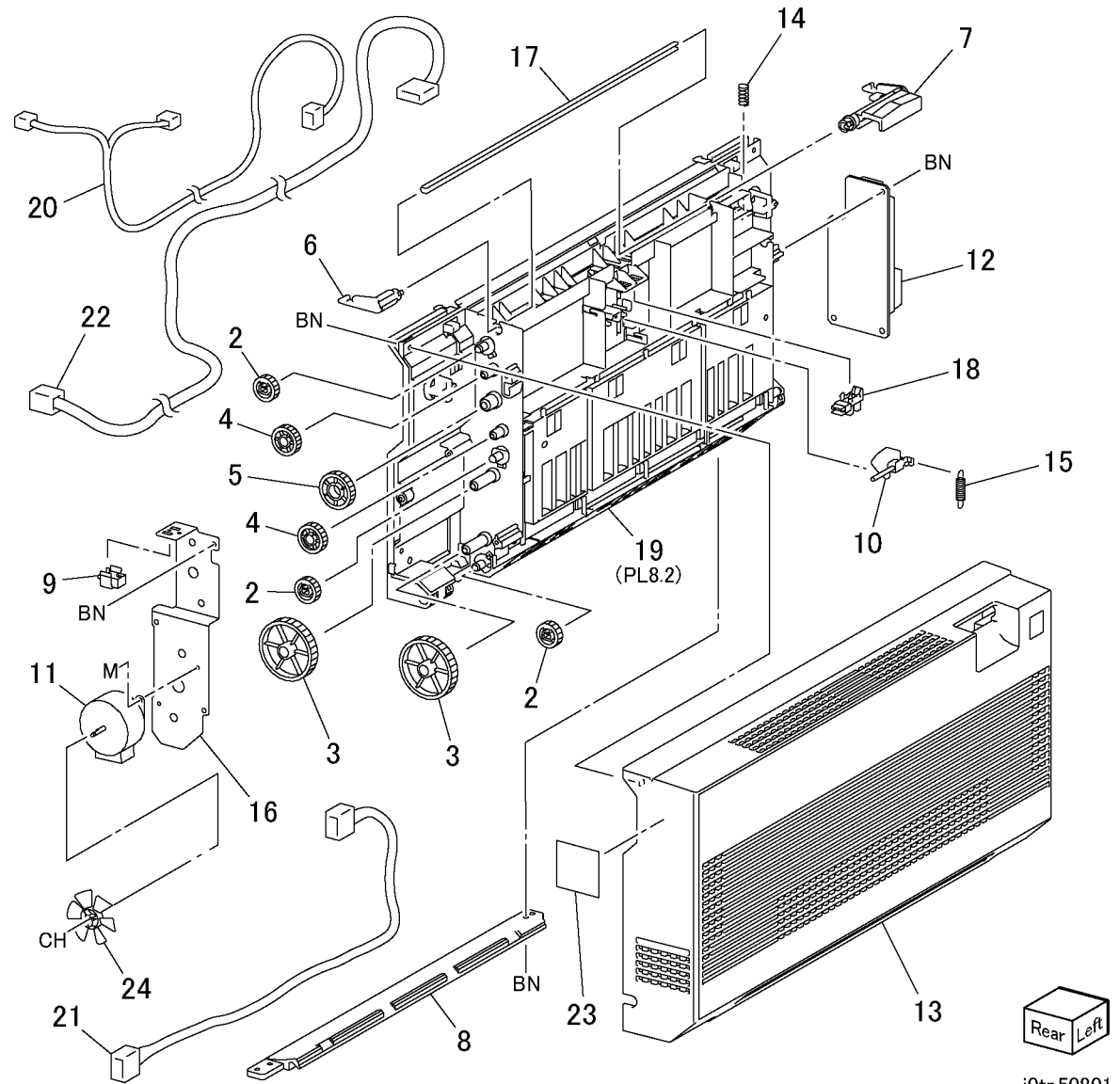
j0st50703

PL 8.1 Duplex Unit

Item	Part	Description
1	059K55760	Duplex Unit
2	-	Gear (28T) (P/O PL 8.1 Item 1)
3	-	Gear (33/37T) (P/O PL 8.1 Item 1)
4	-	Gear (33T) (P/O PL 8.1 Item 1)
5	-	Gear (42T) (P/O PL 8.1 Item 1)
6	011E14582	Latch Lever (Rear)
7	011E14590	Latch Lever (Front)
8	-	Lower Chute (P/O PL 8.1 Item 1)
9	110E11580	Duplex Open Chute
10	120E21261	Actuator
11	127K57210	Duplex Motor
12	160K94227	Duplex PWB
13	802E55173	Cover
14	-	Spring (P/O PL 8.1 Item 1)
15	-	Spring (P/O PL 8.1 Item 1)
16	-	Bracket (P/O PL 8.1 Item 1)
17	-	Latch Plate (P/O PL 8.1 Item 1)
18	930W00113	Duplex Sensor
19	-	Inner Chute Assembly (P/O PL 8.1 Item 1)
20	-	Wire Harness (P/O PL 8.1 Item 1)
21	-	Wire Harness (P/O PL 8.1 Item 1)
22	-	Wire Harness (P/O PL 8.1 Item 1)
23	-	Label (P/O PL 8.1 Item 1)
24	127E83681	Fan

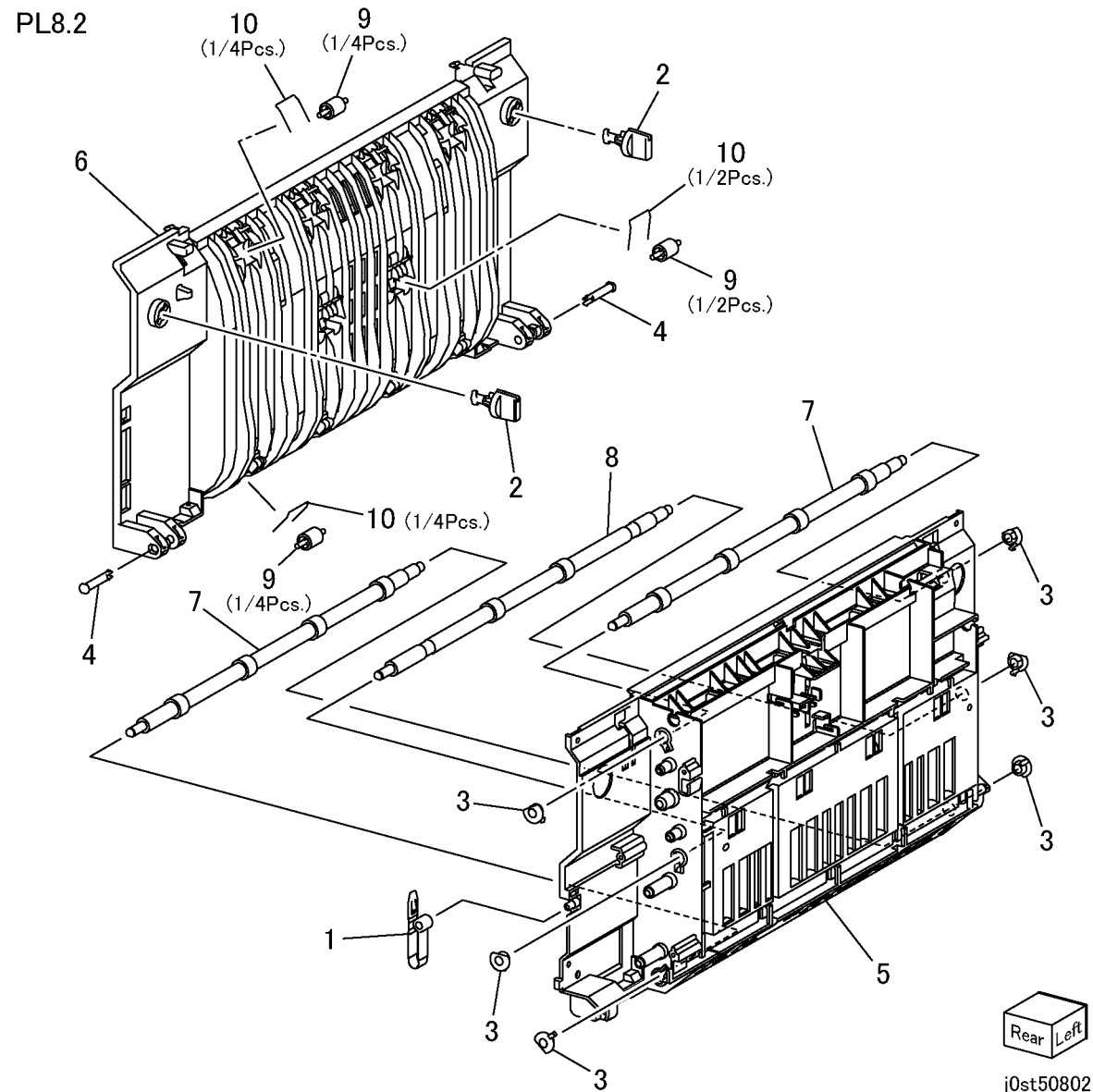
PL8.1

1 { 2 - 24



PL 8.2 Inner Chute Assembly

Item	Part	Description
1	—	Stopper (P/O PL 8.1 Item 19)
2	—	Lock (P/O PL 8.1 Item 19)
3	—	Bearing (P/O PL 8.1 Item 19)
4	—	Pin (P/O PL 8.1 Item 19)
5	—	Outer Chute (P/O PL 8.1 Item 19)
6	—	Inner Chute (P/O PL 8.1 Item 19)
7	—	Duplex Roller (P/O PL 8.1 Item 19)
8	—	Duplex Roller (P/O PL 8.1 Item 19)
9	604K20460	Roller (4/Kit)
10	604K20470	Spring (4/Kit)

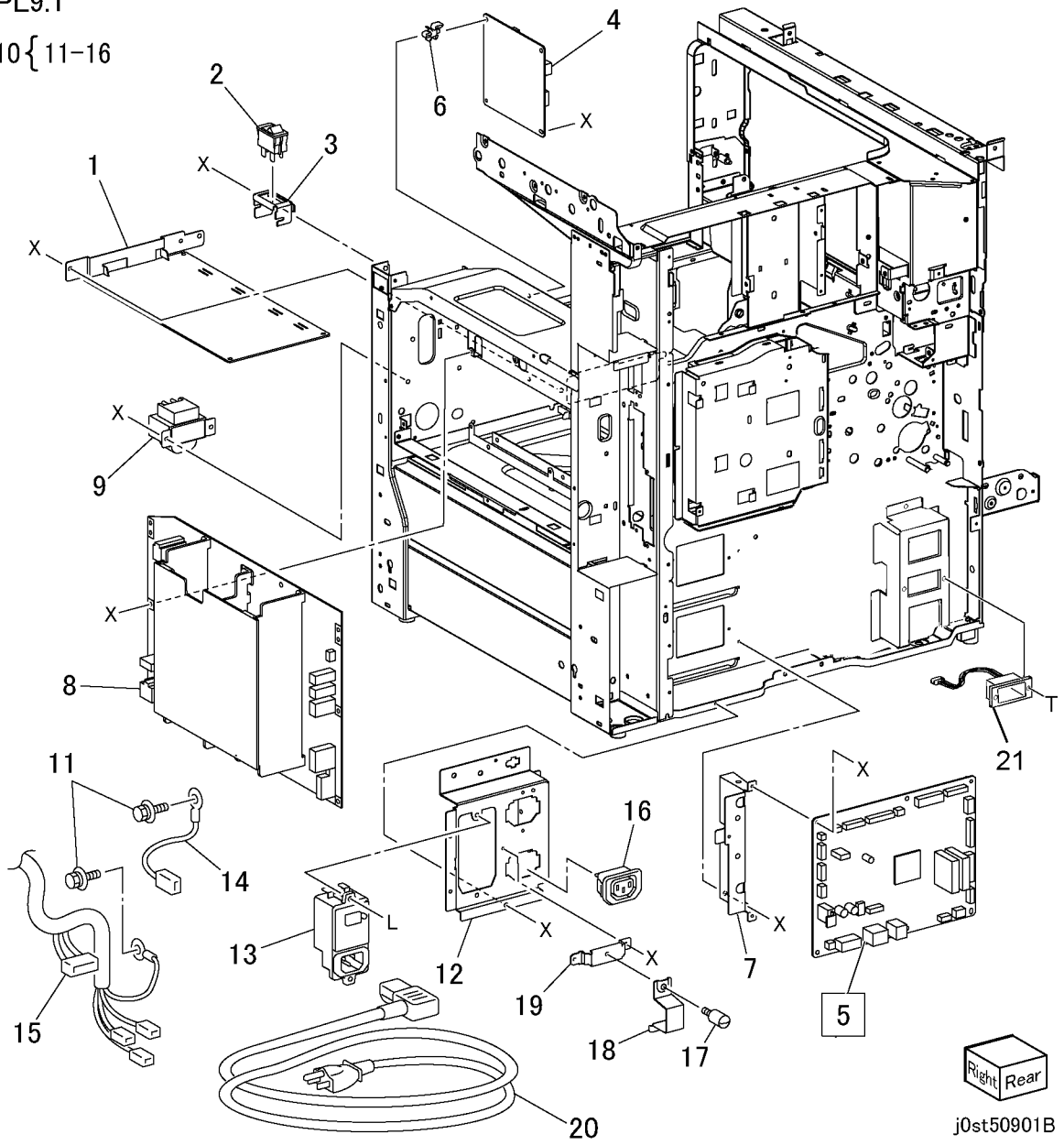


PL 9.1 Electrical

Item	Part	Description
1	105E17880	HVPS-Y1C
2	110E11230	Main Switch
3	-	Bracket (Not Spared)
4	960K37900	Exit PWB
5	960K35862	MCU PWB (REP 9.1.1)
6	-	PWB Support (Not Spared)
7	-	Bracket (Not Spared)
8	105E17920	Power Unit - B1 (110V)
-	105E17930	Power Unit (220V)
9	104E94080	Choke Coil (220/240V)
10	101K55280	AC Chassis Assembly
11	-	Screw (P/O PL 9.1 Item 10)
12	-	Bracket (P/O PL 9.1 Item 10)
13	908W01201	GFI Breaker
14	962K18690	Wire Harness
15	-	Wire Harness (P/O PL 9.1 Item 10)
16	-	Outlet (P/O PL 9.1 Item 10)
17	-	Screw (Not Spared)
18	-	Holder (Not Spared)
19	-	Bracket (Not Spared)
20	-	110V Power Cord (Not Spared)
21	962K57510	HCF Harness Assembly

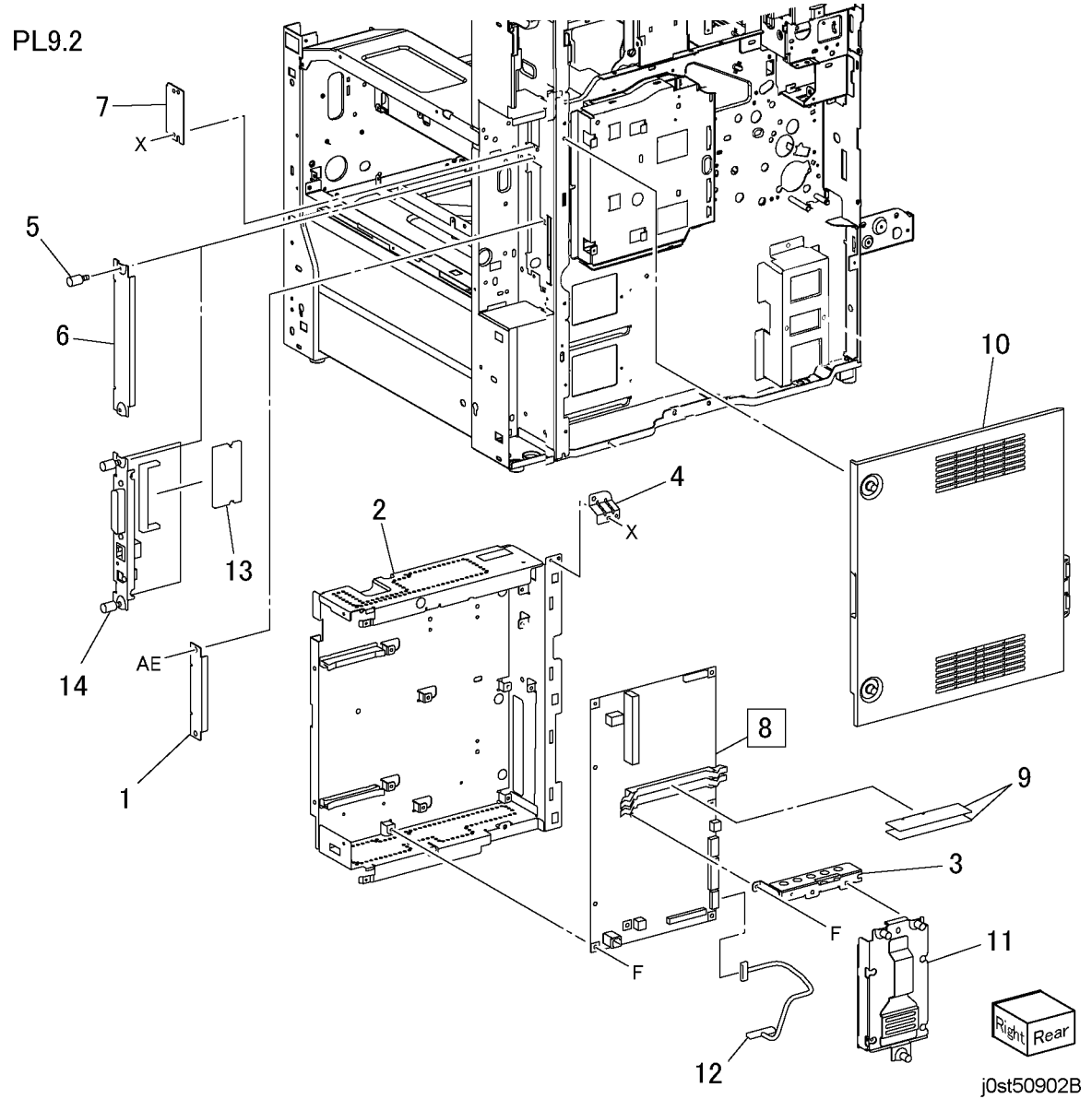
PL9.1

10 { 11-16



PL 9.2 ESS

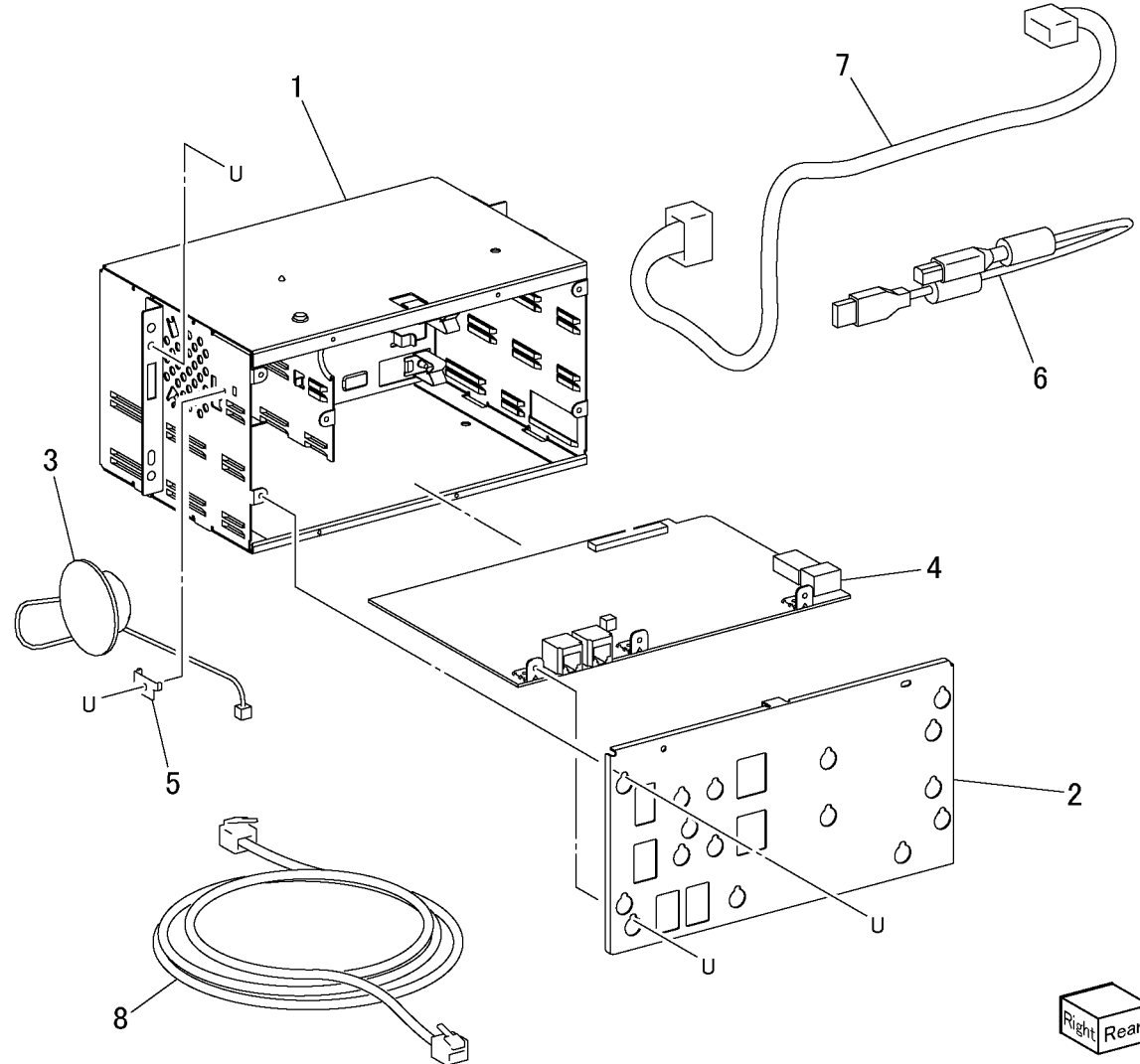
Item	Part	Description
1	-	Panel (Not Spared)
2	-	ESS Chassis (Not Spared)
3	-	Bracket (Not Spared)
4	-	Bracket (Not Spared)
5	-	Screw (Not Spared)
6	-	Panel (Not Spared)
7	-	Panel (Not Spared)
8	101K55270	ESS PWB (REP 9.2.1)
9	133K25440	DDR DIMM (256MB)
10	-	ESS Cover (Not Spared)
11	960K35820	HDD (40GB)
12	-	Wire Harness (Not Spared)
13	540K08771	PS DIMM
14	540K08781	Printer PWB



PL 9.3 FAX Unit

Item	Part	Description
1	–	FAX Box (Not Spared)
2	–	Panel (Not Spared)
3	–	Speaker (Not Spared)
4	960K32180	FAX PWB (110V)
–	960K32190	FAX PWB (220V)
–	960K32200	FAX PWB (ARZ)
5	–	Bracket (Not Spared)
6	117K38480	USB Cable
7	962K61060	Wire Harness
8	–	Data Cable (Not Spared)

PL9.3

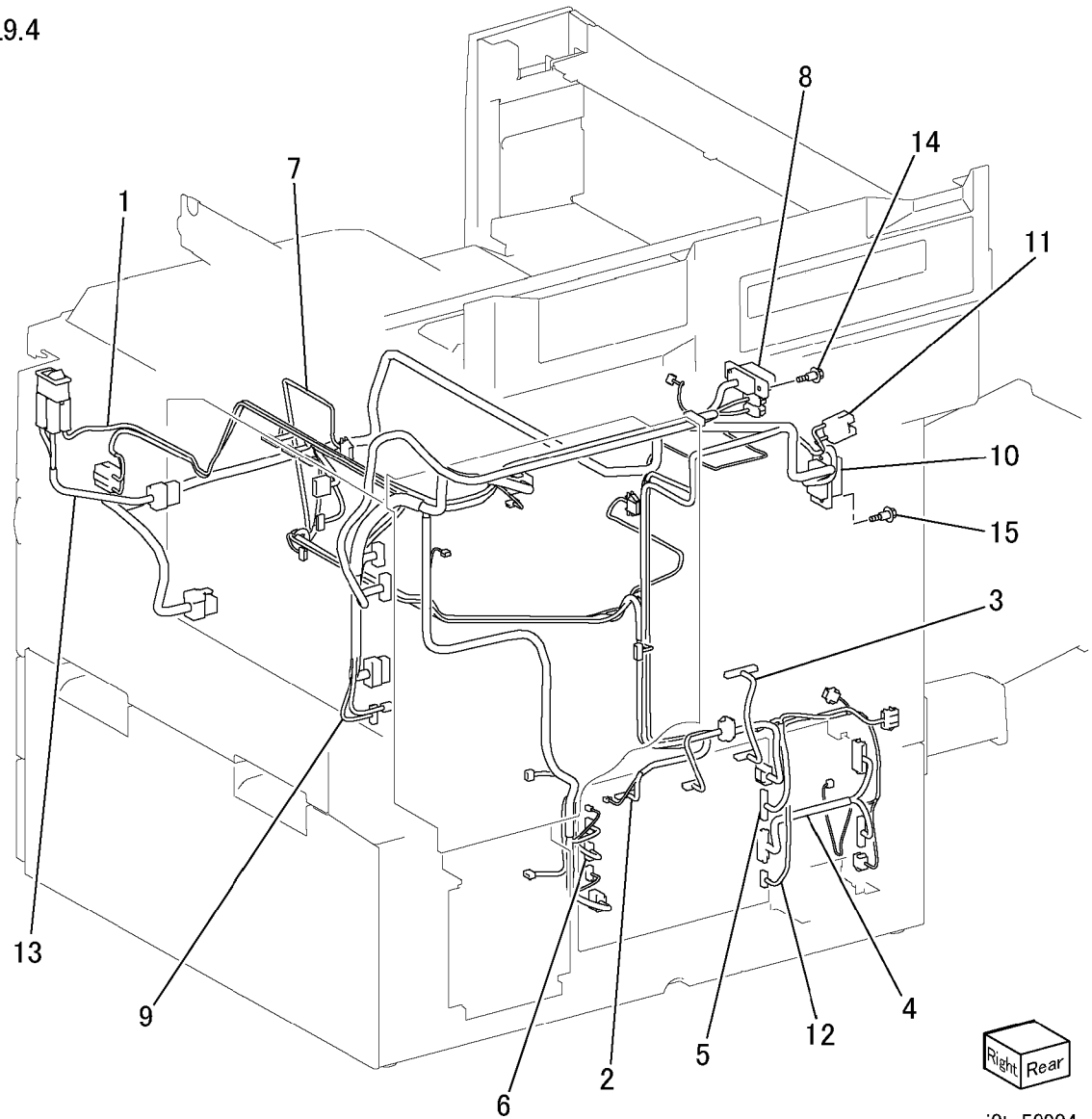


j0st50903

PL 9.4 Wire Harnesses

Item	Part	Description
1	962K13510	Wire Harness Switch 2
2	962K13080	Wire Harness ROS
3	962K13090	Wire Harness Drive
4	-	Wire Harness Feeder
5	-	Wire Harness PH (Not Spared)
6	962K13140	Wire Harness Size
7	962K13200	Wire Harness Crum
8	962K13211	Wire Harness Exit
9	-	Wire Harness LVPS Power (Not Spared)
10	960K16185	Wire Harness Fuser AC
11	962K19220	Wire Harness Interlock
12	962K23600	Wire Harness MPT
13	962K13500	Wire Harness Switch 1
14	-	Shoulder Screw (Not Spared)
15	-	Shoulder Screw (Not Spared)

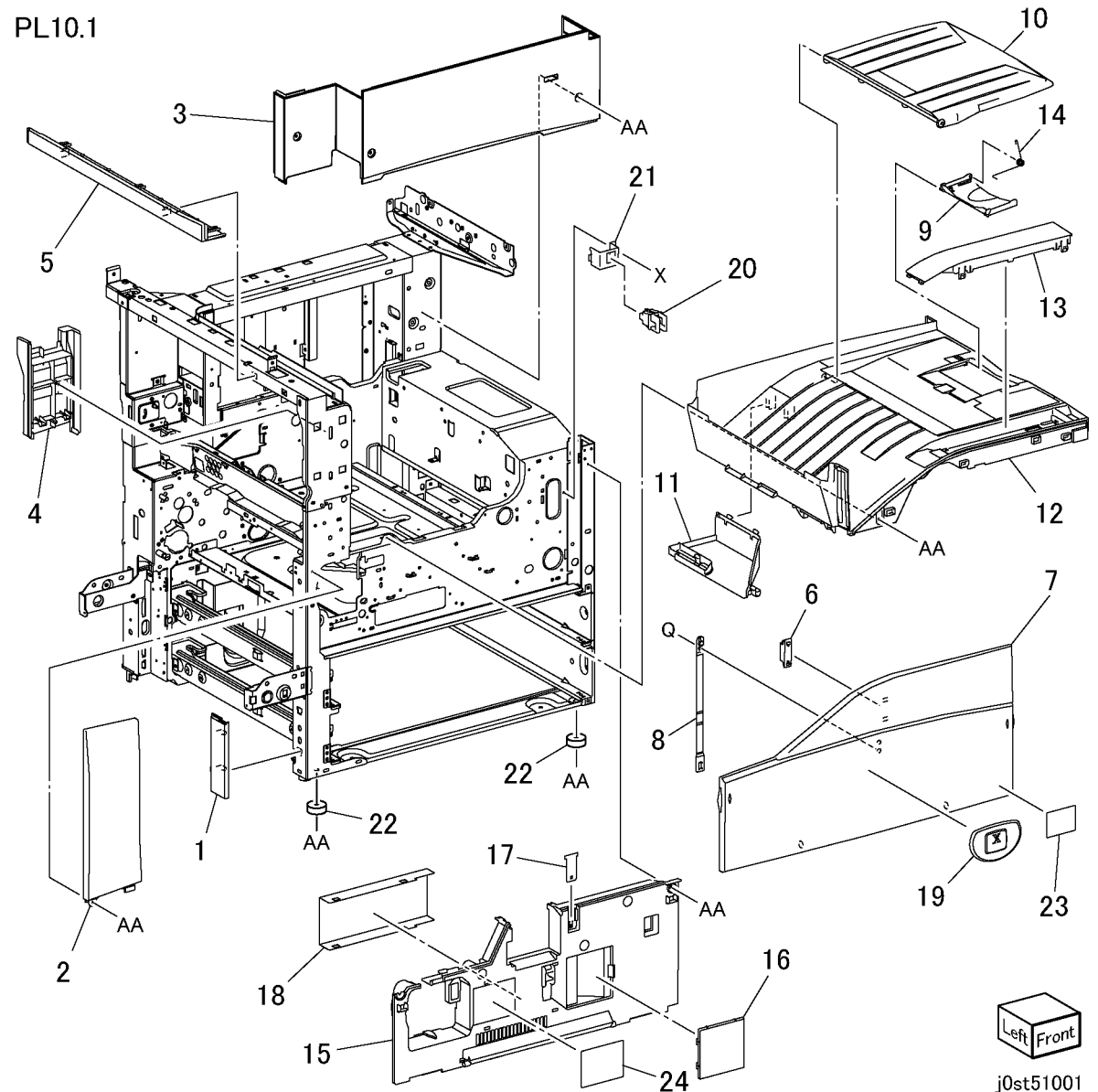
PL9.4



j0tp50904

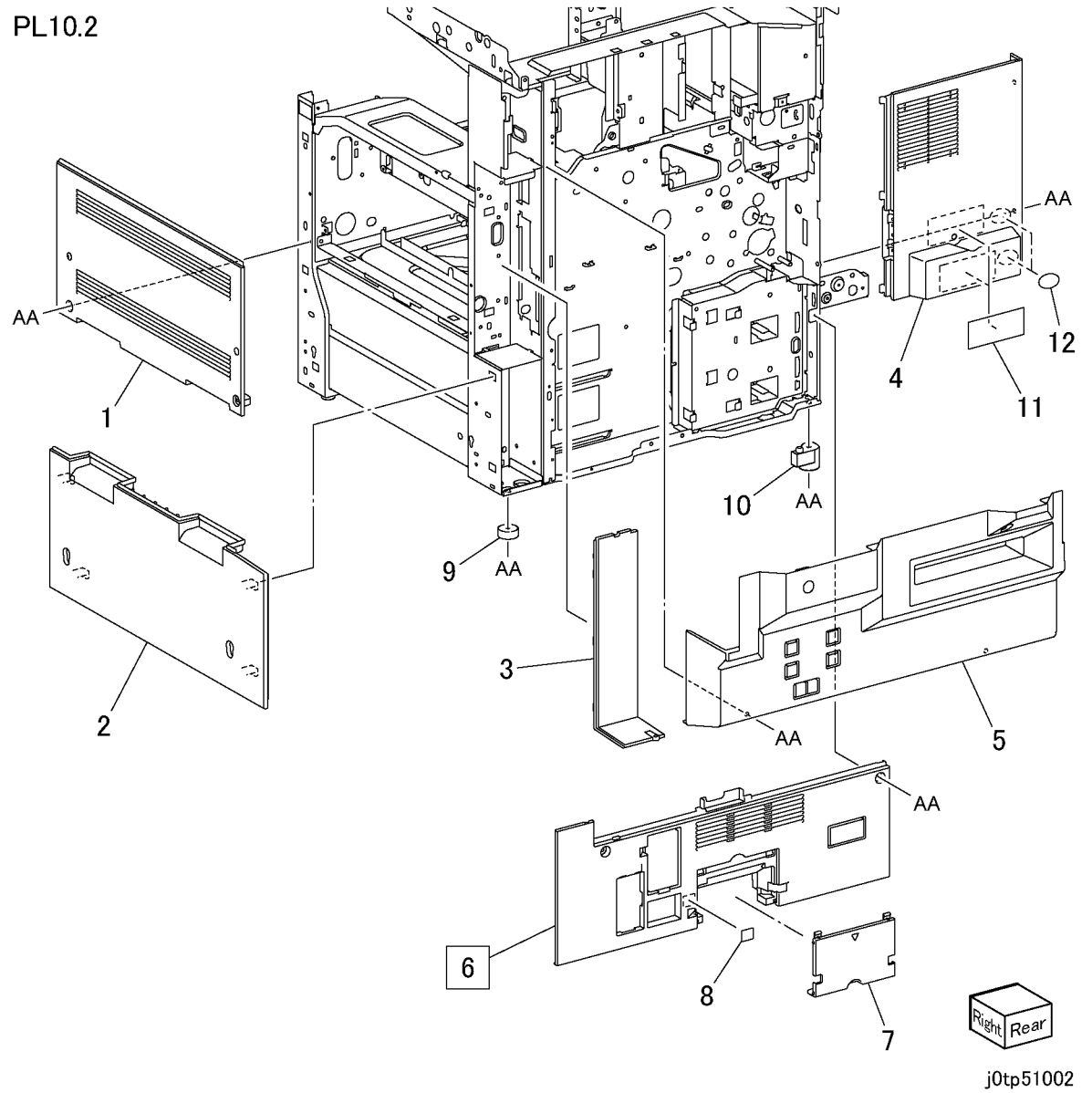
PL 10.1 Cover-Front, Left

Item	Part	Description
1	802E55223	Left Front Cover
2	802E55392	Front Left Cover
3	-	Top Rear Cover (Not Spared)
4	802E55431	Exit Cover
5	848K09590	Left Cover
6	-	Magnet (Not Spared)
7	848E21070	Front Cover
8	-	Strip (Not Spared)
9	-	Stopper (Not Spared)
10	-	ADD Tray (Not Spared)
11	-	Duct (Not Spared)
12	848E21010	Top Cover
13	-	Panel Cover (Not Spared)
14	-	Spring (Not Spared)
15	802E55312	Inner Cover
16	-	Cap (Not Spared)
17	-	Plate (Not Spared)
18	-	Sheet Guide (Not Spared)
19	848K06221	Logo Label
20	110E94770	Front Cover Interlock Switch
21	-	Bracket (Not Spared)
22	-	Foot (Not Spared)
23	-	E-Star Label (Not Spared)
24	892E99040	Xerographic/Developer Cartridge Label



PL 10.2 Cover-Rear, Right

Item	Part	Description
1	802E55231	Right Upper Cover
2	802E55242	Right Lower Cover
3	—	ESS Right Cover (Not Spared)
4	802E55271	Rear Middle Cover
5	848E14800	Rear Upper Cover
6	848E19410	Rear Lower Cover (REP 10.2.1)
7	—	Cover (Not Spared)
8	—	Label (Not Spared)
9	—	Foot (Not Spared)
10	—	Foot (Not Spared)
11	—	Data Plate (Not Spared)
12	—	Label (220V) (Not Spared)

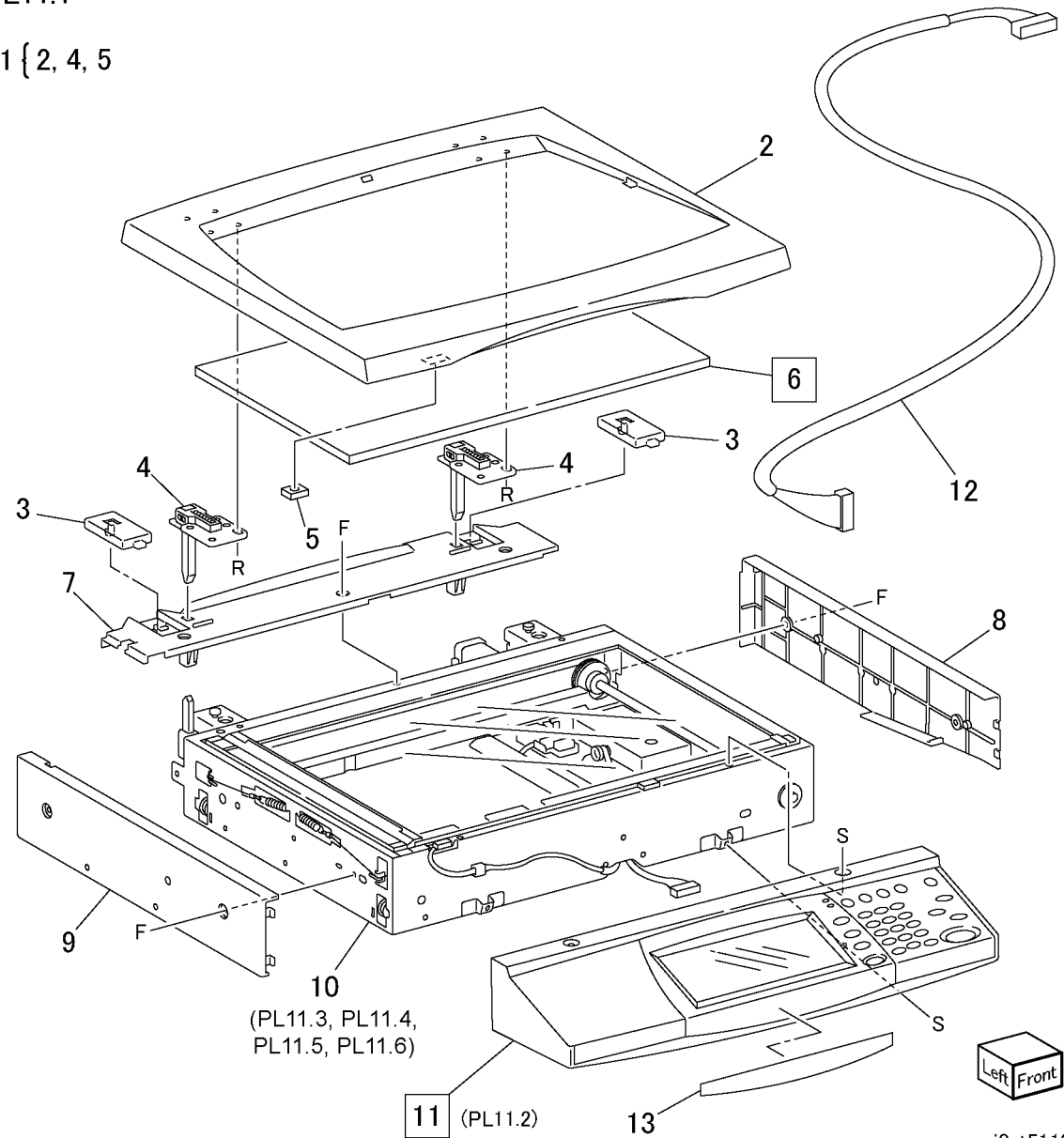


PL 11.1 Platen/Cover

Item	Part	Description
1	802K55690	Platen Cover Assembly
2	802K59201	Platen Cover
3	-	Hinge Cover (Not Spared)
4	-	Hinge (P/O PL 11.1 Item 1)
5	-	Magnet (P/O PL 11.1 Item 1)
6	004E13450	Platen Cushion (REP 11.1.1)
7	802E54563	Top Cover
8	802E90180	Right Cover
9	802E90161	Left Cover
10	062K18631	Frame Assembly
11	-	Control Panel Assembly
12	-	UI Cable (Not Spared)
13	-	Name Plate

PL11.1

1 { 2, 4, 5



Left Front

j0st51101

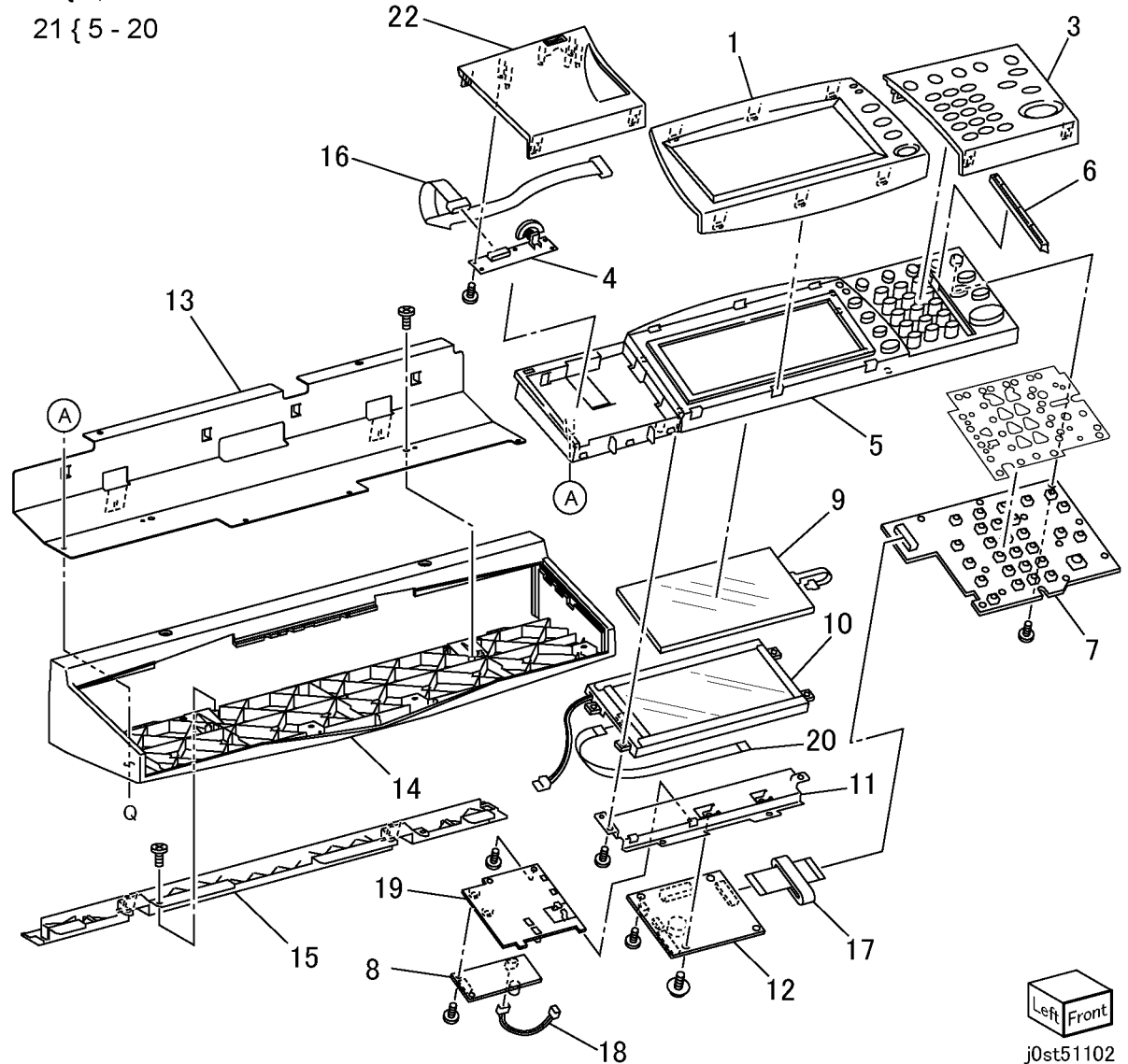
PL 11.2 Control Panel

Item	Part	Description
1	802E55521	Panel (Center)
2	802K60062	Panel (Left)
3	848E25740	Panel (Right)
4	-	Contrast PWB (P/O PL 11.2 Item 2)
5	-	Panel Housing (P/O PL 11.2 Item 21)
6	-	Adjust Pen (P/O PL 11.2 Item 21)
7	-	Control Panel PWB (P/O PL 11.2 Item 21)
8	160K91631	Inverter PWB
9	110K11610	Touch Panel
10	123K94951	Display
11	-	Bracket (P/O PL 11.2 Item 21)
12	960K02444	UI PWB
13	-	UI Base Frame (P/O PL 11.2 Item 21)
14	802K57132	UI Top Cover
15	-	UI Lower Cover (P/O PL 11.2 Item 21)
16	-	Wire Harness (P/O PL 11.2 Item 21)
17	-	Wire Harness (P/O PL 11.2 Item 21)
18	-	Wire Harness (P/O PL 11.2 Item 21)
19	-	Support (P/O PL 11.2 Item 21)
20	-	Wire Harness (P/O PL 11.2 Item 21)
21	802K64718	Control Panel Assembly
22	-	Panel (P/O PL 11.2 Item 2)

PL11.2

2 { 4, 22

21 { 5 - 20

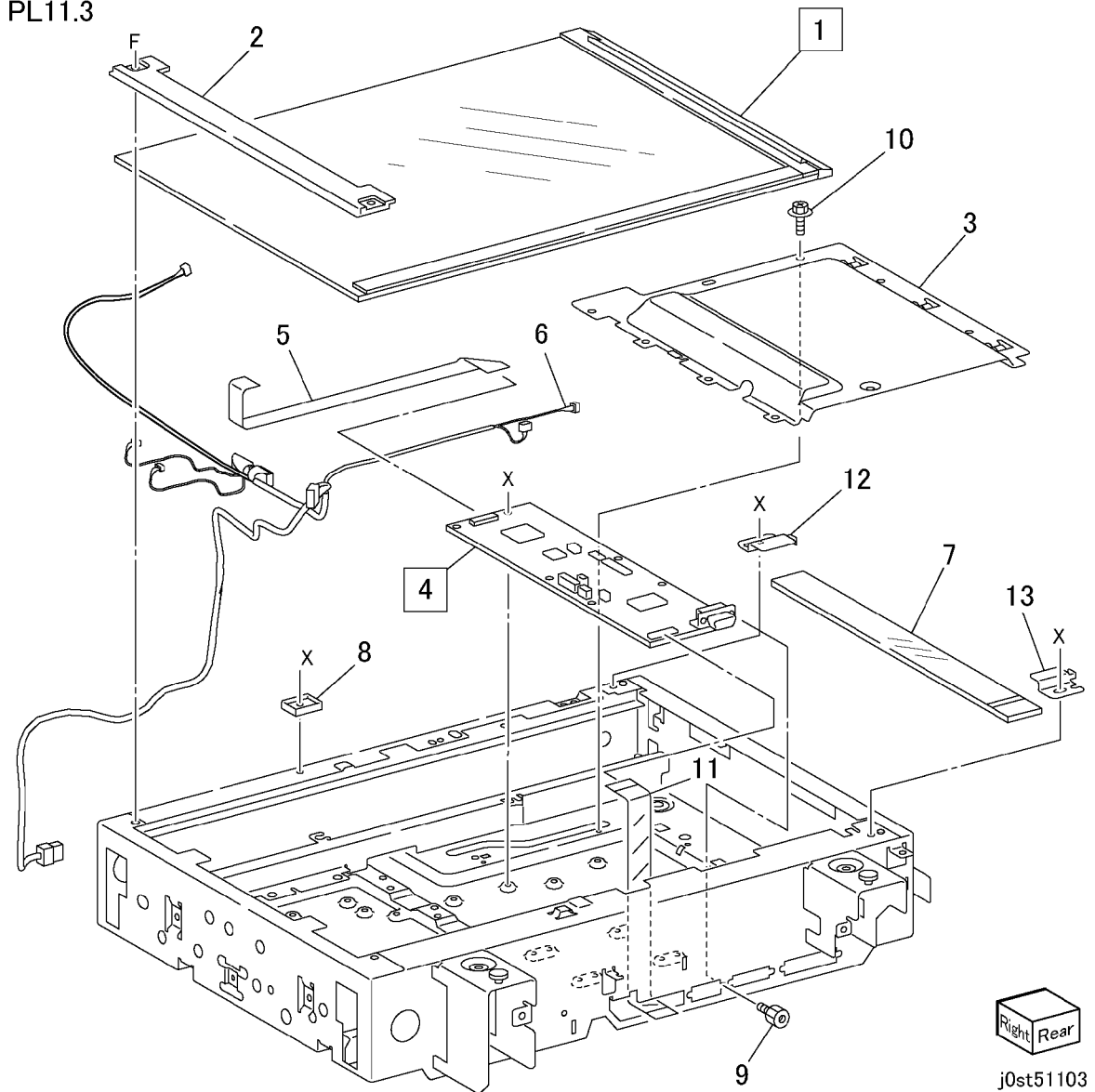


j0st51102

PL 11.3 Platen Glass

Item	Part	Description
1	090K93210	Platen Glass (REP 11.3.1)
2	815E36330	Right Side Plate
3	-	IPS Cover (P/O PL 11.1 Item 10)
4	960K32481	IIT/IPS PWB (REP 11.3.2)
5	117E27750	CCD Flat Cable
6	-	Wire Harness (P/O PL 11.1 Item 10)
7	090K93011	Left Side Plate
8	-	Platen Glass Plate (P/O PL 11.1 Item 10)
9	-	Lock Screw (P/O PL 11.1 Item 10)
10	-	Screw (Not Spared)
11	-	ESS Flat Cable (Not Spared)
12	-	Support Glass (P/O PL 11.1 Item 10)
13	-	Support Glass (P/O PL 11.1 Item 10)

PL11.3



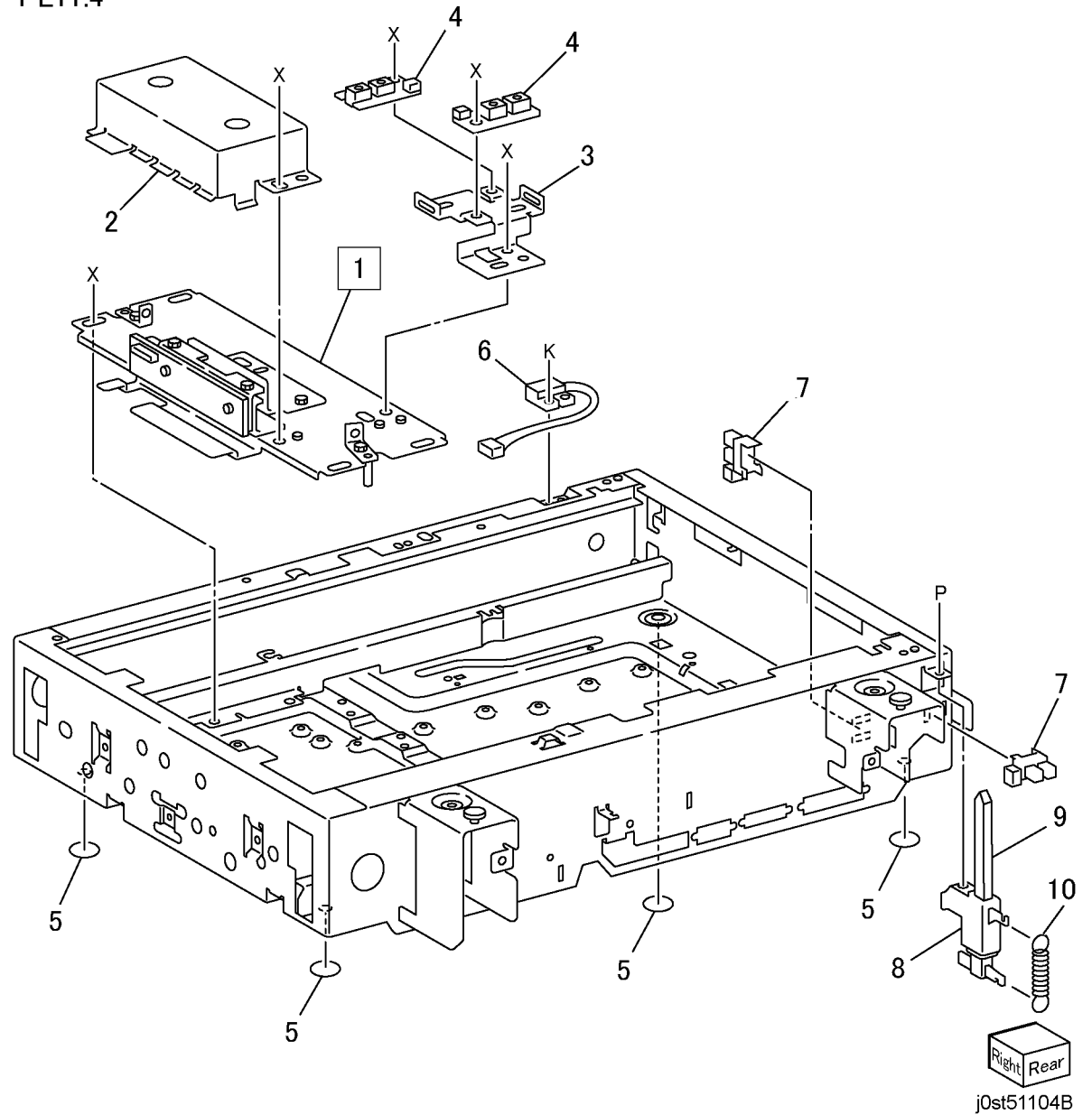
Right Rear

j0st51103

PL 11.4 CCD PWB, Sensor

Item	Part	Description
1	062K19060	Lens Kit (REP 11.4.1)
2	-	Lens Cover (P/O PL 11.1 Item 10)
3	-	Bracket (P/O PL 11.1 Item 10)
4	130K64150	APS Sensor
5	-	Seal (P/O PL 11.1 Item 10)
6	110K11960	Platen Open Switch
7	130E87280	IIT Registration Sensor, Platen Angle Sensor
8	-	Support (P/O PL 11.1 Item 10)
9	120E22031	Actuator
10	-	Spring (P/O PL 11.1 Item 10)

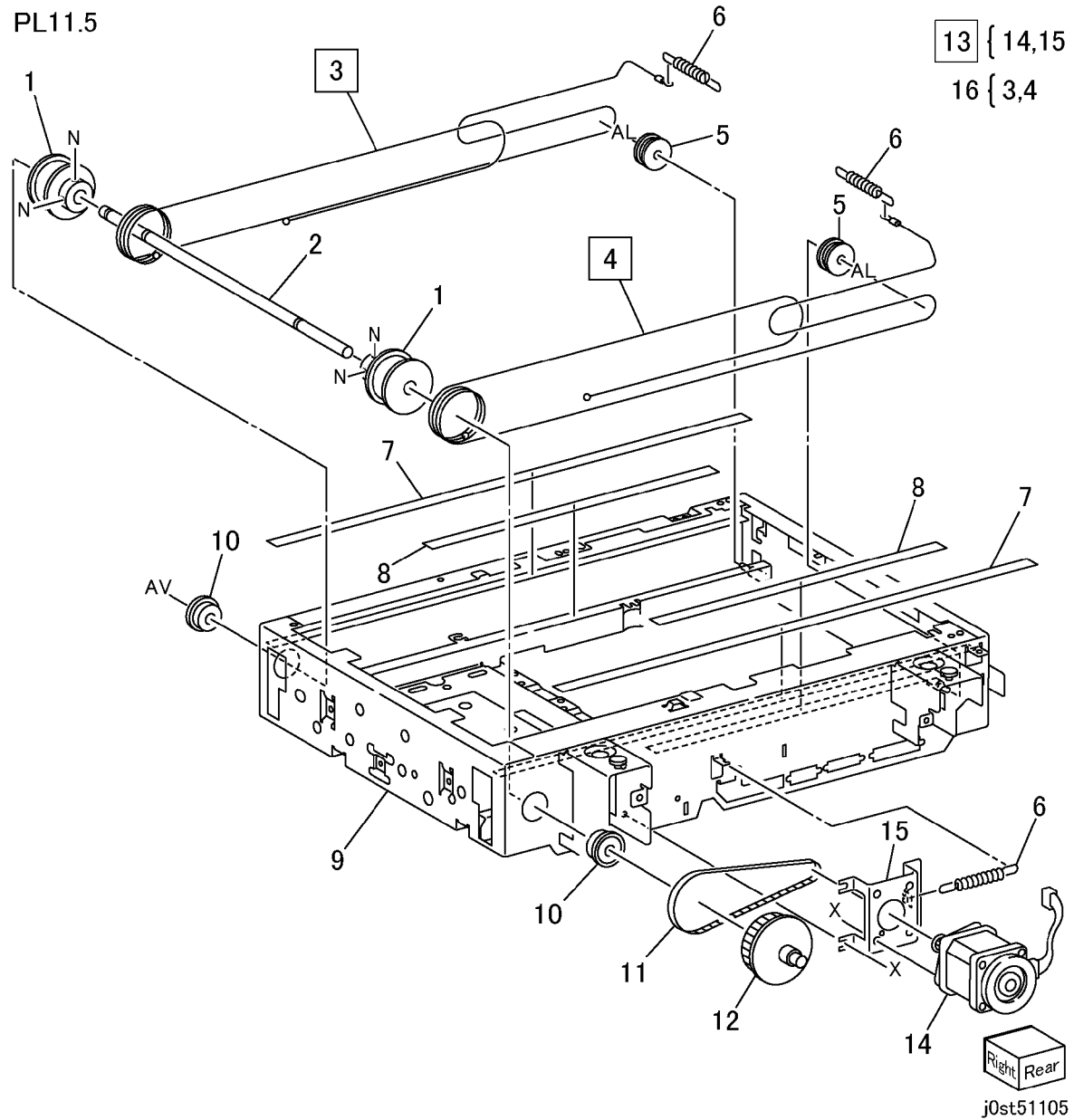
PL11.4



PL 11.5 Carriage Cable/Motor

Item	Part	Description
1	-	Capstan Pulley (P/O PL 11.1 Item 10)
2	-	Capstan Shaft (P/O PL 11.1 Item 10)
3	-	Front Carriage Cable (P/O PL 11.5 Item 16) (REP 11.5.1)
4	-	Rear Carriage Cable (P/O PL 11.5 Item 16) (REP 11.5.1)
5	020E37030	Pulley
6	604K20440	Spring Kit
7	-	Tape (P/O PL 11.1 Item 10)
8	-	Tape (P/O PL 11.1 Item 10)
9	-	Frame (P/O PL 11.1 Item 10)
10	-	Bearing (P/O PL 11.1 Item 10)
11	023E21210	Belt
12	-	Timing Pulley (P/O PL 11.1 Item 10)
13	127K52340	Carriage Motor Assembly (REP 11.5.2)
14	-	Carriage Motor (P/O PL 11.5 Item 13)
15	-	Bracket (P/O PL 11.5 Item 13)
16	604K20510	Cable Kit

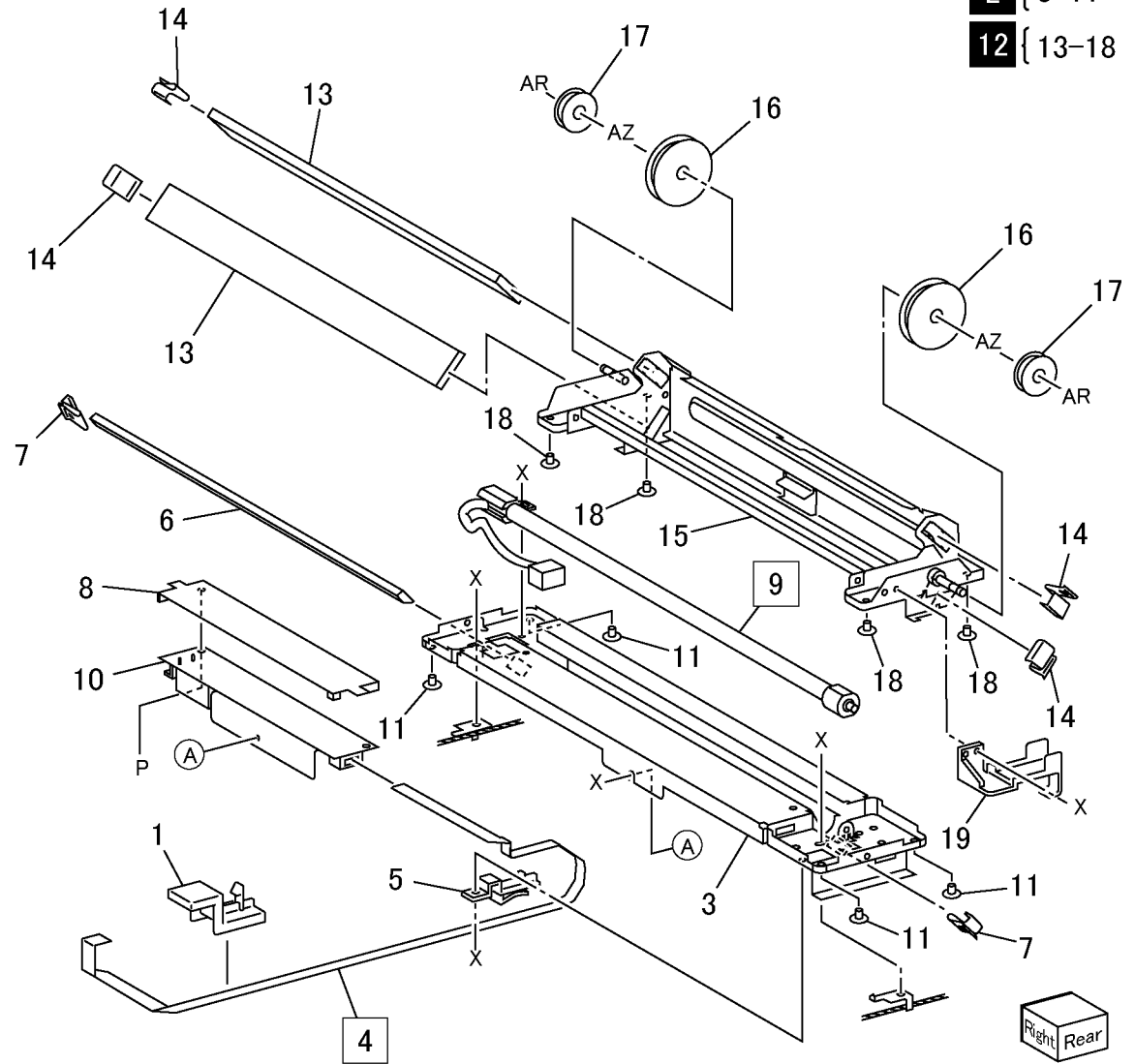
PL11.5



PL 11.6 Full/Half Rate Carriage

Item	Part	Description
1	-	Harness Guide (Not Spared)
2	041K95940	Full Rate Carriage Assembly
3	-	Full Rate Carriage (P/O PL 11.6 Item 2)
4	117E27590	Lamp Wire Harness (REP 11.6.2)
5	-	Guide (P/O PL 11.6 Item 2)
6	062E10800	No. Mirror
7	-	Clip (P/O PL 11.6 Item 2)
8	-	Insulator (P/O PL 11.6 Item 2)
9	122K93780	Exposure Lamp (REP 11.6.1)
10	105E16210	Lamp Ballast PWB
11	-	Pad (P/O PL 11.6 Item 2)
12	041K94910	Half Rate Carriage Assembly (ADJ 11.6.1)
13	-	No.2 Mirror, No.3 Mirror (P/O PL 11.6 Item 12)
14	-	Clip (P/O PL 11.6 Item 12)
15	-	Half Rate Carriage (P/O PL 11.6 Item 12)
16	-	Pulley (P/O PL 11.6 Item 12)
17	-	Pulley (P/O PL 11.6 Item 12)
18	-	Pad (P/O PL 11.6 Item 12)
19	-	Guide (P/O PL 11.6 Item 12)

PL11.6

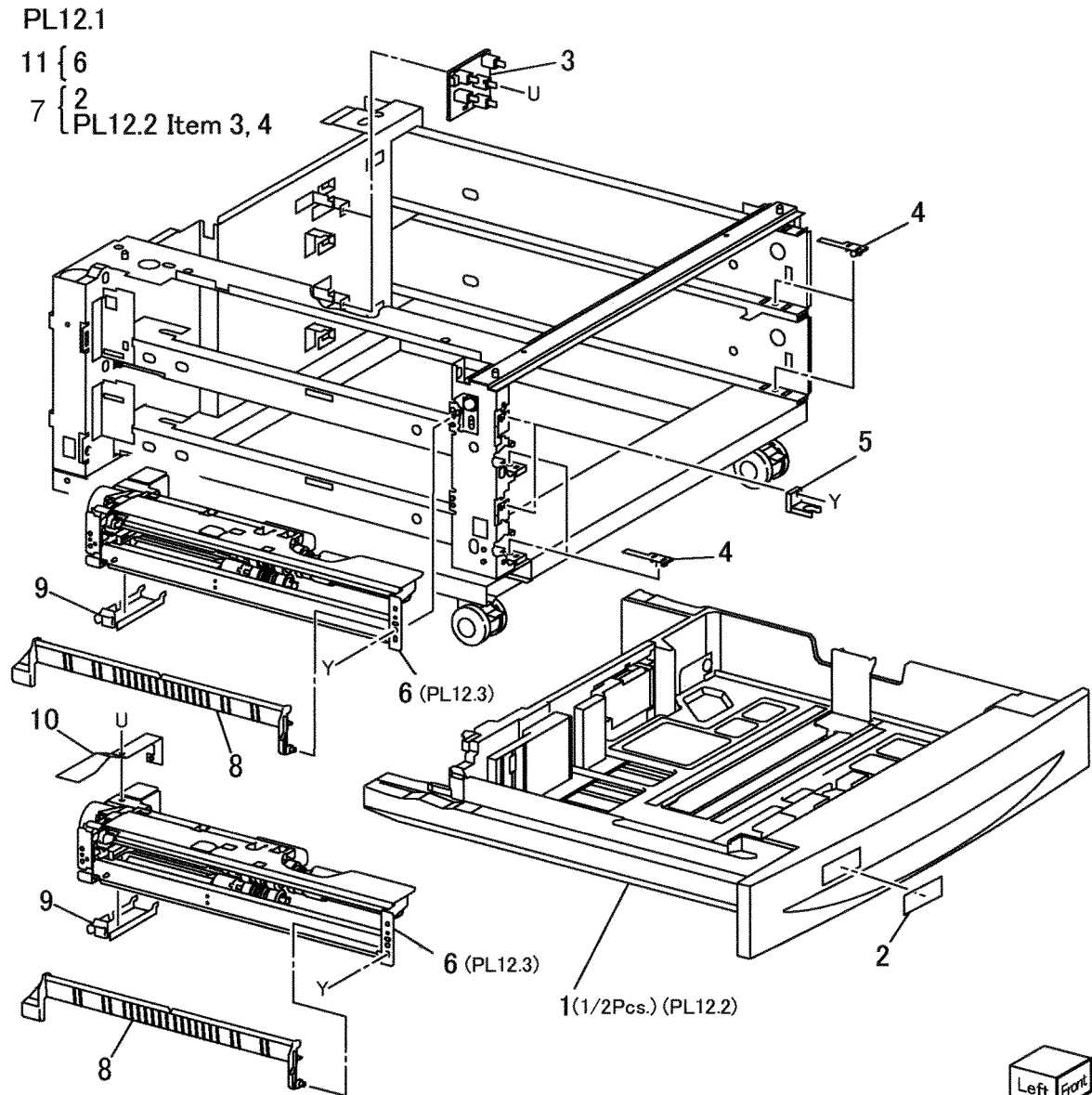


2 { 3-11
12 { 13-18

j0st51106

PL 12.1 Tray, Feeder Assembly-2 Tray

Item	Part	Description
1	050K53945	Tray 3/4 Assembly
2	-	Label (No. 3), Label (No. 4) (P/O PL 12.1 Item 7)
3	110K12100	Tray 3/4 Paper Size Switch
4	014E51110	Tray Spacer
5	003E61510	Tray Stopper
6	-	Tray 3 Feeder, Tray 4 Feeder (P/O PL 12.1 Item 11)
7	604K20550	Tray Label Kit
8	054E22622	Feed Out Chute
9	-	Sensor Cover (Not Spared)
10	-	Cover (Not Spared)
11	-	Tray 3/4 Feeder Kit



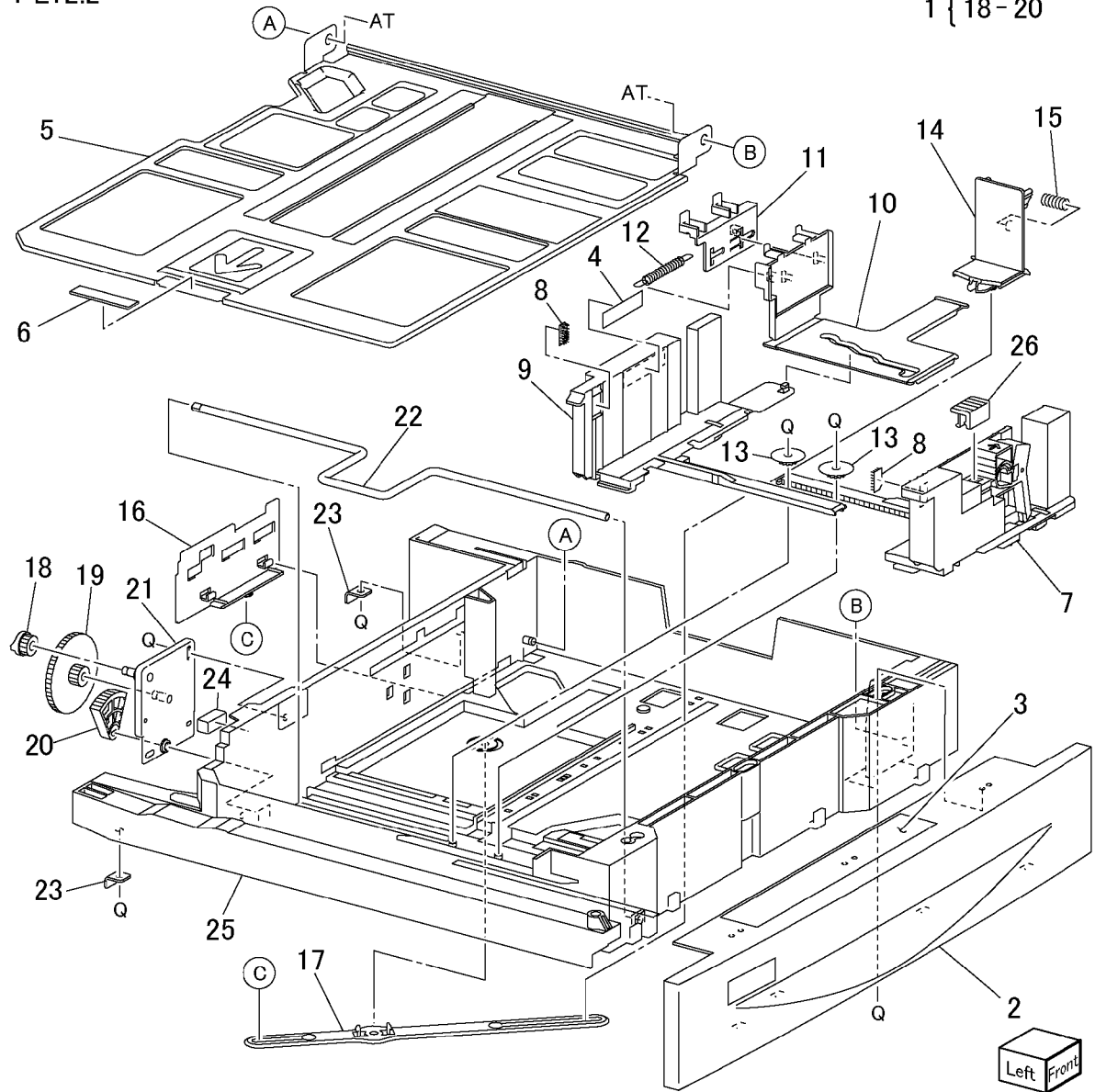
j0st51201

PL 12.2 Tray 3/4 Assembly-2 Tray

Item	Part	Description
1	604K20541	Tray Gear Kit
2	-	Tray Cover (Not Spared)
3	-	Label (Instruction) (P/O PL 12.1 Item 7)
4	-	Label (Max) (P/O PL 12.1 Item 7)
5	-	Bottom Plate (P/O PL 12.1 Item 1)
6	-	Bottom Pad (P/O PL 12.1 Item 1)
7	-	Front Side Guide (P/O PL 12.1 Item 1)
8	-	Tray Pad (P/O PL 12.1 Item 1)
9	-	Rear Side Guide (P/O PL 12.1 Item 1)
10	-	Side Guide Actuator (P/O PL 12.1 Item 1)
11	-	Guide Actuator (P/O PL 12.1 Item 1)
12	-	Spring (P/O PL 12.1 Item 1)
13	-	Pinion Gear (P/O PL 12.1 Item 1)
14	-	End Guide (P/O PL 12.1 Item 1)
15	-	Spring (P/O PL 12.1 Item 1)
16	-	End Guide Actuator (P/O PL 12.1 Item 1)
17	-	Link (P/O PL 12.1 Item 1)
18	-	Coupling Gear (13T) (P/O PL 12.2 Item 1)
19	-	Gear (13T/60T) (P/O PL 12.2 Item 1)
20	-	Sector Gear (P/O PL 12.2 Item 1)
21	-	Bracket (P/O PL 12.1 Item 1)
22	-	Lift Up Shaft (P/O PL 12.1 Item 1)
23	-	Stopper (P/O PL 12.1 Item 1)
24	-	Seal (P/O PL 12.1 Item 1)
25	-	Tray (P/O PL 12.1 Item 1)
26	010E94240	Slide Lock

PL12.2

1 { 18 - 20



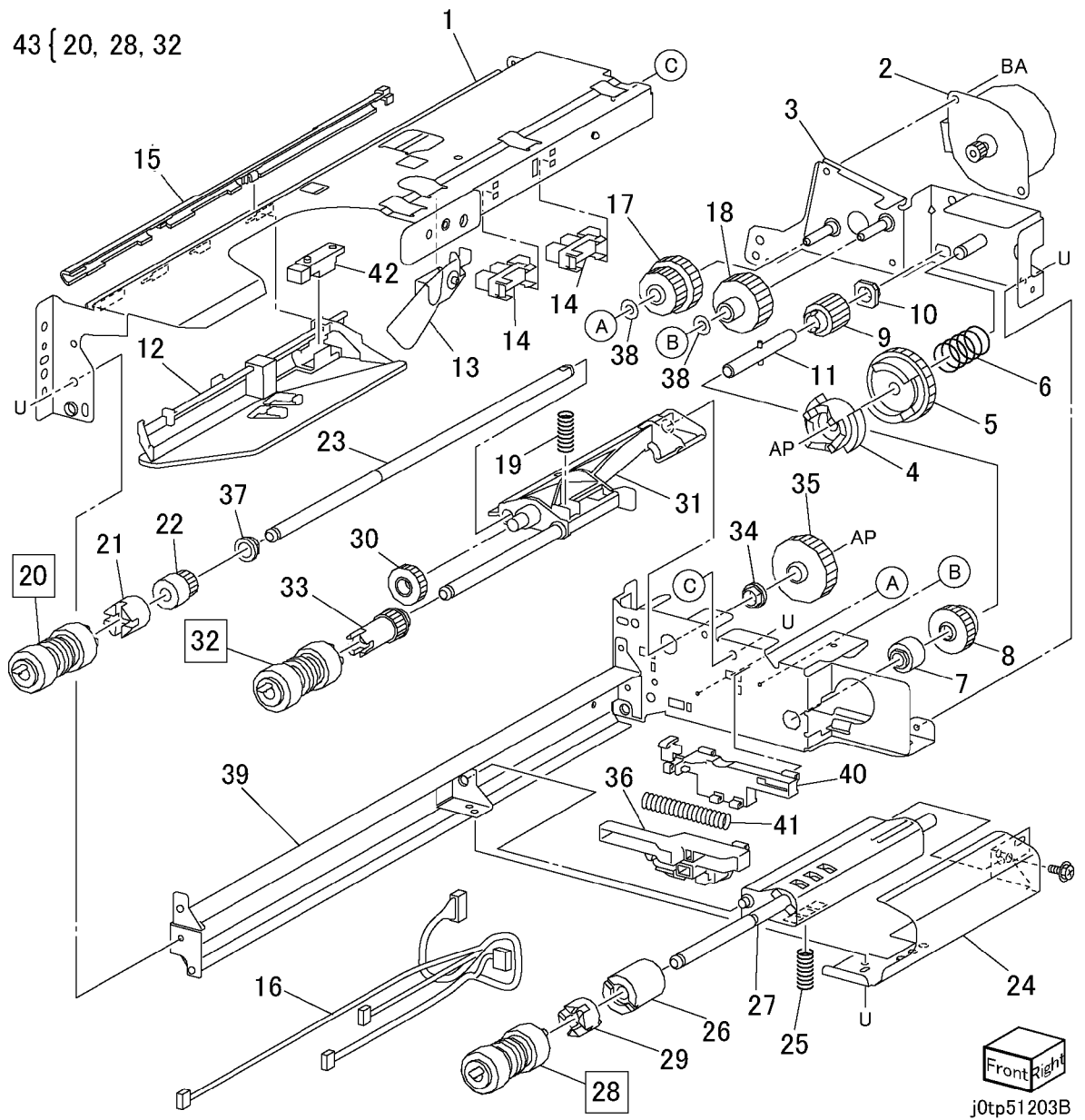
j0st51202B

PL 12.3 Tray 3/4 Feeder- 2 Tray

Item	Part	Description
1	-	Upper Frame (P/O PL 12.1 Item 6)
2	127K38171	Tray 3/4 Feed/Lift Up Motor
3	-	Bracket (P/O PL 12.1 Item 6)
4	-	Spacer (P/O PL 12.1 Item 6)
5	-	Gear (31T) (P/O PL 12.1 Item 6)
6	-	Spring (P/O PL 12.1 Item 6)
7	-	Oneway Clutch (P/O PL 12.1 Item 6)
8	-	Oneway Gear (P/O PL 12.1 Item 6)
9	-	Gear (33T) (P/O PL 12.1 Item 6)
10	-	Bearing (P/O PL 12.1 Item 6)
11	-	Shaft (P/O PL 12.1 Item 6)
12	-	Front Chute (P/O PL 12.1 Item 6)
13	120E22481	Actuator
14	930W00113	Tray 3/4 Level Sensor, Tray 3/4 No Paper Sensor
15	-	Harness Holder (CTR)
16	962K18912	Wire Harness
17	-	Gear (28T/21T) (P/O PL 12.1 Item 6)
18	-	Gear (29T) (P/O PL 12.1 Item 6)
19	-	Spring (P/O PL 12.1 Item 6)
20	-	Feed Roll (P/O PL 12.3 Item 43) (REP 12.3)
21	005K05890	Oneway Clutch
22	005K06760	Oneway Gear (22T)
23	-	Shaft (P/O PL 12.1 Item 6)
24	-	Chute (P/O PL 12.1 Item 6)
25	-	Spring (P/O PL 12.1 Item 6)
26	005K81880	Friction Clutch
27	-	Support (P/O PL 12.1 Item 6)
28	-	Retard Roll (P/O PL 12.3 Item 43) (REP 12.3)
29	-	Spacer (P/O PL 12.1 Item 6)
30	-	Gear (13T) (P/O PL 12.1 Item 6)
31	-	Support (P/O PL 12.1 Item 6)
32	-	Nudger Roll (P/O PL 12.3 Item 43) (REP 12.3)
33	-	Gear (25T) (P/O PL 12.1 Item 6)
34	-	Bearing (P/O PL 12.1 Item 6)
35	-	Gear (34T) (P/O PL 12.1 Item 6)
36	-	Lever (P/O PL 12.1 Item 6)
37	-	Bearing (P/O PL 12.1 Item 6)
38	-	Washer (P/O PL 12.1 Item 6)
39	-	Lower Frame (P/O PL 12.1 Item 6)
40	-	Holder (P/O PL 12.1 Item 6)
41	-	Spring (P/O PL 12.1 Item 6)
42	930W00211	Tray 3/4 Per Feed Sensor
43	604K20360	Feeder Roll Kit (Feeder/Nudger/Retard)

PL12.3

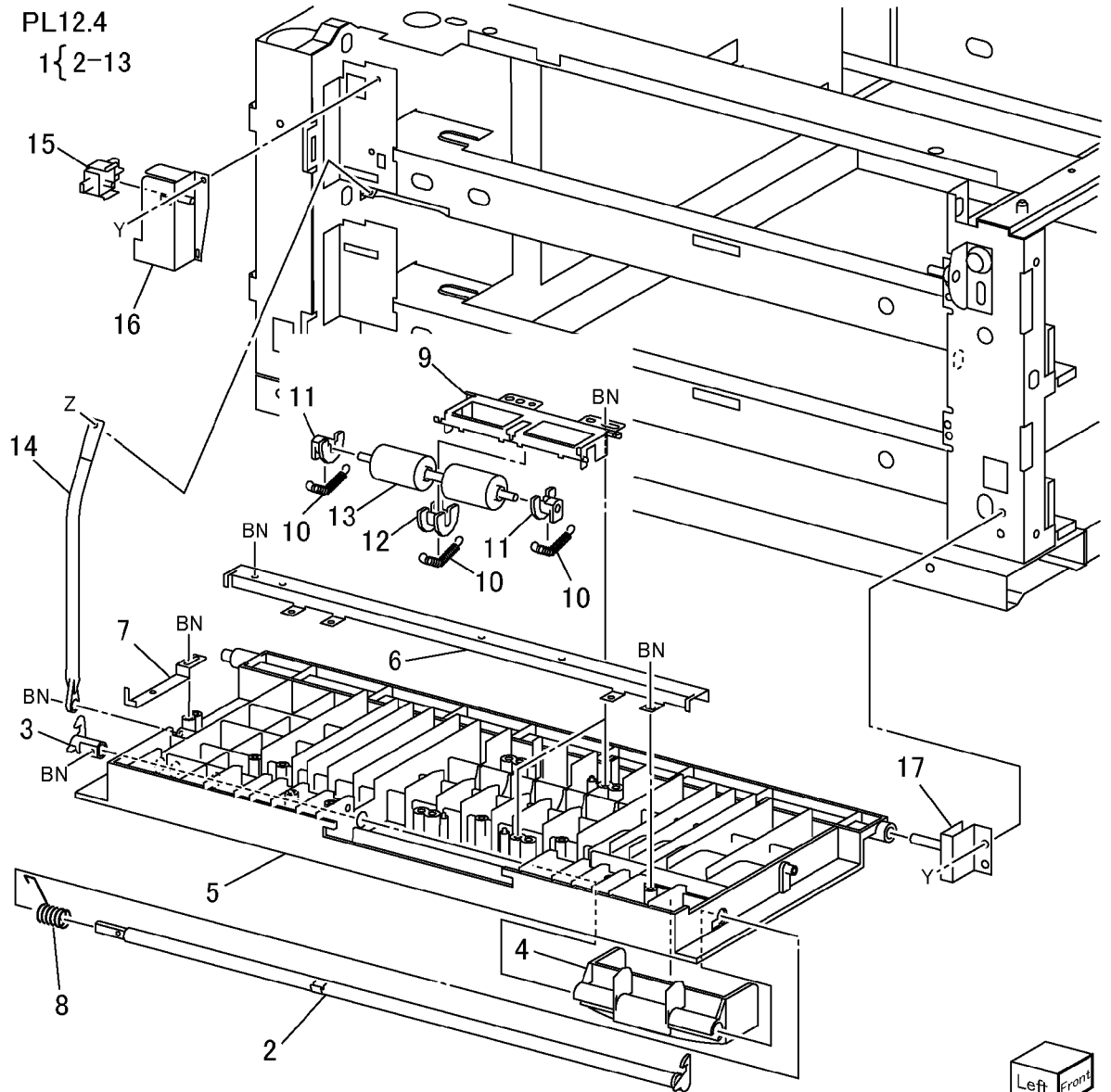
43 { 20, 28, 32



FrontRight
j0tp51203B

PL 12.4 Left Cover-2Tray

Item	Part	Description
1	802K70855	Left Cover Assembly
2	-	Latch Assembly (P/O PL 12.4 Item 1)
3	-	Hook (P/O PL 12.4 Item 1)
4	-	Handle (P/O PL 12.4 Item 1)
5	-	Left Cover (P/O PL 12.4 Item 1)
6	-	Chute (P/O PL 12.4 Item 1)
7	-	Actuator (P/O PL 12.4 Item 1)
8	-	Spring (P/O PL 12.4 Item 1)
9	-	Bracket (P/O PL 12.4 Item 1)
10	-	Spring (P/O PL 12.4 Item 1)
11	-	Bearing (P/O PL 12.4 Item 1)
12	-	Bearing (P/O PL 12.4 Item 1)
13	059E98190	Pinch Roll
14	830E45710	Support Strap
15	110E12220	Tray Module Left Cover Interlock Switch
16	-	Bracket (Not Spared)
17	-	Bracket (Not Spared)



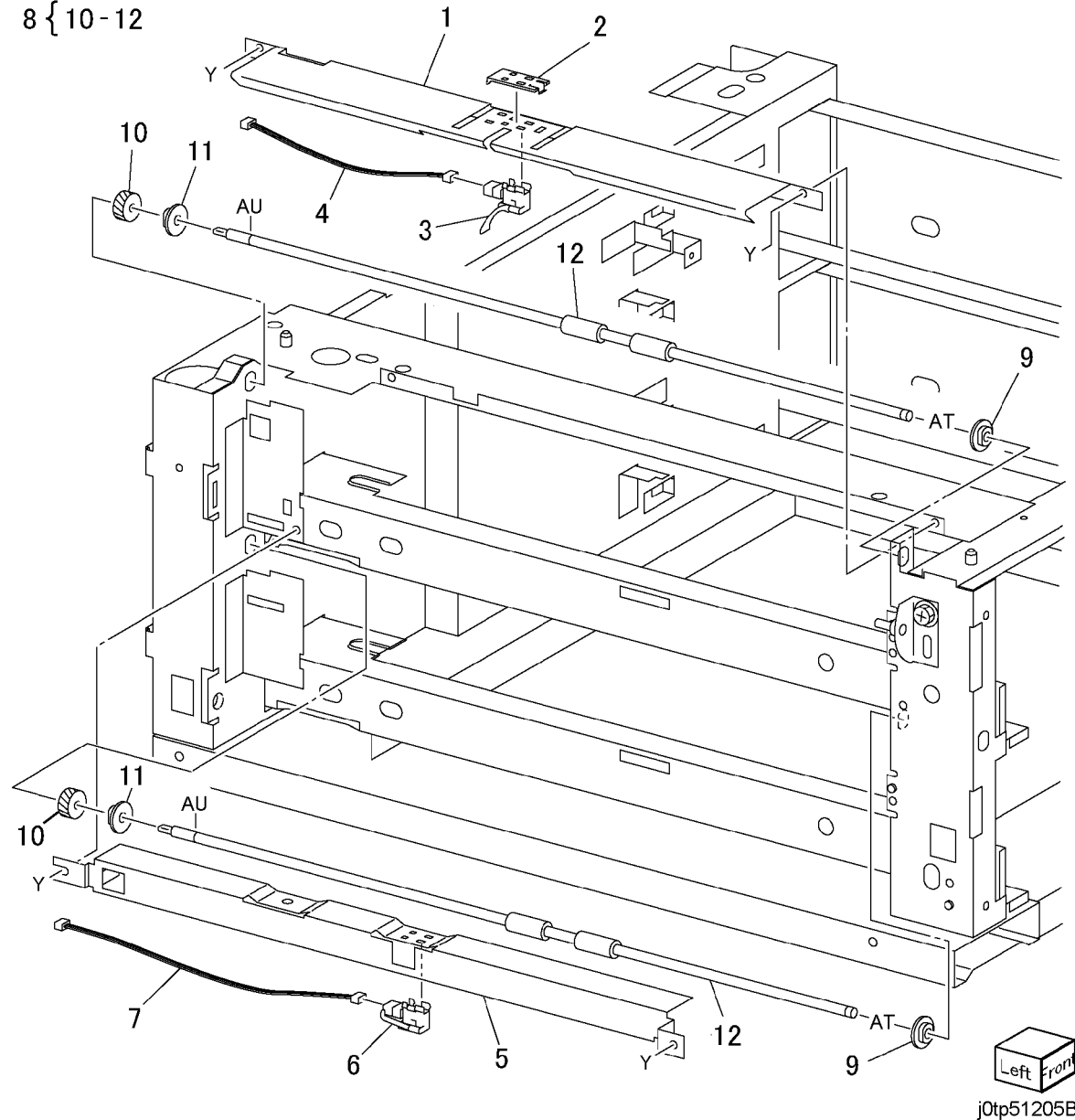
j0st51204

PL 12.5 Takeaway Roll-2Tray

Item	Part	Description
1	-	Chute (Not Spared)
2	-	Cover (Not Spared)
3	130K64121	Tray 3 Feed Out Sensor
4	962K18171	Wire Harness
5	-	Chute (Not Spared)
6	130K64471	Tray 4 Feed Out Sensor
7	962K18900	Wire Harness
8	059K40370	Takeaway Roll Assembly
9	604K20720	Bearing Kit
10	-	Gear (16T) (P/O PL 12.5 Item 8)
11	-	Bearing (P/O PL 12.5 Item 8)
12	-	Takeaway Roll (P/O PL 12.5 Item 8)

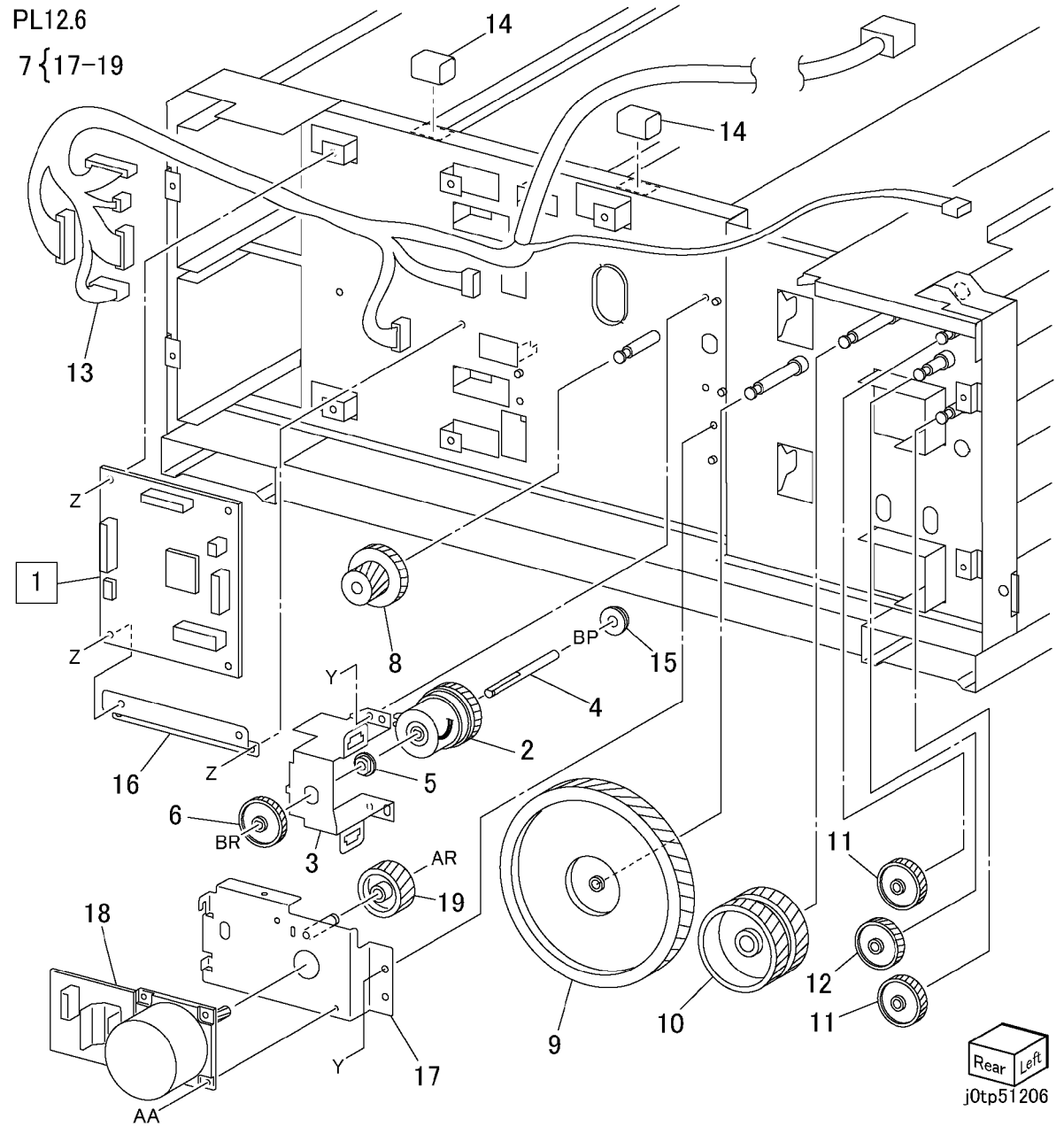
PL12.5

8 { 10 - 12



PL 12.6 Electrical-2Tray

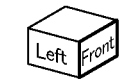
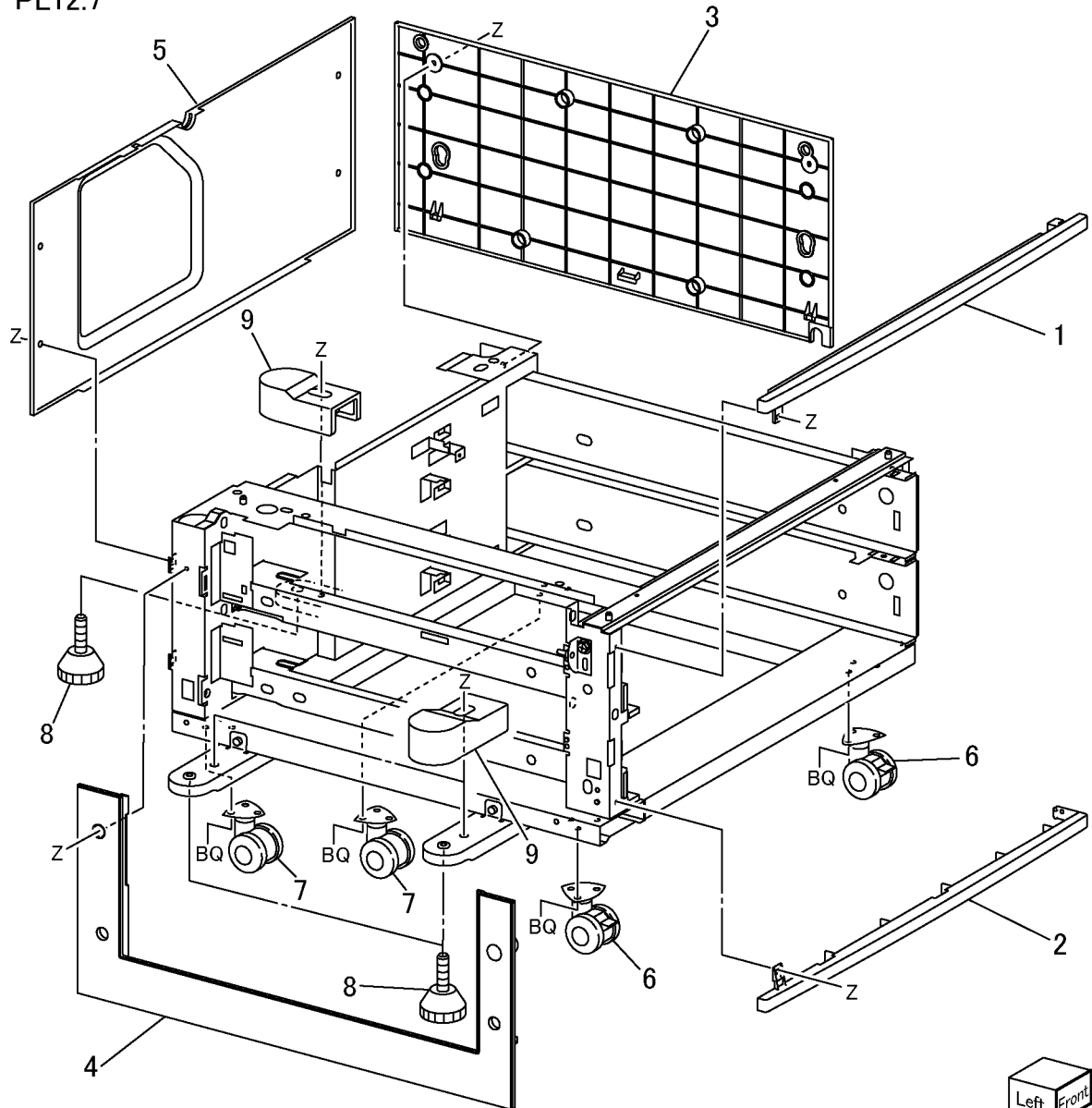
Item	Part	Description
1	960K16185	2 Tray Module PWB (REP 12.4)
2	121K31530	2 Tray Module Takeaway Roll Clutch
3	-	Bracket (Not Spared)
4	-	Shaft (Not Spared)
5	-	Bearing (Not Spared)
6	-	Gear (38T) (Not Spared)
7	007K93801	2 Tray Module Takeaway Motor Assembly
8	-	Gear (22T/40T) (Not Spared)
9	-	Gear (126T) (Not Spared)
10	-	Gear (37T) (Not Spared)
11	-	Gear (37T) (Not Spared)
12	-	Gear (32T) (Not Spared)
13	962K18900	Wire Harness
14	-	Gasket (Not Spared)
15	604K20720	Bearing
16	-	Bracket (Not Spared)
17	-	Bracket (P/O PL 12.6 Item 7)
18	-	2Tray Takeaway Module Motor (P/O PL 12.6 Item 7)
19	-	Gear (50T) (P/O PL 12.6 Item 7)



PL 12.7 Cover-2Tray

Item	Part	Description
1	-	Top Cover (Not Spared)
2	-	Foot Cover (Not Spared)
3	802E54750	Right Cover
4	802E54762	Left Cover
5	802E54771	Rear Cover
6	-	Caster (Stopper) (Not Spared)
7	-	Caster (Not Spared)
8	-	Foot (Not Spared)
9	-	Foot Cover (Not Spared)

PL12.7

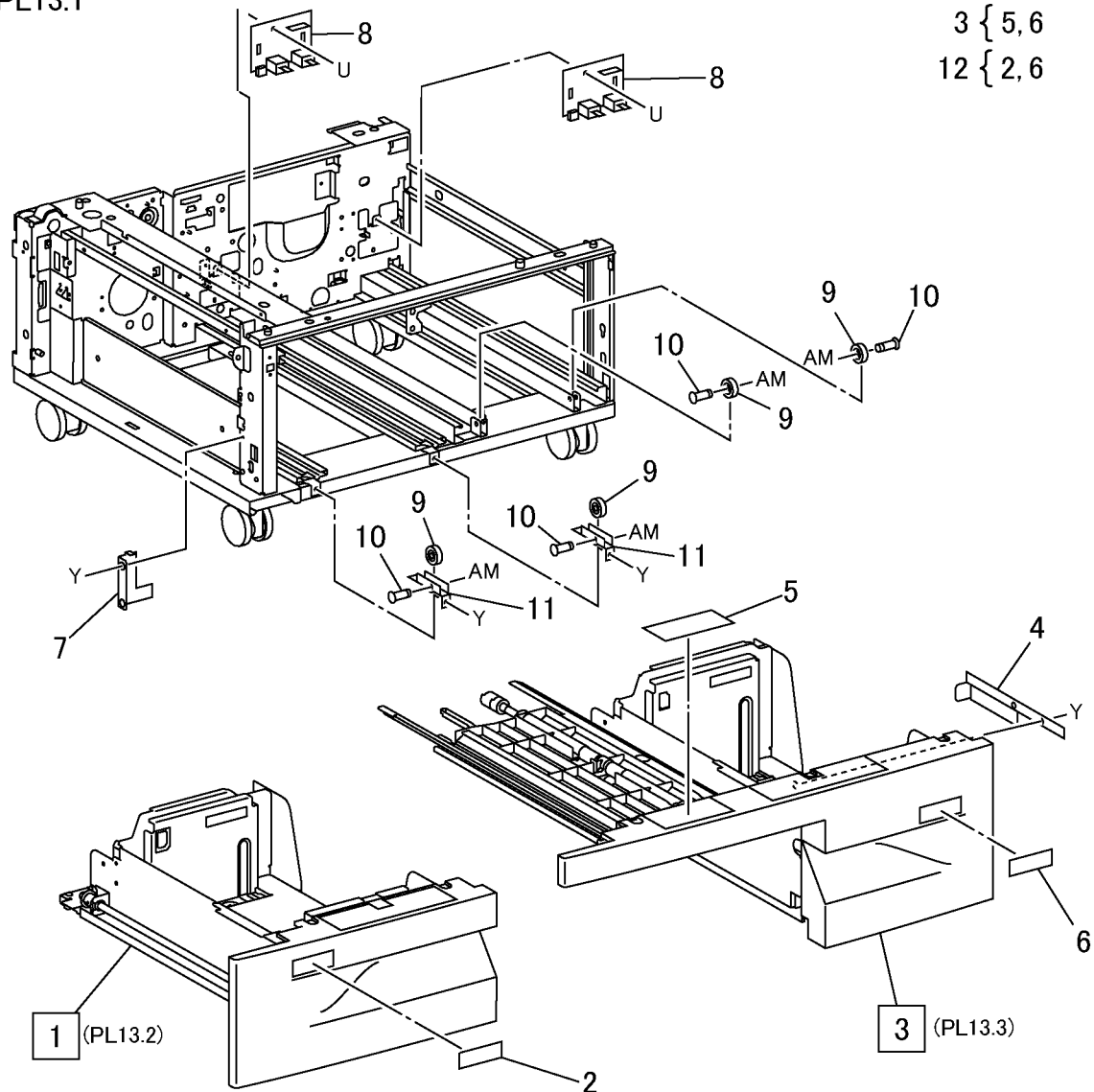


j0tp51207B

PL 13.1 Tray 3/4 Assembly-Tandem

Item	Part	Description
1	050K53962	Tray 3 Assembly (REP 13.1.1)
2	-	Label (3) (P/O PL 13.1 Item 12)
3	050K53952	Tray 4 Assembly (REP 13.1.2)
4	-	Tray 4 Stopper (P/O PL 13.1 Item 3)
5	-	Label (P/O PL 13.1 Item 3)
6	-	Label (4) (Not Spared)
7	-	Tray 3 Stopper (Not Spared)
8	110K11820	Tray 3/4 Paper Size Switch
9	059E98210	Roll
10	-	Shaft (Not Spared)
11	-	Bracket (Not Spared)
12	604K20550	Tray Label Kit

PL13.1



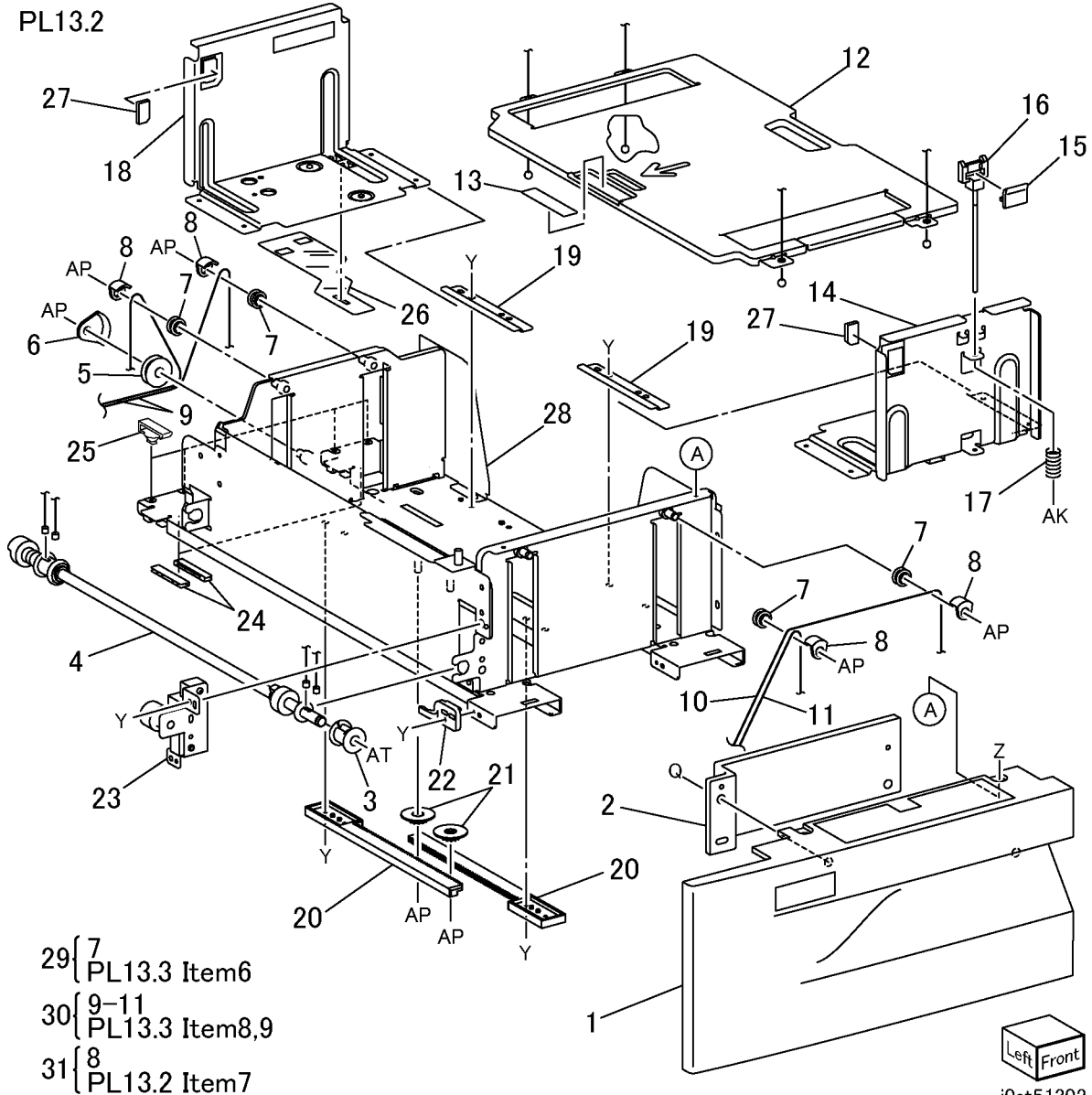
3 { 5,6
12 { 2,6



j0st51301B

PL 13.2 Tray 3 Assembly-Tandem

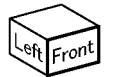
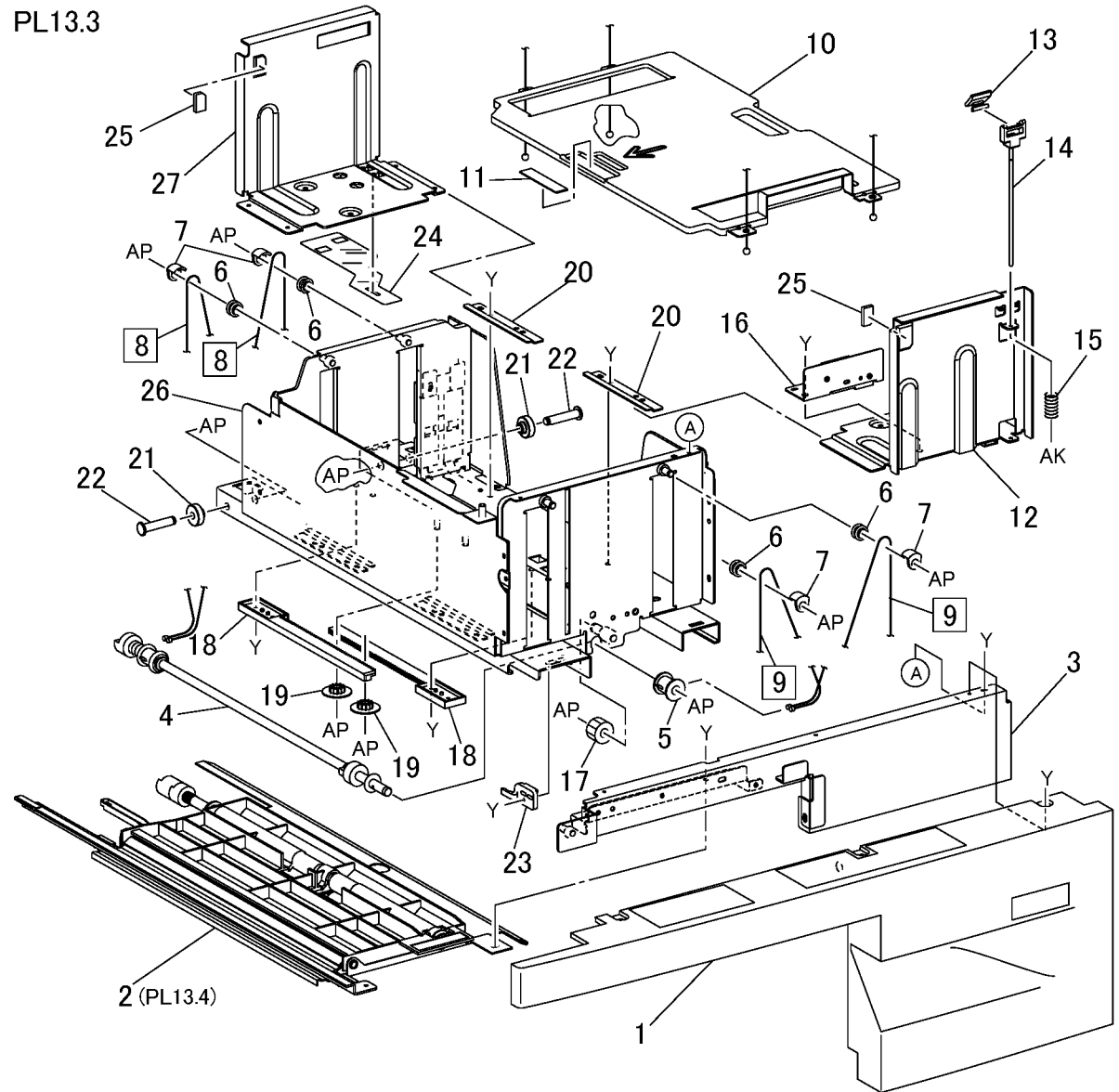
Item	Part	Description
1	-	Tray 3 Cover (P/O PL 13.1 Item 1)
2	-	Handle Tray (P/O PL 13.1 Item 1)
3	-	Pulley (P/O PL 13.1 Item 1)
4	006K23014	Lift Shaft
5	020E36560	Pulley
6	032E20890	Cable Guide
7	-	Pulley (P/O PL 13.2 Item 29)
8	-	Cable Guide (P/O PL 13.2 Item 31)
9	-	Tray Cable (P/O PL 13.2 Item 30)
10	-	Tray Cable (P/O PL 13.2 Item 30)
11	-	Tray Cable (P/O PL 13.2 Item 30)
12	-	Bottom Plate (P/O PL 13.1 Item 1)
13	-	Pad (P/O PL 13.1 Item 1)
14	-	Front Side Guide (P/O PL 13.1 Item 1)
15	-	Knob (P/O PL 13.1 Item 1)
16	-	Knob Assembly (P/O PL 13.1 Item 1)
17	-	Spring (P/O PL 13.1 Item 1)
18	-	Rear Side Guide (P/O PL 13.1 Item 1)
19	-	Bracket (P/O PL 13.1 Item 1)
20	-	Lack Rear (P/O PL 13.1 Item 1)
21	-	Pinion (P/O PL 13.1 Item 1)
22	003E79750	Stopper
23	030K75541	Brake Bracket
24	-	Rail Spacer (P/O PL 13.1 Item 1)
25	-	Spacer (P/O PL 13.1 Item 1)
26	-	Actuator (P/O PL 13.1 Item 1)
27	-	Pad (P/O PL 13.1 Item 1)
28	-	Frame (P/O PL 13.1 Item 1)
29	604K20730	Pulley Kit
30	604K20750	Tray Cable Kit
31	604K20740	Cable Guide Kit



PL 13.3 Tray 4 Assembly-Tandem

Item	Part	Description
1	-	Tray Cover (P/O PL 13.1 Item 3)
2	059K26340	Tray 4 Transport Assembly
3	-	Frame (P/O PL 13.1 Item 3)
4	006K23014	Lift Shaft
5	020E36821	Pulley
6	-	Pulley (P/O PL 13.2 Item 29)
7	-	Cable Guide (P/O PL 13.2 Item 31)
8	-	Rear Tray Cable (P/O PL 13.2 Item 30)
9	-	Front Tray Cable (P/O PL 13.2 Item 30)
10	-	Bottom Plate (P/O PL 13.1 Item 3)
11	-	Pad (P/O PL 13.1 Item 3)
12	-	Front Side Guide (P/O PL 13.1 Item 3)
13	-	Knob (P/O PL 13.1 Item 3)
14	-	Knob Assembly (P/O PL 13.1 Item 3)
15	-	Spring (P/O PL 13.1 Item 3)
16	-	Brake Bracket (P/O PL 13.1 Item 3)
17	007E78390	Gear
18	-	Rack Gear (P/O PL 13.1 Item 3)
19	-	Pinion (P/O PL 13.1 Item 3)
20	-	Bracket (P/O PL 13.1 Item 3)
21	-	Rail Roll (P/O PL 13.1 Item 3)
22	-	Shaft (P/O PL 13.1 Item 3)
23	003E79750	Stopper
24	-	Actuator (P/O PL 13.1 Item 3)
25	-	Pad (P/O PL 13.1 Item 3)
26	-	Frame (P/O PL 13.1 Item 3)
27	-	Rear Side Guide (P/O PL 13.1 Item 3)

PL13.3

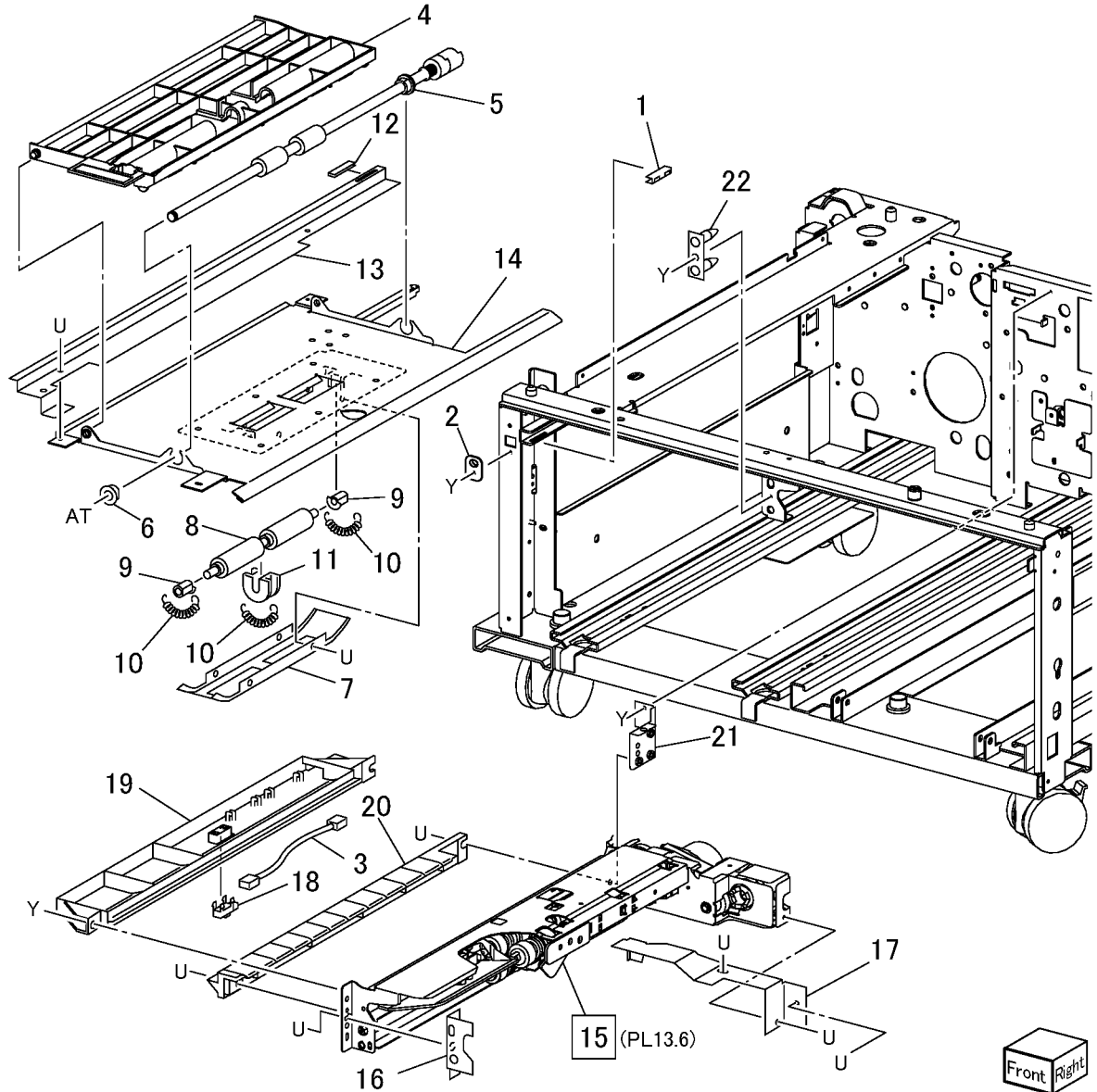


j0st51303B

PL 13.4 Paper Feed (1/2)-Tandem

Item	Part	Description
1	-	Spacer (Not Spared)
2	-	Guide (Not Spared)
3	-	Wire Harness (Not Spared)
4	-	Upper Chute (P/O PL 13.3 Item 2)
5	059K26350	Takeaway Roll
6	-	Bearing (P/O PL 13.3 Item 2)
7	-	Cover (P/O PL 13.3 Item 2)
8	059E98860	Pinch Roll
9	-	Bearing (P/O PL 13.3 Item 2)
10	-	Spring (P/O PL 13.3 Item 2)
11	-	Bearing (P/O PL 13.3 Item 2)
12	-	Spacer (P/O PL 13.3 Item 2)
13	-	Transport Rail (P/O PL 13.3 Item 2)
14	-	Lower Chute (P/O PL 13.3 Item 2)
15	-	Tray 4 Feeder (Not Spared)
16	-	Bracket (Not Spared)
17	-	Cover (Not Spared)
18	930W00212	Tray 4 Feed Out Sensor
19	-	Upper Chute (Not Spared)
20	-	Lower Chute (Not Spared)
21	-	Bracket (Not Spared)
22	-	Stand Bracket (Not Spared)

PL13.4

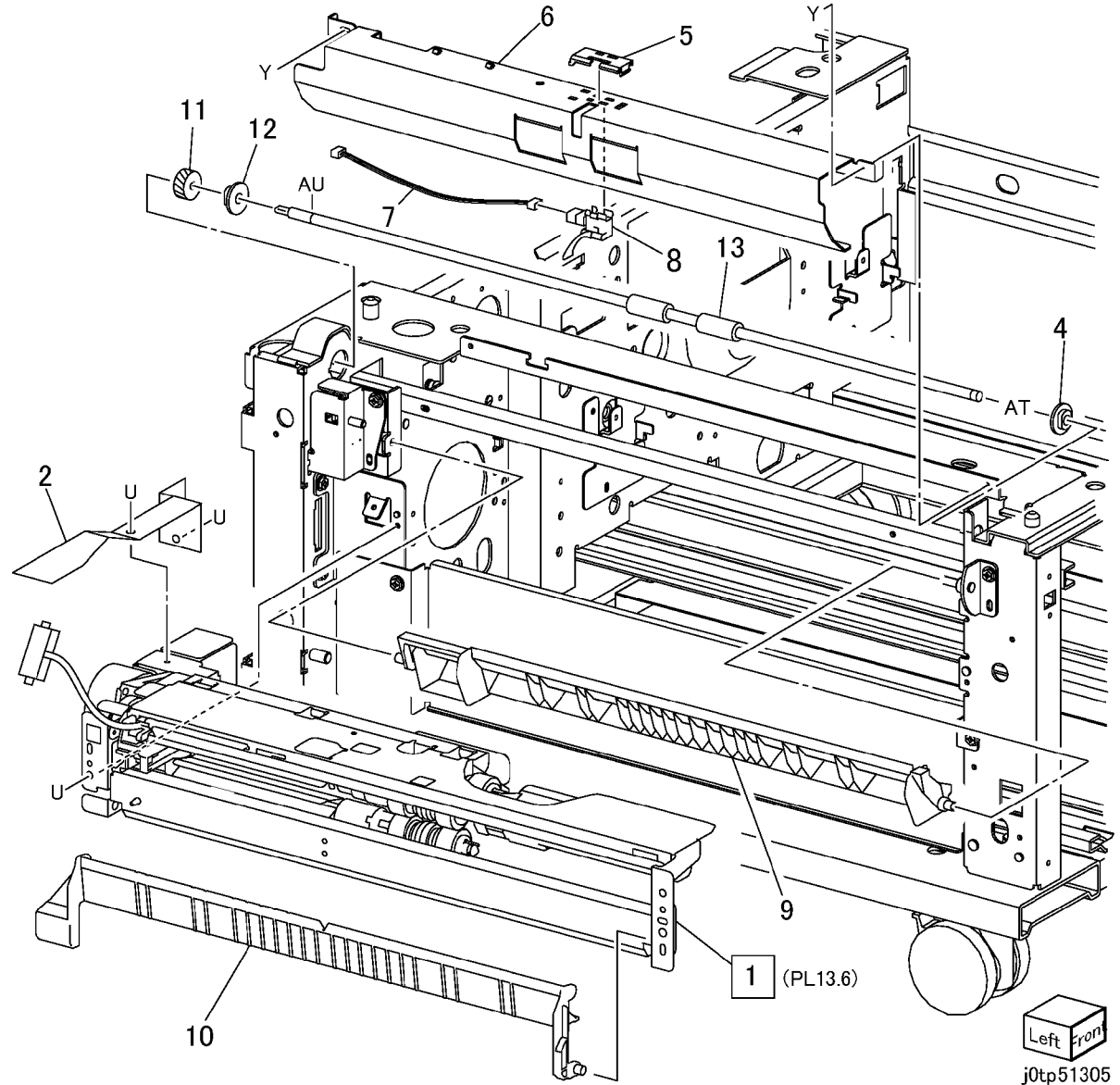


j0st51304B

PL 13.5 Paper Feed (2/2)-Tandem

Item	Part	Description
1	059K42524	Tray 3 Feeder
2	-	Cover (Not Spared)
3	059K40370	Takeaway Roll Assembly
4	-	Bearing (Not Spared)
5	-	Cover (Not Spared)
6	-	Chute (Not Spared)
7	962K18171	Wire Harness
8	130K64121	Tray 3 Feed Out Sensor
9	-	Upper Chute (Not Spared)
10	054E22622	Lower Chute
11	-	Gear (16T) (P/O PL 13.5 Item 3)
12	-	Bearing (P/O PL 13.5 Item 3)
13	-	Takeaway Roll (P/O PL 13.5 Item 3)

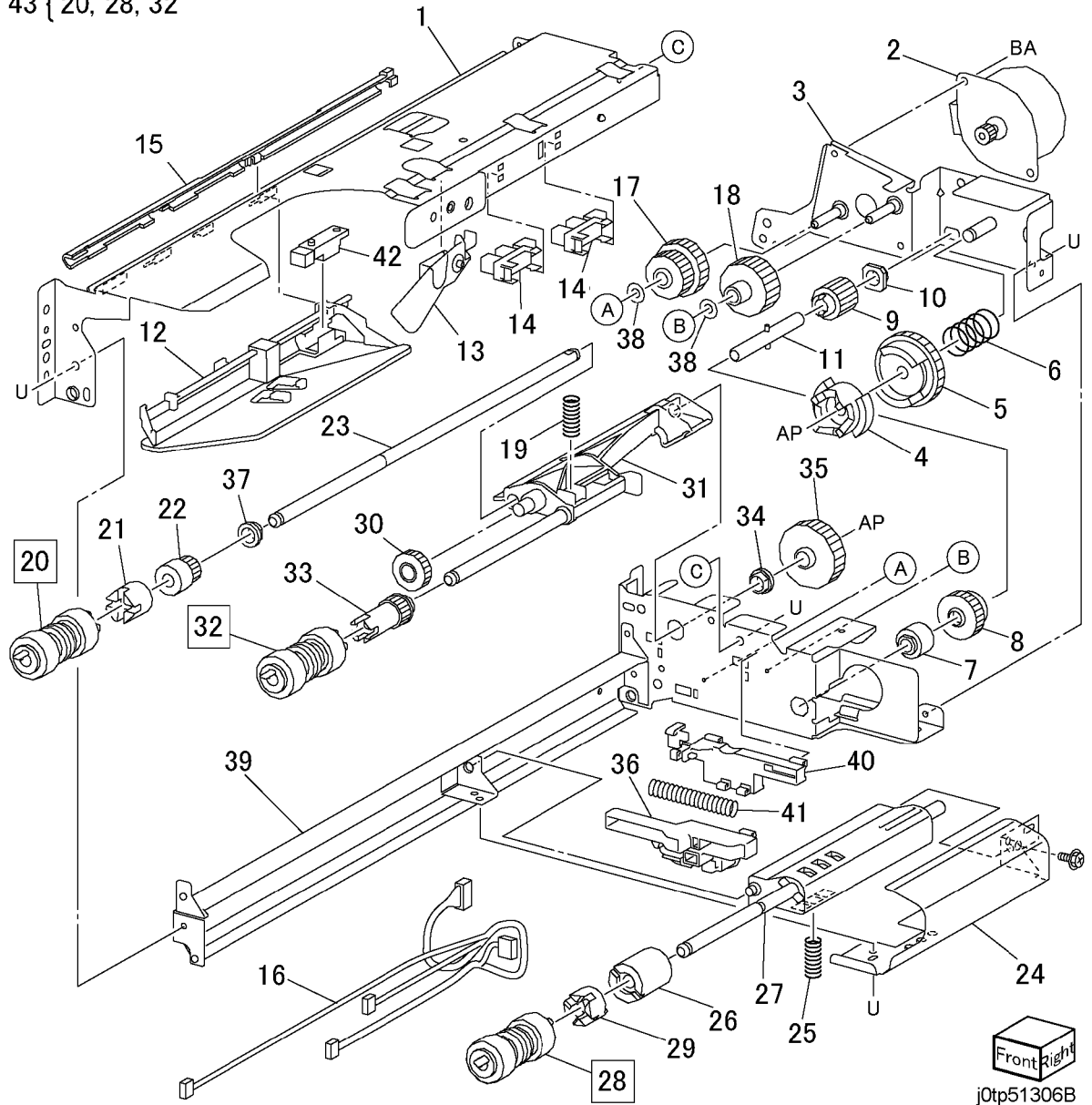
PL13.5
3 {11-13



PL 13.6 Tray 3/4 Feeder-Tandem Tray

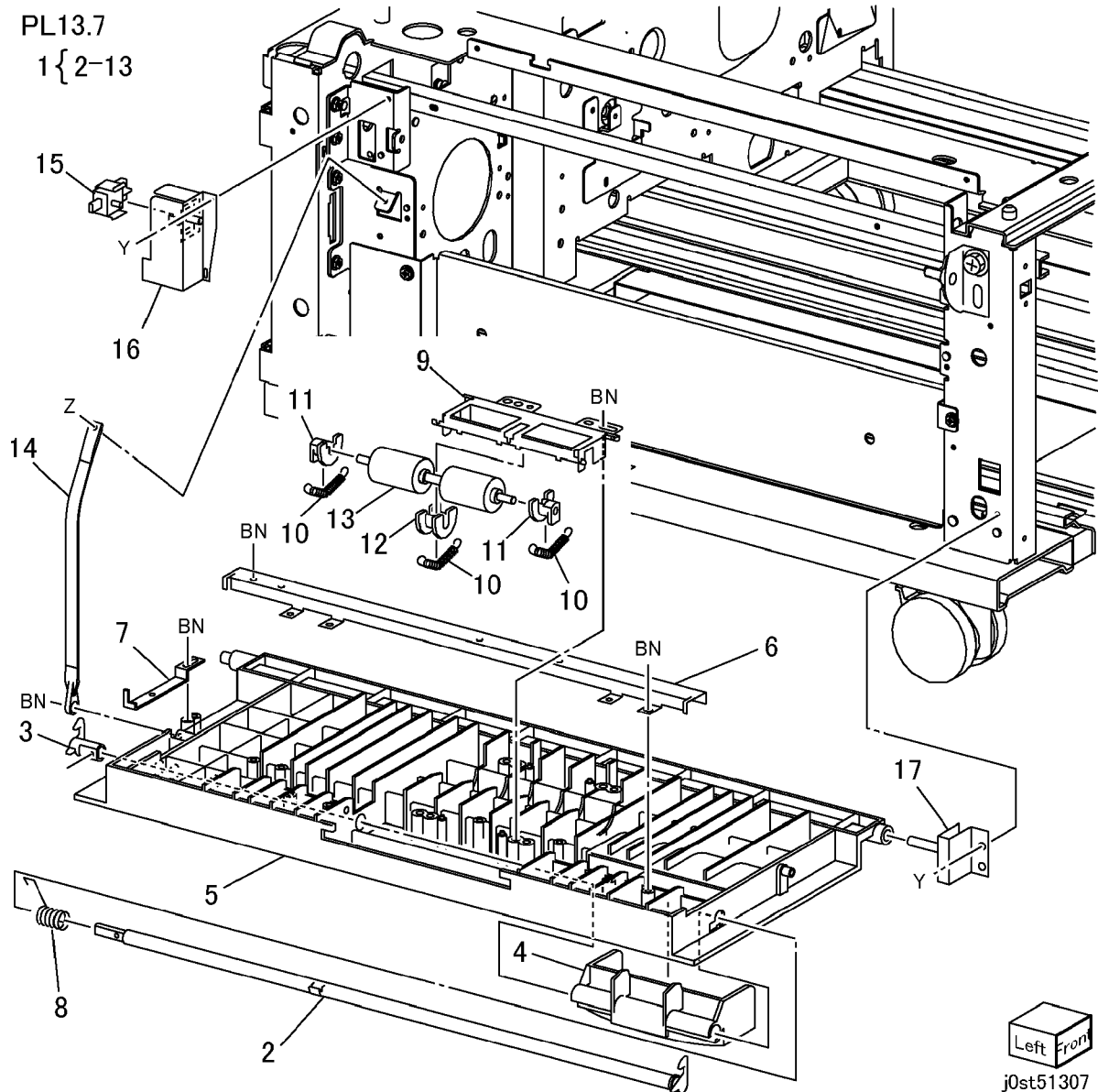
Item	Part	Description
1	-	Upper Frame (P/O PL 13.5 Item 1)
2	127K38171	Tray 3/4 Feed/Lift Up Motor
3	-	Bracket (P/O PL 13.5 Item 1)
4	014E44770	Spacer
5	-	Gear (31T) (P/O PL 13.5 Item 1)
6	-	Spring (P/O PL 13.5 Item 1)
7	-	Oneway Clutch (P/O PL 13.5 Item 1)
8	-	Oneway Gear (P/O PL 13.5 Item 1)
9	-	Gear (33T) (P/O PL 13.5 Item 1)
10	-	Bearing (P/O PL 13.5 Item 1)
11	-	Shaft (P/O PL 13.5 Item 1)
12	-	Front Chute (P/O PL 13.5 Item 1)
13	120E22481	Actuator
14	930W00113	Tray 3/4 Level Sensor, Tray 3/4 No Paper Sensor
15	-	Harness Holder (CTR) (P/O PL 13.5 Item 1)
16	962K18912	Wire Harness
17	-	Gear (28T/21T) (P/O PL 13.5 Item 1)
18	-	Gear (29T) (P/O PL 13.5 Item 1)
19	-	Spring (P/O PL 13.5 Item 1)
20	-	Feed Roll (P/O PL 13.6 Item 43) (REP 12.3)
21	005K05890	Oneway Clutch
22	005K06760	Oneway Gear (22T)
23	-	Shaft (P/O PL 13.5 Item 1)
24	054E23170	Chute
25	-	Spring (P/O PL 13.5 Item 1)
26	005K81880	Friction Clutch
27	-	Support (P/O PL 13.5 Item 1)
28	-	Retard Roll (P/O PL 13.6 Item 43) (REP 12.3)
29	-	Spacer (P/O PL 13.5 Item 1)
30	-	Gear (13T) (P/O PL 13.5 Item 1)
31	-	Support (P/O PL 13.5 Item 1)
32	-	Nudger Roll (P/O PL 13.6 Item 43) (REP 12.3)
33	-	Gear (25T) (P/O PL 13.5 Item 1)
34	-	Bearing (P/O PL 13.5 Item 1)
35	-	Gear (34T) (P/O PL 13.5 Item 1)
36	-	Lever (P/O PL 13.5 Item 1)
37	-	Bearing (P/O PL 13.5 Item 1)
38	-	Washer (P/O PL 13.5 Item 1)
39	-	Lower Frame (P/O PL 13.5 Item 1)
40	-	Holder (P/O PL 13.5 Item 1)
41	-	Spring (P/O PL 13.5 Item 1)
42	930W00211	Tray 3/4 Per Feed Sensor
43	604K20360	Feeder Roll Kit (Feeder/Nudger/Retard)

PL13.6
43 { 20, 28, 32



PL 13.7 Left Cover Assembly-Tandem

Item	Part	Description
1	848K20560	Left Cover Assembly
2	-	Latch (P/O PL 13.7 Item 1)
3	-	Hook (P/O PL 13.7 Item 1)
4	-	Handle (P/O PL 13.7 Item 1)
5	-	Left Cover (P/O PL 13.7 Item 1)
6	-	Chute (P/O PL 13.7 Item 1)
7	-	Actuator (P/O PL 13.7 Item 1)
8	-	Spring (P/O PL 13.7 Item 1)
9	-	Bracket (P/O PL 13.7 Item 1)
10	-	Spring (P/O PL 13.7 Item 1)
11	-	Bearing (P/O PL 13.7 Item 1)
12	-	Bearing (P/O PL 13.7 Item 1)
13	-	Pinch Roll (P/O PL 13.7 Item 1)
14	830E45710	Support
15	110E12220	Tray Module Left Cover Interlock Switch
16	-	Bracket (Not Spared)
17	-	Bracket (Not Spared)

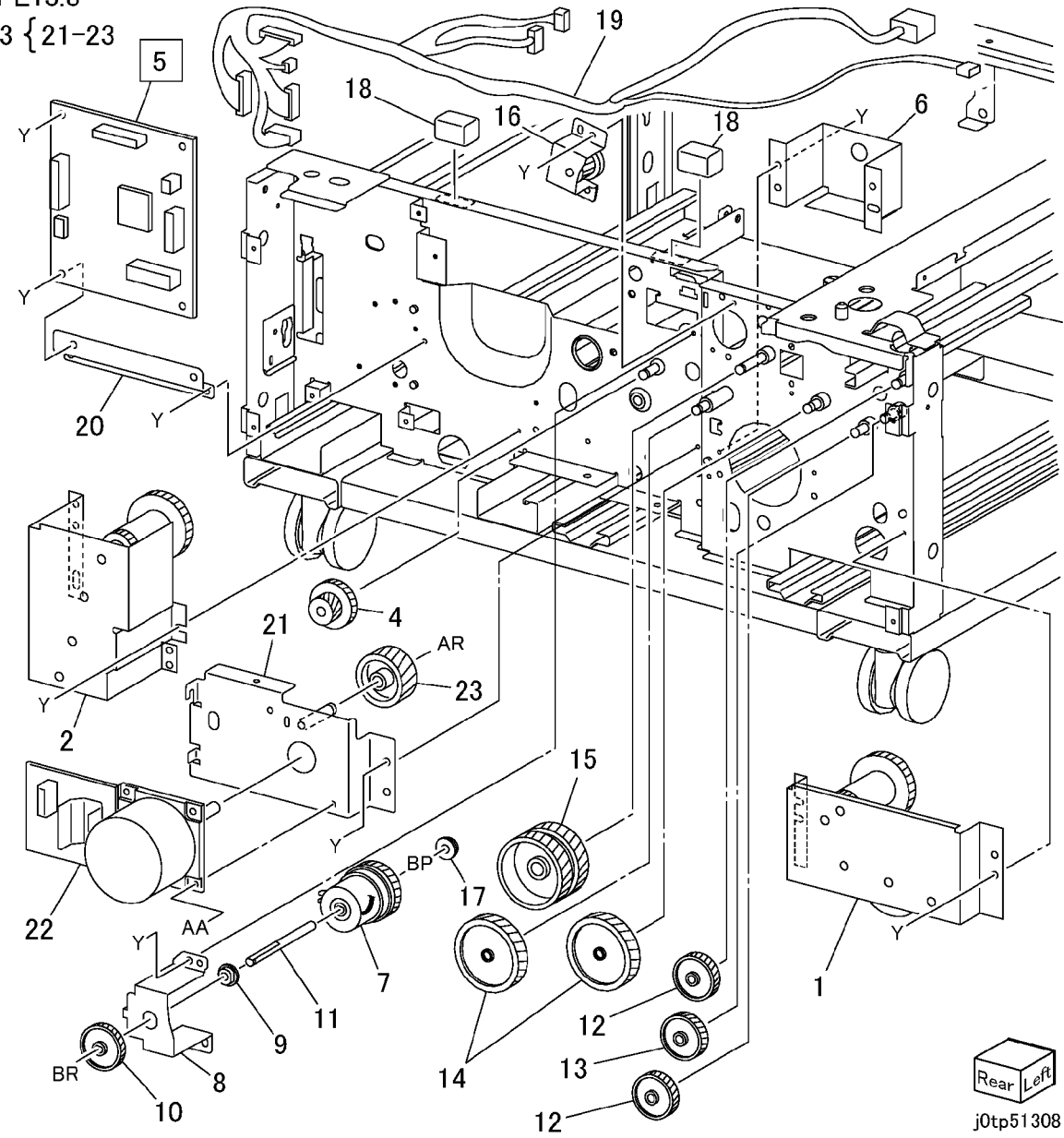


PL 13.8 Electrical-Tandem Tray

Item	Part	Description
1	-	Gear Assembly (Not Spared)
2	-	Gear Assembly (Not Spared)
3	007K93801	Tandem Tray Module Takeaway
4	-	Motor Assembly
5	960K16185	Gear (22T/40T) (Not Spared)
6	-	Tandem Tray Module PWB
7	121K31530	Bracket (Not Spared)
8	-	Tandem Tray Module Takeaway
9	-	Roll Clutch
10	-	Bracket (Not Spared)
11	-	Bearing (Not Spared)
12	-	Gear (38T) (Not Spared)
13	-	Shaft (Not Spared)
14	-	Gear (37T) (Not Spared)
15	-	Gear (32T) (Not Spared)
16	-	Gear (60T) (Not Spared)
17	-	Gear (60T) (Not Spared)
18	-	Bracket Assembly (Not Spared)
19	-	Bearing (Not Spared)
20	-	Gasket (Not Spared)
21	-	Wire Harness (Not Spared)
22	-	Bracket (Not Spared)
23	-	Bracket (P/O PL 13.8 Item 3)
24	-	Tandem Tray Module Takeaway
25	-	Motor (P/O PL 13.8 Item 3)
26	-	Gear (36T/72T) (P/O PL 13.8 Item 3)

PL13.8

3 { 21-23

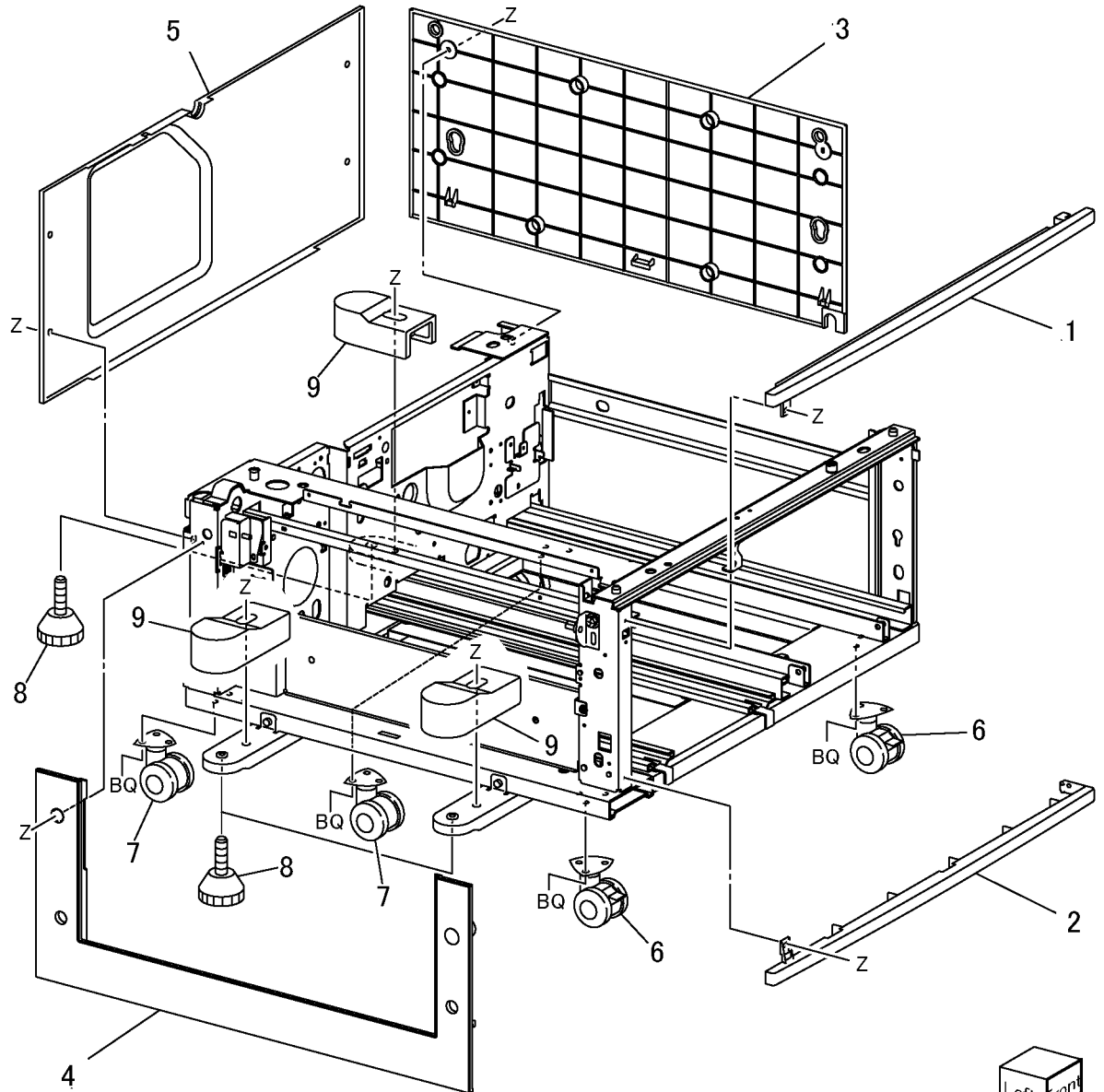


j0tp51308

PL 13.9 Cover-Tandem Tray

Item	Part	Description
1	-	Top Cover (Not Spared)
2	-	Foot Cover (Not Spared)
3	802E54750	Right Cover
4	802E54762	Left Cover
5	802E54771	Rear Cover
6	-	Caster (Stopper) (Not Spared)
7	-	Caster (Not Spared)
8	-	Foot (Not Spared)
9	-	Foot Cover (Not Spared)

PL13.9

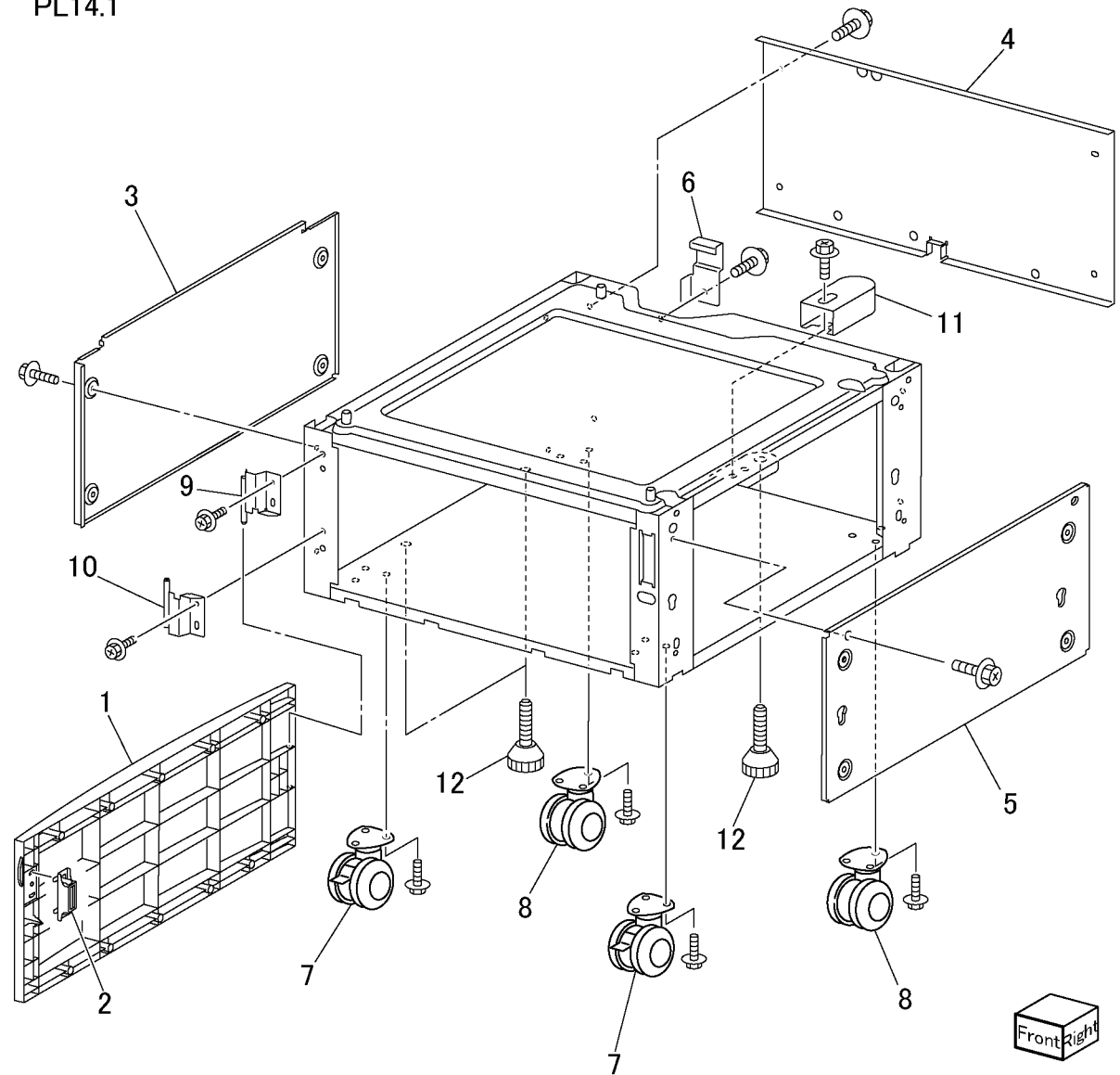


j0tp51309B

PL 14.1 Mobile Stand

Item	Part	Description
1	-	Front Cover (Not Spared)
2	-	Magnet (Not Spared)
3	-	Left Cover (Not Spared)
4	-	Rear Cover (Not Spared)
5	-	Right Cover (Not Spared)
6	-	Bracket (Not Spared)
7	-	Caster (Not Spared)
8	-	Caster (Not Spared)
9	-	Upper Hinge (Not Spared)
10	-	Lower Caster (Not Spared)
11	-	Front Cover (Not Spared)
12	-	Foot (Not Spared)

PL14.1



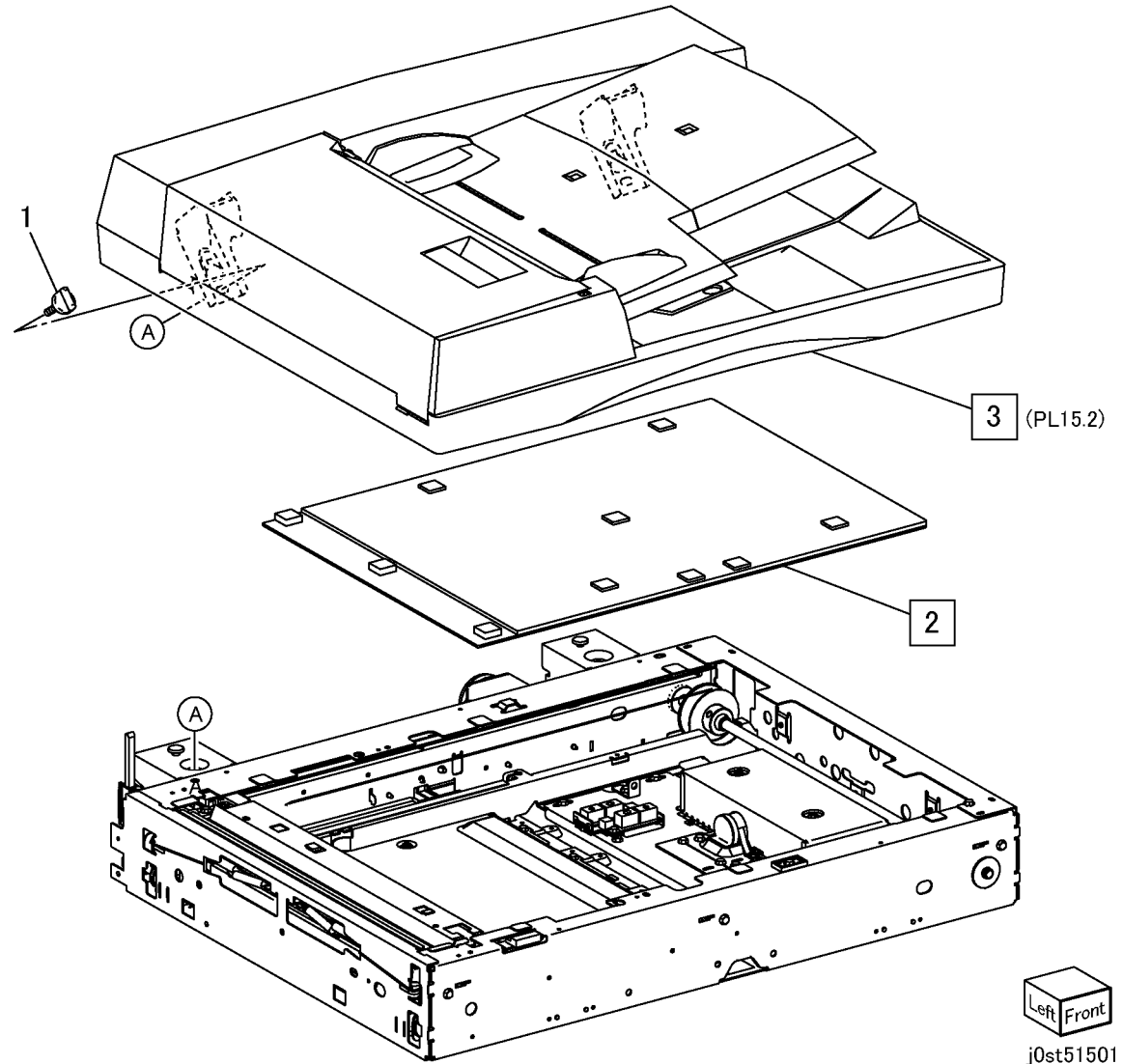
Front Right

j0st51401

PL 15.1 DADF Accessory

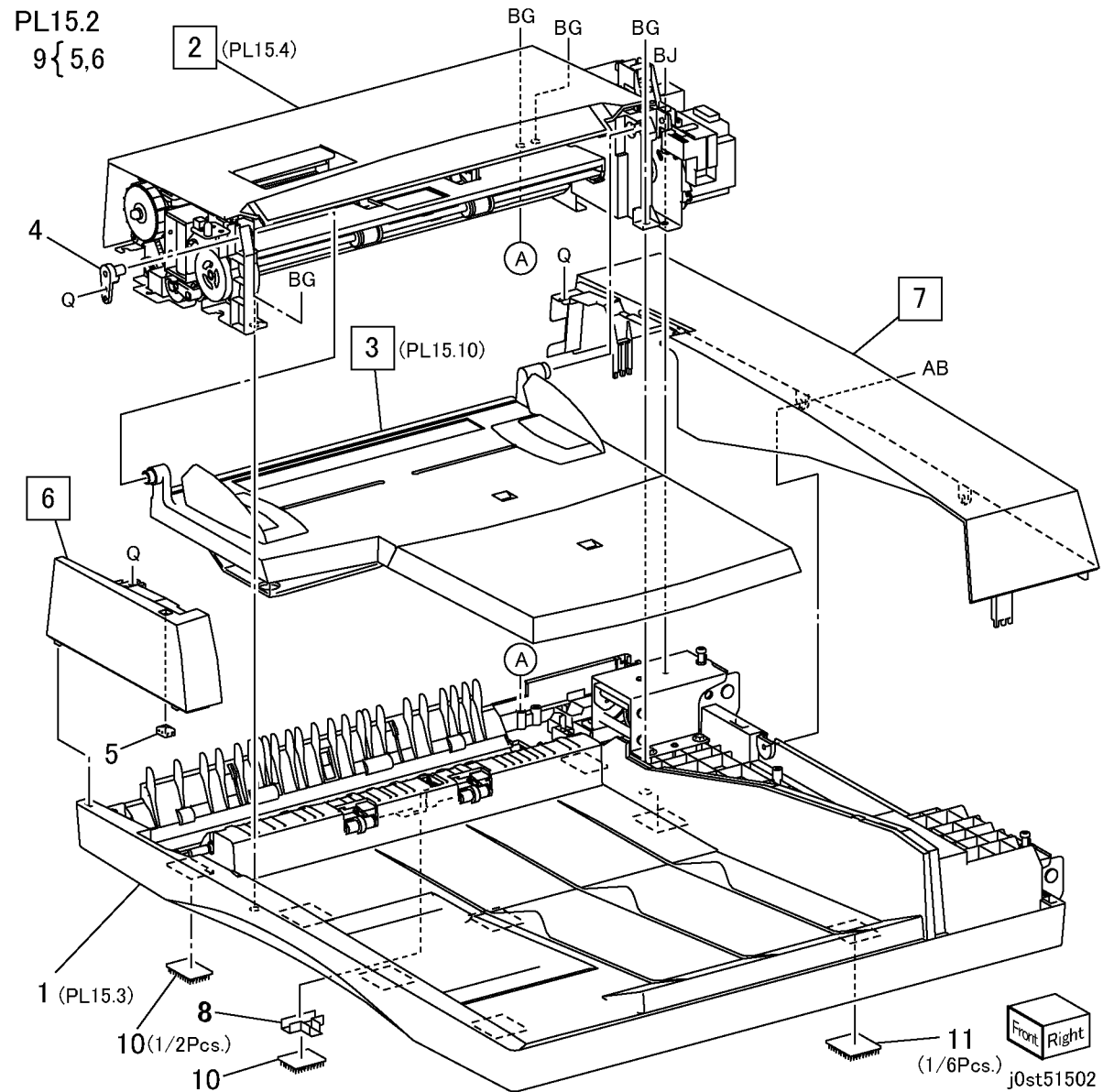
Item	Part	Description
1	–	Knob Screw (Not Spared)
2	–	DADF Platen Cushion (Not Spared) (REP 15.1.2)
3	059K54576	DADF (With Item 2 Without PL 15.3 Item 31) (PL 15.2) (REP 15.1.1)

PL15.1



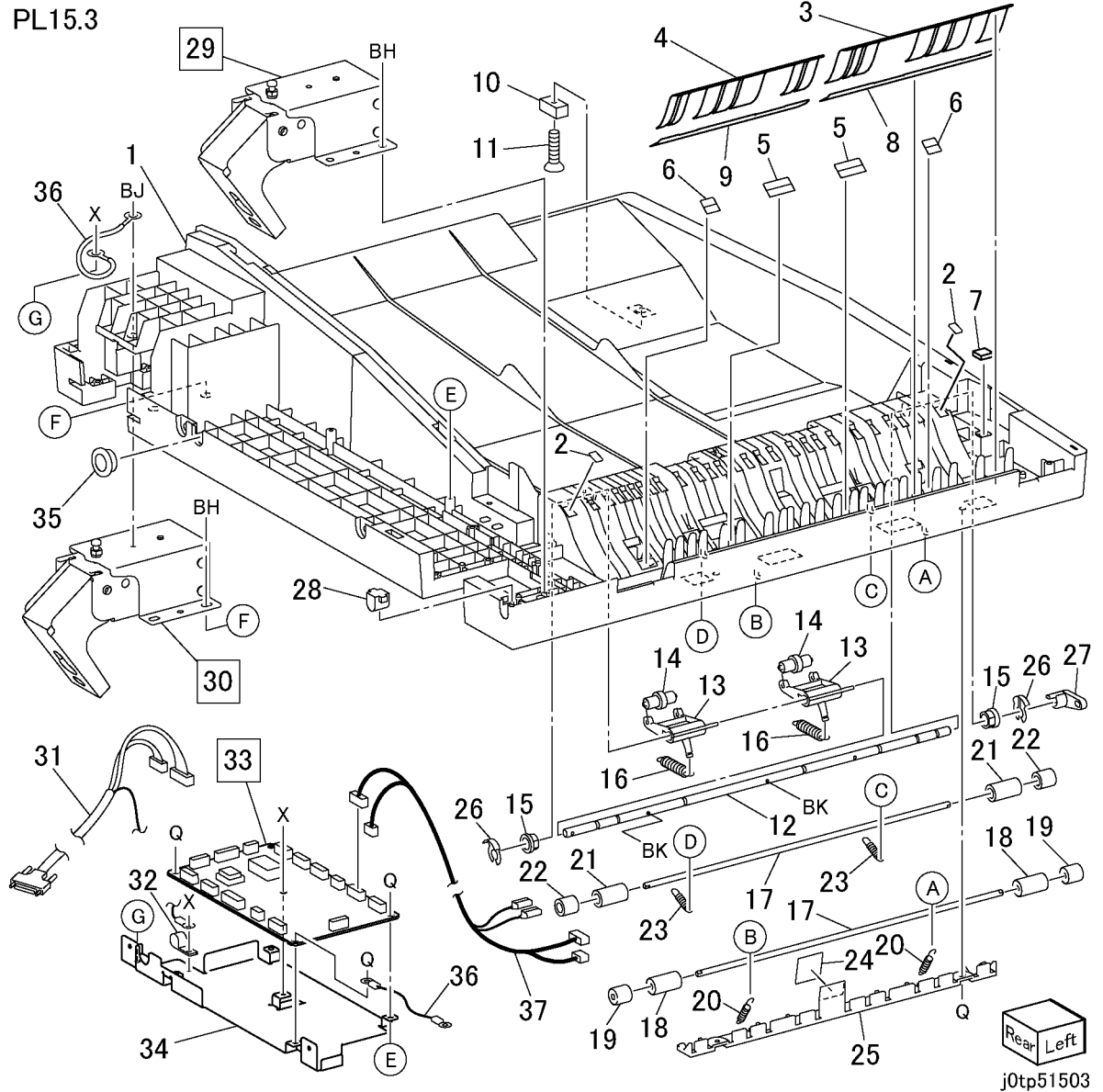
PL 15.2 DADF Component Cover

Item	Part	Description
1	801K22542	DADF Base Cover Assembly
2	-	DADF Feeder Assembly (P/O PL 15.1 Item 3) (REP 15.2.2)
3	050K56180	DADF Document Tray (REP 15.2.1)
4	-	Tray Holder (P/O PL 15.1 Item 3)
5	-	LED Cap (P/O PL 15.2 Item 9)
6	802E57293	DADF Front Cover (REP 15.2.3)
7	802E57445	DADF Rear Cover (REP 15.2.4)
8	-	Stamp Solenoid Connector Holder (P/O PL 15.1 Item 3)
9	-	DADF Front Cover (P/O PL 15.1 Item 3)
10	-	Velcro Fastening (P/O PL 15.1 Item 3)
11	-	Velcro Fastening (P/O PL 15.2 Item 1)



PL 15.3 DADF Base Cover

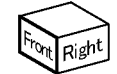
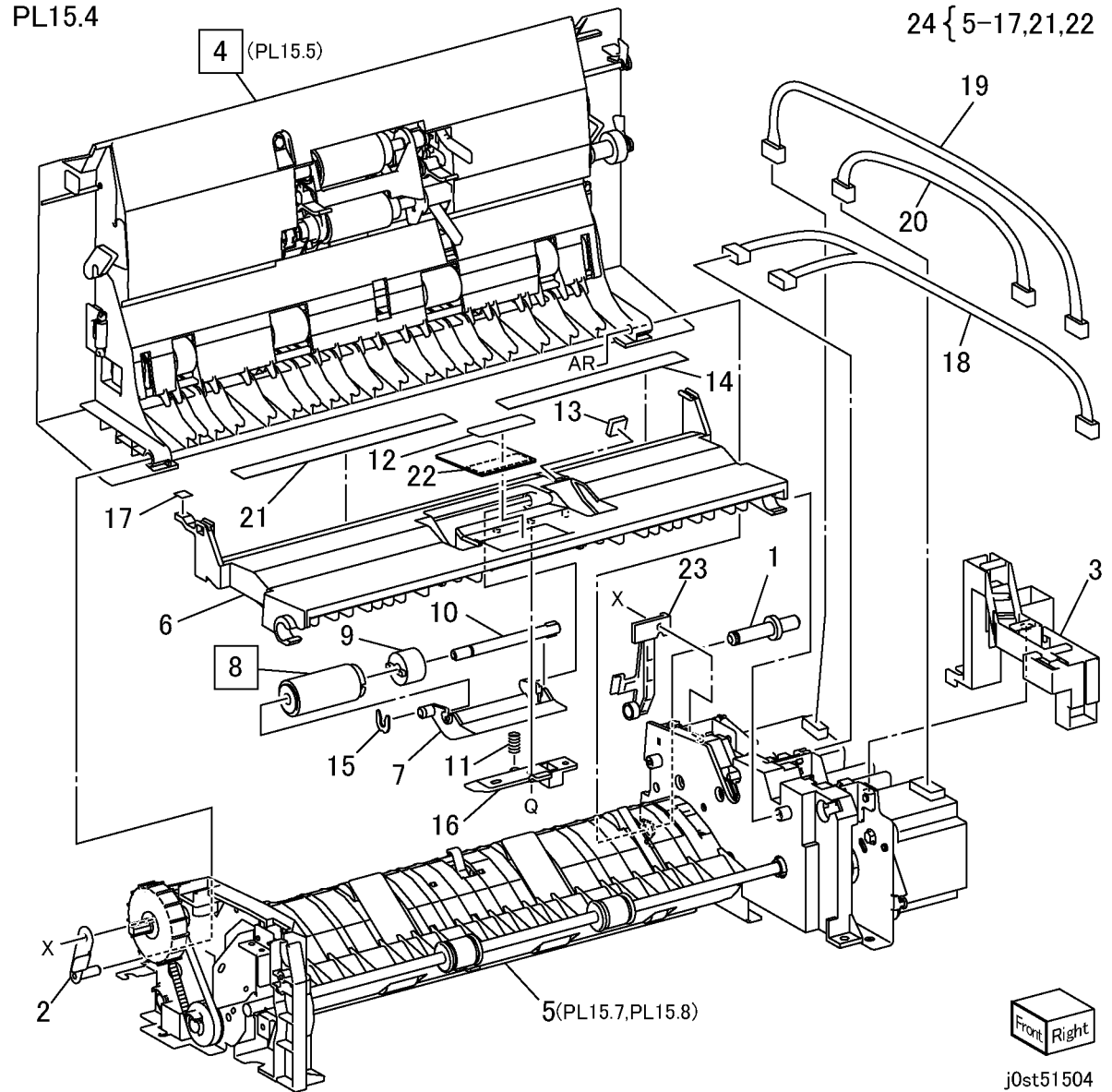
Item	Part	Description
1	-	DADF Base Cover (P/O PL 15.2 Item 1)
2	-	Gate Pad (P/O PL 15.2 Item 1)
3	-	Seal (Chute-Front) (P/O PL 15.2 Item 1)
4	-	Seal (Chute-Rear) (P/O PL 15.2 Item 1)
5	-	Seal (Out Roll) (P/O PL 15.2 Item 1)
6	-	Seal (Out Roll) (P/O PL 15.2 Item 1)
7	-	Cushion (Solenoid) (P/O PL 15.2 Item 1)
8	-	Seal (Registration-Front) (P/O PL 15.2 Item 1)
9	-	Seal (Registration-Rear) (P/O PL 15.2 Item 1)
10	-	Magnet (Interlock) (P/O PL 15.2 Item 1)
11	-	Tapping Screw (P/O PL 15.2 Item 1)
12	-	Shaft (P/O PL 15.2 Item 1)
13	-	Holder (P/O PL 15.2 Item 1)
14	-	Pinch Roll (Exit) (P/O PL 15.2 Item 1)
15	-	Bearing (P/O PL 15.2 Item 1)
16	-	Spring (P/O PL 15.2 Item 1)
17	-	Shaft (P/O PL 15.2 Item 1)
18	-	Pinch Roll (Registration-Plastics) (P/O PL 15.2 Item 1)
19	-	Pinch Roll (Registration-Plastics) (P/O PL 15.2 Item 1)
20	-	Spring (20mm) (P/O PL 15.2 Item 1)
21	-	Pinch Roll (Out Roll-Rubber) (P/O PL 15.2 Item 1)
22	-	Pinch Roll (Out-Rubber) (P/O PL 15.2 Item 1)
23	-	Spring (17mm) (P/O PL 15.2 Item 1)
24	-	Pad (Sensor) (P/O PL 15.2 Item 1)
25	-	Cover (P/O PL 15.2 Item 1)
26	028E94260	K-Clip
27	-	Lever (Solenoid) (P/O PL 15.2 Item 1)
28	-	Cap (P/O PL 15.2 Item 1)
29	036K91551	Left Counter Balance (REP 15.3.2)
30	036K91561	Right Counter Balance (REP 15.3.3)
31	117E27450	IIT-DADF Cable
32	-	Clamp (P/O PL 15.2 Item 1)
33	960K32501	DADF PWB (REP 15.3.1)
34	-	PWB Bracket (P/O PL 15.2 Item 1)
35	-	Bush (P/O PL 15.2 Item 1)
36	-	Earth Wire (P/O PL 15.2 Item 1)
37	962K19793	Wire Harness (Feeder Front)



PL 15.4 DADF Feeder Component

Item	Part	Description
1	-	Stud (P/O PL 15.2 Item 2)
2	-	Stud Bracket (P/O PL 15.2 Item 2)
3	-	Harness Guide (P/O PL 15.2 Item 2)
4	059K45218	Top Cover Assembly
5	-	DADF Feeder (P/O PL 15.4 Item 24)
6	-	Retard Roll Chute (P/O PL 15.4 Item 24)
7	-	Retard Roll Holder (P/O PL 15.4 Item 24)
8	-	Retard Roll (P/O PL 15.4 Item 24) (REP 15.4.1)
9	019K98770	Torque Limiter
10	-	Shaft (P/O PL 15.4 Item 24)
11	-	Spring (P/O PL 15.4 Item 24)
12	-	Pad (P/O PL 15.4 Item 24)
13	019K99070	Pad (Actuator)
14	-	Seal (Rear) (P/O PL 15.4 Item 24)
15	-	C-Clip (P/O PL 15.4 Item 24)
16	-	Guide (P/O PL 15.4 Item 24)
17	-	Label (P/O PL 15.4 Item 24)
18	962K19731	Wire Harness (Sensor)
19	962K19740	Wire Harness (Registration Motor)
20	962K19750	Wire Harness (Feed Motor)
21	-	Seal (Front) (P/O PL 15.4 Item 24)
22	-	Seal (Retard) (P/O PL 15.4 Item 24)
23	-	Guide (P/O PL 15.4 Item 24)
24	059K45234	DADF Feeder (With out Motor Unit)

PL15.4

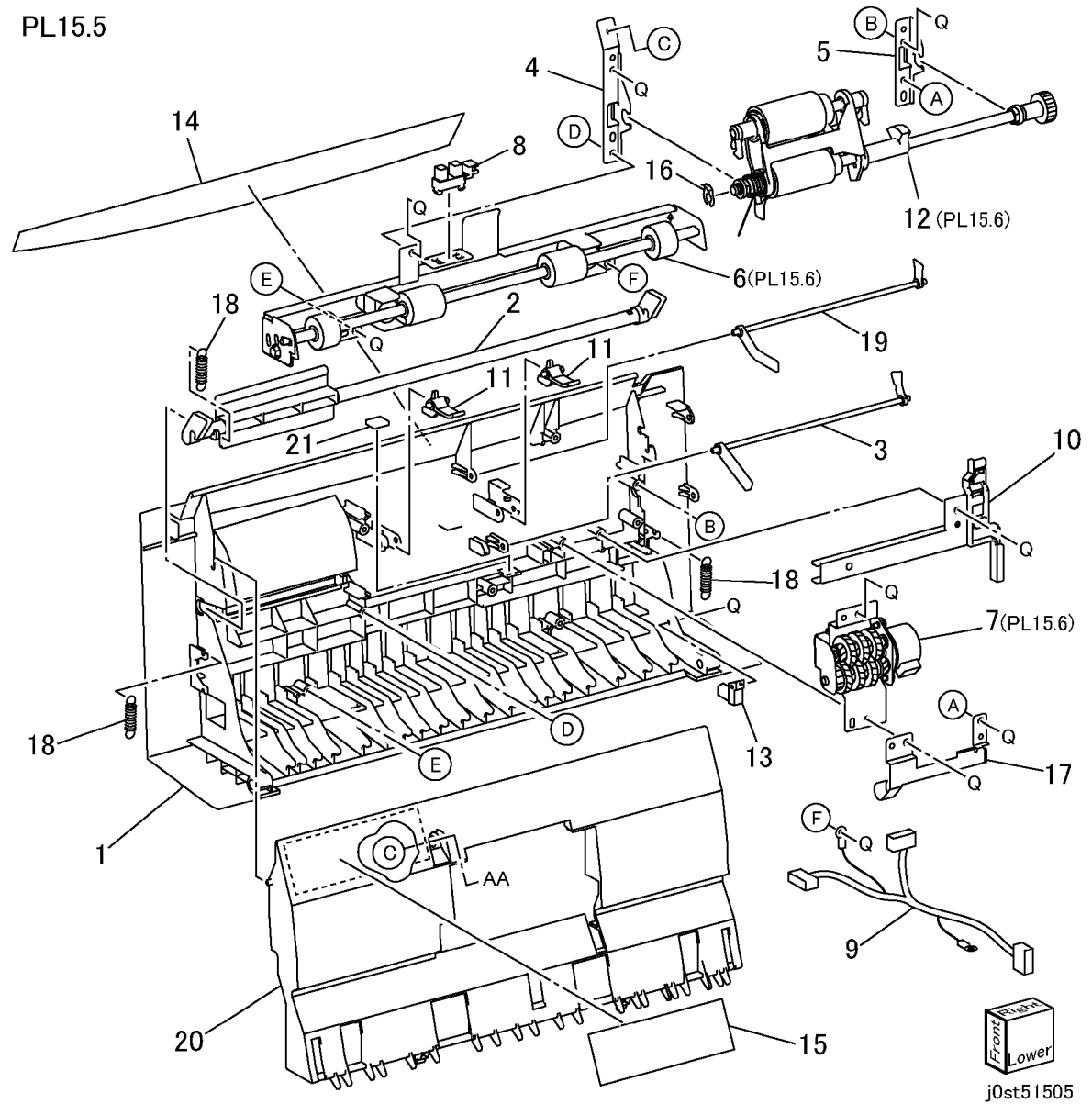


j0st51504

PL 15.5 Top Cover Component

Item	Part	Description
1	-	Top Cover (P/O PL 15.4 Item 4)
2	-	Handle Lever (P/O PL 15.4 Item 4)
3	-	Actuator (Feed Out) (P/O PL 15.4 Item 4)
4	-	Bracket (P/O PL 15.4 Item 4)
5	-	Bracket (P/O PL 15.4 Item 4)
6	059K60740	Takeaway Pinch Roll
7	127K38412	DADF Nudger Motor
8	930W00111	DADF Nudger Sensor
9	962K19705	Wire Harness
10	-	Harness Guide (P/O PL 15.4 Item 4)
11	-	Set Guide (P/O PL 15.4 Item 4)
12	059K48900	Nudger/Feed Roll Assembly
13	-	Harness Guide (P/O PL 15.4 Item 4)
14	-	Label (Size) (P/O PL 15.4 Item 4)
15	-	Label (Jam Clear) (P/O PL 15.4 Item 4)
16	028E94260	K-Clip
17	-	Plate Spring (P/O PL 15.4 Item 4)
18	-	Spring (P/O PL 15.4 Item 4)
19	-	Actuator (Set) (P/O PL 15.4 Item 4)
20	-	Chute (P/O PL 15.4 Item 4)
21	-	Pad (P/O PL 15.4 Item 4)

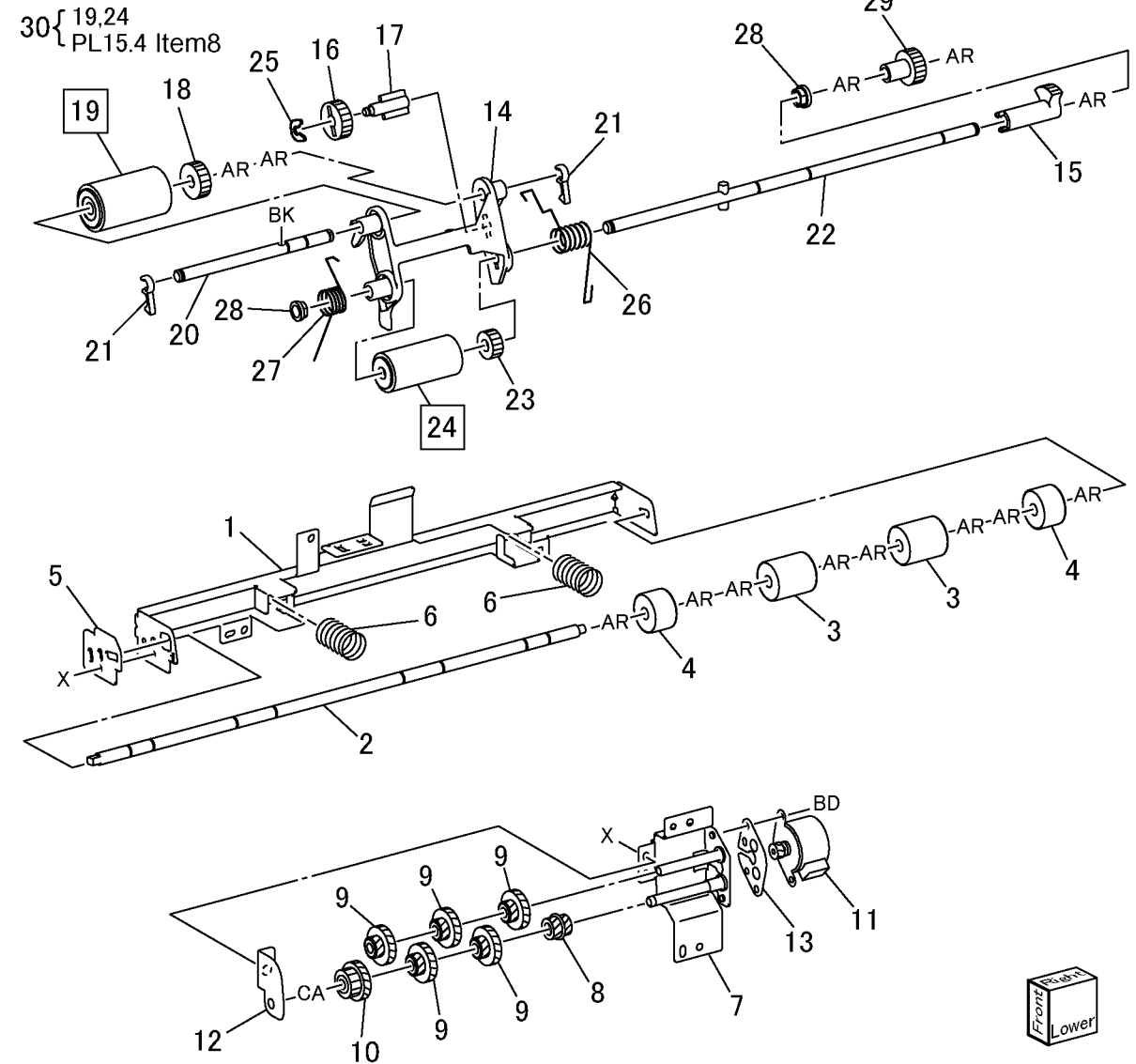
PL15.5



PL 15.6 Takeaway Pinch Roll, Nudger Motor, Nudger/Feed Roll

Item	Part	Description
1	-	Bracket (P/O PL 15.5 Item 6)
2	-	Shaft (Takeaway Pinch Roll) (P/O PL 15.5 Item 6)
3	-	Roll (P/O PL 15.5 Item 6)
4	-	Roll (P/O PL 15.5 Item 6)
5	-	Gear Bracket (P/O PL 15.5 Item 6)
6	-	Spring (P/O PL 15.5 Item 6)
7	-	Gear Bracket (P/O PL 15.5 Item 6)
8	-	Gear (18T/19T) (P/O PL 15.5 Item 6)
9	-	Gear (36T/19T) (P/O PL 15.5 Item 6)
10	-	Gear (36T/36T) (P/O PL 15.5 Item 6)
11	-	DADF Nudger Motor (P/O PL 15.5 Item 7)
12	-	Bracket (P/O PL 15.5 Item 7)
13	-	Motor Bracket (P/O PL 15.5 Item 7)
14	-	Housing (P/O PL 15.5 Item 7)
15	-	Sector Gear (P/O PL 15.5 Item 7)
16	-	Gear (Idler-36T) (P/O PL 15.5 Item 12)
17	-	Shaft (P/O PL 15.5 Item 12)
18	-	Gear (Nudger-34T) (P/O PL 15.5 Item 12)
19	-	Nudger Roll (P/O PL 15.6 Item 30) (REP 15.6.1)
20	-	Shaft (Nudger) (P/O PL 15.5 Item 12)
21	-	Set Gate (P/O PL 15.5 Item 12)
22	-	Shaft (Feed) (P/O PL 15.5 Item 12)
23	807E18980	Gear (Feed-26T)
24	-	Feed Roll (P/O PL 15.6 Item 30) (REP 15.6.1)
25	-	C-Clip (P/O PL 15.5 Item 12)
26	-	Spring (P/O PL 15.5 Item 12)
27	-	Spring (P/O PL 15.5 Item 12)
28	-	Bearing (P/O PL 15.5 Item 12)
29	007K88751	Gear
30	604K20760	DADF Roll Kit (Feeder/Nudger/Retard)

PL15.6



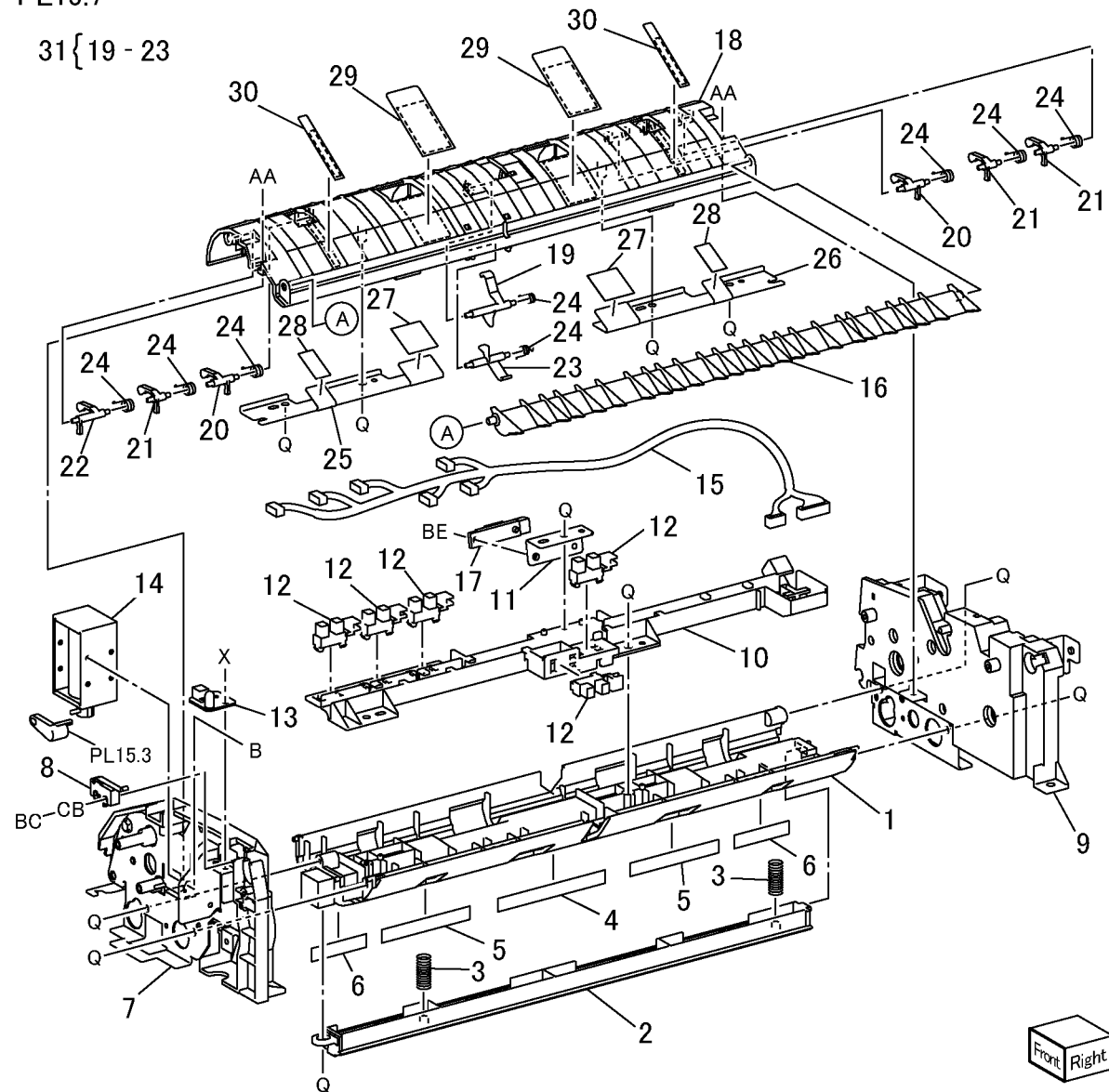
j0st51506

PL 15.7 DADF Feeder-Chute

Item	Part	Description
1	-	Lower Chute (P/O PL 15.4 Item 5)
2	-	Chute (Scan Position) (P/O PL 15.4 Item 5)
3	-	Spring (P/O PL 15.4 Item 5)
4	-	Seal (P/O PL 15.4 Item 5)
5	-	Seal (P/O PL 15.4 Item 5)
6	-	Seal (P/O PL 15.4 Item 5)
7	-	Frame (Front) (P/O PL 15.4 Item 5)
8	110K11981	DADF Interlock Switch
9	-	Frame (Rear) (P/O PL 15.4 Item 5)
10	-	Sensor Guide (P/O PL 15.4 Item 5)
11	-	Sensor Bracket (P/O PL 15.4 Item 5)
12	930W00111	DADF APS 1 Sensor, DADF APS 2 Sensor, DADF APS 3 Sensor, DADF Preregistration Sensor, DADF Invert Sensor
13	160K97600	DADF Document Set LED
14	121K31912	Exit Nip Release Solenoid
15	962K19722	Wire Harness
16	-	Invert Guide (P/O PL 15.4 Item 5)
17	930W00211	Registration Sensor
18	-	Feeder Housing (Not Spared)
19	-	Actuator (Preregistration) (P/O PL 15.7 Item 31)
20	-	Actuator (APS 1) (P/O PL 15.7 Item 31)
21	-	Actuator (APS 2) (P/O PL 15.7 Item 31)
22	-	Actuator (APS3) (P/O PL 15.7 Item 31)
23	-	Actuator (Invert) (P/O PL 15.7 Item 31)
24	-	Spring (P/O PL 15.4 Item 5)
25	-	Bracket (Front) (P/O PL 15.4 Item 5)
26	-	Bracket (Rear) (P/O PL 15.4 Item 5)
27	-	Eliminator (P/O PL 15.4 Item 5)
28	-	Eliminator (P/O PL 15.4 Item 5)
29	-	Seal (P/O PL 15.4 Item 5)
30	-	Seal (P/O PL 15.4 Item 5)
31	604K20770	Actuator Kit

PL15.7

31 { 19 - 23



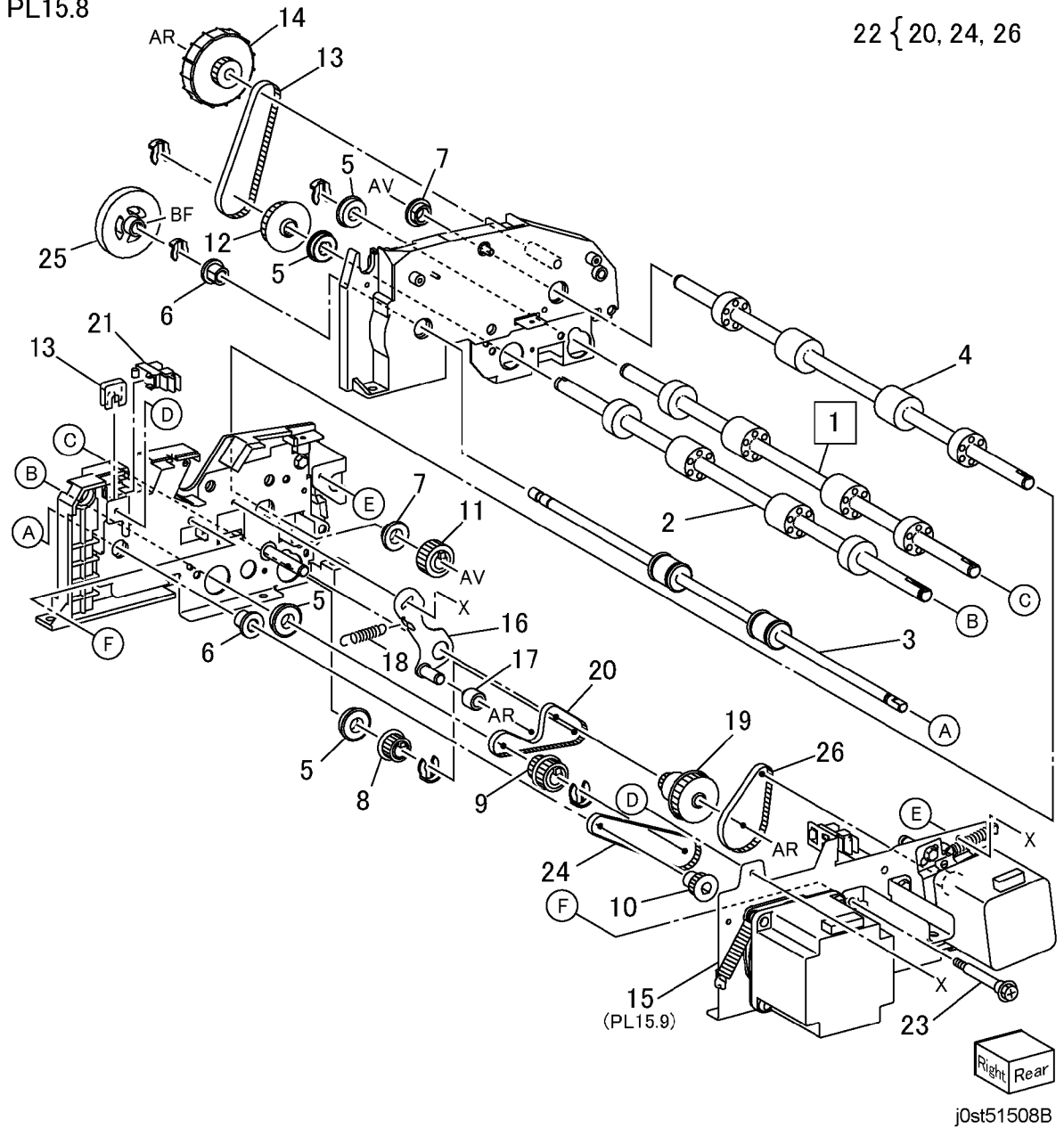
j0st51507B

PL 15.8 DADF Feeder-Roll

Item	Part	Description
1	-	Registration Roll (P/O PL 15.4 Item 5) (REP 15.8.1)
2	-	Out Roll (P/O PL 15.4 Item 5)
3	-	Exit Roll (P/O PL 15.4 Item 5)
4	-	Takeaway Roll (P/O PL 15.4 Item 5)
5	-	Ball Bearing (P/O PL 15.4 Item 5)
6	-	Bearing (10mm) (P/O PL 15.4 Item 5)
7	-	Bearing (6mm) (P/O PL 15.4 Item 5)
8	-	Pulley (Registration) (P/O PL 15.4 Item 5)
9	-	Pulley (Out) (P/O PL 15.4 Item 5)
10	-	Pulley (Exit) (P/O PL 15.4 Item 5)
11	-	Gear (Takeaway) (P/O PL 15.4 Item 5)
12	-	Pulley (Out) (P/O PL 15.4 Item 5)
13	-	Belt (P/O PL 15.4 Item 5)
14	-	Handle Pulley (P/O PL 15.4 Item 5)
15	-	Motor Unit Assembly (P/O PL 15.1 Item 3)
16	-	Tension Bracket (P/O PL 15.4 Item 5)
17	-	Tension Roll (P/O PL 15.4 Item 5)
18	-	Spring (P/O PL 15.4 Item 5)
19	-	Pulley (P/O PL 15.4 Item 5)
20	-	Belt (P/O PL 15.8 Item 22)
21	930W00111	DADF Document Set Sensor
22	-	KL-Clip (P/O PL 15.4 Item 5)
23	-	Guide (P/O PL 15.2 Item 2)
24	-	Belt (P/O PL 15.8 Item 22)
25	-	Disk (P/O PL 15.2 Item 2)
26	-	Belt (P/O PL 15.8 Item 22)
27	-	Stud Screw (P/O PL 15.2 Item 2)
28	604K47010	Belt Kit

PL15.8

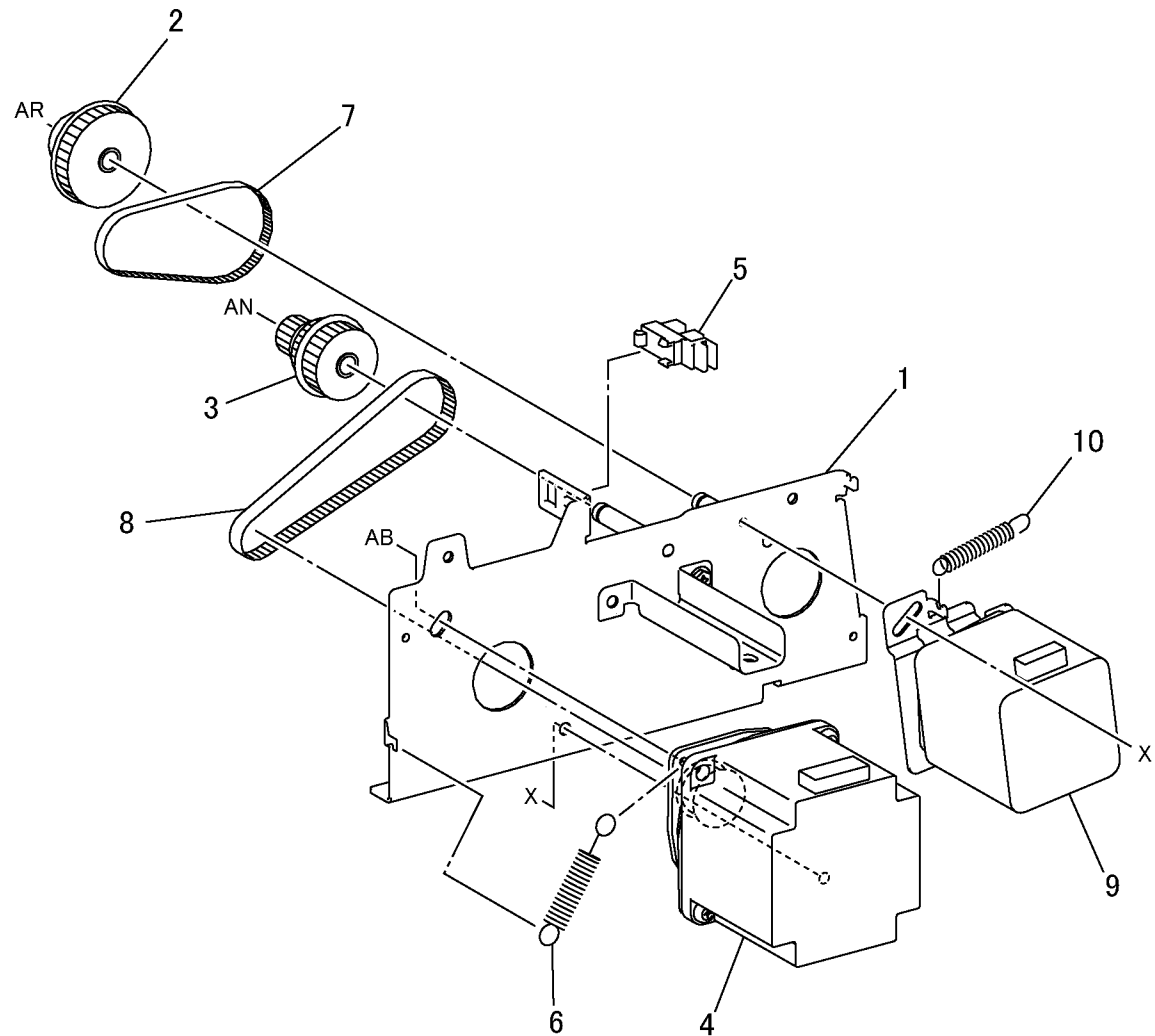
22 { 20, 24, 26



PL 15.9 Motor Unit Assembly

Item	Part	Description
1	–	Motor Bracket (P/O PL 15.8 Item 15)
2	–	Gear Pulley (20/50) (P/O PL 15.8 Item 15)
3	–	Gear Pulley (14/32/37) (P/O PL 15.8 Item 15)
4	127K38440	DADF Feed Motor
5	930W00111	DADF Feed Out Sensor
6	–	Spring (P/O PL 15.8 Item 15)
7	423W08055	Takeaway Belt (4mm)
8	423W29955	Feed Belt (6mm)
9	127K38460	DADF Registration Motor
10	809E50763	Spring

PL15.9

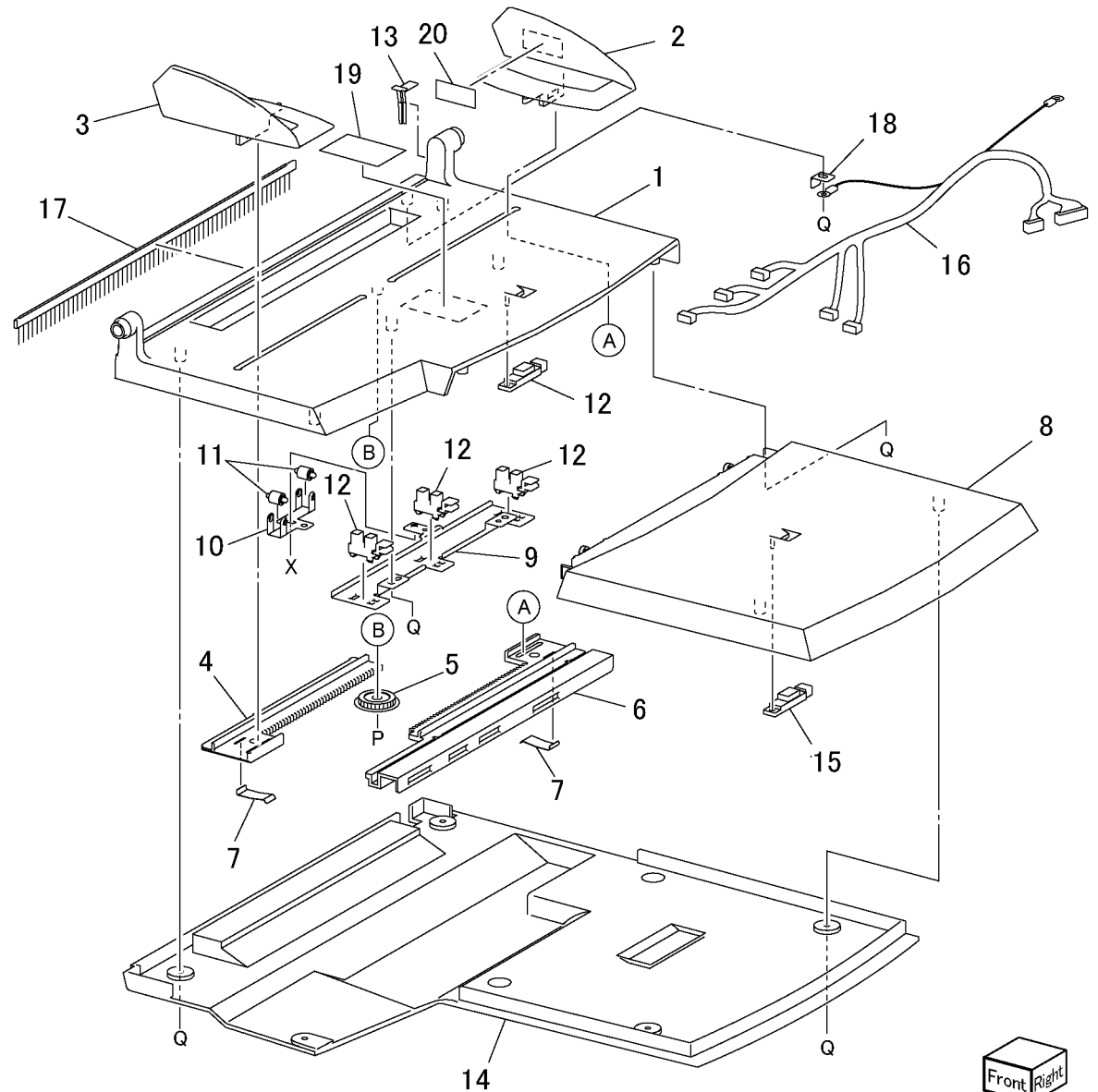


j0st51509B

PL 15.10 DADF Document Tray

Item	Part	Description
1	-	Hinge Tray (P/O PL 15.2 Item 3)
2	-	Side Guide (Rear) (P/O PL 15.2 Item 3)
3	-	Side Guide (Front) (P/O PL 15.2 Item 3)
4	-	Rack Gear (P/O PL 15.2 Item 3)
5	-	Pinion Gear (P/O PL 15.2 Item 3)
6	120E22370	Rack Gear and Actuator
7	809E51860	Rack Spring
8	-	Tray Upper Cover (P/O PL 15.2 Item 3)
9	-	Sensor Bracket (P/O PL 15.2 Item 3)
10	-	Tray Spring (P/O PL 15.2 Item 3)
11	-	Roll (P/O PL 15.2 Item 3)
12	930W00111	DADF Tray Set Guide Sensor 1, DADF Tray Set Guide Sensor 2, DADF Tray Set Guide Sensor 3
13	-	Harness Guide (P/O PL 15.2 Item 3)
14	-	Tray Lower Cover (P/O PL 15.2 Item 3)
15	130E89950	DADF Tray Size 1 Sensor, DADF Tray Size 2 Sensor
16	962K19712	Tray Wire Harness
17	105E06910	Eliminator
18	-	Earth Bracket (P/O PL 15.2 Item 3)
19	-	Label (Installation) (P/O PL 15.2 Item 3)
20	-	Label (Max) (P/O PL 15.2 Item 3)

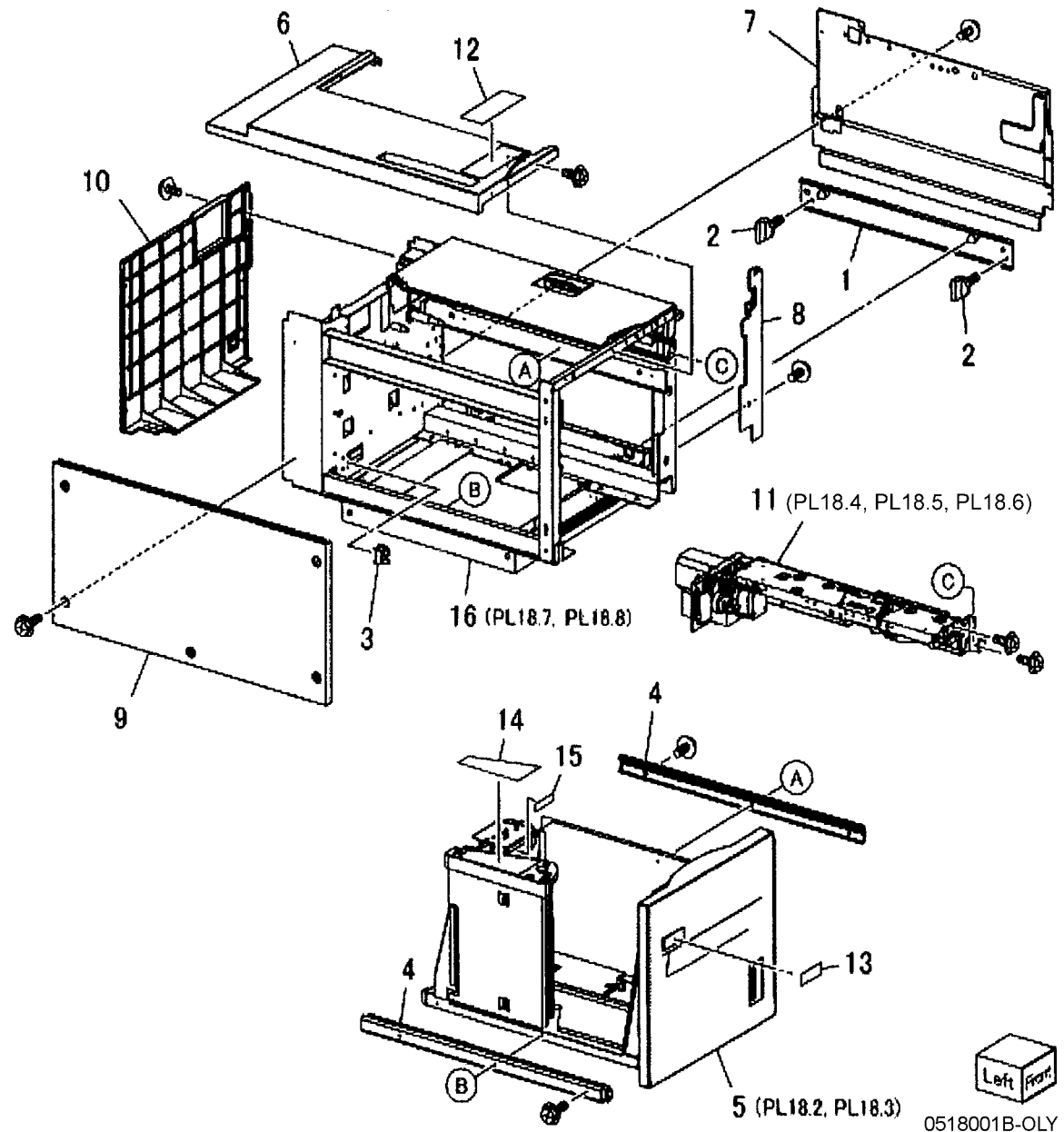
PL15.10



j0st51510B

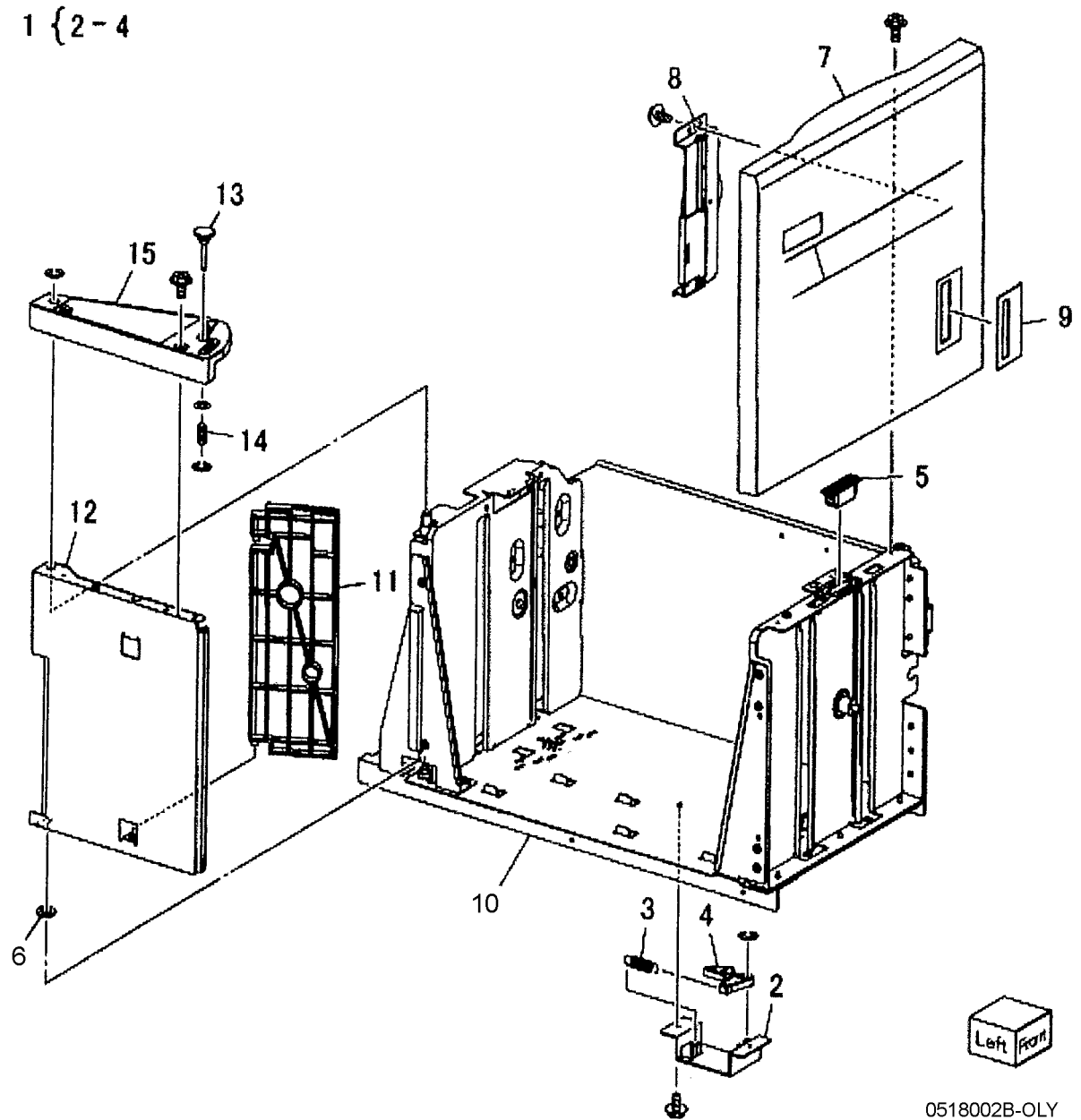
PL 18.1 HCF Unit

Item	Part	Description
1	-	Joint Plate (Not Spared)
2	003K91881	Knob
3	130K55590	HCF Tray Set Sensor
4	801K15700	Tray Rail
5	-	HCF Tray 6 (Not Spared) (REP 7.3.1)
6	-	Left Top Cover (Not Spared)
7	-	Right Cover (Not Spared)
8	-	Front Right Cover (Not Spared)
9	-	Left Cover (Not Spared)
10	-	Rear Cover (Not Spared)
11	-	HCF Feeder (Not Spared) (REP 7.3.2)
12	-	Label (Top) (Not Spared)
13	-	Label (Tray Number) (Not Spared)
14	-	Label (Size) (Not Spared)
15	-	Label (End) (Not Spared)
16	-	Frame Assembly (Not Spared)



PL 18.2 HCF Tray 6 (1 of 2)

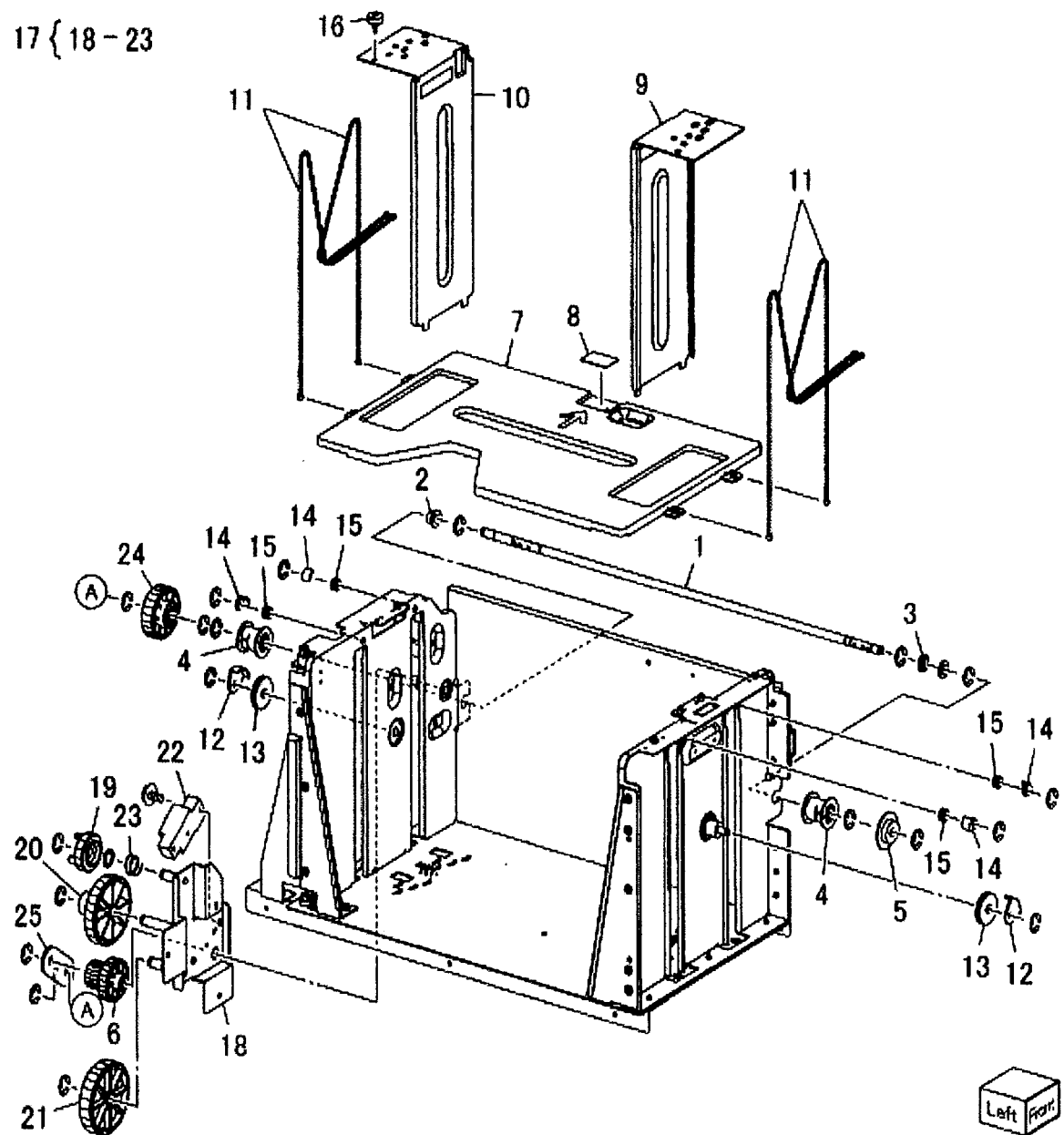
Item	Part	Description
1	-	Tray Latch Assembly (Not Spared)
2	003K13591	Tray Latch
3	-	Spring (P/O PL 18.2 Item 1)
4	-	Latch Lever (P/O PL 18.2 Item 1)
5	-	Magnet (P/O PL 18.1 Item 5)
6	-	Wave Washer (P/O PL 18.1 Item 5)
7	-	Front Cover (P/O PL 18.1 Item 5)
8	-	Gear Bracket (Not Spared)
9	-	Label (Gauge) (P/O PL 18.1 Item 5)
10	-	Frame (P/O PL 18.1 Item 5)
11	-	Plate (P/O PL 18.1 Item 5)
12	-	Bracket (P/O PL 18.1 Item 5)
13	-	Pin (P/O PL 18.1 Item 5)
14	-	Spring (P/O PL 18.1 Item 5)
15	-	Top Plate (P/O PL 18.1 Item 5)



PL 18.3 HCF Tray 6 (2 of 2)

Item	Part	Description
1	-	Lift Shaft (P/O PL 18.1 Item 5)
2	-	Bearing (P/O PL 18.1 Item 5)
3	-	Bearing (P/O PL 18.1 Item 5)
4	020E37620	Tray Cable Pulley
5	-	Gear (P/O PL 18.1 Item 5)
6	-	Gear (P/O PL 18.1 Item 5)
7	815E09030	Bottom Plate
8	019E58620	Pad
9	-	front Side Guide (P/O PL 18.1 Item 5)
10	-	Rear Side Guide (P/O PL 18.1 Item 5)
11	604K19981	Tray Cable Pulley (REP 7.3.4)
12	032E22410	Wire Guide (L)
13	-	Pulley
14	-	Wire Guide (S) (P/O PL 18.1 Item 5)
15	-	Pulley (P/O PL 18.1 Item 5)
16	-	Screw
17	015K65531	Gear Bracket Assembly
18	-	Gear Bracket (P/O PL 18.3 Item 17)
19	-	Contact Gear (P/O PL 18.3 Item 17)
20	-	Gear (P/O PL 18.3 Item 17)
21	-	Gear (P/O PL 18.3 Item 17)
22	-	Brake (P/O PL 18.3 Item 17)
23	-	Spring (P/O PL 18.3 Item 17)
24	807E04500	Lift Gear
25	-	Plate (P/O PL 18.1 Item 5)

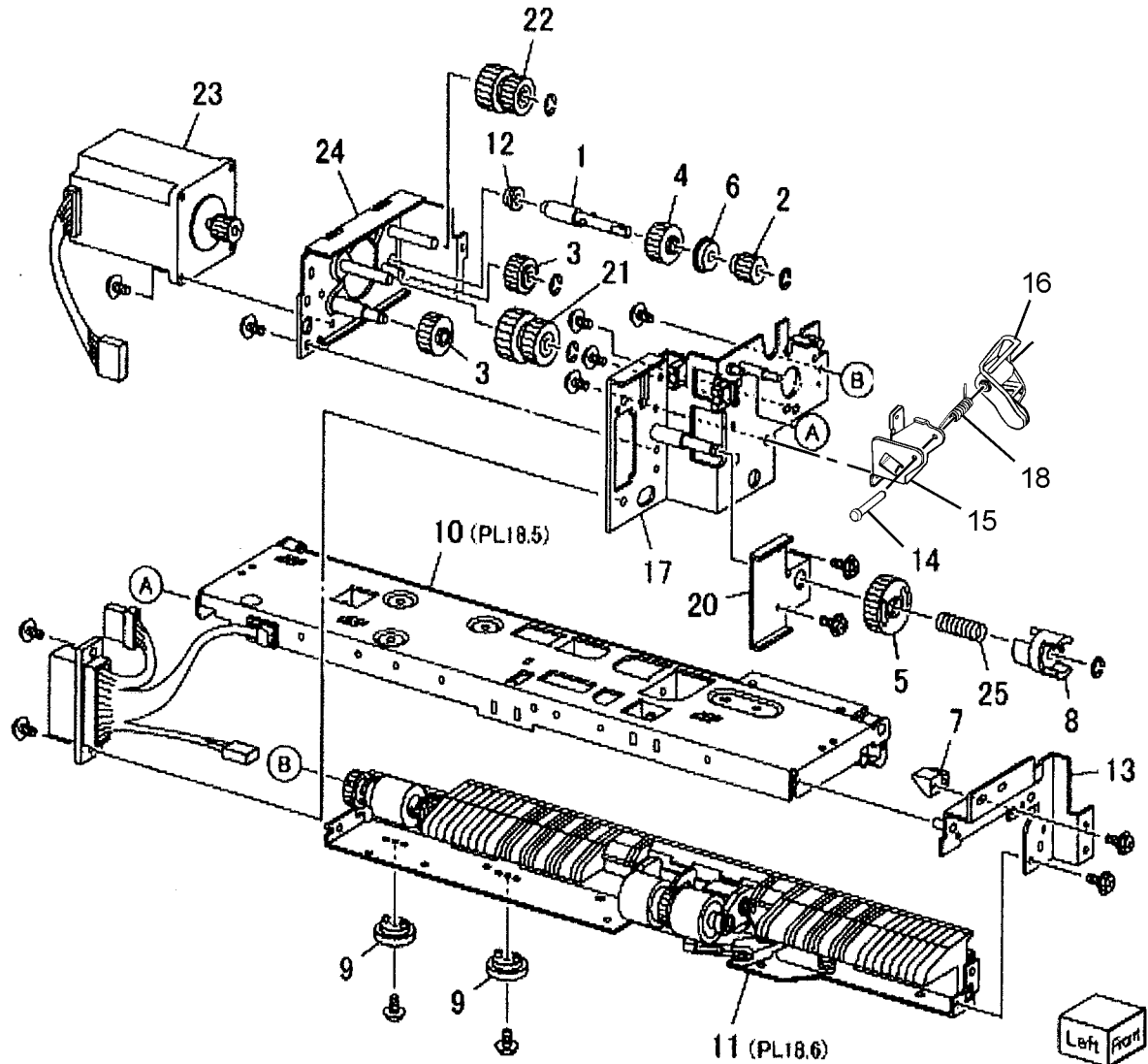
17 { 18 - 23



PL 18.4 HCF Feeder (1 of 3)

Item	Part	Description
1	-	Shaft (P/O PL 18.1 Item 11)
2	007E78760	Gear (19T)
3	-	Gear (25T) (Not Spared)
4	007E78780	Gear (25T)
5	007E78790	Gear (40)
6	013E25530	Bearing (Not Spared)
7	-	Block (P/O PL 18.1 Item 11)
8	-	Spacer (P/O PL 18.1 Item 11)
9	019E56470	Holder
10	-	Upper Feeder Assembly (P/O PL 18.1 Item 11)
11	-	Lower Feeder Assembly (P/O PL 18.1 Item 11)
12	413W66250	Ball Bearing (Not Spared)
13	-	Front Frame (P/O PL 18.1 Item 11)
14	-	Pin (Not Spared)
15	-	Down Bracket (Not Spared)
16	-	Link Bracket (Not Spared)
17	-	Rear Frame (P/O PL 18.1 Item 11)
18	-	Tension Spring (Not Spared)
19	-	Lift/Motor Frame (P/O PL 18.1 Item 11)
20	-	Bracket (P/O PL 18.4 Item 19)
21	007K88520	Gear (23T/27T)
22	007K88530	Gear (31T/36T)
23	127K37901	Lift/Feed Motor (REP 7.3.12)
24	-	Plate
25	-	Spring (Not Spared)

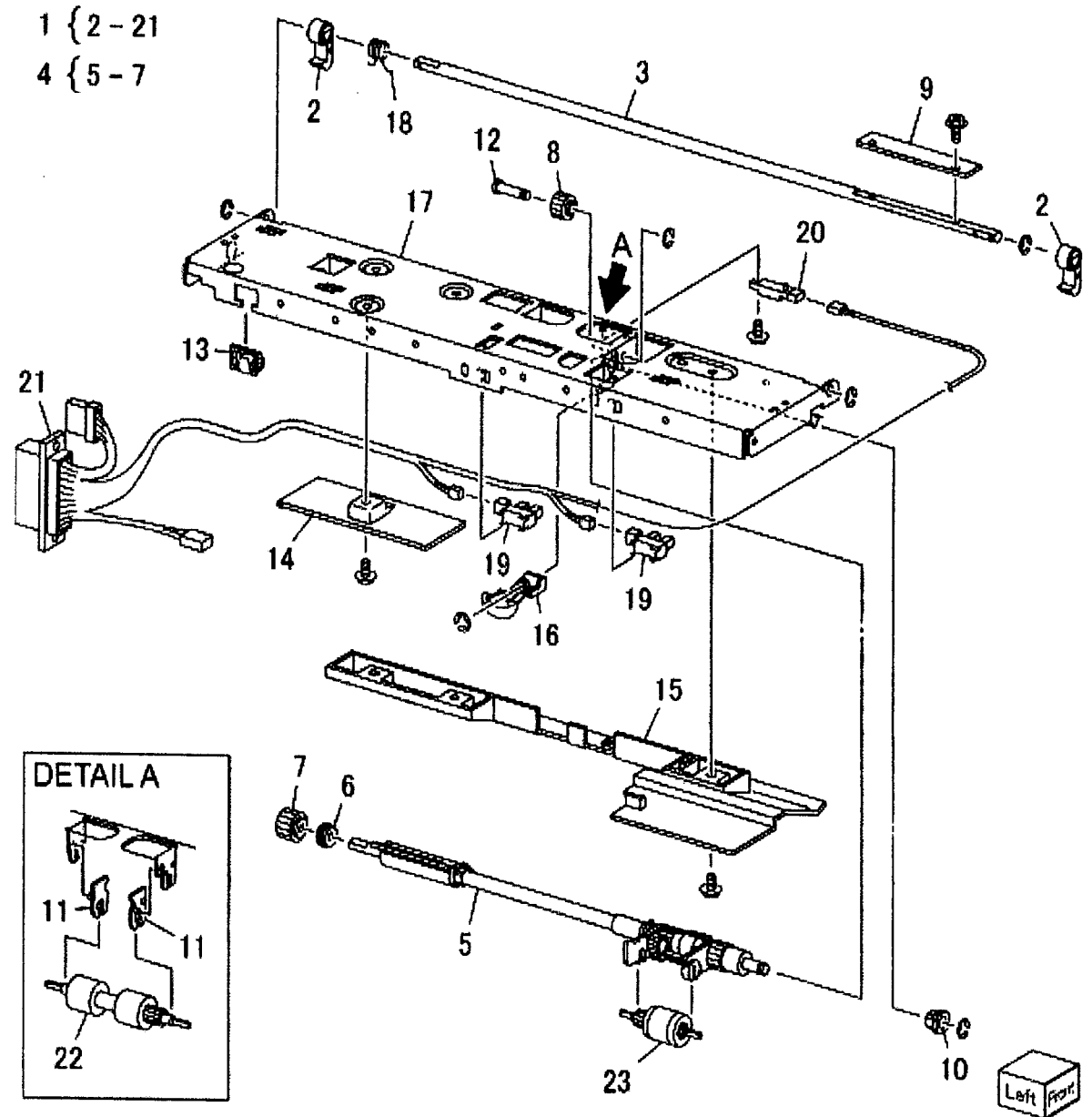
19 { 20 - 24



0518004B-OLY

PL 18.5 HCF Feeder (2 of 3)

Item	Part	Description
1	-	Upper Feeder Assembly (P/O PL 18.4 Item 10)
2	003E59570	Latch
3	-	Shaft Latch (P/O PL 18.5 Item 1)
4	006K23123	Feed Shaft Assembly
5	-	Feed Shaft (P/O PL 18.5 Item 4) (REP 7.3.6)
6	413W66250	Ball Bearing
7	-	Gear (20T) (P/O PL 18.5 Item 4)
8	007E78180	Feed Gear (25T)
9	-	Lever (P/O PL 18.5 Item 1)
10	-	Bearing (P/O PL 18.5 Item 1)
11	-	Spacer (P/O PL 18.5 Item 1)
12	-	Pin Drive (P/O PL 18.5 Item 1)
13	-	Guide
14	-	Rear Upper Chute (P/O PL 18.5 Item 1)
15	-	Upper Chute (P/O PL 18.5 Item 1)
16	120E21900	Actuator
17	-	Upper Frame (P/O PL 18.5 Item 1)
18	-	Spring (P/O PL 18.5 Item 1)
19	930W00112	HCF Stack Height Sensor, HCF Paper Sensor
20	930W00211	HCF Pre Feed Sensor
21	-	Wire Harness (P/O PL 18.5 Item 1)
22	059K26691	Feed Roll (REP 7.3.5)
23	059K26701	Nudger Roll (REP 7.3.5)

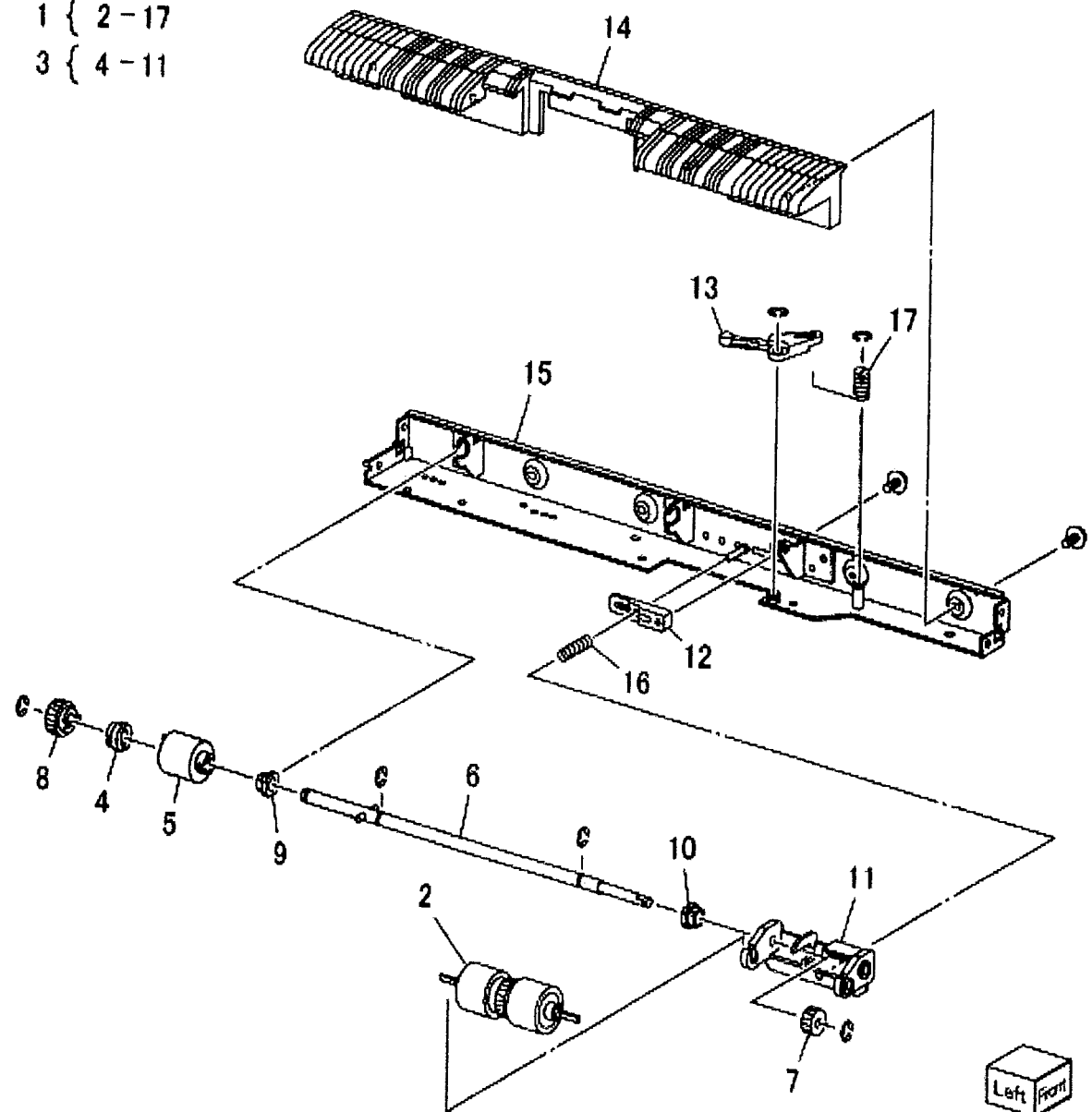


0518005A-OLY

PL 18.6 HCF Feeder (3 of 3)

Item	Part	Description
1	059K26591	Retard Roll (REP 7.3.5)
2	-	Lower Feeder Assembly
3	-	Retard Shaft Assembly (Not Spared)
4	-	Collar (P/O PL 18.6 Item 3)
5	005K06701	Friction Clutch
6	-	Shaft (P/O PL 18.6 Item 3)
7	007E78170	Gear (15T)
8	007E89760	Gear (22T)
9	013E23600	Bearing
10	013E23610	Bearing
11	-	Retard Bracket (P/O PL 18.6 Item 1)
12	-	Slide (P/O PL 18.6 Item 1)
13	-	Lever (P/O PL 18.6 Item 1)
14	-	Lower Chute (P/O PL 18.6 Item 1)
15	-	Lower Frame (P/O PL 18.6 Item 1)
16	-	Spring (P/O PL 18.6 Item 1)
17	-	Spring (P/O PL 18.6 Item 1) (REP 7.3.7)

1 { 2-17
3 { 4-11

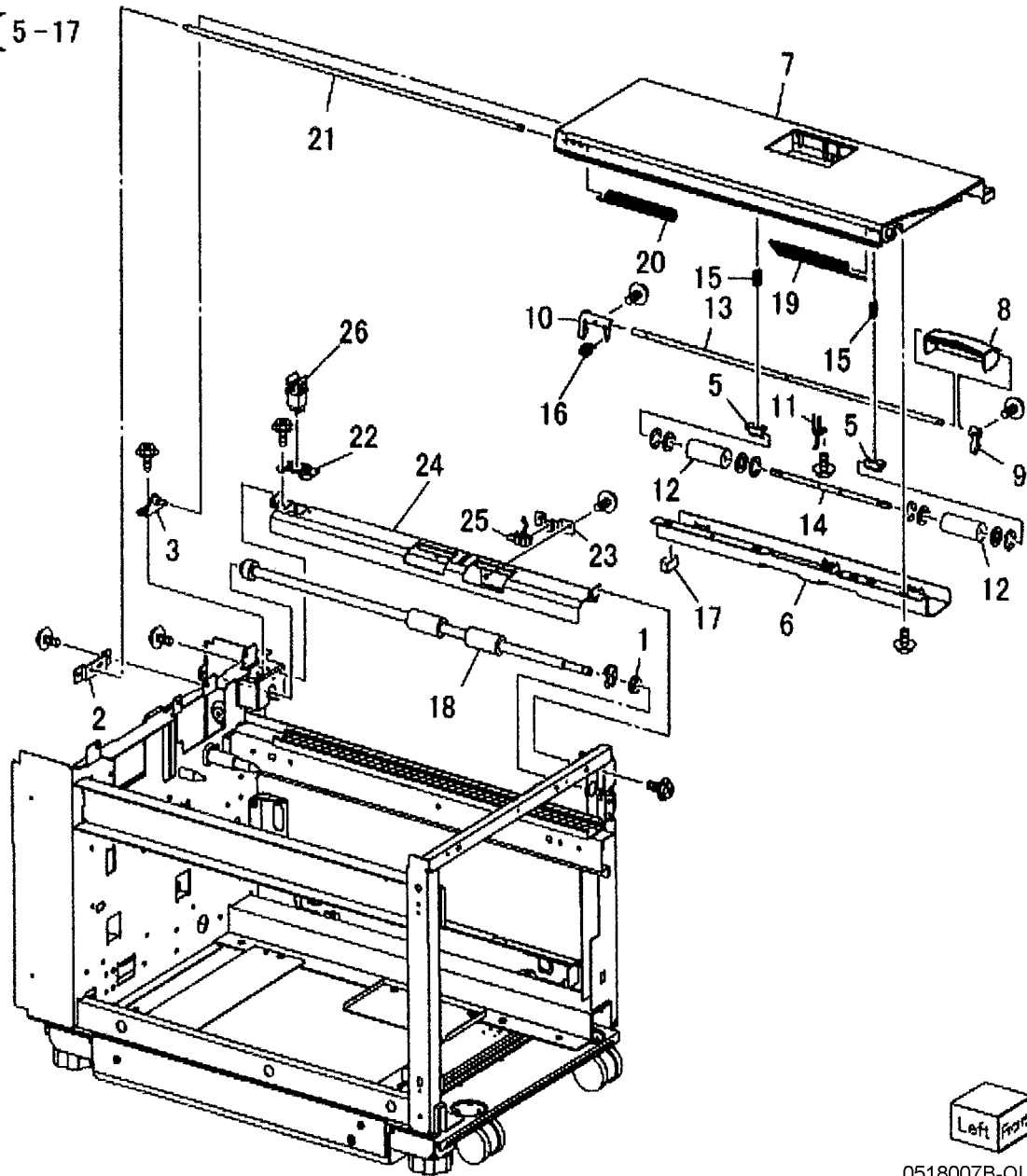


0518006B-KOH

PL 18.7 HCF Top Cover Unit

Item	Part	Description
1	013E17100	Bearing
2	-	Bracket (Not Spared)
3	-	Pivot Bracket (Not Spared)
4	-	Top Cover Assembly (Not Spared)
5	-	Bearing (P/O PL 18.7 Item 4)
6	-	Upper Chute (P/O PL 18.7 Item 4)
7	-	Top Cover (P/O PL 18.7 Item 4)
8	-	Knob (P/O PL 18.7 Item 4)
9	-	Latch (P/O PL 18.7 Item 4)
10	-	Latch (P/O PL 18.7 Item 4)
11	-	Spring (P/O PL 18.7 Item 4)
12	059E01430	Pinch Roller
13	-	Shaft (P/O PL 18.7 Item 4)
14	-	Shaft (P/O PL 18.7 Item 4)
15	-	Spring (P/O PL 18.7 Item 4)
16	-	Spring (P/O PL 18.7 Item 4)
17	-	Gasket (P/O PL 18.7 Item 4)
18	059K36260	Takeaway Roll (REP 7.3.10)
19	-	Spring (Left) (P/O PL 18.1 Item 16)
20	-	Spring (Right) (P/O PL 18.1 Item 16)
21	-	Pivot Shaft (P/O PL 18.1 Item 16)
22	-	Bracket (P/O PL 18.1 Item 16)
23	-	Bracket (P/O PL 18.1 Item 16)
24	-	Lower Chute (P/O PL 18.1 Item 16)
25	130K88150	Takeaway Sensor
26	110E94770	Top Cover Interlock Switch

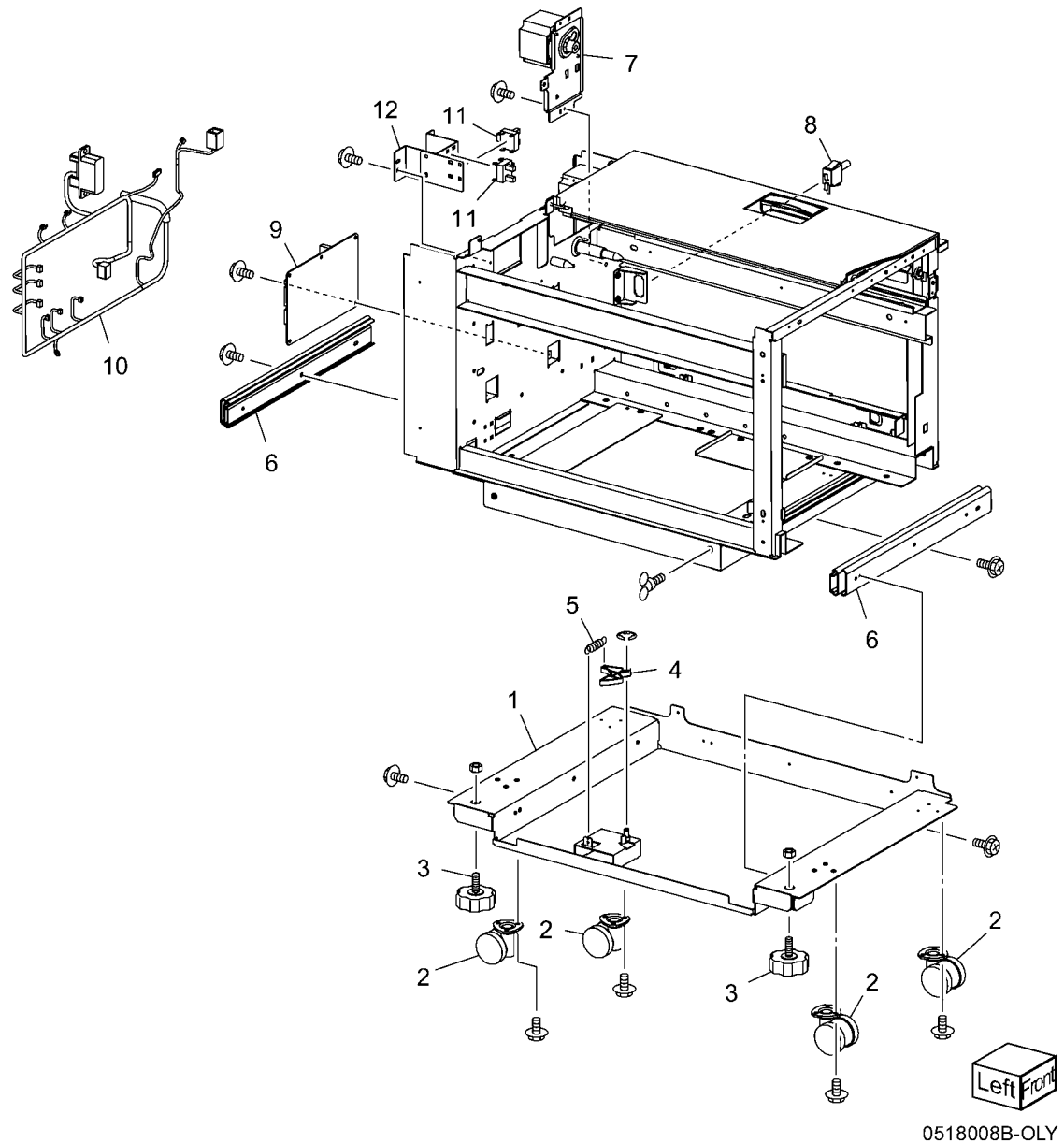
4 { 5-17



0518007B-OLY

PL 18.8 HCF Electrical and Rail

Item	Part	Description
1	–	Plate (Not Spared)
2	017E92820	Rack Caster (REP 7.3.9)
3	–	Foot (Not Spared)
4	–	Latch Lever (Not Spared)
5	–	Spring (Not Spared)
6	801K15690	Rail
7	127K47150	Takeaway Motor
8	–	Docking Interlock Switch
9	960K31491	HCF PWB (REP 7.3.11)
10	–	Wire Harness (P/O PL 18.1 Item 16)
11	130K55590	HCF Size Sensor R and L
12	–	Bracket (P/O PL 18.1 Item 16)

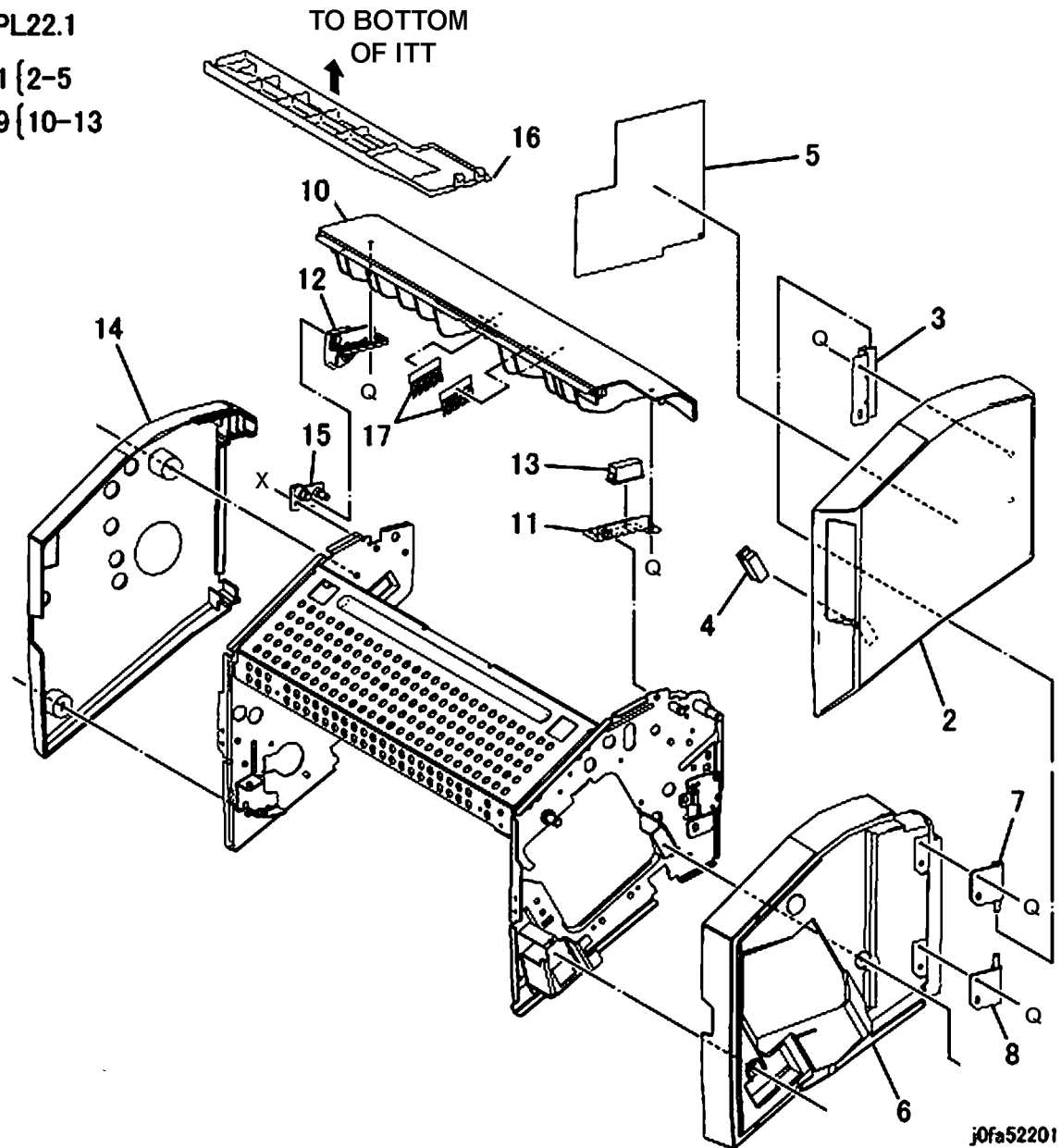


PL 22.1 Finisher Assembly (Part 1 of 2)

Item	Part	Description
1	848K16210	Front Cover Assembly
2	-	Front Cover (P/O PL 22.1 Item 1)
3	-	Bracket (P/O PL 22.1 Item 1)
4	-	Magnet (P/O PL 22.1 Item 1)
5	-	Label (P/O PL 22.1 Item 1)
6	-	Front Inner Cover (Not Spared)
7	068K29871	Hinge
8	068K29880	Hinge
9	848K07550	Top Cover Assembly
10	-	Top Cover (P/O PL 22.1 Item 9)
11	-	Bracket (P/O PL 22.1 Item 9)
12	-	Stopper (P/O PL 22.1 Item 9)
13	-	Magnet (P/O PL 22.1 Item 9)
14	848E14680	Rear Cover
15	-	Hinge (Not Spared)
16	-	ITT Cover (Not Spared)
17	042E92330	Eliminator

PL22.1

1 { 2-5
9 { 10-13

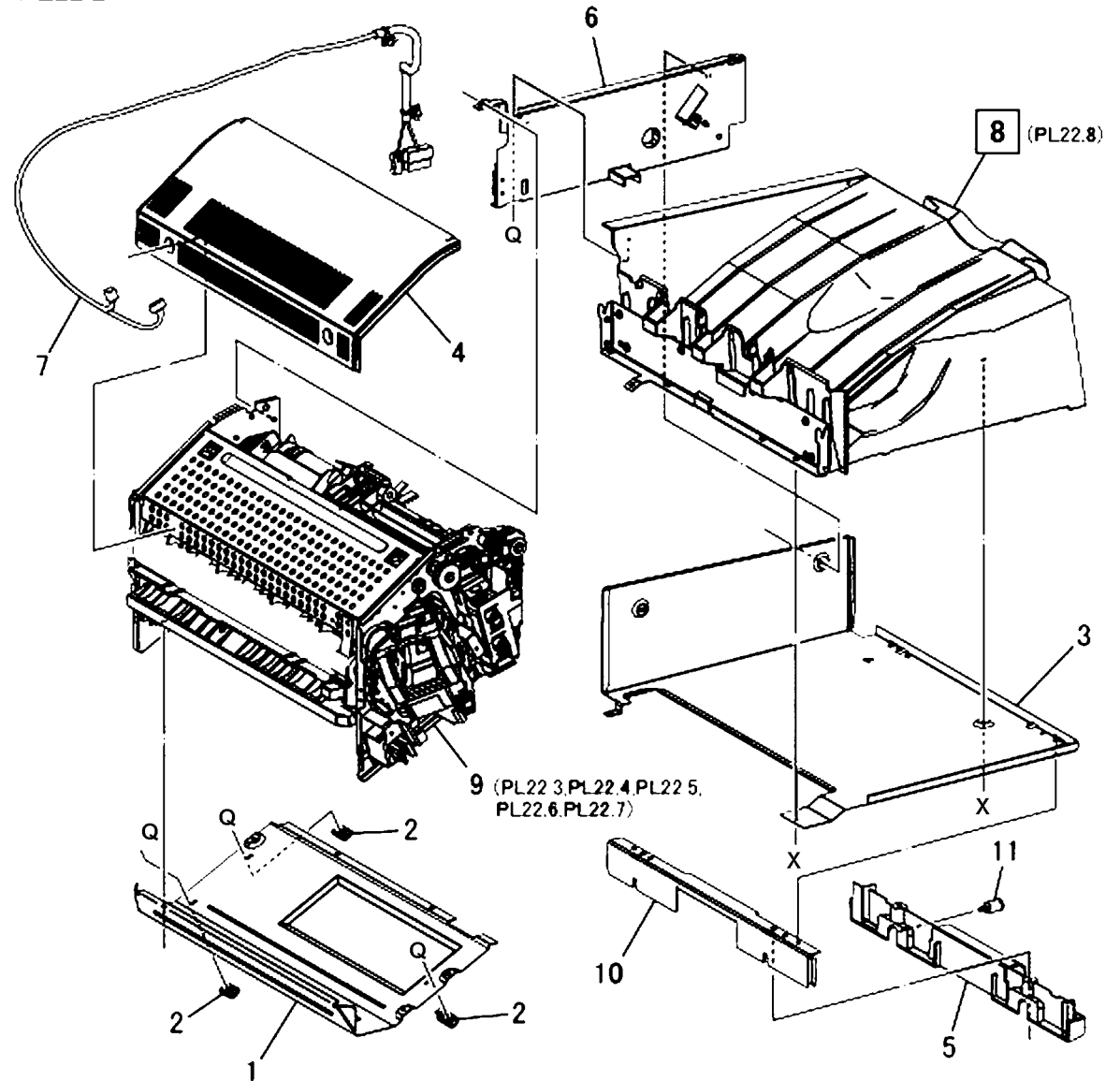


j0fa52201

PL 22.2 Finisher Assembly (Part 2 of 2)

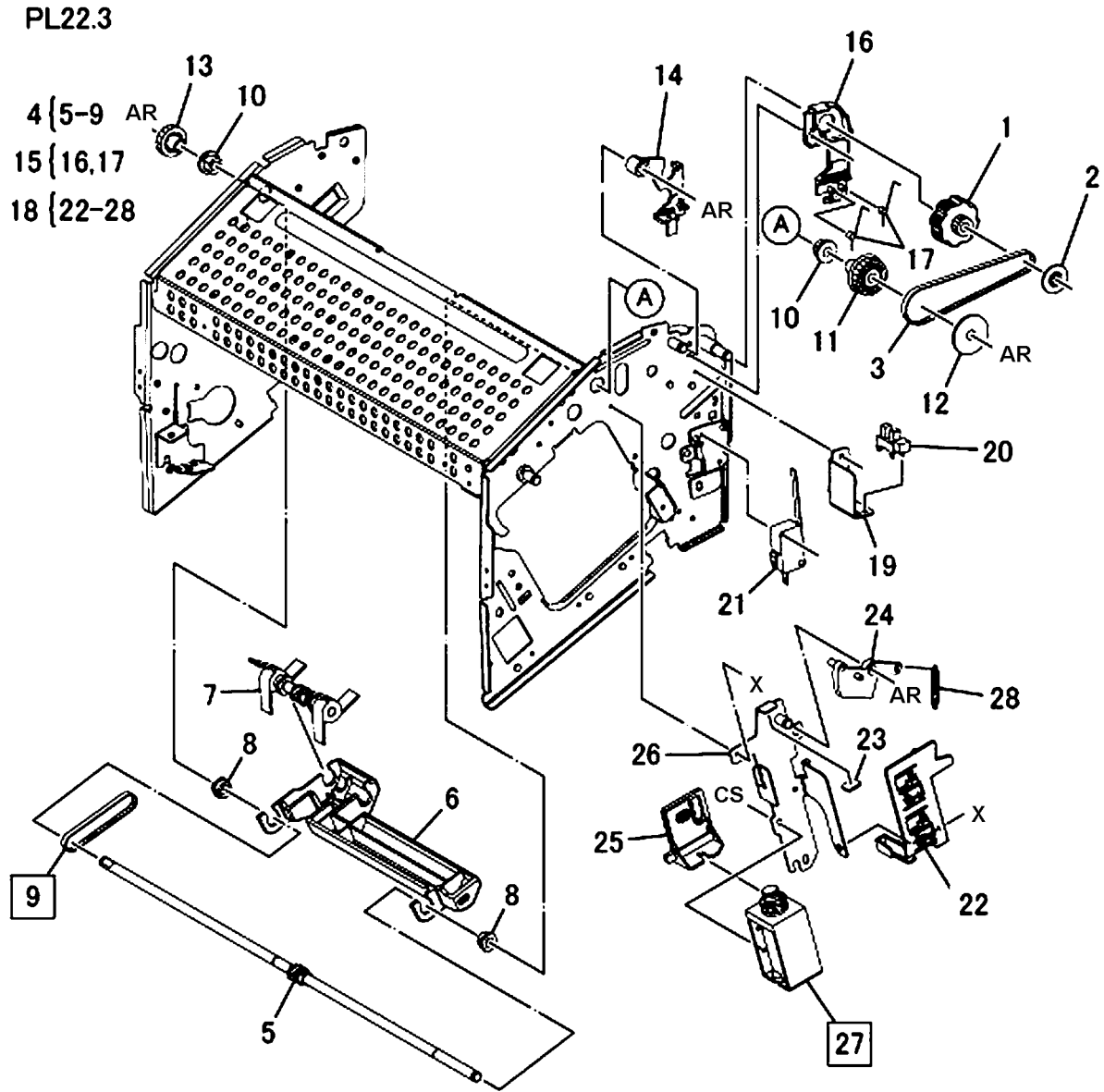
Item	Part	Description
1	-	Bottom Cover (Not Spared)
2	-	Spacer (Not Spared)
3	-	Tray Cover (Not Spared)
4	848E26250	Left Cover
5	068K58981	Tray Support
6	-	Rear Bracket (Not Spared)
7	962K42291	Wire Harness
8	050K61270	Stacker Tray Assembly (REP 22.8.1)
9	-	Stacker Base Assembly (Not Spared)
10	050K62810	Extended Tray Assembly
11	-	Screw (Not Spared)

PL22.2



PL 22.3 Stacker Base Assembly (Part 1 of 5)

Item	Part	Description
1	003E65500	Knob
2	005E89470	Collar
3	423W10454	Belt
4	012K96370	Link Shaft Assembly
5	-	Link Shaft (P/O PL 22.3 Item 4)
6	012E16150	Support
7	-	Sub Paddle Shaft Assembly (P/O PL 22.3 Item 4)
8	-	Bearing (P/O PL 22.3 Item 4)
9	423W06054	Paddle Belt (REP 22.3.1)
10	413W75959	Bearing
11	020K13900	Pulley
12	005E89490	Collar
13	807E13260	Gear (21T)
14	120E27240	Actuator
15	802K85560	Knob Cover Assembly
16	-	Knob Cover (P/O PL 22.3 Item 15)
17	-	Spring (P/O PL 22.3 Item 15)
18	012K94990	Sub Paddle Solenoid Assembly
19	-	Bracket (Not Spared)
20	130K88780	Finisher Top Cover Interlock Sensor
21	110K12980	Finisher Top Cover Interlock (+24V)
22	-	Support (P/O PL 22.3 Item 18)
23	-	Cushion (P/O PL 22.3 Item 18)
24	-	Link (P/O PL 22.3 Item 18)
25	-	Arm (P/O PL 22.3 Item 18)
26	-	Bracket (P/O PL 22.3 Item 18)
27	121K34620	Sub Paddle Solenoid (REP 22.3.2)
28	-	Spring (P/O PL 22.3 Item 18)



j0fa52203

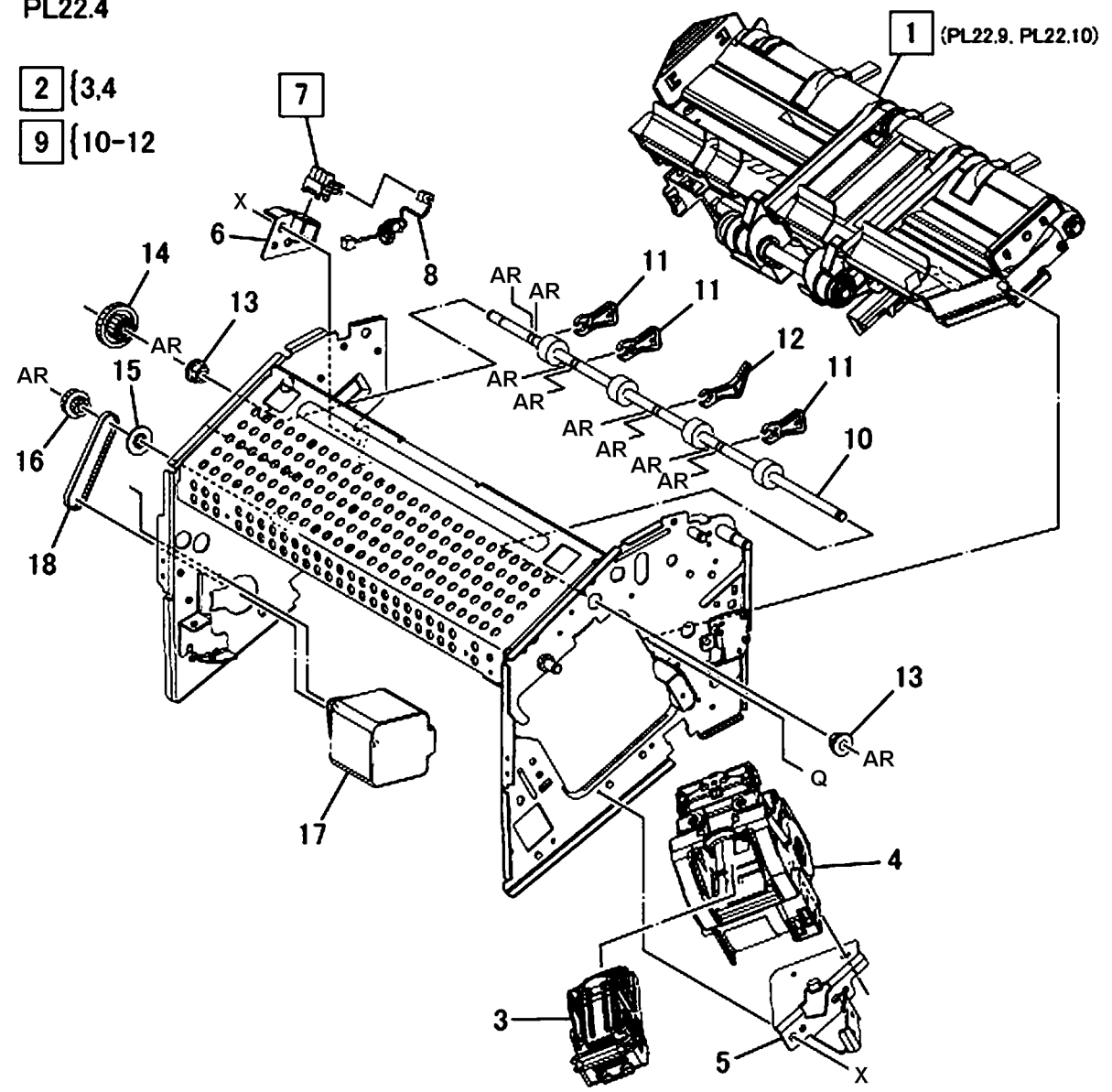
PL 22.4 Stacker Base Assembly (Part 2 of 5)

Item	Part	Description
1	050K61290	Compile Assembly (REP 22.9.1)
2	029K92350	(SCC) Staple Assembly (REP 22.4.2)
3	-	Cartridge (P/O PL 22.4 Item 2)
4	-	Stapler (P/O PL 22.4 Item 2)
5	-	Bracket (Not Spared)
6	-	Support (Not Spared)
7	930W00111	Set Clamp Home Sensor (REP 22.4.3)
8	962K44980	Wire Harness
9	022K72790	Exit Roll Assembly (REP 22.4.1)
10	-	Exit Roll (P/O PL 22.4 Item 9)
11	004E15340	Damper
12	004E15330	Center Damper
13	-	Bearing (Not Spared)
14	007K94220	Oneway Gear
15	005E89470	Collar
16	807E13230	Gear Pulley (16T/18T)
17	127K49800	Finisher Transport Motor
18	423W06954	Belt

PL22.4

2 { 3,4

9 { 10-12

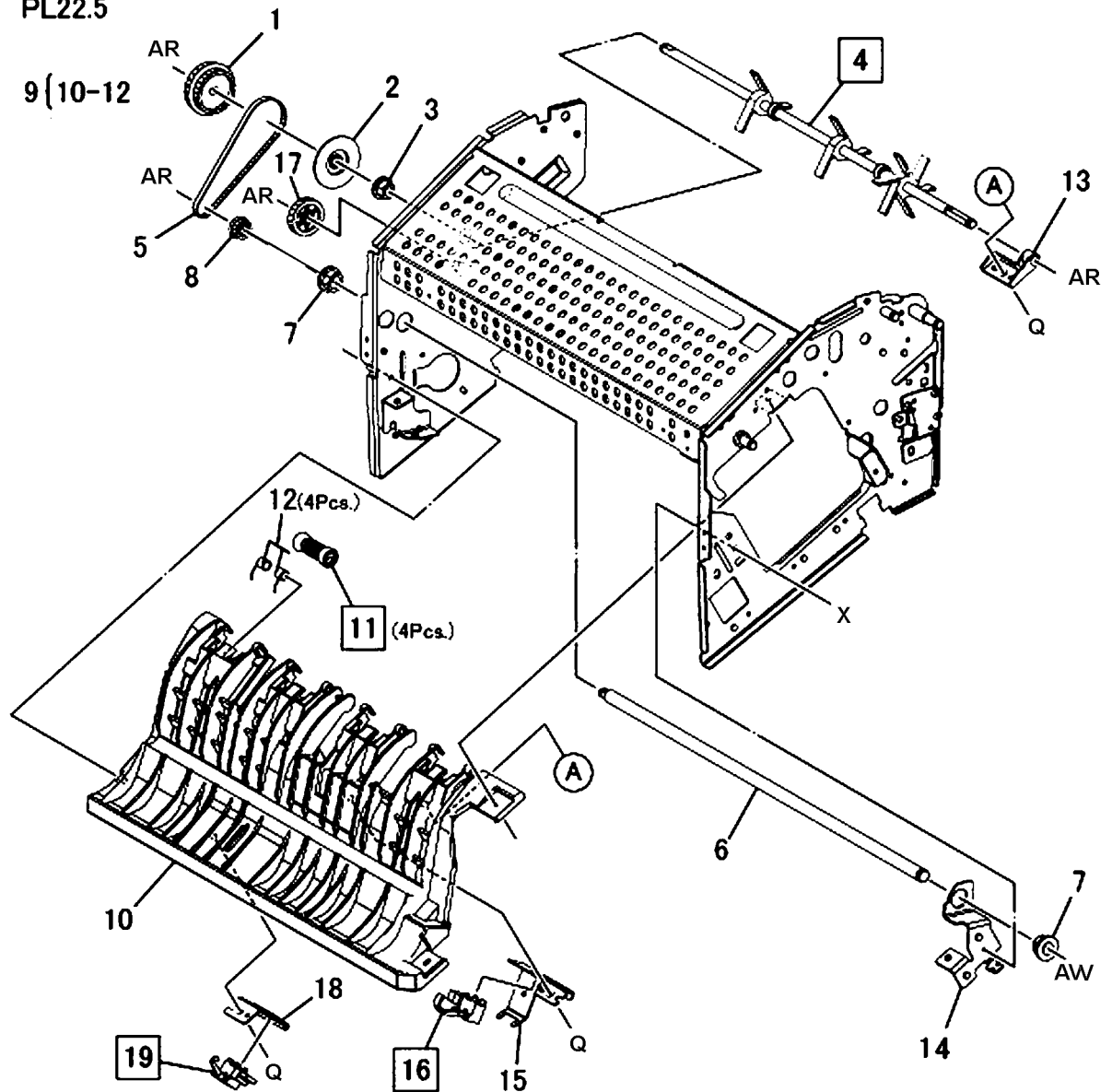


j0fa52204

PL 22.5 Stacker Base Assembly (Part 3 of 5)

Item	Part	Description
1	807E13250	Gear Pulley (37T/45T)
2	005E89480	Collar
3	413W75959	Bearing
4	006K25001	Main Paddle Shaft Assembly (REP 22.5.4)
5	423W09854	Belt
6	-	Shaft (Not Spared)
7	413W77559	Bearing
8	020E43500	Pulley (19T)
9	054K30361	Lower Chute Assembly (REP 22.5.5)
10	-	Lower Chute (P/O PL 22.5 Item 9)
11	022K73190	Pinch Roll (REP 22.5.1)
12	809E65931	Spring
13	-	Support (Not Spared)
14	-	Bracket (Not Spared)
15	-	Bracket (Not Spared)
16	130K93251	Compile Exit Sensor (REP 22.5.3)
17	807E13240	Gear (27T)
18	-	Bracket (Not Spared)
19	130K88190	Finisher Entrance Sensor (REP 22.5.2)

PL22.5



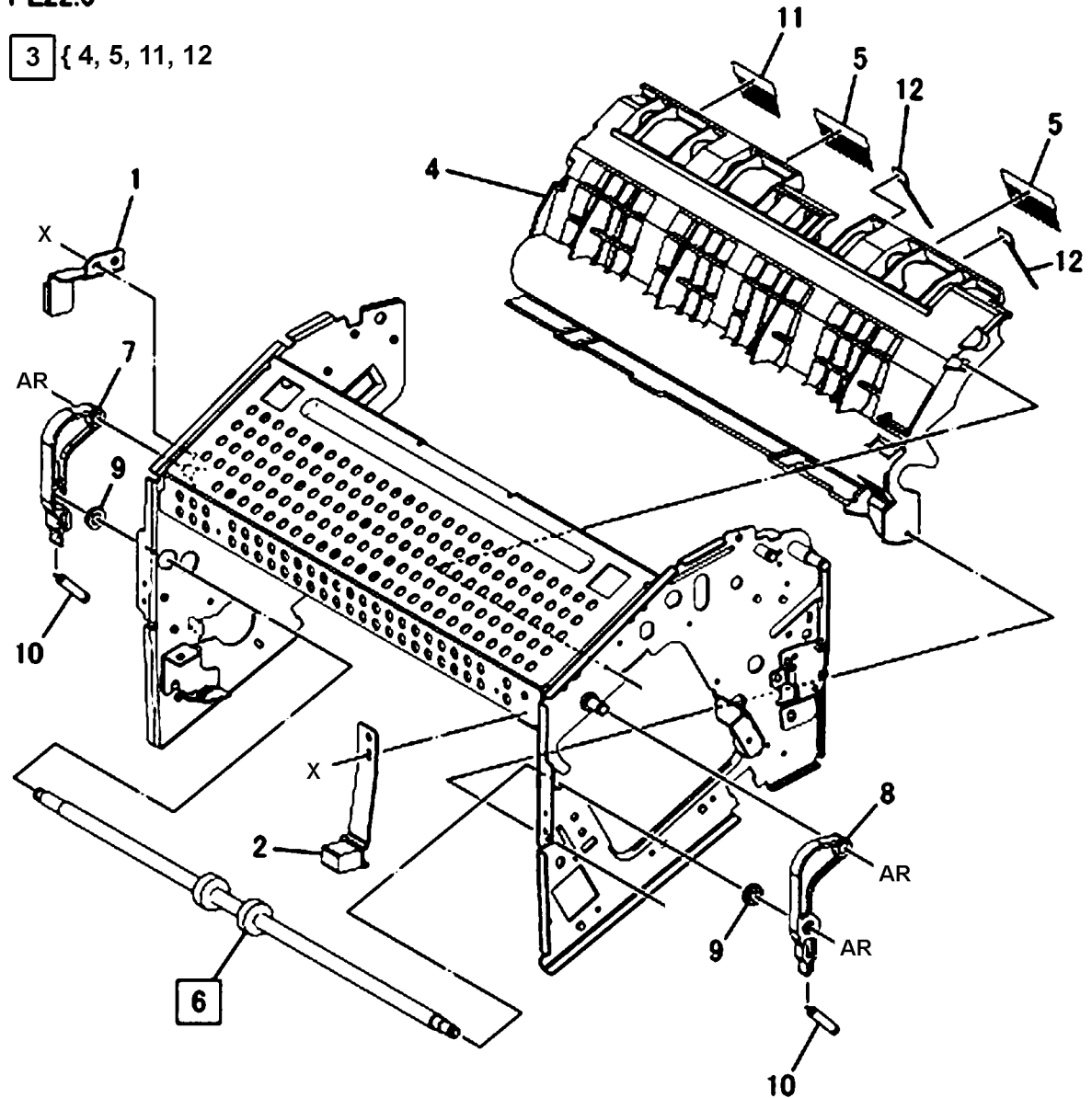
j0fa52205

PL 22.6 Stacker Base Assembly (Part 4 of 5)

Item	Part	Description
1	068K29930	Bracket
2	068K29940	Bracket
3	054K30600	Upper Chute Assembly (REP 22.6.2)
4	-	Upper Chute (P/O PL 22.6 Item 3)
5	042E92241	Eliminator
6	022K72782	ENT Roll Assembly (REP 22.6.1)
7	031E97041	Arm
8	031E97020	Arm
9	413W66250	Ball Bearing
10	-	Spring (Not Spared)
11	042E92330	Eliminator
12	-	Guide Paper (P/O PL 22.6 Item 3)

PL22.6

3 { 4, 5, 11, 12

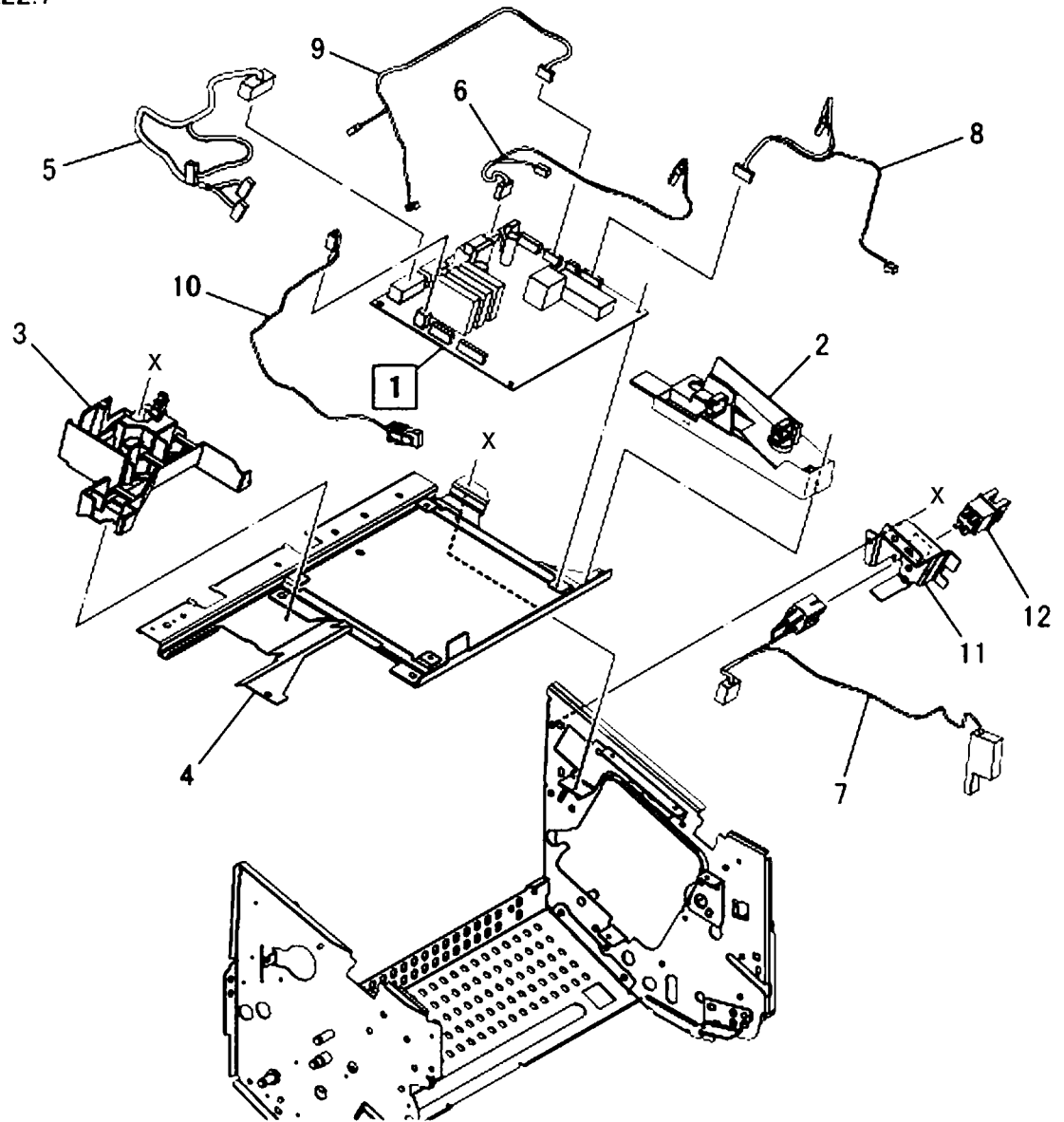


jofa52206

PL 22.7 Stacker Base Assembly (Part 5 of 5)

Item	Part	Description
1	960K38285	Finisher PWB (REP 22.7.1)
2	055K30850	Connector Bracket
3	-	Harness Guide (Not Spared)
4	-	PWB Bracket (Not Spared)
5	-	Wire Harness (Drive) (Not Spared)
6	-	Wire Harness (Stapler) (Not Spared)
7	-	Wire Harness (Interlock) (Not Spared)
8	-	Wire Harness (Front Sensor) (Not Spared)
9	-	Wire Harness (Compile) (Not Spared)
10	-	Wire Harness (Stacker) (Not Spared)
11	-	Bracket (Not Spared)
12	110E97990	Finisher Front Interlock Switch

PL22.7

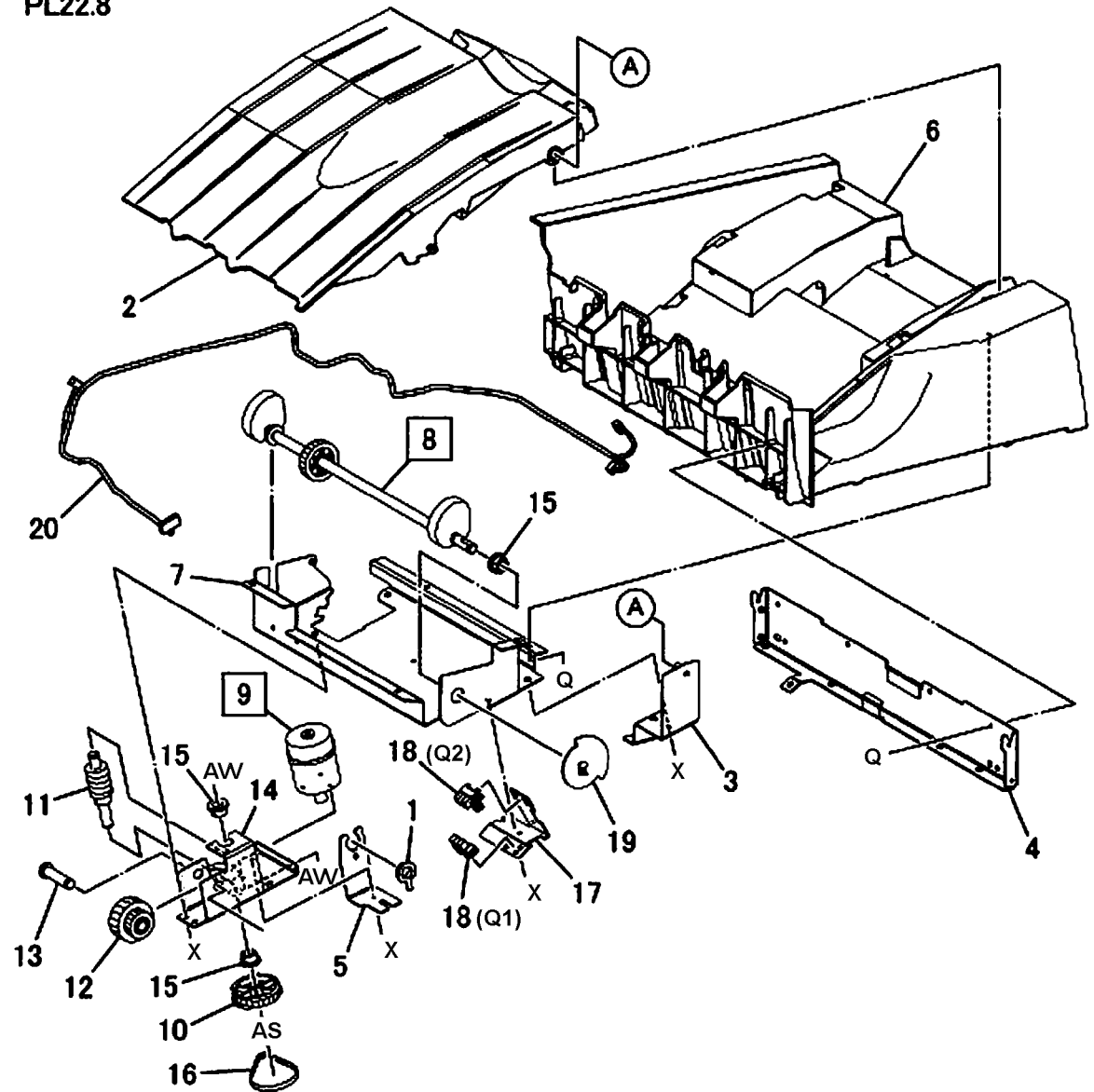


j0fa52207

PL 22.8 Stacker Tray Assembly

Item	Part	Description
1	-	Bearing (Not Spared)
2	-	Top Tray (Not Spared)
3	-	bracket (Not Spared)
4	-	Plate (Not Spared)
5	-	Bracket (Not Spared)
6	-	Base Tray (Not Spared)
7	-	Base Bracket (Not Spared)
8	006K25031	Stacker Shaft Assembly (REP 22.8.2)
9	127K49420	Stacker Motor (REP 22.8.3)
10	-	Pulley (60) (Not Spared)
11	-	Worm Gear (Not Spared)
12	-	Gear (16T/32T) (Not Spared)
13	-	Stud (Not Spared)
14	-	Bracket (Not Spared)
15	-	Bearing (Not Spared)
16	423W07354	Belt
17	-	Bracket (Not Spared)
18	930W00111	Stacker Stack Sensor 1 (Q1), Sensor 2 (Q2) (REP 22.8.4)
19	-	Actuator (Not Spared)
20	-	Wire Harness (Not Spared)

PL22.8



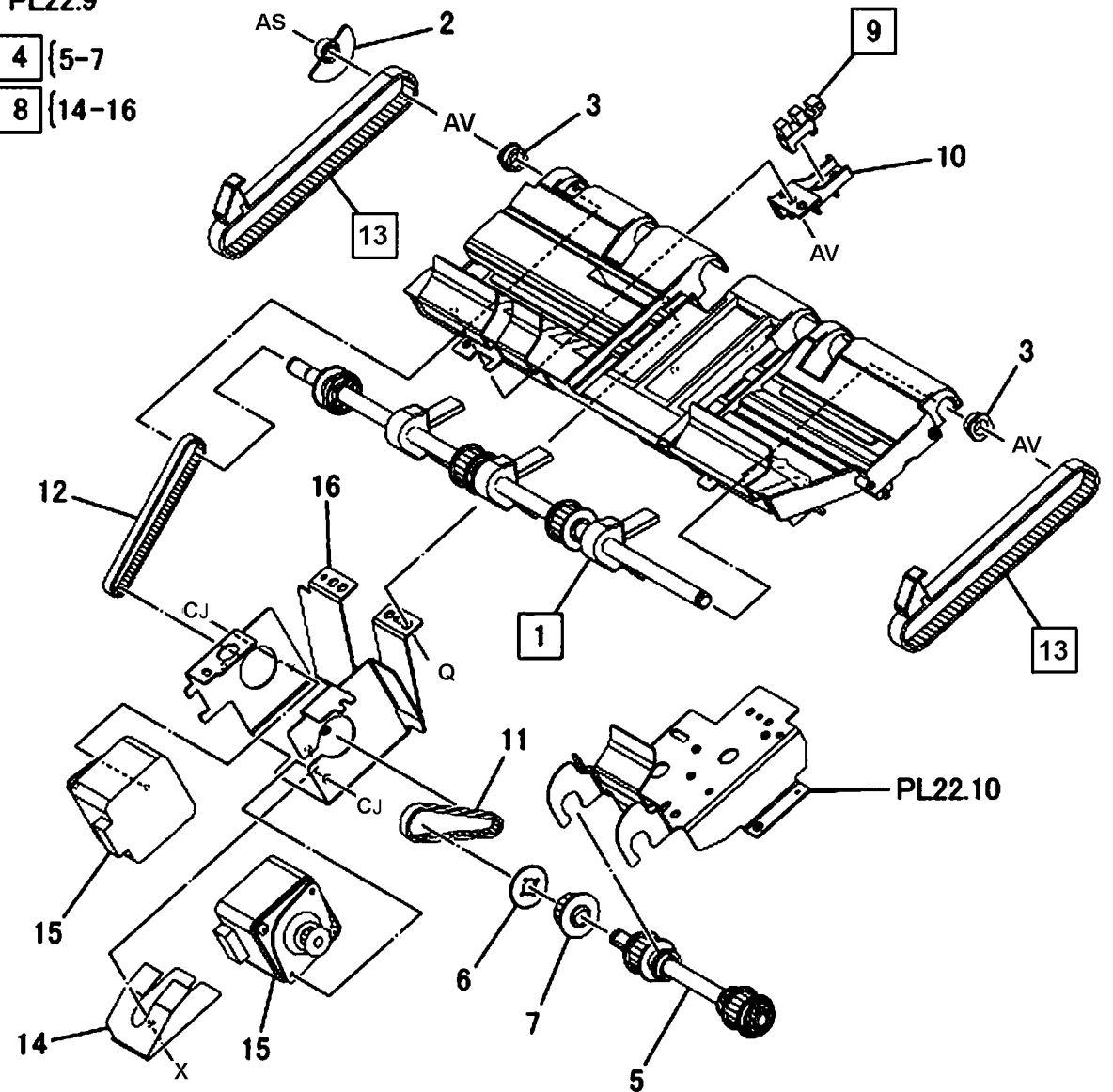
j0fa52208

PL 22.9 Compile Assembly (Part 1 of 2)

Item	Part	Description
1	006K25010	Set Clamp Shaft (REP 22.9.2)
2	120E27220	Actuator
3	413W11860	Bearing
4	006K25020	Eject Shaft Assembly (REP 22.9.6)
5	-	Eject Shaft (P/O PL 22.9 Item 4)
6	-	Spacer (P/O PL 22.9 Item 4)
7	-	Pulley (P/O PL 22.9 Item 4)
8	068K29830	Eject/Set Clamp Motor Assembly (REP 22.9.4)
9	930W00111	Rear Tamper Home Sensor (REP 22.9.5)
10	-	Support (P/O item 8)
11	423W26754	Belt
12	423W29554	Belt
13	023K91530	Eject Belt (REP 22.9.3)
14	-	Spring (P/O item 8)
15	-	Eject Motor, Set Clamp Motor (P/O item 8)
16	-	Bracket (P/O item 8)

PL22.9

4 {5-7
8 {14-16

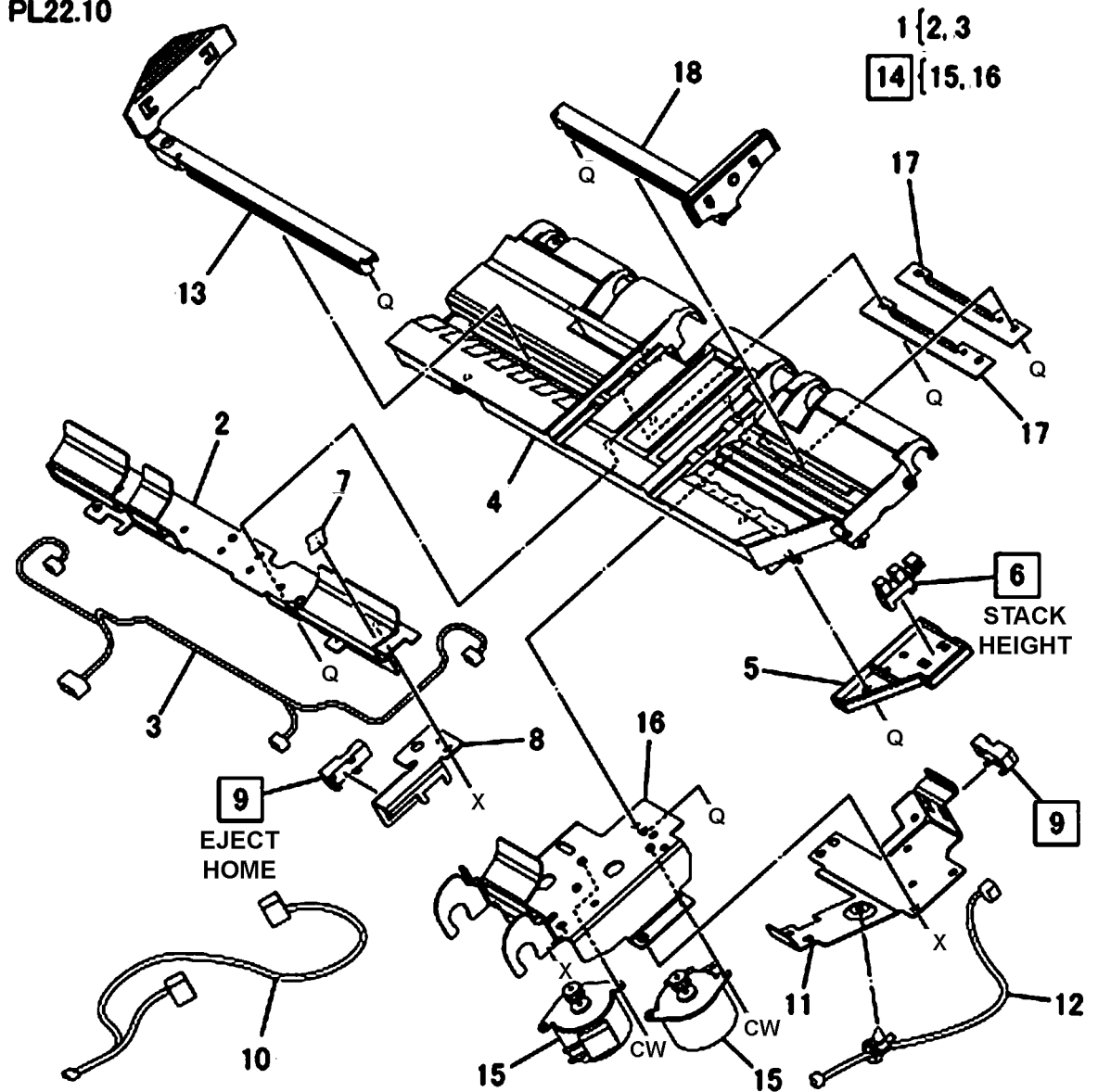


j0fa52209

PL 22.10 Compile Assembly (Part 2 of 2)

Item	Part	Description
1	068K30510	Bracket Assembly
2	-	Bracket (P/O PL 22.10 Item 1)
3	-	Wire Harness (P/O PL 22.10 Item 1)
4	050E24260	Compile Tray
5	-	Support (Not Spared)
6	930W00111	(SCC) Front Tamper Home Sensor (REP 22.10.2)
7	038E34860	Paper Guide
8	-	Bracket (Not Spared)
9	930W00212	Eject Home Sensor (P/O PL 22.10 Item 7) (REP 22.10.3)
-	-	Stack Height Sensor (REP 22.10.4)
10	962K42270	Wire Harness
11	-	Bracket (P/O PL 22.10 Item 10)
12	-	Wire Harness (P/O PL 22.10 Item 10)
13	038K88990	Tamper Guide, Rear
14	068K30740	Front/Rear Tamper Motor Assembly (REP 22.10.1)
15	-	Front / Rear Tamper Motor (P/O PL 22.10 Item 14)
16	-	Bracket (P/O PL 22.10 Item 14)
17	001E70981	Rail
18	038K89260	Tamper Guide, Front

PL22.10

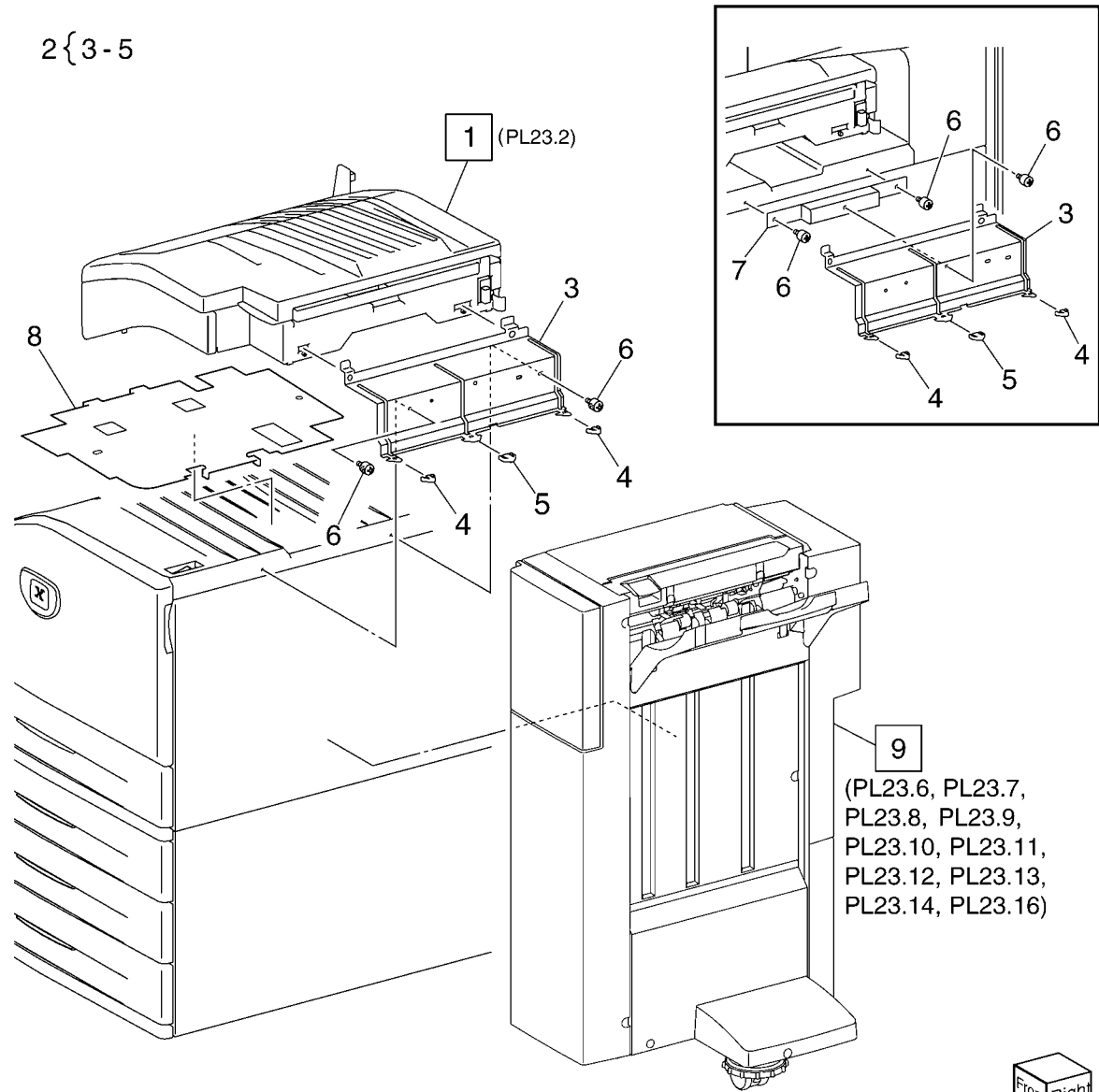


j0fa52210

PL 23.1 H-Transport Assembly (1 of 5)

Item	Part	Description
1	059K55690	H-Transport Assembly (REP 16.1.1)
2	068K59492	Docking Plate Assembly
3	-	Docking Plate (P/O PL 23.1 Item 2)
4	-	Side Guide (P/O PL 23.1 Item 2)
5	-	Center Guide (P/O PL 23.1 Item 2)
6	-	Thumb Screw (Not Spared)
7	-	Bracket
8	-	Plate (Not Spared)
9	-	SB Finisher Assembly (Not Spared) (REP 16.2.1)

2 { 3-5



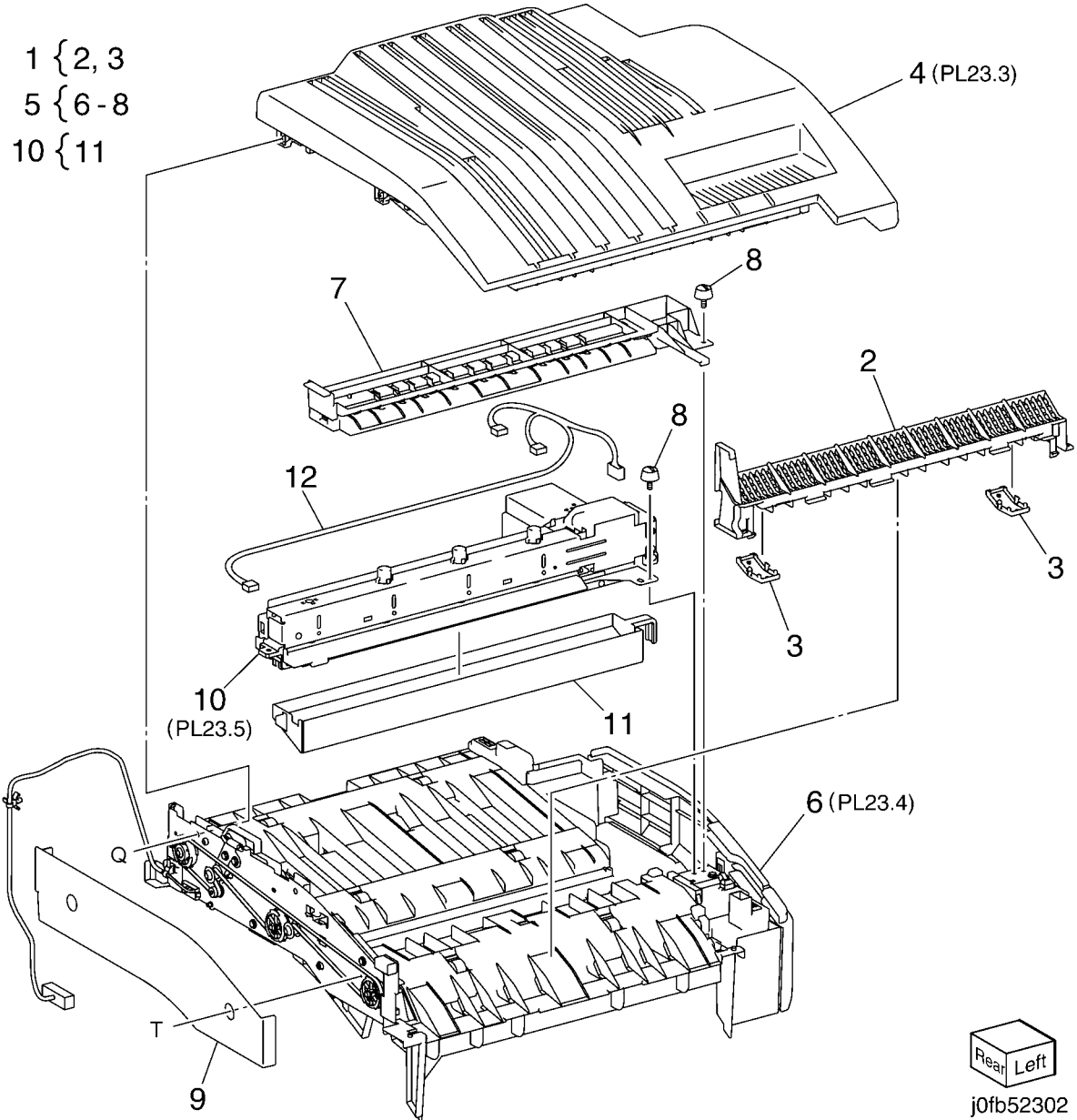
9
(PL23.6, PL23.7,
PL23.8, PL23.9,
PL23.10, PL23.11,
PL23.12, PL23.13,
PL23.14, PL23.16)



j0fb52301

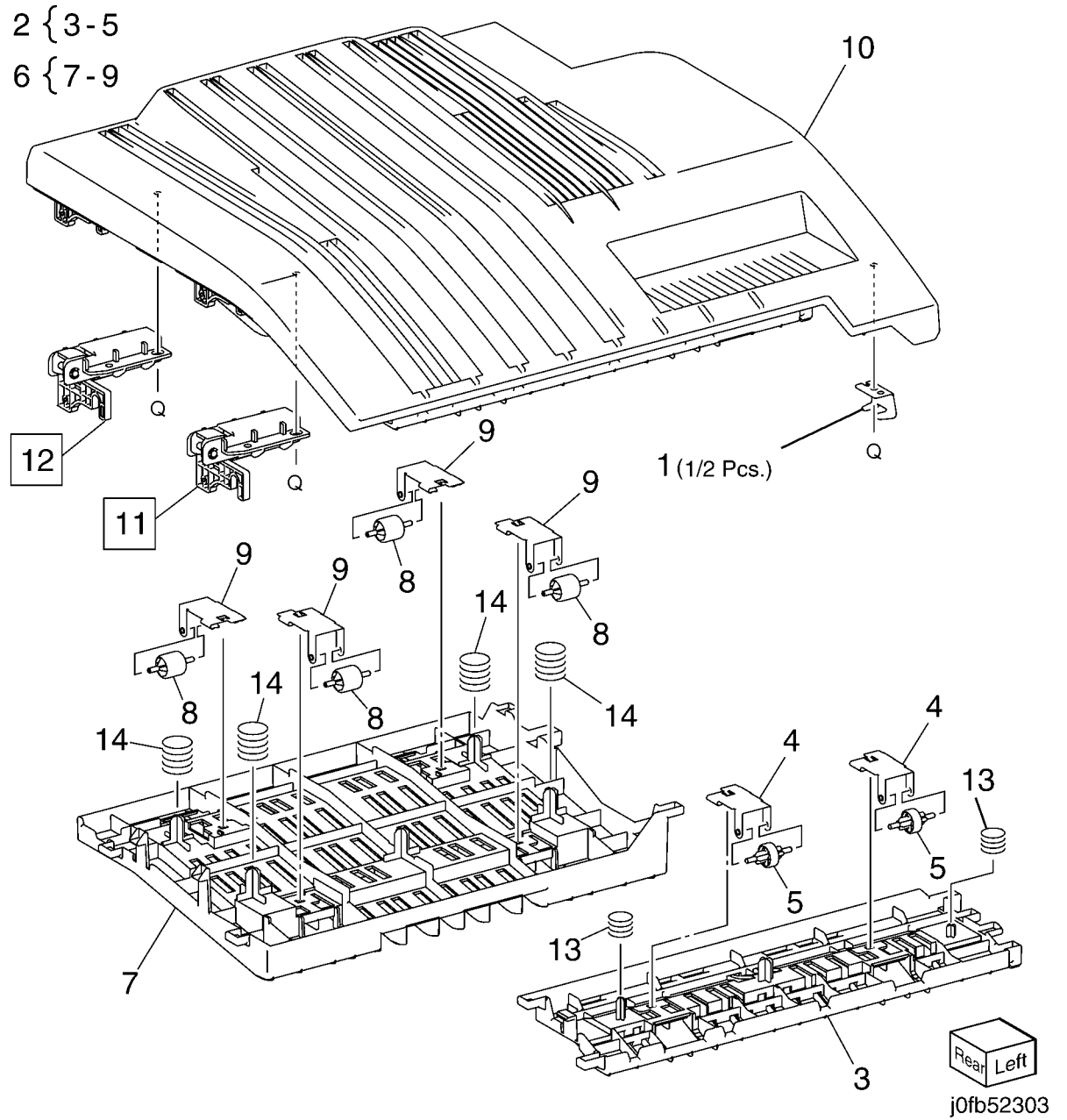
PL 23.2 H - Transport Assembly (2 of 5)

Item	Part	Description
1	848K09313	Left Cover Assembly
2	848K09340	Left Cover
3	038E36420	Paper Guide
4	848K09320	Top Over Assembly
5	-	Lower Chute Assembly (P/O PL 23.1 Item 1)
6	-	Lower Chute Assembly (P/O PL 23.2 Item 5)
7	054K35261	Chute Assembly
8	026K81200	Thumb Screw
9	848E15160	Rear Cover
10	180K00390	Punch Assembly (2/3 Hole) (REP 16.1.2)
-	180K00400	Punch Assembly (2/4 Hole) (REP 16.1.2)
11	-	Dust Box (P/O PL 23.2 Item 10)
12	-	Wire Harness (Not Spared)



PL 23.3 H - Transport Assembly (3 of 5)

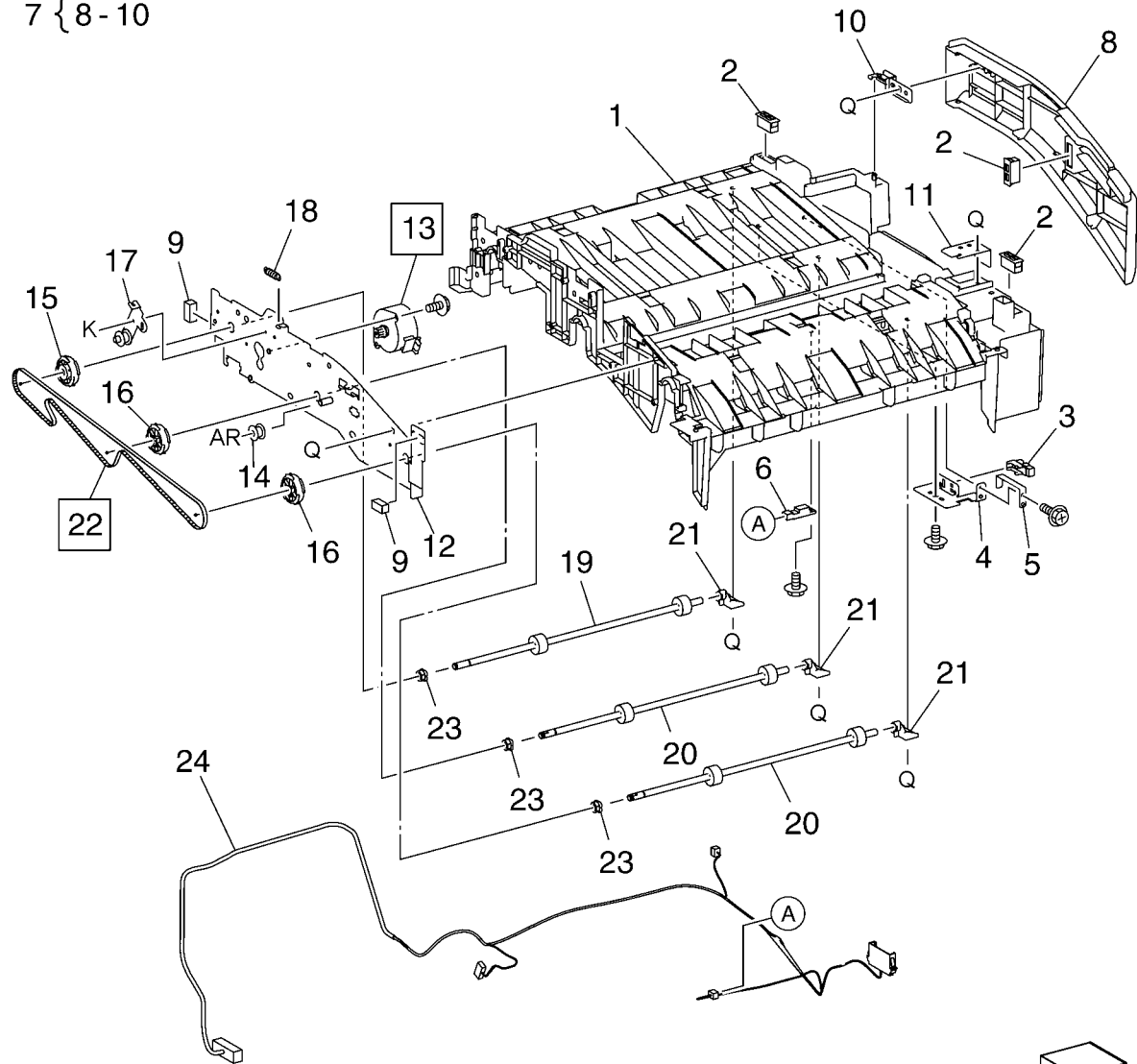
Item	Part	Description
1	-	Bracket (P/O PL 23.2 Item 4)
2	054K35236	Left Chute Assembly
3	-	Left Chute (P/O PL 23.3 Item 2)
4	-	Pinch Spring (P/O PL 23.3 Item 2)
5	-	Pinch Roller (P/O PL 23.3 Item 2)
6	054K35243	Right Chute Assembly
7	-	Right Chute (P/O PL 23.3 Item 6)
8	022E27660	Pinch Roller
9	809E76210	Pinch Spring
10	-	Top Cover (P/O PL 23.2 Item 4)
11	003K15983	H - Transport Counter Balance Assembly (Left)
12	-	H - Transport Counter Balance Assembly (Right) (P/O PL 23.2 Item 4)
13	809E76240	Spring
14	809E78940	Spring



PL 23.4 H - Transport Assembly (4 of 5)

Item	Part	Description
1	-	Lower Chute (P/O PL 23.2 Item 6)
2	121E92720	Magnet
3	130E81600	H - Transport Open Sensor
4	868E15540	Sensor Bracket
5	809E81720	Actuator
6	930W00211	H - Transport Entrance Sensor
7	848K14231	H - Transport Front Cover Assembly
8	848E15151	H - Transport Front Cover
9	921W41162	Gasket
10	-	Hinge (P/O PL 23.4 Item 7)
11	-	Bracket (P/O PL 23.2 Item 6)
12	-	Rear Frame Assembly (P/O PL 23.2 Item 6)
13	127K57622	H - Transport Motor (REP 16.1.4)
14	020E45330	Tension Pulley
15	020K15720	Pulley (T43)
16	020E45210	Pulley (T43)
17	-	Tension Bracket (P/O PL 23.2 Item 6)
18	809E78950	Spring Tension
19	059K54480	Drive Roll
20	059K55070	Drive Roll
21	013E33140	Bearing
22	423W01154	H - Transport Belt (REP 16.1.3)
23	413W14660	Sleeve Bearing
24	962K60422	Wire Harness

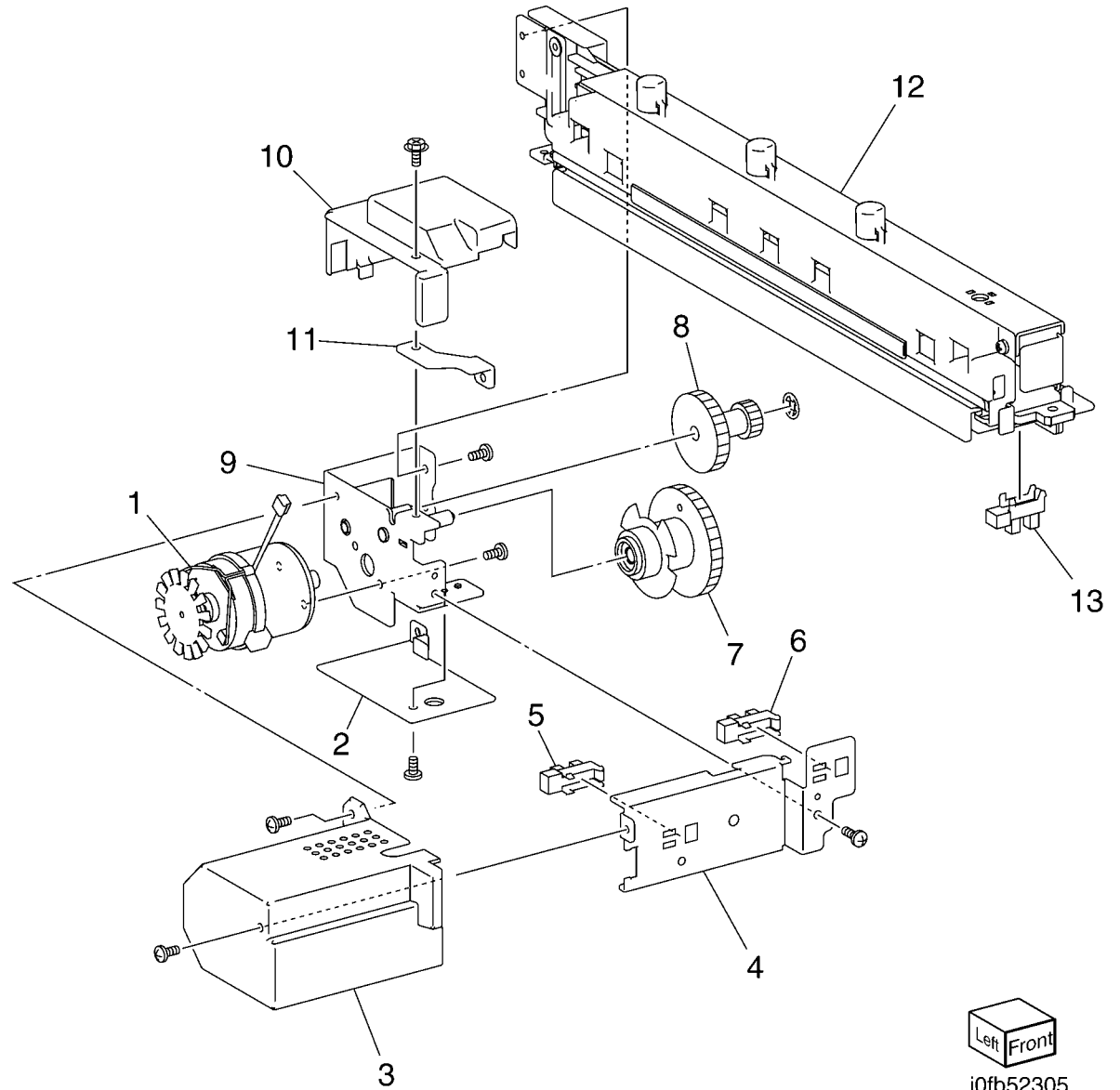
7 { 8 - 10



Rear Left
j0fb52304

PL 23.5 H - Transport Assembly (5 of 5)

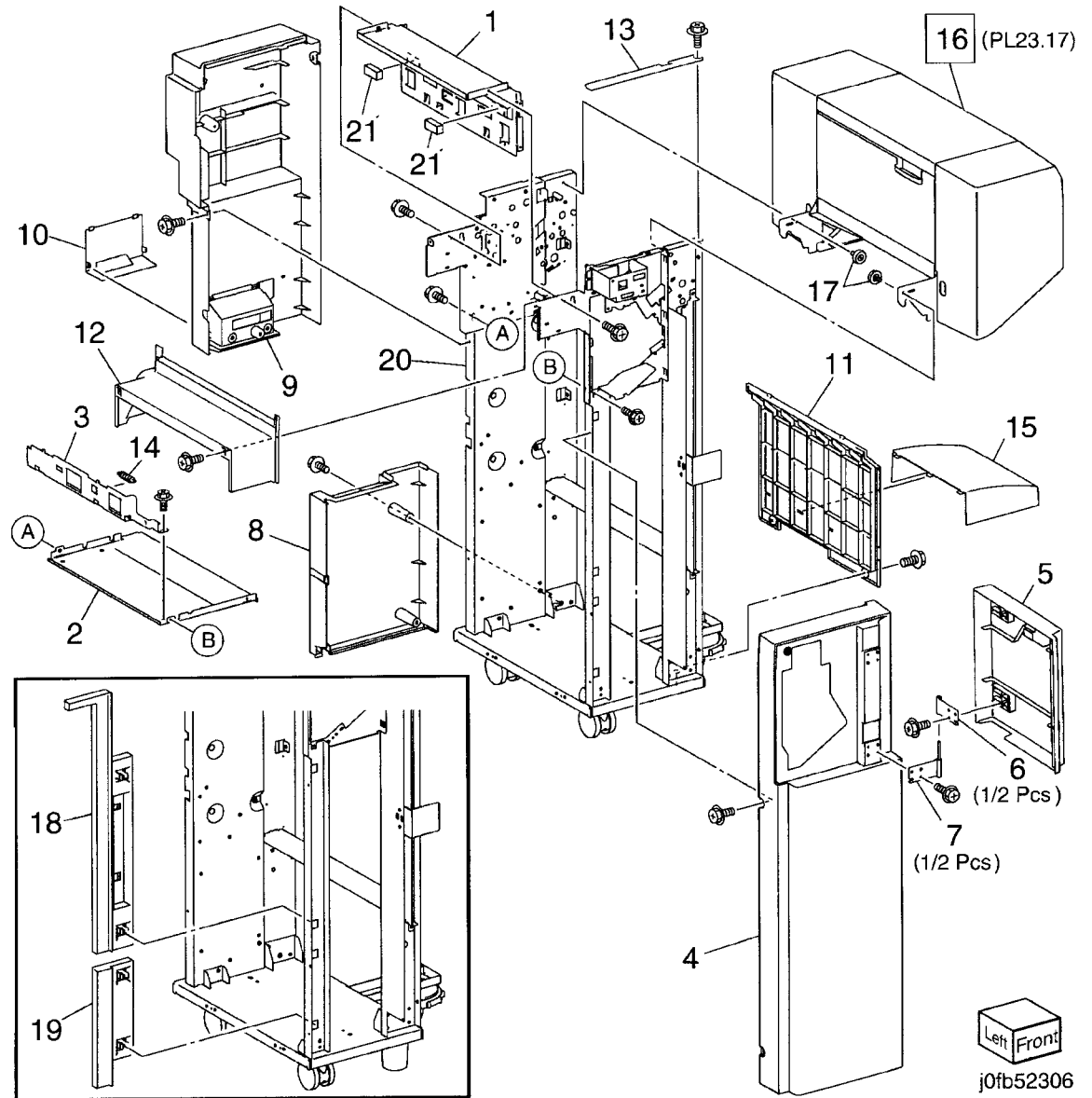
Item	Part	Description
1	-	Punch Motor (P/O PL 23.2 Item 10)
2	-	Punch Lower Cover (P/O PL 23.2 Item 10)
3	-	Punch Motor Cover (P/O PL 23.2 Item 10)
4	-	Sensor Bracket (P/O PL 23.2 Item 10)
5	-	Punch Encoder Sensor (P/O PL 23.2 Item 10)
6	-	Punch Home Sensor (P/O PL 23.2 Item 10)
7	-	Encoder / Gear Assembly (P/O PL 23.2 Item 10)
8	-	Gear (P/O PL 23.2 Item 10)
9	-	Motor Bracket (P/O PL 23.2 Item 10)
10	-	Punch Top Cover (P/O PL 23.2 Item 10)
11	-	Bracket (P/O PL 23.2 Item 10)
12	-	Punch Frame Assembly (P/O PL 23.2 Item 10)
13	-	Punch Box Set Sensor (P/O PL 23.2 Item 10)



j0fb52305

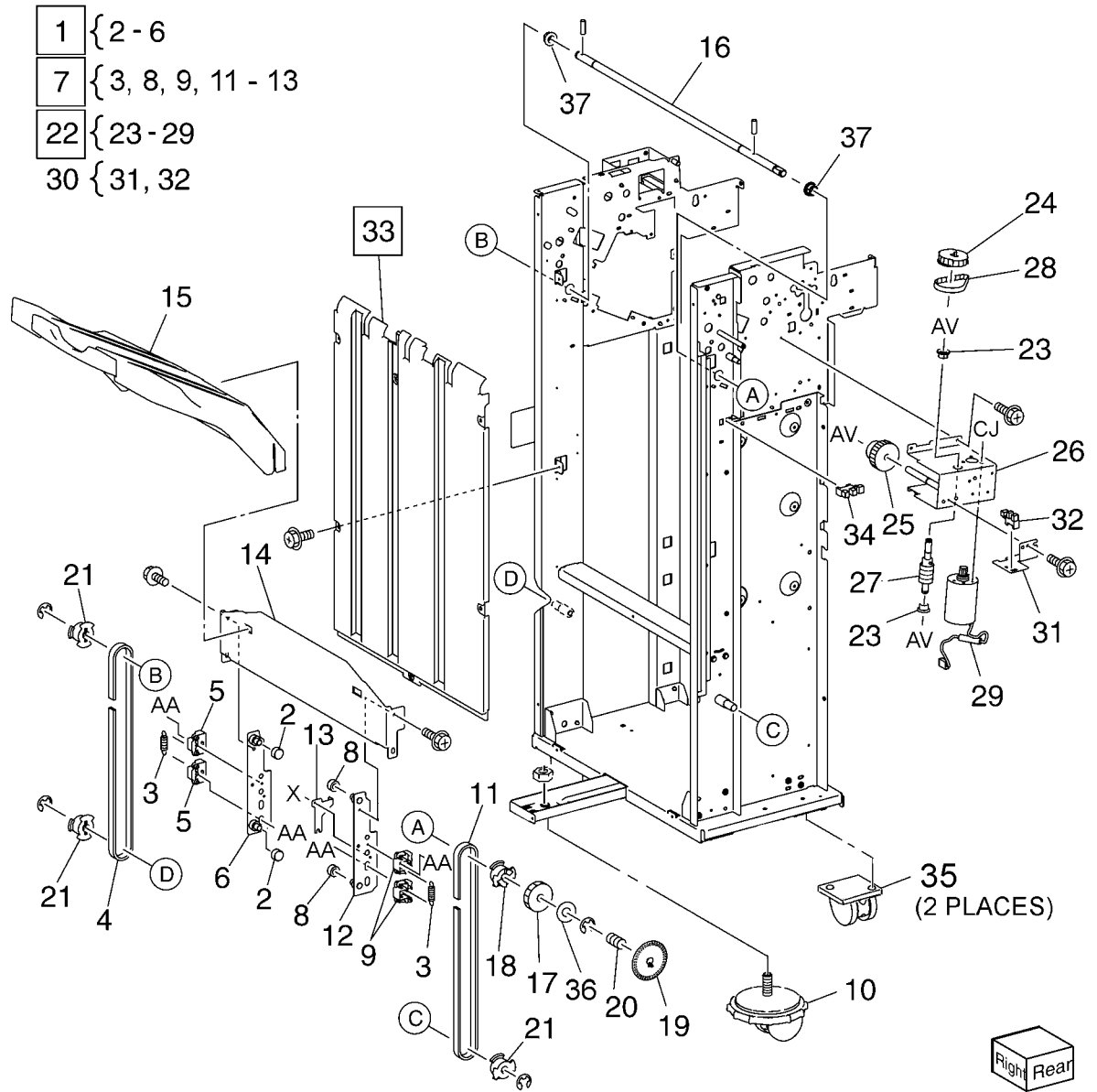
PL 23.6 Finisher Cover

Item	Part	Description
1	-	Plate (Not Spared)
2	-	Lower Plate (Not Spared)
3	-	Docking Lever
4	848E15190	Front Cover (REP 16.2.2)
5	848K09330	Front Door
6	-	Bracket (Not Spared)
7	-	Hinge (Not Spared)
8	848E15210	Rear Lower Cover (REP 16.2.4)
9	848E15221	Rear Upper Cover (REP 16.2.3)
10	848E15231	Connector Cover
11	848E15240	Stacker Lower Cover (REP 16.2.7)
12	-	LH Cover
13	-	Cover (Not Spared)
14	-	Spring (Not Spared)
15	848E22450	Foot Cover (REP 16.2.6)
16	801K30700	Booklet Assembly (REP 16.3.2)
17	826E09910	Thumb Screw
18	-	Upper Adjust Cover (Not Spared)
19	-	Lower Adjust Cover
20	-	Base Frame Assembly (Not Spared)
21	921W41162	Gasket



PL 23.7 Finisher Stacker

Item	Part	Description
1	041K95980	Front Carriage Assembly (REP 16.2.27)
2	-	Bearing (P/O PL 23.7 Item 1)
3	809E56850	Spring
4	-	Front Stacker Belt (P/O PL 23.7 Item 1)
5	-	Clamp (P/O PL 23.7 Item 1)
6	-	Front Carriage Assembly (P/O PL 23.7 Item 1)
7	041K95990	Rear Carriage Assembly (REP 16.2.27)
8	-	Bearing (P/O PL 23.7 Item 7)
9	-	Clamp (P/O PL 23.7 Item 7)
10	017K94620	Knob Caster Assembly
11	-	Rear Stacker Belt (P/O PL 23.7 Item 7)
12	-	Rear Carriage (P/O PL 23.7 Item 7)
13	-	Actuator (P/O PL 23.7 Item 7)
14	-	Carriage Tray (Not Spared)
15	050K61104	Stacker Tray (REP 16.2.16)
16	-	Shaft (Not Spared)
17	807E08990	Gear
18	020E37710	Pulley
19	146E90650	Encoder
20	809E56860	Spring
21	020E37720	Pulley (T18)
22	068K58303	Stacker Elevator Motor Assembly (REP 16.2.15)
23	-	Bearing (P/O PL 23.7 Item 22)
24	020E44181	Pulley (T60)
25	-	Gear (Z15/Z37) (P/O PL 23.7 Item 22)
26	-	Motor Bracket (P/O PL 23.7 Item 22)
27	-	Worm Shaft (P/O PL 23.7 Item 22)
28	-	Belt (P/O PL 23.7 Item 22)
29	-	Stacker Elevator Motor (P/O PL 23.7 Item 22)
30	-	Stacker Encoder Sensor Assembly (Not Spared)
31	-	Bracket (P/O PL 23.7 Item 30)
32	-	Stacker Encoder Sensor (P/O PL 23.7 Item 30)
33	-	Stacker Upper Cover (REP 16.2.8)
34	930W00111	Stacker No Paper Sensor
35	017K94630	Caster Assembly
36	251W31178	Washer
37	413W79359	Bearing

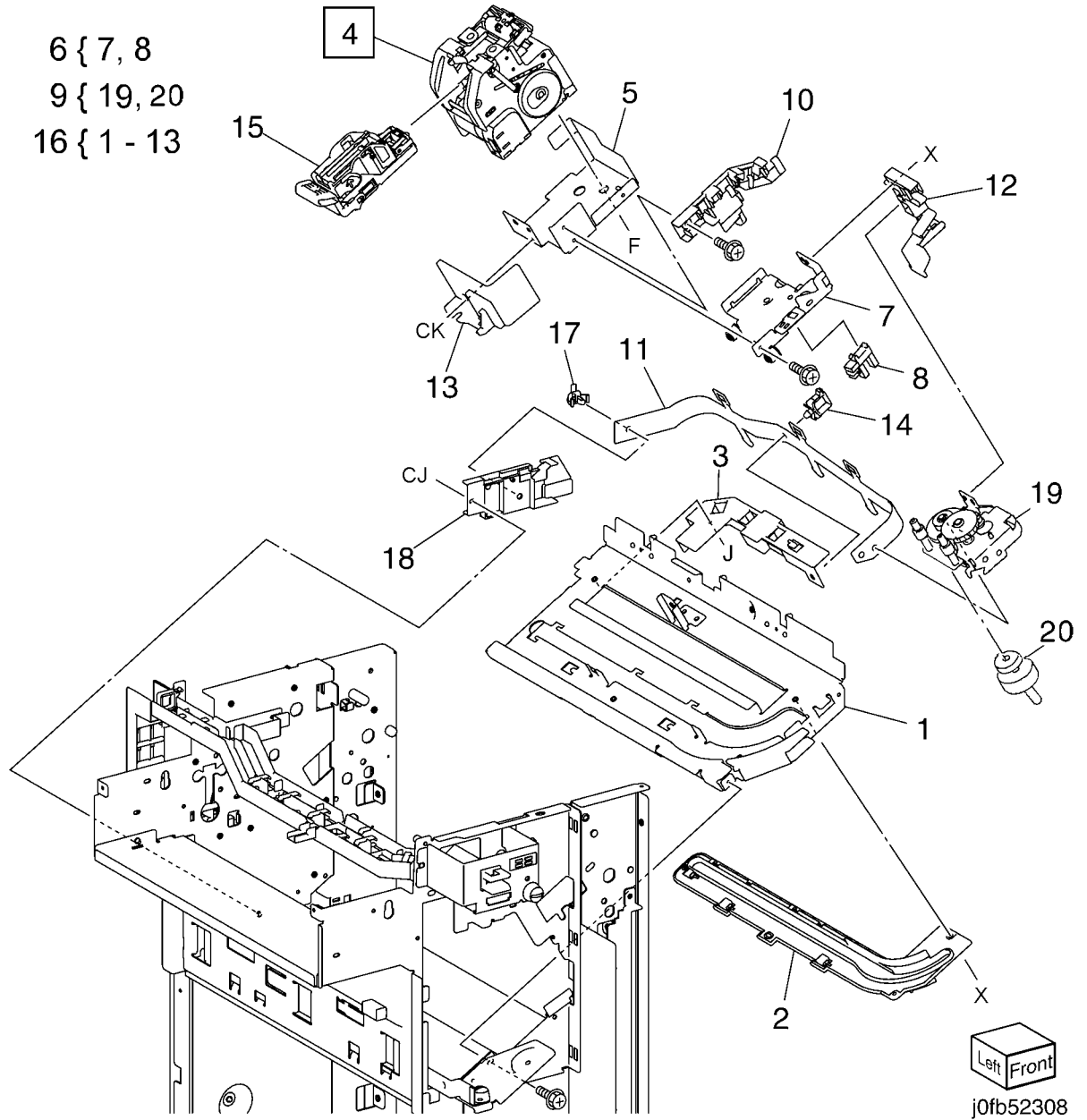


j0fb52307

PL 23.8 Finisher Stapler

Item	Part	Description
1	-	Base Frame (P/O PL 23.8 Item 16)
2	-	Rail (P/O PL 23.8 Item 16)
3	-	Harness Guide
4	029K92350	Stapler Assembly (REP 16.2.12)
5	-	Holder (Not Spared)
6	-	Stapler Move Position Sensor Assembly (Not Spared)
7	-	Bracket (P/O PL 23.8 Item 6)
8	130E94940	Stapler Move Position Sensor
9	-	Stapler Move Motor Assembly (Not Spared)
10	-	Harness Guide (P/O PL 23.8 Item 16)
11	-	Harness Support Guide (P/O PL 23.8 Item 16)
12	-	Harness Guide (P/O PL 23.8 Item 16)
13	-	Stapler Cover (Not Spared)
14	-	Clamp (Not Spared)
15	-	(SCC) Stapler Cartridge (Not Spared)
16	-	Stapler Unit (Not Spared)
17	-	Cable Band (Not Spared)
18	-	Harness Guide (Not Spared)
19	-	Stapler Motor Assembly (P/O PL 23.8 Item 9) (REP 16.2.11)
20	127K57622	Motor Assembly

6 { 7, 8
 9 { 19, 20
 16 { 1 - 13

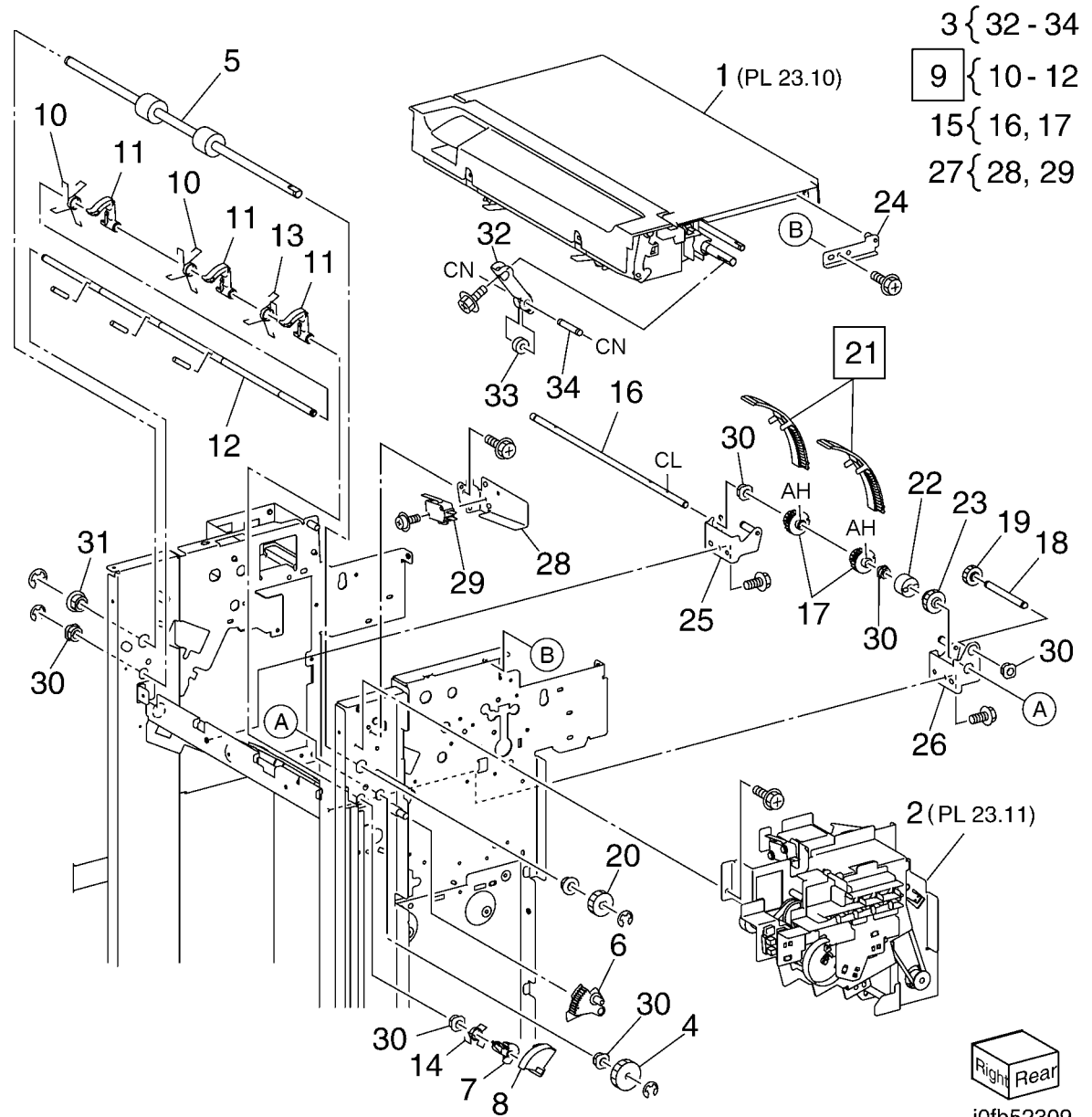


Left Front

j0fb52308

PL 23.9 Finisher Eject (1 of 5)

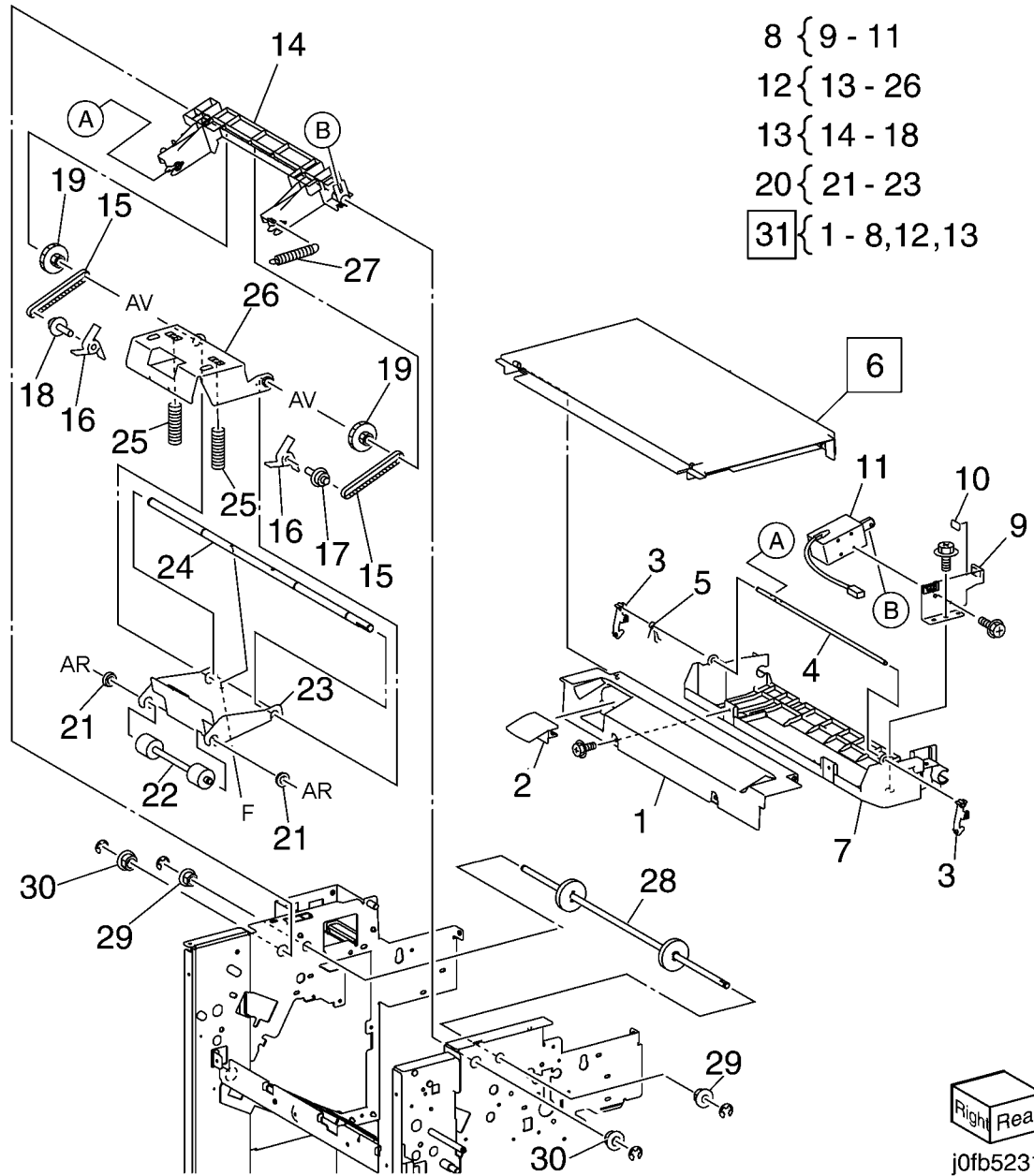
Item	Part	Description
1	-	Eject Cover Assembly (PL 23.10)
2	-	Eject Assembly (PL 23.11)
3	031K93790	Clamp Arm Assembly
4	807E21370	Gear (Z25)
5	059K55110	Eject Roller
6	807E21380	Gear (Z72)
7	807E21391	Gear (Z18)
8	120E29770	Actuator
9	006K86731	Set Clamp Shaft Assembly
10	-	Spring (P/O PL 23.9 Item 9)
11	019K09391	Set Clamp Holder
12	-	Shaft (Not Spared)
13	809E79060	Spring
14	809E79080	Spring
15	006K86741	Guide Paper Shaft Assembly
16	-	Guide Paper Shaft (P/O PL 23.9 Item 15)
17	-	Gear (Z20) (P/O PL 23.9 Item 15)
18	-	Shaft (Not Spared)
19	807E21420	Gear (Z19)
20	807E21400	Gear (Z31)
21	038E36490	Guide Paper (Left/Right)
22	005E25820	Clutch
23	807E21970	Gear (Z23)
24	-	Stopper (Not Spared)
25	-	Bracket (Front) (Not Spared)
26	-	Bracket (Rear) (Not Spared)
27	-	Option Switch Assembly (Not Spared)
28	-	Bracket (Not Spared)
29	-	Option Switch (Not Spared)
30	-	Sleeve Bearing (Not Spared)
31	-	Bearing (Not Spared)
32	-	Clamp Arm (P/O PL 23.9 Item 3)
33	-	Roll (Not Spared)
34	-	Shaft (P/O PL 23.9 Item 3)



3 { 32 - 34
 9 { 10 - 12
 15 { 16, 17
 27 { 28, 29

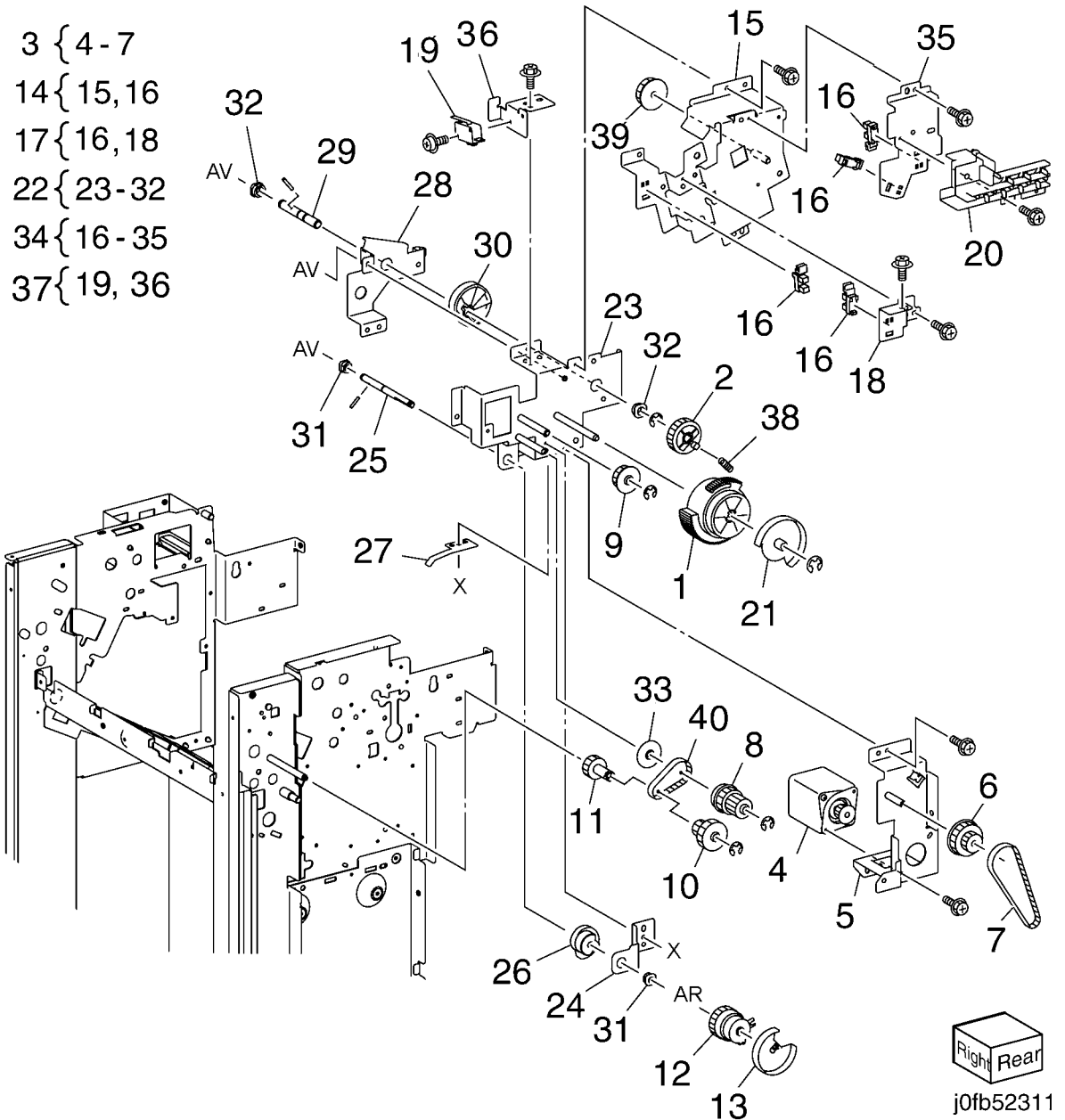
PL 23.10 Finisher Eject (2 of 5)

Item	Part	Description
1	848E15291	Open Cover
2	011E20781	Top Cover Lever
3	003E76111	Top Cover Latch
4	-	Shaft (Not Spared)
5	809E79030	Spring
6	848E15301	Eject Cover (REP 16.2.5)
7	054K35301	Eject Chute
8	121K41632	Sub Paddle Solenoid Assembly (REP 16.2.10)
9	-	Bracket (P/O PL 23.10 Item 8)
10	-	Damper (P/O PL 23.10 Item 8)
11	-	Sub Paddle Solenoid (P/O PL 23.10 Item 8)
12	-	Eject Roller Assembly (Not Spared)
13	031K93770	Paddle Arm Assembly
14	-	Sub Paddle Arm (Not Spared)
15	423W08655	Belt
16	-	Sub Paddle (P/O PL 23.10 Item 13)
17	-	Pulley (P/O PL 23.10 Item 13)
18	-	Pulley (P/O PL 23.10 Item 13)
19	-	Gear/Pulley (Z31/T20) (Not Spared)
20	-	Eject Pinch Roller Assembly (Not Spared)
21	-	Bearing (P/O PL 23.10 Item 20)
22	059K55102	Eject Pinch Roller
23	-	Bracket (P/O PL 23.10 Item 20)
24	-	Shaft (P/O PL 23.10 Item 12)
25	-	Spring (Not Spared)
26	-	Bracket (P/O PL 23.10 Item 12)
27	809E79050	Spring
28	006K86690	Drive Eject Shaft
29	-	Bearing (Not Spared)
30	-	Bearing (Not Spared)
31	-	Eject Chute Assembly (Not Spared)



PL 23.11 Finisher Eject (3 of 5)

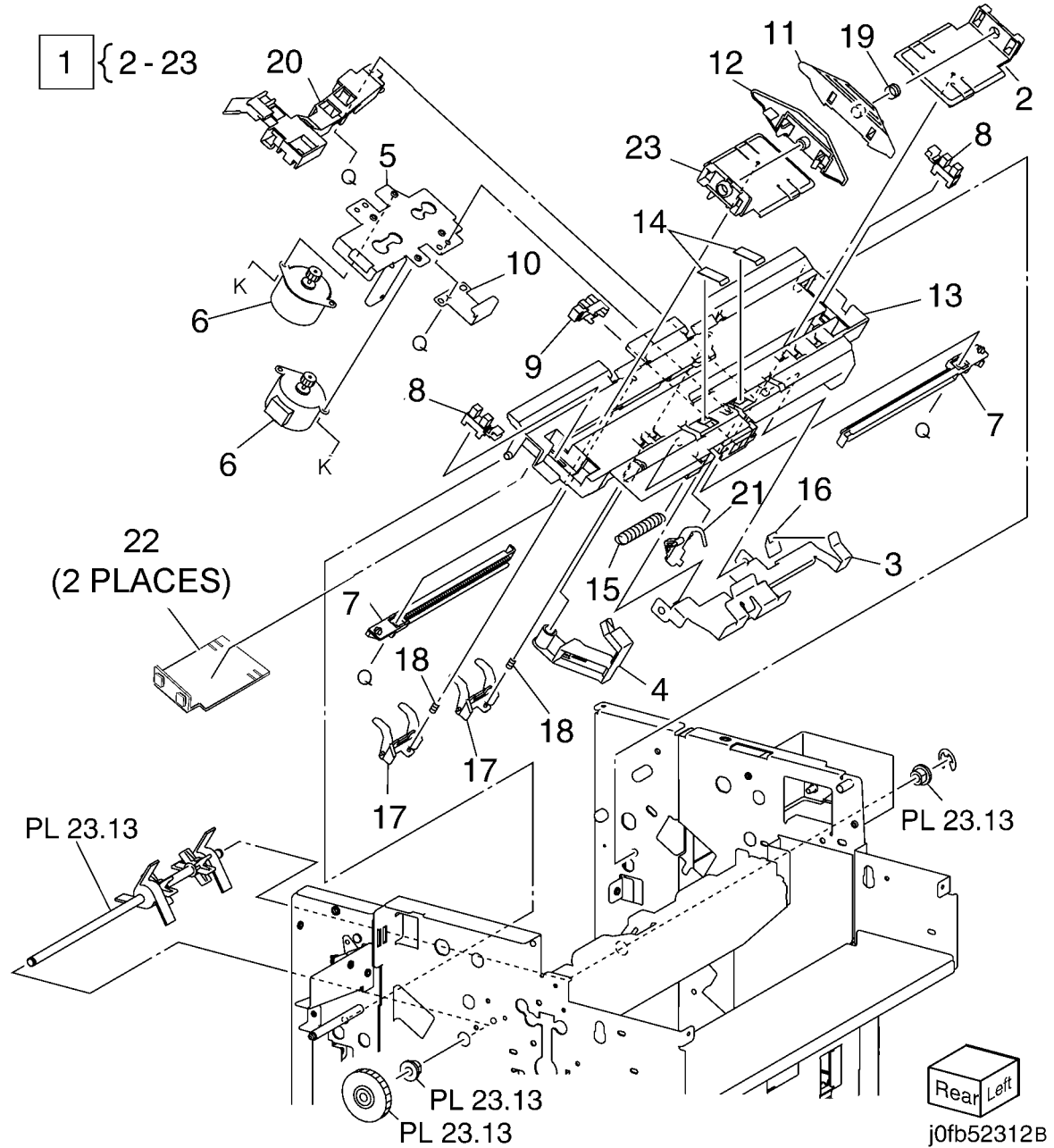
Item	Part	Description
1	807E20931	Gear (Z82/Z77/Z51)
2	807E20940	Gear (Z38)
3	-	Eject Motor Assembly (Not Spared)
4	127K53140	Eject Motor (REP 16.2.23)
5	-	Bracket (P/O PL 23.11 Item 3)
6	807E22030	Gear/Pulley (Z20/T49)
7	423W31054	Belt
8	807E21330	Gear (Z28/Z22/T38)
9	807E21340	Gear (Z25)
10	807E21350	Gear/Pulley (Z32L/T25)
11	807E21360	Gear (Z23L)
12	121K34631	Set Clamp Clutch (Z34)
13	120E29591	Set Clamp Cam Actuator
14	130K72170	Stacker Height Sensor 1 Assembly
15	-	Bracket (P/O PL 23.11 Item 14)
16	930W00111	Stacker Height Sensor 1, Stacker Height Sensor 2, Eject Clamp Home Sensor, Set Clamp Home Sensor (REP 16.2.9)
17	130K72180	Stacker Height Sensor 2 Assembly
18	-	Bracket (P/O PL 23.11 Item 17)
19	-	Eject Cover Switch (P/O PL 23.11 Item 37)
20	-	Harness Guide (Not Spared)
21	120E29850	Gear Select Actuator
22	-	Eject Drive Bracket Assembly (Not Spared)
23	-	Bracket (P/O PL 23.11 Item 22)
24	-	Bracket (P/O PL 23.11 Item 22)
25	-	Shaft (P/O PL 23.11 Item 22)
26	008E96770	Clamp Set Cam
27	-	Spring (P/O PL 23.11 Item 22)
28	-	Bracket (P/O PL 23.11 Item 22)
29	-	Shaft (P/O PL 23.11 Item 22)
30	008E96691	Eject Clamp Cam
31	413W11660	Sleeve Bearing
32	-	Sleeve Bearing (P/O PL 23.11 Item 22)
33	005E25810	Drive Eject Flange
34	130K72190	Eject Clamp Home Sensor Assembly
35	-	Bracket (P/O PL 23.11 Item 34)
36	-	Bracket (P/O PL 23.11 Item 37)
37	-	Eject Cover Switch Assembly (Not Spared)
38	809E79820	Spring
39	807E22040	Gear (Z30)
40	-	Belt (Not Spared)



j0fb52311

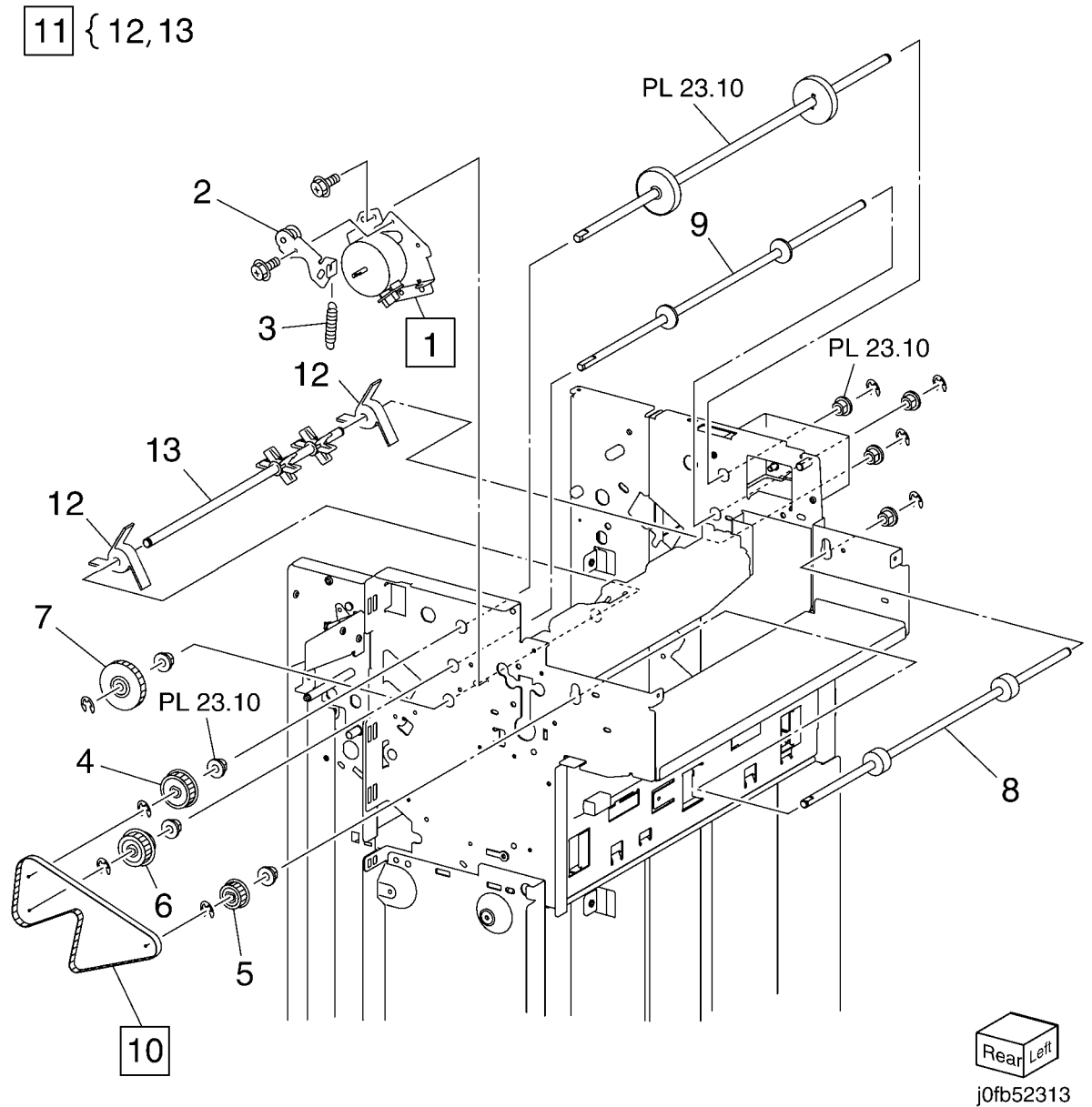
PL 23.12 Finisher Eject (4 of 5)

Item	Part	Description
1	050K61090	Compile Tray Assembly (REP 16.2.13)
2	038E36461	Tamper Guide, Rear
3	-	Compile Center Paper Guide (P/O PL 23.12 Item 1)
4	-	Compile Rear Paper Guide (P/O PL 23.12 Item 1)
5	-	Bracket (P/O PL 23.12 Item 1)
6	127K48210	Tamper Motor (REP 16.2.24)
7	-	Rack (Front) (P/O PL 23.12 Item 1)
8	930W00111	Front Tamper Home Sensor, Rear Tamper Home Sensor (REP 16.2.25)
9	130E81600	Compile Tray No Paper Sensor (REP 16.2.26)
10	-	Spring (P/O PL 23.12 Item 1)
11	-	Tamper Front Guide (P/O PL 23.12 Item 1)
12	-	Tamper Rear Guide (P/O PL 23.12 Item 1)
13	-	Compile Tray (P/O PL 23.12 Item 1)
14	-	Paper Paddle Guide (P/O PL 23.12 Item 1)
15	809E79000	Spring
16	-	Paper End Guide (P/O PL 23.12 Item 1)
17	-	Paper Tray Guide (P/O PL 23.12 Item 1)
18	-	Spring (P/O PL 23.12 Item 1)
19	-	Spring (P/O PL 23.12 Item 1)
20	-	Harness Guide (P/O PL 23.12 Item 1)
21	120E29760	Actuator
22	801E04902	Tamper Base (REP 16.2.24)
23	038E36451	Tamper Guide, Front



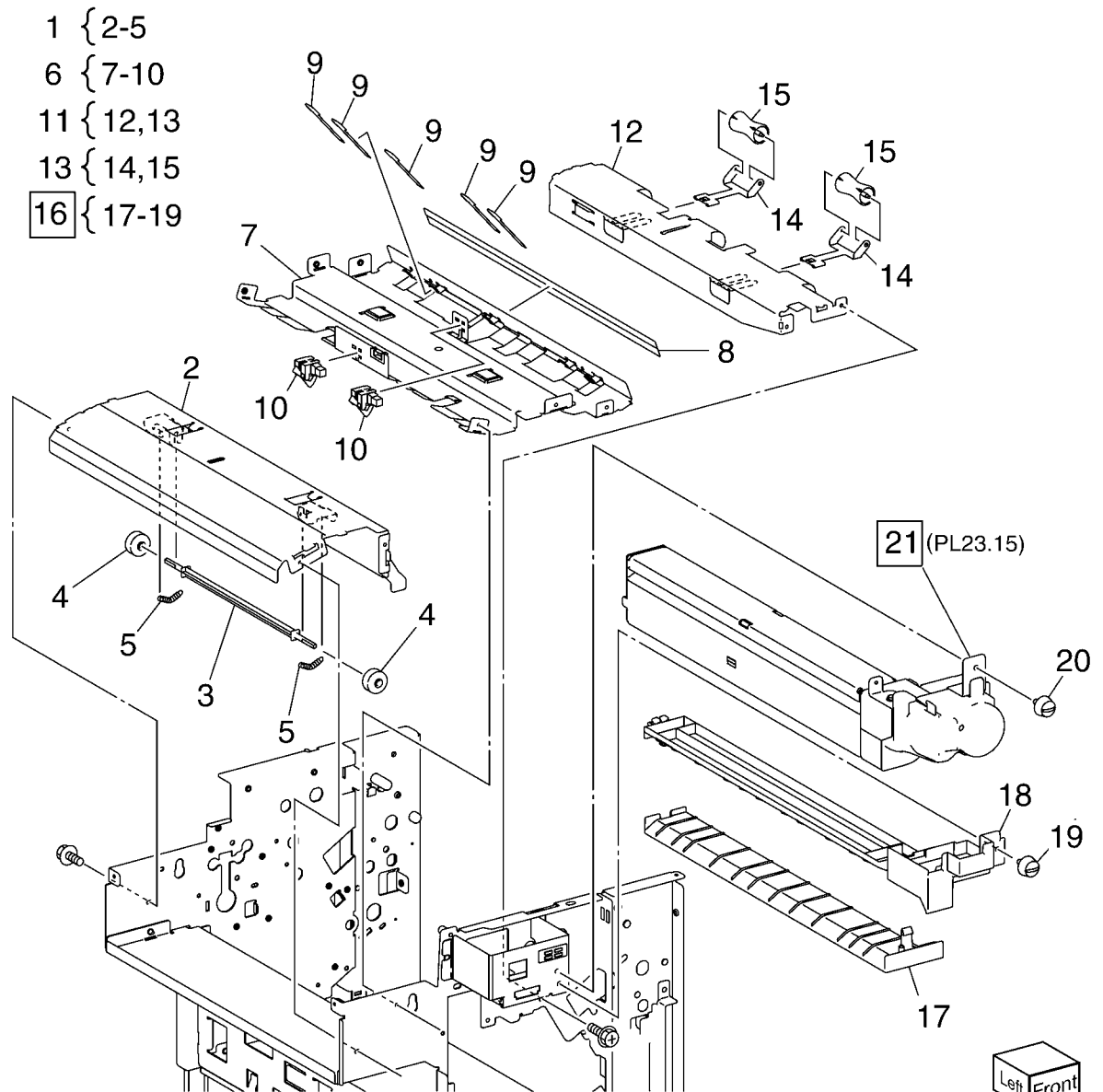
PL 23.13 Finisher Eject (5 of 5)

Item	Part	Description
1	068K58822	Transport Motor
2	068K58832	Tension Roller Assembly
3	809E78980	Spring
4	020E45340	Pulley (T30)
5	020E45570	Pulley (T41)
6	807E20890	Gear/Pulley (Z27/T30)
7	007K98300	Gear
8	059K55080	Entrance Roller
9	059K55090	Exit Roller
10	-	Eject Belt (REP 16.2.18)
11	006K86812	Paddle Shaft Assembly
12	033E92850	Cyclone Paddle
13	-	Paddle Shaft (P/O PL 23.13 Item 11)



PL 23.14 Finisher Exit/Folder Assembly

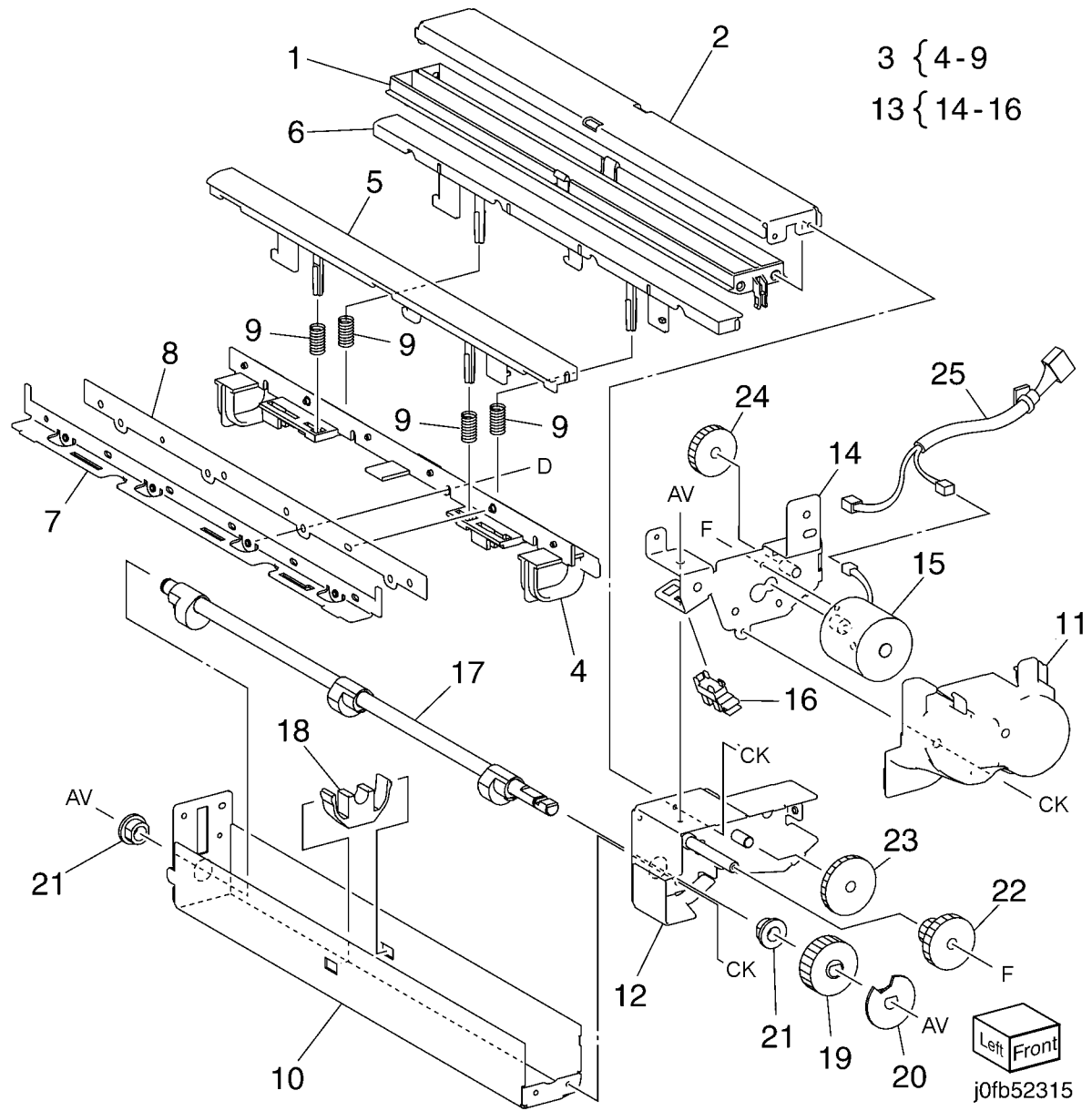
Item	Part	Description
1	-	Lower Chute Assembly (Not Spared)
2	-	Lower Chute (P/O PL 23.14 Item 1)
3	-	Shaft (P/O PL 23.14 Item 1)
4	059E03710	Pinch Roll
5	809E78960	Spring
6	054K35540	Exit Upper Chute Assembly
7	-	Exit Upper Chute (P/O PL 23.14 Item 6)
8	105E18000	Static Eliminator
9	-	Paper Guide (P/O PL 23.14 Item 6)
10	130K88311	Compiler Exit Sensor, Finisher Entrance Sensor
11	054K35555	Exit Lower Chute Assembly
12	-	Exit Lower Chute (P/O PL 23.14 Item 11)
13	059K56321	Pinch Roll Assembly
14	-	Spring (P/O PL 23.14 Item 13)
15	-	Pinch Roll (P/O PL 23.14 Item 13)
16	-	Chute Assembly (Not Spared)
17	-	Lower Chute (P/O PL 23.14 Item 16)
18	-	Upper Chute (P/O PL 23.14 Item 16)
19	-	Thumb Screw (P/O PL 23.14 Item 16)
20	-	Chute Assembly (Not Spared)
21	695K18691	Folder Assembly (Option) (REP 16.2.14)



Left Front
j0fb52314

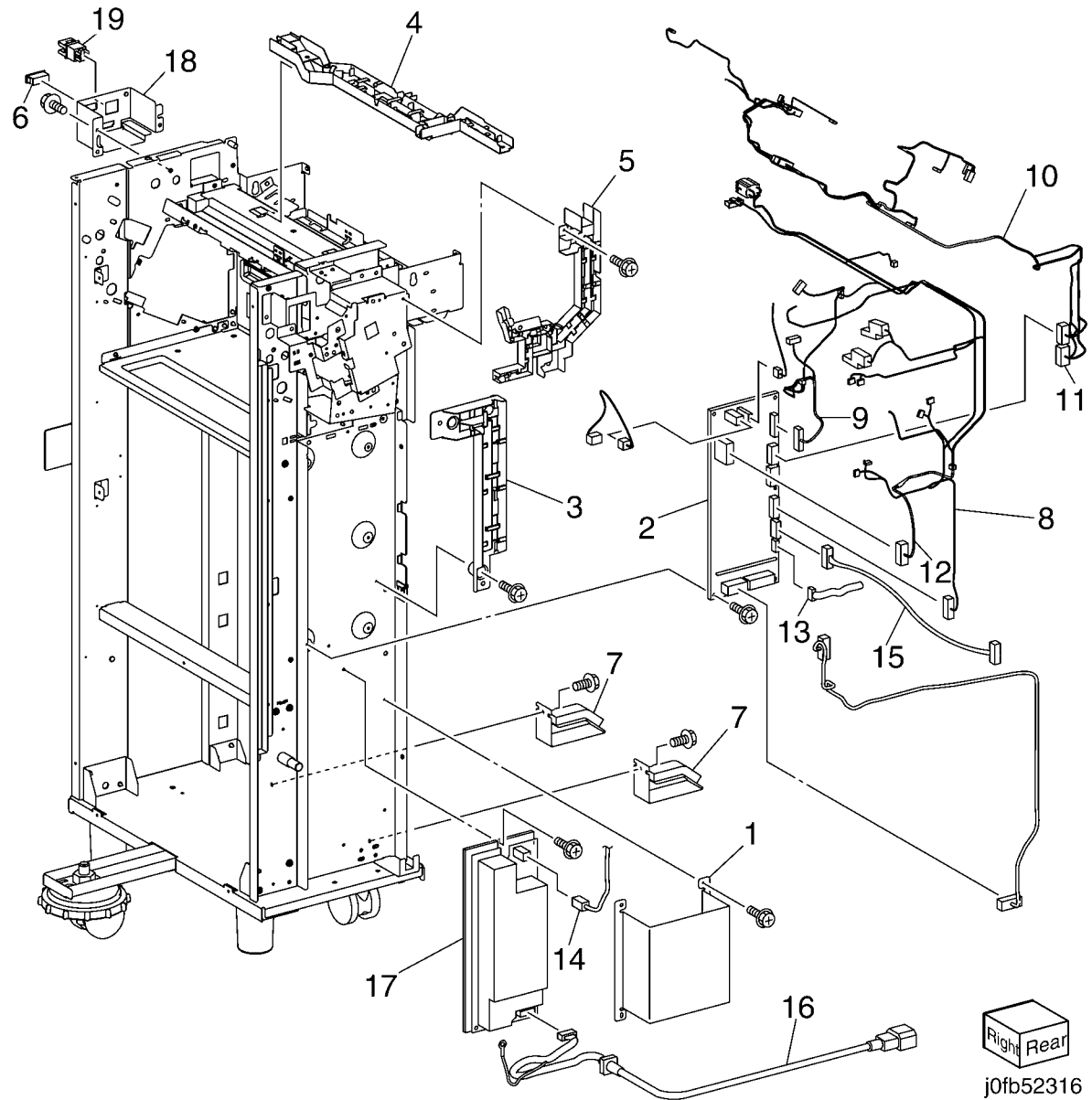
PL 23.15 Folder Assembly

Item	Part	Description
1	-	Upper Chute (P/O PL 23.14 Item 21)
2	-	Upper Plate (P/O PL 23.14 Item 21)
3	-	Knife Assembly (P/O PL 23.14 Item 21)
4	-	Blade Holder (P/O PL 23.15 Item 3)
5	-	Lower Holder 1 (P/O PL 23.15 Item 3)
6	-	Lower Holder 2 (P/O PL 23.15 Item 3)
7	-	Bracket (P/O PL 23.15 Item 3)
8	-	Blade (P/O PL 23.15 Item 3)
9	-	Spring (P/O PL 23.14 Item 2)
10	-	Frame (P/O PL 23.14 Item 21)
11	-	Front Cover (P/O PL 23.14 Item 21)
12	-	Bracket (P/O PL 23.14 Item 21)
13	-	Folder Knife Motor Assembly (P/O PL 23.14 Item 21)
14	-	Motor Bracket (P/O PL 23.15 Item 13)
15	-	Folder Knife Motor (P/O PL 23.15 Item 13)
16	-	Folder Home Sensor (P/O PL 23.15 Item 13)
17	-	Cam Shaft Assembly (P/O PL 23.14 Item 21)
18	-	Guide (P/O PL 23.14 Item 21)
19	-	Gear (T28/T8) (P/O PL 23.14 Item 21)
20	-	Encoder (P/O PL 23.14 Item 21)
21	-	Bearing (P/O PL 23.14 Item 21)
22	-	Gear (T12/T27) (P/O PL 23.14 Item 21)
23	-	Gear (T12/T30) (P/O PL 23.14 Item 21)
24	-	Gear (T12/T51) (P/O PL 23.14 Item 21)
25	-	Wire Harness (P/O PL 23.14 Item 21)



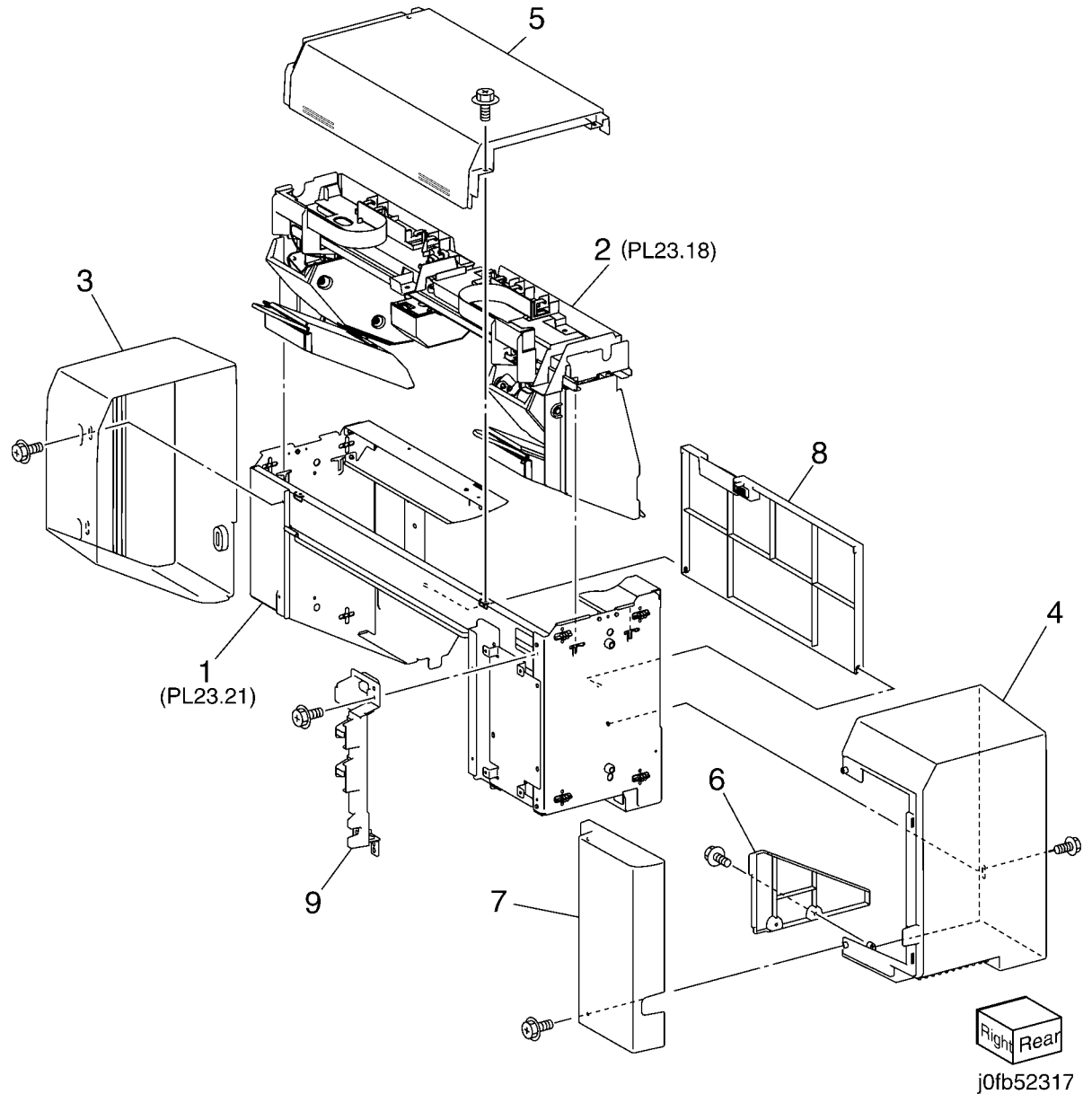
PL 23.16 Finisher Electrical

Item	Part	Description
1	-	LVPS Cover (Not Spared)
2	960K32534	Finisher Main PWB (REP 16.2.21)
3	-	Harness Guide (Not Spared)
4	-	Harness Guide (Not Spared)
5	-	Harness Guide (Not Spared)
6	-	Magnet (Not Spared)
7	015K78041	Gasket Plate Assembly
8	-	Wire Harness (Not Spared)
9	-	Wire Harness (Not Spared)
10	-	Wire Harness (Not Spared)
11	-	Wire Harness (Not Spared)
12	-	Wire Harness (Not Spared)
13	962K60480	Wire Harness
14	-	Wire Harness (Not Spared)
15	-	Wire Harness (Not Spared)
16	962K60511	Power Cable (Not Spared)
17	105E17550	Finisher LVPS (REP 16.2.22)
18	-	Bracket (Not Spared)
19	110E97990	Finisher Front Door Interlock Switch



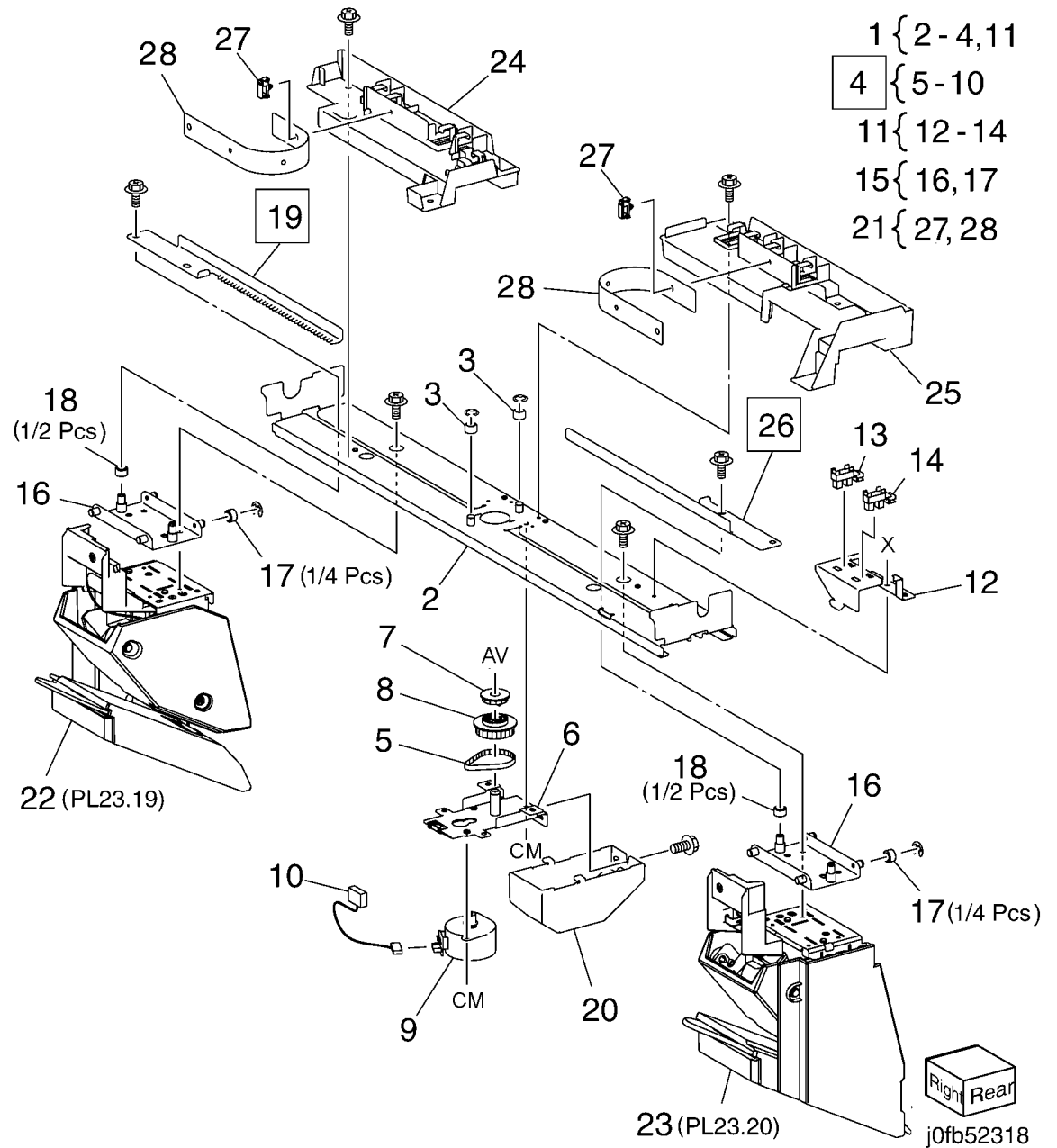
PL 23.17 Booklet Cover

Item	Part	Description
1	–	Frame Assembly (REF: PL 23.21)
2	–	Booklet Stapler Assembly (REF: PL 23.18)
3	848E15321	Front Cover (REP 16.3.3)
4	848E15332	Rear Cover (REP 16.3.4)
5	848E15340	Top Cover (REP 16.3.5)
6	848E15350	Side Cover
7	848E15361	PWB Cover (REP 16.3.6)
8	848K09340	Left Cover (REP 16.3.7)
9	–	Harness Guide (Not Spared)



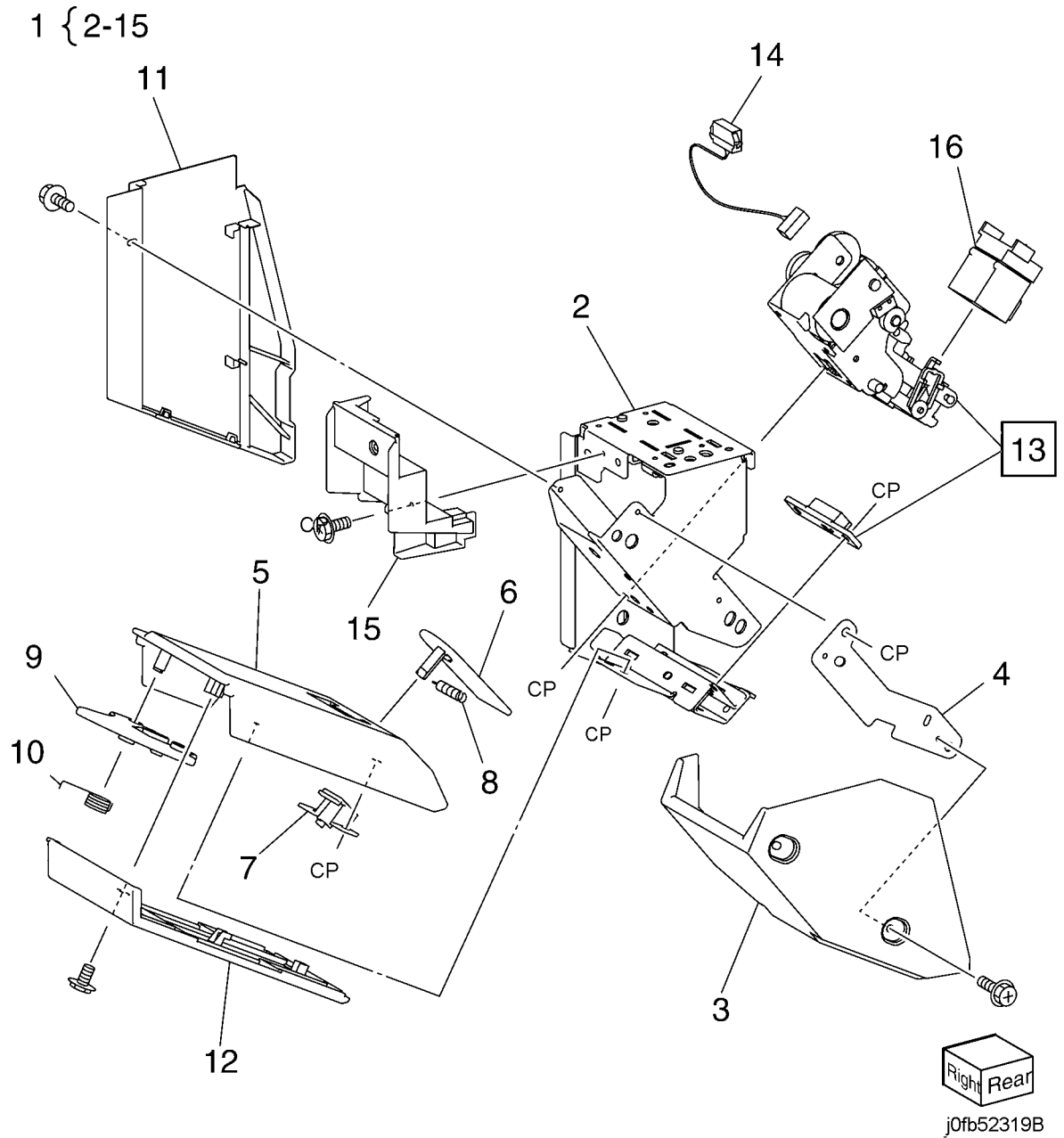
PL 23.18 Booklet Stapler Assembly

Item	Part	Description
1	-	Front Carriage Rail (Not Spared)
2	-	Frame (P/O PL 23.18 Item 1)
3	-	Core (P/O PL 23.18 Item 1)
4	127K57050	Booklet Stapler Move Motor Assembly (REP 16.3.9)
5	-	Belt (P/O PL 23.18 Item 4)
6	-	Bracket (P/O PL 23.18 Item 4)
7	-	Gear (Z12) (P/O PL 23.18 Item 4)
8	-	Pulley (T50) (P/O PL 23.18 Item 4)
9	-	Booklet Stapler Move Motor (P/O PL 23.18 Item 4)
10	-	Wire Harness (P/O PL 23.18 Item 4)
11	-	Sensor Bracket Assembly (P/O PL 23.18 Item 1)
12	-	Sensor Bracket (P/O PL 23.18 Item 11)
13	930W00111	Booklet Stapler Move Home Sensor, Booklet Stapler Move Position Sensor
14	-	Rear Rack Gear (Not Spared)
15	-	Carriage Assembly (Not Spared)
16	-	Carriage (P/O PL 23.18 Item 15)
17	-	Core (P/O PL 23.18 Item 15)
18	-	Core (Not Spared)
19	-	Front Rack Gear (Not Spared)
20	848E15400	Motor Cover
21	032K05221	Harness Guide Assembly
22	-	Booklet Front Stapler Assembly (REF: PL 23.19)
23	-	Booklet Rear Stapler Assembly (REF: PL 23.20)
24	-	Harness Guide (Front) (Not Spared)
25	-	Harness Guide (Rear) (Not Spared)
26	-	Rear Rack Guide (Not Spared)
27	920W01210	Locking Clamp
28	-	Harness Strap (P/O PL 23.18 Item 21)



PL 23.19 Booklet Front Stapler Assembly

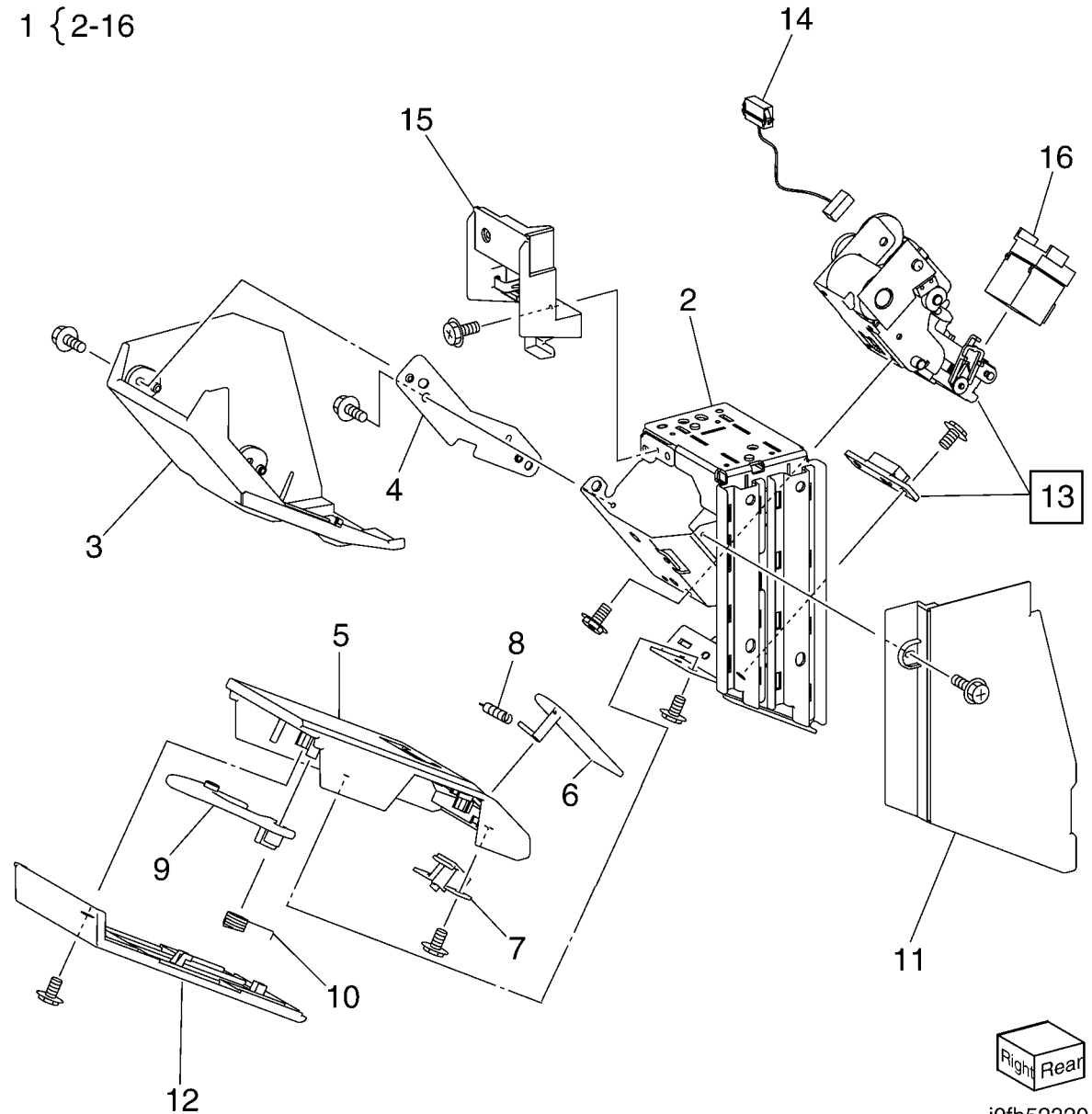
Item	Part	Description
1	029K92490	Booklet Front Stapler Assembly
2	-	Bracket (P/O PL 23.19 Item 1)
3	-	Rear Cover (P/O PL 23.19 Item 1)
4	-	Bracket (P/O PL 23.19 Item 1)
5	054K35272	Chute
6	-	Sub Chute (P/O PL 23.19 Item 1)
7	-	Support (P/O PL 23.19 Item 1)
8	-	Spring (P/O PL 23.19 Item 1)
9	-	Exit Sub Chute (P/O PL 23.19 Item 1)
10	-	Spring (P/O PL 23.19 Item 1)
11	-	Front Cover (P/O PL 23.19 Item 1)
12	848E15421	Lower Cover
13	-	Booklet Stapler Assembly (P/O PL 23.19 Item 1) (REP 16.3.8)
14	-	Wire Harness (P/O PL 23.19 Item 1)
15	-	Guide (P/O PL 23.19 Item 1)
16	-	Booklet Staple Cassette Assembly (Not Spared)



PL 23.20 Booklet Rear Stapler Assembly

Item	Part	Description
1	029K92500	Booklet Rear Stapler Assembly
2	-	Bracket (P/O PL 23.20 Item 1)
3	-	Rear Cover (P/O PL 23.20 Item 1)
4	-	Bracket (P/O PL 23.20 Item 1)
5	054K35282	Chute
6	-	Sub Chute (P/O PL 23.20 Item 1)
7	-	Support (P/O PL 23.20 Item 1)
8	-	Spring (P/O PL 23.20 Item 1)
9	-	Sub Chute (P/O PL 23.20 Item 1)
10	-	Spring (P/O PL 23.20 Item 1)
11	-	Front Cover (P/O PL 23.20 Item 1)
12	848E15421	Lower Cover
13	-	Booklet Stapler Assembly (P/O PL 23.20 Item 1) (REP 16.3.8)
14	-	Wire Harness (P/O PL 23.20 Item 1)
15	-	Guide (P/O PL 23.20 Item 1)
16	-	Booklet Staple Cassette Assembly (P/O PL 23.20 Item 1)

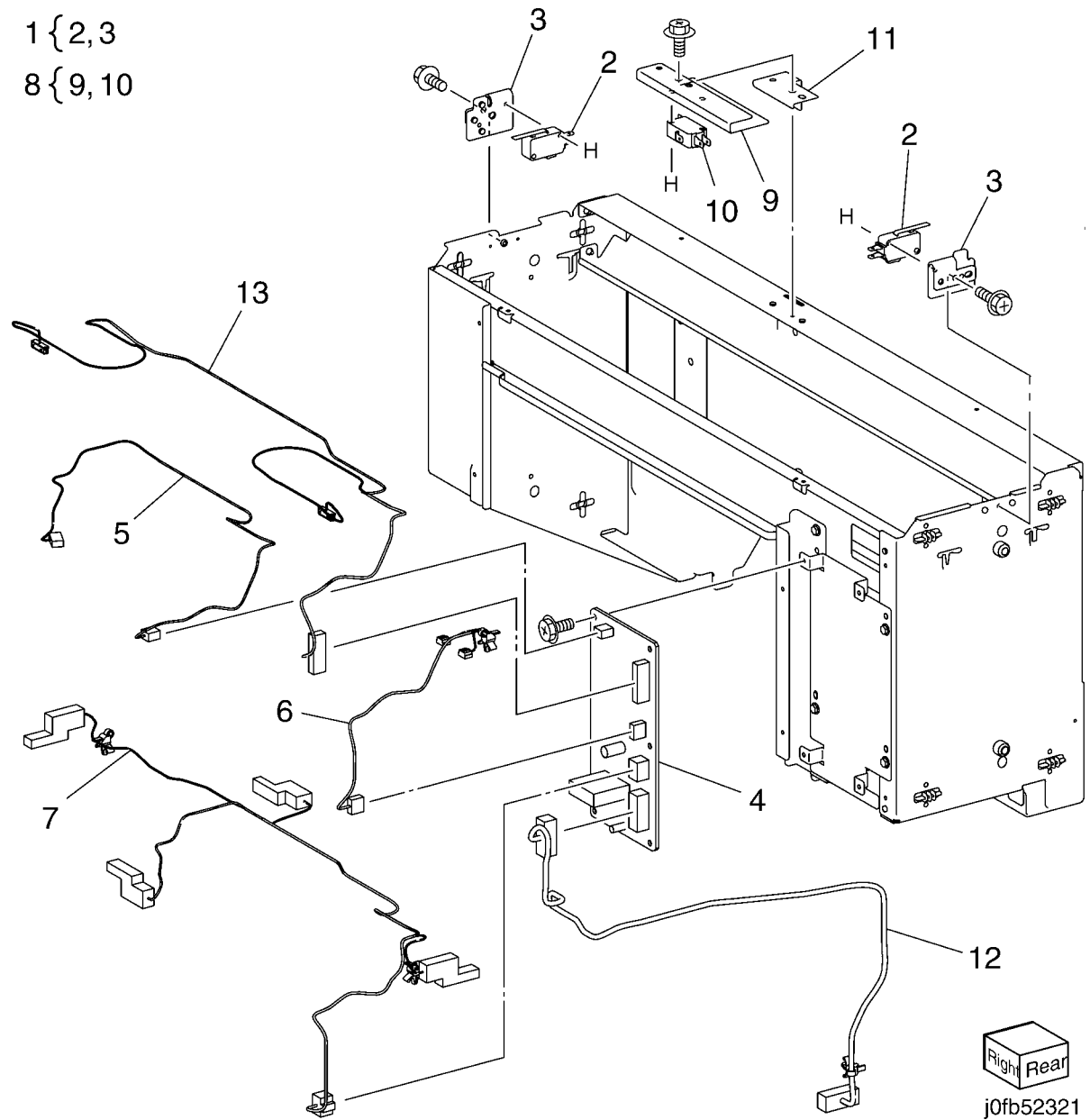
1 {2-16



Right Rear
j0fb52320

PL 23.21 Booklet Electrical

Item	Part	Description
1	068K58350	Booklet Stapler Safety Switch Assembly
2	110E12970	Booklet Stapler Safety Switch
3	-	Bracket (P/O PL 23.21 Item 1)
4	960K32541	Booklet PWB (REP 16.3.1)
5	-	Wire Harness (Not Spared)
6	-	Wire Harness (Not Spared)
7	-	Wire Harness (Not Spared)
8	-	Booklet Stapler Cover Switch Assembly (Not Spared)
9	-	Bracket (P/O PL 23.21 Item 8)
10	-	Booklet Stapler Cover Switch (P/O PL 23.21 Item 8)
11	-	Plate (Not Spared)
12	962K60531	Wire Harness
13	962K60540	Wire Harness



Common Hardware

Item	Part	Description
A	112W27677	Screw (Red) (M3 x 6)
B	112W27678	Screw (M3 x 8)
C	112W27851	Screw (M3 x 8)
D	112W27898	Screw (M3 x 8)
E	113W15488	Screw (M2 x 4)
F	113W20678	Screw (M3 x 6)
G	113W20857	Screw (M3 x 8)
H	113W21278	Screw (M3 x 12)
J	113W21778	Screw (M3 x 18)
K	113W27688	Screw (M3 x 6)
L	113W36278	Screw (M4 x 12)
M	114W27678	Screw (M3 x 6)
N	141W35651	Set Screw (M4 x 6)
P	153W17688	Tapping Screw (M3 x 6)
Q	153W17888	Tapping Screw (M3 x 8)
R	153W18088	Tapping Screw (M3 x 10)
S	153W27678	Tapping Screw (M3 x 6)
T	158W27878	Screw (M3 x 8)
U	158W27655	Screw (M3 x 6)
V	158W27663	Screw (M3 x 6)
W	158W27677	Screw (Red) (M3 x 6)
X	158W27678	Screw (M3 x 6)
Y	158W27855	Screw (M3 x 8)
Z	158W27863	Screw (M3 x 8)
AA	153W27878	Tapping Screw (M3 x 8)
AB	158W28078	Screw (M3 x 10)
AC	158W28255	Screw (M3 x 12)
AD	158W28278	Screw (M3 x 12)
AE	158W35678	Screw (M4 x 6)
AF	220W21278	Nut (M3)
AG	271W21250	Dowel Pin (2.5 x 12)
AH	285W16251	Spring Pin (2 x 12)
AJ	285W28051	Spring Pin (3 x 10)
AK	354W15251	E-Clip (2)
AL	354W15278	E-Clip (2)
AM	354W21251	E-Clip (2)
AN	354W21278	E-Clip (3)
AP	354W24251	E-Clip (4)
AQ	354W24254	KL-Clip (4)
AR	354W24278	E-Clip (4)
AS	354W26278	E-Clip (5)
AT	354W27251	E-Clip (6)
AU	354W27254	KL-Clip (6)
AV	354W28278	E-Clip (7)
AW	354W27278	E-Clip (6)
AX	354W29251	E-Clip (8)
AY	354W29278	E-Clip (8)
AZ	251W21278	Washer T.05 (3)
BA	113W27651	Screw (M3 x 6)
BB	112W27659	Screw (M3 x 6)
BC	113W16088	Screw (M2 x 10)
BD	113W20688	Screw (M2.5 x 6)
BE	113W27551	Screw (M3 x 5)
BF	141W27451	Setscrew (M3 x 4)
BG	153W15888	Tapping Screw (M4 x 12)
BH	153W16288	Tapping Screw (M4 x 12)
BJ	158W35878	Screw (M4 x 8)
BK	271W16050	Dowel Pin (2 x 10)
BL	285W16051	Spring Pin (2 x 10)
BM	153W17655	Tapping Screw (M3 x 6)
BN	153W17855	Tapping Screw (M3 x 8)
BP	252W29450	Nylon Washer (t1) (8)
BQ	158W36255	Screw (M4 x 12)
BR	354W26251	E-Clip (5)
BT	113W20457	Screw (M3 x 4)
BU	113W27451	Screw (M3 x 4)
BV	113W20657	Screw (M3 x 6)
BW	112W35651	Screw (M4 x 6)
BX	112W27859	Screw (M3 x 8)
BY	158W28678	Screw (M3 x 16)
BZ	285W21851	Spring Pin (2.5 x 20)
CA	252W26450	Nylon Washer (t1) (5)
CB	251W19278	Washer (t0.5) (2.5)
CC	113W21478	Screw (M3 x 14)
CH	354W13278	E-Clip (1.5)
CJ	113W20478	tAPING sCREW
CK	153W27278	sCREW
CL	285W15851	Pin Spring
CM	158W27688	Taping Screw
CN	354W19278	E-Clip
CP	113W35578	Screw (M4)
CS	153W27855	Tapping Screw (M3 x 8)
CW	113W27488	Pan Head Screw

Part Number Index

The Part Number Index Table has been deleted from the EDOC.

Use SearchLite to search for Part Numbers and Part Descriptions.