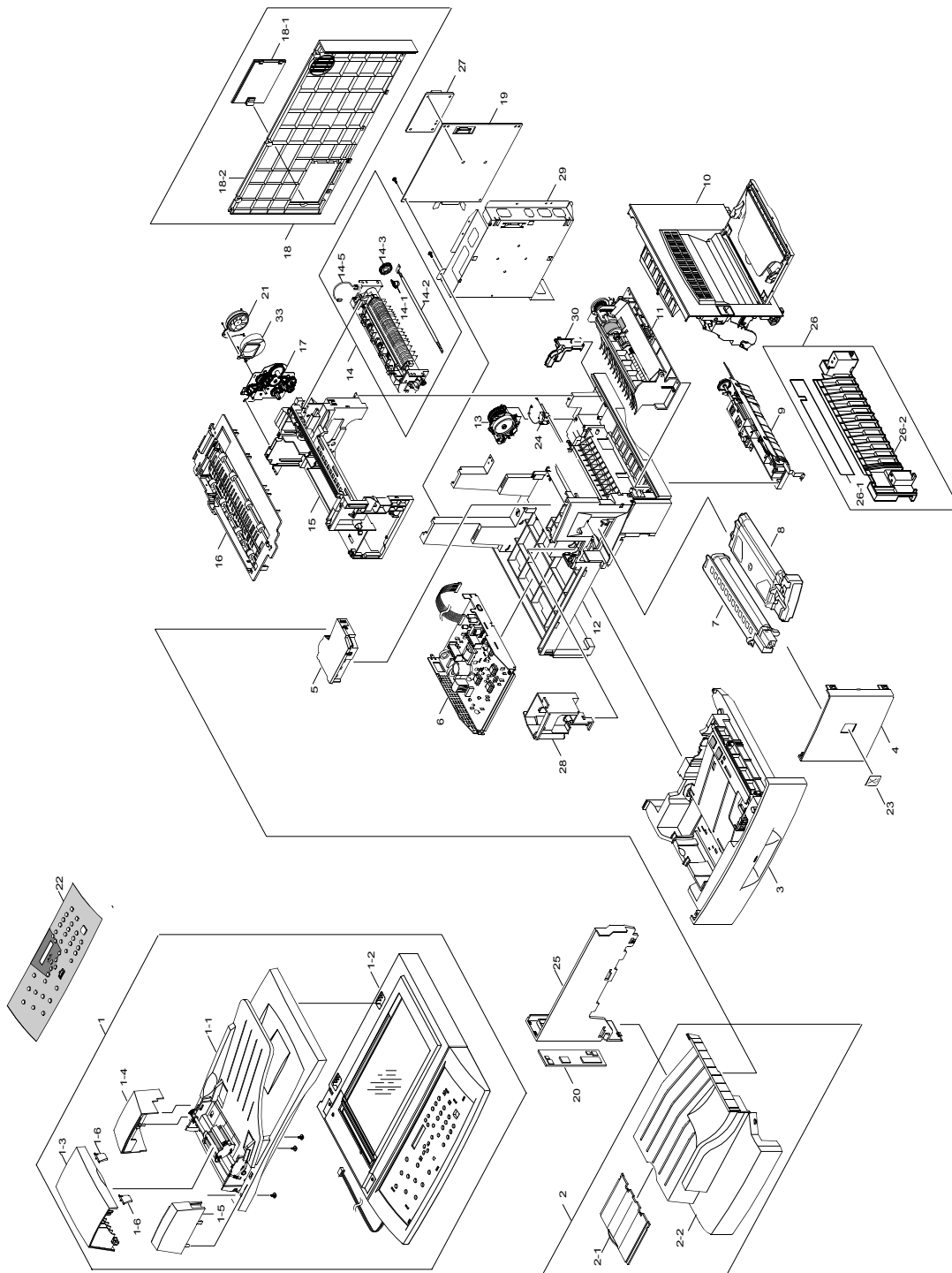


8. Перечень запасных частей

8-1. Основные узлы аппарата (для M15/M15i см. тж. 8-22)



8-1-1 Основной перечень частей

ПОЗ.	ОПИСАНИЕ	НОМЕР	К-ВО	ПРИМЕЧАНИЯ
1	ELA HOU-SCANNER ASS'Y	109N00585	1	WCP 412 ONLY
1-1	ELA HOU-ADF ASS'Y	022N01482	1	WCP 412 ONLY
1-2	ELA HOU-PLATEN ASS'Y	090N00151	1	WCP 412 ONLY
1-3	PMO-COVER OPEN	002N02002	1	WCP 412 ONLY
1-4	PMO-COVER SIDE L	002N02003	1	WCP 412 ONLY
1-5	PMO-COVER SIDE R	002N02004	1	WCP 412 ONLY
1-6	PMO-GUIDE PAPER	038N00370	2	WCP 412 ONLY
2	MEA RACK-COVER PA EXIT ASS'Y	002N02013	1	WCP 412 ONLY
2-1	PMO-TRAY EXTENTION MP NE	050N00392	1	
2-2	PMO-COVER PAPER EXIT	002N02005	1	WCP 412 ONLY
3	MEC-CASSETTE ASS'Y	050N00393	1	WCP 412 ONLY
4	PMO-COVER FRONT	002N02006	1	
5	UNIT-LSU	122N00207	1	
6	PBA POWER(SMPS US)	105N01464	1	
-	PBA POWER(SMPS Europe)	105N01465	1	WCP 412 ONLY
7	ELA-OPC UNIT SET	113R00663	1	
8	ELA-TONER UNIT SET	106R00586	1	XE
	ELA-TONER UNIT SET	106R00584	1	NASG/XCL
9	ELA HOU-PICKUP ASS'Y	022N01485	1	WCP 412 & FC F12 ONLY
10	ELA HOU-SIDE COVER ASS'Y	002N02016	1	WCP 412 & FC F12 ONLY
11	ELA HOU-MP ASS'Y	600N01741	1	WCP 412 & FC F12 ONLY
12	ELA HOU-BASE FRAME ASS'Y		1	NOT SPARED
13	MEC-FEED ASS'Y	022N01472	1	
14	ELA HOU-FUSER(110V)ASS'Y	126N00182	1	NASG/XCL
	ELA HOU-FUSER(220V)ASS'Y	126N00183	1	XE
14-1	THERMOSTAT	130N01214	1	
14-2	LAMP-HALOGEN (110V)	122N00208	1	NASG/XCL
	LAMP-HALOGEN(220V)	122N00209	1	XE
14-3	GEAR-FUSER	126N00184	1	
14-4	PMO-GUIDE DUPLEX		1	NOT SPARED
14-5	THERMISTOR-FUSER	126N00185	1	
15	ELA HOU-FRAME MAIN ASS'Y	600N01743	1	
16	MEC-EXIT ASS'Y	600N01736	1	
17	ELA HOU-DRIVE ASS'Y	007N01117	1	
18	MEA RACK-COVER REAR ASS'Y	002N02014	1	
18-1	"PMO-COVER SIMM,XRX	002N02007	1	
18-2	PMO-COVER REAR	002N02008	1	
19	PBA MAIN-MAIN	140N05938	1	WCP 412 ONLY
20	PMO-CONNECT PAPER MFP	002N02012	1	
21	FAN-DC	127N01375	1	
22	PPR-OVERLAY		1	NOT SPARED
-	PPR-OVERLAY (English)	892E62830	1	WCP 412 ONLY
-	PPR-OVERLAY (English/French)	892E80010	1	WCP 412 ONLY

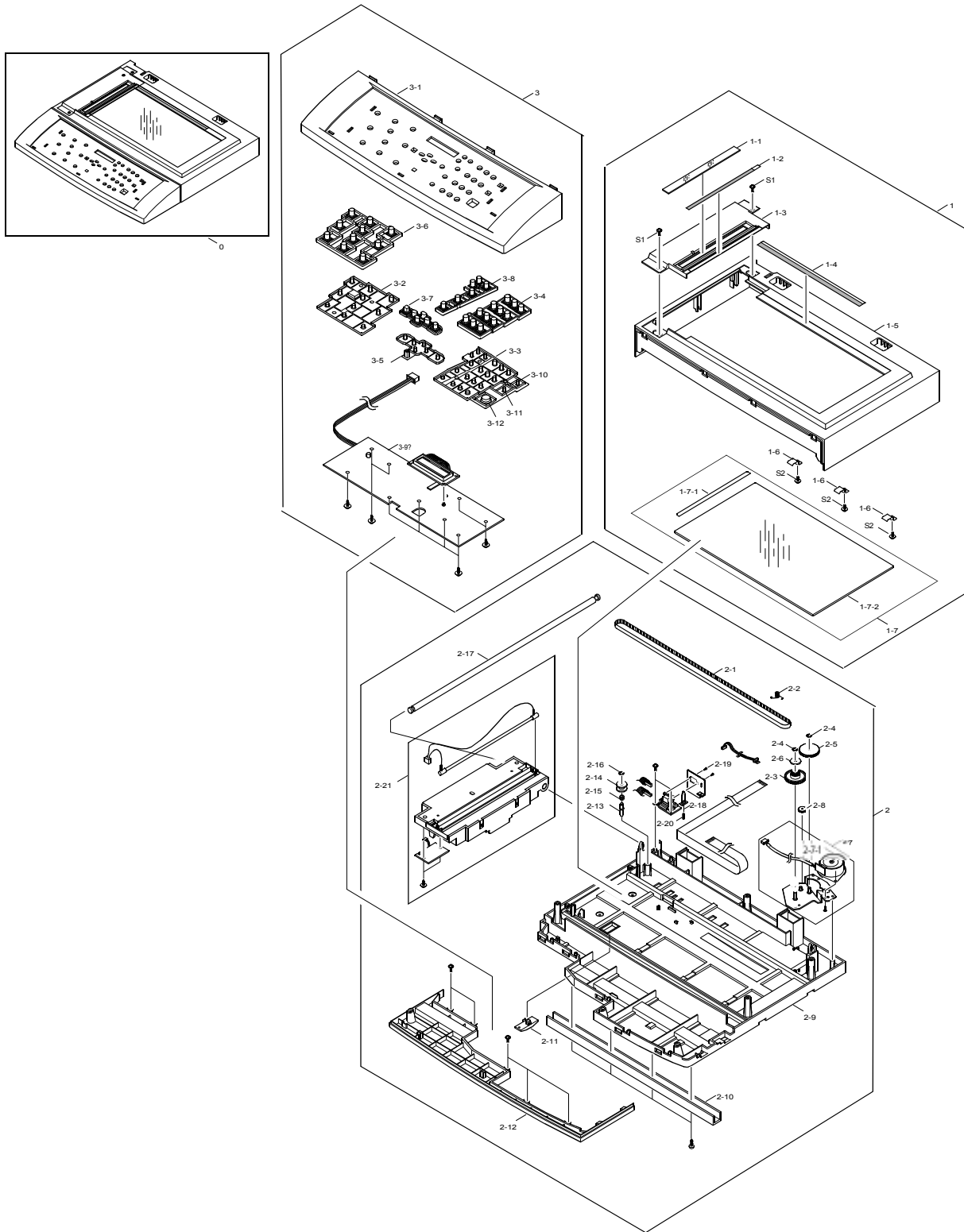
ПОЗ.	ОПИСАНИЕ	НОМЕР	К-ВО	ПРИМЕЧАНИЯ
-	PPR-OVERLAY (French)	892E62840	1	WCP 412 ONLY
	PPR-OVERLAY (German)	892E62870	1	WCP 412 ONLY
	PPR-OVERLAY (Italian)	892E62860	1	WCP 412 ONLY
	PPR-OVERLAY (Spanish)	892E62850	1	WCP 412 ONLY
	PPR-OVERLAY (Portuguese)	892E62880	1	WCP 412 ONLY
	PPR-OVERLAY (Finnish)	892E79920	1	WCP 412 ONLY
	PPR-OVERLAY (Dutch)	892E62890	1	WCP 412 ONLY
	PPR-OVERLAY (Danish)	892E79910	1	WCP 412 ONLY
	PPR-OVERLAY (Norwegian)	892E79930	1	WCP 412 ONLY
	PPR-OVERLAY (Swedish)	892E79940	1	WCP 412 ONLY
	PPR-OVERLAY (Hungarian)	892E79990	1	WCP 412 ONLY
	PPR-OVERLAY (Czech)	892E79950	1	WCP 412 ONLY
	PPR-OVERLAY (Polish)	892E79960	1	WCP 412 ONLY
	PPR-OVERLAY (Romanian)	892E79980	1	WCP 412 ONLY
	PPR-OVERLAY (Bulgarian)	892E79970	1	WCP 412 ONLY
	PPR-OVERLAY (Greek/English)	892E79900	1	WCP 412 ONLY
23	MPR-NAME/PLATE XRX	015N00436	1	
24	SOLENOID-PICK UP	022N01486	1	
25	PMO-COVER EXIT REAR	002N02009	1	
26	MEA UNIT GUIDE CST PA ASS'Y	001N00384	1	
26-1	PMO-SHEET GUIDE PAPER		1	NOT SPARED
26-2	PMO-GUIDE CASSETTE RAIL		1	NOT SPARED
27	PBA LIU (US/Canada)	140N05939	1	
-	PBA LIU (Western Europe)	140N05945	1	
-	PBA LIU (Eastern Europe)	140N05946	1	
-	PBA LIU (Poland/Romania)	140N06037		
28	PMO-DUMMY BASE FRAME		1	NOT SPARED
29	IPR-SHIELD MAIN LOWER		1	NOT SPARED
30	PMO-COVER FEED AY		1	NOT SPARED
31	PMO-COVER BRKT MOTER	002N02017	1	
32	PMO-GUIDE PAPER OUT	038N00371	1	
33	PMO-DUCT FAN		1	NOT SPARED

ПРИМЕЧАНИЕ: За информацией об особых частях FaxCentre F12 обратитесь к перечню 8-14. Для получения информации об особых частях WorkCentre M15/M15i обратитесь к перечню 8-22.

Перечень запасных частей

Пустая страница

8-2. Узел стекла экспонирования (WorkCentre Pro 412 и WorkCentre M15/M15i)



8-2-1 Список частей узла стекла экспонирования (WorkCentre Pro 412 и WorkCentre M15/M15i)

ПОЗ.	ОПИСАНИЕ	НОМЕР	К-ВО	ПРИМЕЧАНИЯ
0	ELA HOU-PLATEN ASS'Y	090N00151	1	
1	MEA RACK-SCAN UPPER ASS'Y	600N01737	1	
1-1	MCT-GLASS ADF	118N00171	1	
1-2	LABEL(L)-REGISTRATION EDGE (L)	091N00678	1	
1-3	PMO-DUMMY UPPER	019N00615	1	
1-4	LABEL(R)-REGISTRATION EDGE (R)		1	NOT SPARED
1-5	PMO-COVER SCAN UPPER		1	NOT SPARED
1-6	IPR-HOLDER GLASS		3	NOT SPARED
1-7	MEA RACK-GLASS PLATEN ASS'Y	118N00172	1	
1-7-1	LABEL(P)-SHEET SHADING		1	NOT SPARED
1-7-2	MCT-GLASS SCANNER(LEGAL)		1	NOT SPARED
1-8	A/S MATERIAL-DUMMY UPPER	019N00629	1	
2	ELA HOU-SCAN LOWER ASS'Y		1	NOT SPARED
2-1	BELT-TIMING GEAR		1	NOT SPARED
2-2	SPRING-BELT	023N00955	1	
2-3	GEAR-TIMING		1	NOT SPARED
2-4	RING-E	005N00781	3	
2-5	GEAR-REDUCTION		1	NOT SPARED
2-6	PMO-HOLDER BELT		1	NOT SPARED
2-7	ELA HOU-SCAN MOTOR ASS'Y	127N01376	1	
2-7-1	MOTOR-SCAN		1	NOT SPARED
2-8	GEAR-IDLE		1	NOT SPARED
2-9	PMO-COVER PUMMY LOWER		1	NOT SPARED
2-10	IPR-CHANNEL BASE FRAME		1	NOT SPARED
2-11	PMO-HOLDER CCD		1	NOT SPARED
2-12	PMO-DUMMY SCAN LOWER		1	NOT SPARED
2-13	ICT-INSERT SHAFT		1	NOT SPARED
2-14	PMO-PULLEY		1	NOT SPARED
2-15	PMO-HOLDER BELT		1	NOT SPARED
2-16	RING-E	005N00781	1	
2-17	ICT-SHAFT CCD		1	NOT SPARED
2-18	PMO-LEVER SENSOR	011N00473	1	
2-19	IPR-BRK SCAN B'D	140N05936	1	
2-20	SPRING-EXIT		1	NOT SPARED
2-21	ELEC/MECH-SCANNER MODULE	109N00584	1	
2-22	CBF SIGNAL-CCD-FFC	117N01594	1	

8-2-1 Список частей узла стекла экспонирования (WorkCentre Pro 412 и WorkCentre M15/M15i) - продолжение

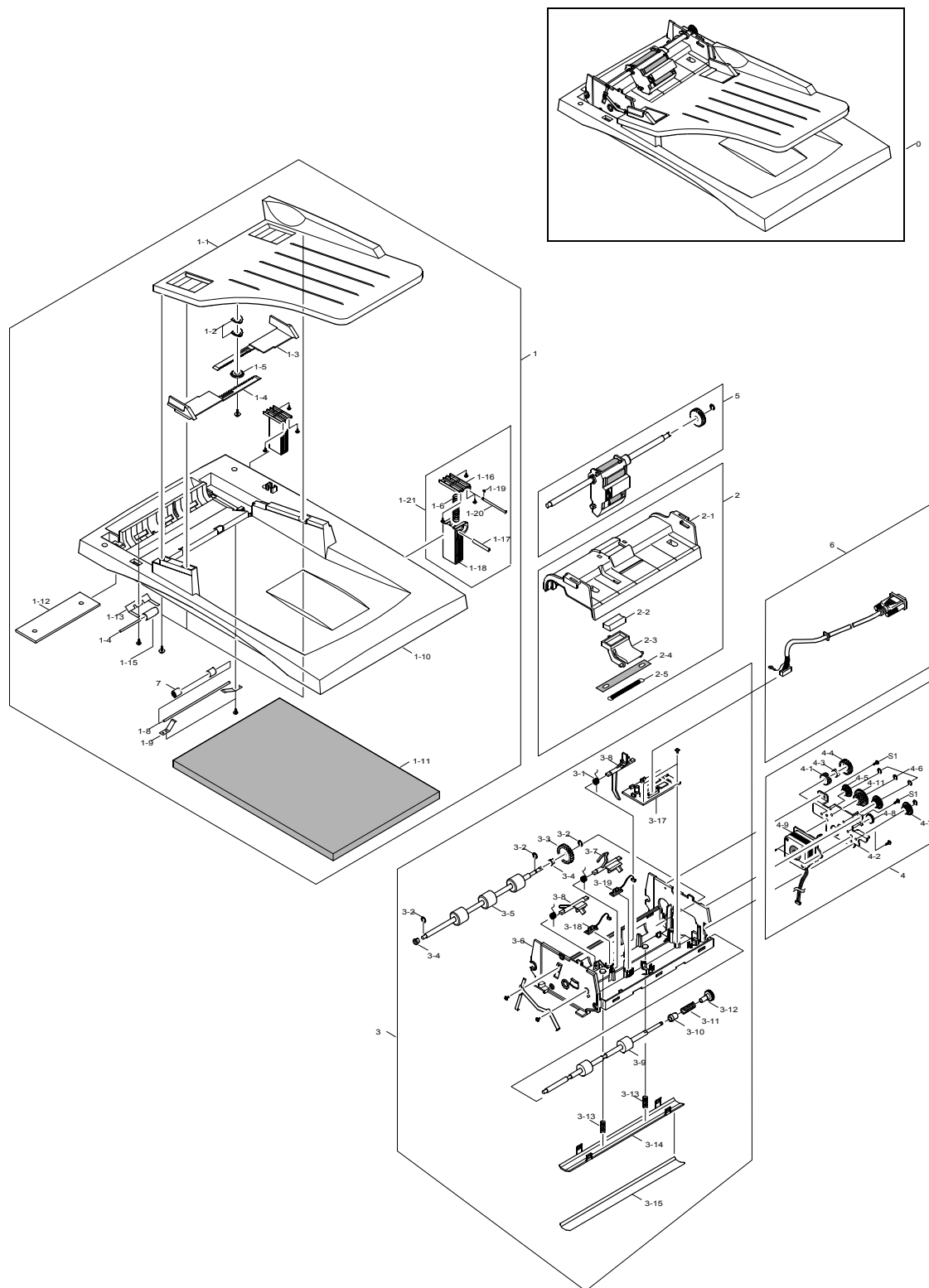
ПОЗ.	ОПИСАНИЕ	НОМЕР	К-ВО	ПРИМЕЧАНИЯ
3	ELA HOU-OPE COVER ASS'Y	002N02015	1	
3-1	PMO-OPE COVER	002N02010	1	
3-2	RMP-RUBBER FUNCTION	019N00616	1	
3-3	RMO-RUBBER TEL	019N00617	1	
3-4	PMO-KEY TEL	029N00274	1	
3-5	RMO-RUBBER SCROLL	019N00618	1	
3-6	PMO-KEY FUNCTION(A)	029N00275	1	
3-7	PMO-KEY SCROLL	029N00280	1	
3-8	PMO-KEY FUNCTION(B)	029N00276	1	
3-9	PBA SUB-OPE(XEROX)	140N05947	1	
3-10	PMO-KEY REPORT	029N00277	1	
3-11	PMO-KEY STOP	029N00278	1	
3-12	PMO-KEY START	029N00279	1	

ПРИМЕЧАНИЕ: За подробной информацией об особых частях WorkCentre M15/M15i обратитесь к списку 8-23.

Перечень запасных частей

Пустая страница

8-3. Узел ADF (WorkCentre Pro 412 и WorkCentre M15/M15i)



8-3-1 Список частей узла ADF (WorkCentre Pro 412 и WorkCentre M15/M15i)

ПОЗ.	ОПИСАНИЕ	SEC. CODE	К-ВО	ПРИМЕЧАНИЯ
0	ELA HOU-ADF ASS'Y		1	
1	MEA RACK-PLATEN COVER ASS'Y	090N00152	1	
1-1	PMO-TX STACKER	022N01478	1	
1-2	IPR-WASHER SPRING CY		2	NOT SPARED
1-3	PMO-DOC GUIDE L	038N00372	1	
1-4	PMO-DOC GUIDE R	038N00373	1	
1-5	GEAR PINION		1	NOT SPARED
1-6	SPRING-HINGE PLATE		1	NOT SPARED
1-7	ROLLER EXIT IDLE		2	NOT SPARED
1-8	IPR-SHAFT EXIT		1	NOT SPARED
1-9	NPR-SPRING PINCH DRIVE		2	NOT SPARED
1-10	PMO-COVER PLATEN		1	NOT SPARED
1-11	PPR-SPONGE SHEET	025N00081	1	
1-12	PPR-SHEET PLATEN		1	NOT SPARED
1-13	IPR-SPRING PINCH		3	NOT SPARED
1-14	IPR-SHAFT PINCH		3	NOT SPARED
1-15	PMO-ROLL PINCH		3	NOT SPARED
1-16	PMO-HINGE PLATEN		1	NOT SPARED
1-17	PMO-BUSHING HINGE		1	NOT SPARED
1-18	PMO-HSG HINGE		1	NOT SPARED
1-19	ICT-SHAFT HINGE		1	NOT SPARED
1-20	RING-C		1	NOT SPARED
1-21	MEA-RACK-HINGE ASS'Y	600N01799	1	
2	MEA RACK-ADF UPPER ASS'Y	600N01799	1	
2-1	COVER ADF UPPER		1	NOT SPARED
2-2	ADF RUBBER	022N01487	1	
2-3	HOLDER ADF	019N00610	1	
2-4	SPONG ADF		1	NOT SPARED
2-5	SPRING ADF		1	NOT SPARED
3	ELA HOU-ADF LOWER ASS'Y	600N01740	1	
3-1	SPRING TORSION DOC		1	NOT SPARED
3-2	E-RING		3	NOT SPARED
3-3	GEAR-ADF 38		1	NOT SPARED
3-4	PMO-BUSH	013N00513	2	
3-5	MEC-ROLLER DRIVE	007N01113	1	
3-6	COVER ADF LOWER		1	NOT SPARED
3-7	PMO-ACTUATOR SENSOR DOC	130N01202	1	
3-8	PMO ACTUATOR SENSOR REG	130N01217	1	
3-9	MEC-ROLLER EXIT	022N01473	1	
3-10	BUSHING HOLDER		1	NOT SPARED

8-3-1 Список частей узла ADF (WorkCentre Pro 412 и WorkCentre M15/M15i) - продолжение

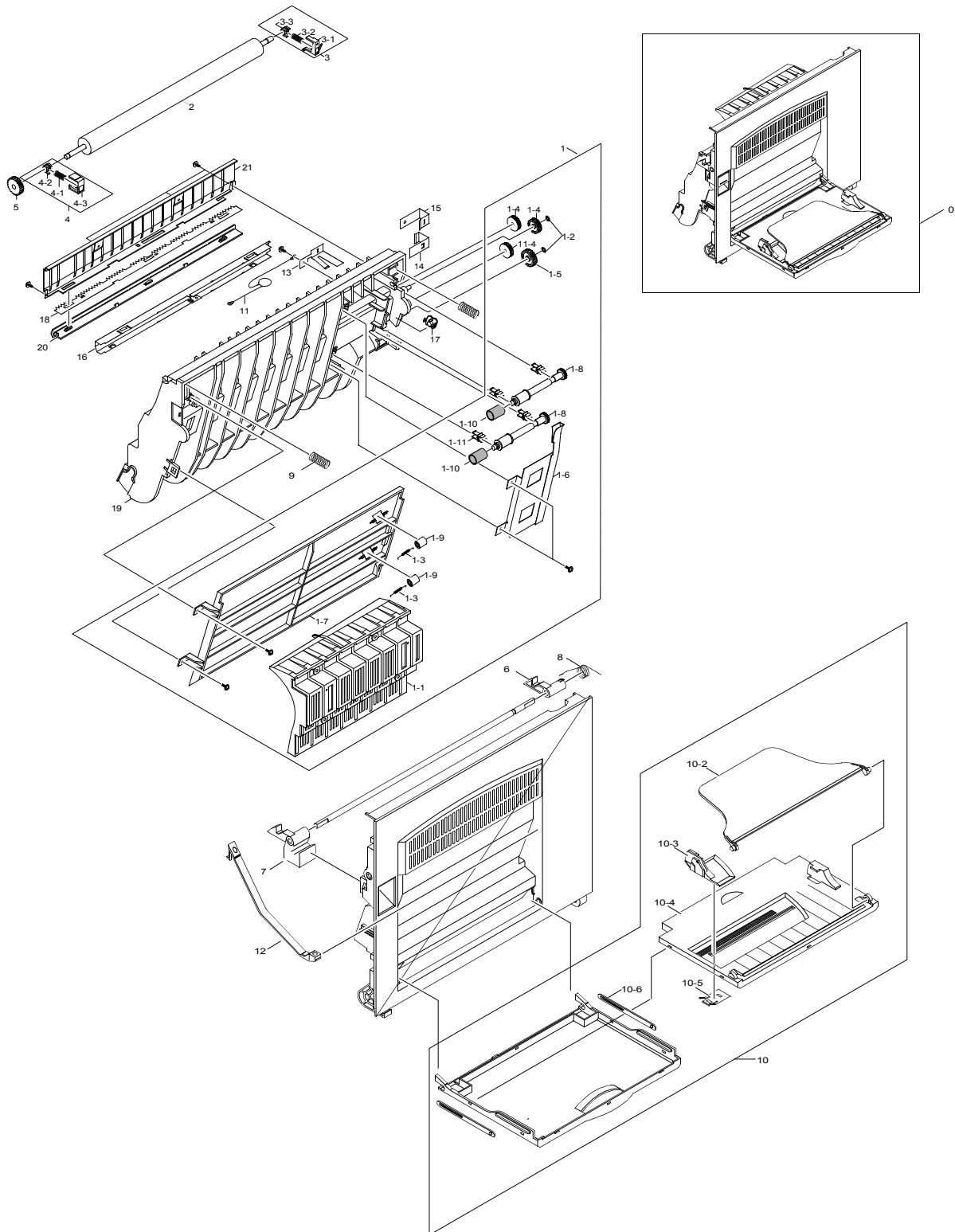
ПОЗ.	ОПИСАНИЕ	SEC. CODE	К-ВО	ПРИМЕЧАНИЯ
3-11	SPRING CLUTCH		1	NOT SPARED
3-12	GEAR-EXITE 23		1	NOT SPARED
3-13	SPRING WHITE BAR		2	NOT SPARED
3-14	BRKT WHITE BAR	025N00079	1	
3-15	PPR-WHITE BAR SHEET	025N00080	1	
3-16	PMO-ACTUATOR SENSOR REGI		1	NOT SPARED
3-17	PBA SUB-ADF	022N01471	1	
3-18	PBA SUB-ADF POS SEN	130N01199	1	
3-19	PBA SUB-ADF DET SEN	130N01200	1	
3-20	PMO-ACTUATOR SENSOR SCAN	130N01201	1	
4	ELA HOU-ADF MOTOR ASS'Y	127N01377	1	
4-1	GEAR CLUTCH 29		1	NOT SPARED
4-2	BRKT ADF MOTOR		1	NOT SPARED
4-3	PMO-WHITE CLUTCH SUB 29		1	NOT SPARED
4-4	GEAR-CLUTCH IDLE 39		1	NOT SPARED
4-5	GEAR DOUBLE 33/20		2	NOT SPARED
4-6	E-RING		6	NOT SPARED
4-7	GEAR-DOUBLE 17/35		2	NOT SPARED
4-8	GEAR IDLE 25		1	NOT SPARED
4-9	MOTOR ADF		1	NOT SPARED
4-10	GEAR-JAM NOB		1	NOT SPARED
4-11	GEAR REDUCTION45/19		1	NOT SPARED
5	MEC RACK-PICK UP ASS'Y	002N02054	1	
6	CBF D SUB CBL_ADF_MAIN (ADF CABLE)	117N01586		
S1	SCREW-TAPTITE		2	NOT SPARED

ПРИМЕЧАНИЕ: За информацией об особых частях WorkCentre M15/M15i обратитесь к **списку 8-24**.

Перечень запасных частей

Пустая страница

8-4. Узел боковой крышки



8-4-1 Список частей узла боковой крышки

ПОЗ.	ОПИСАНИЕ	НОМЕР	К-ВО	ПРИМЕЧАНИЯ
0	ELA HOU-SIDE COVER ASS'Y	002N02016	1	
1	MEA RACK-DUPLEX ASS'Y		1	NOT SPARED
1-1	PMO-GUIDE DP SIDE		1	NOT SPARED
1-2	RING-CS		2	NOT SPARED
1-3	SPRING-FUSER EXIT		2	NOT SPARED
1-4	GEAR-DUP IDLER 17		3	NOT SPARED
1-5	GEAR-MP/DUP DRV		1	NOT SPARED
1-6	IPR-BRKT G DUP		1	NOT SPARED
1-7	PMO-GP LOWER DP		1	NOT SPARED
1-8	PMO-SHAFT DUP DRIVER		2	NOT SPARED
1-9	PMO-ROLLER_EXIT		2	NOT SPARED
1-10	RPR-RUBBER EXIT		2	NOT SPARED
1-11	PMO-BUSHING TX(B4)		4	NOT SPARED
1-12	PMO-GUIDE DP SIDE		1	NOT SPARED
2	MEC-ROLLER TRANSFER	022N01475	1	
3	MEA UNIT-HOLDER TR:R	007N01116	1	
3-1	SPRING-PLATE TR		1	NOT SPARED
3-2	SPRING-TR_R		1	NOT SPARED
3-3	PMO-BUSH		1	NOT SPARED
3-4	PMO-HOLDER TR R		1	NOT SPARED
4	MEA UNIT-HOLDER TR:L	007N01363	1	
4-1	SPRING-TR_L		1	NOT SPARED
4-2	PMO-BUSH		1	NOT SPARED
4-3	PMO-HOLDER TR L		1	NOT SPARED
5	GEAR-TRANSFER	007N01114	1	
6	PMO-LOCKER SIDE R	019N00619	1	
7	PMO-LOCKER OPEN	019N00620	1	
8	SPRING-LOCKER TORSION	009N01366	1	
9	SPRING-FEED	022N01476	2	
10	MEA RACK-TRAY ASS'Y	002N02011	1	
10-1	PMO-TRAY CASE, MP		1	NOT SPARED
10-2	PMO-SIDE EXIT, MP		1	NOT SPARED
10-3	PMO-SIDE GUIDE, MP		1	NOT SPARED
10-4	PMO-TRAY COVER, MP		1	NOT SPARED
10-5	IPR-GUIDE LATCH, MP		1	NOT SPARED
10-6	PMO-TRAY LINK,MP	012N00139	1	

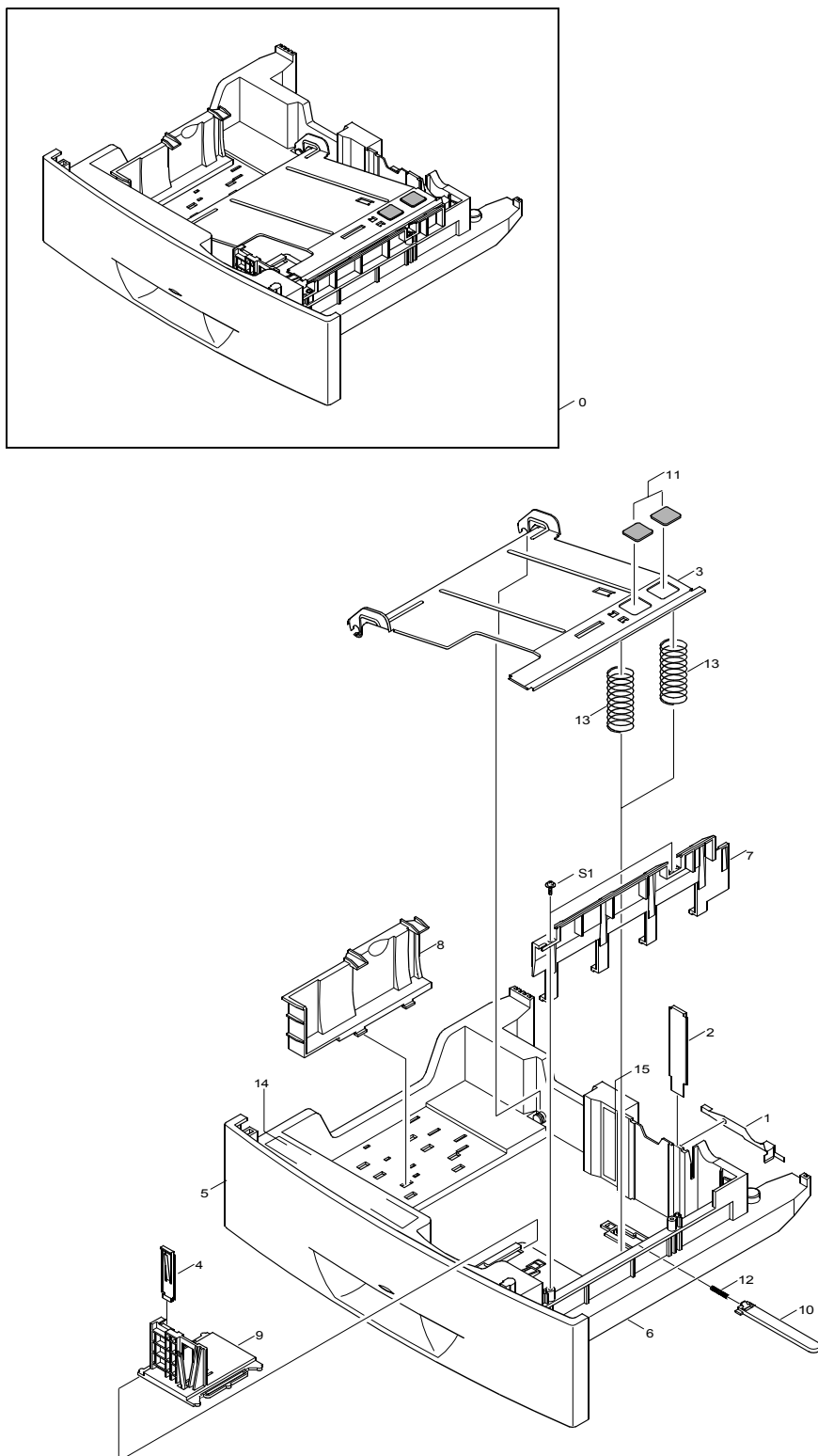
Список частей узла боковой крышки - продолжение

ПОЗ.	ОПИСАНИЕ	НОМЕР	К-ВО	ПРИМЕЧАНИЯ
11	CBF HARNESS-OPE GND		1	NOT SPARED
11-1	PMO-GUIDE DP SIDE		1	NOT SPARED
12	PMO-TIE STOPPER	120N00394	2	
13	IPR-BRKT GROUND B		1	NOT SPARED
14	IPR-BRKT GROUND TR		1	NOT SPARED
15	IPR-BRKT GROUND A		1	NOT SPARED
16	IPR-BRACKET GUIDE B		1	NOT SPARED
17	PMO-BUSHING FEED		1	NOT SPARED
18	IPR-PLATE SAW		2	NOT SPARED
19	PMO-FEED FRAME		1	NOT SPARED
20	PMO-HOLDER SAW		1	NOT SPARED
21	IPR-BRACKET GUIDE A		1	NOT SPARED

ПРИМЕЧАНИЕ: За информацией об особых частях WorkCentre M15/M15i обратитесь к **списку 8-25**.

Пустая страница

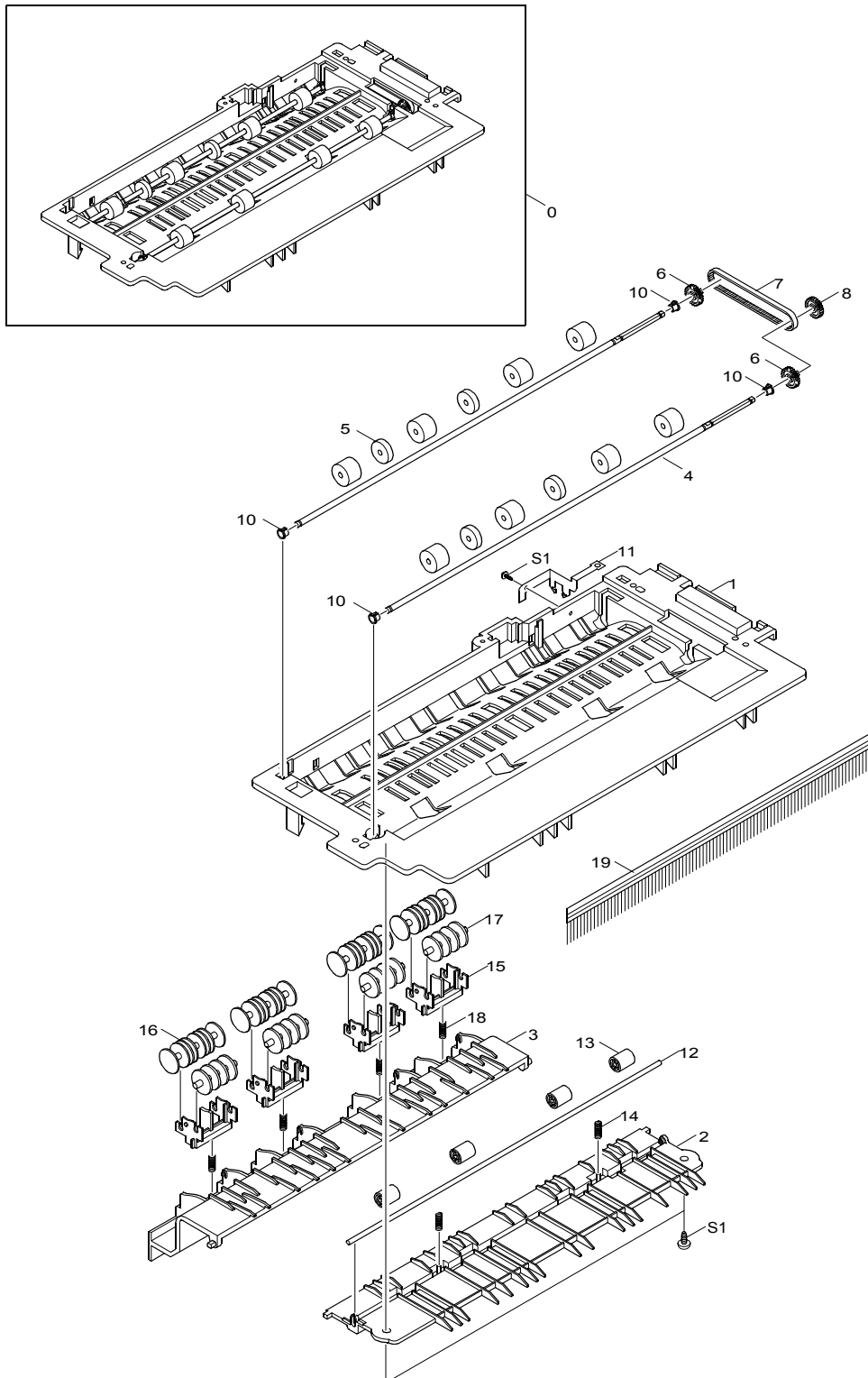
8-5. Кассетный модуль



8-5-1 Список частей кассетного модуля

ПОЗ.	ОПИСАНИЕ	НОМЕР	К-ВО	ПРИМЕЧАНИЯ
0	MEC-CASSETTE ASS'Y	050N00393	1	
1	IPR-FINGER		1	NOT SPARED
2	IPR-GUIDE PLT PAPER		1	NOT SPARED
3	IPR-PLATE K/UP		1	NOT SPARED
4	IPR-SPR PLT G/SIDE	015N00437	1	
5	PMO-COVER CASSETTE		1	NOT SPARED
6	PMO-FRAME CASSETTE		1	NOT SPARED
7	PMO-GUIDE FRONT CST		1	NOT SPARED
8	PMO-GUIDE REAR	032N00351	1	
9	PMO-GUIDE/SIDE CST	032N00352	1	
10	PMO-LOCKER PLATE	015N00438	1	
11	PRP-PAD CAST	019N00611	2	
12	SPRING-LOCKER PLATE	015N00439	1	
13	SPRING-PLATE K/UP	015N00435	2	
14	LABEL(R)-INSTRUCTION CST		1	NOT SPARED
15	LABEL(R)-HEIGHT CST		1	NOT SPARED
S1	SCREW-TAPTITE		5	NOT SPARED

8-6. Узел выдачи

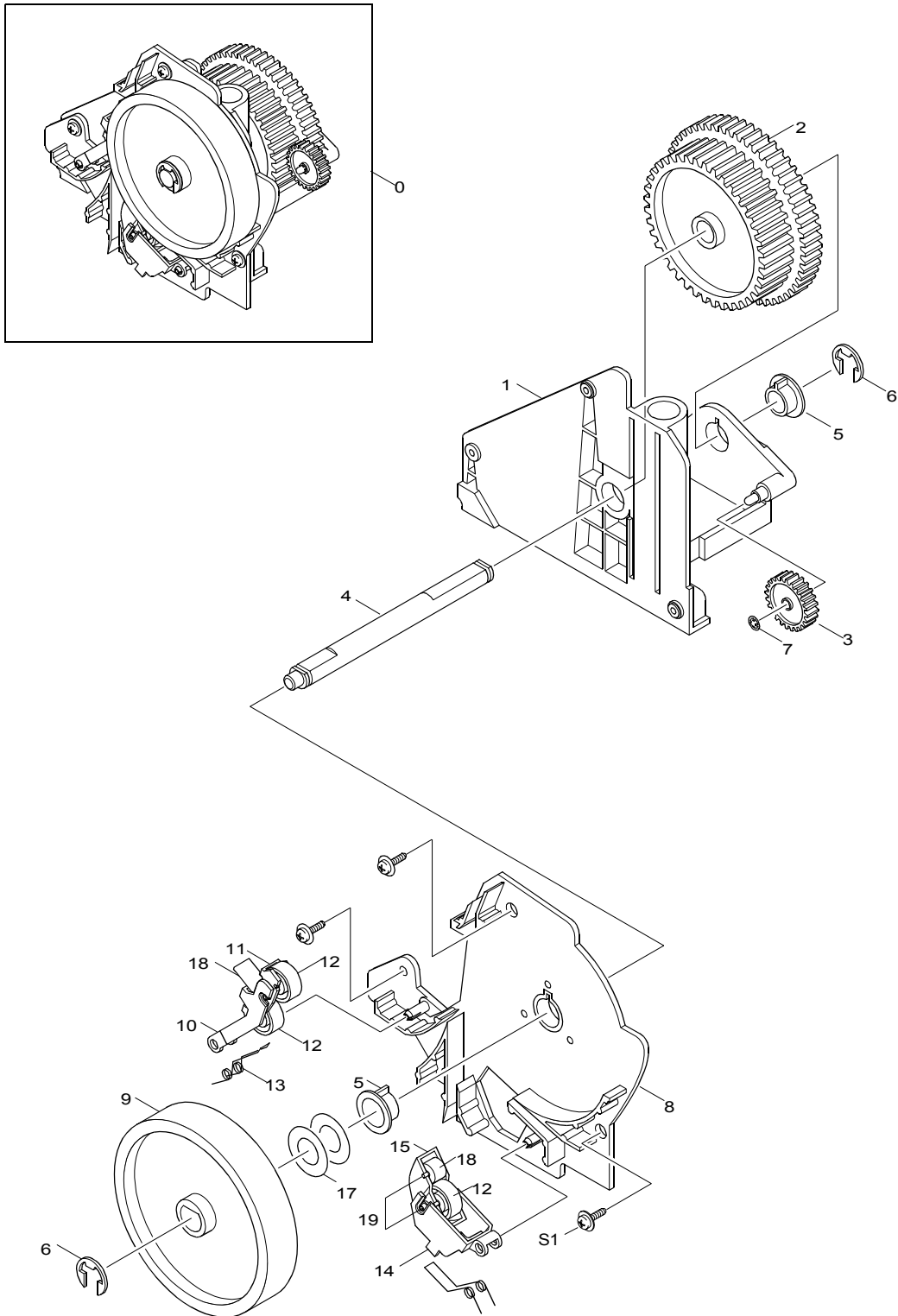


8-6-1. Список частей узла выдачи

ПОЗ.	ОПИСАНИЕ	НОМЕР	К-ВО	ПРИМЕЧАНИЯ
0	MEC-EXIT ASS'Y	600N01736	1	
1	PMO-GUIDE-EXIT UPPER		1	NOT SPARED
2	PMO-GUIDE-EXIT LOWER		1	NOT SPARED
3	PMO-GUIDE-JAM REMOVE		1	NOT SPARED
4	MEC-ROLLER EXIT DRV	007N01115	2	
5	PMO-ROLLER DECURL	022N01474	4	
6	PMO-PULLEY DUPLEX		2	NOT SPARED
7	BELT-TIMING GEAR		1	NOT SPARED
8	GEAR-DUPLEX		1	NOT SPARED
9	PMO-BEARING LARGE DP	013N00514	1	
10	PMO-BEARING LARGE DP	013N00514	4	
11	IPR-GROUND-EXIT		1	NOT SPARED
12	ICT-SHAFT-EXIT LOWER ID		1	NOT SPARED
13	PMO-ROLLER_EXIT		4	NOT SPARED
14	SPRING-EXIT ROLL FD		2	NOT SPARED
15	PMO-HOLDER EXIT ROLL		4	NOT SPARED
16	PMO-ROLLER FD F		4	NOT SPARED
17	PMO-ROLLER FD R		4	NOT SPARED
18	SPRING-EXIT LOWER IDLE		4	NOT SPARED
19	MEC- BRUSH ANTISTATIC	115N00354	1	
S1	SCREW-TAPTITE		3	NOT SPARED

ПРИМЕЧАНИЕ: За информацией об особых частях FaxCentre F12 обратитесь к **списку 8-19**.

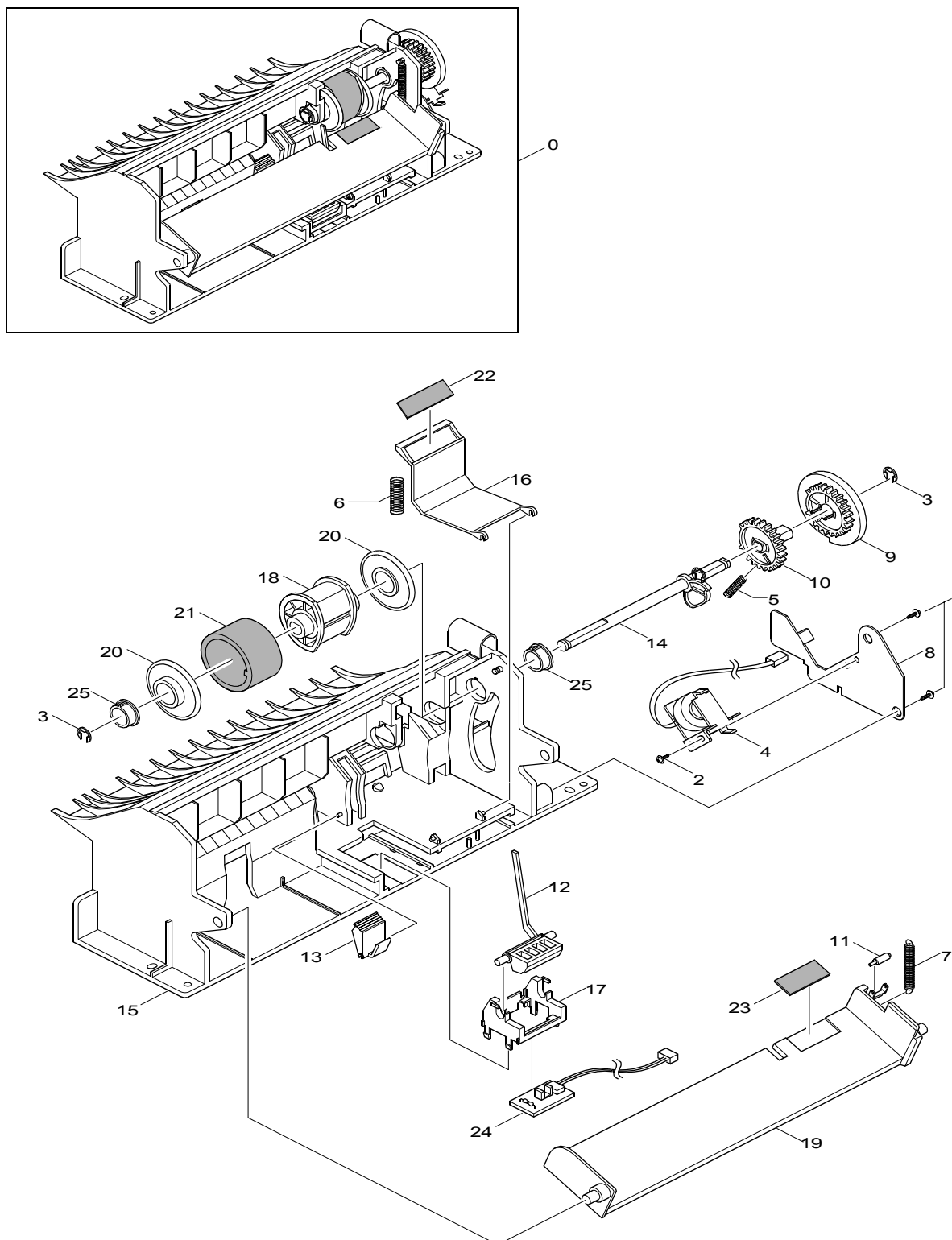
8-7. Узел подачи



8-7-1 Список частей узла подачи

ПОЗ.	ОПИСАНИЕ	НОМЕР	К-ВО	ПРИМЕЧАНИЯ
0	MEC-FEED ASS'Y	022N01472	1	
1	PMO-FRAME FEED		1	NOT SPARED
2	GEAR-FEED		1	NOT SPARED
3	GEAR-MP/DUP DRV		1	NOT SPARED
4	ICT-SHAFT FEED		1	NOT SPARED
5	PMO-BUSHING_P/U,MP	013N00515	1	
6	E-RING		1	NOT SPARED
7	C-RING		1	NOT SPARED
8	PMO-BRKT FEED		1	NOT SPARED
9	PMO-ROLLER FEED	022N01470	1	
10	PMO-HOLDER PINCH C		1	NOT SPARED
11	PMO-HOLDER PINCH SUB		1	NOT SPARED
12	PMO-ROLLER FEED L		3	NOT SPARED
13	SPRING-FEED CAST		1	NOT SPARED
14	PMO-HOLDER PINCH M		1	NOT SPARED
15	PMO-SUB HOLDER FEED		1	NOT SPARED
16	SPRING-FEED MP		1	NOT SPARED
17	WASHER-PLAIN		2	NOT SPARED
18	PMO-ROLLER FEED S		1	NOT SPARED
19	IPR-SHAFT FEED IDLER		4	NOT SPARED
S1	SCREW-TAPTITE		3	NOT SPARED

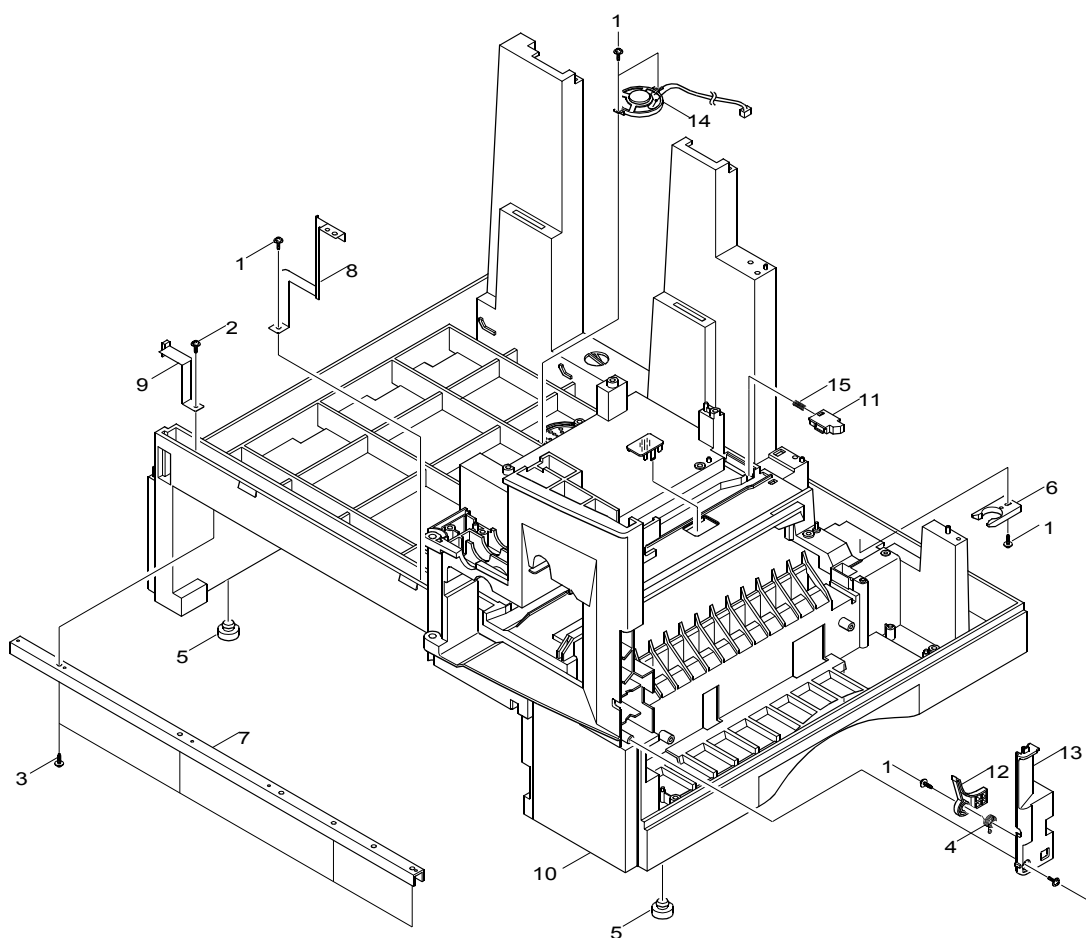
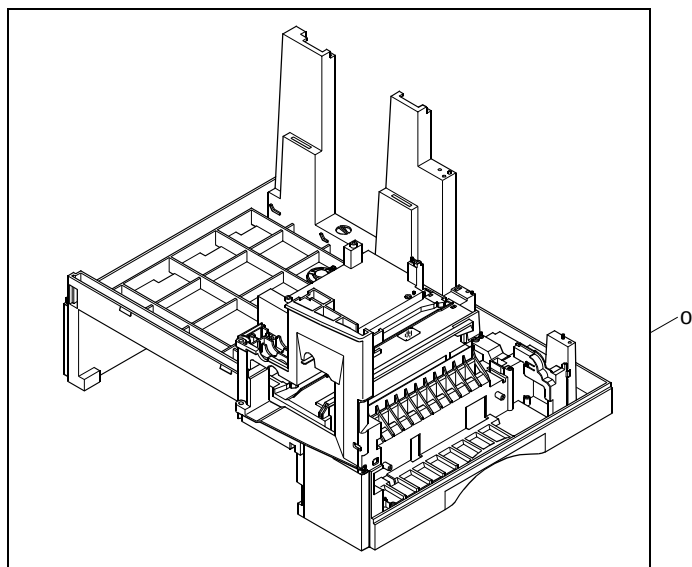
8-8. Узел обходного лотка



8-8-1 Список частей узла обходного лотка

ПОЗ.	ОПИСАНИЕ	НОМЕР	К-ВО	ПРИМЕЧАНИЯ
0	ELA HOU-MP ASS'Y	600N01741	1	
1	SCREW-TAPTITE		2	NOT SPARED
2	SCREW-TAPTITE		1	NOT SPARED
3	RING-E	005N00781	2	
4	SOLENOID-MP	121N00595	1	
5	SPRING--CAM MP	009N01364	1	
6	SPRING-PICK UP MP		1	NOT SPARED
7	SPRING-KNOCKUP,MP	009N01365	1	
8	IPR-BRACKET SOLENOIDE		1	NOT SPARED
9	PMO-HOLDER CAM MPF		1	NOT SPARED
10	PMO-GEAR P/U MPF		1	NOT SPARED
11	PMO-ROLLER CAM.MP		1	NOT SPARED
12	PMO-ACTUATOR,MP	120N00392	1	
13	PMO-ADJUSTER,MP	022N01479	1	
14	PMO-CAM PICK UP,MP	022N01480	1	
15	PMO-FRAME,MP		1	NOT SPARED
16	PMO-HOLDER PAD,MP	019N00613	1	
17	PMO-HOLDER SENSOR,MP	130N01206	1	
18	PMO-HOUSING PICK UP,MP		1	NOT SPARED
19	PMO-PLATE KNOCK UP,MP		1	NOT SPARED
20	PMO-IDLE PICK UP MP	013N00516	2	
21	RPR-RUBBER PICK UP,MP		1	NOT SPARED
22	RPR-RCT-PAD-PICKUP,MP	019N00612	1	
23	RPR-PAD KNOCK UP MP	019N00614	1	
24	PBA SUB-MP SEN	130N01203	1	
25	PMO-BUSHING PICKUP,MP	013N00515	1	
26	A/S MATERAL-PICKUP,MP	022N01483	1	

8-9. Нижнее шасси

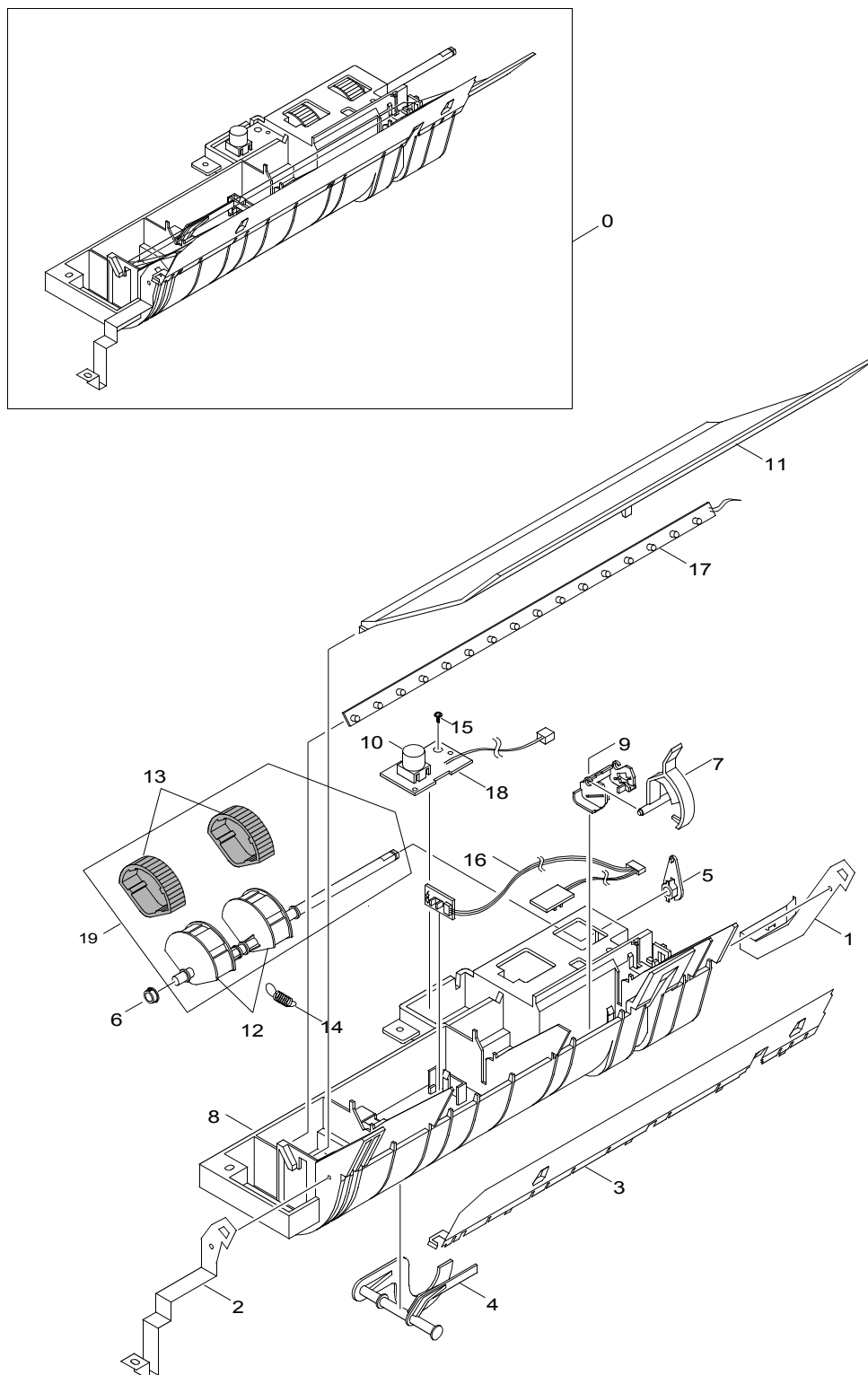


8-9-1 Список частей нижнего шасси

ПОЗ.	ОПИСАНИЕ	НОМЕР	К-ВО	ПРИМЕЧАНИЯ
0	ELA HOU-BASE FRAME ASS'Y		1	NOT SPARED
1	SCREW-TAPTITE		5	NOT SPARED
2	SCREW-TAPTITE		2	NOT SPARED
3	SCREW-TAPTITE		4	NOT SPARED
4	SPRING-TORSION		1	NOT SPARED
5	FOOT-RUBBER	017N00212	2	
6	CAM-CATCH	003N00867	1	
7	IPR-CHANNEL BASE FRAME		1	NOT SPARED
8	IPR-GROUND PLATE A(OPC)	015N00440	1	
9	IPR-GROUND PLATE B(BASE)	015N00441	1	
10	PMO-BASE FRAME		1	NOT SPARED
11	PMO-BRACKET PUSH DEVE		2	NOT SPARED
12	PMO-BRACKET SIDE OPEN	030N00606	1	
13	PMO-COVER FRONT DUMMY		1	NOT SPARED
14	ELA M/MEDIO AUD-SPEAKER	130N01213	1	
15	SPRING-DEVE		2	NOT SPARED

ПРИМЕЧАНИЕ: За информацией об особых частях FaxCentre F12 обратитесь к **списку 8-20**.

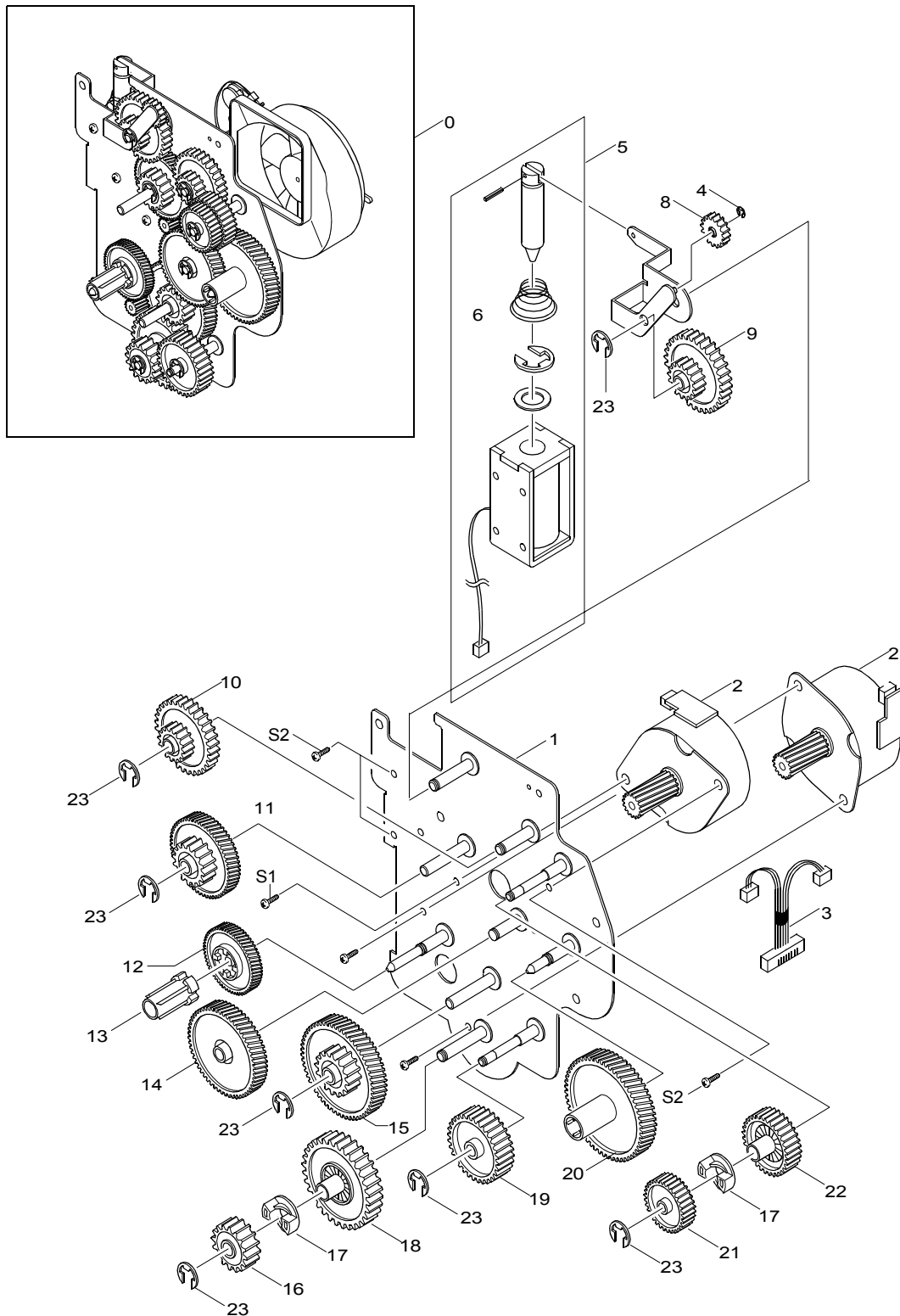
8-10. Узел подхвата



8-10-1 Список частей узла подхвата

ПОЗ.	ОПИСАНИЕ	НОМЕР	К-ВО	ПРИМЕЧАНИЯ
0	ELA HOU-PICKUP ASS'Y	022N01485	1	
1	IPR-GND FEED		1	NOT SPARED
2	IPR-GND INPUT	152N01895	1	
3	IPR-GUIDE INPUT	022N01481	1	
4	PMO-ACTUATOR EMPTY	120N00393	1	
5	PMO-BEARING SHAFT	006N01093	1	
6	PMO-BUSHING PICK UP MP	013N00515	1	
7	PMO-FEED SENSOR		1	NOT SPARED
8	PMO-GUIDE PAPER		1	NOT SPARED
9	PMO-HOLDER SENSOR FEED		1	NOT SPARED
10	PMO-LENS TONER SENSOR		1	NOT SPARED
11	PMO-PTL PATH		1	NOT SPARED
12	PMO-SHAFT PICK UP		1	NOT SPARED
13	RPR-RUBBER PICK UP	022N01477	2	
14	SPRING-PICKUP	009N01362	1	
15	SCREW-TAPTITE		1	NOT SPARED
16	PBA SUB-FEED+P.EMP SEN.	130N01204	1	
17	PBA SUB-PTL	140N05940	1	
18	PBA SUB-TONER_TX	130N01207	1	
19	A/S MATERAL-PICKUP,CST	022N01484	1	

8-11. Узел привода

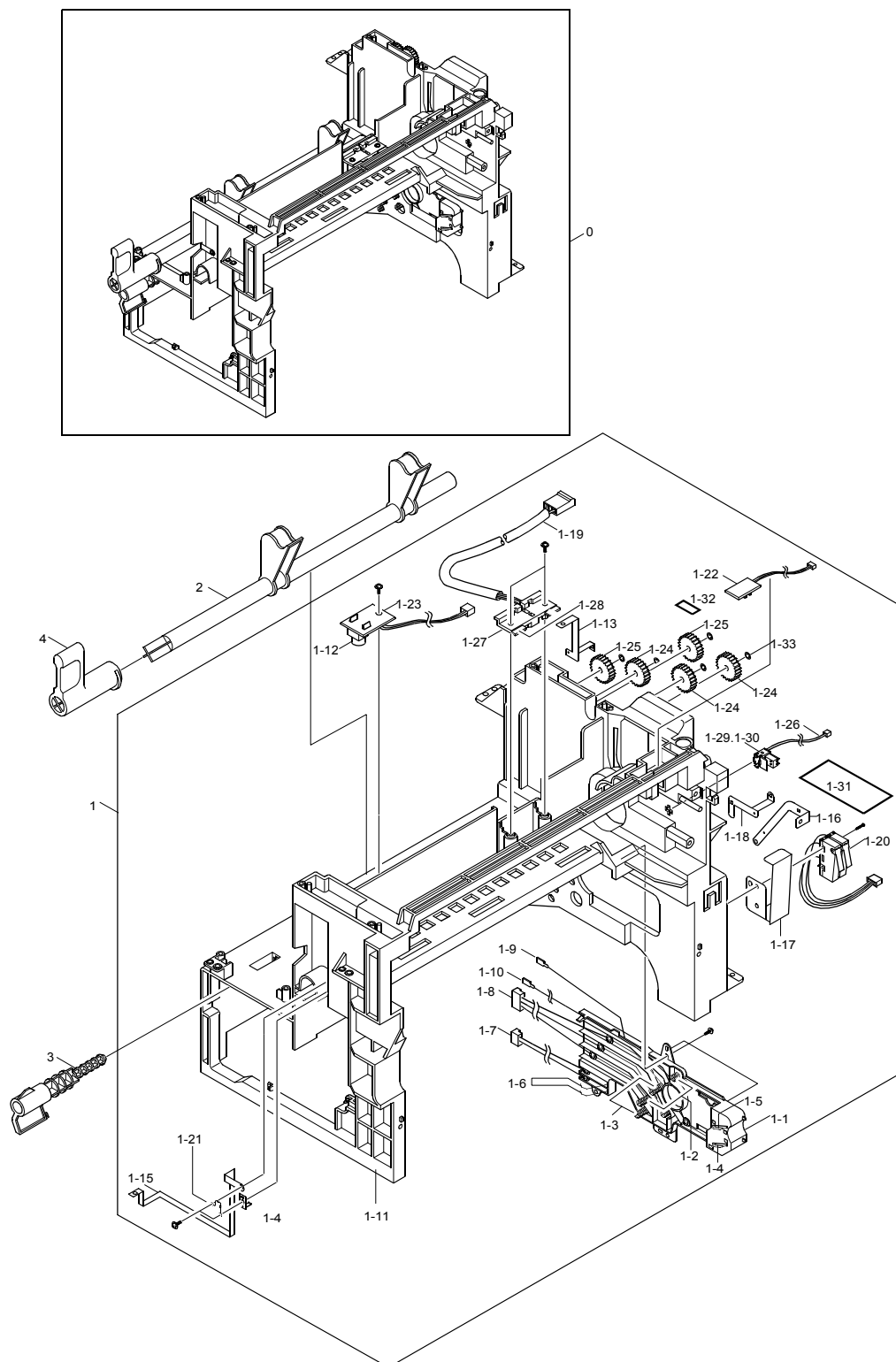


8-11-1 Список частей узла привода

ПОЗ.	ОПИСАНИЕ	НОМЕР	К-ВО	ПРИМЕЧАНИЯ
0	ELA HOU-DRIVE ASS'Y	007N01117	1	
1	IPR-BRKT MOTOR		1	NOT SPARED
2	MOTOR-STEP	127N01378	2	
3	HARNESS-MOTOR		1	NOT SPARED
4	RING-E		1	NOT SPARED
5	SOLENOID-DUPLEX	121N00596	1	
6	SPRING SOLENOID DP		1	NOT SPARED
7	IPR-LINK SOLENOID		1	NOT SPARED
8	GEAR-EXIT/U,ID		1	NOT SPARED
9	GEAR-SWING DRV		1	NOT SPARED
10	GEAR-35/19		1	NOT SPARED
11	GEAR-71/23		1	NOT SPARED
12	GEAR-DEVE DRV		1	NOT SPARED
13	PMO-DEV/COUPLING		1	NOT SPARED
14	GEAR-RDCN,OPC		1	NOT SPARED
15	GEAR-86/23		1	NOT SPARED
16	GEAR-RDCN FEED OUTER		1	NOT SPARED
17	GEAR-HUB CLUTCH		2	NOT SPARED
18	GEAR-RDCN FEED INNER		1	NOT SPARED
19	GEAR-FEED DRV		1	NOT SPARED
20	GEAR-OPC DRV		1	NOT SPARED
21	GEAR-GEAR FUSER DRV OUTER		1	NOT SPARED
22	GEAR-FUSER DRV INNER		1	NOT SPARED
23	RING-E		8	NOT SPARED
S1	SCREW-TAPTITE		5	NOT SPARED
S2	SCREW-TAPTITE		7	NOT SPARED

ПРИМЕЧАНИЕ: За информацией об особых частях WorkCentre M15/M15i обратитесь к **списку 8-26**.

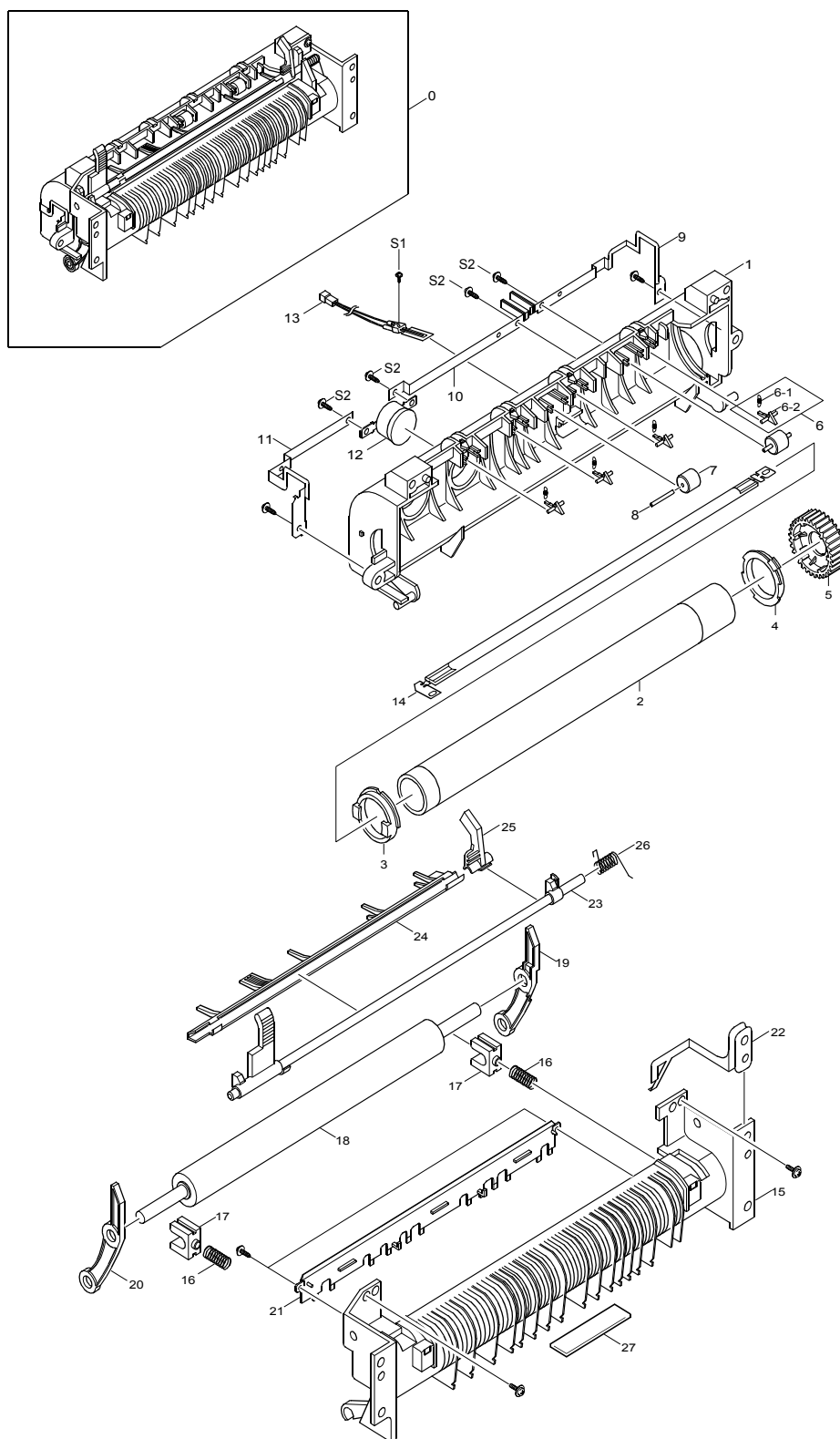
8-12. Узел главного шасси



8-12-1 Список частей узла главного шасси

ПОЗ.	ОПИСАНИЕ	НОМЕР	К-ВО	ПРИМЕЧАНИЯ
1	ELA HOU-FRAME MAIN ASS'Y	600N01743	1	
1-1	PMO-HOUSING TERMINAL	116N00227	1	
1-2	IPR-TERMINAL BLADE		2	NOT SPARED
1-3	IPR-TERMINAL SUPPLY		2	NOT SPARED
1-4	IPR-TERMINAL TR		1	NOT SPARED
1-5	IPR-TERMINAL GND		1	NOT SPARED
1-6	IPR-TERMINAL DEVE KEY		2	NOT SPARED
1-7	CBF-HARNESS;MAIN-DEV_KEY		1	NOT SPARED
1-8	CBF-HARNESS; HVPS OUTPUT-FRAME		5	NOT SPARED
1-9	CBF-HARNESS:MAIN-THV		1	NOT SPARED
1-10	CBF-HARNESS;MAIN-MHV		1	NOT SPARED
1-11	PMO-FRAME MAIN		1	NOT SPARED
1-12	PMO-LENS TONER SENSOR		2	NOT SPARED
1-13	IPR-GND EXIT		1	NOT SPARED
1-14	IPR-GND OPC		1	NOT SPARED
1-15	IPR-GND OPC BASE		1	NOT SPARED
1-16	IPR-GND FUSER		1	NOT SPARED
1-17	IPR-GUARD C/O S/W		1	NOT SPARED
1-18	IPR-GND TERMINAL		1	NOT SPARED
1-19	CBF HARNESS;-FUSER(2PIN,550mm)		1	NOT SPARED
1-20	CBF-HARNESS;SWITCH-MICRO	110N01041	2	
1-21	CBF-HARNESS MOTOR		1	NOT SPARED
1-22	PBA SUB-EXIT SENSOR	130N01205	1	
1-23	PBA SUB-TONER_RX	130N01208	1	
1-24	GEAR-EXIT/U,ID		3	NOT SPARED
1-25	GEAR-EXIT,IDLE(Z17)		2	NOT SPARED
1-26	CBF-HARNESS THERMISTOR_JOINT	011N00463	1	
1-27	PMO-HOUSING TERMINAL	116N00227	1	
1-28	IPR-TERMINAL FU		2	NOT SPARED
1-29	PMO-CAP CONNECTOR L	113N00364	1	
1-30	PMO-CAP CONNECTOR U	113N00365	1	
1-31	CBF-HARNESS; RESISTOR ASS'Y (100Mohm)		1	NOT SPARED
1-32	SPRING-CLUTCH		2	NOT SPARED
1-33	RING-CS		5	NOT SPARED
S	NUT-HEXAGON		2	NOT SPARED
S	SCREW-TAPPING,M2x18		1	NOT SPARED
S	SCREW-ASS'Y MACH		2	NOT SPARED
S	SCREW-TAPTITE,M3x8 BLACK,BINDER		17	NOT SPARED
2	PMO-CAM JAM REMOVE	011N00464	1	
3	PMO-LOCKER DEVE	007N01118	1	
4	PMO-LEVER JAM REMOVE	011N00465	1	

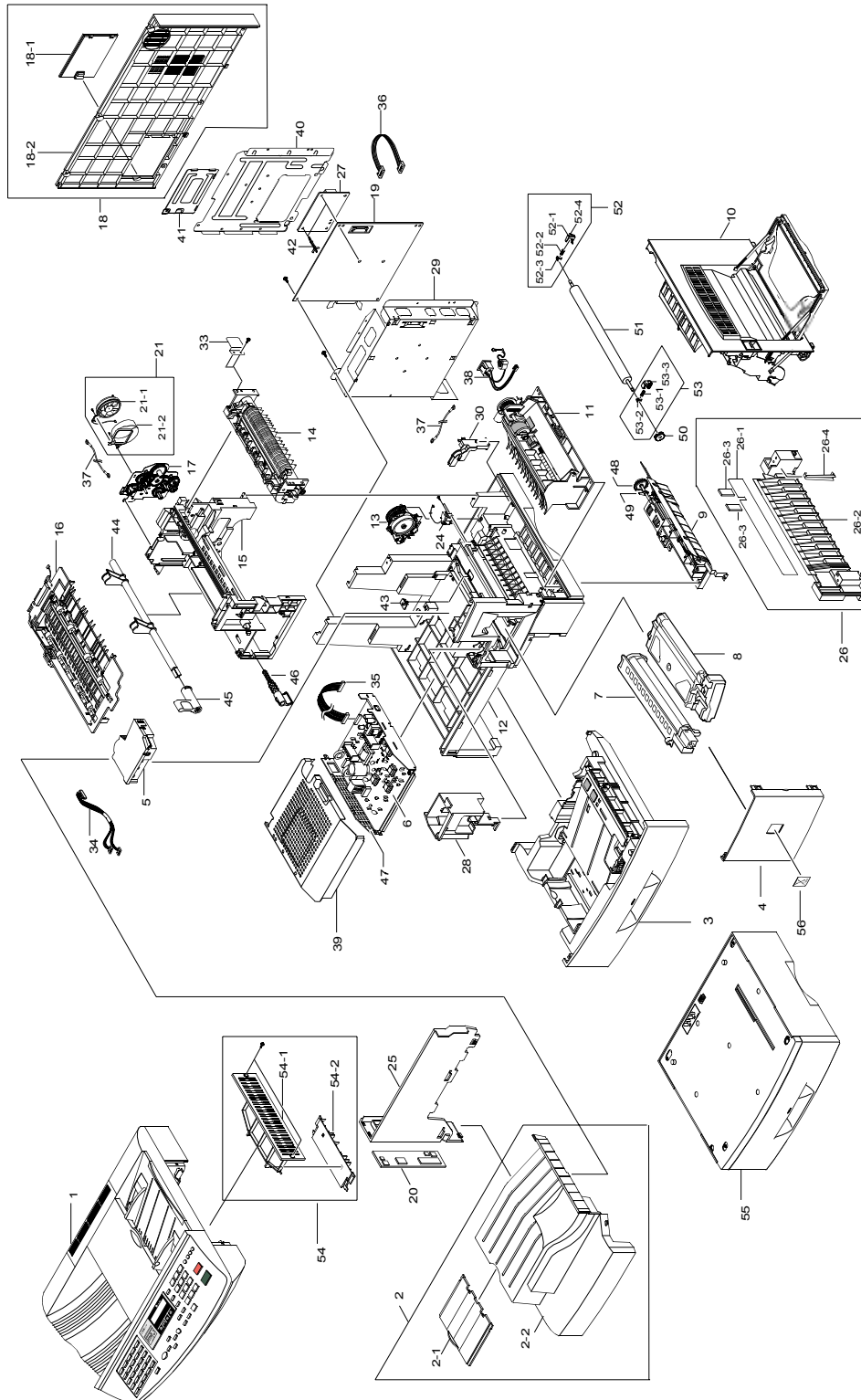
8-13. Узел фьюзера



8-13-1 Список частей узла фьюзера

ПОЗ.	ОПИСАНИЕ	НОМЕР	К-ВО	ПРИМЕЧАНИЯ
0	ELA HOU-FUSER(110V)ASS'Y	126N00182	1	110V
	ELA HOU-FUSER(220V)ASS'Y	126N00183	1	220V
1	PMO-UPPER FUSER		1	NOT SPARED
2	RMO-ROLLER HEAT		1	NOT SPARED
3	PMO-BEARING H/R-F		1	NOT SPARED
4	BEARING-H/R L		1	NOT SPARED
5	GEAR-FUSER	126N00184	1	
6	MEA RACK-CLAW ASS'Y		1	NOT SPARED
6-1	SPRING-SAPERATION		4	NOT SPARED
6-2	PMO-GUIDE CLAW		4	NOT SPARED
7			1	NOT SPARED
8	IPR-PIN ROLLER EXIT		2	NOT SPARED
9	NPR-ELECTRODE GEAR		1	NOT SPARED
10	NPR-ELECTRODE M		1	NOT SPARED
11	NPR-ELECTRODE F		1	NOT SPARED
12	THERMOSTAT	130N01214	1	
13	THERMISTOR-FUSER		1	NOT SPARED
14	LAMP-HALOGEN (110V)	122N00208	1	110V
	LAMP-HALOGEN(220V)	122N00209	1	220V
15	PMO-LOWER FUSER		1	NOT SPARED
16	PRESSURE ROLLER SPRING		2	NOT SPARED
17	BEARING-PRESSURE/R		2	NOT SPARED
18	RMO-ROLLER PRESSURE		1	NOT SPARED
19	PMO-LEVER JAM R		1	NOT SPARED
20	PMO-LEVER JAM F		1	NOT SPARED
21	PMO-GUIDE INPUT		1	NOT SPARED
22	IPR-GROUND FU		1	NOT SPARED
23	PMO-ACTUATOR EXIT		1	NOT SPARED
24	PMO-GUIDE DUPLEX		1	NOT SPARED
25	PMO-ARM ACTUATOR		1	NOT SPARED
26	SPRING-PR(7300)		2	NOT SPARED
27	LABEL(R)-HV FUSER		1	NOT SPARED
S1	SCREW-TAPTITE		8	NOT SPARED
S2	SCREW-TAPTITE		4	NOT SPARED

8-14. Основные узлы аппарата (FaxCentre F12)

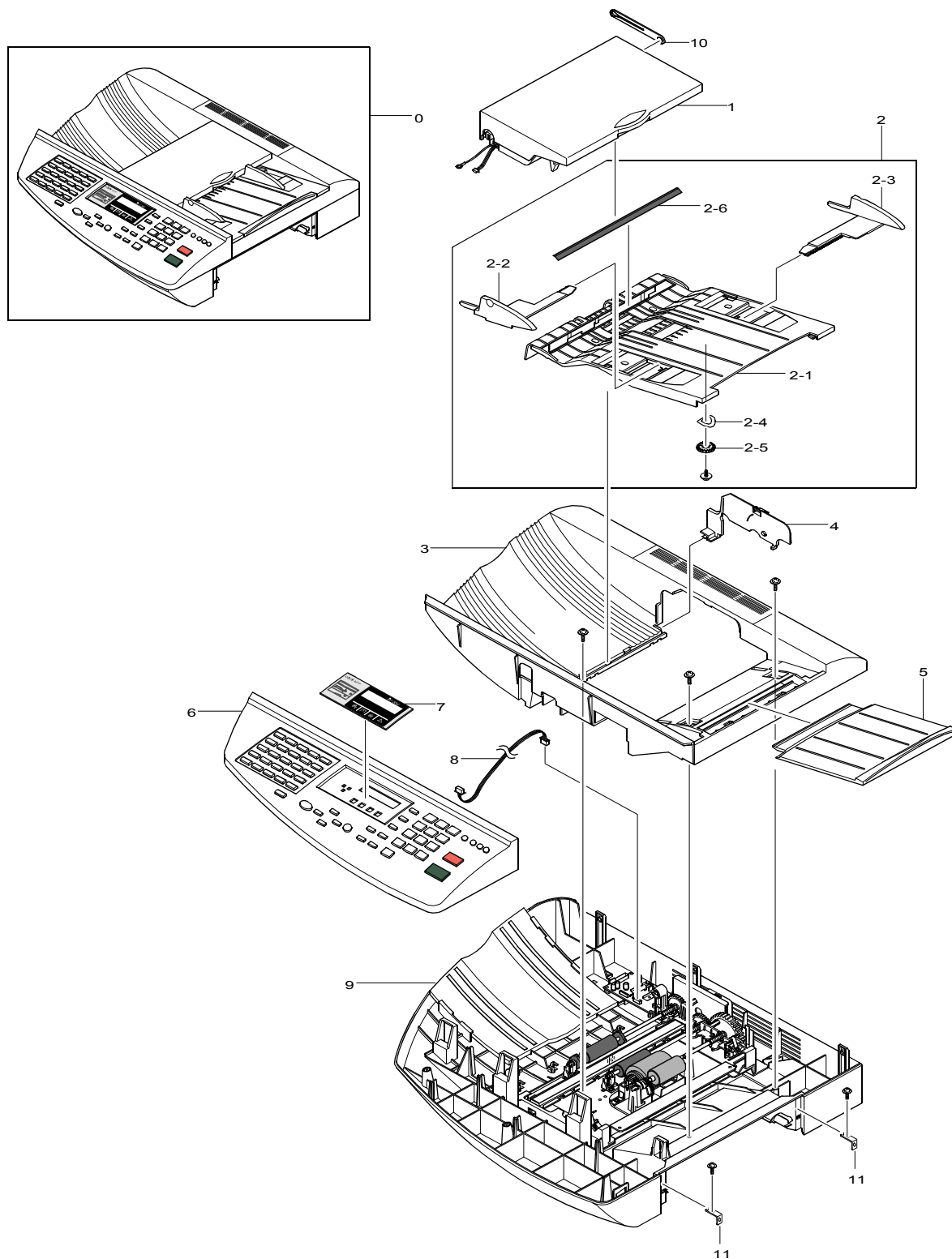


8-14-1 Основной перечень частей (FaxCentre F12)

ПОЗ.	ОПИСАНИЕ	НОМЕР	К-ВО	ПРИМЕЧАНИЯ
1	AS-SCANNER ASS'Y	062N00242	1	835P/ХАА
2	MEA UNIT-COVER PA EXIT ASS'Y	002N02107	1	
2-2	PMO-COVER PAPER EXIT	002N02108	1	
6	ELA ETC-SHIELD SMPS LOWER	055N00272	1	110V
16	MEC-UNIT EXIT ASS'Y	500N00100	1	
19	PBA MAIN-MAIN B'D	140N06056	1	FAXCENTRE F12 ONLY
26	MEA UNIT GUIDE CST PA ASS'Y	032N00376	1	
38	CBF HARNESS-INLET(KOR)	152N01987	1	
54	MEA ETC-COVER REAR ASS'Y		1	NOT SPARED
54-1	PMO-GUIDE-EXIT-OPEN	032N00377	1	
54-2	PMO-COVER REAR	002N02091	1	
56	NPR-NAME/PLATE XRX	015N00436	1	

ПРИМЕЧАНИЕ: все остальные части идентичны частям WorkCentre Pro 412.
Обратитесь к **списку 8-1**.

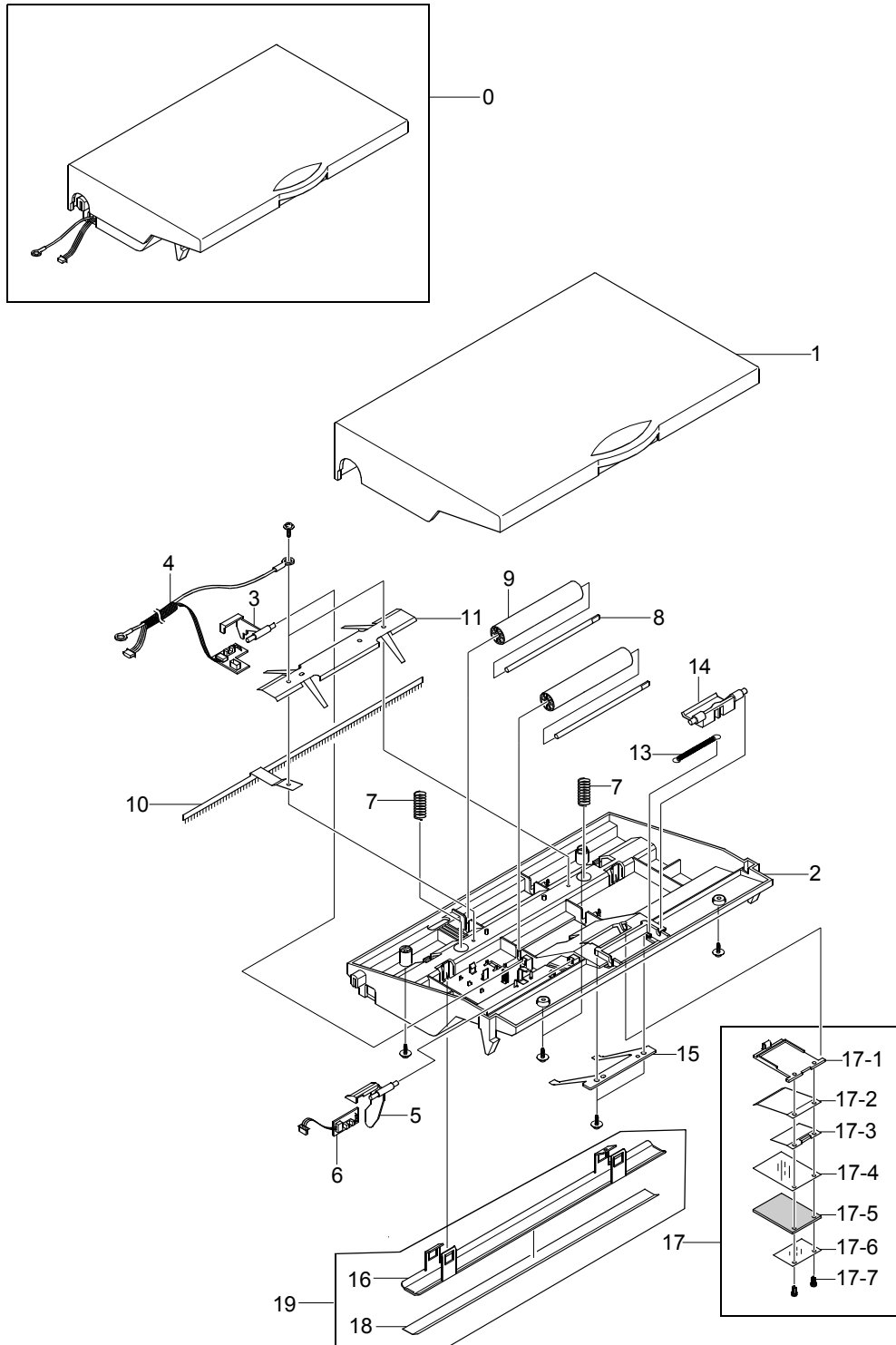
8-15. Узел сканера (FaxCentre F12)



8-15-1 Список частей узла сканера (FaxCentre F12)

ПОЗ.	ОПИСАНИЕ	НОМЕР	К-ВО	ПРИМЕЧАНИЯ
0	AS SCANNER ASS'Y		1	NOT SPARED
1	ELA HOU-ADF UPPER ASS'Y	002N02092	1	
2	MEA HOU-GUIDE LOWER ASS'Y	002N02093	1	
2-1	PMO-GUIDE LOWER	032N00378	1	
2-2	PMO-GUIDE DOC R	032N00379	1	
2-3	PMO-GUIDE DOC L	032N00380	1	
2-4	IPR-WASHER SPRING CU	009N01406	1	
2-5	GEAR-PINION	007N01178	1	
2-6	PPR-FILM CIS	063N00095	1	
3	PMO-HOUSING UPPER ADF	002N02094	1	
4	PMO-COVER GEAR	002N02095	1	
5	PMO-TRAY INPUT DOC	050N00411	1	
6	AS ELA HOU-OPE ASS'Y		1	NOT SPARED
7	PCT-COVER LCD	002N02096	1	
8	CBF HARNESS-OPE		1	NOT SPARED
9	AS-HOU LOWER ASS'Y	002N02097	1	
10	PMO-TRAY LINK, MP		1	NOT SPARED
11	IPR B/K JOINT COVER	002N02098	2	

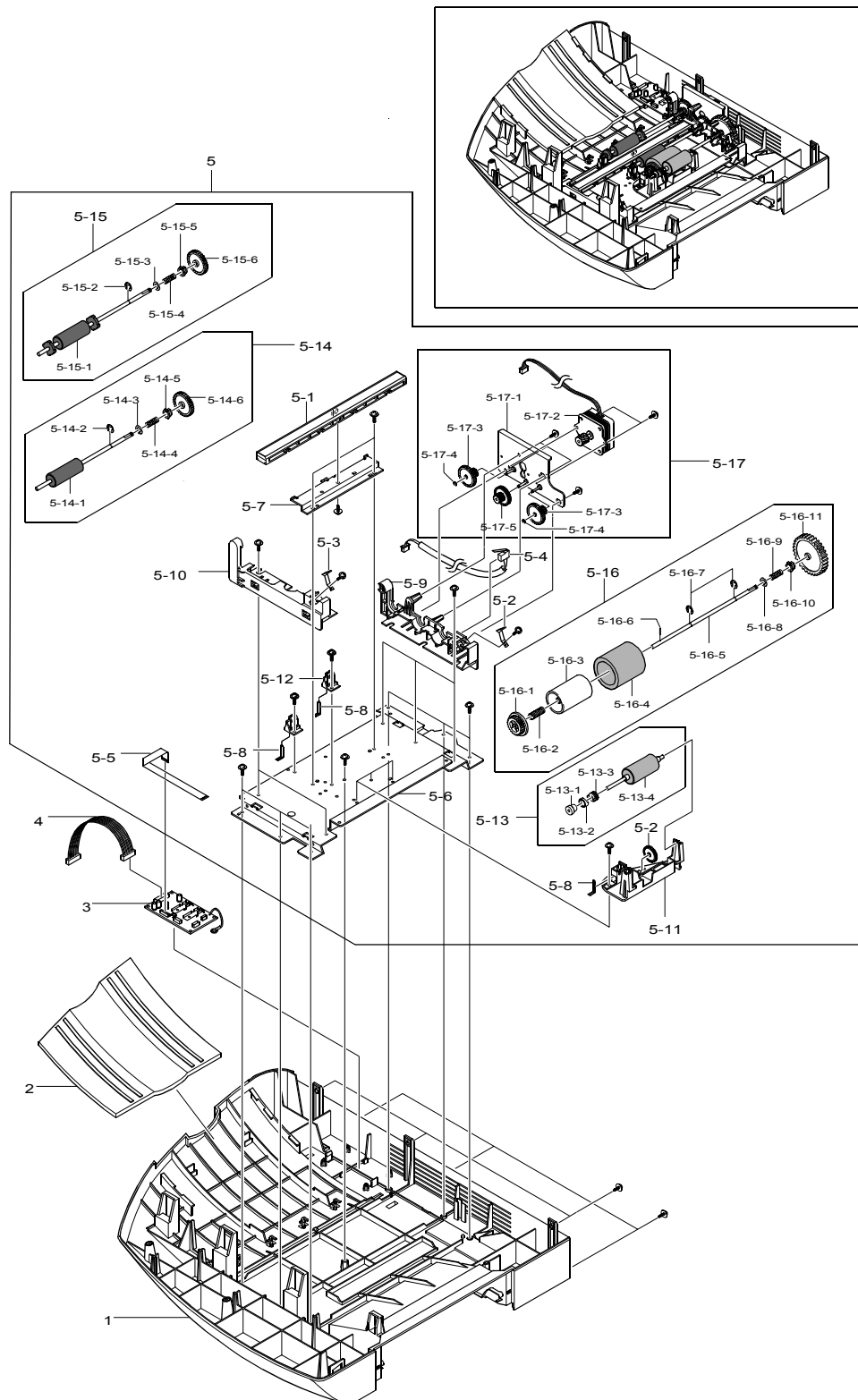
8-16. Верхний узел ADF (FaxCentre F12)



8-16-1 Список частей верхнего узла ADF (FaxCentre F12)

ПОЗ.	ОПИСАНИЕ	НОМЕР	К-ВО	ПРИМЕЧАНИЯ
1	PMO-COVER TOP	002N02099	1	
2	PMO-GUIDE UPPER	032N00376	1	
3	PMO-ACTUATOR SCAN	120N00411	1	
4	CBF HARNESS-ADF POS SCAN ASS'Y	152N01988	1	
5	PMO-ACTUATOR DOC	120N00412	1	
6	PBA SUB-ADF DET SEN		1	NOT SPARED
7	SPRING ETC-PICK UP MP	009N01407	2	
8	ICT-SHAFT IDLE ROLLER	022N01559	2	
9	MEC IDLE ROLLER	022N01560	2	
10	MEC-BRUSH ANTISTATIC		1	NOT SPARED
11	IPR-SPRING IDLE ROLLER	022N01561	1	
12	IPR-GROUND EXTENSION	001N00396	1	
13	SPRING ETC-PAPER OUT	009N01408	1	
14	PMO-HOLDER PICK UP	019N00660	1	
15	PMO-SPRING ADF SET	009N01409	1	
16	IPR-BRKT WHITE BAR		1	NOT SPARED
17	MEA HOU-PRESSER ADF ASSY	002N02100	1	
17-1	PMO-HOLDER ADF		1	NOT SPARED
17-2	IPR-SPRING ADF1		1	NOT SPARED
17-3	IPR-SPRING ADF2		1	NOT SPARED
17-4	PPR-FILM ADF2		1	NOT SPARED
17-5	SILICON/RUBBER-PAD ADF		1	NOT SPARED
17-6	PPR-FILM ADF1		1	NOT SPARED
17-7	RIVET-SNAP		2	NOT SPARED
18	PPR-WHITE BAR SHEET		1	NOT SPARED
19	IPR-WHITEBAR	025N00079	1	

8-17. Нижний узел сканера (FaxCentre F12)



8-17-1 Список частей нижнего узла сканера (FaxCentre F12)

ПОЗ.	ОПИСАНИЕ	НОМЕР	К-ВО	ПРИМЕЧАНИЯ
1	PMO-HOUSING LOWER ADF	002N02101	1	
2	PMO-TRAY EXIT DOC	050N00412	1	
3	AS-SCAN PBA	140N06057	1	
4	CBF HARNESS-MAIN-ENGINE	152N01989	1	
5	AS-ADF LOWER ASSY	022N01562	1	
5-1	CONTACT IMAGE SENSOR	130N01251	1	
5-2	GEAR-PICK UP IDEL 38	007N01179	1	
5-3	IPR-LOKER TX	130N01252	2	
5-4	CBF HARNESS-COVER SW	152N01990	1	
5-5	CBF FLAT CBL-FFC	117N01593	1	
5-6	IPR-BRKT BASE	030N00630	1	
5-7	IPR-BRKT CIS	030N00631	1	
5-8	IPR-GROUND SHAFT	006N01183	3	
5-9	PMO-FRAME SIDE L	001N00397	1	
5-10	PMO-FRAME SIDE R	001N00398	1	
5-11	PMO-BRACKET PICK UP	030N00632	1	
5-12	PMO-HOLDER SHAFT	019N00661	2	
5-13	MEA HOU-PICK UP ASS'Y	002N02102	1	
5-13-1	PMO-BUSHING PICK UP		1	NOT SPARED
5-13-2	PMO-PICK UP CLUTCH SUB		1	NOT SPARED
5-13-3	GEAR-PICK UP		1	NOT SPARED
5-13-4	MEC-ROLLER PICK UP		1	NOT SPARED
5-14	MEA HOU-ROLLER SCAN ASS'Y	002N02103	1	
5-14-1	MEC-ROLLER SCAN		1	NOT SPARED
5-14-2	RING-E		1	NOT SPARED
5-14-3	WASHER-PLAIN		1	NOT SPARED
5-14-4	SPRING ETC-SHAFT		1	NOT SPARED
5-14-5	PMO-BUSHING SHAFT		1	NOT SPARED
5-14-6	GEAR-AGITATOR_1		1	NOT SPARED
5-15	MEA ETC-ROLLER EXIT ASS'Y	022N01563	1	
5-15-1	MEC-ROLLER EXIT		1	NOT SPARED
5-15-2	RING-E		1	NOT SPARED
5-15-3	WASHER-PLAIN		1	NOT SPARED
5-15-4	SPRING ETC-SHAFT		1	NOT SPARED
5-15-5	PMO-BUSHING SHAFT		1	NOT SPARED
5-15-6	GEAR-AGITATOR_1		1	NOT SPARED

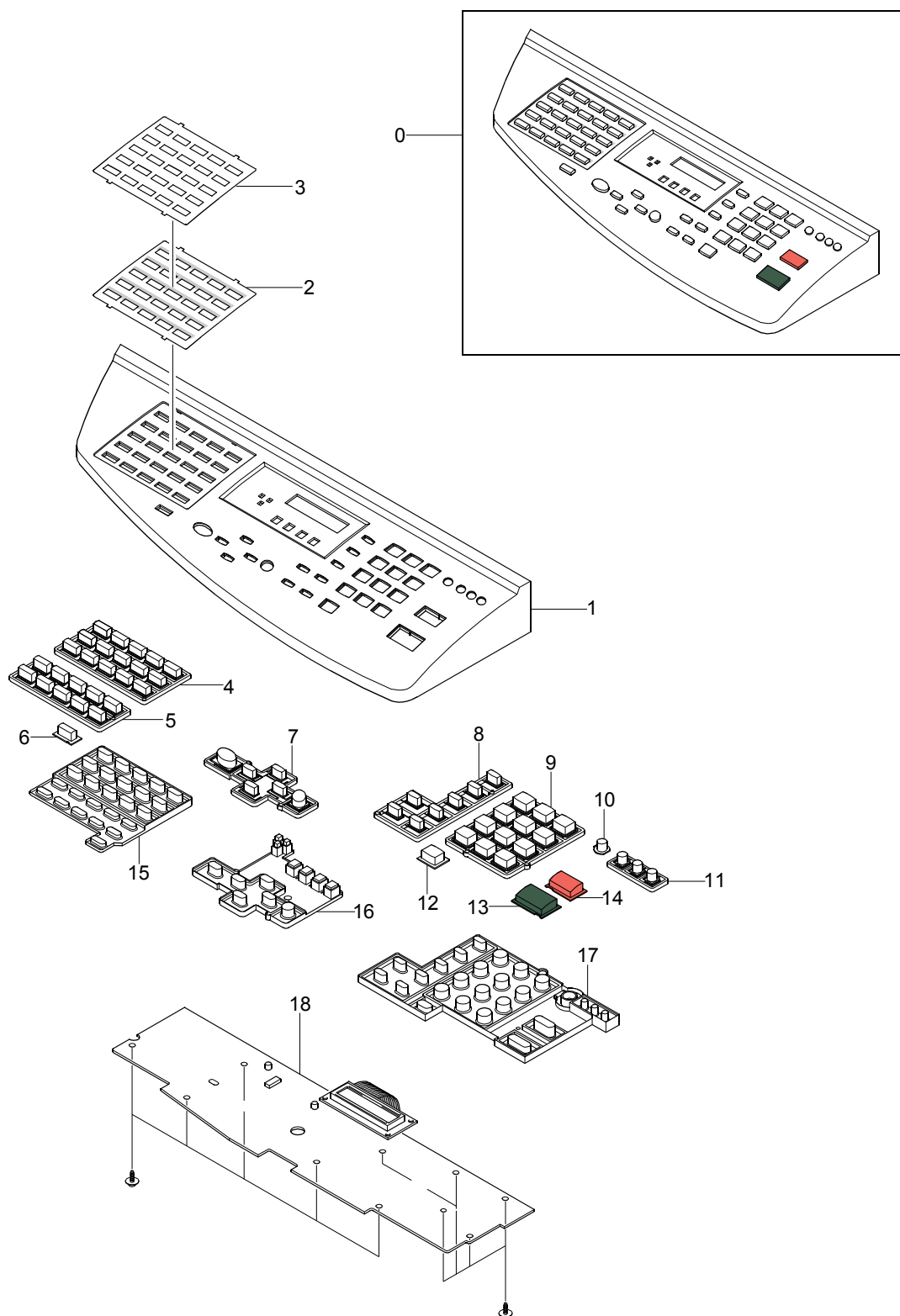
8-17-1 Список частей нижнего узла сканера (FaxCentre F12) - продолжение

ПОЗ.	ОПИСАНИЕ	НОМЕР	К-ВО	ПРИМЕЧАНИЯ
5-16-1	GEAR-ADF ROLL		1	NOT SPARED
5-16-2	SPRING ETC-CLUTCH		1	NOT SPARED
5-16-3	PMO-SLEEVE ADF		1	NOT SPARED
5-16-4	MEC-ROLLER ADF		1	NOT SPARED
5-16-5	ICT-SHAFT ADF		1	NOT SPARED
5-16-6	ICT-PIN ADF		1	NOT SPARED
5-16-7	RING-E		2	NOT SPARED
5-16-8	WASHER-PLAIN		1	NOT SPARED
5-16-9	SPRING ETC-SHAFT		1	NOT SPARED
5-16-10	PMO-BUSHING SHAFT		1	NOT SPARED
5-16-11	GEAR-ADF	007N01180	1	
5-17	AS-MOTOR ASSY	127N01419	1	
5-17-1	IPR-BRKT GEAR		1	NOT SPARED
5-17-2	MOTOR-STEPPING HELICAL		1	NOT SPARED
5-17-3	GEAR-REDUCTION 45/19		2	NOT SPARED
5-17-4	RING-C		2	NOT SPARED
5-17-5	GEAR-RDCN 4316		1	NOT SPARED

Перечень запасных частей

Пустая страница

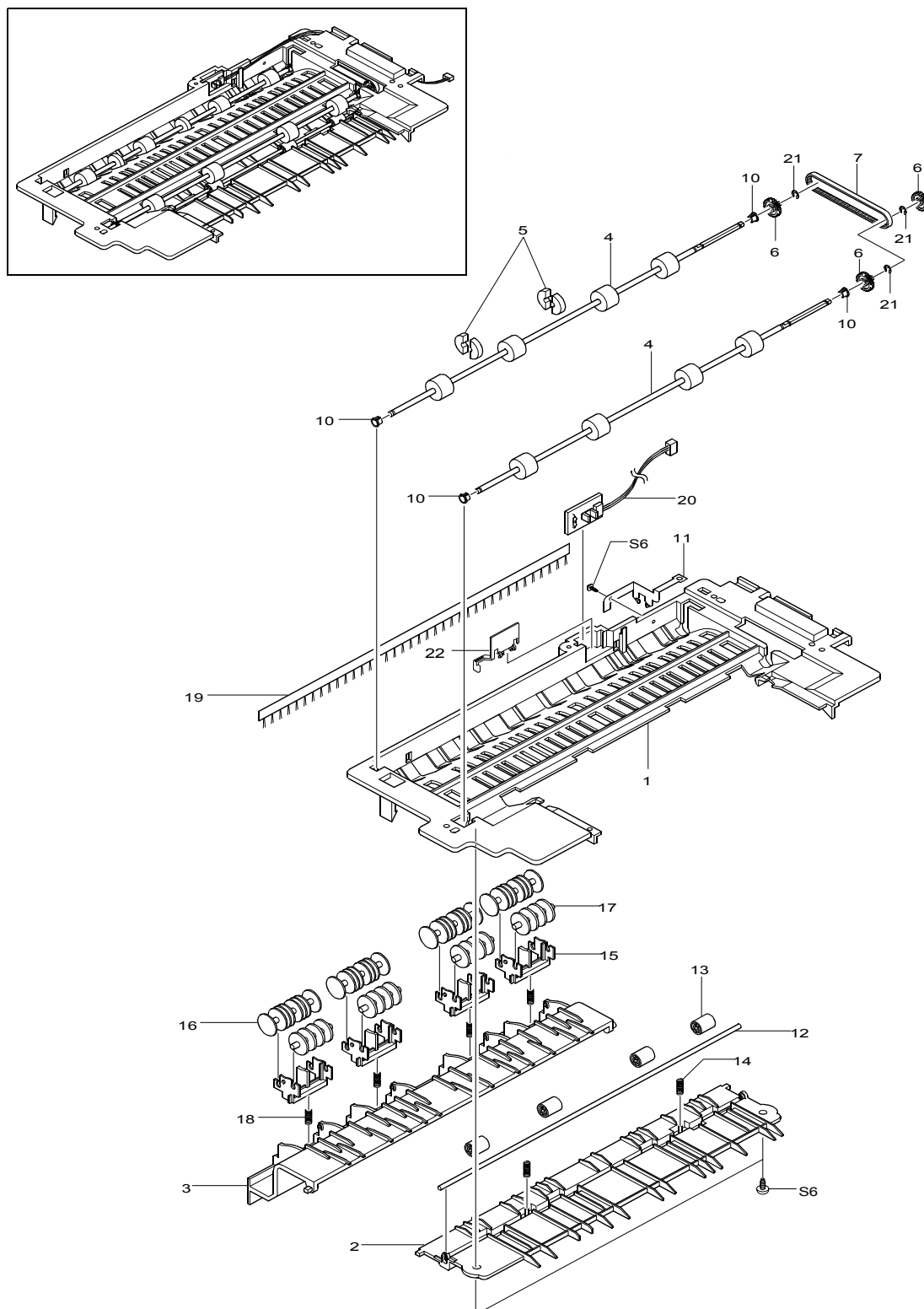
8-18. Узел панели управления (FaxCentre F12)



8-18-1 Список частей узла панели управления (FaxCentre F12)

ПОЗ.	ОПИСАНИЕ	НОМЕР	К-ВО	ПРИМЕЧАНИЯ
0	AS-OPE-ASS'Y	002N02105	1	
1	PMO-OPE COVER	002N02106	1	
2	PCT-PAPER MEMORY	091N00691	1	
3	PCT-CARD MEMORY	091N00692	1	
4	PMO-KEY MEMORY(A)	029N00306	1	
5	PMO-KEY MEMORY(B)	029N00307	1	
6	PMO-KEY SHIFT	029N00308	1	
7	PMO-KEY SCROLL	029N00322	1	
8	PMO-KEY FUNCTION	029N00310	1	
9	PMO-KEY TEL	029N00311	1	
10	PMO-KEY SAVE(T)	029N00312	1	
11	PMO-KEY SAVE	029N00313	1	
12	PMO-KEY OHD	029N00323	1	
13	PMO-KEY START	029N00315	1	
14	PMO-KEY STOP	029N00316	1	
15	RMO-KEY RUBBER MEMORY	029N00317	1	
16	RMO-KEY RUBBER NAVI	029N00318	1	
17	RMO-KEY RUBBER TEL	029N00319	1	
18	AS-OPE PBA	140N06058	1	

8-19. Узел выдачи (FaxCentre F12)

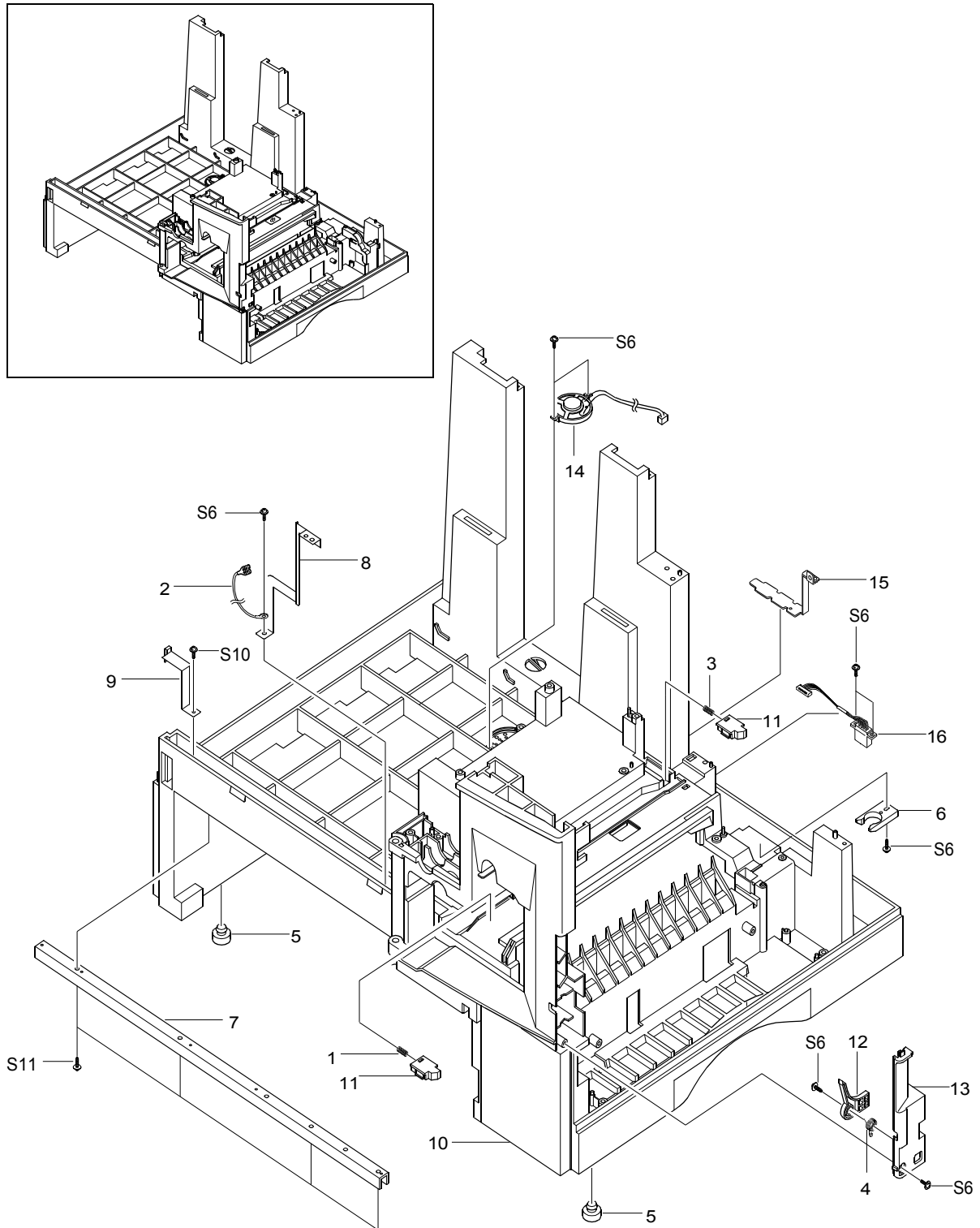


8-19-1 Список частей узла выдачи (FaxCentre F12)

ПОЗ.	ОПИСАНИЕ	НОМЕР	К-ВО	ПРИМЕЧАНИЯ
20	PBA SUB-BIN-FULL SENSOR	130N01253	1	
22	PMO-LEVER STACKING	011N00475	1	

ПРИМЕЧАНИЕ: Все остальные части идентичны частям WorkCentre Pro 412.
Обратитесь к **списку 8-6**.

8-20. Нижнее шасси (FaxCentre F12)

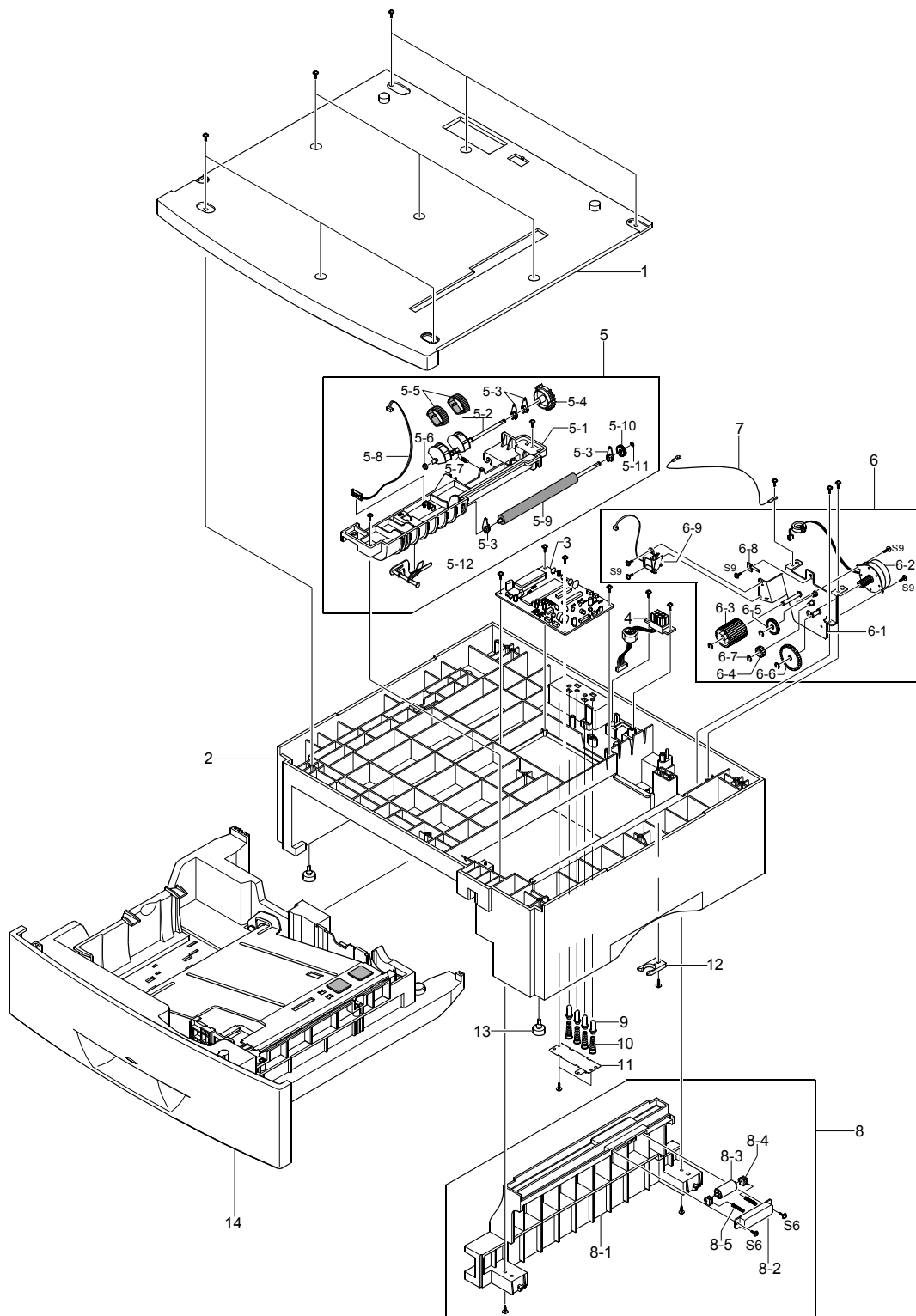


8-20-1. Список частей нижнего шасси (FaxCentre F12)

ПОЗ.	ОПИСАНИЕ	НОМЕР	К-ВО	ПРИМЕЧАНИЯ
15	IPR-GROUND PLATE SCF	015N00485	1	
16	CBF HARNESS SCF	152N01991	1	

ПРИМЕЧАНИЕ: Все остальные части идентичны частям WorkCentre Pro 412.
Обратитесь к **списку 8-9**.

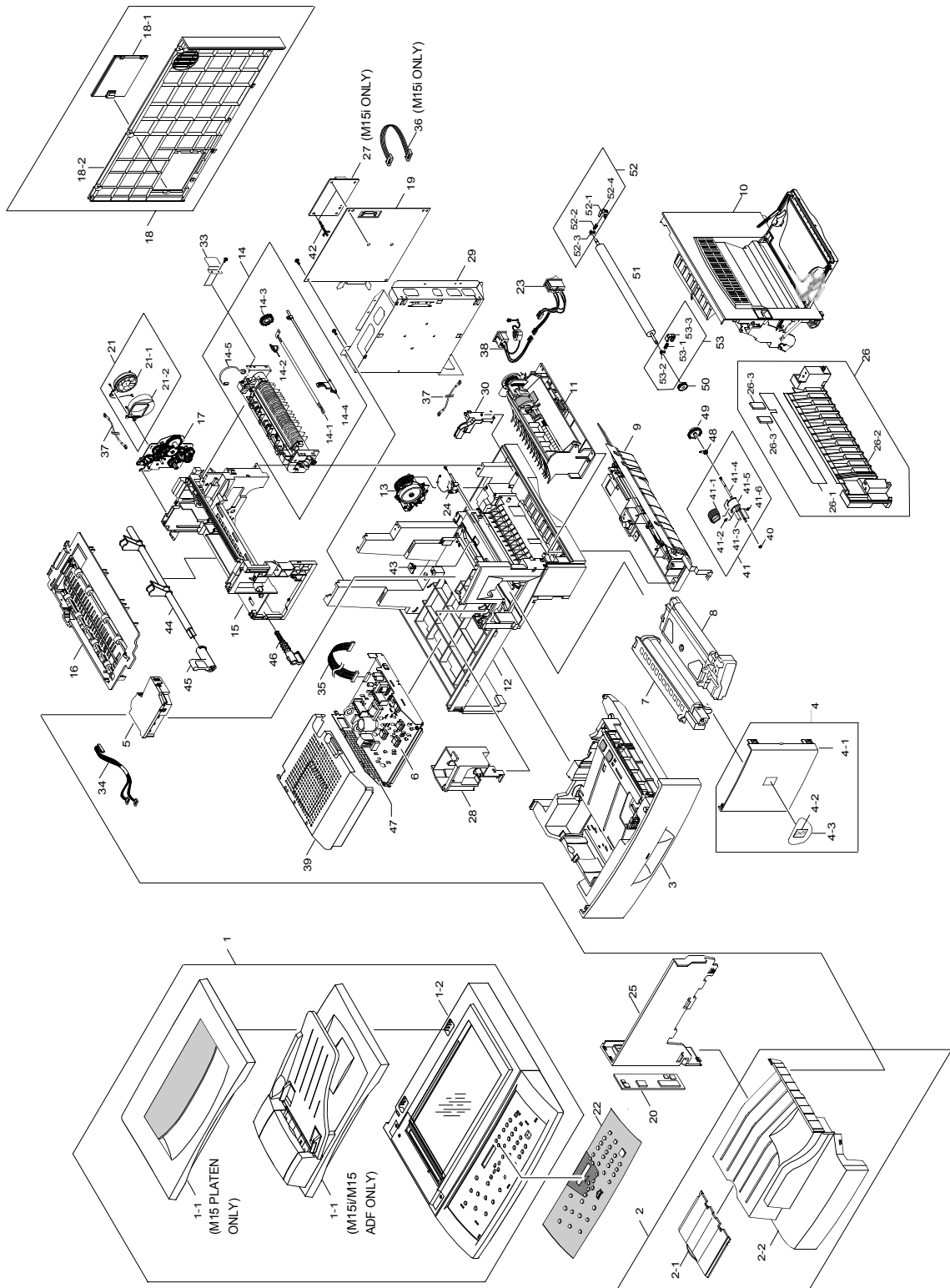
8-21. Узел SCF (FaxCentre F12)



8-21-1 Список частей узла SCF (FaxCentre F12 Unique)

ПОЗ.	ОПИСАНИЕ	НОМЕР	К-ВО	ПРИМЕЧАНИЯ
0	ELA UNIT-SCF ASS'Y	500N00099	1	ПО ВЫБОРУ
1	PMO-COVER TOP SCF		1	NOT SPARED
2	PMO-BASE FRAME-SCF		1	NOT SPARED
3	PBA MAIN-SCF	140N06059	1	
4	CBF HARNESS-SCF_8P	152N01992	1	
5	MEA ETC-GUIDE PAPERUPPER SCF	038N00381	1	
5-1	PMO-GUIDE PAPER UPPERSCF		1	NOT SPARED
5-2	PMO-SHAFT PICK UP		1	NOT SPARED
5-3	PMO-BEARING SHAFT		4	NOT SPARED
5-4	GEAR-PICK UP		1	NOT SPARED
5-5	RPR-RUBBER PICK UP		2	NOT SPARED
5-6	PMO-BUSHING_P/U,MP		1	NOT SPARED
5-7	SPRING ETC-PICKUP		1	NOT SPARED
5-8	PBA SUB-BIN_FULL_SEN.		1	NOT SPARED
5-9	RPR-ROLLER FEED SCF		1	NOT SPARED
5-10	GEAR-FEED (SCF)		1	NOT SPARED
5-11	RING-E		1	NOT SPARED
5-12	PMO-ACTUATOR EMPTY		1	NOT SPARED
6	ELA HOU-MOTOR SCF	127N01420	1	
6-1	IPR-BRKT GEAR		1	NOT SPARED
6-2	MOTOR-SCF		1	NOT SPARED
6-3	GEAR-P/UP DRV SCF		1	NOT SPARED
6-4	GEAR-IDLER OPTION		1	NOT SPARED
6-5	GEAR-IDLE(Z=30)		1	NOT SPARED
6-6	GEAR-IDLE(SCF)		1	NOT SPARED
6-7	RING-E		4	NOT SPARED
6-8	IPR-GROUND_ROLLER		1	NOT SPARED
6-9	SOLENOID-PICK UP		1	NOT SPARED
7	CBF HARNESS-GND		1	NOT SPARED
8	ELA HOU-GUIDE PAPER LOWERSCF	038N00382	1	
8-1	PMO-GUIDE PAPER LOWER		1	NOT SPARED
8-2	PMO-HOLDER IDLE ROLL16		1	NOT SPARED
8-3	PMO-IDLE ROLLER SCF16		1	NOT SPARED
8-4	PMO-BUSH IDLE ROLL-SCF16		2	NOT SPARED
8-5	SPRING ETC-PAD		2	NOT SPARED
9	ICT-SHAFT HV LARGE	006N01184	4	
10	SPRING ETC-HV LARGE	009N01410	4	
11	IPR-PLATE GROUND(A)	015N00486	1	
12	CAM-CATCH	003N00867	1	
13	FOOT-ML80		2	NOT SPARED
14	MEC-CASSETTE ASS'Y	050N00393	1	

8-22. Основные узлы аппарата (WorkCentre M15/M15i)



8-22-1 Основной перечень частей (WorkCentre M15/M15i)

ПОЗ.	ОПИСАНИЕ	НОМЕР	К-ВО	ПРИМЕЧАНИЯ
1	SCANNER ASS'Y	002N02158	1	WORKCENTRE M15i
1	SCANNER ASS'Y	002N02159	1	WORKCENTRE M15 ADF
1	SCANNER ASS'Y	002N02160	1	WORKCENTRE M15 PLATEN
2	MEA UNIT-COVER PA EXIT ASS'Y	002N02107	1	
2-1	PMO-TRAY EXTENTION MP NE	050N00392	1	
3	MEC-CASSETTE ASS'Y (LETTER)	050N00418	1	
	MEC-CASSETTE ASS'Y (A4)	050N00419	1	
4	MEA UNIT-COVER FRONT ASS'Y	002N02161	1	
4-2	MPR-NAME/PLATE (XRX)	091N00699	1	
5	UNIT-LSU	062N00245	1	
6	SMPS-SMPS(V1)+HVPS	105N01464	1	110V
6	SMPS-SMPS(V2)+HVPS	105N01465	1	220V
9	ELA HOU-PICKUP ASS'Y	002N02162	1	
10	ELA HOU-SIDE COVER ASS'Y	002N02163	1	
14	ELA HOU-FUSER(110V)ASS'Y	108N00515	1	110V
	ELA HOU-FUSER(220V)ASS'Y	108N00516	1	220V
14-1	LAMP-HALOGEN (110V)	122N00222	1	110V
	LAMP-HALOGEN(220V)	122N00223	1	220V
17	ELA HOU-DRIVE ASS'Y	002N02164	1	
19	PBA MAIN-MAIN	140N06087	1	WORKCENTRE M15i
	PBA MAIN-MAIN	140N06088	1	WORKCENTRE M15

8-22-1 Основной перечень частей (WorkCentre M15/M15i) - продолжение

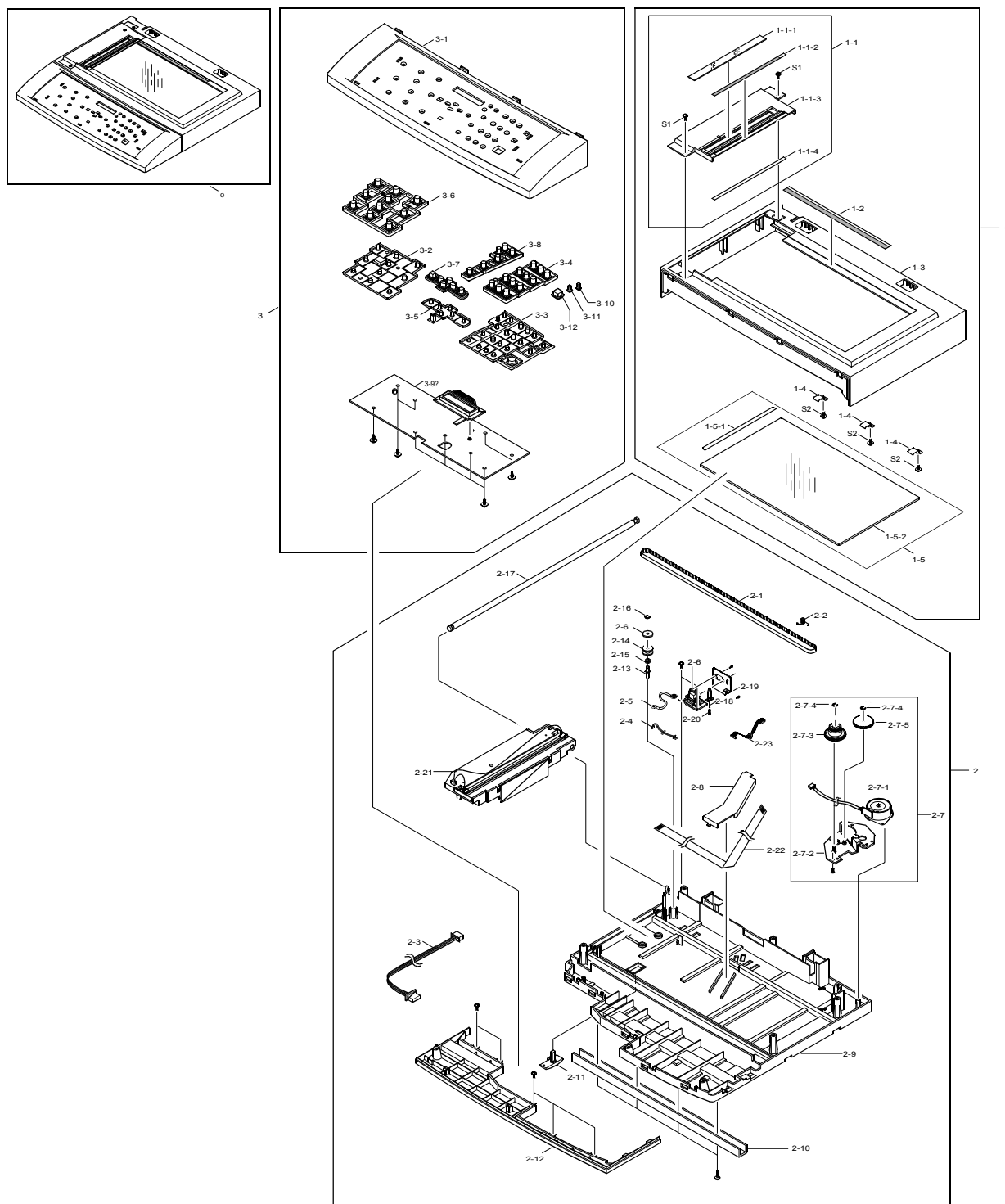
ПОЗ.	ОПИСАНИЕ	НОМЕР	К-ВО	ПРИМЕЧАНИЯ
22	SHEET-OVERLAY(ENGLISH)	096P11700	1	WORKCENTRE M15i
	SHEET-OVERLAY(ENGLISH)	096P11800		WORKCENTRE M15
	SHEET-OVERLAY(FRENCH)	096P11701		WORKCENTRE M15i
	SHEET-OVERLAY(FRENCH)	096P11801		WORKCENTRE M15
	SHEET-OVERLAY(GERMAN)	096P11702		WORKCENTRE M15i
	SHEET-OVERLAY(GERMAN)	096P11802		WORKCENTRE M15
	SHEET-OVERLAY(ITALIAN)	096P11704		WORKCENTRE M15i
	SHEET-OVERLAY(ITALIAN)	096P11804		WORKCENTRE M15
	SHEET-OVERLAY(SPANISH)	096P11707		WORKCENTRE M15i
	SHEET-OVERLAY(SPANISH)	096P11807		WORKCENTRE M15
	SHEET-OVERLAY(PORTUGUESE)	096P11706		WORKCENTRE M15i
	SHEET-OVERLAY(PORTUGUESE)	096P11806		WORKCENTRE M15
	SHEET-OVERLAY(FINNISH)	096P11709		WORKCENTRE M15i
	SHEET-OVERLAY(FINNISH)	096P11809		WORKCENTRE M15
	SHEET-OVERLAY(DUTCH)	096P11703		WORKCENTRE M15i
	SHEET-OVERLAY(DUTCH)	096P11803		WORKCENTRE M15
	SHEET-OVERLAY(DANISH)	096P11708	1	WORKCENTRE M15i
	SHEET-OVERLAY(DANISH)	096P11808		WORKCENTRE M15
	SHEET-OVERLAY(NORWEGIAN)	096P11710		WORKCENTRE M15i
	SHEET-OVERLAY(NORWEGIAN)	096P11810		WORKCENTRE M15
	SHEET-OVERLAY(SWEDISH)	096P11711		WORKCENTRE M15i
	SHEET-OVERLAY(SWEDISH)	096P11811		WORKCENTRE M15
	SHEET-OVERLAY(GREEK/ENGLISH)	096P11705		WORKCENTRE M15i
	SHEET-OVERLAY(GREEK/ENGLISH)	096P11805		WORKCENTRE M15
41	MEA UNIT-PICKUP ROLLER	022N01599	1	
41-1	RUBBER-ROLLER PICKUP	022N01600	1	
41-5	HOUSING-PICK_UP	022N02165	1	

ПРИМЕЧАНИЕ: Все остальные части идентичны частям WorkCentre Pro 412.
Обратитесь к **списку 8-1**.

Перечень запасных частей

Пустая страница

8-23. Узел стекла экспонирования (WorkCentre M15/M15i)



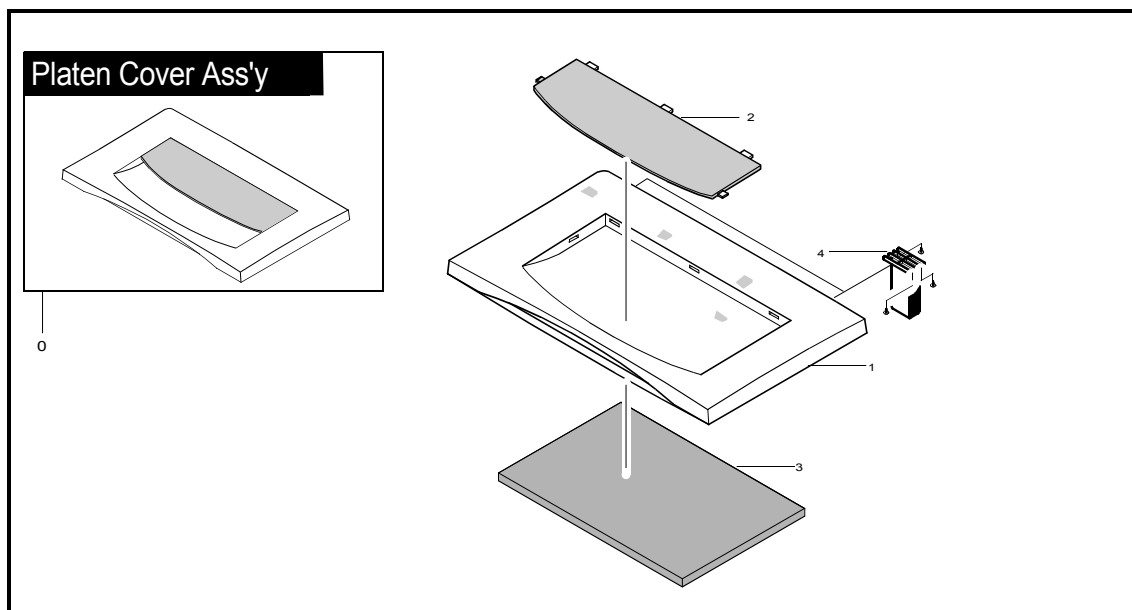
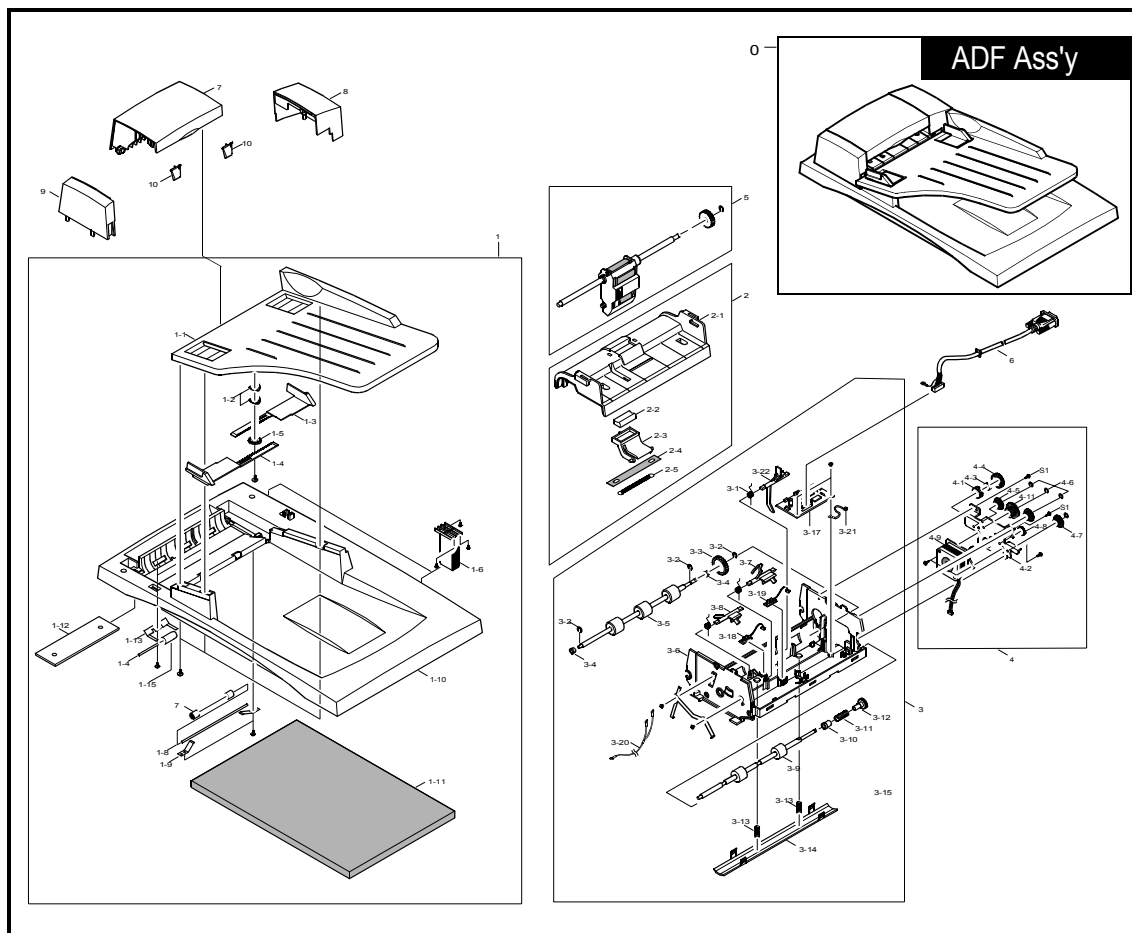
8-23-1 Список частей узла стекла экспонирования (WorkCentre M15/M15i)

ПОЗ.	ОПИСАНИЕ	НОМЕР	К-ВО	ПРИМЕЧАНИЯ
1	MEA UNIT-SCAN UPPER ASS'Y	002N02175	1	
2-6	PBA SUB-D SUB		1	NOT SPARED
2-7	ELA HOU-SCAN MOTOR	002N02176	1	
2-8	COVER-M-CCD CABLE		1	NOT SPARED
2-18	PMO-LEVER SENSOR	011N00473	1	
2-20	SPRING ETC-EXIT		1	NOT SPARED
21	ELA HOU-CCD MODULE	002N02166	1	
2-22	CBF SIGNAL-CCD FFC	117N01605	3	
3	ELA HOU-OPE CVER ASS'Y	002N02167		WORKCENTRE M15i
	ELA HOU-OPE CVER ASS'Y	002N02168		WORKCENTRE M15
3-4	PMO-KEY TEL	029N00327	1	
3-6	PMO-KEY FUNCTION(A)	029N00328	1	NOT SPARED
	PMO-KEY FUNCTION(C)	029N00329	1	NOT SPARED
3-7	PMO-KEY SCROLL	029N00330	1	
3-8	PMO-KEY FUNCTION(B)	029N00331	1	WORKCENTRE M15i
3-11	PMO-KEY STOP	029N00332	1	
3-12	PMO-KEY START	029N00333	1	

ПРИМЕЧАНИЕ: Все остальные части идентичны частям WorkCentre Pro 412.

Обратитесь к **списку 8-2**.

8-24. Узел ADF и узел крышки стекла экспонирования (WorkCentre M15/M15i)

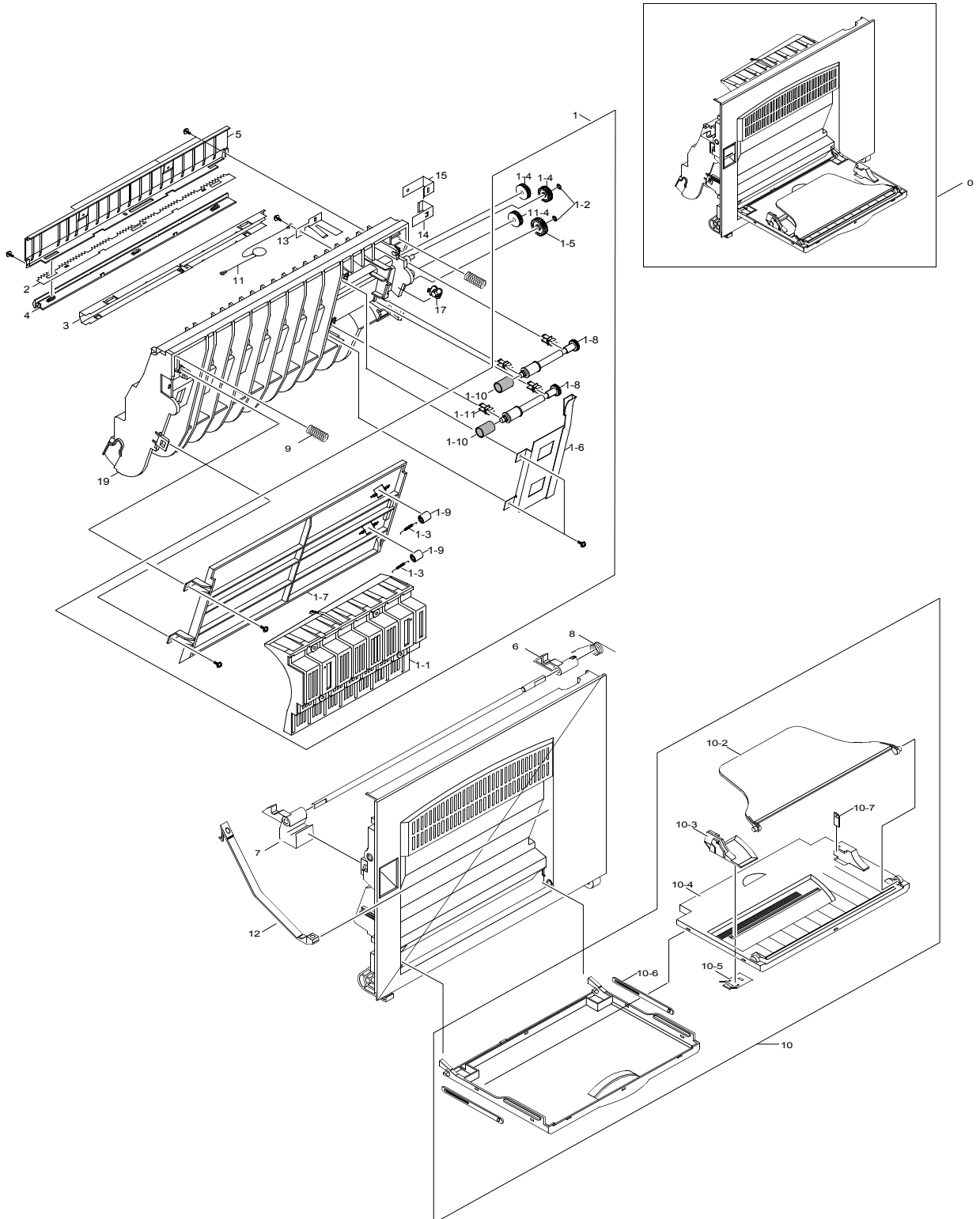


8-24-1 Список частей узла ADF и узла крышки стекла экспонирования (WorkCentre M15/M15i)

ПОЗ.	ОПИСАНИЕ	НОМЕР	К-ВО	ПРИМЕЧАНИЯ
1	MEC UNIT-PLATEN COVER ASS'Y	002N02169	1	
1-3	PMO-DOC GUIDE L	038N00398	1	
1-4	PMO-DOC GUIDE R	038N00397	1	
1-6	MEA UNIT-HINGE	003N00882	1	
11	MEA UNIT-PLATEN COVER ASS'Y(C)	002N02170	1	WORKCENTER M15 PLATEN ONLY
12	PMO-COVER PLATEN(C)		1	
13	PMO-COVER DUMMY PLATEN	090N00154	1	
14	PPR-SPONG SHEET		3	
15	MEA UNIT-HINES ASS'Y(C)	003N00880	1	

ПРИМЕЧАНИЕ: Все остальные части идентичны частям WorkCentre Pro 412.
Обратитесь к **списку 8-3**.

8-25. Узел боковой крышки (WorkCentre M15/M15i)

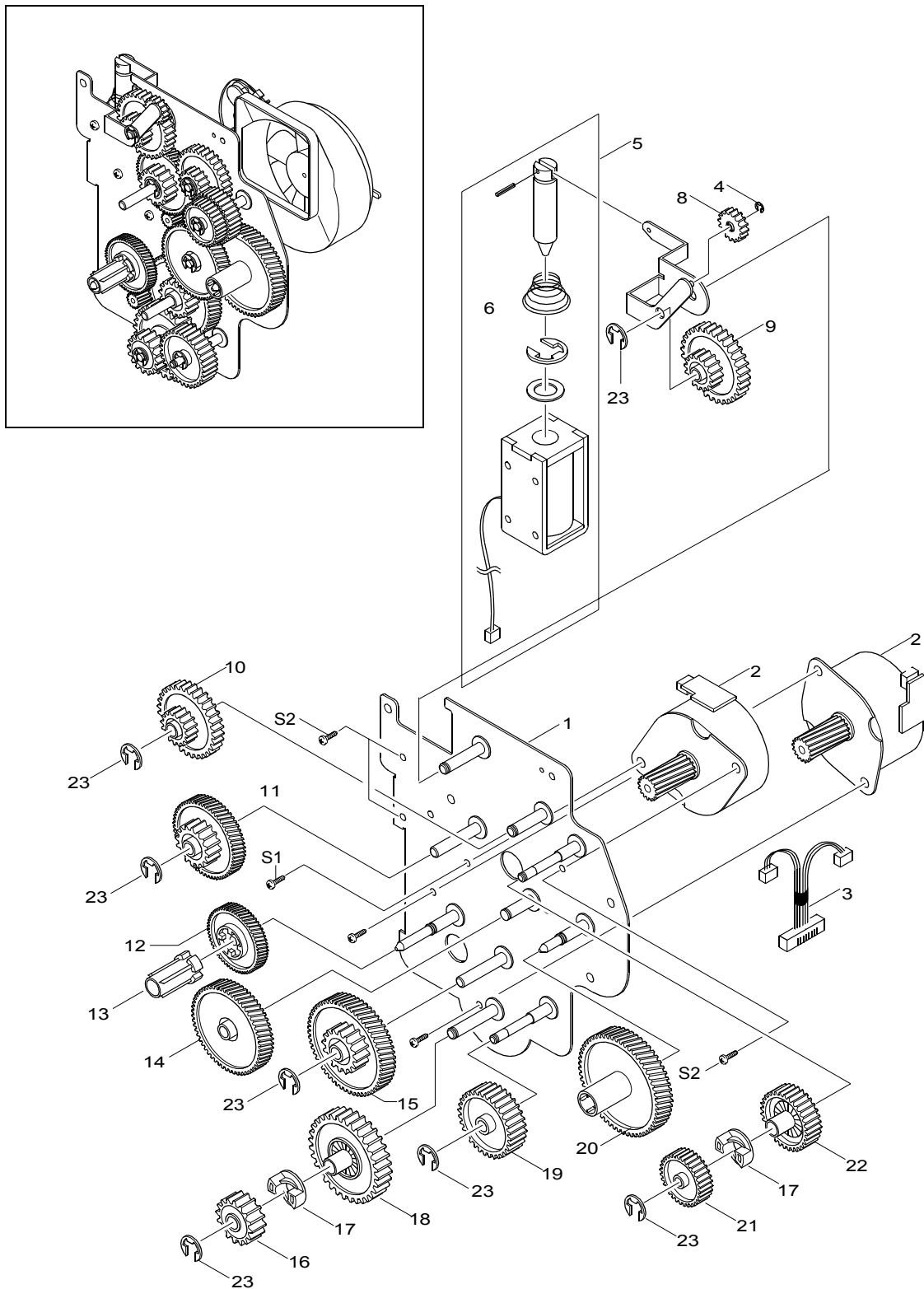


8-25-1 Список частей узла боковой крышки (WorkCentre M15/M15i)

ПОЗ.	ОПИСАНИЕ	НОМЕР	К-ВО	ПРИМЕЧАНИЯ
7	PMO-LOCKER OPEN	019N00677	1	

ПРИМЕЧАНИЕ: Все остальные части идентичны частям WorkCentre Pro 412.
Обратитесь к **списку 8-4**.

8-26. Узел привода (WorkCentre M15/M15i)

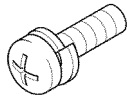
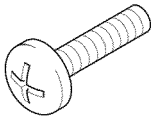
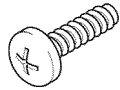
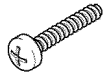
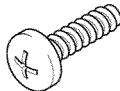
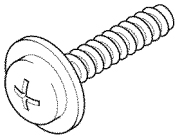
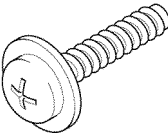
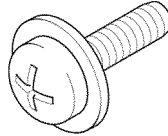
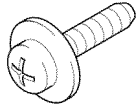


8-26-1 Список частей узла привода (WorkCentre M15/M15i)

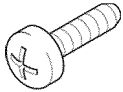
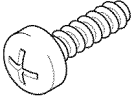
ПОЗ.	ОПИСАНИЕ	НОМЕР	К-ВО	ПРИМЕЧАНИЯ
0	ELA HOU-DRIVE ASS'Y	002N02177	1	
2	MOTOR-STEP	127N01443	1	

ПРИМЕЧАНИЕ: Все остальные части идентичны частям WorkCentre Pro 412.
Обратитесь к **списку 8-11**.

8-27. Винты

ПОЗ.	ОПИСАНИЕ	СПЕЦИФИКАЦИЯ	
S1	SCREW-ASS'Y MACH	"WS,PH,+,M3,L6,ZPC(YEL),MSWR15"	
S2	SCREW-MACHINE	"PH,+,M3,L8,NI PLT,SM20C,-"	
S3	SCREW-TAPPING	"PWH,+,2,M3,L8,ZPC(YEL),SM20C"	
S4	SCREW-TAPPING	"PH,+,2,M2,L8,ZPC(YEL),SM20C"	
S5	SCREW-TAPTITE	"BH,+,B,M3,L8,CBLACK,SWRCH18A"	
S6	SCREW-TAPTITE	"PWH,+,B,M3,L10,NI PLT,SWRCH18A"	
S7	SCREW-TAPTITE	"PWH,+,B,M3,L12,ZPC(YEL),SWRCH1"	
S8	SCREW-TAPTITE	"PWH,+,S,M4,L8,ZPC(YEL),SWRCH18"	
S9	SCREW-TAPTITE	"PWH,+,S,M3,L6,ZPC(YEL),SWRCH18"	

Перечень запасных частей

ПОЗ.	ОПИСАНИЕ	СПЕЦИФИКАЦИЯ	
S10	SCREW-TAPTITE	"BH,+,S,M3,L6,ZPC(YEL),SWRCH18A"	
S11	SCREW-TAPTITE	"BH,+,B,M4,L10,NI PLT,SWRCH18A"	
S12	SCREW-TAPPING	"PH,+,2,M3,L8,ZPC(YEL),SM20C"	
S13	SCREW-TAPTITE	"PWH,+,S,M3,L8,ZPC(YEL),SWRCH18"	