

### Section Contents

**Parts List Introduction** ..... 5-2

**Part Name Listing** ..... 5-3

### Input Power

PL 1.1 AC Input and LVPS ..... 5-4

### Control Console

PL 2.1 Control Panel Assembly ..... 5-6

### Run Control

PL 3.1 Middle Frame Assembly / Main PWB ..... 5-8

PL 3.2 Printer Control PWB ..... 5-10

PL 3.3 LCU PWB ..... 5-12

PL 3.4 Relay PWB ..... 5-14

### Covers And Drives

PL 4.1 Covers ..... 5-16

PL 4.2 Top Cover Assembly ..... 5-18

PL 4.3 Lower Frame / Machine Front/Main Drive ... 5-20

PL 4.4 Lower Frame Complete ..... 5-22

### ADF

PL 5.1 Automatic Document Feeder and Scanner ... 5-24

### LASER

PL 6.1 Laser Assembly ..... 5-26

### Paper Supply

PL 7.1 Paper Tray ..... 5-28

### Paper Transportation

PL 8.1 Right Cover Assembly ..... 5-30

PL 8.2 Transfer Frame Assembly ..... 5-32

### Xerographics

PL 9.1 Xerographics / HVPS ..... 5-34

### Fusing

PL 10.1 Fuser ..... 5-36

### Accessories

PL 11.1 Auxiliary Tray ..... 5-38

### Hardware Kit

PL 12.1 Hardware Kit ..... 5-40

### Part Number Index

Part Number Index ..... 5-41

# Parts List Introduction

## Overview

The Parts List section provides exploded view illustrations of all spared subsystem components and a listing of the corresponding part numbers. The illustrations show the relationships between the parts.

## Organization of this Section

The Parts List section consists of the following elements:

### Parts Lists (PL)

Each item number in the part numbers listing corresponds to an item number in the illustration. All the parts in a given subsystem of the machine will be located in the same illustration or in a series of associated illustrations. The parts which are not spared are indicated by “-” in the Part column.

### Exploded View Illustrations

An item that is shown on an illustration has a corresponding listing within this section.

Components are given item numbers that correspond to the part number listings.

Hardware items are lettered. To identify the item, refer to the Common Hardware listing at the end of this section.

Assemblies and kits are a combination of several separate components. A bracket { } is used on the illustration when an assembly or kit is spared but is not shown. The item number of the assembly or kit precedes the bracket; the item numbers of the piece parts follow it.


## Common Hardware


The common hardware is listed in alphabetical order by the letter or letters used to identify each item in the hardware listing and in the illustrations. All hardware dimensions are in millimeters unless otherwise noted.

## Part Number Index

This index lists all the spared parts in the system in numerical order. Each number is followed by a reference to the parts list on which the part is found.

## Other Information

 This symbol indicates that there is a repair or removal procedure for that individual part or assembly in Section 4 of the service manual.

 This symbol indicates that there is a adjustment procedure for that individual part or assembly in Section 4 of the service manual.

## Abbreviations

Abbreviations are used in the parts lists and the exploded view illustrations to provide information in a limited amount of space. The following abbreviations are used in this manual:

- A - AMP
- P/J - Plug/Jack
- P/O - Part of
- PWB - Printed Wiring Board
- RX - Rank Xerox
- REF - Reference
- Tag/MOD - Tag/Modification
- USO - United States Operations
- W/ - With
- W/O - Without
- XCL - Xerox Canada Limited
- XLA - Xerox Latin America
- ACO - Americas Operations

## Tag/MODs

The notation “Tag/MOD” in the part description indicates that the item is the entire Tag/Mod. The notation “P/O Tag/MOD” indicates that the item is only part of a Tag change, or modification, to the equipment.

When a part or an assembly has a Tag/MOD associated with it, check the Tag/MOD Index in the General Procedures/Information, section 6 of this manual for the name and purpose of the modification.

In some cases a part or assembly may be spared in two versions: with the Tag/MOD and without the Tag/MOD. In those cases, use whichever part is appropriate for the configuration of the machine on which the part is to be installed. If the machine does not have a particular Tag/MOD and the only replacement part available is listed as “W/Tag/MOD,” install the Tag/MOD kit or all the piece parts. The Tag/MOD index tells you which kit or piece parts you need.

Whenever you install a Tag/Mod kit or all the piece parts that make up a Tag/MOD, mark the appropriate number on the Tag/MOD matrix.

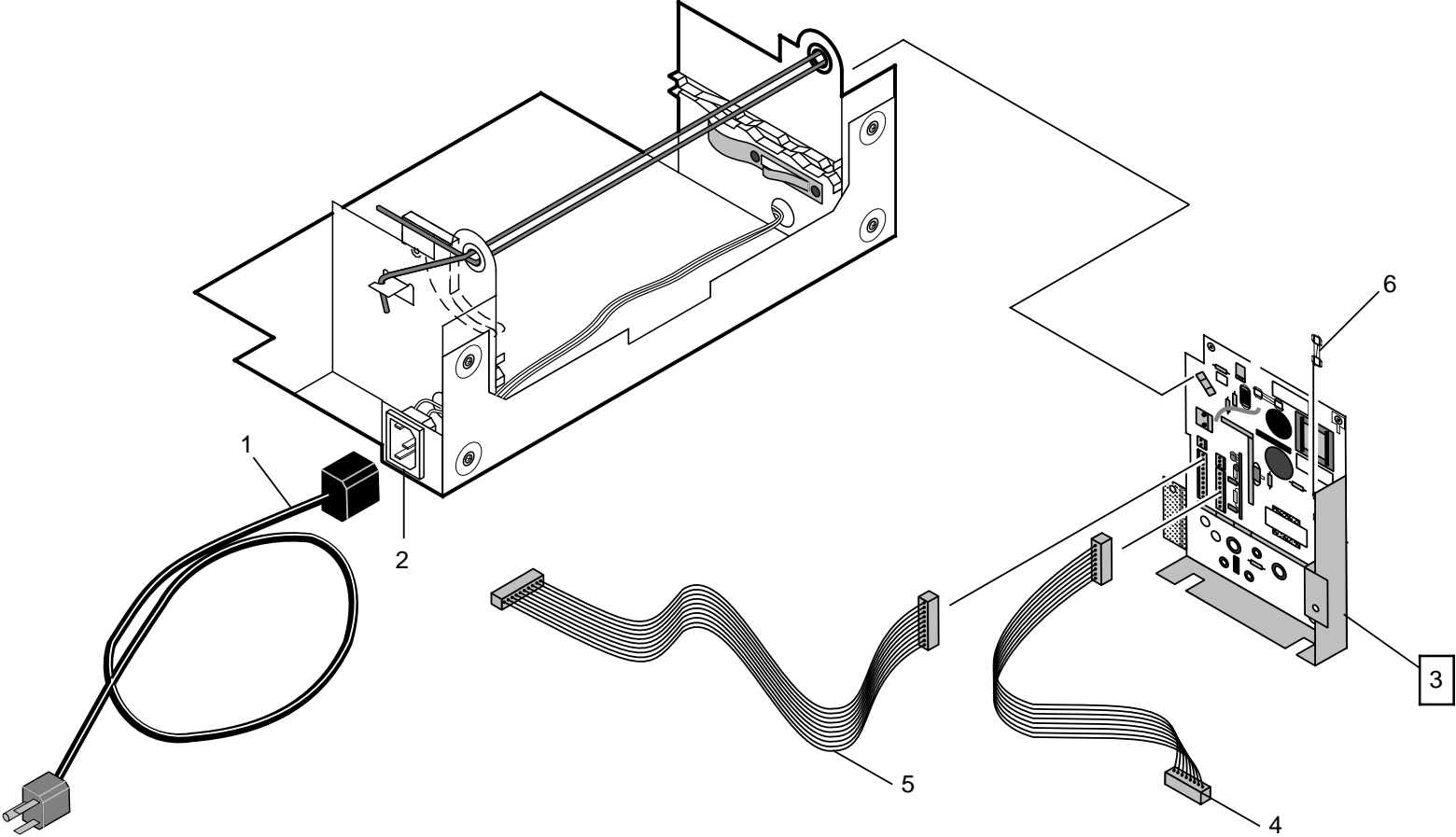
## Part Name Listing

AC Power Cord	5-5
AC Power Connector	5-5
ADF Input Tray	5-17
ADF Left Cover	5-19
ADF Left Cover Spring	5-19
ADF Lower Guide	5-25
ADF Motor	5-25
ADF Output Tray	5-17
ADF Roller Bushing	5-25
ADF Roller Shaft Assembly	5-25
ADF Rubber	5-25
ADF Sensor Assembly	5-25
Auxiliary Low Paper Sensor	5-39
Auxiliary Paper Tray Option	5-39
Auxiliary Relay PWB	5-39
Auxiliary Relay PWB Harness	5-39
Auxiliary Tray Door	5-39
Belt	5-21
Bracket Pin	5-21
Bypass Sensor	5-31
Bushing	5-33
CCD to Relay Harness	5-15
Caution Label	5-37
Charge Wire	5-35
Connection PWB	5-9
Control Panel Assembly	5-7
Control Panel Sheet	5-7
Cover Lock Guide	5-9
Cover Release Button	5-19
DAA	5-13
Detack Plate	5-33
Developer Guide F	5-23
Developer Guide R	5-23
Direct Access Label	5-7
Document Eject Roller	5-25
Document Feed Roller	5-25
Drum Guide Gnd Plate	5-33
Drum Ground Plate	5-23
Drum Cartridge	5-35
Dust Protect Glass	5-23
DVP Push Plate	5-31
Electrode Cover	5-23
Electrode Pin	5-23
Electrode Spring	5-23
Exit Drive Roller	5-37
Exit Drive Roller Gear	5-37
Exit Idler Roller	5-37
Exit Roller Bushing, F	5-37
Exit Roller Bushing, R	5-37
Exit Roller Spring	5-37
Fan, Ozone	5-23
Feed Roller Bushing, LH	5-31
Feed Roller Bushing, RH	5-31
Feed Roller Gear	5-25, 31
Foot, Left	5-21

Foot, Right	5-21
Front Cover	5-17
Fuse F1	5-5
Fuse F2	5-5
Fuser Cover	5-37
Fuser Idler Gear	5-37
Fuser Unit	5-37
Gear Box Assembly	5-21
Gear Cover	5-23
Handset	5-17
Handset Cradle	5-17
Heat Lamp	5-37
Heat Roller	5-37
Heat Roller Gear	5-37
Heat Roller Bushing	5-37
Heat Roller Ring	5-37
HVPS	5-35
HVPS to Relay PWB Harness	5-35
Idler Gear 1	5-25
Idler Gear 2	5-25
Idler Gear 3	5-21, 23, 25
Idler Gear 4	5-21, 23, 25
Idler Gear 9	5-23
Idler Gear 10	5-23
Idler Gear 11	5-23
Idler Gear 12	5-23
Knob Spring	5-19
Lamp Guide	5-37
LASER Assembly	5-27
LASER Cover	5-27
Laser to Printer Control Harness	5-27
LCD Assembly	5-7
LCU PWB	5-13
Low Paper Sensor	5-23
LVPS	5-5
LVPS to Main Harness	5-5
LVPS to Printer Control Harness	5-5
Magnet	5-19
Main Battery	5-9
Main PWB	5-9
Main PWB Guide	5-9
Main/Relay/LCU Harness	5-9
Main ROM Kit	5-9
Modular Jack Cover	5-17
Motor Ground Plate	5-25
No Paper Actuator	5-11, 39
One Touch Label	5-7
One Touch Door	5-7
Optics Assembly	5-25
Option Drive Bracket	5-21
Option Drive Gear	5-21
Option Gear Assembly	5-21
Ozone Filter	5-17
P9 Pin	5-23
Paper Exit Switch	5-37
Paper Feed Roller	5-31
Paper Guide	5-33

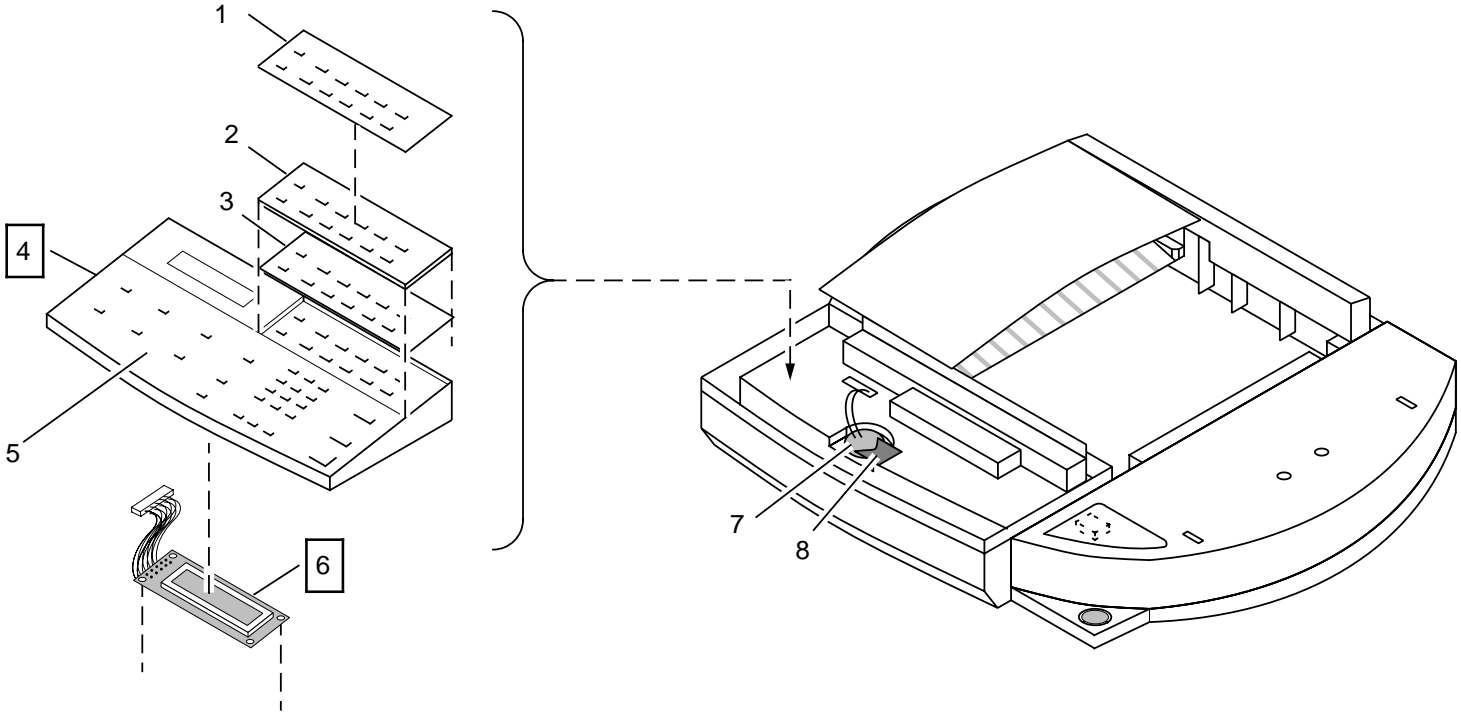
Paper Guide, Right	5-31
Paper Trays	5-29
Phone Cable	5-13
Pick Clutch	5-23
Pick Roller	5-23
Pick Roller Bushing	5-23
Pick Shaft Ground Plate	5-23
Pressure Roller	5-37
Pressure Roller Bushing	5-37
Pressure Roller Spring	5-37
Print Output Tray Assembly	5-17
Print Registration Sensor	5-33
Printer Interlock Sensor	5-23
Printer Control PWB	5-11
Printer Option Parallel Cover	5-9
Printer Option PWB	5-9
Printer Output Cover	5-17
PWB Ground Plate	5-9
Rear Cover	5-17
Registration and Bypass Sensor Harness	5-33
Registration Clutch	5-33
Registration Clutch Harness	5-33
Registration Drive Roller	5-33
Registration Roller	5-33
Relay PWB	5-15
Roller Bushing	5-25
Scan Guide Sheet	5-25
Scanner Glass	5-25
Shaft Ground Plate	5-25
Speaker Assembly	5-7
Speaker Bracket	5-7
Spring	5-33
Swing Arm	5-23
Swing Arm Spring	5-23
Tag Matrix Label	5-19
Thermistor Sensor	5-37
Thermostat	5-37
Toner Bias Plate	5-23
Toner Cartridge	5-35
Toner Cartridge	5-35
Toner Knob	5-23
Top Cover	5-19
Top Cover Right Cap	5-19
Top Latch Assembly	5-31
Top Left Cap Cover	5-19
Torsion Bar Bushing	5-9
Transfer Corotron Plate	5-33
Transfer Frame	5-33
Transfer Frame Spring	5-25
Transfer Push Plate	5-25
Transfer Tape	5-33
Transfer Wire	5-33
Transfer Wire Contact	5-33
Tray Slide Cover	5-29, 39
Tray Slide Guide	5-29, 39
Two Meg Option PWB	5-9
Upper ADF Assembly	5-25

PL 1.1 AC Input and LVPS



<b>Item</b>	<b>Part</b>	<b>Description</b>
1	117P80447	AC Line Cord (110 VAC)
	152S05108	AC Power Cord (220 VAC) (SE, IT, FR, DE, AT, BE, FI, GR, ND, NO, PT, ES, ES, EEO/RegB)
	152S05109	AC Power Cord (220 VAC) (UK, IE)
	152S05110	AC Power Cord (220 VAC) (DK)
	152S05111	AC Power Cord (220 VAC) (CH)
2	114E06020	AC Power Connector
3	105K13110	Low Voltage Power Supply (LVPS) (110 VAC)
	105K13120	Low Voltage Power Supply (LVPS) (140 VAC)
	105K13690	Low Voltage Power Supply (LVPS) (220 VAC)
4	117E14400	LVPS to Main PWB Harness
5	117E14460	LVPS to Printer Control PWB Harness
6	108E04170	6 A 125 V Fuse F1 (US)
	...	4 A 250 V Fuse F1 (RX)
-	600K48350	Hardware Kit (see PL 12.1)

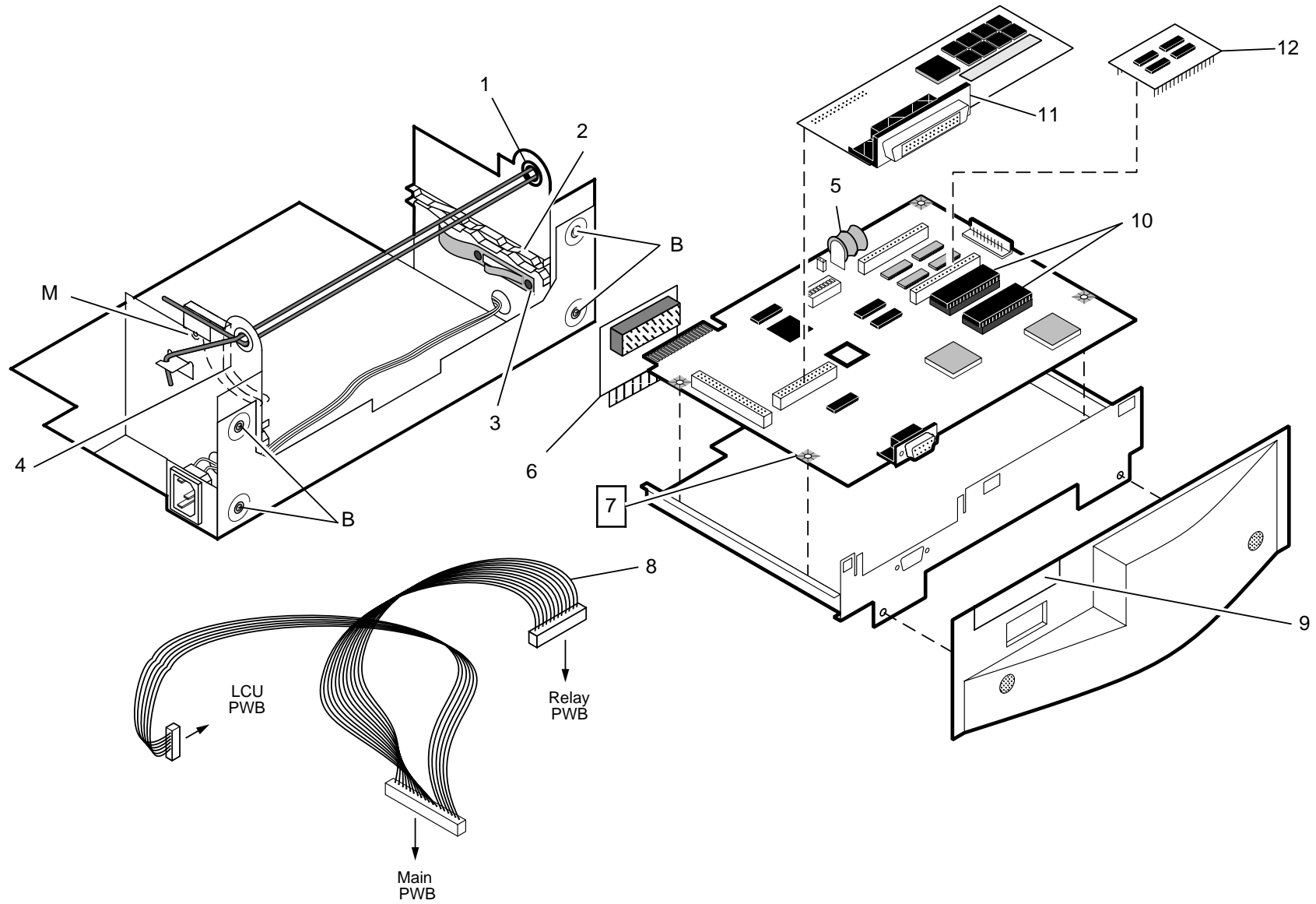
# PL 2.1 Control Panel Assembly



Item	Part	Description
1	96E50290	One Touch Label (Eng)
	96E56820	One Touch Label (Fren)
	96E56830	One Touch Label (Ger)
	96E56840	One Touch Label (Span)
	96E56850	One Touch Label (Lt. Port)
	96E56860	One Touch Label (Dutch)
	96E56870	One Touch Label (Ital)
	96E56880	One Touch Label (Turk)
	96E56890	One Touch Label (Pol)
	96E56900	One Touch Label (Czech)
	96E56910	One Touch Label (Hung)
	96E56920	One Touch Label (Roman)
	96E56930	One Touch Label (Swed)
	96E56940	One Touch Label (Nor)
	96E56950	One Touch Label (Dan)
	96E56960	One Touch Label (Fin)
	96E56970	One Touch Label (Cyr)
	96E56980	One Touch Label (Port)
	96E56990	One Touch Label (Lt. Spn)
	96E57000	One Touch Label (FC)
2	48E19900	One Touch Door
3	96E50270	Direct Access Label (Eng)
	96E56440	Direct Access Label (Fren)
	96E56450	Direct Access Label (Ger)
	96E56460	Direct Access Label (Span)
	96E56470	Direct Access Label (Lt. Port)
	96E56480	Direct Access Label (Dutch)
	96E56490	Direct Access Label (Ital)
	96E56500	Direct Access Label (Pol)
	96E56510	Direct Access Label (Cze)
	96E56520	Direct Access Label (Hun)
	96E56530	Direct Access Label (Rom)
	96E56540	Direct Access Label (Swe)
	96E56550	Direct Access Label (Nor)
	96E56560	Direct Access Label (Dan)
	96E56570	Direct Access Label (Fin)
	96E56580	Direct Access Label (Cyr)
	96E56590	Direct Access Label (Lt. Spn)

Item	Part	Description
	96E56600	Direct Access Label (FC)
	96E56610	Direct Access Label (Tur)
	96E56620	Direct Access Label (Port)
4	101K22600	Control Panel Assembly (No Labels)
	101K22610	Control Panel Assembly (CYRIL)
5	96E50280	Control Panel Sheet (Eng)
	96E56630	Control Panel Sheet (Fren)
	96E56640	Control Panel Sheet (Ger)
	96E56650	Control Panel Sheet (Span)
	96E56660	Control Panel Sheet (Lt. Port)
	96E56670	Control Panel Sheet (Dutch)
	96E56680	Control Panel Sheet (Ital)
	96E56690	Control Panel Sheet (Turk)
	96E56700	Control Panel Sheet (Pol)
	96E56710	Control Panel Sheet (Cze)
	96E56720	Control Panel Sheet (Hun)
	96E56730	Control Panel Sheet (Rom)
	96E56740	Control Panel Sheet (Swe)
	96E56750	Control Panel Sheet (Nor)
	96E56760	Control Panel Sheet (Dan)
	96E56770	Control Panel Sheet (Fin)
	96E56780	Control Panel Sheet (Cyr)
	96E56790	Control Panel Sheet (Port)
	96E56800	Control Panel Sheet (Lt. Span)
	96E56810	Control Panel Sheet (FC)
6	123K03530	LCD Assembly
7	130K54370	Speaker Assembly
8	49E39690	Speaker Bracket
-	600K48350	Hardware Kit (see PL 12.1)

# PL 3.1 Middle Frame Assembly / Main PWB



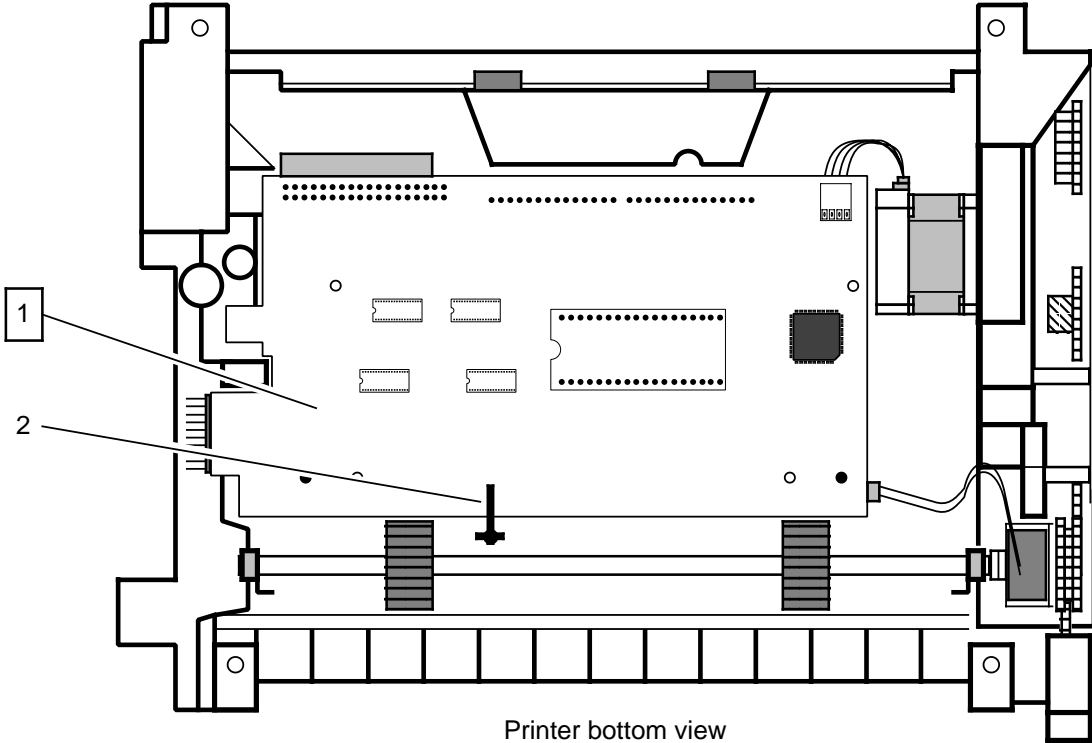


Item	Part	Description
1	16E10540	Torsion Bar Bushing
2	32E07640	Main PWB Guide
3	15E47710	PWB Ground Plate
4	32E07650	Cover Lock Guide
5	105E05290	Main Battery
6	160K14060	Connection PWB
7	160K14090	Main PWB (Requires Item 10)
8	117E14431	Main to Relay to LCU PWB Harness
9	101E10490	Printer Option Parallel Cover
10	537K36710	Main ROM Kit (A) (see Table 1)
	537K36720	Main ROM Kit (B) (see Table 1)
	537K36730	Main ROM Kit (C) (see Table 1)
	537K36770	Main ROM Kit (D) (see Table 1)
	537K36780	Main ROM Kit (E) (see Table 1)
	537K36790	Main ROM Kit (F) (see Table 1)
	537K36800	Main ROM Kit (G) (see Table 1)
	537K36810	Main ROM Kit (H) (see Table 1)
	537K36820	Main ROM Kit (I) (see Table 1)
	537K36830	Main ROM Kit (J) (see Table 1)
	537K36840	Main ROM Kit (K) (see Table 1)
	537K36850	Main ROM Kit (L) (see Table 1)
	537K36852	Main ROM Kit (L) (Version 3.0) (see Table 1)
	537K36860	Main ROM Kit (M) (see Table 1)
	537K36862	Main ROM Kit (M) (Version 3.0) (see Table 1)
11	160K14110	Printer Option PWB
12	160K14100	2 Meg Option PWB
B	600K48350	Hardware Kit (see PL 12.1)
M	600K48350	Hardware Kit (see PL 12.1)

**Table 1. Configuration Table**

ROM Kit	Languages	Market
A	German, French, & English	Austria (AT) France (FR) Germany (DE) Greece (GR) Ireland (IE) United Kingdom (GB) Region B (Generic English) Region B (Generic French) Australia Indonesia Malaysia New Zealand Singapore
B	Dutch, French, & English	Belgium (BE) Holland (NL)
C	French, German, & Italian	Switzerland (CH)
D	German, Turkish, & English	Turkey (TR)
E	Spanish, Italian, & English	Italy (IT) Spain (ES)
F	Polish, Czech, & English	Czech Republic (CS) Poland (PT)
G	Hungarian, Romanian, & English	Hungary (HU) Romania (RO)
H	Swedish, Norwegian, & English	Norway (NO) Sweden (SE)
I	Danish, Finnish, & English	Denmark (DK) Finland (FI)
J	Cyrillic, German, & English	Bulgaria (BG) CIS Russia (SU)
K	Portuguese, French, & English	Portugal (PT)
L	English, French Canadian, & Lt. Spanish	US AO Canada
M	English, Lt. Spanish, & Lt. Portuguese	AO Brazil AO Latin (140 VAC) AO Latin

PL 3.2 Printer Control PWB

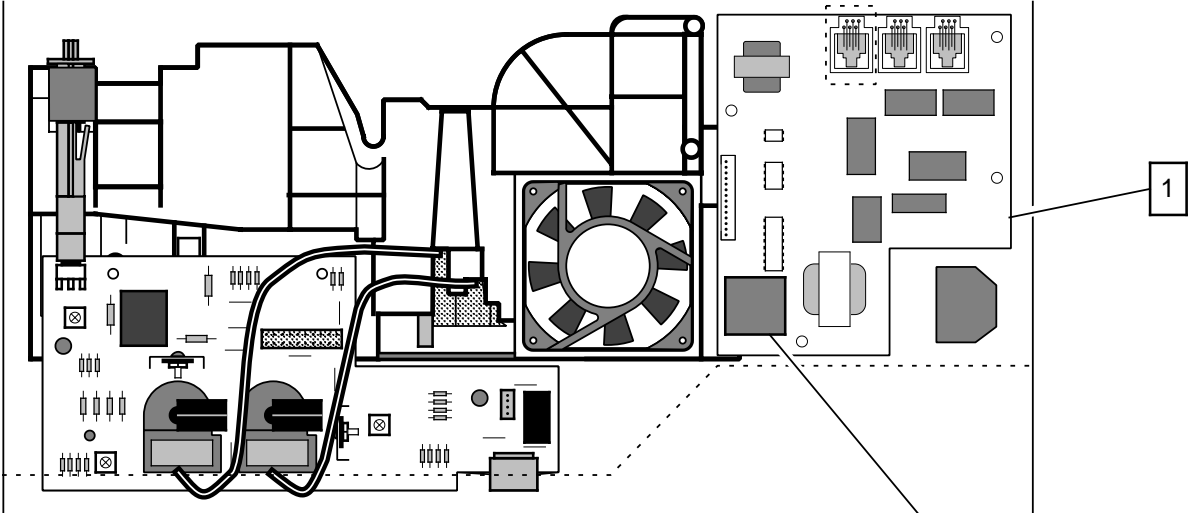


Printer bottom view

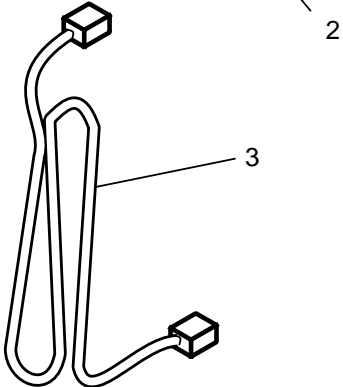
**Item Part Description**

- 1 160K14050 Printer Control PWB
- 2 120E11130 No Paper Actuator
- 600K48350 Hardware Kit (see PL 12.1)

PL 3.3 LCU PWB

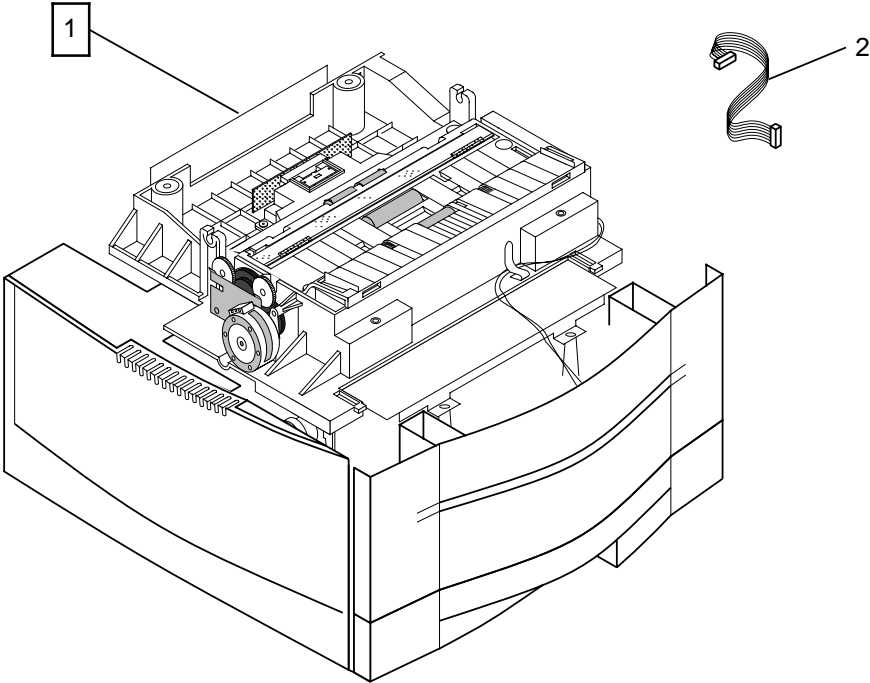


Machine, Rear View



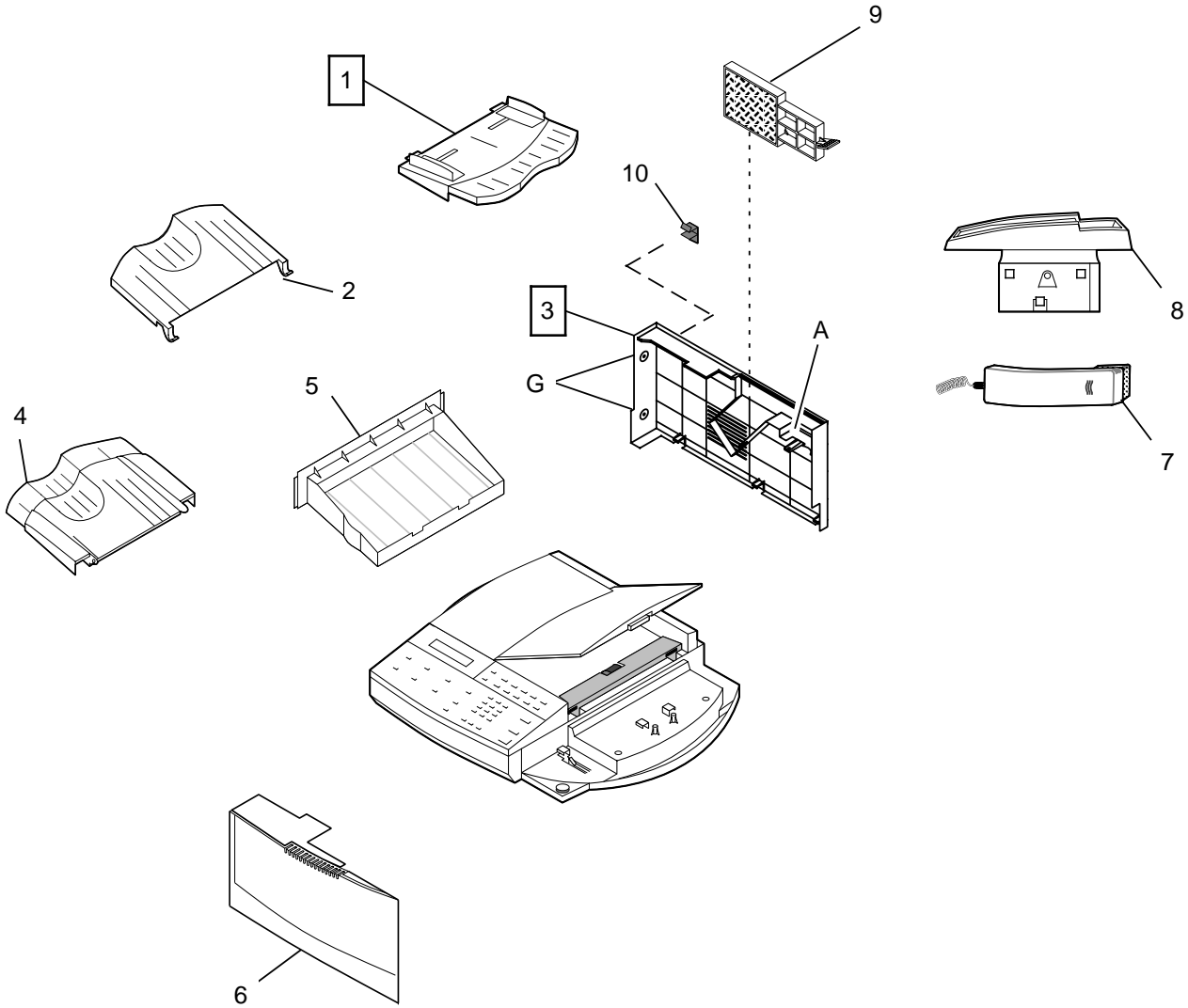
Item	Part	Description	Item	Part	Description
1	160K14070	LCU PWB (US)	3	117E06260	Phone Cable, Modular (USO, XCI, XLA)
	160K14120	LCU PWB (RX) (Requires Item 2)		117S26638	Phone Cable (Portugal, Spain)
	160K14160	LCU PWB (GERMAN)		117S26656	Phone Cable (Holland)
2	133E33850	DAA, Austria		117S26658	Phone Cable (Finland)
	133E33860	DAA, Belgium		117S26660	Phone Cable (Italy)
	133E33880	DAA, CIS (Russia)		117S26662	Phone Cable (Greece)
	133E33890	DAA, Czech Republic		117S26663	Phone Cable (Belgium)
	133E33900	DAA, Denmark		117S26664	Phone Cable (Austria)
	133E33910	DAA, Finland		117S26665	Phone Cable (Switzerland)
	133E33920	DAA, France		117S26667	Phone Cable (EEO, Region B)
	133E33930	DAA, Germany		117S26668	Phone Cable (France)
	133E33940	DAA, Greece		117S26672	Phone Cable (Sweden)
	133E33950	DAA, Holland		117S26674	Phone Cable (United Kingdom)
	133E33960	DAA, Hungary		117S26679	Phone Cable (Denmark)
	133E33970	DAA, Ireland		117S26680	Phone Cable (Norway)
	133E33980	DAA, Italy		117S26682	Phone Cable (Germany)
	133E33990	DAA, Norway	-	600K48350	Hardware Kit (see PL 12.1)
	133E34000	DAA, Poland			
	133E34020	DAA, Rumania			
	133E34050	DAA, Switzerland			
	133E34060	DAA, Turkey			
	133E34070	DAA, UK			
	133E34080	DAA, Australia			
	133E34090	DAA, Indonesia			
	133E34100	DAA, Malaysia			
	133E34110	DAA, New Zealand			
	133E34120	DAA, Singapore			

**PL 3.4 Relay PWB**



<b>Item</b>	<b>Part</b>	<b>Description</b>
1	160K14080	Relay PWB
2	117E14440	CCD to Relay PWB Harness
-	600K48350	Hardware Kit (see PL 12.1)

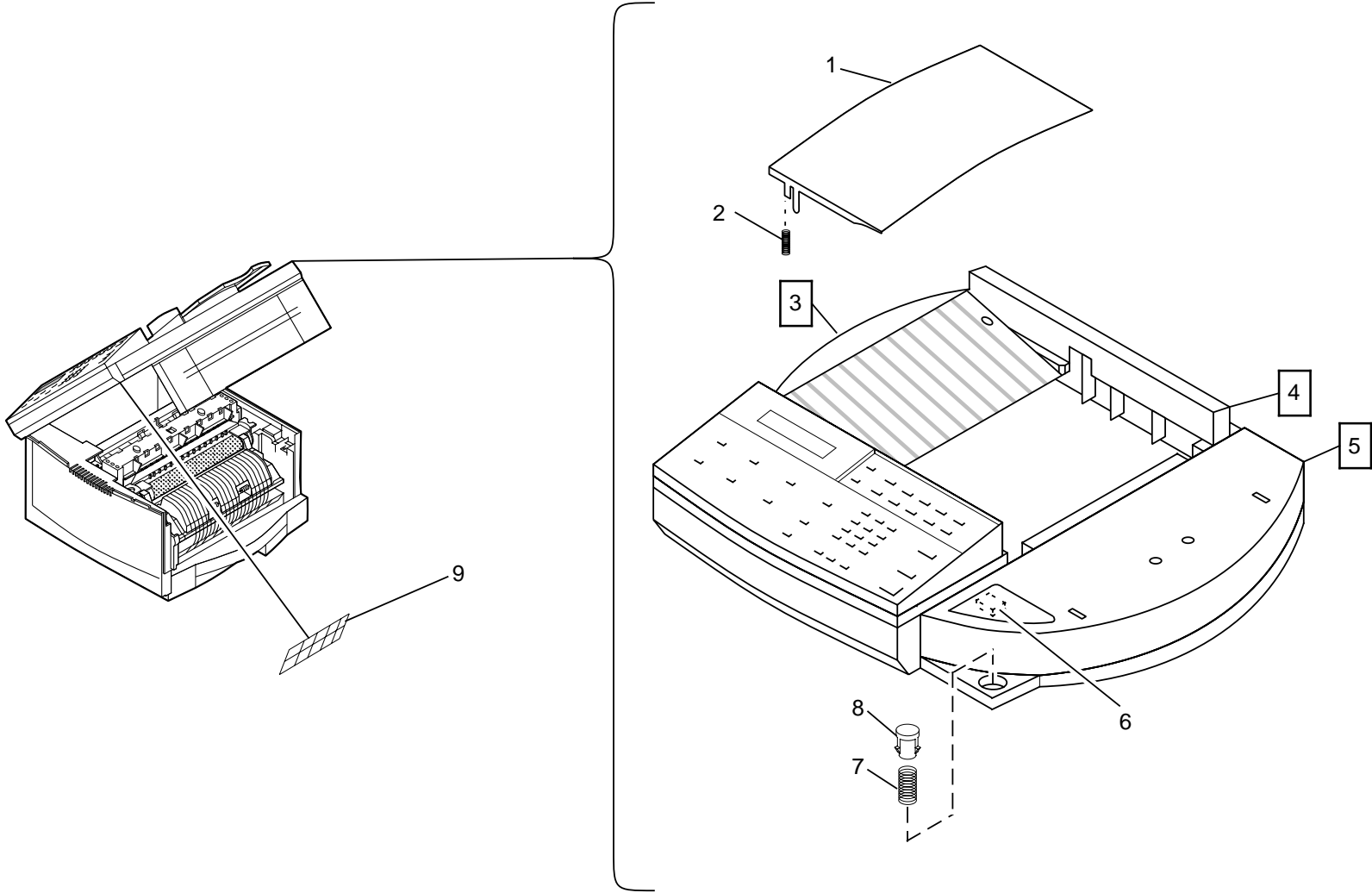
PL 4.1 Covers





<b>Item</b>	<b>Part</b>	<b>Description</b>
1	50K25830	ADF Input Tray
2	50E11490	ADF Output Tray
3	48E19860	Rear Cover
4	50K25840	Print Output Tray Assembly
5	48E26100	Printer Output Cover
6	48E19850	Front Cover
7	110K07570	Handset (USO)
	110K07490	Telset Assembly (AO)
8	68K08200	Handset Cradle
9	- - - - -	Ozone Filter (included with Drum Cartridge)
10	48E19870	Modular Jack Cover (RX)
A	600K48350	Hardware Kit (see PL 12.1)
G	600K48350	Hardware Kit (see PL 12.1)

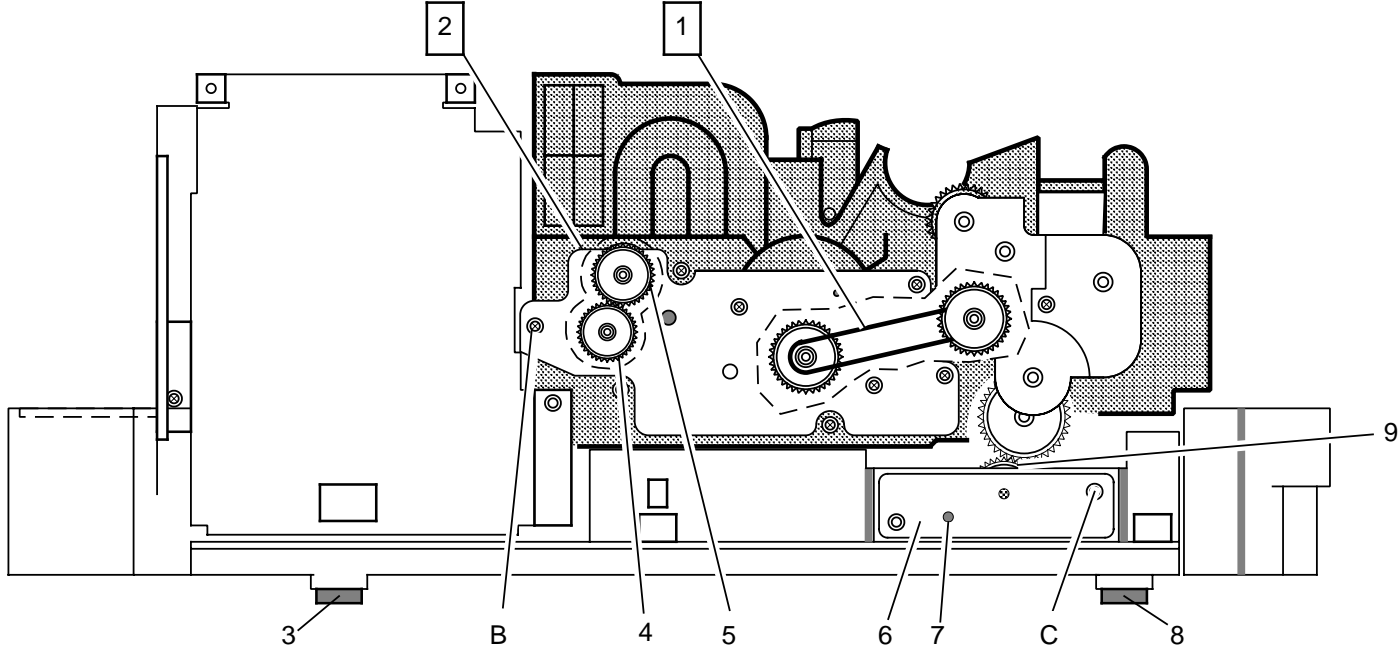
**PL 4.2 Top Cover Assembly**



<b>Item</b>	<b>Part</b>	<b>Description</b>
1	48E19920	ADF Left Cover
2	9E67280	ADF Left Cover Spring
3	48E19890	Top Left Cap Cover
4	48E19880	Top Cover
5	48E19910	Top Cover Right Cap
6	121E11110	Magnet
7	9E67270	Knob Spring
8	3E34340	Cover Open Knob
9	91P80361	Tag Matrix Label
-	600K48350	Hardware Kit (see PL 12.1)

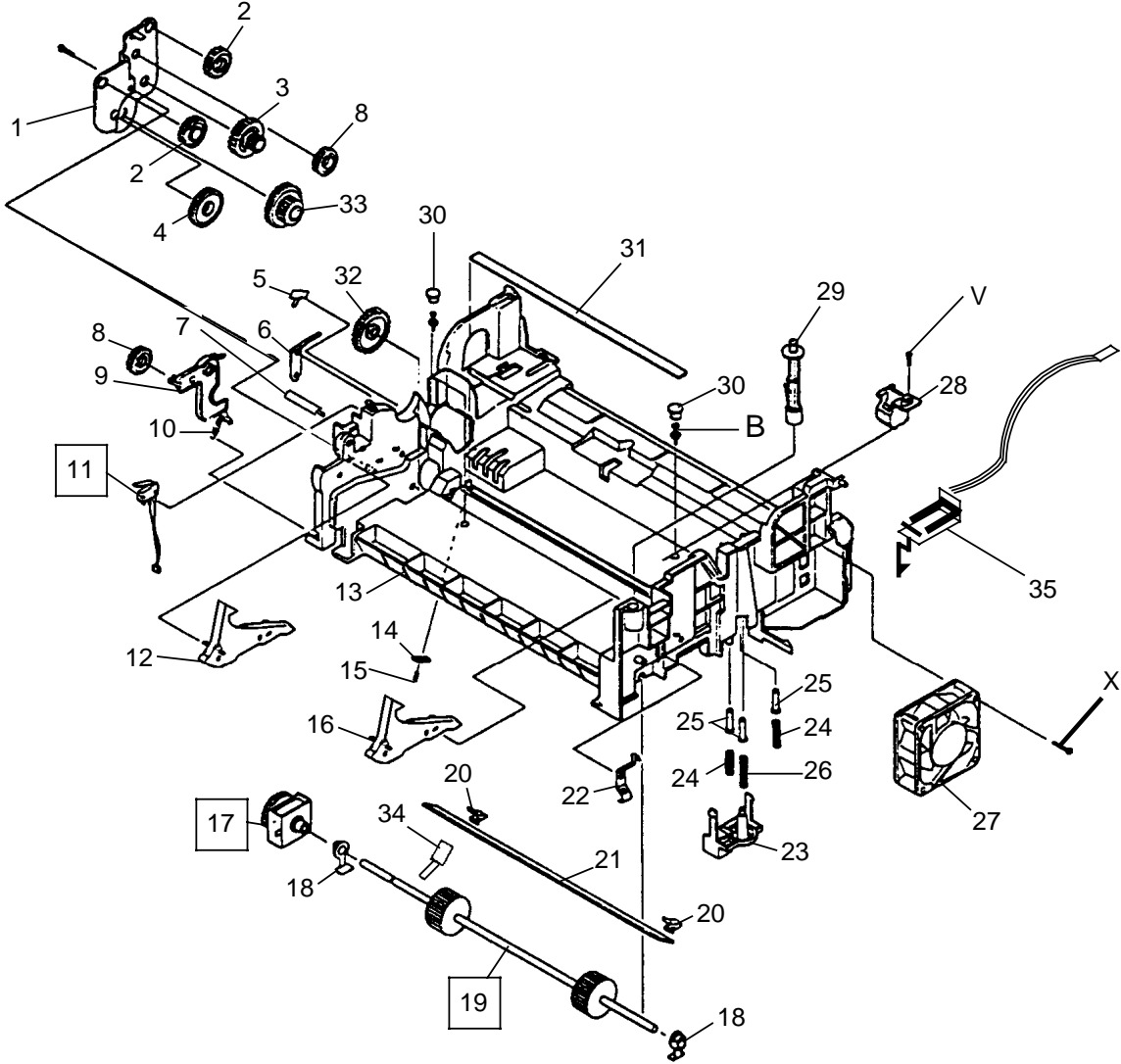
PL 4.3 Lower Frame/Machine Front

10 {includes: 6, 7, & 9}



<b>Item</b>	<b>Part</b>	<b>Description</b>
1	23E13350	Belt
2	7K08340	Gear Box Assembly (includes Main Drive Motor, all gears, and Item 1)
3	17E06670	Foot, Left
4	7E37250	Idler Gear 3
5	7E37240	Idler Gear 4
6	- - - - -	Option Drive Bracket (P/O item 10)
7	- - - - -	Bracket Pin (P/O item 10)
8	17E06680	Foot, Right
9	- - - - -	Option Drive Gear (P/O item 10)
10	7K08350	Option Gear Assembly (includes: 6, 7, & 9)
B	600K48350	Hardware Kit (see PL 12.1)
C	600K48350	Hardware Kit (see PL 12.1)

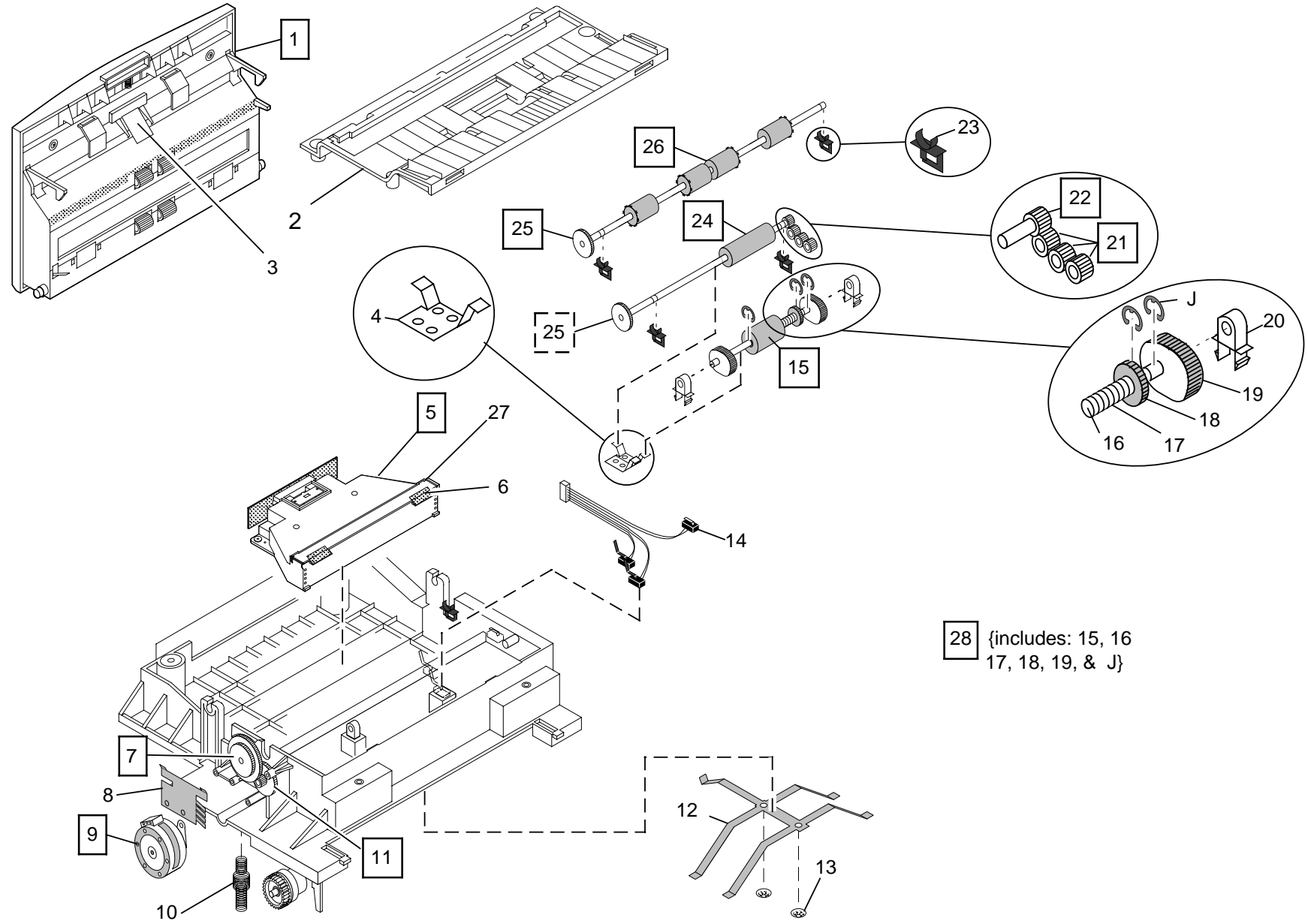
PL 4.4 Lower Frame Complete



**Item Part Description**

1	48E19820	Gear Cover	28	- - - - -	Mirror Bracket
2	7E37240	Idler Gear 4 (2 used)	29	3E34440	Toner Knob
3	7E37230	Idler Gear 10	30	21E06890	Screw Cap (2 used)
4	7E37250	Idler Gear 3	31	62E07610	Dust Protect Glass
5	- - - - -	Harness Clip	32	7E37220	Idler Gear 9
6	15E47660	Drum Ground Plate	33	7E37260	Idler Gear 12
7	29E22050	P9 Pin	34	- - - - -	Pick Shaft Ground Plate
8	7E37210	Idler Gear 11 (2 used)	35	130E07220	Low Paper Sensor (RX Only)
9	31E07420	Swing Arm	B	600K48350	Hardware Kit (see PL 12.1)
10	9E67200	Swing Arm Spring	V	600K48350	Hardware Kit (see PL 12.1)
11	130E07170	Printer Interlock Sensor	X	600K48350	Hardware Kit (see PL 12.1)
12	32E07590	Developer Guide F			
13	- - - - -	Printer Frame			
14	- - - - -	Mirror Plate			
15	- - - - -	Set Screw			
16	32E07600	Developer Guide R			
17	121E11080	Pick Clutch			
18	16E10480	Pick Roller Bushing (2 used)			
19	22E16730	Pick Roller			
20	- - - - -	Mirror Plate (2 used)			
21	- - - - -	Printer Mirror			
22	15E47650	Toner Bias Plate			
23	101E10470	Electrode Cover			
24	9E67220	Electrode Spring, Short (2 used)			
25	115E04540	Electrode Pin (3 used)			
26	9E67210	Electrode Spring, Long			
27	121E11090	Fan, Ozone 544P23314			

# PL 5.1 Automatic Document Feeder and Scanner

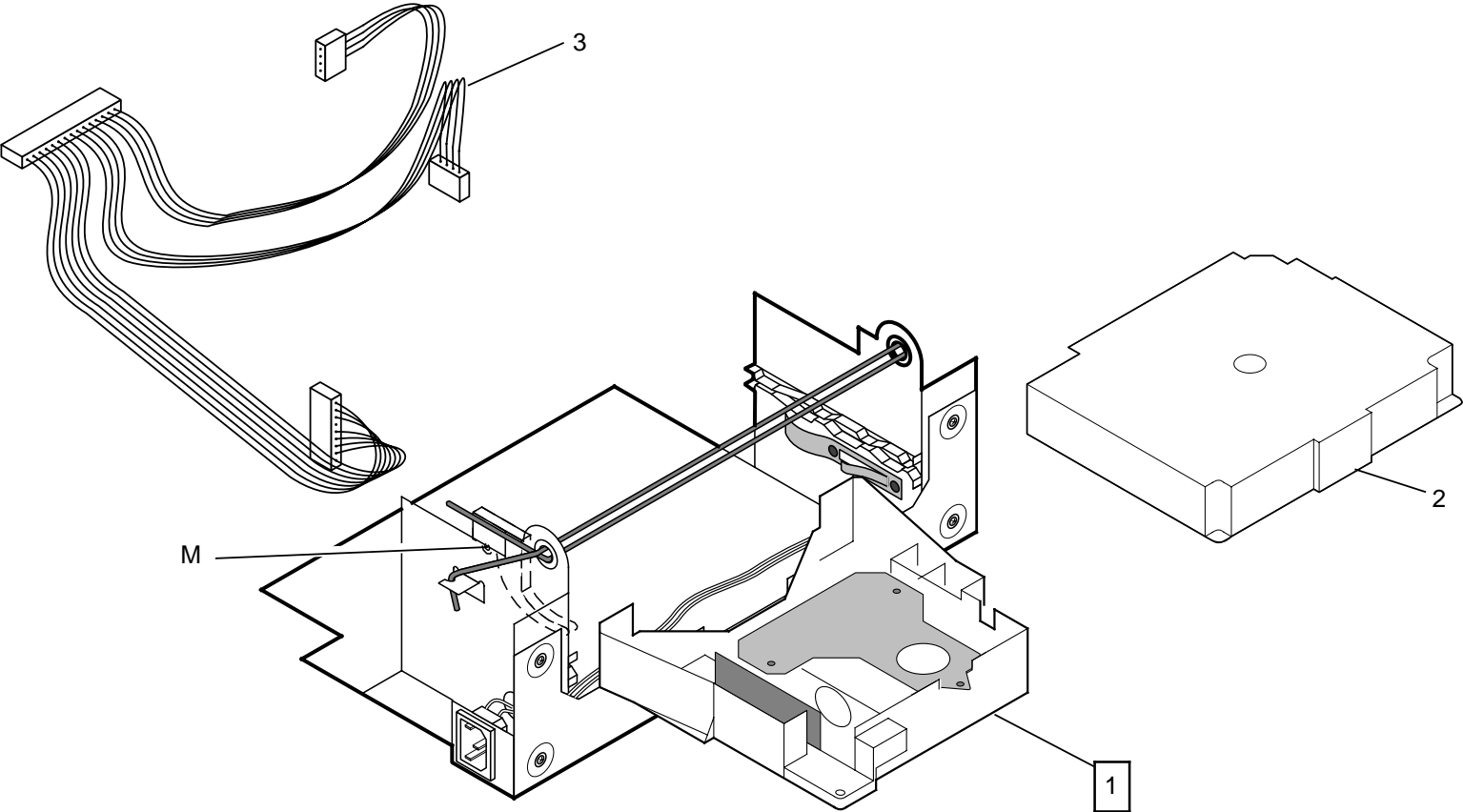


28 {includes: 15, 16, 17, 18, 19, & J}



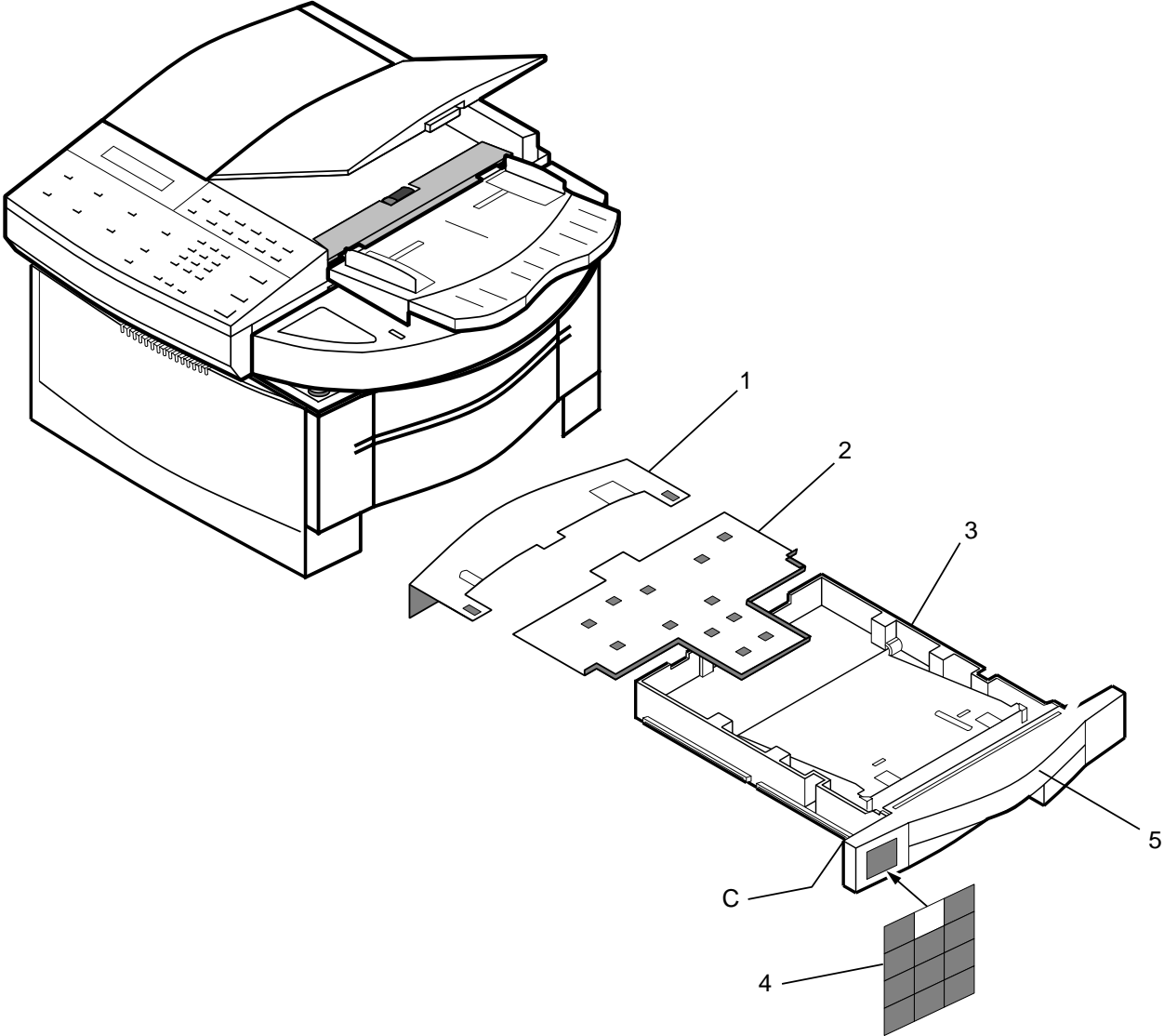
<b>Item</b>	<b>Part</b>	<b>Description</b>
1	22K44380	Upper ADF Assembly (includes Item 3)
2	- - - - -	ADF Lower Guide
3	19E30750	ADF Rubber (P/O item 3)
4	15E47730	Shaft Ground Plate
5	62K07580	Optics Assembly
6	32E07680	Scan Guide Sheet (2 used)
7	7E37310	Idler Gear 2
8	15E47720	Motor Ground Plate
9	127E09760	ADF Motor
10	9E67260	Transfer Frame Spring (2 used)
11	7E37300	Idler Gear 1
12	15E47750	Transfer Push Plate
13	- - - - -	Washer (2 used) (P/O item A)
14	130K54360	ADF Sensor Assembly
15	- - - - -	ADF Roller Shaft (P/O item 28)
16	- - - - -	Backlash Bushing (P/O item 28)
17	- - - - -	Oneway Clutch Spring (P/O item 28)
18	- - - - -	ADF Gear (P/O item 28)
19	- - - - -	ADF Cam Assembly (P/O item 28)
20	16E10560	ADF Roller Bushing (2 used)
21	7E37330	Idler Gear 4 (3 used)
22	7E37340	Idler Gear 3
23	16E10550	Roller Bushing (4 used)
24	22E16800	Document Feed Roller
25	7E37320	Feed Roller Gear
26	22E16810	Document Eject Roller
27	62E07720	Scanner Glass
28	22K44510	ADF Roller Shaft Assembly (includes: 15, 16, 17, 18, 19, & J)
J	600K48350	Hardware Kit (see PL 12.1)

**PL 6.1 Laser Assembly**



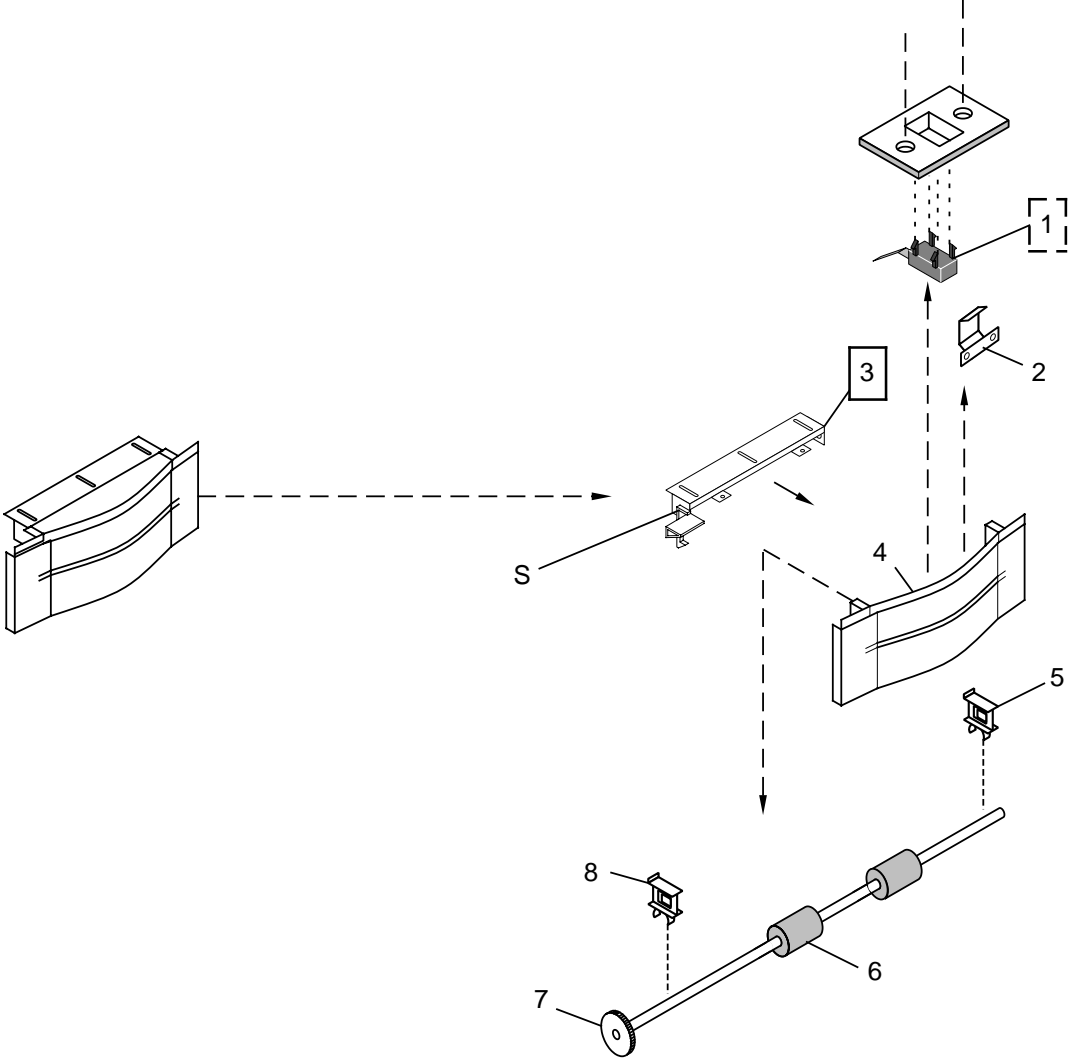
<b>Item</b>	<b>Part</b>	<b>Description</b>
1	122K01540	LASER Assembly
2	101E10480	LASER Cover
3	117E14490	Laser to Printer Control PWB Harness
M	600K48350	Hardware Kit (see PL 12.1)

PL 7.1 Paper Tray



<b>Item</b>	<b>Part</b>	<b>Description</b>
1	48E19950	Tray Slide Cover
2	32E07630	Tray Slide Guide
3	50E11460	Paper Tray A4/Letter (includes item 5) 544P23312
	50E11590	Paper Tray A4/Letter/Legal (includes item 5) 544P23311
	50E11580	A4 (Rank Xerox only) (includes item 5)
4	96E50260	Handle Label, Sheet
5	- - - -	Tray Handle (P/O item 3)
C	600K48350	Hardware Kit (see PL 12.1)

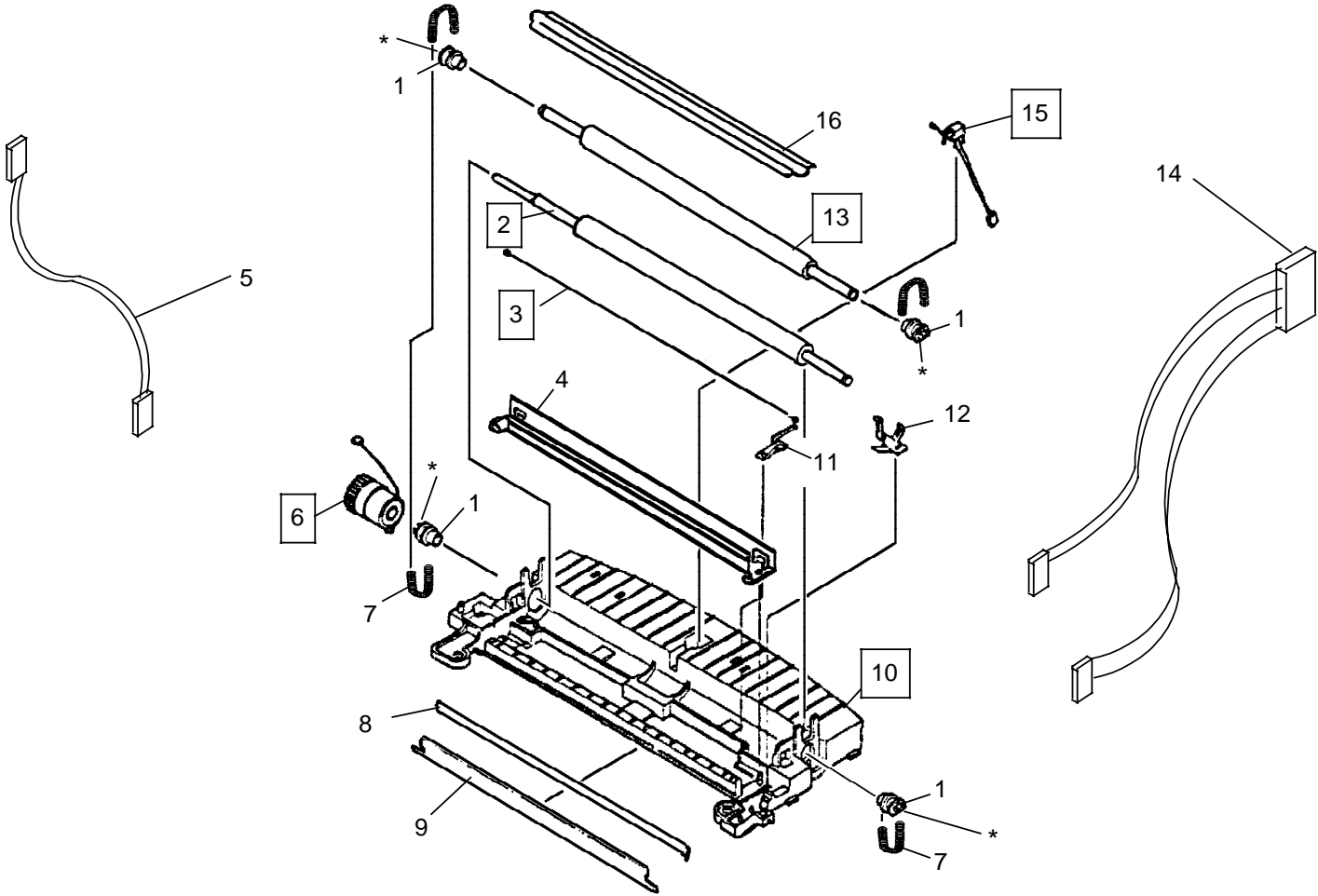
# PL 8.1 Right Cover Assembly



**Item Part Description**

1	130E07210	Bypass Sensor
2	15E47760	DVP Push Plate
3	3K08110	Top Latch Assembly
4	32E07660	Paper Guide, Right
5	16E10570	Feed Roller Bushing, RH
6	22E16820	Paper Feed Roller
7	7E37350	Feed Roller Gear
8	16E10580	Feed Roller Bushing, LH
S	600K48350	Hardware Kit (see PL 12.1)

PL 8.2 Transfer

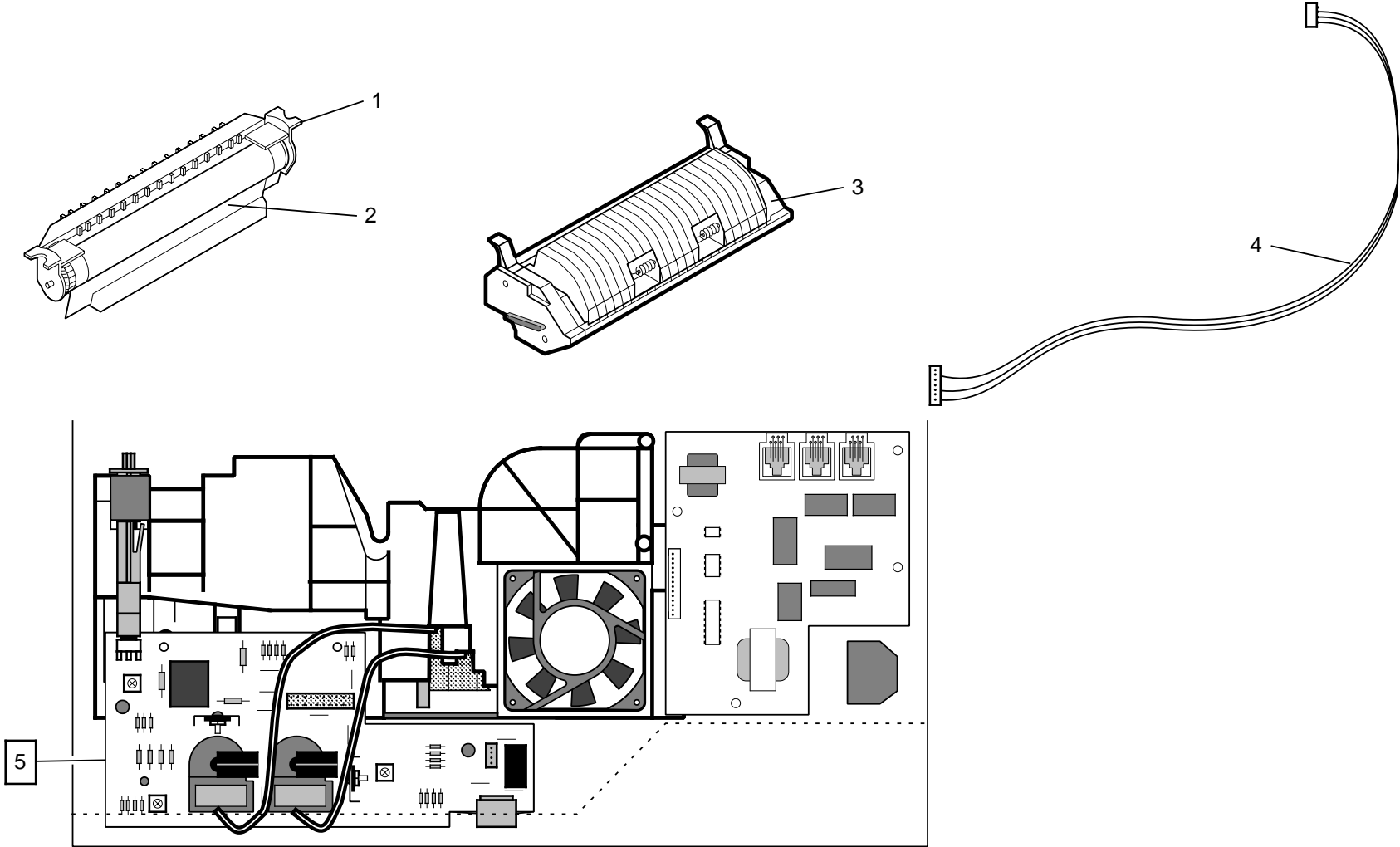




<b>Item</b>	<b>Part</b>	<b>Description</b>
1	16E10490	Bushing (4 used) (Pre Tag 3)
	16E11650	Bushing (4 used) (Tag 3)*
2	22E16740	Registration Drive Roller (Pre Tag 3)
	22E16741	Registration Drive Roller (Tag 3)*
3	117E14390	Transfer Wire
4	15E47670	Transfer Corotron Plate
5	117E14420	Registration Clutch Harness
6	121E11100	Registration Clutch
7	9E67230	Spring (2 used)
8	63E02190	Transfer Tape (holds #9)
9	15E47690	Detack Plate
10	1E35170	Transfer Frame
11	115E04550	Transfer Wire Contact
12	15E47680	Drum Guide Gnd Plate
13	22E16750	Registration Roller (Pre Tag 3)
	22E16751	Registration Roller (Tag 3)*
14	117E14410	Registration and Bypass Sensor Harness
15	130E07180	Print Registration Sensor
16	32E07610	Paper Guide
-	600K48350	Hardware Kit (see PL 12.1)

\* Requires E-Ring from the Hardware Kit.

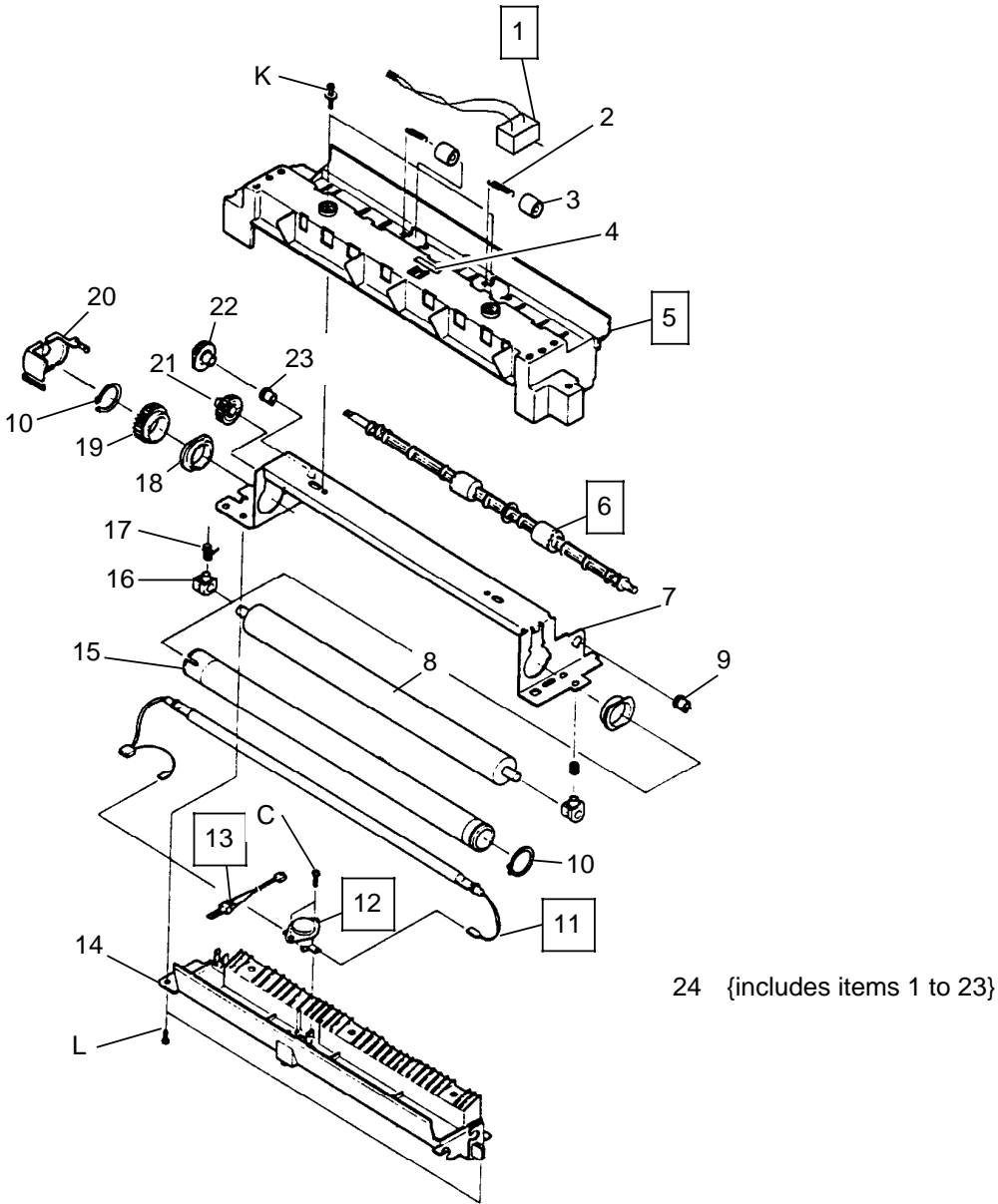
PL 9.1 Xerographics / HVPS



Machine, Rear View

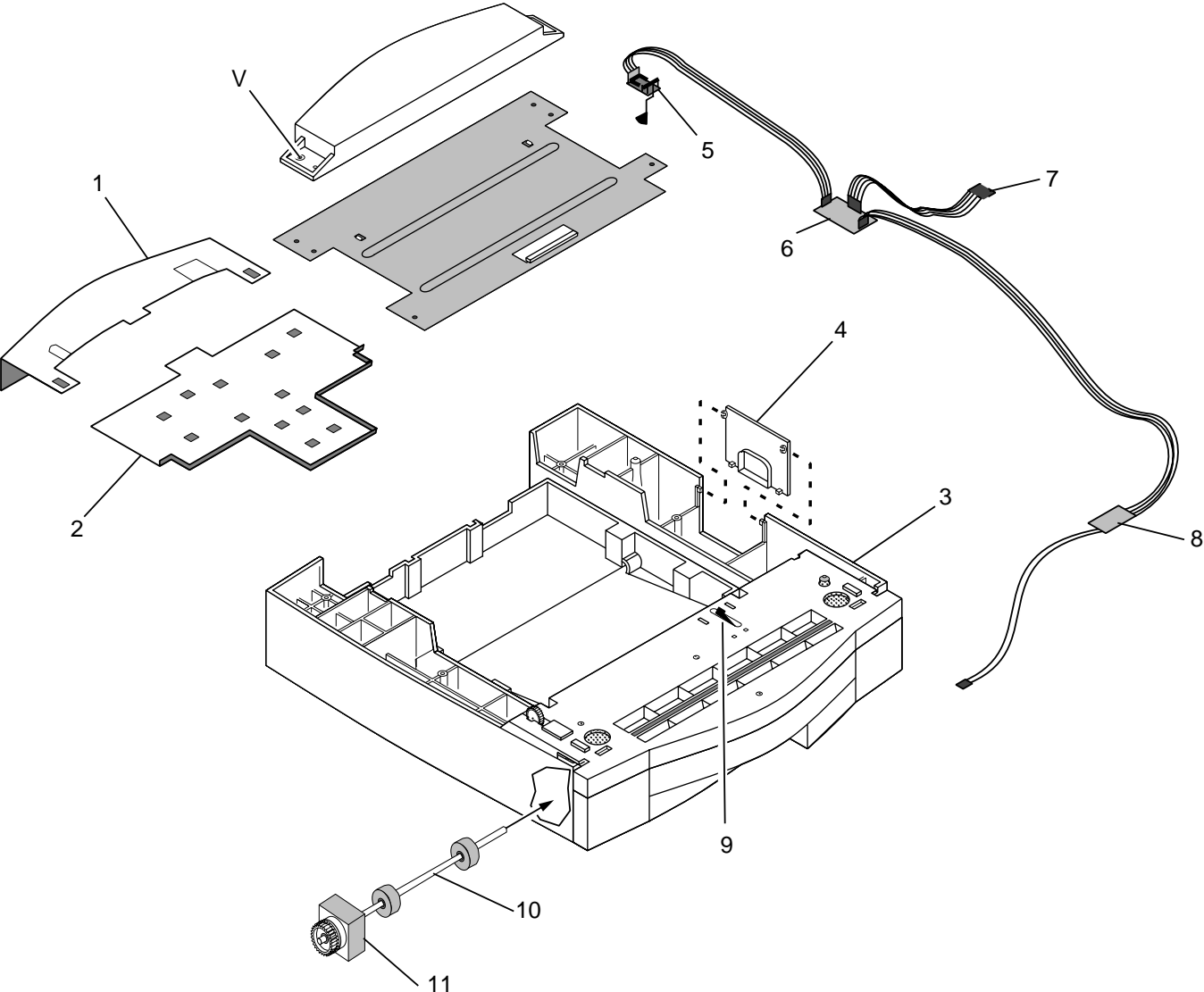
<b>Item</b>	<b>Part</b>	<b>Description</b>
1	13R00532	Drum Cartridge (US)
	13R90110	Drum Cartridge (RX)
2	117E14390	Charge Wire
3	6R00833	Toner Cartridge (US)
	6R90241	Toner Cartridge (RX)
4	117E14670	Low Paper HVPS to Relay PWB Harness (RX Only)
5	105K13140	High Voltage Power Supply (HVPS)
-	600K48350	Hardware Kit (see PL 12.1)

PL 10.1 Fuser



Item	Part	Description
1	110E06810	Paper Exit Switch (P/O item 24)
2	9E67240	Exit Roller Spring (2 used) (P/O item 24)
3	22E16760	Exit Idler Roller (2 used) (P/O item 24)
4	- - - - -	Caution Label (P/O item 24)
5	- - - - -	Fuser Cover (P/O item 24)
6	22E16770	Exit Drive Roller (P/O item 24)
7	- - - - -	Upper Fuser Frame (P/O item 24)
8	- - - - -	Pressure Roller (P/O item 24)
9	16E10520	Exit Roller Bushing, R (P/O item 24)
10	- - - - -	Heat Roller Ring (2 used) (P/O item 24)
11	122E01970	Heat Lamp 110V (P/O item 24)
	122E01980	Heat Lamp 220V (P/O item 24)
12	130E07190	Thermostat (same for 110 and 220 units) (P/O item 24)
13	103E07200	Thermistor Sensor (same for 110 and 220 units) (P/O item 24)
14	- - - - -	Fuser Lower Frame (P/O item 24)
15	- - - - -	Heat Roller (P/O item 24)
16	- - - - -	Pressure Roller Bushing (2 used) (P/O item 24)
17	- - - - -	Pressure Roller Spring (2 used) (P/O item 24)
18	- - - - -	Heat Roller Bushing (2 used) (P/O item 24)
19	007E37290	Heat Roller Gear (P/O item 24)
20	- - - - -	Lamp Guide (P/O item 24)
21	- - - - -	Fuser Idler Gear (P/O item 24)
22	- - - - -	Exit Drive Roller Gear (P/O item 24)
23	16E10500	Exit Roller Bushing, F (P/O item 24)
24	126K04500	Fuser Unit 110V {includes items 1 to 23}
	126K04510	Fuser Unit 220V {includes items 1 to 23}
C	600K48350	Hardware Kit (see PL 12.1)
K	600K48350	Hardware Kit (see PL 12.1)
L	600K48350	Hardware Kit (see PL 12.1)

# PL 11.1 Auxiliary Paper Tray Option



<b>Item</b>	<b>Part</b>	<b>Description</b>
1	48E19950	Tray Slide Cover (P/O item 3)
2	32E07630	Tray Slide Guide (P/O item 3)
3	50K27370	Auxiliary Paper Tray Option (US)
	50K27380	Auxiliary Paper Tray Option (RX)
4	48E19930	Auxiliary Tray Door (P/O item 3)
5	130E07240	Auxiliary Low Paper Sensor (RX)
6	160K14280	Auxiliary Relay PWB
7	117E14680	Auxiliary Relay PWB Harness
8	130E07310	Out of Paper Sensor
9	120E11130	No Paper Actuator
10	22E16730	Pick Roller
11	121E11080	Pick Clutch
V	600K48350	Hardware Kit (see PL 12.1)

## PL 12.1 Hardware Kit (600K48350)

### Item Description

- A Tap Screw (D 3.0 x L 8.0)
- B Machine Screw S\P Washer
- C Tap Screw (D 3.0 x L 8.0)
- D Machine Screw S\P Washer
- E Tap Screw (D 4.0 x L 12.0)
- F Tap Screw (D 2.0 x L 5.0)
- G Machine Screw (D 3.0 x L 8.0)
- H Tap Screw (D 2.6 x L 4.0)
- J R-ring (D 5.0)
- K Machine Screw (D 3.0 x L 6.0)
- L Machine Screw (D 3.0 x L 6.0)
- M Machine Screw (D 3.0 x L 8.0)
- N Tap Screw (D 3.0 x L 6.0)
- R E-ring (D 2.0)
- S E-ring (D 4.0)
- T Tap Screw (D 3.0 x L 8.0)
- U Machine Screw (D 4.0 x L 8.0)
- V Tap Screw (D 3.0 x L 12.0)
- X Tap Screw (D 3.0 x L 30.0)
- Y E-ring (D 7.0)
- Z Washer (D 3.0)
- AA Washer
- AB Machine Screw (D 3.5 x L 6.0)
- AC Machine Screw (D 4.0 x L 10.0)
- AD Tap Screw (D 3.0 x L 12.0)
- AE Tap Screw (D 4.0 x L 8.0)
- AF E-Ring (D 5.0)



Part Number	PL Number	Part Number	PL Number	Part Number	PL Number
1E35170	8.2	16E10490	8.2	48E19920	4.2
3E34340	4.2	16E10500	10.1	48E19930	11.1
3E34440	4.4	16E10520	10.1	48E19950	7.1, 11.1
3K08110	8.1	16E10540	3.1	48E26100	4.1
6R00833	9.1	16E10550	5.1	49E39690	2.1
6R90241	9.1	16E10560	5.1	50E11460	7.1
7E37210	4.4	16E10570	8.1	50E11490	4.1
7E37220	4.4	16E10580	8.1	50E11580	7.1
7E37230	4.4	17E06670	4.3	50E11590	7.1
7E37240	4.3, 4.4	17E06680	4.3	50K25830	4.1
7E37250	4.3, 4.4	19E30750	5.1	50K25840	4.1
7E37260	4.4	21E06890	4.4	50K27370	11.1
7E37300	5.1	22E16730	4.4, 11.1	50K27380	11.1
7E37310	5.1	22E16740	8.2	62E07610	4.4
7E37320	5.1	22E16750	8.2	62E07720	5.1
7E37330	5.1	22E16760	10.1	62K07580	5.1
7E37340	5.1	22E16770	10.1	63E02190	8.2
7E37350	8.1	22E16800	5.1	68K08200	4.1
7K08340	4.3	22E16810	5.1	91P80361	4.2
7K08350	4.3	22E16820	8.1	96E50260	7.1
9E67200	4.4	22K44380	5.1	96E50270	2.1
9E67210	4.4	22K44510	5.1	96E50280	2.1
9E67220	4.4	23E13350	4.3	96E50290	2.1
9E67230	8.2	29E22050	4.4	96E56440	2.1
9E67240	10.1	31E07420	4.4	96E56450	2.1
9E67260	5.1	32E07590	4.4	96E56460	2.1
9E67270	4.2	32E07600	4.4	96E56470	2.1
9E67280	4.2	32E07610	8.2	96E56480	2.1
13R00532	9.1	32E07630	7.1, 11.1	96E56490	2.1
13R90110	9.1	32E07640	3.1	96E56500	2.1
15E47650	4.4	32E07650	3.1	96E56510	2.1
15E47660	4.4	32E07660	8.1	96E56520	2.1
15E47670	8.2	32E07680	5.1	96E56530	2.1
15E47680	8.2	48E19820	4.4	96E56540	2.1
15E47690	8.2	48E19850	4.1	96E56550	2.1
15E47710	3.1	48E19860	4.1	96E56560	2.1
15E47720	5.1	48E19870	4.1	96E56570	2.1
15E47730	5.1	48E19880	4.2	96E56580	2.1
15E47750	5.1	48E19890	4.2	96E56590	2.1
15E47760	8.1	48E19900	2.1	96E56630	2.1
16E10480	4.4	48E19910	4.2	96E56640	2.1

Part Number	PL Number	Part Number	PL Number	Part Number	PL Number
96E56650	2.1	105E05290	3.1	121E11110	4.2
96E56660	2.1	105K13110	1.1	122K01540	6.1
96E56670	2.1	105K13120	1.1	122E01970	10.1
96E56680	2.1	105K13130	1.1	122E01980	10.1
96E56690	2.1	105K13140	9.1	123K03530	2.1
96E56700	2.1	110E06810	10.1	126K04500	10.1
96E56710	2.1	110K07490	4.1	126K04510	10.1
96E56720	2.1	110K07570	4.1	127E09760	5.1
96E56730	2.1	114E06020	1.1	130E07170	4.4
96E56740	2.1	115E04540	4.4	130E07180	8.2
96E56750	2.1	115E04550	8.2	130E07190	10.1
96E56760	2.1	117E06260	3.3	130E07210	8.1
96E56770	2.1	117E14390	8.2, 9.1	130E07220	4.4
96E56780	2.1	117E14400	1.1	130E07240	11.1
96E56790	2.1	117E14410	8.2	130E07310	11.1
96E56800	2.1	117E14420	8.2	130K54360	5.1
96E56810	2.1	117E14431	3.1	130K54370	2.1
96E56820	2.1	117E14440	3.4	133E33850	3.3
96E56830	2.1	117E14460	1.1	133E33860	3.3
96E56840	2.1	117E14670	9.1	133E33880	3.3
96E56850	2.1	117E14680	11.1	133E33890	3.3
96E56860	2.1	117E14490	6.1	133E33900	3.3
96E56870	2.1	117P80447	1.1	133E33910	3.3
96E56880	2.1	117S26638	3.3	133E33920	3.3
96E56890	2.1	117S26656	3.3	133E33930	3.3
96E56900	2.1	117S26658	3.3	133E33940	3.3
96E56910	2.1	117S26660	3.3	133E33950	3.3
96E56920	2.1	117S26662	3.3	133E33960	3.3
96E56930	2.1	117S26663	3.3	133E33970	3.3
96E56940	2.1	117S26664	3.3	133E33980	3.3
96E56950	2.1	117S26665	3.3	133E33990	3.3
96E56960	2.1	117S26667	3.3	133E34000	3.3
96E56970	2.1	117S26668	3.3	133E34020	3.3
96E56980	2.1	117S26672	3.3	133E34050	3.3
96E56990	2.1	117S26674	3.3	133E34060	3.3
96E57000	2.1	117S26679	3.3	133E34070	3.3
101E10470	4.4	117S26680	3.3	133E34080	3.3
101E10480	6.1	117S26682	3.3	133E34090	3.3
101E10490	3.1	120E11130	3.2, 11.1	133E34100	3.3
101K22600	2.1	121E11080	4.4, 11.1	133E34110	3.3
101K22610	2.1	121E11090	4.4	133E34120	3.3
103E07200	10.1	121E11100	8.2	152S05108	1.1

<b>Part Number</b>	<b>PL Number</b>
152S05109 .....	1.1
152S05110 .....	1.1
152S05111 .....	1.1
160K14050 .....	3.2
160K14060 .....	3.1
160K14070 .....	3.3
160K14080 .....	3.4
160K14090 .....	3.1
160K14100 .....	3.1
160K14110 .....	3.1
160K14120 .....	3.3
160K14160 .....	3.3
160K14280 .....	11.1
196E56600 .....	2.1
196E56610 .....	2.1
196E56620 .....	2.1
537K36710 .....	3.1
537K36720 .....	3.1
537K36730 .....	3.1
537K36770 .....	3.1
537K36780 .....	3.1
537K36790 .....	3.1
537K36800 .....	3.1
537K36810 .....	3.1
537K36820 .....	3.1
537K36830 .....	3.1
537K36840 .....	3.1
537K36850 .....	3.1
537K36860 .....	3.1