

Introduction

Overview

The Parts List section provides exploded view illustrations of all spared subsystem components and a listing of the corresponding part numbers. The illustrations show the relationships between parts.

Organisation of this Section

The following elements make up the Parts List section:

Parts Lists (PL)

Each item number in the part numbers listing corresponds to an item number in the illustration. All the parts in a given subsystem of the machine will be located in the same illustration or in a series of associated illustrations. The parts which are not spared are indicated by “- -” in the Part column.

Exploded View Illustrations

An item that is called out on an illustration has a corresponding listing within this section.

Components are given item numbers that correspond to the part number listings.

Hardware items are lettered. All hardware dimensions are in millimeters unless otherwise noted.

Assemblies and kits are a combination of several separate components. A bracket is used on the illustration when an assembly or kit is spared but is not shown. The item number of the assembly or kit precedes the bracket; the item numbers of the piece parts follow it.

Part Number Index

This index lists all the spared parts in the system in numerical order. Each number is followed by a reference to the parts list on which the part may be found.

Other Information

Abbreviations

Abbreviations which may be used in the parts lists text or illustrations are as follows:

US - United States Parts Distribution System

XL - European Parts Distribution System

AO - South America Parts Distribution System

XCL - Canada Parts Distribution System

P/J - Plug/Jack

P/O - Part of

W/ - With

W/O - Without

Tag

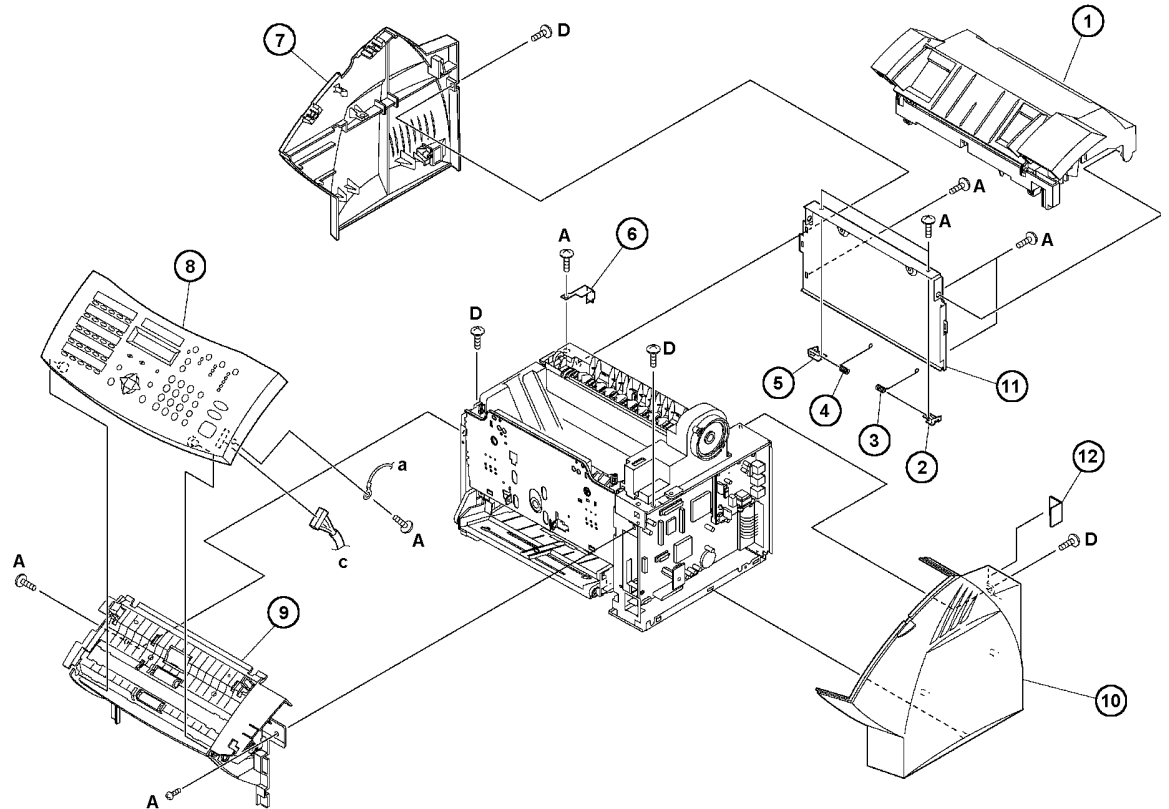
A Tag is used when a part or area of the system has been modified. The Change Tag Index, which is found in the General Procedures/Information Section, lists the name and purpose of the Tag. In some cases, you will go to the parts lists and find a part number listed as “with Tag.” Go to the Change Tag Index for a description of what the Tag is and what you need to install the Tag. The Change Tag Index will either list a kit number or indicate “piece part.” If “piece part” is indicated, the parts lists reference(s) will be given and all parts associated with the Tag will have to be individually located, ordered, and installed.

The notation “P/O Tag” after a part number indicates that the item is part of a Tag. The notation “Tag” after a part number will be used only to indicate the entire Tag, whether that is a kit number or an individual part.

Whenever you install a Tag kit or all the piece parts that make up a Tag, mark the appropriate number on the Tag matrix.

PL 1.1 Covers

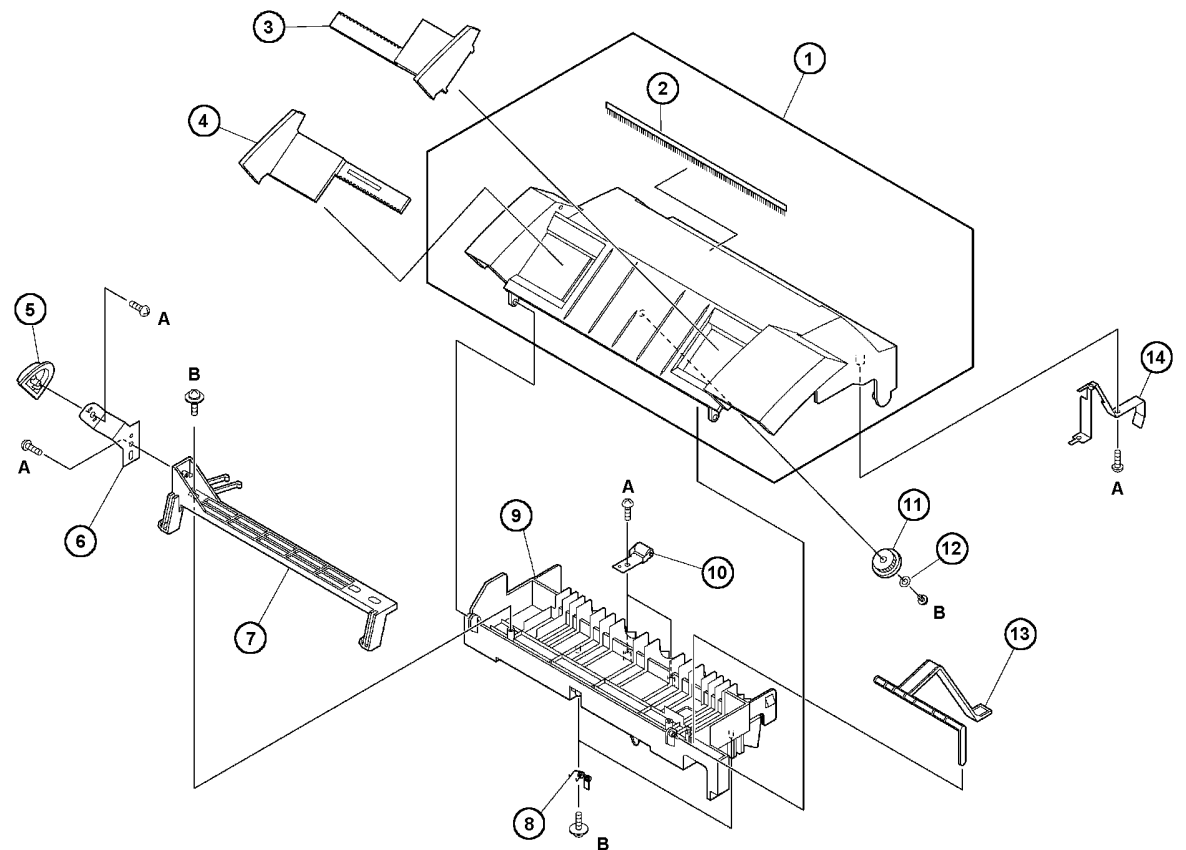
Item	Part	Description
1	–	Top cover assembly (see PL 1.2, PL 1.3)
2	815E850	RH Arm spring plate
3	809E32310	RH Arm spring
4	809E32320	LH Arm spring
5	815E860	LH Arm spring plate
6	815E870	Blind plate
7	802E21930	Left side cover, REP 4.1
8	802K23300	Control panel unit (Pro 555 USO) REP 5.1
–	802k23310	Control panel unit (Pro 555 XE) REP 5.1
–	802E23320	Control panel unit (Pro 575 USO) REP 5.1
–	802E23330	Control panel unit (Pro 575 XE) REP 5.1
9	–	Drive assembly (see PL 4.1, PL 4.2) REP 4.2
10	802E21920	Right side cover REP 4.1
11	–	Rear cover REP 4.1
12	802E22150	Handset modular cover (USO)
A	26E65870	Screw M3 x 8
D	826E630	Flanged screw M3 x 8



LAR-043-A

PL 1.2 Top Cover

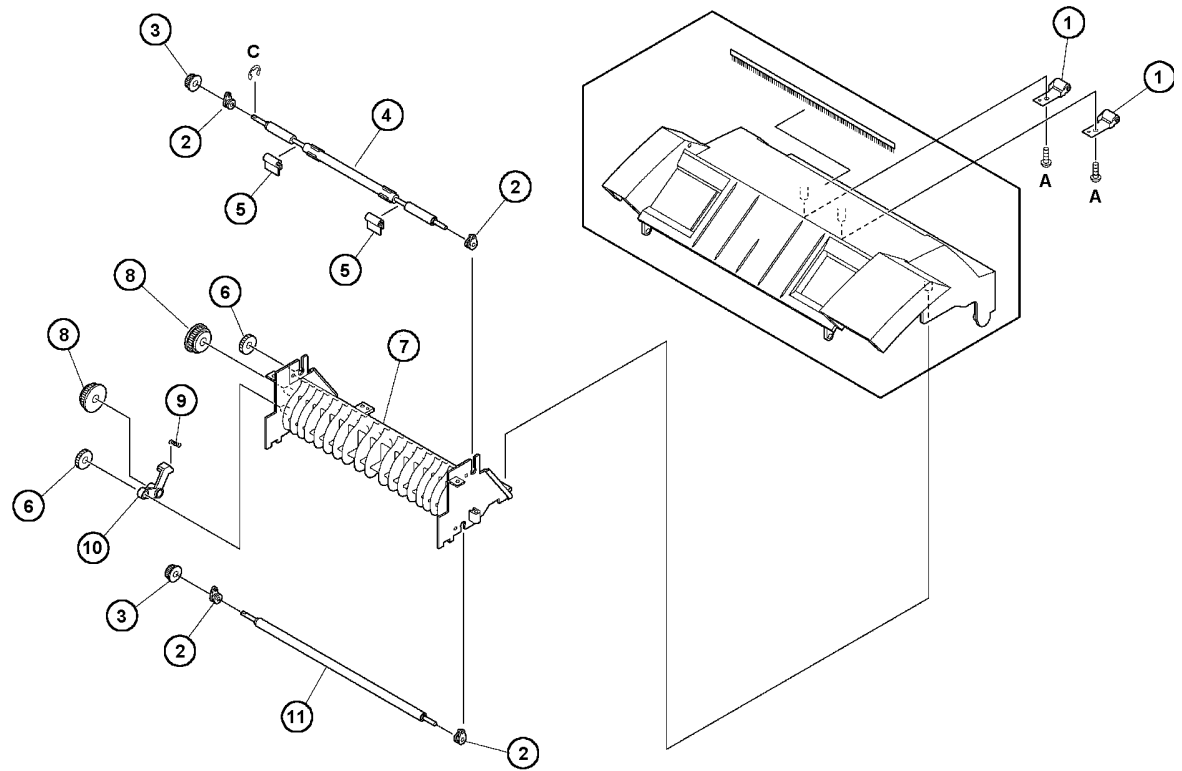
Item	Part	Description
1	802E21940	Top cover
2	--	Static brush
3	7E68400	RH Document guide
4	7E68410	LH Document guide
5	3E55340	Release button
6	815E910	Latch plate
7	19E47410	Latch
8	809E32340	Process spring
9	802E21960	Exit (1)
10	22E24710	Pinch roller
11	7E68390	Document guide gear
12	28E14320	Washer
13	120E20320	Actuator
14	815E900	Ground plate
A	26E65870	Screw M3 x 8
B	826E370	Self tapping screw M3 x 8



LAR-044-A

PL 1.3 Exit Cover

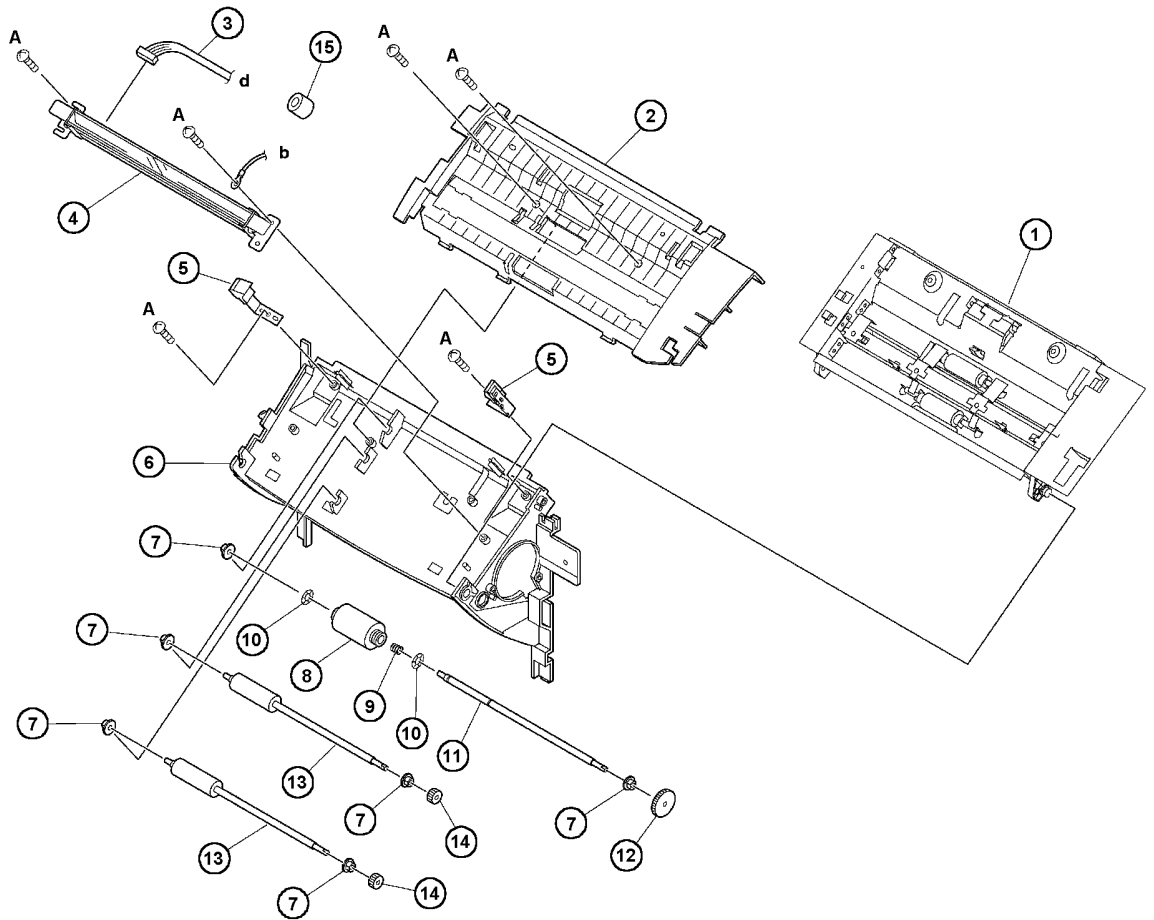
Item	Part	Description
1	22E24710	Pinch roller
2	19E47400	Shaft support latch
3	7E68420	Feed roller gear
4	6E77080	Feed roller shaft (1)
5	17E9830	Paper stopper
6	7E68430	Idle gear (1)
7	802E21950	Exit guide (2)
8	7E68440	Idle gear (2)
9	809E32330	Spring
10	19E47400	Planet arm
11	6E77090	Feed roller shaft (2)
A	26E65870	Screw M3 x 8
C	5E15240	E-ring



LAR-045-A

PL 4.1 ADF Feed and Scanner

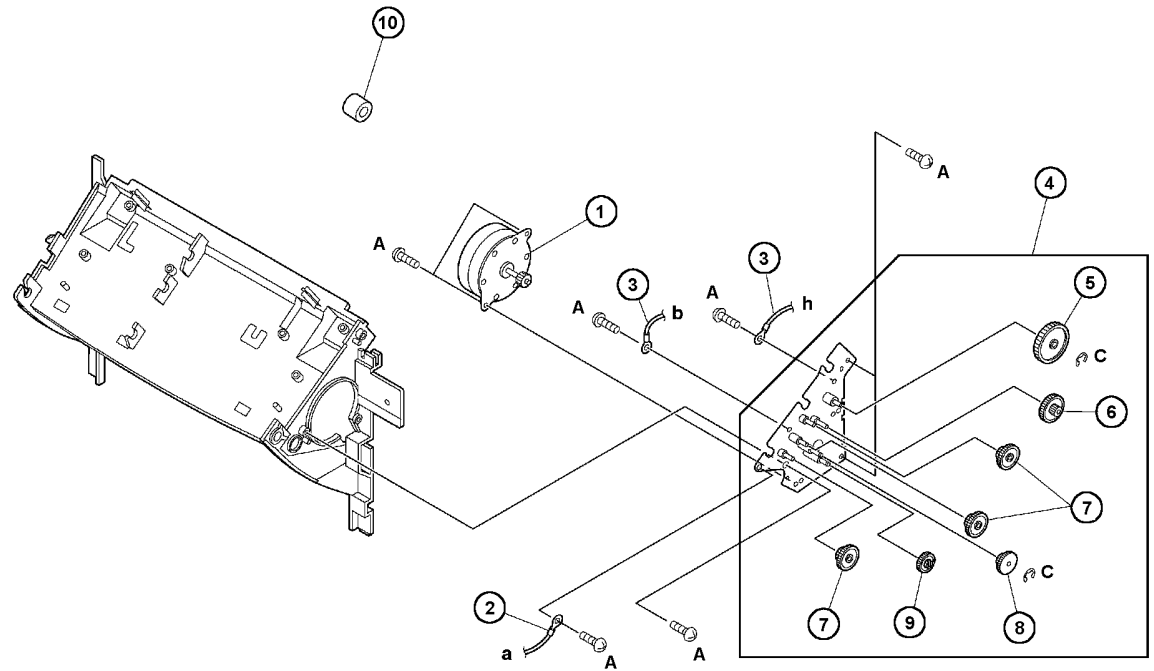
Item	Part	Description
1	--	Control panel frame assembly (See PL 4.3)
2	802E21970	Cover
3	162K67470	Scanner harness
4	109K1390	Scanner REP 6.2
5	19E47420	Control panel hook
6	1E61060	ADF frame
7	19E47430	Shaft holder
8	22E24720	ADF roller
9	809E32350	Clutch spring
10	--	Setting washer
11	6E77100	ADF roller shaft
12	7E66450	ADF roller gear
13	22E24730	Feed roller
14	7E68460	Feed roller gear
15	--	Ferrite core (P/O PL 4.1 Item 3)
A	26E65870	Screw M3 x 8



LAR-046-A

PL 4.2 ADF Drive

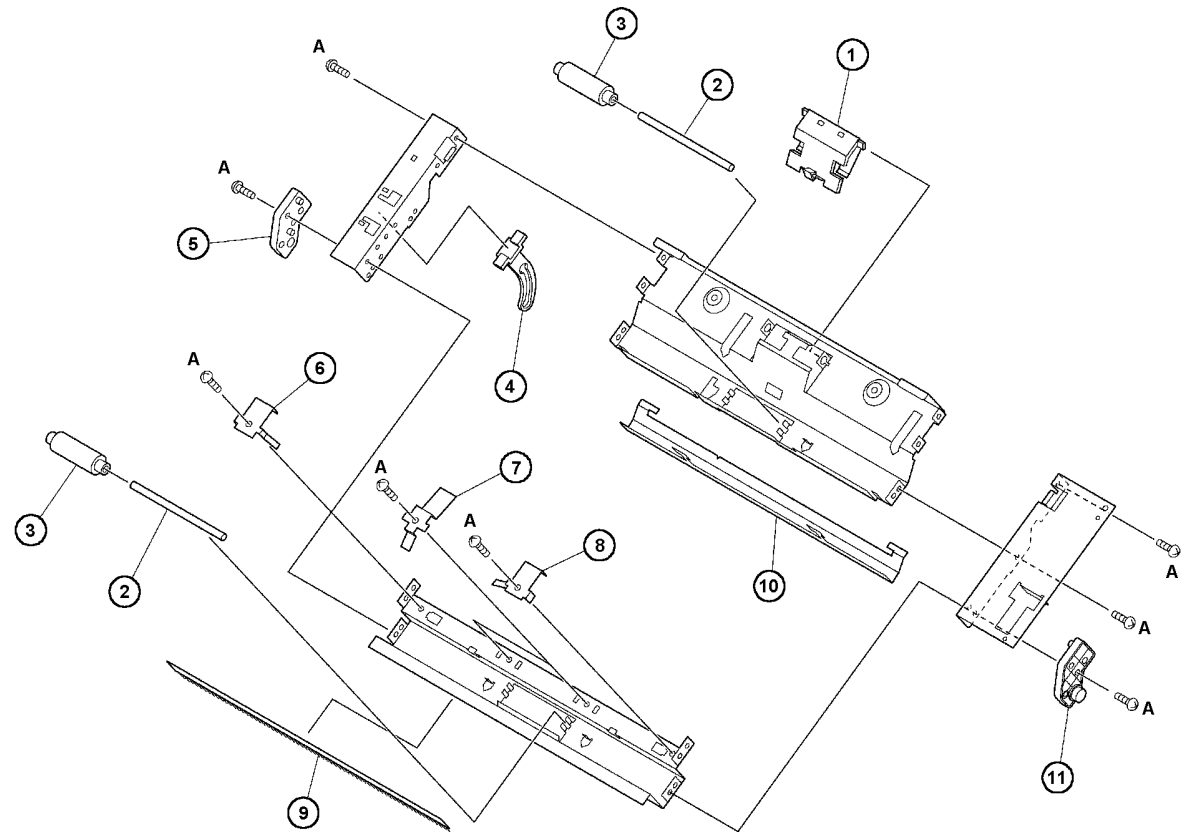
Item	Part	Description
1	127E13240	Motor REP 5.2
2	162K67500	Ground wire (3)
3	117E22840	Ground wire (2)
4	--	Gear assembly
5	7E68510	Gear RX400
6	7E68500	Idler gear (2)
7	7E68470	Idler gear (4)
8	7E68490	Film idle gear
9	7E68480	Idler gear (5)
10	--	Ferrite core (P/O PL 4.2 Item 1)
A	26E65870	Screw M3 x 8
C	5E15250	E-ring



LAR-047-A

PL 4.3 ADF Pinch Rollers and Retard Pad

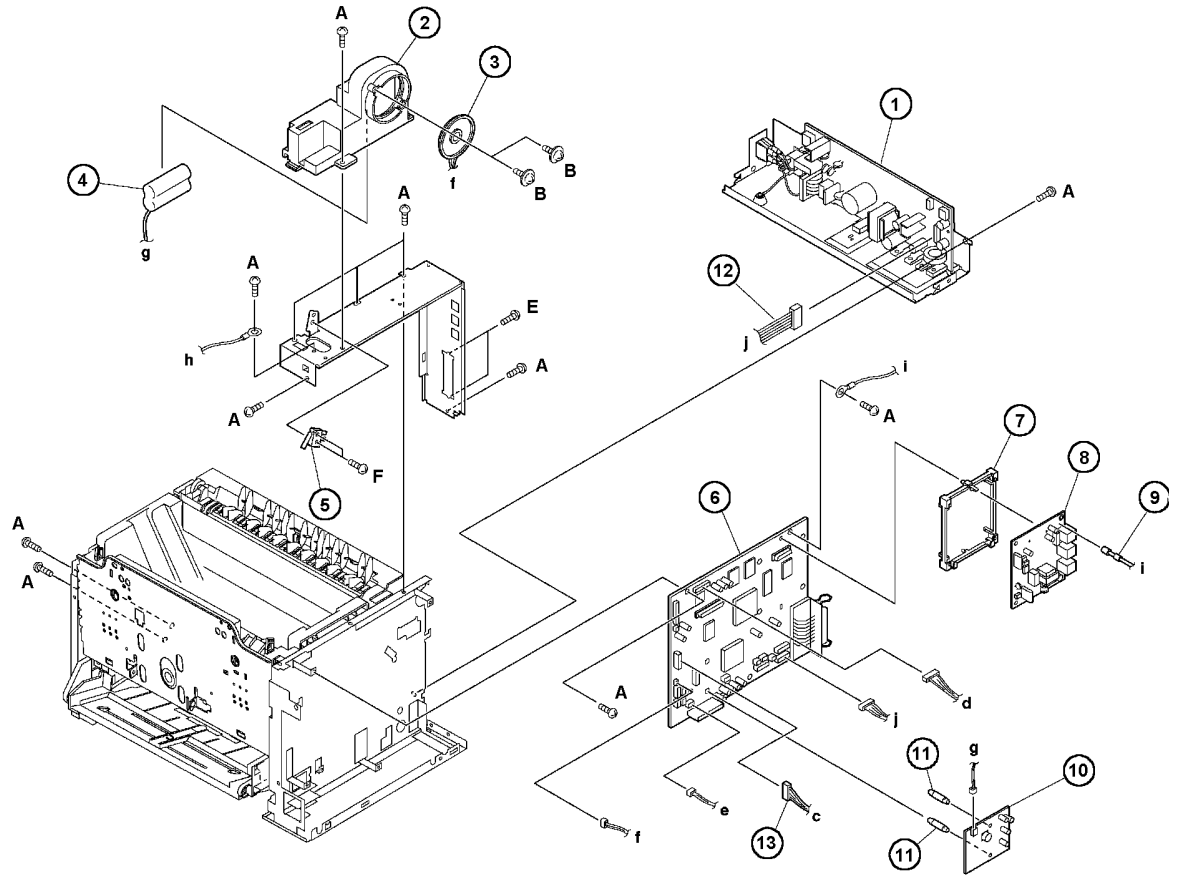
Item	Part	Description
1	19K5370	Retard pad assembly
2	6E77110	Pinch roller shaft
3	22E24740	Pinch roller
4	3E55350	Control panel stopper
5	3E55360	LH Tx hinge
6	809E32360	LH Scanner guide spring
7	809E32370	Pinch roller spring
8	809E32380	RH Scanner guide spring
9	115E9110	Static brush
10	32E19280	Scanner guide
11	3E55370	RH hinge
A	26E65870	Screw M3 x 8



LAR-048-A

PL 6.1 Electrical Components

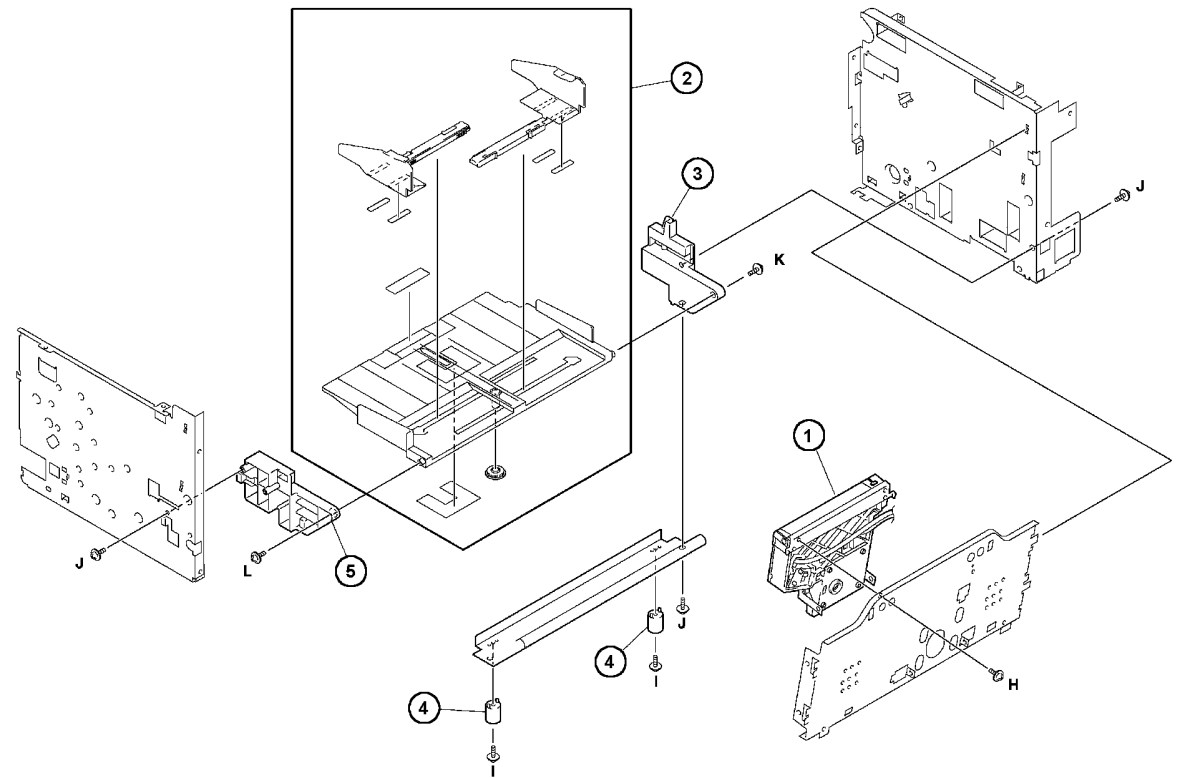
Item	Part	Description
1	105E14380	LVPS (110V) REP 1.1
-	105E14390	LVPS (220V) REP 1.1
2	830E64420	Speaker holder
3	130E9740	Speaker
4	105E14370	Battery (Pro 575)
5	110E13160	Printer interlock switch
6	160K72550	Main PWB (Pro 555) REP 3.1
-	160K72560	Main PWB (Pro 575) REP 3.1
7	815E890	PWB plate
8	160K72460	NCU PWB (USO)
-	160K72470	NCU PWB (XE)
9	117E22830	Ground wire (1)
10	--	Battery backup PWB (PRO 575)
11	--	Locking support (Pro 575)
12	162K67460	LVPS cable
13	162K67490	Control panel harness
A	26E65870	Screw M3 x 8
B	826E350	Self tapping screw M3 x 8
E	26E65940	Pan head screw M2.3 x 10
F	826E360	Double Sems Screw M2.3 x 10



LAR-049-A

PL 7.1 Laser module & paper guide assembly

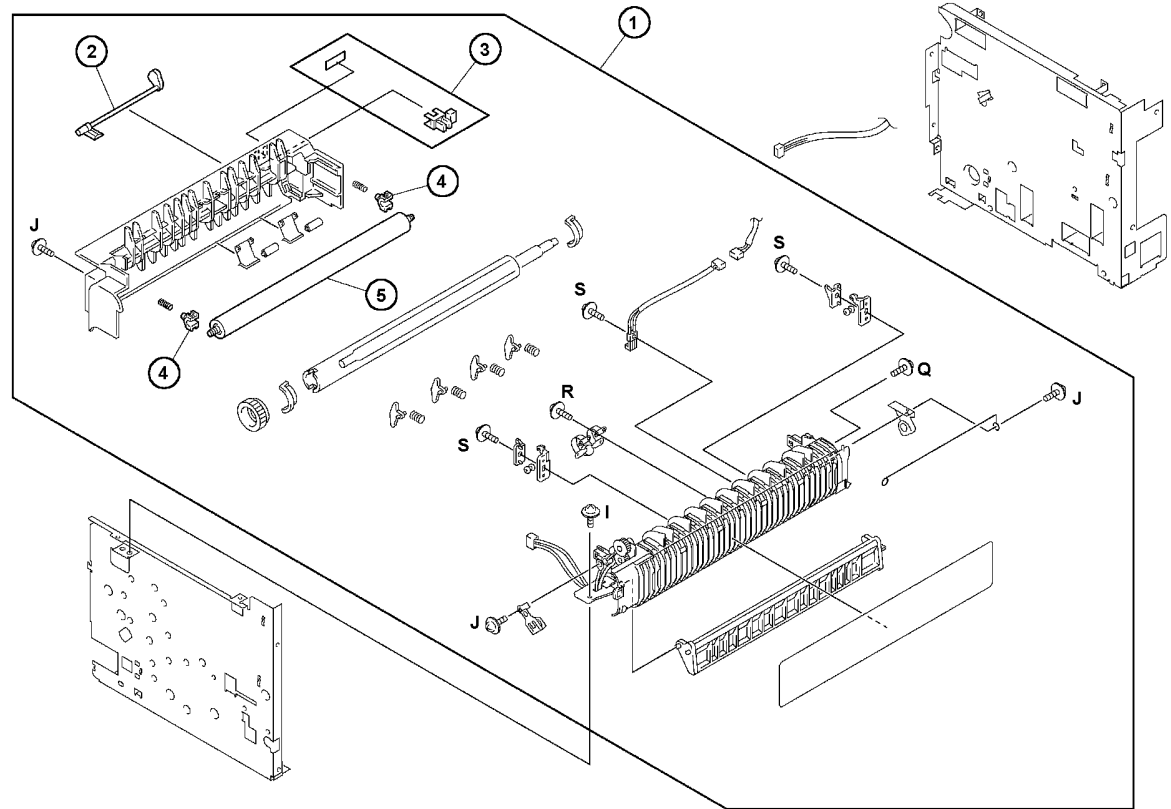
Item	Part	Description
1	115E9120	Laser REP 6.1
2	38K27400	Paper guide assembly
3	38E27410	RH Paper guide holder
4	3E55380	Stopper
5	38E27420	LH Paper guide holder
H	826E380	Screw
I	826E390	Screw
J	826E400	Screw
K	826E410	Screw
L	826E420	Screw



LAR-050-A

PL 7.2 Printer Fuser

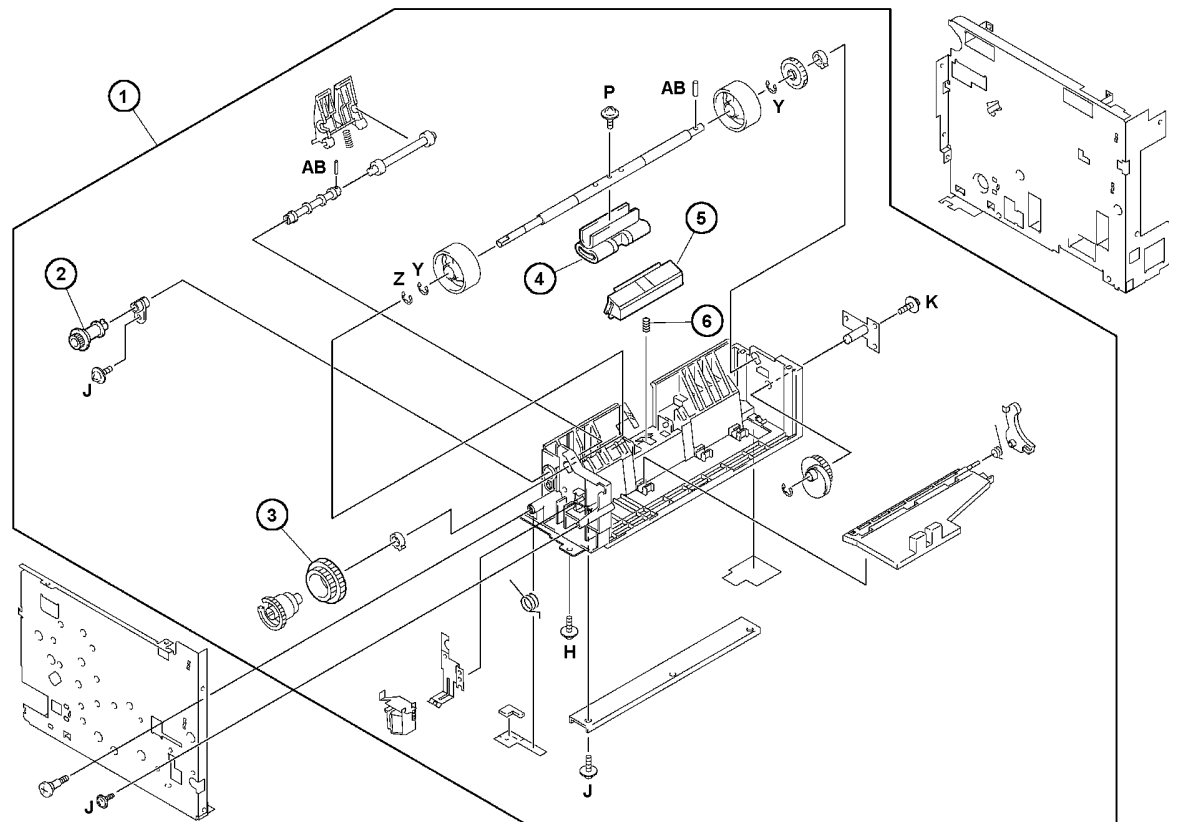
Item	Part	Description
1	126E1940	Fuser (120V) (USO) REP 10.1
-	126E1950	Fuser (220V) (XE) REP 10.1
2	120E20340	Paper exit actuator
3	130E9760	Paper exit sensor
4	16E15690	Pressure roller bush
5	22E24750	Pressure roller
I	826E500	Screw
J	826E510	Screw
Q	826E520	Screw
R	826E530	Screw
S	826E540	Screw



LAR-051-A

PL 7.3 Printer Frames and Paper Feed

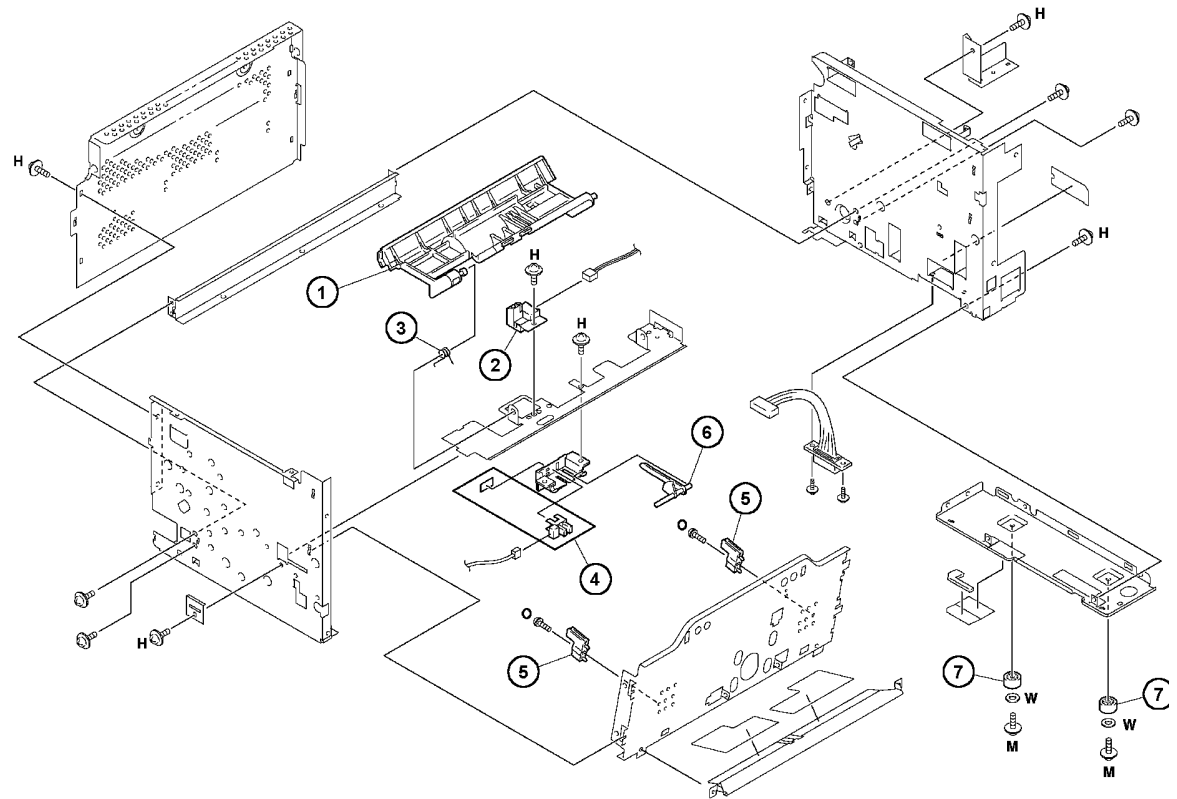
Item	Part	Description
1	130K65610	Paper feed assembly
2	7E68520	Gear 18T
3	7E68530	Gear 36/54T
4	22E24800	Feed roller
5	815E920	Retard plate
6	809E32400	Retard spring
AB	29E34660	Pin
H	826E460	Screw
J	826E470	Screw
K	826E480	Screw
P	826E490	Screw
Y	5E15260	E-ring
Z	5E15270	E-ring



LAR-052-A

PL 7.4 Printer Paper Sensors

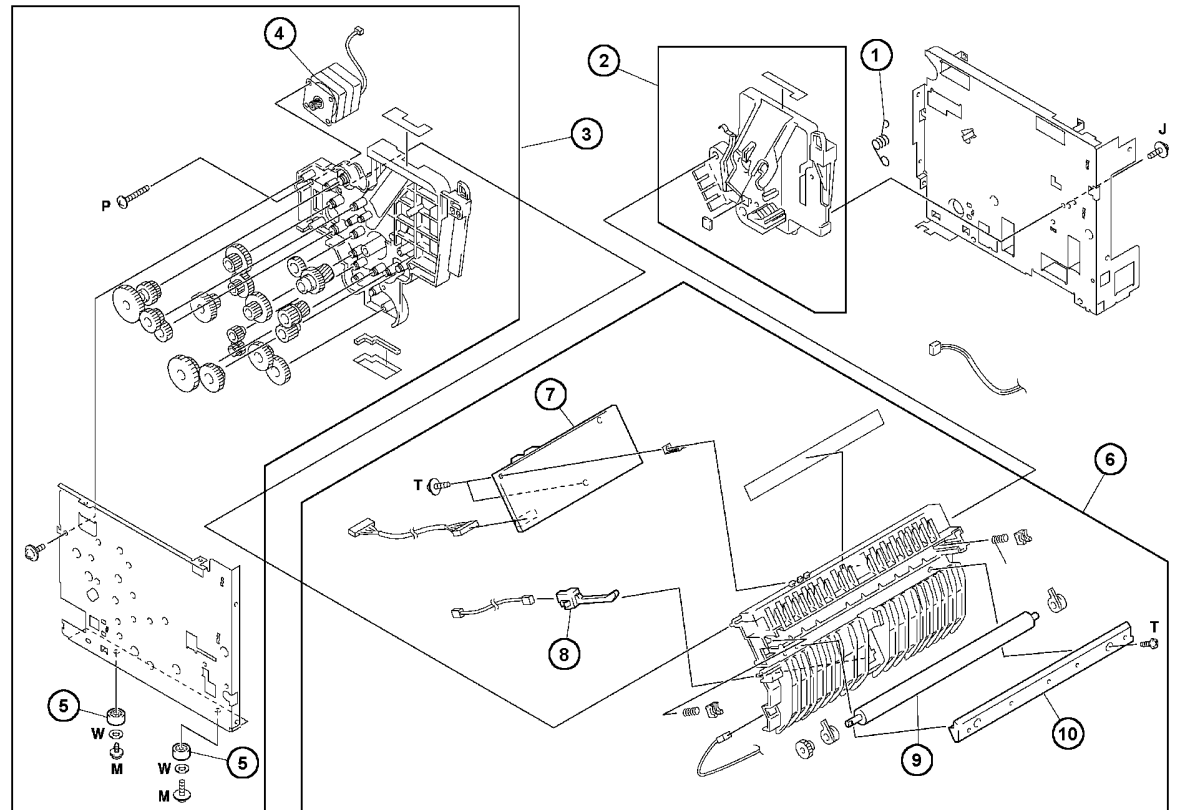
Item	Part	Description
1	38E27430	Paper Guide
2	130E9750	Toner empty sensor
3	809E32390	Torsion spring
4	130E9760	Tray empty sensor
5	19E47450	Holder
6	120E20330	Tray empty actuator
7	17E9840	Foot rubber
H	826E430	Screw
M	826E400	Screw
O	826E450	Screw
W	28E14330	Washer



LAR-053-A

PL 7.5 Printer Paper Drive

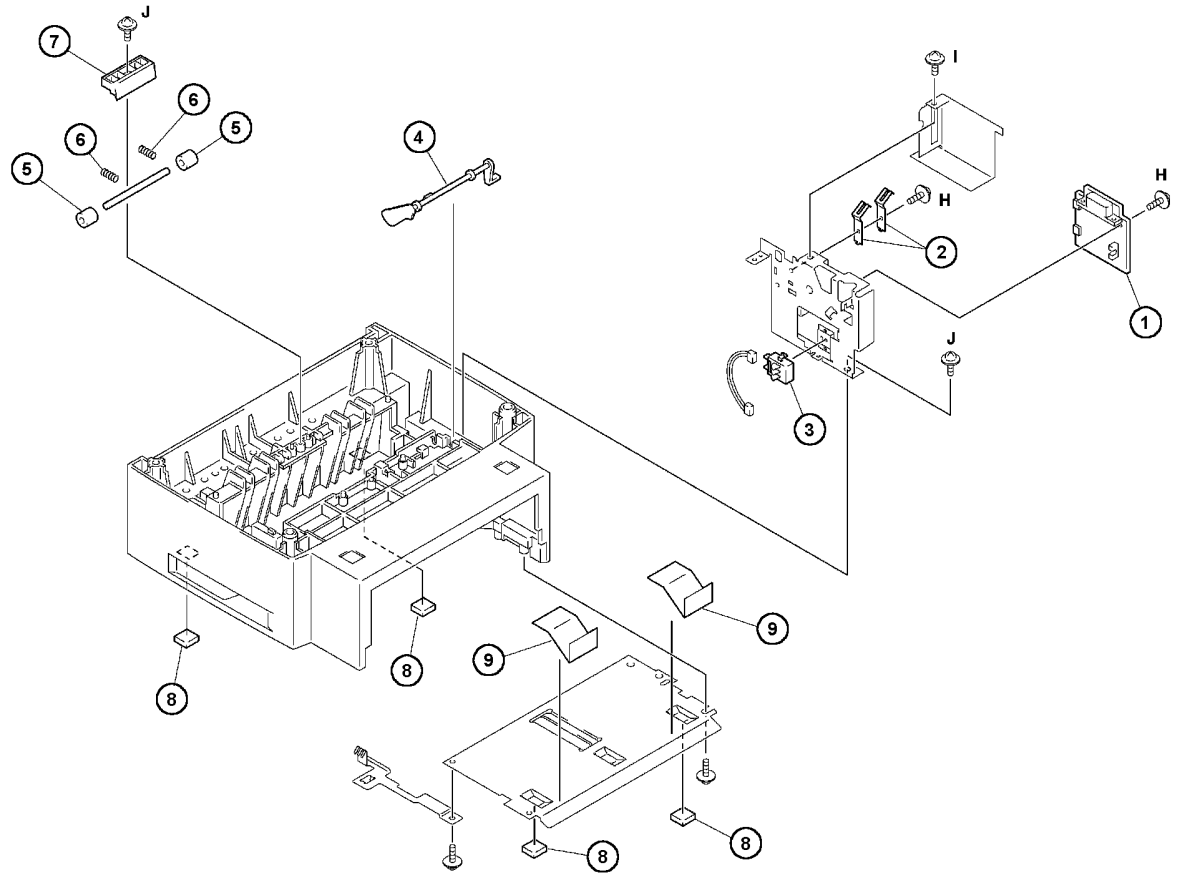
Item	Part	Description
1	809E32410	Torsion spring
2	1E61080	Frame assembly
3	7K11610	Motor drive assembly
4	127K35010	Main drive motor REP 4.2
5	19E9850	Foot rubber
6	125E280	Transfer unit
7	117E22870	HVPS REP 1.2
8	130E9780	Registration sensor REP 8.1
9	22E24760	Image transfer roller
10	38E27440	Image transfer roller guide
J	826E550	Screw
M	826E560	Screw
P	826E570	Screw
T	826E580	Screw
W	28E14340	Washer



LAR-054-A

PL 11.1 Lower Paper Tray (1)

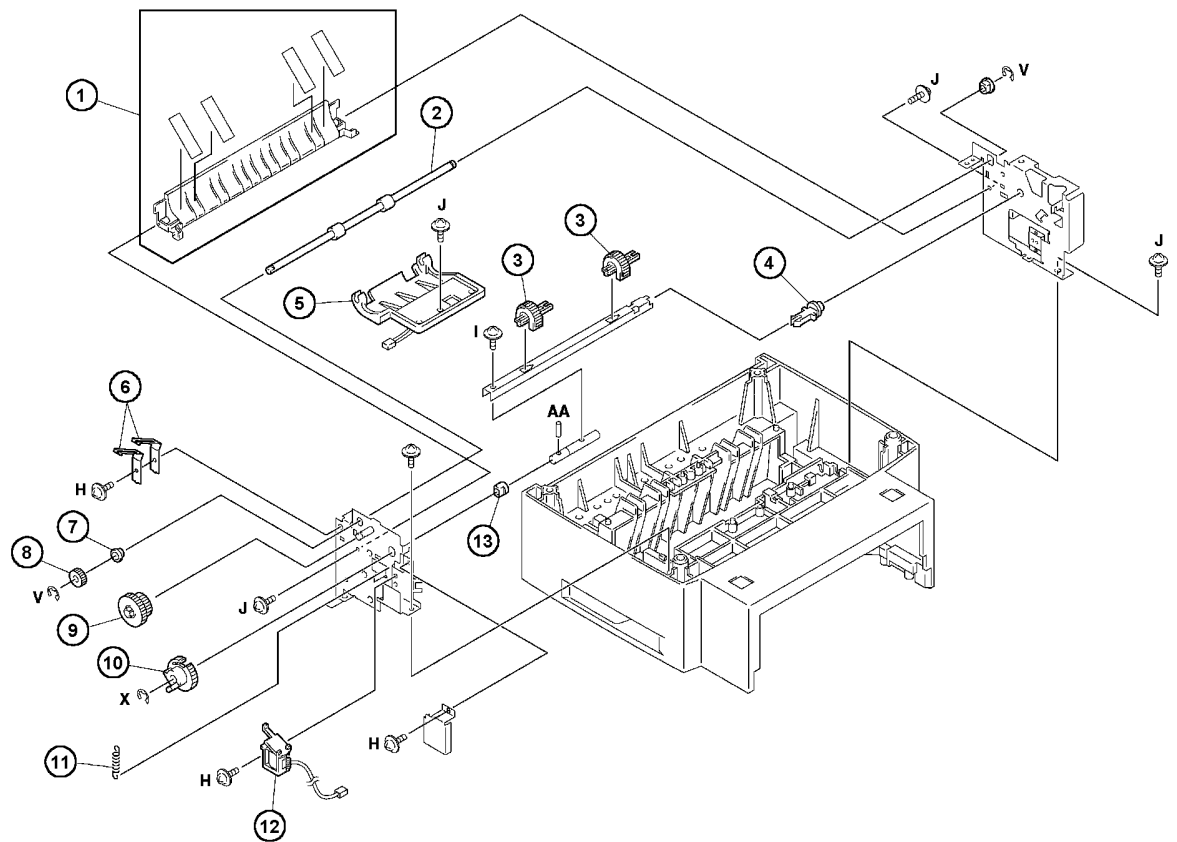
Item	Part	Description
1	140E45390	Tray PWB REP 7.1
2	815E930	Tray earth plate
3	130E9790	Tray paper size sensor
4	120E20350	Tray paper end actuator
5	22E24770	Tray pinch roller
6	9E32420	Pressure spring
7	830E64470	Bracket
8	19E47470	Tray foot rubber
9	38E27470	Tray guide
H	826E590	Screw
I	826E600	Screw
J	826E610	Screw



LAR-055-A

PL 11.2 Lower Paper Tray (2)

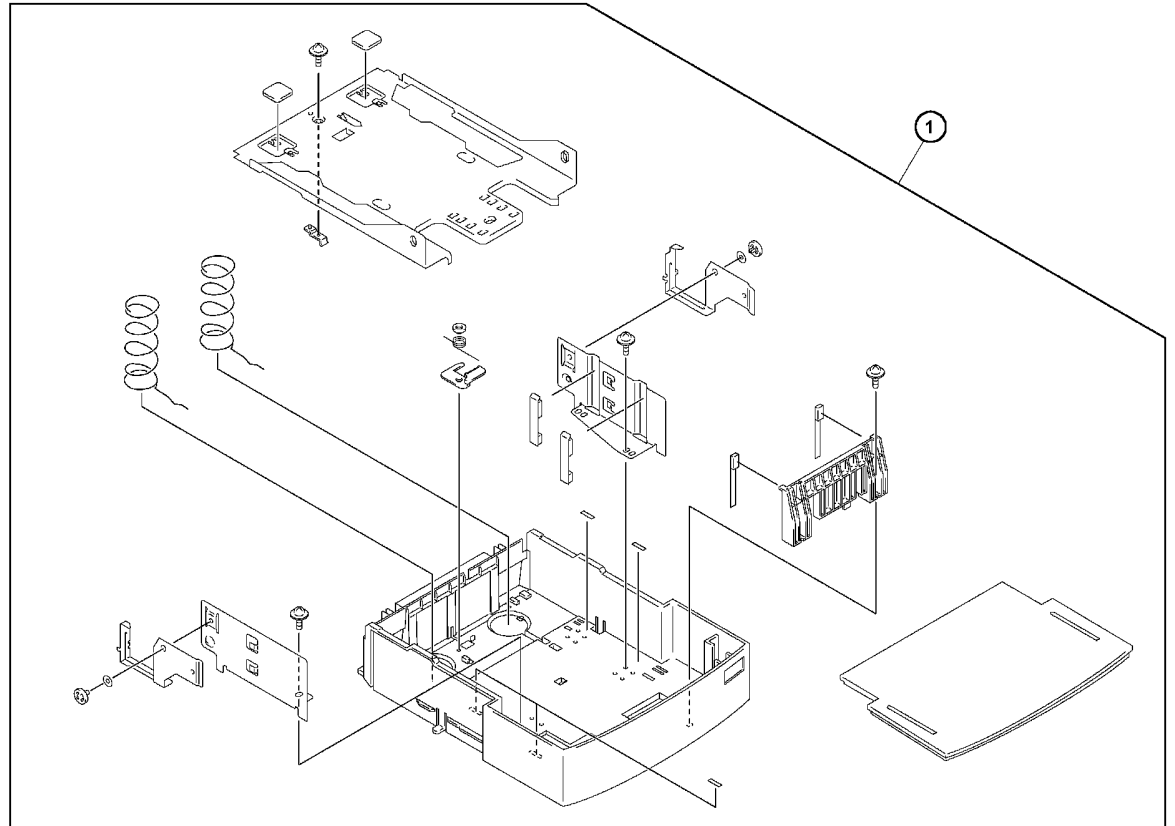
Item	Part	Description
1	38E27450	Tray paper guide A
2	22E24790	Take away roller
3	22E24780	Feed roller
4	830E64480	Shaft support
5	38E27460	Tray paper guide B
6	815E930	Tray earth plate
7	16E15700	Shaft support
8	7E68540	Gear 15T
9	7E68550	Gear 29/37T
10	7E68560	Gear 34T
11	809E32430	Tension spring
12	121E16870	Tray solenoid
13	16E15710	Tray shaft bush
AA	29E34670	Pin
H	826E590	Screw
I	826E600	Screw
J	826E610	Screw
V	5E15280	E-ring
X	5E15290	E-ring



LAR-056-A

PL 11.3 Lower Paper Tray

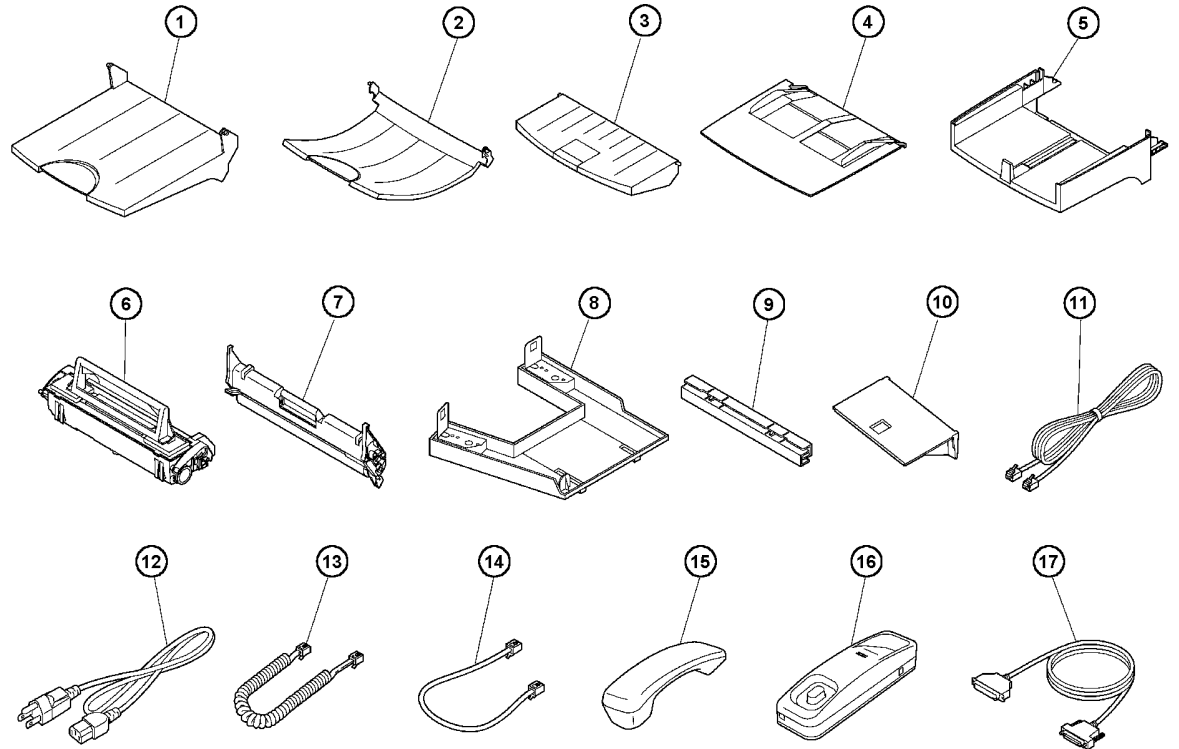
Item	Part	Description
1	50E18090	2nd paper cassette assembly (USO)
-	50E18080	2nd paper cassette assembly (A4)



LAR-057-A

PL 12.1 Accessories

Item	Part	Description
1	50E18220	Copy output tray
2	50E18230	Document output tray
3	830E64430	Document support
4	50E18250	Bypass tray
5	50E18260	Paper tray
6	106R401	Toner cartridge
7	113R456	Drum cartridge
8	19E47440	Handset holder assembly (Option)
9	--	Cradle cord cover (Option)
10	830E64450	Cradle stay (Option)
11	117E17050	Telephone line cable (USO)
12	117K14230	Power supply cord (USO)
13	117K27880	Curl cord (Option)
14	117E22860	Handset cable (Option)
15	--	Handset (Option)
16	830E64310	Cradle (Option)
17	--	Printer cable



LAR-058-A

PL 13.1 Tools and Consumables

Item	Part	Description
1	82P151	Test pattern
2	82P520	Output reference
3	82P284	Copy quality rating guide
4	35P1737	Drop cloth
5	600S4372	Cleaning pads
6	95P501	Black bag
7	35P2162	Cotton swabs
8	43H12	Lens and mirror cleaner
9	43P67	Clean-ups
10	70P27	Silicon grease (Lubricant type 1)
11	70P95	Light oil (USO/AO/XCL)
–	600T90393	Light oil (XE) (Lubricant type 2)
12	70E290	Multi-purpose grease (Lubricant type 3)
13	70E110	Conductive grease (Lubricant type 4)

NOTE: For purposes of competitive or altered supplies evaluation the service technician should have the above consumables available.

**NO EXPLODED
VIEW PROVIDED**