

Section Contents

Title	Page
Introduction -----	5-1
PL 1.1 Covers -----	5-2
PL 2.1 Upper Unit -----	5-4
PL 3.1 Document Feed Section-----	5-6
PL 4.1 Paper Feed Section-----	5-8
PL 5.1 Lower Unit -----	5-10
Part NO. Index/Common Hardware -----	5-12
Common Hardware -----	5-13

Introduction

Overview

The Parts List section provides exploded view illustrations of all spared subsystem components and a listing of the corresponding part numbers. The illustrations show the relationships between parts.

Organization of this Section

The following elements make up the Parts List section:

Parts Lists (PL)

Each item number in the part numbers listing corresponds to an item number in the illustration. All the parts in a given subsystem of the machine will be located in the same illustration or in a series of associated illustrations. The parts which are not spared are indicated by “- -” in the Part column.

Exploded View Illustrations

An item that is called out on an illustration has a corresponding listing within this section.

Components are given item numbers that correspond to the part number listings.

Hardware items are lettered. Refer to the Common Hardware listing towards the end of this section to identify the item.

Assemblies and kits are a combination of several separate components. A bracket is used on the illustration when an assembly or kit is spared but is not shown. The item number of the assembly or kit precedes the bracket; the item numbers of the piece parts follow it.

Part Number Index

This index lists all the spared parts in the system in numerical order. Each number is followed by a reference to the parts list on which the part may be found.

Common Hardware

The common hardware is listed in alphabetical order by the letter or letters used to identify each item in the hardware listing and in the illustrations. All hardware dimensions are in millimeters unless otherwise noted.

Other Information

Abbreviations

Abbreviations which may be used in the parts lists text or illustrations are as follows:

US	United States Operations
XCL	Xerox Canada Limited
XLA	Xerox Latin America
XL	Xerox Limited
P/J	Plug/Jack
P/O	Part of
W/	With
W/O	Without

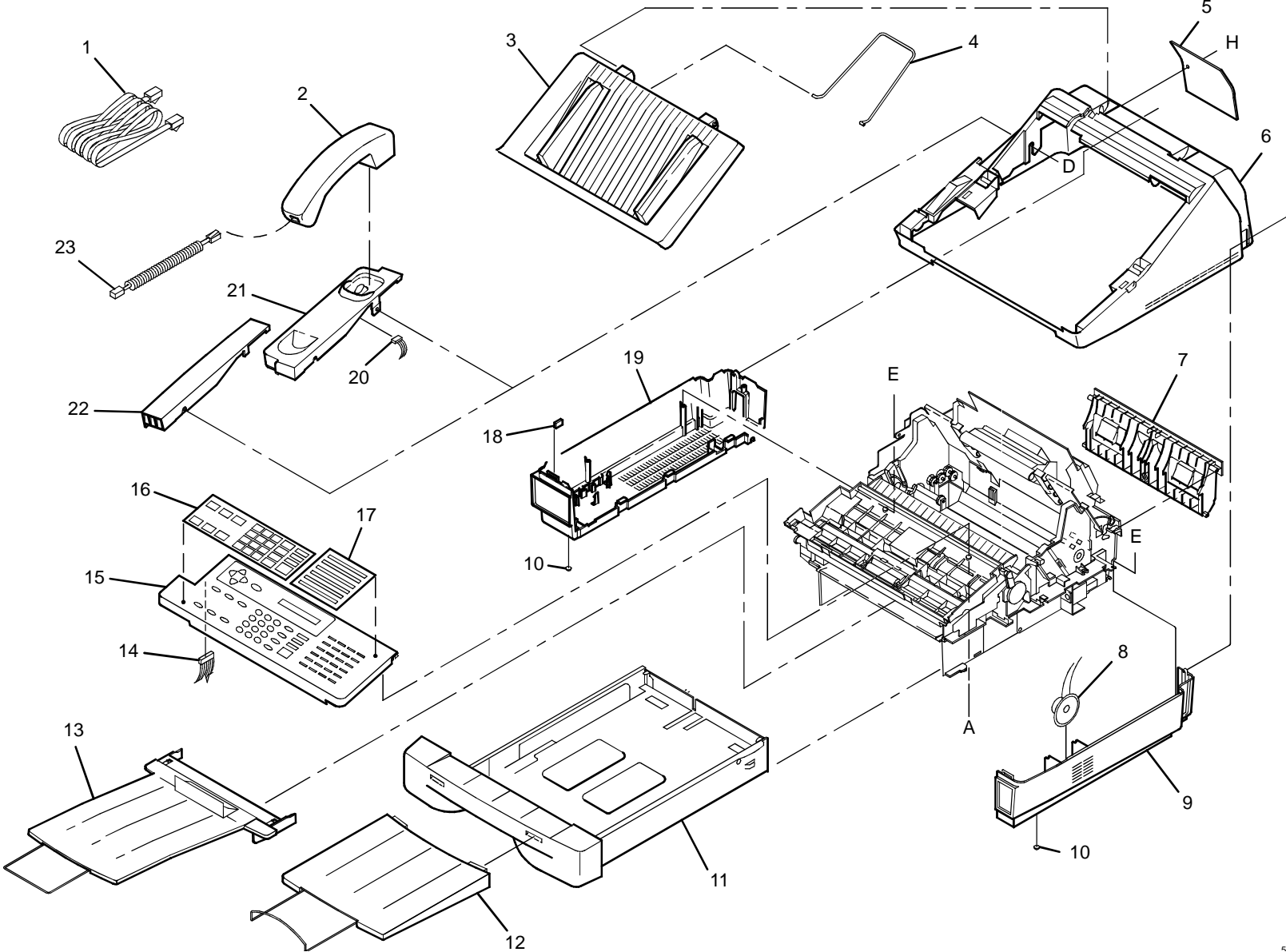
Tag

A Tag is used when a part or area of the system has been modified. The Change Tag Index, which is found in the General Procedures/Information Section, lists the name and purpose of the Tag. In some cases, you will go to the parts lists and find a part number listed as “with Tag.” Go to the Change Tag Index for a description of what the Tag is and what you need to install the Tag. The Change Tag Index will either list a kit number or indicate “piece part.” If “piece part” is indicated, the parts lists reference(s) will be given and all parts associated with the Tag will have to be individually located, ordered, and installed.

The notation “P/O Tag” after a part number indicates that the item is part of a Tag. The notation “Tag” after a part number will be used only to indicate the entire Tag, whether that is a kit number or an individual part.

Whenever you install a Tag kit or all the piece parts that make up a Tag, mark the appropriate number on the Tag matrix.

PL 1.1 Covers



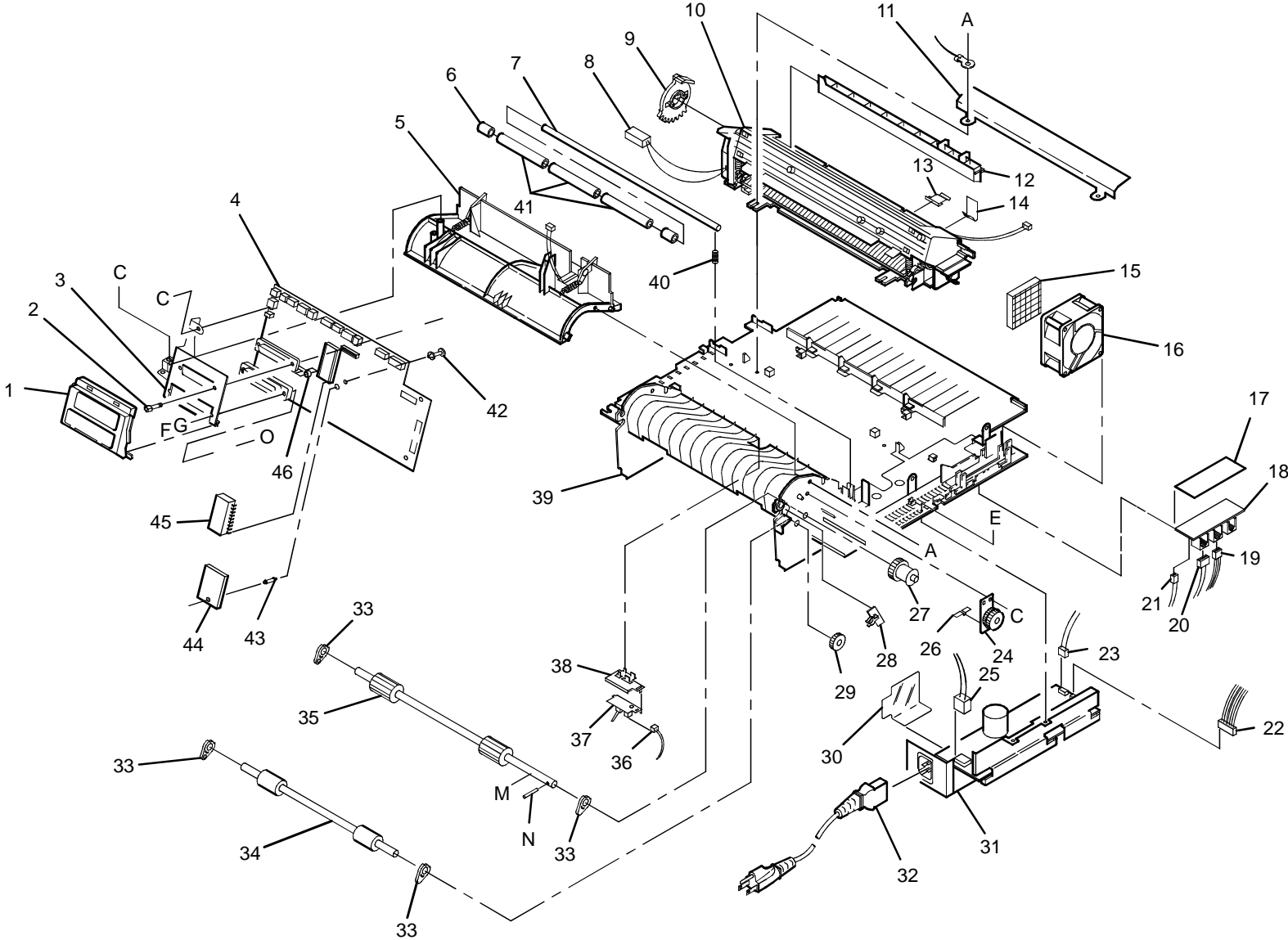
545/101

PL 1.1 Covers

Item	Part	Description			
1.	117K27250	TEL Line Cable (XL - DE)	17.	891E61930	One Touch Dial Index
	117E17050	TEL Line Cable (US, XCL)	18.	015E60120	Modular Plate (XL)
	117K27260	TEL Line Cable (XL - UK)	19.	048K78440	Bottom Cover Left (US, XCL, XLA) (REP 1.5)
2.	110K09200	Handset (US, XCL)		048K78450	Bottom Cover Left (XL) (REP 1.5)
3.	048K57770	Top Cover	20.	117K27170	Hook Switch Cable (US, XCL)
4.	117E18010	Document Wire (Legal) (US, XCL)	21.	068K13960	Cradle Upper Assy. (US, XCL) (REP 1.1)
5.	048K57760	ROM Cover	22.	048E47320	Cradle Dummy Cover (XL) (REP 1.2)
6.	048K57750	Upper Cover (REP 1.4)	23.	117K27240	Handset Cord (Curl Cord) (US, XCL)
7.	048K78470	Rear Panel			
8.	130K58750	Speaker (REP 1.6)			
9.	048K78460	Bottom Cover Right (REP 1.6)			
10.	017E07800	Foot			
11.	050K41640	Paper Cassette Letter/Legal (XCL, XLA)			
	050K41650	Paper Cassette A4 (XL)			
12.	050E14910	RX Exit Tray			
13.	050E14890	TX Exit Tray			
14.	162K29620	Harness Main-OPE			
15.	110K10000	Keyboard (US, XCL - English) (REP 1.3)			
	110K10130	(XL, XLA - English) (See Note)			
16.	891E59030	Control Panel Overlay (XCL - French)			
	891E60170	(XLA - Spanish)			
	891E59050	(XLA - Portuguese)			
	891E59060	(XL - German)			
	891E59070	(XL - Italian)			
	891E59080	(XL - Dutch)			
	891E59090	(XL - Spanish)			
	891E59100	(XL - Portuguese)			
	891E59110	(XL - French)			
	891E59120	(XL - Finnish)			
	891E59130	(XL - Danish)			
	891E59140	(XL - Swedish)			
	891E59150	(XL - Norwegian)			

NOTE: Order Control Panel Overlay item 16.

PL 2.1 Upper Unit



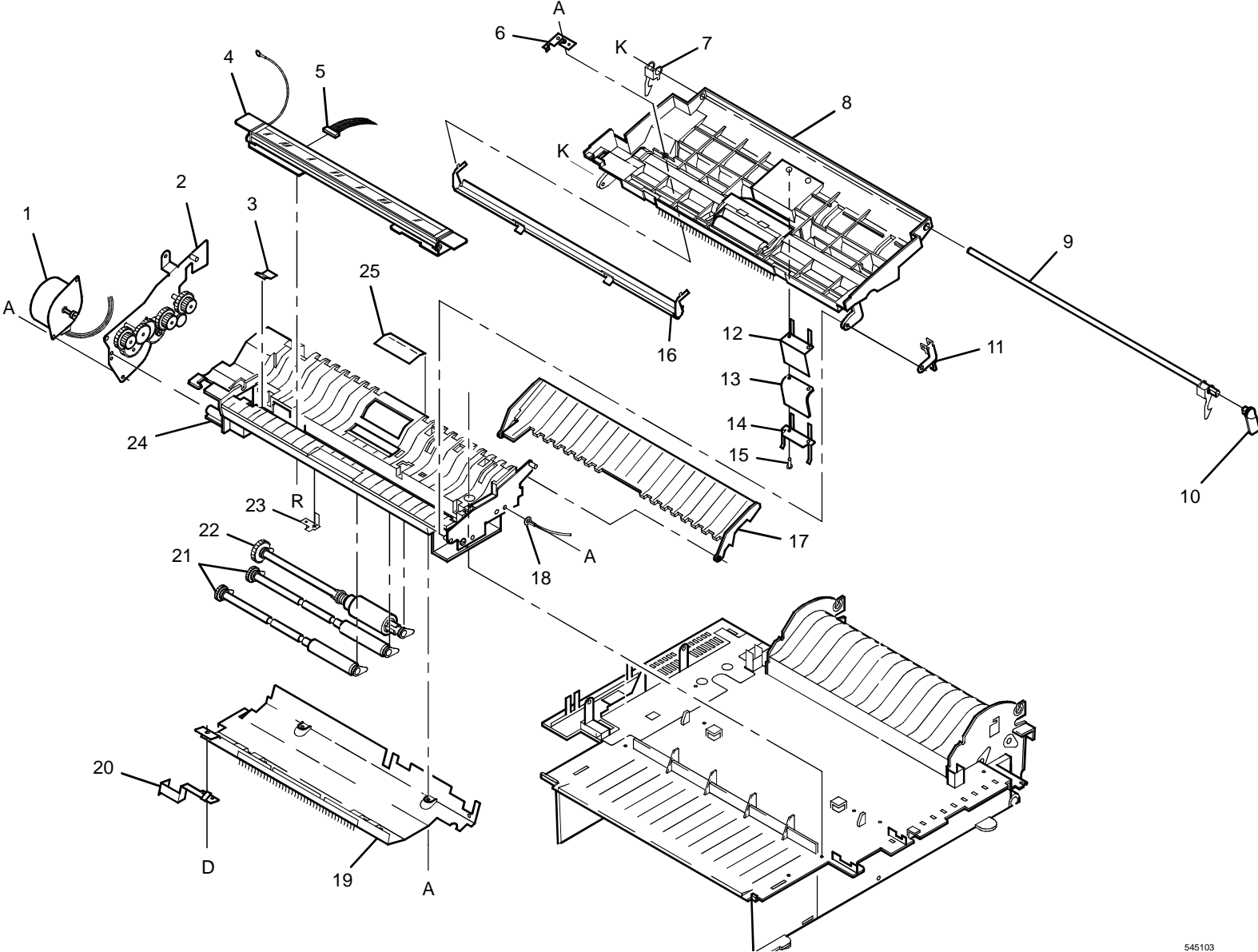
545102

PL 2.1 Upper Unit

Item	Part	Description			
1.	048K57940	I/F Cover	31.	105K17880	Power Supply Unit 110V (See Note)
2.	026E61370	I/F Screw 17L003C6		105K17890	Power Supply Unit 220V (See Note)
3.	- -	PWB Holder	32.	117P80447	Power Cord 110V
4.	160K54300	Main PWB w/o ROM		117K26120	Power Cord 220V (XLA)
5.	032E10930	Paper Guide Upper Unit	33.	013E12770	Roller Bearing
6.	022E21100	Pinch Roller (E)	34.	022E21150	Paper Feed Roller
7.	006E58500	FRD Shaft	35.	022E21200	Pick Up Roller
8.	162K29850	Harness NCU-FG	36.	162K49920	Harness Main-PE
9.	011E07430	Release Lever	37.	130K59490	Paper Empty Sensor
10.	126K12770	Fuser 110V (ADJ 5.1)	38.	019E40950	Sensor Holder
	126K12780	Fuser 220V (ADJ 5.1)	39.	- -	Base Frame
11.	015E60130	Fuser Guide Plate	40.	809E02440	L FDR Spring B
12.	043E00380	Cleaning Pad	41.	022E21140	M FDR Pinch Roller
13.	809E02420	Fuser Spring	42.	049E72860	Locking Support MPS-10-0
14.	809E02410	Earth Spring	43.	049E72790	Locking Support MLS-06
15.	053E04870	Ozone Filter	44.	097S01569	Memory PWB (Cust. Order #)
16.	127K22550	Fan Motor		160K33440	Memory PWB (Spare Order #)
17.	118E13150	Insulation Film	45.	537E58190	ROM 1 (US, XCL, XLA - English, French, Spanish, Portuguese)
18.	160K33150	Modular PWB (US, XCL)		537E58200	ROM 1 (XL-English, German, French, Italian, Dutch, Portuguese)
	160K33160	Modular PWB (XL) (REP 1.5)		537E58210	ROM 1 (XL-English, French, Danish, Finnish, Swedish, Norwegian)
19.	162K29630	Harness NCU-HS	46.	014E32850	Spacer 57D-149-6A
20.	162K29640	Harness NCU-TEL			
21.	162K30010	Harness Main-MPS			
22.	162K29930	Harness NCU-LINE (US, XCL)			
	162K29940	Harness NCU-LINE (XL)			
23.	162K30000	Harness MPS-TCOS			
24.	007K09540	Feed Idler Gear Assy.			
25.	162K29990	Harness MPS-Heat			
26.	015E60260	CF Earth Plate A			
27.	003K08770	CF Stopper Assy.			
28.	019E36200	Panel Hook			
29.	007E48800	Feed Roller Gear			
30.	118E13170	Base Film			

NOTE: Order Base Film Item 30.

PL 3.1 Document Feed Section

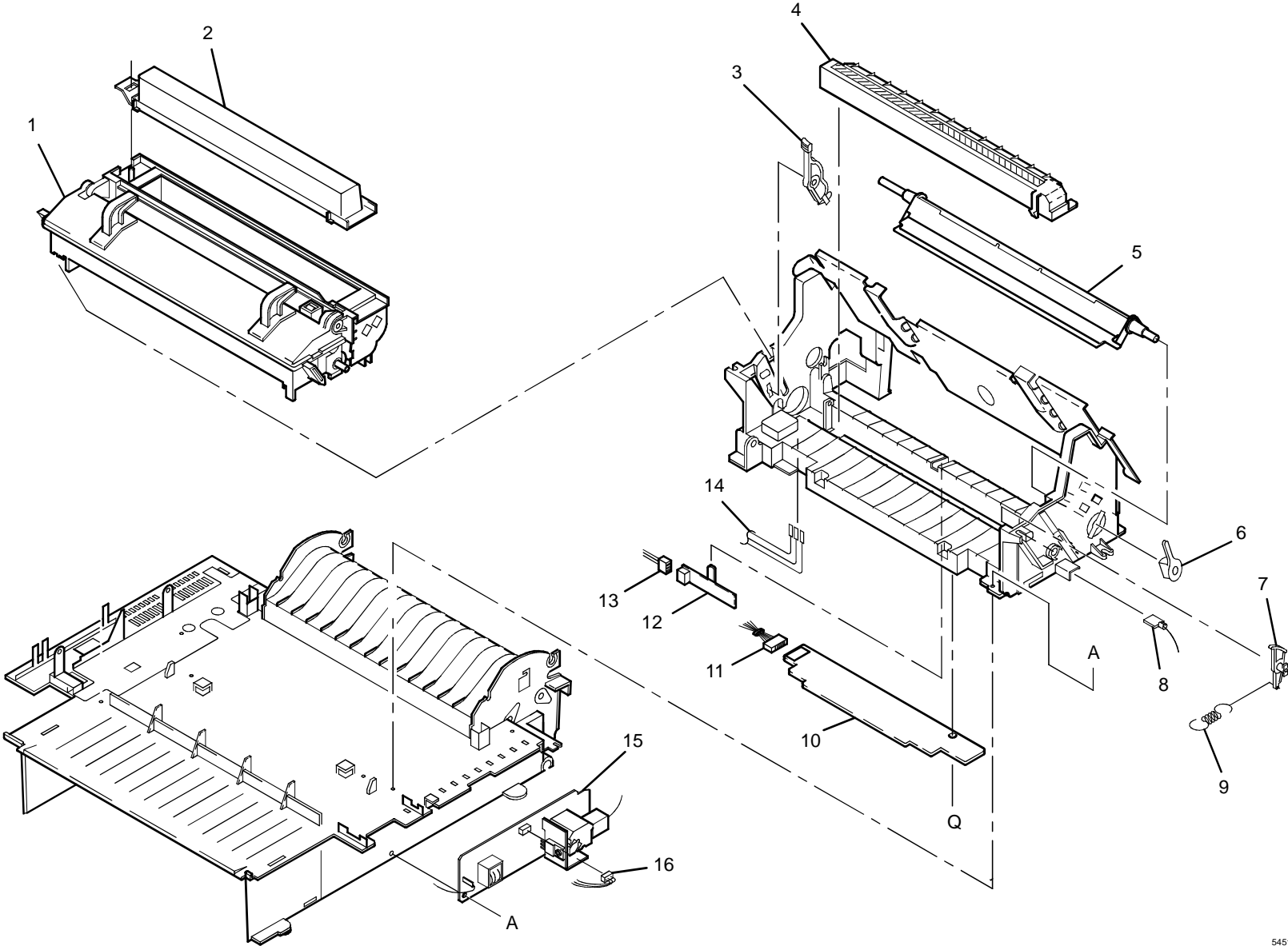


545103

PL 3.1 Document Feed Section

Item	Part	Description
1.	127K22560	Document Feed Motor
2.	007K10700	Transmitter Gear Frame Assembly
3.	809E02430	Lower Spring
4.	130E09000	Contact Image Scanner (CIS)
5.	--	Harness Main-CIS
6.	--	Platen Spring
7.	809E02650	Release Hook Spring
8.	110K10010	Keyboard Frame Unit
9.	006E58510	Release Shaft
10.	011E07420	Release Lever
11.	809E02660	Hold Spring
12.	809E02460	ADF Spring
13.	019E36160	ADF Pad
14.	809E02470	Sub ADF Spring
15.	029E25370	Nylon Rivet (P2648B)
16.	015E69880	Platen
17.	015E60140	Document Guide Plate
18.	--	Fuser Earth Cable
19.	--	CIS Cover Plate
20.	--	Earth Spring (1)
21.	022E21130	Feed Roller
22.	022E21120	ADF Roller
23.	809E02450	Earth Spring (2)
24.	001K68350	Transmitter Frame
25.	118E13160	ADF Guide Film

PL 4.1 Paper Feed Section



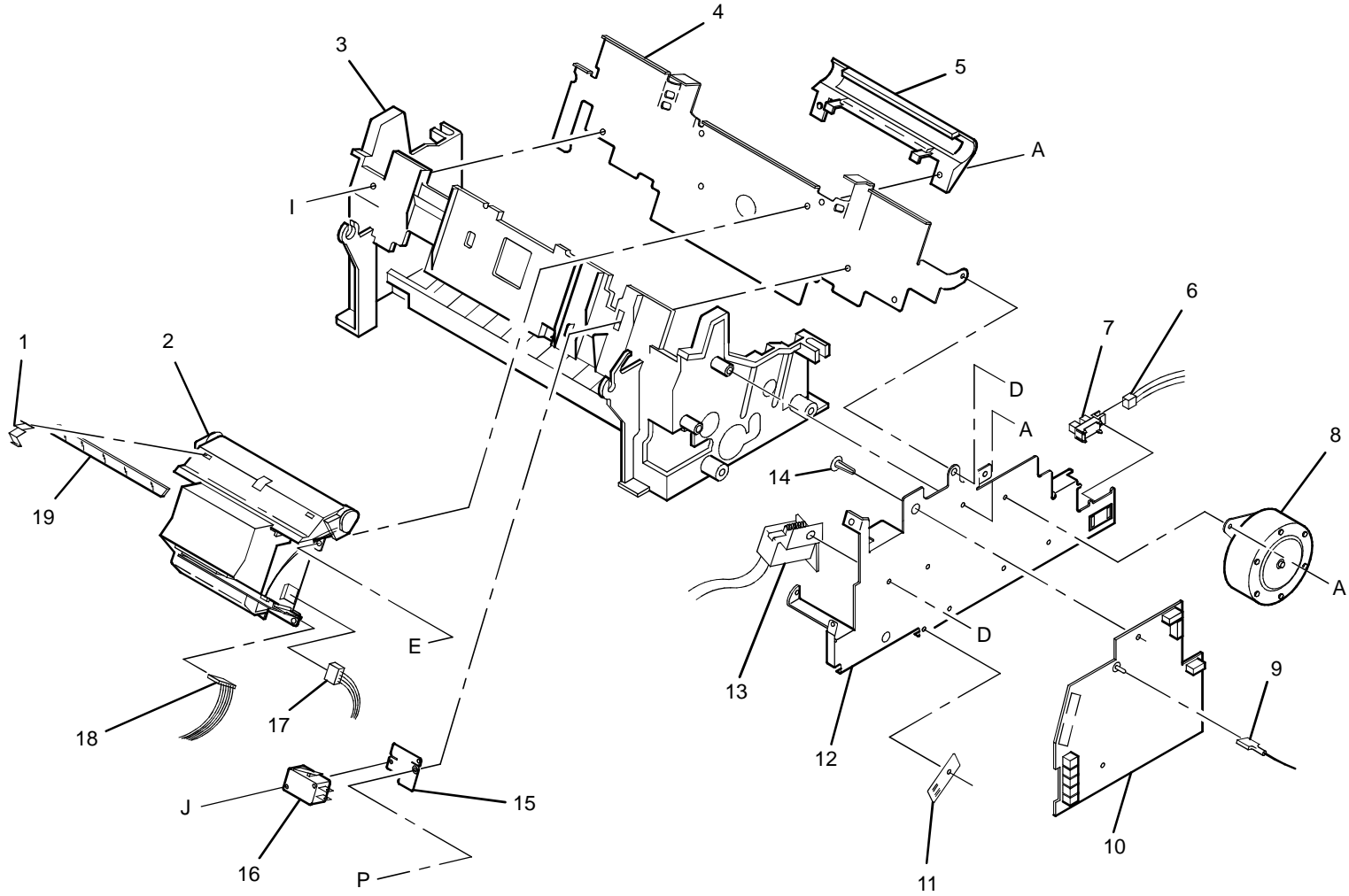
545104

PL 4.1 Paper Feed Section

Item	Part	Description
1.	113R00288	Process Unit (US, XCL, XLA) (Cust. Order #)
	113R00295	Process Unit (XL) (Cust. Order #)
	020K08940	Process Unit (Spares Order #)
2.	106R00367	Toner (2 Cartridges) (US, XCL, XLA) (Cust. Order #)
	106R00370	Toner (2 Cartridges) (XL) (Cust. Order #)
3.	003E42310	Drum Lock
4.	126K07610	Transfer Charger Unit
5.	022E21190	Paper Guide Assembly
6.	042E01300	CF Bushing
7.	019E36190	Drum Hook
8.	162K29980	Harness VTC-TCH
9.	809E02670	Drum Hook Spring
10.	160K33190	HV Drive PWB
11.	162K29970	Harness Main-HVDR
12.	130E08070	Feed Sensor 1
13.	162K29960	Harness Main-FS1
14.	162K29950	Harness NCU-LED
15.	105K16490	High Voltage Power Supply
16.	162K30020	Harness Main-HVPS

PL 5.1 Lower Unit

20 {7, 8, 11-14



545105

PL 5.1 Lower Unit

Item	Part	Description
1.	--	Earth Spring
2.	109K01050	Laser Scanner Unit
3.	001K60330	Main Frame
4.	--	Frame Sub Unit
5.	048E47220	Mirror Cover
6.	162K29680	Harness NCU-FDS2
7.	130E08080	Feed Sensor 2
8.	127K22590	Paper Feed Motor
9.	162K29650	Harness NCU - FG
10.	160K54280	NCU PWB (US, XCL, XLA)
	160K54290	NCU PWB (XL - Except France) (See Note)
	160K55070	NCU PWB (XL - France) (See Note)
11.	015E60250	CF Earth Plate B
12.	--	Gear Frame
13.	121E13550	Solenoid STC-F12D (ADJ 5.2)
14.	049E72780	Locking Support KGLS-6
15.	--	Cover Open Switch Plate
16.	110E07800	Top Cover Open Switch
17.	162K29670	Harness Main-LDDR
18.	162K29660	Harness Main-PODR
19.	062E08290	Mirror
20.	007K09530	Gear Frame Assembly

NOTE: Refer to Section 6 for the NCU PWB Jumper Settings.

Part NO. Index/Common Hardware

Part NO. Index

Part Number	PL	Part Number	PL	Part Number	PL	Part Number	PL	Part Number	PL
001K60330	5.1	022E21200	2.1	106R00370	4.1	130K58750	1.1	537E58210	2.1
001K68350	3.1	026E61370	2.1	109K01050	5.1	130K59490	2.1	809E02410	2.1
003E42310	4.1	029E25370	3.1	110E07800	5.1	160K33150	2.1	809E02420	2.1
003K06770	2.1	032E10930	2.1	110K09200	1.1	160K33160	2.1	809E02430	3.1
006E58500	2.1	042E01300	4.1	110K10000	1.1	160K33190	4.1	809E02440	2.1
006E58510	3.1	043E00380	2.1	110K10010	3.1	160K33440	2.1	809E02450	3.1
007E48800	2.1	048E47220	5.1	110K10130	1.1	160K54280	5.1	809E02460	3.1
007K09530	5.1	048E47320	1.1	113R00288	4.1	160K54290	5.1	809E02470	3.1
007K09640	2.1	048K57750	1.1	113R00295	4.1	160K54300	2.1	809E02650	3.1
007K10700	3.1	048K57760	1.1	117E17050	1.1	160K55070	5.1	809E02660	3.1
011E07420	1.1	048K57770	1.1	117E18010	1.1	160K54300	2.1	809E02670	4.1
011E07430	2.1	048K57940	2.1	117K26120	2.1	162K29620	1.1	891E59030	1.1
013E12770	2.1	048K78440	1.1	117K27170	1.1	162K29630	2.1	891E59040	1.1
014E32850	2.1	048K78450	1.1	117K27240	1.1	162K29640	2.1	891E59050	1.1
015E60120	1.1	048K78460	1.1	117K27250	1.1	162K29660	5.1	891E59060	1.1
015E60130	2.1	048K78470	1.1	117K27260	1.1	162K29670	5.1	891E59070	1.1
015E60140	3.1	049E72780	5.1	117P80447	2.1	162K29680	5.1	891E59080	1.1
015E60250	5.1	049E72790	2.1	117K28880	2.1	162K29850	2.1	891E59090	1.1
015E60260	2.1	049E72860	2.1	118E13150	2.1	162K29930	2.1	891E59100	1.1
015E69880	3.1	050K41640	1.1	118E13160	3.1	162K29940	2.1	891E59110	1.1
019E36160	3.1	050K41650	1.1	118E13170	2.1	162K29950	4.1	891E59120	1.1
019E36190	4.1	050E14910	1.1	121E13550	5.1	162K29960	4.1	891E59130	1.1
019E36200	2.1	050E14890	1.1	126K12770	2.1	162K29970	4.1	891E59140	1.1
019E40950	2.1	053E04870	2.1	126K12780	2.1	162K29980	4.1	891E59150	1.1
020K08940	4.1	062E08290	5.1	126K07610	4.1	162K29990	2.1	891E61930	1.1
022E21100	2.1	068K13960	1.1	127K22550	2.1	162K30000	2.1		
022E21120	3.1	097S01569	2.1	127K22560	3.1	162K30010	2.1		
022E21130	3.1	105K16490	4.1	127K22590	5.1	162K30020	4.1		
022E21140	2.1	105K17880	2.1	130E08070	4.1	162K49920	2.1		
022E21150	2.1	105K17890	2.1	130E08080	5.1	537E58190	2.1		
022E21190	4.1	106R00367	4.1	130E09000	3.1	537E58200	2.1		

Part NO. Index/Common Hardware

Common Hardware

- A Tapping Screw M-3x8 BH
- B Self Tapping Screw M-3x14 FE
- C Tapping Screw M-3x6 FE
- D Self Tapping Screw S
- E Tapping Screw M-3x10 FE BH
- F Nut N-3 FE N1
- G FE Washer W-3
- H Tapping Screw
- I Tapping Screw M-3x8
- J Self Tapping Screw M-3x16 FE
- K E-Ring E-3 SUS
- L E-Ring E-4
- M E-Ring E-5 SUS
- N Stainless Pin M-2x12
- O FE Pan Head Screw M-3x12
- P Self Tapping Screw M-3x10 FE
- Q Tapping Screw M-3x6 FE