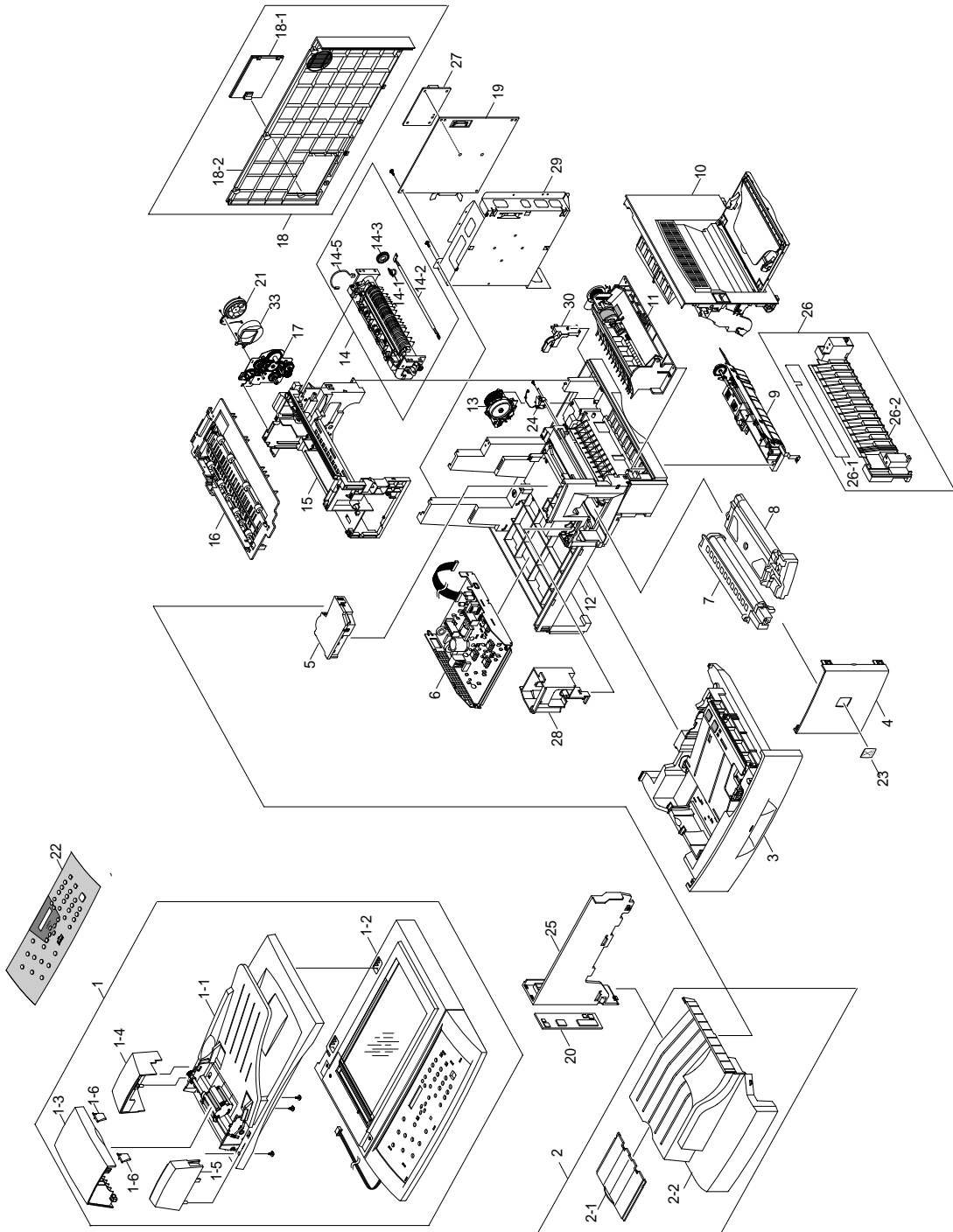


# 8. Exploded View & Parts List

## 8-1. Main Exploded View & Parts List

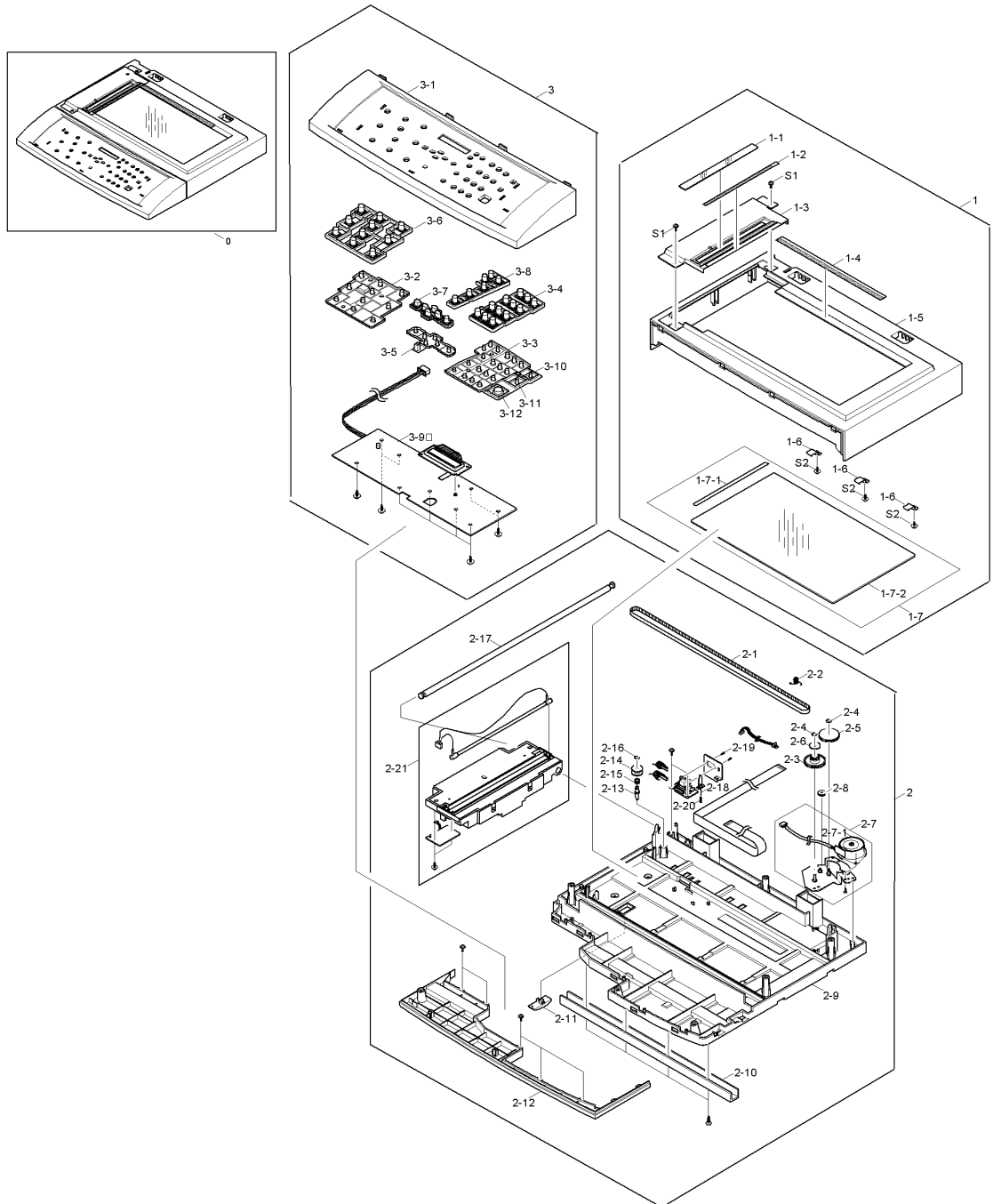


**8-1-1 Main Parts List**

NO	SEC CODE	PART NAME	Q'TY	REMARK
1	ELA HOU-SCANNER ASS'Y	109N00585	1	
1-1	ELA HOU-ADF ASS'Y	022N01482	1	
1-2	ELA HOU-PLATEN ASS'Y	090N00151	1	
1-3	PMO-COVER OPEN	002N02002	1	
1-4	PMO-COVER SIDE L	002N02003	1	
1-5	PMO-COVER SIDE R	002N02004	1	
1-6	PMO-GUIDE PAPER	038N00370	2	
2	MEA RACK-COVER PA EXIT ASS'Y	002N02013	1	
2-1	PMO-TRAY EXTENTION MP NE	050N00392	1	
2-2	PMO-COVER PAPER EXIT	002N02005	1	
3	MEC-CASSETTE ASS'Y	050N00393	1	
-	MEC-CASSETTE ASS'Y (A4 Size Europe)	050N00394	1	
4	PMO-COVER FRONT	002N02006	1	
5	UNIT-LSU	122N00207	1	
6	PBA POWER(SMPS US)	105N01464	1	
-	PBA POWER(SMPS Europe)	105N01465	1	
7	ELA-OPC UNIT SET	113R00506	1	
8	ELA-TONER UNIT SET	106R00586	1	XE
	ELA-TONER UNIT SET	106R00584	1	NASG/XCL
9	ELA HOU-PICKUP ASS'Y	022N01485	1	
10	ELA HOU-SIDE COVER ASS'Y	002N02016	1	
11	ELA HOU-MP ASS'Y	600N01741	1	
12	ELA HOU-BASE FRAME ASS'Y		1	NOT SPARED
13	MEC-FEED ASS'Y	022N01472	1	
14	ELA HOU-FUSER(110V)ASS'Y	126N00182	1	NASG/XCL
	ELA HOU-FUSER(220V)ASS'Y	126N00183	1	XE
14-1	THERMOSTAT	130N01214	1	
14-2	LAMP-HALOGEN (110V)	122N00208	1	NASG/XCL
	LAMP-HALOGEN(220V)	122N00209	1	XE
14-3	GEAR-FUSER	126N00184	1	
14-4	PMO-GUIDE DUPLEX	032N00353	1	
14-5	THERMISTOR-FUSER	126N00185	1	
15	ELA HOU-FRAME MAIN ASS'Y	600N01743	1	
16	MEC-EXIT ASS'Y	600N01736	1	
17	ELA HOU-DRIVE ASS'Y	007N01117	1	
18	MEA RACK-COVER REAR ASS'Y	002N02014	1	
18-1	"PMO-COVER SIMM,XRX	002N02007	1	
18-2	PMO-COVER REAR	002N02008	1	
19	PBA MAIN-MAIN	140N05938	1	
20	PMO-CONNECT PAPER MFP	002N02012	1	
21	FAN-DC	127N01375	1	
22	PPR-OVERLAY	091N00677	1	NOT SPARED
-	PPR-OVERLAY (English)	892E62830	1	
-	PPR-OVERLAY (English/French)	892E80010	1	
-	PPR-OVERLAY (French)	892E62840	1	
	PPR-OVERLAY (German)	892E62870	1	
	PPR-OVERLAY (Italian)	892E62860	1	
	PPR-OVERLAY (Spanish)	892E62850	1	
	PPR-OVERLAY (Portuguese)	892E62880	1	
	PPR-OVERLAY (Finnish)	892E79920	1	
	PPR-OVERLAY (Dutch)	892E62890	1	

NO	SEC CODE	PART NAME	Q'TY	REMARK
	PPR-OVERLAY (Danish)	892E79910	1	
	PPR-OVERLAY (Norwegian)	892E79930	1	
	PPR-OVERLAY (Swedish)	892E79940	1	
	PPR-OVERLAY (Hungarian)	892E79990	1	
	PPR-OVERLAY (Czech)	892E79950	1	
	PPR-OVERLAY (Polish)	892E79960	1	
	PPR-OVERLAY (Romanian)	892E79980	1	
	PPR-OVERLAY (Bulgarian)	892E79970	1	
	PPR-OVERLAY (Greek/English)	892E79900	1	
23	MPR-NAME/PLATE XRX	015N00436	1	
24	SOLENOID-PICK UP	022N01486	1	
25	PMO-COVER EXIT REAR	002N02009	1	
26	A/S MATERIAL-CST RAIL	001N00384	1	
26-1	PMO-SHEET GUIDE PAPER		1	NOT SPARED
26-2	PMO-GUIDE CASSETTE RAIL		1	NOT SPARED
27	PBA LIU (US/Canada)	140N05939	1	
-	PBA LIU (Western Europe)	140N05945	1	
-	PBA LIU (Eastern Europe)	140N05946	1	
28	PMO-DUMMY BASE FRAME		1	NOT SPARED
29	IPR-SHIELD MAIN LOWER		1	NOT SPARED
30	PMO-COVER FEED AY		1	NOT SPARED
31	PMO-COVER BRKT MOTER	002N02017	1	
32	PMO-GUIDE PAPER OUT	038N00371	1	
33	PMO-DUCT FAN		1	NOT SPARED

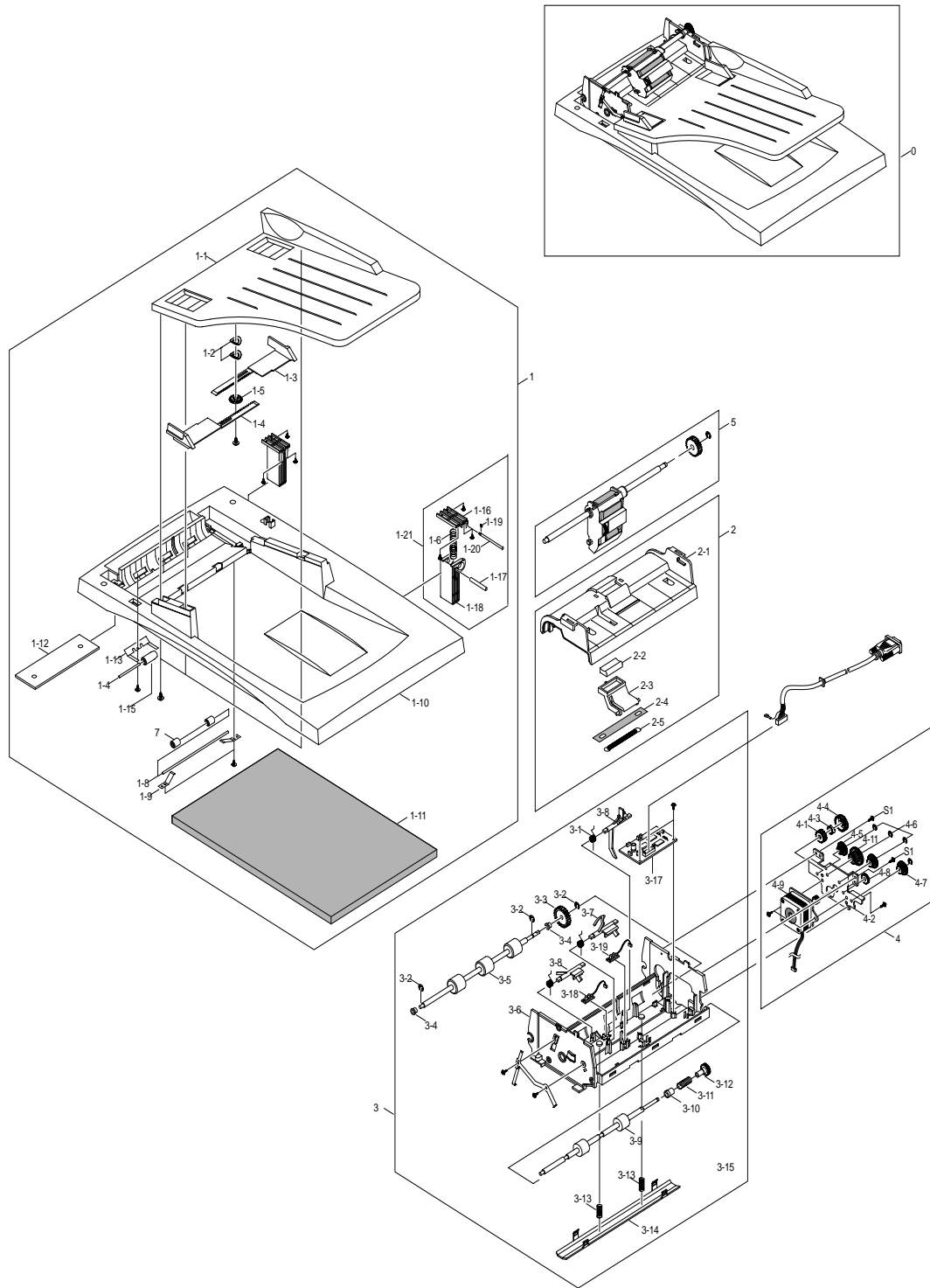
## 8-2. Platen Ass'y Exploded View & Parts List



**8-2-1 Platen Ass'y Parts List**

NO	SEC CODE	PART NAME	Q'TY	REMARK
0	ELA HOU-PLATEN ASS'Y	090N00151	1	
1	MEA RACK-SCAN UPPER ASS'Y	600N01737	1	
1-1	MCT-GLASS ADF	118N00171	1	
1-2	LABEL(L)-REGISTRATION EDGE (L)	091N00678	1	
1-3	PMO-DUMMY UPPER	019N00615	1	
1-4	LABEL(R)-REGISTRATION EDGE (R)	091N00679	1	
1-5	PMO-COVER SCAN UPPER		1	NOT SPARED
1-6	IPR-HOLDER GLASS		3	NOT SPARED
1-7	HEA RACK-GLASS PLATEN ASS'Y	118N00172	1	
1-7-1	LABEL(P)-SHEET SHADING		1	NOT SPARED
1-7-2	MCT-GLASS SCANNER(LEGAL)		1	NOT SPARED
1-8	A/S MATERIAL-DUMMY UPPER	019N00622	1	
2	ELA HOU-SCAN LOWER ASS'Y		1	NOT SPARED
2-1	BELT-TIMING GEAR	023N00954	1	
2-2	SPRING-BELT	023N00955	1	
2-3	GEAR-TIMING		1	NOT SPARED
2-4	RING-E	005N00781	3	
2-5	GEAR-REDUCTION		1	NOT SPARED
2-6	PMO-HOLDER BELT		1	NOT SPARED
2-7	ELA HOU-SCAN MOTOR ASS'Y	127N01376	1	
2-7-1	MOTOR-SCAN		1	NOT SPARED
2-8	GEAR-IDLE		1	NOT SPARED
2-9	PMO-COVER PUMMY LOWER	025N00080	1	
2-10	IPR-CHANNEL BASE FRAME		1	NOT SPARED
2-11	PMO-HOLDER CCD		1	NOT SPARED
2-12	PMO-DUMMY SCAN LOWER		1	NOT SPARED
2-13	ICT-INSERT SHAFT		1	NOT SPARED
2-14	PMO-PULLEY		1	NOT SPARED
2-15	PMO-HOLDER BELT		1	NOT SPARED
2-16	RING-E	005N00781	1	
2-17	ICT-SHAFT CCD		1	NOT SPARED
2-18	PMO-LEVER SENSOR		1	NOT SPARED
2-19	IPR-BRK SCAN B'D	140N05936	1	
2-20	SPRING-EXIT		1	NOT SPARED
2-21	ELEC/MECH-SCANNER MODULE	109N00584	1	
3	ELA HOU-OPE COVER ASS'Y	002N02015	1	
3-1	PMO-OPE COVER	002N02010	1	
3-2	RMP-RUBBER FUNCTION	019N00616	1	
3-3	RMO-RUBBER TEL	019N00617	1	
3-4	PMO-KEY TEL	029N00274	1	
3-5	RMO-RUBBER SCROLL	019N00618	1	
3-6	PMO-KEY FUNCTION(A)	029N00275	1	
3-7	PMO-KEY SCROLL	029N00280	1	
3-8	PMO-KEY FUNCTION(B)	029N00276	1	
3-9	PBA SUB-OPE(XEROX)	140N05937	1	
3-10	PMO-KEY REPORT	029N00277	1	
3-11	PMO-KEY STOP	029N00278	1	
3-12	PMO-KEY START	029N00279	1	

### 8-3. ADF ASS'Y Exploded View & Parts List



**8-3-1 ADF Ass'y Parts List**

No	DESCRIPTION	SEC. CODE	Q'TY	REMARK
0	ELA HOU-ADF ASS'Y		1	
1	MEC RACK-PLATEN COVER ASS'Y	090N00152	1	
1-1	PMO-TX STACKER	022N01478	1	
1-2	IPR-WASHER SPRING CY		2	NOT SPARED
1-3	PMO-DOC GUIDE L	038N00372	1	
1-4	PMO-DOC GUIDE R	038N00373	1	
1-5	GEAR PINION		1	NOT SPARED
1-6	SPRING-HINGE PLATE		1	NOT SPARED
1-7	ROLLER EXIT IDLE		2	NOT SPARED
1-8	IPR-SHAFT EXIT		1	
1-9	NPR-SPRING PINCH DRIVE		2	
1-10	PMO-COVER PLATEN		1	
1-11	PPR-SPONG SHEET	025N00081	1	
1-12	PPR-SHEET PLATEN		1	
1-13	IPR-SPRING PINCH		3	
1-14	IPR-SHAFT PINCH		3	
1-15	PMO-ROLL PINCH		3	
1-16	PMO-HINGE PLATEN		1	
1-17	PMO-BUSHING HINGE		1	
1-18	PMO-HSG HINGE		1	
1-19	ICT-SHAFT HINGE		1	
1-20	RING-C		1	
1-21	MEA-RACK-HINGE ASS'Y	600N01738	1	
2	MEA RACK-ADF UPPER ASS'Y	600N01739	1	
2-1	COVER ADF UPPER		1	
2-2	ADF RUBBER	022N01487	1	
2-3	HOLDER ADF	019N00610	1	
2-4	SPONG ADF		1	
2-5	SPRING ADF		1	
3	ELA HOU-ADF LOWER ASS'Y	600N01740	1	
3-1	SPRING TORSION DOC		1	
3-2	E-RING		3	
3-3	GEAR-ADF 38		1	
3-4	PMO-BUSH	013N00513	2	
3-5	MEC-ROLLER DRIVE	007N01113	1	
3-6	COVER ADF LOWER		1	
3-7	PMO-ACTUATOR SENSOR DOC	130N01202	1	
3-8	PMO ACTUATOR SENSOR REG	130N01215	1	
3-9	MEC-ROLLER EXIT	022N01473	1	
3-10	BUSHING HOLDER		1	

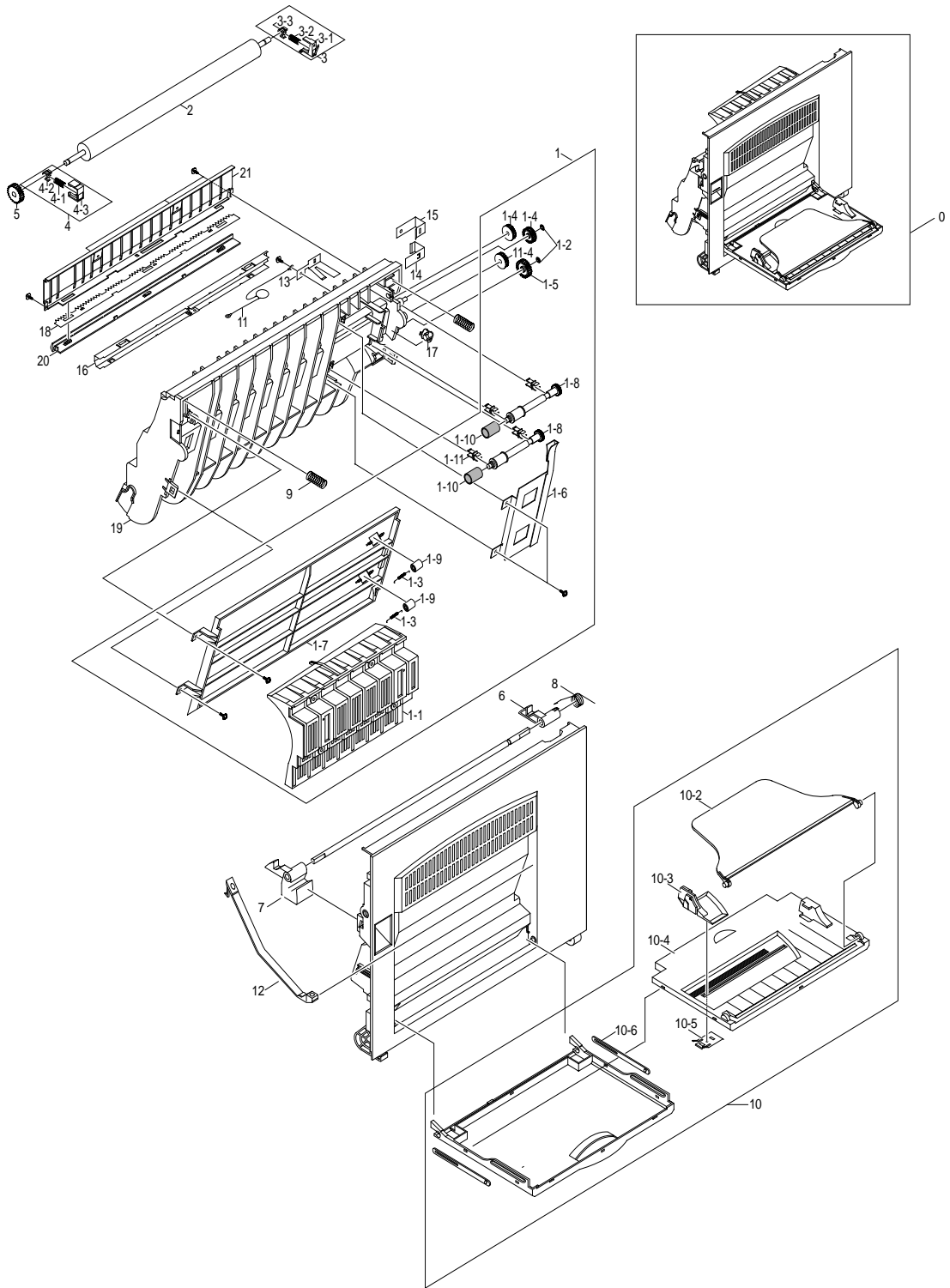
**8-3-1 ADF Ass'y Parts List (Cont.)**

No	DESCRIPTION	SEC. CODE	Q'TY	REMARK
3-11	SPRING CLUTCH		1	
3-12	GEAR-EXITE 23		1	
3-13	SPRING WHITE BAR		2	NOT SPARED
3-14	BRKT WHITE BAR	025N00079	1	
3-15	PPR-WHITE BAR SHEET	025N00080	1	
3-16	PMO-ACTUATOR SENSOR REGI		1	
3-17	PBA SUB-ADF	022N01471	1	
3-18	PBA SUB-ADF POS SEN	130N01199	1	
3-19	PBA SUB-ADF DET SEN	130N01200	1	
3-20	PMO-ACTUATOR SENSOR SCAN	130N01216	1	
4	ELA HOU-ADF MOTOR ASS'Y	127N01377	1	
4-1	GEAR CLUTCH 29		1	
4-2	BRKT ADF MOTOR		1	
4-3	PMO-WHITE CLUTCH SUB 29		1	
4-4	GEAR-CLUTCH IDLE 39		1	
4-5	GEAR DOUBLE 33/20		2	
4-6	E-RING		6	
4-7	GEAR-DOUBLE 17/35		2	
4-8	GEAR IDLE 25		1	
4-9	MOTOR ADF		1	NOT SPARED
4-10	GEAR-JAM NOB		1	NOT SPARED
4-11	GEAR REDUCTION45/19		1	
5	MEC RACK-PICK UP ASS'Y	002N02001	1	
S1	SCREW-TAPTITE		2	



**This page intentionally blank.**

### 8-4. Side Cover Ass'y Exploded View & Parts List



**8-4-1 Side Cover Ass'y Parts List**

No	DESCRIPTION	SEC. CODE	Q'TY	REMARK
0	ELA HOU-SIDE COVER ASS'Y	002N02016	1	
1	MEA RACK-DUPLEX ASS'Y		1	
1-1	PMO-GUIDE DP SIDE		1	
1-2	RING-CS		2	
1-3	SPRING-FUSER EXIT		2	
1-4	GEAR-DUP IDLER 17		3	
1-5	GEAR-MP/DUP DRV		1	
1-6	IPR-BRKT G DUP		1	
1-7	PMO-GP LOWER DP		1	
1-8	PMO-SHAFT DUP DRIVER		2	
1-9	PMO-ROLLER_EXIT		2	
1-10	RPR-RUBBER EXIT		2	
1-11	PMO-BUSHING TX(B4)		4	
1-12	PMO-GUIDE DP SIDE		1	
2	MEC-ROLLER TRANSFER	022N01475	1	
3	MEA UNIT-HOLDER TR:R		1	
3-1	SPRING-PLATE TR		1	
3-2	SPRING-TR_R		1	
3-3	PMO-BUSH		1	
3-4	PMO-HOLDER TR R		1	
4	MEA UNIT-HOLDER TR:L		1	
4-1	SPRING-TR_L		1	
4-2	PMO-BUSH		1	
4-3	PMO-HOLDER TR L		1	
5	GEAR-FRANSFER	007N01114	1	
6	PMO-LOCKER SIDE R	019N00619	1	
7	PMO-LOCKER OPEN	019N00620	1	
8	SPRING-LOCKER TORSION	009N01366	1	
9	SPRING-FEED	022N01476	2	
10	MEC RACK-TRAY ASS'Y	002N02011	1	
10-1	PMO-TRAY CASE, MP		1	
10-2	PMO-SIDE EXIT, MP		1	
10-3	PMO-SIDE GUIDE, MP		1	
10-4	PMO-TRAY COVER, MP		1	
10-5	IPR-GUIDE LATCH, MP		1	
10-6	PMO-TRAY LINK,MP		1	

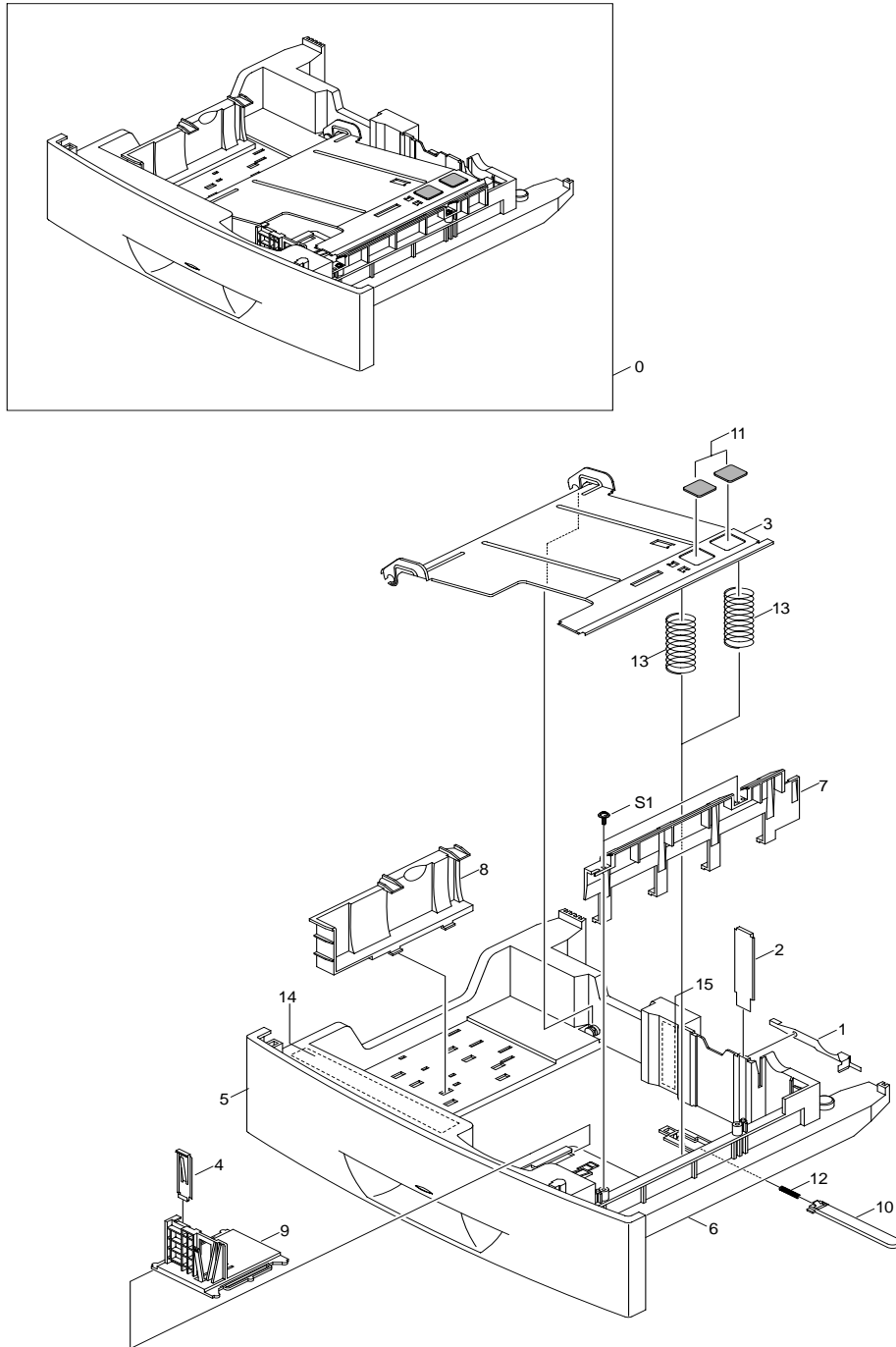
**Side Cover Ass'y Parts List(Cont.)**

No	DESCRIPTION	SEC. CODE	Q'TY	REMARK
11	CBF HARNESS-OPE GND		1	
11-1	PMO-GUIDE DP SIDE		1	
12	PMO-TIE STOPPER	120N00394	2	
13	IPR-BRKT GROUND B		1	
14	IPR-BRKT GROUND TR		1	
15	IPR-BRKT GROUND A		1	
16	IPR-BRACKET GUIDE B		1	
17	PMO-BUSHING FEED		1	
18	IPR-PLATE SAW		2	
19	PMO-FEED FRAME		1	
20	PMO-HOLDER SAW		1	
21	IPR-BRACKET GUIDE A		1	

**This page intentionally blank.**

## 8-5. Cassette Ass'y Exploded View & Parts List

---



**8-5-1 Cassette Ass'y Parts List**

No	DESCRIPTION	SEC. CODE	Q'TY	REMARK
0	MEC-CASSETTE ASS'Y	050N00393	1	
1	IPR-FINGER		1	
2	IPR-GUIDE PLT PAPER		1	
3	IPR-PLATE K/UP		1	
4	IPR-SPR PLT G/SIDE	015N00437	1	
5	PMO-COVER CASSETTE		1	
6	PMO-FRAME CASSETTE		1	
7	PMO-GUIDE FRONT CST		1	
8	PMO-GUIDE REAR	032N00351	1	
9	PMO-GUIDE/SIDE CST	032N00352	1	
10	PMO-LOCKER PLATE	015N00438	1	
11	PRP-PAD CAST	019N00611	2	
12	SPRING-LOCKER PLATE	015N00439	1	
13	SPRING-PLATE K/UP	015N00435	2	
14	LABEL(R)-INSTRUCTION CST		1	
15	LABEL(R)-HEIGHT CST		1	
S1	SCREW-TAPTITE		5	

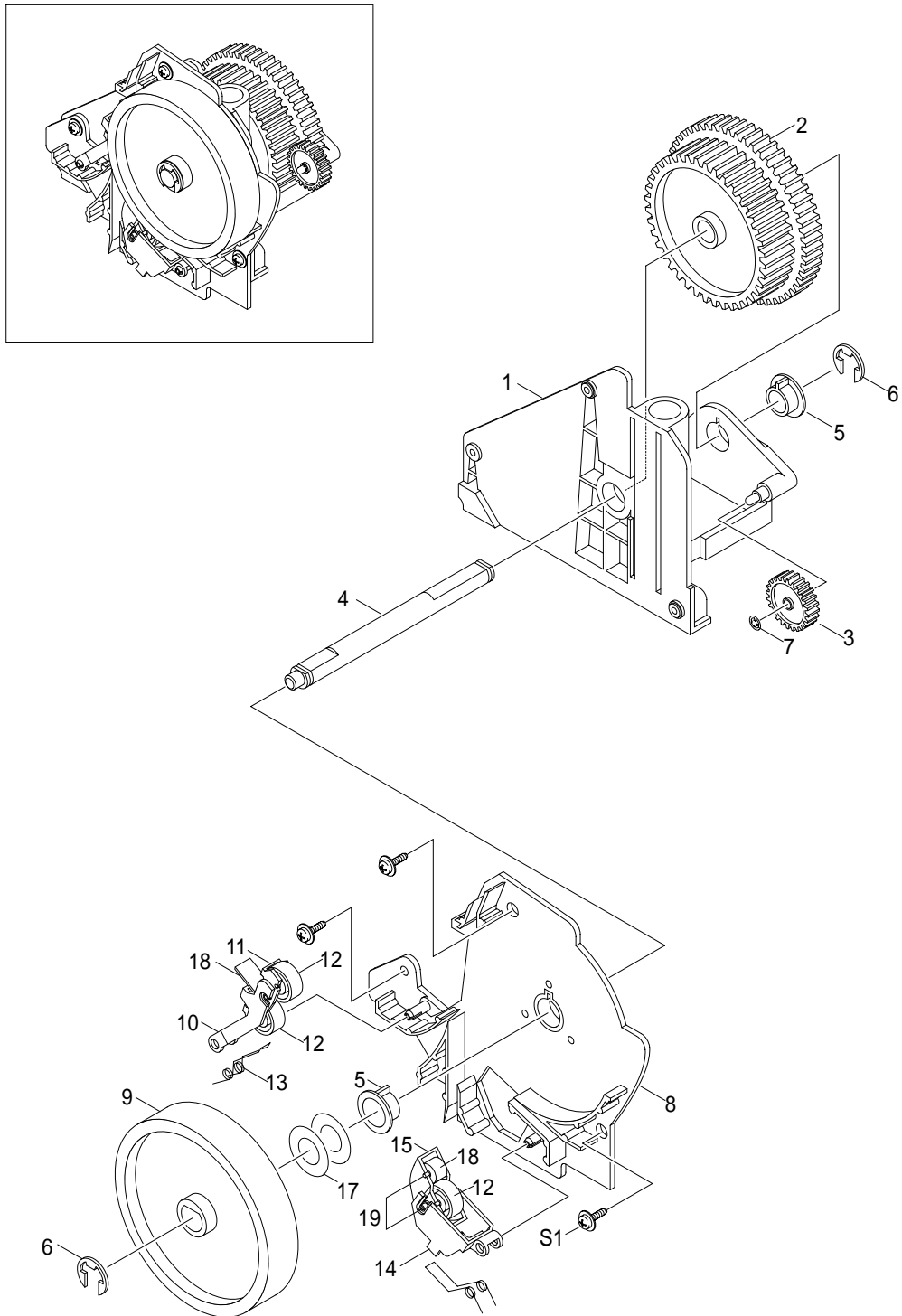




**8-6-1. Exit Ass'y Parts List**

No	DESCRIPTION	SEC. CODE	Q'TY	REMARK
0	MEC-EXIT ASS'Y	600N01736	1	
1	PMO-GUIDE-EXIT UPPER		1	
2	PMO-GUIDE-EXIT LOWER		1	
3	PMO-GUIDE-JAM REMOVE		1	
4	MEC-ROLLER EXIT DRV	007N01115	2	
5	PMO-ROLLER DECURL	022N01474	4	
6	PMO-PULLEY DUPLEX		2	
7	BELT-TIMING GEAR		1	
8	GEAR-DUPLEX		1	
9	PMO-BEARING LARGE DP	013N00514	1	
10	PMO-BEARING LARGE DP	013N00514	4	
11	IPR-GROUND-EXIT		1	
12	ICT-SHAFT-EXIT LOWER ID		1	
13	PMO-ROLLER_EXIT		4	
14	SPRING-EXIT ROLL FD		2	
15	PMO-HOLDER EXIT ROLL		4	
16	PMO-ROLLER FD F		4	
17	PMO-ROLLER FD R		4	
18	SPRING-EXIT LOWER IDLE		4	
19	MEC- BRUSH ANTISTATIC	115N00354	1	
S1	SCREW-TAPTITE		3	

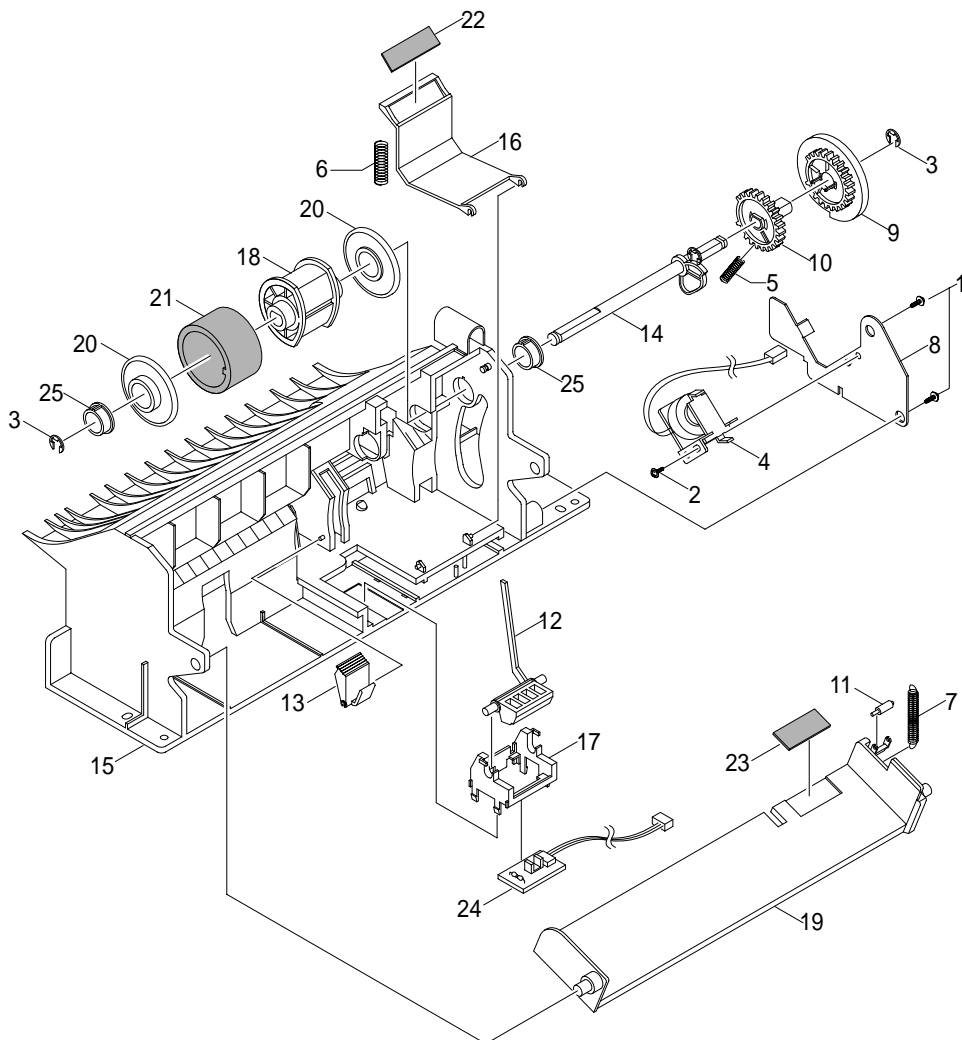
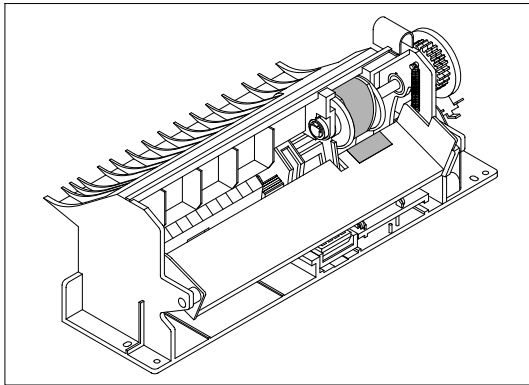
## 8-7. Feeder Ass'y Exploded View & Parts List



**8-7-1 Feeder Ass'y Parts List**

No	DESCRIPTION	SEC. CODE	Q'TY	REMARK
0	MEC-FEED ASS'Y	022N01472	1	
1	PMO-FRAME FEED		1	
2	GEAR-FEED		1	
3	GEAR-MP/DUP DRV		1	
4	ICT-SHAFT FEED		1	
5	PMO-BUSHING_P/U,MP	013N00515	1	
6	E-RING		1	NOT SPARED
7	C-RING		1	NOT SPARED
8	PMO-BRKT FEED		1	
9	PMO-ROLLER FEED	022N01470	1	
10	PMO-HOLDER PINCH C		1	
11	PMO-HOLDER PINCH SUB		1	
12	PMO-ROLLER FEED L		3	
13	SPRING-FEED CAST		1	
14	PMO-HOLDER PINCH M		1	
15	PMO-SUB HOLDER FEED		1	
16	SPRING-FEED MP		1	
17	WASHER-PLAIN		2	
18	PMO-ROLLER FEED S		1	
19	IPR-SHAFT FEED IDLER		4	
S1	SCREW-TAPTITE		3	

## 8-8. MP Ass'y Exploded View & Parts List

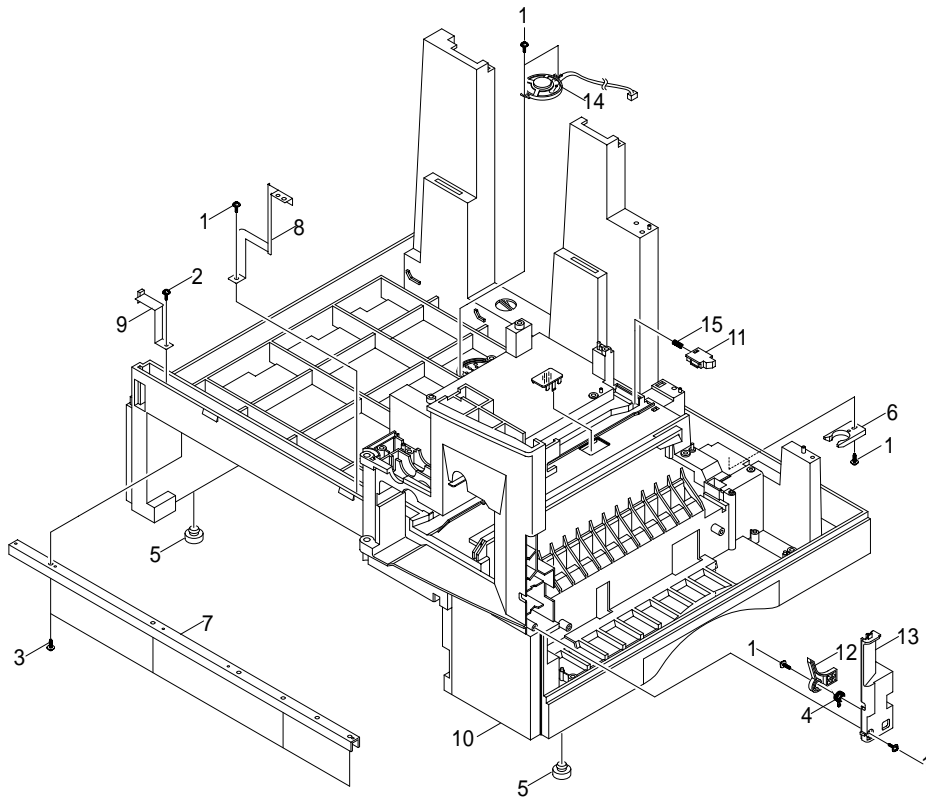
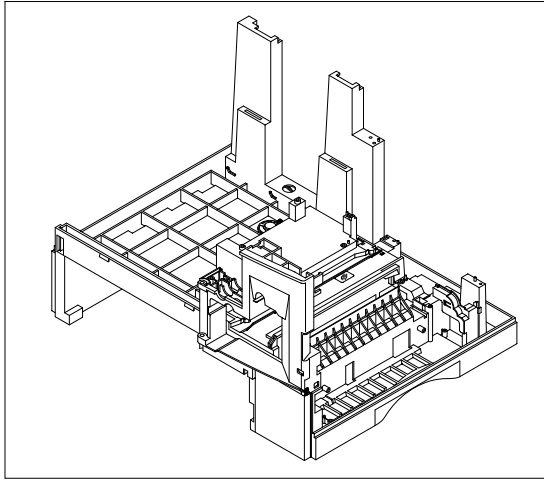


**8-8-1 MP Ass'y Parts List**

No	DESCRIPTION	SEC. CODE	Q'TY	REMARK
0	ELA HOU-MP ASS'Y	600N01741	1	
1	SCREW-TAPTITE		2	
2	SCREW-TAPTITE		1	
3	RING-E	005N00781	2	
4	SOLENOID-MP	121N00595	1	
5	SPRING--CAM MP	009N01364	1	
6	SPRING-PICK UP MP		1	
7	SPRING-KNOCKUP,MP	009N01365	1	
8	IPR-BRACKET SOLENOIDE		1	
9	PMO-HOLDER CAM MPF		1	
10	PMO-GEAR P/U MPF		1	
11	PMO-ROLLER CAM.MP		1	
12	PMO-ACTUATOR,MP	120N00392	1	
13	PMO-ADJUSTER,MP	022N01479	1	
14	PMO-CAM PICK UP,MP	022N01480	1	
15	PMO-FRAME,MP		1	
16	PMO-HOLDER PAD,MP	019N00613	1	
17	PMO-HOLDER SENSOR,MP	130N01206	1	
18	PMO-HOUSING PICK UP,MP		1	
19	PMO-PLATE KNOCK UP,MP		1	
20	PMO-IDLE PICK UP MP	013N00516	2	
21	RPR-RUBBER PICK UP,MP		1	
22	RPR-RCT-PAD-PICKUP,MP	019N00612	1	
23	RPR-PAD KNOCK UP MP	019N00614	1	
24	PBA SUB-MP SEN	130N01203	1	
25	PMO-BUSHING PICKUP,MP	013N00515	1	
26	A/S MATERAL-PICKUP,MP	022N01484	1	

## 8-9. Base Frame Exploded View & Parts List

---

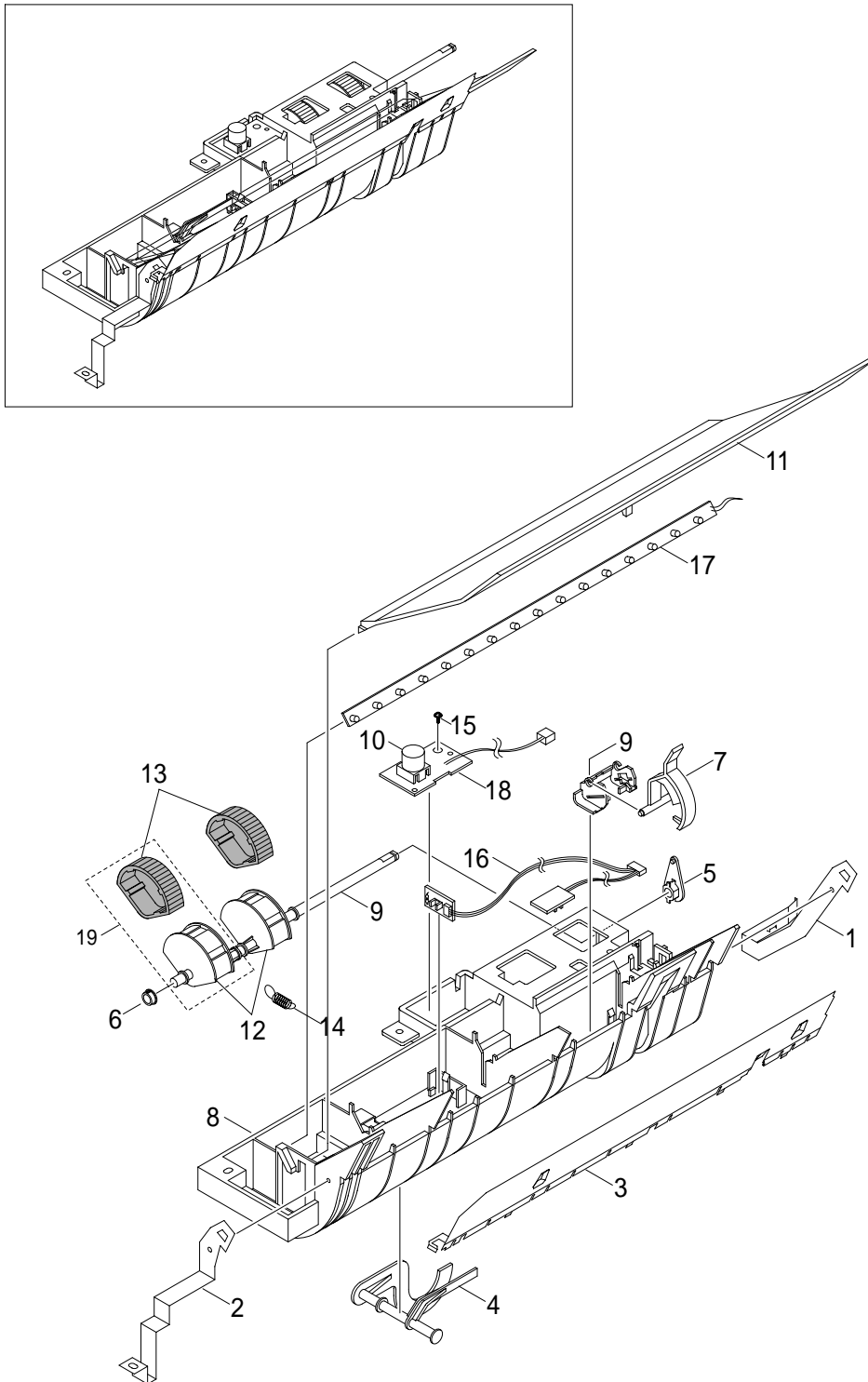


**8-9-1 Base Frame Parts List**

No	DESCRIPTION	SEC. CODE	Q'TY	REMARK
0	ELA HOU-BASE FRAME ASS'Y		1	
1	SCREW-TAPTITE		5	
2	SCREW-TAPTITE		2	
3	SCREW-TAPTITE		4	
4	SPRING-TORSION		1	
5	FOOT-RUBBER	017N00212	2	
6	CAM-CATCH		1	
7	IPR-CHANNEL BASE FRAME		1	
8	IPR-GROUND PLATE A(OPC)	015N00440	1	
9	IPR-GROUND PLATE B(BASE)	015N00441	1	
10	PMO-BASE FRAME		1	
11	PMO-BRACKET PUSH DEVE		2	
12	PMO-BRACKET SIDE OPEN	030N00606	1	
13	PMO-COVER FRONT DUMMY		1	
14	ELA M/MEDIO AUD-SPEAKER	130N01213	1	
15	SPRING-DEVE		2	

### 8-10. Pick-up Ass'y Exploded View & Parts List

---

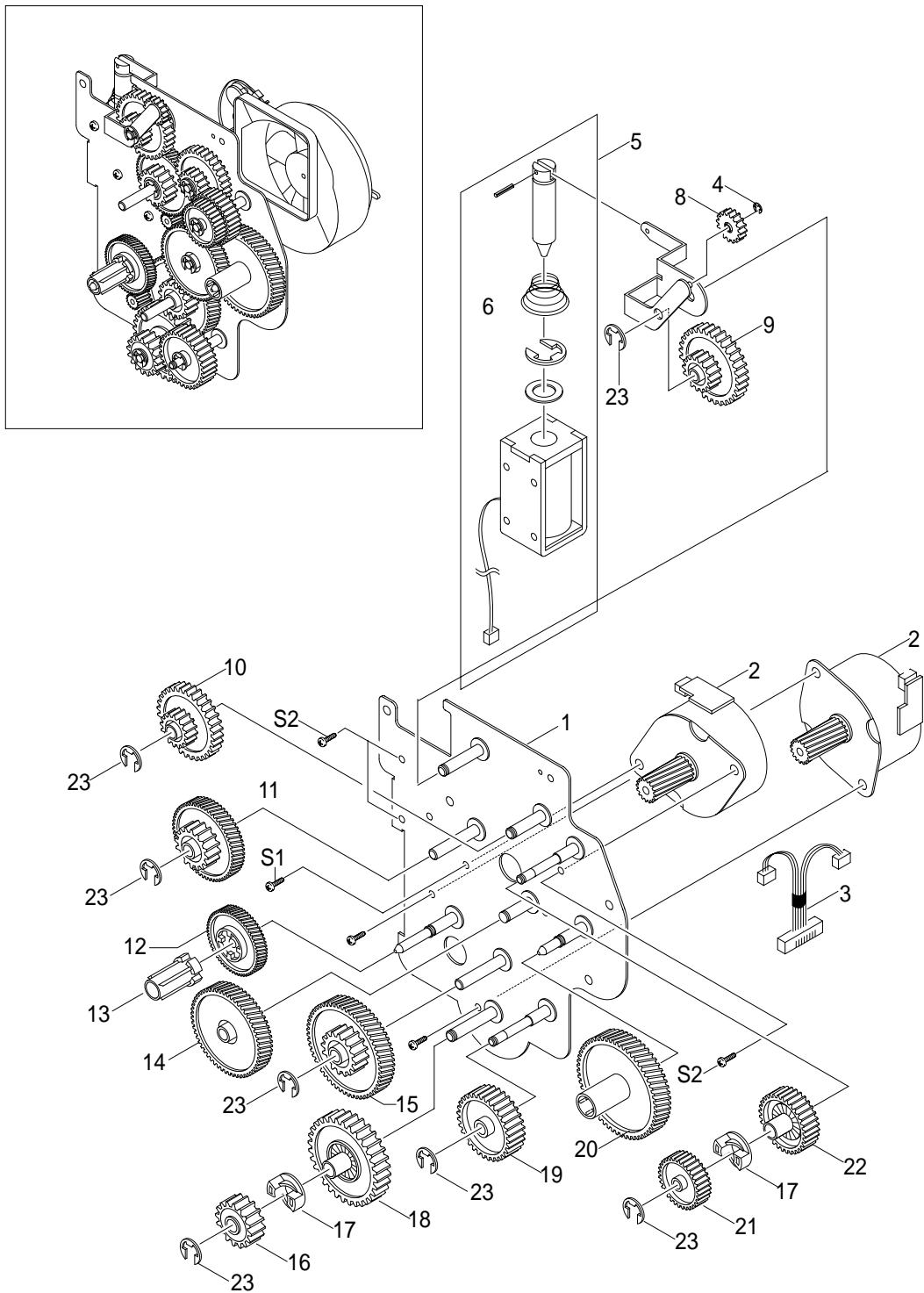




**8-10-1 Pick-up Ass'y Parts List**

No	DESCRIPTION	SEC. CODE	Q'TY	REMARK
0	ELA HOU-PICKUP ASS'Y	022N01485	1	
1	IPR-GND FEED		1	
2	IPR-GND INPUT	152N01895	1	
3	IPR-GUIDE INPUT	022N01481	1	
4	PMO-ACTUATOR EMPTY	120N00393	1	
5	PMO-BEARING SHAFT	006N01093	1	
6	PMO-BUSHING PICK UP MP	013N00515	1	
7	PMO-FEED SENSOR		1	
8	PMO-GUIDE PAPER		1	
9	PMO-HOLDER SENSOR FEED		1	
10	PMO-LENS TONER SENSOR		1	
11	PMO-PTL PATH		1	
12	PMO-SHAFT PICK UP		1	
13	RPR-RUBBER PICK UP	022N01477	2	
14	SPRING-PICKUP	009N01362	1	
15	SCREW-TAPTITE		1	
16	PBA SUB-FEED+P.EMP SEN.	130N01204	1	
17	PBA SUB-PTL	140N05940	1	
18	PBA SUB-TONER_TX	130N01207	1	
19	A/S MATERAL-PICKUP,CST	022N01484	1	

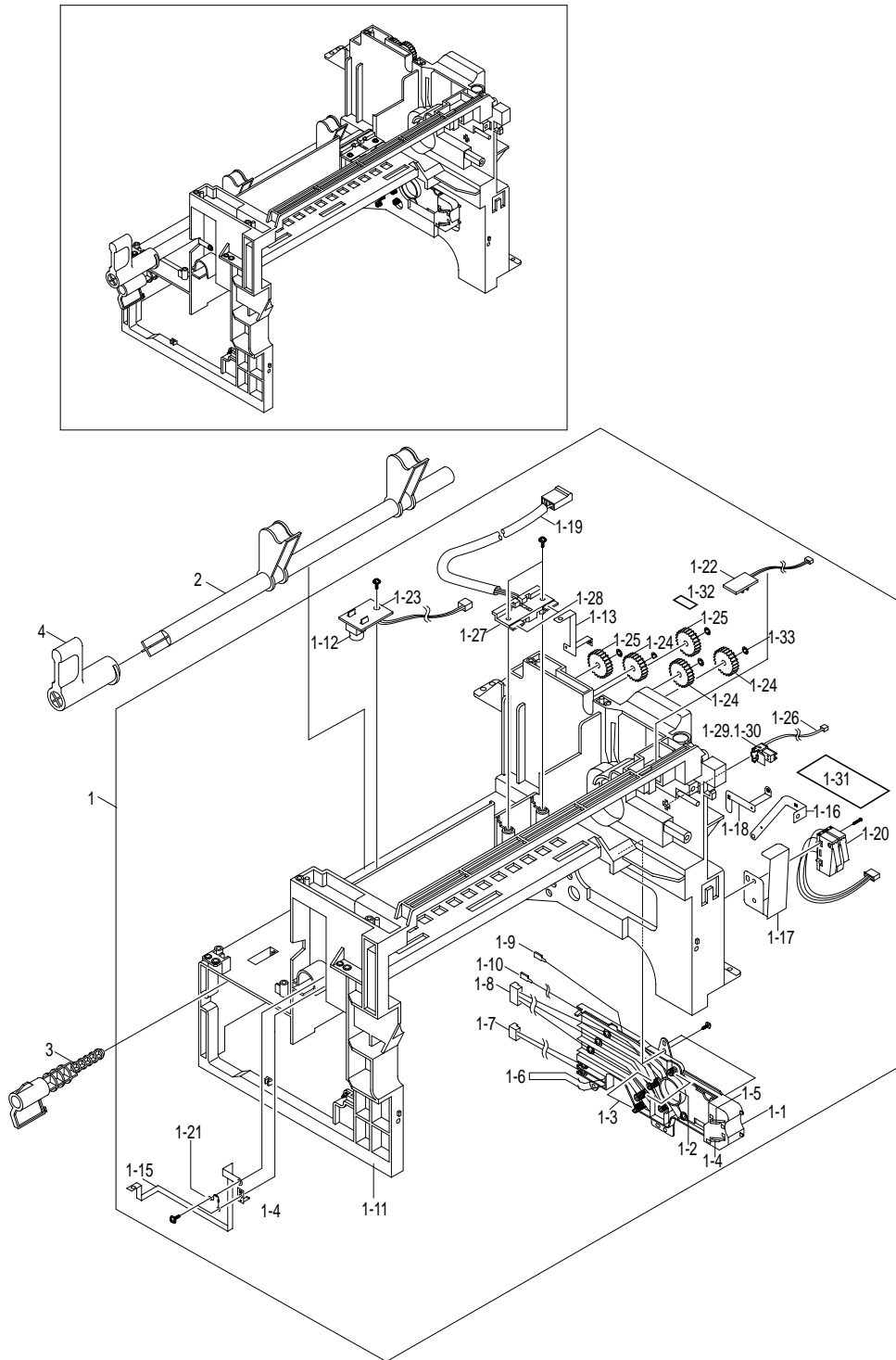
### 8-11. Drive Ass'y Exploded View & Parts List



**8-11-1 Drive Ass'y Parts List**

No	DESCRIPTION	SEC. CODE	Q'TY	REMARK
0	ELA HOU-DRIVE ASS'Y	007N01117	1	
1	IPR-BRKT MOTOR		1	
2	MOTOR-STEP	127N01378	2	
3	HARNESS-MOTOR		1	
4	RING-E		1	
5	SOLENOID-DUPLEX	121N00596	1	
6	SPRING SOLENOID DP		1	
7	IPR-LINK SOLENOID		1	
8	GEAR-EXIT/U,ID		1	
9	GEAR-SWING DRV		1	
10	GEAR-35/19		1	
11	GEAR-71/23		1	
12	GEAR-DEVE DRV		1	
13	PMO-DEV/COUPLING		1	
14	GEAR-RDCN,OPC		1	
15	GEAR-86/23		1	
16	GEAR-RDCN FEED OUTER		1	
17	GEAR-HUB CLUTCH		2	
18	GEAR-RDCN FEED INNER		1	
19	GEAR-FEED DRV		1	
20	GEAR-OPC DRV		1	
21	GEAR-GEAR FUSER DRV OUTER		1	
22	GEAR-FUSER DRV INNER		1	
23	RING-E		8	
S1	SCREW-TAPTITE		5	
S2	SCREW-TAPTITE		7	

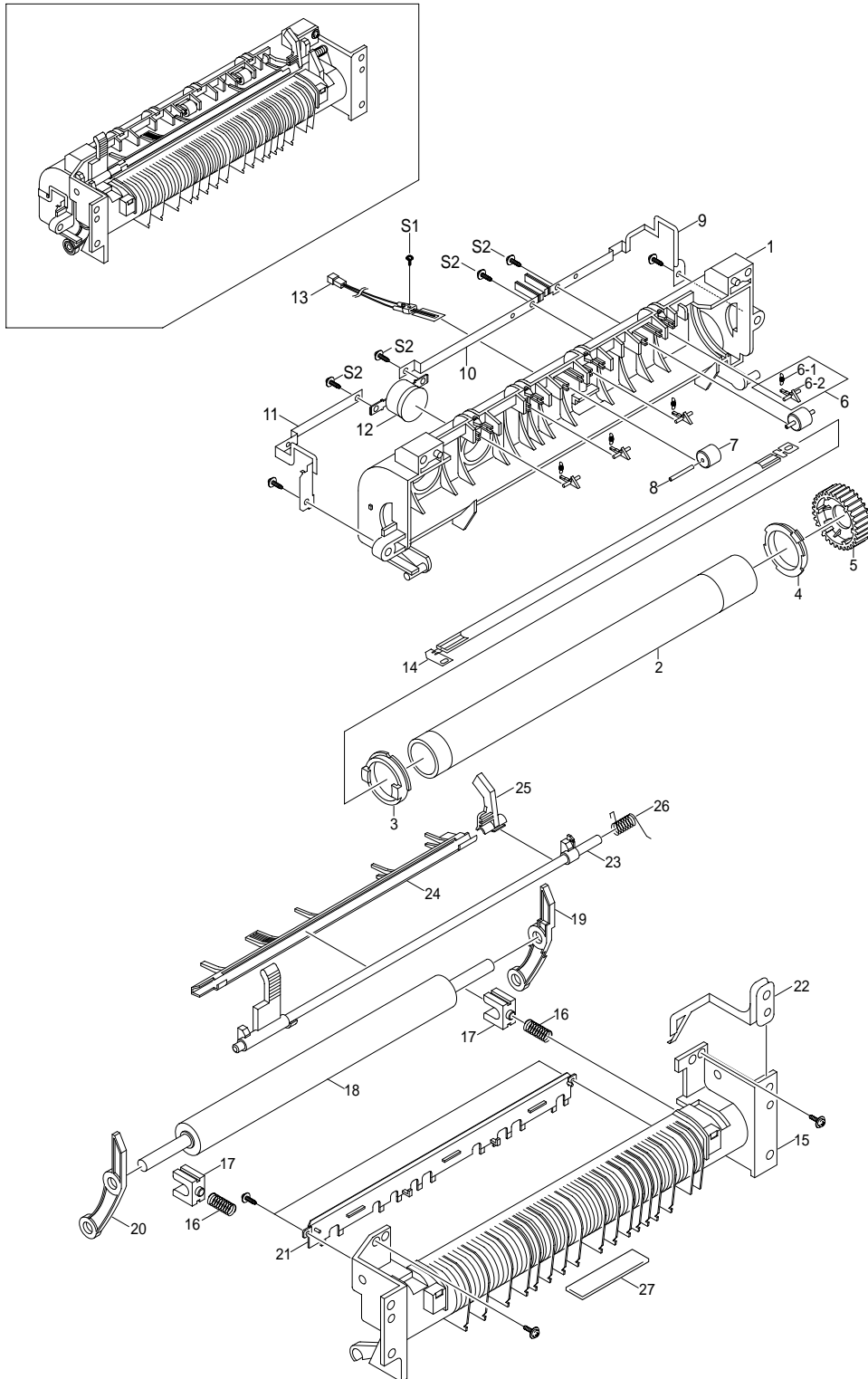
## 8-12. Main Frame Ass'y Exploded View & Parts List



## 8-12-1 Main Frame Ass'y Parts List

No	DESCRIPTION	SEC. CODE	Q'TY	REMARK
1	ELA HOU-FRAME MAIN ASS'Y	600N01743	1	
1-1	PMO-HOUSING TERMINAL		1	
1-2	IPR-TERMINAL BLADE		2	
1-3	IPR-TERMINAL SUPPLY		2	
1-4	IPR-TERMINAL TR		1	
1-5	IPR-TERMINAL GND		1	
1-6	IPR-TERMINAL DEVE KEY		2	NOT SPARED
1-7	CBF-HARNESS;MAIN-DEV_KEY		1	NOT SPARED
1-8	CBF-HARNESS; HVPS OUTPUT-FRAME		5	NOT SPARED
1-9	CBF-HARNESS;MAIN-THV		1	NOT SPARED
1-10	CBF-HARNESS;MAIN-MHV		1	NOT SPARED
1-11	PMO-FRAME MAIN		1	
1-12	PMO-LENS TONER SENSOR		2	
1-13	IPR-GND EXIT		1	
1-14	IPR-GND OPC		1	
1-15	IPR-GND OPC BASE		1	
1-16	IPR-GND FUSER		1	
1-17	IPR-GUARD C/O S/W		1	
1-18	IPR-GND TERMINAL		1	
1-19	CBF HARNESS-;FUSER(2PIN,550mm)		1	NOT SPARED
1-20	CBF-HARNESS;SWITCH-MICRO	110N01041	2	
1-21	CBF-HARNESS MOTOR		1	
1-22	PBA SUB-EXIT SENSOR	130N01205	1	
1-23	PBA SUB-TONER_RX	130N01208	1	
1-24	GEAR-EXIT/U,ID		3	
1-25	GEAR-EXIT,IDLE(Z17)		2	
1-26	CBF-HARNESS THERMISTOR_JOINT	011N00463	1	
1-27	PMO-HOUSING TERMINAL	116N00227	1	
1-28	IPR-TERMINAL FU		2	
1-29	PMO-CAP CONNECTOR L	113N00364	1	
1-30	PMO-CAP CONNECTOR U	113N00365	1	
1-31	CBF-HARNESS; RESISTOR ASS'Y(100Mohm)		1	
1-32	SPRING-CLUTCH		2	
1-33	RING-CS		5	
S	NUT-HEXAGON		2	
S	SCREW-TAPPING,M2*18		1	NOT SPARED
S	SCREW-ASS'Y MACH		2	
S	SCREW-TAPTITE,M3*8 BLACK,BINDER		17	
2	PMO-CAM JAM REMOVE	011N00465	1	
3	PMO-LOCKER DEVE	011N00465	1	
4	PMO-LEVER JAM REMOVE	011N00465	1	

### 8-13. FuserAss'y Exploded View & Parts List



## 8-13-1 FuserAss'y Parts List

No	DESCRIPTION	SEC. CODE	Q'TY	REMARK
0	ELA HOU-FUSER(110V)ASS'Y	126N00182	1	110V
	ELA HOU-FUSER(220V)ASS'Y	126N00183	1	220V
1	PMO-UPPER FUSER		1	
2	RMO-ROLLER HEAT		1	
3	PMO-BEARING H/R-F		1	
4	BEARING-H/R L		1	
5	GEAR-FUSER	126N00184	1	
6	MEA RACK-CLAW ASS'Y		1	
6-1	SPRING-SAPERATION		4	
6-2	PMO-GUIDE CLAW		4	
7			1	NOT SPARED
8	IPR-PIN ROLLER EXIT		2	
9	NPR-ELECTRODE GEAR		1	
10	NPR-ELECTRODE M		1	
11	NPR-ELECTRODE F		1	
12	THERMOSTAT	130N01214	1	
13	THERMISTOR-FUSER	126N00185	1	
14	LAMP-HALOGEN (110V)	122N00208	1	110V
	LAMP-HALOGEN(220V)	122N00209	1	220V
15	PMO-LOWER FUSER		1	
16	THERMISTOR-FUSER	126N00185	1	
17	BEARING-PRESSURE/R		2	
18	RMO-ROLLER PRESSURE		1	
19	PMO-LEVER JAM R		1	
20	PMO-LEVER JAM F		1	
21	PMO-GUIDE INPUT		1	
22	IPR-GROUND FU		1	
23	PMO-ACTUATOR EXIT		1	
24	PMO-GUIDE DUPLEX	032N00353	1	
25	PMO-ARM ACTUATOR		1	
26	SPRING-PR(7300)		2	
27	LABEL(R)-HV FUSER		1	
S1	SCREW-TAPTITE		8	
S2	SCREW-TAPTITE		4	