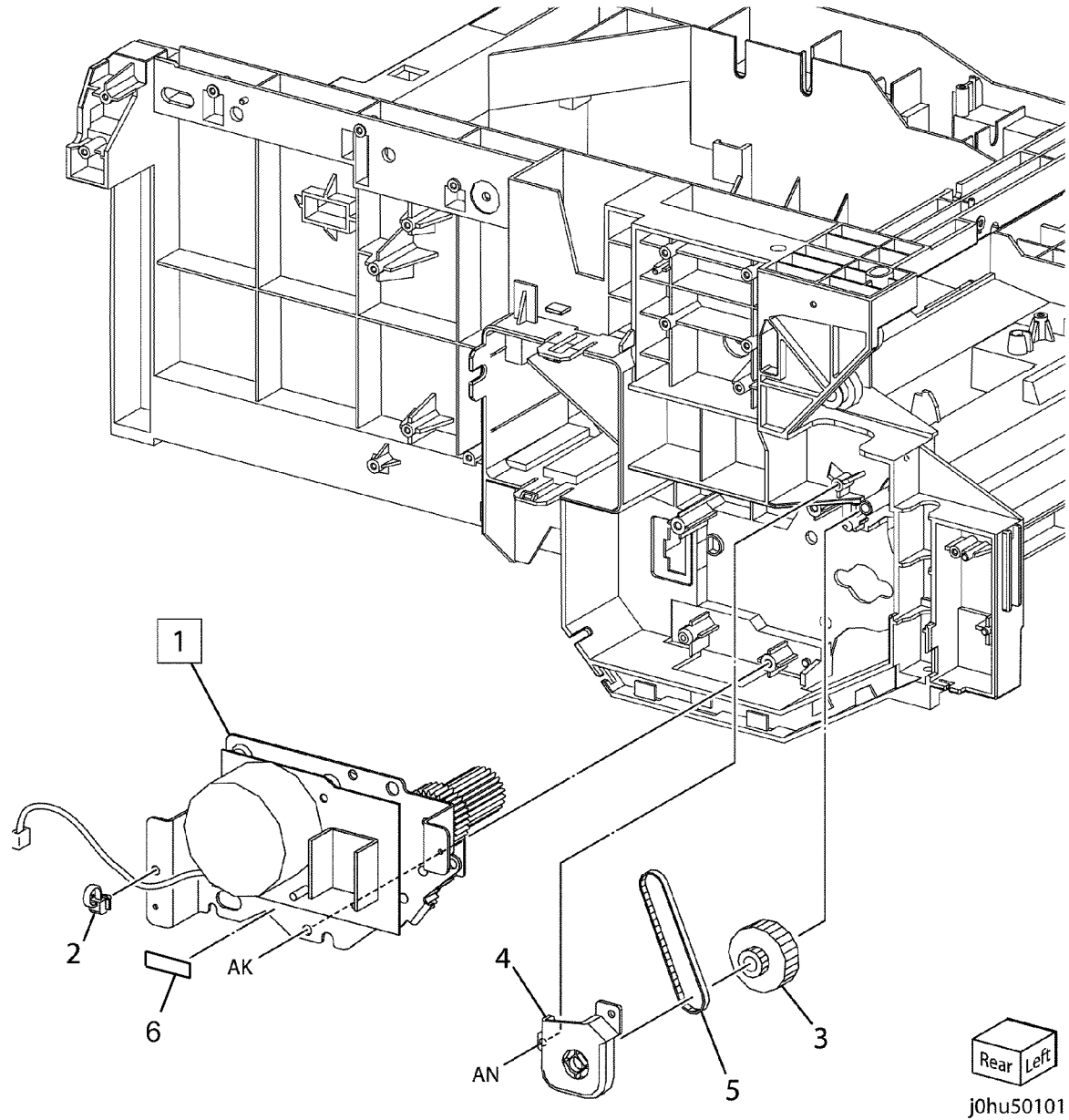


PL 1.1 IOT Motor

Item	Part	Description
1	007K94880	IOT Motor (REP 1.1.1)
2	120E22470	Push Tie
3	-	Gear Pulley (Not Spared)
4	-	Cover (Not Spared)
5	-	Belt (Not Spared)
6	-	Traceability Label (Not Spared)

PL1.1

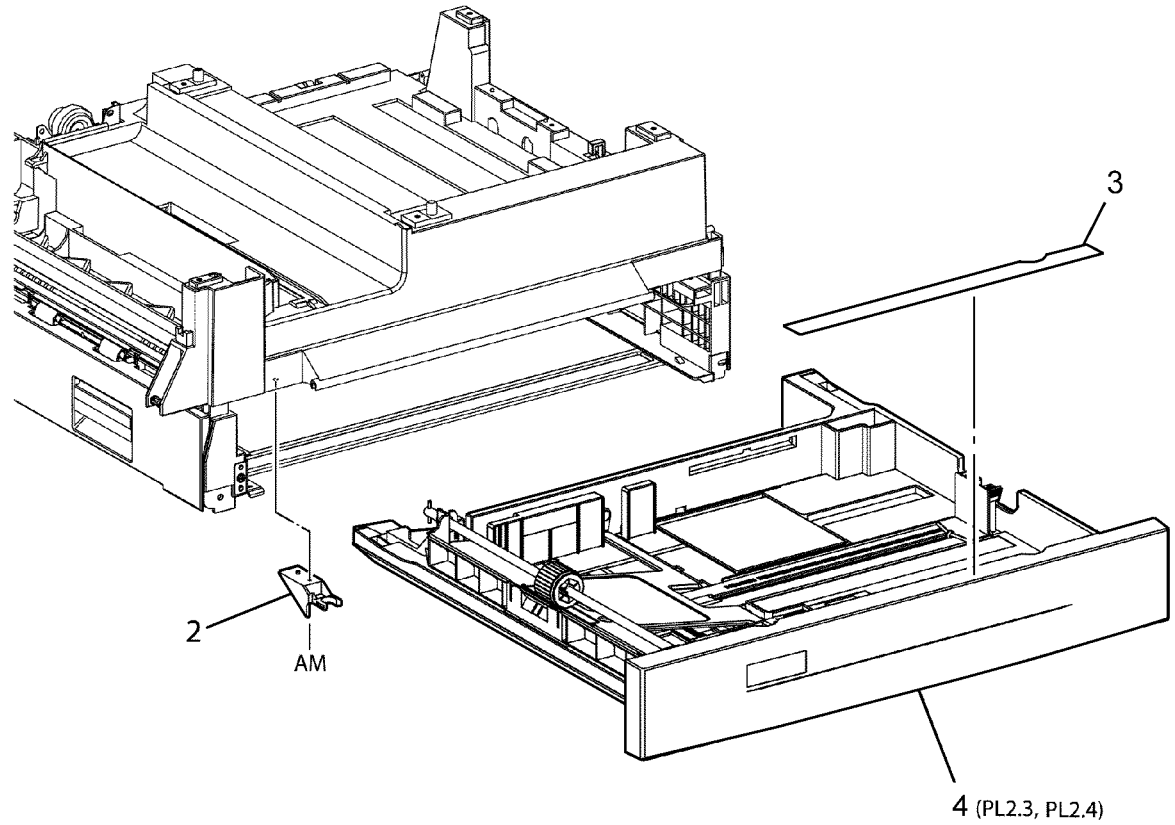


PL 2.1 Tray 1

Item	Part	Description
1	050K62940	Tray 1 Assembly
2	-	Tray Stopper (Not Spared)
3	-	Label (P/O Item 1)
4	-	Tray 1 (P/O Item 1)

PL2.1

1 { 3, 4

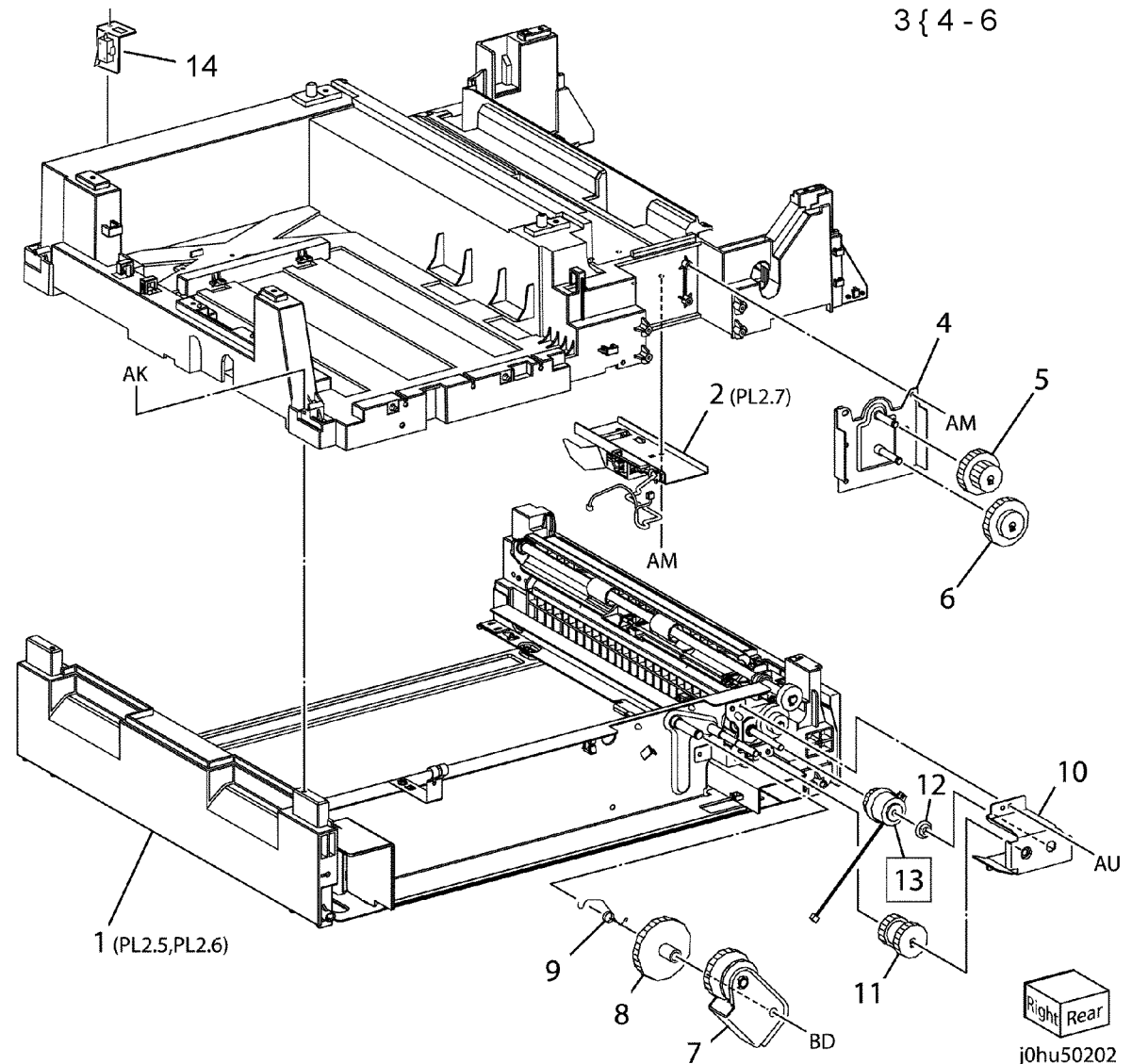


j0hu50201B

PL 2.2 Tray 1 Frame Accessory

Item	Part	Description
1	-	Tray 1 Frame (P/O PL2.1 Item 1)
2	848K01660	No Paper Sensor
3	007K97780	Drive Gear Assembly
4	-	Bracket (P/O Item 3)
5	-	Gear (37T/23T) (P/O Item 3)
6	-	Gear (41T/22T) (P/O Item 3)
7	007K97790	Link Gear
8	807E19430	Gear (61T)
9	809E73520	Link Spring
10	-	Clutch Bracket (Not Spared)
11	807E19440	Gear (29T/29T)
12	013E25920	Bearing
13	121K40770	Tray 1 Feed Clutch (REP 2.2.1)
14	801K25580	Interlock Switch Frame Assembly

PL2.2



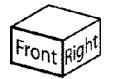
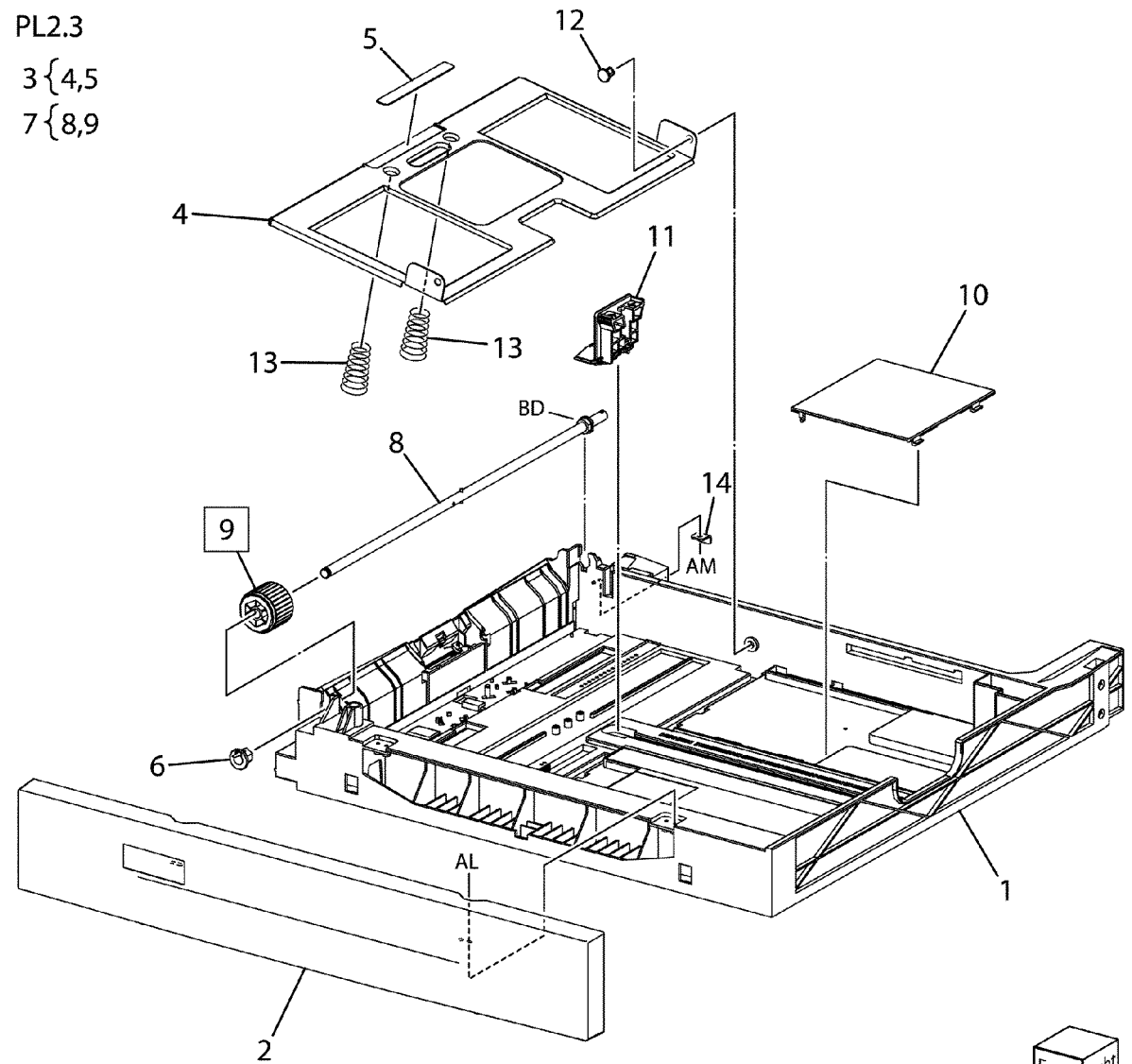
PL 2.3 Tray 1 Components (1 OF 2)

Item	Part	Description
1	-	Tray (Not Spared)
2	-	Tray Front Cover (Not Spared)
3	-	Bottom Plate Assembly (Not Spared)
4	-	Bottom Plate (P/O Item 3)
5	-	Bottom Pad (P/O Item 3)
6	013E25881	Bearing
7	059K33051	Roll And Shaft Assembly
8	-	Feed Shaft (P/O Item 7)
9	059K32773	Feed Roll (REP 2.3.1)
10	-	Cover (Not Spared)
11	-	End Guide (Not Spared)
12	-	Pivot (Not Spared)
13	-	Spring (Not Spared)
14	-	Stopper (Not Spared)

PL2.3

3 {4,5

7 {8,9

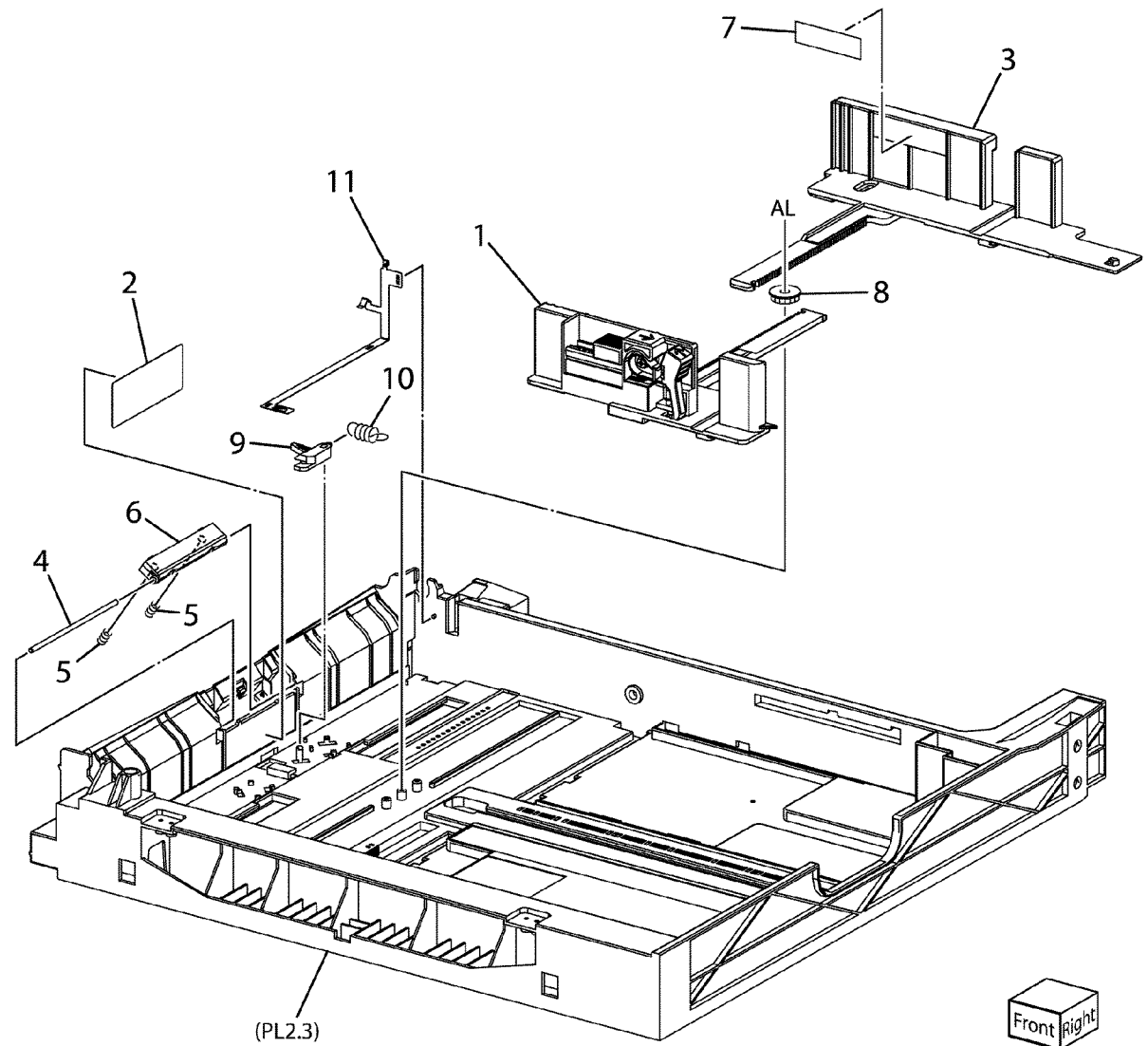


j0hu50203

PL 2.4 Tray 1 Components (2 OF 2)

Item	Part	Description
1	-	Front Side Guide (Not Spared)
2	-	Paper Guide (Not Spared)
3	-	Rear Side Guide (Not Spared)
4	-	Retard Shaft (Not Spared)
5	-	Pad Spring (Not Spared)
6	019K07086	Retard Pad
7	-	Label (Max) (Not Spared)
8	-	Pinion Gear (Not Spared)
9	-	Bottom Stopper (Not Spared)
10	809E54170	Stopper Spring
11	-	Earth Plate (Not Spared)

PL2.4



Front Right

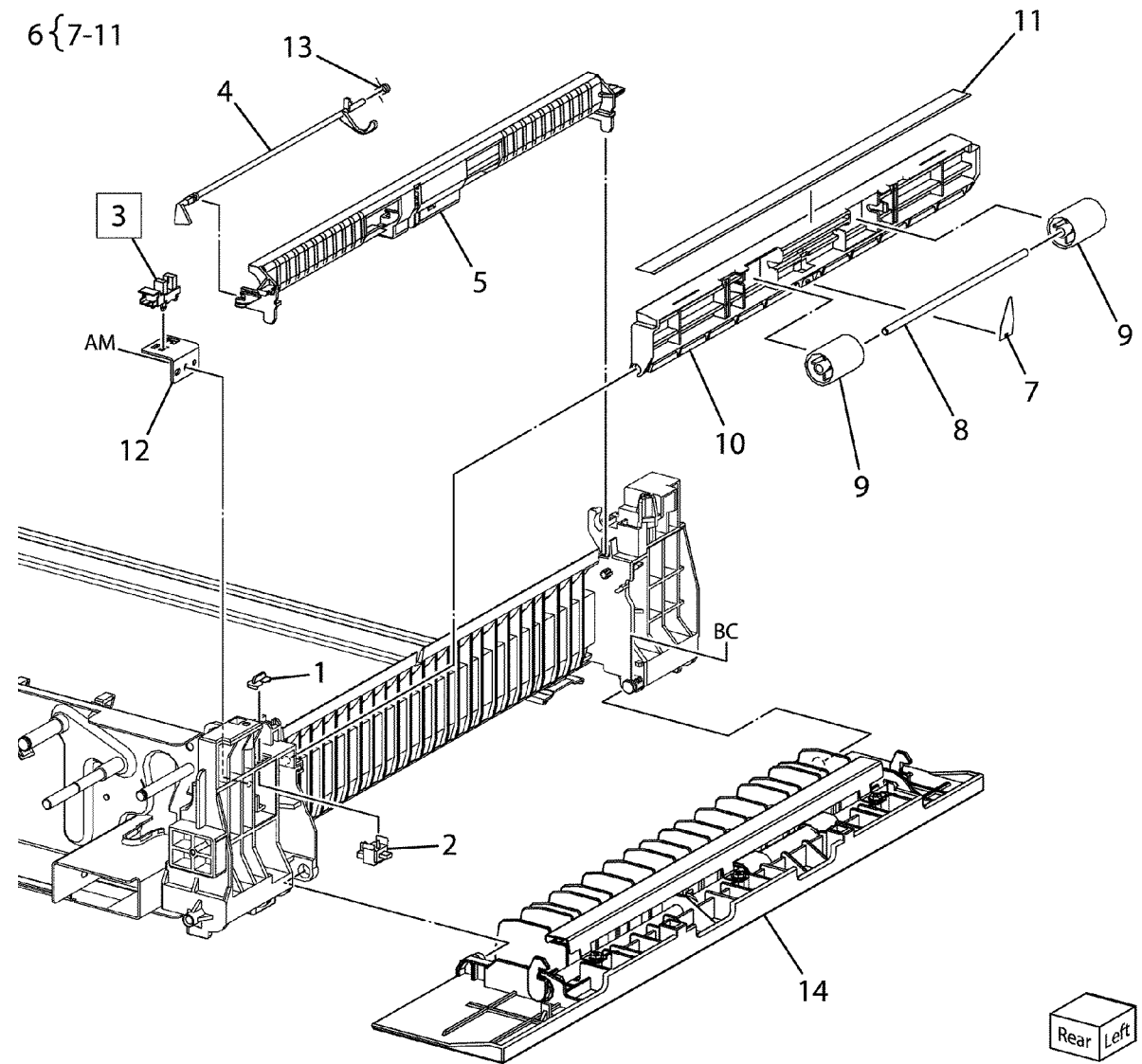
j0hu50204

PL 2.5 Tray 1 Frame Components

Item	Part	Description
1	-	Sensor Block (Not Spared)
2	110E11580	Tray 1 Interlock Switch
3	130E87090	Tray 1 Feed Sensor (REP 2.5.1)
4	120E29540	Actuator
5	-	Feed Chute (Not Spared)
6	-	Upper Baffle (Not Spared)
7	-	Plate Spring (P/O Item 6)
8	-	Shaft (P/O Item 6)
9	-	Roll (P/O Item 6)
10	-	Upper Baffle (P/O Item 6)
11	-	Eliminator (Not Spared)
12	-	Sensor Bracket (Not Spared)
13	-	Feed Sensor Spring (Not Spared)
14	-	Access Cover 1 (Not Spared)

PL2.5

6 { 7-11

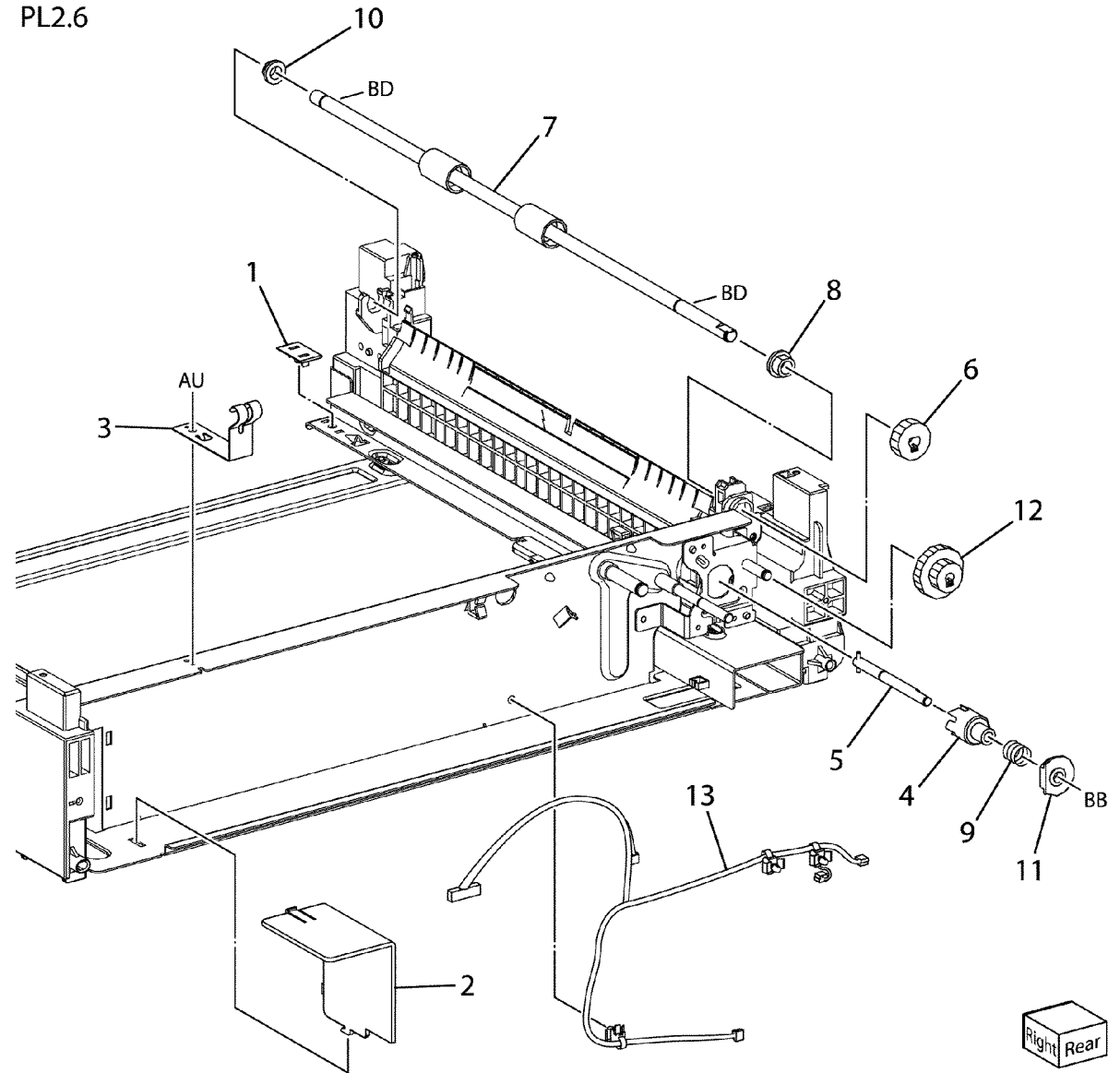


j0hu50205

PL 2.6 Tray 1 Frame Components (2 OF 2)

Item	Part	Description
1	-	Tray Spacer (Not Spared)
2	-	Enclosure Plate (Not Spared)
3	-	Earth Plate (Not Spared)
4	005E26740	Coupling Clutch
5	006K25751	Drive Feed Shaft
6	807E19460	Gear (21T)
7	059K48200	Take Away Roll Assembly
8	413W77559	Bearing
9	809E54180	Coupling Spring
10	013E90840	Bearing
11	013E32690	Coupling Bearing
12	807E19450	Gear (16T/29T)
13	-	Sensor Wire Harness (Not Spared)

PL2.6

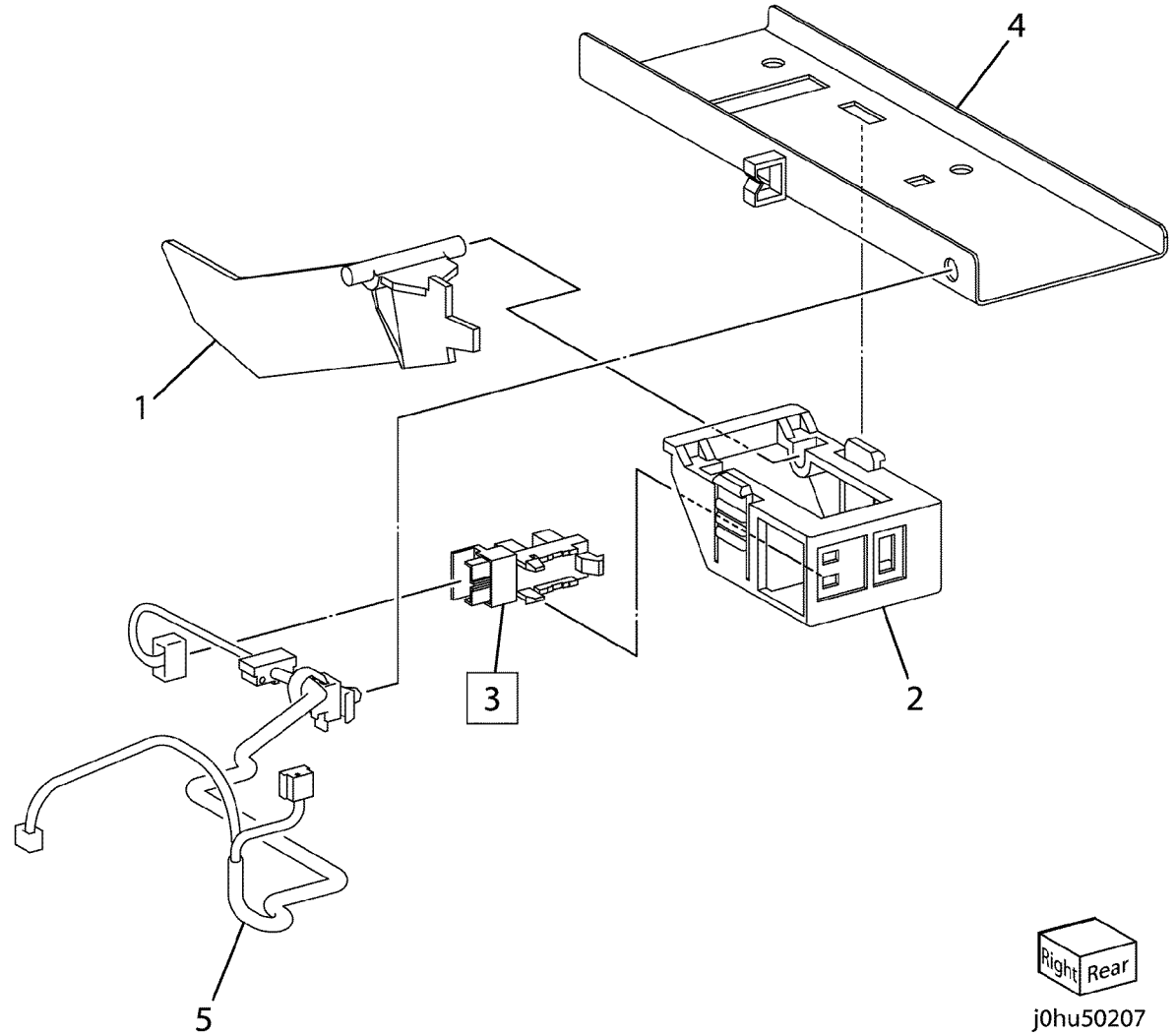


j0hu50206

PL 2.7 No Paper Sensor Housing

Item	Part	Description
1	120E23791	No Paper Actuator
2	-	Sensor Housing (Not Spared)
3	130E87090	Tray 1 No Paper Sensor (REP 2.7.1)
4	-	Bracket (Not Spared)
5	-	Sensor Wire Harness (Not Spared)

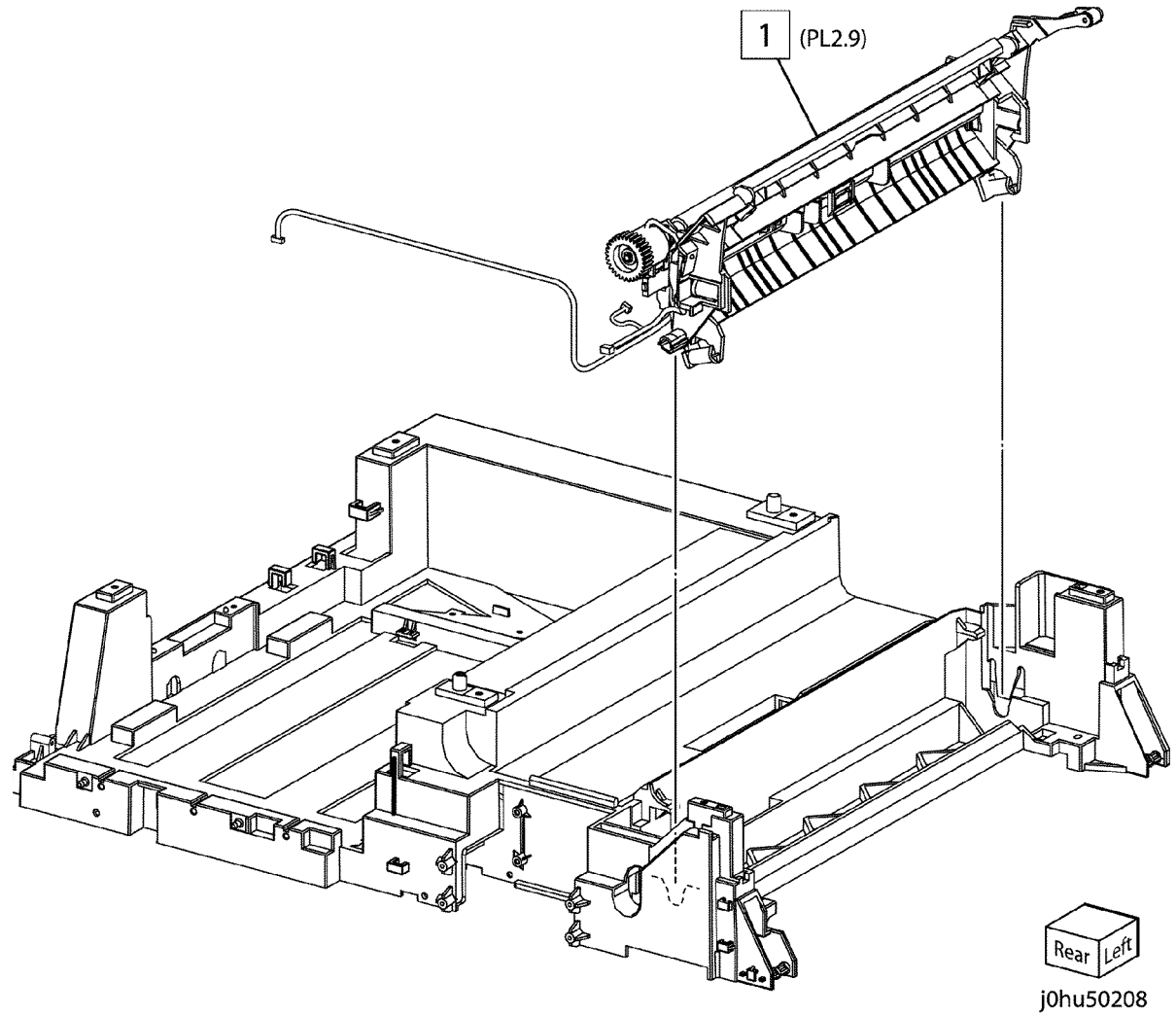
PL2.7



PL 2.8 Registration

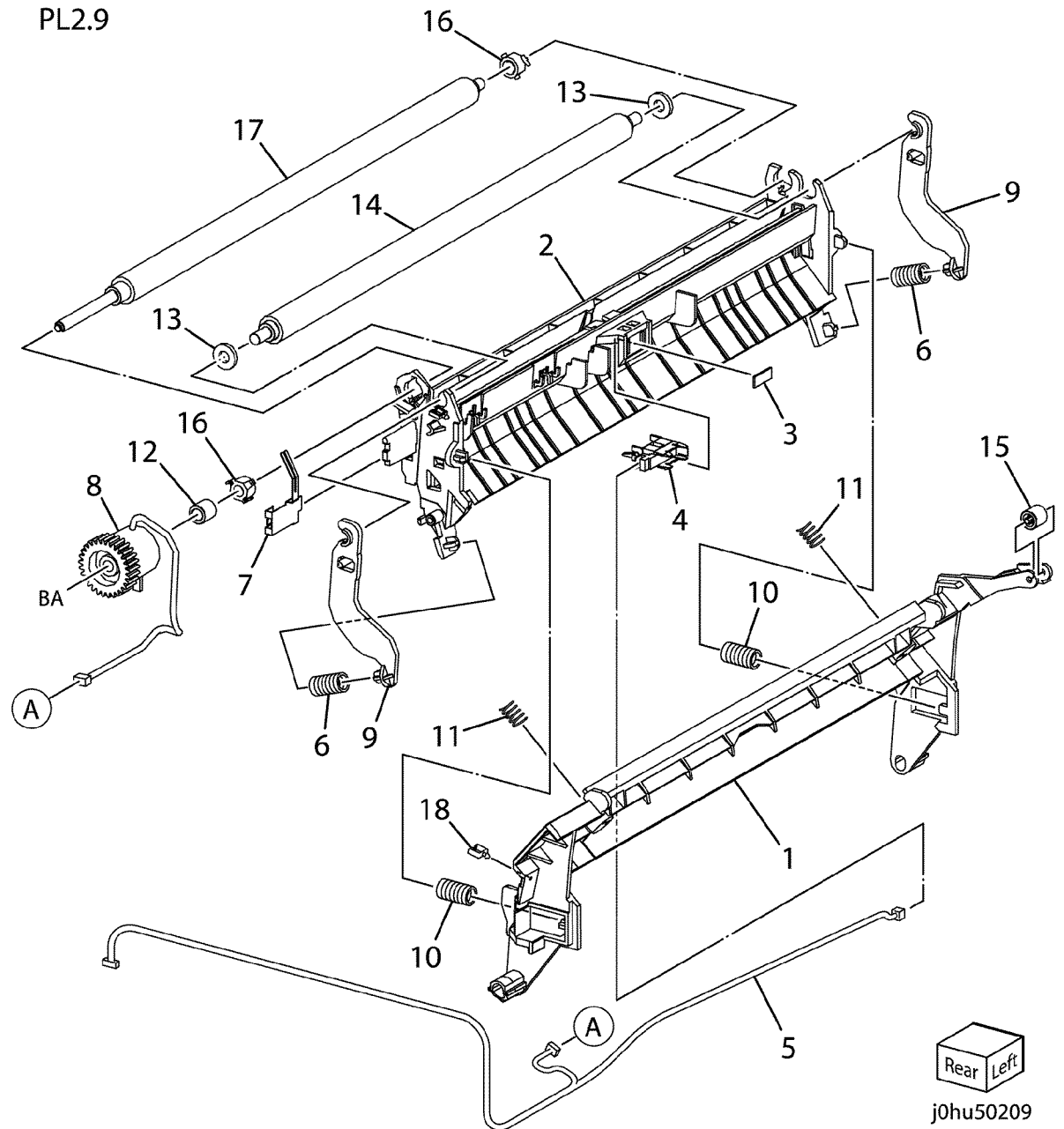
Item	Part	Description
1	059K48250	Registration Roll Assembly (REP 2.8.1)

PL2.8



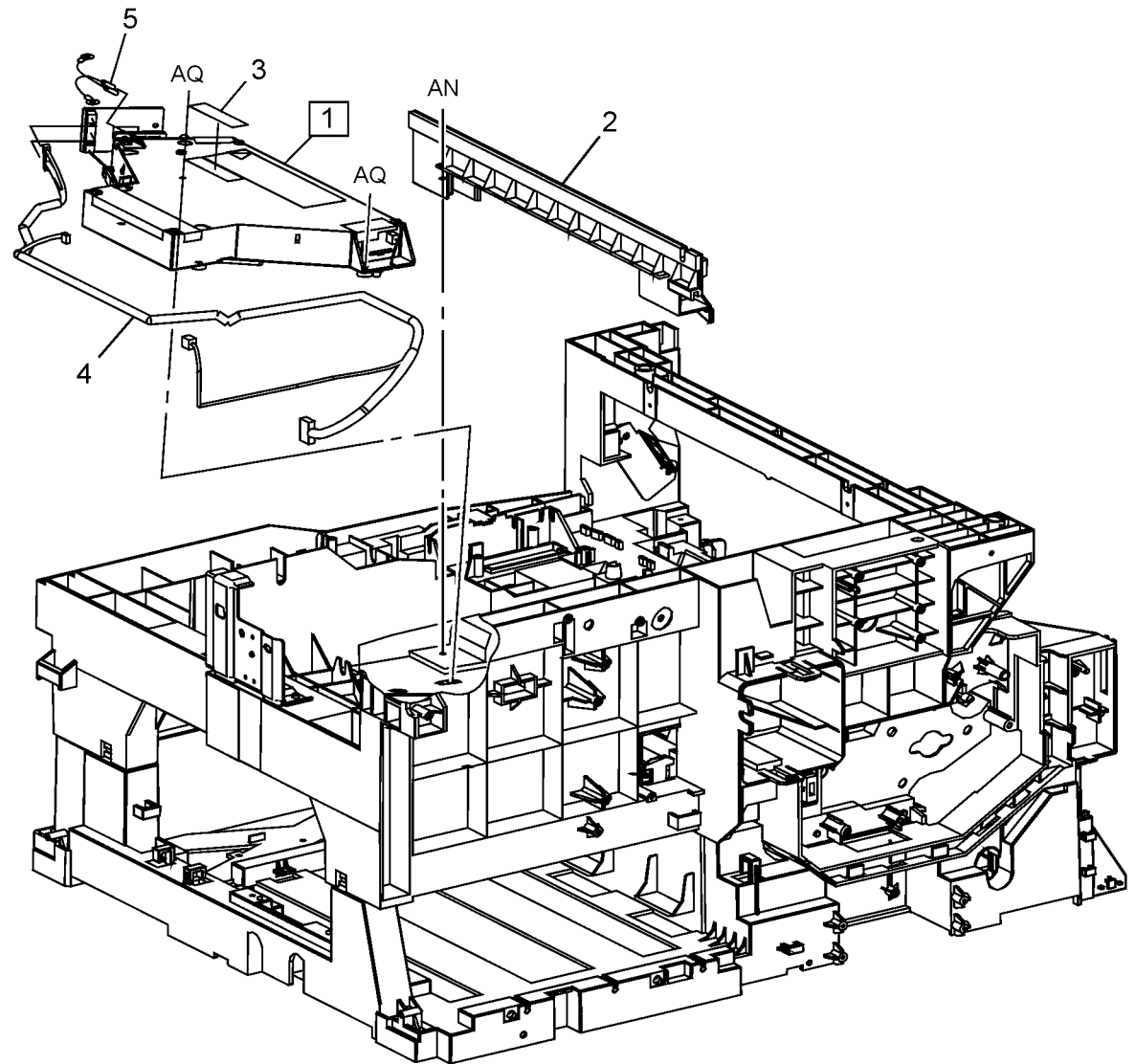
PL 2.9 Registration Component

Item	Part	Description
1	–	Corotron Bracket (P/O PL2.8 Item 1)
2	–	Registration Frame (P/O PL2.8 Item 1)
3	–	Sensor Plate (P/O PL2.8 Item 1)
4	130K71230	Registration Sensor Assembly
5	–	Wire Harness (P/O PL2.8 Item 1)
6	–	Registration Press Spring (P/O PL2.8 Item 1)
7	–	Ground Spring (P/O PL2.8 Item 1)
8	121K39710	Registration Clutch Assembly
9	–	Press Level Arm (P/O PL2.8 Item 1)
10	–	Corotron Press Spring (P/O PL2.8 Item 1)
11	–	Transfer Corotron Spring (P/O PL2.8 Item 1)
12	–	Ground Sleeve (P/O PL2.8 Item 1)
13	–	Washer (P/O PL2.8 Item 1)
14	–	Press Roll (P/O PL2.8 Item 1)
15	–	Closing Roll (P/O PL2.8 Item 1)
16	–	Bearing (P/O PL2.8 Item 1)
17	059K53230	Registration Roll
18	–	Clamp (P/O PL2.8 Item 1)



PL 3.1 ROS

Item	Part	Description
1	062K18161	ROS Assembly (REP 3.1.1)
2	-	Laser Housing (Not Spared)
3	-	Label (Not Spared)
4	-	ROS Wire Harness (Not Spared)
5	-	Ground Harness (Not Spared)



Right Rear

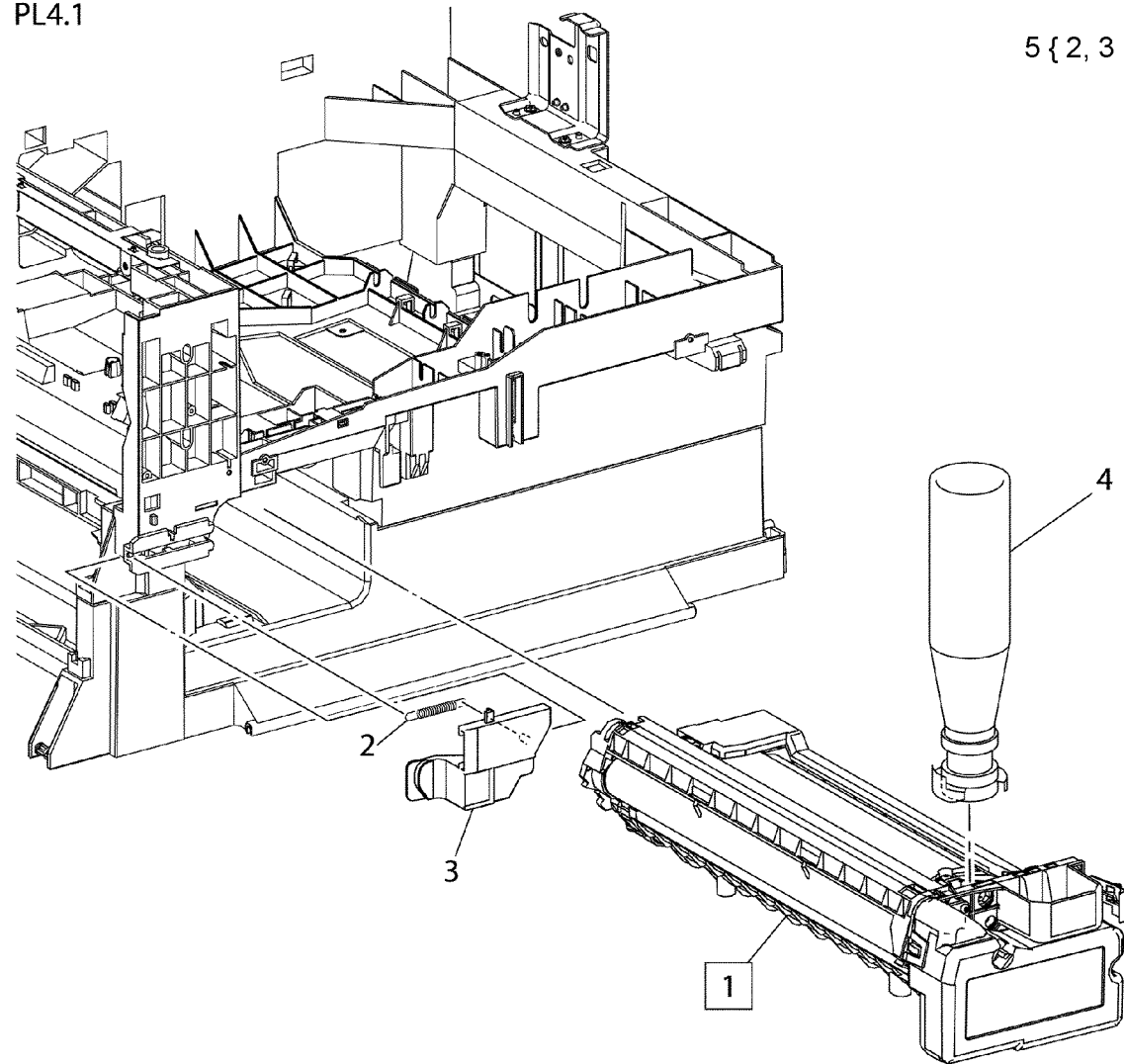
j0hu50301

PL 4.1 Drum Cartridge

Item	Part	Description
1	101R00432	Drum Cartridge (REP 4.1.1)
2	—	Spring (P/O Item 5)
3	—	CRU Block (P/O Item 5)
4	106R01277	Toner Bottle
5	604K43851	CRU Blocker Kit

PL4.1

5 { 2, 3

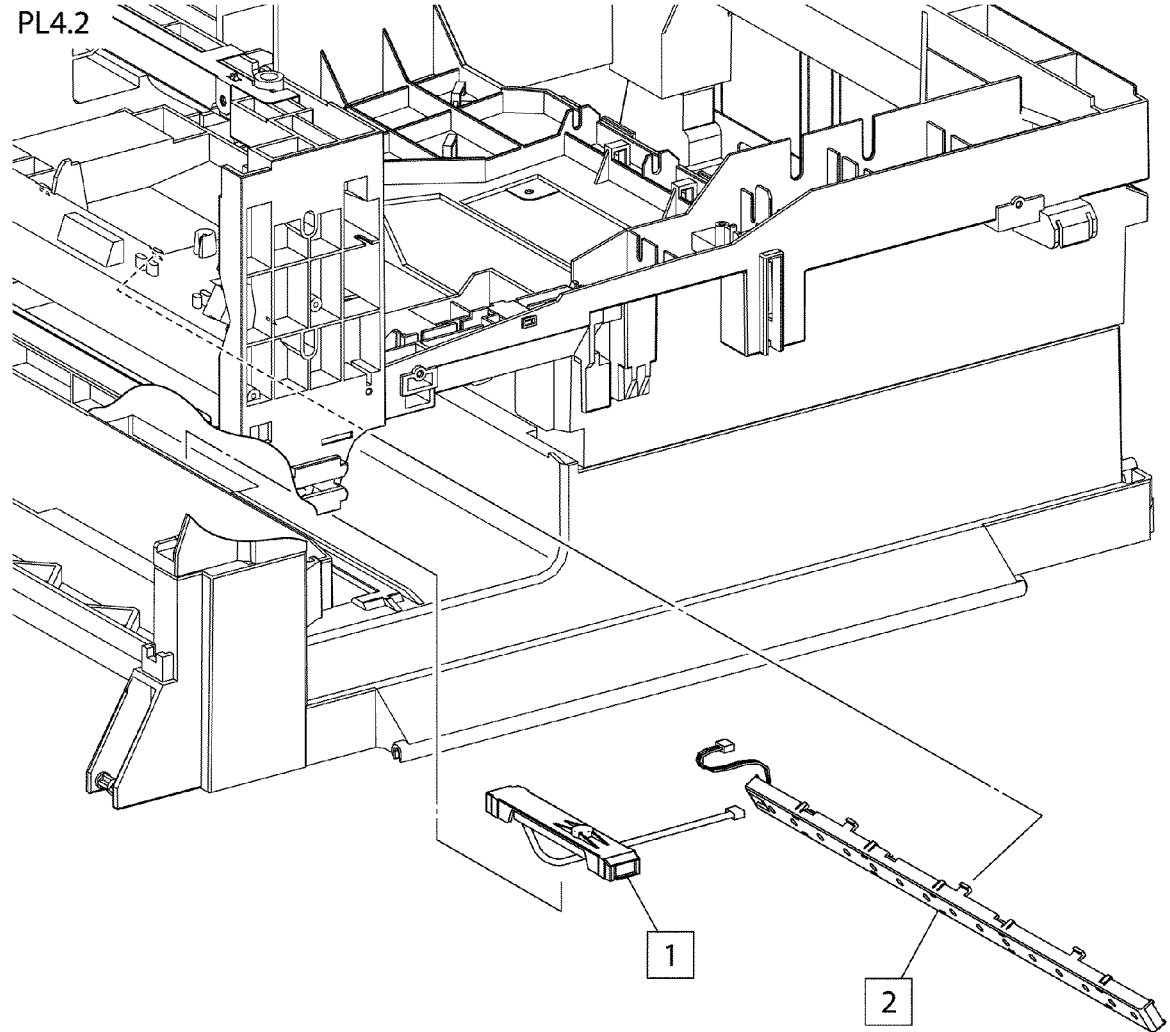


Left Front

j0hu50401

PL 4.2 Toner Empty Sensor and Erase Lamp

Item	Part	Description
1	130K71400	Toner Empty Sensor (REP 4.2.1)
2	122K94091	Erase Lamp (REP 4.2.2)



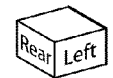
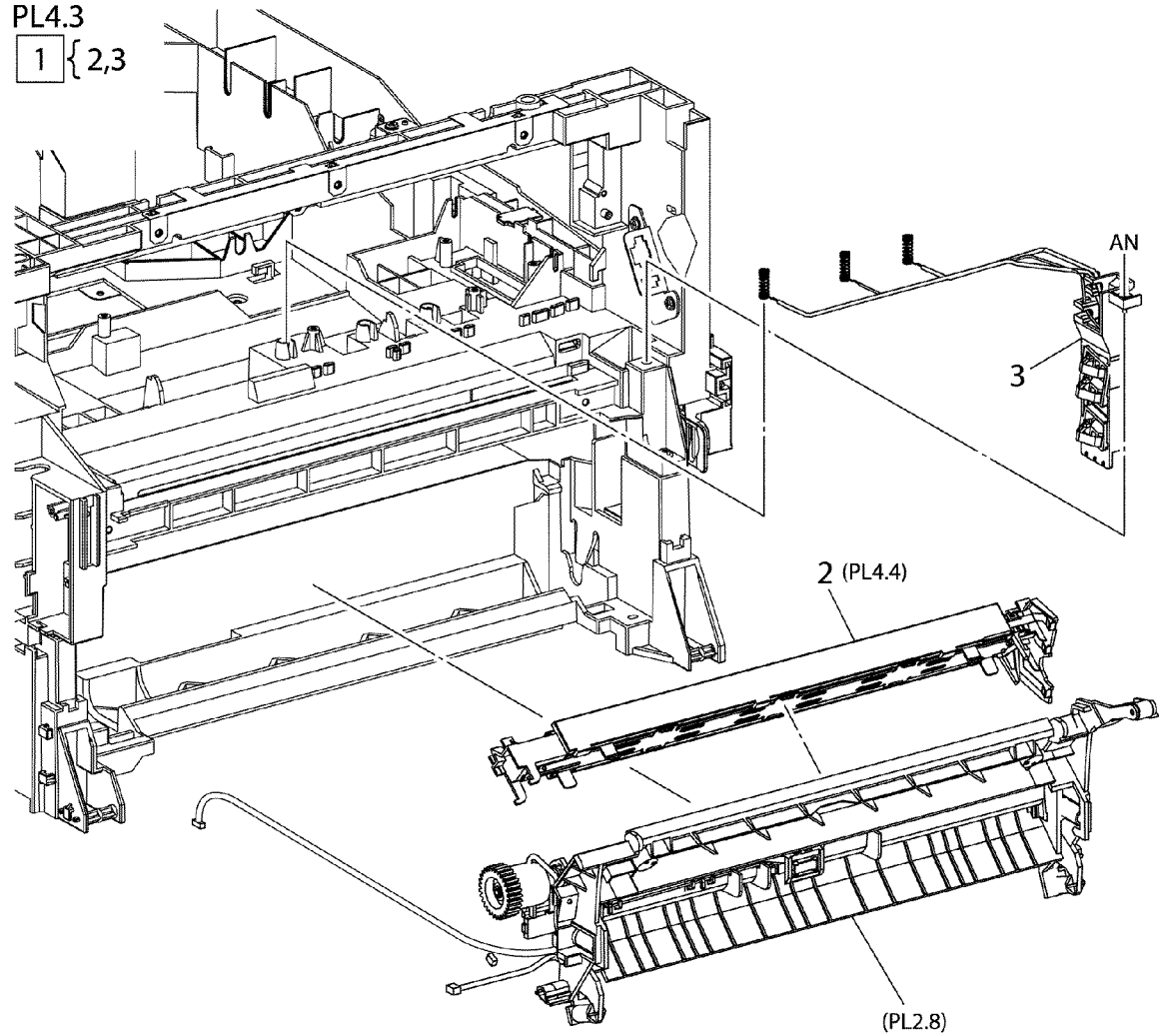
Left Front
j0hu50402

PL 4.3 Transfer

Item	Part	Description
1	-	Transfer Module (Not Spared) (REP 4.3.1)
2	125K93751	Transfer Corotron Housing
3	014K83123	Corotron Block Assembly

PL4.3

1 { 2,3



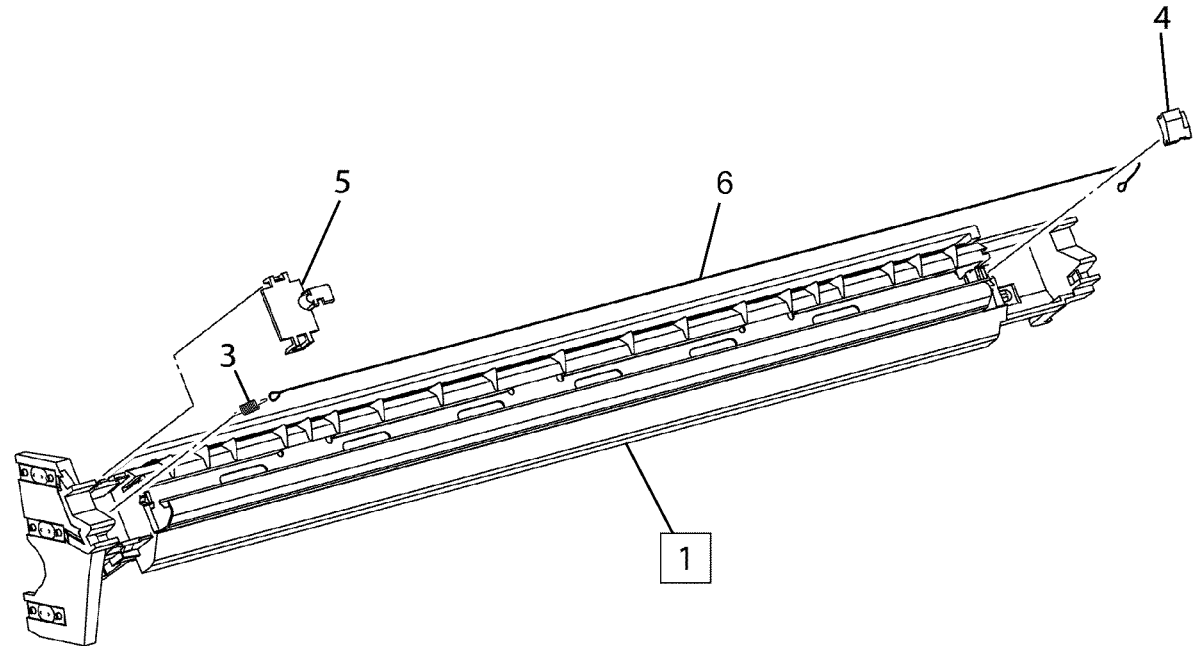
j0hu50403

PL 4.4 Transfer Corotron Housing Component

Item	Part	Description
1	125K93751	Transfer Corotron Housing
2	604K43810	Corotron Wire Kit (REP 4.4.1)
3	-	Spring (P/O Item 2)
4	-	Outboard Cover (Not Spared)
5	-	Latch (Not Spared)
6	-	Corotron Wire (P/O Item 2)

PL4.4

2 { 3, 6

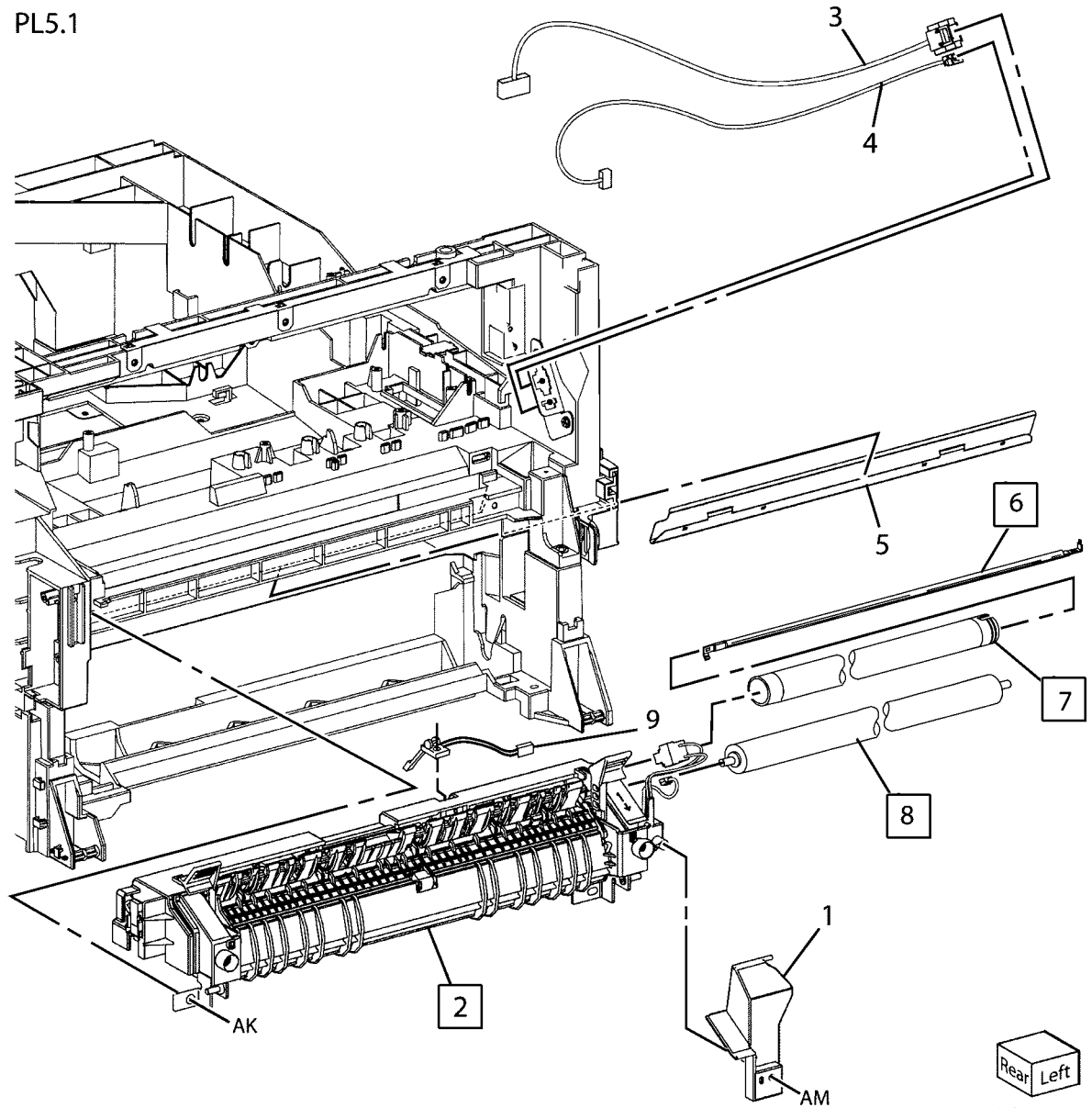


j0hu50404

PL 5.1 Fuser

Item	Part	Description
1	-	Connector Cover (Not Spared)
2	126K23581	Fuser Assembly (220V) (REP 5.1.1)
-	126K24411	Fuser Assembly (110V) (REP 5.1.1)
3	-	AC Fuser Harness (Not Spared)
4	-	DC Fuser Harness (Not Spared)
5	-	Baffle Clip (Not Spared)
6	122E92530	Fuser Lamp (220V) (REP 5.1.3)
-	122E92550	Fuser Lamp (110V) (REP 5.1.3)
7	022E30121	Fuser Roll (REP 5.1.4)
8	022K74110	Pressure Roll Assembly (REP 5.1.5)
9	130K71361	Temperature Control Sensor (REP 5.1.2)

PL5.1



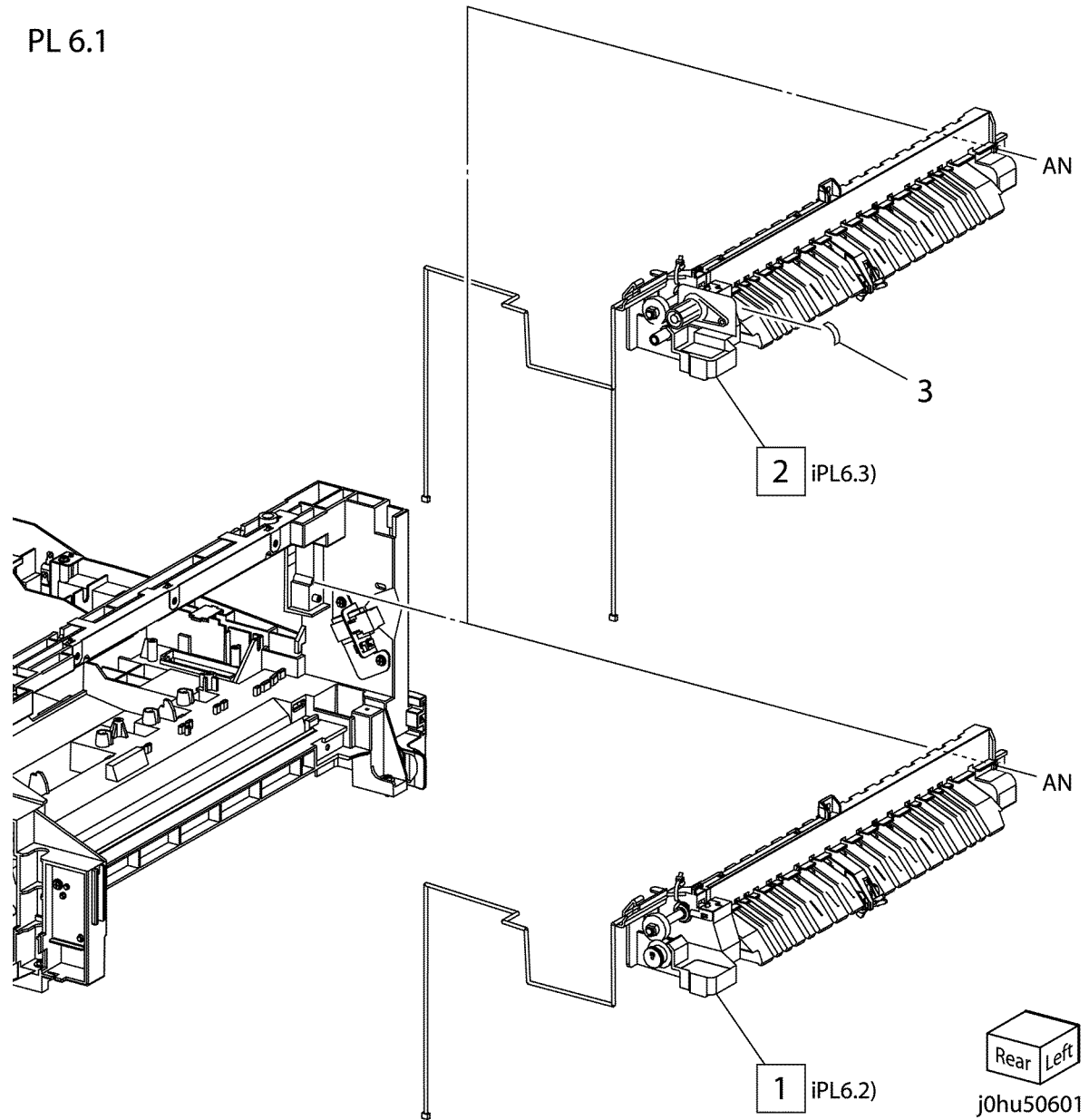
Rear Left

j0hu50501

PL 6.1 Exit Transport

Item	Part	Description
1	059K48230	Exit Transport Assembly (Simplex) (REP 6.1.1)
2	059K48240	Exit Transport Assembly (Duplex) (REP 6.1.2)
3	-	Label (Not Spared)

PL 6.1

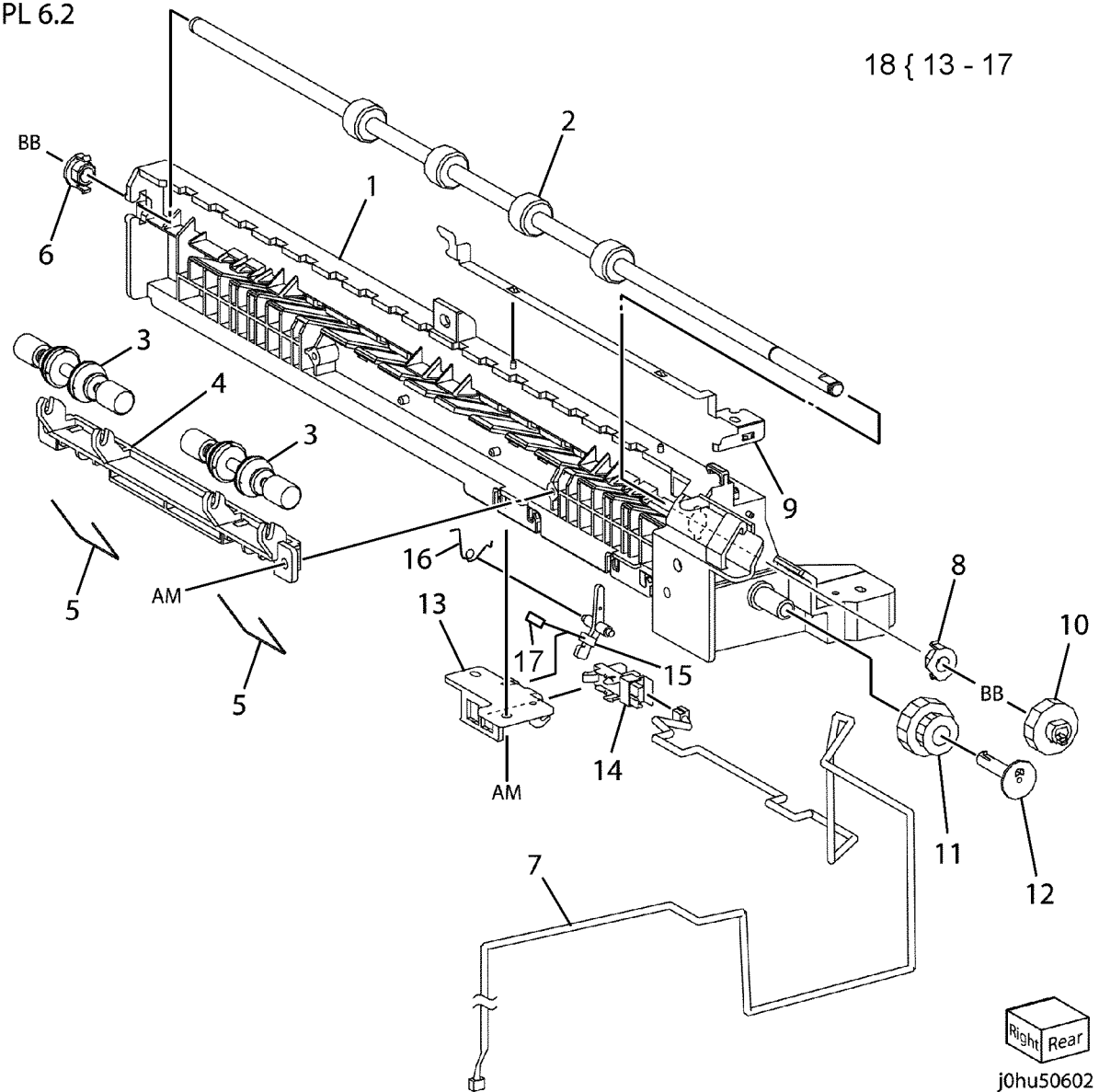


PL 6.2 Exit Transport Component (Simplex)

Item	Part	Description
1	-	Lower Chute (P/O PL6.1 Item 1)
2	059K43000	Exit Roll
3	059E99331	Pinch Roll
4	-	Pinch Roll Support (P/O PL6.1 Item 1)
5	809E76520	Pinch Spring
6	013E30050	Bearing
7	-	Sensor Wire Harness (P/O PL6.1 Item 1)
8	-	Bearing (P/O PL6.1 Item 1)
9	-	Earth Plate (P/O PL6.1 Item 1)
10	-	Gear (19T) (P/O PL6.1 Item 1)
11	-	Gear Pulley (P/O PL6.1 Item 1)
12	-	Cap (P/O PL6.1 Item 1)
13	-	Sensor Support (P/O Item 18)
14	130E87090	Fuser Exit Sensor
15	-	Actuator (P/O Item 18)
16	-	Actuator Spring (P/O Item 18)
17	-	Insulator (P/O Item 18)
18	604K43840	Exit Sensor Kit

PL 6.2

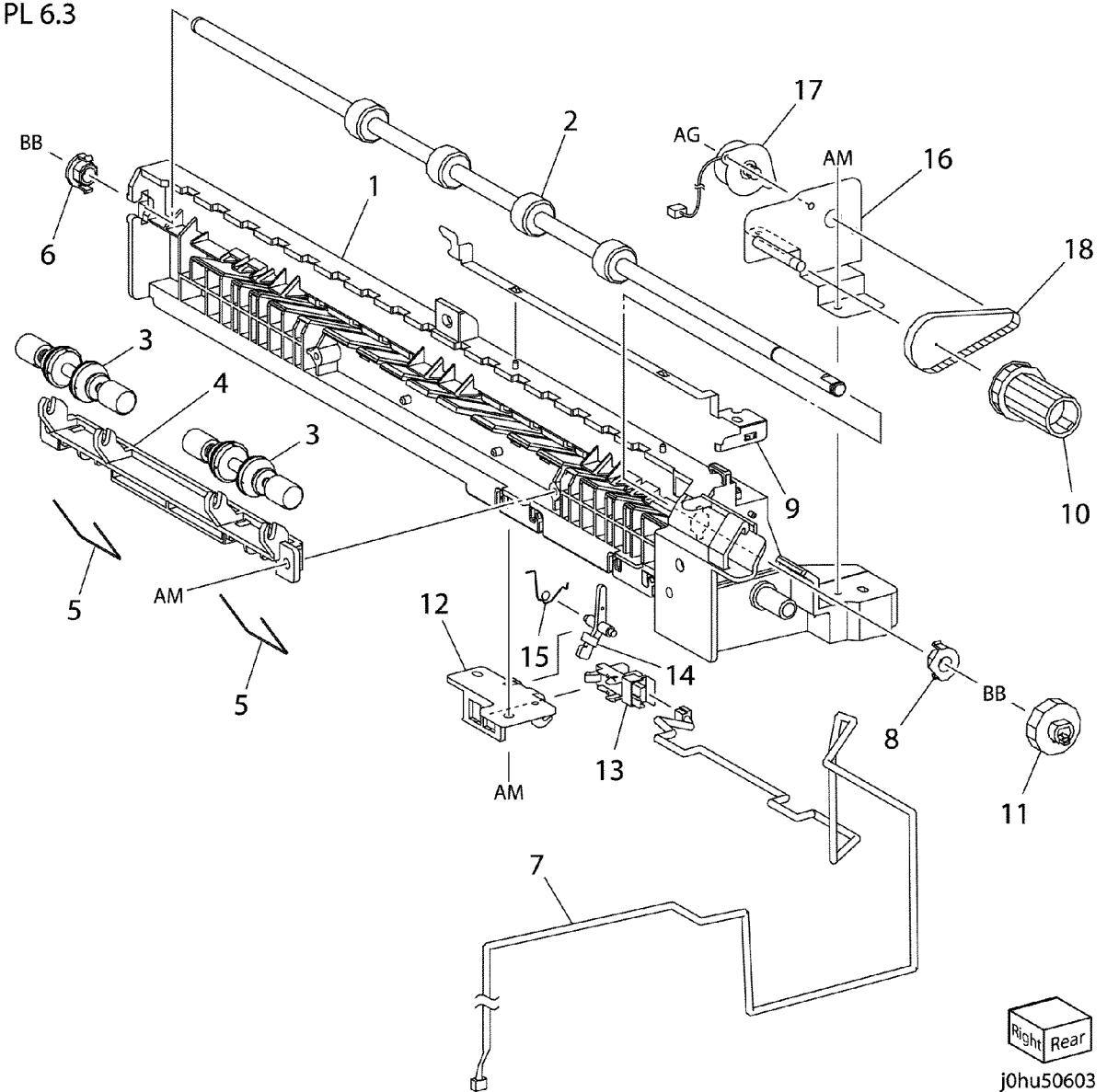
18 { 13 - 17



PL 6.3 Exit Transport Component (Duplex)

Item	Part	Description
1	-	Lower Chute (Not Spared)
2	059K43000	Exit Roll
3	059E99331	Pinch Roll
4	-	Pinch Roll Support (Not Spared)
5	809E76520	Pinch Spring
6	013E30050	Bearing
7	-	Sensor Wire Harness (Not Spared)
8	-	Bearing (Not Spared)
9	-	Earth Plate (Not Spared)
10	-	Gear Pulley
11	-	Gear (24T) (Not Spared)
12	-	Sensor Support (P/O Item 19)
13	130E87090	Fuser Exit Sensor
14	-	Actuator (P/O Item 19)
15	-	Actuator Spring (P/O Item 19)
16	-	Motor Frame (Not Spared)
17	127K51590	Exit Motor
18	423W06555	Belt
19	-	Insulator (P/O Item 20)
20	604K43840	Exit Sensor Kit

PL 6.3



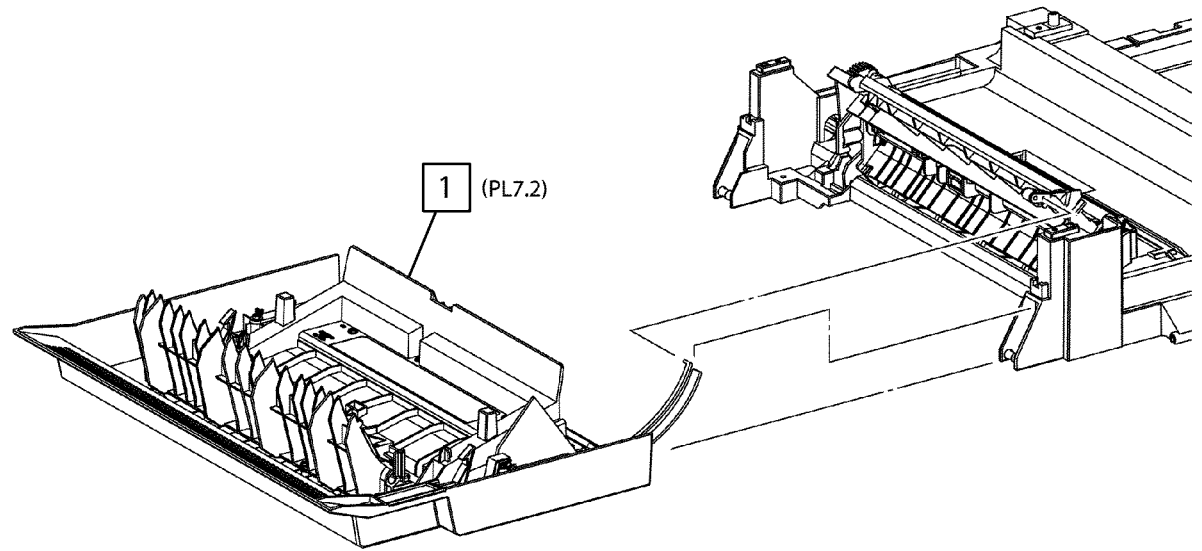
Right Rear

j0hu50603

PL 7.1 Simplex Module

Item	Part	Description
1	802K99450	Simplex Module (REP 7.1.1)

PL 7.1

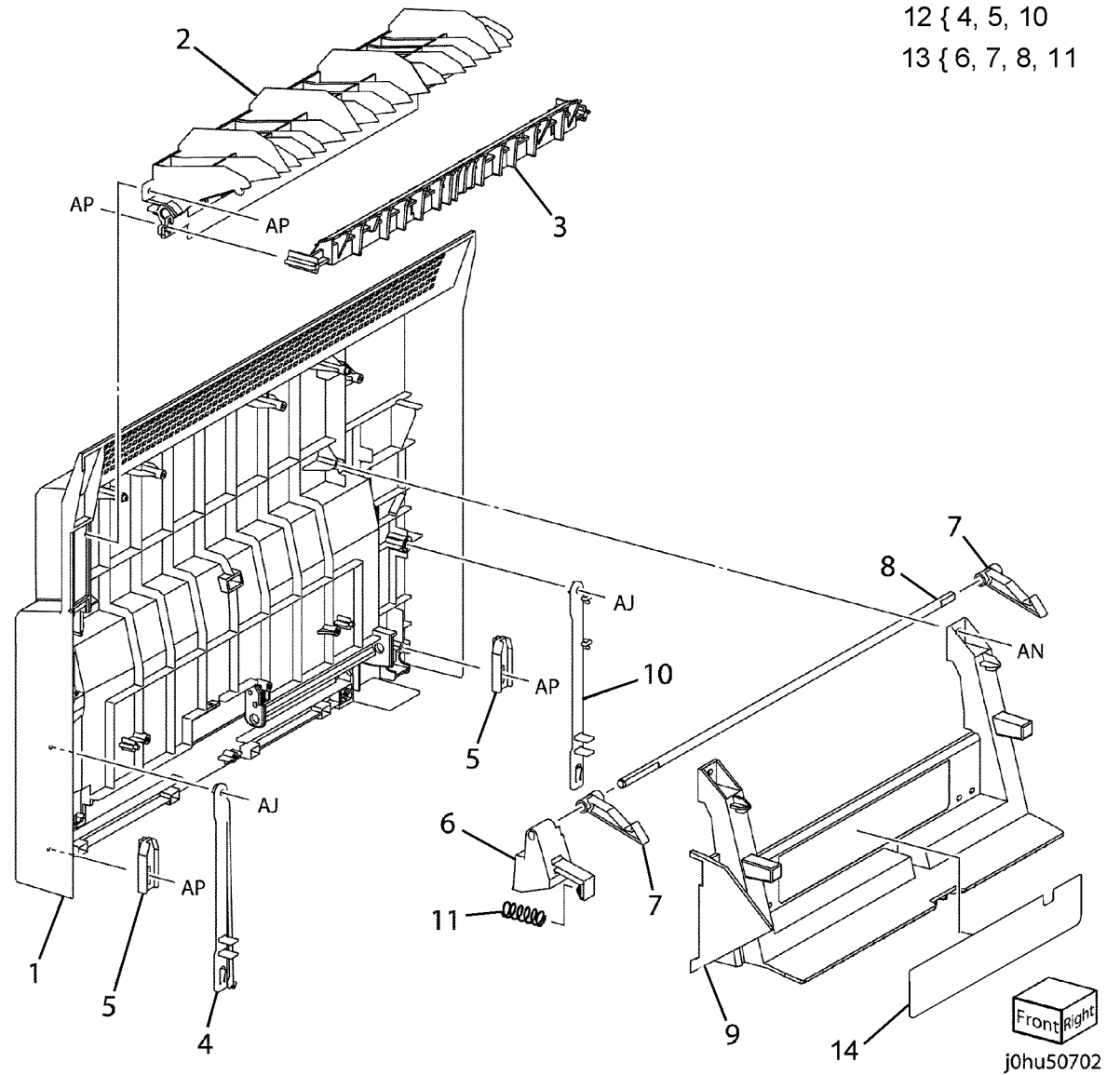


j0hu50701A

PL 7.2 Left Hand Cover Assembly

Item	Part	Description
1	—	Left Hand Cover (Not Spared)
2	—	Left Hand Upper Chute (Not Spared)
3	—	Left Hand Chute (Not Spared)
4	—	Front Stopper (P/O Item 12)
5	—	Pivot Retainer (P/O Item 12)
6	—	Latch Handle (P/O Item 13)
7	—	Latch (P/O Item 13)
8	—	Latch Shaft (P/O Item 13)
9	—	Main Baffle (Not Spared)
10	—	Rear Stopper (P/O Item 12)
11	—	Latch Spring (P/O Item 13)
12	604K43860	Left Hand Door Kit
13	604K43870	Left Hand Door Latch Kit
14	—	Jam Clear Label (P/O Item 1)

PL 7.2

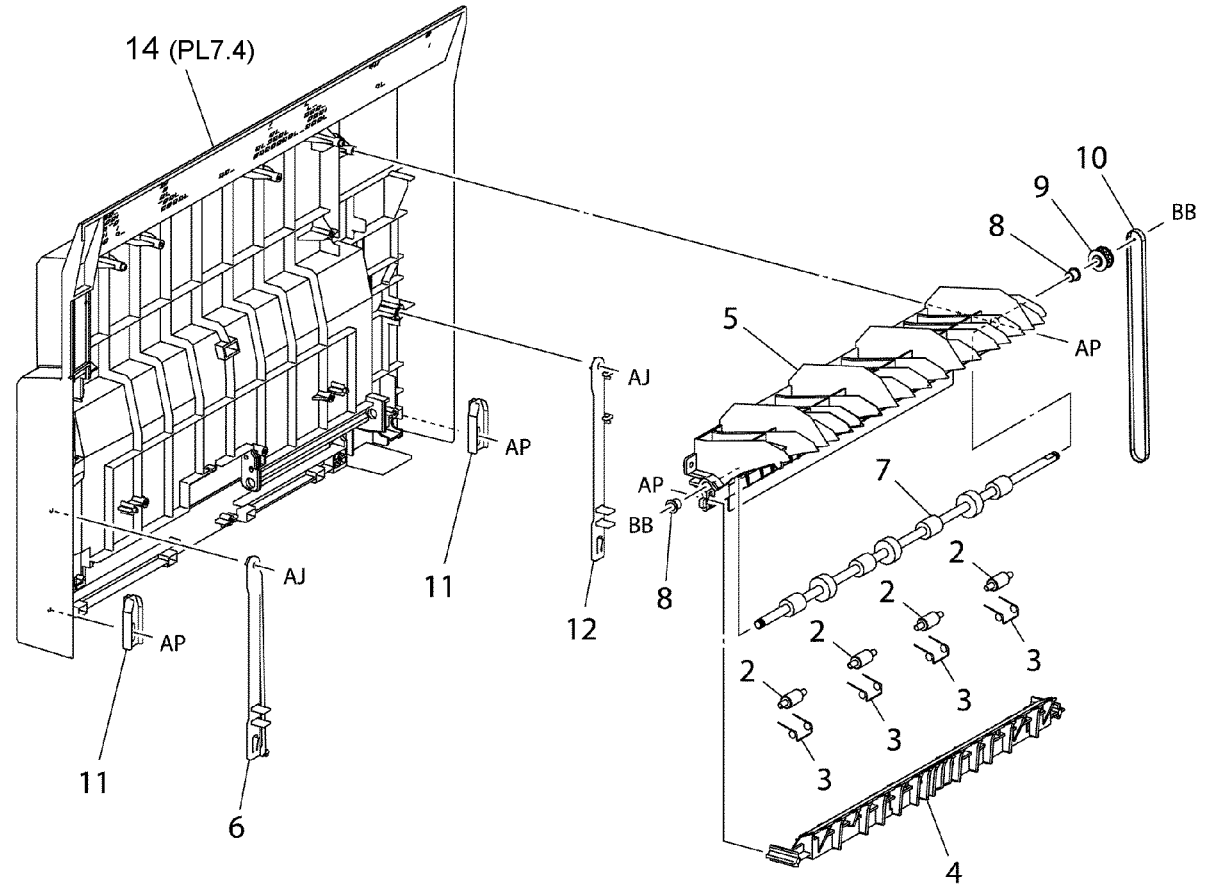


PL 7.3 Duplex Module Component (1 OF 2)

PL 7.3

Item	Part	Description
1	802K97500	Left Hand Cover Assembly (REP 7.1.1)
2	059E03090	Pinch Roll
3	-	Pinch Spring (P/O Item 1)
4	-	Left Hand Chute (P/O Item 1)
5	-	Left Hand Upper Chute (P/O Item 1)
6	-	Front Stopper (P/O Item 1)
7	-	Duplex Roll 1 (P/O Item 1)
8	013E33260	Bearing
9	-	Pulley (P/O Item 1)
10	023E26660	Belt
11	-	Pivot Retainer (P/O Item 13)
12	-	Rear Stopper (P/O Item 13)
13	604K43860	Left Hand Door Kit
14	-	Left Hand Cover (P/O Item 1)

1 { 2 - 14
13 { 6, 11, 12



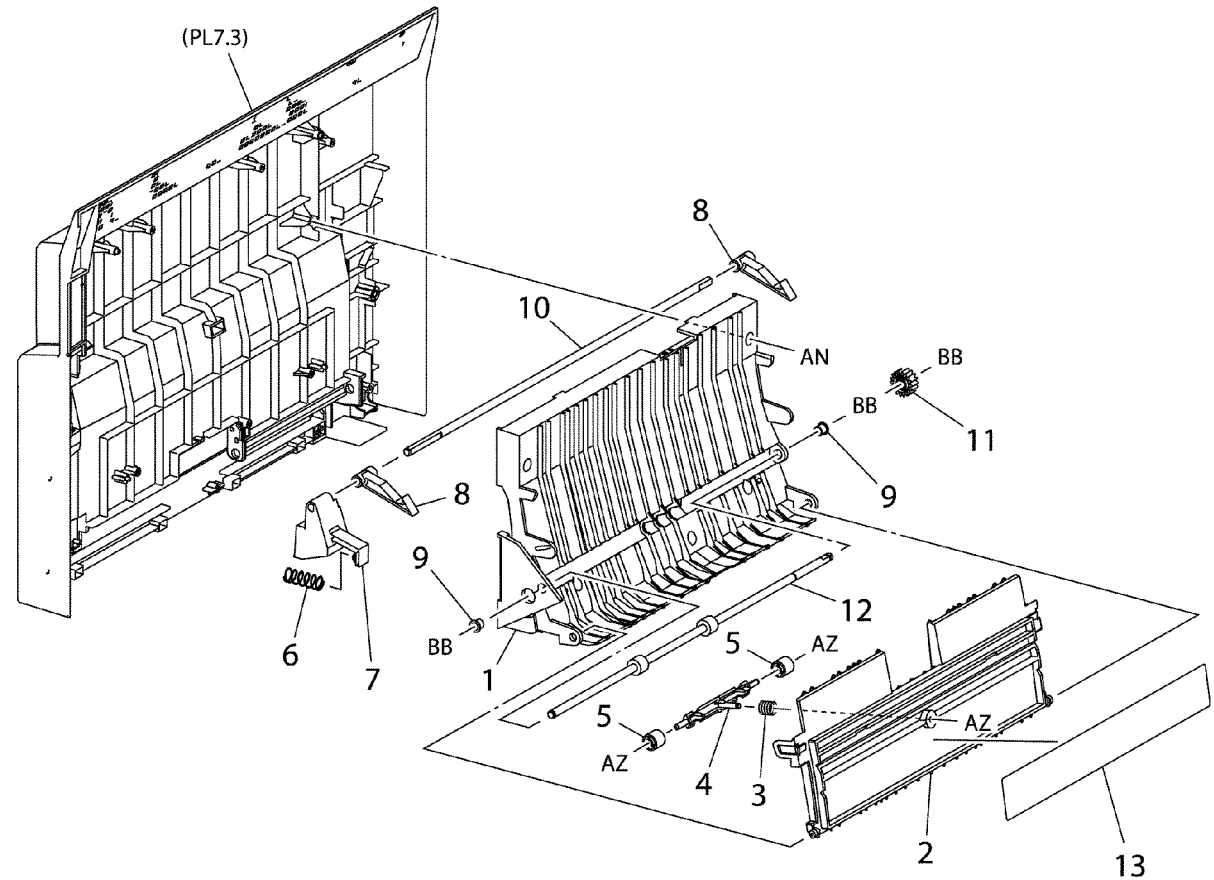
j0hu50703A

PL 7.4 Duplex Module Component (2 OF 2)

PL 7.4

14 { 6, 7, 8, 10

Item	Part	Description
1	-	Duplex Main Baffle (P/O PL7.3 Item 1)
2	-	Duplex in Chute (P/O PL7.3 Item 1)
3	809E76630	Idler Spring
4	-	Idler Shaft (P/O PL7.3 Item 1)
5	059E03650	Idler Roll
6	-	Latch Spring (P/O Item 14)
7	-	Latch Handle (P/O Item 14)
8	-	Latch (P/O Item 14)
9	013E33260	Bearing
10	-	Latch Shaft (P/O Item 14)
11	807E21180	Gear (18T)
12	006K86440	Duplex Roll 2
13	-	Label (Jam Clear) (Not Spared)
14	604K43870	Left Hand Door Latch Kit



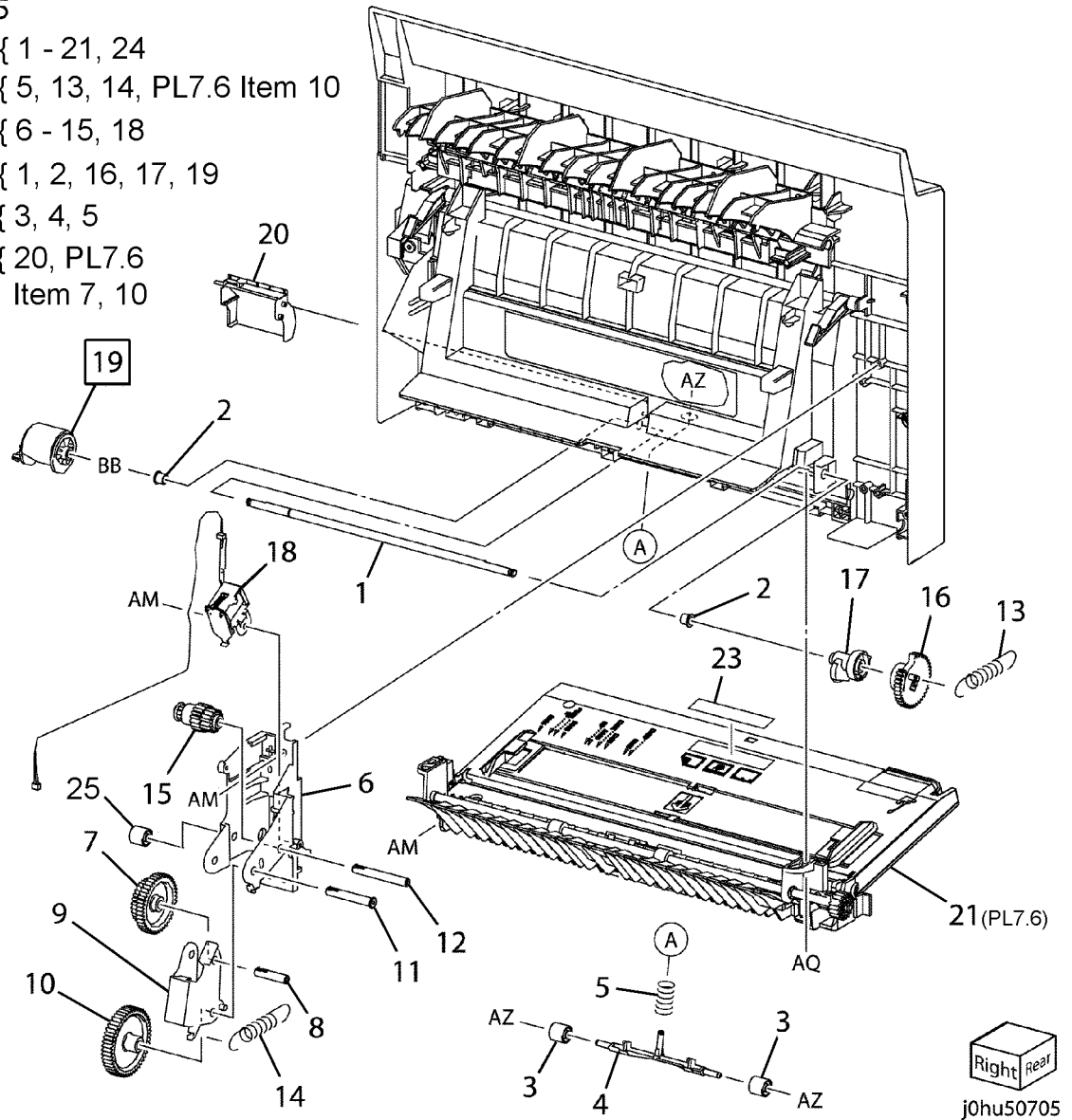
Front
Right
j0hu50704A

PL 7.5 Bypass Tray Accessory

Item	Part	Description
1	-	Bypass Feed Shaft (P/O Item 22)
2	-	Bearing (P/O Item 22, Item 27)
3	-	Idler Roll (P/O Item 22, Item 28)
4	-	Idler Shaft (P/O Item 22, Item 28)
5	-	Bypass Idler Spring (P/O Item 22, Item 24, Item 28)
6	-	Drive Support Bracket (P/O Item 22, Item 26)
7	-	Gear (42/30T) (P/O Item 22, Item 26)
8	-	Shaft (P/O Item 22, Item 26)
9	-	Idler Arm (P/O Item 22, Item 26)
10	-	Gear (49T) (P/O Item 22, Item 26)
11	-	Shaft (P/O Item 22, Item 26)
12	-	Shaft (P/O Item 22, Item 26)
13	-	Sector Gear Spring (P/O Item 22, Item 24, Item 26)
14	-	Idler Arm Spring (P/O Item 22, Item 24, Item 26)
15	807E17870	Gear Pulley
16	-	Sector Gear (P/O Item 22, Item 27)
17	-	Cam (P/O Item 22, Item 27)
18	121E20950	Bypass Solenoid
19	059K54730	Bypass Feed Roll (REP 7.5.1)
20	-	Feed Roll Cap (P/O Item 22, Item 29)
21	-	Bypass Tray (P/O Item 22)
22	059K48260	Bypass Feeder Assembly
23	-	Label (Not Spared)
24	604K43820	MSI Spring Kit
25	022E29860	Nudge Roller
26	604K45750	MSI Assembly No. 2 Repair Kit
27	604K45770	MSI Assembly No. 4 Repair Kit
28	604K45780	MSI Assembly No. 5 Repair Kit
29	604K45790	MSI Assembly No. 6 Repair Kit

PL 7.5

- 22 { 1 - 21, 24
- 24 { 5, 13, 14, PL7.6 Item 10
- 26 { 6 - 15, 18
- 27 { 1, 2, 16, 17, 19
- 28 { 3, 4, 5
- 29 { 20, PL7.6 Item 7, 10

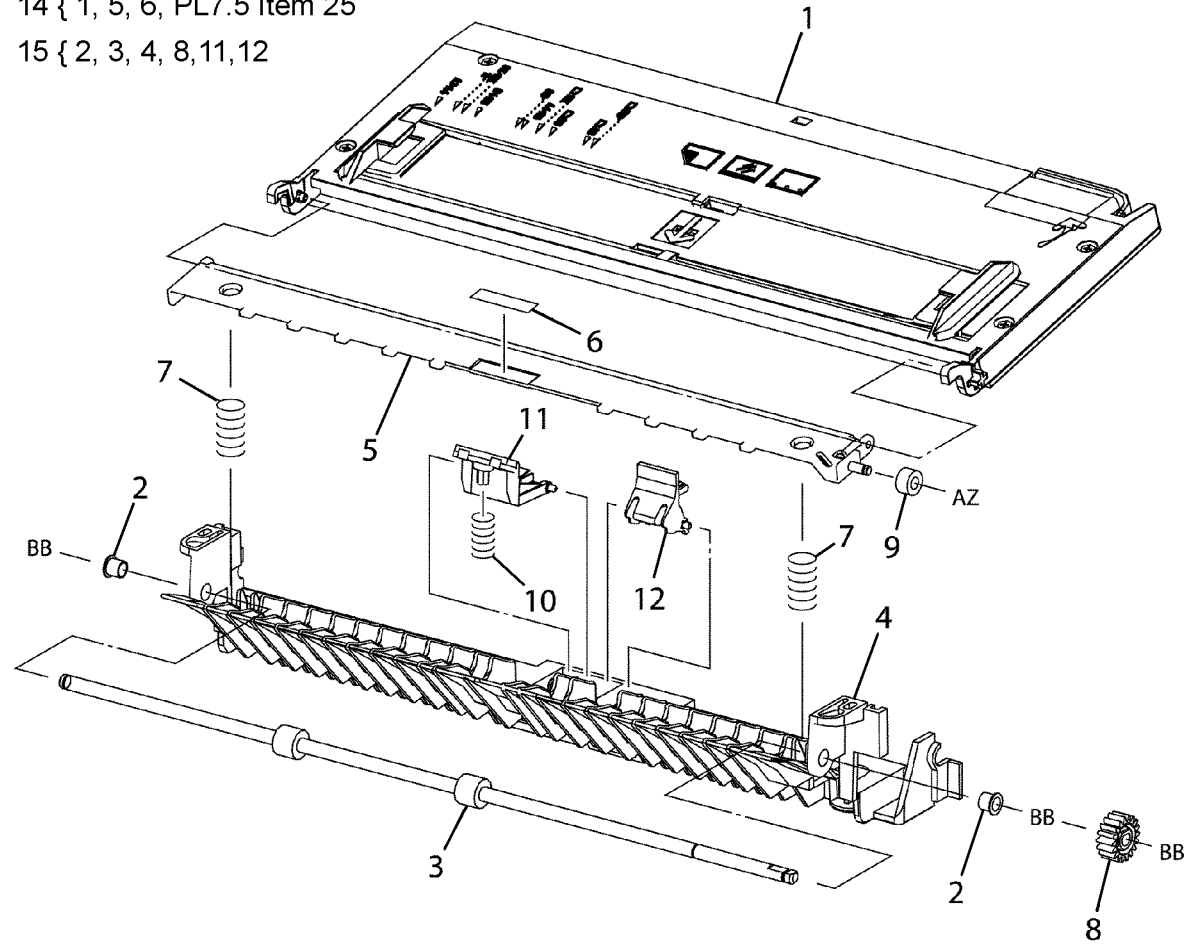


PL 7.6 Bypass Tray Component

Item	Part	Description
1	050K58051	Bypass Tray Assembly
2	—	Bearing (P/O Item 15)
3	—	Bypass Take Away Roll (P/O Item 15)
4	—	Lower Baffle (P/O Item 15)
5	—	Nudger Plate (P/O Item 14)
6	—	Nudger Pad (P/O Item 13, Item 14)
7	—	Nudger Spring (P/O Item 13, PL7.5 Item 29)
8	—	Gear (18T) (P/O Item 15)
9	—	Roll (Not Spared)
10	—	Retard Spring (P/O PL7.5 Item 24)
11	019K08890	Retard Pad Assembly
12	—	Pre Shingler Bracket (P/O Item 15)
13	604K43830	Bypass Retard Kit
14	604K45740	MSI Assembly No. 1 Repair Kit
15	604K45760	MSI Assembly No. 3 Repair Kit

PL 7.6

- 13 { 6, 7
 14 { 1, 5, 6, PL7.5 Item 25
 15 { 2, 3, 4, 8, 11, 12

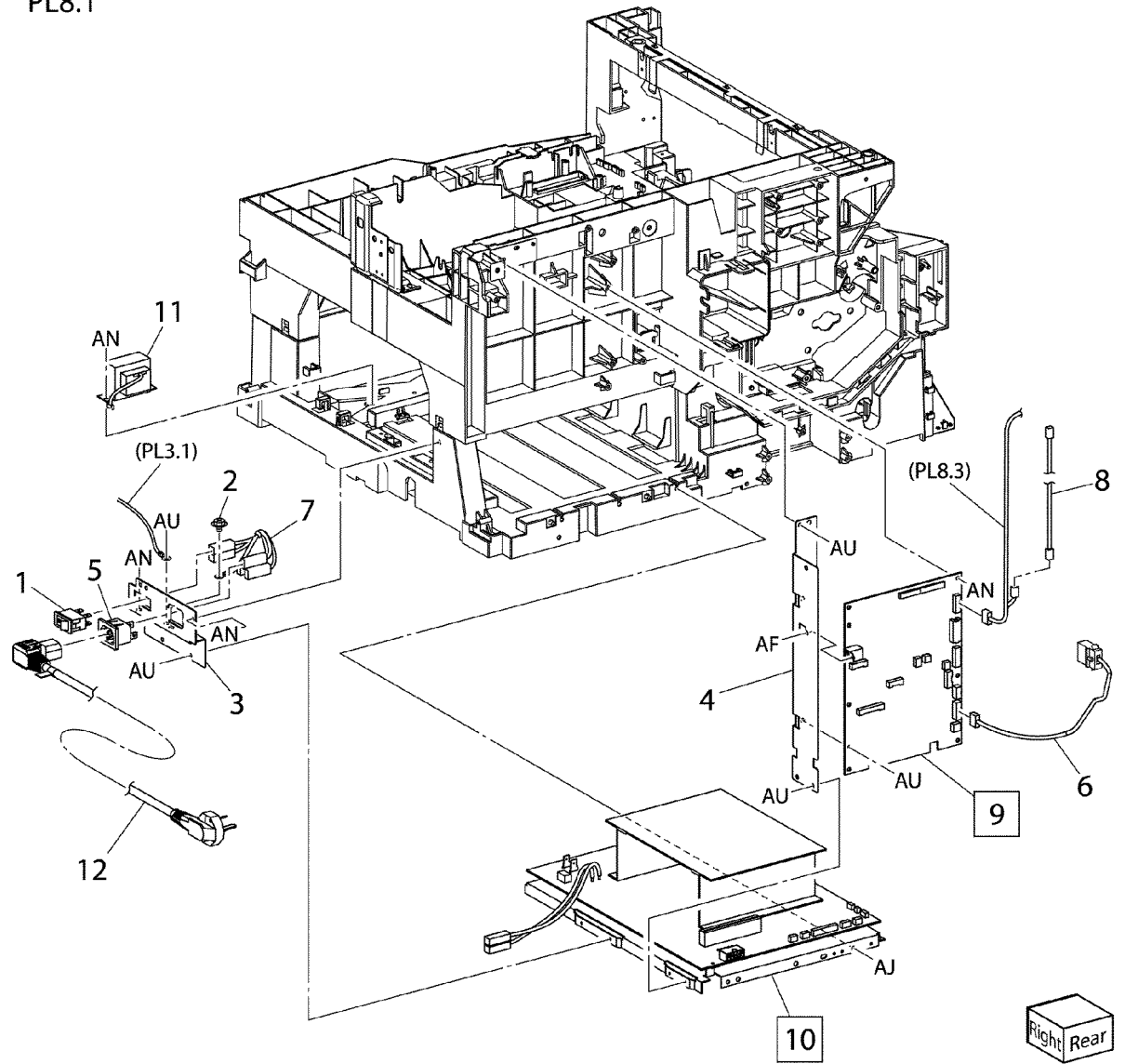


j0hu50706

PL 8.1 AIOC PWB, LVPS, Power Switch

PL8.1

Item	Part	Description
1	110E11320	Power Switch
2	-	Screw (With Washer) (Not Spared)
3	-	Inlet Bracket (Not Spared)
4	-	PWB Bracket (Not Spared)
5	-	Inlet (Not Spared)
6	-	CRUM ID Harness (Not Spared)
7	-	Inlet Wire Harness (Not Spared)
8	-	Billing Counter Harness (Not Spared)
9	960K43421	AIOC PWB (REP 8.1.1)
-	960K44250	AIOC/Network PWB ((DADF Only)) (REP 8.1.3)
10	105E17391	LVPS (220V) (REP 8.1.2)
-	105E17411	LVPS (110V) (REP 8.1.2)
-	105E18010	DADF LVPS (220V) (REP 8.1.2)
-	105E18020	DADF LVPS (110V) (REP 8.1.2)
11	-	Choke Coil (Not Spared)
12	-	Power Cord (Not Spared)
13	960K28611	Exit PWB

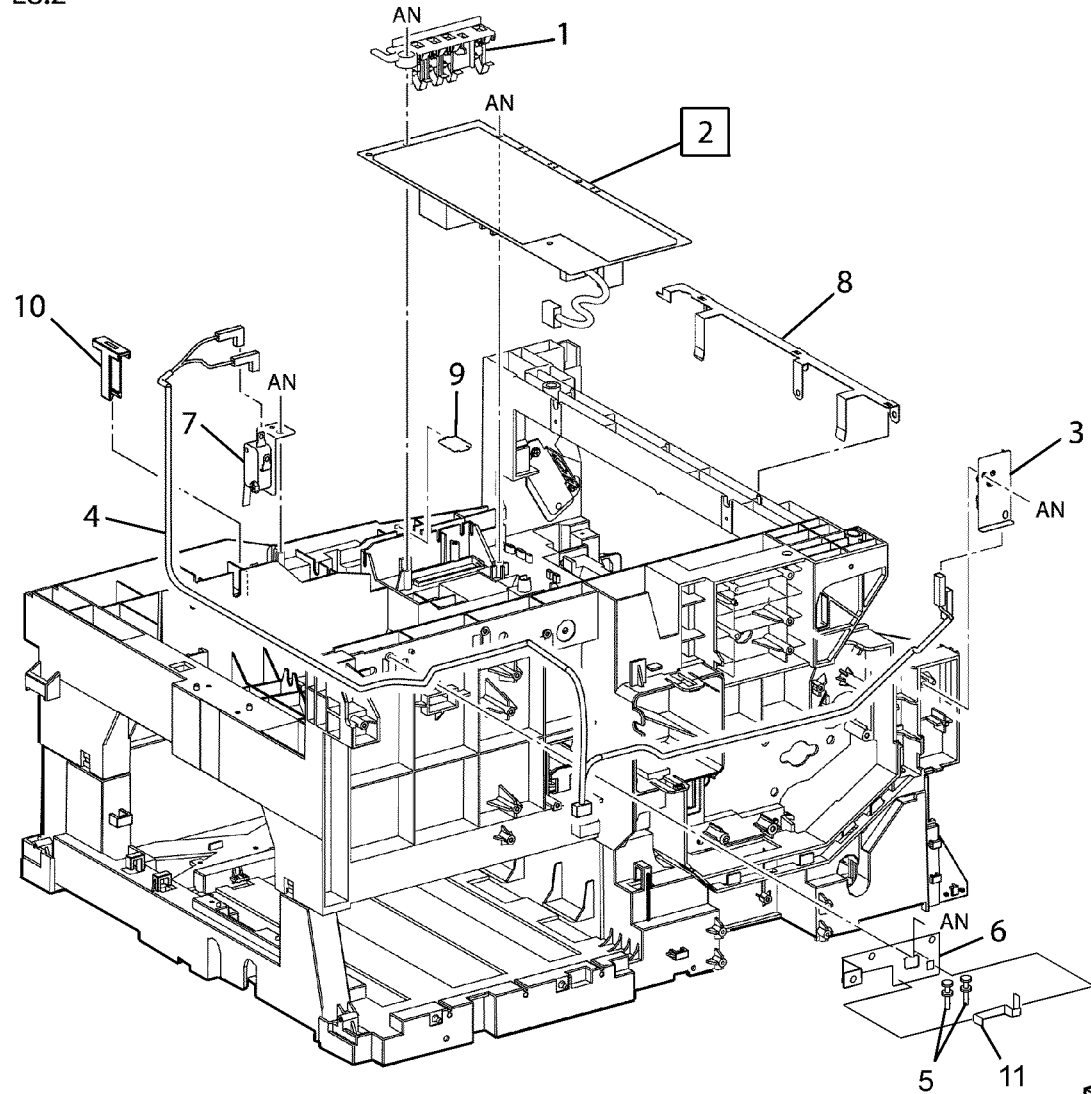


Right Rear
j0hu50801

PL 8.2 HVPS, Interlock Switch, Duplex PWB

PL8.2

Item	Part	Description
1	014K83141	HV Contact Block
2	105E17401	HVPS (REP 8.2.1)
3	801K25570	Left Hand Interlock Switch
4	-	Interlock Switch Wire Harness (Not Spared)
5	-	Core (Not Spared)
6	-	Earth Plate (Not Spared)
7	-	Front Cover Interlock Switch (Not Spared)
8	-	Earth Plate (Not Spared)
9	-	Harness Block (Not Spared)
10	-	Harness Block (Not Spared)
11	-	Core Clip (Not Spared)

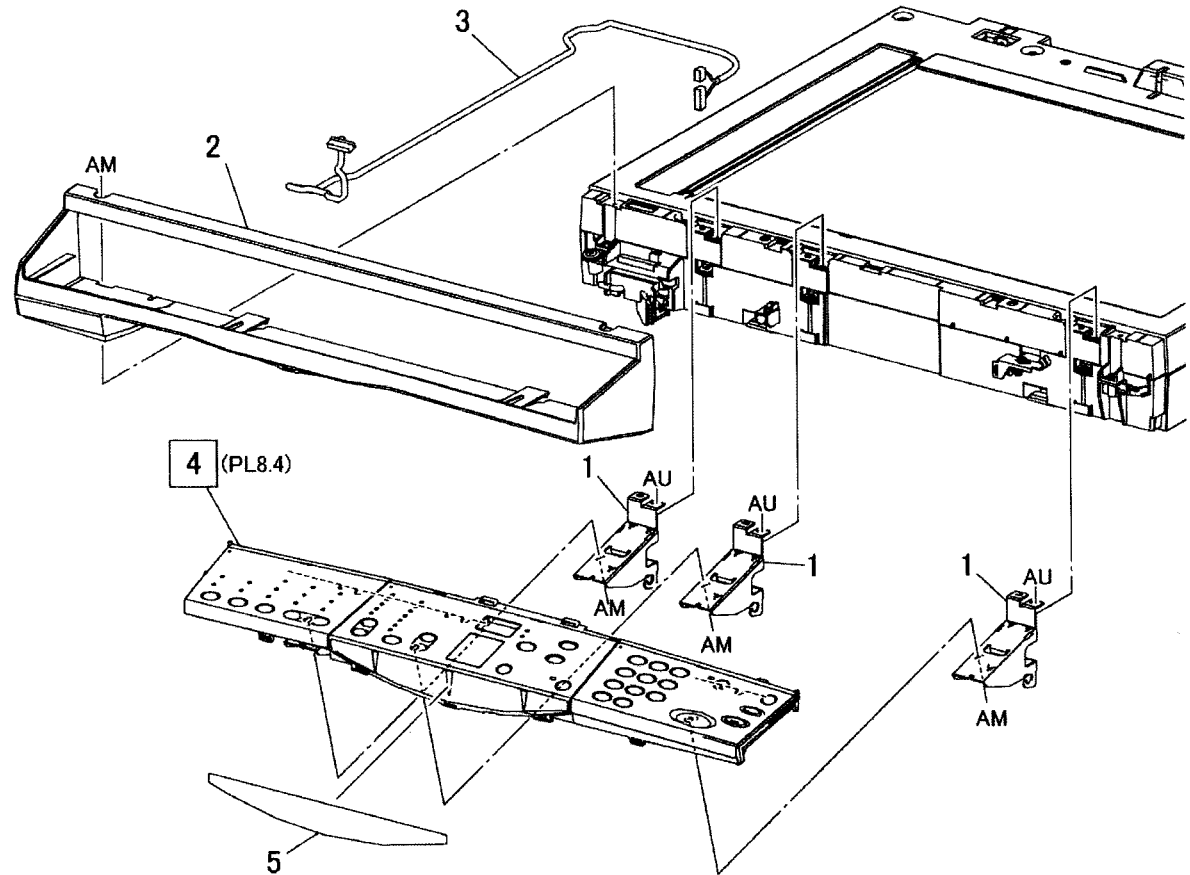


Right Rear
j0hu50802

PL 8.3 Control Panel Accessory

Item	Part	Description
1	–	Support Bracket (Not Spared)
2	–	Control Panel Cover (Not Spared)
3	962K66150	Control Panel Wire Harness
4	802K97694	Control Panel (ADF, DADF Only) (REP 8.3.1)
–	848K04904	Control Panel (110V, 220V) (REP 8.3.1)
5	896E58070	Label (WorkCentre 5020)

PL8.3

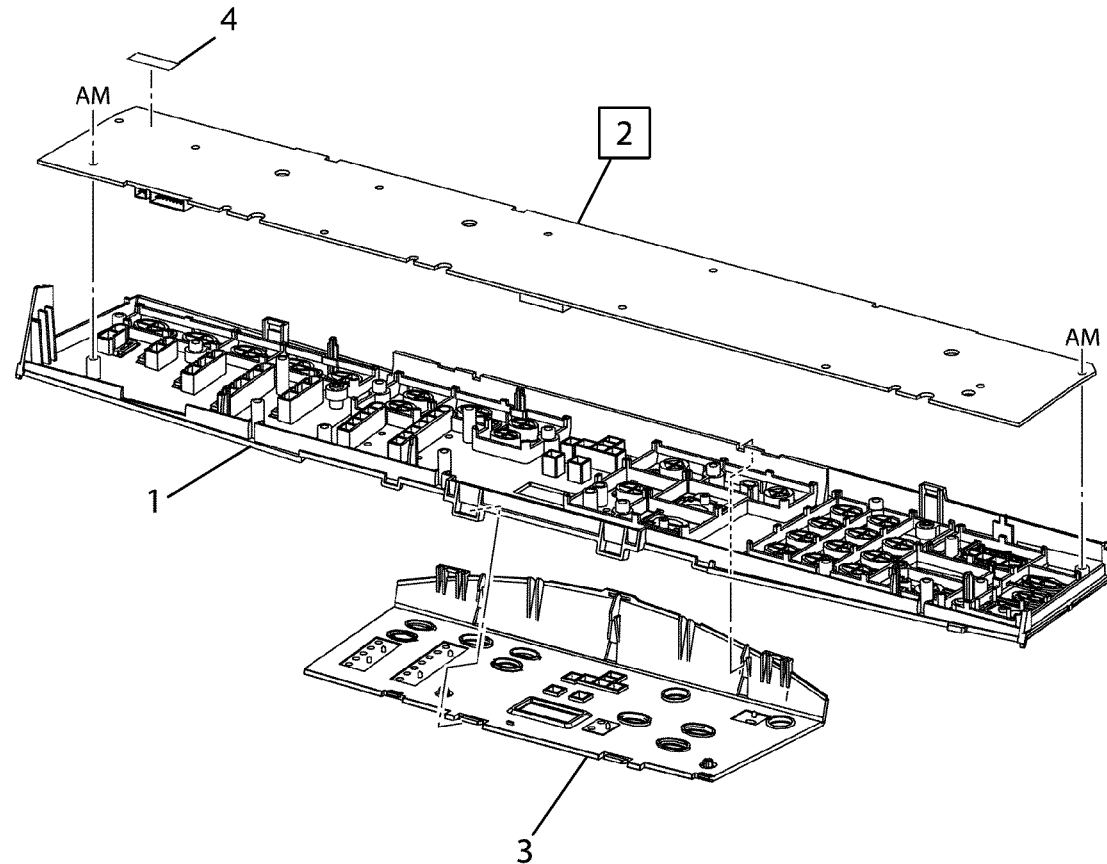


Front Right
j0hu50803

PL 8.4 Control Panel Component

Item	Part	Description
1	–	Control Panel Panel Case (With Key) (P/O PL8.3 Item 4)
2	960K32602	UI Platen PWB Assembly (REP 8.4.1)
–	960K32783	UI PWB Assembly (ADF Only) (REP 8.4.1)
–	960K38300	UI PWB Assembly (DADF Only) (REP 8.4.1)
3	–	Middle Panel (P/O PL8.3 Item 4)
4	–	Label (P/O PL8.3 Item 4)

PL8.4

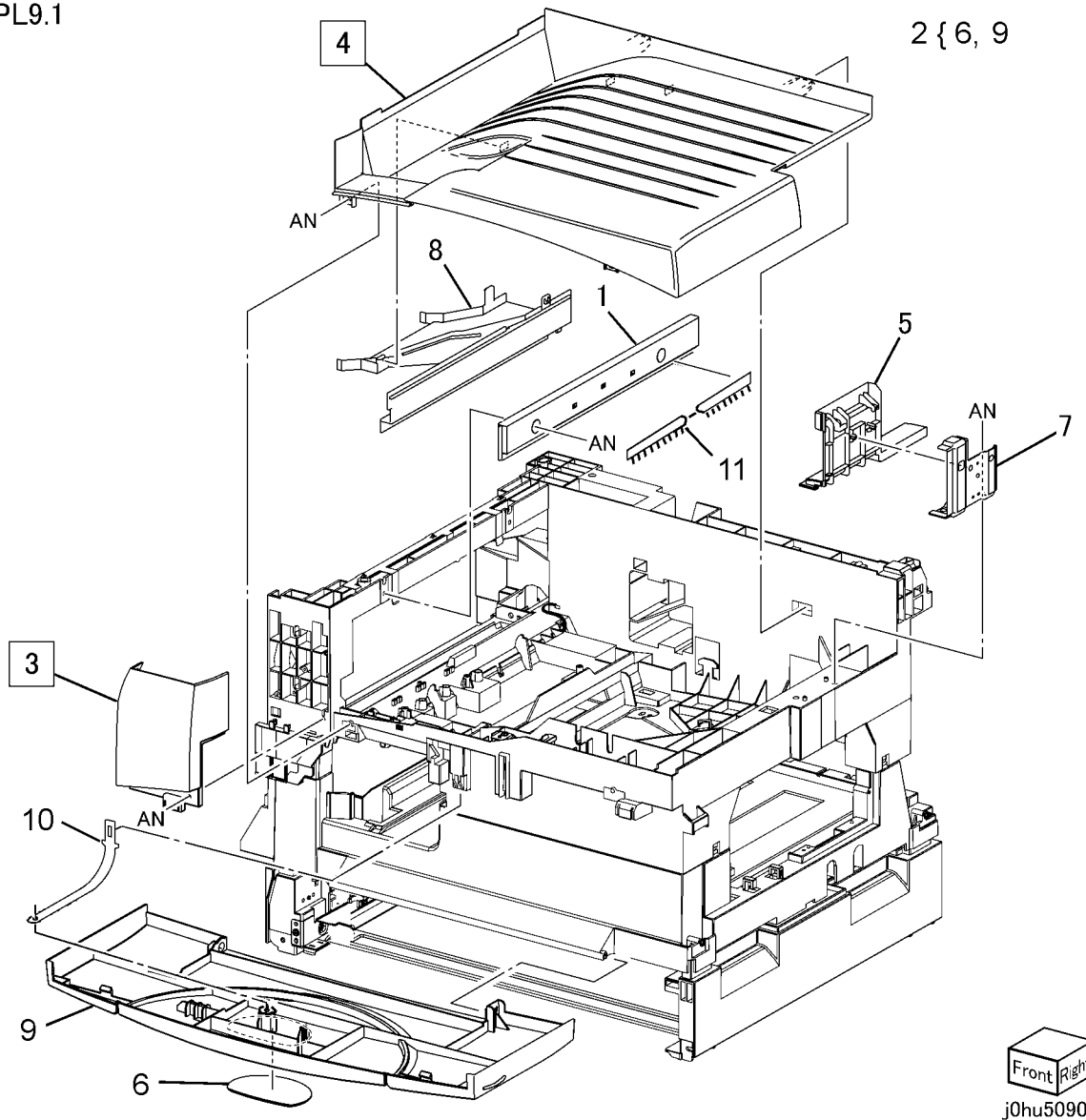


j0hu50804

PL 9.1 Front / Top Cover

Item	Part	Description
1	848E04480	Exit Cover
2	848K17300	Front Cover Assembly
3	-	Front Left Cover (REP 9.1.2)
4	-	Output Tray (Not Spared) (REP 9.1.1)
5	-	Right Top Cover (Not Spared)
6	-	Xerox Badge Plate (P/O Item 2)
7	-	IIT Support Bracket (Not Spared)
8	-	Duct (Not Spared)
9	848E04511	Front Cover
10	801E04660	Strap
11	105E12210	Static Eliminator

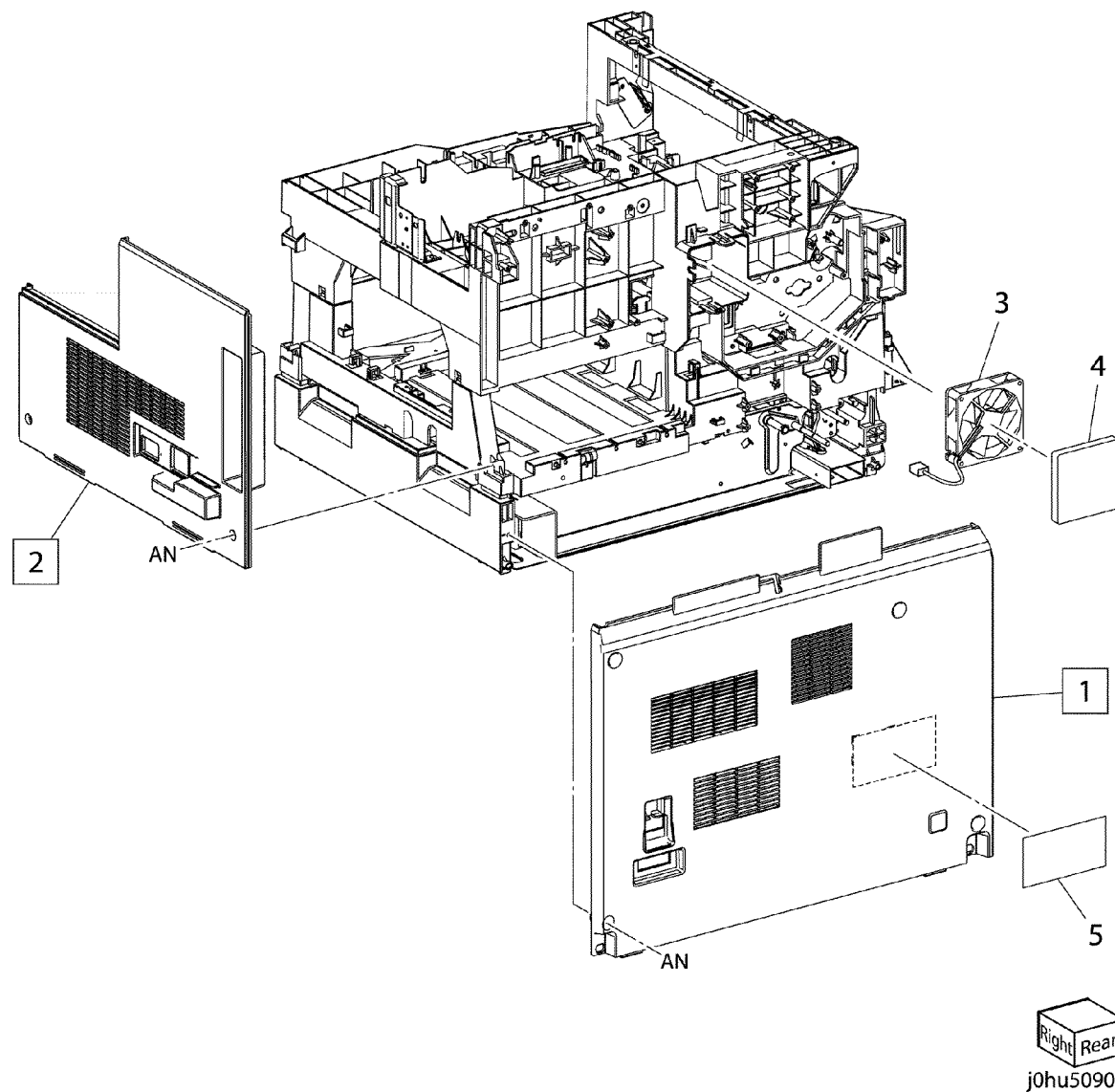
PL9.1



PL 9.2 Rear / Right Cover and NOHAD Fan

PL9.2

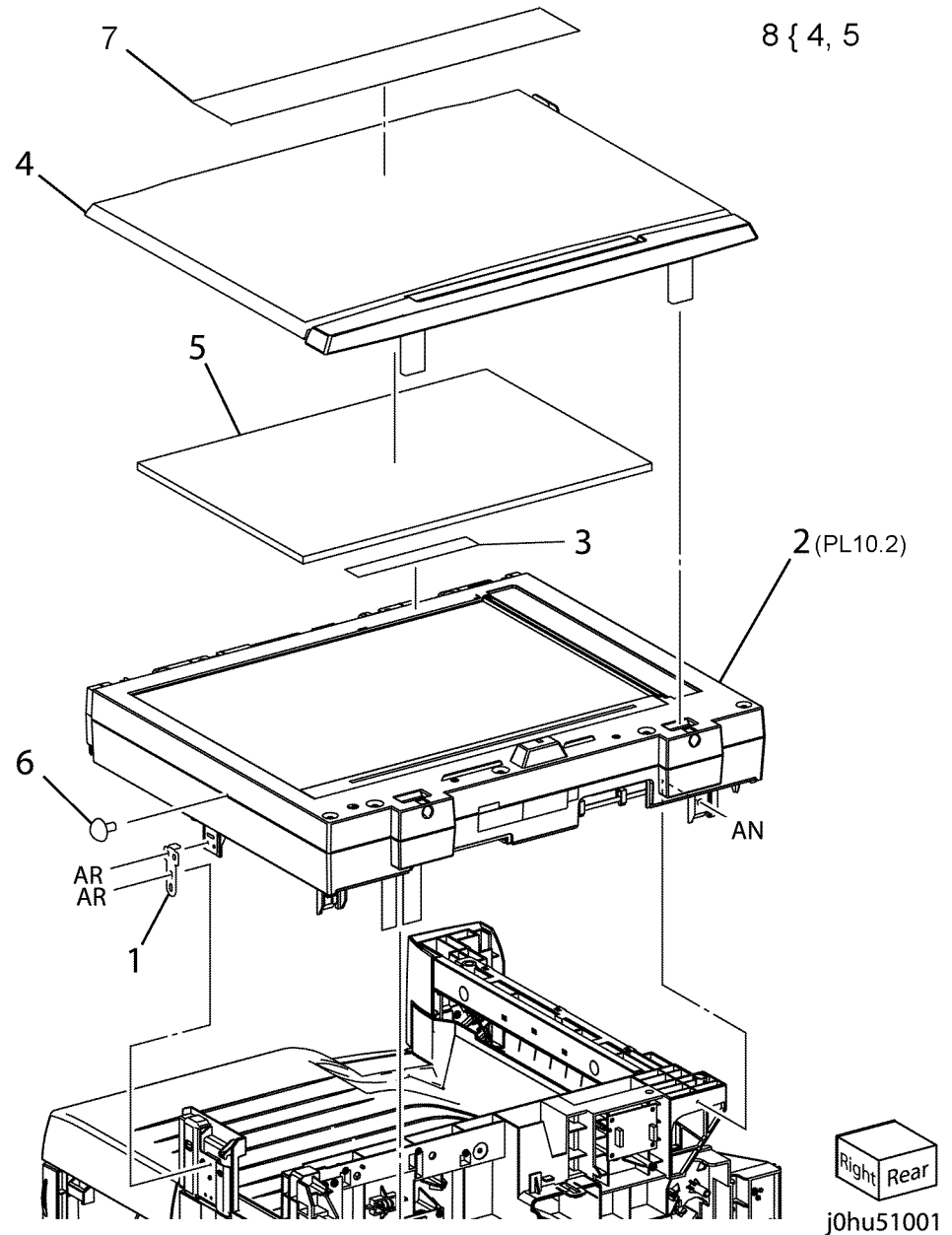
Item	Part	Description
1	848E04501	Rear Cover (Remove Data Plate and Place on New Rear Cover) (REP 9.2.1)
2	848E04451	Right Cover (REP 9.2.2)
3	127K51632	NOHAD Fan
4	053E93650	Ozone Filter
5	-	Data Plate (Not Spared) (Remove Data Plate and Place on New Rear Cover)



PL 10.1 IIT Accessory

Item	Part	Description
1	–	IIT Right Bracket (Not Spared)
2	–	IIT (Not Spared)
3	–	Label (Not Spared)
4	–	Platen Cover (P/O Item 8)
5	–	Platen Cushion (P/O Item 8)
6	–	Cap (Not Spared)
7	604K47130	Error Code Label Kit
8	604K46500	Platen Cover Kit (REP 10.1.1)

PL 10.1

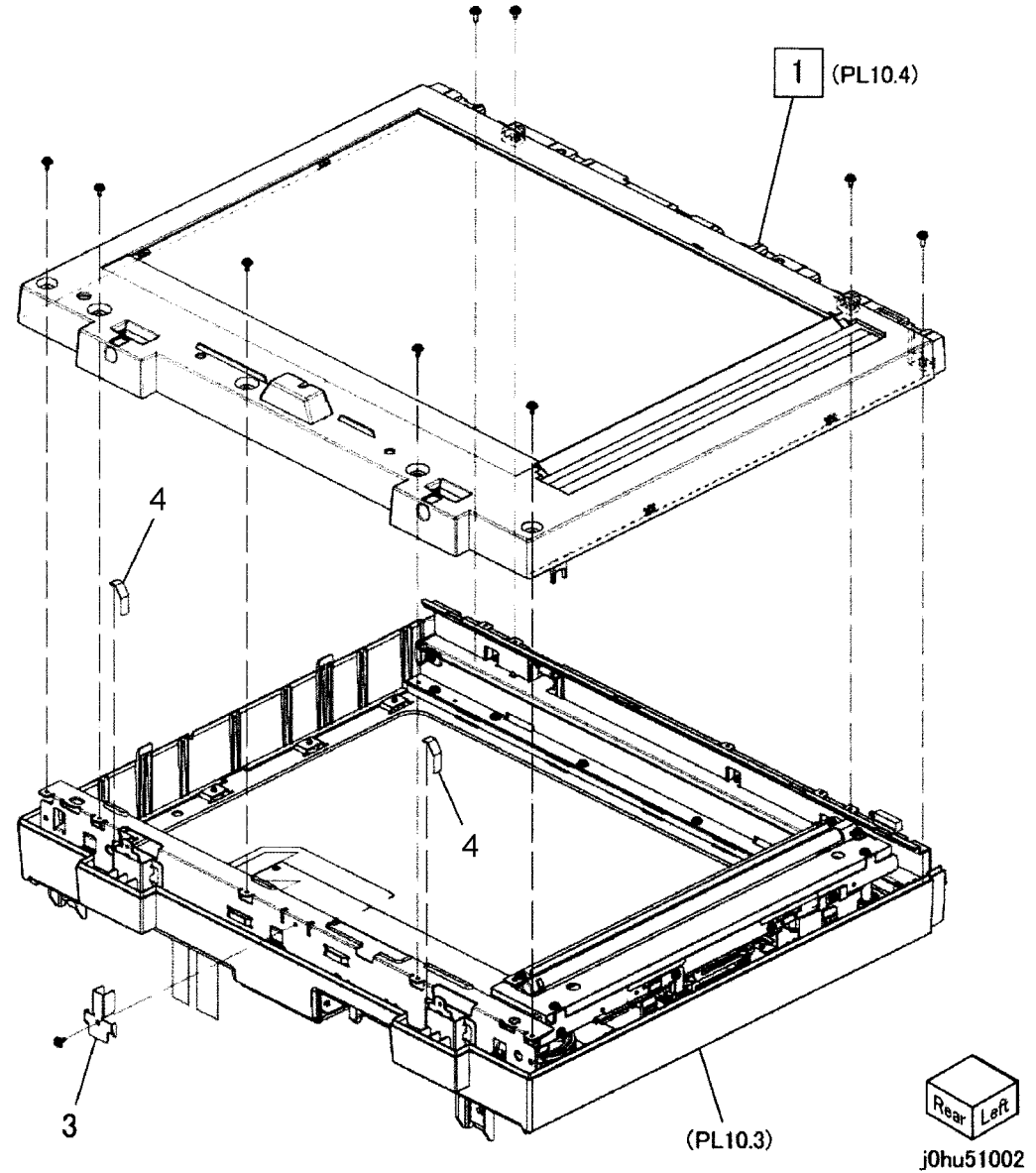


PL 10.2 IIT Component (1 OF 2)

Item	Part	Description
1	848K07410	IIT Upper Cover (REP 10.2.1)
2	604K44330	Hinge Kit
3	-	Blind Cover (Not Spared)
4	-	Plate Spring (P/O Item 2)

PL 10.2

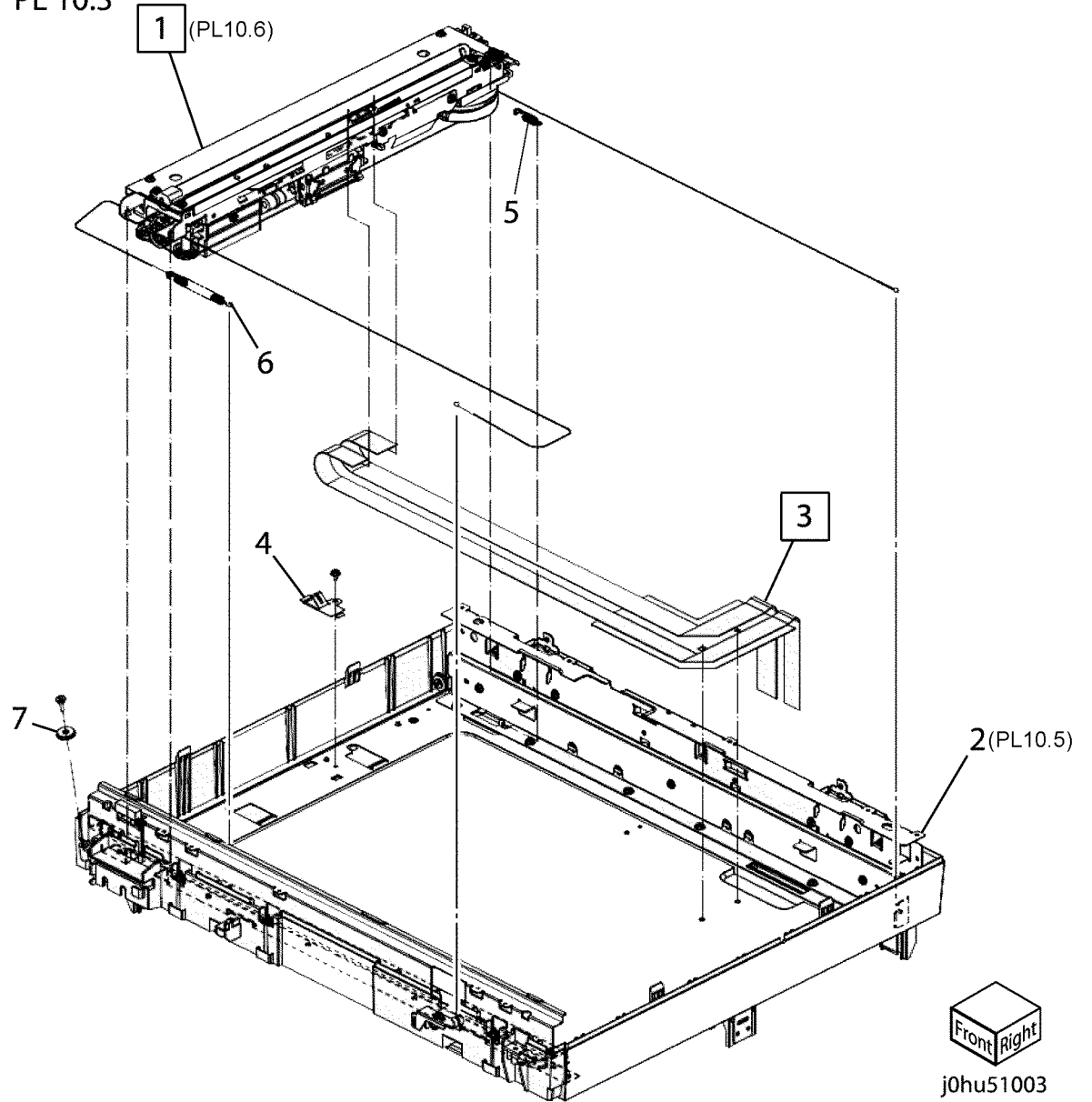
2 { 4



PL 10.3 IIT Component (2 OF 2)

Item	Part	Description
1	041K95870	IIT Carriage (REP 10.3.1)
2	-	IIT Under Cover (Not Spared)
3	962K59950	Flexible Print Cable (REP 10.3.2)
4	-	Plate Spring (Not Spared)
5	809E79910	Cable Spring (Rear)
6	809E79920	Cable Spring (Front)
7	-	Pulley (Not Spared)

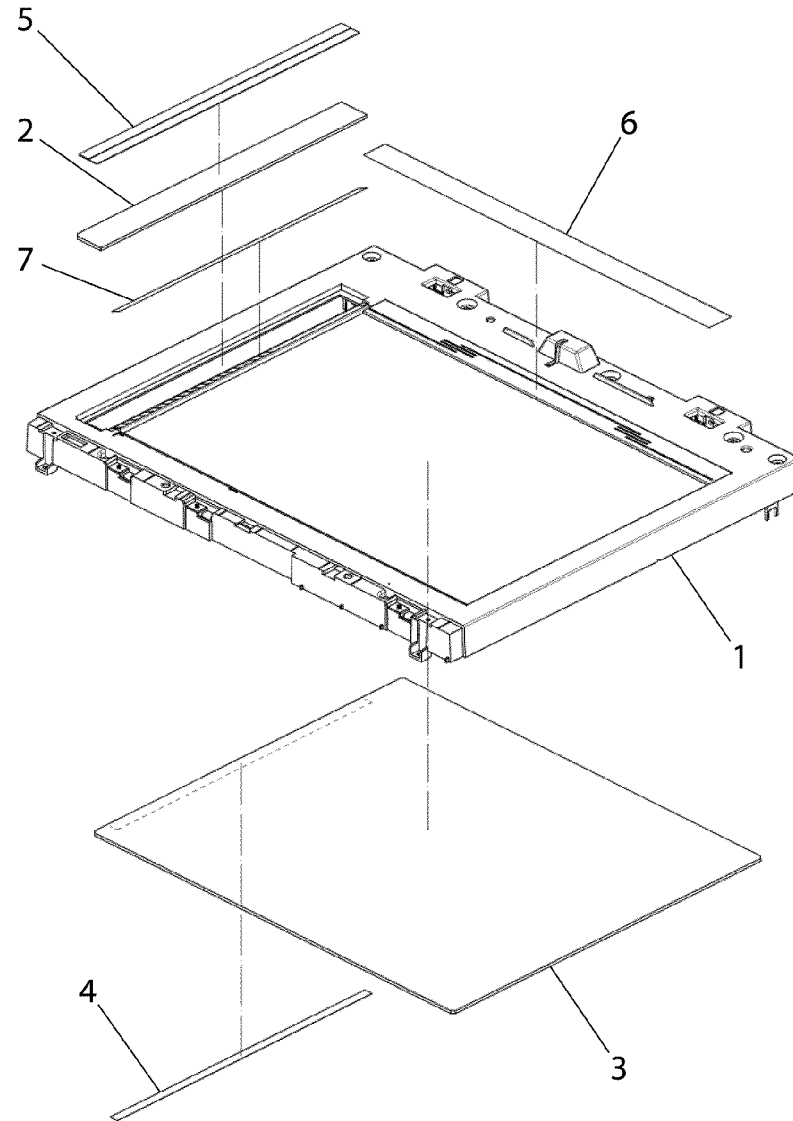
PL 10.3



PL 10.4 IIT Upper Cover Cover Component

Item	Part	Description
1	802K71882	IIT Upper Cover
2	090E02380	Small Platen Glass
3	090E91720	Platen Glass
4	815E08650	White Reference
5	815E42250	Sheet (Black and White)
6	-	Label (Not Spared)
7	-	Label (Not Spared)

PL 10.4

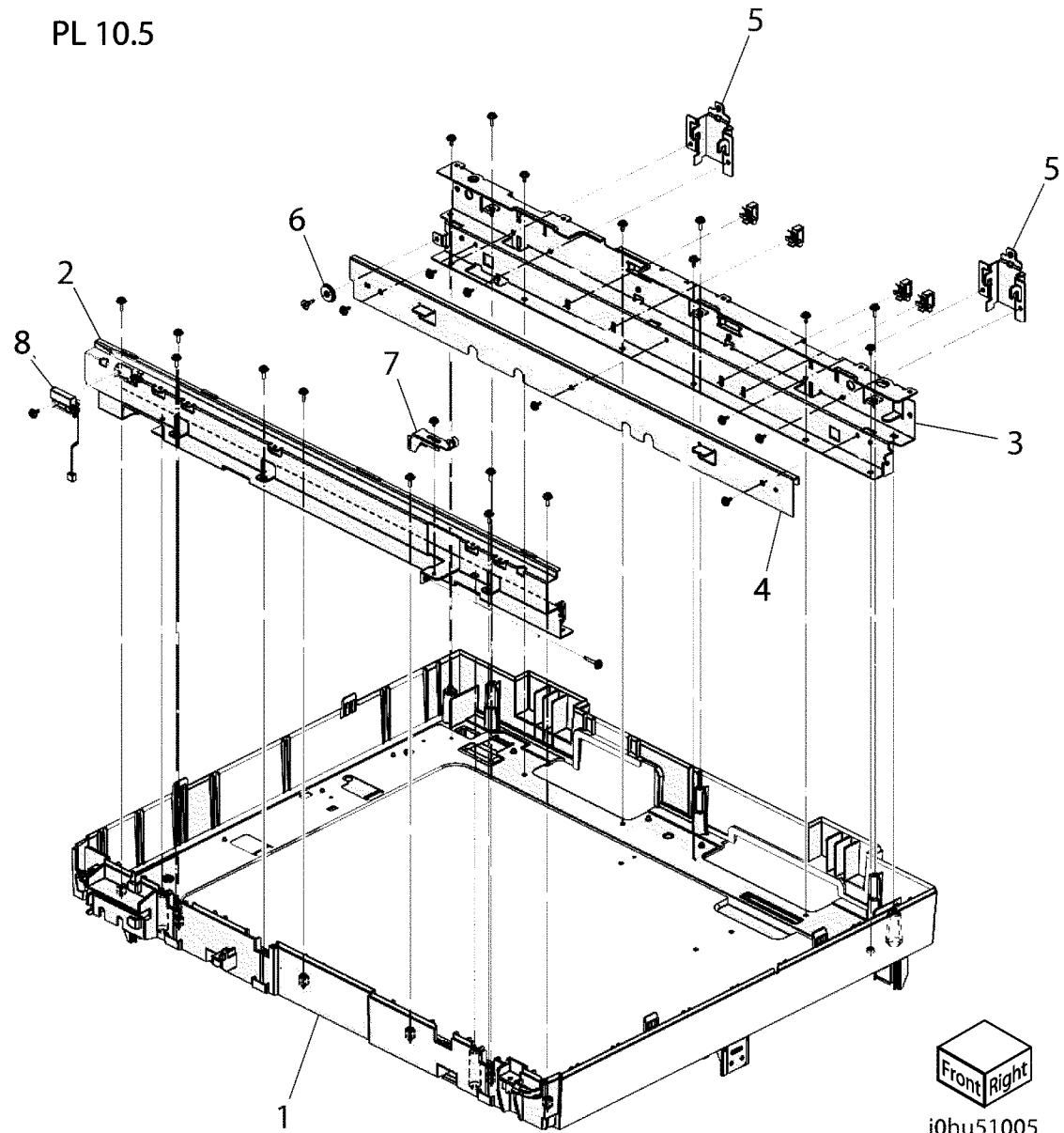


j0hu51004

PL 10.5 IIT Under Cover Component

Item	Part	Description
1	–	Under Cover (P/O PL10.3 Item 2)
2	801K30780	Front Rail
3	–	Rear Frame (P/O PL10.3 Item 2)
4	801E05970	Rear Rail
5	–	Hinge Sleeve (P/O PL10.3 Item 2)
6	–	Pulley (P/O PL10.3 Item 2)
7	–	Cable Bracket (P/O PL10.3 Item 2)
8	110E11551	Platen Open Switch

PL 10.5

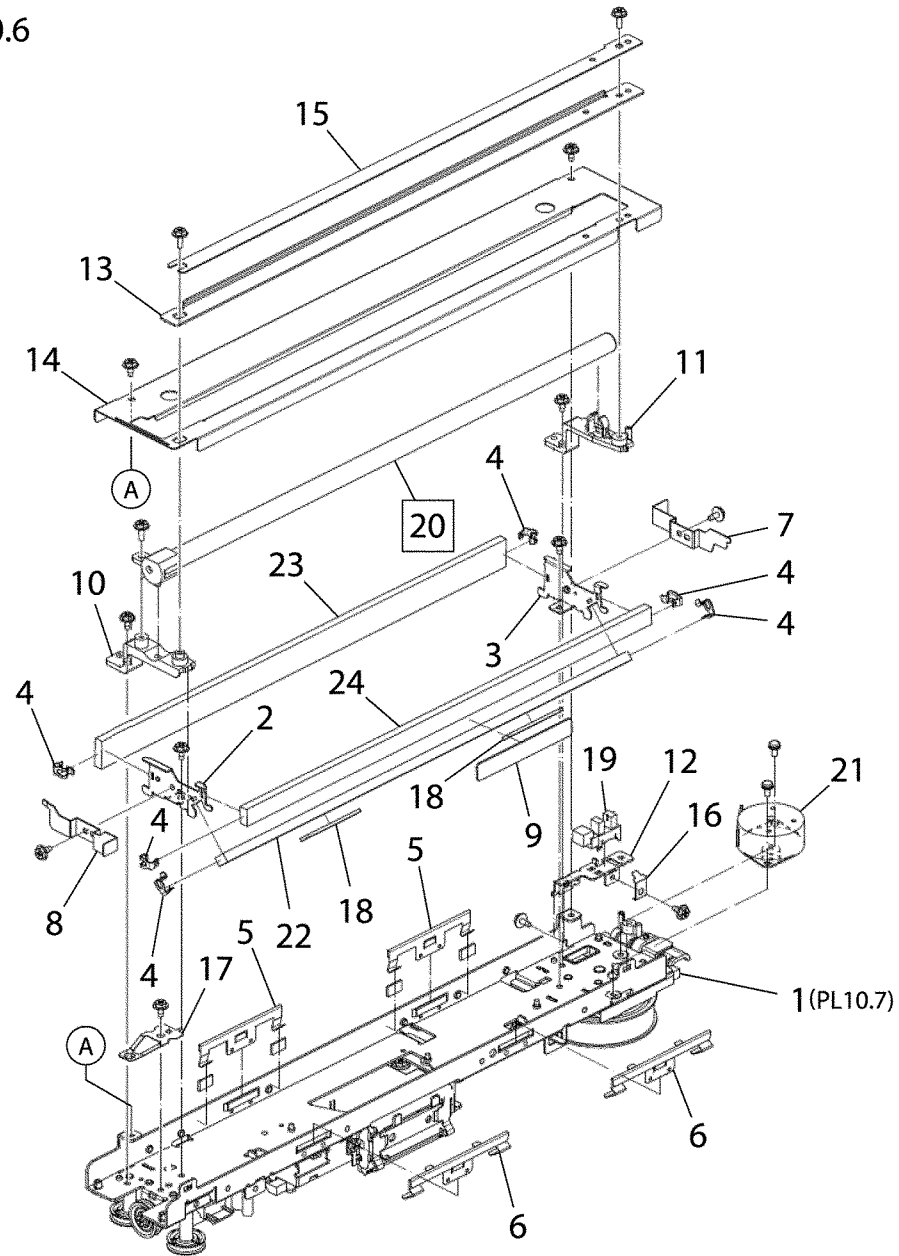


j0hu51005

PL 10.6 IIT Carriage Component

Item	Part	Description
1	-	Center Plate (P/O PL10.3 Item 1)
2	-	Front Mirror Frame (P/O PL10.3 Item 1)
3	-	Rear Mirror Frame (P/O PL10.3 Item 1)
4	-	Mirror Clip (P/O PL10.3 Item 1)
5	-	Mirror 2 Damper (P/O PL10.3 Item 1)
6	-	Mirror 3 Damper (P/O PL10.3 Item 1)
7	-	Rear Mirror Stopper (P/O PL10.3 Item 1)
8	-	Rear Mirror Stopper (P/O PL10.3 Item 1)
9	-	Mirror Weight (P/O PL10.3 Item 1)
10	-	Front Lamp Holder (P/O PL10.3 Item 1)
11	-	Rear Lamp Holder (P/O PL10.3 Item 1)
12	-	Sensor Plate (P/O PL10.3 Item 1)
13	-	Reflector (P/O PL10.3 Item 1)
14	-	IIT Carriage Cover (P/O PL10.3 Item 1)
15	-	Reflector Cover (P/O PL10.3 Item 1)
16	868E12730	Sensor Plate Spring
17	-	Rail Contact (P/O PL10.3 Item 1)
18	-	Mirror Weight (P/O PL10.3 Item 1)
19	121K41690	Carriage Sensor
20	122E92570	Exposure Lamp (REP 10.6.1)
21	127K57140	Carriage Motor
22	-	Mirror 1 (P/O PL10.3 Item 1)
23	-	Mirror 2 (P/O PL10.3 Item 1)
24	-	Mirror 3 (P/O PL10.3 Item 1)

PL 10.6

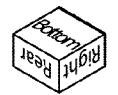
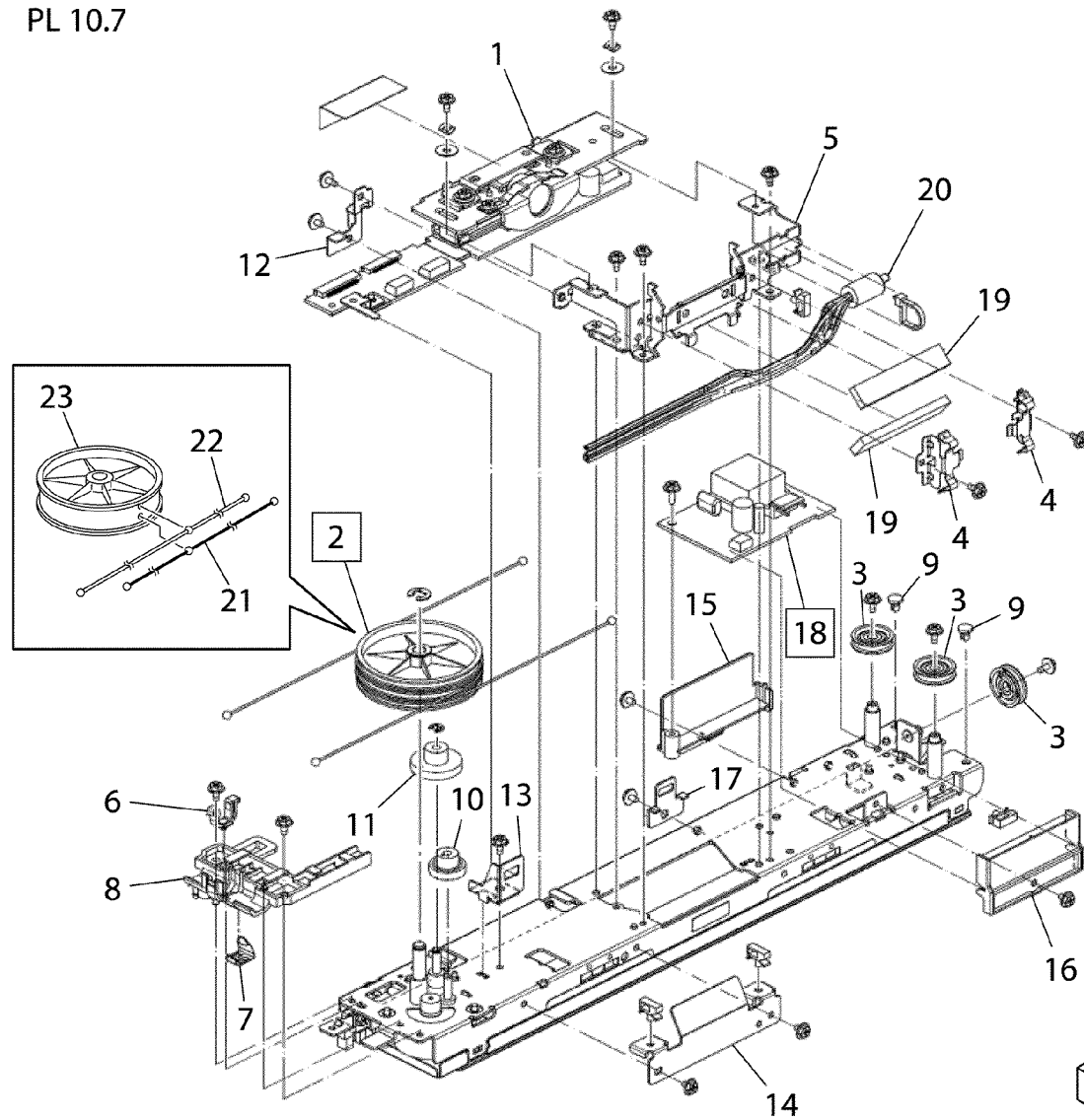


j0hu51006

PL 10.7 Center Plate Component

Item	Part	Description
1	-	Len Assembly (P/O PL10.3 Item 1)
2	-	Drum and Carriage Cable (P/O PL10.3 Item 1) (ACO) (REP 10.7.1)
3	-	Pulley (P/O PL10.3 Item 1)
4	-	Mirror Clip (P/O PL10.3 Item 1)
5	-	Mirror Frame (P/O PL10.3 Item 1)
6	-	Side Slider (P/O PL10.3 Item 1)
7	-	Rail Contact (P/O PL10.3 Item 1)
8	-	Rail Slider (P/O PL10.3 Item 1)
9	-	Front Slider (P/O PL10.3 Item 1)
10	-	Gear (P/O PL10.3 Item 1)
11	-	Gear (P/O PL10.3 Item 1)
12	-	Mirror Frame Bracket (P/O PL10.3 Item 1)
13	-	CCD Support (P/O PL10.3 Item 1)
14	-	Lock Plate (P/O PL10.3 Item 1)
15	-	Inverter PWB Bracket 1 (P/O PL10.3 Item 1)
16	-	Inverter PWB Bracket 2 (Not Spared)
17	-	Bracket (P/O PL10.3 Item 1)
18	140E88751	Inverter PWB (REP 10.7.2)
19	-	Mirror 4 (P/O PL10.3 Item 1)
20	-	Wire Harness (P/O PL10.3 Item 1)
21	-	Carriage Cable (Black) (Not Spared)
22	-	Carriage Cable (Silver) (P/O PL10.3 Item 1)
23	-	Drum (P/O PL10.3 Item 1)

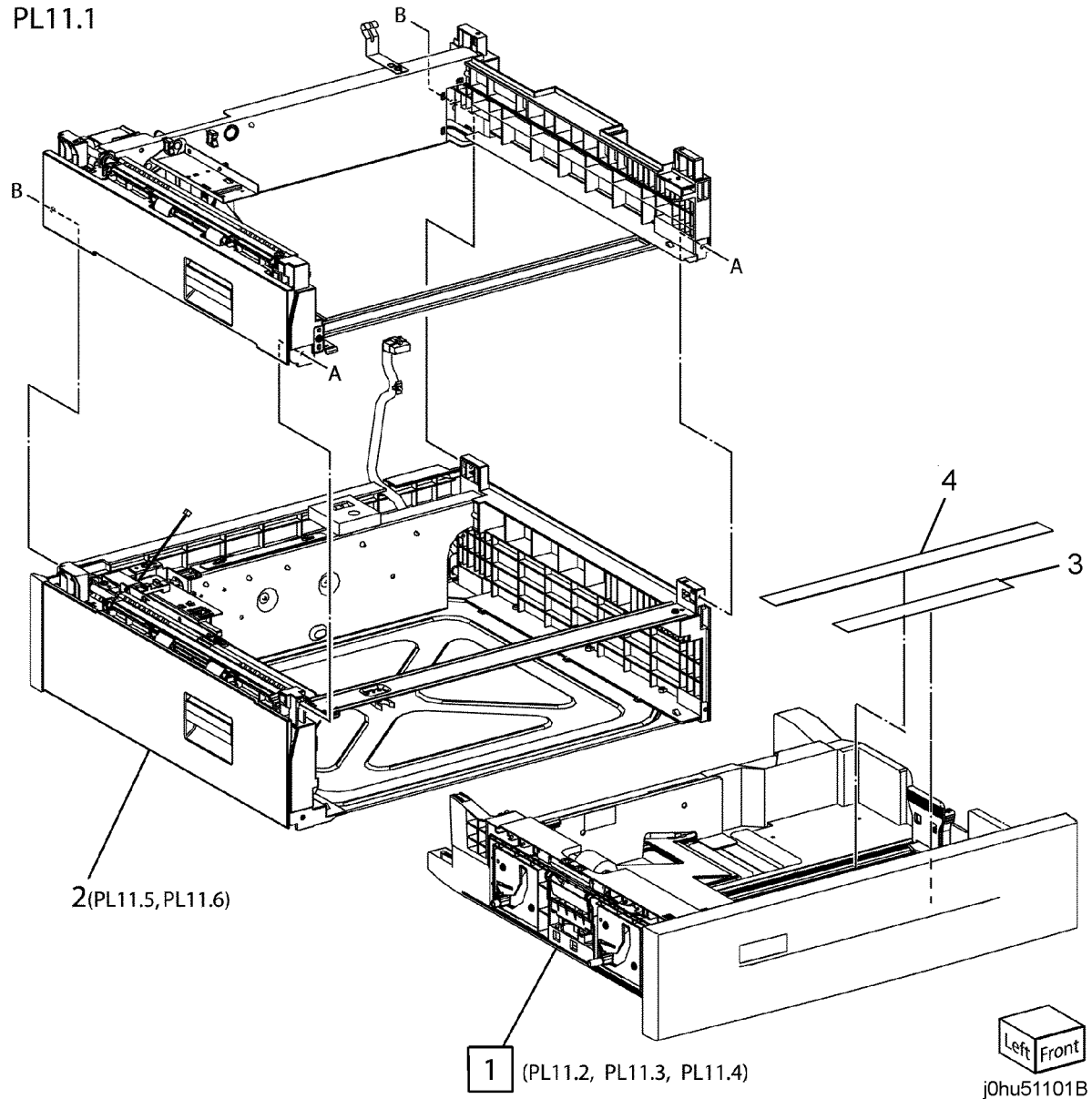
PL 10.7



j0hu51007

PL 11.1 Single Tray Module

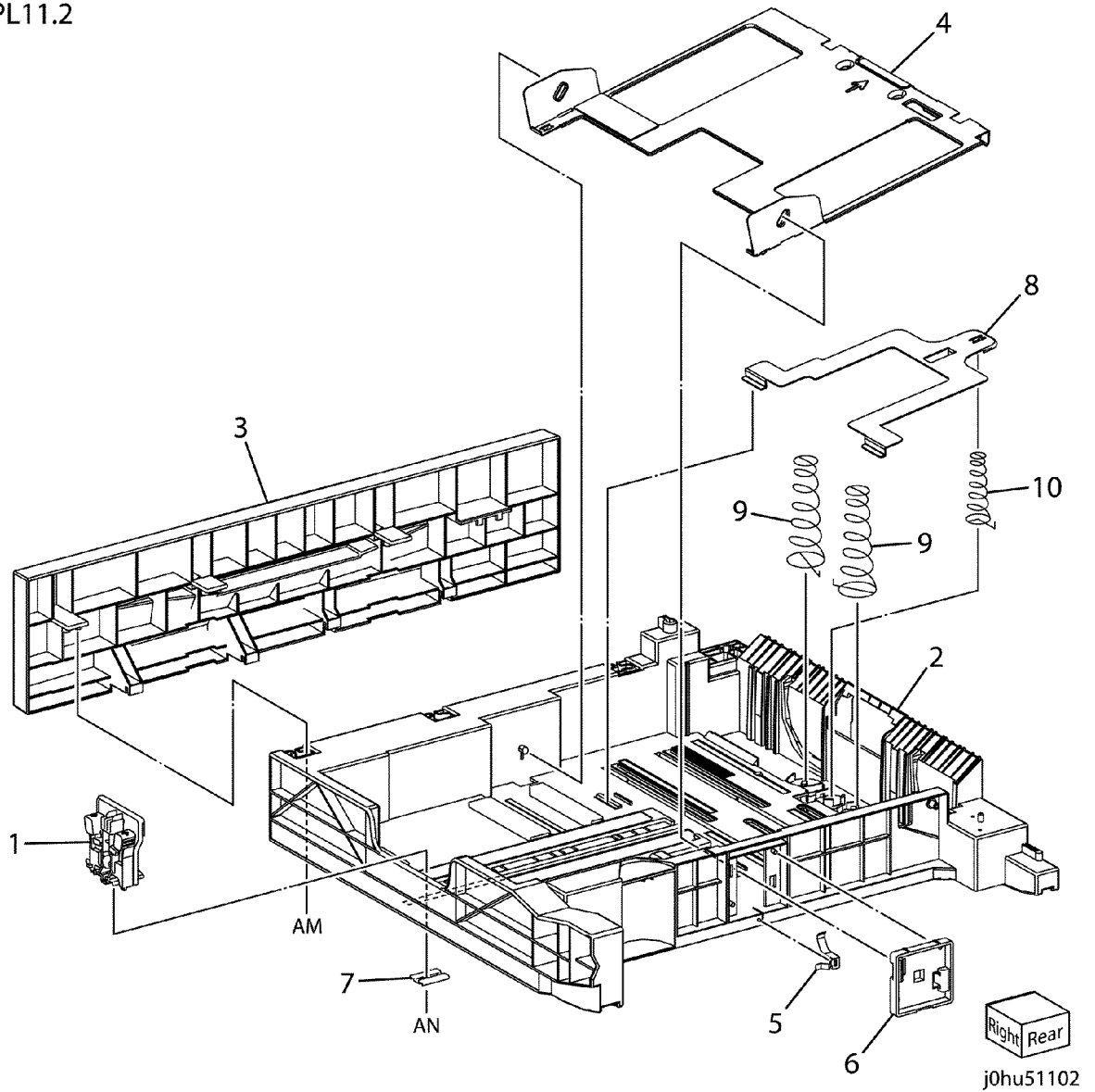
Item	Part	Description
1	050K57701	Tray 2 (REP 11.1.1)
2	—	Single Tray Frame (Not Spared)
3	896E41981	End Guide Label
4	896E42140	Install Label



PL 11.2 Tray 2 Component (1 OF 3)

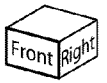
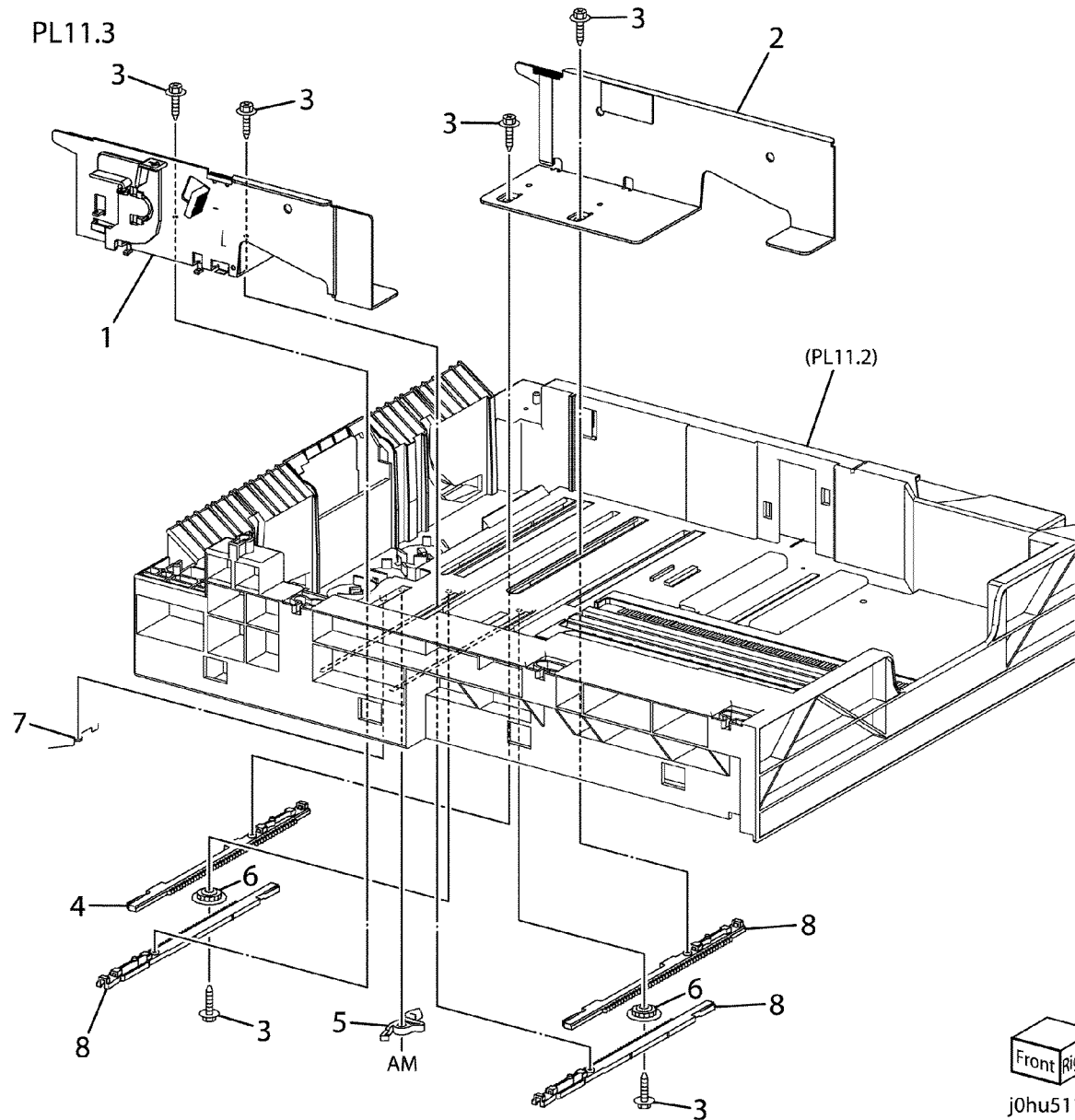
Item	Part	Description
1	-	End Guide (P/O PL11.1 Item 1)
2	-	Tray (P/O PL11.1 Item 1)
3	-	Tray Front Cover (P/O PL11.1 Item 1)
4	-	End Guide Spring (P/O PL11.1 Item 1)
5	-	Earth Plate (P/O PL11.1 Item 1)
6	-	Cover (P/O PL11.1 Item 1)
7	-	End Guide Lock (P/O PL11.1 Item 1)
8	-	Mini Bottom Plate (P/O PL11.1 Item 1)
9	-	Spring (Side) (P/O PL11.1 Item 1)
10	-	Spring (Center) (P/O PL11.1 Item 1)

PL11.2



PL 11.3 Tray 2 Component (2 OF 3)

Item	Part	Description
1	038K89761	Front Side Guide
2	038K89821	Rear Side Guide
3	-	Tapping Screw (P/O PL11.1 Item 1)
4	-	Rack (P/O PL11.1 Item 1)
5	-	Latch (P/O PL11.1 Item 1)
6	-	Pinion (P/O PL11.1 Item 1)
7	-	Latch Spring (P/O PL11.1 Item 1)
8	-	Rack (P/O PL11.1 Item 1)



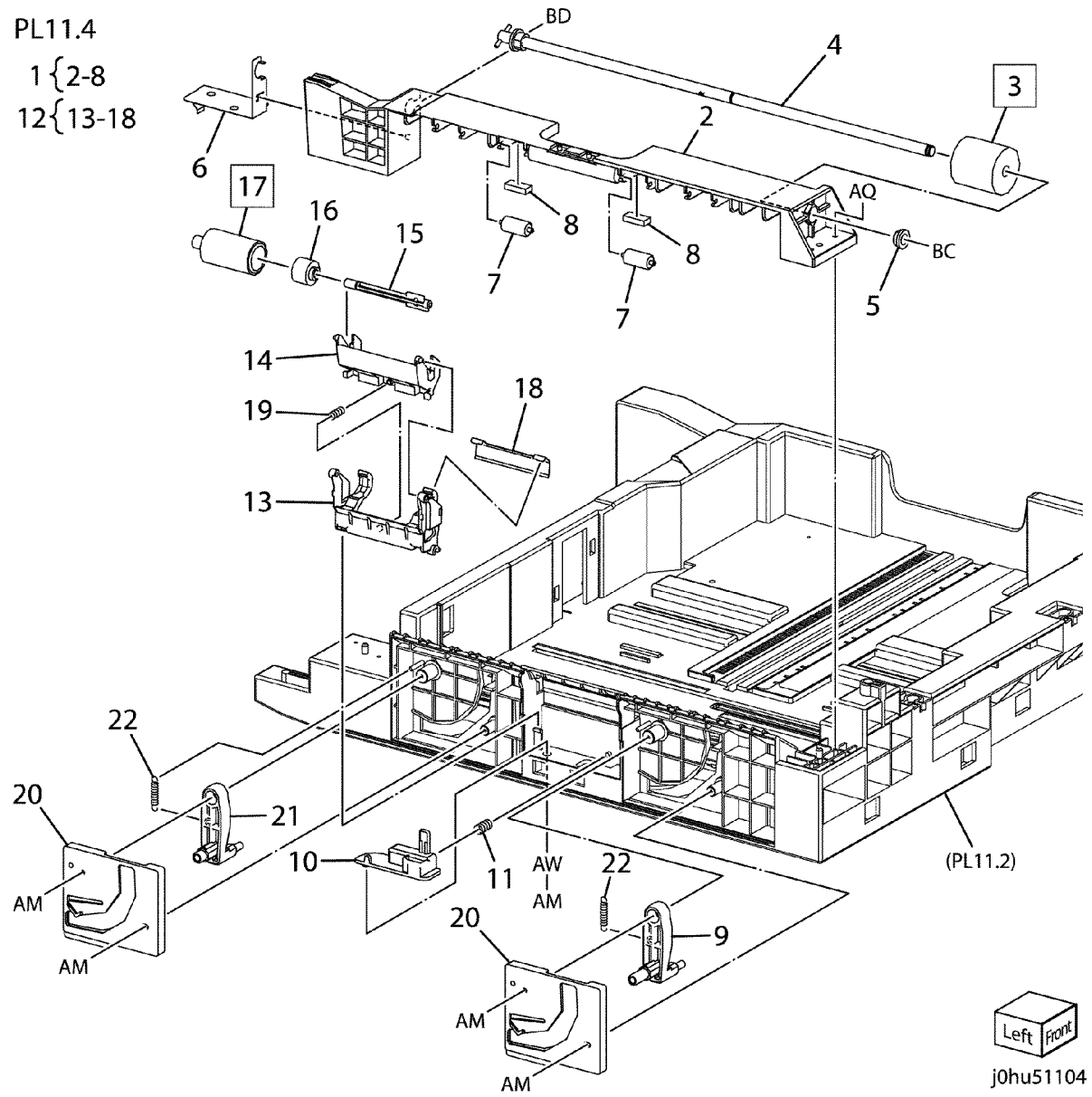
j0hu51103

PL 11.4 Tray 2 Component (3 OF 3)

Item	Part	Description
1	059K48430	Tray 2 Feeder Assembly
2	-	Feed Chute (P/O Item 1)
3	059K48660	Tray 2 Feed Roll (REP 11.4.1)
4	-	Feed Shaft (P/O Item 1)
5	013E90840	Bearing
6	-	Earth Spring (P/O Item 1)
7	-	Core Roll (P/O Item 1)
8	-	Holder Seal (P/O Item 1)
9	003K15530	Front Latch Assembly
10	-	Holder Arm (Not Spared)
11	-	Spring (Not Spared)
12	019K09250	Retard Roll Housing
13	-	Retard Housing (P/O Item 12)
14	-	Retard Holder (P/O Item 12)
15	-	Retard Shaft (P/O Item 12)
16	-	Friction Clutch (P/O Item 12)
17	-	Tray 2 Retard Roll (P/O Item 12) (REP 11.4.2)
18	-	Retard Plate (P/O Item 12)
19	-	Retard Spring (P/O PL11.1 Item 1)
20	-	Latch Cover (P/O PL11.1 Item 1)
21	003K15540	Rear Latch Assembly
22	-	Spring (P/O PL11.1 Item 1)

PL11.4

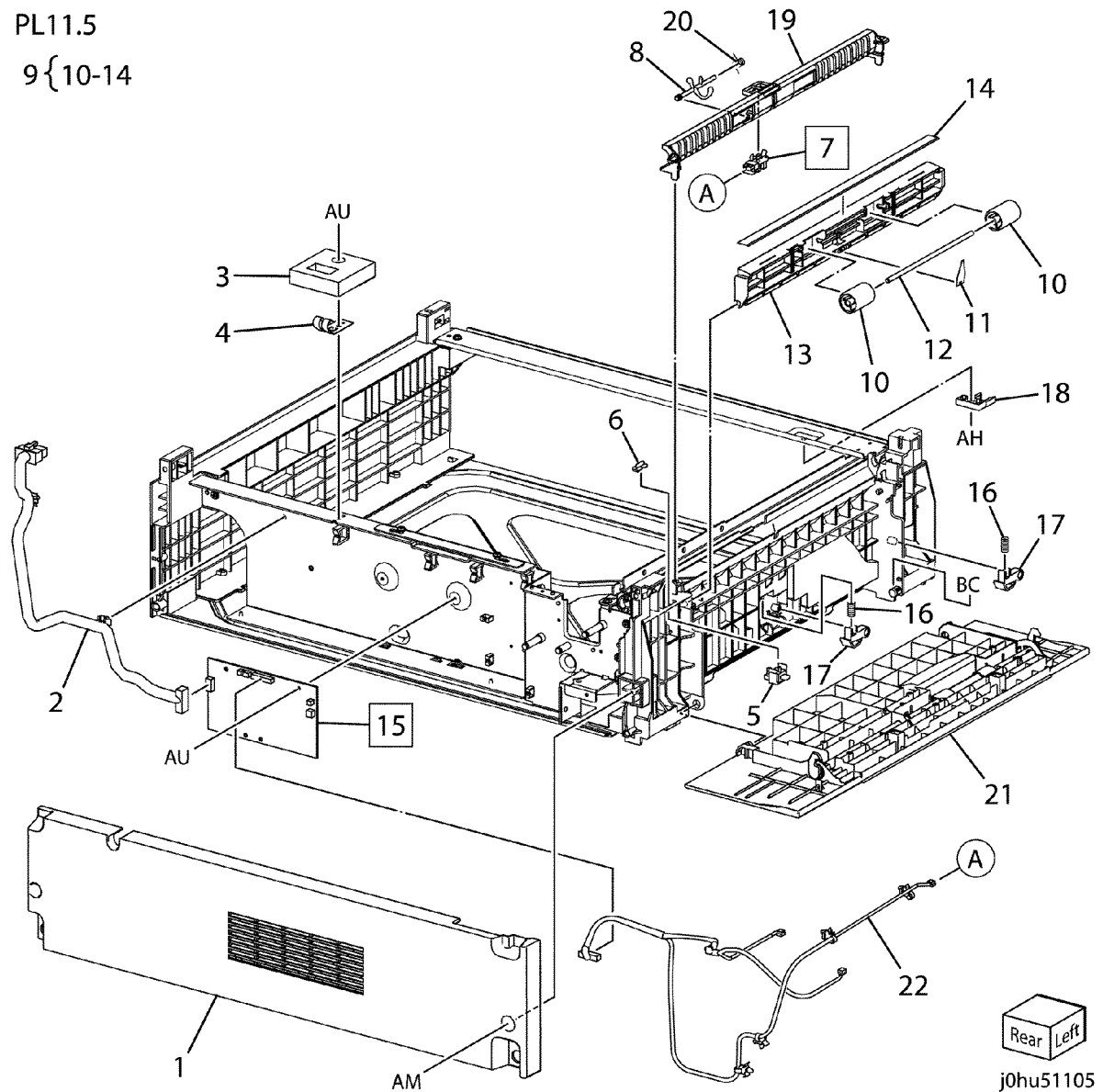
1 { 2-8
12 { 13-18



PL 11.5 Single Tray Frame Component (1 OF 2)

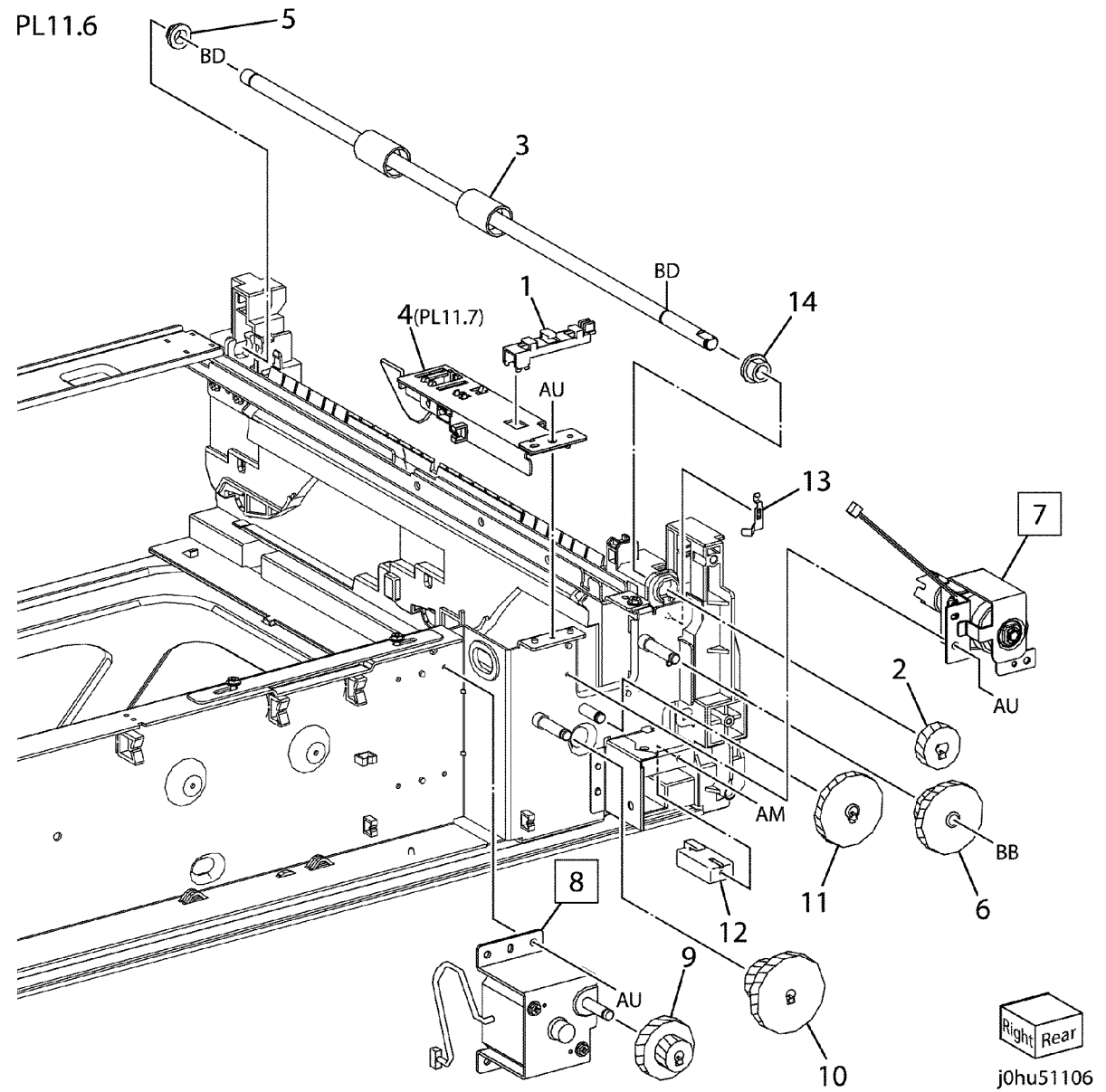
Item	Part	Description
1	-	STM Rear Cover (Not Spared)
2	-	STM Wire Harness (Not Spared)
3	-	Earth Cushion (Not Spared)
4	-	Earth Plate (Not Spared)
5	110E11580	STM Interlock Switch
6	-	Sensor Block (Not Spared)
7	130E87090	STM Feed Sensor (REP 11.5.1)
8	120E28091	Feed Sensor Actuator
9	055K31090	STM Baffle Assembly
10	-	Roll (P/O Item 9)
11	-	Plate Spring (P/O Item 9)
12	-	Shaft (P/O Item 9)
13	-	Baffle (P/O Item 9)
14	-	Eliminator (P/O Item 9)
15	960K28562	STM PWB (REP 11.5.2)
16	-	Guide Spring (Not Spared)
17	-	Arm Guide (Not Spared)
18	-	Tray Stopper (Not Spared)
19	-	Upper Feed Chute (Not Spared)
20	809E74030	Feed Sensor Spring
21	-	Access Cover 2 (Not Spared)
22	-	Sensor Wire Harness (Not Spared)

PL11.5
9 { 10-14



PL 11.6 Single Tray Frame Component (2 OF 2)

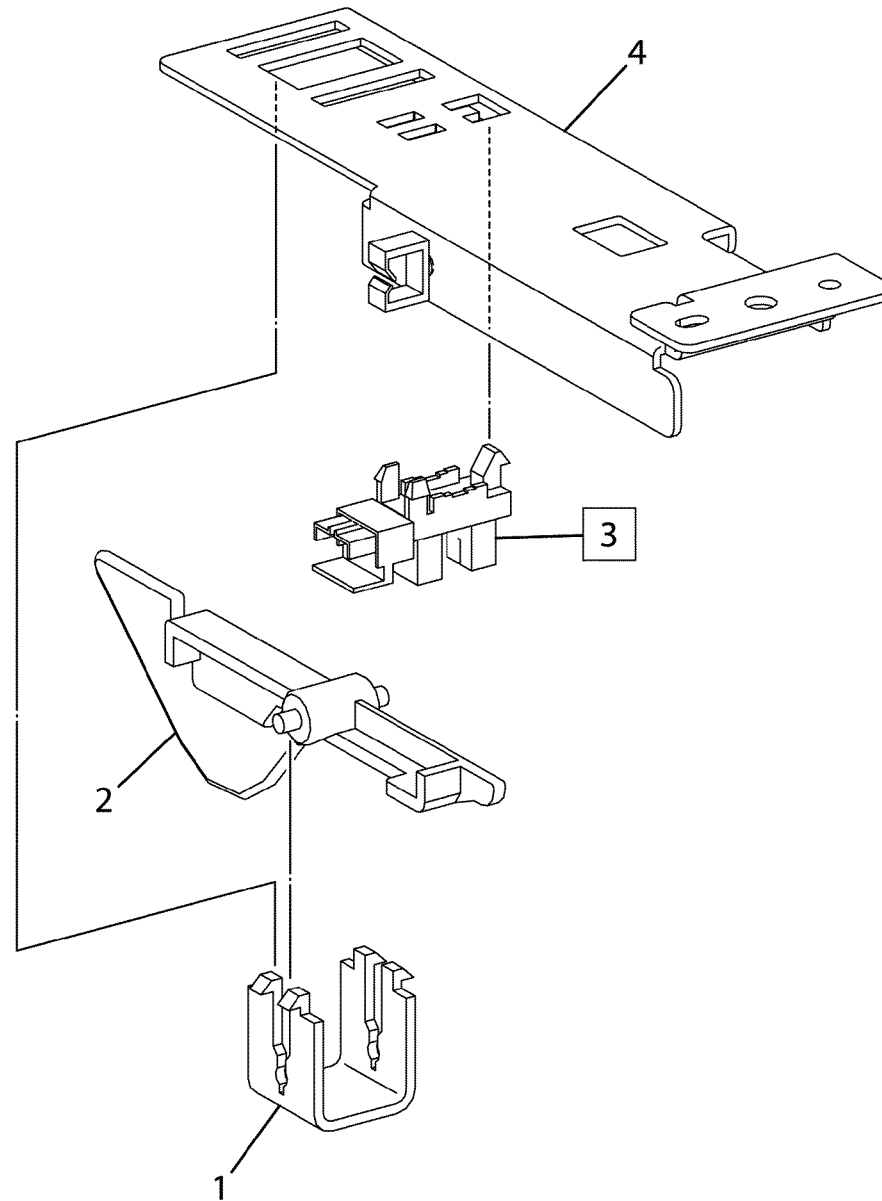
Item	Part	Description
1	-	Harness Holder (Not Spared)
2	807E18360	Gear (Helical 21T)
3	059K48440	Take Away Roll
4	848K02140	No Paper Sensor Assembly
5	013E32180	Bearing (220v)
-	013E90840	Bearing (110V)
6	807E18410	Gear (Helical 20T/36T)
7	068K53590	STM Feed Clutch (REP 11.6.1)
8	127K52180	STM Feed Motor (REP 11.6.2)
9	807E18380	Gear (Helical 51T/15T)
10	807E18390	Gear (Helical 40T/18T)
11	807E18400	Gear (Helical 37T)
12	-	Tray Rear Stopper (Not Spared)
13	-	Earth Plate (Not Spared)
14	-	Bearing (Not Spared)



PL 11.7 STM No Paper Sensor

Item	Part	Description
1	-	Actuator Support (P/O PL11.6 Item 4)
2	120E29630	No Paper Sensor Actuator
3	130E87090	No Paper Sensor (REP 11.7.1)
4	-	Sensor Housing (P/O PL11.6 Item 4)

PL11.7

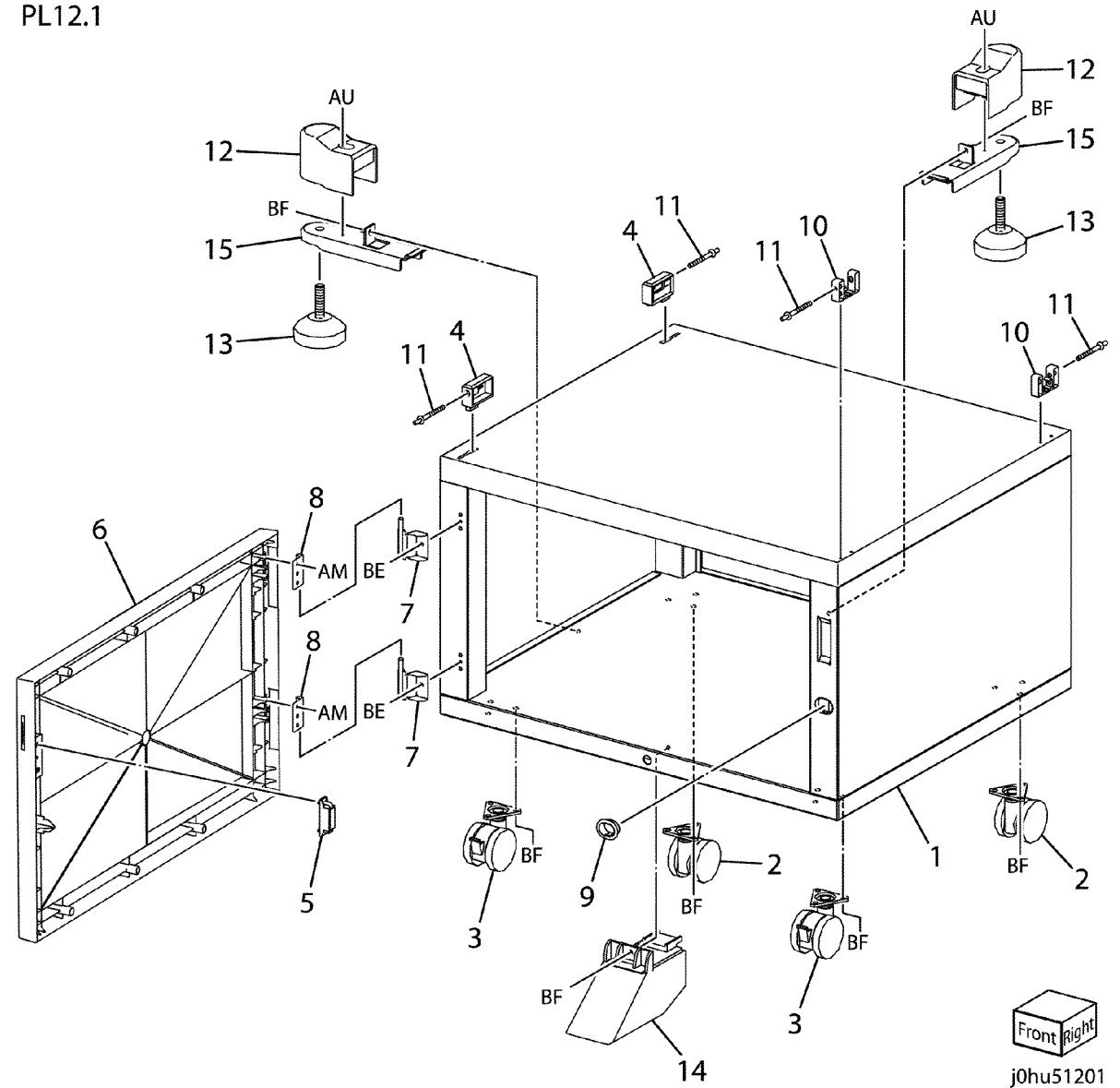


j0hu51107

PL 12.1 Stand Component

Item	Part	Description
1	-	Stand (Not Spared)
2	017K93121	Caster
3	017K93132	Caster (With Stopper)
4	017E12010	Locator Peg
5	121E93360	Catch Magnet
6	-	Front Door (Not Spared)
7	-	Stand Hinge (Not Spared)
8	-	Door Hinge (Not Spared)
9	-	Guide (Not Spared)
10	017E98760	Support
11	-	Screw (Not Spared)
12	-	Foot Cover (Not Spared)
13	-	Adjuster Foot (Not Spared)
14	-	Front Foot (Not Spared)
15	-	Foot Bracket (Not Spared)

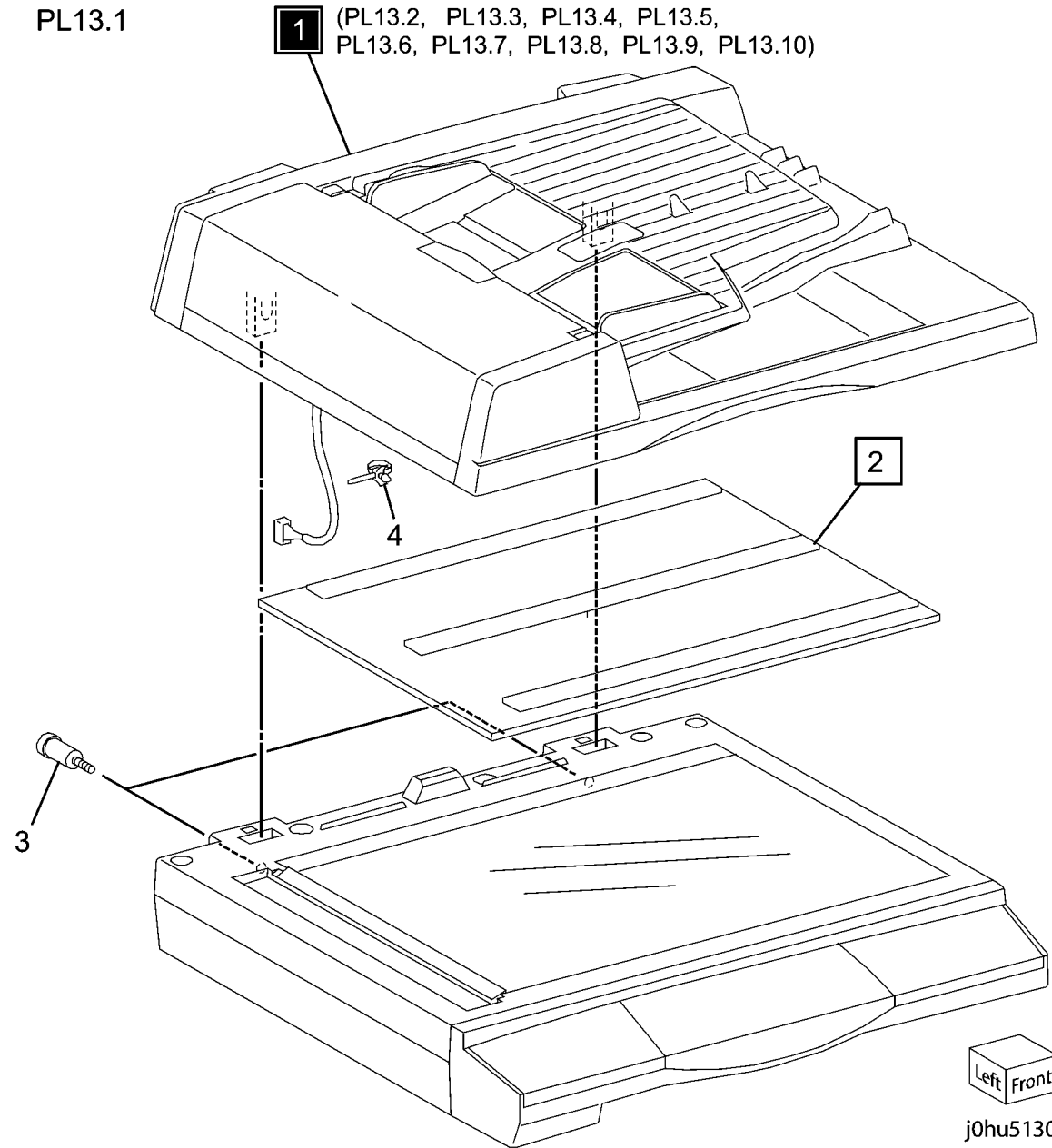
PL12.1



PL 13.1 ADF/DADF Accessory

Item	Part	Description
1	022K74860	ADF Assembly (with Item 2) (REP 13.1.1, ADJ 13.1.1)
2	004E17510	Platen Cushion (REP 13.1.2)
3	-	Screw (Not Spared)
4	-	Push Tie (Not Spared)

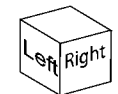
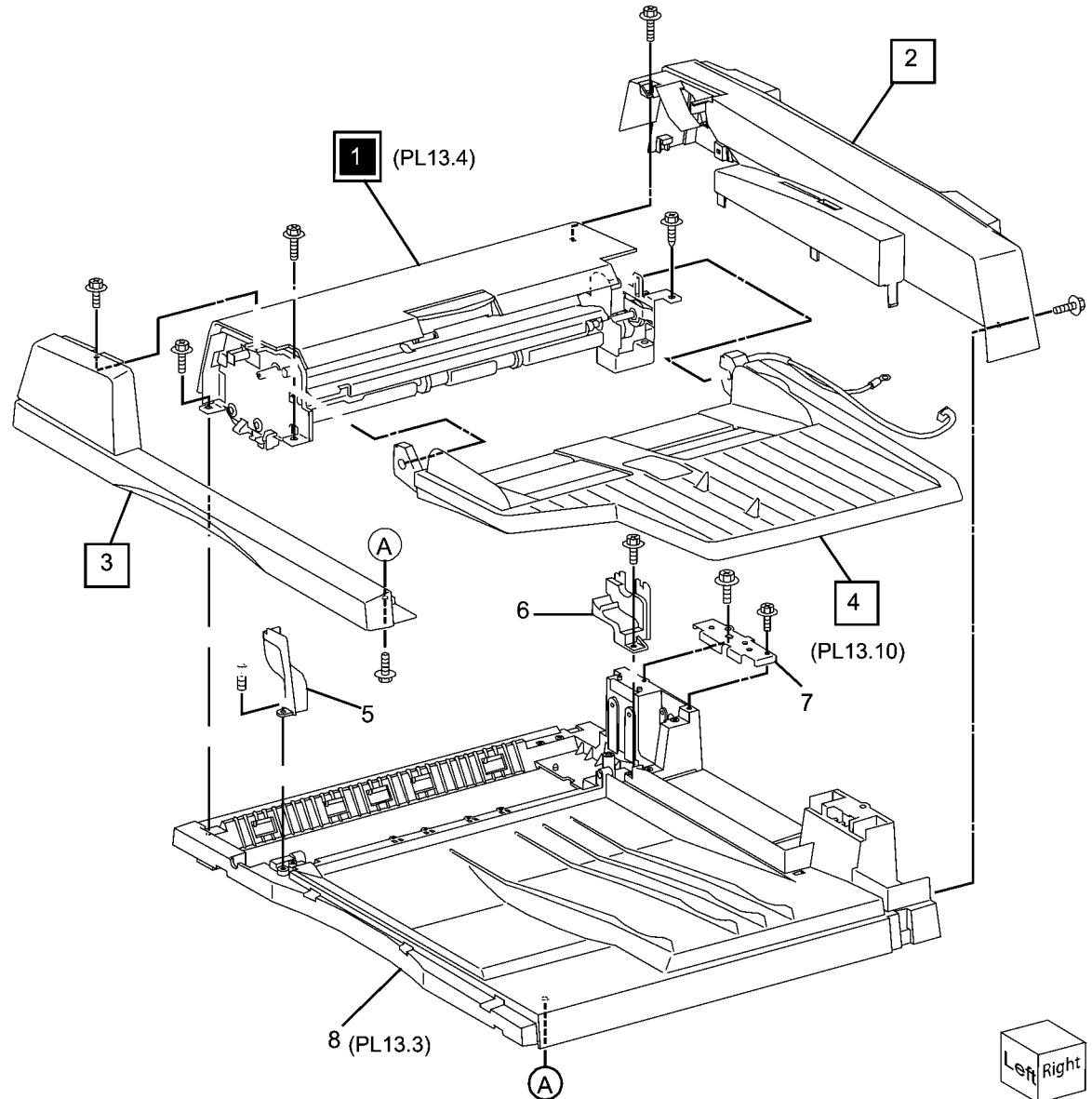
PL13.1



PL 13.2 Component, Cover

Item	Part	Description
1	022K75730	DADF Scanner Assembly
-	059K55590	ADF Scanner Assembly (REP 13.2.2)
2	-	Rear Cover (Not Spared)
3	-	Front Cover (Not Spared)
4	050K60800	ADF Document Tray Assembly (REP 13.2.1)
-	050K63270	DADF Document Tray Assembly
5	-	Front Blind Cover (Not Spared)
6	-	Rear Blind Cover (Not Spared)
7	-	Support Bracket (Not Spared)
8	-	Base Cover Assembly (Not Spared)

PL13.2



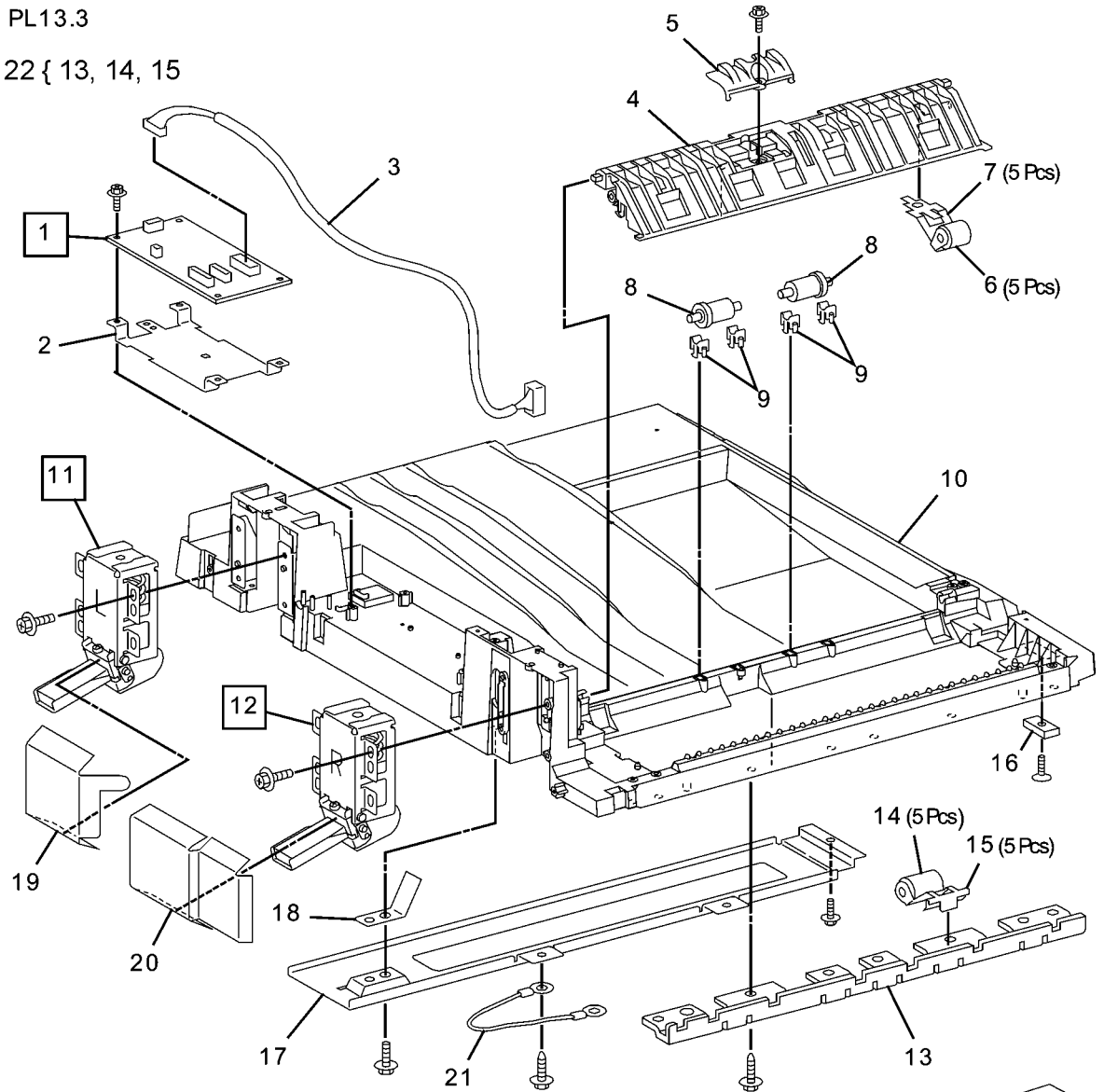
j0hu51302

PL 13.3 Base Cover Component

Item	Part	Description
1	960K42980	DADF PWB (REP 13.3.4)
-	960K32370	ADF PWB (REP 13.3.1)
2	-	Bracket (Not Spared)
3	962K60840	ADF Cable
4	-	Exit Chute (Not Spared)
5	-	Stamp Cover (Not Spared)
6	-	Lead In Pinch Roller (Not Spared)
7	604K44340	Spring Plate Kit (5/Kit)
8	059K55600	Exit Pinch Roller
9	016E93560	Bush
10	-	Base Cover (Not Spared)
11	003K86760	Right Counter Balance (REP 13.3.3)
12	003K13560	Left Counter Balance (ADF Only) (REP 13.3.2)
-	003K15950	Left Counter Balance (DADF Only) (REP 13.3.2)
13	-	Pinch Roll Bracket (Not Spared)
14	604K44350	Read Out Pinch Roller Kit (5/Kit)
15	-	Spring Plate (Read Out) (Not Spared)
16	-	Interlock Magnet (Not Spared)
17	-	Bottom Plate (Not Spared)
18	-	ADF Earth Spring (Not Spared)
19	-	Film Cover (Not Spared)
20	-	Film Cover (Not Spared)
21	-	Earth Wire (Not Spared)
22	059K55860	Pinch Roll Assembly

PL13.3

22 { 13, 14, 15

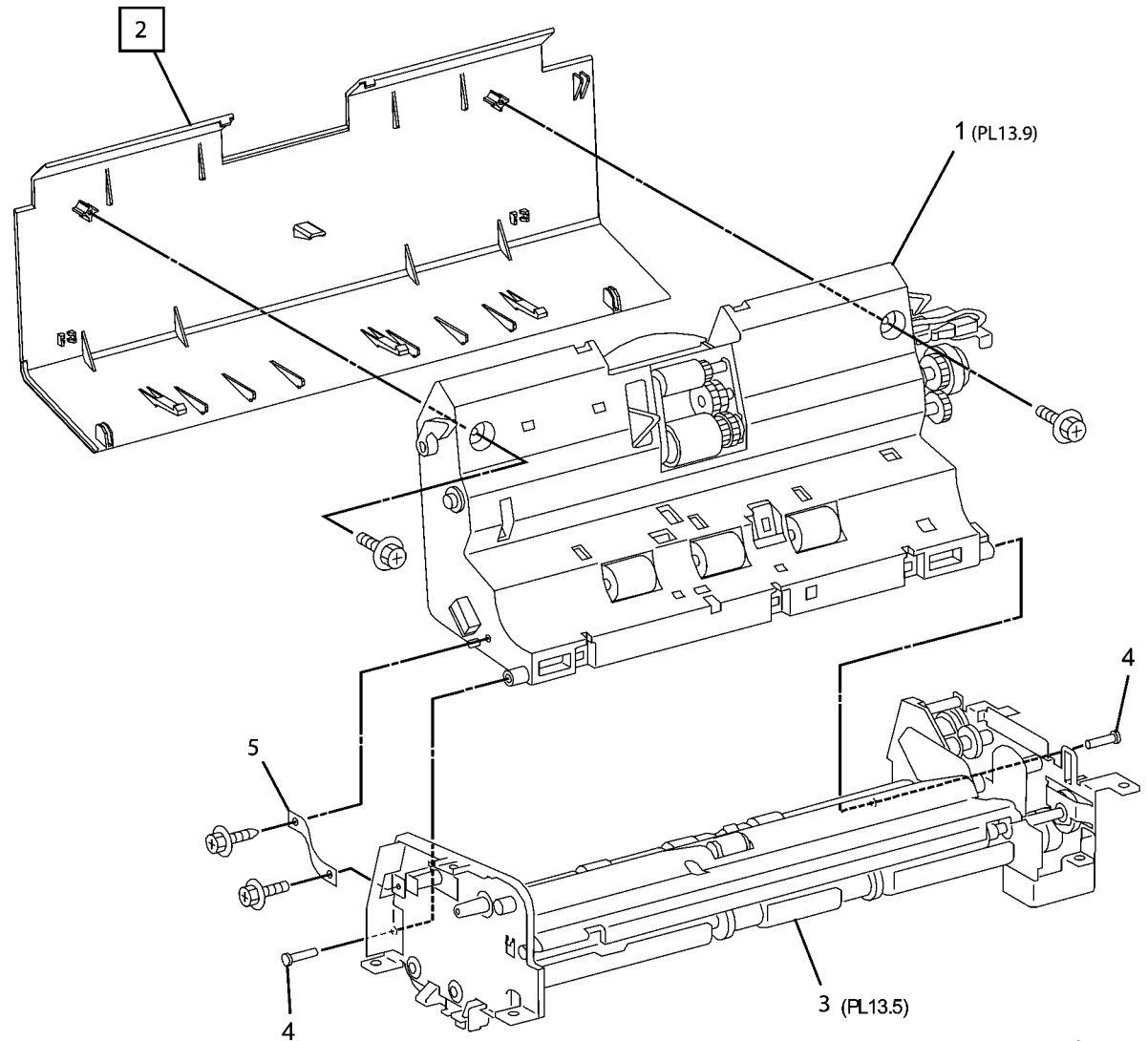


j0hu51303

PL 13.4 Feeder Component

Item	Part	Description
1	–	Upper Feeder Assembly (P/O PL13.2 Item 1)
2	–	Top Cover (Not Spared)
3	–	ADF Lower Feeder Assembly (P/O PL13.2 Item 1)
4	–	Pin (P/O PL13.2 Item 1)
5	–	Stopper Belt (P/O PL13.2 Item 1)

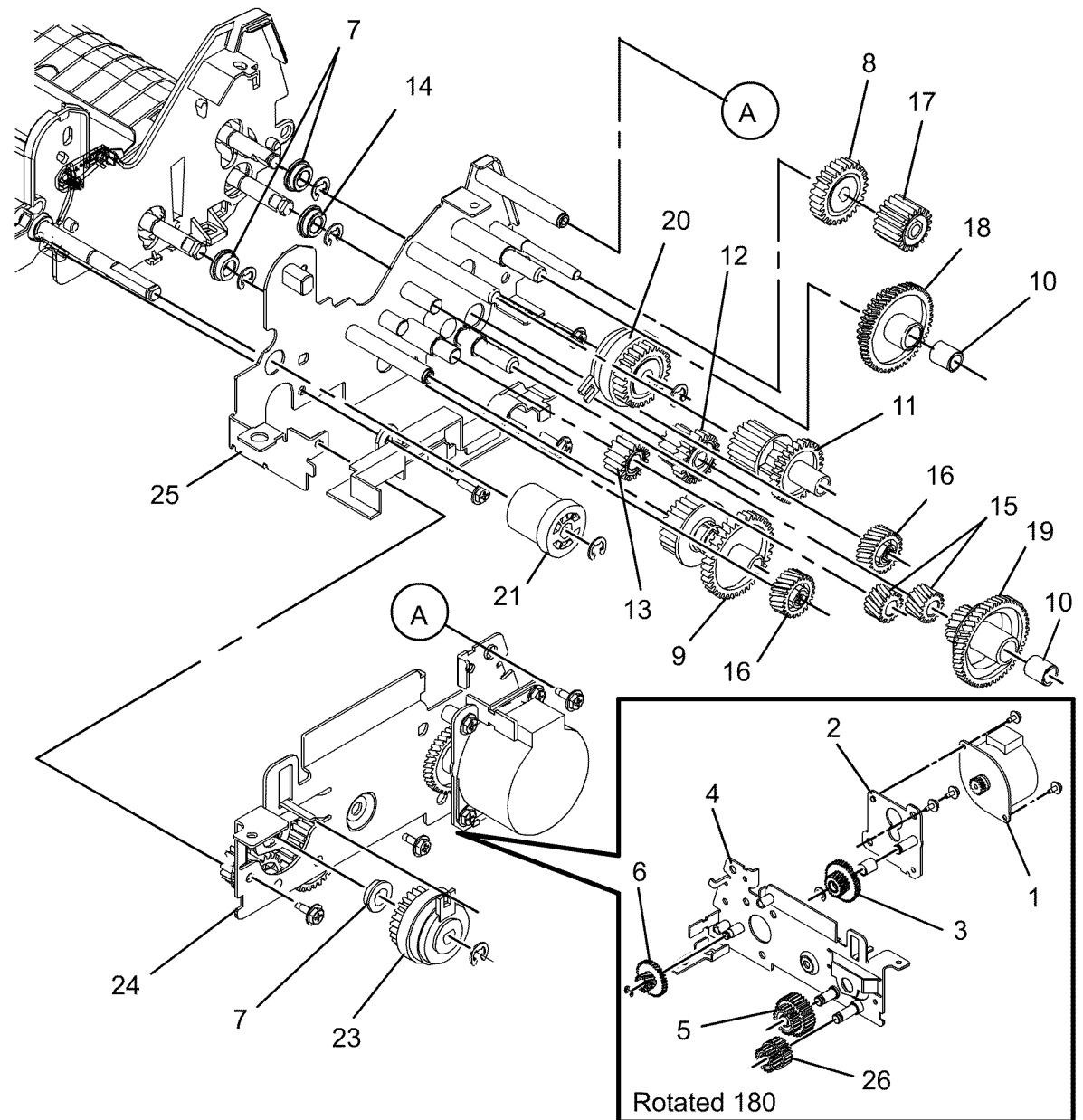
PL13.4



j0hu51304

PL 13.5 Lower Feeder Component

Item	Part	Description
1	–	Document Drive Motor (P/O Item 24) (ADF Only)
2	–	Motor Plate (P/O Item 24)
3	–	Gear (40T-21T) (P/O Item 24)
4	–	Bracket (P/O Item 24)
5	–	Gear (30T-21T) (P/O Item 24)
6	–	Gear (16T-35T) (P/O Item 24)
7	–	Bearing (P/O PL13.4 Item 3)
8	–	Gear (28T) (P/O PL13.4 Item 3)
9	–	Gear (39T-26T) (P/O PL13.4 Item 3)
10	–	Bush (P/O PL13.4 Item 3)
11	–	Gear (28T-18T) (P/O PL13.4 Item 3)
12	–	Gear (22T-16T) (P/O PL13.4 Item 3)
13	–	Gear (16T) (P/O PL13.4 Item 3)
14	–	Bearing (P/O PL13.4 Item 3)
15	–	Gear (17T) (P/O PL13.4 Item 3)
16	–	Gear (24T) (P/O PL13.4 Item 3)
17	–	Gear (19T) (P/O PL13.4 Item 3)
18	–	Gear (51T-30T) (P/O PL13.4 Item 3)
19	–	Gear (52T-21T) (P/O PL13.4 Item 3)
20	–	Registration Clutch (P/O PL13.4 Item 3)
21	–	Eject Torque Limiter (P/O PL13.4 Item 3)
22	–	Cable Fence (P/O PL13.4 Item 3) (DADF Only)
23	–	Exit/Invert Clutch (P/O PL13.4 Item 3) (DADF Only)
24	127K58700	Motor Assembly (DADF Only)
–	127K57120	Motor Assembly (ADF Only)
25	–	Gear Plate (P/O PL13.4 Item 3)
26	–	Gear (21T-18T) (P/O Item 24) (DADF Only)



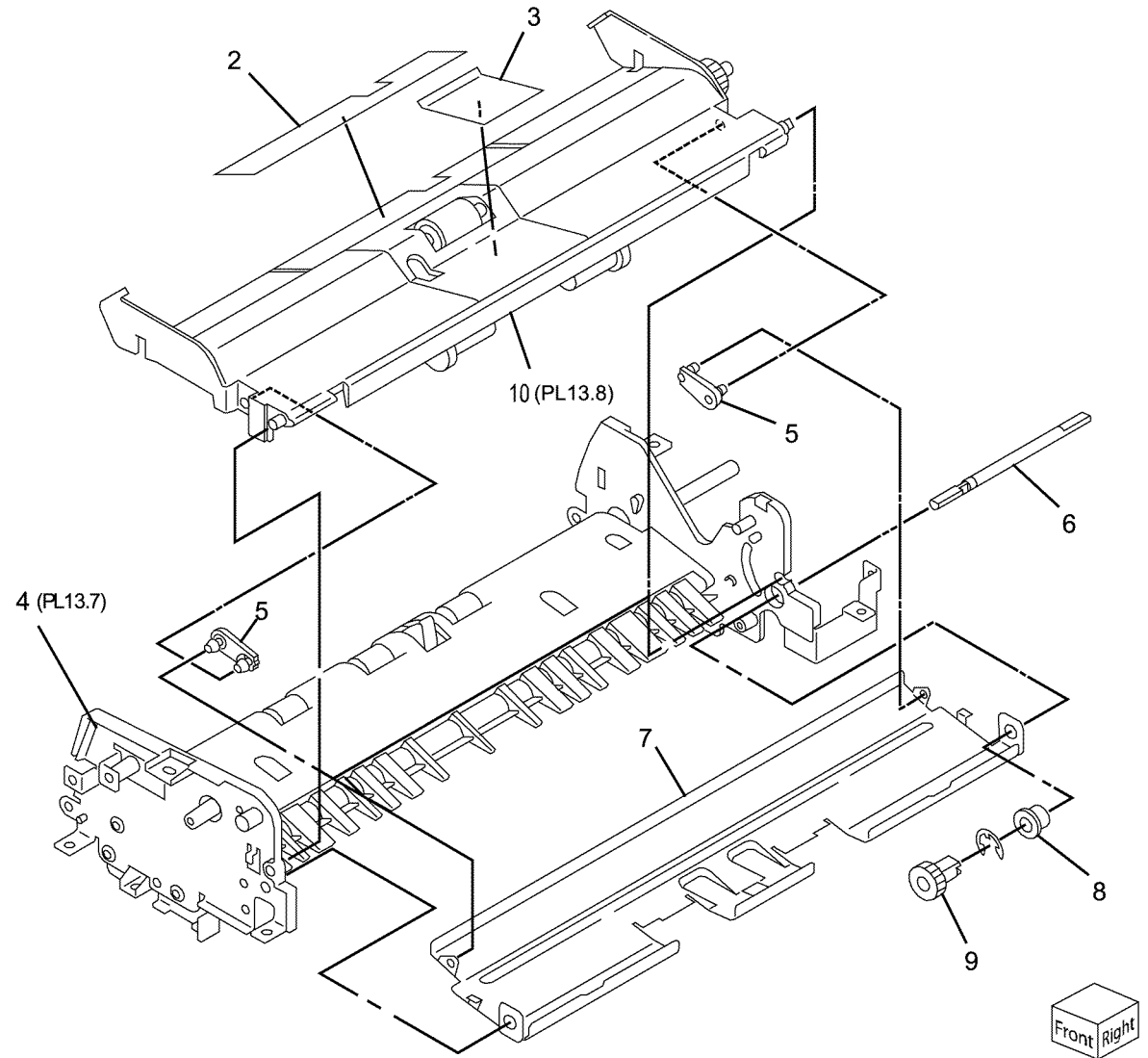
j0hu51305B

PL 13.6 Retard Roll Component

Item	Part	Description
1	-	Retard Roll Assembly (Not Spared)
2	-	Registration Mylar (P/O Item 1)
3	-	Retard Mylar (P/O Item 1)
4	-	Base Lower Feeder Assembly (Not Spared)
5	-	Arm Pin (Not Spared)
6	-	Shaft (Not Spared)
7	-	Paper Guide Plate (Not Spared)
8	-	Bearing (Oil Less) (Not Spared)
9	-	Gear (15T) (Not Spared)
10	-	Roll Assembly (P/O Item 1)

PL13.6

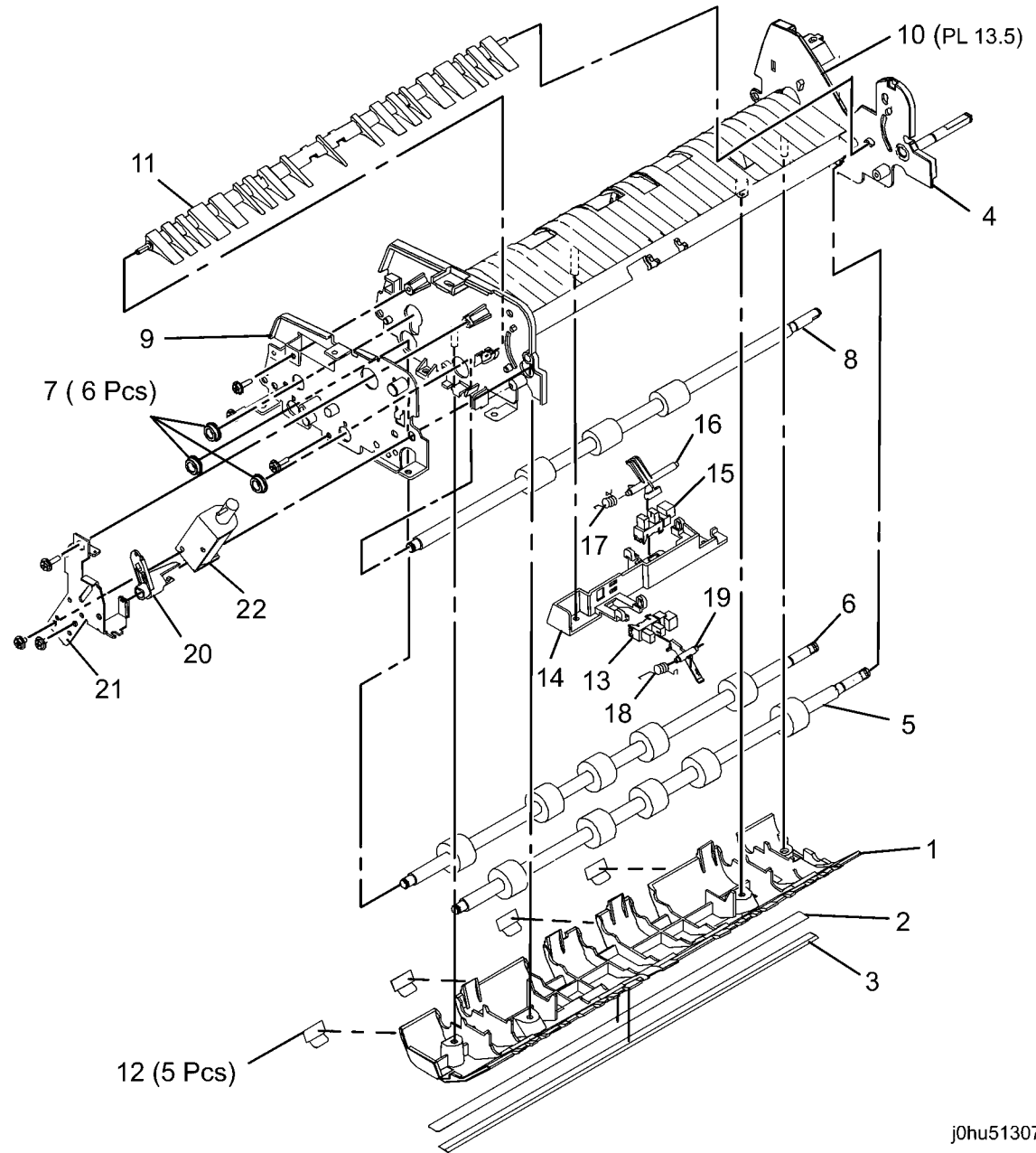
1 { 2, 3, 10



j0hu51306

PL 13.7 Lower Feeder Assembly

Item	Part	Description
1	-	Bottom Chute (Not Spared)
2	-	White Sheet (Not Spared)
3	-	Bottom Sheet (Not Spared)
4	-	Base Frame (Not Spared)
5	059K55620	Lead In Roll
6	059K55630	Lead Out Roll
7	-	Bearing (Not Spared)
8	059K55610	Registration Roll
9	-	Front Bracket (Not Spared)
10	-	Rear Bracket (Not Spared)
11	-	ADF Invert Gate (Not Spared)
12	-	Seal (Not Spared)
13	-	Exit/Invert Sensor (Not Spared) (DADF Only)
14	-	Sensor Holding Bracket (Not Spared) (DADF Only)
15	-	Registration Sensor (Not Spared) (DADF Only)
16	-	Registration Sensor Actuator (Not Spared) (DADF Only)
17	-	Registratin Sensor Spring (Not Spared) (DADF Only)
18	-	Exit/Invert Sensor Spring (Not Spared) (DADF Only)
19	-	Exit/Invert Sensor Actuator (Not Spared) (DADF Only)
20	-	Exit/Invert Solenoid Bracket (Not Spared) (DADF Only)
21	-	Solenoid Bracket (Not Spared) (DADF Only)
22	-	Exit/Invert Solenoid (Not Spared) (DADF Only)

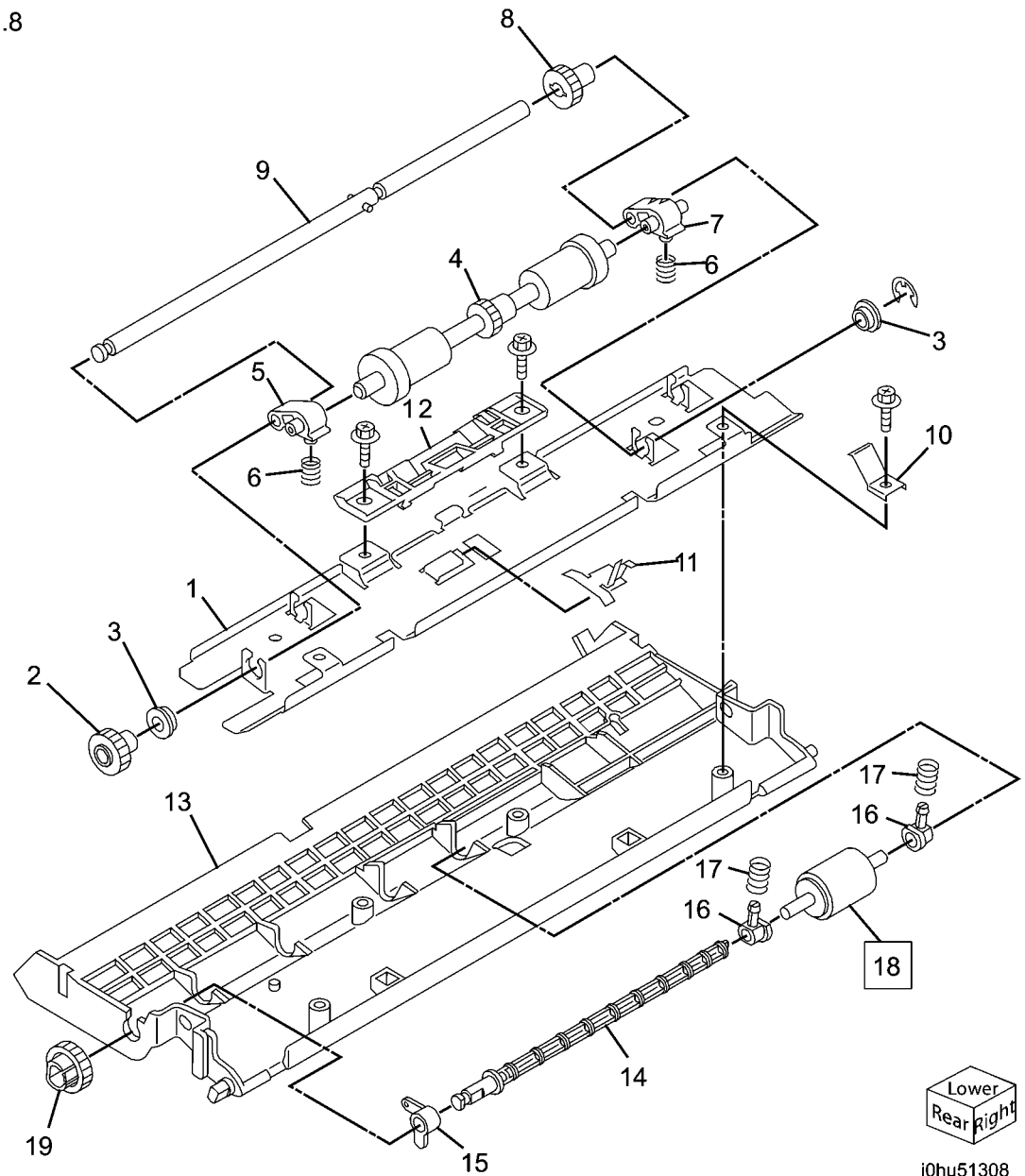


j0hu51307B

PL 13.8 Retard Roll Assembly

Item	Part	Description
1	-	Plate (Not Spared)
2	-	Gear (18T) (Not Spared)
3	-	Bearing (Not Spared)
4	-	Exit Roller (Not Spared)
5	-	Rear Exit Arm (Not Spared)
6	809E56440	Spring (Coil)
7	-	Front Exit Arm (Not Spared)
8	-	Gear (18T) (Not Spared)
9	-	Exit Roll Drive Shaft (Not Spared)
10	-	Spring Plate (Not Spared)
11	-	Spring Plate (Not Spared)
12	-	Plate (Not Spared)
13	-	Retard Roll Chute (Not Spared) (REP 13.8.1)
14	-	Retard Roll Drive Shaft (Not Spared)
15	-	Bush (Not Spared)
16	-	Bush (Not Spared)
17	-	Spring (Coil) (Not Spared)
18	059E04080	Retard Roll (REP 13.8.1)
19	-	Gear (20T) (Not Spared)

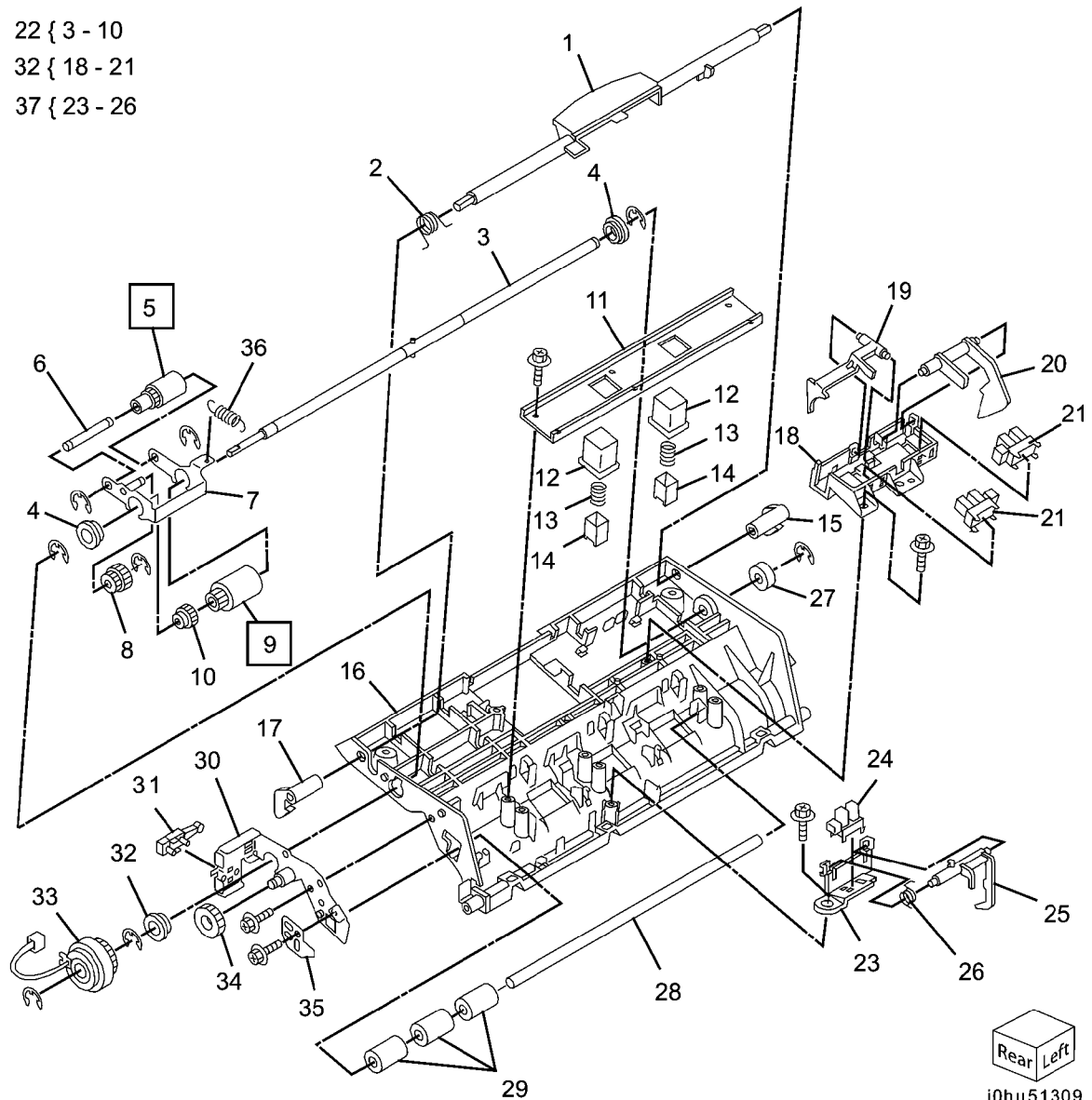
PL13.8



PL 13.9 Upper Feeder Assembly

Item	Part	Description
1	-	Lock Lever (P/O PL13.4 Item 1)
2	-	Spring (P/O PL13.4 Item 1)
3	-	Main Shaft (P/O Item 22)
4	-	Bearing (P/O Item 22)
5	-	Pickup Roll (P/O Item 22) (REP 13.9.1)
6	-	Pickup Roll Shaft (P/O Item 22)
7	-	Housing (P/O Item 22)
8	-	Gear (18T-22T) (P/O Item 22)
9	-	Feed Roll (P/O Item 22) (REP 13.9.1)
10	-	Gear (22T) (P/O Item 22)
11	-	Plate (P/O PL13.4 Item 1)
12	-	Spring Box (P/O PL13.4 Item 1)
13	-	Spring (Coil) (P/O PL13.4 Item 1)
14	-	Spring Housing (P/O PL13.4 Item 1)
15	-	Front Lock Arm (P/O PL13.4 Item 1)
16	-	Top Frame (P/O PL13.4 Item 1)
17	-	Rear Lock Arm (P/O PL13.4 Item 1)
18	-	Sensor Holder (P/O Item 32)
19	-	Document Set Sensor Actuator (P/O Item 32)
20	-	Document Feeder Width Sensor Actuator (P/O Item 32)
21	-	Document Feeder Width Sensor, Document Set Sensor (P/O Item 32)
22	059K55640	Feeder Assembly
23	-	Sensor Holder (P/O Item 37)
24	-	Document Feed Sensor (P/O Item 37)
25	-	Document Feed Sensor Actuator (P/O Item 37)
26	-	Spring (P/O Item 37)
27	121K41670	Clutch (One Way)
28	-	Shaft (P/O PL13.4 Item 1)
29	059E99690	Registration Pinch Roller
30	-	Plate (P/O PL13.4 Item 1)
31	110E11570	DADF/ADF Top Cover Switch
32	121K41650	Document Set Sensor Assembly
33	121K41600	Document Feed Clutch
34	-	Gear (20T) (P/O PL13.4 Item 1)
35	-	Adjust Plate (P/O PL13.4 Item 1)
36	-	Spring (P/O PL13.4 Item 1)
37	121K41660	Read Sensor Assembly

PL13.9
 22 { 3 - 10
 32 { 18 - 21
 37 { 23 - 26

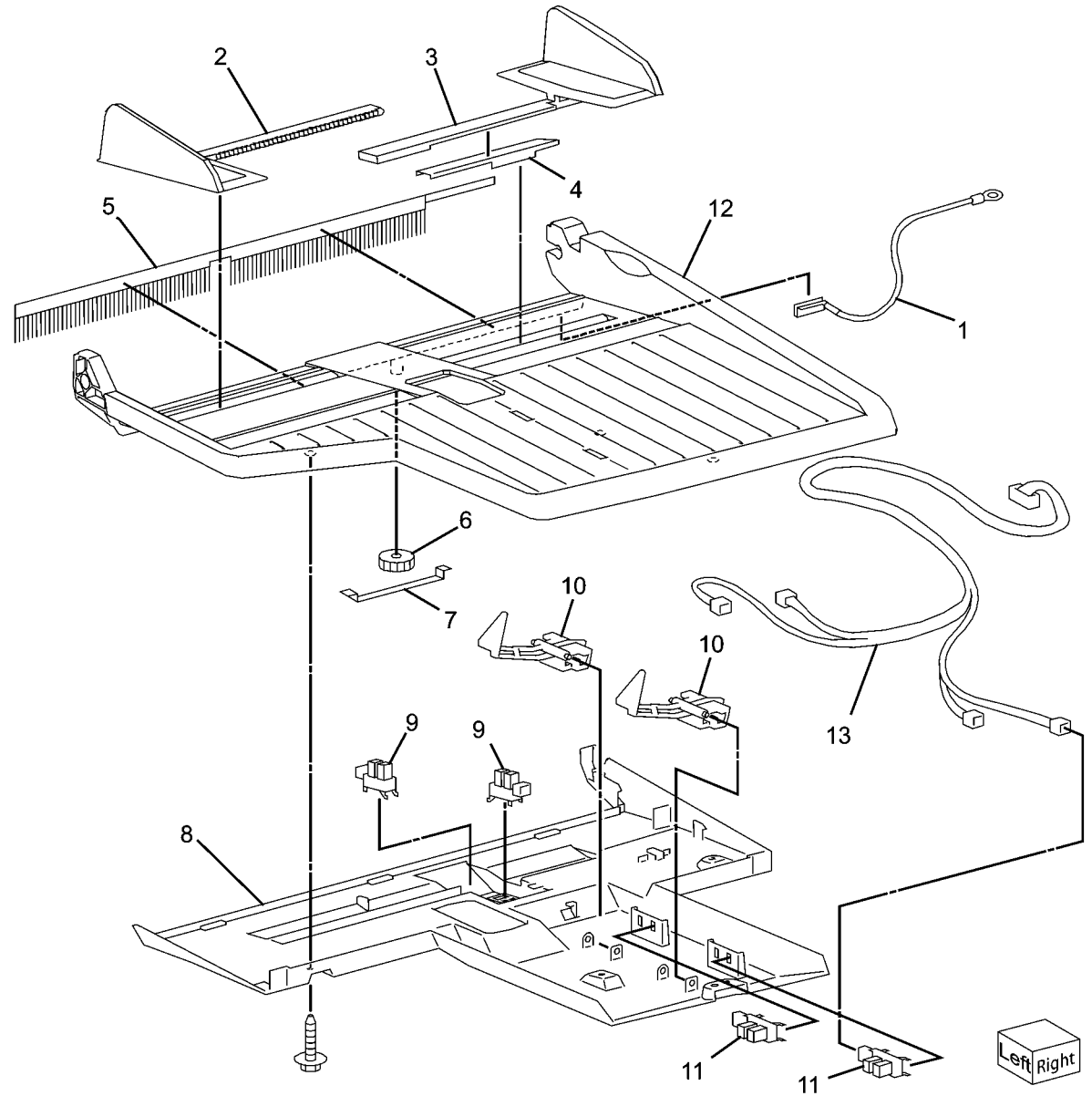


Rear Left
 j0hu51309

PL 13.10 Document Tray

Item	Part	Description
1	-	Earth Plate (P/O PL13.2 Item 4)
2	-	Front Side Guide (P/O PL13.2 Item 4)
3	-	Rear Side Guide (P/O PL13.2 Item 4)
4	-	Width Sensor Actuator (P/O PL13.2 Item 4)
5	-	Eliminator (P/O PL13.2 Item 4)
6	-	Pinion Gear (P/O PL13.2 Item 4)
7	-	Pinion Spring (P/O PL13.2 Item 4)
8	-	Lower Document Tray (P/O PL13.2 Item 4)
9	-	Document Tray Width Sensor 1, Document Tray Width Sensor 2 (P/O PL13.2 Item 4)
10	-	Actuator (P/O PL13.2 Item 4)
11	-	Document Tray Length Sensor 1, Document Tray Length Sensor 2 (P/O PL13.2 Item 4)
12	-	Upper Document Tray (P/O PL13.2 Item 4)
13	-	Wire Harness (P/O PL13.2 Item 4)

PL13.10



j0hu51310

Common Hardware

Item	Part	Description
AA	102W37178	Countersunk Head Screw (M4x25)
AB	102W38278	Countersunk Head Screw (M4x45)
AC	112W27898	Pan Head Screw (M3x8)
AD	113W20878	Screw (M3x8)
AE	113W21478	Screw (M3x14)
AF	113W27688	Pan Head Screw (M3x6)
AG	114W27678	Bind Head Tapping Screw (M3x6)
AH	114W27878	Bind Head Tapping Screw (M3x8)
AJ	153W16088	Tapping Screw (M4x10)
AK	153W16288	Tapping Screw (4Mx12)
AL	153W17688	Tapping Screw (3Mx6)
AM	153W17888	Tapping Screw (3Mx8)
AN	153W18088	Tapping Screw (3Mx10)
AP	153W18288	Tapping Screw (3Mx12)
AQ	153W18488	Tapping Screw (3Mx14)
AR	153W27678	Bind Head Tapping Screw (M3x6)
AS	153W27878	Bind Head Tapping Screw (M3x8)
AT	153W28078	Bind Head Tapping Screw (M3x10)
AU	158W27678	Screw (M3x6)
AV	158W27878	Screw (M3x8)
AW	252W27450	Nylon Washer (6)
AX	354W15278	E-Clip
AY	354W18278	E-Clip
AZ	354W19278	E-Clip
BA	354W21278	E-Clip
BB	354W24278	E-Clip
BC	354W27254	KL-Clip
BD	354W27278	E-Clip
BE	158W36878	Screw (M4x8)
BF	158W36078	Screw (M4x10)