

5 Parts Lists

PL 1 - Standby Power

| | |
|---------------------------------------|-----|
| PL 1.10 IOT Electrical (1 of 2) | 5-3 |
| PL 1.15 IOT Electrical (2 of 2) | 5-4 |

PL 2 - User Interface

| | |
|---|-----|
| PL 2.10 Top Cover and Control Panel | 5-5 |
| PL 2.15 Touch Panel | 5-6 |

PL 3 - Machine Run Control

| | |
|-------------------------------|-----|
| PL 3.10 MF Box (1 of 2) | 5-7 |
| PL 3.15 MF Box (2 of 2) | 5-8 |

PL 4 - Main Drives

| | |
|---------------------------|-----|
| PL 4.10 Main Drives | 5-9 |
|---------------------------|-----|

PL 5 - DADF and Document Cover

| | |
|--|------|
| PL 5.10 DADF Assembly | 5-10 |
| PL 5.15 Feeder Assembly | 5-11 |
| PL 5.20 Base Cover and Counterbalances | 5-12 |
| PL 5.25 Top Cover Assembly (1 of 2) | 5-13 |
| PL 5.30 Top Cover Assembly (2 of 2) | 5-14 |
| PL 5.35 Chute and Registration Roller | 5-15 |
| PL 5.40 Exit Roller and Read Roller | 5-16 |
| PL 5.45 Drive Assembly | 5-17 |
| PL 5.50 Document Tray (DMO-E) | 5-18 |
| PL 5.55 Document Tray | 5-19 |
| PL 5.60 Document Cover | 5-20 |

PL 6 - Imaging

| | |
|---|------|
| PL 6.10 Document Glass and IPS PWB | 5-21 |
| PL 6.15 Lens Assembly and CCD PWB | 5-22 |
| PL 6.20 Carriage Motor and Cables | 5-23 |
| PL 6.25 Full Rate and Half Rate Carriages | 5-24 |
| PL 6.30 ROS | 5-25 |

PL 7 - Paper Supply

| | |
|--|------|
| PL 7.10 Tray 1 | 5-26 |
| PL 7.15 Tray 1 Assembly (1 of 2) | 5-27 |
| PL 7.16 Tray 1 Assembly (2 of 2) | 5-28 |
| PL 7.20 Covers (1 of 3) | 5-29 |
| PL 7.25 Covers (2 of 3) | 5-30 |
| PL 7.30 Covers (3 of 3) | 5-31 |
| PL 7.35 Switch PWBs | 5-32 |
| PL 7.40 Right Cover Assembly | 5-33 |
| PL 7.45 Tray 2, 3 and 4 | 5-34 |
| PL 7.50 Tray Assembly (1 of 3) | 5-35 |
| PL 7.55 Tray Assembly (2 of 3) | 5-36 |
| PL 7.60 Tray Assembly (3 of 3) | 5-37 |
| PL 7.65 Lower Covers | 5-38 |

| | |
|------------------------------------|------|
| PL 7.70 Bypass Tray (1 of 4) | 5-39 |
| PL 7.75 Bypass Tray (2 of 4) | 5-40 |
| PL 7.80 Bypass Tray (3 of 4) | 5-41 |
| PL 7.85 Bypass Tray (4 of 4) | 5-42 |

PL 8 - Paper Transport

| | |
|---|------|
| PL 8.10 Paper Feed (1 of 2) | 5-43 |
| PL 8.15 Paper Feed (2 of 2) | 5-44 |
| PL 8.20 T/A Chute Assembly | 5-45 |
| PL 8.25 R/H Chute Assembly | 5-46 |
| PL 8.30 Registration | 5-47 |
| PL 8.35 Registration Chute Assembly | 5-48 |
| PL 8.40 Feed Motor | 5-49 |
| PL 8.45 T/A Roller | 5-50 |
| PL 8.50 Duplex Assembly | 5-51 |

PL 9 - Xerographics

| | |
|--|------|
| PL 9.10 Print Cartridge and HVPS | 5-52 |
| PL 9.15 Main Fan | 5-53 |

PL 10 - Copy Transportation and Fusing

| | |
|--|------|
| PL 10.10 Exit Assembly | 5-54 |
| PL 10.15 OCT Assembly (1 of 3) | 5-55 |
| PL 10.20 OCT Assembly (2 of 3) | 5-56 |
| PL 10.25 OCT Assembly (3 of 3) | 5-57 |
| PL 10.30 Fuser Assembly (1 of 2) | 5-58 |
| PL 10.35 Fuser Assembly (2 of 2) | 5-59 |

PL 12 - Finisher

| | |
|--|------|
| PL 12.10 Finisher Assembly | 5-60 |
| PL 12.12 Switches and Sensors | 5-61 |
| PL 12.14 Stapler Assembly | 5-62 |
| PL 12.16 Stapler Motor | 5-63 |
| PL 12.18 Drive Motors | 5-64 |
| PL 12.20 Paddle Solenoid | 5-65 |
| PL 12.22 Transfer Motor | 5-66 |
| PL 12.24 Top Cover Assembly | 5-67 |
| PL 12.26 Upper LH Cover | 5-68 |
| PL 12.28 Exit Transport Base Guide | 5-69 |
| PL 12.30 Lower LH Cover | 5-70 |
| PL 12.32 Compiler Motor | 5-71 |
| PL 12.34 RH Cover | 5-72 |
| PL 12.36 Exit Roll Assembly | 5-73 |
| PL 12.38 Upper Paper Guide | 5-74 |
| PL 12.40 Finisher LVPS | 5-75 |
| PL 12.42 Covers | 5-76 |
| PL 12.44 Receiving Tray | 5-77 |
| PL 12.46 Side Tray | 5-78 |

PL 16 - Network

| | |
|------------------------------------|------|
| PL 16.10 ESS Box | 5-79 |
| PL 16.15 ESS Options | 5-80 |
| PL 16.20 Option Box Assembly | 5-81 |

PL 20.10 - Consumables and Tools

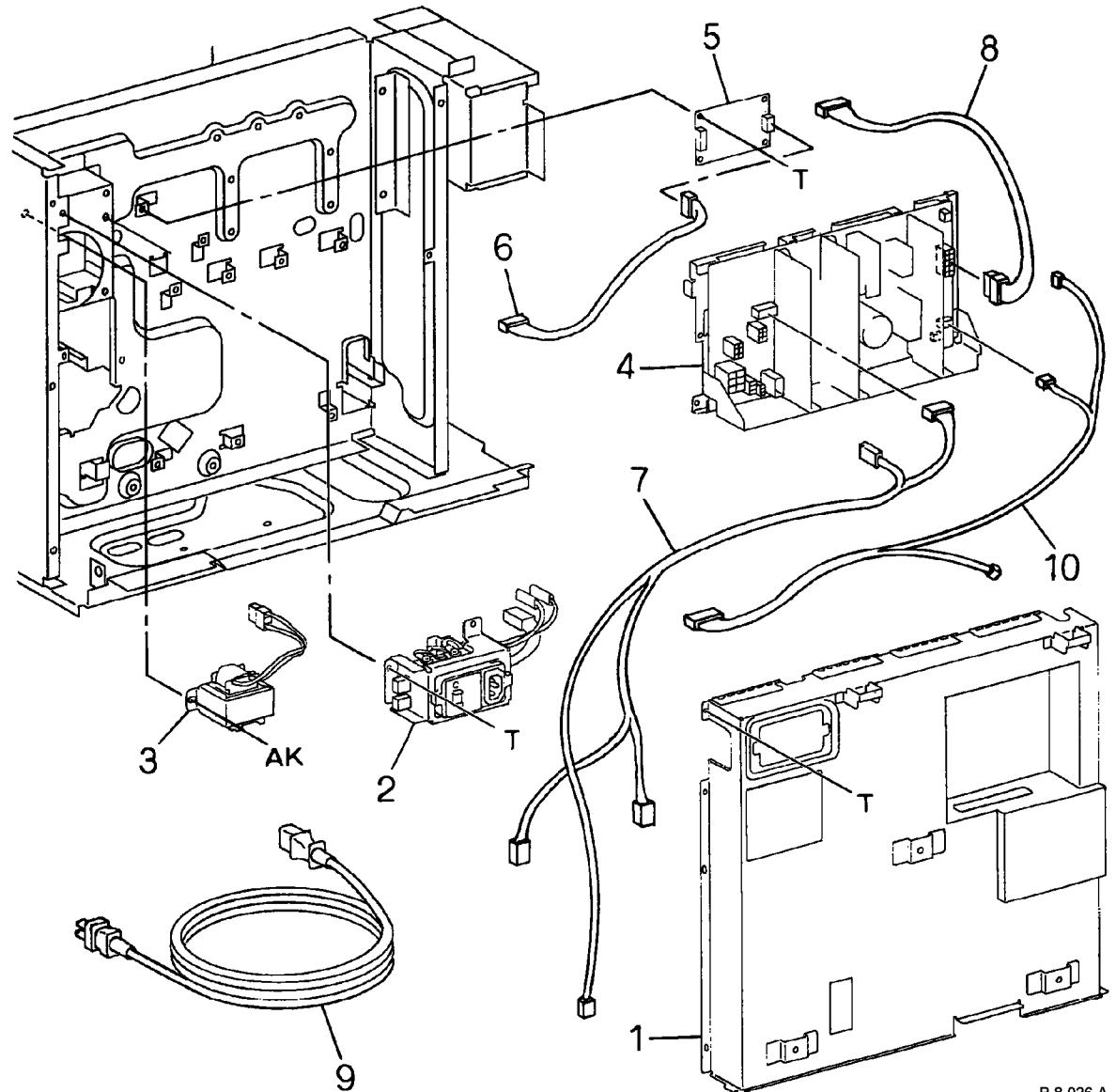
| | |
|--|------|
| PL 20.10 Consumables and Special Tools | 5-82 |
|--|------|

Common Hardware

| | |
|-------------------------|------|
| Common Hardware | 5-83 |
| Part Number Index | 5-84 |

PL 1.10 IOT Electrical (1 of 2)

| Item | Part | Description |
|------|-----------|-------------------------------------|
| 1 | - | Cover (Not Spared) |
| 2 | 105K19235 | Circuit Breaker Assembly |
| 3 | 104E93960 | Choke Coil |
| 4 | 105E10405 | LVPS (120V) (DMO/NASG) |
| - | 105E10571 | LVPS (220V) (XE) |
| - | 105E10463 | LVPS (220V) (DMO) |
| 5 | 160K75903 | Exit Drive PWB |
| 6 | 162K65141 | Wire Harness (DC7) |
| 7 | 162K65054 | Wire Harness (AC1) |
| 8 | 162K65092 | Wire Harness (DC2) |
| 9 | - | Power Cord (see below for variants) |
| - | 117E10550 | DMO-W (220V) |
| - | 117E17420 | DMO-W/NASG (110V) |
| - | 152S06000 | XE/DMO (220V) |
| - | 152S06001 | United Kingdom/DMO-E (220V) |
| - | 152S06002 | Denmark |
| - | 152S06003 | Switzerland |
| 10 | 962K04235 | Wire Harness (DC18) |

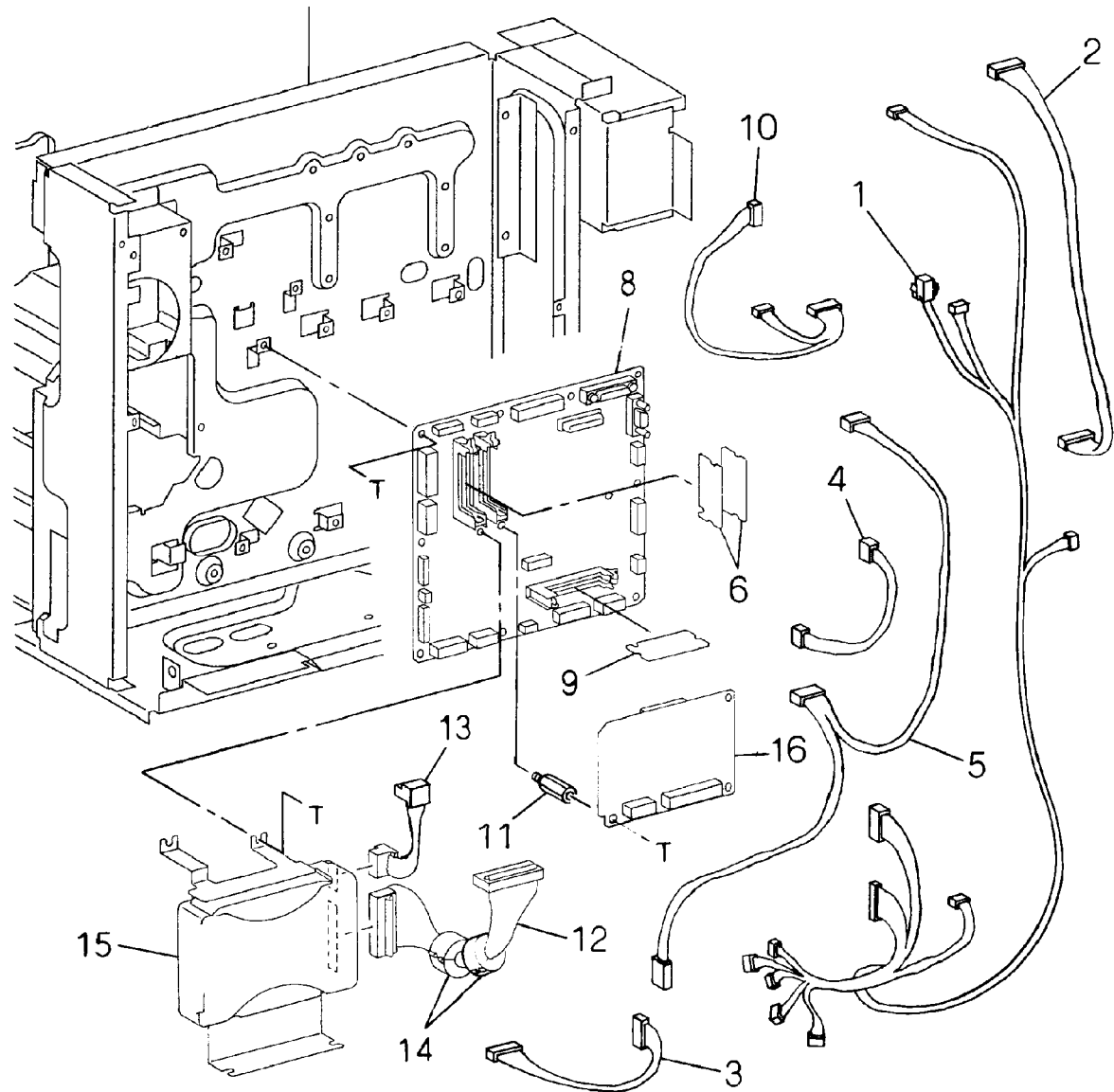


PL 1.15 IOT Electrical (2 of 2)

| Item | Part | Description |
|------|-----------|--|
| 1 | 162K65084 | Wire Harness (DC1) |
| 2 | 162K65112 | Wire Harness (DC4) |
| 3 | 162K65150 | Wire Harness (DC8) |
| 4 | 162K65160 | Wire Harness (DC9) |
| 5 | 162K65170 | Wire Harness (DC10) |
| 6 | 160K28161 | Page Memory PWB (Option) |
| 7 | - | Not Used |
| 8 | 160K84180 | MCU/SW PWB (WCP 423) (REP 1.1) |
| - | 160K84170 | MCU/SW PWB (WCP 428) (REP 1.1) |
| 9 | 537K60066 | MCU DIMM (DMO-E) (see NOTE) |
| - | 537K65250 | MCU DIMM (Version 11.09) (DMO/XE) |
| - | 537K62313 | MCU DIMM (Version 11.12) (DMO/XE/NASG) |
| 10 | 962K04210 | Wire Harness (DC16) |
| 11 | - | Spacer (Option) |
| 12 | 162K21521 | Wire Harness (Option) |
| 13 | 962K05771 | Wire Harness (Option) |
| 14 | - | Ferrite (Option) |
| 15 | 121K24653 | Hard Disk Drive (Option) |
| 16 | 160K76701 | HDC PWB (Option) |

NOTE: Only installed on DMO-E machines with a serial number in the following ranges;

- 351 200001x to 351 204000x
- 351 300001x to 351 304000x
- 351 400001x to 351 404000x
- 351 600001x to 351 604000x
- 351 700001x to 351 704000x

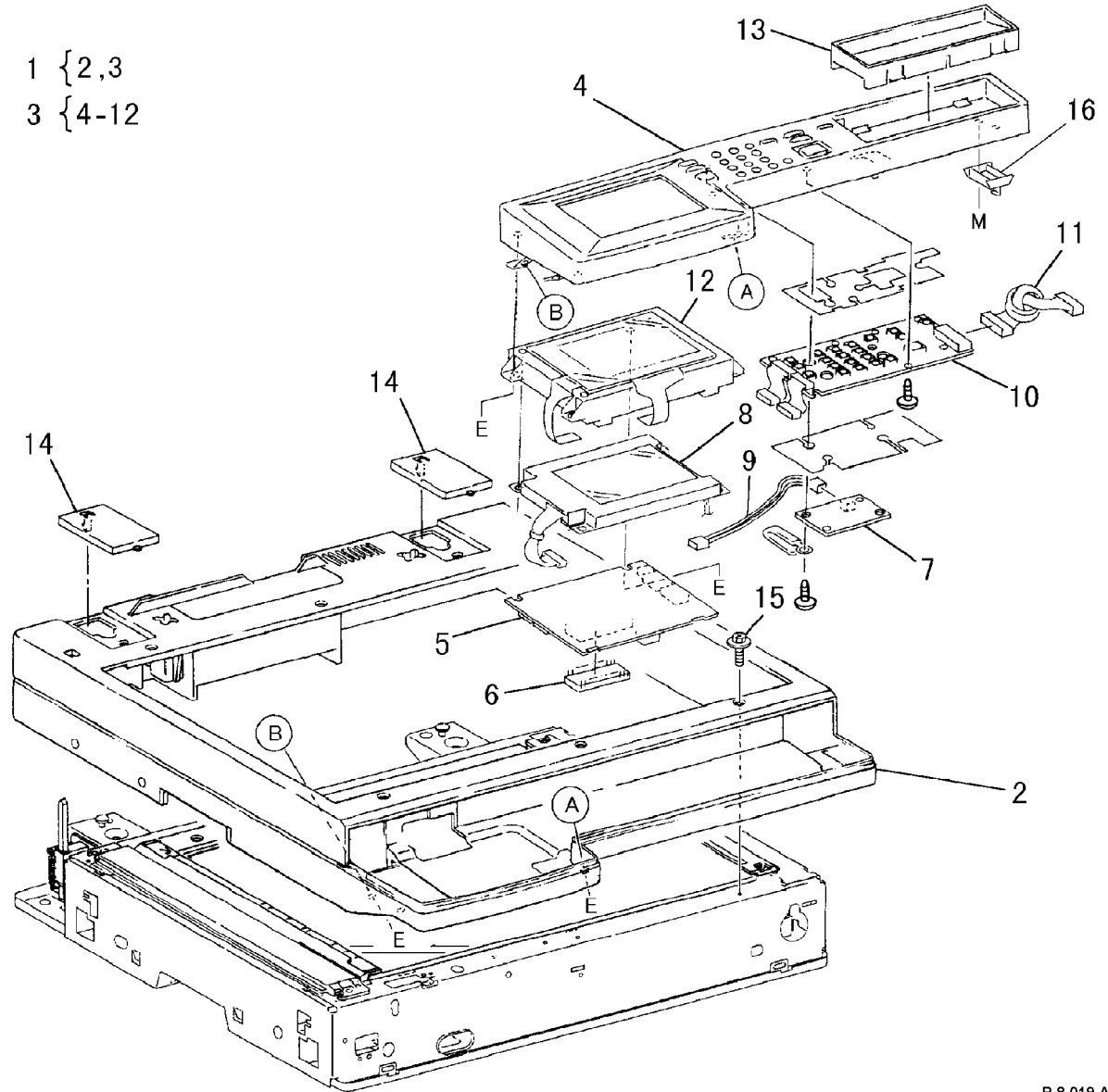


P-8-027-A

PL 2.10 Top Cover and Control Panel

| Item | Part | Description |
|------|-----------|--|
| 1 | 802K37285 | Top Cover Assembly (XE) |
| - | 802K33921 | Top Cover Assembly (DMO-E) (see NOTE) |
| - | 802K36407 | Top Cover Assembly (DMO/NASG) |
| 2 | - | Top Cover (P/O PL 2.10 Item 1) |
| 3 | 802K33685 | Control Panel (DMO-E) (see NOTE) (REP 2.1) |
| - | 802K36746 | Control Panel (XE) (REP 2.1) |
| - | 802K35967 | Control Panel (DMO/NASG) (REP 2.1) |
| 4 | - | Case Assembly (P/O PL 2.10 Item 3) |
| 5 | 160K75613 | UI PWB (Base) (DMO-E) (see NOTE) |
| 6 | - | UI ROM (see below for variants) |
| - | 537K62350 | Single EPROM Version (DMO-E) (see NOTE) |
| - | 537K65270 | U1 (Version 1.1.8) (DMO-W) |
| - | 537K65280 | U1 (Version 1.1.9) (XE) |
| - | 537K61844 | U1 (Version 2.01) (DMO/XE) |
| - | 538K94940 | U1 (Version 2.11) (DMO/XE/NASG) |
| - | 537K65230 | U1 (Version 3.04) (Russia/Turkey) |
| - | 537K65190 | U27 (Version 1.2.1) (DMO/XE) |
| - | 537K61854 | U27 (Version 2.01) (DMO/XE) |
| - | 538K94950 | U27 (Version 2.12) (DMO/XE/NASG) |
| - | 537K65240 | U27 (Version 3.04) (Russia/Turkey) |
| 7 | 160K78220 | INV PWB |
| 8 | 123K94000 | LCD Assembly |
| 9 | 162K63731 | INV Wire Harness |
| 10 | 160K75831 | Base 10 Key |
| 11 | 162K63740 | One Touch Wire Harness |
| 12 | - | Display (P/O PL 2.10 Item 3) |
| 13 | 802E25061 | Panel |
| 14 | 802E24240 | Cover |
| 15 | - | Screw |
| 16 | 830E92720 | Panel Hook |

1 { 2,3
3 { 4-12



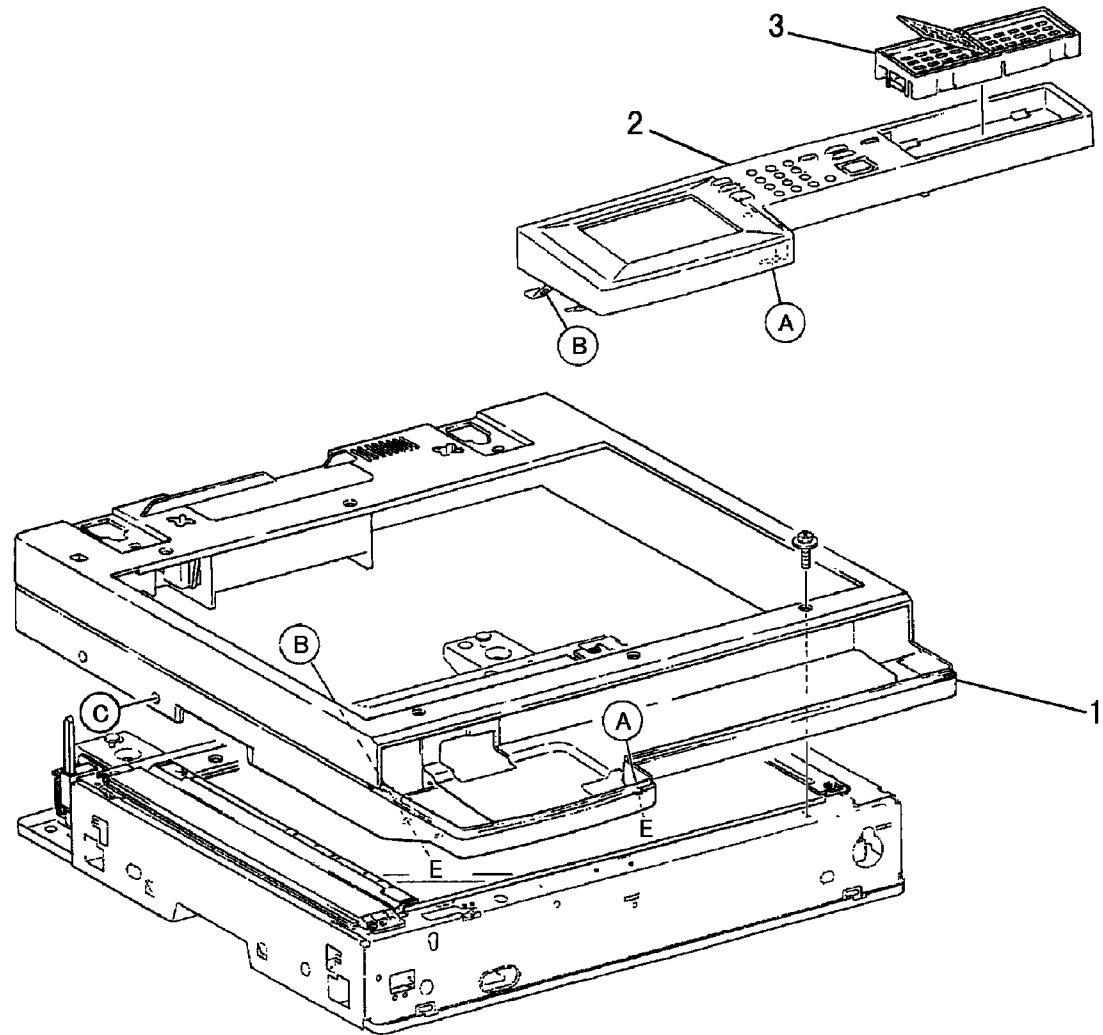
NOTE: Only installed on DMO-E machines with a serial number in the following ranges;

- 351 200001x to 351 204000x
- 351 300001x to 351 304000x
- 351 400001x to 351 404000x
- 351 600001x to 351 604000x
- 351 700001x to 351 704000x

P-8-019-A

PL 2.15 Touch Panel

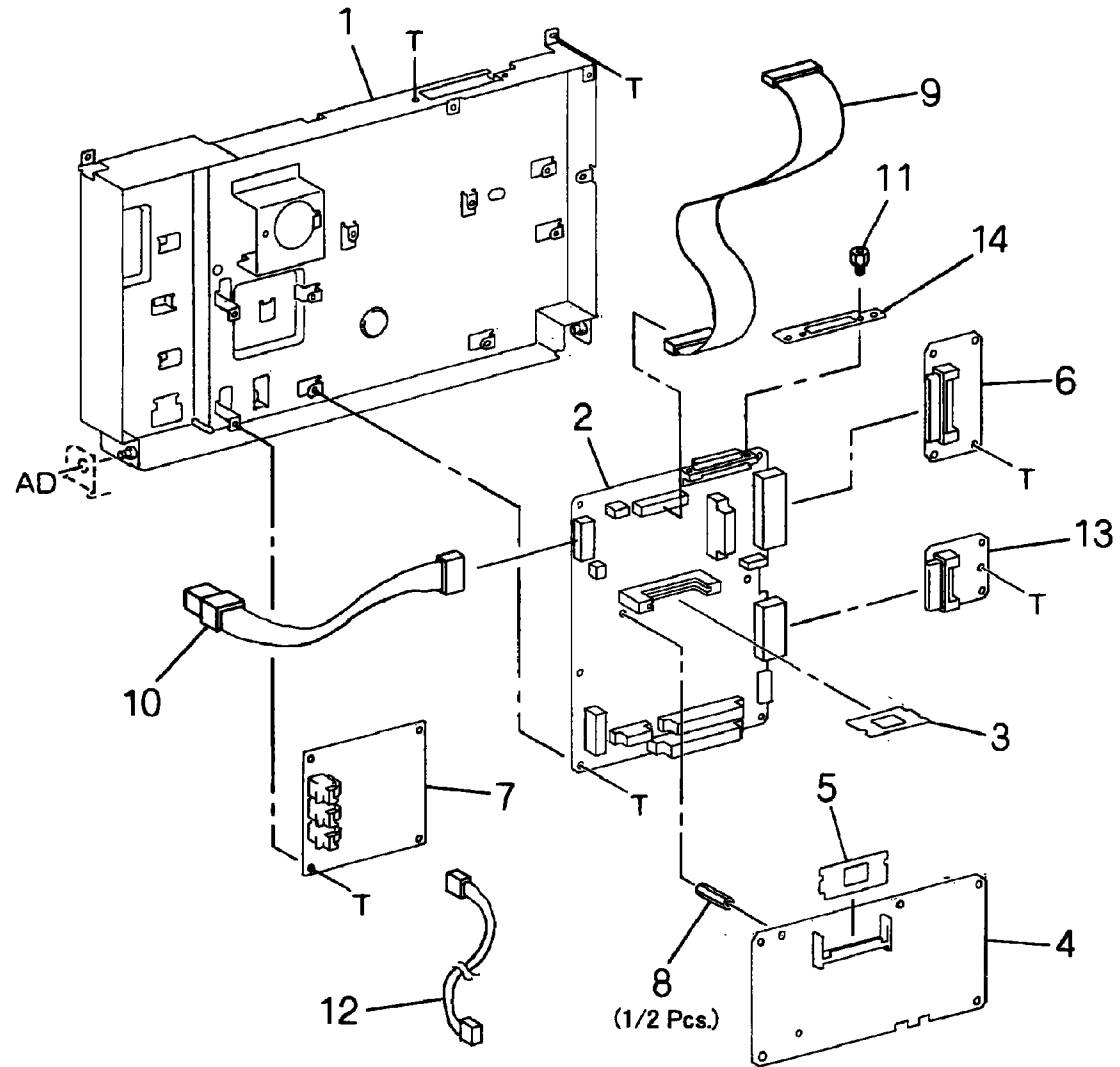
| Item | Part | Description |
|------|-----------|-------------------------------------|
| 1 | – | Top Cover (REF: PL 2.10 Item 2) |
| 2 | – | Case Assembly (REF: PL 2.10 Item 4) |
| 3 | 802K44530 | One Touch Panel (DMO/NASG) |



P-8-020-A

PL 3.10 MF Box (1 of 2)

| Item | Part | Description |
|------|-----------|--|
| 1 | – | MF Box Frame (Not Spared) |
| 2 | 160K84572 | MF Main PWB |
| 3 | 537K62242 | MF SYS ROM (DMO) |
| – | 537K65260 | MF SYS ROM (Version 1.25) (DMO) |
| – | 537K61927 | MF SYS ROM (Version 5.00) (DMO/NASG) |
| – | – | MF SYS ROM (Version 5.03) (DMO) (see NOTE 2) |
| 4 | 160K29731 | G3M0 PWB |
| 5 | 537K60421 | G3M0 ROM |
| 6 | 160K76240 | MMB-A PWB |
| – | 160K76250 | MMB-B PWB (Speed Dial Expansion Kit) |
| 7 | 160K84731 | NCU-A PWB (DMO-W/NASG) |
| – | 160K87080 | NCU-A PWB (Russia) |
| – | 160K87072 | NCU-A PWB (DMO-E) |
| 8 | – | Spacer (Not Spared) |
| 9 | 162K64240 | Wire Harness (MF) |
| 10 | 162K21450 | Wire Harness (DC) |
| 11 | – | Screw |
| 12 | 177K94030 | Data Cable (Option) |
| 13 | 160K62760 | OM3 PWB (Option) |
| 14 | – | Plate (Not Spared) |



NOTE: 1. Only installed on DMO-E machines with a serial number in the following ranges;

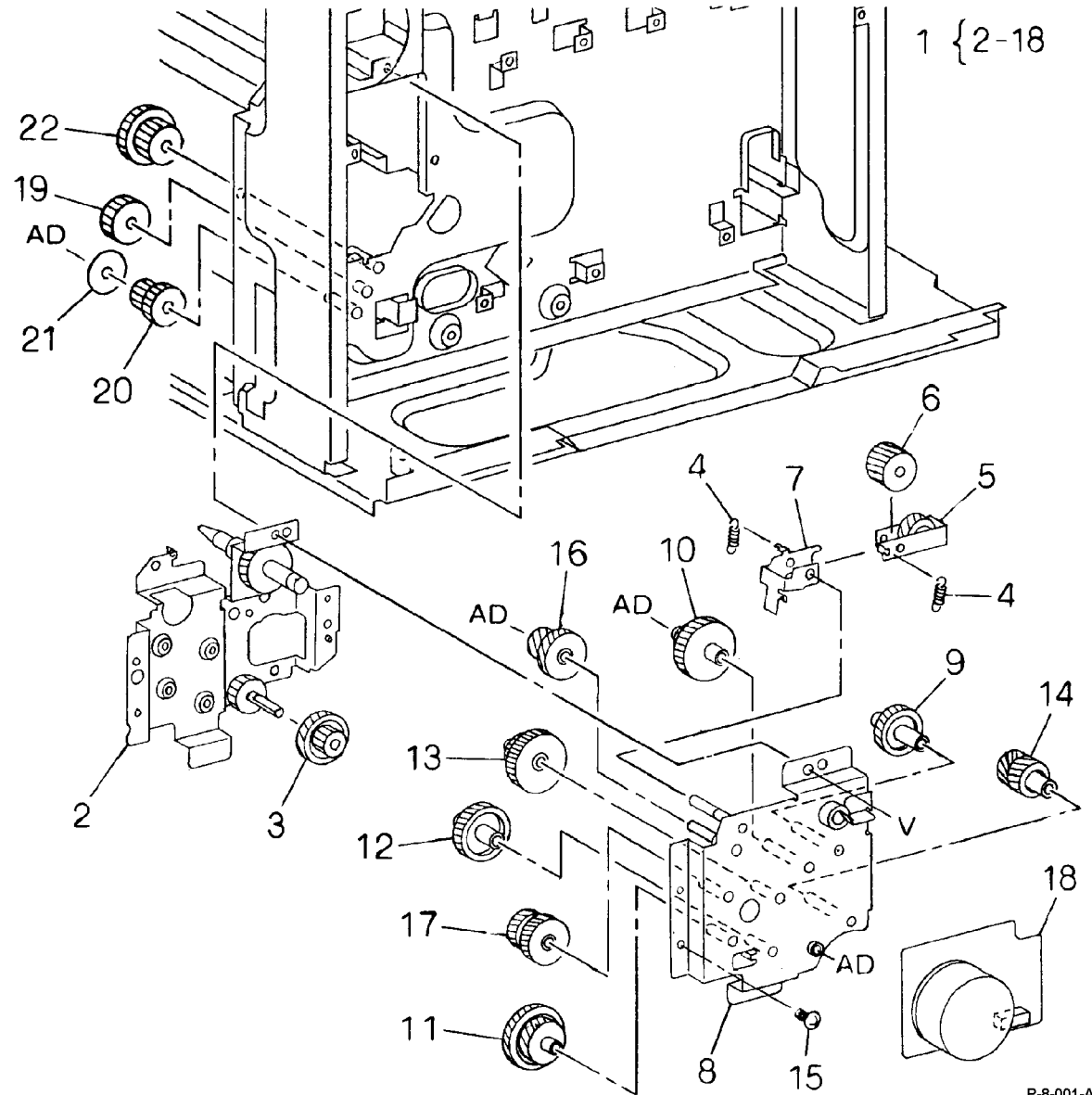
- 351 200001x to 351 204000x
- 351 300001x to 351 304000x
- 351 400001x to 351 404000x
- 351 600001x to 351 604000x
- 351 700001x to 351 704000x

NOTE: 2. Part number not known.

P-8-028-A

PL 4.10 Main Drives

| Item | Part | Description |
|------|-----------|---|
| 1 | 007K86774 | Main Drive Motor Assembly (REP 4.1) |
| 2 | - | Drive Plate Assembly (P/O PL 4.10 Item 1) |
| 3 | - | Gear (P/O PL 4.10 Item 1) |
| 4 | - | Spring (P/O PL 4.10 Item 1) |
| 5 | - | Arm Assembly (P/O PL 4.10 Item 1) |
| 6 | - | Gear (P/O PL 4.10 Item 1) |
| 7 | - | Plate (P/O PL 4.10 Item 1) |
| 8 | - | Motor Bracket Assembly (P/O PL 4.10 Item 1) |
| 9 | - | Gear (P/O PL 4.10 Item 1) |
| 10 | - | Gear (P/O PL 4.10 Item 1) |
| 11 | - | Gear (P/O PL 4.10 Item 1) |
| 12 | - | Gear (P/O PL 4.10 Item 1) |
| 13 | - | Gear (P/O PL 4.10 Item 1) |
| 14 | - | Gear (P/O PL 4.10 Item 1) |
| 15 | - | Screw (P/O PL 4.10 Item 1) |
| 16 | - | Gear (P/O PL 4.10 Item 1) |
| 17 | - | Gear (P/O PL 4.10 Item 1) |
| 18 | - | Main Drive Motor (P/O PL 4.10 Item 1) |
| 19 | 007E67880 | Gear |
| 20 | 007E67890 | Gear |
| 21 | 059E96810 | Collar |
| 22 | 007E67331 | Gear |

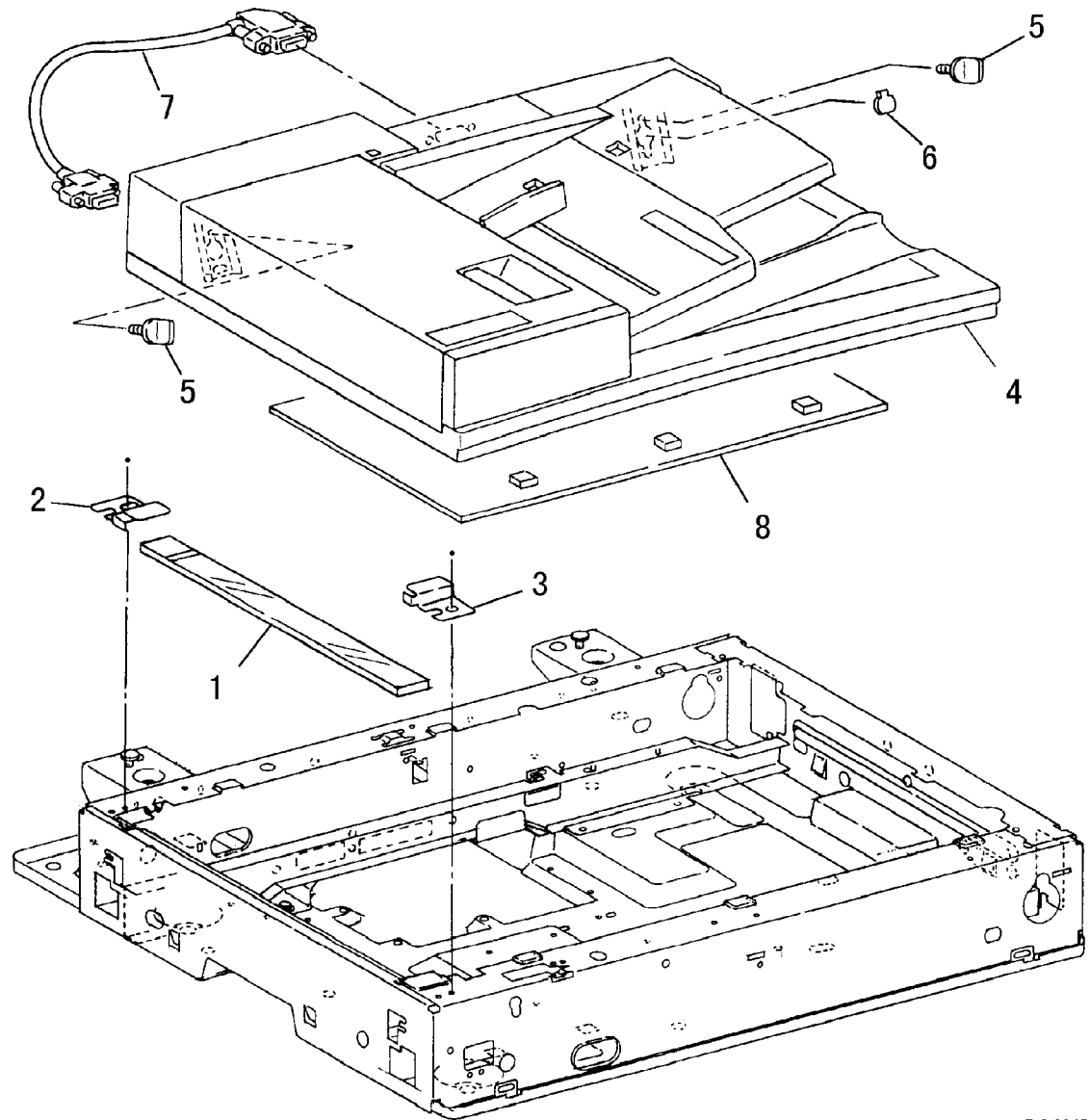


PL 5.10 DADF Assembly

| Item | Part | Description |
|------|-----------|--|
| 1 | 090E91601 | CVT Glass (REP 5.2) |
| 2 | 049E08410 | Plate Glass Support (Rear) |
| 3 | 049E11650 | Plate Glass Support (Front) |
| 4 | 022K63125 | DADF Assembly (DMO-E) (see NOTE) (REP 5.1) |
| - | 022K63139 | DADF Assembly (REP 5.1) |
| 5 | 003K91881 | Knob |
| 6 | 015E47381 | Set Plate |
| 7 | 117E94781 | Cable (DADF-IIT) |
| 8 | 090K92920 | DADF Document Cushion (REP 5.3) |

NOTE: Only installed on DMO-E machines with a serial number in the following ranges;

- 351 200001x to 351 204000x
- 351 300001x to 351 304000x
- 351 400001x to 351 404000x
- 351 600001x to 351 604000x
- 351 700001x to 351 704000x



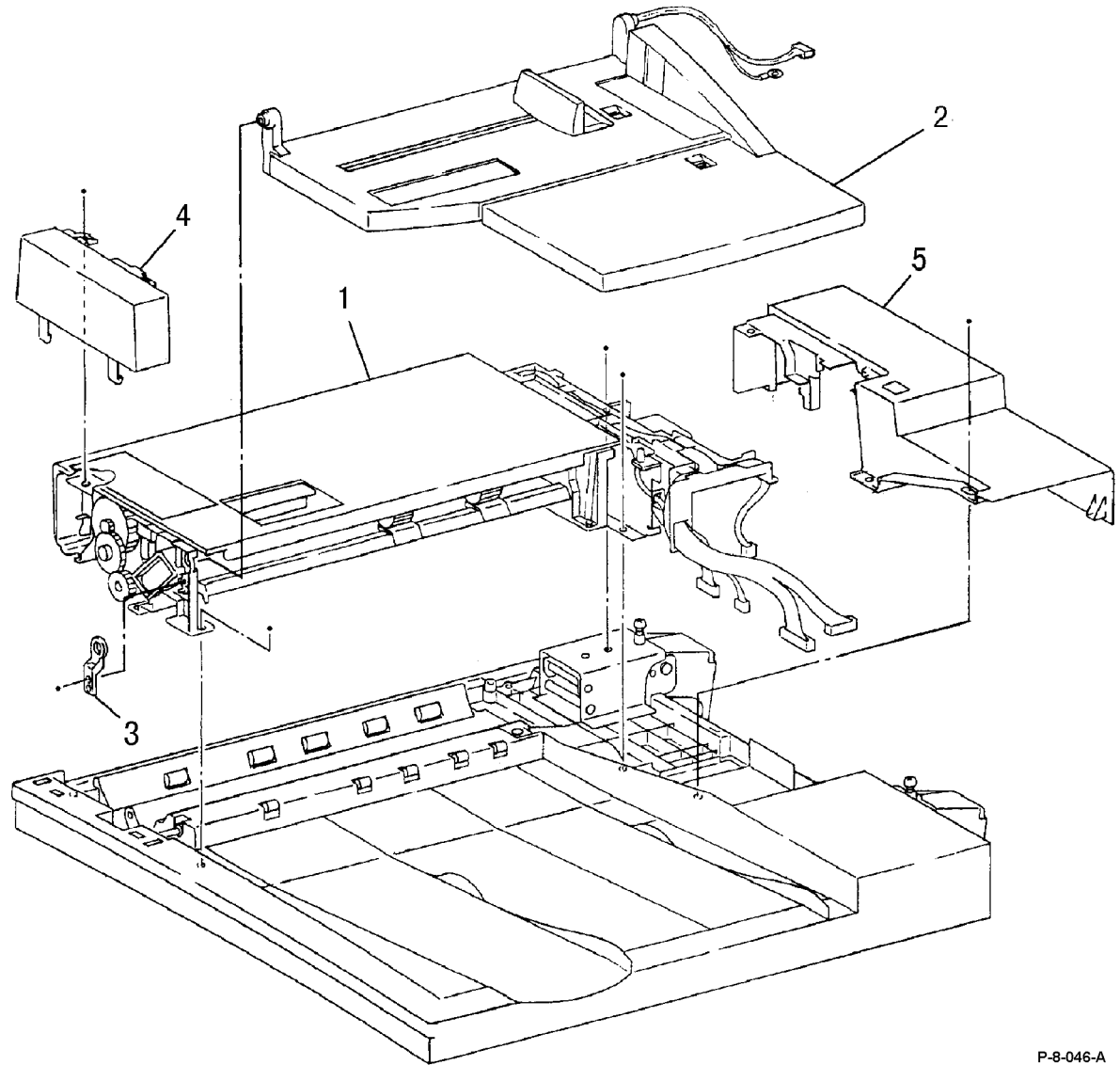
P-8-0045-A

PL 5.15 Feeder Assembly

| Item | Part | Description |
|------|-----------|---|
| 1 | – | DADF Feeder Assembly (REF: PL 5.25, PL 5.30, PL 5.35, PL 5.40, PL 5.45) (REP 5.4) |
| 2 | 050K44800 | DADF Document Tray (DMO-E) (see NOTE) |
| – | 050K47970 | DADF Document Tray |
| 3 | 019E52950 | Tray F Holder |
| 4 | 802K32920 | DADF Front Cover |
| 5 | 802K32930 | DADF Rear Cover |

NOTE: Only installed on DMO-E machines with a serial number in the following ranges;

- 351 200001x to 351 204000x
- 351 300001x to 351 304000x
- 351 400001x to 351 404000x
- 351 600001x to 351 604000x
- 351 700001x to 351 704000x



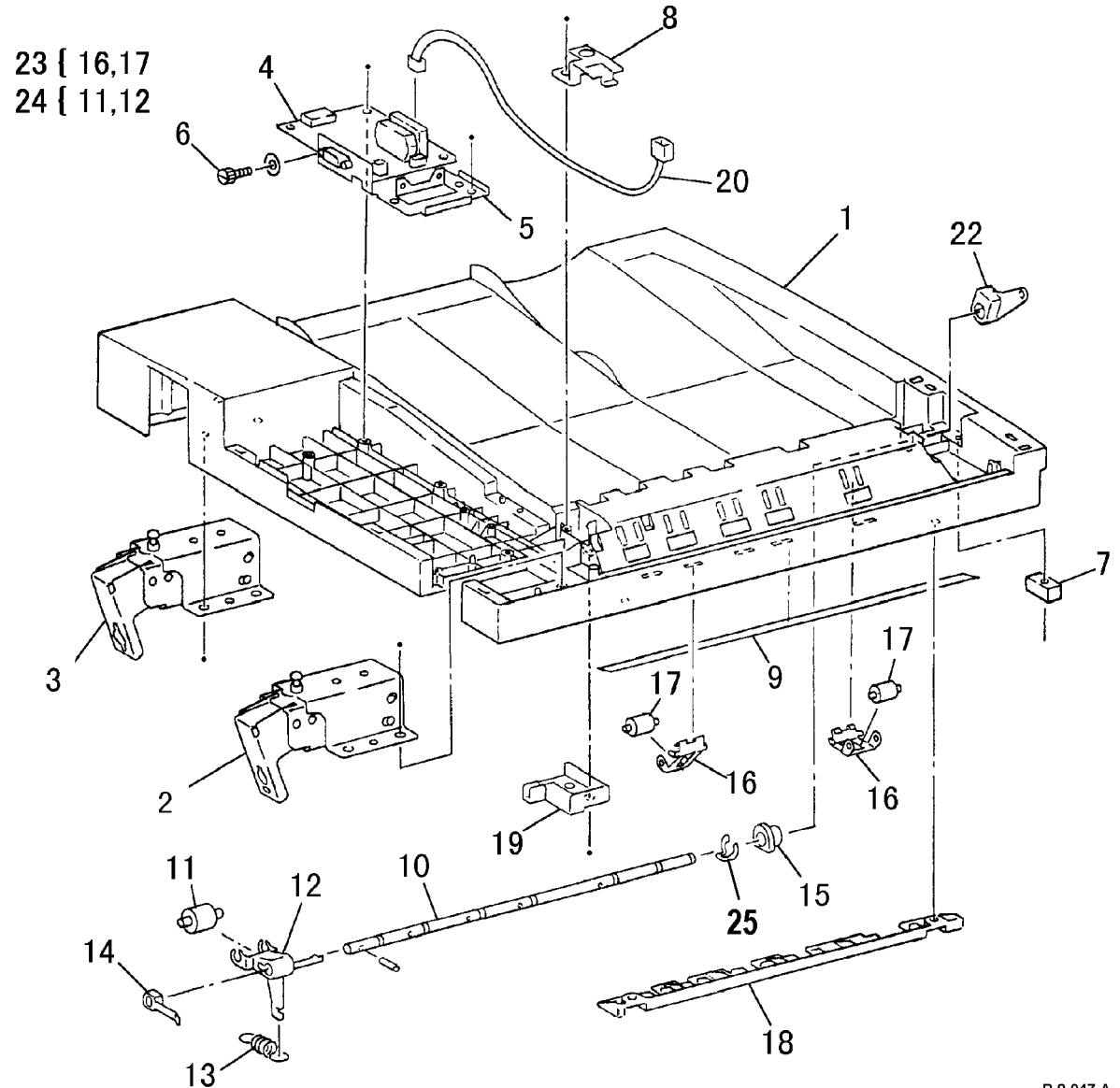
P-8-046-A

PL 5.20 Base Cover and Counterbalances

| Item | Part | Description |
|------|-----------|---------------------------------------|
| 1 | 802E31921 | DADF Base Cover |
| 2 | 036K91530 | Left Counterbalance (DADF) (REP 5.5) |
| 3 | 036K01440 | Right Counterbalance (DADF) (REP 5.5) |
| 4 | 160K84221 | DADF Control PWB (DMO-E) (see NOTE) |
| - | 160K89030 | DADF Control PWB |
| 5 | - | Bracket (P/O PL 5.10 Item 4) |
| 6 | - | Screw |
| 7 | 121E90620 | Interlock Magnet |
| 8 | 802E31930 | Stamp Cover |
| 9 | 032E17910 | Read U Mylar |
| 10 | - | Shaft (P/O PL 5.10 Item 4) |
| 11 | - | Roller (P/O PL 5.10 Item 4) |
| 12 | - | Holder (P/O PL 5.10 Item 4) |
| 13 | 809E34960 | Exit Tension Spring |
| 14 | 013E20520 | Rear Bush |
| 15 | 013E20530 | Front Bush |
| 16 | 809E35360 | Holder |
| 17 | 059E97100 | Roller |
| 18 | 802E31940 | Under Cover |
| 19 | 802E31950 | Connector Cover |
| 20 | 962K07980 | Wire Harness |
| 21 | - | Not Used |
| 22 | 011E12320 | Link |
| 23 | 059K22580 | Read Roller Assembly |
| 24 | 059K21660 | Exit Roller Assembly |
| 25 | 019E50560 | Retaining Clip |

NOTE: Only installed on DMO-E machines with a serial number in the following ranges;

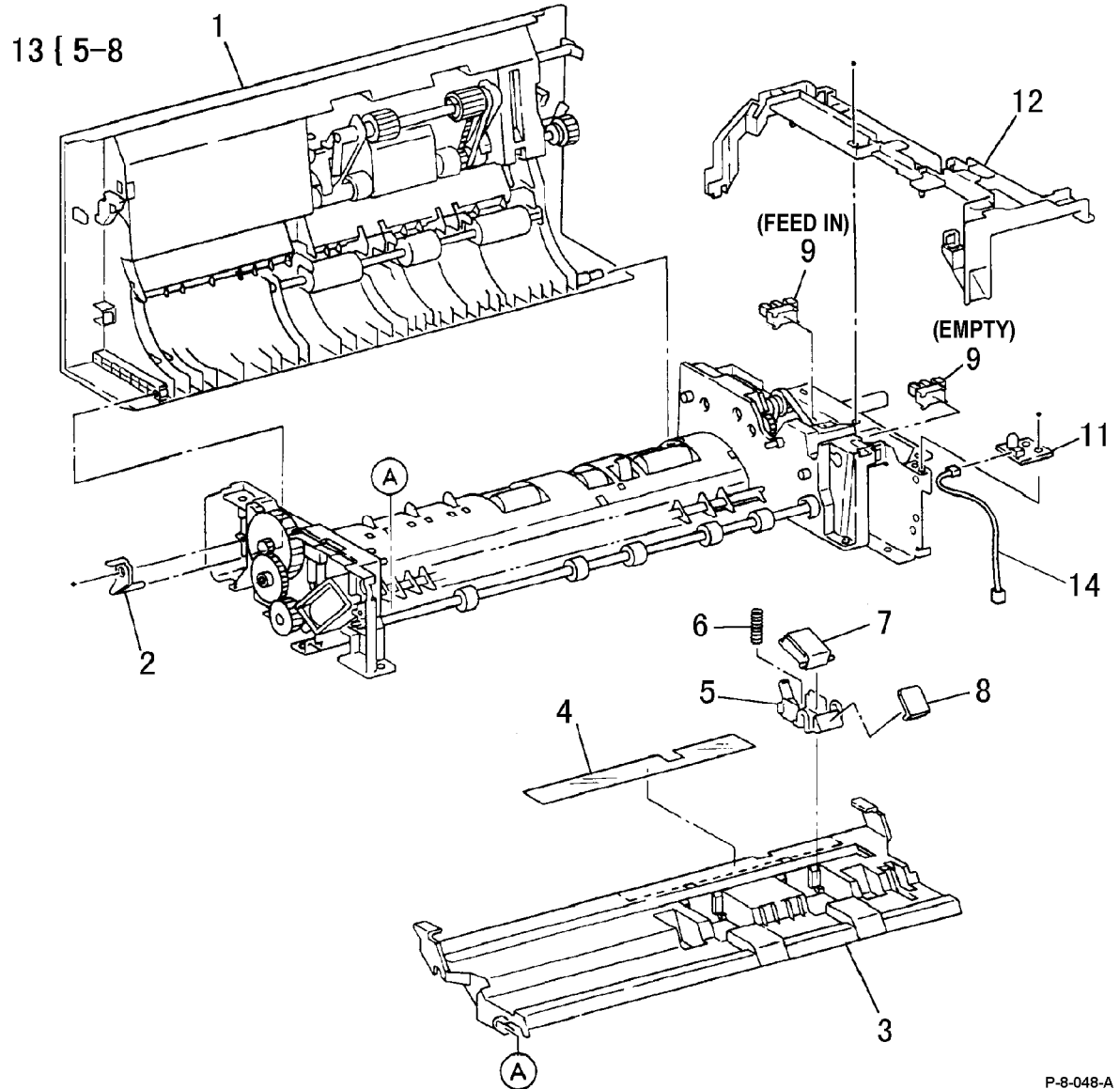
- 351 200001x to 351 204000x
- 351 300001x to 351 304000x
- 351 400001x to 351 404000x
- 351 600001x to 351 604000x
- 351 700001x to 351 704000x



P-8-047-A

PL 5.25 Top Cover Assembly (1 of 2)

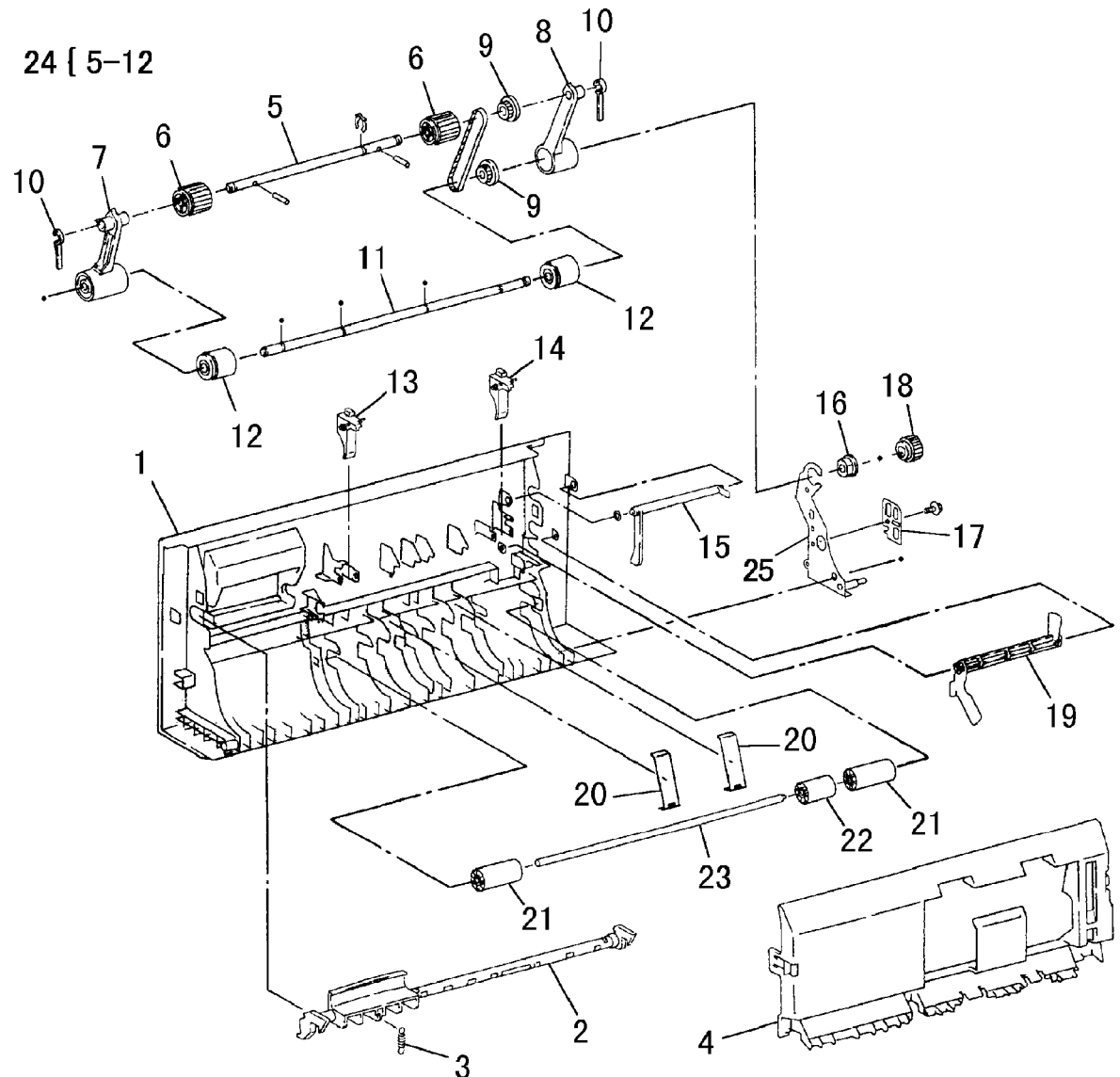
| Item | Part | Description |
|------|-----------|---|
| 1 | - | Top Cover Assembly (REF: PL 5.30) |
| 2 | 019E52940 | F-Feed Holder |
| 3 | 038K86063 | Chute |
| 4 | 032E17920 | Reverse Registration Mylar Holder (P/O PL 5.25 Item 13) |
| 5 | - | DADF Feed In Sensor/DADF Empty Sensor |
| 6 | 809E35430 | Pad Spring |
| 7 | 019K05801 | DADF Retard Pad Assembly |
| 8 | 019E52930 | Pad |
| 9 | 130K62500 | DADF Feed In Sensor/DADF Empty Sensor |
| 10 | - | Not Used |
| 11 | 160K83520 | DADF LED PWB |
| 12 | 113E36150 | Wire Guide |
| 13 | 019K97912 | Pad Assembly |
| 14 | 962K08030 | Wire Harness |



P-8-048-A

PL 5.30 Top Cover Assembly (2 of 2)

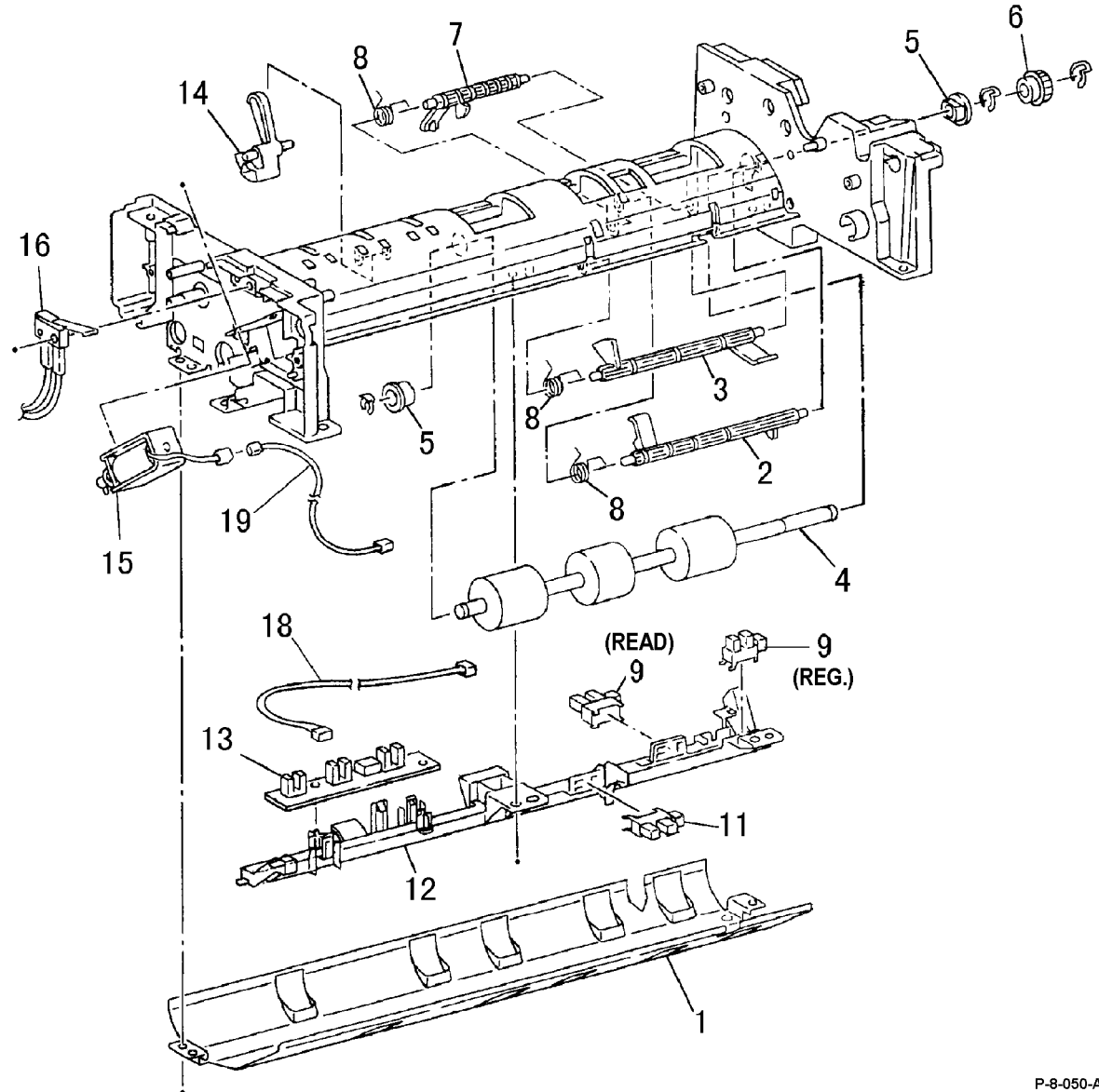
| Item | Part | Description |
|------|-----------|------------------------------------|
| 1 | 802K32900 | Top Cover |
| 2 | 003K12190 | Handle Assembly |
| 3 | 809E35480 | Spring |
| 4 | 802K32910 | Feed U Cover |
| 5 | - | Shaft |
| 6 | 022E87990 | DADF Pickup Roll (REP 5.6) |
| 7 | 121K27390 | Clutch F Spring Assembly |
| 8 | 121K27380 | Clutch R Spring Assembly |
| 9 | 020E35510 | Pulley |
| 10 | 011E12310 | Feed Stop Lever |
| 11 | - | Shaft (P/O PL 5.30 Item 24) |
| 12 | 022E87980 | DADF Feed Roll (One Way) (REP 5.7) |
| 13 | 011E12290 | Front Shutter Lever |
| 14 | 011E12300 | Rear Shutter Lever |
| 15 | 120E21070 | EMP Actuator |
| 16 | - | Bearing (P/O PL 5.10 Item 4) |
| 17 | - | Plate (P/O PL 5.10 Item 4) |
| 18 | 007E72970 | Gear |
| 19 | 120E21080 | Feed Actuator |
| 20 | 809E35440 | Plate Spring |
| 21 | 059E97120 | Registration L Roller |
| 22 | 059E97110 | Registration R Roller |
| 23 | - | Shaft (P/O PL 5.10 Item 4) |
| 24 | 059K21690 | Feed/Pickup Roller Assembly |
| 25 | 015K53500 | Feed Plate |



P-8-049-A

PL 5.35 Chute and Registration Roller

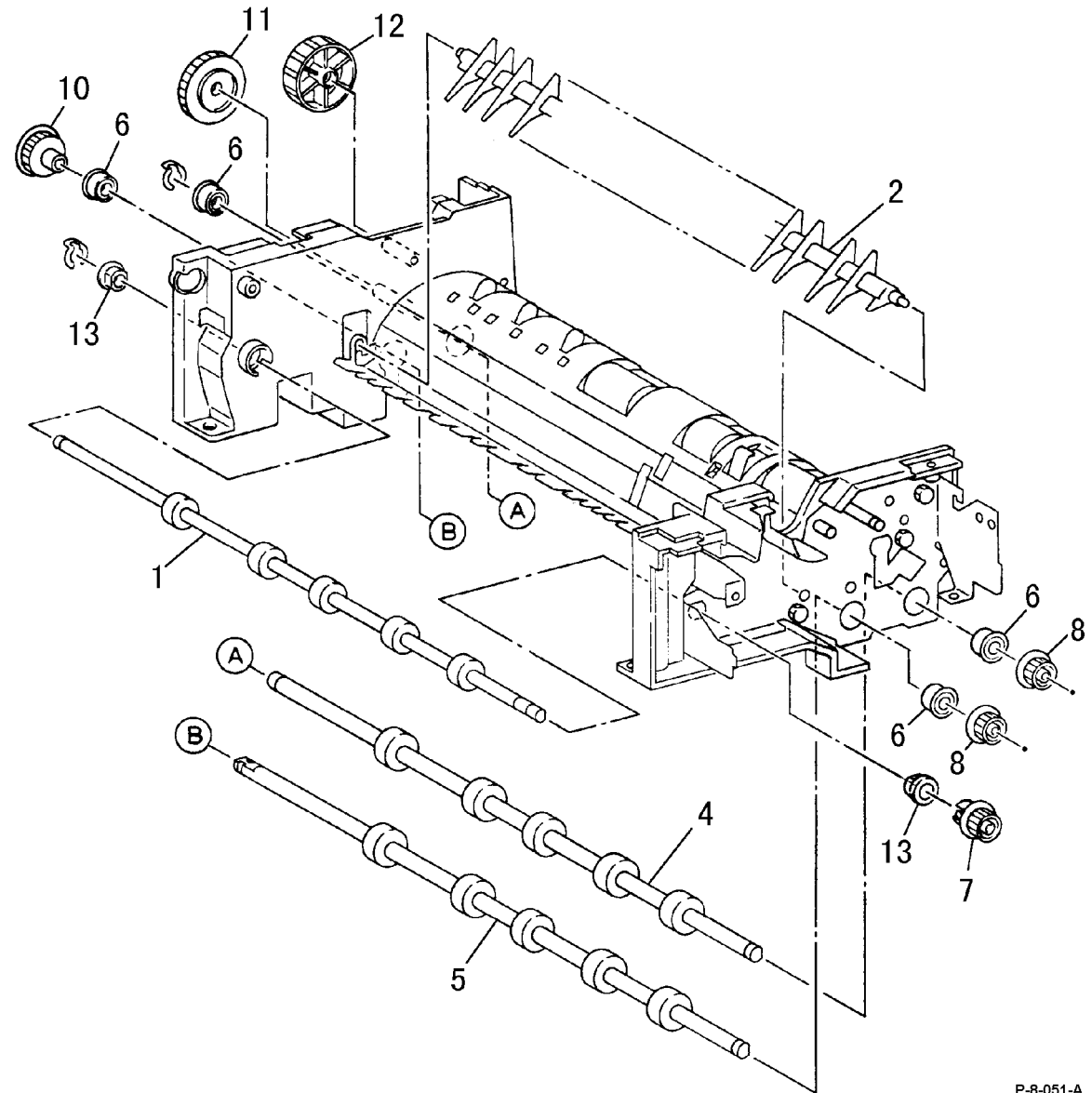
| Item | Part | Description |
|------|-----------|---------------------------------|
| 1 | 032K03651 | Guide Assembly |
| 2 | 120K91900 | Registration Actuator |
| 3 | 120K91910 | Exit Actuator |
| 4 | 006K22030 | Registration Roller (REP 5.8) |
| 5 | - | Bearing (P/O PL 5.10 Item 4) |
| 6 | 020K09980 | Pulley (One Way) |
| 7 | 120K91890 | Read Actuator |
| 8 | 809E35400 | Spring |
| 9 | 130K62500 | Registration Sensor/Read Sensor |
| 10 | - | Not Used |
| 11 | 130K62520 | Exit/Reverse Sensor |
| 12 | 113E36140 | Holder |
| 13 | 130K62510 | Size Sensor Assembly (REP 5.9) |
| 14 | 120K91941 | Size Sensor Actuator |
| 15 | 121K27090 | Exit/Reverse Solenoid |
| 16 | 110K11280 | Top Cover Interlock Switch |
| 17 | - | Not Used |
| 18 | 962K08000 | Wire Harness (DADF Sensor) |
| 19 | 962K07990 | Wire Harness (Solenoid) |



P-8-050-A

PL 5.40 Exit Roller and Read Roller

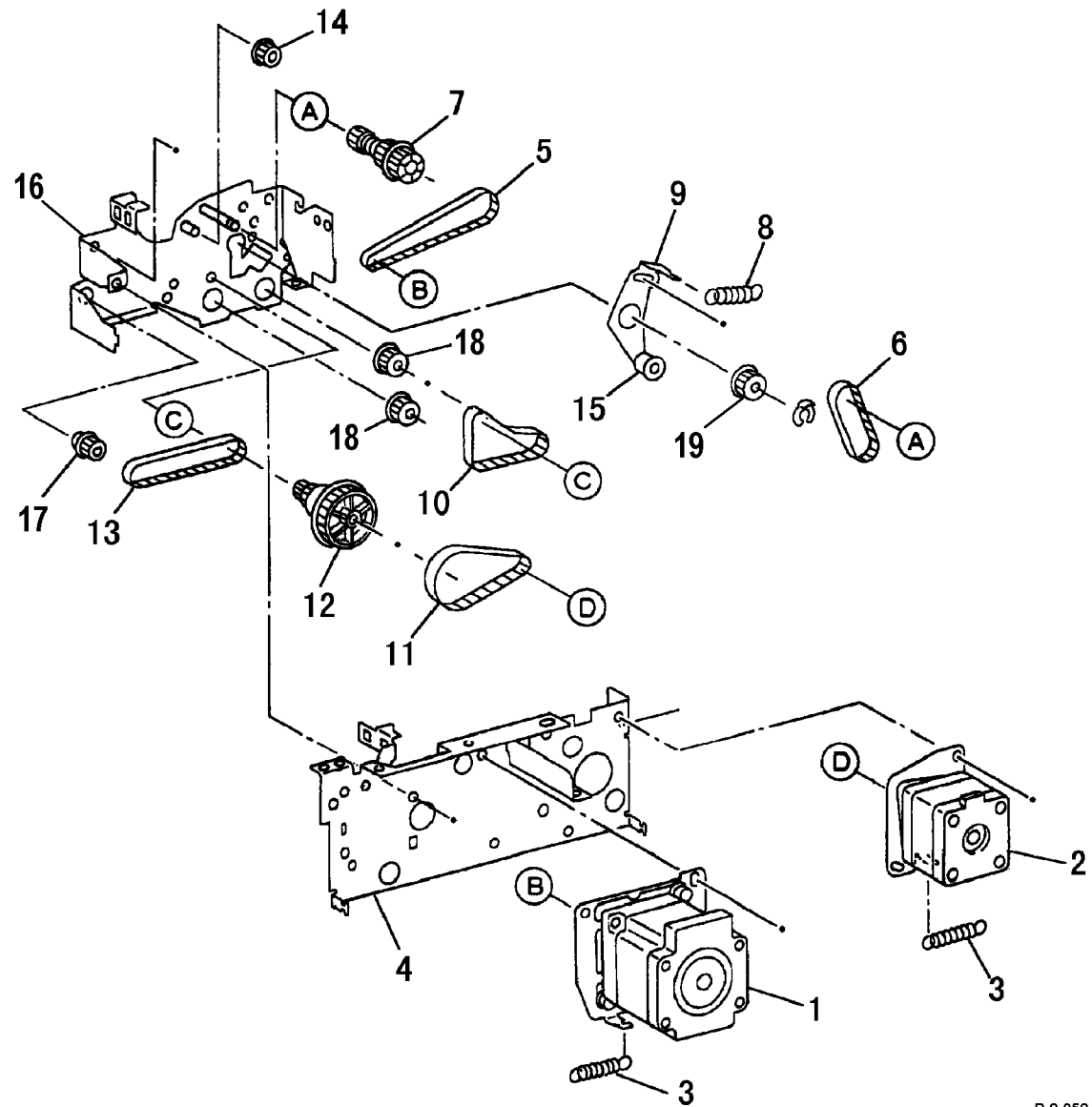
| Item | Part | Description |
|------|-----------|---------------------------|
| 1 | 006K22040 | Exit Roller |
| 2 | 038E24851 | Flap Guide |
| 3 | - | Not Used |
| 4 | 059K21670 | Read 1 Roller |
| 5 | 059K21680 | Read 2 Roller |
| 6 | 013E20350 | Bearing |
| 7 | 020K09990 | Pulley |
| 8 | 020E35490 | Pulley |
| 9 | - | Not Used |
| 10 | 007E72950 | Drive Gear |
| 11 | 007E72940 | Drive Gear |
| 12 | 007E72930 | Drive Gear |
| 13 | - | Bush (P/O PL 5.10 Item 4) |



P-8-051-A

PL 5.45 Drive Assembly

| Item | Part | Description |
|------|-----------|---------------------------------|
| 1 | 127K33650 | DADF Feed In/Registration Motor |
| 2 | 127K33660 | DADF Read/Exit Motor |
| 3 | 809E35420 | Spring |
| 4 | - | Side Frame (P/O PL 5.10 Item 4) |
| 5 | 023E20510 | Belt (S2M106060) |
| 6 | 023E20230 | Belt |
| 7 | 007K12770 | DADF Gear Assembly |
| 8 | 809E35410 | Spring |
| 9 | 030K74840 | Bracket |
| 10 | 023E20210 | Belt |
| 11 | 023E20490 | Belt (S2M079040) |
| 12 | 020E35500 | Drive Pulley |
| 13 | 023E20220 | Belt |
| 14 | 007E72390 | Gear |
| 15 | 020K10000 | Tension Pulley |
| 16 | 015K53480 | Rear Plate Assembly |
| 17 | - | Pulley (REF: PL 5.40 Item 7) |
| 18 | - | Pulley (REF: PL 5.40 Item 8) |
| 19 | - | Gear |



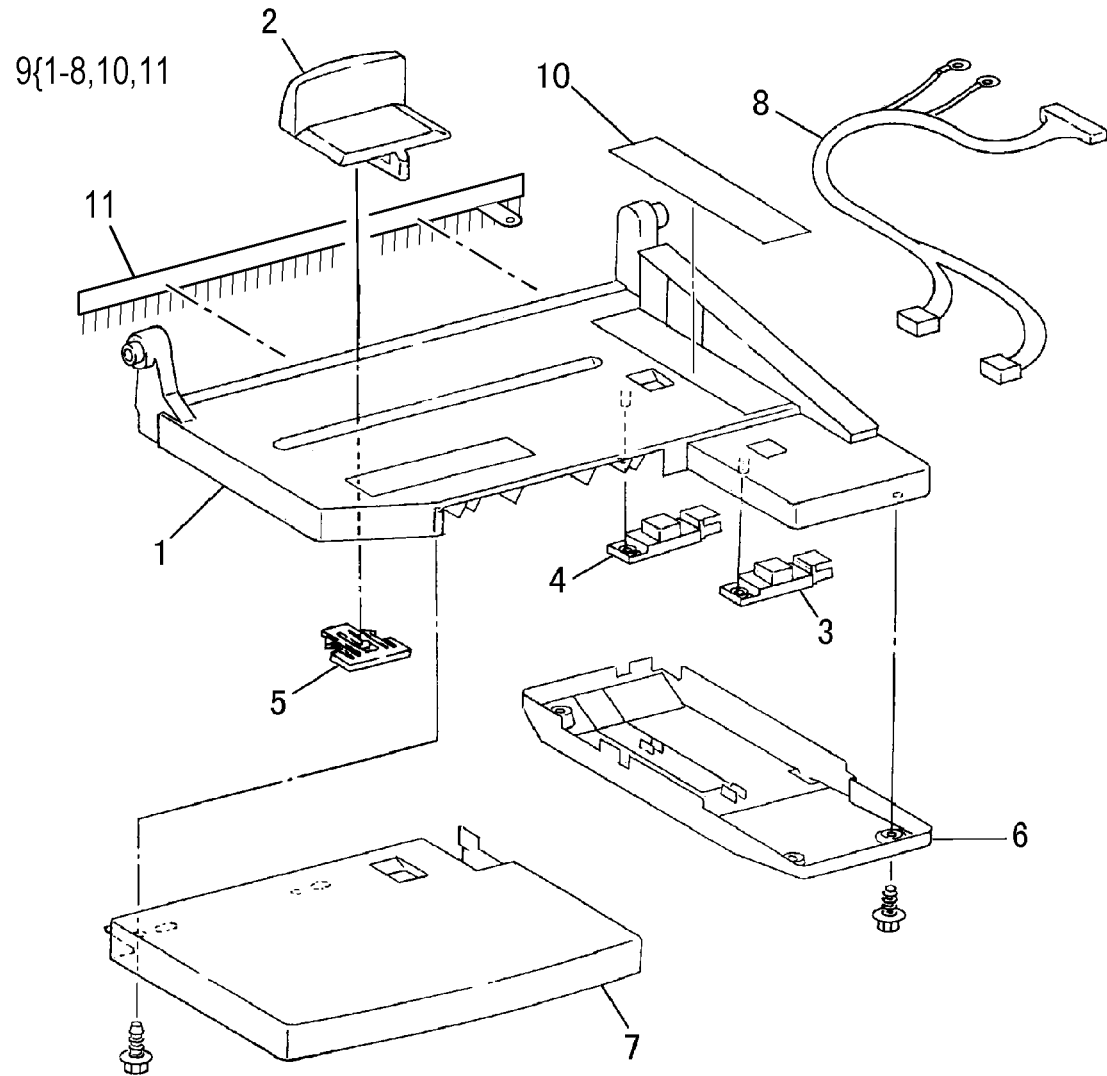
P-8-052-A

PL 5.50 Document Tray (DMO-E)

| Item | Part | Description |
|------|-----------|--|
| 1 | 050K44810 | Document Tray |
| 2 | 038E24860 | Side Guide |
| 3 | 130E84140 | Document TE Size Sensor/Last Document Sensor |
| 4 | – | Not Used |
| 5 | – | Bracket (P/O PL 5.50 Item 9) |
| 6 | 802K34190 | Tray Under Cover |
| 7 | 802K34180 | Tray Clear Cover |
| 8 | 962K09080 | Wire Harness |
| 9 | 050K44800 | Tray Assembly |
| 10 | 892E58650 | Label |
| 11 | 105E10850 | Eliminator |

NOTE: Only installed on DMO-E machines with a serial number in the following ranges;

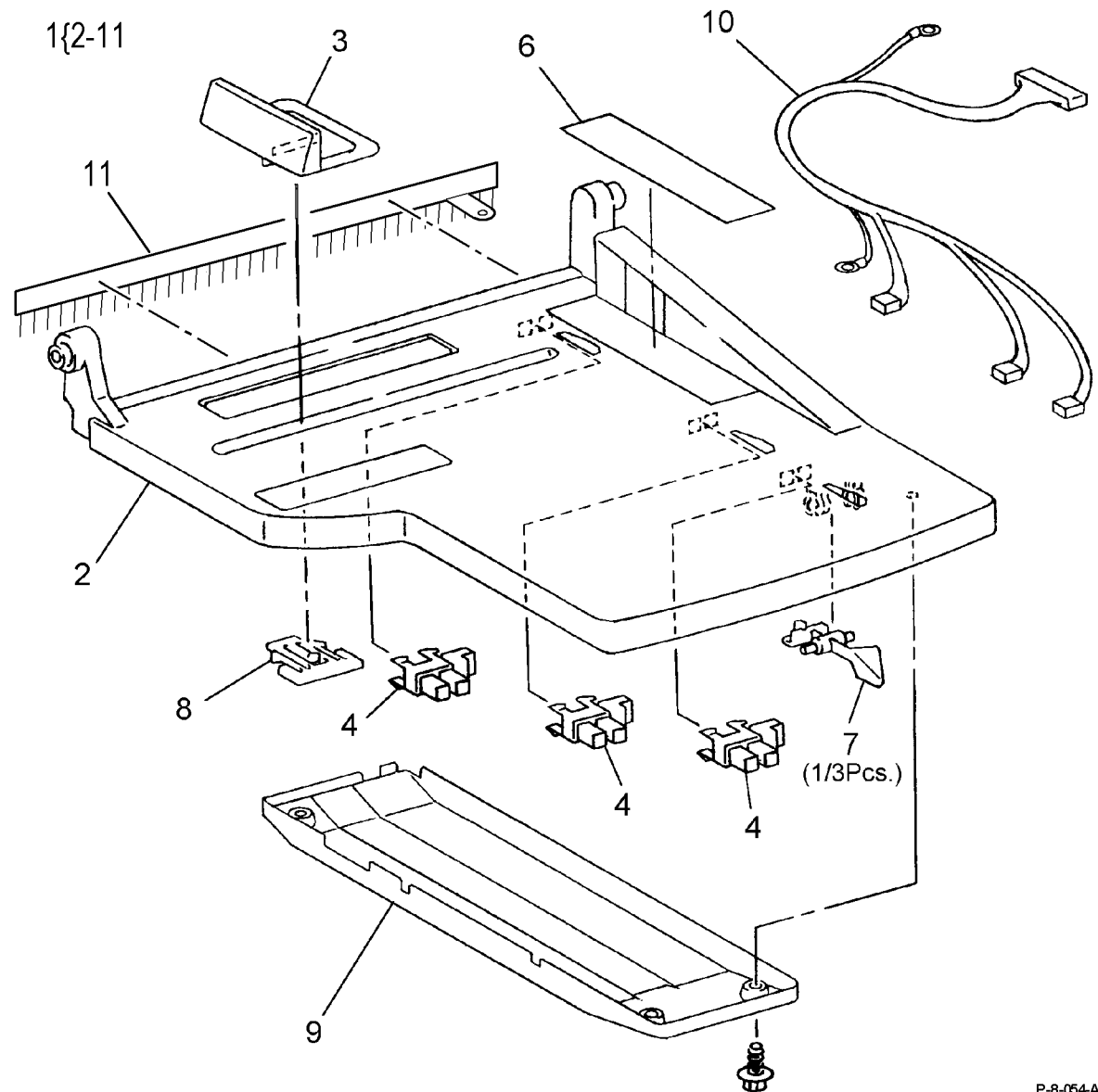
- 351 200001x to 351 204000x
- 351 300001x to 351 304000x
- 351 400001x to 351 404000x
- 351 600001x to 351 604000x
- 351 700001x to 351 704000x



P-8-053-A

PL 5.55 Document Tray

| Item | Part | Description |
|------|-----------|------------------------------|
| 1 | 050K47970 | Tray Assembly |
| 2 | 050K47980 | Document Tray |
| 3 | 038E24860 | Side Guide |
| 4 | 130E84140 | Document Size Sensor |
| 5 | - | Not Used |
| 6 | 892E58650 | Label |
| 7 | 120K91920 | Document Tray Flag Actuator |
| 8 | - | Bracket (P/O PL 5.55 Item 1) |
| 9 | 802K45480 | Tray Under Cover |
| 10 | 962K09070 | Wire Harness |
| 11 | 105E10850 | Eliminator |

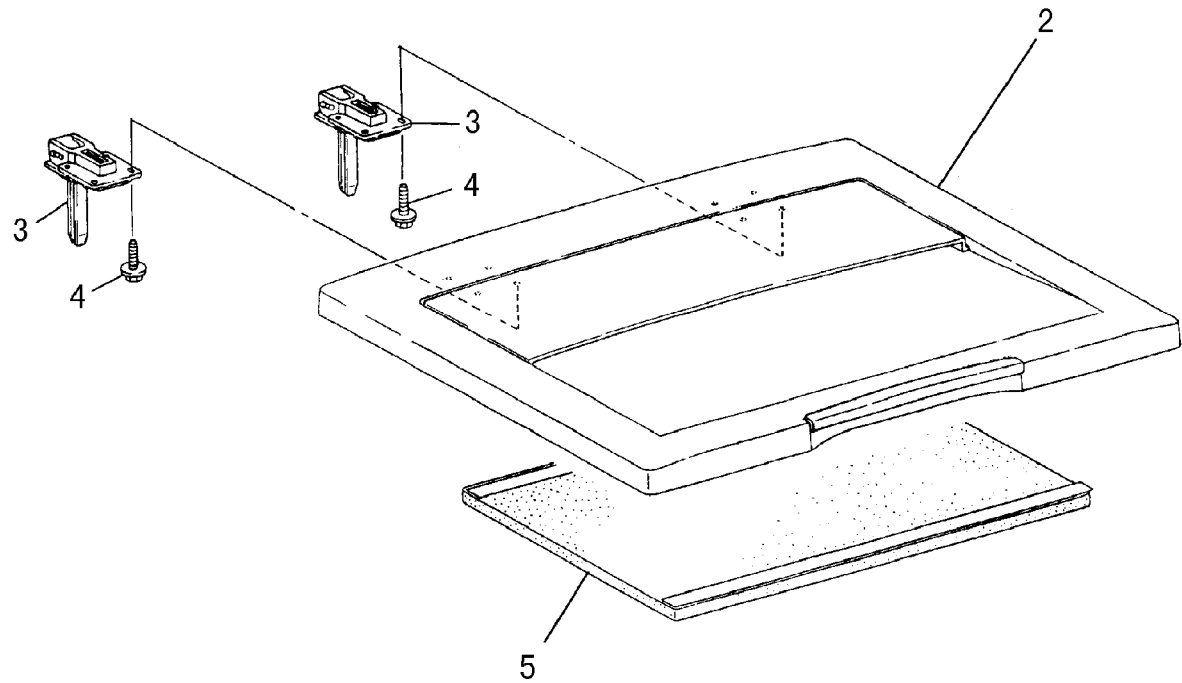


P-8-054-A

PL 5.60 Document Cover

| Item | Part | Description |
|------|-----------|-------------------------------------|
| 1 | 802K26013 | Document Cover Assembly |
| 2 | — | Document Cover (P/O PL 5.60 Item 1) |
| 3 | 036K91511 | Counterbalance |
| 4 | — | Screw (P/O PL 5.60 Item 1) |
| 5 | 004E12330 | Document Cushion (REP 6.7) |

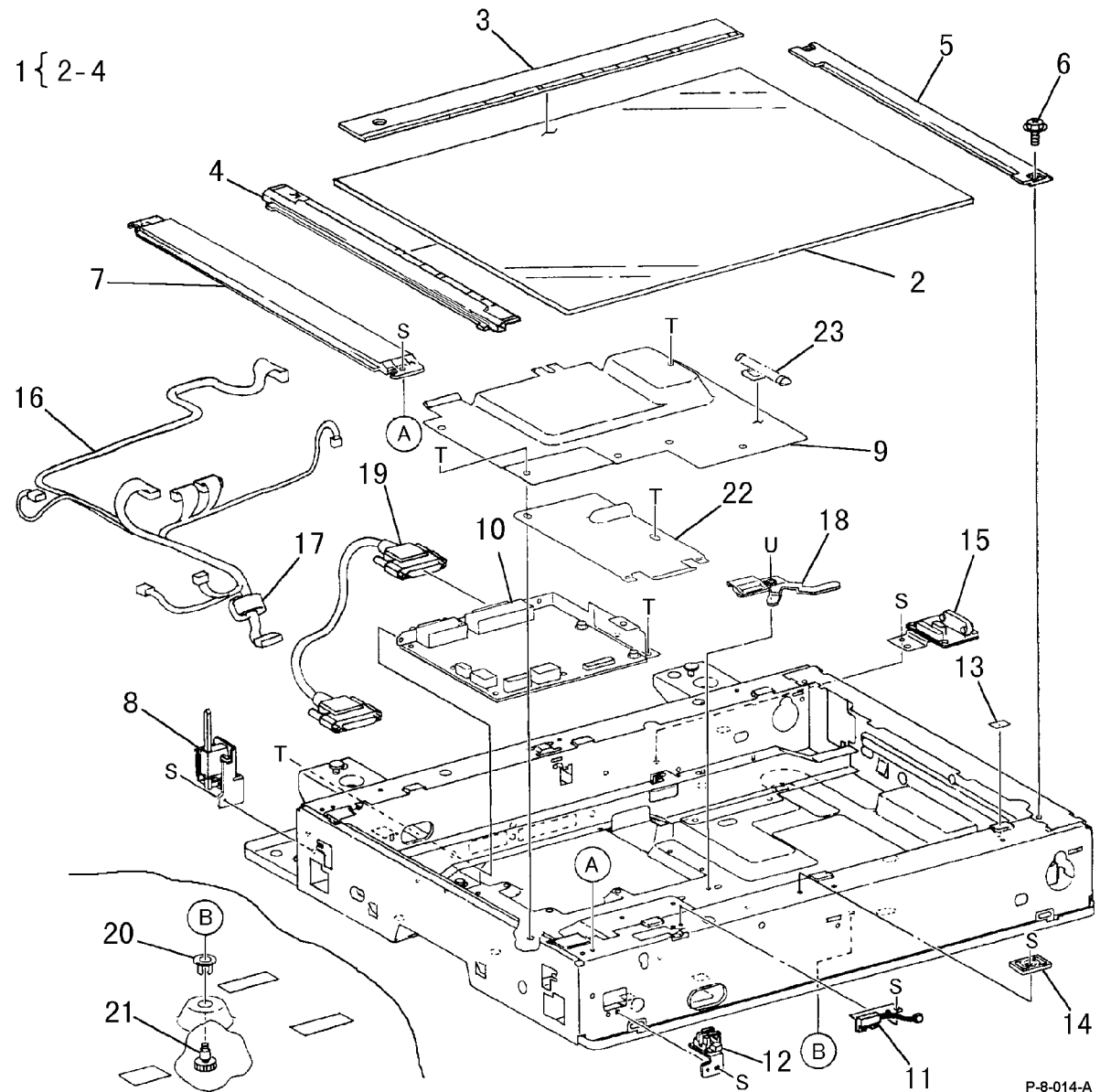
1 { 2 - 4



P-8-018-A

PL 6.10 Document Glass and IPS PWB

| Item | Part | Description |
|------|-----------|---|
| 1 | 090K92954 | Document Glass Assembly |
| 2 | - | Document Glass (P/O PL 6.10 Item 1) (REP 6.1) |
| 3 | - | Side Guide (P/O PL 6.10 Item 1) |
| 4 | - | Lead Guide (P/O PL 6.10 Item 1) |
| 5 | 015E74730 | Right Side Plate |
| 6 | - | Screw |
| 7 | 802E26340 | Cover |
| 8 | 130K62162 | DADF/Document Cover Angle Sensor |
| 9 | - | PWB Cover (Not Spared) |
| 10 | 160K87583 | IIT/IPS PWB (REP 3.1) |
| 11 | 110K11110 | DADF/Document Cover Open Switch |
| 12 | 130K62150 | IIT Registration Sensor |
| 13 | 019E50510 | Pad |
| 14 | 830E80890 | Support |
| 15 | 160K74831 | Carriage Motor Drive PWB |
| 16 | 162K20483 | IIT Wire Harness |
| 17 | - | Ferrite |
| 18 | 003E55820 | Stopper |
| 19 | 117E94760 | Cable (IIT-IOT) |
| 20 | - | Spacer (Not Spared) |
| 21 | - | Screw |
| 22 | 802E23210 | Cover |
| 23 | 809E03690 | Spring |



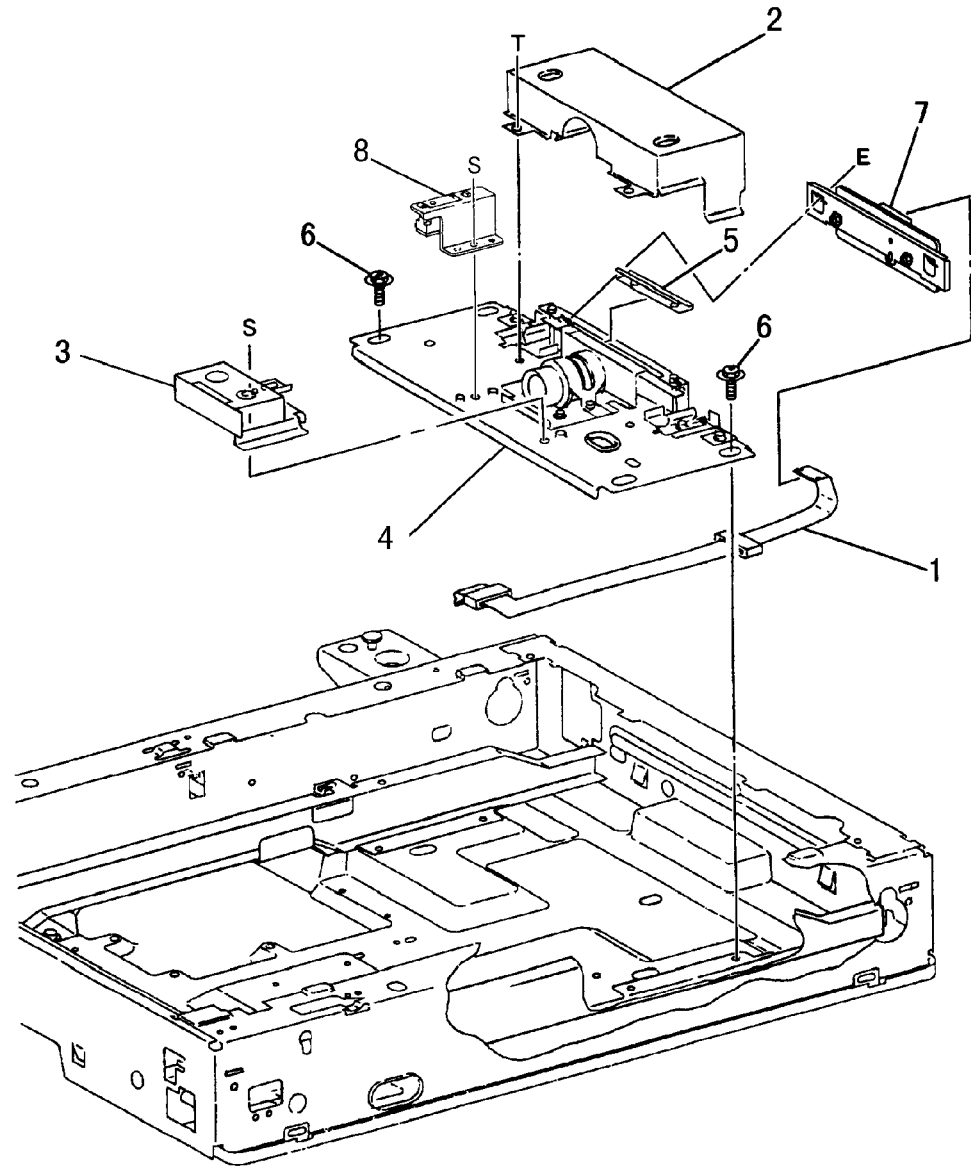
P-8-014-A

PL 6.15 Lens Assembly and CCD PWB

| Item | Part | Description |
|------|-----------|---|
| 1 | 117K29920 | FPC CCD Assembly |
| 2 | 802K29130 | CCD Cover |
| 3 | 130K62140 | IIT Size Detect Sensor (DMO-E) (see NOTE) |
| 4 | 062K10680 | Lens Assembly and CCD PWB (DMO-E) (see NOTE) (REP 6.2) |
| - | 062K11290 | Lens Assembly and CCD PWB (DMO/XE/NASG) (REP 6.2) |
| 5 | 809E27890 | Spring |
| 6 | - | Screw |
| 7 | 160K77220 | CCD PWB |
| 8 | 130K62930 | IIT Size Detect Sensor (DMO/XE/ NASG) |

NOTE: Only installed on DMO-E machines with a serial number in the following ranges;

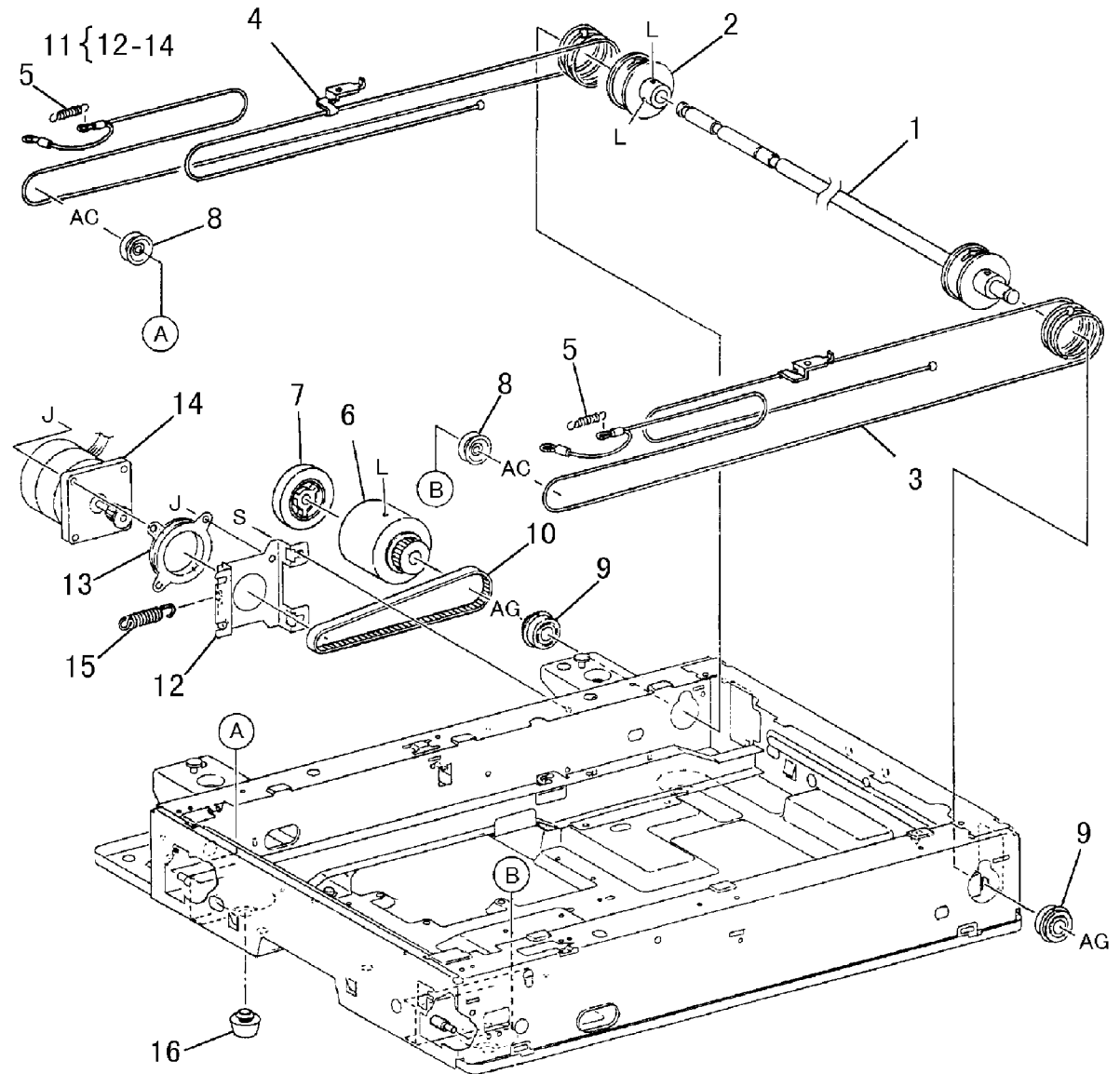
- 351 200001x to 351 204000x
- 351 300001x to 351 304000x
- 351 400001x to 351 404000x
- 351 600001x to 351 604000x
- 351 700001x to 351 704000x



P-8-015-A

PL 6.20 Carriage Motor and Cables

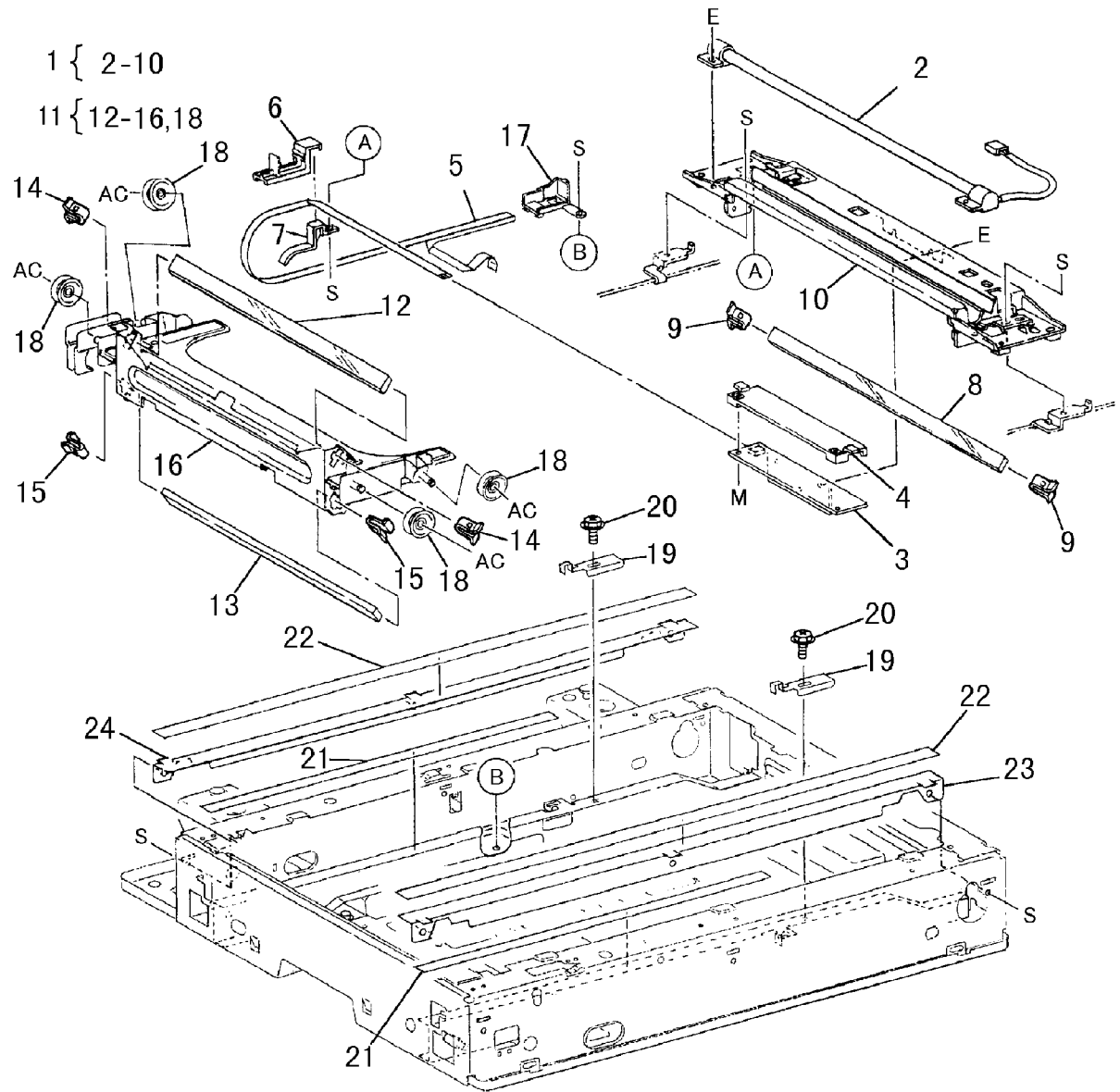
| Item | Part | Description |
|------|-----------|--------------------------------------|
| 1 | - | Capstan Shaft (Not Spared) |
| 2 | - | Pulley (Not Spared) |
| 3 | 012K94190 | Front Carriage Cable (REP 6.4) |
| 4 | 012K94200 | Rear Carriage Cable (REP 6.4) |
| 5 | 809E34730 | Spring |
| 6 | - | Timing Pulley (Not Spared) (REP 6.3) |
| 7 | 004E06461 | Damper |
| 8 | - | Pulley (Idler) (Not Spared) |
| 9 | - | Bearing (Ball) (Not Spared) |
| 10 | 023E08690 | Belt |
| 11 | 127K32971 | Carriage Motor Assembly |
| 12 | - | Bracket (P/O PL 6.20 Item 11) |
| 13 | - | Damper (P/O PL 6.20 Item 11) |
| 14 | 127K35510 | Carriage Motor |
| 15 | 809E34750 | Spring |
| 16 | 017E94750 | Foot |



P-8-016-A

PL 6.25 Full Rate and Half Rate Carriages

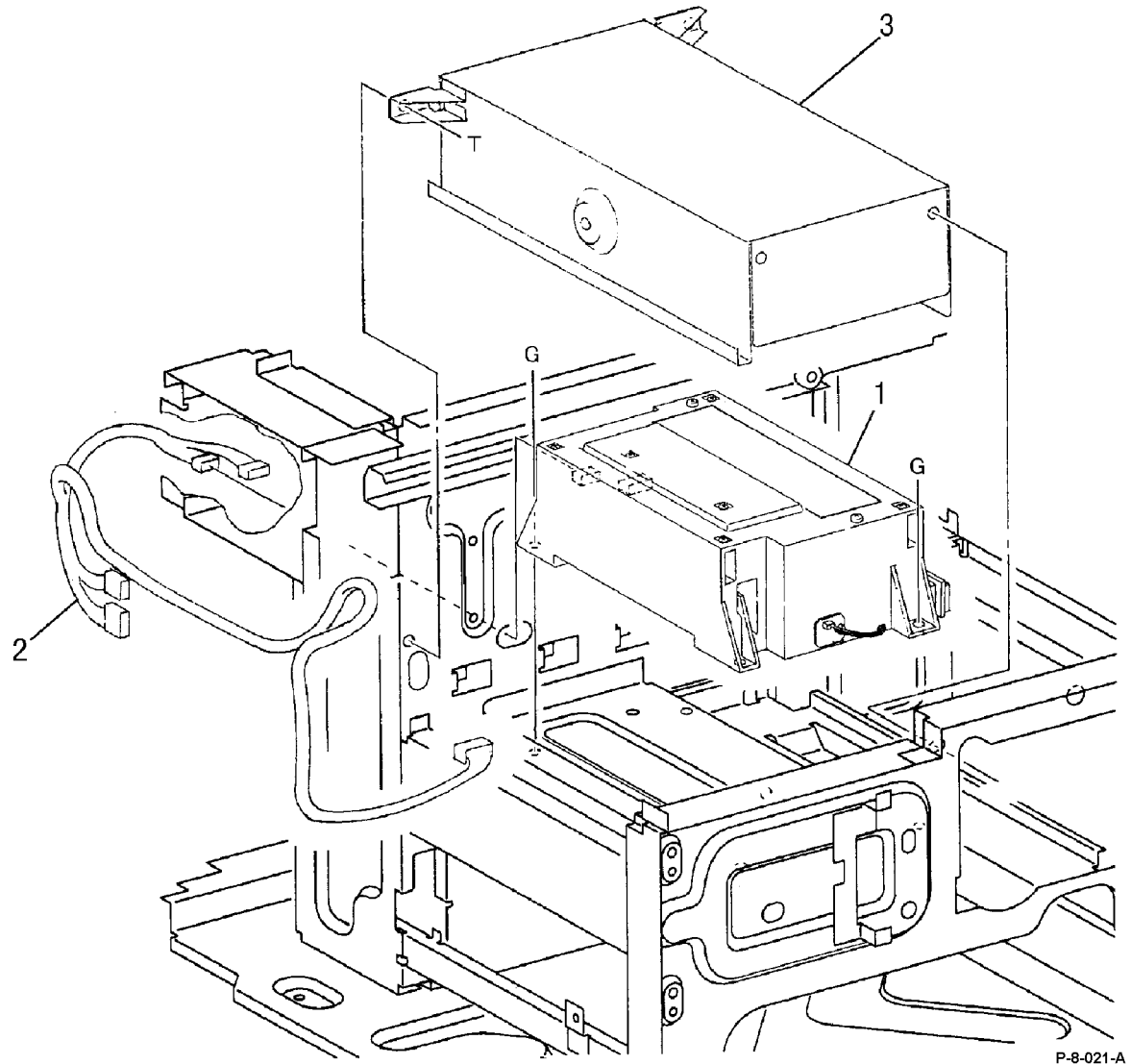
| Item | Part | Description |
|------|-----------|--|
| 1 | 041K94191 | Full Rate Carriage Assembly (ADJ 6.1, ADJ 6.2) |
| 2 | 122K93290 | Exposure Lamp (REP 6.5) |
| 3 | 105E10430 | Lamp Ballast PWB |
| 4 | - | Insulator (P/O PL 6.25 Item 1) |
| 5 | 117E20920 | Lamp Wire Harness (REP 6.6) |
| 6 | - | Guide (P/O PL 6.25 Item 1) |
| 7 | - | Guide (P/O PL 6.25 Item 1) |
| 8 | 062E93781 | Mirror (No. 1) |
| 9 | - | Spring (P/O PL 6.25 Item 1) |
| 10 | - | Full Rate Carriage (P/O PL 6.25 Item 1) |
| 11 | 041K94170 | Half Rate Carriage Assembly (ADJ 6.1) |
| 12 | 062E98160 | Mirror (No. 2) |
| 13 | 062E98170 | Mirror (No. 3) |
| 14 | 809E34640 | Spring |
| 15 | 809E07260 | Spring |
| 16 | - | Half Rate Carriage (P/O PL 6.25 Item 11) |
| 17 | - | Holder (Not Spared) |
| 18 | 020E99590 | Pulley |
| 19 | 003E55810 | Stopper |
| 20 | - | Screw |
| 21 | 063E92581 | Tape (Half Rate) |
| 22 | 063E92571 | Tape (Full Rate) |
| 23 | - | Front Rail (Not Spared) |
| 24 | - | Rear Rail (Not Spared) |



P-8-017-A

PL 6.30 ROS

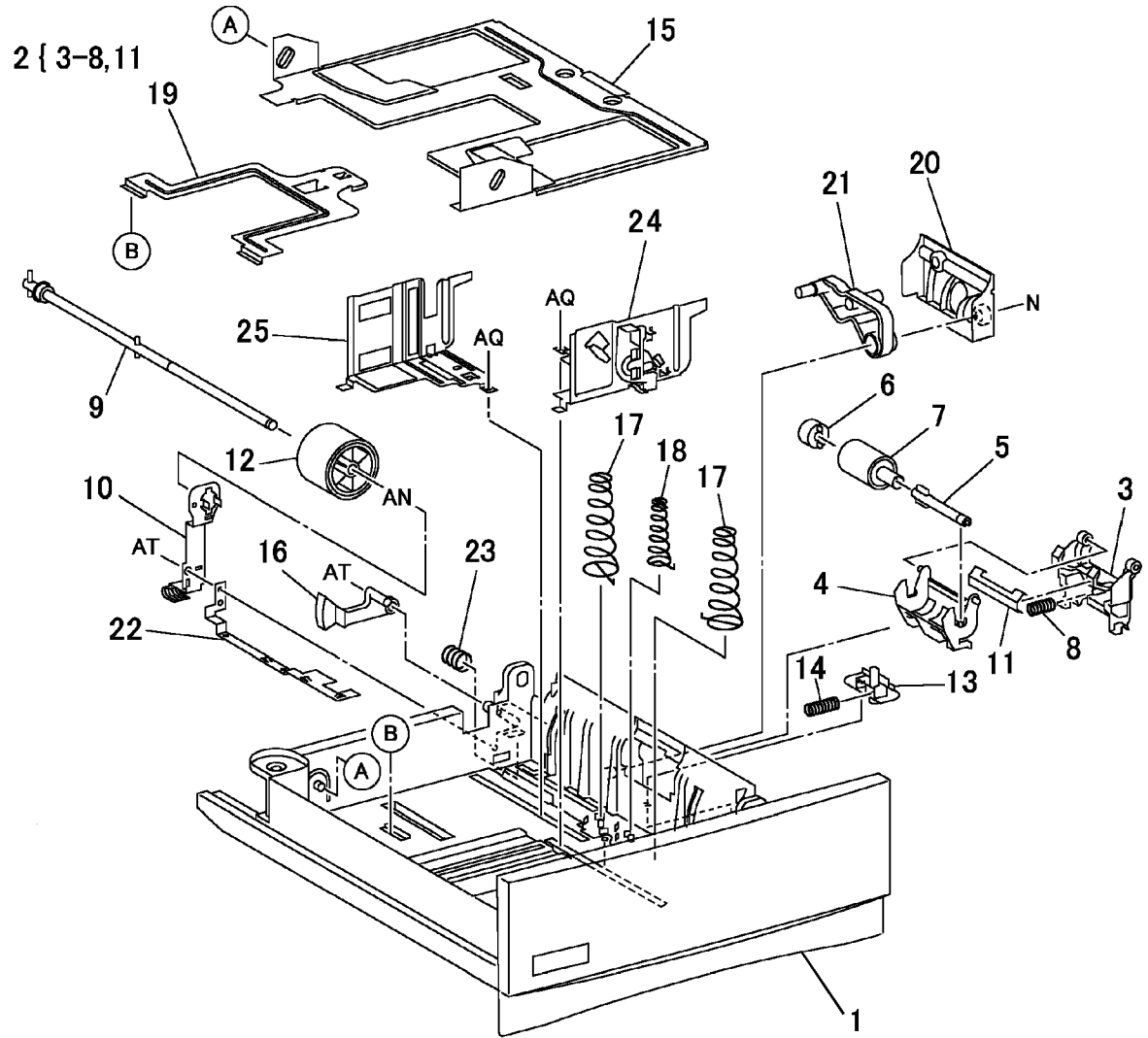
| Item | Part | Description |
|------|-----------|---------------|
| 1 | 062K11081 | ROS (REP 6.8) |
| 2 | 162K65102 | ROS Harness |
| 3 | 802E27131 | ROS Cover |



P-8-021-A

PL 7.15 Tray 1 Assembly (1 of 2)

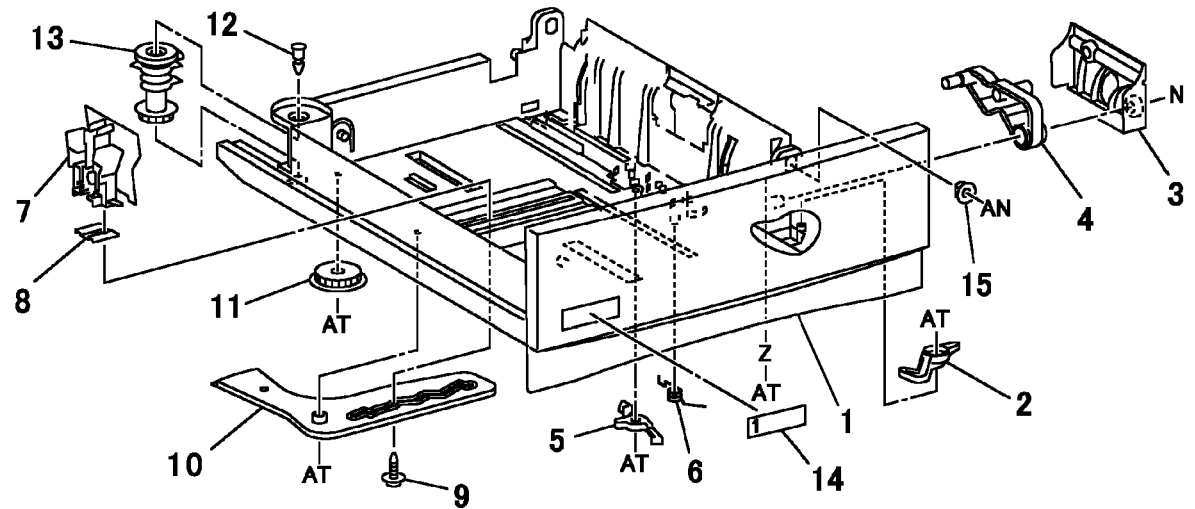
| Item | Part | Description |
|------|-----------|---|
| 1 | - | Tray (REF: PL 7.10 Item 15) |
| 2 | 802K29704 | Retard Roller Assembly |
| 3 | - | Housing (P/O PL 7.15 Item 1) |
| 4 | - | Holder (P/O PL 7.15 Item 1) |
| 5 | - | Shaft (P/O PL 7.15 Item 1) |
| 6 | 005K06110 | Friction Clutch |
| 7 | 059K21960 | Retard Roller (REP 7.2) |
| 8 | - | Spring (P/O PL 7.15 Item 1) |
| 9 | - | Shaft (P/O PL 7.10 Item 15) |
| 10 | 809E33030 | Ground Spring |
| 11 | 015K53422 | Plate |
| 12 | 059K21970 | Feed Roller |
| 13 | - | Retard Lever (P/O PL 7.10 Item 15) |
| 14 | 809E33450 | Spring |
| 15 | - | Bottom Plate Assembly (Upper) (P/O PL 7.10 Item 15) |
| 16 | 120E20821 | Actuator |
| 17 | 809E14793 | Spring |
| 18 | 809E18760 | Spring (Centre) |
| 19 | - | Bottom Plate (Lower) (P/O PL 7.10 Item 15) |
| 20 | - | Cover (P/O PL 7.10 Item 15) |
| 21 | - | Latch (Rear) (P/O PL 7.10 Item 15) |
| 22 | 809E33481 | Ground Plate |
| 23 | - | Spring (P/O PL 7.10 Item 15) |
| 24 | 038K85904 | Side Guide (Front) |
| 25 | 038K86153 | Side Guide (Rear) |



P-8-003-A

PL 7.16 Tray 1 Assembly (2 of 2)

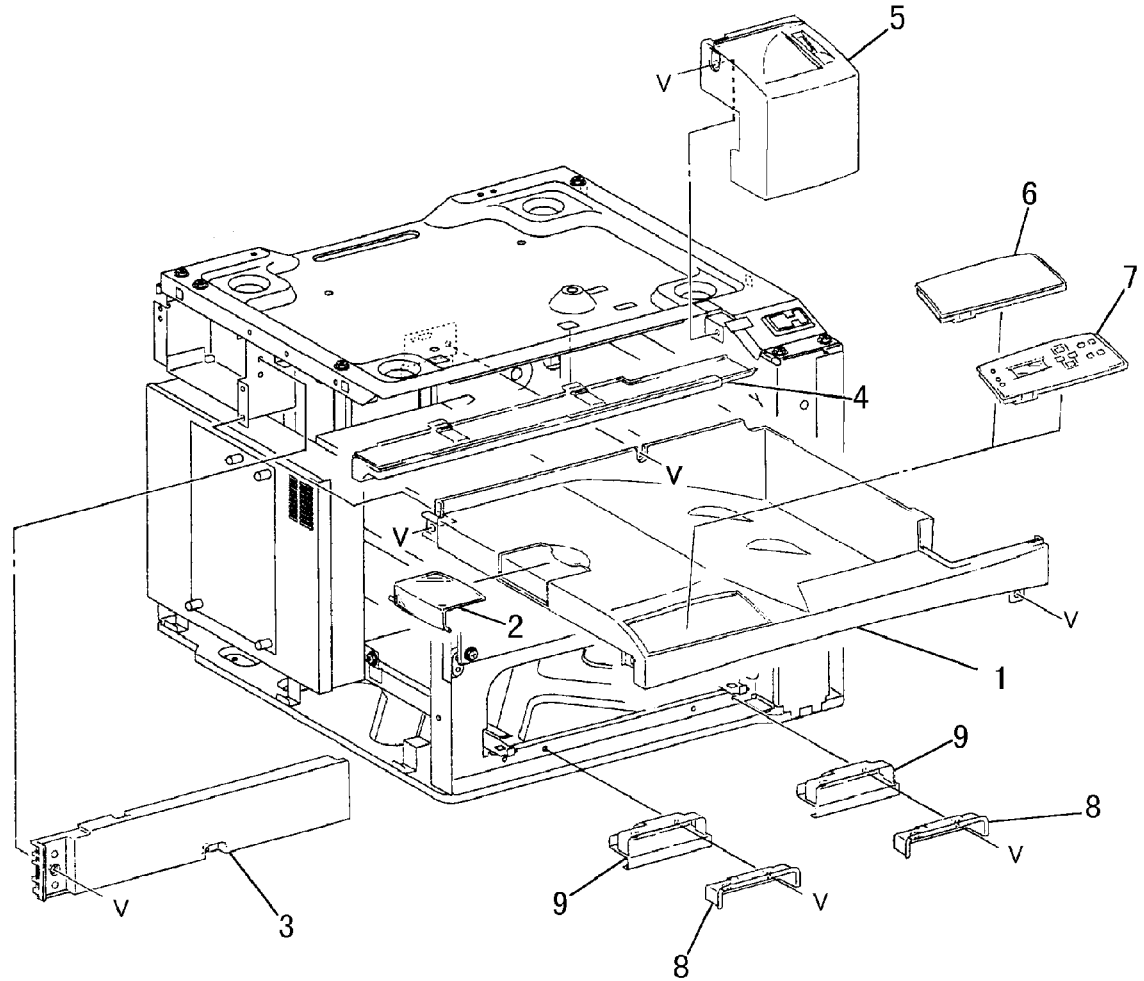
| Item | Part | Description |
|------|-----------|-------------------------------------|
| 1 | – | Tray (P/O PL 7.10 Item 15) |
| 2 | 011E12262 | Lever Lock |
| 3 | – | Cover (P/O PL 7.10 Item 15) |
| 4 | – | Latch (Front) (P/O PL 7.10 Item 15) |
| 5 | – | Latch (P/O PL 7.10 Item 15) |
| 6 | 809E18771 | Spring |
| 7 | 038K85921 | End Guide |
| 8 | – | Plate (P/O PL 7.10 Item 15) |
| 9 | – | Screw (P/O PL 7.10 Item 15) |
| 10 | – | Sector (P/O PL 7.10 Item 15) |
| 11 | – | Gear (P/O PL 7.10 Item 15) |
| 12 | 029E14970 | Lock Pin |
| 13 | 008E93991 | Size Cam (REP 8.1) |
| 14 | 892E43611 | Label (Tray 1) |
| 15 | – | Bearing (P/O PL 7.10 Item 15) |



P-8-081-A

PL 7.20 Covers (1 of 3)

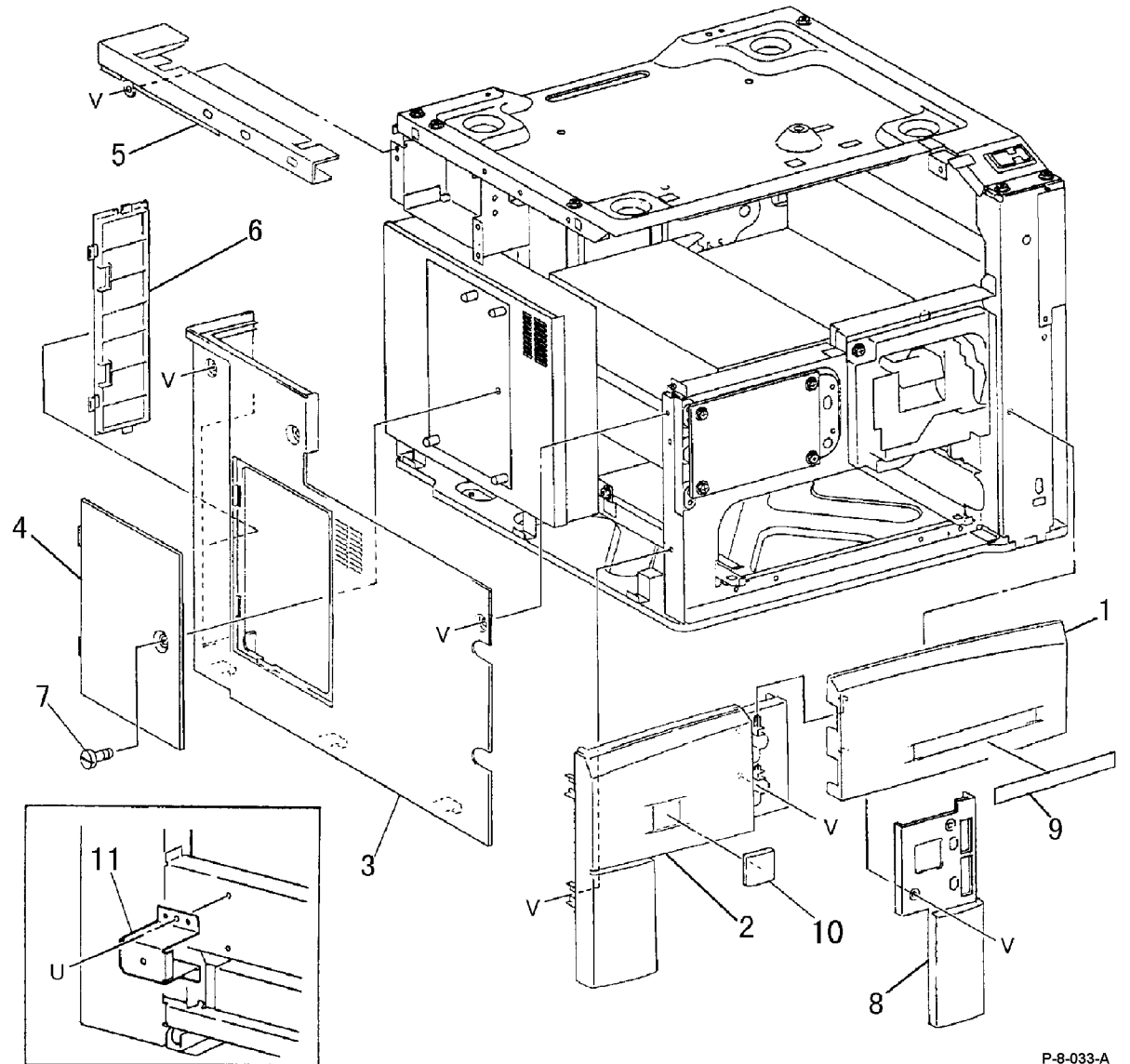
| Item | Part | Description |
|------|-----------|---------------------|
| 1 | 802E26104 | Top Cover (REP 8.4) |
| 2 | 802E28101 | Stopper |
| 3 | 802E27341 | Top Rail Cover |
| 4 | 802E27365 | IIT Front Cover |
| 5 | 802E27163 | Fuser Top Cover |
| 6 | 802E27202 | Blind Cover |
| 7 | 802K31271 | Control Panel |
| 8 | 802E29511 | Handle Cover |
| 9 | 830E79574 | Bracket |



P-8-032-A

PL 7.25 Covers (2 of 3)

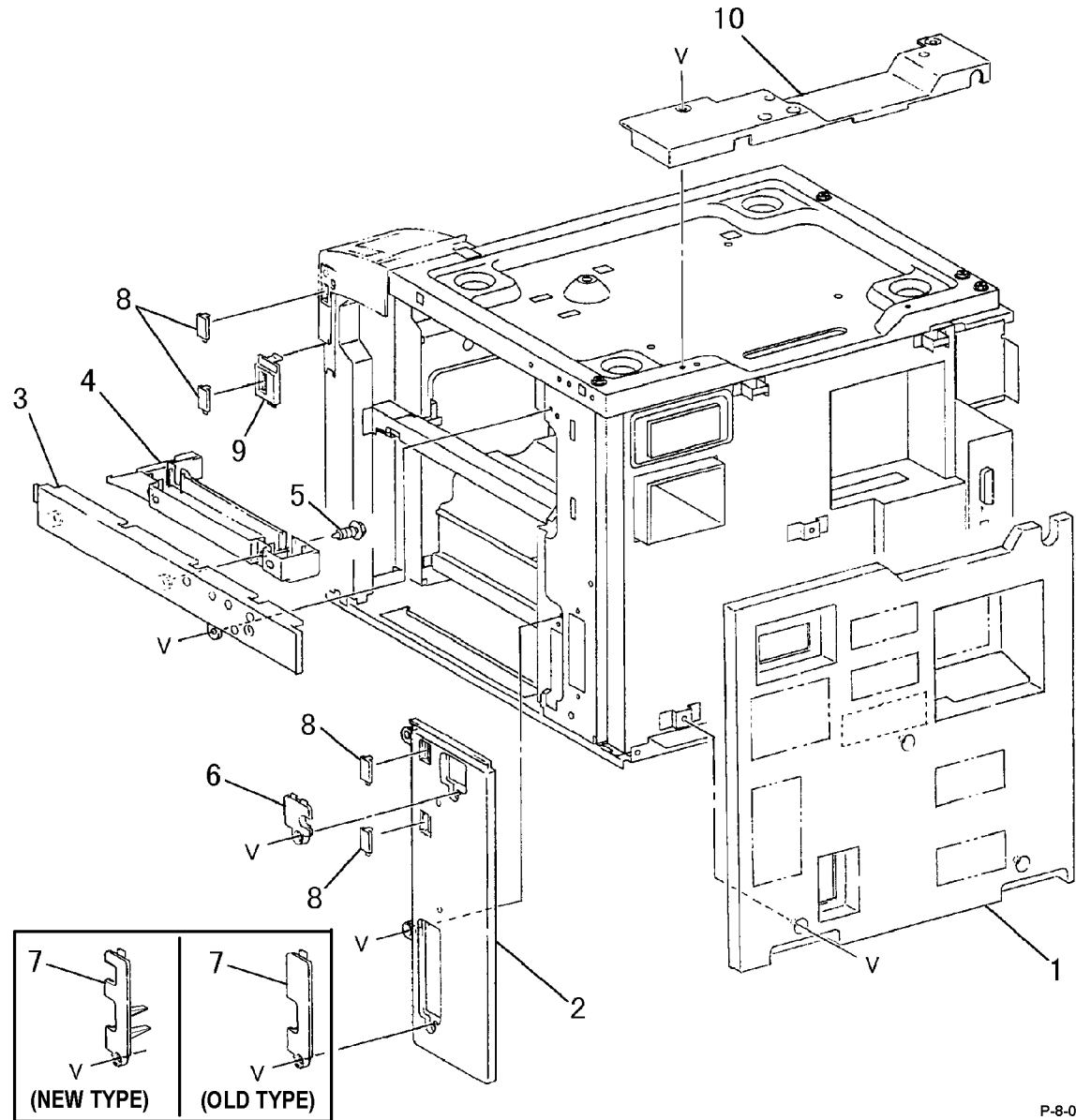
| Item | Part | Description |
|------|-----------|----------------------------|
| 1 | 802K29675 | Front Right Cover Assembly |
| 2 | 802E26384 | Front Left Cover |
| 3 | 802E26393 | Left Cover |
| 4 | 802E27321 | ESS Cover |
| 5 | 802E27385 | IIT Left Cover |
| 6 | 802E27450 | Connector Cover |
| 7 | 026E67850 | Screw |
| 8 | 802E27512 | Front Right Cover |
| 9 | 892E50600 | Plate Badge WCP 423 |
| - | 892E50620 | Plate Badge WCP 428 |
| 10 | 892E56011 | Badge X |
| 11 | 830E80971 | Bracket ESS |



P-8-033-A

PL 7.30 Covers (3 of 3)

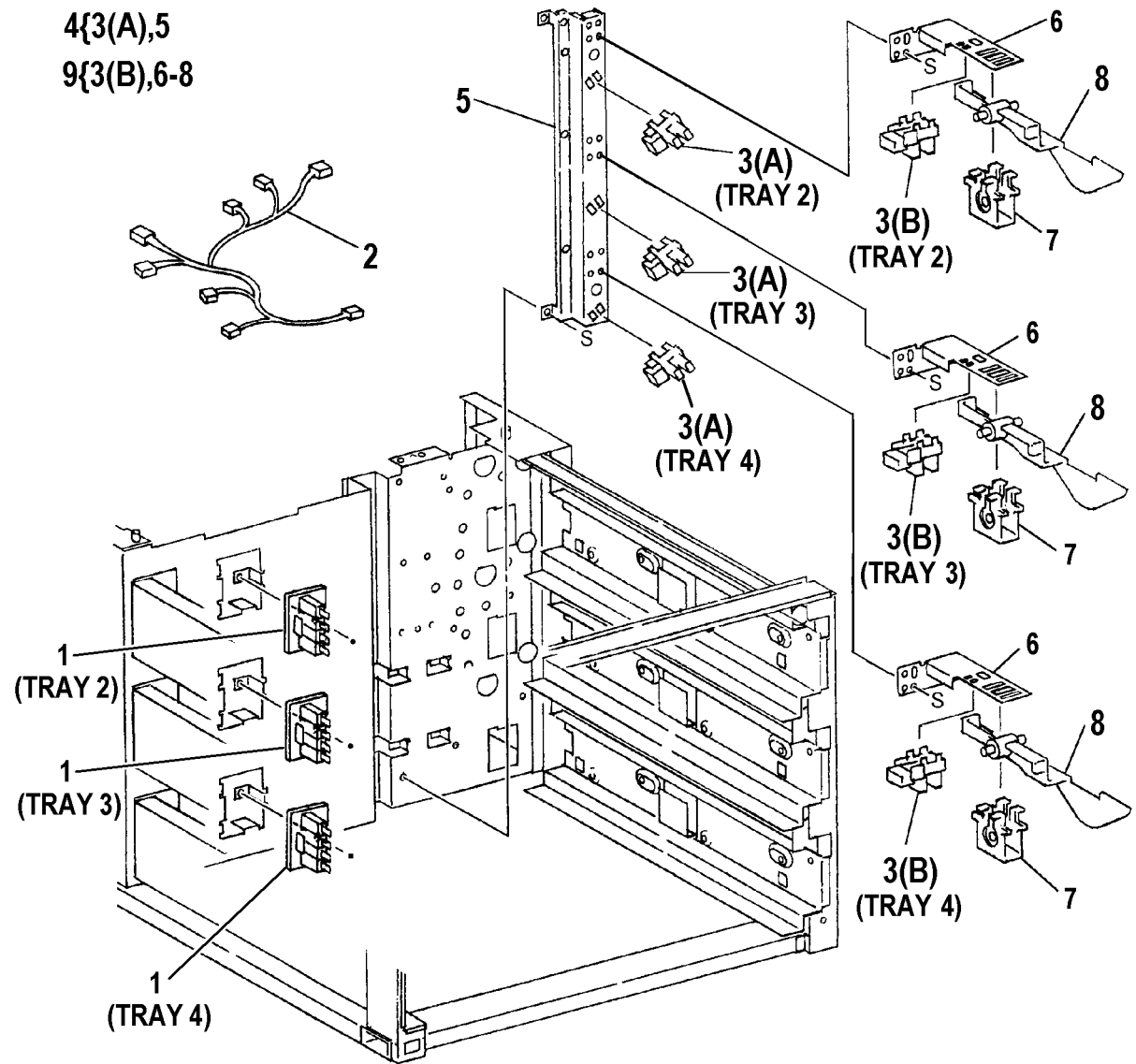
| Item | Part | Description |
|------|-----------|------------------------------|
| 1 | 802E27155 | Rear Cover |
| 2 | 802E28143 | Right Inner Cover |
| 3 | 802E27406 | IIT Right Cover |
| 4 | 802E28123 | Inner Cover |
| 5 | 026P63574 | Screw |
| 6 | 802E28180 | Right Cover Cap B |
| 7 | 802E28162 | Right Cover Cap A (Old Type) |
| - | 802E28172 | Right Cover Cap A (New Type) |
| 8 | 802E27421 | Finisher Blind Cover |
| 9 | 802E27443 | Top Plate |
| 10 | 802E26403 | IIT Rear Cover |



P-8-034-A

PL 7.35 Switch PWBs

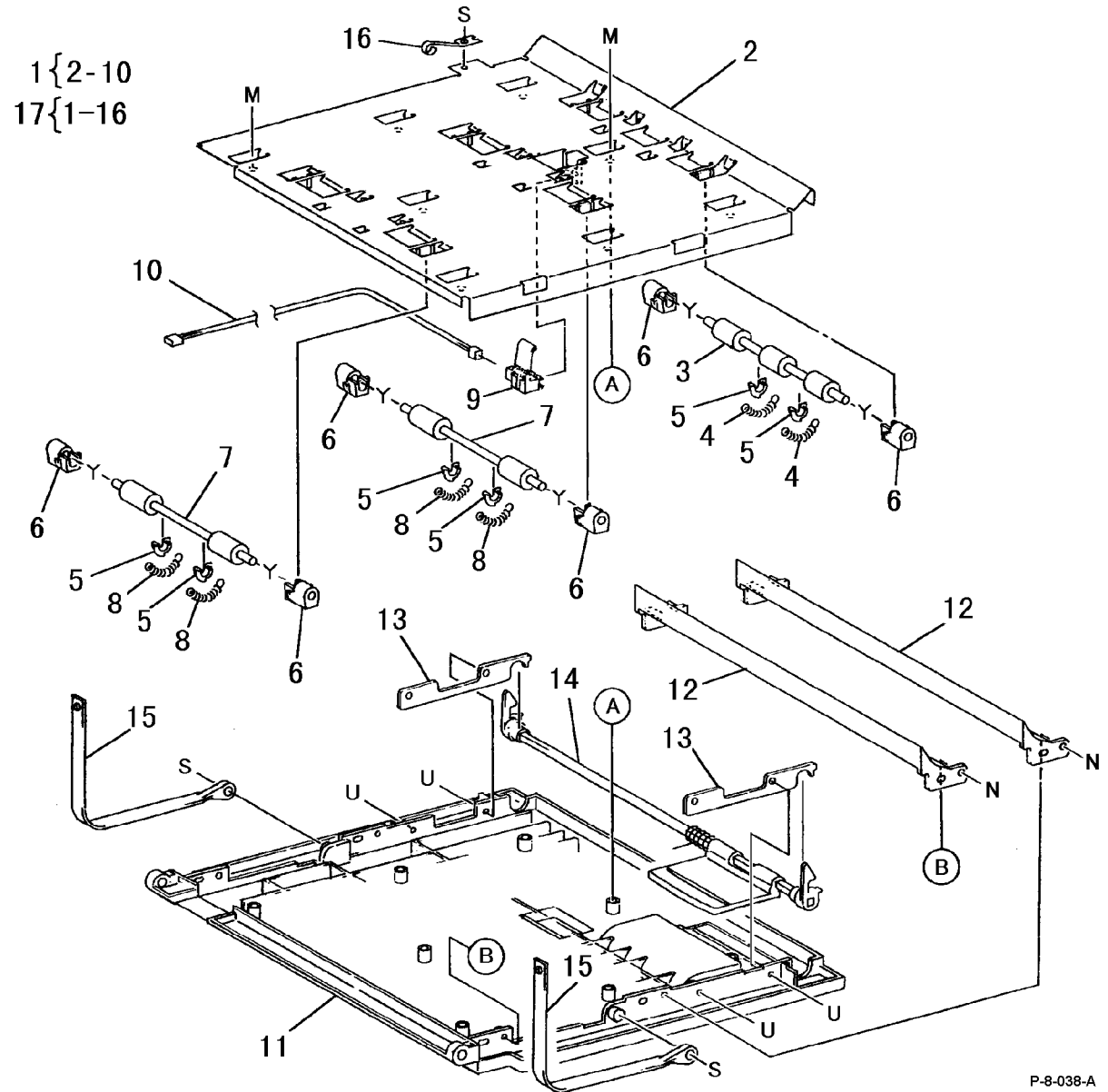
| Item | Part | Description |
|------|-----------|---|
| 1 | 110K10960 | Tray 2, 3 and 4 Size Switch PWB |
| 2 | 162K63991 | Wire Harness |
| 3 | 130E82740 | Tray 2, 3 and 4 Near End Sensor (A)/Tray 2, 3 and 4 No Paper Sensor (B) |
| 4 | 015K50090 | Near End Bracket Assembly |
| 5 | - | Bracket (P/O PL 7.35 Item 4) |
| 6 | - | Bracket (Not Spared) |
| 7 | 074E91711 | Actuator Support |
| 8 | 120E18901 | Sensor Actuator |
| 9 | 068K20781 | TM Sensor Assembly |



P-8-037-A

PL 7.40 Right Cover Assembly

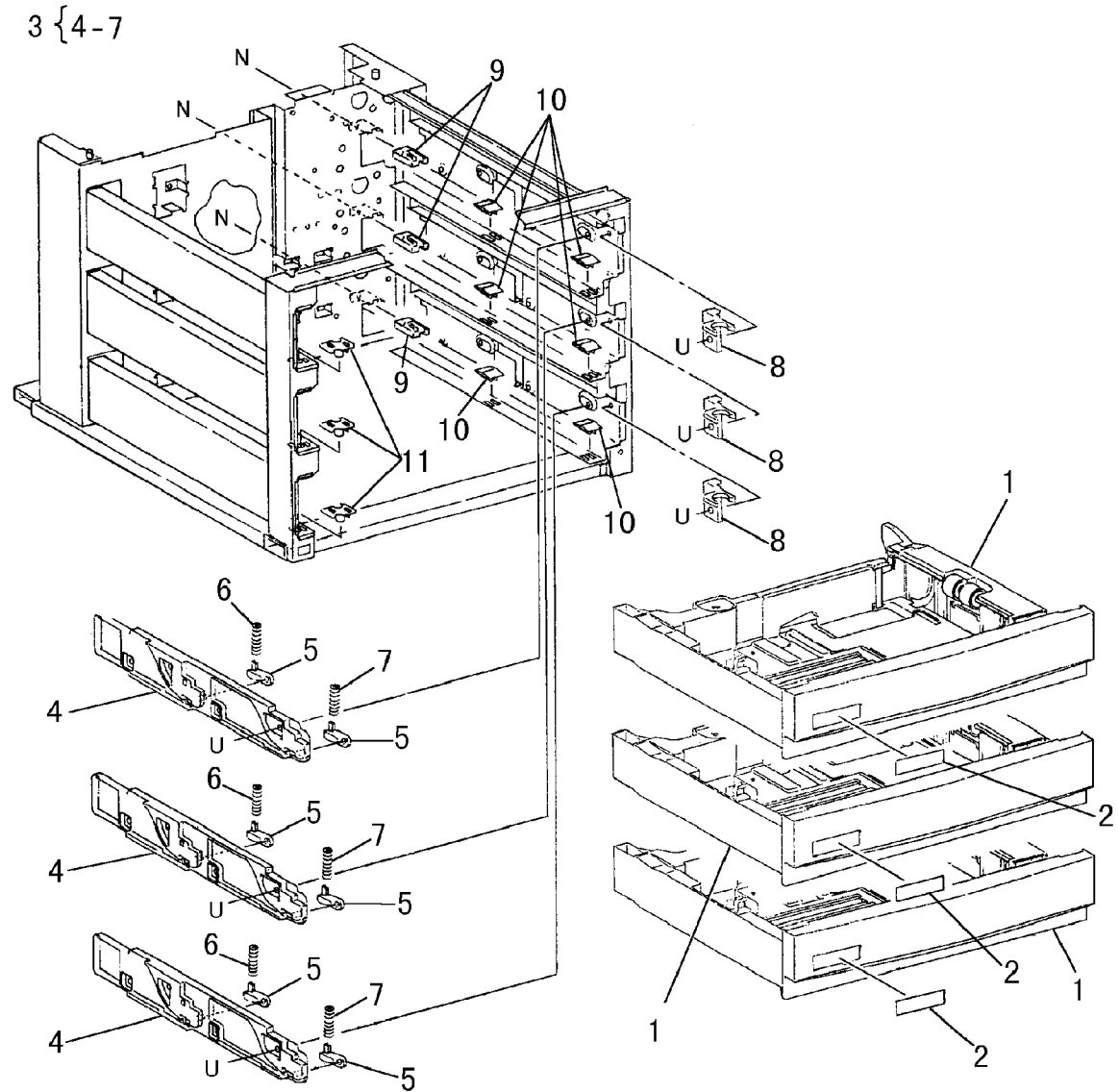
| Item | Part | Description |
|------|-----------|-----------------------------------|
| 1 | 068K20793 | Pinch Bracket Assembly |
| 2 | - | Bracket (P/O PL 7.40 Item 1) |
| 3 | 059K19520 | Pinch Roller |
| 4 | - | Spring (P/O PL 7.40 Item 1) |
| 5 | 013E20620 | Bearing |
| 6 | 013E88351 | Bearing |
| 7 | 059K20460 | Pinch Roller |
| 8 | - | Spring (Not Spared) |
| 9 | 130E82790 | T/A Roller 3 Sensor |
| 10 | - | Wire Harness (P/O PL 7.40 Item 1) |
| 11 | 802E26335 | Right Cover |
| 12 | 054E19302 | R/H Feed Chute |
| 13 | 830E68470 | Support |
| 14 | 003K11872 | Handle Assembly |
| 15 | 830E45710 | Support Cover |
| 16 | 809E32940 | Plate Spring |
| 17 | 802K27278 | R/H Cover Assembly |



P-8-038-A

PL 7.45 Tray 2, 3 and 4

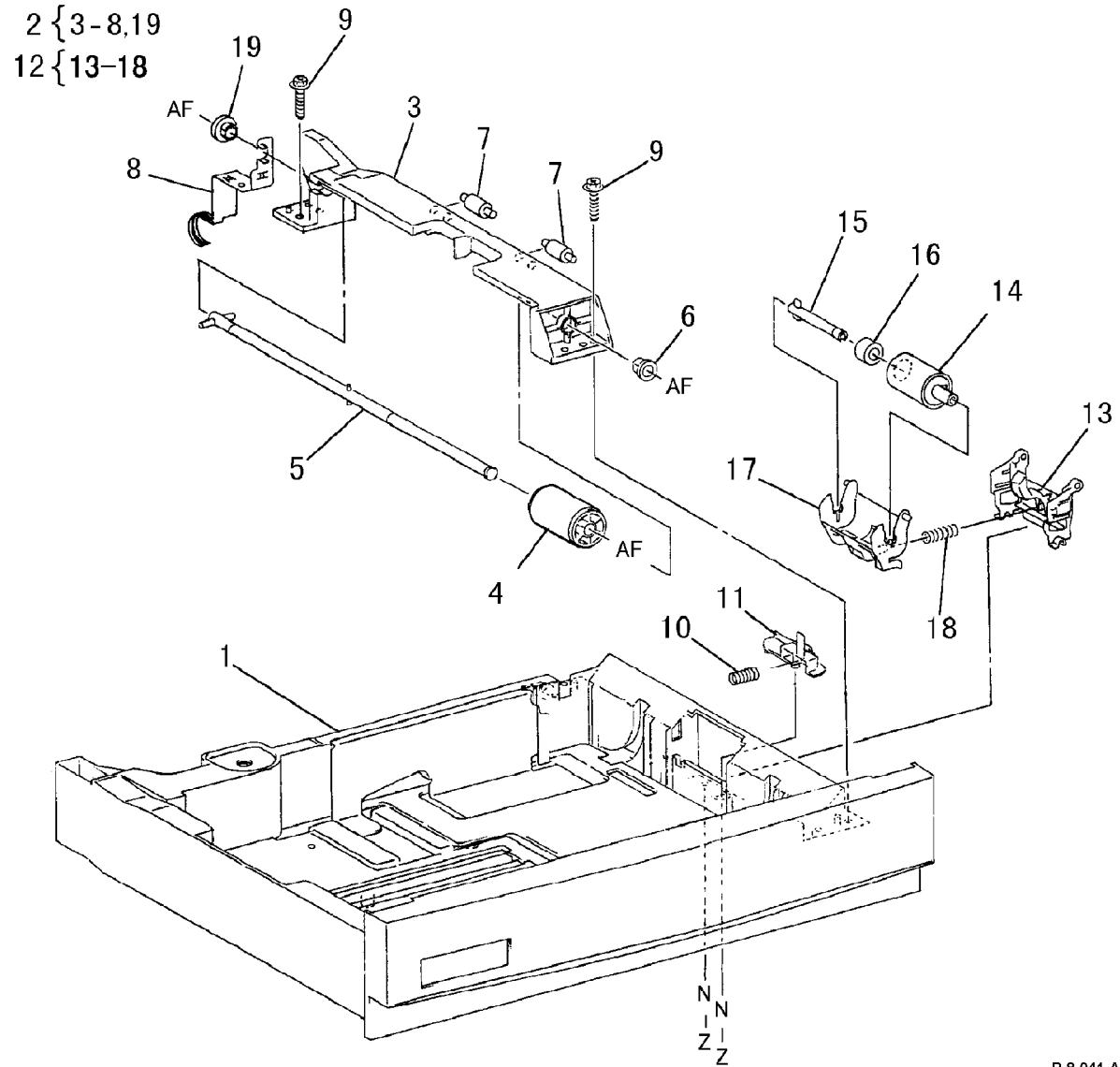
| Item | Part | Description |
|------|-----------|---|
| 1 | 050K47573 | Tray 2, 3 and 4 Assembly (REF: PL 7.50) |
| 2 | - | Tray 4 Label (Not Spared) |
| - | 892E40590 | Tray 3 Label |
| - | 892E40580 | Tray 2 Label |
| 3 | 032K94852 | Guide Cassette Assembly |
| 4 | - | Guide Cassette (P/O PL 7.45 Item 3) |
| 5 | - | Arm (P/O PL 7.45 Item 3) |
| 6 | - | Spring (P/O PL 7.45 Item 3) |
| 7 | - | Spring (P/O PL 7.45 Item 3) |
| 8 | 003E55943 | Front Stopper |
| 9 | 003E53931 | Rear Stopper |
| 10 | 014E42671 | Right Stopper |
| 11 | 014E39031 | Left Stopper |



P-8-040-A

PL 7.50 Tray Assembly (1 of 3)

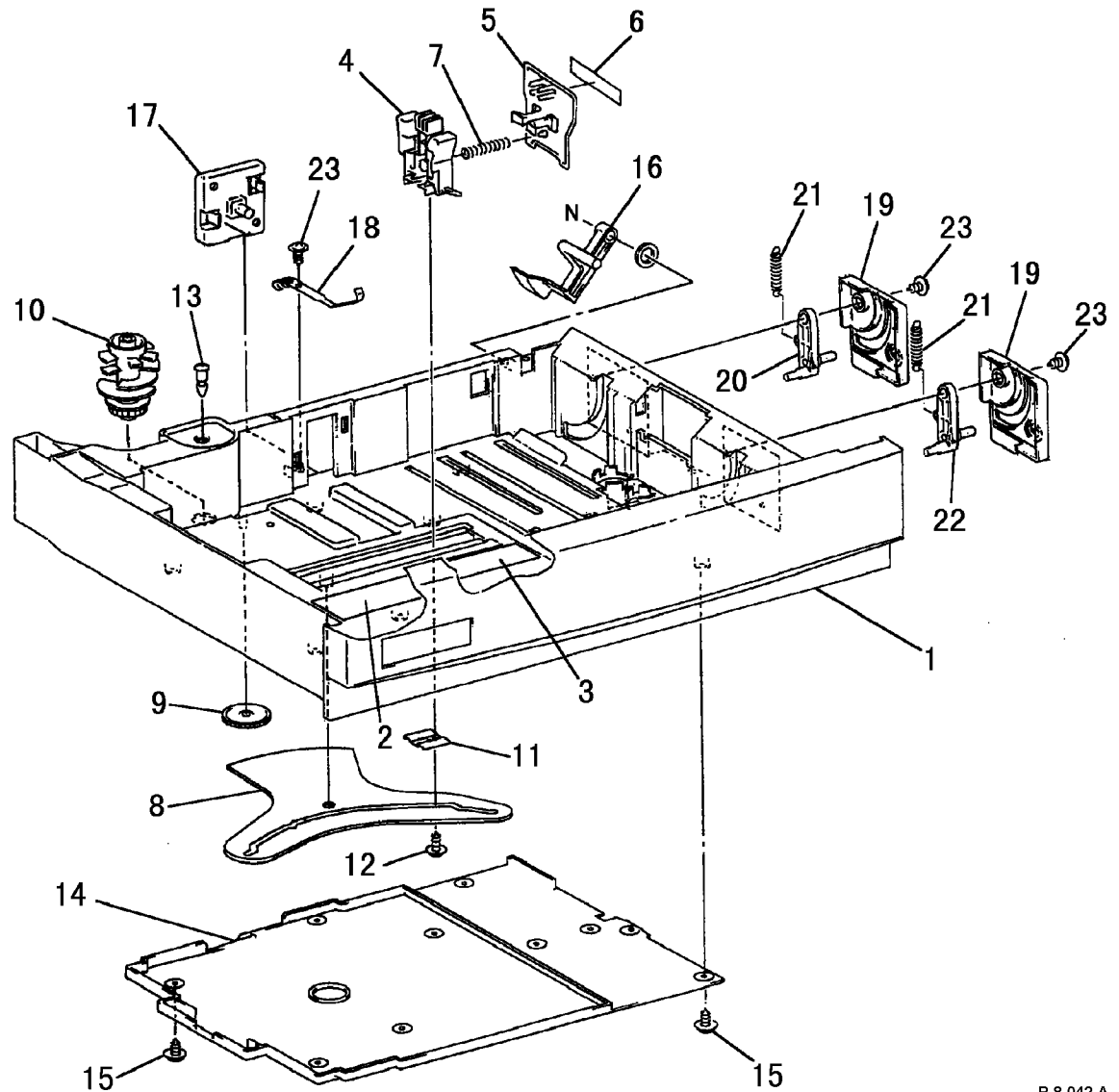
| Item | Part | Description |
|------|-----------|-------------------------------------|
| 1 | - | Tray (P/O PL 7.45 Item 1) |
| 2 | 050K47660 | Feeder Assembly |
| 3 | 054E18864 | Chute |
| 4 | 059K21970 | Feed Roll (REP 7.1) |
| 5 | - | Shaft Assembly (P/O PL 7.50 Item 2) |
| 6 | - | Bearing (P/O PL 7.50 Item 2) |
| 7 | - | Roller (P/O PL 7.50 Item 2) |
| 8 | - | Ground Plate (P/O PL 7.50 Item 2) |
| 9 | - | Screw |
| 10 | - | Spring (P/O PL 7.45 Item 1) |
| 11 | 031E94074 | Holder |
| 12 | 019K97497 | Retard Roller Assembly |
| 13 | - | Retard Housing |
| 14 | 059K21960 | Retard Roller (REP 7.2) |
| 15 | - | Shaft (P/O PL 7.50 Item 12) |
| 16 | 005K06110 | Friction Clutch |
| 17 | - | Retard Holder (P/O PL 7.50 Item 12) |
| 18 | - | Spring (P/O PL 7.50 Item 12) |
| 19 | - | Bearing (P/O PL 7.50 Item 2) |



P-8-041-A

PL 7.55 Tray Assembly (2 of 3)

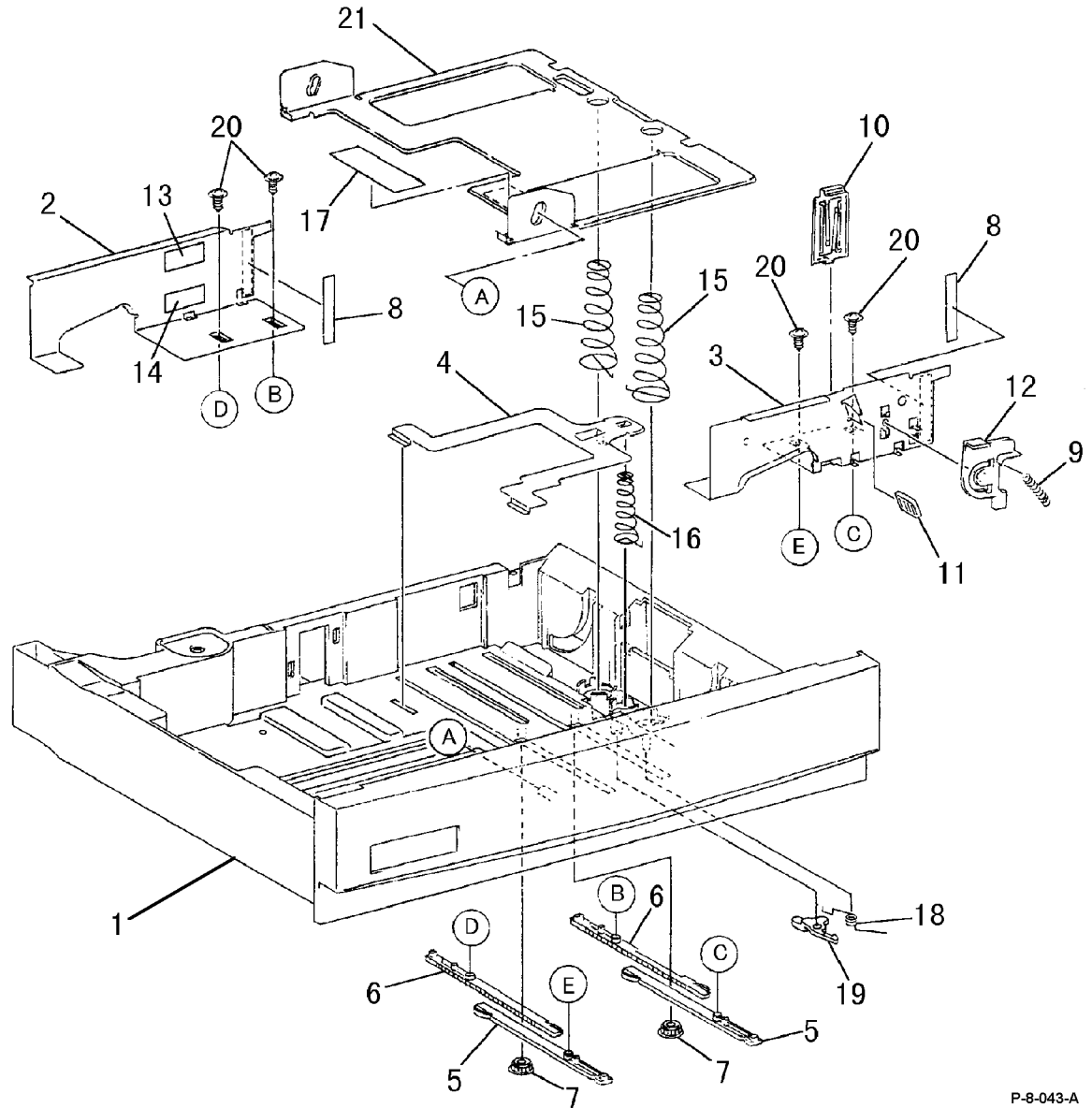
| Item | Part | Description |
|------|-----------|--|
| 1 | - | Tray (P/O PL 7.45 Item 1) |
| 2 | - | Label (Instruction) (P/O PL 7.45 Item 1) |
| 3 | - | Label (End Guide) (P/O PL 7.45 Item 1) |
| 4 | 038E24751 | End Guide |
| 5 | 038E24280 | Plate End Guide |
| 6 | 038E24300 | Guide |
| 7 | 809E14810 | Spring |
| 8 | 007E71051 | Gear |
| 9 | 007E55290 | Idler Gear |
| 10 | 008E93921 | Size Cam |
| 11 | - | End Guide Lock (P/O PL 7.45 Item 1) |
| 12 | - | Screw (P/O PL 7.45 Item 1) |
| 13 | 029E14970 | Lock Pin |
| 14 | - | Bottom Cover (P/O PL 7.45 Item 1) |
| 15 | - | Screw (P/O PL 7.45 Item 1) |
| 16 | - | Actuator (P/O PL 7.45 Item 1) |
| 17 | - | Cover (P/O PL 7.45 Item 1) |
| 18 | 809E32950 | Ground Spring |
| 19 | - | Latch (P/O PL 7.45 Item 1) |
| 20 | 003K12122 | Rear Latch |
| 21 | 809E32960 | Spring |
| 22 | 003K12111 | Front Latch |
| 23 | - | Screw (P/O PL 7.45 Item 1) |



P-8-042-A

PL 7.60 Tray Assembly (3 of 3)

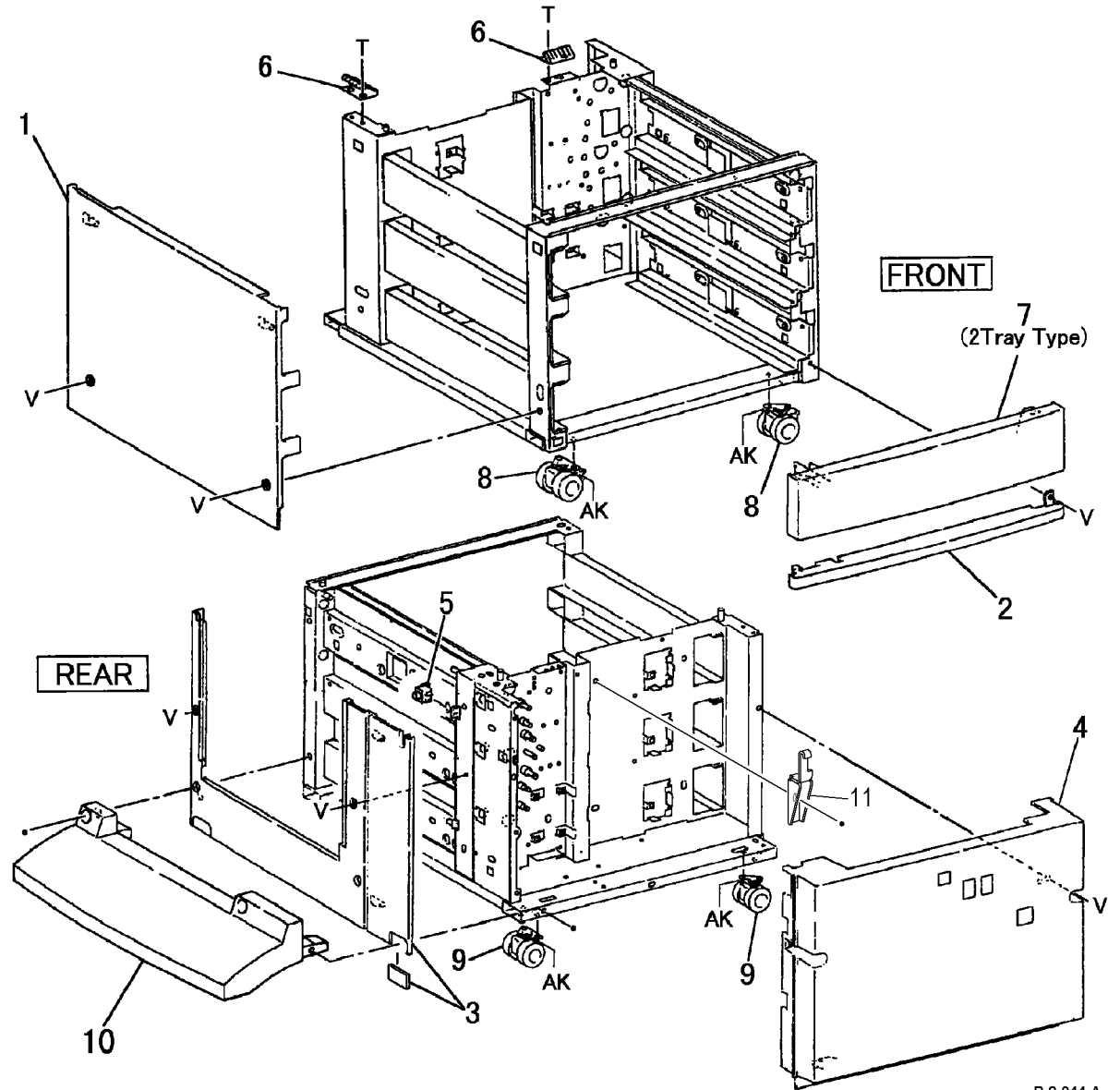
| Item | Part | Description |
|------|-----------|--|
| 1 | - | Tray (P/O PL 7.45 Item 1) |
| 2 | 038E24145 | Side Guide (Rear) |
| 3 | 038E24135 | Side Guide (Front) |
| 4 | - | Bottom Plate (Lower) (P/O PL 7.45 Item 1) |
| 5 | 007E66834 | Rack |
| 6 | 007E70743 | Rack |
| 7 | 007E75340 | Pinion |
| 8 | - | Guide (P/O PL 7.45 Item 1) |
| 9 | 809E34771 | Spring |
| 10 | - | Spring Plate (P/O PL 7.45 Item 1) |
| 11 | - | Cap (P/O PL 7.45 Item 1) |
| 12 | 011E10953 | Lever |
| 13 | - | Label (Max) (P/O PL 7.45 Item 1) |
| 14 | - | Label (OHP Max) (P/O PL 7.45 Item 1) |
| 15 | 809E19062 | Spring |
| 16 | 809E18760 | Spring |
| 17 | - | Label (Size) (P/O PL 7.45 Item 1) |
| 18 | 809E36360 | Spring |
| 19 | - | Latch (P/O PL 7.45 Item 1) |
| 20 | - | Screw (P/O PL 7.45 Item 1) |
| 21 | - | Bottom Plate Assembly (Upper) (P/O PL 7.45 Item 1) |



P-8-043-A

PL 7.65 Lower Covers

| Item | Part | Description |
|------|-----------|---------------------------------|
| 1 | 802E26281 | Left Cover |
| 2 | 802E26304 | Bottom Cover |
| 3 | 802E26293 | Right Cover |
| 4 | 802E26313 | Rear Cover |
| 5 | 110E10620 | Cabinet Interlock Switch |
| 6 | 809E21630 | Spring |
| 7 | 802E26323 | Front Blind Cover (2 Tray Type) |
| 8 | 017K92840 | Castor (Lockable) |
| 9 | 017K92850 | Caster |
| 10 | 017E94781 | TM Foot |
| 11 | 849E03710 | Docking Bracket |



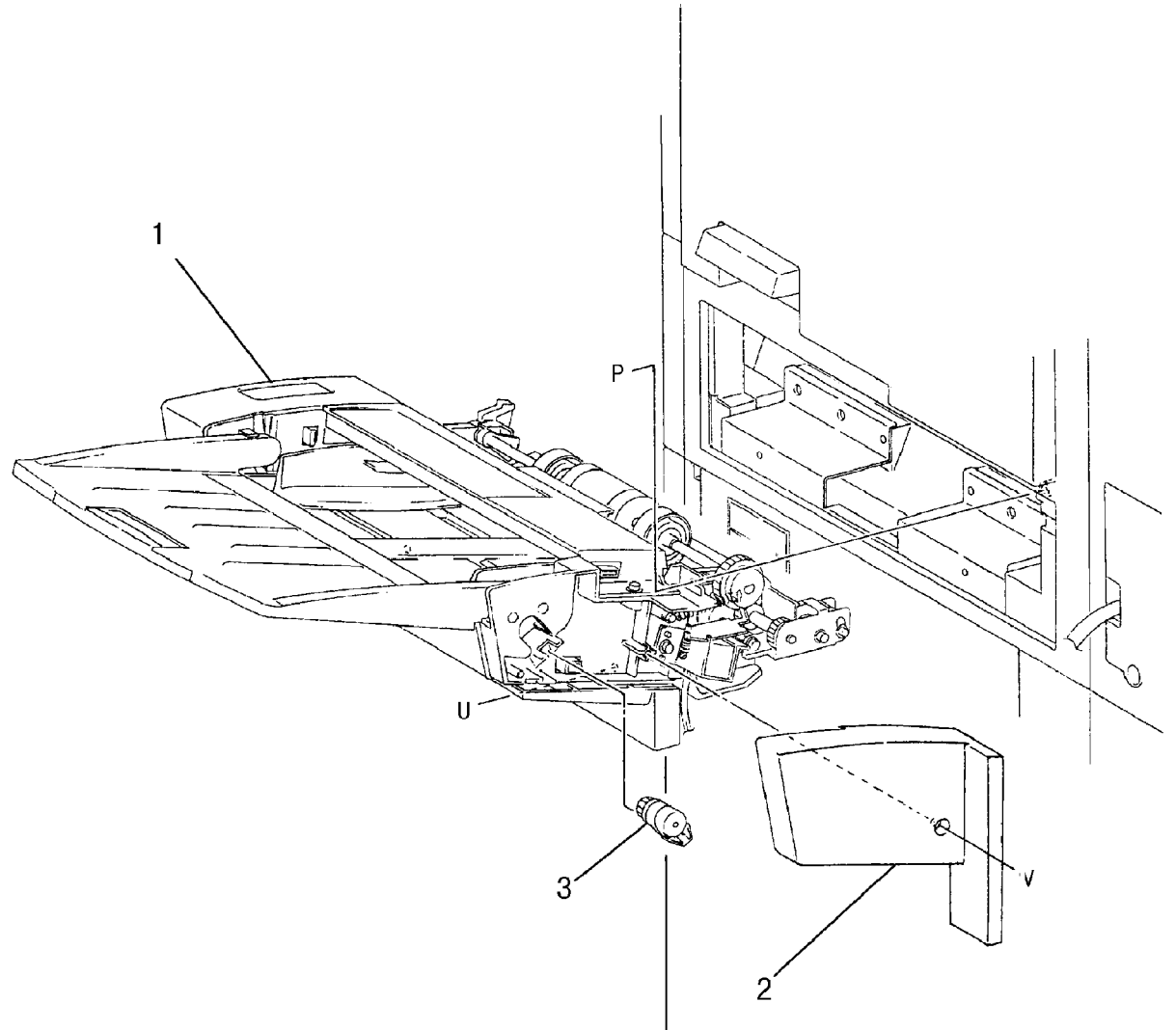
P-8-044-A

PL 7.70 Bypass Tray (1 of 4)

| Item | Part | Description |
|------|-----------|--|
| 1 | 059K24650 | Bypass Tray Assembly (REP 7.3) |
| - | 059K23700 | Bypass Tray Assembly (DMO-E) (see NOTE) (REP 7.3) |
| 2 | 802E28271 | Rear Cover |
| 3 | 004E08050 | Oil Damper |

NOTE: Only installed on DMO-E machines with a serial number in the following ranges;

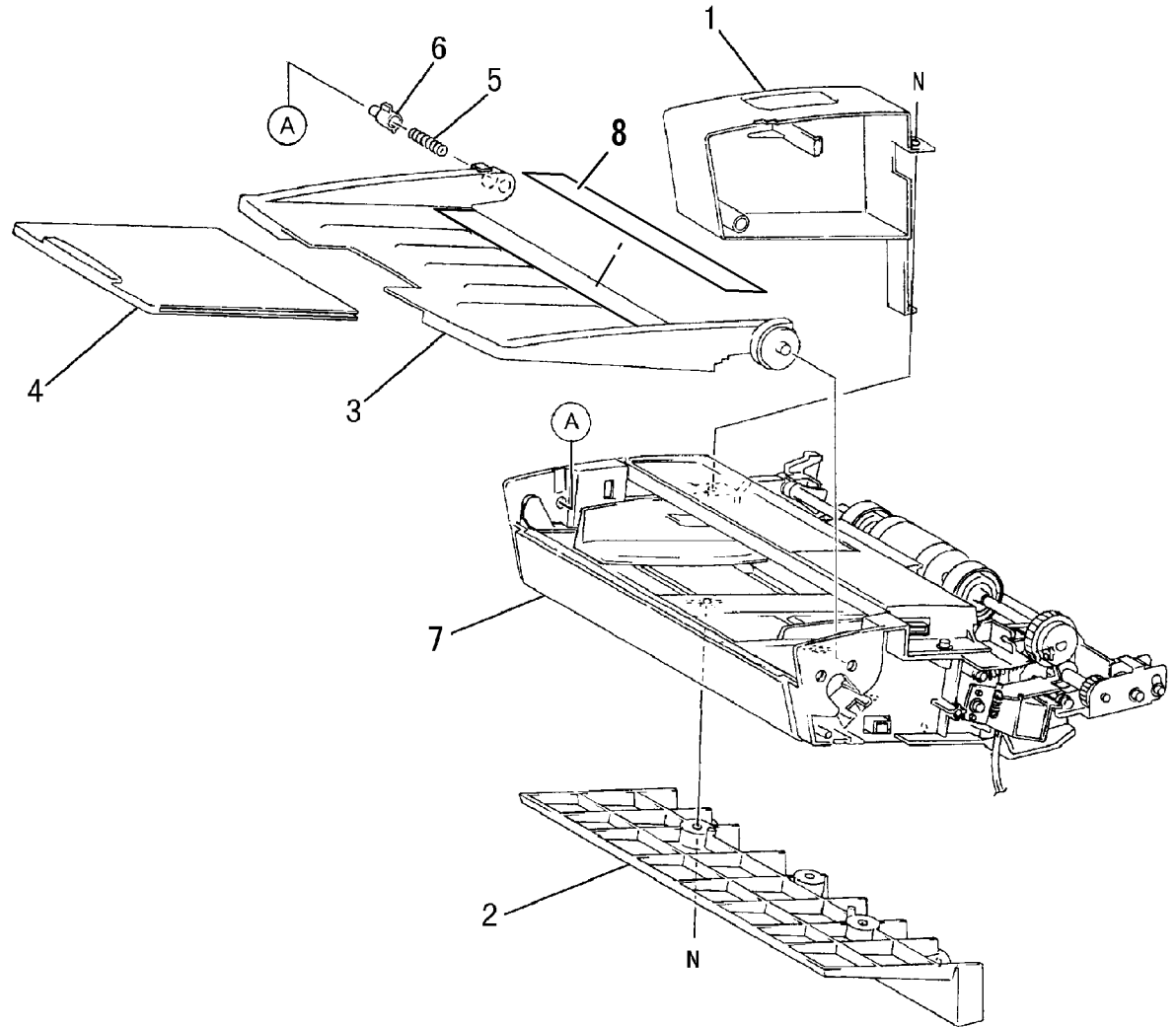
- 351 200001x to 351 204000x
- 351 300001x to 351 304000x
- 351 400001x to 351 404000x
- 351 600001x to 351 604000x
- 351 700001x to 351 704000x



P-8-055-A

PL 7.75 Bypass Tray (2 of 4)

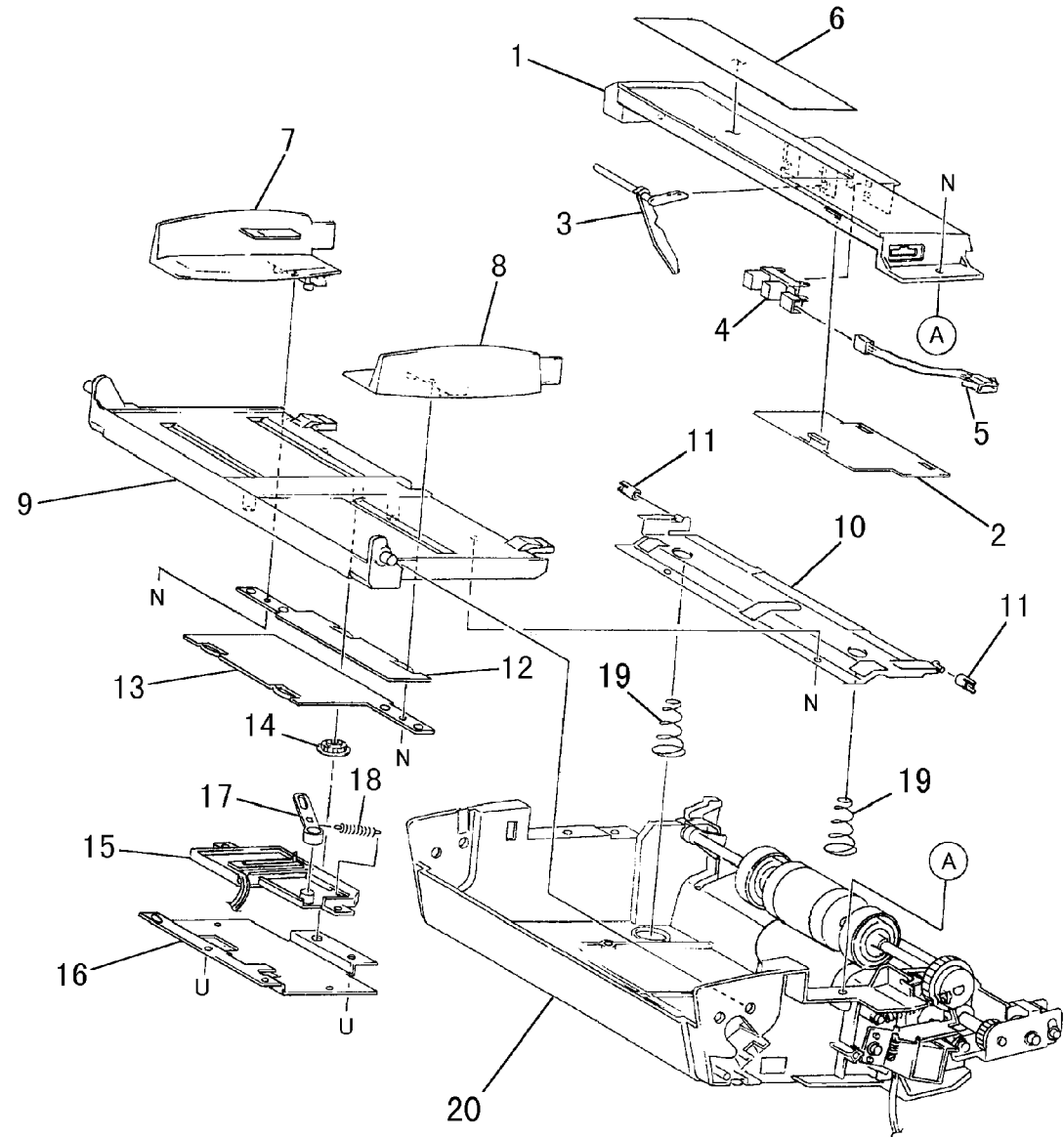
| Item | Part | Description |
|------|-----------|--------------------------|
| 1 | 802E28252 | Front Cover |
| 2 | 019E49791 | Holder |
| 3 | 050E17343 | Tray |
| 4 | 050E17361 | Tray End |
| 5 | 809E07490 | Spring |
| 6 | 029E31930 | Pin (P/O PL 7.70 Item 1) |
| 7 | - | Base Tray (REF: PL 7.80) |
| 8 | 892E56051 | Bypass Tray Size Label |



P-8-056-A

PL 7.80 Bypass Tray (3 of 4)

| Item | Part | Description |
|------|-----------|-----------------------------------|
| 1 | 802E28291 | Top Cover |
| 2 | - | Cover (P/O PL 7.70 Item 1) |
| 3 | 120E21101 | Actuator |
| 4 | 130E81970 | No Paper Sensor |
| 5 | - | Wire Harness (P/O PL 7.70 Item 1) |
| 6 | 892E56060 | Label |
| 7 | 032E16983 | Front Guide |
| 8 | 032E17003 | Rear Guide |
| 9 | 050E17323 | Base Tray |
| 10 | 015K51992 | Bottom Plate |
| 11 | 022E86840 | Roller |
| 12 | - | Front Rack (P/O PL 7.70 Item 1) |
| 13 | - | Rear Rack (P/O PL 7.70 Item 1) |
| 14 | - | Gear (P/O PL 7.70 Item 1) |
| 15 | 130K62041 | Size Sensor |
| 16 | - | Plate (P/O PL 7.70 Item 1) |
| 17 | - | Link (P/O PL 7.70 Item 1) |
| 18 | - | Spring (P/O PL 7.70 Item 1) |
| 19 | 809E33420 | Spring |
| 20 | - | Lower Base Tray (REF: PL 7.85) |

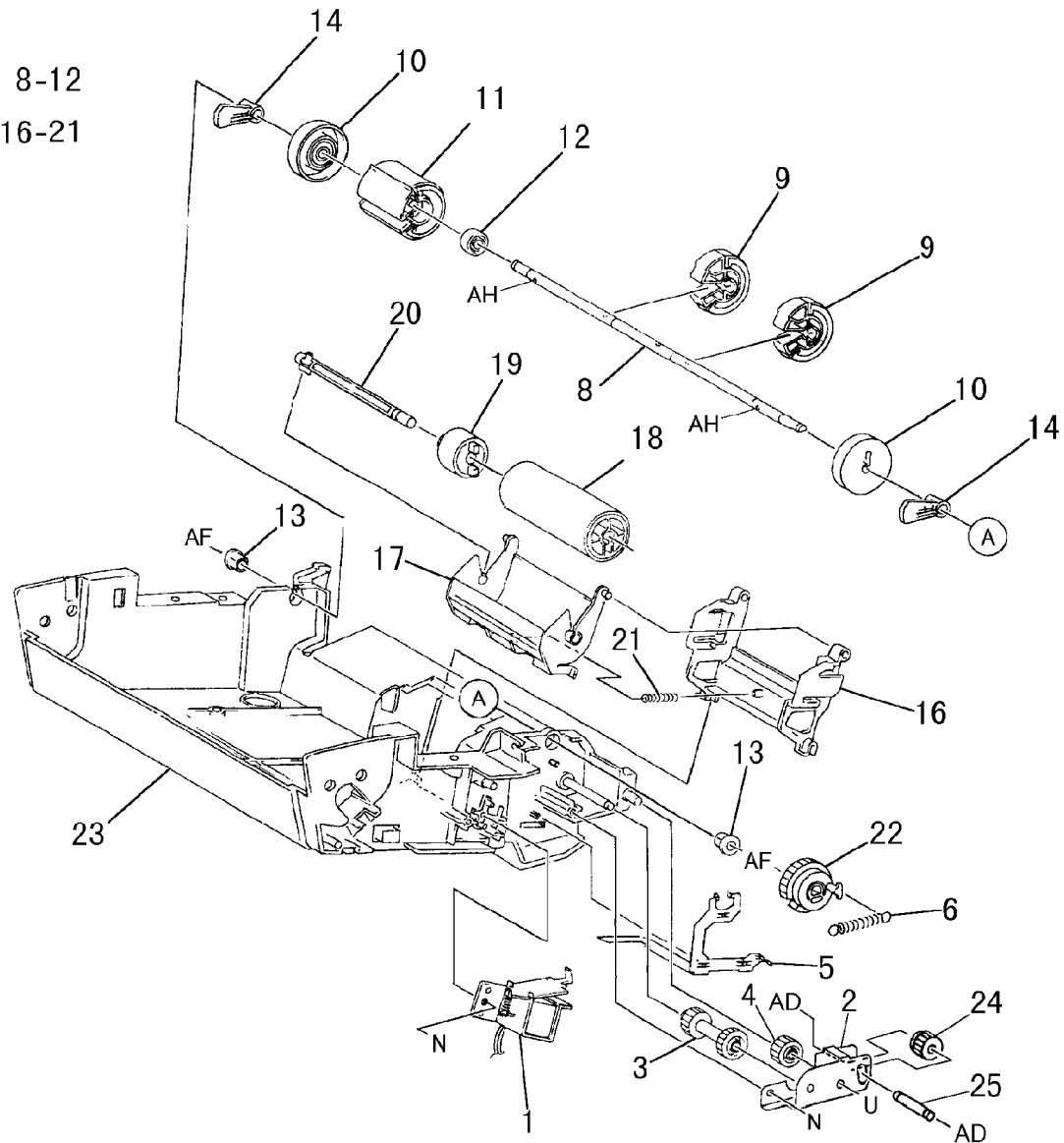


P-8-057-A

PL 7.85 Bypass Tray (4 of 4)

| Item | Part | Description |
|------|-----------|-----------------------------------|
| 1 | 121K26211 | Feed Solenoid |
| 2 | - | Bracket (P/O PL 7.70 Item 1) |
| 3 | 007E71421 | Gear |
| 4 | 007E71411 | Gear |
| 5 | - | Ground Plate (P/O PL 7.70 Item 1) |
| 6 | 809E15351 | Spring |
| 7 | 022K62662 | Feed Roller Assembly |
| 8 | - | Shaft (P/O PL 7.85 Item 7) |
| 9 | 059K20570 | ENV Feed Roller |
| 10 | - | Roller (P/O PL 7.85 Item 7) |
| 11 | 059K20561 | Feed Roller (REP 7.4) |
| 12 | - | Bearing (P/O PL 7.85 Item 7) |
| 13 | - | Bearing (P/O PL 7.70 Item 1) |
| 14 | 008E93980 | Cam |
| 15 | 019K97805 | Retard Assembly |
| 16 | - | Housing (P/O PL 7.85 Item 15) |
| 17 | - | Holder (P/O PL 7.85 Item 15) |
| 18 | 059K11921 | Retard Roller (REP 7.5) |
| 19 | 005K06110 | Friction Clutch |
| 20 | - | Shaft (P/O PL 7.85 Item 15) |
| 21 | 809E11091 | Spring |
| 22 | 007E71390 | Gear |
| 23 | - | Frame (P/O PL 7.70 Item 1) |
| 24 | 007E71400 | Gear |
| 25 | 006E74600 | Shaft Gear |

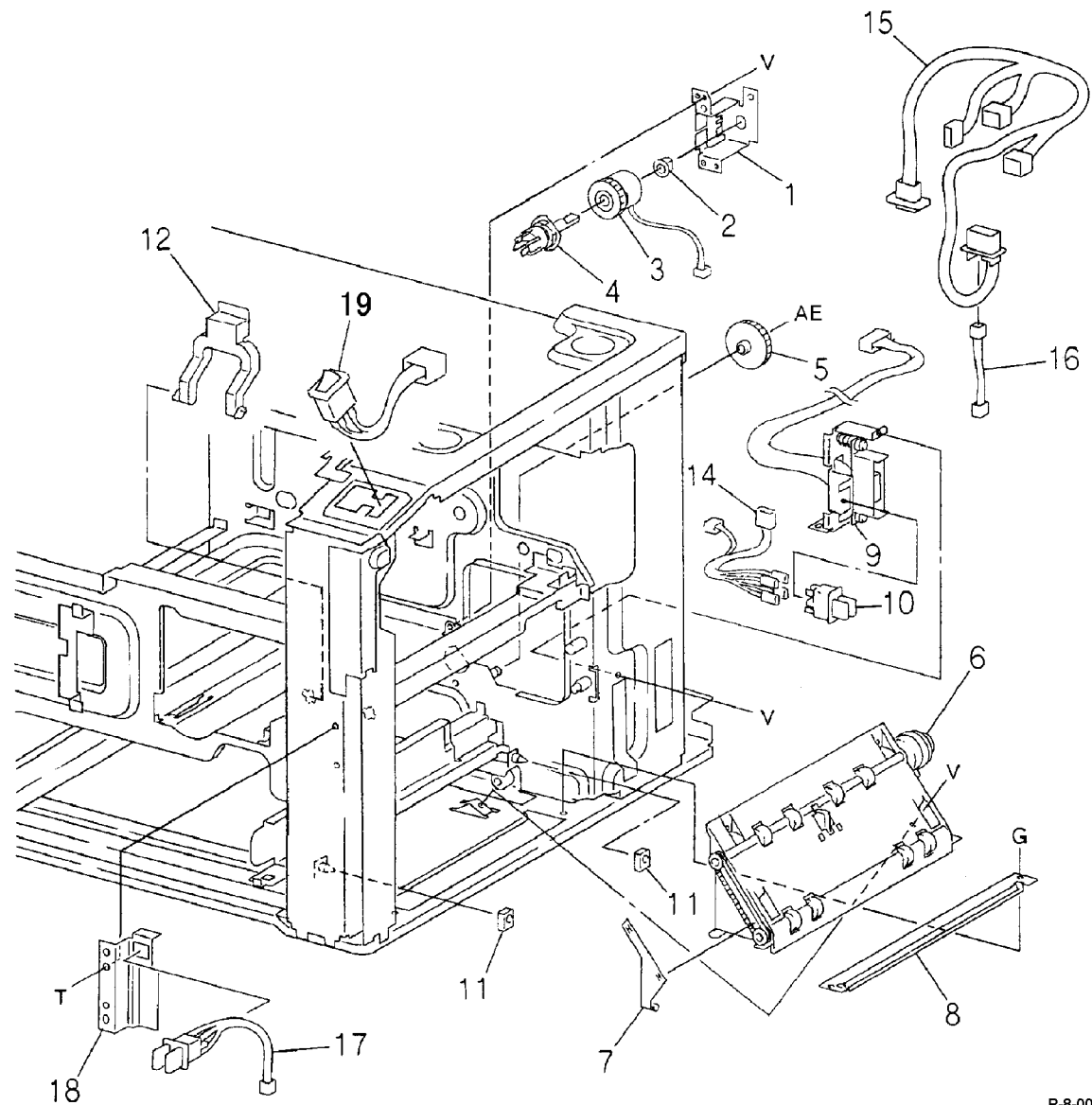
7 { 8-12
15 { 16-21



P-8-058-A

PL 8.10 Paper Feed (1 of 2)

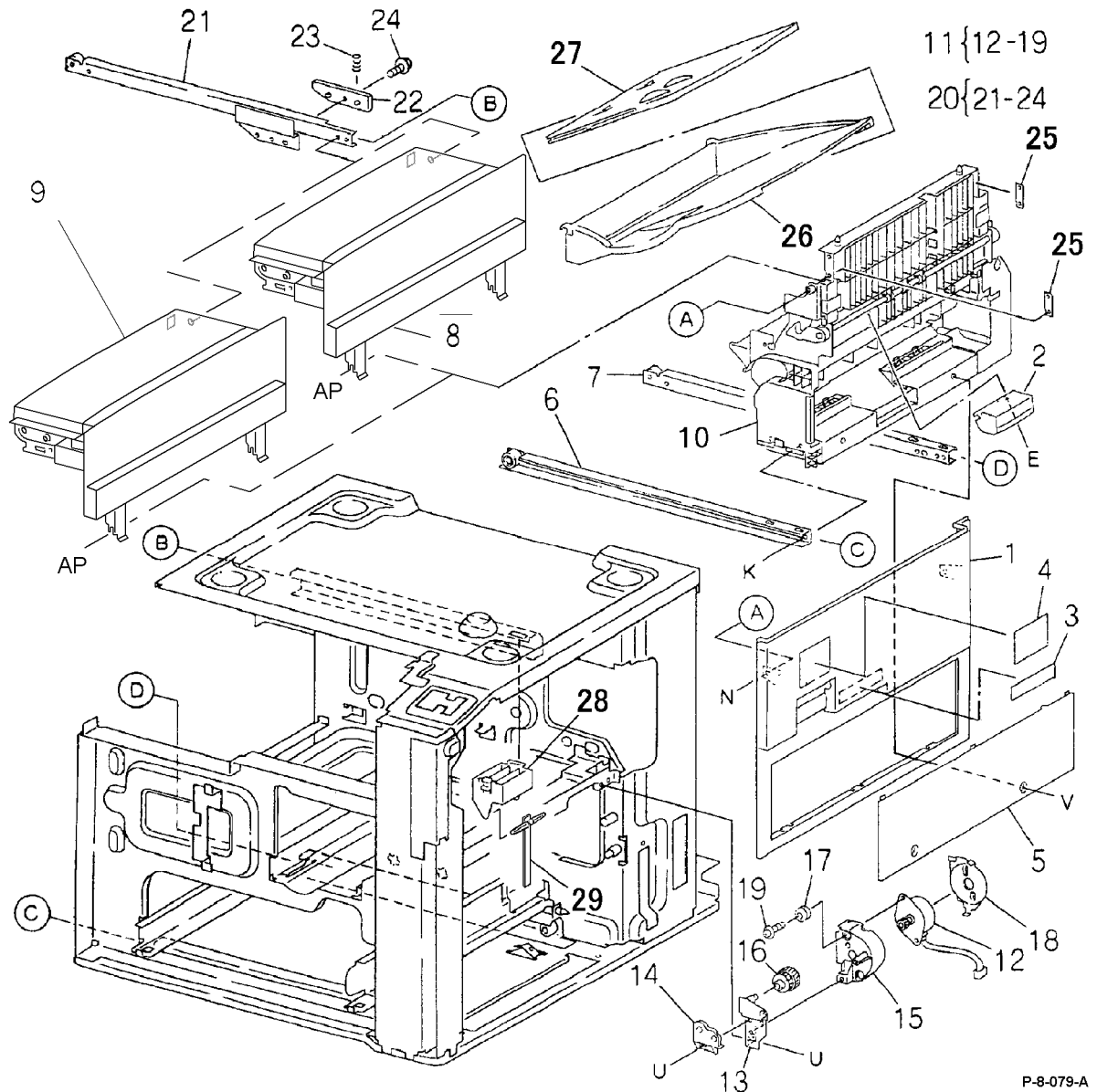
| Item | Part | Description |
|------|-----------|---|
| 1 | – | Bracket (Not Spared) |
| 2 | – | Bearing (Not Spared) |
| 3 | 121K23840 | Feed Clutch |
| 4 | 011K96900 | Coupling |
| 5 | 007E71460 | Gear |
| 6 | 054K19786 | T/A Roller Chute Assembly (REF: PL 8.20) |
| 7 | – | Ground Plate (Not Spared) |
| 8 | 054K18701 | Lower Chute |
| 9 | 113K82474 | Connector Assembly |
| 10 | 110E98300 | R/H Interlock Switch |
| 11 | – | Spacer (Not Spared) |
| 12 | 011E10992 | Handle (Fuser) |
| 13 | – | Not Used |
| 14 | 162K65211 | Wire Harness (Interlock) |
| 15 | 962K04271 | Wire Harness (220V) |
| 16 | 962K04221 | Wire Harness (DC17) |
| 17 | 162K65203 | Front Door Interlock Switch |
| 18 | – | Bracket (Not Spared) |
| 19 | 162K65191 | Main Switch |



P-8-004-A

PL 8.15 Paper Feed (2 of 2)

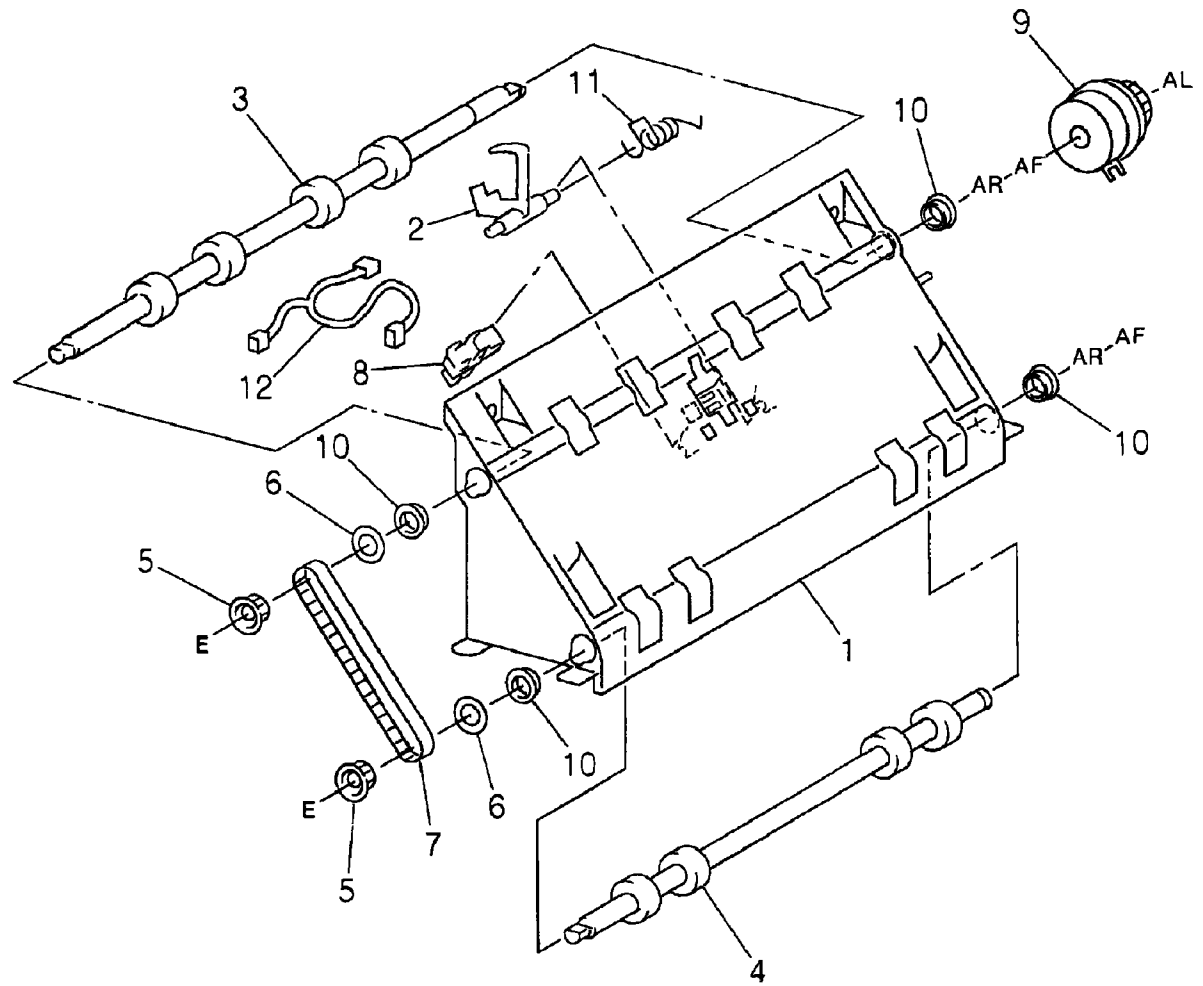
| Item | Part | Description |
|------|-----------|--|
| 1 | 802E26673 | R/H Lower Cover |
| 2 | 003E54131 | Handle |
| 3 | - | Label (Not Spared) |
| 4 | - | Label (Not Spared) |
| 5 | - | Blind Cover (Not Spared) |
| 6 | 001K76831 | Front Lower Rail |
| 7 | 001K76841 | Rear Lower Rail |
| 8 | - | Exit Assembly (REF: PL 10.10) (REP 10.1) |
| 9 | 022K65170 | OCT Assembly (REF: PL 10.15) |
| 10 | 054K22022 | R/H Chute Assembly (REF: PL 8.25) (REP 8.2) |
| 11 | 127K32513 | Exit Motor Assembly |
| 12 | - | Exit Motor (P/O PL 8.15 Item 11) |
| 13 | - | Bracket (P/O PL 8.15 Item 11) |
| 14 | 005E16041 | Collar |
| 15 | - | Case (P/O PL 8.15 Item 11) |
| 16 | - | Gear (P/O PL 8.15 Item 11) |
| 17 | - | Damper (P/O PL 8.15 Item 11) |
| 18 | - | Cover (P/O PL 8.15 Item 11) |
| 19 | - | Screw (P/O PL 8.15 Item 11) |
| 20 | 001K76851 | Rear Upper Rail Assembly |
| 21 | - | Rear Upper Rail (P/O PL 8.15 Item 20) |
| 22 | 032E17171 | Guide |
| 23 | - | Spring (P/O PL 8.15 Item 20) |
| 24 | - | Screw (P/O PL 8.15 Item 20) |
| 25 | - | Plate (Not Spared) |
| 26 | 050E17462 | Side Tray (Base) |
| 27 | 050E17472 | Side Tray (Extension) |
| 28 | 019E50061 | Holder |
| 29 | 036K91520 | Paper Weight |



P-8-079-A

PL 8.20 T/A Chute Assembly

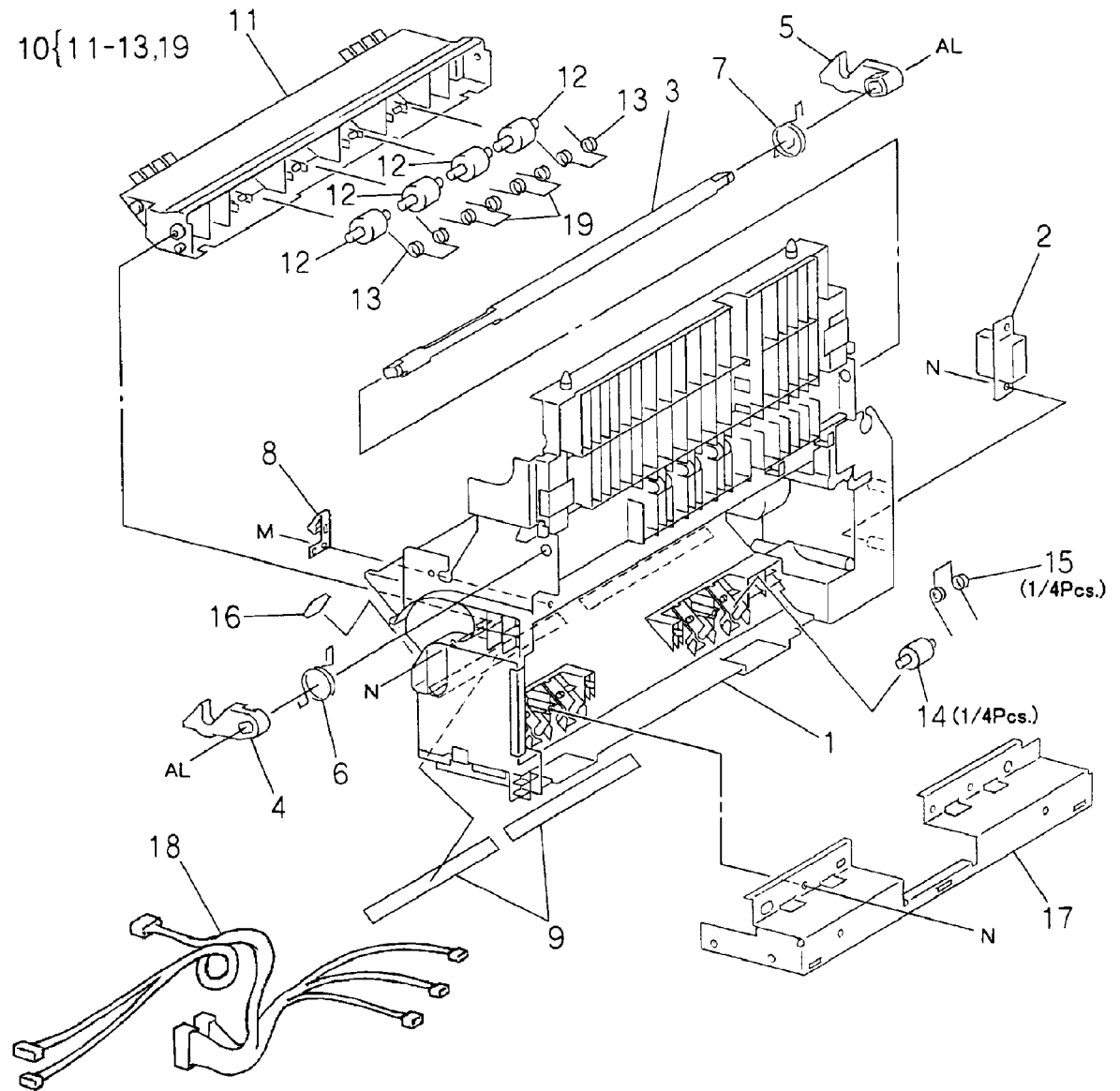
| Item | Part | Description |
|------|-----------|-----------------------------------|
| 1 | - | T/A Roller Chute (Not Spared) |
| 2 | 120E20651 | Actuator |
| 3 | 022K62541 | T/A Roller |
| 4 | 022K62551 | T/A Roller 1 |
| 5 | - | Pulley (P/O PL 8.10 Item 6) |
| 6 | - | Nylon Washer (P/O PL 8.10 Item 6) |
| 7 | - | Belt (P/O PL 8.10 Item 6) |
| 8 | 130E81970 | T/A Roller 2 Sensor |
| 9 | 121K26220 | T/A Roller Clutch |
| 10 | - | Bearing (P/O PL 8.10 Item 6) |
| 11 | 809E15241 | Spring |
| 12 | 962K04200 | Wire Harness (DC15) |



P-8-006-A

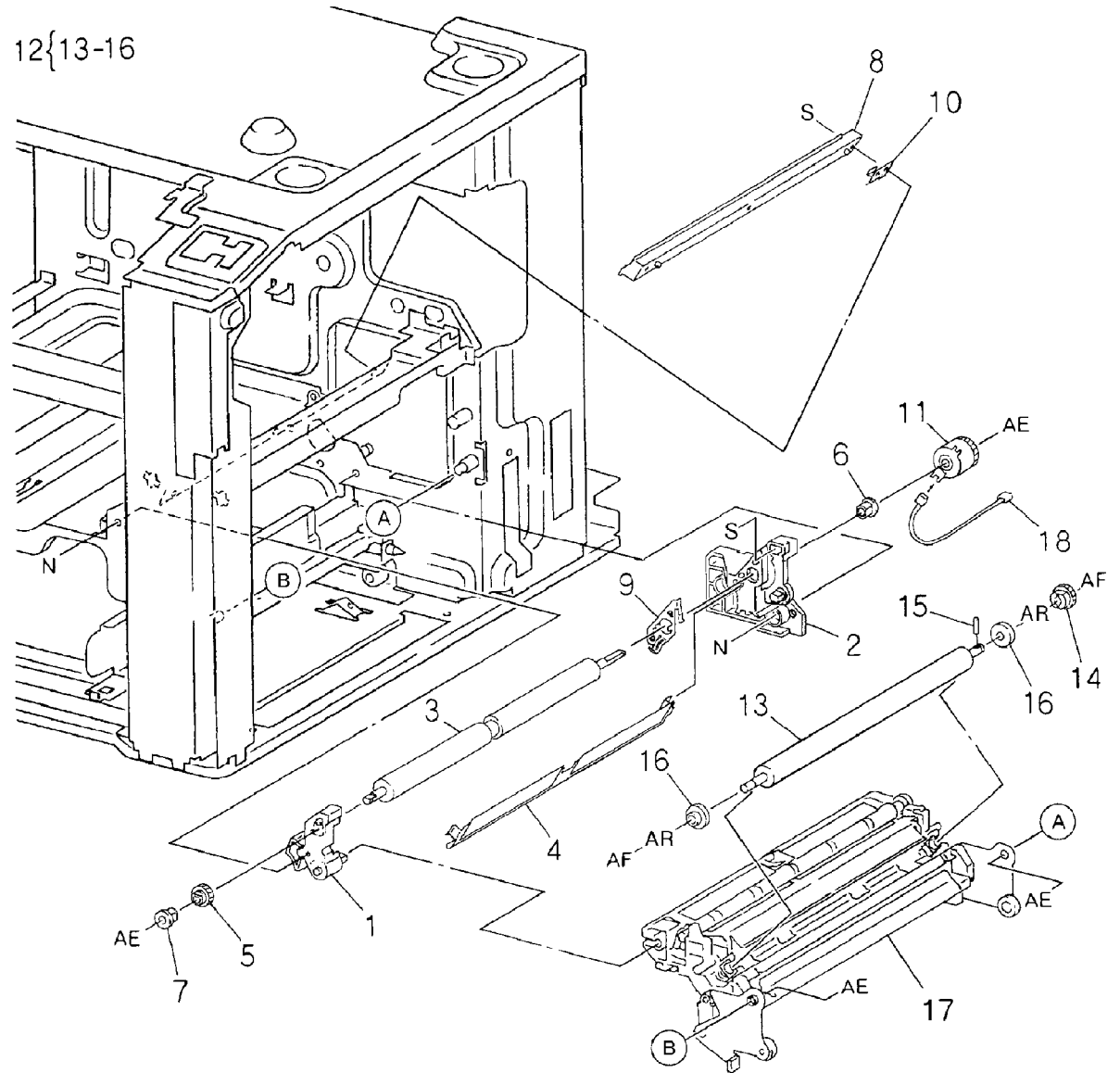
PL 8.25 R/H Chute Assembly

| Item | Part | Description |
|------|-----------|--|
| 1 | - | R/H Chute Assembly (P/O PL 8.15 Item 10) |
| 2 | 114K81740 | Connector |
| 3 | - | Shaft (P/O PL 8.15 Item 10) |
| 4 | 003E54090 | Latch (Front) |
| 5 | 003E54100 | Latch (Rear) |
| 6 | 809E29990 | Spring (Front) |
| 7 | 809E30001 | Spring (Rear) |
| 8 | - | Ground Spring (P/O PL 8.15 Item 10) |
| 9 | 103E26381 | Film Strip |
| 10 | 054K19805 | T/A Pinch Chute Assembly |
| 11 | - | T/A Pinch Chute (P/O PL 8.25 Item 10) |
| 12 | 022E87802 | Pinch Roller |
| 13 | - | Spring (Out) (P/O PL 8.25 Item 10) |
| 14 | 022E87822 | Pinch Roller |
| 15 | 809E11080 | Spring |
| 16 | - | Spacer (P/O PL 8.15 Item 10) |
| 17 | - | Bracket (P/O PL 8.15 Item 10) |
| 18 | 162K65132 | Wire Harness (DC6) |
| 19 | - | Spring (P/O PL 8.25 Item 10) |



PL 8.30 Registration

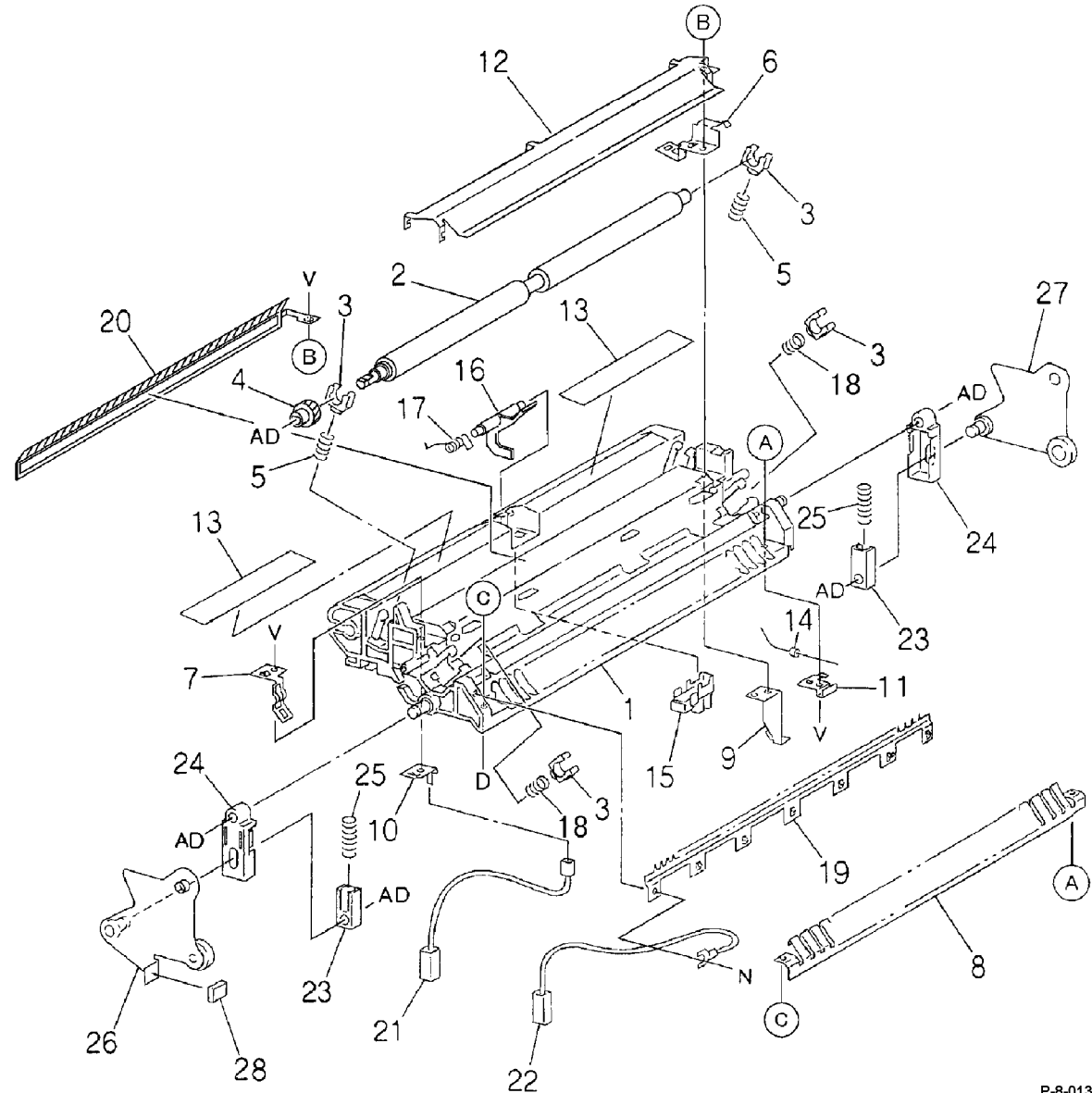
| Item | Part | Description |
|------|-----------|--|
| 1 | 032K94833 | Registration Front Guide |
| 2 | 032K94842 | Registration Rear guide |
| 3 | 022E87783 | Registration Roller |
| 4 | 015K51562 | Plate Inlet |
| 5 | 007E55450 | Gear |
| 6 | 013E87020 | Bearing |
| 7 | 013E87030 | Bearing |
| 8 | 054E18771 | Trans Chute |
| 9 | - | Ground Plate (Not Spared) |
| 10 | - | Ground Plate (Not Spared) |
| 11 | 121E84300 | Registration Clutch |
| 12 | 022K62442 | BTR Roller Assembly |
| 13 | - | BTR Roller (P/O PL 8.30 Item 12) |
| 14 | - | Gear (P/O PL 8.30 Item 12) |
| 15 | - | Pin (P/O PL 8.30 Item 12) |
| 16 | - | Tracking Roller (P/O PL 8.30 Item 12) |
| 17 | 054K22310 | Registration Chute Assembly (REF: PL 8.35) (REP 8.3) |
| 18 | 962K04160 | Wire Harness (DC11) |



P-8-012-A

PL 8.35 Registration Chute Assembly

| Item | Part | Description |
|------|-----------|--------------------------------------|
| 1 | 054E18762 | Registration Chute |
| 2 | 022K62533 | Registration Roller |
| 3 | 013E20590 | Bearing |
| 4 | 007E55440 | Gear |
| 5 | 809E36010 | Spring |
| 6 | - | Ground Plate (P/O PL 8.30 Item 17) |
| 7 | - | Ground Plate (P/O PL 8.30 Item 17) |
| 8 | - | Out Plate (P/O PL 8.30 Item 17) |
| 9 | - | Ground Plate (P/O PL 8.30 Item 17) |
| 10 | - | BTR Plate (P/O PL 8.30 Item 17) |
| 11 | - | Ground Plate (P/O PL 8.30 Item 17) |
| 12 | - | In Lower Plate (P/O PL 8.30 Item 17) |
| 13 | - | Film Strip (P/O PL 8.30 Item 17) |
| 14 | - | Diode (P/O PL 8.30 Item 17) |
| 15 | 130E82740 | Registration Sensor |
| 16 | 120E20641 | Actuator |
| 17 | 809E15241 | Spring |
| 18 | 809E22970 | Spring |
| 19 | 105E10521 | Static Eliminator |
| 20 | 105K19785 | Static Eliminator |
| 21 | 117K31981 | Harness (TR) |
| 22 | 117K31991 | Harness (DTS) |
| 23 | 032E16541 | Link Guide |
| 24 | 032E16551 | Link Guide |
| 25 | 809E29961 | Spring |
| 26 | 012K94141 | Link |
| 27 | 012K94152 | Link |
| 28 | - | Spacer (P/O PL 8.30 Item 17) |

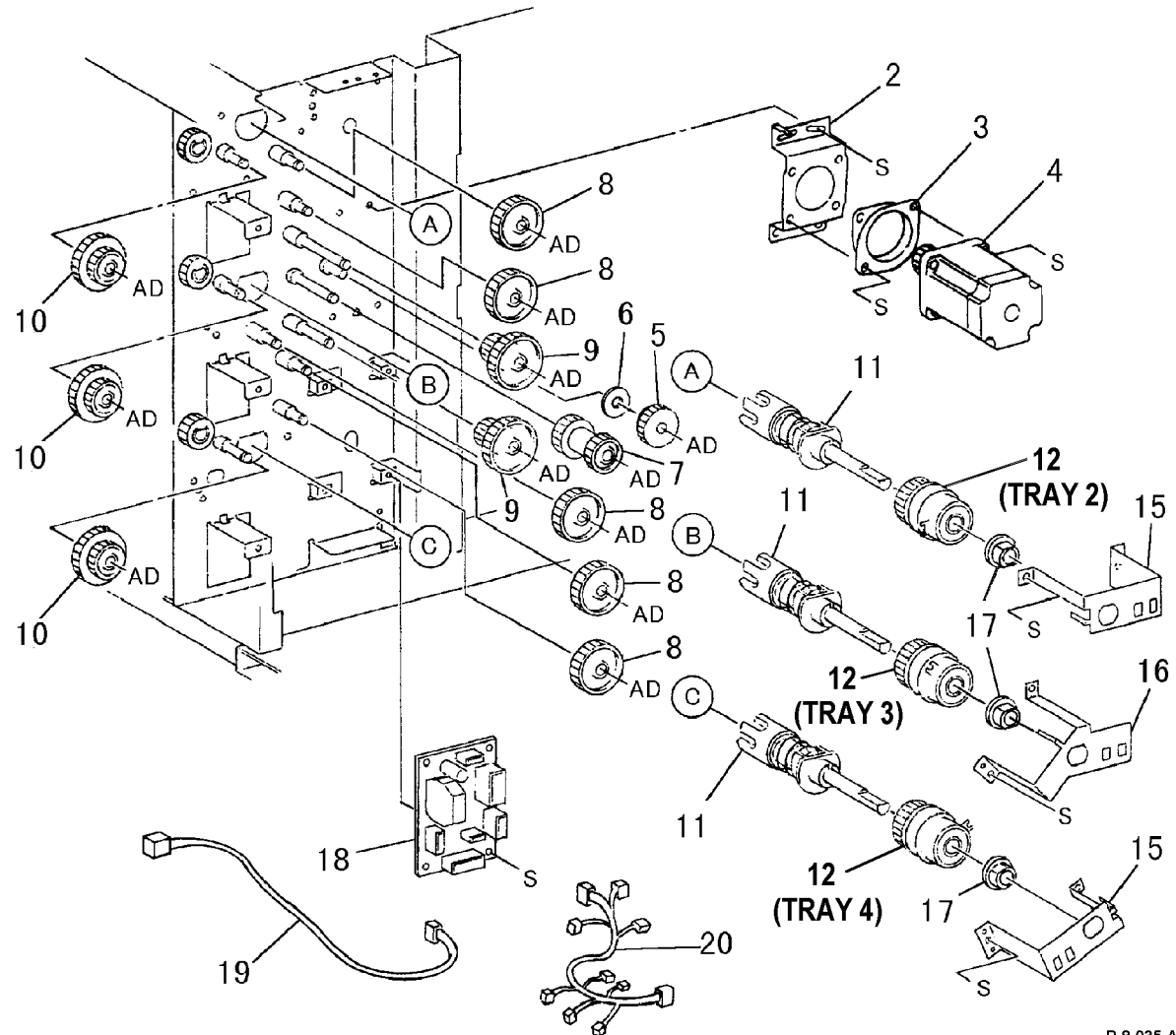


P-8-013-A

PL 8.40 Feed Motor

| Item | Part | Description |
|------|-----------|---------------------------------|
| 1 | 127K32751 | Feed Motor Assembly |
| 2 | - | Bracket (P/O PL 8.40 Item 1) |
| 3 | - | Damper (P/O PL 8.40 Item 1) |
| 4 | - | Feed Motor (P/O PL 8.40 Item 1) |
| 5 | 007E66790 | Gear (T29) |
| 6 | - | Collar (Not Spared) |
| 7 | 007E66800 | Gear (T27/26) |
| 8 | 007E71240 | Gear (T37) |
| 9 | 007E66810 | Gear (T40/26) |
| 10 | 007E66820 | Gear (T38/26) |
| 11 | 011K96820 | Drive Joint (REP 8.5) |
| 12 | 121K28300 | Tray 2, 3 and 4 Feed Clutch |
| 13 | - | Not Used |
| 14 | - | Not Used |
| 15 | - | Bracket (Not Spared) |
| 16 | - | Bracket (Not Spared) |
| 17 | - | Bearing (Not Spared) |
| 18 | 160K75942 | Cabinet Drive PWB |
| 19 | 162K63983 | Wire Harness |
| 20 | 162K64001 | Wire Harness |

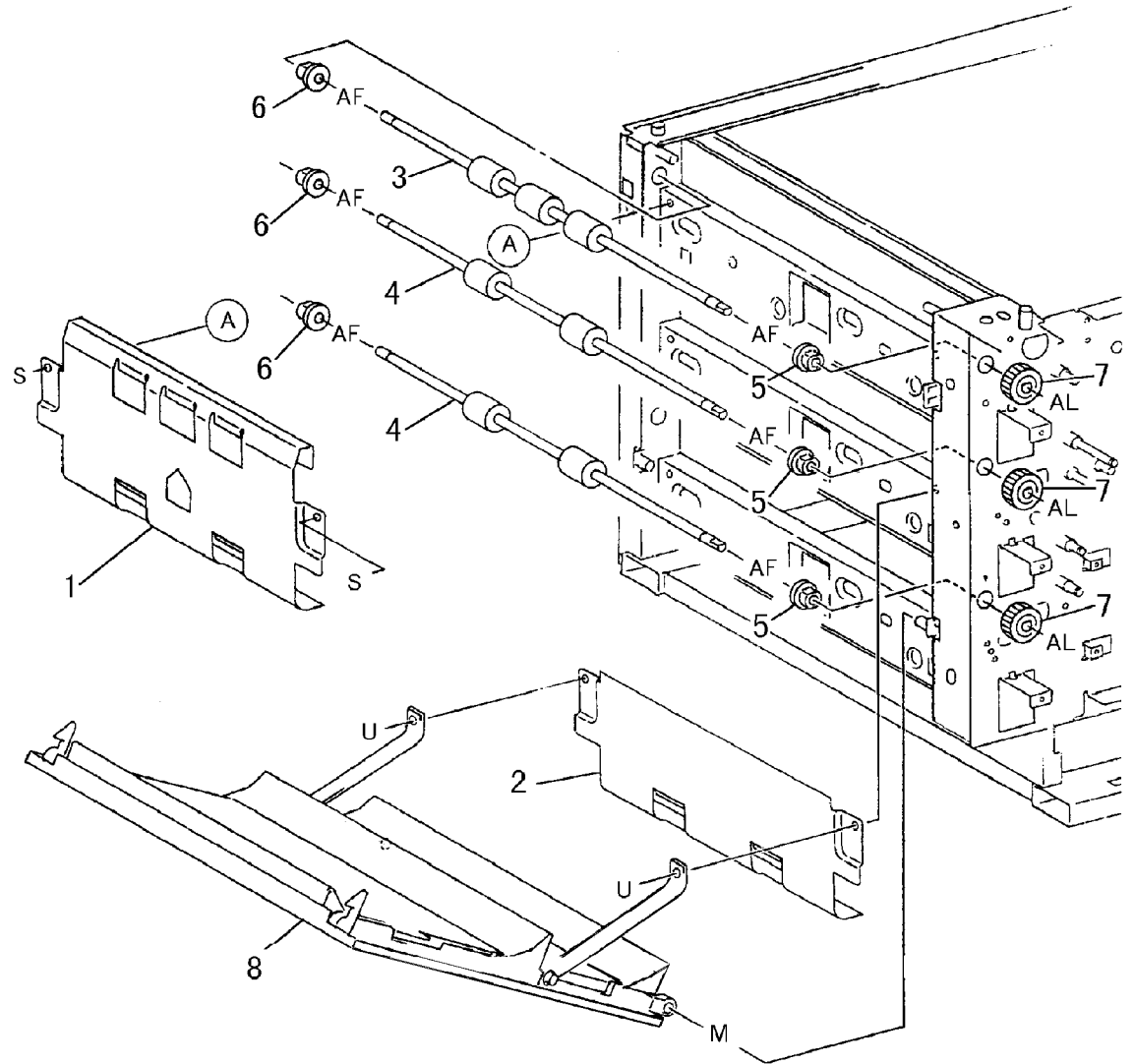
1 { 2-4



P-8-035-A

PL 8.45 T/A Roller

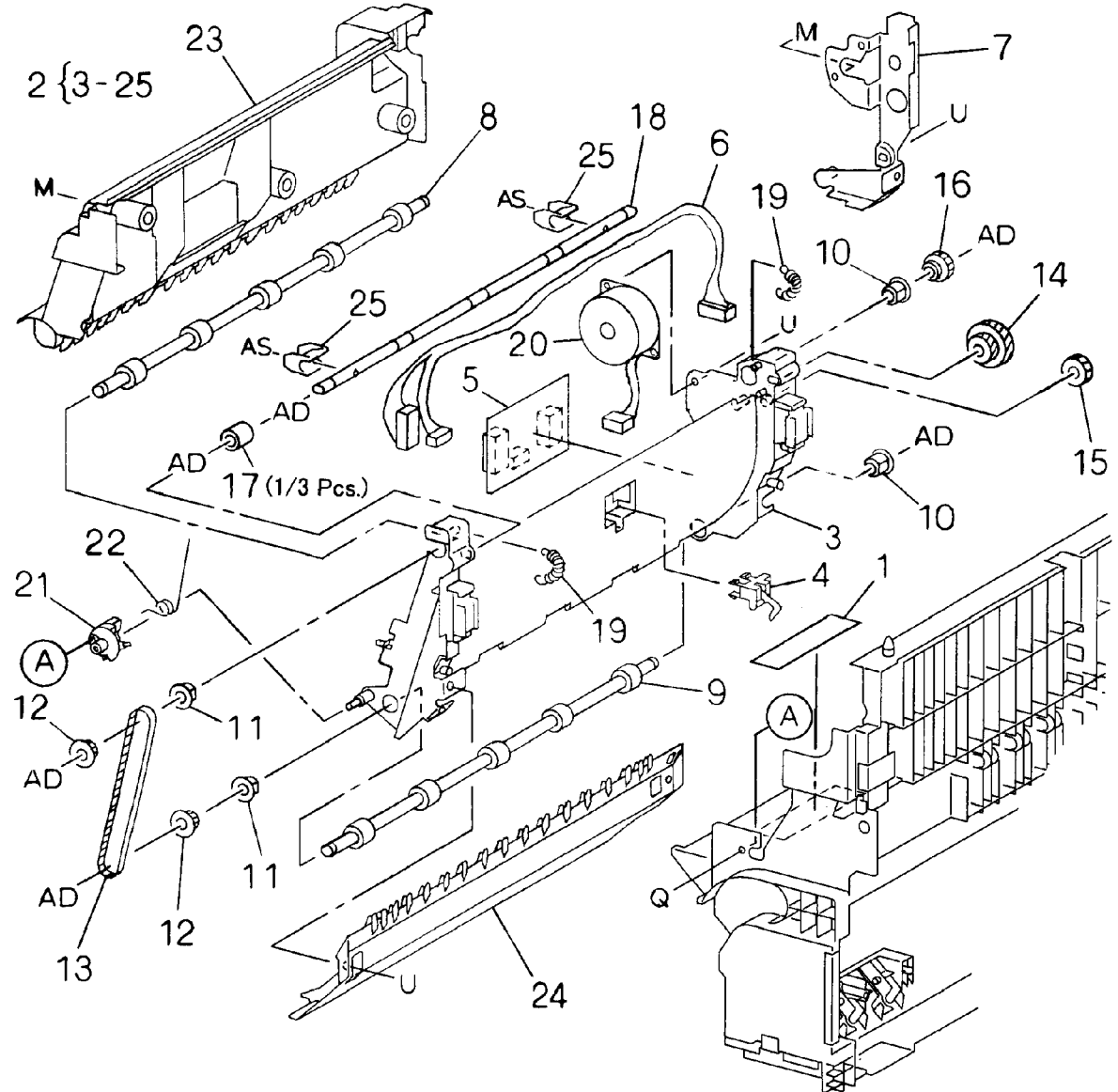
| Item | Part | Description |
|------|-----------|-------------------------------------|
| 1 | 054E14861 | Upper Chute |
| 2 | 054E18652 | Lower Chute |
| 3 | 022K62430 | T/A Roller 2 |
| 4 | 022K62630 | T/A Roller 3 and 4 |
| 5 | - | Bearing (Not Spared) |
| 6 | - | Bearing (Not Spared) |
| 7 | 007E60720 | Gear (T22) |
| 8 | - | Right Cover Assembly (REF: PL 7.40) |



P-8-036-A

PL 8.50 Duplex Assembly

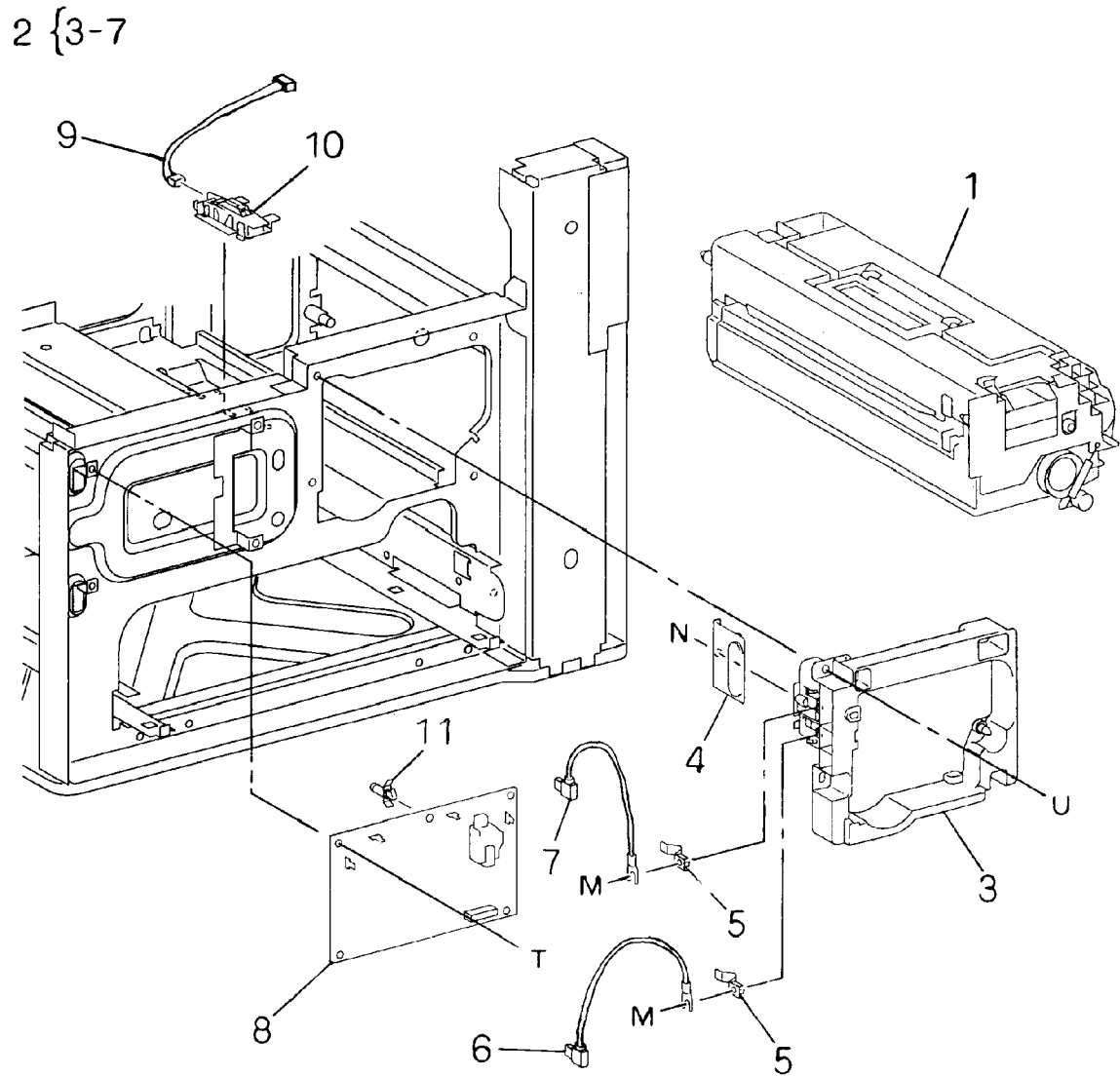
| Item | Part | Description |
|------|-----------|------------------------------------|
| 1 | 892E47601 | Label |
| 2 | 022K62936 | Duplex Assembly |
| 3 | - | Chute (P/O PL 8.50 Item 2) |
| 4 | 130K62330 | Duplex Path Sensor |
| 5 | 160K75914 | Duplex PWB |
| 6 | 162K69501 | Wire Harness |
| 7 | - | Bracket (P/O PL 8.50 Item 2) |
| 8 | 059K20581 | Upper Roller |
| 9 | 059K20592 | Lower Roller |
| 10 | 013E88770 | Bearing |
| 11 | 013E84800 | Bearing |
| 12 | 020E35110 | Pulley |
| 13 | 023E15680 | Belt |
| 14 | - | Gear (Z45/17) (P/O PL 8.50 Item 2) |
| 15 | - | Gear (Z16) (P/O PL 8.50 Item 2) |
| 16 | - | Gear (Z16) |
| 17 | 059E93850 | Pinch Roller |
| 18 | - | Shaft (P/O PL 8.50 Item 2) |
| 19 | 809E20322 | Spring |
| 20 | 127K24041 | Duplex Motor |
| 21 | 802E28362 | Holder |
| 22 | 809E33430 | Spring |
| 23 | - | Cover (P/O PL 8.50 Item 2) |
| 24 | 019K97623 | Cover |
| 25 | - | Guide (P/O PL 8.50 Item 2) |



P-8-059-A

PL 9.10 Print Cartridge and HVPS

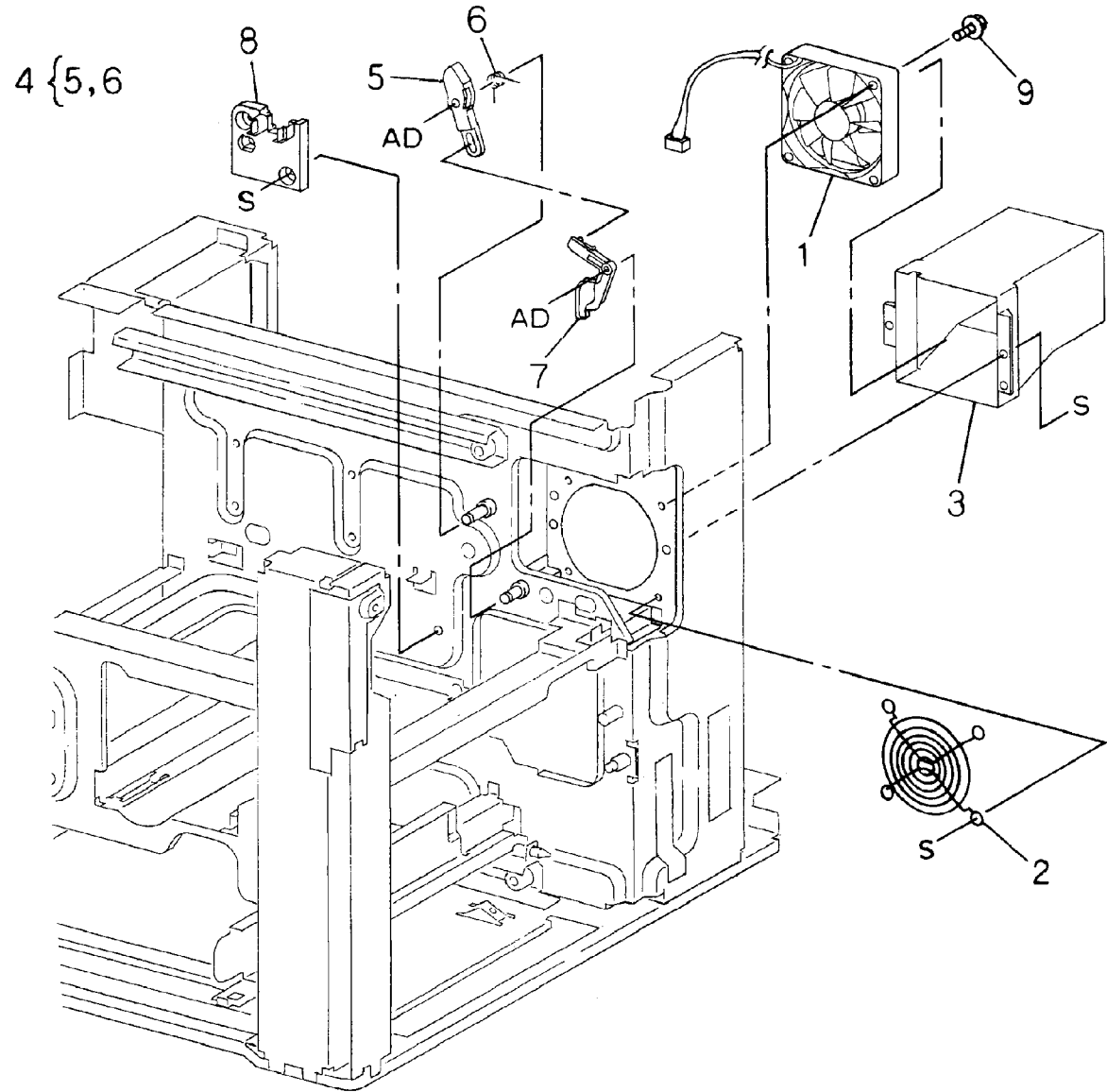
| Item | Part | Description |
|------|-----------|--|
| 1 | - | Print Cartridge (see below for variants) |
| - | 113R00619 | DMO-E |
| - | 113R00633 | XE |
| - | 113R00634 | DMO-W/NASG |
| - | 113R00635 | Brazil |
| 2 | 001K74274 | Frame Assembly |
| 3 | - | Frame (P/O PL 9.10 Item 2) |
| 4 | 802E24882 | Cover |
| 5 | 015E74801 | Bias Plate |
| 6 | 117K31950 | Wire Harness (Deve.) |
| 7 | 117K31940 | Wire Harness (Xero.) |
| 8 | 105E10660 | HVPS |
| 9 | 962K04190 | Wire Harness (DC14) |
| 10 | 130K61612 | Toner Empty Sensor |
| 11 | - | PWB Standoff |



P-8-022-A

PL 9.15 Main Fan

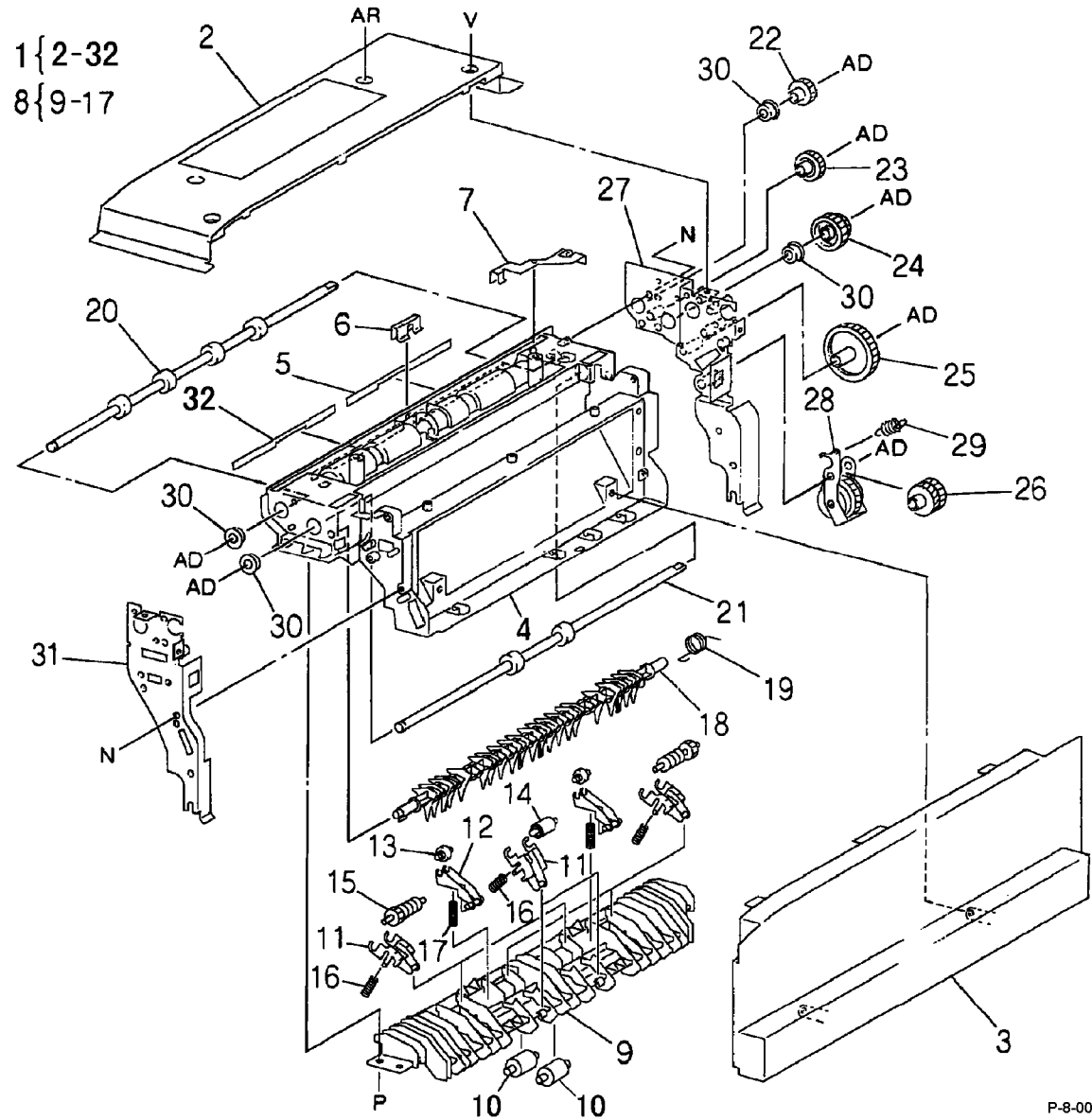
| Item | Part | Description |
|------|-----------|-----------------------------|
| 1 | 127K33073 | Main Fan |
| 2 | 055E19870 | Guard |
| 3 | 054E18983 | Duct |
| 4 | 012K94251 | Link Assembly |
| 5 | - | Link (P/O PL 9.15 Item 4) |
| 6 | - | Spring (P/O PL 9.15 Item 4) |
| 7 | 012E10221 | Link |
| 8 | 032E16441 | Guide |
| 9 | - | Screw |



P-8-023-A

PL 10.10 Exit Assembly

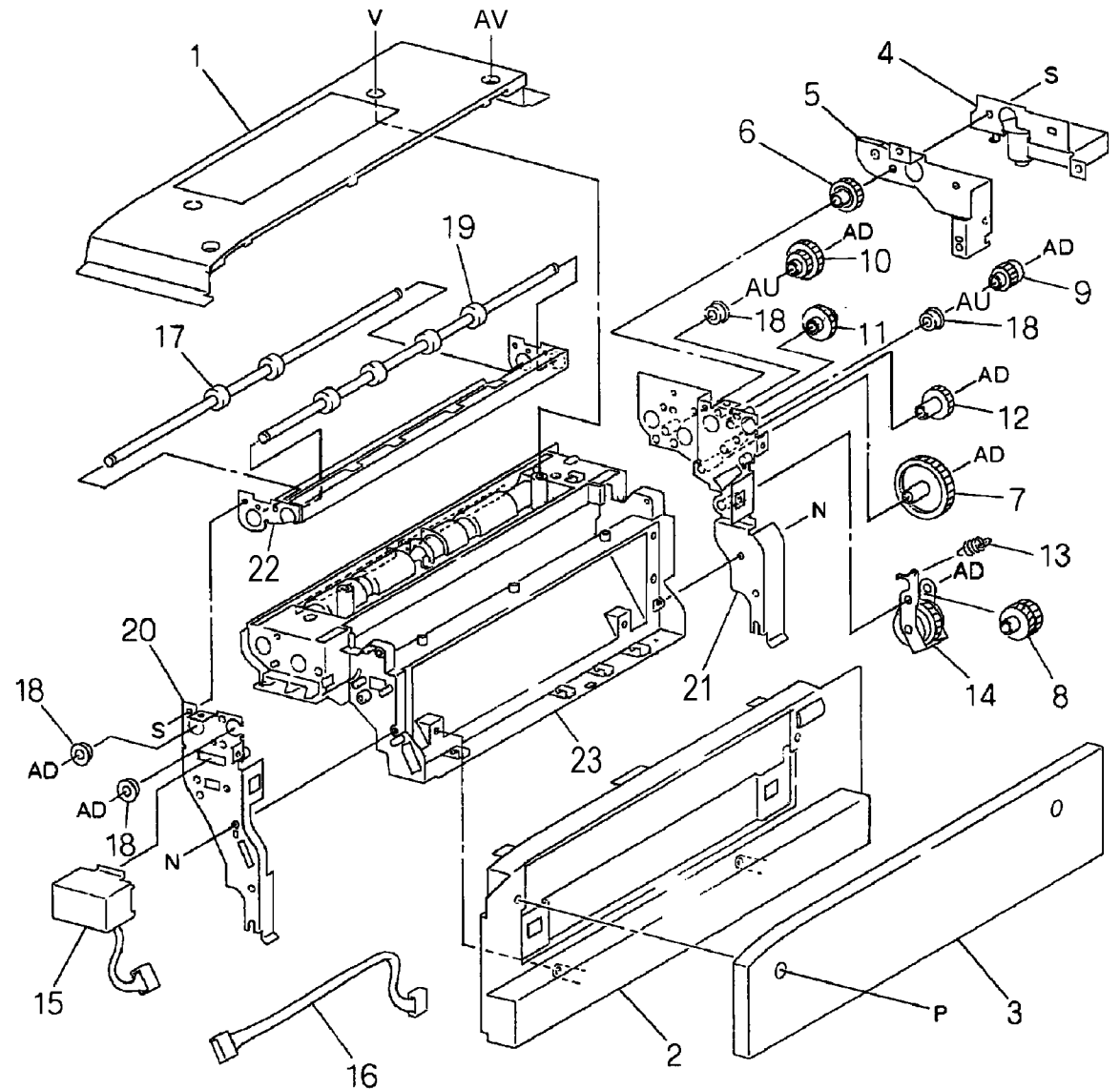
| Item | Part | Description |
|------|-----------|---|
| 1 | 022K62678 | Exit Assembly |
| 2 | 802E26060 | Top Cover |
| 3 | 802E26081 | Exit Cover |
| 4 | 054E18722 | Exit Upper Chute |
| 5 | 105E10890 | Static Eliminator (In) |
| 6 | - | Static Eliminator Plate (P/O PL 10.10 Item 1) |
| 7 | - | Static Eliminator Plate (P/O PL 10.10 Item 1) |
| 8 | 054K18753 | Exit Lower Chute Assembly |
| 9 | - | Exit Lower Chute (P/O PL 10.10 Item 8) |
| 10 | 022E87810 | Exit Roller |
| 11 | - | Roller Holder (P/O PL 10.10 Item 8) |
| 12 | - | Roller Holder (P/O PL 10.10 Item 8) |
| 13 | 059E93712 | Corrugation Finger |
| 14 | 059K15590 | Pinch Roller |
| 15 | 022E19722 | Pinch Roller |
| 16 | - | Spring (P/O PL 10.10 Item 8) |
| 17 | - | Spring (P/O PL 10.10 Item 8) |
| 18 | 054E18743 | Gate |
| 19 | 809E29761 | Spring |
| 20 | 059K19610 | Exit Roller |
| 21 | 059K19620 | Pre Exit Roller |
| 22 | 007E66980 | Gear (Z20) |
| 23 | 007E66990 | Gear (Z22) |
| 24 | 007E67000 | Gear (Z22/20) |
| 25 | 007E67010 | Gear (Z37) |
| 26 | 007E54510 | Gear (Z20/20) |
| 27 | - | Plate (P/O PL 10.10 Item 1) |
| 28 | 007K84830 | Gear Assembly |
| 29 | 809E34110 | Spring |
| 30 | 013E84800 | Bearing |
| 31 | - | Bracket (P/O PL 10.10 Item 1) |
| 32 | 105E10900 | Static Eliminator (Out) |



P-8-008-A

PL 10.15 OCT Assembly (1 of 3)

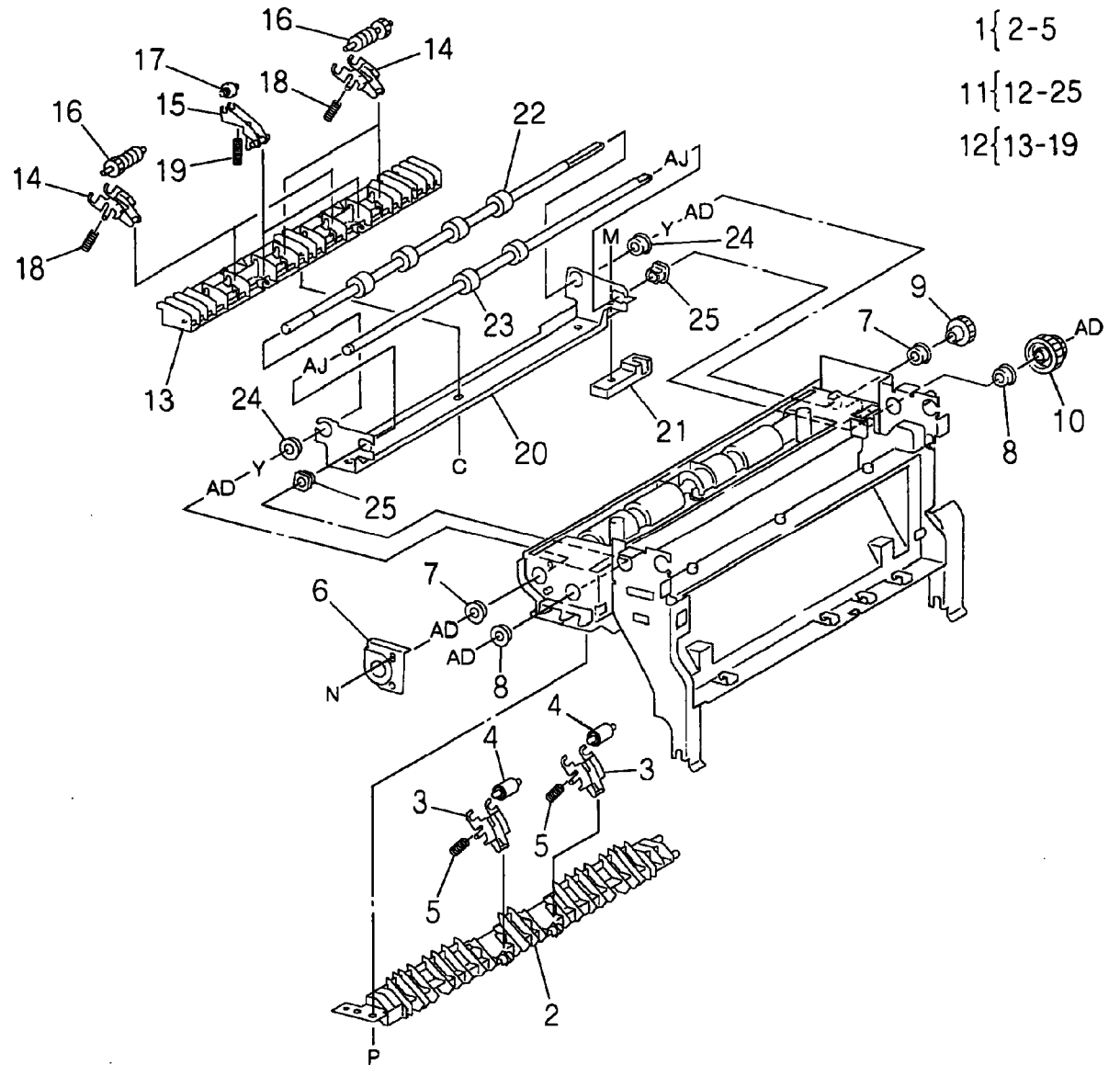
| Item | Part | Description |
|------|-----------|---|
| 1 | 802E26060 | Top Cover |
| 2 | 802E29102 | OCT Cover |
| 3 | 802E29121 | Blind Cover |
| 4 | 127K33320 | Offset Motor |
| 5 | - | Bracket (P/O PL 8.15 Item 9) |
| 6 | 007E66990 | Gear (Z22) |
| 7 | 007E67010 | Gear (Z37) |
| 8 | 007E54510 | Gear (Z20/20) |
| 9 | 007E87161 | Gear (Z18) (One Way) |
| 10 | 007E87171 | Gear (Z22/18) (One Way) |
| 11 | 007E71760 | Gear (Z25) |
| 12 | 007E71770 | Gear (Z19) |
| 13 | 809E34110 | Spring |
| 14 | 007K84830 | Gear Assembly |
| 15 | 121K26362 | Exit Gate Solenoid |
| 16 | 162K65220 | Wire Harness |
| 17 | 059K20880 | F/U Pre Exit Roller |
| 18 | - | Bearing (P/O PL 8.15 Item 9) |
| 19 | 059K20870 | F/U Exit Roller |
| 20 | - | Bracket (Front) (P/O PL 8.15 Item 9) |
| 21 | - | Bracket (REF: PL 10.25 Item 7) |
| 22 | - | F/U Exit Upper Chute (REF: PL 10.25 Item 9) |
| 23 | - | OCT Upper Chute (REF: PL 10.25 Item 8) |



P-8-009-A

PL 10.20 OCT Assembly (2 of 3)

| Item | Part | Description |
|------|-----------|--|
| 1 | 054K19952 | Lower Chute Assembly |
| 2 | - | Lower Chute (P/O PL 10.20 Item 1) |
| 3 | - | Holder (P/O PL 10.20 Item 1) |
| 4 | 059K15590 | Pinch Roller |
| 5 | - | Spring (P/O PL 10.20 Item 1) |
| 6 | - | Holder (P/O PL 8.15 Item 9) |
| 7 | - | Bearing (P/O PL 8.15 Item 9) |
| 8 | - | Bearing (P/O PL 8.15 Item 9) |
| 9 | 007E66980 | Gear (Z20) |
| 10 | 007E67000 | Gear (Z22/20) |
| 11 | 041K94333 | CRG Assembly |
| 12 | 054K19942 | OCT Lower Chute Assembly |
| 13 | - | OCT Lower Chute (P/O PL 10.20 Item 12) |
| 14 | - | Holder (P/O PL 10.20 Item 12) |
| 15 | - | Holder (P/O PL 10.20 Item 12) |
| 16 | 022E19722 | Pinch Roller |
| 17 | 059E93712 | Corrugation Roller |
| 18 | - | Spring (P/O PL 10.20 Item 12) |
| 19 | - | Spring (P/O PL 10.20 Item 12) |
| 20 | 041K94342 | CRG |
| 21 | - | Rack (P/O PL 10.20 Item 11) |
| 22 | 059K20861 | OCT Exit Roller |
| 23 | 059K19620 | OCT Pre Exit Roller |
| 24 | - | Bearing (P/O PL 10.20 Item 11) |
| 25 | - | Bearing (P/O PL 10.20 Item 11) |

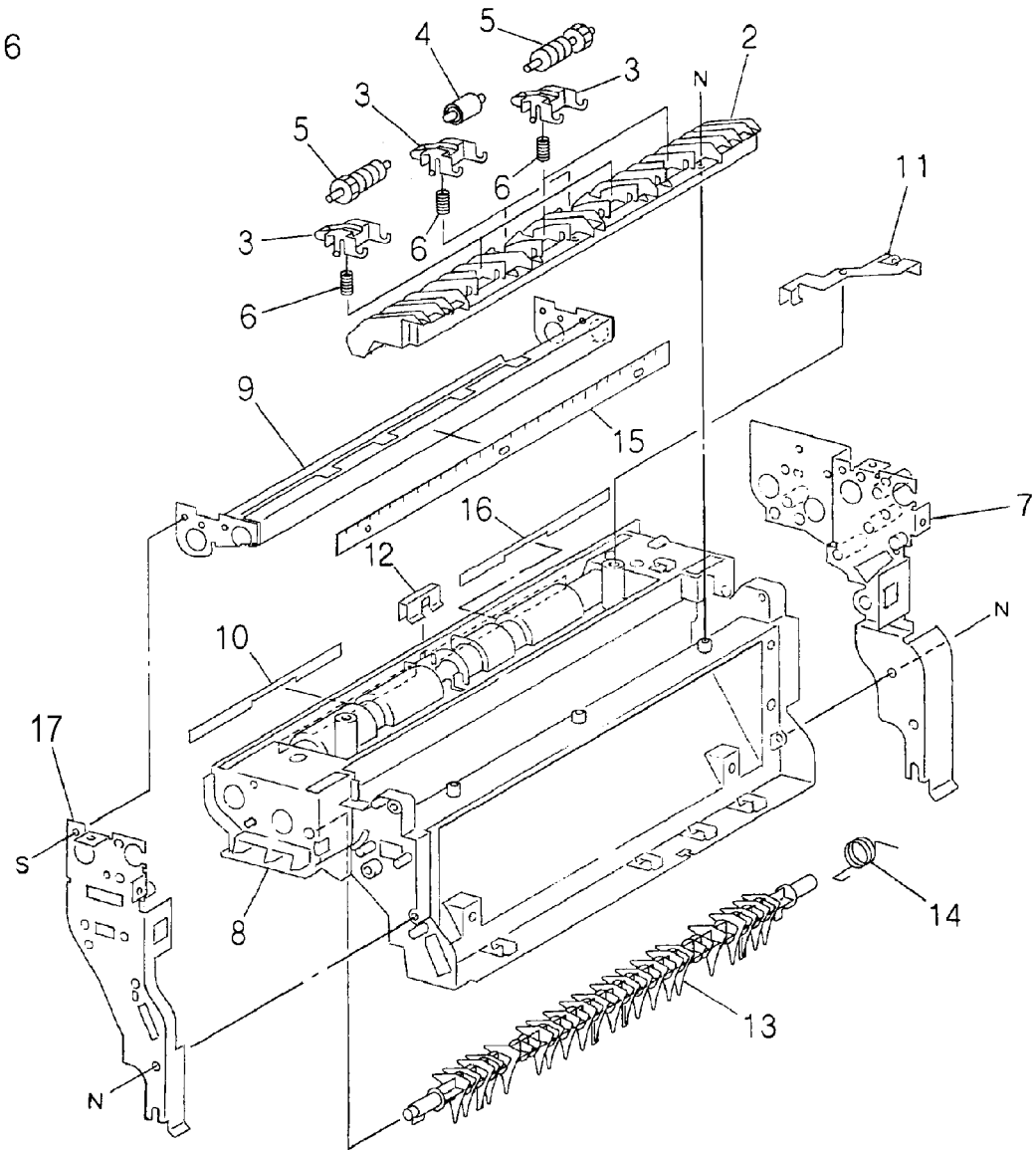


P-8-010-A

PL 10.25 OCT Assembly (3 of 3)

| Item | Part | Description |
|------|-----------|--|
| 1 | 054K19933 | F/U Exit Lower Chute Assembly |
| 2 | - | F/U Exit Lower Chute (P/O PL 10.25 Item 1) |
| 3 | - | Holder (P/O PL 10.25 Item 1) |
| 4 | 059K15590 | Pinch Roller |
| 5 | 022E19722 | Pinch Roller |
| 6 | - | Spring (P/O PL 10.25 Item 1) |
| 7 | - | Bracket (Rear) (P/O PL 8.15 Item 9) |
| 8 | 054E18722 | OCT Upper Chute |
| 9 | 054E19402 | F/U Exit Upper Chute |
| 10 | 105E10900 | Static Eliminator (Out) |
| 11 | - | Static Eliminator Plate (P/O PL 8.15 Item 9) |
| 12 | - | Static Eliminator Plate (P/O PL 8.15 Item 9) |
| 13 | 054E18743 | Gate |
| 14 | 809E29761 | Spring |
| 15 | 105E10631 | Static Eliminator |
| 16 | 105E10890 | Static Eliminator (In) |
| 17 | - | Bracket (Front) (REF: PL 10.15 Item 20) |

1 {2-6

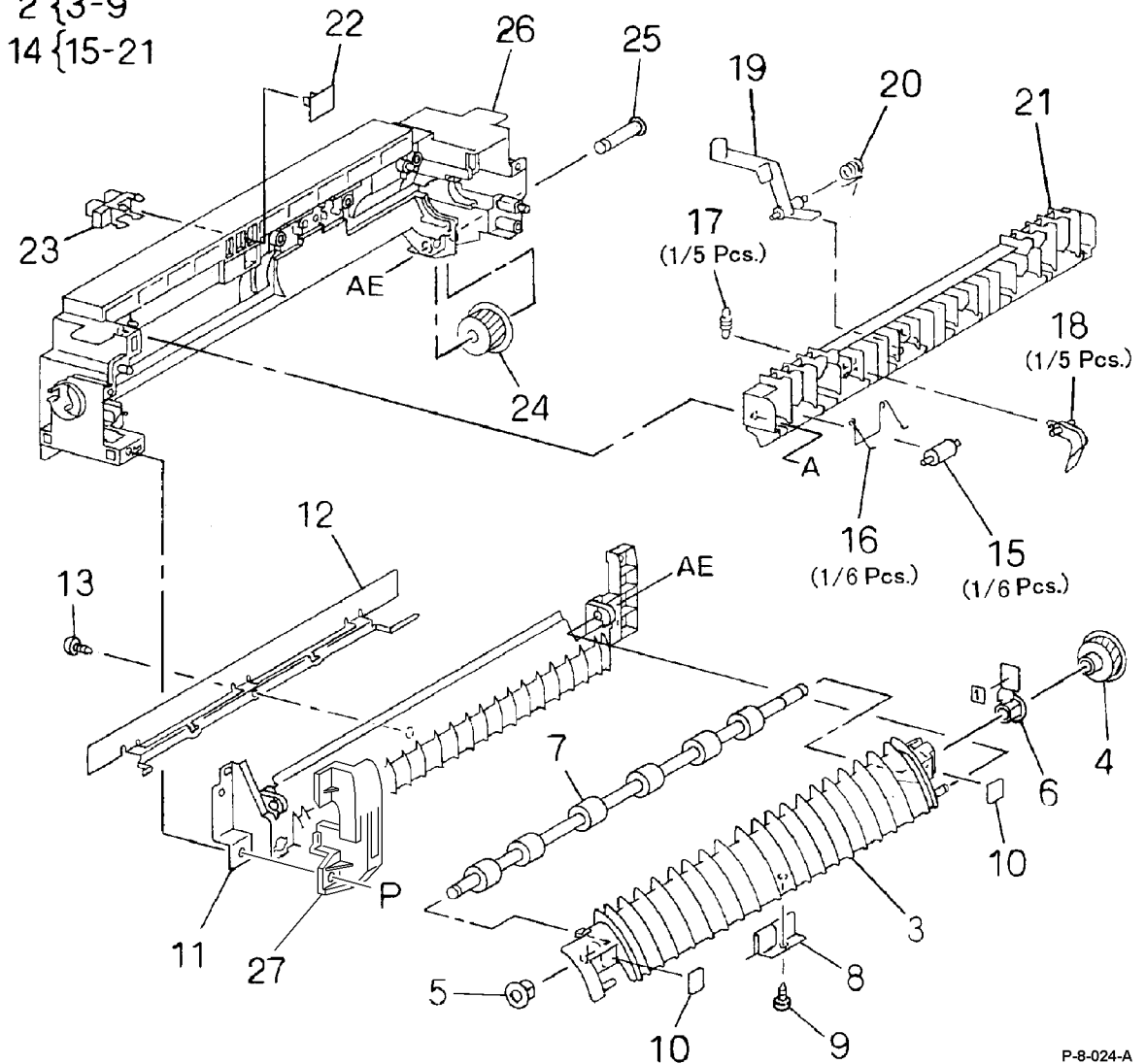


P-8-011-A

PL 10.30 Fuser Assembly (1 of 2)

| Item | Part | Description |
|------|-----------|---|
| 1 | 126K14277 | Fuser Assembly (220V) (DMO/XE) (REP 10.3) |
| - | 126K14178 | Fuser Assembly (120V) (DMO/NASG) (REP 10.3) |
| 2 | 054K19982 | Decurler Chute Assembly |
| 3 | - | Decurler Chute (P/O PL 10.30 Item 2) |
| 4 | 007E51960 | Gear |
| 5 | - | Bearing (P/O PL 10.30 Item 2) |
| 6 | - | Bearing (P/O PL 10.30 Item 2) |
| 7 | 022K63030 | Decurler Roller |
| 8 | - | Plate (P/O PL 10.30 Item 2) |
| 9 | - | Screw (P/O PL 10.30 Item 9) |
| 10 | - | Spacer (P/O PL 10.30 Item 1) |
| 11 | 054K18582 | Bottom Chute Assembly |
| 12 | 054E19650 | Inlet Chute |
| 13 | - | Screw (P/O PL 10.30 Item 1) |
| 14 | 054K20543 | Exit Chute Assembly |
| 15 | 022K62100 | Pinch Roller |
| 16 | - | Spring (P/O PL 10.30 Item 1) |
| 17 | - | Spring (P/O PL 10.30 Item 1) |
| 18 | - | Finger (P/O PL 10.30 Item 1) |
| 19 | 120E13053 | Actuator |
| 20 | - | Spring (P/O PL 10.30 Item 1) |
| 21 | - | Exit Chute (P/O PL 10.30 Item 1) |
| 22 | - | Cap (P/O PL 10.30 Item 1) |
| 23 | 130E81970 | Fuser Exit Sensor |
| 24 | 007E51941 | Gear |
| 25 | - | Shaft (P/O PL 10.30 Item 1) |
| 26 | - | Frame Assembly (P/O PL 10.30 Item 1) |
| 27 | 003E58860 | Decurler Stopper |

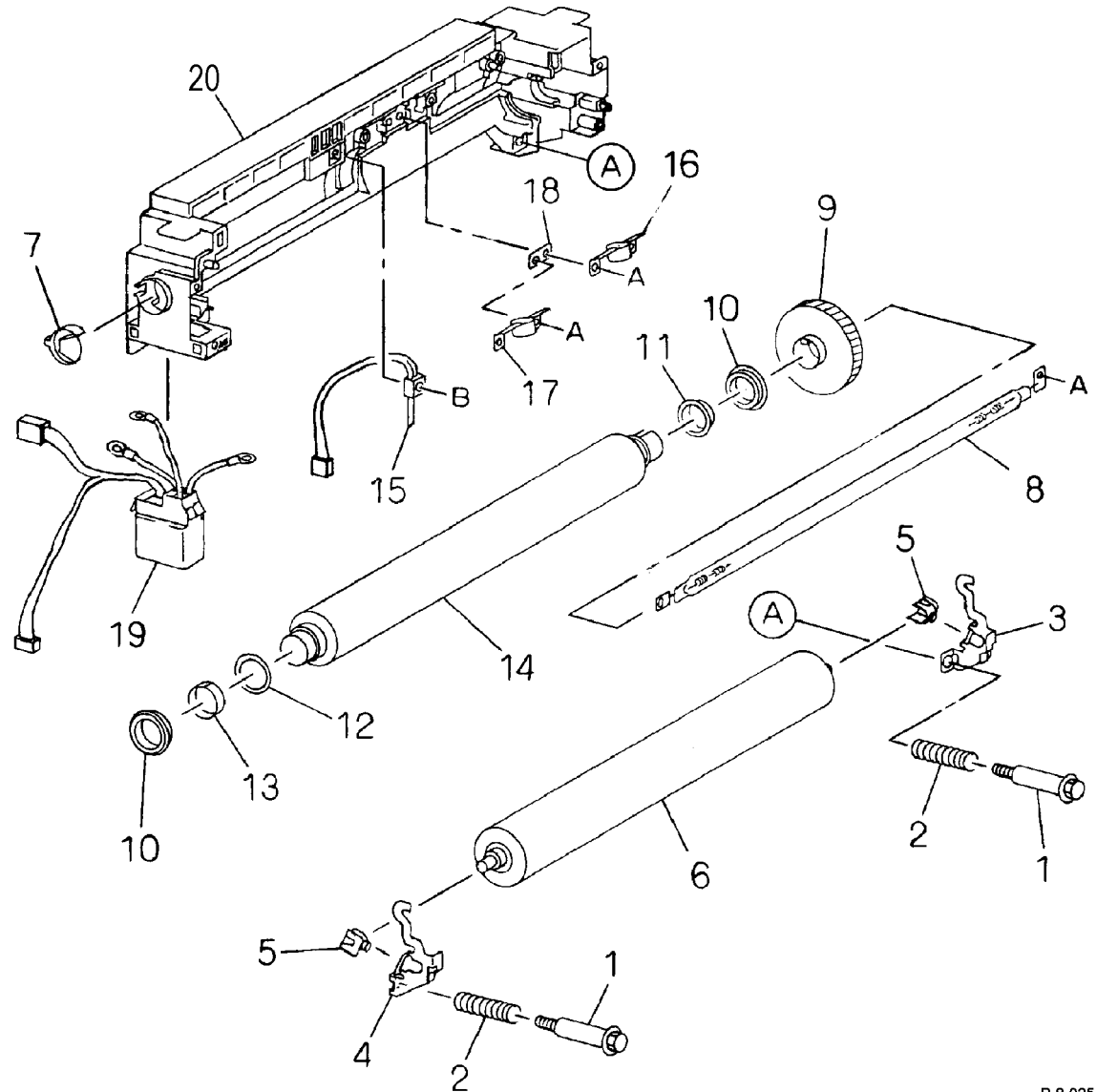
1 {2-26, AND ITEMS 1-19 ON PL 10.35
 2 {3-9
 14 {15-21



P-8-024-A

PL 10.35 Fuser Assembly (2 of 2)

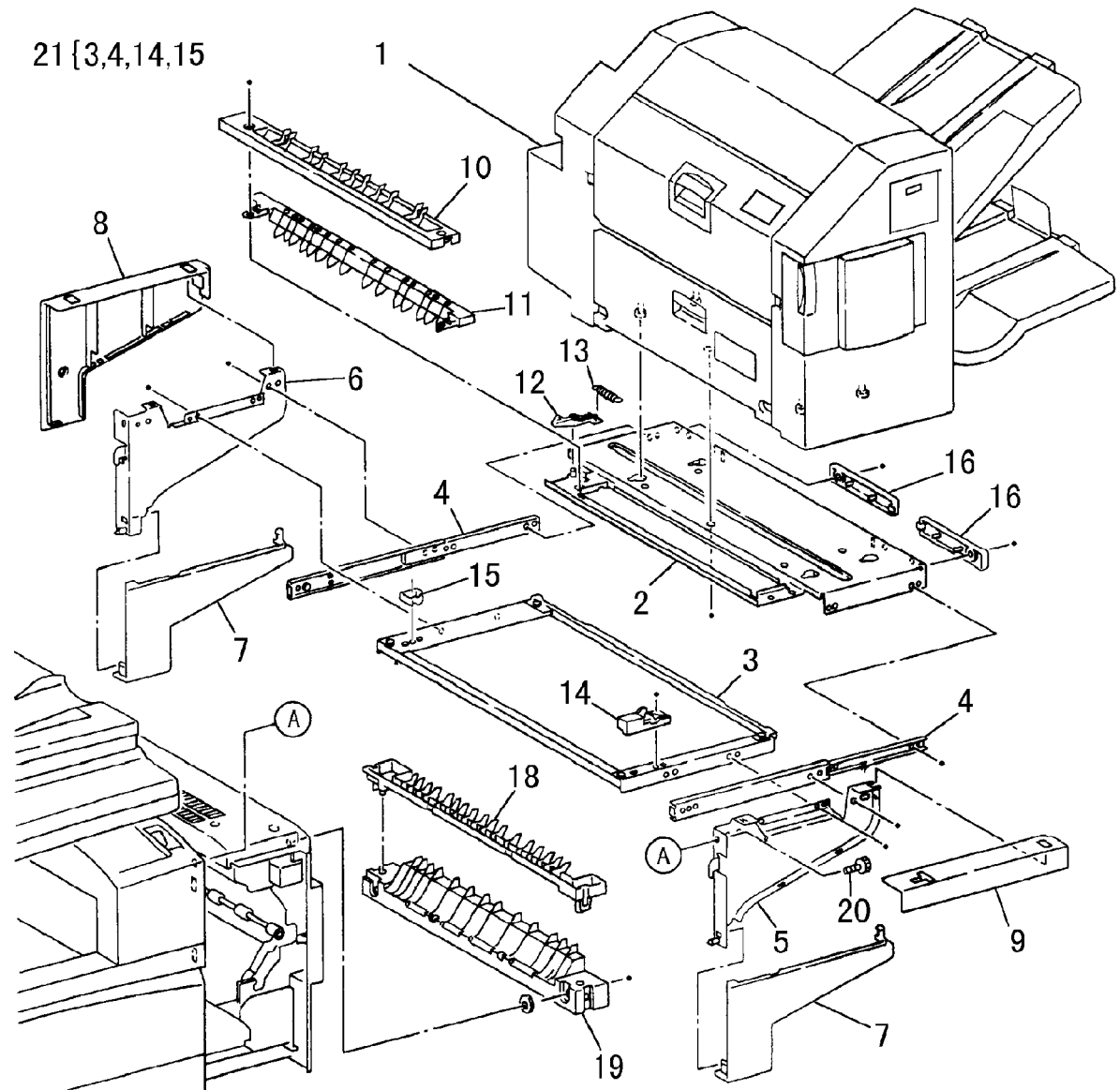
| Item | Part | Description |
|------|-----------|--|
| 1 | - | Nip Screw (P/O PL 10.30 Item 1) |
| 2 | - | Nip Spring (P/O PL 10.30 Item 1) |
| 3 | - | Lever (Rear) (P/O PL 10.30 Item 1) |
| 4 | - | Lever (Front) |
| 5 | 013E18860 | Bearing |
| 6 | 022K62701 | Pressure Roller (REP 10.4) |
| 7 | - | Rod Holder (P/O PL 10.30 Item 1) |
| 8 | 126K12591 | Heater Rod (220V) (DMO/XE) (REP 10.5) |
| - | 126K12370 | Heater Rod (120V) (DMO/NASG) (REP 10.5) |
| 9 | 007E51950 | Gear |
| 10 | 013E88180 | Bearing |
| 11 | - | Sleeve (P/O PL 10.30 Item 1) |
| 12 | - | Sleeve (P/O PL 10.30 Item 1) |
| 13 | - | Spacer (P/O PL 10.30 Item 1) |
| 14 | 022E87691 | Heat Roller |
| 15 | 130K59680 | Fuser Thermistor |
| 16 | 130K60380 | Fuser Thermostat (Rear) |
| 17 | 130K62390 | Fuser Thermostat (Front) |
| 18 | - | Plate (P/O PL 10.30 Item 1) |
| 19 | 962K05871 | Wire Harness |
| 20 | - | Frame Assembly (REF: PL 10.30 Item 26) |



P-8-025-A

PL 12.10 Finisher Assembly

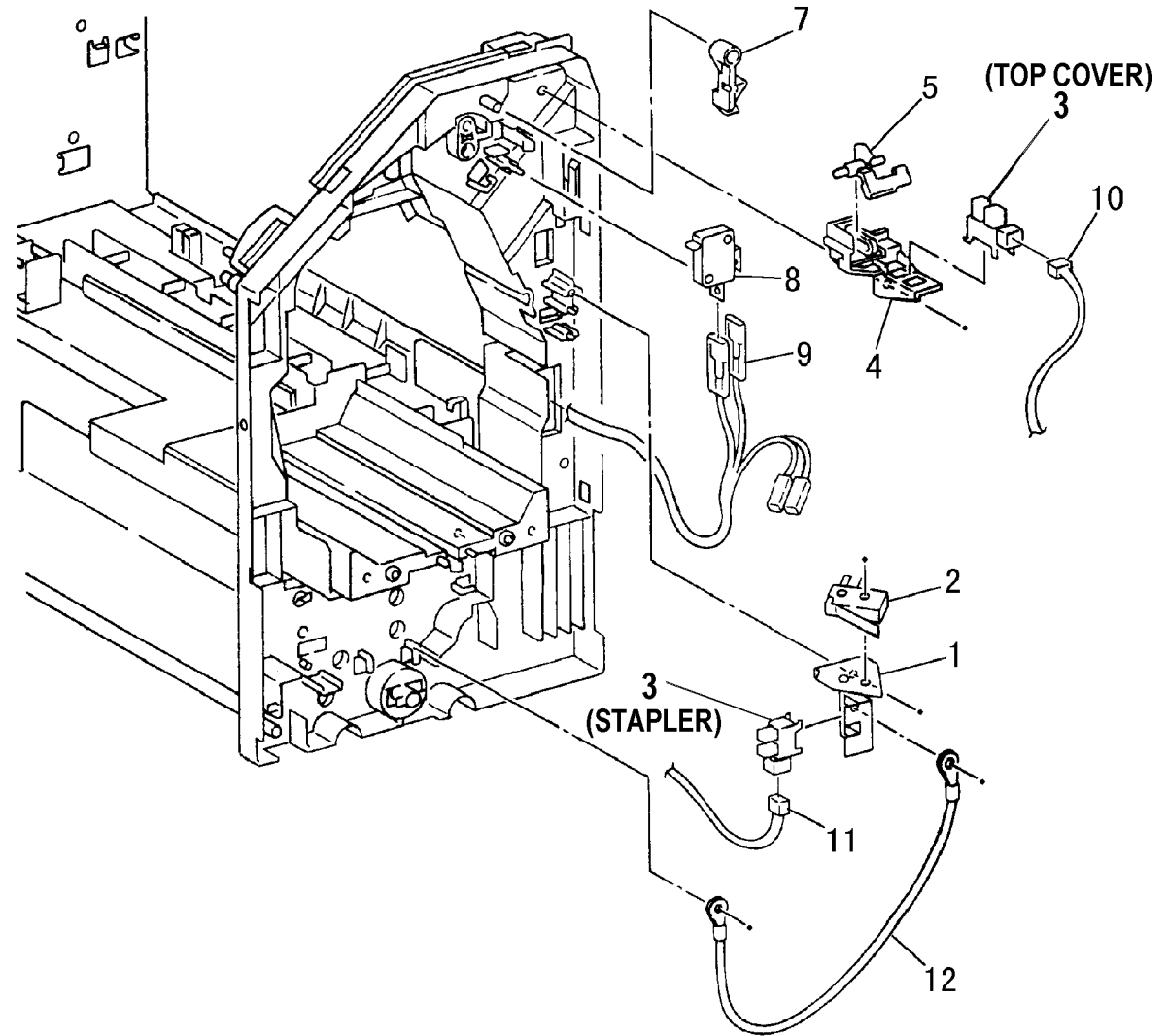
| Item | Part | Description |
|------|-----------|-----------------------------------|
| 1 | 604K04670 | Finisher Assembly (REP 12.1) |
| 2 | - | Base Frame (Not Spared) |
| 3 | - | Side Frame (P/O PL 12.10 Item 21) |
| 4 | 001E61740 | Slide Rail |
| 5 | - | Front Stay Frame (Not Spared) |
| 6 | - | Rear Stay Frame (Not Spared) |
| 7 | 802E31430 | Front Stay Cover |
| 8 | 802E31440 | Rear Stay Cover |
| 9 | 802E31460 | Rail Cover |
| 10 | 032E17660 | Entrance Chute |
| 11 | 032E17670 | Lower Chute |
| 12 | 003E56780 | Side Latch |
| 13 | 809E35100 | Spring |
| 14 | 003E56790 | Latch Stopper |
| 15 | 003E56770 | Side Stopper |
| 16 | 802E31280 | Front Rail Cover (2) |
| 17 | - | Not Used |
| 18 | 032E17640 | Link U Guide |
| 19 | 032E17650 | Link L Guide |
| 20 | 826E02270 | Screw |
| 21 | 015K55400 | Fix Plate Assembly |



P-8-060-A

PL 12.12 Switches and Sensors

| Item | Part | Description |
|------|-----------|------------------------|
| 1 | - | Bracket (Not Spared) |
| 2 | 110E10980 | Stapler Cover Switch |
| 3 | 130E85360 | Stapler Unit HP Sensor |
| 4 | 019E52830 | Bracket |
| 5 | 011E12200 | Actuator |
| 6 | - | Not Used |
| 7 | 011E12190 | Actuator |
| 8 | 110E10970 | Exit Unit Sensor |
| 9 | 962K04640 | Switch Wire Harness |
| 10 | 962K04550 | TCS Wire Harness |
| 11 | 962K04720 | STH Wire Harness |
| 12 | 962K04730 | Ground Wire |

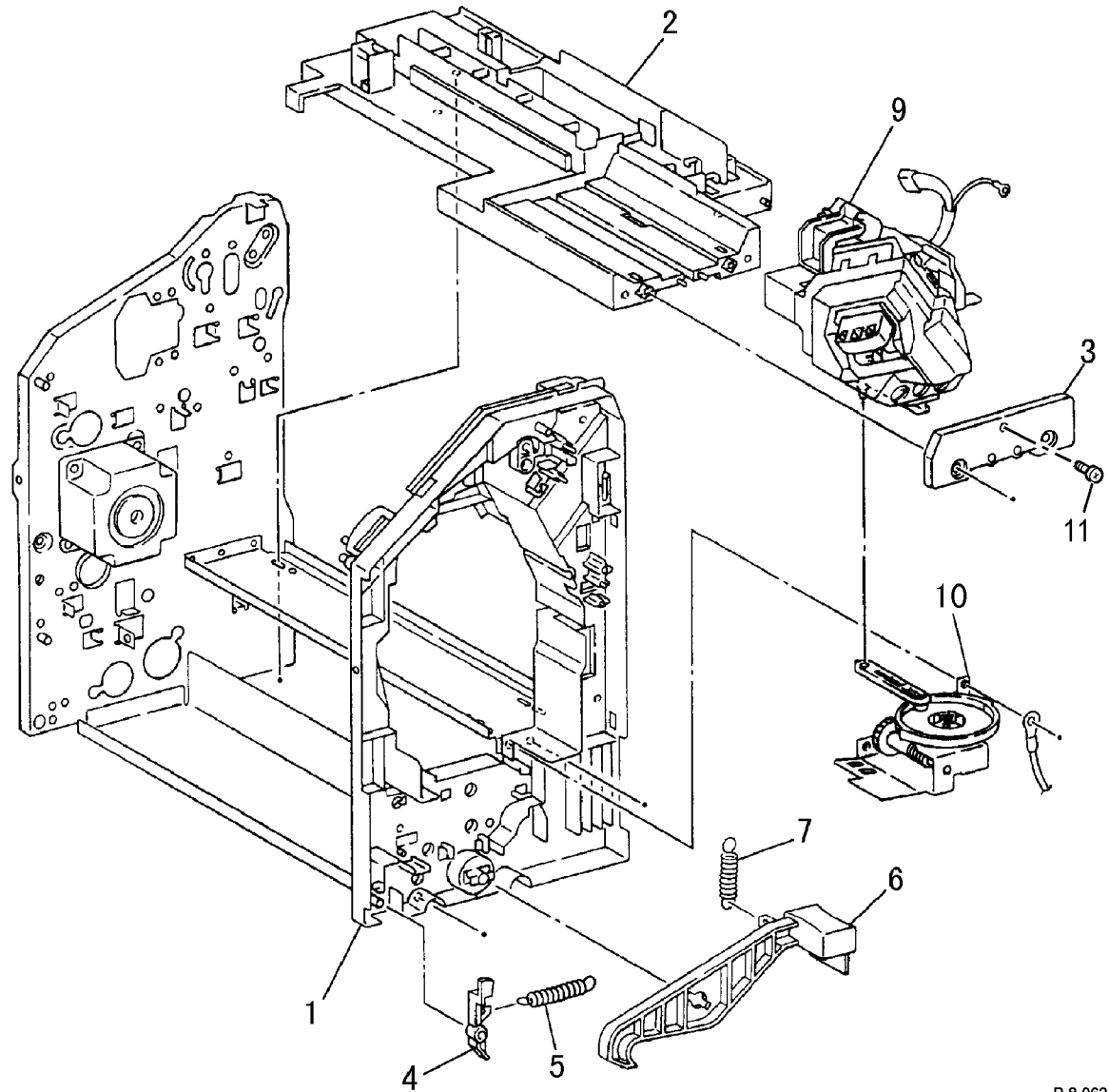


P-8-061-A

PL 12.14 Stapler Assembly

| Item | Part | Description |
|------|-----------|---|
| 1 | 001E61730 | Front Frame |
| 2 | 001E61720 | Base Frame |
| 3 | 019E50620 | Staple Holder Cover |
| 4 | 011E12040 | Actuator |
| 5 | 809E35090 | Spring |
| 6 | 011E12020 | Lever |
| 7 | 809E35010 | Spring |
| 8 | - | Not Used |
| 9 | 604K04690 | Stapler Assembly |
| 10 | - | Cam Assembly (REF: PL 12.16 Item 16) |
| 11 | - | Transit Screw |

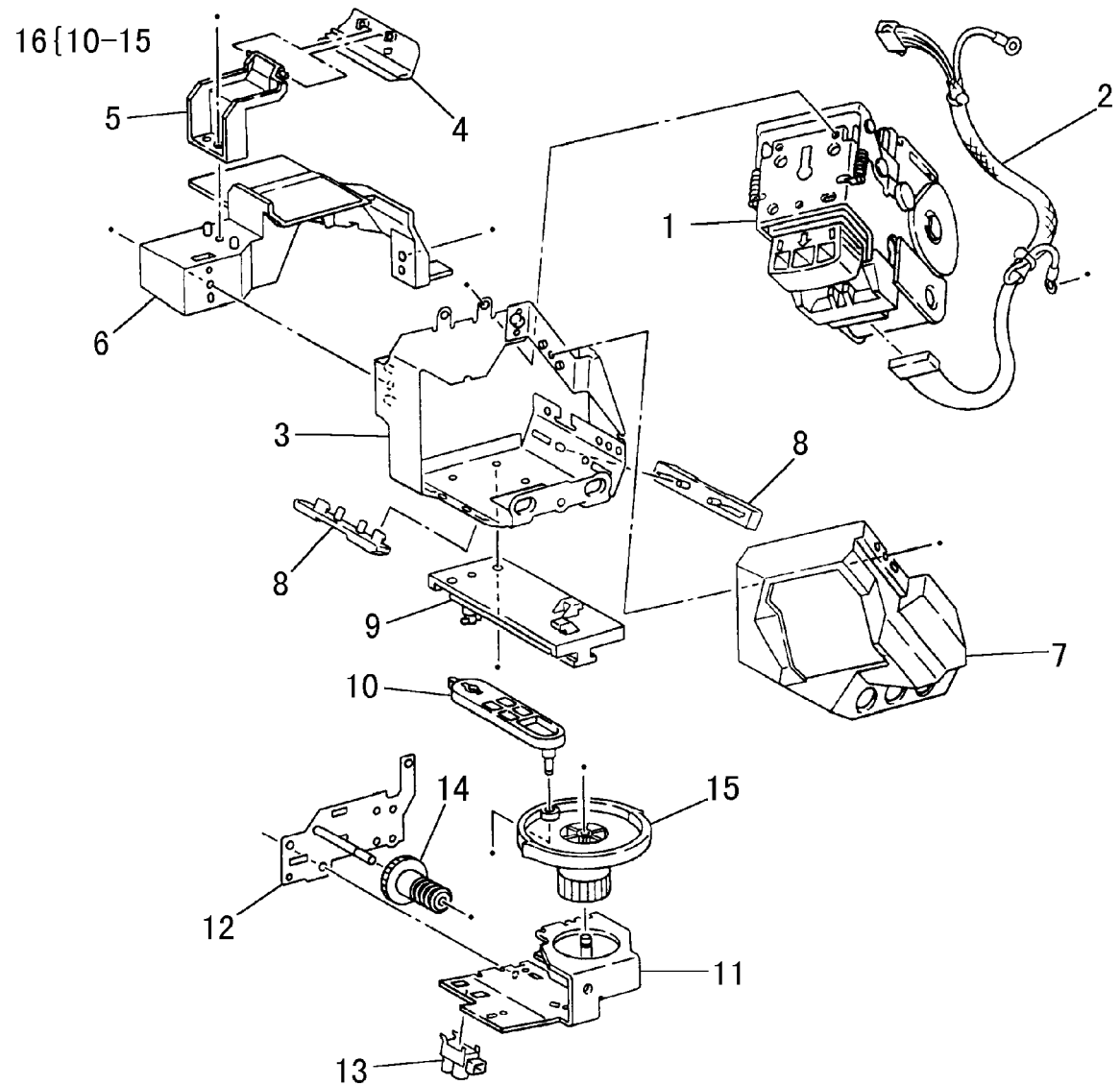
NOTE: Refer to PL 20.10 Item 10 stapler cartridge.



P-8-062-A

PL 12.16 Stapler Motor

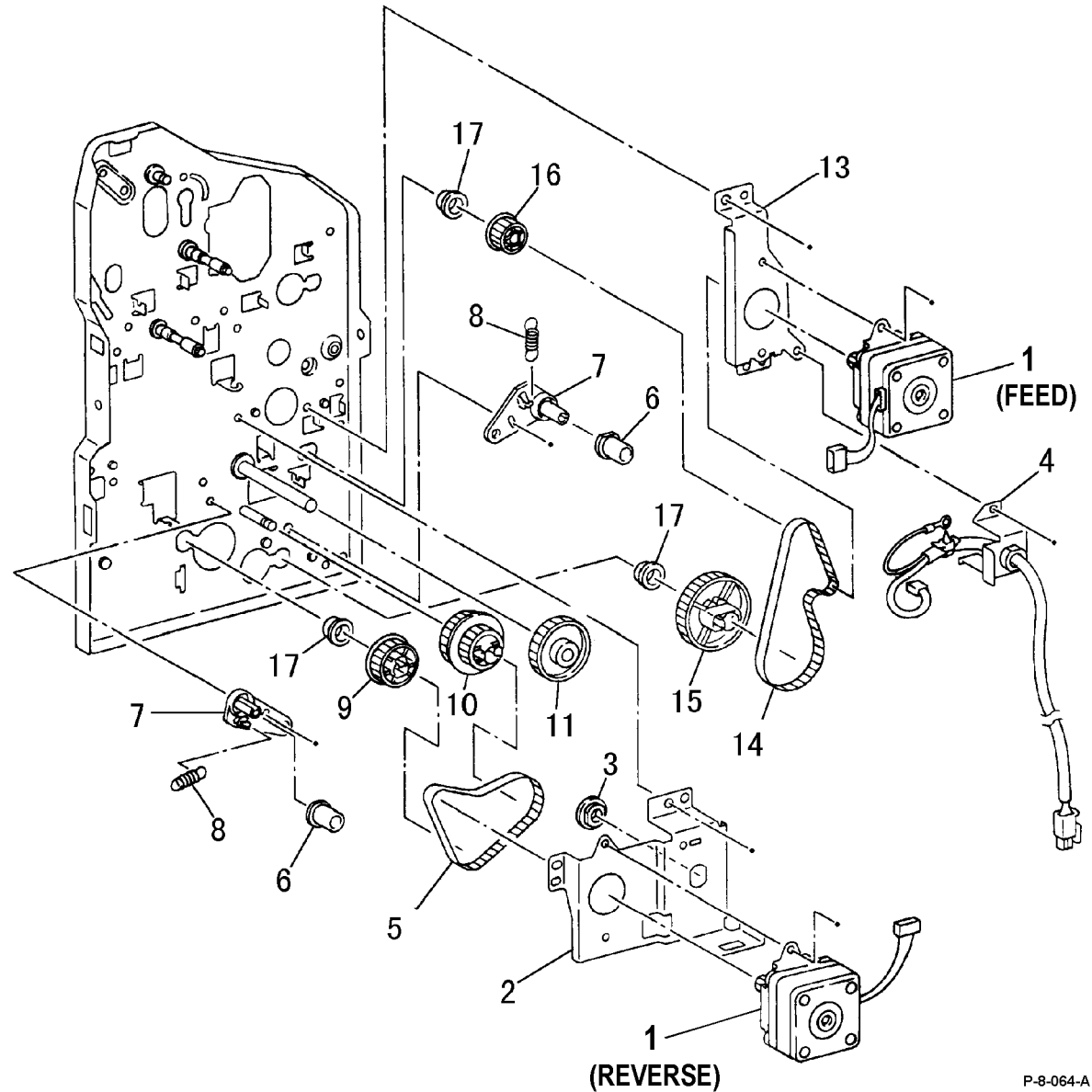
| Item | Part | Description |
|------|-----------|--------------------------------|
| 1 | 127E83070 | Stapler Motor (REP 12.2) |
| 2 | 962K04650 | ST Wire Harness |
| 3 | - | Bracket (Not Spared) |
| 4 | 036E91400 | Paper Weight (Front) |
| 5 | - | Holder (Not Spared) |
| 6 | - | Slide Tray (Not Spared) |
| 7 | 802E31410 | Staple Cover |
| 8 | - | Slide Foot (Not Spared) |
| 9 | 012E10270 | Link |
| 10 | 011E12070 | Crank Lever |
| 11 | - | Bracket (P/O PL 12.16 Item 16) |
| 12 | - | Plate (P/O PL 12.16 Item 16) |
| 13 | 130E85360 | Docking Sensor |
| 14 | 007E72440 | Gear |
| 15 | 007E72450 | Cam |
| 16 | 012K05530 | Staple Crank Assembly |



P-8-063-A

PL 12.18 Drive Motors

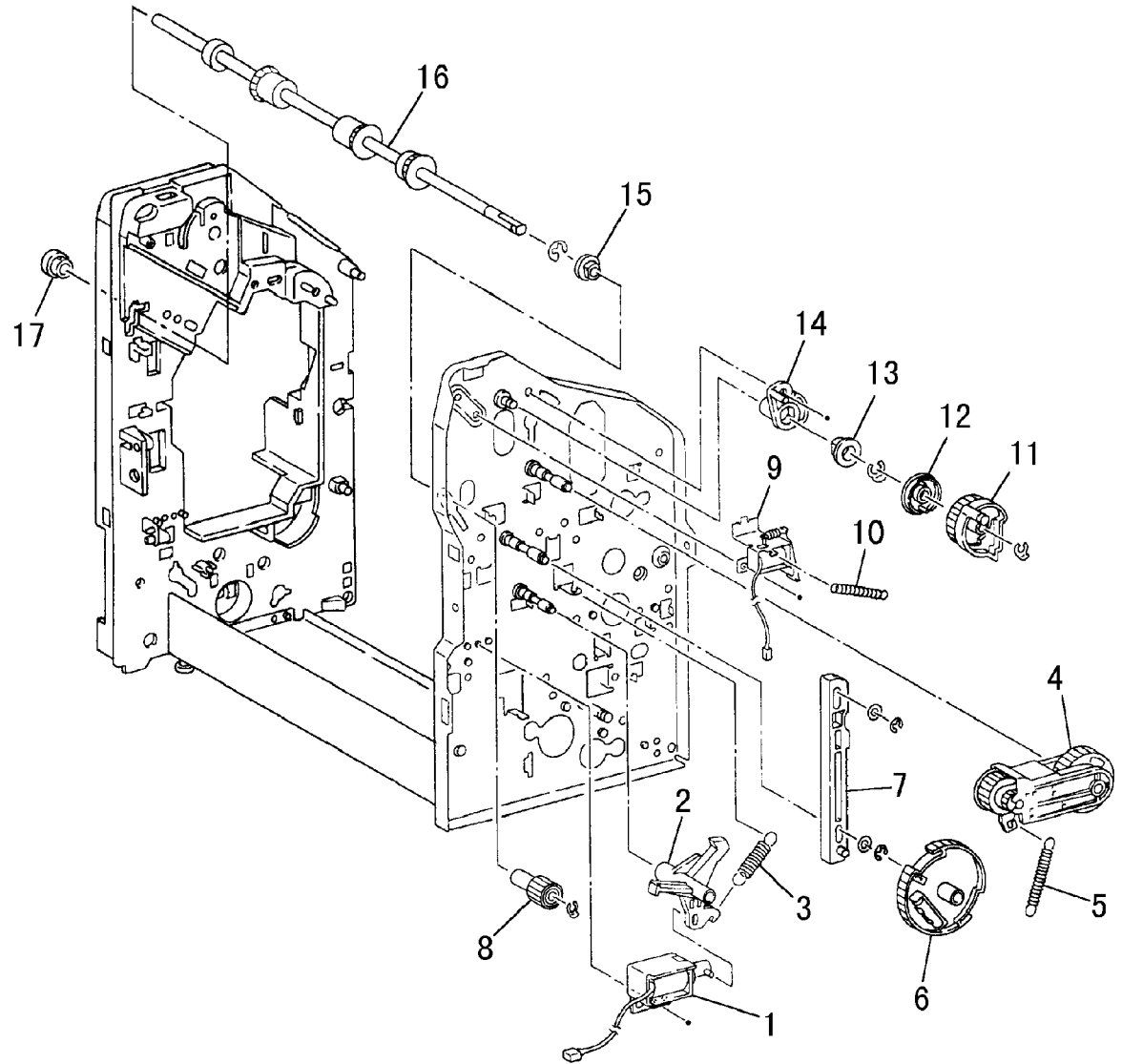
| Item | Part | Description |
|------|-----------|-------------------------------|
| 1 | 127E83050 | Reverse Motor/Feed Motor |
| 2 | - | Bracket (Not Spared) |
| 3 | - | Bearing (Not Spared) |
| 4 | 962K04710 | AC Wire Harness |
| 5 | 023E20250 | Reverse Motor Belt (REP 12.3) |
| 6 | 022E88020 | Tension Pulley |
| 7 | - | Bracket (Not Spared) |
| 8 | 809E35070 | Spring |
| 9 | 020E35370 | Gear |
| 10 | 020E35360 | Gear |
| 11 | 007E72470 | Gear |
| 12 | - | Not Used |
| 13 | - | Bracket (Not Spared) |
| 14 | 023E20260 | Feed Motor Belt (REP 12.4) |
| 15 | 020E35390 | Idler Gear |
| 16 | 020E35380 | Gear |
| 17 | - | Bearing (Not Spared) |



P-8-064-A

PL 12.20 Paddle Solenoid

| Item | Part | Description |
|------|-----------|----------------------------|
| 1 | 121E88660 | Exit Unit Up/Down Solenoid |
| 2 | - | Link (Not Spared) |
| 3 | 809E35170 | Spring |
| 4 | 007K87490 | Gear Assembly |
| 5 | 809E35150 | Spring |
| 6 | 007E72560 | Cam |
| 7 | - | Guide (Not Spared) |
| 8 | 007E72550 | Gear |
| 9 | 121E88650 | Paddle Solenoid |
| 10 | - | Spring (Not Spared) |
| 11 | 007E72540 | Paddle Gear (ADJ 12.1) |
| 12 | - | Holder (Not Spared) |
| 13 | - | Bearing (Not Spared) |
| 14 | 016E93250 | Bush |
| 15 | - | Bearing (Not Spared) |
| 16 | 022K63080 | Exit Roller Assembly |
| 17 | - | Bearing |

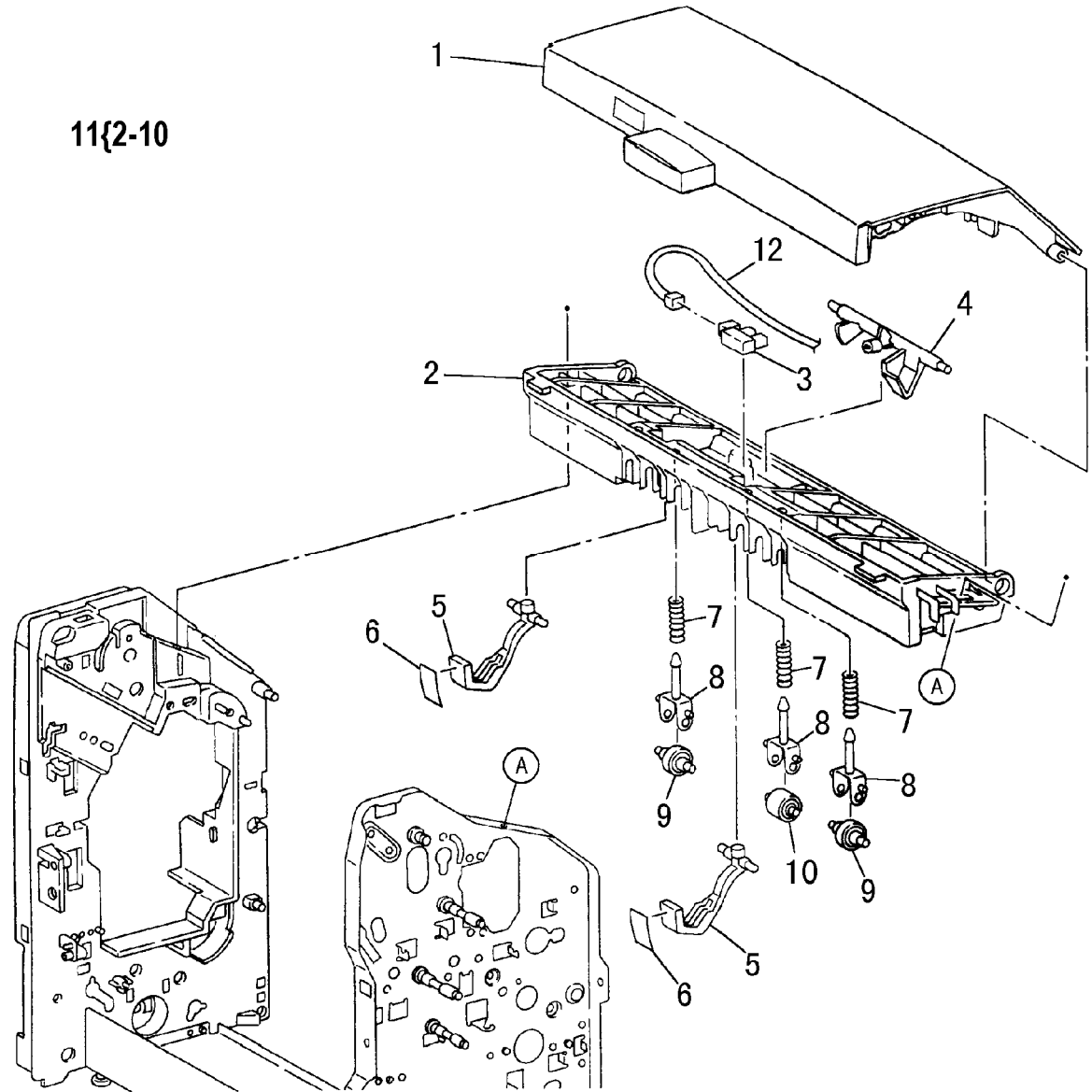


P-8-065-A

PL 12.24 Top Cover Assembly

| Item | Part | Description |
|------|-----------|-------------------------------------|
| 1 | 802K42860 | Top Cover |
| 2 | 032E17630 | FT Paper Guide |
| 3 | 130E85360 | Timing Sensor |
| 4 | 120K02540 | Actuator Assembly |
| 5 | 011K97090 | Actuator Assembly |
| 6 | - | Mylar (P/O PL 12.24 Item 11) |
| 7 | - | Spring (P/O PL 12.24 Item 11) |
| 8 | 019E50710 | Holder |
| 9 | - | Pinch Roller (P/O PL 12.24 Item 11) |
| 10 | - | Pinch Roller (P/O PL 12.24 Item 11) |
| 11 | 038K86380 | FT Guide Assembly |
| 12 | 962K04570 | TMS Wire Harness |

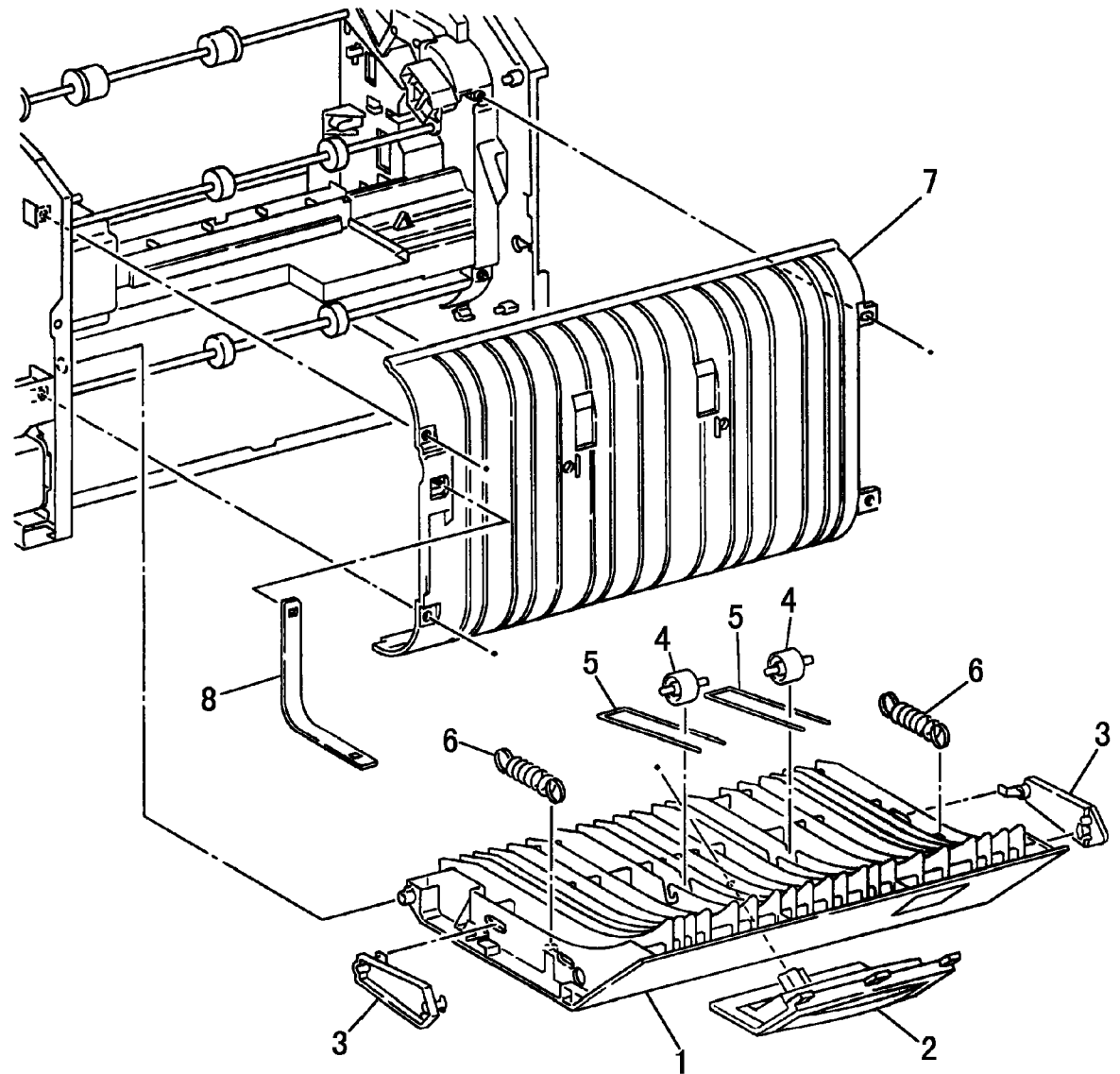
11{2-10



P-8-067-A

PL 12.26 Upper LH Cover

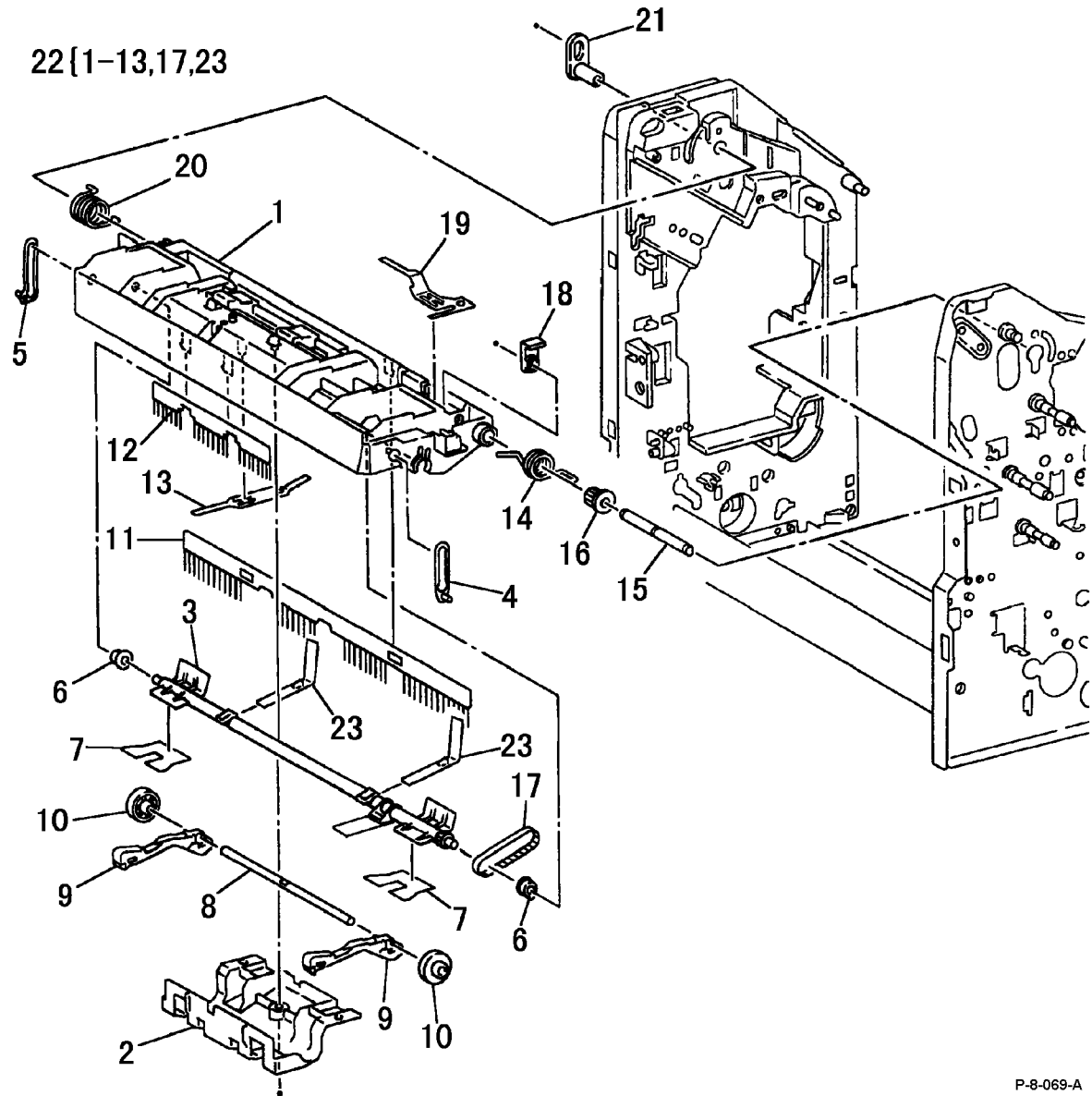
| Item | Part | Description |
|------|-----------|---------------------------|
| 1 | 038K86360 | L/H Upper Cover |
| 2 | 003E56820 | Handle |
| 3 | 011E12010 | L/H Lower Cover Guide |
| 4 | 022E88000 | Pinch Roller |
| 5 | 809E35050 | Spring |
| 6 | 809E35040 | Spring |
| 7 | 032E17600 | Vertical Paper Guide |
| 8 | - | Belt Stopper (Not Spared) |



P-8-068-A

PL 12.28 Exit Transport Base Guide

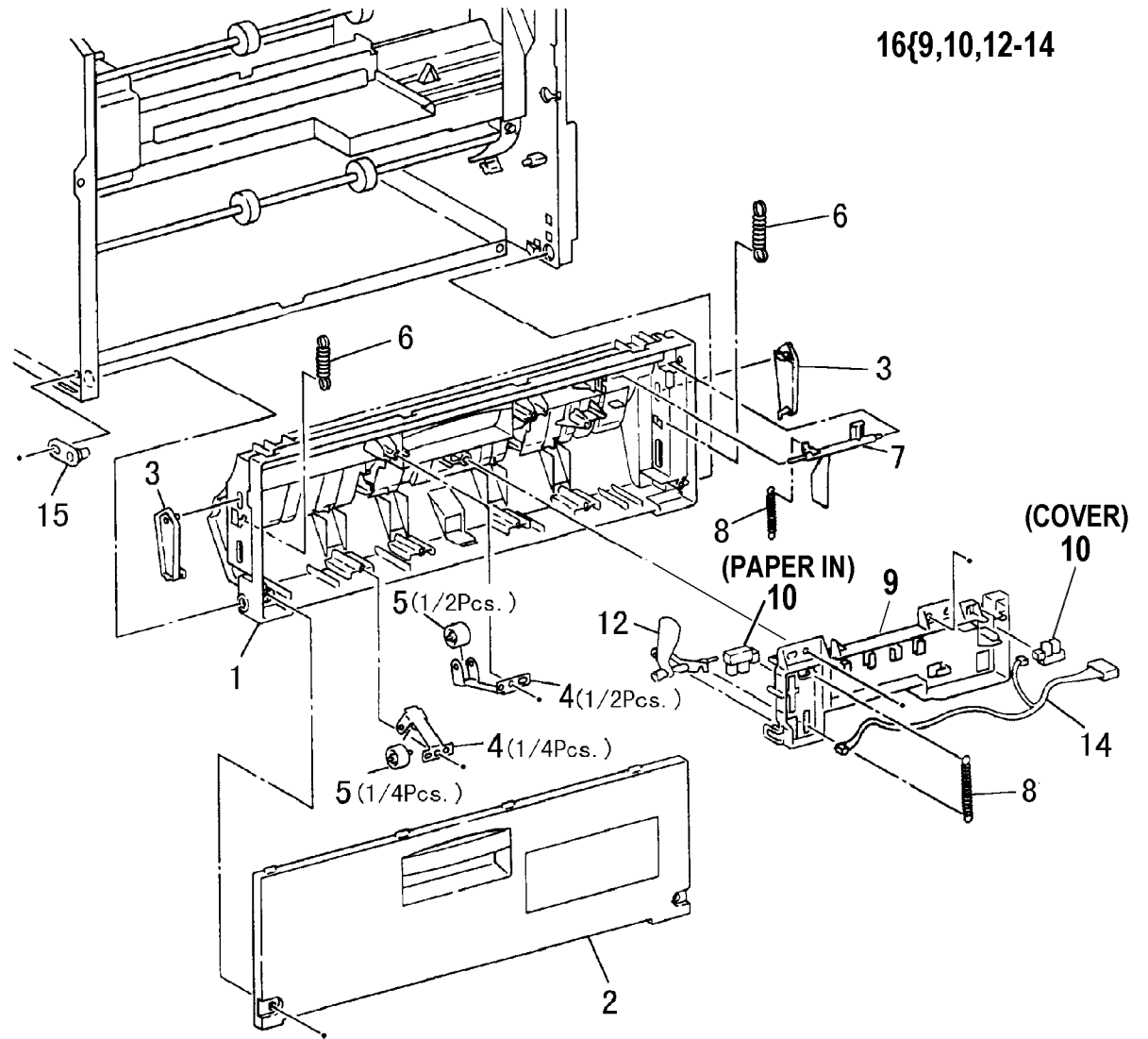
| Item | Part | Description |
|------|-----------|--------------------------------|
| 1 | 032E17710 | Exit Transport Base Guide |
| 2 | - | Holder (P/O PL 12.28 Item 22) |
| 3 | 006E75360 | Shaft Paddle |
| 4 | 012E10280 | Stopper |
| 5 | 012E10290 | Stopper |
| 6 | - | Bearing (P/O PL 12.28 Item 22) |
| 7 | 103E27530 | Mylar |
| 8 | - | Shaft (P/O PL 12.28 Item 22) |
| 9 | - | Lever (P/O PL 12.28 Item 22) |
| 10 | - | Roller (P/O PL 12.28 Item 22) |
| 11 | 042E91100 | Brush |
| 12 | 042E91110 | Brush |
| 13 | 015E77640 | Plate Spring |
| 14 | 809E35120 | Spring |
| 15 | 006E75430 | Shaft |
| 16 | 020E35430 | Pulley |
| 17 | - | Belt (P/O PL 12.28 Item 22) |
| 18 | 013E20390 | Bearing |
| 19 | 015E77630 | Plate Spring |
| 20 | - | Spring (Not Spared) |
| 21 | 016E93240 | Guide Pin |
| 22 | 038K86370 | TH Guide Assembly |
| 23 | - | Paddle (P/O PL 12.28 Item 22) |



P-8-069-A

PL 12.30 Lower LH Cover

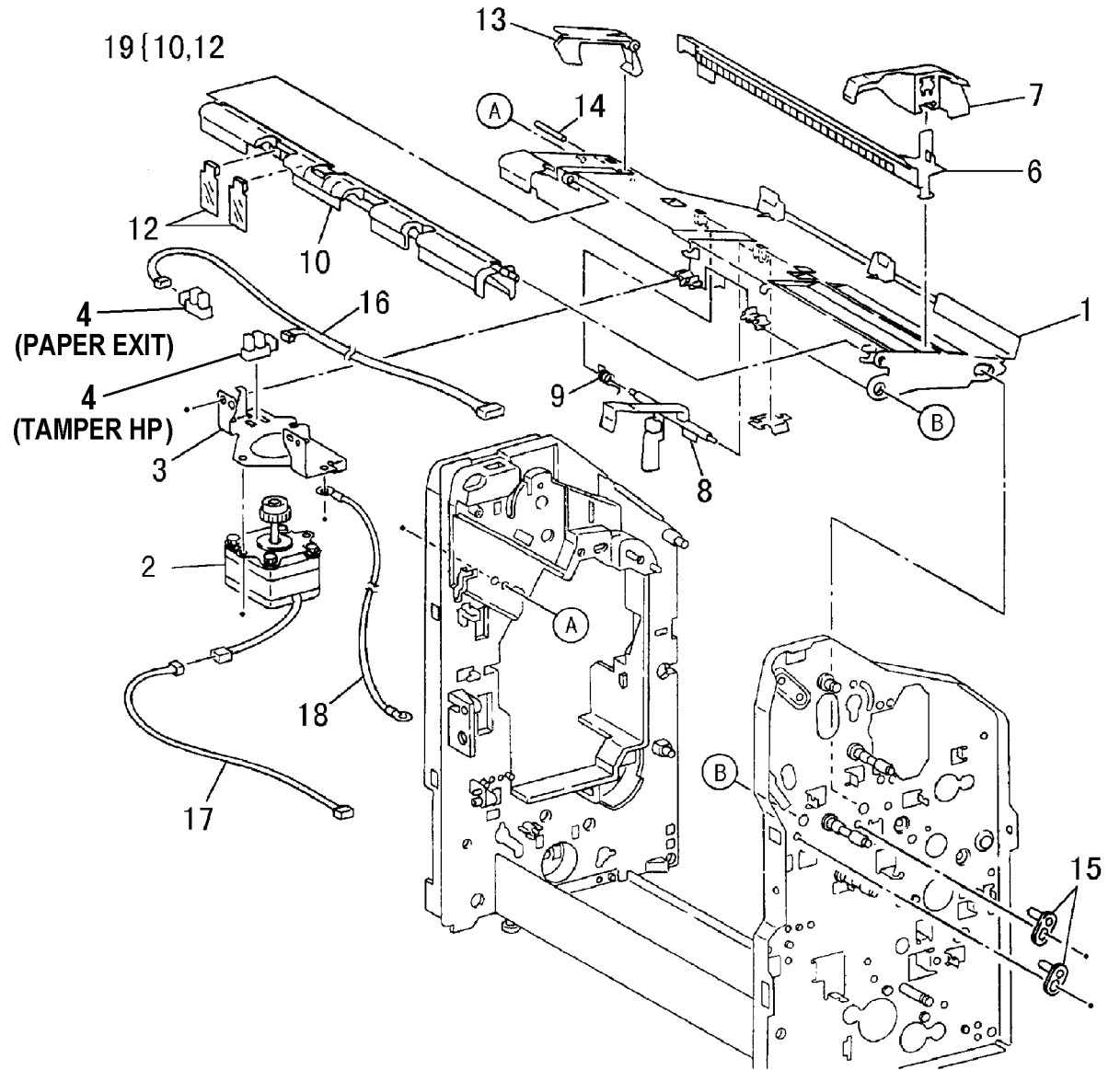
| Item | Part | Description |
|------|-----------|---|
| 1 | 032E17590 | L/H Lower Chute |
| 2 | 802K42850 | L/H Lower Cover |
| 3 | 011E12010 | L/H Lower Cover Guide |
| 4 | 809E35000 | Pinch Roller Spring |
| 5 | 022E88000 | Pinch Roller |
| 6 | 809E35040 | Spring |
| 7 | 011E12050 | Actuator |
| 8 | 809E35020 | Spring |
| 9 | 019E50630 | Sensor Holder |
| 10 | 130E85360 | Paper Path Cover Sensor/Paper In Sensor |
| 11 | - | Not Used |
| 12 | 011E12000 | In Sensor Actuator |
| 13 | - | Not Used |
| 14 | 962K04560 | PCS Wire Harness |
| 15 | 029E31840 | Guide Pin |
| 16 | 019K98210 | In Sensor Holder Assembly |



P-8-070-A

PL 12.32 Compiler Motor

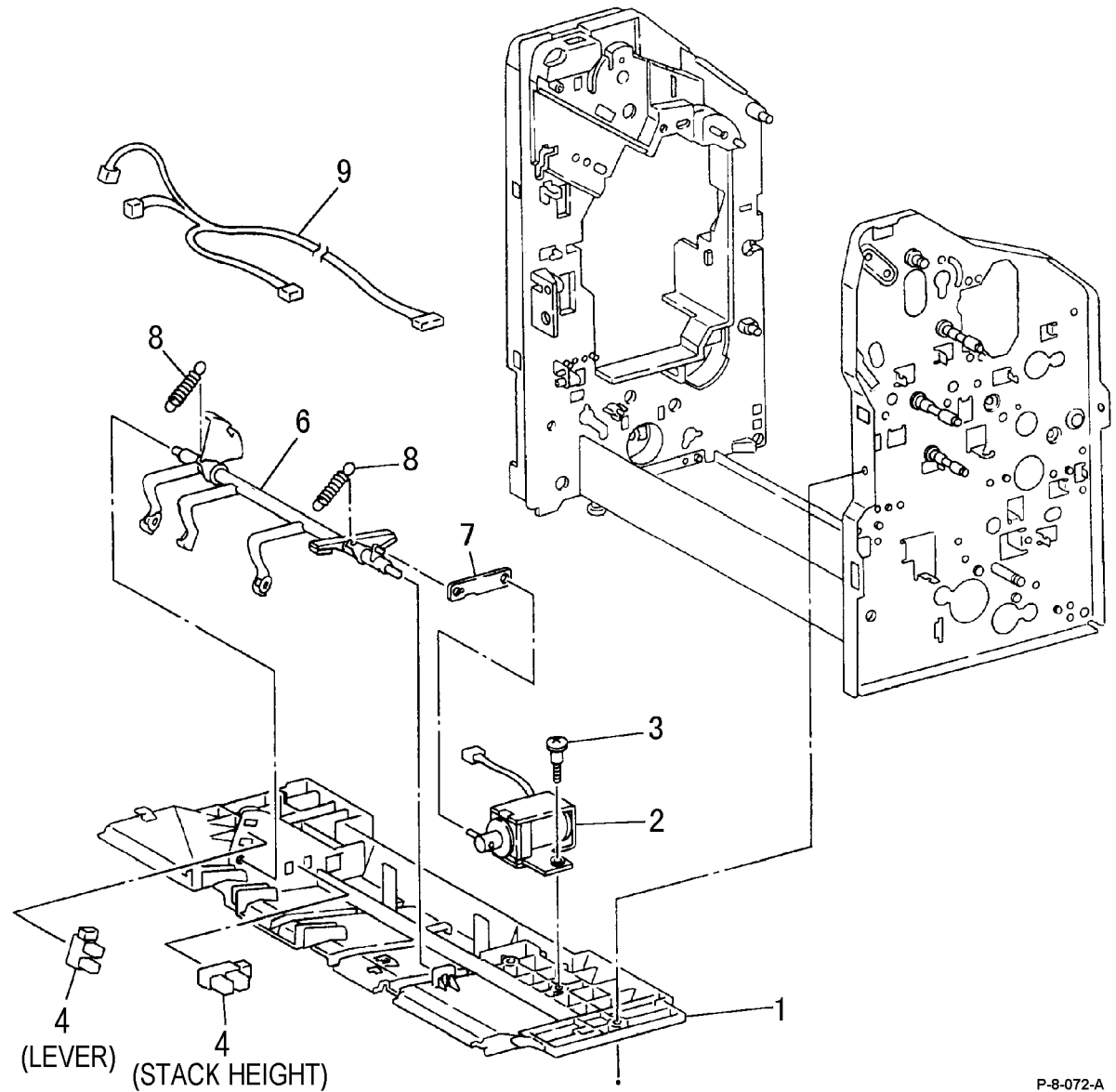
| Item | Part | Description |
|------|-----------|------------------------------------|
| 1 | 050E17610 | Compiler Tray |
| 2 | 127E83040 | Compiler Motor (REP 12.5) |
| 3 | - | Bracket (Not Spared) |
| 4 | 130E85360 | Paper Exit Sensor/Tamper HP Sensor |
| 5 | - | Not Used |
| 6 | 802E31420 | Rack |
| 7 | 032E17720 | Guide |
| 8 | 011K97110 | Actuator |
| 9 | 809E35180 | Spring |
| 10 | 032E17700 | Flap Guide |
| 11 | - | Not Used |
| 12 | - | Mylar (P/O PL 12.32 Item 19) |
| 13 | 003E56810 | Stopper |
| 14 | - | Shaft (Not Spared) |
| 15 | 016E93240 | Pin |
| 16 | 962K04580 | AHPS Wire Harness |
| 17 | 962K04660 | A-MOT Wire Harness |
| 18 | 962K04680 | Ground Wire |
| 19 | 038K86400 | F-Flap Guide Assembly |



P-8-071-A

PL 12.34 RH Cover

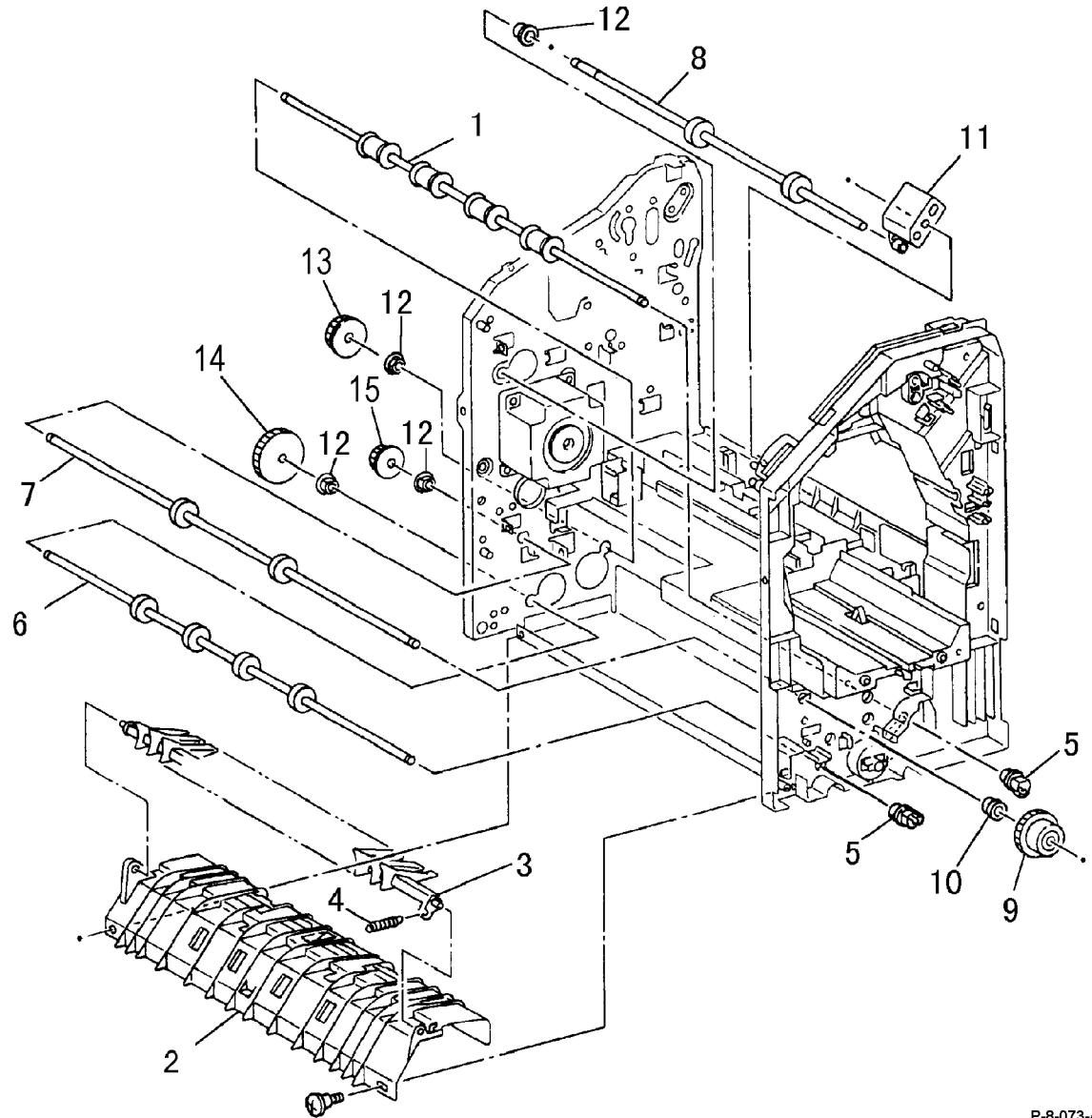
| Item | Part | Description |
|------|-----------|----------------------------------|
| 1 | 038K86410 | R/H Cover |
| 2 | 121K28700 | Lever Solenoid |
| 3 | - | Screw (Not Spared) |
| 4 | 130E85360 | Stack Height Sensor/Lever Sensor |
| 5 | - | Not Used |
| 6 | 011K97100 | Lever |
| 7 | - | Stopper (Not Spared) |
| 8 | - | Spring (Not Spared) |
| 9 | 962K04590 | SVS Wire Harness |



P-8-072-A

PL 12.36 Exit Roll Assembly

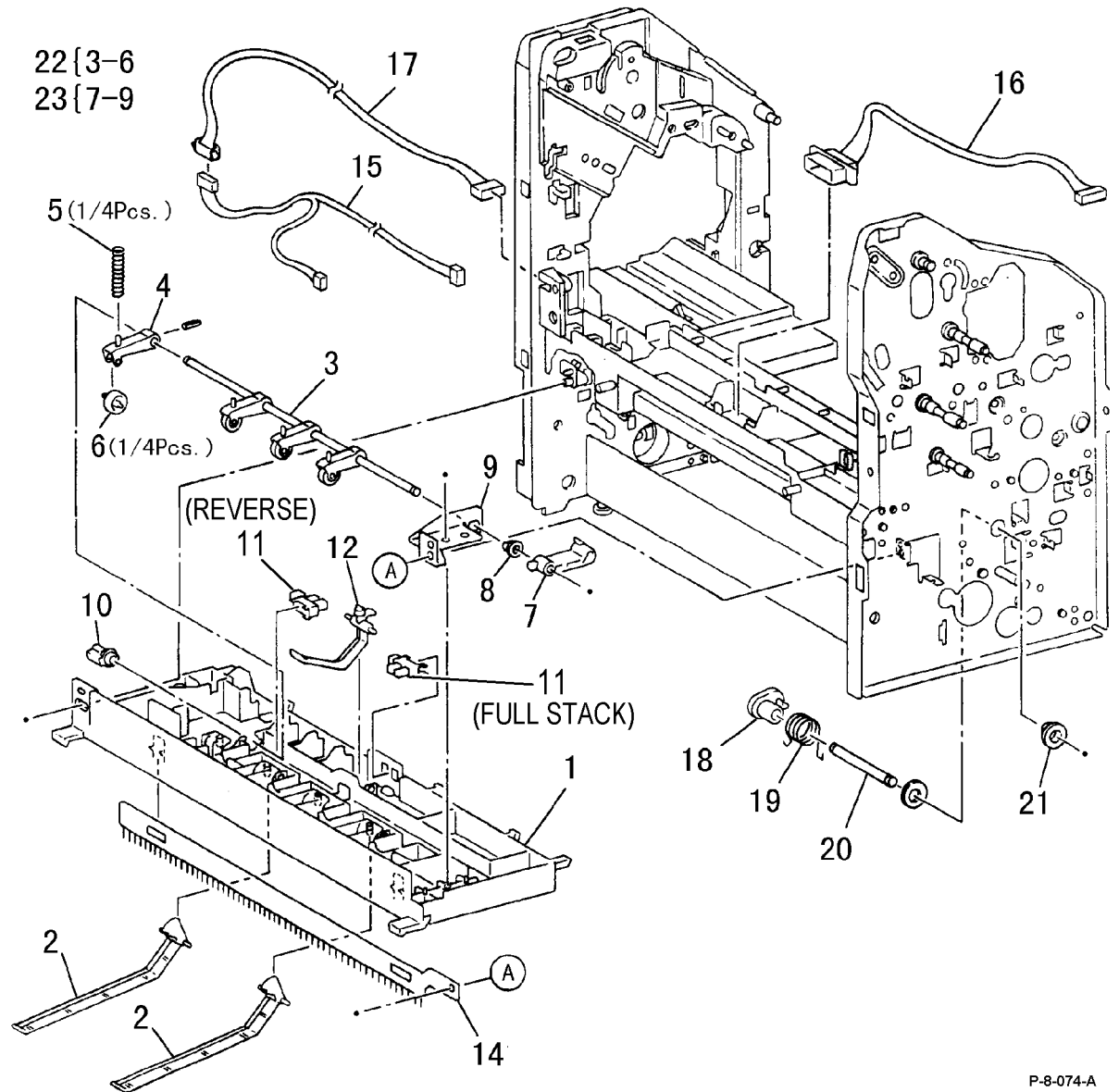
| Item | Part | Description |
|------|-----------|------------------------------------|
| 1 | 022K63050 | Exit Roller Assembly (REP 12.6) |
| 2 | 038K86420 | Lower Paper Guide (REP 12.8) |
| 3 | 032E17680 | Separator Guide |
| 4 | 809E35030 | Spring |
| 5 | 016E93220 | Bush |
| 6 | 022K63040 | In-Roller Assembly (REP 12.7) |
| 7 | 022K63060 | Lower Transport Roller Assembly |
| 8 | 022K63070 | Upper Transport Roller Assembly |
| 9 | 007E72460 | Gear (One Way) |
| 10 | - | Bearing |
| 11 | 019E50640 | Holder |
| 12 | - | Bearing (Not Spared) |
| 13 | - | Gear (REF: PL 12.18 Item 9) |
| 14 | - | Idler Gear (REF: PL 12.18 Item 15) |
| 15 | - | Gear (REF: PL 12.18 Item 16) |



P-8-073-A

PL 12.38 Upper Paper Guide

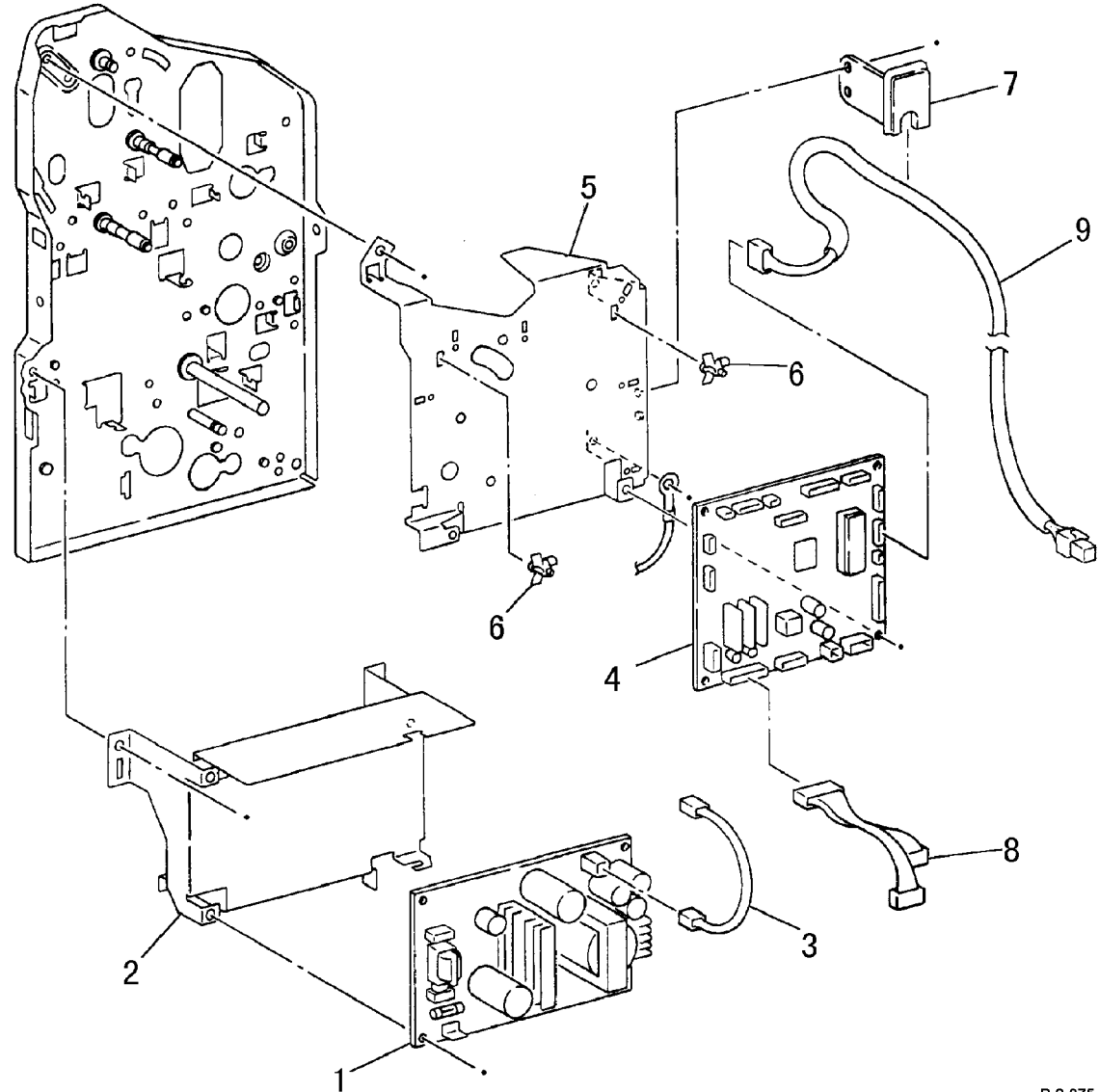
| Item | Part | Description |
|------|-----------|----------------------------------|
| 1 | 032E17580 | Upper Paper Guide |
| 2 | 011E12080 | Side Tray Paper Weight |
| 3 | - | Shaft (P/O PL 12.38 Item 22) |
| 4 | - | Holder (P/O PL 12.38 Item 4) |
| 5 | 809E35060 | Spring |
| 6 | - | Roller (P/O PL 12.38 Item 22) |
| 7 | 012E10260 | Link |
| 8 | - | Bearing (P/O PL 12.38 Item 23) |
| 9 | - | Bracket (P/O PL 12.38 Item 23) |
| 10 | 016E93220 | Bush |
| 11 | 130E85360 | Full Stack Sensor/Reverse Sensor |
| 12 | 011E12030 | Actuator |
| 13 | - | Not Used |
| 14 | 115E07500 | Static Eliminator |
| 15 | 962K04610 | RVS2 Wire Harness |
| 16 | 962K04530 | Tray 1 Cable |
| 17 | 962K04600 | RVS1 Wire Harness |
| 18 | 008E94090 | Cam |
| 19 | 809E35080 | Spring |
| 20 | - | Shaft (Not Spared) |
| 21 | - | Bearing (Not Spared) |
| 22 | 022K65280 | Rikan Roller Assembly |
| 23 | 012K05540 | Link Assembly |



P-8-074-A

PL 12.40 Finisher LVPS

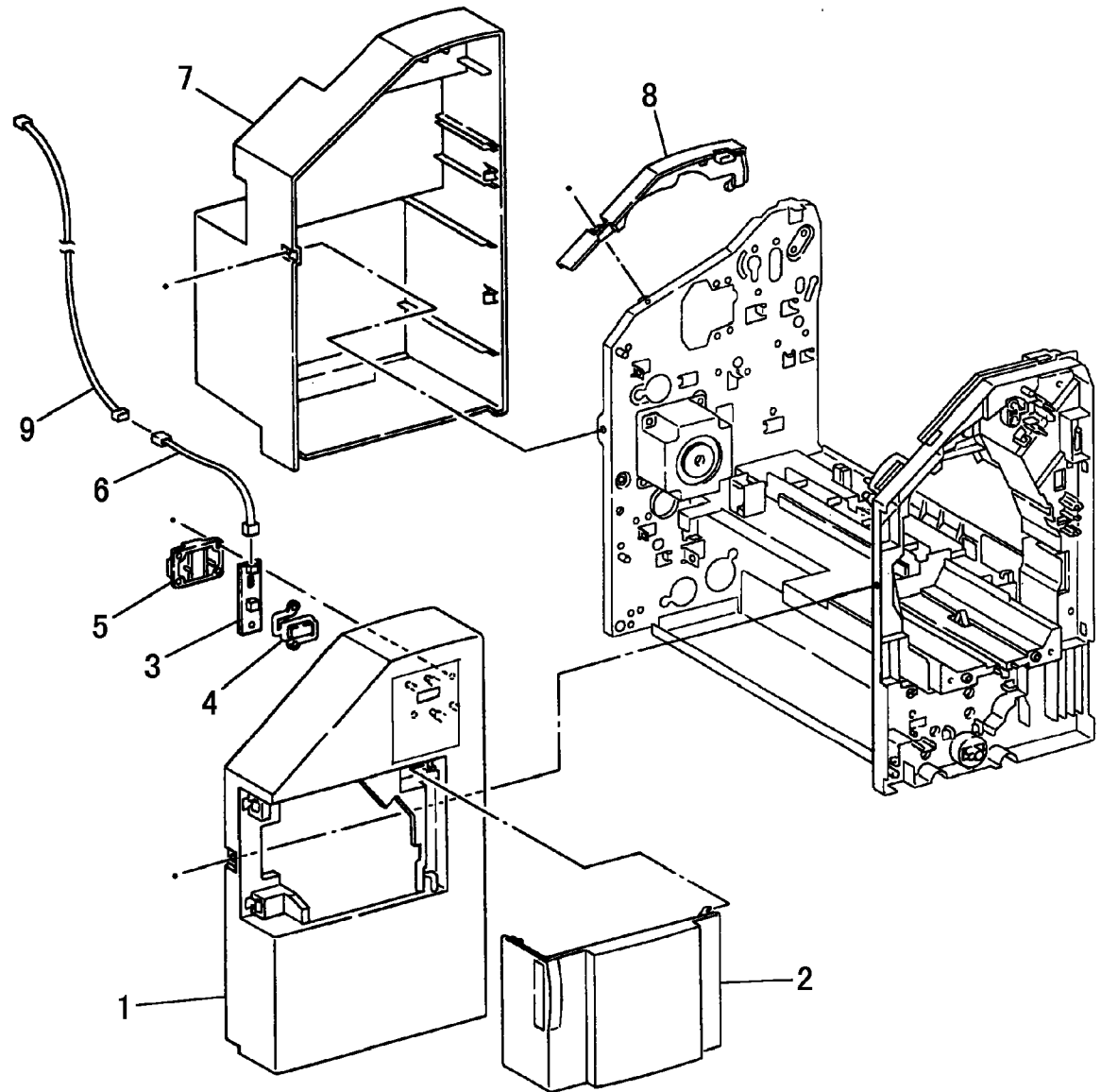
| Item | Part | Description |
|------|-----------|---------------------------------|
| 1 | 160K83600 | Finisher LVPS |
| 2 | - | Bracket (Not Spared) |
| 3 | 962K04700 | Power Cable |
| 4 | 160K83580 | Finisher Control PWB (REP 12.9) |
| 5 | - | Bracket (Not Spared) |
| 6 | - | PWB Support (Not Spared) |
| 7 | - | Cable Cover (Not Spared) |
| 8 | 962K04670 | MOT Wire Harness |
| 9 | 962K04690 | I/F Wire Harness |



P-8-075-A

PL 12.42 Covers

| Item | Part | Description |
|------|-----------|----------------------|
| 1 | 802E31240 | Front Cover |
| 2 | 802K42890 | Front Door Cover |
| 3 | 160K83590 | Pause Switch |
| 4 | 003E56800 | Button |
| 5 | 802E31310 | Switch Cover |
| 6 | 962K04630 | Pause 2 Wire Harness |
| 7 | 802E31250 | Rear Cover |
| 8 | 802E31270 | Rear Top Cover |
| 9 | 962K04620 | Pause 1 Wire Harness |

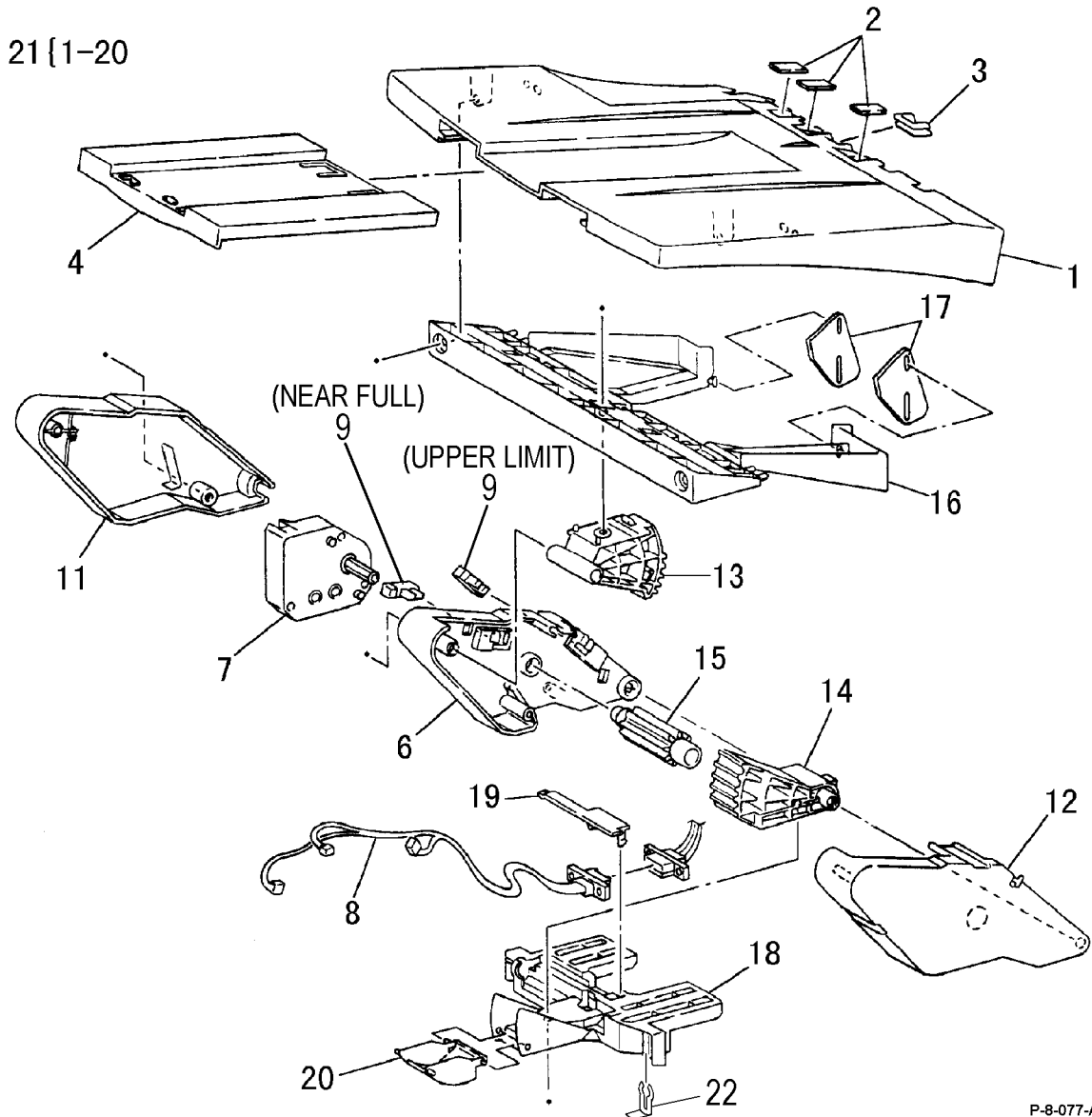


P-8-076-A

PL 12.44 Receiving Tray

| Item | Part | Description |
|------|-----------|--------------------------------------|
| 1 | 050E17630 | Finisher Receiving Tray |
| 2 | - | Bush (P/O PL 12.44 Item 21) |
| 3 | 019E50600 | Clip |
| 4 | 050E17640 | Link U Guide |
| 5 | - | Not Used |
| 6 | - | Holder (P/O PL 12.44 Item 21) |
| 7 | 127E83060 | Tray Elevator Motor |
| 8 | 962K04540 | Tray 2 Cable |
| 9 | 130E85360 | Near Full Sensor/Upper Limit Sensor |
| 10 | - | Not Used |
| 11 | 802E31310 | Front Cover |
| 12 | - | Rear Cover (P/O PL 12.44 Item 21) |
| 13 | - | Gear (P/O PL 12.44 Item 21) |
| 14 | - | Gear (P/O PL 12.44 Item 21) |
| 15 | - | Gear (P/O PL 12.44 Item 21) |
| 16 | - | Housing (P/O PL 12.44 Item 21) |
| 17 | - | Stopper (P/O PL 12.44 Item 21) |
| 18 | - | Guide (P/O PL 12.44 Item 21) |
| 19 | - | Harness Cover (P/O PL 12.44 Item 21) |
| 20 | - | Gear Cover (P/O PL 12.44 Item 21) |
| 21 | 604K04680 | Finisher Receiving Tray Assembly |
| 22 | 019E52840 | Clip |

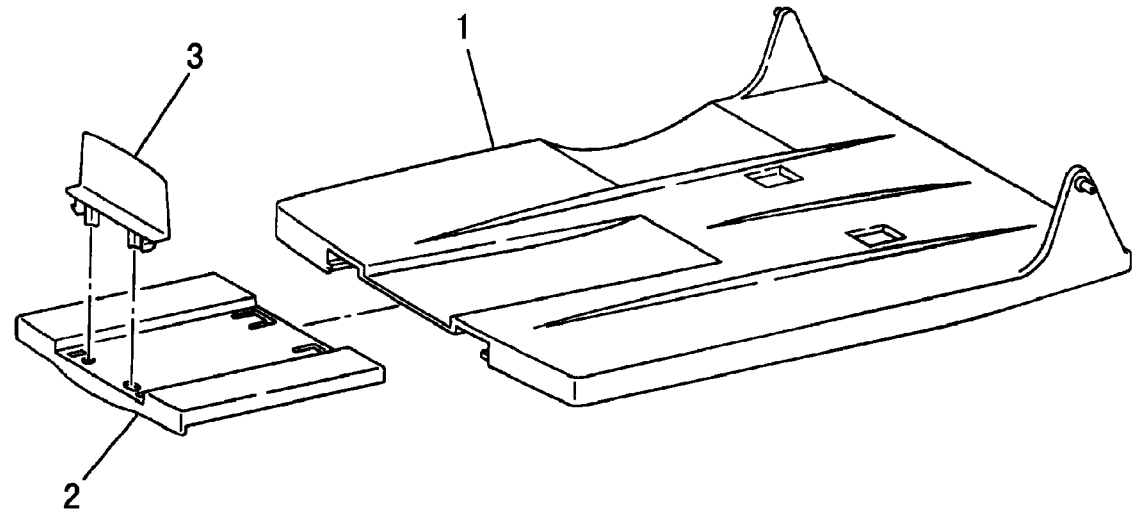
21 {1-20



P-8-077-A

PL 12.46 Side Tray

| Item | Part | Description |
|------|-----------|--------------------|
| 1 | 050E17620 | Finisher Side Tray |
| 2 | 050E17640 | Link U Guide |
| 3 | 802E31330 | Guide |



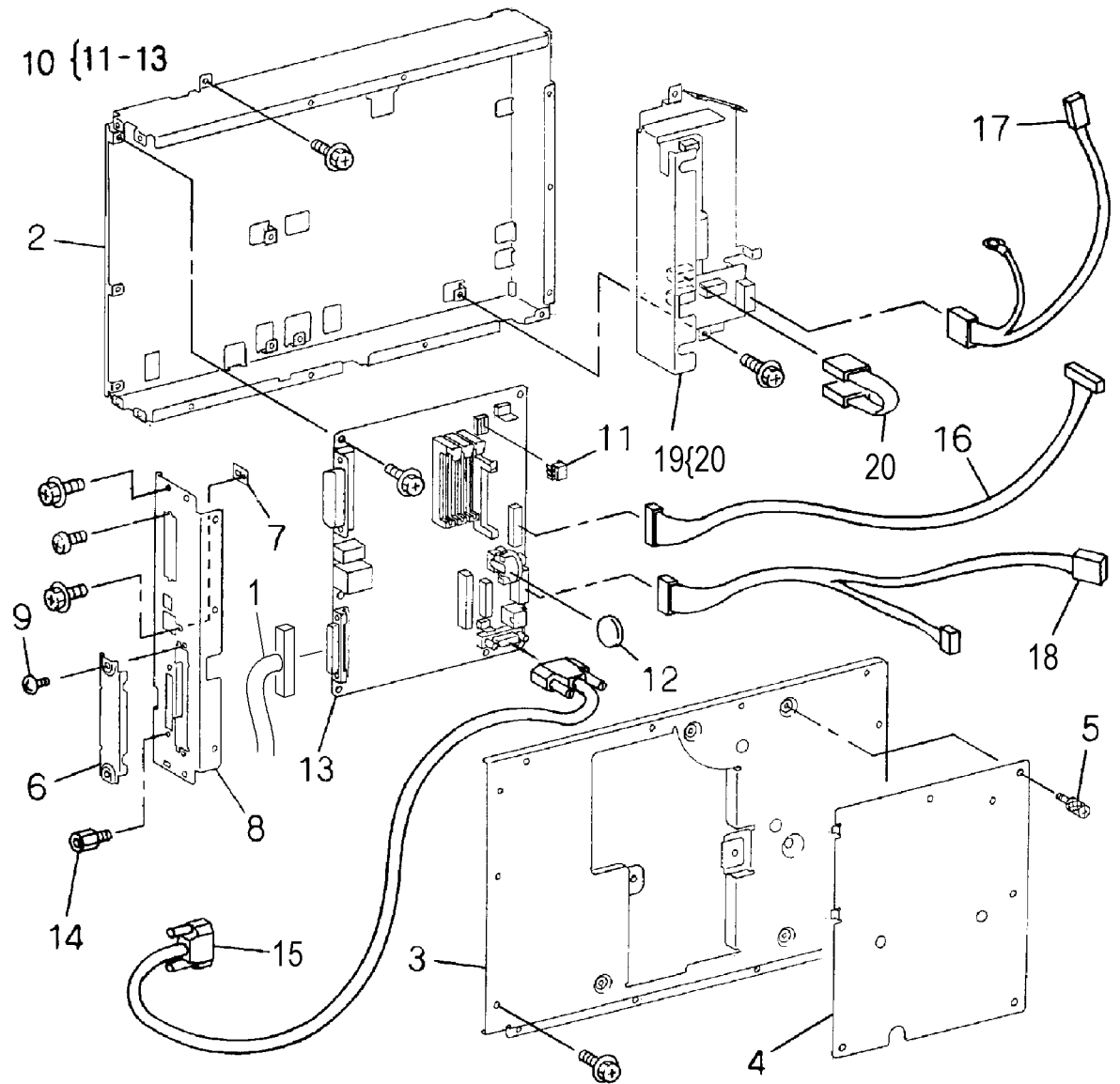
P-8-078-A

PL 16.10 ESS Box

| Item | Part | Description |
|------|-----------|--|
| 1 | 962K03390 | Cable (ESS-MF) |
| 2 | - | ESS Box Frame (Not Spared) |
| 3 | - | Cover (Not Spared) |
| 4 | - | ROM Cover (Not Spared) |
| 5 | - | Screw (Not Spared) |
| 6 | - | Slot Cover (Not Spared) |
| 7 | - | Plate (Not Spared) |
| 8 | - | Rear Plate (Not Spared) |
| 9 | - | Screw |
| 10 | 160K86073 | ESS PWB Assembly (DMO-E) (see NOTE) (REP 16.1) |
| - | 160K86025 | ESS PWB Assembly (REP 16.1) |
| 11 | - | ROM (P/O PL 16.10 Item 10) |
| 12 | - | Battery (P/O PL 16.10 Item 10) |
| 13 | - | ESS PWB (P/O PL 16.10 Item 10) |
| 14 | - | Screw (Not Spared) |
| 15 | 962K03380 | Cable (ESS-IOT) |
| 16 | 962K03400 | Wire Harness (UI) |
| 17 | 962K03410 | Wire Harness (AC) |
| 18 | 962K03420 | Wire Harness (DC) |
| 19 | 105E10680 | LVPS |
| 20 | - | Wire Harness (P/O PL 16.10 Item 19) |

NOTE: Only installed on DMO-E machines with a serial number in the following ranges;

- 351 200001x to 351 204000x
- 351 300001x to 351 304000x
- 351 400001x to 351 404000x
- 351 600001x to 351 604000x
- 351 700001x to 351 704000x



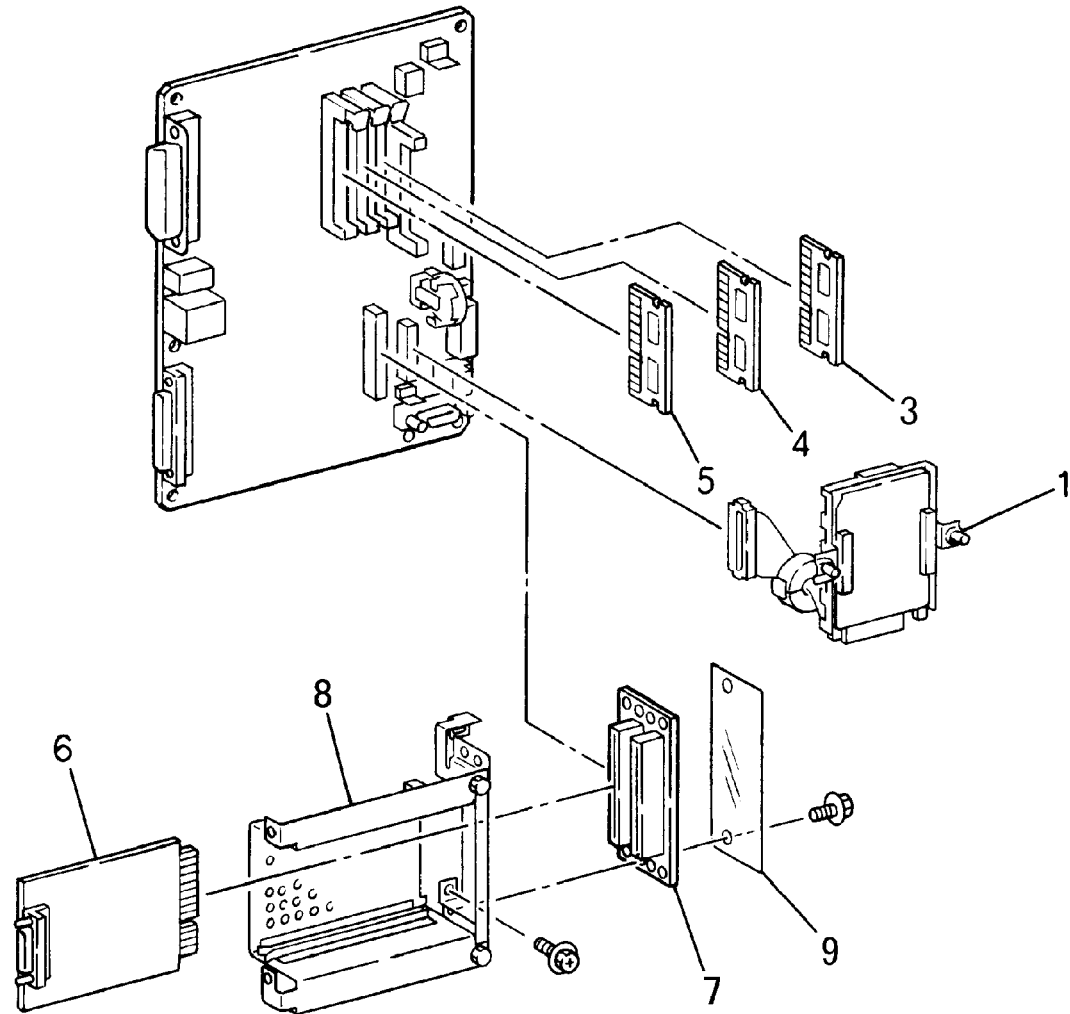
P-8-030-A

PL 16.15 ESS Options

| Item | Part | Description |
|------|-----------|--|
| 1 | 160K78520 | Hard Disk Drive |
| 2 | - | Not Used |
| 3 | 537K62250 | PS ROM (DMO-E) (see NOTE) |
| - | 537K61370 | PS ROM (Version 1.1.3) (DMO/XE) |
| - | 537K62265 | PS ROM (Version 1.2.8) (DMO/XE/ NASG) |
| 4 | 537K62283 | I/FAX ROM (Version 1.1.3) (DMO- W) |
| - | 537K62271 | I/FAX ROM (DMO-E) (see NOTE) |
| - | 537K65220 | I/FAX ROM (Version 1.1.3) (DMO) |
| - | 537K62286 | I/FAX ROM (Version 1.2.8) (DMO/ NASG) |
| 5 | 133K21100 | RAM (64Mb) |
| 6 | 160K69860 | Token Ring |
| 7 | 160K48020 | Mother PWB |
| 8 | - | Bracket (Not Spared) |
| 9 | - | PWB Guard (Not Spared) |

NOTE: Only installed on DMO-E machines with a serial number in the following ranges;

- 351 200001x to 351 204000x
- 351 300001x to 351 304000x
- 351 400001x to 351 404000x
- 351 600001x to 351 604000x
- 351 700001x to 351 704000x



P-8-031-A

PL 20.10 Consumables and Special Tools

| Item | Part | Description |
|------|-----------|---|
| 1 | 499T00247 | A3 Test Pattern |
| 2 | 499T00281 | A4 Fax Test Pattern |
| 3 | 070E90000 | Lubricant |
| 4 | 043P00048 | Formula A Cleaning Fluid (see WARNING) |
| 5 | 043P00081 | Lens and Mirror Cleaner (see WARNING) |
| 6 | 099P03082 | Disposable Gloves (general protection) (Qty. 100) (see WARNING) |
| 7 | 499T90417 | Lint Free Cleaning Cloth |
| 8 | 008R90273 | Antistatic Fluid |
| 9 | 600T02252 | Ethernet Crossover Cable (PWS to Network Controller) |
| 10 | 113R00535 | Stapler Cartridge |

WARNING

Wear protective gloves when using solvents and cleaning agents, PL 20.10 Item 6.

NO EXPLODED VIEW PROVIDED

P-8-082-A

Common Hardware

| Item | Part | Description |
|------|-----------|-----------------------|
| A | 112W27851 | Screw SEMS (M3x8) |
| B | 112W28251 | Screw SEMS (M3x12) |
| C | 113W20457 | Screw (M3x4) |
| D | 113W20557 | Screw (M3x5) |
| E | 113W20657 | Screw (M3x6) |
| F | 113W20851 | Screw (M2.5x8) |
| G | 113W20857 | Screw (M3x8) |
| H | 113W27651 | Screw (M3x6) |
| J | 113W35851 | Screw (M4x8) |
| K | 113W35857 | Screw (M4x8) |
| L | 141W35651 | Setscrew (M4x6) |
| M | 153W17655 | Tapping Screw (M3x6) |
| N | 153W17855 | Tapping Screw (M3x8) |
| P | 153W18055 | Tapping Screw (M3x10) |
| Q | 153W18255 | Tapping Screw (M3x12) |
| R | 153W27850 | Tapping Screw (M3x8) |
| S | 158W27655 | Screw (M3x6) |
| T | 158W27663 | Screw (M3x6) |
| U | 158W27855 | Screw (M3x8) |
| V | 158W27863 | Screw (M3x8) |
| W | 158W28255 | Screw (M3x12) |
| X | 158W35655 | Screw (M4x6) |
| Y | 252W27350 | Nylon Washer (6) |
| Z | 252W27450 | Nylon Washer (6) |
| AA | 271W28650 | Dowel Pin (3x16) |
| AB | 285W28751 | Spring Pin |
| AC | 354W15251 | E-Clip (2) |
| AD | 354W24251 | E-Clip (4) |
| AE | 354W24254 | KL-Clip (4) |
| AF | 354W27251 | E-Clip (6) |
| AG | 354W29251 | E-Clip (8) |
| AH | 271W16250 | Dowel Pin (2x12) |
| AJ | 359W31250 | L-Clip (10) |
| AK | 158W36255 | Screw (M4x12) |
| AL | 354W26251 | E-Clip (5) |
| AM | 180W16850 | Wing Screw |
| AN | 354W27254 | KL-Clip (6) |
| AP | 113W21057 | Screw (M3x10) |
| AQ | 153W27650 | Tapping Screw (M3x6) |
| AR | 252W29250 | Nylon Washer (8) |
| AS | 113W15651 | Screw (M2x6) |
| AT | 153W27655 | Tapping Screw (M3x6) |
| AU | 252W27250 | Washer |
| AV | – | Tapping Screw (M3x8) |

Part Number Index

Table 1 Part Number Index

| Part Number | Part List |
|-------------|-----------|
| 001E61720 | PL 12.14 |
| 001E61730 | PL 12.14 |
| 001E61740 | PL 12.10 |
| 001K74274 | PL 9.10 |
| 001K76831 | PL 8.15 |
| 001K76841 | PL 8.15 |
| 001K76851 | PL 8.15 |
| 003K11872 | PL 7.40 |
| 003K12111 | PL 7.55 |
| 003K12122 | PL 7.55 |
| 003K12190 | PL 5.30 |
| 003E53931 | PL 7.45 |
| 003E54090 | PL 8.25 |
| 003E54100 | PL 8.25 |
| 003E54131 | PL 8.15 |
| 003E55810 | PL 6.25 |
| 003E55820 | PL 6.10 |
| 003E55943 | PL 7.45 |
| 003E55970 | PL 7.10 |
| 003E56061 | PL 7.10 |
| 003E56770 | PL 12.10 |
| 003E56780 | PL 12.10 |
| 003E56790 | PL 12.10 |
| 003E56800 | PL 12.42 |
| 003E56810 | PL 12.32 |
| 003E56820 | PL 12.26 |
| 003E58860 | PL 10.30 |
| 003K91881 | PL 5.10 |
| 004E06461 | PL 6.20 |
| 004E08050 | PL 7.70 |
| 004E12330 | PL 5.60 |
| 005K06110 | PL 7.15 |
| | PL 7.50 |
| | PL 7.85 |
| 005E16041 | PL 8.15 |
| 006K22030 | PL 5.35 |
| 006K22040 | PL 5.40 |
| 006E74600 | PL 7.85 |
| 006E75360 | PL 12.28 |

Table 1 Part Number Index

| Part Number | Part List |
|-------------|-----------|
| 006E75430 | PL 12.28 |
| 007K12770 | PL 5.45 |
| 007E51941 | PL 10.30 |
| 007E51950 | PL 10.35 |
| 007E51960 | PL 10.30 |
| 007E54510 | PL 10.10 |
| | PL 10.15 |
| 007E55290 | PL 7.55 |
| 007E55440 | PL 8.35 |
| 007E55450 | PL 8.30 |
| 007E60720 | PL 8.45 |
| 007E66790 | PL 8.40 |
| 007E66800 | PL 8.40 |
| 007E66810 | PL 8.40 |
| 007E66820 | PL 8.40 |
| 007E66834 | PL 7.60 |
| 007E66980 | PL 10.10 |
| | PL 10.20 |
| 007E66990 | PL 10.10 |
| | PL 10.15 |
| 007E67000 | PL 10.10 |
| | PL 10.20 |
| 007E67010 | PL 10.10 |
| | PL 10.15 |
| 007E67331 | PL 4.10 |
| 007E67880 | PL 4.10 |
| 007E67890 | PL 4.10 |
| 007E70743 | PL 7.60 |
| 007E71051 | PL 7.55 |
| 007E71240 | PL 8.40 |
| 007E71390 | PL 7.85 |
| 007E71400 | PL 7.85 |
| 007E71411 | PL 7.85 |
| 007E71421 | PL 7.85 |
| 007E71460 | PL 8.10 |
| 007E71760 | PL 10.15 |
| 007E71770 | PL 10.15 |
| 007E72390 | PL 5.45 |
| 007E72440 | PL 12.16 |
| 007E72450 | PL 12.16 |
| 007E72460 | PL 12.36 |

Table 1 Part Number Index

| Part Number | Part List |
|-------------|-----------|
| 007E72470 | PL 12.18 |
| 007E72540 | PL 12.20 |
| 007E72550 | PL 12.20 |
| 007E72560 | PL 12.20 |
| 007E72930 | PL 5.40 |
| 007E72940 | PL 5.40 |
| 007E72950 | PL 5.40 |
| 007E72970 | PL 5.30 |
| 007E75340 | PL 7.60 |
| 007K84830 | PL 10.10 |
| | PL 10.15 |
| 007K86774 | PL 4.10 |
| 007E87161 | PL 10.15 |
| 007E87171 | PL 10.15 |
| 007K87490 | PL 12.20 |
| 008R90273 | PL 20.10 |
| 008E93921 | PL 7.55 |
| 008E93980 | PL 7.85 |
| 008E93991 | PL 7.16 |
| 008E94090 | PL 12.38 |
| 011E10953 | PL 7.60 |
| 011E10992 | PL 8.10 |
| 011E12000 | PL 12.30 |
| 011E12010 | PL 12.26 |
| | PL 12.30 |
| 011E12020 | PL 12.14 |
| 011E12030 | PL 12.38 |
| 011E12040 | PL 12.14 |
| 011E12050 | PL 12.30 |
| 011E12070 | PL 12.16 |
| 011E12080 | PL 12.38 |
| 011E12190 | PL 12.12 |
| 011E12200 | PL 12.12 |
| 011E12262 | PL 7.16 |
| 011E12290 | PL 5.30 |
| 011E12300 | PL 5.30 |
| 011E12310 | PL 5.30 |
| 011E12320 | PL 5.20 |
| 011K96820 | PL 8.40 |
| 011K96900 | PL 8.10 |
| 011K97090 | PL 12.24 |

Table 1 Part Number Index

| Part Number | Part List |
|-------------|-----------|
| 011K97100 | PL 12.34 |
| 011K97110 | PL 12.32 |
| 012K05530 | PL 12.16 |
| 012K05540 | PL 12.38 |
| 012E10221 | PL 9.15 |
| 012E10260 | PL 12.38 |
| 012E10270 | PL 12.16 |
| 012E10280 | PL 12.28 |
| 012E10290 | PL 12.28 |
| 012K94141 | PL 8.35 |
| 012K94152 | PL 8.35 |
| 012K94190 | PL 6.20 |
| 012K94200 | PL 6.20 |
| 012K94251 | PL 9.15 |
| 013E18860 | PL 10.35 |
| 013E20350 | PL 5.40 |
| 013E20390 | PL 12.28 |
| 013E20520 | PL 5.20 |
| 013E20530 | PL 5.20 |
| 013E20590 | PL 8.35 |
| 013E20620 | PL 7.40 |
| 013E84800 | PL 10.10 |
| | PL 8.50 |
| 013E87020 | PL 8.30 |
| 013E87030 | PL 8.30 |
| 013E88180 | PL 10.35 |
| 013E88351 | PL 7.40 |
| 013E88770 | PL 8.50 |
| 014E39031 | PL 7.45 |
| 014E42671 | PL 7.45 |
| 014E43711 | PL 7.10 |
| 015E47381 | PL 5.10 |
| 015K50090 | PL 7.35 |
| 015K51432 | PL 7.10 |
| 015K51562 | PL 8.30 |
| 015K51992 | PL 7.80 |
| 015K53422 | PL 7.15 |
| 015K53480 | PL 5.45 |
| 015K53500 | PL 5.30 |
| 015K55400 | PL 12.10 |
| 015E74730 | PL 6.10 |

Table 1 Part Number Index

| Part Number | Part List |
|-------------|-----------|
| 015E74801 | PL 9.10 |
| 015E77630 | PL 12.28 |
| 015E77640 | PL 12.28 |
| 016E93220 | PL 12.36 |
| | PL 12.38 |
| 016E93230 | PL 12.22 |
| 016E93240 | PL 12.28 |
| | PL 12.32 |
| 016E93250 | PL 12.20 |
| 017K92840 | PL 7.65 |
| 017K92850 | PL 7.65 |
| 017E94750 | PL 6.20 |
| 017E94781 | PL 7.65 |
| 019K05801 | PL 5.25 |
| 019E49791 | PL 7.75 |
| 019E50061 | PL 8.15 |
| 019E50510 | PL 6.10 |
| 019E50560 | PL 5.20 |
| 019E50600 | PL 12.44 |
| 019E50620 | PL 12.14 |
| 019E50630 | PL 12.30 |
| 019E50640 | PL 12.36 |
| 019E50710 | PL 12.24 |
| 019E50760 | PL 12.22 |
| 019E52830 | PL 12.12 |
| 019E52840 | PL 12.44 |
| 019E52930 | PL 5.25 |
| 019E52940 | PL 5.25 |
| 019E52950 | PL 5.15 |
| 019K97497 | PL 7.50 |
| 019K97623 | PL 8.50 |
| 019K97805 | PL 7.85 |
| 019K97912 | PL 5.25 |
| 019K98210 | PL 12.30 |
| 020K09980 | PL 5.35 |
| 020K09990 | PL 5.40 |
| 020K10000 | PL 5.45 |
| 020E35110 | PL 8.50 |
| 020E35360 | PL 12.18 |
| 020E35370 | PL 12.18 |
| 020E35380 | PL 12.18 |

Table 1 Part Number Index

| Part Number | Part List |
|-------------|-----------|
| 020E35390 | PL 12.18 |
| 020E35400 | PL 12.22 |
| 020E35430 | PL 12.28 |
| 020E35490 | PL 5.40 |
| 020E35500 | PL 5.45 |
| 020E35510 | PL 5.30 |
| 020E99590 | PL 6.25 |
| 022E19722 | PL 10.10 |
| | PL 10.25 |
| | PL 10.20 |
| 022K62100 | PL 10.30 |
| 022K62430 | PL 8.45 |
| 022K62442 | PL 8.30 |
| 022K62533 | PL 8.35 |
| 022K62541 | PL 8.20 |
| 022K62551 | PL 8.20 |
| 022K62630 | PL 8.45 |
| 022K62662 | PL 7.85 |
| 022K62678 | PL 10.10 |
| 022K62701 | PL 10.35 |
| 022K62936 | PL 8.50 |
| 022K63030 | PL 10.30 |
| 022K63040 | PL 12.36 |
| 022K63050 | PL 12.36 |
| 022K63060 | PL 12.36 |
| 022K63070 | PL 12.36 |
| 022K63080 | PL 12.20 |
| 022K63090 | PL 12.22 |
| 022K63125 | PL 5.10 |
| 022K63139 | PL 5.10 |
| 022K65170 | PL 8.15 |
| 022K65280 | PL 12.38 |
| 022E86840 | PL 7.80 |
| 022E87691 | PL 10.35 |
| 022E87783 | PL 8.30 |
| 022E87802 | PL 8.25 |
| 022E87810 | PL 10.10 |
| 022E87822 | PL 8.25 |
| 022E87980 | PL 5.30 |
| 022E87990 | PL 5.30 |
| 022E88000 | PL 12.26 |

Table 1 Part Number Index

| Part Number | Part List |
|-------------|-----------|
| | PL 12.30 |
| 022E88020 | PL 12.18 |
| | PL 12.22 |
| 023E08690 | PL 6.20 |
| 023E15680 | PL 8.50 |
| 023E20210 | PL 5.45 |
| 023E20220 | PL 5.45 |
| 023E20230 | PL 5.45 |
| 023E20240 | PL 12.22 |
| 023E20250 | PL 12.18 |
| 023E20260 | PL 12.18 |
| 023E20490 | PL 5.45 |
| 023E20510 | PL 5.45 |
| 026P63574 | PL 7.30 |
| 026E67850 | PL 7.25 |
| 029E14970 | PL 7.16 |
| | PL 7.55 |
| 029E31840 | PL 12.30 |
| 029E31930 | PL 7.75 |
| 030K74840 | PL 5.45 |
| 031E94074 | PL 7.50 |
| 032K03651 | PL 5.35 |
| 032E16441 | PL 9.15 |
| 032E16541 | PL 8.35 |
| 032E16551 | PL 8.35 |
| 032E16983 | PL 7.80 |
| 032E17003 | PL 7.80 |
| 032E17171 | PL 8.15 |
| 032E17580 | PL 12.38 |
| 032E17590 | PL 12.30 |
| 032E17600 | PL 12.26 |
| 032E17630 | PL 12.24 |
| 032E17640 | PL 12.10 |
| 032E17650 | PL 12.10 |
| 032E17660 | PL 12.10 |
| 032E17670 | PL 12.10 |
| 032E17680 | PL 12.36 |
| 032E17700 | PL 12.32 |
| 032E17710 | PL 12.28 |
| 032E17720 | PL 12.32 |
| 032E17910 | PL 5.20 |

Table 1 Part Number Index

| Part Number | Part List |
|-------------|-----------|
| 032E17920 | PL 5.25 |
| 032K94833 | PL 8.30 |
| 032K94842 | PL 8.30 |
| 032K94852 | PL 7.45 |
| 032K94925 | PL 7.10 |
| 036K01440 | PL 5.20 |
| 036E91400 | PL 12.16 |
| 036E91410 | PL 12.22 |
| 036E91440 | PL 12.22 |
| 036K91511 | PL 5.60 |
| 036K91520 | PL 8.15 |
| 036K91530 | PL 5.20 |
| 038E24135 | PL 7.60 |
| 038E24145 | PL 7.60 |
| 038E24280 | PL 7.55 |
| 038E24300 | PL 7.55 |
| 038E24751 | PL 7.55 |
| 038E24851 | PL 5.40 |
| 038E24860 | PL 5.50 |
| | PL 5.55 |
| 038K85904 | PL 7.15 |
| 038K85921 | PL 7.16 |
| 038K86063 | PL 5.25 |
| 038K86153 | PL 7.15 |
| 038K86360 | PL 12.26 |
| 038K86370 | PL 12.28 |
| 038K86380 | PL 12.24 |
| 038K86390 | PL 12.22 |
| 038K86400 | PL 12.32 |
| 038K86410 | PL 12.34 |
| 038K86420 | PL 12.36 |
| 041K94170 | PL 6.25 |
| 041K94191 | PL 6.25 |
| 041K94333 | PL 10.20 |
| 041K94342 | PL 10.20 |
| 042E91100 | PL 12.28 |
| 042E91110 | PL 12.28 |
| 043P00048 | PL 20.10 |
| 043P00081 | PL 20.10 |
| 049E08410 | PL 5.10 |
| 049E11650 | PL 5.10 |

Table 1 Part Number Index

| Part Number | Part List |
|-------------|-----------|
| 050E17323 | PL 7.80 |
| 050E17343 | PL 7.75 |
| 050E17361 | PL 7.75 |
| 050E17462 | PL 8.15 |
| 050E17472 | PL 8.15 |
| 050E17610 | PL 12.32 |
| 050E17620 | PL 12.46 |
| 050E17630 | PL 12.44 |
| 050E17640 | PL 12.44 |
| | PL 12.46 |
| 050K44800 | PL 5.15 |
| | PL 5.50 |
| 050K44810 | PL 5.50 |
| 050K47544 | PL 7.10 |
| 050K47573 | PL 7.45 |
| 050K47660 | PL 7.50 |
| 050K47970 | PL 5.15 |
| | PL 5.55 |
| 050K47980 | PL 5.55 |
| 054E14861 | PL 8.45 |
| 054K18582 | PL 10.30 |
| 054E18652 | PL 8.45 |
| 054K18701 | PL 8.10 |
| 054E18722 | PL 10.10 |
| | PL 10.25 |
| 054E18743 | PL 10.10 |
| | PL 10.25 |
| 054K18753 | PL 10.10 |
| 054E18762 | PL 8.35 |
| 054E18771 | PL 8.30 |
| 054E18864 | PL 7.50 |
| 054E18983 | PL 9.15 |
| 054E19302 | PL 7.40 |
| 054E19402 | PL 10.25 |
| 054E19650 | PL 10.30 |
| 054K19786 | PL 8.10 |
| 054K19805 | PL 8.25 |
| 054K19933 | PL 10.25 |
| 054K19942 | PL 10.20 |
| 054K19952 | PL 10.20 |
| 054K19982 | PL 10.30 |

Table 1 Part Number Index

| Part Number | Part List |
|-------------|-----------|
| 054K20543 | PL 10.30 |
| 054K22022 | PL 8.15 |
| 054K22310 | PL 8.30 |
| 055E19870 | PL 9.15 |
| 059K11921 | PL 7.85 |
| 059K15590 | PL 10.10 |
| | PL 10.25 |
| | PL 10.20 |
| 059K19520 | PL 7.40 |
| 059K19610 | PL 10.10 |
| 059K19620 | PL 10.10 |
| | PL 10.20 |
| 059K20460 | PL 7.40 |
| 059K20561 | PL 7.85 |
| 059K20570 | PL 7.85 |
| 059K20581 | PL 8.50 |
| 059K20592 | PL 8.50 |
| 059K20861 | PL 10.20 |
| 059K20870 | PL 10.15 |
| 059K20880 | PL 10.15 |
| 059K21660 | PL 5.20 |
| 059K21670 | PL 5.40 |
| 059K21680 | PL 5.40 |
| 059K21690 | PL 5.30 |
| 059K21960 | PL 7.15 |
| | PL 7.50 |
| 059K21970 | PL 7.15 |
| | PL 7.50 |
| 059K22580 | PL 5.20 |
| 059K23700 | PL 7.70 |
| 059K24180 | PL 12.22 |
| 059K24650 | PL 7.70 |
| 059E93712 | PL 10.10 |
| | PL 10.20 |
| 059E93850 | PL 8.50 |
| 059E96810 | PL 4.10 |
| 059E97100 | PL 5.20 |
| 059E97110 | PL 5.30 |
| 059E97120 | PL 5.30 |
| 062K10680 | PL 6.15 |
| 062K11081 | PL 6.30 |

Table 1 Part Number Index

| Part Number | Part List |
|-------------|-----------|
| 062K11290 | PL 6.15 |
| 062E93781 | PL 6.25 |
| 062E98160 | PL 6.25 |
| 062E98170 | PL 6.25 |
| 063E92571 | PL 6.25 |
| 063E92581 | PL 6.25 |
| 068K20781 | PL 7.35 |
| 068K20793 | PL 7.40 |
| 070E90000 | PL 20.10 |
| 074E91711 | PL 7.35 |
| 090E91601 | PL 5.10 |
| 090K92920 | PL 5.10 |
| 090K92954 | PL 6.10 |
| 099P03082 | PL 20.10 |
| 103E26381 | PL 8.25 |
| 103E27530 | PL 12.28 |
| 104E93960 | PL 1.10 |
| 105E06320 | PL 3.15 |
| 105E10405 | PL 1.10 |
| 105E10430 | PL 6.25 |
| 105E10463 | PL 1.10 |
| 105E10521 | PL 8.35 |
| 105E10530 | PL 3.15 |
| 105E10571 | PL 1.10 |
| 105E10631 | PL 10.25 |
| 105E10660 | PL 9.10 |
| 105E10680 | PL 16.10 |
| 105E10850 | PL 5.50 |
| | PL 5.55 |
| 105E10890 | PL 10.10 |
| | PL 10.25 |
| 105E10900 | PL 10.10 |
| | PL 10.25 |
| 105K19235 | PL 1.10 |
| 105K19785 | PL 8.35 |
| 105E98970 | PL 3.15 |
| 110E10620 | PL 7.65 |
| 110K10960 | PL 7.35 |
| 110E10970 | PL 12.12 |
| 110E10980 | PL 12.12 |
| 110K11110 | PL 6.10 |

Table 1 Part Number Index

| Part Number | Part List |
|-------------|-----------|
| 110K11280 | PL 5.35 |
| 110E98300 | PL 8.10 |
| 113R00535 | PL 20.10 |
| 113R00619 | PL 9.10 |
| 113R00633 | PL 9.10 |
| 113R00634 | PL 9.10 |
| 113R00635 | PL 9.10 |
| 113E36140 | PL 5.35 |
| 113E36150 | PL 5.25 |
| 113K82474 | PL 8.10 |
| 114K81740 | PL 8.25 |
| 115E07500 | PL 12.38 |
| 117E10550 | PL 1.10 |
| 117E17420 | PL 1.10 |
| 117E20920 | PL 6.25 |
| 117K29920 | PL 6.15 |
| 117K31940 | PL 9.10 |
| 117K31950 | PL 9.10 |
| 117K31981 | PL 8.35 |
| 117K31991 | PL 8.35 |
| 117E94760 | PL 6.10 |
| 117E94781 | PL 5.10 |
| 120K02540 | PL 12.24 |
| 120E13053 | PL 10.30 |
| 120E18901 | PL 7.35 |
| 120E20641 | PL 8.35 |
| 120E20651 | PL 8.20 |
| 120E20812 | PL 7.10 |
| 120E20821 | PL 7.15 |
| 120E21070 | PL 5.30 |
| 120E21080 | PL 5.30 |
| 120E21101 | PL 7.80 |
| 120K91890 | PL 5.35 |
| 120K91900 | PL 5.35 |
| 120K91910 | PL 5.35 |
| 120K91920 | PL 5.55 |
| 120K91941 | PL 5.35 |
| 121K23840 | PL 8.10 |
| 121K24653 | PL 1.15 |
| 121K26211 | PL 7.85 |
| 121K26220 | PL 8.20 |

Table 1 Part Number Index

| Part Number | Part List |
|-------------|-----------|
| 121K26362 | PL 10.15 |
| 121K27090 | PL 5.35 |
| 121K27380 | PL 5.30 |
| 121K27390 | PL 5.30 |
| 121K28300 | PL 8.40 |
| 121K28700 | PL 12.34 |
| 121E84300 | PL 8.30 |
| 121E88650 | PL 12.20 |
| 121E88660 | PL 12.20 |
| 121E90620 | PL 5.20 |
| 122K93290 | PL 6.25 |
| 123K94000 | PL 2.10 |
| 126K12370 | PL 10.35 |
| 126K12591 | PL 10.35 |
| 126K14178 | PL 10.30 |
| 126K14277 | PL 10.30 |
| 127K24041 | PL 8.50 |
| 127K32513 | PL 8.15 |
| 127K32751 | PL 8.40 |
| 127K32971 | PL 6.20 |
| 127K33073 | PL 9.15 |
| 127K33320 | PL 10.15 |
| 127K33650 | PL 5.45 |
| 127K33660 | PL 5.45 |
| 127K35510 | PL 6.20 |
| 127E83040 | PL 12.22 |
| | PL 12.32 |
| 127E83050 | PL 12.18 |
| 127E83060 | PL 12.44 |
| 127E83070 | PL 12.16 |
| 130K59680 | PL 10.35 |
| 130K60380 | PL 10.35 |
| 130K61612 | PL 9.10 |
| 130K62041 | PL 7.80 |
| 130K62140 | PL 6.15 |
| 130K62150 | PL 6.10 |
| 130K62162 | PL 6.10 |
| 130K62330 | PL 8.50 |
| 130K62390 | PL 10.35 |
| 130K62500 | PL 5.25 |
| | PL 5.35 |

Table 1 Part Number Index

| Part Number | Part List |
|-------------|-----------|
| 130K62510 | PL 5.35 |
| 130K62520 | PL 5.35 |
| 130K62930 | PL 6.15 |
| 130E81970 | PL 10.30 |
| | PL 7.80 |
| | PL 8.20 |
| 130E82740 | PL 7.10 |
| | PL 7.35 |
| | PL 8.35 |
| 130E82790 | PL 7.40 |
| 130K83240 | PL 3.15 |
| 130E84140 | PL 5.50 |
| | PL 5.55 |
| 130E85360 | PL 12.12 |
| | PL 12.24 |
| | PL 12.34 |
| | PL 12.44 |
| | PL 12.38 |
| | PL 12.32 |
| | PL 12.30 |
| | PL 12.16 |
| 133K21100 | PL 16.15 |
| 152S06000 | PL 1.10 |
| 152S06001 | PL 1.10 |
| 152S06002 | PL 1.10 |
| 152S06003 | PL 1.10 |
| 160K28161 | PL 1.15 |
| 160K29731 | PL 3.10 |
| 160K48020 | PL 16.15 |
| 160K62760 | PL 3.10 |
| 160K69860 | PL 16.15 |
| 160K70270 | PL 3.15 |
| 160K74831 | PL 6.10 |
| 160K75613 | PL 2.10 |
| 160K75831 | PL 2.10 |
| 160K75903 | PL 1.10 |
| 160K75914 | PL 8.50 |
| 160K75942 | PL 8.40 |
| 160K76240 | PL 3.10 |
| 160K76250 | PL 3.10 |
| 160K76402 | PL 3.15 |

Table 1 Part Number Index

| Part Number | Part List |
|-------------|-----------|
| 160K76701 | PL 1.15 |
| 160K77220 | PL 6.15 |
| 160K78220 | PL 2.10 |
| 160K78520 | PL 16.15 |
| 160K83520 | PL 5.25 |
| 160K83580 | PL 12.40 |
| 160K83590 | PL 12.42 |
| 160K83600 | PL 12.40 |
| 160K84170 | PL 1.15 |
| 160K84180 | PL 1.15 |
| 160K84221 | PL 5.20 |
| 160K84572 | PL 3.10 |
| 160K84731 | PL 3.10 |
| 160K86025 | PL 16.10 |
| 160K86073 | PL 16.10 |
| 160K87072 | PL 3.10 |
| 160K87080 | PL 3.10 |
| 160K87583 | PL 6.10 |
| 160K89030 | PL 5.20 |
| 162K20483 | PL 6.10 |
| 162K21450 | PL 3.10 |
| 162K21480 | PL 3.15 |
| 162K21521 | PL 1.15 |
| 162K63731 | PL 2.10 |
| 162K63740 | PL 2.10 |
| 162K63983 | PL 8.40 |
| 162K63991 | PL 7.35 |
| 162K64001 | PL 8.40 |
| 162K64240 | PL 3.10 |
| 162K64250 | PL 3.15 |
| 162K65054 | PL 1.10 |
| 162K65084 | PL 1.15 |
| 162K65092 | PL 1.10 |
| 162K65102 | PL 6.30 |
| 162K65112 | PL 1.15 |
| 162K65132 | PL 8.25 |
| 162K65141 | PL 1.10 |
| 162K65150 | PL 1.15 |
| 162K65160 | PL 1.15 |
| 162K65170 | PL 1.15 |
| 162K65191 | PL 8.10 |

Table 1 Part Number Index

| Part Number | Part List |
|-------------|-----------|
| 162K65203 | PL 8.10 |
| 162K65211 | PL 8.10 |
| 162K65220 | PL 10.15 |
| 162K69501 | PL 8.50 |
| 177K94030 | PL 3.10 |
| 499T00247 | PL 20.10 |
| 499T00281 | PL 20.10 |
| 499T90417 | PL 20.10 |
| 537K60066 | PL 1.15 |
| 537K60421 | PL 3.10 |
| 537K61370 | PL 16.15 |
| 537K61844 | PL 2.10 |
| 537K61854 | PL 2.10 |
| 537K61927 | PL 3.10 |
| 537K62242 | PL 3.10 |
| 537K62250 | PL 16.15 |
| 537K62265 | PL 16.15 |
| 537K62271 | PL 16.15 |
| 537K62283 | PL 16.15 |
| 537K62286 | PL 16.15 |
| 537K62313 | PL 1.15 |
| 537K62350 | PL 2.10 |
| 537K65190 | PL 2.10 |
| 537K65220 | PL 16.15 |
| 537K65230 | PL 2.10 |
| 537K65240 | PL 2.10 |
| 537K65250 | PL 1.15 |
| 537K65260 | PL 3.10 |
| 537K65270 | PL 2.10 |
| 537K65280 | PL 2.10 |
| 537K66271 | PL 16.15 |
| 538K94940 | PL 2.10 |
| 538K94950 | PL 2.10 |
| 600T02252 | PL 20.10 |
| 604K04670 | PL 12.10 |
| 604K04680 | PL 12.44 |
| 604K04690 | PL 12.14 |
| 802E23210 | PL 6.10 |
| 802E24240 | PL 2.10 |
| 802E24882 | PL 9.10 |
| 802E25061 | PL 2.10 |

Table 1 Part Number Index

| Part Number | Part List |
|-------------|-----------|
| 802K26013 | PL 5.60 |
| 802E26060 | PL 10.10 |
| | PL 10.15 |
| 802E26081 | PL 10.10 |
| 802E26104 | PL 7.20 |
| 802E26281 | PL 7.65 |
| 802E26293 | PL 7.65 |
| 802E26304 | PL 7.65 |
| 802E26313 | PL 7.65 |
| 802E26323 | PL 7.65 |
| 802E26335 | PL 7.40 |
| 802E26340 | PL 6.10 |
| 802E26384 | PL 7.25 |
| 802E26393 | PL 7.25 |
| 802E26403 | PL 7.30 |
| 802E26673 | PL 8.15 |
| 802E27131 | PL 6.30 |
| 802E27155 | PL 7.30 |
| 802E27163 | PL 7.20 |
| 802E27202 | PL 7.20 |
| 802K27278 | PL 7.40 |
| 802E27321 | PL 7.25 |
| 802E27341 | PL 7.20 |
| 802E27365 | PL 7.20 |
| 802E27385 | PL 7.25 |
| 802E27406 | PL 7.30 |
| 802E27421 | PL 7.30 |
| 802E27443 | PL 7.30 |
| 802E27450 | PL 7.25 |
| 802E27512 | PL 7.25 |
| 802E28101 | PL 7.20 |
| 802E28123 | PL 7.30 |
| 802E28143 | PL 7.30 |
| 802E28162 | PL 7.30 |
| 802E28172 | PL 7.30 |
| 802E28180 | PL 7.30 |
| 802E28252 | PL 7.75 |
| 802E28271 | PL 7.70 |
| 802E28291 | PL 7.80 |
| 802E28362 | PL 8.50 |
| 802E29102 | PL 10.15 |

Table 1 Part Number Index

| Part Number | Part List |
|-------------|-----------|
| 802E29121 | PL 10.15 |
| 802K29130 | PL 6.15 |
| 802E29511 | PL 7.20 |
| 802K29675 | PL 7.25 |
| 802K29704 | PL 7.15 |
| 802K29710 | PL 7.10 |
| 802E31240 | PL 12.42 |
| 802E31250 | PL 12.42 |
| 802E31270 | PL 12.42 |
| 802K31271 | PL 7.20 |
| 802E31280 | PL 12.10 |
| 802E31310 | PL 12.42 |
| | PL 12.44 |
| 802E31330 | PL 12.46 |
| 802E31410 | PL 12.16 |
| 802E31420 | PL 12.32 |
| 802E31430 | PL 12.10 |
| 802E31440 | PL 12.10 |
| 802E31460 | PL 12.10 |
| 802E31921 | PL 5.20 |
| 802E31930 | PL 5.20 |
| 802E31940 | PL 5.20 |
| 802E31950 | PL 5.20 |
| 802K32900 | PL 5.30 |
| 802K32910 | PL 5.30 |
| 802K32920 | PL 5.15 |
| 802K32930 | PL 5.15 |
| 802K33685 | PL 2.10 |
| 802K33921 | PL 2.10 |
| 802K34180 | PL 5.50 |
| 802K34190 | PL 5.50 |
| 802K35967 | PL 2.10 |
| 802K36407 | PL 2.10 |
| 802K36746 | PL 2.10 |
| 802K37285 | PL 2.10 |
| 802K42850 | PL 12.30 |
| 802K42860 | PL 12.24 |
| 802K42890 | PL 12.42 |
| 802K44530 | PL 2.15 |
| 802K45480 | PL 5.55 |
| 809E03690 | PL 6.10 |

Table 1 Part Number Index

| Part Number | Part List |
|-------------|-----------|
| 809E07260 | PL 6.25 |
| 809E07490 | PL 7.75 |
| 809E11080 | PL 8.25 |
| 809E11091 | PL 7.85 |
| 809E14793 | PL 7.15 |
| 809E14810 | PL 7.55 |
| 809E15241 | PL 8.20 |
| | PL 8.35 |
| 809E15351 | PL 7.85 |
| 809E18760 | PL 7.15 |
| | PL 7.60 |
| 809E18771 | PL 7.16 |
| 809E19062 | PL 7.60 |
| 809E20322 | PL 8.50 |
| 809E21630 | PL 7.65 |
| 809E22970 | PL 8.35 |
| 809E27890 | PL 6.15 |
| 809E29761 | PL 10.10 |
| | PL 10.25 |
| 809E29961 | PL 8.35 |
| 809E29990 | PL 8.25 |
| 809E30001 | PL 8.25 |
| 809E32940 | PL 7.40 |
| 809E32950 | PL 7.55 |
| 809E32960 | PL 7.55 |
| 809E33030 | PL 7.15 |
| 809E33420 | PL 7.80 |
| 809E33430 | PL 8.50 |
| 809E33450 | PL 7.15 |
| 809E33481 | PL 7.15 |
| 809E34110 | PL 10.10 |
| | PL 10.15 |
| 809E34640 | PL 6.25 |
| 809E34730 | PL 6.20 |
| 809E34750 | PL 6.20 |
| 809E34771 | PL 7.60 |
| 809E34960 | PL 5.20 |
| 809E35000 | PL 12.30 |
| 809E35010 | PL 12.14 |
| 809E35020 | PL 12.30 |
| 809E35030 | PL 12.36 |

Table 1 Part Number Index

| Part Number | Part List |
|-------------|-----------|
| 809E35040 | PL 12.26 |
| | PL 12.30 |
| 809E35050 | PL 12.26 |
| 809E35060 | PL 12.38 |
| 809E35070 | PL 12.18 |
| | PL 12.22 |
| 809E35080 | PL 12.38 |
| 809E35090 | PL 12.14 |
| 809E35100 | PL 12.10 |
| 809E35120 | PL 12.28 |
| 809E35150 | PL 12.20 |
| 809E35170 | PL 12.20 |
| 809E35180 | PL 12.32 |
| 809E35360 | PL 5.20 |
| 809E35400 | PL 5.35 |
| 809E35410 | PL 5.45 |
| 809E35420 | PL 5.45 |
| 809E35430 | PL 5.25 |
| 809E35440 | PL 5.30 |
| 809E35480 | PL 5.30 |
| 809E36010 | PL 8.35 |
| 809E36360 | PL 7.60 |
| 826E02270 | PL 12.10 |
| 830E45710 | PL 7.40 |
| 830E68470 | PL 7.40 |
| 830E79574 | PL 7.20 |
| 830E80890 | PL 6.10 |
| 830E80971 | PL 7.25 |
| 830E92720 | PL 2.10 |
| 830E94111 | PL 7.10 |
| 849E03710 | PL 7.65 |
| 892E40580 | PL 7.45 |
| 892E40590 | PL 7.45 |
| 892E41850 | PL 7.10 |
| 892E43611 | PL 7.16 |
| 892E47601 | PL 8.50 |
| 892E50600 | PL 7.25 |
| 892E50620 | PL 7.25 |
| 892E56011 | PL 7.25 |
| 892E56051 | PL 7.75 |
| 892E56060 | PL 7.80 |

Table 1 Part Number Index

| Part Number | Part List |
|-------------|-----------|
| 892E58650 | PL 5.50 |
| | PL 5.55 |
| 962K03380 | PL 16.10 |
| 962K03390 | PL 16.10 |
| 962K03400 | PL 16.10 |
| 962K03410 | PL 16.10 |
| 962K03420 | PL 16.10 |
| 962K04160 | PL 8.30 |
| 962K04170 | PL 7.10 |
| 962K04181 | PL 7.10 |
| 962K04190 | PL 9.10 |
| 962K04200 | PL 8.20 |
| 962K04210 | PL 1.15 |
| 962K04221 | PL 8.10 |
| 962K04235 | PL 1.10 |
| 962K04271 | PL 8.10 |
| 962K04530 | PL 12.38 |
| 962K04540 | PL 12.44 |
| 962K04550 | PL 12.12 |
| 962K04560 | PL 12.30 |
| 962K04570 | PL 12.24 |
| 962K04580 | PL 12.32 |
| 962K04590 | PL 12.34 |
| 962K04600 | PL 12.38 |
| 962K04610 | PL 12.38 |
| 962K04620 | PL 12.42 |
| 962K04630 | PL 12.42 |
| 962K04640 | PL 12.12 |
| 962K04650 | PL 12.16 |
| 962K04660 | PL 12.32 |
| 962K04670 | PL 12.40 |
| 962K04680 | PL 12.32 |
| 962K04690 | PL 12.40 |
| 962K04700 | PL 12.40 |
| 962K04710 | PL 12.18 |
| 962K04720 | PL 12.12 |
| 962K04730 | PL 12.12 |
| 962K05771 | PL 1.15 |
| 962K05871 | PL 10.35 |
| 962K07980 | PL 5.20 |
| 962K07990 | PL 5.35 |

Table 1 Part Number Index

| Part Number | Part List |
|-------------|-----------|
| 962K08000 | PL 5.35 |
| 962K08030 | PL 5.25 |
| 962K09070 | PL 5.55 |
| 962K09080 | PL 5.50 |