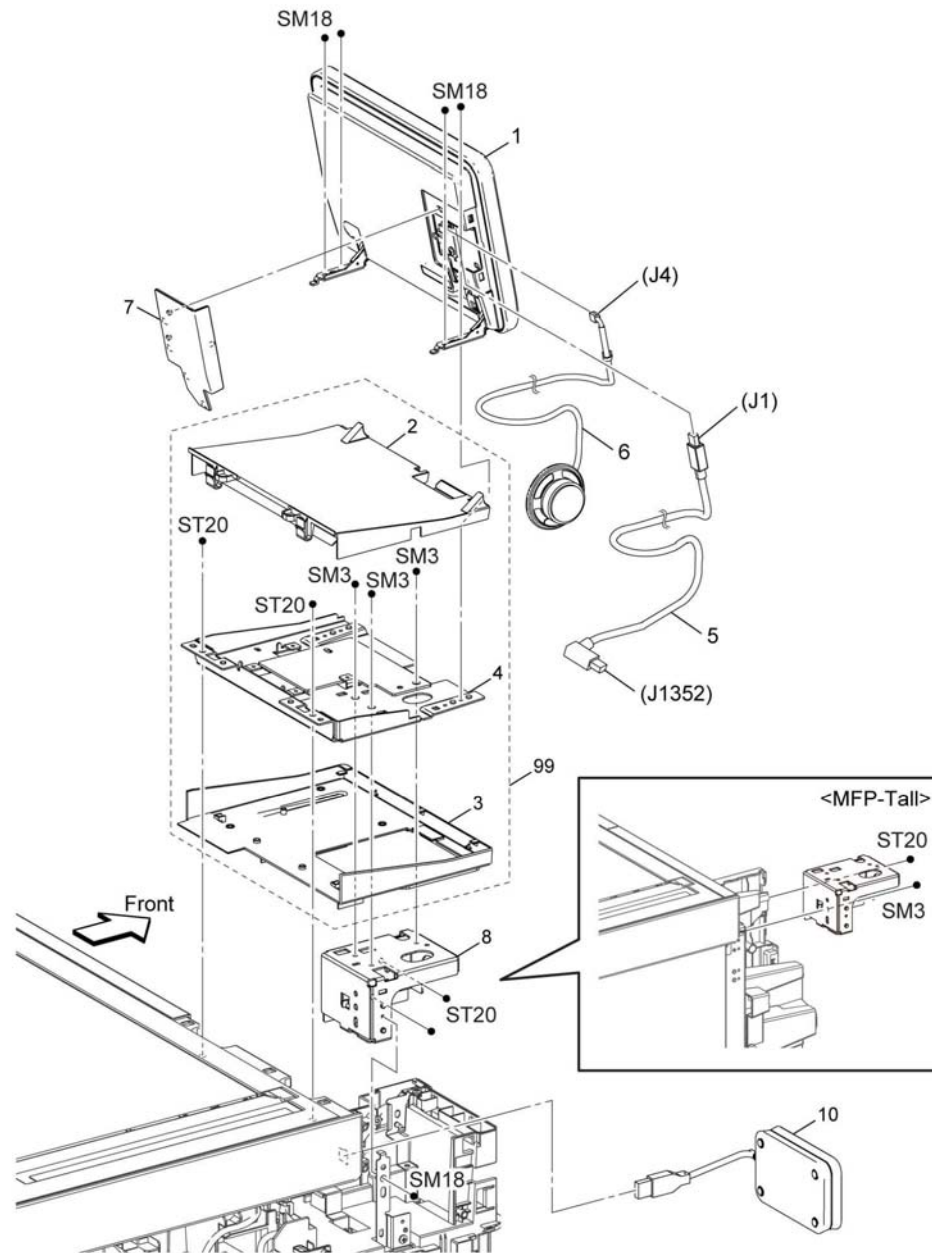


5 Parts Lists

1 - UI			
PL 1.1 UI (C505/C605/C605_Tall).....	5-3		
PL 1.2 UI (C500/C600).....	5-4		
2 - LPH			
PL 2.1 LPH.....	5-5		
3 - Drive			
PL 3.1 Drive (C505/C605/C605_Tall)	5-6		
PL 3.2 Drive (C500/C600).....	5-7		
4 - NOHAD			
PL 4.1 NOHAD.....	5-8		
5 - Dispenser			
PL 5.1 Dispenser (C505/C605/C605_Tall).....	5-9		
PL 5.2 Dispenser (C500/C600).....	5-10		
6 Transfer			
PL 6.1 Transfer	5-11		
7 - Fusing			
PL 7.1 Fusing.....	5-12		
8 - Xerographic			
PL 8.1 Xerographic	5-13		
9 - Tray			
PL 9.1 Tray.....	5-14		
10 - Option Feeder			
PL 10.1 Option Feeder (1/3)	5-15		
PL 10.2 Option Feeder (2/3)	5-16		
PL 10.3 Option Feeder (3/3)	5-17		
11 HCF			
PL 11.1 HCF Front-Right	5-18		
PL 11.2 HCF Left	5-19		
PL 11.3 HCF (3/4 Tray).....	5-20		
PL 11.4 HCF (4/4 Tray).....	5-21		
13 - MSI			
PL 13.1 MSI	5-22		
PL 13.2 MSI (2/2)	5-23		
14 - Duplex			
PL 14.1 Duplex.....	5-24		
15 - Registration			
PL 15.1 Registration (1/2)	5-25		
PL 15.2 Registration (2/2)	5-26		
17 - Exit			
PL 17.1 Exit (C505/C605/C605_Tall).....	5-27		
PL 17.2 Exit (C500/C505)	5-28		
18 - Electrical			
PL 18.1 Electrical (C505/C605) (1/4)	5-29		
PL 18.2 Electrical (C505/C605) (2/4)	5-30		
PL 18.3 Electrical (C505/C605) (3/4)	5-31		
PL 18.4 Electrical (C505/C605) (4/4)	5-32		
PL 18.5 Electrical (C605_Tall) (1/4)	5-33		
PL 18.6 Electrical (C605_Tall) (2/4)	5-34		
PL 18.7 Electrical (C605_Tall) (3/4)	5-35		
PL 18.8 Electrical (C605_Tall) (4/4)	5-36		
PL 18.9 Electrical (C500/C600) (1/4)	5-37		
PL 18.10 Electrical (C500/C600) (2/4)	5-38		
PL 18.11 Electrical (C500/C600) (3/4)	5-39		
PL 18.12 Electrical (C500/C600) (4/4)	5-40		
19 - Cover			
PL 19.1 Cover (C505/C605) (1/2)	5-41		
PL 19.2 Cover (C505/C605) (2/2)	5-42		
PL 19.3 Cover (C605_Tall) (1/2)	5-43		
PL 19.4 Cover (C605_Tall) (2/2)	5-44		
PL 19.5 Cover (C500/C600) (1/2)	5-45		
PL 19.6 Cover (C500/C600) (2/2)	5-46		
20 Mailbox			
PL 20.1 Mailbox.....	5-47		
PL 20.2 Mailbox.....	5-48		
21 Finisher			
PL 21.1 Finisher	5-49		
PL 21.2 Finisher	5-50		
Cabinet			
PL 30.1 Cabinet.....	5-51		
PL 30.2 Caster	5-52		
50 - Scanner			
PL 50.1 Scanner (C505/C605/C605_Tall only)	5-53		
Hardware Kit			
Hardware Kit.....	5-54		

PL 1.1 UI C505/C605/C605_Tall

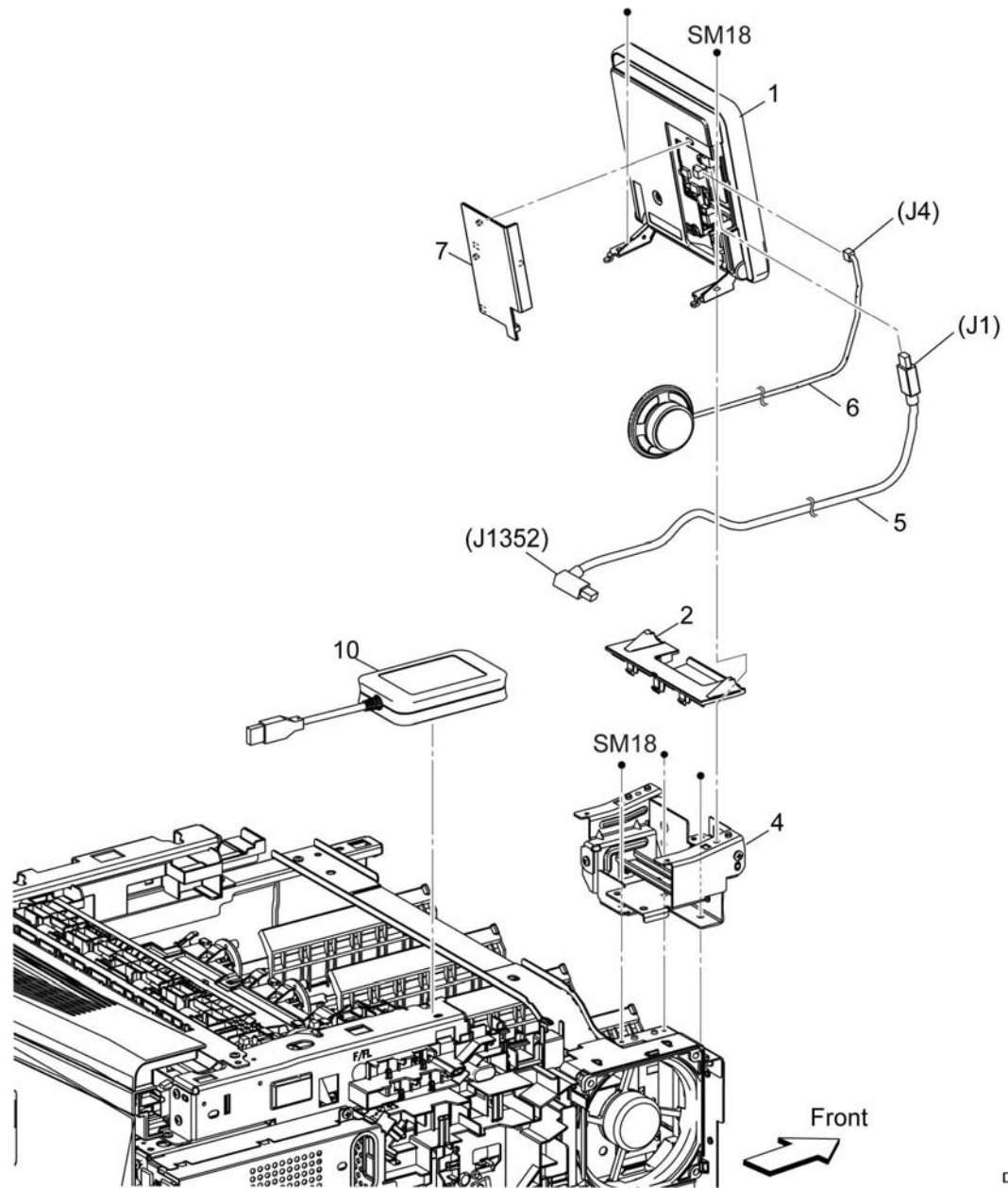
Item	Part	Description
1	948K02982	Console assembly UI AIO (REP 1.1)
2	822E18611	UI inner cover (REP 1.2)
3	822E18601	UI frame cover (REP 1.3)
4	-	UI frame plate (Not spared)
5	952K35720	UI harness (Tall) (REP 1.4)
-	952K35710	UI harness (REP 1.4)
6	-	Speaker main (Not spared)
7	822E30280	UI access door (hatch) (REP 1.5)
8	-	UI frame bracket (Not spared)
9	-	Not used
10	-	ICCR card (Not spared)
99	-	Kit UI frame assembly (with 2-4) (Not spared)



D-8-2003-A

PL 1.2 UI (C500/C600)

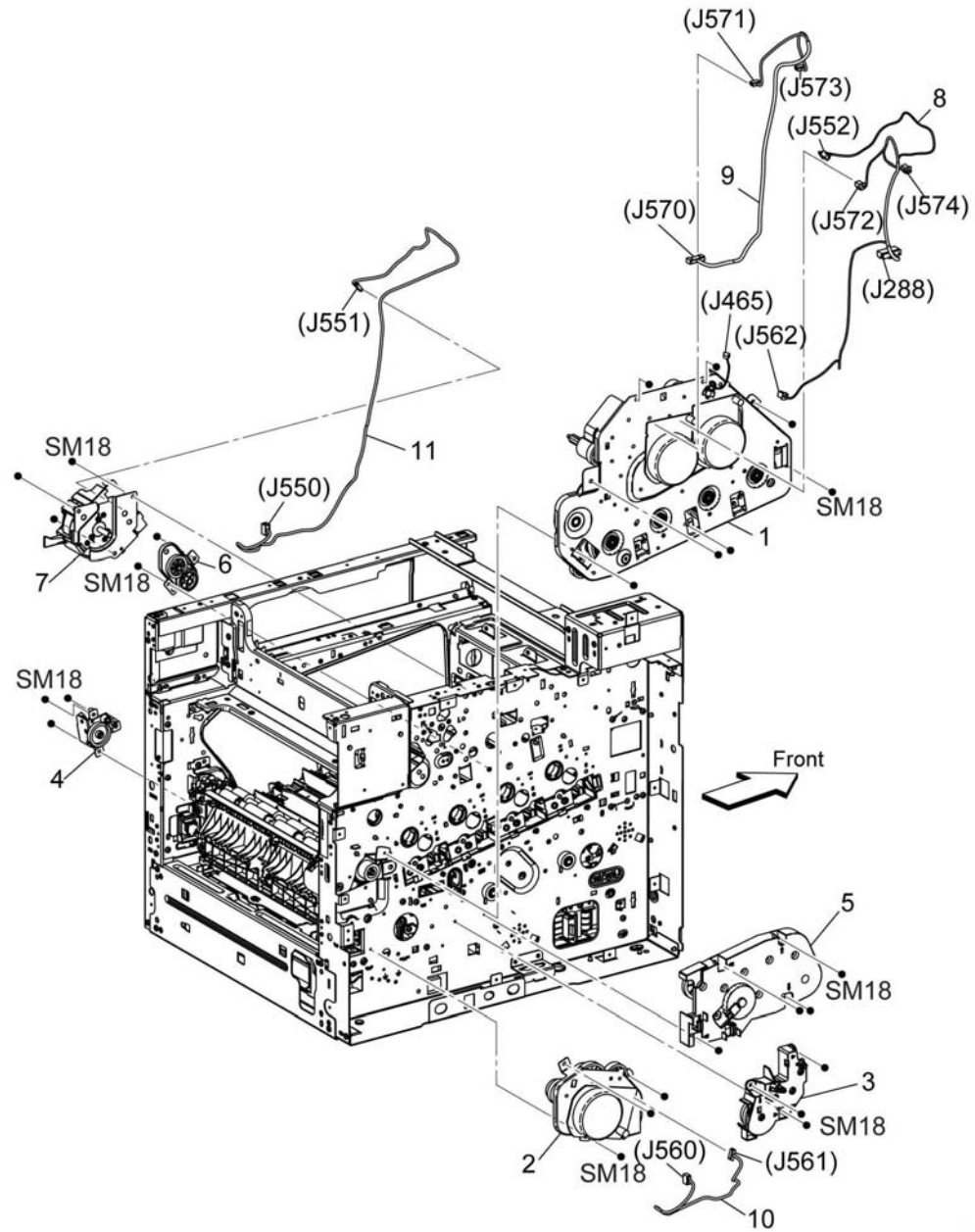
Item	Part	Description
1	848K95746	Console assembly UI C500/C600 (REP 1.6)
2	822E32330	UI inner cover (REP 1.7)
3	-	Not used
4	-	UI frame (Not spared) (REP 1.3)
5	952K37020	UI harness (REP 1.8)
6	-	Speaker main (Not spared)
7	822E32001	UI access door (hatch) (REP 1.5)
8	-	Not used
9	-	Not spared
10	-	ICCR card (Not spared)



D-8-2004-A

PL 3.1 Drive (C505/C605/C605_Tall)

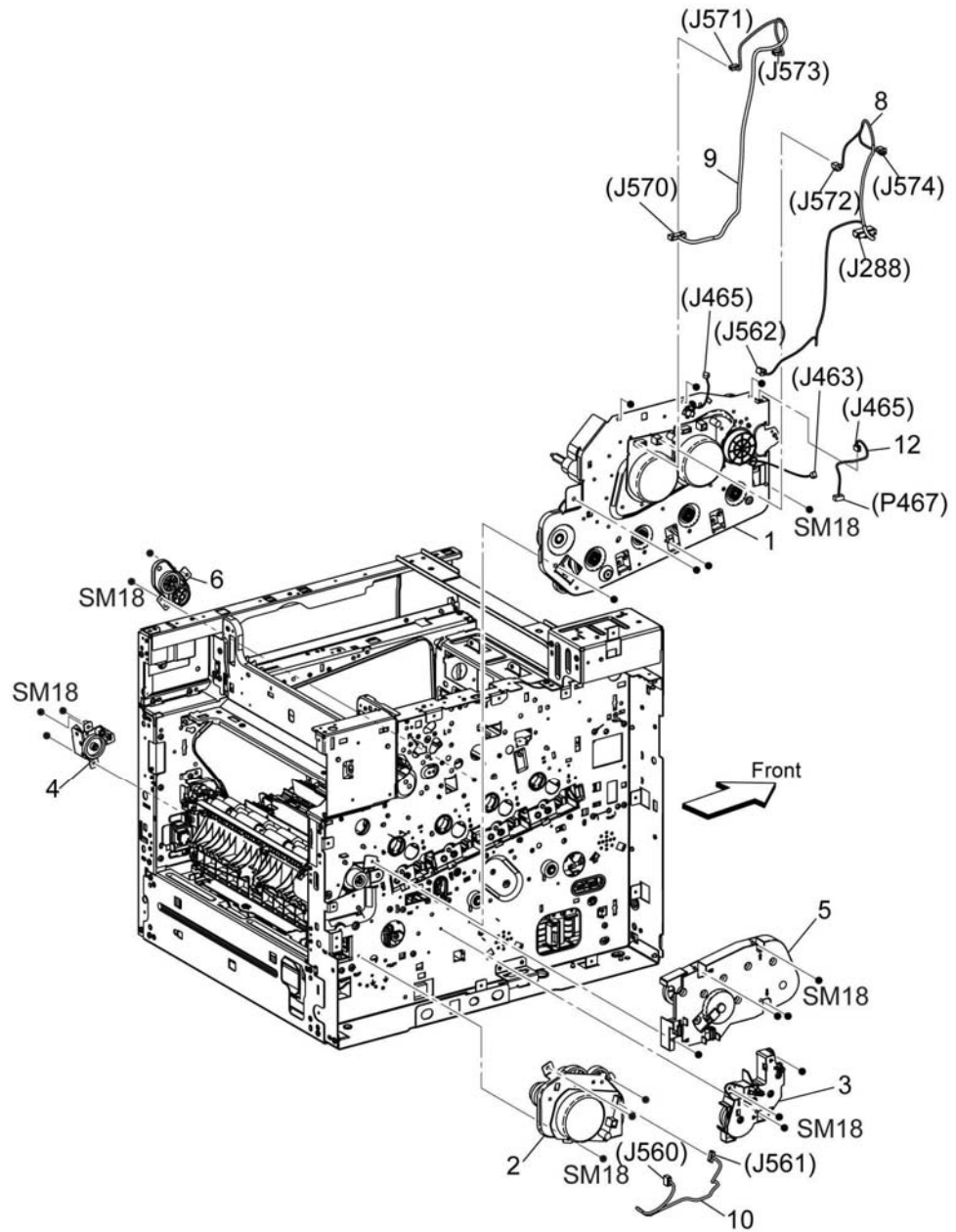
Item	Part	Description
1	007K23040	Drive assembly main H (REP 3.1)
2	007K23050	Drive assembly main 2 (REP 3.2)
3	007K23060	Drive assembly main 3 (REP 3.3)
4	005K84490	Drive assembly waste (REP 3.4)
5	007K21981	Drive assembly MSI (REP 3.5)
6	007K21990	Coupling assembly link (REP 3.6)
7	607K04730	Drive assembly motor (REP 3.7)
8	–	Harness assembly MOT PWR-CF (Not spared)
9	–	Harness assembly MCU-MOT1/2- CF (Not spared)
10	–	Harness assembly MCU-MOT3-CF (Not spared)
11	–	Harness assembly MCU-MOT4-CF (Not spared)



D-8-2006-A

PL 3.2 Drive (C500/C600)

Item	Part	Description
1	007K22843	Drive assembly main L (REP 3.8)
2	007K23050	Drive assembly main 2 (REP 3.9)
3	007K23060	Drive assembly main 3 (REP 3.10)
4	005K84490	Drive assembly waste (REP 3.11)
5	007K21981	Drive assembly MSI (REP 3.12)
6	007K21990	Coupling assembly link (REP 3.13)
7	–	Not used
8	–	Harness assembly MOT PWR-CF (Not spared)
9	–	Harness assembly MCU-MOT1/2-CF (Not spared)
10	–	Harness assembly MCU-MOT3-CF (Not spared)
11	–	Not used
12	–	Harness assembly SNR deve/xero-CFL (Not spared)

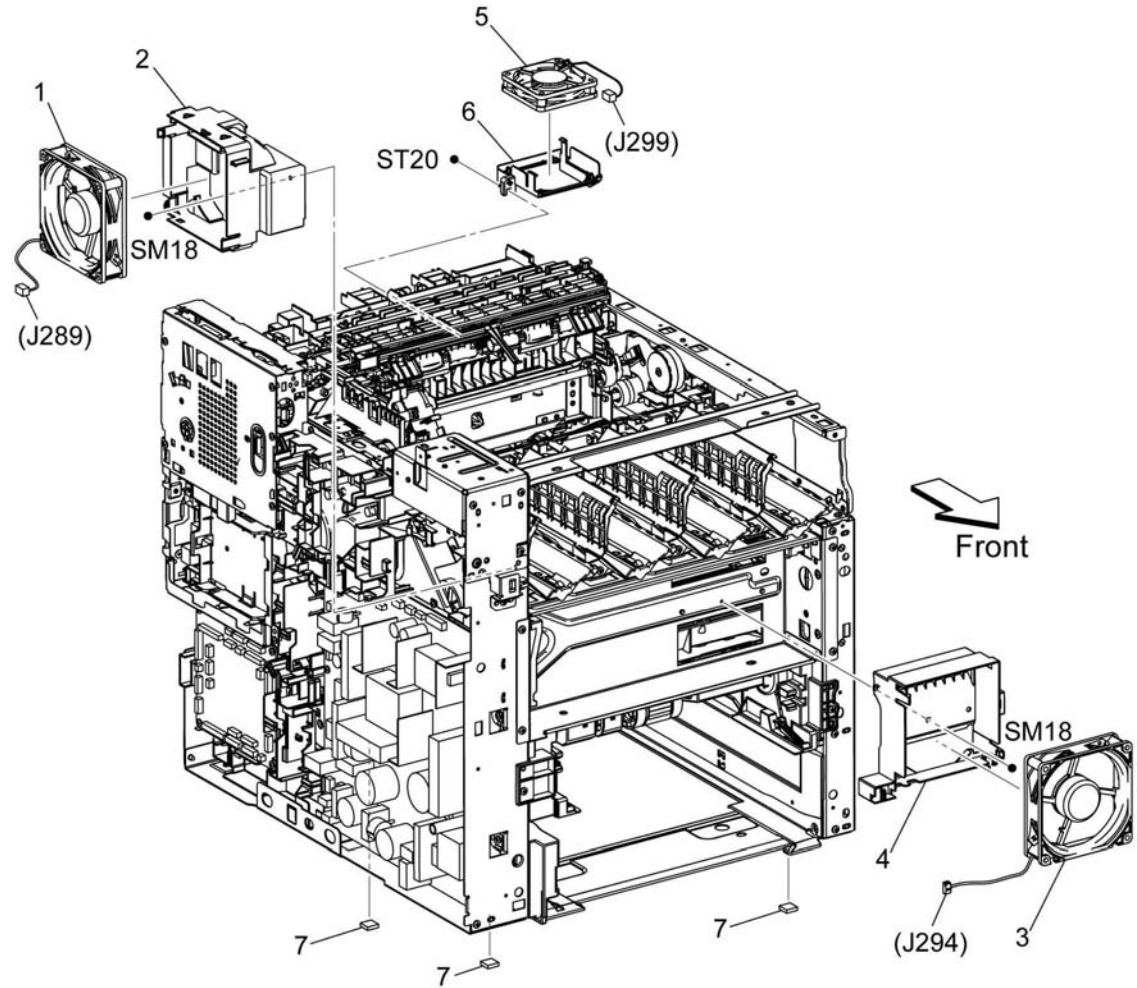


D-8-2007-A

PL 4.1 NOHAD

Item	Part	Description
1	127K74220	Fan main and sub (REP 4.1, REP 4.2)
2	-	Duct fan main (Not spared)
3	-	Not used
4	-	Duct fan sub (Not spared)
5	127K74160	Rear fan (REP 4.3)
6	-	Rear fan bracket (Not spared)
7	017K94350	Rubber foot (REP 4.4)
99	604K77650	Kit foot assembly (with 7x3 pcs) (REP 4.4)

99 {Item 7x3 pcs}

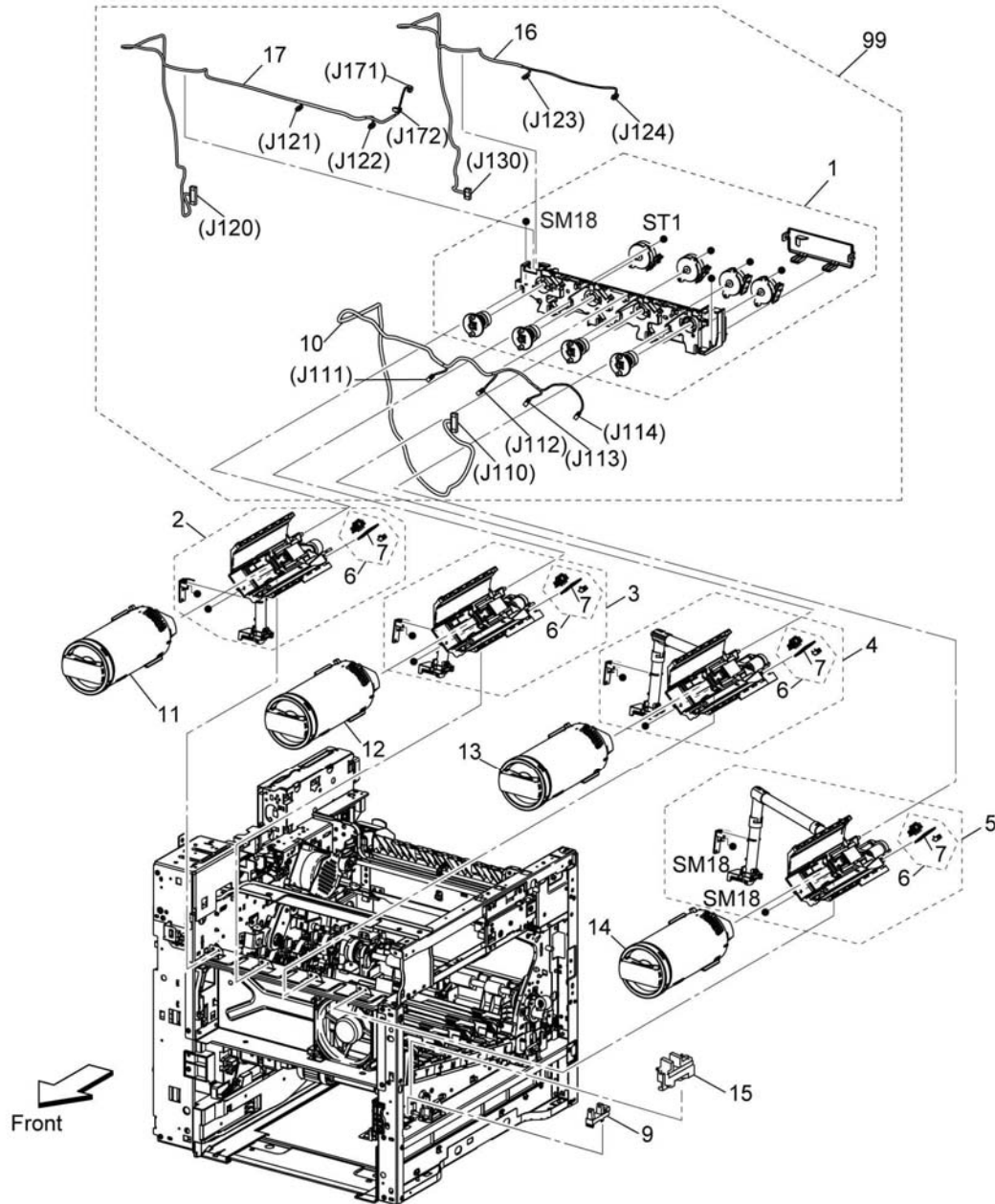


D-8-2008-A

PL 5.1 Dispenser (C505/C605/ C605_Tall)

Item	Part	Description
1	-	Drive assembly dispenser H (Not spared)
2	094K94480	Disp assembly Y (with 6-7) (REP 5.1)
3	094K94490	Disp assembly M (with 6-7) (REP 5.1)
4	094K94500	Disp assembly C (with 6-7) (REP 5.1)
5	094K94510	Disp assembly K (with 6-7) (REP 5.1)
6	113K84020	Connector assembly CRUM toner (with 7) (REP 5.2)
7	-	PWBA CRUM toner (Not spared)
8	-	Not used
9	930W00511	Sensor toner full (REP 5.3)
10	-	Harness assembly toner CRUM
11	-	Toner cartridge starter Y (Not spared)
12	-	Toner cartridge starter M (Not spared)
13	-	Toner cartridge starter C (Not spared)
14	-	Toner cartridge starter K (Not spared)
15	-	Clear cover (Not spared)
16	-	Harness assembly disp YC (Not spared)
17	-	Harness assembly disp MK (Not spared)
99	607K04900	Harness assembly disp H (with 1, 10, 16-17) (REP 5.4)

NOTE: Refer to **GP 40:** Xerox Consumables and Maintenance Items

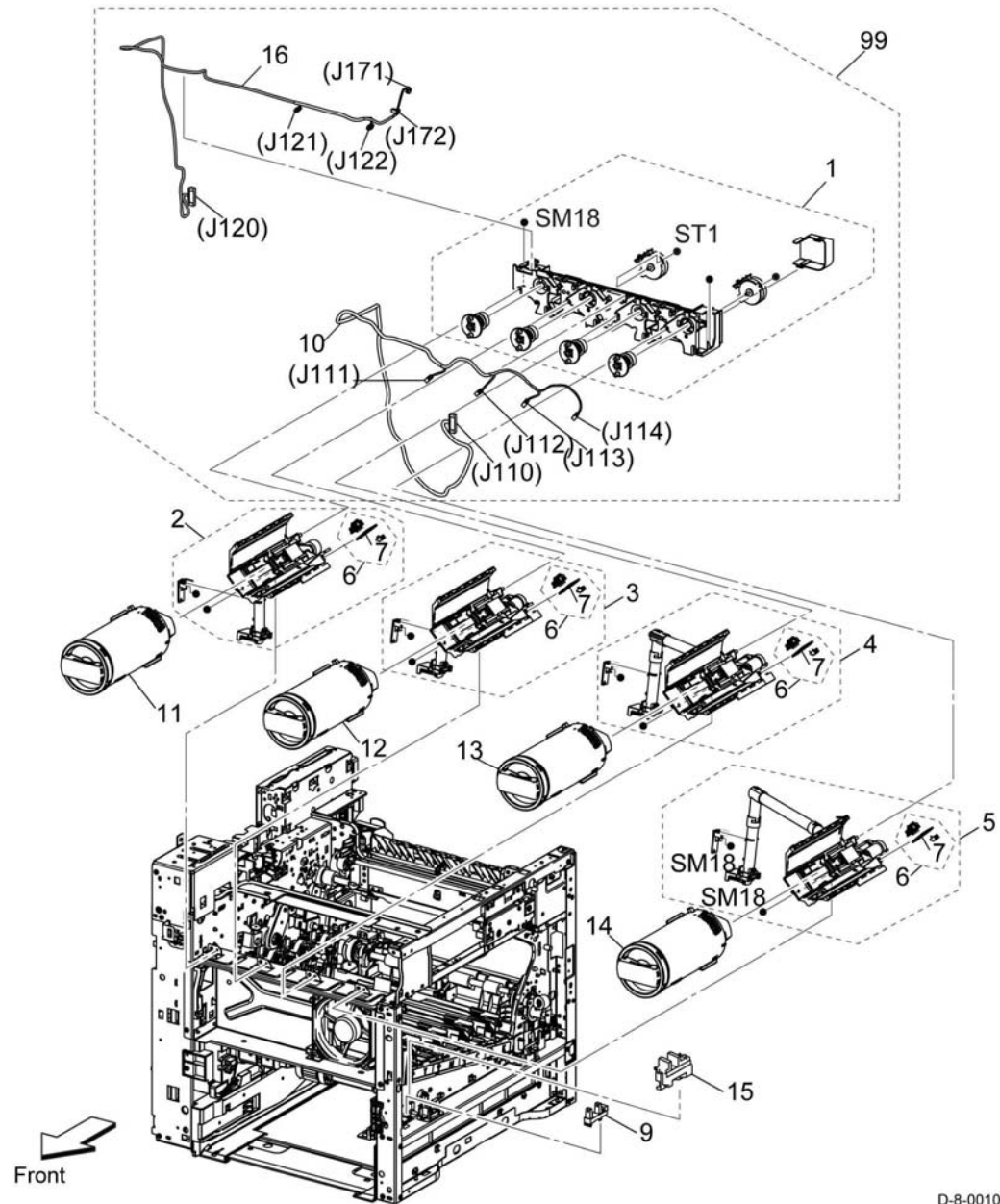


D-8-0009-A

PL 5.2 Dispenser (C500/C600)

Item	Part	Description
1	–	Drive assembly dispenser M (Not spared)
2	094K94480	Dispenser assembly Y (with 6-7) (REP 5.1)
3	094K94490	Dispenser assembly M (with 6-7) (REP 5.1)
4	094K94500	Dispenser assembly C (with 6-7) (REP 5.1)
5	094K94510	Dispenser assembly K (with 6-7) (REP 5.1)
6	113K83840	Connector assembly CRUM toner (with 7) (REP 5.2)
7	–	PWBA CRUM toner (Not spared)
8	–	Not used
9	930W00511	Sensor toner full (REP 5.3)
10	–	Harness assembly toner CRUM (Not spared)
11	–	Toner cartridge starter Y (Not spared)
12	–	Toner cartridge starter M (Not spared)
13	–	Toner cartridge starter C (Not spared)
14	–	Toner cartridge starter K (Not spared)
15	–	Clear cover (Not spared)
16	–	Harness assembly disp M (Not spared)
99	607K04910	Kit drive assembly dispenser M (with 1, 10, 16) (REP 5.4)

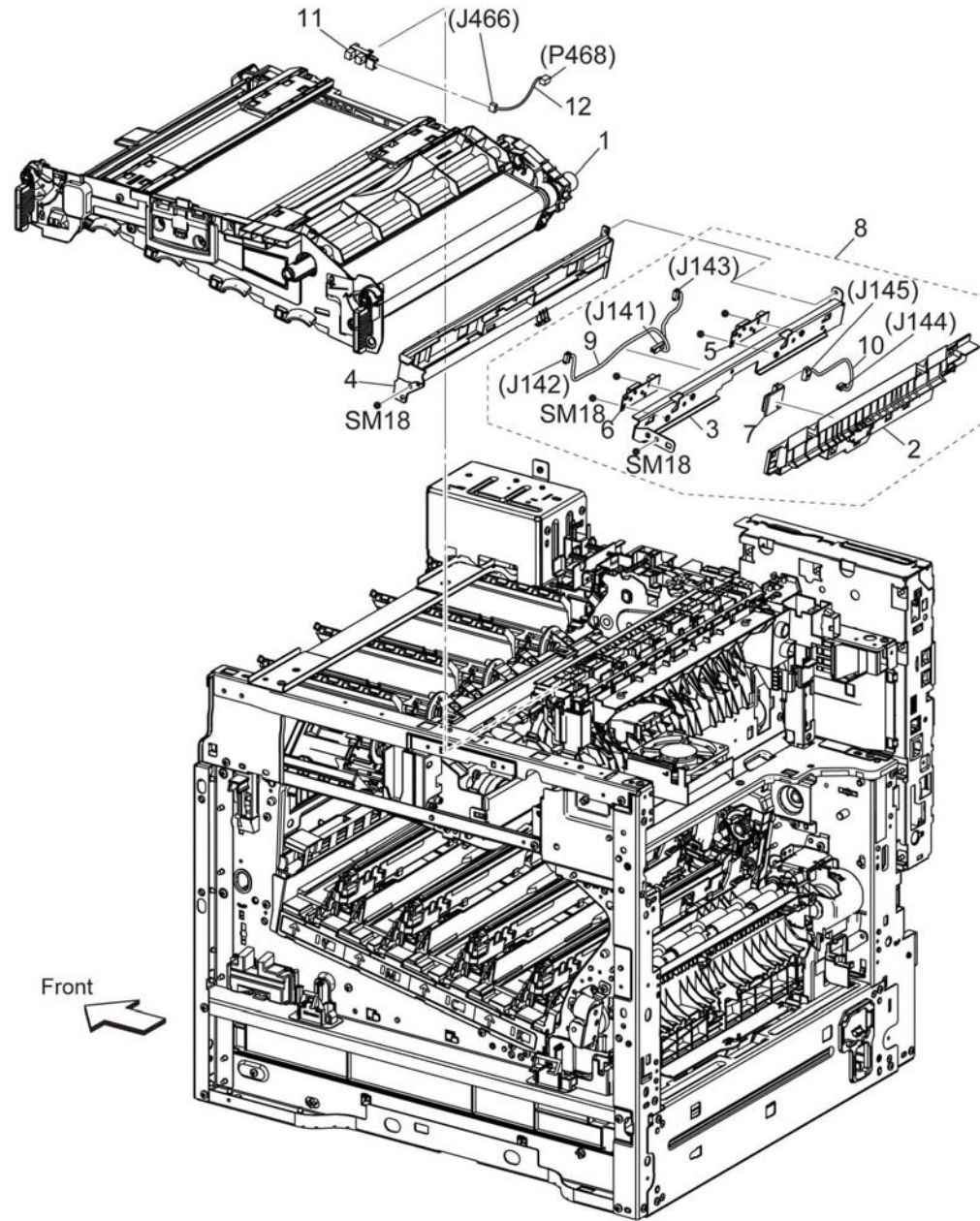
NOTE: Refer to **GP 40: Xerox Consumables and Maintenance Items**



D-8-0010-A

PL 6.1 Transfer

Item	Part	Description
1	607K04921	IBT unit (REP 6.1)
2	-	Chute upper CTD (Not spared)
3	-	Plate CTD (Not spared)
4	-	Cover sensor (Not spared)
5	-	Sensor R-RAD A (Not Spared)
6	-	Sensor R-RAD low A (Not Spared)
7	-	Sensor hum and temp (Not Spared)
8	930K00210	Sensor assembly CTD (with 2-3, 5-7, 9-10) (REP 6.2)
9	-	Harness assembly CTD (Not Spared)
10	-	Harness assembly HUM (Not Spared)
11	930W00123	K mode sensor (REP 6.3)
12	-	Harness assembly K-SNR-CF (Not Spared)

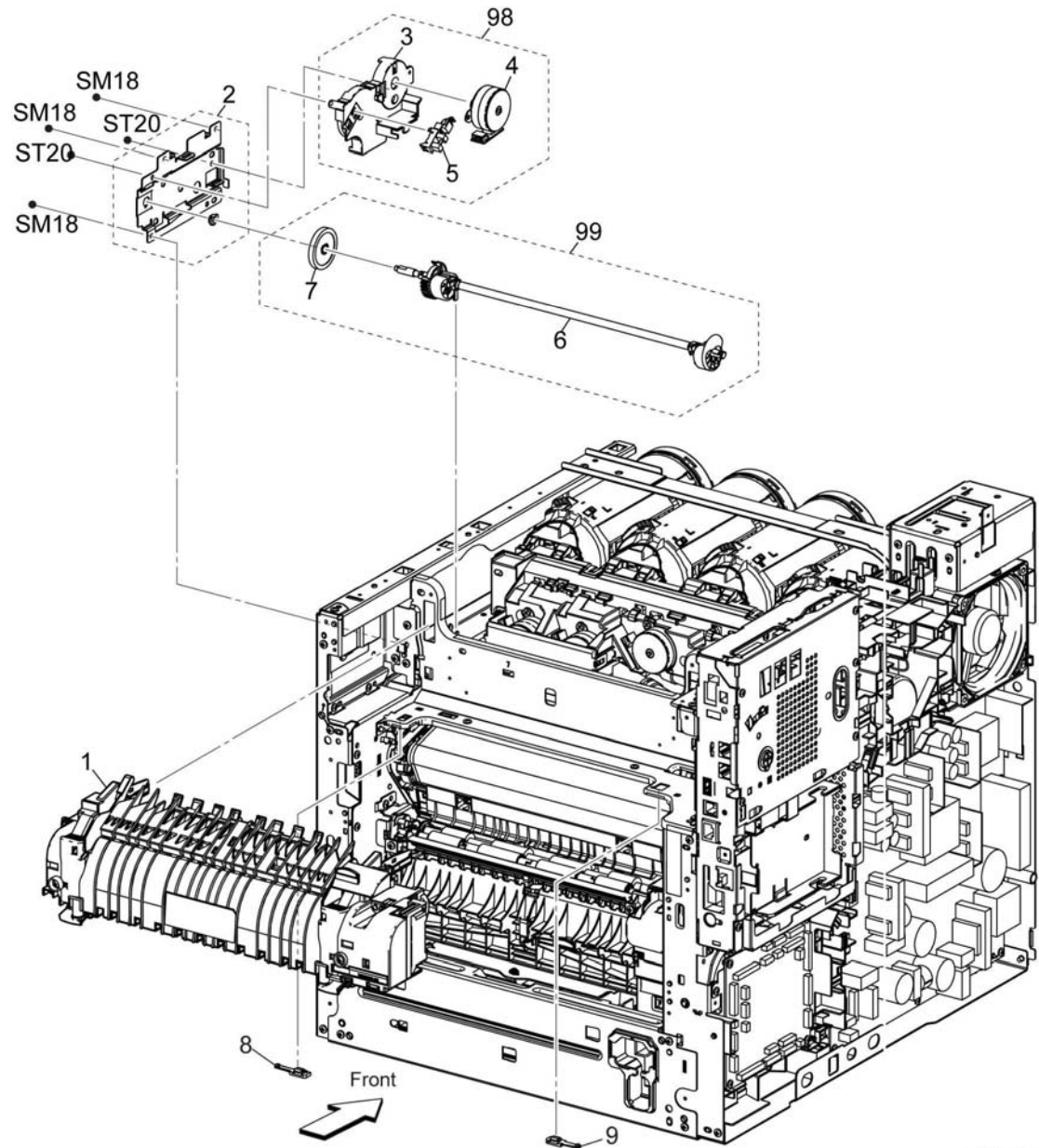


D-8-0011-A

PL 7.1 Fusing

Item	Part	Description
1	115R00134	Fusing assembly 220V (C500/C505)
-	115R00133	Fusing assembly 110V (C500/C505)
-	115R00136	Fusing assembly 220V (C505/C605/C605_Tall)
-	115R00135	Fusing assembly 110V (C505/C605/C605_Tall)
2	-	Bracket (Not Spared)
3	-	Bracket nip retract (Not Spared)
4	-	Motor assembly envelope (Not Spared)
5	-	C sensor photo (envelope mode) (Not Spared)
6	-	Not used
7	-	Gear shaft retraction (Not Spared)
8	-	Block CRU (Not Spared)
9	-	Block CRU D (Not Spared)
98	607K05100	Nip retract drive assembly (with 3-5) (REP 7.1)
99	607K05110	Nip retract shaft assembly (with 6-7) (REP 7.2)

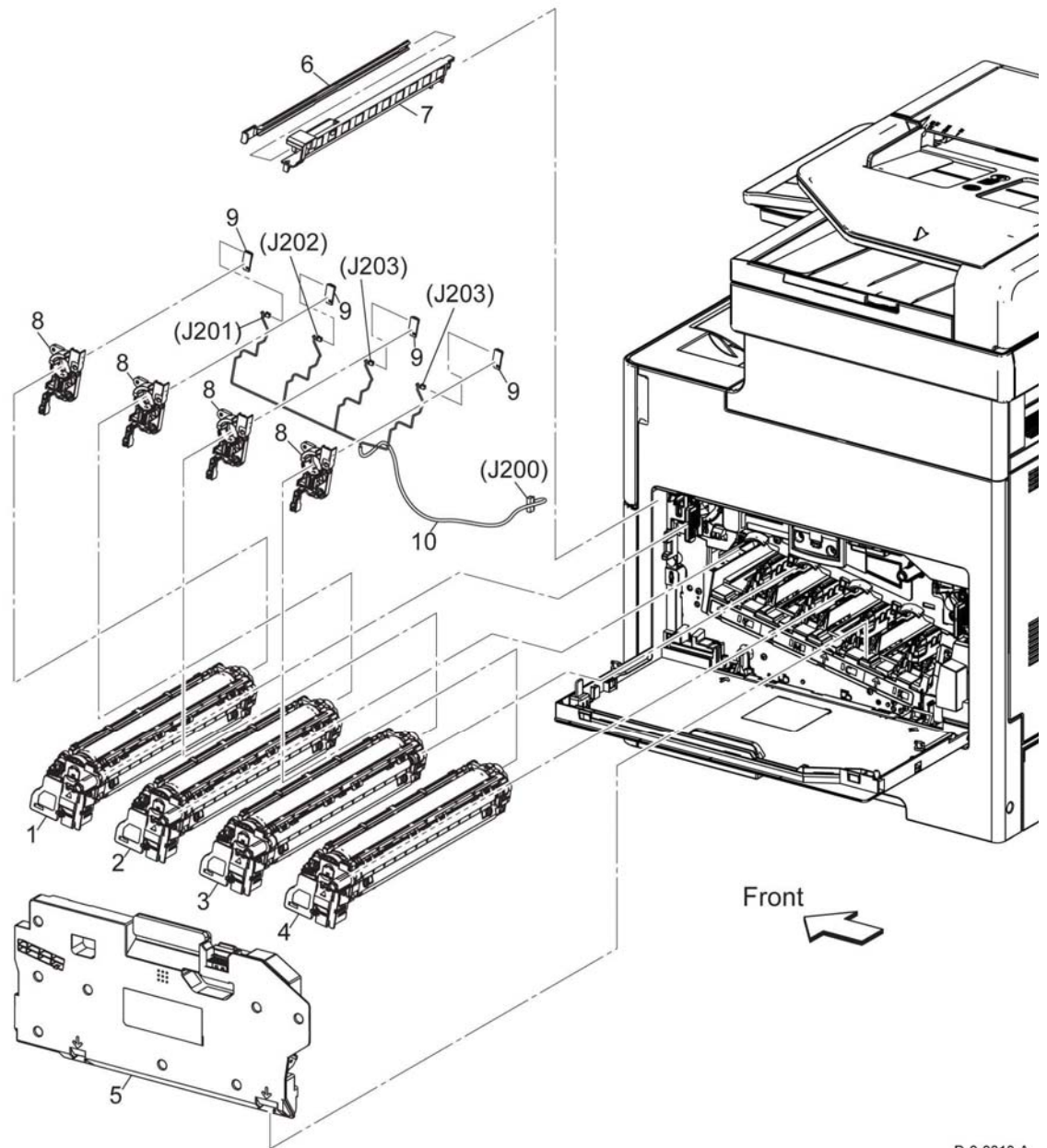
NOTE: HFSI. To reset the HFSI counter, refer to [dC135](#).



D-8-0012-A

PL 8.1 Xerographic

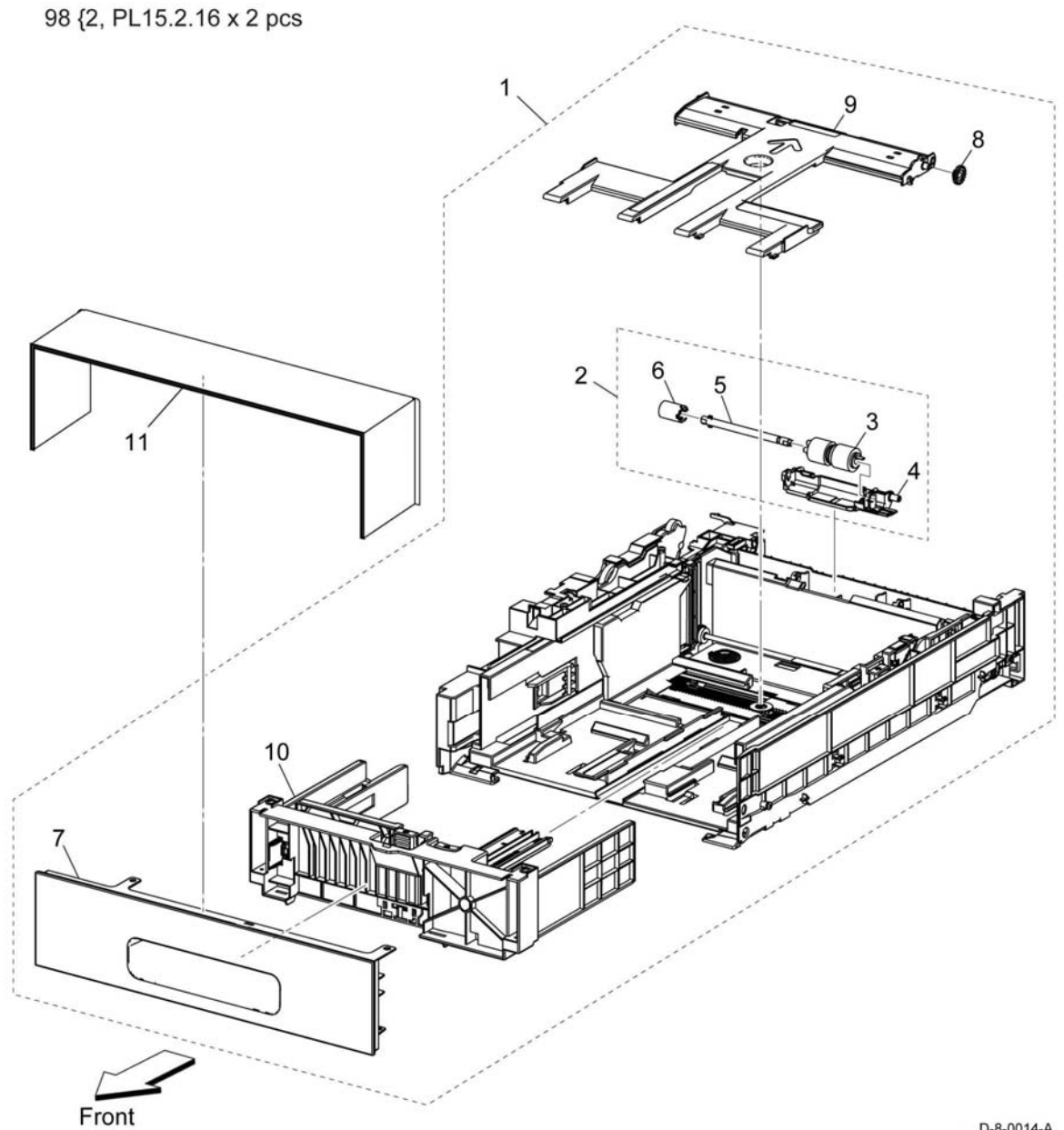
Item	Part	Description
1	-	Xero deve CRU assembly Y (Not Spared)
2	-	Xero deve CRU assembly M (Not Spared)
3	-	Xero deve CRU assembly C (Not Spared)
4	-	Xero deve CRU assembly K (Not Spared)
5	-	Box assembly waste (Not Spared)
6	042K94970	LPH cleaner assembly (REP 8.1)
7	-	Cover CLN (Not Spared)
8	-	Holder assembly xero (with 9) (Not Spared)
9	-	PWBA erase (Not Spared)
10	-	Harness assembly erase-CF (Not Spared)
99	607K04930	Erase lamp assembly (with 8-9) (REP 8.2)



D-8-0013-A

PL 9.1 Tray

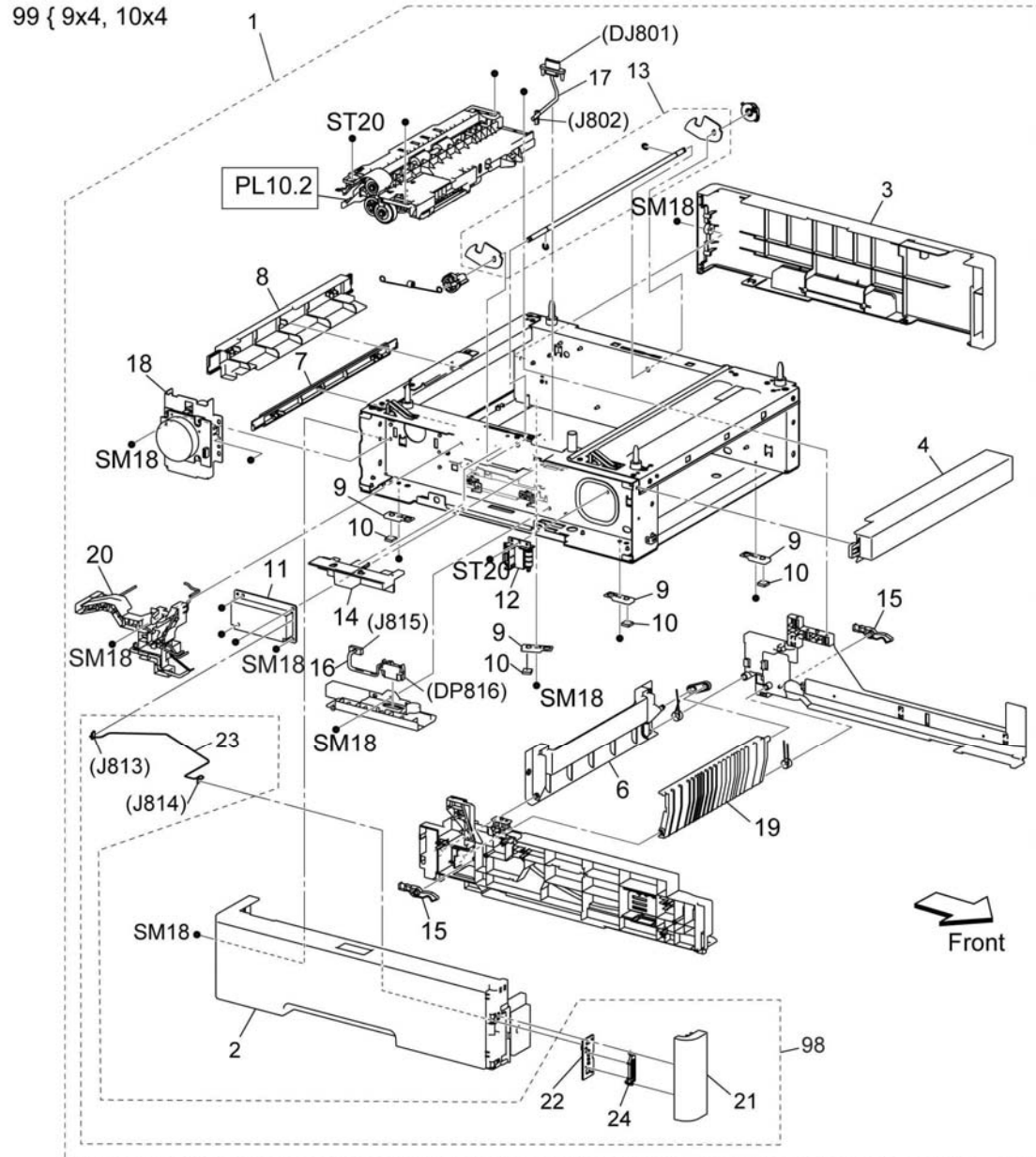
Item	Part	Description
1	050K75820	Cassette assembly 550 IOT (with 2-10, label) (REP 9.1)
2	019K17070	Holder assembly separator CST (with 3-6) (REP 9.2)
3	-	Roll assembly (P/O PL 9.1 Item 2)
4	-	Holder separator (P/O PL 9.1 Item 2)
5	-	Shaft separator CST (P/O PL 9.1 Item 2)
6	-	Clutch assembly friction (P/O PL 9.1 Item 2)
7	-	Handle CST 550 (P/O PL 9.1 Item 1)
8	-	Gear assembly (P/O PL 9.1 Item 1)
9	-	Plate assembly bottom (P/O PL 9.1 Item 1)
10	-	Housing assembly end 550 (P/O PL 9.1 Item 1)
11	948K11521	Dust cover 550 (REP 9.3)
98	607K00050	Feed and sparator roll kit (REP 9.4)



D-8-0014-A

PL 10.1 Option Feeder (1/3)

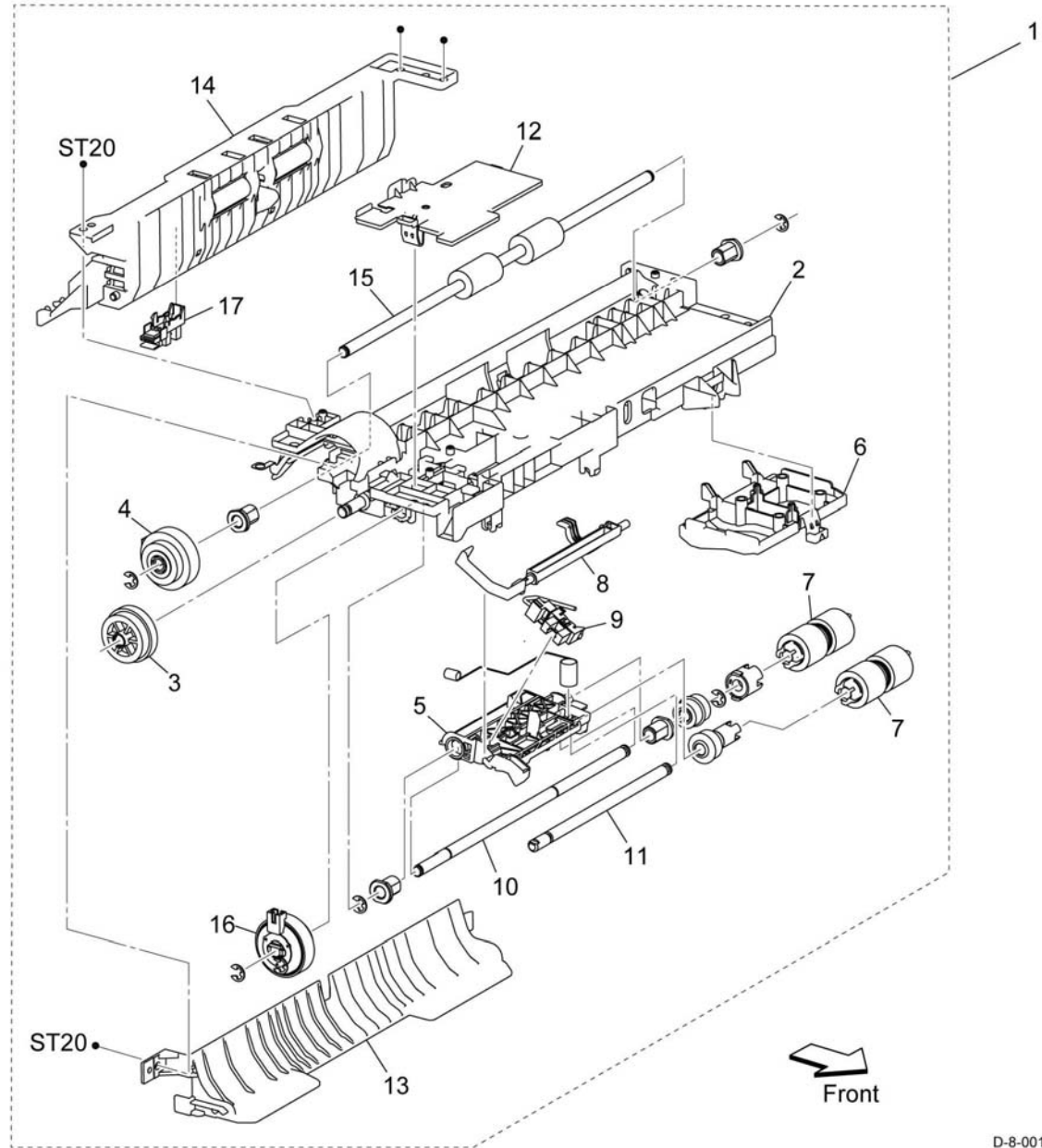
Item	Part	Description
1.	859K09980	Kit feeder assembly OPF 550 (with 2-23, PL10.2) (REP 10.1)
2.	-	Cover side L OPF 550 (P/O PL 10.1 Item 1)
3.	-	Cover side R OPF 550 (P/O PL 10.1 Item 1)
4.	-	Cover lip top OPF 550 (P/O PL 10.1 Item 1)
5.	-	Not used
6.	-	Cover rear OPF 550 (P/O PL 10.1 Item 1)
7.	-	Cover rear under OPF 550 (P/O PL 10.1 Item 1)
8.	-	Cover rear top OPF 550 (P/O PL 10.1 Item 1)
9.	-	Foot base OPF 550 (P/O PL 10.1 Item 1)
10.	017K94350	Foot OPF 550 (REP 10.2)
11.	-	PWB assembly OPF 550 (P/O PL 10.1 Item 1)
12.	110K16610	Switch assembly size OPF 550 (P/O PL 10.1 Item 1) (REP 10.3)
13.	-	Lock assembly OPF 550 (P/O PL 10.1 Item 1)
14.	-	Gear rack lock OPF 550 (P/O PL 10.1 Item 1)
15.	-	Latch tray OPF 550 (P/O PL 10.1 Item 1)
16.	-	Harness assembly FDR drawer (P/O PL 10.1 Item 1)
17.	-	Harness assembly OPF 2C (P/O PL 10.1 Item 1)
18.	-	Motor assembly drive OPF 550 (P/O PL 10.1 Item 1)
19.	-	Chute rear OPF 550 (P/O PL 10.1 Item 1)
20.	-	Guide harness OPF 550 (P/O PL 10.1 Item 1)
21.	-	CVR front L OPF (P/O PL 10.1 Item 98)
22.	-	Tray LED assembly (P/O PL 10.1 Item 98)
23.	-	Harness assembly LED (P/O PL 10.1 Item 98)
24.	-	Cover shade tray (P/O PL 10.1 Item 98)
98.	607K00450	Kit OPF FDR LED (with 21, 22, 23) (REP 10.4)
99.	-	Kit foot OPF 550



D-8-0015-A

PL 10.2 Option Feeder (2/3)

Item	Part	Description
1	-	Feeder assembly OPF 550 (with 2-15)
2	-	Frame feeder top (P/O PL 10.2 Item 1)
3	-	Gear P24-P27 (P/O PL 10.2 Item 1)
4	-	Clutch assembly PH OPF 550 (P/O PL 10.2 Item 1)
5	-	Support nudger (P/O PL 10.2 Item 1)
6	054E60150	Chute upper feed (REP 10.5)
7	859K00100	Roll assembly (REP 10.6)
8	120E35551	Actuator no paper (REP 10.7)
9	-	Opt. feeder no paper sensor (P/O PL 10.2 Item 1)
10	-	Shaft feed OPF 550 (P/O PL 10.2 Item 1)
11	-	Shaft nudger OPF 550 (P/O PL 10.2 Item 1)
12	-	Cover harness OPF 550 (P/O PL 10.2 Item 1)
13	-	Chute feeder (P/O PL 10.2 Item 1)
14	-	Roll assembly TA pinch OPF 550 (P/O PL 10.2 Item 1)
15	-	Roller assembly TA OPF 550 (P/O PL 10.2 Item 1)
16	-	Clutch assembly PH OPF 550 (OPT feed clutch) (P/O PL 10.2 Item 1)
17	-	OPT path paper sensor (P/O PL 10.2 Item 1)

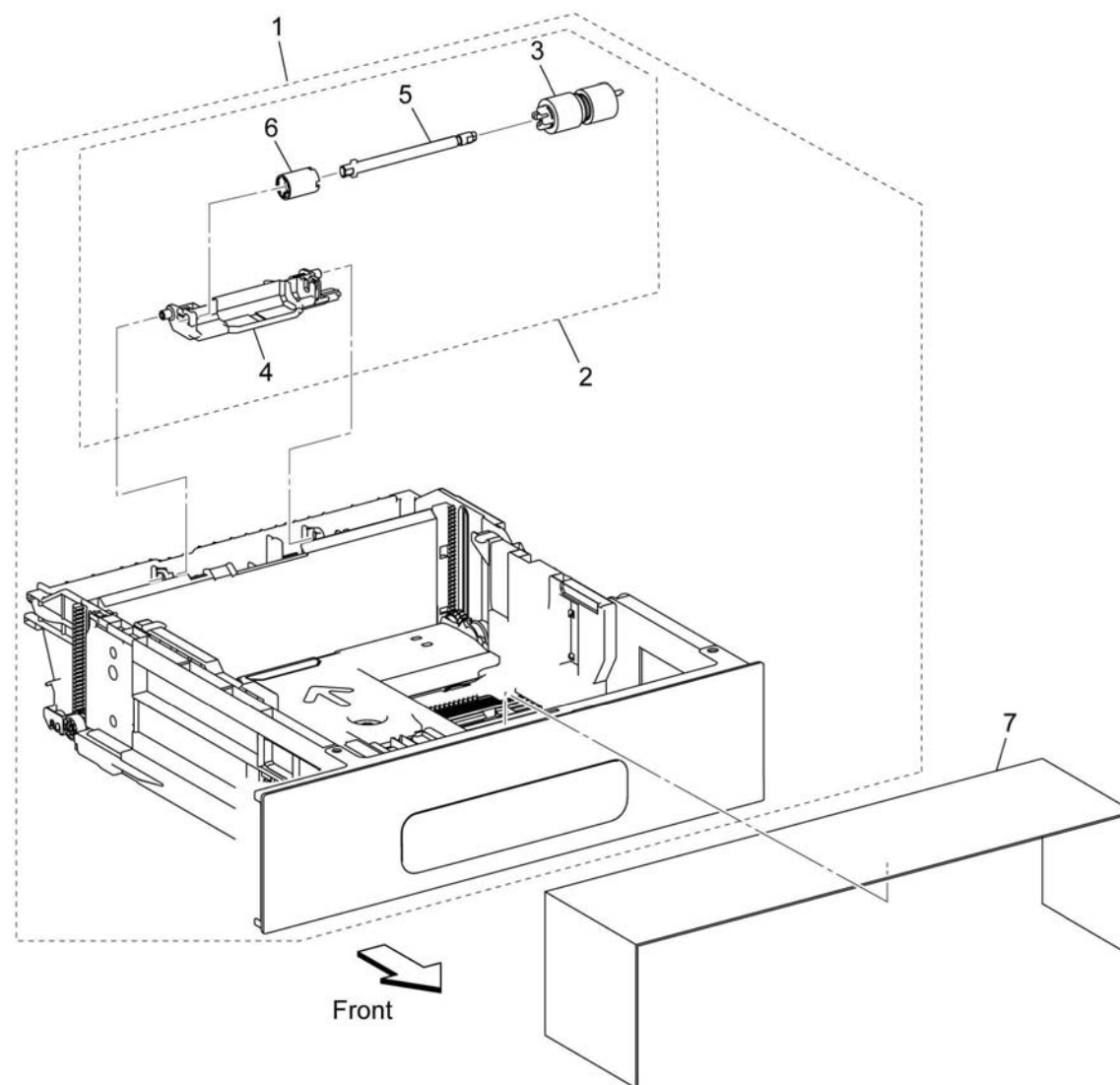


D-8-0016-A

PL 10.3 Option Feeder (3/3)

Item	Part	Description
1	050K75820	Cassette assembly OPF 550 (with 2-6) (REP 10.8)
2	019K17070	Holder assembly separator CST (with 3-6) (REP 10.9)
3	-	Roll assembly (P/O PL 10.3 Item 2)
4	-	Holder separator (P/O PL 10.3 Item 2)
5	-	Shaft separator (P/O PL 10.3 Item 2)
6	-	Clutch assembly friction (P/O PL 10.3 Item 2)
7	948K11521	Dust cover 550 (REP 10.10)
98	607K00050	Feed and sparater roll kit (REP 10.11)

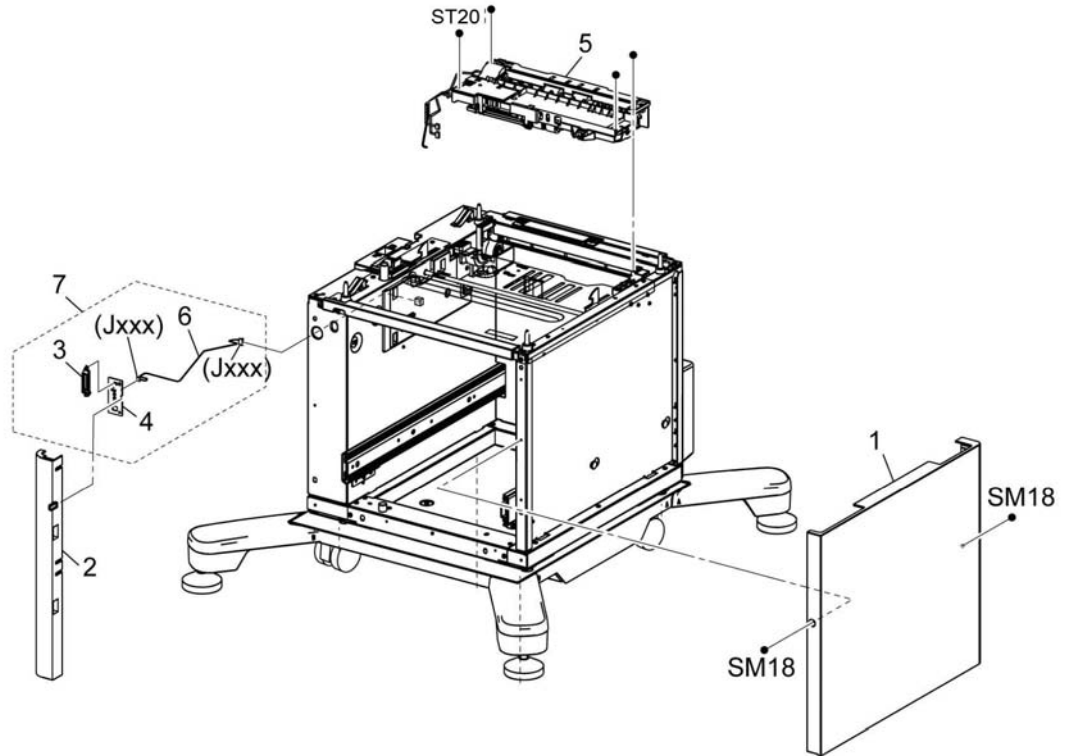
98 { Item 2, PL10.2.7 x2 pcs



D-8-0017-A

PL 11.1 HCF Front-Right

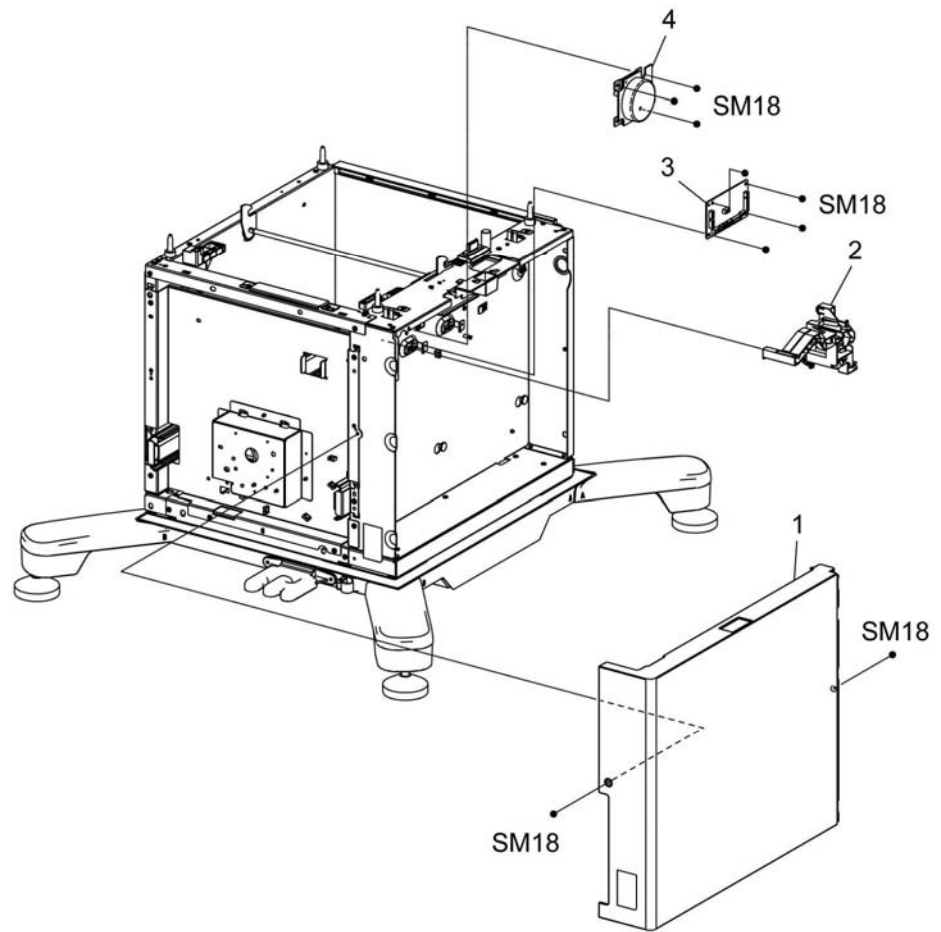
Item	Part	Description
1	-	Cover right (Not Spared) (REP 11.1)
2	-	Cover front L (Not Spared) (REP 11.2)
3	-	Cover shade tray LED (P/O PL 11.1 Item 7)
4	-	PWBA LED (P/O PL 11.1 Item 7)
5	859K09990	Feeder assembly (HCF) (REP 11.5)
6	-	Harness assembly LED (P/O PL 11.1 Item 7) (REP 11.6)
7	607K05000	LED assembly W/I wire (with 3, 4, 6).



D-8-0018-A

PL 11.2 HCF Left

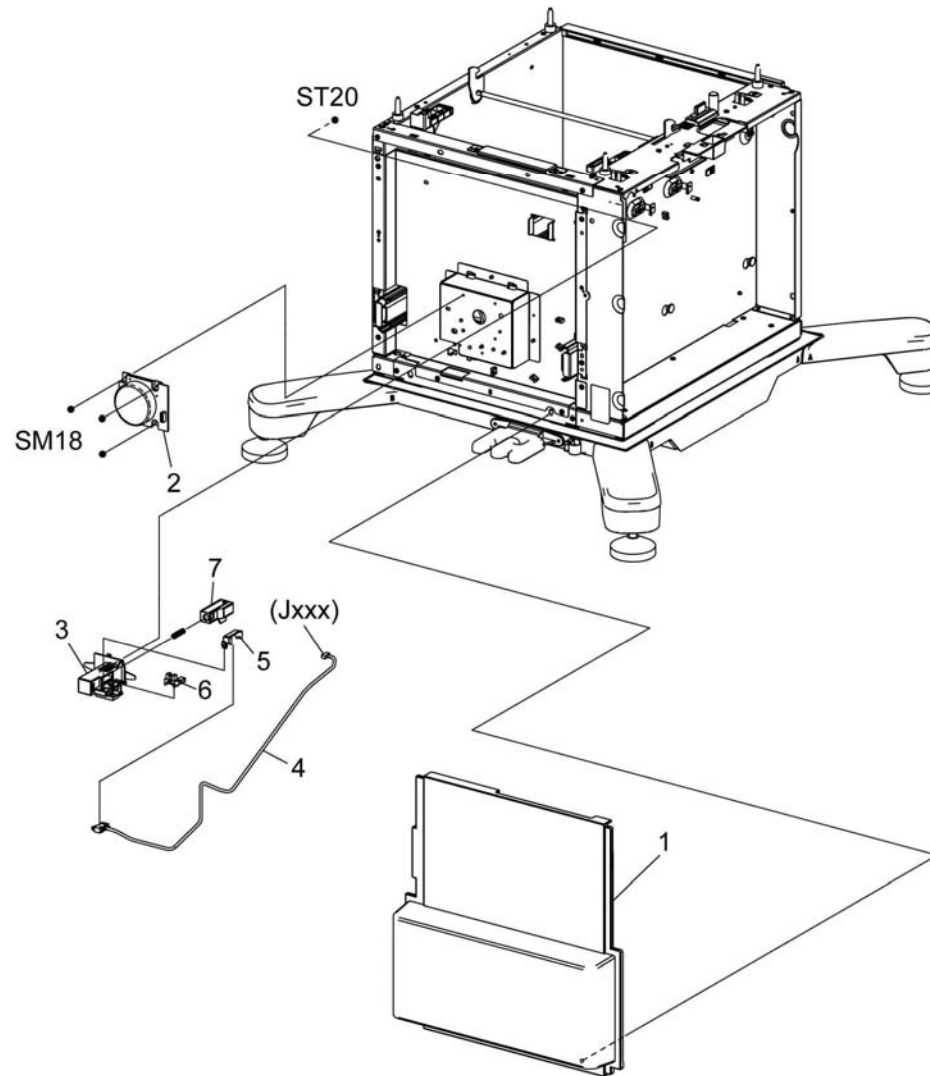
Item	Part	Description
1.	–	Cover left (Not Spared) (REP 11.3)
2.	–	Guide harness (Not Spared)
3.	960K89871	PWBA OPF (REP 11.7)
4.	127K73200	Motor assembly main (REP 11.8)



D-8-0019-A

PL 11.3 HCF (3/4 Tray)

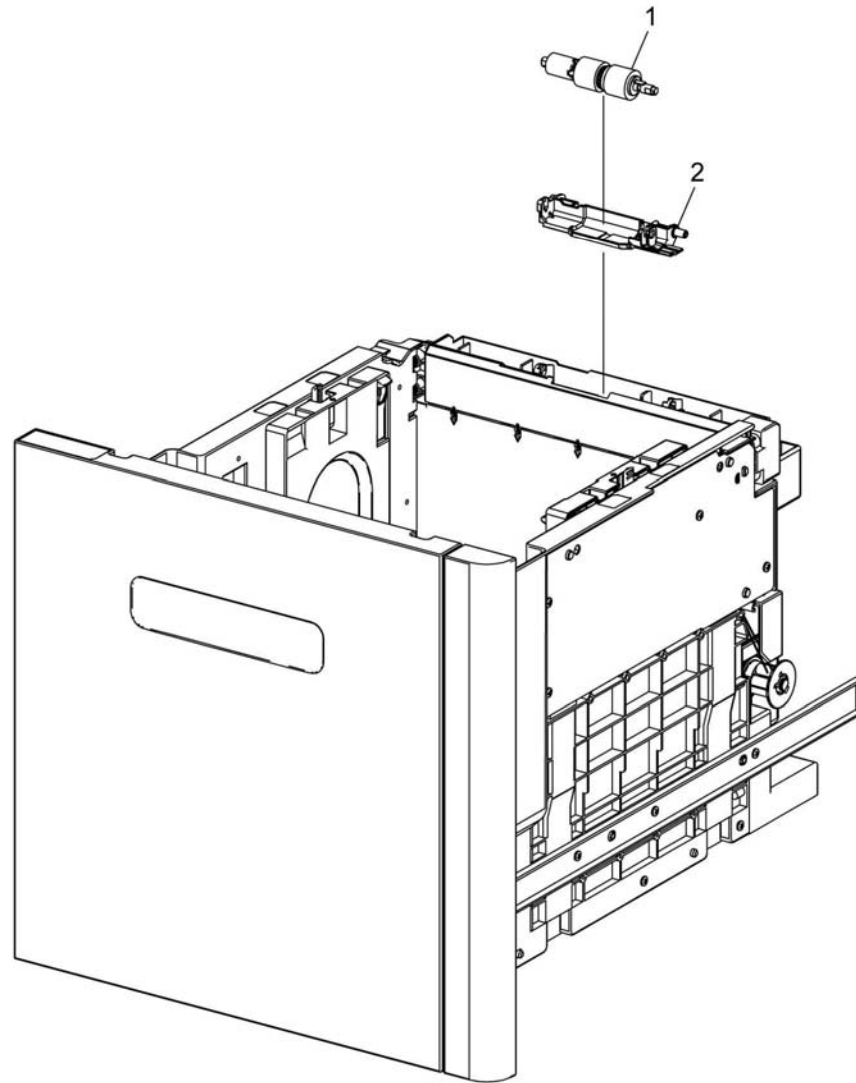
Item	Part	Description
1	–	Cover rear (REP 11.4)
2	127K73200	Motor assembly main P1 (REP 11.9)
3	–	Braket actuator sensor
4	952K24820	SW interlock (REP 11.10)
5	–	Guide SW SUB
6	–	Open tray sensor
7	012E18960	Actuator link sensor end (REP 11.12)



D-8-0020-A

PL 11.4 HCF (4/4 Tray)

Item	Part	Description
1	859K00100	Shaft assembly feed
2	019K17070	Holder separator
98	607K00050	Feed and sparater roll kit (with 1, 2) (REP 11.11)

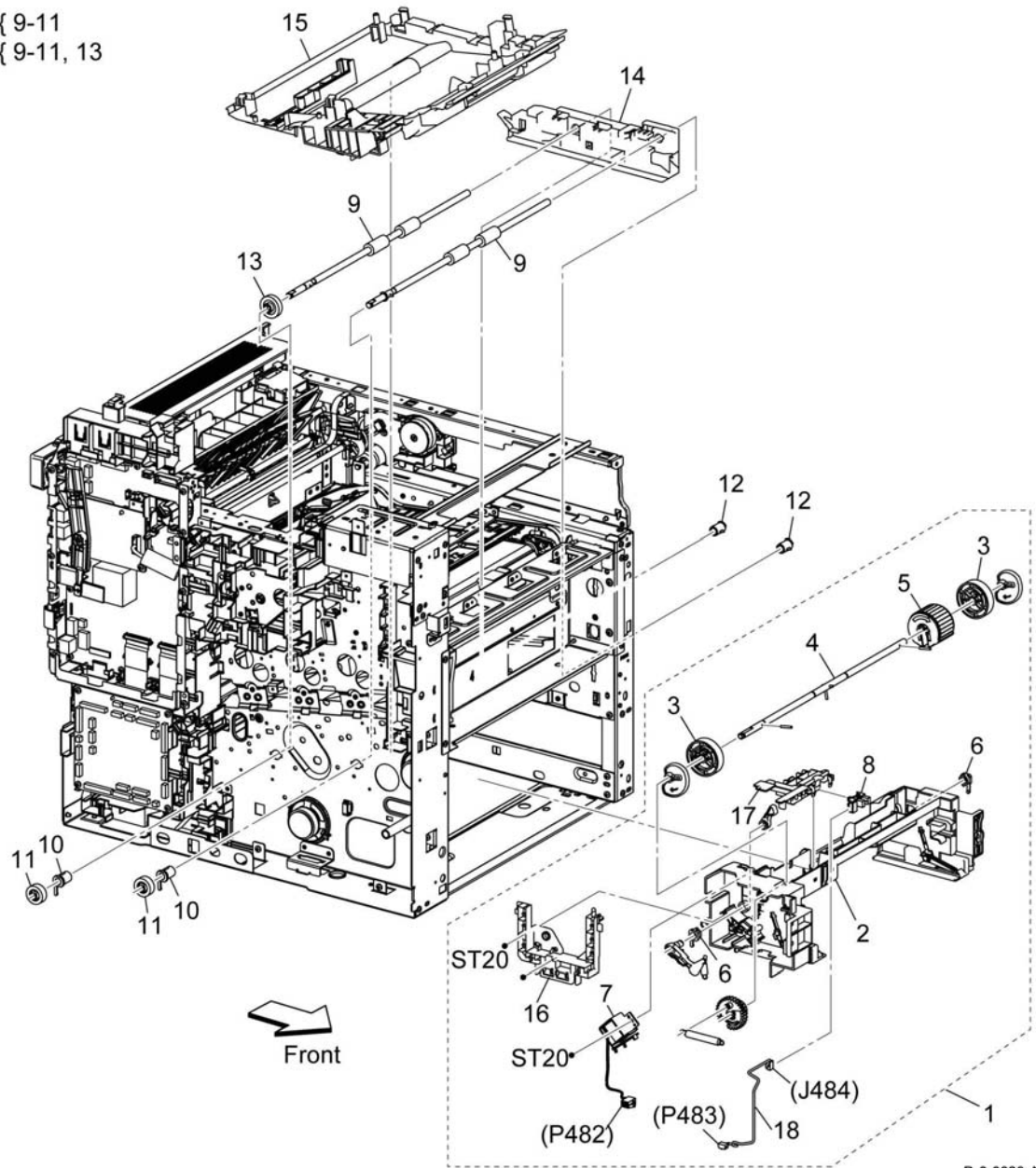


D-8-0021-A

PL 13.1 MSI

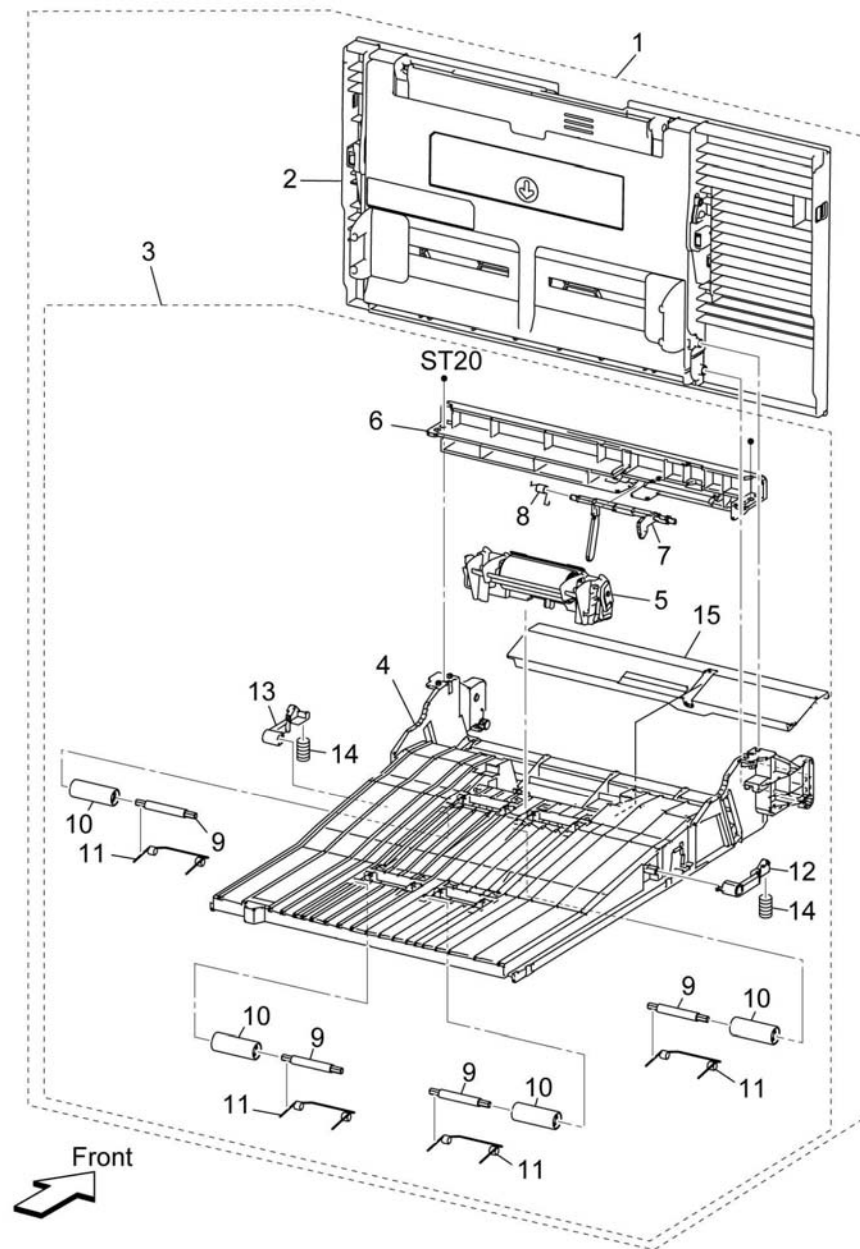
Item	Part	Description
1.	801K71230	Frame assembly MSI (with 2-8, 16-18) (REP 13.1)
2.	-	Frame MSI (P/O PL 13.1 Item 1)
3.	-	Roll core MSI (P/O PL 13.1 Item 1)
4.	-	Shaft assembly feed MSI (P/O PL 13.1 Item 1)
5.	059K89701	Feed roll MSI (REP 13.2)
6.	-	Bearing dup MSI (P/O PL 13.1 Item 1)
7.	-	Solenoid feed MSI (P482) (P/O PL 13.1 Item 1)
8.	930W00123	MSI no paper sensor (REP 13.3)
9.	-	Roll assembly TA 1 (Not Spared)
10.	-	Bearing TA L (Not Spared)
11.	-	Gear turn (Not Spared)
12.	-	Bearing TA3 AD (Not Spared)
13.	-	Gear TA 2 (Not Spared)
14.	-	Guide MSI R (Not Spared)
15.	-	Upper chute MSI (Not Spared)
16.	-	Guide harness MSI (P/O PL 13.1 Item 1)
17.	-	Bracket no paper MSI (P/O PL 13.1 Item 1)
18.	-	Harness assembly no paper MSI (P/O PL 13.1 Item 1)
98.	-	Kit MSI roll assembly TA 1
99.	604K97990	Kit MSI roll assembly TA 1 / 2 (REP 13.4)

98 { 9-11
99 { 9-11, 13



PL 13.2 MSI (2/2)

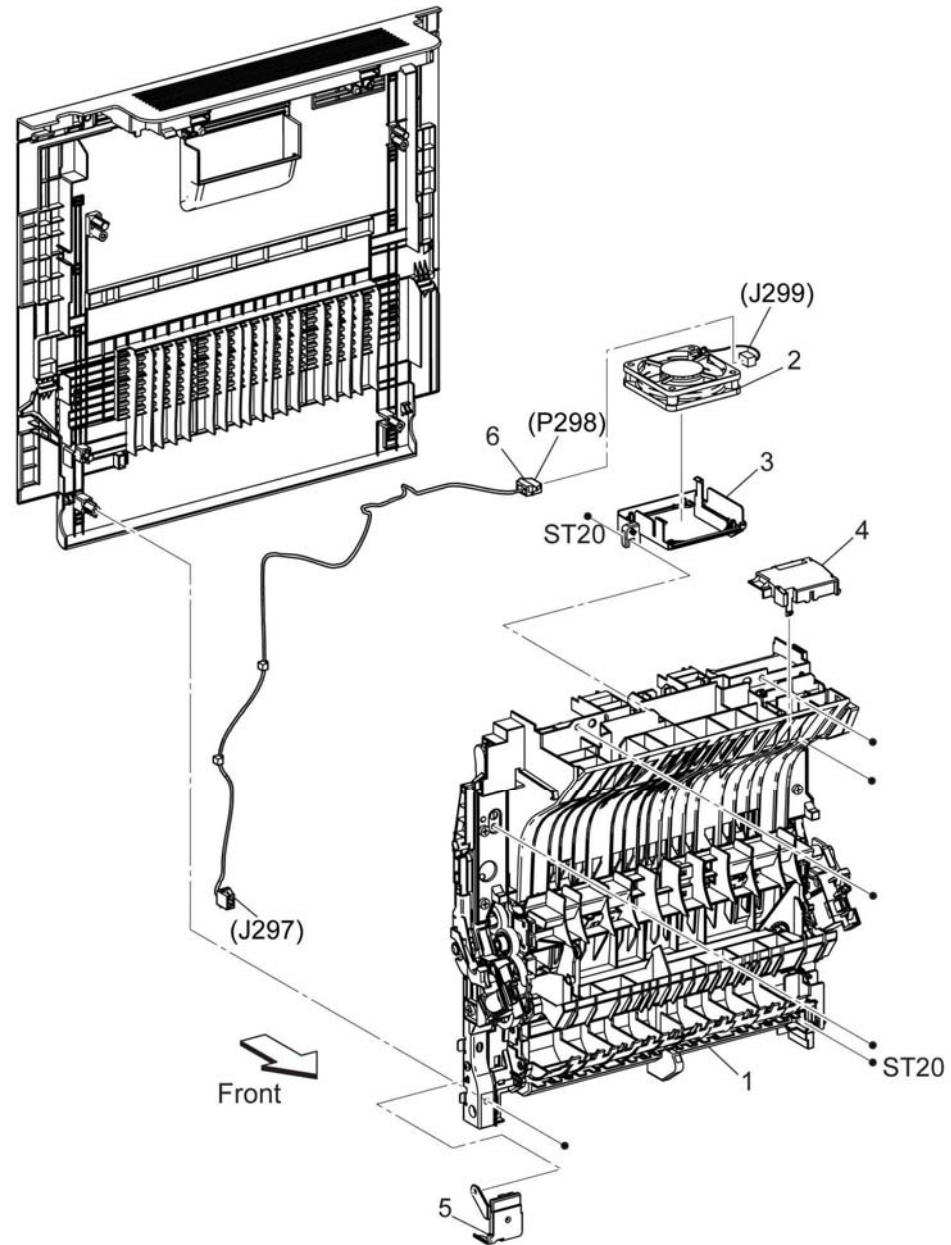
Item	Part	Description
1	050K73491	Tray assembly MSI main (with 2-3) (REP 13.5)
2	-	Cover assembly MSI (P/O PL 13.2 Item 1)
3	-	Chute assembly MSI (with 4-15) (P/O PL 13.2 Item 1)
4	-	Chute MSI (P/O PL 13.2 Item 3)
5	019K17360	Holder assembly separator MSI (REP 13.6)
6	-	Bar MSI front (P/O PL 13.2 Item 3)
7	-	Actuator no paper MSI (P/O PL 13.2 Item 3)
8	-	Spring no paper MSI (P/O PL 13.2 Item 3)
9	-	Shaft pinch TA (P/O PL 13.2 Item 3)
10	-	Roll pinch MSI (P/O PL 13.2 Item 3)
11	-	Spring Pinch MSI (P/O PL 13.2 Item 3)
12	-	Latch MSI L (P/O PL 13.2 Item 3)
13	-	Latch MSI R (P/O PL 13.2 Item 3)
14	-	Spring latch MSI (P/O PL 13.2 Item 3)
15	-	Plate assembly bottom MSI (P/O PL 13.2 Item 3)



D-8-0024-A

PL 14.1 Duplex

Item	Part	Description
1	–	Duplex assembly
2	127K74160	Rear fan
3	–	Rear fan bracket (Not Spared)
4	–	Cover rear fan harness (Not Spared)
5	822E37420	Cover relay (REP 14.1, REP 14.2)
6	–	Harness assembly rear fan 1-MV (Not Spared)

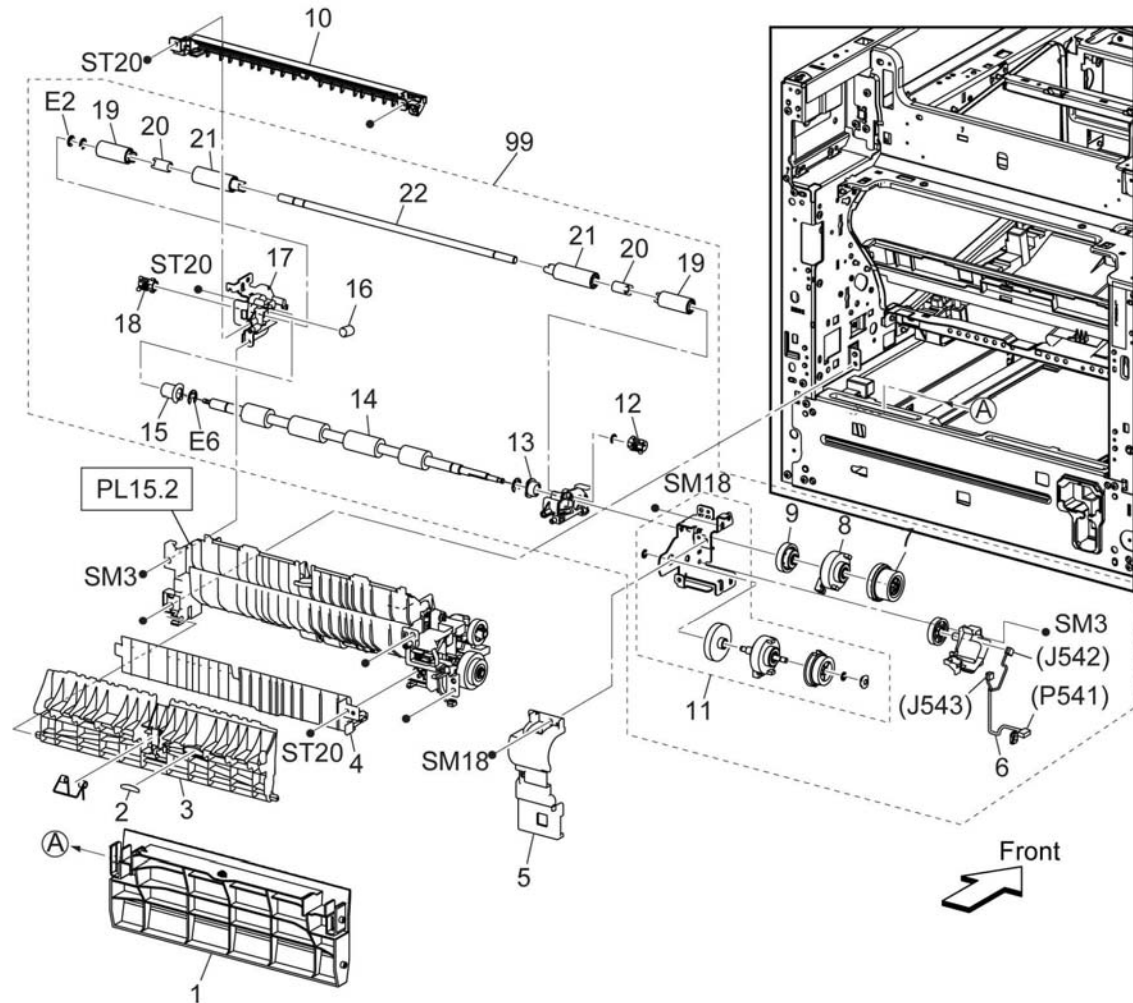


D-8-0025-A

PL 15.1 Registration (1/2)

Item	Part	Description
1	054E56471	Chute opt 550 (REP 15.1)
2	-	Label jam chute (Not Spared)
3	-	Chute dup lower (Not Spared)
4	-	Chute feeder (Not Spared)
5	-	Cover dup gear (Not Spared)
6	-	Harness assembly CLT regi/dup-C (P/O PL 15.1 Item 99)
7	-	Gear CLT registration (P/O PL 15.1 Item 99)
8	-	Clutch assembly registration (P/O PL 15.1 Item 99)
9	-	Gear assembly one way (P/O PL 15.1 Item 99)
10	-	Chute duplex upper (Not Spared)
11	-	Bracket assembly registration D (P/O PL 15.1 Item 99)
12	-	Bearing registration pinch AD (P/O PL 15.1 Item 99)
13	-	Bearing registration AD (P/O PL 15.1 Item 99)
14	-	Roll assembly registration (P/O PL 15.1 Item 99)
15	-	Bearing registration D (P/O PL 15.1 Item 99)
16	-	Spring registration (P/O PL 15.1 Item 99)
17	-	Bracket assembly registration AD (P/O PL 15.1 Item 99)
18	-	Bearing registration pinch D (P/O PL 15.1 Item 99)
19	-	Roll registration pinch out (P/O PL 15.1 Item 99)
20	-	Spacer registration pinch (P/O PL 15.1 Item 99)
21	-	Roll registration pinch in (P/O PL 15.1 Item 99)
22	-	Shaft registration pinch (P/O PL 15.1 Item 99)
99	607K04980	Kit roll assembly duplex registration (REP 15.2)

99 { 6-9, 11-22 + 2 E-rings

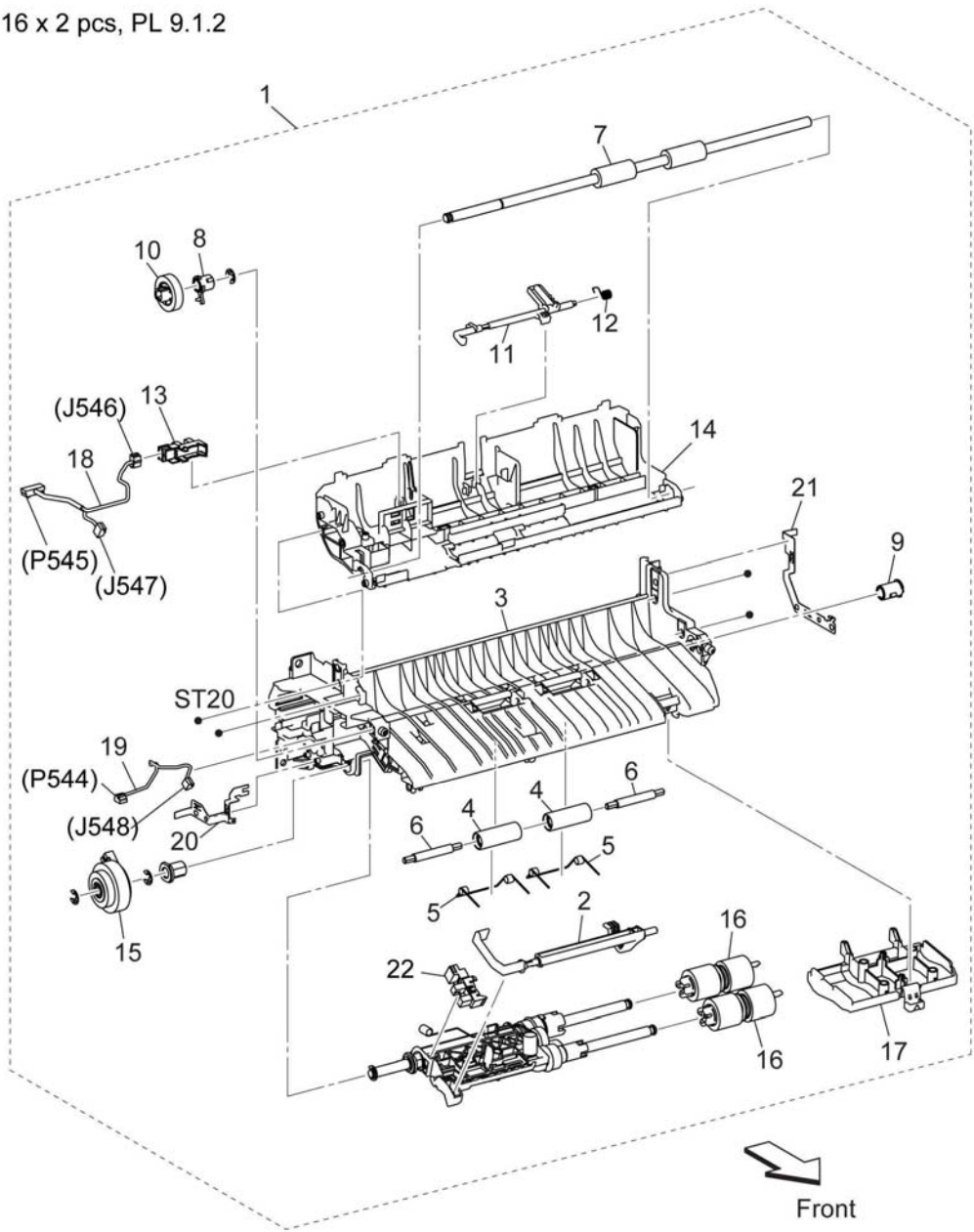


D-8-0026-A

PL 15.2 Registration (2/2)

Item	Part	Description
1	054K58700	Chute assembly registration feeder (with 2-21) (REP 15.3)
2	120E35551	Actuator no paper (REP 15.4)
3	-	Chute registration (P/O PL 15.2 Item 1)
4	-	Roll Pinch TA (P/O PL 15.2 Item 1)
5	-	Spring Pinch TA (P/O PL 15.2 Item 1)
6	-	Shaft Pinch TA (P/O PL 15.2 Item 1)
7	-	Roll Assy TA3 (P/O PL 15.2 Item 1)
8	-	Bearing TA3 D (P/O PL 15.2 Item 1)
9	-	Bearing TA3 AD (P/O PL 15.2 Item 1)
10	-	Gear TA3 (P/O PL 15.2 Item 1)
11	120E35530	Actuator registration (with 12) (REP 15.5)
12	-	Spring actuator registration (P/O PL 15.2 Item 1)
13	930W00123	Sensor registration (P/O PL 15.2 Item 1) (REP 15.6)
14	-	Chute registration upper (P/O PL 15.2 Item 1)
15	-	Clutch assembly PH (P/O PL 15.2 Item 1)
16	859K00100	Roll assembly (REP 15.7)
17	054E60150	Chute upper feed (REP 15.8)
18	-	Harness assembly SNR registration/NO (P/O PL 15.2 Item 1)
19	-	Harness assembly clutch feed (P/O PL 15.2 Item 1)
20	-	Plate earth feed (P/O PL 15.2 Item 1)
21	-	Plate earth TA3 (P/O PL 15.2 Item 1)
22	-	Sensor no paper (P/O PL 15.2 Item 1)
98	607K00050	Feed and sparator roll kit (REP 15.9)

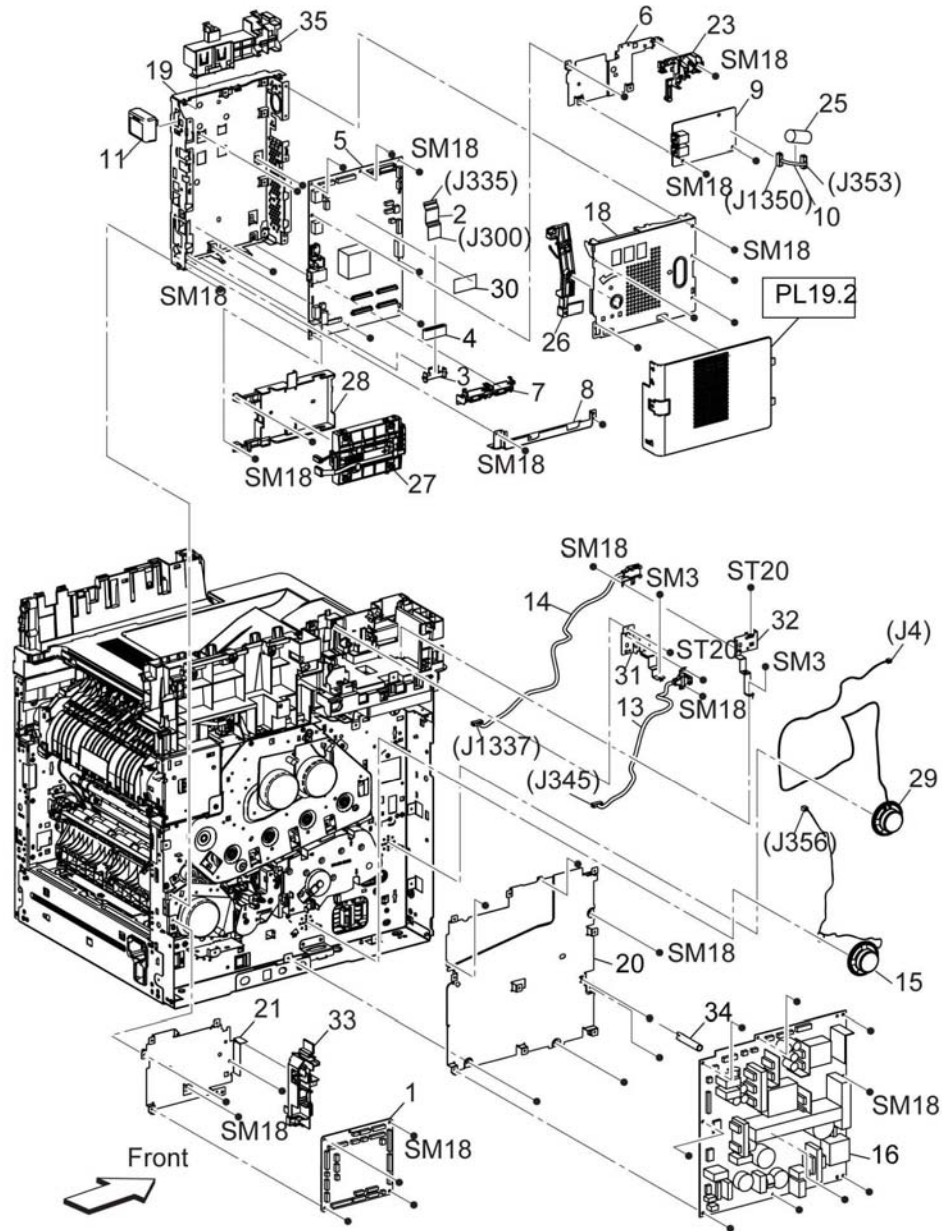
98 { 16 x 2 pcs, PL 9.1.2



D-8-0028-A

PL 18.1 Electrical (C505/C605) (1/4)

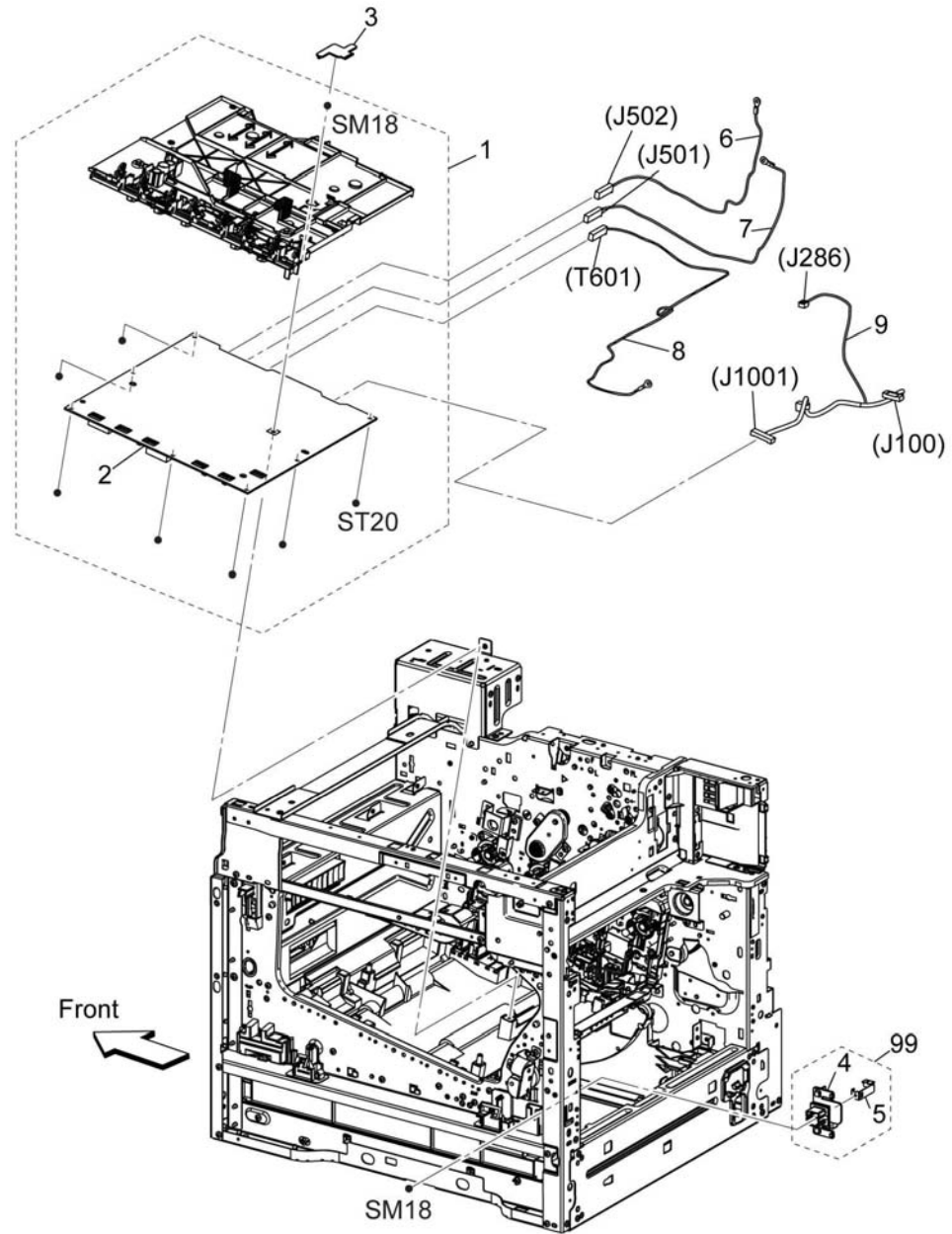
Item	Part	Description
1	960K79934	PWBA MCU C600/C605 (REP 18.1)
-	960K79924	PWBA MCU C500/C505 (REP 18.1)
2	952K22010	FFC MCU ESS (REP 18.2)
3	-	Guide FFC color MCU (Not Spared)
4	-	Core MCU (Not Spared)
5	960K89970	PWBA ESS C505/C605/C605_Tall (REP 18.3)
6	-	Plate FAX (Not Spared)
7	-	Guide FFC color LPH (Not Spared)
8	-	Plate ESS lower (Not Spared)
9	960K80761	PWBA FAX (REP 18.4)
10	-	Harness assembly FAX (Not Spared)
11	-	Wireless module (Not Spared)
12	-	Not used
13	952K39990	Harness assembly ICCR USB (REP 18.5)
14	952K40000	Harness assembly front USB (REP 18.6)
15	-	Speaker assembly A4 fax
16	105K32760	PWBA LVPS C505 (REP 18.7)
-	105K32780	PWBA LVPS C600/C605/C605 tall (REP 18.7)
18	-	Plate ESS top (Not Spared) (REP 18.16)
19	-	Box ESS AIO (Not Spared)
20	-	Plate LVPS (Not Spared)
21	-	Plate MCU (Not Spared)
22	-	Not used
23	-	Guide harness ESS (Not Spared)
24	-	Not used
25	-	Core FAX (Not Spared)
26	-	Link WIFI (Not Spared)
27	101K73410	HDD assembly
28	-	Bracket HDD (Not Spared)
29	-	Speaker main (Not Spared)
30	-	EMMC card (Not Spared)
31	-	Bracket USB ICCR (Not Spared)
32	-	Bracket USB (Not Spared)
33	-	Guide harness MCU (Not Spared)
34	-	Shaft support LVPS (Not Spared)
35	-	Guide harness IIT (Not Spared)



D-8-0031-A

PL 18.2 Electrical (C505/C605) (2/4)

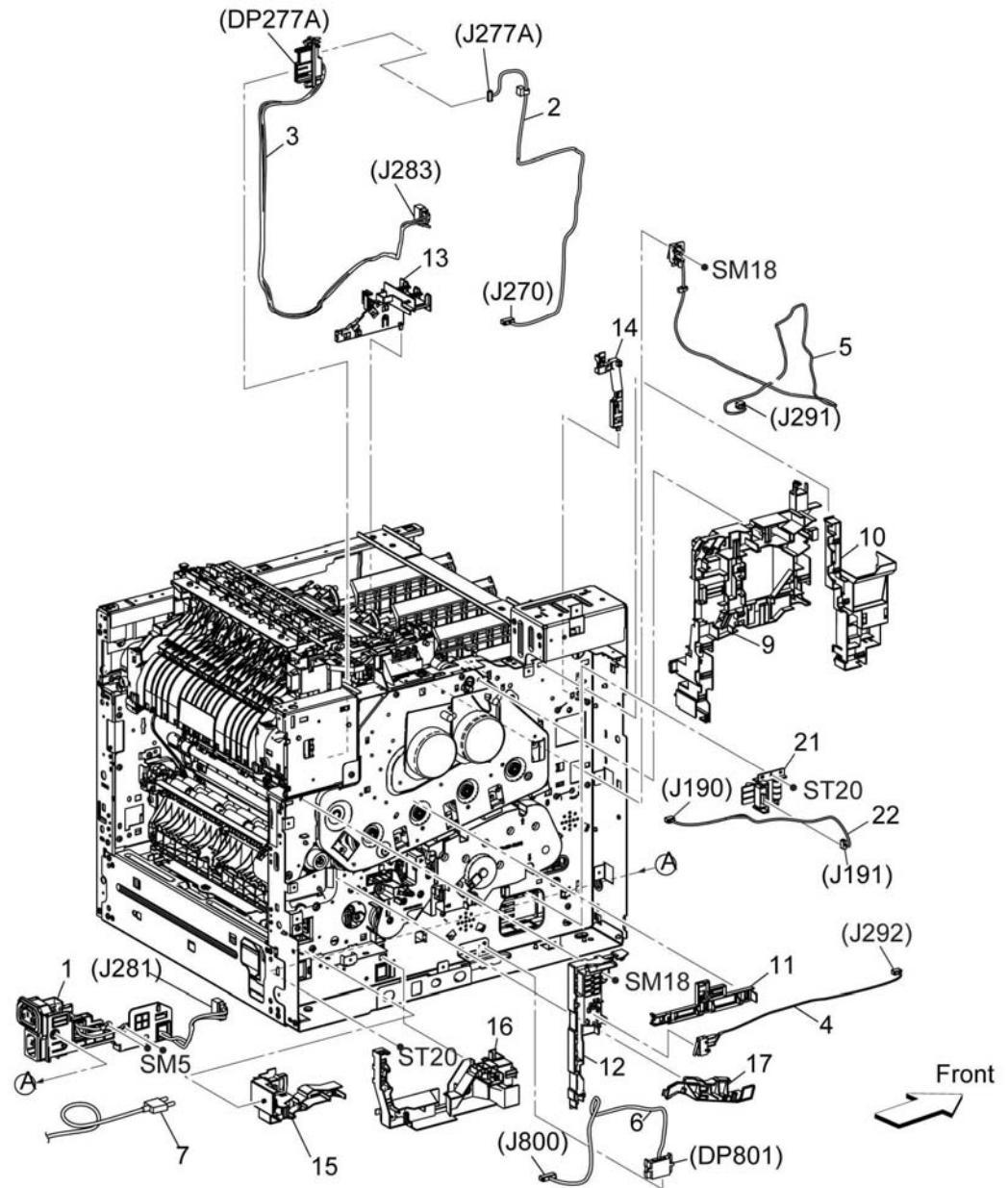
Item	Part	Description
1	032K09641	Guide assembly HVPS (with 2) (REP 18.8)
2	–	PWBA HVPS (P/O PL 18.2 Item 1)
3	822E21972	Cover toner HVPS (REP 18.9)
4	–	Housing 2nd BTR (P/O PL 18.2 Item 99)
5	–	Plate bias 2nd BTR (P/O PL 18.2 Item 99)
6	–	Harness assembly supply 1st YMC (Not Spared)
7	–	Harness assembly supply 1st K (Not Spared)
8	–	Harness assembly supply trans (T601) (Not Spared)
9	–	Harness assembly MCU-HVPS-CF (Not Spared)
99	604K97511	Kit housing 2nd BTR (with 4-5) (REP 18.10)



D-8-0032-A

PL 18.3 Electrical (C505/C605) (3/4)

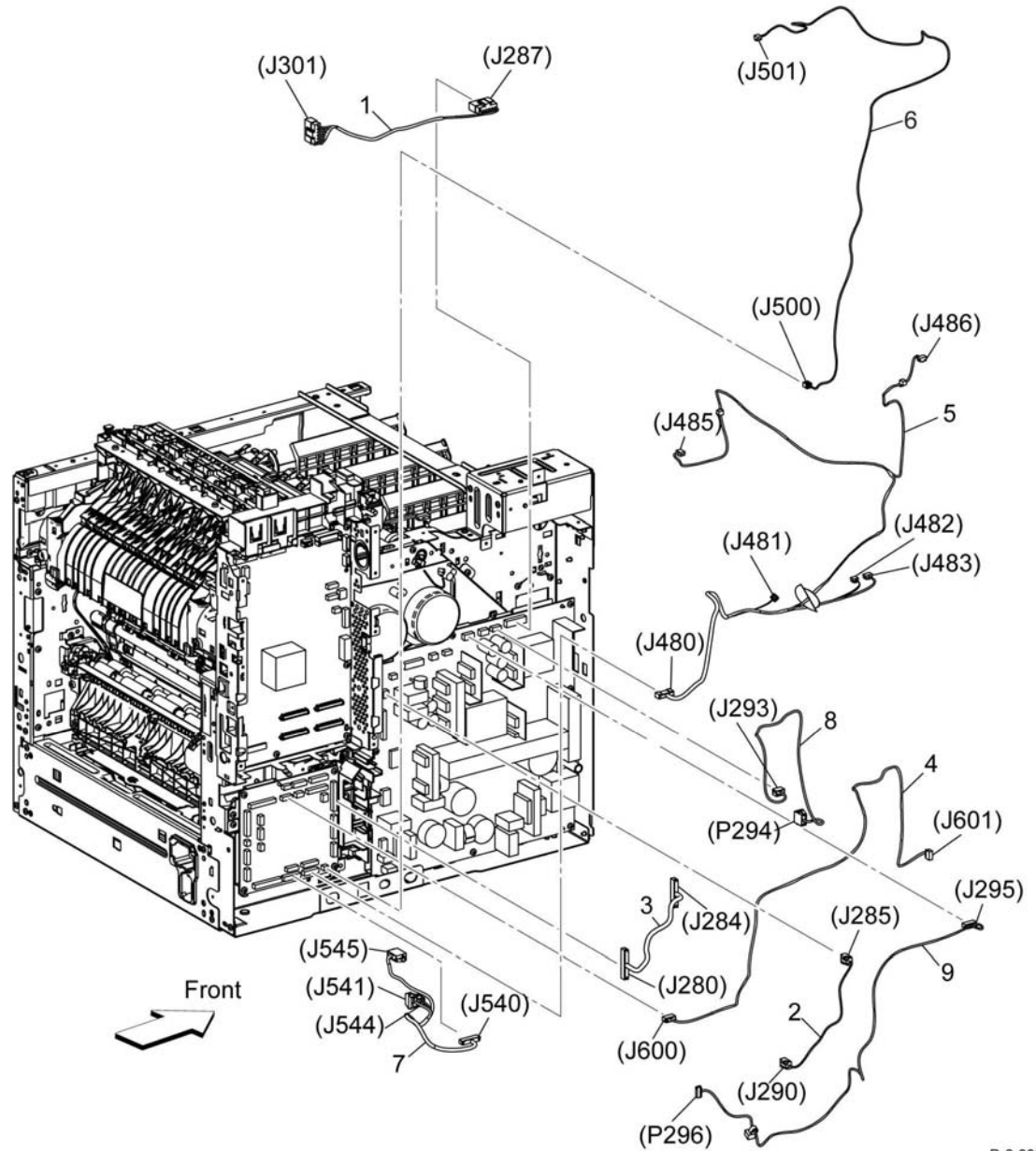
Item	Part	Description
1	–	Kit harness assembly inlet (Not Spared)
2	–	Harness assembly fusing DC-CF (Not Spared)
3	952K24420	Harness fusing AC 200V-CF (REP 18.11)
–	952K24410	Harness fusing AC 100V-CF (REP 18.11)
4	952K24490	Harness assembly I/L rear-CF (REP 18.12)
5	952K24480	Harness assembly I/L side-CF (REP 18.13)
6	952K24690	Harness assembly OPF-CF (REP 18.14)
7	–	Power cord 100V (Not Spared)
8	–	Not used
9	–	Guide harness DC (Not Spared)
10	–	Guide harness duct (Not Spared)
11	–	Guide harness rear IL (Not Spared)
12	–	Guide fusing AC (Not Spared)
13	–	Guide harness top (Not Spared)
14	–	Guide harness sensor 2 (Not Spared)
15	–	Guide harness MCU2 (Not Spared)
16	–	Guide harness AC (Not Spared)
17	–	Guide FFC color LPH lower (Not Spared)
18	–	Not used
19	–	Not used
20	–	Not used
21	110K16610	Switch assembly size (REP 18.15)
22	–	Harness assembly sw size (Not Spared)



D-8-0033-A

PL 18.4 Electrical (C505/C605) (4/4)

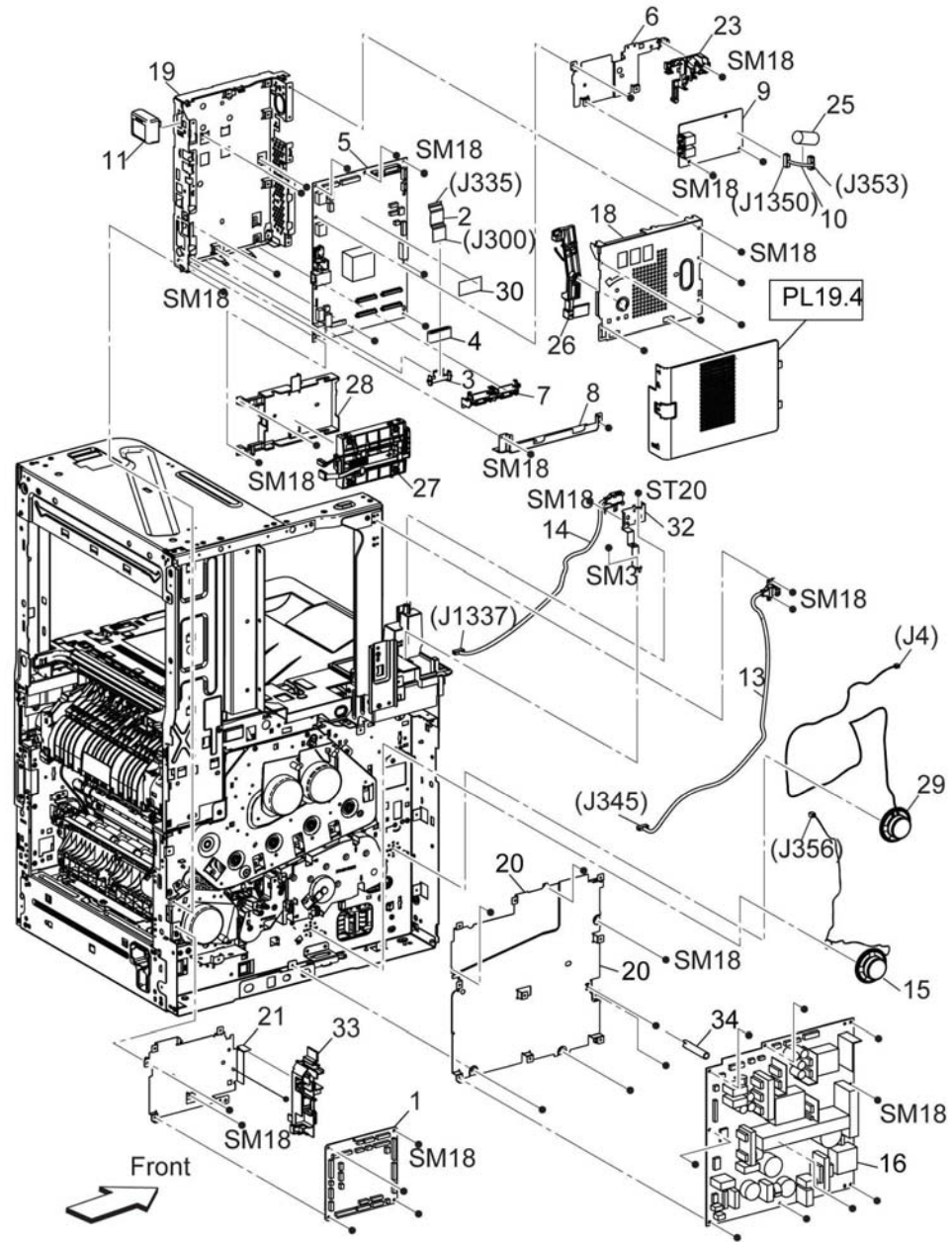
Item	Part	Description
1	-	Harness assembly ESS-PWR-CF (Not Spared)
2	-	Harness assembly 24V-MCU-CF (Not Spared)
3	-	Harness assembly LV-MCU-CF (Not Spared)
4	-	Harness assembly XPRO-CF (Not Spared)
5	-	Harness assembly MSI CL (Not Spared)
6	-	Harness assembly Gate SOL-CF (Not Spared)
7	-	Harness assembly REGI-CF (Not Spared)
8	-	Harness assembly SUB fan-CF (Not Spared)
9	-	Harness assembly rear Fan2-CF (Not Spared)



D-8-0034-A

PL 18.5 Electrical (C605_Tall) (1/4)

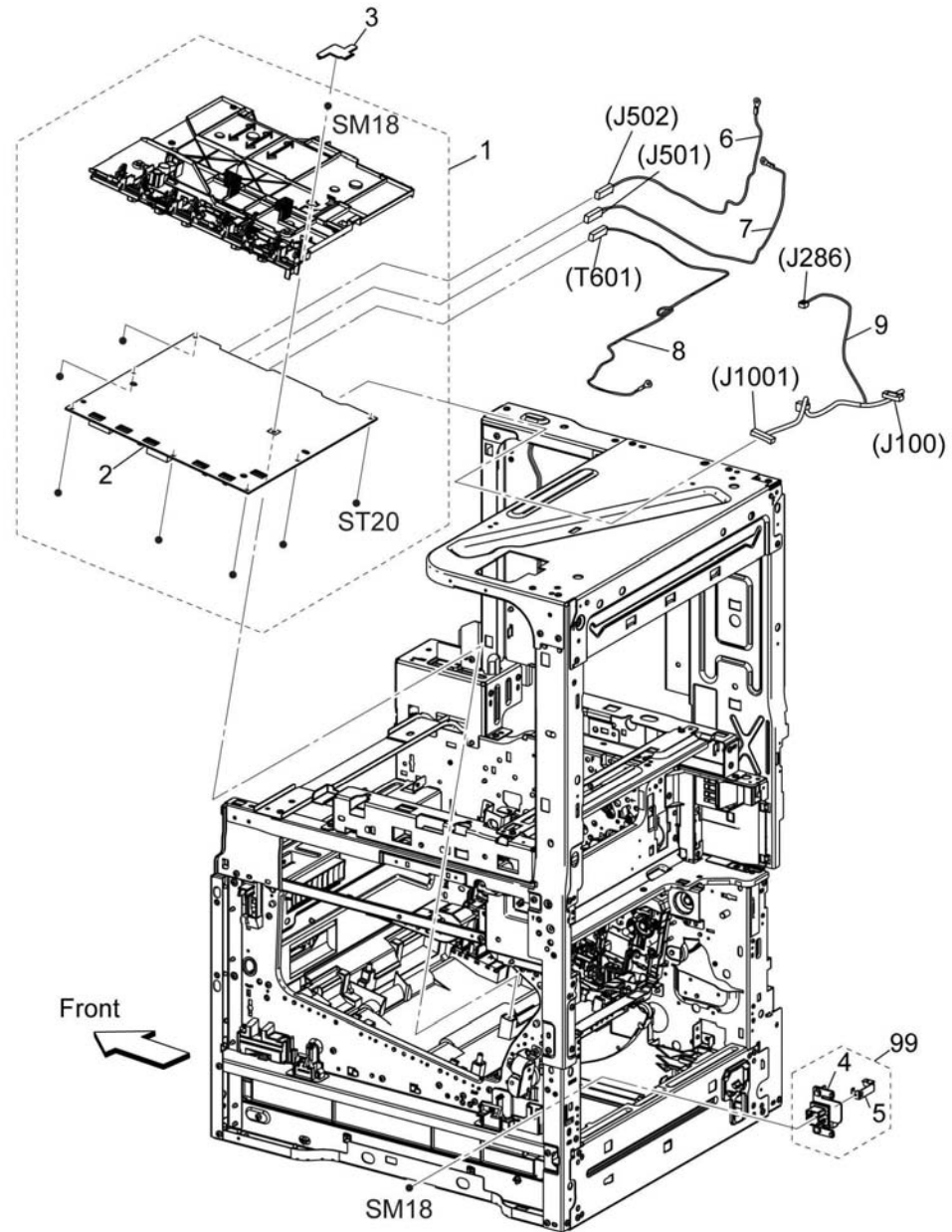
Item	Part	Description
1	960K79930	PWBA MCU (REP 18.1)
2	952K22010	FFC MCU ESS (REP 18.2)
3	-	Guide FFC color MCU (Not Spared)
4	-	Core MCU (Not Spared)
5	960K89970	PWBA ESS tall (REP 18.3)
6	-	Plate FAX (Not Spared)
7	-	Guide FFC color R LPH (Not Spared)
8	-	Plate ESS lower (Not Spared) (REP 18.2.1)
9	960K80761	PWBA FAX (REP 18.4)
10	-	Harness assembly FAX (Not Spared)
11	-	Wireless module (Not Spared)
12	-	Not used
13	952K40010	Harness assembly ICCR USB (REP 18.5)
14	952K40000	Harness assembly Front USB (REP 18.6)
15	-	Speaker assembly A4 FAX
16	105K32780	PWBA LVPS 110V (REP 18.7)
17	-	PWBA LVPS 220V (Not Spared)
18	-	Plate ESS top (Not Spared) (REP 18.16)
19	-	Box ESS AIO (Not Spared) (REP 18.3.1)
20	-	Plate LVPS (Not Spared)
21	-	Plate MCU (Not Spared)
22	-	Not used
23	-	Guide harness ESS (Not Spared)
24	-	Not used
25	-	Core FAX (Not Spared)
26	-	Link WIFI (Not Spared)
27	101K73410	HDD assembly (REP 18.16)
28	-	Bracket HDD (Not Spared) (REP 18.2.1)
29	-	Speaker main (Not Spared)
30	-	EMMC card (Not Spared)
31	-	Not used
32	-	Bracket USB (Not Spared)
33	-	Guide harness MCU (Not Spared)
34	-	Shaft support LVPS (Not Spared)



D-8-0035-A

PL 18.6 Electrical (C605_Tall) (2/4)

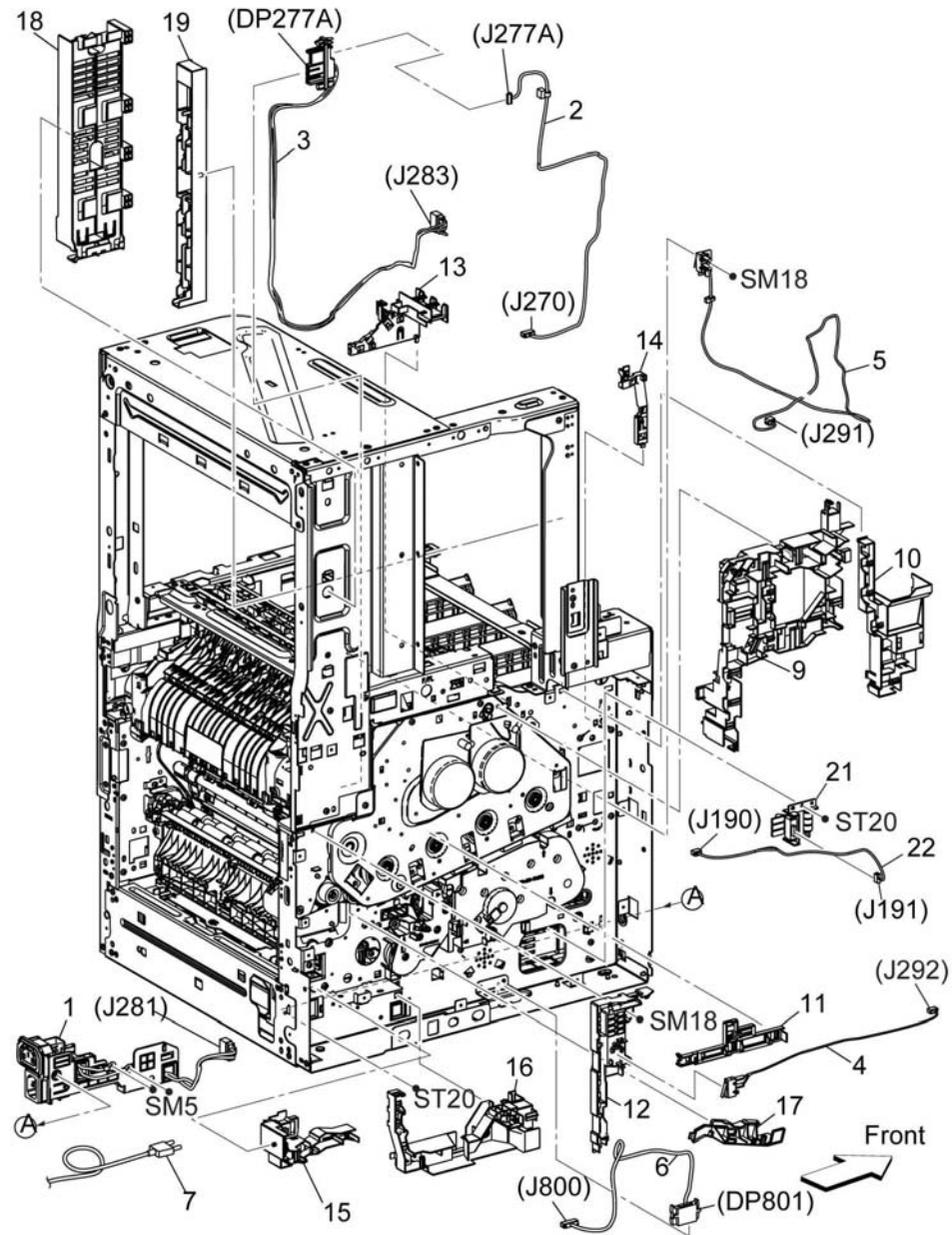
Item	Part	Description
1	032K09640	Guide assembly HVPS (with 2) (REP 18.8)
2	–	PWBA HVPS (P/O PL 18.6 Item 1)
3	822E21972	Cover toner HVPS (REP 18.9)
4	–	Housing 2nd BTR (P/O PL 18.6 Item 99)
5	–	Plate BIAS 2nd BTR (P/O PL 18.6 Item 99)
6	–	Harness assembly supply 1ST YMC
7	–	Harness assembly supply 1ST K
8	–	Harness assembly supply trans (Not Spared)
9	–	Harness assembly MCU-HVPS-CF (Not Spared)
99	604K97510	Kit housing 2nd BTR (with 4-5) (REP 18.10)



D-8-0036-A

PL 18.7 Electrical (C605_Tall) (3/4)

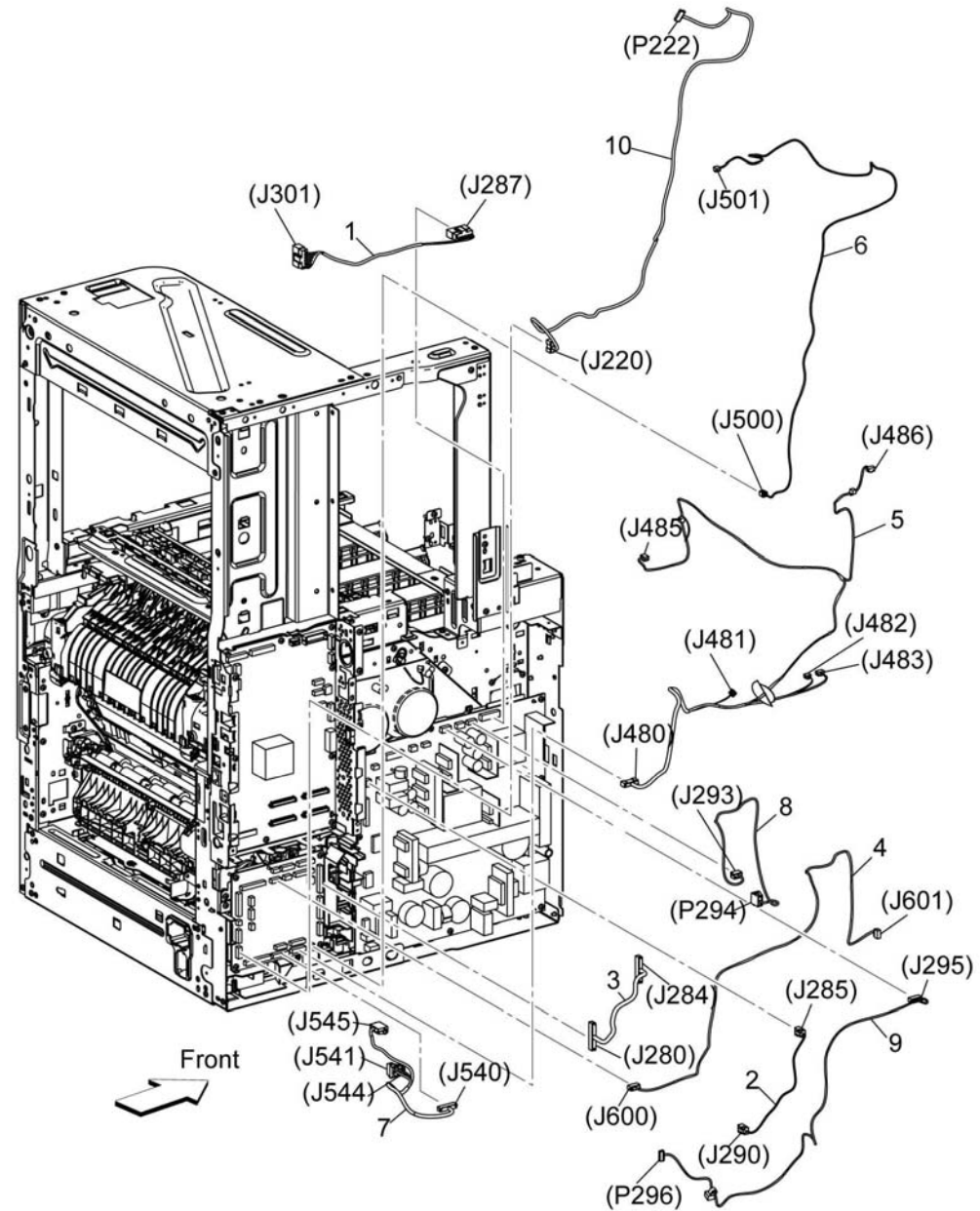
Item	Part	Description
1	-	Kit harness assembly inlet (Not Spared)
2	-	Harness assembly fusing DC-CF (Not Spared)
3	952K24420	Harness assembly fusing AC 200V-CF (REP 18.11)
-	952K24410	Harness assembly fusing AC 100V-CF (REP 18.11)
4	952K24490	Harness assembly I/L rear-CF (REP 18.12)
5	952K24480	Harness assembly I/L side-CF (REP 18.13)
6	952K24690	Harness assembly OPF-CF (REP 18.14)
7	-	Power cord 100V (Not Spared)
8	-	Power cord 200V (Not Spared)
9	-	Guide harness DC (Not Spared)
10	-	Guide harness duct (Not Spared)
11	-	Guide harness rear IL (Not Spared)
12	-	Guide fusing AC (Not Spared)
13	-	Guide harness top (Not Spared)
14	-	Guide harness sensor 2 (Not Spared)
15	-	Guide harness MCU2 (Not Spared)
16	-	Guide harness AC (Not Spared)
17	-	Guide FFC color LPH lower (Not Spared)
18	-	Guide harness IIT (Not Spared)
19	-	Guide harness UI FIN (Not Spared)
20	-	Not used
21	110K16610	Switch assembly size (REP 18.15)
22	-	Harness assembly SW size (Not Spared)



D-8-0037-A

PL 18.8 Electrical (C605_Tall) (4/4)

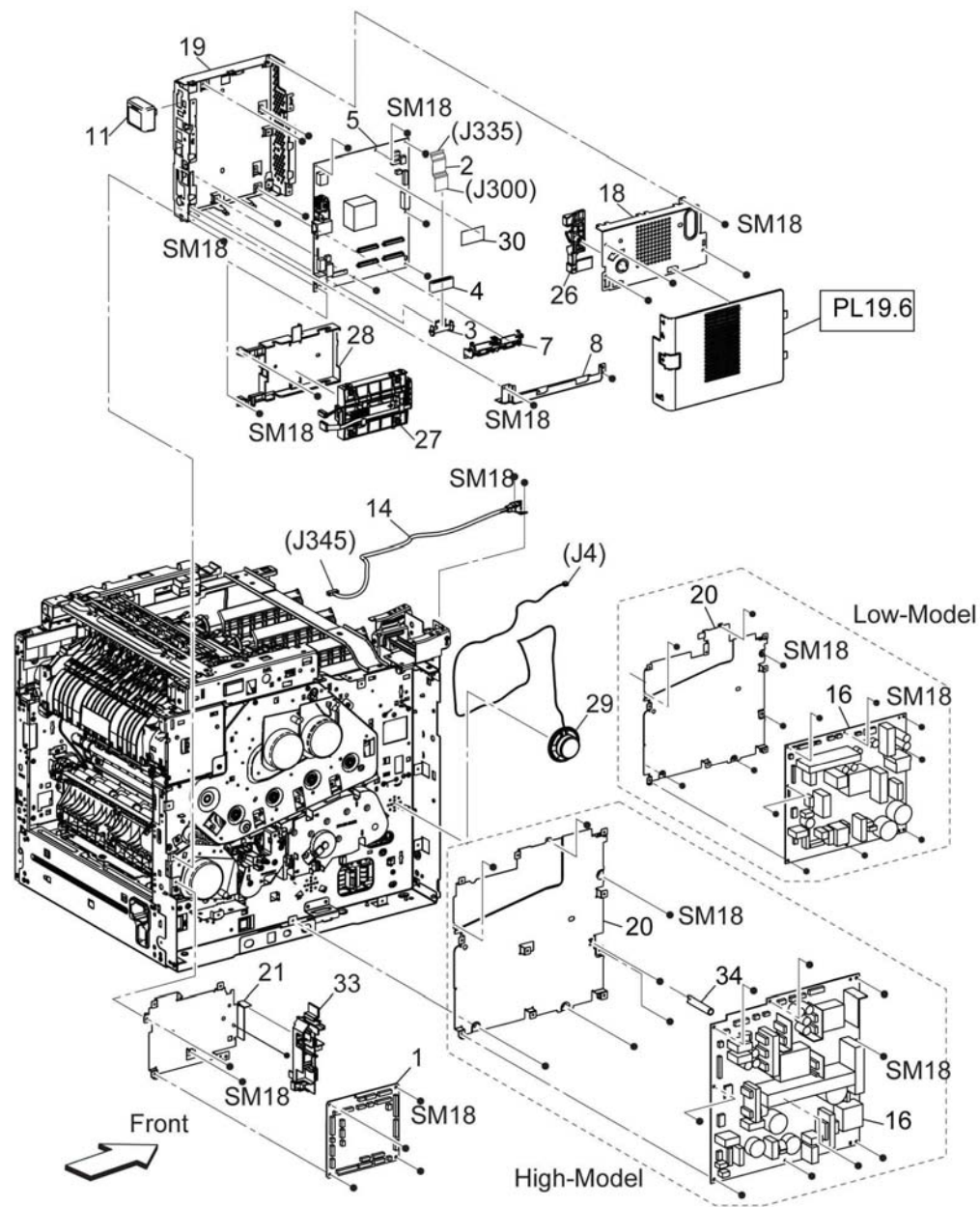
Item	Part	Description
1	-	Harness assembly ESS-PWR-CF (Not Spared)
2	-	Harness assembly 24V-MCU-CF (Not Spared)
3	-	Harness assembly LV-MCU-CF (Not Spared)
4	-	Harness assembly XPRO-CF (Not Spared)
5	-	Harness assembly MSI CL (Not Spared)
6	-	Harness assembly gate SOL-CF (Not Spared)
7	-	Harness assembly REGI-CF (Not Spared)
8	-	Harness assembly sub fan-CF (Not Spared)
9	-	Harness assembly rear Fan2-CF (Not Spared)
10	-	Harness assembly FIN-MCU-CF (Not Spared)



D-8-0038-A

PL 18.9 Electrical (C500/C600) (1/4)

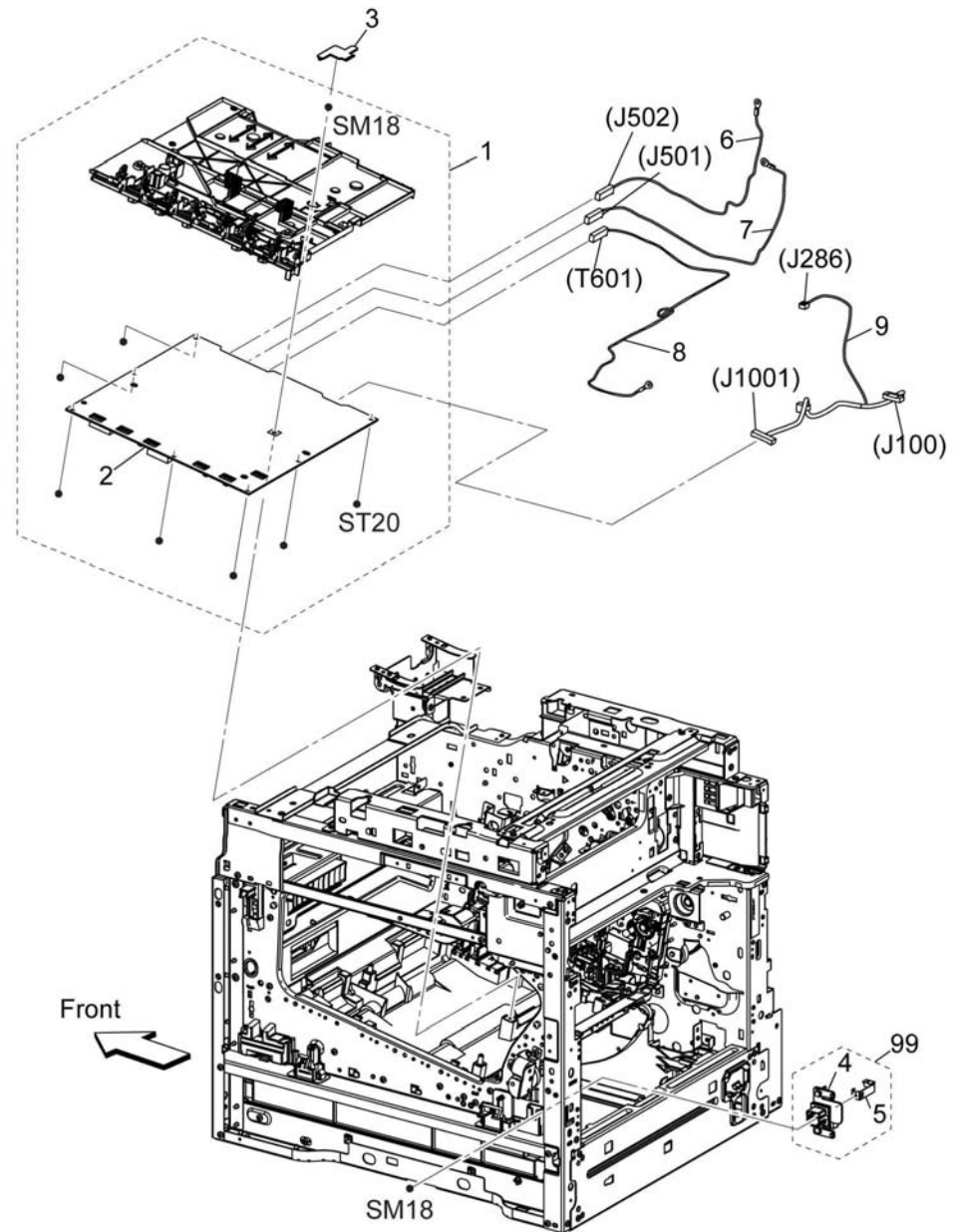
Item	Part	Description
1	960K79920	PWBA MCU C500 (REP 18.31)
-	960K79930	PWBA MCU C600 (REP 18.31)
2	952K22010	FFC MCU ESS (REP 18.32)
3	-	Guide FFC color MCU (Not Spared)
4	-	Core MCU (Not Spared)
5	960K89980	PWBA ESS SFP (REP 18.33)
6	-	Not used
7	-	Guide FFC color LPH (Not Spared)
8	-	Plate ESS lower (Not Spared) (REP 18.2.1)
9	-	Not used
10	-	Not used
11	-	Wireless module (Not Spared)
12	-	Not used
13	-	Not used
14	952K39980	Harness assembly front USB (REP 18.33)
15	-	Not used
16	105K32780	PWBA LVPS C600/C605/C605_Tall (REP 18.34)
-	105K33352	PWBA LVPS 220V C500 (220V) (REP 18.34)
-	105K33341	PWBA LVPS 110V C500 (110V) (REP 18.34)
18	-	Plate ESS top (Not Spared) (REP 18.44)
19	-	Box ESS SFP (Not Spared) (REP 18.33.1)
20	-	Plate LVPS (Not Spared)
21	-	Plate MCU (Not Spared)
22	-	Not used
23	-	Not used
24	-	Not used
25	-	Not used
26	-	Link WIFI (Not Spared)
27	101K73410	HDD assembly
28	-	Bracket HDD (Not Spared) (REP 18.2.1)
29	-	Speaker main (Not Spared)
30	-	EMMC card (Not Spared)
31	-	Not used
32	-	Not used
33	-	Guide harness MCU (Not Spared)
34	-	Shaft support LVPS (Not Spared)



D-8-0039-A

PL 18.10 Electrical (C500/C600) (2/4)

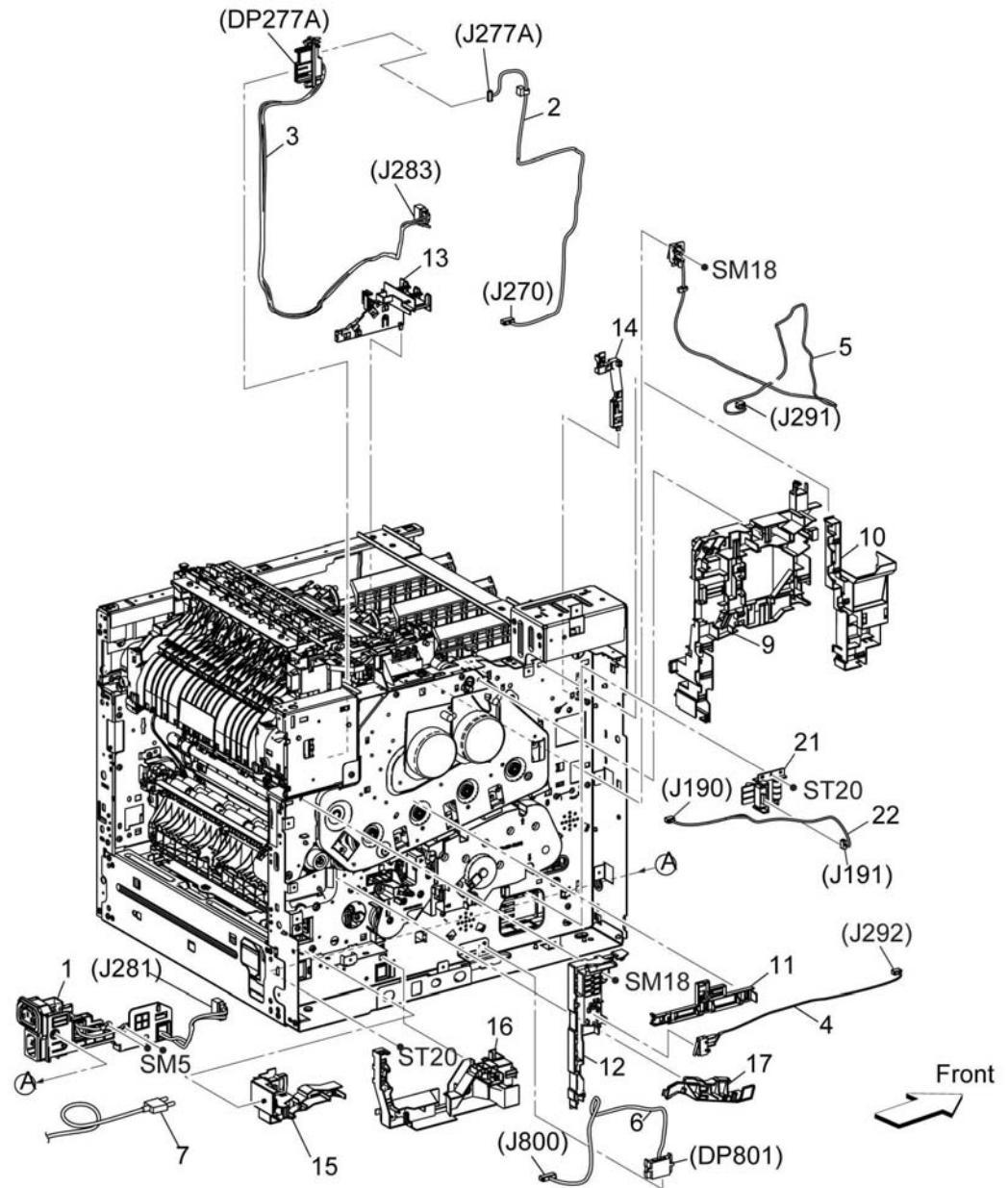
Item	Part	Description
1	032K09641	Guide assembly HVPS (with 2) (REP 18.36)
2	-	PWBA HVPS (P/O PL 18.10 Item 1)
3	822E21972	Cover toner HVPS (REP 18.37)
4	-	Housing 2nd BTR (P/O PL 18.10 Item 99)
5	-	Plate BIAS 2nd BTR (P/O PL 18.10 Item 99)
6	-	Harness assembly supply 1ST YMC (Not Spared)
7	-	Harness assembly supply 1ST K (Not Spared)
8	-	Harness assembly supply trans (Not Spared)
9	-	Harness assembly MCU-HVPS-CF (Not Spared)
99	604K97510	Kit housing 2nd BTR (with 4-5) (REP 18.38)



D-8-0040-A

PL 18.11 Electrical (C500/C600) (3/4)

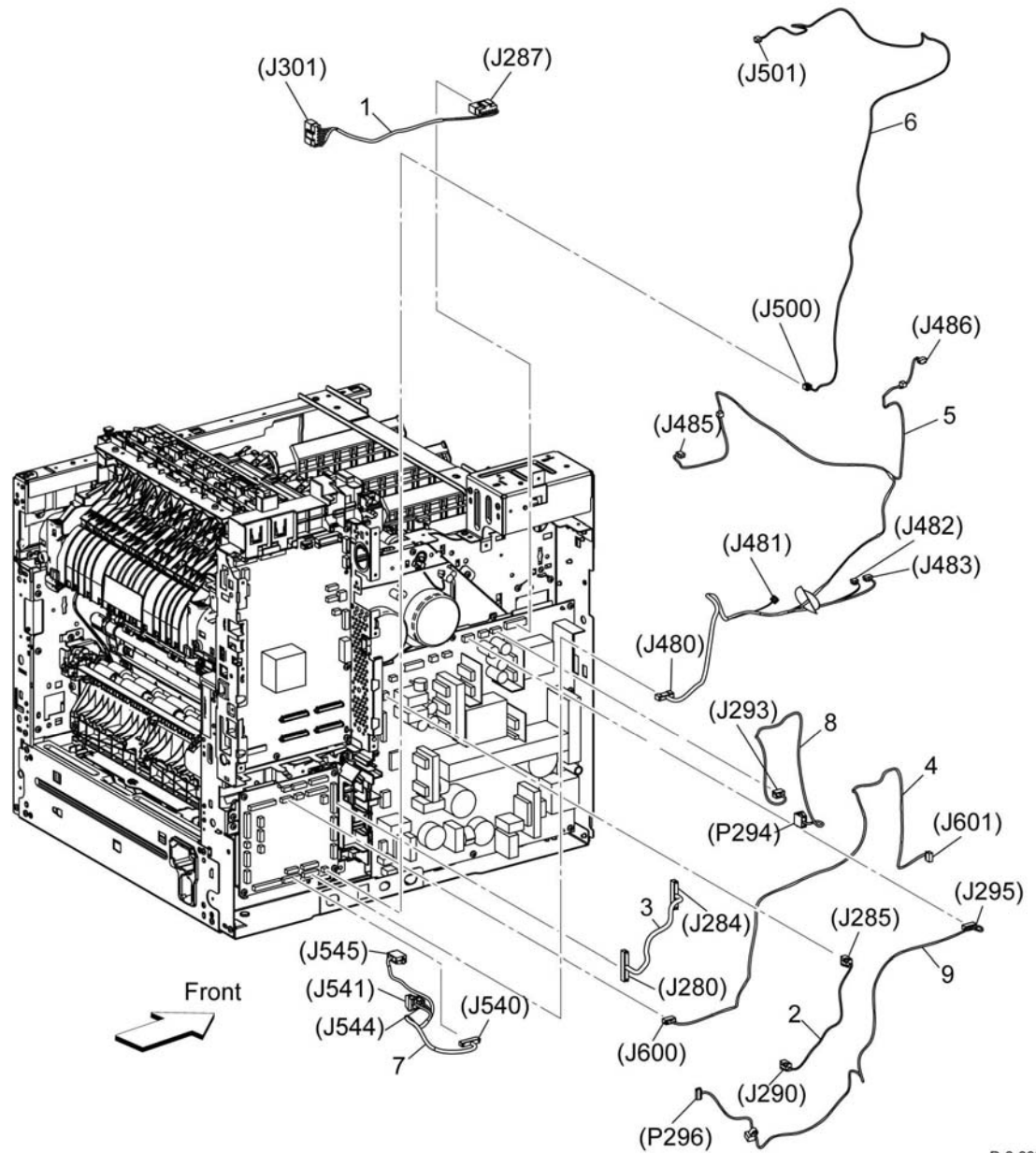
Item	Part	Description
1	–	Kit harness assembly inlet (Not Spared)
2	–	Harness assembly fusing DC-CF (Not Spared)
3	952K23920	Harness assembly fusing AC 200V-CF (C500) (REP 18.39)
–	–	Harness assembly fusing AC 100V-CF (Not Spared) (REP 18.39)
4	–	Harness assembly I/L rear-CF (C600) (Not Spared) (REP 18.39)
–	952K23990	Harness assembly I/L rear-CF (C500) (REP 18.40)
5	952K23980	Harness assembly I/L side-CF (C500) (REP 18.41)
–	–	Harness assembly I/L side-CF (C600) (Not Spared) (REP 18.41)
6	952K24690	Harness assembly OPF-CF (REP 18.42)
7	–	Power cord 100V (Not Spared)
8	–	Power cord 200V (Not Spared)
9	–	Guide harness DC (Not Spared)
10	–	Guide harness duct (Not Spared)
11	–	Guide harness rear IL (Not Spared)
12	–	Guide fusing AC (Not Spared)
13	–	Guide harness top (Not Spared)
14	–	Guide harness sensor 2 (Not Spared)
15	–	Guide harness MCU2 (Not Spared)
16	–	Guide harness AC (Not Spared)
17	–	Guide FFC color LPH lower (Not Spared)
18	–	Not used
19	–	Not used
20	–	Guide harness front USB (Not Spared)
21	110K16610	Switch assembly size (REP 18.43)
22	–	Harness assembly Sw size (Not Spared)



D-8-0033-A

PL 18.12 Electrical (C500/C600) (4/4)

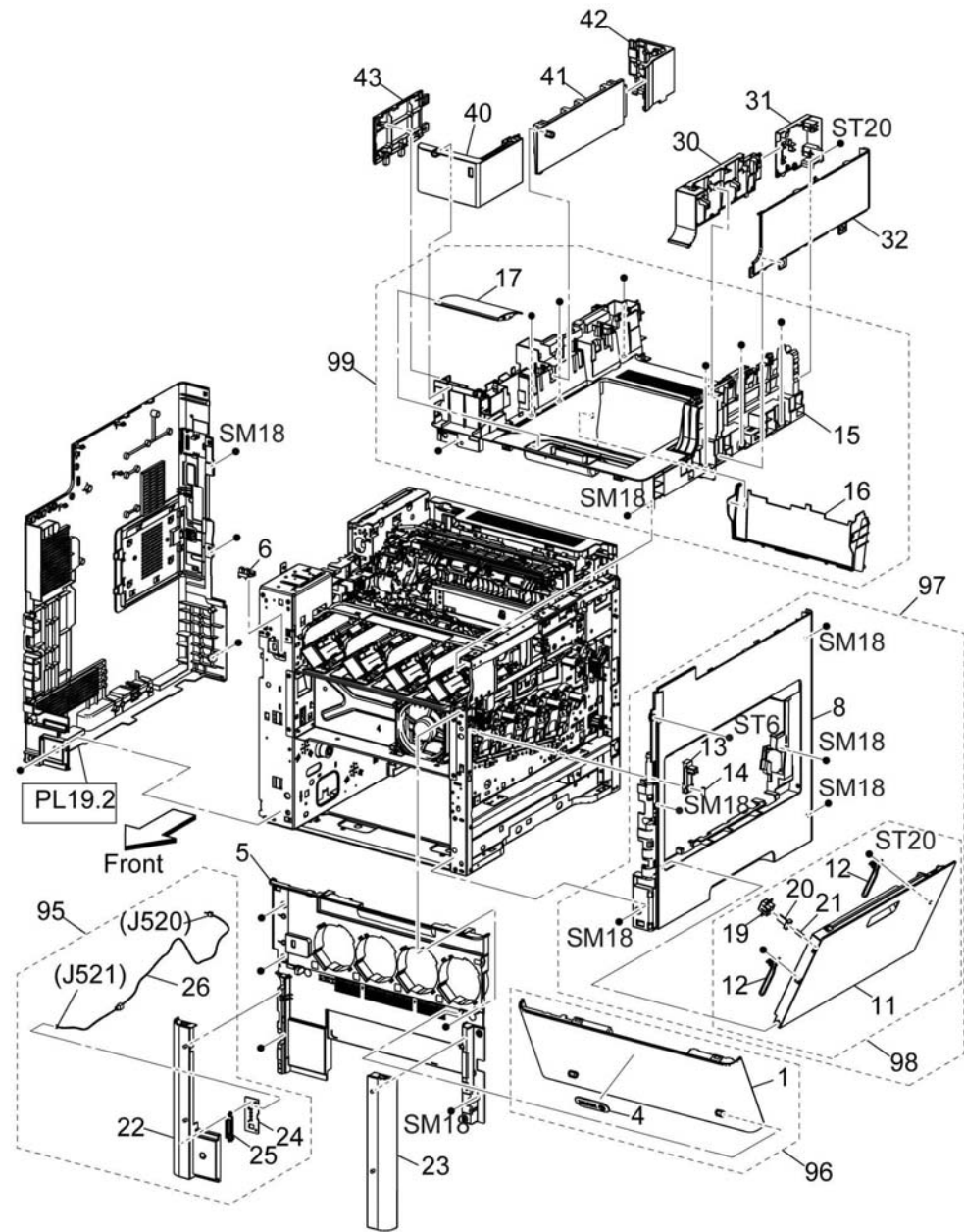
Item	Part	Description
1	-	Harness assembly ESS-PWR-CF (Not Spared)
2	-	Harness assembly 24V-MCU-CF (Not Spared)
3	-	Harness assembly LV-MCU-CF (Not Spared)
4	-	Harness assembly XPRO-CF (Not Spared)
5	-	Harness assembly MSI CL (Not Spared)
6	-	Harness assembly gate SOL-CF (Not Spared)
7	-	Harness assembly REGI-CF (Not Spared)
8	-	Harness assembly SUB fan-CF (Not Spared)
9	-	Harness assembly rear fan 2-CF (Not Spared)
10	-	Harness assembly FIN-MCU-CF (Not Spared)



D-8-0034-A

PL 19.1 Cover (C505/C605) (1/2)

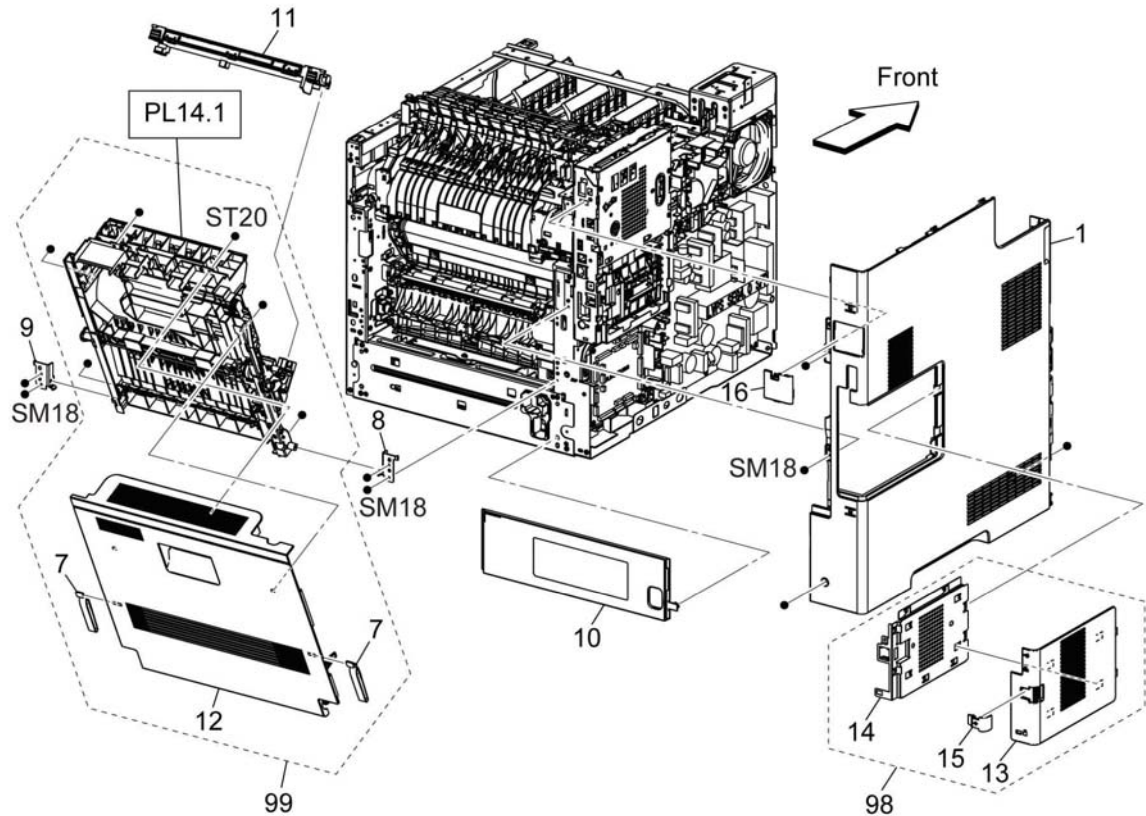
Item	Part	Description
1	-	Cover toner (P/O PL 19.1 Item 96)
4	-	Logo (P/O PL 19.1 Item 96)
5.	948K16332	Cover front inner (C505) (REP 19.1)
-	948K16122	Cover front inner (C605) (REP 19.1)
6.	-	Sensor photo int (toner cover sensor) (Not Spared)
8.	-	Cover side R (P/O PL 19.1 Item 97)
9.	-	Not used
10.	-	Not used
11.	-	Cover waste (P/O PL 19.1 Item 98)
12.	-	Strap cover waste (P/O PL 19.1 Item 98)
13.	-	Link waste (P/O PL 19.1 Item 97)
14.	-	Spring link waste (P/O PL 19.1 Item 97)
15.	-	Cover top (P/O PL 19.1 Item 99)
16.	-	Cover exit (P/O PL 19.1 Item 99)
17.	-	Tray extension (P/O PL 19.1 Item 99)
18.	-	Not used
19.	-	Holder IL (P/O PL 19.1 Item 98)
20.	-	Actuator IL (P/O PL 19.1 Item 98)
21.	-	Spring IL (P/O PL 19.1 Item 98)
22.	-	Cover front L (P/O PL 19.1 Item 95)
23	822E33132	Cover front R (REP 19.2)
24.	-	Tray LED PWBA (P/O PL 19.1 Item 95)
25.	-	Cover shade tray (P/O PL 19.1 Item 95)
26.	-	Harness assembly LED (P/O PL 19.1 Item 95)
30	822E32660	Cover IIT inner R (REP 19.3)
31	822E32700	Cover IIT inner R REAR (REP 19.4)
32	822E32741	Cover IIT side R (REP 19.5)
40	822E32623	Cover ICCR (REP 19.6)
41	822E32640	Cover IIT Inner L (REP 19.7)
42	822E32681	Cover IIT inner L rear (REP 19.8)
43	822E32783	Cover IIT side L (REP 19.9)
95	948K16080	Cover assembly front L (with 22, 24-26) (REP 19.10)
96	948K16131	Cover assembly toner (with 1, 4) (REP 19.11)
97	948K16141	Cover assembly side R (with 8, 13-14, 98) (REP 19.12)
98.	-	Cover assembly waste (with 11, 12x2, 19-21, label) (Not Spared)
99	948K16111	Cover assembly top (with 15-17) (REP 19.13)



D-8-0041-A

PL 19.2 Cover (C505/C605) (2/2)

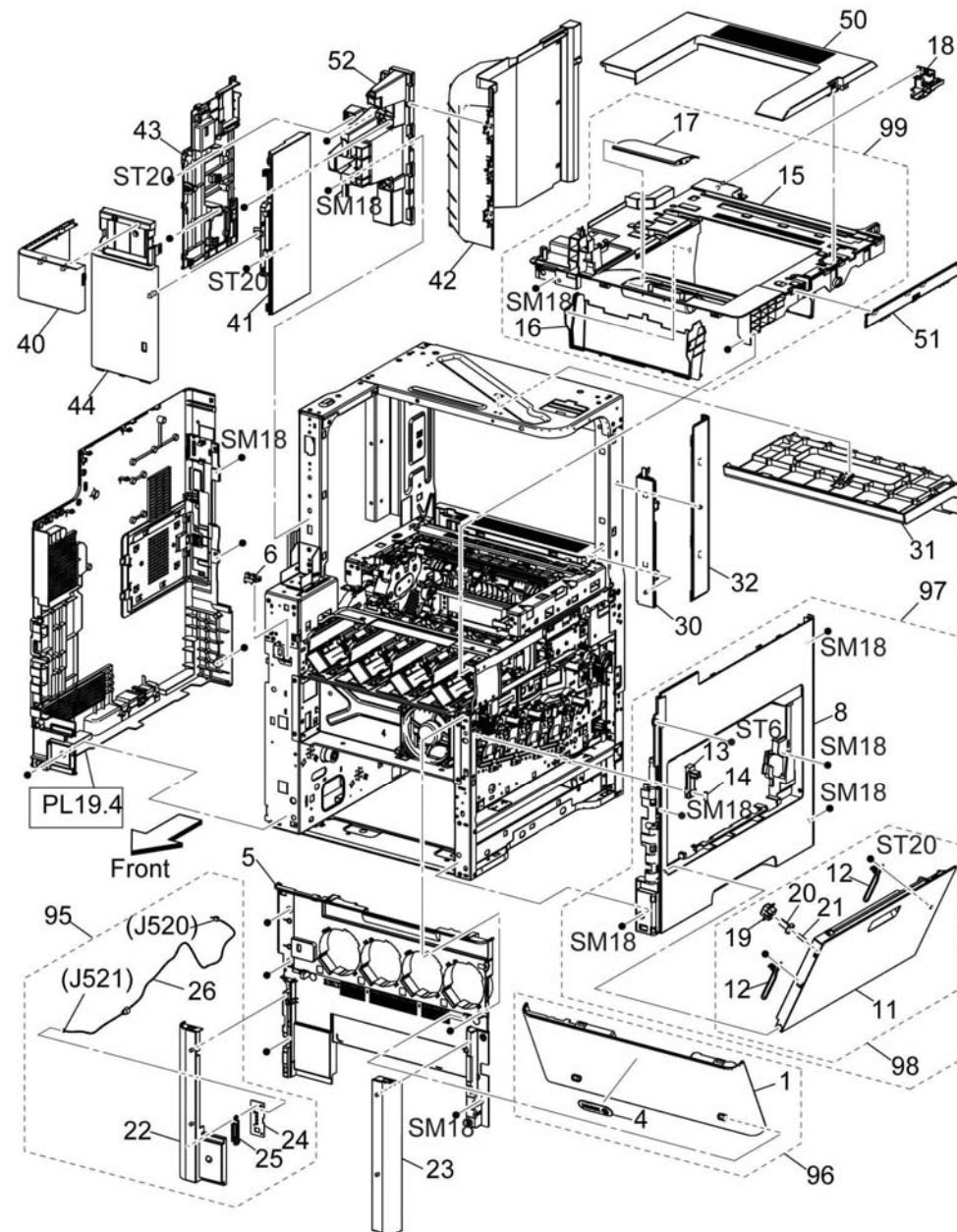
Item	Part	Description
1.	822E46581	Cover side L (3in1) (REP 19.14)
–	822E33674	Cover side L (4in1) (REP 19.14)
2.	–	Not used
3.	–	Not used
4.	–	Not used
5.	–	Not used
6.	–	Not used
7.	–	Strap cover rear (P/O PL 19.2 Item 99)
8.	–	Hinge assembly rear L (Not Spared)
9.	–	Hinge assembly rear R (Not Spared)
10.	–	Cover rear bottom (Not Spared)
11.	859K00611	2nd BTR roll assembly (REP 19.15)
12.	–	Cover assembly rear AIO (P/O PL 19.2 Item 99)
13.	–	ESS window (P/O PL 19.2 Item 98)
14.	–	Plate ESS window (P/O PL 19.2 Item 98)
15.	–	Lever ESS window (P/O PL 19.2 Item 98)
16.	822E27572	WIFI cap (REP 19.16)
98.	815K21540	Kit ESS window assembly (with 13-15) (REP 19.17)
99.	607K04940	Kit cover assembly rear AIO (with 7x2, 12, PL14.1) (REP 19.18)



D-8-0042-A

PL 19.3 Cover (C605_Tall) (1/2)

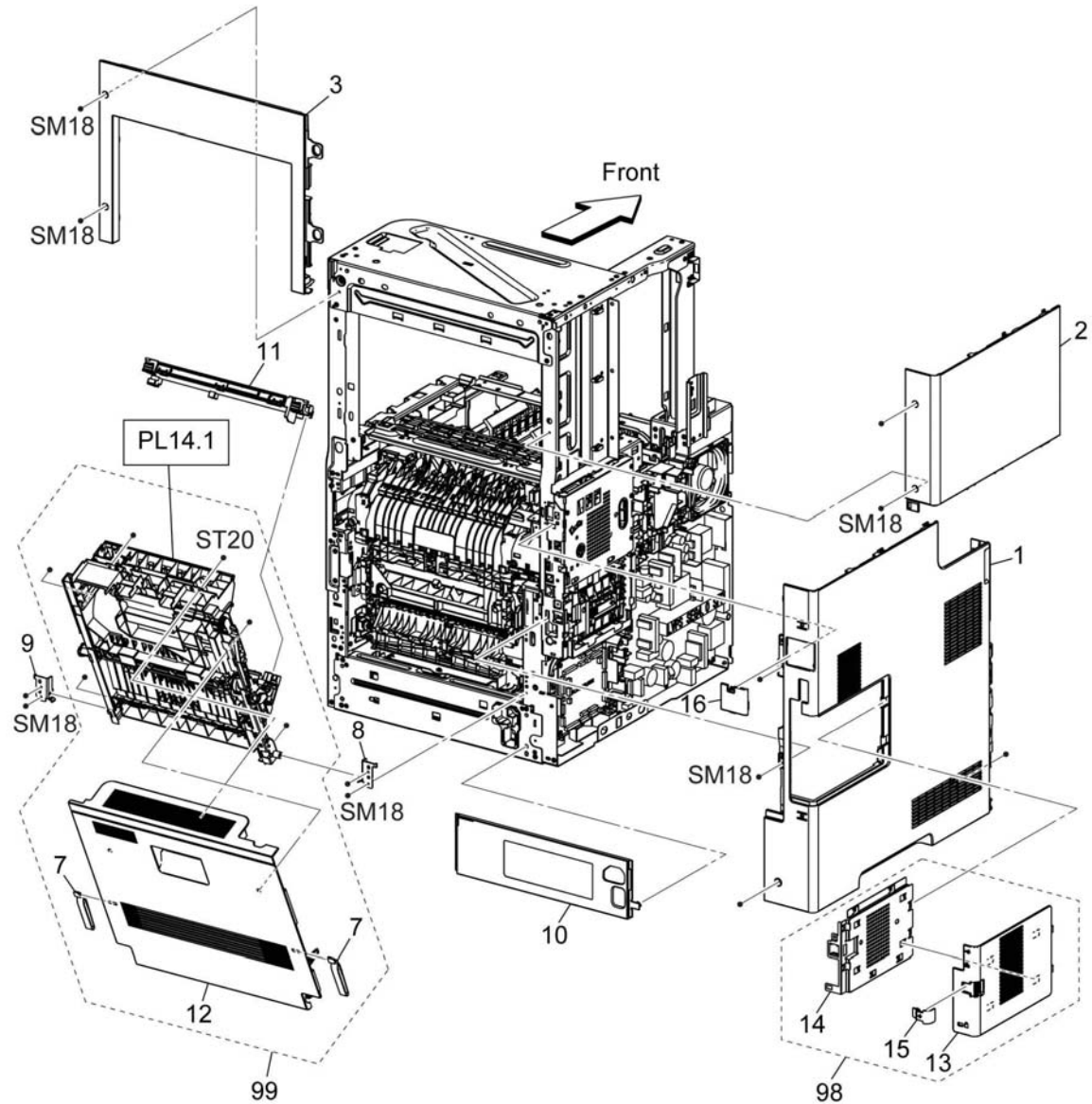
Item	Part	Description
1	–	Cover toner (P/O PL 19.3 Item 96)
4	–	Logo (P/O PL 19.3 Item 96)
5	822E33610	Cover front inner (REP 19.19)
6	–	Toner cover sensor (Not Spared)
8	–	Cover side R (P/O PL 19.3 Item 97)
11	–	Cover waste (P/O PL 19.3 Item 98)
12	–	Strap cover waste (P/O PL 19.3 Item 98)
13	–	Link waste (P/O PL 19.3 Item 97)
14	–	Spring link waste (P/O PL 19.3 Item 97)
15	–	Cover top (P/O PL 19.3 Item 99)
16	–	Cover exit (P/O PL 19.3 Item 99)
17	–	Tray extension (P/O PL 19.3 Item 99)
18	822E32391	OPT blind cover (REP 19.20)
19	–	Holder IL (P/O PL 19.3 Item 98)
20	–	Actuator IL (P/O PL 19.3 Item 98)
21	–	Spring IL (P/O PL 19.3 Item 98)
22	–	Cover front L (P/O PL 19.3 Item 95)
23	822E33131	Cover front R (REP 19.21)
24	–	Tray LED PWBA (P/O PL 19.3 Item 95)
25	–	Cover shade tray (P/O PL 19.3 Item 95)
26	–	Harness assembly LED (P/O PL 19.3 Item 95)
30	–	Cover fin inner R (Not Spared)
31	822E34823	Cover fin inner rear (REP 19.22)
32	822E32940	Cover fin side R (REP 19.23)
40	822E32843	Cover ICCR fin (REP 19.24)
41	822E32922	Cover fin inner L (REP 19.25)
42	822E34800	Cover fin inner side L (REP 19.26)
43	822E32901	Cover fin side L sub (REP 19.27)
44	822E32861	Cover fin front (REP 19.28)
50	822E34782	Cover fin top exit (REP 19.29)
51	822E37762	Cover fin side R cap (REP 19.30)
52	801E35940	Frame fin (REP 19.31)
95	948K16080	Cover assembly front L (with 22, 24-26) (REP 19.32)
96	948K16131	Cover assembly toner (with 1, 4) (REP 19.33)
97	948K16140	Cover assembly side R (with 8, 13-14, 98) (REP 19.34)
98	–	Cover assembly waste (with 11, 12x2, 19-21, label)
99	948K04220	Cover assembly top (with 15-17) (REP 19.35)



D-8-0043-A

PL 19.4 Cover (C605_Tall) (2/2)

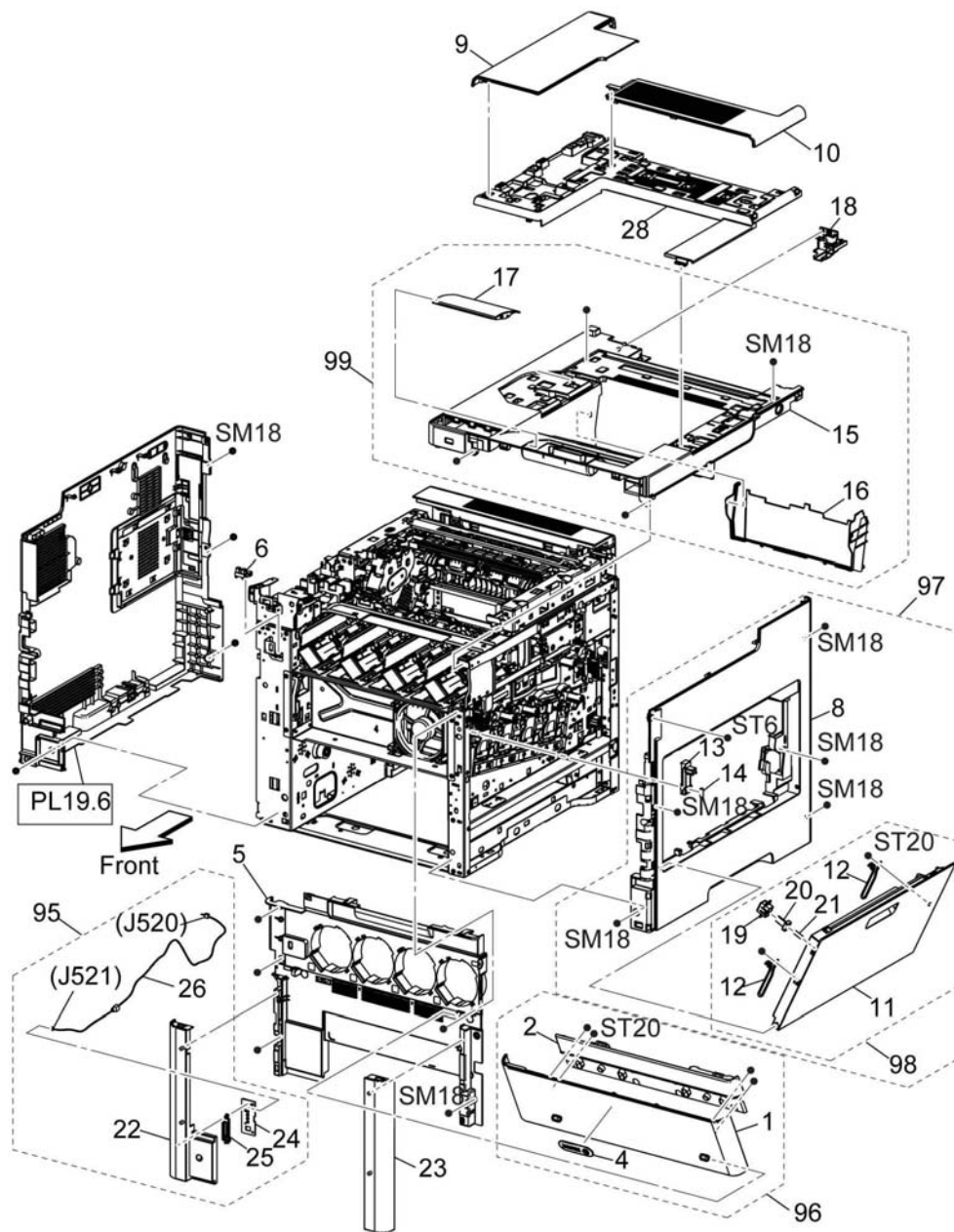
Item	Part	Description
1	822E33673	Cover side L (REP 19.36)
2	822E32882	Cover fin side L (REP 19.37)
3	822E33001	Cover fin rear (REP 19.38)
4	-	Not used
5	-	Not used
6	-	Not used
7	-	Strap cover rear (P/O PL 19.4 Item 99)
8	-	Hinge assembly rear L (Not Spared)
9	-	Hinge assembly rear R (Not Spared)
10	-	Cover rear bottom (Not Spared)
11	859K00610	2nd BTR roll assembly (REP 19.39)
12	-	Cover assembly rear AIO (P/O PL 19.4 Item 99)
13	-	ESS window (P/O PL 19.4 Item 98)
14	-	Plate ESS window (P/O PL 19.4 Item 98)
15	-	Lever ESS window (P/O PL 19.4 Item 98)
16	822E27572	WiFi cap (REP 19.40)
98	815K21540	Kit ESS window assembly (with 13-15) (REP 19.41)
99	607K04940	Kit cover assembly rear AIO (with 7x2, 12, PL14.1) (REP 19.42)



D-8-0044-A

PL 19.5 Cover (C500/C600) (1/2)

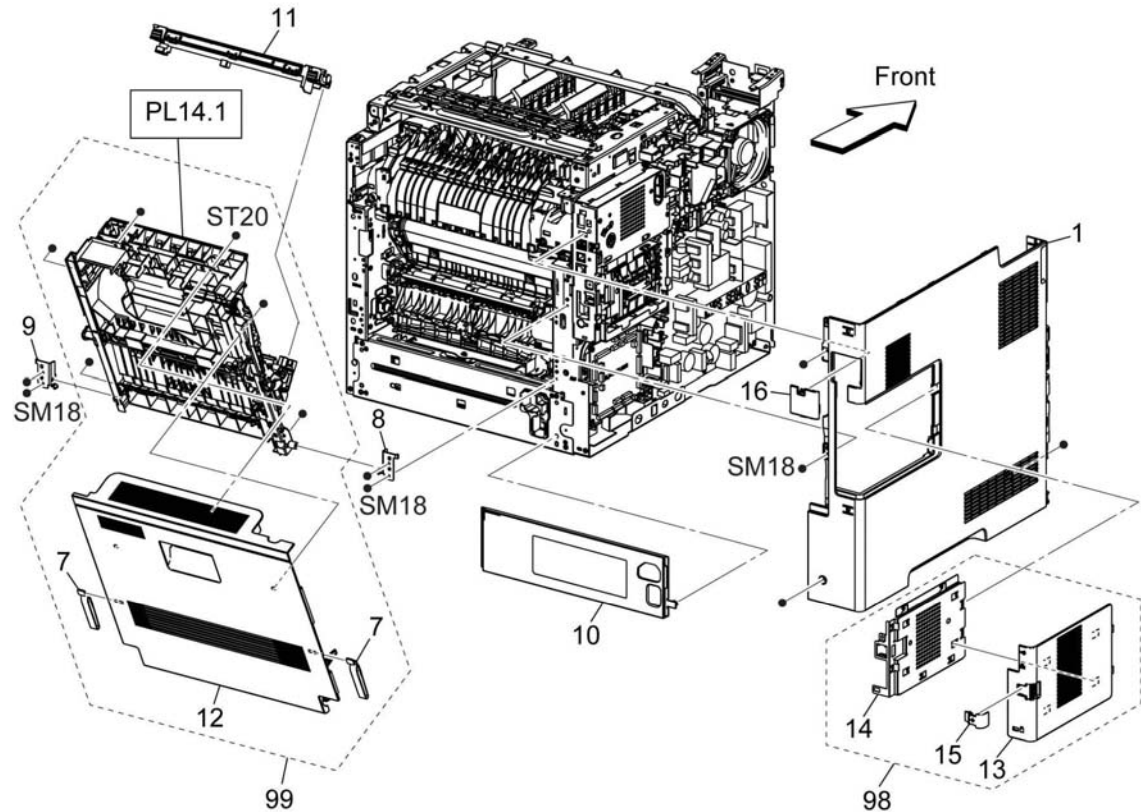
Item	Part	Description
1.	-	Cover toner (P/O PL 19.5 Item 96)
2.	-	Cover toner top (P/O PL 19.5 Item 96)
3.	-	Not used
4.	-	Logo (P/O PL 19.5 Item 96)
5.	948K16042	Cover front inner C600 (REP 19.43)
-	948K16322	Cover front inner C500 (REP 19.43)
6.	-	Toner cover sensor (Not Spared)
7.	-	Not used
8.	-	Cover side R (P/O PL 19.5 Item 97)
9.	-	Cover top rear L (Not Spared)
10.	822E32383	Cover top rear R (REP 19.44)
11.	-	Cover waste (P/O PL 19.5 Item 98)
12.	-	Strap cover waste (P/O PL 19.5 Item 98)
13.	-	Link waste (P/O PL 19.5 Item 97)
14.	-	Spring link waste (P/O PL 19.5 Item 97)
15.	-	Cover top (P/O PL 19.5 Item 99)
16.	-	Cover exit (P/O PL 19.5 Item 99)
17.	-	Tray extension (P/O PL 19.5 Item 99)
18.	-	OPT blind cover (Not Spared)
19.	-	Holder IL (P/O PL 19.5 Item 98)
20.	-	Actuator IL (P/O PL 19.5 Item 98)
21.	-	Spring IL (P/O PL 19.5 Item 98)
22.	-	Cover front L (P/O PL 19.5 Item 95)
23.	822E33131	Cover front R (REP 19.45)
24.	-	Tray LED PWBA (P/O PL 19.5 Item 95)
25.	-	Cover shade tray (P/O PL 19.5 Item 95)
26.	-	Harness assembly (P/O PL 19.5 Item 95)
27.	-	Not used
28.	822E32353	Cover top exit (REP 19.46)
95.	948K16080	Cover assembly front L (with 22, 24-26) (REP 19.47)
96.	948K16051	Cover assembly toner (with 1, 2, 4) (REP 19.48)
97.	948K16061	Cover assembly side R (with 8, 13-14, 98) (REP 19.49)
98.	-	Cover assembly waste (with 11, 12x2, 19-21, label) (P/O PL 19.5 Item 97)
99.	948K04203	Cover assembly top C500/C600 (with 15-17) (REP 19.50)



D-8-0045-A

PL 19.6 Cover (C500/C600) (2/2)

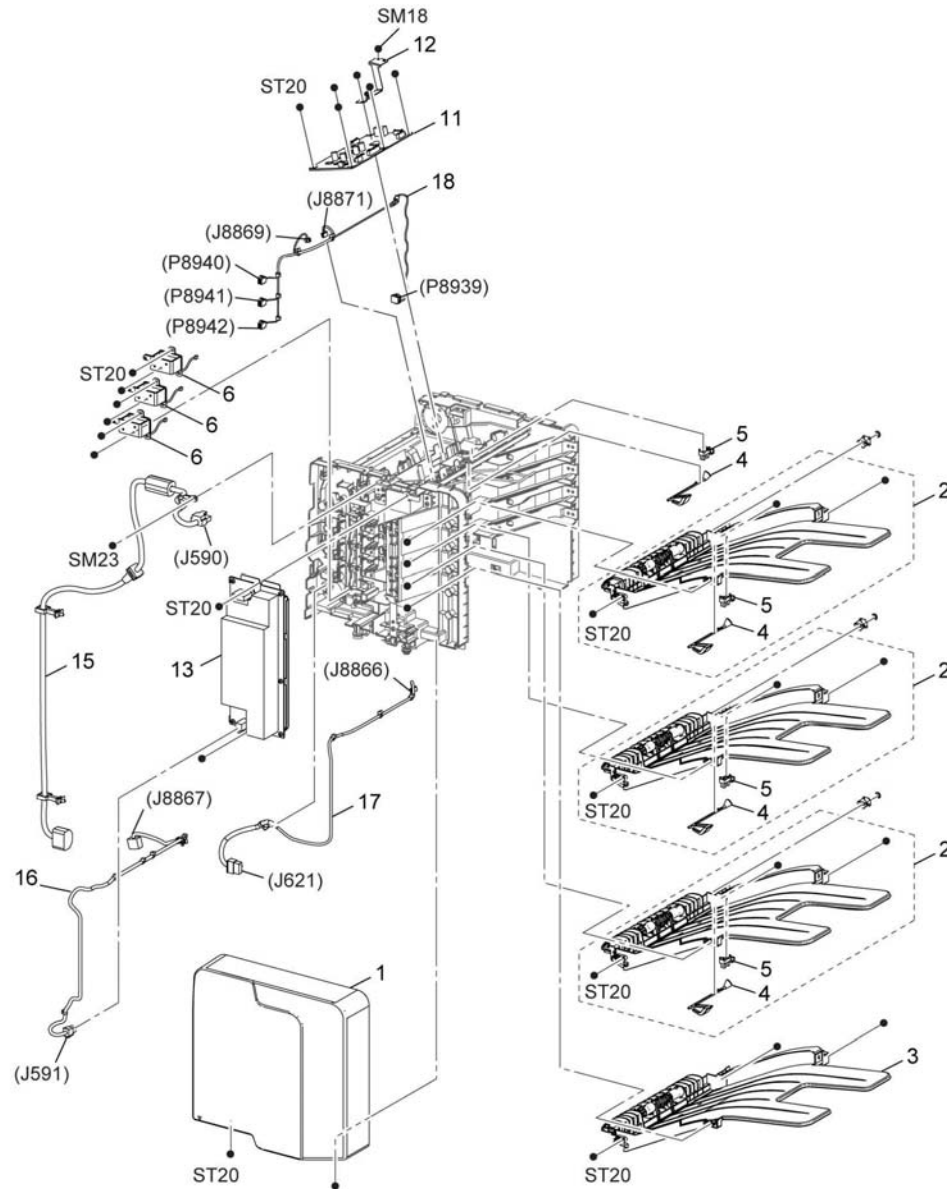
Item	Part	Description
1	822E33545	Cover side L (REP 19.51)
2	–	Not used
3	–	Not used
4	–	Not used
5	822E32391	OPT blind cover (REP 19.52)
6	–	Not used
7	–	Strap cover rear (P/O PL 19.6 Item 99)
8	–	Hinge assembly rear L (Not Spared)
9	–	Hinge assembly rear R (Not Spared)
10	–	Cover rear bottom (Not Spared)
11	859K00610	2nd BTR roll assembly (REP 19.53)
12	–	Cover assembly rear C500/C600 (P/O PL 19.6 Item 99)
13	–	ESS window (P/O PL 19.6 Item 98)
14	–	Plate ESS window (P/O PL 19.6 Item 98)
15	–	Lever ESS window (P/O PL 19.6 Item 98)
16	822E27572	WiFi cap (REP 19.54)
98	815K21540	Kit ESS window assembly (with 13-15) (REP 19.55)
99	607K04950	Kit cover assembly rear C500/C600 (with 7x2, 12, PL14.1) (REP 19.56)



D-8-0046-A

PL 20.1 Mailbox

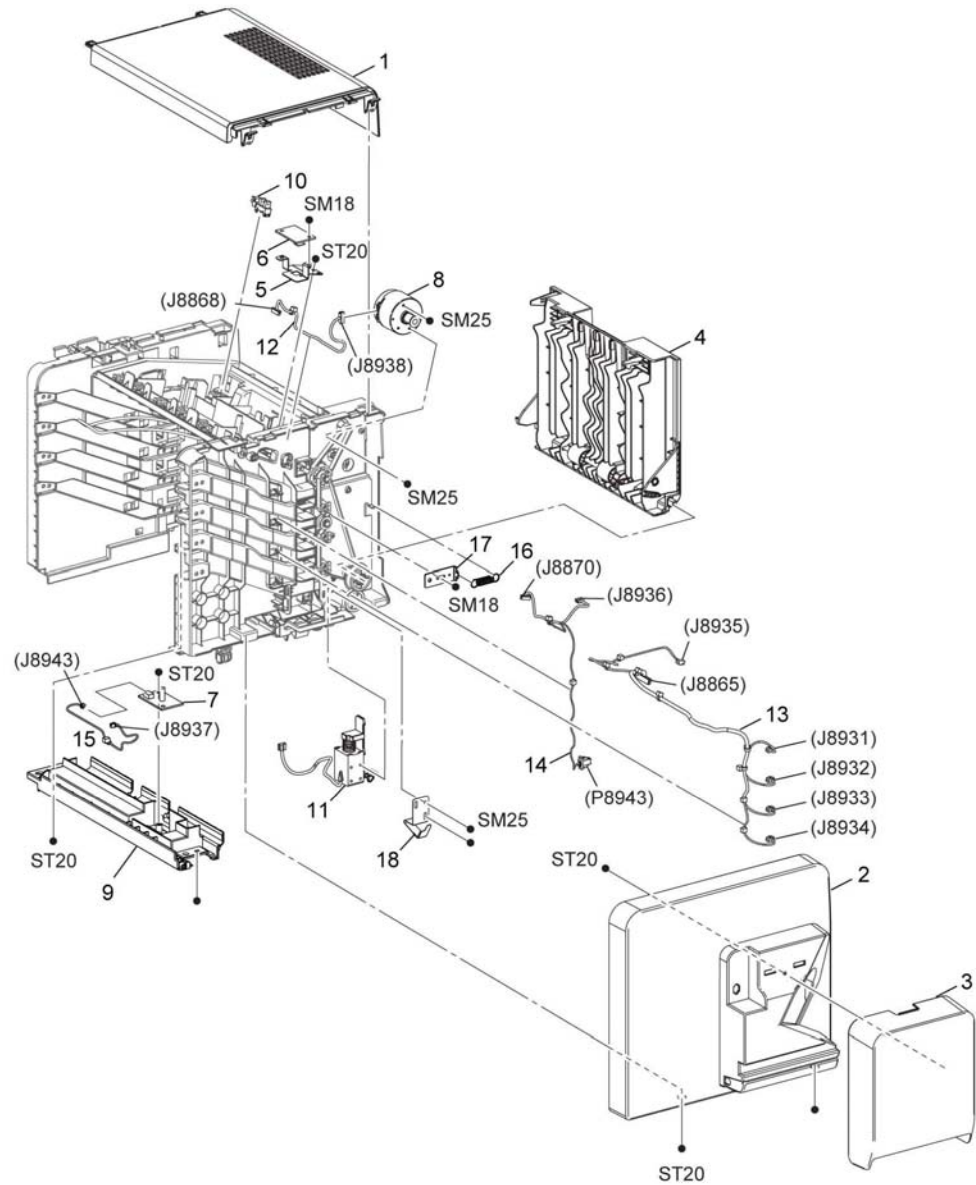
Item	Part	Description
1.		-Cover LH C (Not Spared) (REP 20.1)
2.	607K05020	Tray assembly (with label) (with 4, 5) (REP 20.8)
3.	607K05030	Tray assembly bottom (with label) (REP 20.9)
4.		-Actuator tray full (P/O PL 20.1 Item 2)
5.		-1/2/3/4-Bin full paper sensor (P/O PL 20.1 Item 2)
6.	049K34930	Bracket assembly gate sol (REP 20.10)
7.	-	Not used
8.	-	Not used
9.	-	Not used
10.	-	Not used
11.	960K90041	PWBA GPF A4MBX (REP 20.4)
12.	-	Bracket earth RH (Not Spared)
13.		-LVPS W/I bracket (Not Spared) (REP 20.5)
14.	-	Not used
15.	-	Harness assembly MBX AC (Not Spared)
16.	-	Harness assembly MBX DC (Not Spared)
17.	-	Harness assembly MBX IF (Not Spared)
18.	-	Harness assembly trans S (Not Spared)



D-8-0047-A

PL 20.2 Mailbox

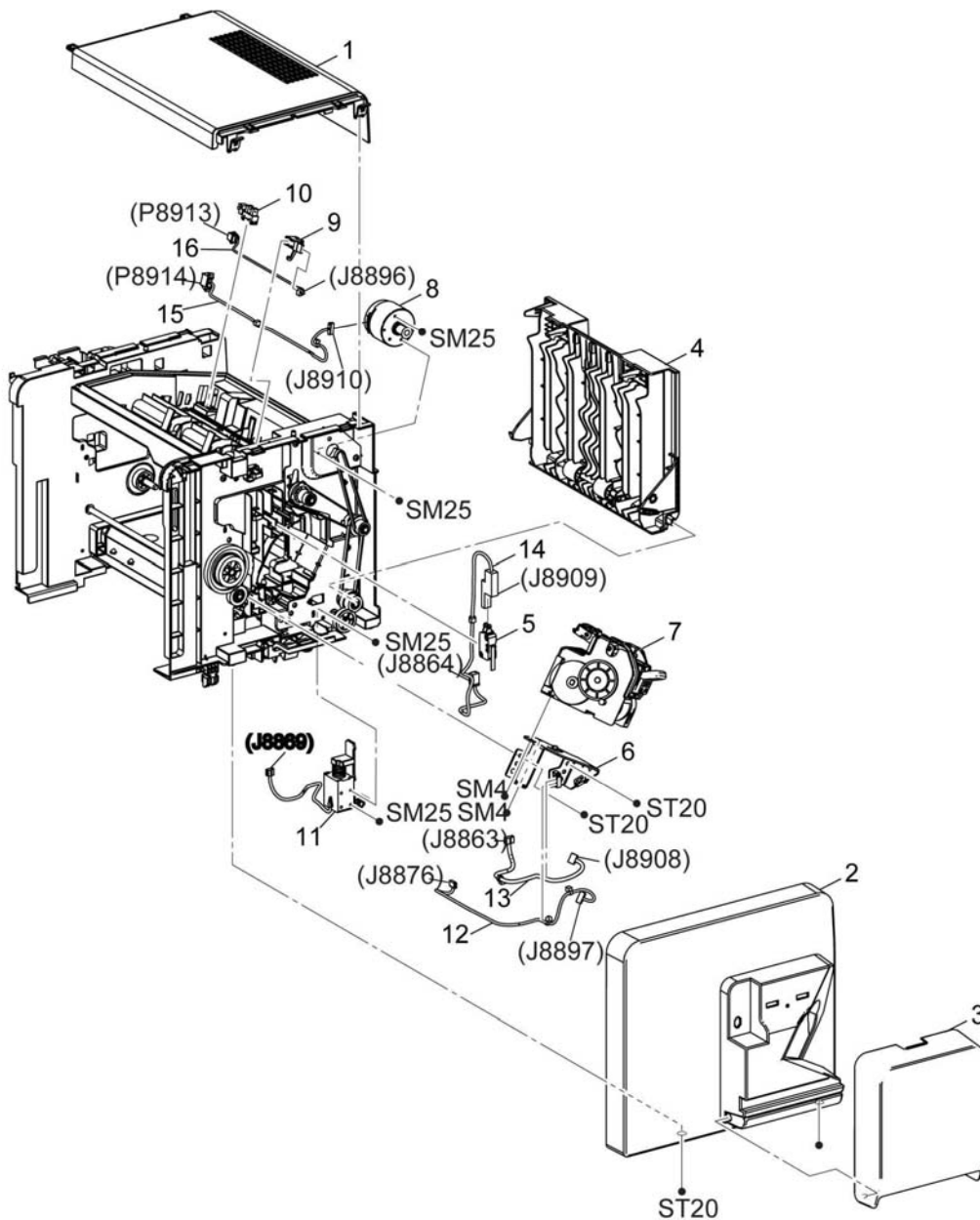
Item	Part	Description
1.	-	Cover Top C (Not Spared) (REP 20.3)
2.	-	Cover RH C (Not Spared) (REP 20.2)
3.	-	Cover assembly staple (Not Spared)
4.	-	Cover assembly rear (Not Spared)
5.	-	Bracket vertical sensor MBX (Not Spared)
6.	-	PWBA vertical sensor rev (Not Spared)
7.	-	PWBA vertical sensor LED (Not Spared)
8.	127K72241	Motor assembly (REP 20.6)
9.	-	Chute low MBX (Not Spared)
10.	-	Rear cover interlock sensor (Not Spared)
11.	121K58300	Solenoid assembly gate (REP 20.7)
12.	-	Harness assembly MBX trans M (Not Spared)
13.	-	Harness assembly Mbx sensor (Not Spared)
14.	-	Harness assembly vertical sensor (Not Spared)
15.	-	Harness assembly vertical LED (Not Spared)
16.	-	Spring tension (Not Spared)
17.	-	Bracket tension (Not Spared)
18.	-	Plate ground RH (Not Spared)



D-8-0048-A

PL 21.2 Finisher

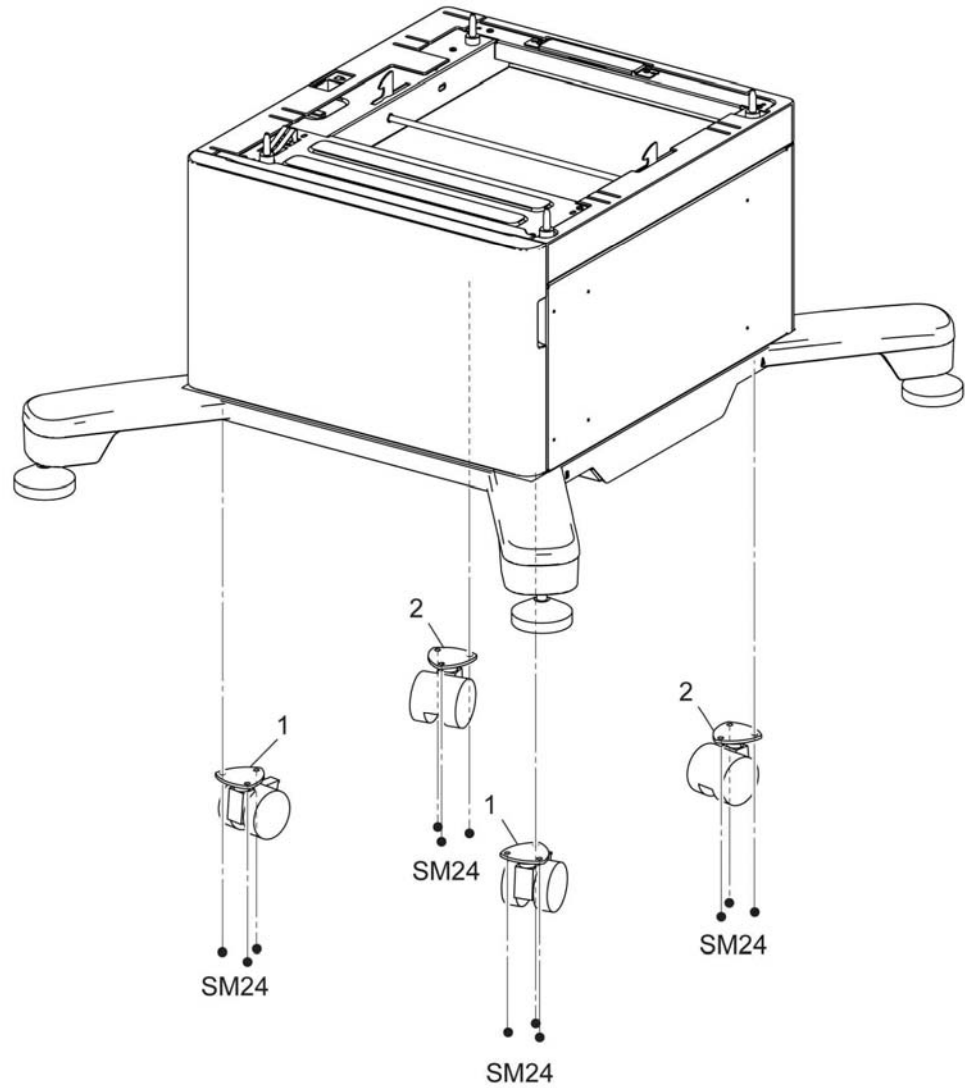
Item	Part	Description
1.	-	Cover Top C (Not Spared) (REP 21.3)
2.	-	Cover RH C (Not Spared)
3.	948K04650	Cover assembly staple
4.	-	Cover assembly rear (Not Spared)
5.	-	Switch safety L (Not Spared)
6.	-	Bracket stapler (Not Spared)
7.	029K93260	Stapler assembly (REP 21.10)
8.	127K72241	Motor assembly (REP 21.6)
9.	-	Compile exit sensor (Not Spared)
10.	-	Rear cover interlock sensor (Not Spared)
11.	121K58300	Solenoid assembly gate (REP 21.7)
12.	-	Harness assembly staple unit (Not Spared)
13.	-	Harness assembly stapler M (Not Spared)
14.	-	Harness assembly fin IL (Not Spared)
15.	-	Harness assembly fin trans M1 (Not Spared)
16.	-	Harness assembly fin compile sensor (Not Spared)



D-8-0050-A

PL 30.1 Cabinet

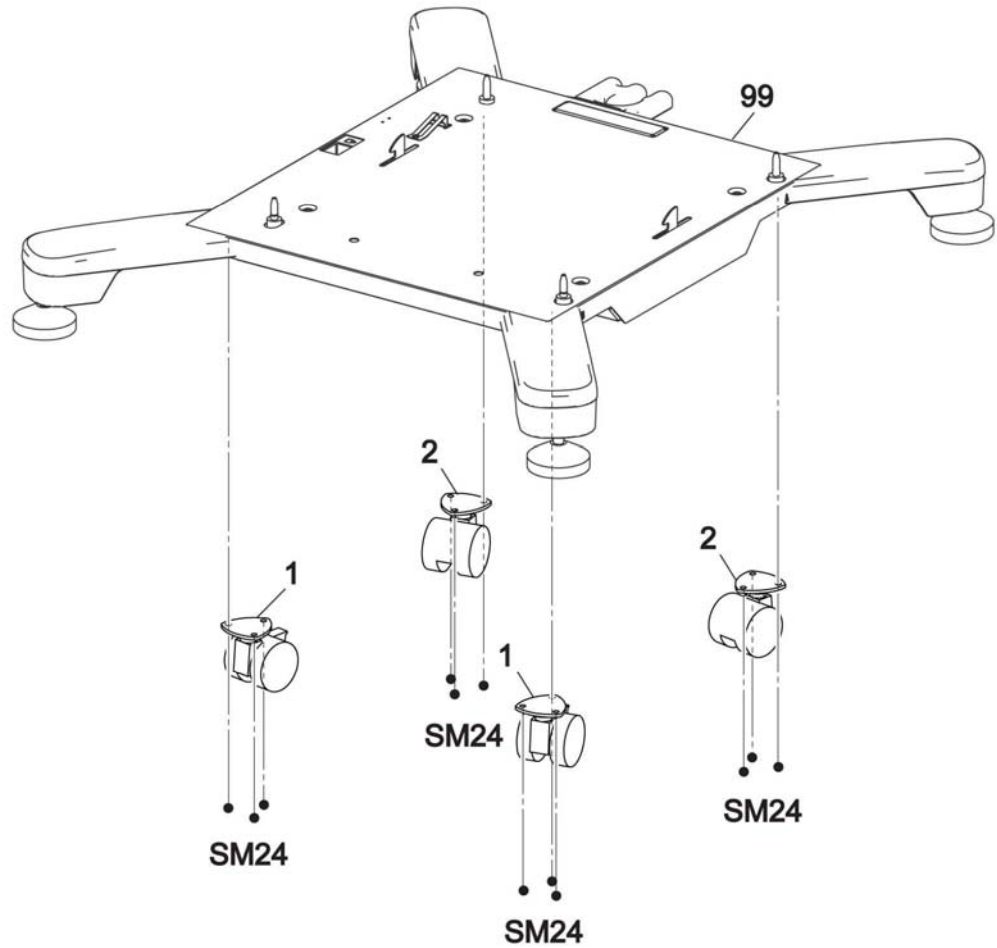
Item	Part	Description
1	-	Caster (with lock) (Not Spared)
2	-	Caster (without lock) (Not Spared)



D-8-0051-A

PL 30.2 Caster

Item	Part	Description
1	-	Caster (with lock) (Not Spared)
2	-	Caster (without lock) (Not Spared)

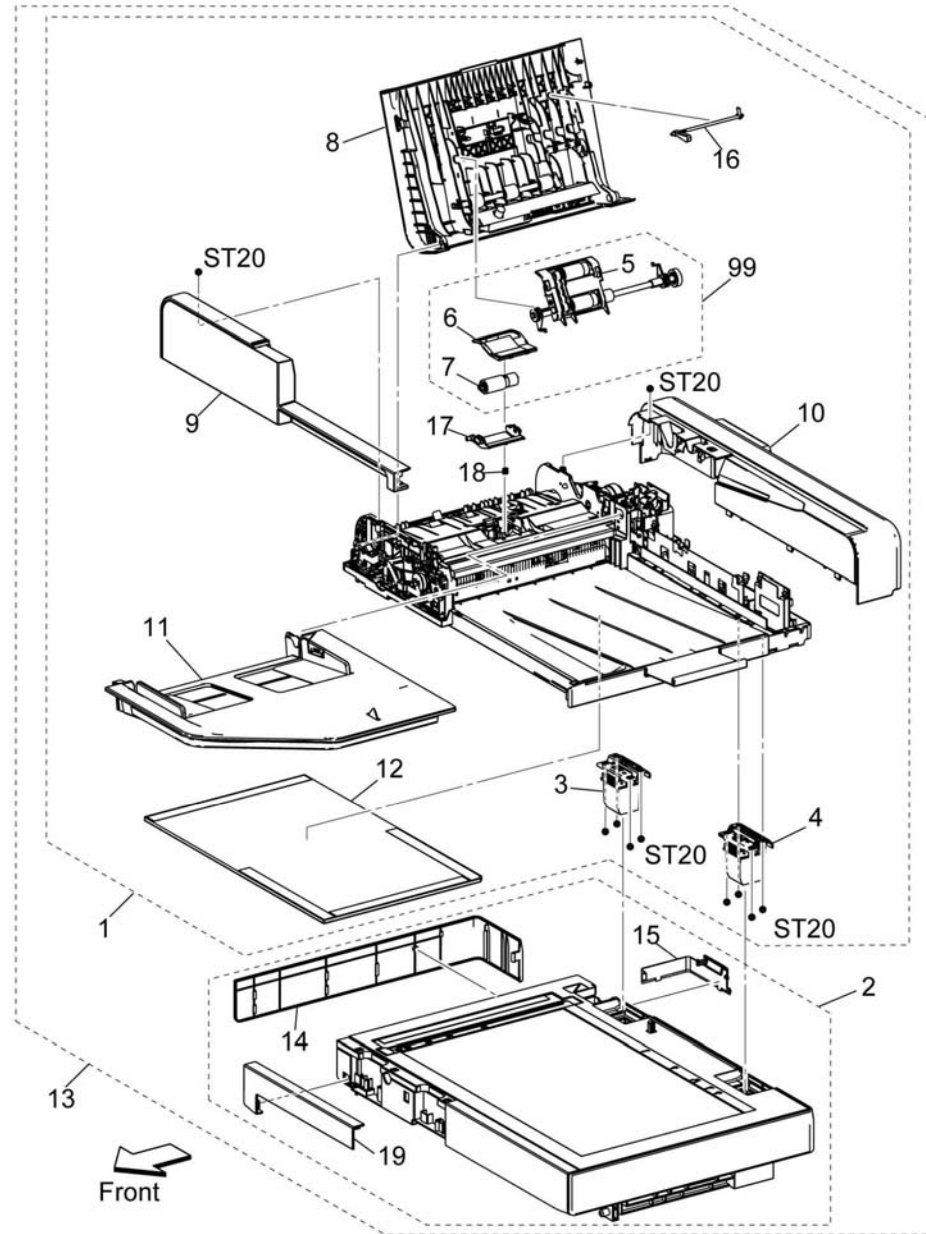


D-8-0052-A

PL 50.1 Scanner (C505/C605/ C605_Tall only)

Item	Part	Description
1	607K04880	DADF assembly C505/C605 (with 3-12, 16, 17) (REP 50.1)
-	607K04890	DADF assembly C605_Tall (with 3-12, 16, 17) (REP 50.1)
2	607K05161	IIT assembly C505 (with 14-15, 19) (REP 50.2)
-	607K04861	IIT assembly C605/C605_Tall (with 14-15, 19) (REP 50.2)
-	607K04871	IIT assembly C605_Tall (with 14-15, 19) (REP 50.2)
3	036K92351	Counterbalance assembly L (REP 50.3)
4	036K92331	Counterbalance assembly R (REP 50.3)
5	-	Feeder roll DADF (P/O PL 50.1 Item 99)
6	-	Cover assembly separator (P/O PL 50.1 Item 99)
7	-	Roll assembly separator DADF (P/O PL 50.1 Item 99)
8	-	Feeder assembly upper (P/O PL 50.1 Item 1)
9	-	Cover DADF front (P/O PL 50.1 Item 1)
10	-	Cover DADF rear (P/O PL 50.1 Item 1)
11	-	Tray assembly DADF (P/O PL 50.1 Item 1)
12	004K03660	Cushon assembly platen (REP 50.4)
13	-	Scanner assembly (with 1-2)
14	822E35271	Cover IIT left (REP 50.5)
15	822E35341	Cover IIT left cap (REP 50.6)
16	120E35681	DADF actuator (REP 50.7)
17	-	Holder separator DADF (P/O PL 50.1 Item 1)
18	-	Spring separator DADF (Not Spared)
19	822E35311	Cover front IIT (REP 50.8)
99	-	Kit DADF feed roll (with 5-7) (P/O PL 50.1 Item 1)

NOTE: #99 - Kit DADF feed roll is available as Scanner Maintenance Kit (DADF), p/n 108R01490 in GP 40 Supplies and Accessories.



D-8-0053-A

Hardware Kit

The Hardware Kit is listed in [GP 41](#), Hardware Information.

