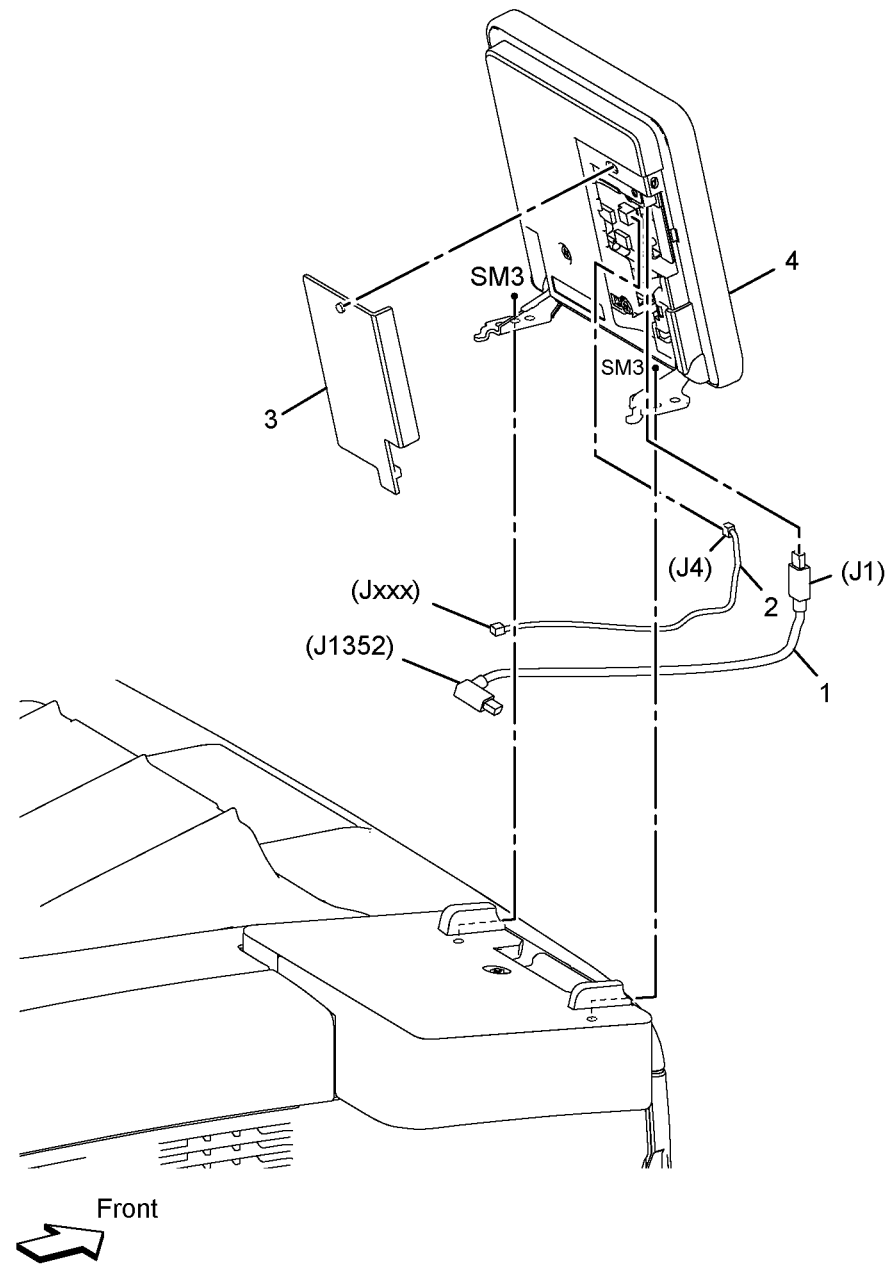


5 Parts Lists

PL 1 - UI			
PL 1.1A UI - C400	5-3	PL 18.1 Electrical (Front/Right)	5-27
PL 1.1B UI - C405	5-4	PL 18.2 Electrical (Rear/Left)	5-28
PL 1.2A UI - C400	5-5	PL 18.3 Electrical	5-29
PL 1.2B UI - C405	5-6		
PL 2 - ROS		PL 19.1 - Covers	
PL 2.1 ROS	5-7	PL 19.1A Covers - C400 (1 of 2)	5-31
		PL 19.1B Covers - C400 (2 of 2)	5-32
		PL 19.1C Covers - C405 (1 of 2)	5-33
		PL 19.1D Covers - C405 (2 of 2)	5-34
PL 3 - Main Drives		PL 19.2 - Cover	
PL 3.1 Drive	5-8	PL 19.2A Covers - C400	5-35
		PL 19.2B Covers - C405	5-36
PL 4 - NOHAD		PL 50 - IIT/DADF	
PL 4.1 NOHAD	5-9	PL 50.1 IIT/DADF	5-37
PL 5 - Dispenser		Xerox Supplies and Accessories	
PL 5.1 Dispenser	5-10	Xerox Supplies And Accessories	5-39
PL 6 - Transfer			
PL 6.1 Transfer	5-12		
PL 7 - Fusing			
PL 7.1 Fuser	5-13		
PL 8 - Xerographics			
PL 8.1 Xerographics	5-14		
PL 9 - Tray			
PL 9.1 Tray	5-15		
PL 10 - Option Feeder			
PL 10.1 Option Feeder (1 of 3)	5-17		
PL 10.2 Option Feeder (2 of 3)	5-18		
PL 10.3 Option Feeder (3 of 3)	5-19		
PL 13 - MSI			
PL 13.1 MSI (1 of 3)	5-20		
PL 13.2 MSI (2 of 3)	5-21		
PL 13.3 MSI (3 of 3)	5-22		
PL 14 - Duplex			
PL 14.1 Duplex	5-23		
PL 15 - Registration/Feeder			
PL 15.1 Registration/Feeder (1 of 2)	5-24		
PL 15.2 Registration/Feeder (2 of 2)	5-25		
PL 17 - Exit			
PL 17.1 Exit	5-26		
PL 18 - Electrical			

PL 1.1A UI - C400

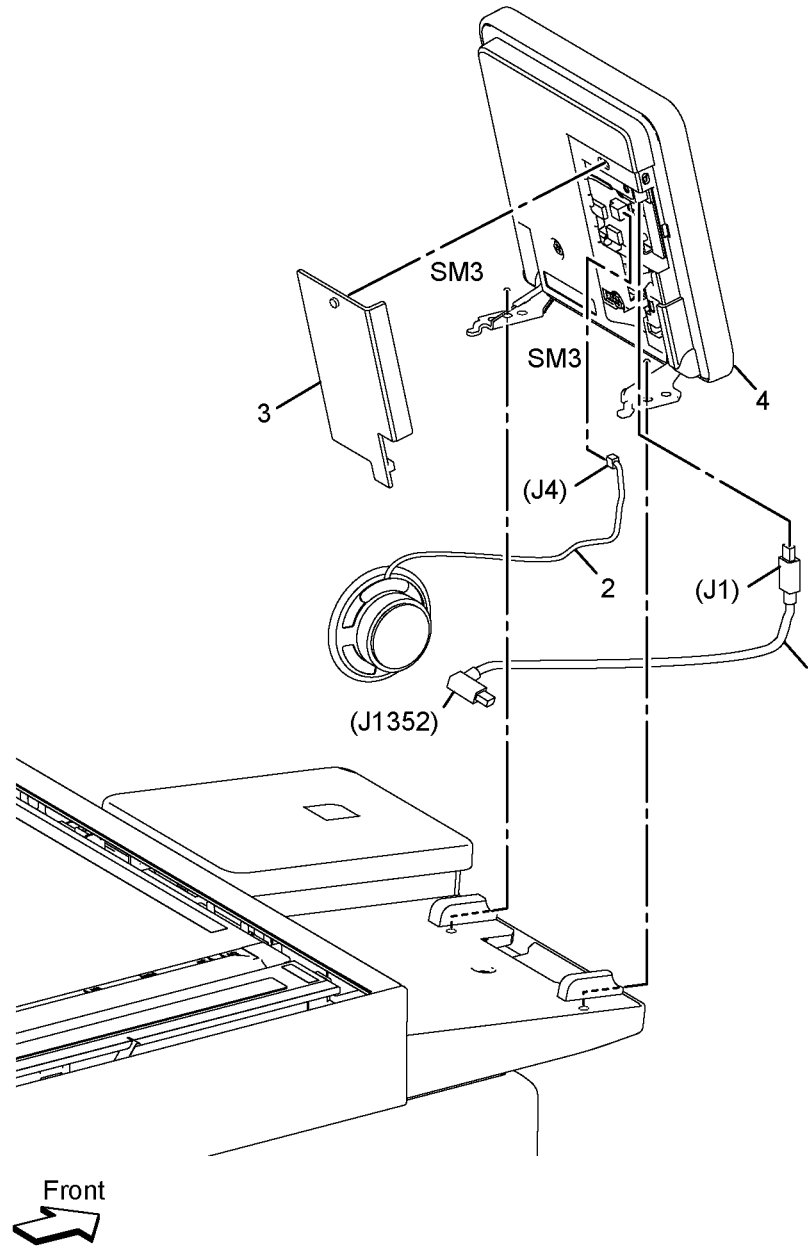
Item	Part	Description
1	952K38420	UI harness assembly C400 (REP 1.1)
2	—	Speaker harness (Not Spared)
3	822E32001	UI access door
4	948K20152	UI console assembly C400 (REP 1.2)



Z-8-0031-A

PL 1.1B UI - C405

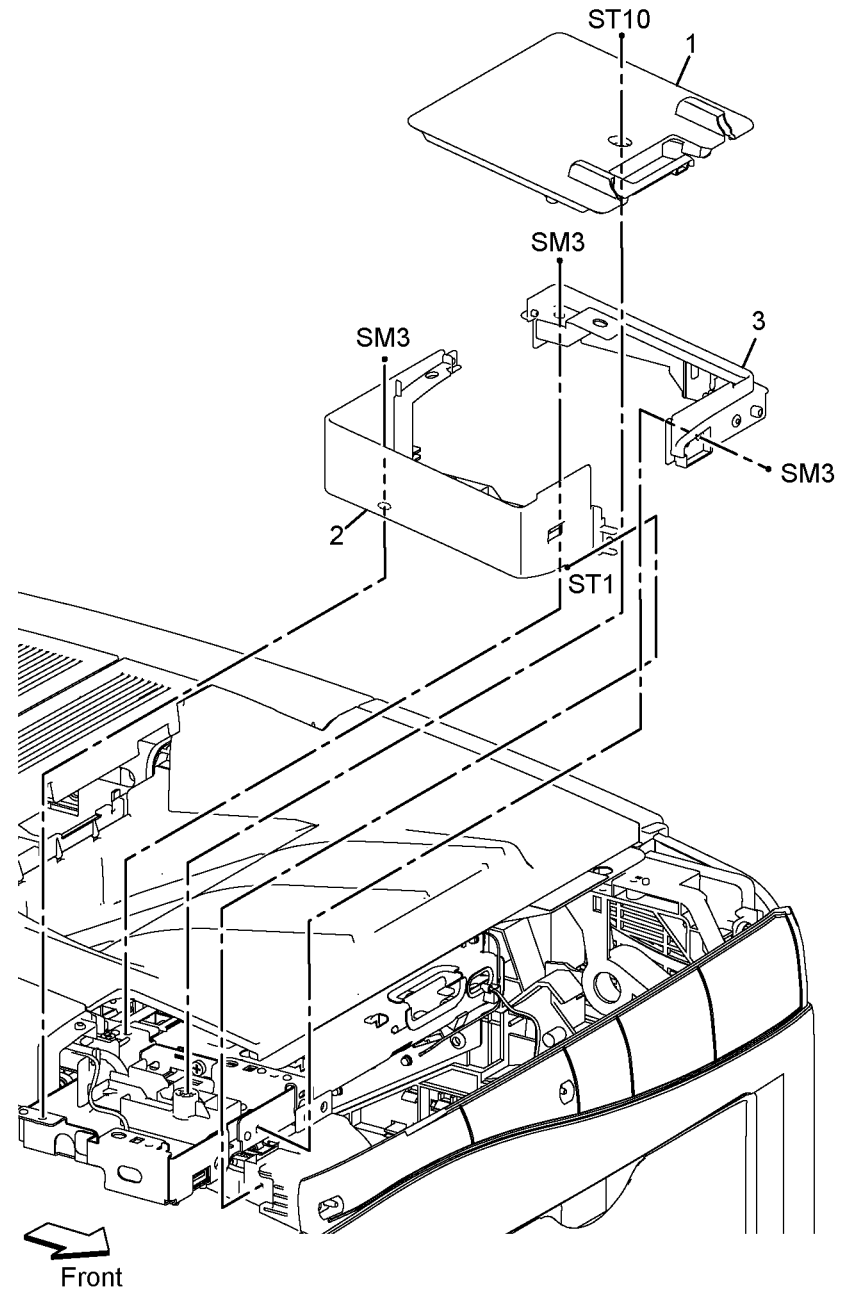
Item	Part	Description
1	952K38760	UI harness assembly C405 (REP 1.4)
2	—	UI Speaker (Not Spared)
3	822E32001	UI access door
4	948K20152	UI console assembly C405 (REP 1.3)



Z-8-0001-A

PL 1.2A UI - C400

Item	Part	Description
1	-	UI top cover (Not Spared)
2	822E29781	UI bottom left cover (REP 1.5)
3	-	UI bottom right cover (Not Spared) (REP 1.6)

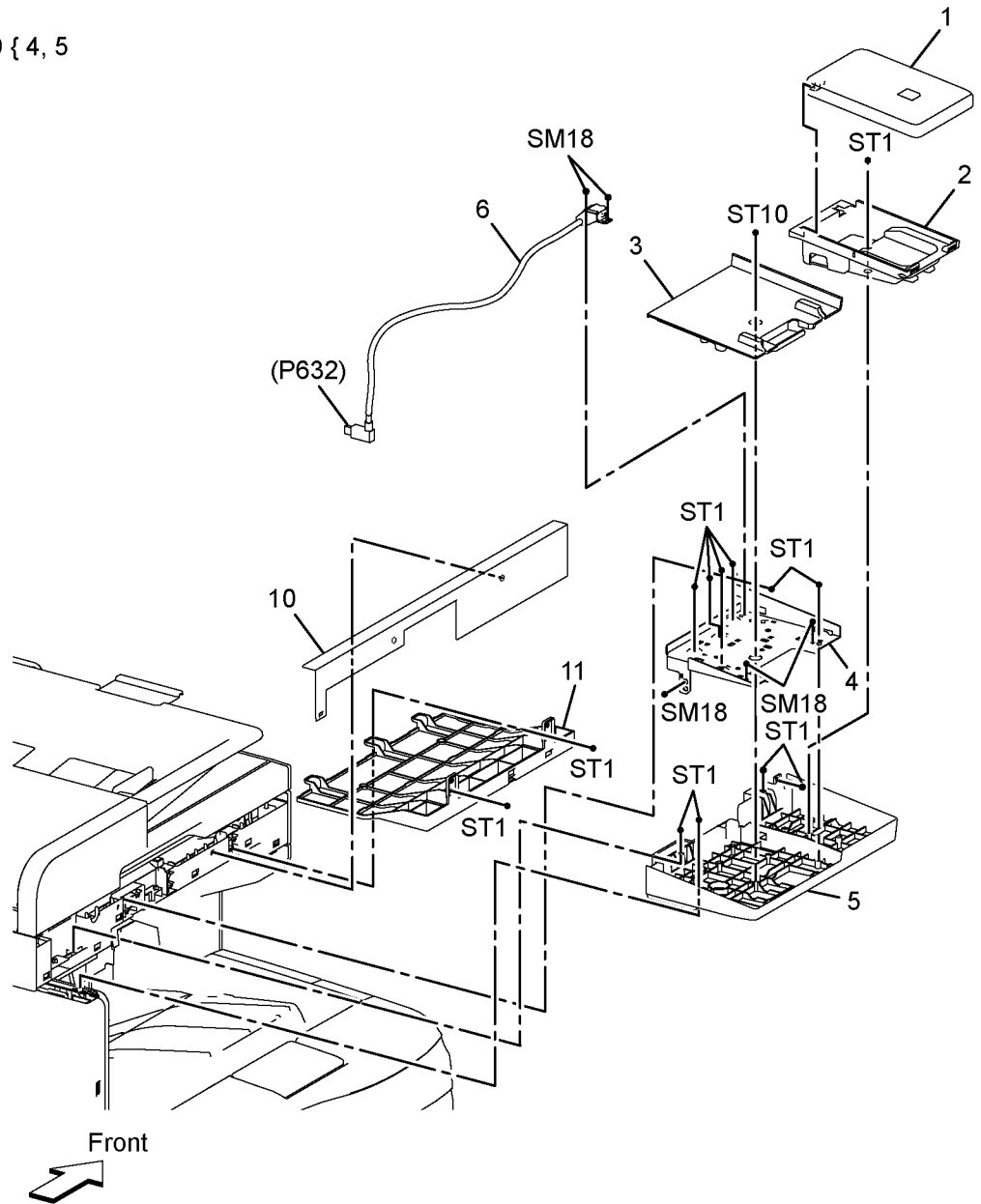


Z-8-0032-A

PL 1.2B UI - C405

Item	Part	Description
1	822E31951	ICCR top cover
2	-	ICCR inner cover (Not Spared)
3	-	UI base top cover (Not Spared)
4	-	Bottom plate (P/O PL 1.2B Item 99)
5	-	UI bottom base cover (P/O PL 1.2B Item 99)
6	-	ICCR USB harness assembly (Not Spared) (REP 1.4)
7	-	Not Used
8	-	Not Used
9	-	Not Used
10	822E34292	IIT front cover
11	-	IIT front under cover (Not Spared)
99	607K03890	UI bottom base kit

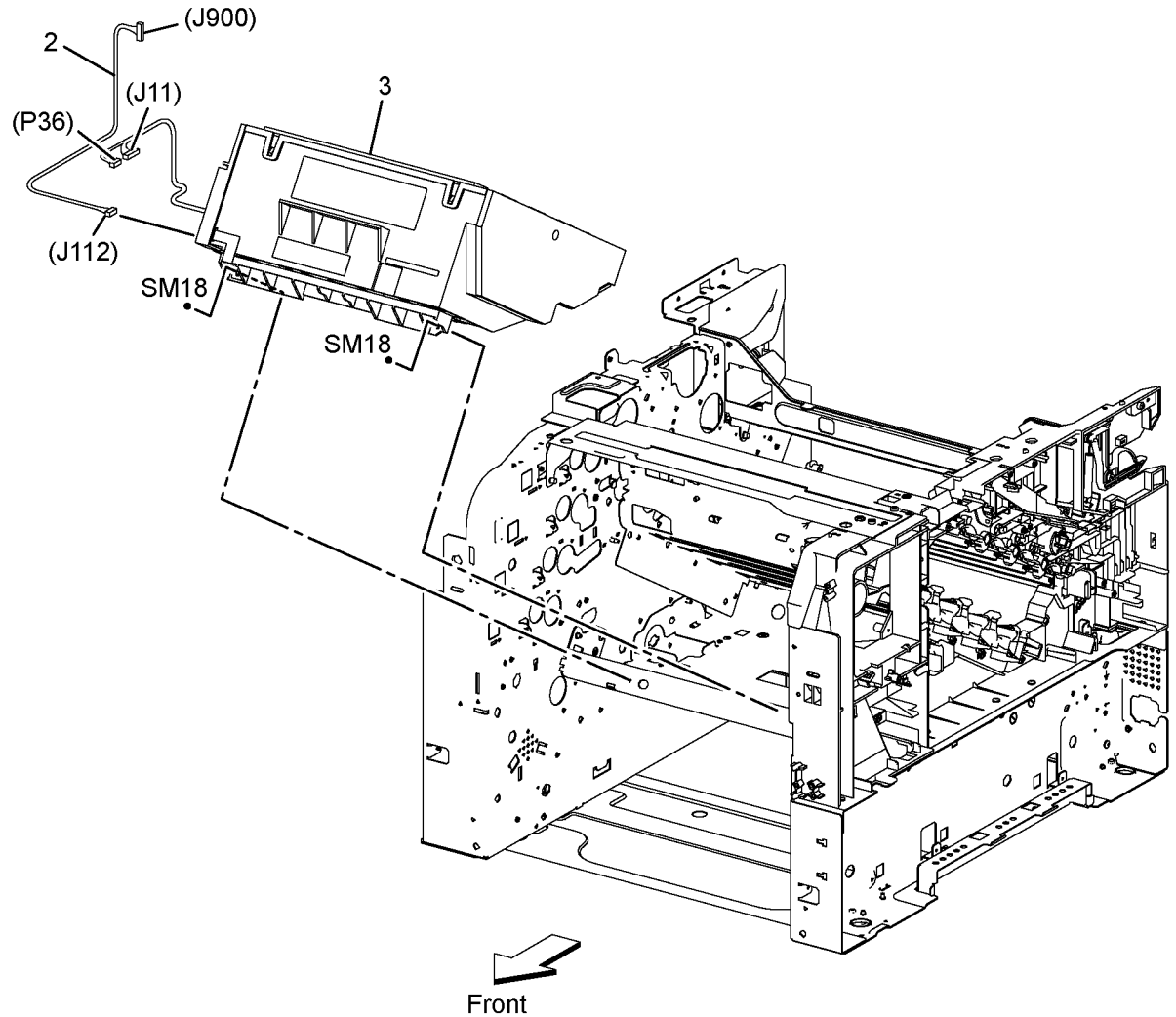
99 { 4, 5



Z-8-0002-A

PL 2.1 ROS

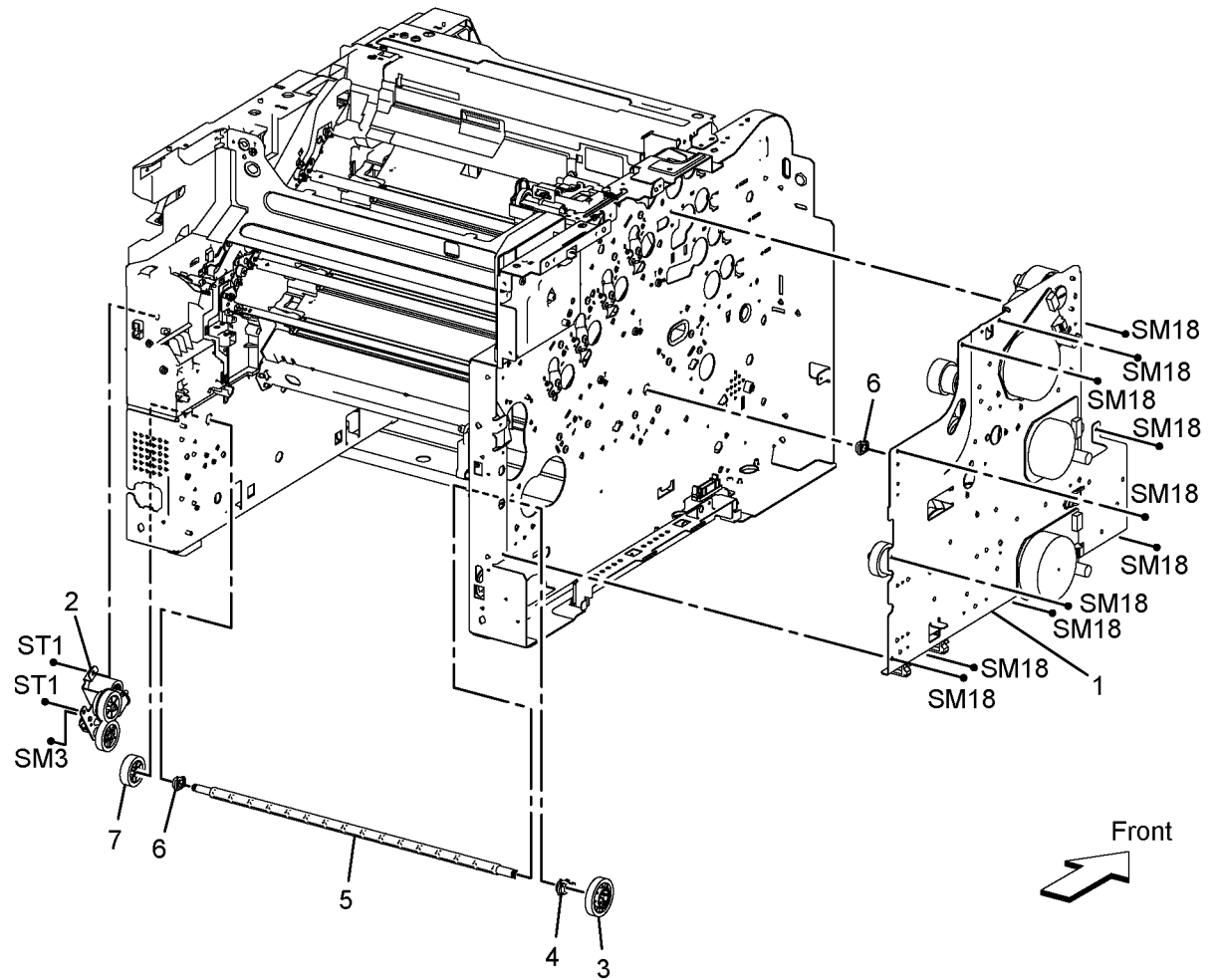
Item	Part	Description
1	062K24638	ROS assembly (110V) (REP 2.1)
1A	062K27951	ROS assembly (220V) (REP 2.1)
2	-	Video harness assembly (P/O PL 2.1 Item 1)
3	-	ROS sub assembly (P/O PL 2.1 Item 1)



Z-8-0003-A

PL 3.1 Drive

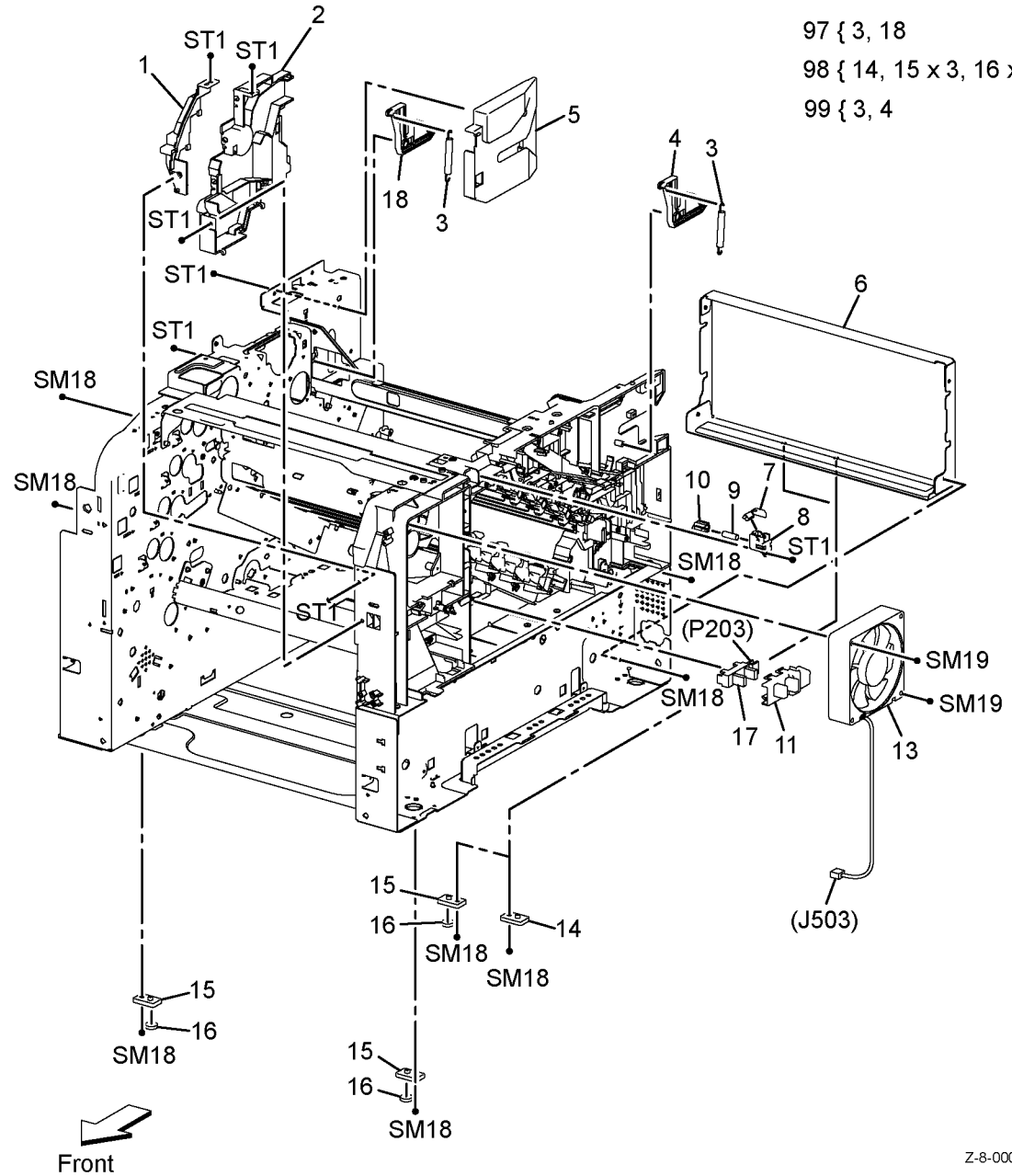
Item	Part	Description	
1	007K98851	Main drive assembly (REP 3.1)	8 { 3, 5, 7
2	007K17963	Waste drive assembly (REP 3.2)	
3	—	Waste gear 2 (P/O PL 3.1 Item 8)	9 { 4, 6
4	—	Waste bearing 1 (P/O PL 3.1 Item 9)	
5	—	Drive shaft (P/O PL 3.1 Item 8)	
6	—	Waste bearing 2 (P/O PL 3.1 Item 9)	
7	—	Waste gear 3 (P/O PL 3.1 Item 8)	
8	007K17971	Drive shaft assembly (REP 3.3)	
9	604K90781	Waste bearing kit	



Z-8-0004-A

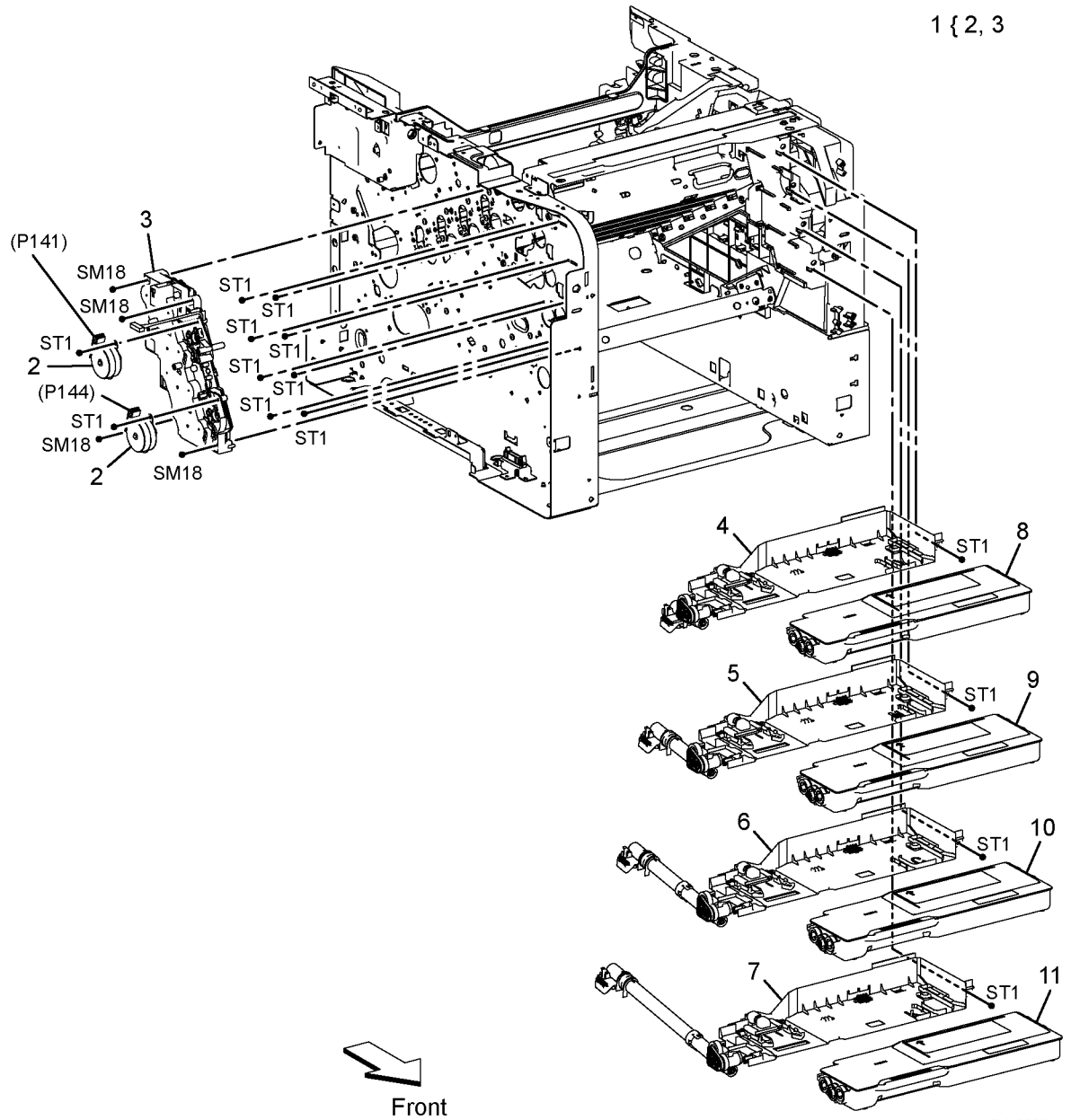
PL 4.1 NOHAD

Item	Part	Description
1	-	Frame duct (Not Spared)
2	-	Base duct (Not Spared)
3	-	Latch spring (P/O PL 4.1 Item 97)
4	-	Right rear latch (P/O PL 4.1 Item 99) (REP 4.3)
5	-	Left latch bracket (Not Spared)
6	-	S3 rear frame (Not Spared)
7	-	Right interlock belt actuator (Not Spared)
8	-	Interlock belt holder (Not Spared)
9	-	Interlock belt spring (Not Spared)
10	-	Interlock belt actuator (Not Spared)
11	-	Waste sensor cover (Not Spared)
12	-	Fan screw (not shown) (Not Spared)
13	127E86480	Main fan (REP 4.1)
14	-	Rear foot (P/O PL 4.1 Item 98)
15	-	Front base foot (P/O PL 4.1 Item 98)
16	-	Foot (P/O PL 4.1 Item 98)
17	930W00511	Toner full sensor (REP 4.2)
18	-	Left rear latch (P/O PL 4.1 Item 97)
97	604K73980	Left rear latch
98	607K00880	Foot assembly (Kit contains Rear Foot, 3 Front Foot Base and 3 Foot)
99	604K76350	Right rear latch



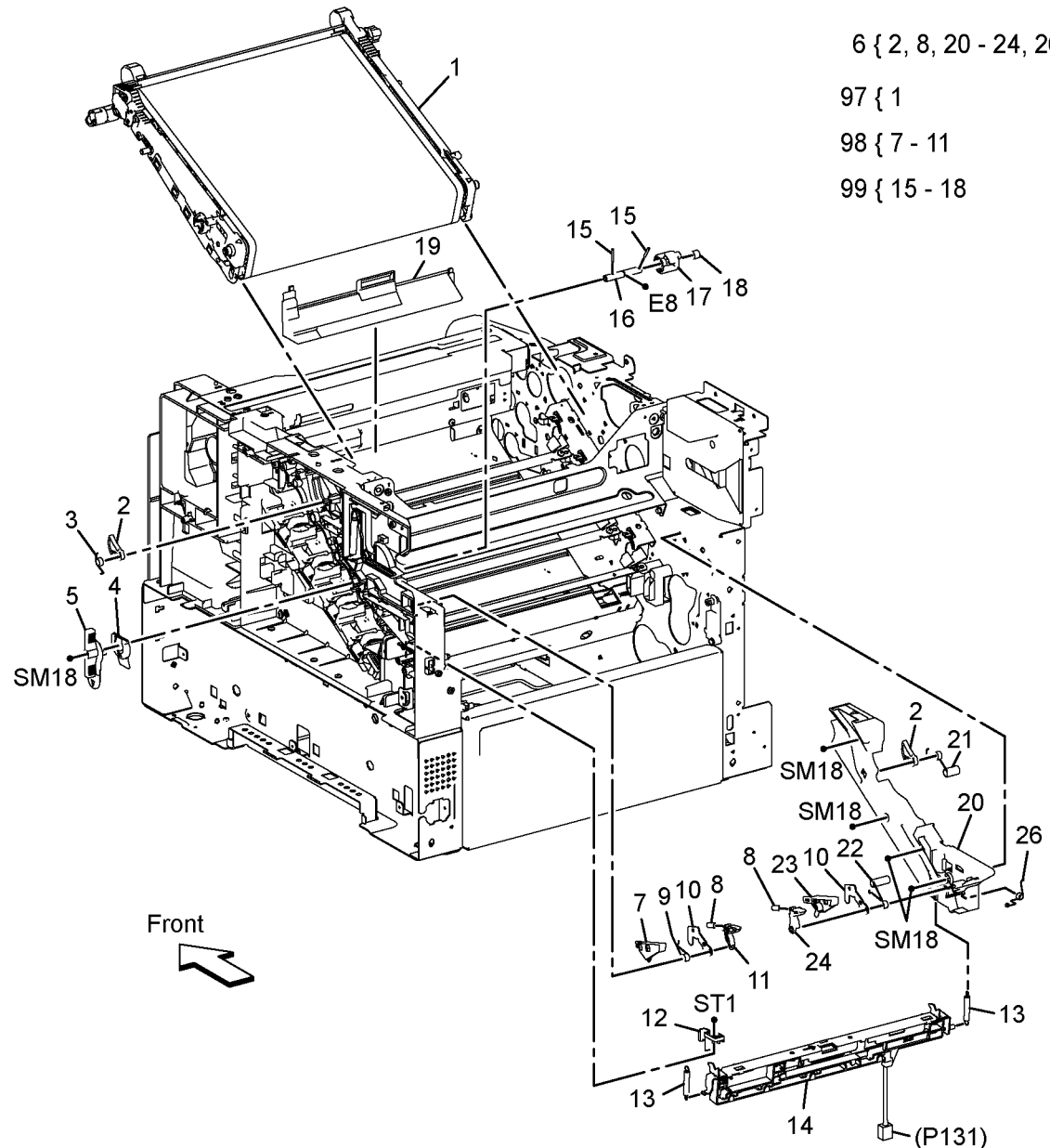
PL 5.1 Dispenser

Item	Part	Description
1	127K64252	Upper dispenser motor assembly (REP 5.1)
2	127K64260	Dispenser motor (REP 5.2)
3	-	Gear motor assembly (P/O PL 5.1 Item 1)
4	094K93433	Dispenser assembly - Y (REP 5.3)
5	094K93423	Dispenser assembly - M (REP 5.3)
6	094K93413	Dispenser assembly - C (REP 5.3)
7	094K93403	Dispenser assembly - K (REP 5.3)
8	-	Toner cartridge - Y (variants below)
-	106R03537	Metered (WW)
-	106R03533	Extra high capacity (DMO)
-	106R03529	Extra high capacity (XE)
-	106R03525	Extra high capacity (NA)
-	106R03521	High capacity (DMO)
-	106R03517	High capacity (XE)
-	106R03513	High capacity (NA)
-	106R03509	Standard capacity (DMO)
-	106R03501	Standard capacity (NA/XE)
-	116R00020	Dealer configuration (for authorised use only)
9	-	Toner cartridge - M (variants below)
-	106R03527	Extra high capacity (NA)
-	106R03535	Extra high capacity (DMO)
-	106R03511	Standard capacity (DMO)
-	106R03531	Extra high capacity (XE)
-	106R03523	High capacity (DMO)
-	106R03519	High capacity (XE)
-	106R03539	Metered (WW)
-	106R03515	High capacity (NA)
-	106R03503	Standard capacity (NA/XE)
-	116R00019	Dealer configuration (for authorised use only)
10	-	Toner cartridge - C (variants below)
-	106R03526	Extra high capacity (NA)
-	106R03522	High capacity (DMO)
-	106R03518	High capacity (XE)
-	106R03538	Metered (WW)
-	106R03514	High capacity (NA)
-	106R03502	Standard capacity (NA/XE)
-	106R03510	Standard capacity (DMO)
-	106R03534	Extra high capacity (DMO)
-	106R03530	Extra high capacity (XE)
-	116R00018	Dealer configuration (for authorised use only)
11	-	Toner cartridge - K (variants below)
-	106R03512	High capacity (NA)
-	106R03516	High capacity (XE)
-	106R03536	Metered (WW)
-	106R03508	Standard capacity (DMO)
-	106R03528	Extra high capacity (XE)
-	106R03520	High capacity (DMO)
-	106R03532	Extra high capacity (DMO)
-	106R03524	Extra high capacity (NA)
-	106R03500	Standard capacity (NA/XE)
-	116R00021	Dealer configuration (for authorised use only)



PL 6.1 Transfer

Item	Part	Description
1	–	Transfer belt assembly (P/O PL 6.1 Item 97) (REP 6.3)
2	–	Transfer front latch (P/O PL 6.1 Item 6)
3	–	Transfer front right spring (Not Spared)
4	–	Coupling actuator (Not Spared)
5	803E15100	Waste box lock
6	032K07422	Left transfer belt guide assembly (REP 6.1)
7	–	Housing (P/O PL 6.1 Item 98)
8	–	Transfer latch spring (P/O PL 6.1 Item 6)
9	–	Transfer rear right spring (P/O PL 6.1 Item 98)
10	–	Transfer latch plate (P/O PL 6.1 Item 98)
11	–	Transfer right latch arm (P/O PL 6.1 Item 98)
12	–	Color toner density (CTD) right guide (Not Spared)
13	809E96300	Color toner density (CTD) spring (REP 6.2)
14	130K77830	Color toner density (CTD) sensor assembly (REP 6.2)
15	–	Dowel pin (P/O PL 6.1 Item 99)
16	–	Coupling shaft (P/O PL 6.1 Item 99)
17	–	Transfer retract coupling (P/O PL 6.1 Item 99)
18	–	Coupling spring (P/O PL 6.1 Item 99)
19	–	Transfer harness cover (Not Spared)
20	–	Left belt guide (P/O PL 6.1 Item 6)
21	–	Transfer front left spring (ACO) (P/O PL 6.1 Item 6)
22	–	Transfer rear left spring (P/O PL 6.1 Item 6)
23	–	Transfer left latch housing (P/O PL 6.1 Item 6)
24	–	Transfer left latch arm (P/O PL 6.1 Item 6)
25	–	Not used
26	–	Spring (P/O PL 6.1 Item 6)
97	604K77533	Transfer belt assembly (see NOTE)
98	604K76280	Transfer belt right latch kit (REP 6.4)
99	604K76290	Coupling kit (REP 6.5)



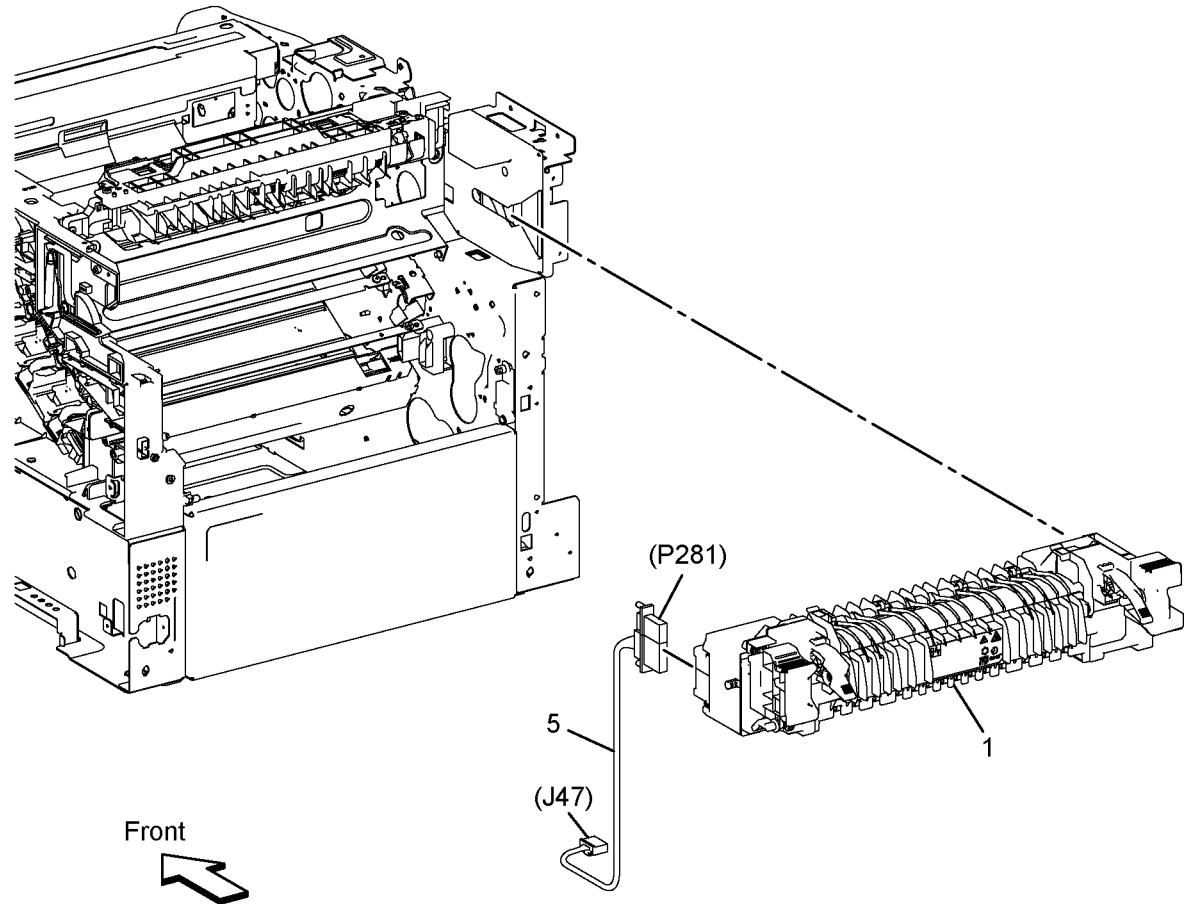
6 { 2, 8, 20 - 24, 26
 97 { 1
 98 { 7 - 11
 99 { 15 - 18

NOTE: HFSI. To reset the HFSI count, refer to dC135.

Z-8-0007-A

PL 7.1 Fuser

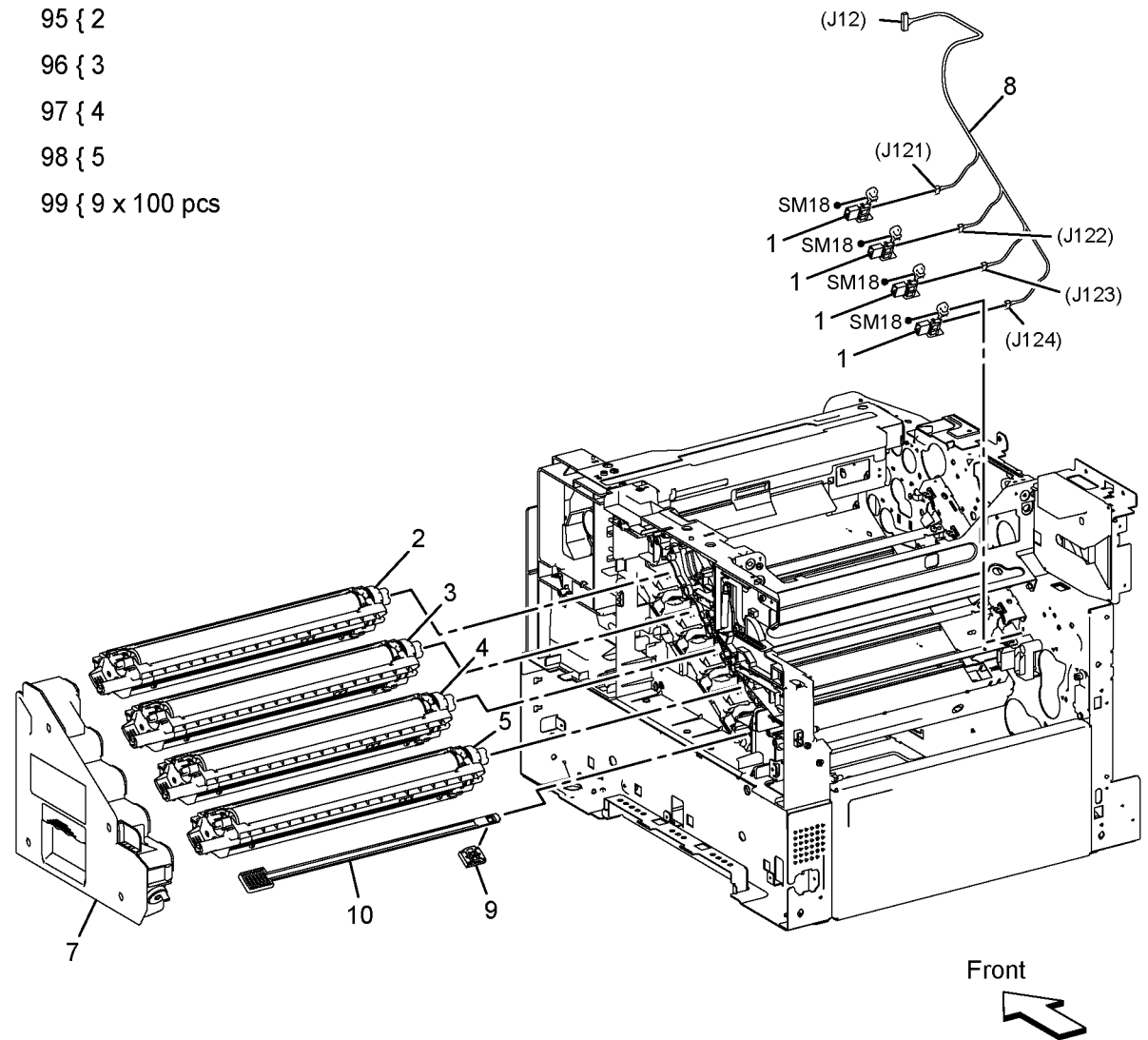
Item	Part	Description
1	115R00088	Fuser assembly (110V) (REP 7.1)
1A	115R00089	Fuser assembly (220V) (REP 7.1)
2	—	Not used
3	—	Not used
4	—	Not used
5	—	Harness assembly (Not Spared)



Z-8-0008-A

PL 8.1 Xerographics

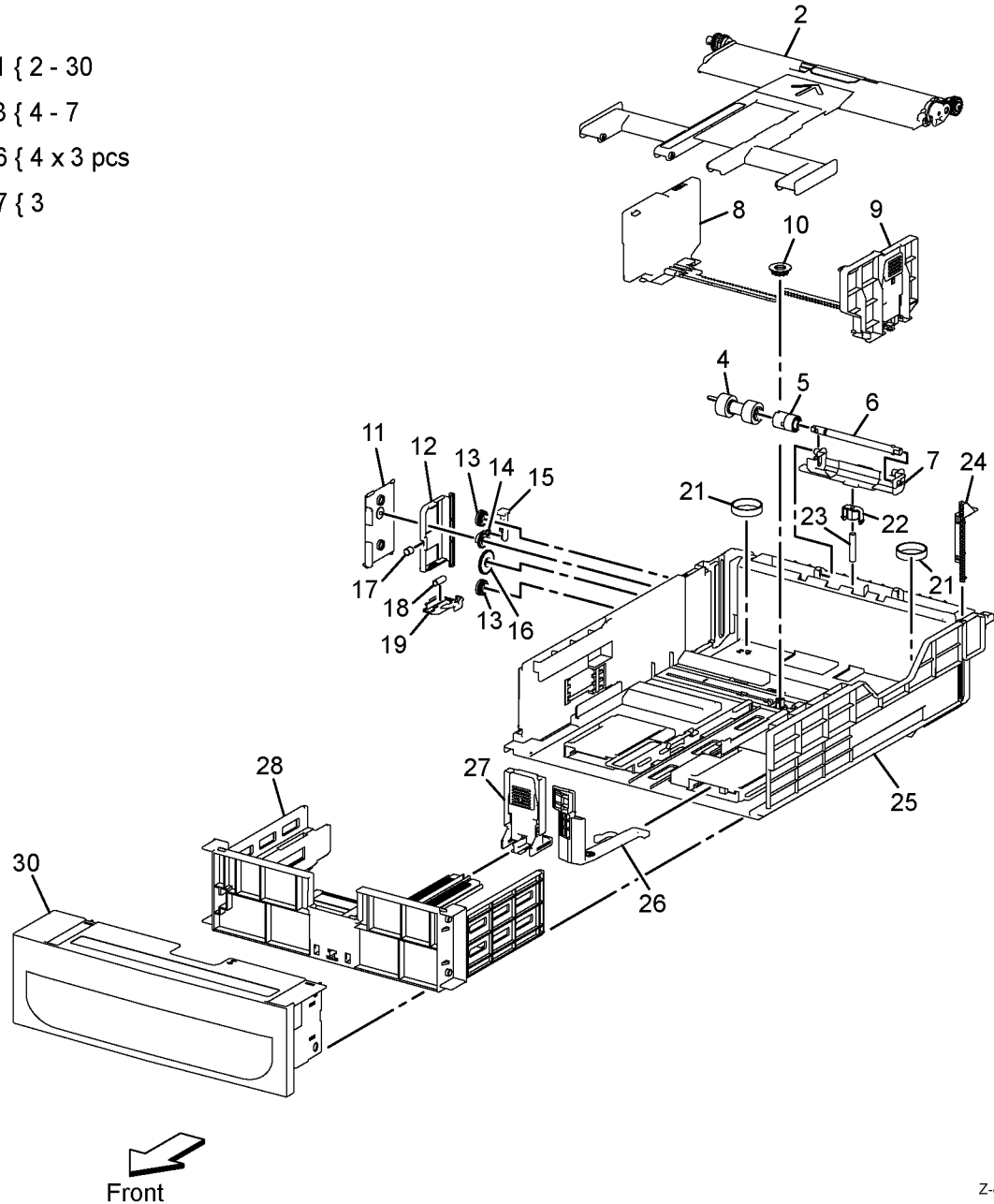
Item	Part	Description	
1	019K12700	Transfer CRUM connector assembly (REP 8.1)	6 { 9, 10
2	-	CRU xerographic development assembly - Y (P/O PL 8.1 Item 95)	95 { 2
3	-	CRU xerographic development assembly - M (P/O PL 8.1 Item 96)	96 { 3
4	-	CRU Xerographic Development assembly - C (P/O PL 8.1 Item 97)	97 { 4
5	-	CRU Xerographic Development assembly - K (P/O PL 8.1 Item 98)	98 { 5
6	042K94440	Lens cleaner assembly	99 { 9 x 100 pcs
7	108R01124	Waste box assembly	
8	-	CRUM xerographic harness assembly (Not Spared)	
9	-	Cleaner assembly base (P/O PL 8.1 Item 6)	
10	-	Cleaner rod (P/O PL 8.1 Item 6)	
95	604K77585	CRU Xerographic development assembly (imaging unit) - Y	
96	604K77575	CRU Xerographic development assembly (imaging unit) - M	
97	604K77565	CRU Xerographic development assembly (imaging unit) - C	
98	604K77555	CRU Xerographic development assembly (imaging unit)	
99	-	Cleaner assembly base	



Z-8-0009-A

PL 9.1 Tray

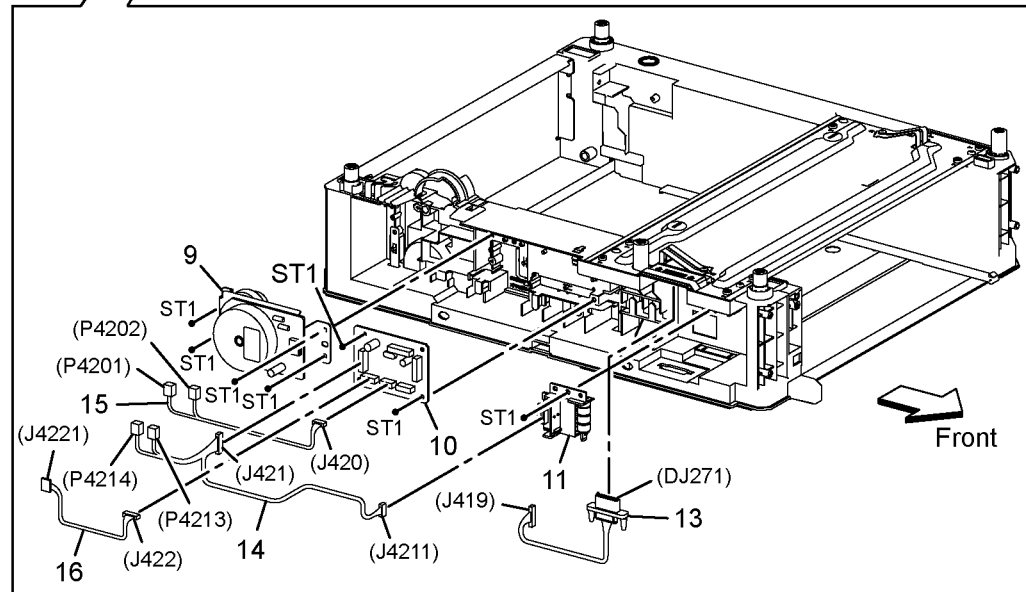
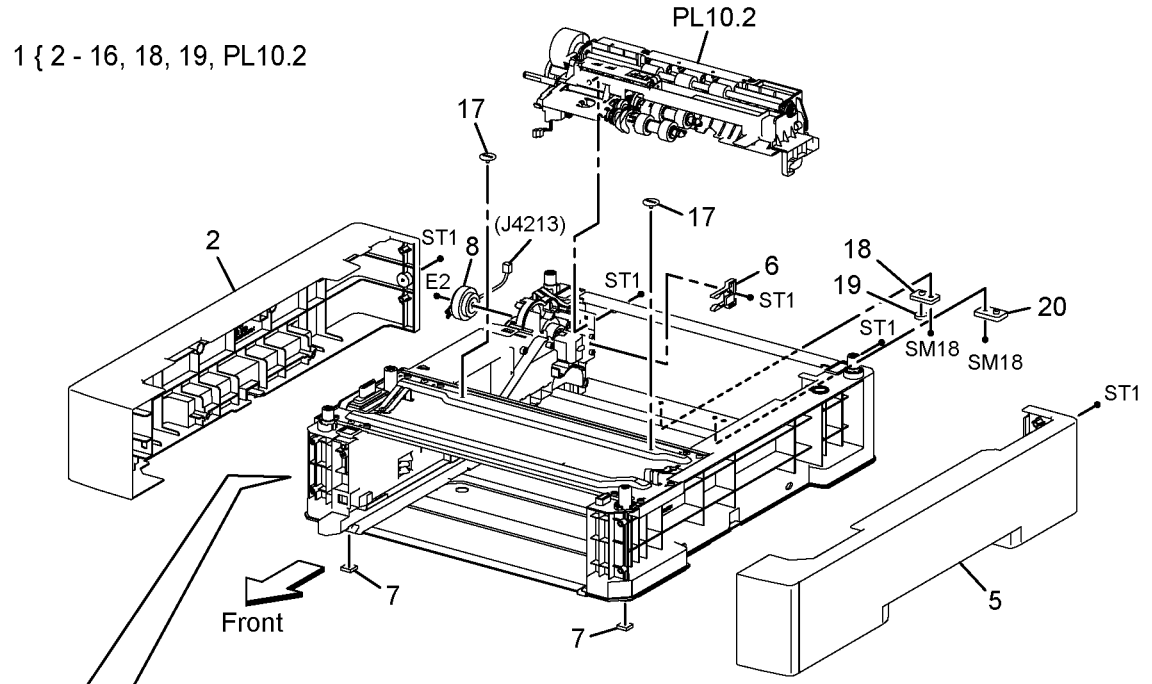
Item	Part	Description	
1	050K66497	IOT 550 cassette assembly	1 { 2 - 30
2	-	Bottom plate assembly (P/O PL 9.1 Item 1)	3 { 4 - 7
3	-	Cassette retard holder assembly (P/O PL 9.1 Item 97) (REP 9.1)	96 { 4 x 3 pcs
4	-	Retard roller assembly (P/O PL 9.1 Item 96) (See NOTE)	97 { 3
5	-	Retard friction clutch (P/O PL 9.1 Item 3)	
6	-	Cassette retard shaft (P/O PL 9.1 Item 3)	
7	-	Cassette retard holder (P/O PL 9.1 Item 3)	
8	-	Left side guide assembly (P/O PL 9.1 Item 1)	
9	-	Right side guide assembly (P/O PL 9.1 Item 1)	
10	-	Pinion gear (P/O PL 9.1 Item 1)	
11	-	Bottom lock cover (P/O PL 9.1 Item 1)	
12	-	Bottom lock rack (P/O PL 9.1 Item 1)	
13	-	Bottom lock pinion gear (P/O PL 9.1 Item 1)	
14	-	Bottom lock lever gear (P/O PL 9.1 Item 1)	
15	-	Bottom lock lever (P/O PL 9.1 Item 1)	
16	-	Bottom lock gear (P/O PL 9.1 Item 1)	
17	-	Bottom lock spring (P/O PL 9.1 Item 1)	
18	-	Lock spring (P/O PL 9.1 Item 1)	
19	-	Left lock actuator (P/O PL 9.1 Item 1)	
20	-	Not used	
21	-	Upper bottom spring (P/O PL 9.1 Item 1)	
22	-	MSI retard spring holder (P/O PL 9.1 Item 1)	
23	-	Cassette retard spring (P/O PL 9.1 Item 1)	
24	-	Upper lift rack (P/O PL 9.1 Item 1)	
25	-	Base housing (P/O PL 9.1 Item 1)	
26	-	End extension lever (P/O PL 9.1 Item 1)	
27	-	End guide assembly (P/O PL 9.1 Item 1)	
28	-	End housing (P/O PL 9.1 Item 1)	
29	-	Not used	
30	-	Cassette handle (P/O PL 9.1 Item 1)	
96	675K47673	Feed roller assembly (Kit Contains 3 Feed Roller assembly and Instruction) (REP 9.1)	
97	604K77661	Cassette retard holder assembly (Kit Contains Cassette Retard Holder assembly and Instruction) (REP 9.1)	



NOTE: HFSI. To reset the HFSI count, refer to dc135

PL 10.1 Option Feeder (1 of 3)

Item	Part	Description
1	604K77500	Optional 550-sheet feeder (REP 10.1)
2	-	550 Option left side cover (P/O PL 10.1 Item 1) (REP 10.2)
3	-	Not used
4	-	Not used
5	-	550 Option right side cover (P/O PL 10.1 Item 1)
6	803E10840	550 Option cassette stopper (REP 10.3)
7	-	Foot assembly (P/O PL 10.1 Item 1)
8	005K83210	550 Option feed clutch assembly (REP 10.3)
9	007K18020	550 Option drive assembly (REP 10.4)
10	960K62142	550 Option feeder PWBA (REP 10.5)
11	110K16610	550 Option size switch assembly (REP 10.6)
12	-	Not used
13	-	550 Option drawer1 feeder harness (P/O PL 10.1 Item 1)
14	-	C2 size harness assembly (P/O PL 10.1 Item 1)
15	-	C2 turn harness assembly (P/O PL 10.1 Item 1)
16	-	Feeder motor harness assembly (P/O PL 10.1 Item 1)
17	-	Joint screw (Not Spared)
18	-	Front base foot (P/O PL 10.1 Item 1)
19	-	Foot (P/O PL 10.1 Item 1)
20	-	Rear foot (Not Spared)

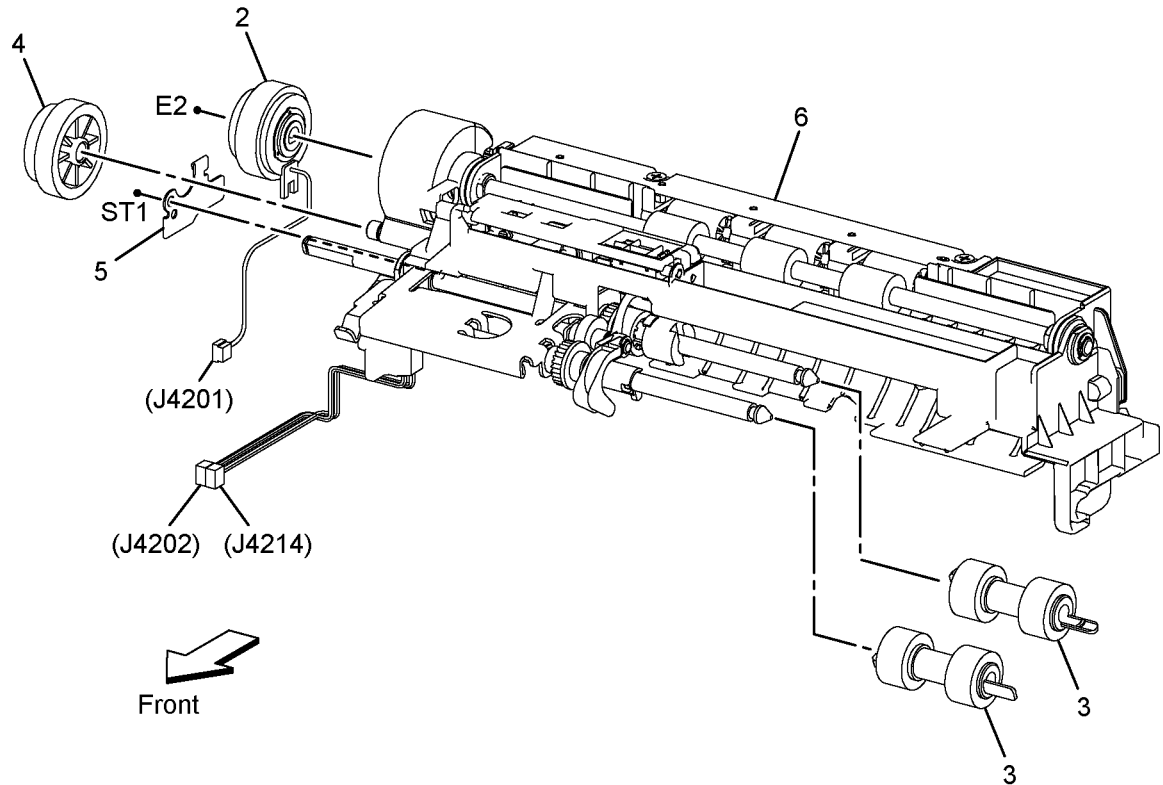


Z-8-0011-A

PL 10.2 Option Feeder (2 of 3)

Item	Part	Description
1	059K71760	550 Option main feed assembly (REP 10.7)
2	121K48670	550 Option registration clutch assembly (REP 10.8)
3	675K47673	550 Option feed roller assembly (See NOTE) (REP 10.9)
4	–	550 Option feeder gear (P/O PL 10.2 Item 1)
5	–	Nudger spring bracket (P/O PL 10.2 Item 1)
6	–	Sub feeder assembly (P/O PL 10.2 Item 1)

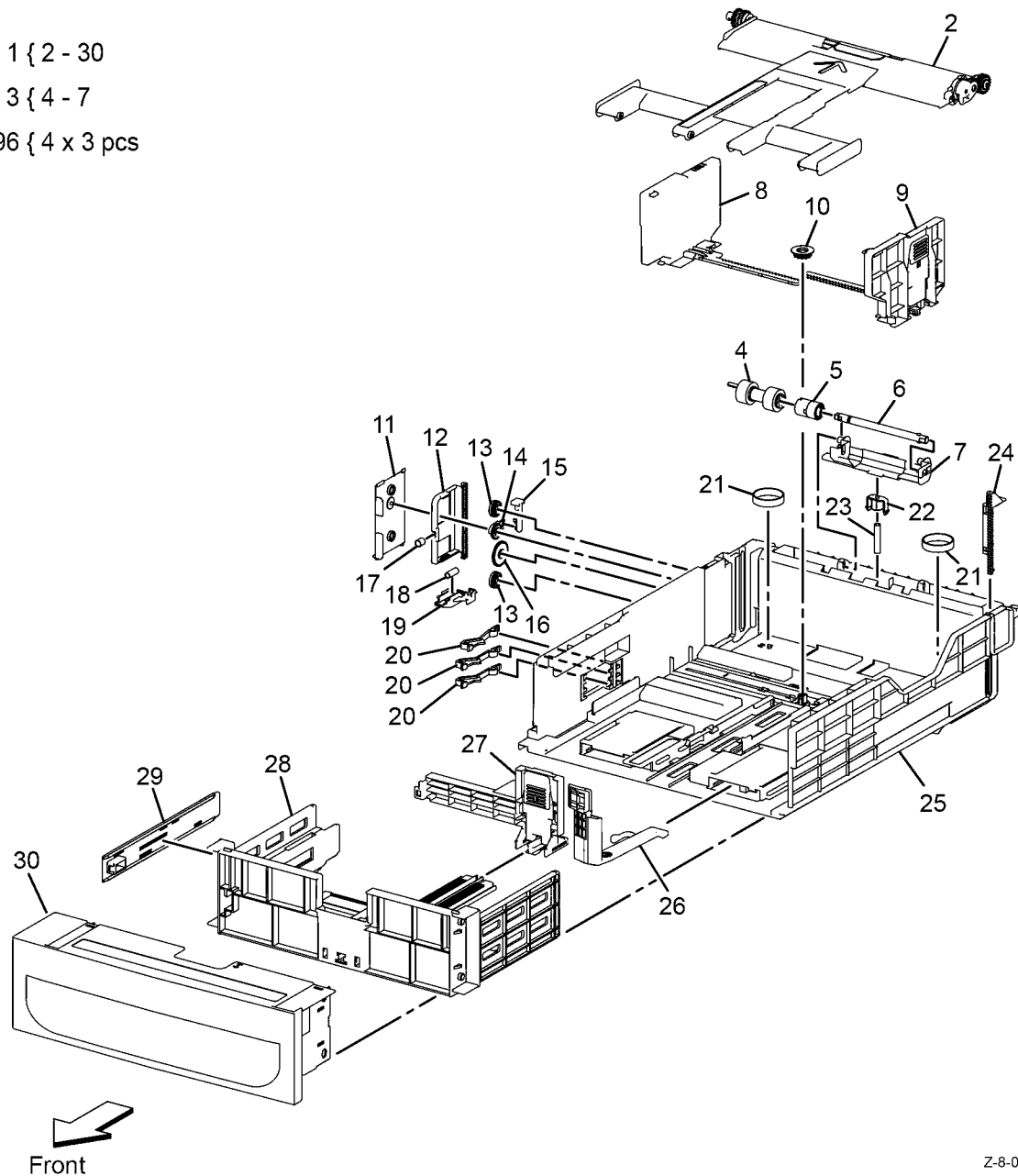
NOTE: HFSI. To reset the HFSI count, refer to dc135



Z-8-0012-A

PL 10.3 Option Feeder (3 of 3)

Item	Part	Description	
1	050K66517	550 Option cassette assembly	1 { 2 - 30
2	-	Bottom plate assembly (P/O PL 10.3 Item 1)	3 { 4 - 7
3	-	Cassette retard holder assembly (P/O PL 10.3 Item 1)	96 { 4 x 3 pcs
4	-	Retard roller assembly (P/O PL 10.3 Item 96)	
5	-	Retard friction clutch (P/O PL 10.3 Item 3)	
6	-	Cassette retard shaft (P/O PL 10.3 Item 3)	
7	-	Cassette retard holder (P/O PL 10.3 Item 3)	
8	-	Left side guide assembly (P/O PL 10.3 Item 1)	
9	-	Right side guide assembly (P/O PL 10.3 Item 1)	
10	-	Pinion gear (P/O PL 10.3 Item 1)	
11	-	Bottom lock cover (P/O PL 10.3 Item 1)	
12	-	Bottom lock rack (P/O PL 10.3 Item 1)	
13	-	Bottom lock pinion gear (P/O PL 10.3 Item 1)	
14	-	Bottom lock lever gear (P/O PL 10.3 Item 1)	
15	-	Bottom lock lever (P/O PL 10.3 Item 1)	
16	-	Bottom lock gear (P/O PL 10.3 Item 1)	
17	-	Bottom lock spring (P/O PL 10.3 Item 1)	
18	-	Lock spring (P/O PL 10.3 Item 1)	
19	-	Left lock actuator (P/O PL 10.3 Item 1)	
20	-	Size actuator (P/O PL 10.3 Item 1)	
21	-	Upper bottom spring (P/O PL 10.3 Item 1)	
22	-	MSI retard spring holder (P/O PL 10.3 Item 1)	
23	-	Cassette retard spring (P/O PL 10.3 Item 1)	
24	-	Upper lift rack (P/O PL 10.3 Item 1)	
25	-	Base housing (P/O PL 10.3 Item 1)	
26	-	End extension lever (P/O PL 10.3 Item 1)	
27	-	End guide assembly (P/O PL 10.3 Item 1)	
28	-	End housing (P/O PL 10.3 Item 1)	
29	-	Size slot plate (P/O PL 10.3 Item 1)	
30	-	Cassette handle (P/O PL 10.3 Item 1)	
96	675K47673	Feed roller assembly (Kit Contains 3 Feed Roller assembly and Instruction)	



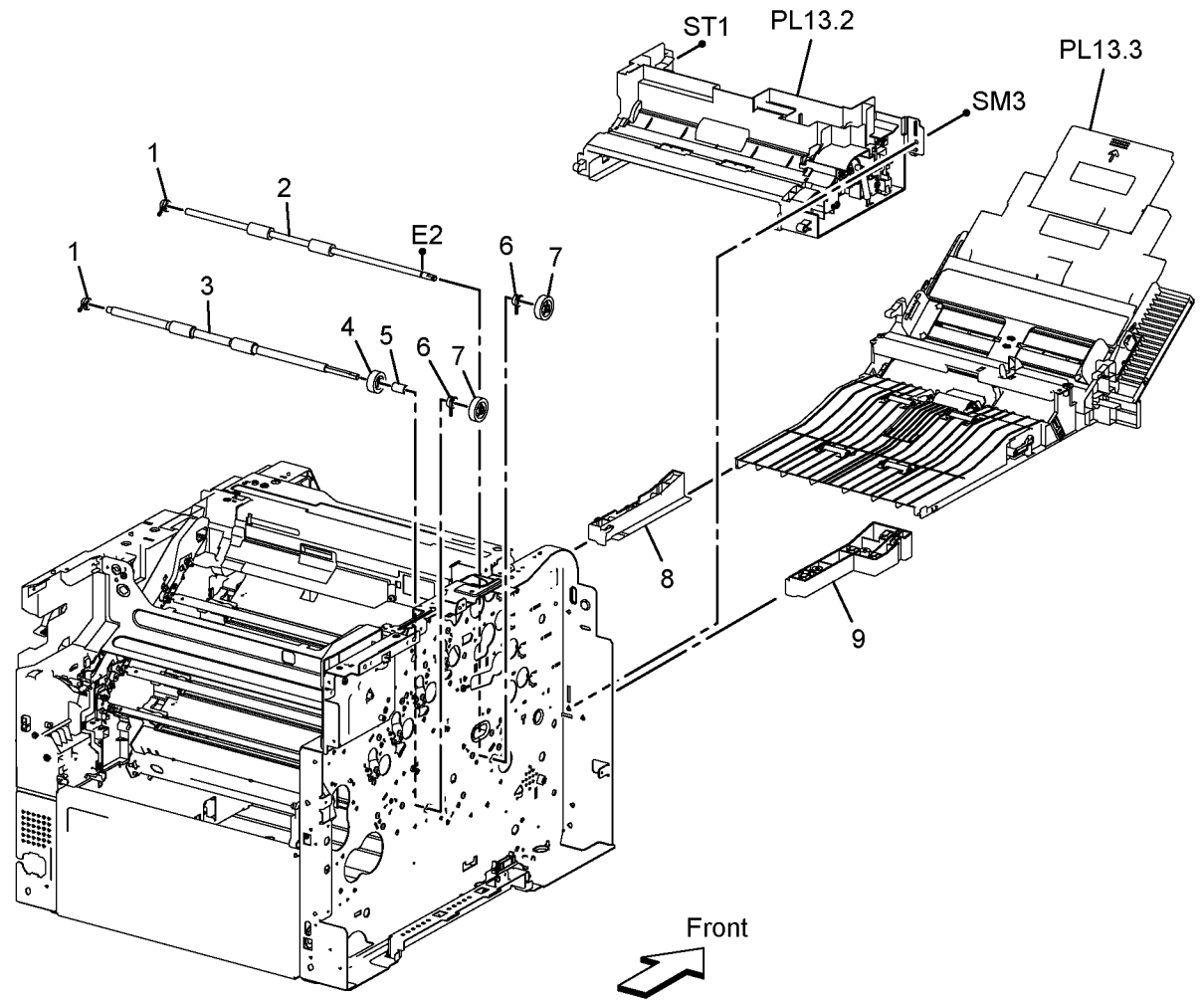
Z-8-0013-A

PL 13.1 MSI (1 of 3)

Item	Part	Description
1	-	Duplex bearing (P/O PL 13.1 Item 98)
2	-	TA1 roller assembly (P/O PL 13.1 Item 98) (REP 13.1)
3	-	TA2 roller assembly (P/O PL 13.1 Item 99) (REP 13.2)
4	-	TA1 gear (P/O PL 13.1 Item 99)
5	-	TA2 spacer (P/O PL 13.1 Item 99)
6	-	Bearing TA (P/O PL 13.1 Item 98)
7	-	Turn gear (P/O PL 13.1 Item 98)
8	-	MSI right guide (Not Spared)
9	-	MSI left guide (Not Spared)
98	604K73890	TA1 roller assembly kit
99	604K73900	TA2 roller assembly kit

98 { 1, 2, 6, 7

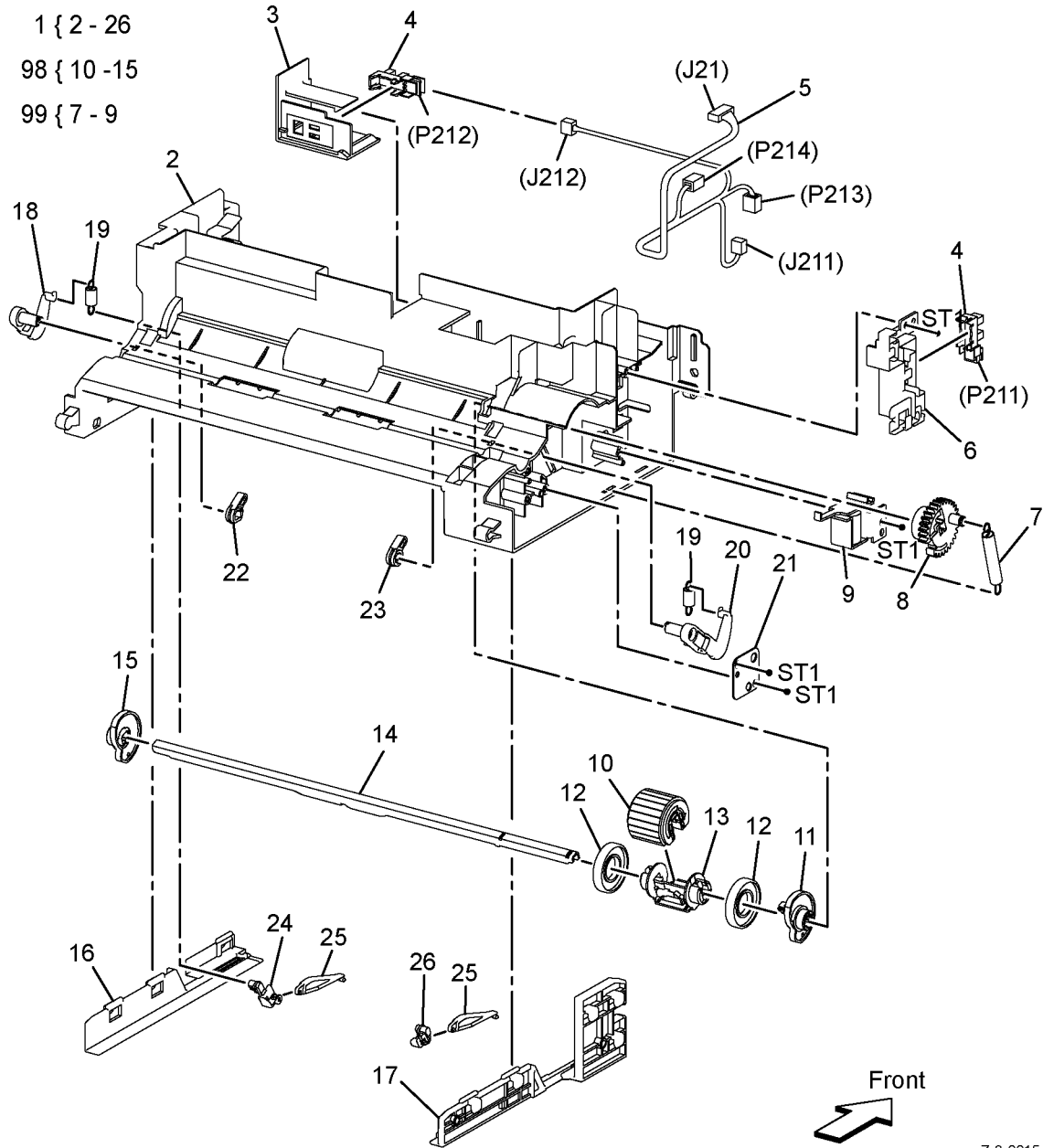
99 { 1, 3 - 7



Z-8-0014-A

PL 13.2 MSI (2 of 3)

Item	Part	Description
1	801K47623	MSI tray frame assembly (REP 13.3)
2	-	MSI frame (P/O PL 13.2 Item 1)
3	-	MSI no paper sensor bracket (P/O PL 13.2 Item 1)
4	930W00123	MSI no paper sensor, (P212) (REP 13.4). MSI tray detect sensor, (P211) (REP 13.5).
5	-	MSI harness assembly (P/O PL 13.2 Item 1)
6	-	MSI harness guide (P/O PL 13.2 Item 1)
7	-	Feed spring (P/O PL 13.2 Item 99)
8	-	MSI feed gear (P/O PL 13.2 Item 99)
9	-	MSI feed solenoid (P/O PL 13.2 Item 99) (REP 13.8)
10	059K78701	MSI tray feed roller assembly (See NOTE) (REP 13.6)
11	-	MSI left cam (P/O PL 13.2 Item 98)
12	-	Core roller (P/O PL 13.2 Item 98)
13	-	Feed holder (P/O PL 13.2 Item 98)
14	-	MSI feed shaft (P/O PL 13.2 Item 98)
15	-	MSI right cam (P/O PL 13.2 Item 98)
16	-	Right support guide (P/O PL 13.2 Item 1)
17	-	Left support guide (P/O PL 13.2 Item 1)
18	-	Right arm (P/O PL 13.2 Item 1)
19	-	Spring (P/O PL 13.2 Item 1)
20	-	Left arm (P/O PL 13.2 Item 1)
21	-	Gear bracket (P/O PL 13.2 Item 1)
22	-	Right follower (P/O PL 13.2 Item 1)
23	-	Left follower (P/O PL 13.2 Item 1)
24	-	Right bottom guide (P/O PL 13.2 Item 1)
25	-	Bottom side (P/O PL 13.2 Item 1)
26	-	Left bottom guide (P/O PL 13.2 Item 1)
98	604K73910	MSI tray feed roller assembly kit (REP 13.7)
99	604K73921	MSI feed solenoid assembly kit

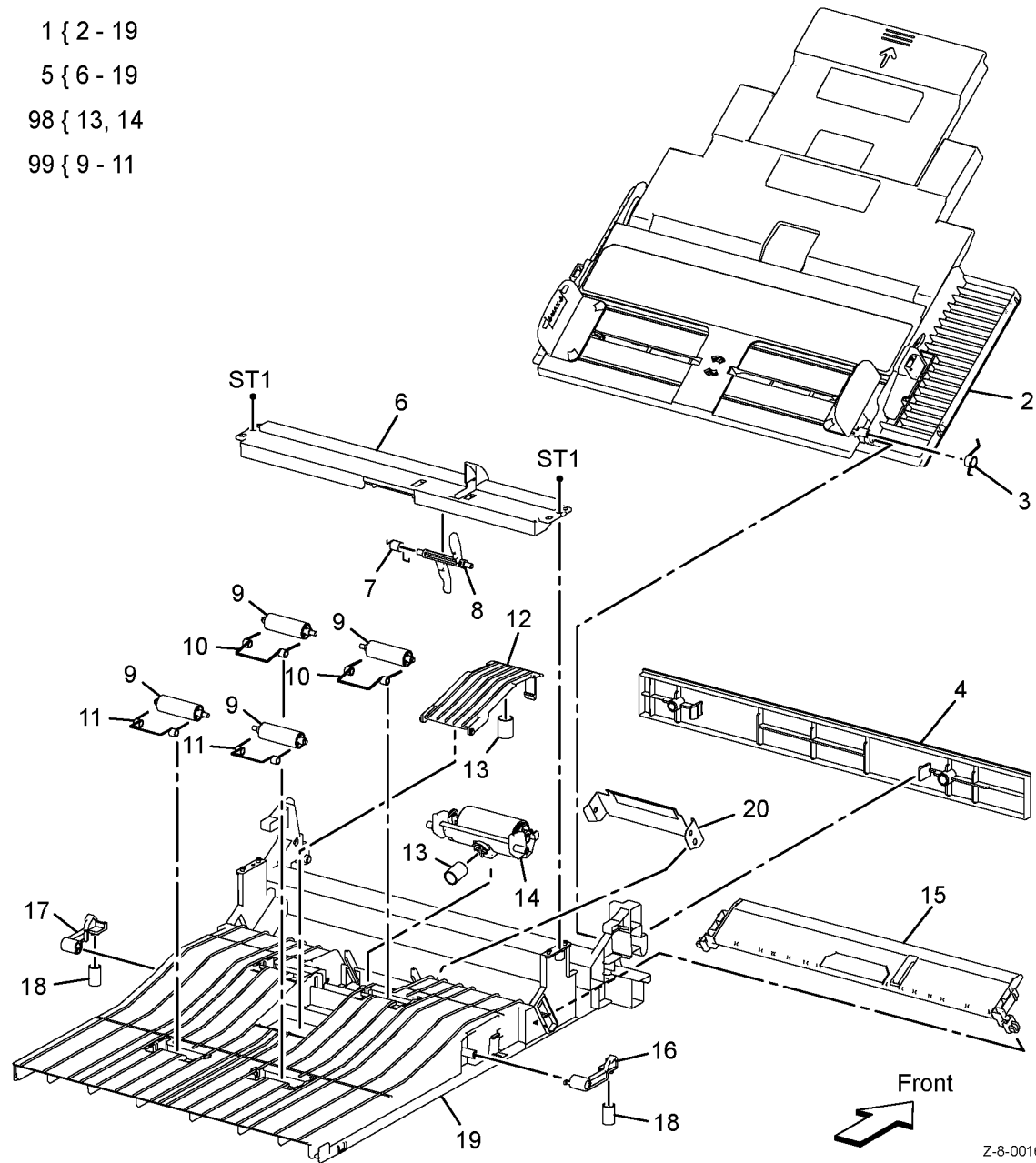


NOTE: HFSI. To reset the HFSI count, refer to dc135

Z-8-0015-A

PL 13.3 MSI (3 of 3)

Item	Part	Description	
1	050K66575	MSI tray assembly (REP 13.9)	1 { 2 - 19
2	848K51105	MSI tray cover assembly (REP 13.10)	5 { 6 - 19
3	-	Damper spring (P/O PL 13.3 Item 1)	98 { 13, 14
4	-	MSI tray lower cover (P/O PL 13.3 Item 1) (REP 13.11)	99 { 9 - 11
5	054K46615	MSI tray chute assembly (REP 13.12)	
6	-	Front MSI bar (P/O PL 13.3 Item 5)	
7	-	No paper spring (P/O PL 13.3 Item 5)	
8	-	No paper actuator (P/O PL 13.3 Item 5)	
9	-	MSI pinch roll (P/O PL 13.3 Item 5) (REP 13.14)	
10	-	TA1 pinch spring (P/O PL 13.3 Item 5)	
11	-	TA2 pinch spring (P/O PL 13.3 Item 5)	
12	-	Retard chute (P/O PL 13.3 Item 5)	
13	-	MSI retard spring (P/O PL 13.3 Item 5)	
14	-	Retard holder assembly (P/O PL 13.3 Item 5)	
15	-	Bottom plate assembly (P/O PL 13.3 Item 5)	
16	-	Left MSI latch (P/O PL 13.3 Item 5)	
17	-	Right MSI latch (P/O PL 13.3 Item 5)	
18	-	MSI latch spring (P/O PL 13.3 Item 5)	
19	-	MSI chute (P/O PL 13.3 Item 5)	
20	-	Plate assembly retard MSI (Not Spared)	
98	604K74442	MSI tray separator roller assembly kit (REP 13.13)	
99	604K73940	MSI tray pinch roller assembly kit	

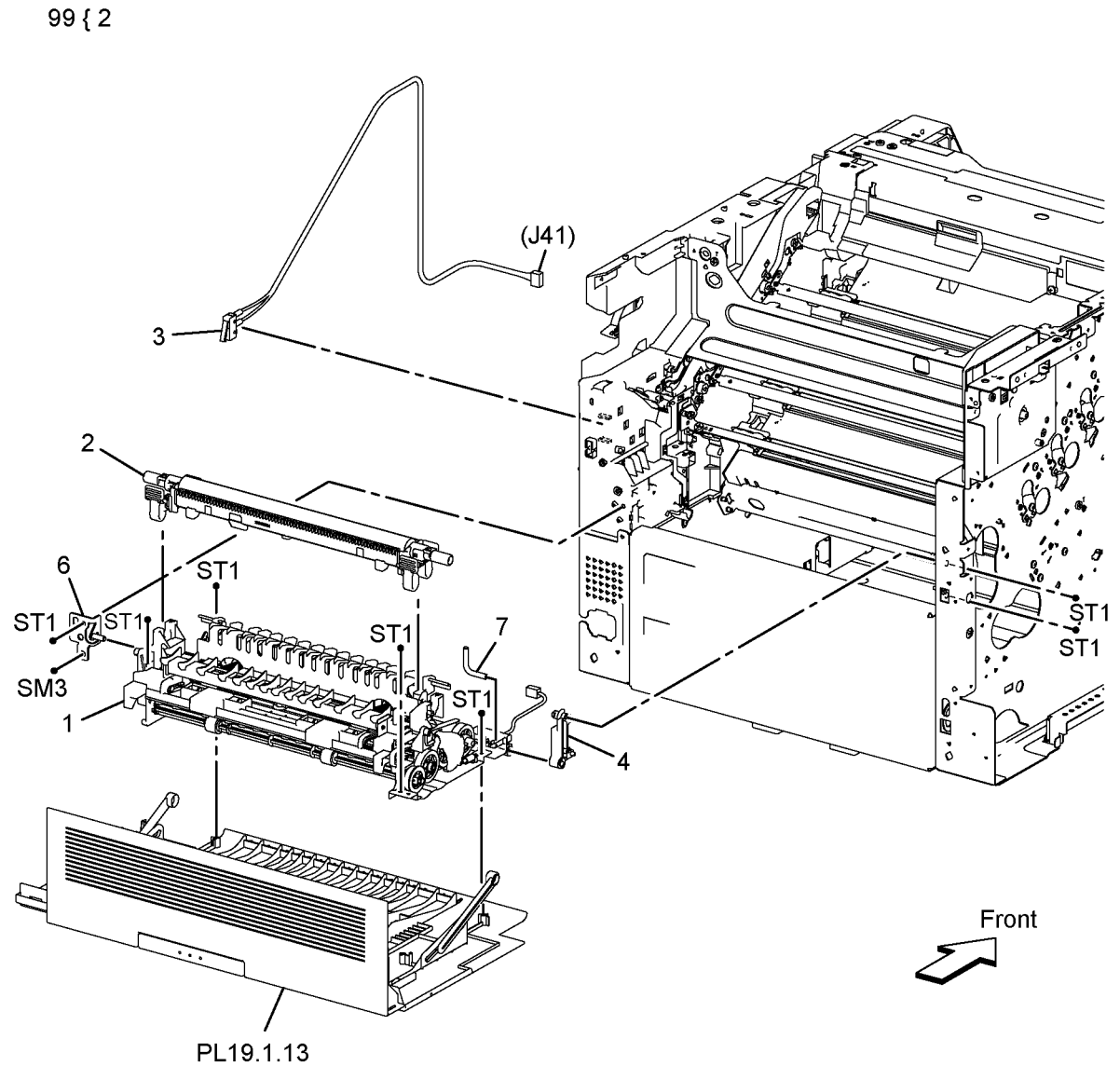


Z-8-0016-A

PL 14.1 Duplex

Item	Part	Description
1	054K46665	Duplex assembly (REP 14.1)
2	—	CRU transfer roller assembly (P/O PL 14.1 Item 99)
3	—	Rear interlock switch harness assembly (Not Spared)
4	868E68951	Rear hinge bracket (REP 14.2)
5	—	Not used
6	—	Right hinge plate (Not Spared)
7	—	Left hinge shaft (Not Spared)
99	604K77540	CRU transfer roller assembly (see NOTE) (REP 14.3)

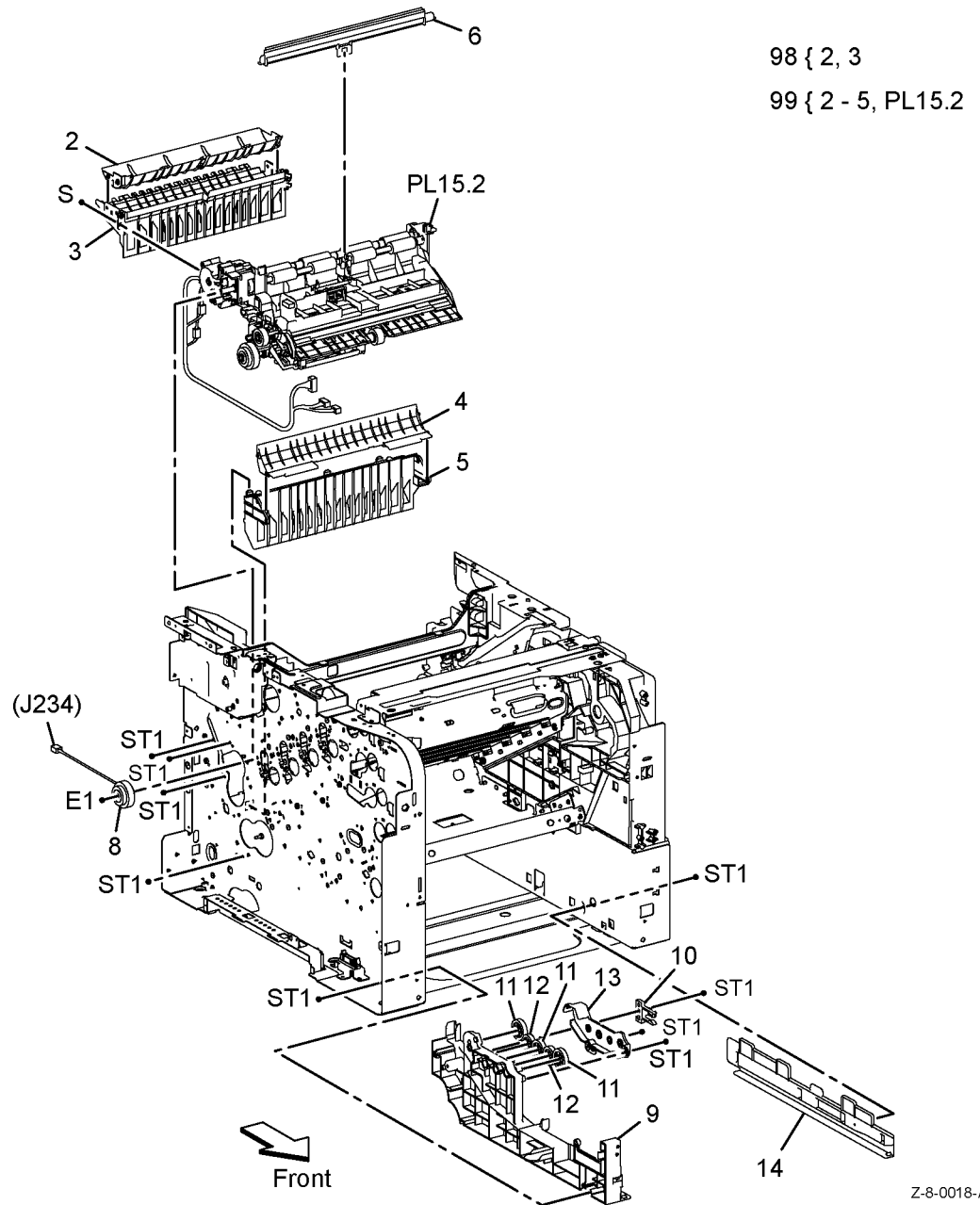
NOTE: HFSI. To reset the HFSI count, refer to dC135.



Z-8-0017-A

PL 15.1 Registration/Feeder (1 of 2)

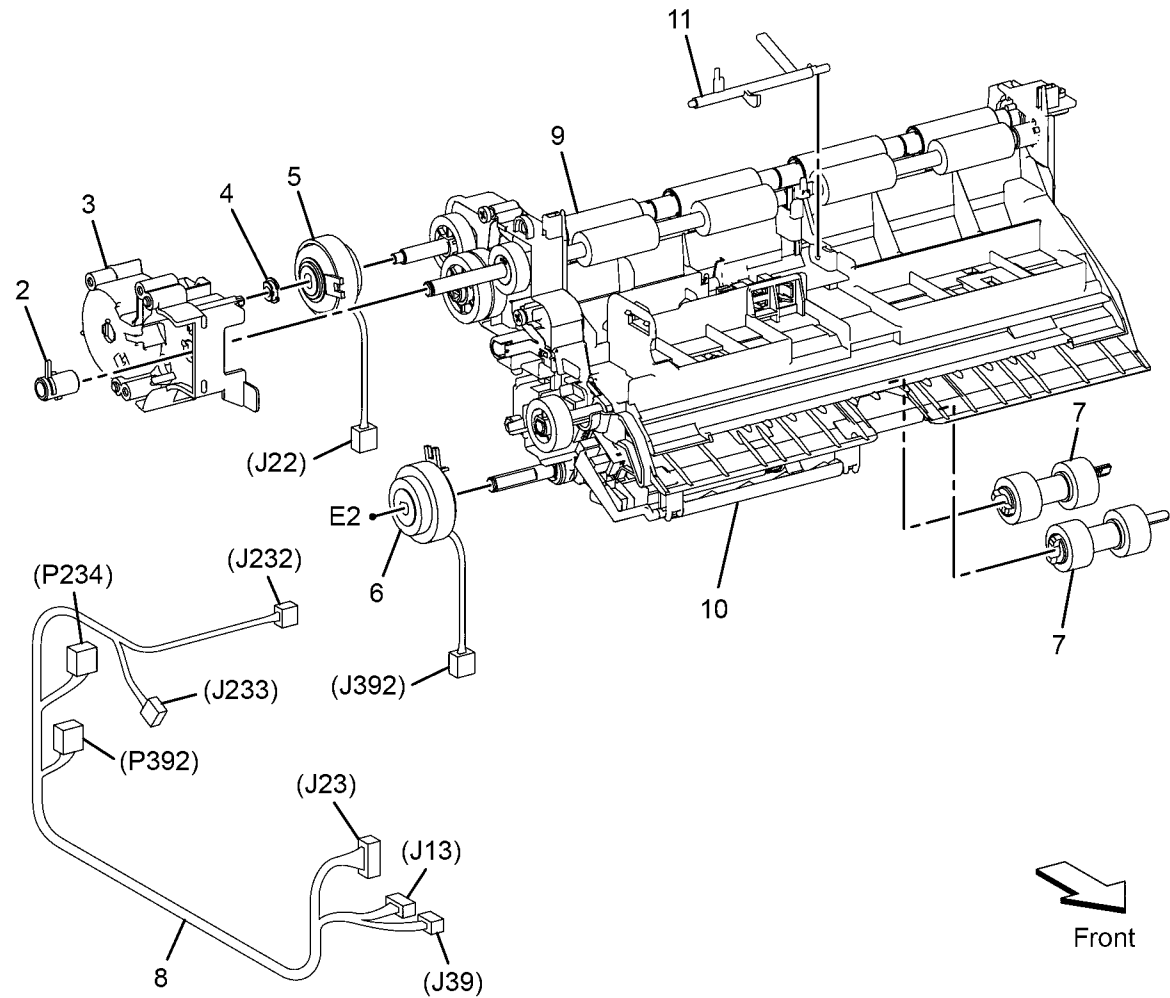
Item	Part	Description
1	-	Not used
2	-	Upper duplex chute (P/O PL 15.1 Item 98) (REP 15.5)
3	-	Lower duplex chute (P/O PL 15.1 Item 98) (REP 15.5)
4	-	Lower registration chute (P/O PL 15.1 Item 99) (REP 15.1)
5	-	Opt 550 registration chute (P/O PL 15.1 Item 99) (REP 15.1)
6	054K46650	Upper transfer belt chute assembly (REP 15.2)
7	-	Not used
8	121K48670	Registration clutch assembly (REP 15.3)
9	-	Left tray guide (Not Spared)
10	-	Cassette stopper (Not Spared) (REP 15.4)
11	-	Idle gear 28 (Not Spared)
12	-	Idle gear 25 (Not Spared)
13	-	MSI gear cover (Not Spared)
14	-	Right tray guide (Not Spared)
98	054K46641	Duplex chute assembly (REP 15.5)
99	604K77761	Upper registration chute assembly kit N (REP 15.6)
-	604K77751	Upper registration chute assembly kit DN (REP 15.6)



PL 15.2 Registration/Feeder (2 of 2)

Item	Part	Description
1	054K47996	Registration chute assembly DN (REP 15.7)
-	054K49224	Registration chute assembly N (REP 15.7)
2	-	Right registration bearing (P/O PL 15.2 Item 1) (REP 15.8)
3	-	Duplex gear cover (P/O PL 15.2 Item 1)
4	-	Bearing (P/O PL 15.2 Item 1)
5	121K48680	Duplex clutch assembly (REP 15.9)
6	-	Tray 1 feed clutch (P/O PL 15.2 Item 1) (REP 15.10)
7	-	Feed roller assembly (P/O PL 15.2 Item 96) (REP 15.11)
8	-	Registration harness assembly (P/O PL 15.2 Item 1)
9	-	Registration chute sub assembly (P/O PL 15.2 Item 1)
10	120E33762	No paper sensor actuator
11	-	Registration sensor actuator (Not Spared)
96	675K47673	Feed roller assembly (Kit Contains 3 Feed Roller assembly and Instruction)

1 { 2 - 9
96 { 7 x 3 pcs

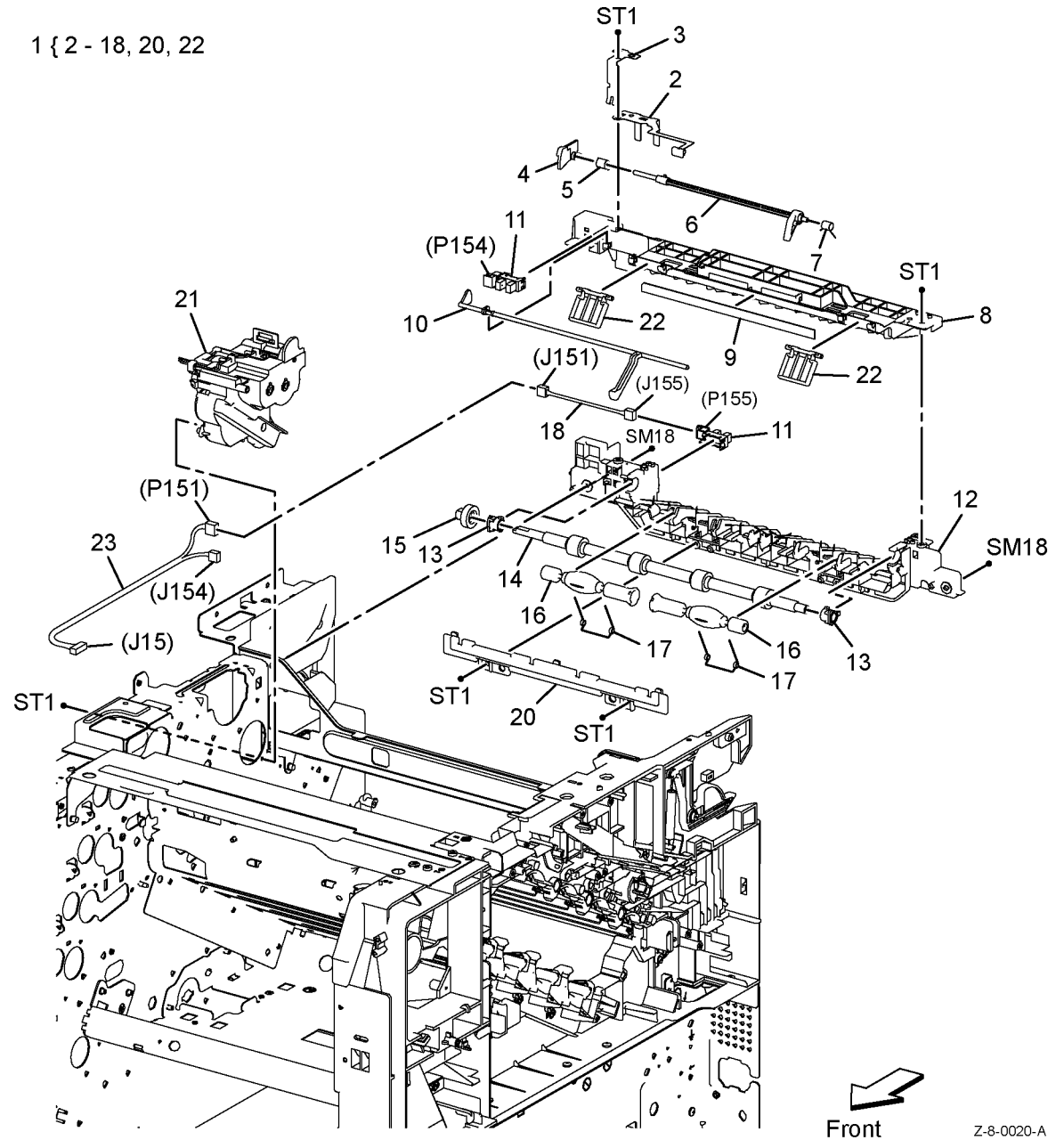


Z-8-0019-A

PL 17.1 Exit

Item	Part	Description
1	054K58160	Exit assembly (REP 17.1)
2	-	Exit B earth plate (P/O PL 17.1 Item 1)
3	-	Exit A earth plate (P/O PL 17.1 Item 1)
4	-	Exit B actuator (P/O PL 17.1 Item 1)
5	-	Actuator B spring (P/O PL 17.1 Item 1)
6	-	Exit A actuator (P/O PL 17.1 Item 1)
7	-	Actuator A spring (P/O PL 17.1 Item 1)
8	-	S3 upper exit chute (P/O PL 17.1 Item 1)
9	-	Exit eliminator (P/O PL 17.1 Item 1)
10	-	Stack full actuator (P/O PL 17.1 Item 1)
11	-	Exit sensor (P155) Full stack sensor (P154) (P/O PL 17.1 Item 1)
12	-	S3 lower exit chute (P/O PL 17.1 Item 1)
13	-	Exit bearing (P/O PL 17.1 Item 1)
14	-	Exit roller assembly (P/O PL 17.1 Item 1)
15	-	Exit gear (P/O PL 17.1 Item 1)
16	-	Pinch roll (P/O PL 17.1 Item 1)
17	-	Pinch spring (P/O PL 17.1 Item 1)
18	-	Exit sensor harness assembly (P/O PL 17.1 Item 1)
19	-	Not used
20	-	Tray exit cover (P/O PL 17.1 Item 1)
21	007K18766	Exit drive assembly (For DN model only) (REP 17.2)
-	007K18776	Exit drive assembly (For N model only) (REP 17.2)
22	-	Exit flapper chute (P/O PL 17.1 Item 1)
23	-	Sensor harness assembly (Not Spared)

1 { 2 - 18, 20, 22

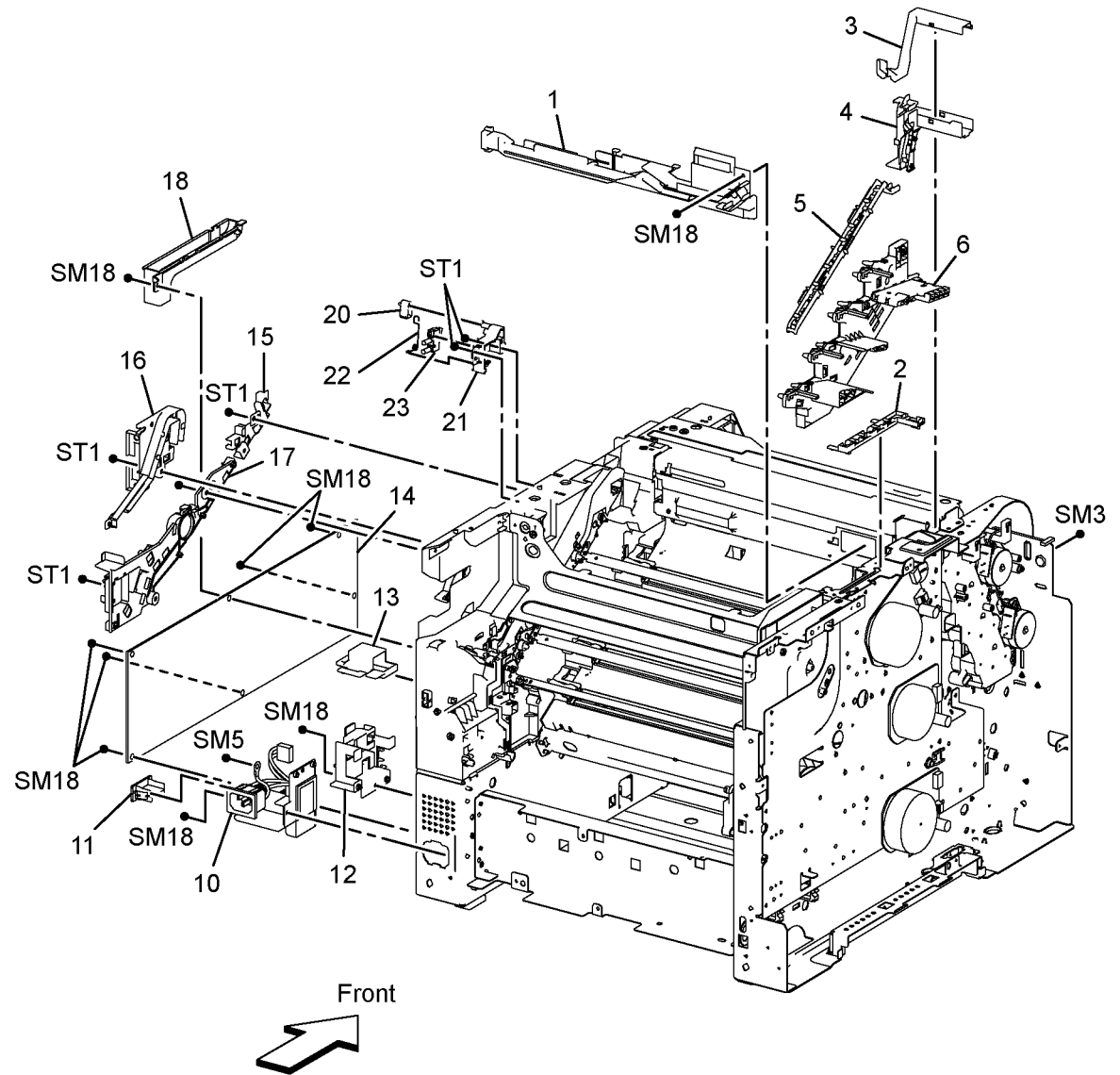


Z-8-0020-A

PL 18.1 Electrical (Front/Right)

Item	Part	Description
1	-	Top harness guide (Not Spared)
2	-	Exit harness guide (Not Spared)
3	-	Top harness cover (Not Spared)
4	-	Left top harness guide (Not Spared)
5	-	CRM erase harness guide (Not Spared)
6	-	Development charge housing assembly (Not Spared)
7	-	Not used
8	-	Not used
9	-	Not used
10	952K33352	Inlet harness assembly (REP 18.1)
11	-	Switch cover (Not Spared)
12	-	AC LV harness guide (Not Spared)
13	-	LV bottom cap (Not Spared)
14	105K30573	LVPS PWBA 220V
-	105K30563	LVPS PWBA 110V (REP 18.2)
15	-	Right harness guide (Not Spared)
16	-	Drawer holder (Not Spared)
17	-	Transfer wire cover (Not Spared)
18	-	Upper LVPS duct (Not Spared)
19	-	Not used
20	-	Right side interlock bracket (P/O PL 18.1 Item 99)
21	-	Interlock swing actuator (P/O PL 18.1 Item 99)
22	-	Interlock WC spring (P/O PL 18.1 Item 99)
23	-	Interlock door harness assembly (P/O PL 18.1 Item 99)
99	110K16891	Right interlock switch assembly (REP 18.3)

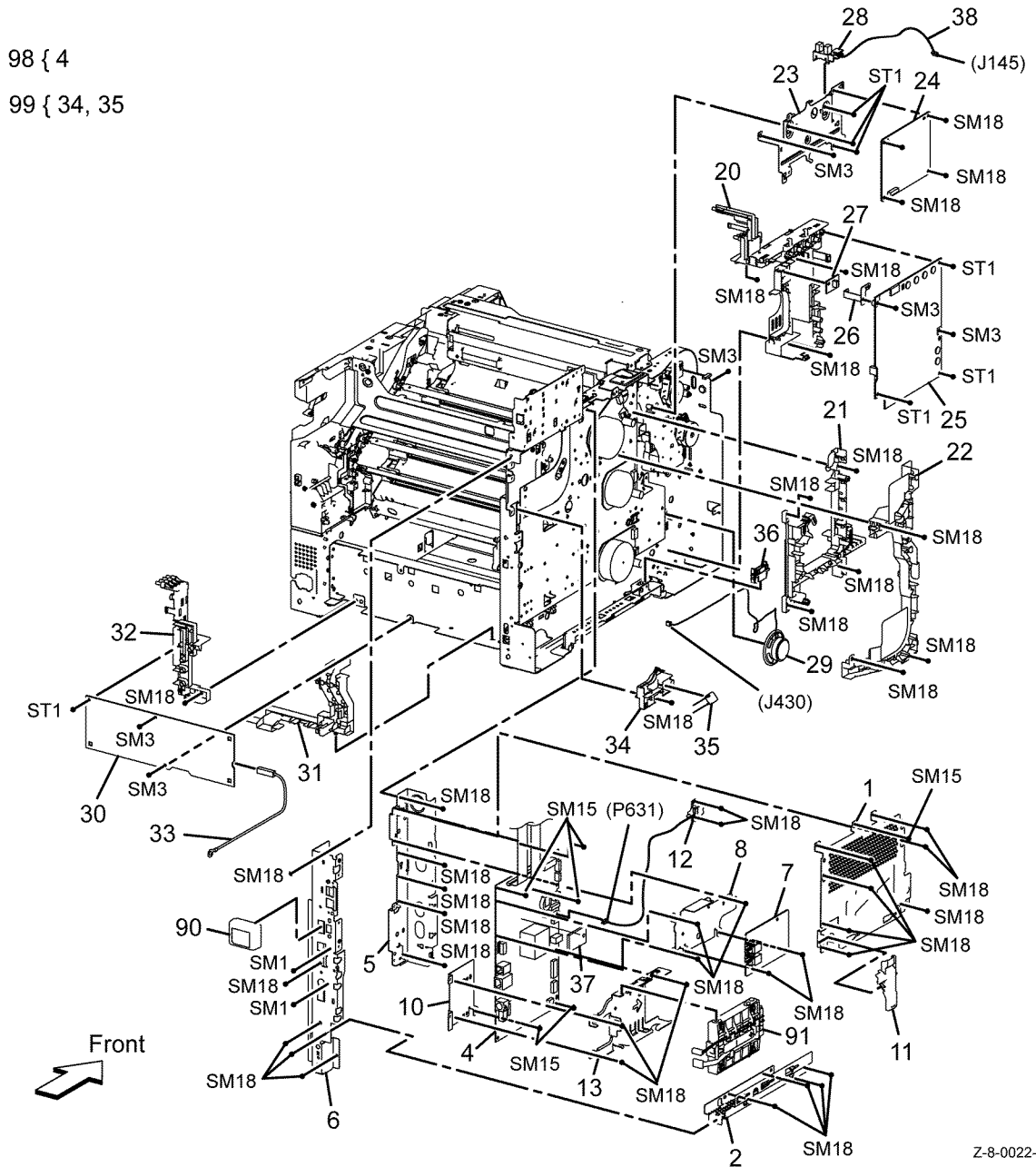
99 { 20 - 23



Z-8-0021-A

PL 18.2 Electrical (Rear/Left)

Item	Part	Description
1	-	ESS top plate (Not Spared)
2	-	ESS bottom plate (Not Spared)
3	-	Not used
4	-	ESS PWBA (P/O PL 18.2 Item 98)
5	-	ESS front plate (Not Spared)
6	-	ESS rear plate (Not Spared)
7	960K80762	Fax PWBA C405 (REP 18.6)
8	-	Fax plate (Not Spared)
9	-	Not used
10	-	ESS cover plate (Not Spared)
11	-	WiFi lever release (Not Spared)
12	952K33410	Front USB harness C400 (REP 18.7)
-	952K33910	Front USB harness C405 (REP 18.8)
13	-	Hard disk drive bracket (Not Spared)
20	-	Outer development charge housing assembly (Not Spared)
21	-	Video harness guide (Not Spared)
22	-	Left harness guide (Not Spared)
23	-	MCU plate (Not Spared)
24	960K87313	MCU PWBA (See NOTE 2) (REP 18.9)
25	105K26098	Development HVPS XD PWBA (REP 18.10)
26	-	HV earth plate (Not Spared)
27	960K84720	EEPROM XPRO board
28	930W00123	Front cover interlock sensor
29	-	Speaker assembly (Not Spared)
30	105K26108	Transfer HVPS PWBA (REP 18.12)
31	-	Photo guide harness (Not Spared)
32	-	Interlock transfer wire housing assembly (Not Spared)
33	-	BTR harness assembly (Not Spared)
34	-	Ground fuser housing assembly (P/O PL 18.2 Item 99)
35	-	Resistor assembly (P/O PL 18.2 Item 99)
36	913W12104	Drawer 1 feeder
37	-	EMMC card (Not Spared) (REP 18.5)
38	-	Front cover interlock sensor harness (Not Spared) (REP 18.21)
90	-	Wireless adaptor optional (Not Spared) (REP 18.13)
91	-	Hard disk drive optional (Not Spared) (REP 18.14)
91A	101K69700	Hard disk drive (REP 18.14)
98	607K11250	ESS Kit C405 (See NOTE 1 and 2) (W/TAG 001) (REP 18.5)
-	607K04270	ESS Kit C405 (See NOTE 1 and 2) (W/O TAG 001) (REP 18.5)
-	607K04250	ESS Kit C400 (See NOTE 1 and 2) (W/O TAG 001) (REP 18.4)
-	607K11260	ESS Kit C400 (See NOTE 1 and 2) (W/TAG 001) (REP 18.4)
99	848K69222	Varistor assembly kit (REP 18.15)

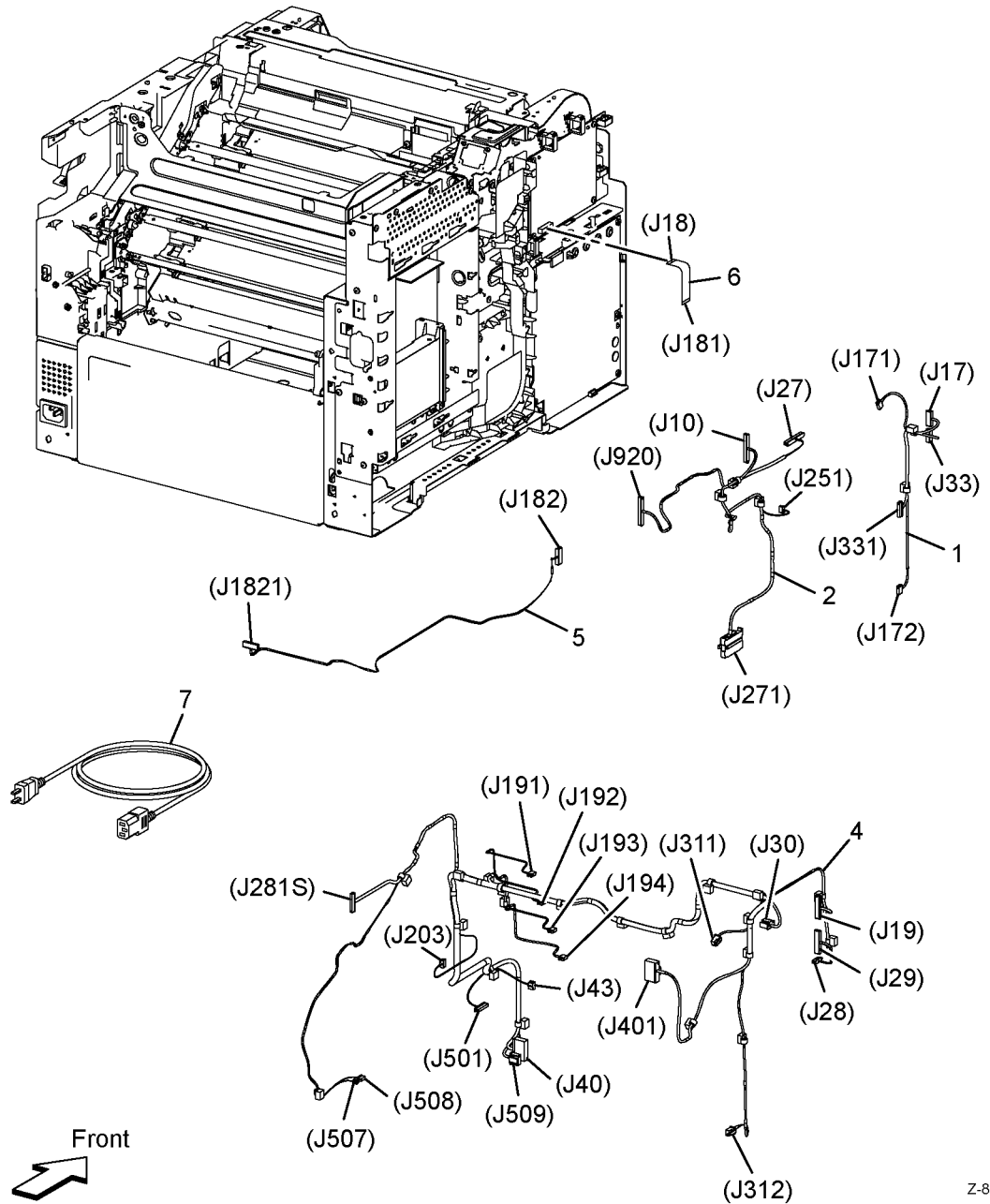


NOTE: 1.ESS PWBA and Software (Boot) 2.Never replace both MCU and ESS pwbs at the same time

Z-8-0022-B

PL 18.3 Electrical

Item	Part	Description
1	-	Drive harness assembly (Not Spared) (REP 18.16)
2	-	Main harness assembly (Not Spared) (REP 18.17)
3	-	Not used
4	-	Top harness assembly (Not Spared) (REP 18.18, REP 18.19)
5	-	HVPS harness assembly (Not Spared) (REP 18.20)
6	-	MCU-HVPS flat flex connector (FFC) (Not Spared)
7	-	Power cord (Not Spared)

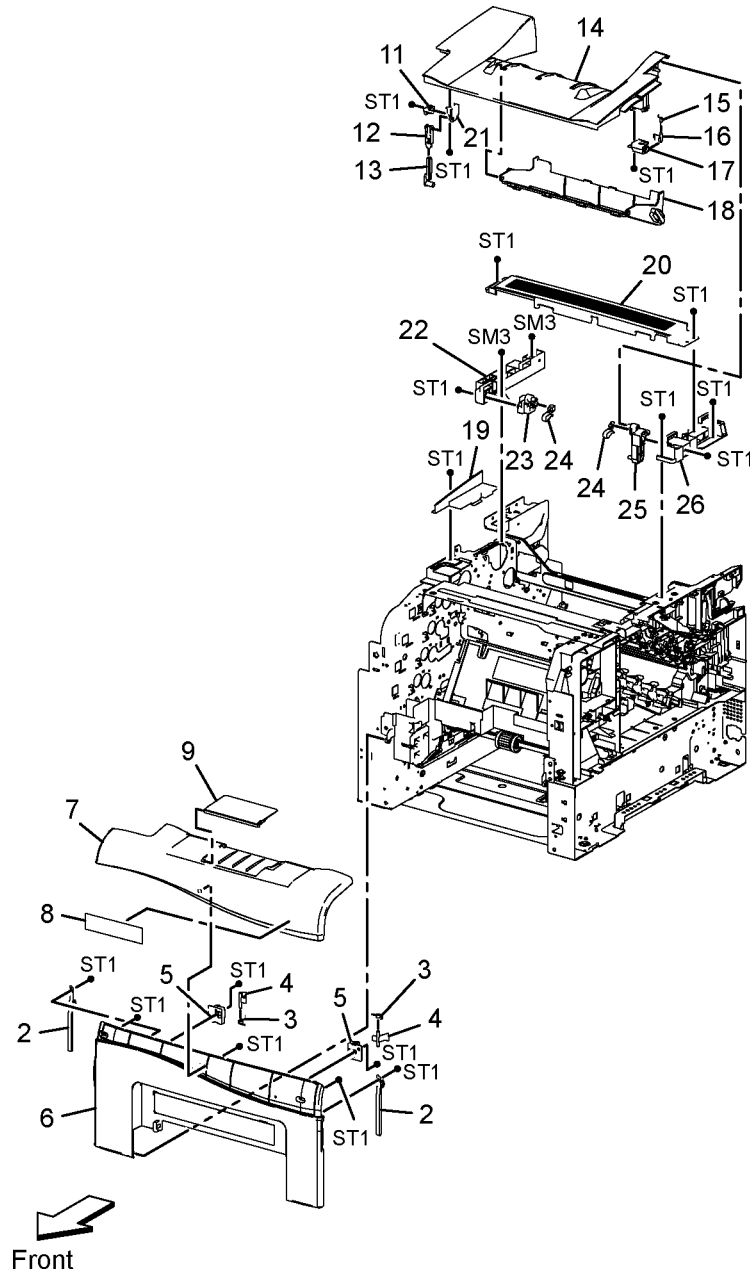


Z-8-0023-A

PL 19.1A Covers - C400 (1 of 2)

Item	Part	Description
1	948K02920	Front cover assembly C400 (REP 19.1)
2	-	Front strap (P/O PL 19.1A Item 1)
3	-	Front latch spring (P/O PL 19.1A Item 1)
4	-	Front latch (P/O PL 19.1A Item 1)
5	-	Latch bracket (P/O PL 19.1A Item 1)
6	-	Lower front cover C400 (P/O PL 19.1A Item 1)
7	-	Upper front cover C400 (P/O PL 19.1A Item 1)
8	-	Logo plate (P/O PL 19.1A Item 1)
9	-	Front cover extension (P/O PL 19.1A Item 1)
10	948K02960	Top cover assembly (REP 19.2)
11	-	Transfer link holder (P/O PL 19.1A Item 10)
12	-	Transfer 1 link (P/O PL 19.1A Item 10)
13	-	Transfer 2 link (P/O PL 19.1A Item 10)
14	-	Upper top cover C400 (P/O PL 19.1A Item 10)
15	-	Interlink actuator spring (P/O PL 19.1A Item 10)
16	-	Interlink turn actuator (P/O PL 19.1A Item 10)
17	-	Interlink actuator holder (P/O PL 19.1A Item 10)
18	-	Bottom top cover (P/O PL 19.1A Item 10)
19	-	Left under top cover (Not Spared)
20	822E30230	Exit cover C400 (REP 19.3)
21	-	Support transfer link holder (P/O PL 19.1A Item 10)
22	-	Left hinge bracket (Not Spared)
23	-	Left top hinge (Not Spared)
24	-	Top cover stopper (Not Spared)
25	-	Right top hinge (Not Spared)
26	-	Right hinge bracket (Not Spared)

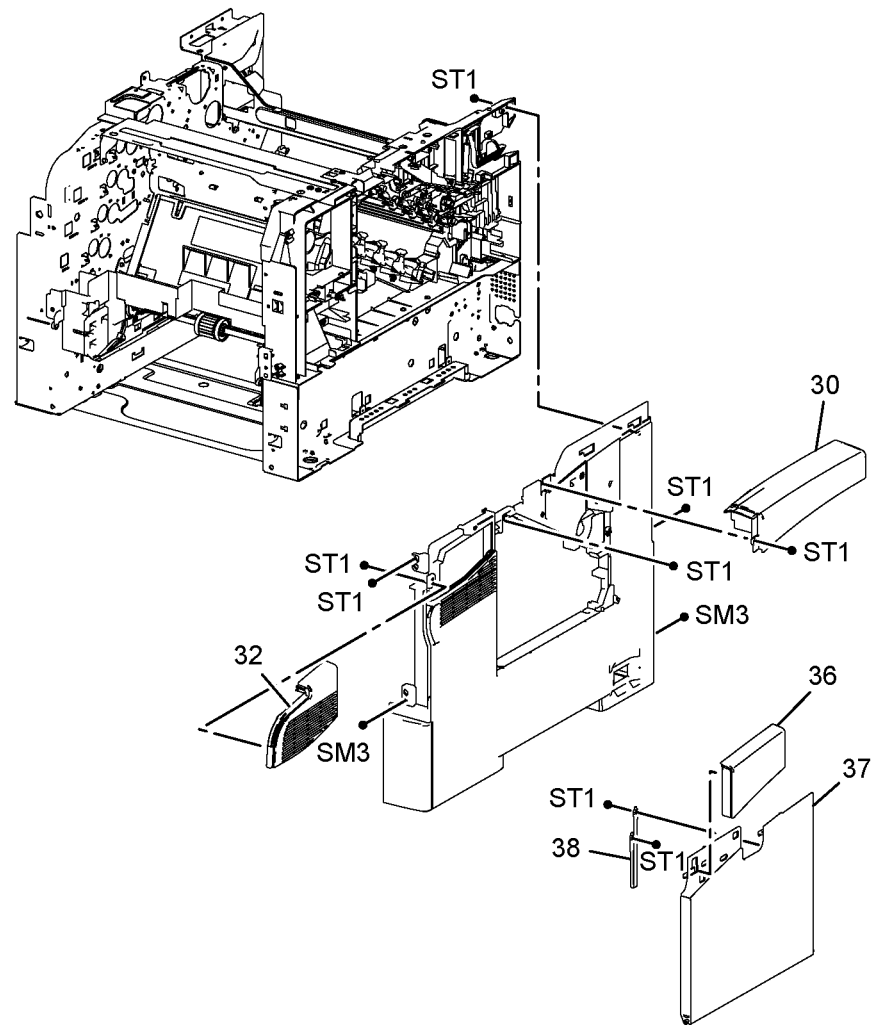
1 { 2 - 9
 10 { 11 - 18, 21



Z-8-0027-A

PL 19.1B Covers - C400 (2 of 2)

Item	Part	Description	
30	-	Top right cover C400 (Not Spared) (REP 19.4)	31 { 33, 35 - 38
31	822E14490	Right side cover assembly C400 (REP 19.5)	33 { 32
32	-	Front right cover C400 (P/O PL 19.1B Item 33)	35 { 36 - 38
33	-	Right cover (P/O PL 19.1B Item 31)	
34	-	Not used	
35	948K02950	Waste door cover assembly	
36	-	Right door upper cover C400 (P/O PL 19.1B Item 31)	
37	-	Right door cover C400 (P/O PL 19.1B Item 31)	
38	-	Right side cover strap (P/O PL 19.1B Item 31)	

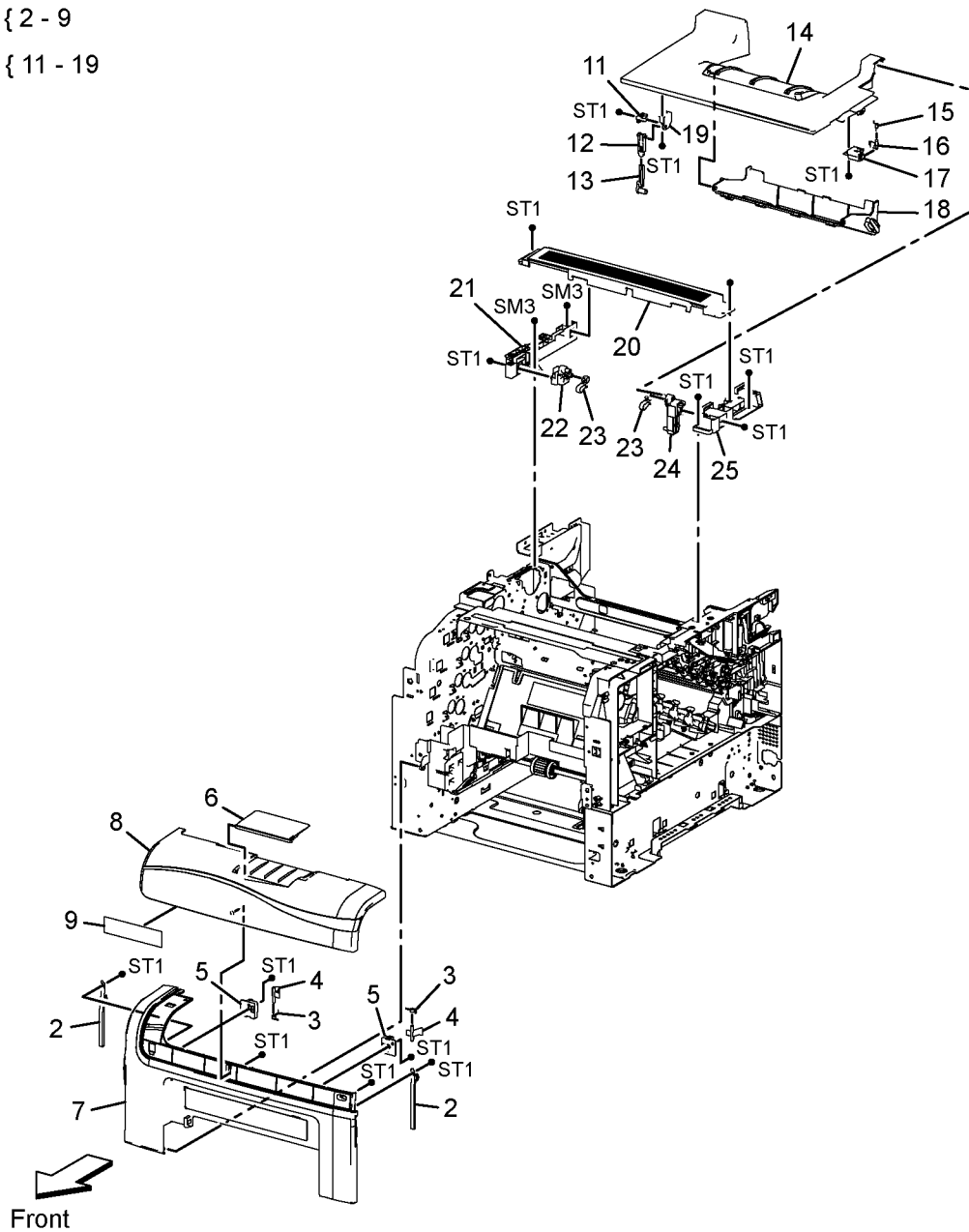


Z-8-0029-A

PL 19.1C Covers - C405 (1 of 2)

Item	Part	Description
1	948K03310	Front cover assembly C405 (REP 19.6)
2	-	Front strap (P/O PL 19.1C Item 1)
3	-	Front latch spring (P/O PL 19.1C Item 1)
4	-	Front latch (P/O PL 19.1C Item 1)
5	-	Latch bracket (P/O PL 19.1C Item 1)
6	-	Front cover extension (P/O PL 19.1C Item 1)
7	-	Lower front cover (P/O PL 19.1C Item 1)
8	-	Top front cover (P/O PL 19.1C Item 1)
9	-	Logo plate (P/O PL 19.1C Item 1)
10	948K03380	Top cover assembly C405 (REP 19.7)
11	-	Transfer link holder (P/O PL 19.1C Item 10)
12	-	Transfer 1 link (P/O PL 19.1C Item 10)
13	-	Transfer 2 link (P/O PL 19.1C Item 10)
14	-	Upper top cover (P/O PL 19.1C Item 10)
15	-	Interlink actuator spring (P/O PL 19.1C Item 10)
16	-	Interlink turn actuator (P/O PL 19.1C Item 10)
17	-	Interlink actuator holder (P/O PL 19.1C Item 10)
18	-	Bottom top cover (P/O PL 19.1C Item 10)
19	-	Support transfer link holder (P/O PL 19.1C Item 10)
20	822E30360	Exit cover C405 (REP 19.8)
21	-	Left hinge bracket (Not Spared)
22	-	Left top hinge (Not Spared)
23	-	Top cover stopper (Not Spared)
24	-	Right top hinge (Not Spared)
25	-	Right hinge bracket (Not Spared)

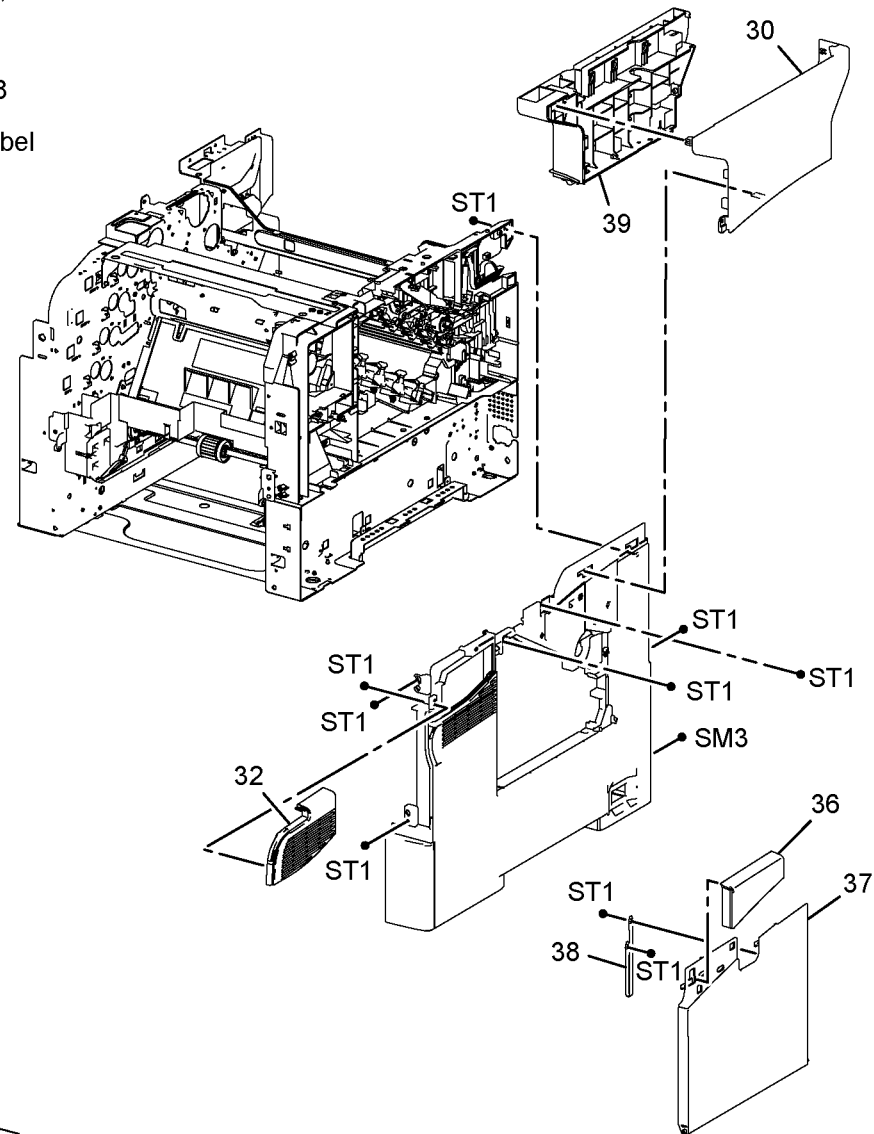
1 { 2 - 9
10 { 11 - 19



Z-8-0024-A

PL 19.1D Covers - C405 (2 of 2)

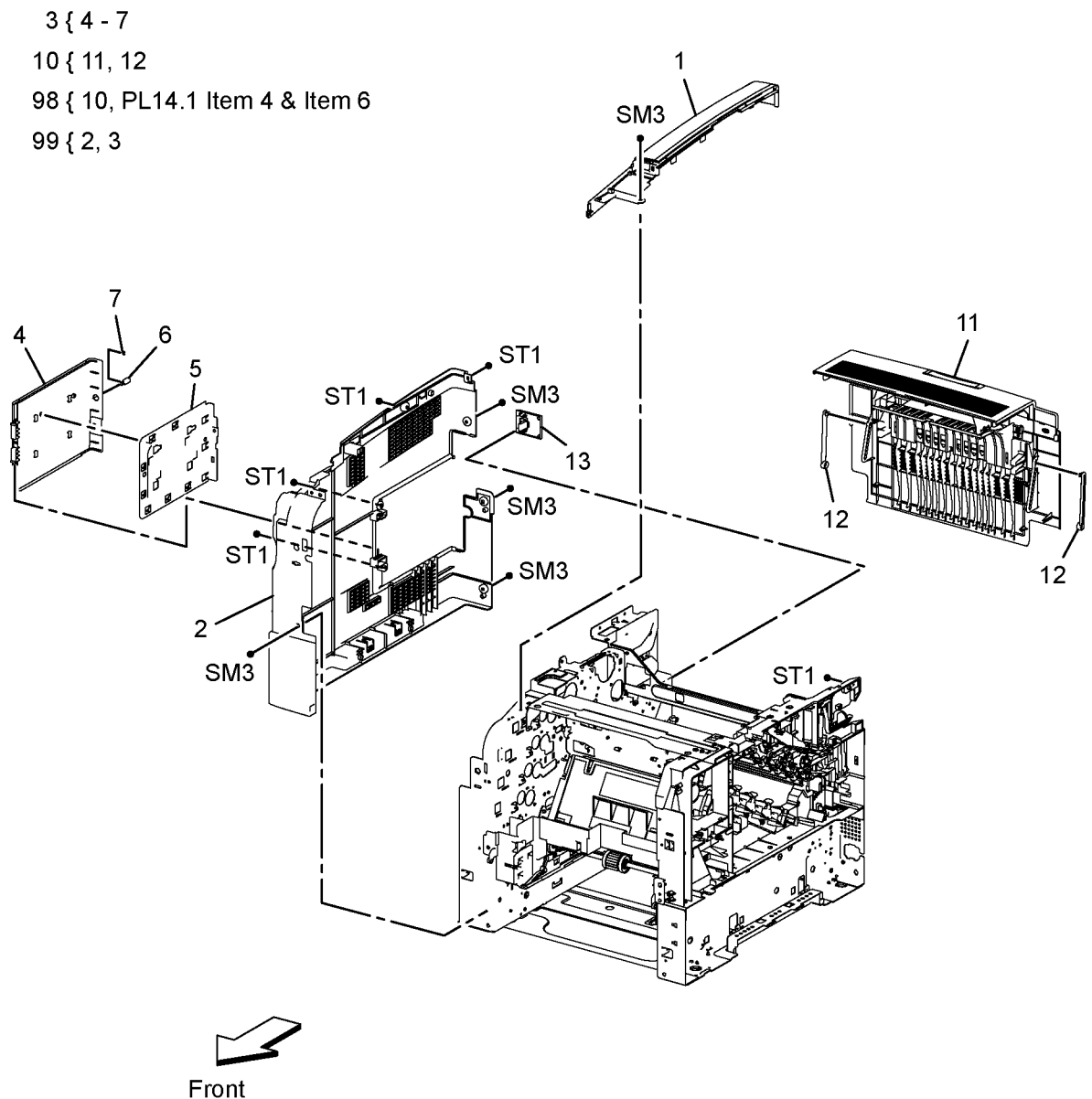
Item	Part	Description	
30	822E30992	Upper right cover C405 (REP 19.9)	31 { 32, 33, 35 - 38
31	948K03351	Right side cover assembly C405 (REP 19.11)	33 { 32
32	-	Front right cover (P/O PL 19.1D Item 31)	35 { 36 - 38
33	-	Right Cover (P/O PL 19.1D Item 31)	99 { 31, Label
34	-	Not Used	
35	948K03370	Waste door cover assembly	
36	-	Right door upper cover (P/O PL 19.1D Item 31)	
37	-	Right door cover (P/O PL 19.1D Item 31)	
38	-	Right side cover strap (P/O PL 19.1D Item 31)	
39	-	Inner upper right cover C405 (Not Spared) (REP 19.10)	



Z-8-0030-A

PL 19.2A Covers - C400

Item	Part	Description
1	-	Top left cover C400 (Not Spared) (REP 19.12)
2	-	Left cover C400 (P/O PL 19.2A Item 99)
3	-	ESS window cover assembly (P/O PL 19.2A Item 99)
4	-	ESS window cover C400 (P/O PL 19.2A Item 3)
5	-	ESS window plate (P/O PL 19.2A Item 3)
6	-	Thumb screw (P/O PL 19.2A Item 3)
7	-	E ring (P/O PL 19.2A Item 3)
8	-	Not used
9	-	Not used
10	607K03760	Rear cover assembly C400 (REP 19.13)
11	-	Rear cover (P/O PL 19.2A Item 10)
12	-	Rear cover link (P/O PL 19.2A Item 10)
13	822E30260	WiFi cap cover
98	-	Rear cover assembly (Not Spared)
99	948K02540	Left side cover assembly C400 (REP 19.4)



Z-8-0028-A

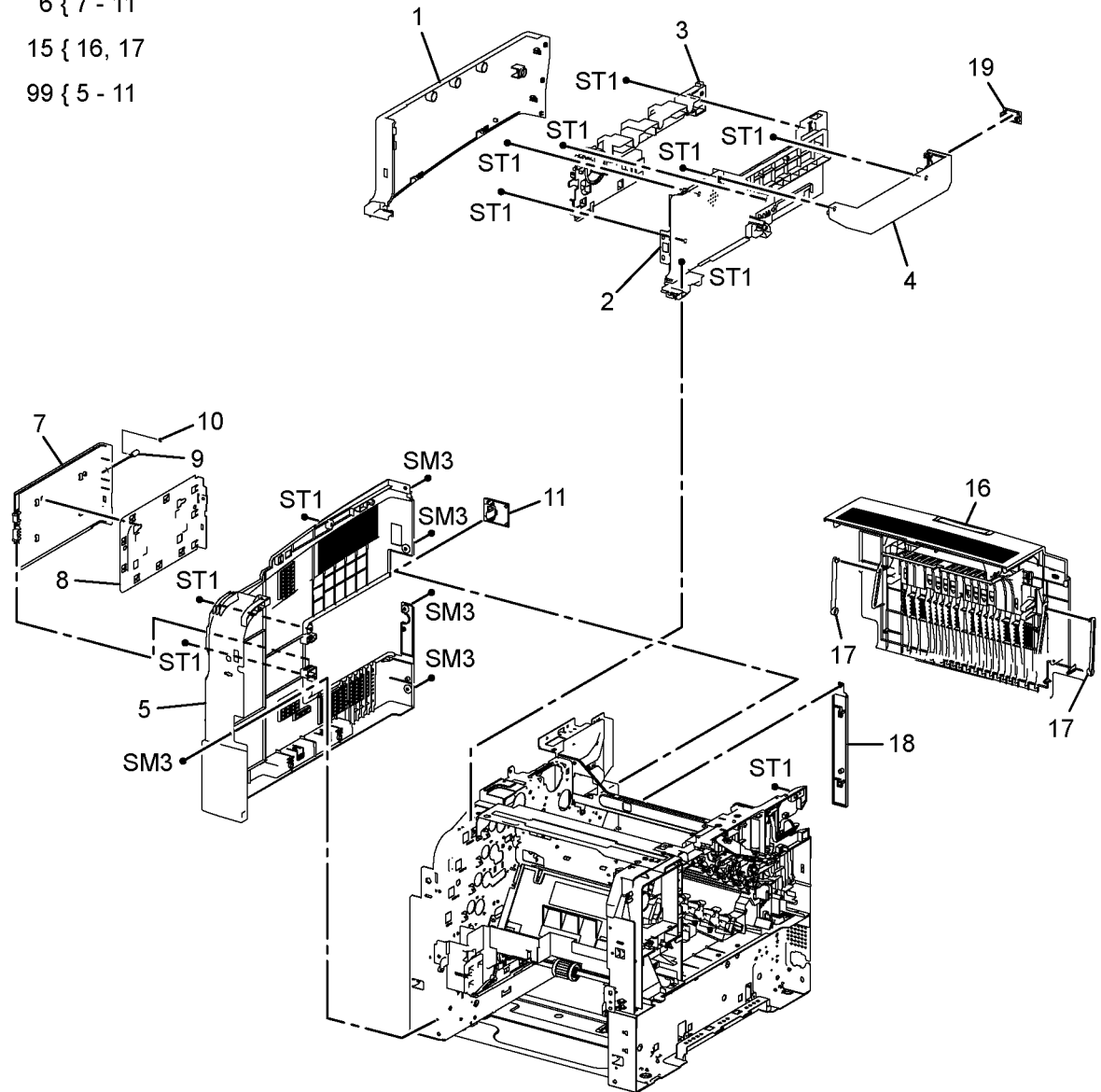
PL 19.2B Covers - C405

Item	Part	Description
1	822E30971	IIT Left outer base C405 (REP 19.15)
2	-	IIT Left inner base C405 (Not Spared)
3	-	IIT inner base (Not Spared)
4	-	IIT bottom cover (Not Spared)
5	-	Left cover (P/O PL 19.2B Item 99)
6	-	ESS window cover assembly (P/O PL 19.2B Item 99)
7	-	ESS window cover (P/O PL 19.2B Item 6)
8	-	ESS window plate (P/O PL 19.2B Item 6)
9	-	Thumb screw (P/O PL 19.2B Item 6)
10	-	E ring (P/O PL 19.2B Item 6)
11	822E30260	WiFi cap cover
12	-	Not used
13	-	Not used
14	-	Not used
15	607K03760	Rear cover assembly
16	-	Rear cover assembly C405 (P/O PL 19.2B Item 15) (REP 19.16)
17	-	Rear cover link (P/O PL 19.2B Item 15)
18	-	Left rear lower cover C405 (Not Spared) (REP 19.17)
19	-	IIT bottom base cap (Not Spared)
99	948K03330	Left side cover assembly C405 (REP 19.18)

6 { 7 - 11

15 { 16, 17

99 { 5 - 11

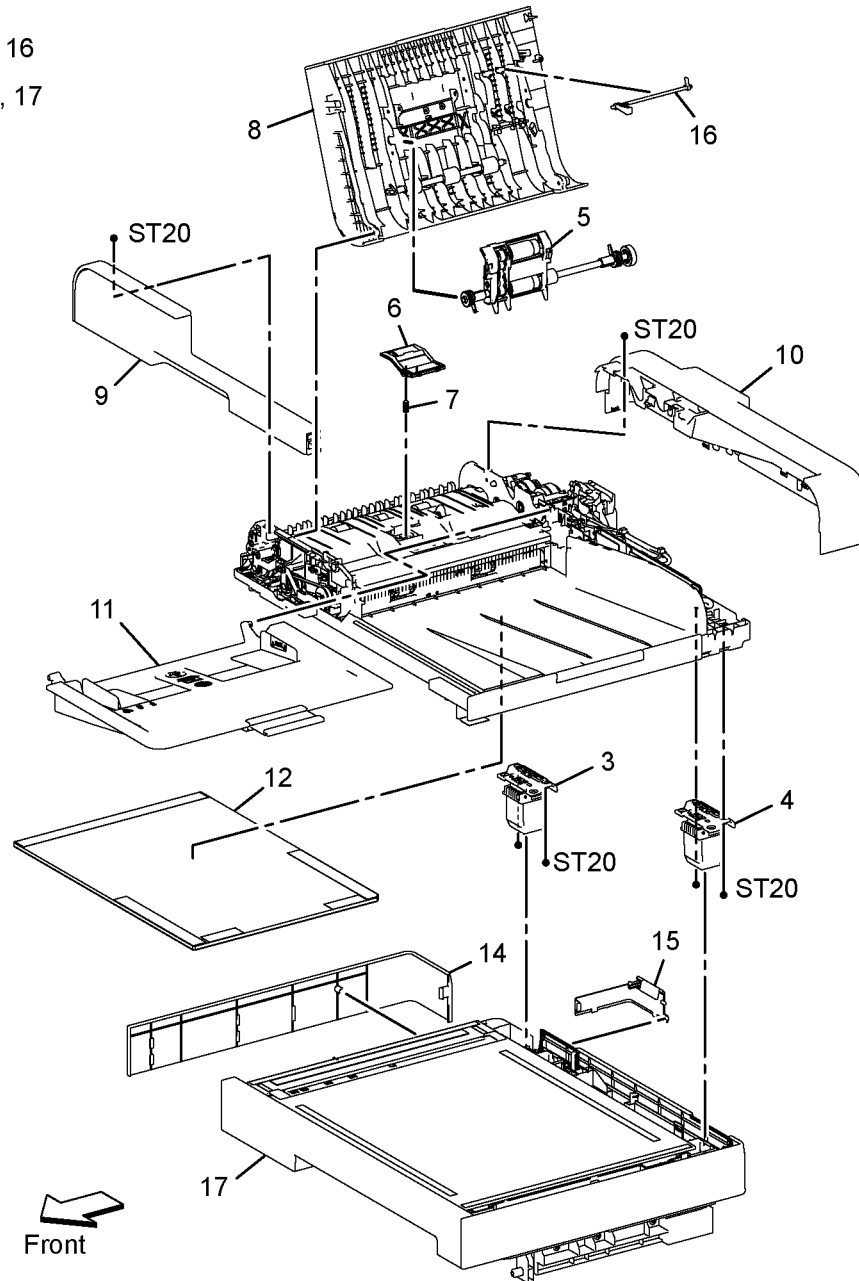


Z-8-0025-A

PL 50.1 IIT/DADF

Item	Part	Description
1	607K12151	DADF assembly (REP 50.1)
2	607K04243	IIT assembly (REP 50.1)
3	036K92343	Left counter balance assembly (REP 50.2)
4	036K92323	Right counter balance assembly (REP 50.2)
5	-	DADF roller feeder (P/O PL 50.1 Item 99)
6	-	Separator cover assembly (P/O PL 50.1 Item 99)
7	-	DADF separator spring (P/O PL 50.1 Item 99)
8	-	Upper feeder assembly (P/O PL 50.1 Item 1)
9	-	DADF front cover (P/O PL 50.1 Item 1)
10	-	DADF rear cover (P/O PL 50.1 Item 1)
11	050K73592	DADF Input tray assembly (REP 50.3)
12	-	Platen cushion assembly (P/O PL 50.1 Item 1)
13	-	Scanner assembly (Not Spared) (REP 50.4)
14	-	IIT left cover (P/O PL 50.1 Item 2)
15	-	IIT Left cover cap (P/O PL 50.1 Item 2)
16	120E35671	DADF actuator (P/O PL 50.1 Item 1) (REP 50.5)
17	-	IIT assembly (P/O PL 50.1 Item 2)
99	607K00132	DADF feed roll kit (REP 50.6)

1 { 3 - 12, 16
 2 { 14, 15, 17
 13 { 1, 2
 99 { 5, 6, 7



Z-8-0026-A

Xerox Supplies And Accessories

Consumables

Table 1 Consumables

Description	Part Number
Imaging Unit Kit (Y, M, C, K, and Cleaner Assembly)	108R01121

Routine Maintenance Items

Table 2 Routine Maintenance Items

Description	Part Number
Maintenance Kit (Transfer Belt, Transfer Roller, Cassette Retard Roller)	108R01122

