

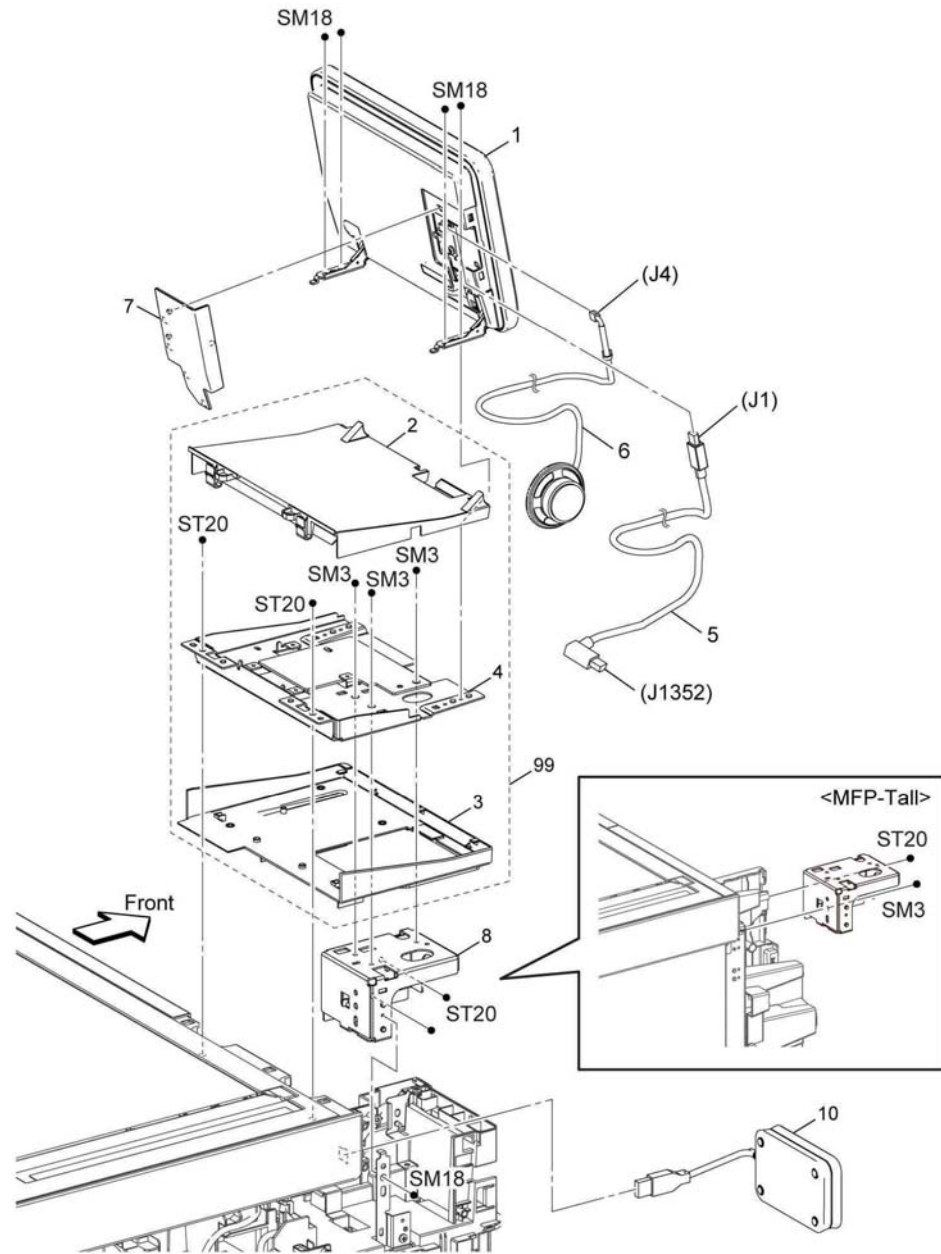
# 5 Parts Lists

<b>1 - UI</b>			
PL 1.1 UI MFP-Std, B615_Tall.....	5-3	PL 17.1 Exit.....	5-25
PL 1.2 UI (B600/B610).....	5-4		
<b>2.0 - LPH</b>		<b>18 - Electrical</b>	
PL 2.1 LPH.....	5-5	PL 18.1 Electrical (B605/B615) (1/4).....	5-26
<b>3 - Drive</b>		PL 18.2 Electrical (B605/B615) (2/4).....	5-27
PL 3.1 Drive.....	5-6	PL 18.3 Electrical (B605/B615) (3/4).....	5-28
<b>4 - NOHAD</b>		PL 18.4 Electrical (B605/B615) (4/4).....	5-29
PL 4.1 NOHAD.....	5-7	PL 18.5 Electrical (B615_Tall) (1/4).....	5-30
<b>5 - Dispenser</b>		PL 18.6 Electrical (B615_Tall) (2/4).....	5-31
PL 5.1 Dispenser.....	5-8	PL 18.7 Electrical (B615_Tall) (3/4).....	5-32
<b>6 - Transfer</b>		PL 18.8 Electrical (B615_Tall) (4/4).....	5-33
PL 6.1 Transfer.....	5-9	PL 18.9 Electrical (B600/B610) (1/4).....	5-34
<b>7 - Fusing</b>		PL 18.10 Electrical (B600/B610) (2/4).....	5-35
PL 7.1 Fusing.....	5-10	PL 18.11 Electrical (B600/B610) (3/4).....	5-36
<b>8 - Xerographic</b>		PL 18.12 Electrical (B600/B610) (4/4).....	5-37
PL 8.1 Xerographic.....	5-11	<b>19 - Cover</b>	
<b>9 - Tray</b>		PL 19.1 Cover (B605/B615) (1/2).....	5-38
PL 9.1 Tray.....	5-12	PL 19.2 Cover (B605/B615) (2/2).....	5-39
<b>10 - Option Feeder</b>		PL 19.3 Cover (B615_Tall) (1/2).....	5-40
PL 10.1 Option Feeder (1/3).....	5-13	PL 19.4 Cover (B615_Tall) (2/2).....	5-41
PL 10.2 Option Feeder (2/3).....	5-14	PL 19.5 Cover (B600/B610) (1/2).....	5-42
PL 10.3 Option Feeder (3/3).....	5-15	PL 19.6 Cover (B600/B610) (2/2).....	5-43
<b>11 - HCF</b>		<b>20 - Mailbox</b>	
PL 11.1 HCF Front-Right.....	5-16	PL 20.1 Mailbox.....	5-44
PL 11.2 HCF Left.....	5-17	PL 20.2 Mailbox.....	5-45
PL 11.3 HCF (3/4 Tray).....	5-18	<b>21 - Finisher</b>	
PL 11.4 HCF (4/4 Tray).....	5-19	PL 21.1 Finisher.....	5-46
<b>13 - MSI</b>		PL 21.2 Finisher.....	5-47
PL 13.1 MSI.....	5-20	<b>30 - Cabinet</b>	
PL 13.2 MSI (2/2).....	5-21	PL 30.1 Cabinet.....	5-48
<b>14 - Duplex</b>		PL 30.2 Caster.....	5-49
PL 14.1 Duplex.....	5-22	<b>50 - Scanner</b>	
<b>15 - Registration</b>		PL 50.1 Scanner (MFP only).....	5-50
PL 15.1 Registration (1/2).....	5-23		
PL 15.2 Registration (2/2).....	5-24		
<b>17 - Exit</b>			



## PL 1.1 UI MFP-Std, B615\_Tall

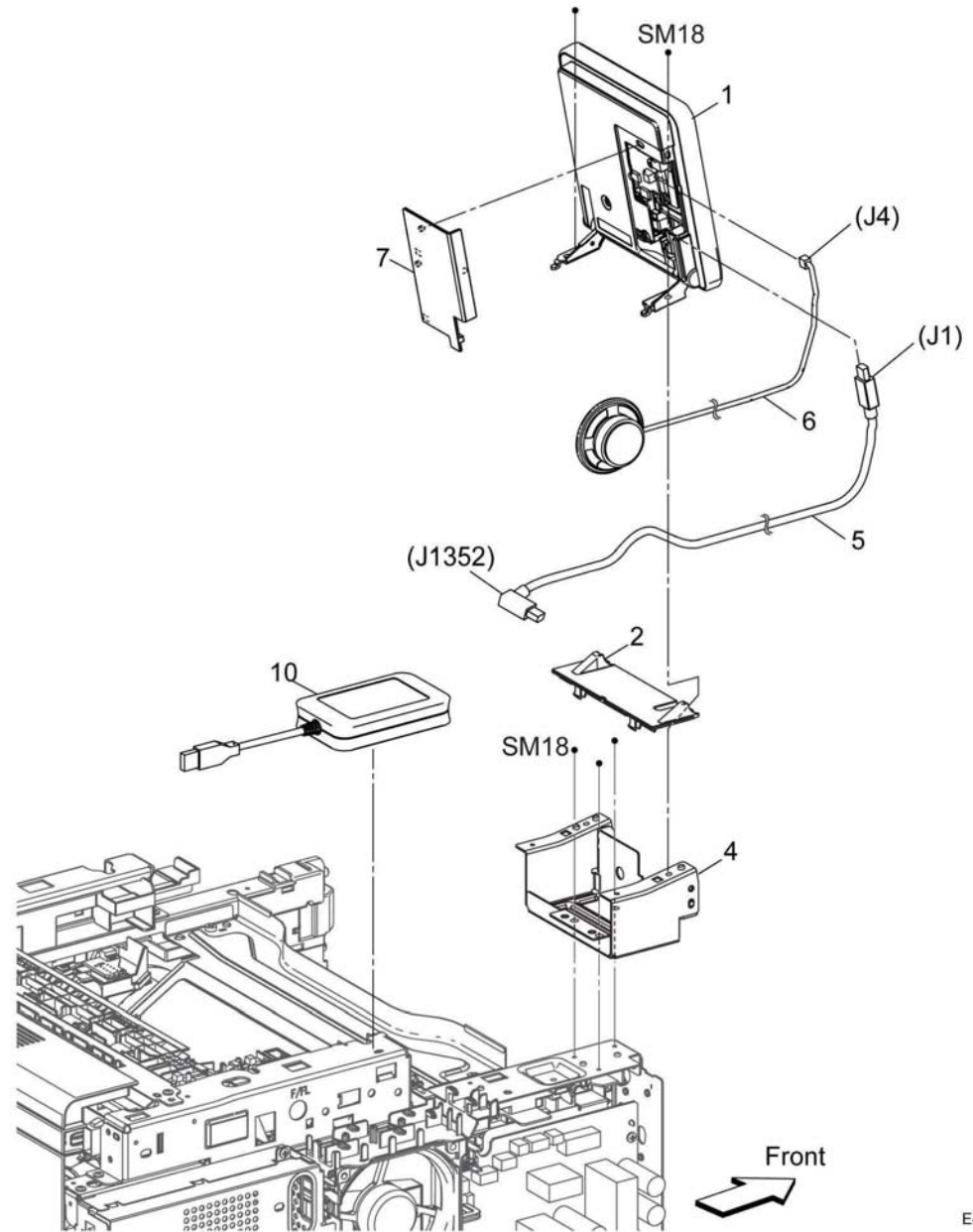
Item	Part	Description
1	948K02982	Console assembly UI AIO REP 1.1
2	822E18611	UI inner cover REP 1.2
3	822E18601	UI frame cover REP 1.3
4	-	UI frame plate (Not spared)
5	952K35720	UI harness (tall) REP 1.4
-	952K35710	UI harness REP 1.4
6	-	Speaker main
7	822E30280	UI access door (hatch) REP 1.5
8	-	UI frame bracket (Not spared)
9	-	Not used
10	-	ICCR card (Not spared)



E-8-2001-A

## PL 1.2 UI (B600/B610)

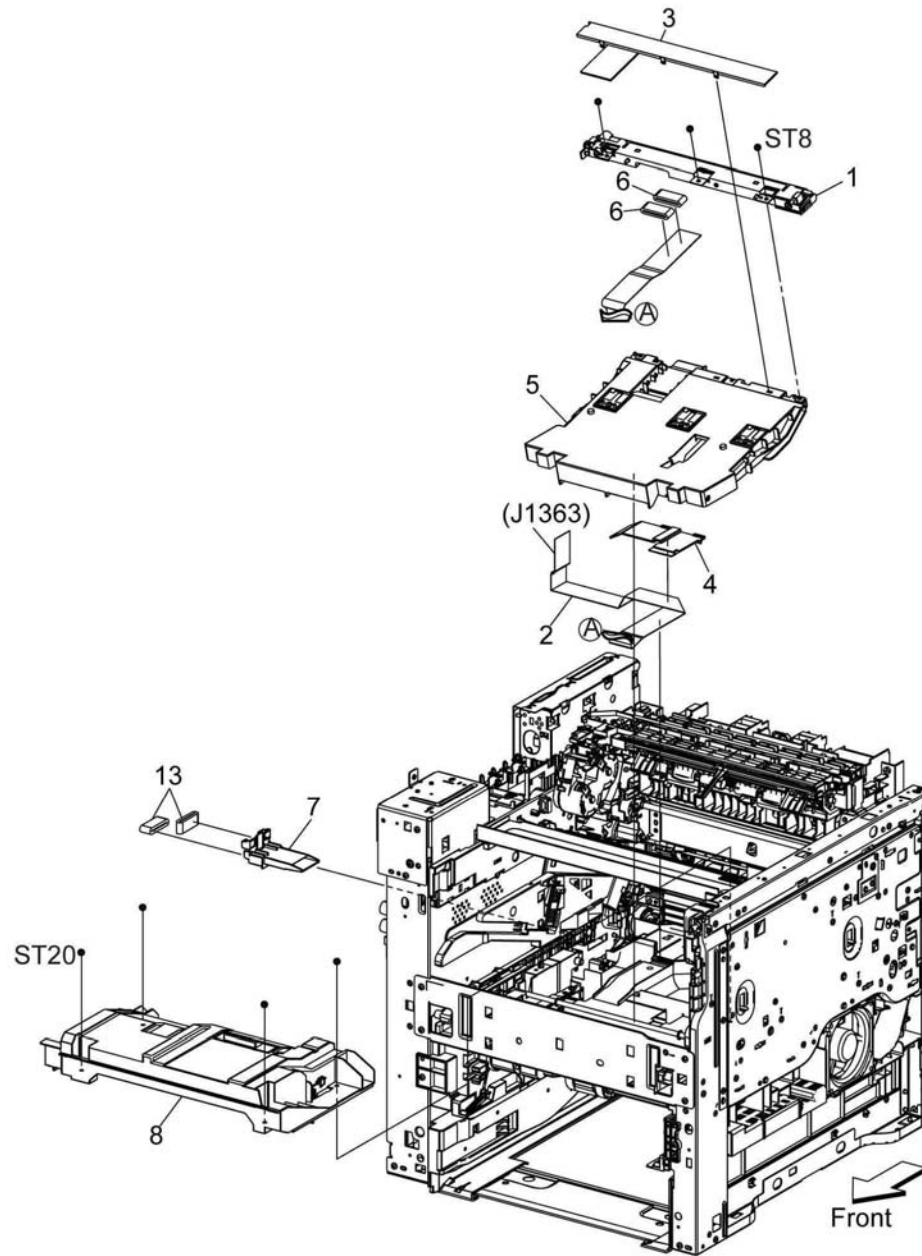
Item	Part	Description
1	848K95746	Console assembly UI SFP REP 1.6
2	822E32330	UI inner cover REP 1.7
3	–	Not used
4	–	UI frame (Not spared)
5	952K37020	UI harness REP 1.8
6	–	Speaker main
7	822E32001	UI access door REP 1.9
8	–	Not used
9	–	Not used
10	–	ICCR card (Not spared)



E-8-2002-A

## PL 2.1 LPH

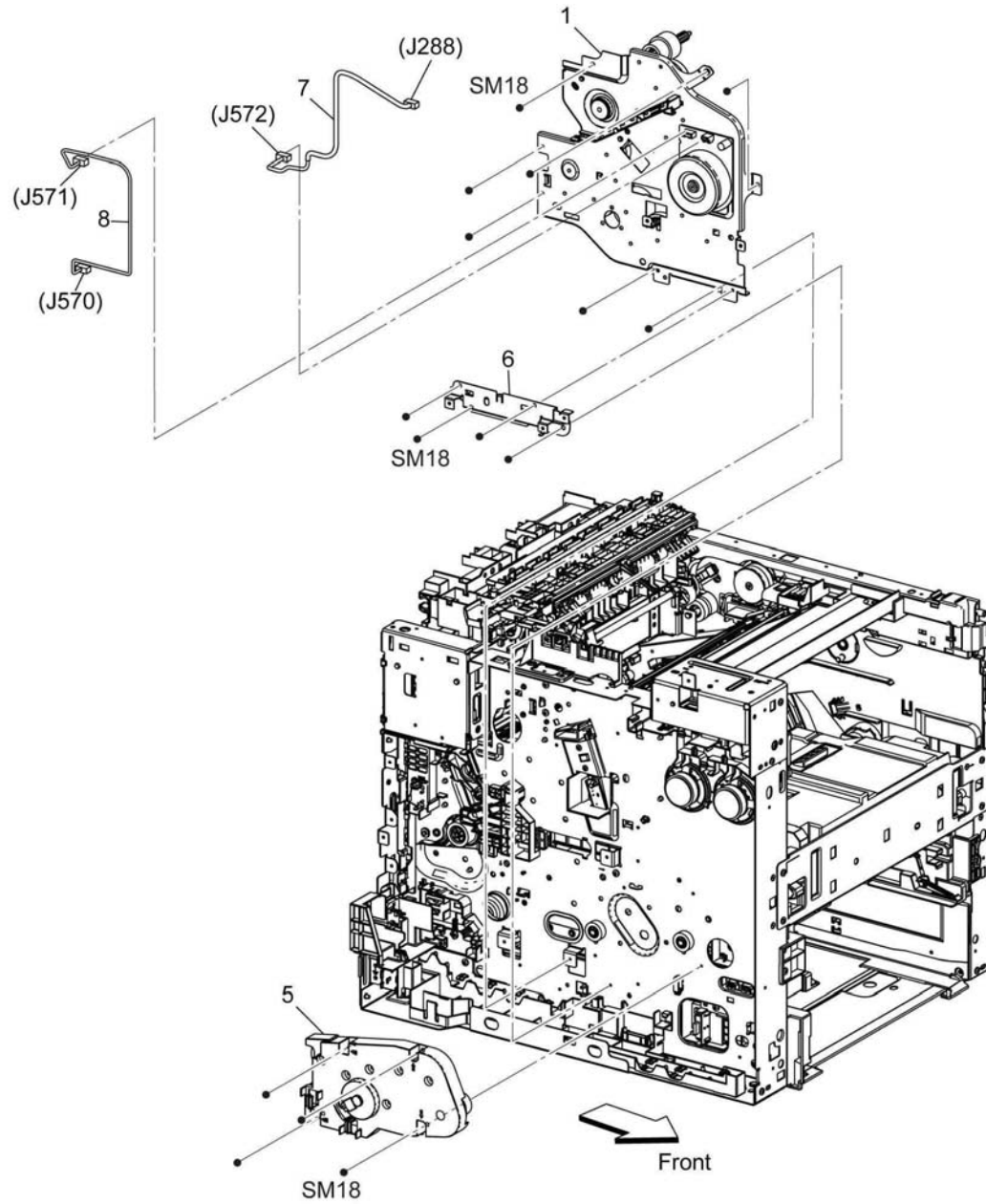
Item	Part	Description
1	930K00760	Head assembly LPH mono <a href="#">REP 2.1</a>
2	117E41970	FFC LPH <a href="#">REP 2.2</a>
3	–	Cover LPH (guide cleaner) (Not spared)
4	–	Cover LPH ESD (Not spared)
5	–	Holder LPH RT (Not spared) <a href="#">REP 2.3</a>
6	–	Core ferrite LPH (Not spared)
7	–	Guide FFC mono LPH (Not spared) <a href="#">REP 2.5</a>
8	–	Guide toner (Not spared) <a href="#">REP 2.4</a>
9	–	Not used
10	–	Not used
11	–	Not used
12	–	Not used
13	–	Core ferrite LPH (Not spared)



E-8-2003-A

## PL 3.1 Drive

Item	Part	Description
1	007K22820	Drive assembly main <a href="#">REP 3.1</a>
2	-	Not used
3	-	Not used
4	-	Not used
5	007K21981	Drive assembly MSI <a href="#">REP 3.2</a>
6	-	Plate MCU (Not spared)
7	-	Harness assembly motor PWR-MV (Not spared)
8	-	Harness assembly motor - MV (Not spared)

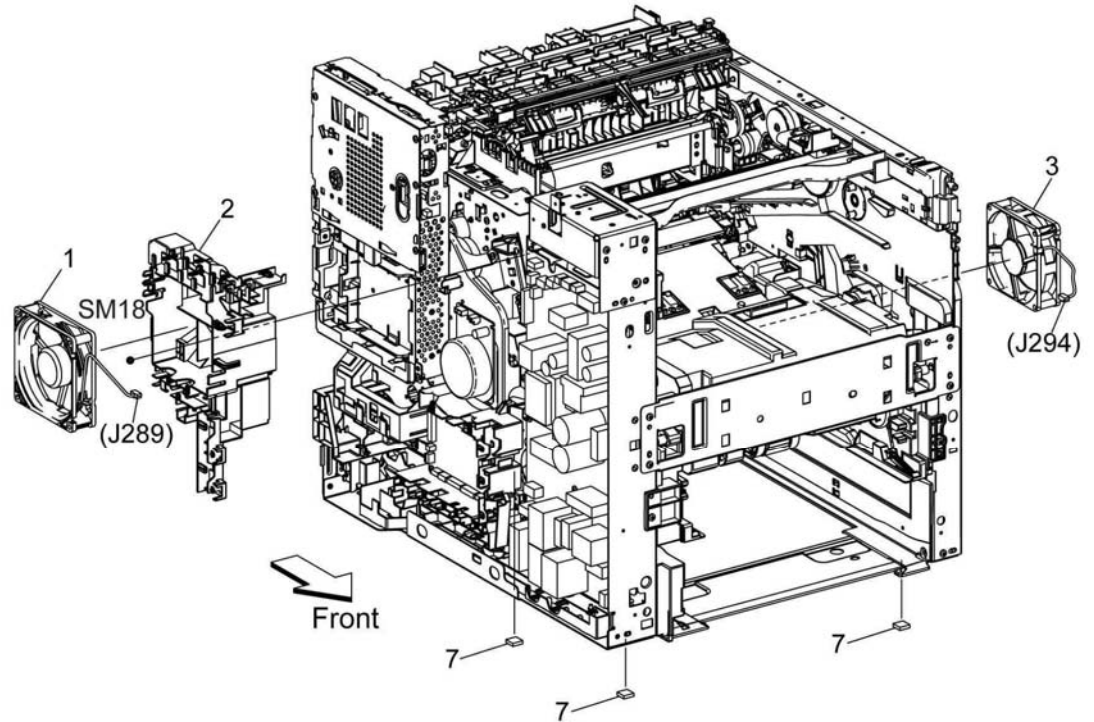


E-8-2004-A

# PL 4.1 NOHAD

Item	Part	Description
1	127K74220	Fan main <a href="#">REP 4.1</a>
2	-	Duct fan main (Not spared)
3	127K74200	Fan sub <a href="#">REP 4.2</a>
4	-	Not used
5	-	Not used
6	-	Not used
7	017K94350	Rubber foot
99	604K77650	Kit foot assembly <a href="#">REP 4.3</a>

99 {Item 7×3 pcs}

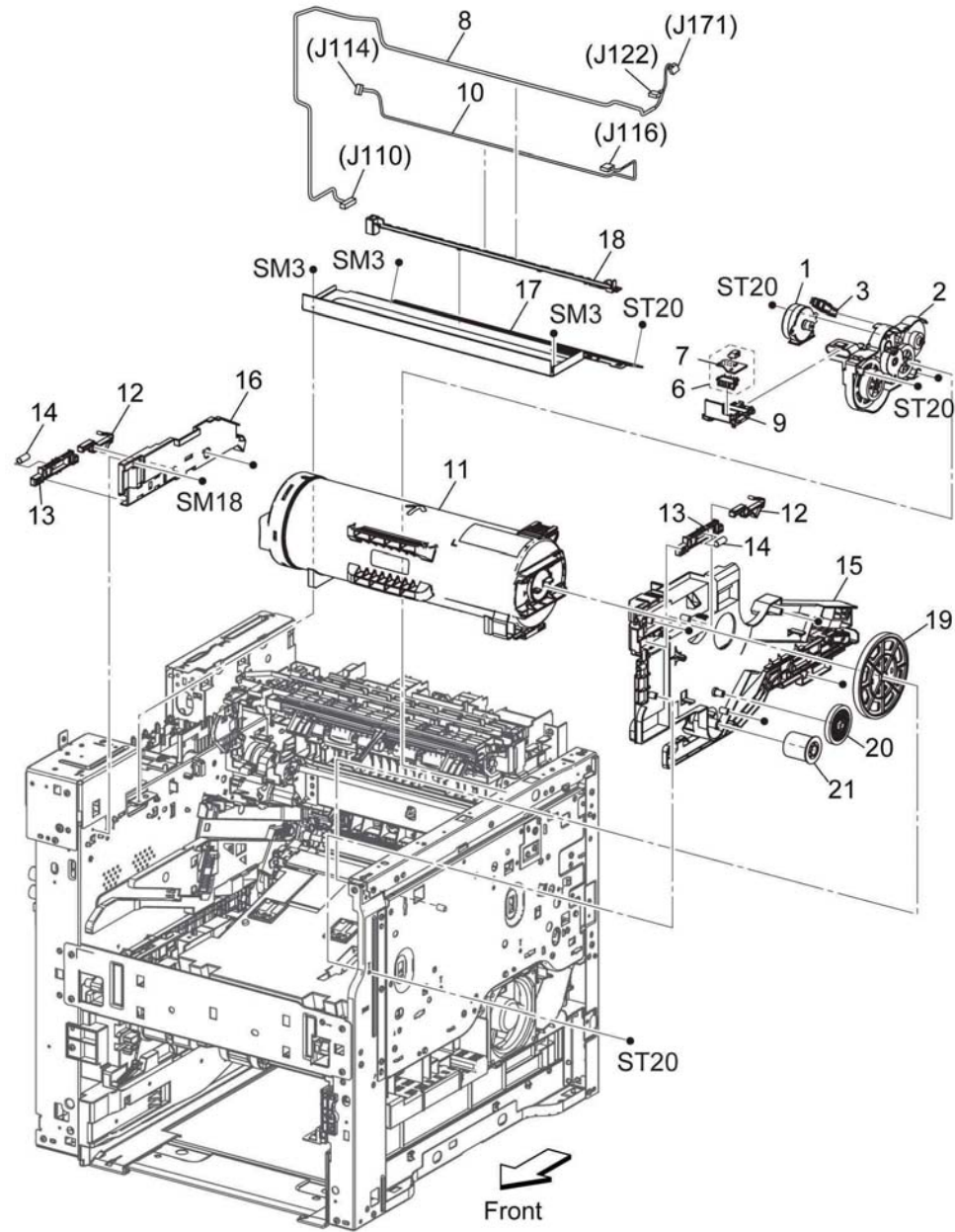


E-8-2005-A



## PL 5.1 Dispenser

Item	Part	Description
1	127K64260	Motor assembly DISP/ENV (MOT93-010) <a href="#">REP 5.2</a>
2	007K23091	Drive assembly DISP/ENV (with 3) (MOT71-069) <a href="#">REP 5.1</a>
3	-	Photo sensor (Q94-200) (nip position sensor) (Not spared)
4	-	Not used
5	-	Not used
6	-	Connector assembly CRUM toner (with 7) (Not spared)
7	-	Toner CRUM PWB (Not spared) <a href="#">REP 5.3</a>
8	-	Harness assembly DISP/ENV-MV (Not spared)
9	-	Housing CRUM dispenser (Not spared)
10	-	Harness assembly toner CRUM-MV (Not spared)
11	-	Toner cartridge (Not spared)
12	-	Latch CTRG (Not spared)
13	-	Link latch CTRG (Not spared)
14	-	Spring latch CTRG (Not spared)
15	-	Guide CRU R (Not spared)
16	-	Guide CRU L2 (Not spared)
17	-	Frame top mono (Not spared)
18	-	Guide harness top (Not spared)
19	-	Assembly coupling (Not spared)
20	-	Gear idler dispenser (Not spared)
21	-	Gear out CRU (Not spared)

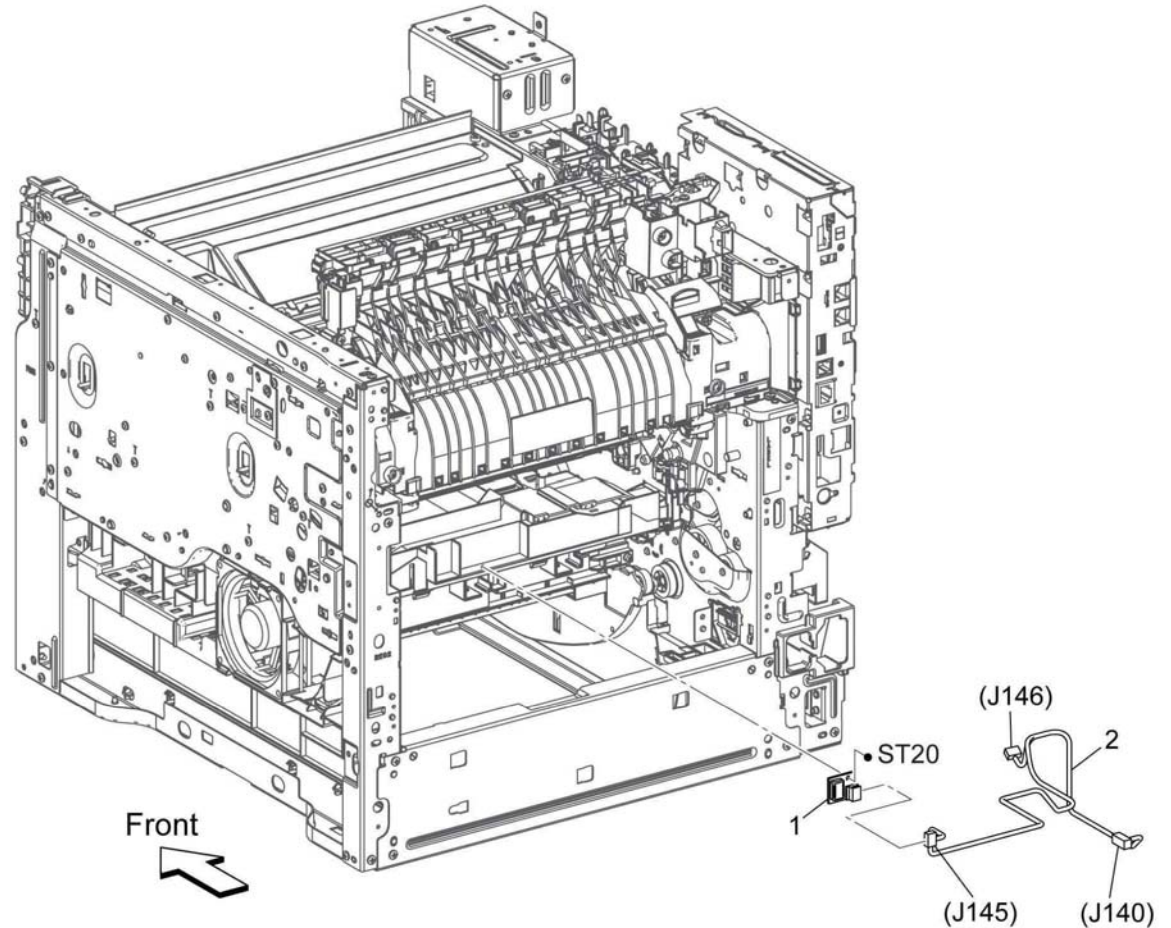


E-8-2006-A



## PL 6.1 Transfer

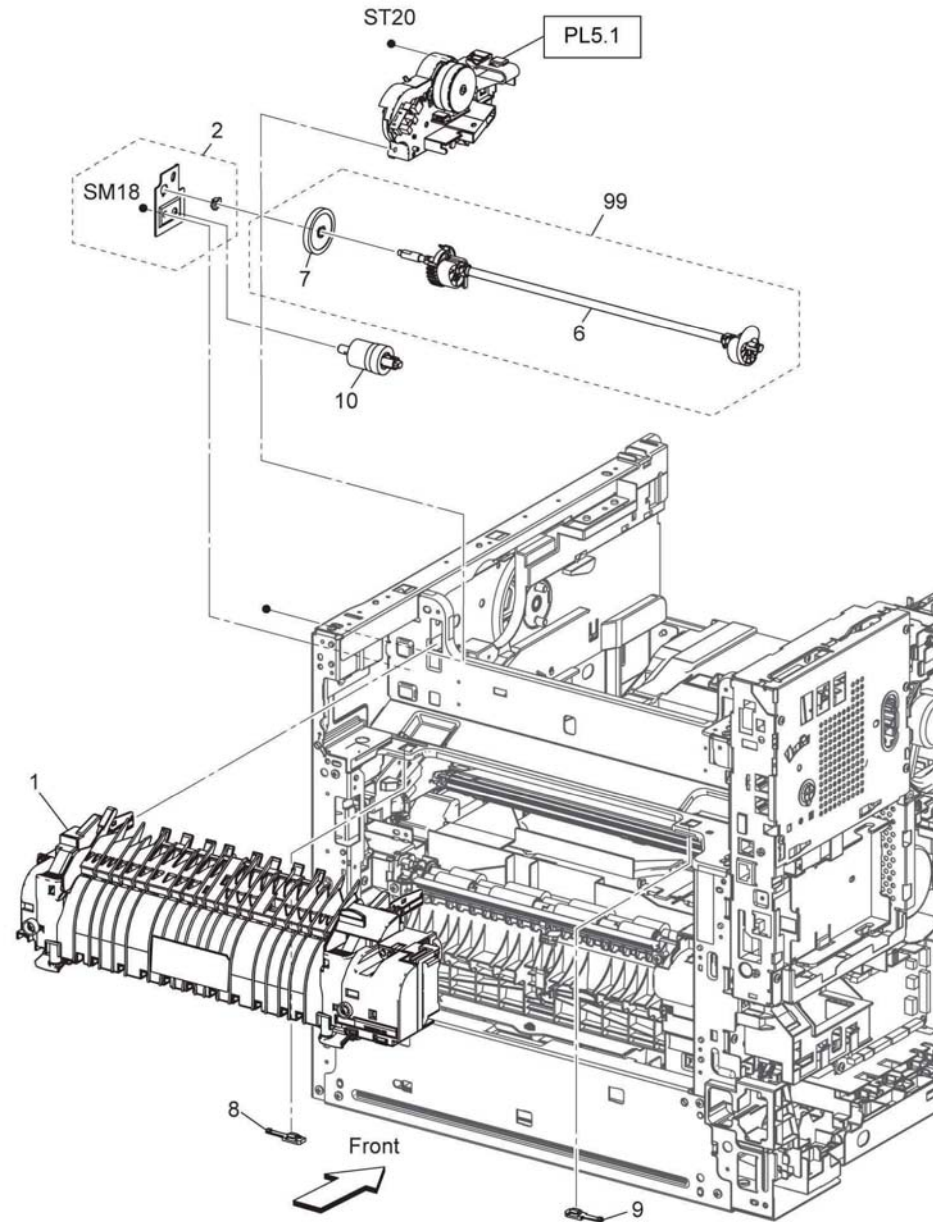
Item	Part	Description
1	130E17310	Humidity and temperature sensor REP 6.1
2	-	Harness assembly TA CLT/HUM-MV (Not spared)



E-8-2007-A

## PL 7.1 Fusing

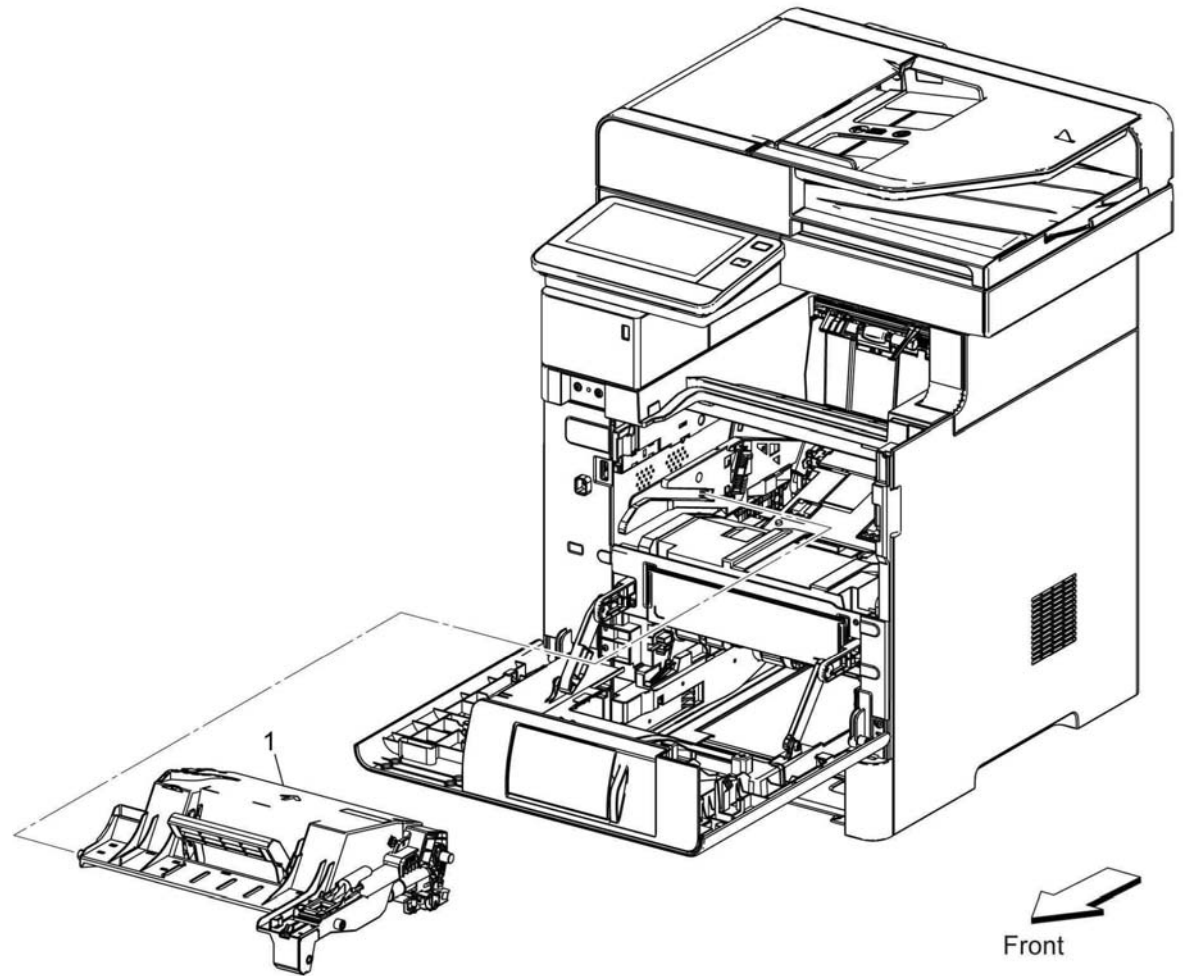
Item	Part	Description
1	115R00139	110V fuser <a href="#">REP 7.1 GP 40</a>
-	115R00140	220V fuser <a href="#">GP 40</a>
2	-	Bracket nip retract (not spared)
3	-	Not used
4	-	Not used
5	-	Not used
6	-	Shaft retract (P/O <a href="#">PL 7.1 Item 99</a> )
7	-	Gear shaft retraction (P/O <a href="#">PL 7.1 Item 99</a> )
8	-	Block CRU (not spared)
9	-	Block CRU D (not spared)
10	-	Nip retraction shaft damper (not spared)
99	607K05110	Nip retraction shaft assembly (with 6-7) <a href="#">REP 7.2</a>



E-8-2008-A

## PL 8.1 Xerographic

Item	Part	Description
1	-	Xerographic developer CRU assembly (not spared) <b>REP 8.1</b>

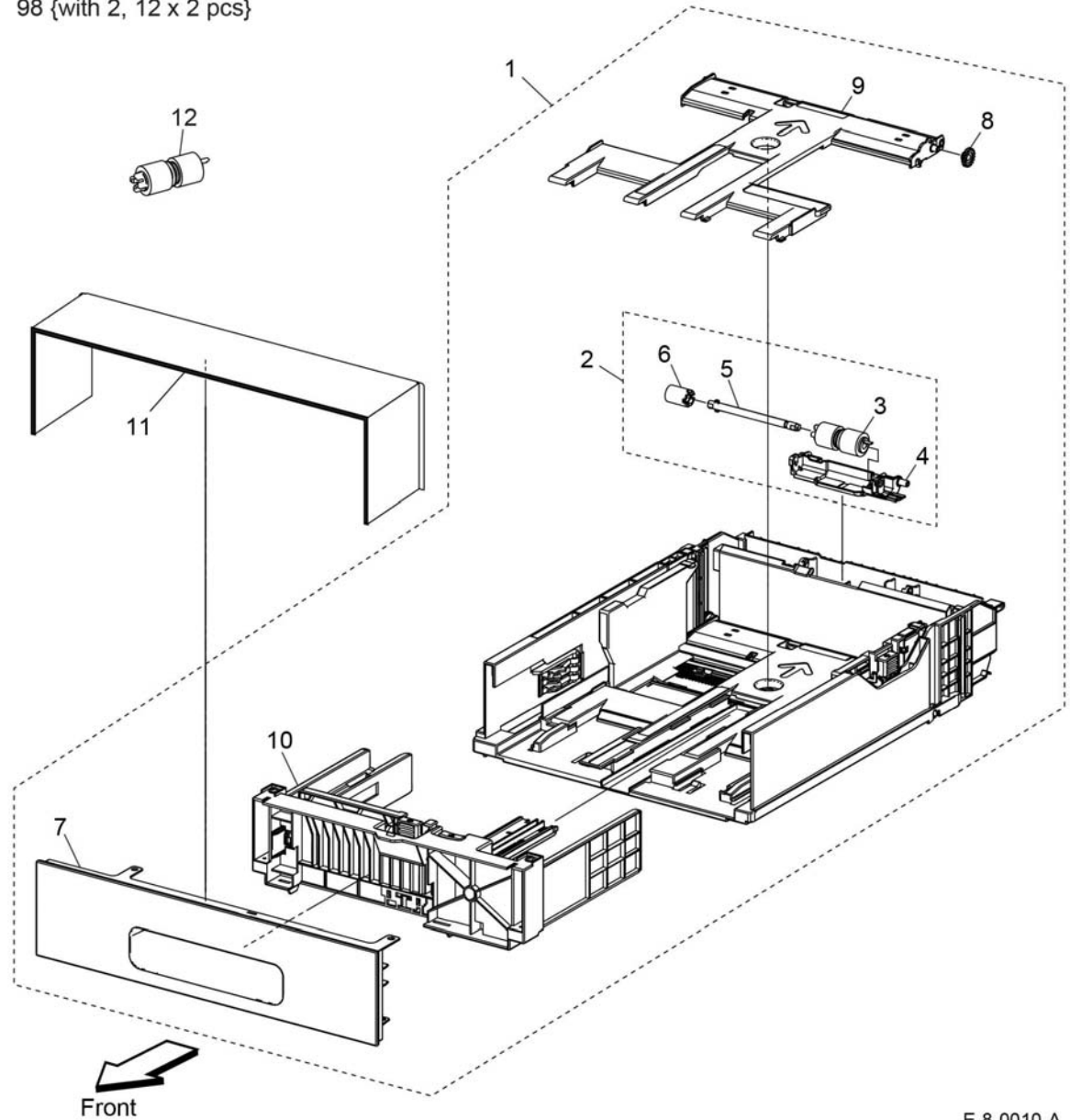


E-8-2009-A

# PL 9.1 Tray

Item	Part	Description
1	050K75820	Cassette assembly 550 IOT (with 2-10, label) <b>REP 9.1</b>
2	019K17070	Holder assembly separator CST (with 3-6) <b>REP 9.2</b>
3	-	Roll assembly (not spared)
4	-	Holder separator (not spared)
5	-	Shaft separator CST (not spared)
6	-	Clutch assembly friction (not spared)
7	-	Handle CST 550 (not spared)
8	-	Gear assembly (not spared)
9	-	Plate assembly bottom (not spared)
10	-	Housing assembly end 550 (not spared)
11	948K11521	Dust cover 550
12	859K00100	Roll assembly
98	607K00050	Feed and separator roll kit (with 2, 12 x 2 pcs) <b>REP 9.3</b>

98 {with 2, 12 x 2 pcs}

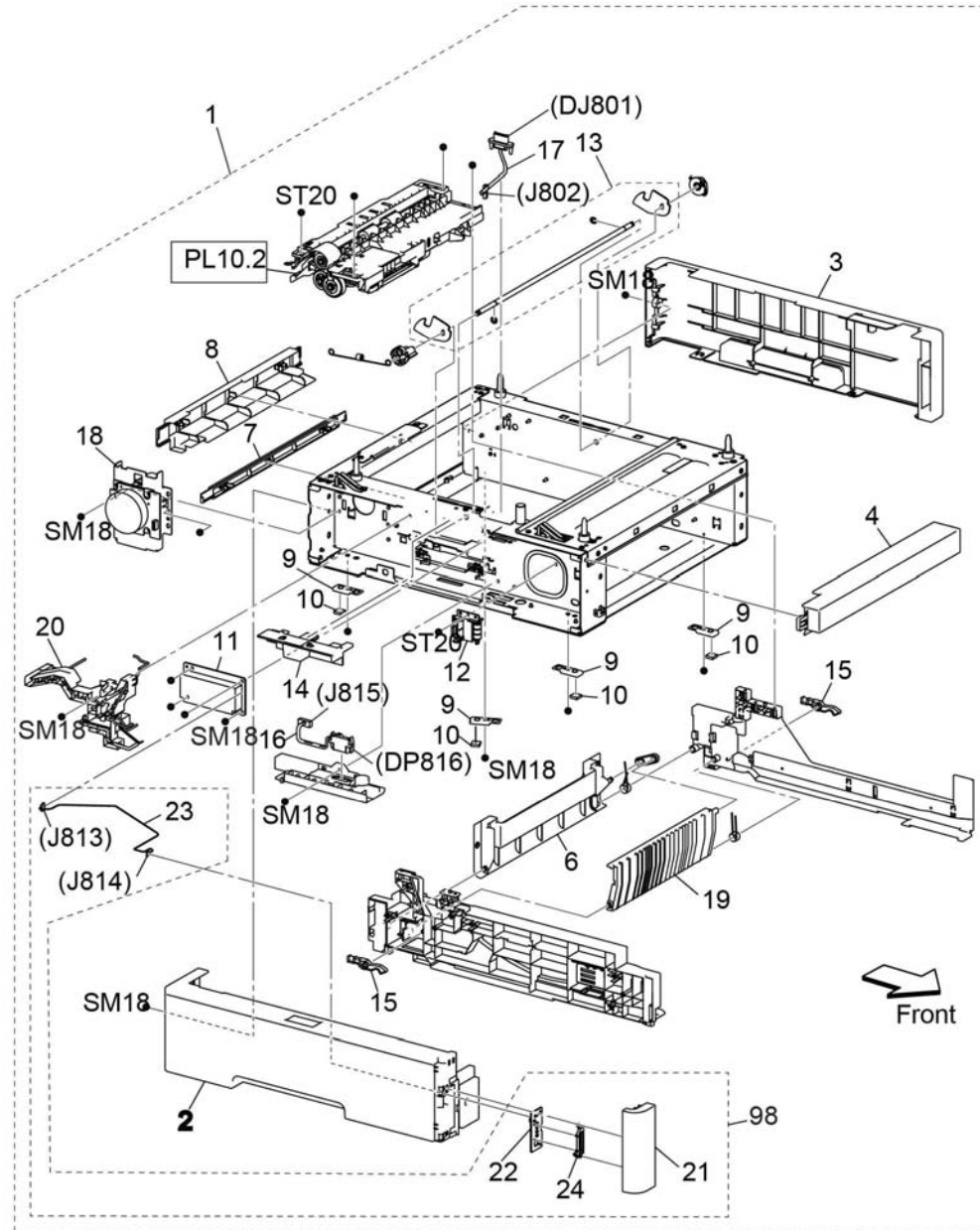


E-8-0010-A



## PL 10.1 Option Feeder (1/3)

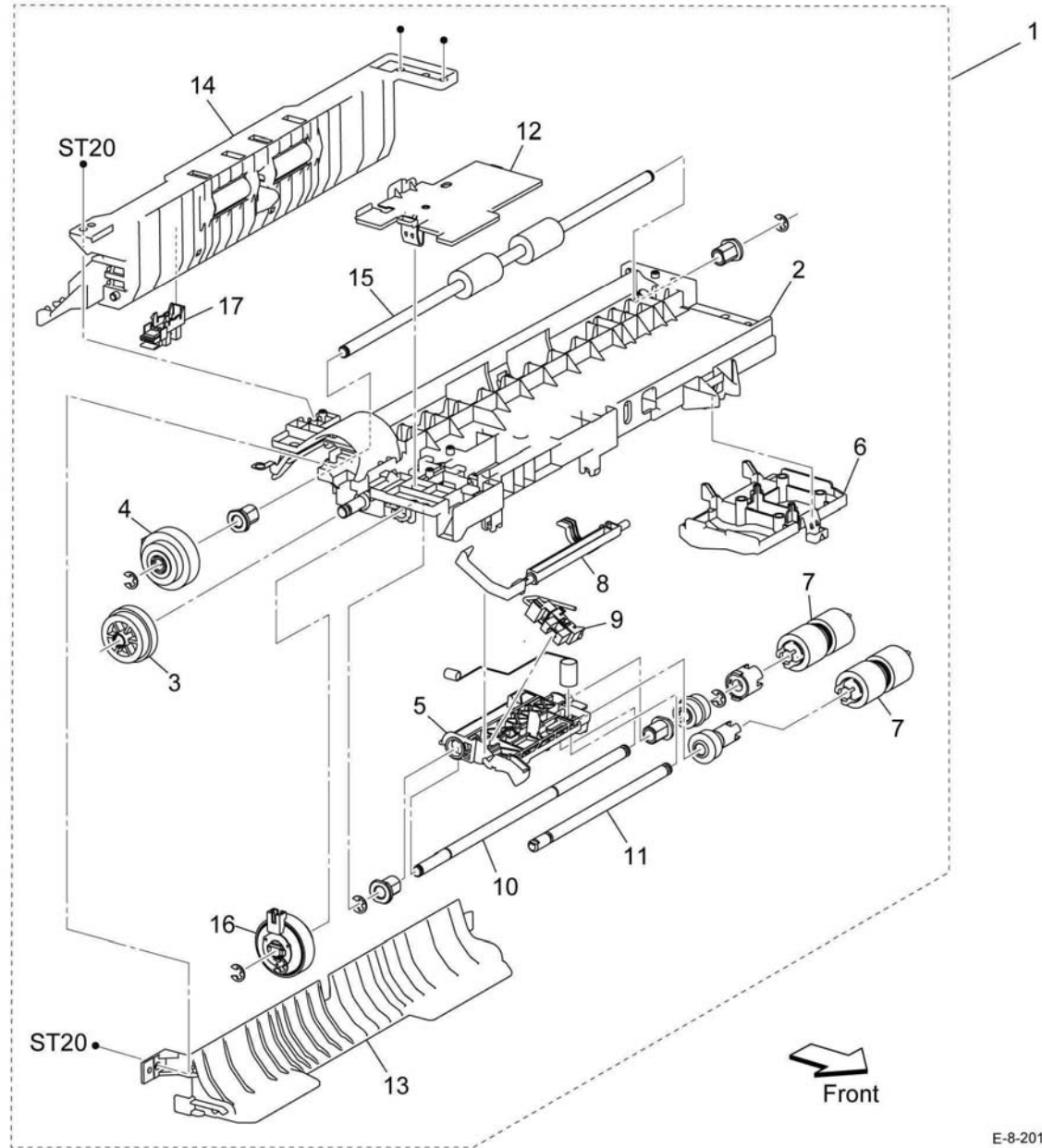
Item	Part	Description
1	859K09980	Kit feeder assembly OPF 550 (with 2-23, PL10.2) <b>REP 10.1</b>
2	-	Cover side l OPF 550 (not spared)
3	-	Cover side r OPF 550 (not spared)
4	-	Cover lip top OPF 550 (not spared)
5	-	Not used
6	-	Cover rear OPF 550 (not spared)
7	-	Cover rear under OPF 550 (not spared)
8	-	Cover rear top OPF 550 (not spared)
9	-	Foot base OPF 550 (not spared)
10	017K94350	Foot OPF 550 <b>REP 10.2</b>
11	-	PWB assembly OPF 550 (not spared)
12	110K16610	Switch assembly size OPF 550 <b>REP 10.3</b>
13	-	Lock assembly OPF 550 (not spared)
14	-	Gear rack lock OPF 550 (not spared)
15	-	Latch tray OPF 550 (not spared)
16	-	Harness assembly FDR drawer (not spared)
17	-	Harness assembly OPF 2C (not spared)
18	-	Motor assembly drive OPF 550 (not spared)
19	-	Chute rear OPF 550 (not spared)
20	-	Guide harness OPF 550 (not spared)
21	-	CVR front l OPF (not spared)
22	-	Tray LED assembly (not spared)
23	-	Harness assembly LED (J813-J814) (not spared)
24	-	Cover shade tray (not spared)
98	607K00450	Kit OPF FDR LED (with 21, 22, 23, 24) <b>REP 10.4</b>



E-8-0011-A

## PL 10.2 Option Feeder (2/3)

Item	Part	Description
1	—	Feeder assembly OPF 550 (with 2-15) (not spared)
2	—	Frame feeder top (not spared)
3	—	Gear P24-P27 (not spared)
4	—	Clutch assembly PH OPF 550 (not spared)
5	—	Support nudger (not spared)
6	054E60150	Chute upper feed
7	859K00100	Roll assembly <a href="#">REP 10.6</a>
8	120E35551	Actuator no paper <a href="#">REP 10.7</a>
9	—	Sensor photo (opt. feeder no paper sensor) (not spared)
10	—	Shaft feed OPF 550 (not spared)
11	—	Shaft nudger OPF 550 (not spared)
12	—	Cover harness OPF 550 (not spared)
13	—	Chute feeder (not spared)
14	—	Roll assembly TA pinch OPF 550 (not spared)
15	—	Roller assembly TA OPF 550 (not spared)
16	—	Clutch assembly PH OPF 550 (OPT feed clutch) (not spared)
17	—	Sensor photo (OPT path paper sensor) (not spared)



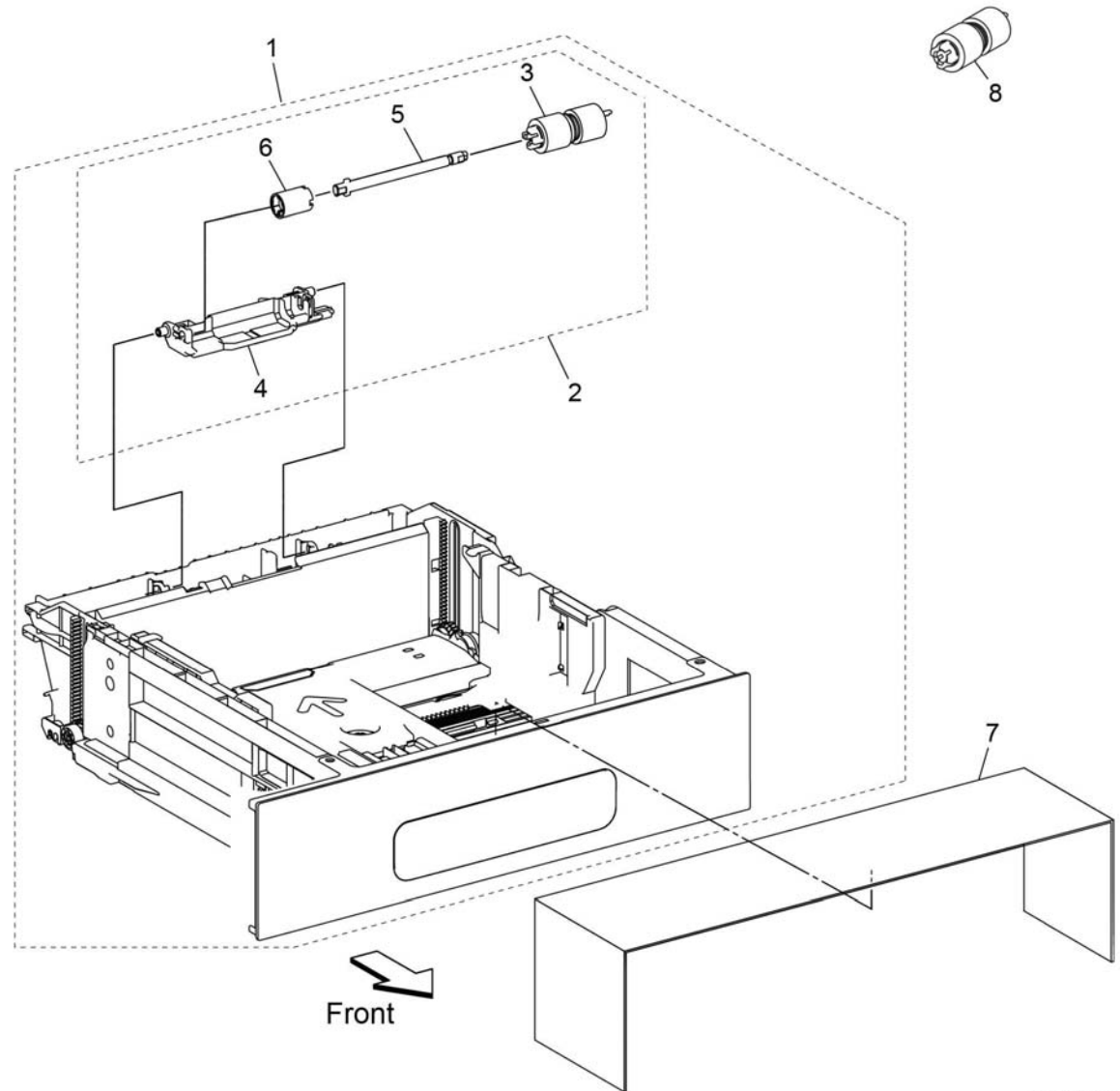
E-8-2012-A



## PL 10.3 Option Feeder (3/3)

Item	Part	Description
1	050K75820	Cassette assembly OPF 550 (with 2-6) <a href="#">REP 10.8</a>
2	019K17070	Holder assembly separator CST (with 3-6) <a href="#">REP 10.9</a>
3	–	Roll assembly (not spared)
4	–	Holder separator (not spared)
5	–	Shaft separator (not spared)
6	–	Clutch assembly friction (not spared)
7	948K11521	Dust cover 550 <a href="#">REP 10.10</a>
8	859K00100	Roll assembly
98	607K00050	Feed and separator roll kit (with 2, PL10.2.7 x2 pcs) <a href="#">REP 10.11</a>

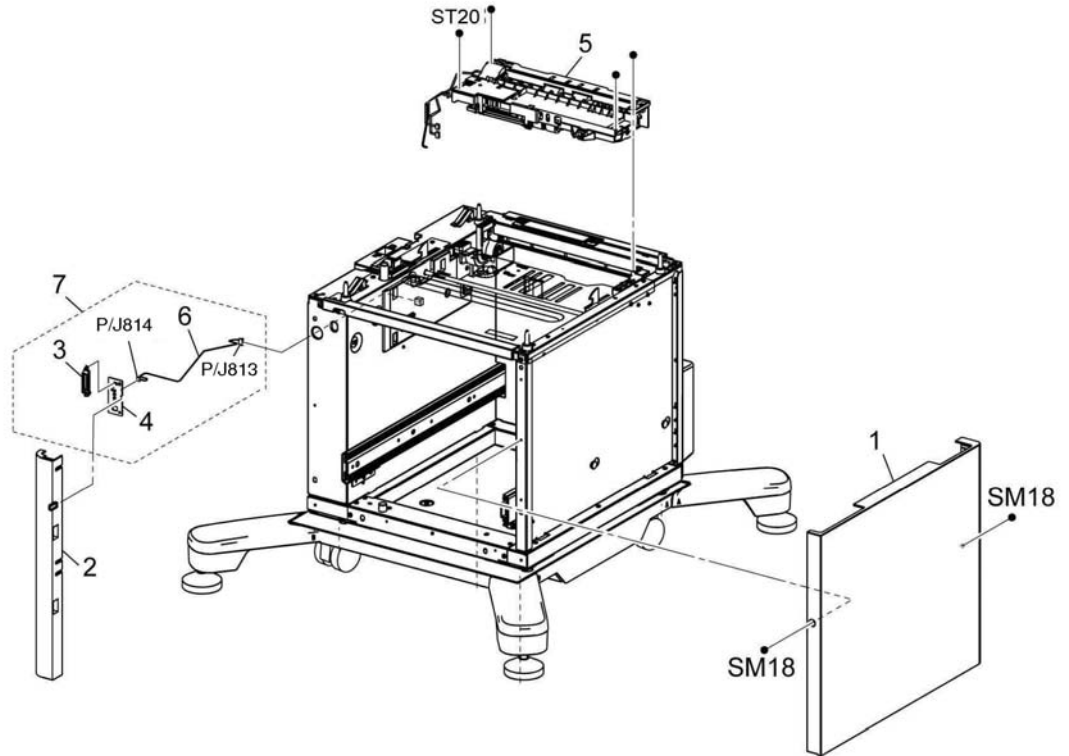
98 {with Item 2, 8 x 2 pcs}



E-8-0013-A

## PL 11.1 HCF Front-Right

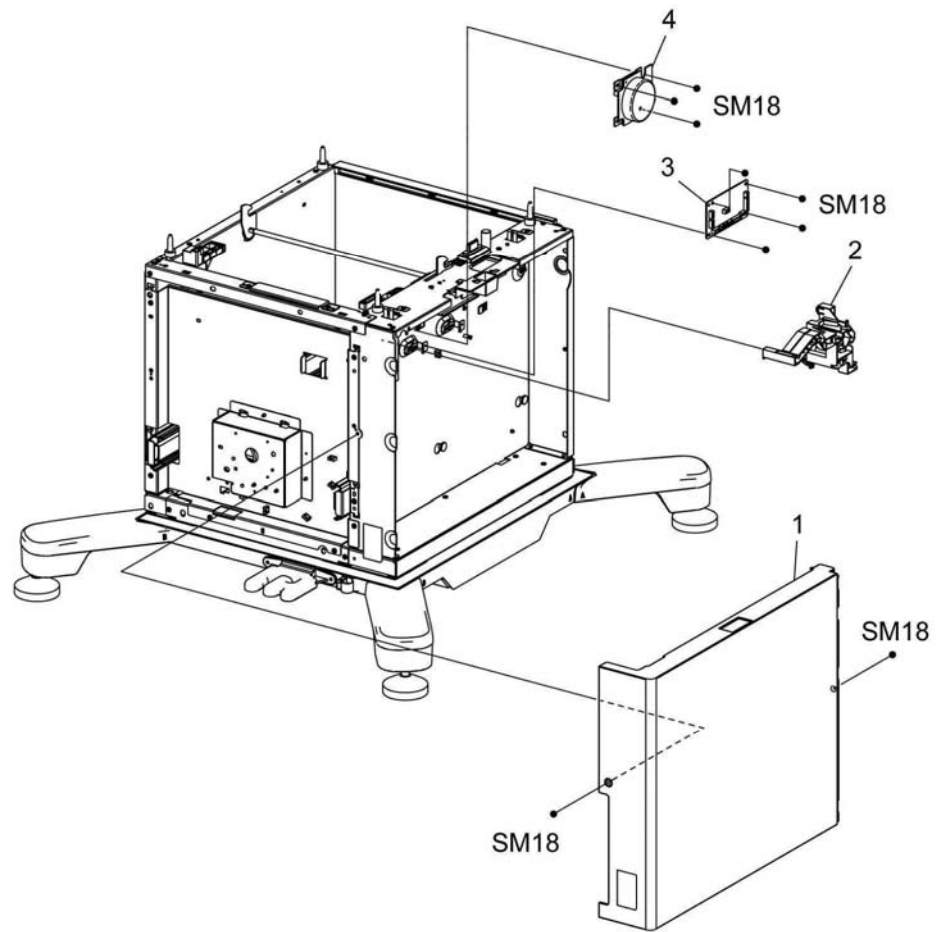
Item	Part	Description
1	–	Cover right (not spared) <a href="#">REP 11.1</a>
2	–	Cover front L (not spared) <a href="#">REP 11.2</a>
3	–	Cover shade tray LED (not spared) <a href="#">REP 11.2</a>
4	–	LED PWB (not spared) <a href="#">REP 11.2</a>
5	859K09990	Feeder assembly (HCF) <a href="#">REP 11.5</a>
6	–	Harness assembly LED (not spared)
7	607K05000	LED assembly W/I wire (with 3, 4, 6) <a href="#">REP 11.6</a>



E-8-2014-A

## PL 11.2 HCF Left

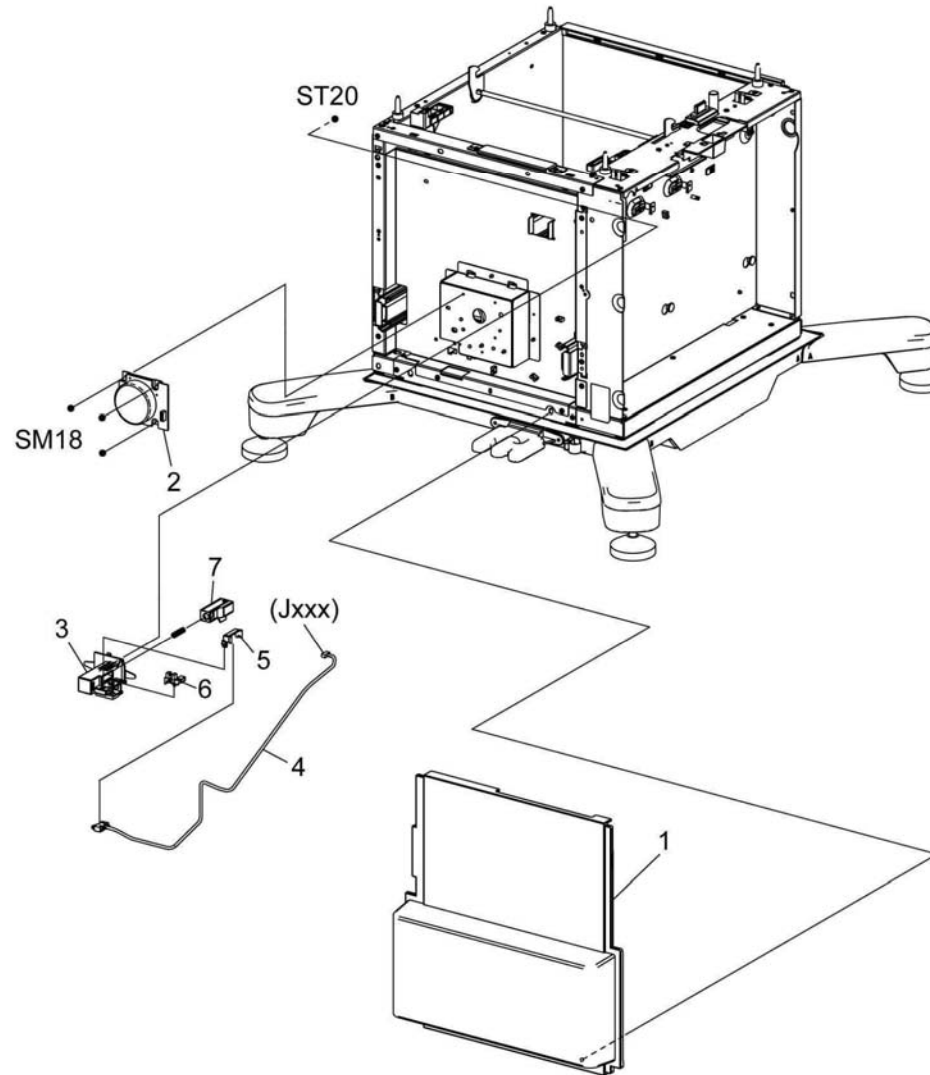
Item	Part	Description
1	—	Cover left (not spared)
2	—	Guide harness (not spared)
3	960K89873	OPF PWB <a href="#">REP 11.7</a>
4	127K73200	Motor assembly main <a href="#">REP 11.8</a>



E-8-2015-A

## PL 11.3 HCF (3/4 Tray)

Item	Part	Description
1	–	Cover rear (not spared) <a href="#">REP 11.4</a>
2	127K73200	Motor assembly main P1 <a href="#">REP 11.9</a>
3	–	Bracket actuator sensor (not spared)
4	952K24820	SW interlock <a href="#">REP 11.10</a>
5	–	Guide SW SUB (not spared)
6	–	Open tray sensor
7	012E18960	Actuator link sensor end

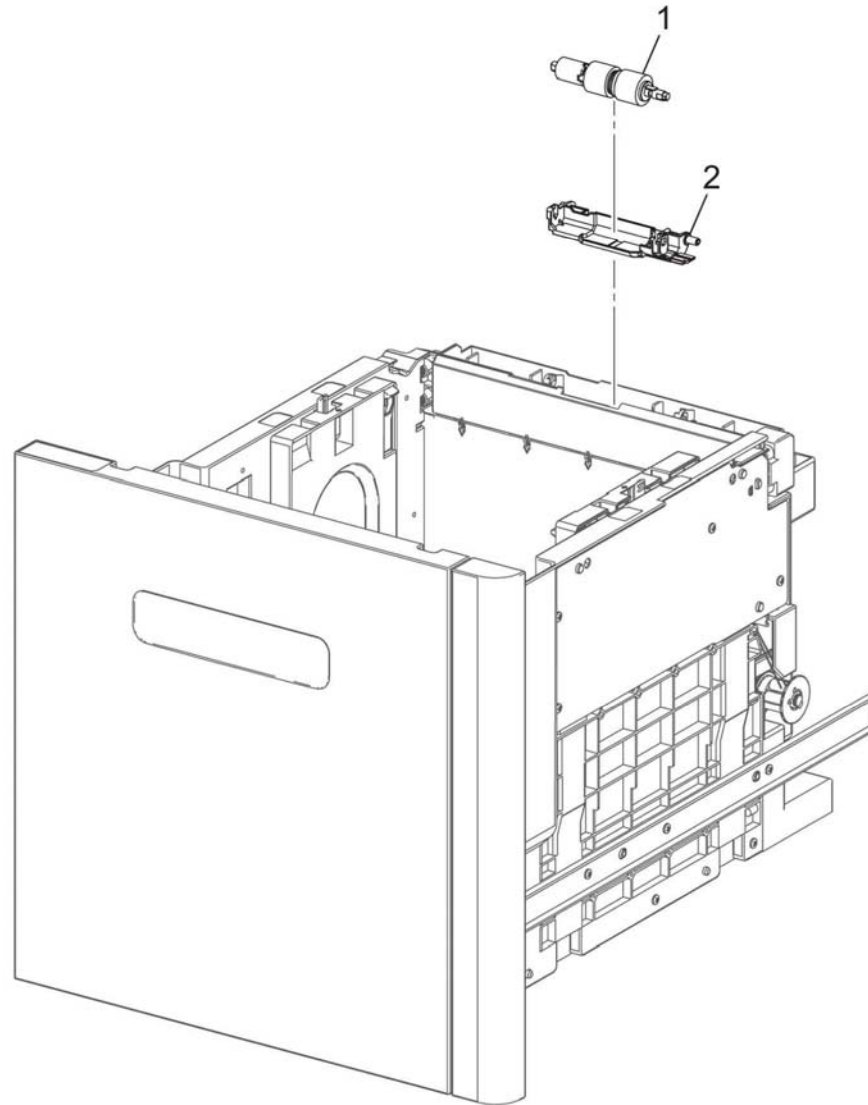


E-8-2016-A

## PL 11.4 HCF (4/4 Tray)

Item	Part	Description
1	859K00100	Shaft assembly feed
2	019K17070	Holder separator
98	607K00050	Feed and separator roll kit (with 1, 2 X2 pcs) <a href="#">REP 11.11</a>

98 { 1, 2

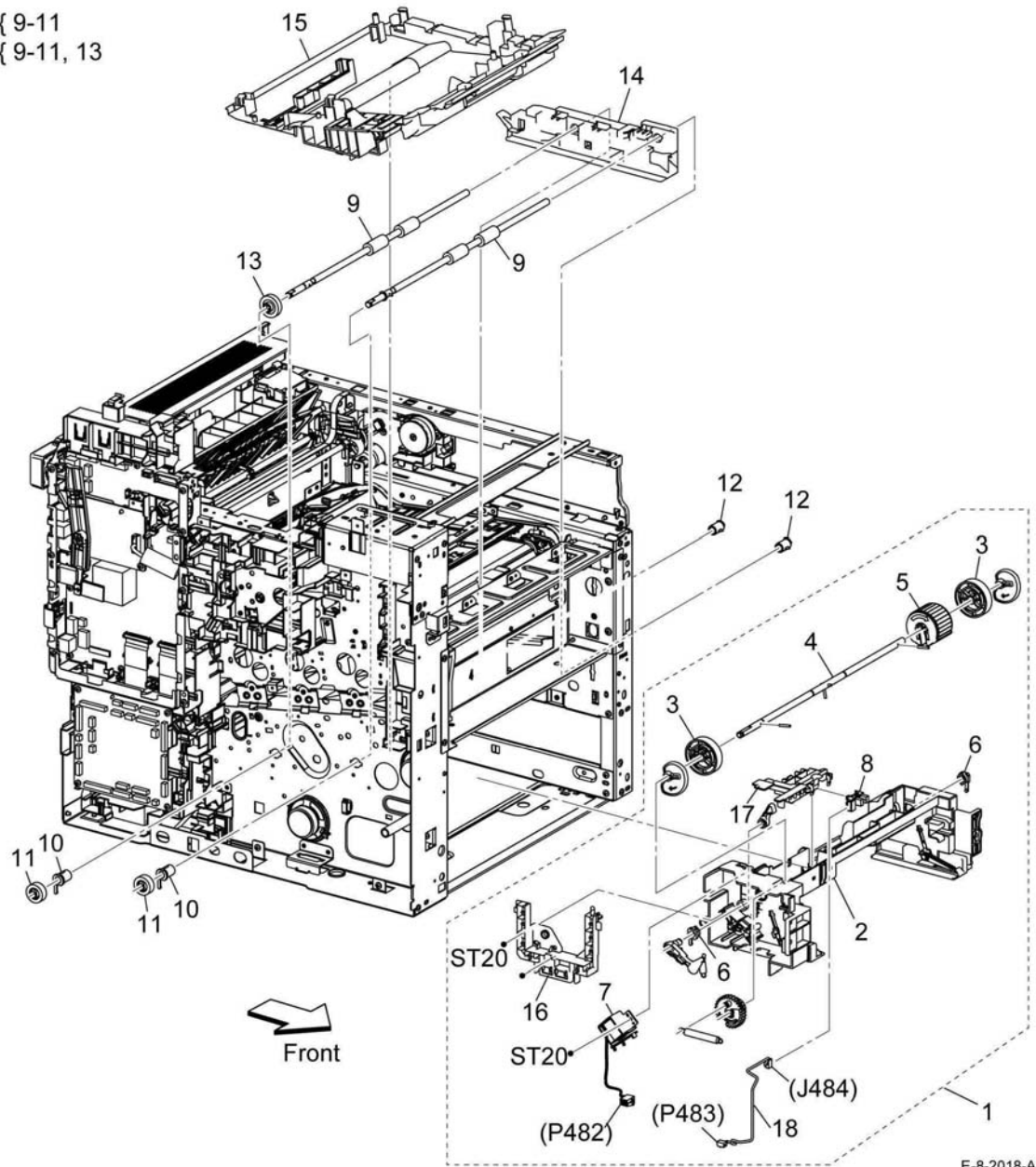


E-8-2017-A

# PL 13.1 MSI

Item	Part	Description
1	801K71230	Frame assembly MSI (with 2-8, 16-18) <a href="#">REP 13.1</a>
2	-	Frame MSI (not spared)
3	-	Roll core MSI (not spared)
4	-	Shaft assembly feed MSI (not spared)
5	059K89701	Feed roll MSI <a href="#">REP 13.2</a>
6	-	Bearing dup MSI (not spared)
7	-	Solenoid feed MSI (not spared)
8	930W00123	Sensor-photo int (MSI No Paper Sensor) <a href="#">REP 13.3</a>
9	-	Roll assembly TA 1 (not spared)
10	-	Bearing TA L (not spared)
11	-	Gear turn (not spared)
12	-	Bearing TA3 AD (not spared)
13	-	Gear TA 2 (not spared)
14	-	Guide MSI R (not spared)
15	-	Upper chute MSI (not spared)
16	-	Guide harness MSI (not spared)
17	-	Bracket no paper MSI (not spared)
18	-	Harness assembly no paper MSI (not spared)
98	-	Kit MSI roll assembly TA 1 (with 9-11) (not spared)
99	604K97990	Kit MSI roll assembly TA 1 / 2 (with 9-11, 13) <a href="#">REP 13.4</a>

98 { 9-11  
99 { 9-11, 13

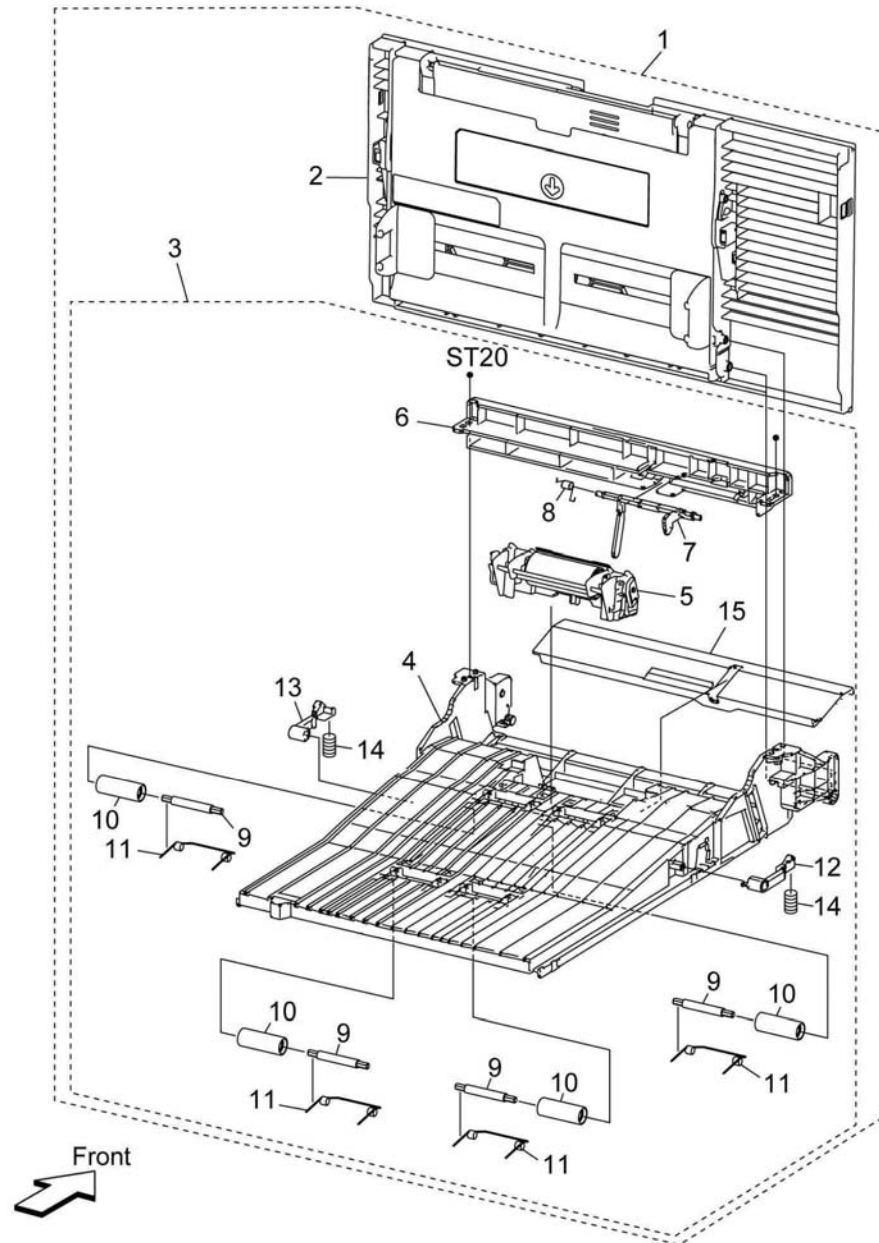


E-8-2018-A



## PL 13.2 MSI (2/2)

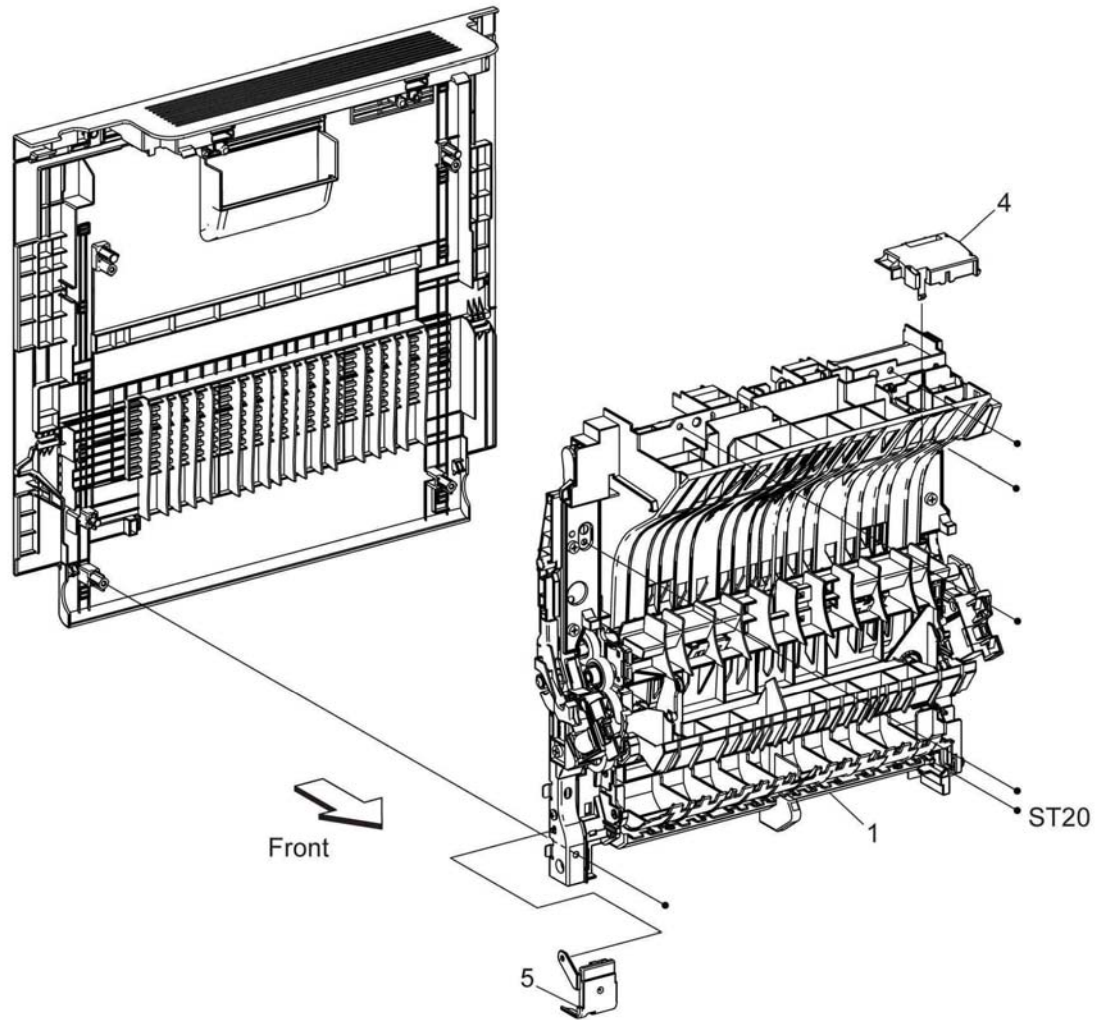
Item	Part	Description
1	050K73491	Tray assembly MSI main (with 2-3) REP 13.5
2	-	Cover assembly MSI (not spared)
3	-	Chute assembly MSI (with 4-15) (not spared)
4	-	Chute MSI (not spared)
5	105K33341	Holder assembly separator MSI REP 13.6
6	-	Bar MSI Front (not spared)
7	-	Actuator no paper MSI (not spared)
8	-	Spring no paper MSI (not spared)
9	-	Shaft pinch TA (not spared)
10	-	Roll pinch MSI (not spared)
11	-	Spring pinch MSI (not spared)
12	-	Latch MSI L (not spared)
13	-	Latch MSI R
14	-	Spring latch MSI (not spared)
15	-	Plate assembly bottom MSI (not spared)



E-8-2019-A

## PL 14.1 Duplex

Item	Part	Description
1	–	Duplex assembly (not spared)
2	–	Not used
3	–	Not used
4	–	Cover rear fan harness (not spared)
5	822E37420	Cover relay <a href="#">REP 14.1</a>

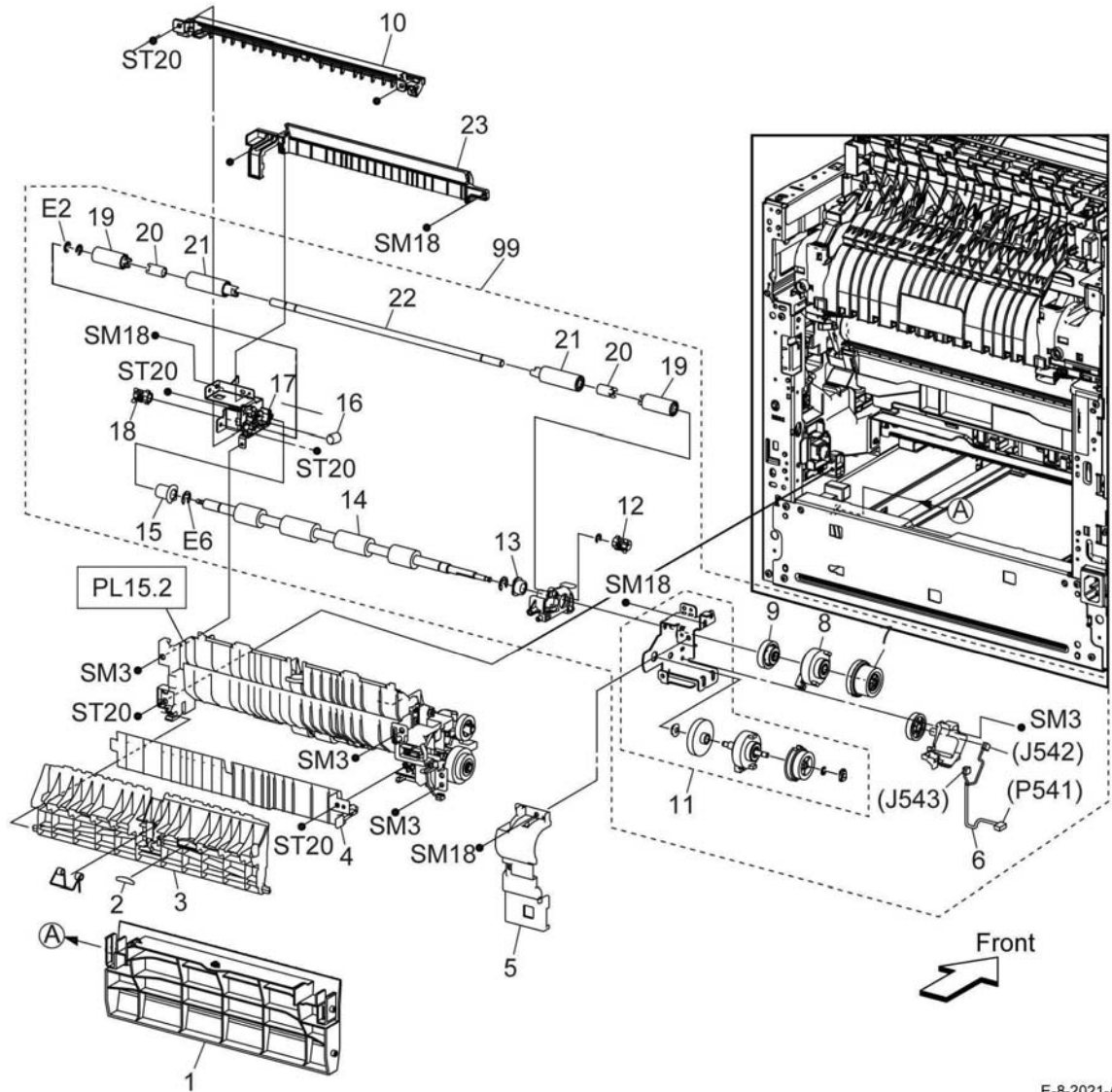


E-8-2020-A

## PL 15.1 Registration (1/2)

Item	Part	Description
1	054E56471	Chute OPT 550 REP 15.1
2	-	Label jam chute (not spared)
3	-	Chute dup lower (not spared)
4	-	Chute feeder (not spared)
5	-	Cover dup gear (not spared)
6	-	Harness assembly CLT REGI/DUP-C (not spared)
7	-	Gear CLT registration (not spared)
8	-	Clutch assembly registration (not spared)
9	-	Gear assembly one way (not spared)
10	-	Chute DUP upper (not spared)
11	-	Bracket assembly registration D (not spared)
12	-	Bearing registration pinch AD (not spared)
13	-	Bearing registration AD (not spared)
14	-	Roll assembly registration (not spared)
15	-	Bearing registration D (not spared)
16	-	Spring registration
17	-	Bracket assembly registration AD (not spared)
18	-	Bearing registration pinch D (not spared)
19	-	Roll registration pinch out (not spared)
20	-	Spacer registration pinch (not spared)
21	-	Roll registration pinch in (not spared)
22	-	Shaft registration pinch (not spared)
23	-	Chute assembly upper (not spared)
99	607K04980	Kit roll assembly DUP registration (with 6-9, 11-22 + 2 E-Rings) REP 15.2

99 {with 6-9, 11-12, 2-Erings}

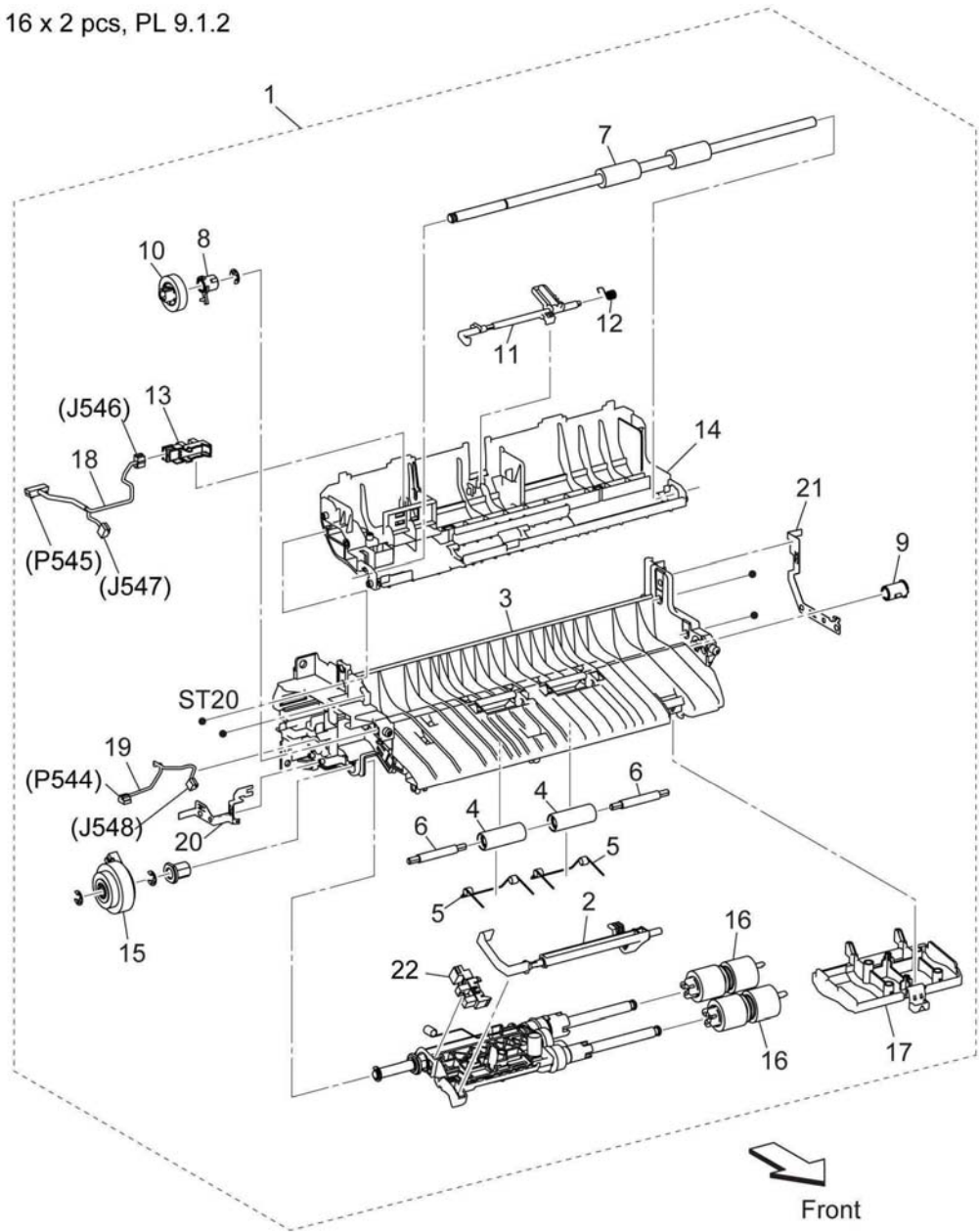


E-8-2021-A

## PL 15.2 Registration (2/2)

Item	Part	Description
1	054K58700	Chute assembly registration feeder (with 2-21) <a href="#">REP 15.3</a>
2	120E35551	Actuator no paper <a href="#">REP 15.4</a>
3	-	Chute registration (not spared)
4	-	Roll pinch TA (not spared)
5	-	Spring pinch TA (not spared)
6	-	Shaft pinch TA (not spared)
7	-	Roll assembly TA3 (not spared)
8	-	Bearing TA3 D (not spared)
9	-	Bearing TA3 AD (not spared)
10	-	Gear TA3 (not spared)
11	-	Actuator registration (with 12) (not spared) <a href="#">REP 15.5</a>
12	-	Spring actuator registration (not spared)
13	930W00123	Sensor photo int (registration sensor) <a href="#">REP 15.6</a>
14	-	Chute registration upper (not spared)
15	-	Clutch assembly PH
16	859K00100	Feed roll assembly <a href="#">REP 15.7</a>
17	054E60150	Chute upper feed
18	-	Harness assembly SNR registration/NO (not spared)
19	-	Harness assembly clutch feed (not spared)
20	-	Plate earth feed (not spared)
21	-	Plate earth TA3
22	-	Sensor photo int (no paper sensor) (not spared)
98	607K00050	Feed and separator roll kit (with 16 x 2 pcs, <a href="#">PL 9.1.15.72</a> ) <a href="#">REP 15.7</a>

98 { 16 x 2 pcs, PL 9.1.2



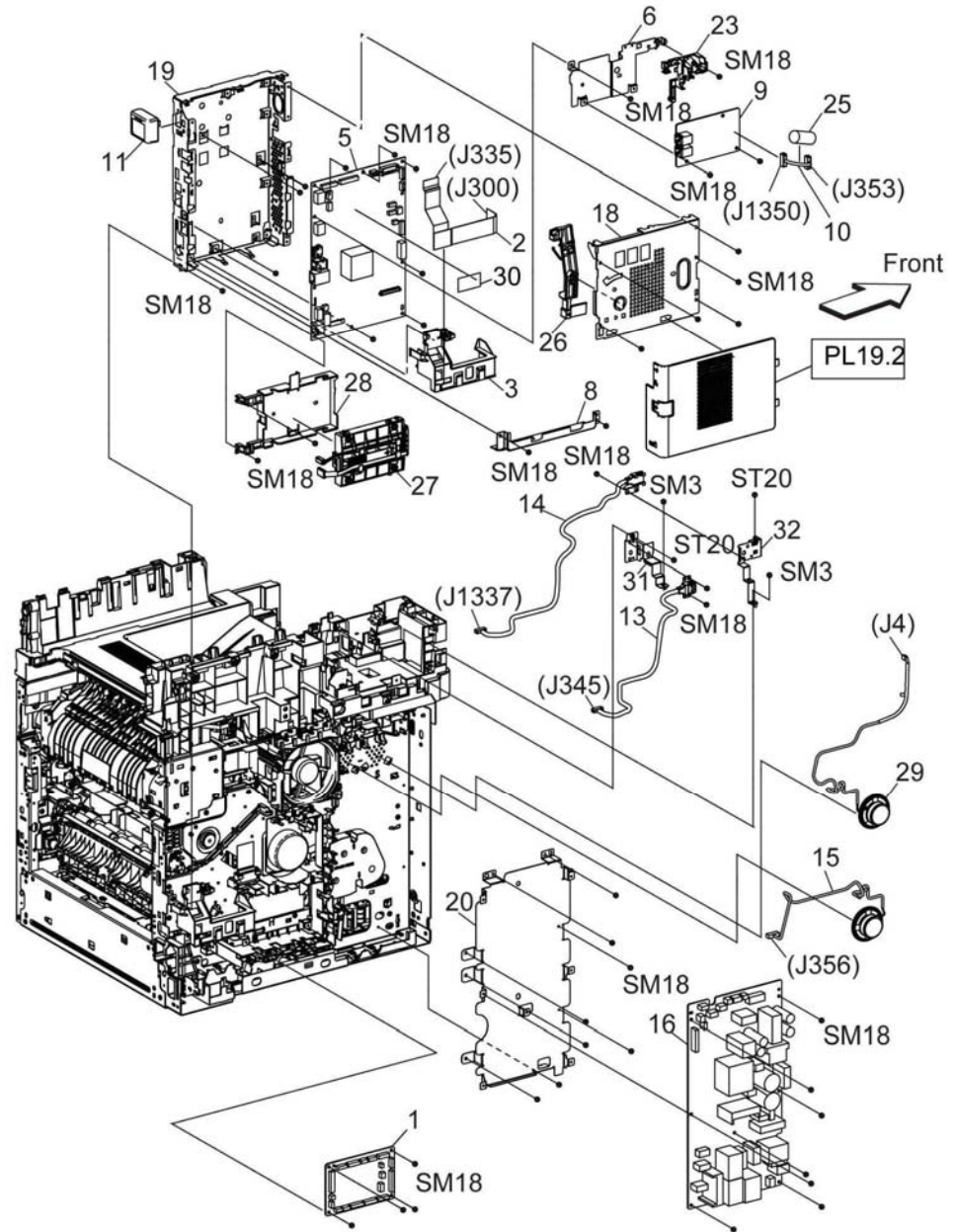
E-8-2022-A





# PL 18.1 Electrical (B605/B615) (1/4)

Item	Part	Description
1	960K81100	MCU PWB REP 18.1
2	952K25540	FFC MCU ESS REP 18.2
3	-	Guide FFC MCU
4	-	Not used
5	960K90833	ESS PWB MFP REP 18.3
6	-	PLATE FAX (Not spared)
7	-	Not used
8	-	Plate ESS low (Not spared)
9	960K80761	FAX PWB REP 18.4
10	-	Harness assembly fax (Not spared)
11	-	Wireless module (Not spared)
12	-	Not used
13	952K40000	Harness assembly ICCR USB REP 18.5
14	952K39990	Harness assembly front USB REP 18.6
15	-	Speaker assembly A4 fax (not spared)
16	105K33370	LVPS PWB 220V REP 18.7
-	105K33360	LVPS PWB 110V REP 18.8
17	-	Not used
18	-	Plate ESS top (not spared)
19	-	Box ESS AIO (not spared)
20	-	Plate LVPS (not spared)
21	-	Not used
22	-	Not used
23	-	Guide harness ESS (not spared)
24	-	Not used
25	-	Core fax (not spared)
26	-	Link WIFI (not spared)
27	101K73410	HDD assembly
28	-	Bracket HDD (not spared)
29	-	Speaker main (not spared)
30	-	EMMC card (not spared)
31	-	Bracket USB ICCR (not spared)
32	-	Bracket USB (not spared)

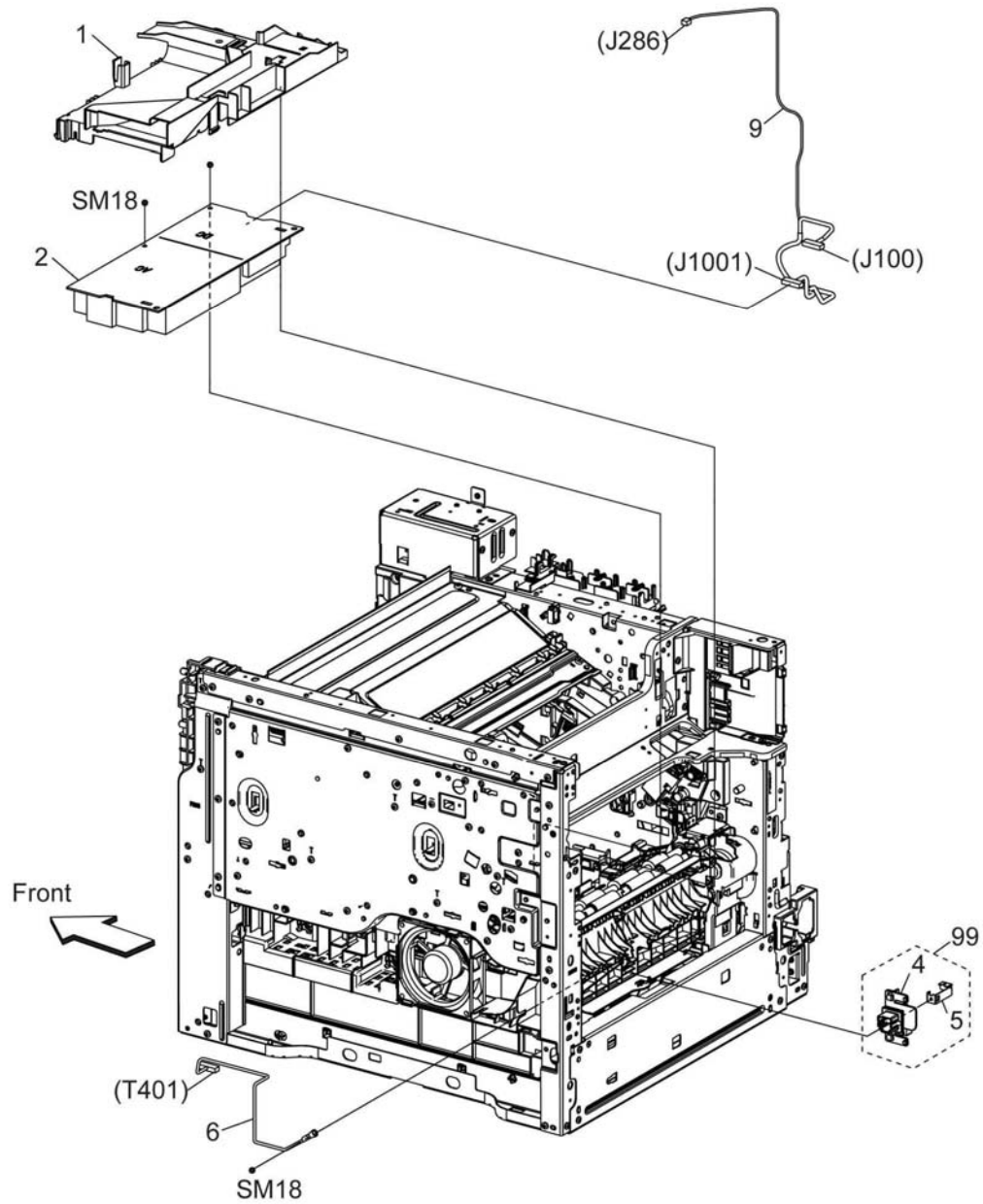


E-8-2024-A



## PL 18.2 Electrical (B605/B615) (2/4)

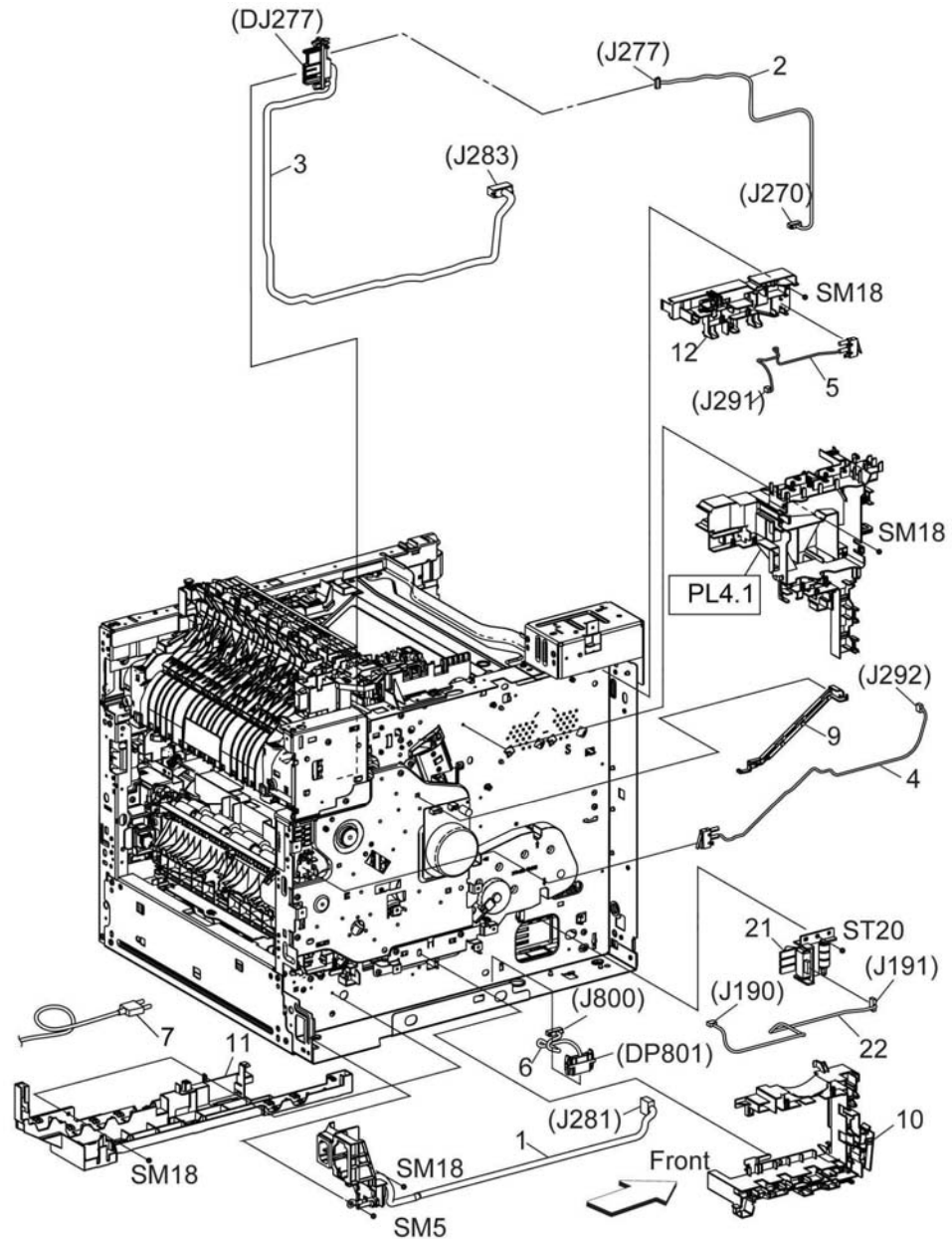
Item	Part	Description
1	-	Cover HVPS (not spared) REP 18.9
2	105K33120	HVPS PWB REP 18.8
3	-	Not used
4	-	Housing 2ND BTR (not spared) REP 18.10
5	-	Plate BIAS 2nd BTR (not spared)
6	-	Harness 2nd BTR (T401) (not spared)
7	-	Not used
8	-	Not used
9	-	Harness assembly MCU-HVPS-MV (not spared)
99	-	Kit housing 2nd BTR (with 4-5) (not spared)



E-8-2025-A

## PL 18.3 Electrical (B605/B615) (3/4)

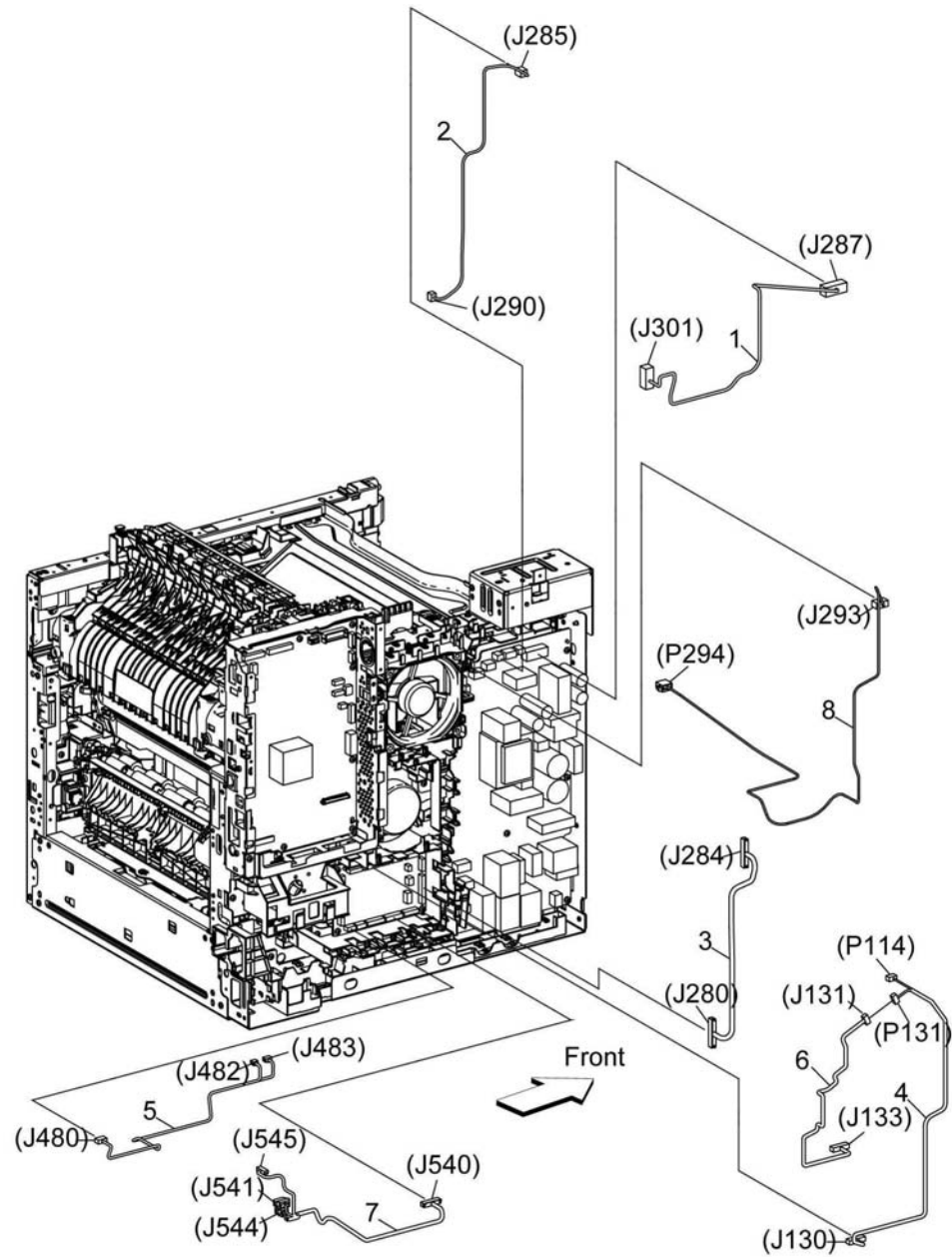
Item	Part	Description
1	–	Kit harness assembly inlet (not spared)
2	–	Harness assembly fusing DC-MV (not spared)
3	952K25320	Harness fusing AC 220V <b>REP 18.11</b>
–	952K25310	Harness assembly fusing AC 100V-MV <b>REP 18.11</b>
4	952K25390	Harness assembly I/L rear-MV <b>REP 18.12</b>
5	952K25380	Harness assembly I/L FRONT-MV <b>REP 18.13</b>
6	952K25490	Harness assembly OPF-MV <b>REP 18.14</b>
7	–	Power cord 110V (not spared)
8	–	Not used
9	–	Guide harness rear IL (not spared)
10	–	Guide harness MCU (not spared)
11	–	Guide harness AC (not spared)
12	–	Guide harness F USB (not spared)
13	–	Not used
14	–	Not used
15	–	Not used
16	–	Not used
17	–	Not used
18	–	Not used
19	–	Not used
20	–	Not used
21	110K16610	Switch assembly size <b>REP 18.15</b>
22	–	Harness assembly switch size (not spared)



D-8-2026-A

## PL 18.4 Electrical (B605/B615) (4/4)

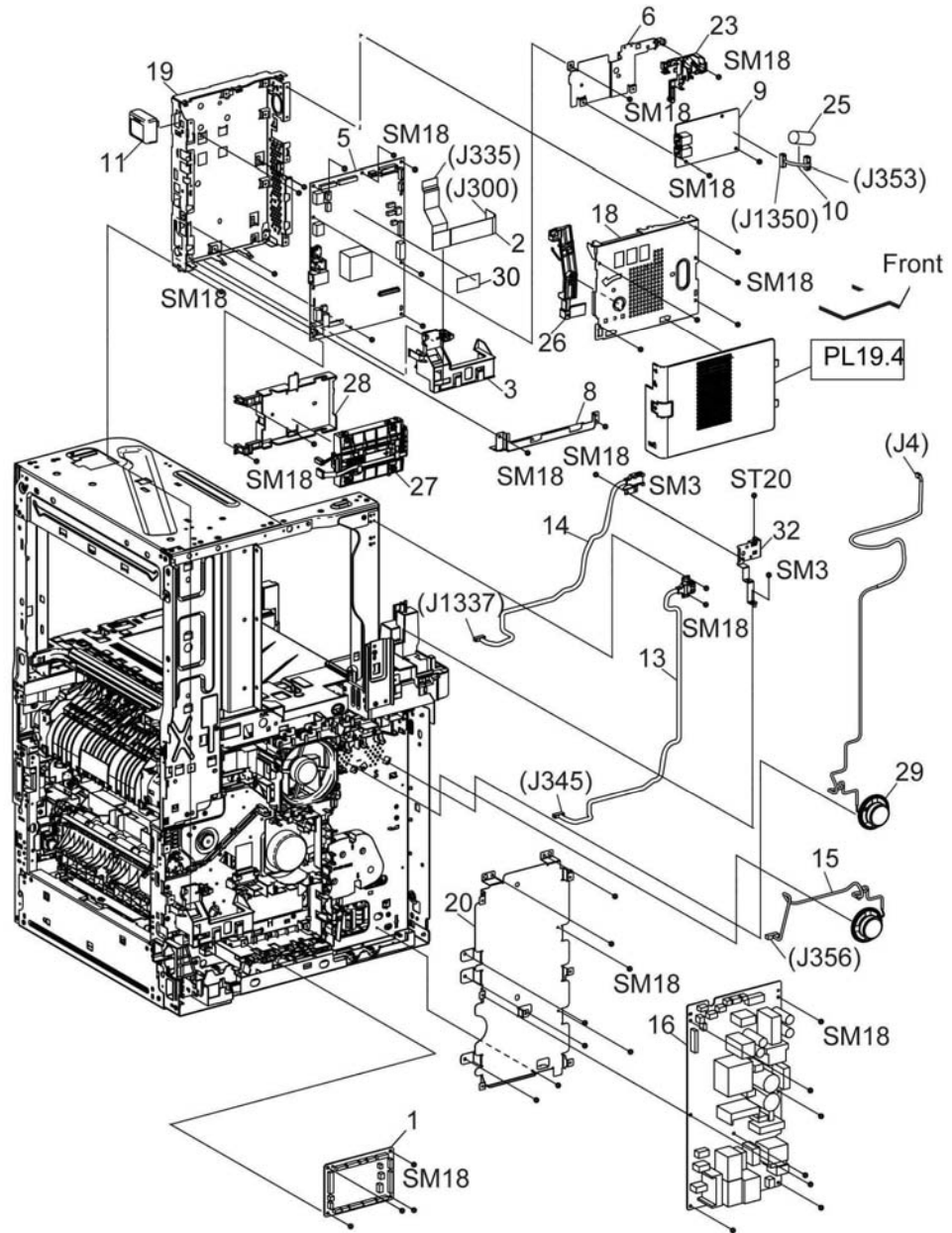
Item	Part	Description
1	-	Harness assembly ESS-PWR-MV (not spared)
2	-	Harness assembly 24V-MCU-MV (not spared)
3	-	Harness assembly LV-MCU-MV (not spared)
4	-	Harness assembly CRUM-MV (not spared)
5	-	Harness assembly MSI-MV (not spared)
6	-	Harness assembly XERO CRUM-MV (not spared)
7	-	Harness assembly REGI-MV (not spared)
8	-	Harness assembly SUB FAN-MV (not spared)



E-8-2027-A

# PL 18.5 Electrical (B615\_Tall) (1/4)

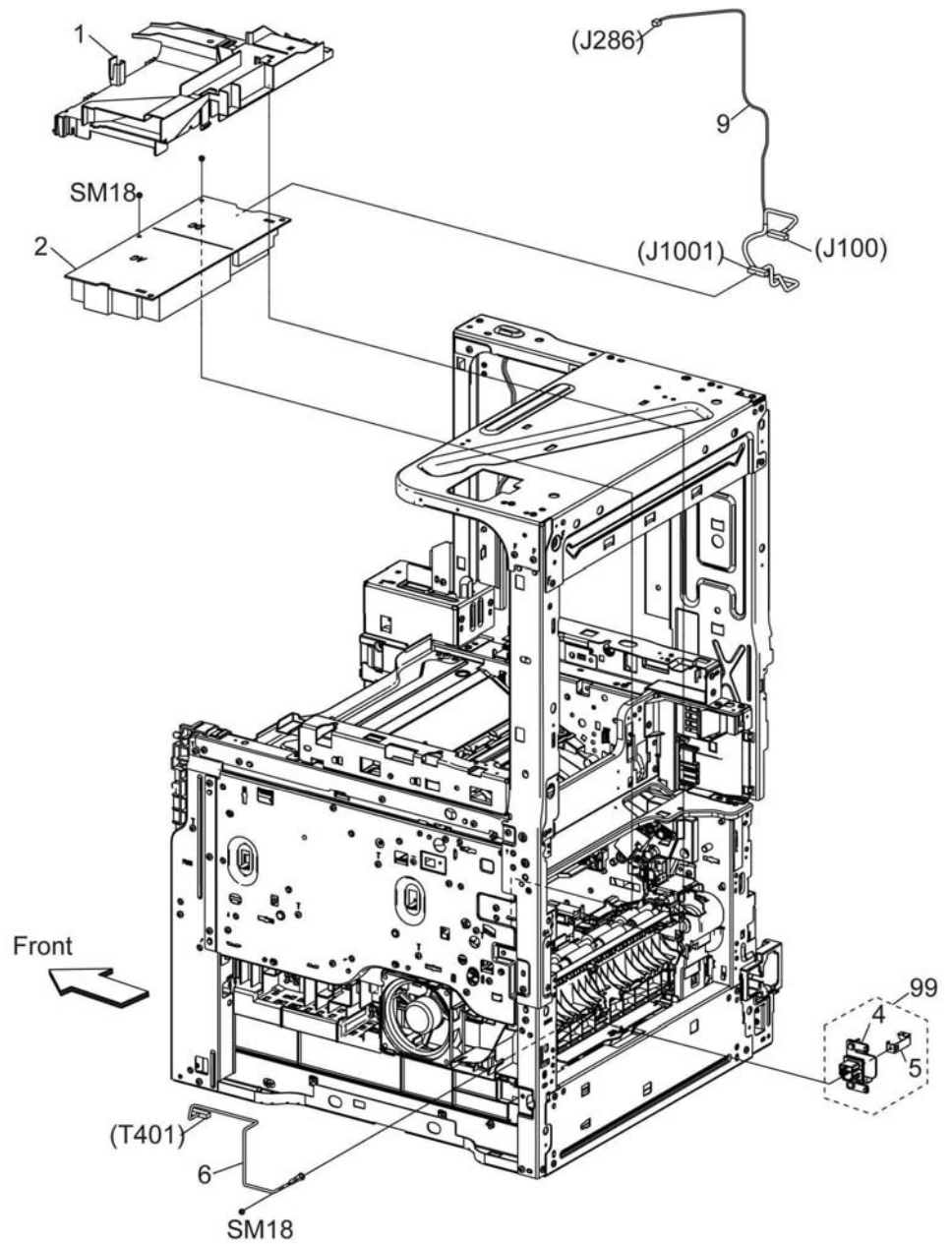
Item	Part	Description
1	960K81100	MCU PWB
2	952K25540	FFC MCU ESS
3	-	Guide FFC MCU (not spared)
4	-	Not used
5	960K90833	ESS PWB tall
6	-	Plate FAX (not spared)
7	-	Not used
8	-	Plate ESS low (not spared)
9	960K80761	FAX PWB
10	-	Harness assembly FAX (not spared)
11	-	Wireless module (not spared)
12	-	Not used
13	952K40000	Harness assembly ICCR USB
14	952K40010	Harness assembly front USB
15	-	Speaker assembly A4 FAX (not spared)
16	105K33360	LVPS PWB 110V
-	105K33370	LVPS PWB 220V
17	-	Not used
18	-	Plate ESS top (not spared)
19	-	Box ESS AIO (not spared)
20	-	Plate LVPS (not spared)
21	-	Not used
22	-	Not used
23	-	Guide harness ESS (not spared)
24	-	Not used
25	-	Core FAX (not spared)
26	-	Link WIFI
27	101K73410	HDD assembly
28	-	Bracket HDD (not spared)
29	-	Speaker main (not spared)
30	-	EMMC card (not spared)
31	-	Not used
32	-	Bracket USB (not spared)



E-8-2028-A

## PL 18.6 Electrical (B615\_Tall) (2/4)

Item	Part	Description
1	–	COVER HVPS
2	105K33121	HVPS PWB <a href="#">REP 18.8</a>
3	–	Not used
4	–	Housing 2nd BTR (not spared)
5	–	Plate BIAS 2nd BTR (not spared)
6	–	Harness 2nd BTR
7	–	Not used
8	–	Not used
9	–	Harness assembly MCU-HVPS-MV (not spared)
99	–	Kit housing 2nd BTR (with 4-5) (not spared)

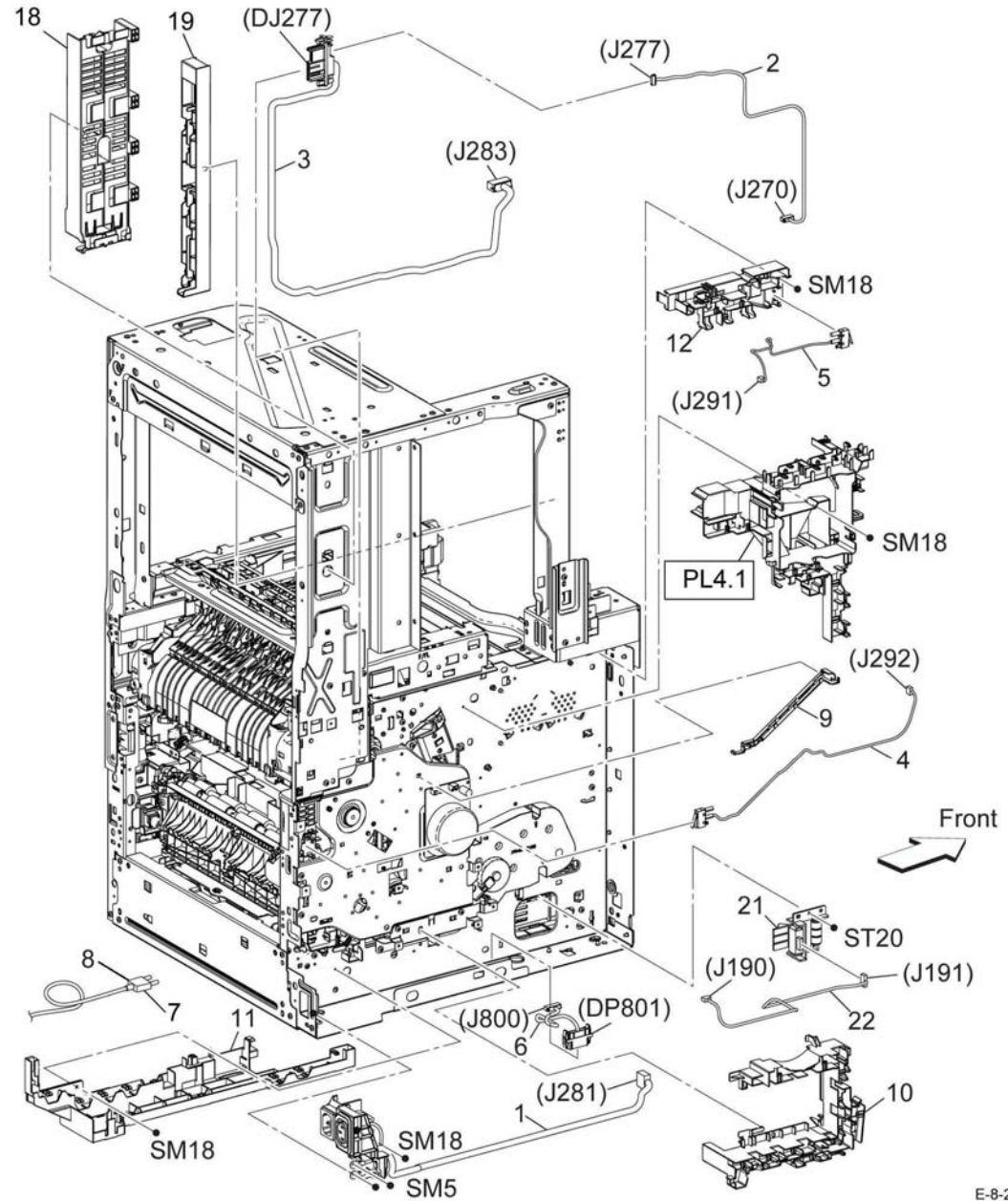


E-8-2029-A



## PL 18.7 Electrical (B615\_Tall) (3/4)

Item	Part	Description
1	-	Kit harness assembly inlet (not spared)
2	-	Harness assembly fusing DC-MV (not spared)
3	952K25320	Harness fusing AC 220V
-	952K25310	Harness assembly fusing AC 100V-MV
4	952K25390	Harness assembly I/L rear-MV
5	952K25380	Harness assembly I/L front-MV
6	952K25490	Harness assembly OPF-MV
7	-	Power cord 110V (not spared)
8	-	Power cord 220V (not spared)
9	-	Guide harness rear IL (not spared)
10	-	Guide harness MCU (not spared)
11	-	Guide harness AC (not spared)
12	-	Guide harness F USB (not spared)
13	-	Not used
14	-	Not used
15	-	Not used
16	-	Not used
17	-	Not used
18	-	Guide harness IIT (not spared)
19	-	Guide harness UI FIN (not spared)
20	-	Not used
21	110K16610	Switch assembly size
22	-	Harness assembly SW size (not spared)

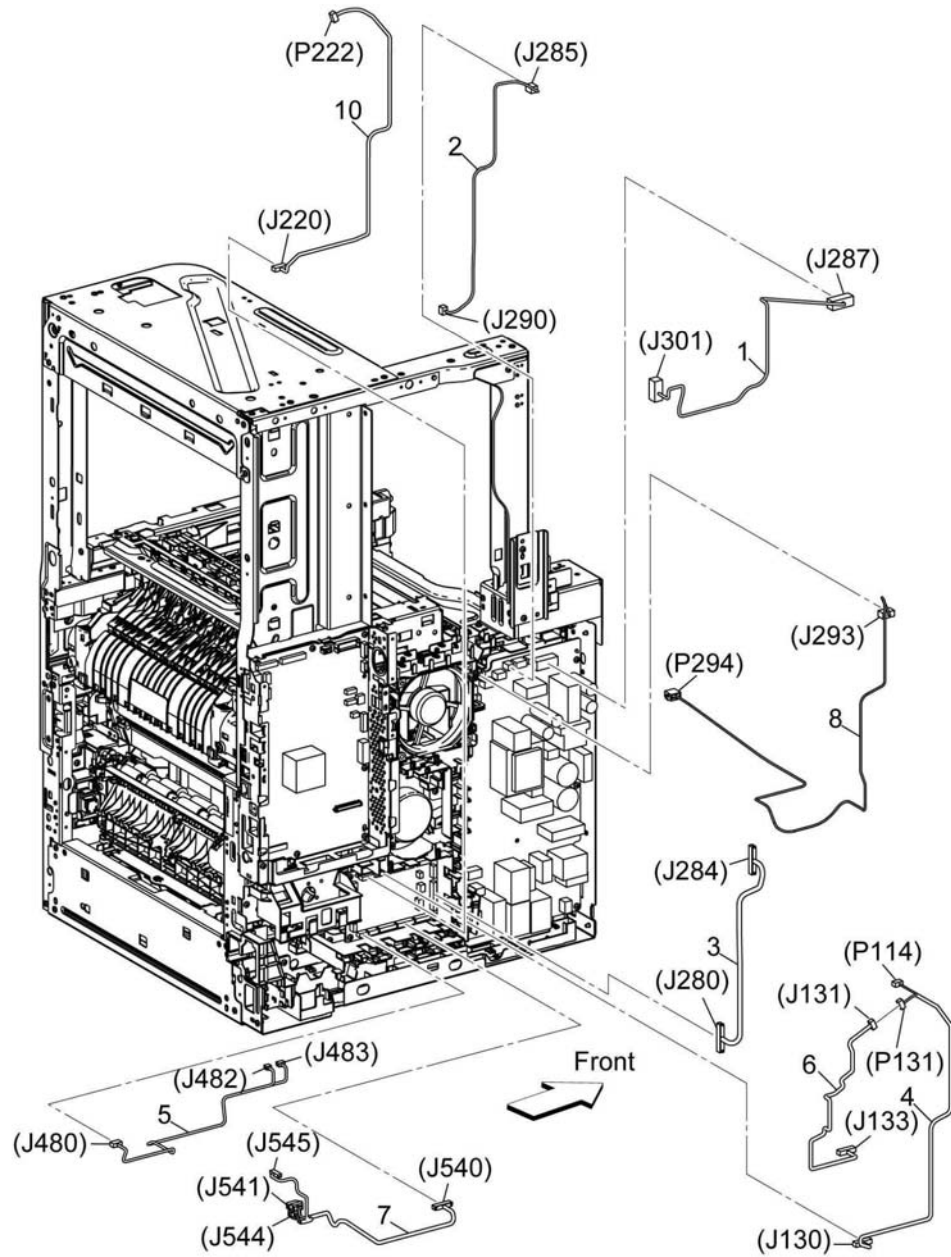


E-8-2039-A



## PL 18.8 Electrical (B615\_Tall) (4/4)

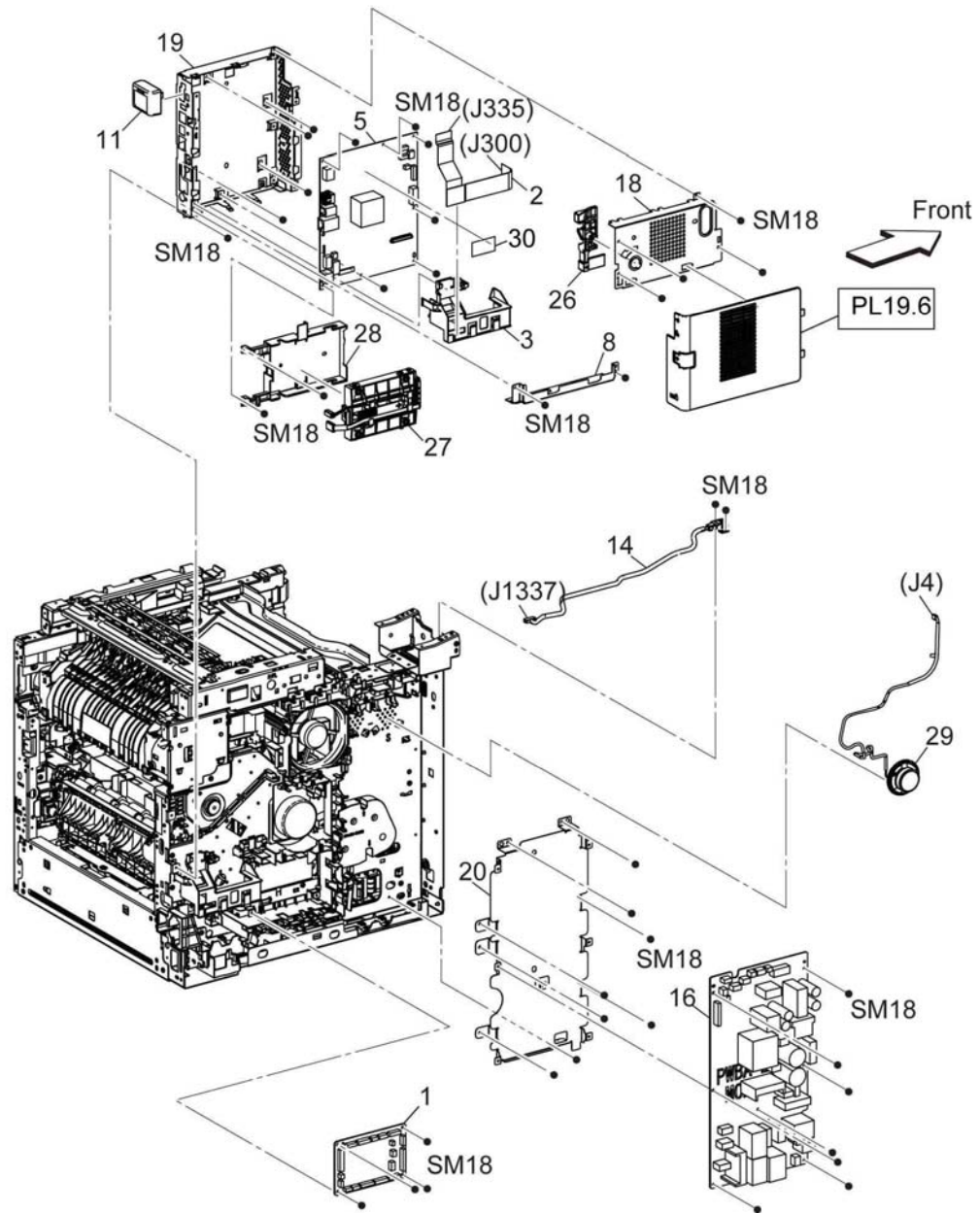
Item	Part	Description
1	-	Harness assembly ESS-PWR-MV (not spared)
2	-	Harness assembly 24V-MCU-MV (not spared)
3	-	Harness assembly LV-MCU-MV (not spared)
4	-	Harness assembly CRUM-MV (not spared)
5	-	Harness assembly MSI-MV (not spared)
6	-	Harness assembly XERO CRUM-MV (not spared)
7	-	Harness assembly REGI-MV (not spared)
8	-	Harness assembly SUB fan-MV (not spared)
9	-	Not used
10	-	Harness assembly FIN-MCU-MV (not spared)



E-8-2031-A

## PL 18.9 Electrical (B600/B610) (1/4)

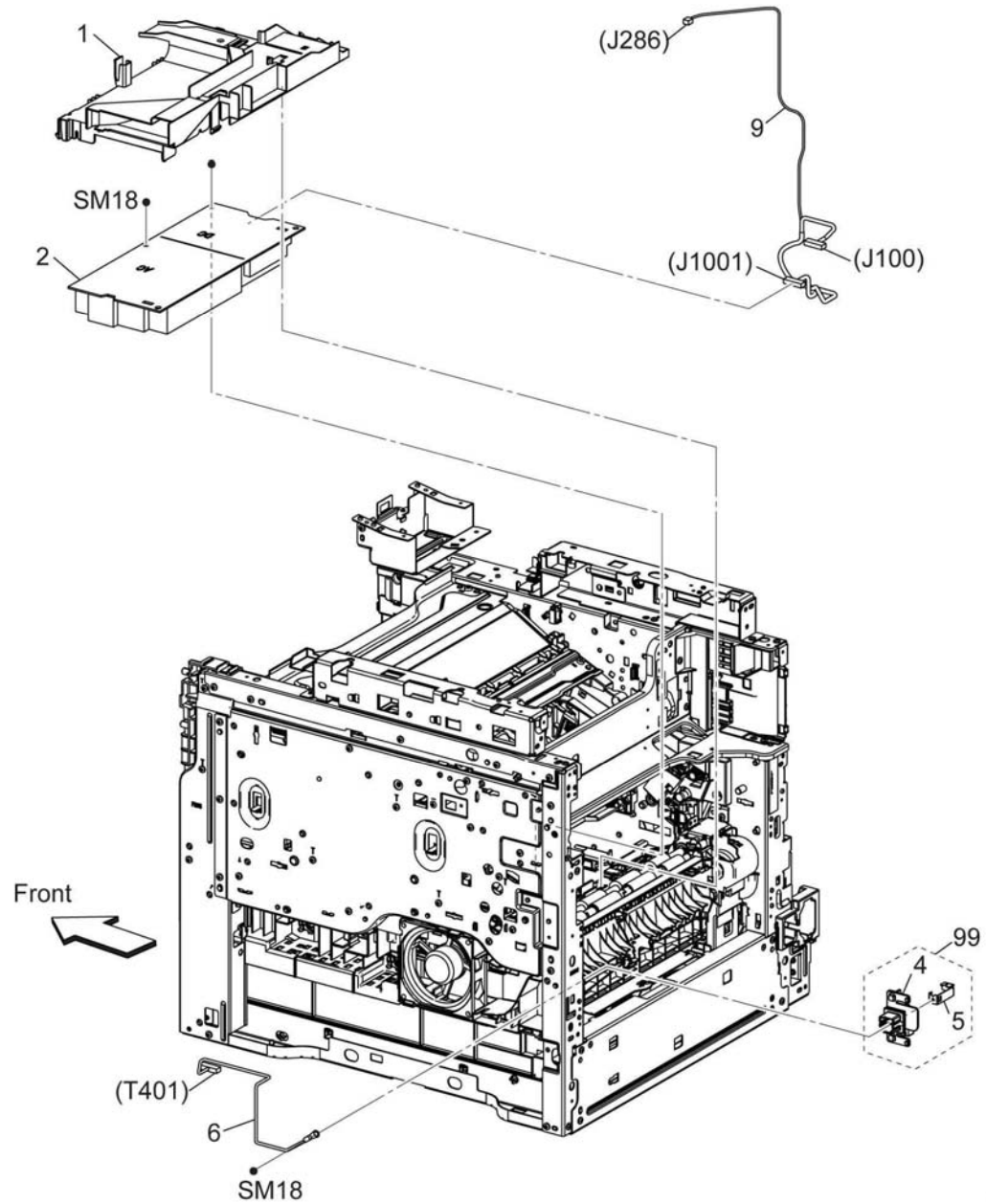
Item	Part	Description
1	960K81100	MCU PWB REP 18.31
2	952K25540	FFC MCU ESS REP 18.32
3	-	Guide FFC MCU (not spared)
4	-	Not used
5	960K90843	ESS PWB SFP REP 18.33
6	-	Not used
7	-	Not used
8	-	Plate ESS low (not spared)
9	-	Not used
10	-	Not used
11	-	Wireless module (not spared)
12	-	Not used
13	-	Not used
14	952K39980	Harness assembly front USB REP 18.34
15	-	Not used
16	105K33360	LVPS PWB 110V REP 18.35
-	105K33370	LVPS PWB 220V REP 18.35
17	-	Not used
18	-	Plate ESS top (not spared)
19	-	Box ESS SFP (not spared)
20	-	Plate LVPS (not spared)
21	-	Not used
22	-	Not used
23	-	Not used
24	-	Not used
25	-	Not used
26	-	Link WIFI (not spared)
27	101K73410	HDD assembly
28	-	Bracket HDD (not spared)
29	-	Speaker main (not spared)
30	-	EMMC card (not spared)
31	-	Not used
32	-	Not used



E-8-2032-A

## PL 18.10 Electrical (B600/B610) (2/4)

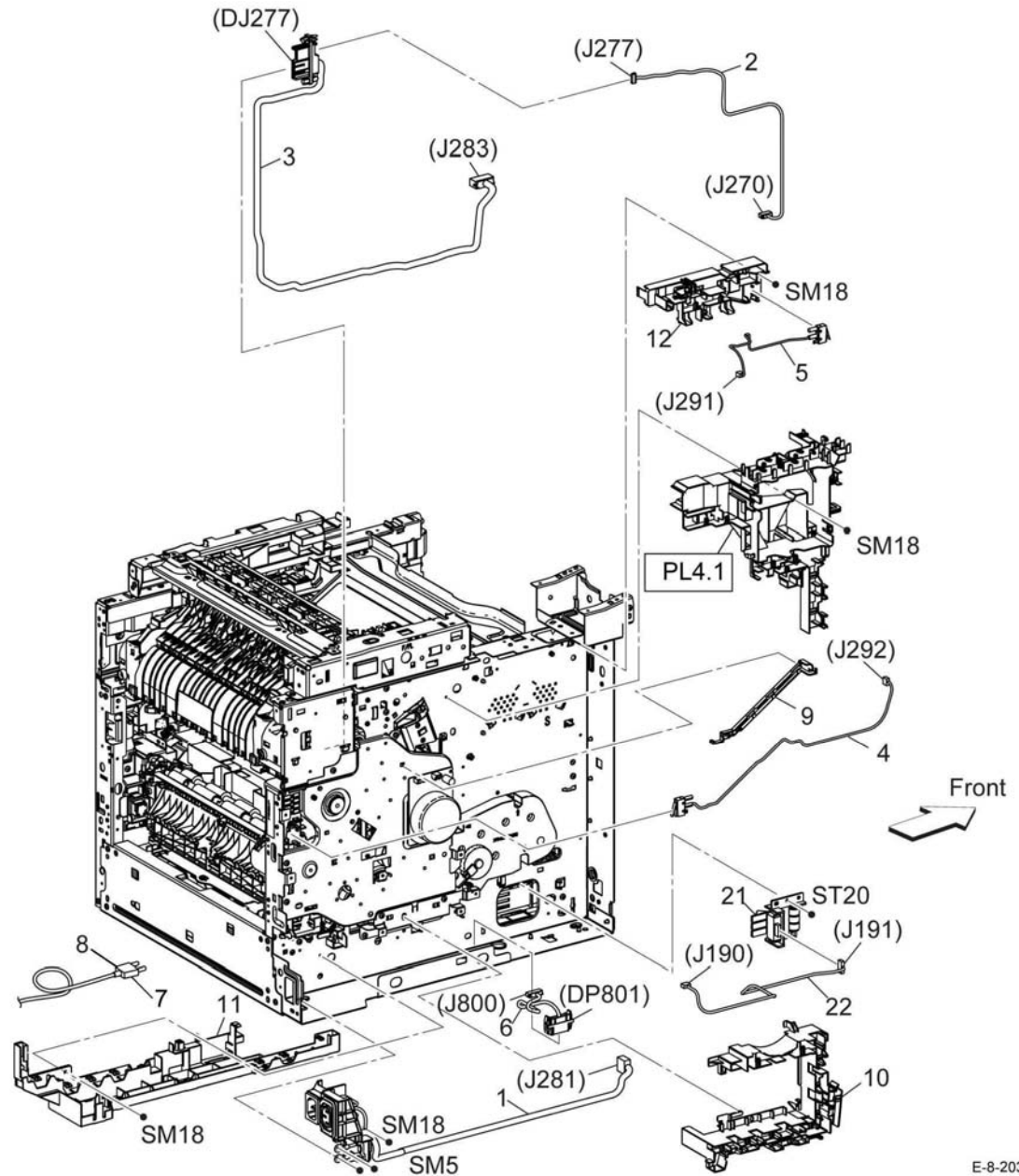
Item	Part	Description
1	—	Cover HVPS (not spared)
2	105K33121	HVPS PWB <a href="#">REP 18.8</a>
3	—	Not used
4	—	Housing 2nd BTR (not spared)
5	—	Plate bias 2nd BTR (not spared)
6	—	Harness 2nd BTR (not spared)
7	—	Not used
8	—	Not used
9	—	Harness assembly MCU-HVPS-MV (not spared)
99	—	Kit housing 2nd BTR (with 4-5) (not spared)



E-8-2033-A

## PL 18.11 Electrical (B600/B610) (3/4)

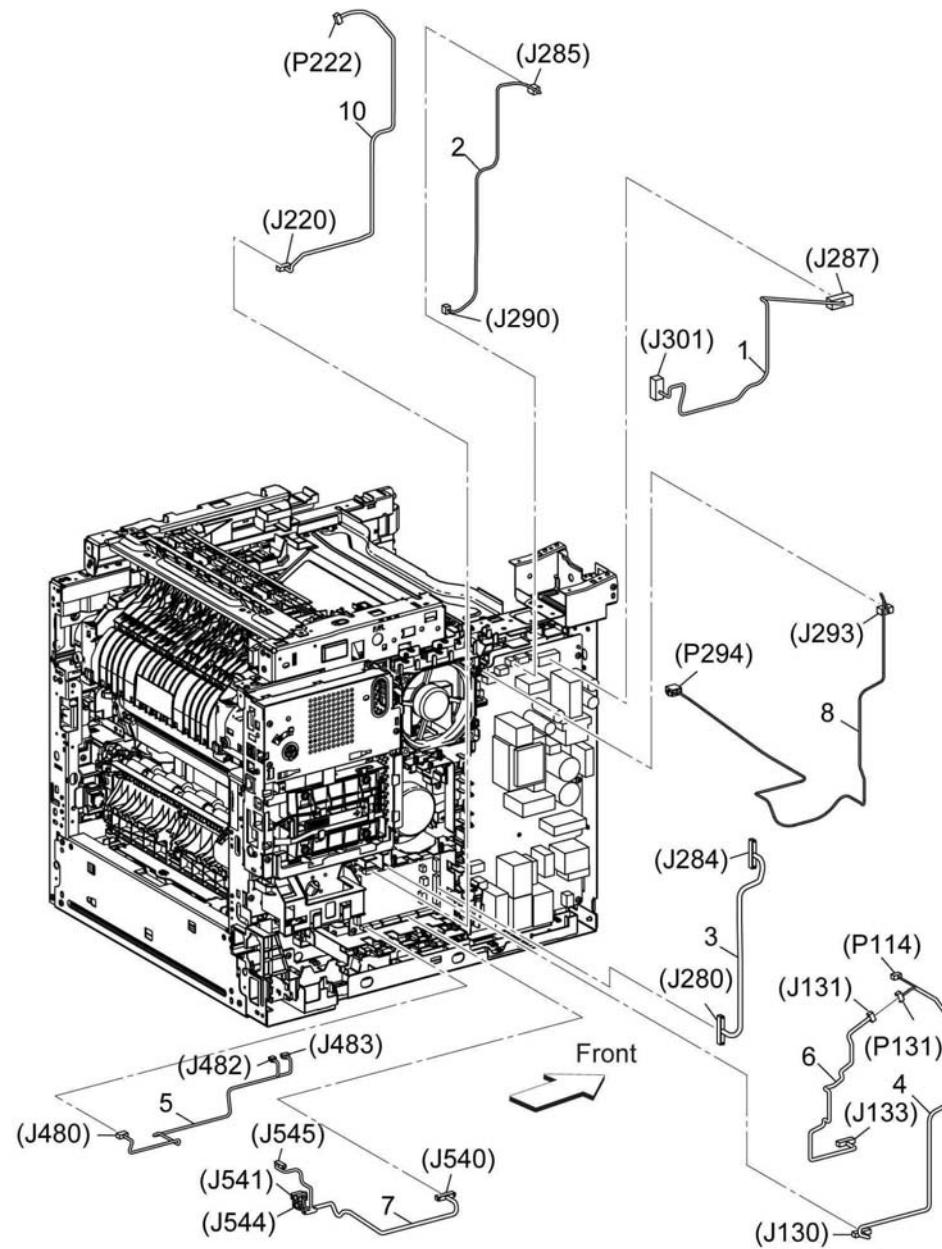
Item	Part	Description
1	-	Kit harness assembly inlet (not spared)
2	-	Harness assembly fusing DC-MV (not spared)
3	952K25320	Harness fusing AC 220V
-	952K25310	Harness assembly fusing AC 100V-MV
4	952K25390	Harness assembly I/L rear-MV (SW-J292)
5	952K25380	Harness assembly I/L front-MV (SW-J291)
6	952K25490	Harness assembly OPF-MV
7	-	Power cord 110V (not spared)
8	-	Power cord 220V (not spared)
9	-	Guide harness rear IL (not spared)
10	-	Guide harness MCU (not spared)
11	-	Guide harness AC (not spared)
12	-	Guide harness F USB (not spared)
13	-	Not used
14	-	Not used
15	-	Not used
16	-	Not used
17	-	Not used
18	-	Not used
19	-	Not used
20	-	Not used
21	110K16610	Switch assembly size
22	-	Harness assembly SW size (not spared)



E-8-2034-A

## PL 18.12 Electrical (B600/B610) (4/4)

Item	Part	Description
1	-	Harness assembly ESS-PWR-MV (not spared)
2	-	Harness assembly 24V-MCU-MV (not spared)
3	-	Harness assembly LV-MCU-MV (not spared)
4	-	Harness assembly CRUM-MV (not spared)
5	-	Harness assembly MSI-MV (not spared)
6	-	Harness assembly XERO CRUM-MV (not spared)
7	-	Harness assembly REGI-MV (not spared)
8	-	Harness assembly SUB fan-MV (not spared)
9	-	Not used
10	-	Harness assembly FIN-MCU-MV (not spared)

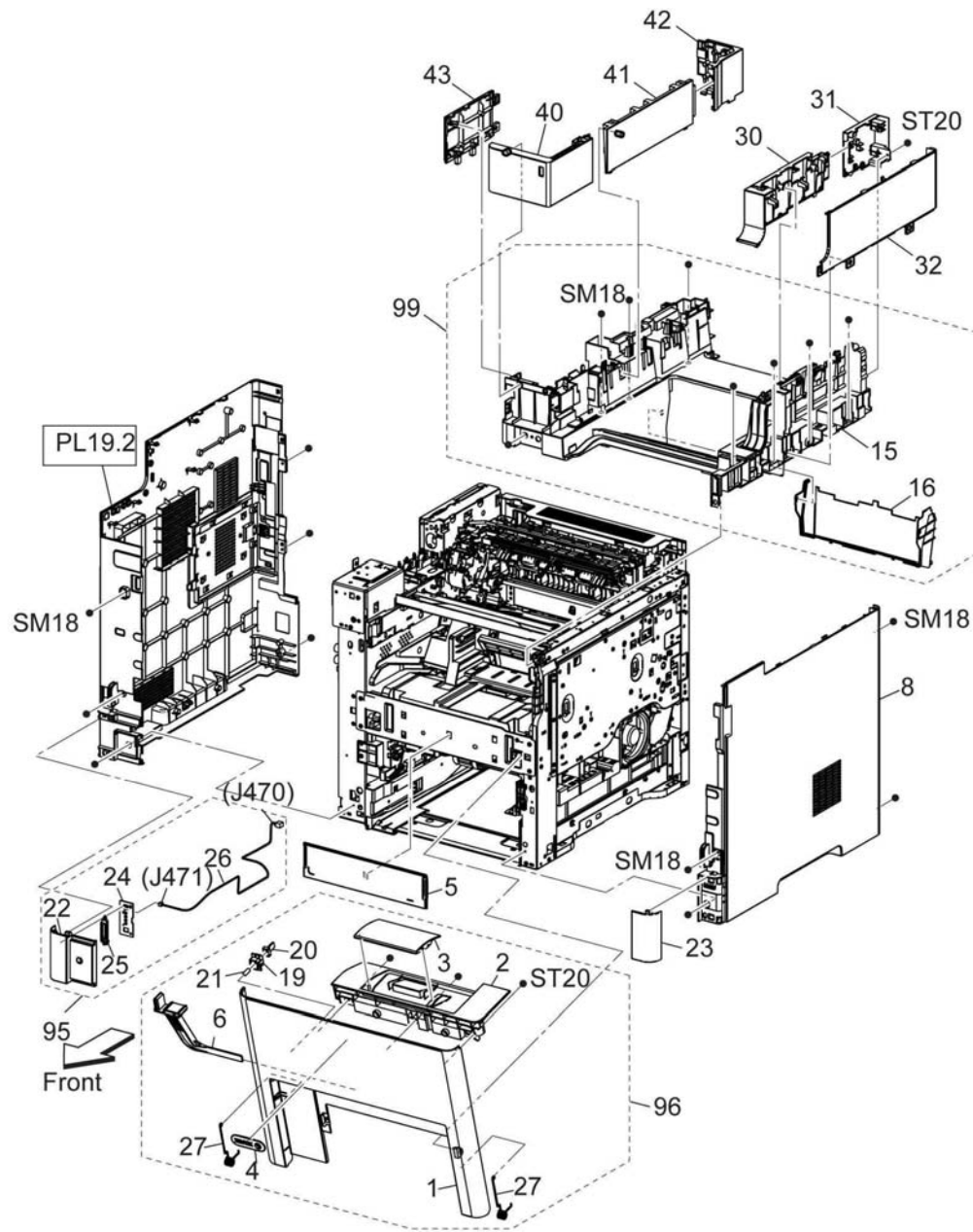


E-8-2035-A



## PL 19.1 Cover (B605/B615) (1/2)

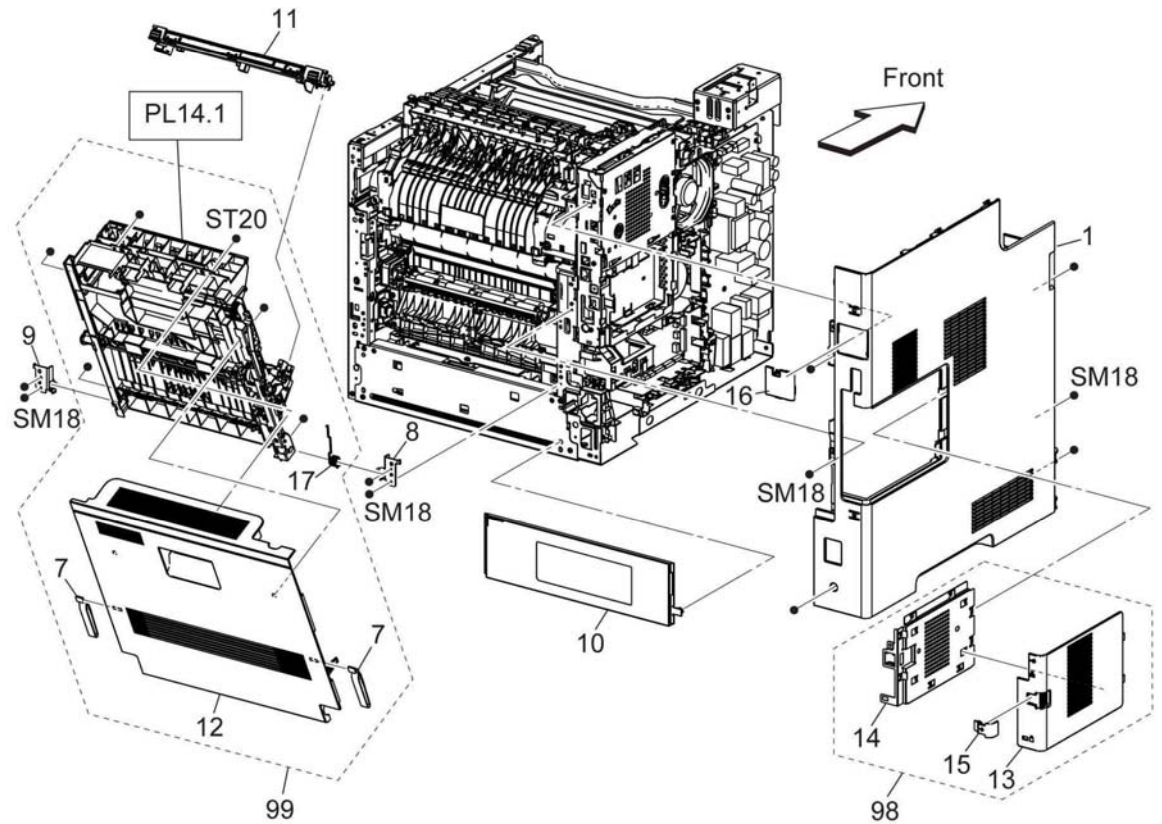
Item	Part	Description
1	—	Cover front (not spared)
2	—	Cover top front (not spared)
3	—	Tray extension (not spared)
4	—	Logo (not spared)
5	—	Cover front IN (not spared)
6	042K95900	LPH cleaner assembly
7	—	Not used
8	822E32721	Cover side R <a href="#">REP 19.12</a>
9	—	Not used
10	—	Not used
11	—	Not used
12	—	Not used
13	—	Not used
14	—	Not used
15	—	Cover top (not spared)
16	—	Cover exit (not spared)
17	—	Not used
18	—	Not used
19	—	Holder IL (not spared)
20	—	Actuator IL (not spared)
21	—	Spring IL (not spared)
22	—	Cover front L (not spared)
23	822E32421	Cover front R <a href="#">REP 19.2</a>
24	—	Tray LED HVPS PWB (not spared)
25	—	Cover shade tray (not spared)
26	—	Harness assembly LED (not spared)
27	—	Spring cover front (not spared)
28	—	Not used
30	822E32660	Cover IIT inner R
31	822E32700	Cover IIT inner R rear
32	822E32740	Cover IIT side R
33	—	Not used
40	822E32622	Cover ICCR
41	822E32640	Cover IIT inner L
42	822E32681	Cover IIT inner L rear
43	822E32782	Cover IIT side L <a href="#">REP 19.8</a>
95	948K16200	Cover assembly front L (with 22, 24-26) <a href="#">REP 19.10</a>
96	948K16230	Cover assembly front (with 1-4, 6, 19-21, 27) <a href="#">REP 19.1</a>
97	—	Not used
98	—	Not used
99	948K16220	Cover assembly top (with 15, 16) <a href="#">REP 19.13</a>



E-8-2036-A

## PL 19.2 Cover (B605/B615) (2/2)

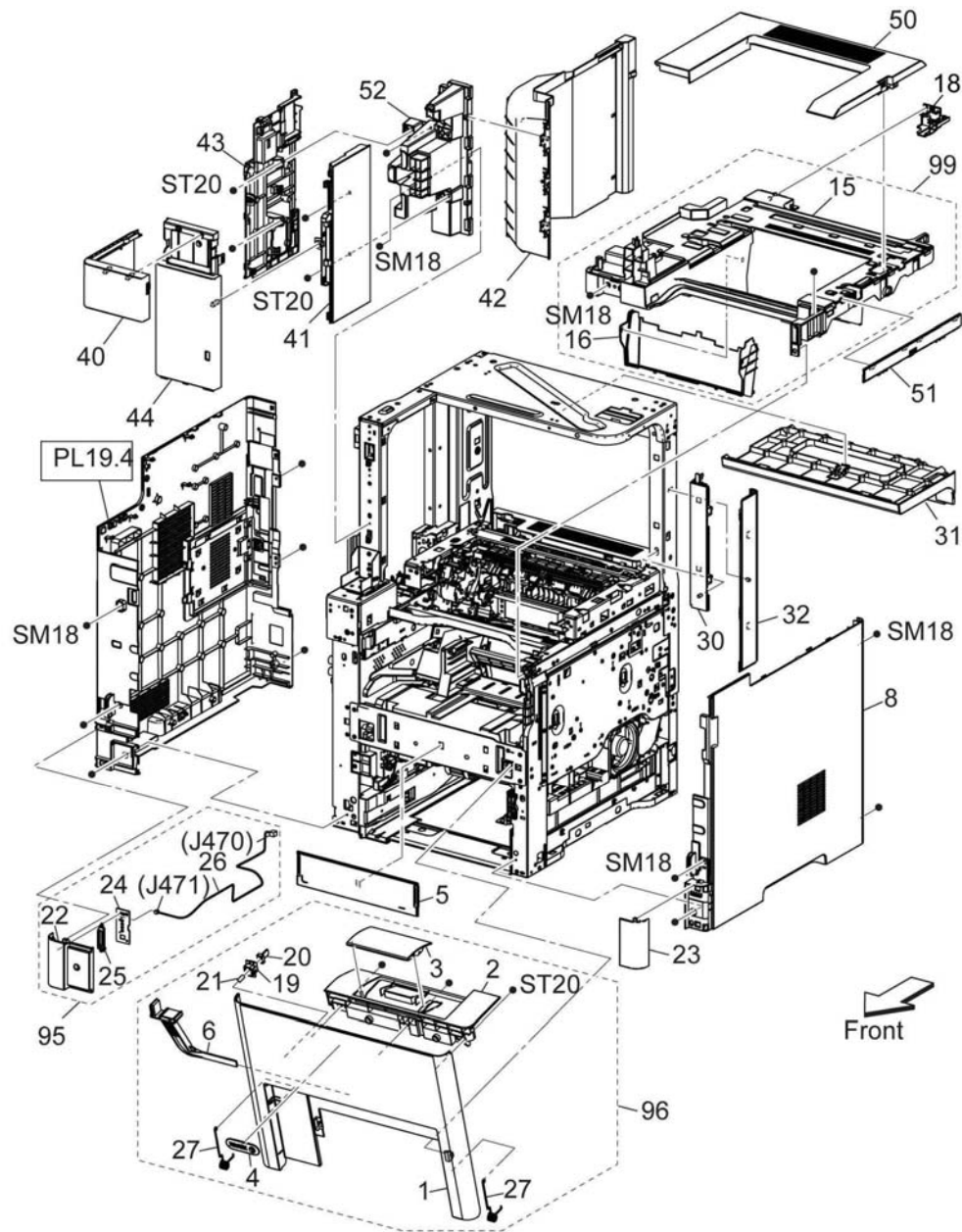
Item	Part	Description
1	822E46590	Cover side L (non-FAX) <a href="#">REP 19.7</a>
-	822E33022	Cover side L <a href="#">REP 19.7</a>
2	-	Not used
3	-	Not used
4	-	Not used
5	-	Not used
6	-	Not used
7	-	Strap cover rear (not spared)
8	-	Hinge assembly rear L (not spared)
9	-	Hinge assembly rear R (not spared)
10	-	Cover rear bottom (not spared)
11	-	2nd BTR roll assembly (not spared) <a href="#">REP 19.9</a>
12	-	Cover assembly rear AIO (not spared)
13	-	ESS window (not spared)
14	-	Plate ESS window (not spared)
15	-	Lever ESS window (not spared)
16	822E27572	WiFi cap <a href="#">REP 19.16</a>
17	-	Spring cover rear (not spared)
98	815K21540	Kit ESS window assembly (with 13-15) <a href="#">REP 19.17</a>
99	-	Kit cover assembly rear AIO (with 7x2, 12, PL14.1) (not spared) <a href="#">REP 19.18</a>



E-8-2037-A

## PL 19.3 Cover (B615\_Tall) (1/2)

Item	Part	Description
1	-	Cover front (not spared)
2	-	Cover front top (not spared)
3	-	Tray extension (not spared)
4	-	Logo (not spared)
5	-	Cover front IN (not spared)
6	042K95900	LPH cleaner assembly
7	-	Not used
8	822E32721	Cover side R <a href="#">REP 19.12</a>
9	-	not used
10	-	Not used
11	-	Cover waste (not spared)
12	-	Not used
13	-	Not used
14	-	Not used
15	-	Cover top (not spared)
16	-	Cover exit (not spared)
18	822E32391	OPT blind cover
19	-	Holder IL (not spared)
20	-	Actuator IL (not spared)
21	-	Spring IL (not spared)
22	-	Cover front L (not spared) <a href="#">REP 19.10</a>
23	822E32421	Cover front R <a href="#">REP 19.2</a>
24	-	Tray LED HVPS PWB (not spared)
25	-	Cover shade tray (not spared)
26	-	Harness assembly LED (J470-J471) (not spared)
27	-	Spring cover front (not spared)
30	822E32960	Cover FIN inner R
31	-	Cover FIN inner right
32	822E32940	Cover FIN side R
40	822E32842	Cover ICCR FIN
41	822E32921	Cover FIN inner L
42	822E34800	Cover FIN inner side L
43	822E32901	Cover FIN side L SUB
44	822E32860	Cover FIN front <a href="#">REP 19.19</a>
50	822E34782	Cover FIN top exit
51	822E37761	Cover FIN side R cap
52	801E35940	Frame FIN
53	-	Not used
95	948K16200	Cover assembly front L (with 22, 24-26) <a href="#">REP 19.10</a>
96	948K16230	Cover assembly front (with 1-4, 6, 19-21, 27) <a href="#">REP 19.1</a>
97	-	Not used
98	-	Not used
99	948K04190	Cover assembly top (with 15, 16)

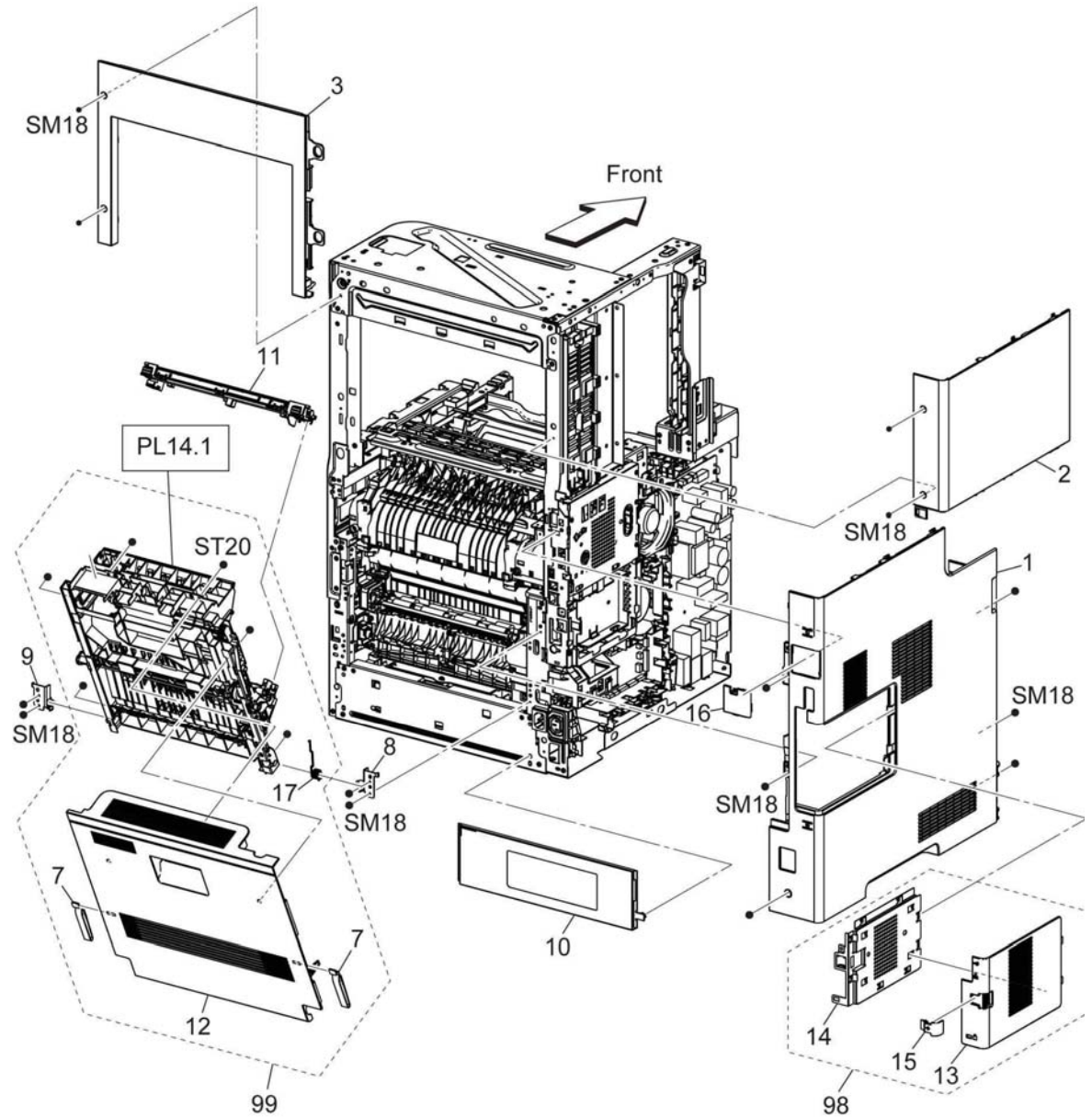


E-8-2038-A



## PL 19.4 Cover (B615\_Tall) (2/2)

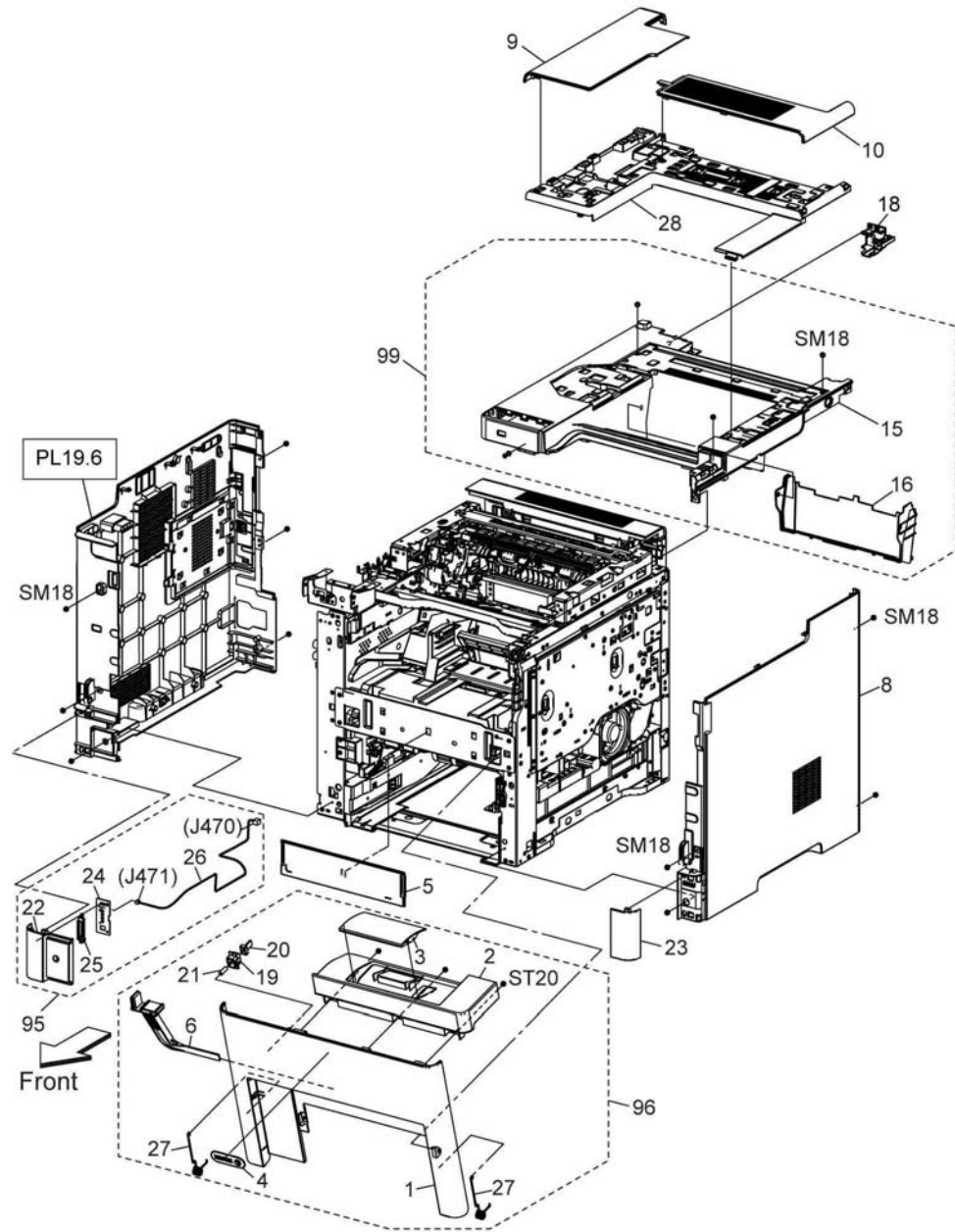
Item	Part	Description
1	822E46600	Cover side L (non-FAX) <a href="#">REP 19.14</a>
-	822E33022	Cover side L <a href="#">REP 19.14</a>
2	822E32882	Cover FIN side L
3	822E33001	Cover FIN rear
4	-	Not used
5	-	Not used
6	-	Not used
7	-	Strap cover rear (not spared)
8	-	Hinge assembly rear L (not spared)
9	-	Hinge assembly rear R (not spared)
10	-	Cover rear bottom (not spared)
11	-	2nd BTR roll assembly (not spared) <a href="#">REP 19.9</a>
12	-	Cover assembly rear AIO (not spared)
13	-	ESS window (not spared)
14	-	Plate ESS window (not spared)
15	-	Lever ESS window (not spared)
16	822E27572	WIFI cap <a href="#">REP 19.16</a>
17	-	Spring cover rear (not spared)
98	815K21540	Kit ESS window assembly (with 13-15) <a href="#">REP 19.17</a>
99	-	Kit cover assembly rear AIO (with 7x2, 12, PL14.1) (not spared) <a href="#">REP 19.18</a>



E-8-2039-A

## PL 19.5 Cover (B600/B610) (1/2)

Item	Part	Description
1	-	Cover front (not spared)
2	-	Cover front top (not spared)
3	-	Tray extension (not spared)
4	-	Logo (not spared)
5	-	Cover front IN
6	-	Not used
7	-	Not used
8	822E32401	Cover side R <a href="#">REP 19.15</a>
9	-	Cover top rear L (not spared)
10	822E32383	Cover top rear R
11	-	Not used
12	-	Not used
13	-	Not used
14	-	Not used
15	-	Cover top (not spared)
16	-	Cover exit (not spared)
17	-	Not used
18	-	OPT blind cover (not spared)
19	-	Holder IL (not spared)
20	-	Actuator IL (not spared)
21	-	Spring IL (not spared)
22	-	Cover front L (not spared)
23	822E32421	Cover front R
24	-	Tray LED HVPS PWB (not spared)
25	-	Cover shade tray (not spared)
26	-	Harness assembly LED (not spared)
27	-	Spring cover front
28	-	Cover top exit
95	948K16200	Cover assembly front L (with 22, 24-26)
96	948K16180	Cover assembly front (with 1-4, 6, 19-21, 27)
97	-	Not used
98	-	Not used
99	948K04170	Cover assembly top SFP (with 15, 16) <a href="#">REP 19.20</a>

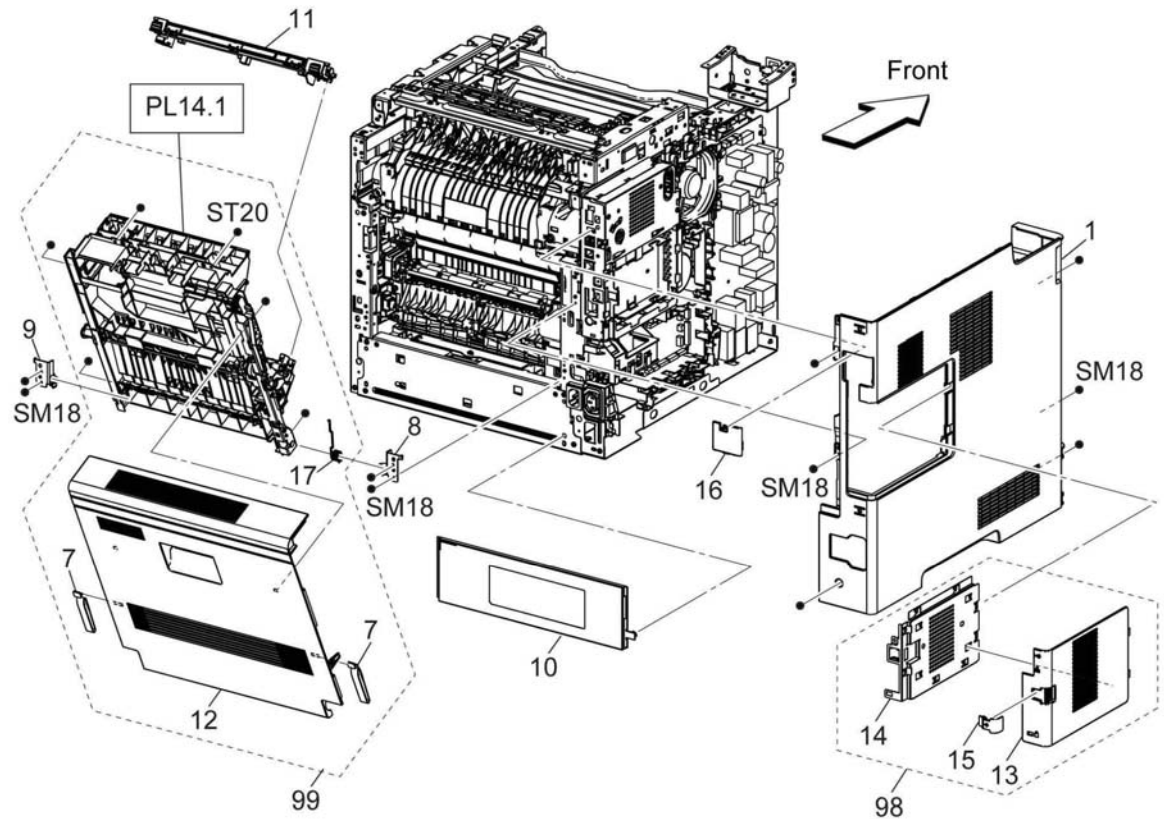


E-8-2040-A



## PL 19.6 Cover (B600/B610) (2/2)

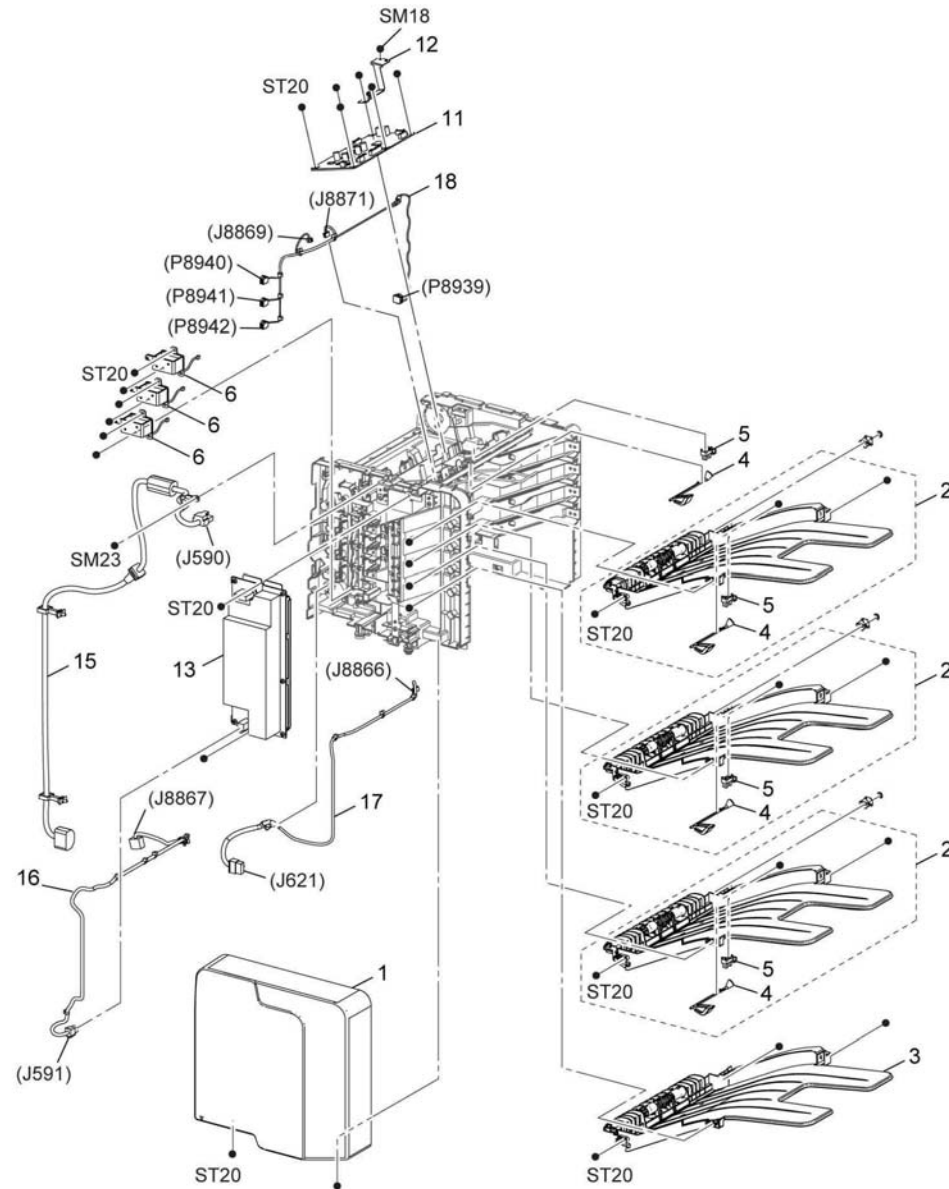
Item	Part	Description
1	-	Cover side L (not spared)
2	-	Not used
3	-	Not used
4	-	Not used
5	-	Not used
6	-	Not used
7	-	Strap cover rear (not spared)
8	-	Hinge assembly rear L (not spared)
9	-	Hinge assembly right R (not spared)
10	-	Cover rear bottom (not spared)
11	-	2nd BTR roll assembly <a href="#">REP 19.22</a>
12	-	Cover assembly rear SFP (not spared)
13	-	ESS window (not spared)
14	-	Plate ESS window (not spared)
15	-	Lever ESS window (not spared)
16	822E27572	WiFi cap <a href="#">REP 19.24</a>
17	-	Spring cover rear (not spared)
98	815K21540	Kit ESS window assembly (with 13-15)
99	-	Kit cover assembly rear SFP (with 7x2, 12, PL14.1) (not spared) <a href="#">REP 19.25</a>



E-8-2041-A

# PL 20.1 Mailbox

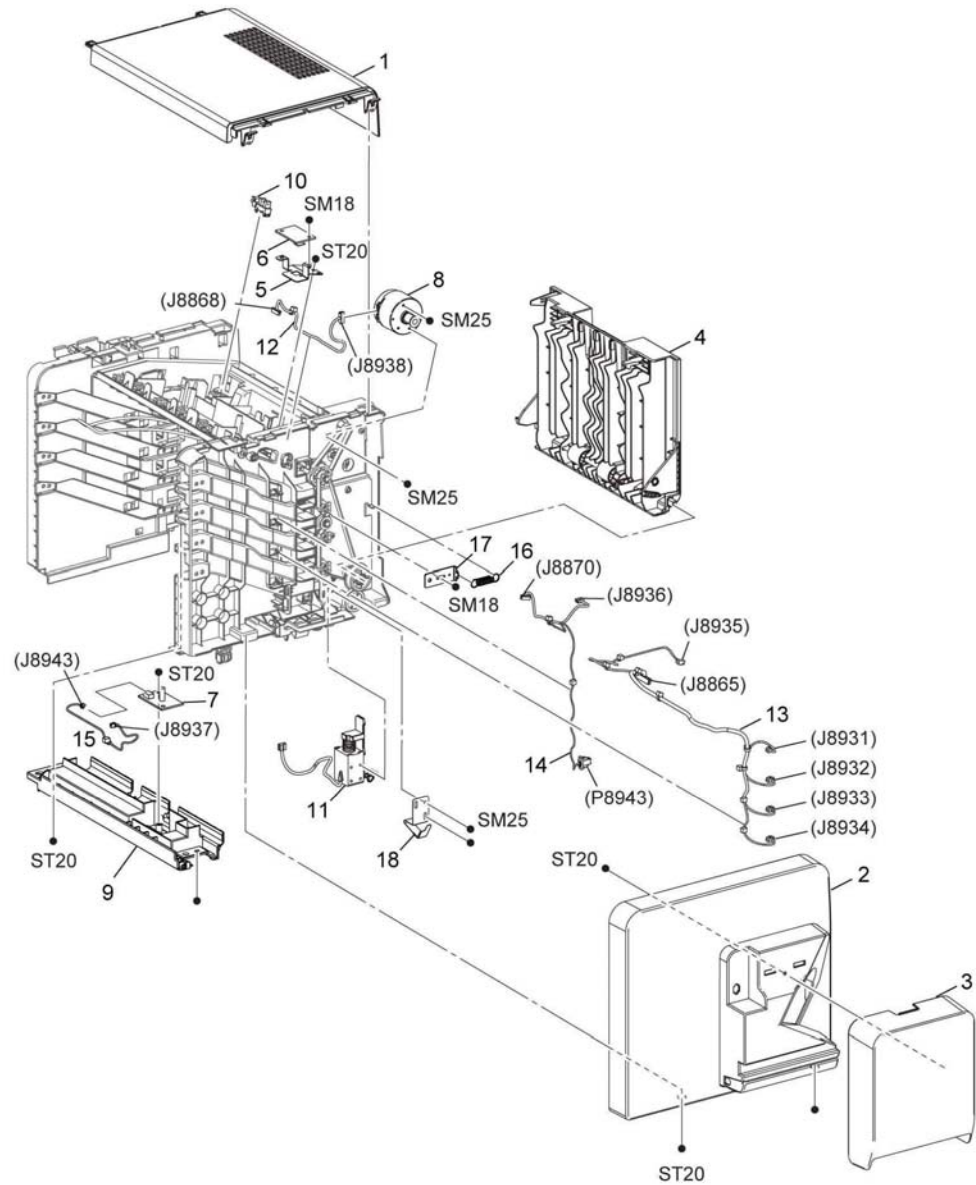
Item	Part	Description
1	-	Cover LH C
2	607K05020	Tray assembly (with label) (with 4, 5)
3	607K05030	Tray assembly bottom (with label)
4	-	Actuator tray full
5	-	Sensor photo int (1/2/3/4-bin full paper sensor)
6	049K34930	Bracket assembly gate solenoid
7	-	Not used
8	-	Not used
9	-	Not used
10	-	Not used
11	960K90041	GPF A4MBX PWB
12	960K90043	Bracket earth RH
13	105E22590	LVPS W/I bracket
14	-	Not used
15	-	Harness assembly MBX AC
16	-	Harness assembly MBX DC
17	-	Harness assembly MBX IF
18	-	Harness assembly trans S



E-8-2047-A

## PL 20.2 Mailbox

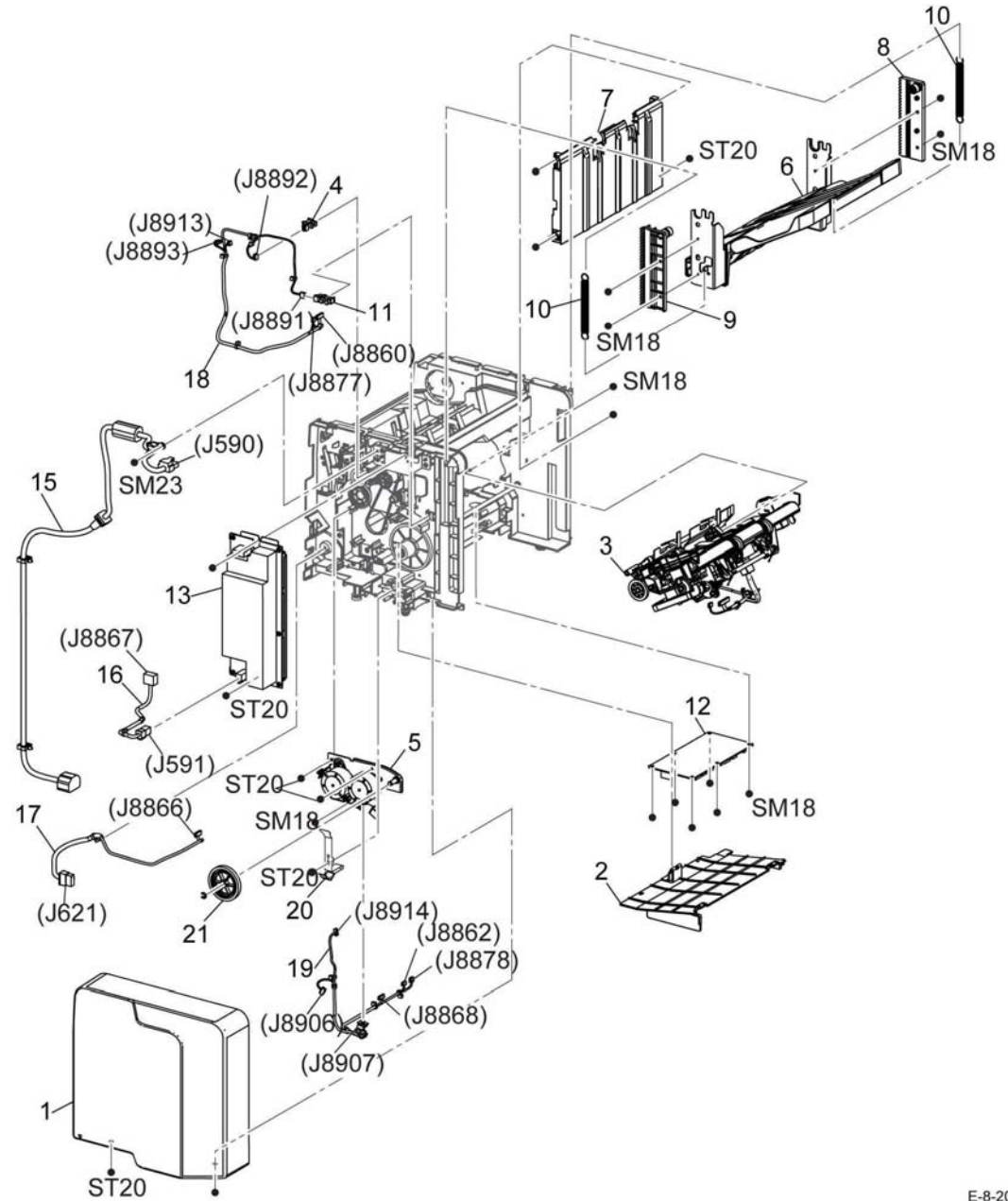
Item	Part	Description
1	-	Cover Top C (Not Spared) (REP 20.3)
2	-	Cover RH C (Not Spared) (REP 20.2)
3	-	Cover assembly staple (Not Spared)
4	-	Cover assembly rear (Not Spared)
5	-	Bracket vertical sensor MBX (Not Spared)
6	-	Vertical sensor rev PWB (Not Spared)
7	-	Vertical sensor LED PWB (Not Spared)
8	127K72241	Motor assembly (REP 20.6)
9	-	Chute low MBX (Not Spared)
10	-	Rear cover interlock sensor (Not Spared)
11	121K58300	Solenoid assembly gate (REP 20.7)
12	-	Harness assembly MBX trans M (Not Spared)
13	-	Harness assembly MBX sensor (Not Spared)
14	-	Harness assembly vertical sensor (Not Spared)
15	-	Harness assembly vertical LED (Not Spared)
16	-	Spring tension (Not Spared)
17	-	Bracket tension (Not Spared)
18	-	Plate ground RH (Not Spared)



E-8-2048-A

# PL 21.1 Finisher

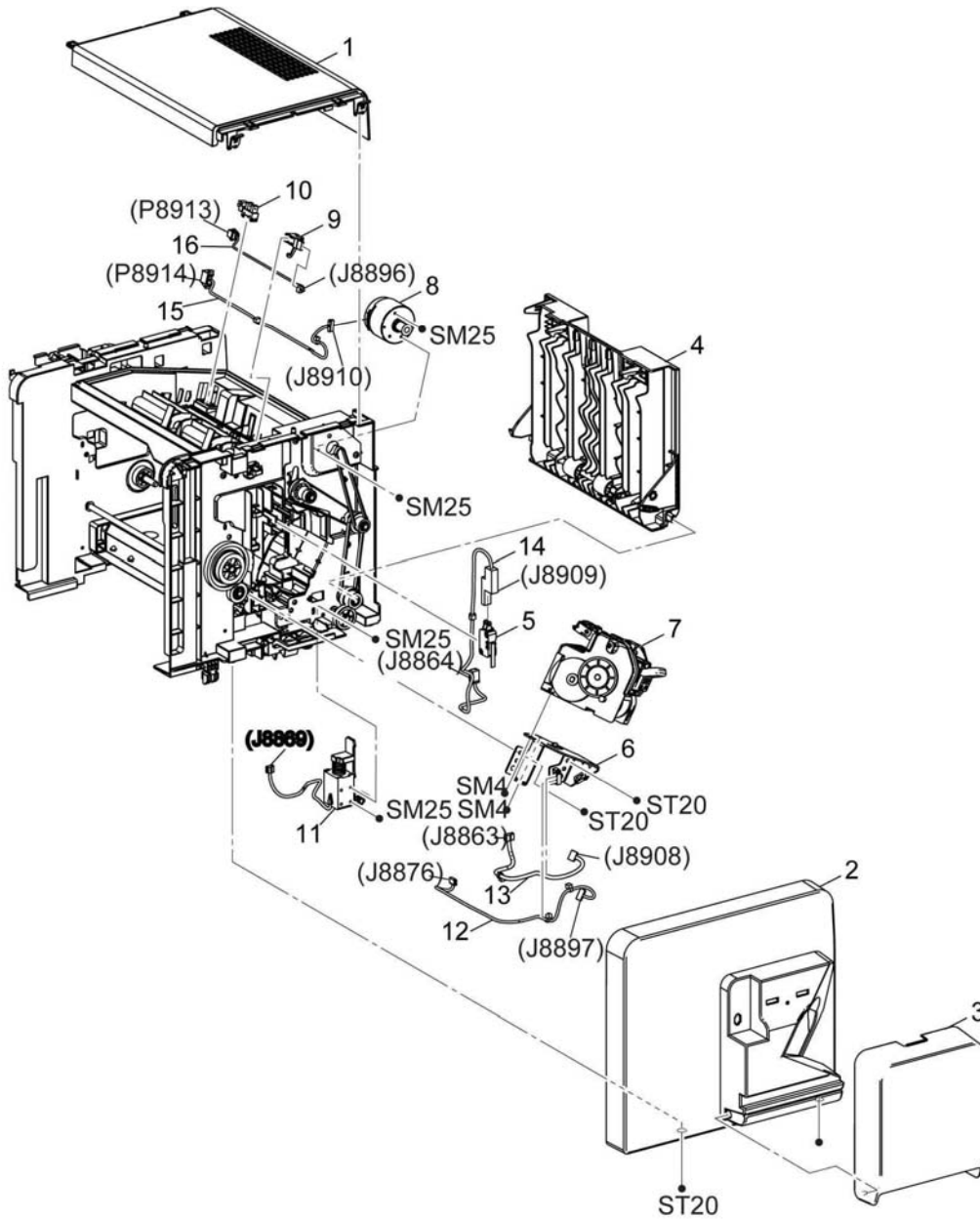
Item	Part	Description
1	-	Cover LH C
2	-	Cover Lower C
3	-	Tray assembly compile
4	-	Sensor photo int (sub paddle home sensor)
5	049K34570	Motor assembly stepping
6	050K75450	Tray assembly base
7	-	Tray guide C
8	-	Gear assembly Rack R
9	-	Gear assembly rack L
10	-	Spring-lift
11	-	Sensor photo int (stacker tray no-paper & full sensor)
12	960K90034	GPF A4fin PWB
13	105E22590	LVPS
14	-	Not Used
15	-	Harness assembly AC
16	-	Harness assembly fin DC
17	-	Harness assembly fin IF
18	-	Harness assembly fin SNR1
19	-	Harness assembly fin mot
20	-	Plate ground LH
21	-	Gear-Z50 Z20



E-8-2049-A

## PL 21.2 Finisher

Item	Part	Description
1	-	Cover top C (Not Spared) (REP 21.3)
2	-	Cover RH C (Not Spared)
3	948K04650	Cover assembly staple
4	-	Cover assembly rear (Not Spared)
5	-	Switch safety IL (Not Spared)
6	-	Bracket stapler (Not Spared)
7	029K93260	Stapler assembly (REP 21.10)
8	127K72241	Motor assembly (REP 21.6)
9	-	Compile exit sensor (Not Spared)
10	-	Rear cover interlock sensor (Not Spared)
11	121K58300	Solenoid assembly gate (REP 21.7)
12	-	Harness assembly staple unit (Not Spared)
13	-	Harness assembly stapler M (Not Spared)
14	-	Harness assembly fin IL (Not Spared)
15	-	Harness assembly fin trans M1 (Not Spared)
16	-	Harness assembly fin compile sensor (Not Spared)
99	006K35670	Shaft assembly - paddle sub

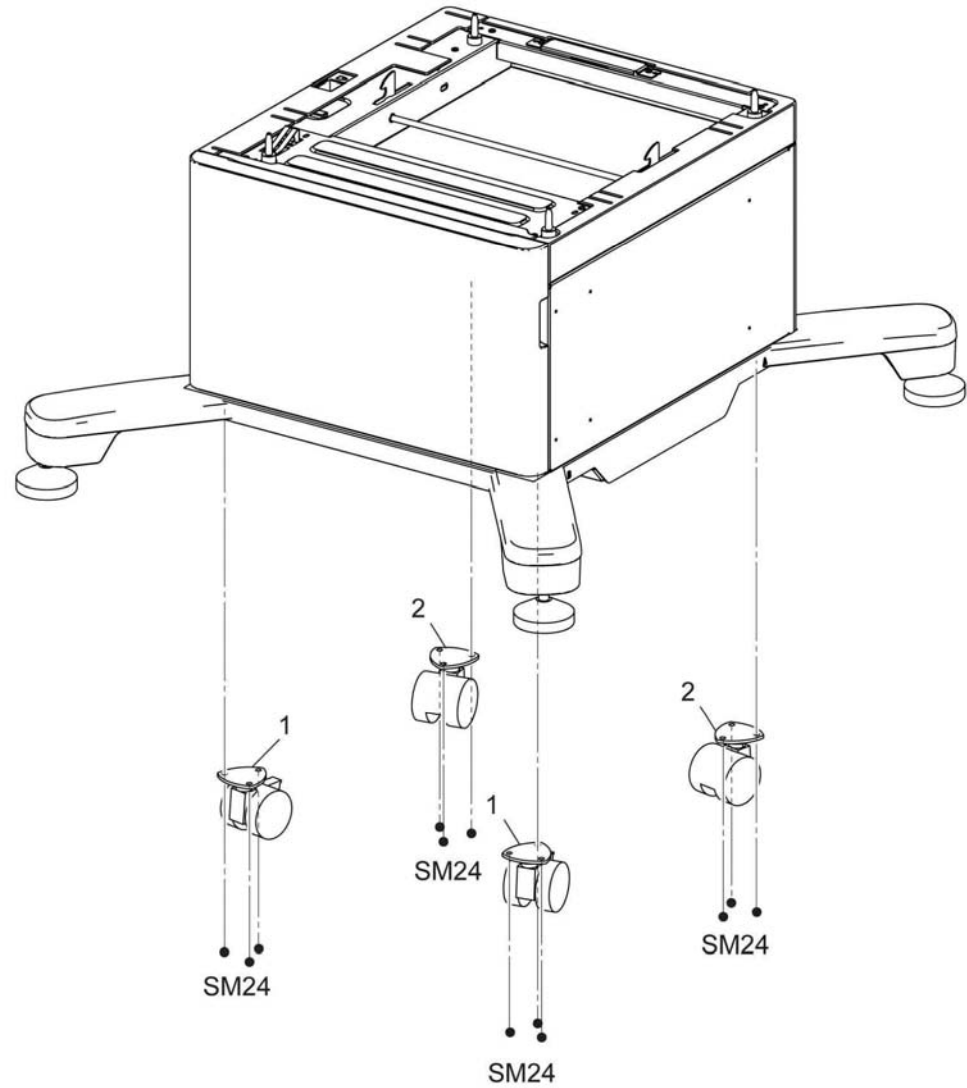


E-8-2050-A



## PL 30.1 Cabinet

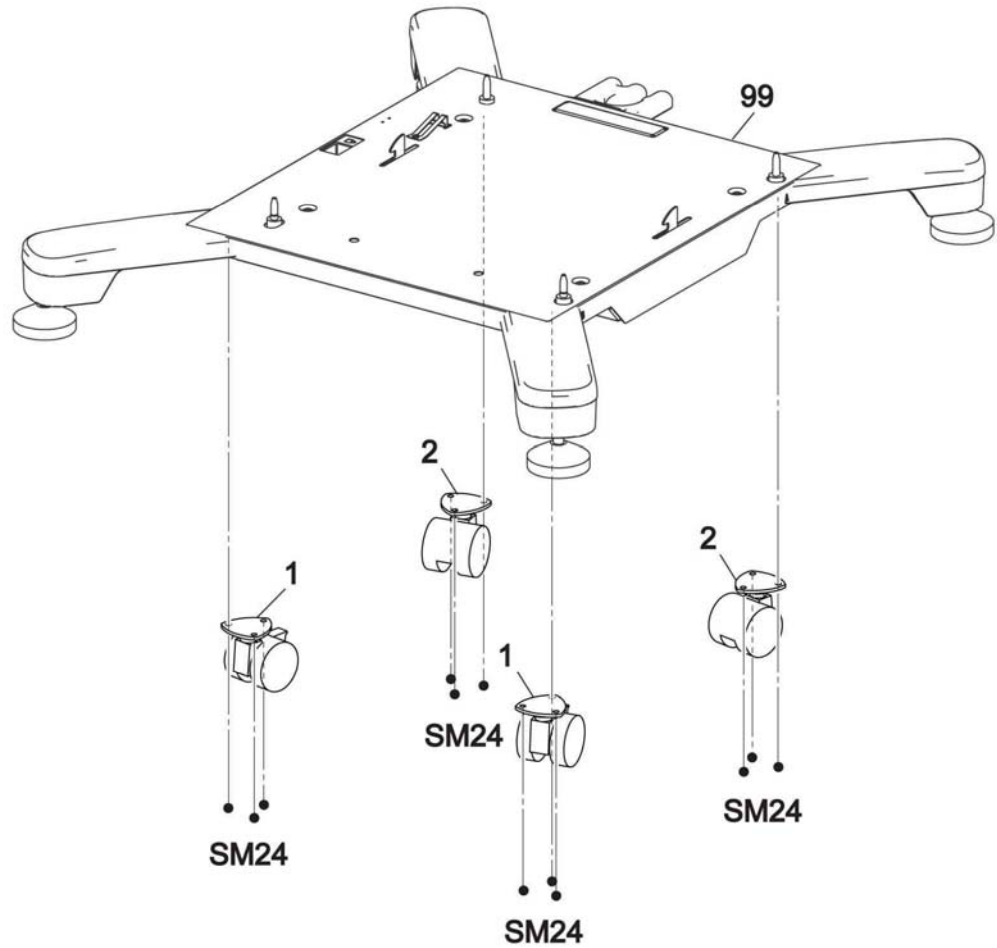
Item	Part	Description
1	-	Caster (with lock)
2	-	Caster (without lock)



E-8-2051-A

## PL 30.2 Caster

Item	Part	Description
1	-	Caster (with lock)
2	-	Caster (without lock)

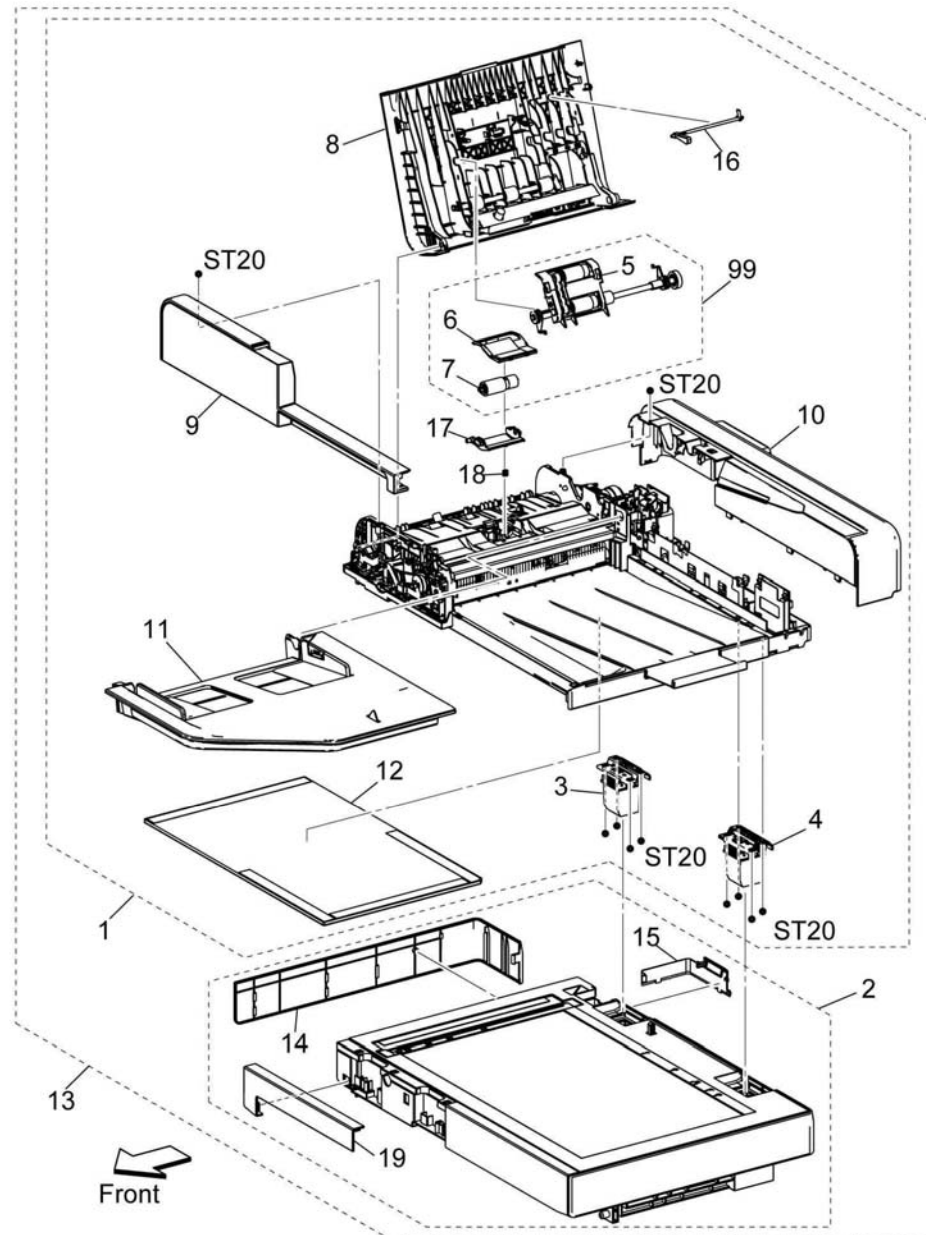


E-8-2052-A

## PL 50.1 Scanner (MFP only)

Item	Part	Description
1	607K04880	DADF assembly (with 3-12, 16, 17) <a href="#">REP 50.1</a>
-	607K04890	DADF assembly tall (with 3-12, 16, 17) <a href="#">REP 50.1</a>
2	607K05161	IIT assembly MFP low (with 14-15, 19) <a href="#">REP 50.2</a>
-	607K04861	IIT assembly MFP high std (with 14-15, 19) <a href="#">REP 50.2</a>
-	607K04871	IIT assembly MPF high tall (with 14-15, 19) <a href="#">REP 50.2</a>
3	036K92351	Counterbalance assembly L <a href="#">REP 50.3</a>
4	036K92331	Counterbalance assembly R <a href="#">REP 50.3</a>
5	-	Feeder roll DADF (see NOTE) (P/O <a href="#">PL 50.1 Item 99</a> )
6	-	Cover assembly separator (P/O <a href="#">PL 50.1 Item 99</a> )
7	-	Roll assembly separator DADF (P/O <a href="#">PL 50.1 Item 99</a> )
8	-	Feeder assembly upper (P/O <a href="#">PL 50.1 Item 1</a> )
9	-	Cover DADF front (P/O <a href="#">PL 50.1 Item 1</a> )
10	-	Cover DADF rear (P/O <a href="#">PL 50.1 Item 1</a> )
11	-	Tray assembly DADF (P/O <a href="#">PL 50.1 Item 1</a> )
12	004K03660	Cushion assembly platen <a href="#">REP 50.4</a>
13	-	Scanner assembly (with 1-2)
14	822E35271	Cover IIT left <a href="#">REP 50.5</a>
15	822E35341	Cover IIT left cap <a href="#">REP 50.6</a>
16	120E35681	DADF actuator <a href="#">REP 50.7</a>
17	-	Holder separator DADF (P/O <a href="#">PL 50.1 Item 1</a> )
18	-	Spring separator DADF (Not Spared)
19	822E35311	Cover front IIT <a href="#">REP 50.8</a>
99	-	Kit DADF feed roll (with 5-7) (P/O <a href="#">PL 50.1 Item 1</a> )

**NOTE:** HFSI. To reset the HFSI counter, refer to dC135.



E-8-2053-A

# 6 General Procedures-Information

## General Procedures

GP 1 Using the Service Diagnostics .....	6-3
GP 2 Fault Codes and History Files .....	6-4
GP 3 Device Information .....	6-5
GP 4 How to Switch Off or Switch On the Printer .....	6-6
GP 6 Electrostatic Discharge Prevention .....	6-6
GP 7 Machine Specifications .....	6-7
GP 8 General Disassembly Precautions .....	6-14
GP 9 Software Version Upgrade .....	6-15
GP 10 How to Check a Motor .....	6-16
GP 11 How to Check a Sensor .....	6-17
GP 12 How to Check a Solenoid or Clutch .....	6-18
GP 13 How to Check a Switch .....	6-18
GP 14 How to Clone Device Settings .....	6-19
GP 15 Special Boot Modes .....	6-21
GP 16 Separate System Modules .....	6-22
GP 17 External Fax Line Test .....	6-24
GP 18 Printing Reports .....	6-24
GP 19 Intermittent or Noise Problem .....	6-25
GP 20 How to Safely Lift or Move the Printer .....	6-26
GP 21 Machine Lubrication .....	6-28
GP 22 Installation Space Requirements .....	6-29
GP 23 First Copy Output Time/ First Print Out Time .....	6-33
GP 24 Restriction of Hazardous Substances (RoHS) .....	6-34
GP 26 M6edia Specifications .....	6-34
GP 27 Environmental Data .....	6-37
GP 28 Supplies Plan Conversion .....	6-38
GP 29 How to Check a Dispenser Motor .....	6-38
GP 30 IP (ESS) Specifications .....	6-39
GP 31 IIT Specifications .....	6-41
GP 32 Fax Specifications .....	6-41
GP 35 Setting Up an Ethernet Connection .....	6-42
GP 36 How to Manually Configure an IP Address .....	6-43
GP 37 How to Obtain Log Files .....	6-44
GP 38 Electrical Specifications .....	6-45
GP 39 Reset Administrator Password .....	6-46
GP 40 Xerox Supplies and Accessories .....	6-47
GP 41 Hardware Information .....	6-49
GP 42 Glossary of Terms, Acronyms and Abbreviations .....	6-49

## Diagnostics

dC118 Jam Counter .....	6-55
dC120 Failure Counter .....	6-55
dC122 Fault History .....	6-56
dC125 Active Faults .....	6-56
dC126 System Registration Adjustment .....	6-57
dC131 NVM Read / Write .....	6-58
dC132 Device ID / Billing Data .....	6-59

dC135 HFSI Counter (High Frequency Service Item) .....	6-59
dC140 Analog Component Monitoring .....	6-60
dC301 NVM Initialization .....	6-61
dC305 Panel Diagnostics .....	6-62
dC330 Component Control .....	6-62
dC362 Restore NVM Values .....	6-67
dC363 NVM Backup/Restore .....	6-68
dC500 Blank Page Threshold Value .....	6-68
dC612 Print Test Pattern .....	6-69
dC945 IIT Calibration .....	6-74
dC1010 Signals Sending Test .....	6-74
dC1011 Relay On / Off Test .....	6-75

## Change Tags

Tags/MODs .....	6-77
-----------------	------

