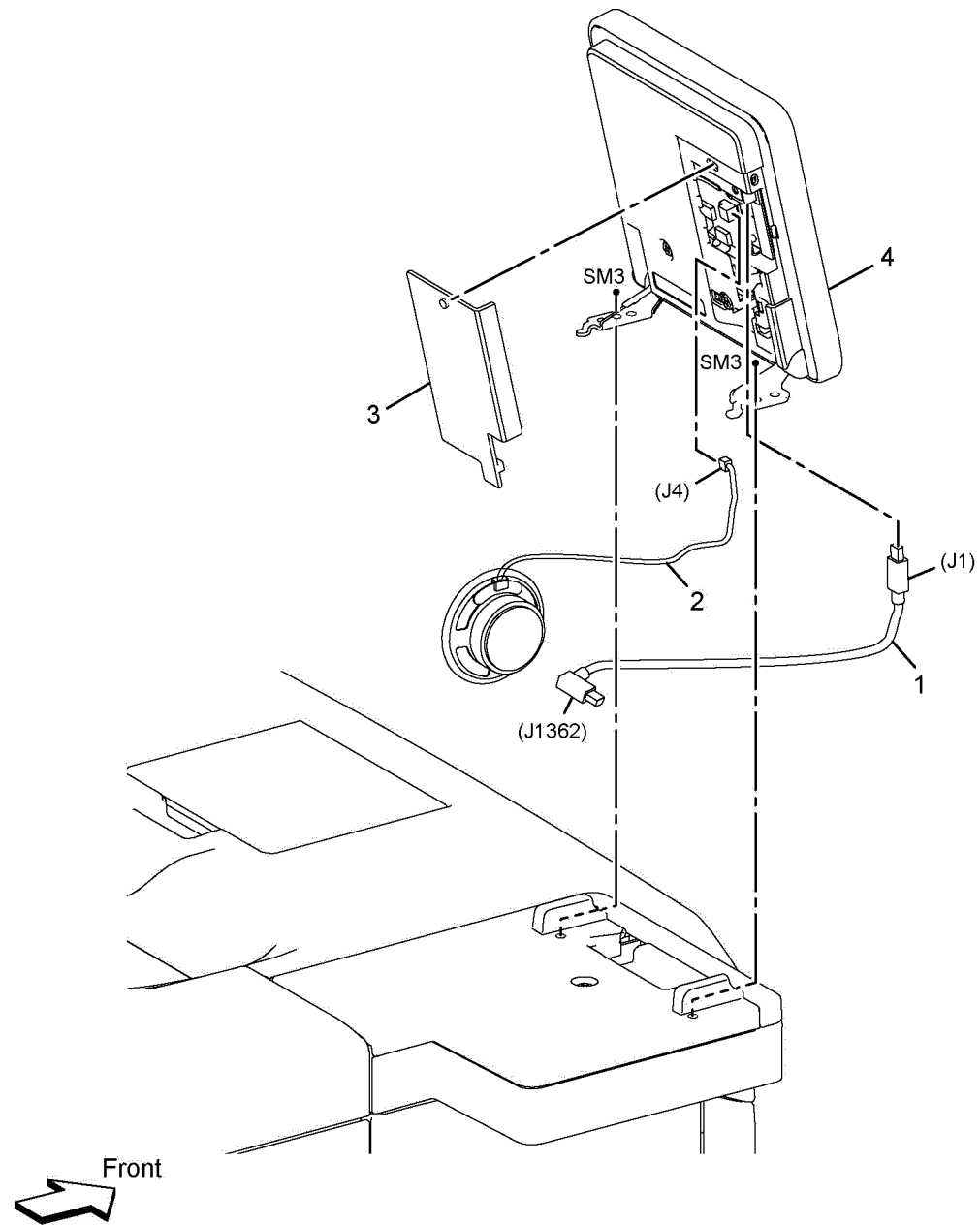


5 Parts Lists

PL 1 - User Interface		
PL 1.1A UI (1 of 2) - B400	5-3	
PL 1.1B UI (1 of 2) - B405	5-4	
PL 1.2A UI (2 of 2) - B400	5-5	
PL 1.2B UI (2 of 2) - B405	5-6	
PL 2 - Raster Output Scanner (ROS)		
PL 2.1 ROS	5-7	
PL 3 - Drive		
PL 3.1 Drive	5-8	
PL 4 - Noise, Ozone, Heat and Dust (NOHAD)		
PL 4.1A NOHAD - B400	5-9	
PL 4.1B NOHAD - B405	5-10	
PL 5 - Dispenser		
PL 5.1 Dispenser	5-11	
PL 6 - Transfer		
PL 6.1 Transfer	5-12	
PL 7 - Fusing		
PL 7.1 Fuser	5-13	
PL 8 - Xerographics		
PL 8.1 Xerographics	5-14	
PL 9 - Tray-550		
PL 9.2 Tray 1	5-15	
PL 11 - Option Feeder		
PL 11.1A Option Feeder (1 of 4) - B400	5-16	
PL 11.1B Option Feeder (1 of 4) - B405	5-17	
PL 11.2 Option Feeder (2 of 4)	5-18	
PL 11.3 Option Feeder (3 of 4)	5-19	
PL 11.4 Option Feeder (4 of 4)	5-20	
PL 13 - MSI		
PL 13.1 MSI (1 of 2)	5-21	
PL 13.2 MSI (2 of 2)	5-22	
PL 14 - Duplex		
PL 14.1 Duplex	5-23	
PL 15 - Registration		
PL 15.1A Registration (1 of 3) - B400	5-24	
PL 15.1B Registration (1 of 3) - B405	5-25	
PL 15.2 Registration (2 of 3)	5-26	
PL 15.3 Registration (3 of 3)	5-27	
PL 17 - Exit		
PL 17.1 Exit	5-28	
PL 18 - Electrical		
PL 18.1A Electrical (1 of 3) - B400	5-29	
PL 18.1B Electrical (1 of 3) - B405	5-30	
PL 18.2 Electrical (2 of 3)	5-31	
PL 18.3A Electrical (3 of 3) - B400	5-32	
PL 18.3B Electrical (3 of 3) - B405	5-33	
PL 19 - Cover		
PL 19.1A Cover (1 of 3) - B400	5-34	
PL 19.1B Cover (1 of 3) - B405	5-35	
PL 19.2A Cover (2 of 3) - B400	5-36	
PL 19.2B Cover (2 of 3) - B405	5-37	
PL 19.3A Cover (3 of 3) - B400	5-38	
PL 19.3B Cover (3 of 3) - B405	5-39	
PL 21 - Scanner		
PL 21.1 Scanner	5-40	

PL 1.1A UI (1 of 2) - B400

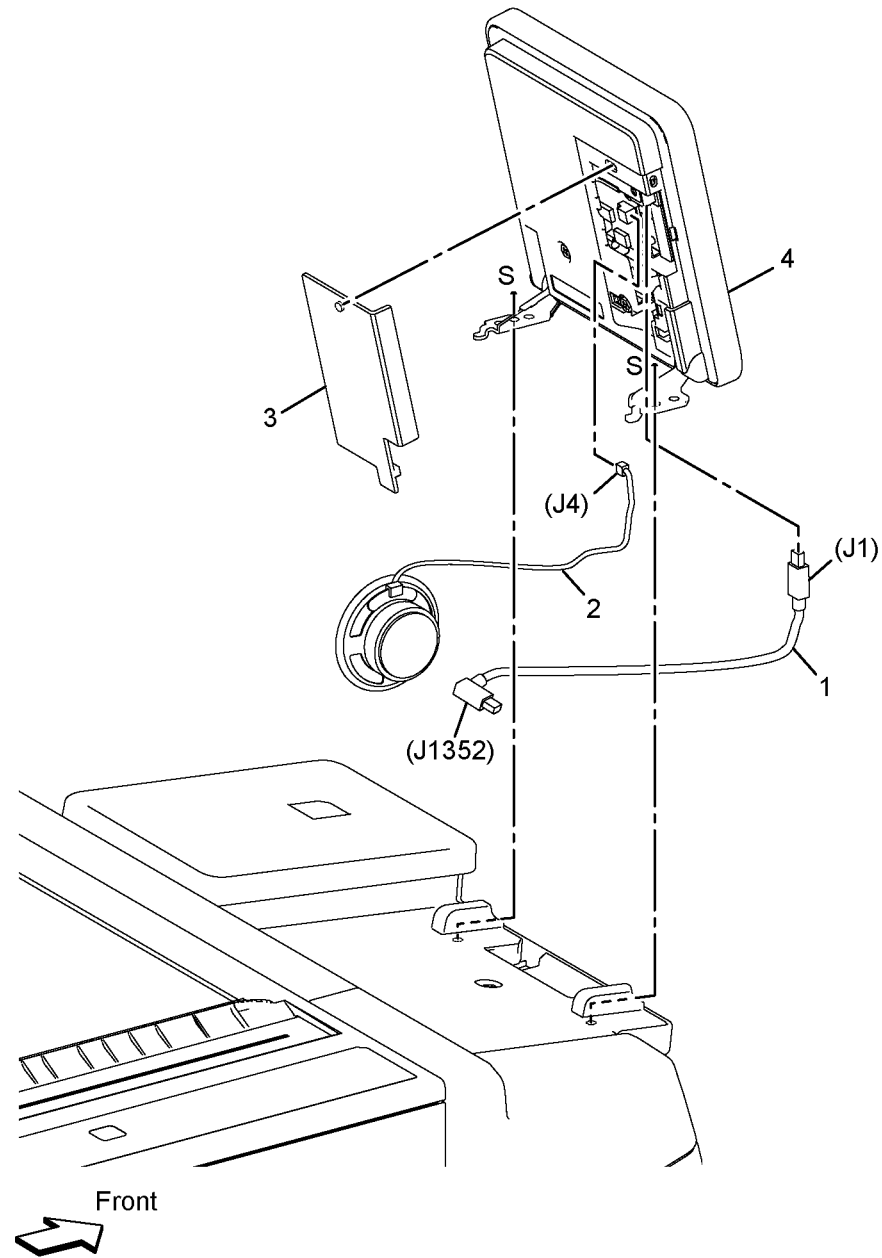
Item	Part	Description
1	952K38390	UI harness assembly B400 (REP 1.6)
2	—	UI speaker B400 (Not Spared) (REP 1.5)
3	822E32001	UI access door
4	948K20152	UI console assembly B400 (REP 1.3)



B-8-0001-A

PL 1.1B UI (1 of 2) - B405

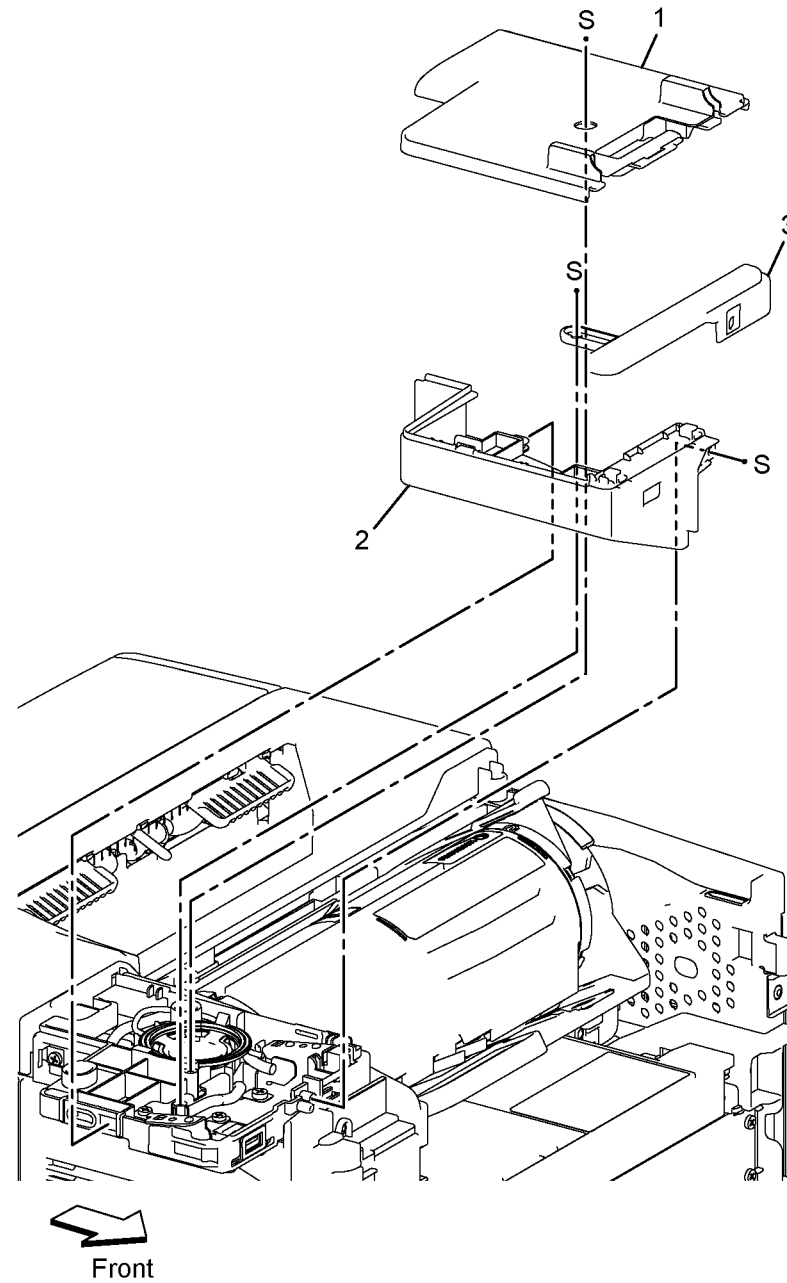
Item	Part	Description
1	952K38760	UI harness assembly B405 (REP 1.2)
2	—	UI speaker (Not Spared) (REP 1.2)
3	822E32001	UI access door (REP 1.1)
4	948K20152	UI console assembly (REP 1.1)



B-8-0030-A

PL 1.2A UI (2 of 2) - B400

Item	Part	Description
1	-	UI top cover (Not Spared)
2	822E29410	UI left cover (REP 1.4)
3	-	UI front cover (Not Spared) (REP 1.4)

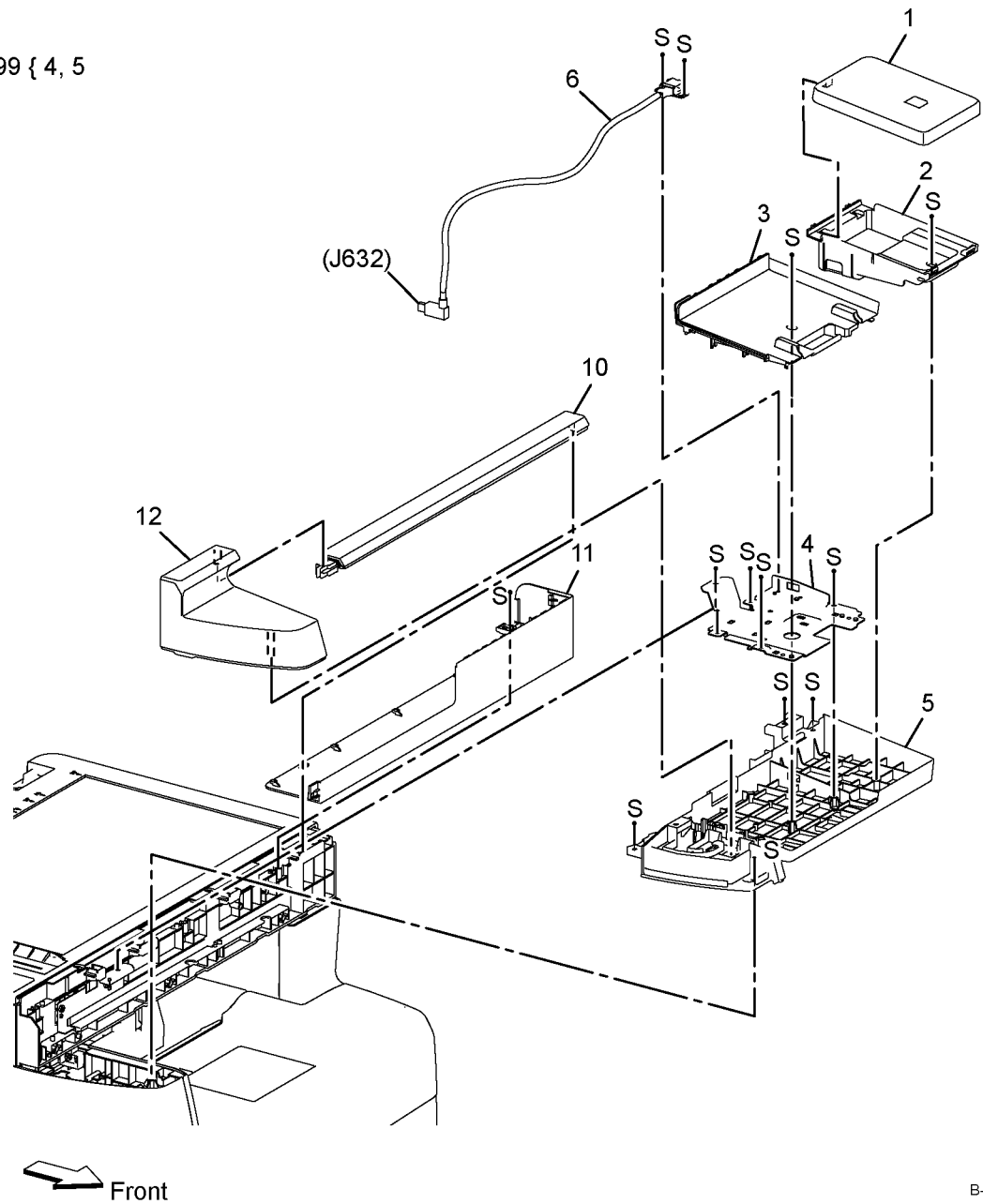


B-8-0002-A

PL 1.2B UI (2 of 2) - B405

Item	Part	Description
1	822E31951	ICCR cover (REP 1.1)
2	-	ICCR inner cover (Not Spared)
3	822E31941	UI top cover (REP 1.1)
4	-	Bottom plate (P/O PL 1.2B Item 99)
5	-	UI base bottom cover (P/O PL 1.2B Item 99)
6	-	ICCR USB harness (Not Spared)
7	-	Not used
8	-	Not used
9	-	Not used
10	822E31980	Scanner front top cover (REP 1.1)
11	822E31992	Scanner front bottom cover (REP 21.7)
12	822E31971	Scanner left cover (REP 1.1)
99	607K03900	UI bottom frame kit (REP 1.2)

99 { 4, 5

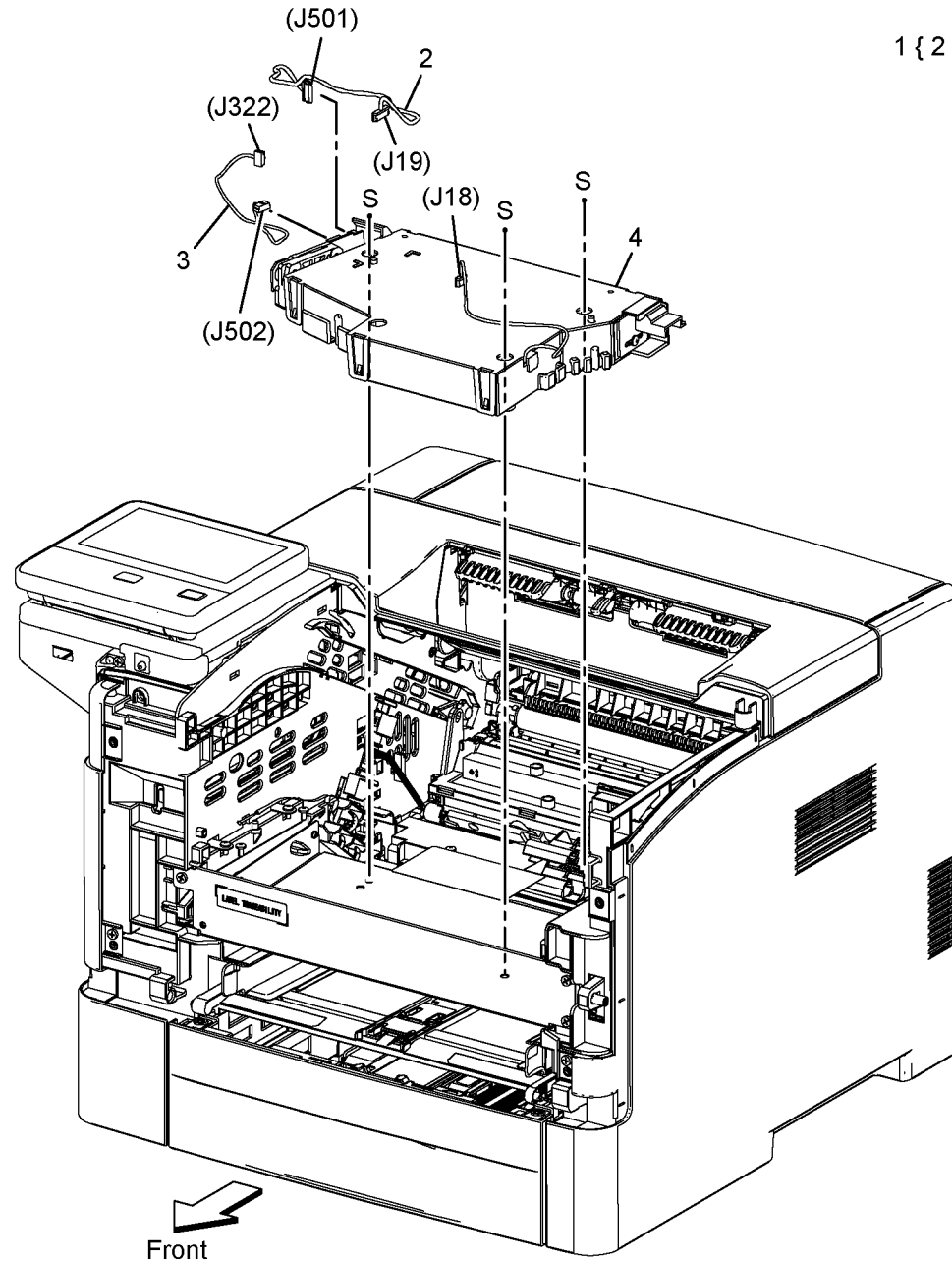


B-8-0028-A

PL 2.1 ROS

Item	Part	Description
1	062K28821	ROS assembly B400 (REP 2.2) / B405 (REP 2.1) (220V)
-	062K24269	ROS assembly B400 (REP 2.2) / B405 (REP 2.1) (110V)
2	-	ROS-MCU harness (P/O PL 2.1 Item 1)
3	-	Video harness (P/O PL 2.1 Item 1)
4	-	ROS unit (P/O PL 2.1 Item 1)

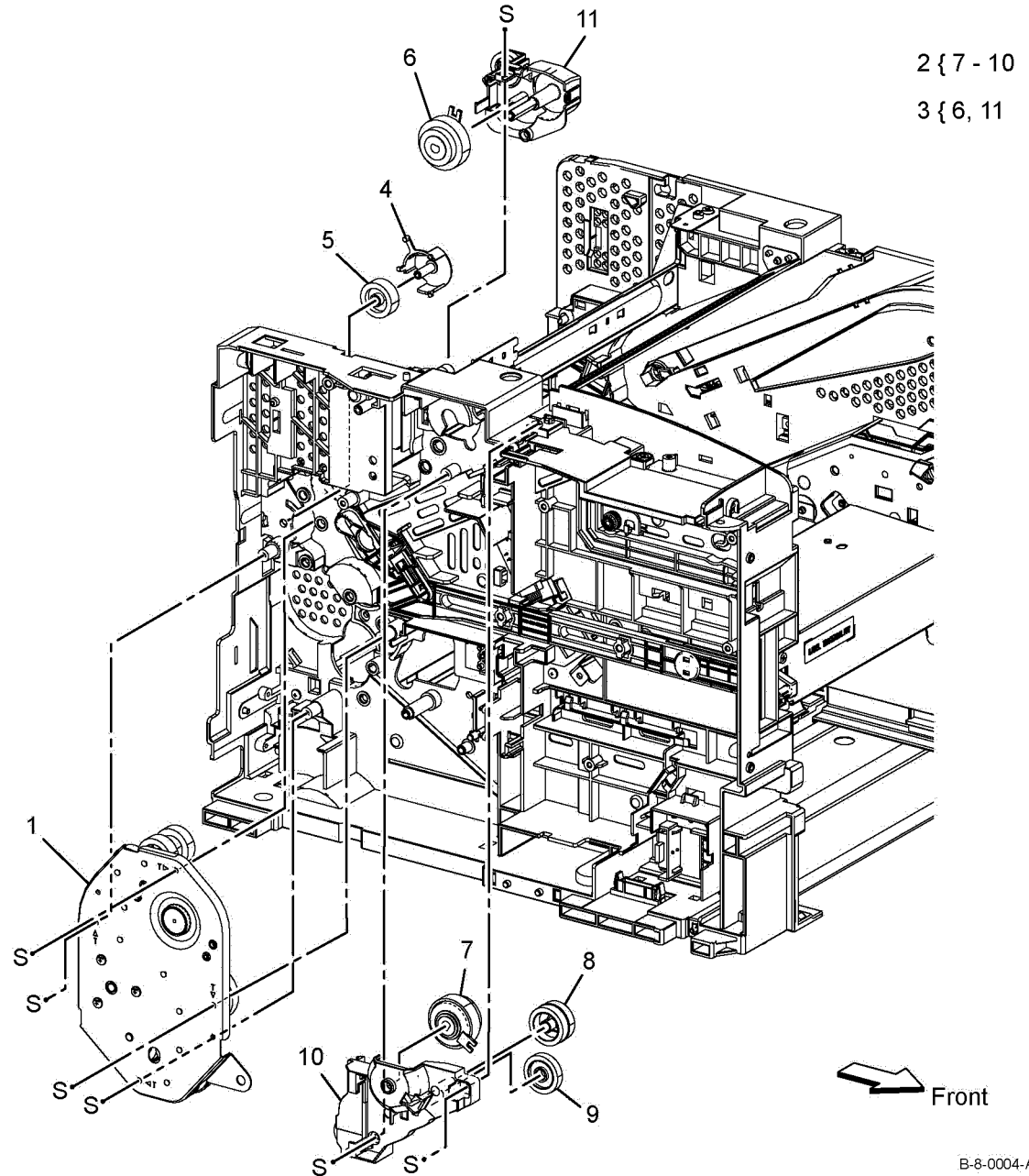
1 { 2 - 4



B-8-0003-A

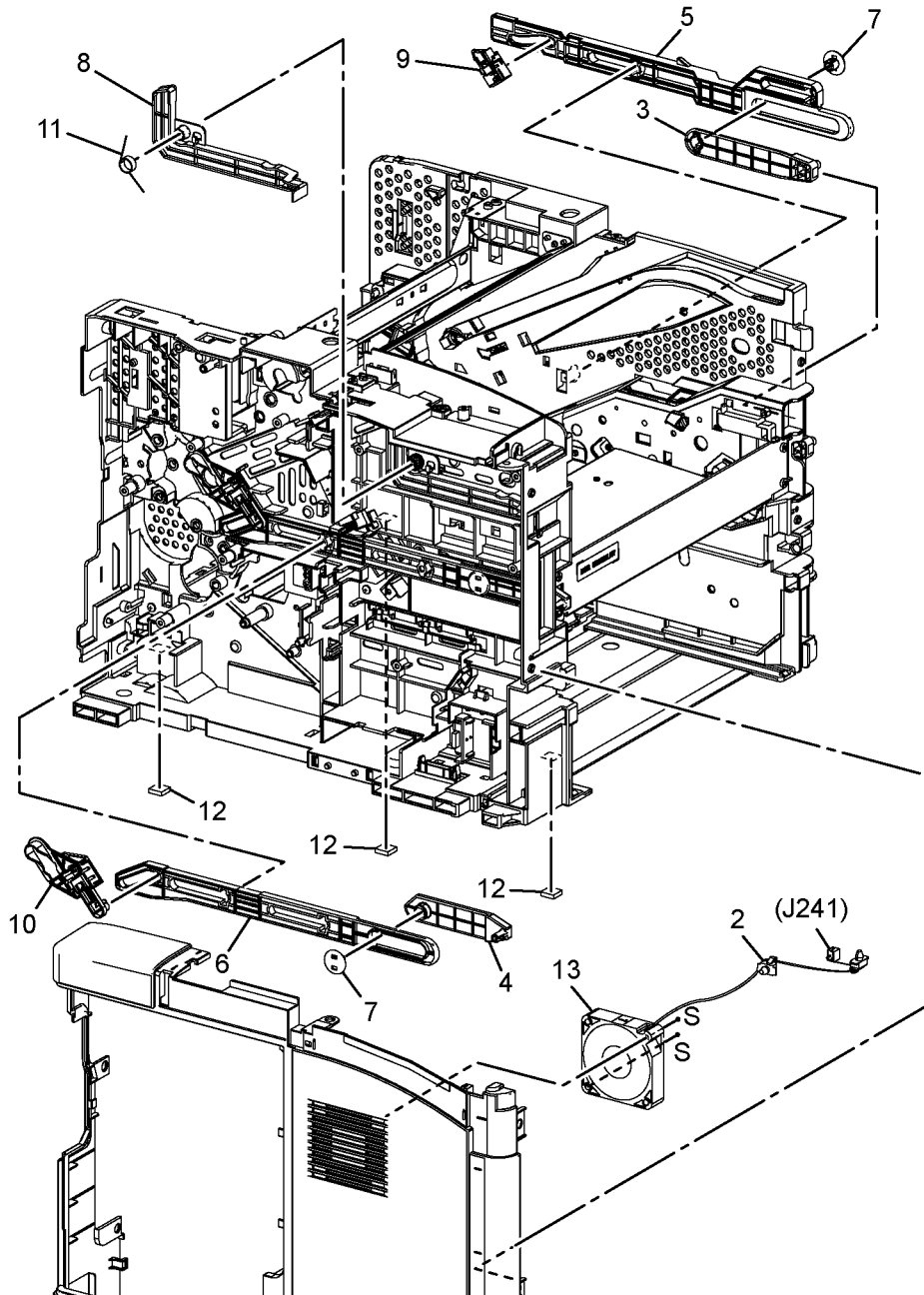
PL 3.1 Drive

Item	Part	Description
1	007K18903	Main drive assembly B400 (REP 3.2) / B405 (REP 3.1)
2	007K18912	Exit out drive holder assembly B400 (REP 3.4) / B405 (REP 3.3)
3	007K18931	Exit in drive S3 holder assembly B400 (REP 3.6) / B405 (REP 3.5)
4	019E83450	Duplex gear holder
5	604K80770	Duplex in gear B400 (REP 3.8) / B405 (REP 3.7)
6	-	T21 exit clutch assembly B400 (REP 3.6) / B405 (REP 3.5) (P/O PL 3.1 Item 3)
7	-	T24 inverter clutch assembly B400 (REP 3.4) / B405 (REP 3.3) (P/O PL 3.1 Item 2)
8	-	E3 Z gear (P/O PL 3.1 Item 2)
9	-	E3 gear (P/O PL 3.1 Item 2)
10	-	Exit out drive holder (P/O PL 3.1 Item 2)
11	-	Exit in drive S3 holder (P/O PL 3.1 Item 3)



PL 4.1A NOHAD - B400

Item	Part	Description
1	127K66001	LVPS fan (Main fan assembly)
2	-	Cable band (P/O PL 4.1A Item 1)
3	012E18133	Front right link (REP 4.2)
4	012E18143	Front left link (REP 4.4)
5	-	Right link shaft (Not Spared) (REP 4.2)
6	-	Left link shaft (Not Spared) (REP 4.4)
7	012E18172	Connector link (REP 4.2)
8	-	CRU interlock link
9	-	Right xerographic stopper assembly (Not Spared)
10	-	Left xerographic stopper assembly (Not Spared)
11	-	CRU interlock spring (Not Spared)
12	-	Foot (P/O PL 4.1A Item 97)
13	-	LVPS fan (P/O PL 4.1A Item 1)
97	604K77650	Foot assembly



1 { 2, 13
97 { 12 x 3 PCS

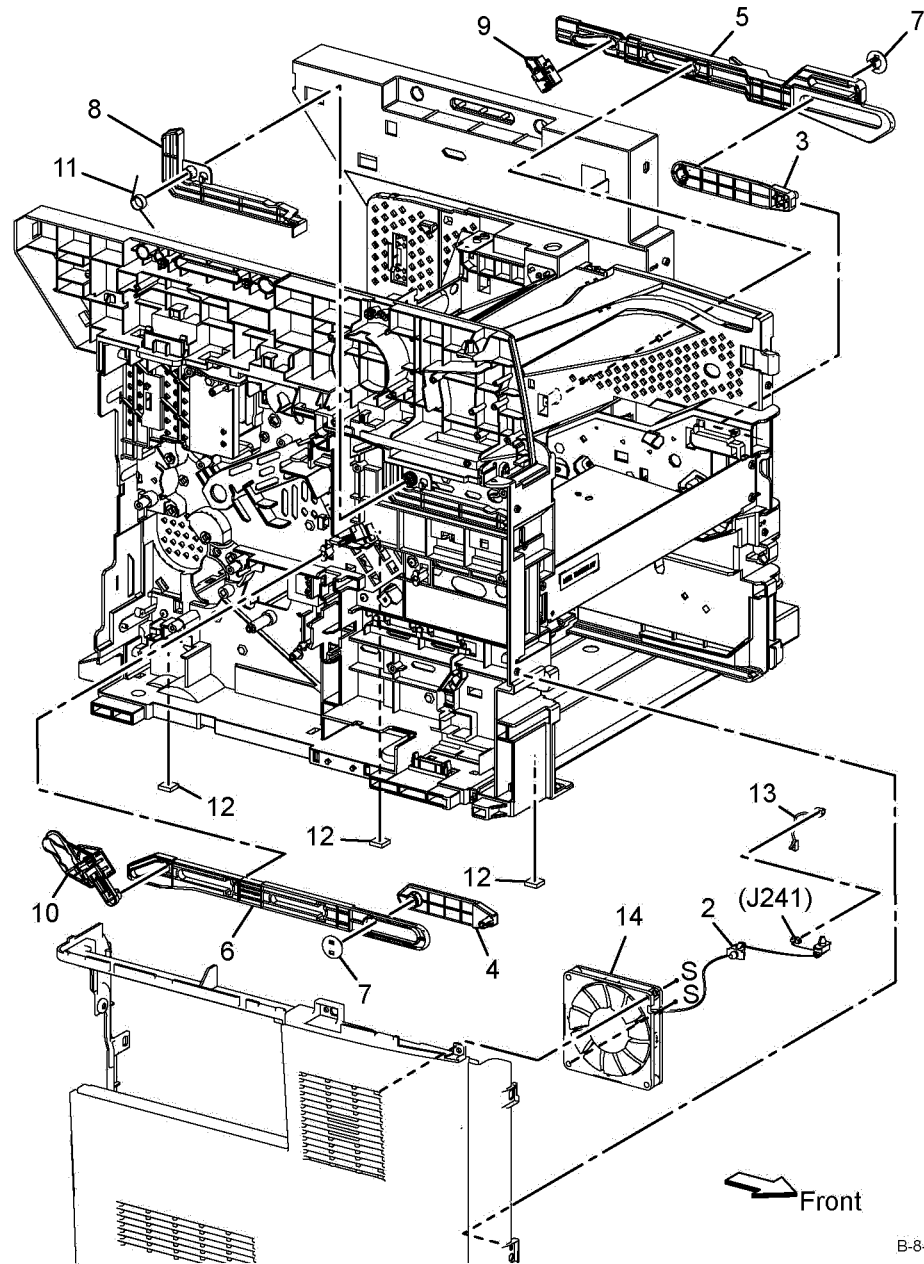
Front

B-8-0005-A

PL 4.1B NOHAD - B405

Item	Part	Description
1	127K75190	LVPS fan (main fan assembly)
2	-	Band cable (P/O PL 4.1B Item 1)
3	012E18133	Front right link (REP 4.1)
4	012E18143	Front left link (REP 4.3)
5	-	Right link shaft (Not Spared) (REP 4.1)
6	-	Left link shaft (Not Spared) (REP 4.3)
7	012E18172	Connector link (REP 4.1)
8	-	CRU interlock link (Not Spared)
9	-	Right zero stopper assembly (Not Spared)
10	-	Left zero stopper assembly (Not Spared)
11	-	CRU interlock spring (Not Spared)
12	-	Foot (P/O PL 4.1B Item 97)
13	-	LVPS fan harness assembly (Not Spared)
14	-	LVPS fan (P/O PL 4.1B Item 1)
97	604K77650	Foot assembly

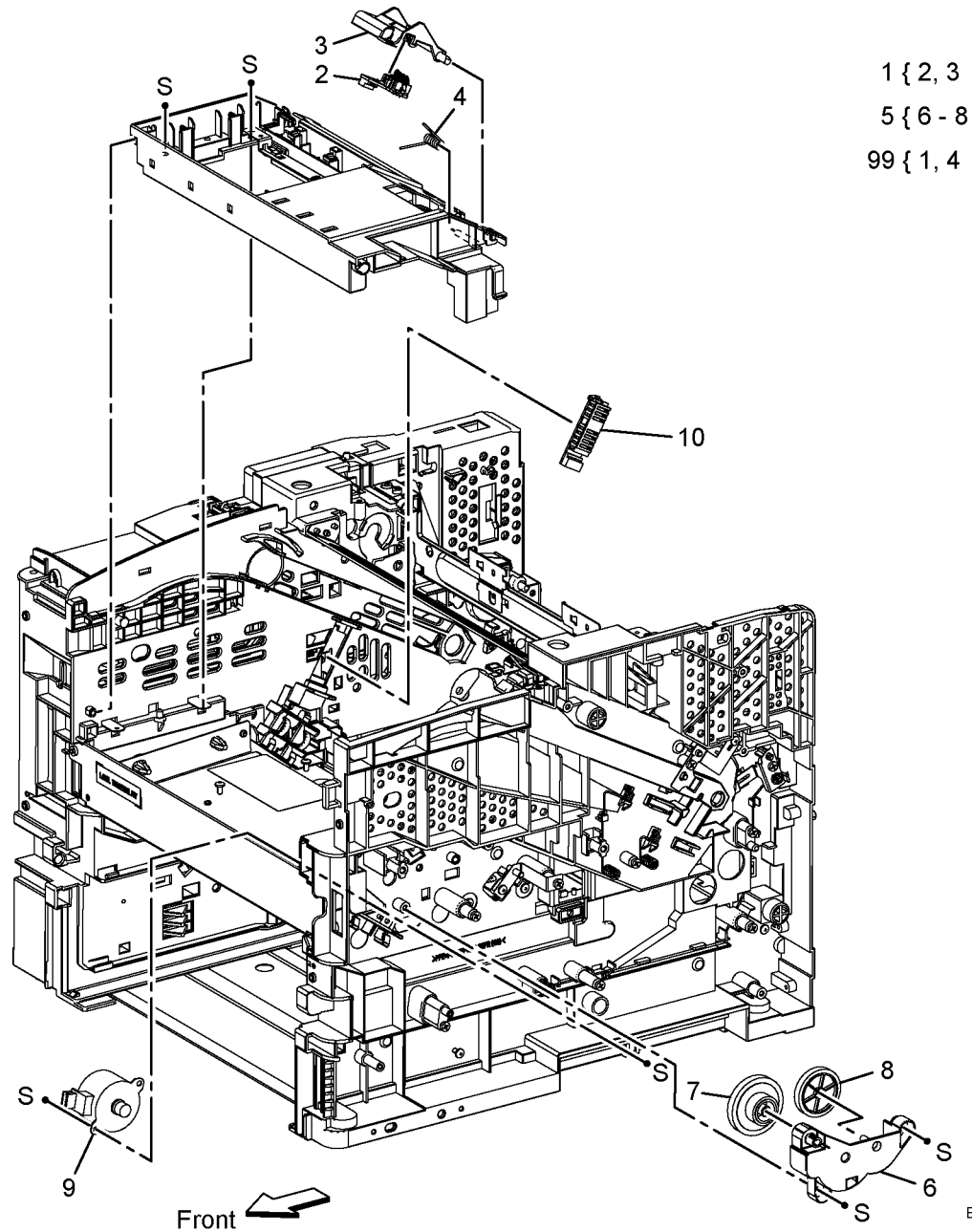
1 { 2, 14
 97 { 12 x 3 pcs



B-8-0031-A

PL 5.1 Dispenser

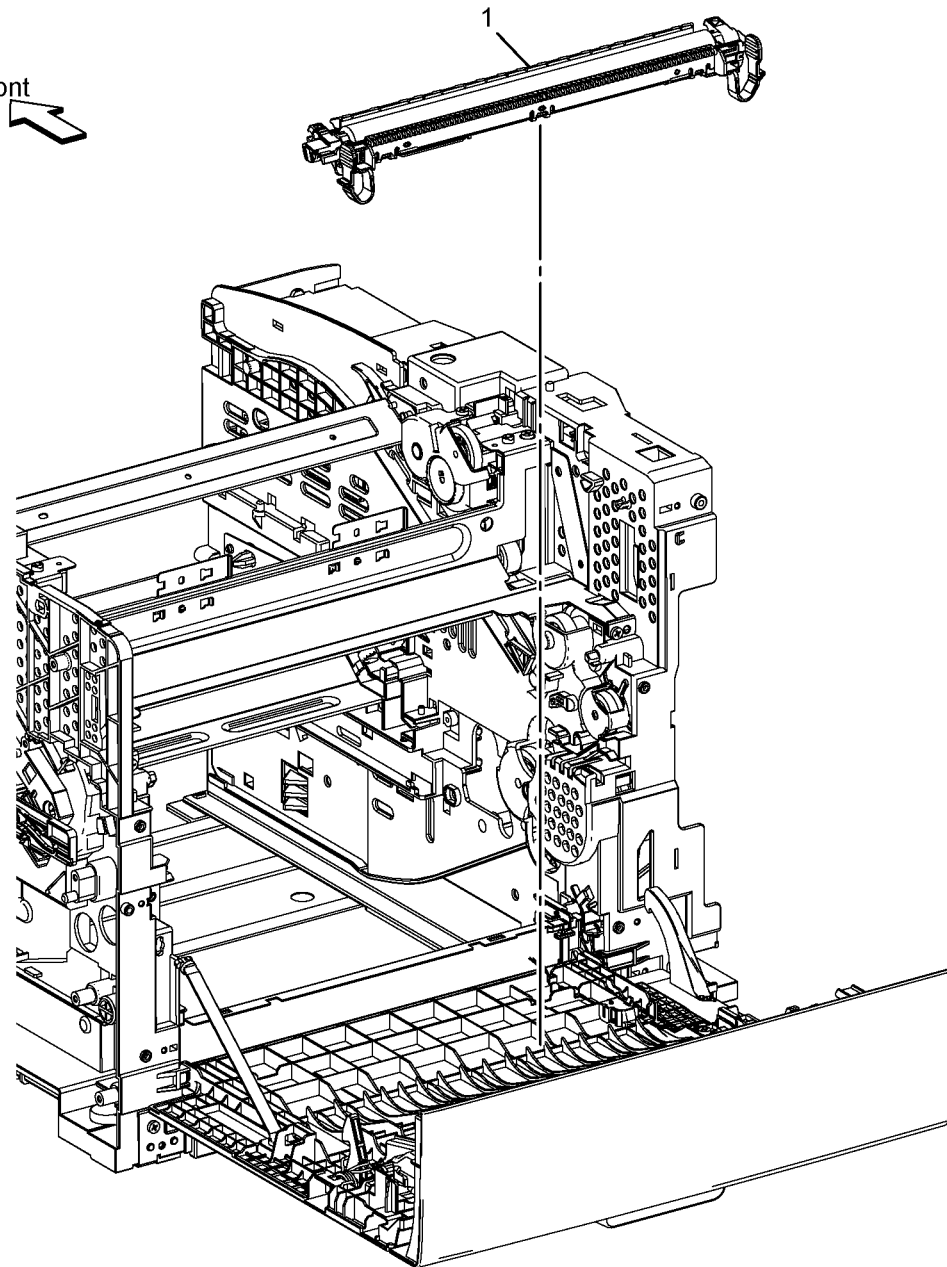
Item	Part	Description
1	-	CRUM housing assembly B400 (REP 5.2) / B405 (REP 5.1) (P/O PL 5.1 Item 99)
2	-	Toner CRUM connector assembly (P/O PL 5.1 Item 1)
3	-	Swing CRUM housing (P/O PL 5.1 Item 1)
4	-	Swing CRUM spring (P/O PL 5.1 Item 99)
5	007K18414	Dispenser drive assembly B400 (REP 5.4) / B405 (REP 5.3)
6	-	Drive dispenser housing (P/O PL 5.1 Item 5)
7	-	Idler motor gear (P/O PL 5.1 Item 5)
8	-	Output gear (P/O PL 5.1 Item 5)
9	127K52160	Dispenser motor (B400) (REP 5.6) / (B405) (REP 5.5)
10	116K91041	Xerographic connector assembly B400 (REP 5.8) / B405 (REP 5.7)
99	604K77290	CRUM assembly kit



PL 6.1 Transfer

Item	Part	Description
1	859K00950	CRU transfer roll assembly B400 (REP 6.2) / B405 (REP 6.1)

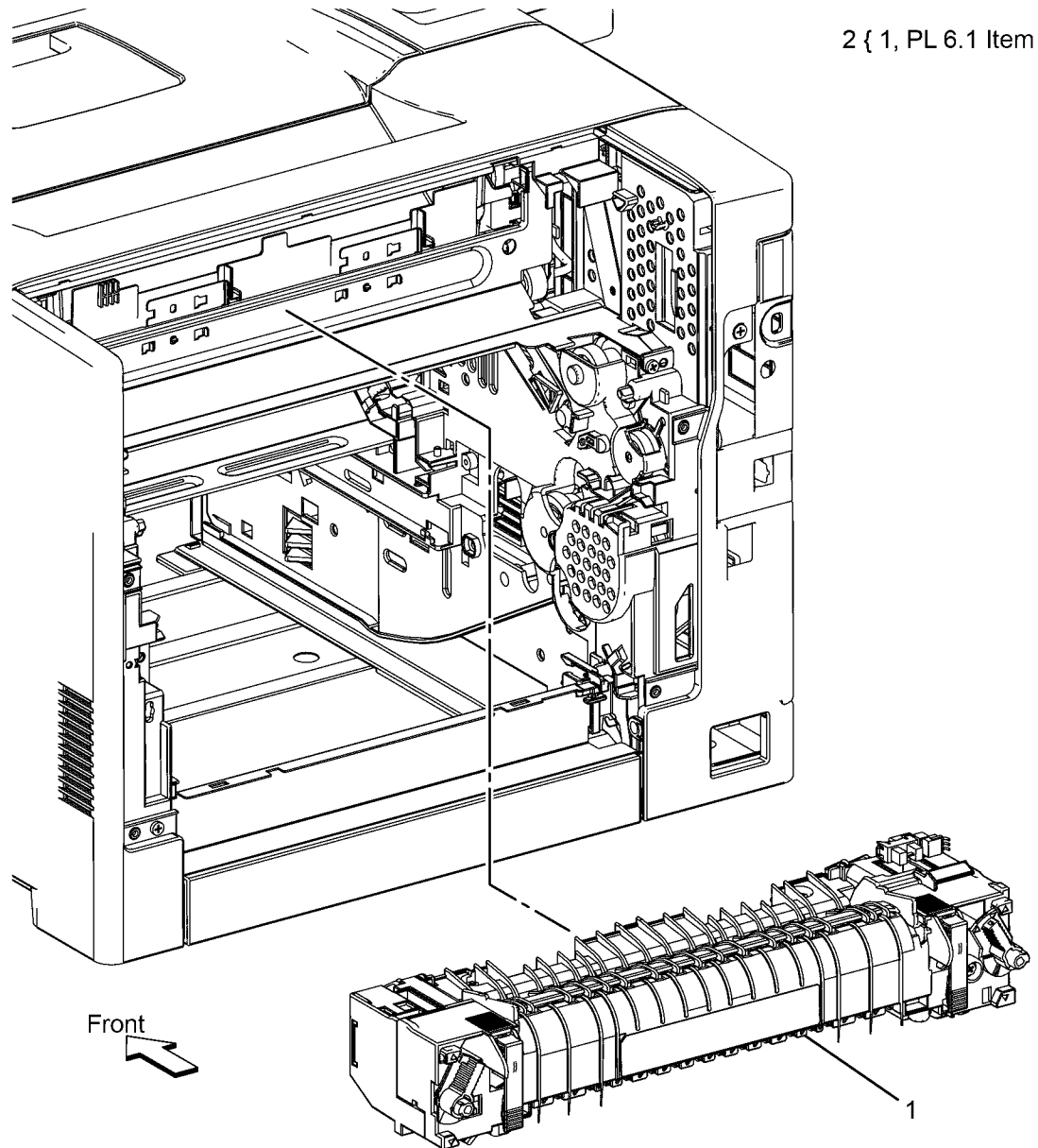
Front
➔



B-8-0007-A

PL 7.1 Fuser

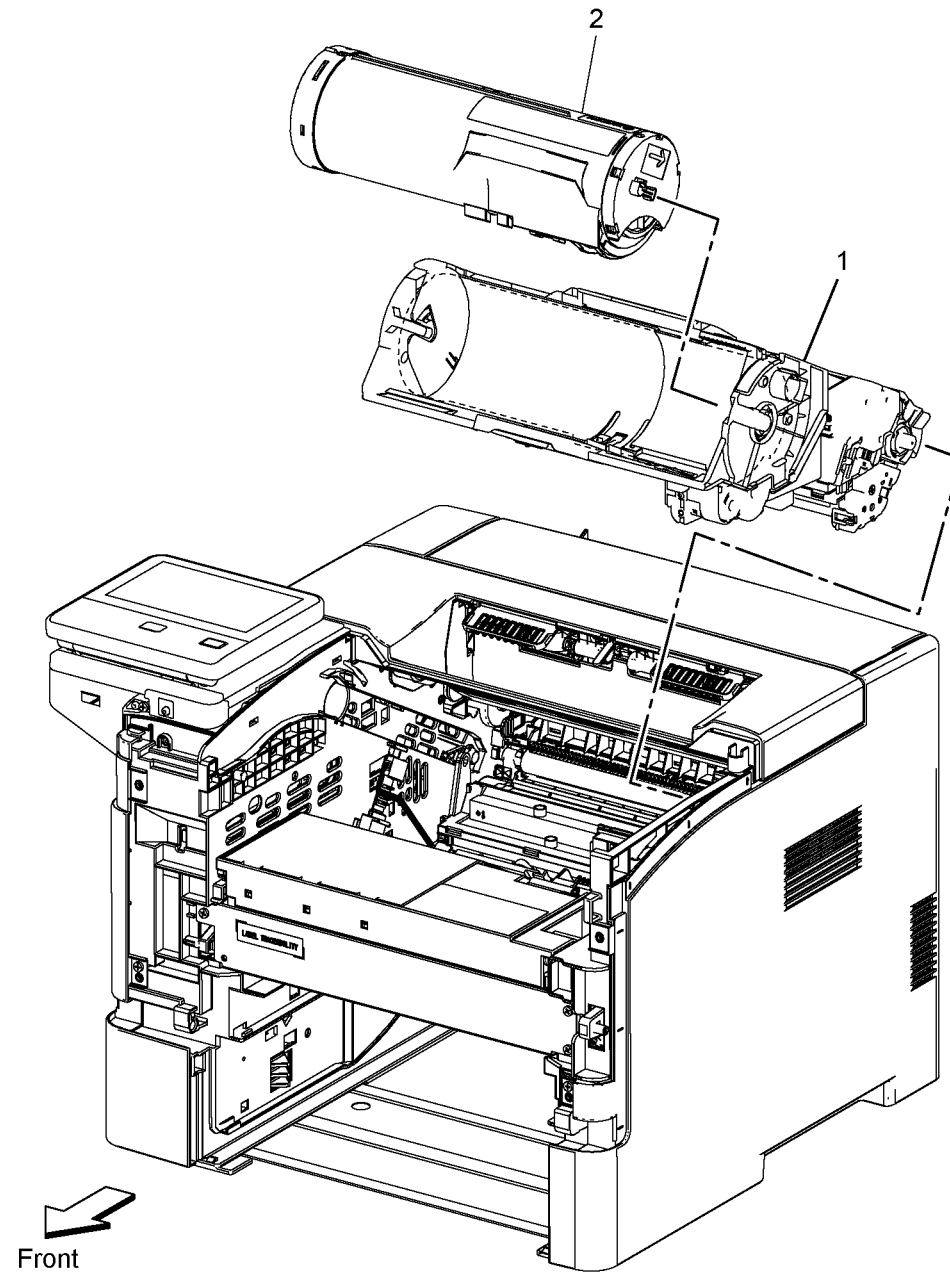
Item	Part	Description
1	126K36851	Fuser (220V) B400 (REP 7.2) / B405 (REP 7.1)
-	126K36841	Fuser (110V) B400 (REP 7.2) / B405 (REP 7.1)
2	115R00119	Fuser Maintenance kit (110V)
-	115R00120	Fuser Maintenance kit (220V)



B-8-0008-A

PL 8.1 Xerographics

Item	Part	Description
1	101R00554	Drum cartridge B400 (REP 8.2) / B405 (REP 8.1)
2	106R03586	Black metered toner cartridge - Versalink B400/B405
-	106R03582	Black high capacity toner cartridge - Versalink B400/B405 (NA/XE)
-	106R03580	Black standard capacity toner cartridge - Versalink B400/B405 (NA/XE) (Not Spared)
-	106R03585	Black extra high capacity toner cartridge - Versalink B400/B405 (DMO)
-	106R03584	Black extra high capacity toner cartridge - Versalink B400/B405 (NA/XE)
-	116R00022	Black toner cartridge - Versalink B405/Z (for authorized use only)
-	106R03581	Black standard capacity toner cartridge - Versalink B400/B405 (DMO)
-	106R03583	Black high capacity toner cartridge - Versalink B400/B405 (DMO)

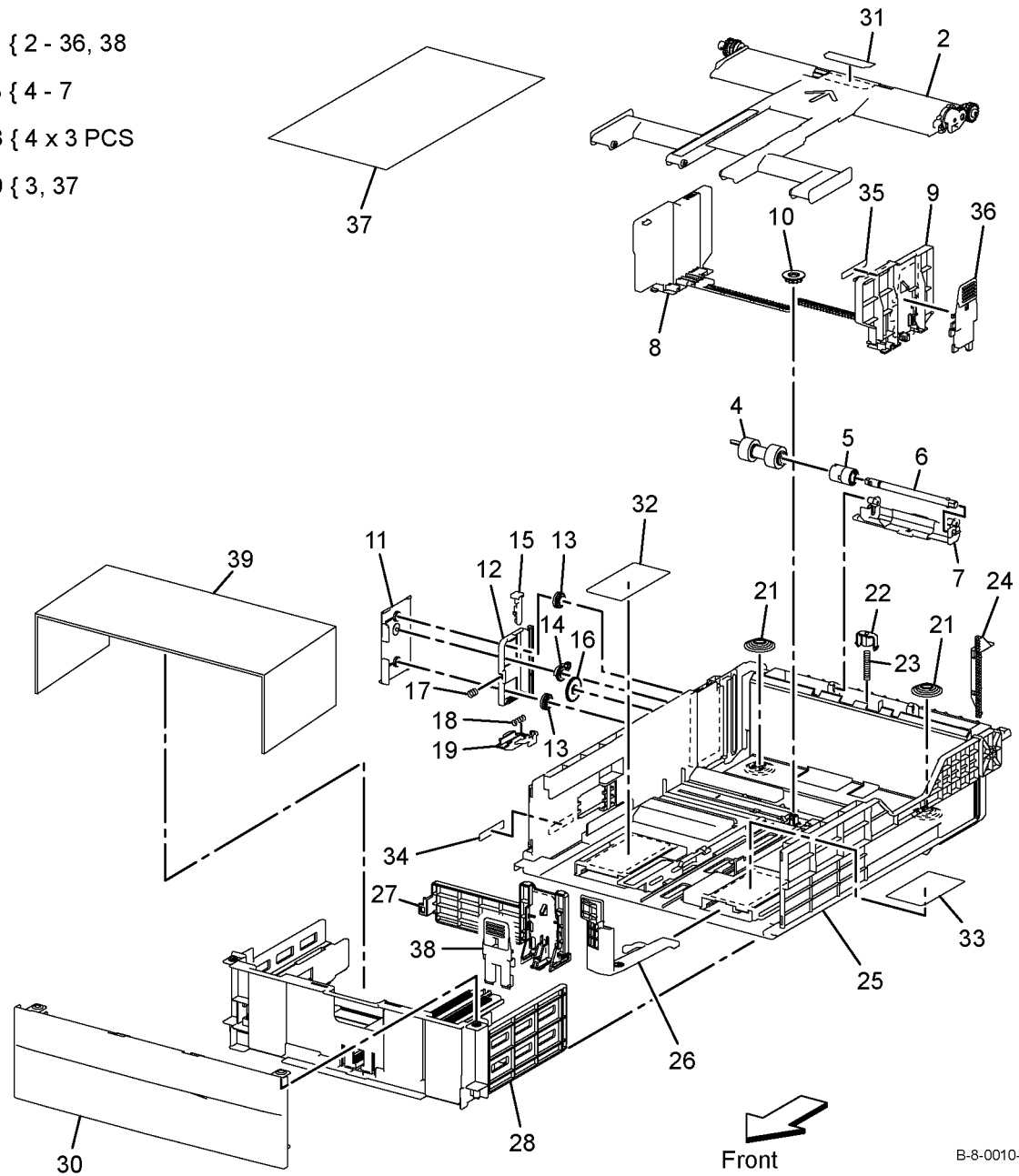


B-8-0009-A

PL 9.2 Tray 1

Item	Part	Description
1	050K77850	Option tray assembly
2	-	Bottom Plate assembly (P/O PL 9.2 Item 1)
3	-	Retard holder assembly B400 (REP 9.2) / B405 (REP 9.1) (P/O PL 9.2 Item 99)
4	-	Feed roll assembly B400 (REP 9.4) / B405 (REP 9.3) (P/O PL 9.2 Item 98)
5	-	Retard friction clutch (P/O PL 9.2 Item 3)
6	-	Option tray retard shaft (P/O PL 9.2 Item 3)
7	-	Option tray retard holder (P/O PL 9.2 Item 3)
8	-	Right side guide assembly (P/O PL 9.2 Item 1)
9	-	Left side guide assembly (P/O PL 9.2 Item 1)
10	-	Pinion gear (P/O PL 9.2 Item 1)
11	-	Bottom lock cover (P/O PL 9.2 Item 1)
12	-	Bottom lock rack (P/O PL 9.2 Item 1)
13	-	Bottom lock pinion gear (P/O PL 9.2 Item 1)
14	-	Bottom lock lever gear (P/O PL 9.2 Item 1)
15	-	Bottom lock lever (P/O PL 9.2 Item 1)
16	-	Bottom lock gear (P/O PL 9.2 Item 1)
17	-	Bottom lock spring (P/O PL 9.2 Item 1)
18	-	Lock spring (P/O PL 9.2 Item 1)
19	-	Left lock actuator (P/O PL 9.2 Item 1)
20	-	Not used
21	-	Upper bottom spring (P/O PL 9.2 Item 1)
22	-	MSI retard spring holder (P/O PL 9.2 Item 1)
23	-	Option tray retard spring (P/O PL 9.2 Item 1)
24	-	Upper lift rack (P/O PL 9.2 Item 1)
25	-	Base housing (P/O PL 9.2 Item 1)
26	-	End extension lever (P/O PL 9.2 Item 1)
27	-	End guide assembly (P/O PL 9.2 Item 1)
28	-	End housing (P/O PL 9.2 Item 1)
29	-	Not used
30	-	Tray handle (P/O PL 9.2 Item 1)
31	-	Pad (P/O PL 9.2 Item 1)
32	-	Label (P/O PL 9.2 Item 1)
33	-	Label (P/O PL 9.2 Item 1)
34	-	Traceability label (P/O PL 9.2 Item 1)
35	-	Label (P/O PL 9.2 Item 1)
36	-	GD handle (P/O PL 9.2 Item 1)
37	-	Roll retard assembly (with instruction) (P/O PL 9.2 Item 99)
38	-	End guide handle (P/O PL 9.2 Item 1)
39	848E93660	Dust cover
98	604K11192	Feed roller assembly kit (Kit Contains 3 Feed Roller assembly and Instruction)
99	604K78360	Option tray retard holder assembly kit (Kit contains cassette retard holder assembly and Instruction)

1 { 2 - 36, 38
 3 { 4 - 7
 98 { 4 x 3 PCS
 99 { 3, 37

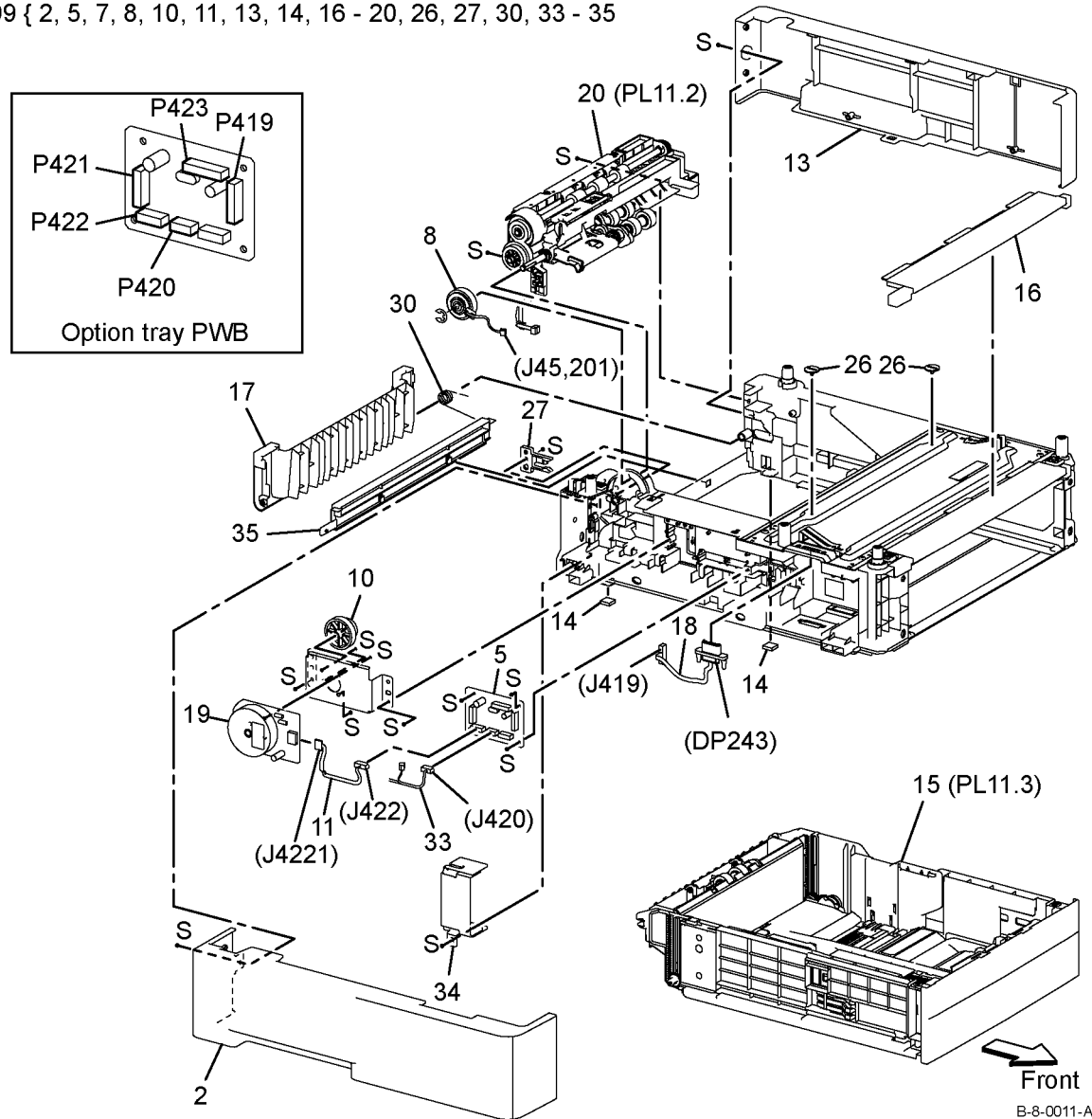


B-8-0010-A

PL 11.1A Option Feeder (1 of 4) - B400

Item	Part	Description
1	-	Option feeder assembly (P/O PL 11.1A Item 99) (REP 11.2)
2	-	Left side cover (P/O PL 11.1A Item 99) (REP 11.4)
3	-	Not used
4	-	Not used
5	960K67514	Option feeder PWBA assembly (REP 11.6)
6	-	Not used
7	007K18020	Option feeder drive assembly
8	005K83210	Option feeder clutch assembly (REP 11.16)
9	-	Not used
10	-	Option feeder gear (P/O PL 11.1A Item 7)
11	-	Tray motor harness assembly (P/O PL 11.1A Item 99)
12	-	Not used
13	-	Right side cover (P/O PL 11.1A Item 99) (REP 11.8)
14	-	Foot (P/O PL 11.1A Item 99)
15	050K71211	Option feeder tray assembly (REF: PL 11.3)
16	-	Top cover - LIP (P/O PL 11.1A Item 99)
17	-	Rear cover (P/O PL 11.1A Item 99) (REP 11.10)
18	-	Feeder harness assembly 1 (P/O PL 11.1A Item 99)
19	-	Motor assembly (MOT - Motor) (P/O PL 11.1A Item 7) (REP 11.12)
20	059K86170	Option feeder (REF: PL 11.2) (REP 11.14)
21	-	Not used
22	-	Not used
23	-	Not used
24	-	Not used
25	-	Not used
26	-	Lock screw (P/O PL 11.1A Item 99)
27	-	Option tray stopper (P/O PL 11.1A Item 99)
28	-	Not used
29	-	Not used
30	-	Rear cover spring (P/O PL 11.1A Item 99)
31	-	Not used
32	-	Not used
33	-	C2 turn harness assembly (P/O PL 11.1A Item 99)
34	-	Pin relocate bracket (P/O PL 11.1A Item 99)
35	-	Option feeder rear under cover (P/O PL 11.1A Item 99)
99	059K82011	Option feeder assembly

1 { 15, 99
 7 { 10, 19
 99 { 2, 5, 7, 8, 10, 11, 13, 14, 16 - 20, 26, 27, 30, 33 - 35



B-8-0011-A

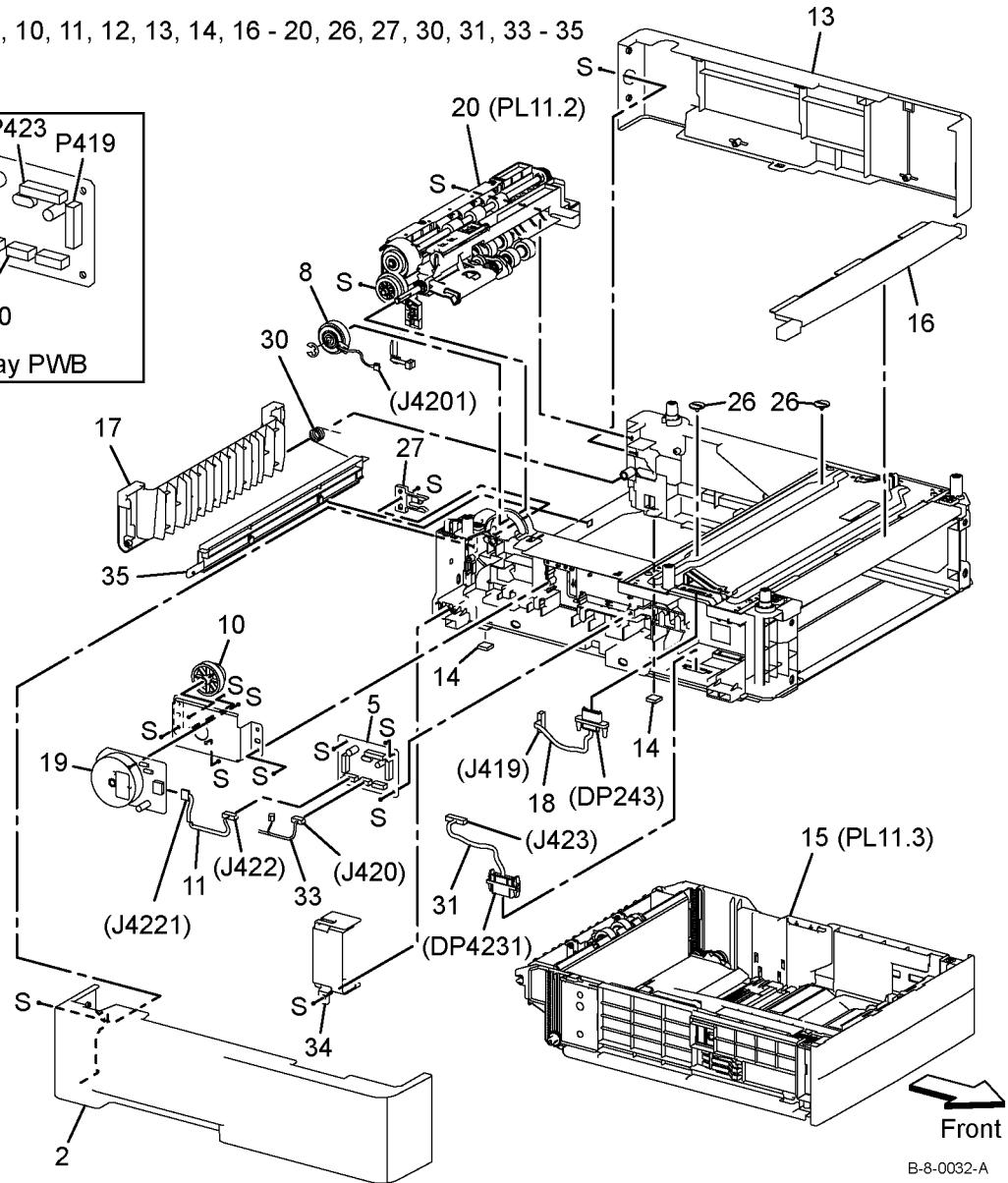
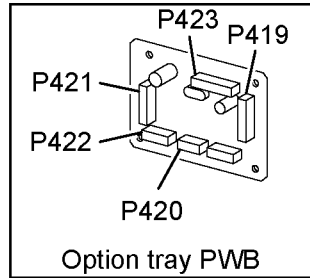
PL 11.1B Option Feeder (1 of 4) - B405

Item	Part	Description
1	-	Option feeder assembly (P/O PL 11.1B Item 99) (REP 11.1)
2	-	Option feeder left side cover (P/O PL 11.1B Item 99) (REP 11.3)
3	-	Not used
4	-	Not used
5	960K67514	Option tray PWBA assembly (REP 11.5)
6	-	Not used
7	007K18020	Option feeder drive assembly
8	005K83210	Option feeder clutch assembly (REP 11.15)
9	-	Not used
10	-	Option feeder gear (P/O PL 11.1B Item 7)
11	-	Tray motor harness assembly (P/O PL 11.1B Item 99)
12	-	Not used
13	-	Option feeder right side cover (P/O PL 11.1B Item 99) (REP 11.7)
14	-	Foot (P/O PL 11.1B Item 99)
15	050K71211	Option feeder tray assembly (REF: PL 9.2 Item 1, PL 11.3 Item 1)
16	-	Top cover - LIP (P/O PL 11.1B Item 99)
17	-	Option feeder rear cover (P/O PL 11.1B Item 99) (REP 11.9)
18	-	Feeder harness assembly 1 (P/O PL 11.1B Item 99)
19	-	Motor assembly (P/O PL 11.1B Item 7) (REP 11.11)
20	059K86170	Option feeder (REF: PL 11.2) (REP 11.13)
21	-	Not used
22	-	Not used
23	-	Not used
24	-	Not used
25	-	Not used
26	-	Lock screw (P/O PL 11.1B Item 99)
27	803E10840	CST stopper
28	-	Not used
29	-	Not used
30	-	Rear cover spring (P/O PL 11.1B Item 99)
31	-	Feeder drawer 2 harness assembly (P/O PL 11.1B Item 99)
32	-	Not used
33	-	C2 turn harness assembly (P/O PL 11.1B Item 99)
34	-	Option feeder bracket locate pin (P/O PL 11.1B Item 99)
35	-	Option feeder rear under cover (P/O PL 11.1B Item 99)
99	059K82021	Option feeder assembly

1 { 15, 99

7 { 10, 19

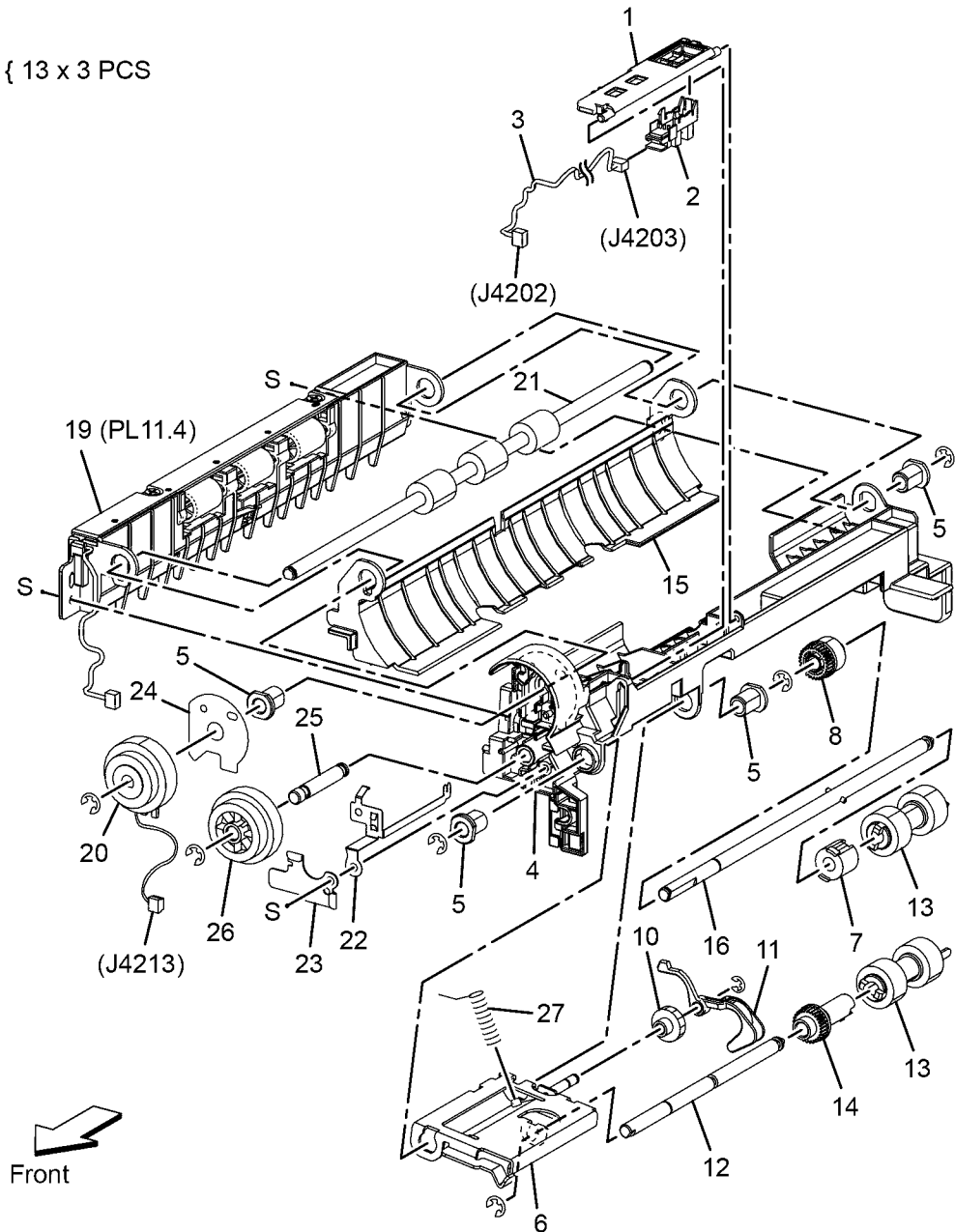
99 { 2, 5, 7, 8, 10, 11, 12, 13, 14, 16 - 20, 26, 27, 30, 31, 33 - 35



PL 11.2 Option Feeder (2 of 4)

Item	Part	Description
1	-	No paper sensor cover (Not Spared)
2	930W00123	No paper sensor B400 (REP 11.22) / B405 (REP 11.21)
3	-	No paper sensor harness assembly (Not Spared)
4	-	Upper chute (Not Spared)
5	-	Nudger bearing (Not Spared)
6	-	Nudger support assembly (Not Spared)
7	-	Oneway feed clutch (Not Spared)
8	-	Feed gear (Not Spared)
9	-	Not used
10	-	Nudger idler gear (Not Spared)
11	-	No paper actuator B400 (REP 11.26) / B405 (REP 11.25) (Not Spared)
12	-	Nudger shaft (Not Spared)
13	-	Feed roller assembly B400 (REP 11.18) / B405 (REP 11.17) (P/O PL 11.2 Item 98) (Kit Contains 3 Feed Roller assembly and Instruction)
14	-	Nudger gear (Not Spared)
15	-	Lower chute (Not Spared)
16	-	Feed shaft assembly (Not Spared)
17	-	Not used
18	-	Not used
19	-	Pinch chute assembly (Not Spared)
20	121K48670	Takeaway clutch Assembly B400 (REP 11.20) / B405 (REP 11.19)
21	059K71770	Takeaway roll assembly B400 (REP 11.28) / B405 (REP 11.27)
22	-	Earth Plate
23	-	Nudger spring bracket (Not Spared)
24	-	Harness cover
25	-	Gear shaft
26	-	Option feeder gear
27	-	Nudger spring
98	604K11192	Feed roller assembly kit (Kit Contains 3 Feed Roller assembly and Instruction)

98 { 13 x 3 PCS



B-8-0012-A

PL 11.3 Option Feeder (3 of 4)

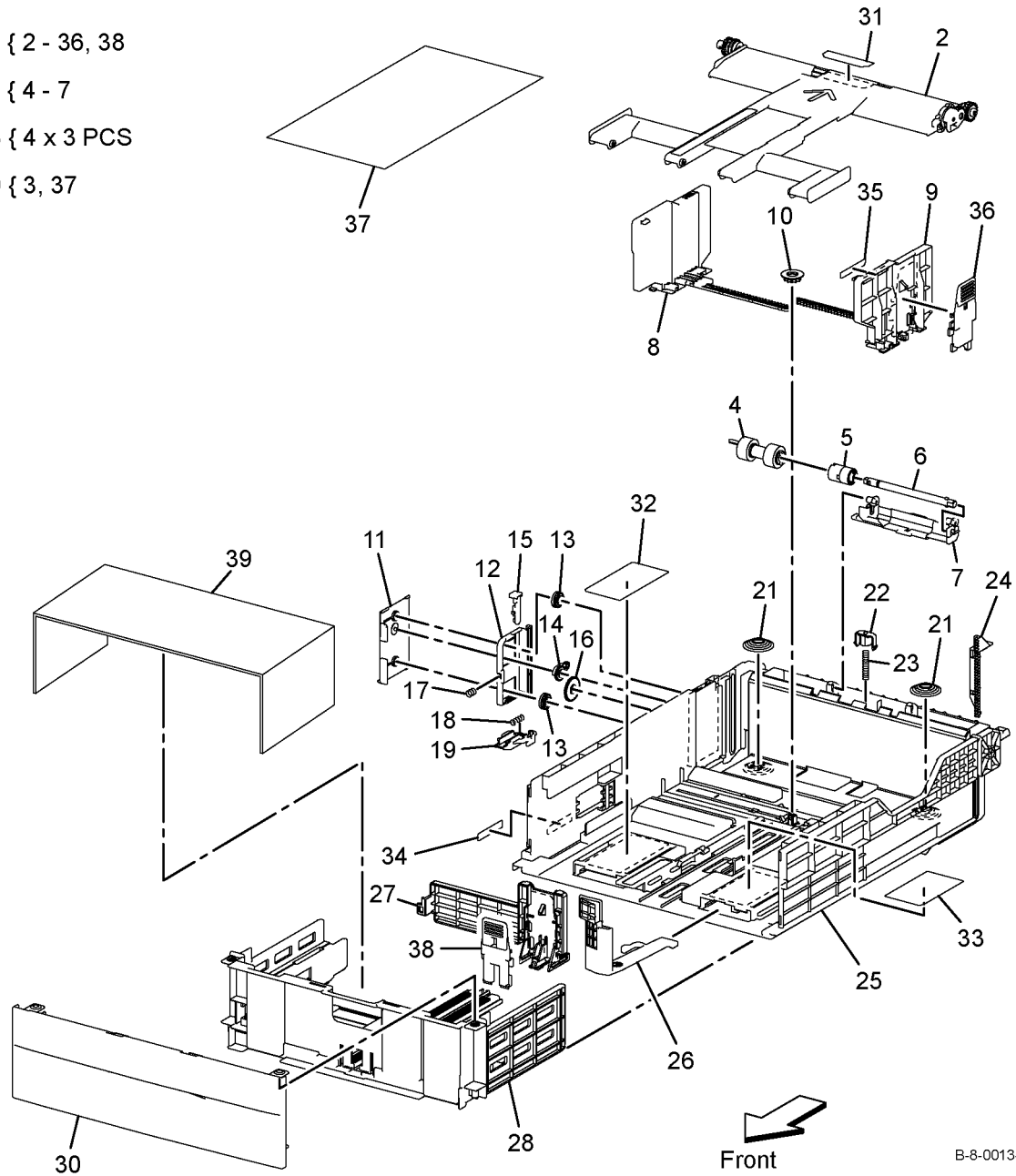
Item	Part	Description
1	050K71211	Option feeder tray assembly
2	-	Bottom Plate assembly (P/O PL 11.3 Item 1)
3	-	Option tray retard holder assembly (P/O PL 11.3 Item 1)
4	-	Feed roller assembly (P/O PL 11.3 Item 98)
5	-	Retard friction clutch (P/O PL 11.3 Item 3)
6	-	Option tray retard shaft (P/O PL 11.3 Item 3)
7	-	Option tray retard holder (P/O PL 11.3 Item 3)
8	-	Right side guide assembly (P/O PL 11.3 Item 1)
9	-	Left side guide assembly (P/O PL 11.3 Item 1)
10	-	Pinion gear (P/O PL 11.3 Item 1)
11	-	Bottom lock cover (P/O PL 11.3 Item 1)
12	-	Bottom lock rack (P/O PL 11.3 Item 1)
13	-	Bottom lock pinion gear (P/O PL 11.3 Item 1)
14	-	Bottom lock lever gear (P/O PL 11.3 Item 1)
15	-	Bottom lock lever (P/O PL 11.3 Item 1)
16	-	Bottom lock gear (P/O PL 11.3 Item 1)
17	-	Bottom lock spring (P/O PL 11.3 Item 1)
18	-	Lock spring (P/O PL 11.3 Item 1)
19	-	Left lock actuator (P/O PL 11.3 Item 1)
20	-	Not used
21	-	Upper bottom spring (P/O PL 11.3 Item 1)
22	-	MSI retard spring holder (P/O PL 11.3 Item 1)
23	-	Option tray retard spring (P/O PL 11.3 Item 1)
24	-	Upper lift rack (P/O PL 11.3 Item 1)
25	-	Base housing (P/O PL 11.3 Item 1)
26	-	End extension lever (P/O PL 11.3 Item 1)
27	-	End guide assembly (P/O PL 11.3 Item 1)
28	-	End housing (P/O PL 11.3 Item 1)
29	-	Not used
30	-	Tray handle (P/O PL 11.3 Item 1)
31	-	Pad (P/O PL 11.3 Item 1)
32	-	Label (P/O PL 11.3 Item 1)
33	-	Label (P/O PL 11.3 Item 1)
34	-	Traceability label (P/O PL 11.3 Item 1)
35	-	Label (P/O PL 11.3 Item 1)
36	-	GD handle (P/O PL 11.3 Item 1)
37	-	Roll retard assembly (with instruction) (P/O PL 11.3 Item 99)
38	-	End guide handle (P/O PL 11.3 Item 1)
39	848E93660	Dust cover
98	604K11192	Feed roller assembly kit (Kit Contains 3 Feed Roller assembly and Instruction)
99	604K78360	Option tray retard holder assembly kit (Kit contains option tray retard holder)

1 { 2 - 36, 38

3 { 4 - 7

98 { 4 x 3 PCS

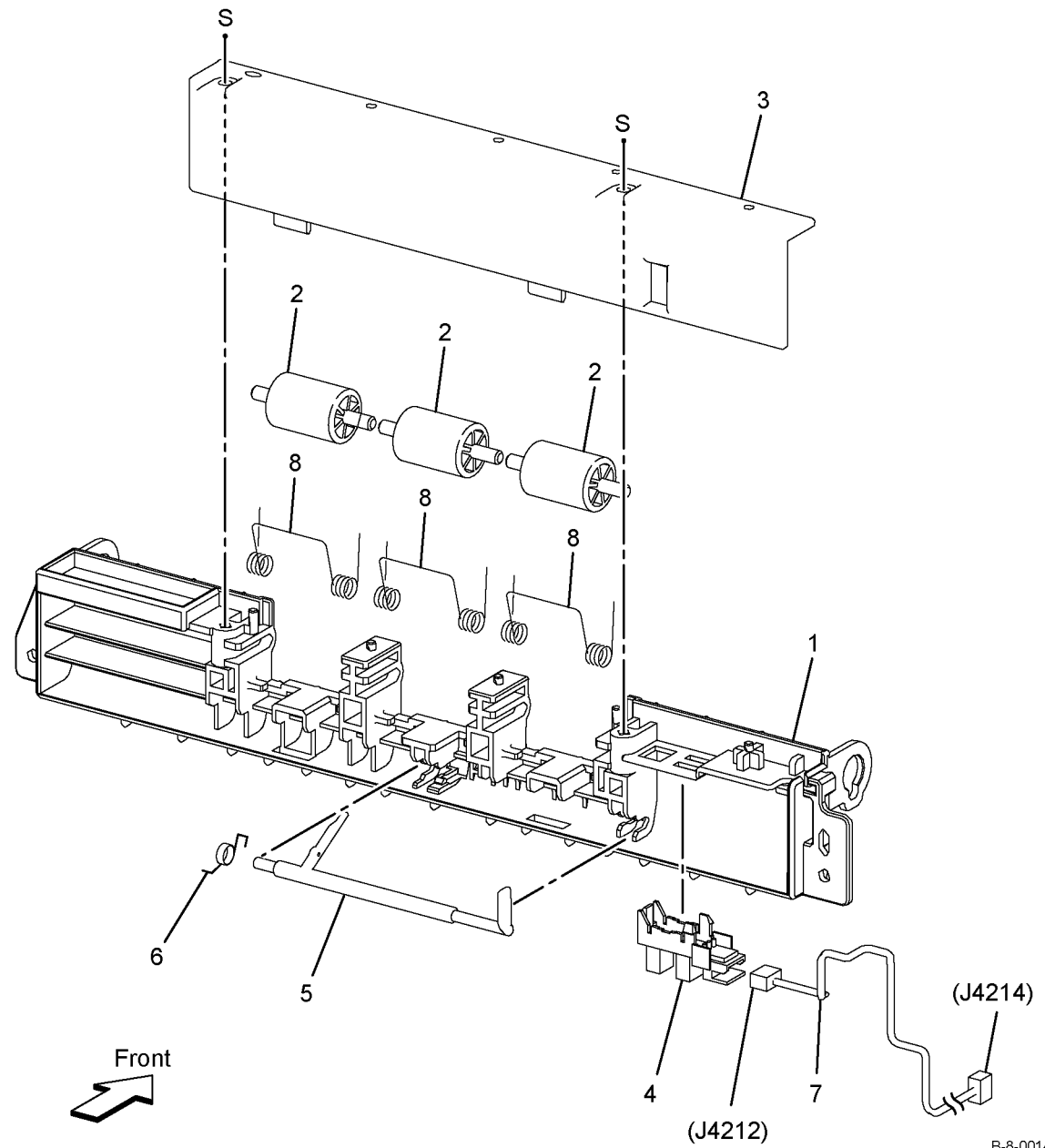
99 { 3, 37



B-8-0013-A

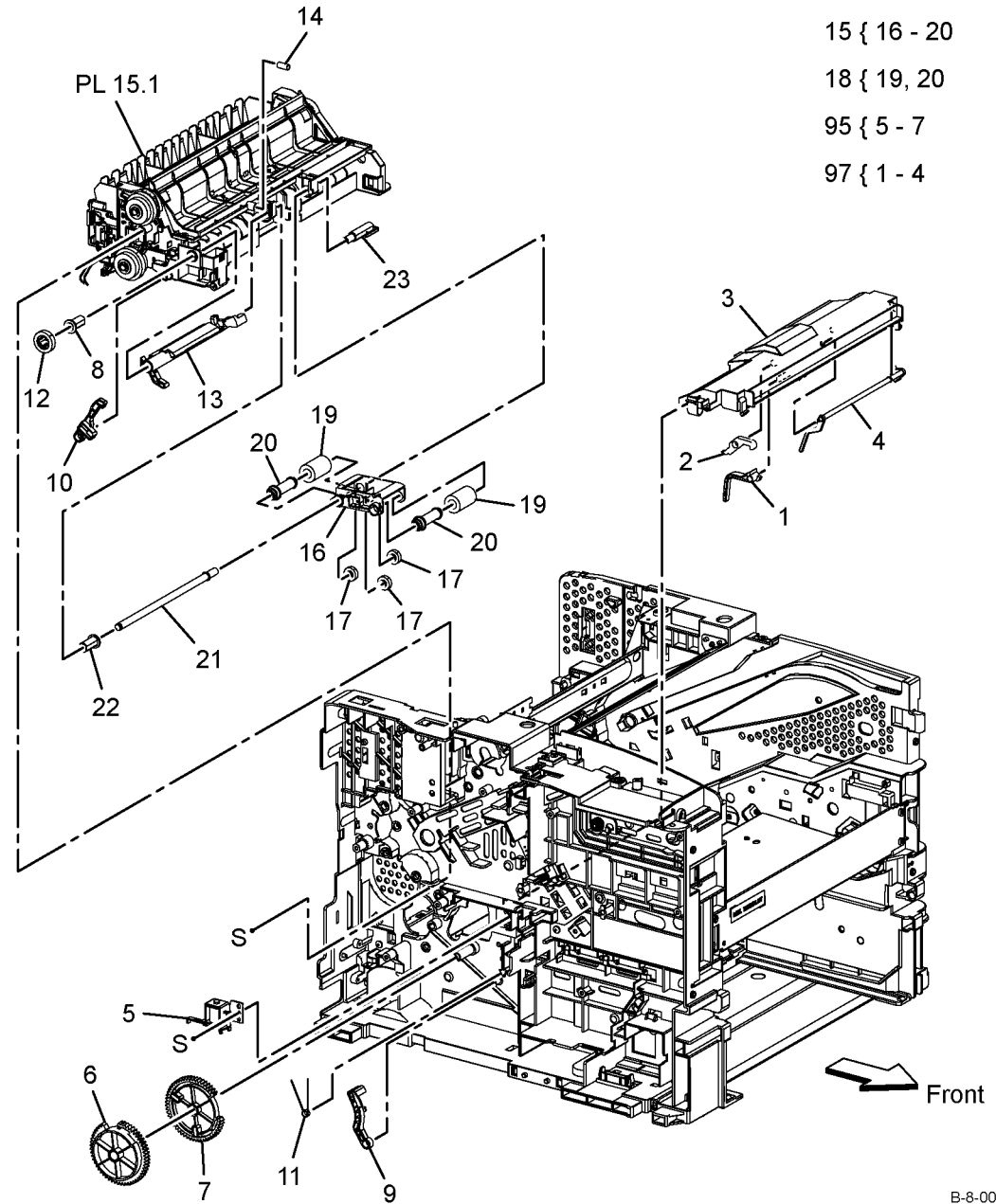
PL 11.4 Option Feeder (4 of 4)

Item	Part	Description
1	-	Pinch chute (Not Spared)
2	-	Pinch roller (Not Spared)
3	-	Chute cover (Not Spared)
4	930W00123	Path sensor B400 (REP 11.24) / B405 (REP 11.23)
5	-	Registration pre-actuator (Not Spared)
6	-	Registration pre-sensor spring (Not Spared)
7	-	Option feeder registration harness assembly (Not Spared)
8	-	Pinch spring (Not Spared)



PL 13.1 MSI (1 of 2)

Item	Part	Description
1	-	MSI In stopper (P/O PL 13.1 Item 97)
2	-	MSI In lock (P/O PL 13.1 Item 97)
3	-	MSI top frame (P/O PL 13.1 Item 97)
4	-	MSI no paper actuator (P/O PL 13.1 Item 97)
5	121E23570	MSI feed solenoid B400 (REP 13.4) / B405 (REP 13.3)
6	-	MSI segment gear 1 (P/O PL 13.1 Item 95)
7	-	MSI segment gear 2 (P/O PL 13.1 Item 95)
8	-	MSI feed bearing (Not Spared)
9	-	MSI lifter arm (Not Spared)
10	-	MSI lifter stopper (Not Spared)
11	-	MSI feed spring (Not Spared)
12	-	MSI feed gear (Not Spared)
13	-	MSI lifter lever (Not Spared)
14	-	MSI NF spring (Not Spared)
15	059K78790	Pick up holder assembly B400 (REP 13.6) / B405 (REP 13.5)
16	-	Pick up holder (P/O PL 13.1 Item 15)
17	-	Feeder idler gear (P/O PL 13.1 Item 15)
18	-	Feed roll assembly (P/O PL 13.1 Item 15)
19	-	Rubber roll (P/O PL 13.1 Item 18)
20	-	Core roll (P/O PL 13.1 Item 18)
21	-	MSI feed shaft (Not Spared)
22	-	MSI feed bearing (Not Spared)
23	-	Pickup flange (Not Spared)
95	-	MSI solenoid assembly kit (Not Spared)
97	801K57914	MSI top frame assembly



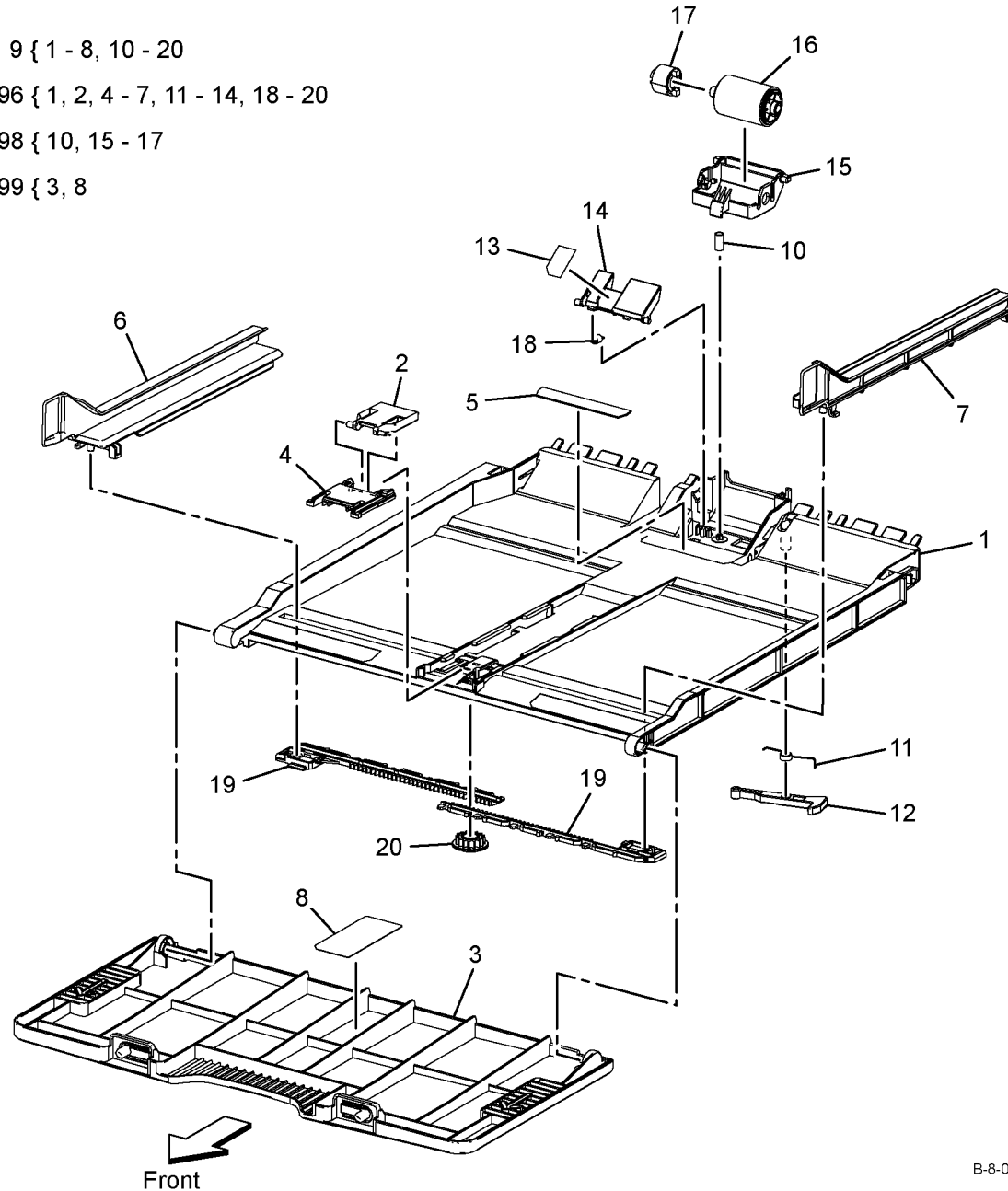
15 { 16 - 20
18 { 19, 20
95 { 5 - 7
97 { 1 - 4

B-8-0015-A

PL 13.2 MSI (2 of 2)

Item	Part	Description
1	-	MSI base tray (P/O PL 13.2 Item 96)
2	-	MSI end guide (P/O PL 13.2 Item 96)
3	-	MSI cover B400 (REP 13.2) / B405 (REP 13.1) (P/O PL 13.2 Item 99)
4	-	MSI end holder (P/O PL 13.2 Item 96)
5	-	Pad (P/O PL 13.2 Item 96)
6	-	Left side guide (P/O PL 13.2 Item 96)
7	-	Right side guide (P/O PL 13.2 Item 96)
8	-	Paper feeding label (P/O PL 13.2 Item 99)
9	050K77860	MSI tray assembly
10	-	Roller retard spring (P/O PL 13.2 Item 98)
11	-	150 sheet stopper spring (P/O PL 13.2 Item 96)
12	-	150 sheet lock (P/O PL 13.2 Item 96)
13	-	MSI retard guide (P/O PL 13.2 Item 96)
14	-	150 sheet stopper (P/O PL 13.2 Item 96)
15	-	Roll retard holder (P/O PL 13.2 Item 98)
16	-	Roll retard roll assembly B400 (REP 13.2) / B405 (REP 13.1) (P/O PL 13.2 Item 98)
17	-	Friction clutch assembly (P/O PL 13.2 Item 98)
18	-	MSI Mid paper stopper spring (P/O PL 13.2 Item 96)
19	-	Side guide rack (P/O PL 13.2 Item 96)
20	-	Pinion gear (P/O PL 13.2 Item 96)
96	-	MSI frame assembly kit (Not Spared)
98	604K78371	MSI retard roll assembly kit
99	-	MSI cover kit (Not Spared)

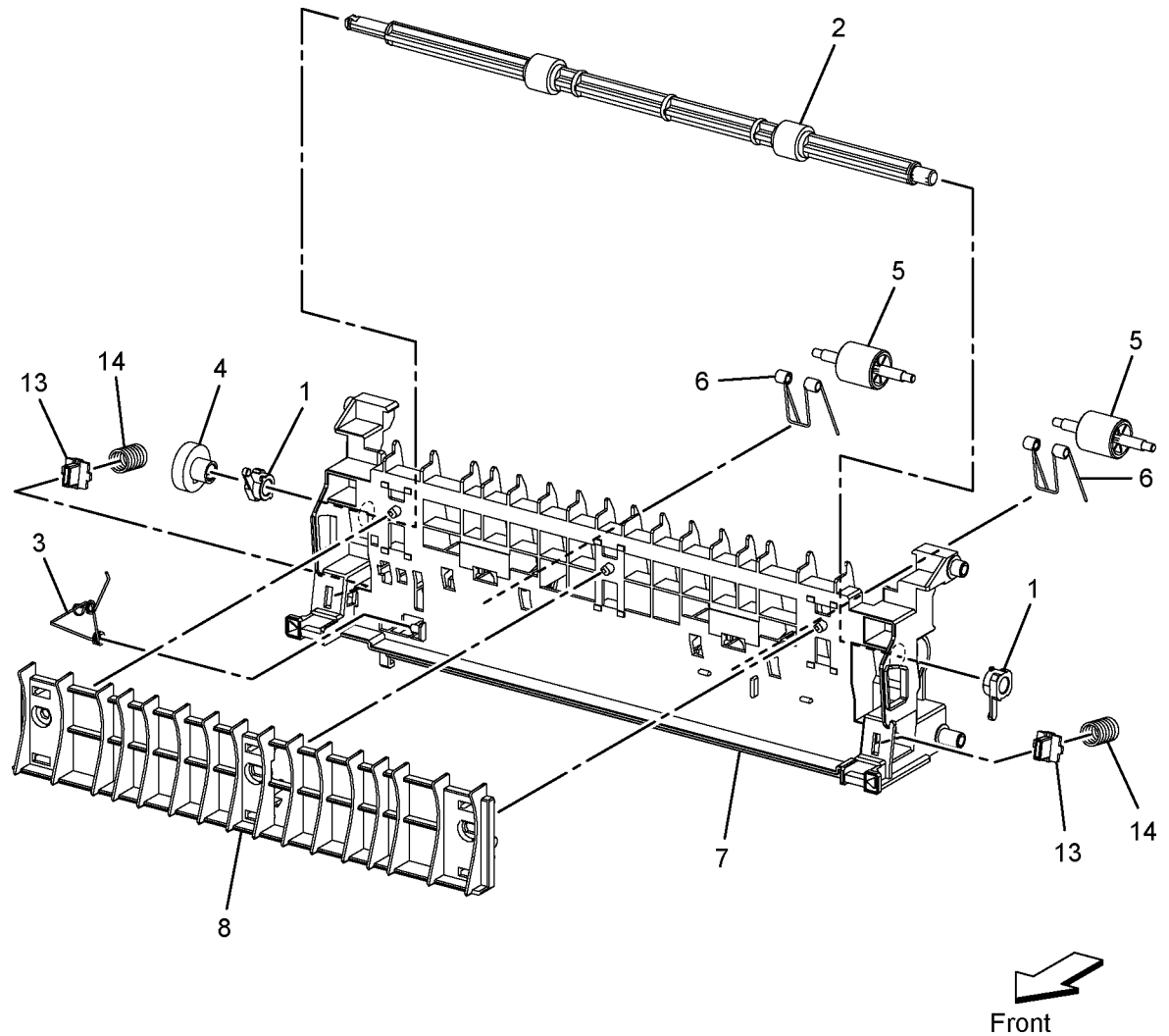
9 { 1 - 8, 10 - 20
 96 { 1, 2, 4 - 7, 11 - 14, 18 - 20
 98 { 10, 15 - 17
 99 { 3, 8



B-8-0016-A

PL 14.1 Duplex

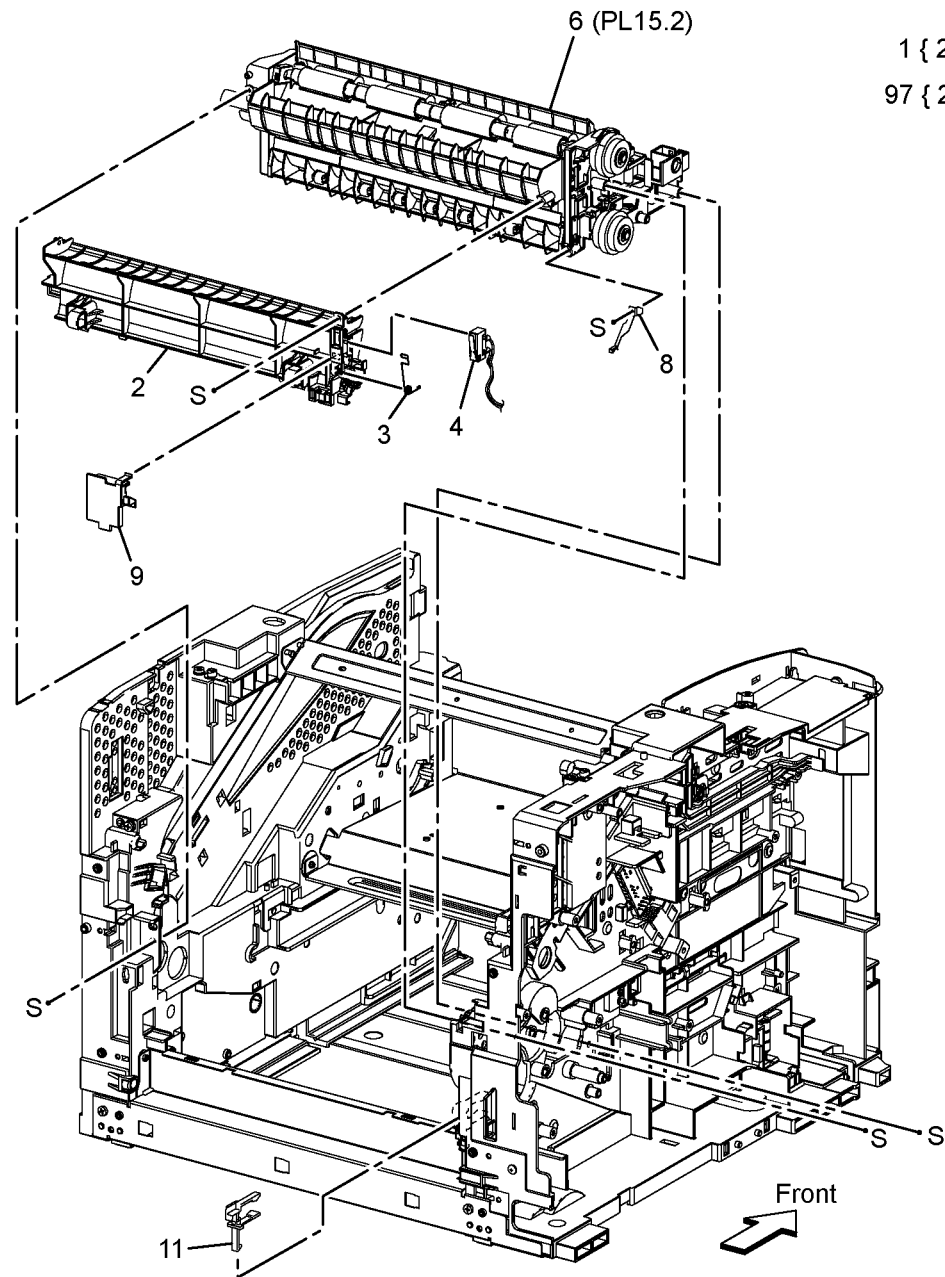
Item	Part	Description
1	-	Duplex bearing (P/O PL 14.1 Item 12)
2	-	Duplex roll assembly (P/O PL 14.1 Item 12)
3	-	DTS Earth spring (P/O PL 14.1 Item 12)
4	-	Duplex gear (P/O PL 14.1 Item 12)
5	-	Duplex pinch roll (P/O PL 14.1 Item 12)
6	-	Duplex pinch spring (P/O PL 14.1 Item 12)
7	-	In duplex chute (P/O PL 14.1 Item 12)
8	-	Transfer chute (P/O PL 14.1 Item 12)
9	-	Not used
10	-	Not used
11	-	Not used
12	054K48100	Duplex chute assembly B400 (REP 14.2) / B405 (REP 14.1)
13	-	BTR spring cap (P/O PL 14.1 Item 12)
14	-	BTR spring (P/O PL 14.1 Item 12)



B-8-0017-A

PL 15.1A Registration (1 of 3) - B400

Item	Part	Description
1	-	Duplex lower chute assembly (P/O PL 15.1A Item 97)
2	-	Duplex lower chute (P/O PL 15.1A Item 97)
3	-	Interlock spring (P/O PL 15.1A Item 97)
4	-	Interlock harness assembly (P/O PL 15.1A Item 97)
5	-	Not used
6	059K79334	Registration transport assembly (REP 15.2)
7	-	Not used
8	-	Registration out earth plate (Not Spared)
9	-	Rear fan connector holder (Not Spared)
10	-	Not used
11	803E13351	Cassette stopper
97	604K85740	Rear interlock switch assembly (REP 15.4)

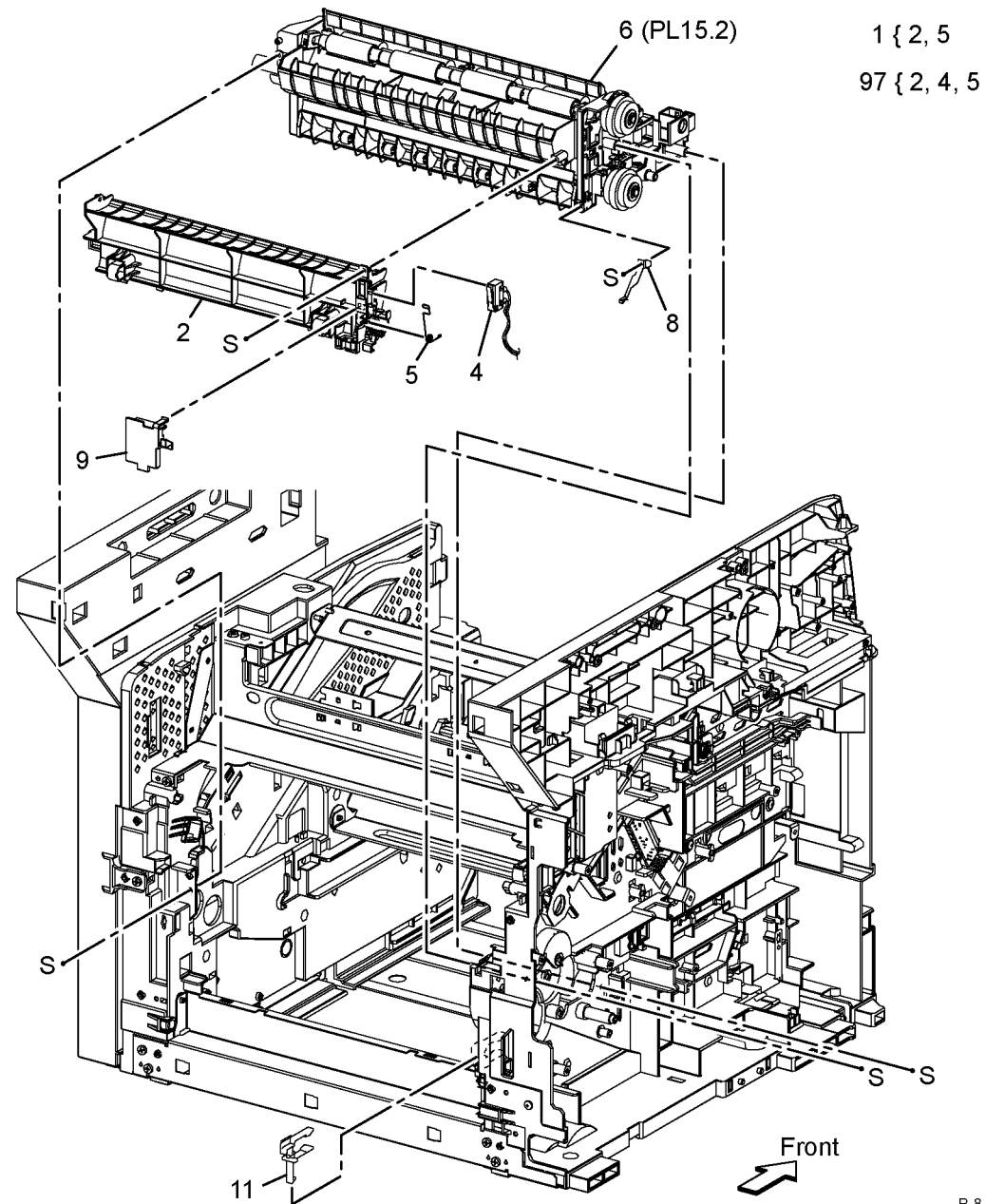


1 { 2, 3
97 { 2 - 4

B-8-0018-A

PL 15.1B Registration (1 of 3) - B405

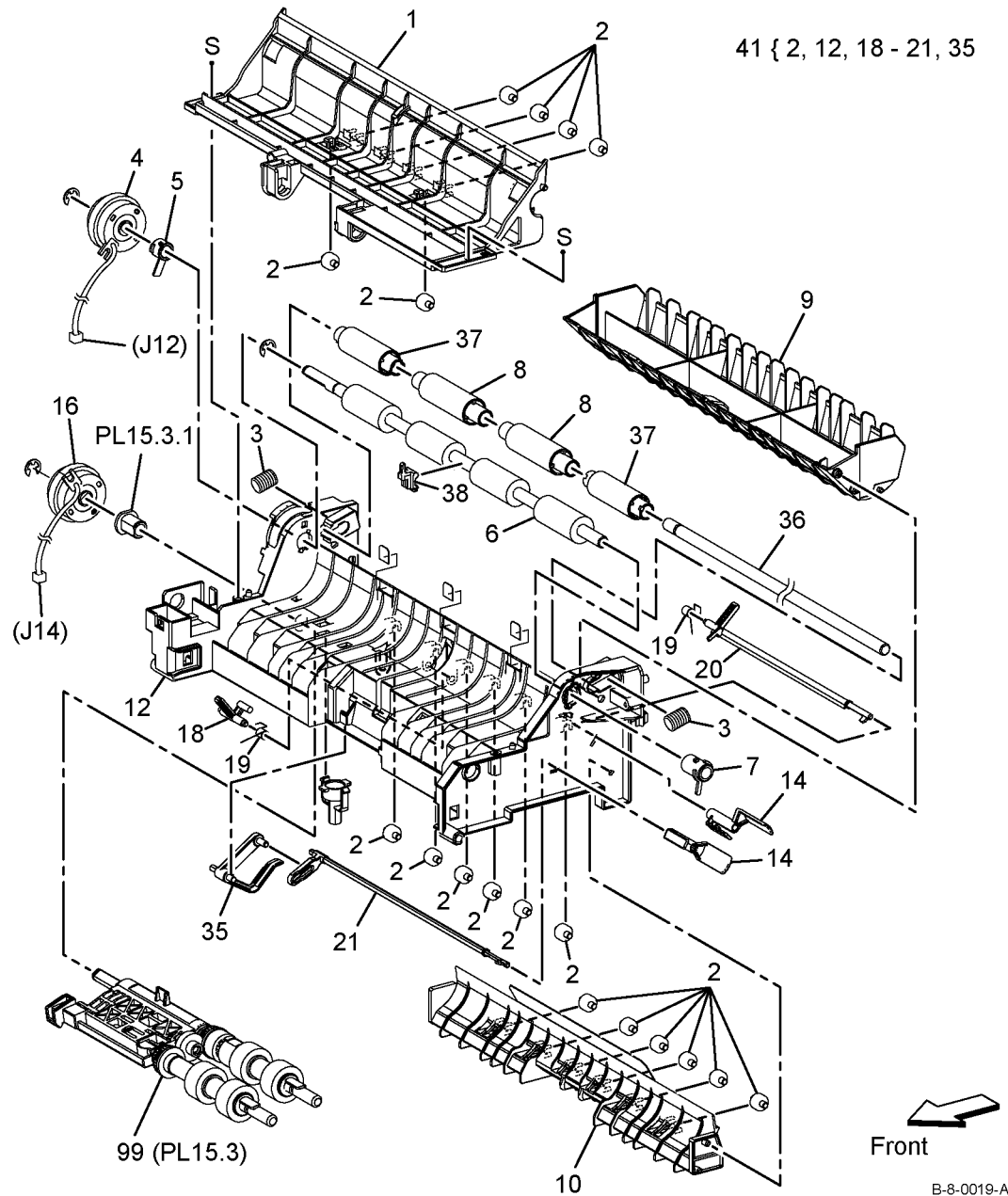
Item	Part	Description
1	—	Duplex lower chute assembly (Not Spared)
2	—	Duplex lower chute (P/O PL 15.1B Item 97)
3	—	Not used
4	—	Interlock harness assembly (P/O PL 15.1B Item 97)
5	—	Interlock spring (P/O PL 15.1B Item 97)
6	059K79334	Registration transport assembly (REF: PL 15.2) (REP 15.1)
7	—	Tray lock (not shown) (Not Spared)
8	—	Registration out earth plate (Not Spared)
9	—	Rear fan connector holder (Not Spared)
10	—	Not used
11	803E13351	Cassette stopper
97	604K85750	Rear interlock switch assembly (REP 15.3)



B-8-0033-A

PL 15.2 Registration (2 of 3)

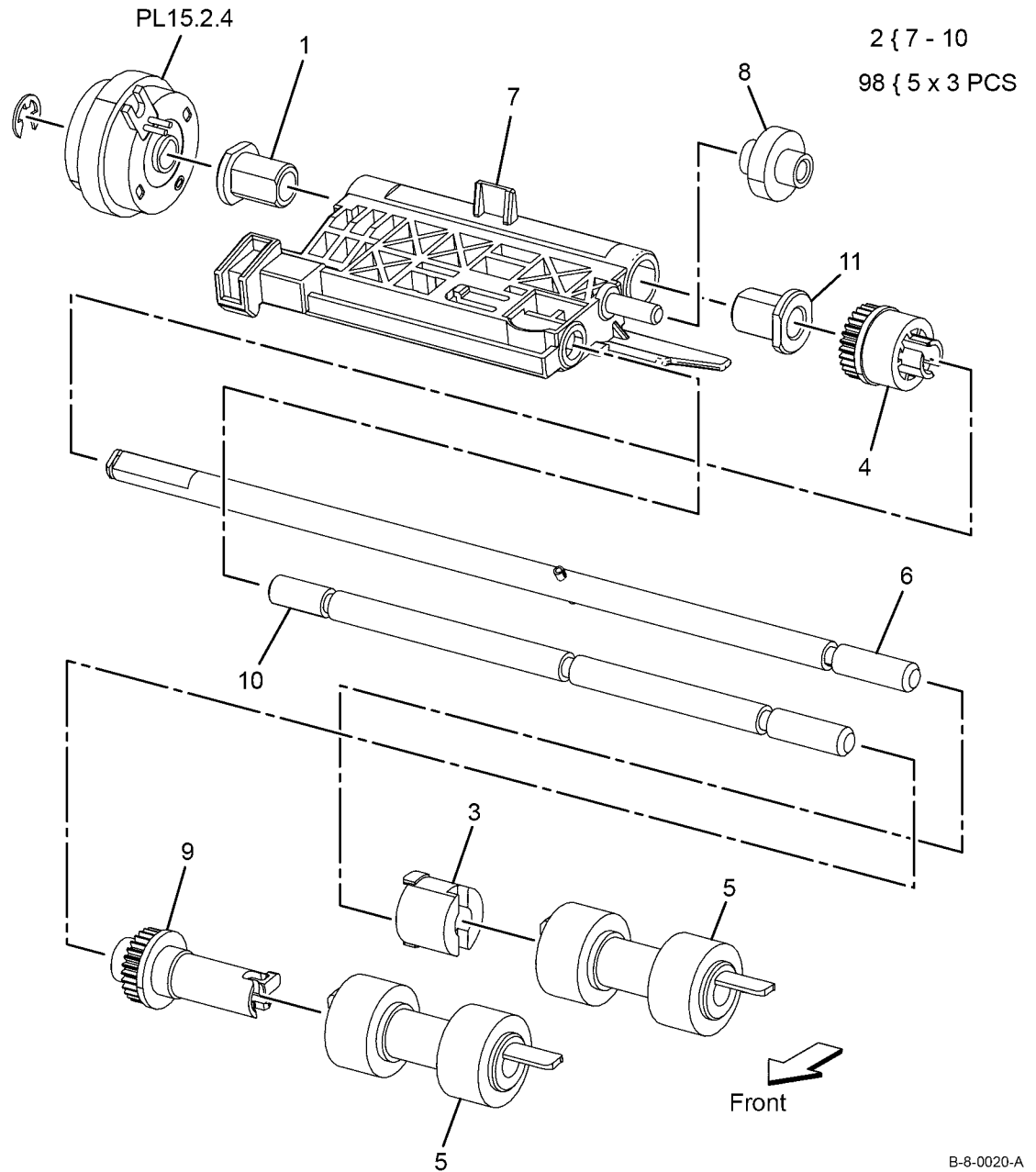
Item	Part	Description
1.	-	Registration in chute (Not Spared)
2.	-	2 Support roll (P/O PL 15.2 Item 41)
3.	-	Registration spring (Not Spared)
4.	121K51870	Registration clutch
5.	-	Registration Earth bearing (Not Spared)
6.	059K74581	Rubber roll assembly B400 (REP 15.10) / B405 (REP 15.9)
7.	-	Right registration bearing (Not Spared)
8.	-	Registration pinch roll assembly (Not Spared)
9.	-	Registration out roll assembly (Not Spared)
10.	-	Mid lower feed chute (Not Spared)
11.	-	Not used
12.	-	Registration chute (P/O PL 15.2 Item 41)
13.	-	Not used
14.	055E60433	Registration sensor shutter
15.	-	Not used
16.	121K51880	Tray feed clutch
17.	-	Not used
18.	-	MSI registration actuator (P/O PL 15.2 Item 41)
19.	-	Registration actuator spring (P/O PL 15.2 Item 41)
20.	-	Registration actuator (P/O PL 15.2 Item 41)
21.	-	No paper tray actuator (P/O PL 15.2 Item 41)
22.	-	Not used
23.	-	Not used
24.	-	Not used
25.	-	Not used
26.	-	Not used
27.	-	Not used
28.	-	Not used
29.	-	Not used
30.	-	Not used
31.	-	Not used
32.	-	Not used
33.	-	2 Support roll (Not Spared)
34.	-	Not used
35.	-	No paper tray actuator (P/O PL 15.2 Item 41)
36.	-	Registration pinch shaft (Not Spared)
37.	-	Registration pinch roll (Not Spared)
38.	-	Registration bearing cartridge (Not Spared)
39.	-	Not used
40.	-	Not used
41.	-	Registration chute assembly (Not Spared)
99.	-	Feeder assembly (Not Spared)



B-8-0019-A

PL 15.3 Registration (3 of 3)

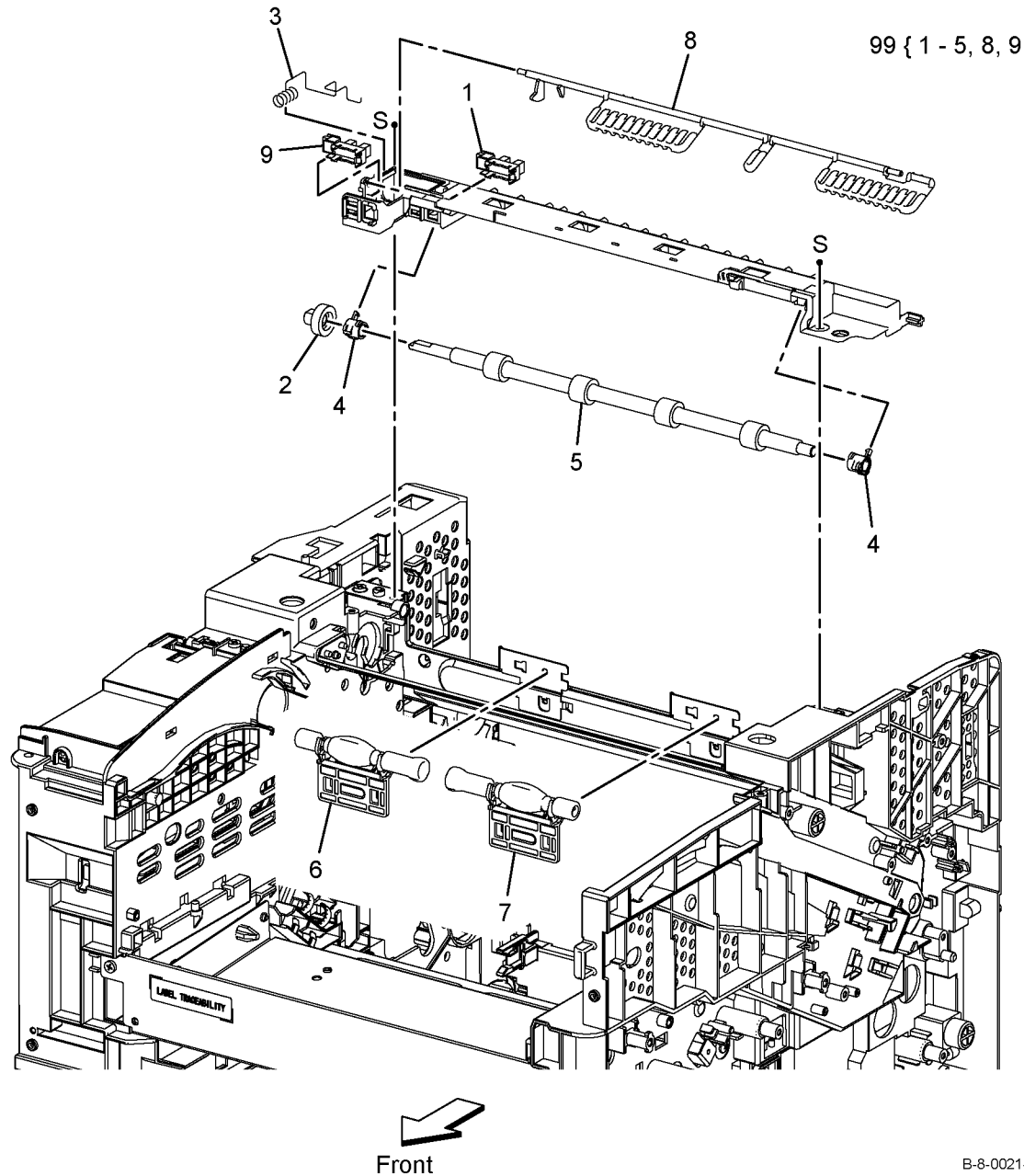
Item	Part	Description
1	-	Nudger bearing (Not Spared)
2	-	Feeder assembly B400 (REP 15.8) / B405 (REP 15.7) (Not Spared)
3	-	Feed gear (Not Spared)
4	-	Oneway feed clutch (Not Spared)
5	-	Feed roll assembly B400 (REP 15.6) / B405 (REP 15.5) (P/O PL 15.3 Item 98)
6	-	Feed shaft assembly (Not Spared)
7	-	Nudger plate (P/O PL 15.3 Item 2)
8	-	Nudger idler gear (P/O PL 15.3 Item 2)
9	-	Nudger gear (P/O PL 15.3 Item 2)
10	-	Nudger shaft (P/O PL 15.3 Item 2)
11	-	Nudger bearing (Not Spared)
98	604K11192	Feed roller assembly kit (Kit Contains 3 Feed Roller assembly and Instruction)



B-8-0020-A

PL 17.1 Exit

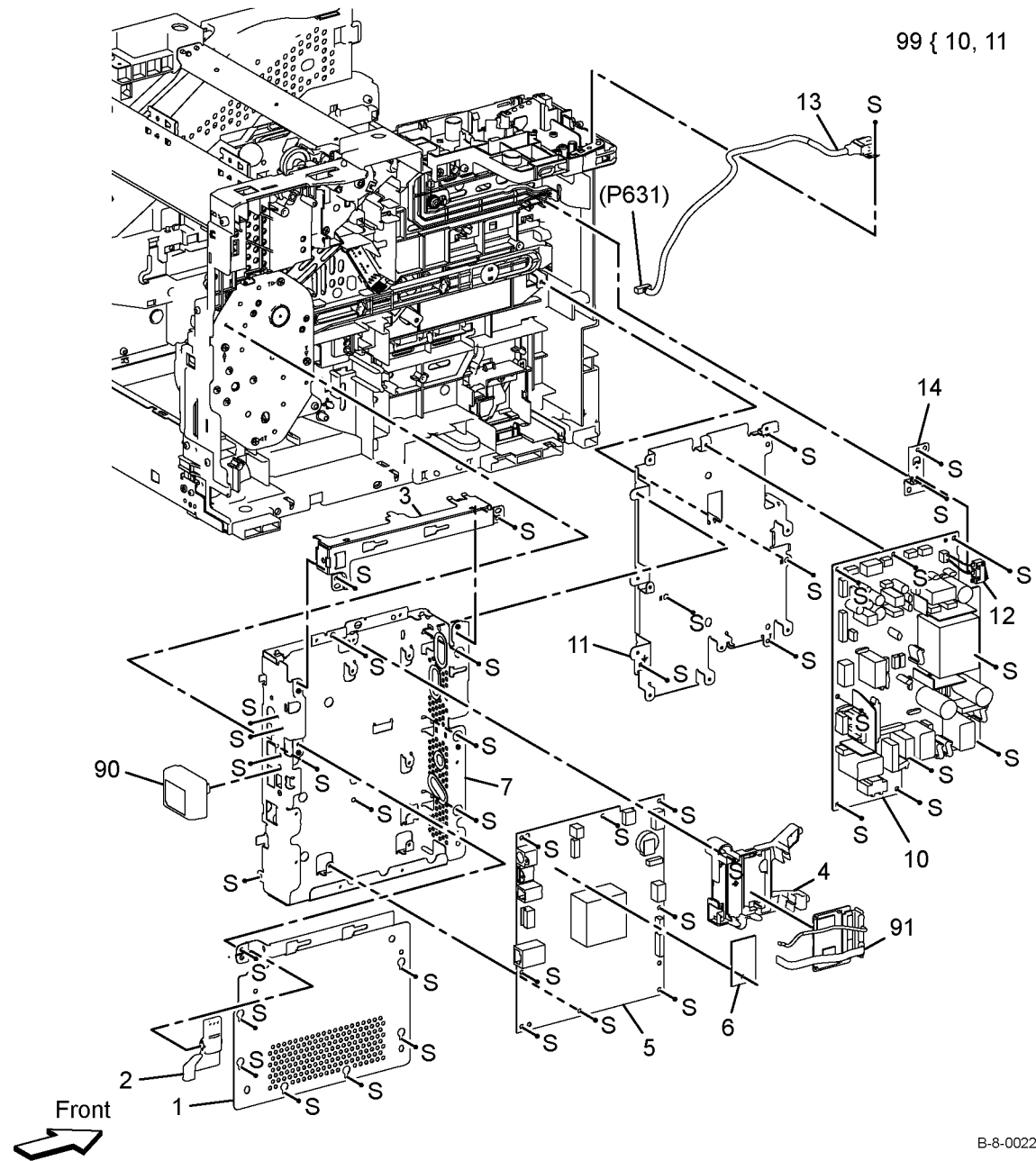
Item	Part	Description
1	-	Exit sensor (P/O PL 17.1 Item 99)
2	-	Exit gear (P/O PL 17.1 Item 99)
3	-	Sensor Earth spring (P/O PL 17.1 Item 99)
4	-	Exit bearing (P/O PL 17.1 Item 99)
5	-	Exit roll assembly B400 (REP 17.2) / B405 (REP 17.1) (P/O PL 17.1 Item 99)
6	604K77510	Left pinch assembly B400 (REP 17.4) / B405 (REP 17.3)
7	604K77520	Right pinch assembly B400 (REP 17.4) / B405 (REP 17.3)
8	-	Full stack actuator (P/O PL 17.1 Item 99)
9	930W00123	Full stack sensor
99	054K48381	Exit chute assembly B400 (REP 17.5) / B405 (REP 17.2)



B-8-0021-A

PL 18.1A Electrical (1 of 3) - B400

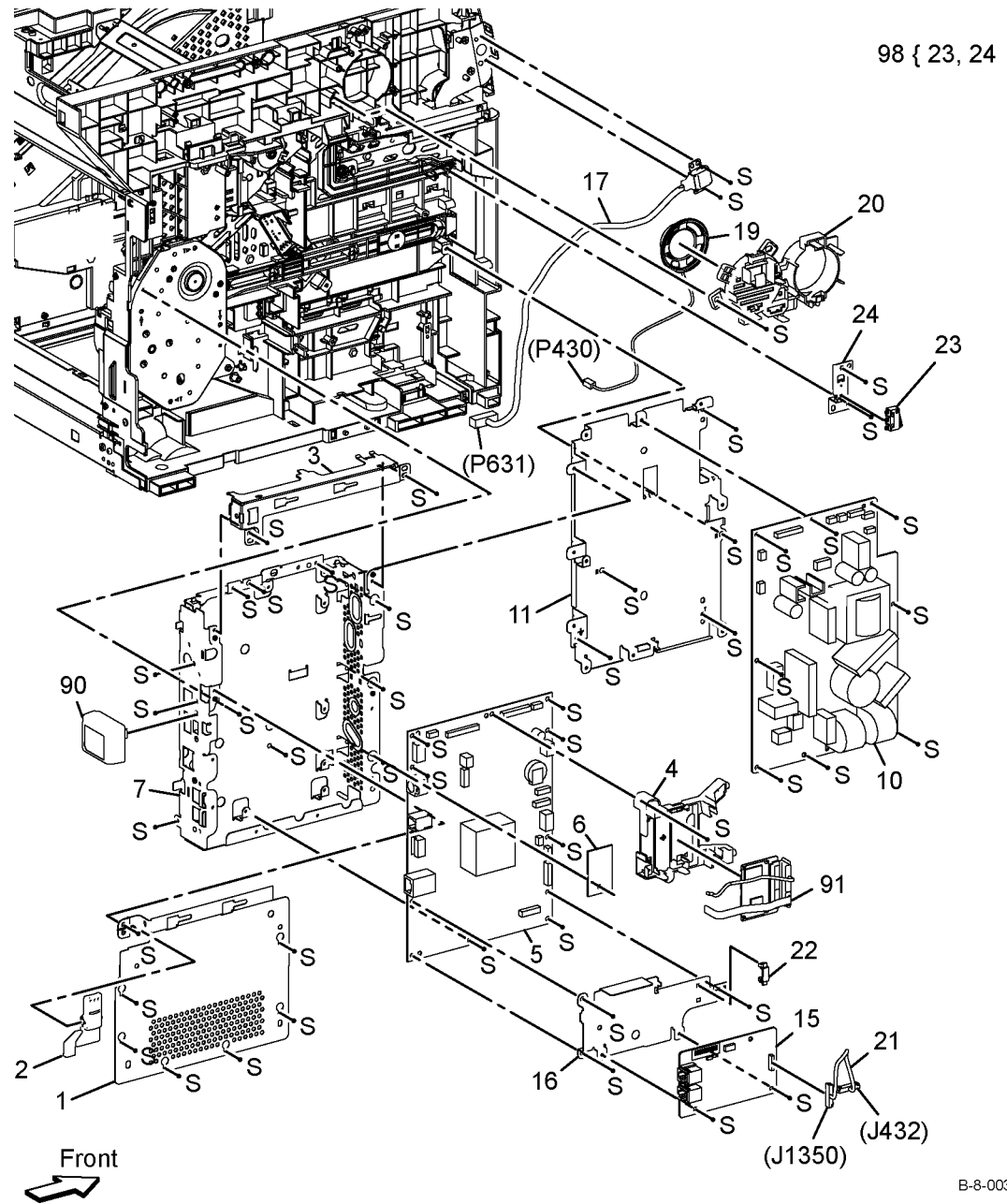
Item	Part	Description
1	-	Lower window plate (Not Spared)
2	-	Wifi release lever (Not Spared)
3	-	Top plate (Not Spared)
4	-	HDD bracket (Not Spared)
5	607K11340	ESS PWBA (Never replace both MCU and ESS pwbs at the same time) (W/ TAG 001) (REP 18.2)
-	607K04260	ESS PWBA (Never replace both MCU and ESS pwbs at the same time) (W/O TAG 001) (REP 18.2)
6	-	EMMC card (Not Spared)
7	-	ESS housing (Not Spared)
8	-	Not used
9	-	Not used
10	-	LVPS PWBA 110V/220V (P/O PL 18.1A Item 99) (REP 18.8)
11	-	LVPS plate (P/O PL 18.1A Item 99)
12	-	Front interlock switch assembly (Not Spared) (REP 18.14)
13	952K33420	Front USB harness (REP 18.10)
14	-	Interlock switch bracket (Not Spared)
90	-	Wireless adaptor (Not Spared)
91	-	16GB SSD memory (Optional) (Not Spared)
-	121K57970	16GB SSD memory
99	607K03910	LVPS PWBA kit 110V
-	607K03920	LVPS PWBA kit 220V



B-8-0022-A

PL 18.1B Electrical (1 of 3) - B405

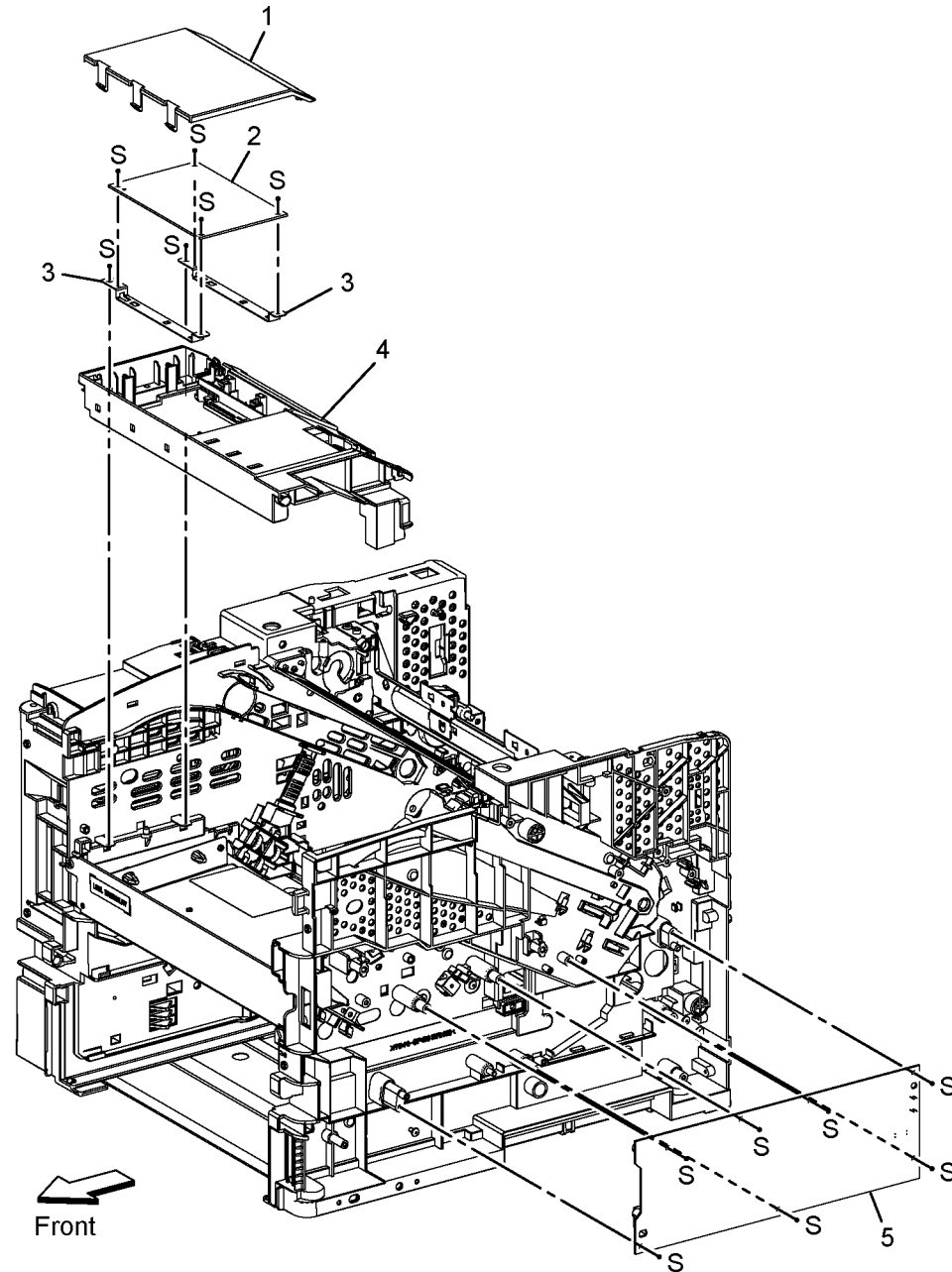
Item	Part	Description
1	-	ESS lower window plate (Not Spared)
2	-	Wifi release lever (Not Spared)
3	-	ESS top plate (Not Spared)
4	-	HDD bracket (Not Spared)
5	607K11460	ESS PWBA (Never replace both MCU and ESS pwbs at the same time) (W/ TAG 001) (REP 18.1)
-	607K04280	ESS PWBA (Never replace both MCU and ESS pwbs at the same time) (W/O TAG 001) (REP 18.1)
6	-	EMMC card (Not Spared)
7	-	ESS housing (Not Spared)
8	-	Not used
9	-	Not used
10	105K32960	LVPS PWBA 110V (REP 18.7)
-	105K32970	LVPS PWBA 220V
11	-	LVPS plate (Not Spared)
12	-	Not used
13	-	Not used
14	-	Not used
15	960K80762	Fax PWBA
16	-	Fax plate (Not Spared)
17	952K33430	Front USB harness (REP 18.1)
18	-	Not used
19	-	Speaker assembly (Not Spared)
20	-	Speaker cover (Not Spared)
21	-	Fax harness assembly (Not Spared)
22	-	Fax clamp (Not Spared)
23	-	Front interlock switch assembly (P/O PL 18.1B Item 98) (REP 18.3)
24	-	Interlock switch bracket (P/O PL 18.1B Item 98)
90	-	Wireless adaptor (Not Spared)
91	-	16GB SSD memory (Optional) (Not Spared)
-	121K57970	16GB SSD memory
98	604K90560	Front interlock switch assembly



B-8-0034-A

PL 18.2 Electrical (2 of 3)

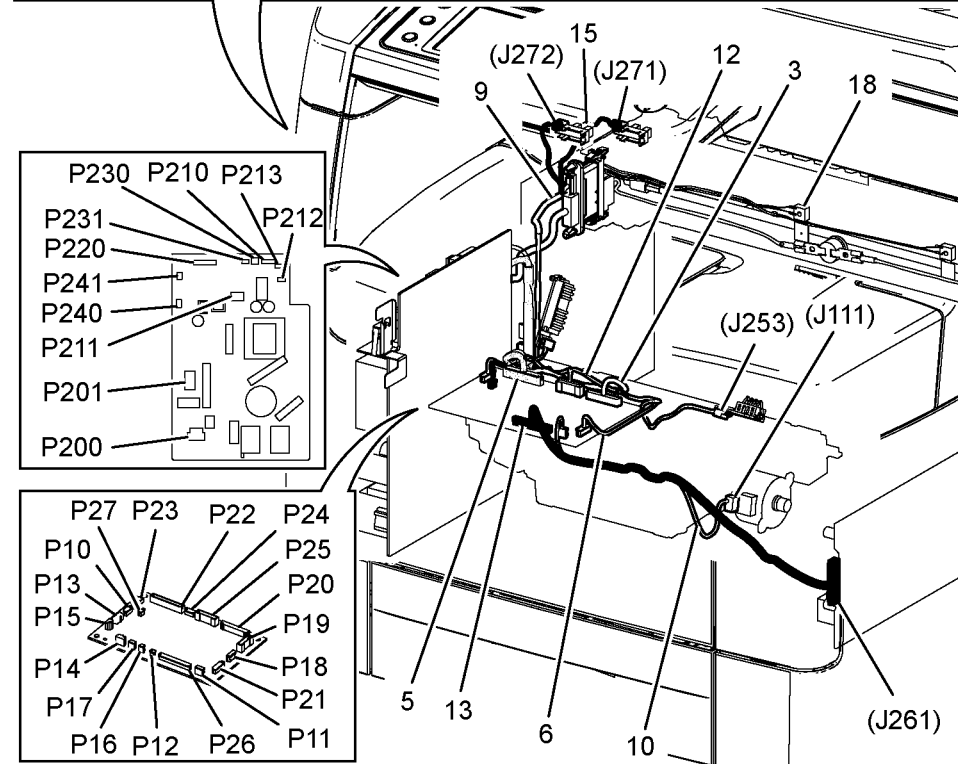
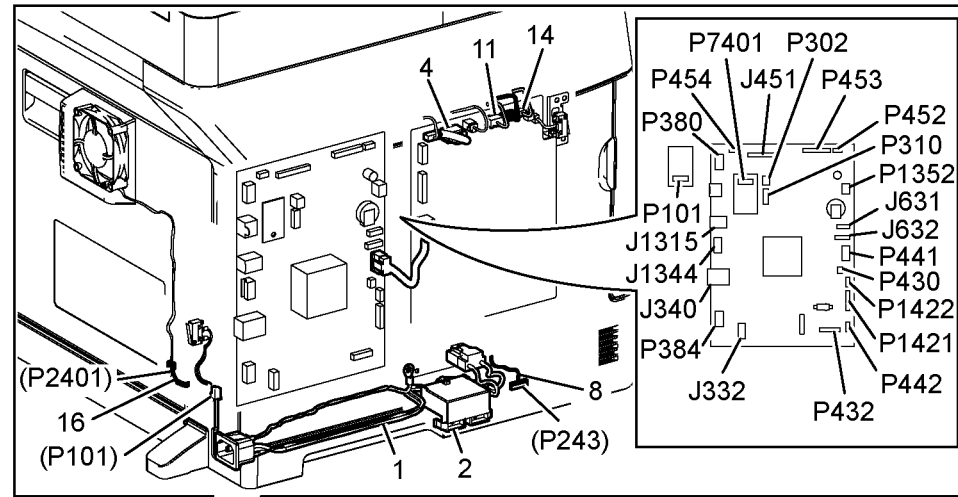
Item	Part	Description
1	–	MCU cover (Not Spared)
2	960K91315	MCU PWBA B400 (REP 18.4) / B405 (REP 18.3) (Never replace both MCU and ESS pwbs at the same time)
3	–	MCU bracket (Not Spared)
4	–	MCU housing (Not Spared)
5	105K30958	HVPS B400 (REP 18.6) / B405 (REP 18.5)



B-8-0023-A

PL 18.3B Electrical (3 of 3) - B405

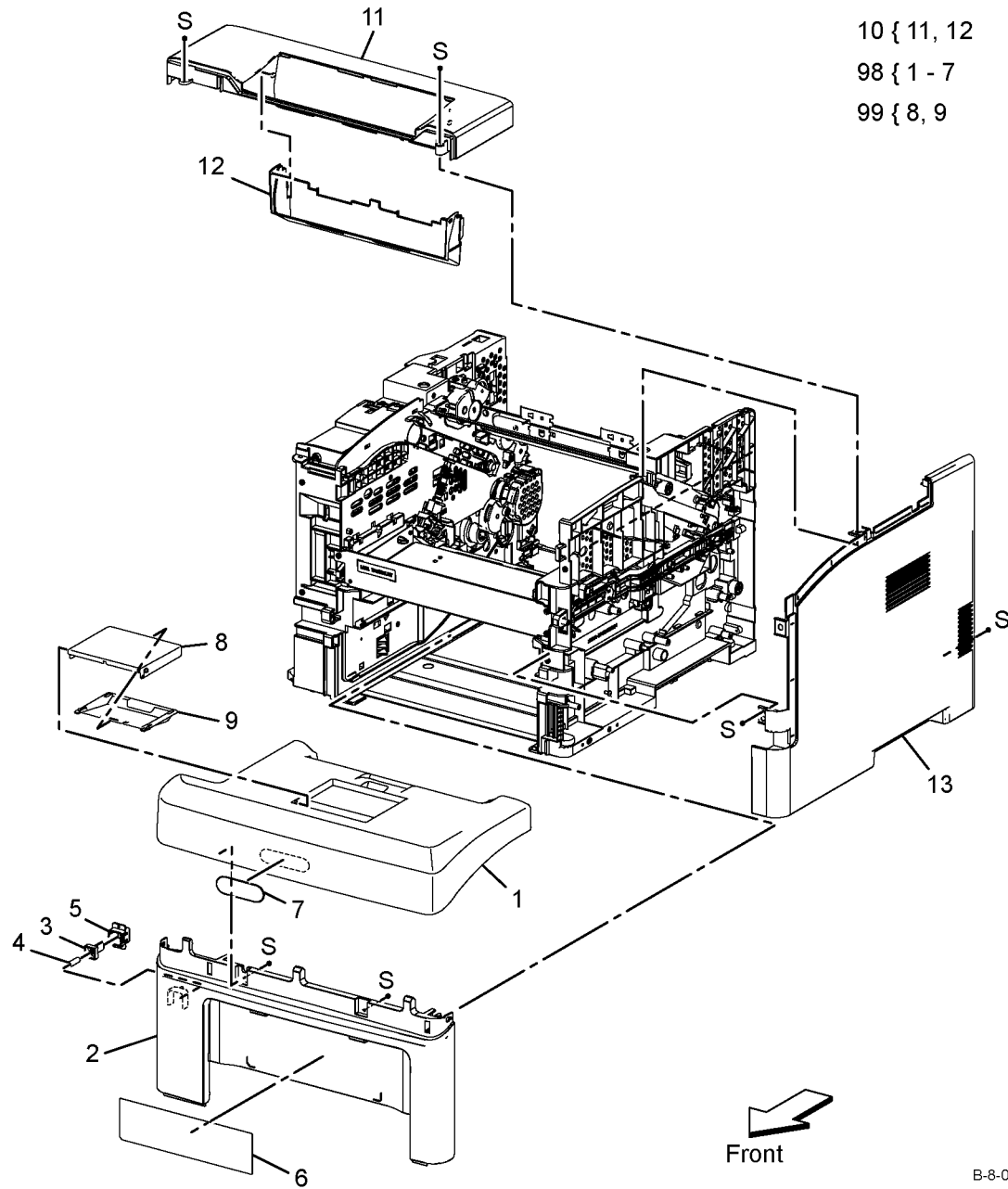
Item	Part	Description
1	952K33312	Inlet harness assembly 220V (REP 18.11)
-	952K33302	Inlet harness assembly 110V (REP 18.11)
2	-	Switch bracket (Not Spared)
3	-	ESS harness assembly (Not Spared)
4	-	ESS power harness assembly (Not Spared)
5	-	LV harness assembly (Not Spared)
6	-	MCU 24V harness assembly (Not Spared)
7	-	Not used
8	-	Option feeder harness assembly (Not Spared)
9	-	FSR harness assembly (Not Spared)
10	-	Dispenser motor harness assembly (Not Spared)
11	-	Main motor harness assembly (Not Spared)
12	-	Xerographics CRUM harness assembly (Not Spared)
13	-	HV harness assembly (Not Spared)
14	-	Test rely harness assembly (Not Spared)
15	-	Exit sensor harness assembly (Not Spared)
16	-	Rear fan harness assembly (Not Spared)
17	-	Harness assembly (Not Spared)
18	-	Drawer harness assembly 110V/220V (Not Spared)



B-8-0035-A

PL 19.1A Cover (1 of 3) - B400

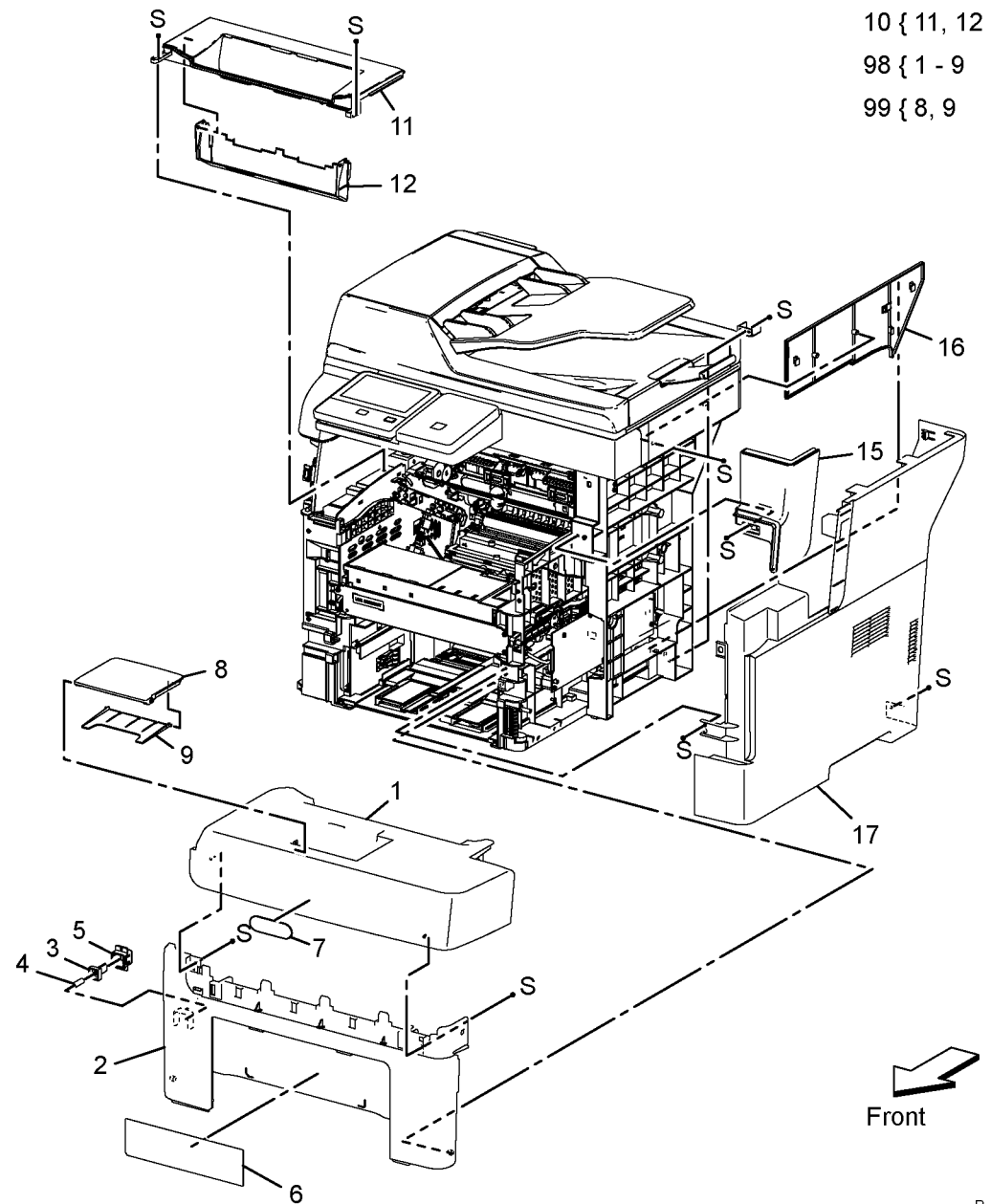
Item	Part	Description
1	-	Top front cover (P/O PL 19.1A Item 98)
2	-	Front cover (P/O PL 19.1A Item 98) (REP 19.2)
3	-	Interlock actuator (P/O PL 19.1A Item 98)
4	-	Interlock spring (P/O PL 19.1A Item 98)
5	-	Interlock holder (P/O PL 19.1A Item 98)
6	-	MSI instruction label (P/O PL 19.1A Item 98)
7	-	Logo - plate assembly (P/O PL 19.1A Item 98)
8	-	Cover extension (P/O PL 19.1A Item 99) (REP 19.6)
9	-	2nd cover extension (P/O PL 19.1A Item 99)
10	948K02680	Top exit cover assembly (REP 19.10)
11	-	Exit top cover (P/O PL 19.1A Item 10)
12	-	Bottom exit cover (P/O PL 19.1A Item 10)
13	848E82654	Right cover (REP 19.8)
98	948K02611	Front cover assembly kit
99	948K02600	Cover extension assembly



10 { 11, 12
 98 { 1 - 7
 99 { 8, 9

PL 19.1B Cover (1 of 3) - B405

Item	Part	Description
1	-	Front top cover (P/O PL 19.1B Item 98)
2	-	Front cover (P/O PL 19.1B Item 98) (REP 19.1)
3	-	Interlock actuator (P/O PL 19.1B Item 98)
4	-	Interlock spring (P/O PL 19.1B Item 98)
5	-	Interlock holder (P/O PL 19.1B Item 98)
6	-	MSI instruction label (P/O PL 19.1B Item 98)
7	-	XC logo plate assembly (P/O PL 19.1B Item 98)
8	-	Cover extension (P/O PL 19.1B Item 99) (REP 19.5)
9	-	2nd cover extension (P/O PL 19.1B Item 99)
10	948K02670	Exit top cover assembly
11	-	Exit top cover (P/O PL 19.1B Item 10)
12	-	Exit bottom cover (P/O PL 19.1B Item 10)
13	-	Not used
14	-	Not used
15	822E29580	Scanner outer right cover
16	822E29570	Scanner inner right cover
17	848K68342	Right cover assembly (REP 19.7)
98	948K02640	Front cover assembly kit
99	948K02600	Cover extension assembly

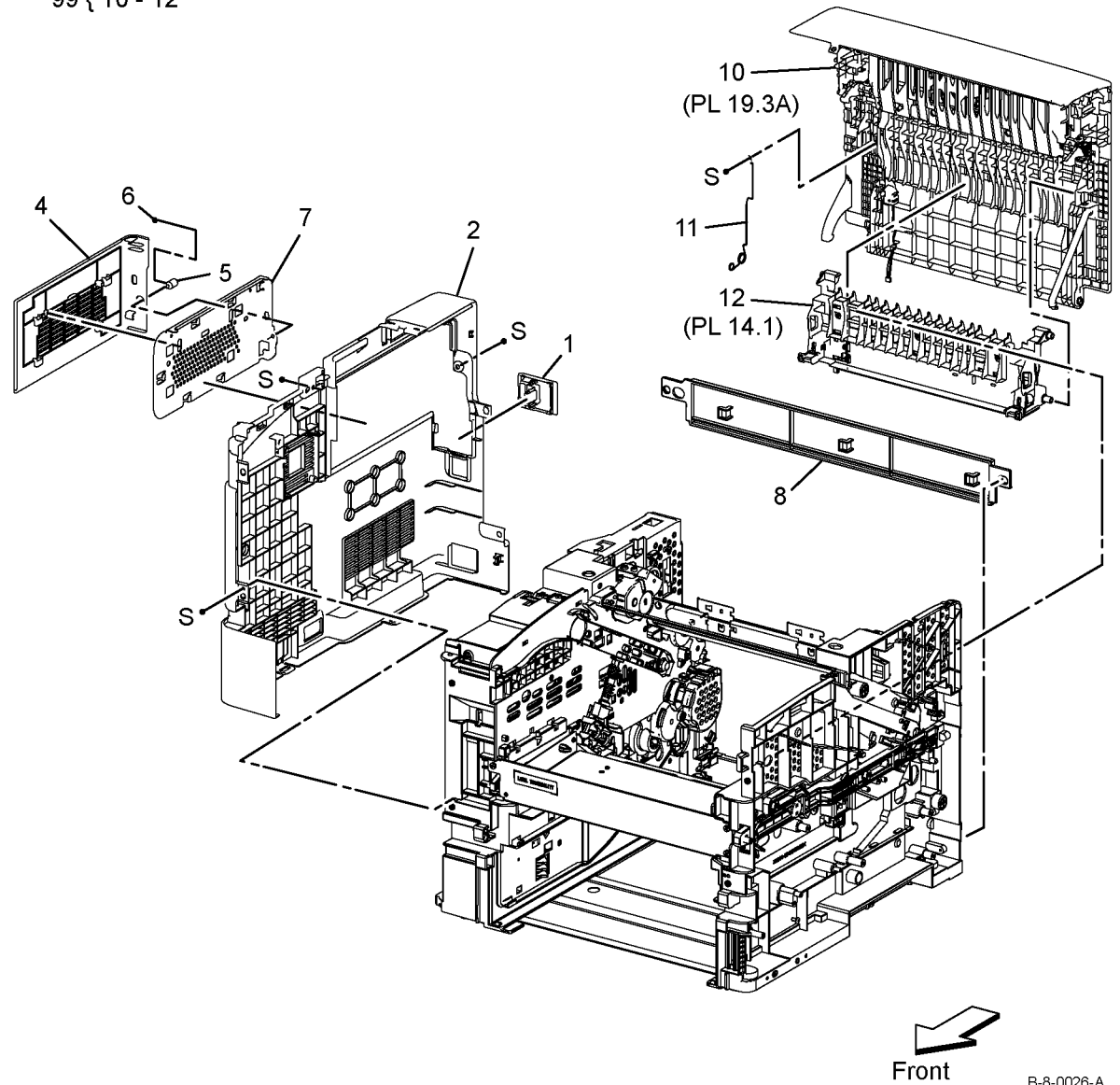


10 { 11, 12
98 { 1 - 9
99 { 8, 9

B-8-0029-A

PL 19.2A Cover (2 of 3) - B400

Item	Part	Description	
1	822E29340	Wifi cap cover (REP 19.20)	3 { 4 - 7
2	822E29390	Left cover (REP 19.12)	
3	948K02220	ESS window cover assembly (REP 19.4)	99 { 10 - 12
4	-	ESS window cover (P/O PL 19.2A Item 3)	
5	-	Knurling screw (P/O PL 19.2A Item 3)	
6	-	E-ring (P/O PL 19.2A Item 3)	
7	-	Window plate (P/O PL 19.2A Item 3)	
8	848E82672	Rear under cover (REP 19.18)	
9	-	Not used	
10	-	Rear cover assembly (P/O PL 19.2A Item 99) (REP 19.14)	
11	-	DTS out earth spring (P/O PL 19.2A Item 99)	
12	-	Duplex chute assembly (P/O PL 19.2A Item 99)	
99	848K70060	Rear cover assembly	

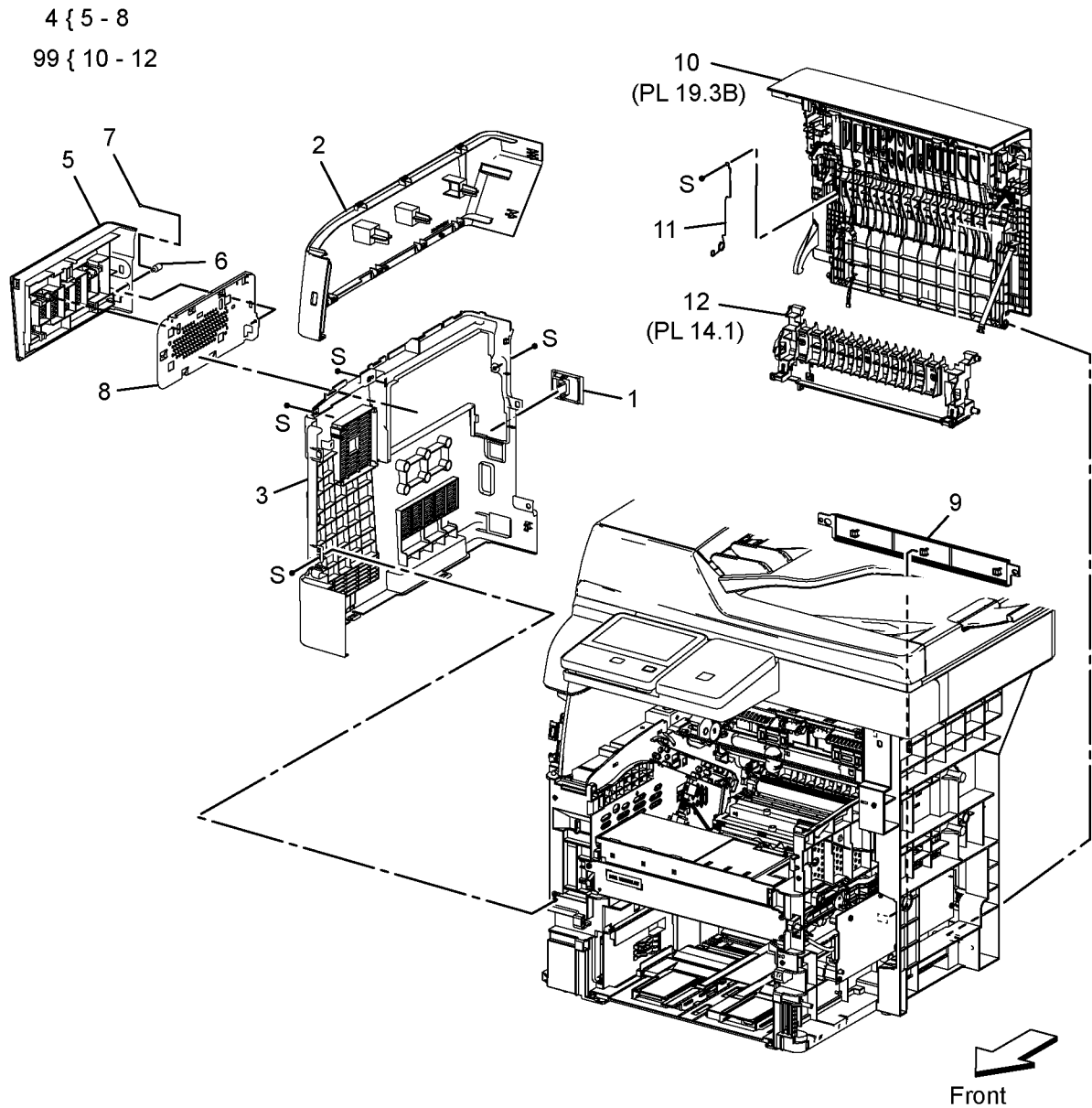


Front

B-8-0026-A

PL 19.2B Cover (2 of 3) - B405

Item	Part	Description
1	822E29340	Wifi cap cover (REP 19.19)
2	848E89214	Scanner left cover
3	822E29521	Left cover (REP 19.11)
4	948K02210	ESS window cover assembly (REP 19.3)
5	-	ESS window cover (P/O PL 19.2B Item 4)
6	-	Knurling screw (P/O PL 19.2B Item 4)
7	-	E-ring (P/O PL 19.2B Item 4)
8	-	Window plate (P/O PL 19.2B Item 4)
9	848E82672	Rear under cover (REP 19.17)
10	-	Rear cover assembly (P/O PL 19.2B Item 99) (REP 19.13)
11	-	DTS out earth spring (P/O PL 19.2B Item 99)
12	-	Duplex chute assembly (P/O PL 19.2B Item 99)
99	948K02690	Rear cover assembly

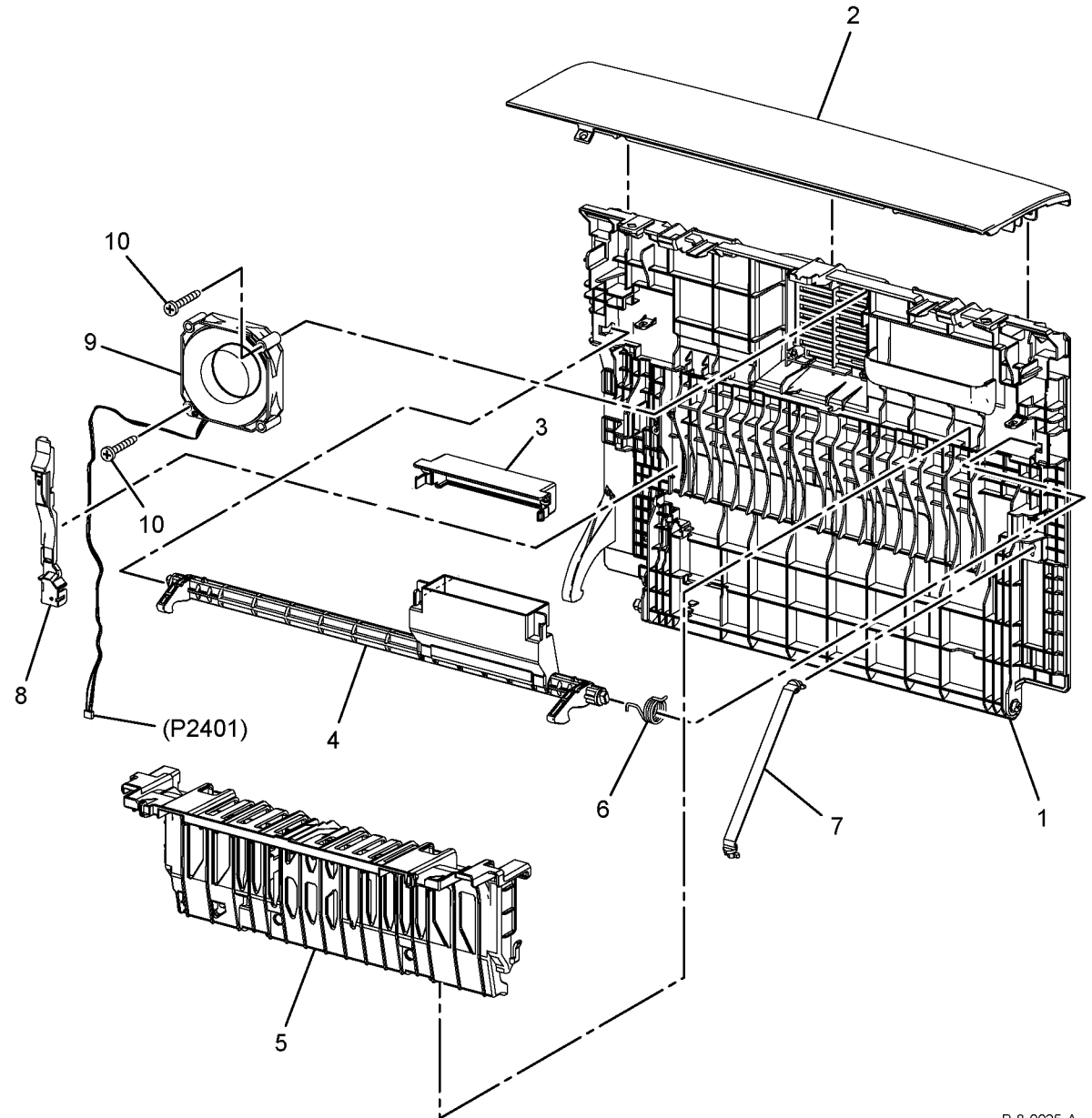


Front

B-8-0036-A

PL 19.3A Cover (3 of 3) - B400

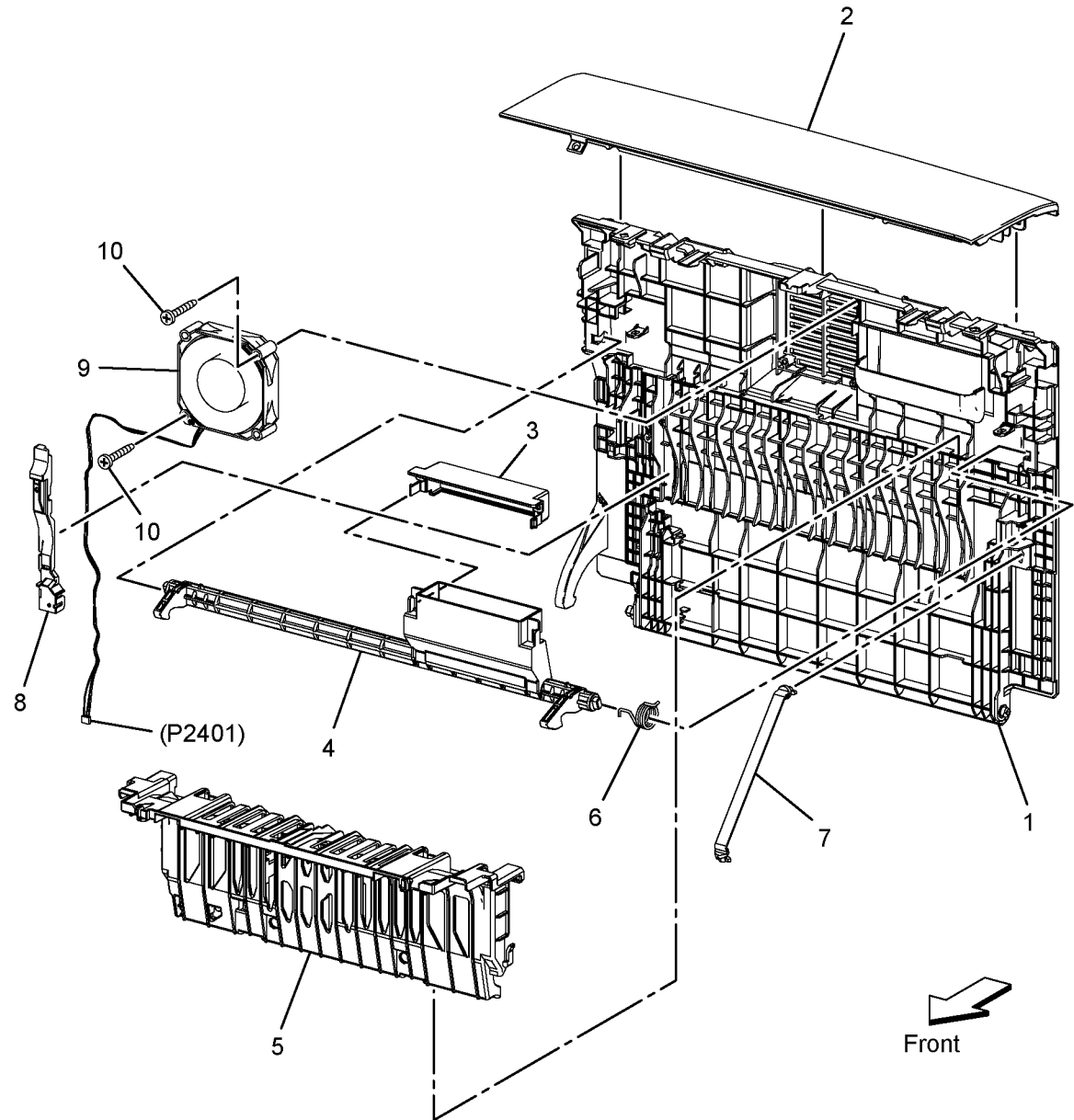
Item	Part	Description
1	–	Rear cover (Not Spared)
2	–	Top rear cover (Not Spared)
3	–	Rear latch cover (Not Spared)
4	–	Rear latch (Not Spared)
5	–	Duplex out chute (Not Spared)
6	–	Rear latch spring (Not Spared)
7	868E76893	Rear strap
8	–	Rear guide harness (Not Spared)
9	127E86632	Rear fan (REP 19.16)
10	–	Screw (Not Spared)



B-8-0025-A

PL 19.3B Cover (3 of 3) - B405

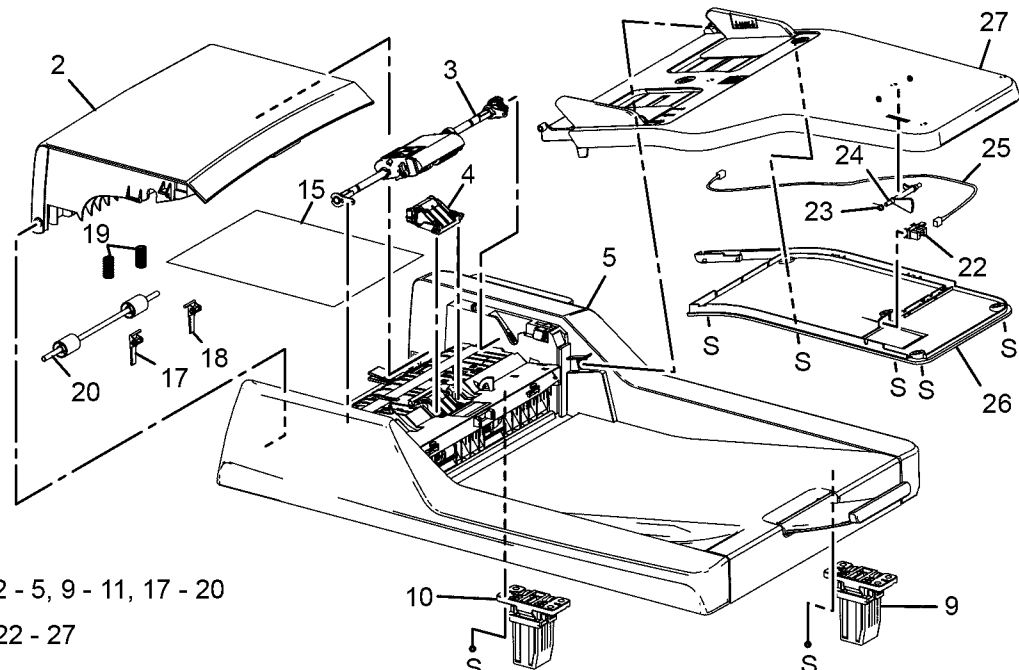
Item	Part	Description
1	—	Rear cover (Not Spared)
2	—	Top rear cover
3	—	Rear latch cover (Not Spared)
4	—	Rear latch (Not Spared)
5	—	Duplex out chute (Not Spared)
6	—	Rear latch spring (Not Spared)
7	868E76893	Rear strap
8	—	Rear guide harness (Not Spared)
9	127E86632	Rear fan (REP 19.15)
10	—	Screw (Not Spared)



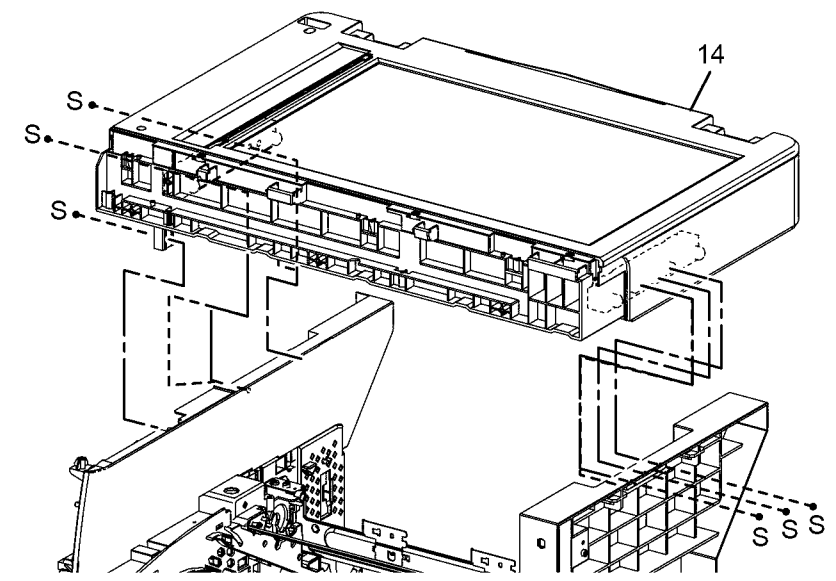
B-8-0037-A

PL 21.1 Scanner

Item	Part	Description
1	059K81533	Scanner assembly (REP 21.1)
2	—	DADF top cover (P/O PL 21.1 Item 96) (REP 21.5)
3	—	DADF roller assembly (P/O PL 21.1 Item 95) (REP 21.4)
4	—	Separation pad (P/O PL 21.1 Item 95) (REP 21.3)
5	—	DADF frame assembly (P/O PL 21.1 Item 1)
7	—	Not used
8	—	Not used
9	003K89860	Right hinge assembly (REP 21.2)
10	003K89140	Left hinge assembly (REP 21.2)
11	050K71060	DADF tray assembly (REP 21.6)
12	—	Not used
13	—	Not used
14	062K25595	IIT Assembly (REP 21.1)
15	—	Not used
16	—	Not used
17	—	Left stopper plate (P/O PL 21.1 Item 96)
18	—	Right stopper plate (P/O PL 21.1 Item 96)
19	—	Idle spring (P/O PL 21.1 Item 96)
20	—	Idle roll assembly (P/O PL 21.1 Item 96)
21	—	Not used
22	—	Sensor (P/O PL 21.1 Item 11)
23	—	Not used
24	—	Not used
25	—	Harness (P/O PL 21.1 Item 11)
26	—	--
27	—	DADF tray (P/O PL 21.1 Item 11)
95	604K85850	DADF pick up module kit (mid)
96	604K85860	DADF top cover assembly (mid) (REP 21.5)
97	—	DADF top cover kit (P/O PL 21.1 Item 1)



- 1 { 2 - 5, 9 - 11, 17 - 20
- 11 { 22 - 27
- 95 { 3, 4
- 96 { 2, 17 - 20
- 97 { 95, 96



B-8-0038-B

6 General Procedures - Information

GP 1 to GP 9

GP 1 Service Diagnostics Entry and Exit	6-3
GP 2 Fault Codes and History Logs	6-4
GP 3 Device Information	6-5
GP 4 Machine Software	6-5
GP 5 Miscellaneous Checks	6-7
GP 6 How to Check a Motor	6-8
GP 7 How to Check a Sensor	6-10
GP 8 How to Check a Solenoid or Clutch	6-11
GP 9 How to Check a Switch	6-12

GP 10 to GP 19

GP 10 How to Switch the Machine On or Off	6-13
GP 11 How to Safely Lift or Move Heavy Modules	6-13
GP 12 Machine Lubrication	6-14
GP 13 Network Clone Procedure	6-14
GP 14 How to Set the Date and Time	6-16
GP 15 Paper and Media Size Specifications	6-17
GP 16 Installation Space Requirements	6-18
GP 17 Electrical Power Requirements	6-19
GP 18 Environmental Data	6-19
GP 19 Administrator Log In	6-20

GP 20 to GP 28

GP 20 First Print Out/Copy Time and Startup Time	6-21
GP 21 Restriction of Hazardous Substances (RoHS)	6-21
GP 22 Printing Reports	6-22
GP 23 Obtaining Audit and Device Logs	6-22
GP 24 Cleaning the Document Glass and White Strip	6-23
GP 25 Special Boot Modes	6-23
GP 26 Ethernet Crossover Cable Setup	6-24
GP 27 System Administrator Password Reset	6-25
GP 28 Converting from Sold to Metered, or Metered to Sold Toner	6-27

GP 40

GP 40 Glossary of Terms, Acronyms and Abbreviations	6-29
-----------------------------------------------------------	------

dC118 to dC131

dC118 Jam Counter	6-35
dC120 Failure Counter	6-35
dC122 Shutdown History	6-36
dC125 Faults	6-36
dC131 NVM Read/Write	6-37

dC132 to dC1011

dC132 Machine ID and Billing Data	6-39
dC135 HFSI Counter	6-39
dC140 Analog Component Monitoring	6-40
dC301 NVM Initialization	6-40

dC305 UI Panel Diagnostics	6-41
dC330 Component Control	6-41
dC355 Hard Disk Diagnostics	6-44
dC500 Blank Page Threshold Value	6-44
dC612 Print Test Pattern	6-45
dC945 IIT Calibration	6-46
dC1010 Signals Sending Test	6-47
dC1011 Relay On/Off Test	6-47

Change Tags

Tags/MODs	6-49
ESS Tags	6-49

