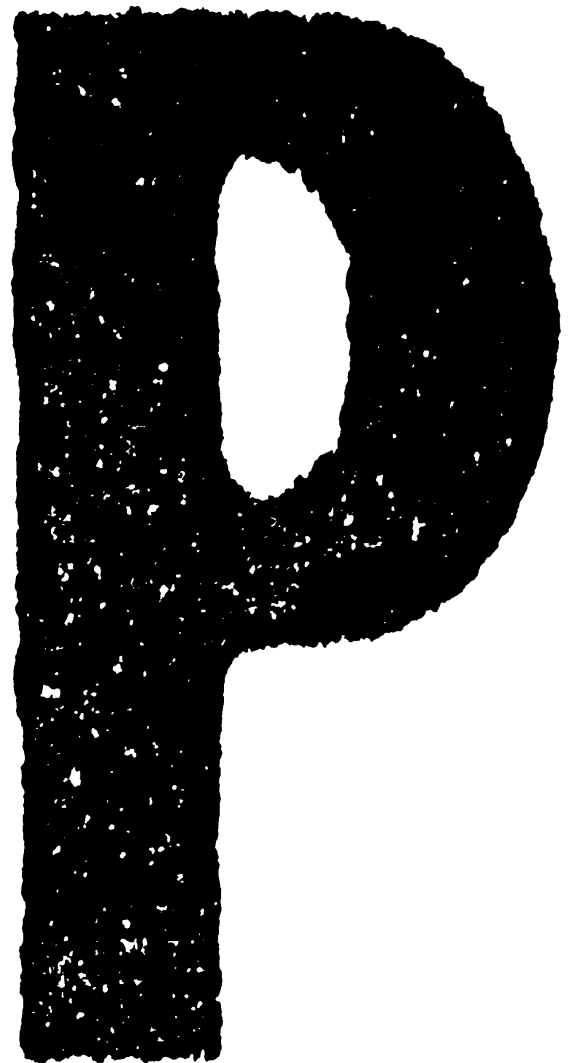


TOSHIBA

SERVICE PARTS LIST

DIGITAL PLAIN PAPER COPIER

e-STUDIO120/150



Copyright 2002

TOSHIBA TEC CORPORATION

TOSHIBA

SERVICE PARTS LIST

DIGITAL PLAIN PAPER COPIER

e-STUDIO120/150

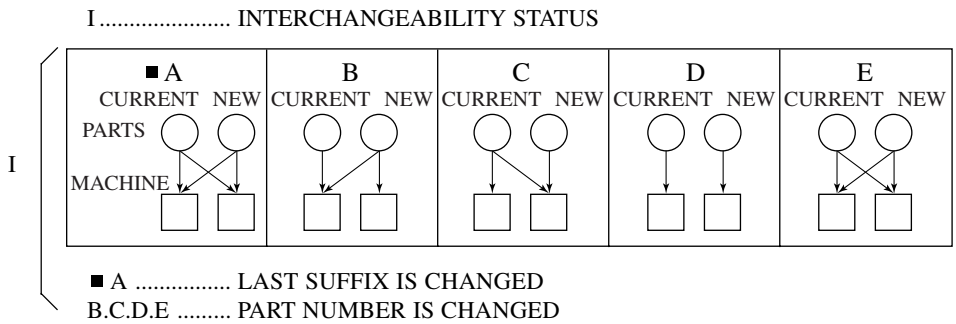
EXPLANATION OF SERVICE-PARTS LIST

1. HOW TO READ THE PARTS LIST

- (1) Number of pieces
The number of pieces in the list denotes total pieces used per unit. But the numbers in the list for PACKING MATERIAL and ACCESSORY denote total pieces used per machine.
- (2) One pack of screws in the list includes 50 pieces.
- (3) ABBREVIATED CODES

| | | | |
|-----------|---------------|------------|---|
| QTY/PAC | { | QTY | one piece |
| | | PAC | one pack |
| | | 1/P | one piece packed in polyethylene bag |
| | | 1/S | one piece packed in special pack |
| | | 1/C | one piece packed in carton box |
| | | 1/PP | one piece packed in paper and polyethylene bag |
| | | 1/KP | one piece packed in polyethylene bag with cardboard |
| | | 1/D | one piece packed in polyethylene-cushion bag |
| N/A | not available | | |

| | | | |
|---|---|---------|-------------|
| P | { | P | PURPOSE |
| | | A | ADD |
| | | B | DELETE |
| | | C | CHANGE |
| | | D | QTY, CHANGE |
| | | E | MISENTRY |
| | | F | OMISSION |



2. HOW TO PLACE ORDER FOR PARTS

- (1) The parts handled as service parts are only those with their "QTY/PACK" column listed with a quantity other than "N/A***" or "SUPPLY".
Those parts with "N/A***" are listed only for the purpose of showing the mechanical construction, those listed with "SUPPLY" are handled only as a sales item, and therefore both types of parts are not supplied as service parts.
- (2) Orders for any parts which form a component of a semi-assembled unit are not acceptable.
Note: All the screws and nuts used are ISO standard.

3. REGION

| | |
|-----------|-------------------------------------|
| NAD | 115V/60Hz, UL & CSA |
| TWD | 110V/60Hz, TAIWAN |
| SAD | 127V/60Hz, SAUDI ARABIA |
| ASD | 220V 50/60Hz, ASIA, etc. |
| AUD | 240V/50Hz, AUSTRALIA |
| MJD | 230-240V 50/60Hz, EUROPE |
| UKD | 230-240V 50/60Hz, UNITED KINGDOM |

NOTICE EXPLICATIVE DE LA LISTE DES PIECES DE RECHANGE

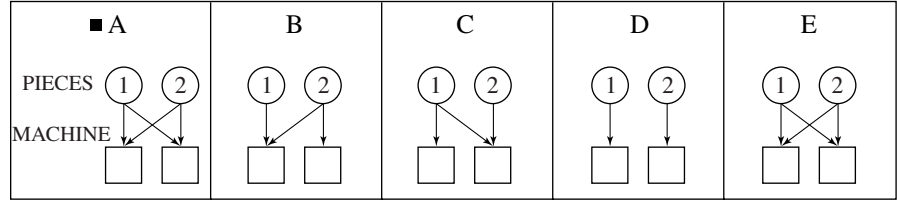
1. COMMENT UTILISER LA LISTE DES PIECES DE RECHANGE

- (1) Nombre de pièces
Le nombre de pièces indiqué sur la liste est le nombre total de pièces utilisées pour chaque unité.
Toutefois, le nombre indiqué sur la liste EMBALLAGE ACCESSOIRES est le nombre total de pièces utilisées pour chaque machine.
- (2) Un paquet de vis indiqué sur la liste contient 50 vis.
- (3) ABREVIATIONS

| | | | |
|----------|--------------|-------------------------|---|
| | QTY | une pièce | |
| | PAC | un paquet | |
| Q'TY/PAC | { | 1/P | une pièce emballée dans un sac en polyéthylène |
| | | 1/S | une pièce emballée dans un sac spécial |
| | | 1/C | une pièce emballée dans une boîte en carton |
| | | 1/PP | une pièce emballée dans un sac en papier et en polyéthylène |
| | | 1/KP | une pièce emballée dans un sac en polyéthylène avec carton |
| | | 1/D | une pièce emballée dans un sac rembourré en polyéthylène |
| | 1/SB | une pièce emballée dans | |
| | N/A*** | non disponible | |

| | | | |
|---|---------|---------|------------------------|
| | P | BUT | |
| P | { | A | AJOUTER |
| | | B | SUPPRIMER |
| | | C | MODIFIER |
| | | D | CHANGEMENT DE QUANTITE |
| | | E | INSCRIPTION ERRONEE |
| | | F | OMISSION |

I INTERCHANGEABILITE



- ① ACTUELLE ② NOUVELLE
- A LE DERNIER SUFFIXE EST CHANGE
B.C.D.E LE NOMBRE DE PIECES EST CHANGE

2. COMMENT COMMANDER LES PIECES

- (1) Les pièces de rechange sont uniquement celles qui sont mentionnées dans la colonne "Q'TY/PACK" avec une quantité autre que "N/A***" ou "SUPPLY".
Les pièces dans la colonne "N/A***" sont mentionnées uniquement dans le but d'indiquer la construction mécanique. Les pièces dans la colonne "SUPPLY" sont destinées uniquement à la vente. Par conséquent, ces deux types de pièces ne sont pas fournies en tant que pièces de rechange.
- (2) Les commandes de toute pièce formant un élément ou une unité semi-assemblée ne seront pas acceptées.
Nota: Toutes les vis et touts les écrous seront conformes au code ISO.

3. PAYS

| | |
|-----------|----------------------------|
| NAD | 115V/60Hz, UL & CSA |
| TWD | 110V/60Hz, TAIWAN |
| SAD | 127V/60Hz, ARABIE SAOUDITE |
| ASD | 220V |
| | 50/60Hz, ASIE, etc. |
| AUD | 240V/50Hz, AUSTRALIE |
| MJD | 230-240V |
| | 50/60Hz, EUROPE |
| UKD | 230-240V |
| | 50/60Hz, ROYAUME-UNI |

ERKLÄRUNG DES ERSATZTEIL-KATALOGES

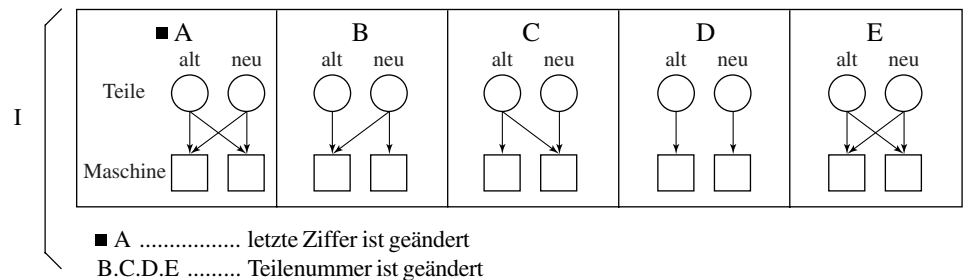
1. WIE LIEST MAN DIE TEILELISTE?

- (1) Die Teileanzahl
Die Anzahl der Teile in der Liste, drücken die gesamten Teile pro Verpackungseinheit aus. Aber die Zahl in der Liste "Packing" (Verpackung) und "Accessory" (Zubehör) beschreibt die gesamte Teileanzahl pro Maschine.
- (2) Eine Verpackungseinheit SCHRAUBEN enthält 50 Stück.
- (3) Abkürzungscode

| | | |
|------------|--------------------------------|---|
| QTY/PAC | QTY | Stück |
| | PAC | Packung |
| | 1/P | ein Stück in einem Plastikbeutel |
| | 1/S | ein Stück in einer Spezialverpackung |
| | 1/C | ein Stück in einem Karton |
| | 1/PP | ein Stück in Papier und einem Plastikbeutel |
| | 1/KP | ein Stück in einem Plastikbeutel mit Pappdeckel |
| | 1/D | ein Stück in einem gepolsterten Plastikbeutel |
| N/A | nicht lieferbar | |
| 1/SB | ein Stück in einer Schutzhülle | |

| | | |
|---|---------|----------------|
| P | P | Zweck |
| | A | Zusätzlich |
| | B | Entfernen |
| | C | Ändern |
| | D | Menge geändert |
| | E | Fehlangabe |
| | F | Weglassen |

I Austauschbar untereinander



2. WIE WERDEN ERSATZTEILE BESTELLT?

- (1) Die Ersatzteile für den Service haben in der Spalte "QTY/PACK" eine Nummer.
Die Teile mit der Angabe "N/A***" sind nur aufgeführt, um die technische Konstruktion zu zeigen und sind einzeln nicht lieferbar.
Die Bezeichnung "SUPPLY" weist darauf hin, daß dieses Teil als Zubehör gehandelt wird und beim Verkauf bestellt werden muß.
- (2) Bestellungen für Einzelteile, die einer Baueinheit angehören können nicht akzeptiert werden.
Hinweis: Alle Schrauben und Muttern werden nach dem ISO-Standard hergestellt.

3. REGION

| | |
|-----------|--------------------------------------|
| NAD | 115V/60Hz, UL & CSA |
| TWD | 110V/60Hz, TAIWAN |
| SAD | 127V/60Hz, SAUDI-ARABIEN |
| ASD | 220V 50/60Hz, ASIEN, usw. |
| AUD | 240V/50Hz, AUSTRALIEN |
| MJD | 230-240V 50/60Hz, EUROPA |
| UKD | 230-240V 50/60Hz, GROSSBRITANNIEN |

SPIEGAZIONE DELLA LISTA DEI PEZZI DI RICAMBIO

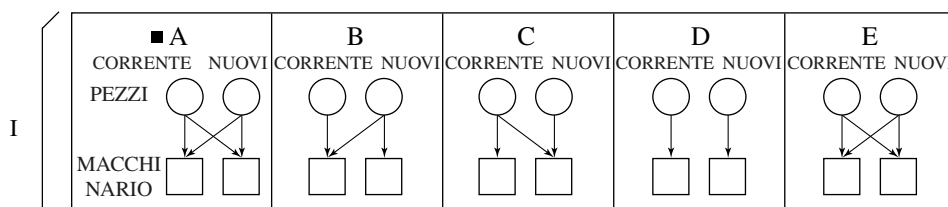
1. COME LEGGERE LA LISTA DEI PEZZI DI RICAMBIO

- (1) Numero dei pezzi
Il numero dei pezzi indica il totale dei pezzi per elemento. I numeri nella lista del materiale d'imballaggio e accessori indicano il totale dei pezzi per macchina.
- (2) Nella lista, un pacco di viti contiene 50 viti.
- (3) ABBREVIAZIONI

| | | | |
|------------|---|------------|--|
| QTY/PAC | { | QTY | un pezzo |
| | | PAC | un pacco |
| | | 1/P | un pezzo imballato in sacco di polietilene |
| | | 1/S | un pezzo imballato in pacco speciale |
| | | 1/C | un pezzo imballato in scatola di cartone |
| | | 1/PP | un pezzo imballato in sacco di polietilene e carta |
| | | 1/KP | un pezzo imballato in sacco di polietilene con cartone |
| | | 1/D | un pezzo imballato in sacco morbido di polietilene |
| 1/SB | un pezzo imballato in sacco di protezione | | |
| N/A | non disponibile | | |

| | | | |
|---------|-----------|---------|-----------------|
| P | { | P | scopo |
| | | A | aggiunta |
| | | B | annullamento |
| | | C | modifica |
| | | D | modifica QTY |
| | | E | ingresso errato |
| F | omissione | | |

I stato di intercambiabilità



2. ORDINAZIONE DEI PEZZI

- (1) I pezzi usati come pezzi di ricambio sono elencati nella colonna "QTY/PACK" con una quantità differente da "N/A****" o "SUPPLY".
I pezzi con "N/A****" sono elencati solamente per mostrare la costruzione meccanica e quelli con "SUPPLY" sono elencati solamente come articoli di vendita: ciò significa che questi due tipi di pezzi non sono forniti come pezzi di ricambio.
- (2) L'ordinazione dei pezzi non viene accettata quando questi pezzi formano un componente di un messo elemento.
Nota: Tuttle le viti e i dadi sono standard ISO.

3. NAZIONE

| | |
|-----------|---------------------------|
| NAD | 115V/60Hz, UL & CSA |
| TWD | 110V/60Hz, TAIWAN |
| SAD | 127V/60Hz, ARABIA SAUDITA |
| ASD | 220V |
| | 50/60Hz, ASIA, ecc. |
| AUD | 240V/50Hz, AUSTRALIA |
| MJD | 230-240V |
| | 50/60Hz, EUROPA |
| UKD | 230-240V |
| | 50/60Hz, GRAN BRETAGNA |

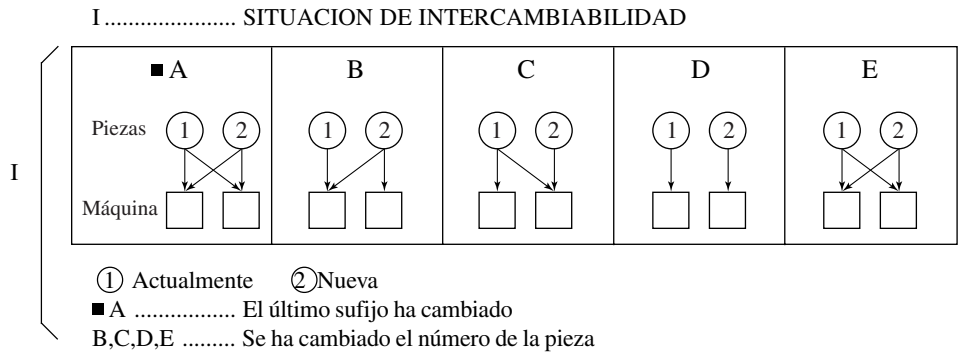
EXPLICACION DE LA LISTA DE PIEZAS DE SERVICIO

1. Cómo se lee la lista de piezas

- (1) El número de piezas
El número de piezas en la lista especifica las piezas totales usada pou unidad, mientras que el número en la lista para METERIAL DE EMBALAJE y ACCESORIOS especifica las piezas totales usadas por máquina.
- (2) En el paquete de tornillos se incluyen 50 unidades.
- (3) Códigos abreviados

| | | | |
|-----------|-----------------|------------|--|
| QTY/PAC | { | QTY | una pieza |
| | | PAC | una paquete |
| | | 1/P | una pieza empaquetada en la bolsa de politileno |
| | | 1/S | una pieza empaquetada en paquete especial |
| | | 1/C | una pieza empaquetada en caja de cartón |
| | | 1/PP | una pieza empaquetada en papel y bolsa de politileno |
| | | 1/KP | una pieza empaquetada en bolsa de politileno con cartón |
| | | 1/D | una pieza empaquetada en bolsa almohadillada de politileno |
| | | 1/SB | una pieza empaquetada en una |
| N/A | bolsa protegida | | |

| | | | |
|---|---|---------|---------------------|
| P | { | P | PROPOSITO |
| | | A | AÑADIR |
| | | B | BORRAR |
| | | C | CAMBIO |
| | | D | CANTIDAD, CAMBIO |
| | | E | ENTRADA ERRONEA |
| | | F | OMISION |



2. Cómo realizar un pedido de piezas

- (1) Las piezas consideradas como piezas de servicio son sólo aquellas designadas con Q'TY/PACK y no las designadas con N/A ... o SUPPLY.
Aquellas piezas con N/A ... se ponen en lista sólo con el propósito de mostrar la construcción mecánlca. Aquéllas piezas designadas bajo SUPPLY se consideran sólo como un artículo para ventas y por lo tanto ambos tipos de piezas no se consideran como piezas de servicio.
- (2) Los pedidos para cualquier pieza que forme un componente de la unidad semiensamblada no será aceptados.
NOTA: todos los tornillos y tuercas son del estandar ISO.

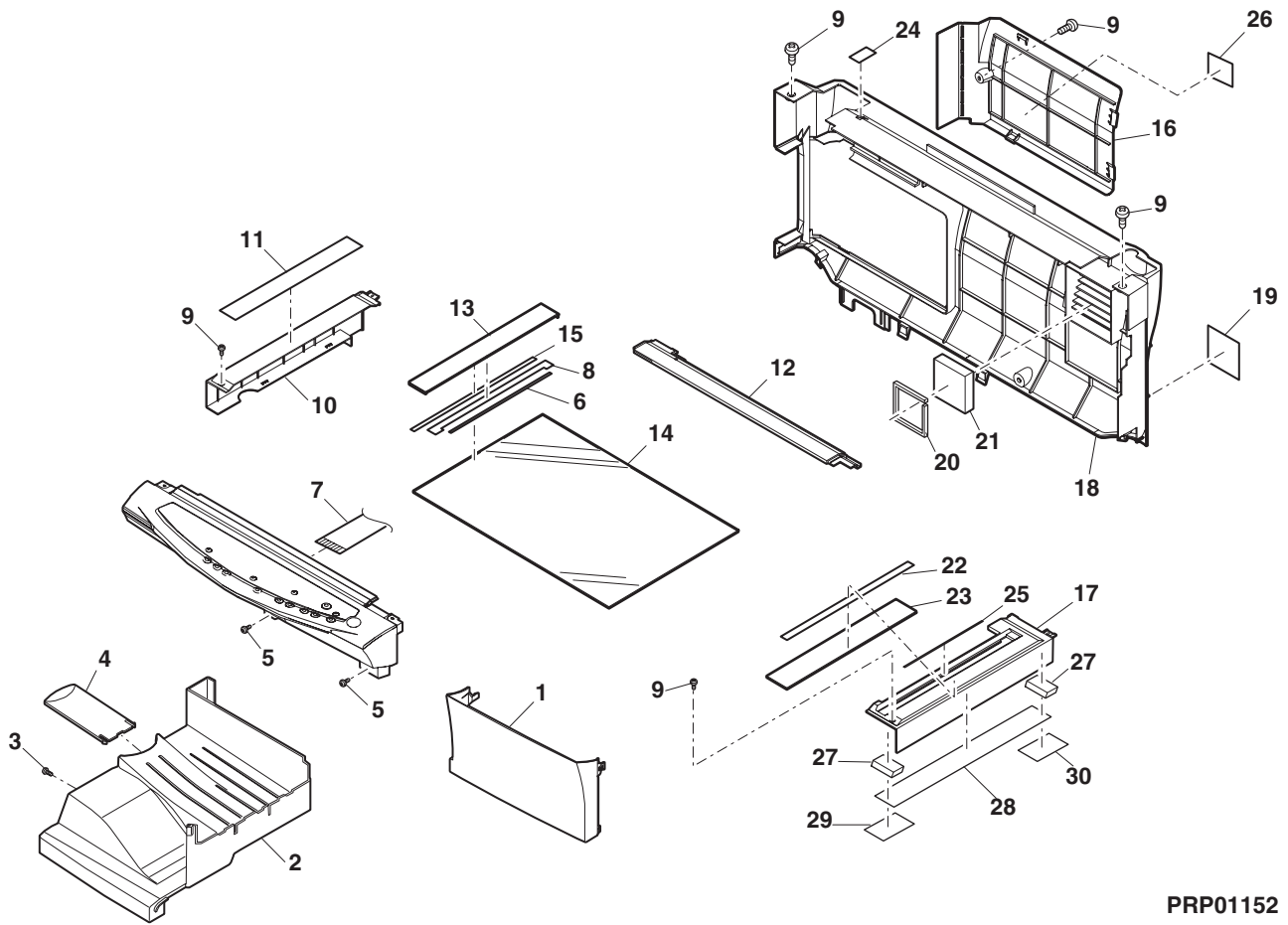
3. PAISES

| | |
|-----------|-------------------------|
| NAD | 115V/60Hz, UL & CSA |
| TWD | 110V/60Hz, TAIWAN |
| SAD | 127V/60Hz, SAUDI ARABIA |
| ASD | 220V |
| | 50/60Hz, ASIA, etc. |
| AUD | 240V/50Hz, AUSTRALIA |
| MJD | 230-240V |
| | 50/60Hz, EUROPA |
| UKD | 230-240V |
| | 50/60Hz, GRAN BRETAÑA |

CONTENTS

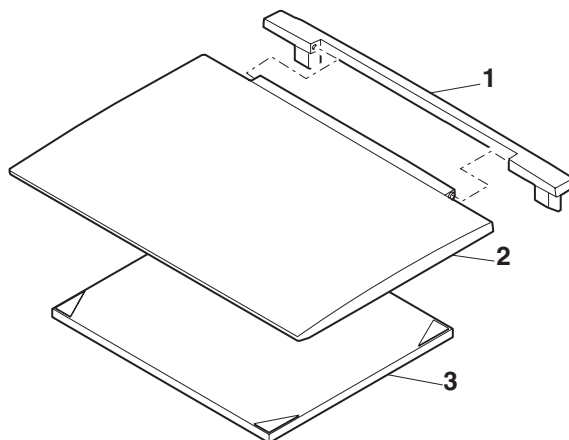
1. COVERS
2. PLATEN BLOCK
3. OPERATION PANEL
4. SIDE DOOR
5. OPTICAL DRIVE
6. LSU
7. PAPER GUIDE
8. ROLLER DRIVE BLOCK
9. PAPER FEED BLOCK
10. PWB BLOCK
11. FUSER BLOCK
12. MAIN DRIVE BLOCK
13. MULTI UPPER COVER
14. MANUAL PAPER FEED BLOCK
15. HV IF COVER
16. CHARGER
17. PAPER TRAY
18. HARNESS
19. PROCESS UNIT
20. DEVELOPER UNIT
21. PACKING
22. OPERATION PWB (SP1)
23. OPERATION PWB (SP2)
24. POD SENSOR PWB
25. PPD1 SENSOR PWB
26. PPD2 SENSOR PWB
27. MCU PWB
28. IF PWB
29. DC PS PWB (100V SERIES)
30. DC PS PWB (200V SERIES)
31. NOISE FILTER PWB
100. SUPPLIES

PARTS NUMBER INDEX

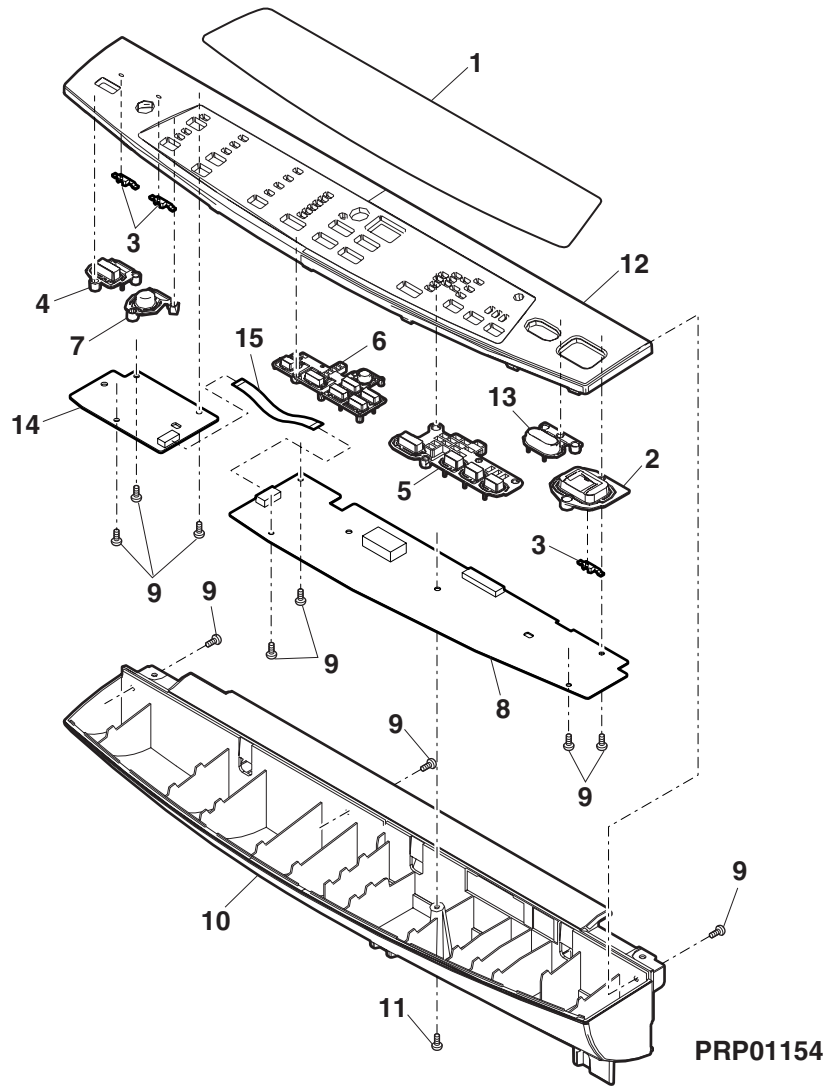


PRP01152

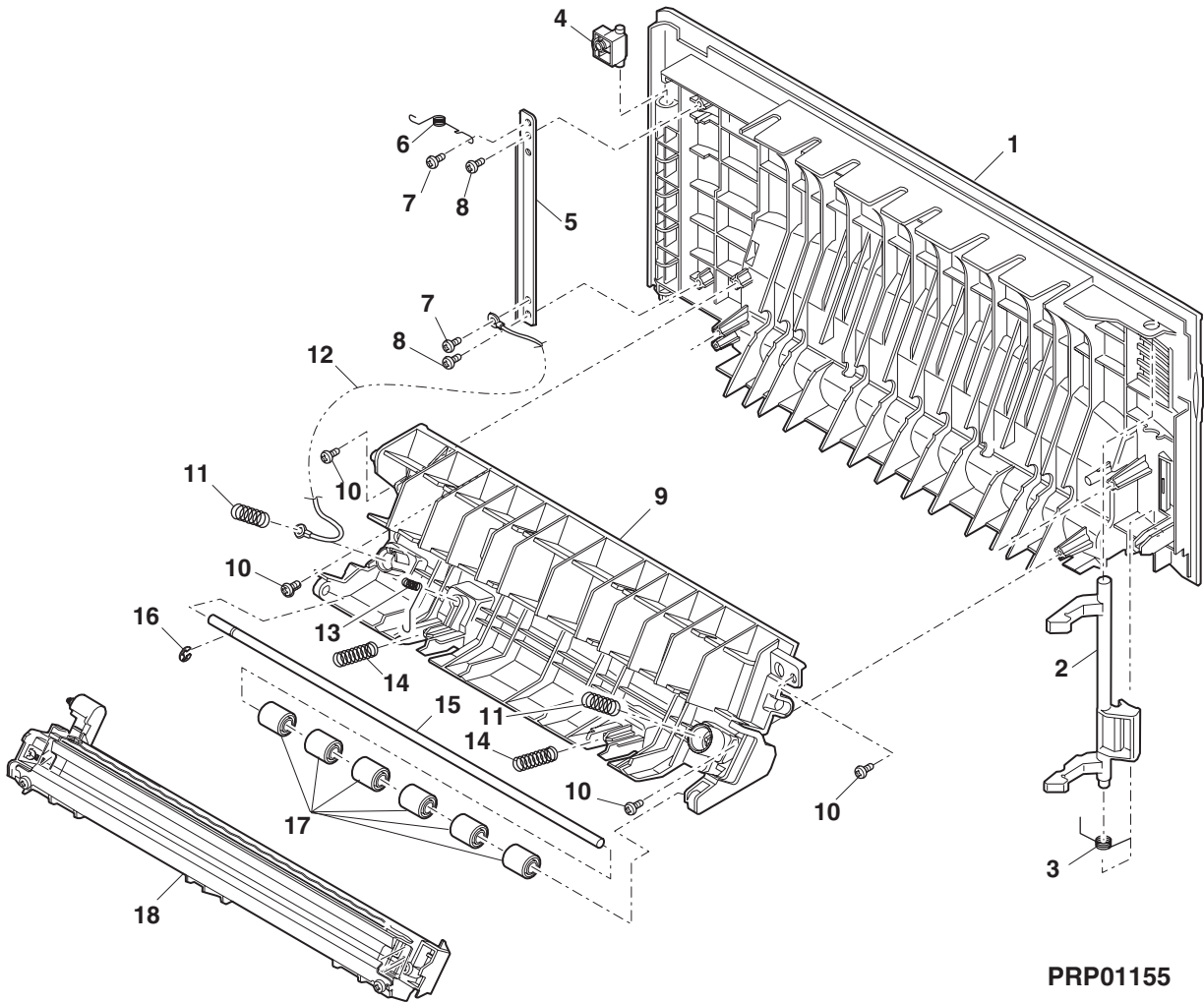
| ITEM NO. | PARTS NO. | PARTS NAME | QTY / PAGE | QTY / PACK | P | I | R | BSI NO. | TO | FROM | SERIAL NO. | REMARKS | C |
|----------|-------------|-----------------|------------|------------|---|---|---|---------|----|------|------------|---------------|---|
| 1A | 6LA58616800 | Front cover | 1 | 1 | | | | | | | | e-STUDIO10120 | |
| 1B | 6LA58616900 | Front cover | 1 | 1 | | | | | | | | e-STUDIO10150 | |
| 2 | 41330520700 | Delivery tray | 1 | 1 | | | | | | | | | |
| 3 | 41330607300 | Screw M3X8 | 1 | 1 | | | | | | | | | |
| 4 | 41330521200 | Extension tray | 1 | 1 | | | | | | | | | |
| 5 | 41330607600 | Screw M4X12 | 2 | 1 | | | | | | | | | |
| 6 | 6LA58633600 | Glass fixing TP | 1 | 1 | | | | | | | | | |
| 7 | 6LA58621300 | OP-MCU harness | 1 | 1 | | | | | | | | | |
| 8 | 6LA58631700 | Shading sheet | 1 | 1 | | | | | | | | | |
| 9 | 41330605200 | Screw M3X8 | 5 | 1 | | | | | | | | | |
| 10 | 6LA58623600 | Left exterior | 1 | 1 | | | | | | | | | |
| 11 | 6LA58639200 | Ope. Inst label | 1 | 1 | | | | | | | | | |
| 12 | 6LA58623900 | Rear cover OC | 1 | 1 | | | | | | | | | |
| 13 | 6LA58617500 | Glass fix plate | 1 | 1 | | | | | | | | | |
| 14 | 6LA58630700 | Table glass | 1 | 1 | | | | | | | | | |
| 15 | 6LA58633500 | Glass fixing TP | 1 | 1 | | | | | | | | | |
| 16 | 6LA58629900 | Rear exterior c | 1 | 1 | | | | | | | | | |
| 17 | 6LA58623700 | R exterior SPF | 1 | 1 | | | | | | | | | |
| 18 | 6LA58623500 | Rear exterior S | 1 | 1 | | | | | | | | | |
| 19 | 41330574000 | Caution label | 1 | 1 | | | | | | | | | |
| 20 | 41330550000 | Fan cushion | 1 | 1 | | | | | | | | | |
| 21 | 41330546000 | Ozone filter | 1 | 1 | | | | | | | | | |
| 22 | 6LA58633700 | Slit glass tape | 1 | 1 | | | | | | | | | |
| 23 | 6LA58630800 | SPF glass | 1 | 1 | | | | | | | | | |
| 24 | 41330555500 | Mylar sheet | 1 | 1 | | | | | | | | | |
| 25 | 41330558100 | Slit glass tape | 1 | 1 | | | | | | | | | |
| 26A | 6LA58639300 | Class 1 label | 1 | 1 | | | | | | | | Europe | |
| 26B | 41330575200 | Class 1 label | 1 | 1 | | | | | | | | Asia, Oceania | |
| 27 | 6LA58631300 | Earth cushion | 2 | 1 | | | | | | | | | |
| 28 | 6LA58633200 | R cabinet GNDST | 1 | 1 | | | | | | | | | |
| 29 | 6LA58634000 | Earth tape F | 1 | 1 | | | | | | | | | |
| 30 | 6LA58634100 | Earth tape R | 1 | 1 | | | | | | | | | |



PRP01153

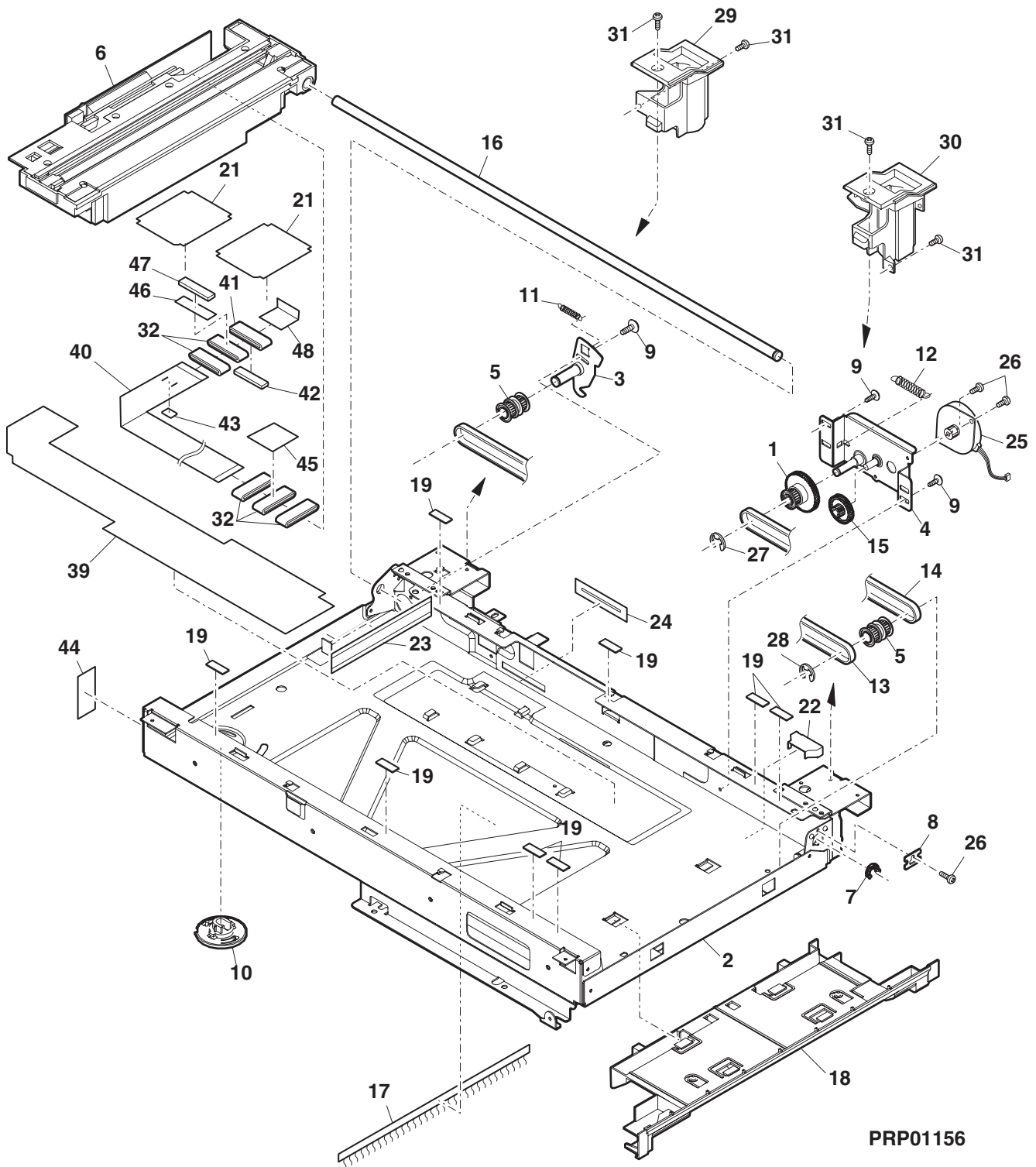


| ITEM NO. | PARTS NO. | PARTS NAME | Q'TY / PAGE | Q'TY / PACK | P | I | R | BSI NO. | TO | FROM | SERIAL NO. | REMARKS | C |
|----------|-------------|-----------------|-------------|-------------|---|---|---|---------|----|------|------------|-----------------|---|
| 1A | 6LA58618900 | Sheet cabinet | 1 | 1 | | | | | | | | U. S. A | |
| 1B | 6LA58618800 | Sheet cabinet | 1 | 1 | | | | | | | | Other countries | |
| 2 | 6LA58616500 | Start key | 1 | 1 | | | | | | | | | |
| 3 | 6LA58624200 | Copy key light | 3 | 1 | | | | | | | | | |
| 4 | 6LA58624300 | Online key | 1 | 1 | | | | | | | | | |
| 5 | 6LA58616400 | Operation key R | 1 | 1 | | | | | | | | | |
| 6 | 6LA58616300 | Operation key L | 1 | 1 | | | | | | | | | |
| 7 | 6LA58616600 | Scanner key | 1 | 1 | | | | | | | | | |
| 8 | 6LA58619500 | Operation PWB | 1 | 1 | | | | | | | | | |
| 9 | 41330606500 | Screw M3X8 | 10 | 1 | | | | | | | | | |
| 10 | 6LA58623800 | Ope. Cabinet | 1 | 1 | | | | | | | | | |
| 11 | 41330607400 | Screw M3X10 | 1 | 1 | | | | | | | | | |
| 12 | 6LA58617000 | Operation panel | 1 | 1 | | | | | | | | | |
| 13 | 6LA58616700 | Clear key | 1 | 1 | | | | | | | | | |
| 14 | 6LA58619600 | Ope. PWB SP2 | 1 | 1 | | | | | | | | | |
| 15 | 6LA58622700 | OPE IF WH | 1 | 1 | | | | | | | | | |

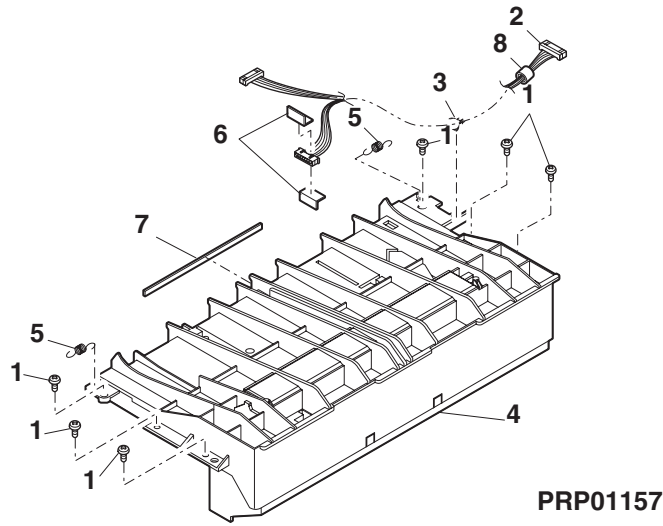


PRP01155

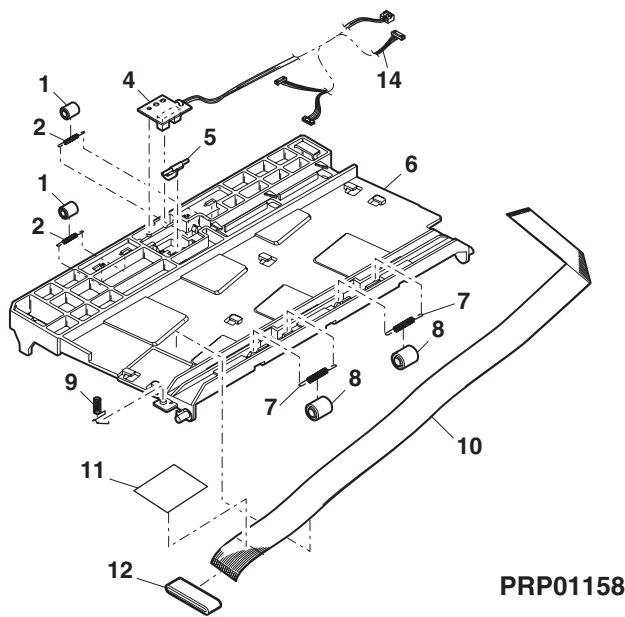
| ITEM NO. | PARTS NO. | PARTS NAME | QTY / PAGE | QTY / PACK | P | I | R | BSI NO. | TO | FROM | SERIAL NO. | REMARKS | C |
|----------|-------------|-----------------|------------|------------|---|---|---|---------|----|------|------------|---------|---|
| 1 | 6LA58623400 | Side door | 1 | 1 | | | | | | | | | |
| 2 | 41330557300 | Lock pawl | 1 | 1 | | | | | | | | | |
| 3 | 41330531300 | Lock pawl SP | 1 | 1 | | | | | | | | | |
| 4 | 41330547000 | Hinge guide | 1 | 1 | | | | | | | | | |
| 5 | 41330518300 | Earth plate | 1 | 1 | | | | | | | | | |
| 6 | 41330529800 | Earth spring | 1 | 1 | | | | | | | | | |
| 7 | 41330608500 | Screw M3X6 | 2 | 1 | | | | | | | | | |
| 8 | 41330607200 | Screw M3X6 | 2 | 1 | | | | | | | | | |
| 9 | 6LA58624500 | S door inner fm | 1 | 1 | | | | | | | | | |
| 10 | 41330606600 | Screw M3X10 | 4 | 1 | | | | | | | | | |
| 11 | 41330527100 | Trans. press SP | 1 | 1 | | | | | | | | | |
| 12 | 6LA58621900 | TCFB harness | 1 | 1 | | | | | | | | | |
| 13 | 41330527000 | PS earth spring | 1 | 1 | | | | | | | | | |
| 14 | 41330526900 | PS press SP | 2 | 1 | | | | | | | | | |
| 15 | 41330541000 | PS shaft | 1 | 1 | | | | | | | | | |
| 16 | 41330609300 | E-ring | 1 | 1 | | | | | | | | | |
| 17 | 41330540400 | PS upper roller | 6 | 1 | | | | | | | | | |
| 18 | 41330502700 | Trans. hld unit | 1 | 1 | | | | | | | | | |



| ITEM NO. | PARTS NO. | PARTS NAME | QTY / PAGE | QTY / PACK | P | I | R | BSI NO. | TO | FROM | SERIAL NO. | REMARKS | C |
|----------|-------------|-----------------|------------|------------|---|---|---|---------|----|------|------------|-------------|---|
| 1 | 6LA58617900 | Pulley gear | 1 | 1 | | | | | | | | | |
| 2 | 6LA58618300 | Scanner plate | 1 | 1 | | | | | | | | | |
| 3 | 6LA58618400 | Tension plate | 1 | 1 | | | | | | | | | |
| 4 | 6LA58618500 | Motor fix plate | 1 | 1 | | | | | | | | | |
| 5 | 6LA58618700 | Idle pulley | 2 | 1 | | | | | | | | | |
| 6A | 6LA58622900 | Carriage unit | 1 | 1 | | | | | | | | 100V Series | |
| 6B | 6LA58622800 | Carriage unit | 1 | 1 | | | | | | | | 200V Series | |
| 7 | 6LA58625000 | Rod holder | 1 | 1 | | | | | | | | | |
| 8 | 6LA58626000 | Rod stopper | 1 | 1 | | | | | | | | | |
| 9 | 6LA58626100 | Screw | 3 | 1 | | | | | | | | 3X6 | |
| 10 | 6LA58626300 | Carriage lock | 1 | 1 | | | | | | | | | |
| 11 | 6LA58627900 | Tension spring | 1 | 1 | | | | | | | | | |
| 12 | 6LA58628000 | Motor spring | 1 | 1 | | | | | | | | | |
| 13 | 6LA58628200 | Belt | 1 | 1 | | | | | | | | 473MXL | |
| 14 | 6LA58628300 | Belt | 1 | 1 | | | | | | | | 190MXL | |
| 15 | 6LA58628700 | Idle gear | 1 | 1 | | | | | | | | | |
| 16 | 6LA58629400 | Slide shaft | 1 | 1 | | | | | | | | | |
| 17 | 6LA58629500 | Discharge brush | 1 | 1 | | | | | | | | | |
| 18 | 6LA58630600 | Paper guide | 1 | 1 | | | | | | | | | |
| 19 | 41330549300 | Glass cushion | 8 | 1 | | | | | | | | | |
| 21 | 6LA58631600 | Cable fix sheet | 2 | 1 | | | | | | | | | |
| 22 | 6LA58630300 | Fan duct JAG | 1 | 1 | | | | | | | | | |
| 23 | 6LA58631800 | CCD insurate ST | 1 | 1 | | | | | | | | | |
| 24 | 6LA58631900 | Protect sheet | 1 | 1 | | | | | | | | | |
| 25 | 6LA58637500 | Scanner motor | 1 | 1 | | | | | | | | | |
| 26 | 41330608500 | Screw M3X6 | 3 | 1 | | | | | | | | | |
| 27 | 41330609600 | E-ring | 1 | 1 | | | | | | | | | |
| 28 | 41330609700 | E-ring | 1 | 1 | | | | | | | | | |
| 29 | 41330548500 | Hinge guide L | 1 | 1 | | | | | | | | | |
| 30 | 41330548600 | Hinge guide R | 1 | 1 | | | | | | | | | |
| 31 | 41330608600 | Screw M3X8 | 4 | 1 | | | | | | | | | |
| 32 | 6LA58635500 | FFC core | 5 | 1 | | | | | | | | | |
| 39 | 6LA58632600 | Scanner sheet | 1 | 1 | | | | | | | | | |
| 40 | 6LA58620400 | CCD-MCU harness | 1 | 1 | | | | | | | | | |
| 41 | 6LA58635600 | FFC core | 1 | 1 | | | | | | | | | |
| 42 | 6LA58630200 | Core cushion | 1 | 1 | | | | | | | | | |
| 43 | 6LA58633800 | CCD WH tape | 1 | 1 | | | | | | | | | |
| 44 | 6LA58633100 | N protect mylar | 1 | 1 | | | | | | | | | |
| 45 | 6LA58632900 | Scanner core ST | 1 | 1 | | | | | | | | | |
| 46 | 6LA58633900 | Core fixing TP | 1 | 1 | | | | | | | | | |
| 47 | 6LA58631200 | Core fixing TP | 1 | 1 | | | | | | | | | |
| 48 | 6LA58632800 | PWB core mylar | 1 | 1 | | | | | | | | | |

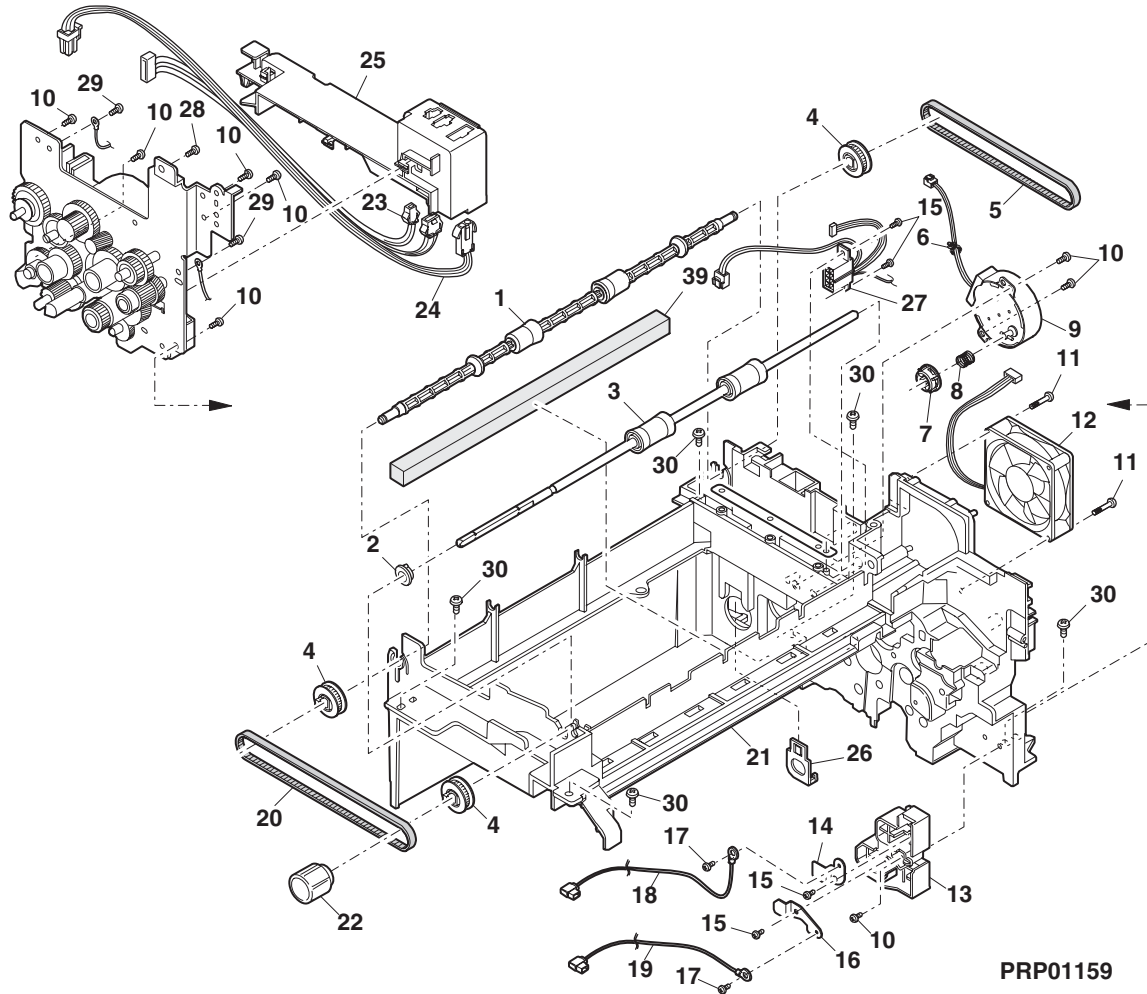


| ITEM NO. | PARTS NO. | PARTS NAME | Q'TY | Q'TY | P | I | R | BSI NO. | TO | T | FROM | SERIAL NO. | REMARKS | C |
|----------|-------------|-----------------|------|------|---|---|---|---------|----|---|------|------------|---------|---|
| | | | PAGE | PACK | | | | | | | | | | |
| 1 | 41330606700 | Screw M3X12 | 6 | 1 | | | | | | | | | | |
| 2 | 6LA58621100 | LSU harness | 1 | 1 | | | | | | | | | | |
| 3 | 41330513400 | Wire band | 1 | 1 | | | | | | | | | | |
| 4 | 6LA58623100 | LSU unit | 1 | 1 | | | | | | | | | A4/600D | |
| 5 | 6LA58627600 | Paper guide SP | 2 | 1 | | | | | | | | | | |
| 6 | 6LA58631400 | LSU protect STA | 2 | 1 | | | | | | | | | | |
| 7 | 6LA58631500 | LSU protect she | 1 | 1 | | | | | | | | | | |
| 8 | 6LA58635700 | Core | 1 | 1 | | | | | | | | | | |
| | | | | | | | | | | | | | | |
| | | | | | | | | | | | | | | |
| | | | | | | | | | | | | | | |
| | | | | | | | | | | | | | | |
| | | | | | | | | | | | | | | |
| | | | | | | | | | | | | | | |
| | | | | | | | | | | | | | | |
| | | | | | | | | | | | | | | |
| | | | | | | | | | | | | | | |
| | | | | | | | | | | | | | | |
| | | | | | | | | | | | | | | |
| | | | | | | | | | | | | | | |
| | | | | | | | | | | | | | | |
| | | | | | | | | | | | | | | |
| | | | | | | | | | | | | | | |
| | | | | | | | | | | | | | | |
| | | | | | | | | | | | | | | |
| | | | | | | | | | | | | | | |
| | | | | | | | | | | | | | | |
| | | | | | | | | | | | | | | |
| | | | | | | | | | | | | | | |
| | | | | | | | | | | | | | | |
| | | | | | | | | | | | | | | |

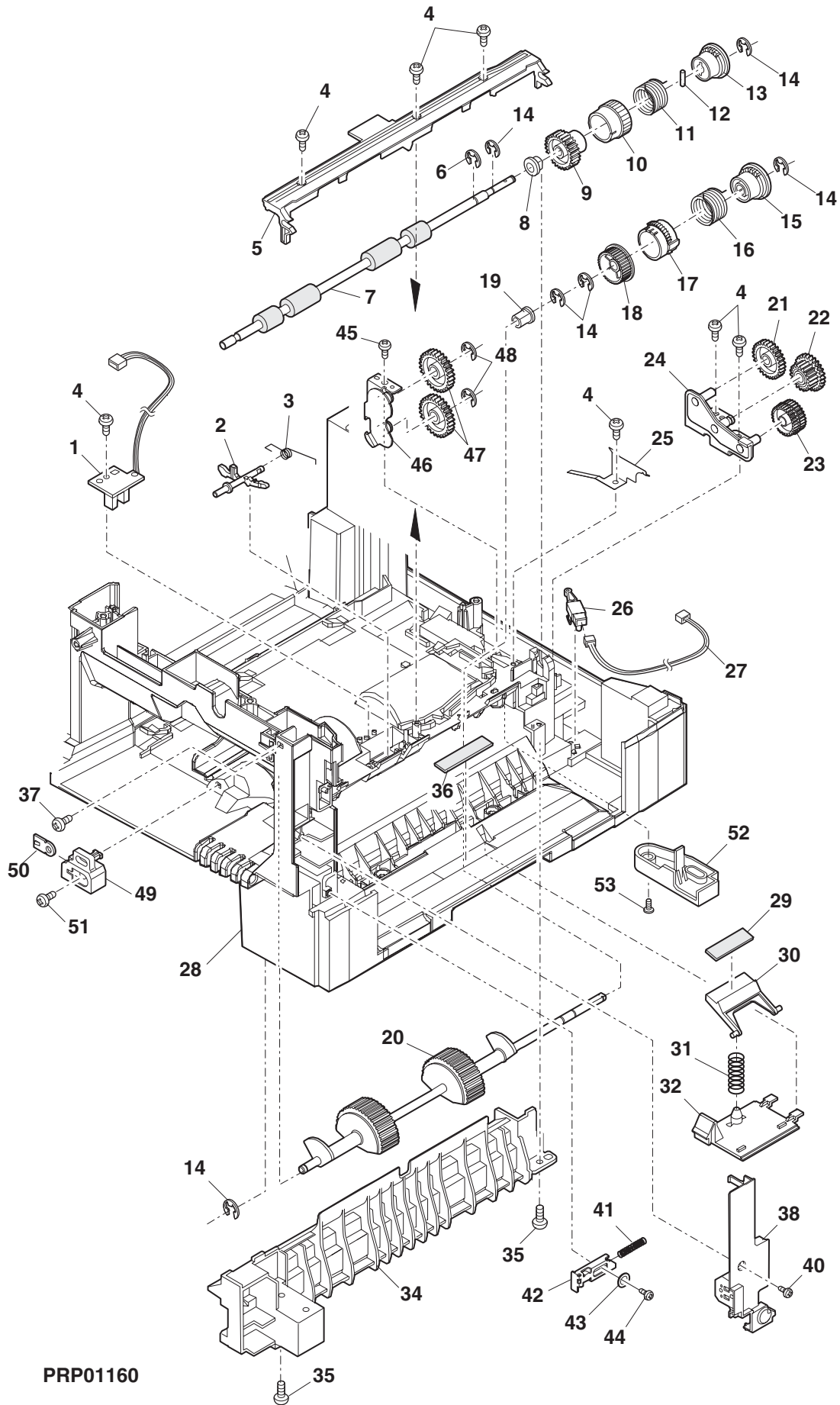


PRP01158

| ITEM NO. | PARTS NO. | PARTS NAME | QTY | | PIR | BSI NO. | TO | FROM | SERIAL NO. | REMARKS | C |
|----------|-------------|-----------------|------|------|-----|---------|----|------|------------|---------|---|
| | | | PAGE | PACK | | | | | | | |
| 1 | 41330540000 | Roller upper | 2 | 1 | | | | | | | |
| 2 | 6LA58627700 | Roller SP | 2 | 1 | | | | | | | |
| 4 | 6LA58619300 | POD sensor PWB | 1 | 1 | | | | | | | |
| 5 | 41330524900 | Actuator | 1 | 1 | | | | | | | |
| 6 | 41330546800 | Paper guide | 1 | 1 | | | | | | | |
| 7 | 41330526200 | Trans roller SP | 2 | 1 | | | | | | | |
| 8 | 41330540400 | PS upper roller | 2 | 1 | | | | | | | |
| 9 | 6LA58627400 | Earth SP | 1 | 1 | | | | | | | |
| 10 | 6LA58621300 | OP-MCU harness | 1 | 1 | | | | | | | |
| 11 | 6LA58633000 | Panel core ST | 1 | 1 | | | | | | | |
| 12 | 6LA58635500 | FFC core | 1 | 1 | | | | | | | |
| 14 | 6LA58621100 | LSU harness | 1 | 1 | | | | | | | |

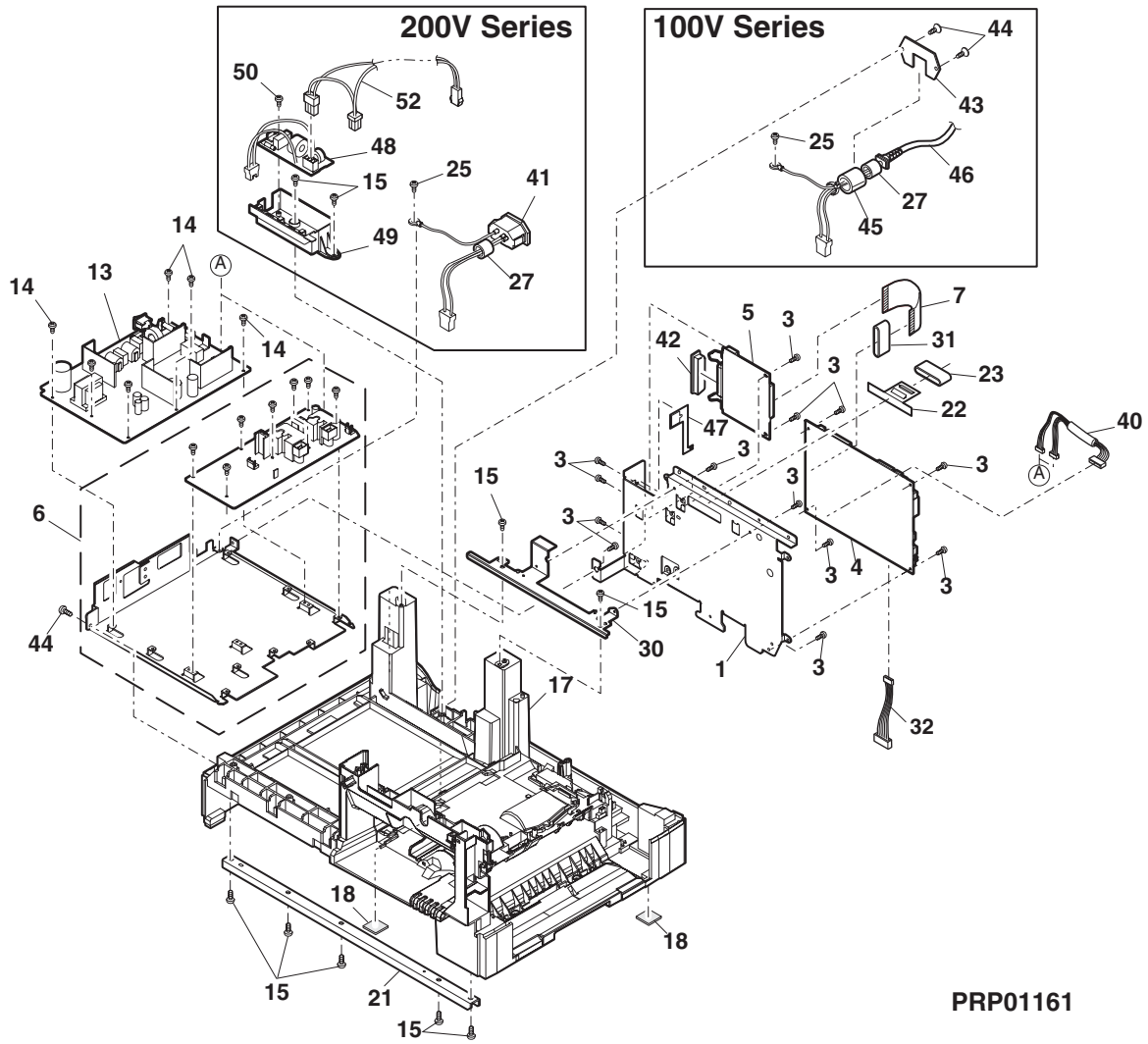


| ITEM NO. | PARTS NO. | PARTS NAME | QTY / PAGE | QTY / PACK | PIR | BSI NO. | TO | FROM | SERIAL NO. | REMARKS | C |
|----------|-------------|-----------------|------------|------------|-----|---------|----|------|------------|-------------|---|
| 1 | 41330539400 | Roller lower | 1 | 1 | | | | | | | |
| 2 | 41330533300 | Roller bearing | 1 | 1 | | | | | | | |
| 3 | 6LA58629100 | Trans. roller L | 1 | 1 | | | | | | | |
| 4 | 41330538100 | Pulley 22T | 3 | 1 | | | | | | | |
| 5 | 41330532100 | Roller drv belt | 1 | 1 | | | | | | | |
| 6 | 41330513600 | Snap band SG130 | 1 | 1 | | | | | | | |
| 7 | 41330534000 | H cupring S | 1 | 1 | | | | | | | |
| 8 | 6LA58626800 | Hopper spring | 1 | 1 | | | | | | | |
| 9 | 41330566700 | Toner motor | 1 | 1 | | | | | | | |
| 10 | 41330606600 | Screw M3X10 | 8 | 1 | | | | | | | |
| 11 | 41330606800 | Screw M3X30 | 2 | 1 | | | | | | | |
| 12 | 6LA58628400 | Fan | 1 | 1 | | | | | | | |
| 13 | 41330516900 | TC HV holder | 1 | 1 | | | | | | | |
| 14 | 41330562400 | BC HV elect plt | 1 | 1 | | | | | | | |
| 15 | 41330606400 | Screw M3X6 | 4 | 1 | | | | | | | |
| 16 | 41330562300 | TC HV elect plt | 1 | 1 | | | | | | | |
| 17 | 41330605400 | Screw M3X6 | 2 | 1 | | | | | | | |
| 18 | 6LA58620300 | BC harness | 1 | 1 | | | | | | | |
| 19 | 6LA58622000 | TC harness | 1 | 1 | | | | | | | |
| 20 | 41330532200 | Belt 308 | 1 | 1 | | | | | | | |
| 21 | 41330515800 | Middle frame | 1 | 1 | | | | | | | |
| 22 | 41330512900 | Rotation knob | 1 | 1 | | | | | | | |
| 23 | 6LA58621500 | PPD2 IF harness | 1 | 1 | | | | | | | |
| 24A | 6LA58620800 | HL harness 1 | 1 | 1 | | | | | | 200V Series | |
| 24B | 6LA58620700 | HL harness 1 | 1 | 1 | | | | | | 100V Series | |
| 25 | 41330547100 | Harness guide | 1 | 1 | | | | | | | |
| 26 | 41330517300 | DV guide pin | 1 | 1 | | | | | | | |
| 27 | 6LA58620600 | DSV harness | 1 | 1 | | | | | | | |
| 28 | 41330523100 | Screw M3X6 | 1 | 1 | | | | | | | |
| 29 | 41330605000 | Screw M3X8 | 2 | 1 | | | | | | | |
| 30 | 41330607600 | Screw M4X12 | 5 | 1 | | | | | | | |
| 39 | 6LA58631100 | Cushion | 1 | 1 | | | | | | | |

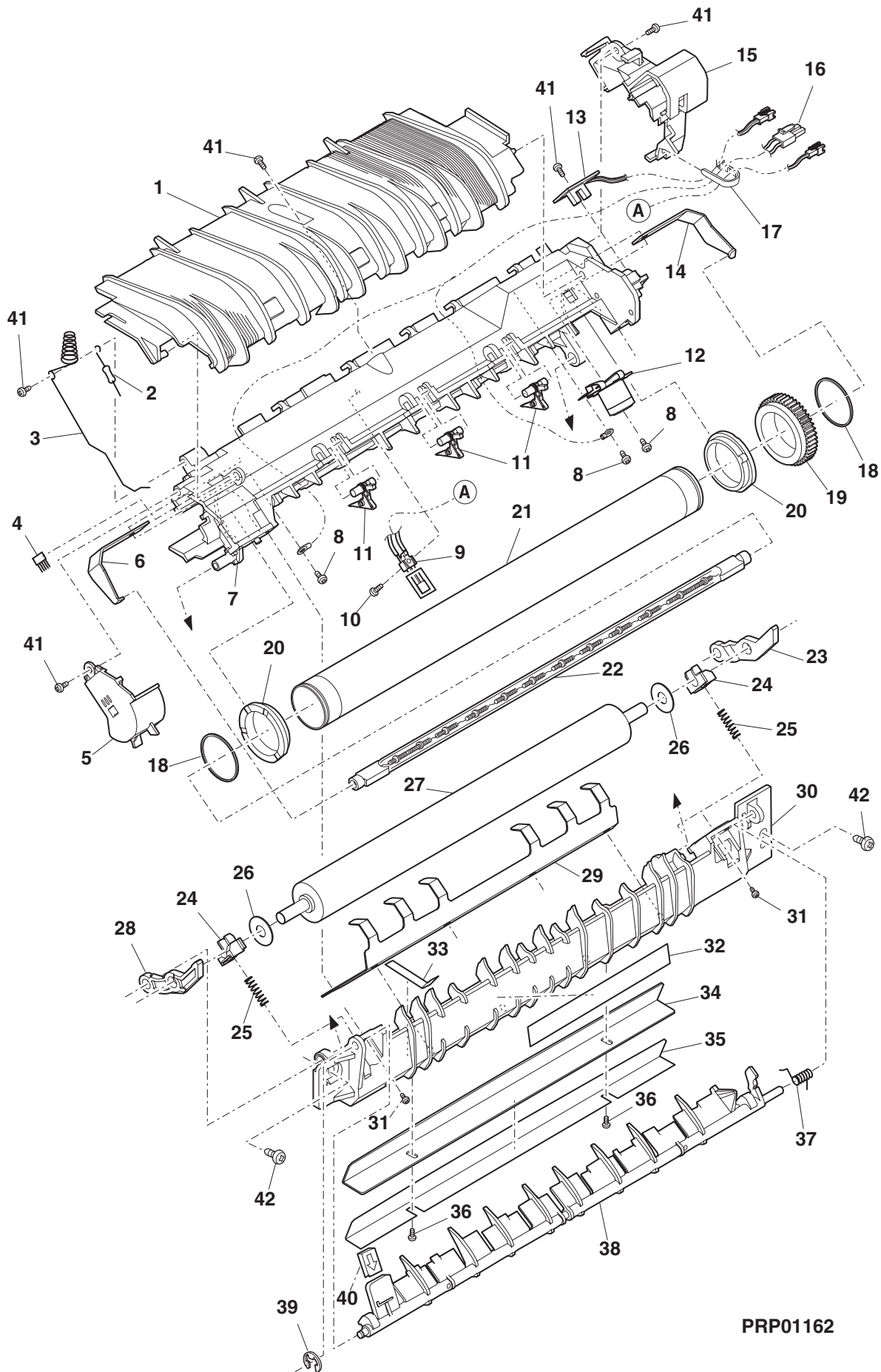


PRP01160

| ITEM NO. | PARTS NO. | PARTS NAME | Q'TY / PAGE | Q'TY / PACK | P | I | R | BSI NO. | TO | FROM | SERIAL NO. | REMARKS | C |
|----------|-------------|-----------------|-------------|-------------|---|---|---|---------|----|------|------------|---------|---|
| 1 | 6LA58619100 | PPD1 sensor PWB | 1 | 1 | | | | | | | | | |
| 2 | 41330525000 | PS actuator | 1 | 1 | | | | | | | | | |
| 3 | 6LA58626900 | PS actuator SP | 1 | 1 | | | | | | | | | |
| 4 | 41330607400 | Screw M3X10 | 7 | 1 | | | | | | | | | |
| 5 | 41330547200 | TC f guide U | 1 | 1 | | | | | | | | | |
| 6 | 41330609600 | E-ring | 1 | 1 | | | | | | | | | |
| 7 | 41330540500 | PS lower roller | 1 | 1 | | | | | | | | | |
| 8 | 41330533000 | Bearing 6 | 1 | 1 | | | | | | | | | |
| 9 | 41330535500 | Cluth gear 26T | 1 | 1 | | | | | | | | | |
| 10 | 41330550700 | Pipe A | 1 | 1 | | | | | | | | | |
| 11 | 41330529000 | MF clutch SP B | 1 | 1 | | | | | | | | | |
| 12 | 41330608800 | Spring pin 2X7 | 1 | 1 | | | | | | | | | |
| 13 | 41330514200 | Clutch boss | 1 | 1 | | | | | | | | | |
| 14 | 41330609500 | E-ring | 6 | 1 | | | | | | | | | |
| 15 | 41330513800 | Clutch boss | 1 | 1 | | | | | | | | | |
| 16 | 41330528700 | Clutch spring | 1 | 1 | | | | | | | | | |
| 17 | 41330550300 | Clutch sleeve | 1 | 1 | | | | | | | | | |
| 18 | 41330537700 | Clutch gear 29T | 1 | 1 | | | | | | | | | |
| 19 | 41330533700 | Bearing 5 | 1 | 1 | | | | | | | | | |
| 20 | 41330506000 | PF roller | 1 | 1 | | | | | | | | | |
| 21 | 41330535700 | Gear 33T | 1 | 1 | | | | | | | | | |
| 22 | 41330535900 | Gear 21/29T | 1 | 1 | | | | | | | | | |
| 23 | 41330535800 | W gear 30T | 1 | 1 | | | | | | | | | |
| 24 | 41330503100 | PF plate 2 | 1 | 1 | | | | | | | | | |
| 25 | 41330518400 | PS earth plate | 1 | 1 | | | | | | | | | |
| 26 | 41330563200 | Tray detect SW. | 1 | 1 | | | | | | | | | |
| 27 | 6LA58620500 | ICED1 harness | 1 | 1 | | | | | | | | | |
| 28 | 6LA58624100 | Base plate | 1 | 1 | | | | | | | | | |
| 29 | 41330556200 | Sheet M1 | 1 | 1 | | | | | | | | | |
| 30 | 41330516800 | Press. plt hld | 1 | 1 | | | | | | | | | |
| 31 | 41330527400 | Pressure plt SP | 1 | 1 | | | | | | | | | |
| 32 | 41330543200 | Malti cover | 1 | 1 | | | | | | | | | |
| 34 | 6LA58625700 | Base plt rail R | 1 | 1 | | | | | | | | | |
| 35 | 41330607600 | Screw M4X12 | 2 | 1 | | | | | | | | | |
| 36 | 41330556300 | PF sheet | 1 | 1 | | | | | | | | | |
| 37 | 41330605800 | Screw M3X8 | 1 | 1 | | | | | | | | | |
| 38 | 41330542700 | Sensor cover | 1 | 1 | | | | | | | | | |
| 40 | 41330607500 | Screw M3X12 | 1 | 1 | | | | | | | | | |
| 41 | 6LA58627300 | F ext. lv SP | 1 | 1 | | | | | | | | | |
| 42 | 41330517500 | F ext LV plt | 1 | 1 | | | | | | | | | |
| 43 | 41330523200 | Washer | 1 | 1 | | | | | | | | | |
| 44 | 41330607400 | Screw M3X10 | 1 | 1 | | | | | | | | | |
| 45 | 41330607600 | Screw M4X12 | 1 | 1 | | | | | | | | | |
| 46 | 41330503500 | Joint gear plt | 1 | 1 | | | | | | | | | |
| 47 | 41330537800 | 2nd joint gear | 2 | 1 | | | | | | | | | |
| 48 | 41330609700 | E-ring | 2 | 1 | | | | | | | | | |
| 49 | 41330517200 | DV fixing block | 1 | 1 | | | | | | | | | |
| 50 | 41330519300 | M4 plate | 1 | 1 | | | | | | | | | |
| 51 | 41330606500 | Screw M3X8 | 1 | 1 | | | | | | | | | |
| 52 | 41330544800 | OP gear cover | 1 | 1 | | | | | | | | | |
| 53 | 41330522900 | Screw | 1 | 1 | | | | | | | | 4X12 | |

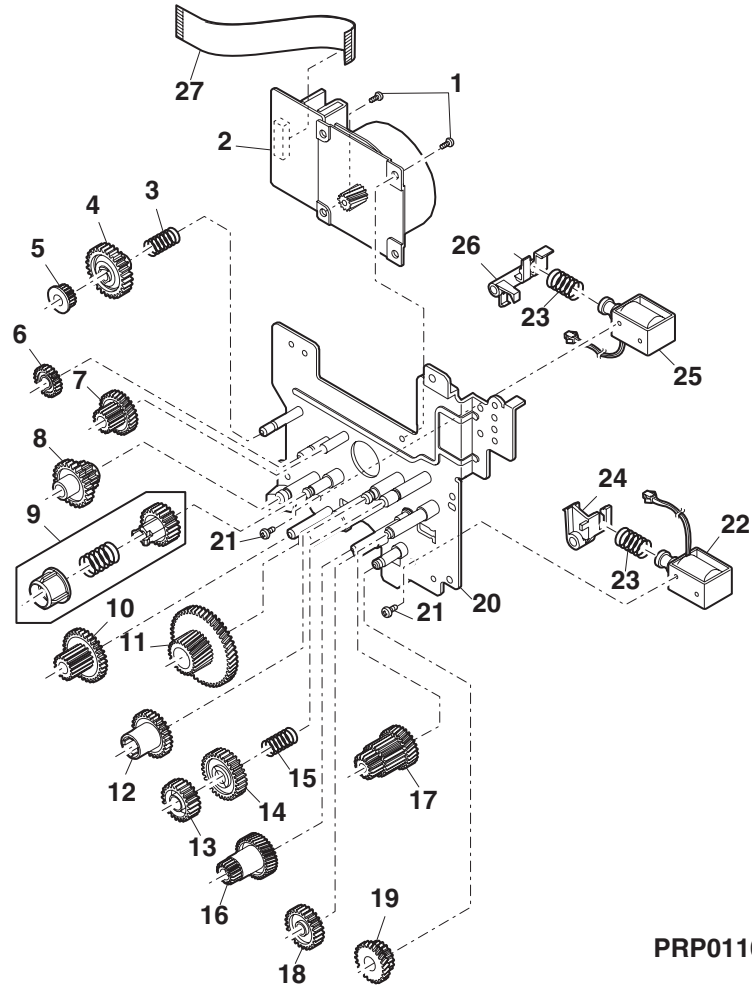


| ITEM NO. | PARTS NO. | PARTS NAME | QTY / PAGE | QTY / PACK | PIR | BSI NO. | TO | FROM | SERIAL NO. | REMARKS | C |
|----------|-------------|-----------------|------------|------------|-----|---------|----|------|------------|---------------|---|
| 1 | 6LA58624900 | PWB holder JAG | 1 | 1 | | | | | | | |
| 3 | 41330608500 | Screw M3X6 | 13 | 1 | | | | | | | |
| 4A | 6LA58619700 | MCU PWB | 1 | 1 | | | | | | e-STUDIO10120 | |
| 4B | 6LA58619800 | MCU PWB | 1 | 1 | | | | | | e-STUDIO10150 | |
| 5 | 6LA58619000 | IF PWB | 1 | 1 | | | | | | | |
| 6 | 6LA58636500 | HV PWB | 1 | 1 | | | | | | | |
| 7 | 6LA58621200 | MCU-I/F harness | 1 | 1 | | | | | | | |
| 13A | 6LA58636300 | DC PS PWB | 1 | 1 | | | | | | 100V Series | |
| 13B | 6LA58636400 | DC PS PWB | 1 | 1 | | | | | | 200V Series | |
| 14 | 6LA58646100 | Screw | 4 | 1 | | | | | | 3X6 | |
| 15A | 41330607600 | Screw M4X12 | 7 | 1 | | | | | | 100V Series | |
| 15B | 41330607600 | Screw M4X12 | 9 | 1 | | | | | | 200V Series | |
| 17 | 6LA58624100 | Base plate | 1 | 1 | | | | | | | |
| 18 | 41330512200 | Rubber foot | 2 | 1 | | | | | | | |
| 21 | 41330517800 | Reinforce plt F | 1 | 1 | | | | | | | |
| 22 | 6LA58632700 | PWB holder ST | 1 | 1 | | | | | | | |
| 23 | 6LA58635500 | FFC core | 1 | 1 | | | | | | | |
| 25 | 6LA58646200 | Screw | 1 | 1 | | | | | | 4X6 | |
| 27 | 6LA58635700 | Core | 1 | 1 | | | | | | | |
| 30 | 6LA58624700 | Connector frame | 1 | 1 | | | | | | | |
| 31 | 6LA58635900 | Ferrite core | 1 | 1 | | | | | | | |
| 32 | 6LA58620200 | 2nd CST IF WH | 1 | 1 | | | | | | | |
| 40 | 6LA58622200 | Center frame WH | 1 | 1 | | | | | | | |
| 41 | 6LA58622500 | Inlet IF WH | 1 | 1 | | | | | | 200V Series | |
| 42 | 41330542300 | Protect cap | 1 | 1 | | | | | | | |
| 43 | 6LA58625100 | AC inlet holder | 1 | 1 | | | | | | U. S. A | |
| 44A | 41330607400 | Screw M3X10 | 1 | 1 | | | | | | 100V Series | |
| 44B | 41330607400 | Screw M3X10 | 3 | 1 | | | | | | 200V Series | |
| 45 | 6LA58635800 | Core | 1 | 1 | | | | | | U. S. A | |
| 46 | 6LA58634200 | AC cord | 1 | 1 | | | | | | U. S. A | |
| 47 | 6LA58633300 | CN earth sheet | 1 | 1 | | | | | | | |
| 48 | 6LA58619400 | N filter PWB | 1 | 1 | | | | | | 200V Series | |
| 49 | 6LA58624800 | N filter holder | 1 | 1 | | | | | | 200V Series | |
| 50 | 41330606500 | Screw M3X8 | 1 | 1 | | | | | | 200V Series | |
| 52 | 6LA58620800 | HL harness 1 | 1 | 1 | | | | | | 200V Series | |

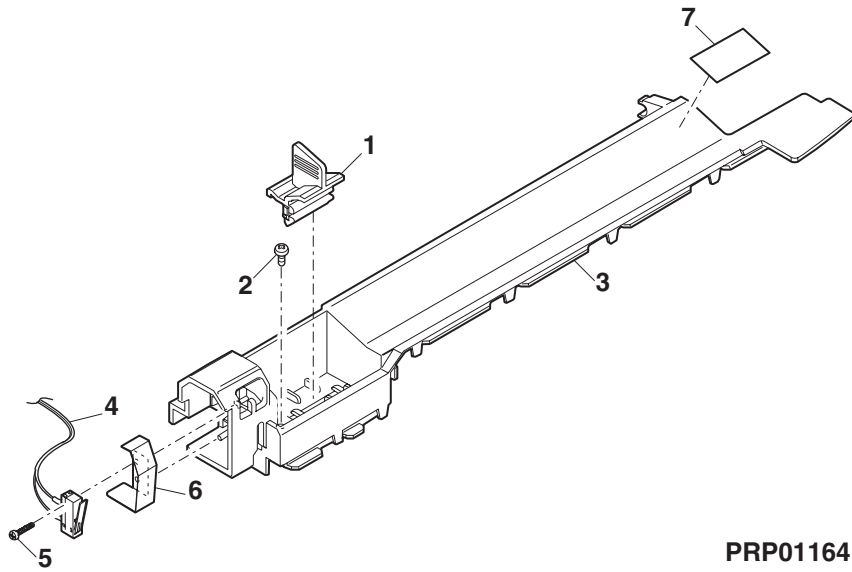


PRP01162

| ITEM NO. | PARTS NO. | PARTS NAME | Q'TY / PAGE | Q'TY / PACK | P | I | R | BSI NO. | TO | FROM | SERIAL NO. | REMARKS | C |
|----------|-------------|-----------------|-------------|-------------|---|---|---|---------|----|------|------------|-----------------|---|
| 1 | 41330548100 | U-turn guide L | 1 | 1 | | | | | | | | | |
| 2 | 41330593900 | Resistor | 1 | 1 | | | | | | | | 1/2W 150M | |
| 3 | 6LA58627500 | FU earth wire | 1 | 1 | | | | | | | | | |
| 4 | 6LA58629700 | Discharge brush | 1 | 1 | | | | | | | | | |
| 5 | 41330543000 | Fusing cover F | 1 | 1 | | | | | | | | | |
| 6 | 41330530400 | Copy lamp SP F | 1 | 1 | | | | | | | | | |
| 7 | 41330515000 | Fusing upper fm | 1 | 1 | | | | | | | | | |
| 8 | 41330522100 | Screw M3X6 | 3 | 1 | | | | | | | | | |
| 9 | 41330566100 | Thermistor | 1 | 1 | | | | | | | | | |
| 10 | 41330605900 | Screw M3X10 | 1 | 1 | | | | | | | | | |
| 11 | 6LA58620100 | Separator pawl | 3 | 1 | | | | | | | | | |
| 12 | 41330506500 | FU thermo. unit | 1 | 1 | | | | | | | | | |
| 13 | 6LA58619200 | PPD2 sensor PWB | 1 | 1 | | | | | | | | | |
| 14 | 41330530500 | Copy lamp SP R | 1 | 1 | | | | | | | | | |
| 15 | 41330543100 | Fusing cover R | 1 | 1 | | | | | | | | | |
| 16A | 6LA58620900 | HL harness 2 | 1 | 1 | | | | | | | | 100V Series | |
| 16B | 6LA58621000 | HL harness 2 | 1 | 1 | | | | | | | | 200V Series | |
| 17A | 41330513400 | Wire band | 1 | 1 | | | | | | | | Europe | |
| 17B | 41330513700 | Wire band | 1 | 1 | | | | | | | | Other countries | |
| 18 | 41330521600 | Roller stopper | 2 | 1 | | | | | | | | | |
| 19 | 41330537200 | Fushing ger 45T | 1 | 1 | | | | | | | | | |
| 20 | 41330533800 | Fusing bearing | 2 | 1 | | | | | | | | | |
| 21 | 6LA58628800 | Heart roller | 1 | 1 | | | | | | | | | |
| 22A | 6LA58637300 | Heater lamp | 1 | 1 | | | | | | | | 100V Series | |
| 22B | 41330566600 | Heater lamp | 1 | 1 | | | | | | | | 200V Series | |
| 23 | 41330525500 | Press. lever R | 1 | 1 | | | | | | | | | |
| 24 | 41330533500 | Press bearing N | 2 | 1 | | | | | | | | | |
| 25 | 41330527900 | Pressure spring | 2 | 1 | | | | | | | | | |
| 26 | 41330523400 | Washer | 2 | 1 | | | | | | | | | |
| 27 | 41330540600 | Pressure roller | 1 | 1 | | | | | | | | | |
| 28 | 41330525400 | Press. lever F | 1 | 1 | | | | | | | | | |
| 29 | 6LA58625300 | Scraper | 1 | 1 | | | | | | | | | |
| 30 | 41330515100 | Fusing lower fm | 1 | 1 | | | | | | | | | |
| 31 | 41330607500 | Screw M3X12 | 2 | 1 | | | | | | | | | |
| 32 | 6LA58602000 | H caution lbl | 1 | 1 | | | | | | | | | |
| 33 | 41330553500 | PG earth sheet | 1 | 1 | | | | | | | | | |
| 34 | 41330546600 | Fusing F PA gud | 1 | 1 | | | | | | | | | |
| 35 | 41330552000 | Front PG sheet | 1 | 1 | | | | | | | | | |
| 36 | 41330523000 | Screw | 2 | 1 | | | | | | | | | |
| 37 | 6LA58627800 | Gate spring | 1 | 1 | | | | | | | | | |
| 38 | 41330519400 | Turn over gate | 1 | 1 | | | | | | | | | |
| 39 | 41330609200 | E type ring | 1 | 1 | | | | | | | | | |
| 40 | 41330552500 | Handle label | 1 | 1 | | | | | | | | | |
| 41 | 41330607300 | Screw M3X8 | 5 | 1 | | | | | | | | | |
| 42 | 41330522200 | Screw | 2 | 1 | | | | | | | | | |
| 901A | 6LA58623300 | Fusing unit | 1 | 1 | | | | | | | | 100V Series | |
| 901B | 6LA58623200 | Fusing unit | 1 | 1 | | | | | | | | 200V Series | |

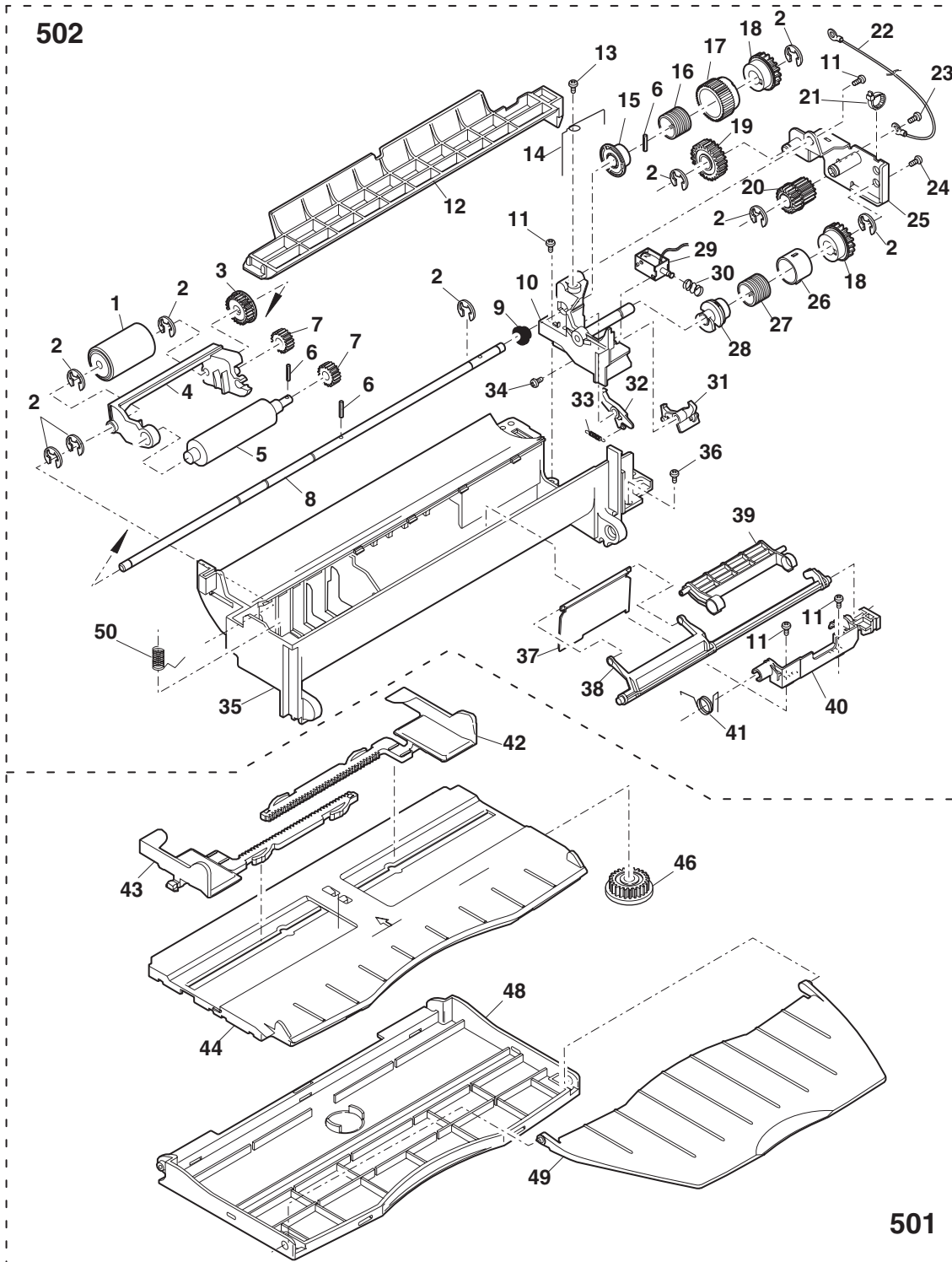


| ITEM NO. | PARTS NO. | PARTS NAME | QTY / PAGE | QTY / PACK | PIR | BSI NO. | TO | FROM | SERIAL NO. | REMARKS | C |
|----------|-------------|-----------------|------------|------------|-----|---------|----|------|------------|---------------|---|
| 1 | 41330605100 | Screw M4X6 | 2 | 1 | | | | | | | |
| 2 | 6LA58637400 | Main motor | 1 | 1 | | | | | | | |
| 3 | 6LA58627200 | Pulley spring | 1 | 1 | | | | | | | |
| 4 | 41330536700 | Ratchet ger 33T | 1 | 1 | | | | | | | |
| 5 | 41330538200 | Pulley 17T | 1 | 1 | | | | | | | |
| 6 | 41330534600 | Gear 28T | 1 | 1 | | | | | | | |
| 7 | 41330534500 | Gear 46/16T | 1 | 1 | | | | | | | |
| 8 | 41330534900 | Gear 30/15T | 1 | 1 | | | | | | | |
| 9 | 41330502400 | MG gear unit | 1 | 1 | | | | | | | |
| 10 | 41330535000 | Gear 37/15T | 1 | 1 | | | | | | | |
| 11 | 41330534300 | Gear 68/26T | 1 | 1 | | | | | | | |
| 12 | 41330535100 | Cupring ger 34T | 1 | 1 | | | | | | | |
| 13 | 41330535400 | Ratchet ger 21T | 1 | 1 | | | | | | | |
| 14 | 41330535300 | Ratchet ger 28T | 1 | 1 | | | | | | | |
| 15 | 6LA58626700 | Ratchet spring | 1 | 1 | | | | | | | |
| 16 | 6LA58628500 | Gear | 1 | 1 | | | | | | 55/19T | |
| 17 | 41330535200 | Gear 33/20/15T | 1 | 1 | | | | | | | |
| 18 | 41330534700 | Gear 20T | 1 | 1 | | | | | | | |
| 19 | 41330534800 | Gear 31/17T | 1 | 1 | | | | | | | |
| 20 | 41330503600 | Main drive plt | 1 | 1 | | | | | | | |
| 21 | 41330604900 | Screw M3X4 | 2 | 1 | | | | | | | |
| 22 | 6LA58637700 | Solenoid | 1 | 1 | | | | | | | |
| 23 | 41330529100 | Spring B | 2 | 1 | | | | | | | |
| 24 | 41330557100 | PS roller pawl | 1 | 1 | | | | | | | |
| 25 | 41330568400 | Solenoid | 1 | 1 | | | | | | | |
| 26 | 41330557200 | Roller pawl | 1 | 1 | | | | | | | |
| 27 | 6LA58622400 | Main motor WH | 1 | 1 | | | | | | | |
| 901 | 6LA58618200 | Drive unit | 1 | 1 | | | | | | Except No. 27 | |



PRP01164

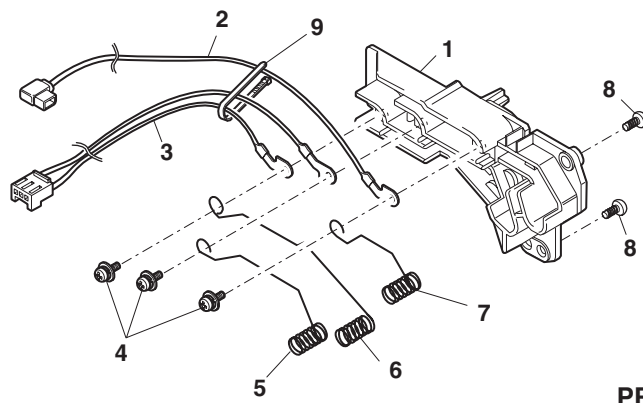
| ITEM NO. | PARTS NO. | PARTS NAME | QTY / PAGE | QTY / PACK | P | I | R | BSI NO. | TO | FROM | SERIAL NO. | REMARKS | C |
|----------|-------------|-----------------|------------|------------|---|---|---|---------|----|------|------------|---------|---|
| 1 | 41330501100 | CH cleaner unit | 1 | 1 | | | | | | | | | |
| 2 | 41330607300 | Screw M3X8 | 1 | 1 | | | | | | | | | |
| 3 | 6LA58629800 | M upper cover | 1 | 1 | | | | | | | | | |
| 4 | 6LA58620000 | S door sw unit | 1 | 1 | | | | | | | | | |
| 5 | 6LA58646300 | Screw | 1 | 1 | | | | | | | | 2X10 | |
| 6 | 41330530900 | Door switch SP | 1 | 1 | | | | | | | | | |
| 7 | 41330554000 | MB u gud sheet | 1 | 1 | | | | | | | | | |



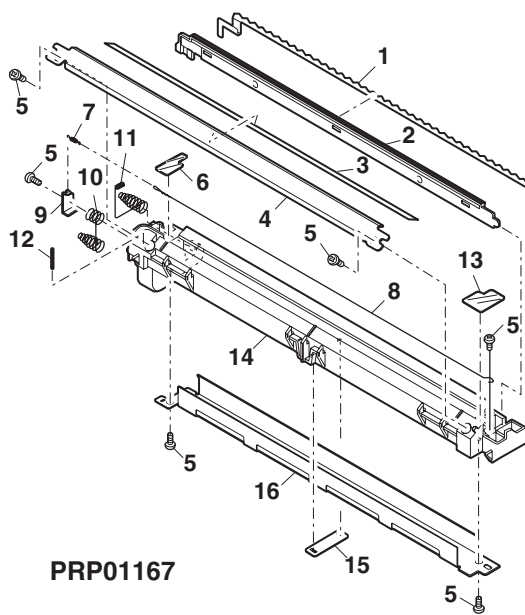
501

PRP01165

| ITEM NO. | PARTS NO. | PARTS NAME | Q'TY / PAGE | Q'TY / PACK | P | I | R | BSI NO. | TO | FROM | SERIAL NO. | REMARKS | C |
|----------|-------------|-----------------|-------------|-------------|---|---|---|---------|----|------|------------|---------|---|
| 1 | 41330540700 | MPF roller | 1 | 1 | | | | | | | | | |
| 2 | 41330609500 | E-ring | 9 | 1 | | | | | | | | | |
| 3 | 41330537600 | Gear 20T | 1 | 1 | | | | | | | | | |
| 4 | 41330524200 | Arm C | 1 | 1 | | | | | | | | | |
| 5 | 41330540200 | Roller R | 1 | 1 | | | | | | | | | |
| 6 | 41330608800 | Spring pin 2X7 | 3 | 1 | | | | | | | | | |
| 7 | 41330537400 | Gear 16T | 2 | 1 | | | | | | | | | |
| 8 | 41330541600 | Cam boss A sht | 1 | 1 | | | | | | | | | |
| 9 | 41330514600 | M bushing C | 1 | 1 | | | | | | | | | |
| 10 | 41330514300 | Multi F bracket | 1 | 1 | | | | | | | | | |
| 11 | 41330607300 | Screw M3X8 | 4 | 1 | | | | | | | | | |
| 12 | 6LA58630400 | DUP upper guide | 1 | 1 | | | | | | | | | |
| 13 | 41330606400 | Screw M3X6 | 1 | 1 | | | | | | | | | |
| 14 | 41330527600 | M feed GND SP | 1 | 1 | | | | | | | | | |
| 15 | 41330514200 | Clutch boss | 1 | 1 | | | | | | | | | |
| 16 | 41330528900 | Clutch spring A | 1 | 1 | | | | | | | | | |
| 17 | 41330550700 | Pipe A | 1 | 1 | | | | | | | | | |
| 18 | 6LA58624400 | Cam boss A1R | 2 | 1 | | | | | | | | | |
| 19 | 41330537300 | Gear 27T | 1 | 1 | | | | | | | | | |
| 20 | 41330537500 | Gear 20.20MXL | 1 | 1 | | | | | | | | | |
| 21 | 41330513400 | Wire band | 1 | 1 | | | | | | | | | |
| 22 | 6LA58622300 | M feed GND WH | 1 | 1 | | | | | | | | | |
| 23 | 41330608500 | Screw M3X6 | 1 | 1 | | | | | | | | | |
| 24 | 41330605600 | Screw M3X6 | 1 | 1 | | | | | | | | | |
| 25 | 41330503000 | Paper plate 1 | 1 | 1 | | | | | | | | | |
| 26 | 41330550800 | Pipe B | 1 | 1 | | | | | | | | | |
| 27 | 41330529000 | MF clutch SP B | 1 | 1 | | | | | | | | | |
| 28 | 41330514000 | Cam boss B | 1 | 1 | | | | | | | | | |
| 29 | 41330568500 | MF solenoid | 1 | 1 | | | | | | | | | |
| 30 | 41330529100 | Spring B | 1 | 1 | | | | | | | | | |
| 31 | 41330557700 | MPF pawl B | 1 | 1 | | | | | | | | | |
| 32 | 41330557600 | MPF pawl A | 1 | 1 | | | | | | | | | |
| 33 | 41330529300 | Pawl A spring | 1 | 1 | | | | | | | | | |
| 34 | 41330605000 | Screw M3X8 | 1 | 1 | | | | | | | | | |
| 35 | 41330515300 | Multi frame | 1 | 1 | | | | | | | | | |
| 36 | 41330607600 | Screw M4X12 | 1 | 1 | | | | | | | | | |
| 37 | 41330521800 | Stopper plate | 1 | 1 | | | | | | | | | |
| 38 | 41330524400 | Arm B | 1 | 1 | | | | | | | | | |
| 39 | 41330524300 | Arm A | 1 | 1 | | | | | | | | | |
| 40 | 41330524600 | Arm hinge | 1 | 1 | | | | | | | | | |
| 41 | 41330527500 | Arm C spring | 1 | 1 | | | | | | | | | |
| 42 | 41330547800 | MB side guide R | 1 | 1 | | | | | | | | | |
| 43 | 41330547700 | MB side guide L | 1 | 1 | | | | | | | | | |
| 44 | 41330543400 | M Tray F cover | 1 | 1 | | | | | | | | | |
| 46 | 41330535600 | M feed gear | 1 | 1 | | | | | | | | | |
| 48 | 41330520800 | Multi tray 1 | 1 | 1 | | | | | | | | | |
| 49 | 41330520900 | Multi tray 2 | 1 | 1 | | | | | | | | | |
| 50 | 41330528400 | Spring | 1 | 1 | | | | | | | | | |
| 501 | 41330506200 | MPF tray unit | 1 | 1 | | | | | | | | | |
| 502 | 6LA58617600 | MPF unit | 1 | 1 | | | | | | | | | |

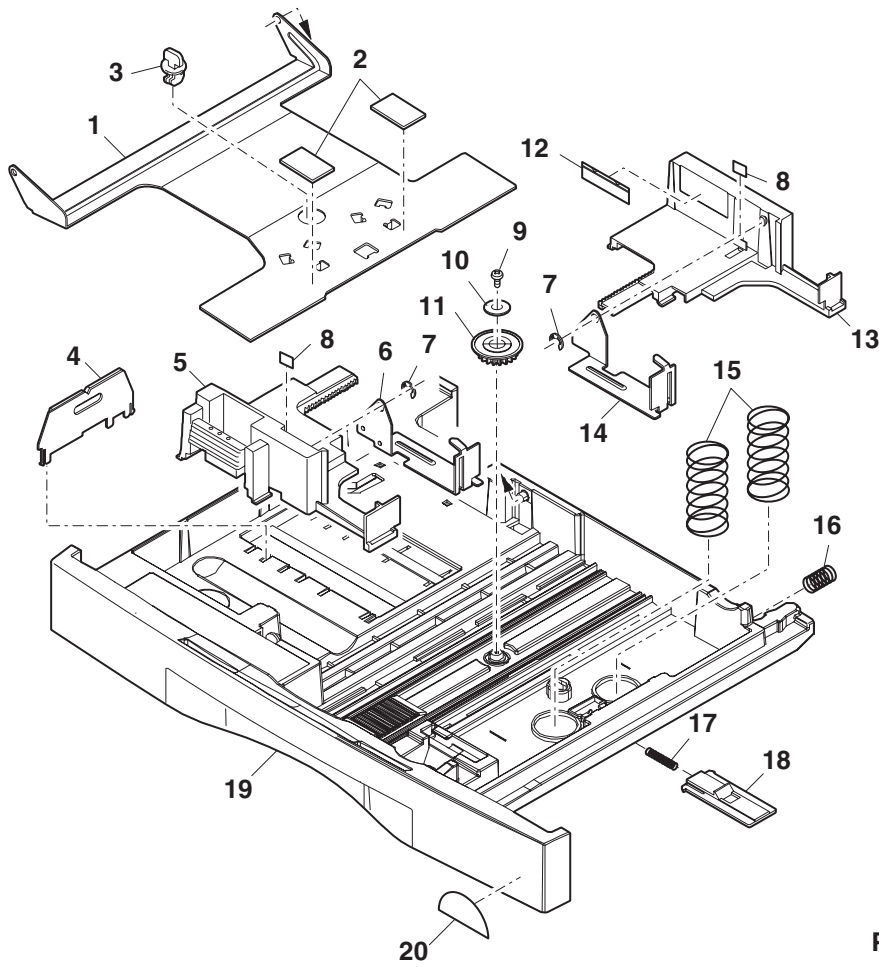


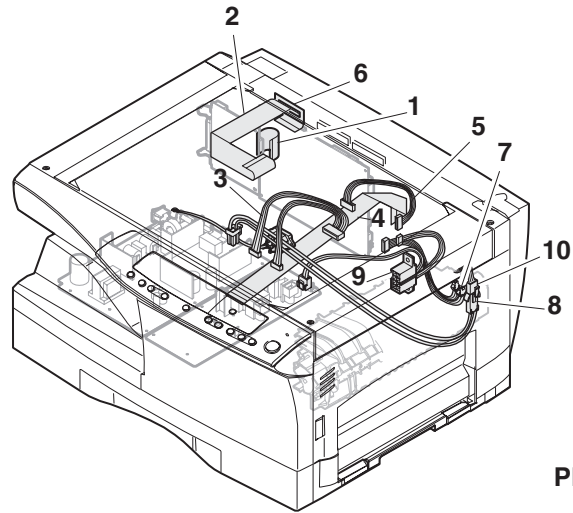
PRP01166



PRP01167

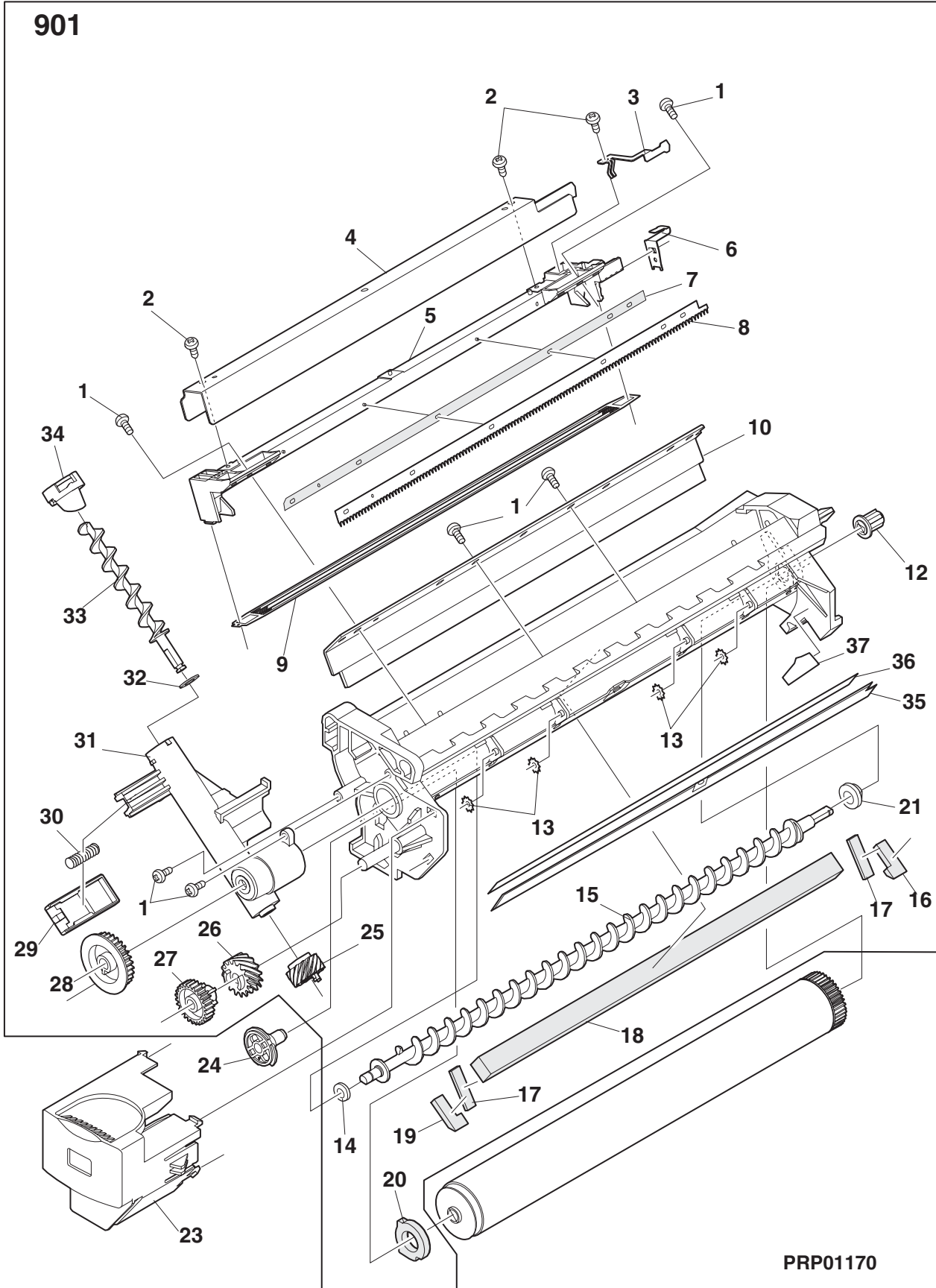
| ITEM NO. | PARTS NO. | PARTS NAME | QTY / PAGE | QTY / PACK | P | I | R | BSI NO. | TO | FROM | SERIAL NO. | REMARKS | C |
|----------|-------------|-----------------|------------|------------|---|---|---|---------|----|------|------------|---------|---|
| 1 | 41330552900 | Discharge sheet | 1 | 1 | | | | | | | | | |
| 2 | 41330547300 | Separator guige | 1 | 1 | | | | | | | | | |
| 3 | 41330551700 | TC sheet | 1 | 1 | | | | | | | | | |
| 4 | 41330546500 | TC front guide | 1 | 1 | | | | | | | | | |
| 5 | 41330606400 | Screw M3X6 | 6 | 1 | | | | | | | | | |
| 6 | 41330551900 | TC cov sheet R | 1 | 1 | | | | | | | | | |
| 7 | 41330532000 | MC tension SP | 1 | 1 | | | | | | | | | |
| 8 | 41330510600 | Charger wire | 1 | 1 | | | | | | | | | |
| 9 | 41330562500 | TC elect. plate | 1 | 1 | | | | | | | | | |
| 10 | 41330526700 | TC electrode SP | 1 | 1 | | | | | | | | | |
| 11 | 41330526800 | BC electrode SP | 1 | 1 | | | | | | | | | |
| 12 | 6LA58627100 | F guide GND SP | 1 | 1 | | | | | | | | | |
| 13 | 41330551800 | TC cov sheet F | 1 | 1 | | | | | | | | | |
| 14 | 41330516400 | TC holder | 1 | 1 | | | | | | | | | |
| 15 | 41330514700 | Holer fix plt | 1 | 1 | | | | | | | | | |
| 16 | 41330542400 | TC case | 1 | 1 | | | | | | | | | |
| 901 | 41330502700 | Trans. hld unit | 1 | 1 | | | | | | | | | |



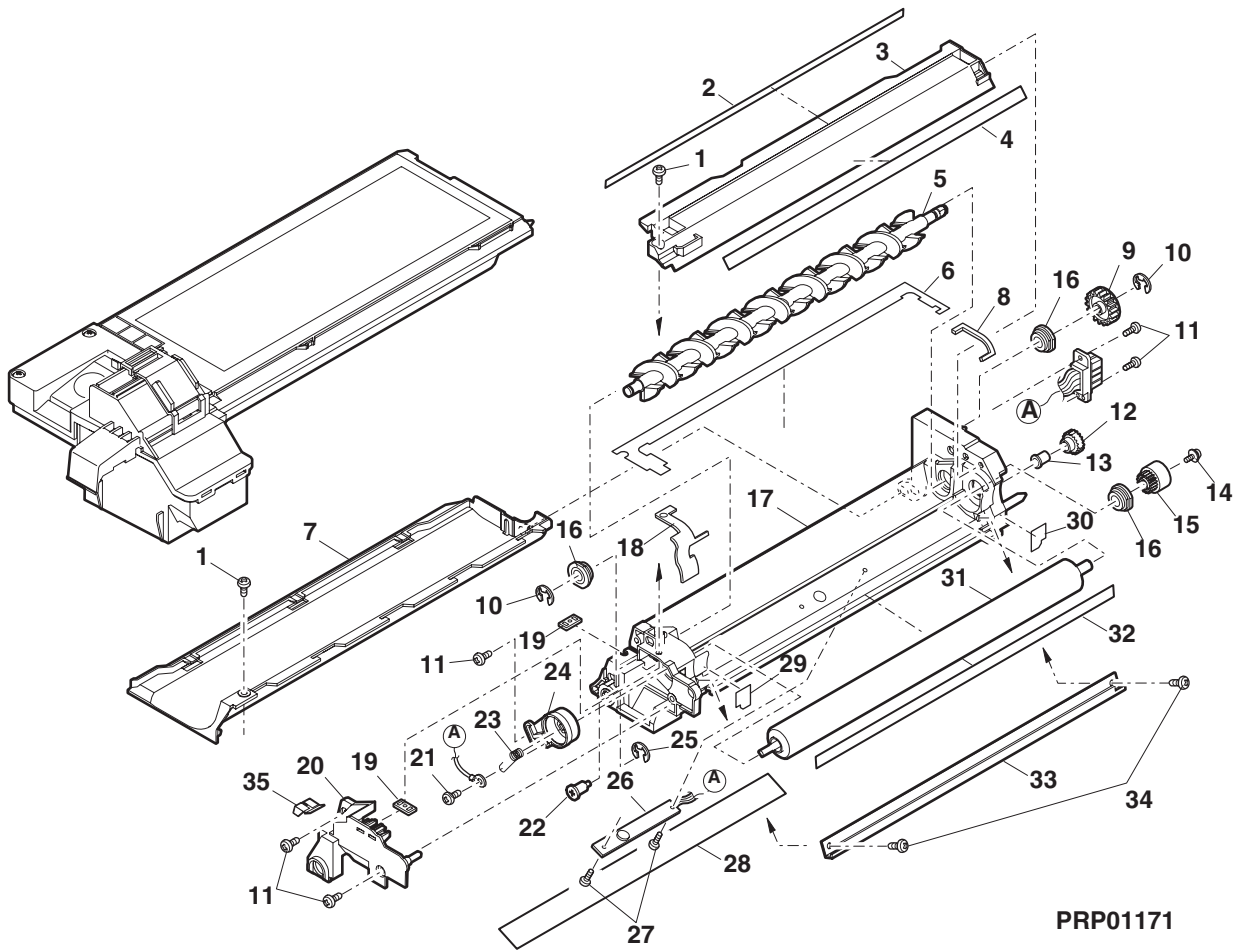


PRP01169

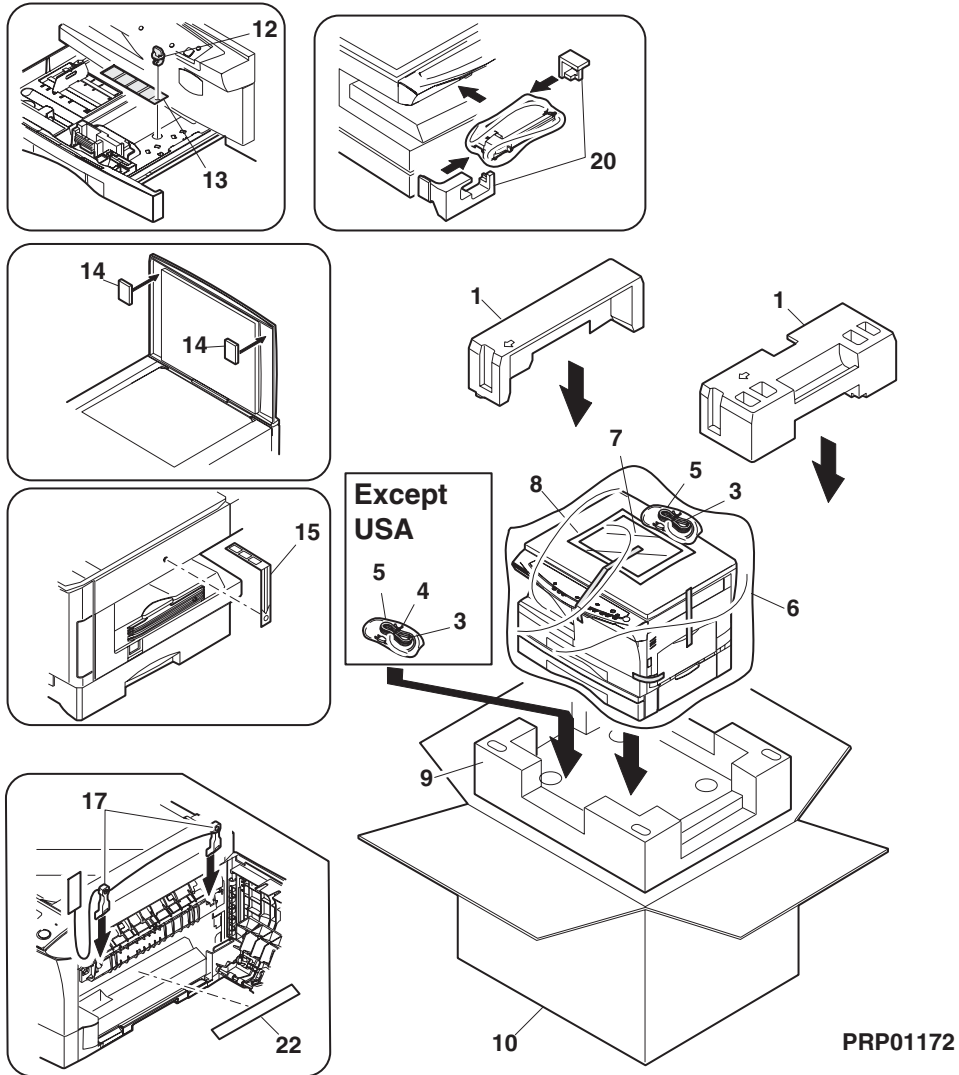
| ITEM NO. | PARTS NO. | PARTS NAME | QTY / PAGE | QTY / PACK | P | I | R | BSI NO. | TO | FROM | SERIAL NO. | REMARKS | C |
|----------|-------------|------------------|------------|------------|---|---|---|---------|----|------|------------|-------------|---|
| 1 | 6LA58621200 | MCU-I/F harness | 1 | 1 | | | | | | | | | |
| 2 | 6LA58620400 | ICCD-MCU harness | 1 | 1 | | | | | | | | | |
| 3 | 6LA58622200 | Center frame WH | 1 | 1 | | | | | | | | | |
| 4 | 6LA58621300 | OP-MCU harness | 1 | 1 | | | | | | | | | |
| 5 | 6LA58622400 | Main motor WH | 1 | 1 | | | | | | | | | |
| 6 | 6LA58632700 | PWB holder ST | 1 | 1 | | | | | | | | | |
| 7 | 6LA58621500 | PPD2 IF harness | 1 | 1 | | | | | | | | | |
| 8A | 6LA58620800 | HL harness 1 | 1 | 1 | | | | | | | | 200V Series | |
| 8B | 6LA58620700 | HL harness 1 | 1 | 1 | | | | | | | | 100V Series | |
| 9 | 6LA58620600 | DSV harness | 1 | 1 | | | | | | | | | |
| 10A | 6LA58620900 | HL harness 2 | 1 | 1 | | | | | | | | 100V Series | |
| 10B | 6LA58621000 | HL harness 2 | 1 | 1 | | | | | | | | 200V Series | |



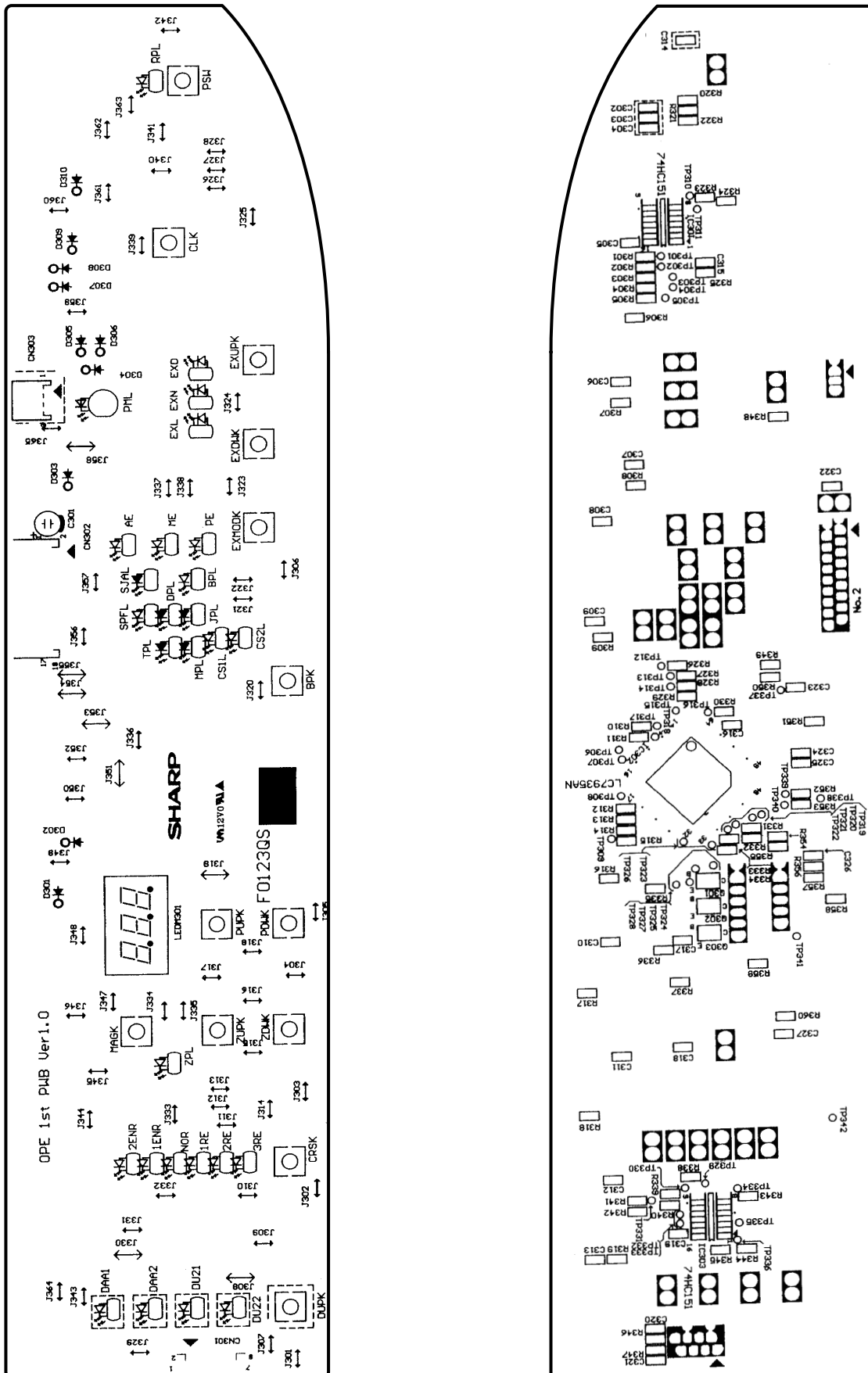
| ITEM NO. | PARTS NO. | PARTS NAME | QTY / PAGE | QTY / PACK | P | I | R | BSI NO. | TO | FROM | SERIAL NO. | REMARKS | C |
|----------|-------------|-----------------|------------|------------|---|---|---|---------|----|------|------------|-----------------|---|
| 1 | 41330606600 | Screw M3X10 | 6 | 1 | | | | | | | | | |
| 2 | 41330606200 | Screw | 3 | 1 | | | | | | | | 2. 6X5 | |
| 3 | 41330563500 | Saw terminal | 1 | 1 | | | | | | | | | |
| 4 | 41330542600 | MC case | 1 | 1 | | | | | | | | | |
| 5 | 41330516700 | MC holder unit | 1 | 1 | | | | | | | | | |
| 6 | 41330563600 | Grid terminal | 1 | 1 | | | | | | | | | |
| 7 | 41330558000 | Saw tape | 1 | 1 | | | | | | | | | |
| 8 | 6LA58625400 | Saw | 1 | 1 | | | | | | | | | |
| 9 | 41330518100 | Grid | 1 | 1 | | | | | | | | | |
| 10 | 6LA58639600 | Cleaning blade | 1 | 1 | | | | | | | | | |
| 12 | 41330533900 | Screw cupring | 1 | 1 | | | | | | | | | |
| 13 | 41330523500 | Washer | 4 | 1 | | | | | | | | | |
| 14 | 41330549900 | Screw cushion | 1 | 1 | | | | | | | | | |
| 15 | 41330540900 | Screw | 1 | 1 | | | | | | | | | |
| 16 | 41330551000 | Seal R | 1 | 1 | | | | | | | | | |
| 17 | 41330549600 | Toner cushion | 2 | 1 | | | | | | | | | |
| 18 | 6LA58630900 | Blade cushion | 1 | 1 | | | | | | | | | |
| 19 | 41330550900 | Seal F | 1 | 1 | | | | | | | | | |
| 20 | 41330549800 | Flange cushion | 1 | 1 | | | | | | | | | |
| 21 | 41330533600 | DV bearing | 1 | 1 | | | | | | | | | |
| 23 | 41330543300 | Drum cover | 1 | 1 | | | | | | | | | |
| 24 | 41330519500 | Drum hld plt | 1 | 1 | | | | | | | | | |
| 25 | 41330536400 | Trans pipe gear | 1 | 1 | | | | | | | | | |
| 26 | 41330536300 | Trans pipe gear | 1 | 1 | | | | | | | | | |
| 27 | 41330536200 | Idle gear | 1 | 1 | | | | | | | | | |
| 28 | 41330536100 | Trans scw gear | 1 | 1 | | | | | | | | | |
| 29 | 41330556500 | TC pipp shuter | 1 | 1 | | | | | | | | | |
| 30 | 6LA58627000 | Toner pipe SP | 1 | 1 | | | | | | | | | |
| 31 | 41330550400 | Toner pipe | 1 | 1 | | | | | | | | | |
| 32 | 41330556700 | P cap spacer | 1 | 1 | | | | | | | | | |
| 33 | 41330540800 | Trans pipe scw | 1 | 1 | | | | | | | | | |
| 34 | 41330542200 | Toner pipe cap | 1 | 1 | | | | | | | | | |
| 35 | 6LA58639700 | Sub blade | 1 | 1 | | | | | | | | | |
| 36 | 6LA58633400 | Sub blade tape | 1 | 1 | | | | | | | | | |
| 37 | 6LA58631000 | Shield cushion | 1 | 1 | | | | | | | | | |
| 901A | 6LA58617200 | Process unit | 1 | 1 | | | | | | | | Europe | |
| 901B | 41330501500 | Process unit | 1 | 1 | | | | | | | | Other countries | |



| ITEM NO. | PARTS NO. | PARTS NAME | QTY / PAGE | QTY / PACK | P | I | R | BSI NO. | TO | FROM | SERIAL NO. | REMARKS | C |
|----------|-------------|-----------------|------------|------------|---|---|---|---------|----|------|------------|---------|---|
| 1 | 41330605200 | Screw M3X8 | 2 | 1 | | | | | | | | | |
| 2 | 41330551600 | DV-COVsheet | 1 | 1 | | | | | | | | | |
| 3 | 41330544900 | DV-cover-U | 1 | 1 | | | | | | | | | |
| 4 | 41330576000 | DV blade | 1 | 1 | | | | | | | | | |
| 5 | 41330540100 | DMX roller | 1 | 1 | | | | | | | | | |
| 6 | 41330551300 | DV seal CN | 1 | 1 | | | | | | | | | |
| 7 | 41330548700 | TN guide D | 1 | 1 | | | | | | | | | |
| 8 | 41330551400 | DV seal RN | 1 | 1 | | | | | | | | | |
| 9 | 41330536900 | DMX Gear 28T | 1 | 1 | | | | | | | | | |
| 10 | 41330609500 | E-ring | 2 | 1 | | | | | | | | | |
| 11 | 41330607900 | Screw M3X8 | 5 | 1 | | | | | | | | | |
| 12 | 41330534200 | DV idle ger 20T | 1 | 1 | | | | | | | | | |
| 13 | 41330532900 | DID bearing | 1 | 1 | | | | | | | | | |
| 14 | 41330605600 | Screw M3X6 | 1 | 1 | | | | | | | | | |
| 15 | 6LA58628600 | DV gear | 1 | 1 | | | | | | | | 18T | |
| 16 | 41330532800 | DMX bearing | 3 | 1 | | | | | | | | | |
| 17 | 41330541700 | DV-BOX | 1 | 1 | | | | | | | | | |
| 18 | 41330551200 | DV seal FN | 1 | 1 | | | | | | | | | |
| 19 | 41330518900 | DV fixing plate | 2 | 1 | | | | | | | | | |
| 20 | 41330545000 | DV-cover-F | 1 | 1 | | | | | | | | | |
| 21 | 41330606400 | Screw M3X6 | 1 | 1 | | | | | | | | | |
| 22 | 41330522800 | Screw | 1 | 1 | | | | | | | | | |
| 23 | 41330530200 | Byass spring | 1 | 1 | | | | | | | | | |
| 24 | 41330515900 | MG holder | 1 | 1 | | | | | | | | | |
| 25 | 41330609600 | E-ring | 1 | 1 | | | | | | | | | |
| 26 | 6LA58636600 | ATC sensor | 1 | 1 | | | | | | | | | |
| 27 | 41330609800 | Screw | 2 | 1 | | | | | | | | 3X6 | |
| 28 | 41330551100 | DV seal A | 1 | 1 | | | | | | | | | |
| 29 | 41330553200 | Side sheet FN | 1 | 1 | | | | | | | | | |
| 30 | 41330551500 | DV side seal RN | 1 | 1 | | | | | | | | | |
| 31 | 41330539300 | MG roller | 1 | 1 | | | | | | | | | |
| 32 | 41330549500 | DVC cushion | 1 | 1 | | | | | | | | | |
| 33 | 41330517400 | DV doctor N | 1 | 1 | | | | | | | | | |
| 34 | 41330609900 | Screw | 2 | 1 | | | | | | | | 3X8 | |
| 35 | 41330542100 | Brush | 1 | 1 | | | | | | | | | |



| ITEM NO. | PARTS NO. | PARTS NAME | QTY / PAGE | QTY / PACK | P | I | R | BSI NO. | TO | FROM | SERIAL NO. | REMARKS | C |
|----------|-------------|-----------------|------------|------------|---|---|---|---------|----|------|------------|------------------------|---|
| 1 | 6LA58638100 | Top packing OC | 1 | 1 | | | | | | | | | |
| 3A | 6LA58634300 | AC cord | 1 | 1 | | | | | | | | Europe | |
| 3B | 6LA58634200 | AC cord | 1 | 1 | | | | | | | | U. S. A | |
| 3C | 6LA58634400 | AC cord | 1 | 1 | | | | | | | | Oceania | |
| 4 | 41330575900 | AC cable band | 1 | 1 | | | | | | | | Except U. S. A | |
| 5 | 41330573100 | Bag | 1 | 1 | | | | | | | | | |
| 6 | 41330573400 | Bag | 1 | 1 | | | | | | | | | |
| 7 | 6LA58639100 | Ope. manual | 1 | 1 | | | | | | | | English | |
| 8 | 41330572900 | Bag 240X300mm | 1 | 1 | | | | | | | | | |
| 9 | 6LA58637900 | Bottom packing | 1 | 1 | | | | | | | | | |
| 12 | 41330516000 | Turn fasner | 1 | 1 | | | | | | | | | |
| 13 | 41330575600 | Rotation tag | 1 | 1 | | | | | | | | | |
| 14 | 6LA58637800 | OC packing | 2 | 1 | | | | | | | | | |
| 15 | 6LA58639500 | Scanner fixing | 1 | 1 | | | | | | | | | |
| 17 | 41330502900 | Press. block LV | 1 | 1 | | | | | | | | | |
| 20 | 6LA58638000 | Accessories A | 1 | 1 | | | | | | | | | |
| 22A | 41330574100 | LSU caution lbl | 1 | 1 | | | | | | | | U. S. A, Asia, Oceania | |
| 22B | 6LA58639000 | LSU caution lbl | 1 | 1 | | | | | | | | Europe | |
| 101A | 6LA58617300 | CD-ROM | 1 | 1 | | | | | | | | U. S. A, Asia, Oceania | |
| 101B | 6LA58617400 | CD-ROM | 1 | 1 | | | | | | | | Europe | |

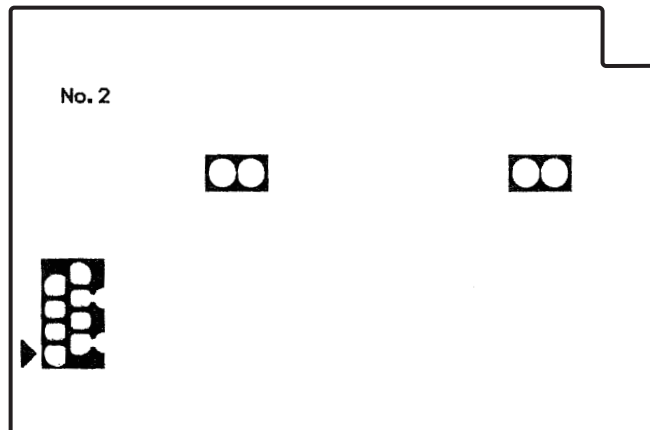
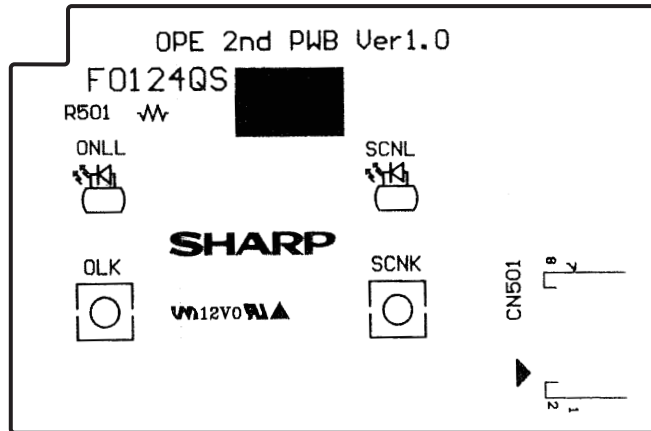


| ITEM NO. | PARTS NO. | PARTS NAME | QTY / PAGE | QTY / PACK | PIR | BSI NO. | TO | FROM | SERIAL NO. | REMARKS | C |
|----------|-------------|----------------------|------------|------------|-----|---------|----|------|------------|--------------|---|
| 0 | 6LA58619500 | Operation PWB | 1 | 1 | | | | | | | |
| 11 | 6LA58635000 | Connector CN301 | 1 | 1 | | | | | | 8pin | |
| 12 | 41330561900 | Connector CN302 | 1 | 1 | | | | | | 18pin | |
| 21 | 6LA58635300 | Tact swtch MAGK | 1 | 1 | | | | | | SKQNAB010 | |
| 31 | 6LA58635300 | Tact swtch BPK | 1 | 1 | | | | | | SKQNAB010 | |
| 41 | 6LA58635300 | Tact swtch CLK | 1 | 1 | | | | | | SKQNAB010 | |
| 51 | 6LA58635300 | Tact swtch CRSK | 1 | 1 | | | | | | SKQNAB010 | |
| 61 | 6LA58635300 | Tact swtch EXDWK | 1 | 1 | | | | | | SKQNAB010 | |
| 71 | 6LA58635300 | Tact swtch EXMODK | 1 | 1 | | | | | | SKQNAB010 | |
| 81 | 6LA58635300 | Tact swtch EXUPK | 1 | 1 | | | | | | SKQNAB010 | |
| 101 | 6LA58635300 | Tact swtch PDWK | 1 | 1 | | | | | | SKQNAB010 | |
| 111 | 6LA58635300 | Tact swtch PSW | 1 | 1 | | | | | | SKQNAB010 | |
| 121 | 6LA58635300 | Tact swtch PUPK | 1 | 1 | | | | | | SKQNAB010 | |
| 141 | 6LA58635300 | Tact swtch ZDWK | 1 | 1 | | | | | | SKQNAB010 | |
| 151 | 6LA58635300 | Tact swtch ZUPK | 1 | 1 | | | | | | SKQNAB010 | |
| 161 | 6LA58641800 | IC | 1 | 1 | | | | | | 74HC151M | |
| 162 | 41330587600 | IC301 IC-LC7935 | 1 | 1 | | | | | | | |
| 163 | 6LA58641800 | IC302 IC | 1 | 1 | | | | | | 74HC151M | |
| 181 | 6LA58637200 | IC Q301 | 1 | 1 | | | | | | KRA225S-RTK | |
| 182 | 6LA58637200 | IC Q302 | 1 | 1 | | | | | | KRA225S-RTK | |
| 183 | 6LA58637200 | IC Q303 | 1 | 1 | | | | | | KRA225S-RTK | |
| 201 | 41330580300 | Capacitor C301 | 1 | 1 | | | | | | 16WV 47uF | |
| 205 | 6LA58640600 | Capacitor C305 | 1 | 1 | | | | | | 16WV 0.1uF | |
| 206 | 41330581200 | Capacitor C306 | 1 | 1 | | | | | | 50WV 1000pF | |
| 207 | 41330581200 | Capacitor C307 | 1 | 1 | | | | | | 50WV 1000pF | |
| 208 | 41330581200 | Capacitor C308 | 1 | 1 | | | | | | 50WV 1000pF | |
| 209 | 41330581200 | Capacitor C309 | 1 | 1 | | | | | | 50WV 1000pF | |
| 210 | 41330581200 | Capacitor C310 | 1 | 1 | | | | | | 50WV 1000pF | |
| 211 | 41330581200 | Capacitor C311 | 1 | 1 | | | | | | 50WV 1000pF | |
| 212 | 41330581200 | Capacitor C312 | 1 | 1 | | | | | | 50WV 1000pF | |
| 213 | 41330581200 | Capacitor C313 | 1 | 1 | | | | | | 50WV 1000pF | |
| 215 | 41330581200 | Capacitor C315 | 1 | 1 | | | | | | 50WV 1000pF | |
| 216 | 6LA58640800 | Capacitor C316 | 1 | 1 | | | | | | 50WV 0.022uF | |
| 217 | 41330581200 | Capacitor C317 | 1 | 1 | | | | | | 50WV 1000pF | |
| 218 | 41330581200 | Capacitor C318 | 1 | 1 | | | | | | 50WV 1000pF | |
| 219 | 6LA58640600 | Capacitor | 1 | 1 | | | | | | 16WV 0.1uF | |

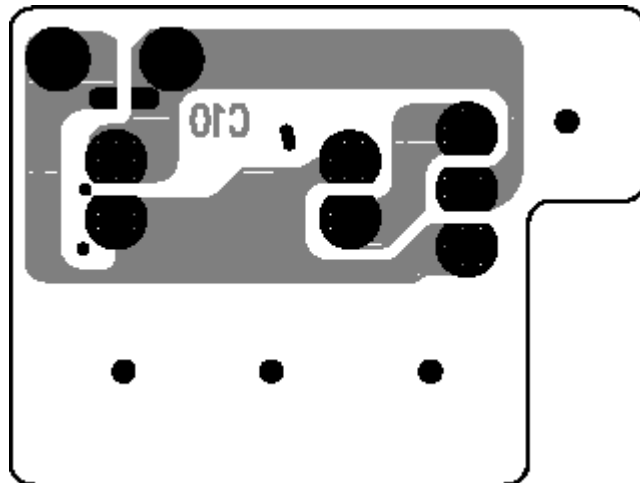
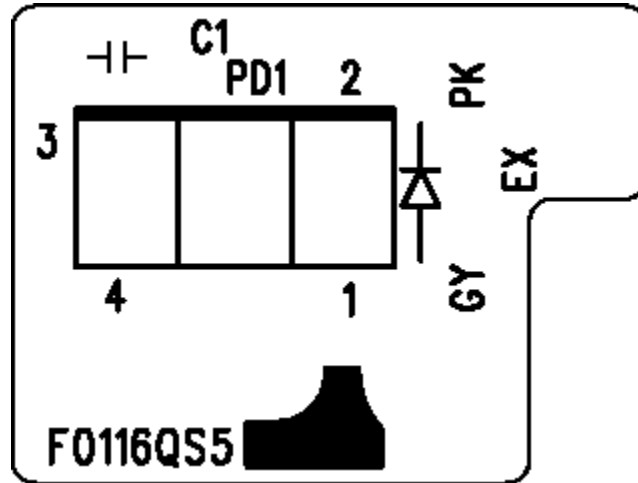
| ITEM NO. | PARTS NO. | PARTS NAME | QTY / PAGE | QTY / PACK | PIR | BSI NO. | TO | FROM | SERIAL NO. | REMARKS | C |
|----------|-------------|---------------------------|------------|------------|-----|---------|----|------|------------|----------------|---|
| 220 | 41330581200 | C319 Capacitor | 1 | 1 | | | | | | 50WV 1000pF | |
| 221 | 41330581200 | C320 Capacitor | 1 | 1 | | | | | | 50WV 1000pF | |
| 222 | 6LA58640800 | C321 Capacitor | 1 | 1 | | | | | | 50WV 0.022uF | |
| 223 | 41330576700 | C322 Capacitor | 1 | 1 | | | | | | 50WV 200pF | |
| 224 | 41330576700 | C323 Capacitor | 1 | 1 | | | | | | 50WV 200pF | |
| 225 | 41330576700 | C324 Capacitor | 1 | 1 | | | | | | 50WV 200pF | |
| 226 | 41330576700 | C325 Capacitor | 1 | 1 | | | | | | 50WV 200pF | |
| 227 | 41330581200 | C326 Capacitor | 1 | 1 | | | | | | 50WV 200pF | |
| 241 | 41330584000 | C327 Capacitor | 1 | 1 | | | | | | 50WV 1000pF | |
| 241 | 41330584000 | D301 Diode DSS133 | 1 | 1 | | | | | | | |
| 242 | 41330584000 | D302 Diode DSS133 | 1 | 1 | | | | | | | |
| 243 | 41330584000 | D303 Diode DSS133 | 1 | 1 | | | | | | | |
| 244 | 41330584000 | D304 Diode DSS133 | 1 | 1 | | | | | | | |
| 245 | 41330584000 | D305 Diode DSS133 | 1 | 1 | | | | | | | |
| 246 | 41330584000 | D306 Diode DSS133 | 1 | 1 | | | | | | | |
| 247 | 41330584000 | D307 Diode DSS133 | 1 | 1 | | | | | | | |
| 248 | 41330584000 | D308 Diode DSS133 | 1 | 1 | | | | | | | |
| 249 | 41330584000 | D309 Diode DSS133 | 1 | 1 | | | | | | | |
| 250 | 41330584000 | D310 Diode DSS133 | 1 | 1 | | | | | | | |
| 261 | 41330592100 | 1ENR LED 1LHLE-002A | 1 | 1 | | | | | | | |
| 271 | 41330592100 | 2ENR LED 1LHLE-002A | 1 | 1 | | | | | | | |
| 281 | 41330592100 | 1RE LED 1LHLE-002A | 1 | 1 | | | | | | | |
| 291 | 41330592100 | 2RE LED 1LHLE-002A | 1 | 1 | | | | | | | |
| 301 | 41330592100 | 3RE LED 1LHLE-002A | 1 | 1 | | | | | | | |
| 311 | 41330592100 | AE LED 1LHLE-002A | 1 | 1 | | | | | | | |
| 321 | 41330592100 | BPL LED 1LHLE-002A | 1 | 1 | | | | | | | |
| 331 | 41330592100 | CS1L LED 1LHLE-002A | 1 | 1 | | | | | | | |
| 341 | 41330592100 | CS2L LED 1LHLE-002A | 1 | 1 | | | | | | | |
| 351 | 41330592000 | DPL LED 1LHEE-002A | 1 | 1 | | | | | | | |
| 361 | 41330592100 | EXD LED 1LHLE-002A | 1 | 1 | | | | | | | |
| 371 | 41330592100 | EXN LED 1LHLE-002A | 1 | 1 | | | | | | | |
| 381 | 41330592100 | EXL LED 1LHLE-002A | 1 | 1 | | | | | | | |
| 391 | 41330592000 | JPL LED 1LHEE-002A | 1 | 1 | | | | | | | |
| 401 | 6LA58643500 | LED (7SEGMENT) LEDM301 | 1 | 1 | | | | | | LTC-3650AG-02J | |
| 411 | 41330592100 | ME LED 1LHLE-002A | 1 | 1 | | | | | | | |

| ITEM NO. | PARTS NO. | PARTS NAME | QTY / PAGE | QTY / PACK | PIR | BSI NO. | TO | FROM | SERIAL NO. | REMARKS | C |
|----------|-------------|------------------------|------------|------------|-----|---------|----|------|------------|------------|---|
| 421 | 41330592000 | LED 1LHEE-002A MPL | 1 | 1 | | | | | | | |
| 431 | 41330592100 | LED 1LHLE-002A NOR | 1 | 1 | | | | | | | |
| 441 | 41330592100 | LED 1LHLE-002A PE | 1 | 1 | | | | | | | |
| 451 | 6LA58643600 | LED (Green) PML | 1 | 1 | | | | | | GL5EG47 | |
| 461 | 41330592100 | LED 1LHLE-002A RPL | 1 | 1 | | | | | | | |
| 471 | 41330592000 | LED 1LHEE-002A SJAL | 1 | 1 | | | | | | | |
| 481 | 41330592100 | LED 1LHLE-002A SPFL | 1 | 1 | | | | | | | |
| 491 | 41330592000 | LED 1LHEE-002A TPL | 1 | 1 | | | | | | | |
| 501 | 41330592100 | LED 1LHLE-002A ZPL | 1 | 1 | | | | | | | |
| 521 | 41330594400 | Resistor R301 | 1 | 1 | | | | | | 1/16W 100 | |
| 522 | 41330594400 | Resistor R302 | 1 | 1 | | | | | | 1/16W 100 | |
| 523 | 41330594400 | Resistor R303 | 1 | 1 | | | | | | 1/16W 100 | |
| 524 | 41330594400 | Resistor R304 | 1 | 1 | | | | | | 1/16W 100 | |
| 525 | 41330594400 | Resistor R305 | 1 | 1 | | | | | | 1/16W 100 | |
| 526 | 41330597500 | Resistor R306 | 1 | 1 | | | | | | 1/16W 4.7K | |
| 527 | 41330597500 | Resistor R307 | 1 | 1 | | | | | | 1/16W 4.7K | |
| 528 | 41330597500 | Resistor R308 | 1 | 1 | | | | | | 1/16W 4.7K | |
| 529 | 41330597500 | Resistor R309 | 1 | 1 | | | | | | 1/16W 4.7K | |
| 530 | 41330595300 | Resistor R310 | 1 | 1 | | | | | | 1/16W 120 | |
| 531 | 41330595300 | Resistor R311 | 1 | 1 | | | | | | 1/16W 120 | |
| 532 | 41330595300 | Resistor R312 | 1 | 1 | | | | | | 1/16W 120 | |
| 533 | 41330595300 | Resistor R313 | 1 | 1 | | | | | | 1/16W 120 | |
| 534 | 41330595300 | Resistor R314 | 1 | 1 | | | | | | 1/16W 120 | |
| 535 | 41330595300 | Resistor R315 | 1 | 1 | | | | | | 1/16W 120 | |
| 536 | 41330597500 | Resistor R316 | 1 | 1 | | | | | | 1/16W 4.7K | |
| 537 | 41330597500 | Resistor R317 | 1 | 1 | | | | | | 1/16W 4.7K | |
| 538 | 41330597500 | Resistor R318 | 1 | 1 | | | | | | 1/16W 4.7K | |
| 539 | 41330597500 | Resistor R319 | 1 | 1 | | | | | | 1/16W 4.7K | |
| 540 | 41330594600 | Resistor R320 | 1 | 1 | | | | | | 1/16W 1.0K | |
| 541 | 41330594600 | Resistor R321 | 1 | 1 | | | | | | 1/16W 1.0K | |
| 542 | 41330594600 | Resistor R322 | 1 | 1 | | | | | | 1/16W 1.0K | |
| 543 | 41330597700 | Resistor R323 | 1 | 1 | | | | | | 1/16W 510 | |
| 544 | 41330594400 | Resistor R324 | 1 | 1 | | | | | | 1/16W 100 | |
| 545 | 41330597500 | Resistor R325 | 1 | 1 | | | | | | 1/16W 4.7K | |
| 546 | 41330595300 | Resistor R326 | 1 | 1 | | | | | | 1/16W 120 | |

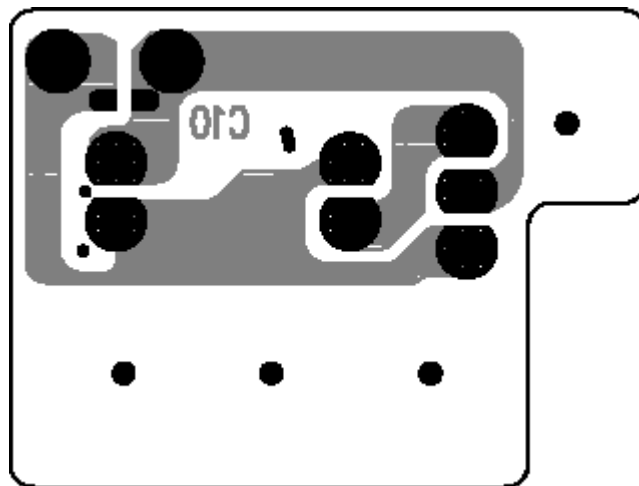
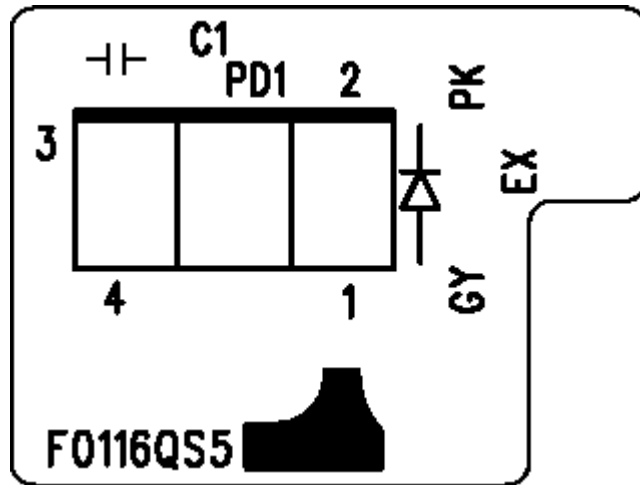
| ITEM NO. | PARTS NO. | PARTS NAME | QTY / PAGE | QTY / PACK | PIR | BSI NO. | TO | FROM | SERIAL NO. | REMARKS | C |
|----------|-------------|------------------|------------|------------|-----|---------|----|------|------------|------------|---|
| 547 | 41330595300 | Resistor R327 | 1 | 1 | | | | | | 1/16W 120 | |
| 548 | 41330595300 | Resistor R328 | 1 | 1 | | | | | | 1/16W 120 | |
| 549 | 41330595300 | Resistor R329 | 1 | 1 | | | | | | 1/16W 120 | |
| 550 | 41330594600 | Resistor R330 | 1 | 1 | | | | | | 1/16W 1.0K | |
| 551 | 41330595300 | Resistor R331 | 1 | 1 | | | | | | 1/16W 120 | |
| 552 | 41330595300 | Resistor R332 | 1 | 1 | | | | | | 1/16W 120 | |
| 553 | 41330595300 | Resistor R333 | 1 | 1 | | | | | | 1/16W 120 | |
| 554 | 41330595300 | Resistor R334 | 1 | 1 | | | | | | 1/16W 120 | |
| 555 | 41330594600 | Resistor R335 | 1 | 1 | | | | | | 1/16W 1.0K | |
| 556 | 41330597500 | Resistor R336 | 1 | 1 | | | | | | 1/16W 4.7K | |
| 557 | 41330597500 | Resistor R337 | 1 | 1 | | | | | | 1/16W 4.7K | |
| 558 | 41330594400 | Resistor R338 | 1 | 1 | | | | | | 1/16W 100 | |
| 559 | 41330594400 | Resistor R339 | 1 | 1 | | | | | | 1/16W 100 | |
| 560 | 41330594400 | Resistor R340 | 1 | 1 | | | | | | 1/16W 100 | |
| 561 | 41330594400 | Resistor R341 | 1 | 1 | | | | | | 1/16W 100 | |
| 562 | 41330594400 | Resistor R342 | 1 | 1 | | | | | | 1/16W 100 | |
| 563 | 41330594400 | Resistor R343 | 1 | 1 | | | | | | 1/16W 100 | |
| 564 | 41330594400 | Resistor R344 | 1 | 1 | | | | | | 1/16W 100 | |
| 565 | 41330594400 | Resistor R345 | 1 | 1 | | | | | | 1/16W 100 | |
| 566 | 41330597500 | Resistor R346 | 1 | 1 | | | | | | 1/16W 4.7K | |
| 567 | 41330597500 | Resistor R347 | 1 | 1 | | | | | | 1/16W 4.7K | |
| 568 | 6LA58644600 | Resistor R348 | 1 | 1 | | | | | | 1/16W 150 | |
| 569 | 41330595600 | Resistor R349 | 1 | 1 | | | | | | 1/16W 1.5K | |
| 570 | 6LA58644600 | Resistor R350 | 1 | 1 | | | | | | 1/16W 150 | |
| 571 | 6LA58644600 | Resistor R351 | 1 | 1 | | | | | | 1/16W 150 | |
| 572 | 41330594600 | Resistor R352 | 1 | 1 | | | | | | 1/16W 1.0K | |
| 573 | 41330594600 | Resistor R353 | 1 | 1 | | | | | | 1/16W 1.0K | |
| 574 | 41330595300 | Resistor R354 | 1 | 1 | | | | | | 1/16W 120 | |
| 575 | 41330595300 | Resistor R355 | 1 | 1 | | | | | | 1/16W 120 | |
| 576 | 6LA58644600 | Resistor R356 | 1 | 1 | | | | | | 1/16W 150 | |
| 577 | 41330595600 | Resistor R357 | 1 | 1 | | | | | | 1/16W 1.5K | |
| 578 | 41330597700 | Resistor R358 | 1 | 1 | | | | | | 1/16W 510 | |
| 579 | 41330595300 | Resistor R359 | 1 | 1 | | | | | | 1/16W 120 | |
| 580 | 41330597500 | Resistor R360 | 1 | 1 | | | | | | 1/16W 4.7K | |



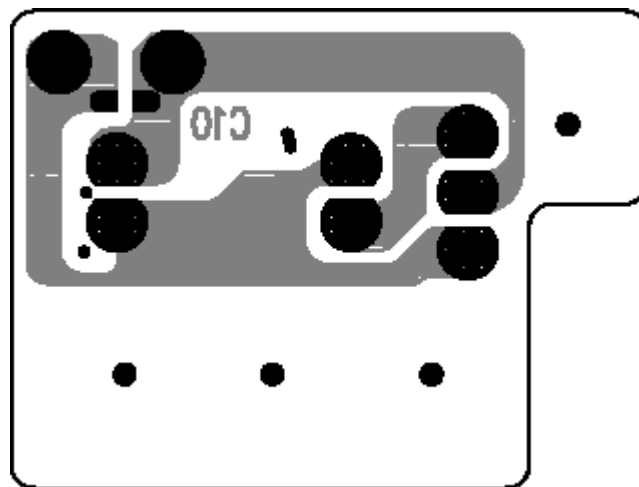
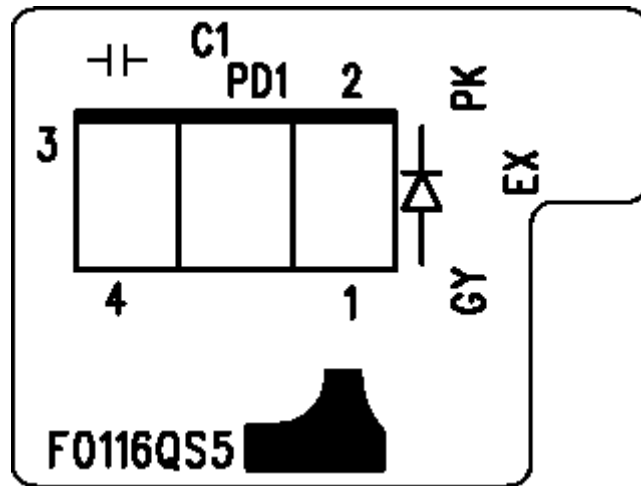
| ITEM NO. | PARTS NO. | PARTS NAME | Q'TY | Q'TY | P | I | R | BSI NO. | TO | FROM | SERIAL NO. | REMARKS | C |
|----------|-------------|------------------------|------|------|---|---|---|---------|----|------|------------|-----------|---|
| | | | PAGE | PACK | | | | | | | | | |
| 0 | 6LA58619600 | 0pe. PWB SP2 | 1 | 1 | | | | | | | | | |
| 11 | 6LA58635000 | Connector CN501 | 1 | 1 | | | | | | | | 8pin | |
| 21 | 41330592100 | LED 1LHLE-002A SCNL | 1 | 1 | | | | | | | | | |
| 31 | 41330592100 | LED 1LHLE-002A ONLL | 1 | 1 | | | | | | | | | |
| 51 | 6LA58644100 | Resistor R501 | 1 | 1 | | | | | | | | 1/4W 470 | |
| 91 | 6LA58635300 | Tact swtch OLK | 1 | 1 | | | | | | | | SKQNAB010 | |
| 131 | 6LA58635300 | Tact swtch SCNK | 1 | 1 | | | | | | | | SKQNAB010 | |

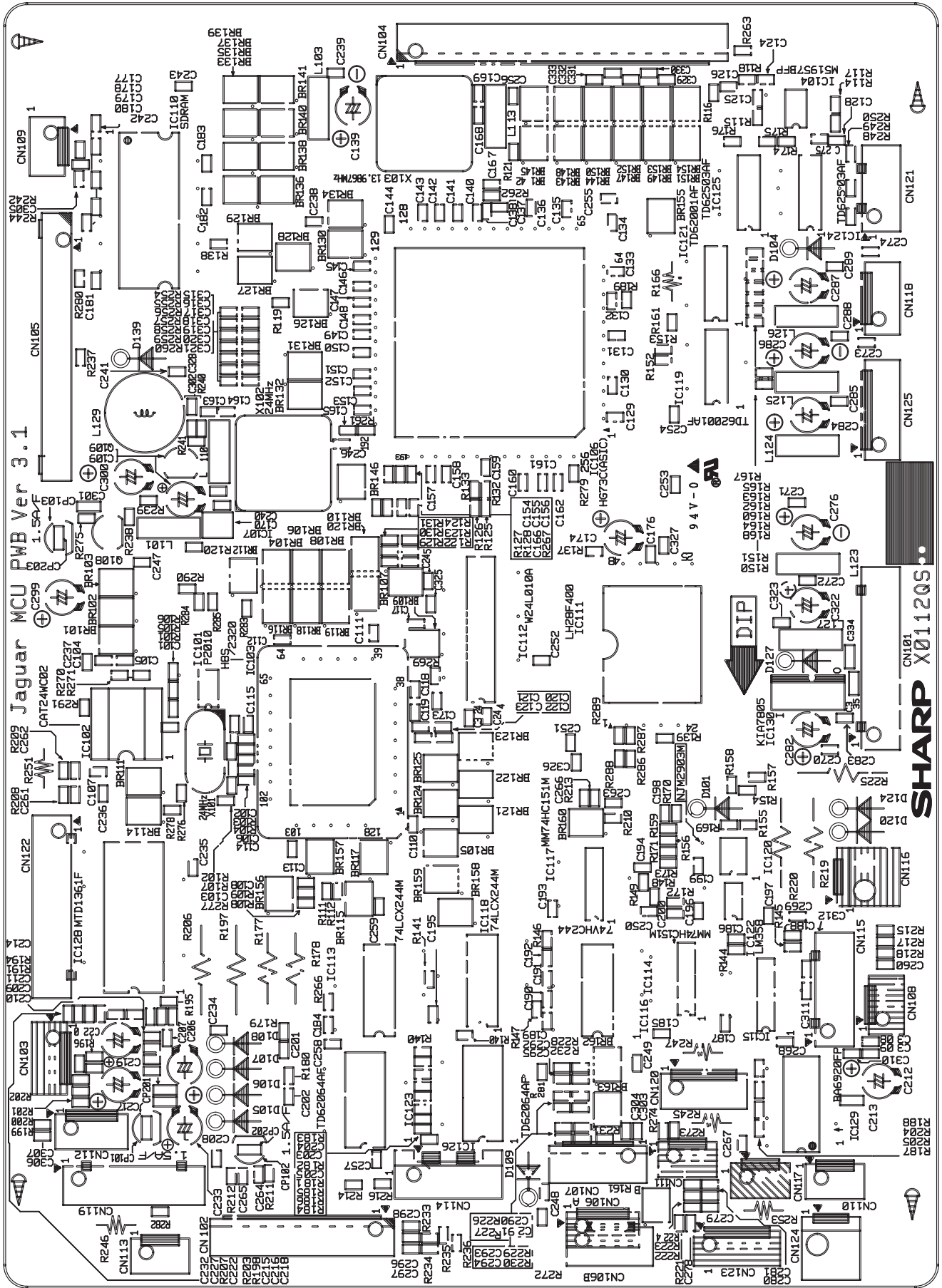


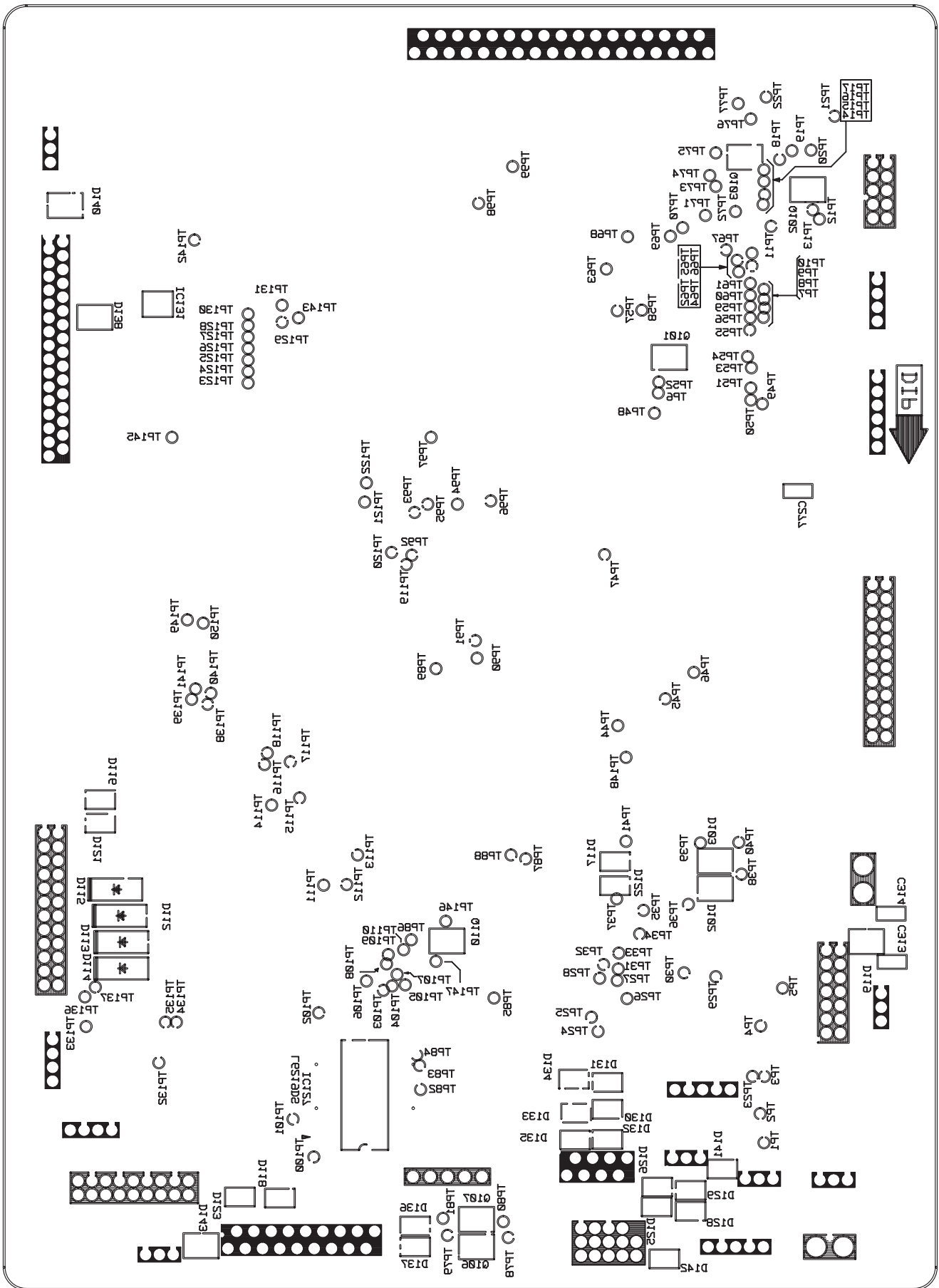
| ITEM NO. | PARTS NO. | PARTS NAME | QTY PAGE | QTY PACK | P | I | R | BSI NO. | TO | T | FROM | SERIAL NO. | REMARKS | C |
|----------|-------------|-----------------|-------------|-------------|---|---|---|------------|----|---|------|---------------|-------------------------|---|
| 0 | 6LA58619300 | POD sensor PWB | 1 | 1 | | | | | | | | | | |
| 11 | 6LA58621400 | POD harness | 1 | 1 | | | | | | | | | | |
| 21 | 41330513500 | Wire band T18S | 1 | 1 | | | | | | | | | | |
| 31 | 41330582000 | Capacitor | 1 | 1 | | | | | | | | | | |
| 41 | 6LA58643700 | Pht. trnasistor | 1 | 1 | | | | | | | | | 50WV 0.001uF GP1S53V | |
| | | | | | | | | | | | | | | |
| | | | | | | | | | | | | | | |
| | | | | | | | | | | | | | | |
| | | | | | | | | | | | | | | |
| | | | | | | | | | | | | | | |
| | | | | | | | | | | | | | | |
| | | | | | | | | | | | | | | |
| | | | | | | | | | | | | | | |
| | | | | | | | | | | | | | | |
| | | | | | | | | | | | | | | |
| | | | | | | | | | | | | | | |
| | | | | | | | | | | | | | | |
| | | | | | | | | | | | | | | |
| | | | | | | | | | | | | | | |
| | | | | | | | | | | | | | | |
| | | | | | | | | | | | | | | |
| | | | | | | | | | | | | | | |
| | | | | | | | | | | | | | | |
| | | | | | | | | | | | | | | |
| | | | | | | | | | | | | | | |
| | | | | | | | | | | | | | | |
| | | | | | | | | | | | | | | |
| | | | | | | | | | | | | | | |
| | | | | | | | | | | | | | | |
| | | | | | | | | | | | | | | |
| | | | | | | | | | | | | | | |
| | | | | | | | | | | | | | | |
| | | | | | | | | | | | | | | |
| | | | | | | | | | | | | | | |
| | | | | | | | | | | | | | | |
| | | | | | | | | | | | | | | |
| | | | | | | | | | | | | | | |
| | | | | | | | | | | | | | | |
| | | | | | | | | | | | | | | |
| | | | | | | | | | | | | | | |
| | | | | | | | | | | | | | | |
| | | | | | | | | | | | | | | |
| | | | | | | | | | | | | | | |
| | | | | | | | | | | | | | | |
| | | | | | | | | | | | | | | |
| | | | | | | | | | | | | | | |
| | | | | | | | | | | | | | | |
| | | | | | | | | | | | | | | |
| | | | | | | | | | | | | | | |



| ITEM NO. | PARTS NO. | PARTS NAME | QTY / PAGE | QTY / PACK | P | I | R | BSI NO. | TO | FROM | SERIAL NO. | REMARKS | C |
|----------|-------------|-----------------|------------|------------|---|---|---|---------|----|------|------------|------------------------|---|
| 0 | 6LA58619100 | PPD1 sensor PWB | 1 | 1 | | | | | | | | | |
| 11 | 6LA58621700 | PPD1 harness | 1 | 1 | | | | | | | | | |
| 21 | 41330513500 | Wire band T18S | 1 | 1 | | | | | | | | | |
| 31 | 41330582000 | Capacitor | 1 | 1 | | | | | | | | | |
| 41 | 6LA58643800 | Pht. trnsistor | 1 | 1 | | | | | | | | 50WV 0.001uF SG206S | |
| | | | | | | | | | | | | | |
| | | | | | | | | | | | | | |
| | | | | | | | | | | | | | |
| | | | | | | | | | | | | | |
| | | | | | | | | | | | | | |
| | | | | | | | | | | | | | |
| | | | | | | | | | | | | | |
| | | | | | | | | | | | | | |
| | | | | | | | | | | | | | |
| | | | | | | | | | | | | | |
| | | | | | | | | | | | | | |
| | | | | | | | | | | | | | |
| | | | | | | | | | | | | | |
| | | | | | | | | | | | | | |
| | | | | | | | | | | | | | |
| | | | | | | | | | | | | | |
| | | | | | | | | | | | | | |
| | | | | | | | | | | | | | |
| | | | | | | | | | | | | | |
| | | | | | | | | | | | | | |
| | | | | | | | | | | | | | |
| | | | | | | | | | | | | | |
| | | | | | | | | | | | | | |
| | | | | | | | | | | | | | |
| | | | | | | | | | | | | | |
| | | | | | | | | | | | | | |
| | | | | | | | | | | | | | |
| | | | | | | | | | | | | | |







| ITEM NO. | PARTS NO. | PARTS NAME | QTY / PAGE | QTY / PACK | P | I | R | BSI NO. | TO | FROM | SERIAL NO. | REMARKS | C |
|----------|-------------|---------------------|------------|------------|---|---|---|---------|----|------|------------|--------------|---|
| 0A | 6LA58619800 | MCU PWB | 1 | 1 | | | | | | | | e-STUDIO150 | |
| 0B | 6LA58619700 | MCU PWB | 1 | 1 | | | | | | | | e-STUDIO120 | |
| 11 | 41330559400 | Connector CN101 | 1 | 1 | | | | | | | | 24pin | |
| 12 | 41330561500 | Connector CN102 | 1 | 1 | | | | | | | | 18pin | |
| 13 | 6LA58634600 | Connector CN103 | 1 | 1 | | | | | | | | 4pin | |
| 14 | 6LA58634900 | Connector CN104 | 1 | 1 | | | | | | | | 35pin | |
| 15 | 41330560800 | Connector CN105 | 1 | 1 | | | | | | | | 32pin | |
| 16 | 6LA58634600 | Connector CN106A | 1 | 1 | | | | | | | | 4pin | |
| 17 | 41330561400 | Connector CN107 | 1 | 1 | | | | | | | | 8pin | |
| 18 | 41330560600 | Connector CN108 | 1 | 1 | | | | | | | | 3pin | |
| 19 | 41330560200 | Connector CN109 | 1 | 1 | | | | | | | | 3pin | |
| 20 | 41330560200 | Connector CN110 | 1 | 1 | | | | | | | | 3pin | |
| 21 | 41330559900 | Connector CN111 | 1 | 1 | | | | | | | | 3pin | |
| 22 | 41330560300 | Connector CN112 | 1 | 1 | | | | | | | | 4pin | |
| 23 | 41330560200 | Connector CN113 | 1 | 1 | | | | | | | | 3pin | |
| 25 | 41330559200 | Connector CN115 | 1 | 1 | | | | | | | | 14pin | |
| 26 | 6LA58634500 | Connector CN116 | 1 | 1 | | | | | | | | 2pin | |
| 27 | 6LA58634800 | Connector CN117 | 1 | 1 | | | | | | | | 3pin | |
| 29 | 41330559300 | Connector CN119 | 1 | 1 | | | | | | | | 18pin | |
| 30 | 41330560400 | Connector CN120 | 1 | 1 | | | | | | | | 5pin | |
| 32 | 41330559400 | Connector CN122 | 1 | 1 | | | | | | | | 24pin | |
| 33 | 41330560000 | Connector CN123 | 1 | 1 | | | | | | | | 5pin | |
| 34 | 41330559500 | Connector CN124 | 1 | 1 | | | | | | | | 2pin | |
| 35 | 6LA58634700 | Connector CN125 | 1 | 1 | | | | | | | | 6pin | |
| 59 | 6LA58635400 | Coil L129 | 1 | 1 | | | | | | | | | |
| 71 | 6LA58636000 | Crystal X101 | 1 | 1 | | | | | | | | 19.6608MHz | |
| 72 | 6LA58636100 | Crystal X102 | 1 | 1 | | | | | | | | 24MHz | |
| 73 | 6LA58636200 | Crystal X103 | 1 | 1 | | | | | | | | 13.9867MHz | |
| 91 | 41330566300 | Filter L101 | 1 | 1 | | | | | | | | ZJSR5101-223 | |
| 103 | 41330566300 | Filter L113 | 1 | 1 | | | | | | | | ZJSR5101-223 | |
| 113 | 41330566300 | Filter L123 | 1 | 1 | | | | | | | | ZJSR5101-223 | |
| 114 | 41330566300 | Filter L124 | 1 | 1 | | | | | | | | ZJSR5101-223 | |
| 115 | 41330566300 | Filter L125 | 1 | 1 | | | | | | | | ZJSR5101-223 | |
| 116 | 41330566300 | Filter L126 | 1 | 1 | | | | | | | | ZJSR5101-223 | |
| 117 | 41330566300 | Filter L127 | 1 | 1 | | | | | | | | ZJSR5101-223 | |
| 131 | 41330566500 | Diode MA700 D101 | 1 | 1 | | | | | | | | | |

| ITEM NO. | PARTS NO. | PARTS NAME | QTY / PAGE | QTY / PACK | P | I | R | BSI NO. | TO | FROM | SERIAL NO. | REMARKS | C |
|----------|-------------|-------------------------|------------|------------|---|---|---|---------|----|------|------------|---------------|---|
| 169 | 6LA58636800 | Diode D139 | 1 | 1 | | | | | | | | 11EQS06-TA1B2 | |
| 181 | 41330567300 | Block resistor BR101 | 1 | 1 | | | | | | | | 10KX4 | |
| 182 | 41330567300 | Block resistor BR102 | 1 | 1 | | | | | | | | 10KX4 | |
| 183 | 41330567300 | Block resistor BR103 | 1 | 1 | | | | | | | | 10KX4 | |
| 184 | 41330567300 | Block resistor BR104 | 1 | 1 | | | | | | | | 10KX4 | |
| 185 | 41330567300 | Block resistor BR105 | 1 | 1 | | | | | | | | 10KX4 | |
| 186 | 41330567300 | Block resistor BR106 | 1 | 1 | | | | | | | | 10KX4 | |
| 187 | 41330567300 | Block resistor BR107 | 1 | 1 | | | | | | | | 10KX4 | |
| 188 | 41330567300 | Block resistor BR108 | 1 | 1 | | | | | | | | 10KX4 | |
| 189 | 41330567300 | Block resistor BR109 | 1 | 1 | | | | | | | | 10KX4 | |
| 190 | 41330567300 | Block resistor BR110 | 1 | 1 | | | | | | | | 10KX4 | |
| 191 | 41330567300 | Block resistor BR111 | 1 | 1 | | | | | | | | 10KX4 | |
| 192 | 41330567300 | Block resistor BR112 | 1 | 1 | | | | | | | | 10KX4 | |
| 194 | 41330567300 | Block resistor BR114 | 1 | 1 | | | | | | | | 10KX4 | |
| 195 | 41330567300 | Block resistor BR115 | 1 | 1 | | | | | | | | 10KX4 | |
| 196 | 6LA58637600 | Resistor arrey BR116 | 1 | 1 | | | | | | | | 33X4 1/32W | |
| 197 | 41330567300 | Block resistor BR117 | 1 | 1 | | | | | | | | 10KX4 | |
| 198 | 6LA58637600 | Resistor arrey BR118 | 1 | 1 | | | | | | | | 33X4 1/32W | |
| 199 | 6LA58637600 | Resistor arrey BR119 | 1 | 1 | | | | | | | | 33X4 1/32W | |
| 200 | 6LA58637600 | Resistor arrey BR120 | 1 | 1 | | | | | | | | 33X4 1/32W | |
| 201 | 6LA58637600 | Resistor arrey BR121 | 1 | 1 | | | | | | | | 33X4 1/32W | |
| 202 | 6LA58637600 | Resistor arrey BR122 | 1 | 1 | | | | | | | | 33X4 1/32W | |
| 203 | 6LA58637600 | Resistor arrey BR123 | 1 | 1 | | | | | | | | 33X4 1/32W | |
| 204 | 6LA58637600 | Resistor arrey BR124 | 1 | 1 | | | | | | | | 33X4 1/32W | |
| 205 | 6LA58637600 | Resistor arrey BR125 | 1 | 1 | | | | | | | | 33X4 1/32W | |
| 206 | 6LA58637600 | Resistor arrey BR126 | 1 | 1 | | | | | | | | 33X4 1/32W | |
| 207 | 6LA58637600 | Resistor arrey BR127 | 1 | 1 | | | | | | | | 33X4 1/32W | |
| 208 | 6LA58637600 | Resistor arrey BR128 | 1 | 1 | | | | | | | | 33X4 1/32W | |
| 209 | 6LA58637600 | Resistor arrey BR129 | 1 | 1 | | | | | | | | 33X4 1/32W | |
| 210 | 6LA58637600 | Resistor arrey BR130 | 1 | 1 | | | | | | | | 33X4 1/32W | |
| 211 | 6LA58637600 | Resistor arrey BR131 | 1 | 1 | | | | | | | | 33X4 1/32W | |
| 212 | 6LA58637600 | Resistor arrey BR132 | 1 | 1 | | | | | | | | 33X4 1/32W | |
| 213 | 41330567300 | Block resistor BR133 | 1 | 1 | | | | | | | | 10KX4 | |
| 214 | 6LA58637600 | Resistor arrey BR134 | 1 | 1 | | | | | | | | 33X4 1/32W | |
| 215 | 41330567300 | Block resistor BR135 | 1 | 1 | | | | | | | | 10KX4 | |

| ITEM NO. | PARTS NO. | PARTS NAME | QTY / PAGE | QTY / PACK | PIR | BSI NO. | TO | FROM | SERIAL NO. | REMARKS | C |
|----------|-------------|-------------------------|------------|------------|-----|---------|----|------|------------|-------------|---|
| 216 | 6LA58637600 | Resistor arrey BR136 | 1 | 1 | | | | | | 33X4 1/32W | |
| 217 | 41330567300 | Block resistor BR137 | 1 | 1 | | | | | | 10KX4 | |
| 218 | 6LA58637600 | Resistor arrey BR138 | 1 | 1 | | | | | | 33X4 1/32W | |
| 219 | 41330567300 | Block resistor BR139 | 1 | 1 | | | | | | 10KX4 | |
| 220 | 6LA58637600 | Resistor arrey BR140 | 1 | 1 | | | | | | 33X4 1/32W | |
| 221 | 6LA58637600 | Resistor arrey BR141 | 1 | 1 | | | | | | 33X4 1/32W | |
| 222 | 6LA58637600 | Resistor arrey BR142 | 1 | 1 | | | | | | 33X4 1/32W | |
| 223 | 6LA58637600 | Resistor arrey BR143 | 1 | 1 | | | | | | 33X4 1/32W | |
| 224 | 6LA58637600 | Resistor arrey BR144 | 1 | 1 | | | | | | 33X4 1/32W | |
| 225 | 41330567300 | Block resistor BR145 | 1 | 1 | | | | | | 10KX4 | |
| 226 | 41330567300 | Block resistor BR146 | 1 | 1 | | | | | | 10KX4 | |
| 227 | 6LA58637600 | Resistor arrey BR147 | 1 | 1 | | | | | | 33X4 1/32W | |
| 228 | 41330567300 | Block resistor BR148 | 1 | 1 | | | | | | 10KX4 | |
| 229 | 6LA58637600 | Resistor arrey BR149 | 1 | 1 | | | | | | 33X4 1/32W | |
| 230 | 41330567300 | Block resistor BR150 | 1 | 1 | | | | | | 10KX4 | |
| 231 | 6LA58637600 | Resistor arrey BR151 | 1 | 1 | | | | | | 33X4 1/32W | |
| 232 | 41330567300 | Block resistor BR152 | 1 | 1 | | | | | | 10KX4 | |
| 233 | 41330567300 | Block resistor BR153 | 1 | 1 | | | | | | 10KX4 | |
| 234 | 41330567300 | Block resistor BR154 | 1 | 1 | | | | | | 10KX4 | |
| 235 | 41330567300 | Block resistor BR155 | 1 | 1 | | | | | | 10KX4 | |
| 236 | 41330567100 | Block resistor BR156 | 1 | 1 | | | | | | 10X4 | |
| 237 | 41330567100 | Block resistor BR157 | 1 | 1 | | | | | | 10X4 | |
| 238 | 41330567100 | Block resistor BR158 | 1 | 1 | | | | | | 10X4 | |
| 239 | 41330567300 | Block resistor BR159 | 1 | 1 | | | | | | 10KX4 | |
| 240 | 41330567200 | Block resistor BR160 | 1 | 1 | | | | | | 1.0KX4 | |
| 241 | 41330567200 | Block resistor BR161 | 1 | 1 | | | | | | 1.0KX4 | |
| 242 | 41330567200 | Block resistor BR162 | 1 | 1 | | | | | | 1.0KX4 | |
| 243 | 41330567200 | Block resistor BR163 | 1 | 1 | | | | | | 1.0KX4 | |
| 261 | 6LA58641000 | Capacitor C101 | 1 | 1 | | | | | | 16WV 0.10uF | |
| 262 | 6LA58640100 | Capacitor C102 | 1 | 1 | | | | | | 50WV 22pF | |
| 263 | 6LA58640100 | Capacitor C103 | 1 | 1 | | | | | | 50WV 22pF | |
| 264 | 6LA58639900 | Capacitor C104 | 1 | 1 | | | | | | 50WV 100pF | |
| 265 | 6LA58639900 | Capacitor C105 | 1 | 1 | | | | | | 50WV 100pF | |
| 266 | 6LA58640000 | Capacitor C106 | 1 | 1 | | | | | | 50WV 12pF | |
| 267 | 6LA58641000 | Capacitor C107 | 1 | 1 | | | | | | 16WV 0.10uF | |

| ITEM NO. | PARTS NO. | PARTS NAME | QTY / PAGE | QTY / PACK | PI | R | BSI NO. | TO | FROM | SERIAL NO. | REMARKS | C |
|----------|-------------|-------------------|------------|------------|----|---|---------|----|------|------------|--------------|---|
| 268 | 6LA58641000 | Capacitor C108 | 1 | 1 | | | | | | | 16WV 0.10uF | |
| 269 | 41330578700 | Capacitor C109 | 1 | 1 | | | | | | | 16WV 10uF | |
| 270 | 6LA58641000 | Capacitor C110 | 1 | 1 | | | | | | | 16WV 0.10uF | |
| 271 | 6LA58641000 | Capacitor C111 | 1 | 1 | | | | | | | 16WV 0.10uF | |
| 272 | 6LA58641000 | Capacitor C112 | 1 | 1 | | | | | | | 16WV 0.10uF | |
| 273 | 6LA58641000 | Capacitor C113 | 1 | 1 | | | | | | | 16WV 0.10uF | |
| 274 | 6LA58641000 | Capacitor C114 | 1 | 1 | | | | | | | 16WV 0.10uF | |
| 275 | 6LA58641000 | Capacitor C115 | 1 | 1 | | | | | | | 16WV 0.10uF | |
| 284 | 6LA58641000 | Capacitor C124 | 1 | 1 | | | | | | | 16WV 0.10uF | |
| 285 | 6LA58640900 | Capacitor C125 | 1 | 1 | | | | | | | 16WV 0.022uF | |
| 286 | 6LA58640300 | Capacitor C126 | 1 | 1 | | | | | | | 50WV 47pF | |
| 288 | 6LA58641000 | Capacitor C128 | 1 | 1 | | | | | | | 16WV 0.10uF | |
| 289 | 6LA58641000 | Capacitor C129 | 1 | 1 | | | | | | | 16WV 0.10uF | |
| 290 | 6LA58641000 | Capacitor C130 | 1 | 1 | | | | | | | 16WV 0.10uF | |
| 291 | 6LA58641000 | Capacitor C131 | 1 | 1 | | | | | | | 16WV 0.10uF | |
| 292 | 6LA58641000 | Capacitor C132 | 1 | 1 | | | | | | | 16WV 0.10uF | |
| 293 | 6LA58641000 | Capacitor C133 | 1 | 1 | | | | | | | 16WV 0.10uF | |
| 294 | 6LA58641000 | Capacitor C134 | 1 | 1 | | | | | | | 16WV 0.10uF | |
| 295 | 6LA58641000 | Capacitor C135 | 1 | 1 | | | | | | | 16WV 0.10uF | |
| 296 | 6LA58641000 | Capacitor C136 | 1 | 1 | | | | | | | 16WV 0.10uF | |
| 297 | 6LA58641000 | Capacitor C137 | 1 | 1 | | | | | | | 16WV 0.10uF | |
| 298 | 6LA58641000 | Capacitor C138 | 1 | 1 | | | | | | | 16WV 0.10uF | |
| 299 | 41330579000 | Capacitor C139 | 1 | 1 | | | | | | | 16WV 47uF | |
| 300 | 6LA58641000 | Capacitor C140 | 1 | 1 | | | | | | | 16WV 0.10uF | |
| 301 | 6LA58641000 | Capacitor C141 | 1 | 1 | | | | | | | 16WV 0.10uF | |
| 302 | 6LA58641000 | Capacitor C142 | 1 | 1 | | | | | | | 16WV 0.10uF | |
| 303 | 6LA58641000 | Capacitor C143 | 1 | 1 | | | | | | | 16WV 0.10uF | |
| 304 | 6LA58641000 | Capacitor C144 | 1 | 1 | | | | | | | 16WV 0.10uF | |
| 305 | 6LA58641000 | Capacitor C145 | 1 | 1 | | | | | | | 16WV 0.10uF | |
| 306 | 6LA58641000 | Capacitor C146 | 1 | 1 | | | | | | | 16WV 0.10uF | |
| 307 | 6LA58641000 | Capacitor C147 | 1 | 1 | | | | | | | 16WV 0.10uF | |
| 308 | 6LA58641000 | Capacitor C148 | 1 | 1 | | | | | | | 16WV 0.10uF | |
| 309 | 6LA58641000 | Capacitor C149 | 1 | 1 | | | | | | | 16WV 0.10uF | |
| 310 | 6LA58641000 | Capacitor C150 | 1 | 1 | | | | | | | 16WV 0.10uF | |
| 311 | 6LA58641000 | Capacitor C151 | 1 | 1 | | | | | | | 16WV 0.10uF | |

| ITEM NO. | PARTS NO. | PARTS NAME | QTY / PAGE | QTY / PACK | P | I | R | BSI NO. | TO | FROM | SERIAL NO. | REMARKS | C |
|----------|-------------|-------------------|------------|------------|---|---|---|---------|----|------|------------|--------------|---|
| 312 | 6LA58641000 | Capacitor C152 | 1 | 1 | | | | | | | | 16WV 0.10uF | |
| 313 | 6LA58641000 | Capacitor C153 | 1 | 1 | | | | | | | | 16WV 0.10uF | |
| 314 | 6LA58641000 | Capacitor C154 | 1 | 1 | | | | | | | | 16WV 0.10uF | |
| 315 | 6LA58641000 | Capacitor C155 | 1 | 1 | | | | | | | | 16WV 0.10uF | |
| 316 | 6LA58641000 | Capacitor C156 | 1 | 1 | | | | | | | | 16WV 0.10uF | |
| 317 | 6LA58641000 | Capacitor C157 | 1 | 1 | | | | | | | | 16WV 0.10uF | |
| 318 | 6LA58641000 | Capacitor C158 | 1 | 1 | | | | | | | | 16WV 0.10uF | |
| 319 | 6LA58641000 | Capacitor C159 | 1 | 1 | | | | | | | | 16WV 0.10uF | |
| 320 | 6LA58641000 | Capacitor C160 | 1 | 1 | | | | | | | | 16WV 0.10uF | |
| 321 | 6LA58641000 | Capacitor C161 | 1 | 1 | | | | | | | | 16WV 0.10uF | |
| 322 | 6LA58641000 | Capacitor C162 | 1 | 1 | | | | | | | | 16WV 0.10uF | |
| 323 | 6LA58640900 | Capacitor C163 | 1 | 1 | | | | | | | | 16WV 0.022uF | |
| 324 | 6LA58641000 | Capacitor C164 | 1 | 1 | | | | | | | | 16WV 0.10uF | |
| 325 | 6LA58640000 | Capacitor C165 | 1 | 1 | | | | | | | | 50WV 12pF | |
| 326 | 6LA58640300 | Capacitor C166 | 1 | 1 | | | | | | | | 50WV 47pF | |
| 327 | 6LA58640000 | Capacitor C167 | 1 | 1 | | | | | | | | 50WV 12pF | |
| 328 | 6LA58641000 | Capacitor C168 | 1 | 1 | | | | | | | | 16WV 0.10uF | |
| 329 | 6LA58640900 | Capacitor C169 | 1 | 1 | | | | | | | | 16WV 0.022uF | |
| 330 | 6LA58641000 | Capacitor C170 | 1 | 1 | | | | | | | | 16WV 0.10uF | |
| 333 | 6LA58641000 | Capacitor C173 | 1 | 1 | | | | | | | | 16WV 0.10uF | |
| 334 | 41330578900 | Capacitor C174 | 1 | 1 | | | | | | | | 16WV 22uF | |
| 336 | 6LA58641000 | Capacitor C176 | 1 | 1 | | | | | | | | 16WV 0.10uF | |
| 337 | 6LA58641000 | Capacitor C177 | 1 | 1 | | | | | | | | 16WV 0.10uF | |
| 338 | 6LA58641000 | Capacitor C178 | 1 | 1 | | | | | | | | 16WV 0.10uF | |
| 339 | 6LA58641000 | Capacitor C179 | 1 | 1 | | | | | | | | 16WV 0.10uF | |
| 340 | 6LA58641000 | Capacitor C180 | 1 | 1 | | | | | | | | 16WV 0.10uF | |
| 341 | 6LA58641000 | Capacitor C181 | 1 | 1 | | | | | | | | 16WV 0.10uF | |
| 342 | 6LA58641000 | Capacitor C182 | 1 | 1 | | | | | | | | 16WV 0.10uF | |
| 343 | 6LA58641000 | Capacitor C183 | 1 | 1 | | | | | | | | 16WV 0.10uF | |
| 344 | 6LA58641000 | Capacitor C184 | 1 | 1 | | | | | | | | 16WV 0.10uF | |
| 345 | 6LA58641000 | Capacitor C185 | 1 | 1 | | | | | | | | 16WV 0.10uF | |
| 346 | 6LA58640200 | Capacitor C186 | 1 | 1 | | | | | | | | 50WV 33pF | |
| 347 | 6LA58641000 | Capacitor C187 | 1 | 1 | | | | | | | | 16WV 0.10uF | |
| 348 | 6LA58641000 | Capacitor C189 | 1 | 1 | | | | | | | | 16WV 0.10uF | |
| 349 | 6LA58640200 | Capacitor C188 | 1 | 1 | | | | | | | | 50WV 33pF | |

| ITEM NO. | PARTS NO. | PARTS NAME | Q'TY / PAGE | Q'TY / PACK | P | I | R | BSI NO. | TO | FROM | SERIAL NO. | REMARKS | C |
|----------|-------------|-------------------|-------------|-------------|---|---|---|---------|----|------|------------|--------------|---|
| 350 | 6LA58639900 | Capacitor C190 | 1 | 1 | | | | | | | | 50WV 100pF | |
| 351 | 6LA58639900 | Capacitor C191 | 1 | 1 | | | | | | | | 50WV 100pF | |
| 352 | 6LA58639900 | Capacitor C192 | 1 | 1 | | | | | | | | 50WV 100pF | |
| 353 | 6LA58641000 | Capacitor C193 | 1 | 1 | | | | | | | | 16WV 0.10uF | |
| 354 | 6LA58640200 | Capacitor C194 | 1 | 1 | | | | | | | | 50WV 33pF | |
| 355 | 6LA58641000 | Capacitor C195 | 1 | 1 | | | | | | | | 16WV 0.10uF | |
| 356 | 6LA58641000 | Capacitor C196 | 1 | 1 | | | | | | | | 16WV 0.10uF | |
| 357 | 6LA58640900 | Capacitor C197 | 1 | 1 | | | | | | | | 16WV 0.022uF | |
| 358 | 6LA58641000 | Capacitor C198 | 1 | 1 | | | | | | | | 16WV 0.10uF | |
| 359 | 6LA58641000 | Capacitor C199 | 1 | 1 | | | | | | | | 16WV 0.10uF | |
| 360 | 6LA58640900 | Capacitor C200 | 1 | 1 | | | | | | | | 16WV 0.022uF | |
| 361 | 6LA58641300 | Capacitor C201 | 1 | 1 | | | | | | | | 50WV 820pF | |
| 362 | 6LA58641300 | Capacitor C202 | 1 | 1 | | | | | | | | 50WV 820pF | |
| 363 | 6LA58641300 | Capacitor C203 | 1 | 1 | | | | | | | | 50WV 820pF | |
| 364 | 6LA58641300 | Capacitor C204 | 1 | 1 | | | | | | | | 50WV 820pF | |
| 365 | 6LA58641000 | Capacitor C205 | 1 | 1 | | | | | | | | 16WV 0.10uF | |
| 366 | 6LA58640500 | Capacitor C206 | 1 | 1 | | | | | | | | 16WV 1.0uF | |
| 367 | 6LA58641000 | Capacitor C207 | 1 | 1 | | | | | | | | 16WV 0.10uF | |
| 368 | 41330579700 | Capacitor C208 | 1 | 1 | | | | | | | | 35WV 47uF | |
| 369 | 6LA58640700 | Capacitor C209 | 1 | 1 | | | | | | | | 50WV 0.10uF | |
| 370 | 6LA58640700 | Capacitor C210 | 1 | 1 | | | | | | | | 50WV 0.10uF | |
| 371 | 6LA58641200 | Capacitor C211 | 1 | 1 | | | | | | | | 50WV 2200pF | |
| 372 | 41330579400 | Capacitor C212 | 1 | 1 | | | | | | | | 35WV 10uF | |
| 373 | 6LA58640700 | Capacitor C213 | 1 | 1 | | | | | | | | 50WV 0.10uF | |
| 374 | 6LA58641200 | Capacitor C214 | 1 | 1 | | | | | | | | 50WV 2200pF | |
| 377 | 41330579000 | Capacitor C217 | 1 | 1 | | | | | | | | 16WV 47uF | |
| 378 | 6LA58641200 | Capacitor C218 | 1 | 1 | | | | | | | | 50WV 2200pF | |
| 379 | 41330579000 | Capacitor C219 | 1 | 1 | | | | | | | | 16WV 47uF | |
| 380 | 6LA58641000 | Capacitor C220 | 1 | 1 | | | | | | | | 16WV 0.10uF | |
| 382 | 6LA58641200 | Capacitor C222 | 1 | 1 | | | | | | | | 50WV 2200pF | |
| 420 | 6LA58641000 | Capacitor C260 | 1 | 1 | | | | | | | | 16WV 0.10uF | |
| 421 | 6LA58641100 | Capacitor C261 | 1 | 1 | | | | | | | | 50WV 1000pF | |
| 422 | 6LA58641100 | Capacitor C262 | 1 | 1 | | | | | | | | 50WV 1000pF | |
| 423 | 6LA58641100 | Capacitor C263 | 1 | 1 | | | | | | | | 50WV 1000pF | |
| 424 | 6LA58641100 | Capacitor C264 | 1 | 1 | | | | | | | | 50WV 1000pF | |

| ITEM NO. | PARTS NO. | PARTS NAME | QTY / PAGE | QTY / PACK | P | I | R | BSI NO. | TO | FROM | SERIAL NO. | REMARKS | C |
|----------|-------------|-------------------|------------|------------|---|---|---|---------|----|------|------------|-------------|---|
| 425 | 6LA58641100 | Capacitor C265 | 1 | 1 | | | | | | | | 50WV 1000pF | |
| 426 | 6LA58641100 | Capacitor C266 | 1 | 1 | | | | | | | | 50WV 1000pF | |
| 436 | 41330579700 | Capacitor C276 | 1 | 1 | | | | | | | | 35WV 47uF | |
| 437 | 6LA58640700 | Capacitor C277 | 1 | 1 | | | | | | | | 50WV 0.10uF | |
| 438 | 6LA58641100 | Capacitor C278 | 1 | 1 | | | | | | | | 50WV 1000pF | |
| 439 | 6LA58641100 | Capacitor C279 | 1 | 1 | | | | | | | | 50WV 1000pF | |
| 440 | 6LA58641100 | Capacitor C280 | 1 | 1 | | | | | | | | 50WV 1000pF | |
| 441 | 6LA58641100 | Capacitor C281 | 1 | 1 | | | | | | | | 50WV 1000pF | |
| 442 | 41330579700 | Capacitor C282 | 1 | 1 | | | | | | | | 35WV 47uF | |
| 443 | 6LA58641000 | Capacitor C283 | 1 | 1 | | | | | | | | 16WV 0.10uF | |
| 444 | 41330579200 | Capacitor C284 | 1 | 1 | | | | | | | | 25WV 47uF | |
| 445 | 6LA58641000 | Capacitor C285 | 1 | 1 | | | | | | | | 16WV 0.10uF | |
| 446 | 41330578900 | Capacitor C286 | 1 | 1 | | | | | | | | 16WV 22uF | |
| 447 | 41330578900 | Capacitor C287 | 1 | 1 | | | | | | | | 16WV 22uF | |
| 448 | 6LA58641000 | Capacitor C288 | 1 | 1 | | | | | | | | 16WV 0.10uF | |
| 449 | 6LA58641000 | Capacitor C289 | 1 | 1 | | | | | | | | 16WV 0.10uF | |
| 450 | 6LA58641100 | Capacitor C290 | 1 | 1 | | | | | | | | 50WV 1000pF | |
| 451 | 6LA58641100 | Capacitor C291 | 1 | 1 | | | | | | | | 50WV 1000pF | |
| 452 | 6LA58641100 | Capacitor C292 | 1 | 1 | | | | | | | | 50WV 1000pF | |
| 453 | 6LA58641100 | Capacitor C293 | 1 | 1 | | | | | | | | 50WV 1000pF | |
| 454 | 6LA58641100 | Capacitor C294 | 1 | 1 | | | | | | | | 50WV 1000pF | |
| 455 | 6LA58641100 | Capacitor C295 | 1 | 1 | | | | | | | | 50WV 1000pF | |
| 456 | 6LA58641100 | Capacitor C296 | 1 | 1 | | | | | | | | 50WV 1000pF | |
| 457 | 6LA58641100 | Capacitor C297 | 1 | 1 | | | | | | | | 50WV 1000pF | |
| 458 | 6LA58641100 | Capacitor C298 | 1 | 1 | | | | | | | | 50WV 1000pF | |
| 459 | 41330579700 | Capacitor C299 | 1 | 1 | | | | | | | | 35WV 47uF | |
| 460 | 41330579700 | Capacitor C300 | 1 | 1 | | | | | | | | 35WV 47uF | |
| 461 | 6LA58640700 | Capacitor C301 | 1 | 1 | | | | | | | | 50WV 0.10uF | |
| 462 | 6LA58640200 | Capacitor C302 | 1 | 1 | | | | | | | | 50WV 33pF | |
| 463 | 6LA58641100 | Capacitor C303 | 1 | 1 | | | | | | | | 50WV 1000pF | |
| 464 | 6LA58641100 | Capacitor C304 | 1 | 1 | | | | | | | | 50WV 1000pF | |
| 465 | 6LA58641100 | Capacitor C305 | 1 | 1 | | | | | | | | 50WV 1000pF | |
| 466 | 6LA58641100 | Capacitor C306 | 1 | 1 | | | | | | | | 50WV 1000pF | |
| 467 | 6LA58641100 | Capacitor C307 | 1 | 1 | | | | | | | | 50WV 1000pF | |
| 468 | 6LA58641000 | Capacitor C308 | 1 | 1 | | | | | | | | 16WV 0.10uF | |

| ITEM NO. | PARTS NO. | PARTS NAME | QTY / PAGE | QTY / PACK | PI | R | BSI NO. | TO | FROM | SERIAL NO. | REMARKS | C |
|----------|-------------|----------------------|------------|------------|----|---|---------|----|------|------------|-------------|---|
| 469 | 6LA58641100 | Capacitor C309 | 1 | 1 | | | | | | | 50WV 1000pF | |
| 470 | 6LA58641100 | Capacitor C310 | 1 | 1 | | | | | | | 50WV 1000pF | |
| 471 | 6LA58641100 | Capacitor C311 | 1 | 1 | | | | | | | 50WV 1000pF | |
| 472 | 6LA58641100 | Capacitor C312 | 1 | 1 | | | | | | | 50WV 1000pF | |
| 473 | 6LA58640700 | Capacitor C313 | 1 | 1 | | | | | | | 50WV 0.10uF | |
| 474 | 6LA58640700 | Capacitor C314 | 1 | 1 | | | | | | | 50WV 0.10uF | |
| 475 | 6LA58640300 | Capacitor C315 | 1 | 1 | | | | | | | 50WV 47pF | |
| 476 | 6LA58640300 | Capacitor C316 | 1 | 1 | | | | | | | 50WV 47pF | |
| 477 | 6LA58640300 | Capacitor C317 | 1 | 1 | | | | | | | 50WV 47pF | |
| 478 | 6LA58640300 | Capacitor C318 | 1 | 1 | | | | | | | 50WV 47pF | |
| 479 | 6LA58640300 | Capacitor C319 | 1 | 1 | | | | | | | 50WV 47pF | |
| 480 | 6LA58640300 | Capacitor C320 | 1 | 1 | | | | | | | 50WV 47pF | |
| 481 | 6LA58640300 | Capacitor C321 | 1 | 1 | | | | | | | 50WV 47pF | |
| 482 | 41330578900 | Capacitor C322 | 1 | 1 | | | | | | | 16WV 22uF | |
| 483 | 6LA58641000 | Capacitor C323 | 1 | 1 | | | | | | | 16WV 0.10uF | |
| 488 | 6LA58641000 | Capacitor C328 | 1 | 1 | | | | | | | 16WV 0.10uF | |
| 494 | 6LA58640700 | Capacitor C334 | 1 | 1 | | | | | | | 50WV 0.10uF | |
| 495 | 6LA58640700 | Capacitor C335 | 1 | 1 | | | | | | | 50WV 0.10uF | |
| 512 | 6LA58641500 | Diode D102 | 1 | 1 | | | | | | | KDS226 | |
| 513 | 6LA58641500 | Diode D103 | 1 | 1 | | | | | | | KDS226 | |
| 514 | 41330584000 | Diode DSS133 D104 | 1 | 1 | | | | | | | | |
| 516 | 6LA58641400 | Diode D116 | 1 | 1 | | | | | | | KDS121 | |
| 517 | 6LA58641400 | Diode D117 | 1 | 1 | | | | | | | KDS121 | |
| 518 | 6LA58641400 | Diode D118 | 1 | 1 | | | | | | | KDS121 | |
| 519 | 6LA58641500 | Diode D119 | 1 | 1 | | | | | | | KDS226 | |
| 520 | 41330584000 | Diode DSS133 D120 | 1 | 1 | | | | | | | | |
| 521 | 6LA58641400 | Diode D121 | 1 | 1 | | | | | | | KDS121 | |
| 522 | 6LA58641400 | Diode D122 | 1 | 1 | | | | | | | KDS121 | |
| 523 | 6LA58641400 | Diode D123 | 1 | 1 | | | | | | | KDS121 | |
| 524 | 41330584000 | Diode DSS133 D124 | 1 | 1 | | | | | | | | |
| 525 | 6LA58641400 | Diode D125 | 1 | 1 | | | | | | | KDS121 | |
| 526 | 6LA58641400 | Diode D126 | 1 | 1 | | | | | | | KDS121 | |
| 527 | 41330584000 | Diode DSS133 D127 | 1 | 1 | | | | | | | | |
| 528 | 6LA58641400 | Diode D128 | 1 | 1 | | | | | | | KDS121 | |
| 529 | 6LA58641400 | Diode D129 | 1 | 1 | | | | | | | KDS121 | |

| ITEM NO. | PARTS NO. | PARTS NAME | QTY / PAGE | QTY / PACK | P | I | R | BSI NO. | TO | FROM | SERIAL NO. | REMARKS | C |
|----------|-------------|------------------------|------------|------------|---|---|---|---------|----|------|------------|------------------|---|
| 530 | 6LA58641400 | Diode D130 | 1 | 1 | | | | | | | | KDS121 | |
| 531 | 6LA58641400 | Diode D131 | 1 | 1 | | | | | | | | KDS121 | |
| 532 | 6LA58641400 | Diode D132 | 1 | 1 | | | | | | | | KDS121 | |
| 533 | 6LA58641400 | Diode D133 | 1 | 1 | | | | | | | | KDS121 | |
| 534 | 6LA58641400 | Diode D134 | 1 | 1 | | | | | | | | KDS121 | |
| 535 | 6LA58641400 | Diode D135 | 1 | 1 | | | | | | | | KDS121 | |
| 536 | 6LA58641400 | Diode D136 | 1 | 1 | | | | | | | | KDS121 | |
| 537 | 6LA58641400 | Diode D137 | 1 | 1 | | | | | | | | KDS121 | |
| 538 | 6LA58641500 | Diode D138 | 1 | 1 | | | | | | | | KDS226 | |
| 540 | 6LA58641500 | Diode D140 | 1 | 1 | | | | | | | | KDS226 | |
| 543 | 6LA58641500 | Diode D143 | 1 | 1 | | | | | | | | KDS226 | |
| 561 | 6LA58643200 | IC IC101 | 1 | 1 | | | | | | | | P2010AST | |
| 562 | 6LA58642200 | IC IC102 | 1 | 1 | | | | | | | | EES02L400P | |
| 563 | 6LA58642300 | IC IC103 | 1 | 1 | | | | | | | | H8S/2321 | |
| 564 | 6LA58643000 | IC IC104 | 1 | 1 | | | | | | | | M51957BFP1 | |
| 566 | 6LA58642400 | IC IC106 | 1 | 1 | | | | | | | | HG73C1191C | |
| 567 | 6LA58643100 | IC IC107 | 1 | 1 | | | | | | | | NC7ST08M | |
| 570 | 6LA58636900 | IC IC110 | 1 | 1 | | | | | | | | MT48LC4M16ATG-75 | |
| 571 | 6LA58641700 | IC IC111 | 1 | 1 | | | | | | | | 28F4BVEB85 | |
| 572 | 6LA58637100 | IC IC112 | 1 | 1 | | | | | | | | UT61L1024JC-15 | |
| 573 | 6LA58642900 | IC IC113 | 1 | 1 | | | | | | | | 74LCX244WM | |
| 574 | 6LA58641800 | IC IC114 | 1 | 1 | | | | | | | | 74HC151M | |
| 575 | 6LA58641800 | IC IC115 | 1 | 1 | | | | | | | | 74HC151M | |
| 576 | 6LA58643400 | IC IC116 | 1 | 1 | | | | | | | | VHCT244M | |
| 577 | 6LA58641800 | IC IC117 | 1 | 1 | | | | | | | | 74HC151M | |
| 578 | 6LA58642900 | IC IC118 | 1 | 1 | | | | | | | | 74LCX244WM | |
| 579 | 6LA58642000 | IC IC119 | 1 | 1 | | | | | | | | D65001AF | |
| 580 | 6LA58642700 | IC IC120 | 1 | 1 | | | | | | | | K1A393F | |
| 581 | 6LA58642000 | IC IC121 | 1 | 1 | | | | | | | | D65001AF | |
| 582 | 6LA58642600 | IC IC122 | 1 | 1 | | | | | | | | K1A358F | |
| 583 | 41330591000 | IC-TD62064AF IC123 | 1 | 1 | | | | | | | | | |
| 584 | 6LA58642100 | IC IC124 | 1 | 1 | | | | | | | | D65503F | |
| 585 | 6LA58642100 | IC IC125 | 1 | 1 | | | | | | | | D65503F | |
| 587 | 6LA58642800 | IC IC127 | 1 | 1 | | | | | | | | L6219DS | |
| 588 | 41330588900 | IC-MTD1361F-1 IC128 | 1 | 1 | | | | | | | | | |

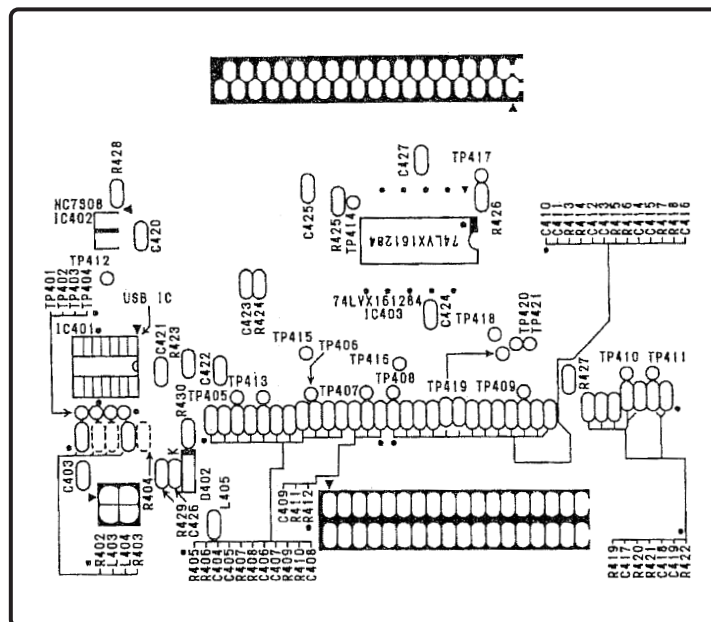
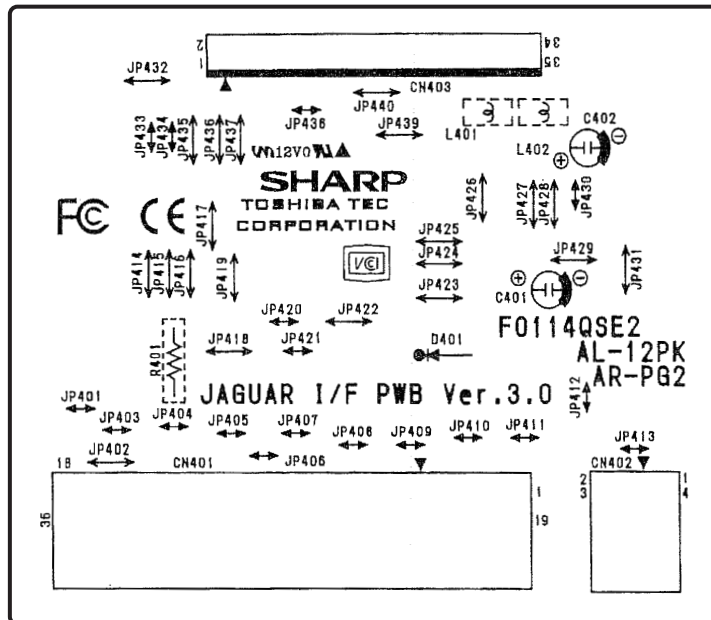
| ITEM NO. | PARTS NO. | PARTS NAME | Q'TY / PAGE | Q'TY / PACK | P | I | R | BSI NO. | TO | FROM | SERIAL NO. | REMARKS | C |
|----------|-------------|-----------------------|-------------|-------------|---|---|---|---------|----|------|------------|------------|---|
| 589 | 6LA58641900 | IC IC129 | 1 | 1 | | | | | | | | BA6920FP | |
| 590 | 6LA58642500 | IC IC130 | 1 | 1 | | | | | | | | K1A7805API | |
| 591 | 6LA58637000 | IC IC131 | 1 | 1 | | | | | | | | IX0005ES | |
| 611 | 41330592700 | IC protector CP101 | 1 | 1 | | | | | | | | ICPN38 | |
| 612 | 41330592700 | IC protector CP102 | 1 | 1 | | | | | | | | ICPN38 | |
| 613 | 41330592700 | IC protector CP103 | 1 | 1 | | | | | | | | ICPN38 | |
| 632 | 41330594200 | Resistor R102 | 1 | 1 | | | | | | | | 1/16W 0 | |
| 635 | 41330594200 | Resistor R105 | 1 | 1 | | | | | | | | 1/16W 0 | |
| 636 | 41330594200 | Resistor R106 | 1 | 1 | | | | | | | | 1/16W 0 | |
| 637 | 41330596200 | Resistor R107 | 1 | 1 | | | | | | | | 1/16W 22 | |
| 638 | 41330594800 | Resistor R108 | 1 | 1 | | | | | | | | 1/16W 10K | |
| 641 | 41330594800 | Resistor R111 | 1 | 1 | | | | | | | | 1/16W 10K | |
| 642 | 41330594800 | Resistor R112 | 1 | 1 | | | | | | | | 1/16W 10K | |
| 644 | 6LA58644400 | Resistor R114 | 1 | 1 | | | | | | | | 1/16W 11K | |
| 645 | 41330594800 | Resistor R115 | 1 | 1 | | | | | | | | 1/16W 10K | |
| 647 | 41330594700 | Resistor R117 | 1 | 1 | | | | | | | | 1/16W 10K | |
| 648 | 41330594800 | Resistor R118 | 1 | 1 | | | | | | | | 1/16W 10K | |
| 649 | 41330596900 | Resistor R119 | 1 | 1 | | | | | | | | 1/16W 33 | |
| 650 | 41330594400 | Resistor R120 | 1 | 1 | | | | | | | | 1/16W 100 | |
| 651 | 41330596900 | Resistor R121 | 1 | 1 | | | | | | | | 1/16W 33 | |
| 652 | 41330594800 | Resistor R122 | 1 | 1 | | | | | | | | 1/16W 10K | |
| 653 | 41330594800 | Resistor R123 | 1 | 1 | | | | | | | | 1/16W 10K | |
| 654 | 41330594800 | Resistor R124 | 1 | 1 | | | | | | | | 1/16W 10K | |
| 655 | 41330594800 | Resistor R125 | 1 | 1 | | | | | | | | 1/16W 10K | |
| 656 | 41330594800 | Resistor R126 | 1 | 1 | | | | | | | | 1/16W 10K | |
| 657 | 41330594800 | Resistor R127 | 1 | 1 | | | | | | | | 1/16W 10K | |
| 658 | 41330594800 | Resistor R128 | 1 | 1 | | | | | | | | 1/16W 10K | |
| 667 | 41330594800 | Resistor R137 | 1 | 1 | | | | | | | | 1/16W 10K | |
| 670 | 41330594800 | Resistor R140 | 1 | 1 | | | | | | | | 1/16W 10K | |
| 671 | 41330594800 | Resistor R141 | 1 | 1 | | | | | | | | 1/16W 10K | |
| 674 | 41330594300 | Resistor R144 | 1 | 1 | | | | | | | | 1/16W 10 | |
| 675 | 41330594300 | Resistor R145 | 1 | 1 | | | | | | | | 1/16W 10 | |
| 676 | 41330594800 | Resistor R146 | 1 | 1 | | | | | | | | 1/16W 10K | |
| 677 | 41330594800 | Resistor R147 | 1 | 1 | | | | | | | | 1/16W 10K | |
| 678 | 41330594800 | Resistor R148 | 1 | 1 | | | | | | | | 1/16W 10K | |

| ITEM NO. | PARTS NO. | PARTS NAME | QTY / PAGE | QTY / PACK | PIR | BSI NO. | TO | FROM | SERIAL NO. | REMARKS | C |
|----------|-------------|------------------|------------|------------|-----|---------|----|------|------------|------------|---|
| 679 | 41330594300 | Resistor R149 | 1 | 1 | | | | | | 1/16W 10 | |
| 680 | 41330595600 | Resistor R150 | 1 | 1 | | | | | | 1/16W 1.5K | |
| 681 | 41330595600 | Resistor R151 | 1 | 1 | | | | | | 1/16W 1.5K | |
| 682 | 41330595600 | Resistor R152 | 1 | 1 | | | | | | 1/16W 1.5K | |
| 683 | 41330595600 | Resistor R153 | 1 | 1 | | | | | | 1/16W 1.5K | |
| 684 | 41330594500 | Resistor R154 | 1 | 1 | | | | | | 1/16W 1K | |
| 685 | 41330595000 | Resistor R155 | 1 | 1 | | | | | | 1/16W 1.0M | |
| 686 | 6LA58645500 | Resistor R156 | 1 | 1 | | | | | | 1/16W 7.5K | |
| 687 | 41330594600 | Resistor R157 | 1 | 1 | | | | | | 1/16W 1.0K | |
| 688 | 41330594700 | Resistor R158 | 1 | 1 | | | | | | 1/16W 10K | |
| 689 | 6LA58645200 | Resistor R159 | 1 | 1 | | | | | | 1/16W 4.3K | |
| 690 | 41330595600 | Resistor R160 | 1 | 1 | | | | | | 1/16W 1.5K | |
| 691 | 41330597600 | Resistor R161 | 1 | 1 | | | | | | 1/16W 47K | |
| 692 | 41330595600 | Resistor R162 | 1 | 1 | | | | | | 1/16W 1.5K | |
| 693 | 41330595600 | Resistor R163 | 1 | 1 | | | | | | 1/16W 1.5K | |
| 694 | 41330595600 | Resistor R164 | 1 | 1 | | | | | | 1/16W 1.5K | |
| 695 | 41330595600 | Resistor R165 | 1 | 1 | | | | | | 1/16W 1.5K | |
| 696 | 6LA58644200 | Resistor R166 | 1 | 1 | | | | | | 1/4W 4.7K | |
| 697 | 41330595600 | Resistor R167 | 1 | 1 | | | | | | 1/16W 1.5K | |
| 698 | 41330595600 | Resistor R168 | 1 | 1 | | | | | | 1/16W 1.5K | |
| 700 | 41330594400 | Resistor R170 | 1 | 1 | | | | | | 1/16W 100 | |
| 701 | 6LA58644500 | Resistor R171 | 1 | 1 | | | | | | 1/16W 1.2K | |
| 702 | 41330594800 | Resistor R172 | 1 | 1 | | | | | | 1/16W 10K | |
| 703 | 41330594700 | Resistor R173 | 1 | 1 | | | | | | 1/16W 10K | |
| 704 | 6LA58644800 | Resistor R174 | 1 | 1 | | | | | | 1/16W 240K | |
| 705 | 6LA58644800 | Resistor R175 | 1 | 1 | | | | | | 1/16W 240K | |
| 706 | 6LA58644800 | Resistor R176 | 1 | 1 | | | | | | 1/16W 240K | |
| 707 | 6LA58644300 | Resistor R177 | 1 | 1 | | | | | | 1W 0.68 | |
| 708 | 6LA58644300 | Resistor R178 | 1 | 1 | | | | | | 1W 0.68 | |
| 709 | 41330595600 | Resistor R179 | 1 | 1 | | | | | | 1/16W 1.5K | |
| 710 | 41330595600 | Resistor R180 | 1 | 1 | | | | | | 1/16W 1.5K | |
| 711 | 41330594600 | Resistor R181 | 1 | 1 | | | | | | 1/16W 1.0K | |
| 712 | 6LA58645000 | Resistor R182 | 1 | 1 | | | | | | 1/16W 30K | |
| 713 | 6LA58645000 | Resistor R183 | 1 | 1 | | | | | | 1/16W 30K | |
| 714 | 41330595900 | Resistor R184 | 1 | 1 | | | | | | 1/16W 2.0K | |

| ITEM NO. | PARTS NO. | PARTS NAME | Q'TY / PAGE | Q'TY / PACK | P | I | R | BSI NO. | TO | FROM | SERIAL NO. | REMARKS | C |
|----------|-------------|------------------|-------------|-------------|---|---|---|---------|----|------|------------|------------|---|
| 715 | 41330594600 | Resistor R185 | 1 | 1 | | | | | | | | 1/16W 1.0K | |
| 716 | 41330597700 | Resistor R186 | 1 | 1 | | | | | | | | 1/16W 510 | |
| 717 | 41330594600 | Resistor R187 | 1 | 1 | | | | | | | | 1/16W 1.0K | |
| 718 | 41330594600 | Resistor R188 | 1 | 1 | | | | | | | | 1/16W 1.0K | |
| 719 | 41330594800 | Resistor R189 | 1 | 1 | | | | | | | | 1/16W 10K | |
| 721 | 41330598600 | Resistor R191 | 1 | 1 | | | | | | | | 1/16W 7.5K | |
| 724 | 41330598600 | Resistor R194 | 1 | 1 | | | | | | | | 1/16W 7.5K | |
| 725 | 41330594600 | Resistor R195 | 1 | 1 | | | | | | | | 1/16W 1.0K | |
| 726 | 41330598500 | Resistor R196 | 1 | 1 | | | | | | | | 1/16W 750 | |
| 727 | 41330599300 | Resistor R197 | 1 | 1 | | | | | | | | 2W 1.0 | |
| 728 | 41330596700 | Resistor R198 | 1 | 1 | | | | | | | | 1/16W 2.4K | |
| 729 | 41330596800 | Resistor R199 | 1 | 1 | | | | | | | | 1/16W 300 | |
| 730 | 41330598100 | Resistor R200 | 1 | 1 | | | | | | | | 1/16W 620 | |
| 731 | 41330595400 | Resistor R201 | 1 | 1 | | | | | | | | 1/16W 1.2K | |
| 732 | 41330594400 | Resistor R202 | 1 | 1 | | | | | | | | 1/16W 100 | |
| 733 | 41330596700 | Resistor R203 | 1 | 1 | | | | | | | | 1/16W 2.4K | |
| 734 | 41330597600 | Resistor R204 | 1 | 1 | | | | | | | | 1/16W 47K | |
| 735 | 41330597600 | Resistor R205 | 1 | 1 | | | | | | | | 1/16W 47K | |
| 736 | 41330599300 | Resistor R206 | 1 | 1 | | | | | | | | 2W 1.0 | |
| 737 | 41330594600 | Resistor R207 | 1 | 1 | | | | | | | | 1/16W 1.0K | |
| 738 | 41330594800 | Resistor R208 | 1 | 1 | | | | | | | | 1/16W 10K | |
| 739 | 41330594800 | Resistor R209 | 1 | 1 | | | | | | | | 1/16W 10K | |
| 740 | 41330594800 | Resistor R210 | 1 | 1 | | | | | | | | 1/16W 10K | |
| 741 | 6LA58645100 | Resistor R211 | 1 | 1 | | | | | | | | 1/16W 39K | |
| 742 | 41330594800 | Resistor R212 | 1 | 1 | | | | | | | | 1/16W 10K | |
| 743 | 41330594800 | Resistor R213 | 1 | 1 | | | | | | | | 1/16W 10K | |
| 744 | 41330594600 | Resistor R214 | 1 | 1 | | | | | | | | 1/16W 1.0K | |
| 745 | 41330596000 | Resistor R215 | 1 | 1 | | | | | | | | 1/16W 20K | |
| 746 | 41330594600 | Resistor R216 | 1 | 1 | | | | | | | | 1/16W 1.0K | |
| 747 | 41330596000 | Resistor R217 | 1 | 1 | | | | | | | | 1/16W 20K | |
| 748 | 6LA58644900 | Resistor R218 | 1 | 1 | | | | | | | | 1/16W 2.7K | |
| 749 | 41330599400 | Resistor R219 | 1 | 1 | | | | | | | | 2W 0.22 | |
| 750 | 41330599200 | Resistor R220 | 1 | 1 | | | | | | | | 2W 1.0K | |
| 751 | 41330594800 | Resistor R221 | 1 | 1 | | | | | | | | 1/16W 10K | |
| 752 | 41330594800 | Resistor R222 | 1 | 1 | | | | | | | | 1/16W 10K | |

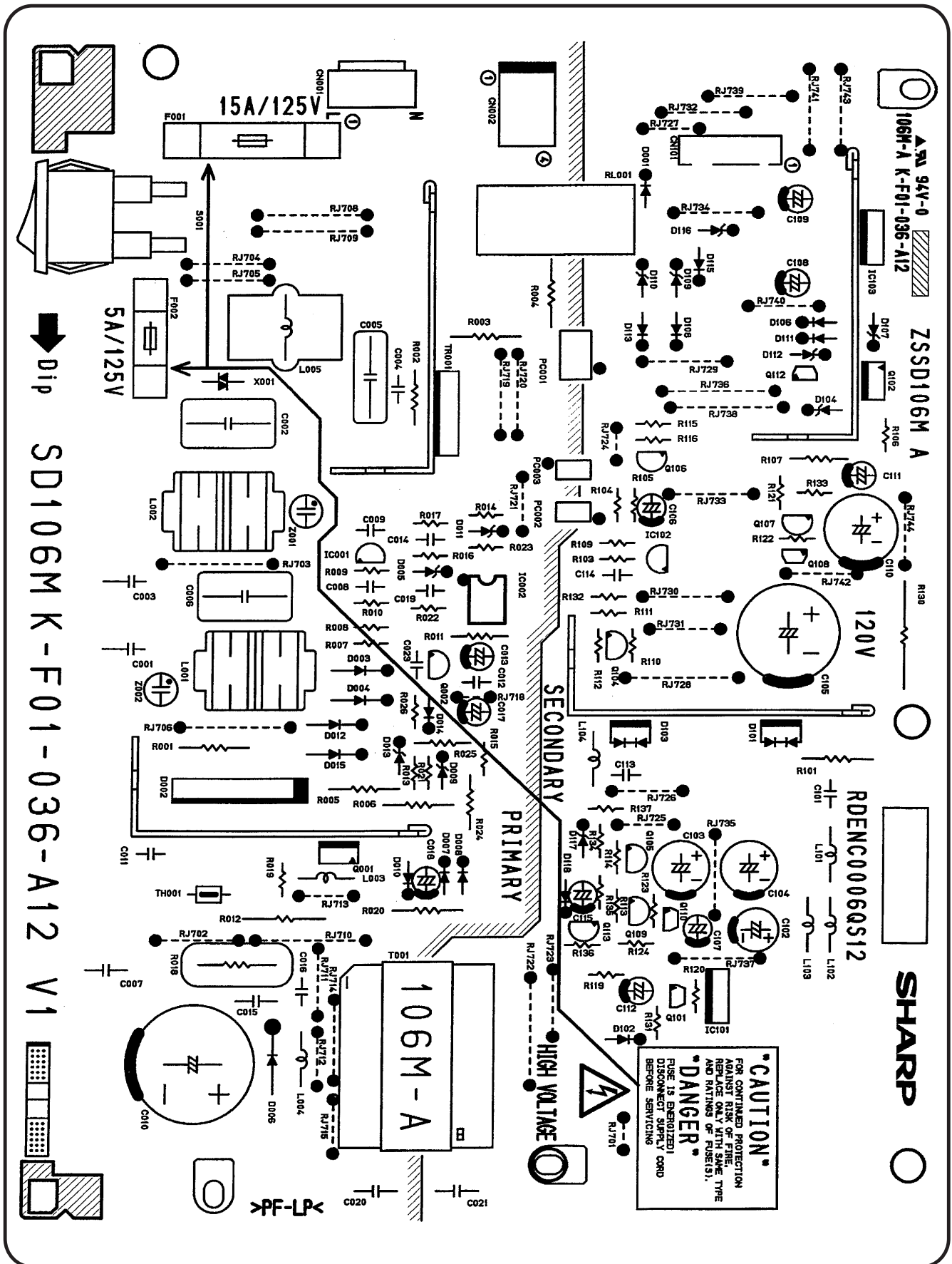
| ITEM NO. | PARTS NO. | PARTS NAME | QTY / PAGE | QTY / PACK | P | I | R | BSI NO. | TO | FROM | SERIAL NO. | REMARKS | C |
|----------|-------------|------------------|------------|------------|---|---|---|---------|----|------|------------|------------|---|
| 753 | 6LA58645100 | Resistor R223 | 1 | 1 | | | | | | | | 1/16W 39K | |
| 754 | 41330594800 | Resistor R224 | 1 | 1 | | | | | | | | 1/16W 10K | |
| 755 | 6LA58645600 | Resistor R225 | 1 | 1 | | | | | | | | 2W 68 | |
| 756 | 6LA58645100 | Resistor R226 | 1 | 1 | | | | | | | | 1/16W 39K | |
| 757 | 6LA58645100 | Resistor R227 | 1 | 1 | | | | | | | | 1/16W 39K | |
| 758 | 41330594800 | Resistor R228 | 1 | 1 | | | | | | | | 1/16W 10K | |
| 759 | 41330598600 | Resistor R229 | 1 | 1 | | | | | | | | 1/16W 7.5K | |
| 760 | 41330598600 | Resistor R230 | 1 | 1 | | | | | | | | 1/16W 7.5K | |
| 761 | 41330598600 | Resistor R231 | 1 | 1 | | | | | | | | 1/16W 7.5K | |
| 762 | 41330597100 | Resistor R232 | 1 | 1 | | | | | | | | 1/16W 3.3K | |
| 763 | 41330594800 | Resistor R233 | 1 | 1 | | | | | | | | 1/16W 10K | |
| 764 | 41330594800 | Resistor R234 | 1 | 1 | | | | | | | | 1/16W 10K | |
| 765 | 41330594600 | Resistor R235 | 1 | 1 | | | | | | | | 1/16W 1.0K | |
| 766 | 41330594600 | Resistor R236 | 1 | 1 | | | | | | | | 1/16W 1.0K | |
| 767 | 41330594600 | Resistor R237 | 1 | 1 | | | | | | | | 1/16W 1.0K | |
| 768 | 41330594800 | Resistor R238 | 1 | 1 | | | | | | | | 1/16W 10K | |
| 769 | 6LA58645300 | Resistor R239 | 1 | 1 | | | | | | | | 1/16W 470 | |
| 770 | 6LA58644700 | Resistor R240 | 1 | 1 | | | | | | | | 1/16W 15K | |
| 771 | 6LA58645400 | Resistor R241 | 1 | 1 | | | | | | | | 1/16W 56K | |
| 772 | 41330594800 | Resistor R242 | 1 | 1 | | | | | | | | 1/16W 10K | |
| 774 | 41330594600 | Resistor R244 | 1 | 1 | | | | | | | | 1/16W 1.0K | |
| 775 | 6LA58644000 | Resistor R245 | 1 | 1 | | | | | | | | 1/4W 390 | |
| 776 | 6LA58644000 | Resistor R246 | 1 | 1 | | | | | | | | 1/4W 390 | |
| 777 | 6LA58644000 | Resistor R247 | 1 | 1 | | | | | | | | 1/4W 390 | |
| 778 | 41330594800 | Resistor R248 | 1 | 1 | | | | | | | | 1/16W 10K | |
| 779 | 41330594800 | Resistor R249 | 1 | 1 | | | | | | | | 1/16W 10K | |
| 780 | 41330594800 | Resistor R250 | 1 | 1 | | | | | | | | 1/16W 10K | |
| 781 | 6LA58643900 | Resistor R251 | 1 | 1 | | | | | | | | 1/4W 150 | |
| 783 | 6LA58644000 | Resistor R253 | 1 | 1 | | | | | | | | 1/4W 390 | |
| 784 | 41330596900 | Resistor R254 | 1 | 1 | | | | | | | | 1/16W 33 | |
| 785 | 41330596900 | Resistor R255 | 1 | 1 | | | | | | | | 1/16W 33 | |
| 786 | 41330596900 | Resistor R256 | 1 | 1 | | | | | | | | 1/16W 33 | |
| 787 | 41330596900 | Resistor R257 | 1 | 1 | | | | | | | | 1/16W 33 | |
| 788 | 41330596900 | Resistor R258 | 1 | 1 | | | | | | | | 1/16W 33 | |
| 789 | 41330596900 | Resistor R259 | 1 | 1 | | | | | | | | 1/16W 33 | |

| ITEM NO. | PARTS NO. | PARTS NAME | Q'TY / PAGE | Q'TY / PACK | P | I | R | BSI NO. | TO | FROM | SERIAL NO. | REMARKS | C |
|----------|-------------|--------------------|-------------|-------------|---|---|---|---------|----|------|------------|--------------------------------------|---|
| 790 | 41330596900 | Resistor R260 | 1 | 1 | | | | | | | | 1/16W 33 | |
| 791 | 41330596900 | Resistor R261 | 1 | 1 | | | | | | | | 1/16W 33 | |
| 792 | 41330596900 | Resistor R262 | 1 | 1 | | | | | | | | 1/16W 33 | |
| 793 | 41330594800 | Resistor R263 | 1 | 1 | | | | | | | | 1/16W 10K | |
| 796 | 41330594800 | Resistor R266 | 1 | 1 | | | | | | | | 1/16W 10K | |
| 797 | 41330594300 | Resistor R267 | 1 | 1 | | | | | | | | 1/16W 10 | |
| 799 | 41330594800 | Resistor R269 | 1 | 1 | | | | | | | | 1/16W 10K | |
| 801 | 41330594800 | Resistor R271 | 1 | 1 | | | | | | | | 1/16W 10K | |
| 805 | 6LA58644700 | Resistor R275 | 1 | 1 | | | | | | | | 1/16W 15K | |
| 806 | 41330596900 | Resistor R276 | 1 | 1 | | | | | | | | 1/16W 33 | |
| 807 | 41330596900 | Resistor R277 | 1 | 1 | | | | | | | | 1/16W 33 | |
| 808 | 41330594400 | Resistor R278 | 1 | 1 | | | | | | | | 1/16W 100 | |
| 811 | 41330597500 | Resistor R281 | 1 | 1 | | | | | | | | 1/16W 4.7K | |
| 812 | 41330594600 | Resistor R282 | 1 | 1 | | | | | | | | 1/16W 1.0K | |
| 813 | 41330594800 | Resistor R283 | 1 | 1 | | | | | | | | 1/16W 10K | |
| 814 | 41330594800 | Resistor R284 | 1 | 1 | | | | | | | | 1/16W 10K | |
| 815 | 41330596900 | Resistor R285 | 1 | 1 | | | | | | | | 1/16W 33 | |
| 816 | 41330594800 | Resistor R286 | 1 | 1 | | | | | | | | 1/16W 10K | |
| 817 | 41330594200 | Resistor R287 | 1 | 1 | | | | | | | | 1/16W 0 | |
| 820 | 41330594800 | Resistor R290 | 1 | 1 | | | | | | | | 1/16W 10K | |
| 821 | 41330594600 | Resistor R291 | 1 | 1 | | | | | | | | 1/16W 1.0K | |
| 831 | 6LA58646000 | Transistor Q101 | 1 | 1 | | | | | | | | KTA1505S | |
| 832 | 6LA58645700 | Transistor Q102 | 1 | 1 | | | | | | | | KRA119S | |
| 836 | 6LA58645800 | Transistor Q106 | 1 | 1 | | | | | | | | KRC106S | |
| 838 | 6LA58645900 | Transistor Q108 | 1 | 1 | | | | | | | | KTA1281 | |
| 840 | 6LA58645800 | Transistor Q110 | 1 | 1 | | | | | | | | KRC106S | |
| 902 | 6LA58645800 | Transistor Q202 | 1 | 1 | | | | | | | | KRC106S | |
| 906 | 6LA58645800 | Transistor Q206 | 1 | 1 | | | | | | | | KRC106S | |
| 921 | 6LA58640400 | Capacitor | 1 | 1 | | | | | | | | 1C113 (8pin- 10pin), 50WV 47pF | |
| 931 | 6LA58640400 | Capacitor | 1 | 1 | | | | | | | | CN104 (1pin- 8pin), 50WV 47pF | |
| 941 | 41330562800 | IC Socket | 1 | 1 | | | | | | | | For IC102, 8pin | |
| 951 | 41330575500 | Version label | 1 | 1 | | | | | | | | | |



| ITEM NO. | PARTS NO. | PARTS NAME | Q'TY / PAGE | Q'TY / PACK | P | I | R | BSI NO. | TO | FROM | SERIAL NO. | REMARKS | C |
|----------|-------------|---------------------|-------------|-------------|---|---|---|---------|----|------|------------|-------------------------|---|
| 0 | 6LA58619000 | IF PWB | 1 | 1 | | | | | | | | | |
| 11 | 6LA58635100 | Connector CN401 | 1 | 1 | | | | | | | | 36Pin RBE42- 36K1153 | |
| 12 | 6LA58635200 | Connector CN402 | 1 | 1 | | | | | | | | UBR23-4K2200 | |
| 13 | 6LA58634900 | Connector CN403 | 1 | 1 | | | | | | | | 35Pin 35FE-BT- VK-N | |
| 35 | 6LA58636700 | Coil L405 | 1 | 1 | | | | | | | | BLM18BB121SN1D | |
| 51 | 6LA58636800 | Diode D401 | 1 | 1 | | | | | | | | 11EQS06-TA1B2 | |
| 61 | 41330579000 | Capacitor C401 | 1 | 1 | | | | | | | | 16WV 47uF | |
| 62 | 41330579000 | Capacitor C402 | 1 | 1 | | | | | | | | 16WV 47uF | |
| 63 | 41330580900 | Capacitor C403 | 1 | 1 | | | | | | | | 16WV 0.1uF | |
| 64 | 41330576300 | Capacitor C404 | 1 | 1 | | | | | | | | 50WV 100pF | |
| 65 | 41330576300 | Capacitor C405 | 1 | 1 | | | | | | | | 50WV 100pF | |
| 66 | 41330576300 | Capacitor C406 | 1 | 1 | | | | | | | | 50WV 100pF | |
| 67 | 41330576300 | Capacitor C407 | 1 | 1 | | | | | | | | 50WV 100pF | |
| 68 | 41330576300 | Capacitor C408 | 1 | 1 | | | | | | | | 50WV 100pF | |
| 69 | 41330576300 | Capacitor C409 | 1 | 1 | | | | | | | | 50WV 100pF | |
| 70 | 41330576300 | Capacitor C410 | 1 | 1 | | | | | | | | 50WV 100pF | |
| 71 | 41330576300 | Capacitor C411 | 1 | 1 | | | | | | | | 50WV 100pF | |
| 72 | 41330576300 | Capacitor C412 | 1 | 1 | | | | | | | | 50WV 100pF | |
| 73 | 41330576300 | Capacitor C413 | 1 | 1 | | | | | | | | 50WV 100pF | |
| 74 | 41330576300 | Capacitor C414 | 1 | 1 | | | | | | | | 50WV 100pF | |
| 75 | 41330576300 | Capacitor C415 | 1 | 1 | | | | | | | | 50WV 100pF | |
| 76 | 6LA58639800 | Capacitor C416 | 1 | 1 | | | | | | | | 50WV 330pF | |
| 77 | 41330576300 | Capacitor C417 | 1 | 1 | | | | | | | | 50WV 100pF | |
| 78 | 41330576300 | Capacitor C418 | 1 | 1 | | | | | | | | 50WV 100pF | |
| 79 | 41330576300 | Capacitor C419 | 1 | 1 | | | | | | | | 50WV 100pF | |
| 80 | 41330580900 | Capacitor C420 | 1 | 1 | | | | | | | | 16WV 0.1uF | |
| 81 | 41330580900 | Capacitor C421 | 1 | 1 | | | | | | | | 16WV 0.1uF | |
| 82 | 41330576300 | Capacitor C422 | 1 | 1 | | | | | | | | 50WV 100pF | |
| 83 | 41330580900 | Capacitor C423 | 1 | 1 | | | | | | | | 16WV 0.1uF | |
| 84 | 41330580900 | Capacitor C424 | 1 | 1 | | | | | | | | 16WV 0.1uF | |
| 85 | 41330580900 | Capacitor C425 | 1 | 1 | | | | | | | | 16WV 0.1uF | |
| 86 | 41330576300 | Capacitor C426 | 1 | 1 | | | | | | | | 50WV 100pF | |
| 87 | 41330580900 | Capacitor C427 | 1 | 1 | | | | | | | | 16WV 0.1uF | |
| 102 | 6LA58641600 | Zener diode D402 | 1 | 1 | | | | | | | | UDZS6.2B | |
| 111 | 6LA58643300 | IC IC401 | 1 | 1 | | | | | | | | USB1T11AMX | |
| 112 | 6LA58637000 | IC | 1 | 1 | | | | | | | | IX0005ES | |

| ITEM NO. | PARTS NO. | PARTS NAME | QTY / PAGE | QTY / PACK | PIR | BSI NO. | TO | FROM | SERIAL NO. | REMARKS | C |
|----------|-------------|---------------------------------|------------|------------|-----|---------|----|------|------------|------------|---|
| 113 | 41330585800 | IC402 IC-74LVX16128 IC403 | 1 | 1 | | | | | | | |
| 133 | 41330594200 | Resistor L403 | 1 | 1 | | | | | | 1/16W 0 | |
| 134 | 41330594200 | Resistor L404 | 1 | 1 | | | | | | 1/16W 0 | |
| 152 | 41330596600 | Resistor R402 | 1 | 1 | | | | | | 1/16W 24 | |
| 153 | 41330596600 | Resistor R403 | 1 | 1 | | | | | | 1/16W 24 | |
| 155 | 41330596200 | Resistor R405 | 1 | 1 | | | | | | 1/16W 22 | |
| 156 | 41330596200 | Resistor R406 | 1 | 1 | | | | | | 1/16W 22 | |
| 157 | 41330596200 | Resistor R407 | 1 | 1 | | | | | | 1/16W 22 | |
| 158 | 41330596200 | Resistor R408 | 1 | 1 | | | | | | 1/16W 22 | |
| 159 | 41330596200 | Resistor R409 | 1 | 1 | | | | | | 1/16W 22 | |
| 160 | 41330596200 | Resistor R410 | 1 | 1 | | | | | | 1/16W 22 | |
| 161 | 41330596200 | Resistor R411 | 1 | 1 | | | | | | 1/16W 22 | |
| 162 | 41330596200 | Resistor R412 | 1 | 1 | | | | | | 1/16W 22 | |
| 163 | 41330596200 | Resistor R413 | 1 | 1 | | | | | | 1/16W 22 | |
| 164 | 41330596200 | Resistor R414 | 1 | 1 | | | | | | 1/16W 22 | |
| 165 | 41330596200 | Resistor R415 | 1 | 1 | | | | | | 1/16W 22 | |
| 166 | 41330596200 | Resistor R416 | 1 | 1 | | | | | | 1/16W 22 | |
| 167 | 41330596200 | Resistor R417 | 1 | 1 | | | | | | 1/16W 22 | |
| 168 | 41330596200 | Resistor R418 | 1 | 1 | | | | | | 1/16W 22 | |
| 169 | 41330596200 | Resistor R419 | 1 | 1 | | | | | | 1/16W 22 | |
| 170 | 41330597100 | Resistor R420 | 1 | 1 | | | | | | 1/16W 3.3K | |
| 171 | 41330596200 | Resistor R421 | 1 | 1 | | | | | | 1/16W 22 | |
| 172 | 41330596200 | Resistor R422 | 1 | 1 | | | | | | 1/16W 22 | |
| 173 | 41330595600 | Resistor R423 | 1 | 1 | | | | | | 1/16W 1.5K | |
| 174 | 41330594800 | Resistor R424 | 1 | 1 | | | | | | 1/16W 10K | |
| 175 | 41330594800 | Resistor R425 | 1 | 1 | | | | | | 1/16W 10K | |
| 176 | 41330594800 | Resistor R426 | 1 | 1 | | | | | | 1/16W 10K | |
| 177 | 41330594800 | Resistor R427 | 1 | 1 | | | | | | 1/16W 10K | |
| 178 | 41330594800 | Resistor R428 | 1 | 1 | | | | | | 1/16W 10K | |
| 179 | 41330594800 | Resistor R429 | 1 | 1 | | | | | | 1/16W 10K | |
| 180 | 41330596600 | Resistor R430 | 1 | 1 | | | | | | 1/16W 24 | |
| 191 | 6LA58622600 | IF GND harness | 1 | 1 | | | | | | | |



| ITEM NO. | PARTS NO. | PARTS NAME | QTY / PAGE | QTY / PACK | PI | R | BSI NO. | TO | FROM | SERIAL NO. | REMARKS | C |
|----------|-------------|-------------------|------------|------------|----|---|---------|----|------|------------|-------------|---|
| 0 | 6LA58636300 | DC PS PWB | 1 | 1 | | | | | | | 100V Series | |
| 11 | 6LA58604900 | Capacitor C001 | 1 | 1 | | | | | | | 2200pF | |
| 12 | 6LA58604100 | Capacitor C002 | 1 | 1 | | | | | | | 250V 0.22uF | |
| 13 | 6LA58604900 | Capacitor C003 | 1 | 1 | | | | | | | 2200pF | |
| 14 | 6LA58604700 | Capacitor C004 | 1 | 1 | | | | | | | 50V 0.1uF | |
| 15 | 6LA58604000 | Capacitor C005 | 1 | 1 | | | | | | | 250V 0.1uF | |
| 16 | 6LA58604100 | Capacitor C006 | 1 | 1 | | | | | | | 250V 0.22uF | |
| 17 | 6LA58604800 | Capacitor C007 | 1 | 1 | | | | | | | 3300pF | |
| 18 | 6LA58603900 | Capacitor C008 | 1 | 1 | | | | | | | 50V 1000pF | |
| 19 | 6LA58603800 | Capacitor C009 | 1 | 1 | | | | | | | 50V 0.01uF | |
| 20 | 6LA58602900 | Capacitor C010 | 1 | 1 | | | | | | | 200V 470uF | |
| 21 | 6LA58604300 | Capacitor C011 | 1 | 1 | | | | | | | 1KV 1000pF | |
| 22 | 6LA58605000 | Capacitor C012 | 1 | 1 | | | | | | | 50V 0.068uF | |
| 23 | 6LA58602700 | Capacitor C013 | 1 | 1 | | | | | | | 50V 0.47uF | |
| 24 | 6LA58603800 | Capacitor C014 | 1 | 1 | | | | | | | 50V 0.01uF | |
| 25 | 6LA58604400 | Capacitor C015 | 1 | 1 | | | | | | | 1KV 2200pF | |
| 27 | 6LA58602800 | Capacitor C017 | 1 | 1 | | | | | | | 35V 22uF | |
| 28 | 6LA58602800 | Capacitor C018 | 1 | 1 | | | | | | | 35V 22uF | |
| 29 | 6LA58604700 | Capacitor C019 | 1 | 1 | | | | | | | 50V 0.1uF | |
| 30 | 6LA58604900 | Capacitor C020 | 1 | 1 | | | | | | | 2200pF | |
| 31 | 6LA58604900 | Capacitor C021 | 1 | 1 | | | | | | | 2200pF | |
| 33 | 6LA58603900 | Capacitor C023 | 1 | 1 | | | | | | | 50V 1000pF | |
| 81 | 6LA58604300 | Capacitor C101 | 1 | 1 | | | | | | | 1KV 1000pF | |
| 82 | 6LA58603000 | Capacitor C102 | 1 | 1 | | | | | | | 25V 220uF | |
| 83 | 6LA58603400 | Capacitor C103 | 1 | 1 | | | | | | | 10V 1000uF | |
| 84 | 6LA58603400 | Capacitor C104 | 1 | 1 | | | | | | | 10V 1000uF | |
| 85 | 6LA58603100 | Capacitor C105 | 1 | 1 | | | | | | | 50V 820uF | |
| 86 | 6LA58602700 | Capacitor C106 | 1 | 1 | | | | | | | 50V 0.47uF | |
| 87 | 6LA58602800 | Capacitor C107 | 1 | 1 | | | | | | | 35V 22uF | |
| 88 | 6LA58602800 | Capacitor C108 | 1 | 1 | | | | | | | 35V 22uF | |
| 89 | 6LA58602800 | Capacitor C109 | 1 | 1 | | | | | | | 35V 22uF | |
| 90 | 6LA58603500 | Capacitor C110 | 1 | 1 | | | | | | | 35V 1000uF | |
| 91 | 6LA58602800 | Capacitor C111 | 1 | 1 | | | | | | | 35V 22uF | |
| 92 | 6LA58603200 | Capacitor C112 | 1 | 1 | | | | | | | 50V 10uF | |
| 93 | 6LA58604500 | Capacitor C113 | 1 | 1 | | | | | | | 1KV 470pF | |
| 94 | 6LA58604700 | Capacitor | 1 | 1 | | | | | | | 50V 0.1uF | |

| ITEM NO. | PARTS NO. | PARTS NAME | QTY / PAGE | QTY / PACK | PIR | BSI NO. | TO | FROM | SERIAL NO. | REMARKS | C |
|----------|-------------|---------------------|------------|------------|-----|---------|----|------|------------|-----------------------|---|
| 95 | 6LA58603300 | C114 Capacitor | 1 | 1 | | | | | | 50V 3.3uF | |
| 96 | 6LA58604500 | C115 Capacitor | 1 | 1 | | | | | | 1KV 470pF | |
| 111 | 6LA58610100 | C116 Diode | 1 | 1 | | | | | | 1SS270A 0.15A 70V | |
| 112 | 6LA58610500 | D001 Diode | 1 | 1 | | | | | | D3SB60 4A 600V | |
| 113 | 6LA58610600 | D002 Rectifier | 1 | 1 | | | | | | RLIN4005-E 1A 600V | |
| 114 | 6LA58610600 | D003 Rectifier | 1 | 1 | | | | | | RLIN4005-E 1A 600V | |
| 115 | 6LA58610900 | D004 Zener diode | 1 | 1 | | | | | | RD5.6ES | |
| 116 | 6LA58610000 | D005 Diode | 1 | 1 | | | | | | RG1C 0.7A 1000V | |
| 117 | 6LA58609900 | D006 Diode | 1 | 1 | | | | | | ERA9102 0.5A 200V | |
| 118 | 6LA58609900 | D007 Diode | 1 | 1 | | | | | | ERA9102 0.5A 200V | |
| 119 | 6LA58611300 | D008 Zener diode | 1 | 1 | | | | | | RD33ES | |
| 120 | 6LA58609900 | D009 Diode | 1 | 1 | | | | | | ERA9102 0.5A 200V | |
| 121 | 6LA58610700 | D010 Zener diode | 1 | 1 | | | | | | RD20ES | |
| 122 | 6LA58610600 | D011 Rectifier | 1 | 1 | | | | | | RLIN4005-E 1A 600V | |
| 123 | 6LA58610700 | D012 Zener diode | 1 | 1 | | | | | | RD20ES | |
| 124 | 6LA58610100 | D013 Diode | 1 | 1 | | | | | | 1SS270A 0.15A 70V | |
| 125 | 6LA58610600 | D014 Rectifier | 1 | 1 | | | | | | RLIN4005-E 1A 600V | |
| 171 | 6LA58610200 | D015 Diode | 1 | 1 | | | | | | 0LC20U 10A 200V | |
| 172 | 6LA58610400 | D101 Diode | 1 | 1 | | | | | | D1NL20U 1A 200V | |
| 173 | 6LA58610300 | D102 Diode | 1 | 1 | | | | | | SC4 5A 40V) | |
| 174 | 6LA58611000 | D103 Zener diode | 1 | 1 | | | | | | RD4.7ES | |
| 176 | 6LA58610100 | D104 Diode | 1 | 1 | | | | | | 1SS270A 0.15A 70V | |
| 177 | 6LA58610800 | D106 Zener diode | 1 | 1 | | | | | | RD30ES | |
| 178 | 6LA58610100 | D107 Diode | 1 | 1 | | | | | | 1SS270A 0.15A 70V | |
| 179 | 6LA58611100 | D108 Zener diode | 1 | 1 | | | | | | RD13ES | |
| 180 | 6LA58610900 | D109 Zener diode | 1 | 1 | | | | | | RD5.6ES | |
| 181 | 6LA58610100 | D110 Diode | 1 | 1 | | | | | | 1SS270A 0.15A 70V | |
| 182 | 6LA58611200 | D111 Zener diode | 1 | 1 | | | | | | RD3.9ES | |
| 183 | 6LA58610100 | D112 Diode | 1 | 1 | | | | | | 1SS270A 0.15A 70V | |
| 185 | 6LA58610100 | D113 Diode | 1 | 1 | | | | | | 1SS270A 0.15A 70V | |
| 186 | 6LA58610900 | D115 Zener diode | 1 | 1 | | | | | | RD5.6ES | |
| 187 | 6LA58611200 | D116 Zener diode | 1 | 1 | | | | | | RD3.9ES | |
| 188 | 6LA58610100 | D117 Diode | 1 | 1 | | | | | | 1SS270A 0.15A 70V | |
| 201 | 6LA58612100 | D118 FET | 1 | 1 | | | | | | F12F50VX3 | |
| | | Q001 | | | | | | | | | |

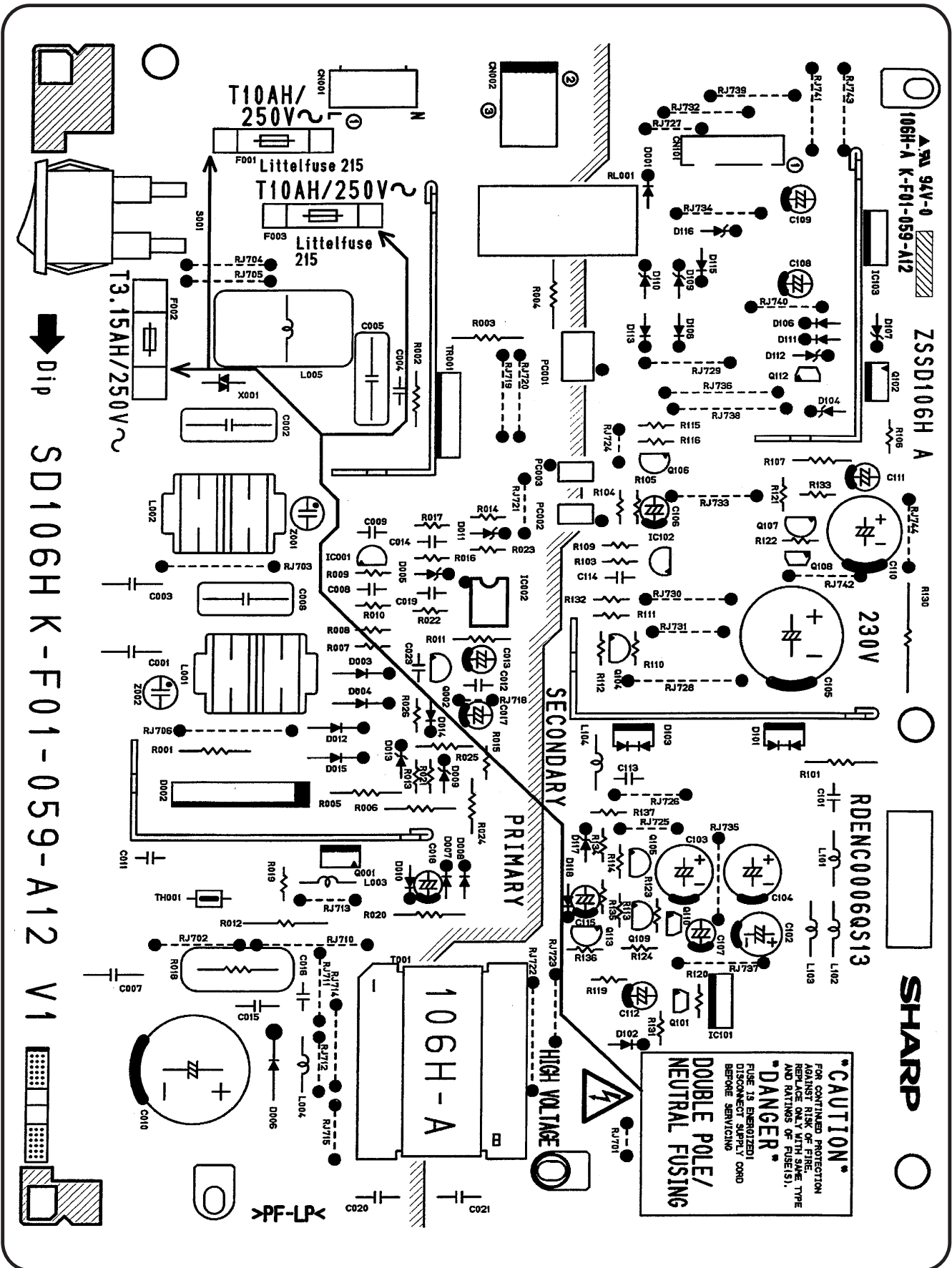
| ITEM NO. | PARTS NO. | PARTS NAME | QTY / PAGE | QTY / PACK | PIR | BSI NO. | TO | FROM | SERIAL NO. | REMARKS | C |
|----------|-------------|--------------------|------------|------------|-----|---------|----|------|------------|-----------|---|
| 202 | 6LA58609300 | Transistor Q002 | 1 | 1 | | | | | | 2SA1015 | |
| 251 | 6LA58609500 | Transistor Q101 | 1 | 1 | | | | | | DTC143ESA | |
| 252 | 6LA58609700 | FET Q102 | 1 | 1 | | | | | | 2SJ494 | |
| 254 | 6LA58609600 | Transistor Q104 | 1 | 1 | | | | | | 2SC1815 | |
| 255 | 6LA58609400 | Transistor Q105 | 1 | 1 | | | | | | 2SA1020 | |
| 256 | 6LA58609600 | Transistor Q106 | 1 | 1 | | | | | | 2SC1815 | |
| 257 | 6LA58609600 | Transistor Q107 | 1 | 1 | | | | | | 2SC1815 | |
| 258 | 6LA58609500 | Transistor Q108 | 1 | 1 | | | | | | DTC143ESA | |
| 259 | 6LA58609600 | Transistor Q109 | 1 | 1 | | | | | | 2SC1815 | |
| 260 | 6LA58609500 | Transistor Q110 | 1 | 1 | | | | | | DTC143ESA | |
| 262 | 6LA58609200 | Transistor Q112 | 1 | 1 | | | | | | DTA143ESA | |
| 263 | 6LA58609600 | Transistor Q113 | 1 | 1 | | | | | | 2SC1815 | |
| 281 | 6LA58607400 | Resistor R001 | 1 | 1 | | | | | | 1/2W 470K | |
| 282 | 6LA58608500 | Resistor R002 | 1 | 1 | | | | | | 1/4W 100 | |
| 283 | 6LA58606100 | Resistor R003 | 1 | 1 | | | | | | 1/2W 120 | |
| 284 | 6LA58608600 | Resistor R004 | 1 | 1 | | | | | | 1/2W 120 | |
| 285 | 6LA58607000 | Resistor R005 | 1 | 1 | | | | | | 1/2W 39K | |
| 286 | 6LA58607000 | Resistor R006 | 1 | 1 | | | | | | 1/2W 39K | |
| 287 | 6LA58605700 | Resistor R007 | 1 | 1 | | | | | | 1/6W 100K | |
| 288 | 6LA58605700 | Resistor R008 | 1 | 1 | | | | | | 1/6W 100K | |
| 289 | 6LA58606500 | Resistor R009 | 1 | 1 | | | | | | 1/6W 22K | |
| 290 | 6LA58606900 | Resistor R010 | 1 | 1 | | | | | | 1/6W 33K | |
| 291 | 6LA58605200 | Resistor R011 | 1 | 1 | | | | | | 1/4W 10 | |
| 292 | 6LA58608800 | Resistor R012 | 1 | 1 | | | | | | 1W 0.1 | |
| 293 | 6LA58608400 | Resistor R013 | 1 | 1 | | | | | | 1/6W 100 | |
| 294 | 6LA58606900 | Resistor R014 | 1 | 1 | | | | | | 1/6W 33K | |
| 295 | 6LA58605500 | Resistor R015 | 1 | 1 | | | | | | 1/6W 10K | |
| 296 | 6LA58607900 | Resistor R016 | 1 | 1 | | | | | | 1/6W 68K | |
| 297 | 6LA58607500 | Resistor R017 | 1 | 1 | | | | | | 1/6W 56 | |
| 298 | 6LA58608300 | Resistor R018 | 1 | 1 | | | | | | 3W 68K | |
| 299 | 6LA58605500 | Resistor R019 | 1 | 1 | | | | | | 1/6W 10K | |
| 300 | 6LA58607700 | Resistor R020 | 1 | 1 | | | | | | 1/2W 68 | |
| 301 | 6LA58607600 | Resistor R021 | 1 | 1 | | | | | | 1/6W 56K | |
| 302 | 6LA58605400 | Resistor R022 | 1 | 1 | | | | | | 1/6W 1K | |
| 303 | 6LA58605500 | Resistor R023 | 1 | 1 | | | | | | 1/6W 10K | |

| ITEM NO. | PARTS NO. | PARTS NAME | QTY / PAGE | QTY / PACK | PI | R | BSI NO. | TO | FROM | SERIAL NO. | REMARKS | C |
|----------|-------------|------------------|------------|------------|----|---|---------|----|------|------------|------------|---|
| 304 | 6LA58608000 | Resistor R024 | 1 | 1 | | | | | | | 1/4W 82K | |
| 305 | 6LA58608000 | Resistor R025 | 1 | 1 | | | | | | | 1/4W 82K | |
| 306 | 6LA58606900 | Resistor R026 | 1 | 1 | | | | | | | 1/6W 33K | |
| 351 | 6LA58605600 | Resistor R101 | 1 | 1 | | | | | | | 1/2W 10K | |
| 353 | 6LA58606400 | Resistor R103 | 1 | 1 | | | | | | | 1/6W 220 | |
| 354 | 6LA58605500 | Resistor R104 | 1 | 1 | | | | | | | 1/6W 10K | |
| 355 | 6LA58607800 | Resistor R105 | 1 | 1 | | | | | | | 1/6W 6.8K | |
| 356 | 6LA58607200 | Resistor R106 | 1 | 1 | | | | | | | 1/6W 4.7K | |
| 357 | 6LA58606200 | Resistor R107 | 1 | 1 | | | | | | | 1/6W 15K | |
| 359 | 6LA58608900 | Resistor R109 | 1 | 1 | | | | | | | 1/6W 2.2K | |
| 360 | 6LA58607100 | Resistor R110 | 1 | 1 | | | | | | | 1/6W 470 | |
| 361 | 6LA58608900 | Resistor R111 | 1 | 1 | | | | | | | 1/6W 2.2K | |
| 362 | 6LA58607100 | Resistor R112 | 1 | 1 | | | | | | | 1/6W 470 | |
| 363 | 6LA58605400 | Resistor R113 | 1 | 1 | | | | | | | 1/6W 1K | |
| 364 | 6LA58607200 | Resistor R114 | 1 | 1 | | | | | | | 1/6W 4.7K | |
| 365 | 6LA58607200 | Resistor R115 | 1 | 1 | | | | | | | 1/6W 4.7K | |
| 366 | 6LA58607200 | Resistor R116 | 1 | 1 | | | | | | | 1/6W 4.7K | |
| 369 | 6LA58609000 | Resistor R119 | 1 | 1 | | | | | | | 1/6W 12K | |
| 370 | 6LA58609100 | Resistor R120 | 1 | 1 | | | | | | | 1/6W 3.44K | |
| 371 | 6LA58606500 | Resistor R121 | 1 | 1 | | | | | | | 1/6W 22K | |
| 372 | 6LA58605500 | Resistor R122 | 1 | 1 | | | | | | | 1/6W 10K | |
| 373 | 6LA58607200 | Resistor R123 | 1 | 1 | | | | | | | 1/6W 4.7K | |
| 374 | 6LA58607200 | Resistor R124 | 1 | 1 | | | | | | | 1/6W 4.7K | |
| 380 | 6LA58608100 | Resistor R130 | 1 | 1 | | | | | | | 2W 1K | |
| 381 | 6LA58607300 | Resistor R131 | 1 | 1 | | | | | | | 1/6W 47K | |
| 382 | 6LA58606300 | Resistor R132 | 1 | 1 | | | | | | | 1/6W 22 | |
| 383 | 6LA58606500 | Resistor R133 | 1 | 1 | | | | | | | 1/6W 22K | |
| 384 | 6LA58605500 | Resistor R134 | 1 | 1 | | | | | | | 1/6W 10K | |
| 385 | 6LA58606500 | Resistor R135 | 1 | 1 | | | | | | | 1/6W 22K | |
| 386 | 6LA58607200 | Resistor R136 | 1 | 1 | | | | | | | 1/6W 4.7K | |
| 387 | 6LA58607200 | Resistor R137 | 1 | 1 | | | | | | | 1/6W 4.7K | |
| 401 | 6LA58612400 | Inductor L001 | 1 | 1 | | | | | | | LF-4Z-E182 | |
| 402 | 6LA58612400 | Inductor L002 | 1 | 1 | | | | | | | LF-4Z-E182 | |
| 403 | 6LA58612900 | Inductor L003 | 1 | 1 | | | | | | | B-01-A | |
| 404 | 6LA58612900 | Inductor L004 | 1 | 1 | | | | | | | B-01-A | |

| ITEM NO. | PARTS NO. | PARTS NAME | QTY / PAGE | QTY / PACK | P | I | R | BSI NO. | TO | FROM | SERIAL NO. | REMARKS | C |
|----------|-------------|-------------------------|------------|------------|---|---|---|---------|----|------|------------|------------------------|---|
| 405 | 6LA58612700 | Inductor L005 | 1 | 1 | | | | | | | | SK-12M-4Y | |
| 451 | 6LA58612900 | Inductor L101 | 1 | 1 | | | | | | | | B-01-A | |
| 452 | 6LA58612900 | Inductor L102 | 1 | 1 | | | | | | | | B-01-A | |
| 453 | 6LA58612900 | Inductor L103 | 1 | 1 | | | | | | | | B-01-A | |
| 454 | 6LA58613000 | Inductor L104 | 1 | 1 | | | | | | | | T3140P3206536H W | |
| 471 | 6LA58612200 | Transformer T001 | 1 | 1 | | | | | | | | N-T01-347-F11 | |
| 481 | 6LA58611900 | Triac TR001 | 1 | 1 | | | | | | | | TM1641PLF113 | |
| 491 | 6LA58615100 | PWR thermistor TH001 | 1 | 1 | | | | | | | | M5R114T3C | |
| 501 | 6LA58615300 | Varistor X001 | 1 | 1 | | | | | | | | ENC271D-10A | |
| 511 | 6LA58612000 | Photo coupler PC001 | 1 | 1 | | | | | | | | S21ME3Y | |
| 512 | 6LA58611400 | Photo coupler PC002 | 1 | 1 | | | | | | | | PS2561 | |
| 513 | 6LA58611400 | Photo coupler PC003 | 1 | 1 | | | | | | | | PS2561 | |
| 531 | 6LA58611600 | IC IC001 | 1 | 1 | | | | | | | | MM1431ATT | |
| 532 | 6LA58611700 | IC IC002 | 1 | 1 | | | | | | | | FA3647P | |
| 581 | 6LA58611800 | IC IC101 | 1 | 1 | | | | | | | | PQ20RX11 | |
| 582 | 6LA58611600 | IC IC102 | 1 | 1 | | | | | | | | MM1431ATT | |
| 583 | 6LA58611500 | IC IC103 | 1 | 1 | | | | | | | | PQ3RD23 | |
| 601 | 6LA58613200 | Connector CN001 | 1 | 1 | | | | | | | | B02B-VT | |
| 602 | 6LA58613300 | Connector CN002 | 1 | 1 | | | | | | | | B04P-XL | |
| 651 | 6LA58613400 | Connector CN101 | 1 | 1 | | | | | | | | B16B-PHDSS-B | |
| 661 | 6LA58614300 | Relay RL001 | 1 | 1 | | | | | | | | FTR-H1AA024V | |
| 671 | 6LA58615500 | Arrestor Z001 | 1 | 1 | | | | | | | | RA-351M-V6-Y-2 | |
| 681 | 6LA58615500 | Arrestor Z002 | 1 | 1 | | | | | | | | RA-351M-V6-Y-2 | |
| 691 | 6LA58613700 | Switch S001 | 1 | 1 | | | | | | | | SDDJE30501 10A 250V | |
| 701 | 6LA58614000 | Fuse F001 | 1 | 1 | | | | | | | | 15A/125V | |
| 702 | 6LA58613900 | Fuse F002 | 1 | 1 | | | | | | | | 5A/125V | |
| 721 | 6LA58614800 | Jumper wire RJ701 | 1 | 1 | | | | | | | | RJ-SKA-06 6mm | |
| 722 | 6LA58614500 | Jumper wire RJ702 | 1 | 1 | | | | | | | | RJ-SEA-06 15mm | |
| 723 | 6LA58614600 | Jumper wire RJ703 | 1 | 1 | | | | | | | | RJ-SGA-06 20mm | |
| 724 | 6LA58614500 | Jumper wire RJ704 | 1 | 1 | | | | | | | | RJ-SEA-06 15mm | |
| 725 | 6LA58614500 | Jumper wire RJ705 | 1 | 1 | | | | | | | | RJ-SEA-06 15mm | |
| 726 | 6LA58614600 | Jumper wire RJ706 | 1 | 1 | | | | | | | | RJ-SGA-06 20mm | |
| 728 | 6LA58614600 | Jumper wire RJ708 | 1 | 1 | | | | | | | | RJ-SGA-06 20mm | |
| 729 | 6LA58614600 | Jumper wire RJ709 | 1 | 1 | | | | | | | | RJ-SGA-06 20mm | |
| 730 | 6LA58614600 | Jumper wire RJ710 | 1 | 1 | | | | | | | | RJ-SGA-06 20mm | |

| ITEM NO. | PARTS NO. | PARTS NAME | Q'TY / PAGE | Q'TY / PACK | P | R | BSI NO. | TO | FROM | SERIAL NO. | REMARKS | C |
|----------|-------------|----------------------|-------------|-------------|---|---|---------|----|------|------------|---------------------|---|
| 731 | 6LA58614700 | Jumper wire RJ711 | 1 | 1 | | | | | | | RJ-SDA-06 12.5mm | |
| 732 | 6LA58614400 | Jumper wire RJ712 | 1 | 1 | | | | | | | RJ-SCA-06 10mm | |
| 733 | 6LA58614400 | Jumper wire RJ713 | 1 | 1 | | | | | | | RJ-SCA-06 10mm | |
| 734 | 6LA58614500 | Jumper wire RJ714 | 1 | 1 | | | | | | | RJ-SEA-06 15mm | |
| 735 | 6LA58614400 | Jumper wire RJ715 | 1 | 1 | | | | | | | RJ-SCA-06 10mm | |
| 737 | 6LA58614800 | Jumper wire RJ717 | 1 | 1 | | | | | | | RJ-SKA-06 6mm | |
| 739 | 6LA58614500 | Jumper wire RJ719 | 1 | 1 | | | | | | | RJ-SEA-06 15mm | |
| 740 | 6LA58614500 | Jumper wire RJ720 | 1 | 1 | | | | | | | RJ-SEA-06 15mm | |
| 741 | 6LA58614400 | Jumper wire RJ721 | 1 | 1 | | | | | | | RJ-SCA-06 10mm | |
| 742 | 6LA58614600 | Jumper wire RJ722 | 1 | 1 | | | | | | | RJ-SGA-06 20mm | |
| 743 | 6LA58614700 | Jumper wire RJ723 | 1 | 1 | | | | | | | RJ-SDA-06 12.5mm | |
| 744 | 6LA58614800 | Jumper wire RJ724 | 1 | 1 | | | | | | | RJ-SKA-06 6mm | |
| 745 | 6LA58614400 | Jumper wire RJ725 | 1 | 1 | | | | | | | RJ-SCA-06 10mm | |
| 746 | 6LA58614700 | Jumper wire RJ726 | 1 | 1 | | | | | | | RJ-SDA-06 12.5mm | |
| 747 | 6LA58614400 | Jumper wire RJ727 | 1 | 1 | | | | | | | RJ-SCA-06 10mm | |
| 748 | 6LA58614600 | Jumper wire RJ728 | 1 | 1 | | | | | | | RJ-SGA-06 20mm | |
| 749 | 6LA58614500 | Jumper wire RJ729 | 1 | 1 | | | | | | | RJ-SEA-06 15mm | |
| 750 | 6LA58614500 | Jumper wire RJ730 | 1 | 1 | | | | | | | RJ-SEA-06 15mm | |
| 751 | 6LA58614700 | Jumper wire RJ731 | 1 | 1 | | | | | | | RJ-SDA-06 12.5mm | |
| 752 | 6LA58614500 | Jumper wire RJ732 | 1 | 1 | | | | | | | RJ-SEA-06 15mm | |
| 753 | 6LA58614500 | Jumper wire RJ733 | 1 | 1 | | | | | | | RJ-SEA-06 15mm | |
| 754 | 6LA58614500 | Jumper wire RJ734 | 1 | 1 | | | | | | | RJ-SEA-06 15mm | |
| 755 | 6LA58614500 | Jumper wire RJ735 | 1 | 1 | | | | | | | RJ-SEA-06 15mm | |
| 756 | 6LA58614600 | Jumper wire RJ736 | 1 | 1 | | | | | | | RJ-SGA-06 20mm | |
| 757 | 6LA58614500 | Jumper wire RJ737 | 1 | 1 | | | | | | | RJ-SEA-06 15mm | |
| 758 | 6LA58614600 | Jumper wire RJ738 | 1 | 1 | | | | | | | RJ-SGA-06 20mm | |
| 759 | 6LA58614500 | Jumper wire RJ739 | 1 | 1 | | | | | | | RJ-SEA-06 15mm | |
| 760 | 6LA58614700 | Jumper wire RJ740 | 1 | 1 | | | | | | | RJ-SDA-06 12.5mm | |
| 761 | 6LA58614500 | Jumper wire RJ741 | 1 | 1 | | | | | | | RJ-SEA-06 15mm | |
| 762 | 6LA58614700 | Jumper wire RJ742 | 1 | 1 | | | | | | | RJ-SDA-06 12.5mm | |
| 763 | 6LA58614500 | Jumper wire RJ743 | 1 | 1 | | | | | | | RJ-SEA-06 15mm | |
| 764 | 6LA58614700 | Jumper wire RJ744 | 1 | 1 | | | | | | | RJ-SDA-06 12.5mm | |
| 781 | 6LA58613800 | Fuse holder | 2 | 1 | | | | | | | PFC5000-0203 | |
| 791 | 6LA58614900 | Holder | 2 | 1 | | | | | | | TP00335-31 | |
| 801 | 6LA58615000 | Terminal | 3 | 1 | | | | | | | TP00370-41 | |
| 811 | 6LA58615800 | Insulator | 1 | 1 | | | | | | | M-30AD-D-3 | |
| 821 | 6LA58615700 | Heatsink | 4 | 1 | | | | | | | LM41258 | |
| 831 | 6LA58616100 | Screw | 5 | 1 | | | | | | | 3X8 | |

| ITEM NO. | PARTS NO. | PARTS NAME | Q'TY / PAGE | Q'TY / PACK | PIR | BSI NO. | TO | FROM | SERIAL NO. | REMARKS | C |
|----------|-------------|------------|-------------|-------------|-----|---------|----|------|------------|---------|---|
| 832 | 6LA58616200 | Screw | 1 | 1 | | | | | | 3X10 | |
| 841 | 6LA58615900 | Label | 1 | 1 | | | | | | LV41358 | |
| | | | | | | | | | | | |
| | | | | | | | | | | | |
| | | | | | | | | | | | |
| | | | | | | | | | | | |
| | | | | | | | | | | | |
| | | | | | | | | | | | |
| | | | | | | | | | | | |
| | | | | | | | | | | | |
| | | | | | | | | | | | |
| | | | | | | | | | | | |
| | | | | | | | | | | | |
| | | | | | | | | | | | |
| | | | | | | | | | | | |
| | | | | | | | | | | | |
| | | | | | | | | | | | |
| | | | | | | | | | | | |
| | | | | | | | | | | | |
| | | | | | | | | | | | |
| | | | | | | | | | | | |
| | | | | | | | | | | | |
| | | | | | | | | | | | |
| | | | | | | | | | | | |
| | | | | | | | | | | | |
| | | | | | | | | | | | |
| | | | | | | | | | | | |
| | | | | | | | | | | | |
| | | | | | | | | | | | |
| | | | | | | | | | | | |
| | | | | | | | | | | | |
| | | | | | | | | | | | |
| | | | | | | | | | | | |
| | | | | | | | | | | | |
| | | | | | | | | | | | |
| | | | | | | | | | | | |
| | | | | | | | | | | | |
| | | | | | | | | | | | |
| | | | | | | | | | | | |
| | | | | | | | | | | | |
| | | | | | | | | | | | |
| | | | | | | | | | | | |
| | | | | | | | | | | | |
| | | | | | | | | | | | |
| | | | | | | | | | | | |
| | | | | | | | | | | | |
| | | | | | | | | | | | |
| | | | | | | | | | | | |



| ITEM NO. | PARTS NO. | PARTS NAME | QTY / PAGE | QTY / PACK | PIR | BSI NO. | TO | FROM | SERIAL NO. | REMARKS | C |
|----------|-------------|-------------------|------------|------------|-----|---------|----|------|------------|-------------|---|
| 0 | 6LA58636400 | DC PS PWB | 1 | 1 | | | | | | 200V Series | |
| 1 | 6LA58605100 | Capacitor C001 | 1 | 1 | | | | | | 2200pF | |
| 2 | 6LA58604000 | Capacitor C002 | 1 | 1 | | | | | | 250V 0.1uF | |
| 3 | 6LA58605100 | Capacitor C003 | 1 | 1 | | | | | | 2200pF | |
| 4 | 6LA58604700 | Capacitor C004 | 1 | 1 | | | | | | 50V 0.1uF | |
| 5 | 6LA58604000 | Capacitor C005 | 1 | 1 | | | | | | 250V 0.1uF | |
| 6 | 6LA58604000 | Capacitor C006 | 1 | 1 | | | | | | 250V 0.1uF | |
| 7 | 6LA58605100 | Capacitor C007 | 1 | 1 | | | | | | 2200pF | |
| 8 | 6LA58603900 | Capacitor C008 | 1 | 1 | | | | | | 50V 1000pF | |
| 9 | 6LA58603800 | Capacitor C009 | 1 | 1 | | | | | | 50V 0.01uF | |
| 10 | 6LA58603600 | Capacitor C010 | 1 | 1 | | | | | | 400V 100uF | |
| 11 | 6LA58604300 | Capacitor C011 | 1 | 1 | | | | | | 1KV 1000pF | |
| 12 | 6LA58604700 | Capacitor C012 | 1 | 1 | | | | | | 50V 0.1uF | |
| 13 | 6LA58602700 | Capacitor C013 | 1 | 1 | | | | | | 50V 0.47uF | |
| 14 | 6LA58603800 | Capacitor C014 | 1 | 1 | | | | | | 50V 0.01uF | |
| 15 | 6LA58604400 | Capacitor C015 | 1 | 1 | | | | | | 1KV 2200pF | |
| 16 | 6LA58604600 | Capacitor C016 | 1 | 1 | | | | | | 2KV 68pF | |
| 17 | 6LA58602800 | Capacitor C017 | 1 | 1 | | | | | | 35V 22uF | |
| 18 | 6LA58602800 | Capacitor C018 | 1 | 1 | | | | | | 35V 22uF | |
| 19 | 6LA58604700 | Capacitor C019 | 1 | 1 | | | | | | 50V 0.1uF | |
| 20 | 6LA58604900 | Capacitor C020 | 1 | 1 | | | | | | 2200pF | |
| 21 | 6LA58604900 | Capacitor C021 | 1 | 1 | | | | | | 2200pF | |
| 23 | 6LA58603900 | Capacitor C023 | 1 | 1 | | | | | | 50V 1000pF | |
| 71 | 6LA58604300 | Capacitor C101 | 1 | 1 | | | | | | 1KV 1000pF | |
| 72 | 6LA58603000 | Capacitor C102 | 1 | 1 | | | | | | 25V 220uF | |
| 73 | 6LA58603400 | Capacitor C103 | 1 | 1 | | | | | | 10V 1000uF | |
| 74 | 6LA58603400 | Capacitor C104 | 1 | 1 | | | | | | 10V 1000uF | |
| 75 | 6LA58603100 | Capacitor C105 | 1 | 1 | | | | | | 50V 820uF | |
| 76 | 6LA58603700 | Capacitor C106 | 1 | 1 | | | | | | 50V 2.2uF | |
| 77 | 6LA58602800 | Capacitor C107 | 1 | 1 | | | | | | 35V 22uF | |
| 78 | 6LA58602800 | Capacitor C108 | 1 | 1 | | | | | | 35V 22uF | |
| 79 | 6LA58602800 | Capacitor C109 | 1 | 1 | | | | | | 35V 22uF | |
| 80 | 6LA58603500 | Capacitor C110 | 1 | 1 | | | | | | 35V 1000uF | |
| 81 | 6LA58602800 | Capacitor C111 | 1 | 1 | | | | | | 35V 22uF | |
| 82 | 6LA58603200 | Capacitor C112 | 1 | 1 | | | | | | 50V 10uF | |
| 83 | 6LA58604500 | Capacitor | 1 | 1 | | | | | | 1KV 470pF | |

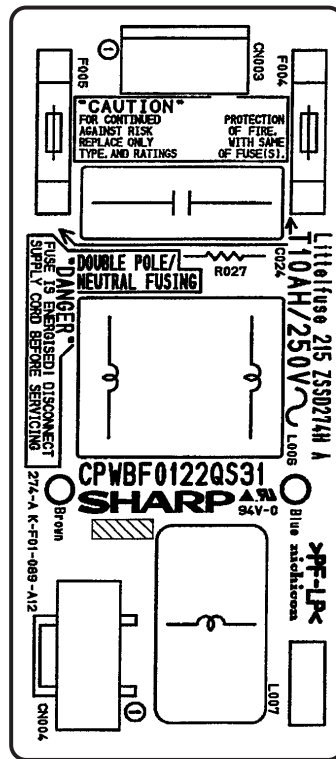
| ITEM NO. | PARTS NO. | PARTS NAME | Q'TY / PAGE | Q'TY / PACK | P | I | R | BSI NO. | TO | FROM | SERIAL NO. | REMARKS | C |
|----------|-------------|---------------------|-------------|-------------|---|---|---|---------|----|------|------------|-----------------------|---|
| 84 | 6LA58604700 | C113 Capacitor | 1 | 1 | | | | | | | | 50V 0.1uF | |
| 85 | 6LA58603300 | C114 Capacitor | 1 | 1 | | | | | | | | 50V 3.3uF | |
| 101 | 6LA58610100 | C115 Diode | 1 | 1 | | | | | | | | 1SS270 0.15A | |
| 102 | 6LA58610500 | D001 Diode | 1 | 1 | | | | | | | | 70V D3SB60 4A 600V | |
| 103 | 6LA58610600 | D002 Rectifier | 1 | 1 | | | | | | | | RLIN4005-E 1A 600V | |
| 104 | 6LA58610600 | D003 Rectifier | 1 | 1 | | | | | | | | RLIN4005-E 1A 600V | |
| 105 | 6LA58610900 | D004 Zener diode | 1 | 1 | | | | | | | | RD5.6ES | |
| 106 | 6LA58610000 | D005 Diode | 1 | 1 | | | | | | | | RG1C 0.7A 1000V | |
| 107 | 6LA58609900 | D006 Diode | 1 | 1 | | | | | | | | ERA9102 0.5A 200V | |
| 108 | 6LA58609900 | D007 Diode | 1 | 1 | | | | | | | | ERA9102 0.5A 200V | |
| 109 | 6LA58611300 | D008 Zener diode | 1 | 1 | | | | | | | | RD33ES | |
| 110 | 6LA58609900 | D009 Diode | 1 | 1 | | | | | | | | ERA9102 0.5A 200V | |
| 111 | 6LA58610700 | D010 Zener diode | 1 | 1 | | | | | | | | RD20ES | |
| 112 | 6LA58610600 | D011 Rectifier | 1 | 1 | | | | | | | | RLIN4005-E 1A 600V | |
| 113 | 6LA58610800 | D012 Zener diode | 1 | 1 | | | | | | | | RD30ES | |
| 114 | 6LA58610100 | D013 Diode | 1 | 1 | | | | | | | | 1SS270 0.15A 70V | |
| 115 | 6LA58610600 | D014 Rectifier | 1 | 1 | | | | | | | | RLIN4005-E 1A 600V | |
| 161 | 6LA58610200 | D015 Diode | 1 | 1 | | | | | | | | 0LC20U 10A 200V | |
| 162 | 6LA58610400 | D101 Diode | 1 | 1 | | | | | | | | D1NL20U 1A 200V | |
| 163 | 6LA58610300 | D102 Diode | 1 | 1 | | | | | | | | SC4 5A 40V) | |
| 164 | 6LA58611000 | D103 Zener diode | 1 | 1 | | | | | | | | RD4.7ES | |
| 166 | 6LA58610100 | D104 Diode | 1 | 1 | | | | | | | | 1SS270 0.15A 70V | |
| 167 | 6LA58610800 | D106 Zener diode | 1 | 1 | | | | | | | | RD30ES | |
| 168 | 6LA58610100 | D107 Diode | 1 | 1 | | | | | | | | 1SS270 0.15A 70V | |
| 169 | 6LA58611100 | D108 Zener diode | 1 | 1 | | | | | | | | RD13ES | |
| 170 | 6LA58610900 | D109 Zener diode | 1 | 1 | | | | | | | | RD5.6ES | |
| 171 | 6LA58610100 | D110 Diode | 1 | 1 | | | | | | | | 1SS270 0.15A 70V | |
| 172 | 6LA58611200 | D111 Zener diode | 1 | 1 | | | | | | | | RD3.9ES | |
| 173 | 6LA58610100 | D112 Diode | 1 | 1 | | | | | | | | 1SS270 0.15A 70V | |
| 175 | 6LA58610100 | D113 Diode | 1 | 1 | | | | | | | | 1SS270 0.15A 70V | |
| 176 | 6LA58610900 | D115 Zener diode | 1 | 1 | | | | | | | | RD5.6ES | |
| 177 | 6LA58611200 | D116 Zener diode | 1 | 1 | | | | | | | | RD3.9ES | |
| 178 | 6LA58610100 | D117 Diode | 1 | 1 | | | | | | | | 1SS270 0.15A 70V | |
| 201 | 6LA58609800 | D118 FET | 1 | 1 | | | | | | | | SK2605 | |
| | | Q001 | | | | | | | | | | | |

| ITEM NO. | PARTS NO. | PARTS NAME | QTY / PAGE | QTY / PACK | PIR | BSI NO. | TO | FROM | SERIAL NO. | REMARKS | C |
|----------|-------------|--------------------|------------|------------|-----|---------|----|------|------------|-----------|---|
| 202 | 6LA58609300 | Transistor Q002 | 1 | 1 | | | | | | 2SA1015 | |
| 251 | 6LA58609500 | Transistor Q101 | 1 | 1 | | | | | | DTC143ESA | |
| 252 | 6LA58609700 | FET Q102 | 1 | 1 | | | | | | 2SJ494 | |
| 254 | 6LA58609600 | Transistor Q104 | 1 | 1 | | | | | | 2SC1815 | |
| 255 | 6LA58609400 | Transistor Q105 | 1 | 1 | | | | | | 2SA1020 | |
| 256 | 6LA58609600 | Transistor Q106 | 1 | 1 | | | | | | 2SC1815 | |
| 257 | 6LA58609600 | Transistor Q107 | 1 | 1 | | | | | | 2SC1815 | |
| 258 | 6LA58609500 | Transistor Q108 | 1 | 1 | | | | | | DTC143ESA | |
| 259 | 6LA58609600 | Transistor Q109 | 1 | 1 | | | | | | 2SC1815 | |
| 260 | 6LA58609500 | Transistor Q110 | 1 | 1 | | | | | | DTC143ESA | |
| 262 | 6LA58609200 | Transistor Q112 | 1 | 1 | | | | | | DTA143ESA | |
| 263 | 6LA58609600 | Transistor Q113 | 1 | 1 | | | | | | 2SC1815 | |
| 281 | 6LA58606000 | Resistor R001 | 1 | 1 | | | | | | 1/2W 1M | |
| 282 | 6LA58608500 | Resistor R002 | 1 | 1 | | | | | | 1/4W 100 | |
| 283 | 6LA58606100 | Resistor R003 | 1 | 1 | | | | | | 1/2W 120 | |
| 284 | 6LA58608600 | Resistor R004 | 1 | 1 | | | | | | 1/2W 120 | |
| 285 | 6LA58605800 | Resistor R005 | 1 | 1 | | | | | | 1/2W 100K | |
| 286 | 6LA58605800 | Resistor R006 | 1 | 1 | | | | | | 1/2W 100K | |
| 287 | 6LA58606600 | Resistor R007 | 1 | 1 | | | | | | 1/6W 220K | |
| 288 | 6LA58606600 | Resistor R008 | 1 | 1 | | | | | | 1/6W 220K | |
| 289 | 6LA58606800 | Resistor R009 | 1 | 1 | | | | | | 1/6W 27K | |
| 290 | 6LA58606900 | Resistor R010 | 1 | 1 | | | | | | 1/6W 33K | |
| 291 | 6LA58605200 | Resistor R011 | 1 | 1 | | | | | | 1/4W 10 | |
| 292 | 6LA58608800 | Resistor R012 | 1 | 1 | | | | | | 1W 0.1 | |
| 293 | 6LA58608700 | Resistor R013 | 1 | 1 | | | | | | 1/6W 47 | |
| 294 | 6LA58606900 | Resistor R014 | 1 | 1 | | | | | | 1/6W 33K | |
| 295 | 6LA58605500 | Resistor R015 | 1 | 1 | | | | | | 1/6W 10K | |
| 296 | 6LA58607900 | Resistor R016 | 1 | 1 | | | | | | 1/6W 68K | |
| 297 | 6LA58605300 | Resistor R017 | 1 | 1 | | | | | | 1/6W 100 | |
| 298 | 6LA58608200 | Resistor R018 | 1 | 1 | | | | | | 3W 100K | |
| 299 | 6LA58605500 | Resistor R019 | 1 | 1 | | | | | | 1/6W 10K | |
| 300 | 6LA58607700 | Resistor R020 | 1 | 1 | | | | | | 1/2W 68 | |
| 301 | 6LA58607600 | Resistor R021 | 1 | 1 | | | | | | 1/6W 56K | |
| 302 | 6LA58605400 | Resistor R022 | 1 | 1 | | | | | | 1/6W 1K | |
| 303 | 6LA58605500 | Resistor R023 | 1 | 1 | | | | | | 1/6W 10K | |

| ITEM NO. | PARTS NO. | PARTS NAME | QTY / PAGE | QTY / PACK | PI | R | BSI NO. | TO | FROM | SERIAL NO. | REMARKS | C |
|----------|-------------|------------------|------------|------------|----|---|---------|----|------|------------|------------|---|
| 304 | 6LA58606700 | Resistor R024 | 1 | 1 | | | | | | | 1/4W 220K | |
| 305 | 6LA58606700 | Resistor R025 | 1 | 1 | | | | | | | 1/4W 220K | |
| 306 | 6LA58607300 | Resistor R026 | 1 | 1 | | | | | | | 1/6W 47K | |
| 351 | 6LA58605600 | Resistor R101 | 1 | 1 | | | | | | | 1/2W 10K | |
| 353 | 6LA58607100 | Resistor R103 | 1 | 1 | | | | | | | 1/6W 470 | |
| 354 | 6LA58605500 | Resistor R104 | 1 | 1 | | | | | | | 1/6W 10K | |
| 355 | 6LA58607100 | Resistor R105 | 1 | 1 | | | | | | | 1/6W 470 | |
| 356 | 6LA58607200 | Resistor R106 | 1 | 1 | | | | | | | 1/6W 4.7K | |
| 357 | 6LA58606200 | Resistor R107 | 1 | 1 | | | | | | | 1/6W 15K | |
| 359 | 6LA58608900 | Resistor R109 | 1 | 1 | | | | | | | 1/6W 2.2K | |
| 360 | 6LA58607100 | Resistor R110 | 1 | 1 | | | | | | | 1/6W 470 | |
| 361 | 6LA58608900 | Resistor R111 | 1 | 1 | | | | | | | 1/6W 2.2K | |
| 362 | 6LA58607100 | Resistor R112 | 1 | 1 | | | | | | | 1/6W 470 | |
| 363 | 6LA58605400 | Resistor R113 | 1 | 1 | | | | | | | 1/6W 1K | |
| 364 | 6LA58607200 | Resistor R114 | 1 | 1 | | | | | | | 1/6W 4.7K | |
| 365 | 6LA58607200 | Resistor R115 | 1 | 1 | | | | | | | 1/6W 4.7K | |
| 366 | 6LA58607200 | Resistor R116 | 1 | 1 | | | | | | | 1/6W 4.7K | |
| 369 | 6LA58609000 | Resistor R119 | 1 | 1 | | | | | | | 1/6W 12K | |
| 370 | 6LA58609100 | Resistor R120 | 1 | 1 | | | | | | | 1/6W 3.44K | |
| 371 | 6LA58606500 | Resistor R121 | 1 | 1 | | | | | | | 1/6W 22K | |
| 372 | 6LA58605500 | Resistor R122 | 1 | 1 | | | | | | | 1/6W 10K | |
| 373 | 6LA58607200 | Resistor R123 | 1 | 1 | | | | | | | 1/6W 4.7K | |
| 374 | 6LA58607200 | Resistor R124 | 1 | 1 | | | | | | | 1/6W 4.7K | |
| 380 | 6LA58608100 | Resistor R130 | 1 | 1 | | | | | | | 2W 1K | |
| 381 | 6LA58607300 | Resistor R131 | 1 | 1 | | | | | | | 1/6W 47K | |
| 382 | 6LA58606300 | Resistor R132 | 1 | 1 | | | | | | | 1/6W 22 | |
| 383 | 6LA58606500 | Resistor R133 | 1 | 1 | | | | | | | 1/6W 22K | |
| 384 | 6LA58605500 | Resistor R134 | 1 | 1 | | | | | | | 1/6W 10K | |
| 385 | 6LA58606500 | Resistor R135 | 1 | 1 | | | | | | | 1/6W 22K | |
| 386 | 6LA58607200 | Resistor R136 | 1 | 1 | | | | | | | 1/6W 4.7K | |
| 387 | 6LA58607200 | Resistor R137 | 1 | 1 | | | | | | | 1/6W 4.7K | |
| 401 | 6LA58612500 | Inductor L001 | 1 | 1 | | | | | | | LF-4Z-E822 | |
| 402 | 6LA58612500 | Inductor L002 | 1 | 1 | | | | | | | LF-4Z-E822 | |
| 403 | 6LA58612900 | Inductor L003 | 1 | 1 | | | | | | | B-01-A | |
| 405 | 6LA58612800 | Inductor L005 | 1 | 1 | | | | | | | DR-18728A | |

| ITEM NO. | PARTS NO. | PARTS NAME | QTY / PAGE | QTY / PACK | P | I | R | BSI NO. | TO | FROM | SERIAL NO. | REMARKS | C |
|----------|-------------|--------------------------|------------|------------|---|---|---|---------|----|------|------------|------------------------|---|
| 451 | 6LA58612900 | Inductor L101 | 1 | 1 | | | | | | | | B-01-A | |
| 452 | 6LA58612900 | Inductor L102 | 1 | 1 | | | | | | | | B-01-A | |
| 453 | 6LA58612900 | Inductor L103 | 1 | 1 | | | | | | | | B-01-A | |
| 454 | 6LA58613000 | Inductor L104 | 1 | 1 | | | | | | | | T3140P3206536H W | |
| 471 | 6LA58612300 | Transformer T001 | 1 | 1 | | | | | | | | N-T01-354-D11 | |
| 481 | 6LA58611900 | Triac TR001 | 1 | 1 | | | | | | | | TM1661PLF113 | |
| 491 | 6LA58615200 | PWR thermistor TH001 | 1 | 1 | | | | | | | | M10010T3C | |
| 501 | 6LA58615400 | Varistor X001 | 1 | 1 | | | | | | | | ENC471D-14A | |
| 511 | 6LA58612000 | Phtriac coupler PC001 | 1 | 1 | | | | | | | | S21ME3Y | |
| 512 | 6LA58611400 | Photo coupler PC002 | 1 | 1 | | | | | | | | PS2561 | |
| 513 | 6LA58611400 | Photo coupler PC003 | 1 | 1 | | | | | | | | PS2561 | |
| 531 | 6LA58611600 | IC IC001 | 1 | 1 | | | | | | | | MM1431ATT | |
| 532 | 6LA58611700 | IC IC002 | 1 | 1 | | | | | | | | FA3647P | |
| 581 | 6LA58611800 | IC IC101 | 1 | 1 | | | | | | | | PQ20RX11 | |
| 582 | 6LA58611600 | IC IC102 | 1 | 1 | | | | | | | | MM1431ATT | |
| 583 | 6LA58611500 | IC IC103 | 1 | 1 | | | | | | | | PQ3RD23 | |
| 601 | 6LA58613200 | Connector CNO01 | 1 | 1 | | | | | | | | B02B-VT | |
| 602 | 6LA58613600 | Connector CNO02 | 1 | 1 | | | | | | | | B04P-XL-R | |
| 651 | 6LA58613400 | Connector CN101 | 1 | 1 | | | | | | | | B16B-PHDSS-B | |
| 661 | 6LA58614300 | Relay RL001 | 1 | 1 | | | | | | | | FTR-H1AA024V | |
| 671 | 6LA58615600 | Arrestor Z001 | 1 | 1 | | | | | | | | RA-102M-C6-Y | |
| 672 | 6LA58615600 | Arrestor Z002 | 1 | 1 | | | | | | | | RA-102M-C6-Y | |
| 681 | 6LA58613700 | Switch S001 | 1 | 1 | | | | | | | | SDDJE30501 10A 250V | |
| 691 | 6LA58614200 | Fuse F001 | 1 | 1 | | | | | | | | 10A/250V | |
| 692 | 6LA58614100 | Fuse F002 | 1 | 1 | | | | | | | | 3. 15A/250V | |
| 693 | 6LA58614200 | Fuse F003 | 1 | 1 | | | | | | | | 10A/250V | |
| 711 | 6LA58614800 | Jumper wire RJ701 | 1 | 1 | | | | | | | | RJ-SKA-06 6mm | |
| 712 | 6LA58614500 | Jumper wire RJ702 | 1 | 1 | | | | | | | | RJ-SEA-06 15mm | |
| 713 | 6LA58614600 | Jumper wire RJ703 | 1 | 1 | | | | | | | | RJ-SGA-06 20mm | |
| 714 | 6LA58614500 | Jumper wire RJ704 | 1 | 1 | | | | | | | | RJ-SEA-06 15mm | |
| 715 | 6LA58614500 | Jumper wire RJ705 | 1 | 1 | | | | | | | | RJ-SEA-06 15mm | |
| 716 | 6LA58614600 | Jumper wire RJ706 | 1 | 1 | | | | | | | | RJ-SGA-06 20mm | |
| 720 | 6LA58614600 | Jumper wire RJ710 | 1 | 1 | | | | | | | | RJ-SGA-06 20mm | |
| 721 | 6LA58614700 | Jumper wire RJ711 | 1 | 1 | | | | | | | | RJ-SDA-06 12. 5mm | |
| 722 | 6LA58614400 | Jumper wire RJ712 | 1 | 1 | | | | | | | | RJ-SCA-06 10mm | |

| ITEM NO. | PARTS NO. | PARTS NAME | Q'TY / PAGE | Q'TY / PACK | P | I | R | BSI NO. | TO | FROM | SERIAL NO. | REMARKS | C |
|----------|-------------|----------------------|-------------|-------------|---|---|---|---------|----|------|------------|---------------------|---|
| 723 | 6LA58614400 | Jumper wire RJ713 | 1 | 1 | | | | | | | | RJ-SCA-06 10mm | |
| 724 | 6LA58614500 | Jumper wire RJ714 | 1 | 1 | | | | | | | | RJ-SEA-06 15mm | |
| 725 | 6LA58614400 | Jumper wire RJ715 | 1 | 1 | | | | | | | | RJ-SCA-06 10mm | |
| 728 | 6LA58614800 | Jumper wire RJ718 | 1 | 1 | | | | | | | | RJ-SKA-06 6mm | |
| 729 | 6LA58614500 | Jumper wire RJ719 | 1 | 1 | | | | | | | | RJ-SEA-06 15mm | |
| 730 | 6LA58614500 | Jumper wire RJ720 | 1 | 1 | | | | | | | | RJ-SEA-06 15mm | |
| 731 | 6LA58614400 | Jumper wire RJ721 | 1 | 1 | | | | | | | | RJ-SCA-06 10mm | |
| 732 | 6LA58614600 | Jumper wire RJ722 | 1 | 1 | | | | | | | | RJ-SGA-06 20mm | |
| 733 | 6LA58614700 | Jumper wire RJ723 | 1 | 1 | | | | | | | | RJ-SDA-06 12.5mm | |
| 734 | 6LA58614800 | Jumper wire RJ724 | 1 | 1 | | | | | | | | RJ-SKA-06 6mm | |
| 735 | 6LA58614400 | Jumper wire RJ725 | 1 | 1 | | | | | | | | RJ-SCA-06 10mm | |
| 736 | 6LA58614700 | Jumper wire RJ726 | 1 | 1 | | | | | | | | RJ-SDA-06 12.5mm | |
| 737 | 6LA58614400 | Jumper wire RJ727 | 1 | 1 | | | | | | | | RJ-SCA-06 10mm | |
| 738 | 6LA58614600 | Jumper wire RJ728 | 1 | 1 | | | | | | | | RJ-SGA-06 20mm | |
| 739 | 6LA58614500 | Jumper wire RJ729 | 1 | 1 | | | | | | | | RJ-SEA-06 15mm | |
| 740 | 6LA58614500 | Jumper wire RJ730 | 1 | 1 | | | | | | | | RJ-SEA-06 15mm | |
| 741 | 6LA58614700 | Jumper wire RJ731 | 1 | 1 | | | | | | | | RJ-SDA-06 12.5mm | |
| 742 | 6LA58614500 | Jumper wire RJ732 | 1 | 1 | | | | | | | | RJ-SEA-06 15mm | |
| 743 | 6LA58614500 | Jumper wire RJ733 | 1 | 1 | | | | | | | | RJ-SEA-06 15mm | |
| 744 | 6LA58614500 | Jumper wire RJ734 | 1 | 1 | | | | | | | | RJ-SEA-06 15mm | |
| 745 | 6LA58614500 | Jumper wire RJ735 | 1 | 1 | | | | | | | | RJ-SEA-06 15mm | |
| 746 | 6LA58614600 | Jumper wire RJ736 | 1 | 1 | | | | | | | | RJ-SGA-06 20mm | |
| 747 | 6LA58614500 | Jumper wire RJ737 | 1 | 1 | | | | | | | | RJ-SEA-06 15mm | |
| 748 | 6LA58614600 | Jumper wire RJ738 | 1 | 1 | | | | | | | | RJ-SGA-06 20mm | |
| 749 | 6LA58614500 | Jumper wire RJ739 | 1 | 1 | | | | | | | | RJ-SEA-06 15mm | |
| 750 | 6LA58614700 | Jumper wire RJ740 | 1 | 1 | | | | | | | | RJ-SDA-06 12.5mm | |
| 751 | 6LA58614500 | Jumper wire RJ741 | 1 | 1 | | | | | | | | RJ-SEA-06 15mm | |
| 752 | 6LA58614700 | Jumper wire RJ742 | 1 | 1 | | | | | | | | RJ-SDA-06 12.5mm | |
| 753 | 6LA58614500 | Jumper wire RJ743 | 1 | 1 | | | | | | | | RJ-SEA-06 15mm | |
| 754 | 6LA58614700 | Jumper wire RJ744 | 1 | 1 | | | | | | | | RJ-SDA-06 12.5mm | |
| 771 | 6LA58613800 | Fuse holder | 2 | 1 | | | | | | | | PFC5000-0203 | |
| 781 | 6LA58615000 | Terminal | 3 | 1 | | | | | | | | TP00370-41 | |
| 791 | 6LA58615800 | Insulator | 1 | 1 | | | | | | | | M-30AD-D-3 | |
| 801 | 6LA58615700 | Heatsink | 4 | 1 | | | | | | | | LM41258 | |
| 811 | 6LA58616100 | Screw | 5 | 1 | | | | | | | | 3X8 | |
| 812 | 6LA58616200 | Screw | 1 | 1 | | | | | | | | 3X10 | |
| 821 | 6LA58616000 | Label | 1 | 1 | | | | | | | | LV41360 | |



| PARTS NO. | PARTS NAME | Q' TY / PAGE | Q' TY / PACK | PAGE | ITEM NO. | PIR | B S I NO. | SERIAL NO. | REMARKS | LOCATION | C |
|-------------|-----------------|--------------|--------------|------|----------|-----|-----------|------------|-----------------|----------|---|
| 41330500000 | D1200 | 11 | | 100 | 2 | | | | DEV | | |
| 41330500100 | OD1200 | 11 | | 100 | 1 | | | | DRUM | | |
| 41330501000 | 250 Tray unit | 11 | | 17 | 901 | | | | | | |
| 41330501100 | CH cleaner unit | 11 | | 13 | 1 | | | | | | |
| 41330501500 | Process unit | 11 | | 19 | 901B | | | | Other countries | | |
| 41330502400 | MG gear unit | 11 | | 12 | 9 | | | | | | |
| 41330502700 | Trans. hld unit | 11 | | 4 | 18 | | | | | | |
| | | 11 | | 16 | 901 | | | | | | |
| 41330502900 | Press. block LV | 11 | | 21 | 17 | | | | | | |
| 41330503000 | Paper plate 1 | 11 | | 14 | 25 | | | | | | |
| 41330503100 | PF plate 2 | 11 | | 9 | 24 | | | | | | |
| 41330503500 | Joint gear plt | 11 | | 9 | 46 | | | | | | |
| 41330503600 | Main drive plt | 11 | | 12 | 20 | | | | | | |
| 41330506000 | PF roller | 11 | | 9 | 20 | | | | | | |
| 41330506200 | MPF tray unit | 11 | | 14 | 501 | | | | | | |
| 41330506500 | FU thermo. unit | 11 | | 11 | 12 | | | | | | |
| 41330510600 | Charger wire | 11 | | 16 | 8 | | | | | | |
| 41330511400 | 250 Tray case | 11 | | 17 | 19 | | | | | | |
| 41330511900 | OC cover S | 11 | | 2 | 1 | | | | | | |
| 41330512000 | OC cover M | 11 | | 2 | 2 | | | | | | |
| 41330512200 | Rubber foot | 21 | | 10 | 18 | | | | | | |
| 41330512900 | Rotation knob | 11 | | 8 | 22 | | | | | | |
| 41330513400 | Wire band | 11 | | 6 | 3 | | | | | | |
| | | 11 | | 11 | 17A | | | | Europe | | |
| | | 11 | | 14 | 21 | | | | | | |
| | | 11 | | 15 | 9 | | | | | | |
| 41330513500 | Wire band T18S | 11 | | 24 | 21 | | | | | | |
| | | 11 | | 25 | 21 | | | | | | |
| | | 11 | | 26 | 21 | | | | | | |
| 41330513600 | Snap band SG130 | 11 | | 8 | 6 | | | | | | |
| 41330513700 | Wire band | 11 | | 11 | 17B | | | | Other countries | | |
| 41330513800 | Clutch boss | 11 | | 9 | 15 | | | | | | |
| 41330514000 | Cam boss B | 11 | | 14 | 28 | | | | | | |
| 41330514200 | Clutch boss | 11 | | 9 | 13 | | | | | | |
| | | 11 | | 14 | 15 | | | | | | |
| 41330514300 | Multi F bracket | 11 | | 14 | 10 | | | | | | |
| 41330514600 | M bushing C | 11 | | 14 | 9 | | | | | | |
| 41330514700 | Holer fix plt | 11 | | 16 | 15 | | | | | | |
| 41330515000 | Fusing upper fm | 11 | | 11 | 7 | | | | | | |
| 41330515100 | Fusing lower fm | 11 | | 11 | 30 | | | | | | |
| 41330515300 | Multi frame | 11 | | 14 | 35 | | | | | | |
| 41330515800 | Middle frame | 11 | | 8 | 21 | | | | | | |
| 41330515900 | MG holder | 11 | | 20 | 24 | | | | | | |
| 41330516000 | Turn fasner | 11 | | 17 | 3 | | | | | | |
| | | 11 | | 21 | 12 | | | | | | |
| 41330516300 | HV IF holder | 11 | | 15 | 1 | | | | | | |
| 41330516400 | TC holder | 11 | | 16 | 14 | | | | | | |
| 41330516700 | MC holder unit | 11 | | 19 | 5 | | | | | | |
| 41330516800 | Press. plt hld | 11 | | 9 | 30 | | | | | | |
| 41330516900 | TC HV holder | 11 | | 8 | 13 | | | | | | |
| 41330517200 | DV fixing block | 11 | | 9 | 49 | | | | | | |
| 41330517300 | DV guide pin | 11 | | 8 | 26 | | | | | | |
| 41330517400 | DV doctor N | 11 | | 20 | 33 | | | | | | |
| 41330517500 | F ext LV plt | 11 | | 9 | 42 | | | | | | |
| 41330517800 | Reinforce plt F | 11 | | 10 | 21 | | | | | | |
| 41330518100 | Grid | 11 | | 19 | 9 | | | | | | |
| 41330518300 | Earth plate | 11 | | 4 | 5 | | | | | | |
| 41330518400 | PS earth plate | 11 | | 9 | 25 | | | | | | |
| 41330518900 | DV fixing plate | 21 | | 20 | 19 | | | | | | |
| 41330519000 | Tray rear plate | 11 | | 17 | 4 | | | | | | |
| 41330519100 | Turning plt 250 | 11 | | 17 | 1 | | | | | | |
| 41330519300 | M4 plate | 11 | | 9 | 50 | | | | | | |
| 41330519400 | Turn over gate | 11 | | 11 | 38 | | | | | | |
| 41330519500 | Drum hld plt | 11 | | 19 | 24 | | | | | | |
| 41330520200 | Tray side plt F | 11 | | 17 | 5 | | | | | | |
| 41330520300 | Tray side plt R | 11 | | 17 | 13 | | | | | | |
| 41330520700 | Delivery tray | 11 | | 1 | 2 | | | | | | |
| 41330520800 | Multi tray 1 | 11 | | 14 | 48 | | | | | | |
| 41330520900 | Multi tray 2 | 11 | | 14 | 49 | | | | | | |
| 41330521200 | Extension tray | 11 | | 1 | 4 | | | | | | |

| PARTS NO. | PARTS NAME | Q' TY | Q' TY | PAGE | ITEM NO. | PIR | B S I NO. | SERIAL NO. | REMARKS | LOCATION | C |
|-------------|-----------------|-------|-------|------|----------|-----|-----------|------------|---------|----------|---|
| | | PAGE | PACK | | | | | | | | |
| 41330521600 | Roller stopper | 2 | 11 | 11 | 18 | | | | | | |
| 41330521700 | Plate stopper | 1 | 17 | 18 | | | | | | | |
| 41330521800 | Stopper plate | 1 | 14 | 37 | | | | | | | |
| 41330522100 | Screw M3X6 | 3 | 11 | 8 | | | | | | | |
| 41330522200 | Screw | 2 | 11 | 42 | | | | | | | |
| 41330522800 | Screw | 1 | 20 | 22 | | | | | | | |
| 41330522900 | Screw | 1 | 9 | 53 | | | | | 4X12 | | |
| 41330523000 | Screw | 2 | 11 | 36 | | | | | | | |
| 41330523100 | Screw M3X6 | 1 | 8 | 28 | | | | | | | |
| 41330523200 | Washer | 1 | 9 | 43 | | | | | | | |
| 41330523400 | Washer | 2 | 11 | 26 | | | | | | | |
| 41330523500 | Washer | 4 | 19 | 13 | | | | | | | |
| 41330523600 | Washer W12 | 1 | 17 | 10 | | | | | | | |
| 41330524200 | Arm C | 1 | 14 | 4 | | | | | | | |
| 41330524300 | Arm A | 1 | 14 | 39 | | | | | | | |
| 41330524400 | Arm B | 1 | 14 | 38 | | | | | | | |
| 41330524600 | Arm hinge | 1 | 14 | 40 | | | | | | | |
| 41330524900 | Actuator | 1 | 7 | 5 | | | | | | | |
| 41330525000 | PS actuator | 1 | 9 | 2 | | | | | | | |
| 41330525400 | Press. lever F | 1 | 11 | 28 | | | | | | | |
| 41330525500 | Press. lever R | 1 | 11 | 23 | | | | | | | |
| 41330526200 | Trans roller SP | 2 | 7 | 7 | | | | | | | |
| 41330526700 | TC electrode SP | 1 | 16 | 10 | | | | | | | |
| 41330526800 | BC electrode SP | 1 | 16 | 11 | | | | | | | |
| 41330526900 | PS press SP | 2 | 4 | 14 | | | | | | | |
| 41330527000 | PS earth spring | 1 | 4 | 13 | | | | | | | |
| 41330527100 | Trans. press SP | 1 | 4 | 11 | | | | | | | |
| 41330527400 | Pressure plt SP | 1 | 9 | 31 | | | | | | | |
| 41330527500 | Arm C spring | 1 | 14 | 41 | | | | | | | |
| 41330527600 | M feed GND SP | 1 | 14 | 14 | | | | | | | |
| 41330527900 | Pressure spring | 2 | 11 | 25 | | | | | | | |
| 41330528300 | 250 Tray spring | 2 | 17 | 15 | | | | | | | |
| 41330528400 | Spring | 1 | 14 | 50 | | | | | | | |
| 41330528700 | Clutch spring | 1 | 9 | 16 | | | | | | | |
| 41330528800 | Stopper spring | 1 | 17 | 17 | | | | | | | |
| 41330528900 | Clutch spring A | 1 | 14 | 16 | | | | | | | |
| 41330529000 | MF clutch SP B | 1 | 9 | 11 | | | | | | | |
| | | 1 | 14 | 27 | | | | | | | |
| 41330529100 | Spring B | 2 | 12 | 23 | | | | | | | |
| | | 1 | 14 | 30 | | | | | | | |
| 41330529200 | Tray spring | 1 | 17 | 16 | | | | | | | |
| 41330529300 | Pawl A spring | 1 | 14 | 33 | | | | | | | |
| 41330529800 | Earth spring | 1 | 4 | 6 | | | | | | | |
| 41330530200 | Byass spring | 1 | 20 | 23 | | | | | | | |
| 41330530400 | Copy lamp SP F | 1 | 11 | 6 | | | | | | | |
| 41330530500 | Copy lamp SP R | 1 | 11 | 14 | | | | | | | |
| 41330530900 | Door switch SP | 1 | 13 | 6 | | | | | | | |
| 41330531300 | Lock pawl SP | 1 | 4 | 3 | | | | | | | |
| 41330532000 | MC tension SP | 1 | 16 | 7 | | | | | | | |
| 41330532100 | Roller drv belt | 1 | 8 | 5 | | | | | | | |
| 41330532200 | Belt 308 | 1 | 8 | 20 | | | | | | | |
| 41330532800 | DMX bearing | 3 | 20 | 16 | | | | | | | |
| 41330532900 | DID bearing | 1 | 20 | 13 | | | | | | | |
| 41330533000 | Bearing 6 | 1 | 9 | 8 | | | | | | | |
| 41330533300 | Roller bearing | 1 | 8 | 2 | | | | | | | |
| 41330533500 | Press bearing N | 2 | 11 | 24 | | | | | | | |
| 41330533600 | DV bearing | 1 | 19 | 21 | | | | | | | |
| 41330533700 | Bearing 5 | 1 | 9 | 19 | | | | | | | |
| 41330533800 | Fusing bearing | 2 | 11 | 20 | | | | | | | |
| 41330533900 | Screw cupring | 1 | 19 | 12 | | | | | | | |
| 41330534000 | H cupring S | 1 | 8 | 7 | | | | | | | |
| 41330534200 | DV idle ger 20T | 1 | 20 | 12 | | | | | | | |
| 41330534300 | Gear 68/26T | 1 | 12 | 11 | | | | | | | |
| 41330534500 | Gear 46/16T | 1 | 12 | 7 | | | | | | | |
| 41330534600 | Gear 28T | 1 | 12 | 6 | | | | | | | |
| 41330534700 | Gear 20T | 1 | 12 | 18 | | | | | | | |
| 41330534800 | Gear 31/17T | 1 | 12 | 19 | | | | | | | |
| 41330534900 | Gear 30/15T | 1 | 12 | 8 | | | | | | | |
| 41330535000 | Gear 37/15T | 1 | 12 | 10 | | | | | | | |
| 41330535100 | Cupring ger 34T | 1 | 12 | 12 | | | | | | | |

| PARTS NO. | PARTS NAME | Q' TY | Q' TY | PAGE | ITEM NO. | PIR | B S I NO. | SERIAL NO. | REMARKS | LOCATION | C |
|-------------|-----------------|-------|-------|------|----------|-----|-----------|------------|---------|----------|---|
| | | PAGE | PACK | | | | | | | | |
| 41330535200 | Gear 33/20/15T | 11 | | 12 | 17 | | | | | | |
| 41330535300 | Ratchet ger 28T | 11 | | 12 | 14 | | | | | | |
| 41330535400 | Ratchet ger 21T | 11 | | 12 | 13 | | | | | | |
| 41330535500 | Cluth gear 26T | 11 | | 9 | 9 | | | | | | |
| 41330535600 | M feed gear | 11 | | 14 | 46 | | | | | | |
| 41330535700 | Gear 33T | 11 | | 9 | 21 | | | | | | |
| 41330535800 | W gear 30T | 11 | | 9 | 23 | | | | | | |
| 41330535900 | Gear 21/29T | 11 | | 9 | 22 | | | | | | |
| 41330536100 | Trans scw gear | 11 | | 19 | 28 | | | | | | |
| 41330536200 | Idle gear | 11 | | 19 | 27 | | | | | | |
| 41330536300 | Trans pipe gear | 11 | | 19 | 26 | | | | | | |
| 41330536400 | Trans pipe gear | 11 | | 19 | 25 | | | | | | |
| 41330536700 | Ratchet ger 33T | 11 | | 12 | 4 | | | | | | |
| 41330536900 | DMX Gear 28T | 11 | | 20 | 9 | | | | | | |
| 41330537100 | M feed gear | 11 | | 17 | 11 | | | | | | |
| 41330537200 | Fushing ger 45T | 11 | | 11 | 19 | | | | | | |
| 41330537300 | Gear 27T | 11 | | 14 | 19 | | | | | | |
| 41330537400 | Gear 16T | 21 | | 14 | 7 | | | | | | |
| 41330537500 | Gear 20.20MXL | 11 | | 14 | 20 | | | | | | |
| 41330537600 | Gear 20T | 11 | | 14 | 3 | | | | | | |
| 41330537700 | Clutch gear 29T | 11 | | 9 | 18 | | | | | | |
| 41330537800 | 2nd joint gear | 21 | | 9 | 47 | | | | | | |
| 41330538100 | Pulley 22T | 31 | | 8 | 4 | | | | | | |
| 41330538200 | Pulley 17T | 11 | | 12 | 5 | | | | | | |
| 41330539300 | MG roller | 11 | | 20 | 31 | | | | | | |
| 41330539400 | Roller lower | 11 | | 8 | 1 | | | | | | |
| 41330540000 | Roller upper | 21 | | 7 | 1 | | | | | | |
| 41330540100 | DMX roller | 11 | | 20 | 5 | | | | | | |
| 41330540200 | Roller R | 11 | | 14 | 5 | | | | | | |
| 41330540400 | PS upper roller | 61 | | 4 | 17 | | | | | | |
| | | 21 | | 7 | 8 | | | | | | |
| 41330540500 | PS lower roller | 11 | | 9 | 7 | | | | | | |
| 41330540600 | Pressure roller | 11 | | 11 | 27 | | | | | | |
| 41330540700 | MPF roller | 11 | | 14 | 1 | | | | | | |
| 41330540800 | Trans pipe scw | 11 | | 19 | 33 | | | | | | |
| 41330540900 | Screw | 11 | | 19 | 15 | | | | | | |
| 41330541000 | PS shaft | 11 | | 4 | 15 | | | | | | |
| 41330541600 | Cam boss A sht | 11 | | 14 | 8 | | | | | | |
| 41330541700 | DV-BOX | 11 | | 20 | 17 | | | | | | |
| 41330542100 | Brush | 11 | | 20 | 35 | | | | | | |
| 41330542200 | Toner pipe cap | 11 | | 19 | 34 | | | | | | |
| 41330542300 | Protect cap | 11 | | 10 | 42 | | | | | | |
| 41330542400 | TC case | 11 | | 16 | 16 | | | | | | |
| 41330542600 | MC case | 11 | | 19 | 4 | | | | | | |
| 41330542700 | Sensor cover | 11 | | 9 | 38 | | | | | | |
| 41330543000 | Fusing cover F | 11 | | 11 | 5 | | | | | | |
| 41330543100 | Fusing cover R | 11 | | 11 | 15 | | | | | | |
| 41330543200 | Malti cover | 11 | | 9 | 32 | | | | | | |
| 41330543300 | Drum cover | 11 | | 19 | 23 | | | | | | |
| 41330543400 | M Tray F cover | 11 | | 14 | 44 | | | | | | |
| 41330544800 | OP gear cover | 11 | | 9 | 52 | | | | | | |
| 41330544900 | DV-cover-U | 11 | | 20 | 3 | | | | | | |
| 41330545000 | DV-cover-F | 11 | | 20 | 20 | | | | | | |
| 41330546000 | Ozone filter | 11 | | 1 | 21 | | | | | | |
| 41330546500 | TC front guide | 11 | | 16 | 4 | | | | | | |
| 41330546600 | Fusing F PA gud | 11 | | 11 | 34 | | | | | | |
| 41330546800 | Paper guide | 11 | | 7 | 6 | | | | | | |
| 41330547000 | Hinge guide | 11 | | 4 | 4 | | | | | | |
| 41330547100 | Harness guide | 11 | | 8 | 25 | | | | | | |
| 41330547200 | TC f guide U | 11 | | 9 | 5 | | | | | | |
| 41330547300 | Separator guige | 11 | | 16 | 2 | | | | | | |
| 41330547700 | MB side guide L | 11 | | 14 | 43 | | | | | | |
| 41330547800 | MB side guide R | 11 | | 14 | 42 | | | | | | |
| 41330548100 | U-turn guide L | 11 | | 11 | 1 | | | | | | |
| 41330548500 | Hinge guide L | 11 | | 5 | 29 | | | | | | |
| 41330548600 | Hinge guide R | 11 | | 5 | 30 | | | | | | |
| 41330548700 | TN guide D | 11 | | 20 | 7 | | | | | | |
| 41330549300 | Glass cushion | 81 | | 5 | 19 | | | | | | |
| 41330549500 | DVC cushion | 11 | | 20 | 32 | | | | | | |
| 41330549600 | Toner cushion | 21 | | 19 | 17 | | | | | | |

| PARTS NO. | PARTS NAME | Q'TY / PAGE | Q'TY / PACK | PAGE | ITEM NO. | PIR | B S I NO. | SERIAL NO. | REMARKS | LOCATION | C |
|-------------|-----------------|-------------|-------------|------|----------|-----|-----------|------------|-----------------|----------|---|
| 41330549800 | Flange cushion | 11 | | 19 | 20 | | | | | | |
| 41330549900 | Screw cushion | 11 | | 19 | 14 | | | | | | |
| 41330550000 | Fan cushion | 11 | | 1 | 20 | | | | | | |
| 41330550300 | Clutch sleeve | 11 | | 9 | 17 | | | | | | |
| 41330550400 | Toner pipe | 11 | | 19 | 31 | | | | | | |
| 41330550700 | Pipe A | 11 | | 9 | 10 | | | | | | |
| | | 11 | | 14 | 17 | | | | | | |
| 41330550800 | Pipe B | 11 | | 14 | 26 | | | | | | |
| 41330550900 | Seal F | 11 | | 19 | 19 | | | | | | |
| 41330551000 | Seal R | 11 | | 19 | 16 | | | | | | |
| 41330551100 | DV seal A | 11 | | 20 | 28 | | | | | | |
| 41330551200 | DV seal FN | 11 | | 20 | 18 | | | | | | |
| 41330551300 | DV seal CN | 11 | | 20 | 6 | | | | | | |
| 41330551400 | DV seal RN | 11 | | 20 | 8 | | | | | | |
| 41330551500 | DV side seal RN | 11 | | 20 | 30 | | | | | | |
| 41330551600 | DV-COVsheet | 11 | | 20 | 2 | | | | | | |
| 41330551700 | TC sheet | 11 | | 16 | 3 | | | | | | |
| 41330551800 | TC cov sheet F | 11 | | 16 | 13 | | | | | | |
| 41330551900 | TC cov sheet R | 11 | | 16 | 6 | | | | | | |
| 41330552000 | Front PG sheet | 11 | | 11 | 35 | | | | | | |
| 41330552500 | Handle label | 11 | | 11 | 40 | | | | | | |
| 41330552600 | Try guide sheet | 11 | | 17 | 8 | | | | | | |
| 41330552900 | Discharge sheet | 11 | | 16 | 1 | | | | | | |
| 41330553200 | Side sheet FN | 11 | | 20 | 29 | | | | | | |
| 41330553500 | PG earth sheet | 11 | | 11 | 33 | | | | | | |
| 41330554000 | MB u gud sheet | 11 | | 13 | 7 | | | | | | |
| 41330555500 | Mylar sheet | 11 | | 1 | 24 | | | | | | |
| 41330556200 | Sheet M1 | 11 | | 9 | 29 | | | | | | |
| 41330556300 | PF sheet | 11 | | 9 | 36 | | | | | | |
| 41330556400 | Rotation sheet | 21 | | 17 | 2 | | | | | | |
| 41330556500 | TC pipp shuter | 11 | | 19 | 29 | | | | | | |
| 41330556700 | P cap spacer | 11 | | 19 | 32 | | | | | | |
| 41330557100 | PS roller pawl | 11 | | 12 | 24 | | | | | | |
| 41330557200 | Roller pawl | 11 | | 12 | 26 | | | | | | |
| 41330557300 | Lock pawl | 11 | | 4 | 2 | | | | | | |
| 41330557600 | MPF pawl A | 11 | | 14 | 32 | | | | | | |
| 41330557700 | MPF pawl B | 11 | | 14 | 31 | | | | | | |
| 41330557800 | 250 Tray pawl F | 11 | | 17 | 6 | | | | | | |
| 41330557900 | 250 Tray pawl R | 11 | | 17 | 14 | | | | | | |
| 41330558000 | Saw tape | 11 | | 19 | 7 | | | | | | |
| 41330558100 | Slit glass tape | 11 | | 1 | 25 | | | | | | |
| 41330559200 | Connector | 11 | | 27 | 25 | | | | 14pin | CN115 | |
| 41330559300 | Connector | 11 | | 27 | 29 | | | | 18pin | CN119 | |
| 41330559400 | Connector | 11 | | 27 | 11 | | | | 24pin | CN101 | |
| | | 11 | | 27 | 32 | | | | 24pin | CN122 | |
| 41330559500 | Connector | 11 | | 27 | 34 | | | | 2pin | CN124 | |
| 41330559900 | Connector | 11 | | 27 | 21 | | | | 3pin | CN111 | |
| 41330560000 | Connector | 11 | | 27 | 33 | | | | 5pin | CN123 | |
| 41330560200 | Connector | 11 | | 27 | 19 | | | | 3pin | CN109 | |
| | | 11 | | 27 | 20 | | | | 3pin | CN110 | |
| | | 11 | | 27 | 23 | | | | 3pin | CN113 | |
| 41330560300 | Connector | 11 | | 27 | 22 | | | | 4pin | CN112 | |
| 41330560400 | Connector | 11 | | 27 | 30 | | | | 5pin | CN120 | |
| 41330560600 | Connector | 11 | | 27 | 18 | | | | 3pin | CN108 | |
| 41330560800 | Connector | 11 | | 27 | 15 | | | | 32pin | CN105 | |
| 41330561400 | Connector | 11 | | 27 | 17 | | | | 8pin | CN107 | |
| 41330561500 | Connector | 11 | | 27 | 12 | | | | 18pin | CN102 | |
| 41330561900 | Connector | 11 | | 22 | 12 | | | | 18pin | CN302 | |
| 41330562300 | TC HV elect plt | 11 | | 8 | 16 | | | | | | |
| 41330562400 | BC HV elect plt | 11 | | 8 | 14 | | | | | | |
| 41330562500 | TC elect. plate | 11 | | 16 | 9 | | | | | | |
| 41330562800 | IC Socket | 11 | | 27 | 941 | | | | For IC102, 8pin | | |
| 41330563200 | Tray detect SW. | 11 | | 9 | 26 | | | | | | |
| 41330563500 | Saw terminal | 11 | | 19 | 3 | | | | | | |
| 41330563600 | Grid terminal | 11 | | 19 | 6 | | | | | | |
| 41330566100 | Thermistor | 11 | | 11 | 9 | | | | | | |
| 41330566300 | Filter | 11 | | 27 | 91 | | | | ZJSR5101-223 | L101 | |
| | | 11 | | 27 | 103 | | | | ZJSR5101-223 | L113 | |
| | | 11 | | 27 | 113 | | | | ZJSR5101-223 | L123 | |
| | | 11 | | 27 | 114 | | | | ZJSR5101-223 | L124 | |

| PARTS NO. | PARTS NAME | Q' TY PAGE | Q' TY PACK | PAGE | ITEM NO. | PIR | B S I NO. | SERIAL NO. | REMARKS | LOCATION | C |
|-------------|-----------------|---------------|---------------|------|-------------|-----|--------------|---------------|------------------------|----------|---|
| 41330566300 | Filter | 11 | | 27 | 115 | | | | ZJSR5101-223 | L125 | |
| | | 11 | | 27 | 116 | | | | ZJSR5101-223 | L126 | |
| | | 11 | | 27 | 117 | | | | ZJSR5101-223 | L127 | |
| 41330566500 | Diode MA700 | 11 | | 27 | 131 | | | | | D101 | |
| 41330566600 | Heater lamp | 11 | | 11 | 22B | | | | 200V Series | | |
| 41330566700 | Toner motor | 11 | | 8 | 9 | | | | | | |
| 41330567100 | Block resistor | 11 | | 27 | 236 | | | | 10X4 | BR156 | |
| | | 11 | | 27 | 237 | | | | 10X4 | BR157 | |
| | | 11 | | 27 | 238 | | | | 10X4 | BR158 | |
| 41330567200 | Block resistor | 11 | | 27 | 240 | | | | 1.0KX4 | BR160 | |
| | | 11 | | 27 | 241 | | | | 1.0KX4 | BR161 | |
| | | 11 | | 27 | 242 | | | | 1.0KX4 | BR162 | |
| | | 11 | | 27 | 243 | | | | 1.0KX4 | BR163 | |
| | | 11 | | 27 | 181 | | | | 10KX4 | BR101 | |
| 41330567300 | Block resistor | 11 | | 27 | 182 | | | | 10KX4 | BR102 | |
| | | 11 | | 27 | 183 | | | | 10KX4 | BR103 | |
| | | 11 | | 27 | 184 | | | | 10KX4 | BR104 | |
| | | 11 | | 27 | 185 | | | | 10KX4 | BR105 | |
| | | 11 | | 27 | 186 | | | | 10KX4 | BR106 | |
| | | 11 | | 27 | 187 | | | | 10KX4 | BR107 | |
| | | 11 | | 27 | 188 | | | | 10KX4 | BR108 | |
| | | 11 | | 27 | 189 | | | | 10KX4 | BR109 | |
| | | 11 | | 27 | 190 | | | | 10KX4 | BR110 | |
| | | 11 | | 27 | 191 | | | | 10KX4 | BR111 | |
| | | 11 | | 27 | 192 | | | | 10KX4 | BR112 | |
| | | 11 | | 27 | 194 | | | | 10KX4 | BR114 | |
| | | 11 | | 27 | 195 | | | | 10KX4 | BR115 | |
| | | 11 | | 27 | 197 | | | | 10KX4 | BR117 | |
| | | 11 | | 27 | 213 | | | | 10KX4 | BR133 | |
| 11 | | 27 | 215 | | | | 10KX4 | BR135 | | | |
| 11 | | 27 | 217 | | | | 10KX4 | BR137 | | | |
| 11 | | 27 | 219 | | | | 10KX4 | BR139 | | | |
| 11 | | 27 | 225 | | | | 10KX4 | BR145 | | | |
| 11 | | 27 | 226 | | | | 10KX4 | BR146 | | | |
| 11 | | 27 | 228 | | | | 10KX4 | BR148 | | | |
| 11 | | 27 | 230 | | | | 10KX4 | BR150 | | | |
| 11 | | 27 | 232 | | | | 10KX4 | BR152 | | | |
| 11 | | 27 | 233 | | | | 10KX4 | BR153 | | | |
| 11 | | 27 | 234 | | | | 10KX4 | BR154 | | | |
| 11 | | 27 | 235 | | | | 10KX4 | BR155 | | | |
| 11 | | 27 | 239 | | | | 10KX4 | BR159 | | | |
| 41330568400 | Solenoid | 11 | | 12 | 25 | | | | | | |
| 41330568500 | MF solenoid | 11 | | 14 | 29 | | | | | | |
| 41330572900 | Bag 240X300mm | 11 | | 21 | 8 | | | | | | |
| 41330573100 | Bag | 11 | | 21 | 5 | | | | | | |
| 41330573400 | Bag | 11 | | 21 | 6 | | | | | | |
| 41330574000 | Caution label | 11 | | 1 | 19 | | | | | | |
| 41330574100 | LSU caution lbl | 11 | | 21 | 22A | | | | U. S. A, Asia, Oceania | | |
| 41330575200 | Class 1 label | 11 | | 1 | 26B | | | | Asia, Oceania | | |
| 41330575400 | Indication lbl | 11 | | 17 | 12 | | | | | | |
| 41330575500 | Version label | 11 | | 27 | 951 | | | | | | |
| 41330575600 | Rotation tag | 11 | | 21 | 13 | | | | | | |
| 41330575900 | AC cable band | 11 | | 21 | 4 | | | | Except U. S. A | | |
| 41330576000 | DV blade | 11 | | 20 | 4 | | | | | | |
| 41330576300 | Capacitor | 11 | | 28 | 64 | | | | 50WV 100pF | C404 | |
| | | 11 | | 28 | 65 | | | | 50WV 100pF | C405 | |
| | | 11 | | 28 | 66 | | | | 50WV 100pF | C406 | |
| | | 11 | | 28 | 67 | | | | 50WV 100pF | C407 | |
| | | 11 | | 28 | 68 | | | | 50WV 100pF | C408 | |
| | | 11 | | 28 | 69 | | | | 50WV 100pF | C409 | |
| | | 11 | | 28 | 70 | | | | 50WV 100pF | C410 | |
| | | 11 | | 28 | 71 | | | | 50WV 100pF | C411 | |
| | | 11 | | 28 | 72 | | | | 50WV 100pF | C412 | |
| | | 11 | | 28 | 73 | | | | 50WV 100pF | C413 | |
| | | 11 | | 28 | 74 | | | | 50WV 100pF | C414 | |
| | | 11 | | 28 | 75 | | | | 50WV 100pF | C415 | |
| | | 11 | | 28 | 77 | | | | 50WV 100pF | C417 | |
| | | 11 | | 28 | 78 | | | | 50WV 100pF | C418 | |
| 11 | | 28 | 79 | | | | 50WV 100pF | C419 | | | |
| 11 | | 28 | 82 | | | | 50WV 100pF | C422 | | | |

| PARTS NO. | PARTS NAME | Q' TY / PAGE | Q' TY / PACK | PAGE | ITEM NO. | PIR | B S I NO. | SERIAL NO. | REMARKS | LOCATION | C | | |
|-------------|----------------|--------------|--------------|------|----------|-----|-----------|------------|--------------|------------|-------------|------|--|
| 41330576700 | Capacitor | 11 | 11 | 28 | 86 | | | | 50WV 100pF | C426 | | | |
| | | 11 | 11 | 22 | 223 | | | | 50WV 200pF | C323 | | | |
| | | 11 | 11 | 22 | 224 | | | | 50WV 200pF | C324 | | | |
| | | 11 | 11 | 22 | 225 | | | | 50WV 200pF | C325 | | | |
| 41330578700 | Capacitor | 11 | 11 | 22 | 226 | | | | 50WV 200pF | C326 | | | |
| | | 11 | 11 | 27 | 269 | | | | 16WV 10uF | C109 | | | |
| | | 11 | 11 | 27 | 334 | | | | 16WV 22uF | C174 | | | |
| 41330578900 | Capacitor | 11 | 11 | 27 | 446 | | | | 16WV 22uF | C286 | | | |
| | | 11 | 11 | 27 | 447 | | | | 16WV 22uF | C287 | | | |
| | | 11 | 11 | 27 | 482 | | | | 16WV 22uF | C322 | | | |
| | | 11 | 11 | 27 | 299 | | | | 16WV 47uF | C139 | | | |
| 41330579000 | Capacitor | 11 | 11 | 27 | 377 | | | | 16WV 47uF | C217 | | | |
| | | 11 | 11 | 27 | 379 | | | | 16WV 47uF | C219 | | | |
| | | 11 | 11 | 28 | 61 | | | | 16WV 47uF | C401 | | | |
| | | 11 | 11 | 28 | 62 | | | | 16WV 47uF | C402 | | | |
| 41330579200 | Capacitor | 11 | 11 | 27 | 444 | | | 25WV 47uF | C284 | | | | |
| 41330579400 | Capacitor | 11 | 11 | 27 | 372 | | | 35WV 10uF | C212 | | | | |
| 41330579700 | Capacitor | 11 | 11 | 27 | 368 | | | | 35WV 47uF | C208 | | | |
| | | 11 | 11 | 27 | 436 | | | | 35WV 47uF | C276 | | | |
| | | 11 | 11 | 27 | 442 | | | | 35WV 47uF | C282 | | | |
| | | 11 | 11 | 27 | 459 | | | | 35WV 47uF | C299 | | | |
| | | 11 | 11 | 27 | 460 | | | | 35WV 47uF | C300 | | | |
| | | 11 | 11 | 22 | 201 | | | | 16WV 47uF | C301 | | | |
| | | 41330580300 | Capacitor | 11 | 11 | 28 | 63 | | | 16WV 0.1uF | C403 | | |
| | | 41330580900 | Capacitor | 11 | 11 | 28 | 80 | | | | 16WV 0.1uF | C420 | |
| | | | | 11 | 11 | 28 | 81 | | | | 16WV 0.1uF | C421 | |
| | | | | 11 | 11 | 28 | 83 | | | | 16WV 0.1uF | C423 | |
| 11 | 11 | | | 28 | 84 | | | | 16WV 0.1uF | C424 | | | |
| 11 | 11 | | | 28 | 85 | | | | 16WV 0.1uF | C425 | | | |
| 11 | 11 | | | 28 | 87 | | | | 16WV 0.1uF | C427 | | | |
| 41330581200 | Capacitor | | | 11 | 11 | 22 | 206 | | | | 50WV 1000pF | C306 | |
| | | | | 11 | 11 | 22 | 207 | | | | 50WV 1000pF | C307 | |
| | | 11 | 11 | 22 | 208 | | | | 50WV 1000pF | C308 | | | |
| | | 11 | 11 | 22 | 209 | | | | 50WV 1000pF | C309 | | | |
| | | 11 | 11 | 22 | 210 | | | | 50WV 1000pF | C310 | | | |
| | | 11 | 11 | 22 | 211 | | | | 50WV 1000pF | C311 | | | |
| | | 11 | 11 | 22 | 212 | | | | 50WV 1000pF | C312 | | | |
| | | 11 | 11 | 22 | 213 | | | | 50WV 1000pF | C313 | | | |
| | | 11 | 11 | 22 | 215 | | | | 50WV 1000pF | C315 | | | |
| | | 11 | 11 | 22 | 217 | | | | 50WV 1000pF | C317 | | | |
| | | 11 | 11 | 22 | 218 | | | | 50WV 1000pF | C318 | | | |
| | | 11 | 11 | 22 | 220 | | | | 50WV 1000pF | C320 | | | |
| | | 11 | 11 | 22 | 221 | | | | 50WV 1000pF | C321 | | | |
| | | 41330582000 | Capacitor | 11 | 11 | 22 | 227 | | | | 50WV 1000pF | C327 | |
| 11 | 11 | | | 24 | 31 | | | | 50WV 0.001uF | | | | |
| 11 | 11 | | | 25 | 31 | | | | 50WV 0.001uF | | | | |
| 11 | 11 | | | 26 | 31 | | | | 50WV 0.001uF | | | | |
| 41330584000 | Diode DSS133 | 11 | 11 | 22 | 241 | | | | | D301 | | | |
| | | 11 | 11 | 22 | 242 | | | | | D302 | | | |
| | | 11 | 11 | 22 | 243 | | | | | D303 | | | |
| | | 11 | 11 | 22 | 244 | | | | | D304 | | | |
| | | 11 | 11 | 22 | 245 | | | | | D305 | | | |
| | | 11 | 11 | 22 | 246 | | | | | D306 | | | |
| | | 11 | 11 | 22 | 247 | | | | | D307 | | | |
| | | 11 | 11 | 22 | 248 | | | | | D308 | | | |
| | | 11 | 11 | 22 | 249 | | | | | D309 | | | |
| | | 11 | 11 | 22 | 250 | | | | | D310 | | | |
| | | 11 | 11 | 27 | 514 | | | | | D104 | | | |
| | | 11 | 11 | 27 | 520 | | | | | D120 | | | |
| | | 11 | 11 | 27 | 524 | | | | | D124 | | | |
| | | 11 | 11 | 27 | 527 | | | | | D127 | | | |
| 41330585800 | IC-74LVX16128 | 11 | 11 | 28 | 113 | | | | | IC403 | | | |
| 41330587600 | IC-LC7935 | 11 | 11 | 22 | 162 | | | | | IC302 | | | |
| 41330588900 | IC-MTD1361F-1 | 11 | 11 | 27 | 588 | | | | | IC128 | | | |
| 41330591000 | IC-TD62064AF | 11 | 11 | 27 | 583 | | | | | IC123 | | | |
| 41330592000 | LED 1LHEE-002A | 11 | 11 | 22 | 351 | | | | | DPL | | | |
| | | 11 | 11 | 22 | 391 | | | | | JPL | | | |
| | | 11 | 11 | 22 | 421 | | | | | MPL | | | |
| | | 11 | 11 | 22 | 471 | | | | | SJAL | | | |
| | | 11 | 11 | 22 | 491 | | | | | TPL | | | |

| PARTS NO. | PARTS NAME | Q'TY / PAGE | TY / PACK | PAGE | ITEM NO. | PIR | B S I NO. | SERIAL NO. | REMARKS | LOCATION | C | | |
|-------------|----------------|-------------|--------------|------|----------|-----|------------|------------|------------|----------|----------|-------|--|
| 41330592100 | LED 1LHLE-002A | 1 | | 22 | 261 | | | | | 1ENR | | | |
| | | 1 | | 22 | 271 | | | | | 2ENR | | | |
| | | 1 | | 22 | 281 | | | | | 1RE | | | |
| | | 1 | | 22 | 291 | | | | | 2RE | | | |
| | | 1 | | 22 | 301 | | | | | 3RE | | | |
| | | 1 | | 22 | 311 | | | | | AE | | | |
| | | 1 | | 22 | 321 | | | | | BPL | | | |
| | | 1 | | 22 | 331 | | | | | CS1L | | | |
| | | 1 | | 22 | 341 | | | | | CS2L | | | |
| | | 1 | | 22 | 361 | | | | | EXD | | | |
| | | 1 | | 22 | 371 | | | | | EXN | | | |
| | | 1 | | 22 | 381 | | | | | EXL | | | |
| | | 1 | | 22 | 411 | | | | | ME | | | |
| | | 1 | | 22 | 431 | | | | | NOR | | | |
| | | 1 | | 22 | 441 | | | | | PE | | | |
| | | 1 | | 22 | 461 | | | | | RPL | | | |
| | | 1 | | 22 | 481 | | | | | SPFL | | | |
| | | 1 | | 22 | 501 | | | | | ZPL | | | |
| | | 1 | | 23 | 21 | | | | | SCNL | | | |
| | | 1 | | 23 | 31 | | | | | ONLL | | | |
| | | 41330592700 | IC protector | 1 | | 27 | 611 | | | | ICPN38 | CP101 | |
| | | | | 1 | | 27 | 612 | | | | ICPN38 | CP102 | |
| | | | | 1 | | 27 | 613 | | | | ICPN38 | CP103 | |
| 41330593900 | Resistor | 1 | | 11 | 2 | | | | 1/2W 150M | | | | |
| 41330594200 | Resistor | 1 | | 27 | 632 | | | | 1/16W 0 | R102 | | | |
| | | 1 | | 27 | 635 | | | | 1/16W 0 | R105 | | | |
| | | 1 | | 27 | 636 | | | | 1/16W 0 | R106 | | | |
| | | 1 | | 27 | 817 | | | | 1/16W 0 | R287 | | | |
| | | 1 | | 28 | 133 | | | | 1/16W 0 | L403 | | | |
| | | 1 | | 28 | 134 | | | | 1/16W 0 | L404 | | | |
| | | 41330594300 | Resistor | 1 | | 27 | 674 | | | | 1/16W 10 | R144 | |
| | | | | 1 | | 27 | 675 | | | | 1/16W 10 | R145 | |
| | | | | 1 | | 27 | 679 | | | | 1/16W 10 | R149 | |
| | | | | 1 | | 27 | 797 | | | | 1/16W 10 | R267 | |
| 41330594400 | Resistor | 1 | | 22 | 521 | | | | 1/16W 100 | R301 | | | |
| | | 1 | | 22 | 522 | | | | 1/16W 100 | R302 | | | |
| | | 1 | | 22 | 523 | | | | 1/16W 100 | R303 | | | |
| | | 1 | | 22 | 524 | | | | 1/16W 100 | R304 | | | |
| | | 1 | | 22 | 525 | | | | 1/16W 100 | R305 | | | |
| | | 1 | | 22 | 544 | | | | 1/16W 100 | R324 | | | |
| | | 1 | | 22 | 558 | | | | 1/16W 100 | R338 | | | |
| | | 1 | | 22 | 559 | | | | 1/16W 100 | R339 | | | |
| | | 1 | | 22 | 560 | | | | 1/16W 100 | R340 | | | |
| | | 1 | | 22 | 561 | | | | 1/16W 100 | R341 | | | |
| | | 1 | | 22 | 562 | | | | 1/16W 100 | R342 | | | |
| | | 1 | | 22 | 563 | | | | 1/16W 100 | R343 | | | |
| | | 1 | | 22 | 564 | | | | 1/16W 100 | R344 | | | |
| | | 1 | | 22 | 565 | | | | 1/16W 100 | R345 | | | |
| | | 1 | | 27 | 650 | | | | 1/16W 100 | R120 | | | |
| | | 1 | | 27 | 700 | | | | 1/16W 100 | R170 | | | |
| | | 1 | | 27 | 732 | | | | 1/16W 100 | R202 | | | |
| | | 1 | | 27 | 808 | | | | 1/16W 100 | R278 | | | |
| | | 41330594500 | Resistor | 1 | | 27 | 684 | | | | 1/16W 1K | R154 | |
| 41330594600 | Resistor | 1 | | 22 | 540 | | | | 1/16W 1.0K | R320 | | | |
| | | 1 | | 22 | 541 | | | | 1/16W 1.0K | R321 | | | |
| | | 1 | | 22 | 542 | | | | 1/16W 1.0K | R322 | | | |
| | | 1 | | 22 | 550 | | | | 1/16W 1.0K | R330 | | | |
| | | 1 | | 22 | 555 | | | | 1/16W 1.0K | R335 | | | |
| | | 1 | | 22 | 572 | | | | 1/16W 1.0K | R352 | | | |
| | | 1 | | 22 | 573 | | | | 1/16W 1.0K | R353 | | | |
| | | 1 | | 27 | 687 | | | | 1/16W 1.0K | R157 | | | |
| | | 1 | | 27 | 711 | | | | 1/16W 1.0K | R181 | | | |
| | | 1 | | 27 | 715 | | | | 1/16W 1.0K | R185 | | | |
| | | 1 | | 27 | 717 | | | | 1/16W 1.0K | R187 | | | |
| | | 1 | | 27 | 718 | | | | 1/16W 1.0K | R188 | | | |
| | | 1 | | 27 | 725 | | | | 1/16W 1.0K | R195 | | | |
| | | 1 | | 27 | 737 | | | | 1/16W 1.0K | R207 | | | |
| | | 1 | | 27 | 744 | | | | 1/16W 1.0K | R214 | | | |
| | | 1 | | 27 | 746 | | | | 1/16W 1.0K | R216 | | | |
| 1 | | 27 | 765 | | | | 1/16W 1.0K | R235 | | | | | |

| PARTS NO. | PARTS NAME | Q' TY / PAGE | Q' TY / PACK | PAGE | ITEM NO. | PIR | B S I NO. | SERIAL NO. | REMARKS | LOCATION | C |
|-------------|------------|--------------|--------------|------|----------|-----|-----------|------------|------------|----------|---|
| 41330594600 | Resistor | 11 | | 27 | 766 | | | | 1/16W 1.0K | R236 | |
| | | 11 | | 27 | 767 | | | | 1/16W 1.0K | R237 | |
| | | 11 | | 27 | 774 | | | | 1/16W 1.0K | R244 | |
| 41330594700 | Resistor | 11 | | 27 | 812 | | | | 1/16W 1.0K | R282 | |
| | | 11 | | 27 | 821 | | | | 1/16W 1.0K | R291 | |
| | | 11 | | 27 | 647 | | | | 1/16W 10K | R117 | |
| 41330594800 | Resistor | 11 | | 27 | 688 | | | | 1/16W 10K | R158 | |
| | | 11 | | 27 | 703 | | | | 1/16W 10K | R173 | |
| | | 11 | | 27 | 638 | | | | 1/16W 10K | R108 | |
| | | 11 | | 27 | 641 | | | 1/16W 10K | R111 | | |
| | | 11 | | 27 | 642 | | | 1/16W 10K | R112 | | |
| | | 11 | | 27 | 645 | | | 1/16W 10K | R115 | | |
| | | 11 | | 27 | 648 | | | 1/16W 10K | R118 | | |
| | | 11 | | 27 | 652 | | | 1/16W 10K | R122 | | |
| | | 11 | | 27 | 653 | | | 1/16W 10K | R123 | | |
| | | 11 | | 27 | 654 | | | 1/16W 10K | R124 | | |
| | | 11 | | 27 | 655 | | | 1/16W 10K | R125 | | |
| | | 11 | | 27 | 656 | | | 1/16W 10K | R126 | | |
| | | 11 | | 27 | 657 | | | 1/16W 10K | R127 | | |
| | | 11 | | 27 | 658 | | | 1/16W 10K | R128 | | |
| | | 11 | | 27 | 667 | | | 1/16W 10K | R137 | | |
| | | 11 | | 27 | 670 | | | 1/16W 10K | R140 | | |
| | | 11 | | 27 | 671 | | | 1/16W 10K | R141 | | |
| | | 11 | | 27 | 676 | | | 1/16W 10K | R146 | | |
| | | 11 | | 27 | 677 | | | 1/16W 10K | R147 | | |
| | | 11 | | 27 | 678 | | | 1/16W 10K | R148 | | |
| | | 11 | | 27 | 702 | | | 1/16W 10K | R172 | | |
| | | 11 | | 27 | 719 | | | 1/16W 10K | R189 | | |
| | | 11 | | 27 | 738 | | | 1/16W 10K | R208 | | |
| | | 11 | | 27 | 739 | | | 1/16W 10K | R209 | | |
| | | 11 | | 27 | 740 | | | 1/16W 10K | R210 | | |
| | | 11 | | 27 | 742 | | | 1/16W 10K | R212 | | |
| | | 11 | | 27 | 743 | | | 1/16W 10K | R213 | | |
| | | 11 | | 27 | 751 | | | 1/16W 10K | R221 | | |
| | | 11 | | 27 | 752 | | | 1/16W 10K | R222 | | |
| | | 11 | | 27 | 754 | | | 1/16W 10K | R224 | | |
| | | 11 | | 27 | 758 | | | 1/16W 10K | R228 | | |
| | | 11 | | 27 | 763 | | | 1/16W 10K | R233 | | |
| | | 11 | | 27 | 764 | | | 1/16W 10K | R234 | | |
| | | 11 | | 27 | 768 | | | 1/16W 10K | R238 | | |
| | | 11 | | 27 | 772 | | | 1/16W 10K | R242 | | |
| | | 11 | | 27 | 778 | | | 1/16W 10K | R248 | | |
| | | 11 | | 27 | 779 | | | 1/16W 10K | R249 | | |
| | | 11 | | 27 | 780 | | | 1/16W 10K | R250 | | |
| | | 11 | | 27 | 793 | | | 1/16W 10K | R263 | | |
| | | 11 | | 27 | 796 | | | 1/16W 10K | R266 | | |
| | | 11 | | 27 | 799 | | | 1/16W 10K | R269 | | |
| | | 11 | | 27 | 801 | | | 1/16W 10K | R271 | | |
| | | 11 | | 27 | 813 | | | 1/16W 10K | R283 | | |
| | | 11 | | 27 | 814 | | | 1/16W 10K | R284 | | |
| | | 11 | | 27 | 816 | | | 1/16W 10K | R286 | | |
| | | 11 | | 27 | 820 | | | 1/16W 10K | R290 | | |
| | | 11 | | 28 | 174 | | | 1/16W 10K | R424 | | |
| | | 11 | | 28 | 175 | | | 1/16W 10K | R425 | | |
| | | 11 | | 28 | 176 | | | 1/16W 10K | R426 | | |
| | | 11 | | 28 | 177 | | | 1/16W 10K | R427 | | |
| | | 11 | | 28 | 178 | | | 1/16W 10K | R428 | | |
| | | 11 | | 28 | 179 | | | 1/16W 10K | R429 | | |
| 41330595000 | Resistor | 11 | | 27 | 685 | | | 1/16W 1.0M | R155 | | |
| 41330595300 | Resistor | 11 | | 22 | 530 | | | 1/16W 120 | R310 | | |
| | | 11 | | 22 | 531 | | | 1/16W 120 | R311 | | |
| | | 11 | | 22 | 532 | | | 1/16W 120 | R312 | | |
| | | 11 | | 22 | 533 | | | 1/16W 120 | R313 | | |
| | | 11 | | 22 | 534 | | | 1/16W 120 | R314 | | |
| | | 11 | | 22 | 535 | | | 1/16W 120 | R315 | | |
| | | 11 | | 22 | 546 | | | 1/16W 120 | R326 | | |
| | | 11 | | 22 | 547 | | | 1/16W 120 | R327 | | |
| | | 11 | | 22 | 548 | | | 1/16W 120 | R328 | | |
| | | 11 | | 22 | 549 | | | 1/16W 120 | R329 | | |
| | | 11 | | 22 | 551 | | | 1/16W 120 | R331 | | |

| PARTS NO. | PARTS NAME | Q' TY / PAGE | Q' TY / PACK | PAGE | ITEM NO. | PIR | B S I NO. | SERIAL NO. | REMARKS | LOCATION | C |
|-------------|------------|--------------|--------------|------|----------|-----|-----------|------------|------------|----------|---|
| 41330595300 | Resistor | 11 | 11 | 22 | 552 | | | | 1/16W 120 | R332 | |
| | | 11 | 11 | 22 | 553 | | | | 1/16W 120 | R333 | |
| | | 11 | 11 | 22 | 554 | | | | 1/16W 120 | R334 | |
| | | 11 | 11 | 22 | 574 | | | | 1/16W 120 | R354 | |
| | | 11 | 11 | 22 | 575 | | | | 1/16W 120 | R355 | |
| | | 11 | 11 | 22 | 579 | | | | 1/16W 120 | R359 | |
| 41330595400 | Resistor | 11 | 11 | 27 | 731 | | | | 1/16W 1.2K | R201 | |
| 41330595600 | Resistor | 11 | 11 | 22 | 569 | | | | 1/16W 1.5K | R349 | |
| | | 11 | 11 | 22 | 577 | | | | 1/16W 1.5K | R357 | |
| | | 11 | 11 | 27 | 680 | | | | 1/16W 1.5K | R150 | |
| | | 11 | 11 | 27 | 681 | | | | 1/16W 1.5K | R151 | |
| | | 11 | 11 | 27 | 682 | | | | 1/16W 1.5K | R152 | |
| | | 11 | 11 | 27 | 683 | | | | 1/16W 1.5K | R153 | |
| | | 11 | 11 | 27 | 690 | | | | 1/16W 1.5K | R160 | |
| | | 11 | 11 | 27 | 692 | | | | 1/16W 1.5K | R162 | |
| | | 11 | 11 | 27 | 693 | | | | 1/16W 1.5K | R163 | |
| | | 11 | 11 | 27 | 694 | | | | 1/16W 1.5K | R164 | |
| | | 11 | 11 | 27 | 695 | | | | 1/16W 1.5K | R165 | |
| | | 11 | 11 | 27 | 697 | | | | 1/16W 1.5K | R167 | |
| | | 11 | 11 | 27 | 698 | | | | 1/16W 1.5K | R168 | |
| | | 11 | 11 | 27 | 709 | | | | 1/16W 1.5K | R179 | |
| | | 11 | 11 | 27 | 710 | | | | 1/16W 1.5K | R180 | |
| | | 11 | 11 | 28 | 173 | | | | 1/16W 1.5K | R423 | |
| 41330595900 | Resistor | 11 | 11 | 27 | 714 | | | | 1/16W 2.0K | R184 | |
| 41330596000 | Resistor | 11 | 11 | 27 | 745 | | | | 1/16W 20K | R215 | |
| | | 11 | 11 | 27 | 747 | | | | 1/16W 20K | R217 | |
| 41330596200 | Resistor | 11 | 11 | 27 | 637 | | | | 1/16W 22 | R107 | |
| | | 11 | 11 | 28 | 155 | | | | 1/16W 22 | R405 | |
| | | 11 | 11 | 28 | 156 | | | | 1/16W 22 | R406 | |
| | | 11 | 11 | 28 | 157 | | | | 1/16W 22 | R407 | |
| | | 11 | 11 | 28 | 158 | | | | 1/16W 22 | R408 | |
| | | 11 | 11 | 28 | 159 | | | | 1/16W 22 | R409 | |
| | | 11 | 11 | 28 | 160 | | | | 1/16W 22 | R410 | |
| | | 11 | 11 | 28 | 161 | | | | 1/16W 22 | R411 | |
| | | 11 | 11 | 28 | 162 | | | | 1/16W 22 | R412 | |
| | | 11 | 11 | 28 | 163 | | | | 1/16W 22 | R413 | |
| | | 11 | 11 | 28 | 164 | | | | 1/16W 22 | R414 | |
| | | 11 | 11 | 28 | 165 | | | | 1/16W 22 | R415 | |
| | | 11 | 11 | 28 | 166 | | | | 1/16W 22 | R416 | |
| | | 11 | 11 | 28 | 167 | | | | 1/16W 22 | R417 | |
| | | 11 | 11 | 28 | 168 | | | | 1/16W 22 | R418 | |
| | | 11 | 11 | 28 | 169 | | | | 1/16W 22 | R419 | |
| | | 11 | 11 | 28 | 171 | | | | 1/16W 22 | R421 | |
| | | 11 | 11 | 28 | 172 | | | | 1/16W 22 | R422 | |
| 41330596600 | Resistor | 11 | 11 | 28 | 152 | | | | 1/16W 24 | R402 | |
| | | 11 | 11 | 28 | 153 | | | | 1/16W 24 | R403 | |
| | | 11 | 11 | 28 | 180 | | | | 1/16W 24 | R430 | |
| 41330596700 | Resistor | 11 | 11 | 27 | 728 | | | | 1/16W 2.4K | R198 | |
| | | 11 | 11 | 27 | 733 | | | | 1/16W 2.4K | R203 | |
| 41330596800 | Resistor | 11 | 11 | 27 | 729 | | | | 1/16W 300 | R199 | |
| 41330596900 | Resistor | 11 | 11 | 27 | 649 | | | | 1/16W 33 | R119 | |
| | | 11 | 11 | 27 | 651 | | | | 1/16W 33 | R121 | |
| | | 11 | 11 | 27 | 784 | | | | 1/16W 33 | R254 | |
| | | 11 | 11 | 27 | 785 | | | | 1/16W 33 | R255 | |
| | | 11 | 11 | 27 | 786 | | | | 1/16W 33 | R256 | |
| | | 11 | 11 | 27 | 787 | | | | 1/16W 33 | R257 | |
| | | 11 | 11 | 27 | 788 | | | | 1/16W 33 | R258 | |
| | | 11 | 11 | 27 | 789 | | | | 1/16W 33 | R259 | |
| | | 11 | 11 | 27 | 790 | | | | 1/16W 33 | R260 | |
| | | 11 | 11 | 27 | 791 | | | | 1/16W 33 | R261 | |
| | | 11 | 11 | 27 | 792 | | | | 1/16W 33 | R262 | |
| | | 11 | 11 | 27 | 806 | | | | 1/16W 33 | R276 | |
| | | 11 | 11 | 27 | 807 | | | | 1/16W 33 | R277 | |
| | | 11 | 11 | 27 | 815 | | | | 1/16W 33 | R285 | |
| 41330597100 | Resistor | 11 | 11 | 27 | 762 | | | | 1/16W 3.3K | R232 | |
| | | 11 | 11 | 28 | 170 | | | | 1/16W 3.3K | R420 | |
| 41330597500 | Resistor | 11 | 11 | 22 | 526 | | | | 1/16W 4.7K | R306 | |
| | | 11 | 11 | 22 | 527 | | | | 1/16W 4.7K | R307 | |
| | | 11 | 11 | 22 | 528 | | | | 1/16W 4.7K | R308 | |
| | | 11 | 11 | 22 | 529 | | | | 1/16W 4.7K | R309 | |

| PARTS NO. | PARTS NAME | Q'TY / PAGE | Q'TY / PACK | PAGE | ITEM NO. | PIR | B S I NO. | SERIAL NO. | REMARKS | LOCATION | C | | |
|-------------|-------------|-------------|-------------|------|----------|-----|-----------|------------|-------------|----------|-----------|------|--|
| 41330597500 | Resistor | 1 | 1 | 22 | 536 | | | | 1/16W 4.7K | R316 | | | |
| | | 1 | 1 | 22 | 537 | | | | 1/16W 4.7K | R317 | | | |
| | | 1 | 1 | 22 | 538 | | | | 1/16W 4.7K | R318 | | | |
| | | 1 | 1 | 22 | 539 | | | | 1/16W 4.7K | R319 | | | |
| | | 1 | 1 | 22 | 545 | | | | 1/16W 4.7K | R325 | | | |
| | | 1 | 1 | 22 | 556 | | | | 1/16W 4.7K | R336 | | | |
| | | 1 | 1 | 22 | 557 | | | | 1/16W 4.7K | R337 | | | |
| | | 1 | 1 | 22 | 566 | | | | 1/16W 4.7K | R346 | | | |
| | | 1 | 1 | 22 | 567 | | | | 1/16W 4.7K | R347 | | | |
| | | 1 | 1 | 22 | 580 | | | | 1/16W 4.7K | R360 | | | |
| | | 1 | 1 | 27 | 811 | | | | 1/16W 4.7K | R281 | | | |
| | | 41330597600 | Resistor | 1 | 1 | 27 | 691 | | | | 1/16W 47K | R161 | |
| | | | | 1 | 1 | 27 | 734 | | | | 1/16W 47K | R204 | |
| | | | | 1 | 1 | 27 | 735 | | | | 1/16W 47K | R205 | |
| 41330597700 | Resistor | 1 | 1 | 22 | 543 | | | | 1/16W 510 | R323 | | | |
| | | 1 | 1 | 22 | 578 | | | | 1/16W 510 | R358 | | | |
| | | 1 | 1 | 27 | 716 | | | | 1/16W 510 | R186 | | | |
| 41330598100 | Resistor | 1 | 1 | 27 | 730 | | | 1/16W 620 | R200 | | | | |
| 41330598500 | Resistor | 1 | 1 | 27 | 726 | | | 1/16W 750 | R196 | | | | |
| 41330598600 | Resistor | 1 | 1 | 27 | 721 | | | | 1/16W 7.5K | R191 | | | |
| | | 1 | 1 | 27 | 724 | | | | 1/16W 7.5K | R194 | | | |
| | | 1 | 1 | 27 | 759 | | | | 1/16W 7.5K | R229 | | | |
| | | 1 | 1 | 27 | 760 | | | | 1/16W 7.5K | R230 | | | |
| | | 1 | 1 | 27 | 761 | | | | 1/16W 7.5K | R231 | | | |
| | | 1 | 1 | 27 | 750 | | | | 2W 1.0K | R220 | | | |
| 41330599200 | Resistor | 1 | 1 | 27 | 750 | | | 2W 1.0 | R197 | | | | |
| 41330599300 | Resistor | 1 | 1 | 27 | 727 | | | | 2W 1.0 | R206 | | | |
| | | 1 | 1 | 27 | 736 | | | | 2W 1.0 | R206 | | | |
| 41330599400 | Resistor | 1 | 1 | 27 | 749 | | | 2W 0.22 | R219 | | | | |
| 41330604900 | Screw M3X4 | 2 | 1 | 12 | 21 | | | | | | | | |
| 41330605000 | Screw M3X8 | 2 | 1 | 8 | 29 | | | | | | | | |
| | | 1 | 1 | 14 | 34 | | | | | | | | |
| 41330605100 | Screw M4X6 | 2 | 1 | 12 | 1 | | | | | | | | |
| 41330605200 | Screw M3X8 | 5 | 1 | 1 | 9 | | | | | | | | |
| | | 2 | 1 | 20 | 1 | | | | | | | | |
| 41330605300 | Screw M3X6 | 3 | 1 | 15 | 4 | | | | | | | | |
| 41330605400 | Screw M3X6 | 2 | 1 | 8 | 17 | | | | | | | | |
| 41330605600 | Screw M3X6 | 1 | 1 | 14 | 24 | | | | | | | | |
| 41330605800 | Screw M3X8 | 1 | 1 | 20 | 14 | | | | | | | | |
| | | 1 | 1 | 9 | 37 | | | | | | | | |
| 41330605900 | Screw M3X10 | 1 | 1 | 11 | 10 | | | | | | | | |
| 41330606200 | Screw | 3 | 1 | 19 | 2 | | | | 2. 6X5 | | | | |
| 41330606400 | Screw M3X6 | 4 | 1 | 8 | 15 | | | | | | | | |
| | | 1 | 1 | 14 | 13 | | | | | | | | |
| | | 6 | 1 | 16 | 5 | | | | | | | | |
| | | 1 | 1 | 20 | 21 | | | | | | | | |
| | | 10 | 1 | 3 | 9 | | | | | | | | |
| | | 1 | 1 | 9 | 51 | | | | | | | | |
| 41330606500 | Screw M3X8 | 1 | 1 | 10 | 50 | | | | 200V Series | | | | |
| | | 2 | 1 | 15 | 8 | | | | | | | | |
| | | 4 | 1 | 4 | 10 | | | | | | | | |
| 41330606600 | Screw M3X10 | 8 | 1 | 8 | 10 | | | | | | | | |
| | | 6 | 1 | 19 | 1 | | | | | | | | |
| 41330606700 | Screw M3X12 | 6 | 1 | 6 | 1 | | | | | | | | |
| 41330606800 | Screw M3X30 | 2 | 1 | 8 | 11 | | | | | | | | |
| 41330607200 | Screw M3X6 | 2 | 1 | 4 | 8 | | | | | | | | |
| 41330607300 | Screw M3X8 | 1 | 1 | 1 | 3 | | | | | | | | |
| | | 5 | 1 | 11 | 41 | | | | | | | | |
| | | 1 | 1 | 13 | 2 | | | | | | | | |
| | | 4 | 1 | 14 | 11 | | | | | | | | |
| | | 1 | 1 | 17 | 9 | | | | | | | | |
| 41330607400 | Screw M3X10 | 1 | 1 | 3 | 11 | | | | | | | | |
| | | 7 | 1 | 9 | 4 | | | | | | | | |
| | | 1 | 1 | 9 | 44 | | | | | | | | |
| | | 1 | 1 | 10 | 44A | | | | 100V Series | | | | |
| 41330607500 | Screw M3X12 | 3 | 1 | 10 | 44B | | | | 200V Series | | | | |
| | | 1 | 1 | 9 | 40 | | | | | | | | |
| 41330607600 | Screw M4X12 | 2 | 1 | 11 | 31 | | | | | | | | |
| | | 2 | 1 | 1 | 5 | | | | | | | | |
| | | 5 | 1 | 8 | 30 | | | | | | | | |
| | | 2 | 1 | 9 | 35 | | | | | | | | |

| PARTS NO. | PARTS NAME | Q'TY / PAGE | Q'TY / PACK | PAGE | ITEM NO. | PIR | B S I NO. | SERIAL NO. | REMARKS | LOCATION | C |
|-------------|----------------|-------------|-------------|------|----------|-----|-----------|------------|-------------|----------|---|
| 41330607600 | Screw M4X12 | 11 | | 9 | 45 | | | | | | |
| | | 71 | | 10 | 15A | | | | 100V Series | | |
| | | 91 | | 10 | 15B | | | | 200V Series | | |
| 41330607900 | Screw M3X8 | 11 | | 14 | 36 | | | | | | |
| 41330608500 | Screw M3X6 | 51 | | 20 | 11 | | | | | | |
| | | 21 | | 4 | 7 | | | | | | |
| | | 31 | | 5 | 26 | | | | | | |
| | | 131 | | 10 | 3 | | | | | | |
| 41330608600 | Screw M3X8 | 11 | | 14 | 23 | | | | | | |
| 41330608800 | Spring pin 2X7 | 41 | | 5 | 31 | | | | | | |
| | | 11 | | 9 | 12 | | | | | | |
| | | 31 | | 14 | 6 | | | | | | |
| 41330609200 | E type ring | 11 | | 11 | 39 | | | | | | |
| 41330609300 | E-ring | 11 | | 4 | 16 | | | | | | |
| 41330609500 | E-ring | 61 | | 9 | 14 | | | | | | |
| | | 91 | | 14 | 2 | | | | | | |
| | | 21 | | 17 | 7 | | | | | | |
| | | 21 | | 20 | 10 | | | | | | |
| 41330609600 | E-ring | 11 | | 5 | 27 | | | | | | |
| | | 11 | | 9 | 6 | | | | | | |
| | | 11 | | 20 | 25 | | | | | | |
| 41330609700 | E-ring | 11 | | 5 | 28 | | | | | | |
| | | 21 | | 9 | 48 | | | | | | |
| 41330609800 | Screw | 21 | | 20 | 27 | | | | 3X6 | | |
| 41330609900 | Screw | 21 | | 20 | 34 | | | | 3X8 | | |
| 66099501 | T1200 | 1 | SUPPLY | 100 | 3 | | | | TONER | | |
| 6LA58602000 | H caution lbl | 11 | | 11 | 32 | | | | | | |
| 6LA58602700 | Capacitor | 11 | | 29 | 23 | | | | 50V 0.47uF | C013 | |
| | | 11 | | 29 | 86 | | | | 50V 0.47uF | C106 | |
| | | 11 | | 30 | 13 | | | | 50V 0.47uF | C013 | |
| 6LA58602800 | Capacitor | 11 | | 29 | 27 | | | | 35V 22uF | C017 | |
| | | 11 | | 29 | 28 | | | | 35V 22uF | C018 | |
| | | 11 | | 29 | 87 | | | | 35V 22uF | C107 | |
| | | 11 | | 29 | 88 | | | | 35V 22uF | C108 | |
| | | 11 | | 29 | 89 | | | | 35V 22uF | C109 | |
| | | 11 | | 29 | 91 | | | | 35V 22uF | C111 | |
| | | 11 | | 30 | 17 | | | | 35V 22uF | C017 | |
| | | 11 | | 30 | 18 | | | | 35V 22uF | C018 | |
| | | 11 | | 30 | 77 | | | | 35V 22uF | C107 | |
| | | 11 | | 30 | 78 | | | | 35V 22uF | C108 | |
| | | 11 | | 30 | 79 | | | | 35V 22uF | C109 | |
| | | 11 | | 30 | 81 | | | | 35V 22uF | C111 | |
| 6LA58602900 | Capacitor | 11 | | 29 | 20 | | | | 200V 470uF | C010 | |
| 6LA58603000 | Capacitor | 11 | | 29 | 82 | | | | 25V 220uF | C102 | |
| | | 11 | | 30 | 72 | | | | 25V 220uF | C102 | |
| 6LA58603100 | Capacitor | 11 | | 29 | 85 | | | | 50V 820uF | C105 | |
| | | 11 | | 30 | 75 | | | | 50V 820uF | C105 | |
| 6LA58603200 | Capacitor | 11 | | 29 | 92 | | | | 50V 10uF | C112 | |
| | | 11 | | 30 | 82 | | | | 50V 10uF | C112 | |
| 6LA58603300 | Capacitor | 11 | | 29 | 95 | | | | 50V 3.3uF | C115 | |
| | | 11 | | 30 | 85 | | | | 50V 3.3uF | C115 | |
| 6LA58603400 | Capacitor | 11 | | 29 | 83 | | | | 10V 1000uF | C103 | |
| | | 11 | | 29 | 84 | | | | 10V 1000uF | C104 | |
| | | 11 | | 30 | 73 | | | | 10V 1000uF | C103 | |
| | | 11 | | 30 | 74 | | | | 10V 1000uF | C104 | |
| 6LA58603500 | Capacitor | 11 | | 29 | 90 | | | | 35V 1000uF | C110 | |
| | | 11 | | 30 | 80 | | | | 35V 1000uF | C110 | |
| 6LA58603600 | Capacitor | 11 | | 30 | 10 | | | | 400V 100uF | C010 | |
| 6LA58603700 | Capacitor | 11 | | 30 | 76 | | | | 50V 2.2uF | C106 | |
| 6LA58603800 | Capacitor | 11 | | 29 | 19 | | | | 50V 0.01uF | C009 | |
| | | 11 | | 29 | 24 | | | | 50V 0.01uF | C014 | |
| | | 11 | | 30 | 9 | | | | 50V 0.01uF | C009 | |
| | | 11 | | 30 | 14 | | | | 50V 0.01uF | C014 | |
| 6LA58603900 | Capacitor | 11 | | 29 | 18 | | | | 50V 1000pF | C008 | |
| | | 11 | | 29 | 33 | | | | 50V 1000pF | C023 | |
| | | 11 | | 30 | 8 | | | | 50V 1000pF | C008 | |
| | | 11 | | 30 | 23 | | | | 50V 1000pF | C023 | |
| 6LA58604000 | Capacitor | 11 | | 29 | 15 | | | | 250V 0.1uF | C005 | |
| | | 11 | | 30 | 2 | | | | 250V 0.1uF | C002 | |
| | | 11 | | 30 | 5 | | | | 250V 0.1uF | C005 | |

| PARTS NO. | PARTS NAME | Q' TY | Q' TY | PAGE | ITEM NO. | PIR | B S I NO. | SERIAL NO. | REMARKS | LOCATION | C |
|-------------|------------|-------|-------|------|----------|-----|-----------|-------------|-------------|----------|---|
| | | PAGE | PACK | | | | | | | | |
| 6LA58604100 | Capacitor | 11 | | 30 | 6 | | | | 250V 0.1uF | C006 | |
| | | 11 | | 29 | 12 | | | | 250V 0.22uF | C002 | |
| | | 11 | | 29 | 16 | | | | 250V 0.22uF | C006 | |
| 6LA58604200 | Capacitor | 11 | | 31 | 24 | | | 250V 0.47uF | C024 | | |
| 6LA58604300 | Capacitor | 11 | | 29 | 21 | | | | 1KV 1000pF | C011 | |
| | | 11 | | 29 | 81 | | | | 1KV 1000pF | C101 | |
| | | 11 | | 30 | 11 | | | | 1KV 1000pF | C011 | |
| 6LA58604400 | Capacitor | 11 | | 30 | 71 | | | | 1KV 1000pF | C101 | |
| | | 11 | | 29 | 25 | | | | 1KV 2200pF | C015 | |
| | | 11 | | 30 | 15 | | | | 1KV 2200pF | C015 | |
| 6LA58604500 | Capacitor | 11 | | 29 | 93 | | | | 1KV 470pF | C113 | |
| | | 11 | | 29 | 96 | | | | 1KV 470pF | C116 | |
| | | 11 | | 30 | 83 | | | | 1KV 470pF | C113 | |
| 6LA58604600 | Capacitor | 11 | | 30 | 16 | | | 2KV 68pF | C016 | | |
| 6LA58604700 | Capacitor | 11 | | 29 | 14 | | | | 50V 0.1uF | C004 | |
| | | 11 | | 29 | 29 | | | | 50V 0.1uF | C019 | |
| | | 11 | | 29 | 94 | | | | 50V 0.1uF | C114 | |
| | | 11 | | 30 | 4 | | | | 50V 0.1uF | C004 | |
| | | 11 | | 30 | 12 | | | | 50V 0.1uF | C012 | |
| | | 11 | | 30 | 19 | | | | 50V 0.1uF | C019 | |
| | | 11 | | 30 | 84 | | | | 50V 0.1uF | C114 | |
| 6LA58604800 | Capacitor | 11 | | 29 | 17 | | | 3300pF | C007 | | |
| 6LA58604900 | Capacitor | 11 | | 29 | 11 | | | | 2200pF | C001 | |
| | | 11 | | 29 | 13 | | | | 2200pF | C003 | |
| | | 11 | | 29 | 30 | | | | 2200pF | C020 | |
| | | 11 | | 29 | 31 | | | | 2200pF | C021 | |
| | | 11 | | 30 | 20 | | | | 2200pF | C020 | |
| | | 11 | | 30 | 21 | | | | 2200pF | C021 | |
| | | 11 | | 29 | 22 | | | | 50V 0.068uF | C012 | |
| 6LA58605000 | Capacitor | 11 | | 30 | 1 | | | 2200pF | C001 | | |
| 6LA58605100 | Capacitor | 11 | | 30 | 3 | | | | 2200pF | C003 | |
| | | 11 | | 30 | 7 | | | | 2200pF | C007 | |
| | | 11 | | 29 | 291 | | | | 1/4W 10 | R011 | |
| 6LA58605200 | Resistor | 11 | | 30 | 291 | | | | 1/4W 10 | R011 | |
| | | 11 | | 30 | 297 | | | | 1/6W 100 | R017 | |
| 6LA58605300 | Resistor | 11 | | 29 | 302 | | | 1/6W 1K | R022 | | |
| 6LA58605400 | Resistor | 11 | | 29 | 363 | | | | 1/6W 1K | R113 | |
| | | 11 | | 30 | 302 | | | | 1/6W 1K | R022 | |
| | | 11 | | 30 | 363 | | | | 1/6W 1K | R113 | |
| | | 11 | | 29 | 295 | | | | 1/6W 10K | R015 | |
| | | 11 | | 29 | 299 | | | | 1/6W 10K | R019 | |
| | | 11 | | 29 | 303 | | | | 1/6W 10K | R023 | |
| | | 11 | | 29 | 354 | | | | 1/6W 10K | R104 | |
| 6LA58605500 | Resistor | 11 | | 29 | 372 | | | | 1/6W 10K | R122 | |
| | | 11 | | 29 | 384 | | | | 1/6W 10K | R134 | |
| | | 11 | | 30 | 295 | | | | 1/6W 10K | R015 | |
| | | 11 | | 30 | 299 | | | | 1/6W 10K | R019 | |
| | | 11 | | 30 | 303 | | | | 1/6W 10K | R023 | |
| | | 11 | | 30 | 354 | | | | 1/6W 10K | R104 | |
| | | 11 | | 30 | 372 | | | | 1/6W 10K | R122 | |
| 6LA58605600 | Resistor | 11 | | 30 | 384 | | | | 1/6W 10K | R134 | |
| | | 11 | | 29 | 351 | | | | 1/2W 10K | R101 | |
| | | 11 | | 30 | 351 | | | | 1/2W 10K | R101 | |
| 6LA58605700 | Resistor | 11 | | 29 | 287 | | | | 1/6W 100K | R007 | |
| | | 11 | | 29 | 288 | | | | 1/6W 100K | R008 | |
| 6LA58605800 | Resistor | 11 | | 30 | 285 | | | | 1/2W 100K | R005 | |
| | | 11 | | 30 | 286 | | | | 1/2W 100K | R006 | |
| 6LA58605900 | Resistor | 11 | | 31 | 27 | | | 1/4W 1M | R027 | | |
| 6LA58606000 | Resistor | 11 | | 30 | 281 | | | 1/2W 1M | R001 | | |
| 6LA58606100 | Resistor | 11 | | 29 | 283 | | | | 1/2W 120 | R003 | |
| | | 11 | | 30 | 283 | | | | 1/2W 120 | R003 | |
| 6LA58606200 | Resistor | 11 | | 29 | 357 | | | | 1/6W 15K | R107 | |
| | | 11 | | 30 | 357 | | | | 1/6W 15K | R107 | |
| 6LA58606300 | Resistor | 11 | | 29 | 382 | | | | 1/6W 22 | R132 | |
| | | 11 | | 30 | 382 | | | | 1/6W 22 | R132 | |
| 6LA58606400 | Resistor | 11 | | 29 | 353 | | | 1/6W 220 | R103 | | |
| 6LA58606500 | Resistor | 11 | | 29 | 289 | | | | 1/6W 22K | R009 | |
| | | 11 | | 29 | 371 | | | | 1/6W 22K | R121 | |
| | | 11 | | 29 | 383 | | | | 1/6W 22K | R133 | |
| | | 11 | | 29 | 385 | | | 1/6W 22K | R135 | | |

| PARTS NO. | PARTS NAME | Q'TY / PAGE | Q'TY / PACK | PAGE | ITEM NO. | PIR | B S I NO. | SERIAL NO. | REMARKS | LOCATION | C |
|-------------|------------|-------------|-------------|------|----------|-----|-----------|------------|------------|----------|---|
| 6LA58606500 | Resistor | 11 | 11 | 30 | 371 | | | | 1/6W 22K | R121 | |
| | | 11 | 11 | 30 | 383 | | | | 1/6W 22K | R133 | |
| | | 11 | 11 | 30 | 385 | | | | 1/6W 22K | R135 | |
| 6LA58606600 | Resistor | 11 | 11 | 30 | 287 | | | | 1/6W 220K | R007 | |
| | | 11 | 11 | 30 | 288 | | | | 1/6W 220K | R008 | |
| 6LA58606700 | Resistor | 11 | 11 | 30 | 304 | | | | 1/4W 220K | R024 | |
| | | 11 | 11 | 30 | 305 | | | | 1/4W 220K | R025 | |
| 6LA58606800 | Resistor | 11 | 11 | 30 | 289 | | | | 1/6W 27K | R009 | |
| 6LA58606900 | Resistor | 11 | 11 | 29 | 290 | | | | 1/6W 33K | R010 | |
| | | 11 | 11 | 29 | 294 | | | | 1/6W 33K | R014 | |
| | | 11 | 11 | 29 | 306 | | | | 1/6W 33K | R026 | |
| | | 11 | 11 | 30 | 290 | | | | 1/6W 33K | R010 | |
| | | 11 | 11 | 30 | 294 | | | | 1/6W 33K | R014 | |
| 6LA58607000 | Resistor | 11 | 11 | 29 | 285 | | | | 1/2W 39K | R005 | |
| | | 11 | 11 | 29 | 286 | | | | 1/2W 39K | R006 | |
| 6LA58607100 | Resistor | 11 | 11 | 29 | 360 | | | | 1/6W 470 | R110 | |
| | | 11 | 11 | 29 | 362 | | | | 1/6W 470 | R112 | |
| | | 11 | 11 | 30 | 353 | | | | 1/6W 470 | R103 | |
| | | 11 | 11 | 30 | 355 | | | | 1/6W 470 | R105 | |
| | | 11 | 11 | 30 | 360 | | | | 1/6W 470 | R110 | |
| | | 11 | 11 | 30 | 362 | | | | 1/6W 470 | R112 | |
| 6LA58607200 | Resistor | 11 | 11 | 29 | 356 | | | | 1/6W 4.7K | R106 | |
| | | 11 | 11 | 29 | 364 | | | | 1/6W 4.7K | R114 | |
| | | 11 | 11 | 29 | 365 | | | | 1/6W 4.7K | R115 | |
| | | 11 | 11 | 29 | 366 | | | | 1/6W 4.7K | R116 | |
| | | 11 | 11 | 29 | 373 | | | | 1/6W 4.7K | R123 | |
| | | 11 | 11 | 29 | 374 | | | | 1/6W 4.7K | R124 | |
| | | 11 | 11 | 29 | 386 | | | | 1/6W 4.7K | R136 | |
| | | 11 | 11 | 29 | 387 | | | | 1/6W 4.7K | R137 | |
| | | 11 | 11 | 30 | 356 | | | | 1/6W 4.7K | R106 | |
| | | 11 | 11 | 30 | 364 | | | | 1/6W 4.7K | R114 | |
| | | 11 | 11 | 30 | 365 | | | | 1/6W 4.7K | R115 | |
| | | 11 | 11 | 30 | 366 | | | | 1/6W 4.7K | R116 | |
| | | 11 | 11 | 30 | 373 | | | | 1/6W 4.7K | R123 | |
| | | 11 | 11 | 30 | 374 | | | | 1/6W 4.7K | R124 | |
| | | 11 | 11 | 30 | 386 | | | | 1/6W 4.7K | R136 | |
| | | 11 | 11 | 30 | 387 | | | | 1/6W 4.7K | R137 | |
| 6LA58607300 | Resistor | 11 | 11 | 29 | 381 | | | | 1/6W 47K | R131 | |
| | | 11 | 11 | 30 | 306 | | | | 1/6W 47K | R026 | |
| | | 11 | 11 | 30 | 381 | | | | 1/6W 47K | R131 | |
| 6LA58607400 | Resistor | 11 | 11 | 29 | 281 | | | | 1/2W 470K | R001 | |
| 6LA58607500 | Resistor | 11 | 11 | 29 | 297 | | | | 1/6W 56 | R017 | |
| 6LA58607600 | Resistor | 11 | 11 | 29 | 301 | | | | 1/6W 56K | R021 | |
| | | 11 | 11 | 30 | 301 | | | | 1/6W 56K | R021 | |
| 6LA58607700 | Resistor | 11 | 11 | 29 | 300 | | | | 1/2W 68 | R020 | |
| | | 11 | 11 | 30 | 300 | | | | 1/2W 68 | R020 | |
| 6LA58607800 | Resistor | 11 | 11 | 29 | 355 | | | | 1/6W 6.8K | R105 | |
| 6LA58607900 | Resistor | 11 | 11 | 29 | 296 | | | | 1/6W 68K | R016 | |
| | | 11 | 11 | 30 | 296 | | | | 1/6W 68K | R016 | |
| 6LA58608000 | Resistor | 11 | 11 | 29 | 304 | | | | 1/4W 82K | R024 | |
| | | 11 | 11 | 29 | 305 | | | | 1/4W 82K | R025 | |
| 6LA58608100 | Resistor | 11 | 11 | 29 | 380 | | | | 2W 1K | R130 | |
| | | 11 | 11 | 30 | 380 | | | | 2W 1K | R130 | |
| 6LA58608200 | Resistor | 11 | 11 | 30 | 298 | | | | 3W 100K | R018 | |
| 6LA58608300 | Resistor | 11 | 11 | 29 | 298 | | | | 3W 68K | R018 | |
| 6LA58608400 | Resistor | 11 | 11 | 29 | 293 | | | | 1/6W 100 | R013 | |
| 6LA58608500 | Resistor | 11 | 11 | 29 | 282 | | | | 1/4W 100 | R002 | |
| | | 11 | 11 | 30 | 282 | | | | 1/4W 100 | R002 | |
| 6LA58608600 | Resistor | 11 | 11 | 29 | 284 | | | | 1/2W 120 | R004 | |
| | | 11 | 11 | 30 | 284 | | | | 1/2W 120 | R004 | |
| 6LA58608700 | Resistor | 11 | 11 | 30 | 293 | | | | 1/6W 47 | R013 | |
| 6LA58608800 | Resistor | 11 | 11 | 29 | 292 | | | | 1W 0.1 | R012 | |
| | | 11 | 11 | 30 | 292 | | | | 1W 0.1 | R012 | |
| 6LA58608900 | Resistor | 11 | 11 | 29 | 359 | | | | 1/6W 2.2K | R109 | |
| | | 11 | 11 | 29 | 361 | | | | 1/6W 2.2K | R111 | |
| | | 11 | 11 | 30 | 359 | | | | 1/6W 2.2K | R109 | |
| | | 11 | 11 | 30 | 361 | | | | 1/6W 2.2K | R111 | |
| 6LA58609000 | Resistor | 11 | 11 | 29 | 369 | | | | 1/6W 12K | R119 | |
| | | 11 | 11 | 30 | 369 | | | | 1/6W 12K | R119 | |
| 6LA58609100 | Resistor | 11 | 11 | 29 | 370 | | | | 1/6W 3.44K | R120 | |

| PARTS NO. | PARTS NAME | Q' TY / PAGE | Q' TY / PACK | PAGE | ITEM NO. | PIR | B S I NO. | SERIAL NO. | REMARKS | LOCATION | C |
|-------------|-------------|--------------|--------------|------|----------|-----|------------------|------------|--------------------|----------|--------|
| 6LA58609200 | Transistor | 11 | 11 | 30 | 370 | | | | 1/6W 3.44K | R120 | |
| | | 11 | 11 | 29 | 262 | | | | DTA143ESA | Q112 | |
| | | 11 | 11 | 30 | 262 | | | | DTA143ESA | Q112 | |
| 6LA58609300 | Transistor | 11 | 11 | 29 | 202 | | | | 2SA1015 | Q002 | |
| | | 11 | 11 | 30 | 202 | | | | 2SA1015 | Q002 | |
| 6LA58609400 | Transistor | 11 | 11 | 29 | 255 | | | | 2SA1020 | Q105 | |
| | | 11 | 11 | 30 | 255 | | | | 2SA1020 | Q105 | |
| 6LA58609500 | Transistor | 11 | 11 | 29 | 251 | | | | DTC143ESA | Q101 | |
| | | 11 | 11 | 29 | 258 | | | | DTC143ESA | Q108 | |
| | | 11 | 11 | 29 | 260 | | | | DTC143ESA | Q110 | |
| | | 11 | 11 | 30 | 251 | | | | DTC143ESA | Q101 | |
| | | 11 | 11 | 30 | 258 | | | | DTC143ESA | Q108 | |
| | | 11 | 11 | 30 | 260 | | | | DTC143ESA | Q110 | |
| | | 11 | 11 | 29 | 254 | | | | 2SC1815 | Q104 | |
| | | 11 | 11 | 29 | 256 | | | | 2SC1815 | Q106 | |
| 6LA58609600 | Transistor | 11 | 11 | 29 | 257 | | | | 2SC1815 | Q107 | |
| | | 11 | 11 | 29 | 259 | | | | 2SC1815 | Q109 | |
| | | 11 | 11 | 29 | 263 | | | | 2SC1815 | Q113 | |
| | | 11 | 11 | 30 | 254 | | | | 2SC1815 | Q104 | |
| | | 11 | 11 | 30 | 256 | | | | 2SC1815 | Q106 | |
| | | 11 | 11 | 30 | 257 | | | | 2SC1815 | Q107 | |
| | | 11 | 11 | 30 | 259 | | | | 2SC1815 | Q109 | |
| | | 11 | 11 | 30 | 263 | | | | 2SC1815 | Q113 | |
| | | 11 | 11 | 29 | 252 | | | | 2SJ494 | Q102 | |
| | | 11 | 11 | 30 | 252 | | | | 2SJ494 | Q102 | |
| 6LA58609800 | FET | 11 | 11 | 30 | 201 | | | | SK2605 | Q001 | |
| 6LA58609900 | Diode | 11 | 11 | 29 | 117 | | | | ERA9102 0.5A 200V | D007 | |
| | | 11 | 11 | 29 | 118 | | | | ERA9102 0.5A 200V | D008 | |
| | | 11 | 11 | 29 | 120 | | | | ERA9102 0.5A 200V | D010 | |
| | | 11 | 11 | 30 | 107 | | | | ERA9102 0.5A 200V | D007 | |
| | | 11 | 11 | 30 | 108 | | | | ERA9102 0.5A 200V | D008 | |
| | | 11 | 11 | 30 | 110 | | | | ERA9102 0.5A 200V | D010 | |
| 6LA58610000 | Diode | 11 | 11 | 29 | 116 | | | | RG1C 0.7A 1000V | D006 | |
| | | 11 | 11 | 30 | 106 | | | | RG1C 0.7A 1000V | D006 | |
| 6LA58610100 | Diode | 11 | 11 | 29 | 111 | | | | 1SS270A 0.15A 70V | D001 | |
| | | 11 | 11 | 29 | 124 | | | | 1SS270A 0.15A 70V | D014 | |
| | | 11 | 11 | 29 | 176 | | | | 1SS270A 0.15A 70V | D106 | |
| | | 11 | 11 | 29 | 178 | | | | 1SS270A 0.15A 70V | D108 | |
| | | 11 | 11 | 29 | 181 | | | | 1SS270A 0.15A 70V | D111 | |
| | | 11 | 11 | 29 | 183 | | | | 1SS270A 0.15A 70V | D113 | |
| | | 11 | 11 | 29 | 185 | | | | 1SS270A 0.15A 70V | D115 | |
| | | 11 | 11 | 29 | 188 | | | | 1SS270A 0.15A 70V | D118 | |
| | | 11 | 11 | 30 | 101 | | | | 1SS270 0.15A 70V | D001 | |
| | | 11 | 11 | 30 | 114 | | | | 1SS270 0.15A 70V | D014 | |
| | | 11 | 11 | 30 | 166 | | | | 1SS270 0.15A 70V | D106 | |
| | | 11 | 11 | 30 | 168 | | | | 1SS270 0.15A 70V | D108 | |
| | | 11 | 11 | 30 | 171 | | | | 1SS270 0.15A 70V | D111 | |
| | | 11 | 11 | 30 | 173 | | | | 1SS270 0.15A 70V | D113 | |
| 11 | 11 | 30 | 175 | | | | 1SS270 0.15A 70V | D115 | | | |
| 6LA58610200 | Diode | 11 | 11 | 30 | 178 | | | | 1SS270 0.15A 70V | D118 | |
| | | 11 | 11 | 29 | 171 | | | | OLC20U 10A 200V | D101 | |
| 6LA58610300 | Diode | 11 | 11 | 30 | 161 | | | | OLC20U 10A 200V | D101 | |
| | | 11 | 11 | 29 | 173 | | | | SC4 5A 40V) | D103 | |
| 6LA58610400 | Diode | 11 | 11 | 30 | 163 | | | | SC4 5A 40V) | D103 | |
| | | 11 | 11 | 29 | 172 | | | | D1NL20U 1A 200V | D102 | |
| 6LA58610500 | Diode | 11 | 11 | 30 | 162 | | | | D1NL20U 1A 200V | D102 | |
| | | 11 | 11 | 29 | 112 | | | | D3SB60 4A 600V | D002 | |
| 6LA58610600 | Rectifier | 11 | 11 | 30 | 102 | | | | D3SB60 4A 600V | D002 | |
| | | 11 | 11 | 29 | 113 | | | | RLIN4005-E 1A 600V | D003 | |
| | | 11 | 11 | 29 | 114 | | | | RLIN4005-E 1A 600V | D004 | |
| | | 11 | 11 | 29 | 122 | | | | RLIN4005-E 1A 600V | D012 | |
| | | 11 | 11 | 29 | 125 | | | | RLIN4005-E 1A 600V | D015 | |
| | | 11 | 11 | 30 | 103 | | | | RLIN4005-E 1A 600V | D003 | |
| | | 11 | 11 | 30 | 104 | | | | RLIN4005-E 1A 600V | D004 | |
| | | 11 | 11 | 30 | 112 | | | | RLIN4005-E 1A 600V | D012 | |
| | | 11 | 11 | 30 | 115 | | | | RLIN4005-E 1A 600V | D015 | |
| | | 6LA58610700 | Zener diode | 11 | 11 | 29 | 121 | | | | RD20ES |
| 11 | 11 | | | 29 | 123 | | | | RD20ES | D013 | |
| 6LA58610800 | Zener diode | 11 | 11 | 30 | 111 | | | | RD20ES | D011 | |
| | | 11 | 11 | 29 | 177 | | | | RD30ES | D107 | |

| PARTS NO. | PARTS NAME | Q'TY / PAGE | Q'TY / PACK | PAGE | ITEM NO. | PIR | B S I NO. | SERIAL NO. | REMARKS | LOCATION | C |
|-------------|-----------------|-------------|-------------|------|----------|-----|-----------|------------|-----------------|----------|---|
| | | 11 | | 30 | 113 | | | | RD30ES | D013 | |
| 6LA58610800 | Zener diode | 11 | | 30 | 167 | | | | RD30ES | D107 | |
| 6LA58610900 | Zener diode | 11 | | 29 | 115 | | | | RD5. 6ES | D005 | |
| | | 11 | | 29 | 180 | | | | RD5. 6ES | D110 | |
| | | 11 | | 29 | 186 | | | | RD5. 6ES | D116 | |
| | | 11 | | 30 | 105 | | | | RD5. 6ES | D005 | |
| | | 11 | | 30 | 170 | | | | RD5. 6ES | D110 | |
| | | 11 | | 30 | 176 | | | | RD5. 6ES | D116 | |
| 6LA58611000 | Zener diode | 11 | | 29 | 174 | | | | RD4. 7ES | D104 | |
| | | 11 | | 30 | 164 | | | | RD4. 7ES | D104 | |
| 6LA58611100 | Zener diode | 11 | | 29 | 179 | | | | RD13ES | D109 | |
| | | 11 | | 30 | 169 | | | | RD13ES | D109 | |
| 6LA58611200 | Zener diode | 11 | | 29 | 182 | | | | RD3. 9ES | D112 | |
| | | 11 | | 29 | 187 | | | | RD3. 9ES | D117 | |
| | | 11 | | 30 | 172 | | | | RD3. 9ES | D112 | |
| | | 11 | | 30 | 177 | | | | RD3. 9ES | D117 | |
| 6LA58611300 | Zener diode | 11 | | 29 | 119 | | | | RD33ES | D009 | |
| | | 11 | | 30 | 109 | | | | RD33ES | D009 | |
| 6LA58611400 | Photo coupler | 11 | | 29 | 512 | | | | PS2561 | PC002 | |
| | | 11 | | 29 | 513 | | | | PS2561 | PC003 | |
| | | 11 | | 30 | 512 | | | | PS2561 | PC002 | |
| | | 11 | | 30 | 513 | | | | PS2561 | PC003 | |
| 6LA58611500 | IC | 11 | | 29 | 583 | | | | PQ3RD23 | IC103 | |
| | | 11 | | 30 | 583 | | | | PQ3RD23 | IC103 | |
| 6LA58611600 | IC | 11 | | 29 | 531 | | | | MM1431ATT | IC001 | |
| | | 11 | | 29 | 582 | | | | MM1431ATT | IC102 | |
| | | 11 | | 30 | 531 | | | | MM1431ATT | IC001 | |
| | | 11 | | 30 | 582 | | | | MM1431ATT | IC102 | |
| 6LA58611700 | IC | 11 | | 29 | 532 | | | | FA3647P | IC002 | |
| | | 11 | | 30 | 532 | | | | FA3647P | IC002 | |
| 6LA58611800 | IC | 11 | | 29 | 581 | | | | PQ20RX11 | IC101 | |
| | | 11 | | 30 | 581 | | | | PQ20RX11 | IC101 | |
| 6LA58611900 | Triac | 11 | | 29 | 481 | | | | TM1641PLF113 | TR001 | |
| | | 11 | | 30 | 481 | | | | TM1661PLF113 | TR001 | |
| 6LA58612000 | Phtriac coupler | 11 | | 29 | 511 | | | | S21ME3Y | PC001 | |
| | | 11 | | 30 | 511 | | | | S21ME3Y | PC001 | |
| 6LA58612100 | FET | 11 | | 29 | 201 | | | | F12F50VX3 | Q001 | |
| 6LA58612200 | Transformer | 11 | | 29 | 471 | | | | N-T01-347-F11 | T001 | |
| 6LA58612300 | Transformer | 11 | | 30 | 471 | | | | N-T01-354-D11 | T001 | |
| 6LA58612400 | Inductor | 11 | | 29 | 401 | | | | LF-4Z-E182 | L001 | |
| | | 11 | | 29 | 402 | | | | LF-4Z-E182 | L002 | |
| 6LA58612500 | Inductor | 11 | | 30 | 401 | | | | LF-4Z-E822 | L001 | |
| | | 11 | | 30 | 402 | | | | LF-4Z-E822 | L002 | |
| 6LA58612600 | Inductor | 11 | | 31 | 46 | | | | DRB25-16196A | L006 | |
| 6LA58612700 | Inductor | 11 | | 29 | 405 | | | | SK-12M-4Y | L005 | |
| 6LA58612800 | Inductor | 11 | | 30 | 405 | | | | DR-18728A | L005 | |
| | | 11 | | 31 | 47 | | | | DR-18728A | L007 | |
| 6LA58612900 | Inductor | 11 | | 29 | 403 | | | | B-01-A | L003 | |
| | | 11 | | 29 | 404 | | | | B-01-A | L004 | |
| | | 11 | | 29 | 451 | | | | B-01-A | L101 | |
| | | 11 | | 29 | 452 | | | | B-01-A | L102 | |
| | | 11 | | 29 | 453 | | | | B-01-A | L103 | |
| | | 11 | | 30 | 403 | | | | B-01-A | L003 | |
| | | 11 | | 30 | 451 | | | | B-01-A | L101 | |
| | | 11 | | 30 | 452 | | | | B-01-A | L102 | |
| | | 11 | | 30 | 453 | | | | B-01-A | L103 | |
| 6LA58613000 | Inductor | 11 | | 29 | 454 | | | | T3140P3206536HW | L104 | |
| | | 11 | | 30 | 454 | | | | T3140P3206536HW | L104 | |
| 6LA58613100 | Harness | 11 | | 31 | 101 | | | | LW43759 | | |
| 6LA58613200 | Connector | 11 | | 29 | 601 | | | | B02B-VT | CN001 | |
| | | 11 | | 30 | 601 | | | | B02B-VT | CN001 | |
| | | 11 | | 31 | 63 | | | | B02B-VT | CN003 | |
| 6LA58613300 | Connector | 11 | | 29 | 602 | | | | B04P-XL | CN002 | |
| 6LA58613400 | Connector | 11 | | 29 | 651 | | | | B16B-PHDSS-B | CN101 | |
| | | 11 | | 30 | 651 | | | | B16B-PHDSS-B | CN101 | |
| 6LA58613500 | Connector | 11 | | 31 | 64 | | | | B03P-VL | CN004 | |
| 6LA58613600 | Connector | 11 | | 30 | 602 | | | | B04P-XL-R | CN002 | |
| 6LA58613700 | Switch | 11 | | 29 | 691 | | | | SDDJE30501 10A | S001 | |
| | | 11 | | 30 | 681 | | | | 250V | | |
| | | | | | | | | | SDDJE30501 10A | S001 | |

| PARTS NO. | PARTS NAME | Q'TY / PAGE | Q'TY / PACK | PAGE | ITEM NO. | PIR | B S I NO. | SERIAL NO. | REMARKS | LOCATION | C |
|-------------|-------------|-------------|-------------|------|----------|-----|-----------|------------|----------------|----------|---|
| 6LA58613800 | Fuse holder | 21 | | 29 | 781 | | | | 250V | | |
| | | 21 | | 30 | 771 | | | | PFC5000-0203 | | |
| 6LA58613900 | Fuse | 11 | | 29 | 702 | | | | PFC5000-0203 | F002 | |
| 6LA58614000 | Fuse | 11 | | 29 | 701 | | | | 5A/125V | F001 | |
| 6LA58614100 | Fuse | 11 | | 30 | 692 | | | | 15A/125V | F002 | |
| 6LA58614200 | Fuse | 11 | | 30 | 691 | | | | 3. 15A/250V | F002 | |
| | | 11 | | 30 | 693 | | | | 10A/250V | F001 | |
| | | 11 | | 31 | 84 | | | | 10A/250V | F003 | |
| | | 11 | | 31 | 85 | | | | 10A/250V | F004 | |
| 6LA58614300 | Relay | 11 | | 29 | 661 | | | | 10A/250V | F005 | |
| | | 11 | | 30 | 661 | | | | FTR-H1AA024V | RL001 | |
| 6LA58614400 | Jumper wire | 11 | | 29 | 732 | | | | FTR-H1AA024V | RL001 | |
| | | 11 | | 29 | 733 | | | | RJ-SCA-06 10mm | RJ712 | |
| | | 11 | | 29 | 735 | | | | RJ-SCA-06 10mm | RJ713 | |
| | | 11 | | 29 | 741 | | | | RJ-SCA-06 10mm | RJ715 | |
| | | 11 | | 29 | 745 | | | | RJ-SCA-06 10mm | RJ721 | |
| | | 11 | | 29 | 747 | | | | RJ-SCA-06 10mm | RJ725 | |
| | | 11 | | 30 | 722 | | | | RJ-SCA-06 10mm | RJ727 | |
| | | 11 | | 30 | 723 | | | | RJ-SCA-06 10mm | RJ712 | |
| | | 11 | | 30 | 725 | | | | RJ-SCA-06 10mm | RJ713 | |
| | | 11 | | 30 | 731 | | | | RJ-SCA-06 10mm | RJ715 | |
| | | 11 | | 30 | 735 | | | | RJ-SCA-06 10mm | RJ721 | |
| | | 11 | | 30 | 737 | | | | RJ-SCA-06 10mm | RJ725 | |
| 6LA58614500 | Jumper wire | 11 | | 29 | 722 | | | | RJ-SCA-06 10mm | RJ727 | |
| | | 11 | | 29 | 724 | | | | RJ-SEA-06 15mm | RJ712 | |
| | | 11 | | 29 | 725 | | | | RJ-SEA-06 15mm | RJ721 | |
| | | 11 | | 29 | 734 | | | | RJ-SEA-06 15mm | RJ725 | |
| | | 11 | | 29 | 739 | | | | RJ-SEA-06 15mm | RJ727 | |
| | | 11 | | 29 | 740 | | | | RJ-SEA-06 15mm | RJ712 | |
| | | 11 | | 29 | 749 | | | | RJ-SEA-06 15mm | RJ713 | |
| | | 11 | | 29 | 750 | | | | RJ-SEA-06 15mm | RJ729 | |
| | | 11 | | 29 | 752 | | | | RJ-SEA-06 15mm | RJ730 | |
| | | 11 | | 29 | 753 | | | | RJ-SEA-06 15mm | RJ732 | |
| | | 11 | | 29 | 754 | | | | RJ-SEA-06 15mm | RJ733 | |
| | | 11 | | 29 | 755 | | | | RJ-SEA-06 15mm | RJ734 | |
| | | 11 | | 29 | 757 | | | | RJ-SEA-06 15mm | RJ735 | |
| | | 11 | | 29 | 759 | | | | RJ-SEA-06 15mm | RJ737 | |
| | | 11 | | 29 | 761 | | | | RJ-SEA-06 15mm | RJ739 | |
| | | 11 | | 29 | 763 | | | | RJ-SEA-06 15mm | RJ741 | |
| | | 11 | | 30 | 712 | | | | RJ-SEA-06 15mm | RJ743 | |
| | | 11 | | 30 | 714 | | | | RJ-SEA-06 15mm | RJ702 | |
| | | 11 | | 30 | 715 | | | | RJ-SEA-06 15mm | RJ704 | |
| | | 11 | | 30 | 724 | | | | RJ-SEA-06 15mm | RJ705 | |
| | | 11 | | 30 | 729 | | | | RJ-SEA-06 15mm | RJ714 | |
| | | 11 | | 30 | 730 | | | | RJ-SEA-06 15mm | RJ719 | |
| | | 11 | | 30 | 739 | | | | RJ-SEA-06 15mm | RJ720 | |
| | | 11 | | 30 | 740 | | | | RJ-SEA-06 15mm | RJ729 | |
| | | 11 | | 30 | 742 | | | | RJ-SEA-06 15mm | RJ732 | |
| | | 11 | | 30 | 743 | | | | RJ-SEA-06 15mm | RJ733 | |
| | | 11 | | 30 | 744 | | | | RJ-SEA-06 15mm | RJ734 | |
| | | 11 | | 30 | 745 | | | | RJ-SEA-06 15mm | RJ735 | |
| | | 11 | | 30 | 747 | | | | RJ-SEA-06 15mm | RJ737 | |
| | | 11 | | 30 | 749 | | | | RJ-SEA-06 15mm | RJ739 | |
| | | 11 | | 30 | 751 | | | | RJ-SEA-06 15mm | RJ741 | |
| | | 11 | | 30 | 753 | | | | RJ-SEA-06 15mm | RJ743 | |
| 6LA58614600 | Jumper wire | 11 | | 29 | 723 | | | | RJ-SEA-06 15mm | RJ743 | |
| | | 11 | | 29 | 726 | | | | RJ-SGA-06 20mm | RJ703 | |
| | | 11 | | 29 | 728 | | | | RJ-SGA-06 20mm | RJ706 | |
| | | 11 | | 29 | 729 | | | | RJ-SGA-06 20mm | RJ708 | |
| | | 11 | | 29 | 730 | | | | RJ-SGA-06 20mm | RJ709 | |
| | | 11 | | 29 | 742 | | | | RJ-SGA-06 20mm | RJ710 | |
| | | 11 | | 29 | 748 | | | | RJ-SGA-06 20mm | RJ711 | |
| | | 11 | | 29 | 756 | | | | RJ-SGA-06 20mm | RJ722 | |
| | | 11 | | 29 | 758 | | | | RJ-SGA-06 20mm | RJ728 | |
| | | 11 | | 30 | 713 | | | | RJ-SGA-06 20mm | RJ736 | |
| | | 11 | | 30 | 716 | | | | RJ-SGA-06 20mm | RJ738 | |
| | | 11 | | 30 | 720 | | | | RJ-SGA-06 20mm | RJ738 | |
| | | 11 | | 30 | 732 | | | | RJ-SGA-06 20mm | RJ703 | |
| | | 11 | | 30 | 738 | | | | RJ-SGA-06 20mm | RJ706 | |
| | | 11 | | 30 | 732 | | | | RJ-SGA-06 20mm | RJ710 | |
| | | 11 | | 30 | 732 | | | | RJ-SGA-06 20mm | RJ722 | |
| | | 11 | | 30 | 738 | | | | RJ-SGA-06 20mm | RJ728 | |

| PARTS NO. | PARTS NAME | Q'TY / PAGE | Q'TY / PAGE | ITEM NO. | PIR | B S I NO. | SERIAL NO. | REMARKS | LOCATION | C |
|-------------|-----------------|-------------|-------------|----------|-----|-----------|------------|------------------------|----------|---|
| 6LA58614600 | Jumper wire | 1 1 | 30 | 746 | | | | RJ-SGA-06 20mm | RJ736 | |
| | | 1 1 | 30 | 748 | | | | RJ-SGA-06 20mm | RJ738 | |
| 6LA58614700 | Jumper wire | 1 1 | 29 | 731 | | | | RJ-SDA-06 12.5mm | RJ711 | |
| | | 1 1 | 29 | 743 | | | | RJ-SDA-06 12.5mm | RJ723 | |
| | | 1 1 | 29 | 746 | | | | RJ-SDA-06 12.5mm | RJ726 | |
| | | 1 1 | 29 | 751 | | | | RJ-SDA-06 12.5mm | RJ731 | |
| | | 1 1 | 29 | 760 | | | | RJ-SDA-06 12.5mm | RJ740 | |
| | | 1 1 | 29 | 762 | | | | RJ-SDA-06 12.5mm | RJ742 | |
| | | 1 1 | 29 | 764 | | | | RJ-SDA-06 12.5mm | RJ744 | |
| | | 1 1 | 30 | 721 | | | | RJ-SDA-06 12.5mm | RJ711 | |
| | | 1 1 | 30 | 733 | | | | RJ-SDA-06 12.5mm | RJ723 | |
| | | 1 1 | 30 | 736 | | | | RJ-SDA-06 12.5mm | RJ726 | |
| | | 1 1 | 30 | 741 | | | | RJ-SDA-06 12.5mm | RJ731 | |
| | | 1 1 | 30 | 750 | | | | RJ-SDA-06 12.5mm | RJ740 | |
| | | 1 1 | 30 | 752 | | | | RJ-SDA-06 12.5mm | RJ742 | |
| | | 1 1 | 30 | 754 | | | | RJ-SDA-06 12.5mm | RJ744 | |
| 6LA58614800 | Jumper wire | 1 1 | 29 | 721 | | | | RJ-SKA-06 6mm | RJ701 | |
| | | 1 1 | 29 | 737 | | | | RJ-SKA-06 6mm | RJ717 | |
| | | 1 1 | 29 | 744 | | | | RJ-SKA-06 6mm | RJ724 | |
| | | 1 1 | 30 | 711 | | | | RJ-SKA-06 6mm | RJ701 | |
| | | 1 1 | 30 | 728 | | | | RJ-SKA-06 6mm | RJ718 | |
| | | 1 1 | 30 | 734 | | | | RJ-SKA-06 6mm | RJ724 | |
| 6LA58614900 | Holder | 2 1 | 29 | 791 | | | | TP00335-31 | | |
| 6LA58615000 | Terminal | 3 1 | 29 | 801 | | | | TP00370-41 | | |
| | | 3 1 | 30 | 781 | | | | TP00370-41 | | |
| 6LA58615100 | PWR thermistor | 1 1 | 29 | 491 | | | | M5R114T3C | TH001 | |
| 6LA58615200 | PWR thermistor | 1 1 | 30 | 491 | | | | M10010T3C | TH001 | |
| 6LA58615300 | Varistor | 1 1 | 29 | 501 | | | | ENC271D-10A | X001 | |
| 6LA58615400 | Varistor | 1 1 | 30 | 501 | | | | ENC471D-14A | X001 | |
| 6LA58615500 | Arrestor | 1 1 | 29 | 671 | | | | RA-351M-V6-Y-2 | Z001 | |
| | | 1 1 | 29 | 681 | | | | RA-351M-V6-Y-2 | Z002 | |
| 6LA58615600 | Arrestor | 1 1 | 30 | 671 | | | | RA-102M-C6-Y | Z001 | |
| | | 1 1 | 30 | 672 | | | | RA-102M-C6-Y | Z002 | |
| 6LA58615700 | Heatsink | 4 1 | 29 | 821 | | | | LM41258 | | |
| | | 4 1 | 30 | 801 | | | | LM41258 | | |
| 6LA58615800 | Insulator | 1 1 | 29 | 811 | | | | M-30AD-D-3 | | |
| | | 1 1 | 30 | 791 | | | | M-30AD-D-3 | | |
| 6LA58615900 | Label | 1 1 | 29 | 841 | | | | LV41358 | | |
| 6LA58616000 | Label | 1 1 | 30 | 821 | | | | LV41360 | | |
| | | 1 1 | 31 | 111 | | | | LV41371 | | |
| 6LA58616100 | Screw | 5 1 | 29 | 831 | | | | 3X8 | | |
| | | 5 1 | 30 | 811 | | | | 3X8 | | |
| 6LA58616200 | Screw | 1 1 | 29 | 832 | | | | 3X10 | | |
| | | 1 1 | 30 | 812 | | | | 3X10 | | |
| 6LA58616300 | Operation key L | 1 1 | 3 | 6 | | | | | | |
| 6LA58616400 | Operation key R | 1 1 | 3 | 5 | | | | | | |
| 6LA58616500 | Start key | 1 1 | 3 | 2 | | | | | | |
| 6LA58616600 | Scanner key | 1 1 | 3 | 7 | | | | | | |
| 6LA58616700 | Clear key | 1 1 | 3 | 13 | | | | | | |
| 6LA58616800 | Front cover | 1 1 | 1 | 1A | | | | e-STUDIO120 | | |
| 6LA58616900 | Front cover | 1 1 | 1 | 1B | | | | e-STUDIO150 | | |
| 6LA58617000 | Operation panel | 1 1 | 3 | 12 | | | | | | |
| 6LA58617100 | OC cover unit | 1 1 | 2 | 901 | | | | | | |
| 6LA58617200 | Process unit | 1 1 | 19 | 901A | | | | Europe | | |
| 6LA58617300 | CD-ROM | 1 1 | 21 | 101A | | | | U. S. A, Asia, Oceania | | |
| 6LA58617400 | CD-ROM | 1 1 | 21 | 101B | | | | Europe | | |
| 6LA58617500 | Glass fix plate | 1 1 | 1 | 13 | | | | | | |
| 6LA58617600 | MPF unit | 1 1 | 14 | 502 | | | | | | |
| 6LA58617900 | Pulley gear | 1 1 | 5 | 1 | | | | | | |
| 6LA58618000 | GB-MCFB WH unit | 1 1 | 15 | 3 | | | | | | |
| 6LA58618100 | MC harness unit | 1 1 | 15 | 2 | | | | | | |
| 6LA58618200 | Drive unit | 1 1 | 12 | 901 | | | | Except No. 27 | | |
| 6LA58618300 | Scanner plate | 1 1 | 5 | 2 | | | | | | |
| 6LA58618400 | Tension plate | 1 1 | 5 | 3 | | | | | | |
| 6LA58618500 | Motor fix plate | 1 1 | 5 | 4 | | | | | | |
| 6LA58618700 | Idle pulley | 2 1 | 5 | 5 | | | | | | |
| 6LA58618800 | Sheet cabinet | 1 1 | 3 | 1B | | | | Other countries | | |
| 6LA58618900 | Sheet cabinet | 1 1 | 3 | 1A | | | | U. S. A | | |
| 6LA58619000 | IF PWB | 1 1 | 10 | 5 | | | | | | |
| | | 1 1 | 28 | 0 | | | | | | |

| PARTS NO. | PARTS NAME | Q' TY | Q' TY | PAGE | ITEM NO. | PIR | B S I NO. | SERIAL NO. | REMARKS | LOCATION | C |
|-------------|-----------------|-------|-------|------|----------|-----|-----------|------------|-------------|----------|---|
| | | PAGE | PACK | | | | | | | | |
| 6LA58619100 | PPD1 sensor PWB | 11 | 9 | 1 | | | | | | | |
| | | 11 | 25 | 0 | | | | | | | |
| 6LA58619200 | PPD2 sensor PWB | 11 | 11 | 13 | | | | | | | |
| | | 11 | 26 | 0 | | | | | | | |
| 6LA58619300 | POD sensor PWB | 11 | 7 | 4 | | | | | | | |
| | | 11 | 24 | 0 | | | | | | | |
| 6LA58619400 | N filter PWB | 11 | 10 | 48 | | | | | 200V Series | | |
| | | 11 | 31 | 0 | | | | | | | |
| 6LA58619500 | Operation PWB | 11 | 3 | 8 | | | | | | | |
| | | 11 | 22 | 0 | | | | | | | |
| 6LA58619600 | Ope. PWB SP2 | 11 | 3 | 14 | | | | | | | |
| | | 11 | 23 | 0 | | | | | | | |
| 6LA58619700 | MCU PWB | 11 | 10 | 4A | | | | | e-STUDIO120 | | |
| | | 11 | 27 | 0B | | | | | e-STUDIO120 | | |
| 6LA58619800 | MCU PWB | 11 | 10 | 4B | | | | | e-STUDIO150 | | |
| | | 11 | 27 | 0A | | | | | e-STUDIO150 | | |
| 6LA58620000 | S door sw unit | 11 | 13 | 4 | | | | | | | |
| 6LA58620100 | Separator pawl | 31 | 11 | 11 | | | | | | | |
| 6LA58620200 | 2nd CST IF WH | 11 | 10 | 32 | | | | | | | |
| 6LA58620300 | BC harness | 11 | 8 | 18 | | | | | | | |
| 6LA58620400 | CCD-MCU harness | 11 | 5 | 40 | | | | | | | |
| | | 11 | 18 | 2 | | | | | | | |
| 6LA58620500 | CED1 harness | 11 | 9 | 27 | | | | | | | |
| 6LA58620600 | DSV harness | 11 | 8 | 27 | | | | | | | |
| | | 11 | 18 | 9 | | | | | | | |
| 6LA58620700 | HL harness 1 | 11 | 8 | 24B | | | | | 100V Series | | |
| | | 11 | 18 | 8B | | | | | 100V Series | | |
| 6LA58620800 | HL harness 1 | 11 | 8 | 24A | | | | | 200V Series | | |
| | | 11 | 10 | 52 | | | | | 200V Series | | |
| | | 11 | 18 | 8A | | | | | 200V Series | | |
| 6LA58620900 | HL harness 2 | 11 | 11 | 16A | | | | | 100V Series | | |
| | | 11 | 18 | 10A | | | | | 100V Series | | |
| 6LA58621000 | HL harness 2 | 11 | 11 | 16B | | | | | 200V Series | | |
| | | 11 | 18 | 10B | | | | | 200V Series | | |
| 6LA58621100 | LSU harness | 11 | 6 | 2 | | | | | | | |
| | | 11 | 7 | 14 | | | | | | | |
| 6LA58621200 | MCU-I/F harness | 11 | 10 | 7 | | | | | | | |
| | | 11 | 18 | 1 | | | | | | | |
| 6LA58621300 | OP-MCU harness | 11 | 1 | 7 | | | | | | | |
| | | 11 | 7 | 10 | | | | | | | |
| | | 11 | 18 | 4 | | | | | | | |
| 6LA58621400 | POD harness | 11 | 24 | 11 | | | | | | | |
| 6LA58621500 | PPD2 IF harness | 11 | 8 | 23 | | | | | | | |
| | | 11 | 18 | 7 | | | | | | | |
| 6LA58621600 | PPD2 harness | 11 | 26 | 11 | | | | | | | |
| 6LA58621700 | PPD1 harness | 11 | 25 | 11 | | | | | | | |
| 6LA58621900 | TCFB harness | 11 | 4 | 12 | | | | | | | |
| 6LA58622000 | TC harness | 11 | 8 | 19 | | | | | | | |
| 6LA58622200 | Center frame WH | 11 | 10 | 40 | | | | | | | |
| | | 11 | 18 | 3 | | | | | | | |
| 6LA58622300 | M feed GND WH | 11 | 14 | 22 | | | | | | | |
| 6LA58622400 | Main motor WH | 11 | 12 | 27 | | | | | | | |
| | | 11 | 18 | 5 | | | | | | | |
| 6LA58622500 | Inlet IF WH | 11 | 10 | 41 | | | | | 200V Series | | |
| 6LA58622600 | IF GND harness | 11 | 28 | 191 | | | | | | | |
| 6LA58622700 | OPE IF WH | 11 | 3 | 15 | | | | | | | |
| 6LA58622800 | Carriage unit | 11 | 5 | 6B | | | | | 200V Series | | |
| 6LA58622900 | Carriage unit | 11 | 5 | 6A | | | | | 100V Series | | |
| 6LA58623100 | LSU unit | 11 | 6 | 4 | | | | | A4/600D | | |
| 6LA58623200 | Fusing unit | 11 | 11 | 901B | | | | | 200V Series | | |
| 6LA58623300 | Fusing unit | 11 | 11 | 901A | | | | | 100V Series | | |
| 6LA58623400 | Side door | 11 | 4 | 1 | | | | | | | |
| 6LA58623500 | Rear exterior S | 11 | 1 | 18 | | | | | | | |
| 6LA58623600 | Left exterior | 11 | 1 | 10 | | | | | | | |
| 6LA58623700 | R exterior SPF | 11 | 1 | 17 | | | | | | | |
| 6LA58623800 | Ope. Cabinet | 11 | 3 | 10 | | | | | | | |
| 6LA58623900 | Rear cover OC | 11 | 1 | 12 | | | | | | | |
| 6LA58624100 | Base plate | 11 | 9 | 28 | | | | | | | |
| | | 11 | 10 | 17 | | | | | | | |
| 6LA58624200 | Copy key light | 31 | 3 | 3 | | | | | | | |

| PARTS NO. | PARTS NAME | Q' TY | Q' TY | PAGE | ITEM NO. | PIR | B S I NO. | SERIAL NO. | REMARKS | LOCATION | C |
|-------------|-----------------|-------|-------|------|----------|-----|-----------|------------|-------------|----------|---|
| | | PAGE | PACK | | | | | | | | |
| 6LA58624300 | Online key | 1 | 1 | 3 | 4 | | | | | | |
| 6LA58624400 | Cam boss AIR | 2 | 1 | 14 | 18 | | | | | | |
| 6LA58624500 | S door inner fm | 1 | 1 | 4 | 9 | | | | | | |
| 6LA58624700 | Connector frame | 1 | 1 | 10 | 30 | | | | | | |
| 6LA58624800 | N filter holder | 1 | 1 | 10 | 49 | | | | 200V Series | | |
| 6LA58624900 | PWB holder JAG | 1 | 1 | 10 | 1 | | | | | | |
| 6LA58625000 | Rod holder | 1 | 1 | 5 | 7 | | | | | | |
| 6LA58625100 | AC inlet holder | 1 | 1 | 10 | 43 | | | | U. S. A | | |
| 6LA58625300 | Scraper | 1 | 1 | 11 | 29 | | | | | | |
| 6LA58625400 | Saw | 1 | 1 | 19 | 8 | | | | | | |
| 6LA58625700 | Base plt rail R | 1 | 1 | 9 | 34 | | | | | | |
| 6LA58626000 | Rod stopper | 1 | 1 | 5 | 8 | | | | | | |
| 6LA58626100 | Screw | 3 | 1 | 5 | 9 | | | | 3X6 | | |
| 6LA58626300 | Carriage lock | 1 | 1 | 5 | 10 | | | | | | |
| 6LA58626400 | HV terminal SP | 1 | 1 | 15 | 7 | | | | | | |
| 6LA58626500 | HV terminal SP | 1 | 1 | 15 | 5 | | | | | | |
| 6LA58626600 | HV terminal SP | 1 | 1 | 15 | 6 | | | | | | |
| 6LA58626700 | Ratchet spring | 1 | 1 | 12 | 15 | | | | | | |
| 6LA58626800 | Hopper spring | 1 | 1 | 8 | 8 | | | | | | |
| 6LA58626900 | PS actuator SP | 1 | 1 | 9 | 3 | | | | | | |
| 6LA58627000 | Toner pipe SP | 1 | 1 | 19 | 30 | | | | | | |
| 6LA58627100 | F guide GND SP | 1 | 1 | 16 | 12 | | | | | | |
| 6LA58627200 | Pulley spring | 1 | 1 | 12 | 3 | | | | | | |
| 6LA58627300 | F ext. lv SP | 1 | 1 | 9 | 41 | | | | | | |
| 6LA58627400 | Earth SP | 1 | 1 | 7 | 9 | | | | | | |
| 6LA58627500 | FU earth wire | 1 | 1 | 11 | 3 | | | | | | |
| 6LA58627600 | Paper guide SP | 2 | 1 | 6 | 5 | | | | | | |
| 6LA58627700 | Roller SP | 2 | 1 | 7 | 2 | | | | | | |
| 6LA58627800 | Gate spring | 1 | 1 | 11 | 37 | | | | | | |
| 6LA58627900 | Tension spring | 1 | 1 | 5 | 11 | | | | | | |
| 6LA58628000 | Motor spring | 1 | 1 | 5 | 12 | | | | | | |
| 6LA58628200 | Belt | 1 | 1 | 5 | 13 | | | | 473MXL | | |
| 6LA58628300 | Belt | 1 | 1 | 5 | 14 | | | | 190MXL | | |
| 6LA58628400 | Fan | 1 | 1 | 8 | 12 | | | | | | |
| 6LA58628500 | Gear | 1 | 1 | 12 | 16 | | | | 55/19T | | |
| 6LA58628600 | DV gear | 1 | 1 | 20 | 15 | | | | 18T | | |
| 6LA58628700 | Idle gear | 1 | 1 | 5 | 15 | | | | | | |
| 6LA58628800 | Heart roller | 1 | 1 | 11 | 21 | | | | | | |
| 6LA58629100 | Trans. roller L | 1 | 1 | 8 | 3 | | | | | | |
| 6LA58629400 | Slide shaft | 1 | 1 | 5 | 16 | | | | | | |
| 6LA58629500 | Discharge brush | 1 | 1 | 5 | 17 | | | | | | |
| 6LA58629700 | Discharge brush | 1 | 1 | 11 | 4 | | | | | | |
| 6LA58629800 | M upper cover | 1 | 1 | 13 | 3 | | | | | | |
| 6LA58629900 | Rear exterior c | 1 | 1 | 1 | 16 | | | | | | |
| 6LA58630000 | OC mat | 1 | 1 | 2 | 3 | | | | | | |
| 6LA58630200 | Core cushion | 1 | 1 | 5 | 42 | | | | | | |
| 6LA58630300 | Fan duct JAG | 1 | 1 | 5 | 22 | | | | | | |
| 6LA58630400 | DUP upper guide | 1 | 1 | 14 | 12 | | | | | | |
| 6LA58630600 | Paper guide | 1 | 1 | 5 | 18 | | | | | | |
| 6LA58630700 | Table glass | 1 | 1 | 1 | 14 | | | | | | |
| 6LA58630800 | SPF glass | 1 | 1 | 1 | 23 | | | | | | |
| 6LA58630900 | Blade cushion | 1 | 1 | 19 | 18 | | | | | | |
| 6LA58631000 | Shield cushion | 1 | 1 | 19 | 37 | | | | | | |
| 6LA58631100 | Cushion | 1 | 1 | 8 | 39 | | | | | | |
| 6LA58631200 | Core fixing TP | 1 | 1 | 5 | 47 | | | | | | |
| 6LA58631300 | Earth cushion | 2 | 1 | 1 | 27 | | | | | | |
| 6LA58631400 | LSU protect STA | 2 | 1 | 6 | 6 | | | | | | |
| 6LA58631500 | LSU protect she | 1 | 1 | 6 | 7 | | | | | | |
| 6LA58631600 | Cable fix sheet | 2 | 1 | 5 | 21 | | | | | | |
| 6LA58631700 | Shading sheet | 1 | 1 | 1 | 8 | | | | | | |
| 6LA58631800 | CCD insurate ST | 1 | 1 | 5 | 23 | | | | | | |
| 6LA58631900 | Protect sheet | 1 | 1 | 5 | 24 | | | | | | |
| 6LA58632600 | Scanner sheet | 1 | 1 | 5 | 39 | | | | | | |
| 6LA58632700 | PWB holder ST | 1 | 1 | 10 | 22 | | | | | | |
| | | | | 18 | 6 | | | | | | |
| 6LA58632800 | PWB core mylar | 1 | 1 | 5 | 48 | | | | | | |
| 6LA58632900 | Scanner core ST | 1 | 1 | 5 | 45 | | | | | | |
| 6LA58633000 | Panel core ST | 1 | 1 | 7 | 11 | | | | | | |
| 6LA58633100 | N protect mylar | 1 | 1 | 5 | 44 | | | | | | |
| 6LA58633200 | R cabinet GNDST | 1 | 1 | 1 | 28 | | | | | | |

| PARTS NO. | PARTS NAME | Q'TY / PAGE | Q'TY / PACK | PAGE | ITEM NO. | PIR | B S I NO. | SERIAL NO. | REMARKS | LOCATION | C |
|-------------|-----------------|-------------|-------------|------|----------|-----|-----------|------------|--------------------|----------|---|
| 6LA58633300 | CN earth sheet | 11 | | 10 | 47 | | | | | | |
| 6LA58633400 | Sub blade tape | 11 | | 19 | 36 | | | | | | |
| 6LA58633500 | Glass fixing TP | 11 | | 1 | 15 | | | | | | |
| 6LA58633600 | Glass fixing TP | 11 | | 1 | 6 | | | | | | |
| 6LA58633700 | Slit glass tape | 11 | | 1 | 22 | | | | | | |
| 6LA58633800 | CCD WH tape | 11 | | 5 | 43 | | | | | | |
| 6LA58633900 | Core fixing TP | 11 | | 5 | 46 | | | | | | |
| 6LA58634000 | Earth tape F | 11 | | 1 | 29 | | | | | | |
| 6LA58634100 | Earth tape R | 11 | | 1 | 30 | | | | | | |
| 6LA58634200 | AC cord | 11 | | 10 | 46 | | | | U. S. A | | |
| | | 11 | | 21 | 3B | | | | U. S. A | | |
| 6LA58634300 | AC cord | 11 | | 21 | 3A | | | | Europe | | |
| 6LA58634400 | AC cord | 11 | | 21 | 3C | | | | Oceania | | |
| 6LA58634500 | Connector | 11 | | 27 | 26 | | | | 2pin | CN116 | |
| 6LA58634600 | Connector | 11 | | 27 | 13 | | | | 4pin | CN103 | |
| | | 11 | | 27 | 16 | | | | 4pin | CN106A | |
| 6LA58634700 | Connector | 11 | | 27 | 35 | | | | 6pin | CN125 | |
| 6LA58634800 | Connector | 11 | | 27 | 27 | | | | 3pin | CN117 | |
| 6LA58634900 | Connector | 11 | | 27 | 14 | | | | 35pin | CN104 | |
| | | 11 | | 28 | 13 | | | | 35Pin 35FE-BT-VK-N | CN403 | |
| 6LA58635000 | Connector | 11 | | 22 | 11 | | | | 8pin | CN301 | |
| | | 11 | | 23 | 11 | | | | 8pin | CN501 | |
| 6LA58635100 | Connector | 11 | | 28 | 11 | | | | 36Pin RBE42- | CN401 | |
| | | | | | | | | | 36K1153 | | |
| 6LA58635200 | Connector | 11 | | 28 | 12 | | | | UBR23-4K2200 | CN402 | |
| 6LA58635300 | Tact swtch | 11 | | 22 | 21 | | | | SKQNAB010 | MAGK | |
| | | 11 | | 22 | 31 | | | | SKQNAB010 | BPK | |
| | | 11 | | 22 | 41 | | | | SKQNAB010 | CLK | |
| | | 11 | | 22 | 51 | | | | SKQNAB010 | CRSK | |
| | | 11 | | 22 | 61 | | | | SKQNAB010 | EXDWK | |
| | | 11 | | 22 | 71 | | | | SKQNAB010 | EXMODK | |
| | | 11 | | 22 | 81 | | | | SKQNAB010 | EXUPK | |
| | | 11 | | 22 | 101 | | | | SKQNAB010 | PDWK | |
| | | 11 | | 22 | 111 | | | | SKQNAB010 | PSW | |
| | | 11 | | 22 | 121 | | | | SKQNAB010 | PUPK | |
| | | 11 | | 22 | 141 | | | | SKQNAB010 | ZDWK | |
| | | 11 | | 22 | 151 | | | | SKQNAB010 | ZUPK | |
| | | 11 | | 23 | 91 | | | | SKQNAB010 | OLK | |
| | | 11 | | 23 | 131 | | | | SKQNAB010 | SCNK | |
| 6LA58635400 | Coil | 11 | | 27 | 59 | | | | | L129 | |
| 6LA58635500 | FFC core | 51 | | 5 | 32 | | | | | | |
| | | 11 | | 7 | 12 | | | | | | |
| | | 11 | | 10 | 23 | | | | | | |
| 6LA58635600 | FFC core | 11 | | 5 | 41 | | | | | | |
| 6LA58635700 | Core | 11 | | 6 | 8 | | | | | | |
| | | 11 | | 10 | 27 | | | | | | |
| 6LA58635800 | Core | 11 | | 10 | 45 | | | | U. S. A | | |
| 6LA58635900 | Ferrite core | 11 | | 10 | 31 | | | | | | |
| 6LA58636000 | Crystal | 11 | | 27 | 71 | | | | 19. 6608MHz | X101 | |
| 6LA58636100 | Crystal | 11 | | 27 | 72 | | | | 24MHz | X102 | |
| 6LA58636200 | Crystal | 11 | | 27 | 73 | | | | 13. 9867MHz | X103 | |
| 6LA58636300 | DC PS PWB | 11 | | 10 | 13A | | | | 100V Series | | |
| | | 11 | | 29 | 0 | | | | 100V Series | | |
| 6LA58636400 | DC PS PWB | 11 | | 10 | 13B | | | | 200V Series | | |
| | | 11 | | 30 | 0 | | | | 200V Series | | |
| 6LA58636500 | HV PWB | 11 | | 10 | 6 | | | | | | |
| 6LA58636600 | ATC sensor | 11 | | 20 | 26 | | | | | | |
| 6LA58636700 | Coil | 11 | | 28 | 35 | | | | BLM18BB121SN1D | L405 | |
| 6LA58636800 | Diode | 11 | | 27 | 169 | | | | 11EQS06-TA1B2 | D139 | |
| | | 11 | | 28 | 51 | | | | 11EQS06-TA1B2 | D401 | |
| 6LA58636900 | IC | 11 | | 27 | 570 | | | | MT48LC4M16ATG-75 | IC110 | |
| 6LA58637000 | IC | 11 | | 27 | 591 | | | | 1X0005ES | IC131 | |
| | | 11 | | 28 | 112 | | | | 1X0005ES | IC402 | |
| 6LA58637100 | IC | 11 | | 27 | 572 | | | | UT61L1024JC-15 | IC112 | |
| 6LA58637200 | IC | 11 | | 22 | 181 | | | | KRA225S-RTK | Q301 | |
| | | 11 | | 22 | 182 | | | | KRA225S-RTK | Q302 | |
| | | 11 | | 22 | 183 | | | | KRA225S-RTK | Q303 | |
| 6LA58637300 | Heater lamp | 11 | | 11 | 22A | | | | 100V Series | | |
| 6LA58637400 | Main motor | 11 | | 12 | 2 | | | | | | |
| 6LA58637500 | Scanner motor | 11 | | 5 | 25 | | | | | | |

| PARTS NO. | PARTS NAME | Q' TY / PAGE | Q' TY / PACK | PAGE | ITEM NO. | PIR | B S I NO. | SERIAL NO. | REMARKS | LOCATION | C |
|-------------|-----------------|--------------|--------------|------|----------|-----|------------|------------|---------------------|----------|---|
| 6LA58637600 | Resistor arrey | 11 | | 27 | 196 | | | | 33X4 1/32W | BR116 | |
| | | 11 | | 27 | 198 | | | | 33X4 1/32W | BR118 | |
| | | 11 | | 27 | 199 | | | | 33X4 1/32W | BR119 | |
| | | 11 | | 27 | 200 | | | | 33X4 1/32W | BR120 | |
| | | 11 | | 27 | 201 | | | | 33X4 1/32W | BR121 | |
| | | 11 | | 27 | 202 | | | | 33X4 1/32W | BR122 | |
| | | 11 | | 27 | 203 | | | | 33X4 1/32W | BR123 | |
| | | 11 | | 27 | 204 | | | | 33X4 1/32W | BR124 | |
| | | 11 | | 27 | 205 | | | | 33X4 1/32W | BR125 | |
| | | 11 | | 27 | 206 | | | | 33X4 1/32W | BR126 | |
| | | 11 | | 27 | 207 | | | | 33X4 1/32W | BR127 | |
| | | 11 | | 27 | 208 | | | | 33X4 1/32W | BR128 | |
| | | 11 | | 27 | 209 | | | | 33X4 1/32W | BR129 | |
| | | 11 | | 27 | 210 | | | | 33X4 1/32W | BR130 | |
| | | 11 | | 27 | 211 | | | | 33X4 1/32W | BR131 | |
| | | 11 | | 27 | 212 | | | | 33X4 1/32W | BR132 | |
| | | 11 | | 27 | 214 | | | | 33X4 1/32W | BR134 | |
| | | 11 | | 27 | 216 | | | | 33X4 1/32W | BR136 | |
| | | 11 | | 27 | 218 | | | | 33X4 1/32W | BR138 | |
| | | 11 | | 27 | 220 | | | | 33X4 1/32W | BR140 | |
| | | 11 | | 27 | 221 | | | | 33X4 1/32W | BR141 | |
| 11 | | 27 | 222 | | | | 33X4 1/32W | BR142 | | | |
| 11 | | 27 | 223 | | | | 33X4 1/32W | BR143 | | | |
| 11 | | 27 | 224 | | | | 33X4 1/32W | BR144 | | | |
| 11 | | 27 | 227 | | | | 33X4 1/32W | BR147 | | | |
| 11 | | 27 | 229 | | | | 33X4 1/32W | BR149 | | | |
| 11 | | 27 | 231 | | | | 33X4 1/32W | BR151 | | | |
| 6LA58637700 | Solenoid | 11 | | 12 | 22 | | | | | | |
| 6LA58637800 | DC packing | 21 | | 21 | 14 | | | | | | |
| 6LA58637900 | Bottom packing | 11 | | 21 | 9 | | | | | | |
| 6LA58638000 | Accessories A | 11 | | 21 | 20 | | | | | | |
| 6LA58638100 | Top packing OC | 11 | | 21 | 1 | | | | | | |
| 6LA58639000 | LSU caution lbl | 11 | | 21 | 22B | | | | Europe | | |
| 6LA58639100 | Ope. manual | 11 | | 21 | 7 | | | | English | | |
| 6LA58639200 | Ope. Inst label | 11 | | 1 | 11 | | | | | | |
| 6LA58639300 | Class 1 label | 11 | | 1 | 26A | | | | Europe | | |
| 6LA58639400 | Enagy star labe | 11 | | 17 | 20 | | | | | | |
| 6LA58639500 | Scanner fixing | 11 | | 21 | 15 | | | | | | |
| 6LA58639600 | Cleaning blade | 11 | | 19 | 10 | | | | | | |
| 6LA58639700 | Sub blade | 11 | | 19 | 35 | | | | | | |
| 6LA58639800 | Capacitor | 11 | | 28 | 76 | | | | 50WV 330pF | C416 | |
| 6LA58639900 | Capacitor | 11 | | 27 | 264 | | | | 50WV 100pF | C104 | |
| | | 11 | | 27 | 265 | | | | 50WV 100pF | C105 | |
| | | 11 | | 27 | 350 | | | | 50WV 100pF | C190 | |
| | | 11 | | 27 | 351 | | | | 50WV 100pF | C191 | |
| | | 11 | | 27 | 352 | | | | 50WV 100pF | C192 | |
| | | 11 | | 27 | 266 | | | | 50WV 12pF | C106 | |
| | | 11 | | 27 | 325 | | | | 50WV 12pF | C165 | |
| 6LA58640000 | Capacitor | 11 | | 27 | 327 | | | | 50WV 12pF | C167 | |
| | | 11 | | 27 | 262 | | | | 50WV 22pF | C102 | |
| | | 11 | | 27 | 263 | | | | 50WV 22pF | C103 | |
| 6LA58640200 | Capacitor | 11 | | 27 | 346 | | | | 50WV 33pF | C186 | |
| | | 11 | | 27 | 349 | | | | 50WV 33pF | C188 | |
| | | 11 | | 27 | 354 | | | | 50WV 33pF | C194 | |
| | | 11 | | 27 | 462 | | | | 50WV 33pF | C302 | |
| 6LA58640300 | Capacitor | 11 | | 27 | 286 | | | | 50WV 47pF | C126 | |
| | | 11 | | 27 | 326 | | | | 50WV 47pF | C166 | |
| | | 11 | | 27 | 475 | | | | 50WV 47pF | C315 | |
| | | 11 | | 27 | 476 | | | | 50WV 47pF | C316 | |
| | | 11 | | 27 | 477 | | | | 50WV 47pF | C317 | |
| | | 11 | | 27 | 478 | | | | 50WV 47pF | C318 | |
| | | 11 | | 27 | 479 | | | | 50WV 47pF | C319 | |
| | | 11 | | 27 | 480 | | | | 50WV 47pF | C320 | |
| | | 11 | | 27 | 481 | | | | 50WV 47pF | C321 | |
| | | 11 | | 27 | 921 | | | | 1C113 (8pin-10pin), | | |
| 6LA58640400 | Capacitor | 11 | | | | | | 50WV 47pF | | | |
| | | 11 | | 27 | 931 | | | | CN104 (1pin-8pin) , | | |
| 6LA58640500 | Capacitor | 11 | | 27 | 366 | | | 50WV 47pF | | | |
| 6LA58640600 | Capacitor | 11 | | 22 | 205 | | | 16WV 1.0uF | C206 | | |
| | | | | | | | | 16WV 0.1uF | C305 | | |

| PARTS NO. | PARTS NAME | Q'TY / PAGE | Q'TY / PACK | PAGE | ITEM NO. | PIR | B S I NO. | SERIAL NO. | REMARKS | LOCATION | C |
|-------------|------------|-------------|-------------|------|----------|-----|-------------|------------|--------------|----------|---|
| 6LA58640700 | Capacitor | 11 | 11 | 22 | 219 | | | | 16WV 0.1uF | C319 | |
| | | 11 | 11 | 27 | 369 | | | | 50WV 0.10uF | C209 | |
| | | 11 | 11 | 27 | 370 | | | | 50WV 0.10uF | C210 | |
| | | 11 | 11 | 27 | 373 | | | | 50WV 0.10uF | C213 | |
| | | 11 | 11 | 27 | 437 | | | | 50WV 0.10uF | C277 | |
| | | 11 | 11 | 27 | 461 | | | | 50WV 0.10uF | C301 | |
| | | 11 | 11 | 27 | 473 | | | | 50WV 0.10uF | C313 | |
| | | 11 | 11 | 27 | 474 | | | | 50WV 0.10uF | C314 | |
| | | 11 | 11 | 27 | 494 | | | | 50WV 0.10uF | C334 | |
| | | 11 | 11 | 27 | 495 | | | | 50WV 0.10uF | C335 | |
| 6LA58640800 | Capacitor | 11 | 11 | 22 | 216 | | | | 50WV 0.022uF | C316 | |
| | | 11 | 11 | 22 | 222 | | | | 50WV 0.022uF | C322 | |
| 6LA58640900 | Capacitor | 11 | 11 | 27 | 285 | | | | 16WV 0.022uF | C125 | |
| | | 11 | 11 | 27 | 323 | | | | 16WV 0.022uF | C163 | |
| | | 11 | 11 | 27 | 329 | | | | 16WV 0.022uF | C169 | |
| | | 11 | 11 | 27 | 357 | | | | 16WV 0.022uF | C197 | |
| | | 11 | 11 | 27 | 360 | | | | 16WV 0.022uF | C200 | |
| 6LA58641000 | Capacitor | 11 | 11 | 27 | 261 | | | | 16WV 0.10uF | C101 | |
| | | 11 | 11 | 27 | 267 | | | | 16WV 0.10uF | C107 | |
| | | 11 | 11 | 27 | 268 | | | | 16WV 0.10uF | C108 | |
| | | 11 | 11 | 27 | 270 | | | | 16WV 0.10uF | C110 | |
| | | 11 | 11 | 27 | 271 | | | | 16WV 0.10uF | C111 | |
| | | 11 | 11 | 27 | 272 | | | | 16WV 0.10uF | C112 | |
| | | 11 | 11 | 27 | 273 | | | | 16WV 0.10uF | C113 | |
| | | 11 | 11 | 27 | 274 | | | | 16WV 0.10uF | C114 | |
| | | 11 | 11 | 27 | 275 | | | | 16WV 0.10uF | C115 | |
| | | 11 | 11 | 27 | 284 | | | | 16WV 0.10uF | C124 | |
| | | 11 | 11 | 27 | 288 | | | | 16WV 0.10uF | C128 | |
| | | 11 | 11 | 27 | 289 | | | | 16WV 0.10uF | C129 | |
| | | 11 | 11 | 27 | 290 | | | | 16WV 0.10uF | C130 | |
| | | 11 | 11 | 27 | 291 | | | | 16WV 0.10uF | C131 | |
| | | 11 | 11 | 27 | 292 | | | | 16WV 0.10uF | C132 | |
| | | 11 | 11 | 27 | 293 | | | | 16WV 0.10uF | C133 | |
| | | 11 | 11 | 27 | 294 | | | | 16WV 0.10uF | C134 | |
| | | 11 | 11 | 27 | 295 | | | | 16WV 0.10uF | C135 | |
| | | 11 | 11 | 27 | 296 | | | | 16WV 0.10uF | C136 | |
| | | 11 | 11 | 27 | 297 | | | | 16WV 0.10uF | C137 | |
| | | 11 | 11 | 27 | 298 | | | | 16WV 0.10uF | C138 | |
| | | 11 | 11 | 27 | 300 | | | | 16WV 0.10uF | C140 | |
| | | 11 | 11 | 27 | 301 | | | | 16WV 0.10uF | C141 | |
| | | 11 | 11 | 27 | 302 | | | | 16WV 0.10uF | C142 | |
| | | 11 | 11 | 27 | 303 | | | | 16WV 0.10uF | C143 | |
| | | 11 | 11 | 27 | 304 | | | | 16WV 0.10uF | C144 | |
| | | 11 | 11 | 27 | 305 | | | | 16WV 0.10uF | C145 | |
| | | 11 | 11 | 27 | 306 | | | | 16WV 0.10uF | C146 | |
| | | 11 | 11 | 27 | 307 | | | | 16WV 0.10uF | C147 | |
| | | 11 | 11 | 27 | 308 | | | | 16WV 0.10uF | C148 | |
| | | 11 | 11 | 27 | 309 | | | | 16WV 0.10uF | C149 | |
| | | 11 | 11 | 27 | 310 | | | | 16WV 0.10uF | C150 | |
| | | 11 | 11 | 27 | 311 | | | | 16WV 0.10uF | C151 | |
| | | 11 | 11 | 27 | 312 | | | | 16WV 0.10uF | C152 | |
| 11 | 11 | 27 | 313 | | | | 16WV 0.10uF | C153 | | | |
| 11 | 11 | 27 | 314 | | | | 16WV 0.10uF | C154 | | | |
| 11 | 11 | 27 | 315 | | | | 16WV 0.10uF | C155 | | | |
| 11 | 11 | 27 | 316 | | | | 16WV 0.10uF | C156 | | | |
| 11 | 11 | 27 | 317 | | | | 16WV 0.10uF | C157 | | | |
| 11 | 11 | 27 | 318 | | | | 16WV 0.10uF | C158 | | | |
| 11 | 11 | 27 | 319 | | | | 16WV 0.10uF | C159 | | | |
| 11 | 11 | 27 | 320 | | | | 16WV 0.10uF | C160 | | | |
| 11 | 11 | 27 | 321 | | | | 16WV 0.10uF | C161 | | | |
| 11 | 11 | 27 | 322 | | | | 16WV 0.10uF | C162 | | | |
| 11 | 11 | 27 | 324 | | | | 16WV 0.10uF | C164 | | | |
| 11 | 11 | 27 | 328 | | | | 16WV 0.10uF | C168 | | | |
| 11 | 11 | 27 | 330 | | | | 16WV 0.10uF | C170 | | | |
| 11 | 11 | 27 | 333 | | | | 16WV 0.10uF | C173 | | | |
| 11 | 11 | 27 | 336 | | | | 16WV 0.10uF | C176 | | | |
| 11 | 11 | 27 | 337 | | | | 16WV 0.10uF | C177 | | | |
| 11 | 11 | 27 | 338 | | | | 16WV 0.10uF | C178 | | | |
| 11 | 11 | 27 | 339 | | | | 16WV 0.10uF | C179 | | | |
| 11 | 11 | 27 | 340 | | | | 16WV 0.10uF | C180 | | | |

| PARTS NO. | PARTS NAME | Q' TY / PAGE | Q' TY / PACK | PAGE | ITEM NO. | PIR | B S I NO. | SERIAL NO. | REMARKS | LOCATION | C |
|-------------|------------|--------------|--------------|------|----------|-----|-------------|------------|-------------|----------|-------------|
| 6LA58641000 | Capacitor | 1 | 1 | 27 | 341 | | | | 16WV 0.10uF | C181 | |
| | | 1 | 1 | 27 | 342 | | | | 16WV 0.10uF | C182 | |
| | | 1 | 1 | 27 | 343 | | | | 16WV 0.10uF | C183 | |
| | | 1 | 1 | 27 | 344 | | | | 16WV 0.10uF | C184 | |
| | | 1 | 1 | 27 | 345 | | | | 16WV 0.10uF | C185 | |
| | | 1 | 1 | 27 | 347 | | | | 16WV 0.10uF | C187 | |
| | | 1 | 1 | 27 | 348 | | | | 16WV 0.10uF | C189 | |
| | | 1 | 1 | 27 | 353 | | | | 16WV 0.10uF | C193 | |
| | | 1 | 1 | 27 | 355 | | | | 16WV 0.10uF | C195 | |
| | | 1 | 1 | 27 | 356 | | | | 16WV 0.10uF | C196 | |
| | | 1 | 1 | 27 | 358 | | | | 16WV 0.10uF | C198 | |
| | | 1 | 1 | 27 | 359 | | | | 16WV 0.10uF | C199 | |
| | | 1 | 1 | 27 | 365 | | | | 16WV 0.10uF | C205 | |
| | | 1 | 1 | 27 | 367 | | | | 16WV 0.10uF | C207 | |
| | | 1 | 1 | 27 | 380 | | | | 16WV 0.10uF | C220 | |
| | | 1 | 1 | 27 | 420 | | | | 16WV 0.10uF | C260 | |
| | | 1 | 1 | 27 | 443 | | | | 16WV 0.10uF | C283 | |
| | | 1 | 1 | 27 | 445 | | | | 16WV 0.10uF | C285 | |
| | | 1 | 1 | 27 | 448 | | | | 16WV 0.10uF | C288 | |
| | | 1 | 1 | 27 | 449 | | | | 16WV 0.10uF | C289 | |
| | | 1 | 1 | 27 | 468 | | | | 16WV 0.10uF | C308 | |
| | | 1 | 1 | 27 | 483 | | | | 16WV 0.10uF | C323 | |
| | | 1 | 1 | 27 | 488 | | | | 16WV 0.10uF | C328 | |
| | | 6LA58641100 | Capacitor | 1 | 1 | 27 | 421 | | | | 50WV 1000pF |
| 1 | 1 | | | 27 | 422 | | | | 50WV 1000pF | C262 | |
| 1 | 1 | | | 27 | 423 | | | | 50WV 1000pF | C263 | |
| 1 | 1 | | | 27 | 424 | | | | 50WV 1000pF | C264 | |
| 1 | 1 | | | 27 | 425 | | | | 50WV 1000pF | C265 | |
| 1 | 1 | | | 27 | 426 | | | | 50WV 1000pF | C266 | |
| 1 | 1 | | | 27 | 438 | | | | 50WV 1000pF | C278 | |
| 1 | 1 | | | 27 | 439 | | | | 50WV 1000pF | C279 | |
| 1 | 1 | | | 27 | 440 | | | | 50WV 1000pF | C280 | |
| 1 | 1 | | | 27 | 441 | | | | 50WV 1000pF | C281 | |
| 1 | 1 | | | 27 | 450 | | | | 50WV 1000pF | C290 | |
| 1 | 1 | | | 27 | 451 | | | | 50WV 1000pF | C291 | |
| 1 | 1 | | | 27 | 452 | | | | 50WV 1000pF | C292 | |
| 1 | 1 | | | 27 | 453 | | | | 50WV 1000pF | C293 | |
| 1 | 1 | | | 27 | 454 | | | | 50WV 1000pF | C294 | |
| 1 | 1 | | | 27 | 455 | | | | 50WV 1000pF | C295 | |
| 1 | 1 | | | 27 | 456 | | | | 50WV 1000pF | C296 | |
| 1 | 1 | | | 27 | 457 | | | | 50WV 1000pF | C297 | |
| 1 | 1 | | | 27 | 458 | | | | 50WV 1000pF | C298 | |
| 1 | 1 | | | 27 | 463 | | | | 50WV 1000pF | C303 | |
| 1 | 1 | | | 27 | 464 | | | | 50WV 1000pF | C304 | |
| 1 | 1 | | | 27 | 465 | | | | 50WV 1000pF | C305 | |
| 1 | 1 | | | 27 | 466 | | | | 50WV 1000pF | C306 | |
| 1 | 1 | | | 27 | 467 | | | | 50WV 1000pF | C307 | |
| 1 | 1 | 27 | 469 | | | | 50WV 1000pF | C309 | | | |
| 1 | 1 | 27 | 470 | | | | 50WV 1000pF | C310 | | | |
| 1 | 1 | 27 | 471 | | | | 50WV 1000pF | C311 | | | |
| 1 | 1 | 27 | 472 | | | | 50WV 1000pF | C312 | | | |
| 6LA58641200 | Capacitor | 1 | 1 | 27 | 371 | | | | 50WV 2200pF | C211 | |
| | | 1 | 1 | 27 | 374 | | | | 50WV 2200pF | C214 | |
| | | 1 | 1 | 27 | 378 | | | | 50WV 2200pF | C218 | |
| 6LA58641300 | Capacitor | 1 | 1 | 27 | 382 | | | | 50WV 2200pF | C222 | |
| | | 1 | 1 | 27 | 361 | | | | 50WV 820pF | C201 | |
| 6LA58641400 | Diode | 1 | 1 | 27 | 362 | | | | 50WV 820pF | C202 | |
| | | 1 | 1 | 27 | 363 | | | | 50WV 820pF | C203 | |
| | | 1 | 1 | 27 | 364 | | | | 50WV 820pF | C204 | |
| | | 1 | 1 | 27 | 516 | | | | KDS121 | D116 | |
| 1 | 1 | 27 | 517 | | | | KDS121 | D117 | | | |
| 1 | 1 | 27 | 518 | | | | KDS121 | D118 | | | |
| 1 | 1 | 27 | 521 | | | | KDS121 | D121 | | | |
| 1 | 1 | 27 | 522 | | | | KDS121 | D122 | | | |
| 1 | 1 | 27 | 523 | | | | KDS121 | D123 | | | |
| 1 | 1 | 27 | 525 | | | | KDS121 | D125 | | | |
| 1 | 1 | 27 | 526 | | | | KDS121 | D126 | | | |
| 1 | 1 | 27 | 528 | | | | KDS121 | D128 | | | |
| 1 | 1 | 27 | 529 | | | | KDS121 | D129 | | | |
| 1 | 1 | 27 | 530 | | | | KDS121 | D130 | | | |

| PARTS NO. | PARTS NAME | Q'TY / PAGE | Q'TY / PACK | PAGE | ITEM NO. | PIR | B S I NO. | SERIAL NO. | REMARKS | LOCATION | C |
|-------------|-----------------|-------------|-------------|------|----------|-----|-----------|-------------|----------------|----------|---|
| 6LA58641400 | Diode | 11 | | 27 | 531 | | | | KDS121 | D131 | |
| | | 11 | | 27 | 532 | | | | KDS121 | D132 | |
| | | 11 | | 27 | 533 | | | | KDS121 | D133 | |
| | | 11 | | 27 | 534 | | | | KDS121 | D134 | |
| | | 11 | | 27 | 535 | | | | KDS121 | D135 | |
| | | 11 | | 27 | 536 | | | | KDS121 | D136 | |
| 6LA58641500 | Diode | 11 | | 27 | 537 | | | | KDS121 | D137 | |
| | | 11 | | 27 | 512 | | | | KDS226 | D102 | |
| | | 11 | | 27 | 513 | | | | KDS226 | D103 | |
| | | 11 | | 27 | 519 | | | | KDS226 | D119 | |
| | | 11 | | 27 | 538 | | | | KDS226 | D138 | |
| | | 11 | | 27 | 540 | | | | KDS226 | D140 | |
| 6LA58641600 | Zener diode | 11 | | 27 | 543 | | | | KDS226 | D143 | |
| 6LA58641700 | IC | 11 | | 28 | 102 | | | | UDZS6. 2B | D402 | |
| 6LA58641800 | IC | 11 | | 27 | 571 | | | | 28F4BVEB85 | IC111 | |
| | | 11 | | 22 | 161 | | | | 74HC151M | IC301 | |
| | | 11 | | 22 | 163 | | | | 74HC151M | IC303 | |
| | | 11 | | 27 | 574 | | | | 74HC151M | IC114 | |
| | | 11 | | 27 | 575 | | | | 74HC151M | IC115 | |
| | | 11 | | 27 | 577 | | | | 74HC151M | IC117 | |
| 6LA58641900 | IC | 11 | | 27 | 589 | | | | BA6920FP | IC129 | |
| 6LA58642000 | IC | 11 | | 27 | 579 | | | | D65001AF | IC119 | |
| | | 11 | | 27 | 581 | | | | D65001AF | IC121 | |
| 6LA58642100 | IC | 11 | | 27 | 584 | | | | D65503F | IC124 | |
| | | 11 | | 27 | 585 | | | | D65503F | IC125 | |
| 6LA58642200 | IC | 11 | | 27 | 562 | | | | EES02L400P | IC102 | |
| 6LA58642300 | IC | 11 | | 27 | 563 | | | | H8S/2321 | IC103 | |
| 6LA58642400 | IC | 11 | | 27 | 566 | | | | HG73C1191C | IC106 | |
| 6LA58642500 | IC | 11 | | 27 | 590 | | | | K1A7805API | IC130 | |
| 6LA58642600 | IC | 11 | | 27 | 582 | | | | K1A358F | IC122 | |
| 6LA58642700 | IC | 11 | | 27 | 580 | | | | K1A393F | IC120 | |
| 6LA58642800 | IC | 11 | | 27 | 587 | | | | L6219DS | IC127 | |
| 6LA58642900 | IC | 11 | | 27 | 573 | | | | 74LCX244WM | IC113 | |
| | | 11 | | 27 | 578 | | | | 74LCX244WM | IC118 | |
| 6LA58643000 | IC | 11 | | 27 | 564 | | | | M51957BFP1 | IC104 | |
| 6LA58643100 | IC | 11 | | 27 | 567 | | | | NC7ST08M | IC107 | |
| 6LA58643200 | IC | 11 | | 27 | 561 | | | | P2010AST | IC101 | |
| 6LA58643300 | IC | 11 | | 28 | 111 | | | | USB1T11AMX | IC401 | |
| 6LA58643400 | IC | 11 | | 27 | 576 | | | | VHCT244M | IC116 | |
| 6LA58643500 | LED (7SEGMENT) | 11 | | 22 | 401 | | | | LTC-3650AG-02J | LEDM30 | |
| 6LA58643600 | LED (Green) | 11 | | 22 | 451 | | | | GL5EG47 | PML | |
| 6LA58643700 | Pht. trnasistor | 11 | | 24 | 41 | | | | GP1S53V | | |
| 6LA58643800 | Pht. trnasistor | 11 | | 25 | 41 | | | | SG206S | | |
| | | 11 | | 26 | 41 | | | | SG206S | | |
| 6LA58643900 | Resistor | 11 | | 27 | 781 | | | | 1/4W 150 | R251 | |
| 6LA58644000 | Resistor | 11 | | 27 | 775 | | | | 1/4W 390 | R245 | |
| | | 11 | | 27 | 776 | | | | 1/4W 390 | R246 | |
| | | 11 | | 27 | 777 | | | | 1/4W 390 | R247 | |
| | | 11 | | 27 | 783 | | | | 1/4W 390 | R253 | |
| 6LA58644100 | Resistor | 11 | | 23 | 51 | | | | 1/4W 470 | R501 | |
| 6LA58644200 | Resistor | 11 | | 27 | 696 | | | | 1/4W 4. 7K | R166 | |
| 6LA58644300 | Resistor | 11 | | 27 | 707 | | | | 1W 0. 68 | R177 | |
| | | 11 | | 27 | 708 | | | | 1W 0. 68 | R178 | |
| | | 11 | | 27 | 644 | | | | 1/16W 11K | R114 | |
| 6LA58644500 | Resistor | 11 | | 27 | 701 | | | 1/16W 1. 2K | R171 | | |
| 6LA58644600 | Resistor | 11 | | 22 | 568 | | | | 1/16W 150 | R348 | |
| | | 11 | | 22 | 570 | | | | 1/16W 150 | R350 | |
| | | 11 | | 22 | 571 | | | | 1/16W 150 | R351 | |
| | | 11 | | 22 | 576 | | | | 1/16W 150 | R356 | |
| | | 11 | | 27 | 770 | | | | 1/16W 15K | R240 | |
| 6LA58644700 | Resistor | 11 | | 27 | 805 | | | | 1/16W 15K | R275 | |
| | | 11 | | 27 | 704 | | | | 1/16W 240K | R174 | |
| | | 11 | | 27 | 705 | | | | 1/16W 240K | R175 | |
| 6LA58644800 | Resistor | 11 | | 27 | 706 | | | | 1/16W 240K | R176 | |
| | | 11 | | 27 | 748 | | | | 1/16W 2. 7K | R218 | |
| | | 11 | | 27 | 712 | | | | 1/16W 30K | R182 | |
| 6LA58644900 | Resistor | 11 | | 27 | 713 | | | | 1/16W 30K | R183 | |
| | | 11 | | 27 | 741 | | | | 1/16W 39K | R211 | |
| 6LA58645000 | Resistor | 11 | | 27 | 753 | | | | 1/16W 39K | R223 | |

| PARTS NO. | PARTS NAME | Q'TY / PAGE | Q'TY / PACK | PAGE | ITEM NO. | PIR | B S I NO. | SERIAL NO. | REMARKS | LOCATION | C |
|-------------|----------------|-------------|-------------|------|----------|-----|-----------|------------|------------|----------|---|
| | | 11 | | 27 | 756 | | | | 1/16W 39K | R226 | |
| 6LA58645100 | Resistor | 11 | | 27 | 757 | | | | 1/16W 39K | R227 | |
| 6LA58645200 | Resistor | 11 | | 27 | 689 | | | | 1/16W 4.3K | R159 | |
| 6LA58645300 | Resistor | 11 | | 27 | 769 | | | | 1/16W 470 | R239 | |
| 6LA58645400 | Resistor | 11 | | 27 | 771 | | | | 1/16W 56K | R241 | |
| 6LA58645500 | Resistor | 11 | | 27 | 686 | | | | 1/16W 7.5K | R156 | |
| 6LA58645600 | Resistor | 11 | | 27 | 755 | | | | 2W 68 | R225 | |
| 6LA58645700 | Transistor | 11 | | 27 | 832 | | | | KRA119S | Q102 | |
| 6LA58645800 | Transistor | 11 | | 27 | 836 | | | | KRC106S | Q106 | |
| | | 11 | | 27 | 840 | | | | KRC106S | Q110 | |
| | | 11 | | 27 | 902 | | | | KRC106S | Q202 | |
| | | 11 | | 27 | 906 | | | | KRC106S | Q206 | |
| 6LA58645900 | Transistor | 11 | | 27 | 838 | | | | KTA1281 | Q108 | |
| 6LA58646000 | Transistor | 11 | | 27 | 831 | | | | KTA1505S | Q101 | |
| 6LA58646100 | Screw | 41 | | 10 | 14 | | | | 3X6 | | |
| 6LA58646200 | Screw | 11 | | 10 | 25 | | | | 4X6 | | |
| 6LA58646300 | Screw | 11 | | 13 | 5 | | | | 2X10 | | |
| 6LA58646400 | Test Chart BLK | 11 | | 100 | 4 | | | | | | |

TOSHIBA

TOSHIBA TEC CORPORATION

1-1, KANDA NISHIKI-CHO, CHIYODA-KU, TOKYO, 101-8842 JAPAN