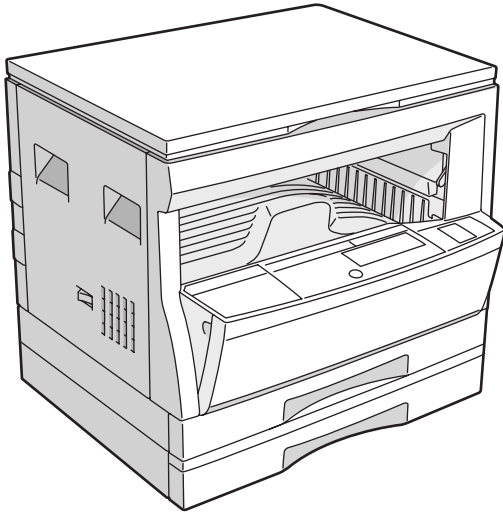


SHARP PARTS GUIDE

CODE:00ZAR200//P1/



DIGITAL COPIER

MODEL AR-S200 (Japan only)
MODEL AR-200 (Except Japan)

CONTENTS

- | | |
|------------------------------------|-----------------------------------|
| 1 Exteriors | 14 Delivery frame unit |
| 2 Operation panel section | 15 TC case unit |
| 3 Side door unit | 16 250 sheets tray unit |
| 4 Optical unit | 17 Packing material & Accessories |
| 6 Middle frame unit | 18 MCU PWB |
| 7 Process unit | 19 COPY-Operation PWB |
| 8 DV cartridge unit | 27 ERDH-Operation PWB |
| 9 Fusing unit | 28 Delivery interface PWB |
| 10 Main drive unit | 31 MHPS PWB |
| 11 Base plate unit 1 | Index |
| 12 Base plate unit 2 | |
| 13 Manual paper feeding multi unit | |

The AR-200 is a successor to the AR-160/161 in which changes are made in some of mechanisms. Reference should also be made to the AR-160/161 Parts Guide for servicing of the AR-200.

SHARP CORPORATION

This document has been published to be used for after sales service only. The contents are subject to change without notice.

DEFINITION

The definition of each Rank is as follows and also noted in the list

- A : Parts necessary to be stocked as High usage parts.
- B : Parts necessary to be stocked as Standard usage parts.
- C : Low usage parts.
- D : Parts necessary for refurbish.
- E : Unit parts recommended to be stocked for efficient after sales service.

Please note that the lead time for the said parts may be longer than normal parts.

- S : Consumable parts.

Please note that the following parts used in Copier under the same description are classified into A or B Rank depending upon the place used.

Example : Gear made of Metal, Sprocket, Bearing, Belt made of Rubber, Spring clutch mechanism.

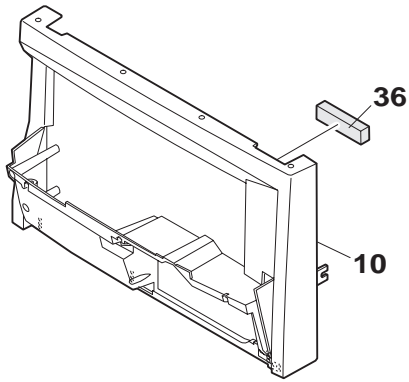
A Rank : The parts which may be with the revolution or loading.

B Rank : Parts similar to A Rank parts, but are not included in Rank A.

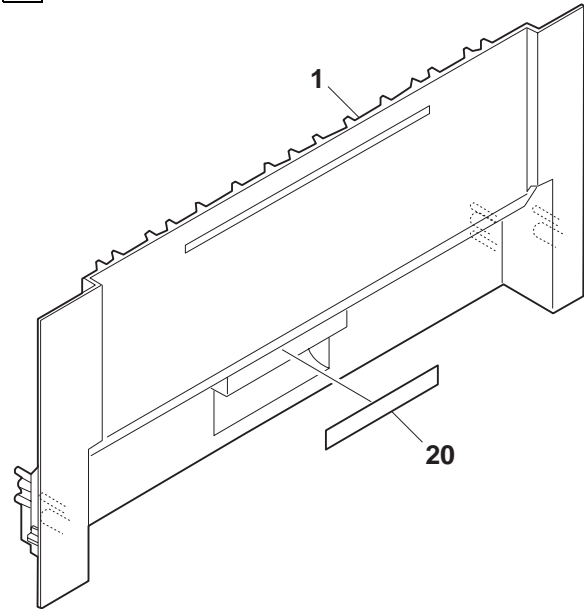
Because parts marked with “△” is indispensable for the machine safety maintenance and operation, it must be replaced with the parts specific to the product specification.

-
- Other than this Parts Guide, please refer to documents Service Manual of this model.
- Please use the 13 digit code described in the right hand corner of front cover of the document, when you place an order.
- For U.S. only-Use order codes provided in advertising literature. Do not order from parts department.

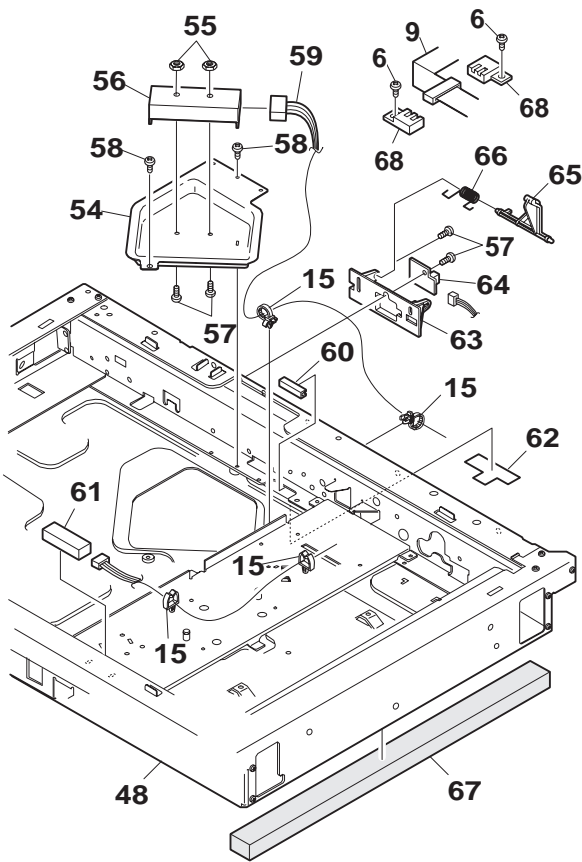
1 Exteriors



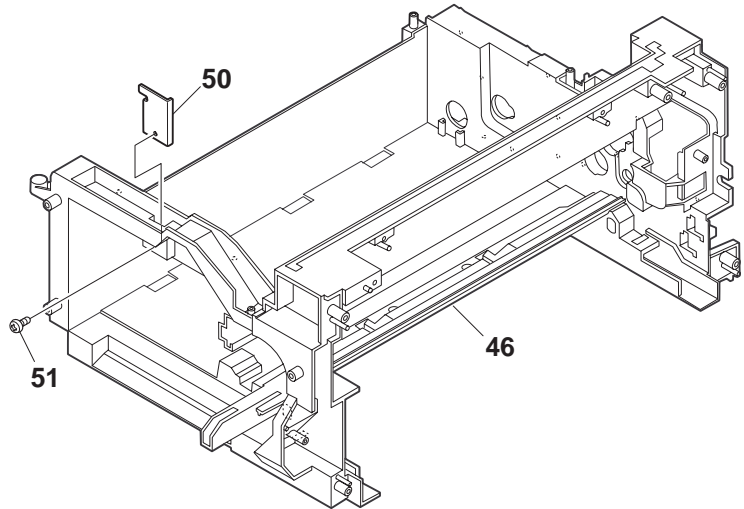
3 Side door unit



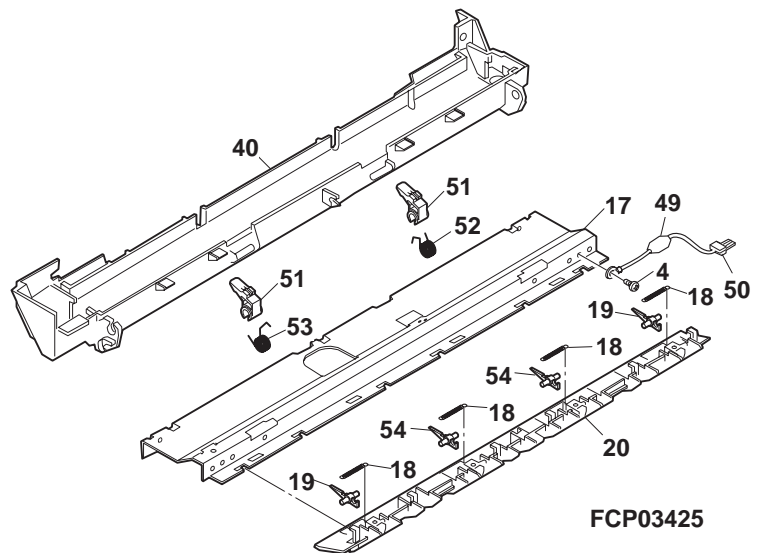
4 Optical unit



6 Middle frame unit

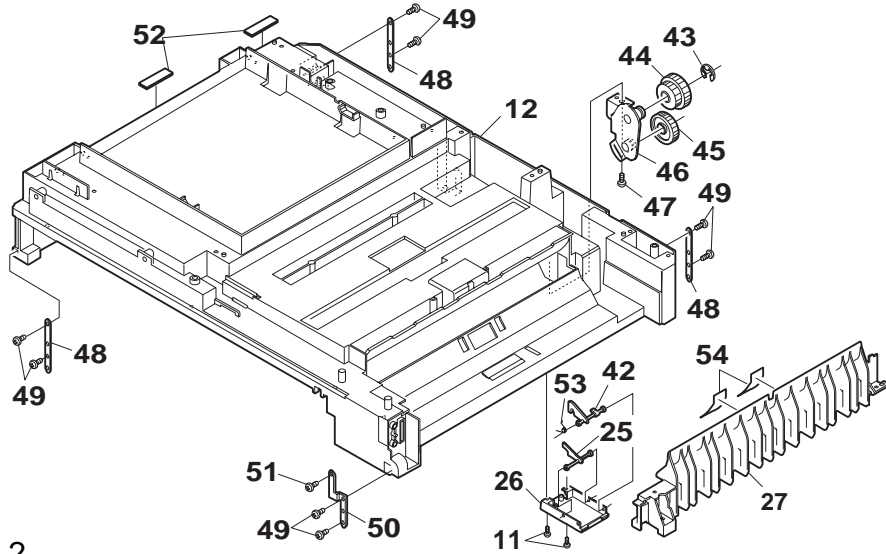


9 Fusing unit

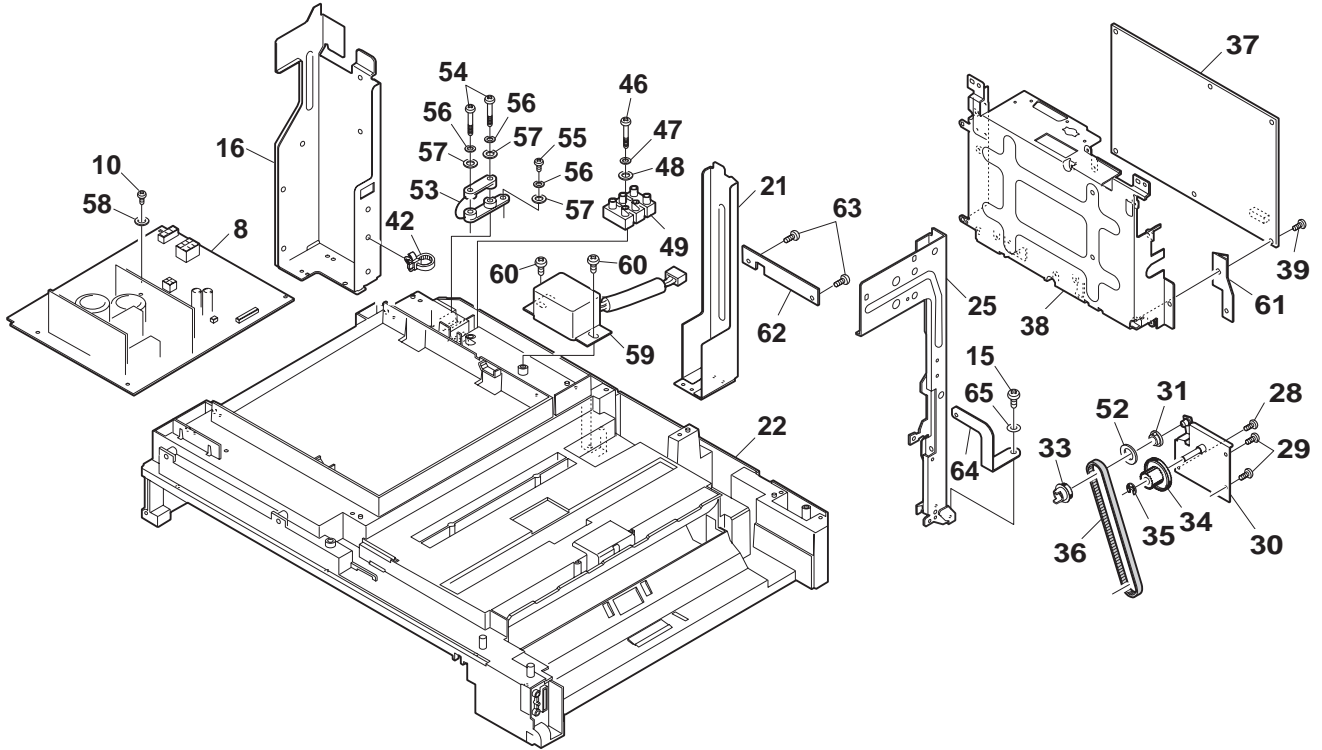


FCP03425

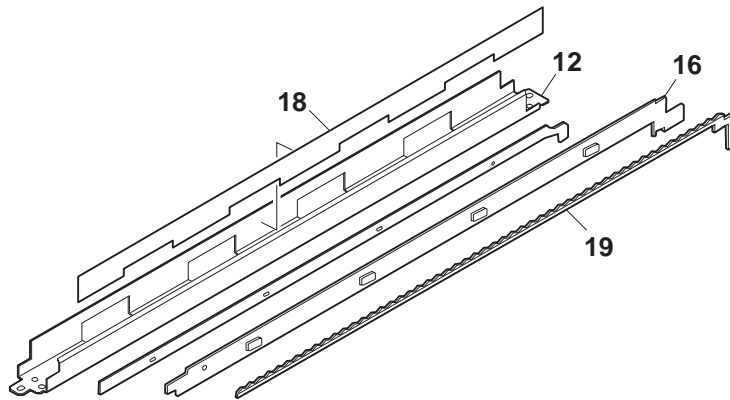
11 Base plate unit 1



12 Base plate unit 2



15 TC case unit



FCP03426

1 Exteriors

NO.	PARTS CODE	PRICE RANK		NEW MARK	PART RANK	DESCRIPTION
		Ex.	Ja.			
1	GCÖVH0010QSZZ	BE	GN		D	OC cover (Japan only)
2	PSHEZ0058QSZZ	AY	FQ		C	OC sheet (Japan only)
3	CHNG-0007QS01	AM	EG		C	OC hinge (Japan only)
4	XEBSE40P10000	AA	DD		C	Screw (4×10)(Japan only)
7	CF i X-0008QS01	AR	EQ		C	Glass fixing plate (Japan only)
	CF i X-0008QS02	AQ	EQ		C	Glass fixing plate (Except Japan)
10	CCAB-0012QS07	BD	GJ	N	D	Front exterior (Japan only)
	CCAB-0012QS08	BC	GJ	N	D	Front exterior (USA only)
	CCAB-0012QS16	BD	GJ	N	D	Front exterior (For Europe,CANADA)
11	CFTA-0001QS01	AX	FG	N	D	Front exterior cover (USA only)
	GFTA-0001QSZZ	AW	FG		D	Front exterior cover (Except USA)
15	GCAB-0014QSZZ	AY	FQ		D	Left exterior
18	GCAB-0013QSZZ	BC	GD		D	Rear exterior
22	GCÖVH0011QSZZ	AP	EQ		D	OC glass fixing cover
23	GCAB-0015QSZZ	AV	FG		D	Right exterior
36	PMLT-0030QSZZ	AD	DJ	N	C	Optical cushion B
501	CCÖVH0010QS51	BM	HV		E	OC cover unit (Japan only)
502	CF i X-0008QS51	BF	GN		E	Table unit (Japan only)
	CF i X-0008QS52	BF	GN		E	Table unit (Except Japan)

2 Operation panel section

NO.	PARTS CODE	PRICE RANK		NEW MARK	PART RANK	DESCRIPTION
		Ex.	Ja.			
3	HPNLH0004QS10	AV	FG	N	D	Main Dec. panel (Japan only)
	HPNLH0004QS11	AV	FG	N	D	Main Dec. panel (USA)
	HPNLH0004QS12	AV	FG	N	D	Main Dec. panel (CANADA)
	HPNLH0004QS13	AV	FG	N	D	Main Dec. panel (For Europe)
	HPNLH0004QS14	AV	FG	N	D	Main Dec. panel (U.Kingdom)
5	GCAB-0017QSZZ	AV	FG		D	Operation panel exterior
19	CPWBN0024QS53	BP	LP	N	E	COPY-operation PWB (Japan only)
	CPWBN0024QS54	BQ	LP	N	E	COPY-operation PWB (Except Japan)

3 Side door unit

NO.	PARTS CODE	PRICE RANK		NEW MARK	PART RANK	DESCRIPTION
		Ex.	Ja.			
1	GDÖR-0001QSZZ	AW	FG		D	Right door
10	LFRM-0016QSZZ	AT	EZ	N	C	Right door inner
13	MSPRC0084QSZZ	AD	DJ	N	C	BC interface electrode spring
14	MSPRC0083QSZZ	AD	DJ	N	C	TC interface electrode spring
15	LHLDZ0033QSZZ	AF	DS	N	C	TC terminal interphase holder
20	TLABH0124QSZZ	AC	DJ	N	C	Green label

4 Optical unit

NO.	PARTS CODE	PRICE RANK		NEW MARK	PART RANK	DESCRIPTION
		Ex.	Ja.			
48	CDA i U0012QS02	BL	HR	N	C	Optical base plate
54	LPLTM0085QSZZ	AK	DX	N	C	Sensor fixing plate (AB series)
	LPLTM0119QSZZ	AK	DX	N	C	Sensor fixing plate (Inch series)
55	XNESD30-24000	AA	DD		C	Nut
56	VHPGP2D07// -1	BA	FX	N	B	Photo sensor (GP2D07)(AB series)
	VHPGP2D03// -1	BA	FX	N	B	Photo sensor (GP2D03)(Inch series)
57	XBBS30P08000	AA	DD		C	Screw (3×8)
58	XHBS30P06000	AA	DD		C	Screw (3×6)
59	DHA i -0103QSZZ	AM	EG	N	C	Paper size sensor harness (AB series)
	DHA i -0102QSZZ	AL	EB	N	C	Paper size sensor harness (Inch series)
60	LBSHZ0227FCZZ	AC	DD		C	Bushing
61	VHPGP2D061// -1	AY	FQ	N	B	Photo sensor (GP2D061)(AB series)
	VHPGP2D032// -1	BA	FX	N	B	Photo sensor (GP2D032)(Inch series)
62	PSHEP0092QSZZ	AC	DJ	N	C	Edge protection sheet
63	LPLTP0077QSZZ	AE	DJ	N	C	Open the shut sensor fixing plate
64	CPWBF1177FC69	AU	FG	N	E	MHPS PWB
65	MLEVP0031QSZZ	AE	DJ	N	C	Open the shut actuator B
66	MSPRD0119QSZZ	AC	DJ	N	C	Return spring A
67	PMLT-0029QSZZ	AG	DX	N	C	Optical cushion A
68	LHLDZ7021XCZZ	AD	DJ		C	Holder (FRH-12)

6 Middle frame unit

NO.	PARTS CODE	PRICE RANK		NEW MARK	PART RANK	DESCRIPTION
		Ex.	Ja.			
26	MSPRC0105QSZ1	AB	DJ	N	C	PS pressure spring
50	LANGT0003QSZZ	AD	DJ	N	C	SRU fixing angle
51	XHBS230P06000	AA	DD		C	Screw (3×6)

7 Process unit

NO.	PARTS CODE	PRICE RANK		NEW MARK	PART RANK	DESCRIPTION
		Ex.	Ja.			
10	XBBSD30P04000	AA	DD		C	Screw (3×4)
11	LPLTM0101QSZ1	AD	DJ	N	C	Sub blade earth plate
31	LFIX-0007QSZ1	AE	DJ		C	Drum fixing plate B

8 DV cartridge unit

NO.	PARTS CODE	PRICE RANK		NEW MARK	PART RANK	DESCRIPTION
		Ex.	Ja.			
31	PSHEA0004YSZ1	AC	DJ	N	C	DV side sheet

9 Fusing unit

NO.	PARTS CODE	PRICE RANK		NEW MARK	PART RANK	DESCRIPTION
		Ex.	Ja.			
8	NBRGP0567FCZZ	AG	DX		C	Fusing bearing
19	PTME-0007GCZA	AG	DS		C	Separator pawl (Japan only)
	PTME-0020GCZZ	AG	DX		C	Upper separator pawl (Except Japan)
24	PSHEP0053QSZZ	AK	DX	N	C	PG sheet
25	PGIDH0033QSZ1	AK	EB	N	C	Fusing front paper guide
27	NR0LR0031QSZ1	BC	GJ	N	C	Pressure roller
32	MSPRT0089QSZ1	AC	DJ	N	C	Pressure spring B
34	MLEVP0019QSZ1	AE	DJ	N	C	Release lever F
35	MLEVP0020QSZ1	AE	DJ	N	C	Release lever R
49	VRH-ST2HB157K	AD	DJ		C	Resistor (1/2W 150Ω)
50	PBRSR0004QSZZ	AE	DS		B	Discharge brush
51	PTME-0014QSZZ	AK	DX	N	B	Lower separator pawl
52	MSPRD0122QSZZ	AB	DJ	N	C	Separator pawl spring R
53	MSPRD0121QSZZ	AB	DJ	N	C	Separator pawl spring F
54	PTME-0020GCZZ	AG	DX		C	Upper separator pawl

10 Main drive unit

NO.	PARTS CODE	PRICE RANK		NEW MARK	PART RANK	DESCRIPTION
		Ex.	Ja.			
18	CPLTM0047QS02	BA	FX	N	C	Main drive unit

11 Base plate unit 1

NO.	PARTS CODE	PRICE RANK		NEW MARK	PART RANK	DESCRIPTION
		Ex.	Ja.			
10	LPLTM0066QSZ1	AF	DS	N	C	Tray earth plate
23	PSHEZ0133QSZZ	AD	DJ	N	C	Paper feeding sheet
27	LRALP0005QSZZ	AN	EQ		C	Base plate rail R
37	PC0VP0032QSZ1	AD	DJ	N	C	PS sensor cover
38	MSPRC0099QSZ1	AC	DJ	N	C	PS actuator spring
43	XRESP70-08000	AA	DD		C	E type ring
44	NGERH0078QSZZ	AE	DJ		C	2ND joint gear (39/33T)
45	NGERH1169FCZZ	AF	DS		C	2ND joint gear
46	CPLTM0114QS01	AG	DX		C	2ND joint gear fixing plate
47	XEBSE40P12000	AA	DD		C	Screw (4×12)
48	LPLTM0112QSZZ	AE	DJ		C	2ND support plate
49	XEBSE40P14000	AA	DD		C	Screw (4×14)
50	LPLTM0136QSZZ	AD	DJ	N	C	2ND support plate
51	LX-BZ0018QSZZ	AB	DD	N	C	Screw (3×6)
52	LPLTM0125QSZZ	AD	DJ	N	C	Plate
53	MSPRD0148QSZZ	AB	DJ	N	C	MF sensor spring
54	PSHEZ0134QSZZ	AC	DJ	N	C	PS front sheet

12 Base plate unit 2

NO.	PARTS CODE	PRICE RANK		NEW MARK	PART RANK	DESCRIPTION
		Ex.	Ja.			
1	GCÖVH0014QSZZ	AR	EQ		C	Delivery left cover
2	GCÖVH0012QSZZ	AS	EQ		C	Delivery rear cover
3	LSÖU-0013QSZZ	BB	FX		D	Delivery tray
12	LPLTM0082QSZ1	AS	EQ	N	C	PS PWB fixing plate
28	XHBSD30P10000	AA	DD		C	Screw (3×10)
29	XHBSD30P08000	AA	DD		C	Screw (3×8)
37	CPWBX0021QS56	CD	UD	N	E	MCU PWB
42	LBNJD0043FCZ1	AA	DJ		C	Snap band (Japan only)
52	LPFTF0001QSZZ	AC	DJ	N	C	Pulley flange
	LFIX-0084FCZZ	AC	DD		C	AC cord fixer (120V)
53	LFIX-0016FCZZ	AD	DJ		C	AC cord fixer (Except 120V)
54	XEPSD40P30000	AA	DD		C	Screw (4×30)
55	XEBSD40P12000	AA	DD		C	Screw (4×12)
56	XWSSD40-10000	AA	DD		C	Washer
57	XWHSD40-08100	AA	DD		C	Washer
58	LX-WZ0144FCZZ	AA	DD		C	Fusing washer
59	RCILZ0006QSZZ	BE	GN	N	B	Coil (200V series)
60	XEBSD40P12000	AA	DD		C	Screw (4×12)(200V series)
61	PSHEZ0136QSZZ	AC	DJ	N	C	Motor plate sheet
62	LPLTM0134QSZZ	AD	DJ	N	C	Corner frame earth plate
63	XHBSE30P08000	AA	DD		C	Screw (3×6)
64	PSHEZ0135QSZZ	AC	DJ	N	C	Drive plate sheet
65	XWHSD40-08100	AA	DD		C	Washer

13 Manual paper feeding multi unit

NO.	PARTS CODE	PRICE RANK		NEW MARK	PART RANK	DESCRIPTION
		Ex.	Ja.			
1	PCÖVP0030QSZZ	AN	EG		C	Multi frame cover
33	LFRM-0020QSZZ	AV	FG		C	Multi feed frame
501	CFRM-0020QS51	BK	HG		E	Manual paper feeding multi unit

14 Delivery frame unit

NO.	PARTS CODE	PRICE RANK		NEW MARK	PART RANK	DESCRIPTION
		Ex.	Ja.			
2	GCÖVH0018QSZZ	AQ	EQ		C	Delivery front side cover
3	CPWBF0018QS52	AY	FQ		E	Delivery interface PWB
6	NRÖLM0037QSZZ	AR	EQ		C	Delivery roller C
15	NBRGY2122SCZZ	AB	DD		B	Transport roller bearing 1
50	XEBSD30P08000	AA	DD		C	Screw (3×8)
51	CSFTZ0023QS01	AH	DX		C	Shifter shaft
52	MSPRD0144QSZZ	AC	DJ		C	Delivery earth spring B
53	XRESP40-06000	AA	DD		C	E type ring
54	LSTPP0003QSZZ	AE	DJ		C	Shifter stopper
55	MSPRT0107QSZZ	AC	DJ		C	Shifter return spring
56	NGERH0067QSZZ	AD	DJ		C	Shifter gear (24T)
57	NGERH0068QSZZ	AD	DJ		C	Shifter gear (50T)
58	CPLTM0075QS01	AL	EB		C	Shifter drive plate
59	RMÖTP0018QSZZ	AV	FG		B	Shifter motor
60	XHBSF30P05000	AA	DD		C	Screw (3×5)
61	CPWBF1177FC68	AP	EQ		E	Shifter HP sensor PWB
62	XRESP30-06000	AA	DD		C	E type ring

15 TC case unit

NO.	PARTS CODE	PRICE RANK		NEW MARK	PART RANK	DESCRIPTION
		Ex.	Ja.			
18	PSHEZ0129QSZZ	AG	DX	N	C	TC case sheet
19	PSHEZ0125QSZZ	AE	DS	N	C	Discharge plate sheet

16 250 sheets tray unit

NO.	PARTS CODE	PRICE RANK		NEW MARK	PART RANK	DESCRIPTION
		Ex.	Ja.			
1	LPLTM0053QSZ1	AS	EQ	N	C	Rotation plate
4	LPLTM2642FCGZ	AD	DS		C	Tray rear plate
15	MSPRC0152QSZZ	AB	DJ	N	C	Tray drawer lower spring D

17 Packing material & Accessories

NO.	PARTS CODE	PRICE RANK		NEW MARK	PART RANK	DESCRIPTION
		Ex.	Ja.			
1	SPAKC0136QSZZ	AZ	FQ	N	D	Packing case (Japan only)
	SPAKC0112QS14	AZ	FQ	N	D	Packing case (USA)
	SPAKC0146QSZZ	AZ	FQ	N	D	Packing case (For Europe except U.Kingdom)
	SPAKC0112QS12	AZ	FQ	N	D	Packing case (CANADA,U.Kingdom,Others)
4	SPAKA0110QSZZ	AZ	FQ	N	D	Top packing cushion (Except Japan)
7	SPAKA0134QSZZ	AE	DJ		D	OC protection sheet (Japan only)
13	TLABH0116QSZZ	AN	EG	N	C	Size display label (Japan only)
	TLABH0065QSZZ	AN	EG		C	Size display label (AB series)
	TLABH0069QSZZ	AN	EG		C	Size display label (Inch series)
14	SPAKA0138QSZZ	AG	DX	N	D	Spacer B (Japan only)
18	TiNSJ0124QSZZ	AX	ZZ	N	D	Operation manual (Japanese) (Japan)
	TiNSE0125QSZZ	AQ	EQ	N	D	Operation manual (USA)
	TiNSE0173QSZZ	---	---	N	D	Operation manual (U.Kingdom)
	TiNSE0126QSZZ	---	---	N	D	Operation manual (English) (CANADA,Germany,U.Kingdom)
	TiNSF0127QSZZ	---	---	N	D	Operation manual (French) (CANADA)
	TiNSG0128QSZZ	---	---	N	D	Operation manual (German) (Germany)
	TiNSS0129QSZZ	---	---	N	D	Operation manual (Spanish)
	TiNSi0130QSZZ	---	---	N	D	Operation manual (Italian)
	TiNSZ0131QSZZ	---	---	N	D	Operation manual (Swedish)
	TiNSZ0132QSZZ	---	---	N	D	Operation manual (Dutch)
103	CCASZ0067FC02	AM	EG		D	Maintenance card (Japan only)
104	TCADS0764FCZZ	AE	DJ		D	Warranty resist card (U.Kingdom)
105	SPAKA0167QSZZ	AD	DJ	N	D	Tray protection sheet

18 MCU PWB

NO.	PARTS CODE	PRICE RANK		NEW MARK	PART RANK	DESCRIPTION
		Ex.	Ja.			
80	VHiW24257A12J	AN	EG		B	IC (W24257A12J) [IC18,19,21,22,35,37]
81	VHi29F400BCC1	BA	FX	N	B	IC (29F400BCC1) [IC20]
114	VHiSC65165V6T	BW	RR		B	16MDRAM (SC65165V6T) [IC36]
115	VHi16163CLT-6	BA	FX		B	64MDRAM (16163CLT-6) [IC34]
	(Unit)					
901	CPWBX0021QS56	CD	UD	N	E	MCU PWB

19 COPY-Operation PWB

NO.	PARTS CODE	PRICE RANK		NEW MARK	PART RANK	DESCRIPTION
		Ex.	Ja.			
20	VHPMPG3864K-J	AC	DJ		B	LED (Green) (MPG3864K)(Except Japan) [D1-4,6,7,10,11,12,14,15,16,18-24]
	VHPMPG3864K-J	AC	DJ		B	LED (Green) (MPG3864K)(Except Japan) [D26-33,35,36,37,39,40,41,43,44,46-50,52]
	VHPMPG3864K-J	AC	DJ		B	LED (Green) (MPG3864K)(Japan only) [D1-4,6,7,10,11,12,14,15,16,18-20,22,23,24]
	VHPMPG3864K-J	AC	DJ		B	LED (Green) (MPG3864K)(Japan only) [D26-32,35,36,37,39,40,41,43,44,46-50,52]
28	VRS-TP2BD6R8J	AA	DD		C	Resistor (1/8W 6.8Ω ±5%) [R2-7]
	(Unit)					
901	CPWBN0024QS53	BP	LP	N	E	COPY-Operation PWB (Japan only)
	CPWBN0024QS54	BQ	LP	N	E	COPY-Operation PWB (Except Japan)

27 ERDH-Operation PWB

NO.	PARTS CODE	PRICE RANK		NEW MARK	PART RANK	DESCRIPTION
		Ex.	Ja.			
2	QCNCW0022QSZZ	AE	DJ		C	Connector (52793-1590) [CN1]

SHARP

COPYRIGHT © 1999 BY SHARP CORPORATION

All rights reserved.

Printed in Japan.

No part of this publication may be reproduced,
stored in a retrieval system, or transmitted,
in any form or by any means,
electronic, mechanical, photocopying, recording, or otherwise,
without prior written permission of the publisher.

SHARP CORPORATION
Printing & Reprographic Systems Group
Quality & Reliability Control Center
Yamatokoriyama, Nara 639-1186, Japan
February 1998 Printed in Japan ①