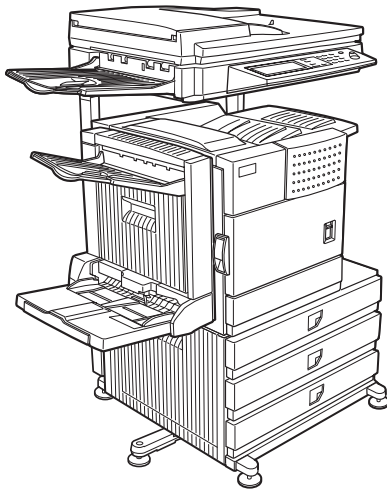


CODE:00ZARM351NP1/

## Digital Multifunctional System



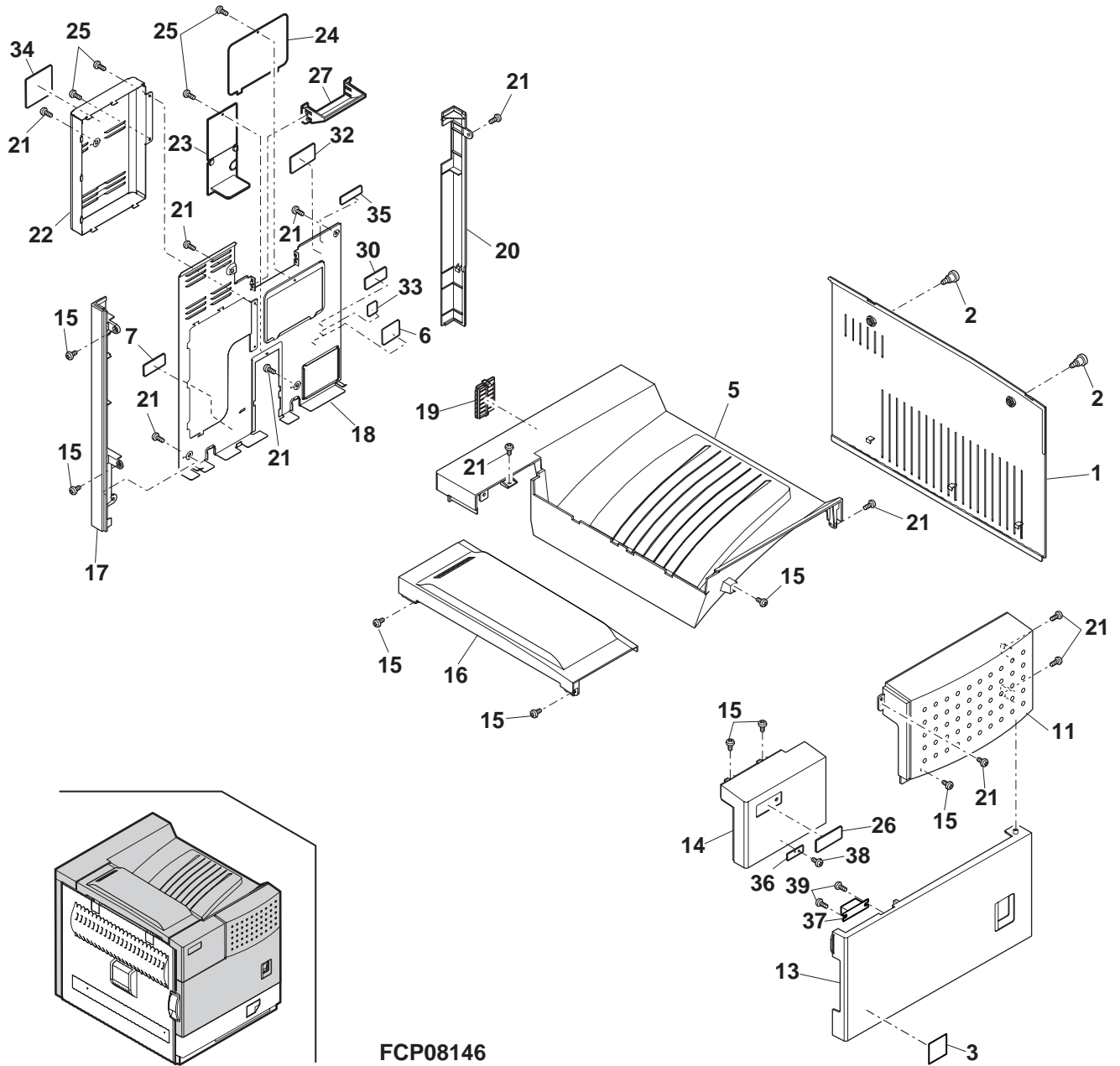
**AR-M351N**  
**AR-M451N**  
**AR-EF3**  
**MODEL AR-RK2**

### CONTENTS

- |                                   |  |
|-----------------------------------|--|
| 1 Exteriors                       | 22 Relay PWB                               |
| 2 Left door unit                  | 23 Power supply PWB 100V                   |
| 3 PS roller unit                  | 24 Power supply PWB 200V                   |
| 4 Main drive unit                 | 25 Exteriors[AR-EF3]                       |
| 5 Transfer unit                   | 26 Original detect unit[AR-EF3]            |
| 6 Cassette paper feeder           | 27 Operation panel unit[AR-EF3]            |
| 7 Fusing unit                     | 28 Optical unit 1[AR-EF3]                  |
| 8 Delivery turn over unit         | 29 Optical unit 2[AR-EF3]                  |
| 9 MC unit                         | 30 Lamp unit[AR-EF3]                       |
| 10 Process unit                   | 31 DSPF,SPF Assembly section[AR-EF3]       |
| 11 DV unit                        | 32 DSPF,SPF Paper feed unit[AR-EF3]        |
| 12 Controller BOX unit            | 33 DSPF,SPF Upper transfer unit[AR-EF3]    |
| 13 Power supply unit              | 34 DSPF CIS unit[AR-EF3]                   |
| 14 Rear frame section 1           | 35 Packing Material & Accessories[AR-EF3]  |
| 15 Rear frame section 2           | 36 Packing Material & Accessories)[AR-RK2] |
| 16 Cassette unit                  | 37 Scanner control PWB[AR-EF3]             |
| 17 Packing material & Accessories | 38 Scanner interface PWB[AR-EF3]           |
| 18 Mother PWB                     | 39 MFP OPE PWB[AR-EF3]                     |
| 19 PCU PWB                        | 40 CIS control PWB[AR-EF3]                 |
| 20 MFP control PWB                | ■ Index                                    |
| 21 Fuse PWB                       |  |

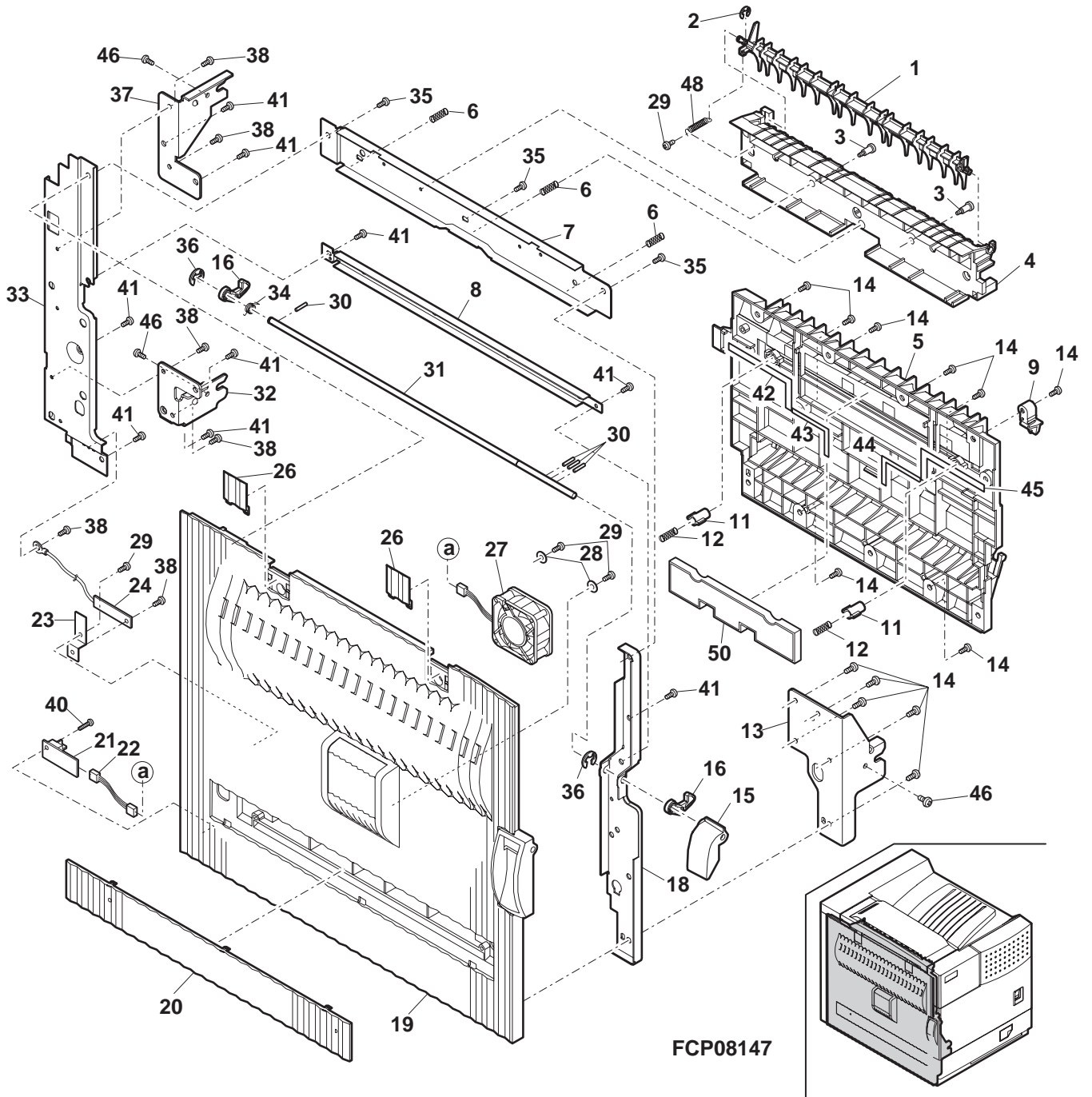


1 Exteriors



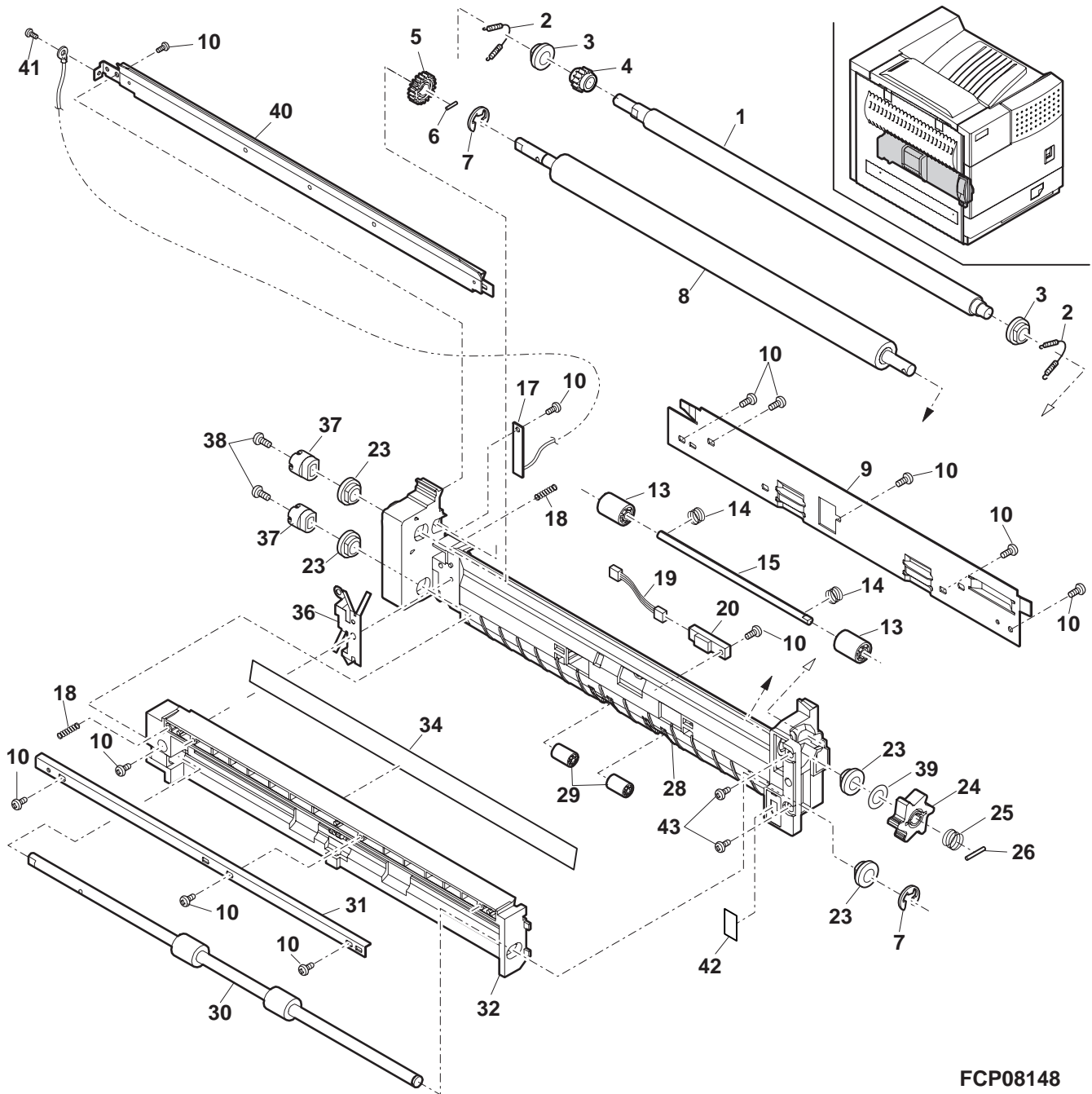


2 Left door unit





3 PS roller unit



FCP08148

#### 4 Main drive unit

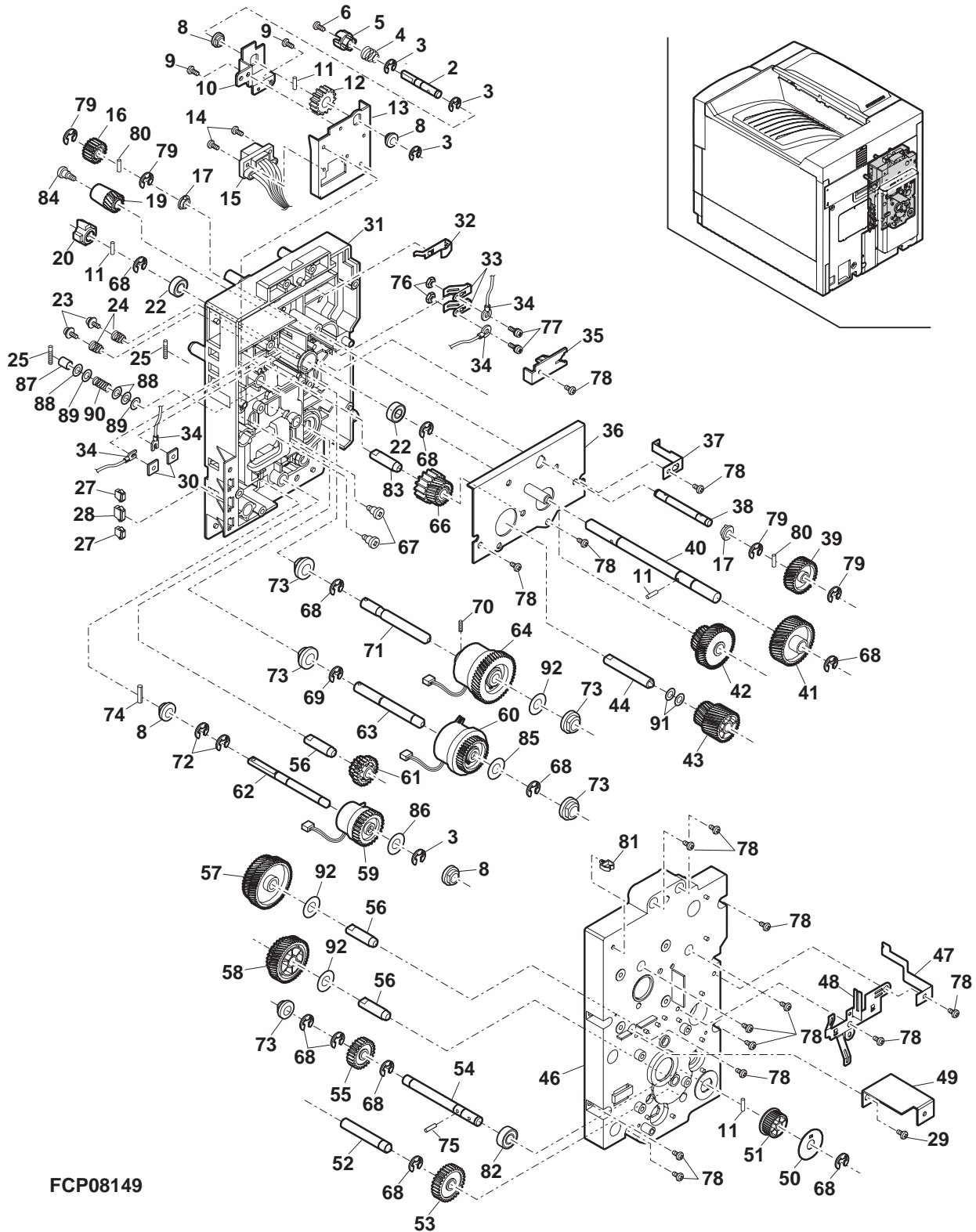
NO.	PARTS CODE	PRICE RANK	NEW MARK	PART RANK	DESCRIPTION
2	NSFTZ2584FCZZ	AG		C	DV joint shaft
3	XRESP50-06000	AA		C	E type ring(E5)
4	MSPRC2616FCZZ	AC		C	DV drive spring
5	NCPL-0046FCZZ	AC		C	DV coupling
6	LX-BZ0845FCZZ	AC		C	Screw
8	NBRGC0387FCZ1	AC		C	Bearing
9	XHBSD30P06000	AA		C	Screw(3x6)
10	LPLTM5712FCZZ	AE		C	DV drive plate
11	LPI NS0337FCZZ	AB		C	Pin(φ3-12)
12	NGERH1240FCZZ	AD		C	DV drive gear(14T)
13	LPLTM5713FCZZ	AC		C	DV joint plate
14	XHBSD30P08000	AA		C	Screw(3x8)
15	DHAi-3635FCZZ	AY	N	C	DV interface harness
16	NGERH1363FCZZ	AC		C	Cleaner TB gear(19T)
17	NBRGC0190FCZ1	AD		C	F6 bearing
19	NCPL-0054FCZZ	AE		C	Cleaner coupling
20	NCPL-0048FCZZ	AK		C	Drum coupling
22	NBRGY0627FCZZ	AK		C	Bearing
23	XBPSD30P08K00	AA		C	Screw(3x8K)
24	MSPRP1293FCZZ	AB		C	Electrode spring
25	LX-BZ0670FCZ1	AC		C	Drive joint stop screw
27	QCNCM0999FCZZ	AC		C	Connector(BU02P-TR-P-H)(2pin)
28	QCNCM1000FCZZ	AC		C	Connector(BU03P-TR-P-H)(3pin)
29	XEBSD40P10000	AA		C	Screw(4x10)
30	LPLTM5714FCZZ	AB		C	M3 plate
31	LFRM-1016FCZZ	BA		D	Transfer drive frame lower
32	QEARP0116FCZZ	AC		C	Left cabinet earth spring
33	MSPRP2823FCZZ	AD		C	TB spring
34	DHAi-3427FCZZ	AN		C	HV harness
35	PCOVP1611FCZZ	AC		C	Transfer high voltage cover
36	CPLTM5711FC01	AH		C	DV gear fixing plate
37	QEARP0117FCZZ	AC		C	Drum earth joint spring
38	NSFTZ2585FCZZ	AG		C	Cleaner TB shaft
39	NGERH1416FCZZ	AE		C	Cleaner gear
40	NSFTZ2580FCZZ	AK		C	Drum turn shaft
41	NGERH1413FCZZ	AM		C	Drum gear
42	NGERH1415FCZZ	AN		C	DR idle gear
43	NGERH1429FCZZ	AE		C	DV drive gear
44	NSFTZ2579FCZZ	AE		C	Drum motor shaft
46	PCOVP1534FCZZ	AX		D	Transfer drive cover
47	QEARP0118FCZZ	AC		C	Transfer earth joint spring
48	QEARP0115FCZZ	AF		C	Drum earth plate
49	LPLTM5762FCZZ	AC		C	Rear cabinet fixing plate B
50	PSHEP4826FCZZ	AC		C	Pulley sheet
51	NPLYZ0419FCZZ	AD		C	Elevator drive pulley(22PS3M)
52	NSFTZ2581FCZZ	AE		C	Fusing drive shaft
53	NGERH0349FCZZ	AC		C	Gear(CL28T)
54	NSFTZ2883FCZZ	AP	N	C	Main drive joint shaft
55	NGERH0457FCZZ	AC		C	DV drive gear R
56	NSFTZ2577FCZZ	AL		C	Main motor shaft
57	NGERH1528FCZZ	AE		C	PS drive gear
58	NGERH1357FCZZ	AD		C	Gear(48/28T)
59	PCLC-0298FCZZ	AT		B	Paper feed clutch
60	PCLC-0297FCZZ	AU		B	PS front clutch
61	NGERH1414FCZZ	AC		C	Paper feed joint gear
62	NSFTZ2583FCZZ	AF		C	Paper feed shaft
63	NSFTZ2575FCZ1	AF		C	PS front roller shaft
64	PCLC-0296FCZ1	AX		B	PS clutch
66	NGERH1359FCZZ	AD		C	Gear(15/24T)
67	LX-BZ0788FCZ1	AC		C	Screw
68	XRESP70-08000	AA		C	E type ring(E7)
69	XRESP60-07000	AA		C	E type ring(E6)
70	LX-BZ0576FCZZ	AC		C	Screw(4x6)
71	NSFTZ2576FCZ2	AF		C	PS roller shaft
72	XRESP40-05000	AA		C	E type ring(E4)
73	NBRGC0641FCZZ	AD		C	Bearing
74	LPI NS0330FCZZ	AB		C	Spring pin(φ3-16)
75	LPI NS0155FCZZ	AA		C	Pin(φ3-10)
76	XNESD30-18000	AA		C	Nut
77	XBPSD30P06K00	AA		C	Screw(3x6K)
78	XEBSD40P10000	AA		C	Screw(4x10)
79	XRESP40-05000	AA		C	E type ring(E4)
80	LPI NS0133FCZZ	AA		C	Pin(2x10)
81	LHLDW1006FCZZ	AA		C	Mini clamp(UAMS-09-0)
82	NBRGY0724FCZZ	AH		C	Bearing
83	NSFTZ2578FCZZ	AN		C	DV joint shaft
84	LX-BZ0033GCZZ	AC		C	Screw
85	PSHEP4947FCZZ	AC		C	PS front clutch sheet
86	PSHEP4948FCZZ	AC		C	PF clutch sheet
87	PSPAZ1430FCZZ	AB		C	Spacer(φ8-8)



#### 4 Main drive unit

NO.	PARTS CODE	PRICE RANK	NEW MARK	PART RANK	DESCRIPTION
88	LX-WZ0070FCZZ	AA		C	Washer
89	LX-WZ0017FCZZ	AA		C	Adjust Washer
90	MSPRC3027FCZ1	AD		C	PS front spring
91	LX-WZ0421FCZZ	AA		C	Washer
92	LX-WZ0198FCZZ	AA		C	Washer
	(Unit)				
901	CFRM-1016DS53	BR	N	E	Main drive unit(With out No.29,49)

#### 4 Main drive unit

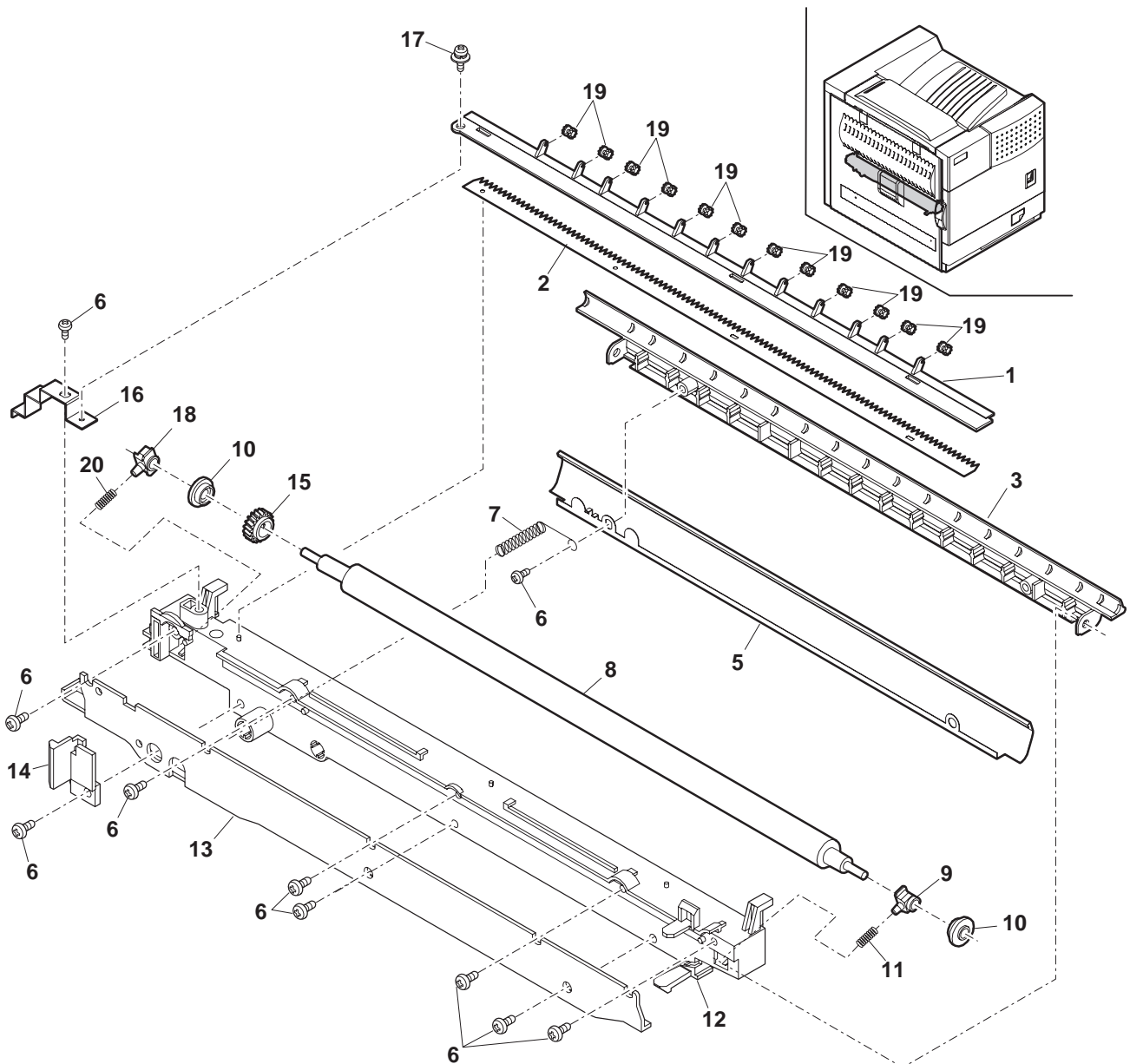


FCP08149

## 5 Transfer unit

NO.	PARTS CODE	PRICE RANK	NEW MARK	PART RANK	DESCRIPTION
1	LHLDZ1482FCZ3	AF		C	Discharge plate holder
2	LPLTM5875FCZ1	AK		B	Discharge plate
3	PGIDM1950FCZ2	AE		D	Transfer front PG
5	LPLTM5925FCZZ	AQ		C	Transfer front PG plate
6	XEBSD40P08000	AA		C	Screw(4x8)
7	MSPRC3000FCZZ	AC		C	Transfer front PG spring
8	NROLR1355FCZ1	AZ		B	Transfer roller
9	NBRGP0655FCZZ	AD		C	TR bearing F
10	PCLR-0468FCZ1	AC		C	Transfer roller collar
11	MSPRC2955FCZZ	AB		C	Reverse pressure spring
12	LHLDZ1474FCZ2	AL		D	TR holder
13	LPLTM5926FCZ1	AS		C	Holder support plate
14	PTME-0288FCZZ	AC		C	Transfer lock pawl
15	NGERH1419FCZZ	AK		C	TR gear
16	QEARP0132FCZZ	AE		C	TR earth plate
17	XBPSD30P06KS0	AA		C	Screw(3x6KS)
18	NBRGP0656FCZZ	AD		C	TR bearing R
19	PRNGF0107FCZZ	AC		C	Starling
20	MSPRC3342FCZZ	AC	N	C	Transfer R pressure spring
(Unit)					
901	CHLDZ1474DS52	BF	N	E	Transfer unit

## 5 Transfer unit

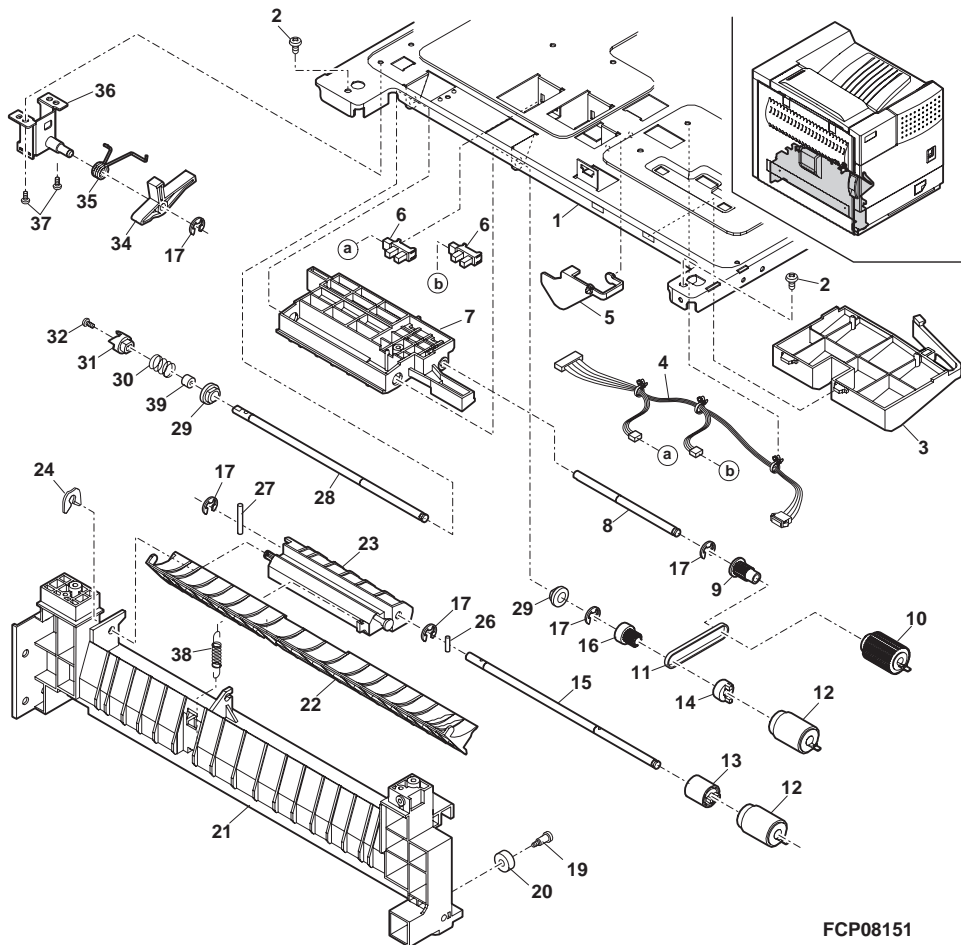


FCP08150

## 6 Cassette paper feeder

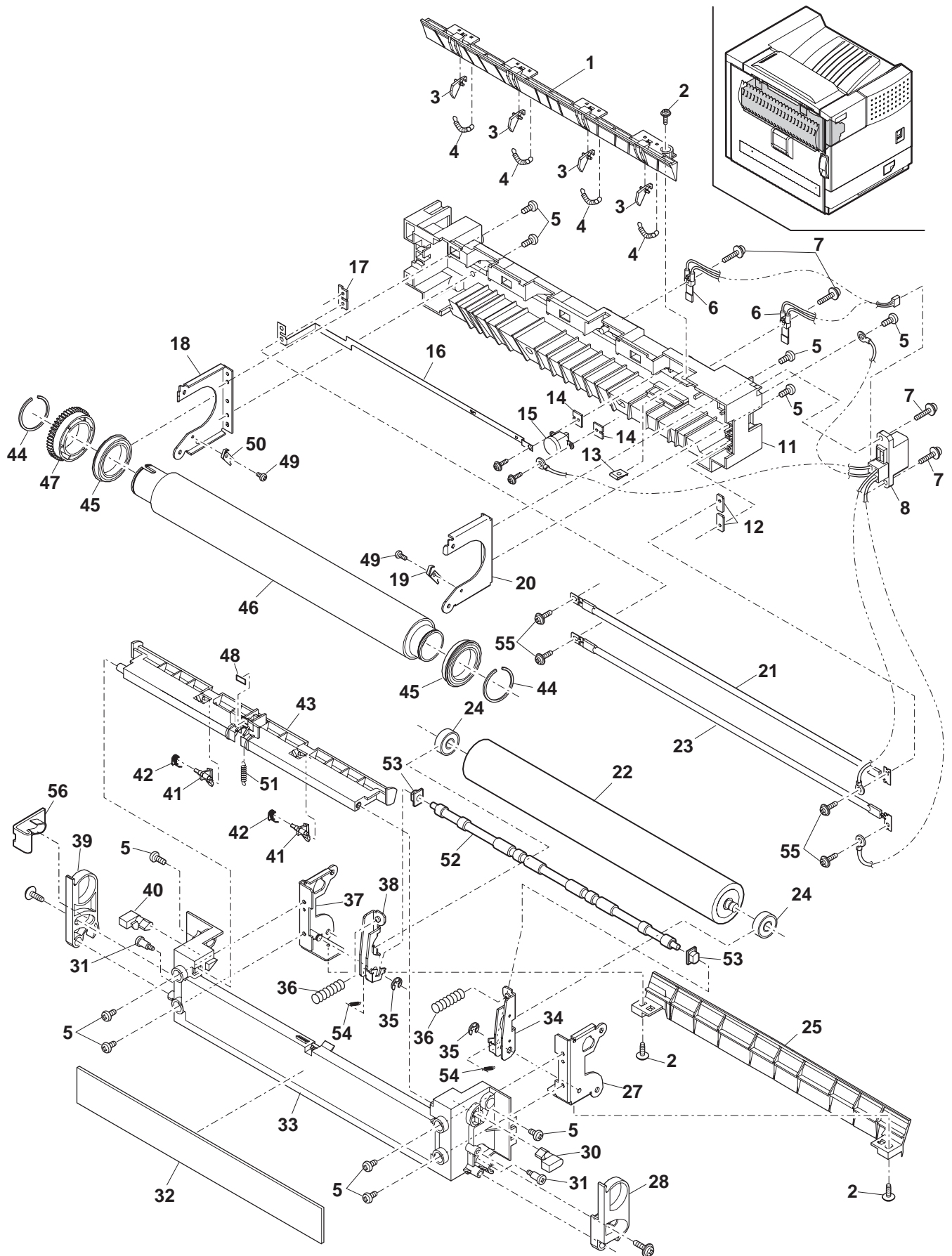
NO.	PARTS CODE	PRICE RANK	NEW MARK	PART RANK	DESCRIPTION
1	LDAiU0622FCZZ	AY		C	Paper feed base plate
2	XEBSD40P10000	AA		C	Screw(4x10)
3	PCOV1543FCZ1	AF		C	Paper feed upper cover
4	DHAI-3155FCZZ	AK		C	Cassette detect interface harness
5	MLEVP0785FCZZ	AE		C	PE actuator
6	VHPGP1A73A+-1	AG		B	LED(GP1A73A)
7	PGiDM1891FCZZ	AG		C	Pick-up roller guide
8	NSFTZ2591FCZZ	AF		C	Pick-up roller shaft
9	NPLYZ0365FCZZ	AC		C	Pick-up roller pulley
10	NRÖLR1509FCZZ	AX	N	B	Pick-up roller
11	NBLTH0432FCZZ	AF		B	Belt(55MXL3.2)
12	NRÖLR1508FCZZ	AX	N	B	Paper feed separation roller
13	PCLC-0348FCZZ	AP	N	C	Separate torque limiter
14	NCPL-0049FCZZ	AH		C	Oneway coupling
15	NSFTZ2590FCZ1	AH	N	C	Separation roller shaft
16	NPLYZ0373FCZZ	AH		C	Paper feed roller pulley
17	XRESP50-06000	AA		C	E type ring(E5)
19	LX-BZ0960FCZZ	AC		C	Screw(φ16)
20	PCLR-0441FCZZ	AK		C	Collar(φ16)
21	LRALP0185FCZZ	AQ		D	Left rail
22	PGiDM1893FCZZ	AH		C	Paper feed PG
23	PGiDM1892FCZZ	AE		C	Separation roller guide
24	PRNGP0090FCZZ	AA		C	Ring(E5)
26	XPSSJ20-08000	AA		C	Spring pin(φ2-8)
27	LPiNS0329FCZZ	AB		C	Spring pin(φ2-16)
28	NSFTZ2589FCZZ	AL		C	Paper feed roller shaft
29	NBRGC0387FCZ1	AC		C	Bearing
30	MSPRC3012FCZZ	AC		C	Paper feed brake spring
31	NCPL-0047FCZZ	AC		C	Paper feed coupling
32	LX-BZ0916FCZZ	AA		C	Screw
34	MARMP0259FCZZ	AC		C	Pick-up roller arm
35	MSPRD2850FCZZ	AE		C	Pick-up roller arm spring
36	CPLTM5732FC01	AF		C	Pick-up roller arm fixing plate
37	XHBSE40P08000	AA		C	Screw(4x8)
38	MSPRT3341FCZZ	AC	N	C	Separate pressure spring
39	PSPA Z1429FCZZ	AB		C	Spacer

## 6 Cassette paper feeder





7 Fusing unit

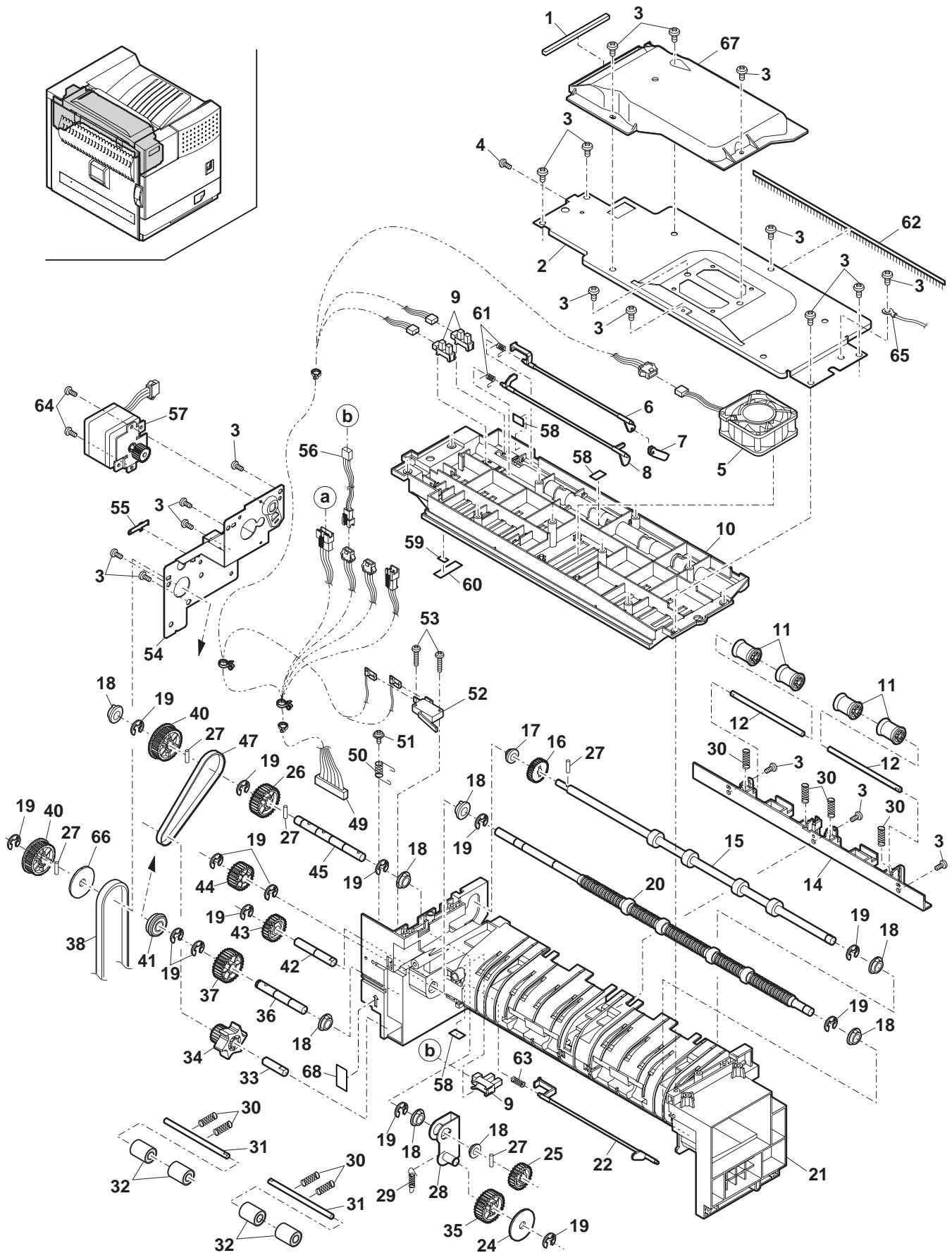


FCP08152





8 Delivery turn over unit

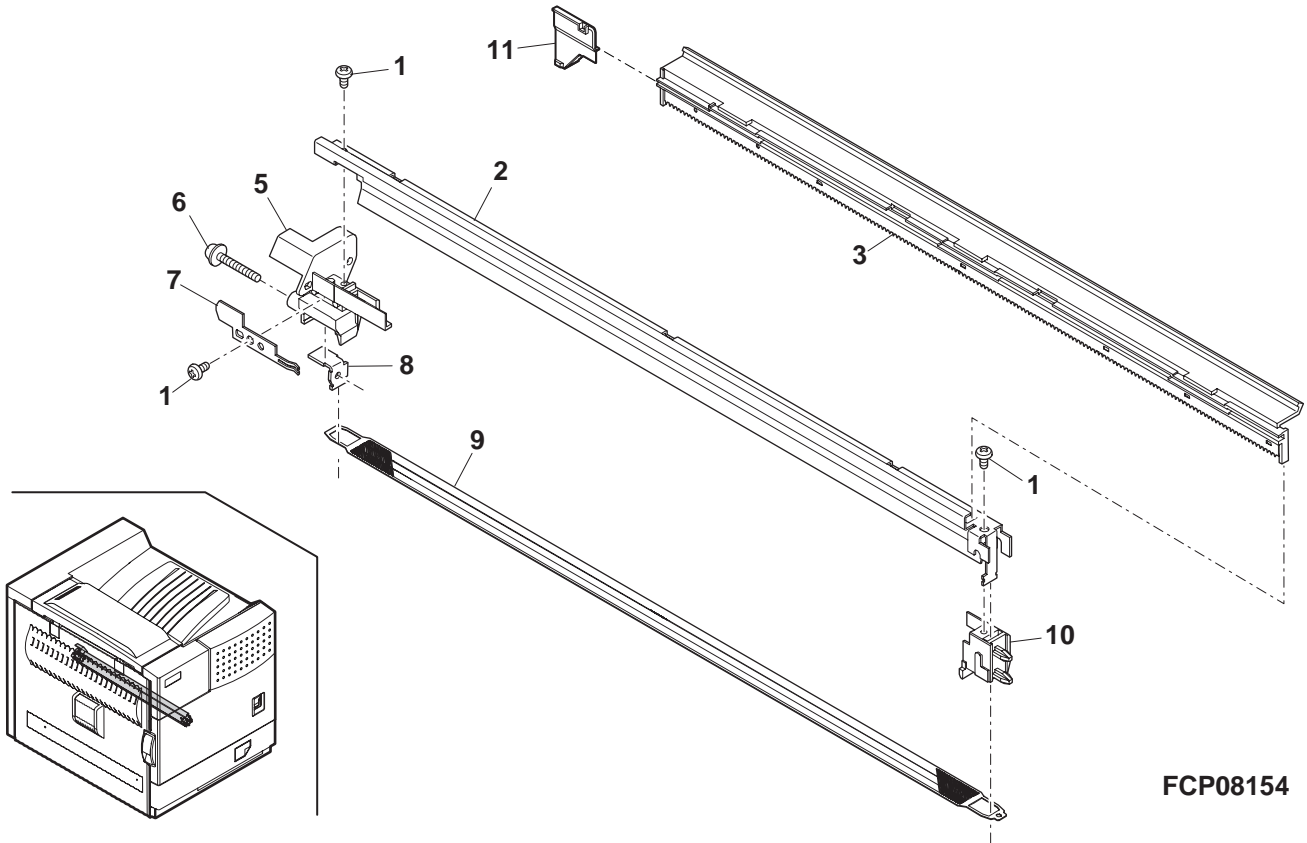


FCP08153

## 9 MC unit

NO.	PARTS CODE	PRICE RANK	NEW MARK	PART RANK	DESCRIPTION
1	XEBSD30P08000	AA		C	Screw(3x8)
2	PCASZ0295FCZZ	AP		D	MC case
3	CPLTM6048DS53	AM	N	E	Plate
5	LHLDZ1621FCZZ	AD	N	C	MC holder A
6	LX-BZ0859FCZZ	AC		C	Screw
7	QSLP-0194FCZZ	AC		C	Terminal
8	QSLP-0195FCZZ	AD		C	Grid terminal
9	LPLTM5873FCZZ	AG		B	Grid
10	LHLDZ1471FCZZ	AC		C	MC holder B
11	CHLDZ1623DS51	AZ	N	E	Cleaner holder unit
	(Unit)				
901	CCASZ0295DS52	BC	N	E	MC unit

## 9 MC unit



FCP08154

## 10 Process unit

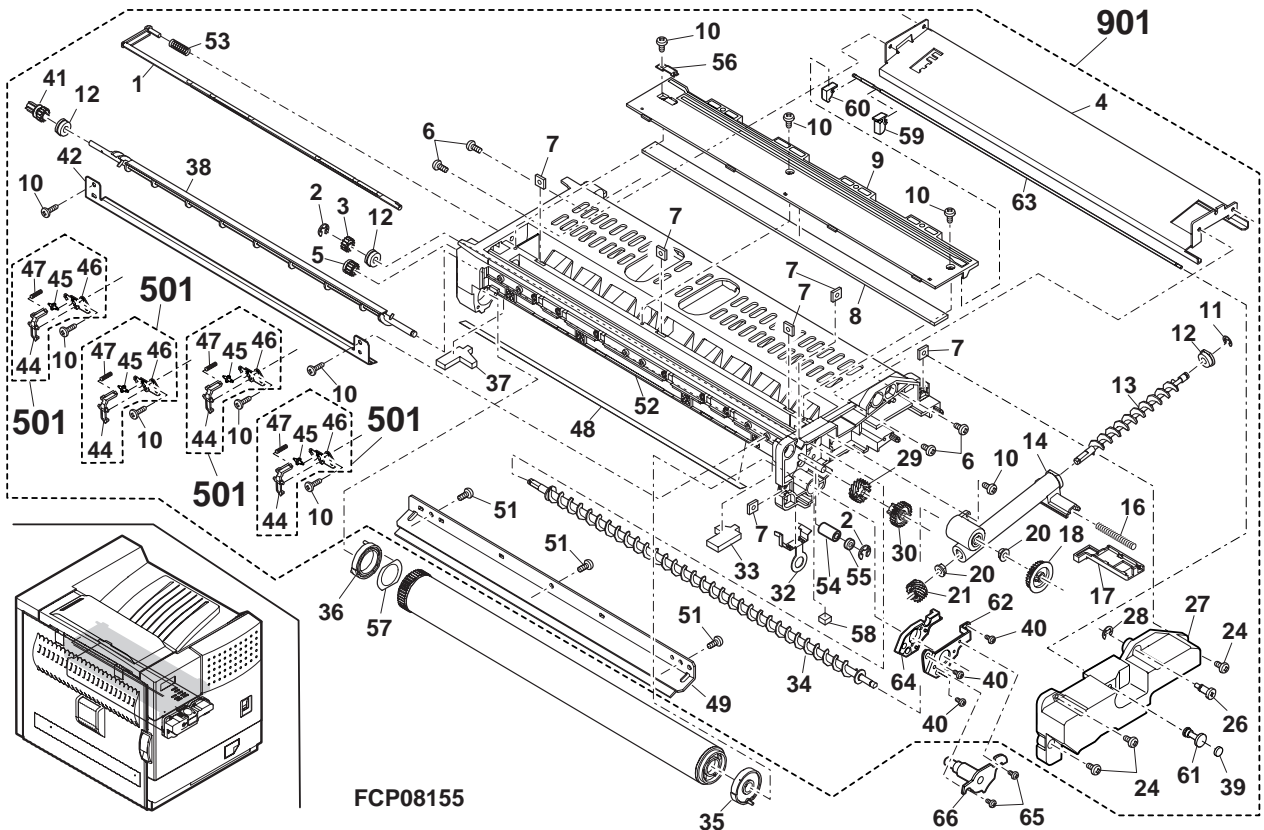
NO.	PARTS CODE	PRICE RANK	NEW MARK	PART RANK	DESCRIPTION
1	MLEVP0832FCZZ	AF		C	Lever
2	XRESP30-06000	AA		C	E type ring(E2)
3	NGERH1417FCZZ	AC		C	Paddle gear(14T)
4	LRALM0180FCZ5	AM	N	C	TH rail B [U.kingdom,Europe,Australia,New Zealand]
	LRALM0180FCZ4	AM	N	C	TH rail A [Other Countries]
5	NGERH1612FCZZ	AD	N	C	Paddle idle gear(14T)
6	XHBSE30P08000	AA		C	Screw(3x8)
7	LPLTM5714FCZZ	AB		C	M3 plate
8	PMLT-1245FCZ2	AE		C	Process U cushion
9	PCOVP1804FCZZ	AG	N	D	Process cover U
10	XEBSD30P08000	AA		C	Screw(3x8)
11	XRESP40-06000	AA		C	E type ring(E4)
12	NBRGP0642FCZZ	AE		C	Waste toner bearing
13	NSRW-0033FCZ1	AC	N	C	2nd Transfer screw
14	PPiPP0206FCZZ	AD		C	Waste toner transefer pipe
16	MSPRC3010FCZ1	AB		C	Shutter open close spring
17	PSHT-0088FCZZ	AC		C	Pipe shutter
18	NGERH1369FCZZ	AC		C	Toner transfer gear(30T)
20	NBRGP0322FCZZ	AC		C	Bearing MX
21	NGERH0039QSZZ	AE		C	Transport pipe gear(14T)
24	XBBS30P08000	AA		C	Screw(3x8)
26	LX-BZ0656FCZ1	AE		C	Screw
27	PCOVP1803FCZ1	AG	N	C	Process cover



10 Process unit

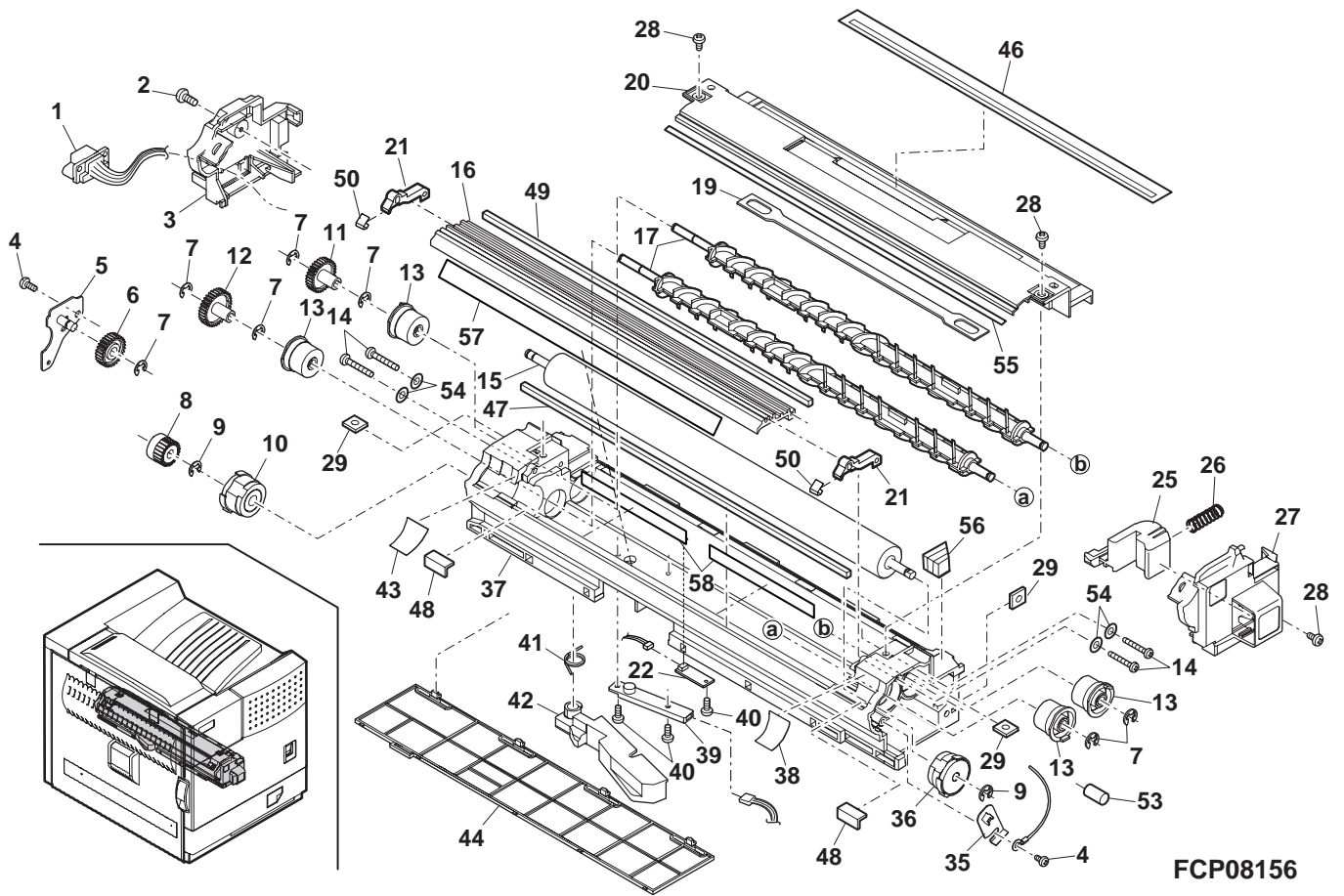
NO.	PARTS CODE	PRICE RANK	NEW MARK	PART RANK	DESCRIPTION
28	XRESP50-06000	AA		C	E type ring(E5)
29	NGERH0038QSZZ	AC		C	Transport pipe gear(15T)
30	NGERH0037QSZZ	AC		C	Idle gear(26T)
32	QEARP0182FCZ1	AD	N	C	Process earth plate
33	PSHEZ4827FCZZ	AD		C	Sheet F
34	NSRW-0032FCZZ	AG		C	Transfer screw
35	LPFTF0121FCZZ	AE	N	C	DSD flange F
36	LPFTF0108FCZZ	AK		C	DSD flange R
37	PSHEZ5335FCZZ	AC	N	C	Sheet R
38	NROLP1504FCZZ	AG	N	C	Transfer paddle
39	PMLT-1390FCZZ	AC		C	Handle cushion
40	XEPSD40P12000	AA		C	Screw(4x12)
41	NCPL-0073FCZZ	AD	N	C	Waste toner screw coupling
42	CCLEZ0163FC32	AS		B	Sub bleed
44	PTME-0286FCZ1	AH		C	Separator pawl
45	PRNGF0106FCZ2	AC		C	Starling N
46	LHLDZ1473FCZZ	AC		C	Separation pawl holder
47	MSPRC2954FCZ2	AB		C	Separation pawl spring
48	PMLT-1238FCZ1	AC		C	Toner shield cushion
49	CCLEZ0162FC31	AW		B	Cleaning bleed
51	XBBS230P06000	AD		C	Screw(3x6)
52	CFRM-1017FC02	AW	N	D	Process frame
53	MSPRC2961FCZZ	AB		C	Lever spring
54	NBRGP0654FCZZ	AC		C	Transfer bearing F
55	PSEL-0805FCZZ	AE		C	G seal
56	QEARP0133FCZZ	AC		C	Process earth plate B
57	LX-WZ0440FCZZ	AC		C	Spacer
58	PSPAZ1431FCZZ	AA		C	Spacer A
59	MJNTM0027FCZZ	AC	N	C	Cleaner joint A
60	MJNTM0028FCZZ	AC	N	C	Cleaner joint B
61	JHNDP0167FCZ1	AC		C	MC cleaner handle
62	LPLTM6447FCZZ	AE	N	C	Frame reinforce plate
63	NSFTZ2884FCZZ	BH	N	C	Cleaner shaft
64	PSPAP1445FCZZ	AC	N	C	Reinforce plate spacer
65	XEPSD40P10000	AA		C	Screw(4x10)
66	CPLTM6448FC01	AG	N	C	Drum boss fixing plate
501	CHLDZ1473DS55	AK	N	E	Separation pawl holder unit
	(Unit)				
901	CFRM-1017DS87	BN	N	E	Process unit(include 9-901)
	CFRM-1017DS86	BN	N	E	Process unit(include 9-901)

10 Process unit





11 DV unit



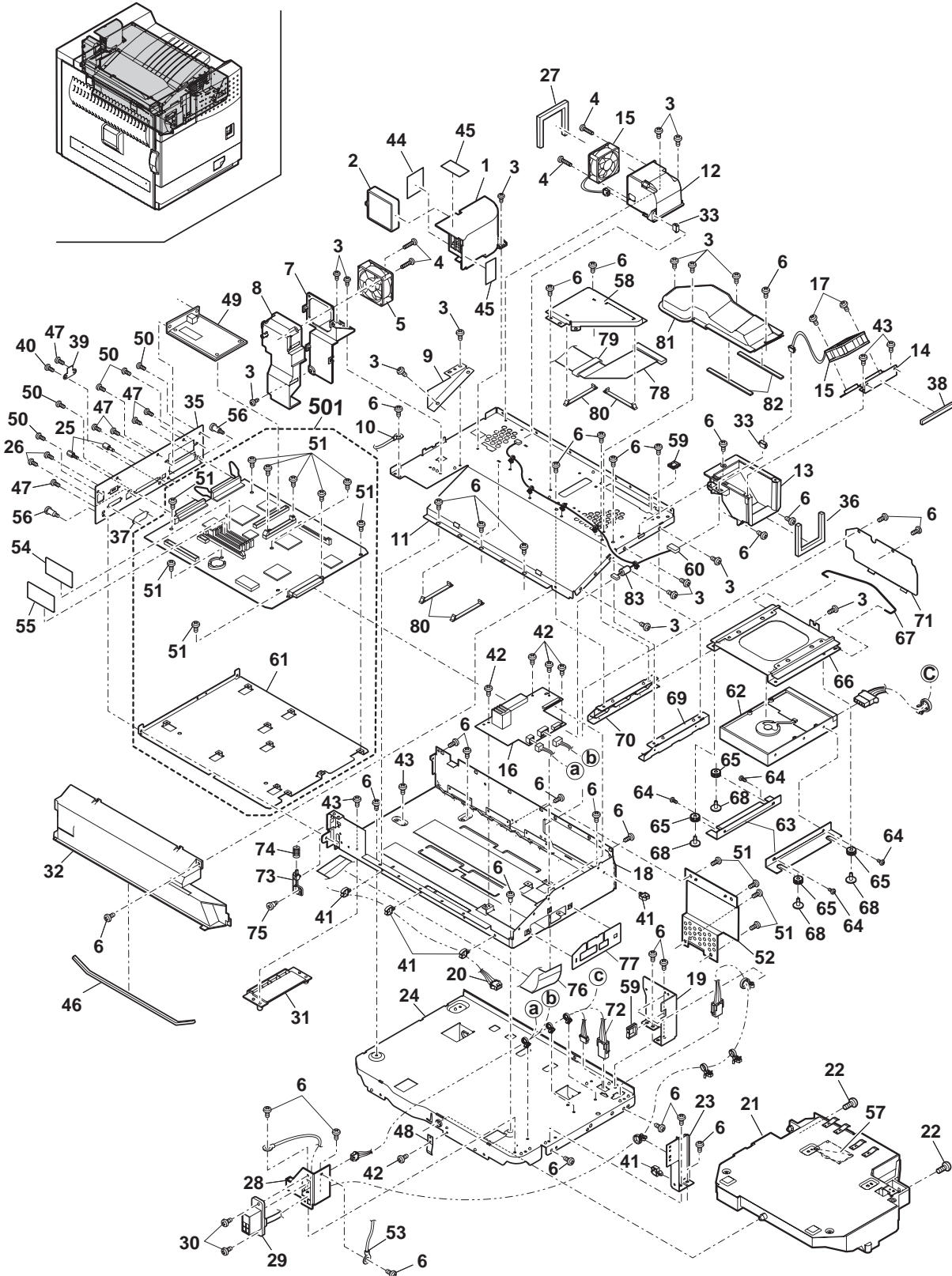
12 Controller BOX unit

NO.	PARTS CODE	PRICE RANK	NEW MARK	PART RANK	DESCRIPTION
1	PDUC-0165FCZ1	AF		D	Controller duct
2	PfiLZ0285FCZ1	AT		A	Ozone filter
3	XBBS40P08000	AA		C	Screw(4x8)
4	XEPS40P35000	AA		C	Screw(4x35)
5	NFANP0076FCZZ	AX		B	Duct fan
6	XHBSE40P08000	AA		C	Screw(4x8)
7	PDUC-0163FCZZ	AG		D	Main duct 2
8	PDUC-0162FCZZ	AG		D	Main duct 1
9	PCOVP1555FCZ1	AE		C	Controller BOX cover
10	DHAi-3674FCZZ	AE		C	Motor earth harness
11	PBOX-0150FCZZ	AS	N	C	Controller BOX upper
12	PDUC-0183FCZZ	AG	N	D	BOX cooling duct R
13	PDUC-0182FCZZ	AH	N	D	BOX cooling duct lower
14	LPLTM6461FCZZ	AF	N	C	BOX fan fixing plate
15	NFANP0073FCZZ	BB		B	Fan motor(12V)
16	CPWBN1633FCE1	BL	N	E	Mother board
17	XBBS40P30000	AA		C	Screw(4x30)
18	CBOX-0149FC01	AX	N	E	Control box lower
19	LPLTM6458FCZZ	AG	N	C	Paper exit cabinet fixing plate
20	DHAi-3197FCZZ	AE		C	DSW interface harness
21	DUNT-7093DS17	CB	N	E	LSU unit(35) [AR-M351N]
	DUNT-7093DS18	CB	N	E	LSU unit(45) [AR-M451N]
22	LX-BZ0964FCZZ	AB		C	Screw
23	LPLTM5769FCZ1	AG	N	C	Operation cabinet fixing plate B
24	LPLTM64457FCZZ	AT	N	C	LSU top plate
25	LX-BZ0921FCZZ	AF		C	Scanner Screw
26	XBPSD25P06000	AA		C	Screw(2.5x6)
27	PMLT-1397FCZZ	AC	N	C	Rear duct cushion
28	LPLTM5767FCZ1	AE		C	Fusing drawer fixing plate
29	DHAi-3642FCZZ	AY	N	C	Fusing interface harness
30	LX-BZ0922FCZZ	AC		C	Screw
31	JHNDP0156FCZZ	AE		C	Handle R
32	PDUC-0164FCZ1	AK		C	Sub duct
33	QCNCM1001FCZZ	AC		C	Connector(BU04P-TR-PH)
35	LPLTM6465FCZZ	AG	N	C	Control joint plate
36	PMLT-1396FCZZ	AC	N	C	Front duct cushion lower
37	PCOVP1560FCZZ	AC		C	FAX I/F cover
38	PMLT-1395FCZZ	AC	N	C	Front duct cushion upper
39	PCOVP1817FCZZ	AC	N	C	D/SW cover
40	LX-BZ0026GCZ1	AC		C	Screw
41	LHLDW1006FCZZ	AA		C	Mini clamp(UAMS-09-0)
42	XHBSD30P06000	AA		C	Screw(3x6)
43	XEBSD40P10000	AA		C	Screw(4x10)
44	PSHEP5009FCZZ	AC		C	Control duct sheet A
45	PSHEP4945FCZZ	AC		C	Control duct sheet B
46	PSHEZ4904FCZZ	AD		C	Duct sheet
47	XBPSD30P06000	AA		C	Screw(3x6)
48	MSPRP3016FCZZ	AR		C	LSU earth plate
49	DUNT-7314FC12	BK	N	E	Soft NIC unit
50	XBBSE30P06000	AA		C	Screw(3x6)
51	XBBS40P06000	AA		C	Screw(3x6)
52	PCOVP1629FCZZ	AG		C	Right noise cover
53	DHAi-3673FCZZ	AE		C	Paper exit earth harness
54	VHi28F322LD4F	BE	N	B	MFP flash ROM A EX(28F322LD4F)
55	VHi28F322LD5F	BE	N	B	MFP flash ROM B EX(28F322LD5F)
56	LX-BZ0725FCZZ	AB		C	4/5 adjustment screw
57	RMOTP0910FCZZ	BF		B	Polygon motor
58	PCOVP1814FCZZ	AG	N	C	Harness protect cover
59	LHLDW1285FCZZ	AC		C	Edge holder(EH11)
60	DHAi-3650FCZZ	AR	N	C	FM CNT harness
61	LPLTM6464FCZZ	AQ	N	C	PWB fixing plate
62	DUNT-7368FCZZ	CD		E	HDD(40GB)
63	LPLTM6258FCZZ	AE		C	HDD fixing plate
64	LX-BZ1022LCZZ	AB		C	Screw
65	PCUSG0378FCZZ	AF		C	Cushion
66	CCOVP1815FC01	AP	N	C	HDD cover
67	JHNDM0177FCZZ	AD	N	C	HDD handle
68	LX-BZ0975FCZZ	AC		C	HDD fixing screw
69	CRALM0221FC01	AK	N	C	HDD rail F
70	CRALM0222FC01	AK	N	C	HDD rail R
71	PFTA-0147FCZZ	AF	N	C	HDD cover
72	DHAi-3664FCZZ	AX	N	C	Mother PWB interface harness
73	LPLTP6470FCZZ	AC	N	C	PWB slide lock plate
74	MSPRC3328FCZZ	AC	N	C	PWB slide spring
75	LX-BZ0266FCZZ	AB		C	Screw
76	QCNW-0225FCZZ	AH	N	C	Mother interface FFC
77	PSHEZ5339FCZZ	AC	N	C	BOX interception sheet
78	DHAi-3651FCZZ	BC	N	C	HDD interface cable
79	PMLT-1369FCZZ	AC		C	HDD core cushion
80	LHLDW1600FCZZ	AC		C	Holder(FCR-60 V0)

## 12 Controller BOX unit

NO.	PARTS CODE	PRICE RANK	NEW MARK	PART RANK	DESCRIPTION
81	P DUC - 0 1 8 4 F C Z Z	AH	N	D	BOX cooling duct upper
82	P M L T - 1 3 9 4 F C Z Z	AC	N	C	Duct between cushion
83	R C O R F 0 0 4 6 F C Z Z	AH		C	Core
501	C P L T M 6 4 6 4 F C 5 3	CU	N	E	Controller unit

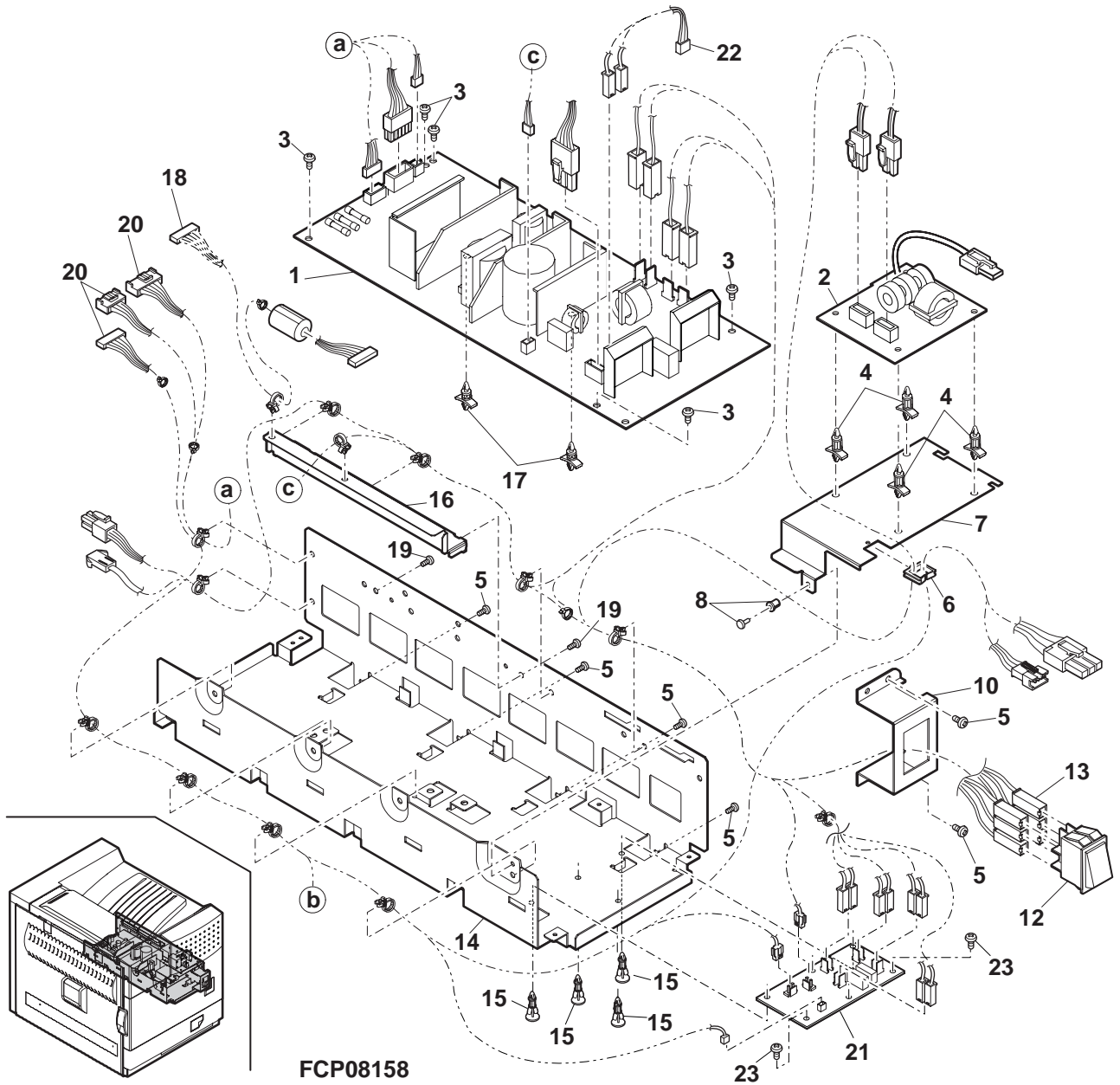
## 12 Controller BOX unit



FCP08157



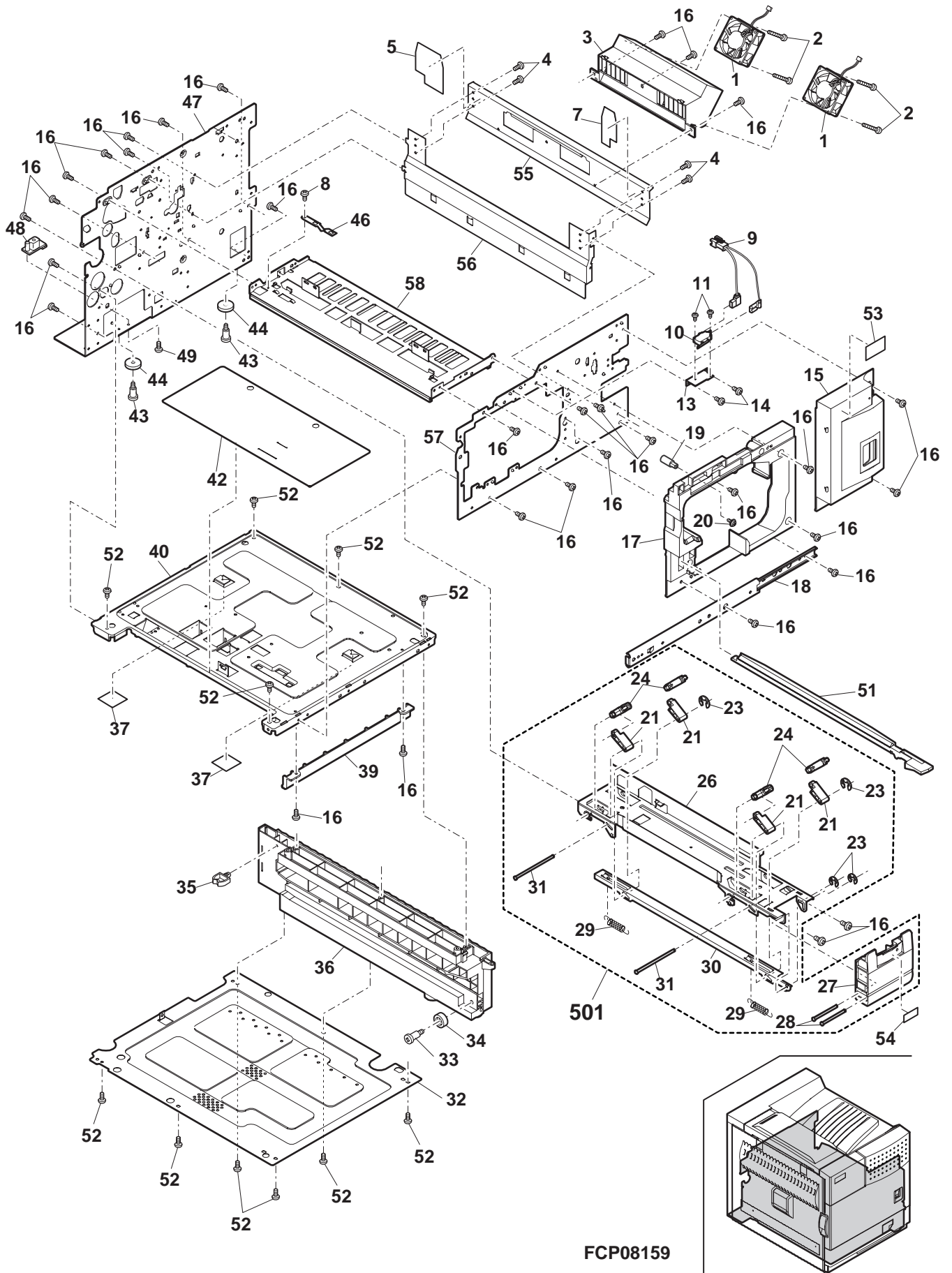
13 Power supply unit





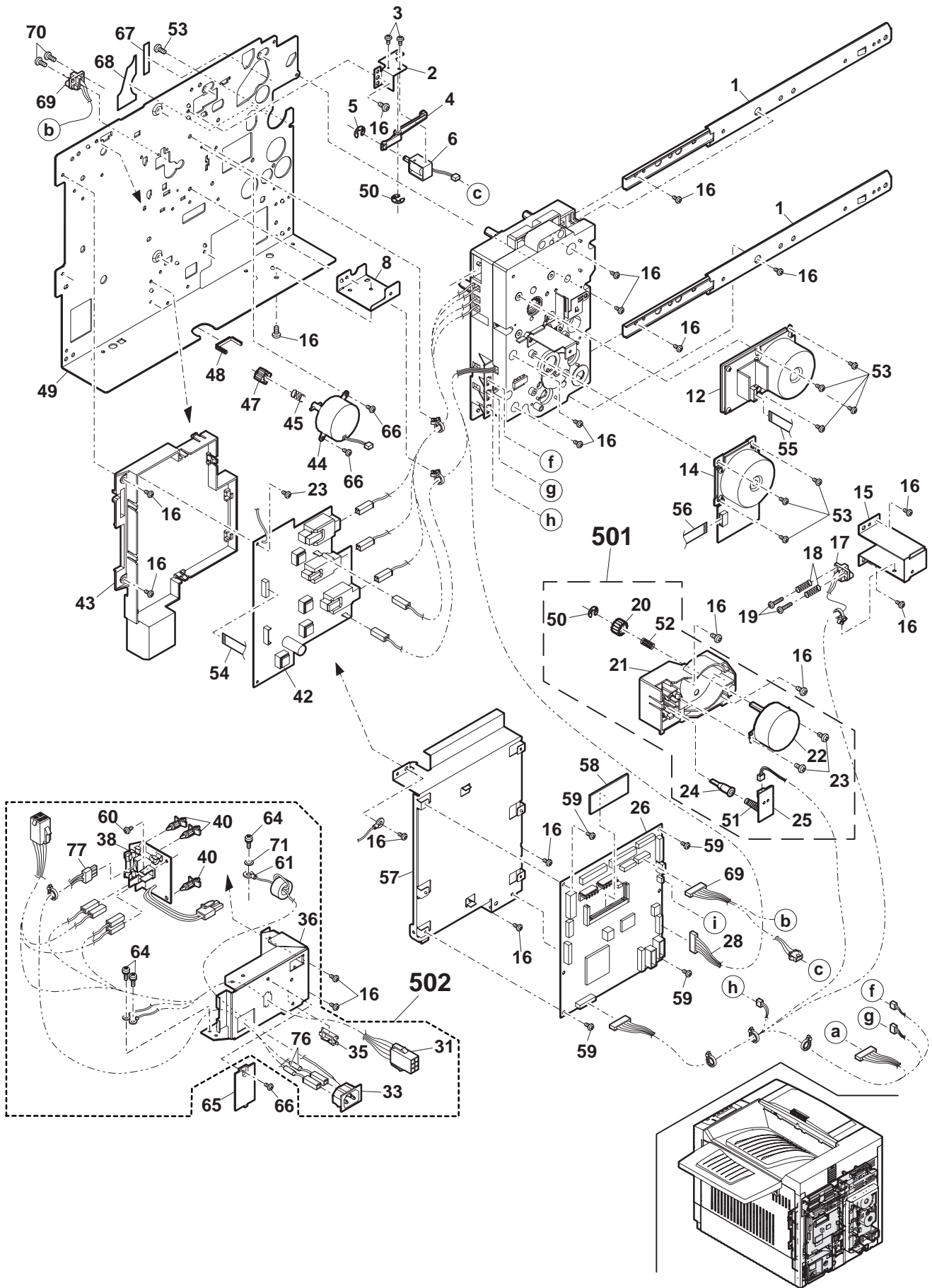


14 Rear frame section 1





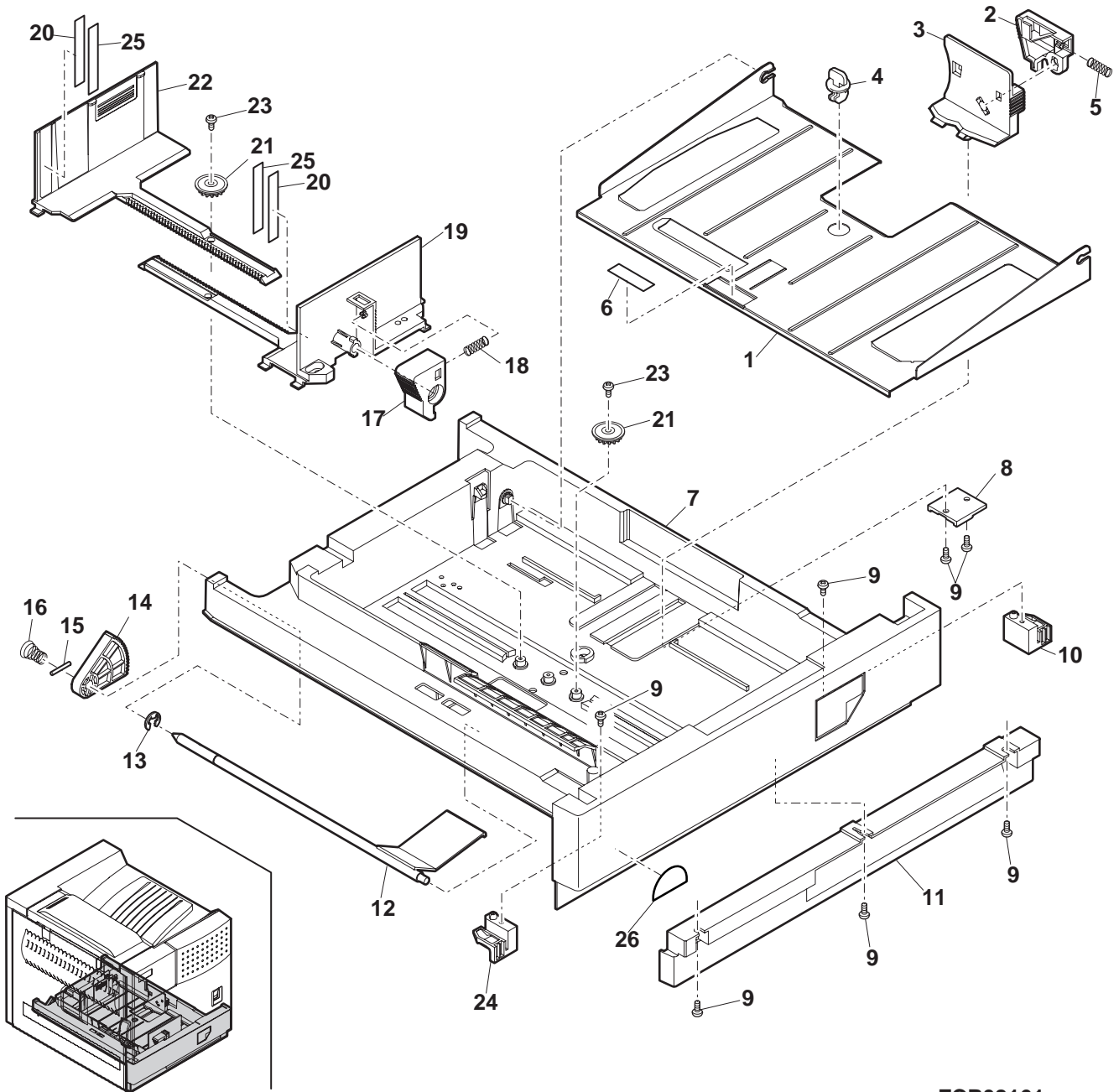
15 Rear frame section 2



FCP08160



16 Cassette unit



FCP08161

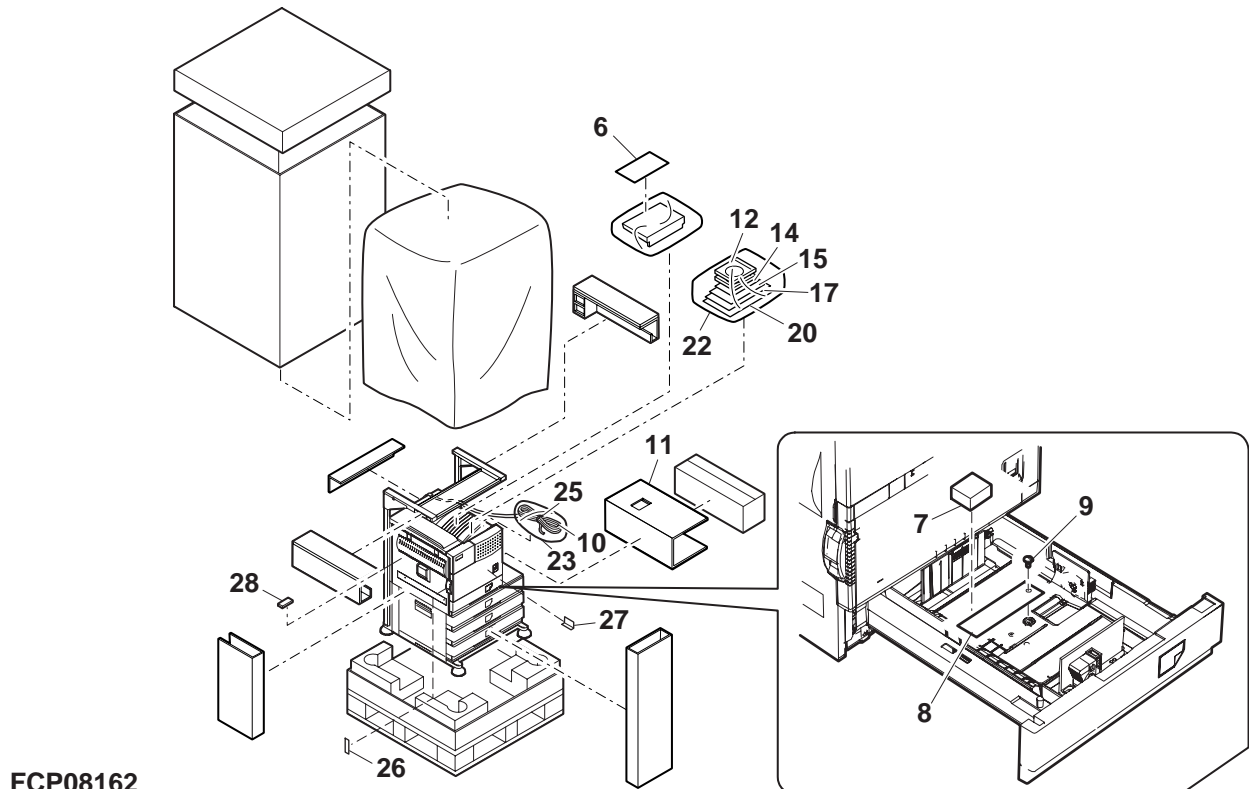
17 Packing material & Accessories

NO.	PARTS CODE	PRICE RANK	NEW MARK	PART RANK	DESCRIPTION
6	TCADZ1718FCZZ	AE	N	D	Fusing pressure manual
7	SPAKA6236FCZZ	AD		D	Cassette protect add
8	TCADZ1275FCZZ	AB		D	Cassette rotation tag
9	LHLDW1226FCZZ	AB		C	Turn fastener
10	QACCD7912QCPZ	AS		B	AC cord [LAG2]
	QACCB7623QCZZ	AQ		B	AC cord [U.kingdom,Yemen,Bahrain,Kuwait,UAE,Oman,Qatar]
	QACCVR621QCPZ	AQ		B	AC cord [Europe,Lebanon,Iran,West africa, Pakistan,STCL,Egypt,Jordan,Syria,Tunisia,Morocco]
	QACCLR624QCPZ	BA		B	AC cord [Australia,New Zealand]
	DHAI-3332DS11	BB		B	AC cord [South africa,India]
	DHAI-3332DS12	BB		B	AC cord [Israel]
	DHAI-3332DS13	BB		B	AC cord [Hong kong]
	DHAI-3332DS14	BB		B	AC cord [Soudi arabia]
	DHAI-3332DSZZ	BB		B	AC cord [Singapole,Sri Lanka,Indonesia]
QACCJ6911QCZZ	AQ		B	AC cord [Phillipines]	
QACCR7621QCZZ	AZ		B	AC cord [Argentina]	
11	SPAKA6692FCZZ	AM		D	Accessory case
12	CDSKA0030FC31	AL	N	D	CD-ROM [Europe]
	CDSKA0029FC31	BH	N	D	CD-ROM
	CDSKA0030GH31	*	N	D	CD-ROM [Europe]
	CDSKA0029GH31	*	N	D	CD-ROM [Europe]
	CDSKA0032FC31	BH	N	D	CD-ROM(NIC)
	CDSKA0032GH31	*	N	D	CD-ROM(NIC) [Europe]
14	TCADZ1706FCZZ	AE	N	D	MSDS card [U.Kingdom]
TCADZ1706GHZZ	*	N	D	MSDS card [U.Kingdom]	
15	CCADZ1518FC01	AB		D	Maintenance card EX [Except U.Kingdom]
17	TCADS1511FCZZ	AC		D	Inst.card [Europe(Except U.Kingdom)]
20	TINSE2799GHZZ	*	N	D	Operation manual (Copy) [English(U.Kingdom)]
	TINSE2798FCZZ	BH	N	D	Operation manual (Copy) [English(Other)]
	TINSG2800GHZZ	*	N	D	Operation manual (Copy) [German]
	TINSF2801GHZZ	*	N	D	Operation manual (Copy) [French]
	TINSS2802GHZZ	*	N	D	Operation manual (Copy) [Spanish]
	TINSI2803GHZZ	*	N	D	Operation manual (Copy) [Italian]
	TINSH2804GHZZ	*	N	D	Operation manual (Copy) [Dutch]
	TINSW2805GHZZ	*	N	D	Operation manual (Copy) [Swedish]
	TINSZ2806GHZZ	*	N	D	Operation manual (Copy) [Norwegian]
	TINSZ2807GHZZ	*	N	D	Operation manual (Copy) [Finnish]
	TINSD2808GHZZ	*	N	D	Operation manual (Copy) [Danish]
	TINSZ2809GHZZ	*	N	D	Operation manual (Copy) [Hungarian]
	TINSZ2810GHZZ	*	N	D	Operation manual (Copy) [Czech]
	TINSZ2811GHZZ	*	N	D	Operation manual (Copy) [Polish]
	TINSZ2812GHZZ	*	N	D	Operation manual (Copy) [Greek]
	TINSR2813GHZZ	*	N	D	Operation manual (Copy) [Russian]
	TINSP2814GHZZ	*	N	D	Operation manual (Copy) [Portuguese]
	TINSE2821GHZZ	*	N	D	Operation manual (Key) [English(U.Kingdom)]
	TINSE2820FCZZ	AU	N	D	Operation manual (Key) [English(Other)]
	TINSG2822GHZZ	*	N	D	Operation manual (Key) [German]
	TINSF2923GHZZ	*	N	D	Operation manual (Key) [French]
	TINSS2824GHZZ	*	N	D	Operation manual (Key) [Spanish]
	TINSI2825GHZZ	*	N	D	Operation manual (Key) [Italian]
	TINSH2826GHZZ	*	N	D	Operation manual (Key) [Dutch]
	TINSW2827GHZZ	*	N	D	Operation manual (Key) [Swedish]
	TINSZ2828GHZZ	*	N	D	Operation manual (Key) [Norwegian]
	TINSZ2829GHZZ	*	N	D	Operation manual (Key) [Finnish]
	TINSD2830GHZZ	*	N	D	Operation manual (Key) [Danish]
	TINSZ2831GHZZ	*	N	D	Operation manual (Key) [Hungarian]
	TINSZ2832GHZZ	*	N	D	Operation manual (Key) [Czech]
	TINSZ2833GHZZ	*	N	D	Operation manual (Key) [Polish]
	TINSZ2834GHZZ	*	N	D	Operation manual (Key) [Greek]
	TINSR2835GHZZ	*	N	D	Operation manual (Key) [Russian]
	TINSP2836GHZZ	*	N	D	Operation manual (Key) [Portuguese]
	TINSE2840FCZZ	AN	N	D	Operation manual (PCL inst) [English]
	TINSE2840GHZZ	*	N	D	Operation manual (PCL inst) [English]
	TINSG2841GHZZ	*	N	D	Operation manual (PCL inst) [German]
	TINSF2842GHZZ	*	N	D	Operation manual (PCL inst) [French]
	TINSS2843GHZZ	*	N	D	Operation manual (PCL inst) [Spanish]
	TINSI2844GHZZ	*	N	D	Operation manual (PCL inst) [Italian]
	TINSH2845GHZZ	*	N	D	Operation manual (PCL inst) [Datch]
	TINSW2846GHZZ	*	N	D	Operation manual (PCL inst) [Swedish]
	TINSZ2847GHZZ	*	N	D	Operation manual (PCL inst) [Norwegian]
	TINSZ2848GHZZ	*	N	D	Operation manual (PCL inst) [Finnish]
	TINSD2849GHZZ	*	N	D	Operation manual (PCL inst) [Danish]
	TINSZ2850GHZZ	*	N	D	Operation manual (PCL inst) [Hungarian]
	TINSZ2851GHZZ	*	N	D	Operation manual (PCL inst) [Czech]
	TINSZ2852GHZZ	*	N	D	Operation manual (PCL inst) [Polish]
	TINSZ2853GHZZ	*	N	D	Operation manual (PCL inst) [Greek]
	TINSR2854GHZZ	*	N	D	Operation manual (PCL inst) [Russian]
TINSP2855GHZZ	*	N	D	Operation manual (PCL inst) [Portuguese]	
TINSE2858FCZZ	AK	N	D	Operation manual (PS inst) [English]	
TINSE2858GHZZ	*	N	D	Operation manual (PS inst) [English]	

17 Packing material & Accessories

NO.	PARTS CODE	PRICE RANK	NEW MARK	PART RANK	DESCRIPTION
20	T I N S G 2 8 5 9 G H Z Z	*	N	D	Operation manual (PS inst) [German]
	T I N S F 2 8 6 0 G H Z Z	*	N	D	Operation manual (PS inst) [French]
	T I N S S 2 8 6 1 G H Z Z	*	N	D	Operation manual (PS inst) [Spanish]
	T I N S I 2 8 6 2 G H Z Z	*	N	D	Operation manual (PS inst) [Italian]
	T I N S H 2 8 6 3 G H Z Z	*	N	D	Operation manual (PS inst) [Dutch]
	T I N S W 2 8 6 4 G H Z Z	*	N	D	Operation manual (PS inst) [Swedish]
	T I N S Z 2 8 6 5 G H Z Z	*	N	D	Operation manual (PS inst) [Norwegian]
	T I N S Z 2 8 6 6 G H Z Z	*	N	D	Operation manual (PS inst) [Finnish]
	T I N S D 2 8 6 7 G H Z Z	*	N	D	Operation manual (PS inst) [Danish]
	T I N S Z 2 8 6 8 G H Z Z	*	N	D	Operation manual (PS inst) [Hungarian]
	T I N S Z 2 8 6 9 G H Z Z	*	N	D	Operation manual (PS inst) [Czech]
	T I N S Z 2 8 7 0 G H Z Z	*	N	D	Operation manual (PS inst) [Polish]
	T I N S Z 2 8 7 1 G H Z Z	*	N	D	Operation manual (PS inst) [Greek]
T I N S R 2 8 7 2 G H Z Z	*	N	D	Operation manual (PS inst) [Russian]	
T I N S P 2 8 7 3 G H Z Z	*	N	D	Operation manual (PS inst) [Portuguese]	
22	S S A K A 2 4 4 0 Q C Z Z	AB		D	Vinyl bag(280x410mm)
23	S S A K A 5 0 0 3 C C Z Z	AA		D	Vinyl bag(140x260mm)
25	U B N D A 0 0 0 1 F C Z Z	AA		D	Band [Except LAG2,Philippines]
26	S P A K A 6 2 5 6 F C Z Z	AD		D	Cabinet protect add
27	S P A K A 6 2 6 5 F C Z Z	AC		D	Fusing protect add
28	S P A K A 6 2 7 2 F C Z Z	AG		D	Fusing protect add R
101	P S H E P 5 1 9 1 F C Z 1	BF	N	D	Key sheet (German)
	P S H E P 5 1 9 1 F C Z Z	BF	N	D	Key sheet (French)
	P S H E P 5 1 9 1 F C Z 2	BF	N	D	Key sheet (Spanish)
	P S H E P 5 1 9 1 F C Z 3	BF	N	D	Key sheet (Italian)
	P S H E P 5 1 9 1 F C Z 4	BF	N	D	Key sheet (Dutch)
	P S H E P 5 1 9 1 F C Z 5	BF	N	D	Key sheet (Swedish)
	P S H E P 5 1 9 1 F C Z 8	BF	N	D	Key sheet (Norwegian)
	P S H E P 5 1 9 1 F C Z 9	BF	N	D	Key sheet (Finnish)
	P S H E P 5 1 9 1 F C 1 0	BF	N	D	Key sheet (Danish)
	P S H E P 5 1 9 1 F C 1 3	BF	N	D	Key sheet (Hungarian)
	P S H E P 5 1 9 1 F C 1 1	BF	N	D	Key sheet (Czech)
	P S H E P 5 1 9 1 F C 1 2	BF	N	D	Key sheet (Polish)
	P S H E P 5 1 9 1 F C 1 4	BF	N	D	Key sheet (Greek)
	P S H E P 5 1 9 1 F C 1 6	BF	N	D	Key sheet (Russian)
	P S H E P 5 1 9 1 F C 1 5	BF	N	D	Key sheet (Portuguese)
102	G C O V Z 0 2 3 7 F C Z Z	AZ		D	Dust cover (Egypt, Jordan, Syria, Tunisia, Morocco, Saudi Arabia, Yemen, Bahrain, Kuwait, UAE, Oman, Qatar)
103	T C A U S 0 0 0 9 Q S Z Z	AF		D	LAG plug caution label [Argentina]

17 Packing material & Accessories



FCP08162

18 Mother board

NO.	PARTS CODE	PRICE RANK	NEW MARK	PART RANK	DESCRIPTION
5	PRDAR0057FCZ1	AS	N	C	Heat sink(C16PUG16-30) [IC1]
6	VCEAZA1VW107M	AC		C	Capacitor(35WV 100uF) [C1]
8	VHDDSM1D1/-1	AB		B	Diode(DSM1D1) [D1]
9	VHINJM78M12-1	AG		B	IC(NJM78M12) [IC1]
10	VRS-RE3LA6R2J	AC		C	Resistor(3W 6.2Ω ±5%) [R1]
11	QFS-C0048PAZZ	AE		A	Fuse(3.15A) [F1,F3]
12	QFS-C0054PAZZ	AD		A	Fuse(6.3A) [F2]
13	QFSDH0002QCZZ	AA		C	Fuse holder(H-0032-2) [F1,F2,F3]
14	RC-EZ0357FCPZ	AD		C	Capacitor(16WV 470uF) [C3,C5,C7,C9,C18]
15	RCNVD0005FCZZ	BR	N	B	DC-DC Converter(3.3V)(MPD6S002T) [IC2]
16	RCNVD0004FCZZ	BU	N	B	DC-DC Converter(12V)(MPD6S009) [IC3]
17	XBBS730P06000	AC		C	Screw(3×6) [IC1]
18	RC-KZ1054CCN2	AB		C	Capacitor(50WV 0.1uF) [C11,C12,C13,C14,C15]
20	RCNVD0007FCZZ	BS	N	B	DC-DC Converter(5V)(MPD5S023) [IC4]
	(Unit)				
901	CPWBN1633FCE1	BL	N	E	Mother board

19 PCU PWB

NO.	PARTS CODE	PRICE RANK	NEW MARK	PART RANK	DESCRIPTION
1	RFILN0047FCZZ	AC		C	Filter(MMZ1608S121AT) [NF1,NF2,NF5,NF7]
2	RMPTR4103ACZZ	AB		B	Block resistor(10KΩ×4) [BR2,BR3,BR8,BR9,BR12,BR14,BR16]
	RMPTR4103ACZZ	AB		B	Block resistor(10KΩ×4) [BR18,BR28,BR29,BR30,BR31,BR32]
3	RMPTR4330ACZZ	AB		B	Block resistor(33Ω×4) [BR10,BR11,BR13,BR15,BR17]
	RMPTR4330ACZZ	AB		B	Block resistor(33Ω×4) [BR19,BR24,BR25,BR26,BR27]
4	RMPTR4472ACZZ	AB		B	Block resistor(4.7KΩ×4) [BR1,BR4,BR5,BR7,BR20,BR21,BR22,BR23]
5	VCCCCZ1HH100D	AA		C	Capacitor(50WV 10pF) [C58,C61,C86]
6	VCCCCZ1HH101J	AA		C	Capacitor(50WV 100pF) [C63,C64,C71]
7	VCKYCZ1CF104Z	AB		C	Capacitor(16WV 0.1μF) [C12,C16,C42,C43,C48,C49,C53]
	VCKYCZ1CF104Z	AB		C	Capacitor(16WV 0.1μF) [C55,C62,C72,C74,C76,C81]
	VCKYCZ1CF104Z	AB		C	Capacitor(16WV 0.1μF) [C84,C85,C87,C88,C92,C102]
	VCKYCZ1CF104Z	AB		C	Capacitor(16WV 0.1μF) [C104,C107,C108,C111,C114,C116]
	VCKYCZ1CF104Z	AB		C	Capacitor(16WV 0.1μF) [C119,C120,C121,C122,C125,C127]
	VCKYCZ1CF104Z	AB		C	Capacitor(16WV 0.1μF) [C133,C134,C137,C142,C145,C157]
8	VCKYCZ1EF223Z	AA		C	Capacitor(25WV 0.22uF) [C69,C75,C82,C93,C109,C117,C118,C143]
	VCKYCZ1HB102K	AA		C	Capacitor(50WV 1000pF) [C5,C6,C7,C10,C11,C13,C17]
	VCKYCZ1HB102K	AA		C	Capacitor(50WV 1000pF) [C18,C19,C20,C21,C23,C24]
	VCKYCZ1HB102K	AA		C	Capacitor(50WV 1000pF) [C25,C26,C27,C28,C29,C30]
	VCKYCZ1HB102K	AA		C	Capacitor(50WV 1000pF) [C31,C32,C33,C34,C35,C36]
	VCKYCZ1HB102K	AA		C	Capacitor(50WV 1000pF) [C37,C38,C40,C50,C51,C52]
	VCKYCZ1HB102K	AA		C	Capacitor(50WV 1000pF) [C54,C56,C57,C59,C60,C65]
	VCKYCZ1HB102K	AA		C	Capacitor(50WV 1000pF) [C66,C70,C73,C78,C79,C80]
	VCKYCZ1HB102K	AA		C	Capacitor(50WV 1000pF) [C83,C89,C94,C95,C97,C98]
	VCKYCZ1HB102K	AA		C	Capacitor(50WV 1000pF) [C99,C100,C103,C110,C112,C115]
	VCKYCZ1HB102K	AA		C	Capacitor(50WV 1000pF) [C123,C124,C130,C132,C135,C136,C141]
	VCKYCZ1HB102K	AA		C	Capacitor(50WV 1000pF) [C146,C147,C150,C151,C153,C154,C39]
10	VCKYTV1CB105K	AC		C	Capacitor(16WV 1μF) [C156]
11	VCKYTV1AB225M	AC		C	Capacitor(10WV 2.2μF) [C155]
12	VCKYCZ1HB222K	AA		C	Capacitor(50WV 2200pF) [C1,C2,C14,C15]
13	VHDDAN202U/-1	AB		B	Diode(DAN202U) [D11,D13,D19,D31,D33]
14	VHDDAP202U/-1	AB		B	Diode(DAP202U) [D14,D21]
	VHDDA204U/-1	AB		B	Diode(DA204U) [D7,D8,D9,D10,D12,D15,D16]
	VHDDA204U/-1	AB		B	Diode(DA204U) [D17,D18,D20,D22,D23,D24]
	VHDDA204U/-1	AB		B	Diode(DA204U) [D25,D26,D27,D35,D36,D37]
16	VHDMA704A/-1	AC		B	Diode(MA704A) [D28,D29]
17	VHDCRH01+++-1	AC		B	Diode(CRH01) [D1,D2,D3,D4,D39]
18	VHID82805GN-1	BA		B	IC(D82805GN) [IC17]
21	RH-iX0037QSPZ	AQ		B	SRAM(IS61LV256-15TL) [IC5]
22	VHILM324D+--1	AE		B	IC(LM324D) [IC24]
23	VHILM339D+--1	AE		B	IC(LM339D) [IC23,IC25]
24	VHITD62503F-1	AF		B	IC(TD62503F) [IC6,IC7,IC8,IC13,IC14,IC20,IC21]
25	VHIT74VHCT240X	AF		B	IC(74VHCT240X) [IC11]
26	VHIT74VHCT244X	AF		B	IC(74VHCT244X) [IC9,IC18]
27	VHVICPS1.2/-1	AF		B	IC protector(ICPS1.2) [ICP1]
	VRS-CZ1JD000J	AA		C	Resistor(1/16W 0Ω ±5%) [R69,R76,R77,R88,R113,R158,R159,R272]
	VRS-CZ1JD000J	AA		C	Resistor(1/16W 0Ω ±5%) [R62]
28	VRS-CZ1JD000J	AA		C	Resistor(1/16W 0Ω ±5%) (Except 200V Series) [R125]
	VRS-CZ1JD000J	AA		C	Resistor(1/16W 0Ω ±5%) [R114]
	VRS-CZ1JD000J	AA		C	Resistor(1/16W 0Ω ±5%) [R275,R276]
29	VRS-CZ1JD101J	AA		C	Resistor(1/16W 100Ω ±5%) [R68,R75,R138,R150,R167,R242]
	VRS-CZ1JD102J	AA		C	Resistor(1/16W 1.0KΩ ±5%) [R10,R12,R11,R26,R27,R59,R60]
	VRS-CZ1JD102J	AA		C	Resistor(1/16W 1.0KΩ ±5%) [R61,R81,R82,R83,R84,R105,R107]
30	VRS-CZ1JD102J	AA		C	Resistor(1/16W 1.0KΩ ±5%) [R109,R121,R135,R148,R160,R163,R165]
	VRS-CZ1JD102J	AA		C	Resistor(1/16W 1.0KΩ ±5%) [R177,R233,R261,R262,R263,R264]
	VRS-CZ1JD102J	AA		C	Resistor(1/16W 1.0KΩ ±5%) (200V Series) [R155]



19 PCU PWB

NO.	PARTS CODE	PRICE RANK	NEW MARK	PART RANK	DESCRIPTION
31	VRS-CZ1JD102F	AA		C	Resistor(1/16W 1KΩ ±1%) [R182]
32	VRS-CZ1JD103F	AA		C	Resistor(1/16W 10KΩ ±1%) [R206,R212,R252,R253,R268]
33	VRS-CZ1JD103J	AA		C	Resistor(1/16W 10KΩ ±5%) [R19,R20,R21,R22,R23,R28,R29]
	VRS-CZ1JD103J	AA		C	Resistor(1/16W 10KΩ ±5%) [R30,R31,R32,R33,R34,R35,R36]
	VRS-CZ1JD103J	AA		C	Resistor(1/16W 10KΩ ±5%) [R37,R38,R39,R40,R41,R46,R47]
	VRS-CZ1JD103J	AA		C	Resistor(1/16W 10KΩ ±5%) [R55,R56,R63,R71,R73,R78,R80]
	VRS-CZ1JD103J	AA		C	Resistor(1/16W 10KΩ ±5%) [R91,R92,R93,R95,R96,R99,R100]
	VRS-CZ1JD103J	AA		C	Resistor(1/16W 10KΩ ±5%) [R101,R103,R104,R106,R108,R111]
	VRS-CZ1JD103J	AA		C	Resistor(1/16W 10KΩ ±5%) [R116,R117,R118,R119,R122,R123]
	VRS-CZ1JD103J	AA		C	Resistor(1/16W 10KΩ ±5%) [R124,R126,R127,R128,R133,R134]
	VRS-CZ1JD103J	AA		C	Resistor(1/16W 10KΩ ±5%) [R139,R140,R141,R146,R147,R149]
	VRS-CZ1JD103J	AA		C	Resistor(1/16W 10KΩ ±5%) [R151,R152,R153,R154,R157,R162]
	VRS-CZ1JD103J	AA		C	Resistor(1/16W 10KΩ ±5%) [R168,R169,R172,R173,R178,R183]
	VRS-CZ1JD103J	AA		C	Resistor(1/16W 10KΩ ±5%) [R184,R185,R186,R187,R188,R189]
	VRS-CZ1JD103J	AA		C	Resistor(1/16W 10KΩ ±5%) [R190,R191,R192,R194,R196,R211]
	VRS-CZ1JD103J	AA		C	Resistor(1/16W 10KΩ ±5%) [R213,R214,R221,R222,R223,R224]
VRS-CZ1JD103J	AA		C	Resistor(1/16W 10KΩ ±5%) [R225,R229,R235,R236,R237,R239]	
VRS-CZ1JD103J	AA		C	Resistor(1/16W 10KΩ ±5%) [R243,R250,R251,R269]	
34	VRS-CZ1JD104J	AA		C	Resistor(1/16W 100KΩ ±5%) [R210,R255,R256,R257,R258,R259,R260]
35	VRS-CZ1JD105J	AA		C	Resistor(1/16W 1.0MΩ ±5%) [R74,R240]
36	VRS-CZ1JD106J	AA		C	Resistor(1/16W 10MΩ ±5%) [R16]
37	VRS-CZ1JD152F	AA		C	Resistor(1/16W 1.5KΩ ±1%) [R179,R208,R254]
38	VRS-CZ1JD162J	AA		C	Resistor(1/16W 1.6KΩ ±5%) [R24]
39	VRS-CZ1JD153F	AB		C	Resistor(1/16W 15KΩ ±1%) [R171,R180]
40	VRS-CZ1JD201J	AA		C	Resistor(1/16W 200Ω ±5%) [R25,R170]
41	VRS-CZ1JD202F	AA		C	Resistor(1/16W 2KΩ ±1%) [R207]
42	VRS-CZ1JD203J	AA		C	Resistor(1/16W 20KΩ ±5%) [R66,R120]
45	VRS-CZ1JD302J	AA		C	Resistor(1/16W 300KΩ ±5%) [R1,R132,R193,R195]
46	VRS-CZ1JD304F	AA		C	Resistor(1/16W 300KΩ ±1%) [R247,R249]
47	VRS-CZ1JD330J	AA		C	Resistor(1/16W 33Ω ±5%) [R64,R94,R110]
48	VRS-CZ1JD471J	AA		C	Resistor(1/16W 470Ω ±5%) [R17,R18,R67]
49	VRS-CZ1JD472F	AA		C	Resistor(1/16W 4.7KΩ ±1%) [R181,R238,R244]
	VRS-CZ1JD472F	AA		C	Resistor(1/16W 4.7KΩ ±1%) [R215,R218]
50	VRS-CZ1JD472J	AA		C	Resistor(1/16W 4.7KΩ ±5%) [R4,R5,R51,R52,R53,R72,R85]
	VRS-CZ1JD472J	AA		C	Resistor(1/16W 4.7KΩ ±5%) [R86,R87,R90,R112,R129,R130]
	VRS-CZ1JD472J	AA		C	Resistor(1/16W 4.7KΩ ±5%) [R164,R166,R227,R228,R232,R234]
51	VRS-CZ1JD473F	AA		C	Resistor(1/16W 47KΩ ±1%) [R205]
	VRS-CZ1JD473F	AA		C	Resistor(1/16W 47KΩ ±1%) [R174,R175]
52	VRS-CZ1JD473J	AA		C	Resistor(1/16W 47KΩ ±5%) [R2,R49,R57,R65,R79,R142]
	VRS-CZ1JD473J	AA		C	Resistor(1/16W 47KΩ ±5%) [R143,R144,R145,R265]
53	VRS-CZ1JD474J	AA		C	Resistor(1/16W 470KΩ ±5%) [R241]
54	VRS-CZ1JD562J	AA		C	Resistor(1/16W 5.6KΩ ±5%) [R176]
55	VRS-CZ1JD621F	AA		C	Resistor(1/16W 620Ω ±1%) [R246,R248]
56	VRS-CZ1JD680J	AA		C	Resistor(1/16W 68Ω ±5%) [R115]
57	VRS-CZ1JD681F	AA		C	Resistor(1/16W 680Ω ±1%) [R217,R220]
58	VRS-CZ1JD752J	AA		C	Resistor(1/16W 7.5KΩ ±5%) [R6,R7]
59	VRS-CZ1JD822F	AA		C	Resistor(1/16W 8.2KΩ ±1%) [R216,R219]
60	VSDTA143ZUA-1	AB	N	B	Transistor(DTA143ZUA) [Q16]
61	VSDTC143ZUA-1	AC		B	Transistor(DTC143ZUA) [Q1,Q4,Q6,Q8,Q11,Q12]
	VSDTC143ZUA-1	AC		B	Transistor(DTC143ZUA) [Q15,Q18,Q22,Q24,Q25]
62	VSDTC114EUA-1	AC		B	Transistor(DTC114EUA) [Q9,Q10,Q17,Q21,Q23]
63	VS2SK3018+-1	AC		B	Transistor(2SK3018) [Q2,Q5,Q7,Q19,Q20]
64	VS2SB1197KR-1	AC		B	Transistor(2SB1197K) [Q13,Q14]
65	VS2SD1898//1	AD		B	Transistor(2SD1898) [Q3]
67	RFLN0043FCZZ	AC		C	Filter(ZJSR5101-102) [NF3,NF4,NF6,NF8]
72	VCEASM1HM335M	AB		C	Capacitor(50WV 3.3uF) [C149]
76	VCCYNA1HM103K	AA		C	Capacitor(50WV 0.010uF) [C129]
77	VHPLT1D67A/-1	AC		B	LED(LT1D67A) [LED1]
78	QSOCZ0002QSPZ	AC	N	C	Socket(8pin) [For IC4]
79	QSOCZ0095FCZZ	AR		C	Flash Sockt(179707-1) [SOCKET1]
80	VHDLRS73//1	AA		B	Diode(RLS73) [D5,D6,D30,D32,D34,D38]
81	VHDLRS73//1	AA		B	Diode(RLS73) [D40]
83	VHERD22FB//1	AD		B	Zener diode(RD22FB) [ZD1,ZD3]
84	VHi24WC08Pi-1	AF		B	IC(CAT24WC08Pi) [IC4]
85	VHiMTD13611-1	AR		B	IC(MTD1361-4101) [IC3]
86	VHiNJM7805A-1	AH		B	IC(NJM7805A) [IC22]
87	VHiBD45271G-1	AD		B	IC(BD45271G) [IC15]
88	VHiTA7291AS-1	AF		B	IC(TA7291S) [IC1,IC16]
89	VHiTD62003AP1	AG		B	IC(TD62003AP1) [IC2,IC26]
90	VRS-TP2BD101J	AA		C	Resistor(1/8W 100Ω ±5%) [R231,R230]
91	VRS-TP2BD122J	AA		C	Resistor(1/8W 1.2KΩ ±5%) [R8,R9,R13,R14]
92	VRS-TP2BD151J	AA		C	Resistor(1/8W 150Ω ±5%) [R50,R54,R58]
93	VRS-TP2BD152J	AA		C	Resistor(1/8W 1.5KΩ ±5%) [R209]
94	VRS-TP2BD472J	AA		C	Resistor(1/8W 4.7KΩ ±5%) [R277]
95	VRS-TP2BD391J	AA		C	Resistor(1/8W 390Ω ±5%) [R279,R280,R281]
96	VRS-RE3AA241J	AC		C	Resistor(1W 240Ω ±5%) [R226]
97	VRS-RE3DA1R0J	AB		C	Resistor(2W 1.0Ω ±5%) [R42,R43]
98	QCNCM0671FCZZ	AE		C	Connector(9pin) [CN17]
99	QCNCM0878FCZZ	AF		C	Connector(30pin) [CN12]

19 PCU PWB

NO.	PARTS CODE	PRICE RANK	NEW MARK	PART RANK	DESCRIPTION
100	QCNCM0923FC24	AF		C	Connector(24pin) [CN13]
101	QCNCM0923FC32	AG		C	Connector(32Pin) [CN4]
102	QCNCM1143FCZZ	AG		C	Connector(22pin) [CN11]
103	QCNCM1144FCZZ	AH		C	Connector(24pin) [CN10]
105	QCNCM2401SC0H	AC		C	Connector(8pin) [CN21]
106	QCNCM5093SC0B	AB		C	Connector(2pin) [CN7,CN22,CN23]
107	QCNCM7014SC0H	AB		C	Connector(8pin) [CN5]
108	QCNCM7014SC1A	AC		C	Connector(11pin) [CN8]
109	QCNCM7014SC1F	AD		C	Connector(16pin) [CN14]
110	QCNCW0002ESZZ	AC		C	Connector(8pin) [CN9]
111	QCNCW1136FCZZ	AC		C	Connector(8pin) [CN6]
112	QCNCW1139FCZZ	AC		C	Connector(14pin) [CN15]
114	QCNCW0090QSZZ	AE		C	Connector(24pin) [CN3]
115	RCRSZ0001QSZZ	AG		B	Crystal(AT-51 19.6608MHz) [X1]
116	RCRUB0002FCZZ	AP		B	Crystal(31.554MHz) [X2]
	(Unit)				
901	CPWBX1637DS53	BX	N	E	PCU PWB [AR-M351N](100V Series)
	CPWBX1637DS56	BX	N	E	PCU PWB [AR-M451N](100V Series)
	CPWBX1637DS54	BV	N	E	PCU PWB [AR-M351N](200V Series)
	CPWBX1637DS57	BV	N	E	PCU PWB [AR-M451N](200V Series)

20 MFP control PWB

NO.	PARTS CODE	PRICE RANK	NEW MARK	PART RANK	DESCRIPTION
1	RMPTR4103ACZZ	AB		B	Block resistor(10KΩ×4) [BR1,BR2,BR3,BR4,BR5,BR14]
	RMPTR4103ACZZ	AB		B	Block resistor(10KΩ×4) [BR27,BR30,BR31,BR32,BR74]
	RMPTR4103ACZZ	AB		B	Block resistor(10KΩ×4) [BR76,BR78,BR80,BR93,BR94]
	RMPTR4103ACZZ	AB		B	Block resistor(10KΩ×4) [BR95,BR96,BR97,BR98,BR99]
	RMPTR4103ACZZ	AB		B	Block resistor(10KΩ×4) [BR100,BR101,BR713,BR714]
	RMPTR4103ACZZ	AB		B	Block resistor(10KΩ×4) [BR721,BR722,BR725,BR726]
	RMPTR4103ACZZ	AB		B	Block resistor(10KΩ×4) [BR727,BR728,BR729,BR730]
2	RMPTR4100ACZZ	AB		B	Block resistor(10Ω×4) [BR731,BR732]
	RMPTR4100ACZZ	AB		B	Block resistor(10Ω×4) [BR6,BR10,BR16,BR17,BR20]
	RMPTR4100ACZZ	AB		B	Block resistor(10Ω×4) [BR58,BR59,BR60,BR61]
3	RMPTR4330ACZZ	AB		B	Block resistor(33Ω×4) [BR705,BR706]
	RMPTR4330ACZZ	AB		B	Block resistor(33Ω×4) [BR8,BR9,BR11,BR12,BR13]
	RMPTR4330ACZZ	AB		B	Block resistor(33Ω×4) [BR15,BR19,BR21,BR22,BR23]
	RMPTR4330ACZZ	AB		B	Block resistor(33Ω×4) [BR24,BR25,BR28,BR29,BR33]
	RMPTR4330ACZZ	AB		B	Block resistor(33Ω×4) [BR34,BR35,BR36,BR37,BR38]
	RMPTR4330ACZZ	AB		B	Block resistor(33Ω×4) [BR39,BR40,BR41,BR43,BR44]
	RMPTR4330ACZZ	AB		B	Block resistor(33Ω×4) [BR47,BR49,BR50,BR51,BR53]
	RMPTR4330ACZZ	AB		B	Block resistor(33Ω×4) [BR54,BR55,BR56,BR57,BR62]
	RMPTR4330ACZZ	AB		B	Block resistor(33Ω×4) [BR63,BR64,BR65,BR66,BR67]
	RMPTR4330ACZZ	AB		B	Block resistor(33Ω×4) [BR68,BR69,BR70,BR71,BR72]
	RMPTR4330ACZZ	AB		B	Block resistor(33Ω×4) [BR73,BR75,BR77,BR79]
	RMPTR4330ACZZ	AB		B	Block resistor(33Ω×4) [BR102,BR103,BR104,BR105]
	RMPTR4330ACZZ	AB		B	Block resistor(33Ω×4) [BR106,BR107,BR108,BR109]
	RMPTR4330ACZZ	AB		B	Block resistor(33Ω×4) [BR707,BR708,BR709,BR710]
4	RMPTR4472ACZZ	AB		B	Block resistor(4.7KΩ×4) [BR711,BR712,BR715,BR716]
	RMPTR4472ACZZ	AB		B	Block resistor(4.7KΩ×4) [BR717,BR718,BR719,BR720]
5	RMPTR4391ACZZ	AA		B	Block resistor(390Ω×4) [BR723,BR724,BR734,BR735]
6	RMPTR4332ACZZ	AA		B	Block resistor(3.3KΩ×4) [BR736,BR737,BR738]
7	UBATL0017FCZZ	AL		B	Battery(CR2450) [BR700,BR702,BR703]
8	QSOCZ0091FCZZ	AL		C	Battery Holder(HL-50A) [BT1]
9	PCOVP1782FCZZ	AC		D	Battery Cover [BT1]
10	QSOCN0100FCPZ	AH	N	C	Connector(P1284)(57RE-40360-830B) [CN1]
11	QSOCZ0007QSPA	AP	N	C	Connector(SO-DIMM)(DM-3D4-B3210(LF)) [CN3]
12	QSOCZ0094FCPA	AL		C	Connector(FLASH ROM)(DMM2-SD72AR-113-F) [CN4,CN5,CN6]
14	QCNCW7040XCPZ	AN	N	C	Connector(Mother CN)(TX24-80R-LT-H1(LF)) [CN8]
15	QCNCM1183FCPZ	AM	N	C	Connector(Soft NIC)(100P15.2-JXKS-GB(LF)) [CN9]
16	QCNCM1227FCPZ	AL	N	C	Connector(RIC)(HIF3FC-10PA-2.54DSA(71)) [CN14]
17	QCNCM1182FCPZ	AM	N	C	Connector(FAX I/F)(100P9.2-JXKS-GB(LF)) [CN16]
18	QSOCN0099FCPZ	AG	N	C	Connector(USB)(DUSB-BRA42-T11(D4T)-FA) [CN700]
19	QCNCM1226FCPZ	AL	N	C	Connector(HDD)(RA-H401TD-1190(LF)) [CN701]
20	QCNCW1149FCZZ	AN		C	Connector(Scanner)(8AL068S-305C3) [CN702]
21	VCCCCZ1HH101J	AA		C	Capacitor(50WV 100pF) [C7,C8,C10,C17,C18,C20]
	VCCCCZ1HH101J	AA		C	Capacitor(50WV 100pF) [C22,C30,C33,C35,C38,C39]
	VCCCCZ1HH101J	AA		C	Capacitor(50WV 100pF) [C40,C43,C47,C48,C51,C184]
	VCCCCZ1HH101J	AA		C	Capacitor(50WV 100pF) [C339,C340,C341,C965]
	VCCCCZ1HH101J	AA		C	Capacitor(50WV 100pF) [C1004,C1005,C1006,C1007]

20 MFP control PWB

NO.	PARTS CODE	PRICE RANK	NEW MARK	PART RANK	DESCRIPTION
22	VCKYCZ1CF104Z	AB		C	Capacitor(16WV 0.1μF) [C9,C11,C12,C13,C14,C23]
	VCKYCZ1CF104Z	AB		C	Capacitor(16WV 0.1μF) [C24,C31,C32,C37,C41,C42]
	VCKYCZ1CF104Z	AB		C	Capacitor(16WV 0.1μF) [C44,C45,C53,C54,C55,C56]
	VCKYCZ1CF104Z	AB		C	Capacitor(16WV 0.1μF) [C58,C66,C77]
	VCKYCZ1CF104Z	AB		C	Capacitor(16WV 0.1μF) [C85,C86,C87,C88,C93,C96]
	VCKYCZ1CF104Z	AB		C	Capacitor(16WV 0.1μF) [C97,C98,C100,C103,C104]
	VCKYCZ1CF104Z	AB		C	Capacitor(16WV 0.1μF) [C105,C106,C113,C117,C118]
	VCKYCZ1CF104Z	AB		C	Capacitor(16WV 0.1μF) [C120,C123,C124,C126,C127]
	VCKYCZ1CF104Z	AB		C	Capacitor(16WV 0.1μF) [C128,C131,C132,C134,C135]
	VCKYCZ1CF104Z	AB		C	Capacitor(16WV 0.1μF) [C137,C140,C141,C142,C143]
	VCKYCZ1CF104Z	AB		C	Capacitor(16WV 0.1μF) [C145,C149,C153,C154,C155]
	VCKYCZ1CF104Z	AB		C	Capacitor(16WV 0.1μF) [C156,C157,C158,C159,C160]
	VCKYCZ1CF104Z	AB		C	Capacitor(16WV 0.1μF) [C161,C162,C163,C164,C172]
	VCKYCZ1CF104Z	AB		C	Capacitor(16WV 0.1μF) [C173,C177,C182,C183,C186]
	VCKYCZ1CF104Z	AB		C	Capacitor(16WV 0.1μF) [C187,C189,C190,C191,C192]
	VCKYCZ1CF104Z	AB		C	Capacitor(16WV 0.1μF) [C194,C195,C196,C197,C198]
	VCKYCZ1CF104Z	AB		C	Capacitor(16WV 0.1μF) [C199,C201,C202,C204,C210]
	VCKYCZ1CF104Z	AB		C	Capacitor(16WV 0.1μF) [C211,C212,C215,C216,C217]
	VCKYCZ1CF104Z	AB		C	Capacitor(16WV 0.1μF) [C219,C221,C222,C235,C236]
	VCKYCZ1CF104Z	AB		C	Capacitor(16WV 0.1μF) [C237,C238,C239,C240,C241]
	VCKYCZ1CF104Z	AB		C	Capacitor(16WV 0.1μF) [C242,C243,C244,C245,C246]
	VCKYCZ1CF104Z	AB		C	Capacitor(16WV 0.1μF) [C247,C248,C249,C250,C251]
	VCKYCZ1CF104Z	AB		C	Capacitor(16WV 0.1μF) [C252,C253,C254,C255,C256]
	VCKYCZ1CF104Z	AB		C	Capacitor(16WV 0.1μF) [C257,C258,C259,C260,C261]
	VCKYCZ1CF104Z	AB		C	Capacitor(16WV 0.1μF) [C262,C278,C279,C297,C298]
	VCKYCZ1CF104Z	AB		C	Capacitor(16WV 0.1μF) [C299,C300,C355,C356,C357]
	VCKYCZ1CF104Z	AB		C	Capacitor(16WV 0.1μF) [C358,C359,C360,C361,C362]
	VCKYCZ1CF104Z	AB		C	Capacitor(16WV 0.1μF) [C707,C708,C709,C710,C715]
	VCKYCZ1CF104Z	AB		C	Capacitor(16WV 0.1μF) [C716,C717,C718,C720,C723]
	VCKYCZ1CF104Z	AB		C	Capacitor(16WV 0.1μF) [C726,C728,C729,C730,C738]
	VCKYCZ1CF104Z	AB		C	Capacitor(16WV 0.1μF) [C739,C740,C741,C742,C745]
	VCKYCZ1CF104Z	AB		C	Capacitor(16WV 0.1μF) [C746,C747,C748,C749,C750]
	VCKYCZ1CF104Z	AB		C	Capacitor(16WV 0.1μF) [C751,C770,C771,C772,C773]
VCKYCZ1CF104Z	AB		C	Capacitor(16WV 0.1μF) [C774,C775,C776,C777,C778]	
VCKYCZ1CF104Z	AB		C	Capacitor(16WV 0.1μF) [C779,C781,C783,C784,C785]	
VCKYCZ1CF104Z	AB		C	Capacitor(16WV 0.1μF) [C786,C787,C788,C789,C790]	
VCKYCZ1CF104Z	AB		C	Capacitor(16WV 0.1μF) [C791,C792,C793,C794,C795]	
VCKYCZ1CF104Z	AB		C	Capacitor(16WV 0.1μF) [C796,C797,C798,C799,C800]	
VCKYCZ1CF104Z	AB		C	Capacitor(16WV 0.1μF) [C845,C847,C849,C852,C854]	
VCKYCZ1CF104Z	AB		C	Capacitor(16WV 0.1μF) [C857,C859,C863,C866,C868]	
VCKYCZ1CF104Z	AB		C	Capacitor(16WV 0.1μF) [C875,C877,C880,C882,C884]	
VCKYCZ1CF104Z	AB		C	Capacitor(16WV 0.1μF) [C886,C887,C888,C889,C890]	
VCKYCZ1CF104Z	AB		C	Capacitor(16WV 0.1μF) [C891,C892,C893,C910,C911]	
VCKYCZ1CF104Z	AB		C	Capacitor(16WV 0.1μF) [C920,C921,C930,C931,C932]	
VCKYCZ1CF104Z	AB		C	Capacitor(16WV 0.1μF) [C933,C934,C935,C936,C937]	
VCKYCZ1CF104Z	AB		C	Capacitor(16WV 0.1μF) [C938,C942,C943,C944]	
VCKYCZ1CF104Z	AB		C	Capacitor(16WV 0.1μF) [C1010,C1034]	
VCKYCZ1CF104Z	AB		C	Capacitor(16WV 0.1μF) [C1035,C1036,C1037,C1038]	
VCKYCZ1CF104Z	AB		C	Capacitor(16WV 0.1μF) [C1039,C1040,C1041,C1050]	
VCKYCZ1CF104Z	AB		C	Capacitor(16WV 0.1μF) [C1051,C1052,C1055]	
23	VCEASX1CN226M	AC		C	Capacitor(16WV 22μF) [C57,C64,C90,C114,C115]
	VCEASX1CN226M	AC		C	Capacitor(16WV 22μF) [C136,C719,C722,C725,C736]
	VCEASX1CN226M	AC		C	Capacitor(16WV 22μF) [C737,C743,C744,C848,C855]
	VCEASX1CN226M	AC		C	Capacitor(16WV 22μF) [C862,C869,C878,C885]
24	VCCCCZ1HH220J	AA		C	Capacitor(50WV 22pF) [C61,C700,C701]
25	VCEASX1CN106M	AC		C	Capacitor(16WV 10μF) [C94,C166,C179,C223,C711]
	VCEASX1CN106M	AC		C	Capacitor(16WV 10μF) [C712,C713,C714,C780,C952]
	VCEASX1CN106M	AC		C	Capacitor(16WV 10μF) [C1030,C1042]
26	VCEASX1CN476M	AC		C	Capacitor(16WV 47μF) [C167,C168,C311,C966]
	VCEASX1CN476M	AC		C	Capacitor(16WV 47μF) [C1008,C1032,C1033]
27	VCKYCY1EB104K	AG		C	Capacitor(25WV 0.1μF) [C181,C188,C205,C206,C1061]
28	VCKYCZ1HB102K	AA		C	Capacitor(50WV 1000pF) [C200,C203,C721,C724,C727]
	VCKYCZ1HB102K	AA		C	Capacitor(50WV 1000pF) [C734,C735,C782,C973,C974]
	VCKYCZ1HB102K	AA		C	Capacitor(50WV 1000pF) [C975,C976,C977,C978,C982]
	VCKYCZ1HB102K	AA		C	Capacitor(50WV 1000pF) [C984,C985,C987,C988,C991]
	VCKYCZ1HB102K	AA		C	Capacitor(50WV 1000pF) [C992,C997,C998,C1003]
29	VCKYTQ0JB106K	AE		C	Capacitor(6.3WV 10μF) [C1029]
30	RC-KZ1012ACZZ	AC		C	Capacitor(10WV 10uF) [C326]
31	RC-EZ0357FCPZ	AD		C	Capacitor(16WV 470uF) [C331,C343,C833,C1009]
32	VCKYCZ1HF103Z	AA		C	Capacitor(50WV 0.01uF) [C844,C846,C850,C851,C853]
	VCKYCZ1HF103Z	AA		C	Capacitor(50WV 0.01uF) [C856,C858,C864,C865,C867]
	VCKYCZ1HF103Z	AA		C	Capacitor(50WV 0.01uF) [C874,C876,C879,C881,C883]
33	VCCCCZ1HH100D	AA		C	Capacitor(50WV 10pF) [C344,C345,C894,C895,C896]
	VCCCCZ1HH100D	AA		C	Capacitor(50WV 10pF) [C897,C898,C899,C900,C901]
	VCCCCZ1HH100D	AA		C	Capacitor(50WV 10pF) [C902,C903,C904,C905,C906]
	VCCCCZ1HH100D	AA		C	Capacitor(50WV 10pF) [C907,C908,C909,C912,C913]
	VCCCCZ1HH100D	AA		C	Capacitor(50WV 10pF) [C914,C915,C916,C917,C918]
	VCCCCZ1HH100D	AA		C	Capacitor(50WV 10pF) [C919,C922,C923,C924,C925]
VCCCCZ1HH100D	AA		C	Capacitor(50WV 10pF) [C926,C927,C928,C929]	

20 MFP control PWB

NO.	PARTS CODE	PRICE RANK	NEW MARK	PART RANK	DESCRIPTION
34	VCEASX1VN106M	AC		C	Capacitor(35WV 10uF) [C951]
35	VCKYTV1CB105K	AC		C	Capacitor(16WV 1uF) [C1053]
36	VCKYTV1AB225M	AC		C	Capacitor(10WV 2.2uF) [C1054]
37	VCCCCZ1HH330J	AA		C	Capacitor(50WV 33pF) [C1056]
38	VHDLRS73//--1	AA		B	Diode(RLS73) [D8,D9,D23,D24,D41]
39	VHDDAP202U/-1	AB		B	Diode(DAP202U) [D10]
40	VHDRB451F//--1	AD		B	Diode(RB451F) [D12,D14,D26,D27,D28,D29]
	VHDRB451F//--1	AD		B	Diode(RB451F) [D30,D31,D35]
41	VHPSLR322VC3F	AC		B	LED(Red)(SLR322VC3F) [D13]
42	VHERD2R0SBA-1	AC	N	B	Zener diode(RD2.0SB) [D25,D36,D32,D42]
43	QFS-D132CQCZZ	AG		A	Fuse(tube)(215 1.25) [F1]
44	QFSHB0028FCZZ	AC		C	Fuse holder(TP00351-31) [F1]
45	QFS-L930AQCZZ	AF		A	Chip Fuse(CCF1N2) [F4]
46	RH-iX0006FCZZ	BB	N	B	SDRAM(256Mbit) [IC4,IC5,IC6,IC7,IC27]
47	VHILCX14MT+0C	AD	N	B	Logic IC(74LX14MTCX_NL) [IC8,IC43,IC64]
48	VH i 2309SZ1H-1	AT	N	B	IC(CY2309SZC-1HT) [IC9,IC29]
49	VH i L CX 74MT+0C	AD	N	B	Logic IC(74LX74MTCX_NL) [IC10,IC748,IC749]
50	VH i L CX 32MT+0C	AD	N	B	Logic IC(74LX32MTCX_NL) [IC11,IC747]
51	VH i L V X 1284+0C	AM	N	B	Logic IC(74LVX161284MEA(LF)) [IC15]
52	VH i D S 90 L 17N-1	AL	N	B	LVDS IC(DS90LV017ATMX-NOPB) [IC18]
53	VH i 7065C30R-1	BU	N	B	CPU(RM7065C-300R-D004) [IC20]
54	VH i M 87 J 4811-1	BH		B	ICU ASIC(SC87J4811) [IC25]
55	VH i L CX 08MT+0C	AD	N	B	Logic IC(74LX08MTCX_NL) [IC26,IC46,IC746,IC754]
56	VH i 65946P7A-1	BA	N	B	ASIC1(uPD65946GN-P07-LMU-A) [IC32]
57	VH i 28L64P20-1	AS		B	EEPROM(CAT28LV64L-20) [IC36]
58	QSOCZ6428ACZZ	AE		C	IC socket(28pin) [IC36]
59	VH i D 62503FG-1	AG	N	B	Driver IC(TD62503FG) [IC38,IC41,IC44,IC45]
	VH i D 62503FG-1	AG	N	B	Driver IC(TD62503FG) [IC719]
60	VH i L M 393D+-+1	AE		B	IC(LM393D) [IC39,IC759]
61	VH i N J 6356LF-1	AH	N	B	IC(NJU6356EM(LF)) [IC40]
62	VH i H i 207ECB0C	AN	N	B	RS232Driver IC(HIN207ECB-T) [IC42]
63	VH i P T 598DLF-1	AE	N	B	Reset IC(PST598DN(LF)) [IC47,IC48]
64	VH i H G 73C95V-1	AY	N	B	ASIC2(HG73C095TEV) [IC53]
65	VH i 237R33LF-1	AF	N	B	IC(NJM2370R33) [IC54]
66	VH i 23WAT255-1	AU		B	2Mbit SRAM(N02L163WC2AT2-55I) [IC55]
67	VH i 87R1060E-1	BQ		B	IC(MB87R1060V94A@E1) [IC700]
68	VHDF1071MT+0C	AH	N	B	Diode(74F1071MTCX_NL) [IC701]
69	VH i M R U P 0 1+-+1	BF		B	IC(MRUP01 V2) [IC703]
70	RCNVD0003FCZZ	AY		C	DC-DC Converter(MPD4S008S(LF)) [IC718]
71	VH i P M 22G75+-1	BH	N	B	CODEC IC(PM-22/75(LF)) [IC723,IC721]
72	VH i P M 2060G+-1	BK	N	B	RET IC(PM2060i(LF)) [IC725]
73	VH i L CX 244MT0C	AE	N	B	Logic IC(74LX244MTCX_NL) [IC726,IC729,IC732,IC742]
	VH i L CX 244MT0C	AE	N	B	Logic IC(74LX244MTCX_NL) [IC743,IC744,IC745]
74	VH i L CX 245MT0C	AE	N	B	Logic IC(74LX245MTCX_NL) [IC727,IC728,IC730,IC731]
	VH i L CX 245MT0C	AE	N	B	Logic IC(74LX245MTCX_NL) [IC734,IC736,IC738,IC739]
	VH i L CX 245MT0C	AE	N	B	Logic IC(74LX245MTCX_NL) [IC740,IC741]
75	VH i L CX 373MT0C	AE	N	B	Logic IC(74LX373MTCX_NL) [IC733,IC735,IC737]
76	VH i P T 598 i L F-1	AE	N	B	Reset IC(PST598IN(LF)) [IC753]
77	VH i L CX 157MT0C	AE	N	B	Logic IC(74LX157MTCX_NL) [IC755]
78	VH i 65345Y020C	BC		B	IC(UPD65345GJ-Y02-UEN-A) [IC756]
80	QP i N-0003GCPZ	AC	N	C	Pin(T3B-SQ(LF)) [JP6]
81	PCAPH0010GCZZ	AD		D	Cap(JM-2W-96) [JP6]
82	QJUM-0002FCZZ	AA		C	Taping jumper wire(JUMPER,VIDCLK) [JP19]
83	RF i L N 0048FCPZ	AB	N	C	Filter(BLM15BB121SN1D(LF)) [L2,L3,L724,L749]
	RF i L N 0048FCPZ	AB	N	C	Filter(BLM15BB121SN1D(LF)) [L750,L755]
85	RC i L F 0115FCZZ	AG		C	Choke Coil(DLW31SN900SQ2) [L700]
86	RF i L N 0304FCPZ	AC	N	C	EMI Filter(DSS6NZ82A103Q55B(LF)) [L701,L703,L705,L753,L754]
87	RF i L N 0305FCPZ	AC	N	C	Filter(BL02RN2R1P1A(LF)) [L702,L704,L706]
88	RF i L N 0051FCZZ	AC		C	Filter(MMZ1608D121BTA00) [L714,L715,L716,L717,L718]
	RF i L N 0051FCZZ	AC		C	Filter(MMZ1608D121BTA00) [L719,L720,L721,L737,L738]
	RF i L N 0051FCZZ	AC		C	Filter(MMZ1608D121BTA00) [L739,L740,L741,L742,L743]
	RF i L N 0051FCZZ	AC		C	Filter(MMZ1608D121BTA00) [L744]
89	RF i L N 0055FCZZ	AB		C	Filter(BLM21AG121SN1D) [L722]
90	RF i L N 0056FCZZ	AA		C	Filter(BLM18AG151SN1D) [L725,L728,L729,L745,L746]
	RF i L N 0056FCZZ	AA		C	Filter(BLM18AG151SN1D) [L747]
91	VH V i C P S 1 . 2 / - 1	AF		B	IC protector(ICPS1.2) [Q1,Q28]
92	VSDTC114EUA-1	AC		B	Transistor(DTC114EUA) [Q3,Q11,Q13,Q21,Q24,Q25,Q26]
93	VSDTC114YUA-1	AB		B	Transistor(DTC114YUA) [Q4,Q12,Q15,Q27]
94	V SUPA 502TA+-1	AD	N	B	Transistor(UPA502T(LF)) [Q5,Q6,Q7]
95	VS 2 SC 2412K / - 1	AB		B	Transistor(2SC2412K) [Q18,Q8]
96	VS 2 SB 1198K / - 1	AC		B	Transistor(2SB1198K) [Q17,Q9]
97	VSDTA114EUA-1	AC		B	Transistor(DTA114EUA) [Q10,Q14,Q20]
98	VSTPC6102F+-1	AE	N	B	Transistor(TPC6102 (TE85L,F)) [Q16]
99	VSTPC6004F+-1	AE	N	B	Transistor(TPC6004 (TE85L,F)) [Q19]
100	VSDTA143ZUA-1	AB	N	B	Transistor(DTA143ZUA FT106) [Q22]
101	VS 2 SK 3018+-+1	AC		B	Transistor(2SK3018) [Q23]
102	VHV1608C2701C	AC		B	Varistor(AVR-M1608C270KT2AB) [RV12,RV13,RV14,RV15,RV16]
	VHV1608C2701C	AC		B	Varistor(AVR-M1608C270KT2AB) [RV17,RV18,RV19,RV20,RV21]
	VHV1608C2701C	AC		B	Varistor(AVR-M1608C270KT2AB) [RV22,RV23,RV24,RV25,RV26]
	VHV1608C2701C	AC		B	Varistor(AVR-M1608C270KT2AB) [RV27]

20 MFP control PWB

NO.	PARTS CODE	PRICE RANK	NEW MARK	PART RANK	DESCRIPTION
103	VRS-CZ1JD103J	AA		C	Resistor(1/16W 10KΩ ±5%) [R12,R13,R15,R16,R18,R44]
	VRS-CZ1JD103J	AA		C	Resistor(1/16W 10KΩ ±5%) [R45,R60,R61,R62,R70,R72]
	VRS-CZ1JD103J	AA		C	Resistor(1/16W 10KΩ ±5%) [R86,R91,R93,R123,R131]
	VRS-CZ1JD103J	AA		C	Resistor(1/16W 10KΩ ±5%) [R158,R159,R160,R163,R165]
	VRS-CZ1JD103J	AA		C	Resistor(1/16W 10KΩ ±5%) [R167,R168,R203,R208,R213]
	VRS-CZ1JD103J	AA		C	Resistor(1/16W 10KΩ ±5%) [R216,R217,R230,R237,R238]
	VRS-CZ1JD103J	AA		C	Resistor(1/16W 10KΩ ±5%) [R239,R240,R241,R242,R245]
	VRS-CZ1JD103J	AA		C	Resistor(1/16W 10KΩ ±5%) [R246,R249,R254,R259,R260]
	VRS-CZ1JD103J	AA		C	Resistor(1/16W 10KΩ ±5%) [R261,R263,R264,R267,R269]
	VRS-CZ1JD103J	AA		C	Resistor(1/16W 10KΩ ±5%) [R271,R272,R273,R274,R282]
	VRS-CZ1JD103J	AA		C	Resistor(1/16W 10KΩ ±5%) [R283,R284,R285,R429,R430]
	VRS-CZ1JD103J	AA		C	Resistor(1/16W 10KΩ ±5%) [R480,R494,R795,R796,R805]
	VRS-CZ1JD103J	AA		C	Resistor(1/16W 10KΩ ±5%) [R824,R833,R839]
	VRS-CZ1JD103J	AA		C	Resistor(1/16W 10KΩ ±5%) [R845,R859,R947,R949,R974]
	VRS-CZ1JD103J	AA		C	Resistor(1/16W 10KΩ ±5%) [R976,R977,R978,R981]
	VRS-CZ1JD103J	AA		C	Resistor(1/16W 10KΩ ±5%) [R1016,R1070,R1120,R1121]
	VRS-CZ1JD103J	AA		C	Resistor(1/16W 10KΩ ±5%) [R1122,R1130,R1131]
	VRS-CZ1JD103J	AA		C	Resistor(1/16W 10KΩ ±5%) [R1132,R1133,R1134,R1135]
VRS-CZ1JD103J	AA		C	Resistor(1/16W 10KΩ ±5%) [R1167,R1168,R1174,R1204]	
VRS-CZ1JD103J	AA		C	Resistor(1/16W 10KΩ ±5%) [R1226,R1246,R1248,R1249]	
VRS-CZ1JD103J	AA		C	Resistor(1/16W 10KΩ ±5%) [R1250,R1260,R1283,R1286]	
VRS-CZ1JD103J	AA		C	Resistor(1/16W 10KΩ ±5%) [R1294,R1296]	
104	VRS-CZ1JD220J	AA		C	Resistor(1/16W 22Ω ±5%) [R14,R17,R19,R24,R27,R30]
	VRS-CZ1JD220J	AA		C	Resistor(1/16W 22Ω ±5%) [R31,R34,R35,R37,R39,R40]
	VRS-CZ1JD220J	AA		C	Resistor(1/16W 22Ω ±5%) [R43,R46,R51,R54,R57,R814]
	VRS-CZ1JD220J	AA		C	Resistor(1/16W 22Ω ±5%) [R815,R816,R817,R1022]
	VRS-CZ1JD220J	AA		C	Resistor(1/16W 22Ω ±5%) [R1273]
105	VRS-CZ1JD330J	AA		C	Resistor(1/16W 33Ω ±5%) [R41,R47,R48,R52,R64,R65]
	VRS-CZ1JD330J	AA		C	Resistor(1/16W 33Ω ±5%) [R67,R69,R92,R96,R117]
	VRS-CZ1JD330J	AA		C	Resistor(1/16W 33Ω ±5%) [R138,R142,R143,R147,R148]
	VRS-CZ1JD330J	AA		C	Resistor(1/16W 33Ω ±5%) [R152,R153,R173,R174,R176]
	VRS-CZ1JD330J	AA		C	Resistor(1/16W 33Ω ±5%) [R187,R214,R288,R289,R524]
	VRS-CZ1JD330J	AA		C	Resistor(1/16W 33Ω ±5%) [R525,R526,R527,R528,R529]
	VRS-CZ1JD330J	AA		C	Resistor(1/16W 33Ω ±5%) [R530,R531,R532,R533,R534]
	VRS-CZ1JD330J	AA		C	Resistor(1/16W 33Ω ±5%) [R535,R536,R537,R538,R539]
	VRS-CZ1JD330J	AA		C	Resistor(1/16W 33Ω ±5%) [R540,R542,R543,R545,R547]
	VRS-CZ1JD330J	AA		C	Resistor(1/16W 33Ω ±5%) [R548,R549,R550,R551,R624]
	VRS-CZ1JD330J	AA		C	Resistor(1/16W 33Ω ±5%) [R701,R703,R705,R707,R710]
	VRS-CZ1JD330J	AA		C	Resistor(1/16W 33Ω ±5%) [R711,R712,R713,R753,R783]
	VRS-CZ1JD330J	AA		C	Resistor(1/16W 33Ω ±5%) [R791,R799,R1067,R1068]
VRS-CZ1JD330J	AA		C	Resistor(1/16W 33Ω ±5%) [R1173,R1185,R1270]	
106	VRS-CZ1JD470J	AA		C	Resistor(1/16W 47Ω ±5%) [R55,R56,R58,R66,R188]
	VRS-CZ1JD470J	AA		C	Resistor(1/16W 47Ω ±5%) [R190,R787,R788,R1251]
	VRS-CZ1JD470J	AA		C	Resistor(1/16W 47Ω ±5%) [R1252]
107	VRS-CZ1JD100J	AA		C	Resistor(1/16W 10Ω ±5%) [R59,R116,R118,R149,R161]
	VRS-CZ1JD100J	AA		C	Resistor(1/16W 10Ω ±5%) [R169,R170,R504,R718,R721]
	VRS-CZ1JD100J	AA		C	Resistor(1/16W 10Ω ±5%) [R722,R725,R726,R729,R749]
	VRS-CZ1JD100J	AA		C	Resistor(1/16W 10Ω ±5%) [R750,R751,R752,R755,R756]
	VRS-CZ1JD100J	AA		C	Resistor(1/16W 10Ω ±5%) [R757,R785,R790,R801,R809]
	VRS-CZ1JD100J	AA		C	Resistor(1/16W 10Ω ±5%) [R1066,R1069,R1092,R1093]
	VRS-CZ1JD100J	AA		C	Resistor(1/16W 10Ω ±5%) [R1094,R1095,R1096,R1097]
	VRS-CZ1JD100J	AA		C	Resistor(1/16W 10Ω ±5%) [R1098,R1099,R1100,R1101]
108	VRS-CZ1JD472J	AA		C	Resistor(1/16W 4.7KΩ ±5%) [R1102,R1103,R1104,R1105]
	VRS-CZ1JD472J	AA		C	Resistor(1/16W 4.7KΩ ±5%) [R71,R121,R128,R162,R164]
	VRS-CZ1JD472J	AA		C	Resistor(1/16W 4.7KΩ ±5%) [R184,R206,R221,R227,R228]
	VRS-CZ1JD472J	AA		C	Resistor(1/16W 4.7KΩ ±5%) [R231,R262,R270,R277,R434]
	VRS-CZ1JD472J	AA		C	Resistor(1/16W 4.7KΩ ±5%) [R435,R478,R492,R714,R715]
	VRS-CZ1JD472J	AA		C	Resistor(1/16W 4.7KΩ ±5%) [R716,R717,R731,R733,R734]
	VRS-CZ1JD472J	AA		C	Resistor(1/16W 4.7KΩ ±5%) [R763,R767,R769,R811,R822]
	VRS-CZ1JD472J	AA		C	Resistor(1/16W 4.7KΩ ±5%) [R863,R864,R929,R930,R936]
	VRS-CZ1JD472J	AA		C	Resistor(1/16W 4.7KΩ ±5%) [R937,R938,R939,R944,R945]
	VRS-CZ1JD472J	AA		C	Resistor(1/16W 4.7KΩ ±5%) [R1010,R1012,R1014,R1025]
	VRS-CZ1JD472J	AA		C	Resistor(1/16W 4.7KΩ ±5%) [R1028,R1032,R1056,R1088]
	VRS-CZ1JD472J	AA		C	Resistor(1/16W 4.7KΩ ±5%) [R1089,R1179,R1180,R1181]
109	VRS-CZ1JD101J	AA		C	Resistor(1/16W 100Ω ±5%) [R1182,R1202,R1208,R1210]
	VRS-CZ1JD101J	AA		C	Resistor(1/16W 100Ω ±5%) [R1216,R1282,R1287,R1291]
110	VRS-CZ1JD333J	AA		C	Resistor(1/16W 33KΩ ±5%) [R101,R102,R109,R180,R181]
111	VRS-CZ1JD332J	AA		C	Resistor(1/16W 3.3KΩ ±5%) [R183,R403,R404,R1176,R1284]
112	VRS-CZ1JD102J	AA		C	Resistor(1/16W 1.0KΩ ±5%) [R179,R107]
	VRS-CZ1JD102J	AA		C	Resistor(1/16W 1.0KΩ ±5%) [R215,R119]
	VRS-CZ1JD102J	AA		C	Resistor(1/16W 1.0KΩ ±5%) [R129,R130,R134,R151,R204]
	VRS-CZ1JD102J	AA		C	Resistor(1/16W 1.0KΩ ±5%) [R205,R236,R253,R268,R279]
	VRS-CZ1JD102J	AA		C	Resistor(1/16W 1.0KΩ ±5%) [R419,R1203,R1223,R1227]
113	VRS-CZ1JD000J	AA		C	Resistor(1/16W 0Ω ±5%) [R1228,R1230,R1245,R1247]
	VRS-CZ1JD000J	AA		C	Resistor(1/16W 0Ω ±5%) [R1255,R1269]
	VRS-CZ1JD000J	AA		C	Resistor(1/16W 0Ω ±5%) [R133,R141,R166,R198,R220]
	VRS-CZ1JD000J	AA		C	Resistor(1/16W 0Ω ±5%) [R232,R290,R291,R292,R293]
	VRS-CZ1JD000J	AA		C	Resistor(1/16W 0Ω ±5%) [R296,R299,R299,R300]
	VRS-CZ1JD000J	AA		C	Resistor(1/16W 0Ω ±5%) [R301,R302,R303,R304,R305]
	VRS-CZ1JD000J	AA		C	Resistor(1/16W 0Ω ±5%) [R306,R307,R406,R437,R438]

20 MFP control PWB

NO.	PARTS CODE	PRICE RANK	NEW MARK	PART RANK	DESCRIPTION
113	VRS-CZ1JD000J	AA		C	Resistor(1/16W 0Ω ±5%) [R439,R440,R441,R442,R443]
	VRS-CZ1JD000J	AA		C	Resistor(1/16W 0Ω ±5%) [R444,R484,R485,R736,R737]
	VRS-CZ1JD000J	AA		C	Resistor(1/16W 0Ω ±5%) [R745,R754,R760,R762,R766]
	VRS-CZ1JD000J	AA		C	Resistor(1/16W 0Ω ±5%) [R772,R774,R775,R776,R802]
	VRS-CZ1JD000J	AA		C	Resistor(1/16W 0Ω ±5%) [R807,R810,R819,R820,R821]
	VRS-CZ1JD000J	AA		C	Resistor(1/16W 0Ω ±5%) [R826,R827,R828,R829,R836]
	VRS-CZ1JD000J	AA		C	Resistor(1/16W 0Ω ±5%) [R838,R842,R844,R848]
	VRS-CZ1JD000J	AA		C	Resistor(1/16W 0Ω ±5%) [R854,R858,R862,R940,R941]
	VRS-CZ1JD000J	AA		C	Resistor(1/16W 0Ω ±5%) [R942,R943,R985,R989,R991]
	VRS-CZ1JD000J	AA		C	Resistor(1/16W 0Ω ±5%) [R850,R852,R993,R995,R997]
	VRS-CZ1JD000J	AA		C	Resistor(1/16W 0Ω ±5%) [R999,R1001,R1003,R1005]
	VRS-CZ1JD000J	AA		C	Resistor(1/16W 0Ω ±5%) [R1007,R1019,R1020,R1023]
	VRS-CZ1JD000J	AA		C	Resistor(1/16W 0Ω ±5%) [R1029,R1031,R1071,R1072]
	VRS-CZ1JD000J	AA		C	Resistor(1/16W 0Ω ±5%) [R1146]
	VRS-CZ1JD000J	AA		C	Resistor(1/16W 0Ω ±5%) [R1184,R1211,R1212,R1213]
	VRS-CZ1JD000J	AA		C	Resistor(1/16W 0Ω ±5%) [R1217,R1219,R1221,R1224]
	VRS-CZ1JD000J	AA		C	Resistor(1/16W 0Ω ±5%) [R1231,R1235,R1253]
	VRS-CZ1JD000J	AA		C	Resistor(1/16W 0Ω ±5%) [R1259,R1263,R1266,R1267]
VRS-CZ1JD000J	AA		C	Resistor(1/16W 0Ω ±5%) [R1268,R1278,R1279,R1290]	
VRS-CZ1JD000J	AA		C	Resistor(1/16W 0Ω ±5%) [R1295]	
114	VRS-CZ1JD222J	AA		C	Resistor(1/16W 2.2KΩ ±5%) [R199,R200,R209,R210,R211]
	VRS-CZ1JD222J	AA		C	Resistor(1/16W 2.2KΩ ±5%) [R223,R244,R248,R265,R266]
	VRS-CZ1JD222J	AA		C	Resistor(1/16W 2.2KΩ ±5%) [R276,R471,R980,R1124]
	VRS-CZ1JD222J	AA		C	Resistor(1/16W 2.2KΩ ±5%) [R1225]
115	VRS-CZ1JD823J	AA		C	Resistor(1/16W 82KΩ ±5%) [R202]
116	VRS-CZ1JD183J	AA		C	Resistor(1/16W 18KΩ ±5%) [R280,R275]
117	VRS-CZ1JD511J	AA		C	Resistor(1/16W 510Ω ±5%) [R278]
118	VRS-CZ1JD361F	AA		C	Resistor(1/16W 360Ω ±1%) [R417]
119	VRS-CZ1JD561F	AA		C	Resistor(1/16W 560Ω ±1%) [R418]
120	VRS-CZ1JD820J	AA		C	Resistor(1/16W 82Ω ±5%) [R541,R544,R546]
121	VRS-CZ1JD221J	AA		C	Resistor(1/16W 220Ω ±5%) [R797]
122	VRS-CZ1JD105J	AA		C	Resistor(1/16W 1.0MΩ ±5%) [R798]
123	VRS-CZ1JD622J	AA		C	Resistor(1/16W 6.2KΩ ±5%) [R804]
124	VRS-CZ1JD562F	AA		C	Resistor(1/16W 5.6KΩ ±1%) [R950]
125	VRS-CZ1JD472F	AA		C	Resistor(1/16W 4.7KΩ ±1%) [R951]
126	VRS-CZ1JD563J	AA		C	Resistor(1/16W 56KΩ ±5%) [R1090,R1091]
127	VRS-CZ1JD562J	AA		C	Resistor(1/16W 5.6KΩ ±5%) [R1261,R1229]
128	VRS-TX2HD000J	AB		C	Resistor(1/2W 0Ω ±5%) [R1242,R1243,R1359,R1360]
	VRS-TX2HD000J	AB		C	Resistor(1/2W 0Ω ±5%) [R1361]
129	VRS-CZ1JD471J	AA		C	Resistor(1/16W 470Ω ±5%) [R1272]
130	VRS-CZ1JD474J	AA		C	Resistor(1/16W 470KΩ ±5%) [R1281]
131	VRS-CZ1JD152F	AA		C	Resistor(1/16W 1.5KΩ ±1%) [R1285]
132	VRS-CY1JD000J	AA		C	Resistor(1/16W 0Ω ±5%) [R1364,R1365,R1366,R1367]
	VRS-CY1JD000J	AA		C	Resistor(1/16W 0Ω ±5%) [R1368,R1369,R1370,R1371]
	VRS-CY1JD000J	AA		C	Resistor(1/16W 0Ω ±5%) [R1372,R1373,R1374,R1375]
	VRS-CY1JD000J	AA		C	Resistor(1/16W 0Ω ±5%) [R1376,R1377,R1378,R1379]
133	QSW-S0545FCPZ	AM	N	B	DIP SW(OTAX KSP02(LF)) [SW2]
134	RCRUA00024FCPZ	AL	N	B	Crystal(SG-8002JC 66.0MHz(LF)) [X1]
135	RCRUA00008FCPZ	AL	N	B	Crystal(SG-8002JC 40.57MHz(LF)) [X2]
136	RCRUA00002QSPZ	AL	N	B	Crystal(SG-8002JC 33.33333MHz(LF)) [X3]
137	RCRUA00007FCPZ	AL	N	B	Crystal(SG-8002JC 31.554MHz(LF)) [X4]
138	RCRUA00023FCPZ	AL	N	B	Crystal(SG_8002JC 64.0M) [X5]
139	RCRSA00085FCPZ	AE		B	Crystal(DT-38 32.768K(LF)) [X6]
140	RCRUA00005FCPZ	AL	N	B	Crystal(SG_8002JC 14.7456M(LF)) [X7]
141	RCRUA00027FCPZ	AL	N	B	Crystal(SG_8002JC 74.9M(LF)) [X700]
142	RCRSC00082FCPZ	AH	N	B	Crystal(MA-406 24MHz(LF)) [X701]
143	RCRUA00009FCPZ	AL	N	B	Crystal(SG-8002JC 66.666MHz(LF)) [X703]

21 Fuse PWB

NO.	PARTS CODE	PRICE RANK	NEW MARK	PART RANK	DESCRIPTION
1	QCNCM0895FCZZ	AG		C	Connector(3pin) [CN1]
2	QFS-B0030FCZZ	AH		A	Fuse(15A 250V) [100V Series][F1]
	QFS-C1500QCZZ	AF		A	Fuse(10A 240V) [200V Series][F1,2]
3	QFSD0026FCZZ	AC		C	Fuse holder(00335-31) [(F1,2)]
4	QTANP0215FCZZ	AC		C	Terminal(85163) [Lout,LFAX,Nout,NFAX]
6	QSPGC0001FCZZ	AK		C	Surge absorber(2700V) [100V Series][A1]
7	VHV10V471K+-1	AD		B	Varistor(10V471K) [VR1]
8	DHAI-3252FCZ1	AE	N	C	DH harness
	(Unit)				
901	CPWBF1626FCE1	AU	N	E	Fuse PWB (100V series)
	CPWBF1627FCE1	AW	N	E	Fuse PWB (200V series)

## 22 Relay PWB

NO.	PARTS CODE	PRICE RANK	NEW MARK	PART RANK	DESCRIPTION
2	VHDDSM1D1// - 1	AB		B	Diode(DSM1D1) [D1]
3	VS2SD1768S+ - 1	AR		B	Transistor(2SD1768) [Q1]
4	VRD-HT2EY471J	AA		C	Resistor(1/4W 470Ω ±5%) [R1]
5	VRD-HT2EY272J	AA		C	Resistor(1/4W 2.7KΩ ±5%) [R2]
6	VCEAZA1VW476M	AC		C	Capacitor(35WV 47μF) [C1]
7	QCNCM0672FCZZ	AB		C	Connector(2pin) [CN1]
8	QCNCM1178FCZZ	AC		C	Connector(2pin) [CN2]
9	QCNCM7014SC0C	AA		C	Connector(3pin) [CN3]
10	QTANP0215FCZZ	AC		C	Terminal(85163) [Lin,Nin,Lout,Nout]
11	QFS-E1312QCZZ	AD		A	Fuse(T2.5AH250V) [F1]
12	QFSHB0028FCZZ	AC		C	Fuse holder(TP00351-31) [(F1)]
13	VHV10V471K+ - 1	AD		B	Varistor(10V471K) [200V Series][VR1]
	(Unit)				
901	CPWBF1629FCE1	AY	N	E	Relay PWB (100V Series)
	CPWBF1629FCE2	AY	N	E	Relay PWB (200V Series)

## 23 Power supply unit 100V

NO.	PARTS CODE	PRICE RANK	NEW MARK	PART RANK	DESCRIPTION
1	0AV1570000002	AD		C	FILM CAPACITOR(LE104-L 0.1μF,250V(LE)) [C701]
2	0AV1570000003	AD		C	FILM CAPACITOR(LE104-C 0.1μF,250V(LE)) [C760,C761]
3	0AV1570000004	AN		C	FILM CAPACITOR(LE155-C 1.5μF,250V(LE)) [C702]
4	0AV16500000064	AD		C	CERAMIC CAPACITOR(DE1307E472M-KH 4700pF(KH)) [C703,C704]
5	0AV1570000006	AF		C	FILM CAPACITOR(LE474-C 0.47μF,250V(LE)) [C705]
6	0AV1390000260	AY	N	C	AL-ELECTROLYTIC CAPACITOR(LGU2D182MELC 1800μF,200V) [C706]
7	0AV1690000133	AC	N	C	CERAMIC CAPACITOR(PRE132R104K50 0.1μF,50V) [C707,C718,C720,C730,C733,C742]
	0AV1690000133	AC	N	C	CERAMIC CAPACITOR(PRE132R104K50 0.1μF,50V) [C752,C756,C759,C765]
8	0AV1610000091	AC		C	CERAMIC CAPACITOR(DE0905-979R102K1K 1000pF,1KV) [C708,C709,C710,C726,C747,C748,C749]
9	0AV1390000261	AC	N	C	AL-ELECTROLYTIC CAPACITOR(UPJ1H4R7MDD 4.7μF,50V) [C711]
10	0AV1390000262	AC	N	C	AL-ELECTROLYTIC CAPACITOR(UPJ1H220MED 22μF,50V) [C712,C766,C768]
11	0AV1690000113	AE		C	CERAMIC CAPACITOR(DE1610-2E472M-KX 4700pF(KX)) [C713,C767]
12	0AV1480000084	AD		C	FILM CAPACITOR(CQMY-92MC2A104J 0.1μF,100V) [C714,C715]
13	0AV1690000134	AC	N	C	CERAMIC CAPACITOR(RPE132R103K50 0.01μF,50V) [C716,C717,C763]
14	0AV1690000138	AC	N	C	CERAMIC CAPACITOR(RPE132R472K50 4700pF,50V) [C719,C757]
15	0AV1610000109	AC		C	CERAMIC CAPACITOR(DE0705-979R471K1K 470pF,1KV) [C721,C722]
16	0AV1390000263	AC	N	C	AL-ELECTROLYTIC CAPACITOR(UPJ1V182MHD6 1800μF,35V) [C728,C729]
17	0AV1390000264	AC	N	C	AL-ELECTROLYTIC CAPACITOR(UPJ1H010MDD 1μF,50V) [C734,C771]
18	0AV1390000265	AC	N	C	AL-ELECTROLYTIC CAPACITOR(UHD1V681MHD 680μF,35V) [C735]
19	0AV1390000266	AG	N	C	AL-ELECTROLYTIC CAPACITOR(UHD1V102MHD 1000μF,35V) [C738]
20	0AV1390000136	AF		C	CERAMIC CAPACITOR(RPE132R223K50 0.022μF,50V) [C739,C744,C746,C755]
21	0AV1390000267	AC	N	C	AL-ELECTROLYTIC CAPACITOR(UPJ1H2R2MDD 2.2μF,50V) [C740,C753]
22	0AV1390000268	AC	N	C	AL-ELECTROLYTIC CAPACITOR(UHD1C222MHD 2200μF,16V) [C741]
23	0AV1690000137	AC	N	C	CERAMIC CAPACITOR(RPE132R102K50 1000pF,50V) [C743,C745,C770]
24	0AV1390000269	AK	N	C	AL-ELECTROLYTIC CAPACITOR(UHD1A562MHD 5600μF,10V) [C750,C751]
25	0AV1390000270	AD	N	C	AL-ELECTROLYTIC CAPACITOR(UPJ1V820MED 82μF,35V) [C754]
26	0AV1480000107	AE	N	C	FILM CAPACITOR(ECQE2104RJF 0.1μF,400V) [C764]
27	0AV1390000271	AC	N	C	AL-ELECTROLYTIC CAPACITOR(UPJ1C101MED 100μF,16V) [C772]
28	0AV3060035000	AE		B	DIODE(S1WB(A)60 1A,600V) [D701]
29	0AV3070123000	AC		B	ZENER DIODE(RD6.8ES 400mW) [D702]
30	0AV3060031000	AC		B	DIODE(ERA15-04 1A,400V) [D703,D704,D748,D763]
31	0AV3060040000	AR		B	DIODE(D15XB60 15A,600V) [D705]
32	0AV3050019000	AF		B	DIODE(ERA91-02 0.5A,200V) [D706,D708,D710,D717,D746]
	0AV3050019000	AF		B	DIODE(ERA91-02 0.5A,200V) [D747,D755,D758,D759]
	0AV3050091000	AB		B	DIODE(1SS270 60V,150mA) [D707,D714,D726,D727,D728]
33	0AV3050091000	AB		B	DIODE(1SS270 60V,150mA) [D731,D733,D738,D743,D744]
	0AV3050091000	AB		B	DIODE(1SS270 60V,150mA) [D751,D752,D754,D760,D762]
34	0AV3070085000	AC		B	ZENER DIODE(RD33ES 400mW) [D709,D712,D756]
35	0AV3070056000	AD		B	ZENER DIODE(RD20ES 400mW) [D716]
36	0AV3070013000	AB		B	ZENER DIODE(RD5.6ES 400mW) [D715,D720,D734,D736,D739]
37	0AV3050087000	AN		B	DIODE(YG906C2R 20A,200V) [D721]
38	0AV3070061000	AC		B	ZENER DIODE(RD4.7ES 400mW) [D724]
39	0AV3050070000	AK		B	DIODE(YG802C06 10A,60V) [D729]
40	0AV3050080000	AP		B	DIODE(YG805C04 20A,40V) [D730]
41	0AV3070081000	AC		B	ZENER DIODE(RD3.9ES 400mW) [D732]
42	0AV3070069000	AC		B	ZENER DIODE(RD51E 500mW) [D735]
43	0AV3070014800	AC	N	B	ZENER DIODE(RD10ES 400mW) [D742,D749]
44	0AV3070112000	AC		B	ZENER DIODE(RD3.0ES 400mW) [D745,D753]
45	0AV3070023000	AE		B	ZENER DIODE(RD24ES 400mW) [D713,D757]
46	0AV3070049000	AB		B	ZENER DIODE(RD27ES 400mW) [D761]
47	0AV3070156000	AC	N	B	ZENER DIODE(RD4.3ES 400mW) [D765]
48	0AV3050104000	AD		B	DIODE(AK04) [D750,D764]
49	0AV3090079000	AL		B	IC(FA5515P) [IC701,IC705]
50	0AV3090041000	AF		B	IC(UPC1093J-1) [IC702,IC704]
51	0AV3090008000	AK		B	IC(MB3759P) [IC703]
52	0AV4070063000	AR		C	INDUCTOR(DRC31-15A202) [L701]

23 Power supply unit 100V

NO.	PARTS CODE	PRICE RANK	NEW MARK	PART RANK	DESCRIPTION
53	0AV4070064000	AL		C	INDUCTOR(DRB25-05A202) [L702]
54	0AV41200013000	AC		C	INDUCTOR(T314OP3206536HW) [L703,L710,L715]
55	0AV4050016000	AG		C	INDUCTOR(PC8T8R2M) [L707]
56	0AV4120008000	AD		C	INDUCTOR(LFP3A) [L708]
57	0AV4080011400	AL	N	C	INDUCTOR(HK-10S100-4500S) [L709]
58	0AV4120002000	AC		C	INDUCTOR(B-01-A) [L711,L713,L714]
59	0AV4050010000	AH		C	INDUCTOR(PC8T3R3M) [L712]
60	0AV3080421300	AE		B	PHOTO COUPLER(PS2561A) [PC701,PC703,PC704,PC706]
61	0AV3180000009	AL		B	PHOTO TRIAC COUPLER(PC3SF11YV) [PC702,PC705]
62	0AV3042698000	AS		B	FET(2SK2698 500V,15A) [Q701]
63	0AV3001015500	AC		B	TRANSISTOR(2SA1015 -50V,-150mA) [Q702,Q713]
64	0AV3042543000	AQ		B	FET(2SK2543 500V,8A) [Q704]
65	0AV3021815500	AC		B	TRANSISTOR(2SC1815 50V 150mA) [Q706,Q709,Q710,Q711,Q714]
	0AV3021815500	AC		B	TRANSISTOR(2SC1815 50V 150mA) [Q715,Q717,Q718,Q719,Q723]
66	0AV3040504000	AN		B	FET(2SJ504) [Q707]
67	0AV3022655500	AE		B	TRANSISTOR(2SC2655) [Q708]
68	0AV3042736000	AN		B	FET(2SK2736) [Q712]
69	0AV3021002999	AD		B	TRANSISTOR(RN1002) [Q720,Q721,Q722]
70	0AV2022213040	AC		C	METAL OXIDE FILM RESISTOR(RSU01WST5A221J 220Ω 1W) [R701]
71	0AV2054754077	AF		C	CEMENT FILLED RESISTOR(MNS05WVNZ4R7J 4.7Ω 5W) [R702]
72	0AV2014723030	AB		C	FLAME PROOF CARBON RESISTOR(RDF50S4.7KΩJ 4.7KΩ 1/2W) [R703,R704,R705]
73	0AV2012233010	AA		C	FLAME PROOF CARBON RESISTOR(RDF16S22KΩJ 22KΩ,1/6W) [R706,R772,R827,R828]
74	0AV2011843030	AB		C	FLAME PROOF CARBON RESISTOR(RDF50S180KΩJ 180Ω 1/2W) [R707]
75	0AV2990106000	AC		C	METAL OXIDE FILM RESISTOR(RSMF1B273F 27KΩ 1W) [R708,R709]
76	0AV2011053010	AB		C	FLAME PROOF CARBON RESISTOR(RDF16S1MΩJ 1MΩ 1/6W) [R710]
77	0AV2011023010	AA		C	FLAME PROOF CARBON RESISTOR(RDF16S1KΩJ 1KΩ,1/6W) [R711,R737,R750,R784,R817,R751]
78	0AV2051083055	AE		C	CEMENT FILLED RESISTOR(BPR02WFTR10J 0.1Ω 2W) [R739]
79	0AV2014733020	AB		C	FLAME PROOF CARBON RESISTOR(RDF25S47KΩJ 47KΩ 1/4W) [R713,R714]
80	0AV2011213030	AB		C	FLAME PROOF CARBON RESISTOR(RDF50S120ΩJ 120Ω 1/2W) [R715,R732,R726,R728]
81	0AV2011203020	AB		C	FLAME PROOF CARBON RESISTOR(RDF25S12ΩJ 12Ω1/4W) [R716]
82	0AV2011033010	AA		C	FLAME PROOF CARBON RESISTOR(RDF16S10KΩJ 10KΩ,1/6W) [R717,R730,R735,R741,R753,R758]
	0AV2011033010	AA		C	FLAME PROOF CARBON RESISTOR(RDF16S10KΩJ 10KΩ,1/6W) [R776,R795,R800,R818,R824,R825]
83	0AV2021013078	AF		C	METAL OXIDE FILM RESISTOR(RSS5FB100ΩJH1 100Ω 5W) [R718,R744]
84	0AV2013323010	AA		C	FLAME PROOF CARBON RESISTOR(RDF16S3.3KΩJ 3.3KΩ 1/6W) [R719,R775]
85	0AV2021213040	AC		C	METAL OXIDE FILM RESISTOR(RSF1B120ΩJ 120Ω 1W) [R720,R731]
86	0AV2990142000	AA	N	C	METAL FILM RESISTOR(SN16S909ΩD 909Ω 1/6W) [R721]
87	0AV2013933010	AA		C	FLAME PROOF CARBON RESISTOR(RDF16S39KΩJ 39KΩ,1/6W) [R790]
88	0AV2148203040	AC		C	METAL OXIDE FILM RESISTOR(RSS182ΩJ 82Ω 1W) [R723]
89	0AV2012243010	AA		C	FLAME PROOF CARBON RESISTOR(RDF16S220KΩJ 220KΩ,1/6W) [R724]
90	0AV2041013020	AC		B	FUSING RESISTOR(RF25S100ΩJ 100Ω 1/4W) [R725,R727]
91	0AV2051083055	AE		C	CEMENT FILLED RESISTOR(BPR02WFTR10J 0.1Ω 2W) [R712]
92	0AV2012223010	AA		C	FLAME PROOF CARBON RESISTOR(RDF16S2.2KΩJ 2.2KΩ,1/6W) [R749,R766,R777,R807,R808]
	0AV2012223010	AA		C	FLAME PROOF CARBON RESISTOR(RDF16S2.2KΩJ 2.2KΩ,1/6W) [R815,R810,R797]
93	0AV2011813010	AA		C	FLAME PROOF CARBON RESISTOR(RDF16S180ΩJ 180Ω,1/6W) [R768]
94	0AV2990105000	AB		C	METAL FILM RESISTOR(SN16S68KΩD 68KΩ,1/6W) [R736]
95	0AV2041213010	AC		B	FUSING RESISTOR(RF16S120ΩJ 120Ω 1/6W) [R738]
96	0AV2012203020	AA		C	FLAME PROOF CARBON RESISTOR(RDF25S22ΩJ 22Ω 1/4W) [R740]
97	0AV2018233010	AA		C	FLAME PROOF CARBON RESISTOR(RDF16S82KΩJ 82KΩ,1/6W) [R742]
98	0AV2024703078	AF		C	METAL OXIDE FILM RESISTOR(RSS5FB47ΩJH1 47Ω 5W) [R743]
99	0AV2013333020	AA		C	FLAME PROOF CARBON RESISTOR(RDF25S33KΩJ 33KΩ 1/4W) [R746,R747]
100	0AV2013333010	AA		C	FLAME PROOF CARBON RESISTOR(RDF16S33KΩJ 33KΩ 1/6W) [R748]
101	0AV2990141000	AA	N	C	METAL FILM RESISTOR(SN16S180ΩD 180Ω 1/6W) [R734]
102	0AV2990083000	AC		C	METAL FILM RESISTOR(SN16S22.3KΩD 22.3KΩ 1/6W) [R754]
103	0AV2990010000	AC		C	METAL FILM RESISTOR(SN16S2.55KΩD 2.55KΩ 1/6W) [R755]
104	0AV2011533010	AA		C	FLAME PROOF CARBON RESISTOR(RDF16S15KΩJ 15KΩ 1/6W) [R756]
105	0AV2012213020	AA		C	FLAME PROOF CARBON RESISTOR(RDF25S220ΩJ 220Ω 1/4W) [R761]
106	0AV2014773020	AA		C	FLAME PROOF CARBON RESISTOR(RDF25S4.7ΩJ 4.7Ω 1/4W) [R762]
107	0AV2014723020	AA		C	FLAME PROOF CARBON RESISTOR(RDF25S4.7KΩJ 4.7KΩ 1/4W) [R763]
108	0AV2051094075	AG		C	CEMENT FILLED RESISTOR(BPR05WFTR10J 0.01Ω 5W) [R764]
109	0AV2015623010	AA		C	FLAME PROOF CARBON RESISTOR(RDF16S5.6KΩJ 5.6KΩ 1/6W) [R765]
110	0AV2041013010	AC		B	FUSING RESISTOR(RF16S100ΩJ 100Ω 1/6W) [R767]
111	0AV2011213020	AA		C	FLAME PROOF CARBON RESISTOR(RDF25S120ΩJ 120Ω 1/4W) [R769,R771]
112	0AV2011233010	AA		C	FLAME PROOF CARBON RESISTOR(RDF16S12KΩJ 12KΩ 1/6W) [R773]
113	0AV2990084000	AC		C	METAL FILM RESISTOR(SN16S1.2KΩD 1.2KΩ 1/6W) [R778]
114	0AV2990085000	AC		C	METAL FILM RESISTOR(SN16S39KΩD 39KΩ 1/6W) [R779]
115	0AV2142203040	AC		C	METAL OXIDE FILM RESISTOR(RSF1B22ΩJ 22Ω 1W) [R780]
116	0AV2013313010	AA		C	FLAME PROOF CARBON RESISTOR(RDF16S330ΩJ 330Ω 1/6W) [R781]
117	0AV2011013010	AA		C	FLAME PROOF CARBON RESISTOR(RDF16S100ΩJ 100Ω 1/6W) [R782]
118	0AV2013913010	AA		C	FLAME PROOF CARBON RESISTOR(RDF16S390ΩJ 390Ω 1/6W) [R783]
119	0AV2011223010	AA		C	FLAME PROOF CARBON RESISTOR(RDF16S1.2KΩJ 1.2KΩ 1/6W) [R785]
120	0AV2016813010	AA		C	FLAME PROOF CARBON RESISTOR(RDF16S680ΩJ 680Ω 1/6W) [R786]
121	0AV2011213010	AA		C	FLAME PROOF CARBON RESISTOR(RDF16S120ΩJ 120Ω 1/6W) [R791]
122	0AV2014713010	AA		C	FLAME PROOF CARBON RESISTOR(RDF16S470ΩJ) [R792,R814,R809,R826]
123	0AV2012733010	AA		C	FLAME PROOF CARBON RESISTOR(RDF16S27KΩJ) [R793,R794]
124	0AV2015633010	AA		C	FLAME PROOF CARBON RESISTOR(RDF16S56KΩJ) [R798]
125	0AV2043313010	AC		B	FUSING RESISTOR(RF16S330ΩJ) [R801]



23 Power supply unit 100V

NO.	PARTS CODE	PRICE RANK	NEW MARK	PART RANK	DESCRIPTION
126	0AV2021233040	AC		C	METAL OXIDE FILM RESISTOR(RSF1B12KΩJ) [R804,R805]
127	0AV2141803040	AC		C	METAL OXIDE FILM RESISTOR(RSMF1B18J) [R806]
128	0AV2011043020	AA		C	FLAME PROOF CARBON RESISTOR(RDF25S100KΩJ) [R811,R812]
129	0AV2014733010	AA		C	FLAME PROOF CARBON RESISTOR(RDF16S47KΩJ) [R813,R819,R820]
130	0AV2015633020	AA		C	FLAME PROOF CARBON RESISTOR(RDF25S56KΩJ) [R733]
131	0AV2042203010	AC		B	FUSING RESISTOR(RF16S22ΩJ) [R816]
132	0AV2014723010	AA		C	FLAME PROOF CARBON RESISTOR(RDF16S4.7KΩJ) [R821,R822,R752,R759,R774,R799]
133	0AV2011043010	AA		C	FLAME PROOF CARBON RESISTOR(RDF16S100KΩJ) [R823]
134	0AV2990104000	AC		C	METAL FILM RESISTOR(SN16S56KΩD) [R745]
135	0AV2041003020	AC		B	FUSING RESISTOR(RF25S10ΩJ) [R829]
136	0AV2990107000	AC		C	METAL FILM RESISTOR(SN16S1.5KΩD) [R729]
137	0AV2990112000	AC		C	METAL FILM RESISTOR(SN16S49.9KΩD) [R722]
138	0AV2060025000	AK	N	B	TEMP.FUSING RESISTOR(MEG05N4R7KB142) [FR701]
139	0AV4000136711	AY		B	Transformer(N-T01-367) [T701]
140	0AV4000131011	AQ		B	Transformer(N-T01-310) [T702]
141	0AV3160033000	AP		B	Traic(TM1641P) [TR701,TR703]
142	0AV3160037000	AN		B	Traic(BCR10PM-12LP) [TR702]
143	0AV2081029188	AC		B	POTENTIOMETER(RH063MC13R) [VR701,VR702]
144	0AV5080013000	AP		B	RELAY(OMIH-SS-124LM) [RL701]
145	0AV5190002000	AF		B	Varistor(ENC271D-10A-TA-B) [X701]
146	0AV5030126000	AG		C	Connector(B03P-VL) [CN1]
147	0AV5030127000	AD		C	Connector(B7B-PH-K-S) [CN2]
148	0AV5030128000	AD		C	Connector(B03B-XASK-1) [CN4]
149	0AV5030129000	AK		C	Connector(B12P-HL-A) [CN5]
150	0AV5030149000	AE	N	C	Connector(B5P-VH) [CN6]
151	0AV5030088000	AD		C	Connector(B2P-VH) [CN7]
152	0AV5130009000	AD		C	TERMINAL(TP82224-31)
153	0AV5130011000	AC	N	C	TERMINAL(TP00370-21)
154	0AV8117730416	AC	N	C	SCREW(NACPEW-B3X8SF)
155	0AV8117730516	AC	N	C	SCREW(NACPEW-B3X10SF)
156	0AV8117730616	AC	N	C	SCREW(NACPEW-B3X12SF)
157	0AV6113116511	AN		C	HEATSINK(LM31165)
158	0AV6114150911	AH	N	C	HEATSINK(LM41509)
159	0AV6114150111	AG	N	C	HEATSINK(LM41510)
160	0AV5050005000	AA		C	HOLDER(PFC5000-0203)
161	0AV7100003000	AE		C	INSULATION SHEET(M-30AD-D-3)
162	0AV5110012000	AB		C	Jumper wire(RJ-SKA-06) [RJ701,RJ702,RJ703,RJ708,RJ712]
	0AV5110012000	AB		C	Jumper wire(RJ-SKA-06) [RJ713,RJ721,RJ727,RJ730,RJ735]
	0AV5110012000	AB		C	Jumper wire(RJ-SKA-06) [RJ746,RJ760,RJ768,RJ769,RJ771]
	0AV5110012000	AB		C	Jumper wire(RJ-SKA-06) [RJ772,RJ773,RJ775,RJ776]
163	0AV5110003000	AA		C	Jumper wire(RJ-SBA-06) [RJ707,RJ722,RJ723,RJ731,RJ736]
	0AV5110003000	AA		C	Jumper wire(RJ-SBA-06) [RJ738,RJ739,RJ743,RJ748,RJ778]
164	0AV5110001000	AA		C	Jumper wire(RJ-SCA-06) [RJ711,RJ714,RJ716,RJ747,RJ756]
	0AV5110001000	AA		C	Jumper wire(RJ-SCA-06) [RJ757,RJ759,RJ770,RJ779]
165	0AV5110006000	AA		C	Jumper wire(RJ-SDA-06) [RJ715,RJ718,RJ725,RJ726]
	0AV5110006000	AA		C	Jumper wire(RJ-SDA-06) [RJ742,RJ745,RJ752,RJ754]
166	0AV5110006000	AA		C	Jumper wire(RJ-SDA-06) [RJ758,RJ763,RJ766,RJ774,RJ777]
	0AV5110002000	AA		C	Jumper wire(RJ-SEA-06) [RJ704,RJ728,RJ733,RJ734,RJ753]
167	0AV5110011000	AB		C	Jumper wire(RJ-SFA-06) [RJ717,RJ729,RJ740,RJ741,RJ765]
168	0AV5110004000	AA		C	Jumper wire(RJ-SGA-06) [RJ705,RJ706,RJ709,RJ710,RJ719]
	0AV5110004000	AA		C	Jumper wire(RJ-SGA-06) [RJ720,RJ724,RJ732,RJ737]
	0AV5110004000	AA		C	Jumper wire(RJ-SGA-06) [RJ749,RJ750,RJ751,RJ755]
	0AV5110004000	AA		C	Jumper wire(RJ-SGA-06) [RJ761,RJ762,RJ764,RJ767]
169	0AV5060176000	AD	N	A	FUSE(23706.3) [F701,F702,F704]
170	0AV5060177000	AE	N	A	FUSE(23704) [F703]
171	0AV5060018000	AG		A	FUSE(23710) [F706]
172	0AV5060089000	AE		A	FUSE(396 2) [F705]
	(Unit)				
901	RDENC0036FCZ1	BX	N	E	AC/DC power supply PWB 100 [100V series]

24 Power supply unit 200V

NO.	PARTS CODE	PRICE RANK	NEW MARK	PART RANK	DESCRIPTION
1	0AV15700000002	AD		C	FILM CAPACITOR(LE104-L 0.1μF,250V(LE)) [C701]
2	0AV15700000003	AD		C	FILM CAPACITOR(LE104-C 0.1μF,250V(LE)) [C760,C761]
3	0AV15700000004	AN		C	FILM CAPACITOR(LE155-C 1.5μF,250V(LE)) [C702]
4	0AV165000000064	AD		C	CERAMIC CAPACITOR(DE0813E472M-KH) [C703,C704]
5	0AV15700000005	AF		C	FILM CAPACITOR(LE334-C) [C705]
6	0AV13900000272	AY	N	C	AL-ELECTROLYTIC CAPACITOR(LGU2G561MELC) [C706]
7	0AV16900000133	AC	N	C	CERAMIC CAPACITOR(PRE132R104K50 0.1μF,50V) [C707,C718,C720,C730,C733]
	0AV16900000133	AC	N	C	CERAMIC CAPACITOR(PRE132R104K50 0.1μF,50V) [C742,C752,C756,C759,C765]
8	0AV16100000091	AC		C	CERAMIC CAPACITOR(DE0905-979R102K1K 1000pF,1KV) [C708,C749,C726,C747,C748]
9	0AV13900000261	AC	N	C	AL-ELECTROLYTIC CAPACITOR(UPJ1H4R7MDD 4.7μF,50V) [C711]
10	0AV13900000262	AC	N	C	AL-ELECTROLYTIC CAPACITOR(UPJ1H220MED 22μF,50V) [C712,C766,C768]
11	0AV16900000113	AE		C	CERAMIC CAPACITOR(DE1610-2E472M-KX 4700pF(KX)) [C713,C767]
12	0AV14800000084	AD		C	FILM CAPACITOR(CQMY-92MC2A104J 0.1μF,100V) [C714,C715]
13	0AV16900000134	AC	N	C	CERAMIC CAPACITOR(RPE132R103K50 0.01μF,50V) [C716,C717,C763]
14	0AV16900000138	AC	N	C	CERAMIC CAPACITOR(RPE132R472K50 4700pF,50V) [C719,C757]
15	0AV16100000109	AC		C	CERAMIC CAPACITOR(DE0705-979R331K2K) [C721,C722]
16	0AV13900000263	AC	N	C	AL-ELECTROLYTIC CAPACITOR(UPJ1V182MHD6 1800μF,35V) [C728,C729]
17	0AV13900000264	AC	N	C	AL-ELECTROLYTIC CAPACITOR(UPJ1H010MDD 1μF,50V) [C734,C771]
18	0AV13900000265	AC	N	C	AL-ELECTROLYTIC CAPACITOR(UHD1V681MHD 680μF,35V) [C735]
19	0AV13900000266	AG	N	C	AL-ELECTROLYTIC CAPACITOR(UHD1V102MHD 1000μF,35V) [C738]
20	0AV16100000090	AD		C	CERAMIC CAPACITOR(TPZ11R152K1K) [C709,C710]
21	0AV16900000136	AD	N	C	CERAMIC CAPACITOR(RPE132R223K50) [C739,C744,C746,C755]
22	0AV13900000267	AC	N	C	AL-ELECTROLYTIC CAPACITOR(UPJ1H2R2MDD 2.2μF,50V) [C740,C753]
23	0AV13900000268	AC	N	C	AL-ELECTROLYTIC CAPACITOR(UHD1C222MHD 2200μF,16V) [C741]
24	0AV16900000137	AC	N	C	CERAMIC CAPACITOR(RPE132R102K50 1000pF,50V) [C743,C745,C770]
25	0AV13900000269	AK	N	C	AL-ELECTROLYTIC CAPACITOR(UHD1A562MHD 5600μF,10V) [C750,C751]
26	0AV13900000270	AD	N	C	AL-ELECTROLYTIC CAPACITOR(UPJ1V820MED 82μF,35V) [C754]
27	0AV14800000107	AE	N	C	FILM CAPACITOR(ECQE2104RJF 0.1μF,400V) [C764]
28	0AV13900000271	AC	N	C	AL-ELECTROLYTIC CAPACITOR(UPJ1C101MED 100μF,16V) [C772]
29	0AV16900000095	AD		B	CERAMIC CAPACITOR(TRPE132R12K50) [C773]
30	0AV3060035000	AE		B	DIODE(S1WB(A)60 1A,600V) [D701]
31	0AV3070123000	AC		B	ZENER DIODE(RD6.8ES 400mW) [D702]
32	0AV3060047000	AC	N	B	DIODE(ERA15-06) [D703,D704,D748,D763]
34	0AV3050019000	AF		B	DIODE(ERA91-02 0.5A,200V) [D706,D708,D710,D717,D746]
	0AV3050019000	AF		B	DIODE(ERA91-02 0.5A,200V) [D747,D755,D758,D759]
35	0AV3050091000	AB		B	DIODE(1SS270 60V,150mA) [D707,D714,D726,D727,D728]
	0AV3050091000	AB		B	DIODE(1SS270 60V,150mA) [D731,D733,D737,D738,D743]
	0AV3050091000	AB		B	DIODE(1SS270 60V,150mA) [D744,D751,D751,D752]
	0AV3050091000	AB		B	DIODE(1SS270 60V,150mA) [D754,D760,D762]
36	0AV3070085000	AC		B	ZENER DIODE(RD33ES 400mW) [D709]
37	0AV3070102000	AC	N	B	ZENER DIODE(RD39ES) [D712,D756]
38	0AV3070056000	AD		B	ZENER DIODE(RD20ES 400mW) [D716]
39	0AV3070013000	AB		B	ZENER DIODE(RD5.6ES 400mW) [D715,D720,D734,D736,D739]
40	0AV3050087000	AN		B	DIODE(YG906C2R 20A,200V) [D721]
41	0AV3070061000	AC		B	ZENER DIODE(RD4.7ES 400mW) [D724]
42	0AV3050070000	AK		B	DIODE(YG802C06 10A,60V) [D729]
43	0AV3050080000	AP		B	DIODE(YG805C04 20A,40V) [D730]
44	0AV3070081000	AC		B	ZENER DIODE(RD3.9ES 400mW) [D732]
45	0AV3070131000	AD		B	ZENER DIODE(RD62E) [D735]
47	0AV3070056000	AD		B	ZENER DIODE(RD20ES 400mW) [D749]
48	0AV3070112000	AC		B	ZENER DIODE(RD3.0ES 400mW) [D745,D753]
49	0AV3070023000	AE		B	ZENER DIODE(RD24ES 400mW) [D713,D757]
50	0AV3070049000	AB		B	ZENER DIODE(RD27ES 400mW) [D761]
51	0AV3070156000	AC	N	B	ZENER DIODE(RD4.3ES 400mW) [D765]
52	0AV3050104000	AD		B	DIODE(AK04) [D750,D764]
53	0AV3090079000	AL		B	IC(FA5515P) [IC701,IC705]
54	0AV3090041000	AF		B	IC(UPC1093J-1) [IC702,IC704]
55	0AV3090008000	AK		B	IC(MB3759P) [IC703]
56	0AV4070066000	AR		C	INDUCTOR(DRC31-08A402) [L701]
57	0AV4070067000	AM		C	INDUCTOR(DRB25-03A502) [L702]
58	0AV4120013000	AC		C	INDUCTOR(T314OP3206536HW) [L703,L710]
59	0AV4050016000	AG		C	INDUCTOR(PC8T8R2M) [L707]
60	0AV4120008000	AD		C	INDUCTOR(LFP3A) [L708]
61	0AV40800011400	AL	N	C	INDUCTOR(HK-10S100-4500S) [L709]
62	0AV4120002000	AC		C	INDUCTOR(B-01-A) [L711,L713,L714, L715]
63	0AV4050010000	AH		C	INDUCTOR(PC8T3R3M) [L712]
64	0AV3080421100	AE		B	PHOTO COUPLER(TLP421) [PC701,PC703,PC704,PC706]
65	0AV3180000009	AL		B	PHOTO TRIAC COUPLER(PC3SF11YV) [PC702,PC705]
66	0AV3042611000	AU		B	FET(2SK2611) [Q701]
67	0AV3001015500	AC		B	TRANSISTOR(2SA1015 -50V,-150mA) [Q702,Q713]
68	0AV3042717000	AR		B	FET(2SK2717) [Q704]
69	0AV3021815500	AC		B	TRANSISTOR(2SC1815 50V 150mA) [Q706,Q709,Q710,Q711,Q714]
	0AV3021815500	AC		B	TRANSISTOR(2SC1815 50V 150mA) [Q715,Q717,Q718,Q719,Q723]
70	0AV3040504000	AN		B	FET(2SJ504) [Q707]
71	0AV3022655500	AE		B	TRANSISTOR(2SC2655) [Q708]
72	0AV3042736000	AN		B	FET(2SK2736) [Q712]
73	0AV3021002999	AD		B	TRANSISTOR(RN1002) [Q720,Q721,Q722]
74	0AV2024713040	AC		C	METAL OXIDE FILM RESISTOR(RSU01WST5A471J) [R701]
75	0AV2051064077	AF		C	CEMENT FILLED RESISTOR(MNS05WNZ100J) [R702]
76	0AV2012733030	AB		C	FLAME PROOF CARBON RESISTOR(RDF50S27KΩJ) [R703,R704,R705]

24 Power supply unit 200V

NO.	PARTS CODE	PRICE RANK	NEW MARK	PART RANK	DESCRIPTION
77	0AV2012233010	AA		C	FLAME PROOF CARBON RESISTOR(RDF16S22KΩJ 22KΩ,1/6W) [R706,R772,R827,R828]
78	0AV2011843030	AB		C	FLAME PROOF CARBON RESISTOR(RDF50S180KΩJ 180Ω 1/2W) [R707]
79	0AV2990118000	AC		C	METAL OXIDE FILM RESISTOR(SPF01W82KΩF) [R708,R709]
80	0AV2011853010	AB		C	FLAME PROOF CARBON RESISTOR(RDF16S1.8MΩJ) [R710]
81	0AV2011023010	AA		C	FLAME PROOF CARBON RESISTOR(RDF16S1KΩJ 1KΩ,1/6W) [R711,R737,R750,R784,R817,R751]
82	0AV2052294055	AE		C	CEMENT FILLED RESISTOR(BPR02WFTR22J) [R739]
83	0AV2012243020	AA		C	FLAME PROOF CARBON RESISTOR(RDF25S220KΩJ) [R713,R714,R811,R812]
84	0AV2011213030	AB		C	FLAME PROOF CARBON RESISTOR(RDF50S120ΩJ 120Ω 1/2W) [R715,R732,R726,R728]
85	0AV2011203020	AB		C	FLAME PROOF CARBON RESISTOR(RDF25S12ΩJ 12Ω/1/4W) [R716]
86	0AV2011033010	AA		C	FLAME PROOF CARBON RESISTOR(RDF16S10KΩJ 10KΩ,1/6W) [R717,R730,R735,R741,R753,R758]
87	0AV2021013078	AF		C	METAL OXIDE FILM RESISTOR(RSS5FB100ΩJH1 100Ω 5W) [R718,R744]
88	0AV2013323010	AA		C	FLAME PROOF CARBON RESISTOR(RDF16S3.3KΩJ 3.3KΩ 1/6W) [R719,R775]
89	0AV2021213040	AC		C	METAL OXIDE FILM RESISTOR(RSF1B120ΩJ 120Ω 1W) [R720,R731]
90	0AV2990142000	AA	N	C	METAL FILM RESISTOR(SN16S909ΩD 909Ω 1/6W) [R721]
91	0AV2013933010	AA		C	FLAME PROOF CARBON RESISTOR(RDF16S39KΩJ 39KΩ,1/6W) [R790]
92	0AV2148203040	AC		C	METAL OXIDE FILM RESISTOR(RSS182ΩJ 82Ω 1W) [R723]
93	0AV2012243010	AA		C	FLAME PROOF CARBON RESISTOR(RDF16S220KΩJ 220KΩ,1/6W) [R724]
94	0AV2011013020	AA		B	FUSING RESISTOR(RF25S100ΩJ) [R725,R727]
95	0AV2990098000	AD		C	METAL OXIDE FILM RESISTOR(RSMF2BR22F) [R712]
96	0AV2012223010	AA		C	FLAME PROOF CARBON RESISTOR(RDF16S2.2KΩJ 2.2KΩ,1/6W) [R749,R766,R777,R807,R808]
	0AV2012223010	AA		C	FLAME PROOF CARBON RESISTOR(RDF16S2.2KΩJ 2.2KΩ,1/6W) [R815,R810,R797]
97	0AV2011813010	AA		C	FLAME PROOF CARBON RESISTOR(RDF16S180ΩJ 180Ω,1/6W) [R768]
98	0AV2990105000	AB		C	METAL FILM RESISTOR(SN16S68KΩD 68KΩ,1/6W) [R736]
99	0AV2041513010	AC		B	FUSING RESISTOR(RF16S150ΩJ) [R738]
100	0AV2012203020	AA		C	FLAME PROOF CARBON RESISTOR(RDF25S22ΩJ 22Ω 1/4W) [R740]
101	0AV2018233010	AA		C	FLAME PROOF CARBON RESISTOR(RDF16S82KΩJ 82KΩ,1/6W) [R742]
102	0AV2024703078	AF		C	METAL OXIDE FILM RESISTOR(RSS5FB47ΩJH1 47Ω 5W) [R743]
103	0AV2012743020	AB		C	FLAME PROOF CARBON RESISTOR(RDF25S270KΩJ) [R746,R747]
104	0AV2013333010	AA		C	FLAME PROOF CARBON RESISTOR(RDF16S33KΩJ 33KΩ 1/6W) [R748]
105	0AV2990090000	AC		C	METAL FILM RESISTOR(SN16S180ΩD) [R734]
106	0AV2990083000	AC		C	METAL FILM RESISTOR(SN16S22.3KΩD 22.3KΩ 1/6W) [R754]
107	0AV2990010000	AC		C	METAL FILM RESISTOR(SN16S2.55KΩD 2.55KΩ 1/6W) [R755]
108	0AV2011533010	AA		C	FLAME PROOF CARBON RESISTOR(RDF16S15KΩJ 15KΩ 1/6W) [R756]
109	0AV2012213020	AA		C	FLAME PROOF CARBON RESISTOR(RDF25S220ΩJ 220Ω 1/4W) [R761]
110	0AV2014773020	AA		C	FLAME PROOF CARBON RESISTOR(RDF25S4.7ΩJ 4.7Ω 1/4W) [R762]
111	0AV2014723020	AA		C	FLAME PROOF CARBON RESISTOR(RDF25S4.7KΩJ) [R763]
112	0AV2051094075	AG		C	CEMENT FILLED RESISTOR(BPR05WFTR10J 0.01Ω 5W) [R764]
113	0AV2015623010	AA		C	FLAME PROOF CARBON RESISTOR(RDF16S5.6KΩJ 5.6KΩ 1/6W) [R765]
114	0AV2041013010	AC		B	FUSING RESISTOR(RF16S100ΩJ 100Ω 1/6W) [R767]
115	0AV2011213020	AA		C	FLAME PROOF CARBON RESISTOR(RDF25S120ΩJ 120Ω 1/4W) [R769,R771]
116	0AV2011233010	AA		C	FLAME PROOF CARBON RESISTOR(RDF16S12KΩJ 12KΩ 1/6W) [R773]
117	0AV2990084000	AC		C	METAL FILM RESISTOR(SN16S1.2KΩD 1.2KΩ 1/6W) [R778]
118	0AV2990085000	AC		C	METAL FILM RESISTOR(SN16S39KΩD 39KΩ 1/6W) [R779]
119	0AV2142203040	AC		C	METAL OXIDE FILM RESISTOR(RSF1B22ΩJ 22Ω 1W) [R780]
120	0AV2013313010	AA		C	FLAME PROOF CARBON RESISTOR(RDF16S330ΩJ 330Ω 1/6W) [R781]
121	0AV2011013010	AA		C	FLAME PROOF CARBON RESISTOR(RDF16S100ΩJ 100Ω 1/6W) [R782]
122	0AV2013913010	AA		C	FLAME PROOF CARBON RESISTOR(RDF16S390ΩJ 390Ω 1/6W) [R783]
123	0AV2011223010	AA		C	FLAME PROOF CARBON RESISTOR(RDF16S1.2KΩJ 1.2KΩ 1/6W) [R785]
124	0AV2016813010	AA		C	FLAME PROOF CARBON RESISTOR(RDF16S680ΩJ 680Ω 1/6W) [R786]
125	0AV2011213010	AA		C	FLAME PROOF CARBON RESISTOR(RDF16S120ΩJ 120Ω 1/6W) [R791]
126	0AV2014713010	AA		C	FLAME PROOF CARBON RESISTOR(RDF16S470ΩJ) [R792,R814,R809,R826]
127	0AV2012733010	AA		C	FLAME PROOF CARBON RESISTOR(RDF16S27KΩJ) [R793,R794]
128	0AV2015633010	AA		C	FLAME PROOF CARBON RESISTOR(RDF16S56KΩJ) [R798]
129	0AV2043313010	AC		B	FUSING RESISTOR(RF16S330ΩJ) [R801]
130	0AV2023333040	AC		C	METAL OXIDE FILM RESISTOR(RSF1B33KΩJ) [R804,R805]
131	0AV2142703040	AC		C	METAL OXIDE FILM RESISTOR(RSMF1B27J) [R806]
132	0AV2014733010	AA		C	FLAME PROOF CARBON RESISTOR(RDF16S47KΩJ) [R813,R819,R820]
133	0AV2015633020	AA		C	FLAME PROOF CARBON RESISTOR(RDF25S56KΩJ) [R733]
134	0AV2042203010	AC		B	FUSING RESISTOR(RF16S22ΩJ) [R816]
135	0AV2014723010	AA		C	FLAME PROOF CARBON RESISTOR(RDF16S4.7KΩJ) [R821,R822,R752,R759,R774,R799]
136	0AV2011043010	AA		C	FLAME PROOF CARBON RESISTOR(RDF16S100KΩJ) [R823]
137	0AV2990104000	AC		C	METAL FILM RESISTOR(SN16S56KΩD) [R745]
138	0AV2041003020	AC		B	FUSING RESISTOR(RF25S10ΩJ) [R829]
139	0AV2990107000	AC		C	METAL FILM RESISTOR(SN16S1.5KΩD) [R729]
140	0AV2990112000	AC		C	METAL FILM RESISTOR(SN16S49.9KΩD) [R722]
141	0AV2012223010	AA		C	FLAME PROOF CARBON RESISTOR(RDF16S2.2KΩJ 2.2KΩ,1/6W) [R760]
142	0AV2060026000	AK	N	B	TEMP.FUSING RESISTOR(MEG05N100KB142) [FR701]
143	0AV4000139011	AX		B	Transformer(N-T01-390) [T701]
144	0AV4000138911	AQ		B	Transformer(N-T01-389) [T702]
145	0AV3160034000	AQ		B	Traic(TM1661P) [TR701,TR703]
146	0AV3160032000	AN		B	Traic(BCR8PM-12LP) [TR702]
147	0AV2081029188	AC		B	POTENTIOMETER(RH063MC13R) [VR701,VR702]
148	0AV5080013000	AP		B	RELAY(OMIH-SS-124LM) [RL701]
149	0AV5190003000	AF		B	Varistor(ENC471D-10A-TA-B) [X701]
150	0AV5030126000	AG		C	Connector(B03P-VL) [CN1]
151	0AV5030127000	AD		C	Connector(B7B-PH-K-S) [CN2]
152	0AV5030128000	AD		C	Connector(B03B-XASK-1) [CN4]



24 Power supply unit 200V

NO.	PARTS CODE	PRICE RANK	NEW MARK	PART RANK	DESCRIPTION
153	0AV5030129000	AK		C	Connector(B12P-HL-A) [CN5]
154	0AV5030149000	AE	N	C	Connector(B5P-VH) [CN6]
155	0AV5030088000	AD		C	Connector(B2P-VH) [CN7]
156	0AV5130009000	AD		C	TERMINAL(TP82224-31)
157	0AV5130011000	AC	N	C	TERMINAL(TP00370-21)
158	0AV8117730416	AC	N	C	SCREW(NACPEW-B3X8SF)
159	0AV8117730516	AC	N	C	SCREW(NACPEW-B3X10SF)
160	0AV8117730616	AC	N	C	SCREW(NACPEW-B3X12SF)
161	0AV6113116511	AN		C	HEATSINK(LM31165)
162	0AV6114150911	AH	N	C	HEATSINK(LM41509)
163	0AV6114150111	AG	N	C	HEATSINK(LM41510)
164	0AV5050005000	AA		C	HOLDER(PFC5000-0203)
165	0AV7100003000	AE		C	INSULATION SHEET(M-30AD-D-3)
166	0AV5110012000	AB		C	Jumper wire(RJ-SKA-06) [RJ701,RJ702,RJ703,RJ708,RJ712]
	0AV5110012000	AB		C	Jumper wire(RJ-SKA-06) [RJ713,RJ721,RJ727,RJ730,RJ735]
	0AV5110012000	AB		C	Jumper wire(RJ-SKA-06) [RJ746,RJ760,RJ768,RJ769,RJ771]
	0AV5110012000	AB		C	Jumper wire(RJ-SKA-06) [RJ772,RJ773,RJ775,RJ776]
167	0AV5110003000	AA		C	Jumper wire(RJ-SBA-06) [RJ707,RJ722,RJ723,RJ731,RJ736]
	0AV5110003000	AA		C	Jumper wire(RJ-SBA-06) [RJ738,RJ739,RJ743,RJ748,RJ778]
168	0AV5110001000	AA		C	Jumper wire(RJ-SCA-06) [RJ711,RJ714,RJ716,RJ747]
	0AV5110001000	AA		C	Jumper wire(RJ-SCA-06) [RJ756,RJ757,RJ759,RJ770,RJ779]
169	0AV5110006000	AA		C	Jumper wire(RJ-SDA-06) [RJ715,RJ718,RJ725,RJ726,RJ742]
	0AV5110006000	AA		C	Jumper wire(RJ-SDA-06) [RJ745,RJ752,RJ754,RJ758,RJ763]
	0AV5110006000	AA		C	Jumper wire(RJ-SDA-06) [RJ766,RJ774,RJ777]
170	0AV5110002000	AA		C	Jumper wire(RJ-SEA-06) [RJ704,RJ728,RJ733,RJ734,RJ753]
171	0AV5110011000	AB		C	Jumper wire(RJ-SFA-06) [RJ717,RJ729,RJ740,RJ741,RJ765]
172	0AV5110004000	AA		C	Jumper wire(RJ-SGA-06) [RJ705,RJ706,RJ709,RJ710]
	0AV5110004000	AA		C	Jumper wire(RJ-SGA-06) [RJ719,RJ720,RJ724,RJ732]
	0AV5110004000	AA		C	Jumper wire(RJ-SGA-06) [RJ737,RJ749,RJ750,RJ751]
	0AV5110004000	AA		C	Jumper wire(RJ-SGA-06) [RJ755,RJ761,RJ762,RJ764]
173	0AV5060093000	AF		A	FUSE(6.3A/250V) [F701,F702,F704,F706]
	0AV5060094000	AE		A	FUSE(4A/250V) [F703]
175	0AV5060095000	AF		A	FUSE(MRT2.0) [F705]
	(Unit)				
901	RDEN C0037FCZ1	BX	N	E	AC/DC power supply PWB 200 [200V series]

△  
△  
△  
△

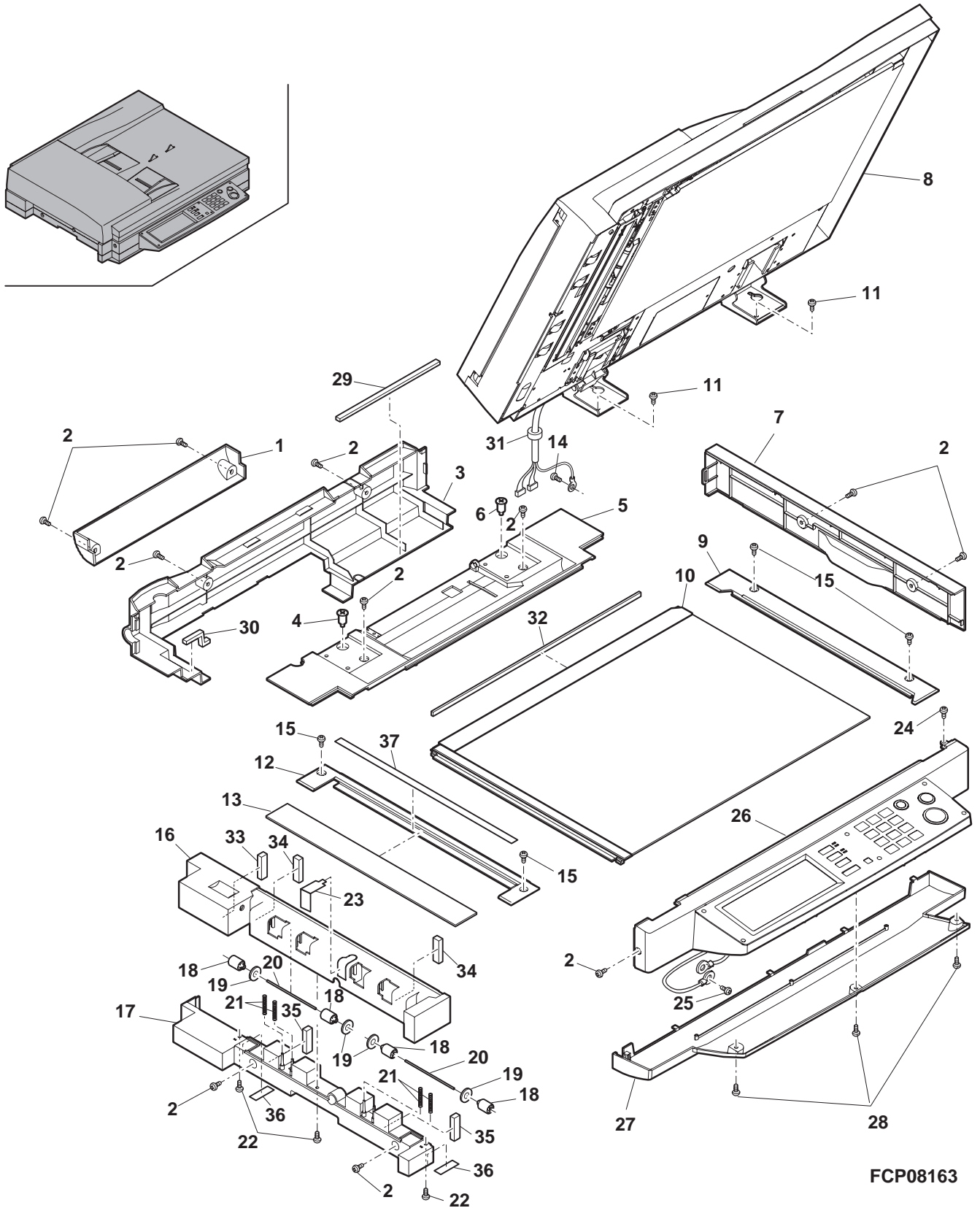
25 Exteriors[AR-EF3]

NO.	PARTS CODE	PRICE RANK	NEW MARK	PART RANK	DESCRIPTION
1	GCAB-0943FCNZ	AH		D	Rear lower cabinet
2	XHBSE40P08000	AA		C	Screw(4×8)
3	PCOVP1566FCN1	AV	N	D	Upper cabinet rear cover
4	LX-BZ0842FCZZ	AG		C	SPF screw
5	GCAB-0942FCNZ	AS		D	Upper cabinet rear
6	LX-BZ0776FCZZ	AG		C	Screw R
7	GCAB-0945FCNZ	AR		D	Upper cabinet right
8	DUNT-7133DS14	CR	N	E	DSPF unit
9	LFI X-0544FCNZ	AH		C	Glass fixing right
10	CGLSP0003RS52	BF		B	Table glass EX
11	XBTSC50P16000	AA		C	Screw(5×16)
12	LFI X-0543FCNZ	AH		C	Glass fixing left
13	CGLSP0102DS51	BF		B	White datum glass unit
14	XHBSD30P06000	AA		C	Screw(3×6)
15	XBTSE40P06000	AA		C	Screw(4×6)
16	PGi DM1900FCNZ	AR		C	Delivery upper PG SPF
17	PGi DM1901FCNZ	AQ		D	Delivery lower PG
18	NRÖLP0011QSZZ	AD		C	Delivery support roller
19	PCUSS0383FCZZ	AN		C	Delivery sponge
20	NSFTZ2601FCZZ	AH		C	Delivery support roller shaft 1
21	MSPRC2865FCZ1	AB		C	Delivery follower spring
22	XEBSE30P08000	AA		C	Screw(3×8)
23	PCOVP1624FCZZ	AC		D	Stamp cover
24	LX-BZ0465FCWZ	AA		C	Screw(4×6)
25	XHBSD30P08000	AA		C	Screw(3×8)
26	CPNLC0244DS58	CB	N	E	MFP operation panel
27	LDAiU0627FCNZ	AY		D	Operation base
28	XEBSE40P08000	AA		C	Screw(4×8)
29	PMLT-1256FCZZ	AC		C	Dustproof cushion 1
30	PMLT-1257FCZZ	AB		C	Dustproof cushion 2
31	RCORF0041FCZZ	AH		C	Ferrite core(UFR25-12-15)
32	PMLT-1402FCZZ	AC	N	C	Table glass molt A
33	PMLT-1404FCZZ	AA	N	C	Delivery PG molt A
34	PMLT-1405FCZZ	AC	N	C	Delivery PG molt B
35	PMLT-1406FCZZ	AB	N	C	Delivery PG molt C
36	PSHEP5190FCZZ	AC		C	Delivery mylar

25 Exteriors[AR-EF3]

NO.	PARTS CODE	PRICE RANK	NEW MARK	PART RANK	DESCRIPTION
37	PSEL-0886FCZZ	AC		C	SPF glass seal

25 Exteriors[AR-EF3]

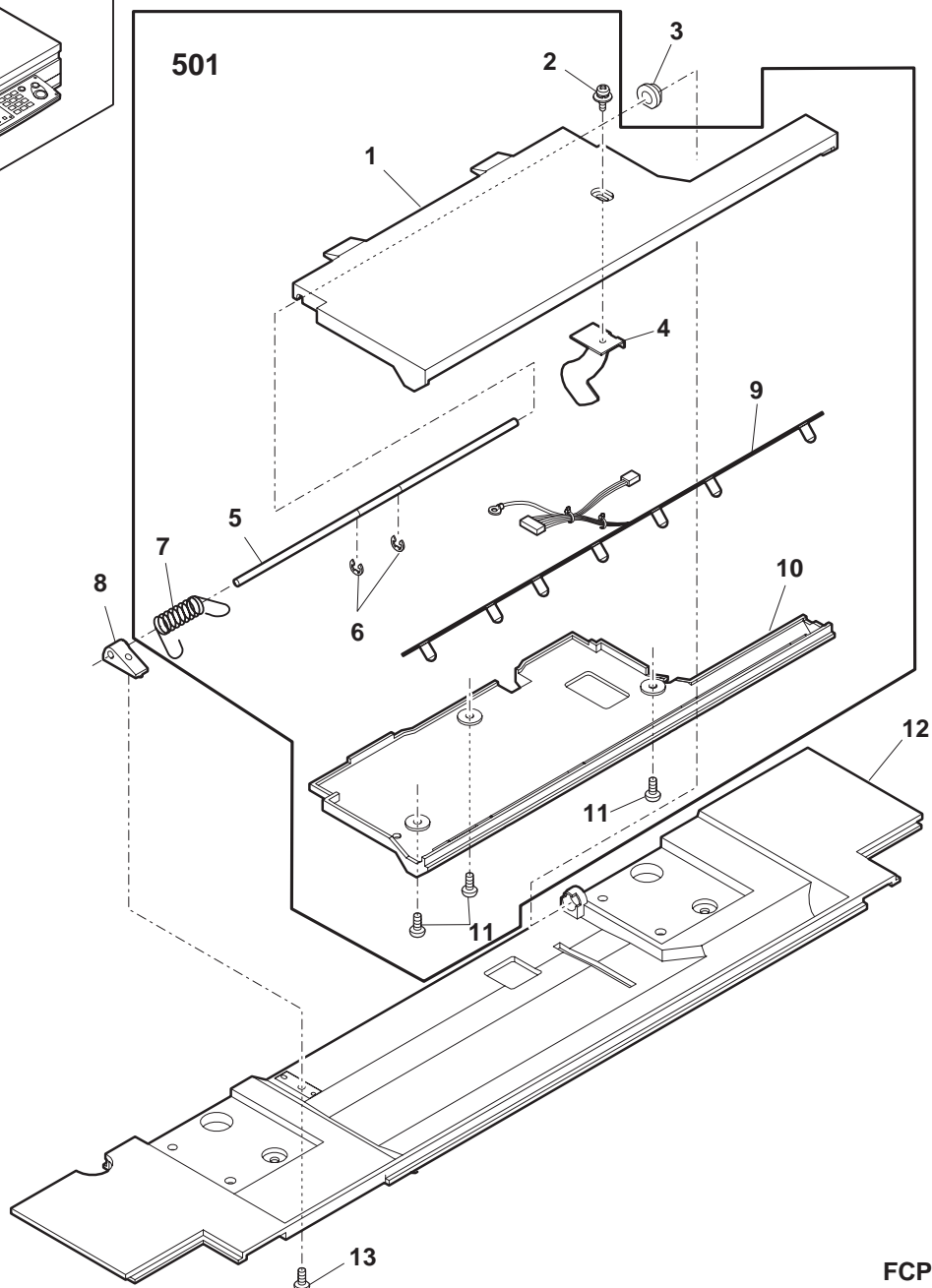
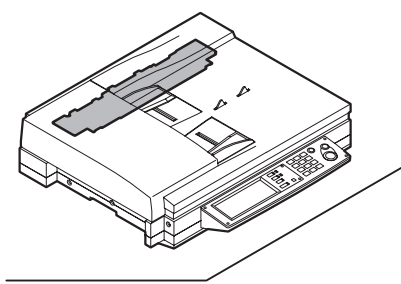


FCP08163

26 Original detect unit[AR-EF3]

NO.	PARTS CODE	PRICE RANK	NEW MARK	PART RANK	DESCRIPTION
1	MARMP0148FCZ2	AK		C	Original detect arm lower
2	XBPSD30P06KS0	AA		C	Screw(3x6KS)
3	LBSHZ1102CCZZ	AC		C	Rubber roller bushing 1
4	PSLDH0178FCZZ	AD		C	Original detect shield plate
5	NSFTZ1805FCZZ	AE		C	Original detect fulcrum shaft
6	XRESP30-06000	AA		C	E type ring(E3)
7	MSPRT1563FCZZ	AC		C	Original detect spring
8	LHLDZ1085FCZ2	AD		C	Original detect fulcrum
9	CPWBF1453FCE2	AX		E	ORS emission PWB
10	MARMP0147FCZ2	AK		C	Original detect arm upper
11	XEPSD30P05000	AA		C	Screw(3x5)
12	GCAB-0942FCNZ	AS		D	Upper cabinet rear
13	XEBSD30P08000	AA		C	Screw(3x8)
501	CARMP0147DS51	BA		E	ORS emission unit

26 Original detect unit[AR-EF3]



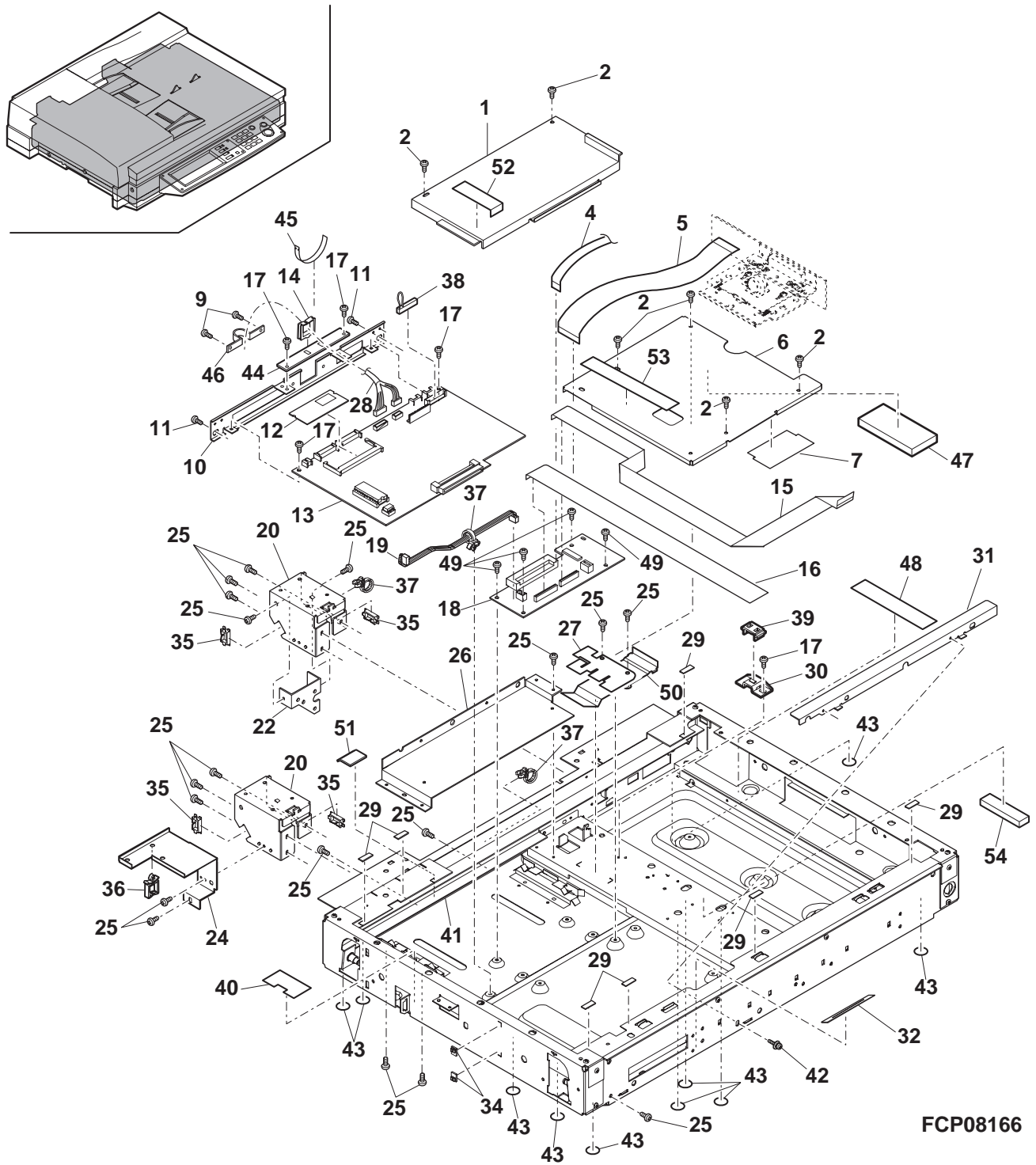
FCP08164





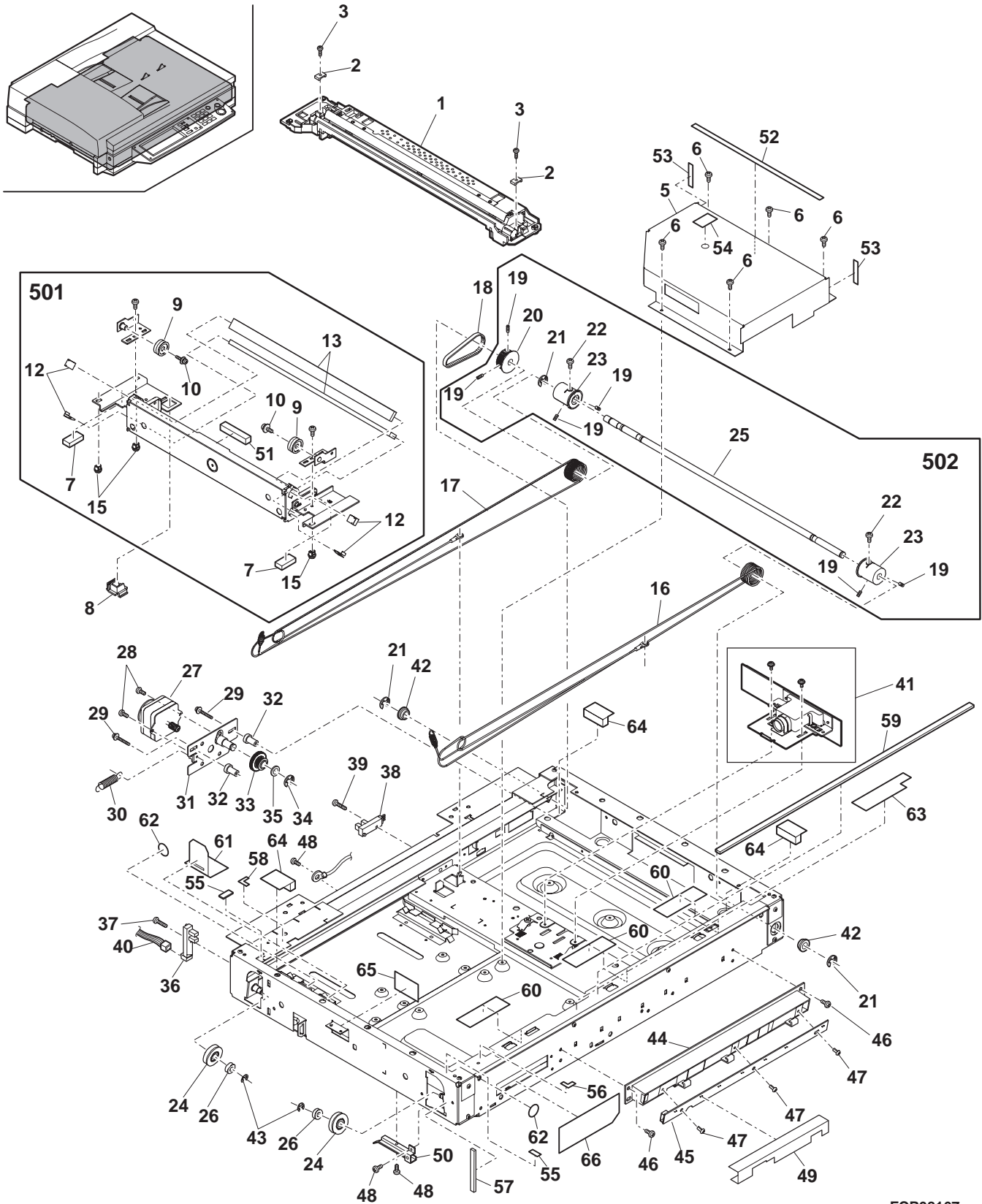


28 Optical unit 1[AR-EF3]





29 Optical unit 2[AR-EF3]

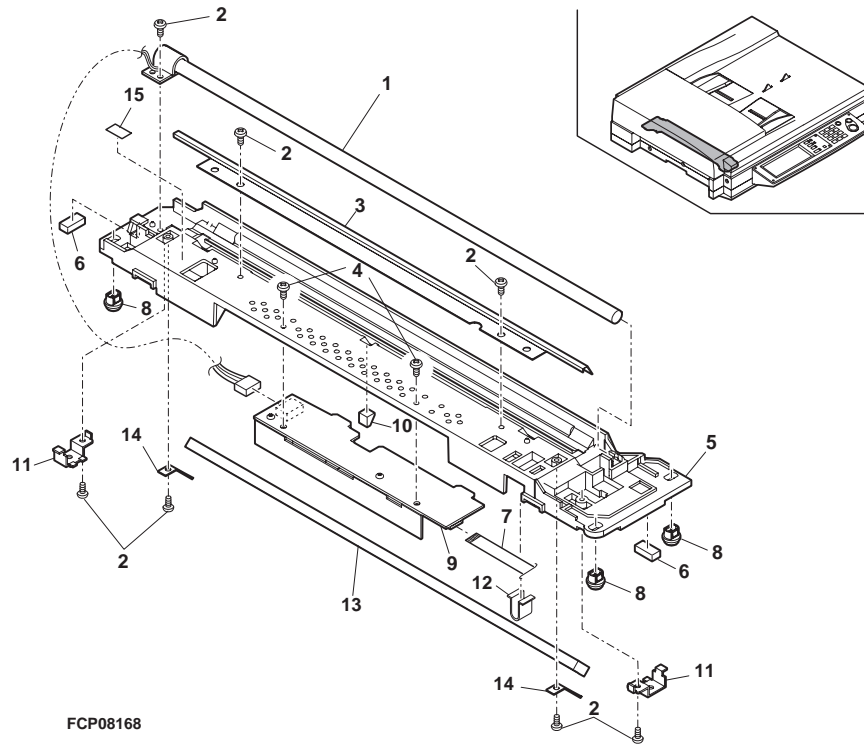


FCP08167

### 30 Lamp unit[AR-EF3]

NO.	PARTS CODE	PRICE RANK	NEW MARK	PART RANK	DESCRIPTION
△ 1	RLMPD0702FCZZ	BB	N	B	Lamp
2	XEBSD30P08000	AA		C	Screw(3×8)
3	PREFL0172FCZZ	AK		B	Reflector
4	XBBSD30P12000	AA		C	Screw(3×12)
5	LDAIU0619FCZ1	AS		D	Lamp base
6	PCUSU0203FCZZ	AE		C	Protection cushion
7	QCNW-0217FCZZ	AE		C	CL interface FFC
8	MSLi-0138FCZZ	AC		C	Slider
9	CPWBF1449FC31	BH		E	Inverter PWB
10	PCUSF0334FCZZ	AP		C	Mirror cushion
11	LSTYM0261FCZZ	AB		C	Wire support plate
12	LFIX-0545FCZZ	AC		C	CL read harness fixer
13	CMIR-0164FC01	AP		B	1st mirror
14	MSPRP2825FCZZ	AC		C	Mirror spring
15	TLABZ4335FCZZ	AB		D	HV caution label
	(Unit)				
△ 901	CDAIU0619DS58	BQ	N	E	Lamp unit

### 30 Lamp unit[AR-EF3]



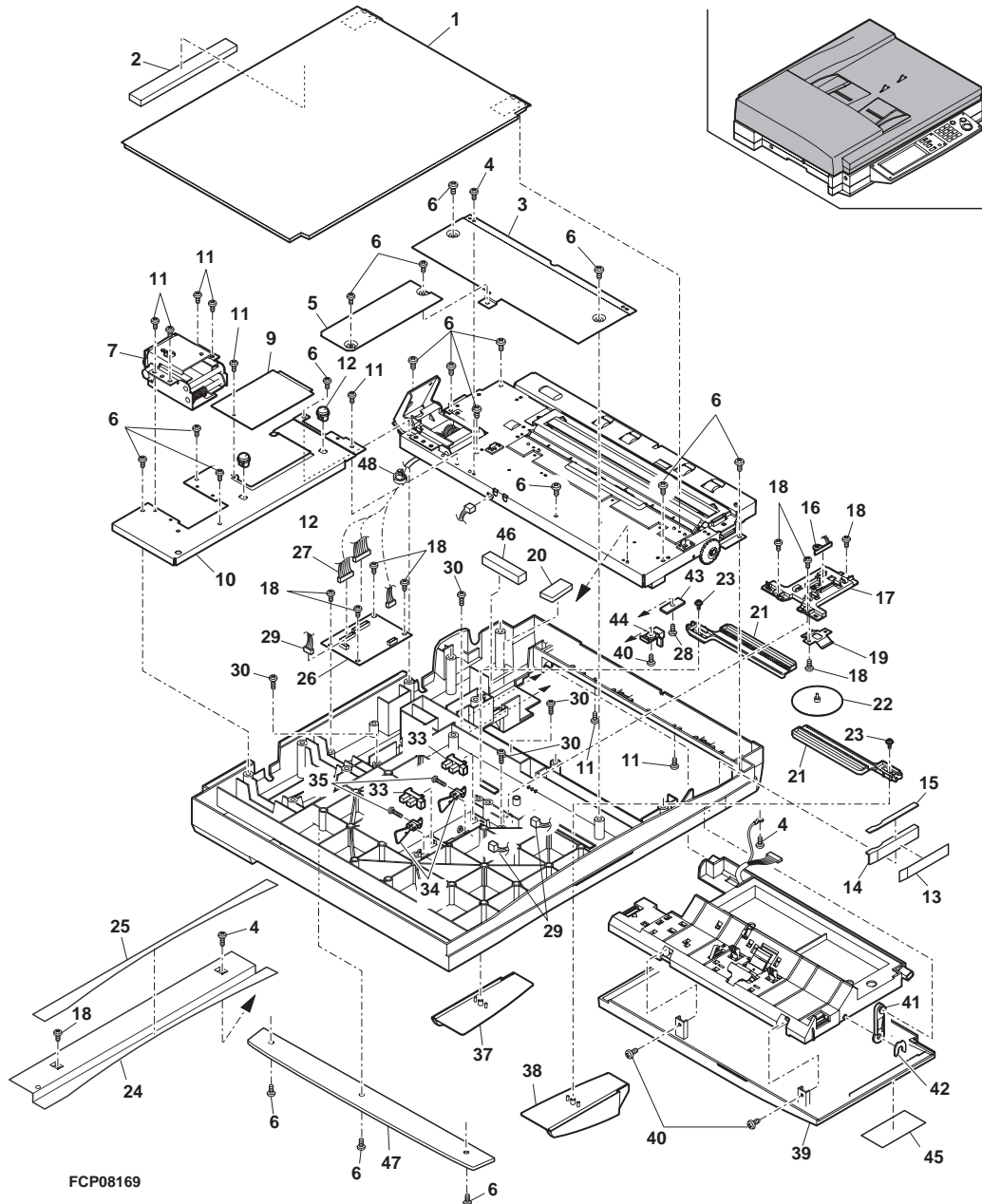
### 31 DSPF,SPF Assembly section[AR-EF3]

NO.	PARTS CODE	PRICE RANK	NEW MARK	PART RANK	DESCRIPTION
1	PSHEZ4845FCZZ	AV		C	OC mat
2	PMLT-1286FCZZ	AD		C	OC cushion
3	PCOVP1595FCZZ	AG		D	Rack cover
4	XHBSE30P06000	AA		C	Screw(3×6)
5	PCOVP1615FCZZ	AE		D	Length detect cover N
6	XEBSE40P10000	AA		C	Screw(4×10)
7	MHNG-0208FCZZ	BA		C	SPF hinge R
9	PCOVP1518FCZZ	AE		D	ICU ROM cover
10	LPLTM5887FCZZ	AL		C	Hinge joint plate
11	XHBSE40P08000	AA		C	Screw(4×8)
12	LFIX-0568FCZZ	AC		C	Original detect fixer
13	PTPE-0265FCZZ	AC		C	Cover tape
14	PCOVP1644FCZZ	AD		D	F cover L
15	PGUMS0298FCZ1	AC		C	Cover rubber L
16	CPWBF1594FCE1	AR		E	SPF VR PWB
17	LPLTP5743FCZZ	AF		C	Width detect fixing plate
18	XEBSD30P08000	AA		C	Screw(3×8)
19	MSPRP2830FCZZ	AA		C	Width detect spring
20	PGUMS0296FCZZ	AD		C	Cushion
21	NGERR1386FCZZ	AE		C	Width detect rack
22	NGERP1385FCZZ	AF		C	Width detect pinion
23	XEPSD30P06X00	AA		C	Screw(3×6X)

31 DSPF,SPF Assembly section[AR-EF3]

NO.	PARTS CODE	PRICE RANK	NEW MARK	PART RANK	DESCRIPTION
24	PCOVP1645FCZ1	AH		D	F cover R
25	PGUMS0299FCZ1	AH		C	Cover rubber R
26	CPWBF1459FCE1	AY	N	E	SPF PWB
27	DHAi-3641FCZZ	BA	N	C	DSPF body interface harness
28	XESSE30P08000	AA		C	Screw(3x8)
29	DHAi-3161FCZZ	AK		C	SPF size detect harness
30	XEBSE30P10000	AA		C	Screw(3x10)
33	VHPGP1A73A+-1	AG		B	Photo sensor(GP1A73A)
34	MLEVP0794FCZZ	AC		C	Length detect actuator
35	XEBSD40P16000	AA		C	Screw(4x16)
37	LPLTP6467FCZZ	AF	N	C	Adjust plate R
38	LPLTP6466FCZZ	AF	N	C	Adjust plate F
39	PCOVP1549FCNZ	AW		D	Upper cover
40	XEBSE30P08000	AA		C	Screw(3x8)
41	MARMP0243FCZZ	AD		C	Manual feeding tray arm
42	PRNGP0090FCZZ	AA		C	Ring(E5)
43	LPLTM2573FCZ1	AD		C	ADF MG plate
44	LPLTP5938FCZZ	AC		C	Shading plate N
45	TLABH4847FCZZ	AD		D	Original read label
46	PMLT-1293FCZZ	AC		C	Protection cushion
47	PCOVP1686FCZZ	AH		D	Base tray cover
48	LBNDJ0013FCZ1	AE		C	Cable band

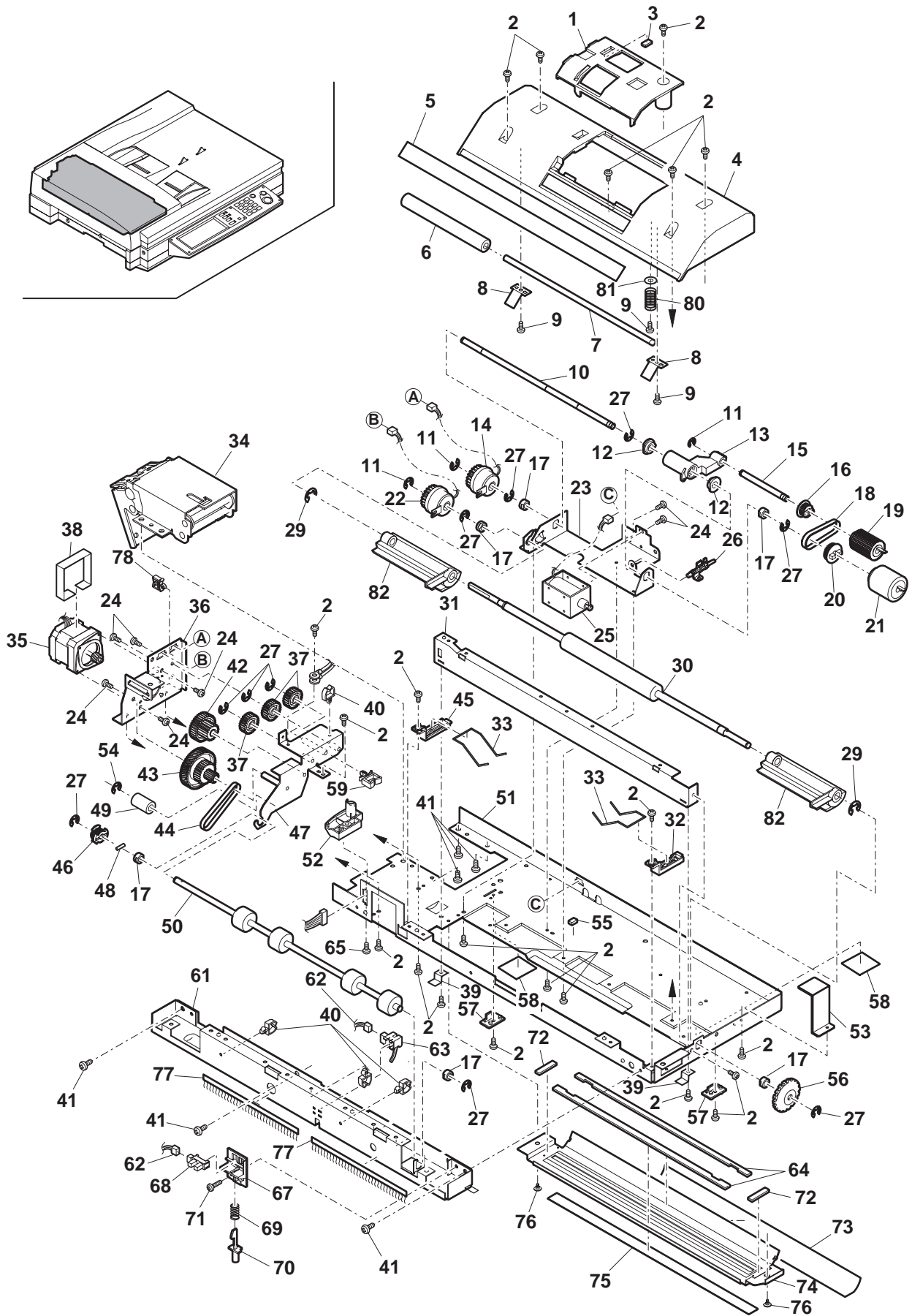
31 DSPF,SPF Assembly section[AR-EF3]



32 DSPF,SPF Paper feed unit[AR-EF3]

NO.	PARTS CODE	PRICE RANK	NEW MARK	PART RANK	DESCRIPTION
1	PCOVP1594FCZZ	AG		D	Roller cover
2	XHBSE30P06000	AA		C	Screw(3x6)
3	PMLT-1272FCZZ	AB		C	Damper cushion 3
4	PGiDM2093FCZZ	AN	N	C	Paper feed PG SPF
5	PSHEP5328FCZZ	AD	N	C	PS rear mylar
6	NROLM1499FCZZ	AT	N	C	Delivery roller M
7	NSFTZ2600FCZZ	AM		C	PS support shaft
8	MSPRP3108FCZZ	AC	N	C	PS support plate spring
9	XEBSD30P08000	AA		C	Screw(3x8)
10	NSFTZ2599FCZ1	AW		C	Separate roller shaft SPF
11	XRESP40-06000	AA		C	E type ring(E4)
12	NBRGC0136FCZ1	AC		C	Bearing(M6)
13	LHLDZ1483FCZZ	AF		C	Paper feed rotation plate
14	PCLC-0303FCZZ	AT		B	Separate clutch
15	NSFTZ2678FCZZ	AL		C	Pick up shaft
16	NPLYZ0398FCZZ	AC		C	Pick up roller pulley(22P)
17	NBRGM0096FCZ1	AC		C	Bearing
18	NBLTH0363FCZZ	AG		B	Belt(S2M120)
19	NROLR1312FCZZ	AN		A	Pick up roller
20	NPLYZ0397FCZZ	AK		C	Paper feed roller pulley(28P)
21	NROLR1317FCZZ	AP		C	Separate roller
22	PCLC-0302FCZZ	AT		B	PS clutch SPF
23	LPLTM5928FCZZ	AG		C	Paper feed base plate SPF
24	XBBS30P06000	AA		C	Screw(3x6)
25	RPLU-0336FCZZ	AS		B	Pick up solenoid
26	MARMP0284FCZZ	AC		C	Pick up joint arm N
27	XRESP50-06000	AA		C	E type ring(E5)
29	XRESP70-08000	AA		C	E type ring(E7)
30	NROLR1483FCZZ	AS	N	C	PS roller SPF
31	LSTYM0288FCZZ	AK		C	CIS stay
32	LHLDZ1485FCZZ	AC		C	SP holder F
33	MSPRD3002FCZZ	AC		C	Spring N
34	MHNG-0209FCZ1	BB		C	DSPF hinge L
35	RMOTS0915FCZZ	BF	N	B	SPF motor N
36	LFRM-1022FCZZ	AK		C	Drive frame
37	NGERH1477FCZZ	AC		C	Gear(24T)
38	PSHEZ4949FCZZ	AE		C	Motor sheet
39	MSPRP3011FCZZ	AC		C	Earth plate spring
40	LHLDW1009ACZZ	AA		C	Clamp
41	XHBSE40P08000	AA		C	Screw(4x8)
42	NGERH1476FCZZ	AD		C	Gear(35T/18T)
43	NGERH1478FCZZ	AE		C	Gear(55T/28T/18P)
44	NBLTH0364FCZZ	AG		B	Belt(S2M130)
45	LHLDZ1486FCZZ	AC		C	SP holder R
46	NPLYZ0375FCZZ	AC		C	Pulley(22T)
47	CPLTM5882FC02	AN		C	Drive plate
48	LPI NS1031HCZZ	AA		C	Spring pin
49	PCLR-0426FCZZ	AD		C	Slide collar
50	NROLR1320FCZZ	AQ		C	Delivery roller SPF
51	LPLTM5884FCZ1	AW		C	Base tray reinforce plate N
52	PCOVP1818FCZZ	AC	N	D	DSPF interface harness cover
53	LPLTM5785FCZZ	AC		C	MG plate
54	XRESP20-04000	AA		C	E type ring(E2)
55	PMLT-1270FCZZ	AB		C	Damper cushion 1
56	JKNBZ0141FCZZ	AH		C	Jam release knob
57	LPLTM5889FCZZ	AC		C	Datum plate
58	PSHEP4846FCZZ	AD		C	OC mat mylar R
59	LHLDW2101SCZZ	AB		C	Cable clamp
61	LPLTM5929FCZZ	AR		C	Delivery roller fixing plate
62	DHAi-3281FCZZ	AH		C	SPF delivery sensor harness
63	QSW-Z0544FCZZ	AY	N	B	Delivery jam sensor
64	PCUSS0372FCZ1	AD		C	CIS cushion 1
65	XEBSE40P10000	AA		C	Screw(4x10)
67	LHLDZ1484FCZZ	AC		C	Open/close holder
68	VHPGP1A73A+-1	AG		B	Photo sensor(GP1A73A)
69	MSPRC3001FCZZ	AB		C	Open/close detect spring N
70	MLEVP0837FCZZ	AC		C	Open/close actuator N
71	XHBSE30P10000	AA		C	Screw(3x10)
72	PCUSS0373FCZ1	AB		C	CIS cushion 2
73	PSHEP5319FCZZ	AF	N	C	White mylar
74	PGiDH1897FCZZ	AT		C	CIS paper guide
75	PGLSP0103FCZZ	AV		C	CIS glass
76	LX-BZ0931FCZZ	AC		C	Screw(M3)
77	PBRSS0209FCZZ	AG		B	Discharger brush SPF
78	LHLDW1426FCZZ	AC		C	Mini clamp
80	MSPRC3269FCZZ	AC		C	Follower shaft earth spring
81	XWHSD30-05080	AA		C	Washer
82	PGiDM2110FCZZ	AC	N	C	PS guide

32 DSPF,SPF Paper feed unit[AR-EF3]



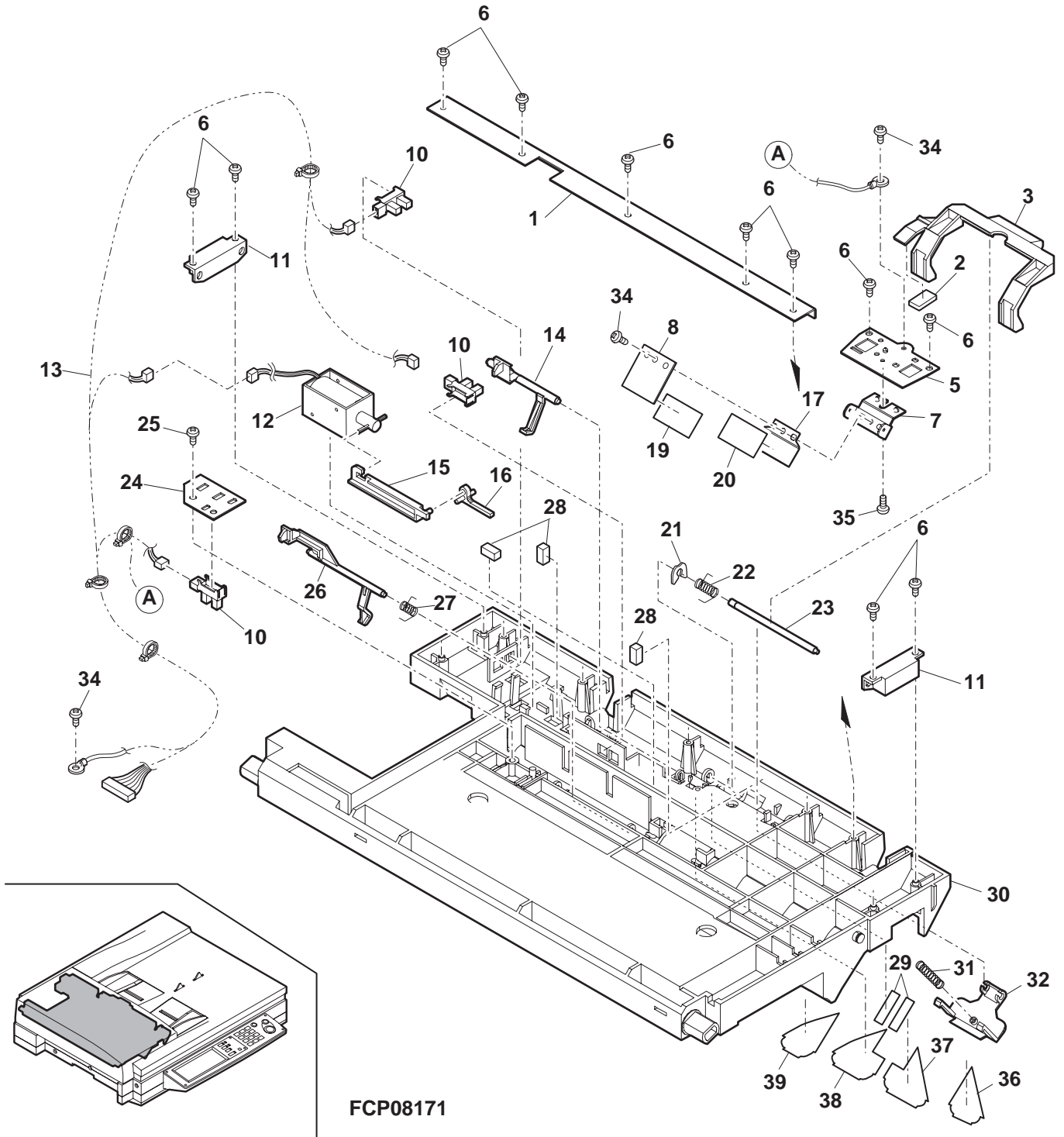
FCP08170







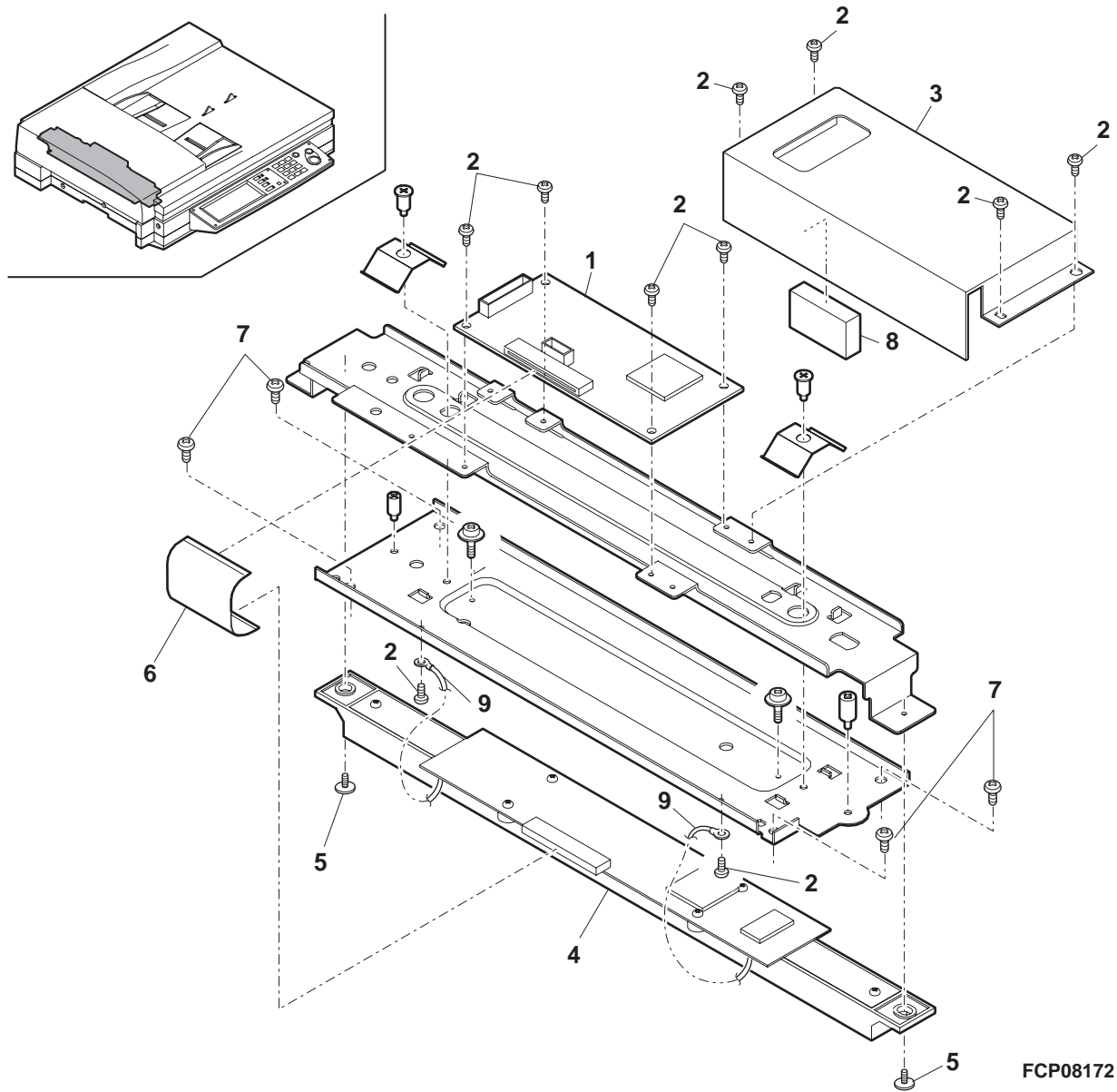
33 DSPF,SPF Upper transfer unit[AR-EF3]



34 DSPF CIS unit[AR-EF3]

NO.	PARTS CODE	PRICE RANK	NEW MARK	PART RANK	DESCRIPTION
1	CPWBN1567DS53	BN		E	CIS control PWB
2	XBBS30P06000	AA		C	Screw(3x6)
3	PCOV1813FCZZ	AG	N	D	CIS PWB cover N
4	DUNT-7079FC14	CB	N	E	CIS unit
5	LX-BZ0680FCZZ	AB		C	Screw
6	QCNW-0170FCZZ	AH		C	CIS interface FFC
7	XBBS40P08000	AA		C	Screw(4x8)
8	PMLT-1284FCZZ	AE		C	Interface FFC fixing cushion
9	DHAi-3663FCZZ	AK	N	C	CIS FG harness

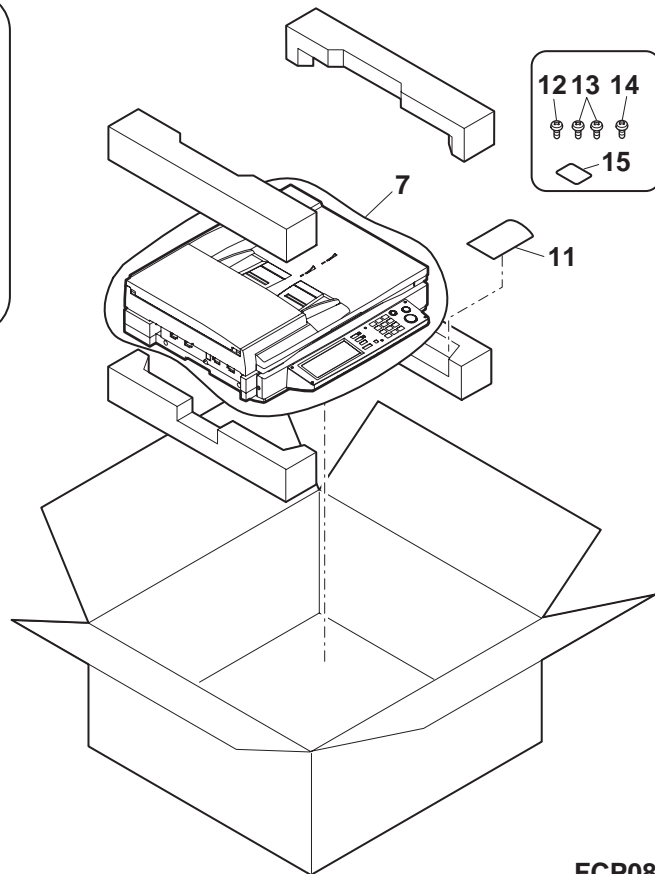
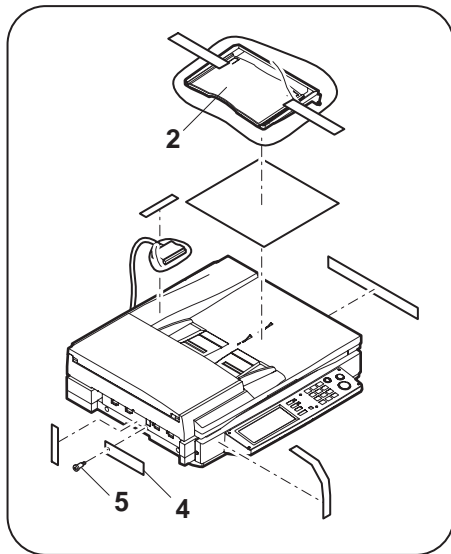
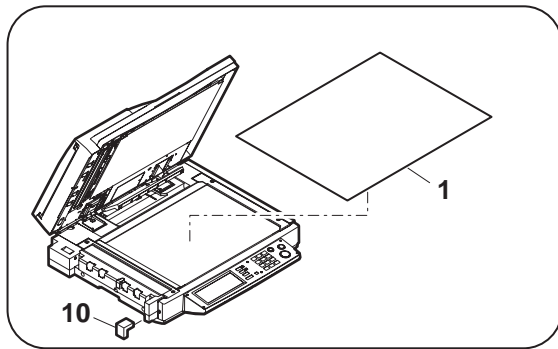
34 DSPF CIS unit[AR-EF3]



35 Packing Material & Accessories[AR-EF3]

NO.	PARTS CODE	PRICE RANK	NEW MARK	PART RANK	DESCRIPTION
1	SPAKA6075DSZZ	AA		D	RSPF protect sheet 1
2	LSOU-0177FCG5	AP		D	Delivery tray T
	LSOU-0179FCZ5	AR		D	Delivery tray 1
4	TCADZ1178FCZZ	AB		D	Screw caution card
5	LX-BZ0787FCZZ	AH		C	Screw for 2/3 mirror lock
7	SSAKZ0003QSZZ	AF		D	Body vinyl bag
10	SPAKA6265FCZZ	AC		D	Fusing protect add
11	SSAKA1130QCZZ	AA		D	Vinyl bag(100x120)
12	LX-BZ1000FCZZ	AF	N	C	Screw
13	LX-BZ1001FCZZ	AD	N	C	Screw
14	XBPSE40P08KS0	AA		C	Screw(4x8KS)
15	PSHEP5354FCZZ	AC	N	C	Scanner rack sheet D

35 Packing Material & Accessories[AR-EF3]

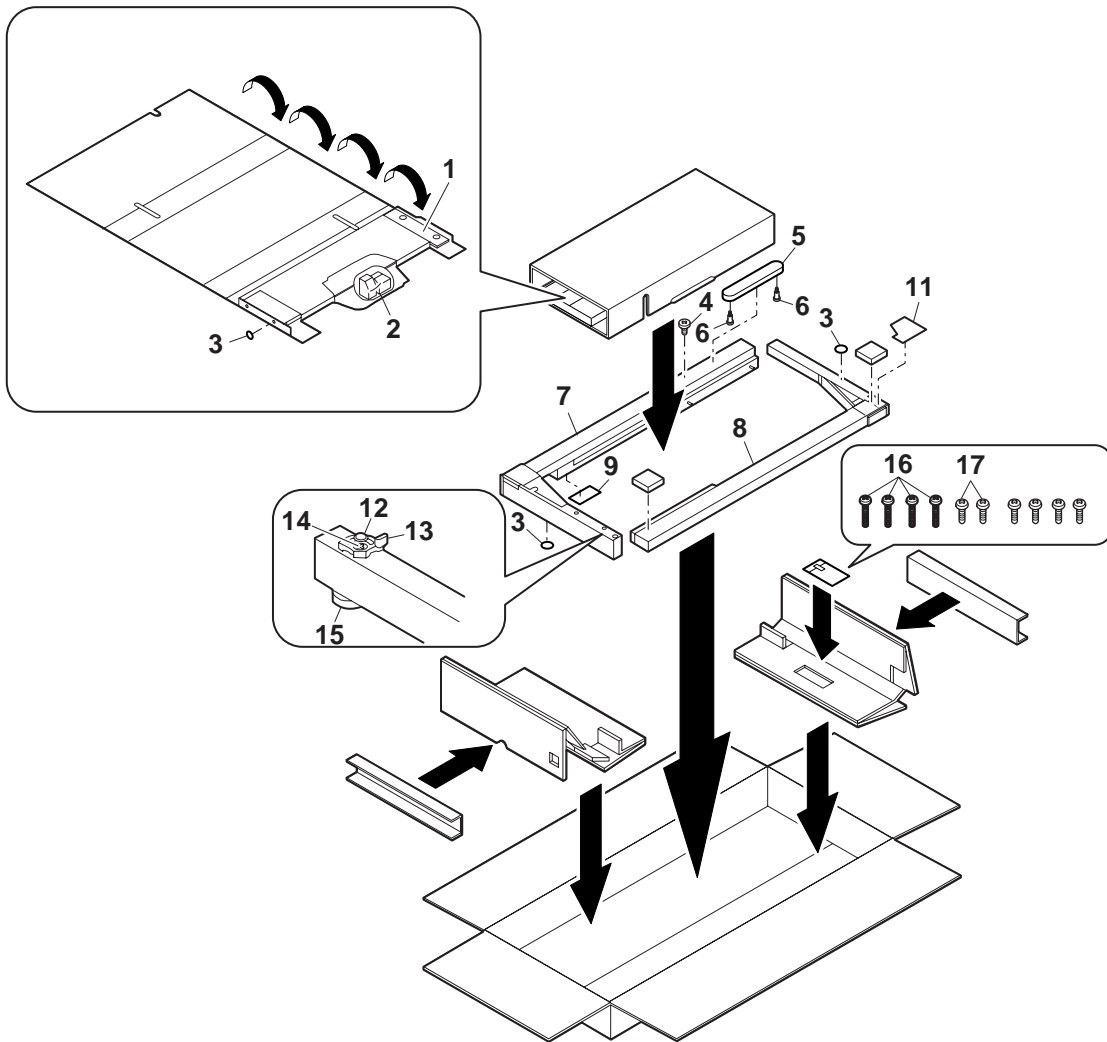


FCP08173

36 Packing Material & Accessories[AR-RK2]

NO.	PARTS CODE	PRICE RANK	NEW MARK	PART RANK	DESCRIPTION
1	LPLTM6454FCZZ	BA	N	C	Rack bottom plate
2	PCOVP1810FCZZ	AE	N	C	Rack cover right
	PCOVP1811FCZZ	AE	N	C	Rack cover left
3	PSHEP5351FCZZ	AE	N	C	Scanner rack sheet L
4	LX-BZ1014FCZZ	AD	N	C	Screw
5	JHNDM0176FCZZ	AR	N	C	Left rack rear handle
6	LX-BZ0888FCZZ	AC		C	Screw
7	CCHSM0111FC02	BM	N	C	Left rack upper
8	CCHSM0110FC01	BL	N	C	Right rack upper
9	PSHEP5353FCZZ	AB	N	C	Scanner rack sheet F
11	PSHEP5352FCZZ	AE	N	C	Scanner rack sheet R
12	XBPSE30P12KS0	AA		C	Screw(3x12KS)
13	JHNDP0160FCZZ	AD		C	Adjust knob
14	NSFTZ2887FCZZ	AP	N	C	Adjust shaft
15	MCAMP0105FCZZ	AC		C	Adjust cam
16	LX-BZ0903FCZ1	AC		C	Screw(5x70)
17	XHBSE40P08000	AA		C	Screw(4x8)
101	XBBSE30P06000	AA		C	Screw(3x6)
102	XBPS740P08KS0	AB	N	C	Screw(4x8KS)

36 Packing Material & Accessories[AR-RK2]



FCP08174

37 Scanner control PWB[AR-EF3]

NO.	PARTS CODE	PRICE RANK	NEW MARK	PART RANK	DESCRIPTION
1	R F I L N 0 0 4 7 F C Z Z	AC		C	Filter(MMZ1608S121AT) [NF6,NF5]
4	RMPTR4103ACZZ	AB		B	Block resistor(10KΩ×4) [BR2,BR3,BR4,BR5,BR6]
	RMPTR4103ACZZ	AB		B	Block resistor(10KΩ×4) [BR7,BR8,BR9,BR10,BR12]
	RMPTR4103ACZZ	AB		B	Block resistor(10KΩ×4) [BR13,BR14,BR16,BR18,BR20]
	RMPTR4103ACZZ	AB		B	Block resistor(10KΩ×4) [BR22,BR23,BR24,BR25,BR26]
	RMPTR4103ACZZ	AB		B	Block resistor(10KΩ×4) [BR27,BR28,BR29,BR30,BR31,BR37]
5	RMPTR4330ACZZ	AB		B	Block resistor(33Ω×4) [BR1,BR11,BR15,BR17,BR19]
	RMPTR4330ACZZ	AB		B	Block resistor(33Ω×4) [BR21,BR32,BR33,BR34,BR35,BR36]
6	VCCCCZ1HH100D	AA		C	Capacitor(50WV 10pF) [C55,C56]
7	VCKYCZ1HB102K	AA		C	Capacitor(50WV 1000pF) [C15,C16,C21,C25,C26]
	VCKYCZ1HB102K	AA		C	Capacitor(50WV 1000pF) [C27,C28,C32,C33,C34]
	VCKYCZ1HB102K	AA		C	Capacitor(50WV 1000pF) [C35,C36,C37,C44,C45]
	VCKYCZ1HB102K	AA		C	Capacitor(50WV 1000pF) [C46,C47,C49,C50,C82,C88]
8	VCKYCZ1HB222K	AA		C	Capacitor(50WV 2200pF) [C57,C58,C65,C66]
9	VCKYCZ1CB103K	AA		C	Capacitor(16WV 0.01μF) [C39,C80,C81,C83,C84]
10	VCKYCZ1HF103Z	AA		C	Capacitor(50WV 0.01μF) [C3,C17,C18]
11	VCKYCZ1EF223Z	AA		C	Capacitor(25WV 0.022μF) [C1,C4,C5,C13,C14]
	VCKYCZ1EF223Z	AA		C	Capacitor(25WV 0.022μF) [C20,C22,C29,C30,C38]
	VCKYCZ1EF223Z	AA		C	Capacitor(25WV 0.022μF) [C40,C42,C43,C48,C53]
	VCKYCZ1EF223Z	AA		C	Capacitor(25WV 0.022μF) [C54,C59,C60,C61,C68]
	VCKYCZ1EF223Z	AA		C	Capacitor(25WV 0.022μF) [C69,C71,C73,C74,C75]
	VCKYCZ1EF223Z	AA		C	Capacitor(25WV 0.022μF) [C76,C77,C78,C85,C86]
	VCKYCZ1EF223Z	AA		C	Capacitor(25WV 0.022μF) [C87,C90]
12	VRS-CZ1JD000J	AA		C	Resistor(1/16W 0Ω ±5%) [R34,R35,R36,R42,R43]
	VRS-CZ1JD000J	AA		C	Resistor(1/16W 0Ω ±5%) [R44,R53]
13	VRS-CZ1JD330J	AA		C	Resistor(1/16W 33Ω ±5%) [R12]
15	VRS-CZ1JD151J	AA		C	Resistor(1/16W 150Ω ±5%) [R24]
16	VRS-CZ1JD331J	AA		C	Resistor(1/16W 330Ω ±5%) [R5,R9,R91]
17	VRS-CZ1JD561F	AA		C	Resistor(1/16W 560Ω ±1%) [R60]
18	VRS-CZ1JD621F	AA		C	Resistor(1/16W 620Ω ±1%) [R61]
19	VRS-CZ1JD681J	AA		C	Resistor(1/16W 680Ω ±5%) [R67]
20	VRS-CZ1JD911F	AA		C	Resistor(1/16W 910Ω ±1%) [R58]
21	VRS-CZ1JD102J	AA		C	Resistor(1/16W 1KΩ ±5%) [R10,R18,R39,R40,R57,R93]
22	VRS-CZ1JD122J	AA		C	Resistor(1/16W 1.2KΩ ±5%) [R87,R88]
23	VRS-CZ1JD562J	AA		C	Resistor(1/16W 5.6KΩ ±5%) [R68,R70,R72]
24	VRS-CZ1JD752J	AA		C	Resistor(1/16W 7.5KΩ ±5%) [R25,R51,R52]
25	VRS-CZ1JD103J	AA		C	Resistor(1/16W 10KΩ ±5%) [R1,R4,R6,R7,R8]
	VRS-CZ1JD103J	AA		C	Resistor(1/16W 10KΩ ±5%) [R13,R17,R20,R21,R22]
	VRS-CZ1JD103J	AA		C	Resistor(1/16W 10KΩ ±5%) [R23,R26,R27,R28,R30]
	VRS-CZ1JD103J	AA		C	Resistor(1/16W 10KΩ ±5%) [R33,R45,R46,R47,R48]
	VRS-CZ1JD103J	AA		C	Resistor(1/16W 10KΩ ±5%) [R49,R50,R55,R56,R62]
	VRS-CZ1JD103J	AA		C	Resistor(1/16W 10KΩ ±5%) [R63,R64,R65,R66,R69]
26	VRS-CZ1JD103F	AA		C	Resistor(1/16W 10KΩ ±1%) [R79,R89]
27	VRS-CZ1JD203J	AA		C	Resistor(1/16W 20KΩ ±5%) [R14]
28	VRS-CZ1JD303J	AA		C	Resistor(1/16W 30KΩ ±5%) [R94]
29	VRS-CZ1JD303F	AA		C	Resistor(1/16W 30KΩ ±1%) [R80]
30	VRS-CZ1JD624J	AA		C	Resistor(1/16W 620KΩ ±5%) [R31]
31	VRS-CZ1JD105J	AA		C	Resistor(1/16W 1MΩ ±5%) [R41]
32	VRS-TP2BD131J	AA		C	Resistor(1/8W 130Ω ±5%) [R82,R84]
33	VRS-TP2BD151J	AA		C	Resistor(1/8W 150Ω ±5%) [R81,R83]
34	VRS-TP2BD301J	AA		C	Resistor(1/8W 300Ω ±5%) [R85]
35	VRS-TP2BD471J	AA		C	Resistor(1/8W 470Ω ±5%) [R74,R75,R76]
36	VRS-TP2BD561J	AA		C	Resistor(1/8W 560Ω ±5%) [R77]
37	VRS-TP2BD152J	AA		C	Resistor(1/8W 1.5KΩ ±5%) [R86]
38	VHDCRH01+++1	AC		B	Diode(CRH01) [D15,D16,D17,D18,D19]
	VHDCRH01+++1	AC		B	Diode(CRH01) [D20,D21,D40]
39	VHDM704A//--1	AC		B	Diode(MA704A) [D28]
40	VHDL737//--1	AA		B	Diode(RLS-73) [D22,D23,D25,D26,D27]
41	VHDDA204U//--1	AB		B	Diode(DA204U) [D24]
42	VHDDAN202U//--1	AB		B	Diode(DAN202U) [D31,D33,D34,D35,D36]
	VHDDAP202U//--1	AB		B	Diode(DAP202U) [D37,D42,D2,D10]
43	VHDDA202U//--1	AB		B	Diode(DAP202U) [D29,D30,D32,D38,D39,D41]
45	VSDTA143ZUA-1	AB	N	B	Transistor(DTA143ZUA) [Q10,Q11,Q12]
46	VSDTC143ZUA-1	AC		B	Transistor(DTC143ZUA) [Q2,Q3,Q7,Q8,Q9]
48	VS2SK3018+++1	AC		B	Transistor(2SK3018) [Q1]
49	VS2SK3065+++1	AG		B	Transistor(2SK3065) [Q13,Q14]
50	VS2SB1197KR-1	AC		B	Transistor(2SB1197K) [Q4,Q5,Q6]
57	QCNCW1190FCZZ	AN		C	Connector(TX24-100R-LT-H1) [CN1]
58	QCNCM7022SC0E	AB		C	Connector(S5B-PH-K-S) [CN2]
59	QCNCM1187FCZZ	AM		C	Connector(BM30B-SRDS-G-TFC) [CN3]
60	QCNCM1167FCZZ	AP		C	Connector(BM50B-SRDS-G-TFC) [CN4]
61	QCNCM7022SC0F	AB		C	Connector(S6B-PH-K-S) [CN6]
62	QCNCM0828FCZZ	AE		C	Connector(S26B-PHDSS) [CN7]
63	QCNCW0885FCZZ	AG		C	Connector(1-171825-2) [CN8]
64	QCNCM7014SC1C	AC		C	Connector(B13B-PH-K-S) [CN9]
65	QCNCM0829FCZZ	AG		C	Connector(S28B-PHDSS) [CN10]
66	QCNCM7022SC0C	AB		C	Connector(S3B-PH-K-S) [CN11]
67	VHPLT1D67A//--1	AC		B	LED(RED)(LT1D67A) [LED1]
68	RCRSZ0001QSZZ	AG		B	Crystal(19.6608MHz) [X1]

37 Scanner control PWB[AR-EF3]

NO.	PARTS CODE	PRICE RANK	NEW MARK	PART RANK	DESCRIPTION
69	RCRMZ6007RCZZ	AD		B	Crystal(4.19MHz) [X2]
70	VRS-RE3DA1R0J	AB		C	Resistor(2W 1.0Ω ±5%) [R16,R19]
71	QSOCZ0095FCZZ	AR		C	IC Socket(179707-1) [SOCKET1]
73	VHi24WC08Pi-1	AF		B	S-EEPROM(CAT24WC08PI) [IC23]
75	RH-iX0037QSPZ	AQ		B	SRAM(IS61LV256-15JL) [IC11]
76	VHiHN58V65A-1	AW		B	P-EEPROM(HN58V65AP) [IC20]
78	VHiVHC244SJ-1	AG		B	IC(74VHC244S) [IC7,IC8]
79	VHi74VHCT244X	AF		B	IC(74VHCT244ASJX) [IC10]
80	VHi74VHC04M-1	AE		B	IC(74VHC04M) [IC3,IC21]
81	VHi74VHC32M-1	AD		B	IC(74VHC32M) [IC6]
82	VHi74VHCT08AJ	AD		B	IC(74VHCT08ASJ) [IC2]
83	VHiLM324D+-1	AE		B	IC(LM324D) [IC19]
84	VHiLM339D+-1	AE		B	IC(LM339D) [IC9]
85	VHiTD62003AP1	AG		B	Driver IC(TD62003AP) [IC4,IC5,IC18]
86	VHiTD62503F-1	AF		B	Driver IC(TD62503F) [IC1,IC17]
87	VHiMTD1361F-1	AR		B	Driver IC(MTD1361F) [IC12]
88	VHiL108733N-1	AG	N	B	IC(L1087MPX-3.3/NOPB) [IC14]
	(Unit)				
901	CPWBX1635DS51	BV	N	E	Scanner control PWB

38 Scanner interface PWB[AR-EF3]

NO.	PARTS CODE	PRICE RANK	NEW MARK	PART RANK	DESCRIPTION
1	QCNCW1001YC40	AH		C	Connector(IL-FPR-40S-VF-E1500) [CN1]
2	QCNCW1212FCZZ	AE		C	Connector(SLD5S-1) [CN2]
3	QCNCW1186FCZZ	AF		C	Connector(TX25-100P-LT-H1) [CN3]
4	QCNCW1134FCZZ	AH		C	Connector(T24FAZ-SMT-TF) [CN4]
5	QCNCM0991FCZZ	AG		C	Connector(30FMZ-BT) [CN5]
6	QCNCM7014SC0D	AB		C	Connector(B4B-PH-K-S) [CN6]
8	VHDRLS73///-1	AA		B	Diode(RLS-73) [D1]
9	VCKYCZ1HF103Z	AA		C	Capacitor(50WV 0.01μF) [C1,C3]
10	VCEASX1CN476M	AC		C	Capacitor(16WV 47μF) [C2]
12	VRS-CZ1JD000J	AA		C	Resistor(1/16W 0Ω ±5%) [R1,R2]
	(Unit)				
901	CPWBN1632FCE1	BA	N	E	Scanner interface PWB

39 MFP OPE PWB[AR-EF3]

NO.	PARTS CODE	PRICE RANK	NEW MARK	PART RANK	DESCRIPTION
2	QSW-P0008QSZZ	AC		B	Push switch(EVQ23G04K) [K,1K,2K,3K,4K]
	QSW-P0008QSZZ	AC		B	Push switch(EVQ23G04K) [5K,6K,7K,8K,9K]
	QSW-P0008QSZZ	AC		B	Push switch(EVQ23G04K) [*K,#K,CAK,CLK,PRK]
	QSW-P0008QSZZ	AC		B	Push switch(EVQ23G04K) [FAK,COK,JOK,CUK]
3	QSW-P0469FCZZ	AD		B	Push switch(B3W-1100) [PSW]
4	QCNCW1134FCZZ	AH		C	Connector(T24FAZ-SMT-TF) [CN101]
5	QCNCM1171FCZZ	AE		C	Connector(B6B-PH-SM3-TB) [CN102]
6	RALMB1002LCZZ	AE		B	Alarm(PKM13EPY-4000-TF01) [BZ1]
7	RCRS-0007FCZZ	AD		B	Crystal(CSBLA480EC8B-B0) [X1]
8	VCEAJU1CW476M	AB		C	Capacitor(16WV 47μF) [C1,C4]
9	VCKYPU1HB101K	AA		C	Capacitor(50WV 100pF) [C6,C7]
10	VCKYPU1EB223Z	AB		C	Capacitor(50WV 0.022μF) [C2,C3,C5]
11	VHiM34282M1-1	AG	N	B	IC(M34282M1-F57GP[KEYCF57]) [IC101]
12	VHPSLR322MC3F	AC		B	LED(GREEN)(SLR-322MC) [PRT,FAX,COPY,JOB,PONL]
	VHPSLR322MC3F	AC		B	LED(GREEN)(SLR-322MC) [ICPDATA,F.COM,FDATA]
13	VRD-HT2EY102J	AA		C	Resistor(1/4W 1kΩ ±5%) [R1]
14	VRD-HT2EY221J	AA		C	Resistor(1/4W 220Ω ±5%) [R2]
16	VSDTC114YS/-1	AB		B	Transistor(DTC114YSA) [Q1]
17	VHPLT9400E/-1	AK		B	LED(LT9400E) [RPL]
	(Unit)				
901	CPWBF1628FCE1	BA	N	E	MFP OPE PWB

40 CIS control PWB[AR-EF3]

NO.	PARTS CODE	PRICE RANK	NEW MARK	PART RANK	DESCRIPTION
1	VH i VHC244SJ-1	AG		B	IC(74VHC244SJ) [IC3]
2	VH i 87R1150E-1	BF	N	B	IC(208pin_ASIC) [IC5]
3	VH i 74VHC04M-1	AE		B	IC(74VHC04M) [IC7]
4	VH i 7SZ125M5-1	AE		B	IC(NC7SZ125M5X) [IC4]
5	VH i VHC240SJ-1	AF	N	B	Driver IC(74VHC240SJ) [IC1]
7	VH i R1117S25-1	AF	N	B	IC(RC1117S25T) [IC6]
8	VHDD1FM3+++--1	AD		B	Diode(DIFM3) [D1]
13	VCCCCZ1HH101J	AA		C	Capacitor(50WV 100pF) [C11,13,14,15,16,27]
	VCCCCZ1HH101J	AA		C	Capacitor(50WV 100pF) [C46-55,69-71]
14	VCKYCZ1HB102K	AA		C	Capacitor(50WV 1000pF) [C6,12,23,25]
	VCKYCZ1HB102K	AA		C	Capacitor(50WV 1000pF) [C35,37,39]
15	VCKYCZ1HF103Z	AA		C	Capacitor(50WV 0.01μF) [C17,22,24,34]
	VCKYCZ1HF103Z	AA		C	Capacitor(50WV 0.01μF) [C36,38,60,62]
16	VCKYCZ1CF104Z	AB		C	Capacitor(16WV 0.10μF) [C1-5,10,18-21]
	VCKYCZ1CF104Z	AB		C	Capacitor(16WV 0.10μF) [C29-33,4,41,42,44]
	VCKYCZ1CF104Z	AB		C	Capacitor(16WV 0.10μF) [C45,56,58,59]
	VCKYCZ1CF104Z	AB		C	Capacitor(16WV 0.10μF) [C65-68,72,76,79,80]
17	VRS-CZ1JD000J	AA		C	Resistor(1/16W 0Ω ±5%) [R9,15,23,38]
	VRS-CZ1JD000J	AA		C	Resistor(1/16W 0Ω ±5%) [R41,46,65]
18	VRS-CZ1JD101J	AA		C	Resistor(1/16W 100Ω ±5%) [R25-31,40,42,56-64]
19	VRS-CZ1JD103J	AA		C	Resistor(1/16W 10KΩ ±5%) [R1-3,10,13,36]
	VRS-CZ1JD103J	AA		C	Resistor(1/16W 10KΩ ±5%) [R39,47-55]
20	VRS-CZ1JD181F	AA	N	C	Resistor(1/16W 180Ω ±1%) [R43]
21	VRS-CZ1JD222J	AA		C	Resistor(1/16W 2.2KΩ ±5%) [R4,7,18-22,24]
23	VRS-CZ1JD511F	AA		C	Resistor(1/16W 510Ω ±1%) [R45]
24	VRS-CZ1JD561F	AA		C	Resistor(1/16W 560Ω ±1%) [R44]
25	RF i LN0043FCZZ	AC	N	C	EMI filter(ZJSR5101-102TA) [NF2,5]
26	RF i LZ0026FCZZ	AD	N	C	EMI filter(ZJSR5101-103TA) [NF1,3,4,6,7,8]
27	QCNCW1160FCZZ	AD		C	FFC connector(35pin) [CN3]
28	QCNCM0880FCZZ	AF		C	Connector(26pin) [CN1]
29	QCNCM0923FC12	AE		C	Connector(12pin) [CN2]
	(Unit)				
901	CPWBN1567DS53	BN		E	CIS control PWB

■ Index

PARTS CODE	NO.	PRICE RANK	NEW MARK	PART RANK	
[C]					
CARMP0147DS51	26-501	BA		E	
CBDGD0047FC15	1- 26	AN	N	C	
CBDGD0047FC16	1- 26	AN	N	C	
CBOX-0125DS58	11-901	BS	N	E	
CBOX-0149FC01	12- 18	AX	N	E	
CBRGP0639FC01	11- 13	AH		C	
CBTN-0263FC01	27- 13	AN		C	
CBTN-0264FC02	27- 18	AN		C	
CBTN-0265FC01	27- 15	AF		C	
CCADZ1518FC01	17- 15	AB		D	
CCASP0175FC34	16-901	BG	N	E	
CCASZ0295DS52	9-901	BC	N	E	
CCASZ0311DS51	14- 51	AP	N	E	
CCHSM0110FC01	36- 8	BL	N	C	
CCHSM0111FC02	36- 7	BM	N	C	
CCLEZ0162FC31	10- 49	AW		B	
CCLEZ0163FC32	10- 42	AS		B	
CCOVP1723FC02	29- 5	AV		D	
CCOVP1815FC01	12- 66	AP	N	C	
CDAIU0619DS58	29- 1	BQ	N	E	
"	30-901	BQ	N	E	
CDAIU0624DS51	15-501	BN		E	
CDOR-0030DS52	2-901	BP		E	
CDSKA0029FC31	17- 12	BH	N	D	
CDSKA0029GH31	17- 12	*	N	D	
CDSKA0030FC31	17- 12	AL	N	D	
CDSKA0030GH31	17- 12	*	N	D	
CDSKA0032FC31	17- 12	BH	N	D	
CDSKA0032GH31	17- 12	*	N	D	
CFILW0282FC03	27- 16	AK		C	
CFILW0283FC03	27- 17	AH		C	
CFILW0284FC03	27- 14	AF		C	
CFLT-0064FC03	7- 32	AN		C	
CFRM-1016DS53	4-901	BR	N	E	
CFRM-1017DS86	10-901	BN	N	E	
CFRM-1017DS87	10-901	BN	N	E	
CFRM-1017FC02	10- 52	AW	N	D	
CFRM-1020DS52	8-901	BU	N	E	
CGERH1420FC01	11- 6	AF		C	
CGIDH1883DS51	14-501	BF		E	
CGIDH1961FC01	3- 40	AQ		E	
CGIDM1887DS52	3-901	BH	N	E	
CGLSP0003RS52	25- 10	BF		B	
CGLSP0102DS51	25- 13	BF		B	
CHLDZ1444FC02	11- 36	AG	N	C	
CHLDZ1445FC02	11- 10	AK	N	C	
CHLDZ1446FC31	29-501	BC		E	
CHLDZ1473DS55	10-501	AK	N	E	
CHLDZ1474DS52	5-901	BF	N	E	
CHLDZ1623DS51	9- 11	AZ	N	E	
CMIR-0164FC01	30- 13	AP		B	
CPLTM5711FC01	4- 36	AH		C	
CPLTM5716FC01	11- 5	AF		C	
CPLTM5719FC02	29- 31	AN		C	
CPLTM5732FC01	6- 36	AF		C	
CPLTM5736FC01	16- 12	AP		C	
CPLTM5740FC01	8- 28	AE		C	
CPLTM5746FC01	33- 7	AE		C	
CPLTM5882FC02	32- 47	AN		C	
CPLTM5895FC01	15- 2	AD		C	
CPLTM6048DS53	9- 3	AM	N	E	
CPLTM6200DS52	29- 41	BV	N	E	
CPLTM6448FC01	10- 66	AG	N	C	
CPLTM6463DS52	15-502	BA	N	E	
CPLTM6463DS53	15-502	BB	N	E	
CPLTM6464FC53	12-501	CU	N	E	
CPNLC0244DS58	25- 26	CB	N	E	
CPNLC0245FC12	27- 20	AZ	N	D	
CPWBF1449FC31	30- 9	BH		E	
CPWBF1453FCE2	26- 9	AX		E	
CPWBF1454FCE2	29- 45	BN		E	
CPWBF1459FCE1	31- 26	AY	N	E	
CPWBF1558FC32	13- 2	AZ		E	
CPWBF1593FCE1	3- 17	AK		E	
CPWBF1593FCE2	2- 24	AK		E	
CPWBF1594FCE1	31- 16	AR		E	
CPWBF1598FCE1	15- 25	AG	N	E	
CPWBF1599FCE1	2- 21	AF	N	E	

PARTS CODE	NO.	PRICE RANK	NEW MARK	PART RANK	
CPWBF1626FCE1	15- 38	AU	N	E	
"	21-901	AU	N	E	
CPWBF1627FCE1	15- 38	AW	N	E	
"	21-901	AW	N	E	
CPWBF1628FCE1	27- 11	BA	N	E	
"	39-901	BA	N	E	
CPWBF1629FCE1	13- 21	AY	N	E	
"	22-901	AY	N	E	
CPWBF1629FCE2	13- 21	AY	N	E	
"	22-901	AY	N	E	
CPWBN1560FCE3	27- 1	BM		E	
CPWBN1567DS53	34- 1	BN		E	
"	40-901	BN		E	
CPWBN1632FCE1	28- 18	BA	N	E	
"	38-901	BA	N	E	
CPWBN1633FCE1	12- 16	BL	N	E	
"	18-901	BL	N	E	
CPWBX1635DS51	28- 13	BV	N	E	
"	37-901	BV	N	E	
CPWBX1637DS53	15- 26	BX	N	E	
"	19-901	BX	N	E	
CPWBX1637DS54	15- 26	BV	N	E	
"	19-901	BV	N	E	
CPWBX1637DS56	15- 26	BX	N	E	
"	19-901	BX	N	E	
CPWBX1637DS57	15- 26	BV	N	E	
"	19-901	BV	N	E	
CRALM0221FC01	12- 69	AK	N	C	
CRALM0222FC01	12- 70	AK	N	C	
CSFTZ2586FC31	29-502	AZ		E	
CSTYM0265FC02	7- 27	AF	N	C	
CSTYM0266FC02	7- 37	AF	N	C	
[D]					
DHAi-3144FCZZ	15- 69	AK		C	
DHAi-3145FCZZ	3- 19	AE		C	
DHAi-3150FCZZ	29- 40	AD		C	
DHAi-3152FCZZ	28- 19	AF		C	
DHAi-3155FCZZ	6- 4	AK		C	
DHAi-3156FCZZ	7- 8	AT		C	
DHAi-3157FCZZ	8- 56	AE		C	
DHAi-3161FCZZ	31- 29	AK		C	
DHAi-3162FCZZ	33- 13	AK		C	
DHAi-3167FCZZ	15- 17	AP		C	
DHAi-3193FC11	27- 22	AC		C	
DHAi-3197FCZZ	12- 20	AE		C	
DHAi-3235FCZZ	2- 22	AE		C	
DHAi-3236FCZZ	14- 9	AF		C	
DHAi-3252FCZ1	21- 8	AE	N	C	
DHAi-3281FCZZ	32- 62	AH		C	
DHAi-3332DS11	17- 10	BB		B	
DHAi-3332DS12	17- 10	BB		B	
DHAi-3332DS13	17- 10	BB		B	
DHAi-3332DS14	17- 10	BB		B	
DHAi-3332DSZZ	17- 10	BB		B	
DHAi-3427FCZZ	4- 34	AN		C	
DHAi-3562FCZZ	28- 38	AD		C	
DHAi-3635FCZZ	15- 28	AY	N	C	
"	4- 15	AY	N	C	
DHAi-3636FCZZ	11- 1	AW	N	C	
DHAi-3637FCZZ	28- 28	BP	N	C	
DHAi-3638FCZZ	13- 18	AP	N	C	
DHAi-3640FCZZ	8- 49	AX	N	C	
DHAi-3641FCZZ	31- 27	BA	N	C	
DHAi-3642FCZZ	12- 29	AY	N	C	
DHAi-3645FCZZ	13- 20	AY	N	C	
DHAi-3646FCZZ	13- 13	AY	N	C	
DHAi-3647FCZZ	15- 77	AN	N	C	
DHAi-3648FCZZ	15- 31	AN	N	C	
DHAi-3649FCZZ	15- 61	AE	N	C	
DHAi-3650FCZZ	12- 60	AR	N	C	
DHAi-3651FCZZ	12- 78	BC	N	C	
DHAi-3658FCZZ	27- 6	AE	N	C	
DHAi-3663FCZZ	34- 9	AK	N	C	
DHAi-3664FCZZ	12- 72	AX	N	C	
DHAi-3665FCZZ	13- 20	AY	N	C	
DHAi-3667FCZZ	13- 22	AE	N	C	
DHAi-3673FCZZ	12- 53	AE		C	
"	8- 65	AE		C	
DHAi-3674FCZZ	12- 10	AE		C	
DUNT-7079FC14	34- 4	CB	N	E	
DUNT-7093DS17	12- 21	CB	N	E	



PARTS CODE	NO.	PRICE RANK	NEW MARK	PART RANK
DUNT-7093DS18	12- 21	CB	N	E
DUNT-7133DS14	25- 8	CR	N	E
DUNT-7314FC12	12- 49	BK	N	E
DUNT-7368FCZZ	12- 62	CD		E
DUNTW7095DS15	7-901	BZ	N	E
DUNTW7095DS16	7-901	BZ	N	E
[G]				
GCAB-0934FCN2	1- 13	AW		D
GCAB-0935FCNZ	1- 14	AN		D
GCAB-0937FCNZ	1- 17	AL		D
GCAB-0938FCNZ	1- 1	AY		D
GCAB-0939FCN2	1- 20	AL	N	D
GCAB-0940FCN3	1- 5	BA	N	D
GCAB-0941FCZ3	1- 18	AX	N	D
GCAB-0942FCNZ	25- 5	AS		D
"	26- 12	AS		D
GCAB-0943FCNZ	25- 1	AH		D
GCAB-0945FCNZ	25- 7	AR		D
GCAB-1079FCZZ	1- 11	AQ	N	D
GCAB-1080FCZZ	1- 16	AR	N	D
GCASP0175FCNZ	16- 7	BA	N	D
GCOVZ0237FCZZ	17- 102	AZ		D
GDOR-0030FCN1	2- 19	BC		D
GLEGG0075FCZZ	14- 44	AE		D
[H]				
HPNLC0244FCNZ	27- 19	AY		D
HPNLH0259FCZZ	27- 10	BF		D
[J]				
JBTN-0266FCZZ	27- 12	AK		C
JHNDM0176FCZZ	36- 5	AR	N	C
JHNDM0177FCZZ	12- 67	AD	N	C
JHNDP0152FCZZ	14- 27	AG		C
JHNDP0153FCZ5	11- 27	AE	N	D
JHNDP0155FCZZ	14- 39	AF		C
JHNDP0156FCZZ	12- 31	AE		C
JHNDP0158FCZZ	1- 27	AE		C
JHNDP0160FCZZ	36- 13	AD		C
JHNDP0166FCBZ	11- 19	AC		C
JHNDP0167FCZ1	10- 61	AC		C
JKNBZ0139FCZ2	3- 24	AD		C
JKNBZ0140FCZZ	8- 34	AF		C
JKNBZ0141FCZZ	32- 56	AH		C
[L]				
LANGT1407FCZ2	2- 13	AR		C
LANGT1408FCZ1	2- 37	AG		C
LANGT1409FCZ1	2- 32	AH		C
LBNDJ0013FCZ1	27- 29	AE		C
"	31- 48	AE		C
LBNDJ0043FCZZ	28- 37	AA		C
LBSHC0090FCZZ	15- 48	AA		C
LBSHZ1001ACZZ	13- 6	AB		C
LBSHZ1102CCZZ	26- 3	AC		C
LBSHZ2006SCZZ	13- 8	AB		C
LDAiU0610FCZZ	28- 30	AE		D
LDAiU0619FCZ1	30- 5	AS		D
LDAiU0622FCZZ	14- 40	AY		C
"	6- 1	AY		C
LDAiU0623FCZZ	14- 32	AU		C
LDAiU0624FCZZ	15- 21	AG		D
LDAiU0626FCZ2	8- 14	AK		C
LDAiU0627FCNZ	25- 27	AY		D
LDAiU0693FCZZ	11- 21	AC	N	C
LFiX-0284FCZZ	29- 12	AC		C
LFiX-0441FCZZ	7- 50	AB		C
LFiX-0442FCZZ	7- 19	AB		C
LFiX-0537FCZZ	28- 39	AD		C
LFiX-0543FCNZ	25- 12	AH		C
LFiX-0544FCNZ	25- 9	AH		C
LFiX-0545FCZZ	30- 12	AC		C
LFiX-0568FCZZ	31- 12	AC		C
LFiX-0569FCZZ	28- 46	AD		C
LFiX-0576FCZZ	28- 50	AF		C
LFRM-1016FCZZ	4- 31	BA		D
LFRM-1020FCZ1	8- 21	AZ		D
LFRM-1021FCZ1	8- 54	AL		C
LFRM-1022FCZZ	32- 36	AK		C
LHLDf2330RCZZ	15- 40	AB		C
LHLDW0429FCZZ	28- 36	AB		C
LHLDW0595FCZZ	28- 35	AC		C
LHLDW1006FCZZ	12- 41	AA		C
"	14- 35	AA		C

PARTS CODE	NO.	PRICE RANK	NEW MARK	PART RANK
LHLDW1006FCZZ	4- 81	AA		C
LHLDW1007LCZZ	28- 34	AD		C
LHLDW1009ACZZ	32- 40	AA		C
LHLDW1115FCZZ	28- 14	AD		C
LHLDW1201CCZZ	28- 45	AA		C
LHLDW1226FCZZ	16- 4	AB		C
"	17- 9	AB		C
LHLDW1263FCZZ	15- 35	AC		C
LHLDW1285FCZZ	12- 59	AC		C
LHLDW1426FCZZ	32- 78	AC		C
LHLDW1600FCZZ	12- 80	AC		C
LHLDW2101SCZZ	32- 59	AB		C
LHLDZ1085FCZ2	26- 8	AD		C
LHLDZ1377FCZZ	16- 8	AD		C
LHLDZ1381FCZZ	29- 44	AL		C
LHLDZ1439FCZZ	2- 11	AC		C
LHLDZ1449FCZ1	15- 43	AK		D
LHLDZ1455FCZZ	14- 48	AD		C
LHLDZ1458FCZZ	27- 9	AF		C
LHLDZ1459FCZZ	27- 7	AE		C
LHLDZ1471FCZZ	9- 10	AC		C
LHLDZ1473FCZZ	10- 46	AC		C
LHLDZ1474FCZ2	5- 12	AL		D
LHLDZ1482FCZ3	5- 1	AF		C
LHLDZ1483FCZZ	32- 13	AF		C
LHLDZ1484FCZZ	32- 67	AC		C
LHLDZ1485FCZZ	32- 32	AC		C
LHLDZ1486FCZZ	32- 45	AC		C
LHLDZ1505FCZZ	29- 2	AC		C
LHLDZ1621FCZZ	9- 5	AD	N	C
LPFTF0108FCZZ	10- 36	AK		C
LPFTF0121FCZZ	10- 35	AE	N	C
LPiNS0014QSBZ	27- 23	AF		C
LPiNS0014QSCZ	27- 21	AF		C
LPiNS0133FCZZ	4- 80	AA		C
LPiNS0155FCZZ	3- 6	AA		C
"	4- 75	AA		C
LPiNS0265FCZZ	8- 27	AB		C
LPiNS0320FCZZ	2- 30	AB		C
LPiNS0325FCZZ	3- 26	AB		C
LPiNS0329FCZZ	6- 27	AB		C
LPiNS0330FCZZ	4- 74	AB		C
LPiNS0337FCZZ	4- 11	AB		C
LPiNS1031HCZZ	32- 48	AA		C
LPiNS7062SCZZ	16- 15	AA		C
LPLTM2573FCZ1	31- 43	AD		C
LPLTM5707FCZZ	14- 47	AU		C
"	15- 49	AU		C
LPLTM5708FCZ2	14- 57	AT		C
LPLTM5709FCZZ	15- 8	AD		C
LPLTM5710FCZZ	14- 30	AF		C
LPLTM5712FCZZ	4- 10	AE		C
LPLTM5713FCZZ	4- 13	AC		C
LPLTM5714FCZZ	10- 7	AB		C
"	4- 30	AB		C
LPLTM5715FCZZ	11- 35	AC		C
LPLTM5720FCZZ	28- 20	AK		C
LPLTM5723FCZZ	28- 10	AG		C
LPLTM5735FCZZ	16- 1	AR		C
LPLTM5737FCZZ	7- 12	AD		C
LPLTM5738FCZZ	7- 17	AD		C
LPLTM5739FCZZ	7- 14	AD		C
LPLTM5755FCZZ	15- 57	AR		C
LPLTM5756FCZ1	13- 14	AP		C
LPLTM5761FCZZ	15- 15	AG		C
LPLTM5762FCZZ	4- 49	AC		C
LPLTM5766FCZZ	13- 10	AE		C
LPLTM5767FCZ1	12- 28	AE		C
LPLTM5769FCZ1	12- 23	AG	N	C
LPLTM5775FCZZ	14- 13	AC		C
LPLTM5785FCZZ	32- 53	AC		C
LPLTM5873FCZZ	9- 9	AG		B
LPLTM5875FCZ1	5- 2	AK		B
LPLTM5884FCZ1	32- 51	AW		C
LPLTM5887FCZZ	31- 10	AL		C
LPLTM5889FCZZ	32- 57	AC		C
LPLTM5891FCZ1	33- 1	AE		C
LPLTM5921FCZ1	8- 2	AQ		C
LPLTM5925FCZZ	5- 5	AQ		C
LPLTM5926FCZ1	5- 13	AS		C
LPLTM5927FCZ1	28- 22	AF		C

PARTS CODE	NO.	PRICE RANK	NEW MARK	PART RANK
LPLTM5928FCZZ	32- 23	AG		C
LPLTM5929FCZZ	32- 61	AR		C
LPLTM5932FCZZ	33- 24	AC		C
LPLTM5937FCZZ	1- 22	AS		C
LPLTM5941FCZZ	13- 7	AF		C
LPLTM5942FCZ1	13- 16	AG		C
LPLTM6022FCZZ	11- 29	AC		C
LPLTM6258FCZ2	12- 63	AE		C
LPLTM6372FCZZ	1- 36	AC		C
LPLTM6447FCZZ	10- 62	AE	N	C
LPLTM6449FCZZ	11- 16	AT	N	B
LPLTM6454FCZZ	36- 1	BA	N	C
LPLTM6456FCZZ	33- 17	AC	N	C
LPLTM6457FCZZ	12- 24	AT	N	C
LPLTM6458FCZZ	12- 19	AG	N	C
LPLTM6461FCZZ	12- 14	AF	N	C
LPLTM6463FCZ1	15- 36	AM	N	C
LPLTM6464FCZZ	12- 61	AQ	N	C
LPLTM6465FCZZ	12- 35	AG	N	C
LPLTM6471FCZZ	28- 24	AG	N	C
LPLTM6472FCZZ	33- 5	AD	N	C
LPLTM6477FCZZ	33- 8	AC	N	C
LPLTM6574FCZZ	29- 50	AF	N	C
LPLTP5413FCWZ	16- 3	AE		C
LPLTP5733FCZZ	16- 19	AH		C
LPLTP5734FCZZ	16- 22	AG		C
LPLTP5743FCZZ	31- 17	AF		C
LPLTP5748FCZZ	33- 32	AD		C
LPLTP5938FCZZ	31- 44	AC		C
LPLTP5960FCZZ	28- 44	AE		C
LPLTP6466FCZZ	31- 38	AF	N	C
LPLTP6467FCZZ	31- 37	AF	N	C
LPLTP6470FCZZ	12- 73	AC	N	C
LRALM0178FCZZ	14- 58	AP	N	C
LRALM0180FCZ4	10- 4	AM	N	C
LRALM0180FCZ5	10- 4	AM	N	C
LRALM0183FCZZ	28- 31	AG		C
LRALM0184FCZZ	28- 41	AG		C
LRALP0185FCZZ	6- 21	AQ		D
LRALP0186FCNZ	14- 36	AX		D
LSOU-0177FCG5	35- 2	AP		D
LSOU-0179FCZ5	35- 2	AR		D
LSTPF0172FCZZ	7- 44	AA		C
LSTPP0314FCZZ	33- 21	AA		C
LSTPP0353FCZZ	33- 3	AE		C
LSTPP0381FCZZ	7- 56	AE		C
LSTYM0255FCZ1	14- 56	AL		C
LSTYM0256FCZZ	2- 18	AN		C
LSTYM0257FCZ1	2- 33	AL		C
LSTYM0258FCZZ	2- 7	AG		C
LSTYM0259FCZZ	2- 8	AD		C
LSTYM0260FCZZ	3- 31	AK		C
LSTYM0261FCZZ	30- 11	AB		C
LSTYM0267FCZZ	7- 20	AE		C
LSTYM0268FCZZ	7- 18	AE		C
LSTYM0288FCZZ	32- 31	AK		C
LSUPP0115FCZZ	13- 17	AB		C
LSUPP0118FCZZ	13- 4	AB		C
LSUPP0128FCZZ	13- 15	AC		C
LX-BZ0004QSZZ	28- 42	AB		C
LX-BZ0026GCZ1	12- 40	AC		C
LX-BZ0033GCZZ	4- 84	AC		C
LX-BZ0049FCZZ	29- 19	AB		C
LX-BZ0147FCZ1	2- 3	AC		C
LX-BZ0266FCZZ	12- 75	AB		C
LX-BZ0324FCZZ	29- 22	AA		C
LX-BZ0465FCWZ	2- 46	AA		C
/"	25- 24	AA		C
LX-BZ0576FCZZ	4- 70	AC		C
LX-BZ0589FCZ1	3- 38	AA		C
LX-BZ0656FCZ1	10- 26	AE		C
LX-BZ0670FCZ1	4- 25	AC		C
LX-BZ0680FCZZ	34- 5	AB		C
LX-BZ0725FCZZ	12- 56	AB		C
LX-BZ0776FCZZ	25- 6	AG		C
LX-BZ0787FCZZ	35- 5	AH		C
LX-BZ0788FCZ1	4- 67	AC		C
LX-BZ0817FCZZ	14- 20	AA		C
LX-BZ0833FCZZ	14- 43	AC		C
LX-BZ0842FCZZ	25- 4	AG		C
LX-BZ0845FCZZ	4- 6	AC		C

PARTS CODE	NO.	PRICE RANK	NEW MARK	PART RANK
LX-BZ0859FCZZ	9- 6	AC		C
LX-BZ0884FCZZ	16- 23	AB		C
LX-BZ0888FCZZ	36- 6	AC		C
LX-BZ0901FCZZ	15- 70	AC		C
LX-BZ0903FCZ1	36- 16	AC		C
LX-BZ0905FCZZ	7- 7	AB		C
LX-BZ0906FCZZ	7- 31	AC		C
LX-BZ0909FCZZ	1- 2	AC		C
LX-BZ0916FCZZ	6- 32	AA		C
LX-BZ0921FCZ2	12- 25	AF		C
LX-BZ0922FCZZ	12- 30	AC		C
LX-BZ0931FCZZ	32- 76	AC		C
LX-BZ0932FCZZ	15- 19	AC		C
LX-BZ0937FCZZ	8- 51	AB		C
LX-BZ0960FCZZ	14- 33	AC		C
/"	6- 19	AC		C
LX-BZ0964FCZZ	12- 22	AB		C
LX-BZ0975FCZZ	12- 68	AC		C
LX-BZ0997FCZZ	7- 55	AB		C
LX-BZ1000FCZZ	35- 12	AF	N	C
LX-BZ1001FCZZ	35- 13	AD	N	C
LX-BZ1014FCZZ	36- 4	AD	N	C
LX-BZ1022LCZZ	12- 64	AB		C
LX-BZ3008SC0S	7- 2	AA		C
LX-NZ0094FCZZ	7- 13	AC		C
LX-WZ0017FCZZ	4- 89	AA		C
LX-WZ0028FCZZ	2- 28	AA		C
LX-WZ0070FCZZ	3- 39	AA		C
/"	4- 88	AA		C
LX-WZ0119FCZZ	29- 35	AA		C
LX-WZ0198FCZZ	4- 92	AA		C
LX-WZ0421FCZZ	4- 91	AA		C
LX-WZ0440FCZZ	10- 57	AC		C
LX-WZ0443FCZZ	15- 71	AB		C
[M]				
MARMP0147FCZ2	26- 10	AK		C
MARMP0148FCZ2	26- 1	AK		C
MARMP0243FCZZ	31- 41	AD		C
MARMP0248FCZZ	33- 15	AE		C
MARMP0252FCZZ	15- 24	AD		C
MARMP0258FCZZ	11- 42	AD		C
MARMP0259FCZZ	6- 34	AC		C
MARMP0284FCZZ	32- 26	AC		C
MCAMP0105FCZZ	36- 15	AC		C
MHNG-0208FCZZ	31- 7	BA		C
MHNG-0209FCZ1	32- 34	BB		C
MJNTM0027FCZZ	10- 59	AC	N	C
MJNTM0028FCZZ	10- 60	AC	N	C
MLEVF0788FCZ3	7- 34	AF	N	C
MLEVF0789FCZ3	7- 38	AF	N	C
MLEVP0754FCZZ	16- 2	AF		C
MLEVP0755FCZ1	16- 17	AE		C
MLEVP0779FCZZ	14- 24	AC		C
MLEVP0780FCZZ	14- 21	AC		C
MLEVP0781FCNZ	2- 15	AD		C
MLEVP0783FCG1	11- 25	AD	N	C
MLEVP0785FCZZ	6- 5	AE		C
MLEVP0786FCZZ	7- 30	AC		C
MLEVP0787FCZZ	7- 40	AC		C
MLEVP0790FCZ2	7- 28	AE		C
MLEVP0791FCZ2	7- 39	AE		C
MLEVP0792FCZ1	8- 8	AD		C
MLEVP0793FCZZ	8- 22	AE		C
MLEVP0794FCZZ	31- 34	AC		C
MLEVP0796FCZZ	33- 14	AC		C
MLEVP0797FCZZ	33- 26	AC		C
MLEVP0804FCZZ	33- 16	AC		C
MLEVP0828FCZZ	8- 6	AD		C
MLEVP0831FCZZ	15- 4	AC		C
MLEVP0832FCZZ	10- 1	AF		C
MLEVP0837FCZZ	32- 70	AC		C
MLEVP0838FCZZ	8- 7	AC		C
MSLi-0138FCZZ	29- 15	AC		C
/"	30- 8	AC		C
MSLi-0141FCZZ	14- 18	AS		C
/"	15- 1	AS		C
MSPRC0024QSZZ	15- 45	AA		C
MSPRC2616FCZZ	4- 4	AC		C
MSPRC2631FCZZ	16- 18	AC		C
MSPRC2641FCZ1	16- 5	AB		C
MSPRC2644FCZZ	15- 51	AB		C

PARTS CODE	NO.	PRICE RANK	NEW MARK	PART RANK
MSPRC2671FCZZ	15- 52	AB		C
MSPRC2835FCZZ	2- 12	AC		C
MSPRC2841FCZZ	3- 25	AC		C
MSPRC2851FCZZ	16- 16	AB		C
MSPRC2857FCZZ	8- 30	AA		C
MSPRC2865FCZ1	25- 21	AB		C
MSPRC2875FCZZ	11- 26	AC		C
MSPRC2953FCZZ	2- 6	AB		C
MSPRC2954FCZZ	10- 47	AB		C
MSPRC2955FCZZ	5- 11	AB		C
MSPRC2961FCZZ	10- 53	AB		C
MSPRC2962FCZZ	15- 18	AA		C
MSPRC3000FCZZ	5- 7	AC		C
MSPRC3001FCZZ	32- 69	AB		C
MSPRC3010FCZ1	10- 16	AB		C
MSPRC3012FCZZ	6- 30	AC		C
MSPRC3027FCZ1	4- 90	AD		C
MSPRC3269FCZZ	32- 80	AC		C
MSPRC3327FCZZ	7- 36	AC	N	C
MSPRC3328FCZZ	12- 74	AC	N	C
MSPRC3342FCZZ	5- 20	AC	N	C
MSPRC3343FCZZ	3- 14	AC	N	C
MSPRD2838FCZZ	2- 34	AC		C
MSPRD2850FCZZ	6- 35	AE		C
MSPRD2853FCZZ	7- 42	AB		C
MSPRD2855FCZZ	8- 61	AB		C
MSPRD2856FCZZ	8- 63	AB		C
MSPRD2859FCZ1	8- 50	AE		C
MSPRD2870FCZ1	33- 22	AC		C
MSPRD2876FCZZ	11- 41	AC		C
MSPRD2879FCZZ	33- 27	AB		C
MSPRD3002FCZZ	32- 33	AC		C
MSPRP1293FCZZ	4- 24	AB		C
MSPRP1550FCZZ	3- 18	AA		C
MSPRP2823FCZZ	4- 33	AD		C
MSPRP2825FCZZ	30- 14	AC		C
MSPRP2830FCZZ	31- 19	AA		C
MSPRP2963FCZZ	14- 46	AC		C
MSPRP3009FCZZ	27- 2	AD		C
MSPRP3011FCZZ	32- 39	AC		C
MSPRP3016FCZZ	12- 48	AR		C
MSPRP3108FCZZ	32- 8	AC	N	C
MSPRT1563FCZZ	26- 7	AC		C
MSPRT2834FCZZ	14- 29	AD		C
MSPRT2836FCZZ	2- 48	AC		C
MSPRT2839FCZZ	3- 2	AF		C
MSPRT2846FCZZ	29- 30	AC		C
MSPRT2852FCZZ	7- 4	AB		C
MSPRT2858FCZZ	8- 29	AC		C
MSPRT2863FCZZ	33- 31	AB		C
MSPRT2957FCZZ	7- 51	AC		C
MSPRT3028FCZZ	7- 54	AD		C
MSPRT3341FCZZ	6- 38	AC	N	C
{ N }				
NBLTH0327FCZ1	8- 38	AL		B
NBLTH0329FCZZ	29- 18	AG		B
NBLTH0350FCZ1	8- 47	AH		B
NBLTH0363FCZZ	32- 18	AG		B
NBLTH0364FCZZ	32- 44	AG		B
NBLTH0432FCZZ	6- 11	AF		B
NBRGC0133FCZ1	29- 42	AC		C
NBRGC0136FCZ1	32- 12	AC		C
NBRGC0190FCZ1	4- 17	AD		C
NBRGC0286FCZZ	3- 3	AC		C
NBRGC0387FCZ1	4- 8	AC		C
"	6- 29	AC		C
"	8- 17	AC		C
NBRGC0504FCZZ	8- 18	AC		C
NBRGC0641FCZZ	4- 73	AD		C
NBRGM0096FCZ1	32- 17	AC		C
NBRGP0322FCZZ	10- 20	AC		C
NBRGP0642FCZZ	10- 12	AE		C
NBRGP0654FCZZ	10- 54	AC		C
NBRGP0655FCZZ	5- 9	AD		C
NBRGP0656FCZZ	5- 18	AD		C
NBRGP0666FCZZ	3- 23	AC		C
NBRGP0670FCZZ	7- 53	AD		C
NBRGY0131FCZZ	8- 41	AM		C
NBRGY0627FCZZ	4- 22	AK		C
NBRGY0646FCZZ	7- 45	AS		C
NBRGY0724FCZZ	4- 82	AH		C

PARTS CODE	NO.	PRICE RANK	NEW MARK	PART RANK
NBRGY0724FCZZ	7- 24	AH		C
NCPL-0045FCZZ	15- 47	AC		C
NCPL-0046FCZZ	4- 5	AC		C
NCPL-0047FCZZ	6- 31	AC		C
NCPL-0048FCZZ	4- 20	AK		C
NCPL-0049FCZZ	6- 14	AH		C
NCPL-0054FCZZ	4- 19	AE		C
NCPL-0059FCZZ	3- 37	AC		C
NCPL-0073FCZZ	10- 41	AD	N	C
NFANP0069FCZZ	14- 1	AV		B
"	2- 27	AV		B
NFANP0073FCZZ	12- 15	BB		B
NFANP0075FCZZ	8- 5	BA	N	B
NFANP0076FCZZ	12- 5	AX		B
NGERH0027QSZZ	29- 33	AH		C
NGERH0037QSZZ	10- 30	AC		C
NGERH0038QSZZ	10- 29	AC		C
NGERH0039QSZZ	10- 21	AE		C
NGERH0111FCWZ	8- 43	AD		C
NGERH0193FCZZ	16- 21	AB		C
NGERH0349FCZZ	4- 53	AC		C
NGERH0457FCZZ	4- 55	AC		C
NGERH1240FCZZ	4- 12	AD		C
NGERH1357FCZZ	4- 58	AD		C
NGERH1359FCZZ	4- 66	AD		C
NGERH1363FCZZ	4- 16	AC		C
NGERH1369FCZZ	10- 18	AC		C
NGERH1371FCZZ	11- 8	AC		C
NGERH1373FCZZ	11- 12	AD		C
NGERH1374FCZZ	11- 11	AC		C
NGERH1378FCZZ	16- 14	AD		C
NGERH1379FCZZ	15- 20	AC		C
NGERH1380FCZZ	7- 47	AQ		B
NGERH1383FCZZ	8- 26	AD		C
NGERH1384FCZZ	8- 16	AC		C
NGERH1398FCZZ	8- 25	AL		C
NGERH1413FCZZ	4- 41	AM		C
NGERH1414FCZZ	4- 61	AC		C
NGERH1415FCZZ	4- 42	AN		C
NGERH1416FCZZ	4- 39	AE		C
NGERH1417FCZZ	10- 3	AC		C
NGERH1419FCZZ	5- 15	AK		C
NGERH1421FCZ1	8- 37	AH		C
NGERH1429FCZZ	4- 43	AE		C
NGERH1447FCZ1	8- 44	AH		C
NGERH1474FCZZ	3- 5	AC		C
NGERH1476FCZZ	32- 42	AD		C
NGERH1477FCZZ	32- 37	AC		C
NGERH1478FCZZ	32- 43	AE		C
NGERH1528FCZZ	4- 57	AE		C
NGERH1593FCZZ	8- 35	AQ		C
NGERH1611FCZZ	3- 4	AC	N	C
NGERH1612FCZZ	10- 5	AD	N	C
NGERP1385FCZZ	31- 22	AF		C
NGERR1386FCZZ	31- 21	AE		C
NPLYZ0005QSZZ	29- 24	AG		C
NPLYZ0006QSZZ	29- 26	AD		C
NPLYZ0013QSZZ	29- 23	AL		C
NPLYZ0338FCZZ	29- 20	AN		C
NPLYZ0365FCZZ	6- 9	AC		C
NPLYZ0373FCZZ	6- 16	AH		C
NPLYZ0375FCZZ	32- 46	AC		C
NPLYZ0385FCZZ	8- 40	AD		C
NPLYZ0397FCZZ	32- 20	AK		C
NPLYZ0398FCZZ	32- 16	AC		C
NPLYZ0399FCZZ	29- 9	AG		C
NPLYZ0419FCZZ	4- 51	AD		C
NRÖL i 1314FCZ1	7- 22	BH	N	B
NRÖLM1499FCZZ	32- 6	AT	N	C
NRÖLM1502FCZZ	11- 15	BH	N	B
NRÖLM1560FCZZ	7- 52	BA	N	B
NRÖLP0011QSZZ	25- 18	AD		C
NRÖLP1296FCZZ	8- 11	AC		C
NRÖLP1473FCZZ	8- 32	AF		C
NRÖLP1504FCZZ	10- 38	AG	N	C
NRÖLP1505FCZZ	11- 17	AP	N	C
NRÖLP1512FCZZ	3- 1	AX	N	C
NRÖLR1303FCZ1	3- 8	AY		B
NRÖLR1312FCZZ	32- 19	AN		A
NRÖLR1315FCZZ	8- 15	AM		B
NRÖLR1316FCZZ	8- 20	AT		B

PARTS CODE	NO.	PRICE RANK	NEW MARK	PART RANK
NR0LR1317FCZZ	32- 21	AP		C
NR0LR1320FCZZ	32- 50	AQ		C
NR0LR1355FCZ1	5- 8	AZ		B
NR0LR1483FCZZ	32- 30	AS	N	C
NR0LR1507FCZZ	3- 30	AZ	N	B
NR0LR1508FCZZ	6- 12	AX	N	B
NR0LR1509FCZZ	6- 10	AX	N	B
NR0LT1549FCZZ	7- 46	BE	N	A
NSFTZ1805FCZZ	26- 5	AE		C
NSFTZ22570FCZZ	14- 31	AE		C
NSFTZ22571FCZZ	14- 28	AE		C
NSFTZ22572FCZZ	2- 31	AH		C
NSFTZ22573FCZ1	3- 15	AG		C
NSFTZ22575FCZ1	4- 63	AF		C
NSFTZ22576FCZ2	4- 71	AF		C
NSFTZ22577FCZZ	4- 56	AL		C
NSFTZ22578FCZZ	4- 83	AN		C
NSFTZ22579FCZZ	4- 44	AE		C
NSFTZ22580FCZZ	4- 40	AK		C
NSFTZ22581FCZZ	4- 52	AE		C
NSFTZ22583FCZZ	4- 62	AF		C
NSFTZ22584FCZZ	4- 2	AG		C
NSFTZ22585FCZZ	4- 38	AG		C
NSFTZ22586FCZZ	29- 25	AS		C
NSFTZ22589FCZZ	6- 28	AL		C
NSFTZ22590FCZ1	6- 15	AH	N	C
NSFTZ22591FCZZ	6- 8	AF		C
NSFTZ22593FCZZ	8- 12	AF		C
NSFTZ22594FCZZ	8- 31	AP		C
NSFTZ22595FCZZ	8- 33	AN		C
NSFTZ22596FCZZ	8- 45	AG		C
NSFTZ22597FCZZ	8- 42	AE		C
NSFTZ22598FCZZ	8- 36	AG		C
NSFTZ22599FCZ1	32- 10	AW		C
NSFTZ22600FCZZ	32- 7	AM		C
NSFTZ22601FCZZ	25- 20	AH		C
NSFTZ22659FCZZ	33- 23	AR		C
NSFTZ22677FCZZ	14- 19	AL		C
NSFTZ22678FCZZ	32- 15	AL		C
NSFTZ22883FCZZ	4- 54	AP	N	C
NSFTZ22884FCZZ	10- 63	BH	N	C
NSFTZ22887FCZZ	36- 14	AP	N	C
NSRW-0032FCZZ	10- 34	AG		C
NSRW-0033FCZ1	10- 13	AC	N	C
[P]				
PBOX-0125FCZ1	11- 37	AS	N	D
PBOX-0150FCZZ	12- 11	AS	N	C
PBRSS0208FCZ1	8- 62	AH		B
PBRSS0209FCZZ	32- 77	AG		B
PCAPH0004YSZZ	11- 53	AC		C
PCAPH0010GCZZ	20- 81	AD		D
PCASZ0295FCZZ	9- 2	AP		D
PCLC-0296FCZ1	4- 64	AX		B
PCLC-0297FCZZ	4- 60	AU		B
PCLC-0298FCZZ	4- 59	AT		B
PCLC-0302FCZZ	32- 22	AT		B
PCLC-0303FCZZ	32- 14	AT		B
PCLC-0348FCZZ	6- 13	AP	N	C
PCLR-0426FCZZ	32- 49	AD		C
PCLR-0441FCZZ	14- 34	AK		C
//	6- 20	AK		C
PCLR-0460FCZZ	3- 13	AC		C
PCLR-0461FCZZ	3- 29	AC		C
PCLR-0462FCZZ	8- 24	AE		C
PCLR-0468FCZ1	5- 10	AC		C
PCOVP1518FCZZ	31- 9	AE		D
PCOVP1528FCZ2	14- 15	AK	N	D
PCOVP1529FCZZ	14- 17	AQ		D
PCOVP1531FCNZ	2- 20	AK		C
PCOVP1534FCZZ	4- 46	AX		D
PCOVP1538FCZZ	11- 3	AF		C
PCOVP1543FCZ1	6- 3	AF		C
PCOVP1545FCNZ	16- 11	AL	N	D
PCOVP1546FCZ1	7- 11	AY		D
PCOVP1547FCZZ	7- 33	AY		D
PCOVP1549FCNZ	31- 39	AW		D
PCOVP1554FCNZ	1- 23	AF		C
PCOVP1555FCZ1	12- 9	AE		C
PCOVP1560FCZZ	12- 37	AC		C
PCOVP1566FCN1	25- 3	AV	N	D
PCOVP1567FCNZ	2- 26	AC		C

PARTS CODE	NO.	PRICE RANK	NEW MARK	PART RANK
PCOVP1590FCZZ	11- 44	AE		C
PCOVP1594FCZZ	32- 1	AG		D
PCOVP1595FCZZ	31- 3	AG		D
PCOVP1598FCZ1	28- 26	AL		D
PCOVP1611FCZZ	4- 35	AC		C
PCOVP1615FCZZ	31- 5	AE		D
PCOVP1618FCZZ	1- 24	AG		C
PCOVP1623FCZZ	15- 65	AD		C
PCOVP1624FCZZ	25- 23	AC		D
PCOVP1629FCZZ	12- 52	AG		C
PCOVP1644FCZZ	31- 14	AD		D
PCOVP1645FCZ1	31- 24	AH		D
PCOVP1686FCZZ	31- 47	AH		D
PCOVP1693FCZZ	14- 55	AH		C
PCOVP1722FCZ1	28- 1	AG	N	C
PCOVP1761FCZ1	28- 6	AG	N	C
PCOVP1782FCZZ	20- 9	AC		D
PCOVP1803FCZ1	10- 27	AG	N	C
PCOVP1804FCZZ	10- 9	AG	N	D
PCOVP1806FCZZ	11- 20	AG	N	D
PCOVP1810FCZZ	36- 2	AE	N	C
PCOVP1811FCZZ	36- 2	AE	N	C
PCOVP1813FCZZ	34- 3	AG	N	D
PCOVP1814FCZZ	12- 58	AG	N	C
PCOVP1817FCZZ	12- 39	AC	N	C
PCOVP1818FCZZ	32- 52	AC	N	D
PCUSF0334FCZZ	30- 10	AP		C
PCUSG0378FCZZ	12- 65	AF		C
PCUSS0372FCZ1	32- 64	AD		C
PCUSS0373FCZ1	32- 72	AB		C
PCUSS0383FCZZ	25- 19	AN		C
PCUSU0203FCZZ	29- 7	AE		C
//	30- 6	AE		C
PDUC-0161FCZ1	14- 3	AH		D
PDUC-0162FCZZ	12- 8	AG		D
PDUC-0163FCZZ	12- 7	AG		D
PDUC-0164FCZ1	12- 32	AK		C
PDUC-0165FCZ1	12- 1	AF		D
PDUC-0181FCZZ	8- 67	AL	N	D
PDUC-0182FCZZ	12- 13	AH	N	D
PDUC-0183FCZZ	12- 12	AG	N	D
PDUC-0184FCZZ	12- 81	AH	N	D
PFILZ0285FCZ1	12- 2	AT		A
PFILZ0287FCZZ	2- 50	AU		A
PFTA-0139FCZZ	1- 19	AD		C
PFTA-0147FCZZ	12- 71	AF	N	C
PGiDH1833FCZ1	16- 25	AC		C
PGiDH1883FCZZ	14- 26	AN		C
PGiDH1897FCZZ	32- 74	AT		C
PGiDH1960FCZZ	3- 9	AK		C
PGiDM1884FCZZ	2- 5	AU		D
PGiDM1885FCZZ	2- 4	AR		D
PGiDM1887FCZ1	3- 28	AQ	N	D
PGiDM1888FCZZ	3- 32	AL		D
PGiDM1890FCZZ	29- 8	AC		C
PGiDM1891FCZZ	6- 7	AG		C
PGiDM1892FCZZ	6- 23	AE		C
PGiDM1893FCZZ	6- 22	AH		C
PGiDM1894FCZZ	7- 25	AP		C
PGiDM1895FCZZ	7- 1	AN		D
PGiDM1896FCZ1	8- 10	AV		D
PGiDM1899FCN1	33- 30	AY		C
PGiDM1900FCNZ	25- 16	AR		C
PGiDM1901FCNZ	25- 17	AQ		D
PGiDM1950FCZ2	5- 3	AE		D
PGiDM1951FCZZ	7- 43	AQ		D
PGiDM2077FCZZ	2- 1	AL		D
PGiDM2093FCZZ	32- 4	AN	N	C
PGiDM2110FCZZ	32- 82	AC	N	C
PGLSP0103FCZZ	32- 75	AV		C
PGSK-0017FCZZ	28- 51	AF		C
PGUMS0002QSZZ	29- 32	AL		C
PGUMS0283FCZ1	28- 29	AA		C
PGUMS0296FCZZ	31- 20	AD		C
PGUMS0298FCZ1	31- 15	AC		C
PGUMS0299FCZ1	31- 25	AH		C
PMAGT0072FCZZ	33- 11	AF		C
PMAGT0144FCZZ	1- 37	AH		C
PMiR-0165FCZZ	29- 13	AP		B
PMLT-1238FCZ1	10- 48	AC		C
PMLT-1241FCZ1	11- 48	AA		C

PARTS CODE	NO.	PRICE RANK	NEW MARK	PART RANK
PMLT-1244FCZ1	11- 49	AC		C
PMLT-1245FCZ2	10- 8	AE		C
PMLT-1256FCZZ	25- 29	AC		C
PMLT-1257FCZZ	25- 30	AB		C
PMLT-1263FCZZ	2- 42	AD		C
PMLT-1264FCZZ	2- 45	AD		C
PMLT-1265FCZZ	2- 44	AD		C
PMLT-1266FCZZ	2- 43	AD		C
PMLT-1270FCZZ	32- 55	AB		C
PMLT-1271FCZZ	33- 28	AB		C
PMLT-1272FCZZ	32- 3	AB		C
"	33- 2	AB		C
PMLT-1276FCZZ	8- 59	AA		C
PMLT-1277FCZZ	15- 67	AC		C
PMLT-1278FCZZ	15- 68	AD		C
PMLT-1282FCZ1	28- 47	AE		C
PMLT-1284FCZZ	34- 8	AE		C
PMLT-1286FCZZ	31- 2	AD		C
PMLT-1293FCZZ	29- 51	AC		C
"	31- 46	AC		C
PMLT-1296FCZZ	11- 56	AH		C
PMLT-1369FCZZ	12- 79	AC		C
PMLT-1390FCZZ	10- 39	AC		C
PMLT-1391FCZZ	11- 46	AF	N	C
PMLT-1394FCZZ	12- 82	AC	N	C
PMLT-1395FCZZ	12- 38	AC	N	C
PMLT-1396FCZZ	12- 36	AC	N	C
PMLT-1397FCZZ	12- 27	AC	N	C
PMLT-1399FCZZ	29- 55	AA	N	C
PMLT-1400FCZZ	29- 56	AA	N	C
PMLT-1401FCZZ	29- 57	AA	N	C
PMLT-1402FCZZ	25- 32	AC	N	C
"	29- 59	AC	N	C
PMLT-1403FCZZ	29- 58	AA	N	C
PMLT-1404FCZZ	25- 33	AA	N	C
PMLT-1405FCZZ	25- 34	AC	N	C
PMLT-1406FCZZ	25- 35	AB	N	C
PMLT-1408FCZZ	8- 1	AC	N	C
PMLT-1429FCZZ	28- 54	AC	N	C
PIPP0206FCZZ	10- 14	AD		C
PRDAR0057FCZ1	18- 5	AS	N	C
PREFL0172FCZZ	30- 3	AK		B
PRNGF0106FCZ2	10- 45	AC		C
PRNGF0107FCZZ	5- 19	AC		C
PRNGP0090FCZZ	31- 42	AA		C
"	6- 24	AA		C
PSEL-0797FCZZ	11- 38	AC		A
PSEL-0798FCZZ	11- 43	AC		A
PSEL-0800FCZ1	11- 47	AC		C
PSEL-0805FCZZ	10- 55	AE		C
PSEL-0886FCZZ	25- 37	AC		C
PSHEP4825FCZZ	3- 34	AD		C
PSHEP4826FCZZ	4- 50	AC		C
PSHEP4846FCZZ	32- 58	AD		C
PSHEP4932FCZ1	28- 7	AC		C
PSHEP4937FCZZ	33- 29	AB		C
PSHEP4943FCZZ	8- 60	AB		C
PSHEP4945FCZZ	12- 45	AC		C
PSHEP4947FCZZ	4- 85	AC		C
PSHEP4948FCZZ	4- 86	AC		C
PSHEP4962FCZ1	8- 66	AC		C
PSHEP5006FCZZ	27- 28	AE		C
PSHEP5009FCZZ	12- 44	AC		C
PSHEP5044FCZZ	28- 48	AD		C
PSHEP5145FCZZ	29- 53	AC		C
PSHEP5152FCZZ	28- 53	AE		C
PSHEP5153FCZZ	28- 52	AD		C
PSHEP5188FCZZ	29- 63	AC		C
PSHEP5189FCZZ	29- 65	AC		C
PSHEP5190FCZZ	25- 36	AC		C
PSHEP5191FC10	17- 101	BF	N	D
PSHEP5191FC11	17- 101	BF	N	D
PSHEP5191FC12	17- 101	BF	N	D
PSHEP5191FC13	17- 101	BF	N	D
PSHEP5191FC14	17- 101	BF	N	D
PSHEP5191FC15	17- 101	BF	N	D
PSHEP5191FC16	17- 101	BF	N	D
PSHEP5191FCZ1	17- 101	BF	N	D
PSHEP5191FCZ2	17- 101	BF	N	D
PSHEP5191FCZ3	17- 101	BF	N	D
PSHEP5191FCZ4	17- 101	BF	N	D

PARTS CODE	NO.	PRICE RANK	NEW MARK	PART RANK
PSHEP5191FCZ5	17- 101	BF	N	D
PSHEP5191FCZ8	17- 101	BF	N	D
PSHEP5191FCZ9	17- 101	BF	N	D
PSHEP5191FCZZ	17- 101	BF	N	D
PSHEP5201FCZZ	29- 64	AD		C
PSHEP5215FCZZ	29- 66	AC		C
PSHEP5217FCZZ	29- 61	AD		C
PSHEP5229FCZZ	29- 52	AE		C
PSHEP5230FCZZ	29- 54	AC		C
PSHEP5301FCZZ	29- 49	AB		C
PSHEP5319FCZZ	32- 73	AF	N	C
PSHEP5320FCZZ	33- 36	AC	N	C
PSHEP5321FCZZ	33- 37	AC	N	C
PSHEP5322FCZZ	33- 38	AC	N	C
PSHEP5323FCZZ	33- 39	AC	N	C
PSHEP5328FCZZ	32- 5	AD	N	C
PSHEP5340FCZ1	33- 20	AF	N	C
PSHEP5344FCZZ	29- 60	AB	N	C
PSHEP5351FCZZ	36- 3	AE	N	C
PSHEP5352FCZZ	36- 11	AE	N	C
PSHEP5353FCZZ	36- 9	AB	N	C
PSHEP5354FCZZ	35- 15	AC	N	C
PSHEP5390FCZZ	11- 57	AD	N	C
PSHEZ3130FCZZ	16- 6	AB		C
PSHEZ4827FCZZ	10- 33	AD		C
PSHEZ4836FCZZ	28- 43	AB		C
"	29- 62	AB		C
PSHEZ4841FCZ2	28- 40	AC		C
PSHEZ4843FCZ1	28- 32	AC		C
PSHEZ4845FCZZ	31- 1	AV		C
PSHEZ4873FCZ1	14- 7	AC		C
PSHEZ4874FCZ1	14- 5	AC		C
PSHEZ4884FCZZ	14- 42	AF		C
PSHEZ4885FCZ1	14- 37	AB		C
PSHEZ4904FCZZ	12- 46	AD		C
PSHEZ4906FCZZ	27- 24	AC		C
PSHEZ4914FCZZ	8- 58	AB		C
PSHEZ4949FCZZ	32- 38	AE		C
PSHEZ5335FCZZ	10- 37	AC	N	C
PSHEZ5337FCZZ	28- 27	AC	N	C
PSHEZ5338FCZZ	33- 19	AH	N	C
PSHEZ5339FCZZ	12- 77	AC	N	C
PSHT-0088FCZZ	10- 17	AC		C
PSLDH0178FCZZ	26- 4	AD		C
PSPAP1445FCZZ	10- 64	AC	N	C
PSPAP1447FCZZ	11- 58	AC	N	C
PSPAZ1429FCZZ	6- 39	AB		C
PSPAZ1430FCZZ	4- 87	AB		C
PSPAZ1431FCZZ	10- 58	AA		C
PTME-0279FCZ1	2- 16	AB		C
PTME-0280FCZZ	16- 10	AD		C
PTME-0281FCZZ	16- 24	AD		C
PTME-0283FCZZ	7- 41	AL		C
PTME-0286FCZ1	10- 44	AH		C
PTME-0287FCZ1	2- 9	AD		C
PTME-0288FCZZ	5- 14	AC		C
PTME-0300FCZZ	7- 3	AK	N	C
PTPE-0243FCZ1	16- 20	AC		C
PTPE-0265FCZZ	31- 13	AC		C
PTPE-0281FCZZ	11- 50	AA	N	C
PTUBU0134FCZZ	15- 76	AC		C
PWiR-0201FCZ1	29- 16	AQ		B
PWiR-0202FCZ1	29- 17	AQ		B
[Q]				
QACCB7623QCZZ	17- 10	AQ		B
QACCD7912QCPZ	17- 10	AS		B
QACCJ6911QCZZ	17- 10	AQ		B
QACCLR624QCPZ	17- 10	BA		B
QACCR7621QCZZ	17- 10	AZ		B
QACCVR621QCPZ	17- 10	AQ		B
QCNCM0671FCZZ	19- 98	AE		C
QCNCM0672FCZZ	22- 7	AB		C
QCNCM0828FCZZ	37- 62	AE		C
QCNCM0829FCZZ	37- 65	AG		C
QCNCM0878FCZZ	19- 99	AF		C
QCNCM0880FCZZ	40- 28	AF		C
QCNCM0895FCZZ	21- 1	AG		C
QCNCM0923FC12	40- 29	AE		C
QCNCM0923FC24	19- 100	AF		C
QCNCM0923FC32	19- 101	AG		C
QCNCM0991FCZZ	38- 5	AG		C

PARTS CODE	NO.	PRICE RANK	NEW MARK	PART RANK
QCNCM0999FCZZ	4- 27	AC		C
QCNCM1000FCZZ	4- 28	AC		C
QCNCM1001FCZZ	12- 33	AC		C
QCNCM1143FCZZ	19-102	AG		C
QCNCM1144FCZZ	19-103	AH		C
QCNCM1167FCZZ	37- 60	AP		C
QCNCM1171FCZZ	39- 5	AE		C
QCNCM1178FCZZ	22- 8	AC		C
QCNCM1182FCPZ	20- 17	AM	N	C
QCNCM1183FCPZ	20- 15	AM	N	C
QCNCM1187FCZZ	37- 59	AM		C
QCNCM1226FCPZ	20- 19	AL	N	C
QCNCM1227FCPZ	20- 16	AL	N	C
QCNCM2401SC0H	19-105	AC		C
QCNCM5093SC0B	19-106	AB		C
QCNCM7014SC0C	22- 9	AA		C
QCNCM7014SC0D	38- 6	AB		C
QCNCM7014SC0H	19-107	AB		C
QCNCM7014SC1A	19-108	AC		C
QCNCM7014SC1C	37- 64	AC		C
QCNCM7014SC1F	19-109	AD		C
QCNCM7022SC0C	37- 66	AB		C
QCNCM7022SC0E	37- 58	AB		C
QCNCM7022SC0F	37- 61	AB		C
QCNCW0002ESZZ	19-110	AC		C
QCNCW0090QSZZ	19-114	AE		C
QCNCW0885FCZZ	37- 63	AG		C
QCNCW1001YC40	38- 1	AH		C
QCNCW1134FCZZ	38- 4	AH		C
/"	39- 4	AH		C
QCNCW1136FCZZ	19-111	AC		C
QCNCW1139FCZZ	19-112	AC		C
QCNCW1149FCZZ	20- 20	AN		C
QCNCW1160FCZZ	40- 27	AD		C
QCNCW1186FCZZ	38- 3	AF		C
QCNCW1190FCZZ	37- 57	AN		C
QCNCW1212FCZZ	38- 2	AE		C
QCNCW7040XCPZ	20- 14	AN	N	C
QCNW-0170FCZZ	34- 6	AH		C
QCNW-0203FCZZ	15- 56	AD		C
QCNW-0204FCZZ	15- 55	AC		C
QCNW-0205FCZZ	15- 54	AC		C
QCNW-0206FCZZ	28- 15	AH		C
QCNW-0207FCZZ	27- 25	AF		C
QCNW-0208FCZZ	28- 16	AG		C
QCNW-0216FCZZ	28- 5	AH		C
QCNW-0217FCZZ	28- 4	AE		C
/"	30- 7	AE		C
QCNW-0225FCZZ	12- 76	AH	N	C
QEARP0115FCZZ	4- 48	AF		C
QEARP0116FCZZ	4- 32	AC		C
QEARP0117FCZZ	4- 37	AC		C
QEARP0118FCZZ	4- 47	AC		C
QEARP0123FCZZ	7- 16	AE		C
QEARP0124FCZZ	8- 55	AK		C
QEARP0132FCZZ	5- 16	AE		C
QEARP0133FCZZ	10- 56	AC		C
QEARP0136FCZZ	2- 23	AD		C
QEARP0181FCZZ	3- 36	AD	N	C
QEARP0182FCZ1	10- 32	AD	N	C
QFS-B0030FCZZ	21- 2	AH		A
QFS-C0048PAZZ	18- 11	AE		A
QFS-C0054PAZZ	18- 12	AD		A
QFS-C1500QCZZ	21- 2	AF		A
QFS-D132CQCZZ	20- 43	AG		A
QFS-E1312QCZZ	22- 11	AD		A
QFSHB0028FCZZ	20- 44	AC		C
/"	22- 12	AC		C
QFSDH0002QCZZ	18- 13	AA		C
QFSDH0026FCZZ	21- 3	AC		C
QFS-L930AQCZZ	20- 45	AF		A
QJUM-0002FCZZ	20- 82	AA		C
QP IN-0003GCPZ	20- 80	AC	N	C
QSLP-0194FCZZ	9- 7	AC		C
QSLP-0195FCZZ	9- 8	AD		C
QSOCA0096FCZZ	15- 33	AK	N	C
QSOCN0099FCPZ	20- 18	AG	N	C
QSOCN0100FCPZ	20- 10	AH	N	C
QSO CZ0002QSPZ	19- 78	AC	N	C
QSO CZ0007QSPA	20- 11	AP	N	C
QSO CZ0091FCZZ	20- 8	AL		C

PARTS CODE	NO.	PRICE RANK	NEW MARK	PART RANK
QSOCZ0094FCPA	20- 12	AL		C
QSOCZ0095FCZZ	19- 79	AR		C
/"	37- 71	AR		C
QSOCZ6428ACZZ	20- 58	AE		C
QSPGC0001FCZZ	21- 6	AK		B
QSW-C1381QCZZ	13- 12	AY		B
QSW-M0502FCZZ	14- 10	AH		B
/"	8- 52	AH		B
QSW-P0008QSZZ	39- 2	AC		B
QSW-P0469FCZZ	39- 3	AD		B
QSW-S0545FCPZ	20-133	AM	N	B
QSW-Z0544FCZZ	32- 63	AY	N	B
QTANP0215FCZZ	21- 4	AC		C
/"	22- 10	AC		C
[R]				
RALMB1002LCZZ	39- 6	AE		B
RC-EZ0357FCPZ	18- 14	AD		C
/"	20- 31	AD		C
RCiLF0115FCZZ	20- 85	AG		C
RC-KZ1012ACZZ	20- 30	AC		C
RC-KZ1054CCN2	18- 18	AB		C
RCNVD0003FCZZ	20- 70	AY		B
RCNVD0004FCZZ	18- 16	BU	N	B
RCNVD0005FCZZ	18- 15	BR	N	B
RCNVD0007FCZZ	18- 20	BS	N	B
RCORF0041FCZZ	25- 31	AH		C
RCORF0046FCZZ	12- 83	AH		C
RCRMZ6007RCZZ	37- 69	AD		B
RCRS-0007FCZZ	39- 7	AD		B
RCRSA0085FCPZ	20-139	AE		B
RCRSC0082FCPZ	20-142	AH	N	B
RCRSZ0001QSZZ	19-115	AG		B
/"	37- 68	AG		B
RCRUA0002QSPZ	20-136	AL	N	B
RCRUA0005FCPZ	20-140	AL	N	B
RCRUA0007FCPZ	20-137	AL	N	B
RCRUA0008FCPZ	20-135	AL	N	B
RCRUA0009FCPZ	20-143	AL	N	B
RCRUA0023FCPZ	20-138	AL	N	B
RCRUA0024FCPZ	20-134	AL	N	B
RCRUA0027FCPZ	20-141	AL	N	B
RCRUB0002FCZZ	19-116	AP		B
RDENC0036FCZ1	13- 1	BX	N	E
/"	23-901	BX	N	E
RDENC0037FCZ1	13- 1	BX	N	E
/"	24-901	BX	N	E
RDENU0038FCZZ	15- 42	BS	N	E
RDTCH0161FCZZ	11- 22	AX	N	E
RDTCT0162FCZZ	11- 39	AZ	N	B
RDTCT0164FCZZ	7- 6	AR	N	B
RFiLN0043FCZZ	19- 67	AC		C
/"	40- 25	AC	N	C
RFiLN0047FCZZ	19- 1	AC		C
/"	37- 1	AC		C
RFiLN0048FCPZ	20- 83	AB	N	C
RFiLN0051FCZZ	20- 88	AC		C
RFiLN0055FCZZ	20- 89	AB		C
RFiLN0056FCZZ	20- 90	AA		C
RFiLN0304FCPZ	20- 86	AC	N	C
RFiLN0305FCPZ	20- 87	AC	N	C
RFiLZ0026FCZZ	40- 26	AD	N	C
RH-iX0006FCZZ	20- 46	BB	N	B
RH-iX0037QSPZ	19- 21	AQ		B
/"	37- 75	AQ		B
RLMPD0702FCZZ	30- 1	BB	N	B
RLMPU0661FCZZ	7- 23	AX		B
RLMPU0662FCZZ	7- 21	AX		B
RLMPU0663FCZZ	7- 23	AY		B
RLMPU0664FCZZ	7- 21	AY		B
RMOTD0856FCZZ	15- 44	BA		B
RMOTD0858FCZZ	15- 22	BR		B
RMOTP0875FCZZ	15- 12	BN		B
RMOTP0906FCZZ	15- 14	BF		B
RMOTP0907FCZZ	15- 14	BF		B
RMOTP0910FCZZ	12- 57	BF		B
RMOTS0859FCZZ	8- 57	BC		B
RMOTS0914FCZZ	29- 27	BD	N	B
RMOTS0915FCZZ	32- 35	BF	N	B
RMPTR4100ACZZ	20- 2	AB		B
RMPTR4103ACZZ	19- 2	AB		B
/"	20- 1	AB		B

PARTS CODE	NO.	PRICE RANK	NEW MARK	PART RANK
RMPTR4103ACZZ	37- 4	AB		B
RMPTR4330ACZZ	19- 3	AB		B
"	20- 3	AB		B
"	37- 5	AB		B
RMPTR4332ACZZ	20- 6	AA		B
RMPTR4391ACZZ	20- 5	AA		B
RMPTR4472ACZZ	19- 4	AB		B
"	20- 4	AB		B
RPLU-0326FCZZ	15- 6	AN		B
RPLU-0336FCZZ	32- 25	AS		B
RPLU-0347FCZZ1	33- 12	AQ		B
RTHM-0024FCZZ	7- 15	AM		B
{S}				
SPAKA6075DSZZ	35- 1	AA		D
SPAKA6236FCZZ	17- 7	AD		D
SPAKA6256FCZZ	17- 26	AD		D
SPAKA6265FCZZ	17- 27	AC		D
"	35- 10	AC		D
SPAKA6272FCZZ	17- 28	AG		D
SPAKA6692FCZZ	17- 11	AM		D
SSAKA1130QCZZ	35- 11	AA		D
SSAKA2440QCZZ	17- 22	AB		D
SSAKA5003CCZZ	17- 23	AA		D
SSAKZ0003QSZZ	35- 7	AF		D
{T}				
TCADS1511FCZZ	17- 17	AC		D
TCADZ1178FCZZ	35- 4	AB		D
TCADZ1275FCZZ	17- 8	AB		D
TCADZ1706FCZZ	17- 14	AE	N	D
TCADZ1706GHZZ	17- 14	*	N	D
TCADZ1718FCZZ	17- 6	AE	N	D
TCAUA0770FCZZ	1- 32	AB		D
TCAUS0009QSZZ	17-103	AF		D
TCAUS1038FCZZ	14- 53	AD		D
TiNSD2808GHZZ	17- 20	*	N	D
TiNSD2830GHZZ	17- 20	*	N	D
TiNSD2849GHZZ	17- 20	*	N	D
TiNSD2867GHZZ	17- 20	*	N	D
TiNSE2798FCZZ	17- 20	BH	N	D
TiNSE2799GHZZ	17- 20	*	N	D
TiNSE2820FCZZ	17- 20	AU	N	D
TiNSE2821GHZZ	17- 20	*	N	D
TiNSE2840FCZZ	17- 20	AN	N	D
TiNSE2840GHZZ	17- 20	*	N	D
TiNSE2858FCZZ	17- 20	AK	N	D
TiNSE2858GHZZ	17- 20	*	N	D
TiNSF2801GHZZ	17- 20	*	N	D
TiNSF2842GHZZ	17- 20	*	N	D
TiNSF2860GHZZ	17- 20	*	N	D
TiNSF2923GHZZ	17- 20	*	N	D
TiNSG2800GHZZ	17- 20	*	N	D
TiNSG2822GHZZ	17- 20	*	N	D
TiNSG2841GHZZ	17- 20	*	N	D
TiNSG2859GHZZ	17- 20	*	N	D
TiNSH2804GHZZ	17- 20	*	N	D
TiNSH2826GHZZ	17- 20	*	N	D
TiNSH2845GHZZ	17- 20	*	N	D
TiNSH2863GHZZ	17- 20	*	N	D
TiNSi2803GHZZ	17- 20	*	N	D
TiNSi2825GHZZ	17- 20	*	N	D
TiNSi2844GHZZ	17- 20	*	N	D
TiNSi2862GHZZ	17- 20	*	N	D
TiNSP2814GHZZ	17- 20	*	N	D
TiNSP2836GHZZ	17- 20	*	N	D
TiNSP2855GHZZ	17- 20	*	N	D
TiNSP2873GHZZ	17- 20	*	N	D
TiNSR2813GHZZ	17- 20	*	N	D
TiNSR2835GHZZ	17- 20	*	N	D
TiNSR2854GHZZ	17- 20	*	N	D
TiNSR2872GHZZ	17- 20	*	N	D
TiNSS2802GHZZ	17- 20	*	N	D
TiNSS2824GHZZ	17- 20	*	N	D
TiNSS2843GHZZ	17- 20	*	N	D
TiNSS2861GHZZ	17- 20	*	N	D
TiNSW2805GHZZ	17- 20	*	N	D
TiNSW2827GHZZ	17- 20	*	N	D
TiNSW2846GHZZ	17- 20	*	N	D
TiNSW2864GHZZ	17- 20	*	N	D
TiNSZ2806GHZZ	17- 20	*	N	D
TiNSZ2807GHZZ	17- 20	*	N	D
TiNSZ2809GHZZ	17- 20	*	N	D

PARTS CODE	NO.	PRICE RANK	NEW MARK	PART RANK
TiNSZ2810GHZZ	17- 20	*	N	D
TiNSZ2811GHZZ	17- 20	*	N	D
TiNSZ2812GHZZ	17- 20	*	N	D
TiNSZ2828GHZZ	17- 20	*	N	D
TiNSZ2829GHZZ	17- 20	*	N	D
TiNSZ2831GHZZ	17- 20	*	N	D
TiNSZ2832GHZZ	17- 20	*	N	D
TiNSZ2833GHZZ	17- 20	*	N	D
TiNSZ2834GHZZ	17- 20	*	N	D
TiNSZ2847GHZZ	17- 20	*	N	D
TiNSZ2848GHZZ	17- 20	*	N	D
TiNSZ2850GHZZ	17- 20	*	N	D
TiNSZ2851GHZZ	17- 20	*	N	D
TiNSZ2852GHZZ	17- 20	*	N	D
TiNSZ2853GHZZ	17- 20	*	N	D
TiNSZ2865GHZZ	17- 20	*	N	D
TiNSZ2866GHZZ	17- 20	*	N	D
TiNSZ2868GHZZ	17- 20	*	N	D
TiNSZ2869GHZZ	17- 20	*	N	D
TiNSZ2870GHZZ	17- 20	*	N	D
TiNSZ2871GHZZ	17- 20	*	N	D
TLABG0401QSZZ	16- 26	AR		D
TLABH0108GCZZ	1- 34	AC		D
TLABH4438FCZZ	1- 7	AD		D
TLABH4847FCZZ	31- 45	AD		D
TLABS3760FCZZ	1- 33	AC		D
TLABZ0105RSZZ	1- 6	AD		D
TLABZ4047FCZZ	16- 26	AC		D
TLABZ4173FCZZ	1- 35	AG		D
TLABZ4205FCZZ	7- 48	AC		D
TLABZ4335FCZZ	30- 15	AB		D
TLABZ4432FCZZ	14- 54	AC		D
TLABZ4693FCZZ	1- 3	AF		D
TLABZ4731FCZZ	3- 42	AF	N	D
TLABZ4732FCZZ	8- 68	AF	N	D
TLABZ4818FCZZ	1- 30	AD	N	D
{U}				
UBATL0017FCZZ	20- 7	AL		B
UBNDA0001FCZZ	17- 25	AA		D
UCLEZ0164FCZZ	11- 55	AG		B
{V}				
VCCCCZ1HH100D	19- 5	AA		C
"	20- 33	AA		C
"	37- 6	AA		C
VCCCCZ1HH101J	19- 6	AA		C
"	20- 21	AA		C
"	40- 13	AA		C
VCCCCZ1HH220J	20- 24	AA		C
VCCCCZ1HH330J	20- 37	AA		C
VCEAJU1CW476M	39- 8	AB		C
VCEASM1HM335M	19- 72	AB		C
VCEASX1CN106M	20- 25	AC		C
VCEASX1CN226M	20- 23	AC		C
VCEASX1CN476M	20- 26	AC		C
"	38- 10	AC		C
VCEASX1VN106M	20- 34	AC		C
VCEAZA1VW107M	18- 6	AC		C
VCEAZA1VW476M	22- 6	AC		C
VCKYCY1EB104K	20- 27	AG		C
VCKYCY1CB103K	37- 9	AA		C
VCKYCY1CF104Z	19- 7	AB		C
"	20- 22	AB		C
"	40- 16	AB		C
VCKYCY1EF223Z	19- 8	AA		C
"	37- 11	AA		C
VCKYCY1HB102K	19- 9	AA		C
"	20- 28	AA		C
"	37- 7	AA		C
"	40- 14	AA		C
VCKYCY1HB222K	19- 12	AA		C
"	37- 8	AA		C
VCKYCY1HF103Z	20- 32	AA		C
"	37- 10	AA		C
"	38- 9	AA		C
"	40- 15	AA		C
VCKYPU1EB223Z	39- 10	AB		C
VCKYPU1HB101K	39- 9	AA		C
VCKYQT0JB106K	20- 29	AE		C
VCKYTV1AB225M	19- 11	AC		C
"	20- 36	AC		C
VCKYTV1CB105K	19- 10	AC		C

PARTS CODE	NO.	PRICE RANK	NEW MARK	PART RANK
VCKYTV1CB105K	20- 35	AC		C
VCQYNA1HM103K	19- 76	AA		C
VHDCRH01+++ -1	19- 17	AC		B
"	37- 38	AC		B
VHDD1FM3+++ -1	40- 8	AD		B
VHDDA204U// -1	19- 15	AB		B
"	37- 41	AB		B
VHDDAN202U/ -1	19- 13	AB		B
"	37- 42	AB		B
VHDDAP202U/ -1	19- 14	AB		B
"	20- 39	AB		B
"	37- 43	AB		B
VHDDSM1D1// -1	18- 8	AB		B
"	22- 2	AB		B
VHDF1071MT+0C	20- 68	AH	N	B
VHDMA704A// -1	19- 16	AC		B
"	37- 39	AC		B
VHDRB451F// -1	20- 40	AD		B
VHDRLS73// -1	19- 80	AA		B
"	19- 81	AA		B
"	20- 38	AA		B
"	37- 40	AA		B
"	38- 8	AA		B
VHERD22FB// -1	19- 83	AD		B
VHERD2R0SBA-1	20- 42	AC	N	B
VHi2309SZ1H-1	20- 48	AT	N	B
VHi237R33LF-1	20- 65	AF	N	B
VHi23WAT255-1	20- 66	AU		B
VHi24WC08Pi-1	19- 84	AF		B
"	37- 73	AF		B
VHi28F081L39F	15- 58	AY	N	B
VHi28F081L40F	28- 12	AY	N	B
VHi28F322LD4F	12- 54	BE	N	B
VHi28F322LD5F	12- 55	BE	N	B
VHi28L64P20-1	20- 57	AS		B
VHi65345Y020C	20- 78	BC		B
VHi65946P7A-1	20- 56	BA	N	B
VHi7065C30R-1	20- 53	BU	N	B
VHi74VHC04M-1	37- 80	AE		B
"	40- 3	AE		B
VHi74VHC32M-1	37- 81	AD		B
VHi74VHCT08AJ	37- 82	AD		B
VHi74VHCT240X	19- 25	AF		B
VHi74VHCT244X	19- 26	AF		B
"	37- 79	AF		B
VHi7SZ125M5-1	40- 4	AE		B
VHi87R1060E-1	20- 67	BQ		B
VHi87R1150E-1	40- 2	BF	N	B
VHiBD45271G-1	19- 87	AD		B
VHiD62503FG-1	20- 59	AG	N	B
VHiD82805GN-1	19- 18	BA		B
VHiDS90L17N-1	20- 52	AL	N	B
VHiHG73C95V-1	20- 64	AY	N	B
VHiHi207ECB0C	20- 62	AN	N	B
VHiHN58V65A-1	37- 76	AW		B
VHiL108733N-1	37- 88	AG	N	B
VHiLCX08MT+0C	20- 55	AD	N	B
VHiLCX14MT+0C	20- 47	AD	N	B
VHiLCX157MT0C	20- 77	AE	N	B
VHiLCX244MT0C	20- 73	AE	N	B
VHiLCX245MT0C	20- 74	AE	N	B
VHiLCX32MT+0C	20- 50	AD	N	B
VHiLCX373MT0C	20- 75	AE	N	B
VHiLCX74MT+0C	20- 49	AD	N	B
VHiLM324D++ -1	19- 22	AE		B
"	37- 83	AE		B
VHiLM339D++ -1	19- 23	AE		B
"	37- 84	AE		B
VHiLM393D++ -1	20- 60	AE		B
VHiLVX1284+0C	20- 51	AM	N	B
VHiM34282M1-1	39- 11	AG	N	B
VHiM87J4811-1	20- 54	BH		B
VHiMRUP01++ -1	20- 69	BF		B
VHiMTD13611-1	19- 85	AR		B
VHiMTD1361F-1	37- 87	AR		B
VHiNJ6356LF-1	20- 61	AH	N	B
VHiNJM7805A-1	19- 86	AH		B
VHiNJM78M12-1	18- 9	AG		B
VHiPM2060G++ -1	20- 72	BK	N	B
VHiPM22G75++ -1	20- 71	BH	N	B
VHiPT598DLF-1	20- 63	AE	N	B

PARTS CODE	NO.	PRICE RANK	NEW MARK	PART RANK
VHiPT598iLF-1	20- 76	AE	N	B
VHiR1117S25-1	40- 7	AF	N	B
VHiTA7291AS-1	19- 88	AF		B
VHiTD62003AP1	19- 89	AG		B
"	37- 85	AG		B
VHiTD62503F-1	19- 24	AF		B
"	37- 86	AF		B
VHiVHC240SJ-1	40- 5	AF	N	B
VHiVHC244SJ-1	37- 78	AG		B
"	40- 1	AG		B
VHPGP1A22LC-1	29- 38	AK		B
VHPGP1A73A+-1	31- 33	AG		B
"	32- 68	AG		B
"	33- 10	AG		B
"	6- 6	AG		B
VHPGP1SQ73P-1	8- 9	AF		B
VHPGP2A200L-1	3- 20	AR		B
VHPGP3A38// -1	29- 36	AH		B
VHPLT1D67A/-1	19- 77	AC		B
"	37- 67	AC		B
VHPLT9400E/-1	39- 17	AK		B
VHPSLR322MC3F	39- 12	AC		B
VHPSLR322VC3F	20- 41	AC		B
VHV10V471K+-1	21- 7	AD		B
"	22- 13	AD		B
VHV1608C2701C	20-102	AC		B
VHViCPS1.2/-1	19- 27	AF		B
"	20- 91	AF		B
VRD-HT2EY102J	39- 13	AA		C
VRD-HT2EY221J	39- 14	AA		C
VRD-HT2EY272J	22- 5	AA		C
VRD-HT2EY471J	22- 4	AA		C
VRS-CY1JD000J	20-132	AA		C
VRS-CZ1JD000J	19- 28	AA		C
"	20-113	AA		C
"	37- 12	AA		C
"	38- 12	AA		C
"	40- 17	AA		C
VRS-CZ1JD100J	20-107	AA		C
VRS-CZ1JD101J	19- 29	AA		C
"	20-109	AA		C
"	40- 18	AA		C
VRS-CZ1JD102F	19- 31	AA		C
VRS-CZ1JD102J	19- 30	AA		C
"	20-112	AA		C
"	37- 21	AA		C
VRS-CZ1JD103F	19- 32	AA		C
"	37- 26	AA		C
VRS-CZ1JD103J	19- 33	AA		C
"	20-103	AA		C
"	37- 25	AA		C
"	40- 19	AA		C
VRS-CZ1JD104J	19- 34	AA		C
VRS-CZ1JD105J	19- 35	AA		C
"	20-122	AA		C
"	37- 31	AA		C
VRS-CZ1JD106J	19- 36	AA		C
VRS-CZ1JD122J	37- 22	AA		C
VRS-CZ1JD151J	37- 15	AA		C
VRS-CZ1JD152F	19- 37	AA		C
"	20-131	AA		C
VRS-CZ1JD153F	19- 39	AB		C
VRS-CZ1JD162J	19- 38	AA		C
VRS-CZ1JD181F	40- 20	AA	N	C
VRS-CZ1JD183J	20-116	AA		C
VRS-CZ1JD201J	19- 40	AA		C
VRS-CZ1JD202F	19- 41	AA		C
VRS-CZ1JD203J	19- 42	AA		C
"	37- 27	AA		C
VRS-CZ1JD220J	20-104	AA		C
VRS-CZ1JD221J	20-121	AA		C
VRS-CZ1JD222J	20-114	AA		C
"	40- 21	AA		C
VRS-CZ1JD302J	19- 45	AA		C
VRS-CZ1JD303F	37- 29	AA		C
VRS-CZ1JD303J	37- 28	AA		C
VRS-CZ1JD304F	19- 46	AA		C
VRS-CZ1JD330J	19- 47	AA		C
"	20-105	AA		C
"	37- 13	AA		C
VRS-CZ1JD331J	37- 16	AA		C



PARTS CODE	NO.	PRICE RANK	NEW MARK	PART RANK
VRS-CZ1JD332J	20-111	AA		C
VRS-CZ1JD333J	20-110	AA		C
VRS-CZ1JD361F	20-118	AA		C
VRS-CZ1JD470J	20-106	AA		C
VRS-CZ1JD471J	19-48	AA		C
"	20-129	AA		C
VRS-CZ1JD472F	19-49	AA		C
"	20-125	AA		C
VRS-CZ1JD472J	19-50	AA		C
"	20-108	AA		C
VRS-CZ1JD473F	19-51	AA		C
VRS-CZ1JD473J	19-52	AA		C
VRS-CZ1JD474J	19-53	AA		C
"	20-130	AA		C
VRS-CZ1JD511F	40-23	AA		C
VRS-CZ1JD511J	20-117	AA		C
VRS-CZ1JD561F	20-119	AA		C
"	37-17	AA		C
"	40-24	AA		C
VRS-CZ1JD562F	20-124	AA		C
VRS-CZ1JD562J	19-54	AA		C
"	20-127	AA		C
"	37-23	AA		C
VRS-CZ1JD563J	20-126	AA		C
VRS-CZ1JD621F	19-55	AA		C
"	37-18	AA		C
VRS-CZ1JD622J	20-123	AA		C
VRS-CZ1JD624J	37-30	AA		C
VRS-CZ1JD680J	19-56	AA		C
VRS-CZ1JD681F	19-57	AA		C
VRS-CZ1JD681J	37-19	AA		C
VRS-CZ1JD752J	19-58	AA		C
"	37-24	AA		C
VRS-CZ1JD820J	20-120	AA		C
VRS-CZ1JD822F	19-59	AA		C
VRS-CZ1JD823J	20-115	AA		C
VRS-CZ1JD911F	37-20	AA		C
VRS-RE3AA241J	19-96	AC		C
VRS-RE3DA1R0J	19-97	AB		C
"	37-70	AB		C
VRS-RE3LA6R2J	18-10	AC		C
VRS-TP2BD101J	19-90	AA		C
VRS-TP2BD122J	19-91	AA		C
VRS-TP2BD131J	37-32	AA		C
VRS-TP2BD151J	19-92	AA		C
"	37-33	AA		C
VRS-TP2BD152J	19-93	AA		C
"	37-37	AA		C
VRS-TP2BD301J	37-34	AA		C
VRS-TP2BD391J	19-95	AA		C
VRS-TP2BD471J	37-35	AA		C
VRS-TP2BD472J	19-94	AA		C
VRS-TP2BD561J	37-36	AA		C
VRS-TX2HD000J	20-128	AB		C
VS2SB1197KR-1	19-64	AC		B
"	37-50	AC		B
VS2SB1198K/-1	20-96	AC		B
VS2SC2412K/-1	20-95	AB		B
VS2SD1768S+-1	22-3	AR		B
VS2SD1898//--1	19-65	AD		B
VS2SK3018++-1	19-63	AC		B
"	20-101	AC		B
"	37-48	AC		B
VS2SK3065++-1	37-49	AG		B
VSDTA114EUA-1	20-97	AC		B
VSDTA143ZUA-1	19-60	AB	N	B
"	20-100	AB	N	B
"	37-45	AB	N	B
VSDTC114EUA-1	19-62	AC		B
"	20-92	AC		B
VSDTC114YS/-1	39-16	AB		B
VSDTC114YUA-1	20-93	AB		B
VSDTC143ZUA-1	19-61	AC		B
"	37-46	AC		B
VSTPC6004F+-1	20-99	AE	N	B
VSTPC6102F+-1	20-98	AE	N	B
VSUPA502TA+-1	20-94	AD	N	B
VVLLM065HB1-1	27-8	CB		B
[X]				
XBBS230P06000	10-51	AD		C
XBBS730P06000	18-17	AC		C

PARTS CODE	NO.	PRICE RANK	NEW MARK	PART RANK
XBBSD30P06000	12-51	AA		C
"	15-59	AA		C
"	32-24	AA		C
"	34-2	AA		C
XBBSD30P08000	10-24	AA		C
"	11-2	AA		C
XBBSD30P12000	30-4	AA		C
XBBSD40P06000	28-17	AA		C
"	29-3	AA		C
XBBSD40P08000	11-28	AA		C
"	12-3	AA		C
"	13-19	AA		C
"	34-7	AA		C
XBBSD40P10000	29-39	AA		C
XBBSD40P14000	29-37	AA		C
XBBSD40P30000	12-17	AA		C
XBBSE30P06000	12-50	AA		C
"	28-9	AA		C
"	36-101	AA		C
XBBSE30P14000	14-11	AA		C
XBPS740P08KS0	36-102	AB	N	C
XBPSD20P02500	15-3	AA		C
XBPSD25P06000	12-26	AA		C
XBPSD30P05K00	29-28	AA		C
XBPSD30P06000	12-47	AA		C
XBPSD30P06K00	15-60	AA		C
"	4-77	AA		C
XBPSD30P06KS0	26-2	AA		C
"	5-17	AA		C
XBPSD30P08K00	13-23	AA		C
"	13-3	AA		C
"	4-23	AA		C
XBPSD30P25K00	11-14	AA		C
XBPSD40P06K00	15-64	AA		C
XBPSD40P06KS0	29-10	AA		C
XBPSD40P16KS0	29-29	AA		C
XPBSE30P12KS0	36-12	AA		C
XPBSE40P08KS0	35-14	AA		C
XBTSC50P16000	25-11	AA		C
XBTSE40P06000	25-15	AA		C
XEBSD30P06000	1-39	AA		C
XEBSD30P08000	10-10	AA		C
"	11-4	AA		C
"	15-23	AA		C
"	26-13	AA		C
"	30-2	AA		C
"	3-10	AA		C
"	31-18	AA		C
"	32-9	AA		C
"	33-6	AA		C
"	9-1	AA		C
XEBSD30P10000	2-29	AA		C
XEBSD30P14000	2-40	AA		C
XEBSD30P16000	8-53	AA		C
XEBSD40P08000	16-9	AA		C
"	5-6	AA		C
XEBSD40P10000	1-15	AA		C
"	12-43	AA		C
"	14-52	AA		C
"	15-53	AA		C
"	4-29	AA		C
"	4-78	AA		C
"	6-2	AA		C
"	8-3	AA		C
XEBSD40P12000	14-49	AA		C
"	3-43	AA		C
XEBSD40P14000	1-38	AA		C
XEBSD40P16000	31-35	AA		C
XEBSE30P06000	11-40	AA		C
XEBSE30P08000	25-22	AA		C
"	31-40	AA		C
XEBSE30P10000	31-30	AA		C
XEBSE40P08000	2-41	AA		C
"	25-28	AA		C
XEBSE40P10000	2-35	AA		C
"	31-6	AA		C
"	32-65	AA		C
"	33-25	AA		C
XEBSE40P12000	2-14	AA		C
XEPSD30P05000	26-11	AA		C
XEPSD30P06X00	31-23	AA		C

PARTS CODE	NO.	PRICE RANK	NEW MARK	PART RANK
XEPSD30P08000	27- 3	AA		C
XEPSD40P06000	29- 47	AA		C
XEPSD40P10000	10- 65	AA		C
XEPSD40P12000	10- 40	AA		C
XEPSD40P35000	12- 4	AA		C
"	14- 2	AA		C
XESSE30P08000	31- 28	AA		C
XHBS230P08000	33- 35	AA		C
XHBS740P08000	7- 5	AA		C
XHBSD30P04000	28- 2	AA		C
"	29- 6	AA		C
XHBSD30P06000	12- 42	AA		C
"	25- 14	AA		C
"	28- 25	AA		C
"	29- 48	AA		C
"	4- 9	AA		C
"	8- 64	AA		C
XHBSD30P08000	25- 25	AA		C
"	4- 14	AA		C
XHBSD40P06000	28- 49	AA		C
"	29- 46	AA		C
XHBSE30P06000	1- 25	AA		C
"	14- 14	AA		C
"	14- 8	AA		C
"	15- 66	AA		C
"	31- 4	AA		C
"	32- 2	AA		C
"	33- 34	AA		C
"	3- 41	AA		C
XHBSE30P08000	10- 6	AA		C
XHBSE30P10000	32- 71	AA		C
XHBSE40P06000	14- 4	AA		C
"	2- 38	AA		C
XHBSE40P08000	1- 21	AA		C
"	12- 6	AA		C
"	13- 5	AA		C
"	14- 16	AA		C
"	15- 16	AA		C
"	25- 2	AA		C
"	28- 11	AA		C
"	31- 11	AA		C
"	32- 41	AA		C
"	36- 17	AA		C
"	6- 37	AA		C
"	8- 4	AA		C
XHPS730P06000	7- 49	AA	N	C
XNESD30-18000	4- 76	AA		C
XPSSJ20-08000	6- 26	AA		C
XRESP20-04000	32- 54	AA		C
XRESP30-06000	10- 2	AA		C
"	14- 23	AA		C
"	15- 50	AA		C
"	26- 6	AA		C
XRESP40-05000	29- 43	AA		C
"	4- 72	AA		C
"	4- 79	AA		C
XRESP40-06000	10- 11	AA		C
"	11- 7	AA		C
"	15- 5	AA		C
"	2- 2	AA		C
"	32- 11	AA		C
XRESP50-06000	10- 28	AA		C
"	11- 9	AA		C
"	2- 36	AA		C
"	32- 27	AA		C
"	4- 3	AA		C
"	6- 17	AA		C
"	7- 35	AA		C
XRESP60-07000	4- 69	AA		C
XRESP70-08000	16- 13	AA		C
"	29- 21	AA		C
"	29- 34	AA		C
"	32- 29	AA		C
"	3- 7	AA		C
"	4- 68	AA		C
"	8- 19	AA		C
XWHS30-05070	11- 54	AA		C
XWHS30-05080	32- 81	AA		C
[ 0 ]				
0AV1390000136	23- 20	AF		C
0AV1390000260	23- 6	AY	N	C

PARTS CODE	NO.	PRICE RANK	NEW MARK	PART RANK
0AV1390000261	23- 9	AC	N	C
"	24- 9	AC	N	C
0AV1390000262	23- 10	AC	N	C
"	24- 10	AC	N	C
0AV1390000263	23- 16	AC	N	C
"	24- 16	AC	N	C
0AV1390000264	23- 17	AC	N	C
"	24- 17	AC	N	C
0AV1390000265	23- 18	AC	N	C
"	24- 18	AC	N	C
0AV1390000266	23- 19	AG	N	C
"	24- 19	AG	N	C
0AV1390000267	23- 21	AC	N	C
"	24- 22	AC	N	C
0AV1390000268	23- 22	AC	N	C
"	24- 23	AC	N	C
0AV1390000269	23- 24	AK	N	C
"	24- 25	AK	N	C
0AV1390000270	23- 25	AD	N	C
"	24- 26	AD	N	C
0AV1390000271	23- 27	AC	N	C
"	24- 28	AC	N	C
0AV1390000272	24- 6	AY	N	C
0AV1480000084	23- 12	AD		C
"	24- 12	AD		C
0AV1480000107	23- 26	AE	N	C
"	24- 27	AE	N	C
0AV1570000002	23- 1	AD		C
"	24- 1	AD		C
0AV1570000003	23- 2	AD		C
"	24- 2	AD		C
0AV1570000004	23- 3	AN		C
"	24- 3	AN		C
0AV1570000005	24- 5	AF		C
0AV1570000006	23- 5	AF		C
0AV1610000090	24- 20	AD		C
0AV1610000091	23- 8	AC		C
"	24- 8	AC		C
0AV1610000109	23- 15	AC		C
"	24- 15	AC		C
0AV1650000064	23- 4	AD		C
"	24- 4	AD		C
0AV1690000095	24- 29	AD		B
0AV1690000113	23- 11	AE		C
"	24- 11	AE		C
0AV1690000133	23- 7	AC	N	C
"	24- 7	AC	N	C
0AV1690000134	23- 13	AC	N	C
"	24- 13	AC	N	C
0AV1690000136	24- 21	AD	N	C
0AV1690000137	23- 23	AC	N	C
"	24- 24	AC	N	C
0AV1690000138	23- 14	AC	N	C
"	24- 14	AC	N	C
0AV2011013010	23-117	AA		C
"	24-121	AA		C
0AV2011013020	24- 94	AA		B
0AV2011023010	23- 77	AA		C
"	24- 81	AA		C
0AV2011033010	23- 82	AA		C
"	24- 86	AA		C
0AV2011043010	23-133	AA		C
"	24-136	AA		C
0AV2011043020	23-128	AA		C
0AV2011053010	23- 76	AB		C
0AV2011203020	23- 81	AB		C
"	24- 85	AB		C
0AV2011213010	23-121	AA		C
"	24-125	AA		C
0AV2011213020	23-111	AA		C
"	24-115	AA		C
0AV2011213030	23- 80	AB		C
"	24- 84	AB		C
0AV2011223010	23-119	AA		C
"	24-123	AA		C
0AV2011233010	23-112	AA		C
"	24-116	AA		C
0AV2011533010	23-104	AA		C
"	24-108	AA		C
0AV2011813010	23- 93	AA		C
"	24- 97	AA		C

PARTS CODE	NO.	PRICE RANK	NEW MARK	PART RANK
0AV2011843030	23- 74	AB		C
"	24- 78	AB		C
0AV2011853010	24- 80	AB		C
0AV2012203020	23- 96	AA		C
"	24-100	AA		C
0AV2012213020	23-105	AA		C
"	24-109	AA		C
0AV2012223010	23- 92	AA		C
"	24-141	AA		C
"	24- 96	AA		C
0AV2012233010	23- 73	AA		C
"	24- 77	AA		C
0AV2012243010	23- 89	AA		C
"	24- 93	AA		C
0AV2012243020	24- 83	AA		C
0AV2012733010	23-123	AA		C
"	24-127	AA		C
0AV2012733030	24- 76	AB		C
0AV2012743020	24-103	AB		C
0AV2013313010	23-116	AA		C
"	24-120	AA		C
0AV2013323010	23- 84	AA		C
"	24- 88	AA		C
0AV2013333010	23-100	AA		C
"	24-104	AA		C
0AV2013333020	23- 99	AA		C
0AV2013913010	23-118	AA		C
"	24-122	AA		C
0AV2013933010	23- 87	AA		C
"	24- 91	AA		C
0AV2014713010	23-122	AA		C
"	24-126	AA		C
0AV2014723010	23-132	AA		C
"	24-135	AA		C
0AV2014723020	23-107	AA		C
"	24-111	AA		C
0AV2014723030	23- 72	AB		C
0AV2014733010	23-129	AA		C
"	24-132	AA		C
0AV2014733020	23- 79	AB		C
0AV2014773020	23-106	AA		C
"	24-110	AA		C
0AV2015623010	23-109	AA		C
"	24-113	AA		C
0AV2015633010	23-124	AA		C
"	24-128	AA		C
0AV2015633020	23-130	AA		C
"	24-133	AA		C
0AV2016813010	23-120	AA		C
"	24-124	AA		C
0AV2018233010	23- 97	AA		C
"	24-101	AA		C
0AV2021013078	23- 83	AF		C
"	24- 87	AF		C
0AV2021213040	23- 85	AC		C
"	24- 89	AC		C
0AV2021233040	23-126	AC		C
0AV2022213040	23- 70	AC		C
0AV2023333040	24-130	AC		C
0AV2024703078	23- 98	AF		C
"	24-102	AF		C
0AV2024713040	24- 74	AC		C
0AV2041003020	23-135	AC		B
"	24-138	AC		B
0AV2041013010	23-110	AC		B
"	24-114	AC		B
0AV2041013020	23- 90	AC		B
0AV2041213010	23- 95	AC		B
0AV2041513010	24- 99	AC		B
0AV2042203010	23-131	AC		B
"	24-134	AC		B
0AV2043313010	23-125	AC		B
"	24-129	AC		B
0AV2051064077	24- 75	AF		C
0AV2051083055	23- 78	AE		C
"	23- 91	AE		C
0AV2051094075	23-108	AG		C
"	24-112	AG		C
0AV2052294055	24- 82	AE		C
0AV2054754077	23- 71	AF		C
0AV2060025000	23-138	AK	N	B

PARTS CODE	NO.	PRICE RANK	NEW MARK	PART RANK
0AV2060026000	24-142	AK	N	B
0AV2081029188	23-143	AC		B
"	24-147	AC		B
0AV2141803040	23-127	AC		C
0AV2142203040	23-115	AC		C
"	24-119	AC		C
0AV2142703040	24-131	AC		C
0AV2148203040	23- 88	AC		C
"	24- 92	AC		C
0AV2990010000	23-103	AC		C
"	24-107	AC		C
0AV2990083000	23-102	AC		C
"	24-106	AC		C
0AV2990084000	23-113	AC		C
"	24-117	AC		C
0AV2990085000	23-114	AC		C
"	24-118	AC		C
0AV2990090000	24-105	AC		C
0AV2990098000	24- 95	AD		C
0AV2990104000	23-134	AC		C
"	24-137	AC		C
0AV2990105000	23- 94	AB		C
"	24- 98	AB		C
0AV2990106000	23- 75	AC		C
0AV2990107000	23-136	AC		C
"	24-139	AC		C
0AV2990112000	23-137	AC		C
"	24-140	AC		C
0AV2990118000	24- 79	AC		C
0AV2990141000	23-101	AA	N	C
0AV2990142000	23- 86	AA	N	C
"	24- 90	AA	N	C
0AV3001015500	23- 63	AC		B
"	24- 67	AC		B
0AV3021002999	23- 69	AD		B
"	24- 73	AD		B
0AV3021815500	23- 65	AC		B
"	24- 69	AC		B
0AV3022655500	23- 67	AE		B
"	24- 71	AE		B
0AV3040504000	23- 66	AN		B
"	24- 70	AN		B
0AV3042543000	23- 64	AQ		B
0AV3042611000	24- 66	AU		B
0AV3042698000	23- 62	AS		B
0AV3042717000	24- 68	AR		B
0AV3042736000	23- 68	AN		B
"	24- 72	AN		B
0AV3050019000	23- 32	AF		B
"	24- 34	AF		B
0AV3050070000	23- 39	AK		B
"	24- 42	AK		B
0AV3050080000	23- 40	AP		B
"	24- 43	AP		B
0AV3050087000	23- 37	AN		B
"	24- 40	AN		B
0AV3050091000	23- 33	AB		B
"	24- 35	AB		B
0AV3050104000	23- 48	AD		B
"	24- 52	AD		B
0AV3060031000	23- 30	AC		B
0AV3060035000	23- 28	AE		B
"	24- 30	AE		B
0AV3060040000	23- 31	AR		B
0AV3060047000	24- 32	AC	N	B
0AV3070013000	23- 36	AB		B
"	24- 39	AB		B
0AV3070014800	23- 43	AC	N	B
0AV3070023000	23- 45	AE		B
"	24- 49	AE		B
0AV3070049000	23- 46	AB		B
"	24- 50	AB		B
0AV3070056000	23- 35	AD		B
"	24- 38	AD		B
"	24- 47	AD		B
0AV3070061000	23- 38	AC		B
"	24- 41	AC		B
0AV3070069000	23- 42	AC		B
0AV3070081000	23- 41	AC		B
"	24- 44	AC		B
0AV3070085000	23- 34	AC		B





# SHARP

**COPYRIGHT © 2004 BY SHARP CORPORATION**

All rights reserved.

Printed in Japan.

No part of this publication may be reproduced,  
stored in a retrieval system, or transmitted.

In any form or by any means,  
electronic, mechanical, photocopying, recording, or otherwise,  
without prior written permission of the publisher.

**SHARP CORPORATION**  
**Digital Document Systems Group**  
**Quality Enhancement Center**  
**Yamatokoriyama, Nara 639-1186, Japan**  
2004 December Printed in Japan ⓘ