

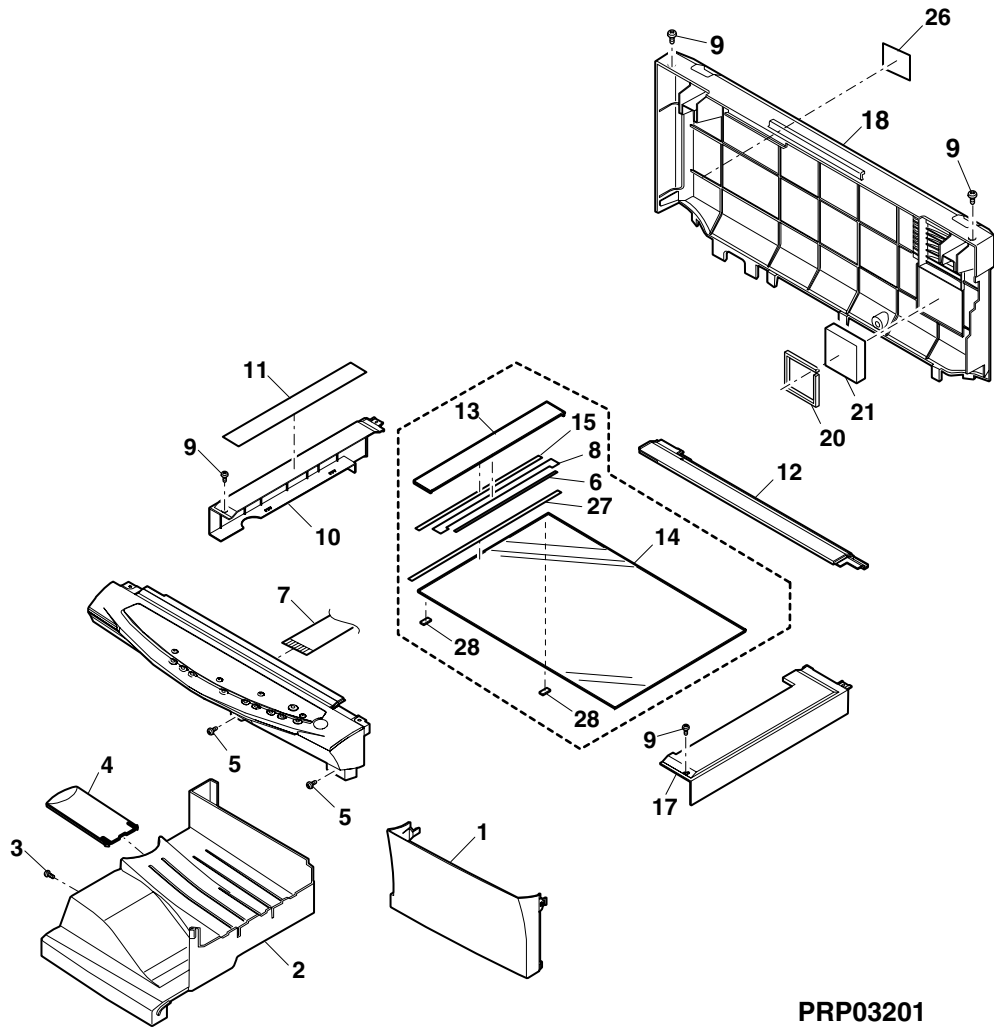
DIGITAL LASER COPIER

MODEL AR-5415

CONTENTS

- | | | | |
|----|--|----|--------------------------------|
| 1 | Exteriors | 16 | 250 sheets tray |
| 2 | Original cover unit | 17 | TC case unit |
| 3 | Operation pane | 18 | Harness |
| 4 | Side door unit | 19 | Process unit |
| 5 | Optical frame | 20 | DV cartridge unit |
| 6 | LSU unit | 21 | Packing material & accessories |
| 7 | Delivery paper guide unit | ■ | Index |
| 8 | Middle frame | | |
| 9 | Base plate unit 1 | | |
| 10 | Base plate unit 2 | | |
| 11 | Fusing unit | | |
| 12 | Drive unit | | |
| 13 | Single manual paper feeding cover unit | | |
| 14 | Socket holder unit | | |
| 15 | Single manual paper feeding unit | | |

1 Exteriors

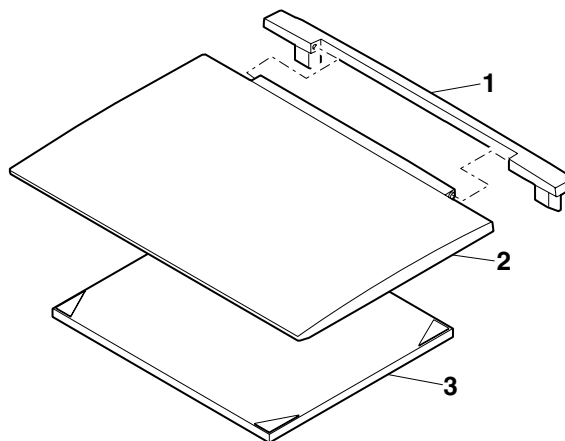


PRP03201

2 Original cover unit

| NO. | PARTS CODE | PRICE RANK | NEW MARK | PART RANK | DESCRIPTION |
|-----|---------------|------------|----------|-----------|---------------|
| 1 | GCOVH0003QSJZ | AL | | D | OC cover S |
| 2 | GCOVH0004QSJ1 | AX | | D | OC cover M |
| 3 | PCUSS0024QSZZ | AV | | D | OC mat |
| | (Unit) | | | | |
| 901 | CCOVH0004RS54 | BF | | E | OC cover unit |
| | | | | | |
| | | | | | |
| | | | | | |

2 Original cover unit

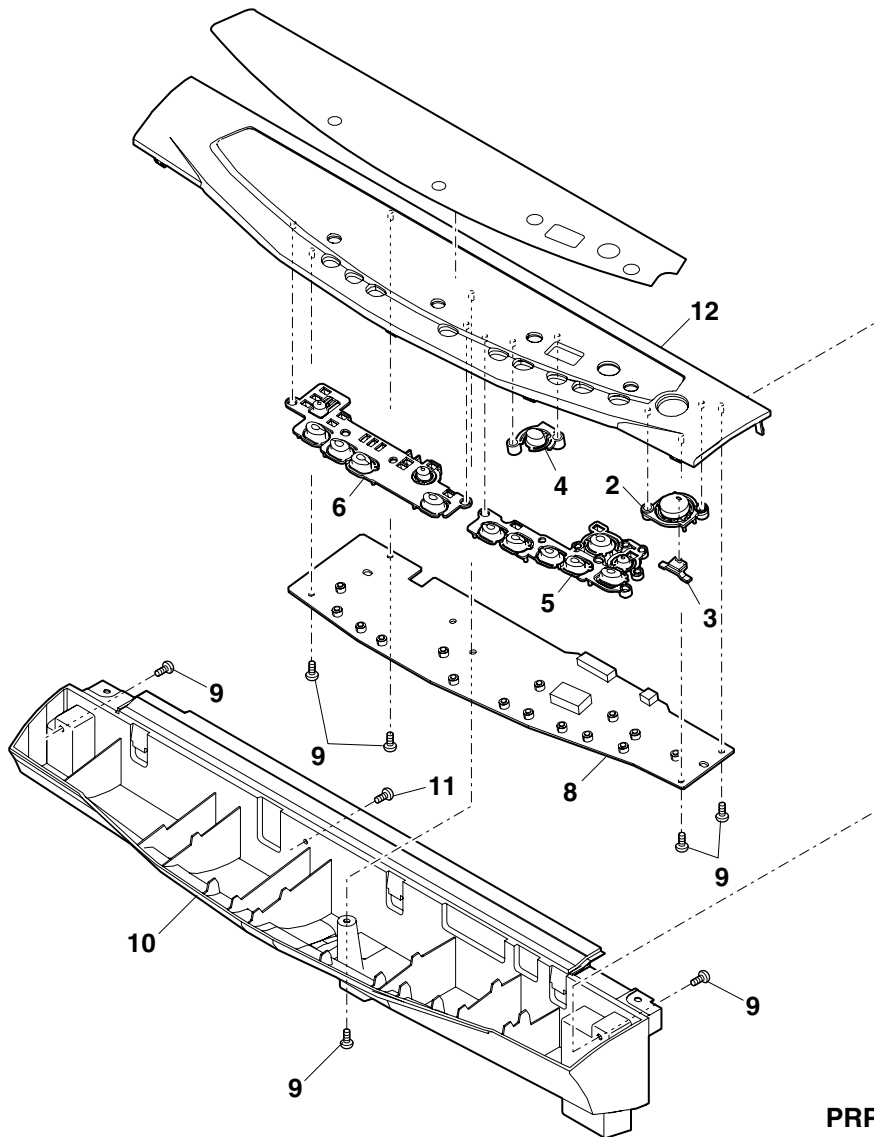


PRP03202

3 Operation panel

| NO. | PARTS CODE | PRICE RANK | NEW MARK | PART RANK | DESCRIPTION |
|-----|---------------|------------|----------|-----------|-------------------|
| 2 | CBTN-0019QS02 | AF | | C | Copy key |
| 3 | JBTN-0020QSZZ | AC | | C | Copy key light |
| 4 | JBTN-0005QSZZ | AC | | C | % Key |
| 5 | CBTN-0050QS02 | AF | | C | Operation key R |
| 6 | JBTN-0049QSZZ | AF | | C | Operation key L |
| 8 | CPWBF0113QSJ7 | BB | | E | Operation PWB |
| 9 | XES730P08000 | AC | | C | Screw(3×8) |
| 10 | GCAB-0063QSZZ | AT | | D | Operation cabinet |
| 11 | XES730P10000 | AC | | C | Screw(3×10) |
| 12 | GCAB-0064QSZZ | AN | | D | Operation panel |
| | | | | | |
| | | | | | |
| | | | | | |

3 Operation panel

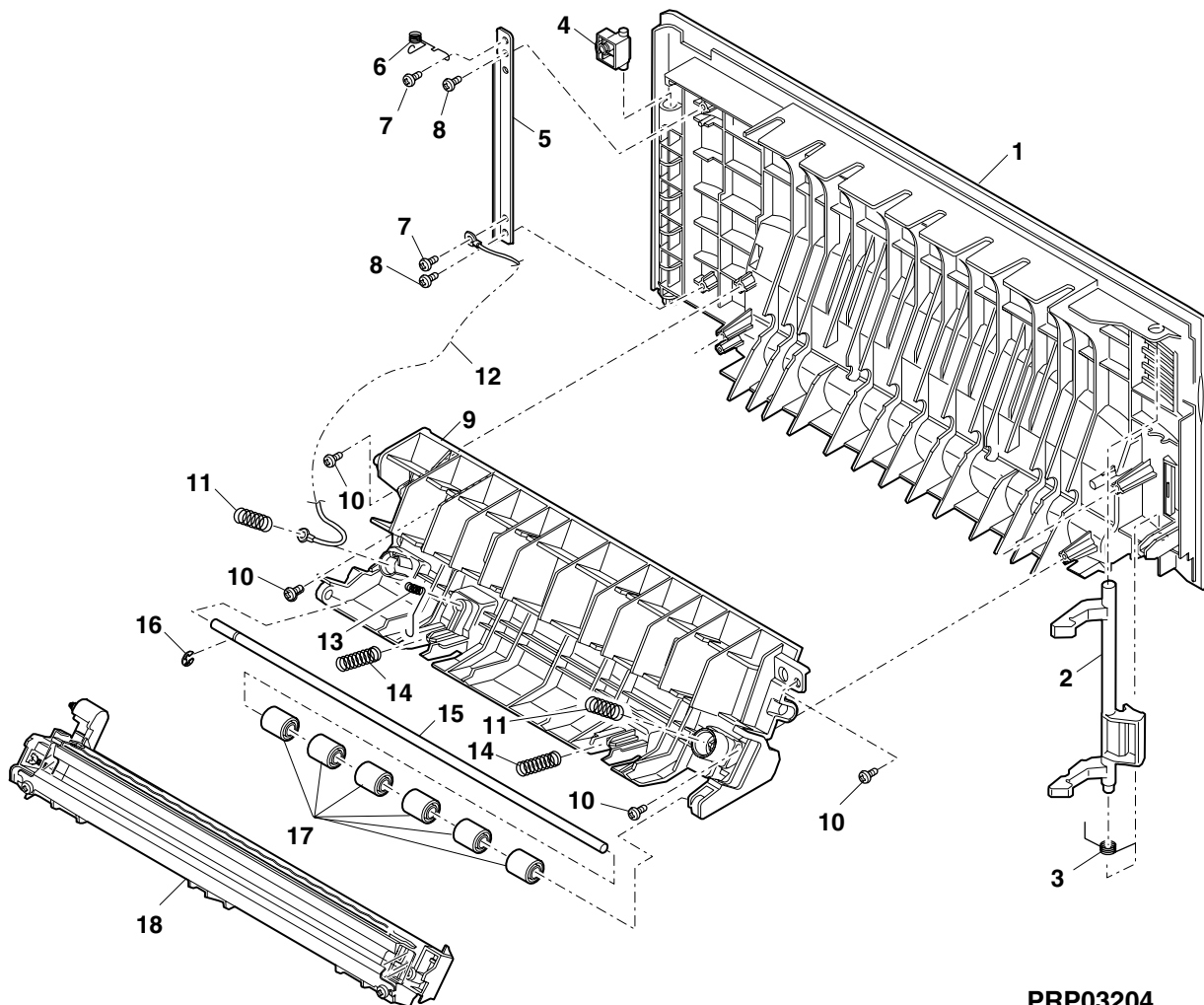


PRP03203

4 Side door unit

| NO. | PARTS CODE | PRICE RANK | NEW MARK | PART RANK | DESCRIPTION |
|-----|---------------|------------|----------|-----------|-------------------------------|
| 1 | GCAB-0007QSJ2 | AU | | D | Side door |
| 2 | PTME-0004QSZZ | AG | | C | Lock pawl |
| 3 | MSPRT0029QSZZ | AC | | C | Lock pawl spring |
| 4 | PGiDM0008QSZZ | AD | | C | Hinge guide |
| 5 | LPLTM0043QSZZ | AD | | C | Earth plate |
| 6 | MSPRD0076QSZ1 | AD | | C | Earth spring |
| 7 | XHBS730P06000 | AC | | C | Screw(3x6) |
| 8 | XEBS730P06000 | AA | | C | Screw(3x6) |
| 9 | LFRM-0003QSJ3 | AN | | D | Side door inner frame |
| 10 | XEBS730P10000 | AC | | C | Screw(3x10) |
| 11 | MSPRC0032QSZZ | AB | | C | Transcription pressure spring |
| 12 | DHAi-0291QSZZ | AC | | C | TCFB harness |
| 13 | MSPRC0031QSZZ | AB | | C | PS earth spring |
| 14 | MSPRC0030QSZZ | AC | | C | PS pressure spring |
| 15 | NSFTZ0006QSPZ | AG | | C | PS shaft |
| 16 | XRESP30-06000 | AA | | C | E-ring(E3) |
| 17 | NROLP1122FCZZ | AF | | C | PS upper roller |
| 18 | CHLDZ0010RS52 | AU | | E | Transcription holder unit |
| | | | | | |
| | | | | | |
| | | | | | |

4 Side door unit

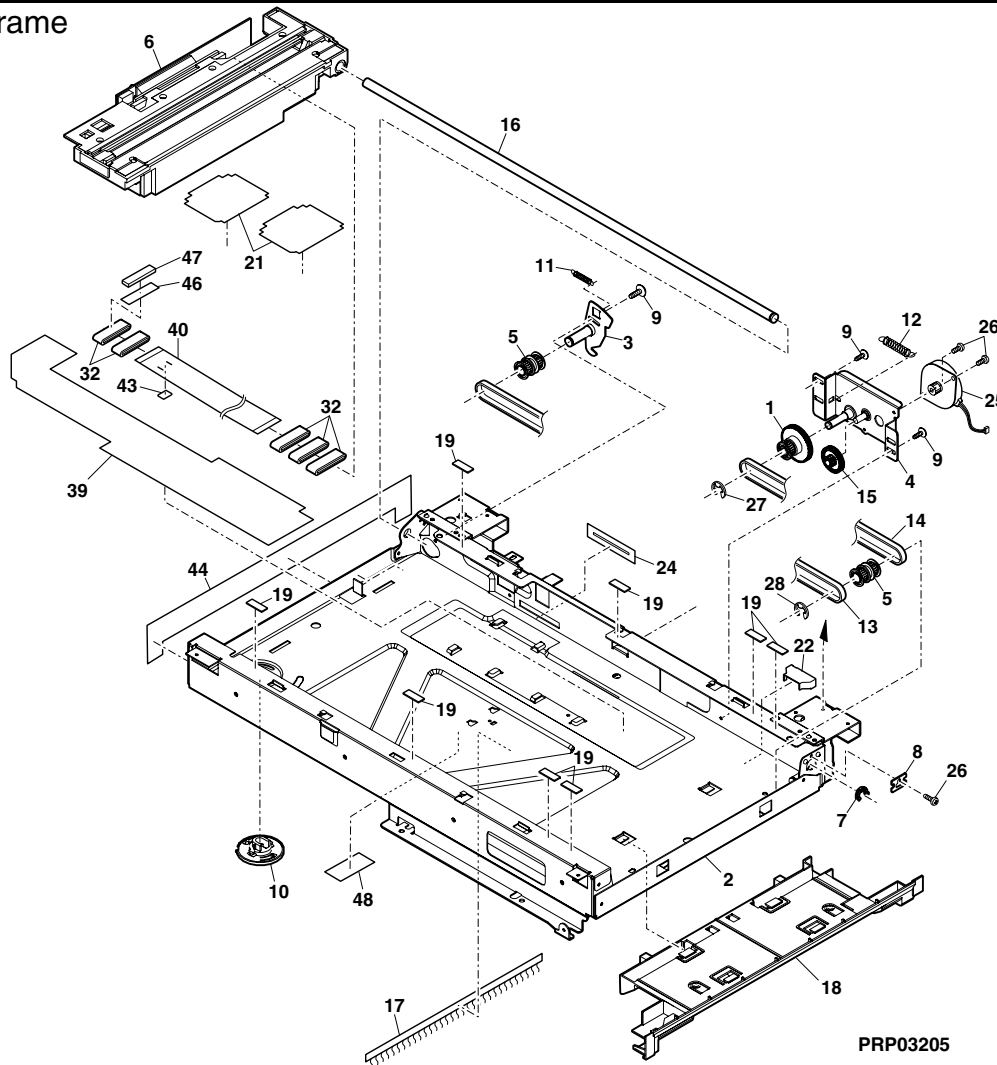


PRP03204

5 Optical frame

| NO. | PARTS CODE | PRICE RANK | NEW MARK | PART RANK | DESCRIPTION |
|-----|----------------|------------|----------|-----------|-------------------------------|
| 1 | CGERH0162QS01 | AN | | C | Pulley gear |
| 2 | CPLTM0288QS01 | BC | | C | Scanner plate |
| 3 | CPLTM0291QS01 | AG | | C | Tension plate |
| 4 | CPLTM0294QS01 | AK | | C | Motor fixing plate |
| 5 | CPLYZ0028QS01 | AM | | C | Idle pulley |
| 6 | DUNT-0404QSZZ | BU | | E | Carriage unit |
| 7 | LHL DZ0093QSZZ | AC | | C | Rod holder |
| 8 | LSTPF0013QSZZ | AC | | C | Rod stopper |
| 9 | LX-BZ0033QSPZ | AB | | C | Screw(3x6) |
| 10 | MLOKZ0004QSZ1 | AD | | C | Carriage lock |
| 11 | MSPRT0283QSZZ | AC | | C | Tension spring |
| 12 | MSPRT0284QSZZ | AC | | C | Motor spring |
| 13 | NBLTT0030QSZ1 | AH | | B | Belt |
| 14 | NBLTT0031QSZ1 | AF | | B | Belt |
| 15 | NGERH0161QSZZ | AL | | C | Idle gear |
| 16 | NSFTZ0063QSPZ | AK | | C | Slide shaft |
| 17 | PBRSR0002QSZ1 | AH | | B | Discharger brush |
| 18 | PGiDM0099QSZ1 | AH | | C | Paper guide |
| 19 | PGUMS0004QSZZ | AA | | C | Table glass cushion |
| 21 | PSHEZ0367QSZ1 | AD | | C | Cable fixing sheet |
| 22 | PDUC-0005QSZZ | AD | | C | Fan duct JAG |
| 24 | PSHEZ0377QSZZ | AC | | C | Edge protect sheet |
| 25 | RMOTS0046QSZZ | AQ | | B | Scanner motor |
| 26 | XHBS730P06000 | AC | | C | Screw(3x6) |
| 27 | XRESP50-06000 | AA | | C | E-ring(E5) |
| 28 | XRESP70-08000 | AA | | C | E-ring(E7) |
| 32 | RCORF0018QSZZ | AR | | C | FFC core |
| 39 | PSHEZ0389QSZ1 | AK | | C | Scanner sheet |
| 40 | DHAi-0268QSZ3 | AG | | C | CCD-MCU harness |
| 43 | PTPE-0045QSZZ | AA | | C | CCD harness double-sided tape |
| 44 | PSHEZ0403QSZZ | AG | | C | Noise sheet |
| 46 | PTPE-0056QSZZ | AD | | C | Core double-sided tape |
| 47 | PMLT-0068QSZZ | AC | | C | Core holder malt |
| 48 | PSHEZ0349QSZZ | AC | | C | Insulated sheet C |

5 Optical frame

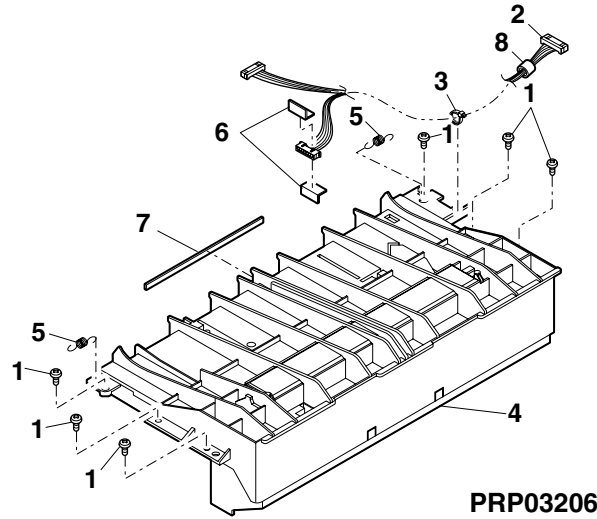


PRP03205

6 LSU unit

| NO. | PARTS CODE | PRICE RANK | NEW MARK | PART RANK | DESCRIPTION |
|-----|----------------|------------|----------|-----------|-----------------------------|
| 1 | XEB S730P12000 | AC | | C | Screw(3×12) |
| 2 | DHAI-0282QSZZ | AG | | C | LSU harness |
| 3 | LBNDJ0013FCZ1 | AE | | C | Wire band |
| 4 | DUNTK0013QS17 | BS | | E | LSU unit |
| 5 | MSPRT0019QSZ1 | AB | | C | Delivery paper guide spring |
| 6 | PSHEZ0350QSZZ | AB | | C | LSU protect sheet A |
| 7 | PSHEZ0351QSZZ | AB | | C | LSU protect sheet B |
| 8 | RCORF0021QSZZ | AK | | C | Core |
| | | | | | |

6 LSU unit

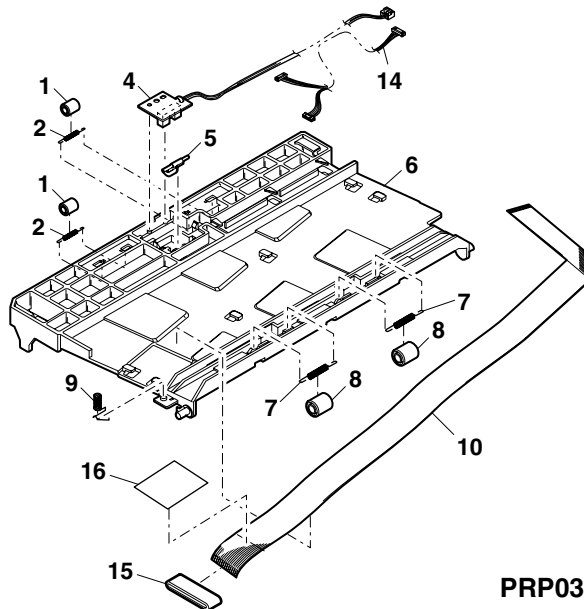


PRP03206

7 Delivery paper guide unit

| NO. | PARTS CODE | PRICE RANK | NEW MARK | PART RANK | DESCRIPTION |
|-----|---------------|------------|----------|-----------|----------------------------------|
| 1 | NROLP0046QSZZ | AC | | C | Delivery roller upper |
| 2 | MSPRT0020QSZ1 | AB | | C | Delivery roller spring |
| 4 | CPWBF0147QSF4 | AL | | E | POD sensor PWB |
| 5 | MLEVP0005QSZZ | AC | | C | Delivery actuator |
| 6 | PGIDM0006QSZZ | AM | | C | Delivery paper guide |
| 7 | MSPRC0021QSZZ | AB | | C | Delivery transport roller spring |
| 8 | NROLP1122FCZZ | AF | | C | PS upper roller |
| 9 | MSPRD0281QSZZ | AD | | C | Delivery earth spring |
| 10 | DHAI-0285QSZZ | AK | | C | OP-MCU harness |
| 14 | DHAI-0282QSZZ | AG | | C | LSU harness |
| 15 | RCORF0018QSZZ | AR | | C | FFC core |
| 16 | PSHEZ0402QSZZ | AG | | C | Panel core sheet |
| | | | | | |

7 Delivery paper guide unit

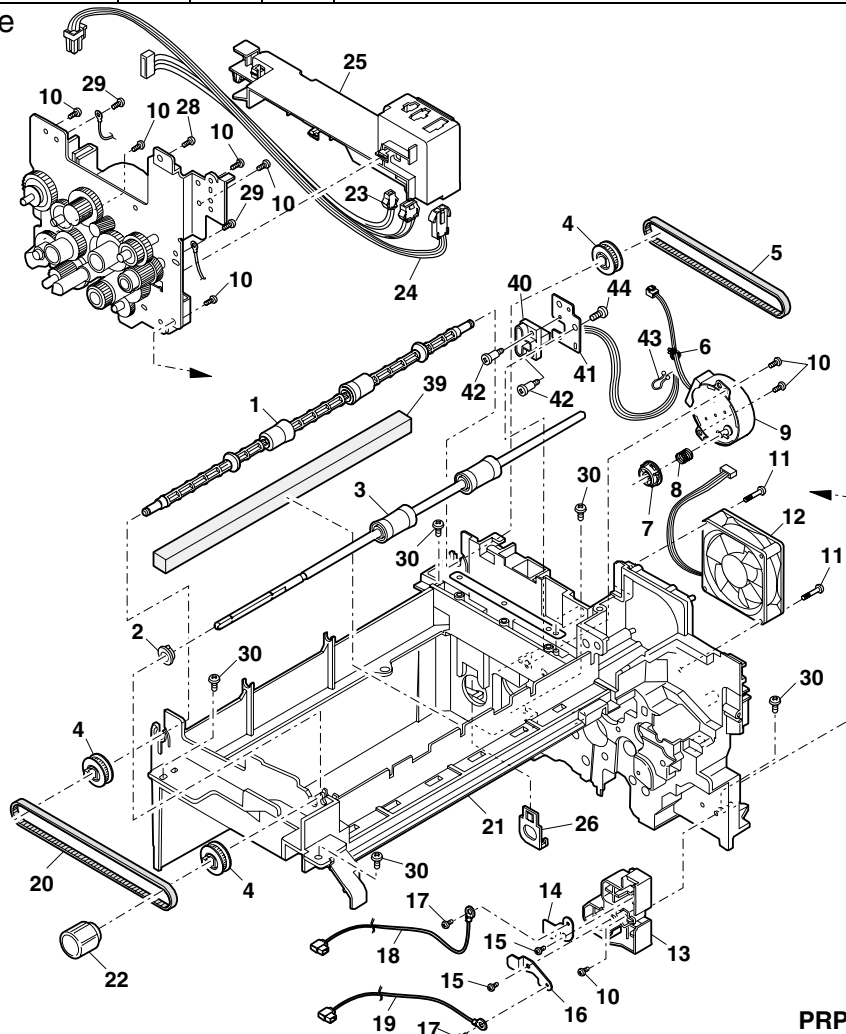


PRP03207

8 Middle frame

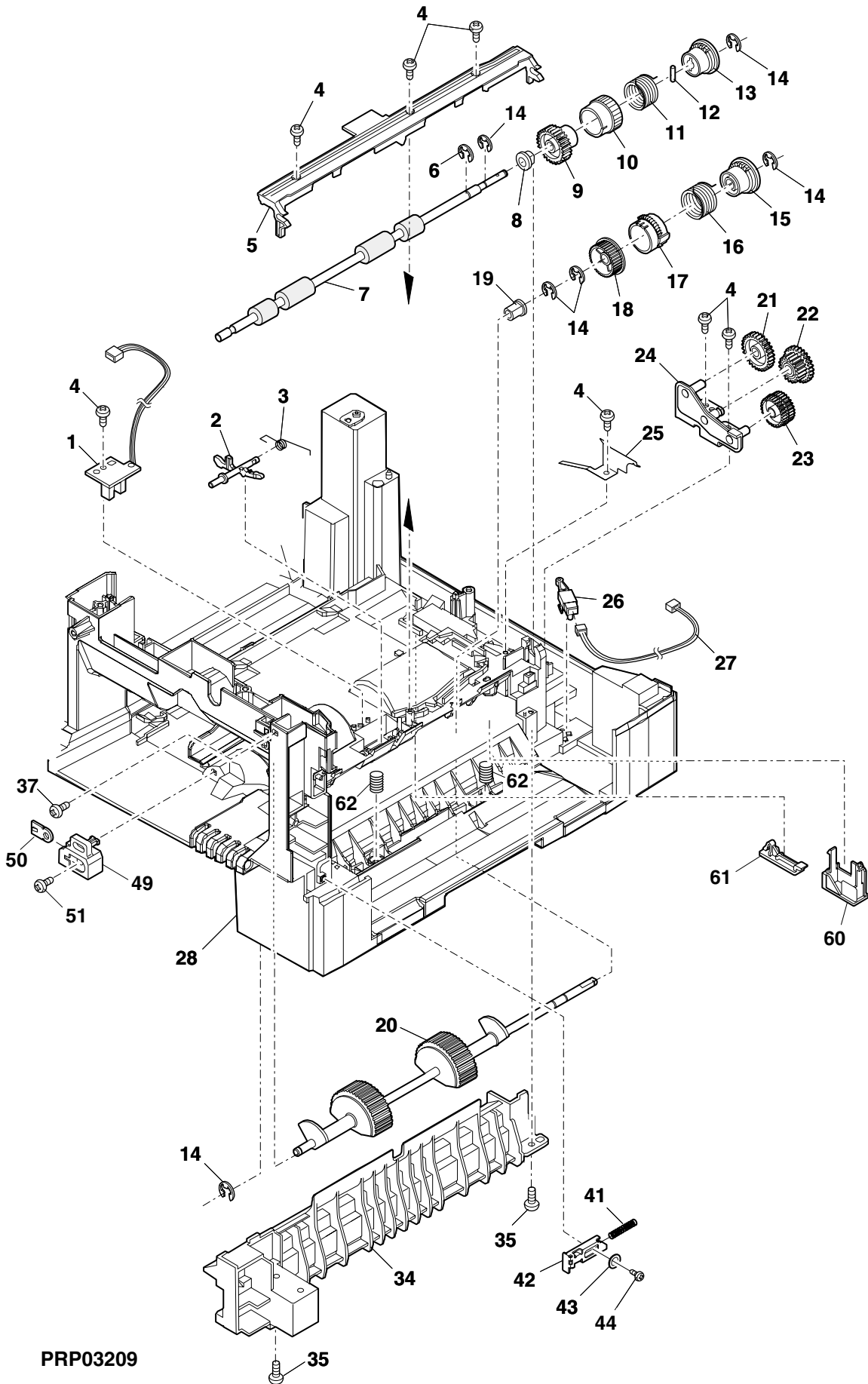
| NO. | PARTS CODE | PRICE RANK | NEW MARK | PART RANK | DESCRIPTION |
|-----|----------------|------------|----------|-----------|--------------------------------|
| 1 | NROLP0007QSZ1 | AQ | | C | Delivery roller lower |
| 2 | NBRGC0579FCZZ | AE | | C | Roller bearing |
| 3 | NROLP0012QSP2 | AL | | C | Delivery trasport roller lower |
| 4 | NPLYZ0001QSZZ | AE | | C | Pulley(22T) |
| 5 | NBLTT0045QSZZ | AH | | B | Delivery roller drive belt |
| 6 | LBNDJ0043FCZZ | AA | | C | Snap band(SG-130) |
| 7 | NCPL-0006QSZZ | AC | | C | Hopper coupling S |
| 8 | MSPRC0330QSZZ | AC | | C | Hopper spring |
| 9 | RMOTD0009QSPZ | AU | | B | Toner motor |
| 10 | XEBS730P10000 | AC | | C | Screw(3x10) |
| 11 | XEBS730P30000 | AC | | C | Screw(3x30) |
| 12 | NFANP0005QSZ2 | AU | | B | Fan |
| 13 | LHLDZ0018QSZZ | AE | | C | TC high voltage holder |
| 14 | QSLP-0006QSZZ | AE | | C | BC HV electrode plate |
| 15 | XEBS730P06000 | AA | | C | Screw(M3x6) |
| 16 | QSLP-0005QSZZ | AE | | C | TC HV electrode plate |
| 17 | XBPSC30P06K00 | AA | | C | Screw(3x6K) |
| 18 | DHAI-0267QSZZ | AG | | C | BC harness |
| 19 | DHAI-0292QSZZ | AF | | C | TC harness |
| 20 | NBLTT0039QSZZ | AE | | B | Belt 308 |
| 21 | LFRM-0035QSZ1 | AV | | D | Middle frame |
| 22 | JKNBZ0001QSZZ | AE | | C | Roller rotation knob |
| 23 | DHAI-0287QSZZ | AF | | C | PPD2 interface harness |
| 24 | DHAI-0276QSZZ | AL | | C | HL harness 1 |
| 25 | PGIDM0009QSZ2 | AG | | C | Harness guide |
| 26 | LPI NS0009QSZZ | AD | | C | DV guide pin |
| 28 | LX-BZ3006SCPS | AA | | C | Screw(3x6) |
| 29 | XBBS730P08000 | AA | | C | Screw(3x8) |
| 30 | XEBS740P12000 | AA | | C | Screw(4x12) |
| 39 | PMLT-0067QSZZ | AC | | C | Cushion |
| 40 | DHAI-0307QSZZ | AT | | C | CRUM2 harness |
| 41 | LPLTM0149QSZZ | AD | | C | Connector fix plate |
| 42 | LX-BZ0020QSPZ | AB | | C | Screw |
| 43 | LHLDW1334FCZZ | AA | | C | Holder |
| 44 | XEBS730P08000 | AC | | C | Screw(3x8) |

8 Middle frame



PRP03208

9 Base plate unit 1

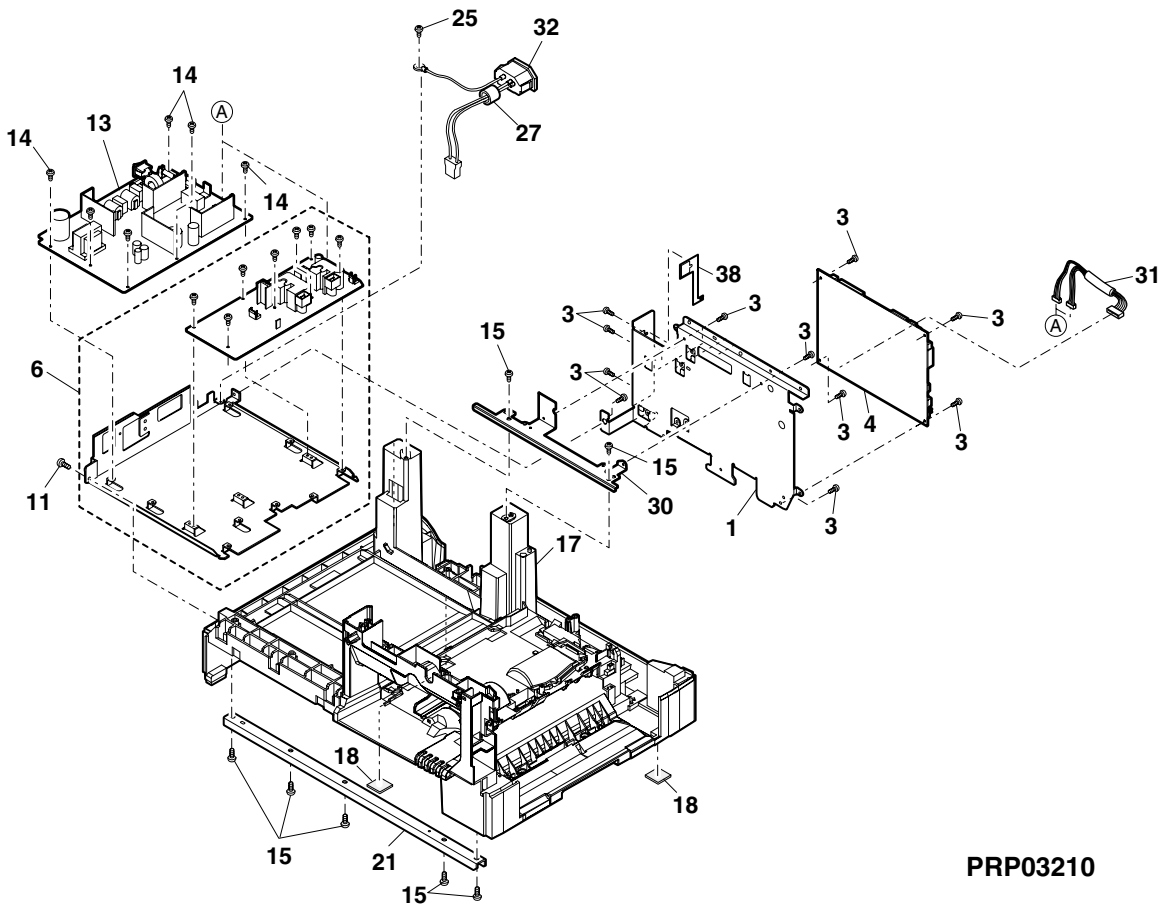


PRP03209

10 Base plate unit 2

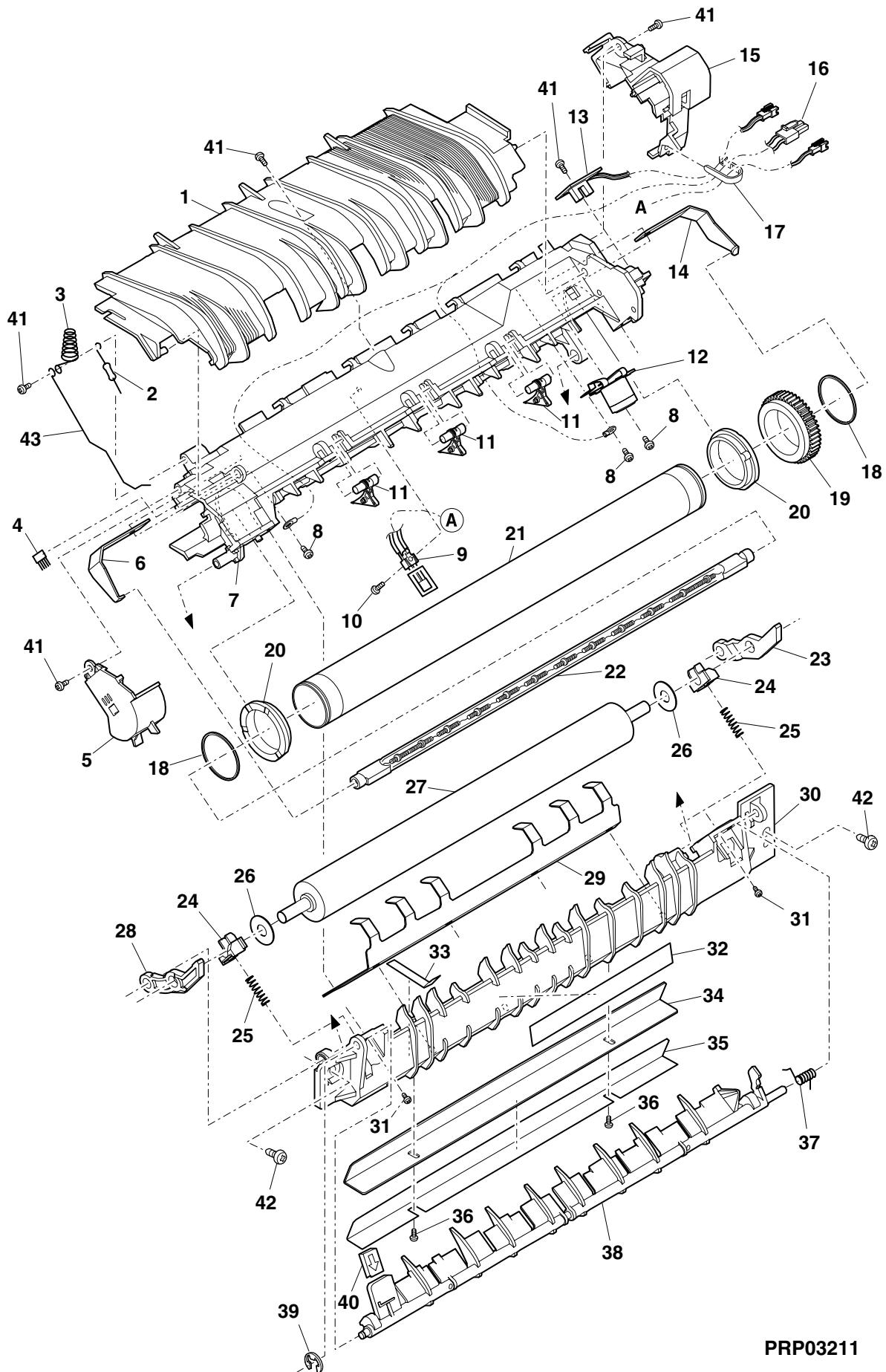
| NO. | PARTS CODE | PRICE RANK | NEW MARK | PART RANK | DESCRIPTION |
|-----|---------------|------------|----------|-----------|-----------------------------------|
| 1 | LHLDZ0092QSZZ | AP | | C | PWB holder JAG |
| 3 | XHBS730P06000 | AC | | C | Screw(3×6) |
| 4 | CPWBX0170QS32 | BX | | E | MCU PWB |
| 6 | RDENC0013QS11 | BG | | E | High voltage PWB |
| 11 | XEBS730P10000 | AC | | C | Screw(3×10) |
| 13 | RDENC0006QS15 | BN | | E | DC power supply PWB (200V Series) |
| 14 | XBBS730P06000 | AC | | C | Screw(3×6) |
| 15 | XEBS740P12000 | AA | | C | Screw(4×12) |
| 17 | GDAi-0001QSJ1 | BE | | D | Base plate |
| 18 | GLEGG0064FCZZ | AC | | C | Rubber foot |
| 21 | LPLTM0020QSZZ | AL | | C | Base plate reinforce plate F |
| 25 | XBPSN40P06K00 | AA | | C | Screw(4×6K) |
| 27 | RCORF0021QSZZ | AK | | C | Core |
| 30 | LFRM-0062QSZ1 | AG | | C | Connector frame |
| 31 | DHAi-0294QSZZ | AK | | C | Center frame harness |
| 32 | DHAi-0305QSZ1 | AL | | C | Inlet interface harness |
| 38 | PSHEZ0405QSZZ | AE | | C | Connector ground sheet |
| | | | | | |
| | | | | | |
| | | | | | |

10 Base plate unit 2



PRP03210

11 Fusing unit

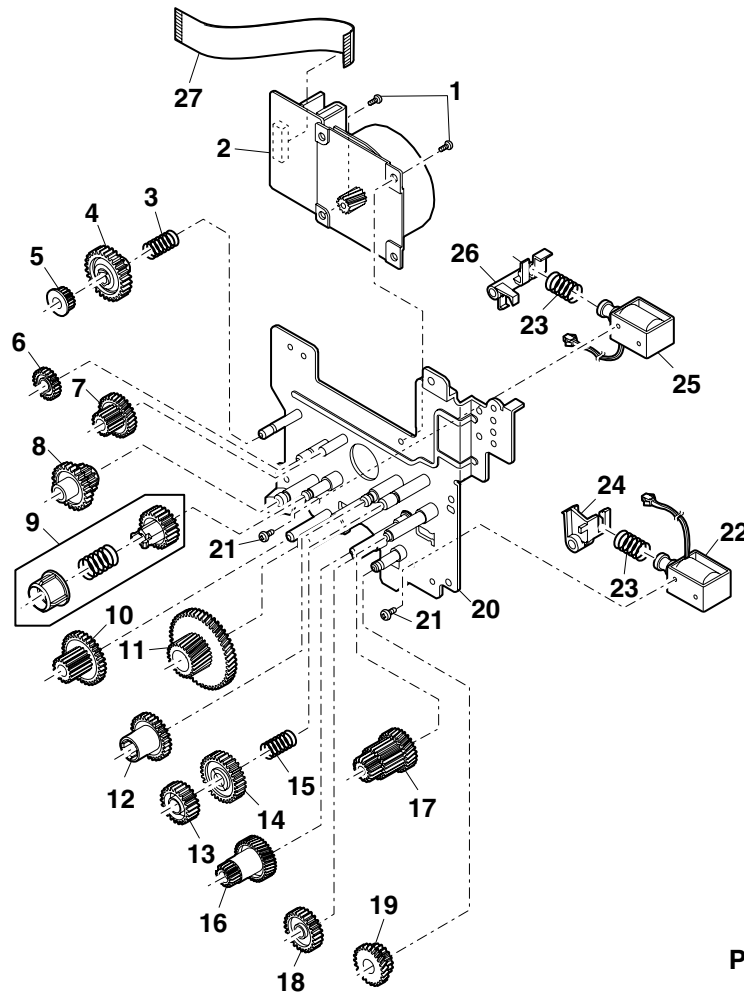


PRP03211

12 Drive unit

| NO. | PARTS CODE | PRICE RANK | NEW MARK | PART RANK | DESCRIPTION |
|-----|---------------|------------|----------|-----------|--------------------------|
| 1 | XBBS740P06000 | AA | | C | Screw(4×6) |
| 2 | RMOTP0044QSPZ | BH | | B | Main motor |
| 3 | MSPRC0053QSZ1 | AC | | C | Pulley spring |
| 4 | NGERH0050QSZZ | AD | | C | Ratchet gear(33T) |
| 5 | NPLYZ0002QSZZ | AC | | C | Pulley(17T) |
| 6 | NGERH0010QSZZ | AD | | C | Gear(28T) |
| 7 | NGERH0009QSZZ | AD | | C | Gear(46/16T) |
| 8 | NGERH0014QSZZ | AD | | C | Gear(30/15T) |
| 9 | CGERH0011RS51 | AE | | E | MG gear unit |
| 10 | NGERH0015QSZZ | AD | | C | Gear(37/15T) |
| 11 | NGERH0007QSZZ | AH | | C | Gear(68/26T) |
| 12 | NGERH0016QSZZ | AD | | C | Coupling gear(34T) |
| 13 | NGERH0019QSZZ | AD | | C | Ratchet gear(21T) |
| 14 | NGERH0018QSZZ | AC | | C | Ratchet gear(28T) |
| 15 | MSPRC0023QSZ1 | AC | | C | Ratchet spring |
| 16 | NGERH0008QSZ3 | AL | | C | Gear(55/19T) |
| 17 | NGERH0017QSZZ | AD | | C | Gear(33/20/15T) |
| 18 | NGERH0012QSZZ | AE | | C | Gear(20T) |
| 19 | NGERH0013QSZZ | AG | | C | Gear(31/17T) |
| 20 | CPLTM0042QS02 | AY | | C | Main drive plate |
| 21 | XBBS730P04000 | AA | | C | Screw(3×4) |
| 22 | RPLU-0035QSPZ | AL | | B | Solenoid |
| 23 | MSPRC1318FCZ1 | AA | | C | Spring B |
| 24 | PTME-0002QSZZ | AD | | C | PS roller pawl |
| 25 | RPLU-0002QSPZ | AN | | B | Solenoid |
| 26 | PTME-0003QSZ1 | AD | | C | Roller pawl |
| 27 | DHAi-0296QSZZ | AK | | C | Main motor harness |
| | (Unit) | | | | |
| 901 | CPLTM0042RS55 | BM | | E | Drive unit[Except No.27] |
| | | | | | |
| | | | | | |
| | | | | | |

12 Drive unit

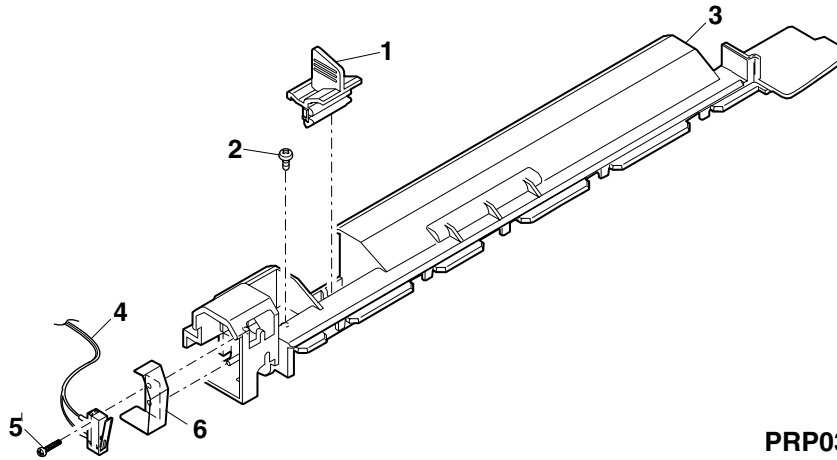


PRP03212

13 Single manual paper feeding cover unit

| NO. | PARTS CODE | PRICE RANK | NEW MARK | PART RANK | DESCRIPTION |
|-----|-------------------------|------------|----------|-----------|------------------------------|
| 1 | CCL EZ 0 0 0 5 RS 5 1 | AQ | | B | Charger cleaner unit |
| 2 | XEB S 7 3 0 P 0 8 0 0 0 | AC | | C | Screw(3×8) |
| 3 | PCOV P 0 0 1 2 QS J 1 | AH | | C | Single upper cover |
| 4 | CSW - M 0 0 1 6 RS 5 1 | AG | | B | Side door detect switch unit |
| 5 | XEPS 7 2 0 P 1 0 0 0 0 | AA | | C | Screw(2×10) |
| 6 | MSP RP 0 1 1 0 QS Z 1 | AD | | C | Door switch spring |
| | | | | | |
| | | | | | |
| | | | | | |

13 Single manual paper feeding cover unit

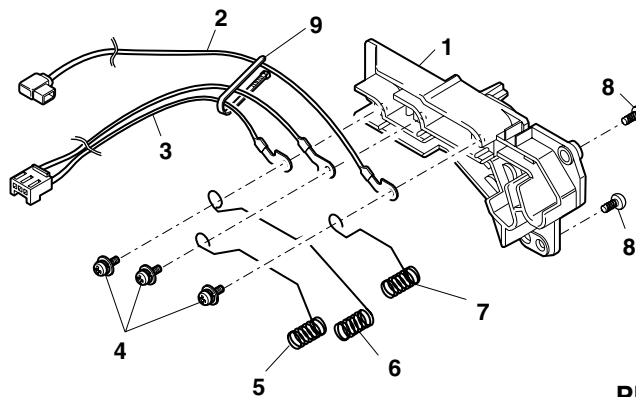


PRP03213

14 Socket holder unit

| NO. | PARTS CODE | PRICE RANK | NEW MARK | PART RANK | DESCRIPTION |
|-----|-------------------------|------------|----------|-----------|----------------------|
| 1 | LHLDZ 0 0 0 9 QSDZ | AG | | C | HV interface holder |
| 2 | CHA i - 0 2 9 8 RS 5 2 | AG | | C | MC harness unit |
| 3 | CHA i - 0 2 7 3 RS 5 1 | AN | | C | GB-MCFB harness unit |
| 4 | XB P SC 3 0 P 0 6 ES 0 | AA | | C | Screw(3×6ES) |
| 5 | MSP RC 0 0 1 7 QS Z 1 | AC | | C | HV terminal spring |
| 6 | MSP RC 0 0 1 8 QS Z 1 | AC | | C | HV terminal spring |
| 7 | MSP RC 0 0 1 6 QS Z 1 | AC | | C | HV terminal spring |
| 8 | XEB S 7 3 0 P 0 8 0 0 0 | AC | | C | Screw(3×8) |
| 9 | LBNDJ 0 0 1 3 FCZ 1 | AE | | C | Wire band |
| | | | | | |
| | | | | | |
| | | | | | |

14 Socket holder unit

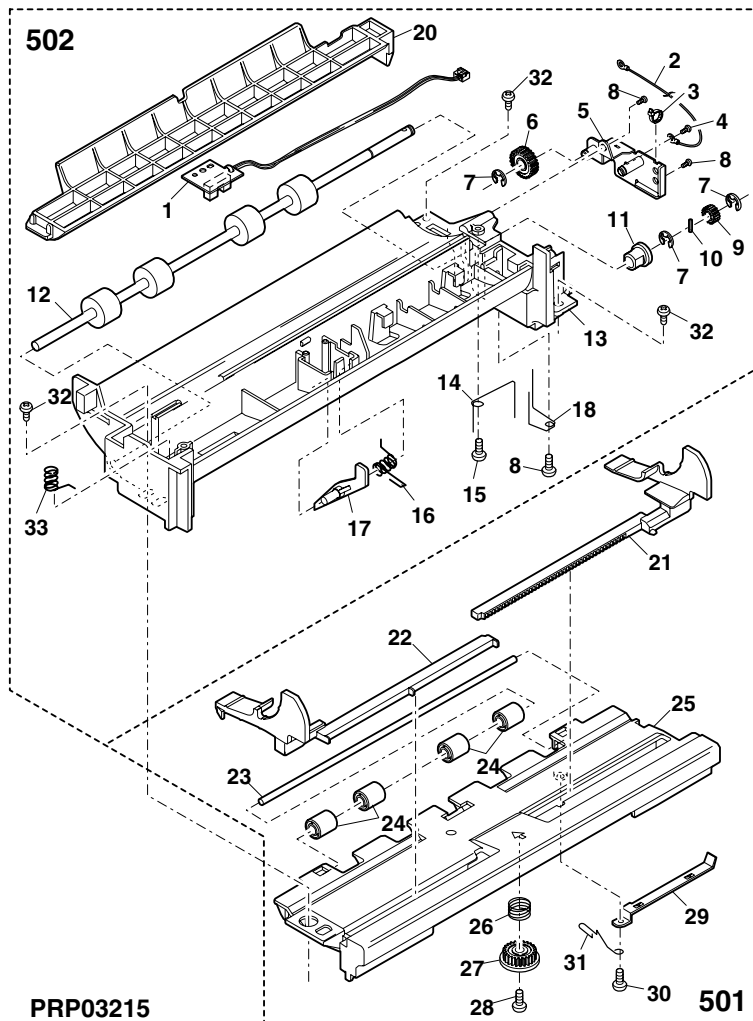


PRP03214

15 Single manual paper feeding unit

| NO. | PARTS CODE | PRICE RANK | NEW MARK | PART RANK | DESCRIPTION |
|-----|---------------|------------|----------|-----------|------------------------------------|
| 1 | CPWBF0147QSF7 | AP | | E | MFD sensor PWB |
| 2 | DHAI-0295QSZZ | AC | | C | Manual feeding earth harness |
| 3 | LBNDJ0013FCZ1 | AE | | C | Wire band |
| 4 | XHBS730P06000 | AC | | C | Screw(3x6) |
| 5 | CPLTM0023QS02 | AF | | C | SB plate 1 |
| 6 | NGERH0972FCZZ | AB | | C | Gear(27T) |
| 7 | XRESP40-06000 | AA | | C | E-ring(E4) |
| 8 | XEBS730P08000 | AC | | C | Screw(3x8) |
| 9 | NGERH0990FCZZ | AB | | C | Gear(16T) |
| 10 | XPSSJ20-07000 | AA | | C | Spring pin(φ2-7) |
| 11 | NBRGP0562FCZZ | AD | | C | Bearing |
| 12 | NRÖLR0016QSZZ | AT | | C | MF transport roller |
| 13 | LFRM-0006QSJZ | AN | | D | Single manual feed frame |
| 14 | MSPRC0039QSZ1 | AC | | C | Earth spring |
| 15 | XEBSD30P06KS0 | AA | | C | Screw(3x6KS) |
| 16 | MSPRC0038QSZ1 | AC | | C | Actuator spring |
| 17 | MLEVP0007QSZZ | AD | | C | Actuator |
| 18 | MSPRC0080QSZZ | AB | | C | SB transport earth spring |
| 20 | PGiDM0014QSJ1 | AF | | C | DUP upper guide |
| 21 | PGiDM0013QSJZ | AF | | C | SB side guide R |
| 22 | PGiDM0012QSJZ | AF | | C | SB side guide F |
| 23 | NSFTZ0007QSPZ | AG | | C | Roller shaft |
| 24 | NRÖLP1122FCZZ | AF | | C | PS upper roller |
| 25 | LFRM-0007QSJZ | AL | | D | Single manual feed lower frame |
| 26 | MSPRC0036QSZ1 | AB | | C | MF spring |
| 27 | NGERH0021QSZZ | AD | | C | Manual feeding gear |
| 28 | XEPS730P06X00 | AA | | C | Screw(3x6X) |
| 29 | MSPRP0079QSZZ | AD | | C | SB earth plate spring |
| 30 | XEBS730P06000 | AA | | C | Screw(3x6) |
| 31 | MSPRD0108QSZZ | AC | | C | SB lower earth spring |
| 32 | XEBS740P12000 | AA | | C | Screw(4x12) |
| 33 | MSPRC0109QSZZ | AC | | C | Spring |
| 501 | CFRM-0007RS54 | AX | | E | SB manual feeding lower frame unit |
| 502 | CFRM-0006RS53 | BB | | E | Single manual paper feeding unit |

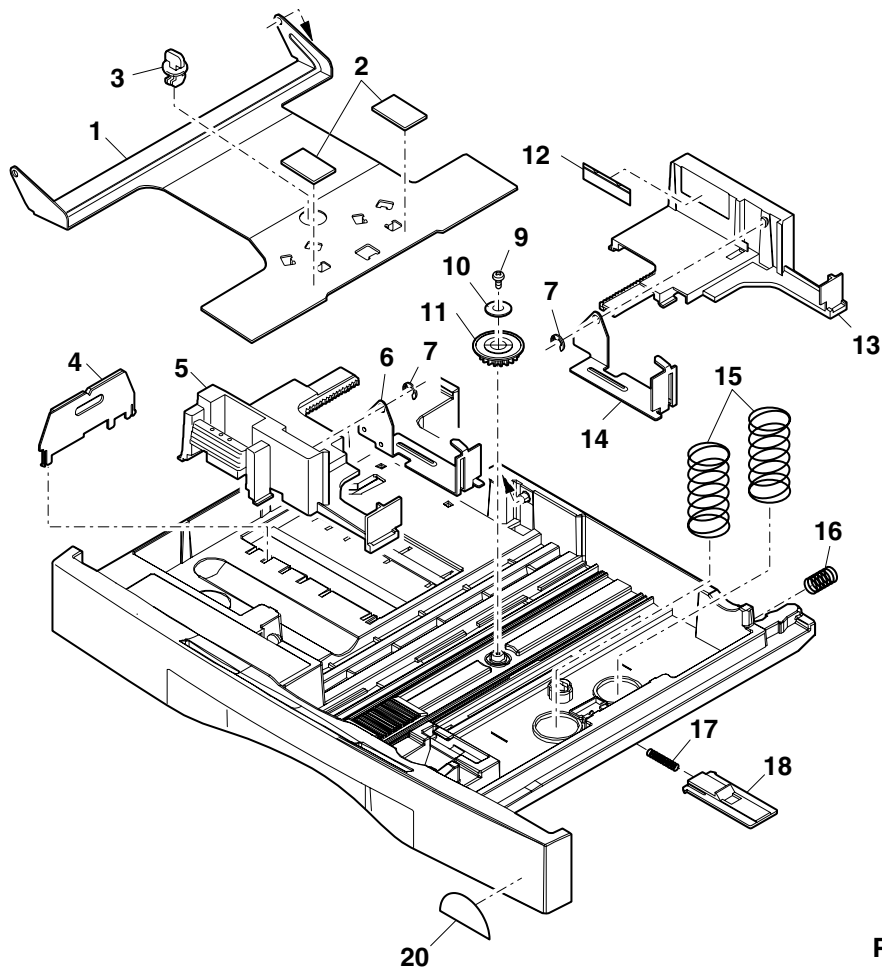
15 Single manual paper feeding unit



16 250 sheets tray

| NO. | PARTS CODE | PRICE RANK | NEW MARK | PART RANK | DESCRIPTION |
|-----|---------------|------------|----------|-----------|------------------------|
| 1 | LPLTM5106FCZZ | AR | | C | Turning plate 250 |
| 2 | PSHEZ4142FCZZ | AC | | C | Rotation plate sheet |
| 3 | LHLDW1226FCZZ | AB | | C | Turn fasner |
| 4 | LPLTM2642FCG2 | AD | | C | Tray rear plate |
| 5 | LPLTP5107FCZ2 | AG | | C | 250 tray side plate F |
| 6 | PTME-0255FCPZ | AG | | C | 250 tray pawl F |
| 7 | XRESP40-06000 | AA | | C | E-ring(E4) |
| 9 | XEBS730P08000 | AC | | C | Screw(3x8) |
| 10 | LX-WZ2028SCPZ | AA | | C | Washer(φ12) |
| 11 | NGERH0193FCZZ | AB | | C | Manual feeding gear |
| 12 | TLABZ3568GHZZ | * | N | D | Indication label |
| 13 | LPLTP5108FCZ2 | AG | | C | 250 tray side plate R |
| 14 | PTME-0256FCPZ | AG | | C | 250 tray pawl R |
| 15 | MSPRC0108QSZZ | AC | | C | 250 tray spring |
| 16 | MSPRC1873FCZ1 | AB | | C | Tray spring |
| 17 | MSPRC1145FCZZ | AA | | C | Stopper spring |
| 18 | LSTPP0161FCZ1 | AB | | C | Rotation plate stopper |
| 20 | TLABZ4047FCZZ | AC | | D | Energy star label |

16 250 sheets tray

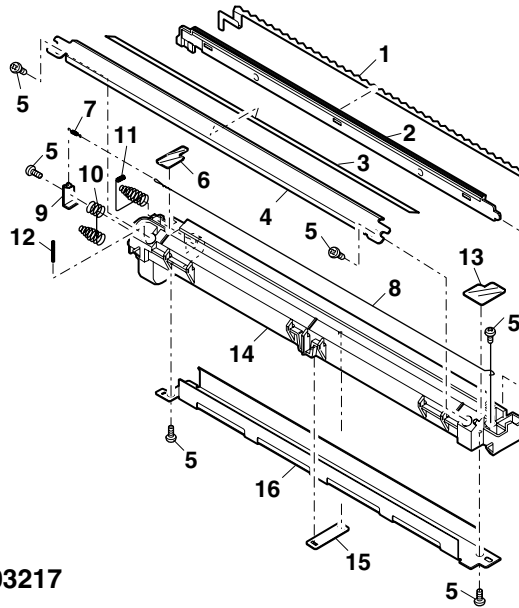


PRP03216

17 TC case unit

| NO. | PARTS CODE | PRICE RANK | NEW MARK | PART RANK | DESCRIPTION |
|-----|---------------|------------|----------|-----------|---------------------------|
| 1 | PSHEZ0018QSZZ | AF | | C | Discharge plate sheet |
| 2 | PGiDM0011QSZZ | AE | | C | Separator guige |
| 3 | PSHEP0019QSZZ | AC | | C | TC sheet |
| 4 | PGiDH0025QSZZ | AG | | C | TC front guide |
| 5 | XEBS730P06000 | AA | | C | Screw(M3x6) |
| 6 | PSHEP0021QSZZ | AA | | C | TC cover sheet R |
| 7 | MSPRT0513FCZ1 | AA | | C | MC tension spring |
| 8 | DWiR-0466CSZZ | BE | | B | Charger wire |
| 9 | QSLP-0007QSZZ | AC | | C | TC electrode plate |
| 10 | MSPRC0027QSZZ | AC | | C | TC electrode spring |
| 11 | MSPRC0028QSZZ | AC | | C | BC electrode spring |
| 12 | MSPRC0051QSZZ | AA | | C | Front guide earth spring |
| 13 | PSHEP0020QSZZ | AB | | C | TC cover sheet F |
| 14 | LHLDZ0010QSZZ | AL | | C | TC holder |
| 15 | LFiX-0004QSZZ | AC | | C | Holer fixing plate |
| 16 | PCASZ0002QSZZ | AL | | D | TC case |
| | (Unit) | | | | |
| 901 | CHLDZ0010RS52 | AU | | E | Transcription holder unit |

17 TC case unit

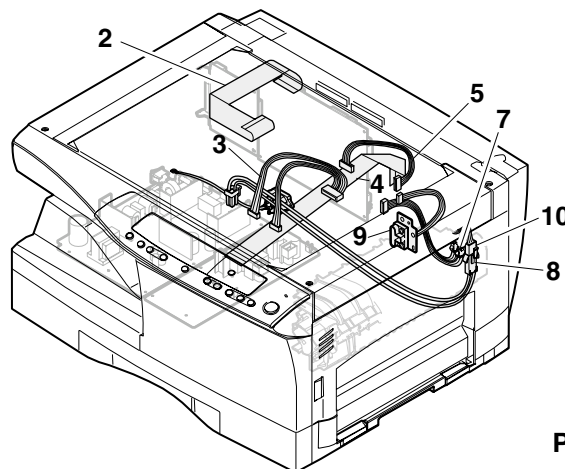


18 Harness

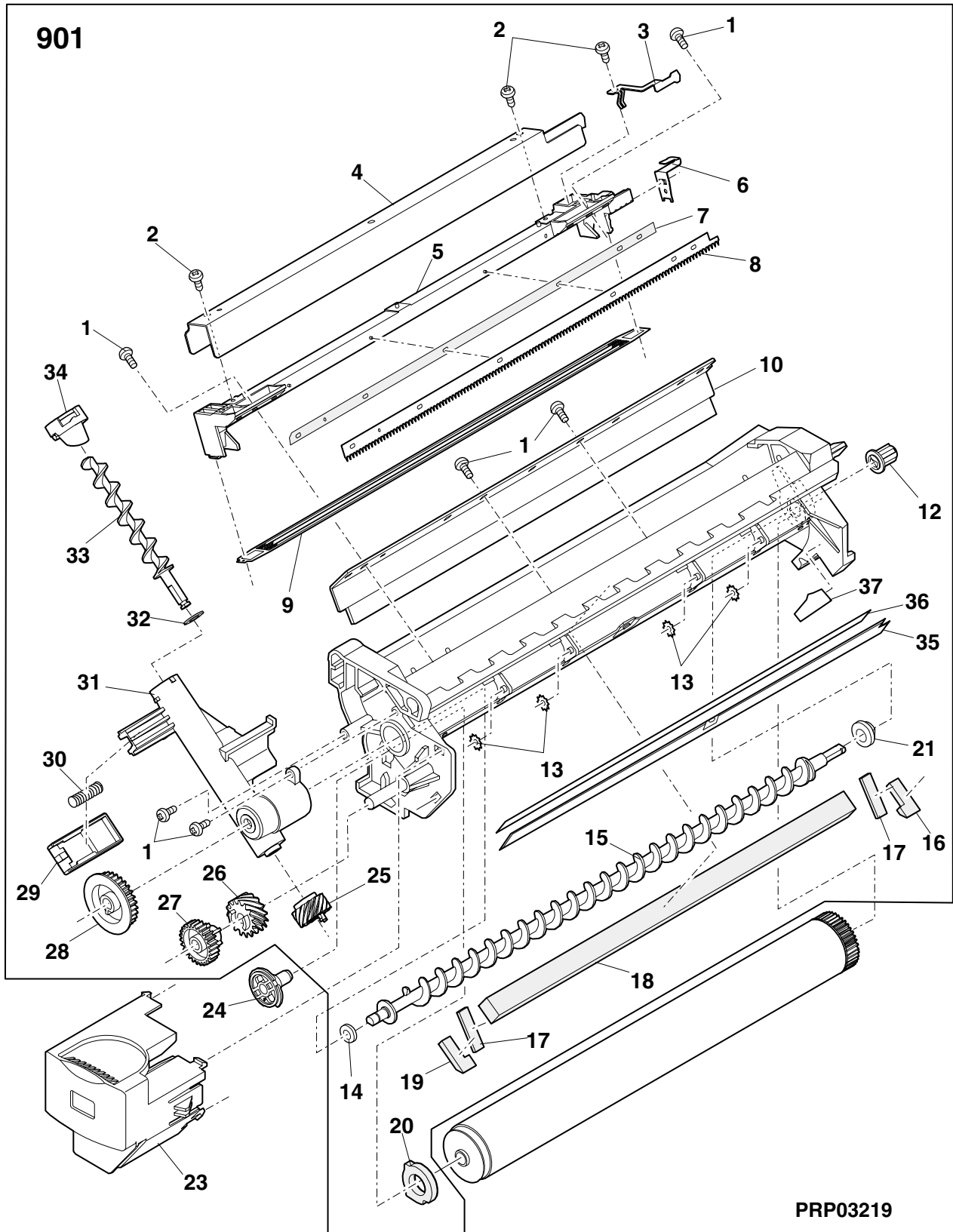
PRP03217

| NO. | PARTS CODE | PRICE RANK | NEW MARK | PART RANK | DESCRIPTION |
|-----|---------------|------------|----------|-----------|----------------------------|
| 2 | DHAi-0268QSZZ | AG | | C | CCD-MCU harness |
| 3 | DHAi-0294QSZZ | AK | | C | Center frame harness |
| 4 | DHAi-0285QSZZ | AK | | C | OP-MCU harness |
| 5 | DHAi-0296QSZZ | AK | | C | Main motor harness |
| 7 | DHAi-0287QSZZ | AF | | C | PPD2 interface harness |
| 8 | DHAi-0276QSZZ | AL | | C | HL harness 1 (200V Series) |
| 9 | DHAi-0307QSZZ | AT | | C | CRUM2 harness |
| 10 | DHAi-0280QSZZ | AH | | C | HL harness 2 (200V Series) |

18 Harness



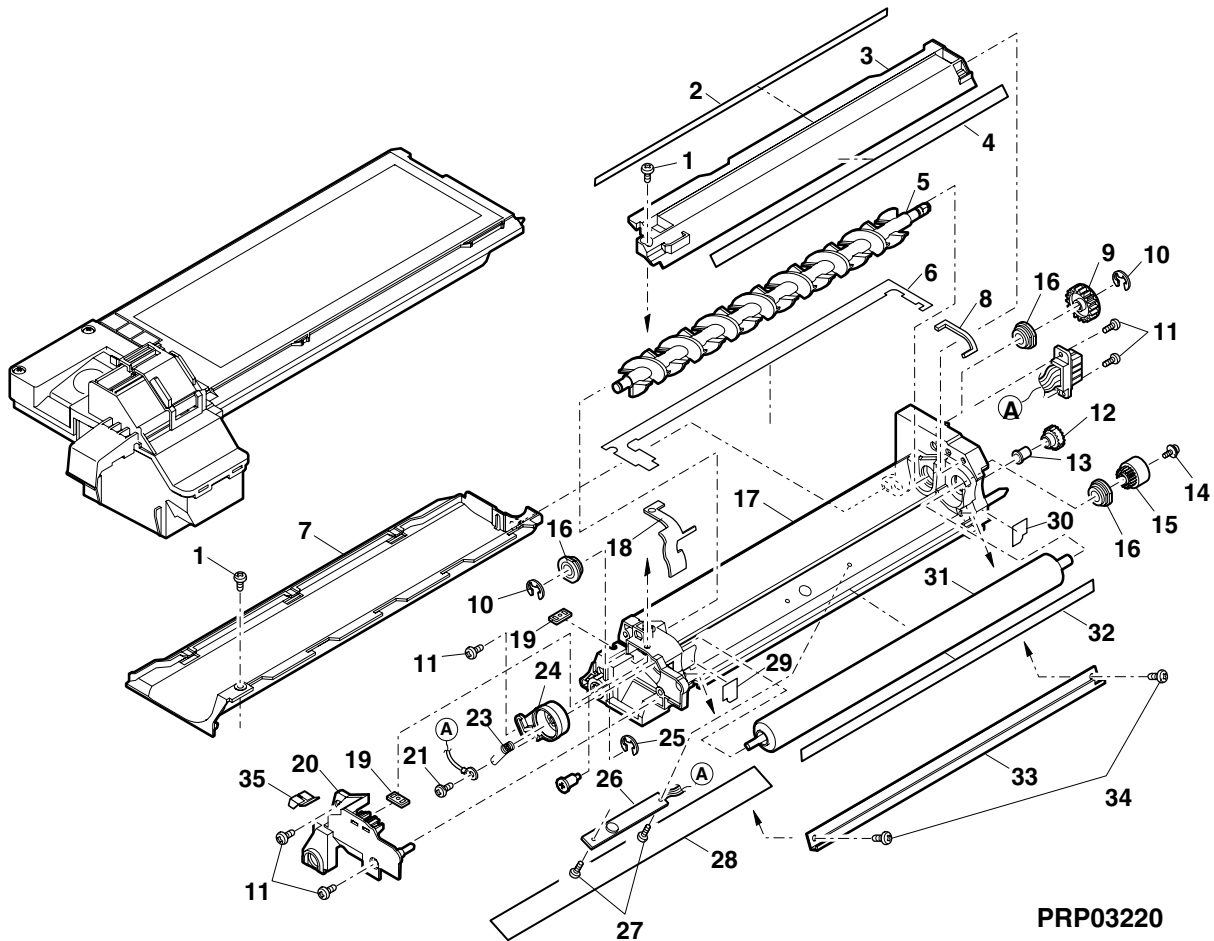
PRP03218



20 DV cartridge unit

| NO. | PARTS CODE | PRICE RANK | NEW MARK | PART RANK | DESCRIPTION |
|-----|---------------|------------|----------|-----------|-------------------|
| 1 | XBBS730P08000 | AA | | C | Screw(3×8) |
| 2 | PSEL-0110QSZZ | AF | | C | DV cover sheet |
| 3 | PCOVP0081QSZZ | AF | | D | DV cover U |
| 4 | UCLEZ0006QS11 | AF | | D | DV blade |
| 5 | NRÖLP0073QSP1 | AN | | C | DMX roller |
| 6 | PSEL-0083QSZ1 | AF | | C | DV seal CN |
| 7 | PGiDM0090QSZZ | AH | | C | TN guide D |
| 8 | PSEL-0084QSZ2 | AA | | C | DV seal RN |
| 9 | NGERH0135QSZZ | AD | | C | DMX gear(28T) |
| 10 | XRESP40-06000 | AA | | C | E-ring(E4) |
| 11 | XEBS830P08000 | AA | | C | Screw(3×8) |
| 12 | NGERH0001YSZZ | AD | | C | DV idle gear(20T) |
| 13 | NBRGC0021QSZZ | AD | | C | DID bearing |
| 14 | XBPS730P06KS0 | AB | | C | Screw(3×6K) |
| 15 | NGERH0145QSZ1 | AD | | C | DV gear(18T) |
| 16 | NBRGC0020QSZZ | AH | | C | DMX bearing |
| 17 | PBOX-0012QSZZ | AN | | D | DV BOX |
| 18 | PSEL-0082QSZZ | AC | | C | DV seal FN |
| 19 | LPLTM0194QSZZ | AC | | C | DV fixing plate |
| 20 | PCOVP0082QSZZ | AD | | D | DV cover F |
| 21 | XEBS730P06000 | AA | | C | Screw(3×6) |
| 23 | MSPRK0001YSZZ | AB | | C | Byass spring |
| 24 | LHLDR0081QSZZ | AC | | C | MG holder |
| 25 | XRESP50-06000 | AA | | C | E-ring(E5) |
| 26 | RDTCT0003QSZZ | AZ | | B | ATC sensor |
| 27 | XUBUZ30P06000 | AA | | C | Screw(3×6) |
| 28 | PSEL-0080QSZ1 | AD | | C | DV seal A |
| 29 | PSHEZ0029QS11 | AC | | C | Side sheet FN |
| 30 | PSEL-0096QSZZ | AA | | C | DV side seal RN |
| 31 | NRÖLM0125QSZZ | AZ | | C | MG roller |
| 32 | PMLT-0008QSZZ | AC | | C | DVC cushion |
| 33 | LPLTM0003YSZZ | AK | | C | DV doctor N |
| 34 | XUBUZ30P08000 | AA | | C | Screw(3×8) |
| 35 | PBRSR0029QSZZ | AF | | B | Brush |
| | (Unit) | | | | |
| 901 | DUNT-0221RS12 | BN | | E | DV unit |

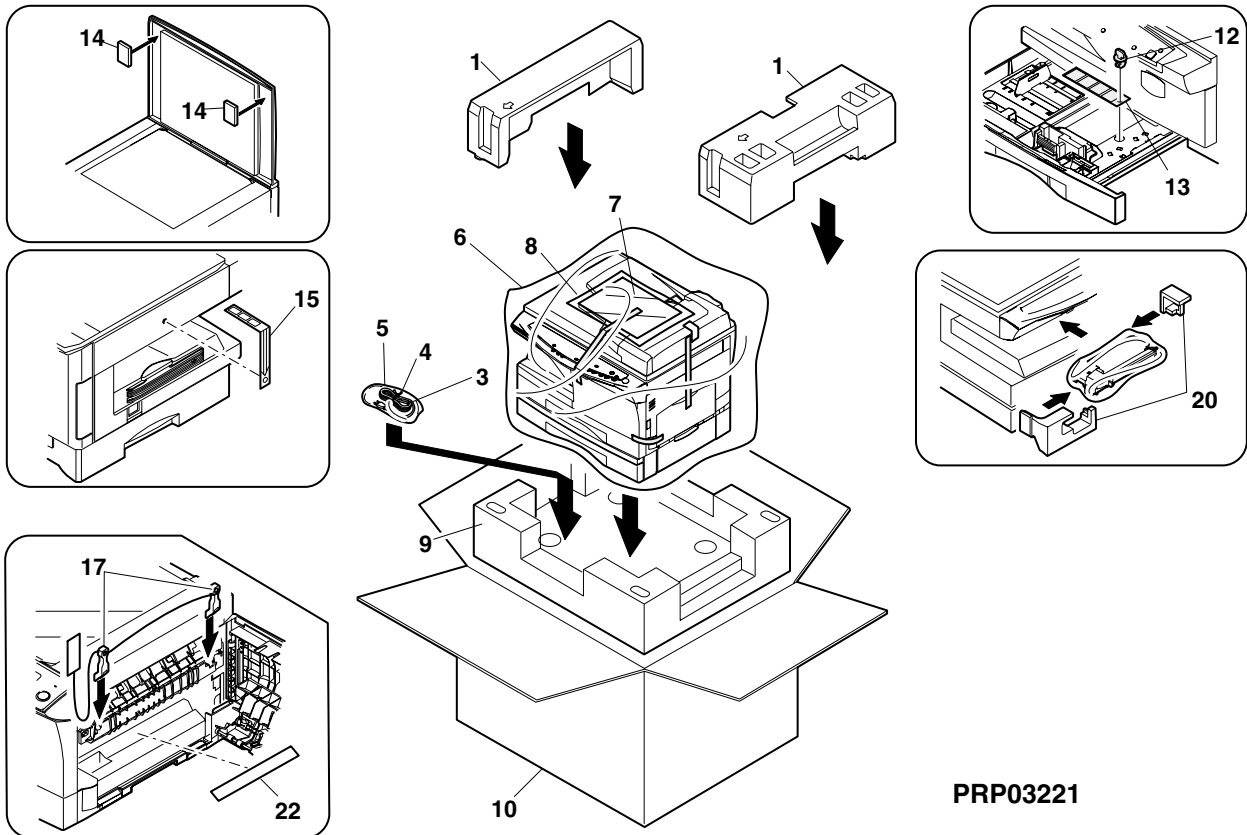
20 DV cartridge unit



21 Packing material & accessories

| NO. | PARTS CODE | PRICE RANK | NEW MARK | PART RANK | DESCRIPTION |
|-----|------------------------|------------|----------|-----------|------------------------|
| 1 | SPA KA 0 4 0 8 Q S Z Z | AN | | D | Top packing OC |
| 3 | QAC CV 6 6 2 1 JHPZ | * | N | B | AC cord |
| 4 | LBND C 0 0 7 5 FCZZ | AB | | C | AC cable band |
| 5 | SSAKA 5 0 0 3 CCZZ | AA | | D | Vinyl bag(140x260mm) |
| 6 | SSAKZ 0 0 0 2 QSZZ | AF | | D | Body vinyl bag |
| 7 | TINSZ 1 5 0 4 TSZZ | * | N | D | Operation manual |
| | TCADZ 0 0 4 9 QSZZ | AH | | D | Installation card |
| | TCADZ 6 0 4 4 GHZZ | * | N | D | WEEE manual |
| 8 | SSAKA 2 3 4 7 QCZZ | AB | | D | Vinyl bag(240x300mm) |
| 9 | SPA KA 0 4 0 5 QSZZ | AN | | D | Bottom packing |
| 10 | SPA KC 0 4 0 2 TS 4 3 | * | N | D | Packing case |
| 12 | LHLDW 1 2 2 6 FCZZ | AB | | C | Turn fasner |
| 13 | TTAG- 0 0 0 2 QSZZ | AB | | D | Tray rotation tag |
| 14 | SPA KA 0 0 5 1 RSZZ | AC | | D | OC packing |
| 15 | TTAG- 0 0 0 6 QSZ 1 | AD | | D | Scanner fixing tag JAG |
| 17 | CLEVP 0 0 1 6 QS 0 2 | AF | | C | Pressure block lever |
| 20 | SPA KA 0 4 1 1 QSZZ | AE | | D | Accessories Add A |
| 22 | TCAUH 0 0 0 7 TSZZ | * | N | D | Laser caution label |
| | | | | | |
| | | | | | |
| | | | | | |

21 Packing material & accessories



PRP03221

■ Index

| PARTS CODE | NO. | PRICE RANK | NEW MARK | PART RANK | |
|---------------|--------|------------|----------|-----------|--|
| [C] | | | | | |
| CBTN-0019QS02 | 3- 2 | AF | | C | |
| CBTN-0050QS02 | 3- 5 | AF | | C | |
| CCAB-0003QS23 | 1- 1 | AS | | D | |
| CCLEZ0005RS51 | 13- 1 | AQ | | B | |
| CCOVH0004RS54 | 2-901 | BF | | E | |
| CDRM-0002RS7B | 19-901 | BK | | E | |
| CFiX-0021QS11 | 1- 13 | AH | | D | |
| CFRM-0006RS53 | 15-502 | BB | | E | |
| CFRM-0007RS54 | 15-501 | AX | | E | |
| CGERH0011RS51 | 12- 9 | AE | | E | |
| CGERH0162QS01 | 5- 1 | AN | | C | |
| CHAi-0273RS51 | 14- 3 | AN | | C | |
| CHAi-0298RS52 | 14- 2 | AG | | C | |
| CHLDZ0010RS52 | 17-901 | AU | | E | |
| /" | 4- 18 | AU | | E | |
| CLEVP0016QS02 | 21- 17 | AF | | C | |
| CPLTM0023QS02 | 15- 5 | AF | | C | |
| CPLTM0024QS01 | 9- 24 | AG | | C | |
| CPLTM0042QS02 | 12- 20 | AY | | C | |
| CPLTM0042RS55 | 12-901 | BM | | E | |
| CPLTM0288QS01 | 5- 2 | BC | | C | |
| CPLTM0291QS01 | 5- 3 | AG | | C | |
| CPLTM0294QS01 | 5- 4 | AK | | C | |
| CPLYZ0028QS01 | 5- 5 | AM | | C | |
| CPWBF0113QSJ7 | 3- 8 | BB | | E | |
| CPWBF0147QSF4 | 7- 4 | AL | | E | |
| CPWBF0147QSF5 | 9- 1 | AL | | E | |
| CPWBF0147QSF6 | 11- 13 | AL | | E | |
| CPWBF0147QSF7 | 15- 1 | AP | | E | |
| CPWBX0170QS32 | 10- 4 | BX | | E | |
| CROLP0015QS02 | 9- 20 | AT | | C | |
| CSW-M0016RS51 | 13- 4 | AG | | B | |
| CTHM-0019DS52 | 11- 12 | AT | | E | |
| CTME-0034QS01 | 11- 11 | AF | | C | |
| [D] | | | | | |
| DHAi-0267QSZZ | 8- 18 | AG | | C | |
| DHAi-0268QSZZ | 18- 2 | AG | | C | |
| /" | 5- 40 | AG | | C | |
| DHAi-0269QSZZ | 9- 27 | AD | | C | |
| DHAi-0276QSZZ | 18- 8 | AL | | C | |
| /" | 8- 24 | AL | | C | |
| DHAi-0280QSZZ | 11- 16 | AH | | C | |
| /" | 18- 10 | AH | | C | |
| DHAi-0282QSZZ | 6- 2 | AG | | C | |
| /" | 7- 14 | AG | | C | |
| DHAi-0285QSZZ | 1- 7 | AK | | C | |
| /" | 18- 4 | AK | | C | |
| /" | 7- 10 | AK | | C | |
| DHAi-0287QSZZ | 18- 7 | AF | | C | |
| /" | 8- 23 | AF | | C | |
| DHAi-0291QSZZ | 4- 12 | AC | | C | |
| DHAi-0292QSZZ | 8- 19 | AF | | C | |
| DHAi-0294QSZZ | 10- 31 | AK | | C | |
| /" | 18- 3 | AK | | C | |
| DHAi-0295QSZZ | 15- 2 | AC | | C | |
| DHAi-0296QSZZ | 12- 27 | AK | | C | |
| /" | 18- 5 | AK | | C | |
| DHAi-0305QSZZ | 10- 32 | AL | | C | |
| DHAi-0307QSZZ | 18- 9 | AT | | C | |
| /" | 8- 40 | AT | | C | |
| DUNT-0221RS12 | 20-901 | BN | | E | |
| DUNT-0404QSZZ | 5- 6 | BU | | E | |
| DUNT0013QS17 | 6- 4 | BS | | E | |
| DUNT0285RS12 | 11-901 | BS | | E | |
| DWiR-0466CSZZ | 17- 8 | BE | | B | |
| [G] | | | | | |
| GCAB-0004QSJ1 | 1- 18 | AX | | D | |
| GCAB-0007QSJ2 | 4- 1 | AU | | D | |
| GCAB-0061QSZ1 | 1- 10 | AK | | D | |
| GCAB-0062QSZ3 | 1- 17 | AL | | D | |
| GCAB-0063QSZZ | 3- 10 | AT | | D | |
| GCAB-0064QSZZ | 3- 12 | AN | | D | |
| GCOV-0045QSZ7 | 1- 12 | AK | | D | |
| GCOVH0003QSJZ | 2- 1 | AL | | D | |
| GCOVH0004QSJ1 | 2- 2 | AX | | D | |
| GDAi-0001QSJ1 | 10- 17 | BE | | D | |
| /" | 9- 28 | BE | | D | |
| GLEGG0064FCZZ | 10- 18 | AC | | C | |

| PARTS CODE | NO. | PRICE RANK | NEW MARK | PART RANK | |
|----------------|--------|------------|----------|-----------|--|
| [J] | | | | | |
| JBTN-0005QSZZ | 3- 4 | AC | | C | |
| JBTN-0020QSZZ | 3- 3 | AC | | C | |
| JBTN-0049QSZZ | 3- 6 | AF | | C | |
| JKNBZ0001QSZZ | 8- 22 | AE | | C | |
| [L] | | | | | |
| LBND00075FCZZ | 21- 4 | AB | | C | |
| LBNDJ0013FCZ1 | 11- 17 | AE | | C | |
| /" | 14- 9 | AE | | C | |
| /" | 15- 3 | AE | | C | |
| /" | 6- 3 | AE | | C | |
| LBNDJ0043FCZZ | 8- 6 | AA | | C | |
| LBOSZ1031FCZZ | 9- 15 | AC | | C | |
| LBOSZ1851FCZZ | 9- 13 | AC | | C | |
| LFiX-0004QSZZ | 17- 15 | AC | | C | |
| LFRM-0003QSJ3 | 4- 9 | AN | | D | |
| LFRM-0004QSZ1 | 11- 7 | AR | | D | |
| LFRM-0005QSZZ | 11- 30 | AM | | D | |
| LFRM-0006QSJZ | 15- 13 | AN | | D | |
| LFRM-0007QSJ2 | 15- 25 | AL | | D | |
| LFRM-0035QSZ1 | 8- 21 | AV | | D | |
| LFRM-0062QSZ1 | 10- 30 | AG | | C | |
| LHLD00081QSZZ | 20- 24 | AC | | C | |
| LHLDW1226FCZZ | 16- 3 | AB | | C | |
| /" | 21- 12 | AB | | C | |
| LHLDW1334FCZZ | 8- 43 | AA | | C | |
| LHLDZ0009QSDZ | 14- 1 | AG | | C | |
| LHLDZ0010QSZ1 | 17- 14 | AL | | C | |
| LHLDZ0016QSZZ | 19- 5 | AM | | C | |
| LHLDZ0018QSZZ | 8- 13 | AE | | C | |
| LHLDZ0080QSZZ | 9- 49 | AC | | C | |
| LHLDZ0092QSZZ | 10- 1 | AP | | C | |
| LHLDZ0093QSZZ | 5- 7 | AC | | C | |
| LPI NS0009QSZZ | 8- 26 | AD | | C | |
| LPLTM0003YSZZ | 20- 33 | AK | | C | |
| LPLTM0016QSZZ | 9- 42 | AE | | C | |
| LPLTM0020QSZZ | 10- 21 | AL | | C | |
| LPLTM0022QSZ4 | 11- 29 | AG | | C | |
| LPLTM0033QSZ1 | 19- 8 | AF | | C | |
| LPLTM0034QSZ1 | 19- 9 | AE | | C | |
| LPLTM0043QSZZ | 4- 5 | AD | | C | |
| LPLTM0046QSZZ | 9- 25 | AE | | C | |
| LPLTM0149QSZZ | 8- 41 | AD | | C | |
| LPLTM0194QSZZ | 20- 19 | AC | | C | |
| LPLTM2642FCG2 | 16- 4 | AD | | C | |
| LPLTM5106FCZZ | 16- 1 | AR | | C | |
| LPLTM6022FCZZ | 9- 50 | AC | | C | |
| LPLTP0009QSZZ | 11- 38 | AS | | C | |
| LPLTP0010QSZZ | 19- 24 | AD | | C | |
| LPLTP5107FCZ2 | 16- 5 | AG | | C | |
| LPLTP5108FCZ2 | 16- 13 | AG | | C | |
| LRALP0001QSJ2 | 9- 34 | AM | | C | |
| LSOU-0001QSJZ | 1- 2 | AY | | D | |
| LSOU-0008QSJZ | 1- 4 | AH | | D | |
| LSTPF0013QSZZ | 5- 8 | AC | | C | |
| LSTPP0116FCZZ | 11- 18 | AA | | C | |
| LSTPP0161FCZ1 | 16- 18 | AB | | C | |
| LX-BZ0010QSPZ | 11- 8 | AB | | C | |
| LX-BZ0011QSPZ | 11- 42 | AB | | C | |
| LX-BZ0020QSPZ | 8- 42 | AB | | C | |
| LX-BZ0033QSPZ | 5- 9 | AB | | C | |
| LX-BZ0735FCPZ | 11- 36 | AA | | C | |
| LX-BZ3006SCPS | 8- 28 | AA | | C | |
| LX-WZ0023FCPZ | 9- 43 | AA | | C | |
| LX-WZ0313FCPZ | 11- 26 | AA | | C | |
| LX-WZ0329FCPZ | 19- 13 | AB | | C | |
| LX-WZ2028SCPZ | 16- 10 | AA | | C | |
| [M] | | | | | |
| MLEVP0005QSZZ | 7- 5 | AC | | C | |
| MLEVP0006QSZZ | 9- 2 | AD | | C | |
| MLEVP0007QSZZ | 15- 17 | AD | | C | |
| MLEVP0014QSZZ | 11- 28 | AF | | C | |
| MLEVP0015QSZZ | 11- 23 | AF | | C | |
| MLOKZ0004QSZ1 | 5- 10 | AD | | C | |
| MSPRC0016QSZ1 | 14- 7 | AC | | C | |
| MSPRC0017QSZ1 | 14- 5 | AC | | C | |
| MSPRC0018QSZ1 | 14- 6 | AC | | C | |
| MSPRC0021QSZZ | 7- 7 | AB | | C | |
| MSPRC0023QSZ1 | 12- 15 | AC | | C | |
| MSPRC0026QSZ1 | 9- 3 | AB | | C | |
| MSPRC0027QSZZ | 17- 10 | AC | | C | |

| PARTS CODE | NO. | PRICE RANK | NEW MARK | PART RANK |
|---------------|--------|------------|----------|-----------|
| MSPRC0028QSZZ | 17- 11 | AC | | C |
| MSPRC0030QSZZ | 4- 14 | AC | | C |
| MSPRC0031QSZZ | 4- 13 | AB | | C |
| MSPRC0032QSZZ | 4- 11 | AB | | C |
| MSPRC0036QSZ1 | 15- 26 | AB | | C |
| MSPRC0037QSZZ | 9- 62 | AB | | C |
| MSPRC0038QSZ1 | 15- 16 | AC | | C |
| MSPRC0039QSZ1 | 15- 14 | AC | | C |
| MSPRC0045QSZ1 | 19- 30 | AC | | C |
| MSPRC0051QSZ1 | 17- 12 | AA | | C |
| MSPRC0053QSZ1 | 12- 3 | AC | | C |
| MSPRC0055QSZZ | 11- 25 | AC | | C |
| MSPRC0077QSZ1 | 9- 41 | AB | | C |
| MSPRC0080QSZZ | 15- 18 | AB | | C |
| MSPRC0108QSZZ | 16- 15 | AC | | C |
| MSPRC0109QSZZ | 15- 33 | AC | | C |
| MSPRC0161QSZZ | 9- 16 | AF | | C |
| MSPRC0330QSZZ | 8- 8 | AC | | C |
| MSPRC1145FCZZ | 16- 17 | AA | | C |
| MSPRC1316FCZ1 | 9- 11 | AE | | C |
| MSPRC1318FCZ1 | 12- 23 | AA | | C |
| MSPRC1873FCZ1 | 16- 16 | AB | | C |
| MSPRD0076QSZ1 | 4- 6 | AD | | C |
| MSPRD0108QSZZ | 15- 31 | AC | | C |
| MSPRD0281QSZZ | 7- 9 | AD | | C |
| MSPRD0335QSZZ | 11- 3 | AD | | C |
| MSPRD0336QSZZ | 11- 43 | AD | | C |
| MSPRK0001YSZZ | 20- 23 | AB | | C |
| MSPRP0033QSZZ | 11- 6 | AD | | C |
| MSPRP0034QSZZ | 11- 14 | AE | | C |
| MSPRP0079QSZZ | 15- 29 | AD | | C |
| MSPRP0110QSZ1 | 13- 6 | AD | | C |
| MSPRT0019QSZ1 | 6- 5 | AB | | C |
| MSPRT0020QSZ1 | 7- 2 | AB | | C |
| MSPRT0029QSZZ | 4- 3 | AC | | C |
| MSPRT0054QSZ1 | 11- 37 | AB | | C |
| MSPRT0283QSZZ | 5- 11 | AC | | C |
| MSPRT0284QSZZ | 5- 12 | AC | | C |
| MSPRT0513FCZ1 | 17- 7 | AA | | C |
| [N] | | | | |
| NBLTT0030QSZ1 | 5- 13 | AH | | B |
| NBLTT0031QSZ1 | 5- 14 | AF | | B |
| NBLTT0039QSZZ | 8- 20 | AE | | B |
| NBLTT0045QSZZ | 8- 5 | AH | | B |
| NBRGC0020QSZZ | 20- 16 | AH | | C |
| NBRGC0021QSZZ | 20- 13 | AD | | C |
| NBRGC0100FCZ1 | 9- 8 | AC | | C |
| NBRGC0579FCZZ | 8- 2 | AE | | C |
| NBRGP0260FCZ1 | 11- 24 | AD | | C |
| NBRGP0299FCPZ | 19- 21 | AD | | C |
| NBRGP0562FCZZ | 15- 11 | AD | | C |
| " | 9- 19 | AD | | C |
| NBRGP0567FCZZ | 11- 20 | AG | | C |
| NCPL-0003QSZ1 | 19- 12 | AC | | C |
| NCPL-0006QSZZ | 8- 7 | AC | | C |
| NFANP0005QSZZ | 8- 12 | AU | | B |
| NGERH0001YSZZ | 20- 12 | AD | | C |
| NGERH0007QSZZ | 12- 11 | AH | | C |
| NGERH0008QSZ3 | 12- 16 | AL | | C |
| NGERH0009QSZZ | 12- 7 | AD | | C |
| NGERH0010QSZZ | 12- 6 | AD | | C |
| NGERH0012QSZZ | 12- 18 | AE | | C |
| NGERH0013QSZZ | 12- 19 | AG | | C |
| NGERH0014QSZZ | 12- 8 | AD | | C |
| NGERH0015QSZZ | 12- 10 | AD | | C |
| NGERH0016QSZZ | 12- 12 | AD | | C |
| NGERH0017QSZZ | 12- 17 | AD | | C |
| NGERH0018QSZZ | 12- 14 | AC | | C |
| NGERH0019QSZZ | 12- 13 | AD | | C |
| NGERH0020QSZZ | 9- 9 | AG | | C |
| NGERH0021QSZZ | 15- 27 | AD | | C |
| NGERH0022QSZZ | 9- 21 | AC | | C |
| NGERH0025QSZZ | 9- 23 | AD | | C |
| NGERH0026QSZZ | 9- 22 | AD | | C |
| NGERH0036QSZZ | 19- 28 | AC | | C |
| NGERH0037QSZZ | 19- 27 | AC | | C |
| NGERH0038QSZZ | 19- 26 | AC | | C |
| NGERH0039QSZZ | 19- 25 | AE | | C |
| NGERH0050QSZZ | 12- 4 | AD | | C |
| NGERH0135QSZZ | 20- 9 | AD | | C |
| NGERH0145QSZ1 | 20- 15 | AD | | C |

| PARTS CODE | NO. | PRICE RANK | NEW MARK | PART RANK |
|---------------|--------|------------|----------|-----------|
| NGERH0161QSZZ | 5- 15 | AL | | C |
| NGERH0193FCZZ | 16- 11 | AB | | C |
| NGERH0540FCZ3 | 11- 19 | AD | | C |
| NGERH0972FCZZ | 15- 6 | AB | | C |
| NGERH0990FCZZ | 15- 9 | AB | | C |
| NGERH1132FCZZ | 9- 18 | AH | | C |
| NPLYZ0001QSZZ | 8- 4 | AE | | C |
| NPLYZ0002QSZZ | 12- 5 | AC | | C |
| NRÖLi0014QSZ3 | 11- 21 | BA | | C |
| NRÖLM0125QSZZ | 20- 31 | AZ | | C |
| NRÖLP0007QSZ1 | 8- 1 | AQ | | C |
| NRÖLP0012QSP2 | 8- 3 | AL | | C |
| NRÖLP0046QSZZ | 7- 1 | AC | | C |
| NRÖLP0073QSP1 | 20- 5 | AN | | C |
| NRÖLP1122FCZZ | 15- 24 | AF | | C |
| " | 4- 17 | AF | | C |
| " | 7- 8 | AF | | C |
| NRÖLR0013QSZZ | 9- 7 | AQ | | C |
| NRÖLR0016QSZZ | 15- 12 | AT | | C |
| NRÖLR0028QSZZ | 11- 27 | AZ | | C |
| NSFTZ0003QSZZ | 19- 33 | AD | | C |
| NSFTZ0004QSZZ | 19- 15 | AK | | C |
| NSFTZ0006QSPZ | 4- 15 | AG | | C |
| NSFTZ0007QSPZ | 15- 23 | AG | | C |
| NSFTZ0063QSPZ | 5- 16 | AK | | C |
| [P] | | | | |
| PBOX-0012QSZZ | 20- 17 | AN | | D |
| PBRSR0002QSZ1 | 5- 17 | AH | | B |
| PBRSR0004QSZ1 | 11- 4 | AD | | B |
| PBRSR0029QSZZ | 20- 35 | AF | | B |
| PCAPH0008QSZZ | 19- 34 | AC | | C |
| PCASZ0002QSZZ | 17- 16 | AL | | D |
| PCASZ0004QSZZ | 19- 4 | AK | | C |
| PCÖVP0008QSZZ | 9- 60 | AE | | C |
| PCÖVP0009QSZZ | 9- 61 | AE | | C |
| PCÖVP0010QSZ1 | 11- 5 | AF | | D |
| PCÖVP0011QSZ1 | 11- 15 | AG | | D |
| PCÖVP0012QSJ1 | 13- 3 | AH | | C |
| PCÖVP0018QSZZ | 19- 23 | AG | | C |
| PCÖVP0081QSZZ | 20- 3 | AF | | D |
| PCÖVP0082QSZZ | 20- 20 | AD | | D |
| PCUSS0024QSZZ | 2- 3 | AV | | D |
| PDUK-0005QSZZ | 5- 22 | AD | | C |
| PFLZ0002QSZZ | 1- 21 | AL | | A |
| PGIDH0025QSZ1 | 17- 4 | AG | | C |
| PGIDH0026QSZZ | 11- 34 | AE | | C |
| PGIDM0006QSZ3 | 7- 6 | AM | | C |
| PGIDM0008QSZZ | 4- 4 | AD | | C |
| PGIDM0009QSZZ | 8- 25 | AG | | C |
| PGIDM0010QSZ1 | 9- 5 | AG | | C |
| PGIDM0011QSZZ | 17- 2 | AE | | C |
| PGIDM0012QSJZ | 15- 22 | AF | | C |
| PGIDM0013QSJZ | 15- 21 | AF | | C |
| PGIDM0014QSJ1 | 15- 20 | AF | | C |
| PGIDM0023QSZ3 | 11- 1 | AN | | C |
| PGIDM0090QSZZ | 20- 7 | AH | | C |
| PGIDM0099QSZ1 | 5- 18 | AH | | C |
| PGLSP0007QSZZ | 1- 14 | AV | | B |
| PGSK-0034QSZZ | 1- 28 | AE | | C |
| PGUMS0004QSZZ | 5- 19 | AA | | C |
| PMLT-0008QSZZ | 20- 32 | AC | | C |
| PMLT-0016QSZ1 | 19- 18 | AC | | C |
| PMLT-0017QSZZ | 19- 20 | AC | | C |
| PMLT-0018QSZ1 | 19- 14 | AC | | C |
| PMLT-0024QSZZ | 1- 20 | AC | | C |
| PMLT-0025QSZZ | 19- 37 | AC | | C |
| PMLT-0067QSZZ | 8- 39 | AC | | C |
| PMLT-0068QSZZ | 5- 47 | AC | | C |
| PMLT-0083QSZZ | 19- 17 | AA | | C |
| PPIPP0003QSZZ | 9- 17 | AD | | C |
| PPIPP0004QSZZ | 19- 31 | AH | | C |
| PPIPP0109FCZ1 | 9- 10 | AC | | C |
| PSEL-0021QSZ1 | 19- 19 | AF | | C |
| PSEL-0022QSZ1 | 19- 16 | AF | | C |
| PSEL-0080QSZ1 | 20- 28 | AD | | C |
| PSEL-0082QSZZ | 20- 18 | AC | | C |
| PSEL-0083QSZ1 | 20- 6 | AF | | C |
| PSEL-0084QSZZ | 20- 8 | AA | | C |
| PSEL-0096QSZZ | 20- 30 | AA | | C |
| PSEL-0110QSZZ | 20- 2 | AF | | C |
| PSHEP0019QSZ1 | 17- 3 | AC | | C |

CAUTION FOR BATTERY REPLACEMENT

- (Danish) ADVARSEL !
Lithiumbatteri - Eksplosionsfare ved fejlagtig håndtering.
Udskiftning må kun ske med batteri
af samme fabrikat og type.
Levér det brugte batteri tilbage til leverandoren.
- (English) Caution !
Danger of explosion if battery is incorrectly replaced.
Replace only with the same or equivalent type
recommended by the manufacturer.
Dispose of used batteries according to manufacturer's instructions.
- (Finnish) VAROITUS
Paristo voi räjähtää, jos se on virheellisesti asennettu.
Vaihda paristo ainoastaan laitevalmistajan suosittelemaan
tyyppiin. Hävitä käytetty paristo valmistajan ohjeiden
mukaisesti.
- (French) ATTENTION
Il y a danger d'explosion s'il y a remplacement incorrect
de la batterie. Remplacer uniquement avec une batterie du
même type on d'un type équivalent recommandé par
le constructeur.
Mettre au rebut les batteries usagées conformément aux
instructions du fabricant.
- (Swedish) VARNING
Explosionsfara vid felaktigt batteribyte.
Använd samma batterityp eller en ekvivalent
typ som rekommenderas av apparatillverkaren.
Kassera använt batteri enligt fabrikantens
Instruktion.
- (German) Achtung
Explosionsgefahr bei Verwendung inkorrekt der Batterien.
Als Ersatzbatterien dürfen nur Batterien vom gleichen Typ oder
vom Hersteller empfohlene Batterien verwendet werden.
Entsorgung der gebrauchten Batterien nur nach den vom
Hersteller angegebenen Anweisungen.

CAUTION FOR BATTERY DISPOSAL

(For USA,CANADA)

"BATTERY DISPOSAL"

THIS PRODUCT CONTAINS A LITHIUM PRIMARY
(MANGANESE DIOXIDE) MEMORY BACK-UP BATTERY
THAT MUST BE DISPOSED OF PROPERLY. REMOVE THE
BATTERY FROM THE PRODUCT AND CONTACT YOUR
LOCAL ENVIRONMENTAL AGENCIES FOR INFORMATION
ON RECYCLING AND DISPOSAL OPTIONS.

"TRAITEMENT DES PILES USAGÉES"

CE PRODUIT CONTIENT UNE PILE DE SAUVEGARDE DE
MÉMOIRE LITHIUM PRIMAIRE (DIOXYDE DE MANGANESE)
QUI DOIT ÊTRE TRAITÉE CORRECTEMENT. ENLEVEZ LA
PILE DU PRODUIT ET PRENEZ CONTACT AVEC VOTRE
AGENCE ENVIRONNEMENTALE LOCALE POUR DES
INFORMATIONS SUR LES MÉTHODES DE RECYCLAGE ET
DE TRAITEMENT.

SHARP

COPYRIGHT © 2006 BY SHARP CORPORATION

All rights reserved.

Printed in Japan.

No part of this publication may be reproduced,
stored in a retrieval system, or transmitted.

In any form or by any means,
electronic, mechanical, photocopying, recording, or otherwise,
without prior written permission of the publisher.

SHARP CORPORATION
Digital Document System Group
CS Promotion Center
Yamatokoriyama, Nara 639-1186, Japan
2006 March Printed in Japan ⓘ