

## DIGITAL LASER COPIER

## MODEL AR-5012

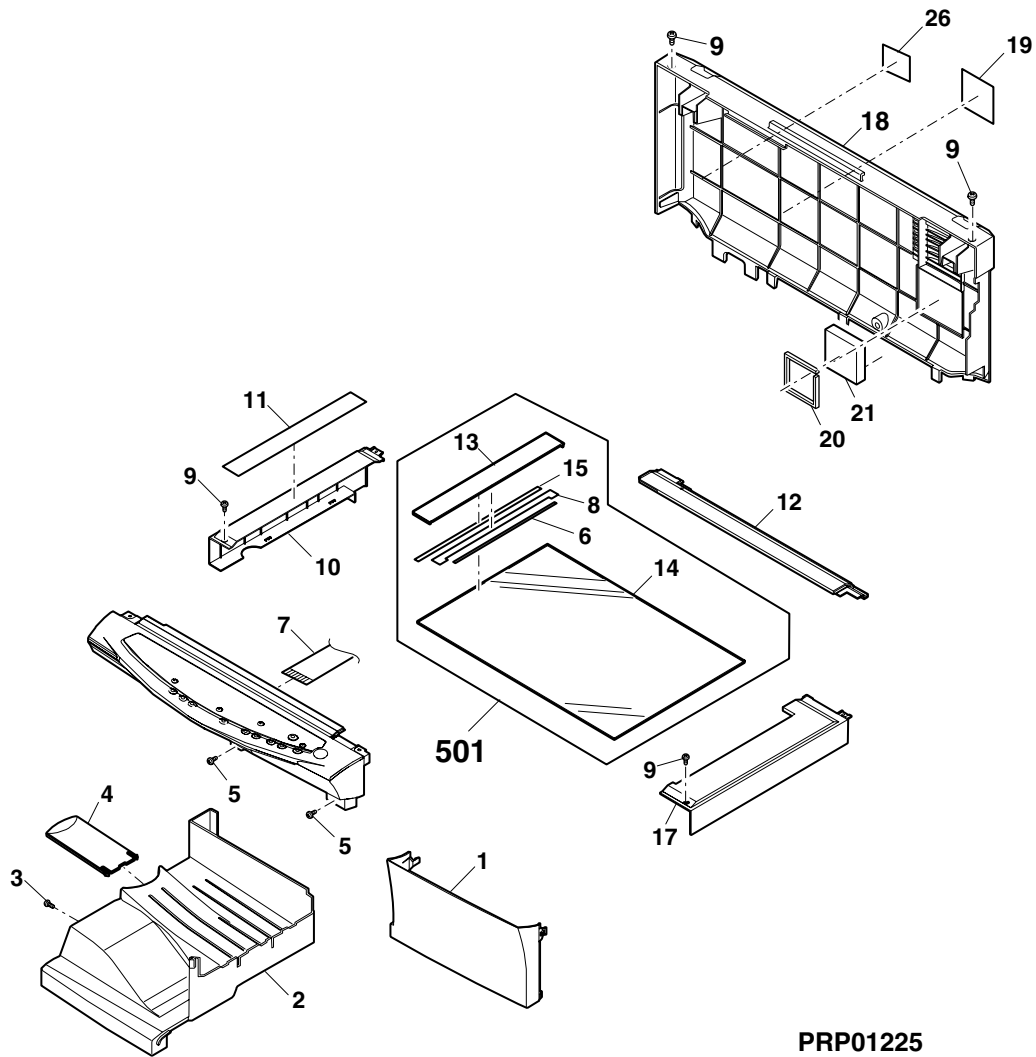
### CONTENTS

- |    |  |    |                                   |
|----|--|----|-----------------------------------|
| 1  | Exteriors                              | 18 | Harness                           |
| 2  | Original cover unit                    | 19 | Process unit                      |
| 3  | Operation pane                         | 20 | DV cartridge unit                 |
| 4  | Side door unit                         | 21 | Packing material & accessories    |
| 5  | Optical frame                          | 22 | Operation PWB                     |
| 6  | LSU unit                               | 23 | MCU PWB                           |
| 7  | Delivery paper guide unit              | 24 | DC power supply PWB (200V Series) |
| 8  | Middle frame                           | ■  | Index                             |
| 9  | Base plate unit 1                      |    |                                   |
| 10 | Base plate unit 2                      |    |                                   |
| 11 | Fusing unit                            |    |                                   |
| 12 | Drive unit                             |    |                                   |
| 13 | Single manual paper feeding cover unit |    |                                   |
| 14 | Socket holder unit                     |    |                                   |
| 15 | Single manual paper feeding unit       |    |                                   |
| 16 | 250 sheets tray                        |    |                                   |
| 17 | TC case unit                           |    |                                   |

Because parts marked with "△" is indispensable for the machine safety maintenance and operation, it must be replaced with the parts specific to the product specification.



1 Exteriors

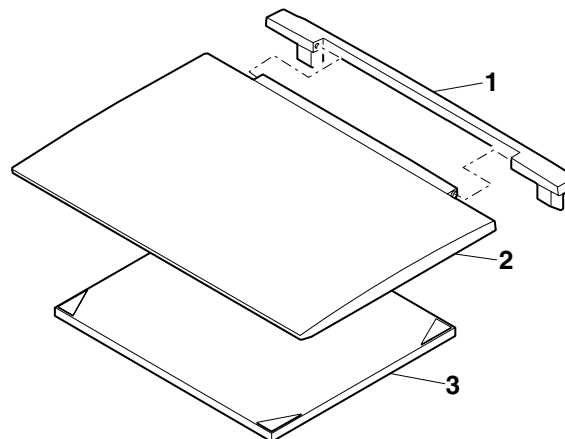


PRP01225

2 Original cover unit

NO.	PARTS CODE	PRICE RANK	NEW MARK	PART RANK	DESCRIPTION
1	GCOVH0003Q SJZ	AL		D	OC cover S
2	GCOVH0004Q SJ1	AX		D	OC cover M
3	PCUSS0024Q SZZ	AV		D	OC mat
	(Unit)				
901	CCOVH0004R S54	BF		E	OC cover unit

2 Original cover unit

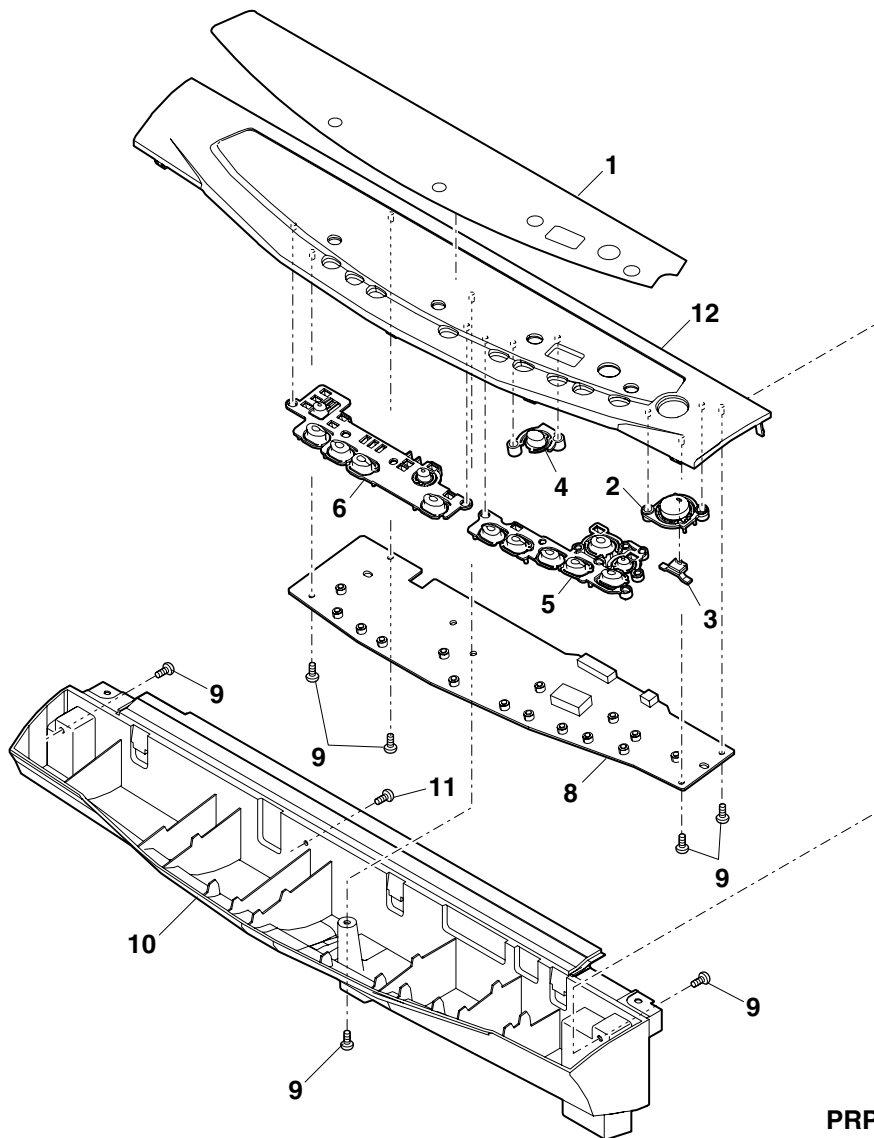


PRP01226

### 3 Operation panel

NO.	PARTS CODE	PRICE RANK	NEW MARK	PART RANK	DESCRIPTION
1	CPNLH0023QS44	AT	N	D	Panel
2	CBTN-0019QS02	AF		E	Copy key
3	JBTN-0020QSZZ	AC		C	Copy key light
4	JBTN-0005QSZZ	AC		C	% Key
5	CBTN-0050QS02	AF		E	Operation key R
6	JBTN-0049QSZZ	AF		C	Operation key L
8	CPWBF0113QSF2	BB	N	E	Operation PWB
9	XEBSD30P08000	AA		C	Screw(3x8)
10	GCAB-0063QSZZ	AT		D	Operation cabinet
11	XEBSE30P10000	AA		C	Screw(3x10)
12	GCAB-0064QSZZ	AN		D	Operation panel

### 3 Operation panel

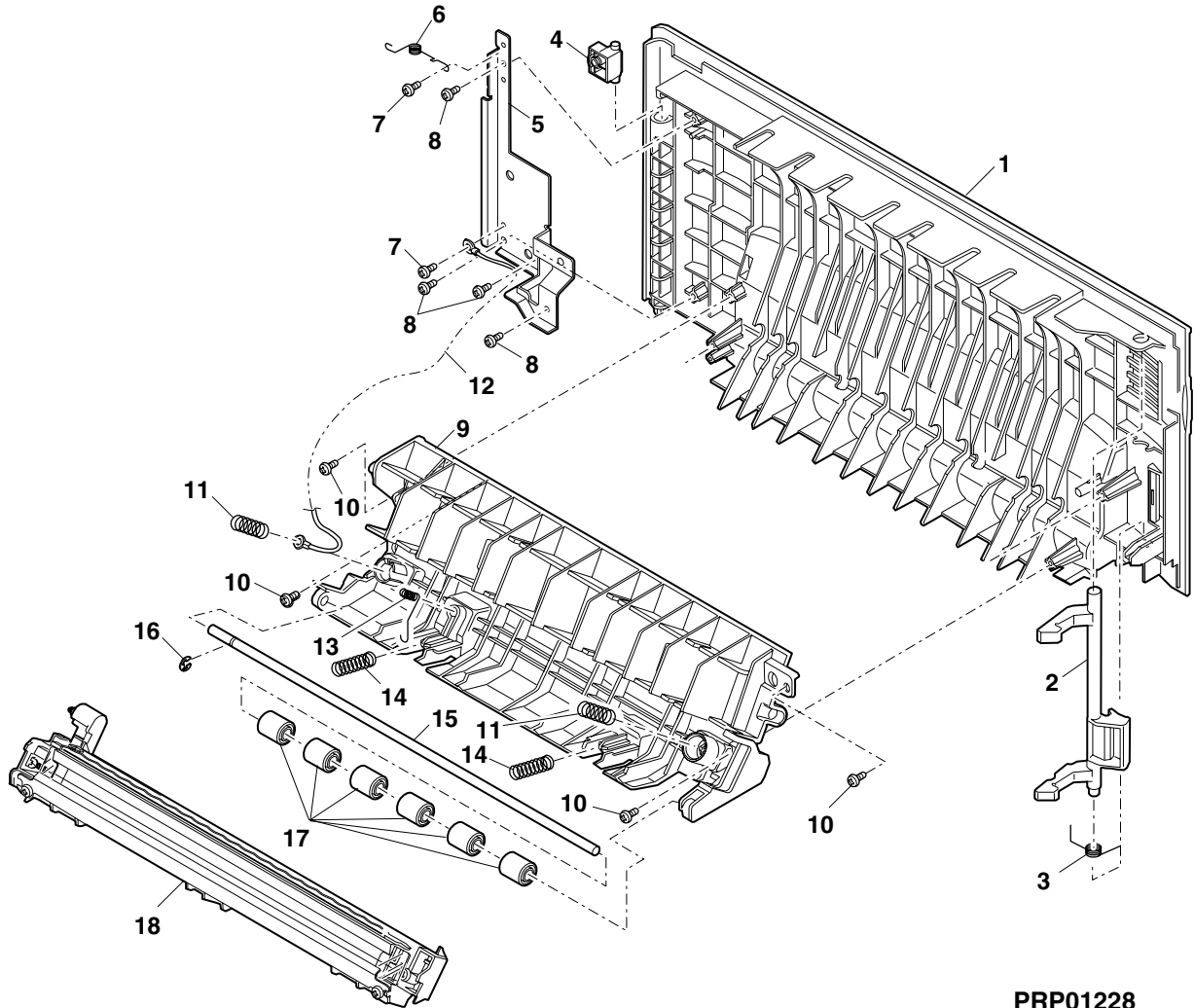


PRP01227

#### 4 Side door unit

NO.	PARTS CODE	PRICE RANK	NEW MARK	PART RANK	DESCRIPTION
1	GCAB-0007Q SJ2	AU		D	Side door
2	PTME-0004Q SZZ	AG		C	Lock pawl
3	MSPRT0029Q SZZ	AC		C	Lock pawl spring
4	PGiDM0008Q SZZ	AD		C	Hinge guide
5	LPLTM0043Q SZZ	AD		C	Earth plate
6	MSPRD0076Q SZ1	AD		C	Earth spring
7	XHBSE30P06000	AA		C	Screw(3x6)
8	XEBSE30P06000	AA		C	Screw(3x6)
9	LFRM-0003Q SJ2	AN		D	Side door inner frame
10	XEBSD30P10000	AA		C	Screw(3x10)
11	MSPRC0032Q SZZ	AB		C	Transcription pressure spring
12	DHAi-0291Q SZZ	AC		C	TCFB harness
13	MSPRC0031Q SZZ	AB		C	PS earth spring
14	MSPRC0030Q SZZ	AC		C	PS pressure spring
15	NSFTZ0006Q SZ1	AG		C	PS shaft
16	XRESP30-06000	AA		C	E-ring
17	NROLP1122FCZZ	AF		C	PS upper roller
18	CHLDZ0010RS52	AU		E	Transcription holder unit

#### 4 Side door unit

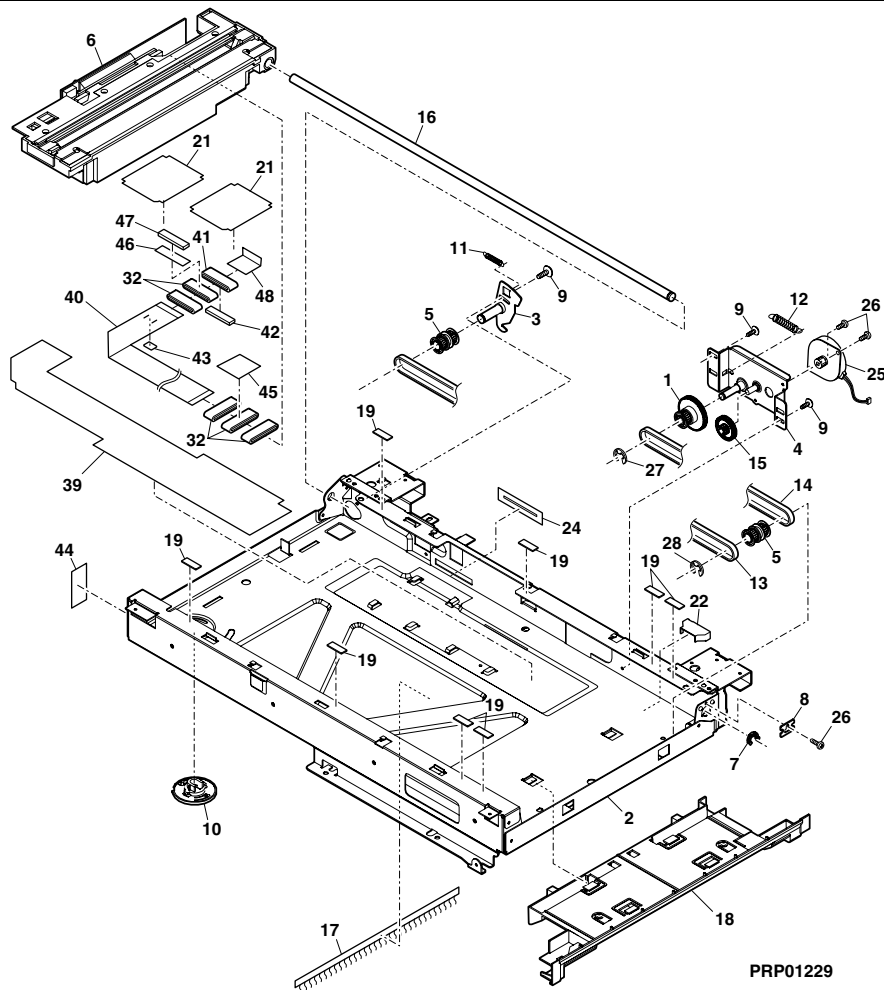


PRP01228

## 5 Optical frame

NO.	PARTS CODE	PRICE RANK	NEW MARK	PART RANK	DESCRIPTION
1	CGERH0162QS01	AN		E	Pulley gear
2	CPLTM0288QS01	BC		E	Scanner plate
3	CPLTM0291QS01	AG		E	Tension plate
4	CPLTM0294QS01	AK		E	Motor fixing plate
5	CPLYZ0028QS01	AM		E	Idle pulley
6	DUNT-0276QS11	BT		E	Carriage unit
7	LHLDZ0093QSZZ	AC		C	Rod holder
8	LSTPF0013QSZZ	AC		C	Rod stopper
9	LX-BZ0033QSZZ	AB		C	Screw(3x6)
10	MLOKZ0004QSZZ	AD		C	Carriage lock
11	MSPRT0283QSZZ	AC		C	Tension spring
12	MSPRT0284QSZZ	AC		C	Motor spring
13	NBLTT0030QSZZ	AH		B	Belt
14	NBLTT0031QSZZ	AF		B	Belt
15	NGERH0161QSZZ	AL		C	Idle gear
16	NSFTZ0063QSZZ	AK		C	Slide shaft
17	PBRSR0002QSZ1	AH		B	Discharger brush
18	PGiDM0099QSZ1	AH	N	C	Paper guide
19	PGUMS0004QSZZ	AA		C	Table glass cushion
21	PSHEZ0367QSZZ	AD		C	Cable fixing sheet
22	PDUC-0005QSZ1	AD	N	C	Fan duct JAG
24	PSHEZ0377QSZZ	AC		C	Edge protect sheet
25	RMOTS0038QSZZ	BL		B	Scanner motor
26	XHBSE30P06000	AA		C	Screw(3x6)
27	XRESP50-06000	AA		C	E-ring
28	XRESP70-08000	AA		C	E-ring
32	RCORF0018QSZZ	AR		C	FFC core
39	PSHEZ0389QSZ1	AK		C	Scanner sheet
40	DHAi-0268QSZ1	AH		C	CCD-MCU harness
41	RCORF0020QSZZ	AL		C	FFC core
42	PCUSU0026QSZZ	AC		D	Core cushion
43	PTPE-0045QSZZ	AA		C	CCD harness double-sided tape
44	PSHEZ0403QSZZ	AG		C	Noise sheet
45	PSHEZ0401QSZZ	AG		C	Scanner core sheet
46	PTPE-0046QSZZ	AB		C	Core double-sided tape
47	PMLT-0068QSZZ	AC		C	Core holder malt
48	PSHEZ0400QSZZ	AG		C	PWB core miler

## 5 Optical frame

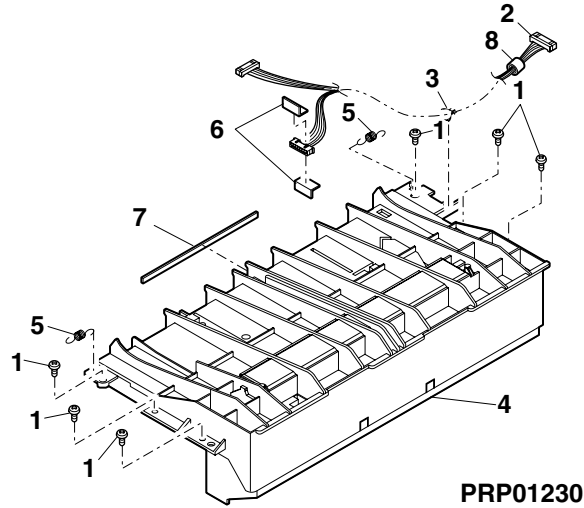


PRP01229

6 LSU unit

NO.	PARTS CODE	PRICE RANK	NEW MARK	PART RANK	DESCRIPTION
1	XEBSD30P12000	AA		C	Screw(3x12)
2	DHAI-0282QSZZ	AG		C	LSU harness
3	LBNDJ0013FCZ1	AA		C	Wire band
4	DUNTK0013QS13	BS		E	LSU unit(A4600D)
5	MSPRT0019QSZ1	AB		C	Delivery paper guide spring
6	PSHEZ0350QSZZ	AB		C	LSU protect sheet A
7	PSHEZ0351QSZZ	AB		C	LSU protect sheet B
8	RCORF0021QSZZ	AK		C	Core

6 LSU unit

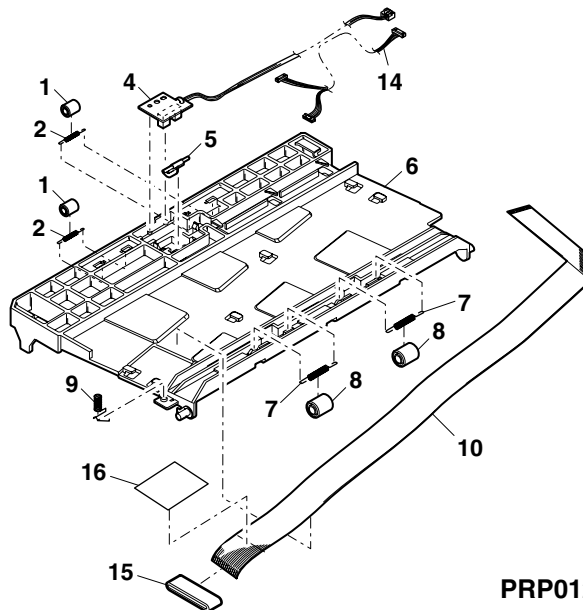


PRP01230

7 Delivery paper guide unit

NO.	PARTS CODE	PRICE RANK	NEW MARK	PART RANK	DESCRIPTION
1	NROLP0046QSZZ	AC		C	Delivery roller upper
2	MSPRT0020QSZ1	AB		C	Delivery roller spring
4	CPWBF0116RS53	AP		E	POD sensor PWB
5	MLEVP0005QSZZ	AD		C	Delivery actuator
6	PGIDM0006QSZZ	AM		C	Delivery paper guide
7	MSPRC0021QSZZ	AB		C	Delivery transport roller spring
8	NROLP1122FCZZ	AF		C	PS upper roller
9	MSPRD0281QSZZ	AD		C	Delivery earth spring
10	DHAI-0285QSZZ	AK		C	OP-MCU harness
14	DHAI-0282QSZZ	AG		C	LSU harness
15	RCORF0018QSZZ	AR		C	FFC core
16	PSHEZ0402QSZZ	AG		C	Panel core sheet

7 Delivery paper guide unit

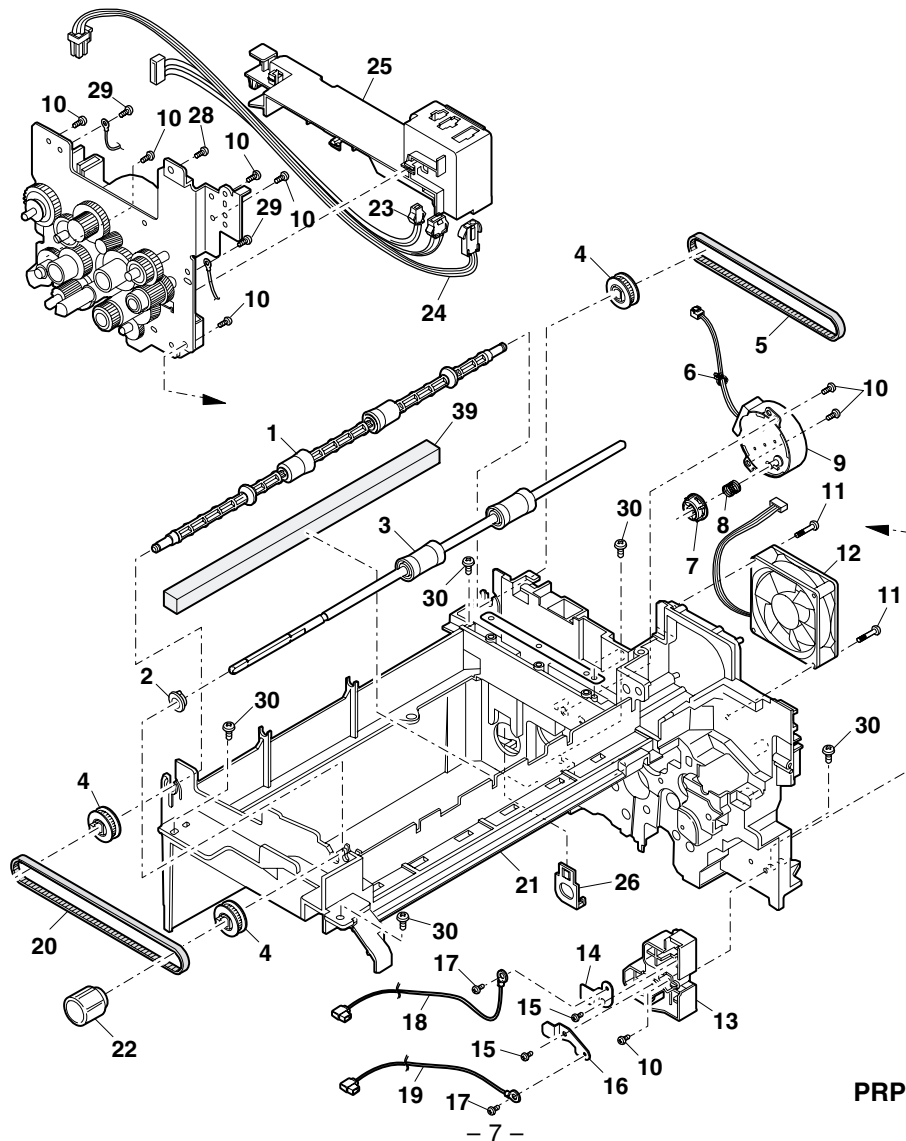


PRP01231

## 8 Middle frame

NO.	PARTS CODE	PRICE RANK	NEW MARK	PART RANK	DESCRIPTION
1	NROLP0007QSZ1	AQ		C	Delivery roller lower
2	NBRGC0579FCZZ	AE		C	Roller bearing
3	NROLP0012QSZ2	AL		C	Delivery trasport roller lower
4	NPLYZ0001QSZZ	AE		C	Pulley(22T)
5	NBLT-0005QSZZ	AH		B	Delivery roller drive belt
6	LBNDJ0043FCZZ	AA		C	Snap band(SG-130)
7	NCPL-0006QSZZ	AC		C	Hopper cupring S
8	MSPRC0024QSZ1	AC		C	Hopper spring
9	RMOTD0009QSZZ	AU		B	Toner motor
10	XEBSD30P10000	AA		C	Screw(3x10)
11	XEBSD30P30000	AA		C	Screw(3x30)
12	NFANP0005QSZ1	BR		B	Fan
13	LHLDZ0018QSZZ	AE		C	TC high voltage holder
14	QSLP-0006QSZZ	AE		C	BC HV electrode plate
15	XEBSD30P06000	AA		C	Screw(M3x6)
16	QSLP-0005QSZZ	AE		C	TC HV electrode plate
17	XBPSC30P06K00	AA		C	Screw(3x6K)
18	DHAi-0267QSZZ	AG		C	BC harness
19	DHAi-0292QSZZ	AF		C	TC harness
20	NBLTT0001QSZZ	AH		B	Belt 308
21	LFRM-0035QSZZ	AZ		D	Middle frame
22	JKNBZ0001QSZZ	AE		C	Roller rotation knob
23	DHAi-0287QSZZ	AF		C	PPD2 interface harness
24	DHAi-0276QSZZ	AL		C	HL harness 1
25	PGiDM0009QSZ1	AF	N	C	Harness guide
26	LPINS0009QSZZ	AD		C	DV guide pin
28	LX-BZ3006SC0S	AA		C	Screw(3x6)
29	XBBSD30P08000	AA		C	Screw(3x8)
30	XEBSE40P12000	AA		C	Screw(4x12)
39	PMLT-0067QSZZ	AC		C	Cushion

## 8 Middle frame

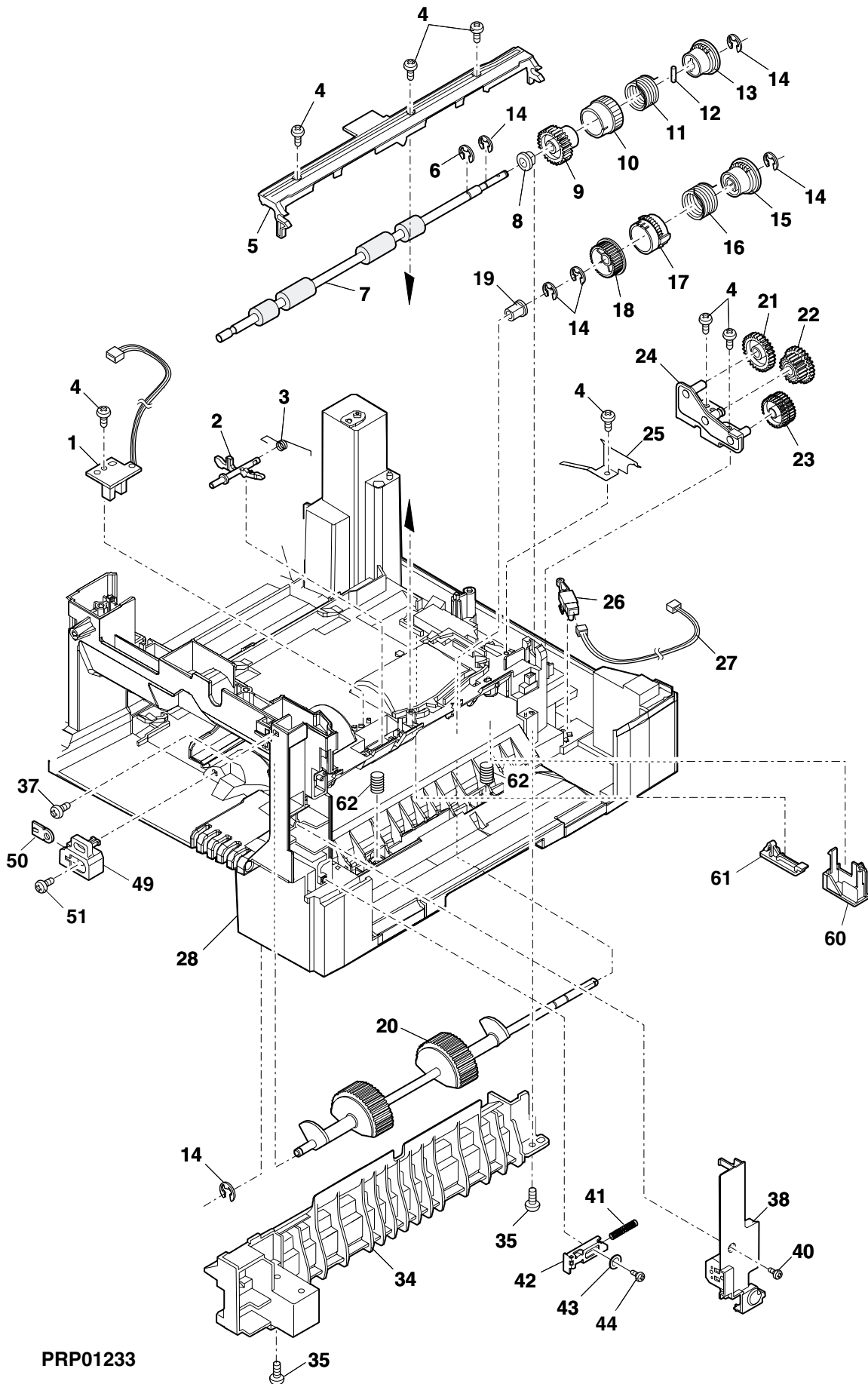


PRP01232





9 Base plate unit 1

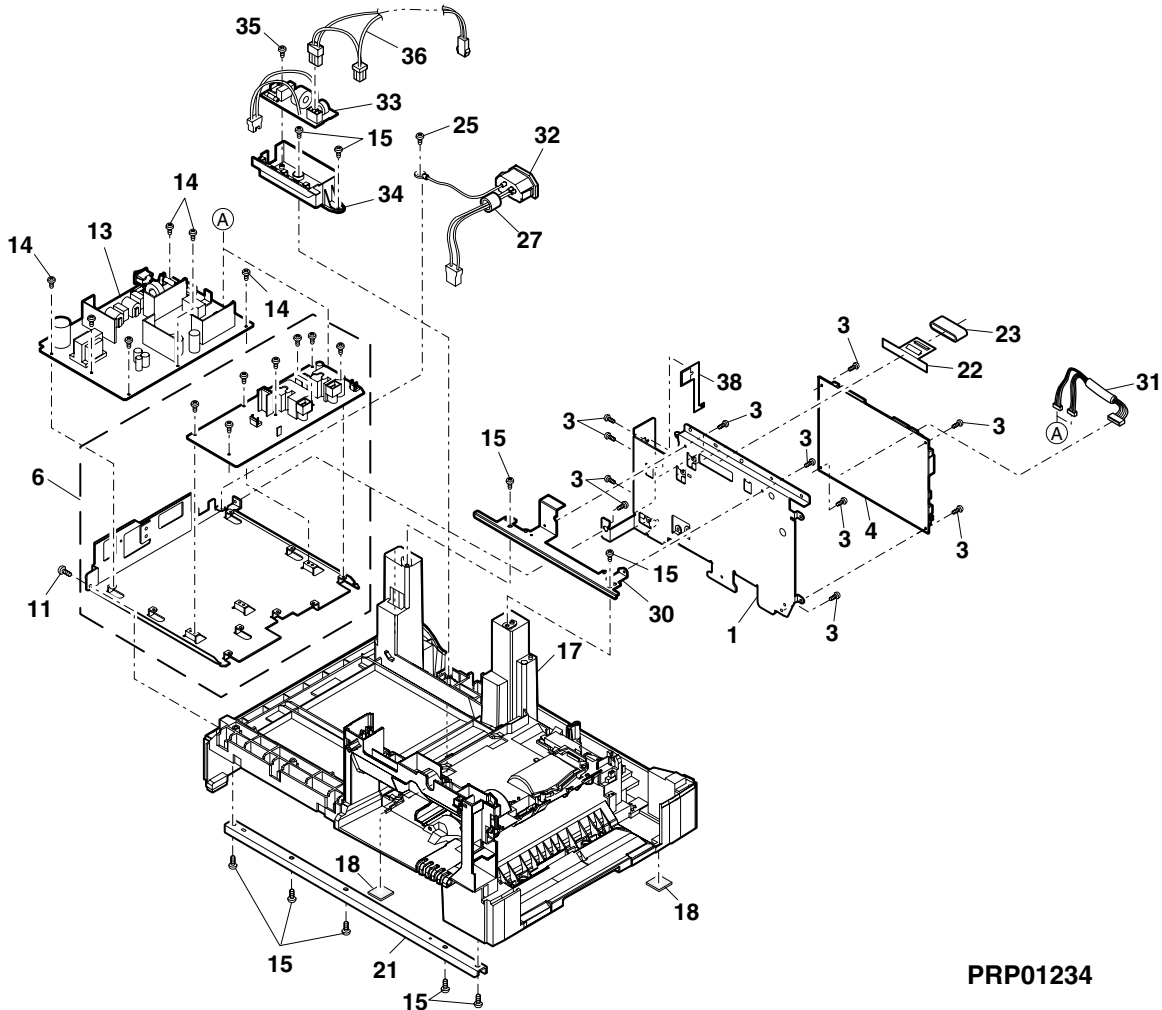


PRP01233

10 Base plate unit 2

NO.	PARTS CODE	PRICE RANK	NEW MARK	PART RANK	DESCRIPTION
1	LHLDZ0092QSZZ	AP		C	PWB holder JAG
3	XHBSE30P06000	AA		C	Screw(3x6)
4	CPWBX0121QS31	BX		E	MCU PWB
6	RDENC0007QSZZ	BG		E	High voltage PWB
11	XEBSE30P10000	AA		C	Screw(3x10)
13	RDENC0006QS13	BN		E	DC power supply PWB (200V Series)
14	XBBSE30P06000	AA		C	Screw(3x6)
15	XEBSE40P12000	AA		C	Screw(4x12)
17	GDAi-0001QSJ1	BF		D	Base plate
18	GLEGG0064FCZZ	AC		C	Rubber foot
21	LPLTM0020QSZZ	AL		C	Base plate reinforce plate F
22	PSHEZ0390QSZZ	AL		C	PWB holder sheet
23	RCORF0018QSZZ	AR		C	FFC core
25	XBPSN40P06K00	AA		C	Screw(4x6K)
27	RCORF0021QSZZ	AK		C	Core
30	LFRM-0062QSZZ	AG		C	Connector frame
31	DHAi-0294QSZZ	AK		C	Center frame harness
32	DHAi-0305QSZ1	AL		C	Inlet interface harness
33	CPWBF0122QS31	AZ		E	Noise filter PWB
34	LHLDC0097QSZZ	AG		C	Noise filter holder
35	XEBSD30P10000	AA		C	Screw(3x10)
36	DHAi-0276QSZ2	AL		C	HL harness 1 (200V Series)
38	PSHEZ0405QSZZ	AE		C	Connector ground sheet

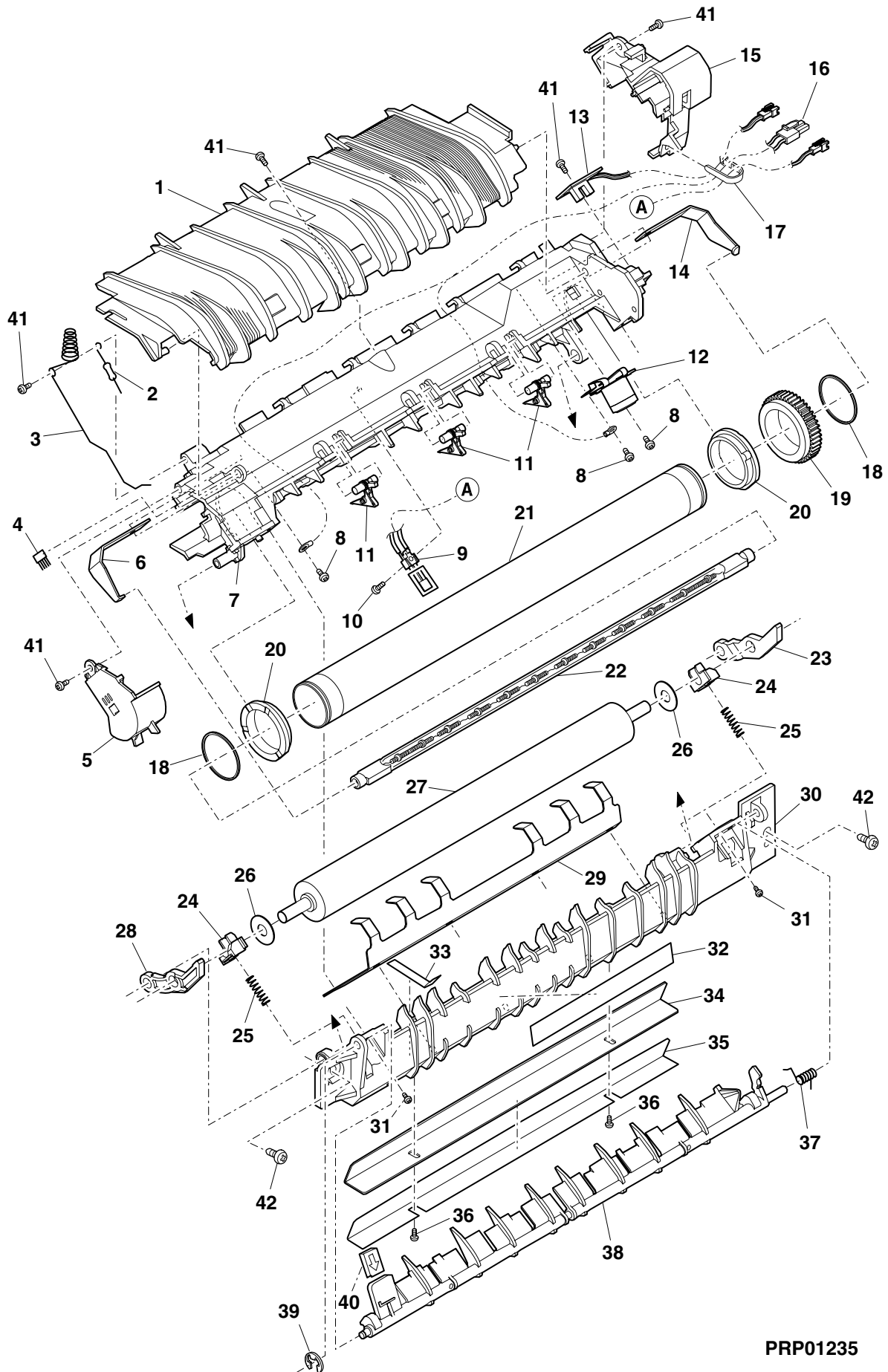
10 Base plate unit 2



PRP01234



11 Fusing unit

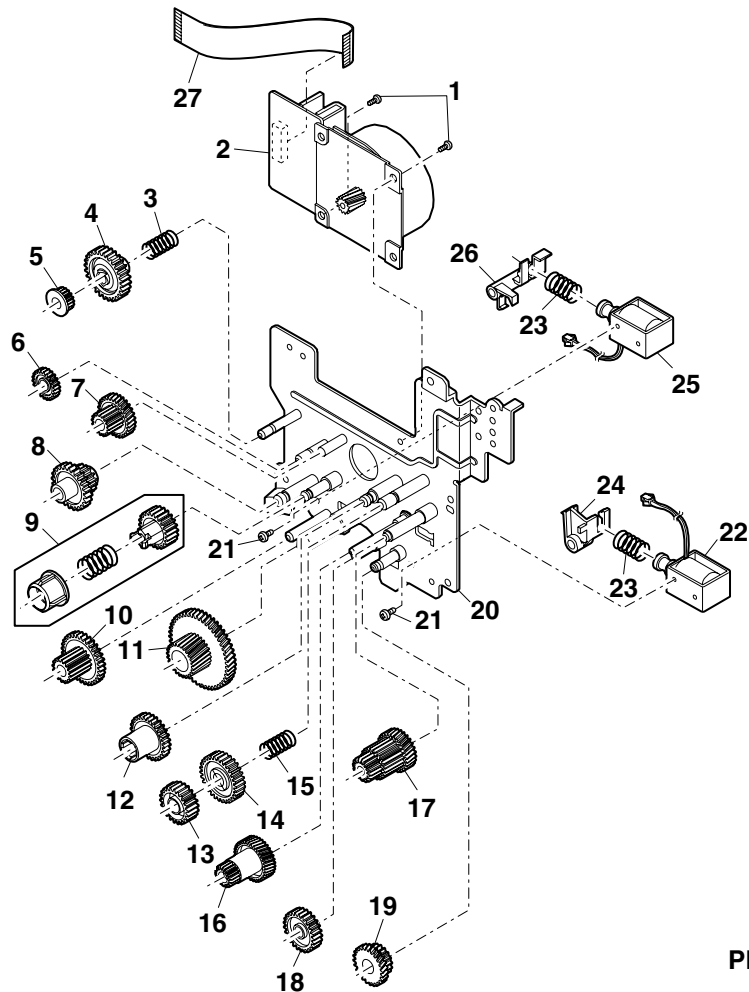


PRP01235

12 Drive unit

NO.	PARTS CODE	PRICE RANK	NEW MARK	PART RANK	DESCRIPTION
1	XBBSD40P06000	AA		C	Screw(4×6)
2	RMOTP0036QSZZ	BD		B	Main motor
3	MSPRC0053QSZ1	AC		C	Pulley spring
4	NGERH0050QSZZ	AD		C	Ratchet gear(33T)
5	NPLYZ0002QSZZ	AC		C	Pulley(17T)
6	NGERH0010QSZZ	AD		C	Gear(28T)
7	NGERH0009QSZZ	AD		C	Gear(46/16T)
8	NGERH0014QSZZ	AD		C	Gear(30/15T)
9	CGERH0011RS51	AE		E	MG gear unit
10	NGERH0015QSZZ	AD		C	Gear(37/15T)
11	NGERH0007QSZZ	AH		C	Gear(68/26T)
12	NGERH0016QSZZ	AD		C	Cupring gear(34T)
13	NGERH0019QSZZ	AD		C	Ratchet gear(21T)
14	NGERH0018QSZZ	AC		C	Ratchet gear(28T)
15	MSPRC0023QSZ1	AC		C	Ratchet spring
16	NGERH0008QSZZ3	AL		C	Gear(55/19T)
17	NGERH0017QSZZ	AD		C	Gear(33/20/15T)
18	NGERH0012QSZZ	AE		C	Gear(20T)
19	NGERH0013QSZZ	AG		C	Gear(31/17T)
20	CPLTM0042QS02	AY		C	Main drive plate
21	XBBSD30P04000	AA		C	Screw(3×4)
22	RPLU-0035QSZZ	AL		B	Solenoid
23	MSPRC1318FCZ1	AA		C	Spring B
24	PTME-0002QSZZ	AD		C	PS roller pawl
25	RPLU-0002QSZZ	AN		B	Solenoid
26	PTME-0003QSZ1	AD		C	Roller pawl
27	DHAi-0296QSZZ	AK		C	Main motor harness
	(Unit)				
901	CPLTM0042RS55	BM		E	Drive unit[Except No.27]

12 Drive unit

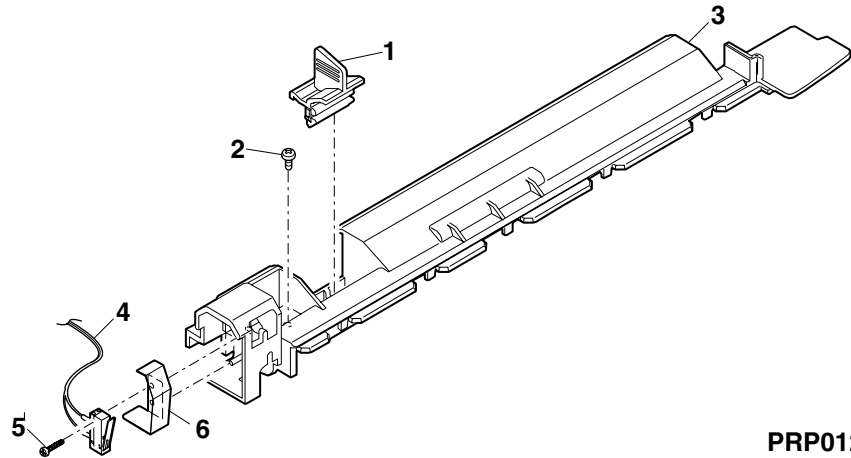


PRP01236

13 Single manual paper feeding cover unit

NO.	PARTS CODE	PRICE RANK	NEW MARK	PART RANK	DESCRIPTION
1	CCL EZ 0005RS51	AQ		E	Charger cleaner unit
2	XEBSE30P08000	AA		C	Screw(3x8)
3	PCOVP0012QSJ1	AH		C	Single upper cover
4	CSW-M0016RS51	AG		E	Side door detect switch unit
5	XEP2D20P10000	AA		C	Screw(2x10)
6	MSPRP0110QSZ1	AD		C	Door switch spring

13 Single manual paper feeding cover unit

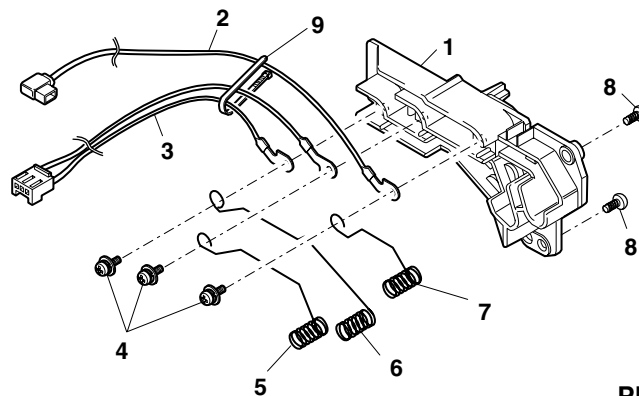


PRP01237

14 Socket holder unit

NO.	PARTS CODE	PRICE RANK	NEW MARK	PART RANK	DESCRIPTION
1	LHLDZ0009QSDZ	AG		C	HV interface holder
2	CHAi-0298RS51	AL		C	MC harness unit
3	CHAi-0273RS51	AN		C	GB-MCFB harness unit
4	XBPSC30P06ES0	AA		C	Screw(3x6ES)
5	MSPRC0017QSZ1	AC		C	HV terminal spring
6	MSPRC0018QSZ1	AC		C	HV terminal spring
7	MSPRC0016QSZ1	AC		C	HV terminal spring
8	XEBSD30P08000	AA		C	Screw(3x8)
9	LBNDJ0013FCZ1	AA		C	Wire band

14 Socket holder unit

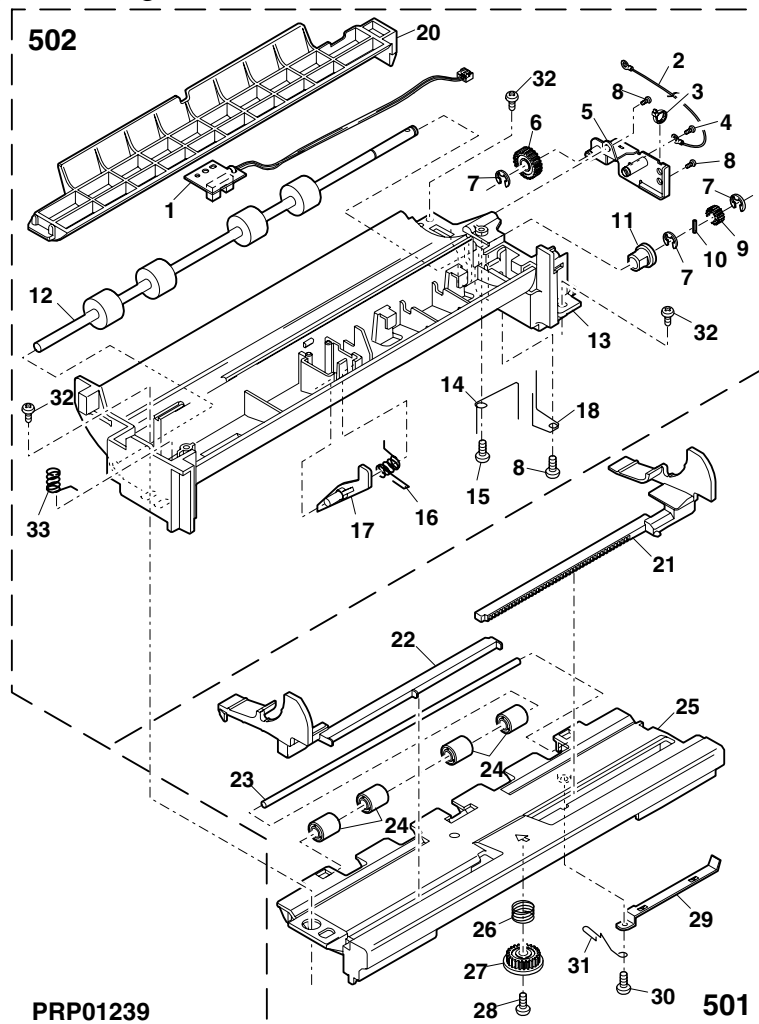


PRP01238

15 Single manual paper feeding unit

NO.	PARTS CODE	PRICE RANK	NEW MARK	PART RANK	DESCRIPTION
1	CPWBF0116RS54	AP		E	MFD sensor PWB
2	DHAI-0295QSZZ	AC		C	Manual feeding earth harness
3	LBNDJ0013FCZ1	AA		C	Wire band
4	XHBSE30P06000	AA		C	Screw(3x6)
5	CLTM0023QS02	AF		C	SB plate 1
6	NGERH0972FCZZ	AB		C	Gear(27T)
7	XRESP40-06000	AA		C	E-ring
8	XEBSE30P08000	AA		C	Screw(3x8)
9	NGERH0990FCZZ	AB		C	Gear(16T)
10	XPSSJ20-07000	AA		C	Spring pin(φ2-7)
11	NBRGP0562FCZZ	AD		C	Bearing
12	NROLR0016QSZZ	AT		C	MF transport roller
13	LFRM-0006QSJZ	AN		D	Single manual feed frame
14	MSPRC0039QSZ1	AC		C	Earth spring
15	XEBSD30P06KS0	AA		C	Screw(3x6KS)
16	MSPRC0038QSZ1	AC		C	Actuator spring
17	MLEVP0007QSZZ	AD		C	Actuator
18	MSPRC0080QSZZ	AB		C	SB transport earth spring
20	PGIDM0014QSJZ	AF		C	DUP upper guide
21	PGIDM0013QSJZ	AF		C	SB side guide R
22	PGIDM0012QSJZ	AF		C	SB side guide F
23	NSFTZ0007QSZZ	AG		C	Roller shaft
24	NROLP1122FCZZ	AF		C	PS upper roller
25	LFRM-0007QSJZ	AL		D	Single manual feed lower frame
26	MSPRC0036QSZ1	AB		C	MF spring
27	NGERH0021QSZZ	AD		C	Manual feeding gear
28	XEP30P06X00	AA		C	Screw(3x6X)
29	MSPRP0079QSZZ	AD		C	SB earth plate spring
30	XEBSE30P06000	AA		C	Screw(3x6)
31	MSPRD0108QSZZ	AC		C	SB lower earth spring
32	XEBSE40P12000	AA		C	Screw(4x12)
33	MSPRC0109QSZZ	AC		C	Spring
501	CFRM-0007RS54	AX		E	SB manual feeding lower frame unit
502	CFRM-0006RS53	BB		E	Single manual paper feeding unit

15 Single manual paper feeding unit

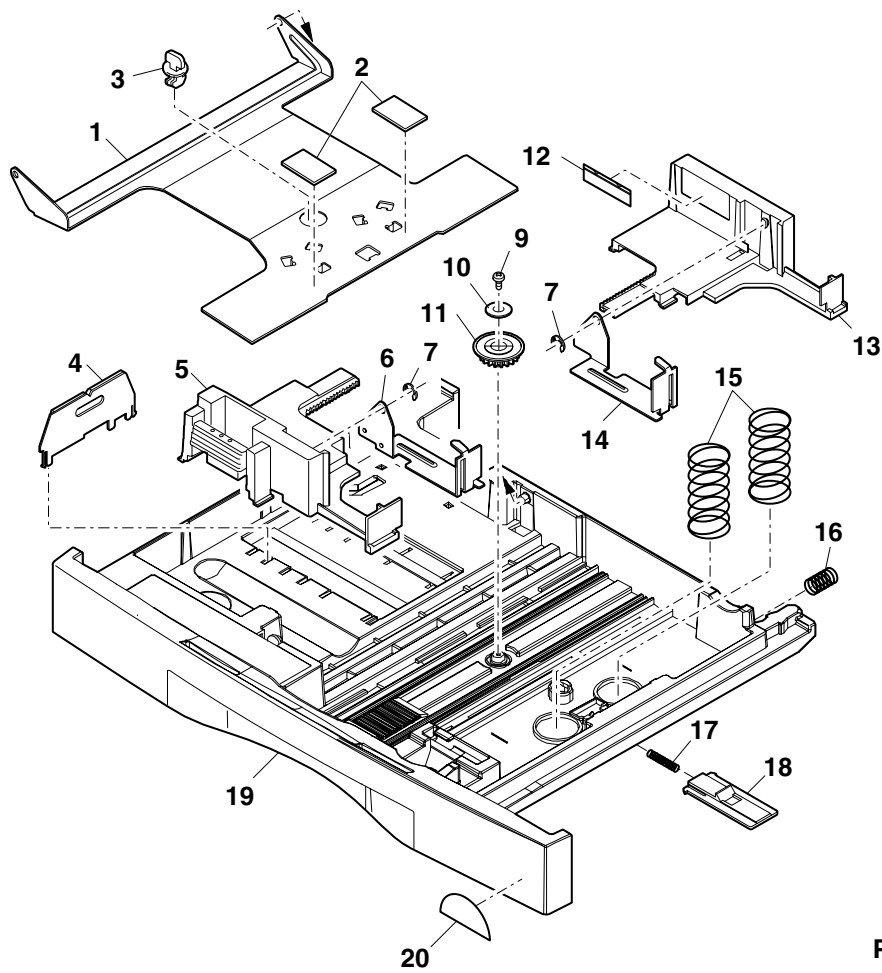




16 250 sheets tray

NO.	PARTS CODE	PRICE RANK	NEW MARK	PART RANK	DESCRIPTION
1	LPLTM5106FCZZ	AR		C	Turning plate 250
2	PSHEZ4142FCZZ	AC		C	Rotation plate sheet
3	LHLDW1226FCZZ	AB		C	Turn fasner
4	LPLTM2642FCG1	AD	N	C	Tray rear plate
5	LPLTP5107FCZ1	AG		C	250 tray side plate F
6	PTME-0255FCZZ	AG		C	250 Tray pawl F
7	XRESP40-06000	AA		C	E-ring
9	XEBSE30P08000	AA		C	Screw(3x8)
10	LX-WZ2028SCZZ	AA		C	Washer(φ12)
11	NGERH0193FCZZ	AB		C	Manual feeding gear
12	TLABZ3568GHZZ	*	N	D	Indication label
13	LPLTP5108FCZ1	AG		C	250 tray side plate R
14	PTME-0256FCZZ	AG		C	250 Tray pawl R
15	MSPRC0108QSZZ	AC		C	250 Tray spring
16	MSPRC1873FCZ1	AB		C	Tray spring
17	MSPRC1145FCZZ	AA		C	Stopper spring
18	LSTPP0161FCZ1	AD	N	C	Rotation plate stopper
19	GCASP0001QSJ2	AZ		D	250 Tray case
20	TLABZ4047FCZZ	AC		C	Enagy star label
	(Unit)				
901	CCASP0001RS55	BF		E	250 Tray unit(Except No.20)

16 250 sheets tray

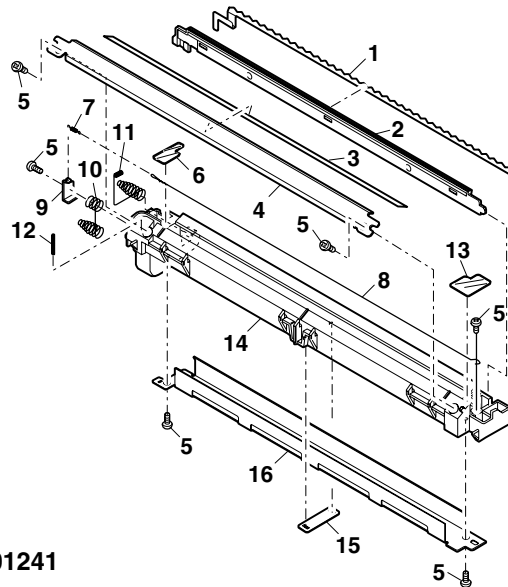


PRP01240

17 TC case unit

NO.	PARTS CODE	PRICE RANK	NEW MARK	PART RANK	DESCRIPTION
1	PSHEZ0018QSZZ	AF		C	Discharge plate sheet
2	PGiDM0011QSZZ	AE		C	Separator guige
3	PSHEP0019QSZZ	AC		C	TC sheet
4	PGiDH0025QSZZ	AG		C	TC front guide
5	XEBSD30P06000	AA		C	Screw(M3x6)
6	PSHEP0021QSZZ	AA		C	TC cover sheet R
7	MSPRT0513FCZ1	AA		C	MC tension spring
8	DWiR-0466CSZZ	BG		B	Charger wire
9	QSLP-0007QSZZ	AC		C	TC electrode plate
10	MSPRC0027QSZZ	AC		C	TC electrode spring
11	MSPRC0028QSZZ	AC		C	BC electrode spring
12	MSPRC0051QSZZ	AA		C	Front guide earth spring
13	PSHEP0020QSZZ	AB		C	TC cover sheet F
14	LHLDZ0010QSZZ	AL		C	TC holder
15	LFiX-0004QSZZ	AC		C	Holer fixing plate
16	PCASZ0002QSZZ	AL		D	TC case
	(Unit)				
901	CHLDZ0010RS52	AU		E	Transcription holder unit

17 TC case unit

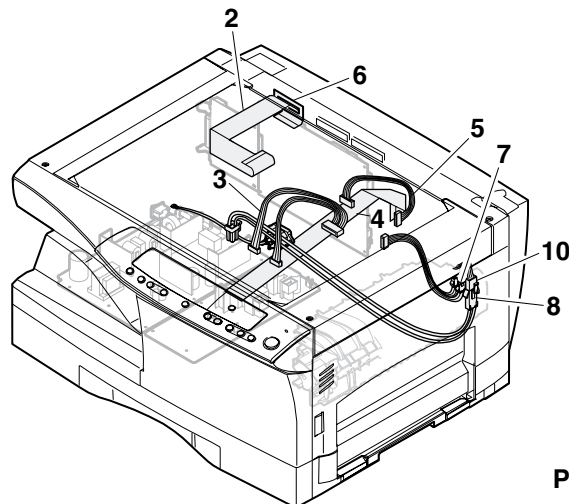


18 Harness

PRP01241

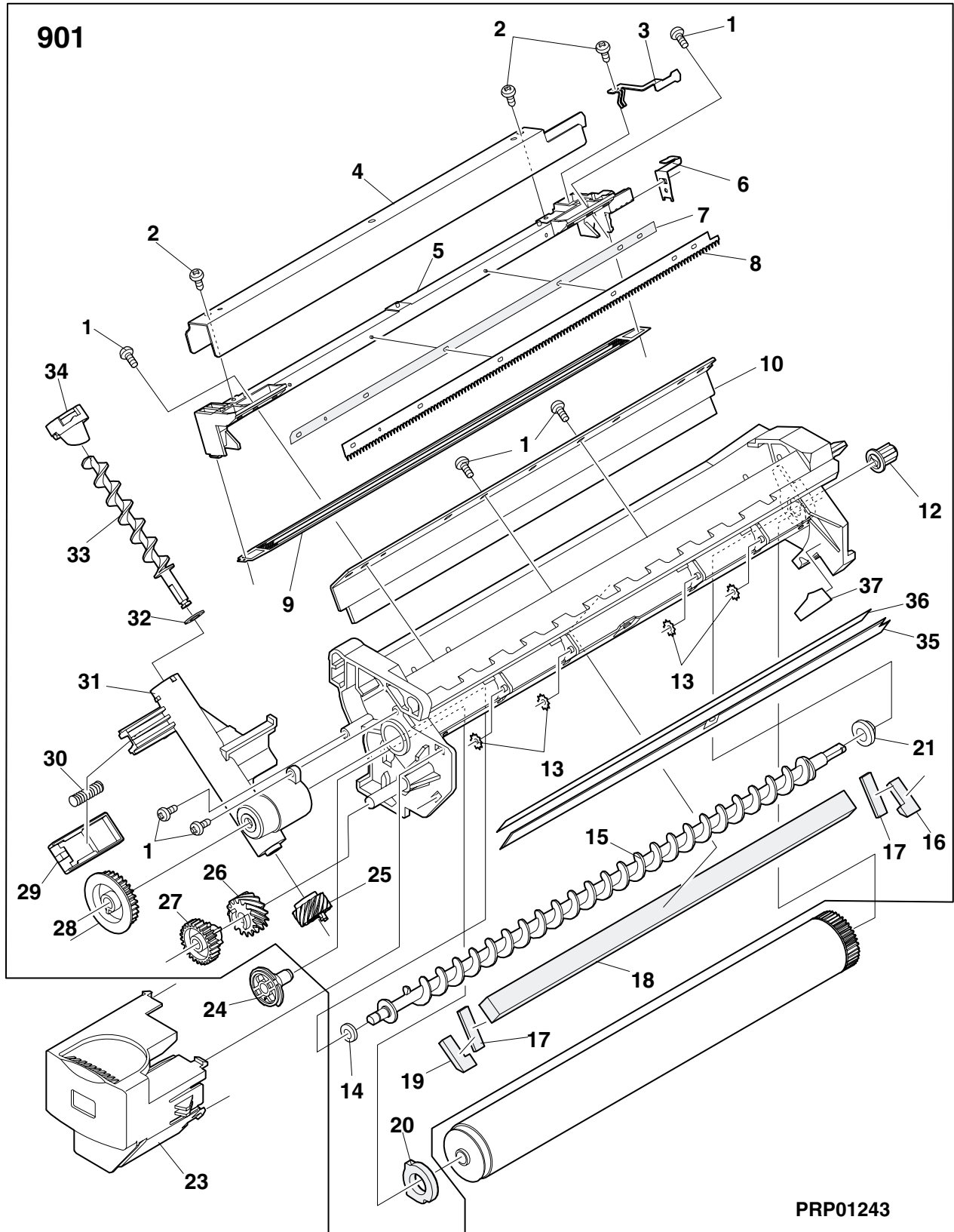
NO.	PARTS CODE	PRICE RANK	NEW MARK	PART RANK	DESCRIPTION
2	DHAi-0268QSZZ	AH		C	CCD-MCU harness
3	DHAi-0294QSZZ	AK		C	Center frame harness
4	DHAi-0285QSZZ	AK		C	OP-MCU harness
5	DHAi-0296QSZZ	AK		C	Main motor harness
6	PSHEZ0390QSZZ	AL		C	PWB holder sheet
7	DHAi-0287QSZZ	AF		C	PPD2 interface harness
8	DHAi-0276QSZZ	AL		C	HL harness 1 (200V Series)
10	DHAi-0280QSZZ	AH		C	HL harness 2 (200V Series)

18 Harness



PRP01242

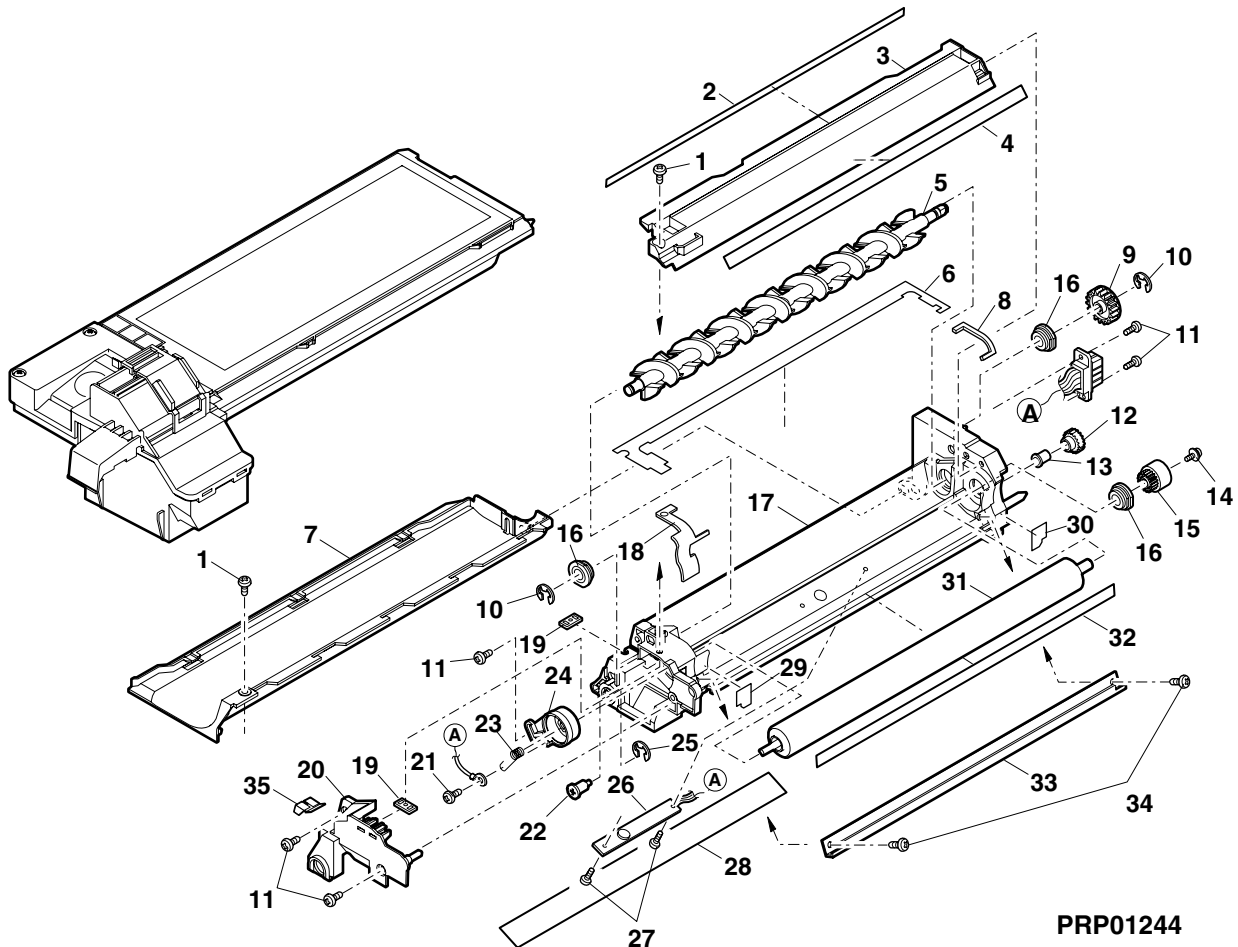




20 DV cartridge unit

NO.	PARTS CODE	PRICE RANK	NEW MARK	PART RANK	DESCRIPTION
1	XBBSE30P08000	AA		C	Screw(3x8)
2	PSEL-0110QSZZ	AF		C	DV-COV sheet
3	PCOV0081QSZZ	AF		D	DV-cover-U
4	UCLEZ0006QS11	AF		D	DV blade
5	NROLP0073QSZ1	AN		C	DMX roller
6	PSEL-0083QSZ1	AF		C	DV seal CN
7	PGIDM0090QSZZ	AH		C	TN guide D
8	PSEL-0084QSZ1	AA		C	DV seal RN
9	NGERH0135QSZZ	AD		C	DMX Gear(28T)
10	XRESP40-06000	AA		C	E-ring
11	XEBSF30P08000	AA		C	Screw(3x8)
12	NGERH0001YSZZ	AD		C	DV idle gear(20T)
13	NBRGC0021QSZZ	AD		C	DID bearing
14	XBPSD30P06KS0	AA		C	Screw(3x6K)
15	NGERH0145QSZ1	AD		C	DV gear(18T)
16	NBRGC0020QSZZ	AH		C	DMX bearing
17	PBOX-0012QSZZ	AN		D	DV-BOX
18	PSEL-0082QSZZ	AC		C	DV seal FN
19	LPLTM0194QSZZ	AC		C	DV fixing plate
20	PCOV0082QSZZ	AD		D	DV-cover-F
21	XEBSD30P06000	AA		C	Screw(3x6)
22	LX-BZ0656FCZZ	AD		C	Screw
23	MSPRK0001YSZZ	AB		C	Byass spring
24	LHLDR0081QSZZ	AC		C	MG holder
25	XRESP50-06000	AA		C	E-ring
26	RDTCT0003QSZZ	AZ		B	ATC sensor
27	XUBUZ30P06000	AA		C	Screw(3x6)
28	PSEL-0080QSZ1	AD		C	DV seal A
29	PSHEZ0029QS11	AC		C	Side sheet FN
30	PSEL-0096QSZZ	AA		C	DV side seal RN
31	NROLM0074QSZZ	AZ		C	MG roller
32	PMLT-0008QSZZ	AC		C	DVC cushion
33	LPLTM0003YSZZ	AK		C	DV doctor N
34	XUBUZ30P08000	AA		C	Screw(3x8)
35	PBRSR0022QSZ1	AF		B	Brush

20 DV cartridge unit

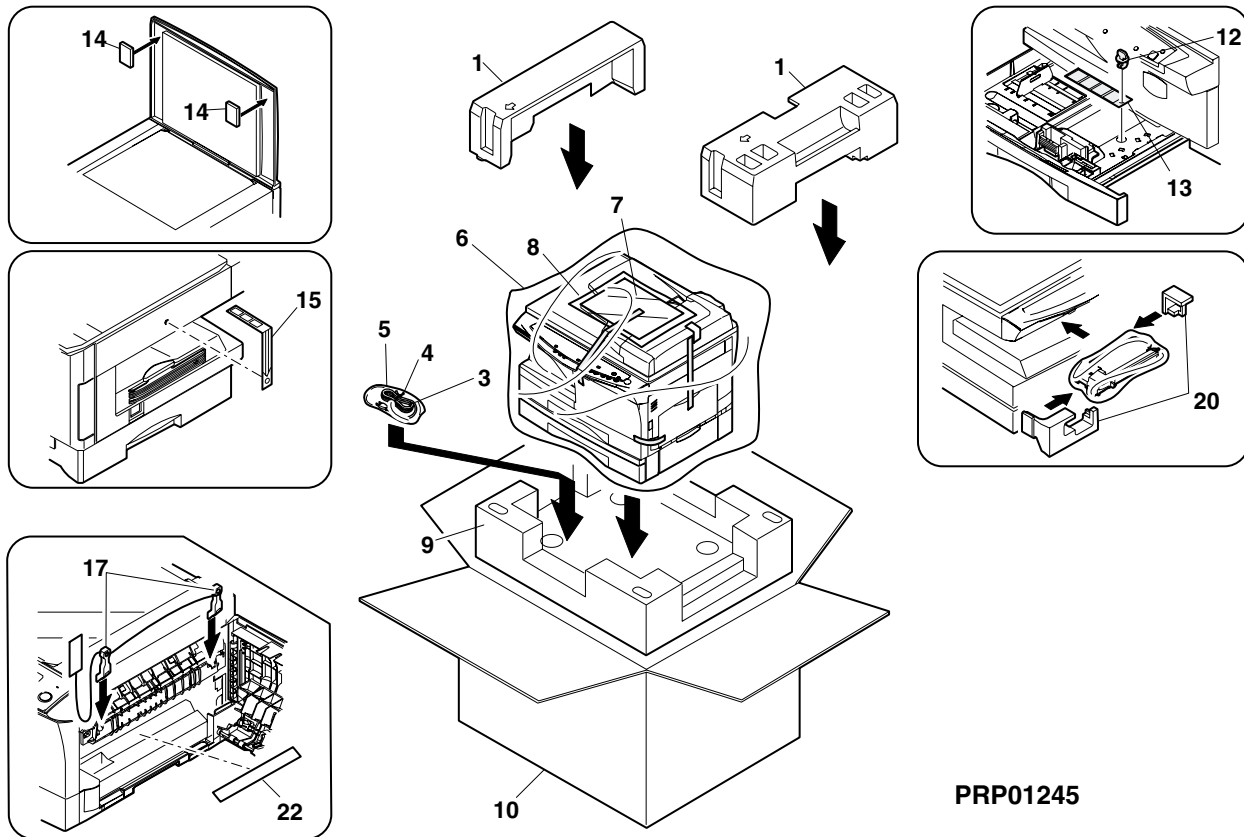


PRP01244

## 21 Packing material & accessories

NO.	PARTS CODE	PRICE RANK	NEW MARK	PART RANK	DESCRIPTION
1	SPAKA0408QSZZ	AN		D	Top packing OC
3	QACCV6621JHPZ	*	N	B	AC cord
4	UBNDA0001FCZZ	AA		C	AC cable band
5	SSAKA5003CCZZ	AA		D	Vinyl bag(140x260mm)
6	SSAKZ0002QSZZ	AF		D	Body vinyl bag
7	TINSZ0852TSZZ	*	N	D	Operation manual
	TCADZ0049QSZZ	AH		D	Installation card
8	SSAKA2347QCZZ	AB		D	Vinyl bag(240x300mm)
9	SPAKA0405QSZZ	AN		D	Bottom packing
10	SPAKC0402TS29	*	N	D	Packing case
12	LHLDW1226FCZZ	AB		C	Turn fasner
13	TTAG-0002QSZZ	AB		D	Tray rotation tag
14	SPAKA0051RSZZ	AC		D	OC packing
15	TTAG-0006QSZ1	AD		D	Scanner fixing tag JAG
17	CLEVP0016QS02	AF		C	Pressure block lever
20	SPAKA0411QSZZ	AE		D	Accessories Add A
22	TCAUH0007TSZZ	*	N	D	Laser caution label

## 21 Packing material & accessories



PRP01245

22 Operation PWB

NO.	PARTS CODE	PRICE RANK	NEW MARK	PART RANK	DESCRIPTION
1	QCNCM0861FCZZ	AB		C	Connector(3pin) [CN302]
2	QCNCW1132LC1H	AD		C	Connector(18pin) [CN301]
3	QSW-P0001ESZZ	AC		B	Tact swtch(SKQNA010) [MAGK,ZDWK,CLK,ZUPK,OLK]
	QSW-P0001ESZZ	AC		B	Tact swtch(SKQNA010) [10UPK,1UPK,EXUPK,EXDWK]
	QSW-P0001ESZZ	AC		B	Tact swtch(SKQNA010) [EXMODK,CRSK,PSW,SCNK]
4	VCCCCY1HH201J	AA		C	Capacitor(50WV 200pF) [C317,C319,C326,C327]
5	VCEAJU1CW476M	AB		C	Capacitor(16WV 47μF) [C301]
6	VCKYCY1CB104K	AB		C	Capacitor(16WV 0.1μF) [C311,C323]
7	VCKYCY1HB102K	AA		C	Capacitor(50WV 1000pF) [C302-310,312-316]
8	VCKYCY1HB223K	AC		C	Capacitor(50WV 0.022μF) [C318,325]
9	VHDDSS133// -1	AA		B	Diode(1SS133) [D301-310]
10	VHILC7935// -1	AN		B	IC(LC7935) [IC303]
11	VH174HC151M-1	AD		B	IC(74HC151M) [IC301,IC302]
12	VHP1LHEE-002A	AC		B	LED(Red)(1LHEE-002A) [TPL,DPL,JPL,MPL]
	VHP1LHEE-002A	AC		B	LED(Red)(1LHEE-002A) [SJAL]
13	VHP1LHLE-002A	AC		B	LED(Green)(LTL-1LHLE-002A) [PE,ME,RPL,AE,ZPL]
	VHP1LHLE-002A	AC		B	LED(Green)(LTL-1LHLE-002A) [EXD,EXN,EXL,CS1L]
	VHP1LHLE-002A	AC		B	LED(Green)(LTL-1LHLE-002A) [BPL,3RE,2RE,1RE]
	VHP1LHLE-002A	AC		B	LED(Green)(LTL-1LHLE-002A) [NOR,1ENR,2ENR,PML]
	VHP1LHLE-002A	AC		B	LED(Green)(LTL-1LHLE-002A) [ONLL,SCNL]
	VHP1LHLE-002A	AC		B	LED(Green)(LTL-1LHLE-002A) [DAA1,DAA2,DU21,DU22]
	VHP1LHLE-002A	AC		B	LED(Green)(LTL-1LHLE-002A) [SPFL,CS2L]
14	VHP3650AG2J-1	AL		B	LED(7SEGMENT)(LTC-3650AG-02J) [LEDM]
15	VRS-CY1JD101J	AA		C	Resistor(1/16W 100Ω ±5%) [R302,308,309,310,312]
	VRS-CY1JD101J	AA		C	Resistor(1/16W 100Ω ±5%) [R313,314,318,319,321]
	VRS-CY1JD101J	AA		C	Resistor(1/16W 100Ω ±5%) [R322,324,327,336]
16	VRS-CY1JD102J	AA		C	Resistor(1/16W 1.0KΩ ±5%) [R317,335,338,339]
	VRS-CY1JD102J	AA		C	Resistor(1/16W 1.0KΩ ±5%) [R340,352,357,360]
17	VRS-CY1JD121J	AA		C	Resistor(1/16W 120Ω ±5%) [R328-334,341-349,361]
18	VRS-CY1JD151J	AA		C	Resistor(1/16W 150Ω ±5%) [R350,351,358]
19	VRS-CY1JD152J	AA		C	Resistor(1/16W 1.5KΩ ±5%) [R304,359]
20	VRS-CY1JD471J	AA		C	Resistor(1/16W 470Ω ±5%) [R353,354]
21	VRS-CY1JD472J	AA		C	Resistor(1/16W 4.7KΩ ±5%) [R301,303,305,306,307]
	VRS-CY1JD472J	AA		C	Resistor(1/16W 4.7KΩ ±5%) [R311,315,316,320,323]
	VRS-CY1JD472J	AA		C	Resistor(1/16W 4.7KΩ ±5%) [R325,326,337,355]
22	VRS-CY1JD511J	AA		C	Resistor(1/16W 510Ω ±5%) [R356,362]
23	RH-TX0003ESZZ	AC		B	Digital transistor(KRA225S) [Q301,302,303]
	(Unit)				
901	CPWBF0113QSF2	BB	N	E	Operation PWB

23 MCU PWB

NO.	PARTS CODE	PRICE RANK	NEW MARK	PART RANK	DESCRIPTION
1	QCNCM0079QSZZ	AC		C	Connector(2pin) [CN116]
2	QCNCM0923FC18	AF		C	Connector(18pin) [CN119]
3	QCNCM0923FC24	AF		C	Connector(24pin) [CN101]
4	QCNCM1005MCZZ	AB		C	Connector(2pin) [CN124]
5	QCNCM2401SC0C	AB		C	Connector(3pin) [CN111]
6	QCNCM2401SC0D	AC		C	Connector(4pin) [CN103]
7	QCNCM2401SC0E	AC		C	Connector(5pin) [CN123]
8	QCNCM7014SC0C	AA		C	Connector(3pin) [CN113,CN110]
9	QCNCM7014SC0D	AB		C	Connector(4pin) [CN112]
10	QCNCM7014SC0E	AB		C	Connector(5pin) [CN120]
11	QCNCM7014SC0F	AB		C	Connector(6pin) [CN125]
12	QCNCPC0340QCZZ	AC		C	Connector(3pin) [CN108]
13	QCNCPC0341QCZZ	AC		C	Connector(3pin) [CN117]
14	QCNCW0024QSZZ	AF		C	Connector(32pin) [CN105]
15	QCNCW0078QSZZ	AF		C	Connector(35pin) [CN104]
16	QCNCW1124LC0H	AC		C	Connector(8pin) [CN107]
17	QCNCW1124LC1H	AD		C	Connector(18pin) [CN102]
18	QSOCZ0002QSZZ	AD		C	IC socket(8pin) [For IC102]
19	RCILZ0015QSZZ	AD		C	Coil [L129]
20	RCRSP0016QSZZ	AD		B	Cristal(19.6608MHz) [X101]
21	RCRUB0013QSZZ	AN		B	Cristal(24MHz) [X102]
22	RCRUB0016QSZZ	AN		B	Cristal(13.9867MHz) [X103]
23	RFILZ0004QSZZ	AM		C	Filter(ZJSR5101-223) [L101,L113,L123,L124]
	RFILZ0004QSZZ	AM		C	Filter(ZJSR5101-223) [L125,L126,L127]
24	RH-DX0001ESZZ	AC		B	Diode(11EQS06-TA1B2) [D139]
25	RH-DZ0016FCZZ	AB		B	Diode(MA700) [D101]
26	RH-iX0002QSZZ	AZ		B	IC(MT48LC4M16ATG-8E) [IC110]
27	RH-iX0020QSZZ	AS		B	IC(UT61L1024JC-15) [IC112]
28	RMPWTW4100QCJJ	AA		B	Block resistor(10Ω×4) [BR156,BR157,BR158]
29	RMPWTW4102QCJJ	AB		B	Block resistor(1.0KΩ×4) [BR160,BR161,BR162,BR163]
30	RMPWTW4103QCJJ	AB		B	Block resistor(10KΩ×4) [BR101,BR102,BR103,BR104,BR105]
	RMPWTW4103QCJJ	AB		B	Block resistor(10KΩ×4) [BR106,BR107,BR108,BR109,BR110]
	RMPWTW4103QCJJ	AB		B	Block resistor(10KΩ×4) [BR111,BR112,BR114,BR115,BR117]

23 MCU PWB

NO.	PARTS CODE	PRICE RANK	NEW MARK	PART RANK	DESCRIPTION
30	RMPTW4103QCJJ	AB		B	Block resistor(10KΩ×4) [BR133, BR135, BR137, BR139, BR145]
	RMPTW4103QCJJ	AB		B	Block resistor(10KΩ×4) [BR146, BR148, BR150, BR152, BR153]
	RMPTW4103QCJJ	AB		B	Block resistor(10KΩ×4) [BR154, BR155, BR159]
31	RMPTW4330QCJJ	AB		B	Resistor array(33Ω×4 1/32W ±5%) [BR116, BR118, BR119, BR120, BR121]
	RMPTW4330QCJJ	AB		B	Resistor array(33Ω×4 1/32W ±5%) [BR122, BR123, BR124, BR125, BR126]
	RMPTW4330QCJJ	AB		B	Resistor array(33Ω×4 1/32W ±5%) [BR127, BR128, BR129, BR130, BR134]
	RMPTW4330QCJJ	AB		B	Resistor array(33Ω×4 1/32W ±5%) [BR136, BR138, BR140, BR141, BR131]
	RMPTW4330QCJJ	AB		B	Resistor array(33Ω×4 1/32W ±5%) [BR132, BR142, BR143, BR144, BR147]
	RMPTW4330QCJJ	AB		B	Resistor array(33Ω×4 1/32W ±5%) [BR149, BR151]
32	TLABZ4201FCZZ	AC		D	Version label
33	VCCCCZ1HH101J	AA		C	Capacitor(50WV 100pF) [C104, C105, C190, C191, C192]
34	VCCCCZ1HH120J	AA		C	Capacitor(50WV 12pF) [C106, C165, C167]
35	VCCCCZ1HH220J	AA		C	Capacitor(50WV 22pF) [C102, C103]
36	VCCCCZ1HH330J	AA		C	Capacitor(50WV 33pF) [C186, C188, C194, C302]
37	VCCCCZ1HH470J	AA		C	Capacitor(50WV 47pF) [C126, C315, C316, C317, C318]
	VCCCCZ1HH470J	AA		C	Capacitor(50WV 47pF) [C319, C320, C321, C166, C341]
38	VCEAGA1CW105M	AA		C	Capacitor(16WV 1.0μF) [C206]
39	VCEAGA1CW106M	AA		C	Capacitor(16WV 10μF) [C109]
40	VCEAGA1CW226M	AB		C	Capacitor(16WV 22μF) [C174, C286, C287, C322]
41	VCEAGA1CW476M	AB		C	Capacitor(16WV 47μF) [C139]
42	VCEAGA1EW476M	AA		C	Capacitor(25WV 47uF) [C284]
43	VCEAGA1VW106M	AA		C	Capacitor(35WV 10μF) [C212]
44	VCEAGA1VW476M	AB		C	Capacitor(35WV 47uF) [C208, C276, C282, C299, C300]
45	VCKYCY1HB104K	AA		C	Capacitor(50WV 0.10μF) [C277, C313, C314, C209, C210]
	VCKYCY1HB104K	AA		C	Capacitor(50WV 0.10μF) [C213, C334, C335, C301, C339]
46	VCKYCZ1CB223K	AB		C	Capacitor(16WV 0.022μF) [C125, C163, C169, C197, C200]
47	VCKYCZ1CF104Z	AB		C	Capacitor(16WV 0.10μF) [C101, C107, C108, C110, C111]
	VCKYCZ1CF104Z	AB		C	Capacitor(16WV 0.10μF) [C112, C113, C114, C115, C124]
	VCKYCZ1CF104Z	AB		C	Capacitor(16WV 0.10μF) [C128, C129, C130, C131]
	VCKYCZ1CF104Z	AB		C	Capacitor(16WV 0.10μF) [C132, C133, C134, C135, C136]
	VCKYCZ1CF104Z	AB		C	Capacitor(16WV 0.10μF) [C137, C138, C140, C141, C142]
	VCKYCZ1CF104Z	AB		C	Capacitor(16WV 0.10μF) [C143, C144, C145, C146, C147]
	VCKYCZ1CF104Z	AB		C	Capacitor(16WV 0.10μF) [C148, C149, C150, C151, C152]
	VCKYCZ1CF104Z	AB		C	Capacitor(16WV 0.10μF) [C153, C154, C155, C156, C157]
	VCKYCZ1CF104Z	AB		C	Capacitor(16WV 0.10μF) [C158, C159, C160, C161, C162]
	VCKYCZ1CF104Z	AB		C	Capacitor(16WV 0.10μF) [C164, C168, C170]
	VCKYCZ1CF104Z	AB		C	Capacitor(16WV 0.10μF) [C173, C176, C177, C178, C179]
	VCKYCZ1CF104Z	AB		C	Capacitor(16WV 0.10μF) [C180, C181, C182, C183, C184]
	VCKYCZ1CF104Z	AB		C	Capacitor(16WV 0.10μF) [C185, C187, C189, C193, C195]
	VCKYCZ1CF104Z	AB		C	Capacitor(16WV 0.10μF) [C196, C198, C199, C205, C207]
VCKYCZ1CF104Z	AB		C	Capacitor(16WV 0.10μF) [C220, C260, C283, C285, C288]	
VCKYCZ1CF104Z	AB		C	Capacitor(16WV 0.10μF) [C289, C308, C323, C328, C337, C338]	
48	VCKYCY1HB102K	AA		C	Capacitor(50WV 1000pF) [C261, C262, C263, C264, C265]
	VCKYCY1HB102K	AA		C	Capacitor(50WV 1000pF) [C266, C278, C279, C280, C281]
	VCKYCY1HB102K	AA		C	Capacitor(50WV 1000pF) [C290, C291, C292, C293, C294]
	VCKYCY1HB102K	AA		C	Capacitor(50WV 1000pF) [C295, C296, C297, C298, C303]
	VCKYCY1HB102K	AA		C	Capacitor(50WV 1000pF) [C304, C305, C306, C307, C309]
	VCKYCY1HB102K	AA		C	Capacitor(50WV 1000pF) [C310, C311, C312]
49	VCKYCY1HB222K	AA		C	Capacitor(50WV 2200pF) [C211, C214, C218, C222]
50	VCKYCY1HB821K	AC		C	Capacitor(50WV 820pF) [C201, C202, C203, C204]
51	VHDDSS133/-/-1	AA		B	Diode(1SS133) [D104, D120, D124, D127]
52	VHDKDS121+ +- -1	AC		B	Diode(KDS121) [D116, D117, D118, D125, D126]
	VHDKDS121+ +- -1	AC		B	Diode(KDS121) [D130, D131, D132, D136, D141]
53	VHDKDS226+ +- -1	AC		B	Diode(KDS226) [D102, D103, D119, D138, D140, D143]
54	VHi28F4BVEB85	AX		B	IC(28F4BVEB85) [IC111]
55	VHi74HC151M-1	AD		B	IC(74HC151M) [IC114, IC115]
56	VHiBA6920FP-1	AL		B	IC(BA6920FP) [IC129]
57	VHiD65001AF-1	AG		B	IC(D65001AF) [IC119, IC121]
58	VHiD65503F+ - -1	AG		B	IC(D65503F) [IC124, IC125]
59	VHiEES02L400P	AG		B	IC(EES02L400P) [IC102]
60	VHiH8S2321+ - -1	AX		B	IC(H8S/2321) [IC103]
61	VHiHG73C1191C	BH		B	IC(HG73C1191C) [IC106]
62	VHiKA7805AP-1	AE		B	IC(KIA7805AP1) [IC130]
63	VHiKiA358F+ - -1	AE		B	IC(KIA358F) [IC122]
64	VHiKiA393F+ - -1	AE		B	IC(KIA393F) [IC120]
65	VHiL6219DS+ - -1	AN		B	IC(L6219DS) [IC127]
66	VHiLCX244WM-1	AG		B	IC(74LCX244WM) [IC118, IC113]
67	VHiM51957BFP1	AH		B	IC(M51957BFP1) [IC104]
68	RH-iX0005ESZZ	AE		B	IC(IX0005ES) [IC131]
69	VHiNC7ST08M-1	AD		B	IC(NC7ST08M) [IC107, IC133]
70	VHiP2010ASR-1	AN		B	IC(P2010ASR) [IC101]
71	VHiVHCT244M-1	AG		B	IC(VHCT244M) [IC116]
72	VHViCPN38/-/-1	AF		B	IC protector(ICPN38) [CP101, CP102, CP103]
73	VRD-HT2EY391J	AA		C	Resistor(1/4W 390Ω ±5%) [R245, R246, R247, R253]
74	VRD-HT2EY472J	AA		C	Resistor(1/4W 4.7KΩ ±5%) [R166]
75	VRN-VT3ATR68J	AC		C	Resistor(1W 0.68Ω ±5%) [R178, R177]
76	VRS-CZ1JD000J	AA		C	Resistor(1/16W 0Ω ±5%) [R102, R105, R106, R287]
77	VRS-CZ1JD100J	AA		C	Resistor(1/16W 10Ω ±5%) [R144, R145, R149, R267, R272]
78	VRS-CZ1JD101J	AA		C	Resistor(1/16W 100Ω ±5%) [R120, R170, R202, R278]
79	VRS-CZ1JD102F	AA		C	Resistor(1/16W 1KΩ ±1%) [R154]



23 MCU PWB

NO.	PARTS CODE	PRICE RANK	NEW MARK	PART RANK	DESCRIPTION
80	VRS-CZ1JD102J	AA		C	Resistor(1/16W 1.0KΩ ±5%) [R157,R181,R185,R195,R207]
	VRS-CZ1JD102J	AA		C	Resistor(1/16W 1.0KΩ ±5%) [R214,R216,R235,R236,R237]
	VRS-CZ1JD102J	AA		C	Resistor(1/16W 1.0KΩ ±5%) [R244,R187,R188,R282,R291]
81	VRS-CZ1JD103F	AA		C	Resistor(1/16W 10KΩ ±1%) [R117,R158,R173]
82	VRS-CZ1JD103J	AA		C	Resistor(1/16W 10KΩ ±5%) [R108,R111,R112,R115,R118]
	VRS-CZ1JD103J	AA		C	Resistor(1/16W 10KΩ ±5%) [R122,R123,R124,R125,R126]
	VRS-CZ1JD103J	AA		C	Resistor(1/16W 10KΩ ±5%) [R127,R128,R137,R140,R141]
	VRS-CZ1JD103J	AA		C	Resistor(1/16W 10KΩ ±5%) [R146,R147,R148,R172,R189]
	VRS-CZ1JD103J	AA		C	Resistor(1/16W 10KΩ ±5%) [R208,R209,R210,R212,R213]
	VRS-CZ1JD103J	AA		C	Resistor(1/16W 10KΩ ±5%) [R221,R222,R224,R228,R233]
	VRS-CZ1JD103J	AA		C	Resistor(1/16W 10KΩ ±5%) [R234,R238,R242,R248,R249,R250]
	VRS-CZ1JD103J	AA		C	Resistor(1/16W 10KΩ ±5%) [R266,R263,R269,R271,R283]
	VRS-CZ1JD103J	AA		C	Resistor(1/16W 10KΩ ±5%) [R284,R290,R286,R292]
83	VRS-CZ1JD105F	AA		C	Resistor(1/16W 1.0MΩ ±1%) [R155]
84	VRS-CZ1JD113F	AA		C	Resistor(1/16W 11KΩ ±1%) [R114]
85	VRS-CZ1JD122F	AA		C	Resistor(1/16W 1.2KΩ ±1%) [R171]
86	VRS-CZ1JD122J	AA		C	Resistor(1/16W 1.2KΩ ±5%) [R201]
87	VRS-CZ1JD152J	AA		C	Resistor(1/16W 1.5KΩ ±5%) [R150,R151,R152,R153,R160]
	VRS-CZ1JD152J	AA		C	Resistor(1/16W 1.5KΩ ±5%) [R162,R163,R164,R165,R167]
	VRS-CZ1JD152J	AA		C	Resistor(1/16W 1.5KΩ ±5%) [R168,R179,R180]
88	VRS-CZ1JD153J	AA		C	Resistor(1/16W 15KΩ ±5%) [R240,R275]
89	VRS-CZ1JD202J	AA		C	Resistor(1/16W 2.0KΩ ±5%) [R184]
90	VRS-CZ1JD203J	AA		C	Resistor(1/16W 20KΩ ±5%) [R215,R217]
91	VRS-CZ1JD220J	AA		C	Resistor(1/16W 22Ω ±5%) [R107]
92	VRS-CZ1JD241J	AA		C	Resistor(1/16W 240KΩ ±5%) [R174,R175,R176]
93	VRS-CZ1JD242J	AA		C	Resistor(1/16W 2.4KΩ ±5%) [R198,R203]
94	VRS-CZ1JD272J	AA		C	Resistor(1/16W 2.7KΩ ±5%) [R218]
95	VRS-CZ1JD301J	AA		C	Resistor(1/16W 300Ω ±5%) [R169,R199,R272,R274]
96	VRS-CZ1JD303J	AA		C	Resistor(1/16W 30KΩ ±5%) [R182,R183]
97	VRS-CZ1JD330J	AA		C	Resistor(1/16W 33Ω ±5%) [R119,R254,R255,R256,R257]
	VRS-CZ1JD330J	AA		C	Resistor(1/16W 33Ω ±5%) [R258,R259,R260,R261,R262]
	VRS-CZ1JD330J	AA		C	Resistor(1/16W 33Ω ±5%) [R276,R277,R285,R121]
98	VRS-CZ1JD332J	AA		C	Resistor(1/16W 3.3KΩ ±5%) [R232]
99	VRS-CZ1JD393J	AA		C	Resistor(1/16W 39KΩ ±5%) [R211,R223,R226,R227]
100	VRS-CZ1JD432F	AA		C	Resistor(1/16W 4.3KΩ ±1%) [R159]
101	VRS-CZ1JD562J	AA		C	Resistor(1/16W 560Ω ±5%) [R239]
102	VRS-CZ1JD472J	AA		C	Resistor(1/16W 4.7KΩ ±5%) [R281]
103	VRS-CZ1JD473J	AA		C	Resistor(1/16W 47KΩ ±5%) [R161,R204,R205]
104	VRS-CZ1JD511J	AA		C	Resistor(1/16W 510Ω ±5%) [R186]
105	VRS-CZ1JD563J	AA		C	Resistor(1/16W 56KΩ ±5%) [R241]
106	VRS-CZ1JD621J	AA		C	Resistor(1/16W 620Ω ±5%) [R200]
107	VRS-CZ1JD751J	AA		C	Resistor(1/16W 750Ω ±5%) [R196]
108	VRS-CZ1JD752F	AA		C	Resistor(1/16W 7.5KΩ ±1%) [R156]
109	VRS-CZ1JD752J	AA		C	Resistor(1/16W 7.5KΩ ±5%) [R191,R194,R229,R230,R231]
110	VRS-HT3DA102J	AA		C	Resistor(2W 1.0KΩ ±5%) [R220]
111	VRS-HT3DA101J	AA		C	Resistor(2W 100Ω ±5%) [R225]
112	VRS-HT3DAR22J	AA		C	Resistor(2W 0.22Ω ±5%) [R219]
113	VSKRA119S+-1	AB		B	Transistor(KRA119S) [Q102]
114	VSKRC106S+-1	AB		B	Transistor(KRC106S) [Q103,Q106,Q107,Q110]
115	VSKTA1281+-1	AD		B	Transistor(KTA1281) [Q108]
116	VSKTA1505S+-1	AC		B	Transistor(KTA1505S) [Q101]
117	VSKTC3198+-1	AB		B	Transistor(KTC3198+) [Q109]
118	RFILN0043FCZZ	AC		C	Filter(ZJSR5101-102) [L103,L110]
119	VCCCY1HH470J	AA		C	Capacitor(50WV 47pF) [C336]
120	VHDKDS120+-1	AC	N	B	Diode(KDS120) [D121,D122,D123,D128,D129]
	VHDKDS120+-1	AC	N	B	Diode(KDS120) [D133,D134,D135,D137,D142]
121	VHILVX4245M-1	AL		B	IC(74LVX4245MTCX) [IC32]
	(Unit)				
901	CPWBX0121QS31	BX		E	MCU PWB

24 DC power supply PWB (200V Series)

NO.	PARTS CODE	PRICE RANK	NEW MARK	PART RANK	DESCRIPTION
1	0AV1690000106	AD		C	Ceramic capacitor(DE1007-486E222M-KH 2200PF KH) [C20,C021]
2	0AV1690000088	AC		C	Ceramic capacitor(TRPE132R104K50 0.1μF 50V) [C4,C019,C114,C012]
3	0AV1560000002	AD		C	Film capacitor(RE104-C 0.1μF 250V) [C2,C005,C006]
4	0AV1690000111	AD		C	Ceramic capacitor(DE1210-2E222M-KX 2200PF KX) [C1,C003,C007]
5	0AV1480000083	AC		C	Film capacitor(ECQB1H102JF4 1000pF 50V) [C8,C023]
6	0AV1480000079	AC		C	Film capacitor(ECQB1H103JF4 0.01μF 50V) [C9,0014]
7	0AV1390000183	AQ		C	Al-electrolytic capacitor(LLS2G101MHLY 100μF 400V) [C10]
8	0AV1610000091	AC		C	Ceramic capacitor(DE0905-979R102K1K 1000PF 1KV) [C11,C101]
9	0AV1390000184	AC		C	Al-electrolytic capacitor(UPJ1H2R2MDH 2.2μF 50V) [C106]
10	0AV1390000107	AC		C	Al-electrolytic capacitor(UPJ1HR47MDH 0.47μF 50V) [C13]
11	0AV1610000108	AD		C	Ceramic capacitor(DE1307-486R222K1K 2200PF 1KV) [C15]
12	0AV1390000108	AC		C	Al-electrolytic capacitor(UPJ1V220MDH 22μF 35V) [C17,C018,C111]
	0AV1390000108	AC		C	Al-electrolytic capacitor(UPJ1V220MDH 22μF 35V) [C107,C108,C109]
13	0AV1390000177	AC		C	Al-electrolytic capacitor(UPJ1E221MPH 220μF 25V) [C102]
14	0AV1390000181	AE		C	Al-electrolytic capacitor(UHD1A102MPR 1000μF 10V) [C103,C104]
15	0AV1390000178	AG		C	Al-electrolytic capacitor(UPJ1H821MHH 820μF 50V) [C105]
16	0AV1390000182	AG		C	Al-electrolytic capacitor(UHD1V102MHR 1000μF 35V) [C110]
17	0AV1390000179	AC		C	Al-electrolytic capacitor(UPJ1H100MDH 10μF 50V) [C112]
18	0AV1610000109	AC		C	Ceramic capacitor(DE0705-979R471K1K 470PF 1KV) [C113]
19	0AV1390000180	AC		C	Al-electrolytic capacitor(UPJ1H3R3MDH 3.3μF 50V) [C115]
20	0AV1610000114	AD		C	Ceramic capacitor(DE0605-979SL680J2K 68PF 2KV) [C16]
21	0AV3050086000	AB		B	Diode(1SS270 0.15A 70V) [D1,D014,D106,D108]
	0AV3050086000	AB		B	Diode(1SS270 0.15A 70V) [D111,D113,D115,D118]
22	0AV3060027000	AH		B	Diode(D3SB60 4A 600V) [D12]
23	0AV3060043000	AC		B	Rectifier(RLIN4005-E 1A 600V) [D3,D004,D012,D015]
24	0AV3070058000	AC		B	Zenner diode(RD5.6ES 0.4W) [D5,D110,D116]
25	0AV3050036000	AF		B	Diode(RG1C 0.7A 1000V) [D6]
26	0AV3050019000	AF		B	Diode(ERA9102 0.5A 200V) [D7,D008,D010]
27	0AV3070085000	AC		B	Zenner diode(RD33ES 0.4W) [D9]
28	0AV3070056000	AD		B	Zenner diode(RD20ES 0.4W) [D11]
29	0AV3050097000	AG		B	Diode(SF10LC20U 10A 200V) [D101]
30	0AV3050099000	AD		B	Diode(D1NL20U 1A 200V) [D102]
31	0AV3050098000	AG		B	Diode(SF5SC4 5A 40V) [D103]
32	0AV3070061000	AC		B	Zenner diode(RD4.7ES 0.4W) [D104]
33	0AV3070057000	AC		B	Zenner diode(RD30ES 0.4W) [D107,D013]
34	0AV3070074000	AC		B	Zenner diode(RD13ES 0.4W) [D109]
35	0AV3070081000	AC		B	Zenner diode(RD3.9ES 0.4W) [D112,D117]
36	0AV3042605000	AN		B	FET(SK2605 5A 800V) [Q1]
37	0AV3001015090	AD		B	Transistor(2SA1015 -0.15A -50V) [Q2]
38	0AV3020143999	AD		B	Transistor(DTC143ESA 0.1A 50V) [Q101,Q108,Q110]
39	0AV3040494000	AP		B	FET(2SJ494 20A 60V) [Q102]
40	0AV3021815090	AC		B	Transistor(2SC1815 0.15A 50V) [Q104,Q106,Q107]
	0AV3021815090	AC		B	Transistor(2SC1815 0.15A 50V) [Q109,Q113]
41	0AV3001020000	AE		B	Transistor(2SA1020 -2A -50V) [Q105]
42	0AV3000143999	AD		B	Transistor(DTA143ESA -0.1A -50V) [Q112]
43	0AV2011053030	AB		C	Fixed carbon film resistor(RDF50S1MΩJ 1MΩ 1/2W) [R1]
44	0AV2041013020	AC		B	Fusing resistor(RF25S100ΩJ 100Ω 1/4W) [R2]
45	0AV2011213030	AB		C	Fixed carbon film resistor(RDF50S120ΩJ 120Ω 1/2W) [R3]
46	0AV2041213030	AC		B	Fusing resistor(RF50S120ΩJ 120Ω 1/2W) [R4]
47	0AV2011043030	AA		C	Fixed carbon film resistor(RDF50S100KΩJ 100KΩ 1/2W) [R5,R006]
48	0AV2012243010	AA		C	Fixed carbon film resistor(RDF16S220KΩJ 220KΩ 1/6W) [R7,R008]
49	0AV2012233010	AA		C	Fixed carbon film resistor(RDF16S22KΩJ 22KΩ 1/6W) [R121,R133,R135]
50	0AV2013333010	AA		C	Fixed carbon film resistor(RDF16S33KΩJ 33KΩ 1/6W) [R10,R014]
51	0AV2011003020	AA		C	Fixed carbon film resistor(RDF25S10ΩJ 10Ω 1/4W) [R11]
52	0AV2091083042	AC		C	Special power resistor(SPR1B0.1ΩJ 0.1Ω 1W) [R12]
53	0AV2044703010	AB		B	Fusing resistor(RF16S47ΩJ 47Ω 1/6W) [R13]
54	0AV2011033010	AA		C	Fixed carbon film resistor(RDF16S10KΩJ 10KΩ 1/6W) [R15,R019,R023]
	0AV2011033010	AA		C	Fixed carbon film resistor(RDF16S10KΩJ 10KΩ 1/6W) [R104,R122,R134]
55	0AV2016833010	AA		C	Fixed carbon film resistor(RDF16S68KΩJ 68KΩ 1/6W) [R16]
56	0AV2011013010	AA		C	Fixed carbon film resistor(RDF16S100ΩJ 100Ω 1/6W) [R17]
57	0AV2021043062	AD		C	Metal oxide film resistor(RSS3FB100KΩJ 100KΩ 3W) [R18]
58	0AV2016803030	AA		C	Fixed carbon film resistor(RDF50S68ΩJ 68Ω 1/2W) [R20]
59	0AV2015633010	AA		C	Fixed carbon film resistor(RDF16S56KΩJ 56KΩ 1/6W) [R21]
60	0AV2011023010	AA		C	Fixed carbon film resistor(RDF16S1KΩJ 1KΩ 1/6W) [R22,R113]
61	0AV2012243020	AA		C	Fixed carbon film resistor(RDF25S220KΩJ 220KΩ 1/4W) [R24,R025]
62	0AV2011033030	AB		C	Fixed carbon film resistor(RDF50S10KΩJ 10KΩ 1/2W) [R101]
63	0AV2012733010	AA		C	Fixed carbon film resistor(RDF16S27KΩJ 27KΩ 1/6W) [R9]
64	0AV2014723010	AA		C	Fixed carbon film resistor(RDF16S4.7KΩJ 4.7KΩ 1/6W) [R106,R114,R115,R116]
	0AV2014723010	AA		C	Fixed carbon film resistor(RDF16S4.7KΩJ 4.7KΩ 1/6W) [R123,R124,R136,R137]
65	0AV2011533010	AA		C	Fixed carbon film resistor(RDF16S15KΩJ 15KΩ 1/6W) [R107]
66	0AV2990007000	AC		C	Metal film resistor(SN14K2C2.2KΩD 2.2KΩ 1/6W) [R109,R111]
67	0AV2014713010	AA		C	Fixed carbon film resistor(RDF16S470ΩJ 470Ω 1/6W) [R103,R105,R110,R112]
68	0AV2990082000	AC		C	Metal film resistor(SN14K2C12KΩD 12KΩ 1/6W) [R119]
69	0AV2990083000	AC		C	Metal film resistor(SN14K2C3.44KΩD 3.44KΩ 1/6W) [R120]
70	0AV2021023052	AC		C	Metal oxide film resistor(RSS2FB1KΩJ 1KΩ 2W) [R130]
71	0AV2014733010	AA		C	Flame proof fixed carbon film resistor(RDF16S47KΩJ 47KΩ 1/6W) [R131,R026]
72	0AV2012203010	AA		C	Flame proof fixed carbon film resistor(RDF16S22ΩJ 22Ω 1/6W) [R132]
73	0AV4070062000	AF		C	Inductor(LF-4Z-E822) [L1,L002]
74	0AV4120002000	AC		C	Inductor(B-01-A) [L3,L101,L102,L103]
75	0AV4080010000	AP		C	Inductor(DR-18728A) [L5]

24 DC power supply PWB (200V Series)

NO.	PARTS CODE	PRICE RANK	NEW MARK	PART RANK	DESCRIPTION
76	0AV4120013000	AC		C	Inductor(T3140P3206536HW) [L104]
77	0AV4000135411	BD		B	Transformer(N-T01-354-D11) [T1]
78	0AV3160034000	AQ		B	Triac(TM1661PLF113) [TR1]
79	0AV5140022000	AF		B	Power thermistor(M10010T3C) [TH1]
80	0AV5190009000	AL		B	Varistor(ENC471D-14A) [X1]
81	0AV3180000004	AL		B	Phototriac coupler(S21ME3Y) [PC1]
82	0AV3082561300	AF		B	Photo coupler(PS2561) [PC2,PC003]
83	0AV3090076000	AF		B	IC(MM1431ATT) [IC1,IC102]
84	0AV3090077000	AN		B	IC(FA3647P) [IC2]
85	0AV3090078000	AN		B	IC(PQ20RX11) [IC101]
86	0AV3090071000	AN		B	IC(PQ3RD23) [IC103]
87	0AV5030123000	AD		B	Connector(B02B-VT) [CN1]
88	0AV5030130000	AF		B	Connector(B04P-XL-R) [CN2]
89	0AV5030125000	AG		B	Connector(B16B-PHDSS-B) [CN101]
90	0AV5080010000	AQ		B	Relay(FTR-H1AA024V) [RL1]
91	0AV5190024000	AK		B	Arrestor(RA-102M-C6-Y) [Z1,Z002]
92	0AV5040012000	AM		B	Switch(SDDJE30501 10A 250V) [S1]
93	0AV5060085000	AF		A	Fuse(215RB-10AA-SB 10A/250V) [F1,F003]
94	0AV5060083000	AF		A	Fuse(215SB-3R15AA-SB 3.15A/250V) [F2]
95	0AV5050005000	AA		C	Fuse holder(PFC5000-0203)
96	0AV5130008000	AC		C	Terminal(TP00370-41)
97	0AV7100003000	AE		C	Insulation sheet(M-30AD-D-3)
98	0AV6114125811	AF		C	Heatsink(LM41258)
99	0AV8117730414	AB		C	Screw(NACPEW-B3x8ZF B3x8)
100	0AV8117730514	AB		C	Screw(NACPEW-B3x10ZF B3x10)
101	0AV7414136011	AD		C	Label(LV41360)
102	0AV5110012000	AB		C	Jumper wire(RJ-SKA-06 6mm) [RJ701,RJ718,RJ724]
103	0AV5110001000	AA		C	Jumper wire(RJ-SCA-06 10mm) [RJ712,RJ713,RJ715]
	0AV5110001000	AA		C	Jumper wire(RJ-SCA-06 10mm) [RJ721,RJ725,RJ727]
104	0AV5110006000	AA		C	Jumper wire(RJ-SDA-06 12.5mm) [RJ711,RJ723,RJ726,RJ731]
	0AV5110006000	AA		C	Jumper wire(RJ-SDA-06 12.5mm) [RJ740,RJ742,RJ744]
105	0AV5110002000	AA		C	Jumper wire(RJ-SEA-06 15mm) [RJ702,RJ704,RJ705,RJ714]
	0AV5110002000	AA		C	Jumper wire(RJ-SEA-06 15mm) [RJ719,RJ720,RJ729,RJ730]
	0AV5110002000	AA		C	Jumper wire(RJ-SEA-06 15mm) [RJ732,RJ733,RJ734,RJ735]
	0AV5110002000	AA		C	Jumper wire(RJ-SEA-06 15mm) [RJ737,RJ739,RJ741,RJ743]
106	0AV5110004000	AA		C	Jumper wire(RJ-SGA-06 20mm) [RJ703,RJ706,RJ710,RJ722]
	0AV5110004000	AA		C	Jumper wire(RJ-SGA-06 20mm) [RJ728,RJ736,RJ738]
	(Unit)				
901	RDENC0006QS13	BN		E	DC power supply PWB (200V Series)

■ Index

PARTS CODE	NO.	PRICE RANK	NEW MARK	PART RANK	
【C】					
CBTN-0019QS02	3- 2	AF		E	
CBTN-0050QS02	3- 5	AF		E	
CCAB-0003QS23	1- 1	AS		D	
CCASP0001RS55	16-901	BF		E	
CCLEZ0005RS51	13- 1	AQ		E	
CCOVH0004RS54	2-901	BF		E	
CDRM-0002RS7B	19-901	BK		E	
CFIX-0021QS06	1- 13	AG	N	D	
CFIX-0021RS51	1-501	BB		E	
CFRM-0006RS53	15-502	BB		E	
CFRM-0007RS54	15-501	AX		E	
CGERH0011RS51	12- 9	AE		E	
CGERH0162QS01	5- 1	AN		E	
CHAI-0273RS51	14- 3	AN		C	
CHAI-0298RS51	14- 2	AL		C	
CHLDZ0010RS52	17-901	AU		E	
"/	4- 18	AU		E	
CLEVP0016QS02	21- 17	AF		C	
CPLTM0023QS02	15- 5	AF		C	
CPLTM0024QS01	9- 24	AG		C	
CPLTM0042QS02	12- 20	AY		C	
CPLTM0042RS55	12-901	BM		E	
CPLTM0288QS01	5- 2	BC		E	
CPLTM0291QS01	5- 3	AG		E	
CPLTM0294QS01	5- 4	AK		E	
CPLYZ0028QS01	5- 5	AM		E	
CPNLH0023QS44	3- 1	AT	N	D	
CPWBF0113QS F2	22-901	BB	N	E	
"/	3- 8	BB	N	E	
CPWBF0116RS51	9- 1	AP		E	
CPWBF0116RS52	11- 13	AP		E	
CPWBF0116RS53	7- 4	AP		E	
CPWBF0116RS54	15- 1	AP		E	
CPWBF0122QS31	10- 33	AZ		E	
CPWBX0121QS31	10- 4	BX		E	
"/	23-901	BX		E	
CRÖLP0015QS01	9- 20	AU		C	
CSW-M0016RS51	13- 4	AG		E	
CTHM-0019DS52	11- 12	AT		E	
CTME-0229FC04	11- 11	AG		C	
【D】					
DHAI-0267QSZZ	8- 18	AG		C	
DHAI-0268QSZ1	18- 2	AH		C	
"/	5- 40	AH		C	
DHAI-0269QSZZ	9- 27	AD		C	
DHAI-0276QSZ2	10- 36	AL		C	
"/	18- 8	AL		C	
"/	8- 24	AL		C	
DHAI-0280QSZ1	11- 16	AH		C	
"/	18- 10	AH		C	
DHAI-0282QSZZ	6- 2	AG		C	
"/	7- 14	AG		C	
DHAI-0285QSZZ	1- 7	AK		C	
"/	18- 4	AK		C	
"/	7- 10	AK		C	
DHAI-0287QSZZ	18- 7	AF		C	
"/	8- 23	AF		C	
DHAI-0291QSZZ	4- 12	AC		C	
DHAI-0292QSZZ	8- 19	AF		C	
DHAI-0294QSZZ	10- 31	AK		C	
"/	18- 3	AK		C	
DHAI-0295QSZZ	15- 2	AC		C	
DHAI-0296QSZZ	12- 27	AK		C	
"/	18- 5	AK		C	
DHAI-0305QSZ1	10- 32	AL		C	
DUNT-0276QS11	5- 6	BT		E	
DUNTK0013QS13	6- 4	BS		E	
DUNTW0285RS12	11-901	BS		E	
DWIR-0466CSZZ	17- 8	BG		B	
【G】					
GCAB-0004QSJ1	1- 18	AX		D	
GCAB-0007QSJ2	4- 1	AU		D	
GCAB-0061QSZ1	1- 10	AK	N	D	
GCAB-0062QSZ3	1- 17	AL	N	D	
GCAB-0063QSZZ	3- 10	AT		D	
GCAB-0064QSZZ	3- 12	AN		D	
GCASP0001QSJ2	16- 19	AZ		D	
GCOV-0045QSZ3	1- 12	AG	N	D	

PARTS CODE	NO.	PRICE RANK	NEW MARK	PART RANK	
GCOVH0003QSJZ	2- 1	AL		D	
GCOVH0004QSJ1	2- 2	AX		D	
GDAI-0001QSJ1	10- 17	BF		D	
"/	9- 28	BF		D	
GLEGG0064FCZZ	10- 18	AC		C	
【J】					
JBTN-0005QSZZ	3- 4	AC		C	
JBTN-0020QSZZ	3- 3	AC		C	
JBTN-0049QSZZ	3- 6	AF		C	
JKNBZ0001QSZZ	8- 22	AE		C	
【L】					
LBNDJ0013FCZ1	11- 17	AA		C	
"/	14- 9	AA		C	
"/	15- 3	AA		C	
"/	6- 3	AA		C	
LBNDJ0043FCZZ	8- 6	AA		C	
LBOSZ1031FCZZ	9- 15	AC		C	
LBOSZ1851FCZZ	9- 13	AC		C	
LFIX-0004QSZZ	17- 15	AC		C	
LFRM-0003QSJ2	4- 9	AN		D	
LFRM-0004QSZZ	11- 7	AV		D	
LFRM-0005QSZ1	11- 30	AQ		D	
LFRM-0006QSJZ	15- 13	AN		D	
LFRM-0007QSJ2	15- 25	AL		D	
LFRM-0035QSZZ	8- 21	AZ		D	
LFRM-0062QSZZ	10- 30	AG		C	
LHLDC0097QSZZ	10- 34	AG		C	
LHLDR0081QSZZ	20- 24	AC		C	
LHLDW1226FCZZ	16- 3	AB		C	
"/	21- 12	AB		C	
LHLDZ0009QSDZ	14- 1	AG		C	
LHLDZ0010QSZ1	17- 14	AL		C	
LHLDZ0016QSZZ	19- 5	AM		C	
LHLDZ0018QSZZ	8- 13	AE		C	
LHLDZ0080QSZZ	9- 49	AC		C	
LHLDZ0092QSZZ	10- 1	AP		C	
LHLDZ0093QSZZ	5- 7	AC		C	
LPI NS0009QSZZ	8- 26	AD		C	
LPLTM0003YSZZ	20- 33	AK		C	
LPLTM0016QSZZ	9- 42	AE		C	
LPLTM0020QSZZ	10- 21	AL		C	
LPLTM0022QSZ4	11- 29	AG		C	
LPLTM0033QSZ1	19- 8	AF		C	
LPLTM0034QSZ1	19- 9	AE		C	
LPLTM0043QSZZ	4- 5	AD		C	
LPLTM0046QSZZ	9- 25	AE		C	
LPLTM0194QSZZ	20- 19	AC		C	
LPLTM2642FCG1	16- 4	AD	N	C	
LPLTM5106FCZZ	16- 1	AR		C	
LPLTM5422FCZZ	9- 50	AC		C	
LPLTP0009QSZZ	11- 38	AS		C	
LPLTP0010QSZZ	19- 24	AD		C	
LPLTP5107FCZ1	16- 5	AG		C	
LPLTP5108FCZ1	16- 13	AG		C	
LRALP0001QSJ2	9- 34	AM		C	
LSOU-0001QSJZ	1- 2	AY		D	
LSOU-0008QSJZ	1- 4	AH		D	
LSTPF0013QSZZ	5- 8	AC		C	
LSTPP0116FCZZ	11- 18	AA		C	
LSTPP0161FCZ1	16- 18	AD	N	C	
LX-BZ0010QSZZ	11- 8	AB		C	
LX-BZ0011QSZZ	11- 42	AB		C	
LX-BZ0033QSZZ	5- 9	AB		C	
LX-BZ0656FCZZ	20- 22	AD		C	
LX-BZ0735FCZZ	11- 36	AA		C	
LX-BZ3006SC0S	8- 28	AA		C	
LX-WZ0023FCZZ	9- 43	AA		C	
LX-WZ0313FCZZ	11- 26	AA		C	
LX-WZ0329FCZZ	19- 13	AB		C	
LX-WZ2028SCZZ	16- 10	AA		C	
【M】					
MLEVP0005QSZZ	7- 5	AD		C	
MLEVP0006QSZZ	9- 2	AD		C	
MLEVP0007QSZZ	15- 17	AD		C	
MLEVP0014QSZZ	11- 28	AF		C	
MLEVP0015QSZZ	11- 23	AF		C	
MLOKZ0004QSZZ	5- 10	AD		C	
MSPRC0016QSZ1	14- 7	AC		C	
MSPRC0017QSZ1	14- 5	AC		C	
MSPRC0018QSZ1	14- 6	AC		C	
MSPRC0021QSZZ	7- 7	AB		C	

PARTS CODE	NO.	PRICE RANK	NEW MARK	PART RANK
MSPRC0023QSZ1	12- 15	AC		C
MSPRC0024QSZ1	8- 8	AC		C
MSPRC0026QSZ1	9- 3	AB		C
MSPRC0027QSZZ	17- 10	AC		C
MSPRC0028QSZZ	17- 11	AC		C
MSPRC0030QSZZ	4- 14	AC		C
MSPRC0031QSZZ	4- 13	AB		C
MSPRC0032QSZZ	4- 11	AB		C
MSPRC0036QSZ1	15- 26	AB		C
MSPRC0037QSZZ	9- 62	AB		C
MSPRC0038QSZ1	15- 16	AC		C
MSPRC0039QSZ1	15- 14	AC		C
MSPRC0045QSZ1	19- 30	AC		C
MSPRC0051QSZ1	17- 12	AA		C
MSPRC0053QSZ1	12- 3	AC		C
MSPRC0055QSZZ	11- 25	AC		C
MSPRC0077QSZ1	9- 41	AB		C
MSPRC0080QSZZ	15- 18	AB		C
MSPRC0108QSZZ	16- 15	AC		C
MSPRC0109QSZZ	15- 33	AC		C
MSPRC0161QSZZ	9- 16	AF		C
MSPRC1145FCZZ	16- 17	AA		C
MSPRC1316FCZ1	9- 11	AE		C
MSPRC1318FCZ1	12- 23	AA		C
MSPRC1873FCZ1	16- 16	AB		C
MSPRD0076QSZ1	4- 6	AD		C
MSPRD0108QSZZ	15- 31	AC		C
MSPRD0281QSZZ	7- 9	AD		C
MSPRD0282QSZZ	11- 3	AH		C
MSPRK0001YSZZ	20- 23	AB		C
MSPRP0033QSZZ	11- 6	AD		C
MSPRP0034QSZZ	11- 14	AE		C
MSPRP0079QSZZ	15- 29	AD		C
MSPRP0110QSZ1	13- 6	AD		C
MSPRT0019QSZ1	6- 5	AB		C
MSPRT0020QSZ1	7- 2	AB		C
MSPRT0029QSZZ	4- 3	AC		C
MSPRT0054QSZ1	11- 37	AB		C
MSPRT0283QSZZ	5- 11	AC		C
MSPRT0284QSZZ	5- 12	AC		C
MSPRT0513FCZ1	17- 7	AA		C
[N]				
NBLT-0005QSZZ	8- 5	AH		B
NBLTT0001QSZZ	8- 20	AH		B
NBLTT0030QSZZ	5- 13	AH		B
NBLTT0031QSZZ	5- 14	AF		B
NBRGC0020QSZZ	20- 16	AH		C
NBRGC0021QSZZ	20- 13	AD		C
NBRGC0100FCZ1	9- 8	AC		C
NBRGC0579FCZZ	8- 2	AE		C
NBRGP0260FCZ1	11- 24	AD		C
NBRGP0299FCZZ	19- 21	AC		C
NBRGP0562FCZZ	15- 11	AD		C
"	9- 19	AD		C
NBRGP0567FCZZ	11- 20	AG		C
NCPL-0003QSZZ	19- 12	AC		C
NCPL-0006QSZZ	8- 7	AC		C
NFANP0005QSZ1	8- 12	BR		B
NGERH0001YSZZ	20- 12	AD		C
NGERH0007QSZZ	12- 11	AH		C
NGERH0008QSZ3	12- 16	AL		C
NGERH0009QSZZ	12- 7	AD		C
NGERH0010QSZZ	12- 6	AD		C
NGERH0012QSZZ	12- 18	AE		C
NGERH0013QSZZ	12- 19	AG		C
NGERH0014QSZZ	12- 8	AD		C
NGERH0015QSZZ	12- 10	AD		C
NGERH0016QSZZ	12- 12	AD		C
NGERH0017QSZZ	12- 17	AD		C
NGERH0018QSZZ	12- 14	AC		C
NGERH0019QSZZ	12- 13	AD		C
NGERH0020QSZZ	9- 9	AG		C
NGERH0021QSZZ	15- 27	AD		C
NGERH0022QSZZ	9- 21	AC		C
NGERH0025QSZZ	9- 23	AD		C
NGERH0026QSZZ	9- 22	AD		C
NGERH0036QSZZ	19- 28	AC		C
NGERH0037QSZZ	19- 27	AC		C
NGERH0038QSZZ	19- 26	AC		C
NGERH0039QSZZ	19- 25	AE		C
NGERH0050QSZZ	12- 4	AD		C

PARTS CODE	NO.	PRICE RANK	NEW MARK	PART RANK
NGERH0135QSZZ	20- 9	AD		C
NGERH0145QSZ1	20- 15	AD		C
NGERH0161QSZZ	5- 15	AL		C
NGERH0193FCZZ	16- 11	AB		C
NGERH0540FCZ3	11- 19	AD		C
NGERH0972FCZZ	15- 6	AB		C
NGERH0990FCZZ	15- 9	AB		C
NGERH1132FCZZ	9- 18	AH		C
NPLYZ0001QSZZ	8- 4	AE		C
NPLYZ0002QSZZ	12- 5	AC		C
NROLI0014QSZ3	11- 21	BA		C
NROLM0074QSZZ	20- 31	AZ		C
NROLP0007QSZ1	8- 1	AQ		C
NROLP0012QSZ2	8- 3	AL		C
NROLP0046QSZZ	7- 1	AC		C
NROLP0073QSZ1	20- 5	AN		C
NROLP1122FCZZ	15- 24	AF		C
"	4- 17	AF		C
"	7- 8	AF		C
NROLR0013QSZZ	9- 7	AQ		C
NROLR0016QSZZ	15- 12	AT		C
NROLR0028QSZZ	11- 27	AZ		C
NSFTZ0003QSZZ	19- 33	AD		C
NSFTZ0004QSZZ	19- 15	AK		C
NSFTZ0006QSZ1	4- 15	AG		C
NSFTZ0007QSZZ	15- 23	AG		C
NSFTZ0063QSZZ	5- 16	AK		C
[P]				
PBOX-0012QSZZ	20- 17	AN		D
PBRSR0002QSZ1	5- 17	AH		B
PBRSR0004QSZ1	11- 4	AD		B
PBRSR0022QSZ1	20- 35	AF		B
PCAPH0008QSZZ	19- 34	AC		C
PCASZ0002QSZZ	17- 16	AL		D
PCASZ0004QSZZ	19- 4	AK		C
PCOVP0007QSJZ	9- 38	AE		D
PCOVP0008QSZZ	9- 60	AE		C
PCOVP0009QSZZ	9- 61	AE		C
PCOVP0010QSZZ	11- 5	AG		D
PCOVP0011QSZZ	11- 15	AK		D
PCOVP0012QSJ1	13- 3	AH		C
PCOVP0018QSZZ	19- 23	AG		C
PCOVP0081QSZZ	20- 3	AF		D
PCOVP0082QSZZ	20- 20	AD		D
PCUSS0024QSZZ	2- 3	AV		D
PCUSU0026QSZZ	5- 42	AC		D
PDUC-0005QSZ1	5- 22	AD	N	C
PFILZ0002QSZZ	1- 21	AL		D
PGIDH0025QSZ1	17- 4	AG		C
PGIDH0026QSZZ	11- 34	AE		C
PGIDM0006QSZ2	7- 6	AM		C
PGIDM0008QSZZ	4- 4	AD		C
PGIDM0009QSZ1	8- 25	AF	N	C
PGIDM0010QSZ1	9- 5	AG		C
PGIDM0011QSZZ	17- 2	AE		C
PGIDM0012QSJZ	15- 22	AF		C
PGIDM0013QSJZ	15- 21	AF		C
PGIDM0014QSJZ	15- 20	AF		C
PGIDM0023QSZZ	11- 1	AP		C
PGIDM0090QSZZ	20- 7	AH		C
PGIDM0099QSZ1	5- 18	AH	N	C
PGLSP0007QSZZ	1- 14	AV		B
PGUMS0004QSZZ	5- 19	AA		C
PMLT-0008QSZZ	20- 32	AC		C
PMLT-0015QSZZ	19- 17	AA		C
PMLT-0016QSZ1	19- 18	AC		C
PMLT-0017QSZZ	19- 20	AC		C
PMLT-0018QSZ1	19- 14	AC		C
PMLT-0024QSZZ	1- 20	AC		C
PMLT-0025QSZZ	19- 37	AC		C
PMLT-0067QSZZ	8- 39	AC		C
PMLT-0068QSZZ	5- 47	AC		C
PPIPP0003QSZZ	9- 17	AD		C
PPIPP0004QSZZ	19- 31	AH		C
PPIPP0109FCZ1	9- 10	AC		C
PSEL-0021QSZ1	19- 19	AF		C
PSEL-0022QSZ1	19- 16	AF		C
PSEL-0080QSZ1	20- 28	AD		C
PSEL-0082QSZZ	20- 18	AC		C
PSEL-0083QSZ1	20- 6	AF		C
PSEL-0084QSZ1	20- 8	AA		C

PARTS CODE	NO.	PRICE RANK	NEW MARK	PART RANK
PSEL-0096QSZZ	20- 30	AA		C
PSEL-0110QSZZ	20- 2	AF		C
PSHEP0019QSZ1	17- 3	AC		C
PSHEP0020QSZZ	17- 13	AB		C
PSHEP0021QSZZ	17- 6	AA		C
PSHEP0023QSZZ	11- 35	AF		C
PSHEP0047QSZZ	11- 40	AC		C
PSHEZ0018QSZZ	17- 1	AF		C
PSHEZ0029QS11	20- 29	AC		C
PSHEZ0045QSZZ	11- 33	AC		C
PSHEZ0350QSZZ	6- 6	AB		C
PSHEZ0351QSZZ	6- 7	AB		C
PSHEZ0367QSZZ	5- 21	AD		C
PSHEZ0369QSZZ	1- 8	AE		C
PSHEZ0377QSZZ	5- 24	AC		C
PSHEZ0389QSZ1	5- 39	AK		C
PSHEZ0390QSZZ	10- 22	AL		C
//	18- 6	AL		C
PSHEZ0400QSZZ	5- 48	AG		C
PSHEZ0401QSZZ	5- 45	AG		C
PSHEZ0402QSZZ	7- 16	AG		C
PSHEZ0403QSZZ	5- 44	AG		C
PSHEZ0405QSZZ	10- 38	AE		C
PSHEZ4142FCZZ	16- 2	AC		C
PSHT-0004QSZ1	19- 29	AC		C
PSPA0696FCZZ	19- 32	AC		C
PTME-0002QSZZ	12- 24	AD		C
PTME-0003QSZ1	12- 26	AD		C
PTME-0004QSZZ	4- 2	AG		C
PTME-0255FCZZ	16- 6	AG		C
PTME-0256FCZZ	16- 14	AG		C
PTPE-0003QSZ1	19- 7	AF		C
PTPE-0004QSZZ	19- 36	AC		C
PTPE-0040QSZZ	1- 15	AC		C
PTPE-0041QSZZ	1- 6	AB		C
PTPE-0045QSZZ	5- 43	AA		C
PTPE-0046QSZZ	5- 46	AB		C
[Q]				
QACCV6621JHPZ	21- 3	*	N	B
QCNCM0079QSZZ	23- 1	AC		C
QCNCM0861FCZZ	22- 1	AB		C
QCNCM0923FC18	23- 2	AF		C
QCNCM0923FC24	23- 3	AF		C
QCNCM1005MCZZ	23- 4	AB		C
QCNCM2401SC0C	23- 5	AB		C
QCNCM2401SC0D	23- 6	AC		C
QCNCM2401SC0E	23- 7	AC		C
QCNCM7014SC0C	23- 8	AA		C
QCNCM7014SC0D	23- 9	AB		C
QCNCM7014SC0E	23- 10	AB		C
QCNCM7014SC0F	23- 11	AB		C
QCNCP0340QCZZ	23- 12	AC		C
QCNCP0341QCZZ	23- 13	AC		C
QCNCW0024QSZZ	23- 14	AF		C
QCNCW0078QSZZ	23- 15	AF		C
QCNCW1124LC0H	23- 16	AC		C
QCNCW1124LC1H	23- 17	AD		C
QCNCW1132LC1H	22- 2	AD		C
QSLP-0005QSZZ	8- 16	AE		C
QSLP-0006QSZZ	8- 14	AE		C
QSLP-0007QSZZ	17- 9	AC		C
QSOCZ0002QSZZ	23- 18	AD		C
QSW-B0003QSZZ	9- 26	AF		B
QSW-P0001ESZZ	22- 3	AC		B
QTANP0004QSZZ	19- 3	AD		C
QTANP0005QSZZ	19- 6	AC		C
[R]				
RCILZ0015QSZZ	23- 19	AD		C
RCORF0018QSZZ	10- 23	AR		C
//	5- 32	AR		C
//	7- 15	AR		C
RCORF0020QSZZ	5- 41	AL		C
RCORF0021QSZZ	10- 27	AK		C
//	6- 8	AK		C
RCRSP0016QSZZ	23- 20	AD		B
RCRUB0013QSZZ	23- 21	AN		B
RCRUB0016QSZZ	23- 22	AN		B
RDENC0006QS13	10- 13	BN		E
//	24-901	BN		E
RDENC0007QSZZ	10- 6	BG		E
RDTCT0003QSZZ	20- 26	AZ		B

PARTS CODE	NO.	PRICE RANK	NEW MARK	PART RANK
RDTCT0128FCZZ	11- 9	AR		B
RFILN0043FCZZ	23-118	AC		C
RFILZ0004QSZZ	23- 23	AM		C
RH-DX0001ESZZ	23- 24	AC		B
RH-DZ0016FCZZ	23- 25	AB		B
RH-iX0002QSZZ	23- 26	AZ		B
RH-iX0005ESZZ	23- 68	AE		B
RH-iX0020QSZZ	23- 27	AS		B
RH-TX0003ESZZ	22- 23	AC		B
RLMPU0011QSZZ	11- 22	BA		B
RMOTD0009QSZZ	8- 9	AU		B
RMOTP0036QSZZ	12- 2	BD		B
RMOTS0038QSZZ	5- 25	BL		B
RMPTW4100QCJJ	23- 28	AA		B
RMPTW4102QCJJ	23- 29	AB		B
RMPTW4103QCJJ	23- 30	AB		B
RMPTW4330QCJJ	23- 31	AB		B
RPLU-0002QSZZ	12- 25	AN		B
RPLU-0035QSZZ	12- 22	AL		B
[S]				
SPAKA0051RSZZ	21- 14	AC		D
SPAKA0405QSZZ	21- 9	AN		D
SPAKA0408QSZZ	21- 1	AN		D
SPAKA0411QSZZ	21- 20	AE		D
SPAKC0402TS29	21- 10	*	N	D
SSAKA2347QCZZ	21- 8	AB		D
SSAKA5003CCZZ	21- 5	AA		D
SSAKZ0002QSZZ	21- 6	AF		D
[T]				
TCADZ0049QSZZ	21- 7	AH		D
TCAUA0770GHZZ	1- 19	*	N	D
TCAUH0007TSZZ	21- 22	*	N	D
TCAUH0017QSZZ	11- 32	AC		D
TINSZ0852TSZZ	21- 7	*	N	D
TLABH0403TSZZ	1- 11	*	N	C
TLABZ0058TSZZ	1- 26	*	N	D
TLABZ3568GHZZ	16- 12	*	N	D
TLABZ4047FCZZ	16- 20	AC		C
TLABZ4201FCZZ	23- 32	AC		D
TTAG-0002QSZZ	21- 13	AB		D
TTAG-0006QSZ1	21- 15	AD		D
[U]				
UBNDA0001FCZZ	21- 4	AA		C
UCLEZ0006QS11	20- 4	AF		D
UCLEZ0013QSZZ	19- 10	AQ		C
UCLEZ0014QSZZ	19- 35	AL		C
[V]				
VCCCCY1HH201J	22- 4	AA		C
VCCCCY1HH470J	23-119	AA		C
VCCCCZ1HH101J	23- 33	AA		C
VCCCCZ1HH120J	23- 34	AA		C
VCCCCZ1HH220J	23- 35	AA		C
VCCCCZ1HH330J	23- 36	AA		C
VCCCCZ1HH470J	23- 37	AA		C
VCEAGA1CW105M	23- 38	AA		C
VCEAGA1CW106M	23- 39	AA		C
VCEAGA1CW226M	23- 40	AB		C
VCEAGA1CW476M	23- 41	AB		C
VCEAGA1EW476M	23- 42	AA		C
VCEAGA1VW106M	23- 43	AA		C
VCEAGA1VW476M	23- 44	AB		C
VCEAJU1CW476M	22- 5	AB		C
VCKYCY1CB104K	22- 6	AB		C
VCKYCY1HB102K	22- 7	AA		C
VCKYCY1HB104K	23- 45	AA		C
VCKYCY1HB223K	22- 8	AC		C
VCKYCY1CB223K	23- 46	AB		C
VCKYCY1CF104Z	23- 47	AB		C
VCKYCY1HB102K	23- 48	AA		C
VCKYCY1HB222K	23- 49	AA		C
VCKYCY1HB821K	23- 50	AC		C
VHDDSS133//--1	22- 9	AA		B
//	23- 51	AA		B
VHDKDS120++-1	23-120	AC	N	B
VHDKDS121++-1	23- 52	AC		B
VHDKDS226++-1	23- 53	AC		B
VH128F4BVEB85	23- 54	AX		B
VH174HC151M-1	22- 11	AD		B
//	23- 55	AD		B
VH1BA6920FP-1	23- 56	AL		B
VH1D65001AF-1	23- 57	AG		B

PARTS CODE	NO.	PRICE RANK	NEW MARK	PART RANK
VHiD65503F+-1	23- 58	AG		B
VHiEES02L400P	23- 59	AG		B
VHiH8S2321+-1	23- 60	AX		B
VHiHG73C1191C	23- 61	BH		B
VHiKA7805AP-1	23- 62	AE		B
VHiKiA358F+-1	23- 63	AE		B
VHiKiA393F+-1	23- 64	AE		B
VHiL6219DS+-1	23- 65	AN		B
VHiLC7935//-1	22- 10	AN		B
VHiLCX244WM-1	23- 66	AG		B
VHiLVX4245M-1	23-121	AL		B
VHiM51957BFP1	23- 67	AH		B
VHiNC7ST08M-1	23- 69	AD		B
VHiP2010ASR-1	23- 70	AN		B
VHiVHCT244M-1	23- 71	AG		B
VHP1LHEE-002A	22- 12	AC		B
VHP1LHLE-002A	22- 13	AC		B
VHP3650AG2J-1	22- 14	AL		B
VHViCPN38//-1	23- 72	AF		B
VRD-HT2EY391J	23- 73	AA		C
VRD-HT2EY472J	23- 74	AA		C
VRH-ST2HB157K	11- 2	AD		C
VRN-VT3ATR68J	23- 75	AC		C
VRS-CY1JD101J	22- 15	AA		C
VRS-CY1JD102J	22- 16	AA		C
VRS-CY1JD121J	22- 17	AA		C
VRS-CY1JD151J	22- 18	AA		C
VRS-CY1JD152J	22- 19	AA		C
VRS-CY1JD471J	22- 20	AA		C
VRS-CY1JD472J	22- 21	AA		C
VRS-CY1JD511J	22- 22	AA		C
VRS-CZ1JD000J	23- 76	AA		C
VRS-CZ1JD100J	23- 77	AA		C
VRS-CZ1JD101J	23- 78	AA		C
VRS-CZ1JD102F	23- 79	AA		C
VRS-CZ1JD102J	23- 80	AA		C
VRS-CZ1JD103F	23- 81	AA		C
VRS-CZ1JD103J	23- 82	AA		C
VRS-CZ1JD105F	23- 83	AA		C
VRS-CZ1JD113F	23- 84	AA		C
VRS-CZ1JD122F	23- 85	AA		C
VRS-CZ1JD122J	23- 86	AA		C
VRS-CZ1JD152J	23- 87	AA		C
VRS-CZ1JD153J	23- 88	AA		C
VRS-CZ1JD202J	23- 89	AA		C
VRS-CZ1JD203J	23- 90	AA		C
VRS-CZ1JD220J	23- 91	AA		C
VRS-CZ1JD241J	23- 92	AA		C
VRS-CZ1JD242J	23- 93	AA		C
VRS-CZ1JD272J	23- 94	AA		C
VRS-CZ1JD301J	23- 95	AA		C
VRS-CZ1JD303J	23- 96	AA		C
VRS-CZ1JD330J	23- 97	AA		C
VRS-CZ1JD332J	23- 98	AA		C
VRS-CZ1JD393J	23- 99	AA		C
VRS-CZ1JD432F	23-100	AA		C
VRS-CZ1JD472J	23-102	AA		C
VRS-CZ1JD473J	23-103	AA		C
VRS-CZ1JD511J	23-104	AA		C
VRS-CZ1JD562J	23-101	AA		C
VRS-CZ1JD563J	23-105	AA		C
VRS-CZ1JD621J	23-106	AA		C
VRS-CZ1JD751J	23-107	AA		C
VRS-CZ1JD752F	23-108	AA		C
VRS-CZ1JD752J	23-109	AA		C
VRS-HT3DA101J	23-111	AA		C
VRS-HT3DA102J	23-110	AA		C
VRS-HT3DAR22J	23-112	AA		C
VSKRA119S++-1	23-113	AB		B
VSKRC106S++-1	23-114	AB		B
VSKTA1281++-1	23-115	AD		B
VSKTA1505S+-1	23-116	AC		B
VSKTC3198++-1	23-117	AB		B
[X]				
XBBS30P04000	12- 21	AA		C
XBBS30P08000	8- 29	AA		C
XBBS40P06000	12- 1	AA		C
XBBSE30P06000	10- 14	AA		C
XBBSE30P08000	1- 9	AA		C
"	20- 1	AA		C
XBPSC30P06ES0	14- 4	AA		C

PARTS CODE	NO.	PRICE RANK	NEW MARK	PART RANK
XBPSC30P06K00	8- 17	AA		C
XBPSD30P06KS0	20- 14	AA		C
XBPSD30P08KS0	9- 37	AA		C
XBPSD30P10KS0	11- 10	AB		C
XBPSN40P06K00	10- 25	AA		C
XEBSD26P05000	19- 2	AA		C
XEBSD30P06000	17- 5	AA		C
"	20- 21	AA		C
"	8- 15	AA		C
XEBSD30P06KS0	15- 15	AA		C
XEBSD30P08000	14- 8	AA		C
"	3- 9	AA		C
"	9- 51	AA		C
XEBSD30P10000	10- 35	AA		C
"	19- 1	AA		C
"	4- 10	AA		C
"	8- 10	AA		C
XEBSD30P12000	6- 1	AA		C
XEBSD30P30000	8- 11	AA		C
XEBSE30P06000	15- 30	AA		C
"	4- 8	AA		C
XEBSE30P08000	11- 41	AA		C
"	1- 3	AA		C
"	13- 2	AA		C
"	15- 8	AA		C
"	16- 9	AA		C
XEBSE30P10000	10- 11	AA		C
"	3- 11	AA		C
"	9- 4	AA		C
"	9- 44	AA		C
XEBSE30P12000	11- 31	AA		C
"	9- 40	AA		C
XEBSE40P12000	10- 15	AA		C
"	1- 5	AA		C
"	15- 32	AA		C
"	8- 30	AA		C
"	9- 35	AA		C
XEBSF30P08000	20- 11	AA		C
XEPSD20P10000	13- 5	AA		C
XEPSD30P06X00	15- 28	AA		C
XHBSE30P06000	10- 3	AA		C
"	15- 4	AA		C
"	4- 7	AA		C
"	5- 26	AA		C
XPSSJ20-07000	15- 10	AA		C
"	9- 12	AA		C
XRESP30-04000	11- 39	AA		C
XRESP30-06000	4- 16	AA		C
XRESP40-06000	15- 7	AA		C
"	16- 7	AA		C
"	20- 10	AA		C
"	9- 14	AA		C
XRESP50-06000	20- 25	AA		C
"	5- 27	AA		C
"	9- 6	AA		C
XRESP70-08000	5- 28	AA		C
XUBUZ30P06000	20- 27	AA		C
XUBUZ30P08000	20- 34	AA		C
[0]				
0AV1390000107	24- 10	AC		C
0AV1390000108	24- 12	AC		C
0AV1390000177	24- 13	AC		C
0AV1390000178	24- 15	AG		C
0AV1390000179	24- 17	AC		C
0AV1390000180	24- 19	AC		C
0AV1390000181	24- 14	AE		C
0AV1390000182	24- 16	AG		C
0AV1390000183	24- 7	AQ		C
0AV1390000184	24- 9	AC		C
0AV1480000079	24- 6	AC		C
0AV1480000083	24- 5	AC		C
0AV1560000002	24- 3	AD		C
0AV1610000091	24- 8	AC		C
0AV1610000108	24- 11	AD		C
0AV1610000109	24- 18	AC		C
0AV1610000114	24- 20	AD		C
0AV1690000088	24- 2	AC		C
0AV1690000106	24- 1	AD		C
0AV1690000111	24- 4	AD		C
0AV2011003020	24- 51	AA		C
0AV2011013010	24- 56	AA		C





**CAUTION FOR BATTERY REPLACEMENT**

(Danish)                                   ADVARSEL !  
Lithiumbatteri - Eksplosionsfare ved fejlagtig håndtering.  
Udskiftning må kun ske med batteri  
af samme fabrikat og type.  
Levér det brugte batteri tilbage til leverandoren.

(English)                                   Caution !  
Danger of explosion if battery is incorrectly replaced.  
Replace only with the same or equivalent type  
recommended by the manufacturer.  
Dispose of used batteries according to manufacturer's instructions.

(Finnish)                                   VAROITUS  
Paristo voi räjähtää, jos se on virheellisesti asennettu.  
Vaihda paristo ainoastaan laitevalmistajan suosittelemaan  
tyyppiin. Hävitä käytetty paristo valmistajan ohjeiden  
mukaisesti.

(French)                                   ATTENTION  
Il y a danger d'explosion s'il y a remplacement incorrect  
de la batterie. Remplacer uniquement avec une batterie du  
même type ou d'un type équivalent recommandé par  
le constructeur.  
Mettre au rebut les batteries usagées conformément aux  
instructions du fabricant.

(Swedish)                                   VARNING  
Explosionsfara vid felaktigt batteribyte.  
Använd samma batterityp eller en ekvivalent  
typ som rekommenderas av apparattillverkaren.  
Kassera använt batteri enligt fabrikantens  
Instruktion.

(German)                                   Achtung  
Explosionsgefahr bei Verwendung inkorrekt er Batterien.  
Als Ersatzbatterien dürfen nur Batterien vom gleichen Typ oder  
vom Hersteller empfohlene Batterien verwendet werden.  
Entsorgung der gebrauchten Batterien nur nach den vom  
Hersteller angegebenen Anweisungen.

**CAUTION FOR BATTERY DISPOSAL**

(For USA,CANADA)  
Contains lithium-ion battery. Must be disposed of properly.  
Remove the battery from the product and contact  
federal or state environmental  
agencies for information on recycling and disposal options.

# SHARP

**COPYRIGHT © 2002 BY SHARP CORPORATION**

All rights reserved.

Printed in Japan.

No part of this publication may be reproduced,  
stored in a retrieval system, or transmitted.

In any form or by any means,  
electronic, mechanical, photocopying, recording, or otherwise,  
without prior written permission of the publisher.

**SHARP CORPORATION**  
**Digital Document Systems Group**  
**Products Quality Assurance Department**  
**Yamatokoriyama, Nara 639-1186, Japan**  
2002 November Printed in Japan ⓘ