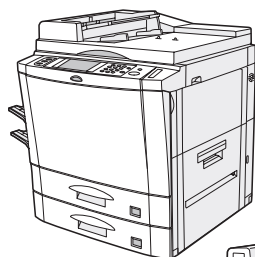
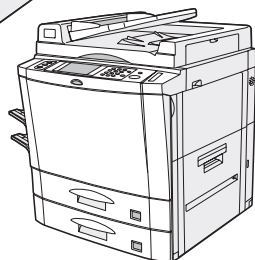


# SHARP PARTS GUIDE

CODE:00ZAR335//P1E



AR-280



AR-285/AR-335

## AR-280 AR-285 MODEL AR-335

### CONTENTS

<b>1</b>	Exteriors	<b>29</b>	DV drive unit
<b>2</b>	Operation panel unit)	<b>30</b>	Fusing drive unit
<b>4</b>	Document size sensor unit	<b>31</b>	DV guide unit
<b>5</b>	Optical unit 1	<b>32</b>	Multi manual paper feeding unit 1
<b>6</b>	Optical unit 2	<b>33</b>	Multi manual paper feeding unit 2
<b>7</b>	Copy lamp unit	<b>34</b>	Waste toner unit
<b>8</b>	2nd,3rd mirror holder unit	<b>35</b>	Tray paper feeding unit
<b>9</b>	Frame section	<b>36</b>	Multi manual paper feeding tray unit
<b>10</b>	Rear frame 1	<b>37</b>	MC unit
<b>11</b>	Rear frame 2	<b>38</b>	TC unit
<b>13</b>	Photo conductor unit	<b>39</b>	Tray unit
<b>14</b>	Toner hopper unit	<b>40</b>	Packing material & Accessories
<b>15</b>	Developer unit	<b>41</b>	PCU PWB
<b>16</b>	Fusing unit 1	<b>42</b>	ICU PWB
<b>17</b>	Fusing unit 2	<b>45</b>	Operation control PWB
<b>18</b>	2 bin delivery turnover unit 1	<b>46</b>	Operation PWB R
<b>19</b>	2 bin delivery turnover unit 2	<b>47</b>	Operation PWB L
<b>21</b>	Vertical transport right door unit	<b>48</b>	Inverter PWB
<b>22</b>	Vertical transport unit	<b>49</b>	AC PWB
<b>23</b>	PS transport unit	<b>50</b>	Scanner drive PWB
<b>24</b>	Suction unit	<b>51</b>	ORS PD PWB
<b>25</b>	Main drive unit 1	<b>55</b>	DC Power supply PWB
<b>26</b>	Main drive unit 2	■	Index
<b>27</b>	Paper feeding drive unit 1		
<b>28</b>	Paper feeding drive unit 2		

**SHARP CORPORATION**

This document has been published to be used for after sales service only. The contents are subject to change without notice.

## DEFINITION

The definition of each Rank is as follows and also noted in the list

- A : Parts necessary to be stocked as High usage parts.
- B : Parts necessary to be stocked as Standard usage parts.
- C : Low usage parts.
- D : Parts necessary for refurbish.
- E : Unit parts recommended to be stocked for efficient after sales service.  
Please note that the lead time for the said parts may be longer than normal parts.
- S : Consumable parts.

Please note that the following parts used in Copier under the same description are classified into A or B Rank depending upon the place used.

Example: Gear made of Metal, Sprocket, Bearing, Belt made of Rubber, Spring clutch mechanism.

A Rank : The parts which may be with the revolution or loading.

B Rank : Parts similar to A Rank parts, but are not included in Rank A.

Because parts marked with "△" is indispensable for the machine safety maintenance and operation, it must be replaced with the parts specific to the product specification.

Other than this Parts Guide, please refer to documents Service Manual and Circuit Diagram of this model.

Please use the 13 digit code described in the right hand corner of front cover of the document, when you place and order.

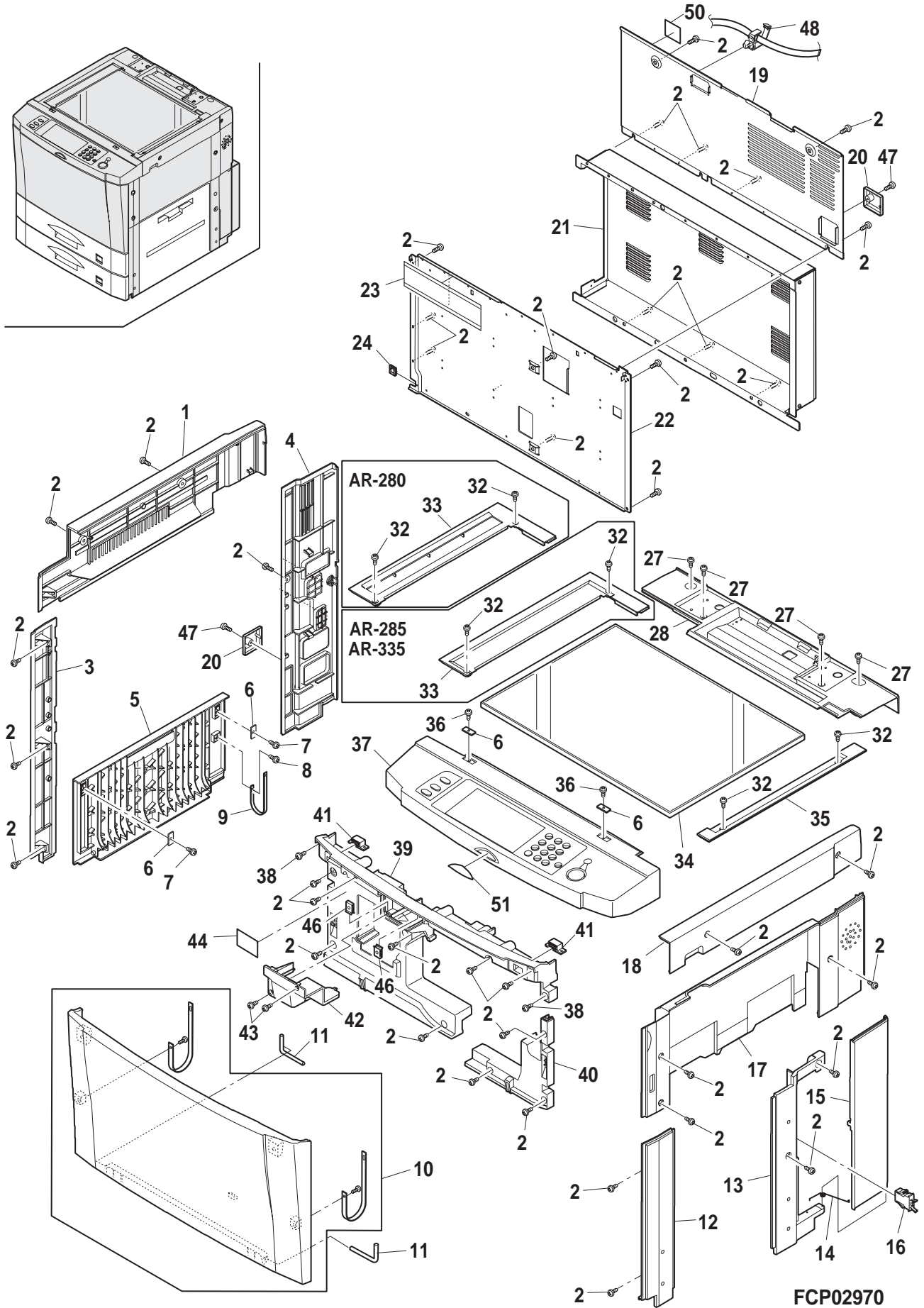
For U.S. only-Use order codes provided in advertising literature.

Do not order from parts department.

## 1 Exteriors

NO.	PARTS CODE	PRICE RANK	NEW MARK	PART RANK	DESCRIPTION
1	GCAB-0896FCZZ	AV	N	D	Upper exterior left
2	XHBSE40P08000	AA		C	Screw (4x8)
3	GCAB-0893FCZZ	AM	N	D	Left exterior front
4	GCAB-0894FCZ4	AT	N	D	Left exterior rear
5	GCAB-0901FCZZ	AW	N	D	Delivery exterior left lower
6	LPLTM2573FCZ1	AD		C	MG Plate
7	XESSE30P08000	AA		C	Screw (3x8)
8	XEBSD40P08000	AA		C	Screw (4x8)
9	LBNDJ0070FCZZ	AD	N	C	Delivery exterior band
10	CCAB-0888FC36	BD	N	E	Front exterior unit (AR-280)
	CCAB-0888FC37	BD	N	E	Front exterior unit (AR-285)
	CCAB-0888FC38	BD	N	E	Front exterior unit (AR-335)
11	LPIIN-0277FCZZ	AB		C	Slide pin, ADU delivery side rail
12	GCAB-0890FCZZ	AL	N	D	Right exterior lower front
13	GCAB-0891FCZZ	AP	N	D	Right exterior lower rear
14	MSPRC2612FCZZ	AC	N	C	Waste toner cover spring
15	PCÖVP1430FCZZ	AQ	N	C	Waste toner cover
16	PKAi-1080CESA	AE		C	Lock mechanism
17	GCAB-0889FCZ1	AX	N	D	Right exterior upper
18	GCAB-0895FCZZ	AR	N	D	Upper exterior right
19	GCAB-0892FCZZ	AY	N	D	Resr exterior
20	PFTA-0135FCZZ	AE	N	D	Connector cover B
21	CCAB-0907FC02	BD	N	D	Rear exterior lower
22	LPLTM5401FCZZ	AY	N	C	F/P box pixing plate
23	PSHEP4604FCZZ	AE	N	C	Edge protect sheet
24	LHLDW1115FCZZ	AD		C	Edge bushing (1210)(USA,CANADA,Saudi Arabia,Brazil)
	LBSHZ2050SCZZ	AB		C	Edge bushing (EDS-1208U)(Other countries)
27	XHBSE40P10000	AA		C	Screw (4x10)
28	GCAB-0897FCZ1	AW	N	D	Upper exterior rear
32	XBT SF40P06000	AA		C	Screw (4x6)
33	OCW2235P042//	AT	N	C	SPF table glass fixing plate left (AB series) (AR-280)
	OCW2235P041//	AT	N	C	SPF table glass fixing plate left (Inch series) (AR-280)
	CFIX-0517FC02	AR	N	C	Table glass fixing plate left (AB series) (AR-285/AR-335)
	CFIX-0517FC03	AR	N	C	Table glass fixing plate left (Inch series) (AR-285/AR-335)
34	PLSP0074FCZZ	BA		B	Table glass
35	LFI X-0516FCZZ	AL	N	C	Table glass fixing plate right
36	XBSSE30P10000	AA		C	Screw (3x10)
37	CPNLC0237FC03	AY	N	D	Operation panel (CANADA,Europe except U,Kingdom)
	CPNLC0237FC02	AY	N	D	Operation panel (Other countries)
38	XEBSE40P08000	AA		C	Screw (4x8)
39	PCÖVP1428FCZZ	AZ	N	D	Frame cover A
40	PCÖVP1429FCZZ	AP	N	D	Frame cover B
41	PMAGT0015FCZZ	AD		B	Magnet catch (10P)
42	PCÖVP1431FCZZ	AK	N	D	ROM cover
43	XJBSD40P12000	AA		C	Screw (4x12)
44	TCAUS1038FCZZ	AD	N	C	Laser caution label
46	LX-NZ0088FCZZ	AC		C	Nut
47	XHBSE30P06000	AA		C	Screw (3x6)
48	LHLDW1155FCZZ	AC		C	Wire holder (LWS3S2W) (AR-280)
50	TCAUH1028FCZZ	AC		C	Service caution label (USA,CANADA)
	TCAUA0766FCZZ	AB		C	Service caution label (U.Kingdom only)
	TCAUH0918FCZZ	AA		C	Service caution label (Australia only)
	TCAUA0770FCZZ	AB		C	Service caution label (Other countries)
51	TLABZ4289FCZZ	AD		C	Digital mark label

1 Exteriors



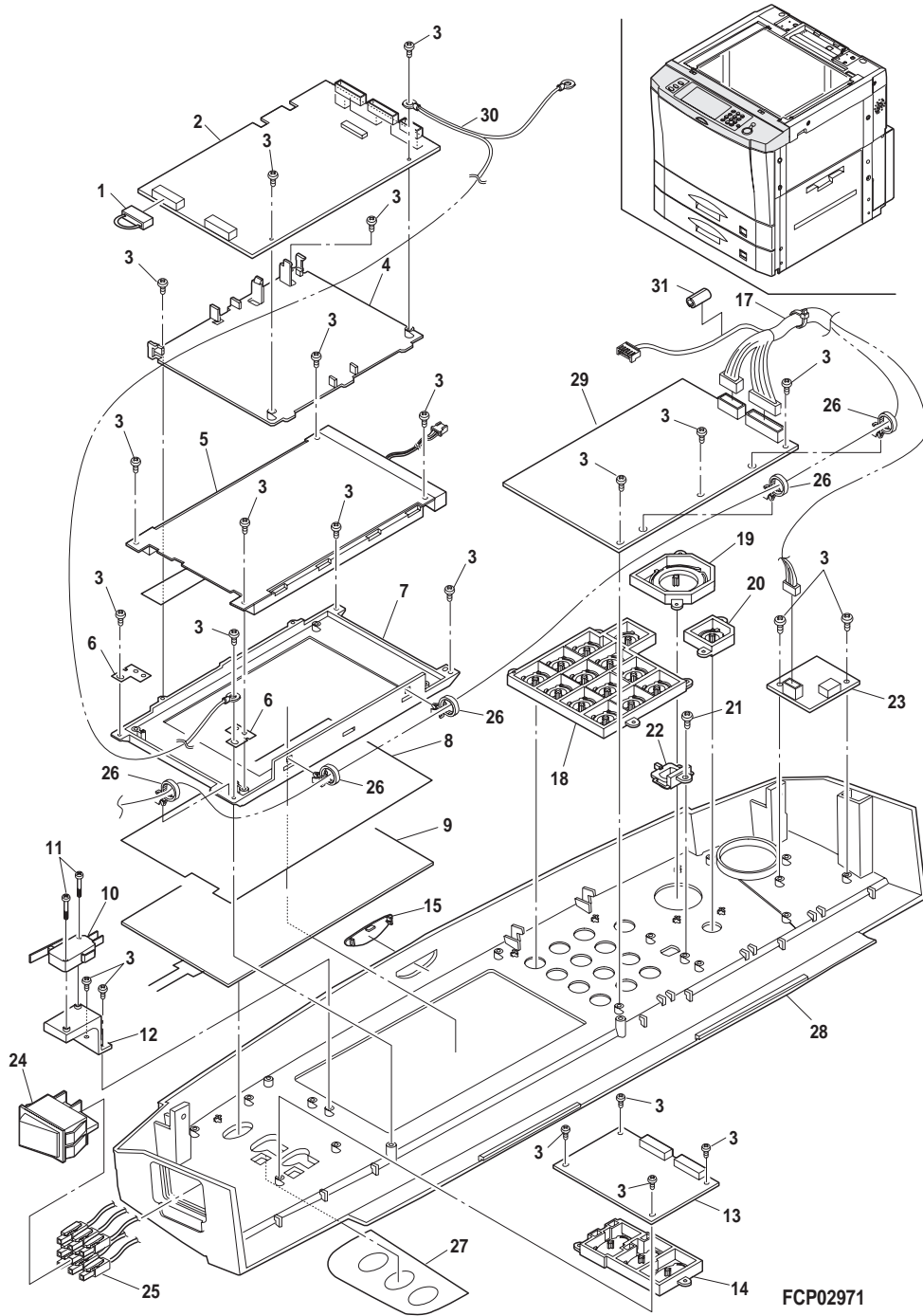
## 2 Operation panel unit)

NO.	PARTS CODE	PRICE RANK	NEW MARK	PART RANK	DESCRIPTION
1	DHA i - 3026FCZZ	AD	N	C	Counter harness
2	CPWBN1258FC52	CB	N	E	Operation control PWB
3	XEPSD30P08000	AA		C	Screw (3×8)
4	LHLDZ1360FCZZ	AH	N	C	LCD holder B
5	VVLLM400031-1	BY	N	B	LCD (LM400031)
6	QEARP0097FCZZ	AD	N	C	LCD earth plate
7	LHLDZ1359FCZZ	AL	N	C	LCD holder A
8	PSHEP4554FCZZ	AQ	N	C	LCD sheet (CANADA,Europe except U,Kingdom)
	PSHEP4553FCZZ	AQ	N	C	LCD sheet (Other countries)
9	HPNLH0238FCZZ	BH	N	D	Touch panel
10	QSW-M0502FCZZ	AH		B	Door switch (AM51632C531)
11	XEPSD30P16000	AA		C	Screw (3×16)
12	LHLDZ1385FCZZ	AF	N	C	Door switch holder
13	CPWBF1259FC52	AY	N	E	Operation PWB L
14	JBTN-0243FCZ1	AK	N	C	Change key
15	PFIW0264FCZZ	AD	N	C	IR filter
17	DHA i - 2821FCZZ	BA	N	C	Operation main harness
18	CBTN-0239FC02	AN	N	C	Ten key
19	JBTN-0240FCZZ	AK	N	C	Copy key
20	CBTN-0241FC01	AH	N	C	CA key
21	XEPSD30P06000	AA		C	Screw (3×6)
22	CBTN-0242FC01	AL	N	C	Interrupt key
23	CPWBF1107FC52	AX		E	Inverter PWB
24	QSW-Z1390QCZZ	BA		B	Main switch
25	DHA i - 2953FCZZ	AV	N	C	Main switch harness
26	LBNDJ0013FCZ1	AA		C	Wire band
27	PSHEZ4555FCZZ	AH	N	C	Panel sheet (English)
	PSHEZ4556FCZZ	AH	N	C	Panel sheet (German)(Germany,SEEG)
	PSHEZ4557FCZZ	AH	N	C	Panel sheet (French)(CANADA,SEEG)
	PSHEZ4560FCZZ	AH	N	C	Panel sheet (Dutch)(SEEG)
	PSHEZ4559FCZZ	AH	N	C	Panel sheet (Italian)(SEEG)
	PSHEZ4558FCZZ	AH	N	C	Panel sheet (Spanish)(SEEG)
	PSHEZ4561FCZZ	AH	N	C	Panel sheet (Swedish)(SEEG)
	PSHEZ4562FCZZ	AE	N	C	Panel sheet B (English)(CANADA,Germany,SEEG)
	PSHEZ4563FCZZ	AE	N	C	Panel sheet B (German)(Germany,SEEG)
	PSHEZ4564FCZZ	AE	N	C	Panel sheet B (French)(CANADA,SEEG)
	PSHEZ4567FCZZ	AE	N	C	Panel sheet B (Dutch)(SEEG)
	PSHEZ4566FCZZ	AE	N	C	Panel sheet B (Italian)(SEEG)
PSHEZ4565FCZZ	AE	N	C	Panel sheet B (Spanish)(SEEG)	
PSHEZ4568FCZZ	AE	N	C	Panel sheet B (Swedish)(SEEG)	
28	CPNLC0237FC03	AY	N	D	Operation panel (CANADA,Europe except U,Kingdom)
	CPNLC0237FC02	AY	N	D	Operation panel (Other countries)
29	CPWBF1255FC52	BF	N	E	Operation PWB R
30	DHA i - 2949FCZZ	AF	N	C	Operation ESDFG harness
31	RCORF0029FCZZ	AN	N	C	Ferrite core (ZCAT2132113)

## 4 Document size sensor unit

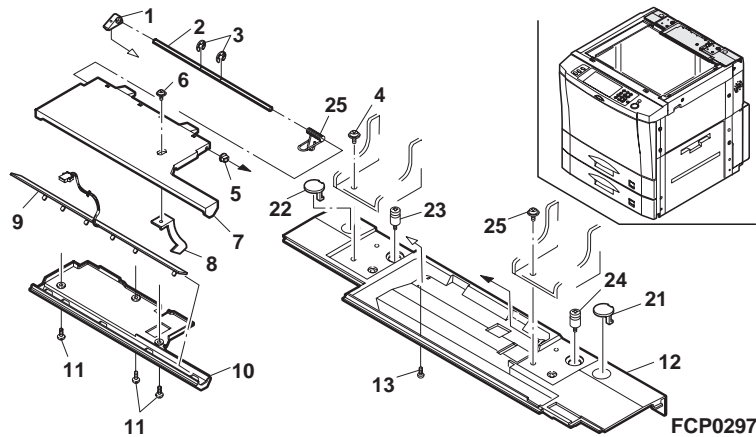
NO.	PARTS CODE	PRICE RANK	NEW MARK	PART RANK	DESCRIPTION
1	LHLDZ1085FCZ1	AD	N	C	Original detection fulcrum holder
2	NSFTZ1805FCZZ	AE		C	Original detection fulcrum shaft
3	XRESP30-06000	AA		C	E type ring
4	MSPRT1563FCZZ	AC		C	Manuscript detect spring
5	LBSHZ1102CCZZ	AC		C	Bushing 1
6	XBPSD30P06KS0	AA		C	Screw (3×6KS)
7	MARMP0147FCZ1	AL	N	C	Original detection fulcrum arm upper
8	PSLDH0178FCZZ	AD		C	Original detect shield plate
9	CPWBF0934FC32	AX		E	ORS emission PWB
10	MARMP0148FCZ1	AL	N	C	Original detection fulcrum arm lower
11	XEPSD30P05000	AA		C	Screw (3×5)
12	GCA B - 0897FCZ1	AW	N	D	Front exterior rear
13	XEPSD30P08000	AA		C	Screw (3×8)
21	PCOVP0911FCZ1	AC	N	C	Upper exterior rear cover R
22	PCOVP0941FCZ1	AC	N	C	Upper exterior rear cover L
23	LX-BZ0776FCZZ	AG		C	Screw R
24	LX-BZ0776FCZZ	AG		C	ADF screw R (AR-285/AR-335)
	LX-BZ0842FCZZ	AG	N	C	SPF screw (AR-280)
25	XBTSC50P16000	AA		C	Screw (5×16)

2 Operation panel unit)



FCP02971

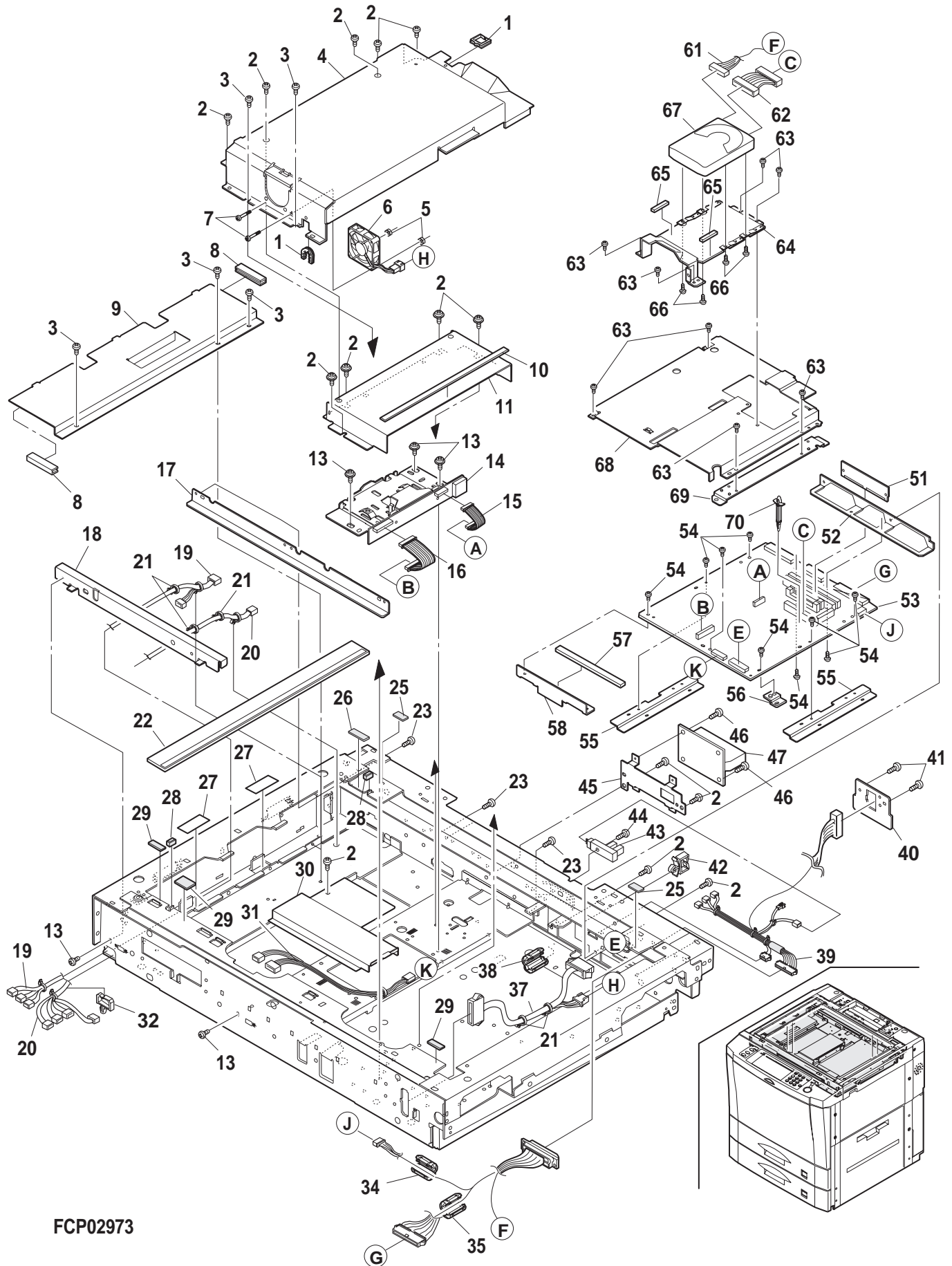
4 Document size sensor unit



FCP02972



5 Optical unit 1

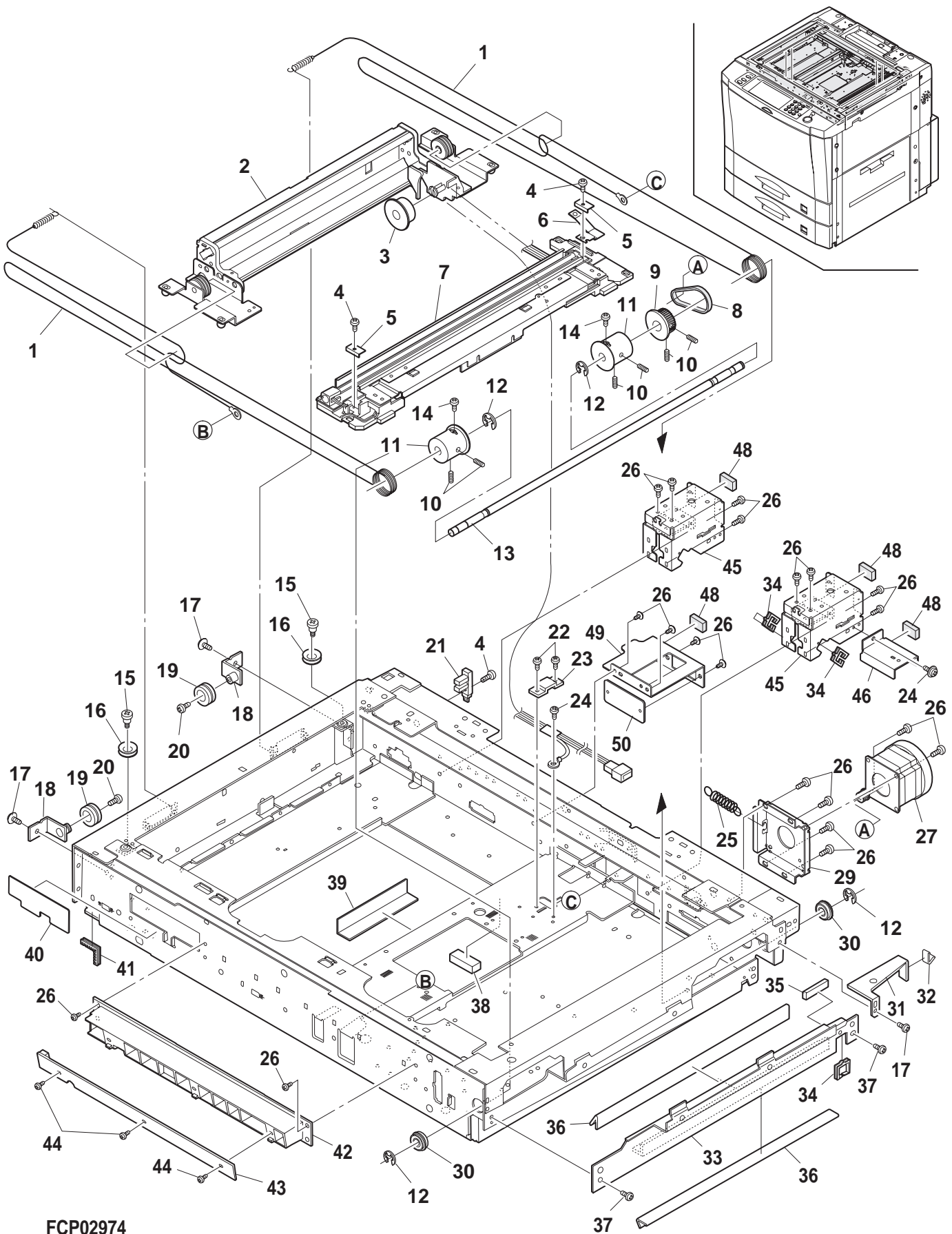


FCP02973





6 Optical unit 2

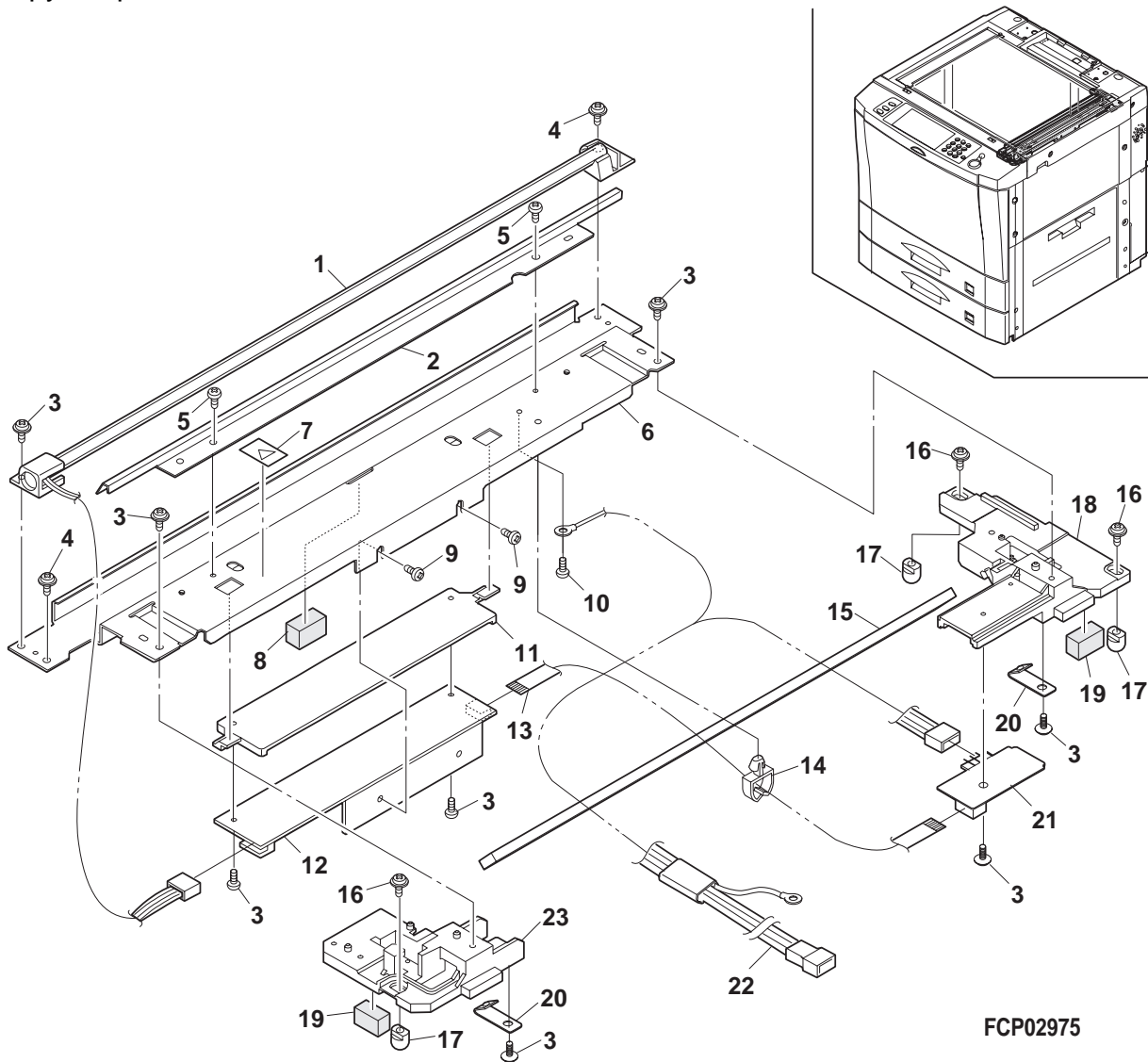


FCP02974

7 Copy lamp unit

NO.	PARTS CODE	PRICE RANK	NEW MARK	PART RANK	DESCRIPTION
1	RLMPD0619FCZZ	BL	N	B	Fluorescent lamp
2	PREFL0168FCZZ	AP	N	C	Copy lamp reflector
3	XEPSD30P06000	AA		C	Screw (3x6)
4	XHPSD30P06000	AA		C	Screw (3x6)
5	XHBSD30P06000	AA		C	Screw (3x6)
6	LDAiU0587FCZZ	AQ	N	C	Base
7	TLABZ4235FCZZ	AC	N	C	HV caution label
8	PCUSF0334FCZZ	AP		C	Mirror cushion
9	XBPSD30P06000	AA		C	Screw (3x6)
10	XBPSD30P06K00	AA		C	Screw (3x6K)
11	LHLDZ1387FCZZ	AH	N	C	Insulator holder
12	CPWBF1307FC31	BK	N	E	Inverter PWB
13	DHAi-2911FCZZ	AG	N	C	Interface harness
14	LHLDW1388FCZZ	AF	N	C	Mini clamp
15	PMiR-0156FCZZ	AS	N	B	1st mirror
16	XJBSD30P05000	AA		C	Screw (3x5)
17	CSLi-0057FC32	AF		E	Slider unit (4PCS/SET)
18	LPLTP5473FCZZ	AL	N	C	Side plate R
19	PCUSU0203FCZZ	AE		C	Cushion
20	MSPRP2101FCZZ	AC		C	Mirror spring
21	CPWBF1308FC31	AR	N	E	Interface PWB
22	DHAi-2912FCZZ	AW	N	C	CL harness
23	LPLTP5472FCZZ	AK	N	C	Side plate F
	(Unit)				
901	CREFL0168FC31	BT	N	E	Copy lamp unit

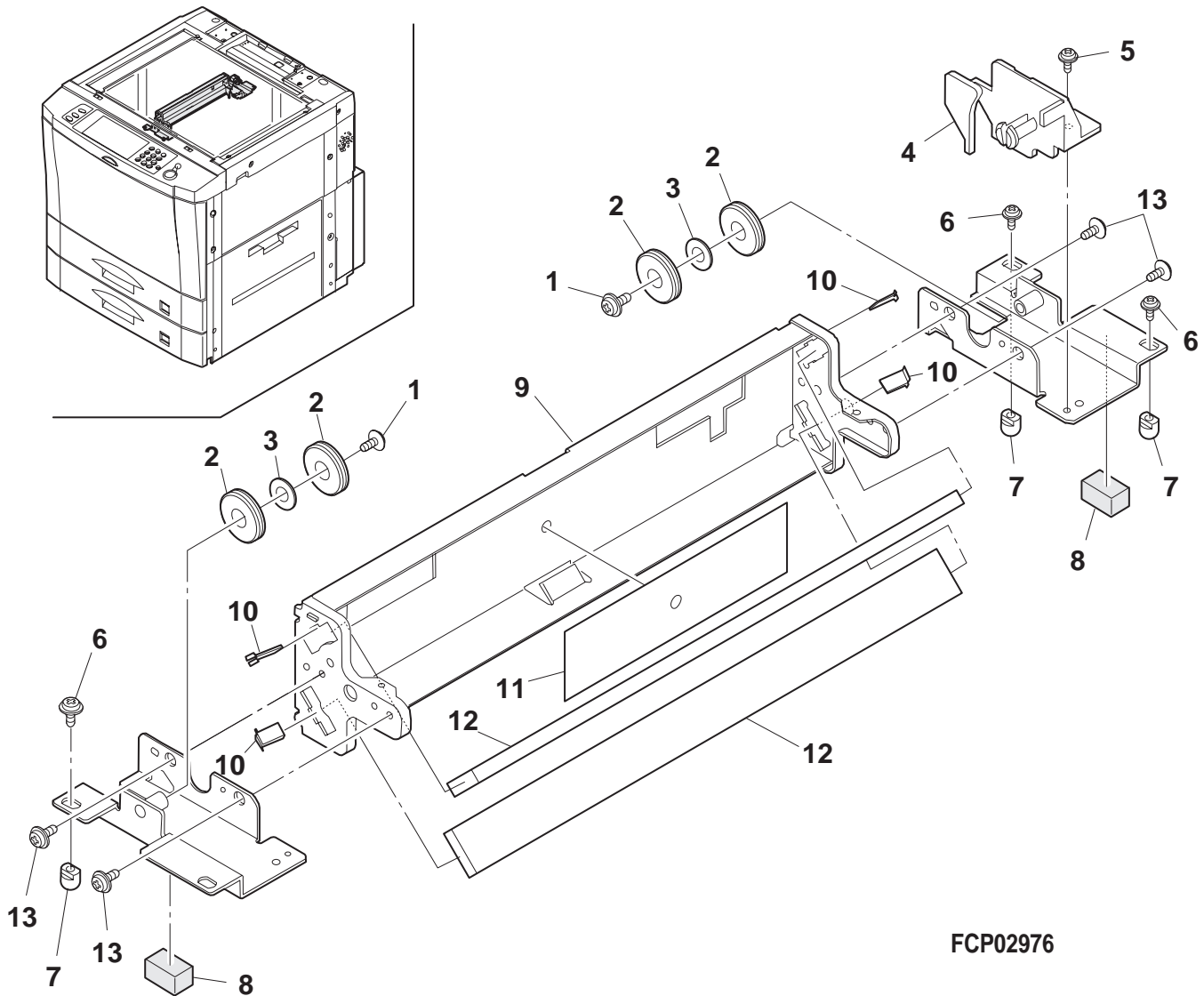
7 Copy lamp unit



### 8 2nd,3rd mirror holder unit

NO.	PARTS CODE	PRICE RANK	NEW MARK	PART RANK	DESCRIPTION
1	LX-BZ0618FCZZ	AA		C	Screw (4×4)(Black)
2	NPLYZ0167FCZZ	AF		C	Pulley
3	LX-WZ1003HCZZ	AA		C	Washer (8.2×11×0.5)
4	LHLDZ1318FCZZ	AK		C	CL pulley holder
5	XHBSD30P08000	AA		C	Screw (3×8)
6	XEPSD40P06000	AA		C	Screw (4×6)
7	CSLi-0103FC31	AF		E	Slider (4pcs/set)
8	PCUSS0201FCZZ	AA		C	MB-B cushion
9	LHLDZ1382FCZZ	AR	N	C	2nd,3rd mirror holder
10	LFiX-0284FCZZ	AC		C	4th 5th mirror fixing plate F
11	PSHEZ4530FCZZ	AD	N	C	Holder sheet
12	PMiR-0155FCZZ	AP	N	B	2nd,3rd mirror
13	LX-BZ0335FCZZ	AA		C	Screw (4×6)(Red)
	(Unit)				
901	CHLDZ1382FC31	BF	N	E	2nd,3rd mirror holder unit

### 8 2nd,3rd mirror holder unit



## 9 Frame section

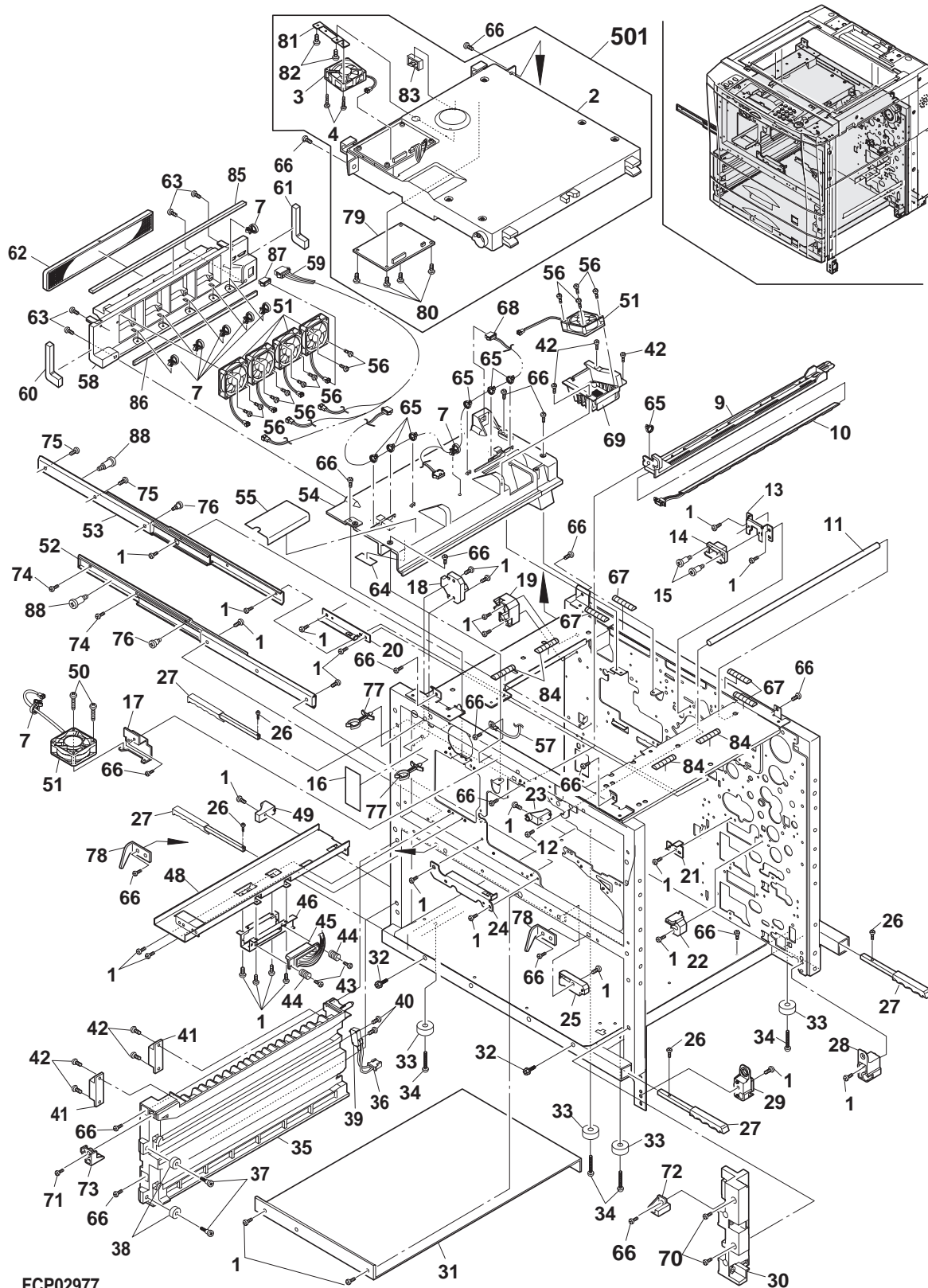
NO.	PARTS CODE	PRICE RANK	NEW MARK	PART RANK	DESCRIPTION
1	XHBSD40P08000	AA		C	Screw (4x8)
2	DUNT-6935FC11	CR	N	E	LSU unit
3	NFANP0053FCZZ	BA	N	B	Fan motor
4	XBPSD30P14KS0	AA		C	Screw (3x14KS)
7	LBNDJ0043FCZ1	AA		C	Snap band
9	LHLDZ1368FCZZ	AL	N	C	DL holder
10	CPWBF1098FC31	AY	N	E	DL PWB
11	NSFTZ2501FCZZ	AR	N	C	LSU holder shaft
12	XBPSD40P08KS0	AA		C	Screw (4x8KS)
13	LHLDZ1362FCZZ	AE	N	C	Drawer holder A
14	DHAi-2822FCZZ	AS	N	C	Process interface harness
15	LX-BZ0843FCZZ	AC	N	C	Screw
16	PSHEP4666FCZZ	AC	N	C	Harness protect sheet
17	LPLTM5601FCZZ	AG	N	C	Fan fixing plate F
18	LDAiU0582FCZZ	AE	N	C	Delivery control base F
19	LDAiU0583FCZZ	AE	N	C	Delivery control base R
20	LRALM0150FCZZ	AG	N	C	Suction seal R
21	LPLTM5448FCZZ	AE	N	C	Drive joint guide plate
22	LDAiU0580FCZZ	AE	N	C	ADU control base R
23	MHNG-0203FCZZ	AD	N	C	Delivery exterior hinge R
24	LRALM0149FCZZ	AG	N	C	Suction rail F
25	LDAiU0581FCZZ	AE	N	C	ADU control base F
26	LX-BZ0841FCZZ	AD	N	C	Handle fixing screw
27	JHNDM0069FCZZ	AH		C	Base plate handle
28	LHLDZ1364FCZZ	AD	N	C	Right door fulcrum holder R
29	LHLDZ1363FCZZ	AD	N	C	Right door fulcrum holder F
30	CRALP0161FC01	AT	N	C	Tray rail R
31	LPLTM5463FCZZ	AS	N	C	Invoice plate
32	XHHUW40L30000	AD	N	C	Screw (4x30)
33	PGUMS0182FCZZ	AC		C	Rubber foot
34	XBBS50P12000	AB	N	C	Screw (5x12)
35	LRALP0160FCZZ	BA	N	C	Tray rail L
36	DHAi-2844FCZZ	AF	N	C	DSWL interface harness
37	LX-BZ0837FCZZ	AC	N	C	Screw
38	PCLR-0441FCZZ	AK	N	C	collar
39	QSW-M0319FCZZ	AG		B	Door switch
40	XEBSD30P16000	AA		C	Screw (3x16)
41	PMAGT0072FCZZ	AF		B	Magnet catch
42	XEBSD30P10000	AA		C	Screw (3x10)
43	LX-BZ0510FCZZ	AB		C	Screw
44	MSPRC2662FCZZ	AB	N	C	Drawer spring
45	DHAi-2875FCZZ	BC	N	C	Delivery interface harness
46	LPLTM5609FCZZ	AF	N	C	Delivery connector fixing plate
48	LRALM0147FCZZ	AQ	N	C	Fusing rail
49	MHNG-0202FCZZ	AD	N	C	Delivery exterior hinge F
50	XBPSD40P30000	AA		C	Screw (4x30)
51	NFANP0047FCZZ	AY	N	B	Fan (60X25P)
52	MSLi-0132FCZZ	AX	N	C	Delivery turnover slider F
53	MSLi-0133FCZZ	AX	N	C	Delivery turnover slider R
54	PDUC-0148FCZZ	AW	N	D	Main duct 1
55	PSHEZ4605FCZZ	AK	N	C	Duct sheet
56	XEPSD40P35000	AA		C	Screw (4x35)
57	DHAi-2949FCZZ	AF	N	C	Operation ESDFG harness
58	PDUC-0149FCZZ	AR	N	D	Main duct 2
59	DHAi-2896FC11	AY	N	C	VFM interface harness
60	PSEL-0764FCZZ	AE	N	C	Duct seal F
61	PSEL-0765FCZZ	AE	N	C	Duct seal R
62	PfILZ0265FCZ1	BA	N	B	Ozone filter
63	XEBSD40P16000	AA		C	Screw (4x16)
64	PSHEP4655FCZZ	AC	N	C	Duct lower sheet
65	LBNDJ0013FCZ1	AA		C	Wire band
66	XHBSE40P08000	AA		C	Screw (4x8)
67	MSPRP2411FCZZ	AS		C	Mother board finger (975400217)
68	DHAi-3024FCZZ	AT	N	C	Main duct harness
69	PDUC-0151FCZZ	AG	N	D	Sub duct
70	XHBSE40P14000	AA		C	Screw (4x14)
71	XEBSE40P14000	AA		C	Screw (4x14)
72	LSTPP0344FCZZ	AC	N	C	Tray stopper right
73	LSTPP0345FCZZ	AC	N	C	Tray stopper left
74	XBBS40P06000	AA		C	Screw for 2 bin delivery turnover unit (4x6)
75	XBBS40P20000	AA		C	Screw for 2 bin delivery turnover unit (4x20)
76	LX-BZ0156FCZZ	AA		C	Screw
77	LHLDW1061FCZZ	AB		C	Harness holder (HL-18-0)
78	MHNG-0200FCZZ	AE	N	C	Front exterior hinge
79	CPWBN1318FC51	BR	N	E	LSU control PWB
80	XEBSD30P08000	AA		C	Screw (3x8)
81	LPLTM5494FCZZ	AE	N	C	Fan fixing plate
82	XBPSD20P06KS0	AA		C	Screw (2x6KS)
83	LHLDW2133SCZZ	AC		C	Locking wire holder (LWS-1M)
84	LPLTP1015ACZZ	AH		C	Earth band

## 9 Frame section

NO.	PARTS CODE	PRICE RANK	NEW MARK	PART RANK	DESCRIPTION
85	PSHEZ4629FCZZ	AC	N	C	Duct protect sheet
86	PSHEZ4656FCZZ	AC	N	C	Duct protect sheet 2
87	QCNCM1000FCZZ	AC	N	C	Connector (BU3P-TR-P-H)
88	LX-BZ0684FCZZ	AB		C	ADU fixing screw
501	DKiT-0341FCZZ		N	E	LSU unit

(AR-285/AR-335)

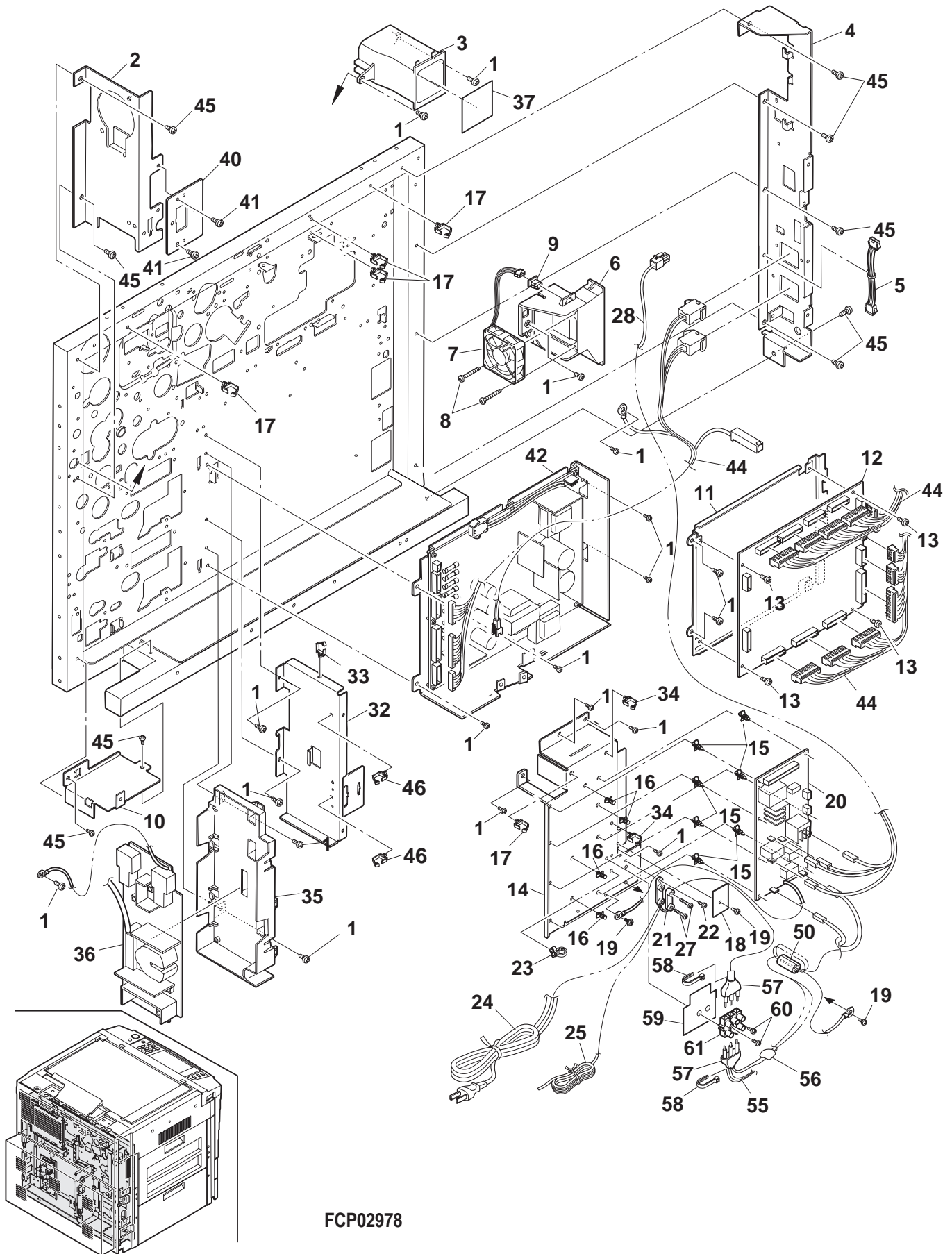
## 9 Frame section



## 10 Rear frame 1

NO.	PARTS CODE	PRICE RANK	NEW MARK	PART RANK	DESCRIPTION
1	XHBSE40P08000	AA		C	Screw (4x8)
2	LFRM-0938FCZZ	AL	N	C	Frame R
3	PDUC-0147FCZZ	AH	N	D	Duct 1
4	LFRM-0937FCZZ	AS	N	C	Frame L
5	DHAI-2898FCZZ	AF	N	C	DSWLL harness
6	PDUC-0150FCZZ	AL	N	D	Duct
7	NFANP0048FCZZ	AY	N	B	Fan (60X20P)
8	XEPSD40P30000	AA		C	Screw (4x30)
9	QCNCM0999FCZZ	AC	N	C	Connector (BU02P-TR-PH)
10	LPLTM5381FCZZ	AK	N	C	Board support plate right
11	LPLTM5399FCZZ	AN	N	C	PCU fixing plate
12	CPWBN1267FC51	CC	N	E	PCU PWB
13	XBPSD40P06000	AA		C	Screw (4x6)
14	LPLTM5398FCZZ	AR	N	C	AC PWB fixing plate
15	LSUPP0060FCZZ	AA		C	PWB supporter (SPLS-6)
16	LSUPP0076FCZZ	AA		C	PWB supporter (SPS-6)
17	LHLDW1264FCZZ	AD		C	Wire holder (LWS-8S-2.5W)
18	PSHEP4529FCZZ	AD	N	C	AC sheet
19	XBPSD40P06K00	AA		C	Screw (4x6K)
20	CPWBF1306FC51	BS	N	E	AC PWB (Taiwan only)
	CPWBF1290FC51	BN	N	E	AC PWB (100V series)
	CPWBF1291FC51	BR	N	E	AC PWB (200V series)
21	LFIX-0084FCZZ	AC		C	AC cord holder (120V/127V)
	LFIX-0016FCZZ	AD		C	AC cord holder (Except 120V/127V)
22	XBPSD40P08KS0	AA		C	Screw (4x8KS)
23	LBNDJ0043FCZ1	AA		C	Snap band
24	DHAI-2903FCZZ	AX	N	B	AC cord (Taiwan)
	DHAI-2903FC11	AY	N	B	AC cord (USA,CANADA,Brazil)
	QACCL8421QCN1	AX		B	AC cord (Australia)
	QACCV6420QCN2	AU		B	AC cord (Europe,Russia,Singapore,Malaysia)
	QACCE7422QCZZ	BB		B	AC cord (U.Kingdom,Saudi Arabia)
	DHAI-2903FC16	BC	N	B	AC cord (Saudi Arabia)
	QPLGA4171CCZZ	AN		B	AC cord plag (South Afriac,Hong Kong)
	QPLGA0001QCZZ	AN		B	AC cord plag (Technolarco only)
	QPLGA0003QCZZ	AN		B	AC cord plag (Singapore,Malaysia)
	QCNW-0001QCZZ	AN		C	AC Wire (South Africa,Hong Kong,Singapore,Malaysia)
QAC CJ3410QCZZ	AS		B	AC cord (Other countries)	
25	DHAI-2904FCZZ	AN	N	C	Earth core (Taiwan)
27	XBPSD40P25XS0	AA		C	Screw (4x25XS)(120V/127V)
	XBPSD40P20XS0	AA		C	Screw (4x20XS)(Except 120V/127V)
28	DHAI-2952FC11	BH	N	C	AC harness (100V series)
	DHAI-2959FC11	BK	N	C	AC harness (200V series)
32	CP LTM5400FC01	AP	N	C	Board support plate
33	LHLDW1057FCZZ	AB		C	Wire holder (LWS-3S)
34	LHLDW2106SCZZ	AB		C	Wire holder (WS-2WS)
35	LHLDZ1376FCZZ	AL	N	C	High voltage PWB holder
36	RTRNZ0533FCZZ	BU	N	B	High voltage PWB
37	PFLD0263FCZZ	AL	N	B	Filter
40	LPLTM5489FCZZ	AE	N	C	Connector fixing plate B
41	XHBSE30P06000	AA		C	SCrew (3x6)
42	CPWBF1286FC31	CE	N	E	DC power supply PWB (100V series)
	CPWBF1287FC31	CE	N	E	DC power supply PWB (200V series)
44	DHAI-2954FC11	BY	N	C	Main harness
45	XHBSD40P08000	AA		C	Screw (4x8)
46	LHLDW7005SCZZ	AB		C	Wire holder (LS-10)
50	RCORF0031FCZZ	AT		C	Ferrite core (ZCAT3035133)(100V series)
55	DHAI-2854FCZZ	AH	N	C	3P terminal base harness (200V series)
56	RCILF0045FCZZ	AN		C	Earth inductor coil (200V series)
57	PHOG-0346FCZZ	AB		C	3P terminal base cover (200V series)
58	LBNDJ0013FCZ1	AA		C	Wire band (200V series)
59	PSHEP1804FCZZ	AB		C	3P terminal protect sheet (200V series)
60	XBPSD30P14000	AA		C	Screw (3x14)(200V series)
61	QTANN0015FCZZ	AG		C	3P terminal base (200V series)

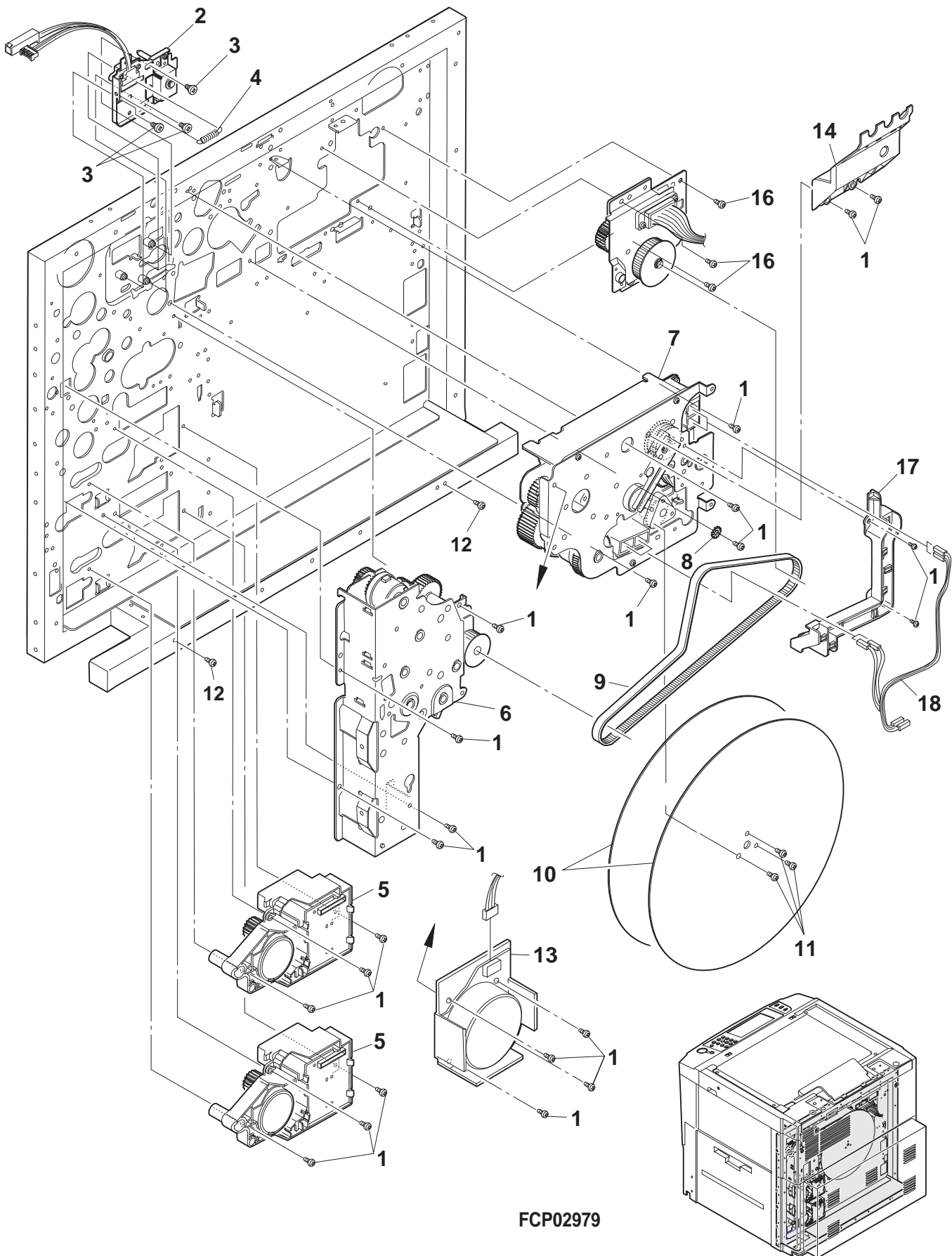
10 Rear frame 1





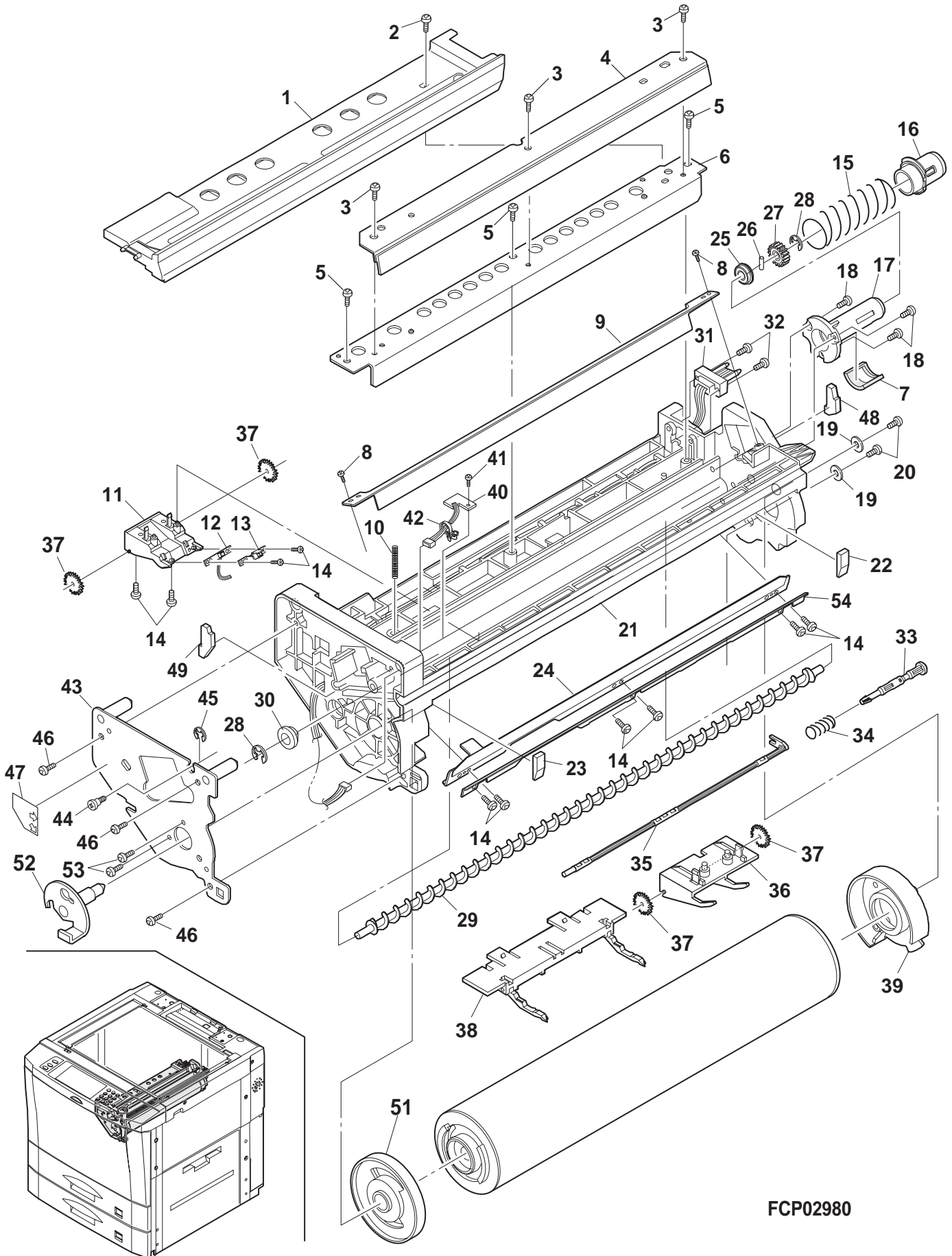


# 11 Rear frame 2





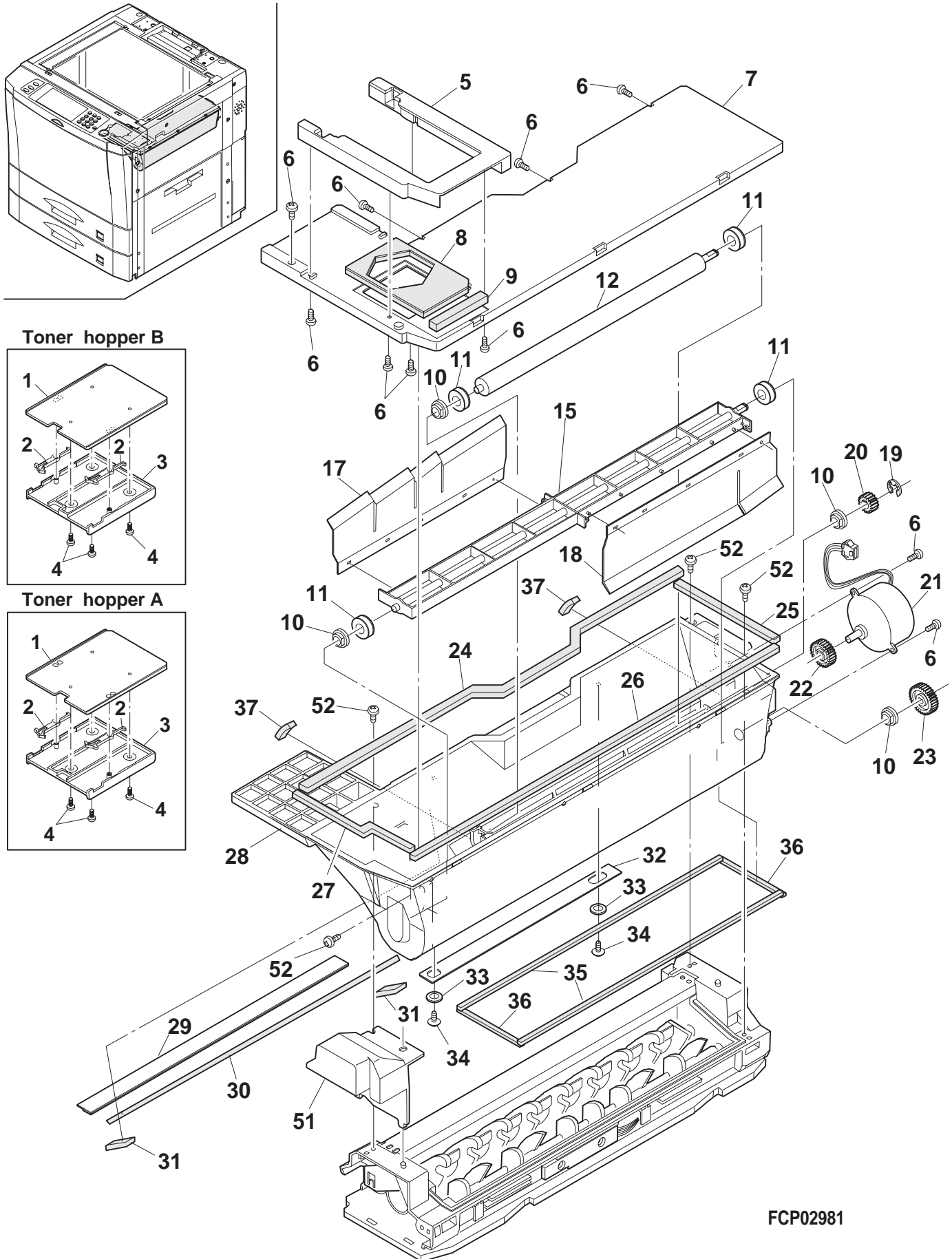
13 Photo conductor unit



FCP02980

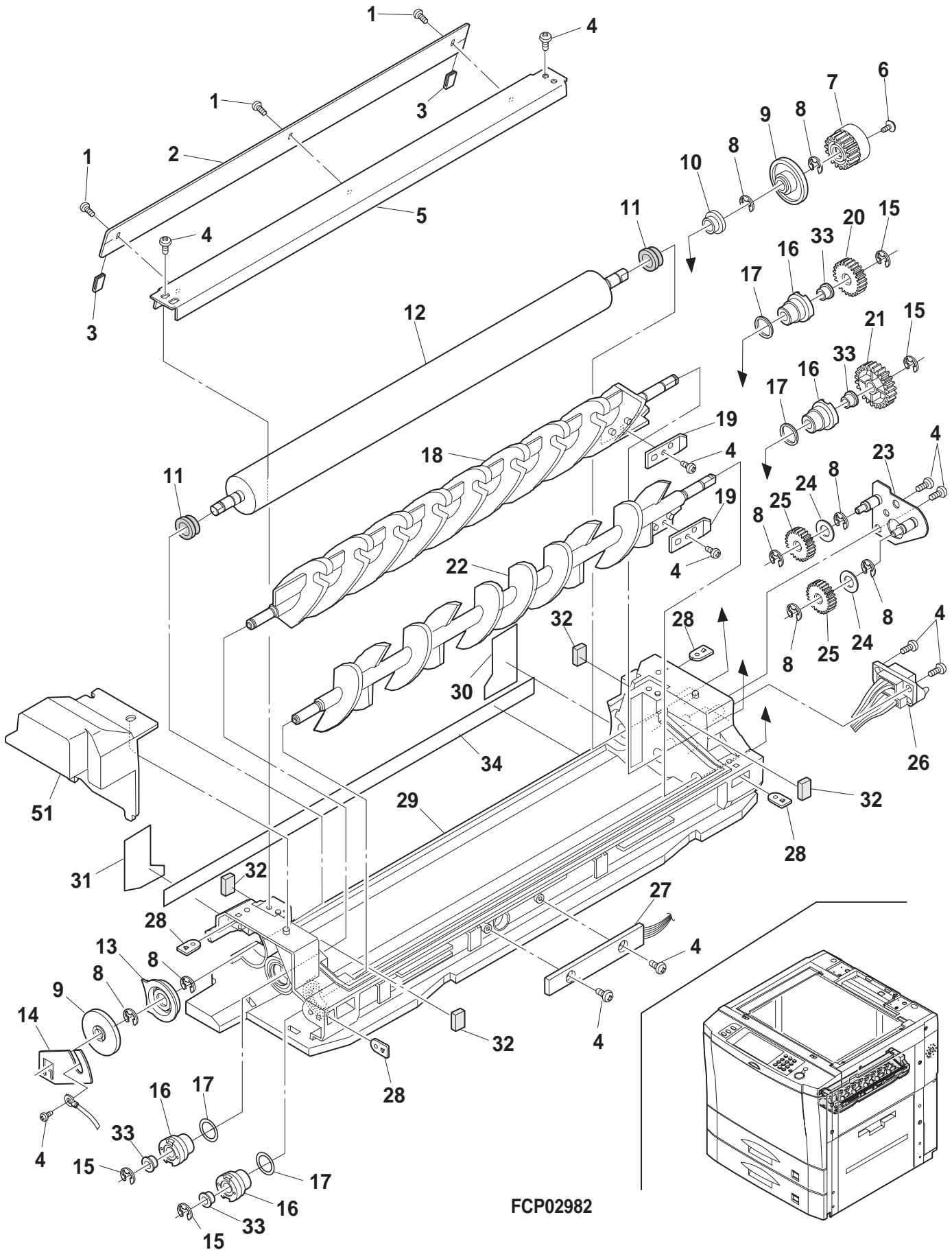


# 14 Toner hopper unit





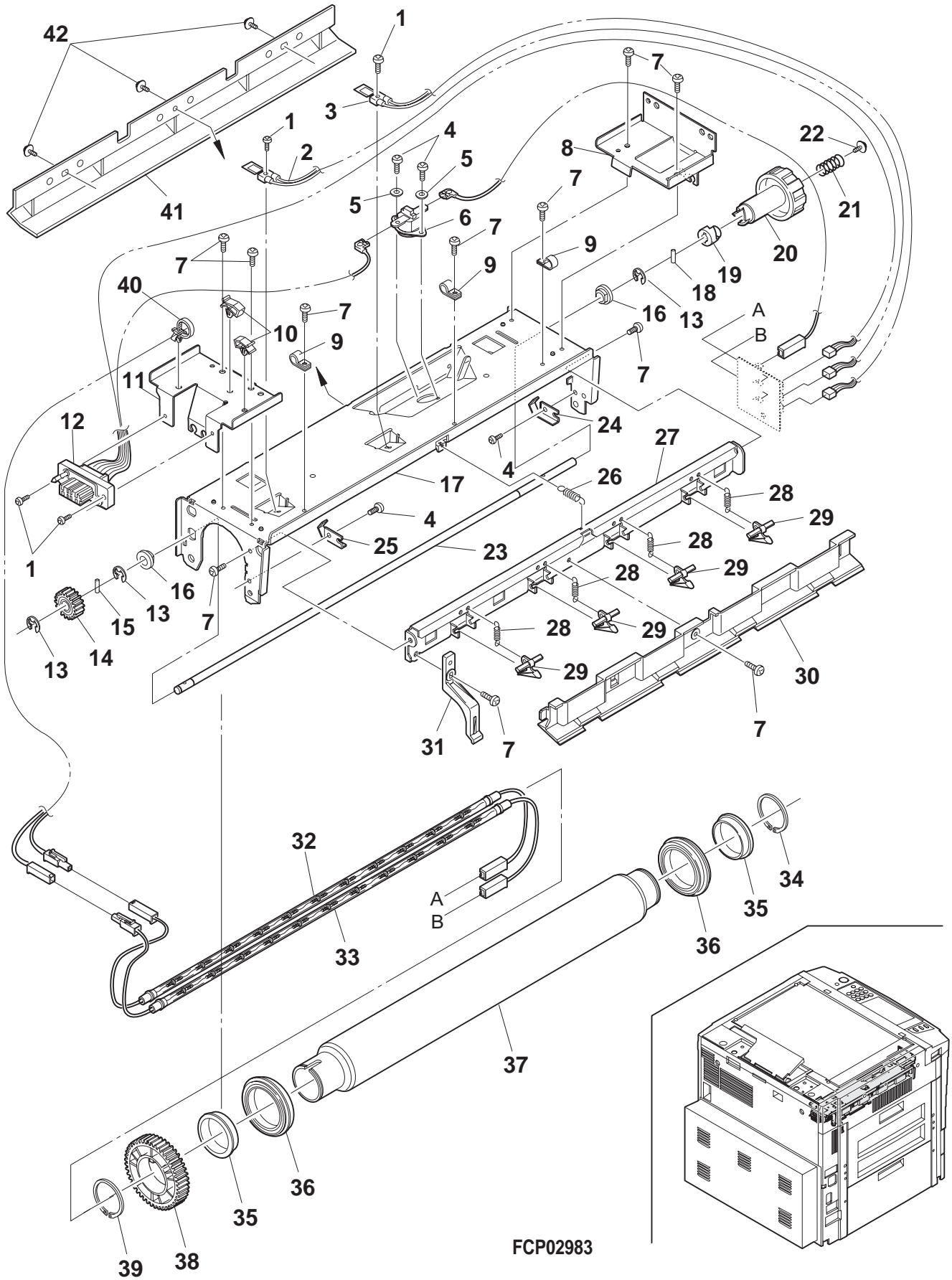
15 Developer unit





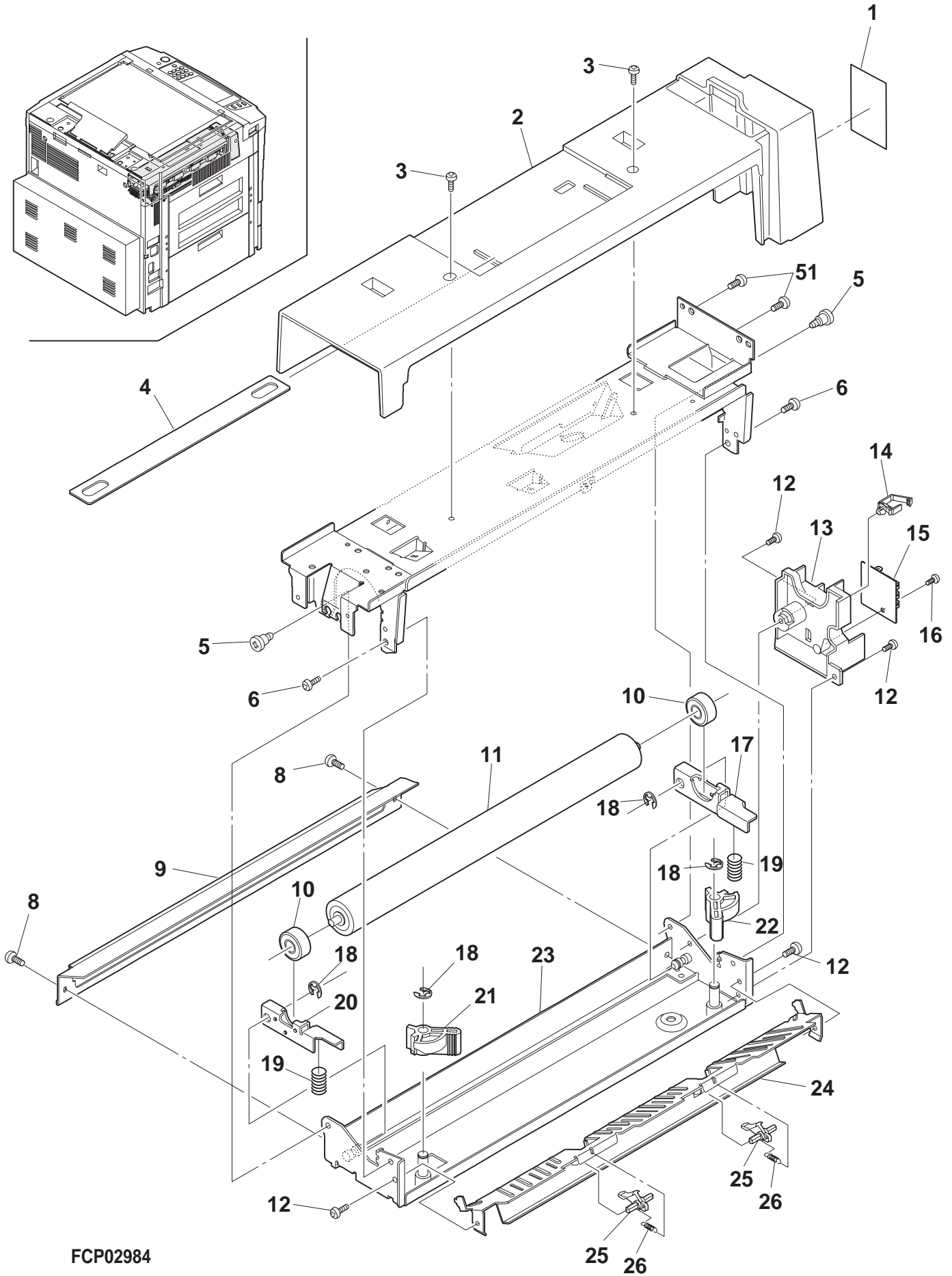


16 Fusing unit 1





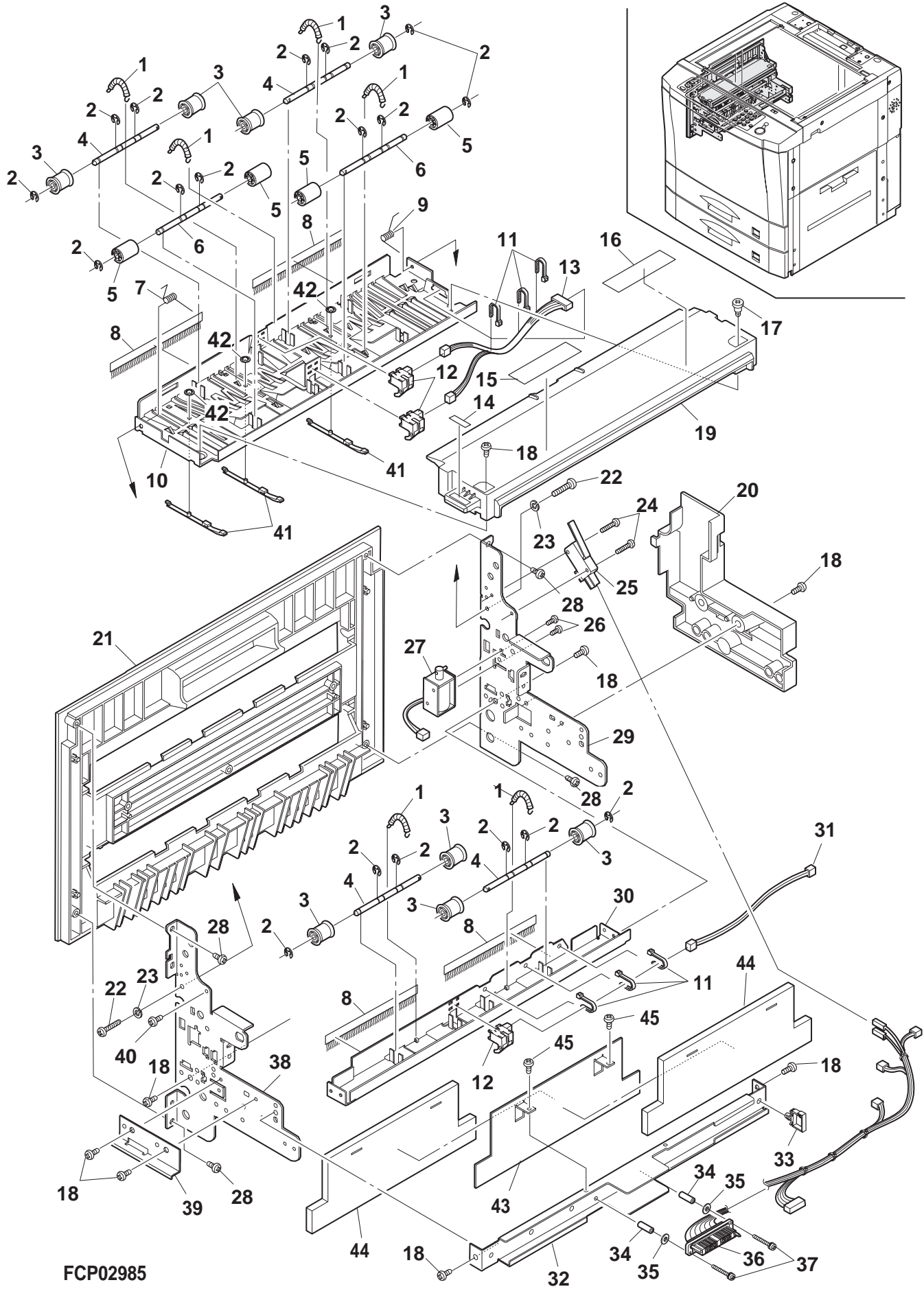
17 Fusing unit 2



FCP02984



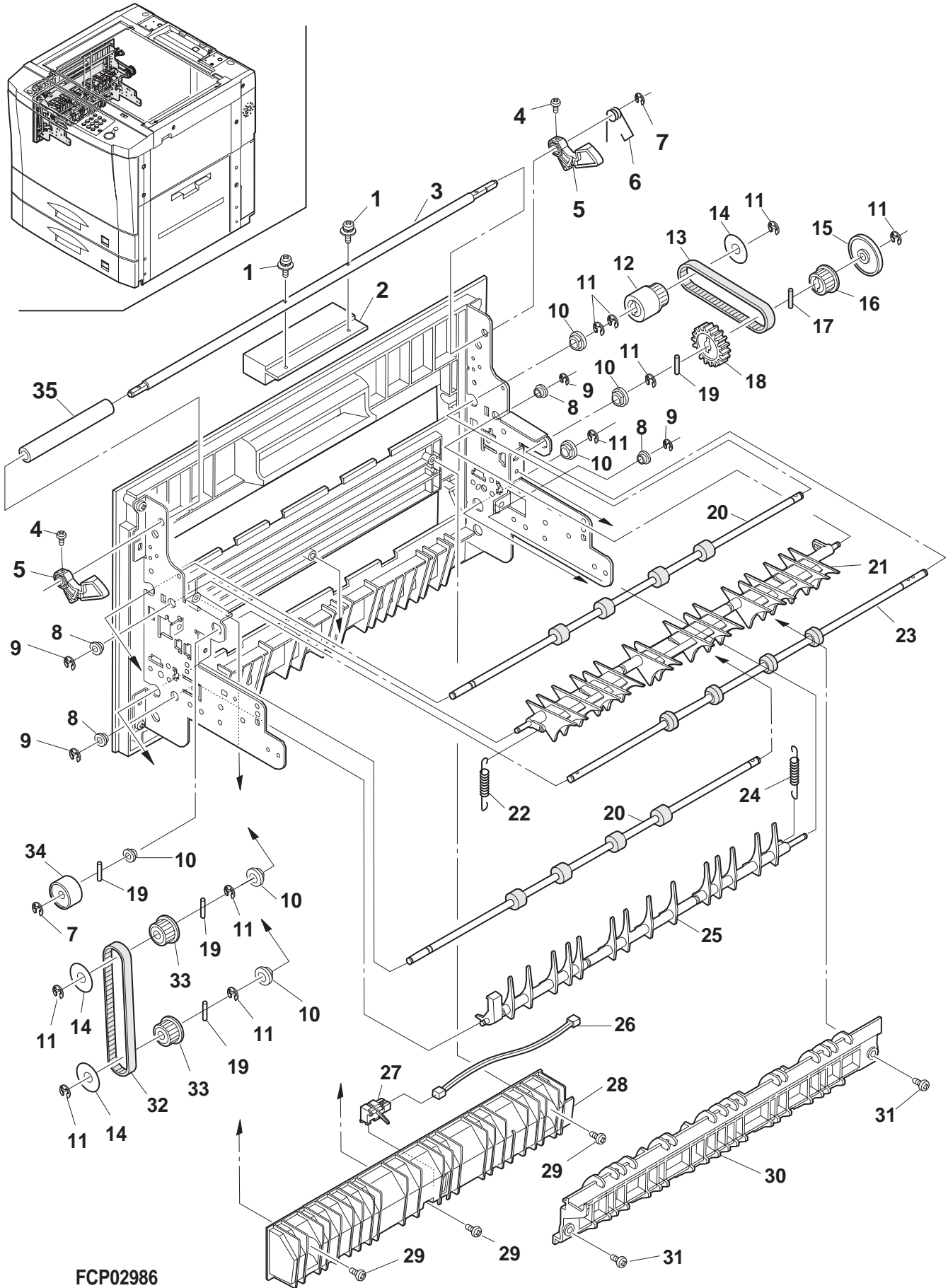
18 2 bin delivery turnover unit 1



FCP02985



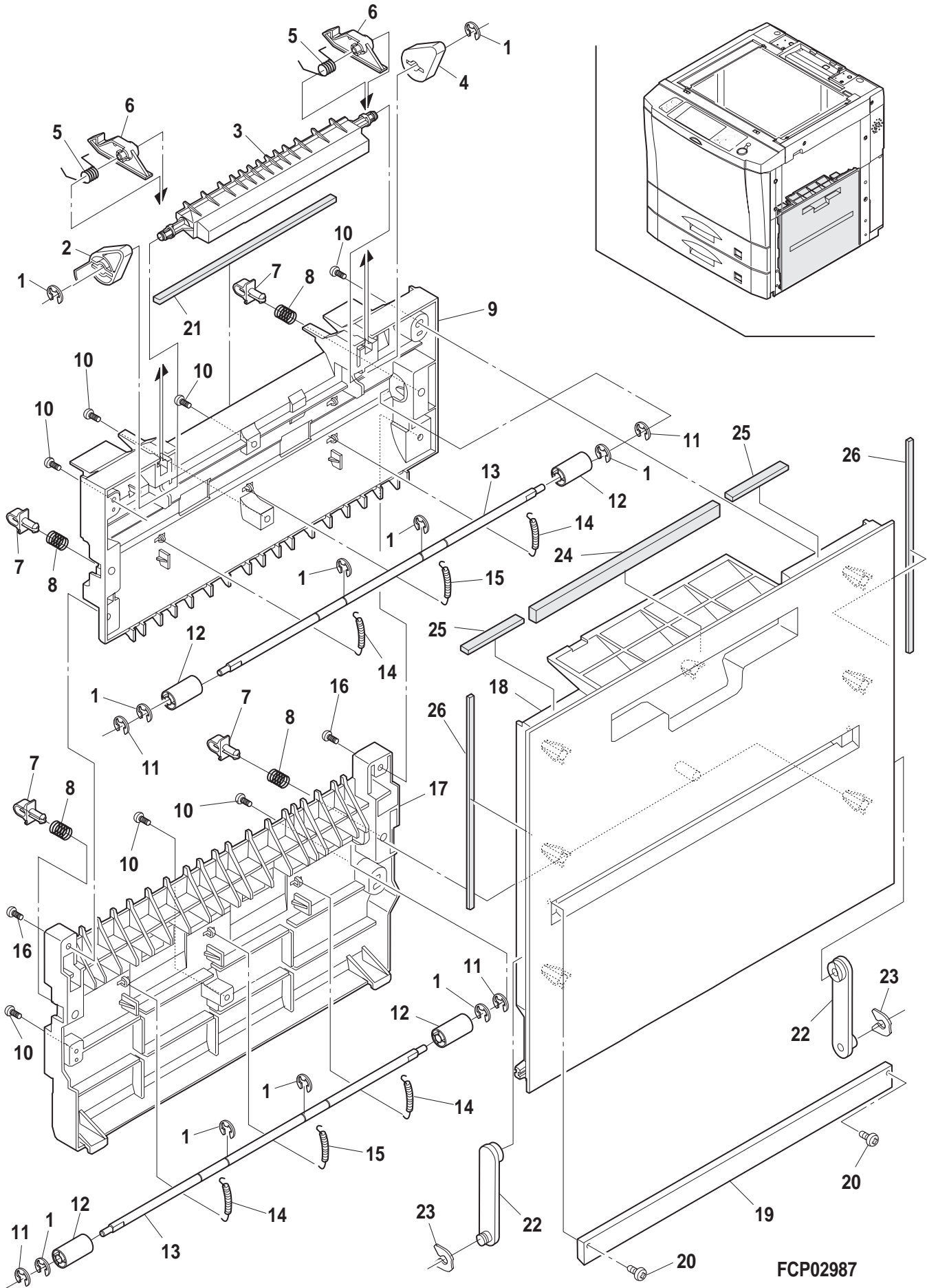
19 2 bin delivery turnover unit 2





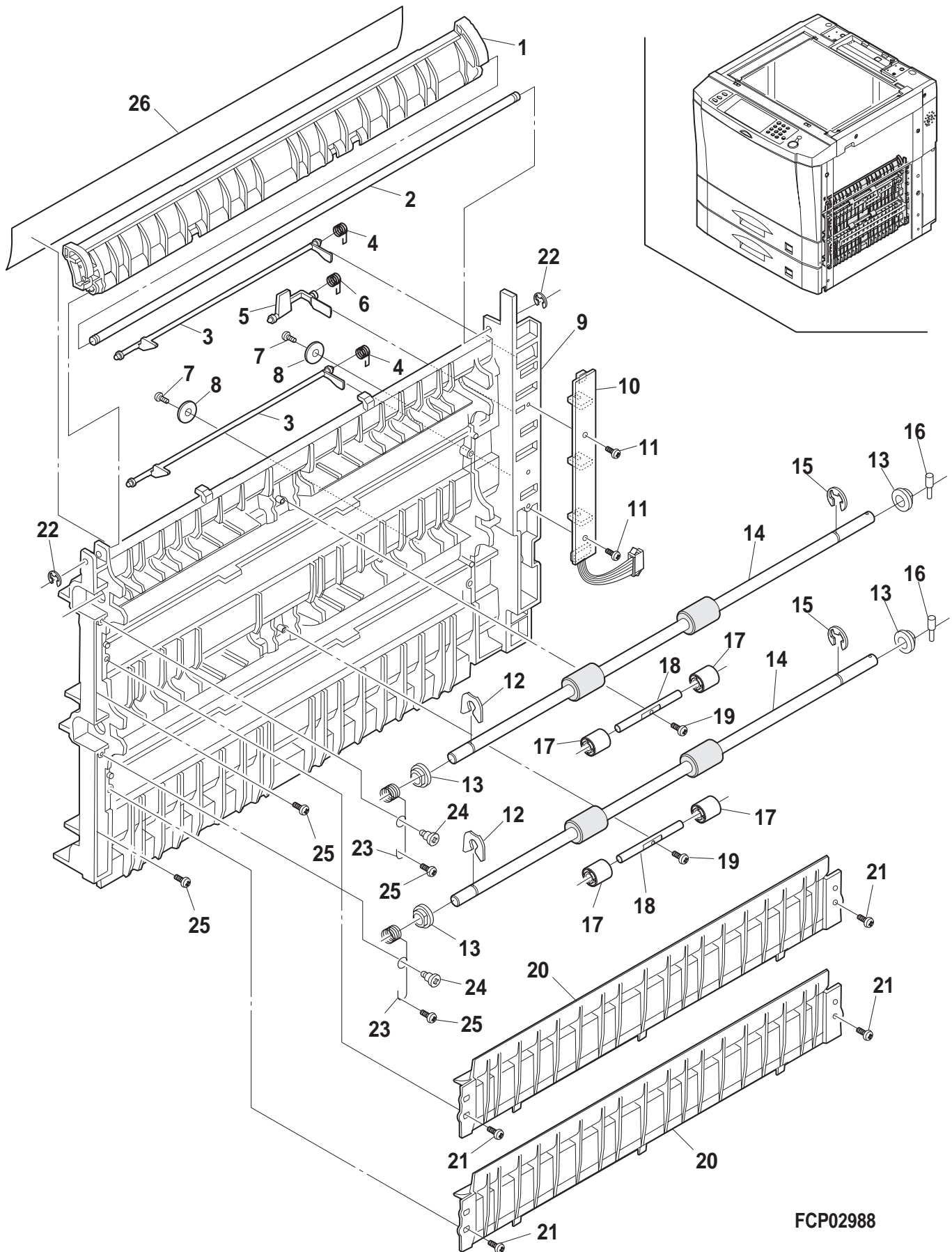


## 21 Vertical transport right door unit





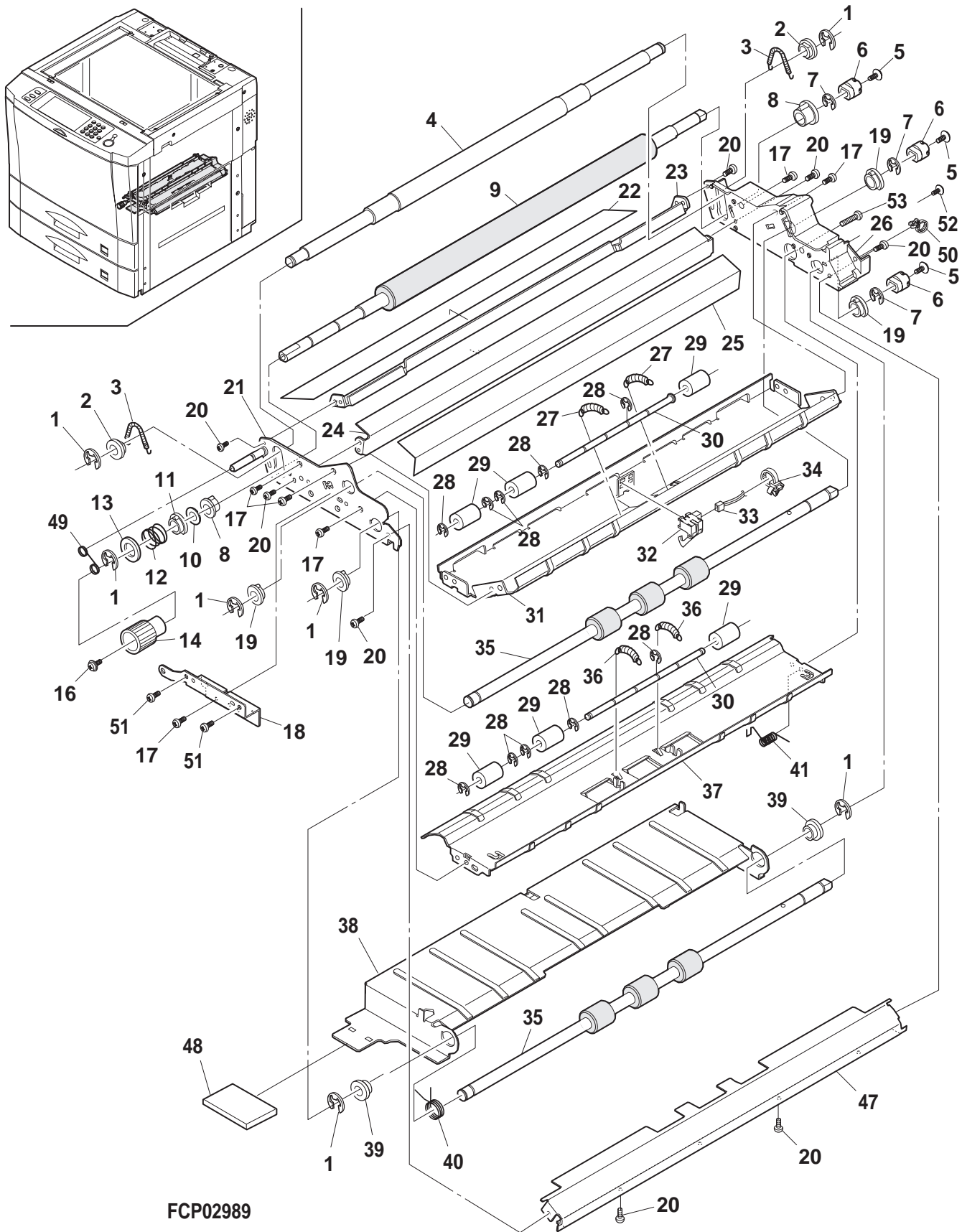
22 Vertical transport unit



FCP02988



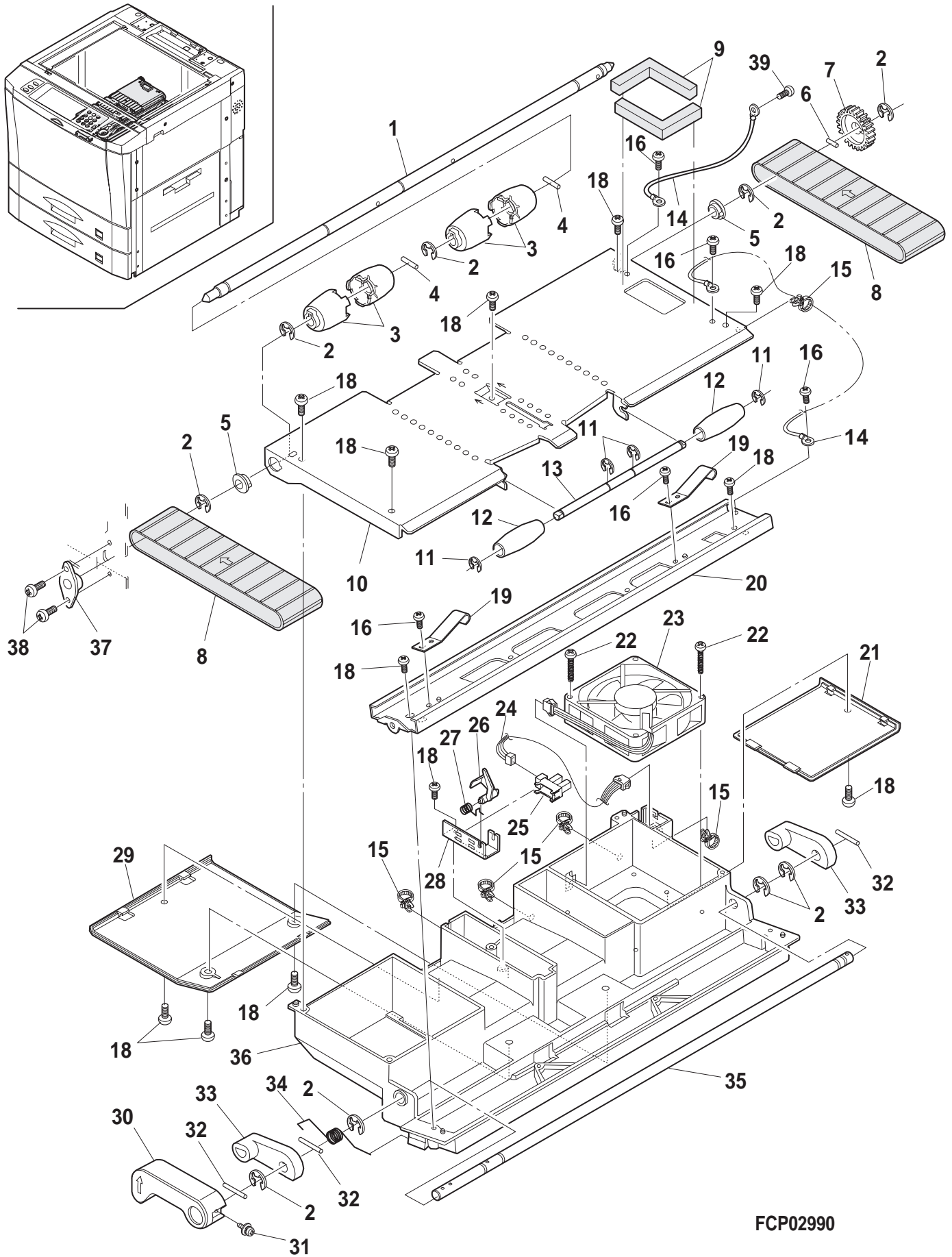
23 PS transport unit



FCP02989



24 Suction unit

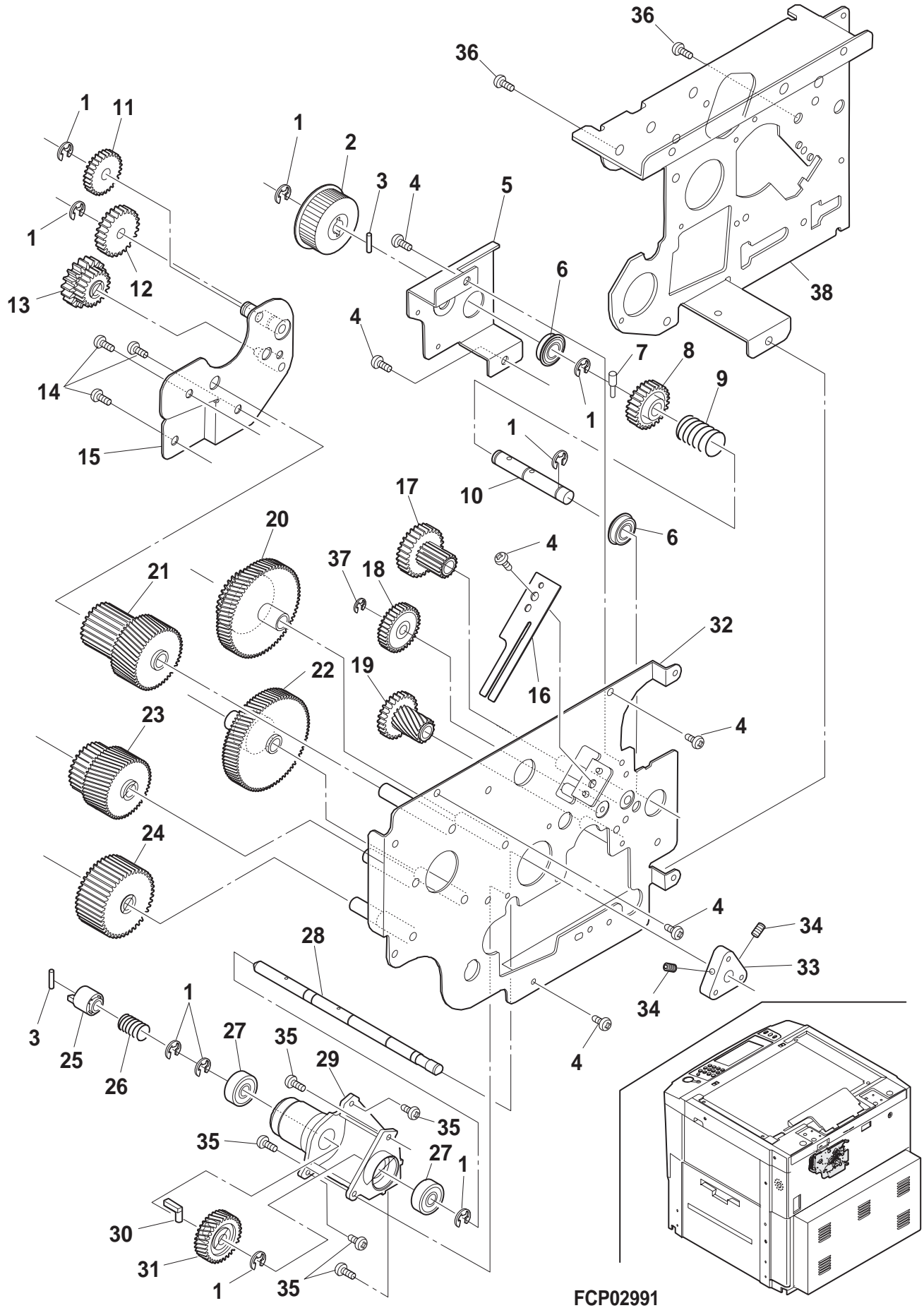


FCP02990



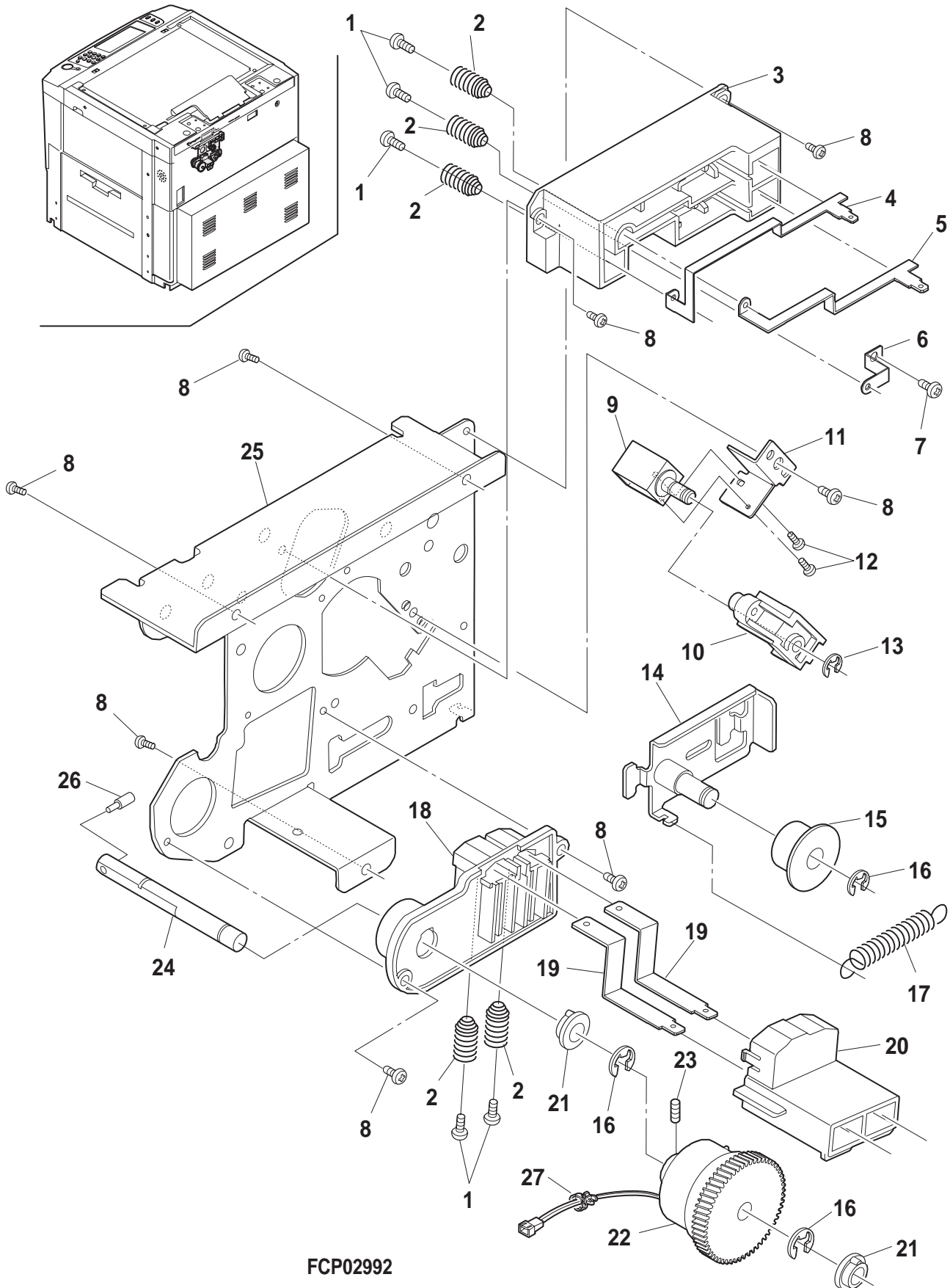


25 Main drive unit 1



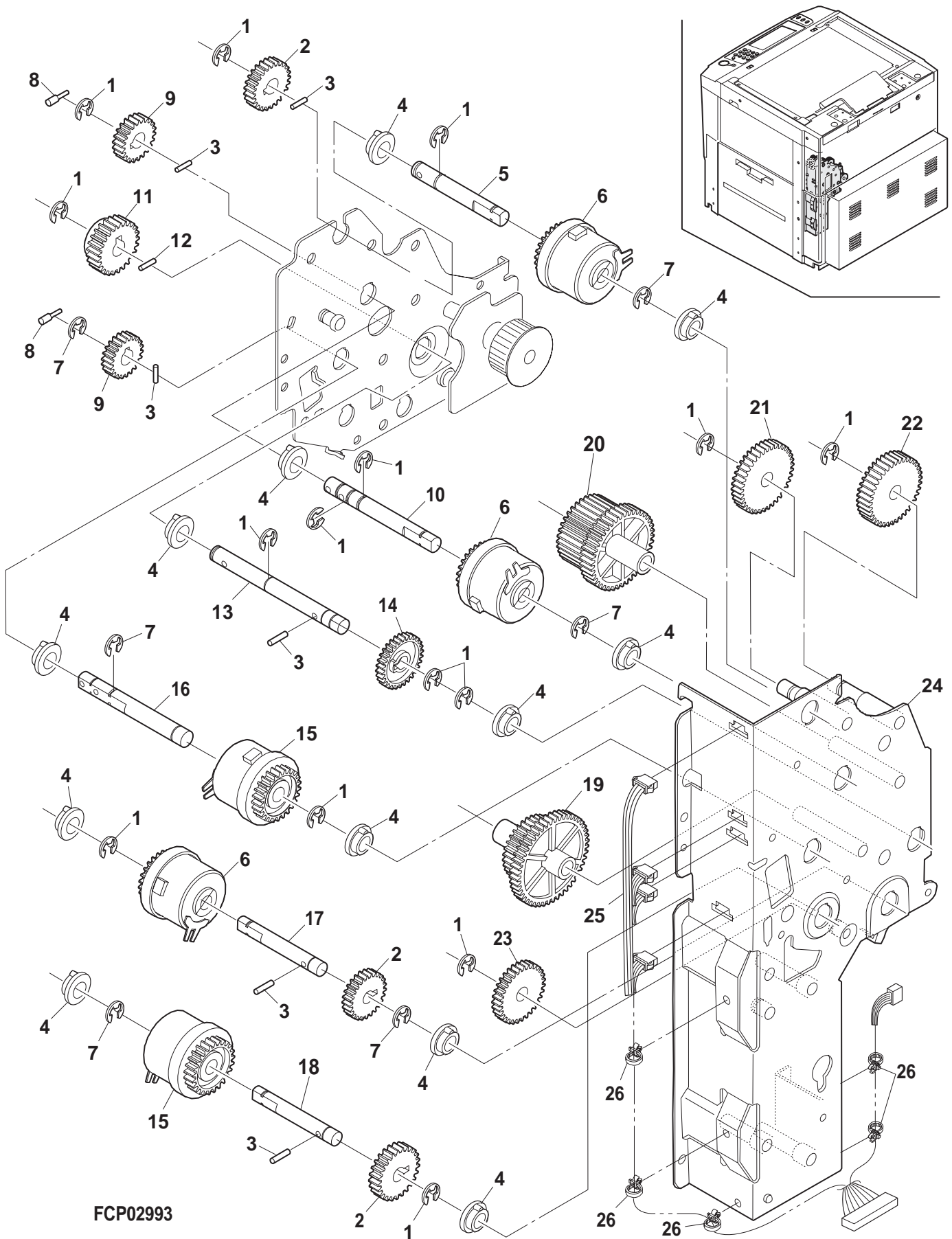


## 26 Main drive unit 2





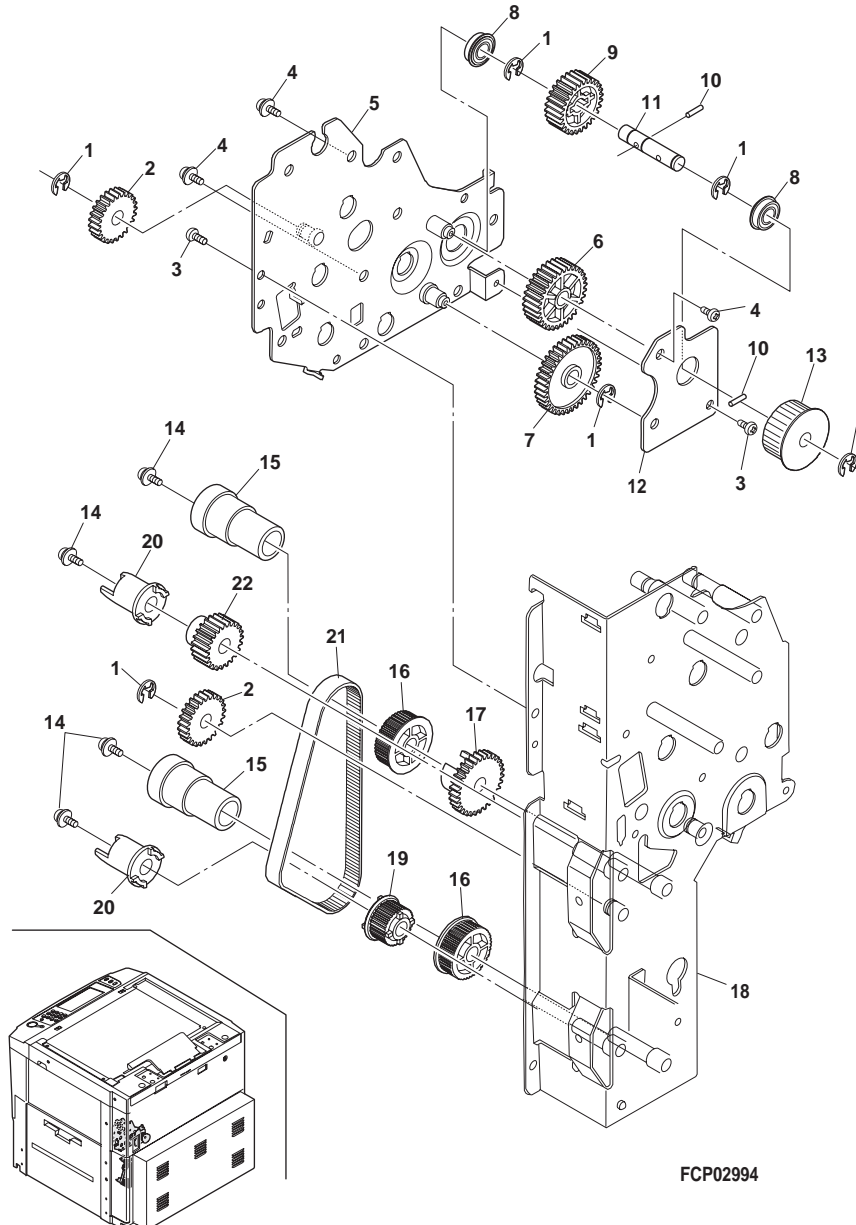
27 Paper feeding drive unit 1



28 Paper feeding drive unit 2

NO.	PARTS CODE	PRICE RANK	NEW MARK	PART RANK	DESCRIPTION
1	XRESP70-08000	AA		C	E type ring
2	NGERH0140FCZZ	AC		C	Stirring gear U (25T)
3	XHBSD40P08000	AA		C	Screw (4x8)
4	XBPSD40P08KS0	AA		C	Screw (4x8KS)
5	CFRM-0945FC02	AU	N	C	Paper feeding drive frame F
6	NGERH1244FCZZ	AE	N	C	Transport idle gear (32T)
7	NGERH0483FCZZ	AB		C	Gear (38T)
8	NBRGY0466FCZZ	AK		B	Ball bearing (M8-M16)
9	NGERH1245FCZZ	AF	N	C	Transport drive gear (28T)
10	LPINS0096FCZZ	AB		C	Pin (φ3-12)
11	NSFTZ2456FCZZ	AK	N	C	Drive separator shaft
12	LFRM-0947FCZZ	AE	N	C	Paper feeding transport drive frame
13	NPLYZ0285FCZ1	AE		C	Transport drive pulley (32T)
14	LX-BZ0829FCZZ	AB	N	C	Screw (Left type)
15	NCPL-0031FCZ1	AD	N	C	PF cup ring
16	NPLYZ0336FCZZ	AE	N	C	PF pulley 44P
17	NGERH1246FCZZ	AE	N	C	PF drive gear (33T)
18	CFRM-0946FC01	BA	N	C	Paper feeding drive frame R
19	NPLYZ0337FCZZ	AE	N	C	Transport pulley 32P
20	NCPL-0032FCZZ	AD	N	C	Transport cup ring
21	NBLTH0294FCZZ	AH	N	B	Paper feeding drive belt
22	NGERH1247FCZZ	AE	N	C	Transport drive gear (24T)
	(Unit)				
901	CFRM-0945FC31	BV	N	E	Paper feeding drive unit

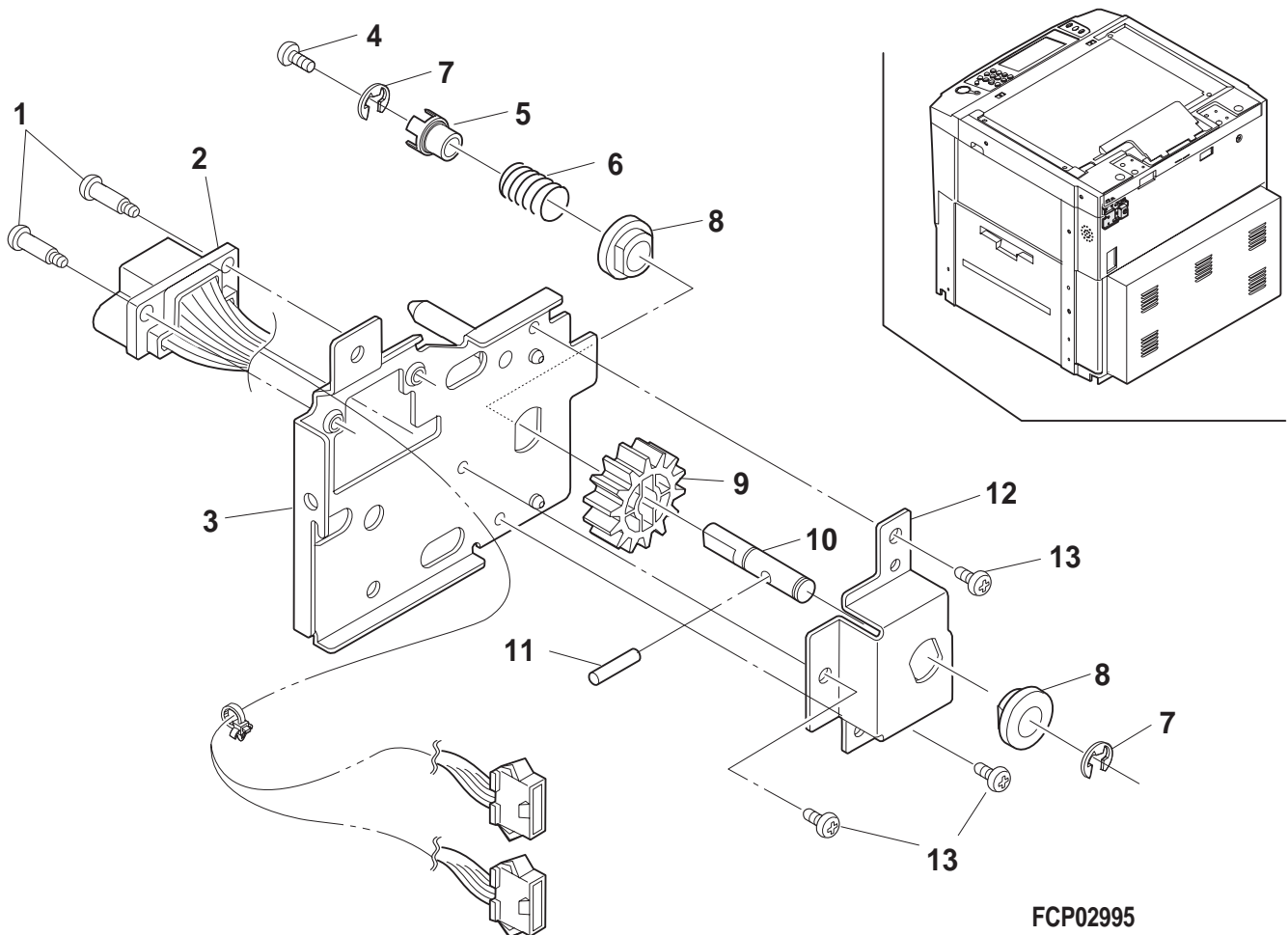
28 Paper feeding drive unit 2



## 29 DV drive unit

NO.	PARTS CODE	PRICE RANK	NEW MARK	PART RANK	DESCRIPTION
1	LX-BZ0843FCZZ	AC	N	C	Screw
2	DHAi-2828FCZZ	AR	N	C	DV interface harness
3	CFRM-0943FC01	AL	N	C	DV drive frame F
4	LX-BZ0845FCZZ	AC	N	C	Screw
5	NCPL-0007FCZZ	AC		C	DV cup ring
6	MSPRC2616FCZZ	AC	N	C	DV drive spring
7	XRESP50-06000	AA		C	E type ring
8	NBRGC0387FCZZ	AB		C	Bearing
9	NGRH1240FCZZ	AD	N	C	DC drive gear (14T)
10	NSFTZ2448FCZZ	AK	N	C	DV drive shaft
11	LPINS0278FCZZ	AB		C	Spring pin (φ3-11)
12	LFRM-0944FCZZ	AE	N	C	DV drive frame R
13	XHBSD30P06000	AA		C	Screw (3×6)
	(Unit)				
901	CFRM-0943FC51	AZ	N	E	DV drive unit

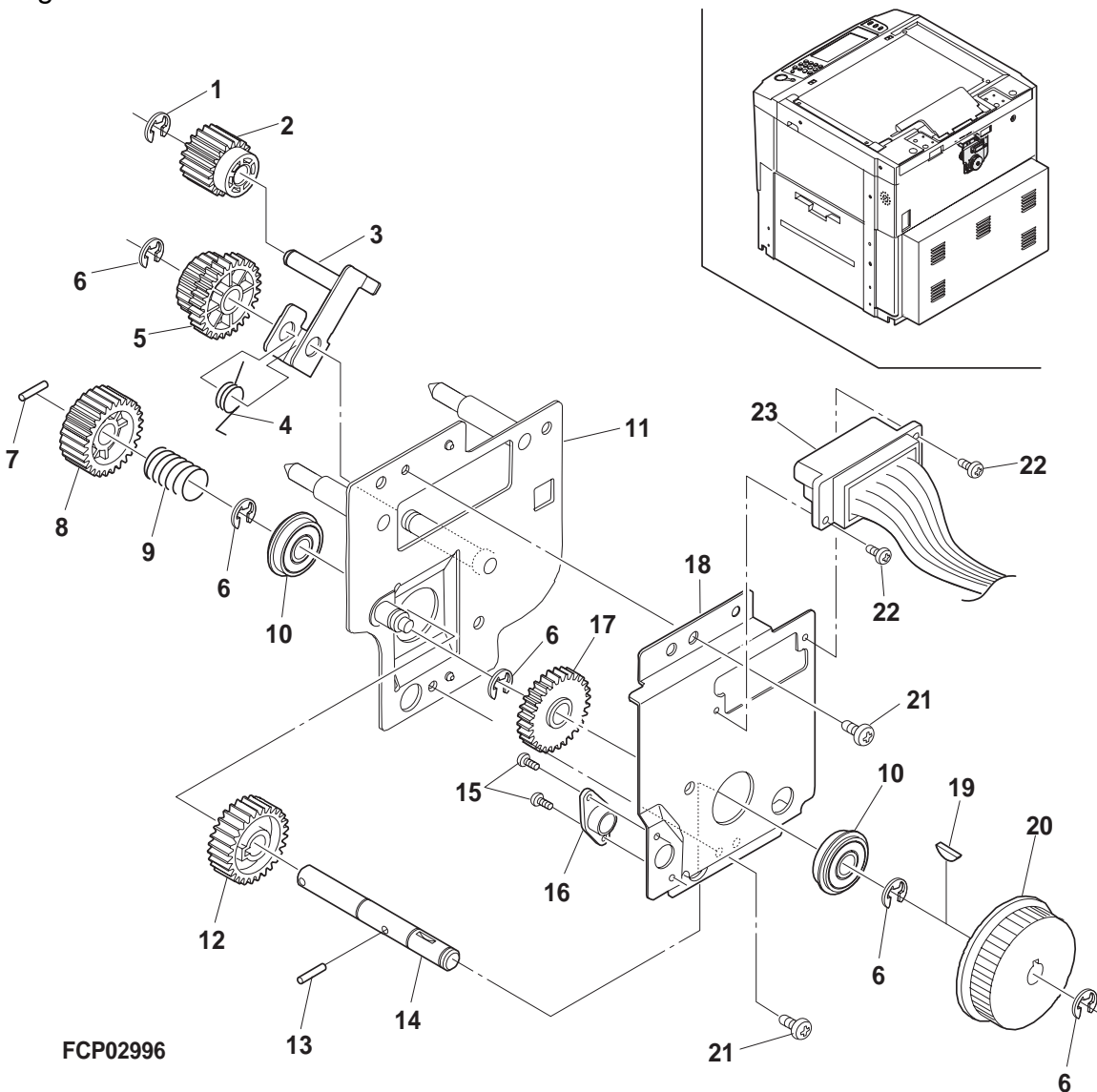
## 29 DV drive unit



30 Fusing drive unit

NO.	PARTS CODE	PRICE RANK	NEW MARK	PART RANK	DESCRIPTION
1	XRESP50-06000	AA		C	E type ring
2	NGERH1250FCZZ	AD	N	C	Delivery idle gear (20T)
3	CPLTM5388FC01	AH	N	C	Delivery drive plate
4	MSPRC2618FCZ1	AC	N	C	Delivery drive plate spring
5	NGERH1252FCZZ	AD	N	C	Delivery gear (21T)
6	XRESP70-08000	AA		C	E type ring
7	LX-BZ0670FCZZ	AC		C	Screw (3x8)
8	NGERH1251FCZZ	AD	N	C	Fusing drive gear (27T)
9	MSPRC2619FCZZ	AC	N	C	Gear pressure spring
10	NBRGY0131FCZZ	AM		C	Bearing (with M22 E ring)
11	CFRM-0948FC01	AT	N	C	Fusing drive frame F
12	NGERH1249FCZZ	AD	N	C	Suction drive gear (29T)
13	LPINS0096FCZZ	AB		C	Pin (φ3-12)
14	NSFTZ2452FCZZ	AL	N	C	Fusing drive shaft
15	XHBSD30P08000	AA		C	Screw (3x8)
16	NBRGC7001XCZZ	AH		C	Bearing (R-BSH)
17	NGERH0349FCZZ	AC		C	Gear (28T)
18	LFRM-0949FCZZ	AL	N	C	Fusing drive frame R
19	LSTPT0138FCZZ	AE		C	Stopper
20	NPLYZ0202FCZZ	AF		C	Pulley (45T)
21	XHBSD40P08000	AA		C	Screw (4x8)
22	XBBSD40P12000	AA		C	Screw (4x12)
23	DHAi-2952FC11	BH	N	C	AC harness (100V series)
	DHAi-2959FC11	BK	N	C	AC harness (200V series)

30 Fusing drive unit

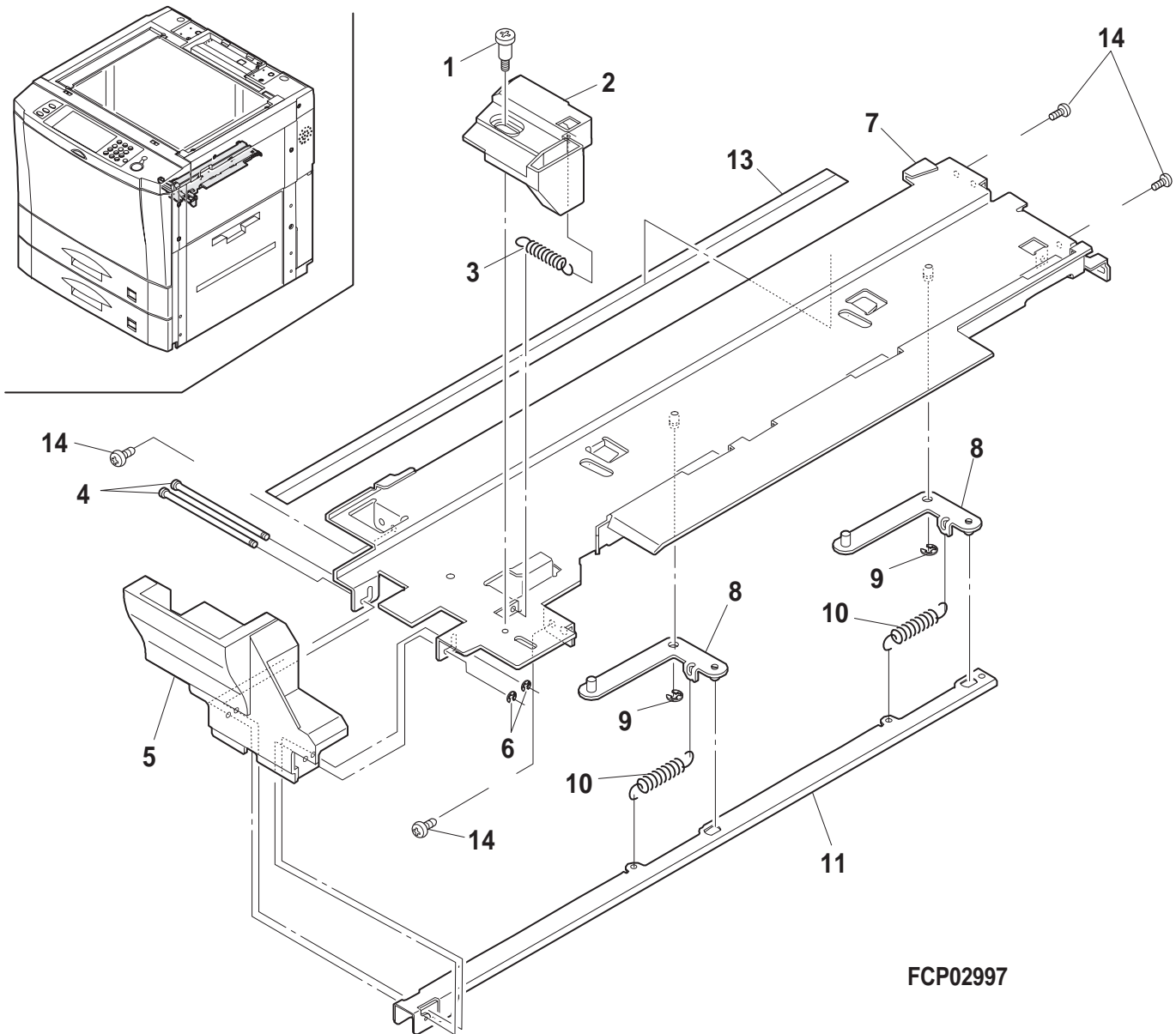




## 31 DV guide unit

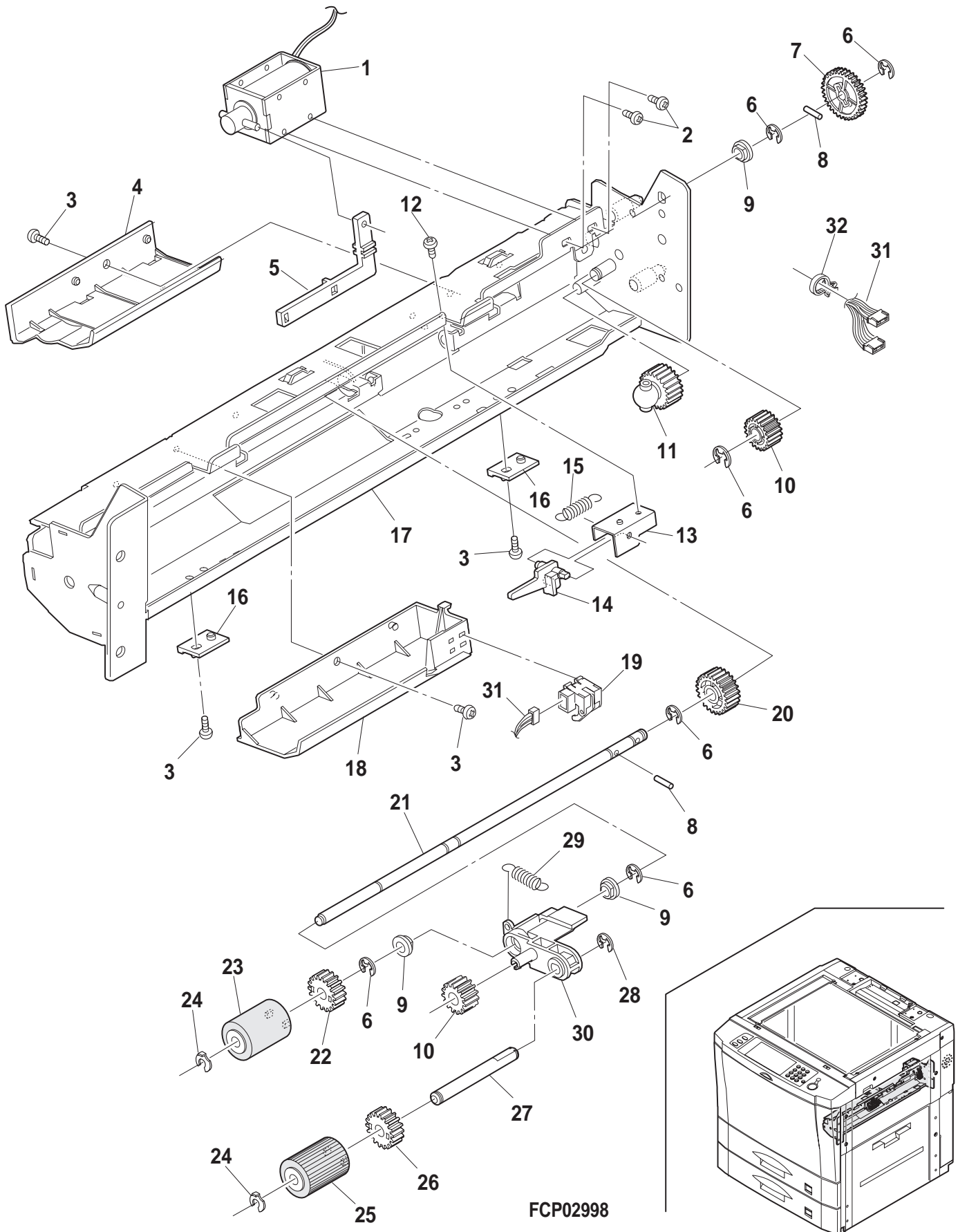
NO.	PARTS CODE	PRICE RANK	NEW MARK	PART RANK	DESCRIPTION
1	LX-BZ0581FCZZ	AB		C	Screw
2	LSTPP0343FCZZ	AD	N	C	DV stopper
3	MSPRC2378FCZZ	AC		C	Stopper spring
4	NSFTZ1595FCZZ	AD		C	Shaft G
5	JHNDP0144FCZZ	AK	N	C	DV guide handle
6	XRESP20-03000	AA		C	E type ring
7	CGiDH1791FC01	AT	N	C	DV guide
8	CPLTM5419FC01	AH	N	C	Plate DVB
9	XRESP40-06000	AA		C	E type ring
10	MSPRC2686FCZZ	AC	N	C	DV guide spring
11	LPLTM5418FCZZ	AH	N	C	Plate DVA
13	PSHEZ4616FCZZ	AP	N	C	DV guide sheet
14	XHBSE40P08000	AA		C	Screw (4x8)

## 31 DV guide unit



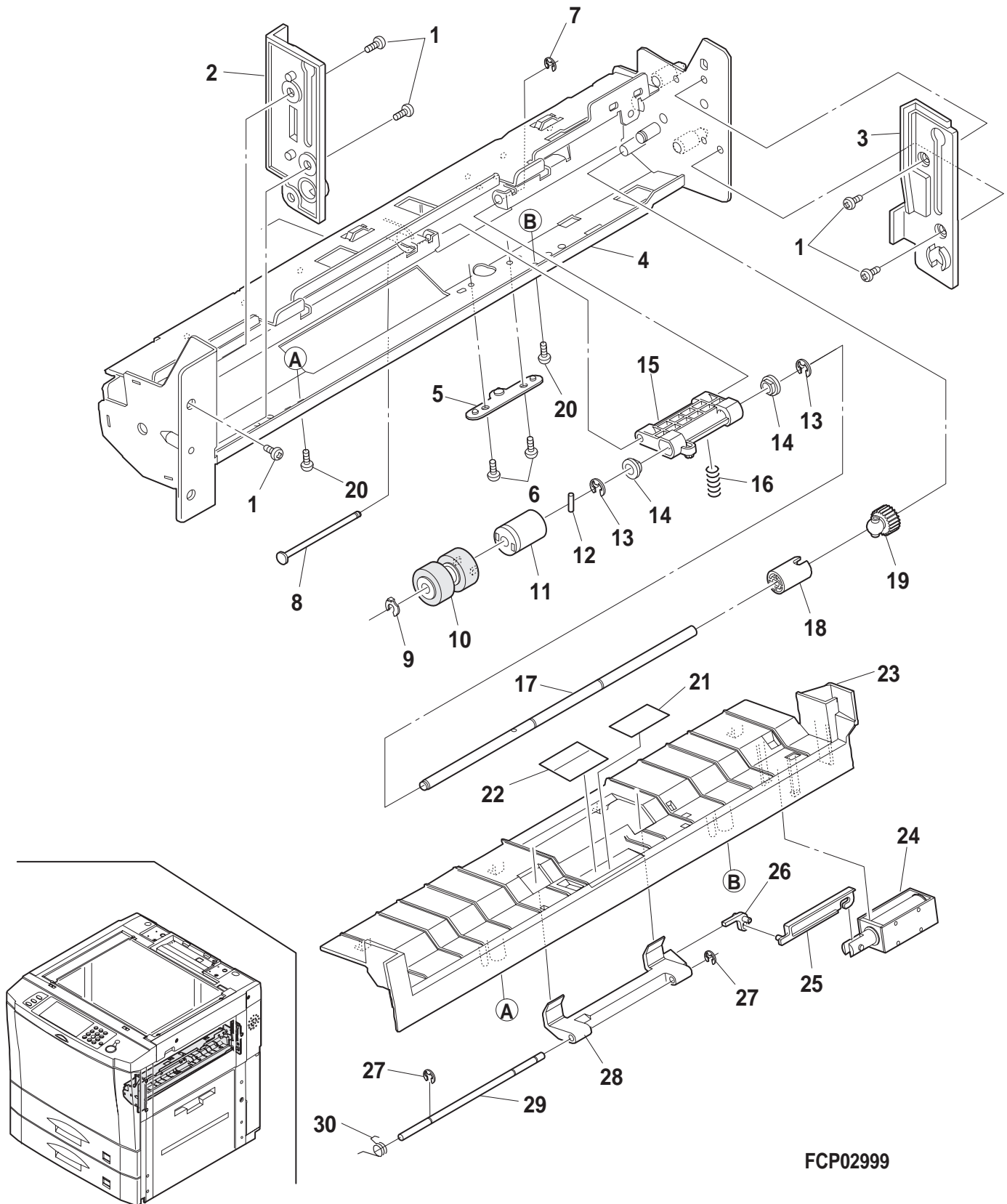


### 32 Multi manual paper feeding unit 1



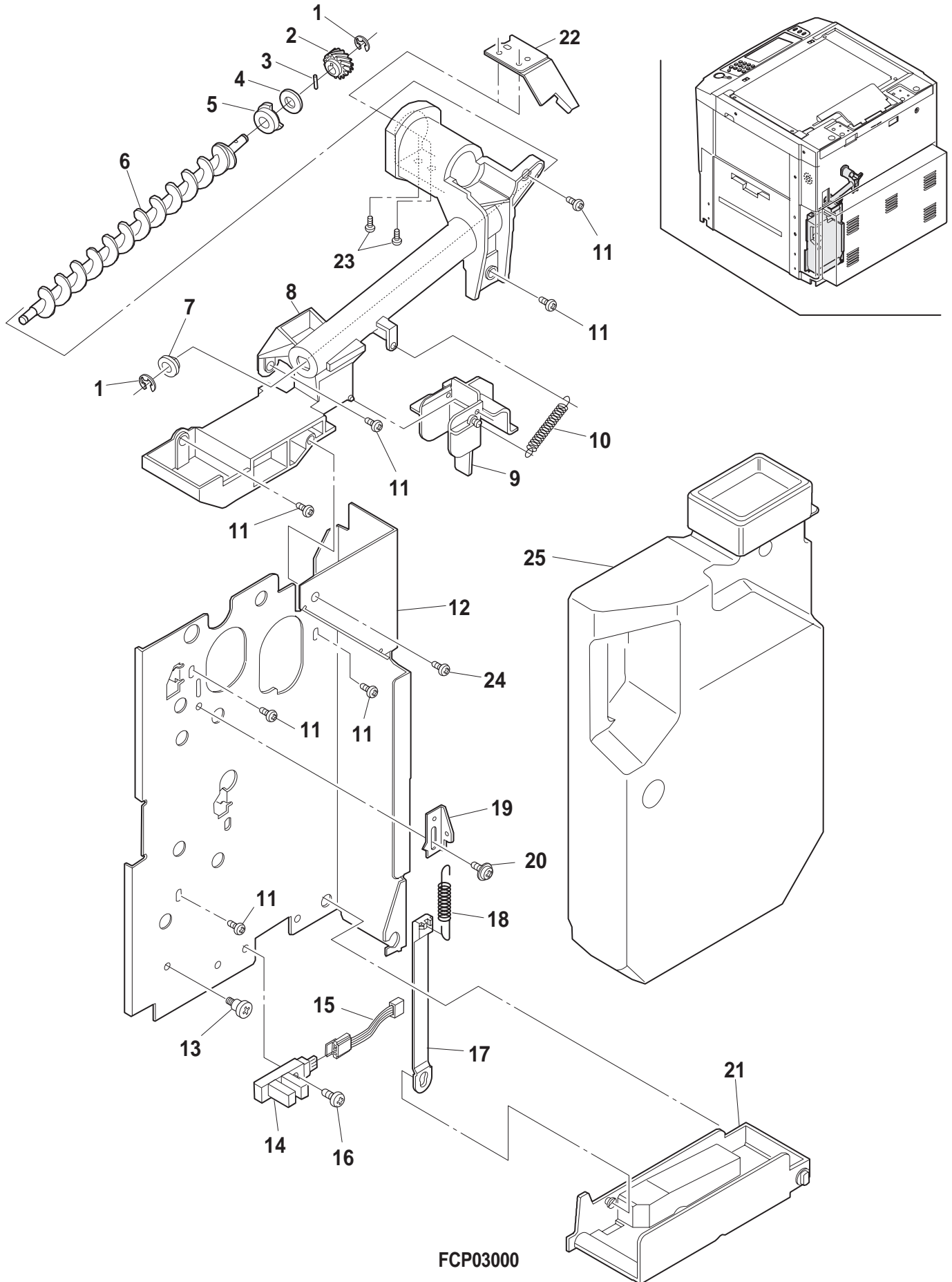


### 33 Multi manual paper feeding unit 2





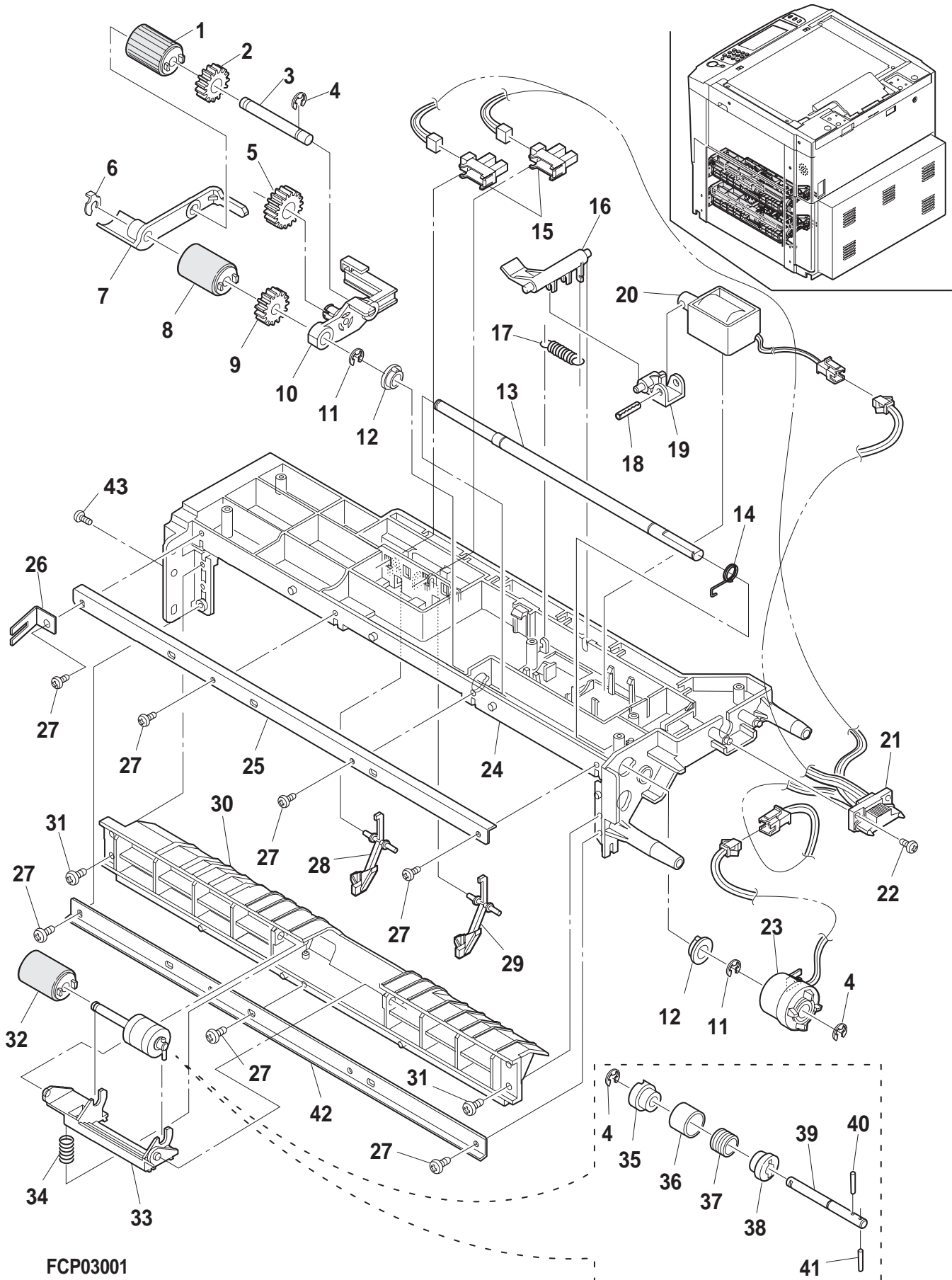
34 Waste toner unit







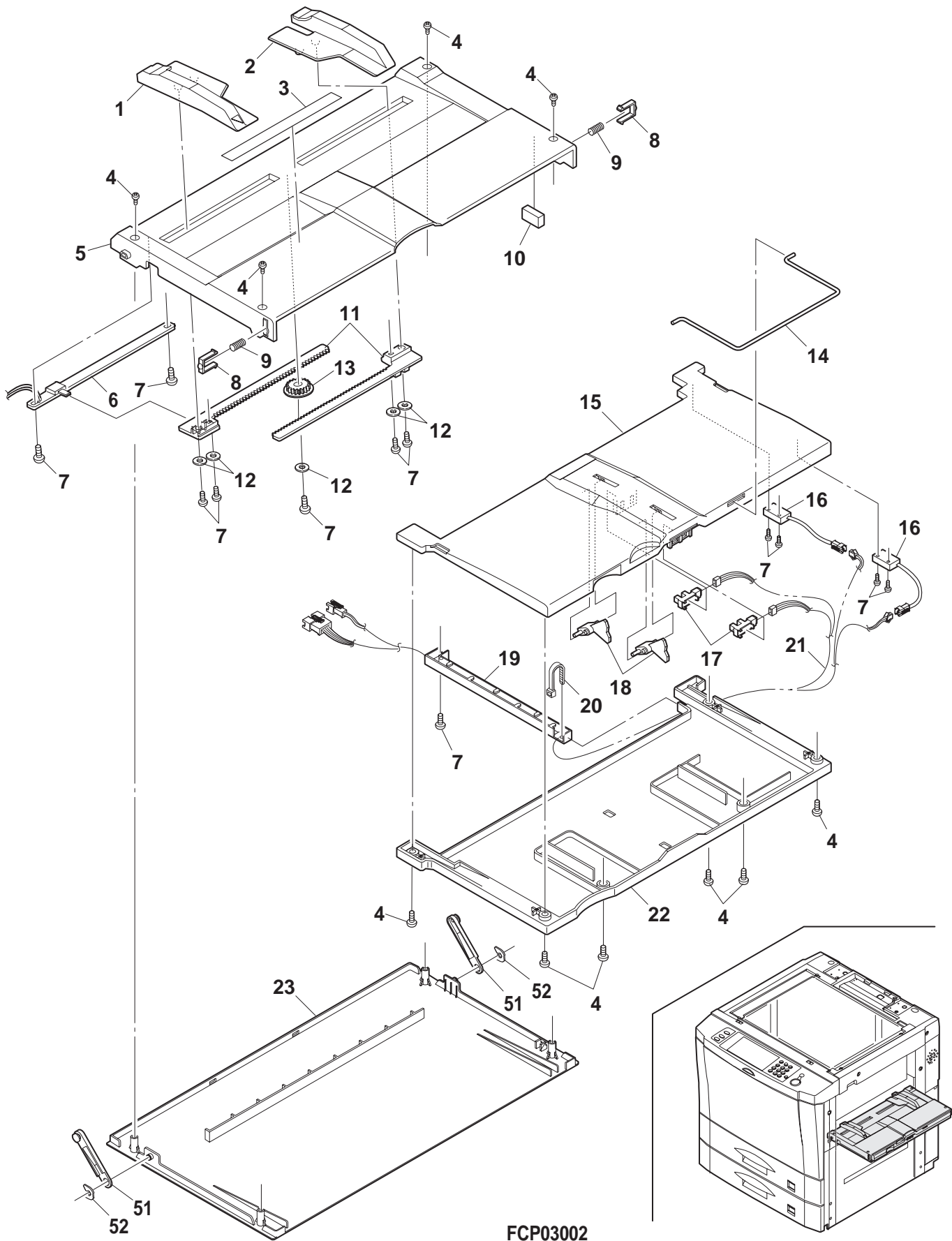
35 Tray paper feeding unit



FCP03001



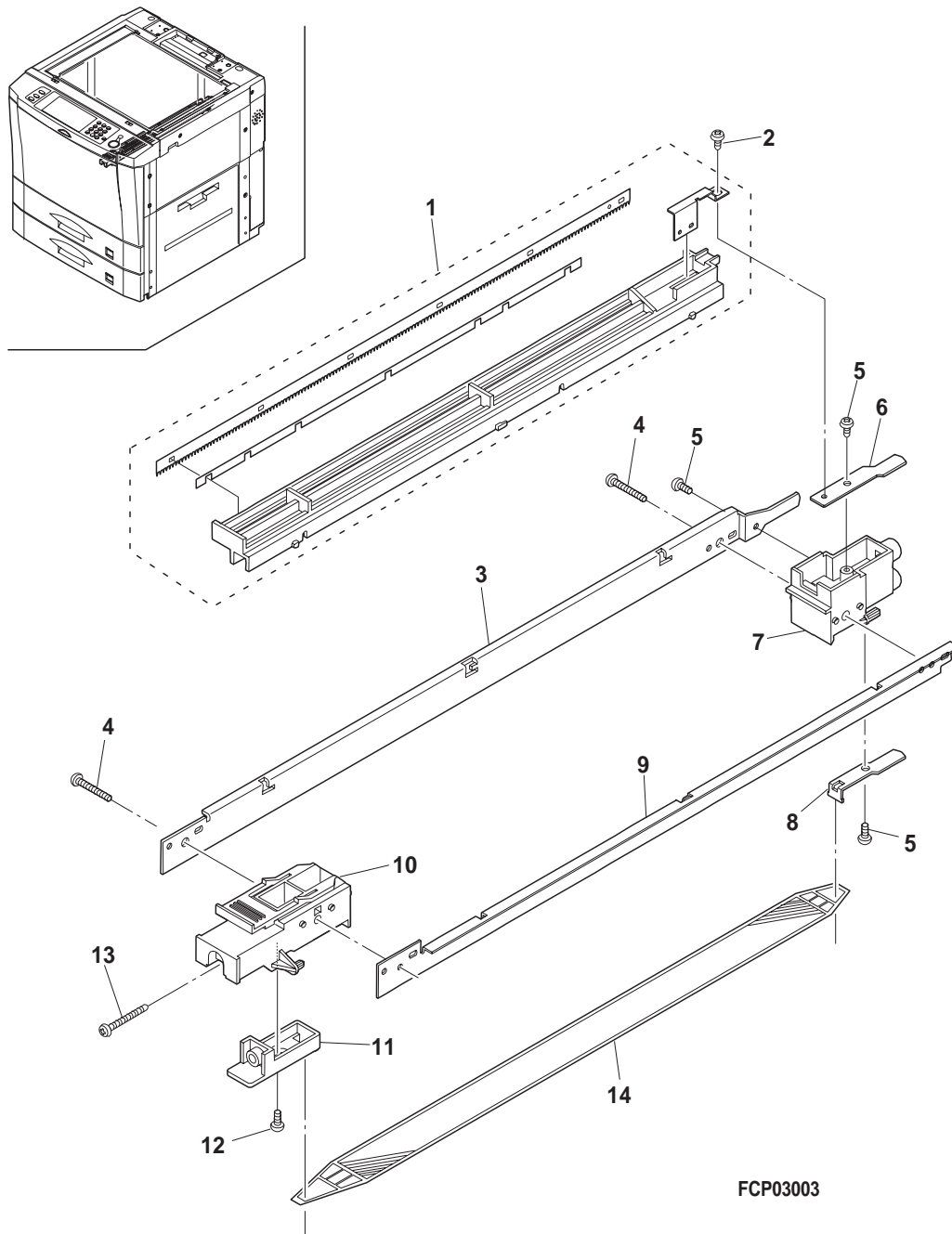
### 36 Multi manual paper feeding tray unit



37 MC unit

NO.	PARTS CODE	PRICE RANK	NEW MARK	PART RANK	DESCRIPTION
1	CPLTM5475FC51	AT	N	E	Plate unit
2	XBPS230P04000	AA		C	Screw (2.3x4)
3	LPLTM5391FCZZ	AK	N	C	MC plate L
4	XBPSD40P27000	AA		C	Screw (4x27)
5	XEPSD30P06000	AA		C	Screw (3x6)
6	QSLP-0191FCZZ	AE	N	C	MC electrode
7	LHLDZ1370FCZZ	AH	N	C	MC holder R
8	QSLP-0190FCZZ	AE	N	C	MC grid electrode
9	LPLTM5392FCZZ	AH	N	C	MC plate R
10	LHLDZ1369FCZZ	AP	N	C	MC plate F
11	LHLDZ0932FCYZ	AD		C	Grid holder
12	LX-BZ4008SC0M	AA		C	Screw (4x8)
13	XBBSD40P12000	AA		C	Screw (4x12)
14	LPLTM5393FCZZ	AL	N	C	Grid
(Unit)					
901	CPLTM5391FC51	BC	N	E	MC unit

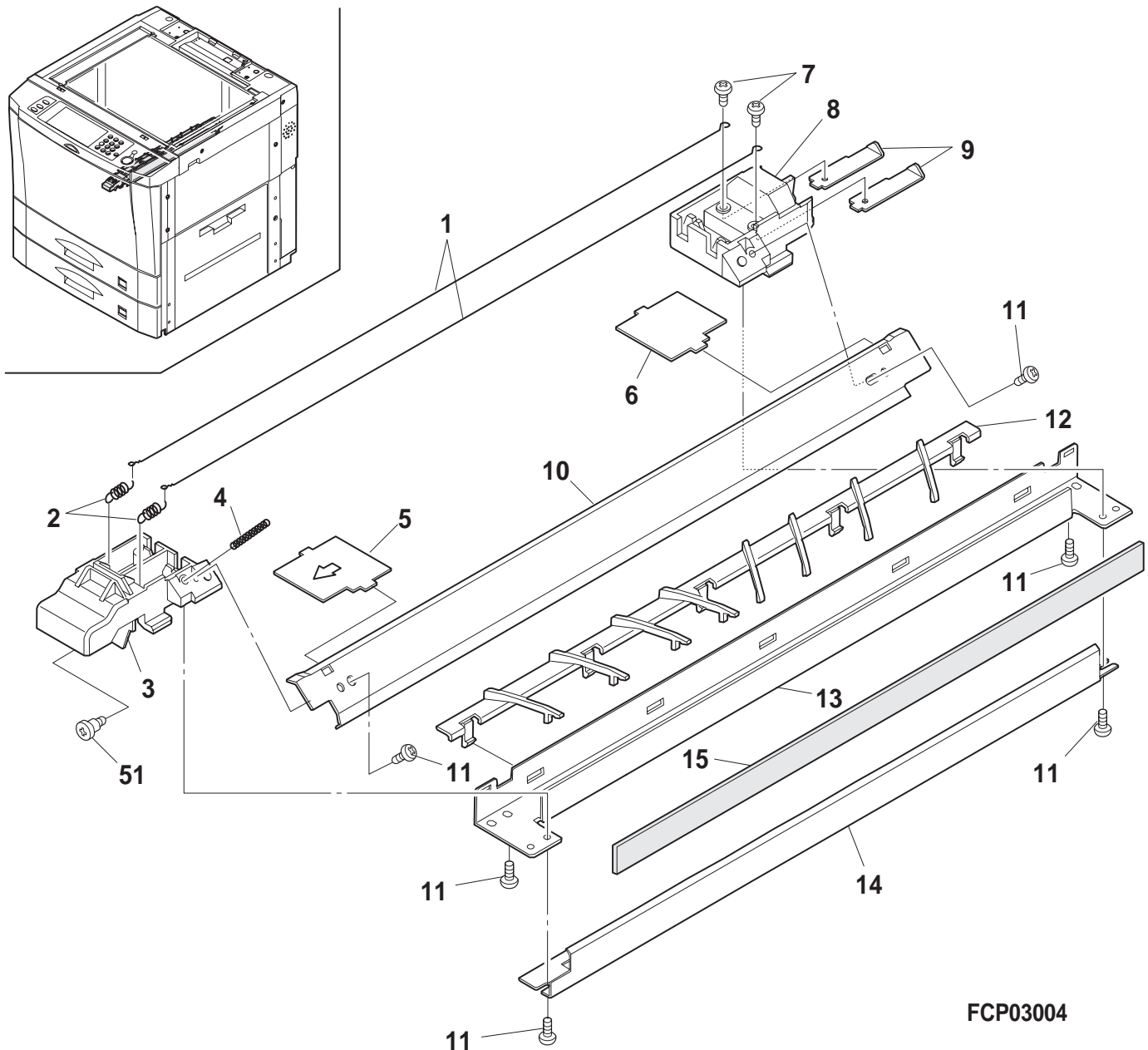
37 MC unit



## 38 TC unit

NO.	PARTS CODE	PRICE RANK	NEW MARK	PART RANK	DESCRIPTION
1	DW i R - 0 4 6 6 C S Z Z	BG		B	Charger wire
2	MSPRT0513FCZZ	AA		C	MC tension spring
3	LHLDZ1372FCZZ	AL	N	C	TC holder F
4	MSPRP1550FCZZ	AA		C	TC spring
5	PCOVP1436FCZZ	AC	N	C	Holder cover F
6	PCOVP1437FCZZ	AC	N	C	Holder cover R
7	XBPSD30P06000	AA		C	Screw (3×6)
8	LHLDZ1373FCZZ	AK	N	C	TC holder R
9	QSLP-0193FCZZ	AF	N	C	TC electrode
10	CG i DH1781FC51	AP	N	E	TC paper guide unit
11	XEPSD30P06000	AA		C	Screw (3×6)
12	PG i DM1799FCZZ	AL	N	C	TC transport guide
13	PCASZ0285FCZZ	AL	N	C	TC case
14	PCASZ0286FCZZ	AK	N	C	TC sub case
15	PSHEP4664FCZZ	AD	N	C	TC center sheet
51	LX-BZ0546FCZZ	AC		C	Screw
	(Unit)				
901	CCASZ0285FC51	BC	N	E	TC unit

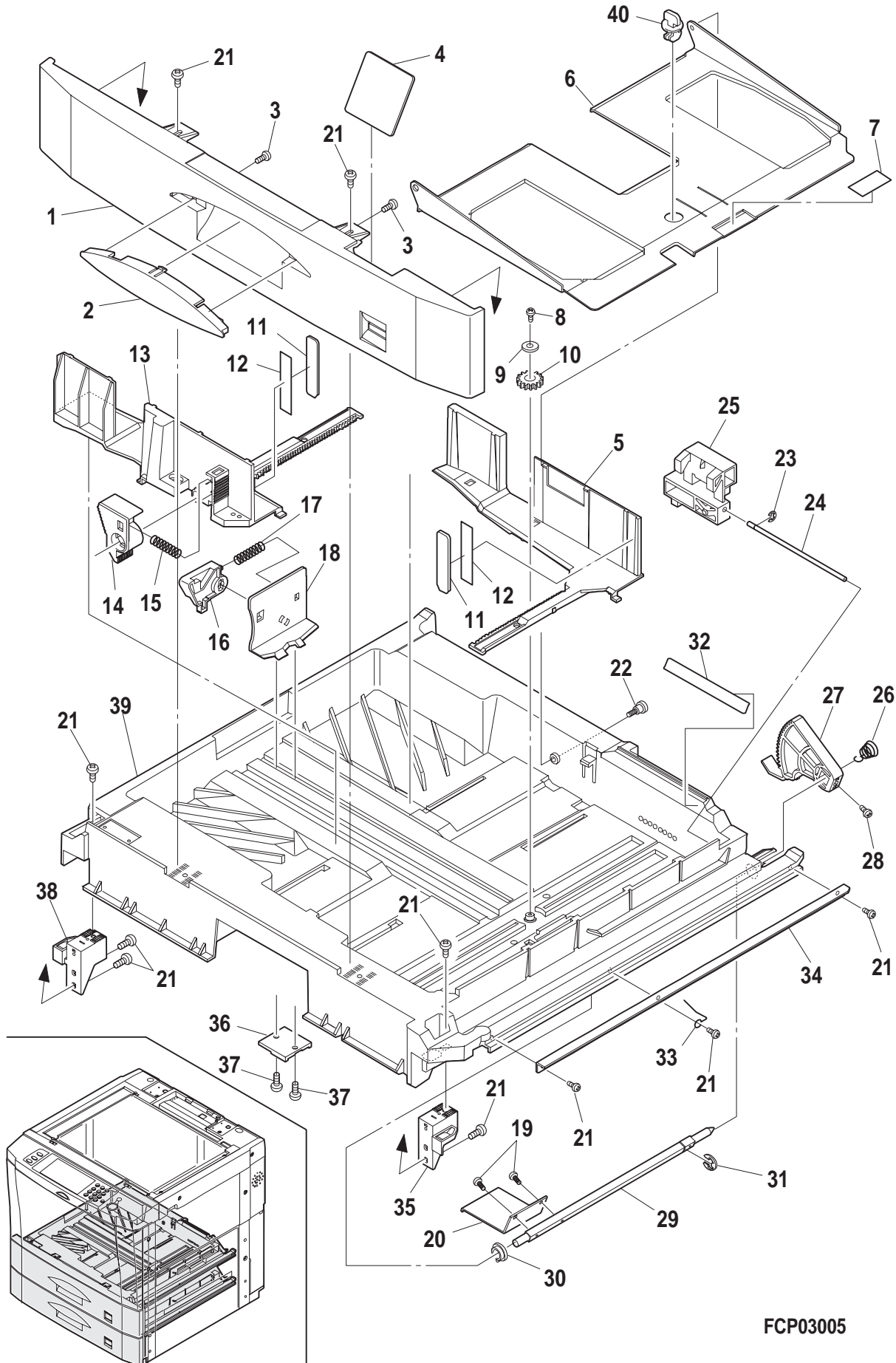
## 38 TC unit



FCP03004



39 Tray unit



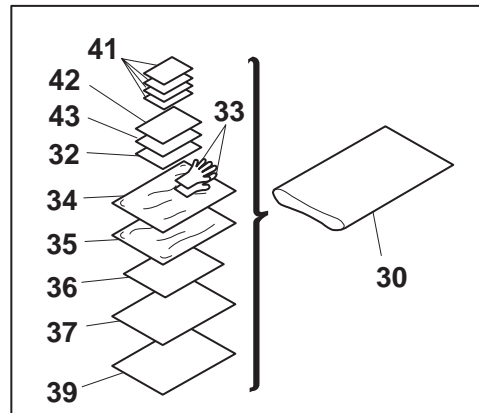
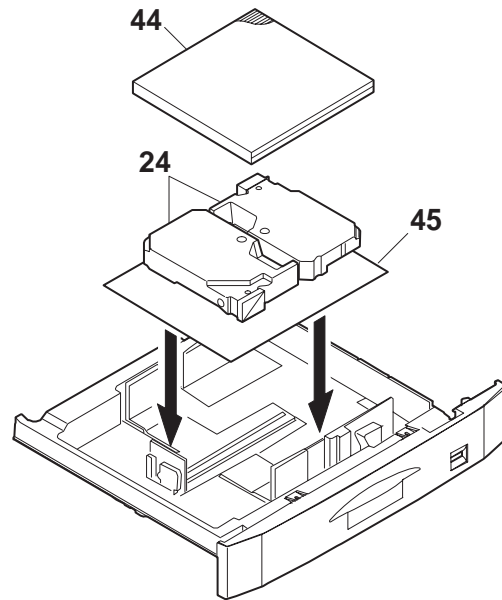
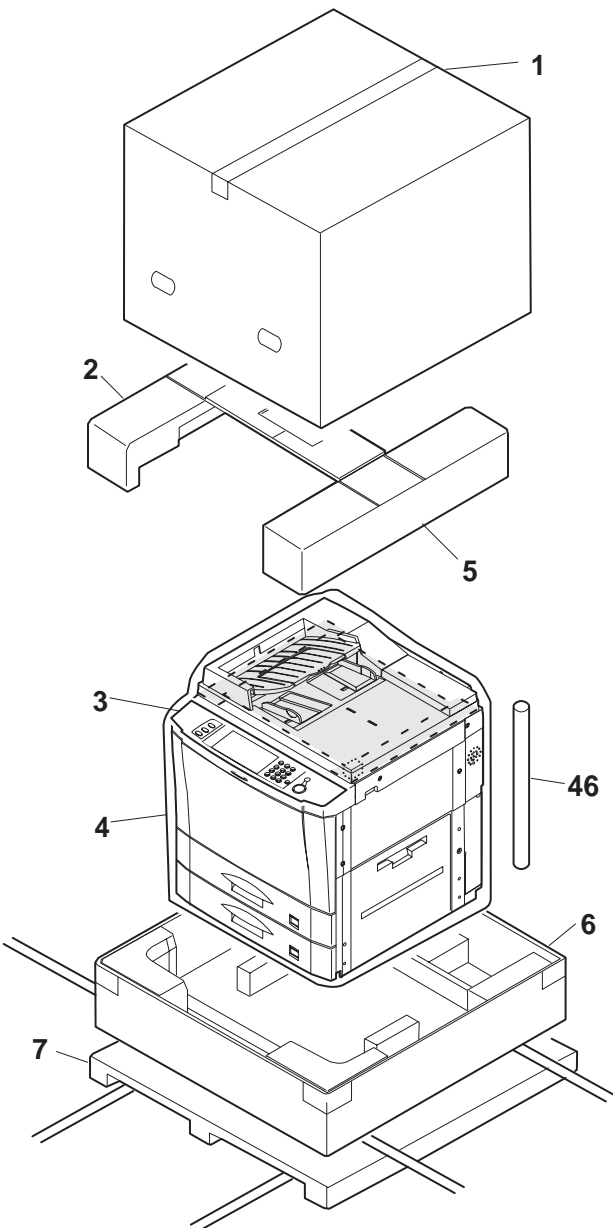
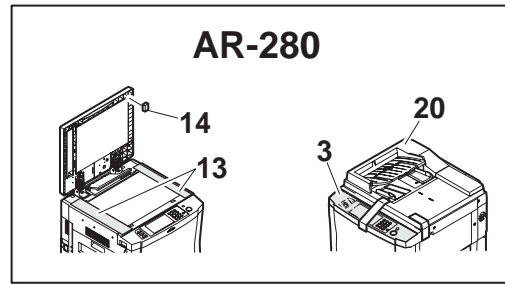
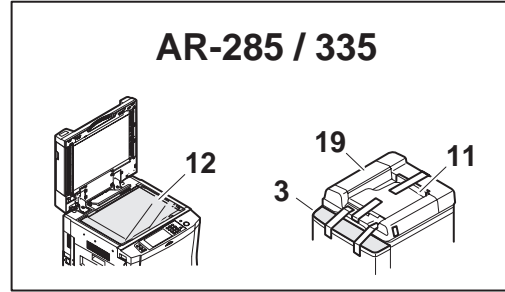
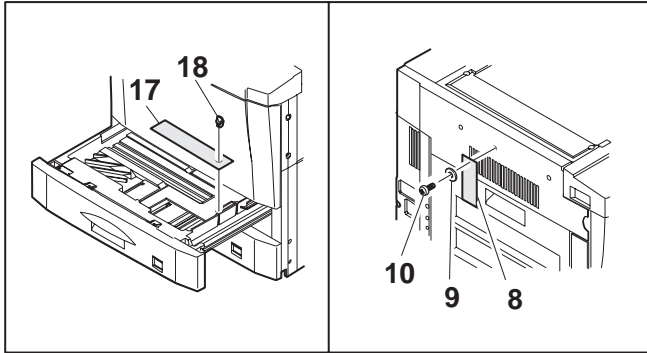
FCP03005

## 40 Packing material &amp; Accessories

NO.	PARTS CODE	PRICE RANK	NEW MARK	PART RANK	DESCRIPTION
1	SPAKC5833FCZZ	BD	N	D	Packing case (For Europe except U.Kingdom) (AR-280)
	SPAKC5748FC13	BD	N	D	Packing case (Other countries) (AR-280)
	SPAKC5833FC11	BD	N	D	Packing case (For Europe except U.Kingdom) (AR-285)
	SPAKC5748FC14	BD	N	D	Packing case (Other countries) (AR-285)
	SPAKC5833FC12	BD	N	D	Packing case (For Europe except U.Kingdom) (AR-335)
	SPAKC5748FC15	BD	N	D	Packing case (Other countries) (AR-335)
2	SPAKA5757FCZ1	AW	N	D	Top packing cushion SPF (AR-280)
	SPAKA5763FCZ1	AW	N	D	Top packing cushion ADF (AR-285/AR-335)
3	PSHEZ2097FCZZ	AF		C	Operation protect sheet
4	UBAGF0050FCZZ	AH		D	Vinyl bag for body
6	CPAKA5754FC02	BB	N	D	Bottom case
7	CPAKA5760FC31	BE	N	E	Skid unit
8	TCADZ1178FCZZ	AB		D	Caution card
9	LX-WZ0326FCZZ	AA		C	Washer for MB cushion
10	LX-BZ0787FCZZ	AH		C	Screw for 2/3 mirror lock
11	SPAKA5210FCZZ	AF		D	Tray protect packing cushion (AR-285/AR-335)
12	SPAKA5732FCZZ	AG		D	ADF protect sheet (AR-285/AR-335)
13	SPAKA5758FCZZ	AD	N	D	SPF protect sheet (AR-280)
14	SPAKA5759FCZZ	AD	N	D	SPF protect packing cushion (AR-280)
17	TCADZ1275FCZZ	AB		D	Tray caution card
18	LHLDW1226FCZZ	AB		C	Turn fasher
19	DUNT-6946FC11	DB	N	E	RADF unit (Inch series) (AR-285/AR-335)
	DUNT-6946FC12	DC	N	E	RADF unit (AB series) (AR-285/AR-335)
	CSOU-0159FC39	BN	N	E	RADF tray unit (Inch series) (AR-285/AR-335)
	CSOU-0159FC40	BN	N	E	RADF tray unit (ABseries) (AR-285/AR-335)
20	DUNT-6936FC11	CK	N	E	SPF unit (Inch series) (AR-280)
	DUNT-6936FC12	CK	N	E	SPF unit (AB series) (AR-280)
24	CYOK-0053FC01	AU	N	D	Waste toner bottle
30	SSAKA2440QCZZ	AB		D	Vinyl bag (280x410mm)
32	CASZ0067FC01	AD		D	Maintenance card
33	UKOGZ0002FCZZ	AD		D	Vinyl gloves
34	UYOK-0011FCZZ	AA		D	Vinyl bag
35	PSHEZ1394FCZZ	AC		D	Vinyl sheet
36	TCADS0649FCZZ	AM		D	Card (For Europe)
	TCADZ2001QCZA	AE		D	Card (Australia only)
37	TINSE1696FCZZ	AY	N	D	Operation manual for copy (USA only)
	TINSE1732FCZZ	BB	N	D	Operation manual for copy (English)(U.Kingdom)
	TINSE1697FCZZ	BA	N	D	Operation manual for copy (English)(Except U.Kingdom)
	TINSF1698FCZZ	BF	N	D	Operation manual for copy (French)(CANADA,SEEG)
	TINSG1731FCZZ	BF	N	D	Operation manual for copy (German)(Germany,SEEG)
	TINSH1737FCZZ	BF	N	D	Operation manual for copy (Dutch)
	TINSI1736FCZZ	BF	N	D	Operation manual for copy (Italian)
	TINSS1735FCZZ	BF	N	D	Operation manual for copy (Spanish)
	TINSW1738FCZZ	BF	N	D	Operation manual for copy (Swedish)
	TINSZ1733FCZZ	BF	N	D	Operation manual for copy (Arabic)
TINSR1734FCZZ	BF	N	D	Operation manual for copy (Russian)(Russia only)	
39	TINSE1705FCZZ	AN	N	D	Operation manual for Key (USA only)
41	PSHEZ4555FCZZ	AH	N	C	Panel sheet (English)(CANADA,Germany)
	PSHEZ4556FCZZ	AH	N	C	Panel sheet (German)(Germany only)
	PSHEZ4557FCZZ	AH	N	C	Panel sheet (French)(CANADA only)
	PSHEZ4562FCZZ	AE	N	C	Panel sheet B (English)(CANADA,Germany)
	PSHEZ4563FCZZ	AE	N	C	Panel sheet B (German)(Germany only)
	PSHEZ4564FCZZ	AE	N	C	Panel sheet B (French)(CANADA only)
42	TCADS0764FCZZ	AE		D	Warranty resist card (U.Kingdom only)
43	TCADZ1400FCZZ	AE	N	D	MSDS card (USA,CANADA,U.Kingdom)
44	SPAKA5886FCZZ	AF		D	Accessories spacer
45	SPAKA5210FCZZ	AF		D	Protect sheet
46	PPiPP0200FCZZ	AN	N	C	Pipe
101	SSAKA3001CCZZ	AA		D	Vinyl bag for AC cord (140x360mm)



40 Packing material & Accessories



FCP03006

## 41 PCU PWB

NO.	PARTS CODE	PRICE RANK	NEW MARK	PART RANK	DESCRIPTION
1	CPWBN1281FC53	BG	N	E	PCU FLASH PWB [for SOCKET1]
2	QCNCM0964FCZZ	AG		C	Connector (24Pin) [CN1]
3	QCNCM0965FCZZ	AG		C	Connector (26Pin) [CN2,7]
4	QCNCM0966FCZZ	AG		C	Connector (30Pin) [CN10]
5	QCNCM0967FCZZ	AG		C	Connector (32Pin) [CN5,9,11]
6	QCNCM0996FCZZ	AF		C	Connector (20Pin) [CN4]
7	QCNCM7014SC0i	AB		C	Connector (9pin) [CN6]
8	QCNCM7014SC1C	AC		C	Connector (13pin) [CN3]
9	QCNCW0382FCZZ	AE		C	Connector (34pin) [CN8]
10	QCNCW0885FCZZ	AG		C	Connector (1-171825-2) [CN12]
11	QSOCZ0071FCZZ	AP		C	Socket (MM20-72B1-1) [SOCKET1]
12	RCRS-0010FCZZ	AK		B	Crystal (9.83MHz) [X1]
13	RMPTW4103QCJJ	AB	N	B	Block resistor (10KΩ×4 1/32W ±5%) [BR1-12,14-30,34,37,38]
14	RMPTW4122QCJJ	AB	N	B	Block resistor (1.2KΩ×4 1/32W ±5%) [BR35]
15	RMPTW4222QCJJ	AB	N	B	Block resistor (2.2KΩ×4 1/32W ±5%) [BR33]
16	RMPTW4472QCJJ	AB	N	B	Block resistor (4.7KΩ×4 1/32W ±5%) [BR31,32,36]
17	VCCCTV1HH220J	AA		C	Capacitor (50WV 22PF) [C308,311]
18	VCEAGU1AW476M	AA		C	Capacitor (10WV 47μF) [C5,13]
19	VCEAGA1AW477M	AB		C	Capacitor (10WV 470μF) [C7]
20	VCEAGA1CW477M	AB		C	Capacitor (16WV 470μF) [C6]
21	VCEAGA1HW224M	AA		C	Capacitor (50WV 0.22μF) [C10,11]
22	VCEAGU1HW335M	AA		C	Capacitor (50WV 3.3μF) [C8]
23	VCEAGA1VW106M	AA		C	Capacitor (35WV 10μF) [C1,3,12]
24	VCEAGU1VW476M	AB		C	Capacitor (35WV 47μF) [C4]
25	VCEAZA1AW226M	AB	N	C	Capacitor (10WV 22μF) [C9]
26	VCEAZU1VW477M	AD		C	Capacitor (35WV 470μF) [C2]
27	VCKYTV1HB101K	AA		C	Capacitor (50WV 100pF) [C344,345]
28	VCKYTV1HB102K	AA		C	Capacitor (50WV 1000PF) [C214-233,235-238,240-243,245-248,255-274]
	VCKYTV1HB102K	AA		C	Capacitor (50WV 1000PF) [C276-279,281-284,286-289,298]
	VCKYTV1HB102K	AA		C	Capacitor (50WV 1000PF) [C300-303,312,313,323-326,329-336]
	VCKYTV1HB102K	AA		C	Capacitor (50WV 1000PF) [C343,346,347,352]
29	VCKYTV1HB222K	AA		C	Capacitor (50WV 2200pF) [C206,207]
30	VCKYTV1HB471K	AA		C	Capacitor (50WV 470pF) [C200,201]
31	VCKYTV1HF223Z	AA		C	Capacitor (50WV 0.022μF) [C202-205,208-213,234,239,244,249,253,254,275,280,285,290-296,299]
	VCKYTV1HF223Z	AA		C	Capacitor (50WV 0.022μF) [C304-307,309,310,314-322,327,328,337-342]
32	VCQYNU1HM103K	AA		C	Capacitor (50WV 0.010μF) [C297]
33	VHDDAN202K/-1	AB		B	Diode (DAN202K) [D200,201,207-211,213,214,216]
34	VHDDAP202K/-1	AB		B	Diode (DAP202K) [D203-206,215]
35	VHDDSM1D1// -1	AB		B	Diode (DSM1D1) [D1-4]
36	VHDMA704A// -1	AC		B	Diode (MA704A) [D202,212]
37	VHEHVS5B3// -V	AB		B	Zener diode (HZS5B3) [ZD4]
38	VHEHVS5CLL/-1	AC		B	Zener diode (HZS5CLL) [ZD2,3]
39	VHERD22FB// -1	AD		B	Zener diode (RD22FB) [ZD1]
40	VHiHD6413003T	BA		B	IC (HD3413003T) [IC29]
41	VHiHG71C254-1	AZ		B	IC (HG71C254) [IC33]
42	VHiH256-20-8A	AY		B	IC (IDT71256SA20Y) [IC25,28,30,35]
43	VHiLM324NS/-S	AC		B	IC (LM324NS) [IC23,31]
44	VHiLM339NS/-1	AD		B	IC (LM339NS) [IC24,45]
45	VHiM66500FP-1	AT		B	IC (M66500FP) [IC26]
46	VHiSLA7024MT/	AS		B	IC (SLA7024MT) [IC4]
47	VHiSN74HC138S	AE		B	IC (SN74HC138S) [IC17]
48	VHiSN74HC151S	AG		B	IC (SN74HC151S) [IC11-14,18-21]
49	VHiSTA401A/-1	AP		B	IC (STA401A) [IC8]
50	VHiTA7291S/-1	AF		B	IC (TA7291S) [IC1,7,32]
51	VHiTD62003AP1	AG		B	IC (TD62003AP1) [IC2,3,5,6,9,10,22,27,43,44]
52	VHiTD62504F-1	AF		B	IC (TD62504F) [IC38,40-42]
53	VHiTE7752// -1	AX		B	IC (TE7752) [IC15]
54	VHi74LV32NS-1	AE	N	B	IC (74LV32NS) [IC36]
55	VHi74VHCT04-1	AF	N	B	IC (74VHCT04) [IC34,39]
56	VHPGL3PR8// -1	AA		B	Photo transistor (GL3PR8) [LED1]
57	VRD-HT2HY242J	AA		C	Resistor (1/2W 2.4KΩ ±5%) [R6,14]
58	VRD-HT2HY471J	AA		C	Resistor (1/2W 470Ω ±5%) [R3,4]
59	VRD-RC2EY103J	AA		C	Resistor (1/4W 10KΩ ±5%) [R9-12]
60	VRD-RC2EY392J	AA		C	Resistor (1/4W 3.9KΩ ±5%) [R5]
61	VRNHT2HK1000F	AC		C	Resistor (1/2W 100Ω ±1%) [R7,8]
62	VRS-RE3DA1R0J	AB		C	Resistor (2W 1.0Ω ±5%) [R1,2]
63	VRS-RE3LA470J	AC		C	Resistor (3.0W 47Ω ±5%) [R13]
64	VRS-TS2AD000J	AA		C	Resistor (1/10W 0Ω ±5%) [R297]
65	VRS-TS2AD101J	AA		C	Resistor (1/10W 100Ω ±5%) [R247]
66	VRS-TS2AD102J	AA		C	Resistor (1/10W 1.0KΩ ±5%) [R216]
67	VRS-TS2AD103F	AA		C	Resistor (1/10W 10KΩ ±1%) [R295]
68	VRS-TS2AD103J	AA		C	Resistor (1/10W 10KΩ ±5%) [R215,217,219,220,224,226-230,232,234,236,242,245,249]
	VRS-TS2AD103J	AA		C	Resistor (1/10W 10KΩ ±5%) [R251-253,267,271,272,273,274,285,286,289,298]

## 41 PCU PWB

NO.	PARTS CODE	PRICE RANK	NEW MARK	PART RANK	DESCRIPTION
69	VRS-TS2AD104J	AA		C	Resistor (1/10W 100KΩ ±5%) [R266]
70	VRS-TS2AD122J	AA		C	Resistor (1/10W 1.2KΩ ±5%) [R212-214,265,290]
71	VRS-TS2AD133F	AA		C	Resistor (1/10W 13KΩ ±1%) [R240]
72	VRS-TS2AD151J	AA		C	Resistor (1/10W 150Ω ±5%) [R205]
73	VRS-TS2AD152F	AA		C	Resistor (1/10W 1.5KΩ ±1%) [R263,264,268]
74	VRS-TS2AD152J	AA		C	Resistor (1/10W 1.5KΩ ±5%) [R202,203]
75	VRS-TS2AD153F	AA		C	Resistor (1/10W 15KΩ ±1%) [R269]
76	VRS-TS2AD162J	AA		C	Resistor (1/10W 1.6KΩ ±5%) [R218]
77	VRS-TS2AD203J	AA		C	Resistor (1/10W 20KΩ ±5%) [R262,270]
78	VRS-TS2AD222J	AA		C	Resistor (1/10W 2.2KΩ ±5%) [R287]
79	VRS-TS2AD242J	AA		C	Resistor (1/10W 2.4KΩ ±5%) [R204,210]
80	VRS-TS2AD304J	AA		C	Resistor (1/10W 300KΩ ±5%) [R258,284]
81	VRS-TS2AD330J	AA		C	Resistor (1/10W 33Ω ±5%) [R231]
82	VRS-TS2AD391J	AA		C	Resistor (1/10W 390Ω ±5%) [R233]
83	VRS-TS2AD392F	AA		C	Resistor (1/10W 3.9KΩ ±1%) [R254]
84	VRS-TS2AD471J	AA		C	Resistor (1/10W 470Ω ±5%) [R248,292]
85	VRS-TS2AD472F	AA		C	Resistor (1/10W 4.7KΩ ±1%) [R259,280,296]
86	VRS-TS2AD472J	AA		C	Resistor (1/10W 4.7KΩ ±5%) [R241,246,291,293,294]
87	VRS-TS2AD473F	AA		C	Resistor (1/10W 47KΩ ±1%) [R260,281]
88	VRS-TS2AD473J	AA		C	Resistor (1/10W 47KΩ ±5%) [R200,201,206-209,237-239,243,244,282,283,288]
89	VRS-TS2AD514J	AG		C	Resistor (1/10W 510KΩ ±5%) [R235]
90	VRS-TS2AD562J	AA		C	Resistor (1/10W 5.6KΩ ±5%) [R275,276]
91	VRS-TS2AD621J	AA		C	Resistor (1/10W 620Ω ±5%) [R250,261]
92	VRS-TS2AD681F	AA		C	Resistor (1/10W 680Ω ±1%) [R255]
93	VRS-TS2AD681J	AA		C	Resistor (1/10W 680Ω ±5%) [R256,279]
94	VRS-TS2AD822J	AA		C	Resistor (1/10W 8.2KΩ ±5%) [R257,278]
95	VRS-TS2AD911J	AA		C	Resistor (1/10W 910Ω ±5%) [R211,277]
96	VSDTA123YK/-1	AB		B	Transistor (DTA123YK) [Q200,201]
97	VSDTC114YK/-1	AC		B	Transistor (DTC114YK) [Q202]
98	VS2SB1132-R-1	AE		B	Transistor (2SB1132R) [Q203,204]
99	VS2SC2412K/-1	AB		B	Transistor (2SC2412K) [Q205]
100	VS2SC945///-1	AD		B	Transistor (2SC945) [Q1,2]
	(Unit)				
901	CPWBN1267FC51	CC	N	E	PCU PWB

## 42 ICU PWB

NO.	PARTS CODE	PRICE RANK	NEW MARK	PART RANK	DESCRIPTION
1	CPWBN1281FC52	BN	N	E	ICU FLASH PWB [SOCKET1]
2	LX-NZ0032FCZZ	AA		C	Nut (P3035B)
3	PCOVW0829FCZZ	AC		C	Battery cover
4	PSPAZ1413FCZZ	AC	N	C	Spacer (PSM2-01)
5	QCNCM0972FCZZ	AH		C	Connector (26pin) [CN2]
6	QCNCM0974FCZZ	AK		C	Connector (RKH401TD019) [CN6]
7	QCNCM0990FCZZ	AE		C	Connector (10pin) [CN5]
8	QCNCM0991FCZZ	AG		C	Connector (30pin) [CN3]
9	QCNCM0998FCZZ	AF		C	Connector (22pin) [CN1]
10	QCNCM1015FCZZ	AG		C	Connector (28pin) [CN7]
11	QCNCW1020FCZZ	AF	N	C	Connector (22pin) [CN10]
12	QCNCW7036XC5J	AP		C	Connector (50pin) [CN11,12]
13	QSOCZ0069FCZZ	AL	N	C	IC socket (917970-1) [CN8,9]
14	QSOCZ0070FCZZ	AN		C	Push memory Socket (9364-51872) [SOCKET 1,2]
15	QSOCZ6428ACZZ	AE		C	28P IC socket [for C22]
16	RC-KZ1054CCN2	AB		C	Capacitor (50WV 0.1μF) [C10,15,16,19,21,22,26,27,37,38]
17	RCILF0080FCZZ	AC	N	C	Coil (BLM21B601SP) [L101]
18	RCRS-0012FCZZ	AU		B	Crystal (DOC49S2 50MHz) [X5]
19	RCRS-0028FCZZ	AQ		B	Crystal (DOC49S2 29MHz) [X4]
21	RCRS-0038FCZZ	AQ		B	Crystal (DOC49S2 39.035MHz) [X3]
22	RCRS-0040FCZZ	AS		C	Crystal (DSO751SB 78.070MHZ) [X6]
23	RCRSP6676RCZZ	AG		C	Crystal (DT38 32.768KHZ) [X8]
24	RCRSQ6011SCZZ	AS		B	Crystal (32MHz) [X1]
25	RCRSZ1062ACZZ	AS		B	Crystal (40MHZ) [X7]
26	RFILZ0028FCZZ	AD	N	B	EMI filter (NFM40)(100PF) [NF1-7,9-28]
27	RFILZ0032FCZZ	AD	N	B	EMI filter (NFM40220)(22PF) [NF29-64]
28	RMP TM0034FCZZ	AC		B	Block resistor (MNR35)(10KΩ×8) [BR1-19]
29	UBATL2033SCZZ	AK		A	Battery (CR2032-H03) [BT1]
30	VCCCTV1HH300J	AA		C	Capacitor (50WV 30PF) [C135,136]
31	VCCCTV1HH6R0D	AA	N	C	Capacitor (50WV 6.0PF) [C239,240]
32	VCEAPS0JC107M	AC	N	C	Capacitor (6.3WV 100μF) [C9]
33	VCEAPS0JC226M	AC	N	C	Capacitor (6.3WV 22μF) [C7,12]
34	VCEAPS1HC105M	AC		C	Capacitor (50WV 1.0μF) [C31]
35	VCEAPS1HC335M	AC	N	C	Capacitor (50WV 3.3μF) [C29,32]
36	VCEAPZ0JW108M	AE	N	C	Capacitor (6.3WV 1000μF) [C6]
37	VCEAPZ0JW337M	AD	N	C	Capacitor (6.3WV 330μF) [C8,28,30]
38	VCEAPZ0JW477M	AE		C	Capacitor (6.3WV 470μF) [C39,40]

## 42 ICU PWB

NO.	PARTS CODE	PRICE RANK	NEW MARK	PART RANK	DESCRIPTION
39	VCEAPZ1CW477M	AE		C	Capacitor (16WV 470μF) [C33]
40	VCEAPZ1VW227M	AF	N	C	Capacitor (35WV 220μF) [C4,5]
41	VCKYTV1HB102K	AA		C	Capacitor (50WV 1000PF) [C126,190,191,213]
42	VCKYTV1HF104Z	AA		C	Capacitor (50WV 0.10μF) [C101,103,106,144,147,148,156,160,163,164,179,180]
	VCKYTV1HF104Z	AA		C	Capacitor (50WV 0.10μF) [C193,194,214,238,242,243,244]
43	VCKYTV1HF223Z	AA		C	Capacitor (50WV 0.022μF) [C102,104,105,107-125,127-134]
	VCKYTV1HF223Z	AA		C	Capacitor (50WV 0.022μF) [C139-142,145,146,150-155,157-159,161,162,165-169]
	VCKYTV1HF223Z	AA		C	Capacitor (50WV 0.022μF) [C172-178,181-189,192,195-212]
	VCKYTV1HF223Z	AA		C	Capacitor (50WV 0.022μF) [C215-229,231-237,241]
44	VHDDAN217// -1	AC		B	Diode (DAN217) [D102]
45	VHDDAP202K// -1	AB		B	Diode (DAP202K) [D101]
46	VHDDSS133HV -1	AA		B	Diode (DSS133HV) [D1,2,3,4]
47	VHDRB411D// -1	AD		B	Diode (RB411D) [D103-106]
48	VHEHVS6A1// -1	AC		B	Zener diode (HZS6A1) [ZD1]
49	VHID9561JR -1	BG	N	B	IC (AD9561JR) [IC11]
50	VHIDS90C031 -1	AW	N	B	IC (DS90C031) [IC6]
51	VHID65803GL -1	BF		B	IC (D65803GL) [IC19]
52	VHID65806GL -1	BK		B	IC (D65806GL) [IC33]
53	VHID65808GL -1	BM		B	IC (D65808GL) [IC20]
54	VHID82113GN -1	BX		B	IC (D82113GN) [IC14]
55	VHID82114GN -1	BX		B	IC (D82114GN) [IC23]
56	VHID82165GC -1	BE	N	B	IC (D82165GC) [IC7]
57	VHID9001MF -H/	BK		B	IC (D9001MF-H) [IC32]
58	VHIHY18164BJ6	BD		B	IC (HY1816BJ6) [IC24,25]
59	VHIS61C25612	AN	N	B	IC (IS61C25612) [IC1,2,3,17,18]
60	VHIS61C51215	AU		B	IC (IS61C51215) [IC27,28,29,30]
61	VHILH537C0G -1	BC		B	IC (LH537C0G) [IC26]
62	VHILM339NS// -1	AD		B	IC (LM339NS) [IC110]
63	VHILZ9AT36// -1	BB		B	IC (LZ9AT36) [IC34]
64	VHIMB86604L -1	BC		B	IC (MB86604L) [IC37,39]
65	VHIMCF5202P25	BG		B	IC (MCF5202P25) [IC21]
66	VHIM66235FP -1	AT	N	B	IC (M66235FP) [IC16]
67	VHINJU6356E -1	AK		B	IC (NJU6356E) [IC40]
69	VHISN74ALS574	AL	N	B	IC (SN74ALS574) [IC5]
70	VHISN74ALS74N	AF	N	B	IC (SN74ALS74N) [IC101]
71	VHISN74AS74NS	AH		B	IC (SN74AS74NS) [IC104]
72	VHITC74ACT32F	AF		B	IC (TC74ACT32F) [IC12]
73	VHITC74AC04FN	AD		B	IC (TC74AC04FN) [IC103,111]
74	VHITC74AC08FN	AE		B	IC (TC74AC08FN) [IC105,115]
75	VHITC74AC32FN	AD		B	IC (TC74AC32FN) [IC9,35]
76	VHITD62503F// -	AG		B	IC (TD62503F) [IC10]
77	VHI28C64 -12 -1	AZ		B	IC (28C64-12) [IC22]
78	VHI74AS00//NS	AF		B	IC (74AS00) [IC36]
79	VHI74AS158//NS	AN	N	B	IC (74AS158) [IC31]
80	VHI74VHCT08F1	AF	N	B	IC (74VHCT08F1) [IC4]
81	VHI74VHCT240F	AH	N	B	IC (74VHCT240F) [IC102,106,108,109,114,118]
82	VHI74VHCT244F	AH	N	B	IC (74VHCT244F) [IC107,116,117]
83	VHI74VHCT254F	AK	N	B	IC (74VHCT254F) [IC112,113]
84	VHPGL3PR8// -1	AA		B	Photo transistor (GL3PR8) [LD1]
85	VRS-TS2AD000J	AA		C	Resistor (1/10W 0Ω ±5%) [R102-110,112-119,122,123,125,130,132]
	VRS-TS2AD000J	AA		C	Resistor (1/10W 0Ω ±5%) [R146-167,182-196,198-201,205,235,236]
	VRS-TS2AD000J	AA		C	Resistor (1/10W 0Ω ±5%) [R241-246,251,253,255,257,258,266,267]
	VRS-TS2AD000J	AA		C	Resistor (1/10W 0Ω ±5%) [R276-295,374-385,387-396]
86	VRS-TS2AD101J	AA		C	Resistor (1/10W 100Ω ±5%) [R204]
87	VRS-TS2AD102J	AA		C	Resistor (1/10W 1.0KΩ ±5%) [R228,239,402]
88	VRS-TS2AD103J	AA		C	Resistor (1/10W 10KΩ ±5%) [R131,139,141,142,145,168-172,207,213,214,216,219,230,233,234]
	VRS-TS2AD103J	AA		C	Resistor (1/10W 10KΩ ±5%) [R240,248,259-261,264,268-270,273,314,315,340,341]
89	VRS-TS2AD105J	AA		C	Resistor (1/10W 1MΩ ±5%) [R120]
90	VRS-TS2AD122J	AA		C	Resistor (1/10W 1.2KΩ ±5%) [R111]
91	VRS-TS2AD151J	AA		C	Resistor (1/10W 150Ω ±5%) [R224]
92	VRS-TS2AD200J	AA		C	Resistor (1/10W 20Ω ±5%) [R124]
93	VRS-TS2AD221J	AA		C	Resistor (1/10W 220Ω ±5%) [R121]
94	VRS-TS2AD222J	AA		C	Resistor (1/10W 2.2KΩ ±5%) [R206,217,218]
95	VRS-TS2AD223J	AA		C	Resistor (1/10W 22KΩ ±5%) [R215,397-400]
96	VRS-TS2AD224J	AA		C	Resistor (1/10W 220KΩ ±5%) [R221]
97	VRS-TS2AD301J	AA		C	Resistor (1/10W 300Ω ±5%) [R208,227]
98	VRS-TS2AD363J	AA		C	Resistor (1/10W 36KΩ ±5%) [R225]
99	VRS-TS2AD391J	AA		C	Resistor (1/10W 390Ω ±5%) [R247]
100	VRS-TS2AD393J	AA		C	Resistor (1/10W 39KΩ ±5%) [R220]
101	VRS-TS2AD472J	AA		C	Resistor (1/10W 4.7KΩ ±5%) [R263,272]
102	VRS-TS2AD562J	AA		C	Resistor (1/10W 5.6KΩ ±5%) [R126,127,129,140,143,144,197,238,274,275,372,373,386]

## 42 ICU PWB

NO.	PARTS CODE	PRICE RANK	NEW MARK	PART RANK	DESCRIPTION
103	VRS-TS2AD683J	AA		C	Resistor (1/10W 68KΩ ±5%) [R223]
104	VRS-TS2AD820J	AA		C	Resistor (1/10W 82Ω 5%) [R173-181]
105	VRS-TS2AD911J	AA		C	Resistor (1/10W 910Ω ±5%) [R222]
106	VRS-TS2AD913J	AA		C	Resistor (1/10W 91KΩ ±5%) [R226]
107	VRS-TW2ED221J	AA		C	Resistor (1/4W 220Ω ±5%) [R302-307,316-321,328-333]
	VRS-TW2ED221J	AA		C	Resistor (1/4W 220Ω ±5%) [R342-347,354-359,366-371]
108	VRS-TW2ED331J	AA		C	Resistor (1/4W 330Ω ±5%) [R296-301,308-313,322-327]
	VRS-TW2ED331J	AA		C	Resistor (1/4W 330Ω ±5%) [R334-339,348-353,360-365]
109	VRSTS2AD4020F	AA	N	C	Resistor (1/10W 402Ω ±1%) [R128]
110	VSDTA114YK/-1	AC		B	Transistor (DTA114YK) [Q101]
111	VSDTC114EK/-1	AB		B	Transistor (DTC114EK) [Q106]
112	VSDTC114YK/-1	AC		B	Transistor (DTC114YK) [Q102,103,105,107]
113	VSDTC124XK/-1	AB		B	Transistor (DTC124XK) [Q104]
	(Unit)				
901	CPWBN1326FC51	DE	N	E	ICU PWB (AR-280/AR-285)
	CPWBN1325FC52	DE	N	E	ICU PWB (AR-335)

## 45 Operation control PWB

NO.	PARTS CODE	PRICE RANK	NEW MARK	PART RANK	DESCRIPTION
1	CPWBN1281FC56	BP	N	E	Operation flash PWB [for DIMM1]
2	QCNCM0979FCZZ	AF	N	C	Connector (13Pin) [CN101,104]
3	QCNCM0980FCZZ	AF	N	C	Connector (10Pin) [CN102]
4	QCNCM0981FCZZ	AF	N	C	Connector (11Pin) [CN103]
5	QCNCM0982FCZZ	AF	N	C	Connector (12Pin) [CN204]
6	QCNCM0983FCZZ	AF	N	C	Connector (11Pin) [CN106]
7	QCNCM0984FCZZ	AD	N	C	Connector (3Pin) [CN202]
8	QCNCM0985FCZZ	AE	N	C	Connector (4Pin) [CN203]
10	QCNCW7191RC1B	AG	N	C	Connector (12Pin) [CN201]
11	QSOCZ0071FCZZ	AP		C	Socket (MM20-72B1-1) [DIMM1]
12	RCRMC1003YCZZ	AG		B	Crystal (EF0S1085E5) [X1]
13	RCRS-0032FCZZ	AH	N	B	Crystal (SMD-49 9.8304MHz) [X2]
14	RFLF0031FCZZ	AD	N	B	Ferrite bead (ACA3216M4-120-T) [FB201,202]
15	RMPTW4103QCJJ	AB	N	B	Block resistor (10KΩ×4 1/32W ±5%) [BR207,213-223,228-238,247,249-252]
16	RMPTW4122QCJJ	AB	N	B	Block resistor (1.2KΩ×4 1/32W ±5%) [BR226,227,248]
17	RMPTW4222QCJJ	AB	N	B	Block resistor (2.2KΩ×4 1/32W ±5%) [BR224,225]
18	RMPTW4334QCJJ	AB	N	B	Block resistor (330KΩ×4 1/32W ±5%) [BR203,204,206,209,210,212]
19	RMPTW4470QCJJ	AB		B	Block resistor (47Ω×4 1/32W ±5%) [BR205,211]
20	RMPTW4683QCJJ	AB	N	B	Block resistor (68KΩ×4 1/32W ±5%) [BR201,202,208,240]
21	RVR-M141JQCZZ	AC	N	B	Variable resistor (EVM3YSX50B14)(10KΩ) [VR1]
22	VCCCCY1HH101J	AA		C	Capacitor (50WV 100PF) [C222-229,243,244]
23	VCCCCY1HH220J	AA		C	Capacitor (50WV 22PF) [C256,264]
24	VCEAPS1AC226M	AC		C	Capacitor (10WV 22μF) [C8,19]
25	VCEAPS1AC476M	AC		C	Capacitor (10WV 47μF) [C2,11]
26	VCEAPS1CC106M	AC		C	Capacitor (16WV 10μF) [C1]
27	VCEAPS1HC225M	AD		C	Capacitor (50WV 2.2μF) [C3]
28	VCEAPS1VC106M	AC		C	Capacitor (35WV 10μF) [C4,6]
29	VCEAPZ1AW477M	AE	N	C	Capacitor (10WV 470μF) [C10]
30	VCEAPZ1CW477M	AE		C	Capacitor (16WV 470μF) [C9]
31	VCEAPZ1HW107M	AF	N	C	Capacitor (50WV 100μF) [C7]
32	VCEAPZ1VW107M	AE	N	C	Capacitor (35WV 100μF) [C12]
33	VCEAPZ1VW476M	AE		C	Capacitor (35WV 47μF) [C5]
34	VCFYEC1HM103J	AD	N	C	Capacitor (50WV 0.010μF) [C236]
35	VCKYCY1CB473K	AB		C	Capacitor (16WV 0.047μF) [C273]
36	VCKYCY1HB102K	AA		C	Capacitor (50WV 1000PF) [C237,238,240]
37	VCKYCY1HB103K	AA		C	Capacitor (50WV 0.010μF) [C268,269]
38	VCKYCY1HB222K	AA		C	Capacitor (50WV 2200PF) [C242,245,253,271]
39	VCKYCY1HF223Z	AA		C	Capacitor (50WV 0.022μF) [C201-221,230-235,246,248-250]
	VCKYCY1HF223Z	AA		C	Capacitor (50WV 0.022μF) [C257-260,263,265-267,272,274]
40	VHDDAN202K/-1	AB		B	Diode (DAN202K) [D205,209,211,214,215,224,226]
41	VHDDAP202K/-1	AB		B	Diode (DAP202K) [D208,210,212,213,223,225]
42	VHDRB160L40-1	AD		B	Diode (RB160L40) [D207]
43	VHDRLS73///-1	AA		B	Diode (RLS73) [D201-204,227]
44	VHEHZU5.1B1-1	AC	N	B	Zener diode (HZU5.1B1) [D206]
45	VHIBA033FP/-1	AH	N	B	IC (BA033FP) [IC206]
46	VHHD6413003T	BA		B	IC (HD6413003T) [IC15]
47	VHIH256-20-8A	AY		B	IC (IS61C256AH-15J) [IC16,17]
48	VHILM317MDT-1	AK	N	B	IC (LM317MDT) [IC201]
49	VHILM339NS/-1	AD		B	IC (LM339NS) [IC11]

## 45 Operation control PWB

NO.	PARTS CODE	PRICE RANK	NEW MARK	PART RANK	DESCRIPTION
50	VH i LM358PS/-S	AC		B	IC (LM358PS) [IC205]
51	VH i MSM82C55A-2GS-2K	AS		B	IC (MSM82C55A-2GS-2K) [IC18]
52	VH i M5256DVP-1	AQ		B	IC (M5M5256DVP-10VXL) [IC203,204]
53	VH i M54587FP-1	AK	N	B	IC (M54587FP) [IC14]
54	VH i NJM78L05UA	AE		B	IC (NJM78L05UA) [IC202]
55	VH i SC908SF2V1	AW		B	IC (SC908SF2V1) [IC1]
56	VH i SN74HCT244	AF		B	IC (SN74HCT244) [IC4,19]
57	VH i 74FCT244C1	AP	N	B	IC (74FCT244C1) [IC2]
58	VH i 74FCT245T1	AR	N	B	IC (74FCT245C1) [IC3]
59	VH i 74F32SJ/-1	AE		B	IC (74F32SJ) [IC7]
60	VH i 74LVC04NS1	AH	N	B	IC (74LVC04NS1) [IC5]
61	VH i 74LVC08NS1	AH	N	B	IC (74LVC08NS1) [IC8]
62	VH i 74LVC32NS1	AH	N	B	IC (74LVC32NS1) [IC6]
63	VH i 74LV04NS-1	AE	N	B	IC (74LV04NS) [IC9]
64	VH i 74LV14NS-1	AF	N	B	IC (74LV14NS) [IC10]
65	VH i 74VHCT04-1	AF	N	B	IC (74VHCT04) [IC12,13]
66	VHPLT1D67A/-1	AC	N	B	LED (LT1D67A) [D1]
67	VRS-TP2BD000J	AA		C	Resistor (1/8W 0Ω ±5%) [D228]
68	VRS-TP2BD271J	AA		C	Resistor (1/8W 270Ω ±5%) [R225]
69	VRS-TS2AD000J	AA		C	Resistor (1/10W 0Ω ±5%) [R286,289,290]
70	VRS-TS2AD103F	AA		C	Resistor (1/10W 10KΩ ±1%) [R239,240]
71	VRS-TS2AD103J	AA		C	Resistor (1/10W 10KΩ ±5%) [R212,218,227,228,229,232,238,243,245,247,248,250,251,252,280,291]
72	VRS-TS2AD105J	AA		C	Resistor (1/10W 1MΩ ±5%) [R224]
73	VRS-TS2AD122J	AA		C	Resistor (1/10W 1.2KΩ ±5%) [R246,262]
74	VRS-TS2AD123F	AA		C	Resistor (1/10W 12KΩ ±1%) [R281]
75	VRS-TS2AD151J	AA		C	Resistor (1/10W 150Ω ±5%) [R230]
76	VRS-TS2AD154F	AA		C	Resistor (1/10W 150KΩ ±1%) [R24]
77	VRS-TS2AD183F	AA		C	Resistor (1/10W 18KΩ ±1%) [R207,241]
78	VRS-TS2AD183J	AA		C	Resistor (1/10W 18KΩ ±5%) [R282]
79	VRS-TS2AD202J	AA		C	Resistor (1/10W 2KΩ ±5%) [R285]
80	VRS-TS2AD203J	AA		C	Resistor (1/10W 20KΩ ±5%) [R213,234,235,236,237]
81	VRS-TS2AD222J	AA		C	Resistor (1/10W 2.2KΩ ±5%) [R233,266]
82	VRS-TS2AD272J	AA		C	Resistor (1/10W 2.7KΩ ±5%) [R253,254,255]
83	VRS-TS2AD301F	AA	N	C	Resistor (1/10W 300Ω ±1%) [R208]
84	VRS-TS2AD303J	AA		C	Resistor (1/10W 30KΩ ±5%) [R217,226]
85	VRS-TS2AD304F	AA		C	Resistor (1/10W 300KΩ ±1%) [R203]
86	VRS-TS2AD333J	AA		C	Resistor (1/10W 33KΩ ±5%) [R283]
87	VRS-TS2AD334J	AA		C	Resistor (1/10W 330KΩ ±5%) [R216,219,220]
88	VRS-TS2AD363F	AA		C	Resistor (1/10W 36KΩ ±1%) [R206]
89	VRS-TS2AD473J	AA		C	Resistor (1/10W 47KΩ ±5%) [R209,210,211,214,221,222]
90	VRS-TS2AD564F	AC		C	Resistor (1/10W 560KΩ ±1%) [R202]
91	VRS-TS2AD622F	AA		C	Resistor (1/10W 6.2KΩ ±1%) [R201]
92	VRS-TS2AD623J	AA		C	Resistor (1/10W 62KΩ ±5%) [R284]
93	VRS-TS2AD624J	AA		C	Resistor (1/10W 620KΩ ±5%) [R244]
94	VRS-TS2AD752F	AA		C	Resistor (1/10W 7.5KΩ ±1%) [R242]
95	VRS-TS2AD752J	AA		C	Resistor (1/10W 7.5KΩ ±5%) [R231]
96	VRS-TS2AD753F	AA		C	Resistor (1/10W 75KΩ ±1%) [R205]
97	VRS-TW2ED560J	AA		C	Resistor (1/4W 56Ω ±5%) [R215]
98	VRS-TW2ED911J	AB	N	C	Resistor (1/4W 910Ω ±5%) [R223]
99	VRS-TX2HD470J	AA	N	C	Resistor (1/2W 47Ω ±5% ōj) [R1]
100	VSDTA114YK/-1	AC		B	Transistor (DTA114YK) [Q210]
101	VSDTC114YK/-1	AC		B	Transistor (DTC114YK) [Q211,218-220]
102	VSiMB9AT110-1	AC	N	B	Transistor (IMB9AT110) [Q214]
103	VSiMH9AT110-1	AC	N	B	Transistor (IMH9AT110) [Q213]
104	VSUPA502T/-1	AD	N	B	Transistor (UPA502T) [Q204,206-209,212]
105	VS2SB1197/-1	AC		B	Transistor (2SB1197) [Q203,215-217]
106	VS2SB1198K/-1	AC	N	B	Transistor (2SB1198K) [Q201,205]
107	VS2SD1782K/-1	AC	N	B	Transistor (2SD1782K) [Q202]
	(Unit)				
901	CPWBN1258FC52	CB	N	E	Operation control PWB

## 46 Operation PWB R

NO.	PARTS CODE	PRICE RANK	NEW MARK	PART RANK	DESCRIPTION
1	QCNCM0976FCZZ	AD	N	C	Connector (4Pin) [CNA]
2	QCNCM0977FCZZ	AF	N	C	Connector (9Pin) [CNB]
3	QCNCM0997FCZZ	AD	N	C	Connector (2Pin) [CNE]
4	QSW-P0465FCZZ	AC		B	Tact switch (SKHVPB) [1-9K,#K,AK,INTK,CLK,CAK]
5	QSW-P0469FCZZ	AD		B	Push switch (SKHWAC) [OK,PSW]
6	RALMB1002LCZZ	AE		C	Alarm (PKM13EPY) [BZ1]
7	RCRS-0007FCZZ	AD		B	Crystal (CSB480EB) [X1]
8	VCEAJU1CW476M	AB		C	Capacitor (16WV 47μF) [C1]
9	VCKYPU1HB101K	AA		C	Capacitor (50WV 100PF) [C5,6]
10	VCKYPU1HF223Z	AA		C	Capacitor (50WV 0.022μF) [C2-4]
11	VHH103AT-2/-1	AG		B	Thermistor (103AT-2) [TH1]

## 46 Operation PWB R

NO.	PARTS CODE	PRICE RANK	NEW MARK	PART RANK	DESCRIPTION
12	VH i LR3717M/-1	AH		B	IC (LR3717M) [IC1]
13	VHPLT8E65W/-1	AD	N	B	LED (LT8E65W) [RPL,RPL1]
14	VHPLT9400E/-1	AK		B	LED (LT9400E) [INTL]
15	VRD-HT2EY101J	AA		C	Resistor (1/4W 100Ω ±5%) [R5]
16	VRD-HT2EY102J	AA		C	Resistor (1/4W 1.0KΩ ±5%) [R4]
17	VRD-HT2EY121J	AA		C	Resistor (1/4W 120Ω ±5%) [R10]
18	VRD-HT2EY391J	AA		C	Resistor (1/4W 390Ω ±5%) [R9]
19	VSDTC114YS/-1	AB		B	Transistor (DTC114YS) [Q1]
	(Unit)				
901	CPWBF1255FC52	BF	N	E	Operation PWB R

## 47 Operation PWB L

NO.	PARTS CODE	PRICE RANK	NEW MARK	PART RANK	DESCRIPTION
1	QCNCM0977FCZZ	AF	N	C	Connector (9Pin) [CNC]
2	QCNCM0978FCZZ	AF	N	C	Connector (10Pin) [CND]
3	QSW-P0465FCZZ	AC		B	Tact switch (SKHVBP) [PRK,COK]
6	VHPLT8E65W/-1	AD	N	B	LED (LT8E65W) [FDATA,FCOM,PRT,PRT1,COPY,COPY1]
9	VRD-HT2EY331J	AA		C	Resistor (1/4W 330Ω ±5%) [R3]
10	VRD-HT2EY471J	AA		C	Resistor (1/4W 470Ω ±5%) [R1,2]
	(Unit)				
901	CPWBF1259FC52	AY	N	E	Operation PWB L

## 48 Inverter PWB

NO.	PARTS CODE	PRICE RANK	NEW MARK	PART RANK	DESCRIPTION
1	QCNCW0399FCZZ	AB		C	Connector (4pin) [CN2]
2	QCNCW0759FCZZ	AC		C	Connector (3pin) [CN1]
3	RC-QZ0358FCZZ	AF		C	Capacitor (630WV 0.012μF) [C1]
4	RC i LF0068FCZZ	AF		C	Coil [L1]
5	RTRNZ0511FCZZ	AQ		B	Transformer [T1]
6	VCKYQY3FF220J	AC		C	Capacitor (22PF) [C2]
7	VRD-RC2EY103J	AA		C	Resistor (1/4W 10KΩ ±5%) [R1,2]
8	VS2SC3332-/-1	AE		B	Transistor (2SC3332) [Q1,2]
	(Unit)				
901	CPWBF1107FC52	AX		E	Inverter PWB

## 49 AC PWB

NO.	PARTS CODE	PRICE RANK	NEW MARK	PART RANK	DESCRIPTION
1	DH A i - 2853FCZZ	AD		C	AC earth wire [F-GND]
2	PRDAF0071FCZZ	AK		C	Heat sink [for TD201,202]
3	QCNCM0672FCZZ	AB		C	Connector (2pin) [CN201]
4	QCNCM0895FCZZ	AG		C	Connector (3pin) [CN202]
5	QCNCM0989FCZZ	AG		C	Connector (3pin) [CN203]
6	QCNCW0458FCZZ	AD		C	Connector (20pin) [CN204]
10	QFS-B0030FCZZ	AH		A	Fuse (15A 250V)(100V series) [F201]
	QFS-C1500QCZZ	AF		A	Fuse (10A 250V)(200V series) [F201]
13	QFSDH0026FCZZ	AC		C	Fuse holder [for F201]
14	QTANP0115FCZZ	AB		C	Tab terminal (T86032) [Lin,Nin,Nout]
15	QTANP0116FCZZ	AA		C	Tab terminal (T46036) [NDH]
16	QTANP0189FCZZ	AC		C	Tab terminal (100V series) [Lout]
	QTANP0115FCZZ	AB		C	Tab terminal (T86032)(200V series) [Lout]
17	RC-QZ0314FCZZ	AH		C	Capacitor (XYE224472) [C203]
18	RC i LF0031FCZZ	AR		C	Coil (100μH8A)(200V series) [L202,203]
19	RC i LF0096FCZZ	AN		C	Coil (1MH15A)(Taiwan,200V series) [L201]
20	RH-DZ0019FCZZ	AG		B	Diode (DSA-242MA)(100V series) [A201]
21	RMPTA0031FCZZ	AE		B	CR mix part (ECQ-J0186X)(0.1μF 120Ω) [CR201,202]
22	RR-WZ0328FCZZ	AD		C	Resistor (5W 3Ω)(100V series) [R205]
24	RRLYD3222QCZZ	AL		B	Relay (JQ1-24V) [RY201]
25	RRLYD4421QCN2	AU		B	Relay (Q4W-2212PFD)(100V series) [RY203]
	RRLYC4320QCZZ	AY		B	Relay (JC2AF)(200V series) [RY203]
26	RRLYD6121QCZZ	AM		B	Relay (G4W-1112PUS)(100V series) [RY202]
	RRLYD6120QCZZ	AP		B	Relay (G4W-1112PVD)(200V series) [RY202]
27	VCFYFU2ED474M	AG		C	Capacitor (Taiwan only) [C204]
	VCFYFU2ED474M	AG		C	Capacitor (200V series) [C204,205]
28	VCQYNU1HM104K	AB		C	Capacitor (50WV 0.10μF) [C201,202]
29	VHDDSS133/-1	AA		B	Diode (DSS133) [D201,202,203]

## 49 AC PWB

NO.	PARTS CODE	PRICE RANK	NEW MARK	PART RANK	DESCRIPTION
34	VHRS11MD5V/-1	AF		B	Photo thyristor (S11MD5V)(100V series) [SSR201,202]
	VHRS21MD3V/-1	AE		B	Photo thyristor (S21MD3V)(200V series) [SSR201,202]
35	VHSTM1641P-LF	AQ		B	Thyristor (TM1641P-LF)(100V series) [TD201,202]
	VHSTM1661P-LF	AQ		B	Thyristor (TM1661P-LF)(200V series) [TD201,202]
36	VRD-HT2EY105J	AA		C	Resistor (1/4W 1.0MΩ ±5%)(100V series) [R206]
	VRD-HT2HY274J	AA		C	Resistor (1/2W 270KΩ ±5%)(200V series) [R206]
38	VRS-HT2HA101J	AA		C	Resistor (1/2W 100Ω ±5%) [R201,203]
	VRS-HT2HA121J	AA		C	Resistor (1/2W 120Ω ±5%)(100V series) [R202,204]
39	VRS-HT2HA201J	AA		C	Resistor (1/2W 300Ω ±5%)(200V series) [R202,204]
	XBPSD30P10K00	AA		C	Screw (3×10K) [for TD201,202]
	(Unit)				
901	CPWBF1306FC51	BS	N	E	AC PWB (Taiwan only)
	CPWBF1290FC51	BN	N	E	AC PWB (100V series)
	CPWBF1291FC51	BR	N	E	AC PWB (200V series)

## 50 Scanner drive PWB

NO.	PARTS CODE	PRICE RANK	NEW MARK	PART RANK	DESCRIPTION
1	QCNCM7014SC0F	AB		C	Connector (6pin) [CN-3]
2	QCNCM7014SC1C	AC		C	Connector (13pin) [CN-2]
3	QCNCW0948FCZ3	AC		C	Connector (3pin) [CN-1]
4	RMPTC7103QCJB	AB		B	Block resistor (10KΩ×7 1/8W ±5%) [BR2]
5	RMPTC8103QCJB	AC		B	Block resistor (10KΩ×8 1/8W ±5%) [BR1]
6	VCEAZU1HW105M	AB		C	Capacitor (50WV 1μF) [C2]
7	VCEAZU1HW477M	AE		C	Capacitor (50WV 470μF) [C1]
8	VHISTK67250-1	BB		B	IC (STK67250) [IC3]
9	VHITD62504/-1	AG		B	IC (TD62504) [IC1,2]
10	VRNRC2EK2201F	AA		C	Resistor (1/4W 2.20KΩ ±1%) [R1,5]
11	VRNRC2EK2700F	AB		C	Resistor (1/4W 270Ω ±1%) [R3]
12	VRNRC2EK8200F	AA	N	C	Resistor (1/4W 820Ω ±1%) [R2]
	(Unit)				
901	CPWBF1279FC51	BE	N	E	Scanner drive PWB

## 51 ORS PD PWB

NO.	PARTS CODE	PRICE RANK	NEW MARK	PART RANK	DESCRIPTION
1	QCNCM0542FCZZ	AC		C	Connector (6pin) [CN1]
2	RC-KZ2005SCZZ	AA		C	Capacitor (25WV 0.01μF) [C2,4]
3	RMPTC3272QCJB	AA		B	Block resistor (2.7KΩ×3 1/8W ±5%) [BR1]
4	VCKYPU1HB102K	AA		C	Capacitor (50WV 0.001μF) [C5]
5	VCKYPU1HB681K	AA		C	Capacitor (50WV 680PF) [C1]
6	VQYNA1HM682K	AA		C	Capacitor (50WV 6800PF) [C3]
7	VHDDSS133// -1	AA		B	Diode (DSS133) [D1,2]
8	VHILM358P// -1	AG		B	IC (LM358P) [IC2]
9	VHITC4051BP-1	AQ		B	IC (TC4051BP) [IC1]
10	VHPPD49Pi// -1	AE		B	Photo sensor (PD49PI) [PD2-7]
11	VRD-HT2EY104J	AA		C	Resistor (1/4W 100KΩ ±5%) [R1]
12	VRD-HT2EY274J	AA		C	Resistor (1/4W 270KΩ ±5%) [R2]
13	VRD-HT2EY303J	AA		C	Resistor (1/4W 30KΩ ±5%) [R4]
14	VRD-HT2EY471J	AA		C	Resistor (1/4W 470Ω ±5%) [R3]
	(Unit)				
901	CPWBF1294FC32	AX	N	E	ORS PD PWB

## 55 DC Power supply PWB

NO.	PARTS CODE	PRICE RANK	NEW MARK	PART RANK	DESCRIPTION
1	0FT23006212//	AP	N	B	IC (MB3759M) [Z1]
2	0FT23287815//	AF	N	C	Chemical capacitor (KME50VB-22FC) ü@ [C1]
3	0FT23259285//	AF	N	C	Chemical capacitor (KME50VB-10FC) ü@ [C6]
4	0FT23087743//	AD		C	Film capacitor (AMZF-472K50) [C4]
5	0FT23090523//	AD		C	Film capacitor (AMZF-473K50) [C7]
6	0FT23418685//	AC		C	Carbon resistor (RDMF14-FX 12K?ohm?J) [R2]
7	0FT23418634//	AC		C	Carbon resistor (RDMF14-FX 5.6K OHMJ) [R3,845]
8	0FT23419401//	AC	N	C	Carbon resistor (RDF14-FB 1 K OHMJ) [R1,5]
9	0FT23419010//	AC	N	C	Carbon resistor (RDMF14-FX 1 M OHMJ) [R6]
10	0FT23419452//	AC	N	C	Carbon resistor (RDF14-FB 2.2K OHMJ) [R8]
11	0FT23539423//	AK	N	C	Connector (MDF14A-8P-2.5DS) [PN1]
12	0FT23555402//	AD		C	Fuse holder (EYF-52LCZ) [F701*]



## 55 DC Power supply PWB

NO.	PARTS CODE	PRICE RANK	NEW MARK	PART RANK	DESCRIPTION
13	0FT31541328//	AU	N	C	Reactor (EXL42850-174) [L704]
14	0FT23642925//	AK		C	Reactor (CX40357-006) [L705,707,713]
15	0FT23642909//	AK		C	Reactor (CX40357-004) [L706,710,715]
16	0FT23642917//	AG		C	Reactor (CX40357-005) [L708,714]
17	0FT23381072//	AR		C	Reactor (HK-08S070-6500) [L709]
18	0FT23375323//	AR		C	Reactor (HK-10S100-4500) [L711]
19	0FT23353524//	AU	N	C	Reactor (HK-14S160-5000) [L712]
20	0FT23606732//	AD		B	Diode (S5688G) [D707,710,734,735]
21	0FT23601552//	AF		B	Diode (1GU42) [D711,713,732,770]
22	0FT23078876//	AH		B	Diode (RK44) [D719]
23	0FT23138429//	AK	N	B	Diode (RL2Z P) [D725]
24	0FT23195236//	AC		B	Diode (1SS119-14) [D2,723,751,753,756,761,762,764,772,773,779]
25	0FT23246205//	AF		B	Zener diode (RD6.2ES-B2) [D709]
26	0FT23242382//	AK	N	B	Diode (RK34) [D768]
27	0FT23606910//	AE		B	Zener diode (RD4.7ES-B2) [D720,721]
28	0FT23355705//	AF	N	B	Zener diode (RD6.8ES-B2) [D724]
29	0FT23288153//	AE		B	Zener diode (RD27ES-B2) [D752]
30	0FT23291235//	AE		B	Zener diode (RD12ES-B3) [D706,776]
31	0FT23265420//	AE		B	Zener diode (RD24ES-B2) [D712,749,750]
32	0FT23483428//	AF	N	B	Zener diode (RD2.0ES-B2) [D777]
33	0FT23223116//	AF	N	B	Zener diode (RD13ES-B2) [D757]
34	0FT23783413//	AF	N	B	Zener diode (RD10ES-B2) [D760]
35	0FT23574342//	AE		B	Zener diode (RD5.1ES-B2) [D780]
36	0FT23400433//	AF	N	B	Zener diode (RD3.6ES-B2) [D763]
37	0FT33145594//	AX	N	B	Rectifier (PBS2506GCA) [RC702]
38	0FT23246191//	AF	N	B	Zener diode (RD5.6ES-B2) [D765]
39	0FT23198634//	AF		B	Zener diode (RD6.8ES-B3) [D766,767]
40	0FT23413403//	AU		B	Rectifier (ESAD92M-03) [RC705]
41	0FT23256189//	AF		B	Zener diode (RD2.7ES-B2) [D774]
42	0FT23772853//	AP	N	B	Rectifier (F10P06Q) [RC706]
43	0FT23709604//	AP	N	B	Rectifier (D15SCA4M) [RC708]
44	0FT23429784//	AU		B	Rectifier (ESAD92M02) [RC704]
45	0FT23776506//	AP	N	B	Rectifier (F8P04Q) [RC707]
46	0FT23312208//	AU	N	B	Transistor (2SA1568) [Q712]
47	0FT23700801//	AL		B	Rectifier (D5SC4M) [RC709]
48	0FT23104907//	AF		B	Transistor (2SC2655) [Q722,725]
49	0FT23149366//	AH		B	Transistor (2SC2655-Y) [Q706]
50	0FT23405087//	AN		B	Transistor (2SC3852A) [Q707]
51	0FT23055159//	AD	N	B	Transistor (2SC1815-Y) [Q727,728,729]
52	0FT23078361//	AH		B	Transistor (2SA1020) [Q705,723,726]
53	0FT23080986//	AG		B	Transistor (2SC1815) [Q701,711,724]
54	0FT33001460//	AK		B	Photo coupler (PC123FY) [PC701,702,703]
55	0FT33309996//	AX	N	B	FET (2SJ374) [Q721,732]
56	0FT23259307//	AH		C	Chemical capacitor (KME63VB-100) [C731]
57	0FT23639789//	AS		B	IC (FA5310P) [Z701]
58	0FT23188655//	AP		C	Chemical capacitor (KME25VB-2200) [C754,755]
59	0FT23671658//	AP	N	B	IC (UPC78M05AHF) [Z704]
60	0FT23165175//	AH	N	C	Chemical capacitor (KME35VB-470) [C764]
61	0FT23307069//	AP	N	C	Chemical capacitor (KME50VB-1000) [C757]
62	0FT23188728//	AP		C	Chemical capacitor (KME35VB-2200) [C760,761,762,766,767]
63	0FT23150526//	AN		C	Chemical capacitor (KME35VB-1000) [C791]
64	0FT23262464//	AU	N	C	Chemical capacitor (KME35VB-3300) [C769,770,817]
65	0FT23239837//	AK	N	C	Chemical capacitor (KME35VB-100FC) [C713,779]
66	0FT23292762//	AL	N	C	Chemical capacitor (KME50VB-330) [C790]
67	0FT23088421//	AK	N	C	Chemical capacitor (KME10VB-2200) [C802,803,804,806,807,808,813,814]
68	0FT23259269//	AF	N	C	Chemical capacitor (KME50VB-1FC) [C788,801,805,818]
69	0FT23124916//	AK		C	Chemical capacitor (KME25VB-1000) [C796,797,809]
70	0FT33054246//	AK		C	Film capacitor (3362-474) [C707]
71	0FT23259242//	AF	N	C	Chemical capacitor (KME25VB-220FC) [C822]
72	0FT23111660//	AK	N	C	Chemical capacitor (KME10VB-1000) [C851]
73	0FT33057288//	AK		C	Film capacitor (3362-105) [C701]
74	0FT23097153//	AG		C	Film capacitor (AMZF-223K50) [C710]
75	0FT23090531//	AD		C	Film capacitor (AMZF-104K50) [C712,722,726,756,765]
76	0FT23382079//	AG		C	Film capacitor (MMT-224J50) [C719,778]
77	0FT23611329//	AK		C	Film capacitor (MMC-104K400) [C752,771,811,812]
78	0FT23090280//	AD		C	Film capacitor (AMZF-103K50) [C2,709,800,819,820,824]
79	0FT23412644//	AH	N	C	Ceramic capacitor (RPE132CH391J50) [C721]
80	0FT23530035//	AH		C	Ceramic capacitor (DE5075-742SL470J2K) [C724]
81	0FT33167288//	AF	N	C	Ceramic capacitor (DE1007E222M-KH) [C702,703,730]
82	0FT23515117//	AF	N	C	Ceramic capacitor (DE0905-742R102K1K) [C744,745,746,747,748,749,750,751]
83	0FT23515109//	AE		C	Ceramic capacitor (DE0705-742R471K1K) [C732,740,763]
84	0FT33293976//	AF	N	C	Ceramic capacitor (DD104-63CH470J50) [C799]
85	0FT23644642//	AG		B	Variable resistor (EVM-4LGA00B23) [RV702,705]
86	0FT23644650//	AL		B	Variable resistor (EVM-4LGA00B53) [RV703]
87	0FT23593282//	AH		C	Ceramic capacitor (DE506-63R102K250) [C780,781,784,785,792,793,794,795]
88	0FT23519384//	AK	N	B	Cement resistor (BPR26 2W 0.02 OHMK) [R806,807]
89	0FT23371158//	AK	N	B	Cement resistor (BPR26 2W 0.01 OHMK) [R815]
90	0FT23644634//	AK	N	B	Variable resistor (EVM-4LGA00B13) [RV704]
91	0FT23371166//	AK	N	B	Cement resistor (BPR26 2W 0.05 OHMK) [R792]
92	0FT23537137//	AD		C	Metal film resistor (RSMF12B 22 OHMJ) [R734,735,736]

## 55 DC Power supply PWB

NO.	PARTS CODE	PRICE RANK	NEW MARK	PART RANK	DESCRIPTION
93	0 F T 2 3 5 3 7 0 8 0 //	AD		C	Metal film resistor (RSMF12B 2.2 OHMJ) [R756,766,770,828]
94	0 F T 3 3 0 5 6 7 8 8 //	AD	N	C	Metal film resistor (RSMF1RB 2.2 OHMJ) [R718]
95	0 F T 2 3 7 8 2 9 4 8 //	AD		C	Metal film resistor (RSMF2RB 15 OHMJ) [R719,720]
96	0 F T 3 3 0 2 4 2 6 6 //	AD	N	C	Metal film resistor (RSMF2RB 6.8K OHMJ) [R833]
97	0 F T 2 3 7 0 7 5 5 //	AD		C	Metal film resistor (RSMF2RB 47Ω) [R849]
98	0 F T 2 3 7 3 7 7 4 8 //	AD		C	Metal film resistor (RSMF2RB 68 OHMJ) [R852]
99	0 F T 2 3 7 0 7 5 9 8 //	AD		C	Metal film resistor (RSMF1RB 22 OHMJ) [R749,750]
100	0 F T 2 3 7 8 2 3 2 8 //	AD		C	Metal film resistor (RSMF2RB 22 OHMJ) [R751,752]
101	0 F T 2 3 7 0 7 5 2 0 //	AD		C	Metal film resistor (RSMF2RB 1K OHMJ) [R757,771,772,773]
102	0 F T 2 3 7 6 5 3 8 5 //	AD		C	Metal film resistor (RSMF1RB 10 OHMJ) [R744,784,788,836,840]
103	0 F T 2 3 7 5 5 9 2 //	AD	N	C	Metal film resistor (RSMF2RB 2.2K OHMJ) [R832]
104	0 F T 2 3 5 3 7 0 1 3 //	AD	N	C	Metal film resistor (RSMF12B 0.22 OHMJ) [R835]
105	0 F T 2 3 5 3 8 0 3 6 //	AD	N	C	Metal film resistor (RSMF2B 1 K OHMJ) [R846]
106	0 F T 2 3 5 3 7 1 2 9 //	AD	N	C	Metal film resistor (RSMF12B 15 OHMJ) [R855,861]
107	0 F T 2 3 4 1 8 6 2 6 //	AC	N	C	Carbon resistor (RDMF14-FX 5.1K OHMJ) [R733]
108	0 F T 2 3 4 1 9 6 8 1 //	AC	N	C	Carbon resistor (RDMF14-FB 100K OHMJ) [R754]
109	0 F T 2 3 7 6 5 4 0 7 //	AD	N	C	Metal film resistor (RSMF1RB 1.5K OHMJ) [R857,858,863,864]
110	0 F T 2 3 5 1 6 2 6 1 //	AD		C	Metal film resistor (RSMF12B 10 OHMJ) [R737,865]
111	0 F T 2 3 4 1 8 5 5 3 //	AC		C	Carbon resistor (RDMF14-FX 180K OHMJ) [R7,9,707,739,758,760]
112	0 F T 2 3 4 1 8 5 8 8 //	AC		C	Carbon resistor (RDMF14-FX 3.3K OHMJ) [R4,709,761]
113	0 F T 2 3 4 1 8 7 1 5 //	AC		C	Carbon resistor (RDMF14-FX 22K OHMJ) [R722]
114	0 F T 2 3 4 1 8 6 9 3 //	AC		C	Carbon resistor (RDMF14-FX 15K OHMJ) [R730,826]
115	0 F T 2 3 4 1 8 8 2 0 //	AC	N	C	Carbon resistor (RDMF14-FB 180K OHMJ) [R798,839,843]
116	0 F T 2 3 4 1 8 3 8 3 //	AC		C	Carbon resistor (RDMF14-FX 100 OHMJ) [R731,803,804,805,844,850,872]
117	0 F T 2 3 4 1 8 8 0 4 //	AC		C	Carbon resistor (RDMF14-FX 100K OHMJ) [R762,777]
118	0 F T 2 3 4 1 8 2 5 1 //	AC	N	C	Carbon resistor (RDMF14-FX 10 OHMJ) [R795,811,819]
119	0 F T 2 3 4 1 8 5 1 0 //	AC		C	Carbon resistor (RDMF14-FX 1K OHMJ) [R708,717,732,759,779,781,782,783,794,796,812,813,820,821,834,856,862]
120	0 F T 2 3 4 1 8 2 2 7 //	AC	N	C	Carbon resistor (RDMF14-FX5.6 OHMJ) [R793]
121	0 F T 2 3 4 1 9 3 1 2 //	AC	N	C	Carbon resistor (RDF14-FB 220 OHMJ) [R822]
122	0 F T 2 3 4 1 8 4 2 1 //	AC		C	Carbon resistor (RDMF14-FX 220Ω) [R753,837,841]
123	0 F T 2 3 4 1 8 2 3 5 //	AC		C	Carbon resistor (RDMF14-FX 6.8Ω) [R809]
124	0 F T 2 3 4 1 9 4 2 8 //	AC	N	C	Carbon resistor (RDF14-FB 1.2K OHMJ) [R851]
125	0 F T 2 3 4 1 9 5 4 1 //	AC	N	C	Carbon resistor (RDF14-FB 10K OHMJ) [R859,902]
126	0 F T 2 3 4 1 8 4 5 6 //	AC		C	Carbon resistor (RDMF14-FX 330?ohm?J) [R848]
127	0 F T 2 3 6 0 7 2 5 9 //	AE		C	Ferrite beads (BL02RN1-R62) [FB702]
128	0 F T 2 3 4 1 8 6 6 9 //	AC		C	Carbon resistor (RDMF14-FX OHMJ) [R706,778,831,853,868,869,871,873]
129	0 F T 2 3 4 1 8 6 1 8 //	AC		C	Carbon resistor (RDMF14-FX 4.7K OHMJ) [R780,827,829,866,870]
130	0 F T 2 3 4 1 8 5 3 7 //	AC		C	Carbon resistor (RDMF14-FX 1.5KΩ) [R874]
131	0 F T 2 3 1 0 5 4 2 3 //	AE		C	Connector (RT-01N-2.3A) [TB701,702]
132	0 F T 2 3 4 3 7 5 8 2 //	AD	N	C	Ferrite bead (BL02RN2-R62) [FB709]
133	0 F T 3 3 3 0 8 6 3 //	AP	N	C	Fin (APH44100-202) [4]
134	0 F T 2 3 3 2 4 0 5 2 //	AD	N	C	Connector (LLM-41T-1.3E) [CN701*]
135	0 F T 3 3 3 7 2 5 8 2 //	AX	N	C	Insulator sheet (APG27100-025) [5]
136	0 F T 3 3 3 2 2 0 9 7 //	AU	N	C	Connector (B34B-XADSS-F) [CN702]
137	0 F T 3 3 3 2 2 0 8 9 //	AU	N	C	Connector (B30B-XADSS-F) [CN703]
138	0 F T 3 3 3 2 2 0 7 0 //	AU	N	C	Connector (B26B-XADSS-F) [CN704]
139	0 F T 2 3 3 3 9 4 2 4 //	AQ		C	Angle (EGC-20E) [8]
140	0 F T 2 3 5 9 9 1 3 2 //	AK	N	C	Tube (45T-DIA13.5-30) [9]
141	0 F T 3 3 3 7 3 9 1 0 //	BC	N	C	Chassis (APA24000-056) [1]
142	0 F T 3 3 3 8 0 9 2 5 //	AU	N	C	Fin (APH34200-302) [2]
143	0 F T 2 3 5 2 3 3 1 4 //	AR	N	C	Sheet (AP47100-340-17) [14]
144	0 F T 3 3 3 7 3 9 0 2 //	AP	N	C	Fin (APH34200-303) [3]
145	0 F T 2 3 5 2 3 1 6 0 //	AR	N	C	Sheet (AP47100-340-05) [15]
146	0 F T 2 3 3 3 9 5 2 1 //	AR	N	C	Angle (AP47101-005-03) [6]
147	0 F T 2 3 4 2 3 8 1 6 //	AC		C	Screw (3×8) [51]
148	0 F T 2 3 3 3 9 7 5 0 //	AC		C	Angle (AP47101-008-05) [7]
149	0 F T 2 3 4 3 2 9 6 3 //	AC		C	Screw (3×10) [52]
150	0 F T 2 3 4 5 3 8 4 7 //	AC		C	Screw (3×12) [55]
151	0 F T 2 3 2 4 7 1 5 5 //	AG	N	C	Spacer (AP47039-946-03) [16]
152	0 F T 2 3 4 5 5 7 3 4 //	AC		C	Screw (3×18) [53]
153	0 F T 2 3 4 5 5 9 6 3 //	AC	N	C	Screw (3×8) [54]
154	0 F T 3 3 0 5 5 2 5 0 //	AG	N	C	Terminal (00438 JIS C1100R-1/4H SNPB) [13]
201	0 F T 2 3 0 8 7 7 4 3 //	AD		C	Film capacitor (AMZF-472K50)(200V series) [C720]
202	0 F T 2 3 7 7 9 5 2 1 //	AP		A	Fuse (218.160 AC250V 0.16A)(200V series) [F705]
203	0 F T 2 3 7 2 3 1 1 9 //	AL		A	Fuse (FBT5 AC125V 5A)(100V series) [F701]
204	0 F T 2 3 7 8 0 3 4 1 //	AK		A	Fuse (50CT063H)(200V series) [F700,709]
205	0 F T 3 3 1 4 7 3 3 3 //	AP		A	Fuse (50CT050H)(200V series) [F701]
206	0 F T 2 3 7 7 9 5 5 6 //	AP		A	Fuse (AC125V 0.16A)(100V series) [F705]
207	0 F T 3 3 0 8 0 0 2 6 //	AP	N	A	Fuse (50CT032H)(200V series) [F702,703,704,706,707,708]
208	0 F T 2 3 7 6 1 1 1 8 //	AP	N	A	Fuse (FBT3)(100V series) [F702,703,704,706,707,708]
209	0 F T 2 3 7 2 3 1 2 7 //	AK		A	Fuse (FBT6.3 AC125V 6.3A)(100V series) [F709]
210	0 F T 3 3 1 1 4 6 1 3 //	AP	N	A	Fuse (65TS 150L)(100V series) [F700]
211	0 F T 2 3 0 4 3 3 9 8 //	AF	N	C	Fuse holder (F-107)(100V series) [for F700]
212	0 F T 2 3 5 5 4 0 2 2 //	AD		C	Fuse holder (EYF-52LCZ)(200V series) [F700*]
213	0 F T 3 1 5 4 3 1 9 3 //	AU	N	B	Transformer (EXT42940-686)(200V series) [T701]
214	0 F T 2 3 7 7 6 5 2 2 //	BC	N	C	Reactor (ADR-25-05-080S)(200V series) [L701]
215	0 F T 3 3 0 0 6 0 0 4 //	AU		C	Reactor (SC-05-300)200V series) [L702]
216	0 F T 2 3 5 5 4 0 2 2 //	AD		C	Fuse holder (EYF-52LCZ)(100V series) [F702-709*]
217	0 F T 3 1 5 4 5 6 9 2 //	AU	N	B	Transformer (EXT42920-555A)(100V series) [T701]

## 55 DC Power supply PWB

NO.	PARTS CODE	PRICE RANK	NEW MARK	PART RANK	DESCRIPTION	
218	0 F T 2 3 7 0 3 0 2 9 //	AT		C	Reactor (FK-120G-2520)(100V series)	[L701,702]
219	0 F T 2 3 5 8 6 9 2 8 //	AD		B	Diode (S5688J)(200V series)	[D701-705]
220	0 F T 2 3 2 4 5 6 0 8 //	AK	N	B	Diode (RG1C)(200V series)	[D708]
221	0 F T 2 3 6 0 6 7 3 2 //	AD		B	Diode (S5688G)(100V series)	[D701-705]
222	0 F T 2 3 2 8 5 7 5 8 //	AK	N	B	Diode (RG2A)(100V series)	[D708]
223	0 F T 2 3 4 2 9 7 8 4 //	AU		B	Rectifier (ESAD92M02)(200V series)	[RC703]
224	0 F T 3 3 1 0 5 3 4 7 //	AS		B	Traiac (TMG16C60F)(200V series)	[CR701]
225	0 F T 2 3 4 1 3 4 0 3 //	AU		B	Rectifier (ESAD92M-03)(100V series)	[RC703]
226	0 F T 2 3 6 5 2 1 0 6 //	AU	N	B	Traiac (SM25GZ51)(100V series)	[CR701]
227	0 F T 3 3 0 9 2 0 9 1 //	BB	N	B	FET (2SK2078)(200V series)	[Q702,703,704]
228	0 F T 3 3 2 0 1 4 4 3 //	BB	N	B	FET (2SK2057)(100V series)	[Q702,703,704]
229	0 F T 3 3 3 7 7 1 1 8 //	BA	N	C	Chemical capacitor (KMM400VNSN-270M-30C)(200V series)	[C714,715,716]
230	0 F T 2 3 2 4 3 6 2 1 //	AG		C	Chemical capacitor (KME35VB-47FC)(200 • $\dot{y}$ «ÖÄ „EiÖ•ØtøÄ(200V series)	[C725]
231	0 F T 2 3 2 3 9 8 3 7 //	AK	N	C	Chemical capacitor (KME35VB-100FC)(100V series)	[C725]
232	0 F T 3 3 3 7 5 0 7 7 //	BA	N	C	Chemical capacitor (KMM200VNSN-1200M-35C)(100V series)	[C714,715]
233	0 F T 3 3 2 8 3 7 1 7 //	BA	N	C	Chemical capacitor (KMM200VNSN-1000M-35B)(100V series)	[C716]
234	0 F T 2 3 6 3 3 0 1 2 //	AH		C	Film capacitor (MMC-473K630)(200V series)	[C723]
235	0 F T 2 3 0 9 0 2 8 0 //	AD		C	Film capacitor (AMZF-103K50)(100V series)	[C720]
236	0 F T 2 3 0 9 0 2 8 0 //	AD		C	Film capacitor (AMZF-103K50)(100V series)	[C854]
237	0 F T 2 3 5 1 5 1 4 1 //	AE		C	Ceramic capacitor (DE0705-742R221K2K)(200V series)	[C717,718]
238	0 F T 2 3 3 1 1 3 2 9 //	AK		C	Film capacitor (MMC-104K400)(100V series)	[C723]
239	0 F T 2 3 3 8 2 0 7 9 //	AG		C	Film capacitor (MMT-224J50)(100V series)	[C853]
240	0 F T 2 3 5 1 5 1 0 9 //	AE		C	Ceramic capacitor (DE0705-742R471K1K)(100V series)	[C717,718]
241	0 F T 2 3 6 4 4 6 2 6 //	AG		B	Variable resistor (EVM-4LGA00B52)(200V series)	[RV701]
242	0 F T 2 3 4 7 6 4 4 8 //	AK		B	Cement resistor (BPR56 5W 0.22 $\Omega$ J)(200V series)	[R728,729]
243	0 F T 2 3 7 4 0 2 7 7 //	AK	N	B	Variable resistor (EVM-4LGA00B12)(100V series)	[RV701]
244	0 F T 2 3 3 8 1 1 5 8 //	AK	N	B	Cement resistor (BPR26 2W 0.01 OHMK)(200V series)	[R816]
245	0 F T 2 3 3 7 1 3 4 4 //	AK	N	B	Cement resistor (BPR56 5W 0.1 OHMK)(200V series)	[R901]
246	0 F T 3 3 0 7 9 2 1 4 //	AD	N	C	Metal film resistor (RSMF1RB 47K OHMJ)(200V series)	[R702,723]
247	0 F T 2 3 7 3 7 7 1 3 //	AD		C	Metal film capacitor (RSMF2RB 22K OHMJ)(200V series)	[R703,704]
248	0 F T 2 3 3 4 3 2 4 3 //	AK	N	B	Cement resistor (MEG05N150JU145 5W 15 OHMJ)(100V series)	[R713,714,715,716]
249	0 F T 2 3 5 3 7 1 8 8 //	AD	N	C	Metal film resistor (RSMF12B 150 OHMJ)(200V series)	[R721]
250	0 F T 2 3 4 7 6 8 2 0 //	AK		B	Cement resistor (BPR56 5W 0.1 $\Omega$ J)(100V series)	[R728,729]
251	0 F T 2 3 7 8 0 1 3 9 //	AD		C	Metal film resistor (RSMF2RB 150 OHMJ)(200V series)	[R727]
252	0 F T 2 3 3 7 1 1 5 8 //	AK	N	B	Cement resistor (BPR26 2W 0.01 OHMK)(100V series)	[R816]
253	0 F T 2 3 3 7 1 3 3 6 //	AK		B	Cement resistor (BPR58 5W 0.05 $\Omega$ K)(100V series)	[R901]
254	0 F T 2 3 7 0 7 5 7 1 //	AD	N	C	Metal film resistor (RSMF1RB 22K OHMJ)(100V series)	[R702,723]
255	0 F T 2 3 7 6 9 9 3 3 //	AD		C	Metal film resistor (RSMF2RB 10K OHMJ)(100V series)	[R703,704]
256	0 F T 3 3 1 2 5 0 9 7 //	AD	N	C	Metal film resistor (RSMF2RB 150K OHMJ)(100V series)	[R710]
257	0 F T 2 3 7 7 0 2 7 3 //	AD	N	C	Metal film resistor (RSMF12B 100K OHMJ)(100V series)	[R701,711,712]
258	0 F T 2 3 7 6 6 3 8 1 //	AD	N	C	Metal film resistor (RSMF12B 270 OHMJ)(100V series)	[R721]
259	0 F T 3 3 0 0 4 6 6 4 //	AD	N	C	Metal film resistor (RSMF3RB 47K OHMJ)(100V series)	[R724,725,726]
260	0 F T 2 3 7 3 7 7 4 8 //	AD		C	Metal film resistor (RSMF2RB 68 OHMJ)(100V series)	[R727]
261	0 F T 2 3 4 7 6 5 1 0 //	AD	N	C	Metal film resistor (SPR1/2 330K OHMJ)(200V series)	[R701]
262	0 F T 2 3 6 4 9 2 0 2 //	AD	N	C	Metal film resistor (SPR2 L15 220K OHMJ)(200V series)	[R710]
263	0 F T 2 3 2 5 2 2 9 9 //	AD	N	C	Metal film resistor (SPR1/2 220K OHMJ)(200V series)	[R711,712]
264	0 F T 2 3 2 5 2 3 3 7 //	AG	N	C	Metal film resistor (SPR3 150K OHMJ)(200V series)	[R724,725,726]
265	0 F T 1 4 1 3 6 5 3 5 //	AU	N	C	Resistor with fuse (A53K 330J)(200V series)	[R713,714,715,716]
266	0 F T 3 3 2 5 8 4 0 2 //	AU	N	C	Absover (ERZV14D681)(200V series)	[NR701]
267	0 F T 2 3 4 6 7 5 4 6 //	AH	N	C	Connector (ELR-03V)(200V series)	[CN701]
268	0 F T 2 3 4 1 3 6 9 1 //	AD	N	C	Connector (B3B-EH)(200V series)	[CN705]
269	0 F T 2 3 6 9 7 3 5 5 //	AU	N	C	Absover (ERZV10D471)(100V series)	[NR701]
270	0 F T 1 4 2 6 1 9 2 5 //	AH	N	C	Connector (ELR-02V)(100V series)	[CN701]
271	0 F T 2 3 3 2 3 6 6 8 //	AR		C	Spacer (AP47120-001)(200V series)	[11]
272	0 F T 2 3 2 0 2 5 7 7 //	AC		C	Spacer (AP47030-168)(200V series)	[12]
273	0 F T 2 3 2 0 2 5 6 9 //	AC		C	Spacer (AP47030-169)(100V series)	[11]
274	0 F T 2 3 3 2 3 6 6 8 //	AR		C	Spacer (AP47120-001)(100V series)	[12]
	(Unit)					
901	CPWBF1286FC31	CE	N	E	DC Power supply PWB (100V series)	
	CPWBF1287FC31	CE	N	E	DC Power supply PWB (200V series)	

## ■ Index

PARTS CODE	NO.	PRICE RANK	NEW MARK	PART RANK	
[C]					
CBOX-01116FC51	15-901	BV	N	E	
CBOX-01117FC51	14-901	BP	N	E	
CBOX-01117FC52	14-901	BP	N	E	
CBTN-0239FC02	2- 18	AN	N	C	
CBTN-0241FC01	2- 20	AH	N	C	
CBTN-0242FC01	2- 22	AL	N	C	
CCAB-0888FC36	1- 10	BD	N	E	
CCAB-0888FC37	1- 10	BD	N	E	
CCAB-0888FC38	1- 10	BD	N	E	
CCAB-0907FC02	1- 21	BD	N	D	
CCASP0173FC32	39-901	BP	N	E	
CCASP0173FC33	39-901	BP	N	E	
CCASP0173FC37	39-901	BP	N	E	
CCASZ0067FC01	40- 32	AD		D	
CCASZ0285FC51	38-901	BC	N	E	
CCLR-0372FC01	35- 35	AH		C	
CCLR-0445FC01	15- 9	AH	N	C	
CCOVP1453FC01	5- 11	AQ	N	C	
CDAiU0451FC51	13- 38	AQ		E	
CDAiU0577FC31	11- 5	BE	N	E	
CDAiU0578FC31	5- 14	BZ	N	E	
CFiX-0517FC02	1- 33	AR	N	C	
CFiX-0517FC03	1- 33	AR	N	C	
CFRM-0939FC01	25- 38	AR	N	C	
"	26- 25	AR	N	C	
CFRM-0939FC51	11- 7	BU	N	E	
"	25-901	BU	N	E	
"	26-901	BU	N	E	
CFRM-0940FC01	25- 32	AZ	N	C	
CFRM-0941FC01	25- 15	AN	N	C	
CFRM-0943FC01	29- 3	AL	N	C	
CFRM-0943FC51	11- 2	AZ	N	E	
"	29-901	AZ	N	E	
CFRM-0945FC02	28- 5	AU	N	C	
CFRM-0945FC31	11- 6	BV	N	E	
"	27-901	BV	N	E	
"	28-901	BV	N	E	
CFRM-0946FC01	27- 24	BA	N	C	
"	28- 18	BA	N	C	
CFRM-0948FC01	30- 11	AT	N	C	
CFRM-0953FC01	17- 23	AU	N	C	
CFRM-0954FC02	23- 21	AL	N	C	
CFRM-0956FC01	32- 17	AW	N	C	
"	33- 4	AW	N	C	
CFRM-0956FC31	32-901	BS	N	E	
"	33-901	BS	N	E	
CGERH1265FC01	15- 25	AF	N	C	
CGiDH1781FC51	38- 10	AP	N	E	
CGiDH1791FC01	31- 7	AT	N	C	
CHLDZ1382FC31	6- 2	BF	N	E	
"	8-901	BF	N	E	
CPAKA5754FC02	40- 6	BB	N	D	
CPAKA5760FC31	40- 7	BE	N	E	
CPLTM4027FC08	13- 52	AV	N	C	
CPLTM4027FC10	13- 52	AT	N	C	
CPLTM5383FC01	26- 14	AH	N	C	
CPLTM5388FC01	30- 3	AH	N	C	
CPLTM5389FC01	13- 43	AP	N	C	
CPLTM5391FC51	37-901	BC	N	E	
CPLTM5400FC01	10- 32	AP	N	C	
CPLTM5419FC01	31- 8	AH	N	C	
CPLTM5423FC01	15- 23	AK	N	C	
CPLTM5431FC02	5- 64	AT	N	C	
CPLTM5435FC01	6- 33	AR	N	C	
CPLTM5436FC01	6- 18	AG	N	C	
CPLTM5475FC51	37- 1	AT	N	E	
CPLTM5491FC01	34- 22	AH	N	C	
CPNLC0237FC02	1- 37	AY	N	D	
"	2- 28	AY	N	D	
CPNLC0237FC03	1- 37	AY	N	D	
"	2- 28	AY	N	D	
CPWBF0934FC32	4- 9	AX		E	
CPWBF0975FC52	13- 40	AR	N	C	
CPWBF0976FC54	13- 12	AR	N	E	
CPWBF1098FC31	9- 10	AY	N	E	
CPWBF1107FC52	2- 23	AX		E	
"	48-901	AX		E	
CPWBF1255FC52	2- 29	BF	N	E	

PARTS CODE	NO.	PRICE RANK	NEW MARK	PART RANK	
CPWBF1255FC52	46-901	BF	N	E	
CPWBF1256FC31	22- 10	AT	N	E	
CPWBF1259FC52	2- 13	AY	N	E	
"	47-901	AY	N	E	
CPWBF1279FC51	5- 47	BE	N	E	
"	50-901	BE	N	E	
CPWBF1286FC31	10- 42	CE	N	E	
"	55-901	CE	N	E	
CPWBF1287FC31	10- 42	CE	N	E	
"	55-901	CE	N	E	
CPWBF1290FC51	10- 20	BN	N	E	
"	49-901	BN	N	E	
CPWBF1291FC51	10- 20	BR	N	E	
"	49-901	BR	N	E	
CPWBF1294FC32	6- 43	AX	N	E	
"	51-901	AX	N	E	
CPWBF1299FC51	17- 15	AL	N	E	
CPWBF1306FC51	10- 20	BS	N	E	
"	49-901	BS	N	E	
CPWBF1307FC31	7- 12	BK	N	E	
CPWBF1308FC31	7- 21	AR	N	E	
CPWBN1258FC52	2- 2	CB	N	E	
"	45-901	CB	N	E	
CPWBN1267FC51	10- 12	CC	N	E	
"	41-901	CC	N	E	
CPWBN1281FC52	42- 1	BN	N	E	
CPWBN1281FC53	41- 1	BG	N	E	
CPWBN1281FC56	45- 1	BP	N	E	
CPWBN1318FC51	9- 79	BR	N	E	
CPWBN1325FC52	5- 53	DE	N	E	
"	42-901	DE	N	E	
CPWBN1326FC51	5- 53	DE	N	E	
"	42-901	DE	N	E	
CRALP0161FC01	9- 30	AT	N	C	
CREFL0168FC31	6- 7	BT	N	E	
"	7-901	BT	N	E	
CSLi-0057FC32	7- 17	AF		E	
CSLi-0103FC31	8- 7	AF		E	
CSOU-0159FC39	40- 19	BN	N	E	
CSOU-0159FC40	40- 19	BN	N	E	
CSOU-0164FC32	36-901	BP	N	E	
CSOU-0164FC33	36-901	BQ	N	E	
CSPRP2673FC01	6- 6	AG	N	C	
CYOK-0053FC01	34- 25	AU	N	D	
"	40- 24	AU	N	D	
[D]					
DHAi-2049FC11	35- 21	AQ	N	C	
DHAi-2821FCZZ	2- 17	BA	N	C	
DHAi-2822FCZZ	9- 14	AS	N	C	
DHAi-2824FCZZ	5- 39	BB	N	C	
DHAi-2827FCZZ	11- 18	AL	N	C	
DHAi-2828FCZZ	29- 2	AR	N	C	
DHAi-2829FCZZ	27- 25	AW	N	C	
DHAi-2833FCZZ	13- 31	AT	N	C	
DHAi-2835FCZZ	34- 15	AG	N	C	
DHAi-2836FCZZ	24- 24	AP	N	C	
DHAi-2837FCZZ	16- 12	BA	N	C	
DHAi-2844FCZZ	9- 36	AF	N	C	
DHAi-2845FCZZ	23- 33	AG	N	C	
DHAi-2847FCZZ	18- 36	BD	N	C	
DHAi-2853FCZZ	49- 1	AD		C	
DHAi-2854FCZZ	10- 55	AH	N	C	
DHAi-2858FCZZ	36- 21	AV	N	C	
DHAi-2859FCZZ	32- 31	AU	N	C	
DHAi-2860FCZZ	15- 26	AR	N	C	
DHAi-2862FCZZ	5- 19	AW	N	C	
DHAi-2865FCZZ	5- 31	AT	N	C	
DHAi-2867FCZZ	5- 62	AW	N	C	
DHAi-2871FCZZ	18- 13	AH	N	C	
DHAi-2873FCZZ	18- 31	AE	N	C	
DHAi-2875FCZZ	9- 45	BC	N	C	
DHAi-2893FCZZ	19- 26	AE	N	C	
DHAi-2895FCZZ	5- 20	AY	N	C	
DHAi-2896FC11	9- 59	AY	N	C	
DHAi-2897FCZZ	24- 14	AD	N	C	
DHAi-2898FCZZ	10- 5	AF	N	C	
DHAi-2903FC11	10- 24	AY	N	B	
DHAi-2903FC16	10- 24	BC	N	B	
DHAi-2903FCZZ	10- 24	AX	N	B	
DHAi-2904FCZZ	10- 25	AN	N	C	
DHAi-2911FCZZ	7- 13	AG	N	C	

PARTS CODE	NO.	PRICE RANK	NEW MARK	PART RANK
DHAi-2912FCZZ	7- 22	AW	N	C
DHAi-2924FCZZ	5- 61	AY	N	C
DHAi-2949FCZZ	2- 30	AF	N	C
"	9- 57	AF	N	C
DHAi-2950FCZZ	16- 12	BA	N	C
DHAi-2951FCZZ	16- 12	BB	N	C
DHAi-2952FC11	10- 28	BH	N	C
"	30- 23	BH	N	C
DHAi-2953FCZZ	2- 25	AV	N	C
DHAi-2954FC11	10- 44	BY	N	C
DHAi-2959FC11	10- 28	BK	N	C
"	30- 23	BK	N	C
DHAi-2970FCZZ	5- 37	AP	N	C
DHAi-3024FCZZ	9- 68	AT	N	C
DHAi-3026FCZZ	2- 1	AD	N	C
DKiT-0341FCZZ	9-501	---	N	E
DUNT-6923FCZZ	35-901	BM	N	E
DUNT-6927FCZZ	5- 67	CK	N	E
DUNT-6935FC11	9- 2	CR	N	E
DUNT-6936FC11	40- 20	CK	N	E
DUNT-6936FC12	40- 20	CK	N	E
DUNT-6946FC11	40- 19	DB	N	E
DUNT-6946FC12	40- 19	DC	N	E
DUNTW6931FC11	16-901	CC	N	E
"	17-901	CC	N	E
DUNTW6931FC12	16-901	CC	N	E
"	17-901	CC	N	E
DUNTW6931FCZZ	16-901	CC	N	E
"	17-901	CC	N	E
DWiR-0466CSZZ	38- 1	BG		B
[G]				
GCAB-0889FCZ1	1- 17	AX	N	D
GCAB-0890FCZZ	1- 12	AL	N	D
GCAB-0891FCZZ	1- 13	AP	N	D
GCAB-0892FCZZ	1- 19	AY	N	D
GCAB-0893FCZZ	1- 3	AM	N	D
GCAB-0894FCZ4	1- 4	AT	N	D
GCAB-0895FCZZ	1- 18	AR	N	D
GCAB-0896FCZZ	1- 1	AV	N	D
GCAB-0897FCZ1	1- 28	AW	N	D
"	4- 12	AW	N	D
GCAB-0899FCZ1	18- 21	AX	N	D
GCAB-0901FCZZ	1- 5	AW	N	D
GCASP0173FCZZ	39- 39	BB	N	D
GDOR-0024FCZZ	21- 18	AY	N	D
[H]				
HPNLH0238FCZZ	2- 9	BH	N	D
[J]				
JBTN-0240FCZZ	2- 19	AK	N	C
JBTN-0243FCZ1	2- 14	AK	N	C
JHNDM0069FCZZ	9- 27	AH		C
JHNDP0096FCGZ	23- 48	AD		C
JHNDP0110FCZZ	17- 4	AE		C
JHNDP0143FCZZ	39- 1	AW	N	C
JHNDP0144FCZZ	31- 5	AK	N	C
JHNDP0145FCZZ	14- 32	AE	N	C
JKNBP0121FCZZ	16- 20	AE		C
JKNBP0136FCGZ	23- 14	AE	N	C
JKNBZ0135FCZZ	19- 34	AD	N	C
[L]				
LANGT1395FCZZ	24- 33	AE	N	C
LBNDJ0013FCZ1	2- 26	AA		C
"	5- 21	AA		C
"	9- 65	AA		C
"	10- 58	AA		C
"	18- 11	AA		C
"	23- 34	AA		C
"	32- 32	AA		C
"	36- 20	AA		C
LBNDJ0043FCZ1	9- 7	AA		C
"	10- 23	AA		C
"	13- 42	AA		C
"	16- 40	AA		C
"	23- 50	AA		C
"	24- 15	AA		C
"	26- 27	AA		C
"	27- 26	AA		C
LBNDJ0070FCZZ	1- 9	AD	N	C
LBRC-0048FCZ2	35- 24	AQ	N	C
LBSHC0342FCZZ	6- 41	AC	N	C
LBSHC0345FCZZ	5- 8	AC	N	C

PARTS CODE	NO.	PRICE RANK	NEW MARK	PART RANK
LBSHZ0330FCZZ	16- 35	AP		C
LBSHZ1102CCZZ	4- 5	AC		C
LBSHZ2050SCZZ	1- 24	AB		C
"	6- 34	AB		C
LDAiU0450FCZZ	16- 19	AB		C
LDAiU0572FCZZ	34- 21	AH	N	C
LDAiU0576FCZZ	39- 25	AG	N	C
LDAiU0580FCZZ	9- 22	AE	N	C
LDAiU0581FCZZ	9- 25	AE	N	C
LDAiU0582FCZZ	9- 18	AE	N	C
LDAiU0583FCZZ	9- 19	AE	N	C
LDAiU0584FCZZ	32- 16	AD	N	C
LDAiU0587FCZZ	7- 6	AQ	N	C
LFiX-0016FCZZ	10- 21	AD		C
LFiX-0084FCZZ	10- 21	AC		C
LFiX-0284FCZZ	8- 10	AC		C
LFiX-0441FCZZ	16- 24	AB		C
LFiX-0442FCZZ	16- 25	AB		C
LFiX-0516FCZZ	1- 35	AL	N	C
LFRM-0937FCZZ	10- 4	AS	N	C
LFRM-0938FCZZ	10- 2	AL	N	C
LFRM-0942FCZZ	25- 5	AF	N	C
LFRM-0944FCZZ	29- 12	AE	N	C
LFRM-0947FCZZ	28- 12	AE	N	C
LFRM-0949FCZZ	30- 18	AL	N	C
LFRM-0950FCZZ	13- 21	AX	N	C
LFRM-0951FCZZ	24- 36	AW	N	C
LFRM-0952FCZZ	16- 17	AV	N	C
LFRM-0955FCZZ	23- 26	AG	N	C
LFRM-0965FCZZ	18- 38	AQ	N	C
LFRM-0966FCZZ	18- 29	AQ	N	C
LHLDW0910FCZZ	16- 9	AB		C
LHLDW1019FCZZ	5- 32	AB		C
LHLDW1057FCZZ	5- 42	AB		C
"	10- 33	AB		C
LHLDW1061FCZZ	9- 77	AB		C
LHLDW1115FCZZ	1- 24	AD		C
"	5- 1	AD		C
LHLDW1155FCZZ	1- 48	AC		C
"	18- 33	AC		C
LHLDW1226FCZZ	39- 40	AB		C
"	40- 18	AB		C
LHLDW1264FCZZ	10- 17	AD		C
LHLDW1388FCZZ	7- 14	AF	N	C
LHLDW2106SCZZ	10- 34	AB		C
LHLDW2133SCZZ	9- 83	AC		C
LHLDW7005SCZZ	10- 46	AB		C
LHLDW7011XCZZ	16- 10	AB		C
LHLDW7076SCZZ	17- 14	AB		C
LHLDZ0932FCYZ	37- 11	AD		C
LHLDZ1085FCZ1	4- 1	AD	N	C
LHLDZ1318FCZZ	8- 4	AK		C
LHLDZ1358FCZZ	33- 15	AD	N	C
LHLDZ1359FCZZ	2- 7	AL	N	C
LHLDZ1360FCZZ	2- 4	AH	N	C
LHLDZ1362FCZZ	9- 13	AE	N	C
LHLDZ1363FCZZ	9- 29	AD	N	C
LHLDZ1364FCZZ	9- 28	AD	N	C
LHLDZ1365FCZZ	26- 3	AL	N	C
LHLDZ1366FCZZ	26- 18	AL	N	C
LHLDZ1367FCZ1	13- 11	AF	N	C
LHLDZ1368FCZZ	9- 9	AL	N	C
LHLDZ1369FCZZ	37- 10	AP	N	C
LHLDZ1370FCZZ	37- 7	AH	N	C
LHLDZ1372FCZZ	38- 3	AL	N	C
LHLDZ1373FCZZ	38- 8	AK	N	C
LHLDZ1374FCZZ	16- 11	AH	N	C
LHLDZ1375FCZZ	16- 8	AH	N	C
LHLDZ1376FCZZ	10- 35	AL	N	C
LHLDZ1377FCZZ	39- 36	AD	N	C
LHLDZ1378FCZZ	33- 2	AF	N	C
LHLDZ1379FCZZ	33- 3	AF	N	C
LHLDZ1380FCZZ	15- 13	AC	N	C
LHLDZ1381FCZZ	6- 42	AL	N	C
LHLDZ1382FCZZ	8- 9	AR	N	C
LHLDZ1384FCZZ	36- 19	AE	N	C
LHLDZ1385FCZZ	2- 12	AF	N	C
LHLDZ1386FCZZ	17- 13	AK	N	C
LHLDZ1387FCZZ	7- 11	AH	N	C
LPFTF0096FCZZ	25- 29	AP	N	C
LPFTF0097FCZ1	13- 39	AP	N	C

PARTS CODE	NO.	PRICE RANK	NEW MARK	PART RANK
LPFTF0101FCZZ	13- 51	AP	N	C
LPiN-0026MCZZ	16- 15	AA		C
"	34- 3	AA		C
LPiN-0277FCZZ	1- 11	AB		C
LPiNS0075FCZZ	19- 17	AB		C
"	24- 4	AB		C
LPiNS0096FCZZ	16- 18	AB		C
"	24- 6	AB		C
"	25- 3	AB		C
"	27- 12	AB		C
"	28- 10	AB		C
"	30- 13	AB		C
LPiNS0134FCZZ	32- 8	AB		C
LPiNS0155FCZZ	27- 3	AA		C
LPiNS0255FCZZ	25- 30	AE		C
LPiNS0278FCZZ	29- 11	AB		C
LPiNS0292FCZZ	24- 32	AB		C
LPiNS0297FCZZ	13- 26	AB		C
LPiNS0317FCZZ	35- 18	AB	N	C
LPiNS0319FCZZ	35- 41	AB	N	C
LPiNS0320FCZZ	19- 19	AB	N	C
LPLTK5492FCZ1	39- 4	AE	N	D
LPLTK5492FCZ2	39- 4	AE	N	D
LPLTM2430FCZZ	15- 14	AC		C
LPLTM2573FCZ1	1- 6	AD		C
LPLTM4057FCZ1	35- 25	AH	N	C
LPLTM4057FCZZ	35- 42	AF		C
LPLTM4998FCZZ	6- 46	AF		C
LPLTM5162FCZZ	15- 19	AD		C
LPLTM5381FCZZ	10- 10	AK	N	C
LPLTM5384FCZZ	26- 5	AH	N	C
LPLTM5385FCZZ	26- 4	AK	N	C
LPLTM5386FCZZ	26- 11	AE	N	C
LPLTM5387FCZZ	26- 6	AE	N	C
LPLTM5391FCZZ	37- 3	AK	N	C
LPLTM5392FCZZ	37- 9	AH	N	C
LPLTM5393FCZZ	37- 14	AL	N	C
LPLTM5394FCZZ	34- 19	AD	N	C
LPLTM5395FCZZ	24- 28	AE	N	C
LPLTM5396FCZZ	16- 27	AL	N	C
LPLTM5397FCZZ	17- 24	AM	N	C
LPLTM5398FCZZ	10- 14	AR	N	C
LPLTM5399FCZZ	10- 11	AN	N	C
LPLTM5401FCZZ	1- 22	AY	N	C
LPLTM5410FCZ1	23- 18	AH	N	C
LPLTM5414FCZZ	39- 6	AS	N	C
LPLTM5415FCZZ	39- 20	AG	N	C
LPLTM5416FCZZ	39- 34	AH	N	C
LPLTM5417FCZZ	32- 13	AD	N	C
LPLTM5418FCZZ	31- 11	AH	N	C
LPLTM5420FCZZ	15- 2	AP	N	C
LPLTM5421FCZZ	15- 5	AT	N	C
LPLTM5422FCZZ	15- 28	AC	N	C
LPLTM5425FCZZ	6- 29	AG	N	C
LPLTM5426FCZZ	5- 55	AG	N	C
LPLTM5427FCZZ	5- 45	AG	N	C
LPLTM5429FCZZ	6- 49	AH	N	C
LPLTM5430FCZZ	6- 45	AP	N	C
LPLTM5434FCZZ	6- 5	AC	N	C
LPLTM5448FCZZ	9- 21	AE	N	C
LPLTM5451FCZZ	18- 39	AE	N	C
LPLTM5457FCZZ	35- 33	AE	N	C
LPLTM5463FCZZ	9- 31	AS	N	C
LPLTM5467FCZZ	33- 5	AD	N	C
LPLTM5470FCZZ	6- 50	AC	N	C
LPLTM5485FCZZ	5- 56	AE	N	C
LPLTM5488FCZZ	5- 40	AE	N	C
LPLTM5489FCZZ	10- 40	AE	N	C
LPLTM5493FCZZ	18- 43	AK	N	C
LPLTM5494FCZZ	9- 81	AE	N	C
LPLTM5495FCZZ	6- 31	AF	N	C
LPLTM5596FCZZ	5- 69	AH	N	C
LPLTM5601FCZZ	9- 17	AG	N	C
LPLTM5609FCZZ	9- 46	AF	N	C
LPLTP1015ACZZ	9- 84	AH		C
LPLTP5411FCZZ	39- 13	AQ	N	C
LPLTP5412FCZZ	39- 5	AP	N	C
LPLTP5413FCZZ	39- 16	AF	N	C
LPLTP5456FCZZ	18- 20	AH	N	C
LPLTP5472FCZZ	7- 23	AK	N	C
LPLTP5473FCZZ	7- 18	AL	N	C

PARTS CODE	NO.	PRICE RANK	NEW MARK	PART RANK
LRALM0147FCZZ	9- 48	AQ	N	C
LRALM0148FCZZ	24- 20	AM	N	C
LRALM0149FCZZ	9- 24	AG	N	C
LRALM0150FCZZ	9- 20	AG	N	C
LRALM0156FCZZ	5- 18	AH	N	C
LRALM0157FCZZ	5- 17	AG	N	C
LRALM0165FCZZ	13- 24	AF	N	C
LRALP0160FCZZ	9- 35	BA	N	C
LRALP0162FCZZ	14- 5	AG	N	C
LSOU-0164FCZZ	36- 5	AU	N	D
LSOU-0165FCZ1	36- 23	AU	N	D
LSOU-0166FCZZ	36- 15	AS	N	D
LSOU-0167FCZZ	36- 22	AU	N	D
LSTPF0172FCZZ	16- 39	AA		C
LSTPF0307FCZZ	16- 34	AB		C
LSTPP0275FCZZ	21- 22	AE		C
LSTPP0279FCZZ	32- 24	AB		C
"	33- 9	AB		C
"	35- 6	AB		C
LSTPP0314FCZZ	39- 23	AA		C
LSTPP0343FCZZ	31- 2	AD	N	C
LSTPP0344FCZZ	9- 72	AC	N	C
LSTPP0345FCZZ	9- 73	AC	N	C
LSTPT0138FCZZ	30- 19	AE		C
LSTYM0227FCZZ	13- 6	AK	N	C
LSTYM0228FCZZ	18- 32	AN	N	C
LSTYP0229FCZZ	22- 9	AY	N	C
LSUPP0060FCZZ	10- 15	AA		C
LSUPP0076FCZZ	10- 16	AA		C
LX-BZ0049FCZZ	6- 10	AB		C
LX-BZ0144FCZZ	22- 24	AB		C
LX-BZ0156FCZZ	9- 76	AA		C
LX-BZ0266FCZZ	6- 15	AB		C
LX-BZ0270FCZZ	17- 5	AC		C
LX-BZ0324FCZZ	6- 14	AA		C
LX-BZ0335FCZZ	5- 13	AA		C
"	8- 13	AA		C
LX-BZ0342FCZZ	16- 42	AB		C
LX-BZ0465FCZZ	5- 54	AA		C
"	6- 17	AA		C
"	25- 14	AA		C
LX-BZ0510FCZZ	9- 43	AB		C
LX-BZ0529FCZZ	14- 4	AA		C
LX-BZ0531FCZZ	39- 37	AA	N	C
LX-BZ0546FCZZ	38- 51	AC		C
LX-BZ0576FCZZ	25- 34	AC		C
"	26- 23	AC		C
LX-BZ0581FCZZ	11- 3	AB		C
"	31- 1	AB		C
LX-BZ0589FCZZ	23- 5	AA		C
LX-BZ0611FCZZ	13- 20	AB		C
LX-BZ0618FCZZ	6- 20	AA		C
"	8- 1	AA		C
LX-BZ0656FCZZ	13- 44	AD		C
LX-BZ0661FCZZ	34- 13	AC		C
LX-BZ0670FCZZ	22- 16	AC		C
"	25- 7	AC		C
"	26- 26	AC		C
"	27- 8	AC		C
"	30- 7	AC		C
LX-BZ0684FCZZ	9- 88	AB		C
LX-BZ0711FCZZ	16- 22	AA		C
LX-BZ0776FCZZ	4- 23	AG		C
"	4- 24	AG		C
LX-BZ0780FCZZ	18- 17	AC		C
LX-BZ0787FCZZ	40- 10	AH		C
LX-BZ0829FCZZ	28- 14	AB	N	C
LX-BZ0833FCZZ	39- 22	AC	N	C
LX-BZ0837FCZZ	9- 37	AC	N	C
LX-BZ0841FCZZ	9- 26	AD	N	C
LX-BZ0842FCZZ	4- 24	AG	N	C
LX-BZ0843FCZZ	9- 15	AC	N	C
"	29- 1	AC	N	C
LX-BZ0844FCZZ	23- 16	AB	N	C
LX-BZ0845FCZZ	29- 4	AC	N	C
LX-BZ1022LCZZ	5- 66	AB		C
LX-BZ4008SC0M	37- 12	AA		C
LX-BZ5056BCZZ	18- 42	AA		C
LX-NZ0032FCZZ	42- 2	AA		C
LX-NZ0088FCZZ	1- 46	AC		C
LX-WZ0042FCZZ	23- 13	AA		C

PARTS CODE	NO.	PRICE RANK	NEW MARK	PART RANK
LX-WZ0066FCZZ	13- 19	AA		C
LX-WZ0070FCZZ	23- 10	AA		C
LX-WZ0075FCZZ	34- 4	AA		C
LX-WZ0225FCZZ	14- 33	AA		C
LX-WZ0278FCZZ	15- 24	AA		C
LX-WZ0310FCZZ	13- 37	AB		C
LX-WZ0326FCZZ	40- 9	AA		C
LX-WZ0328FCZZ	19- 14	AA		C
LX-WZ1003HCZZ	8- 3	AA		C
LX-WZ2028SCZZ	22- 8	AA		C
//	39- 9	AA		C
[M]				
MARMP0147FCZ1	4- 7	AL	N	C
MARMP0148FCZ1	4- 10	AL	N	C
MARMP0151FCZZ	14- 2	AB		C
MARMP0241FCZZ	21- 2	AC	N	C
MARMP0242FCZZ	21- 4	AC	N	C
MARMP0243FCZZ	36- 51	AD	N	C
MARMP0244FCZZ	32- 30	AD	N	C
MARMP0246FCZZ	32- 5	AE	N	C
MARMP0247FCZZ	32- 14	AD	N	C
MARMP0248FCZZ	33- 25	AE	N	C
MARMP0250FCZZ	35- 19	AC	N	C
MARMP0251FCZZ	21- 6	AD	N	C
MHNG-0200FCZZ	9- 78	AE	N	C
MHNG-0202FCZZ	9- 49	AD	N	C
MHNG-0203FCZZ	9- 23	AD	N	C
MJNTM0020FCZZ	25- 33	AM	N	C
MLEVF0741FCZZ	17- 17	AG	N	C
MLEVF0742FCZZ	17- 20	AG	N	C
MLEVP0588FCZZ	35- 16	AB		C
MLEVP0601FCZZ	35- 29	AC		C
MLEVP0678FCWZ	19- 2	AL	N	C
MLEVP0695FCZZ	35- 28	AC		C
MLEVP0734FCZ1	36- 18	AF	N	D
MLEVP0743FCZZ	26- 10	AE	N	C
MLEVP0744FCZZ	13- 35	AF	N	C
MLEVP0745FCZZ	13- 33	AC	N	C
MLEVP0746FCZZ	34- 17	AE	N	C
MLEVP0747FCZZ	24- 30	AG	N	C
MLEVP0748FCZZ	24- 26	AF	N	C
MLEVP0749FCZZ	16- 31	AD	N	C
MLEVP0750FCZZ	17- 22	AF	N	C
MLEVP0751FCZZ	17- 21	AF	N	C
MLEVP0752FCZZ	21- 3	AH	N	C
MLEVP0754FCZZ	39- 18	AF	N	C
MLEVP0755FCZZ	39- 14	AG	N	C
MLEVP0758FCZZ	22- 3	AE	N	C
MLEVP0759FCZZ	22- 5	AD	N	C
MLEVP0761FCZZ	35- 7	AD	N	C
MLEVP0762FCZZ	35- 10	AD	N	C
MLEVP0764FCZZ	33- 26	AD	N	C
MSL i-0132FCZZ	9- 52	AX	N	C
MSL i-0133FCZZ	9- 53	AX	N	C
MSPRC1954FCZ1	16- 21	AC		C
MSPRC2114FCZZ	36- 9	AB		D
MSPRC2378FCZZ	31- 3	AC		C
MSPRC2382FCZZ	35- 37	AG		C
MSPRC2603FCZZ	6- 25	AD	N	C
MSPRC2605FCZZ	19- 22	AC	N	C
MSPRC2612FCZZ	1- 14	AC	N	C
MSPRC2613FCZZ	26- 17	AD	N	C
MSPRC2614FCZZ	25- 26	AC	N	C
MSPRC2615FCZZ	25- 9	AC	N	C
MSPRC2616FCZZ	29- 6	AC	N	C
MSPRC2617FCZZ	11- 4	AC	N	C
MSPRC2618FCZ1	30- 4	AC	N	C
MSPRC2619FCZZ	30- 9	AC	N	C
MSPRC2620FCZZ	13- 15	AD	N	C
MSPRC2622FCZZ	13- 10	AB	N	C
MSPRC2623FCZZ	13- 34	AB	N	C
MSPRC2624FCZZ	34- 18	AC	N	C
MSPRC2625FCZZ	34- 10	AC	N	C
MSPRC2627FCZZ	24- 34	AC	N	C
MSPRC2628FCZZ	24- 27	AB	N	C
MSPRC2629FCZZ	16- 26	AC	N	C
MSPRC2630FCZZ	17- 26	AB	N	C
MSPRC2631FCZZ	17- 19	AC	N	C
MSPRC2633FCZZ	22- 4	AB	N	C
MSPRC2634FCZZ	21- 8	AB	N	C
MSPRC2635FCZZ	21- 5	AB	N	C

PARTS CODE	NO.	PRICE RANK	NEW MARK	PART RANK
MSPRC2636FCZZ	22- 6	AB	N	C
MSPRC2637FCZZ	21- 15	AC	N	C
MSPRC2638FCZZ	23- 3	AC	N	C
MSPRC2639FCZZ	23- 36	AB	N	C
MSPRC2640FCZZ	39- 15	AC	N	C
MSPRC2641FCZ1	39- 17	AB	N	C
MSPRC2642FCZZ	39- 26	AB	N	C
MSPRC2645FCZZ	33- 16	AB	N	C
MSPRC2646FCZZ	32- 15	AB	N	C
MSPRC2647FCZZ	33- 30	AB	N	C
MSPRC2650FCZZ	32- 29	AB	N	C
MSPRC2655FCZZ	19- 24	AB	N	C
MSPRC2656FCZZ	19- 6	AC	N	C
MSPRC2657FCZZ	18- 1	AB	N	C
MSPRC2658FCZZ	35- 14	AC		C
MSPRC2662FCZZ	9- 44	AB	N	C
MSPRC2666FCZZ	18- 7	AC	N	C
MSPRC2667FCZZ	18- 9	AC	N	C
MSPRC2669FCZZ	39- 33	AB	N	C
MSPRC2674FCZZ	35- 34	AC	N	C
MSPRC2686FCZZ	31- 10	AC	N	C
MSPRC2687FCZZ	21- 14	AB	N	C
MSPRC2688FCZZ	23- 40	AC	N	C
MSPRC2692FCZZ	16- 28	AB	N	C
MSPRC2699FCZZ	35- 17	AC	N	C
MSPRC2700FCZZ	23- 27	AB	N	C
MSPRC2703FCZ1	23- 49	AD	N	C
MSPRC2710FCZZ	22- 23	AD	N	C
MSPRC2712FCZZ	23- 41	AC	N	C
MSPRP1293FCZZ	26- 2	AB		C
MSPRP1550FCZZ	38- 4	AA		C
MSPRP2101FCZZ	7- 20	AC		C
MSPRP2362FCZZ	35- 26	AC		C
MSPRP2411FCZZ	9- 67	AS		C
MSPRP2608FCZZ	25- 16	AD	N	C
MSPRP2609FCZZ	24- 19	AE	N	C
MSPRT0513FCZZ	38- 2	AA		C
MSPRT0735FCZZ	23- 12	AA		C
MSPRT1563FCZZ	4- 4	AC		C
[N]				
NBLTH0292FCZZ	6- 8	AF	N	B
NBLTH0293FCZZ	11- 9	AK	N	B
NBLTH0294FCZZ	28- 21	AH	N	B
NBLTH0297FCZZ	19- 13	AG	N	B
NBLTH0298FCZZ	19- 32	AG	N	B
NBLTH0312FCZZ	24- 8	AK	N	B
NBRGC0037FCZ1	23- 2	AC		C
NBRGC0066FCZ1	23- 8	AE	N	C
NBRGC0133FCZ1	23- 19	AC		C
//	24- 5	AC		C
NBRGC0133FCZZ	26- 21	AC		C
NBRGC0150FCZZ	19- 8	AD		C
NBRGC0387FCZZ	29- 8	AB		C
NBRGC0580FCZZ	15- 10	AG		C
NBRGC0594FCZZ	23- 39	AD	N	C
NBRGC2019SCZZ	27- 4	AC		C
NBRGC7001XCZZ	24- 37	AH		C
//	30- 16	AH		C
NBRGM0096FCZ1	16- 16	AB		C
//	19- 10	AB		C
NBRGM1040HCZZ	32- 9	AC		C
//	33- 14	AC		C
NBRGP0191FCZZ	22- 13	AB		C
//	39- 30	AB		C
NBRGP0299FCZZ	14- 10	AC		C
NBRGP0321FCZZ	13- 30	AD		C
//	34- 5	AD		C
NBRGP0322FCZZ	13- 25	AC		C
//	34- 7	AC		C
NBRGP0549FCZZ	35- 12	AC		C
NBRGP0588FCZZ	21- 7	AC	N	C
NBRGP0589FCZZ	15- 16	AK	N	C
NBRGY0093FCZZ	25- 27	AK		B
NBRGY0131FCZZ	30- 10	AM		C
NBRGY0466FCZZ	6- 30	AK		B
//	25- 6	AK		B
//	28- 8	AK		B
NBRGY0513FCZZ	17- 10	AK		B
NBRGY0599FCZZ	16- 36	AU	N	C
NBRGY7014SCZZ	15- 33	AB	N	B
NCPL-0007FCZZ	29- 5	AC		C

PARTS CODE	NO.	PRICE RANK	NEW MARK	PART RANK
NCPL-0031FCZ1	28- 15	AD	N	C
NCPL-0032FCZZ	28- 20	AD	N	C
NCPL-0033FCZ1	23- 6	AC	N	C
NCPL-0040FCZZ	25- 25	AL	N	C
NFANP0047FCZZ	9- 51	AY	N	B
NFANP0048FCZZ	10- 7	AY	N	B
NFANP0049FCZZ	24- 23	AZ	N	B
NFANP0051FCZZ	5- 6	BA	N	B
NFANP0053FCZZ	9- 3	BA	N	B
NFLY-0007FCZZ	11- 10	AQ	N	C
NGERH0070FCZZ	27- 21	AD		C
NGERH0071FCZZ	27- 23	AD		C
NGERH0111FCZZ	27- 2	AD		C
NGERH0140FCZZ	28- 2	AC		C
NGERH0193FCZZ	39- 10	AB		C
NGERH0209FCZ1	19- 18	AB		C
NGERH0349FCZZ	25- 12	AC		C
"	27- 14	AC		C
"	30- 17	AC		C
NGERH0408FCZZ	34- 2	AB		C
NGERH0457FCZZ	27- 9	AC		C
NGERH0483FCZZ	28- 7	AB		C
NGERH0742FCZZ	25- 18	AB		C
NGERH0863FCZZ	16- 14	AB		C
NGERH1040FCZZ	15- 7	AD		C
NGERH1062FCZZ	25- 11	AE		C
NGERH1074FCZZ	13- 27	AD		C
NGERH1214FCZZ	16- 38	AP		C
NGERH1231FCZZ	25- 22	AQ	N	C
NGERH1232FCZZ	25- 20	AQ	N	C
NGERH1233FCZZ	25- 31	AP	N	C
NGERH1234FCZZ	25- 23	AF	N	C
NGERH1235FCZZ	25- 24	AF	N	C
NGERH1236FCZZ	25- 21	AF	N	C
NGERH1237FCZZ	25- 13	AD	N	C
NGERH1238FCZZ	25- 8	AD	N	C
NGERH1239FCZZ	25- 19	AE	N	C
NGERH1240FCZZ	29- 9	AD	N	C
NGERH1241FCZZ	27- 22	AE	N	C
NGERH1242FCZZ	27- 20	AF	N	C
NGERH1243FCZZ	27- 19	AF	N	C
NGERH1244FCZZ	28- 6	AE	N	C
NGERH1245FCZZ	28- 9	AF	N	C
NGERH1246FCZZ	28- 17	AE	N	C
NGERH1247FCZZ	28- 22	AE	N	C
NGERH1248FCZZ	27- 11	AF	N	C
NGERH1249FCZZ	30- 12	AD	N	C
NGERH1250FCZZ	30- 2	AD	N	C
NGERH1251FCZZ	30- 8	AD	N	C
NGERH1252FCZZ	30- 5	AD	N	C
NGERH1253FCZZ	14- 22	AD	N	C
NGERH1254FCZZ	14- 23	AD	N	C
NGERH1255FCZZ	14- 20	AD	N	C
NGERH1256FCZZ	24- 7	AE	N	C
NGERH1258FCZZ	32- 7	AD	N	C
NGERH1259FCZZ	32- 10	AD	N	C
NGERH1260FCZZ	32- 20	AD	N	C
NGERH1261FCZZ	32- 11	AM	N	C
"	33- 19	AM	N	C
NGERH1262FCZZ	32- 22	AM	N	C
NGERH1263FCZZ	32- 26	AC	N	C
"	35- 2	AC	N	C
NGERH1266FCZZ	15- 20	AD	N	C
NGERH1267FCZZ	15- 21	AD	N	C
NGERH1274FCZZ	35- 5	AC	N	C
NGERH1275FCZZ	35- 9	AM	N	C
NGERH1279FCZZ	25- 17	AE	N	C
NGERH1282FCZZ	36- 13	AD	N	D
NGERK1272FCZZ	39- 27	AF	N	C
NGERR1273FCZZ	36- 11	AD	N	C
NPLYZ0146FCZZ	19- 33	AB		C
NPLYZ0167FCZZ	6- 19	AF		C
"	8- 2	AF		C
NPLYZ0172FCZ1	6- 11	AL		C
NPLYZ0181FCZZ	6- 3	AB		C
NPLYZ0202FCZZ	30- 20	AF		C
NPLYZ0254FCZZ	19- 16	AD		C
NPLYZ0259FCZZ	26- 15	AC		C
NPLYZ0278FCZ1	25- 2	AD		C
NPLYZ0285FCZ1	28- 13	AE		C
NPLYZ0336FCZZ	28- 16	AE	N	C

PARTS CODE	NO.	PRICE RANK	NEW MARK	PART RANK
NPLYZ0337FCZZ	28- 19	AE	N	C
NPLYZ0338FCZZ	6- 9	AN	N	C
NPLYZ0339FCZZ	19- 12	AL	N	C
NPLYZ0340FCZZ	6- 16	AC		C
NRÖLi1206FCZZ	17- 11	BG	N	C
NRÖLM1207FCZZ	23- 4	AW	N	C
NRÖLM1208FCZZ	15- 12	BF	N	C
NRÖLP0512FCZZ	23- 29	AB		C
NRÖLP0833FCZ1	24- 12	AC		C
NRÖLP0896FCZZ	18- 5	AC		C
"	21- 12	AC		C
NRÖLP1010FCZZ	24- 3	AC		C
NRÖLP1210FCZZ	14- 15	AK	N	C
NRÖLP1211FCZZ	14- 12	AT	N	C
NRÖLP1212FCZZ	15- 22	AS	N	E
NRÖLP1213FCZZ	15- 18	AS	N	E
NRÖLP1214FCZ1	18- 3	AD	N	C
NRÖLR1215FCZZ	22- 14	AS	N	C
NRÖLR1216FCZ1	23- 9	AY	N	C
NRÖLR1217FCZZ	23- 35	AT	N	C
NRÖLR1218FCZZ	35- 8	AL	N	C
NRÖLR1219FCZZ	35- 1	AL	N	C
NRÖLR1220FCZZ	33- 10	AL	N	C
NRÖLR1226FCZZ	19- 20	AQ	N	C
NRÖLR1227FCZZ	19- 23	AR	N	C
NRÖLR1229FCZZ	35- 32	AL	N	C
NRÖLR1240FCZZ	32- 25	AL	N	C
NRÖLR1241FCZZ	32- 23	AL	N	C
NRÖLT1228FCZZ	16- 37	BF	N	C
NSFTZ1595FCZZ	31- 4	AD		C
NSFTZ1805FCZZ	4- 2	AE		C
NSFTZ2444FCZZ	6- 13	AL	N	C
NSFTZ2445FCZZ	25- 28	AN	N	C
NSFTZ2446FCZZ	26- 24	AL	N	C
NSFTZ2447FCZZ	25- 10	AL	N	C
NSFTZ2448FCZZ	29- 10	AK	N	C
NSFTZ2449FCZZ	27- 5	AH	N	C
NSFTZ2450FCZZ	27- 10	AK	N	C
NSFTZ2451FCZZ	27- 16	AK	N	C
NSFTZ2452FCZZ	30- 14	AL	N	C
NSFTZ2454FCZZ	27- 13	AH	N	C
NSFTZ2455FCZZ	27- 18	AH	N	C
NSFTZ2456FCZZ	28- 11	AK	N	C
NSFTZ2457FCZZ	27- 17	AH	N	C
NSFTZ2458FCZZ	24- 1	AM	N	C
NSFTZ2459FCZZ	24- 13	AH	N	C
NSFTZ2460FCZZ	24- 35	AP	N	C
NSFTZ2461FCZZ	16- 23	AM	N	C
NSFTZ2462FCZZ	22- 2	AG	N	C
NSFTZ2463FCZZ	22- 18	AG	N	C
NSFTZ2464FCZZ	21- 13	AN	N	C
NSFTZ2465FCZ1	23- 30	AH	N	C
NSFTZ2466FCZZ	39- 29	AR	N	C
NSFTZ2467FCZZ	39- 24	AF	N	C
NSFTZ2468FCZZ	32- 21	AM	N	C
NSFTZ2469FCZZ	33- 17	AL	N	C
NSFTZ2471FCZZ	33- 8	AH	N	C
NSFTZ2472FCZZ	32- 27	AH	N	C
NSFTZ2480FCZZ	18- 4	AH	N	C
NSFTZ2482FCZZ	19- 3	AU	N	C
NSFTZ2483FCZZ	35- 3	AE	N	C
NSFTZ2484FCZZ	35- 39	AF	N	C
NSFTZ2485FCZZ	35- 13	AP	N	C
NSFTZ2491FCZZ	18- 6	AH	N	C
NSFTZ2493FCZ1	33- 29	AH	N	C
NSFTZ2501FCZZ	9- 11	AR	N	C
NSRW-0028FCZZ	13- 29	AK	N	C
NSRW-0029FCZZ	34- 6	AH	N	C
[P]				
PBOX-0116FCZZ	15- 29	AU	N	D
PBOX-0117FCZZ	14- 28	AZ	N	C
PBRSS0192FCZZ	18- 8	AH	N	B
PCASZ0285FCZZ	38- 13	AL	N	C
PCASZ0286FCZZ	38- 14	AK	N	C
PCLC-0274FCZZ	26- 22	AW	N	B
PCLC-0275FCZZ	27- 6	AW	N	B
PCLC-0276FCZZ	27- 15	AW	N	B
PCLC-0277FCZZ	33- 11	AS	N	B
PCLC-0279FCZZ	35- 23	AV	N	B
PCLR-0259FCZZ	23- 11	AB		C
PCLR-0373FCBZ	35- 38	AD		C



PARTS CODE	NO.	PRICE RANK	NEW MARK	PART RANK
PCLR-0441FCZZ	9- 38	AK	N	C
PCLR-0442FCZZ	22- 17	AD	N	C
PCLR-0446FCZZ	19- 15	AD	N	C
PCOVP0911FCZ1	4- 21	AC	N	C
PCOVP0941FCZ1	4- 22	AC	N	C
PCOVP1142FCZZ	35- 36	AC		C
PCOVP1184FCZ1	13- 13	AC		C
PCOVP1428FCZZ	1- 39	AZ	N	D
PCOVP1429FCZZ	1- 40	AP	N	D
PCOVP1430FCZZ	1- 15	AQ	N	C
PCOVP1431FCZZ	1- 42	AK	N	D
PCOVP1432FCZZ	26- 20	AH	N	C
PCOVP1433FCZZ	13- 1	AP	N	C
PCOVP1436FCZZ	38- 5	AC	N	C
PCOVP1437FCZZ	38- 6	AC	N	C
PCOVP1438FCZZ	14- 7	AT	N	D
PCOVP1439FCZZ	24- 21	AF	N	C
PCOVP1440FCZZ	24- 29	AL	N	C
PCOVP1441FCZZ	17- 2	AZ	N	C
PCOVP1442FCZZ	16- 30	AR	N	C
PCOVP1451FCZZ	39- 2	AH	N	C
PCOVP1452FCZZ	14- 51	AG	N	D
PCOVP1454FCZZ	15- 51	AG	N	D
PCOVP1455FCZZ	5- 4	AP	N	C
PCOVP1456FCZZ	5- 30	AK	N	C
PCOVP1456FCZZ	5- 9	AL	N	C
PCOVP1460FCZ1	18- 19	AN	N	C
PCOVP1469FCZZ	21- 19	AF	N	C
PCOVP1470FCZZ	5- 68	AS	N	C
PCOVW0829FCZZ	42- 3	AC		C
PCUSF0334FCZZ	7- 8	AP		C
PCUSG0359FCZZ	21- 21	AC	N	C
PCUSS0201FCZZ	8- 8	AA		C
PCUSS1021LCZZ	5- 65	AC		C
PCUSU0203FCZZ	7- 19	AE		C
PDUC-0147FCZZ	10- 3	AH	N	D
PDUC-0148FCZZ	9- 54	AW	N	D
PDUC-0149FCZZ	9- 58	AR	N	D
PDUC-0150FCZZ	10- 6	AL	N	D
PDUC-0151FCZZ	9- 69	AG	N	D
PFLD0263FCZZ	10- 37	AL	N	B
PFLW0264FCZZ	2- 15	AD	N	C
PFLZ0265FCZ1	9- 62	BA	N	B
PFTA-0117FCZZ	14- 1	AE		C
PFTA-0118FCZZ	14- 3	AE		C
PFTA-0119FCZZ	14- 1	AE		C
PFTA-0120FCZZ	14- 3	AE		C
PFTA-0135FCZZ	1- 20	AE	N	D
PGiDH0816FCZZ	6- 23	AC		C
PGiDH1782FCZZ	34- 12	AR	N	C
PGiDH1783FCZZ	24- 10	AM	N	C
PGiDH1784FCZZ	17- 9	AK	N	C
PGiDH1785FCZZ	23- 31	AM	N	C
PGiDH1786FCZZ	23- 24	AF	N	C
PGiDH1787FCZZ	23- 38	AM	N	C
PGiDH1788FCZZ	23- 37	AM	N	C
PGiDH1789FCZZ	23- 47	AH	N	C
PGiDH1790FCZ1	23- 23	AF	N	C
PGiDH1792FCZZ	5- 58	AF	N	C
PGiDH1793FCZZ	5- 52	AG	N	C
PGiDH1796FCZZ	18- 30	AL	N	C
PGiDH1797FCZZ	18- 10	AP	N	C
PGiDH1833FCZZ	39- 11	AC	N	C
PGiDM1799FCZZ	38- 12	AL	N	C
PGiDM1800FCZZ	11- 17	AK	N	C
PGiDM1802FCZZ	22- 20	AK	N	C
PGiDM1803FCZZ	22- 1	AK	N	C
PGiDM1804FCZZ	21- 9	AQ	N	C
PGiDM1805FCZZ	21- 17	AR	N	C
PGiDM1806FCZZ	36- 1	AE	N	C
PGiDM1807FCZZ	36- 2	AE	N	C
PGiDM1808FCZZ	32- 18	AG	N	C
PGiDM1809FCZZ	32- 4	AF	N	C
PGiDM1810FCZZ	33- 23	AP	N	C
PGiDM1811FCZZ	33- 28	AG	N	C
PGiDM1816FCZZ	19- 25	AQ	N	C
PGiDM1817FCZ1	19- 21	AR	N	C
PGiDM1818FCZZ	19- 28	AK	N	C
PGiDM1819FCZZ	19- 30	AQ	N	C
PGiDM1825FCZ1	35- 30	AN	N	C
PGiDM1827FCZZ	11- 14	AH	N	C

PARTS CODE	NO.	PRICE RANK	NEW MARK	PART RANK
PGiDM1837FCZZ	18- 41	AC	N	C
PGiDM1839FCZZ	16- 41	AQ	N	C
PGiDW1824FCZZ	36- 14	AC	N	C
PGLSP0074FCZZ	1- 34	BA		B
PGLSP0092FCZZ	5- 22	AV	N	B
PGSK-0016FCZZ	6- 38	AG		C
PGSK-0025FCZZ	5- 10	AS	N	C
PGSK-0026FCZZ	6- 35	AG	N	C
PGSK-0027FCZZ	6- 36	AX	N	C
PGSK-0028FCZZ	6- 32	AF	N	C
PGSK-1002LCZZ	6- 48	AC		C
PGSK-2016HCZZ	5- 57	AR		C
PGUMS0147FCZZ	5- 28	AA		C
PGUMS0182FCZZ	9- 33	AC		C
PGUMS0228FCZZ	5- 25	AA		C
PGUMS0273FCZZ	5- 26	AB	N	C
PHOG-0346FCZZ	10- 57	AB		C
PKAI-1080CESA	1- 16	AE		C
PMAGT0015FCZZ	1- 41	AD		B
PMAGT0072FCZZ	9- 41	AF		B
PMAGT0088FCZZ	36- 10	AF	N	B
PMIR-0155FCZZ	8- 12	AP	N	B
PMIR-0156FCZZ	7- 15	AS	N	B
PMLT-1132FCZZ	14- 26	AC	N	C
PMLT-1133FCZZ	14- 24	AC	N	C
PMLT-1134FCZZ	14- 25	AC	N	C
PMLT-1135FCZZ	14- 27	AC	N	C
PMLT-1136FCZZ	14- 9	AC	N	C
PMLT-1137FCZZ	14- 36	AB	N	C
PMLT-1141FCZZ	14- 35	AC	N	C
PMLT-1142FCZZ	14- 30	AD	N	C
PMLT-1145FCZZ	14- 31	AA	N	C
PMLT-1154FCZZ	15- 32	AA	N	C
PMLT-1161FCZ1	13- 49	AD	N	C
PMLT-1162FCZ1	13- 48	AD	N	C
PMLT-1163FCZZ	13- 7	AC	N	C
PMLT-1167FCZZ	21- 24	AF	N	C
PMLT-1168FCZZ	21- 25	AB	N	C
PMLT-1169FCZZ	21- 26	AC	N	C
PMLT-1184FCZZ	14- 37	AA	N	C
PPiPP0197FCZZ	13- 17	AF	N	C
PPiPP0198FCZZ	34- 8	AS	N	C
PPiPP0199FCZZ	33- 18	AD	N	C
PPiPP0200FCZZ	40- 46	AN	N	C
PRDAF0071FCZZ	49- 2	AK		C
PREFL0168FCZZ	7- 2	AP	N	C
PRNG-0100FCZZ	15- 17	AD	N	C
PRNGP0015FCZZ	15- 11	AF		C
PRNGP0077FCZZ	21- 23	AA		C
PRNGP0081FCZZ	22- 12	AA		C
PRNGP0081FCZZ	36- 52	AA		C
PSEL-0749FCZ1	13- 23	AG	N	C
PSEL-0750FCZ1	13- 22	AG	N	C
PSEL-0751FCZZ	14- 11	AC	N	C
PSEL-0753FCZZ	24- 9	AC	N	C
PSEL-0754FCZ1	15- 31	AE	N	C
PSEL-0755FCZ1	15- 30	AE	N	C
PSEL-0763FCZZ	14- 8	AG	N	C
PSEL-0764FCZZ	9- 60	AE	N	C
PSEL-0765FCZZ	9- 61	AE	N	C
PSHEP1804FCZZ	10- 59	AB		C
PSHEP4529FCZZ	10- 18	AD	N	C
PSHEP4546FCZZ	6- 40	AE	N	C
PSHEP4547FCZZ	5- 27	AB	N	C
PSHEP4553FCZZ	2- 8	AQ	N	C
PSHEP4554FCZZ	2- 8	AQ	N	C
PSHEP4604FCZZ	1- 23	AE	N	C
PSHEP4617FCZZ	15- 34	AD	N	C
PSHEP4626FCZZ	22- 26	AE	N	C
PSHEP4655FCZZ	9- 64	AC	N	C
PSHEP4664FCZZ	38- 15	AD	N	C
PSHEP4666FCZZ	9- 16	AC	N	C
PSHEZ1394FCZZ	40- 35	AC		D
PSHEZ2097FCZZ	40- 3	AF		C
PSHEZ3130FCZZ	39- 7	AB		C
PSHEZ4513FCZZ	5- 29	AB	N	C
PSHEZ4518FCZZ	14- 18	AG	N	C
PSHEZ4519FCZZ	14- 17	AG	N	C
PSHEZ4520FCZ1	23- 22	AE	N	C
PSHEZ4521FCZZ	23- 25	AF	N	C
PSHEZ4523FCZZ	15- 3	AB	N	C

PARTS CODE	NO.	PRICE RANK	NEW MARK	PART RANK
PSHEZ4524FCZZ	33- 22	AC	N	C
PSHEZ4525FCZZ	33- 21	AC	N	C
PSHEZ4530FCZZ	8- 11	AD	N	C
PSHEZ4555FCZZ	2- 27	AH	N	C
"	40- 41	AH	N	C
PSHEZ4556FCZZ	2- 27	AH	N	C
"	40- 41	AH	N	C
PSHEZ4557FCZZ	2- 27	AH	N	C
"	40- 41	AH	N	C
PSHEZ4558FCZZ	2- 27	AH	N	C
PSHEZ4559FCZZ	2- 27	AH	N	C
PSHEZ4560FCZZ	2- 27	AH	N	C
PSHEZ4561FCZZ	2- 27	AH	N	C
PSHEZ4562FCZZ	2- 27	AE	N	C
"	40- 41	AE	N	C
PSHEZ4563FCZZ	2- 27	AE	N	C
"	40- 41	AE	N	C
PSHEZ4564FCZZ	2- 27	AE	N	C
"	40- 41	AE	N	C
PSHEZ4565FCZZ	2- 27	AE	N	C
PSHEZ4566FCZZ	2- 27	AE	N	C
PSHEZ4567FCZZ	2- 27	AE	N	C
PSHEZ4568FCZZ	2- 27	AE	N	C
PSHEZ4605FCZZ	9- 55	AK	N	C
PSHEZ4616FCZZ	31- 13	AP	N	C
PSHEZ4618FCZZ	18- 44	AN	N	C
PSHEZ4629FCZZ	9- 85	AC	N	C
PSHEZ4656FCZZ	9- 86	AC	N	C
PSHT-0074FCZZ	13- 16	AF	N	C
PSHT-0075FCZZ	34- 9	AF	N	C
PSLDH0178FCZZ	4- 8	AD		C
PSPAZ1410FCZZ	18- 34	AB	N	C
PSPAZ1413FCZZ	42- 4	AC	N	C
PSPAZ1415FCZZ	5- 70	AC	N	C
PTME-0168FCZZ	16- 29	AF		C
PTME-0174FCZ1	17- 25	AG		C
PTME-0225FCZZ	13- 36	AC		C
PTME-0269FCZZ	19- 5	AD	N	C
PTME-0271FCZZ	36- 8	AD	N	C
PTME-0272FCZZ	39- 35	AG	N	C
PTME-0273FCZZ	39- 38	AG	N	C
PTPE-0243FCZZ	39- 12	AD	N	C
PTPE-0248FCZZ	6- 39	AF	N	C
PTUBP0124FCZZ	19- 35	AC	N	C
PWiR-0186FCZZ	6- 1	AS	N	C
[Q]				
QACCE7422QCZZ	10- 24	BB		B
QACCJ3410QCZZ	10- 24	AS		B
QACCL8421QCN1	10- 24	AX		B
QACCV6420QCN2	10- 24	AU		B
QCNCM0542FCZZ	51- 1	AC		C
QCNCM0672FCZZ	49- 3	AB		C
QCNCM0895FCZZ	49- 4	AG		C
QCNCM0964FCZZ	41- 2	AG		C
QCNCM0965FCZZ	41- 3	AG		C
QCNCM0966FCZZ	41- 4	AG		C
QCNCM0967FCZZ	41- 5	AG		C
QCNCM0972FCZZ	42- 5	AH		C
QCNCM0974FCZZ	42- 6	AK		C
QCNCM0976FCZZ	46- 1	AD	N	C
QCNCM0977FCZZ	46- 2	AF	N	C
"	47- 1	AF	N	C
QCNCM0978FCZZ	47- 2	AF	N	C
QCNCM0979FCZZ	45- 2	AF	N	C
QCNCM0980FCZZ	45- 3	AF	N	C
QCNCM0981FCZZ	45- 4	AF	N	C
QCNCM0982FCZZ	45- 5	AF	N	C
QCNCM0983FCZZ	45- 6	AF	N	C
QCNCM0984FCZZ	45- 7	AD	N	C
QCNCM0985FCZZ	45- 8	AE	N	C
QCNCM0989FCZZ	49- 5	AG		C
QCNCM0990FCZZ	42- 7	AE		C
QCNCM0991FCZZ	42- 8	AG		C
QCNCM0996FCZZ	41- 6	AF		C
QCNCM0997FCZZ	46- 3	AD	N	C
QCNCM0998FCZZ	42- 9	AF		C
QCNCM0999FCZZ	10- 9	AC	N	C
QCNCM1000FCZZ	9- 87	AC	N	C
QCNCM1015FCZZ	42- 10	AG		C
QCNCM7014SC0F	50- 1	AB		C
QCNCM7014SC0i	41- 7	AB		C

PARTS CODE	NO.	PRICE RANK	NEW MARK	PART RANK
QCNCM7014SC1C	41- 8	AC		C
"	50- 2	AC		C
QCNCW0382FCZZ	41- 9	AE		C
QCNCW0399FCZZ	48- 1	AB		C
QCNCW0458FCZZ	49- 6	AD		C
QCNCW0759FCZZ	48- 2	AC		C
QCNCW0885FCZZ	41- 10	AG		C
QCNCW0948FCZ3	50- 3	AC		C
QCNCW1020FCZZ	42- 11	AF	N	C
QCNCW7036XC5J	42- 12	AP		C
QCNCW7191RC1B	45- 10	AG	N	C
QCNCW-0001QCZZ	10- 24	AN		C
QCNCW-0151FCZZ	5- 15	AF	N	C
QCNCW-0152FCZZ	5- 16	AG	N	C
QEARP0097FCZZ	2- 6	AD	N	C
QFS-B0030FCZZ	49- 10	AH		A
QFS-C1500QCZZ	49- 10	AF		A
QFSDH0026FCZZ	49- 13	AC		C
QPLGA0001QCZZ	10- 24	AN		B
QPLGA0003QCZZ	10- 24	AN		B
QPLGA4171CCZZ	10- 24	AN		B
QSLP-0190FCZZ	37- 8	AE	N	C
QSLP-0191FCZZ	37- 6	AE	N	C
QSLP-0193FCZZ	38- 9	AF	N	C
QSOCZ0069FCZZ	42- 13	AL	N	C
QSOCZ0070FCZZ	42- 14	AN		C
QSOCZ0071FCZZ	41- 11	AP		C
"	45- 11	AP		C
QSOCZ6428ACZZ	42- 15	AE		C
QSW-L0515FCZZ	36- 16	AR	N	B
QSW-M0319FCZZ	9- 39	AG		B
QSW-M0502FCZZ	2- 10	AH		B
QSW-M0518FCZZ	18- 25	AH	N	B
QSW-P0465FCZZ	46- 4	AC		B
"	47- 3	AC		B
QSW-P0469FCZZ	46- 5	AD		B
QSW-P0506FCZZ	23- 32	AP	N	C
QSW-Z0507FCZZ	18- 12	AP	N	B
"	19- 27	AP	N	B
QSW-Z0514FCZZ	32- 19	AP	N	B
QSW-Z1390QCZZ	2- 24	BA		B
QTANN0015FCZZ	10- 61	AG		C
QTANP0115FCZZ	49- 14	AB		C
"	49- 16	AB		C
QTANP0116FCZZ	49- 15	AA		C
QTANP0189FCZZ	49- 16	AC		C
QTANZ0206FCZZ	26- 19	AF	N	C
[R]				
RALMB1002LCZZ	46- 6	AE		C
RC-KZ1054CCN2	42- 16	AB		C
RC-KZ2005SCZZ	51- 2	AA		C
RC-QZ0314FCZZ	49- 17	AH		C
RC-QZ0358FCZZ	48- 3	AF		C
RCiLF0031FCZZ	49- 18	AR		C
RCiLF0045FCZZ	10- 56	AN		C
RCiLF0068FCZZ	48- 4	AF		C
RCiLF0080FCZZ	42- 17	AC	N	C
RCiLF0096FCZZ	49- 19	AN		C
RCORF0015FCZZ	5- 35	AK		C
RCORF0029FCZZ	2- 31	AN	N	C
RCORF0030FCZZ	5- 34	AM	N	C
RCORF0031FCZZ	10- 50	AT		C
RCORF0032FCZZ	5- 38	AL	N	C
RCRMC1003YCZZ	45- 12	AG		B
RCRS-0007FCZZ	46- 7	AD		B
RCRS-0010FCZZ	41- 12	AK		B
RCRS-0012FCZZ	42- 18	AU		B
RCRS-0028FCZZ	42- 19	AQ		B
RCRS-0032FCZZ	45- 13	AH	N	B
RCRS-0038FCZZ	42- 21	AQ		B
RCRS-0040FCZZ	42- 22	AS		C
RCRSP6676RCZZ	42- 23	AG		C
RCRSQ6011SCZZ	42- 24	AS		B
RCRSZ1062ACZZ	42- 25	AS		B
RDTCT0134FCZZ	16- 3	AR	N	B
RDTCT0135FCZZ	16- 2	AR	N	B
RDTCT0136FCZZ	15- 27	AY	N	C
RFiLF0031FCZZ	45- 14	AD	N	B
RFiLZ0028FCZZ	42- 26	AD	N	B
RFiLZ0032FCZZ	42- 27	AD	N	B
RH-DZ0019FCZZ	49- 20	AG		B

PARTS CODE	NO.	PRICE RANK	NEW MARK	PART RANK
RLMPD0619FCZZ	7- 1	BL	N	B
RLMPU0617FCZZ	16- 33	AZ	N	B
RLMPU0618FCZZ	16- 32	AZ	N	B
RLMPU0624FCZZ	16- 33	AZ	N	B
RLMPU0628FCZZ	16- 33	BA	N	B
RLMPU0630FCZZ	16- 32	AZ	N	B
RLMPU0634FCZZ	16- 32	BA	N	B
RMOTD0826FCZZ	14- 21	AX	N	B
RMOTP0827FCZZ	11- 13	BR	N	B
RMOTP0829FCZZ	6- 27	BP	N	B
RMPTA0031FCZZ	49- 21	AE		B
RMPTC3272QCJB	51- 3	AA		B
RMPTC7103QCJB	50- 4	AB		B
RMPTC8103QCJB	50- 5	AC		B
RMPTM0034FCZZ	42- 28	AC		B
RMPTW4103QCJJ	41- 13	AB	N	B
"	45- 15	AB	N	B
RMPTW4122QCJJ	41- 14	AB	N	B
"	45- 16	AB	N	B
RMPTW4222QCJJ	41- 15	AB	N	B
"	45- 17	AB	N	B
RMPTW4334QCJJ	45- 18	AB	N	B
RMPTW4470QCJJ	45- 19	AB		B
RMPTW4472QCJJ	41- 16	AB	N	B
RMPTW4683QCJJ	45- 20	AB	N	B
RPLU-0326FCZZ	26- 9	AN	N	B
RPLU-0327FCZZ	35- 20	AQ	N	B
RPLU-0329FCZZ	18- 27	AQ	N	B
RPLU-0330FCZZ	32- 1	AT	N	B
RPLU-0331FCZZ	33- 24	AR	N	B
RR-WZ0328FCZZ	49- 22	AD		C
RRLYC4320QCZZ	49- 25	AY		B
RRLYD3222QCZZ	49- 24	AL		B
RRLYD4421QCN2	49- 25	AU		B
RRLYD6120QCZZ	49- 26	AP		B
RRLYD6121QCZZ	49- 26	AM		B
RTHM-0009FCZZ	16- 6	AK		B
RTHM-0014FCZZ	16- 6	AM		B
RTRNZ0511FCZZ	48- 5	AQ		B
RTRNZ0533FCZZ	10- 36	BU	N	B
RVR-M141JQCZZ	45- 21	AC	N	B
RVR-P0009FCZZ	36- 6	AV	N	B
[S]				
SPAKA5210FCZZ	40- 11	AF		D
"	40- 45	AF		D
SPAKA5732FCZZ	40- 12	AG		D
SPAKA5757FCZ1	40- 2	AW	N	D
SPAKA5758FCZZ	40- 13	AD	N	D
SPAKA5759FCZZ	40- 14	AD	N	D
SPAKA5763FCZ1	40- 2	AW	N	D
SPAKA5886FCZZ	40- 44	AF		D
SPAKC5748FC13	40- 1	BD	N	D
SPAKC5748FC14	40- 1	BD	N	D
SPAKC5748FC15	40- 1	BD	N	D
SPAKC5833FC11	40- 1	BD	N	D
SPAKC5833FC12	40- 1	BD	N	D
SPAKC5833FCZZ	40- 1	BD	N	D
SSAKA2440QCZZ	40- 30	AB		D
SSAKA3001CCZZ	40-101	AA		D
[T]				
TCADS0649FCZZ	40- 36	AM		D
TCADS0764FCZZ	40- 42	AE		D
TCADZ1178FCZZ	40- 8	AB		D
TCADZ1275FCZZ	40- 17	AB		D
TCADZ1400FCZZ	40- 43	AE	N	D
TCADZ2001QCZA	40- 36	AE		D
TCAUA0766FCZZ	1- 50	AB		C
TCAUA0770FCZZ	1- 50	AB		C
TCAUH0918FCZZ	1- 50	AA		C
TCAUH1028FCZZ	1- 50	AC		C
TCAUH1034FCZZ	13- 47	AD	N	C
TCAUH1035FCZZ	17- 1	AC	N	C
TCAUH1036FCZZ	18- 15	AD	N	C
TCAUS1038FCZZ	1- 44	AD	N	C
"	18- 16	AD	N	C
TiNSE1696FCZZ	40- 37	AY	N	D
TiNSE1697FCZZ	40- 37	BA	N	D
TiNSE1705FCZZ	40- 39	AN	N	D
TiNSE1732FCZZ	40- 37	BB	N	D
TiNSF1698FCZZ	40- 37	BF	N	D
TiNSG1731FCZZ	40- 37	BF	N	D

PARTS CODE	NO.	PRICE RANK	NEW MARK	PART RANK
TiNSH1737FCZZ	40- 37	BF	N	D
TiNSI1736FCZZ	40- 37	BF	N	D
TiNSR1734FCZZ	40- 37	BF	N	D
TiNSS1735FCZZ	40- 37	BF	N	D
TiNSW1738FCZZ	40- 37	BF	N	D
TiNSZ1733FCZZ	40- 37	BF	N	D
TLABZ4205FCZZ	18- 14	AC	N	C
TLABZ4235FCZZ	7- 7	AC	N	C
TLABZ4239FCZZ	39- 32	AD	N	C
TLABZ4240FCZZ	39- 32	AD	N	C
TLABZ4261FCZZ	36- 3	AE	N	C
TLABZ4262FCZZ	36- 3	AE	N	C
TLABZ4276FCZZ	39- 32	AD	N	C
TLABZ4289FCZZ	1- 51	AD		C
[U]				
UBAGF0050FCZZ	40- 4	AH		D
UBATL2033SCZZ	42- 29	AK		A
UCLEZ0149FCZZ	13- 4	AU	N	C
UCLEZ0151FCZ1	13- 9	AS	N	C
UCLEZ0152FCZZ	14- 29	AN	N	C
UCLEZ0158FCZZ	13- 54	AP	N	C
UKOGZ0002FCZZ	40- 33	AD		D
UYOK-0011FCZZ	40- 34	AA		D
[V]				
VCCCCY1HH101J	45- 22	AA		C
VCCCCY1HH220J	45- 23	AA		C
VCCCTV1HH220J	41- 17	AA		C
VCCCTV1HH300J	42- 30	AA		C
VCCCTV1HH6R0D	42- 31	AA	N	C
VCEAGA1AW477M	41- 19	AB		C
VCEAGA1CW477M	41- 20	AB		C
VCEAGA1HW224M	41- 21	AA		C
VCEAGA1VW106M	41- 23	AA		C
VCEAGU1AW476M	41- 18	AA		C
VCEAGU1HW335M	41- 22	AA		C
VCEAGU1VW476M	41- 24	AB		C
VCEAJU1CW476M	46- 8	AB		C
VCEAPS0JC107M	42- 32	AC	N	C
VCEAPS0JC226M	42- 33	AC	N	C
VCEAPS1AC226M	45- 24	AC		C
VCEAPS1AC476M	45- 25	AC		C
VCEAPS1CC106M	45- 26	AC		C
VCEAPS1HC105M	42- 34	AC		C
VCEAPS1HC225M	45- 27	AD		C
VCEAPS1HC335M	42- 35	AC	N	C
VCEAPS1VC106M	45- 28	AC		C
VCEAPZ0JW108M	42- 36	AE	N	C
VCEAPZ0JW337M	42- 37	AD	N	C
VCEAPZ0JW477M	42- 38	AE		C
VCEAPZ1AW477M	45- 29	AE	N	C
VCEAPZ1CW477M	42- 39	AE		C
"	45- 30	AE		C
VCEAPZ1HW107M	45- 31	AF	N	C
VCEAPZ1VW107M	45- 32	AE	N	C
VCEAPZ1VW227M	42- 40	AF	N	C
VCEAPZ1VW476M	45- 33	AE		C
VCEAZA1AW226M	41- 25	AB	N	C
VCEAZU1HW105M	50- 6	AB		C
VCEAZU1HW477M	50- 7	AE		C
VCEAZU1VW477M	41- 26	AD		C
VCFYEC1HM103J	45- 34	AD	N	C
VCFYFU2ED474M	49- 27	AG		C
VCKYCY1CB473K	45- 35	AB		C
VCKYCY1HB102K	45- 36	AA		C
VCKYCY1HB103K	45- 37	AA		C
VCKYCY1HB222K	45- 38	AA		C
VCKYCY1HF223Z	45- 39	AA		C
VCKYPU1HB101K	46- 9	AA		C
VCKYPU1HB102K	51- 4	AA		C
VCKYPU1HB681K	51- 5	AA		C
VCKYPU1HF223Z	46- 10	AA		C
VCKYQY3FF220J	48- 6	AC		C
VCKYTV1HB101K	41- 27	AA		C
VCKYTV1HB102K	41- 28	AA		C
"	42- 41	AA		C
VCKYTV1HB222K	41- 29	AA		C
VCKYTV1HB471K	41- 30	AA		C
VCKYTV1HF104Z	42- 42	AA		C
VCKYTV1HF223Z	41- 31	AA		C
"	42- 43	AA		C
VCQYNA1HM682K	51- 6	AA		C

PARTS CODE	NO.	PRICE RANK	NEW MARK	PART RANK
VCQYNU1HM103K	41- 32	AA		C
VCQYNU1HM104K	49- 28	AB		C
VHDDAN202K/-1	41- 33	AB		B
"	45- 40	AB		B
VHDDAN217//--1	42- 44	AC		B
VHDDAP202K/-1	41- 34	AB		B
"	42- 45	AB		B
"	45- 41	AB		B
VHDDSM1D1//--1	41- 35	AB		B
VHDDSS133//--1	49- 29	AA		B
"	51- 7	AA		B
VHDDSS133HV-1	42- 46	AA		B
VHDMA704A//--1	41- 36	AC		B
VHDRB160L40-1	45- 42	AD		B
VHDRB411D//--1	42- 47	AD		B
VHDRLS73//--1	45- 43	AA		B
VHEHVS5B3//--V	41- 37	AB		B
VHEHVS5CLL/-1	41- 38	AC		B
VHEHVS6A1//--1	42- 48	AC		B
VHEHZU5.1B1-1	45- 44	AC	N	B
VHERD22FB//--1	41- 39	AD		B
VHH103AT-2//--1	46- 11	AG		B
VHi16MSiMM/-1	5- 51	CB	N	B
VHi28C64-12-1	42- 77	AZ		B
VHi74AS00//NS	42- 78	AF		B
VHi74AS158//NS	42- 79	AN	N	B
VHi74F32SJ/-1	45- 59	AE		B
VHi74FCT244C1	45- 57	AP	N	B
VHi74FCT245T1	45- 58	AR	N	B
VHi74LV04NS-1	45- 63	AE	N	B
VHi74LV14NS-1	45- 64	AF	N	B
VHi74LV32NS-1	41- 54	AE	N	B
VHi74LVC04NS1	45- 60	AH	N	B
VHi74LVC08NS1	45- 61	AH	N	B
VHi74LVC32NS1	45- 62	AH	N	B
VHi74VHCT04-1	41- 55	AF	N	B
"	45- 65	AF	N	B
VHi74VHCT08F1	42- 80	AF	N	B
VHi74VHCT240F	42- 81	AH	N	B
VHi74VHCT244F	42- 82	AH	N	B
VHi74VHCT245F	42- 83	AK	N	B
VHiAD9561JR-1	42- 49	BG	N	B
VHiBA033FP/-1	45- 45	AH	N	B
VHiD65803GL-1	42- 51	BF		B
VHiD65806GL-1	42- 52	BK		B
VHiD65808GL-1	42- 53	BM		B
VHiD82113GN-1	42- 54	BX		B
VHiD82114GN-1	42- 55	BX		B
VHiD82165GC-1	42- 56	BE	N	B
VHiD9001MF-H/	42- 57	BK		B
VHiDS90C031-1	42- 50	AW	N	B
VHiH256-20-8A	41- 42	AY		B
"	45- 47	AY		B
VHiHD6413003T	41- 40	BA		B
"	45- 46	BA		B
VHiHG71C254-1	41- 41	AZ		B
VHiHY18164BJ6	42- 58	BD		B
VHiS61C25612	42- 59	AN	N	B
VHiS61C51215	42- 60	AU		B
VHiLH537C0G-1	42- 61	BC		B
VHiLM317MDT-1	45- 48	AK	N	B
VHiLM324NS/-S	41- 43	AC		B
VHiLM339NS/-1	41- 44	AD		B
"	42- 62	AD		B
"	45- 49	AD		B
VHiLM358P//--1	51- 8	AG		B
VHiLM358PS/-S	45- 50	AC		B
VHiLR3717M/-1	46- 12	AH		B
VHiLZ9AT36/-1	42- 63	BB		B
VHiM5256DVP-1	45- 52	AQ		B
VHiM54587FP-1	45- 53	AK	N	B
VHiM66235FP-1	42- 66	AT	N	B
VHiM66500FP-1	41- 45	AT		B
VHiMB86604L-1	42- 64	BC		B
VHiMCF5202P25	42- 65	BG		B
VHiMSM82C55GS	45- 51	AS		B
VHiNJM78L05UA	45- 54	AE		B
VHiNJU6356E-1	42- 67	AK		B
VHiSC908SF2V1	45- 55	AW		B
VHiSLA7024MT/	41- 46	AS		B
VHiSN74ALS574	42- 69	AL	N	B

PARTS CODE	NO.	PRICE RANK	NEW MARK	PART RANK
VHiSN74ALS74N	42- 70	AF	N	B
VHiSN74AS74NS	42- 71	AH		B
VHiSN74HC138S	41- 47	AE		B
VHiSN74HC151S	41- 48	AG		B
VHiSN74HCT244	45- 56	AF		B
VHiSTA401A/-1	41- 49	AP		B
VHiSTK67250-1	50- 8	BB		B
VHiTA7291S/-1	41- 50	AF		B
VHiTC4051BP-1	51- 9	AQ		B
VHiTC74AC04FN	42- 73	AD		B
VHiTC74AC08FN	42- 74	AE		B
VHiTC74AC32FN	42- 75	AD		B
VHiTC74ACT32F	42- 72	AF		B
VHiTD62003AP1	41- 51	AG		B
VHiTD62503F/-	42- 76	AG		B
VHiTD62504/-1	50- 9	AG		B
VHiTD62504F-1	41- 52	AF		B
VHiTE7752//--1	41- 53	AX		B
VHPGL3PR8//--1	41- 56	AA		B
"	42- 84	AA		B
VHPGP1A22LC-1	5- 43	AK		B
"	34- 14	AK		B
VHPGP1A71A1-1	24- 25	AG		B
"	35- 15	AG		B
"	36- 17	AG		B
VHPGP3A38//--1	6- 21	AH		B
VHPLT1D67A/-1	45- 66	AC	N	B
VHPLT8E65W/-1	46- 13	AD	N	B
"	47- 6	AD	N	B
VHPLT9400E/-1	46- 14	AK		B
VHPPD49Pi//--1	51- 10	AE		B
VHRS11MD5V/-1	49- 34	AF		B
VHRS21MD3V/-1	49- 34	AE		B
VHSTM1641P-LF	49- 35	AQ		B
VHSTM1661P-LF	49- 35	AQ		B
VRD-HT2EY101J	46- 15	AA		C
VRD-HT2EY102J	46- 16	AA		C
VRD-HT2EY104J	51- 11	AA		C
VRD-HT2EY105J	49- 36	AA		C
VRD-HT2EY121J	46- 17	AA		C
VRD-HT2EY274J	51- 12	AA		C
VRD-HT2EY303J	51- 13	AA		C
VRD-HT2EY331J	47- 9	AA		C
VRD-HT2EY391J	46- 18	AA		C
VRD-HT2EY471J	47- 10	AA		C
"	51- 14	AA		C
VRD-HT2HY242J	41- 57	AA		C
VRD-HT2HY274J	49- 36	AA		C
VRD-HT2HY471J	41- 58	AA		C
VRD-RC2EY103J	41- 59	AA		C
"	48- 7	AA		C
VRD-RC2EY392J	41- 60	AA		C
VRNHT2HK1000F	41- 61	AC		C
VRNRC2EK2201F	50- 10	AA		C
VRNRC2EK2700F	50- 11	AB		C
VRNRC2EK8200F	50- 12	AA	N	C
VRS-HT2HA101J	49- 38	AA		C
VRS-HT2HA121J	49- 39	AA		C
VRS-HT2HA201J	49- 39	AA		C
VRS-RE3DA1R0J	41- 62	AB		C
VRS-RE3LA470J	41- 63	AC		C
VRS-TP2BD000J	45- 67	AA		C
VRS-TP2BD271J	45- 68	AA		C
VRS-TS2AD000J	41- 64	AA		C
"	42- 85	AA		C
"	45- 69	AA		C
VRS-TS2AD101J	41- 65	AA		C
"	42- 86	AA		C
VRS-TS2AD102J	41- 66	AA		C
"	42- 87	AA		C
VRS-TS2AD103F	41- 67	AA		C
"	45- 70	AA		C
VRS-TS2AD103J	41- 68	AA		C
"	42- 88	AA		C
"	45- 71	AA		C
VRS-TS2AD104J	41- 69	AA		C
VRS-TS2AD105J	42- 89	AA		C
"	45- 72	AA		C
VRS-TS2AD122J	41- 70	AA		C
"	42- 90	AA		C
"	45- 73	AA		C

PARTS CODE	NO.	PRICE RANK	NEW MARK	PART RANK
VRS-TS2AD123F	45-74	AA		C
VRS-TS2AD133F	41-71	AA		C
VRS-TS2AD151J	41-72	AA		C
"	42-91	AA		C
"	45-75	AA		C
VRS-TS2AD152F	41-73	AA		C
VRS-TS2AD152J	41-74	AA		C
VRS-TS2AD153F	41-75	AA		C
VRS-TS2AD154F	45-76	AA		C
VRS-TS2AD162J	41-76	AA		C
VRS-TS2AD183F	45-77	AA		C
VRS-TS2AD183J	45-78	AA		C
VRS-TS2AD200J	42-92	AA		C
VRS-TS2AD202J	45-79	AA		C
VRS-TS2AD203J	41-77	AA		C
"	45-80	AA		C
VRS-TS2AD221J	42-93	AA		C
VRS-TS2AD222J	41-78	AA		C
"	42-94	AA		C
"	45-81	AA		C
VRS-TS2AD223J	42-95	AA		C
VRS-TS2AD224J	42-96	AA		C
VRS-TS2AD242J	41-79	AA		C
VRS-TS2AD272J	45-82	AA		C
VRS-TS2AD301F	45-83	AA	N	C
VRS-TS2AD301J	42-97	AA		C
VRS-TS2AD303J	45-84	AA		C
VRS-TS2AD304F	45-85	AA		C
VRS-TS2AD304J	41-80	AA		C
VRS-TS2AD330J	41-81	AA		C
VRS-TS2AD333J	45-86	AA		C
VRS-TS2AD334J	45-87	AA		C
VRS-TS2AD363F	45-88	AA		C
VRS-TS2AD363J	42-98	AA		C
VRS-TS2AD391J	41-82	AA		C
"	42-99	AA		C
VRS-TS2AD392F	41-83	AA		C
VRS-TS2AD393J	42-100	AA		C
VRS-TS2AD471J	41-84	AA		C
VRS-TS2AD472F	41-85	AA		C
VRS-TS2AD472J	41-86	AA		C
"	42-101	AA		C
VRS-TS2AD473F	41-87	AA		C
VRS-TS2AD473J	41-88	AA		C
"	45-89	AA		C
VRS-TS2AD514J	41-89	AG		C
VRS-TS2AD562J	41-90	AA		C
"	42-102	AA		C
VRS-TS2AD564F	45-90	AC		C
VRS-TS2AD621J	41-91	AA		C
VRS-TS2AD622F	45-91	AA		C
VRS-TS2AD623J	45-92	AA		C
VRS-TS2AD624J	45-93	AA		C
VRS-TS2AD681F	41-92	AA		C
VRS-TS2AD681J	41-93	AA		C
VRS-TS2AD683J	42-103	AA		C
VRS-TS2AD752F	45-94	AA		C
VRS-TS2AD752J	45-95	AA		C
VRS-TS2AD753F	45-96	AA		C
VRS-TS2AD820J	42-104	AA		C
VRS-TS2AD822J	41-94	AA		C
VRS-TS2AD911J	41-95	AA		C
"	42-105	AA		C
VRS-TS2AD913J	42-106	AA		C
VRS-TW2ED221J	42-107	AA		C
VRS-TW2ED331J	42-108	AA		C
VRS-TW2ED560J	45-97	AA		C
VRS-TW2ED911J	45-98	AB	N	C
VRS-TX2HD470J	45-99	AA	N	C
VRST2AD4020F	42-109	AA	N	C
VS2SB1132-R-1	41-98	AE		B
VS2SB1197//--1	45-105	AC		B
VS2SB1198K//--1	45-106	AC	N	B
VS2SC2412K//--1	41-99	AB		B
VS2SC3332--1	48-8	AE		B
VS2SC945//--1	41-100	AD		B
VS2SD1782K//--1	45-107	AC	N	B
VSDTA114YK//--1	42-110	AC		B
"	45-100	AC		B
VSDTA123YK//--1	41-96	AB		B
VSDTC114EK//--1	42-111	AB		B

PARTS CODE	NO.	PRICE RANK	NEW MARK	PART RANK
VSDTC114YK//--1	41-97	AC		B
"	42-112	AC		B
"	45-101	AC		B
VSDTC114YS//--1	46-19	AB		B
VSDTC124XK//--1	42-113	AB		B
VSIMB9AT110-1	45-102	AC	N	B
VSIMH9AT110-1	45-103	AC	N	B
VSUPA502T//--1	45-104	AD	N	B
VVLLM400031-1	2-5	BY	N	B
[X]				
XBBS240P08000	13-2	AB		C
"	13-53	AB		C
XBBS240P04000	34-23	AA		C
XBBS240P06000	16-7	AA		C
"	17-12	AA		C
XBBS240P06000	5-2	AA		C
"	9-74	AA		C
"	17-6	AA		C
XBBS240P10000	5-44	AA		C
"	6-4	AA		C
"	14-52	AA		C
"	39-28	AA		C
XBBS240P12000	30-22	AA		C
"	34-16	AA		C
"	37-13	AA		C
XBBS240P20000	9-75	AA		C
XBBS250P12000	9-34	AB	N	C
XBPBW30P06KS0	15-1	AC	N	C
XBPS230P04000	37-2	AA		C
XBPS240P06000	13-3	AA		C
XBPSD20P03000	26-12	AA		C
XBPSD20P06KS0	9-82	AA		C
XBPSD30P04000	16-4	AA		C
"	32-2	AA		C
XBPSD30P06000	5-46	AA		C
"	7-9	AA		C
"	26-1	AA		C
"	38-7	AA		C
XBPSD30P06K00	7-10	AA		C
XBPSD30P06KS0	4-6	AA		C
"	17-8	AA		C
"	18-26	AA		C
XBPSD30P08KS0	15-6	AA		C
XBPSD30P10000	16-1	AA		C
XBPSD30P10K00	19-4	AA		C
"	49-42	AA		C
XBPSD30P14000	10-60	AA		C
XBPSD30P14KS0	9-4	AA		C
"	19-1	AA		C
XBPSD30P30K00	18-37	AA		C
XBPSD40P06000	6-22	AA		C
"	10-13	AA		C
"	17-3	AA		C
XBPSD40P06K00	6-24	AA		C
"	10-19	AA		C
XBPSD40P08KS0	9-12	AA		C
"	10-22	AA		C
"	25-36	AA		C
"	28-4	AA		C
"	34-20	AA		C
"	39-19	AA		C
XBPSD40P12KS0	24-31	AA		C
XBPSD40P14000	5-7	AA		C
XBPSD40P14K00	11-11	AA		C
XBPSD40P20000	18-22	AA		C
XBPSD40P20XS0	10-27	AA		C
XBPSD40P25XS0	10-27	AA		C
XBPSD40P27000	37-4	AA		C
XBPSD40P30000	9-50	AA		C
XBSSE30P10000	1-36	AA		C
XBTSC50P16000	4-25	AA		C
XBTSF40P06000	1-32	AA		C
XCPSD20P05000	13-41	AA		C
XEBSD30P06000	22-7	AA		C
"	36-7	AA		C
XEBSD30P08000	9-80	AA		C
"	13-18	AA		C
"	15-4	AA		C
"	35-27	AA		C
"	39-8	AA		C
XEBSD30P10000	9-42	AA		C

PARTS CODE	NO.	PRICE RANK	NEW MARK	PART RANK
XEBSD30P10000	13- 32	AA		C
"	17- 16	AA		C
"	22- 11	AA		C
XEBSD30P12000	22- 19	AA		C
"	35- 22	AA		C
"	39- 3	AA		C
XEBSD30P16000	9- 40	AA		C
XEBSD40P06000	6- 44	AA		C
XEBSD40P08000	1- 8	AA		C
"	13- 5	AA		C
"	18- 28	AA		C
"	19- 29	AA		C
"	34- 24	AA		C
"	39- 21	AA		C
XEBSD40P10000	21- 10	AA		C
"	22- 21	AA		C
"	35- 31	AA		C
XEBSD40P12000	21- 16	AA		C
"	24- 18	AA		C
"	33- 20	AA		C
XEBSD40P16000	9- 63	AA		C
XEBSE30P08000	36- 4	AA		C
XEBSE40P08000	1- 38	AA		C
XEBSE40P14000	9- 71	AA		C
XEBSF30P08000	14- 6	AA		C
XEPSD30P05000	4- 11	AA		C
XEPSD30P06000	2- 21	AA		C
"	7- 3	AA		C
"	13- 8	AA		C
"	37- 5	AA		C
"	38- 11	AA		C
XEPSD30P08000	2- 3	AA		C
"	4- 13	AA		C
"	13- 14	AA		C
XEPSD30P16000	2- 11	AA		C
XEPSD40P06000	8- 6	AA		C
XEPSD40P08000	13- 46	AA		C
"	23- 52	AA		C
XEPSD40P30000	10- 8	AA		C
XEPSD40P35000	9- 56	AA		C
"	24- 22	AA		C
XEPSE40P10000	21- 20	AA		C
XESSE30P08000	1- 7	AA		C
XHBSD30P05000	18- 40	AA		C
XHBSD30P06000	7- 5	AA		C
"	18- 45	AA		C
"	26- 7	AA		C
"	29- 13	AA		C
"	32- 12	AA		C
"	33- 6	AA		C
XHBSD30P08000	5- 41	AA		C
"	8- 5	AA		C
"	23- 20	AA		C
"	24- 38	AA		C
"	25- 35	AA		C
"	30- 15	AA		C
XHBSD40P08000	5- 23	AA		C
"	6- 26	AA		C
"	9- 1	AA		C
"	10- 45	AA		C
"	11- 16	AA		C
"	23- 17	AA		C
"	24- 16	AA		C
"	28- 3	AA		C
"	30- 21	AA		C
XHBSD40P16000	23- 53	AA		C
XHBSE30P06000	1- 47	AA		C
"	10- 41	AA		C
XHBSE40P08000	1- 2	AA		C
"	5- 3	AA		C
"	5- 63	AA		C
"	6- 37	AA		C
"	9- 66	AA		C
"	10- 1	AA		C
"	11- 1	AA		C
"	17- 51	AA		C
"	18- 18	AA		C
"	22- 25	AA		C
"	23- 51	AA		C
"	24- 39	AA		C
"	25- 4	AA		C

PARTS CODE	NO.	PRICE RANK	NEW MARK	PART RANK
XHBSE40P08000	26- 8	AA		C
"	31- 14	AA		C
"	32- 3	AA		C
"	33- 1	AA		C
"	34- 11	AA		C
"	35- 43	AA		C
XHBSE40P10000	1- 27	AA		C
"	19- 31	AA		C
XHBSE40P14000	9- 70	AA		C
XHPSD30P06000	7- 4	AA		C
XHPSD30P14000	18- 24	AA		C
XJBSD30P05000	7- 16	AA		C
XJBSD40P12000	1- 43	AA		C
XNESD40-32000	5- 5	AA		C
XPSSJ20-12000	33- 12	AA		C
XPSSJ20-15000	35- 40	AA		C
XRESP20-03000	31- 6	AA		C
XRESP25-04000	33- 27	AA		C
XRESP30-05000	19- 9	AA		C
"	22- 22	AA		C
"	23- 28	AA		C
"	33- 7	AA		C
XRESP30-06000	4- 3	AA		C
XRESP40-06000	13- 28	AA		C
"	14- 19	AA		C
"	15- 15	AA		C
"	19- 7	AA		C
"	21- 11	AA		C
"	25- 37	AA		C
"	26- 13	AA		C
"	31- 9	AA		C
"	32- 28	AA		C
"	34- 1	AA		C
XRESP50-06000	13- 45	AA		C
"	15- 8	AA		C
"	16- 13	AA		C
"	17- 18	AA		C
"	18- 2	AA		C
"	19- 11	AA		C
"	21- 1	AA		C
"	23- 7	AA		C
"	24- 11	AA		C
"	27- 7	AA		C
"	29- 7	AA		C
"	30- 1	AA		C
"	32- 6	AA		C
"	33- 13	AA		C
"	35- 4	AA		C
XRESP70-08000	6- 12	AA		C
"	22- 15	AA		C
"	23- 1	AA		C
"	24- 2	AA		C
"	25- 1	AA		C
"	26- 16	AA		C
"	27- 1	AA		C
"	28- 1	AA		C
"	30- 6	AA		C
"	35- 11	AA		C
"	39- 31	AA		C
XUBSD30P05000	14- 34	AA		C
XWHSD30-05000	18- 35	AA		C
XWHSD30-05080	16- 5	AA		C
XWHSD30-08100	36- 12	AA		C
XWSSD40-10000	18- 23	AA		C
XWVSD40-05000	11- 8	AA		C
XXHUW40L30000	9- 32	AD	N	C
"	11- 12	AD	N	C
[ 0 ]				
0CW2235P041//	1- 33	AT	N	C
0CW2235P042//	1- 33	AT	N	C
0FT14136535//	55-265	AU	N	C
0FT14261925//	55-270	AH	N	C
0FT23006212//	55- 1	AP	N	B
0FT23043398//	55-211	AF	N	C
0FT23055159//	55- 51	AD	N	B
0FT23078361//	55- 52	AH		B
0FT23078876//	55- 22	AH		B
0FT23080986//	55- 53	AG		B
0FT23087743//	55- 4	AD		C
"	55-201	AD		C
0FT23088421//	55- 67	AK	N	C

PARTS CODE	NO.	PRICE RANK	NEW MARK	PART RANK
0FT23090280//	55- 78	AD		C
"	55-235	AD		C
"	55-236	AD		C
0FT23090523//	55- 5	AD		C
0FT23090531//	55- 75	AD		C
0FT23097153//	55- 74	AG		C
0FT23104907//	55- 48	AF		B
0FT23105423//	55-131	AE		C
0FT23111660//	55- 72	AK	N	C
0FT23124916//	55- 69	AK		C
0FT23138429//	55- 23	AK	N	B
0FT23149366//	55- 49	AH		B
0FT23150526//	55- 63	AN		C
0FT23165175//	55- 60	AH	N	C
0FT23188655//	55- 58	AP		C
0FT23188728//	55- 62	AP		C
0FT23195236//	55- 24	AC		B
0FT23198634//	55- 39	AF		B
0FT23202569//	55-273	AC		C
0FT23202577//	55-272	AC		C
0FT23223116//	55- 33	AF	N	B
0FT23239837//	55- 65	AK	N	C
"	55-231	AK	N	C
0FT23242382//	55- 26	AK	N	B
0FT23243621//	55-230	AG		C
0FT23245608//	55-220	AK	N	B
0FT23246191//	55- 38	AF	N	B
0FT23246205//	55- 25	AF		B
0FT23247155//	55-151	AG	N	C
0FT23252299//	55-263	AD	N	C
0FT23252337//	55-264	AG	N	C
0FT23256189//	55- 41	AF		B
0FT23259242//	55- 71	AF	N	C
0FT23259269//	55- 68	AF	N	C
0FT23259285//	55- 3	AF	N	C
0FT23259307//	55- 56	AH		C
0FT23262464//	55- 64	AU	N	C
0FT23265420//	55- 31	AE		B
0FT23285758//	55-222	AK	N	B
0FT23287815//	55- 2	AF	N	C
0FT23288153//	55- 29	AE		B
0FT23291235//	55- 30	AE		B
0FT23292762//	55- 66	AL	N	C
0FT23307069//	55- 61	AP	N	C
0FT23312208//	55- 46	AU	N	B
0FT23323668//	55-271	AR		C
"	55-274	AR		C
0FT23324052//	55-134	AD	N	C
0FT23339424//	55-139	AQ		C
0FT23339521//	55-146	AR	N	C
0FT23339750//	55-148	AC		C
0FT23343243//	55-248	AK	N	B
0FT23353524//	55- 19	AU	N	C
0FT23355705//	55- 28	AF	N	B
0FT23371158//	55- 89	AK	N	B
"	55-252	AK	N	B
0FT23371166//	55- 91	AK	N	B
0FT23371336//	55-253	AK		B
0FT23371344//	55-245	AK	N	B
0FT23375323//	55- 18	AR		C
0FT23381072//	55- 17	AR		C
0FT23381158//	55-244	AK	N	B
0FT23382079//	55- 76	AG		C
"	55-239	AG		C
0FT23400433//	55- 36	AF	N	B
0FT23405087//	55- 50	AN		B
0FT23412644//	55- 79	AH	N	C
0FT23413403//	55- 40	AU		B
"	55-225	AU		B
0FT23413691//	55-268	AD	N	C
0FT23418227//	55-120	AC	N	C
0FT23418235//	55-123	AC		C
0FT23418251//	55-118	AC	N	C
0FT23418383//	55-116	AC		C
0FT23418421//	55-122	AC		C
0FT23418456//	55-126	AC		C
0FT23418510//	55-119	AC		C
0FT23418537//	55-130	AC		C
0FT23418553//	55-111	AC		C
0FT23418588//	55-112	AC		C
0FT23418618//	55-129	AC		C

PARTS CODE	NO.	PRICE RANK	NEW MARK	PART RANK
0FT23418626//	55-107	AC	N	C
0FT23418634//	55- 7	AC		C
0FT23418669//	55-128	AC		C
0FT23418685//	55- 6	AC		C
0FT23418693//	55-114	AC		C
0FT23418715//	55-113	AC		C
0FT23418804//	55-117	AC		C
0FT23418820//	55-115	AC	N	C
0FT23419010//	55- 9	AC	N	C
0FT23419312//	55-121	AC	N	C
0FT23419401//	55- 8	AC	N	C
0FT23419428//	55-124	AC	N	C
0FT23419452//	55- 10	AC	N	C
0FT23419541//	55-125	AC	N	C
0FT23419681//	55-108	AC	N	C
0FT23423816//	55-147	AC		C
0FT23429784//	55- 44	AU		B
"	55-223	AU		B
0FT23432963//	55-149	AC		C
0FT23437582//	55-132	AD	N	C
0FT23453847//	55-150	AC		C
0FT23455734//	55-152	AC		C
0FT23455963//	55-153	AC	N	C
0FT23467546//	55-267	AH	N	C
0FT23476448//	55-242	AK		B
0FT23476510//	55-261	AD	N	C
0FT23476820//	55-250	AK		B
0FT23483428//	55- 32	AF	N	B
0FT23515109//	55- 83	AE		C
"	55-240	AE		C
0FT23515117//	55- 82	AF	N	C
0FT23515141//	55-237	AE		C
0FT23516261//	55-110	AD		C
0FT23519384//	55- 88	AK	N	B
0FT23523160//	55-145	AR	N	C
0FT23523314//	55-143	AR	N	C
0FT23530035//	55- 80	AH		C
0FT23537013//	55-104	AD	N	C
0FT23537080//	55- 93	AD		C
0FT23537129//	55-106	AD	N	C
0FT23537137//	55- 92	AD		C
0FT23537188//	55-249	AD	N	C
0FT23538036//	55-105	AD	N	C
0FT23539423//	55- 11	AK	N	C
0FT23555402//	55- 12	AD		C
"	55-212	AD		C
"	55-216	AD		C
0FT23574342//	55- 35	AE		B
0FT23586928//	55-219	AD		B
0FT23593282//	55- 87	AH		C
0FT23599132//	55-140	AK	N	C
0FT23601552//	55- 21	AF		B
0FT23606732//	55- 20	AD		B
"	55-221	AD		B
0FT23606910//	55- 27	AE		B
0FT23607259//	55-127	AE		C
0FT23611329//	55- 77	AK		C
"	55-238	AK		C
0FT23633012//	55-234	AH		C
0FT23639789//	55- 57	AS		B
0FT23642909//	55- 15	AK		C
0FT23642917//	55- 16	AG		C
0FT23642925//	55- 14	AK		C
0FT23644626//	55-241	AG		B
0FT23644634//	55- 90	AK	N	B
0FT23644642//	55- 85	AG		B
0FT23644650//	55- 86	AL		B
0FT23649202//	55-262	AD	N	C
0FT23652106//	55-226	AU	N	B
0FT23671658//	55- 59	AP	N	B
0FT23697355//	55-269	AU	N	C
0FT23700801//	55- 47	AL		B
0FT23703029//	55-218	AT		C
0FT23707520//	55-101	AD		C
0FT23707555//	55- 97	AD		C
0FT23707571//	55-254	AD	N	C
0FT23707598//	55- 99	AD		C
0FT23709604//	55- 43	AP	N	B
0FT23723119//	55-203	AL		A
0FT23723127//	55-209	AK		A
0FT23737713//	55-247	AD		C





# SHARP

**COPYRIGHT © 1998 BY SHARP CORPORATION**

All rights reserved.

Printed in Japan.

No part of this publication may be reproduced,  
stored in a retrieval system, or transmitted,  
in any form or by any means,  
electronic, mechanical, photocopying, recording, or otherwise,  
without prior written permission of the publisher.

**SHARP CORPORATION**  
**Printing & Reprographic Systems Group**  
**Quality & Reliability Control Center**  
**Yamatokoriyama, Nara 639-1186, Japan**  
1998 May Printed in Japan ©