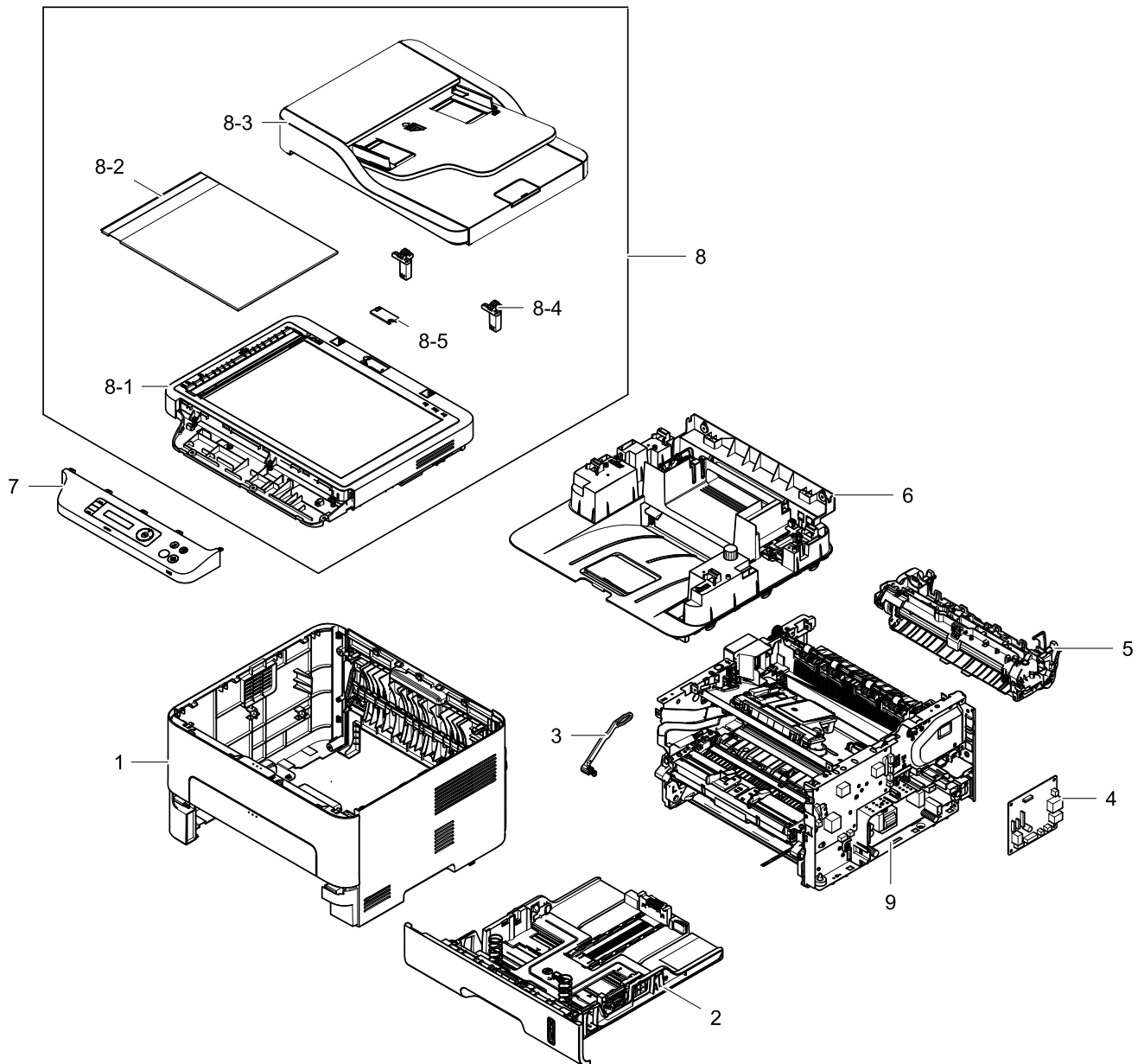


# 1. MAIN

## Exploded View



## Parts List

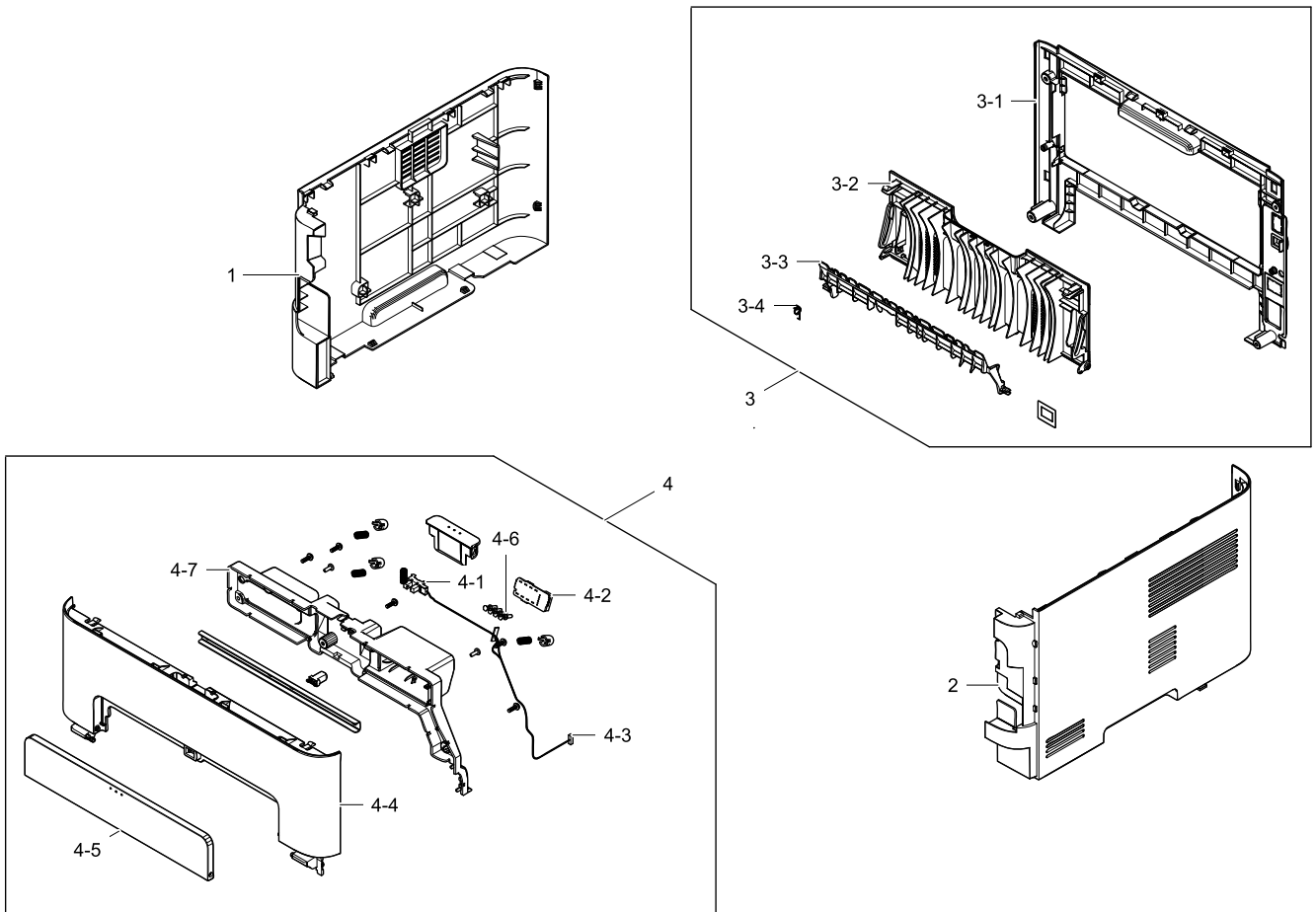
No.	Lvl.	Loc.	Material Code	Description & Specification	SNA	Qty.
1	1		JC95-01849B	COVER; SL-M2825DW,SEC	SNA	1
2	1		JC90-01224B	CASSETTE; ML-2975DW,SEE	SA	1
3	2		JC66-03035A	LEVER-COUPLING B; ML-2950ND,POM,WHT,LINK/	SA	1
4	1		JC92-02614C	PBA-MAIN; SCX-4805ND,SEC,4L,MAIN PBA,137*	SA	1
5	1		JC91-01034B	FUSER; ML-2950ND,SEC,WORLD,220V	SA	1
6	1		JC95-01855B	COVER-MIDDLE; SL-M2627FH,SEC	SA	1

Exploded Views and Parts List

No.	Lvl.	Loc.	Material Code	Description & Specification	SNA	Qty.
7	2		JC97-04328A	OPE; SL-M2875ND,SEE	SA	1
8	2		JC97-04347A	SCANNER; SL-M2870FW,SEE	SNA	1
8-1	3		JC97-04322A	PLATEN; SL-M2870FW	SA	1
8-2	3	L8658	JC63-02569A	SHEET-WHITE; FIT,PP,3.6,216,250.2,White,9	SA	1
8-3	3		JC97-04067A	ADF; CLX-3305FW,SEC,SSDP,FG-1790,2.4,BROW	SA	1
8-4	3	D9329	JC97-03191A	MEA UNIT-HINGE L; CLX-3170,SEC	SA	2
8-5	3		JC63-03545A	COVER-CONNECTOR; CLX-3305FW,HIPS,2.2T,43,	SNA	1
9	1		JC93-00838C	FRAME; SL-2825DW,SEC,SEE	SNA	1

## 2. COVER

### Exploded View



### Parts List

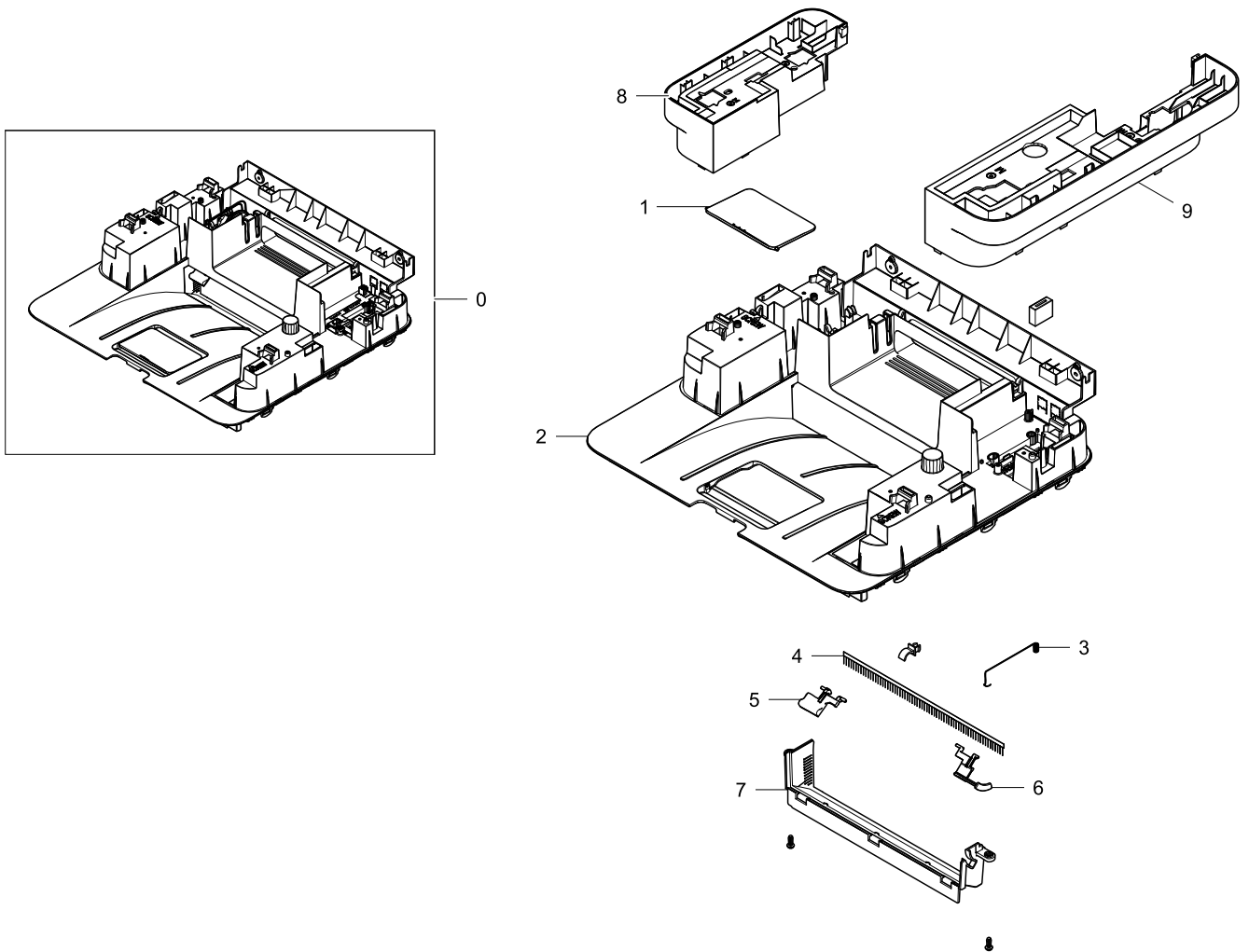
No.	Lvl.	Loc.	Material Code	Description & Specification	SNA	Qty.
1	3		JC63-04210B	COVER-LEFT; SL-M2825DW,HIPS,2.0,CREAM WHI	SNA	1
2	3		JC63-04211B	COVER-RIGHT; SL-M2825DW,ABS+PC,2.1T,CREAM	SNA	1
3	2		JC95-01852B	COVER-REAR; SL-M2825DW,SEC	SA	1
3-1	3		JC63-04212B	COVER-REAR; SL-M2825DW,HIPS,2.0T,CREAM WH	SNA	1
3-2	3		JC63-03109A	COVER-FACE UP; ML-2955ND,HIPS,2.5,276.6,1	SA	1
3-3	3		JC61-04377A	GUIDE-CHANGE_DUP; ML-2950ND,PC+GF,1.2,223	SA	1
3-4	3		6107-002996	SPRING-ETC; SUS304,0.5,7.1,7.6,RIGHT	SA	1
4	2		JC95-01853B	COVER-FRONT; SL-M2825DW,SEC	SA	1
4-1	3	L9633	0604-001415	PHOTO-INTERRUPTER; TR,DIP-4,BK	SA	1
4-2	3		JC92-02611A	PBA-CRUM JOINT; ML-2975DW,SEC,3.3V,2L,FR-	SNA	1

## Exploded Views and Parts List

No.	Lvl.	Loc.	Material Code	Description & Specification	SNA	Qty.
4-3	3		JC39-01986A	HARNESS-CRUM_IF_FRONT; SCX-4805FW,UL10272	SA	1
4-4	3		JC63-04206B	COVER-FRONT; SL-M2825DW,HIPS,2.5T,CREAM W	SNA	1
4-5	3		JC63-03127A	COVER-MANUAL; ML-2955ND,HIPS,2,250.2,48.7	SA	1
4-6	3	E0000	JC97-03039A	MEA-CRUM TERMINAL; CLP-310,SEC,EXPORT,-,-	SA	4
4-7	3		JC63-04207A	COVER-HARNESS FRONT; SL-M2820DW,HIPS,2.5T	SA	1

### 3. COVER-MIDDLE

#### Exploded View



#### Parts List

No.	Lvl.	Loc.	Material Code	Description & Specification	SNA	Qty.
0	1		JC95-01855B	COVER-MIDDLE; SL-M2627FH,SEC	SA	1
1	2		JC61-06027A	STACKER-SMALL; SCX-4805FW,HIPS,2.0,90.0,7	SA	1
2	2		JC63-04220B	COVER-MIDDLE; SL-M2875ND,HIPS,2.5,363.8,3	SNA	1
3	2		6107-002926	SPRING-ETC; SUS304,0.5,57.4,6.6,5,6	SA	1
4	2		JC67-00552A	BRUSH-ANTISTATIC; ML-2950ND,THUNDERON FIB	SA	1
5	2		JC61-03321E	STACKER-RX PAPER; SL-M2875FW,ABS+PC,26.7,	SA	1
6	2		JC61-04415E	STACKER-BIN FULL; SL-M2875FW,ABS+PC,46.56	SA	1

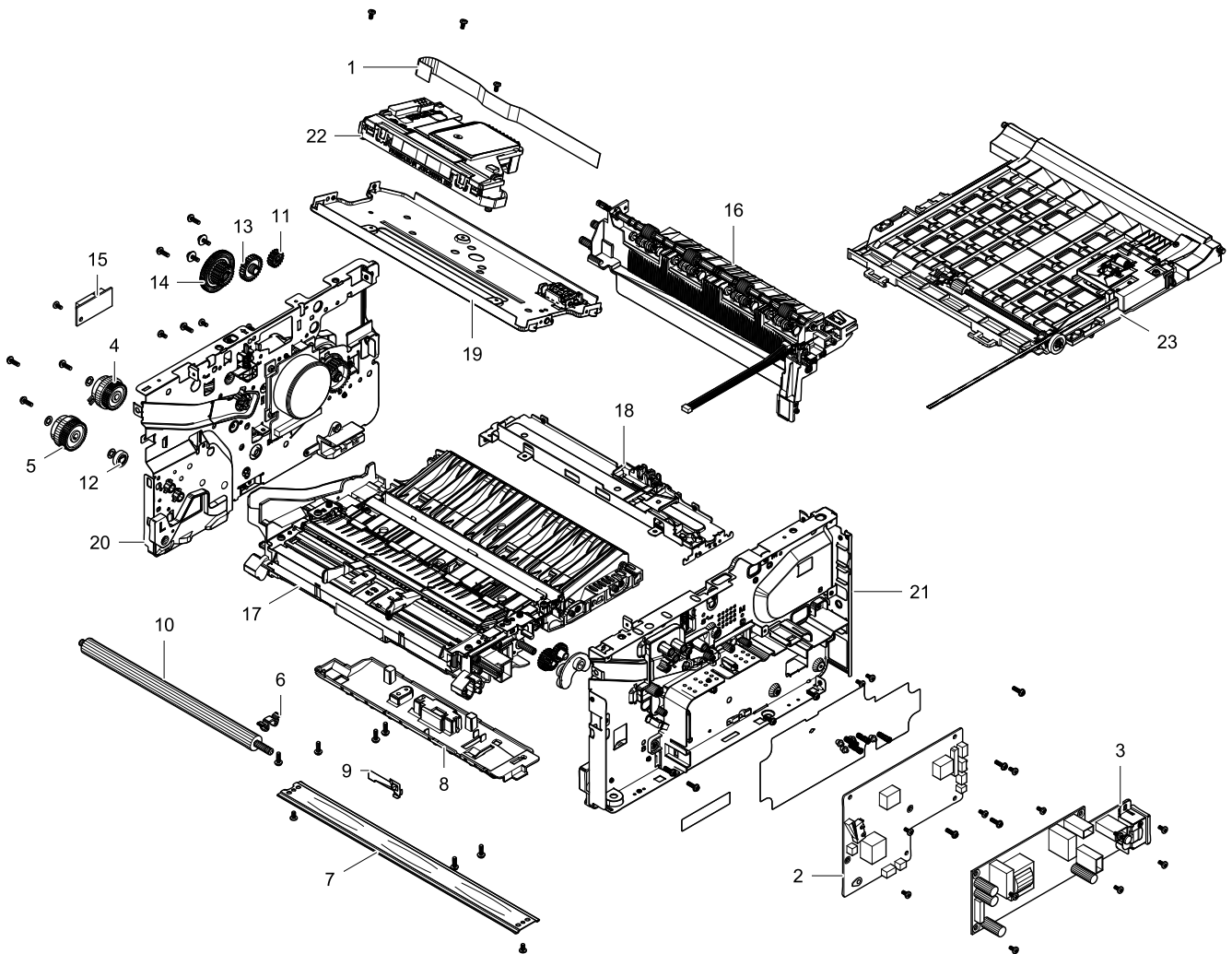
Exploded Views and Parts List

---

No.	Lvl.	Loc.	Material Code	Description & Specification	SNA	Qty.
7	2		JC63-04209A	COVER-EXIT; SL-M2820DW,ABS,2.0,SPLIT BROW	SA	1
8	2		JC63-04221A	COVER-MIDDLE L; SCX-4805FW,HIPS,2.0,239.5	SA	1
9	2		JC63-04222A	COVER-MIDDLE R; SCX-4805FW,HIPS,2.0,324.5	SA	1

## 4. FRAME

### Exploded View



### Parts List

No.	Lvl.	Loc.	Material Code	Description & Specification	SNA	Qty.
1	2	M0040	JC39-01419A	FLAT CABLE; SCX-3200,26P,90mm,AWM20624,1.	SA	1
2	2		JC44-00205A	HVPS; 24V,21.6V~27.6V,MAX 5KV,MAX-2KV,600	SA	1
3	2		JC98-03175A	ETC-SMPS-V2; ML-2950ND,KINGBIRD V2 SMPS A	SA	1
4	2		JC47-00035A	CLUTCH-ELECTRIC Z41; 2.5,41,0.6,120mA,200	SA	1
5	2		JC47-00036A	CLUTCH-ELECTRIC Z45; 2.5,45,0.6,120mA,200	SA	1
6	2		JC61-04068A	HOLDER-TR; ML-3700,ABS,2,24.4,9,ICE GREEN	SA	1
7	2		JC61-04358A	PLATE-FRAME_BOTTOM; ML-2950ND,EGI-SECC,0.	SNA	1
8	2		JC93-00416A	FRAME-DUPLEX PATH ASSY; ML-2955ND,SEE	SA	1

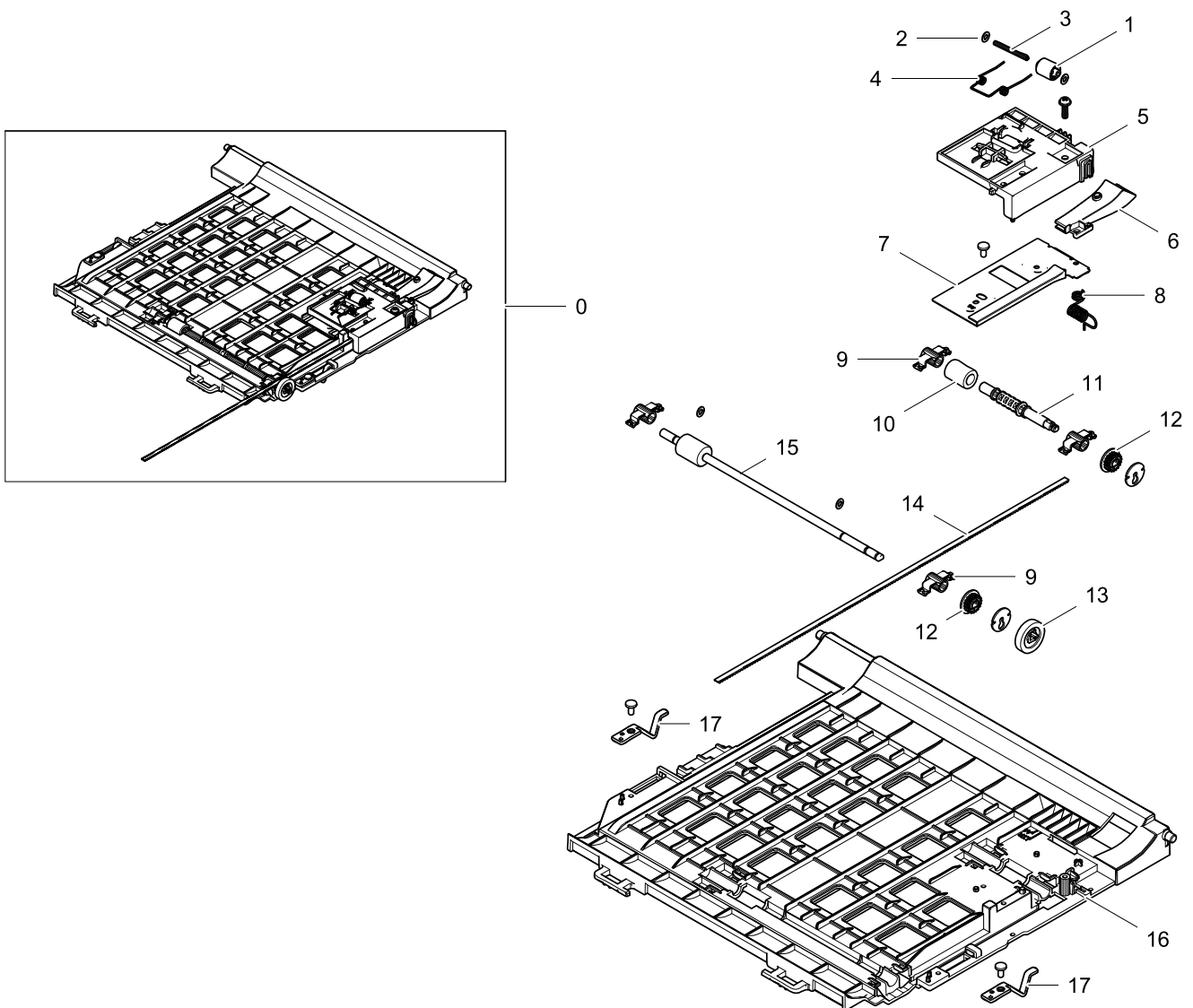
## Exploded Views and Parts List

No.	Lvl.	Loc.	Material Code	Description & Specification	SNA	Qty.
9	2		JC63-03121A	GROUND-SAW; ML-2950ND,SUS,0.2,GROUND/UNC	SNA	1
10	2	F9016	JC66-01218A	ROLLER-TRANSFER; Kingbird,15.0 (mm),NBR+E	SA	1
11	2		JC66-03013A	GEAR-EXIT; ML-2950ND,POM,0.8,z18,NATURAL,	SA	1
12	2		JC66-03014A	GEAR-FEED; ML-2950ND,POM,0.8,z16,NATURAL,	SA	1
13	2		JC66-03017A	GEAR-IDLE EXIT; ML-2950ND,POM,0.8,z29,NAT	SA	1
14	2		JC66-03023A	GEAR-RDCN EXIT; ML-2950ND,POM,0.5/0.8,z74	SA	1
15	2		JC92-02406A	PBA-JOINT; ML-2950ND,JOINT,45mmX20mm,FR1,	SA	1
16	2		JC93-00410F	FRAME MAIN-EXIT; SL-2820DW,SEC	SA	1
17	2		JC93-00414E	FRAME-PAPER PATH; SL-M2825DW,SEC	SA	1
18	2		JC93-00429A	FRAME-PLATE_FUSER; ML-2950ND,SEC	SNA	1
19	2		JC93-00430A	FRAME-BRACKET_LSU; ML-2950ND,SEC	SNA	1
20	2		JC93-00839B	FRAME MAIN-LEFT; SL-2825DW,SEC	SNA	1
21	2		JC93-00840B	FRAME MAIN-RIGHT; SL-2825DW,SEC	SNA	1
22	2		JC97-03958A	LSU; ML-2950,SEC,Single,A4(Ltr),600,S1,78	SA	1
23	2		JC90-01109A	DUPLEX; ML-2955ND,SEE	SA	1



## 4.1. DUPLEX

### Exploded View



### Parts List

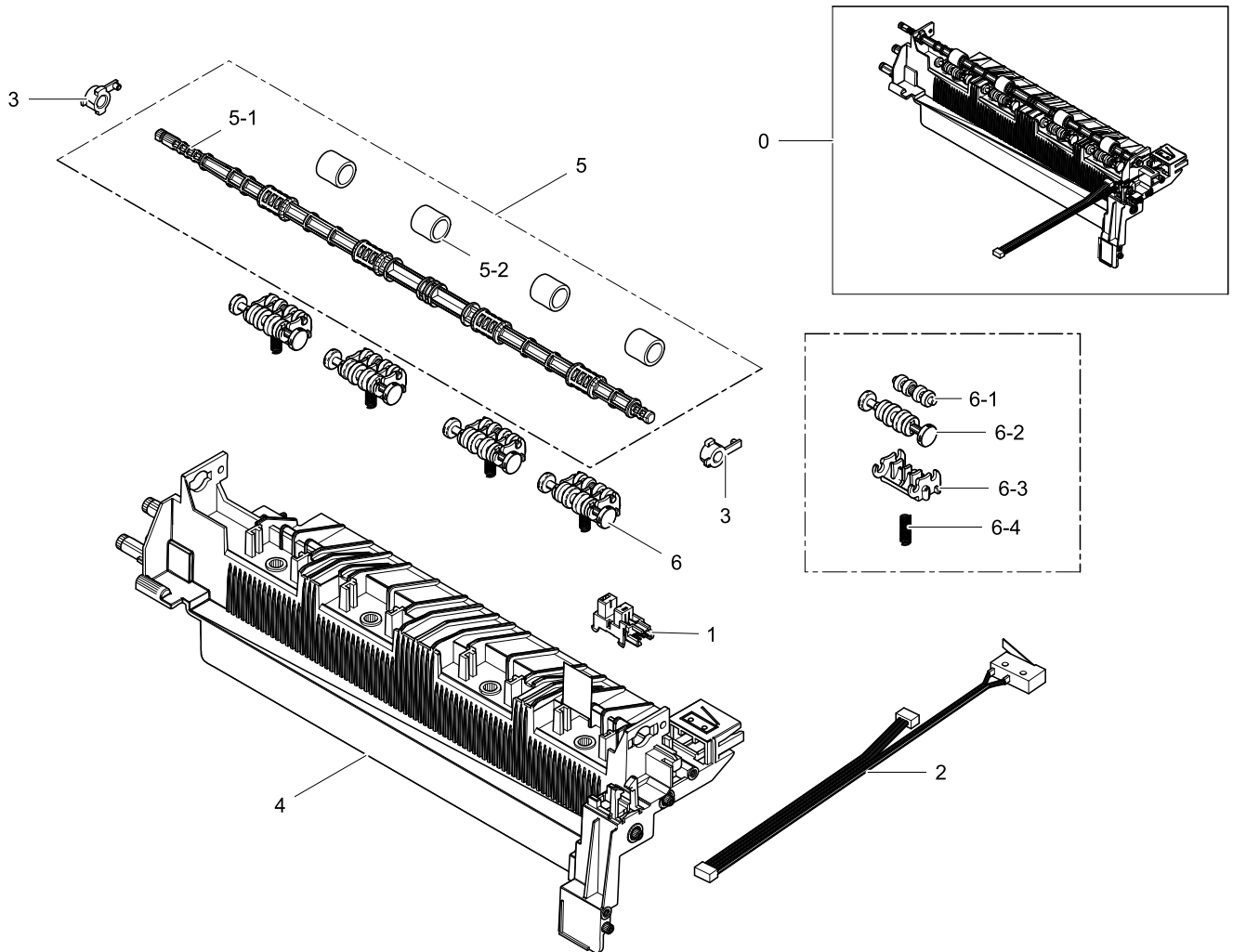
No.	Lvl.	Loc.	Material Code	Description & Specification	SNA	Qty.
0	2		JC90-01109A	DUPLEX; ML-2955ND,SEE	SA	1
1	3	F8925	JC66-00896A	ROLLER-M-IDLE_DUP; ML-3560,POM,NW-02	SA	1
2	3	L8299	JK72-00058A	PCT-SILP WASHER; SRP-350,T0.5,P.A+GRAPHIT	SNA	2
3	3	L5919	JC66-00444A	SHAFT-IDLE ROLL, DUP; ML-2150,SUM24L,25,2	SNA	1
4	3	L7559	6107-001156	SPRING-TS; SWP-B,PI0.6,W20,ID3.5	SNA	1
5	3		JC61-04395A	GUIDE-DUPLEX_UPPER; ML-2950ND,ABS,2.0,60.	SA	1
6	3		JC61-04393A	GUIDE-PAPER_DUPLEX; ML-2950ND,PC,1.5,14.8	SA	1

## Exploded Views and Parts List

No.	Lvl.	Loc.	Material Code	Description & Specification	SNA	Qty.
7	3		JC61-04403A	BRACKET-DUPLEX_ALIGN; ML-2950ND,SECC,0.6,	SNA	1
8	3		JC65-00052A	TERMINAL-GND_DUPLEX; ML-2950ND,C5191W,OD	SA	1
9	3		JC61-04407A	BUSH-ROLLER_DUP; ML-2950ND,POM,4.0,7.6,8.	SA	4
10	3		JC66-03046A	ROLLER-RUBBER_FEED_DUP; ML-2950ND,EPDM	SA	1
11	3		JC66-03008A	SHAFT-FEED_DUP_1; ML-2950ND,POM,58.1,3.95	SNA	1
12	3		JC66-03010A	PULLEY-DUP; ML-2950ND,POM,NATURAL,3.95,10	SNA	2
13	3	C3331	JC66-00038A	GEAR-EXIT F/DOWN; ML-4500,POM,0.8,BLACK,F	SNA	1
14	3	G9102	JC66-20901A	BELT-FLAT RUBBER; L280, W3.2, S2M, 140	SA	1
15	3		JC66-03097A	ROLLER-FEED_DUP2; ML-3200,EPDM,SUM22,4	SA	1
16	3		JC61-04391A	FRAME-DUPLEX_BASE; ML-2950ND,HIPS,BLACK,2	SNA	1
17	3		JC64-00658A	LOCKER-DUP; NL-2950ND,POM,NATURAL,F20-02	SA	2

## 4.2. FRAME-MAIN-EXIT

### Exploded View



### Parts List

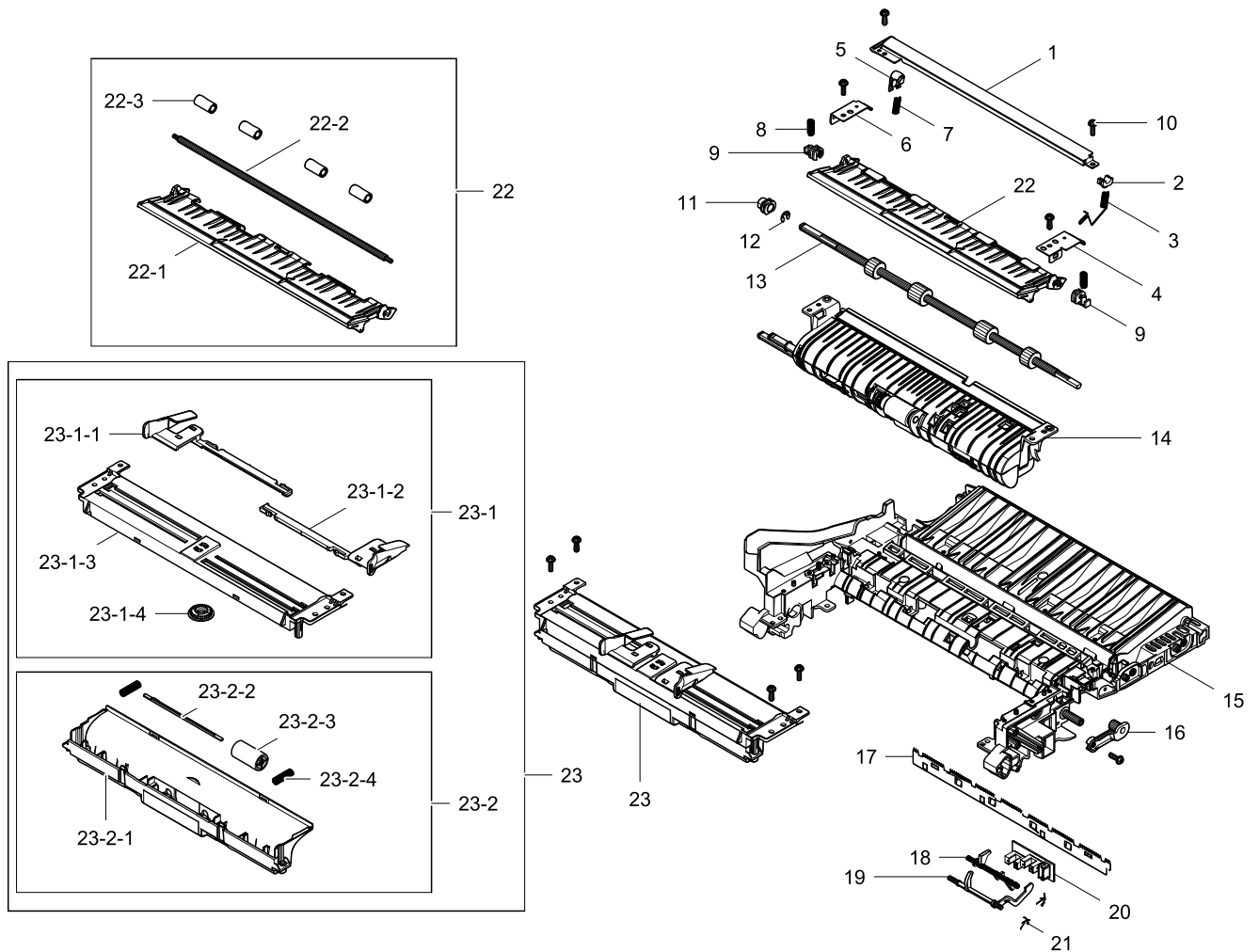
No.	Lvl.	Loc.	Material Code	Description & Specification	SNA	Qty.
0	2		JC93-00410F	FRAME MAIN-EXIT; SL-2820DW,SEC	SA	1
1	3	E9322	0604-001393	PHOTO-INTERRUPTER; TR,75mW,BGA,TR	SA	1
2	3		JC39-01950A	HARNESS; SCX-4729FD,UL1032,AWG24,125,SING	SA	1
3	3		JC61-03782B	BUSH-SHAFT EXIT; Others,KIWhA,NW-02	SA	2
4	3		JC61-04385D	FRAME-EXIT; ML-2950ND,ABS+PC,BLACK(6229Y)	SA	1
5	3		JC93-00412A	FRAME-EXIT ROLLER; ML-2950ND,SEC	SA	1
5-1	4		JC66-03001A	SHAFT-EXIT F DN; ML-2950ND,PET-GF,280.9,8	SNA	1
5-2	4	E4156	JC73-40915B	RMO-RUBBER EXIT_DUP; ML-2150	SC	4
6	3		JC93-00413A	FRAME-ROLLER DECURL; ML-2950ND,SEC	SA	4
6-1	4	L8510	JC66-02551A	ROLLER-EXIT_FR; ML-2580N,POM	SA	4

## Exploded Views and Parts List

No.	Lvl.	Loc.	Material Code	Description & Specification	SNA	Qty.
6-2	4	L9513	JC66-02742A	ROLLER-EXIT_MAIN; ML-1660,POM,F25-03HT	SA	4
6-3	4	L9431	JC61-03781A	HOLDER-EXIT F DOWN; ML-1660,PC,BLACK,NH-1	SNA	4
6-4	4	G1505	6107-001163	SPRING-CS; SUS,PI0.4,D3.9,L13,OD4.3	SA	4

### 4.3. FRAME-PAPER PATH

#### Exploded View



#### Parts List

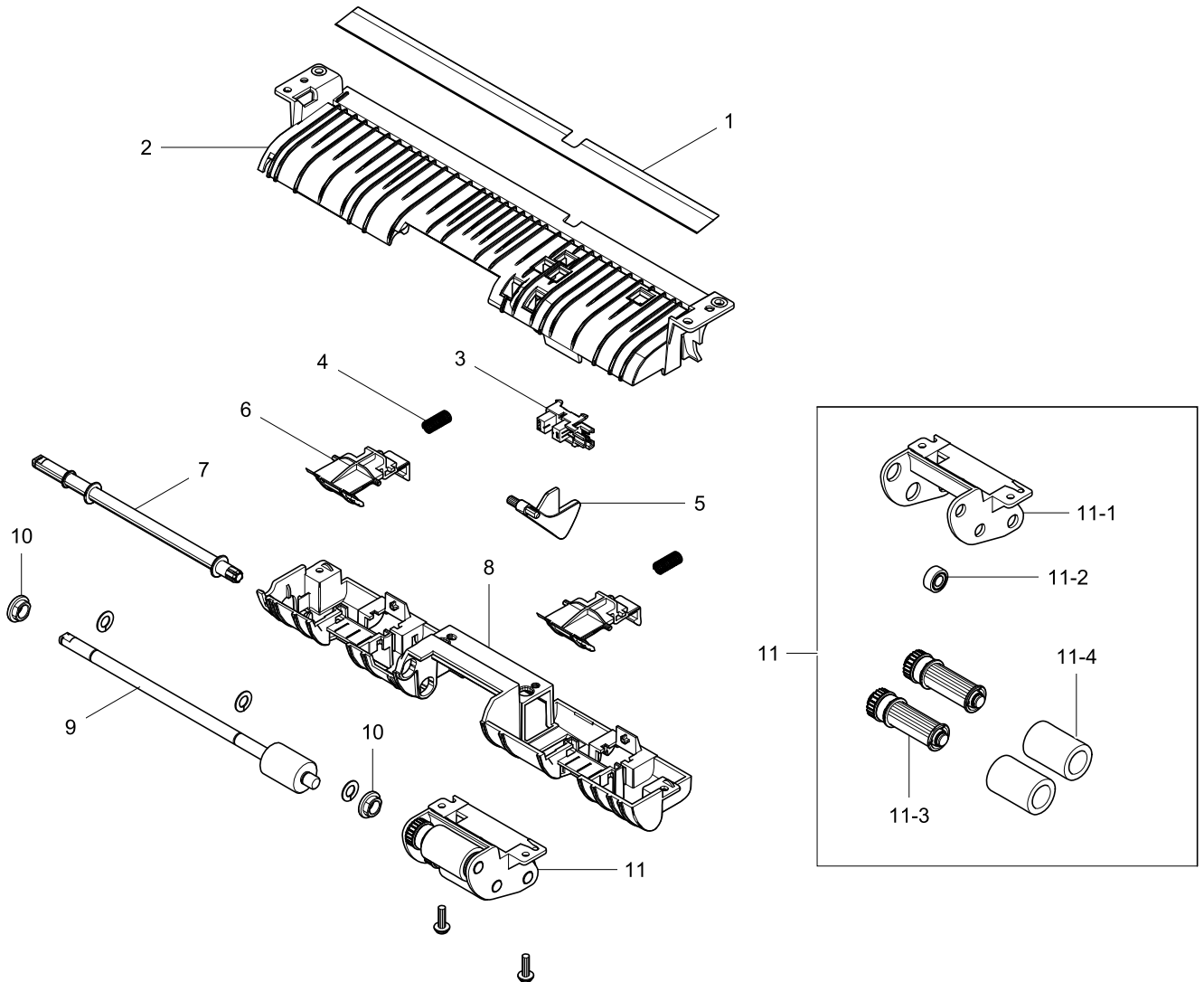
No.	Lvl.	Loc.	Material Code	Description & Specification	SNA	Qty.
1	3	K7736	JC61-02236A	PLATE-EARTH-TRANSFER; ML-2851ND,EGI-SECC,	SNA	1
2	3	A7675	JC61-02468A	BUSH-TR_L; ML-2851ND,STEEL SINTERED	SA	1
3	3		6107-002922	SPRING-ETC; SUS304,0.5,40.2,4.0,6,8	SA	1
4	3		JC61-04361A	PLATE-PUSH BUSH R; ML-2950ND,EGI-SECC,0.8	SNA	1
5	3		JC61-04413A	BUSH-TR_L; ML-2950ND,POM,6.1,8,12.5,Natur	SA	1
6	3		JC61-04362A	PLATE-PUSH BUSH L; ML-2950ND,EGI-SECC,0.8	SNA	1
7	3	G1480	6107-001370	SPRING-CS; STS304WPB,PI0.45,D4.45,L14.8,I	SNA	1
8	3	G1436	JC61-70958A	SPRING ETC-TR; ML-5000A,SUS304 WPB,PI0.55	SNA	2
9	3	A7646	JC61-00585A	BUSH-M-FEED IDLE; ML-1710,POM,2.1,4.2	SA	2

Exploded Views and Parts List

No.	Lvl.	Loc.	Material Code	Description & Specification	SNA	Qty.
10	3	F9909	6003-000196	SCREW-TAPTYPE; PWH,+,B,M3,L10,NI PLT,SWRC	SNA	4
11	3		JC61-04406A	BUSH-SHAFT_EXIT; ML-2950ND,POM,6.0,8.0,10	SA	1
12	3	F8266	6044-000125	RING-E; ID4,OD9,T0.6,STSC	SA	1
13	3		JC66-03044A	ROLLER-REGI; ML-2950ND,EPDM,SUM22,6	SA	1
14	3		JC93-00404A	FRAME BASE-PICKUP; ML-2955ND,SEE	SA	1
15	3		JC61-04384A	FRAME-MIDDLE; ML-2950ND,ABS,272.1,221,HF-	SA	1
16	3		JC61-04376A	HOLDER-REGI; ML-2950ND,POM,WHT,F20-02	SA	1
17	3	E9623	JC61-00604A	PLATE-P-SAW; ML-1400,SUS304,0.15,15.1,216	SNA	1
18	3		JC66-02996A	ACTUATOR-FEED; ML-2950ND,PC,NH-1035P,BLAC	SA	1
19	3		JC66-02995A	ACTUATOR-REGI; ML-2950ND,PC,NH-1035P,BLAC	SA	1
20	3	L9546	JC92-02288A	PBA-FEED SENSOR; ML-1660,SEC,FEED SENSOR,	SA	1
21	3	G1591	6107-001164	SPRING-TS; SUS,PI0.15,D3.95,ID3.8,OD4.1	SA	2
22	3		JC93-00403A	FRAME BASE-REGI; ML-2955ND,SEE	SA	1
22-1	4		JC63-03126A	COVER-PAPER_GUIDE; ML-2950ND,ABS,2.0,228.	SNA	1
22-2	4		JC66-03045A	SHAFT-REGI_IDLE; ML-2955ND,SUM 22,226,5,S	SNA	1
22-3	4		JC66-03003A	ROLLER-REGI_IDLE; ML-2950ND,POM,NW-02	SNA	4
23	3		JC90-01108E	MP; SL-M2825DW,SEC	SA	1
23-1	4		JC90-01111D	MP GUIDE-LOWER; SL-M2825DW,SEC	SA	1
23-1-1	5		JC61-04416E	ADJUST-MANUAL_L; SL-M2825DW,ABS,2.0,128.5	SNA	1
23-1-2	5		JC61-04417E	ADJUST-MANUAL_R; SL-M2825DW,ABS,2.0,128.5	SNA	1
23-1-3	5		JC61-04392D	GUIDE-LOWER_MP_1; SL-M2825DW,HIPS,2.0,41.	SNA	1
23-1-4	5		JC66-03004A	GEAR-PINION; ML-2950ND,POM,0.5,32,3.9,WHI	SNA	1
23-2	4		JC90-01110E	MP SUB-HOLDER IDLE; SL-M2825DW,SEC	SA	1
23-2-1	5		JC63-03125D	COVER-ROLLER; SL-M2825DW,ABS+PC,2T,238.7,	SNA	1
23-2-2	5		6043-001409	PIN-ETC; 2.6,85.4,SUM22	SNA	1
23-2-3	5		JC66-02798A	ROLLER-IDLE; ML-3700,POM,NW-02	SA	1
23-2-4	5		6107-002937	SPRING-CS; SUS304,0.55,4.95,18.0,4.4,5.5,	SA	2

### 4.3.1. FRAME BASE-PICK UP

#### Exploded View



#### Parts List

No.	Lvl.	Loc.	Material Code	Description & Specification	SNA	Qty.
1	4		JC63-02956A	SHEET-DUPLEX PATH; ML-3710,PET+TAPE NITTO	SA	1
2	4		JC61-04394A	GUIDE-FRAME_DUPLEX; ML-2950ND,HIPS,2,5,25	SA	1
3	4	E9322	0604-001393	PHOTO-INTERRUPTER; TR,75mW,BGA,TR	SA	1
4	4		6107-002934	SPRING-CS; SUS304,0.45,5.05,19.5,4.6,5.5,	SA	2
5	4		JC66-02997A	ACTUATOR-EMPTY; ML-2950ND,POM,F20-02,BLAC	SA	1
6	4		JC66-03033A	LEVER-GUIDE_DUPLEX; ML-2950ND,ABS,28,43.1	SA	2
7	4		JC66-03006A	SHAFT-PICKUP; ML-2950ND,PC,147.3,8,BLACK,	SA	1

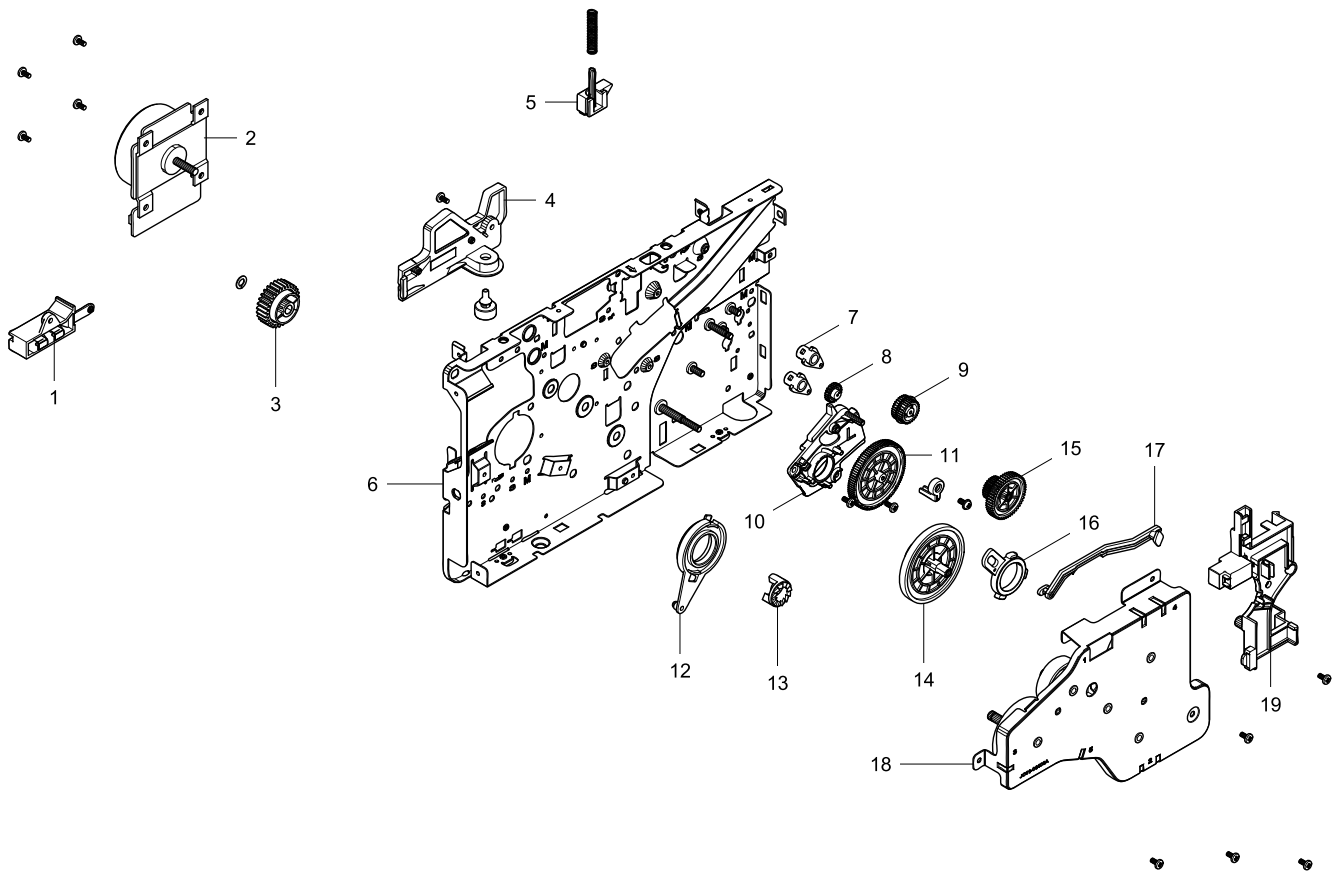
Exploded Views and Parts List

No.	Lvl.	Loc.	Material Code	Description & Specification	SNA	Qty.
8	4		JC61-04400A	GUIDE-PICKUP; ML-2950ND,HIPS,2.0,228.64,H	SA	1
9	4		JC66-03096A	ROLLER-FEED; ML-3200,EPDM,SUM22,6	SA	1
10	4	H1185	JC61-02372A	BUSH-D6/L4; POM,CLP-310,ID4,OD8,L4,WHITE,	SA	3
11	4		JC93-00405A	FRAME-PICKUP ONEWAY; ML-2955ND,SEE	SA	1
11-1	5		JC61-04404A	HOLDER-PICKUP; ML-2950ND,ABS+PC,2.0,59.1,	SNA	1
11-2	5	C3485	JC66-01918A	GEAR-IDLE PICK UP; CLX-3170FN,POM,0.5,20,	SNA	1
11-3	5		JC66-03047A	CLUTCH-P-ONEWAY; ML-2955ND,POM	SNA	2
11-4	5		JC66-02939B	ROLLER-MAT_RETARD; ML-2950ND,EPDM	SA	2



## 4.4. FRAME MAIN-LEFT

### Exploded View



### Parts List

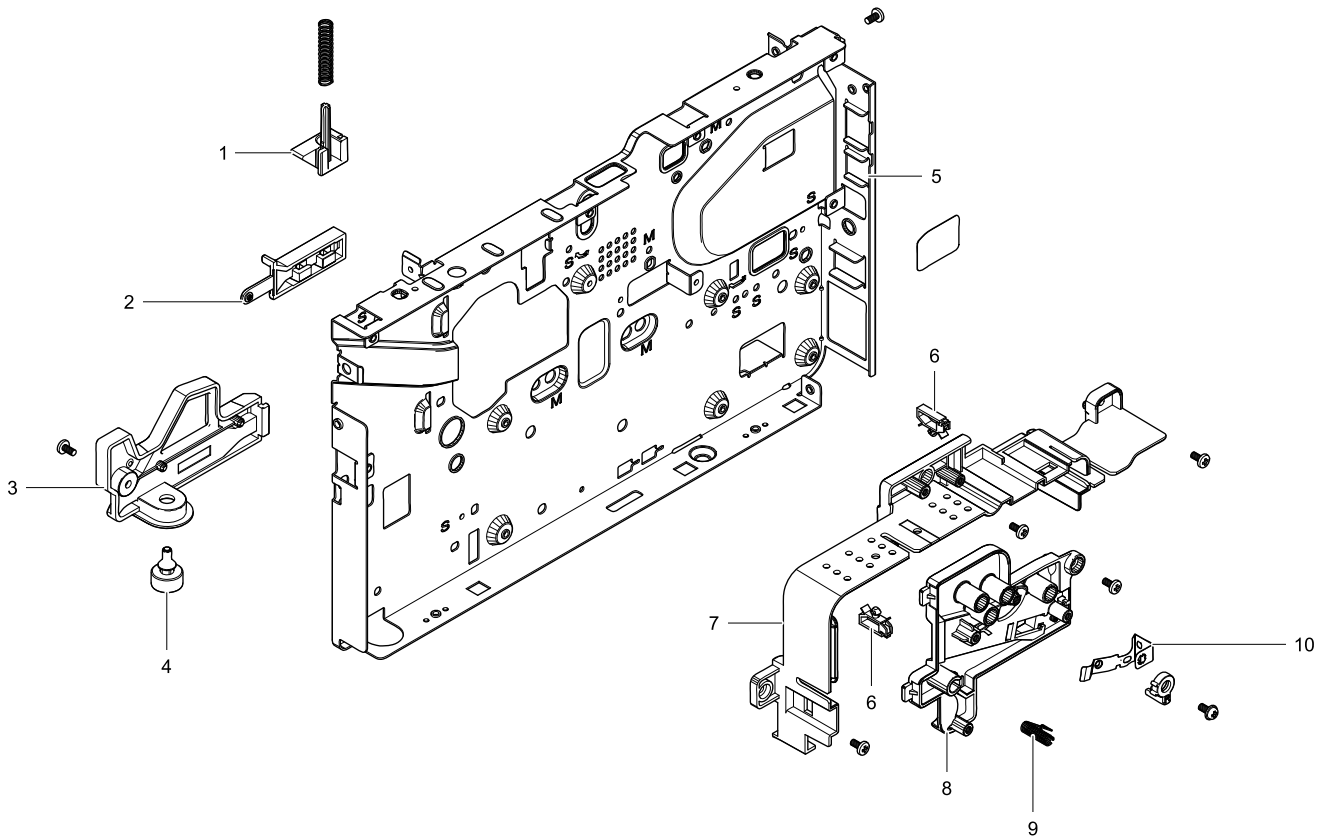
No.	Lvl.	Loc.	Material Code	Description & Specification	SNA	Qty.
1	3		JC61-04368A	GUIDE-CST_REAR_L; ML-2950ND,ABS,HF-0660I,	SA	1
2	3		JC31-00156A	MOTOR BLDC-TYPE1; 300~2500rpm,DC 24V,25W,	SA	1
3	3		JC66-03016A	GEAR-FUSER DR OUT; ML-2950ND,POM,1.0,z29,	SA	1
4	3		JC61-04370A	GUIDE-KNOCK_UP_L; ML-2950ND,ABS,HF-0660I,	SA	1
5	3		JC61-04381A	PLATE-GUIDE_DEVE_L; ML-2950ND,POM,24.8,38	SA	1
6	3		JC61-04360A	FRAME-LEFT; ML-2950ND,EGI-SECC,0.8	SNA	1
7	3		JC61-04405A	BUSH-SHAFT_MP; ML-2950ND,POM,6.0,9.0,5,WH	SA	2
8	3		JC66-03018A	GEAR-IDLE FEED2; ML-2950ND,POM,0.5,z24,NA	SA	1
9	3		JC66-03019A	GEAR-IDLE FEED3; ML-2950ND,POM,0.5/0.8,z3	SA	1

## Exploded Views and Parts List

No.	Lvl.	Loc.	Material Code	Description & Specification	SNA	Qty.
10	3		JC61-04387A	BAND; ML-2950ND,PC+GF20%,BLACK,3025PG20	SA	1
11	3		JC66-03020A	GEAR-IDLE FEED; ML-2950ND,POM,0.5,z94,WHT	SA	1
12	3		JC61-04412A	BUSH-FUSER SWING; ML-2950ND,POM,21.4,36,N	SA	1
13	3	C3424	JC66-00340A	GEAR-HUB CLUTCH; POM,11.3,11.3,11.3,NW-02	SA	1
14	3		JC66-03024A	GEAR-RDCN FEED1; ML-2950ND,POM,0.5,z101/z	SA	1
15	3		JC66-03025A	GEAR-RDCN FEED2; ML-2950ND,POM,0.5/0.6,z3	SA	1
16	3		JC67-00538A	COUPLER-CAM; ML-2950ND,POM,5,20.32,F20-02	SA	1
17	3		JC66-03034A	LEVER-COUPLING A; ML-2950ND,POM,Natural,L	SA	1
18	3		JC93-00417A	DRIVE-MAIN; ML-2950ND	SA	1
19	3		JC63-03123A	COVER-HARNESS; ML-2950ND,ABS,77.57,120.38	SNA	1

## 4.5. FRAME MAIN RIGHT

### Exploded View

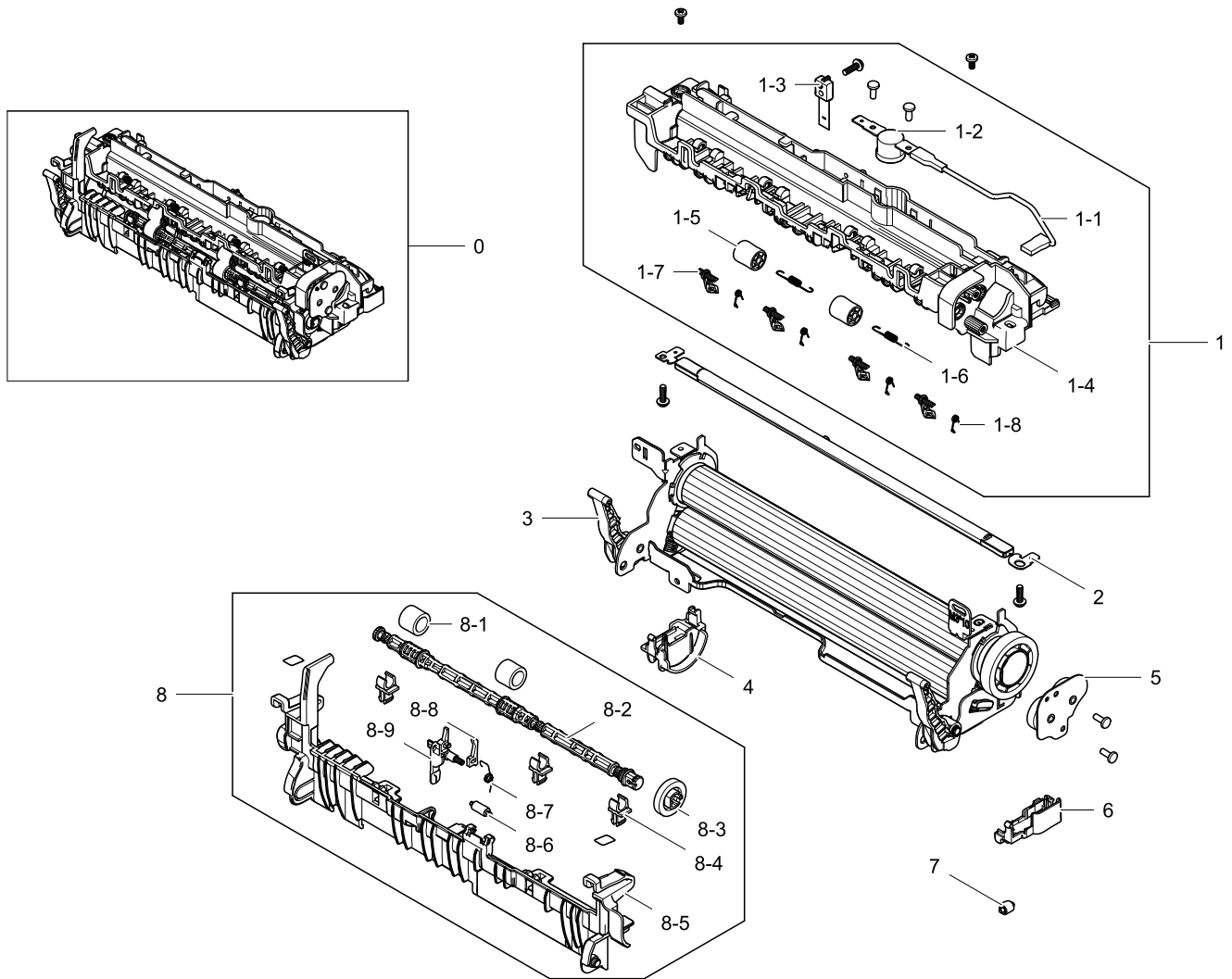


### Parts List

No.	Lvl.	Loc.	Material Code	Description & Specification	SNA	Qty.
1	3		JC61-04382A	PLATE-GUIDE_DEVE_R; ML-2950ND,POM,24.84,3	SA	1
2	3		JC61-04369A	GUIDE-CST_REAR_R; ML-2950ND,ABS+PC,VO,NH-	SA	1
3	3		JC61-04371A	GUIDE-KNOCK_UP_R; ML-2950ND,ABS,VE-0812,B	SA	1
4	3	I4848	JC61-40001A	FOOT-ML80; ML-80,NBR,GRAY	SNA	1
5	3		JC61-04359A	FRAME-RIGHT; ML-2950ND,EGI-SECC,0.8	SNA	1
6	3	L9053	6502-001130	CABLE CLAMP; DACS-3N,16.67 * 4,Nylon66,BL	SA	2
7	3		JC63-03120A	COVER-SMPS; ML-2950ND,ABS+PC,1.5,162.5,91	SNA	1
8	3		JC61-04386A	GUIDE-DEVE R; ML-2950ND,PC+G/F20%,3025PG2	SA	1
9	3		6107-002923	SPRING-ETC; SUS304,0.5,22.4,4.0,9.6,11.6	SA	1
10	3		JC63-03110A	GROUND-OPC; ML-2950ND,SUS,0.2,GROUND/UNC	SNA	1

# 5. FUSER

## Exploded View



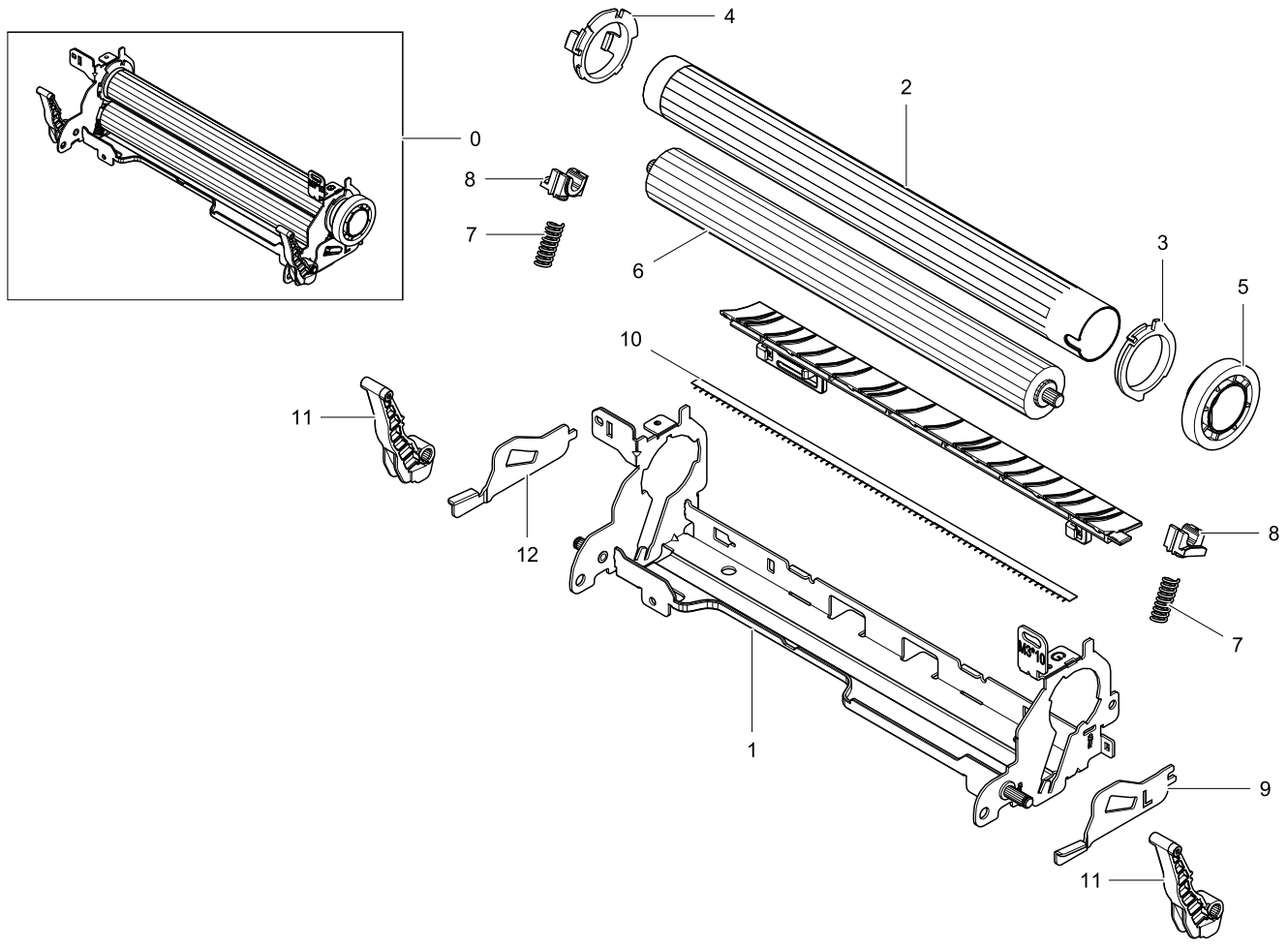
## Parts List

No.	Lvl.	Loc.	Material Code	Description & Specification	SNA	Qty.
0	1		JC91-01034B	FUSER; ML-2950ND,SEC,WORLD,220V	SA	1
1	2		JC91-01035A	FUSER-UPPER; ML-2950ND,SEC,WORLD	SNA	1
1-1	3		JC39-01487A	HARNESS-FUSER JOINT; ML-3710,UL3122,1 pin	SA	1
1-2	3		4712-001091	THERMOSTAT; AC125/250V,195+-5100	SNA	1
1-3	3	L7831	1404-001447	THERMISTOR-NTC ASSY; 7Kohm,3370K,0.3mW/C,	SNA	1
1-4	3		JC63-03132A	COVER-FUSER; ML-2950ND,PET+GF,290.98,BLAC	SNA	1
1-5	3	F4747	JC72-40361A	PMO-ROLLER_EXIT; HQ_LOAD_PD10,POM	SA	2
1-6	3	G1330	JC61-70976A	SPRING ETC-FUSER EXIT; ML-7000,SUS304-WPB	SA	2

No.	Lvl.	Loc.	Material Code	Description & Specification	SNA	Qty.
1-7	3	I6177	JC61-02154A	GUIDE-CLAW; ML-3471ND,PTFE,13.20,16.57,BR	SNA	4
1-8	3		6107-002817	SPRING-ETC; SUS304,0.35,0.29,3.2,3.78	SA	4
2	2		4713-001565	LAMP-HALOGEN; 230V,850W	SA	1
3	2		JC91-01036A	FUSER-LOWER; ML-2950ND,SEC,WORLD	SNA	1
4	2		JC67-00533A	CAP-LAMP_R; ML-2950ND,PET+GF,2T,BLACK	SNA	1
5	2		JC91-01038A	FUSER-DRIVE EXIT; ML-2950ND,SEC,WORLD	SA	1
6	2		JC67-00532A	CAP-LAMP_L; ML-2950ND,PET+GF,2T,BLACK	SNA	1
7	2	L9442	JC61-03968A	STOPPER-GEAR_FUSER; ML-1660,Rhodia 2413GW	SNA	1
8	2		JC91-01037B	FUSER-REAR; ML-2950ND,SEC,WORLD,220V	SA	1
8-1	3		JC66-02955A	ROLLER-SILICON_EXIT; ML-3700,SILICON	SA	2
8-2	3		JC66-02990A	SHAFT-EXIT_F/UP; ML-2950ND,PBT-GF,204.2,1	SNA	1
8-3	3		JC66-02777A	GEAR-EXIT_Z19; ML-3700ND,POM,1,19,NTR,21.	SNA	1
8-4	3	H1255	JC61-02158A	BUSH-TX; ML-3471ND/SEE,POM(M90-44),2.5,16	SNA	2
8-5	3		JC61-04363A	GUIDE-REAR; ML-2950ND,PC,2.0T,237.31,BLAC	SNA	1
8-6	3	L4458	JC66-01661A	ROLLER-IDLE_EXIT; ML-2851ND,PFA	SNA	1
8-7	3		6107-002670	SPRING-ETC; SUS304,PI0.2,ID4.5,OD4.9,8.1,	SNA	1
8-8	3		JC61-04133A	HOLDER-ACTUATOR; ML-3700,TEFLON,2.0,17.4	SNA	1
8-9	3		JC66-02991A	ACTUATOR-EXIT; ML-2950ND,PA66,2.0T,26.7,3	SA	1

# 5.1. FUSER-LOWER

## Exploded View



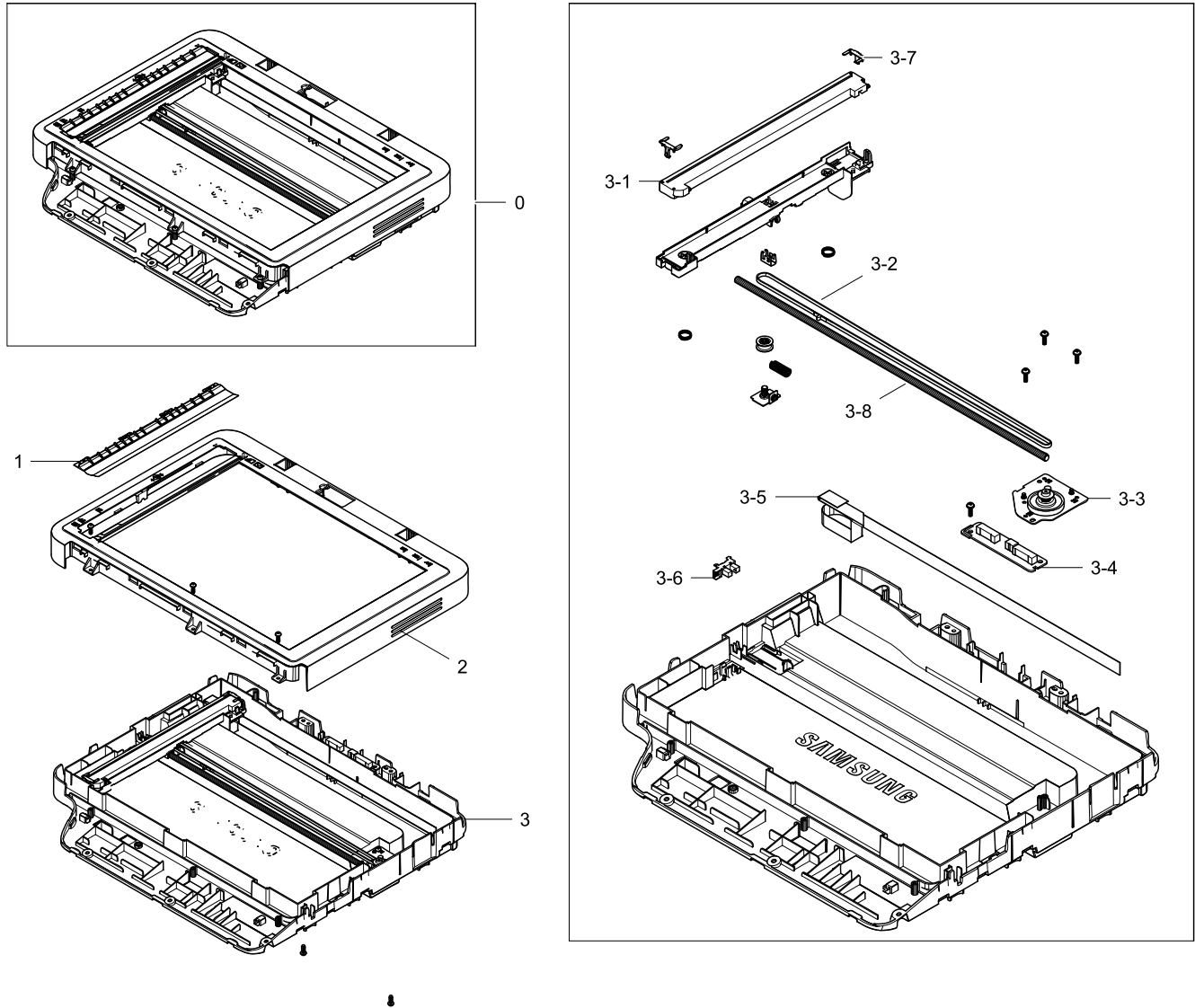
## Parts List

No.	Lvl.	Loc.	Material Code	Description & Specification	SNA	Qty.
0	2		JC91-01036A	FUSER-LOWER; ML-2950ND,SEC,WORLD	SNA	1
1	3		JC61-04367A	FRAME-FUSER; ML-2950ND,EGI-SECC,NATURAL,1	SNA	1
2	3		JC66-02993A	ROLLER-HEAT; ML-2950ND,24.75,AL3304-H34 o	SA	1
3	3	H1232	JC61-00888A	BUSH-M-HR L_R2; SCX-4920N,PPS,25.3,29	SA	1
4	3	H1233	JC61-00887A	BUSH-M-HR R_R2; SCX-4920N,PPS,25.3,29	SA	1
5	3		JC66-02992A	GEAR-FUSER; ML-2950ND,PPS,1,36,BROWN,38	SA	1
6	3	P6016	JC66-00600B	ROLLER; ML-1710D3,12,SUM22 or SUM23,6,24,	SA	1
7	3	L7239	JC61-00056A	SPRING ETC-PR(7300); ML-7300,PIANO WIRE,1	SA	2
8	3		JC61-04366A	BUSH-PR; ML-2950ND,PPS,6.0,BROWN	SNA	2

No.	Lvl.	Loc.	Material Code	Description & Specification	SNA	Qty.
9	3		JC66-02982A	LEVER-LINK-JAM_L; ML-2950ND,SECC,1.2T,NAT	SNA	1
10	3		JC67-00541A	BRUSH-ANTISTATIC; ML-2950ND,SUS FIBER,13,	SNA	1
11	3		JC61-04364A	HOLDER-JAM; ML-2950ND,PC,BLACK	SA	2
12	3		JC66-02983A	LEVER-LINK-JAM_R; ML-2950ND,SECC,1.2T,NAT	SNA	1

# 6. PLATEN

## Exploded View



## Parts List

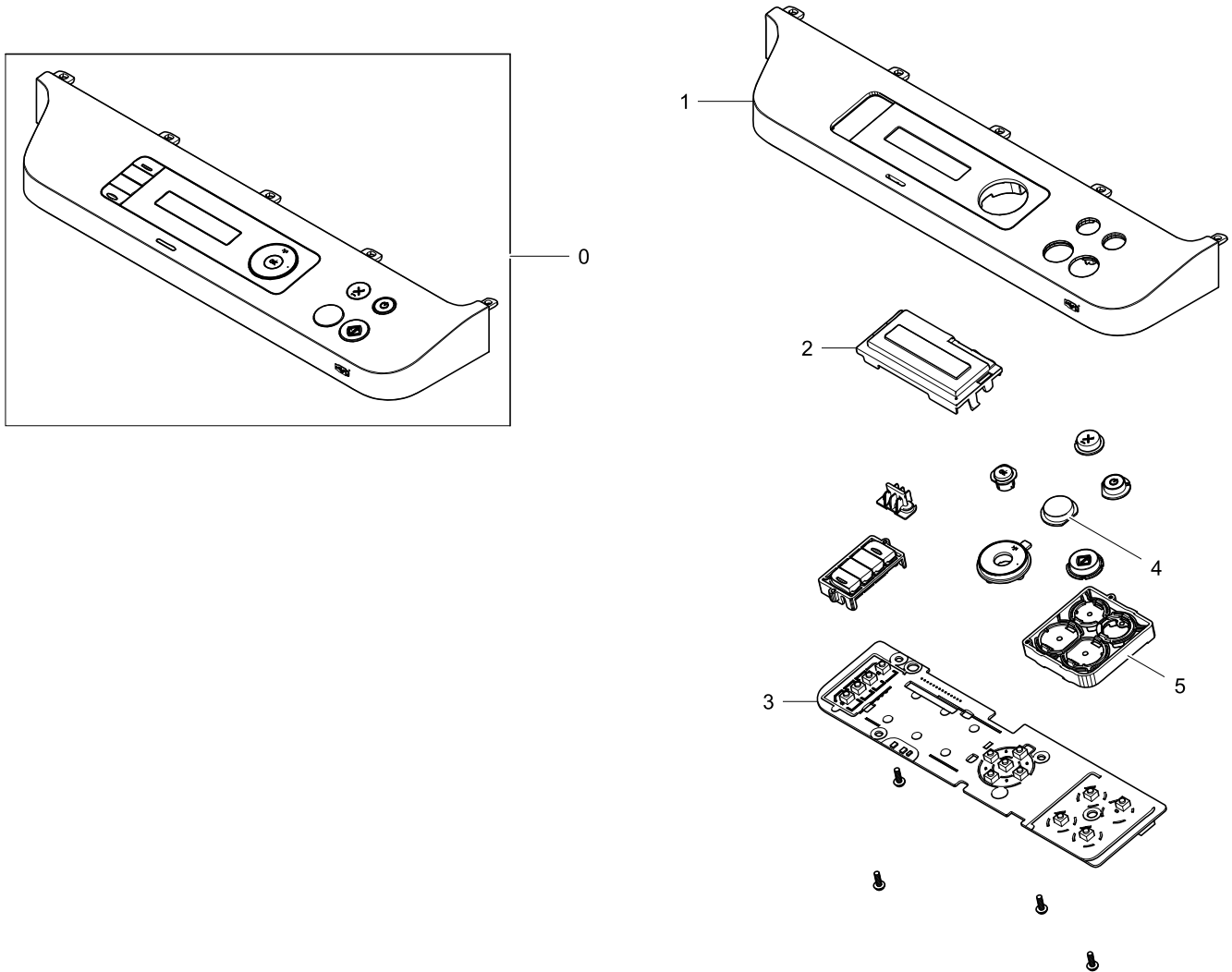
No.	Lvl.	Loc.	Material Code	Description & Specification	SNA	Qty.
0	3		JC97-04322A	PLATEN; SL-M2870FW	SA	1
1	4		JC97-04066A	PLATEN-SHEET; SCX-4729FD,SEE	SNA	1
2	4		JC97-04071A	PLATEN-UPPER; CLX-3305FW,SEE	SNA	1
3	4		JC97-04323A	PLATEN-LOWER; SL-M2870FW	SA	1
3-1	6		0609-001409	CONTACT IMAGE SENSOR; 217mm,10368dot,1.5m	SA	1
3-2	6	A4232	6602-001637	BELT-TIMING GEAR; POLY URETHANE,T0.98,L73	SA	1
3-3	6		JC93-00712A	DRIVE-PLATEN; CLX-3305FW	SA	1



No.	Lvl.	Loc.	Material Code	Description & Specification	SNA	Qty.
3-4	5		JC92-02623A	PBA-ADF JOINT; SCX-4805FW,SEC,ADF JOINT P	SA	1
3-5	5		JC39-01991A	FLAT CABLE-CIS; SCX-4805FW,12P,0.05,690,A	SA	1
3-6	5	L9633	0604-001415	PHOTO-INTERRUPTER; TR,DIP-4,BK	SA	1
3-7	6	G0802	JC66-01580A	SLIDER-CIS; CLX-2160,RTP 899X93924,0.7,11	SA	2
3-8	6	L5867	JC66-01448A	SHAFT-CIS; SCX-4500,SUM 22,382,6,STEEL	SA	1

# 7. OPE

## Exploded View



## Parts List

No.	Lvl.	Loc.	Material Code	Description & Specification	SNA	Qty.
0	2		JC97-04328A	OPE; SL-M2875ND,SEE	SA	1
1	3		JC63-04255A	COVER-OPE; SL-M2875ND,HIPS,2.5,363.65,86,	SA	1
2	3		JC63-03571A	COVER-LCD; CLX-3305FW,PC,2.4T,86.35,40.32	SNA	1
3	3		JC92-02496A	PBA-OPE; CLX-3305,SEC,STM8S,UART,5V,247*6	SA	1
4	3		JC64-00906A	KEY-POWER SAVER; SL-M2875FW,ABS,18.1,SPLI	SA	1
5	3		JC63-03846A	COVER-KEY HOLDER; CLX-3305FW,HIPS,2.0T,55	SA	1