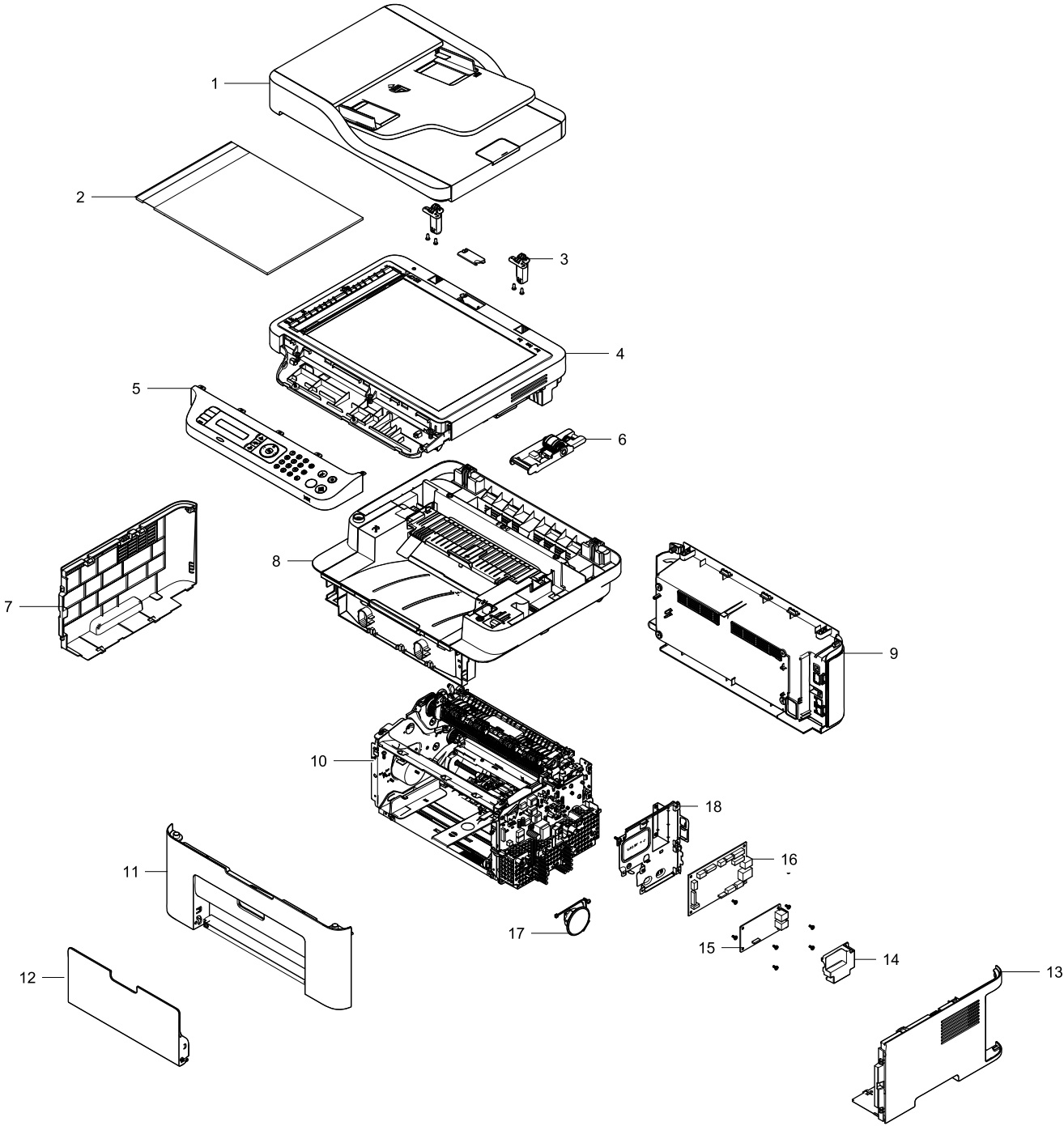


# 1. MAIN

## Exploded View

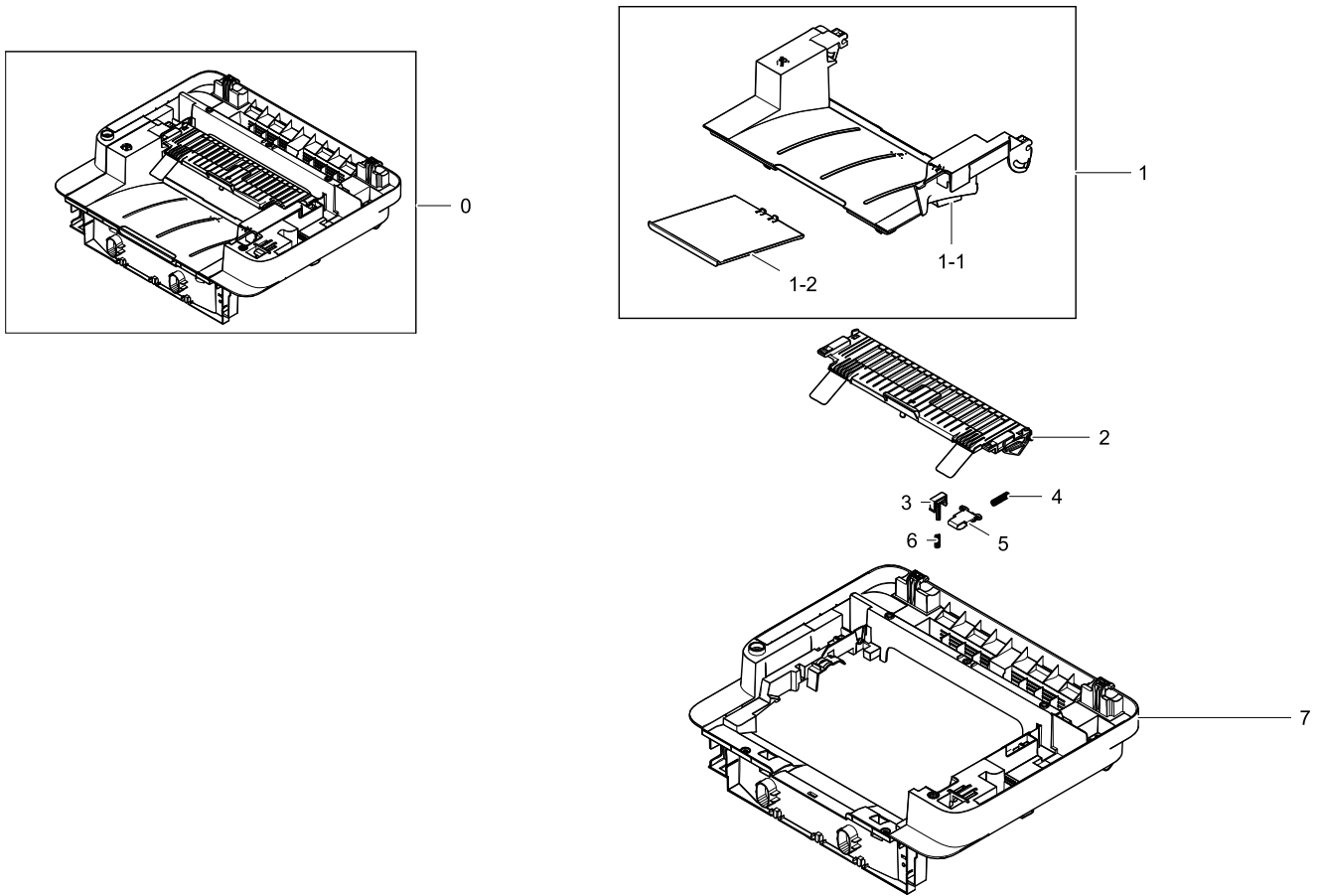


## Parts List

No.	Lvl.	Loc.	Material Code	Description & Specification	SNA	Qty.
1	3		JC97-04067A	ADF; CLX-3305FW,SEC,SSDP,FG-1790,2.4,BROW	SA	1
2	3	L8658	JC63-02569A	SHEET-WHITE; FIT,PP,3.6,216,250.2,White,9	SA	1
3	3	D9329	JC97-03191A	MEA UNIT-HINGE L; CLX-3170,SEC	SA	2
4	3		JC97-04387A	PLATEN; SL-M2070F,SEC	SA	1
5	2		JC97-04374J	OPE; SL-M2070F,SEC,ETS	SA	1
6	2		JC93-00529C	FRAME-SCANNER HINGE; SL-M2070F,SEC	SA	1
7	2		JC95-01871A	COVER-LEFT; SL-M2070,SEC	SA	1
8	2		JC95-01869A	COVER-MIDDLE; SL-M2070,SEC	SNA	1
9	2		JC95-01868B	COVER-REAR; SL-M2070F,SEE	SA	1
10	1		JC93-00863A	FRAME; SL-M2070,SEC	SNA	1
11	2		JC63-04337A	COVER-FRONT; SL-M2070,HIPS,SPLIT GRAY,SHG	SA	1
12	2		JC63-04338A	COVER-CASSETTE; SL-M2070,HIPS,SPLIT GRAY,	SA	1
13	2		JC95-01872A	COVER-RIGHT; SL-M2070,SEC	SA	1
14	2		JC63-04039A	COVER-FAX BOARD; SCX-4726FN,ABS,55.6,50.2	SA	1
15	2		JC92-02569A	PBA-LIU; cuhead,CX95110-22Z,SPI,3.3V,90MM	SA	1
16	1		JC92-02689B	PBA-MAIN; M2070F,SEC,4L,MAIN PBA,130X79.2	SA	1
17	2	L6859	3001-002262	SPEAKER; 0.3W,8ohm,81dB,400Hz,50x16.4mm	SC	1
18	2		JC63-04332A	SHIELD-CONTROLLER; SL-M2070,EGI-SECC,0.6,	SNA	1

## 2. COVER-MIDDLE

### Exploded View

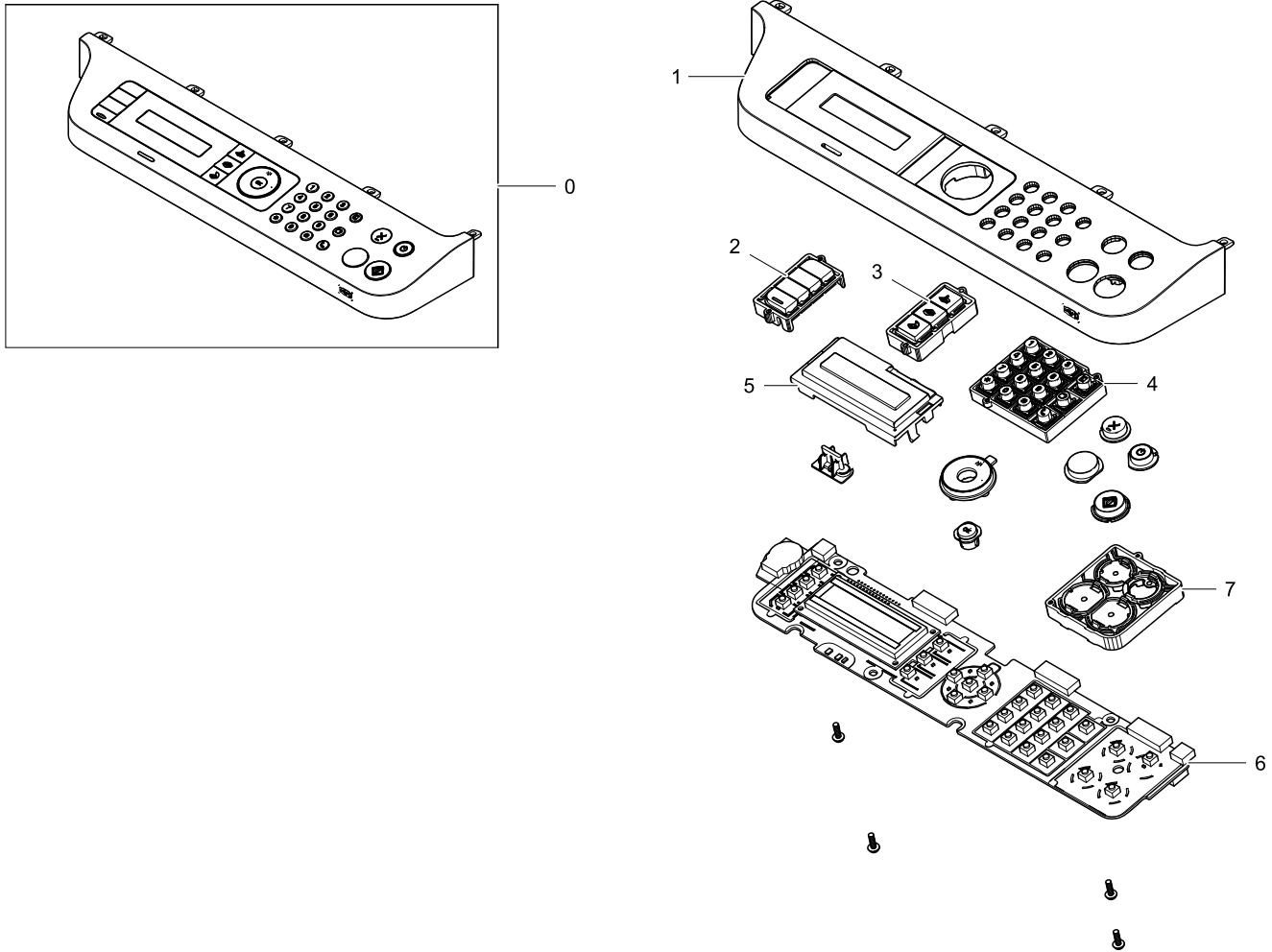


### Parts List

No.	Lvl.	Loc.	Material Code	Description & Specification	SNA	Qty.
0	2		JC95-01869A	COVER-MIDDLE; SL-M2070,SEC	SNA	1
1	3		JC95-01870A	COVER-OPEN; SL-M2070,SEC	SNA	1
1-1	4		JC63-04334A	COVER-OPEN; SL-M2070,ABS,SPLIT BROWN BLAC	SNA	1
1-2	4		JC61-06057A	STACKER-LARGE; HIPS,SHG85,SPLIT GRAY,GUID	SA	1
2	3		JC95-01525B	COVER-JAM; SCX-3405FW,DELL	SA	1
3	3		JC67-00546A	CAP-SWITCH; SCX-3405,HIPS,2,19,6.9,30,HIP	SNA	1
4	3		6107-001177	SPRING-CS; PW,ANNEALING,PI0.75,D6.0,L24,I	SNA	1
5	3		JC64-00670B	LOCKER-SCAN; M2070,POM,BLACK,F25-03HT,Spr	SNA	1
6	3	L7397	6107-001365	SPRING-CS; SUS304,PI0.45,D5.45,L16.6,ID5.	SNA	1
7	3		JC63-04333A	COVER-MIDDLE; SL-M2070,ABS,SPLIT BROWN BL	SNA	1

### 3. OPE

#### Exploded View

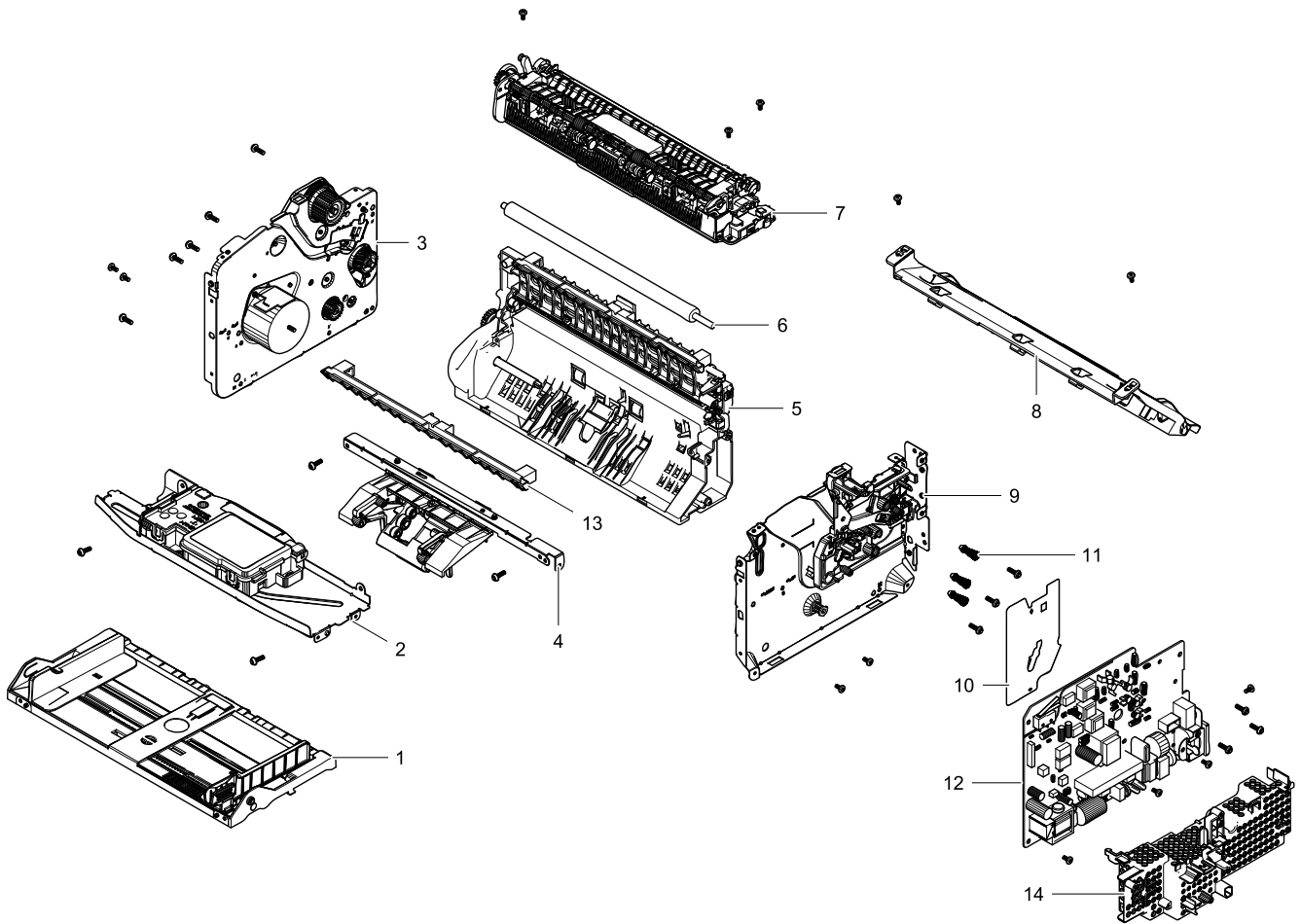


#### Parts List

No.	Lvl.	Loc.	Material Code	Description & Specification	SNA	Qty.
0	2		JC97-04374J	OPE; SL-M2070F,SEC,ETS	SA	1
1	3		JC63-04331J	COVER-OPE; SL-M2070F,ABS,ETS,SPLIT BROWN	SNA	1
2	3		JC64-00772E	KEY-FUNCTION; CLX-3305FW,ABS,47.63*28.8,S	SA	1
3	3		JC64-00765A	KEY-FAX; CLX-3305FW,ABS,50.34*26.46,2.0T,	SNA	1
4	3		JC64-00774A	KEY-TEL; CLX-3305FW,ABS,62.9*53.11,1.0T,S	SNA	1
5	3		JC63-03571A	COVER-LCD; CLX-3305FW,PC,2.4T,86.35,40.32	SNA	1
6	3		JC92-02497A	PBA-OPE; CLX-3305FN,SEC,STM8S,UART,5V,308	SA	1
7	3		JC63-03846A	COVER-KEY HOLDER; CLX-3305FW,HIPS,2.0T,55	SA	1

## 4. FRAME

### Exploded View



### Parts List

No.	Lvl.	Loc.	Material Code	Description & Specification	SNA	Qty.
1	2		JC93-00520A	FRAME MAIN-BOTTOM; ML-2160,SEC	SA	1
2	2		JC93-00519B	FRAME MAIN-MIDDLE; SCX-3421F,SEC	SNA	1
3	2		JC93-00517B	FRAME-MAIN LEFT; SL-M2022,SEC	SNA	1
4	2		JC93-00524A	FRAME-FEED IDLE; ML-2160,SEC	SA	1
5	2		JC93-00514B	FRAME-PATH; SCX-3421F,SEC	SA	1
6	2	L9509	JC66-02709A	ROLLER-TRANSFER; Bluejay,12.5 (mm),NBR+EC	SA	1
7	3		JC91-01077A	FUSER; ML-2160,SEC,220V	SA	1
8	2		JC63-03178A	COVER-LSU; ML-2160,HIPS,1.5,285.7,146.1,F	SA	1
9	2		JC93-00518A	FRAME MAIN-RIGHT; ML-2160,SEC	SNA	1
10	2		JC63-03182A	SHEET-INSULATOR HVPS; ML-2160,PC,0.254,64	SNA	1
11	2		JC93-00402A	FRAME-TERMINAL; ML-2950ND,SEE	SNA	2

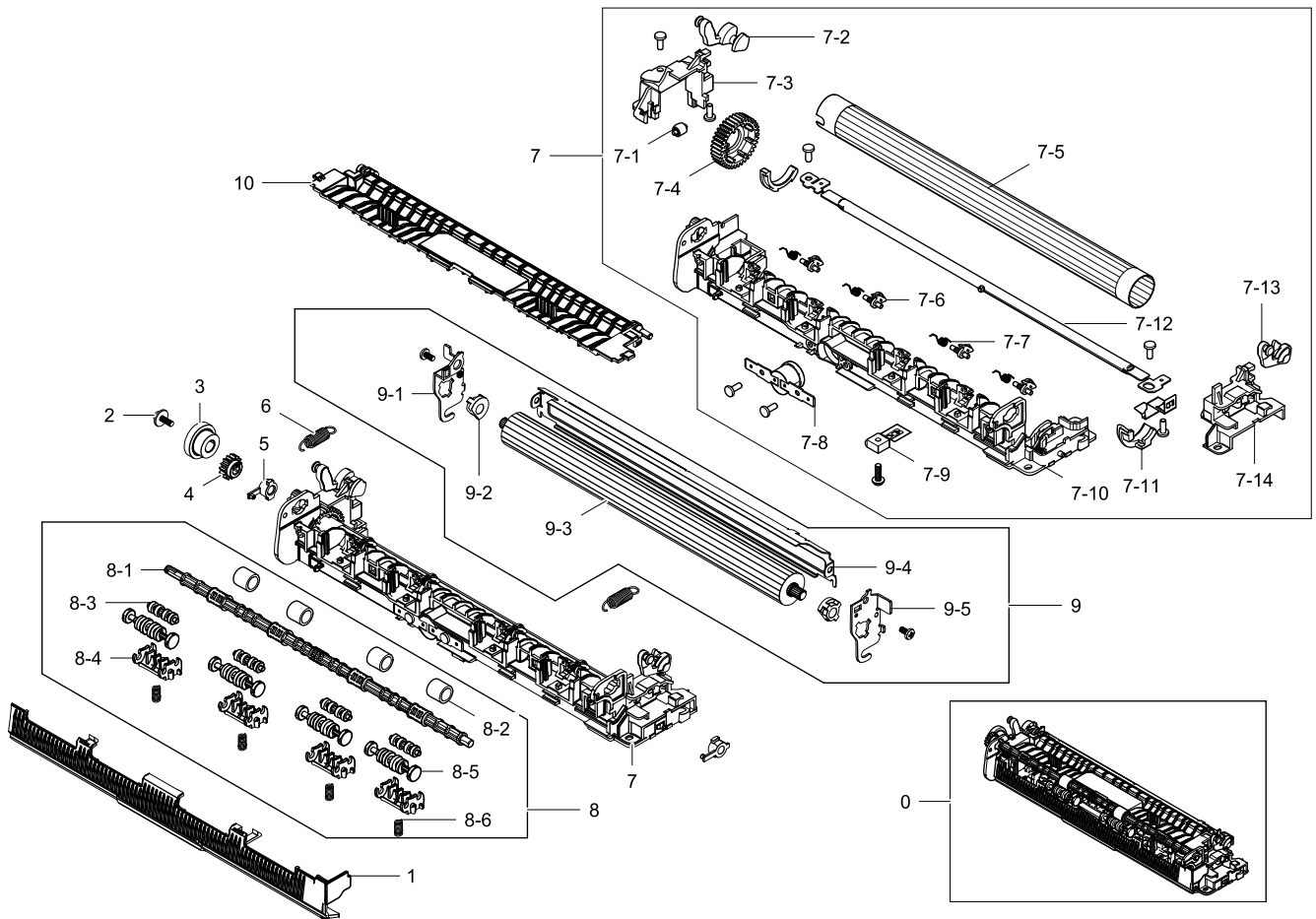
Exploded Views and Parts List

---

No.	Lvl.	Loc.	Material Code	Description & Specification	SNA	Qty.
12	3		JC98-02555A	ETC-SMPS/HVPS-V2; ML-2160,Bluejay V2 SMPS	SA	1
13	2	L9426	JC61-03775A	GUIDE-INPUT; ML-1660,PET+GF,218,GF30%,BLA	SNA	1
14	2		JC63-04342A	COVER-SMPS; SL-M2070,ABS+PC,BLACK,NH-1000	SNA	1

## 4.1. FUSER

### Exploded View



### Parts List

No.	Lvl.	Loc.	Material Code	Description & Specification	SNA	Qty.
0	3		JC91-01077A	FUSER; ML-2160,SEC,220V	SA	1
1	4	L9461	JC63-02616A	COVER-EXIT; ML-1660,PC	SNA	1
2	4	F9900	6006-001078	SCREW-TAPTYPE; PH,+,WSP,B,M3,L10,ZPC(WHT)	SA	1
3	4	L9488	JC66-02583A	GEAR-EXIT DRV; ML-1660,POM,0.8/0.8,z24,z1	SNA	1
4	4		JC66-03058A	GEAR-EXIT; ML-2160,POM,m0.8,z15,BLK,SPUR	SNA	1
5	4	L9432	JC61-03782A	BUSH-SHAFT_EXIT; ML-1660,POM,5,9.1,WHITE,	SNA	2
6	4	L9380	6107-002664	SPRING-ES; SWP B,PI0.85,L24.4,OD7.0,14.25	SNA	2
7	4		JC91-01073A	FUSER-UPPER; ML-2160,SEC,220V	SNA	1
7-1	5	L9442	JC61-03968A	STOPPER-GEAR_FUSER; ML-1660,Rhodia 2413GW	SNA	1
7-2	5		JC66-03083A	LEVER-JAM_L; ML-2160,PC,BLACK,LINK/UNC	SA	1

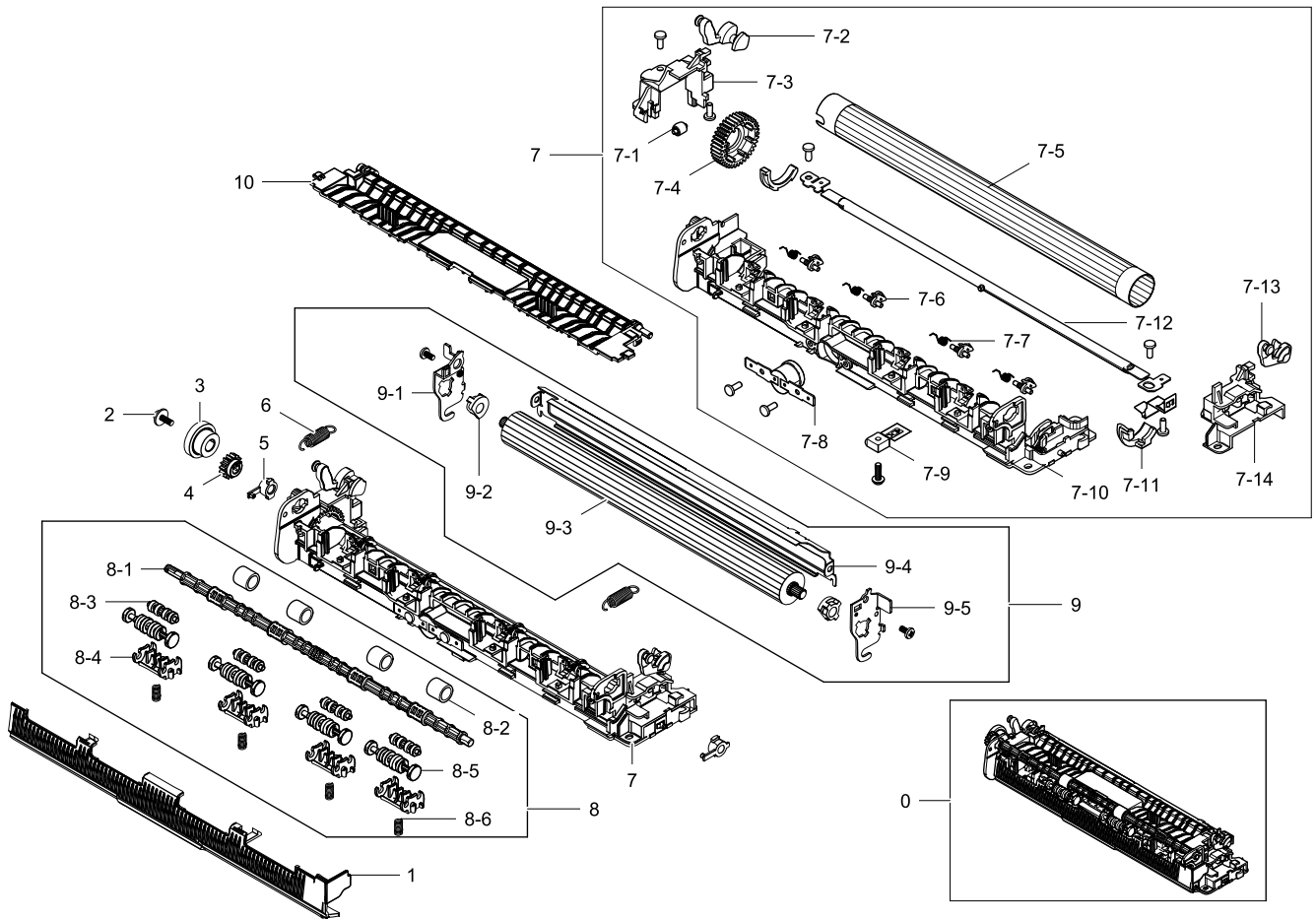
## Exploded Views and Parts List

No.	Lvl.	Loc.	Material Code	Description & Specification	SNA	Qty.
7-3	5		JC63-03238A	COVER-LAMP L; ML-2160,PET+GF30,1.6	SNA	1
7-4	5		JC66-03080A	GEAR-FUSER; ML-2160,PPS,0.8,37,BROWN,31.2	SNA	1
7-5	5		JC66-03089B	ROLLER-HEAT; ML-2160,20.25,AL5052,0.5,857	SNA	1
7-6	5	L9444	JC61-03970A	GUIDE-CLAW; ML-1660,PTFE,WHITE,CLAW	SNA	4
7-7	5	L9382	6107-002674	SPRING-TS; SUS304,PI0.35,L6.475,ID3.2,OD3	SNA	4
7-8	5		4712-001091	THERMOSTAT; AC125/250V,195+-5100	SNA	1
7-9	5	L9361	1404-001541	THERMISTOR-NTC ASSY; 7Kohm,3370K,0.3mW/C	SNA	1
7-10	5		JC63-03235A	COVER-FUSER; ML-2160,PET+GF,1.7T,292.8,BL	SNA	1
7-11	5	L9410	JC61-03755A	BUSH-HR_R; ML-1660,PPS,17.6,BLACK,CONDUCT	SA	1
7-12	5		4713-001641	LAMP-HALOGEN; 230V,750W,287	SA	1
7-13	5		JC66-03084A	LEVER-JAM R; ML-2160,PC,BLACK,LINK/UNC	SA	1
7-14	5		JC63-03239A	COVER-LAMP R; ML-2160,PET+GF30,1.6	SNA	1
8	4		JC91-01070A	FUSER-EXIT ROLLER; ML-2160,SEC	SA	1
8-1	6		JC66-03082A	SHAFT-EXIT F DOWN; ML-2160,PET+GF,254.75,	SNA	1
8-2	6	E4156	JC73-40915B	RMO-RUBBER EXIT_DUP; ML-2150	SC	4
8-3	5	R0128	JC66-00934A	ROLLER-ROLLER-M_EXIT FR; ML-1610,PTFE	SA	4
8-4	5	L9431	JC61-03781A	HOLDER-EXIT F DOWN; ML-1660,PC,BLACK,HN-1	SNA	4
8-5	5	L9513	JC66-02742A	ROLLER-EXIT_MAIN; ML-1660,POM,F25-03HT	SA	4
8-6	5	G1505	6107-001163	SPRING-CS; SUS,PI0.4,D3.9,L13,OD4.3	SA	4
9	4		JC91-01071A	FUSER-LOWER; ML-2160,SEC,PR20 pi	SNA	1
9-1	5	L9433	JC61-03783A	BRACKET-PR_L; ML-1660,SECC,1.2T,47.7	SNA	1
9-2	5	L9411	JC61-03756A	BUSH-PR; ML-1660,PPS,6.1,10,BLACK,CONDUCT	SA	2
9-3	5	L9622	JC66-02716B	ROLLER-PRESSURE; ML-1660,8,SUM22 or SUM23	SA	1
9-4	5	L9430	JC61-03779A	FRAME; ML-1660,SECC,0.6,PRESS	SNA	1
9-5	5	L9434	JC61-03784A	BRACKET-PR_R; ML-1660,SECC,1.2T,46.7	SNA	1
10	4		JC63-03257A	COVER-FUSER DUMMY; ML-2160,PET+GF,243.3	SA	1



## 4.2. FRAME-PATH

### Exploded View



### Parts List

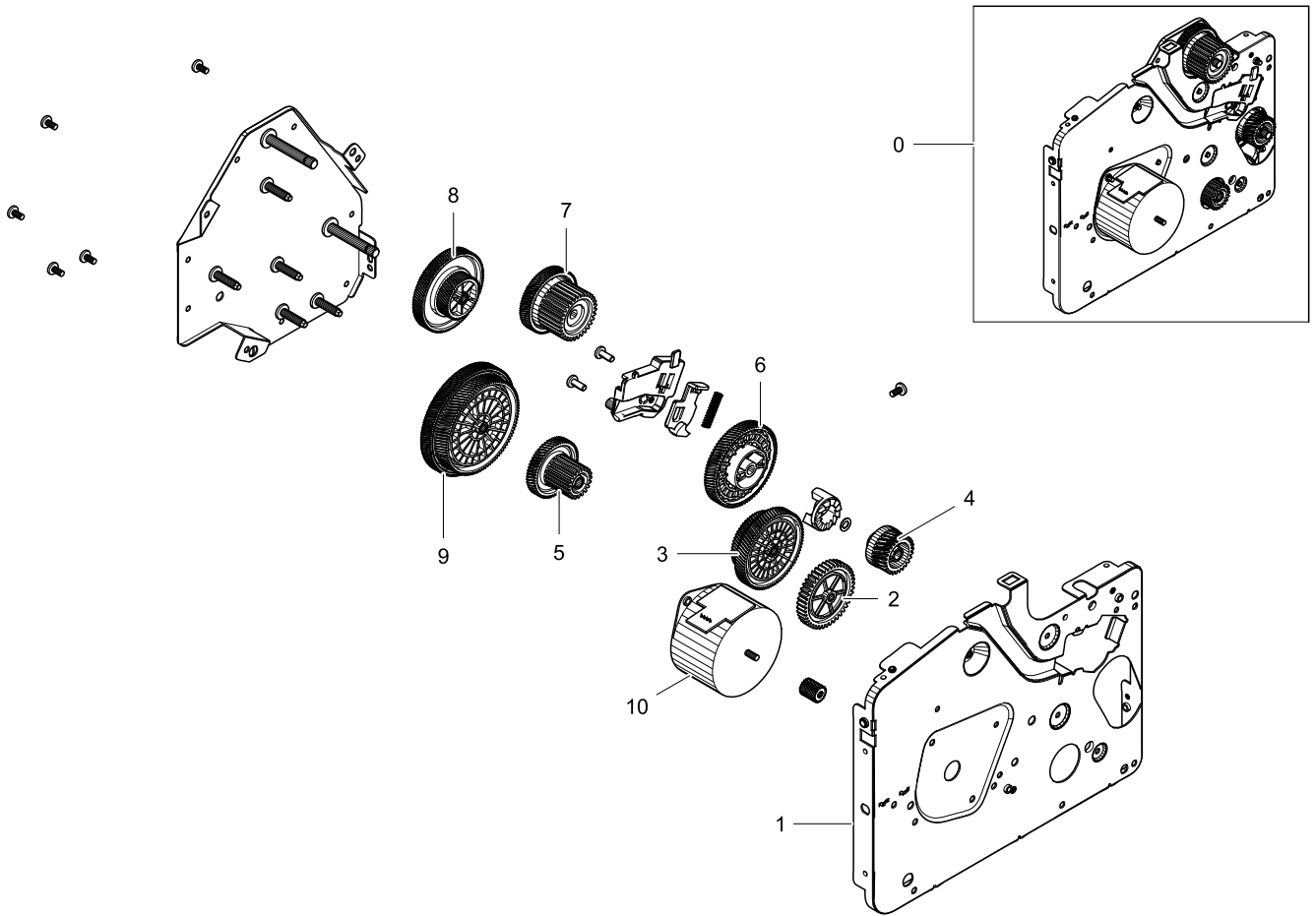
No.	Lvl.	Loc.	Material Code	Description & Specification	SNA	Qty.
0	3		JC91-01077A	FUSER; ML-2160,SEC,220V	SA	1
1	4	L9461	JC63-02616A	COVER-EXIT; ML-1660,PC	SNA	1
2	4	F9900	6006-001078	SCREW-TAPTYPE; PH,+,WSP,B,M3,L10,ZPC(WHT)	SA	1
3	4	L9488	JC66-02583A	GEAR-EXIT DRV; ML-1660,POM,0.8/0.8,z24,z1	SNA	1
4	4		JC66-03058A	GEAR-EXIT; ML-2160,POM,m0.8,z15,BLK,SPUR	SNA	1
5	4	L9432	JC61-03782A	BUSH-SHAFT_EXIT; ML-1660,POM,5,9.1,WHITE,	SNA	2
6	4	L9380	6107-002664	SPRING-ES; SWP B,PI0.85,L24.4,OD7.0,14.25	SNA	2
7	4		JC91-01073A	FUSER-UPPER; ML-2160,SEC,220V	SNA	1
7-1	5	L9442	JC61-03968A	STOPPER-GEAR_FUSER; ML-1660,Rhodia 2413GW	SNA	1
7-2	5		JC66-03083A	LEVER-JAM_L; ML-2160,PC,BLACK,LINK/UNC	SA	1

## Exploded Views and Parts List

No.	Lvl.	Loc.	Material Code	Description & Specification	SNA	Qty.
7-3	5		JC63-03238A	COVER-LAMP L; ML-2160,PET+GF30,1.6	SNA	1
7-4	5		JC66-03080A	GEAR-FUSER; ML-2160,PPS,0.8,37,BROWN,31.2	SNA	1
7-5	5		JC66-03089B	ROLLER-HEAT; ML-2160,20.25,AL5052,0.5,857	SNA	1
7-6	5	L9444	JC61-03970A	GUIDE-CLAW; ML-1660,PTFE,WHITE,CLAW	SNA	4
7-7	5	L9382	6107-002674	SPRING-TS; SUS304,PI0.35,L6.475,ID3.2,OD3	SNA	4
7-8	5		4712-001091	THERMOSTAT; AC125/250V,195+-5100	SNA	1
7-9	5	L9361	1404-001541	THERMISTOR-NTC ASSY; 7Kohm,3370K,0.3mW/C	SNA	1
7-10	5		JC63-03235A	COVER-FUSER; ML-2160,PET+GF,1.7T,292.8,BL	SNA	1
7-11	5	L9410	JC61-03755A	BUSH-HR_R; ML-1660,PPS,17.6,BLACK,CONDUCT	SA	1
7-12	5		4713-001641	LAMP-HALOGEN; 230V,750W,287	SA	1
7-13	5		JC66-03084A	LEVER-JAM R; ML-2160,PC,BLACK,LINK/UNC	SA	1
7-14	5		JC63-03239A	COVER-LAMP R; ML-2160,PET+GF30,1.6	SNA	1
8	4		JC91-01070A	FUSER-EXIT ROLLER; ML-2160,SEC	SA	1
8-1	6		JC66-03082A	SHAFT-EXIT F DOWN; ML-2160,PET+GF,254.75,	SNA	1
8-2	6	E4156	JC73-40915B	RMO-RUBBER EXIT_DUP; ML-2150	SC	4
8-3	5	R0128	JC66-00934A	ROLLER-ROLLER-M_EXIT FR; ML-1610,PTFE	SA	4
8-4	5	L9431	JC61-03781A	HOLDER-EXIT F DOWN; ML-1660,PC,BLACK,HN-1	SNA	4
8-5	5	L9513	JC66-02742A	ROLLER-EXIT_MAIN; ML-1660,POM,F25-03HT	SA	4
8-6	5	G1505	6107-001163	SPRING-CS; SUS,PI0.4,D3.9,L13,OD4.3	SA	4
9	4		JC91-01071A	FUSER-LOWER; ML-2160,SEC,PR20 pi	SNA	1
9-1	5	L9433	JC61-03783A	BRACKET-PR_L; ML-1660,SECC,1.2T,47.7	SNA	1
9-2	5	L9411	JC61-03756A	BUSH-PR; ML-1660,PPS,6.1,10,BLACK,CONDUCT	SA	2
9-3	5	L9622	JC66-02716B	ROLLER-PRESSURE; ML-1660,8,SUM22 or SUM23	SA	1
9-4	5	L9430	JC61-03779A	FRAME; ML-1660,SECC,0.6,PRESS	SNA	1
9-5	5	L9434	JC61-03784A	BRACKET-PR_R; ML-1660,SECC,1.2T,46.7	SNA	1
10	4		JC63-03257A	COVER-FUSER DUMMY; ML-2160,PET+GF,243.3	SA	1

## 4.3. FRAME-MAIN LEFT

### Exploded View



### Parts List

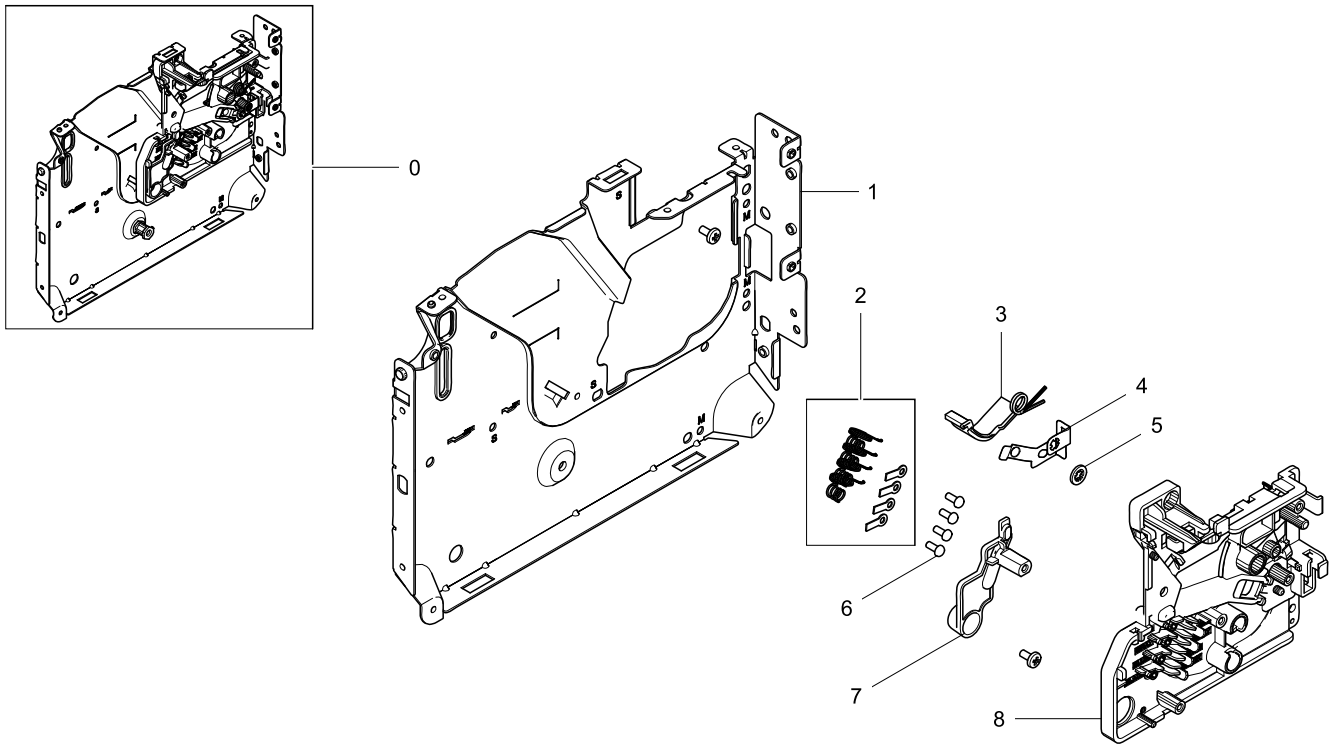
No.	Lvl.	Loc.	Material Code	Description & Specification	SNA	Qty.
0	2		JC93-00517B	FRAME-MAIN LEFT; SL-M2022,SEC	SNA	1
1	3		JC61-04437A	FRAME-LEFT; ML-2160,EGI-SECC,0.8,191,156.	SNA	1
2	3		JC66-03060A	GEAR-FEED DRV; ML-2160,POM,m0.8,z43,NATUR	SNA	1
3	3		JC66-03054A	GEAR-RDCN OPC; ML-2160,POM,m0.5/m0.5,z78/	SNA	1
4	3		JC66-04022A	GEAR-OPC DRV OUT; ML-2160,POM,0.7,26,NATU	SNA	1
5	3		JC66-03059A	GEAR-RDCN FEED; ML-2160,POM,m0.5/m0.8,z57	SNA	1
6	3		JC66-04021A	GEAR-OPC DRV IN; ML-2160,POM,0.5,83,NATUR	SNA	1
7	3		JC66-04051A	GEAR-FUSER DRV OUT; SL-M2022,POM,0.8,31,B	SNA	1
8	3		JC66-03056A	GEAR-RDCN FUSER; ML-2160,POM,m0.4/m0.4,z1	SNA	1

## Exploded Views and Parts List

No.	Lvl.	Loc.	Material Code	Description & Specification	SNA	Qty.
9	3		JC66-03053A	GEAR-RDCN A; ML-2160,POM,m0.4/m0.5,z139/z	SNA	1
10	3		JC93-00530A	DRIVE-MOTOR STEP; ML-2160,SEC,XAA	SA	1

## 4.4. FRAME-MAIN RIGHT

### Exploded View

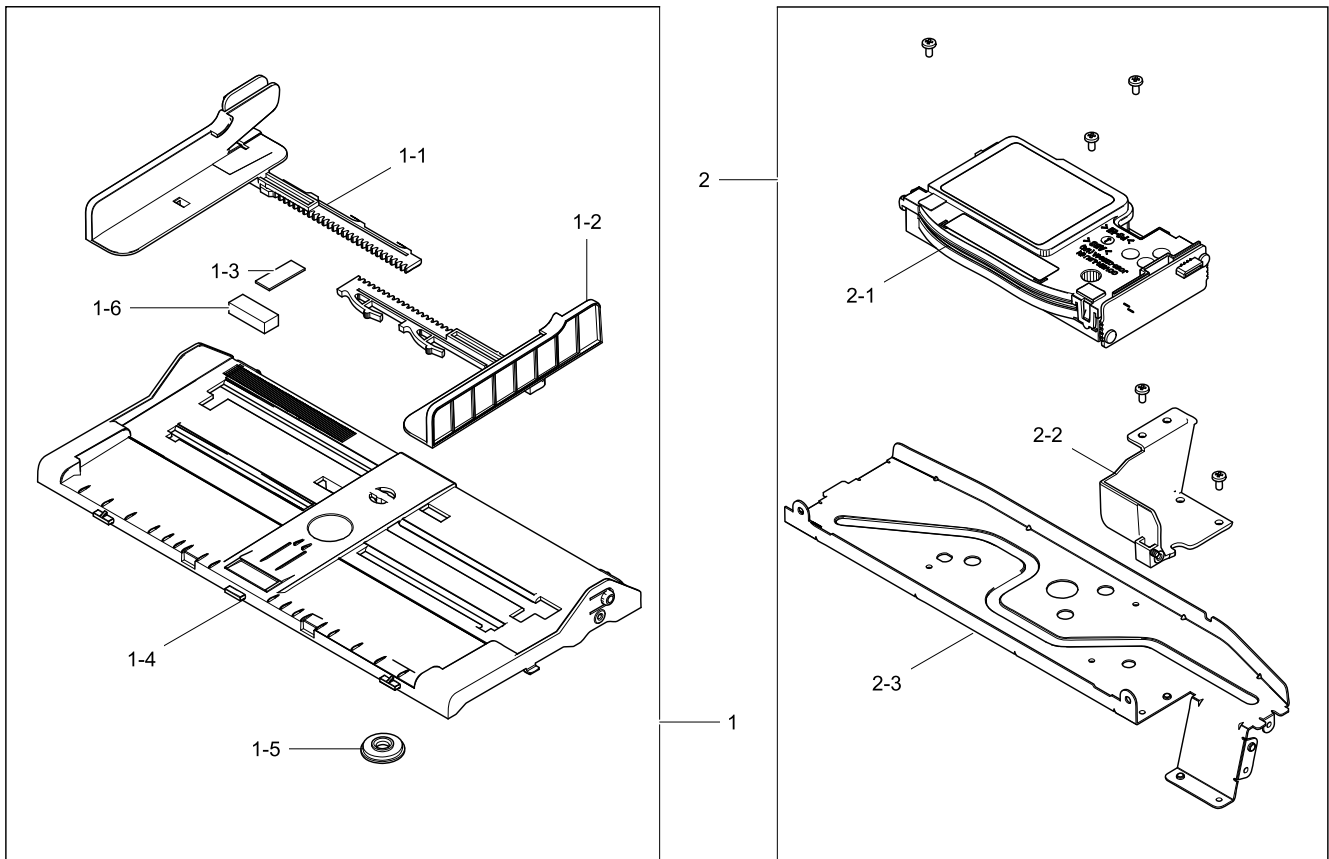


### Parts List

No.	Lvl.	Loc.	Material Code	Description & Specification	SNA	Qty.
0	2		JC93-00518A	FRAME MAIN-RIGHT; ML-2160,SEC	SNA	1
1	3		JC61-04436A	FRAME-RIGHT; ML-2160,EGI-SECC,0.8,201,159	SNA	1
2	3		JC65-00053A	TERMINAL-CRUM; ML-2160,SUS304WPB,0.55	SA	4
3	3	L9376	6107-002625	SPRING-TS; SWP B,PI1.1,D7.5,ID6.4,OD8.6,2	SNA	1
4	3		JC63-03180A	GROUND-OPC; ML-2160,SUS301-CSP 3/4H,0.2,3	SNA	1
5	3	F8258	6044-000001	RING-CS; ID2.8,OD8,T0.25,BLACK,SK-5	SNA	1
6	3	L5476	6002-000308	SCREW-TAPTTYPE; PH,+,-,B,M2.6,L6,ZPC(WHT),	SNA	4
7	3		JC63-03176A	COVER-CRUM; ML-2160,ABS,1.8,28.4,45.6,Bla	SNA	1
8	3		JC61-04431A	GUIDE-DEVE RAIL R; ML-2160,ABS,2,110.8,10	SNA	1

## 4.5. FRAME-MIDDLE and BOTTOM

### Exploded View

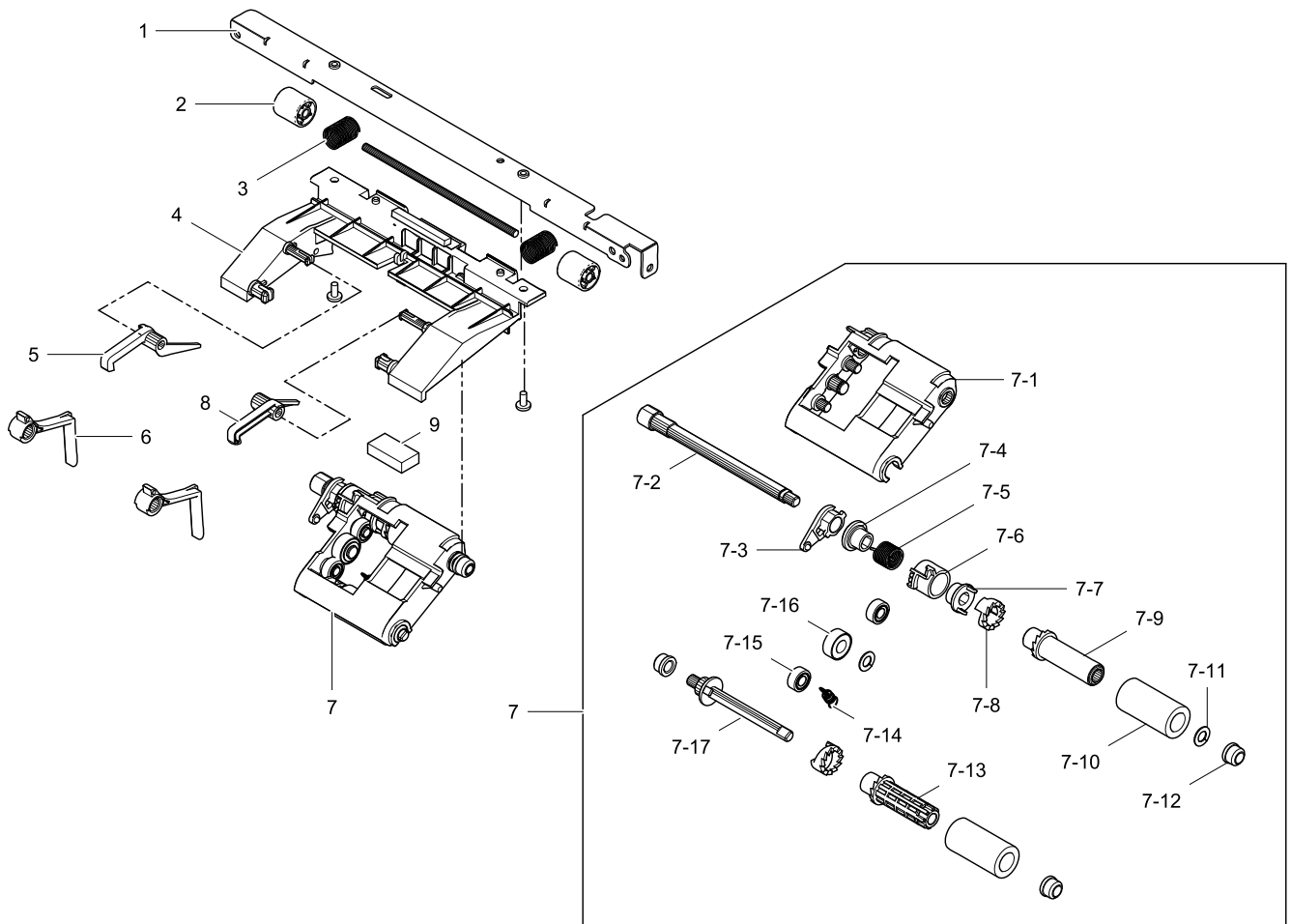


### Parts List

No.	Lvl.	Loc.	Material Code	Description & Specification	SNA	Qty.
1	2		JC93-00520A	FRAME MAIN-BOTTOM; ML-2160,SEC	SA	1
1-1	3		JC61-04455A	ADJUST-R; ML-2160,HIPS,1.7,118.5,110,SGH8	SNA	1
1-2	3		JC61-04454A	ADJUST-L; ML-2160,HIPS,1.7,118.5,110,SGH8	SNA	1
1-3	3		JC67-00550A	PAD RUBBER-FRICTION; ML-2160,EPDM,80,0.8~	SA	1
1-4	3		JC61-04445A	PLATE-BOTTOM; ML-2160,HIPS,2.3,265.9,BLAC	SNA	1
1-5	3	C3690	JG66-40003A	GEAR-PINION; SF4000,POM,1,Z16,WHT	SA	1
1-6	3		JC66-03438A	DAMPER-SPONGE; ML-2160,SPONGE,5t,9x9,SHL	SNA	1
2	2		JC93-00519B	FRAME MAIN-MIDDLE; SCX-3421F,SEC	SNA	1
2-1	3		JC97-03775B	LSU; ML-1860,SEC,Single,A4(Ltr),600,S1,78	SC	1
2-2	3		JC63-03179A	COVER-MOTOR; ML-2160,ABS,2,48.6,64.7,Blac	SNA	1
2-3	3		JC61-04434A	BRACKET-LSU; ML-2160,SECC,T0.8,266.1,74.6	SNA	1

## 4.6. FRAME-FEED IDLE

### Exploded View



### Parts List

No.	Lvl.	Loc.	Material Code	Description & Specification	SNA	Qty.
1	3		JC61-04438A	PLATE-IDLE-HOLDER; ML-2160,EGI-SECC,T1.0,	SNA	1
2	3	F8922	JC66-00529A	ROLLER-M-IDLE FEED; ML-1510,POM,DE8903	SA	2
3	3		6107-003107	SPRING-CS; SWP B,0.5,12.3,4.1,5.1,5,RIGHT	SNA	2
4	3		JC61-04446A	PLATE-GUIDE; ML-2160,HIPS,2.3,132.2,HIPS-	SNA	1
5	3		JC66-03063A	LATCH-L; ML-2160,POM,11.6,48.9,20.4	SNA	1
6	3		JC61-04452A	STOPPER-PAPER; ML-2160,POM,6.3,34.5,F25-0	SNA	2
7	3		JC93-00525A	FRAME-PICK UP; ML-2160,SEC	SA	1
7-1	4		JC61-04440A	HOUSING-PICKUP; ML-2160,ABS,2,HF0660i	SNA	1
7-2	4		JC66-03067A	SHAFT-PICKUP; ML-2160,PC,92.5,9,MOLD	SNA	1
7-3	4	I7270	JC61-02260A	HOLDER-SHAFT; CLX-6200FX,POM	SNA	1
7-4	4	G0795	JC61-02807A	SLEEVE-CLUTCH MP; POM,ML-2851ND,8.4,NATUR	SNA	1
7-5	4		6107-002958	SPRING-TS; SWRS82A,10,8.13,9.7,RIGHT	SNA	1

## Exploded Views and Parts List

No.	Lvl.	Loc.	Material Code	Description & Specification	SNA	Qty.
7-6	4		JC61-04443A	COLLAR-MP; ML-2160,POM,10.6,13.4,NATURAL	SNA	1
7-7	4		JC66-03066A	GEAR-JOINT; ML-2160,POM,0.5,17,NATURAL,9.	SNA	1
7-8	4	F4568	JB72-00845A	PMO-PICK UP CLUTCH SUB; SCX-1110F,POM,NW-	SA	2
7-9	4	G0798	JC61-02808A	SLEEVE-MP; ML-2855ND,6,41.4,10	SNA	1
7-10	4		JC66-03439A	ROLLER-PICKUP; ML-2160,EPDM	SA	2
7-11	4	L8199	6031-001255	WASHER-PLAIN; POLYSIDER,CUTTING,ID5,OD9,T	SA	2
7-12	4	F0104	JB72-00819A	BUSH; SCX-1110F,POM,NTR	SA	3
7-13	4	G0794	JC61-02503A	SLEEVE-ADF; CLX-3170FN,5,39.4,10,BLK	SNA	1
7-14	4		6107-003105	SPRING-ES; SUS,0.3,15,3.9,4.48,20.25,RIGH	SNA	1
7-15	4	C3485	JC66-01918A	GEAR-IDLE PICK UP; CLX-3170FN,POM,0.5,20,	SNA	2
7-16	4	C3370	JC66-01755A	GEAR-FEED IDLE D; CLX-6200FX,POM,M0.5,Z23	SA	1
7-17	4	F8981	JC66-01910A	ROLLER-SHAFT ADFDRIVE; CLX-3170FN,POM,9.5	SNA	1
8	3		JC66-03062A	LATCH-R; ML-2160,POM,13.3,48.9,20.4	SNA	1
9	3		JC66-03581A	DAMPER-SPONGE ADF; ML-2160,SPONGE,4T,8,17	SNA	1